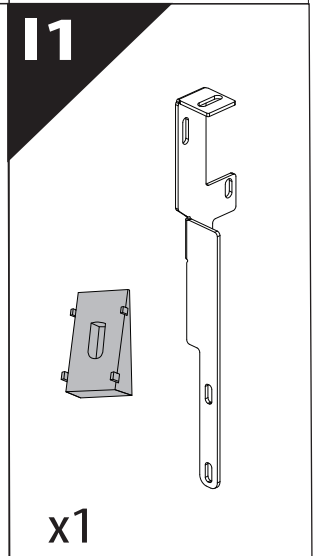
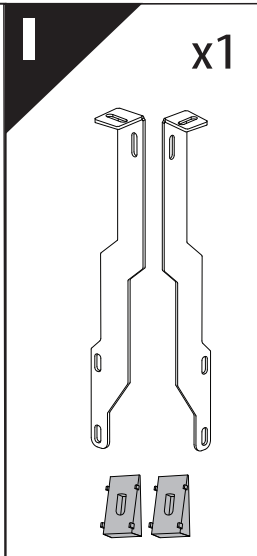
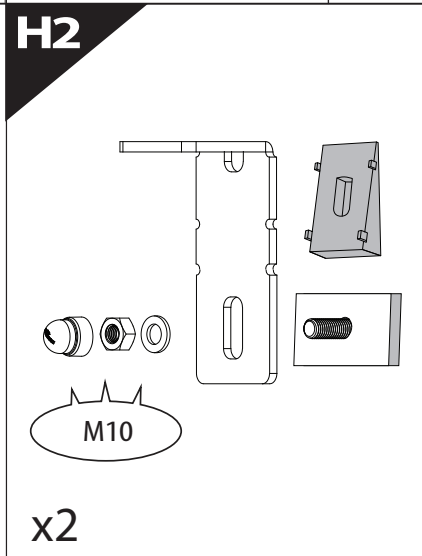
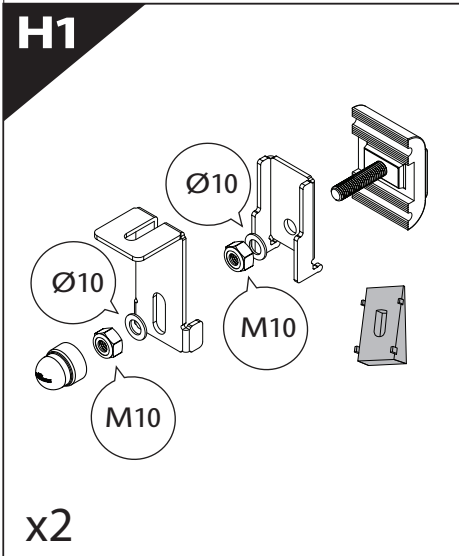
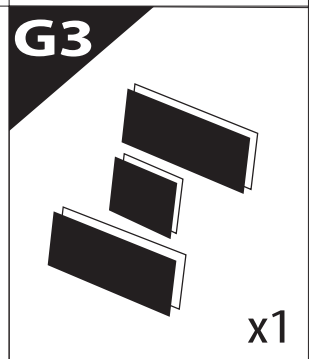
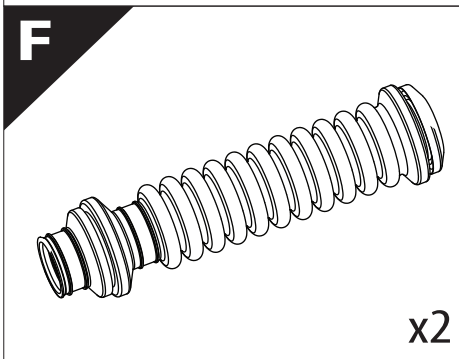
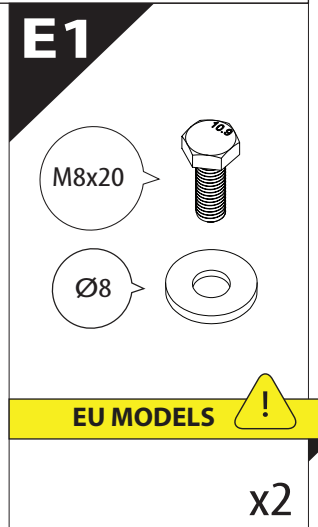
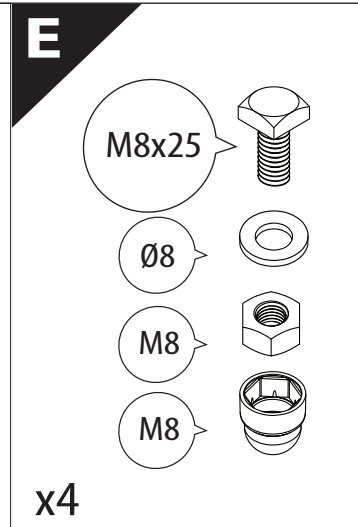
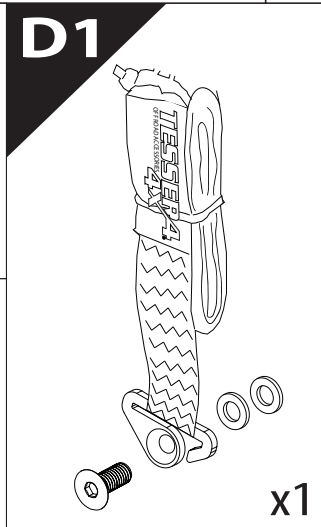
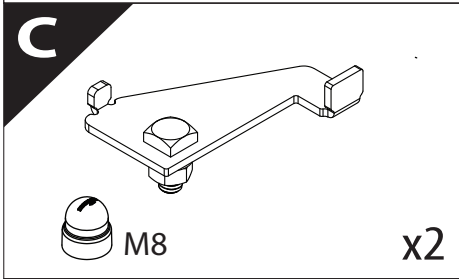
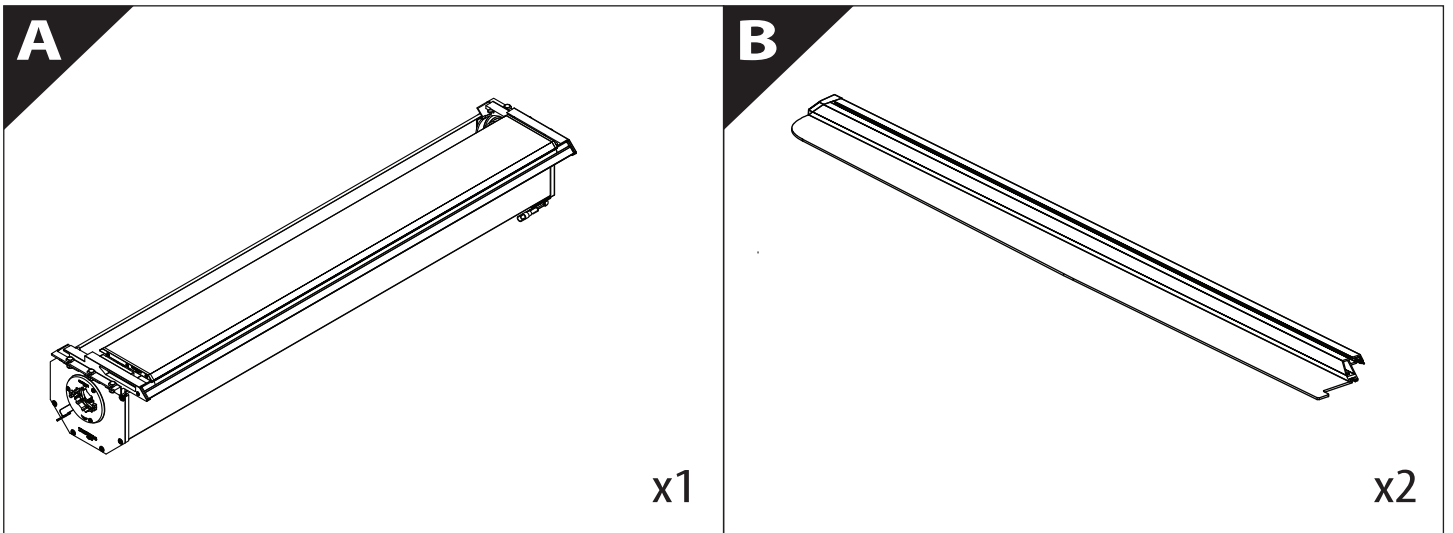
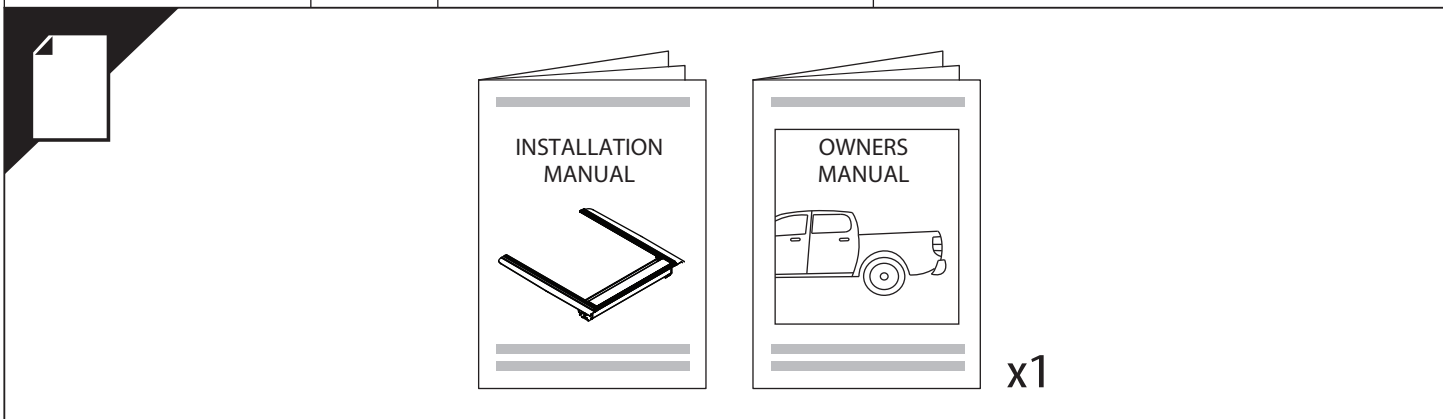
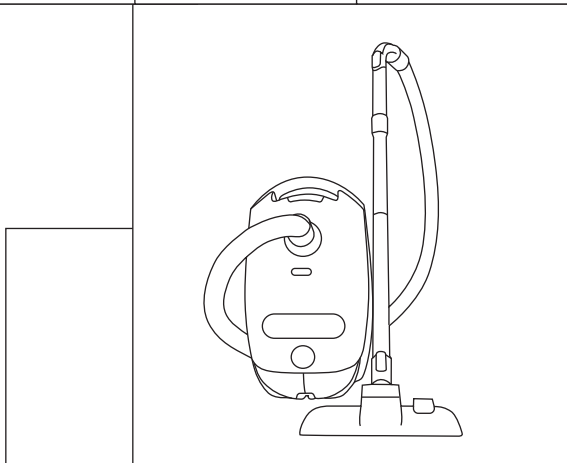
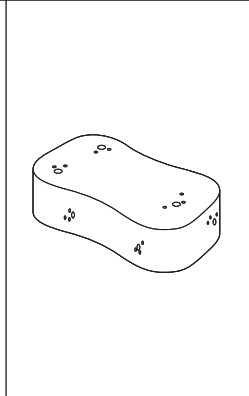
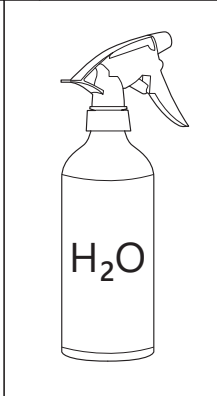
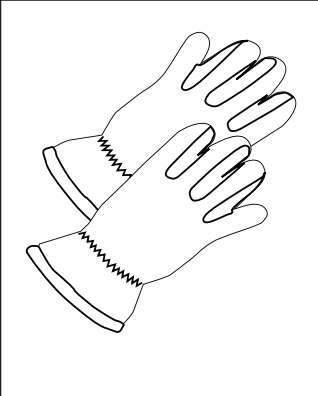
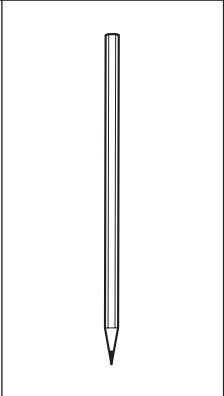
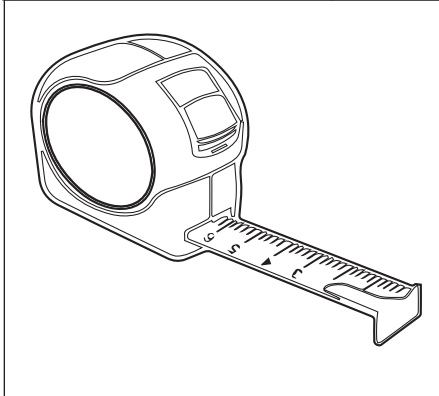
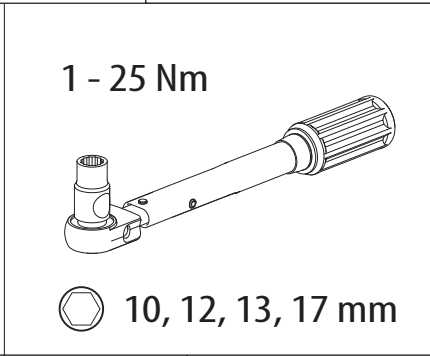
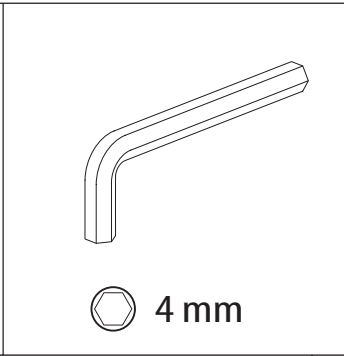
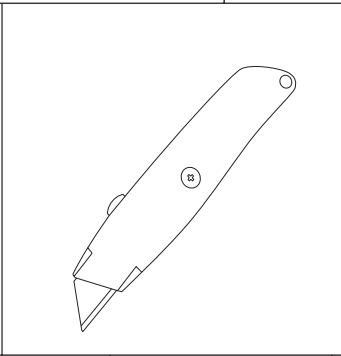
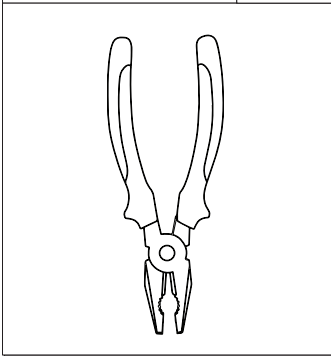
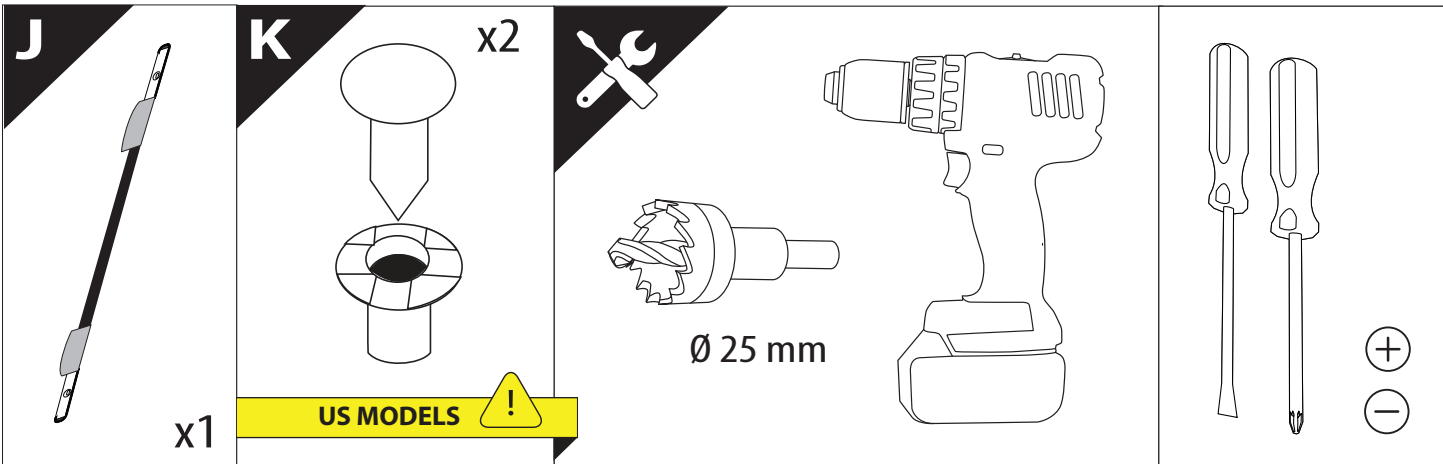


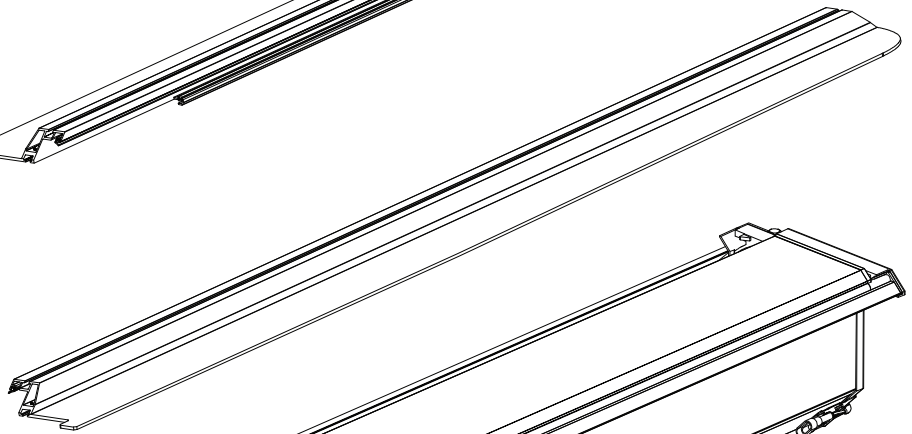
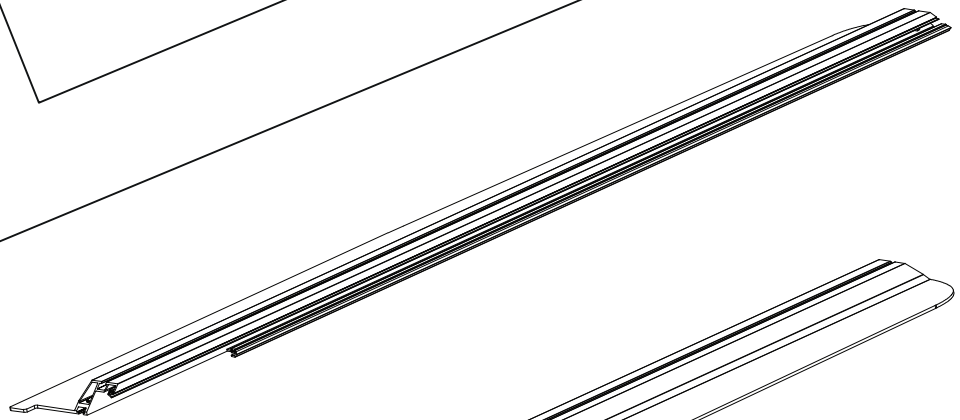
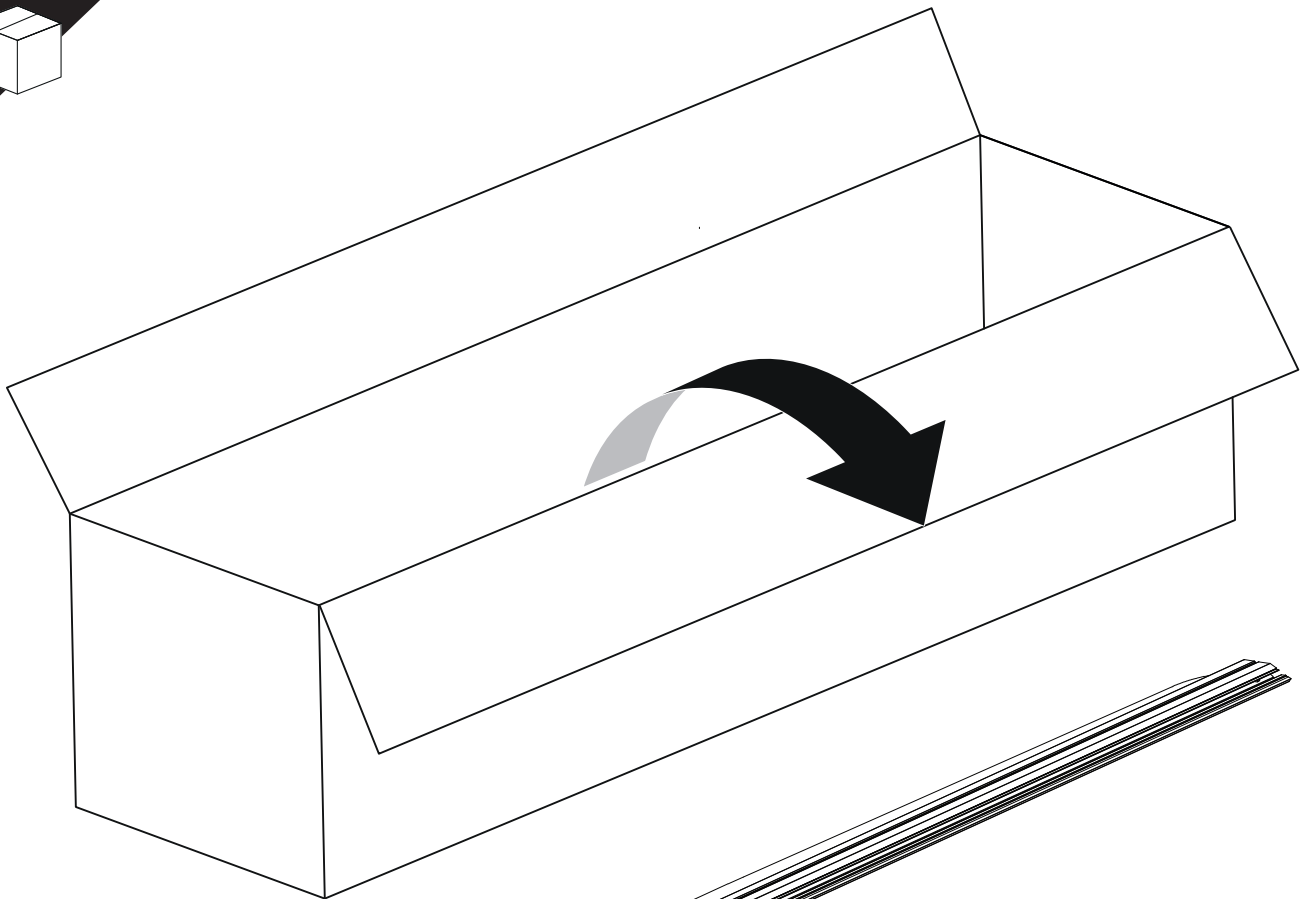


Installation Manual

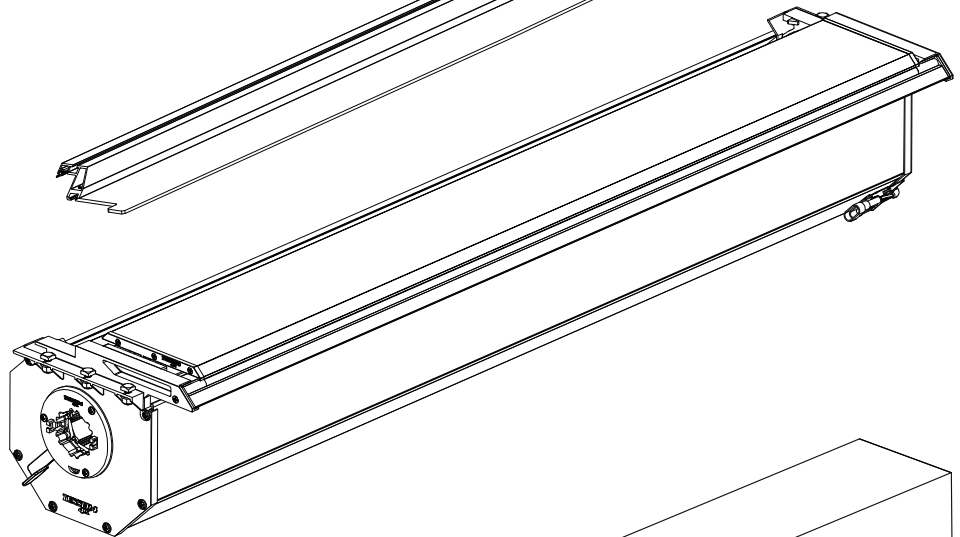
PART NUMBER(S)	Model Year
TESS 15062 SE	FORD RANGER 2025+ PHEV (P 703) (with and without c-channels)
Cab(s)	Installation Time / Weight
Double Cab	40-60 minutes / 53-57 kg





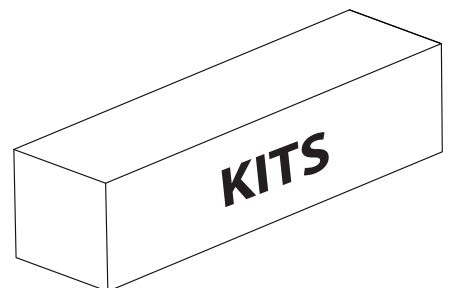


B

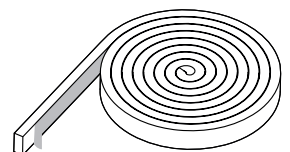


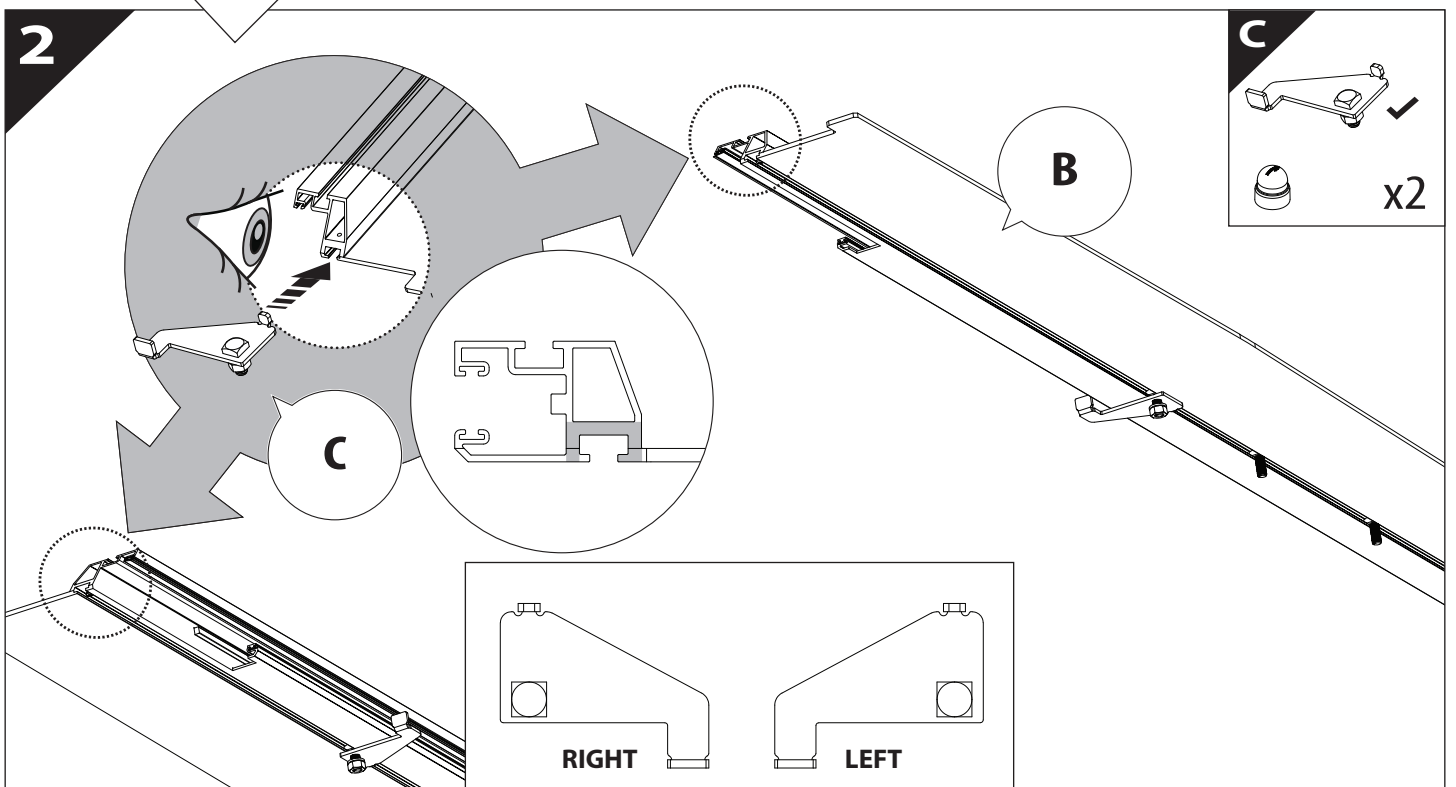
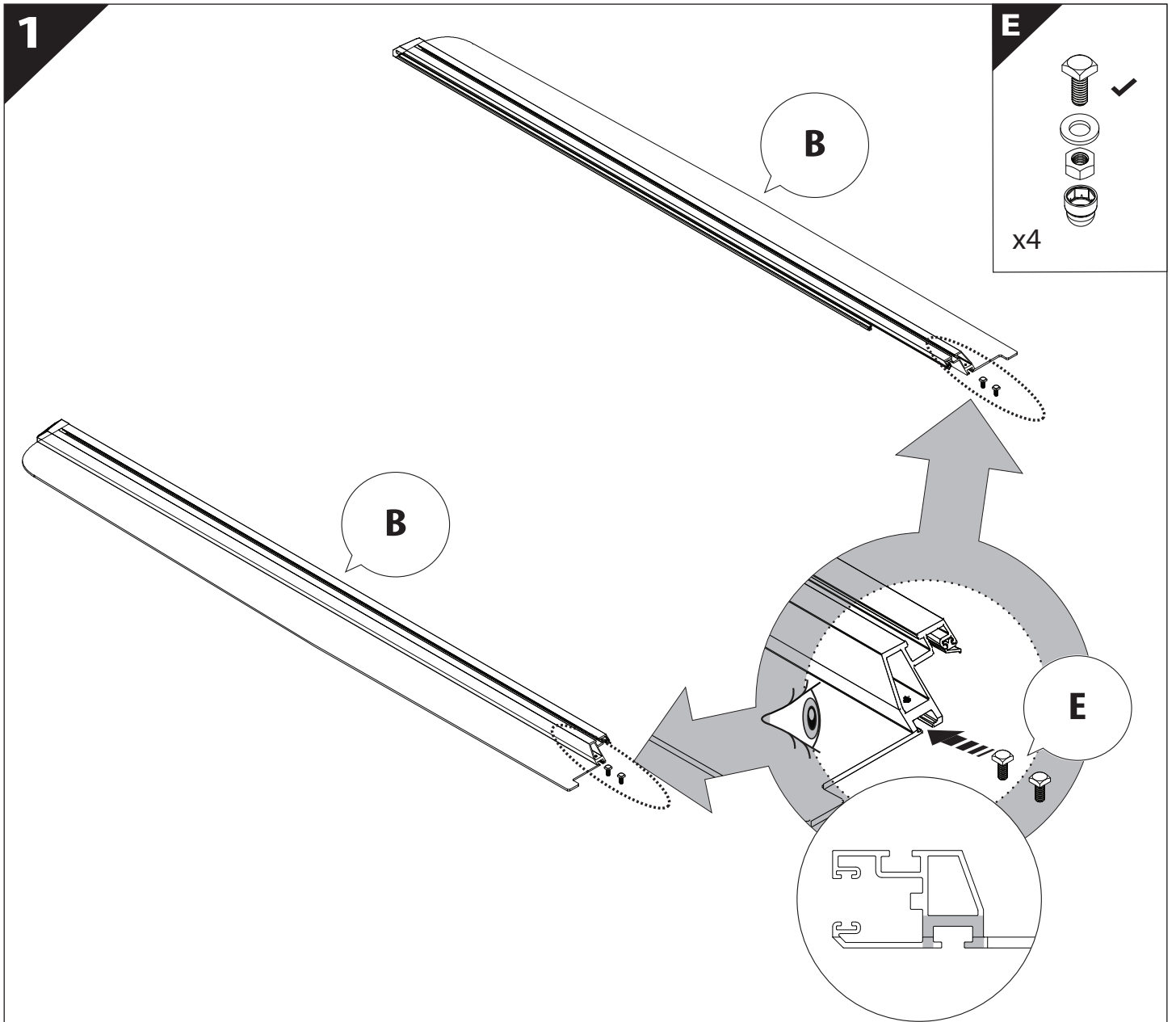
A

KITS

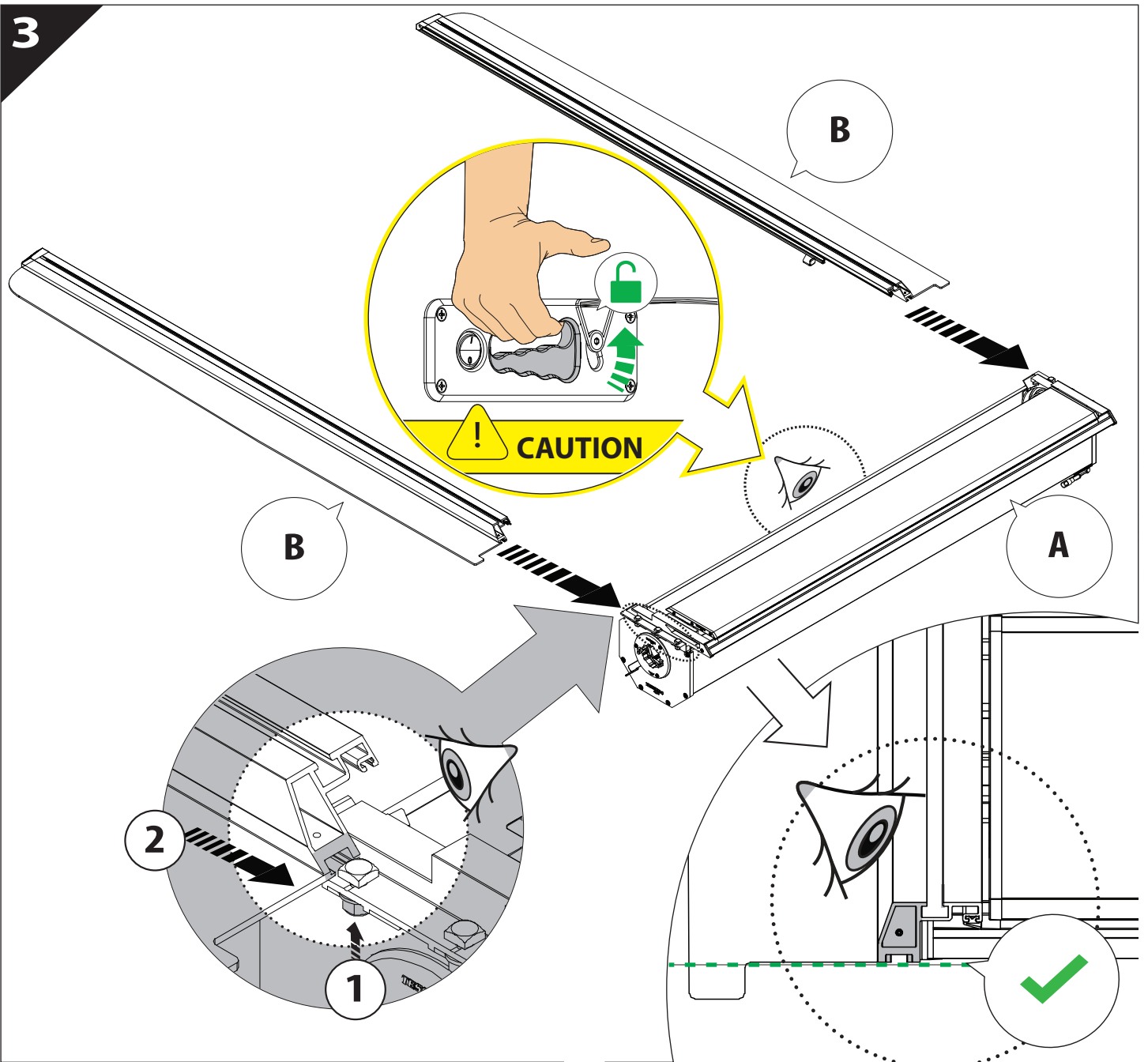


G

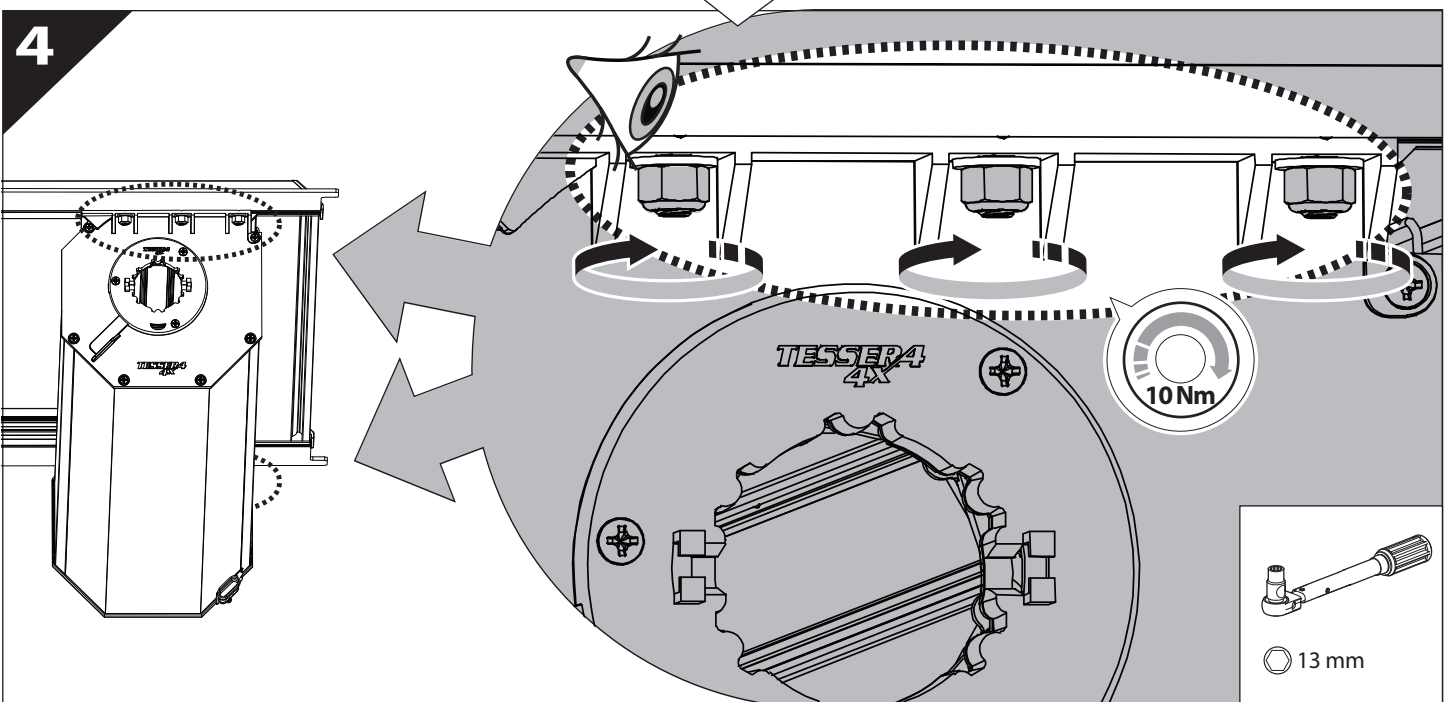


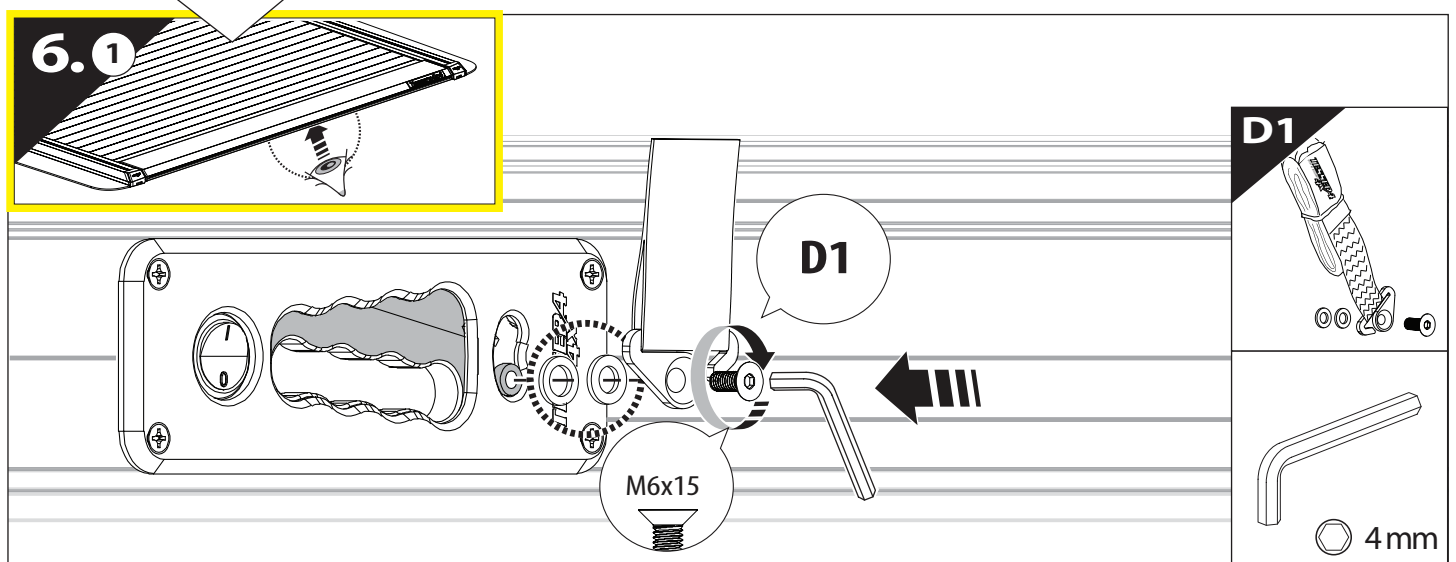
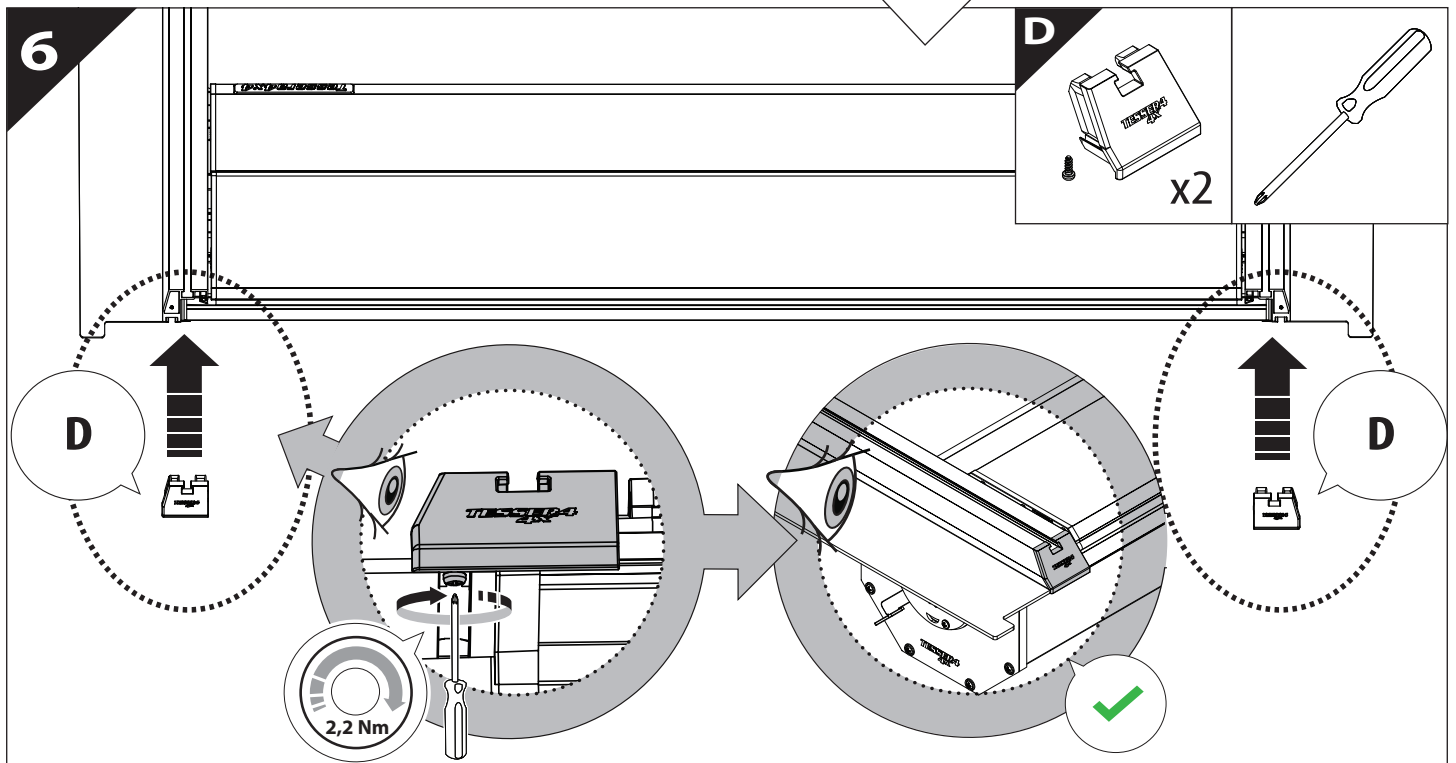
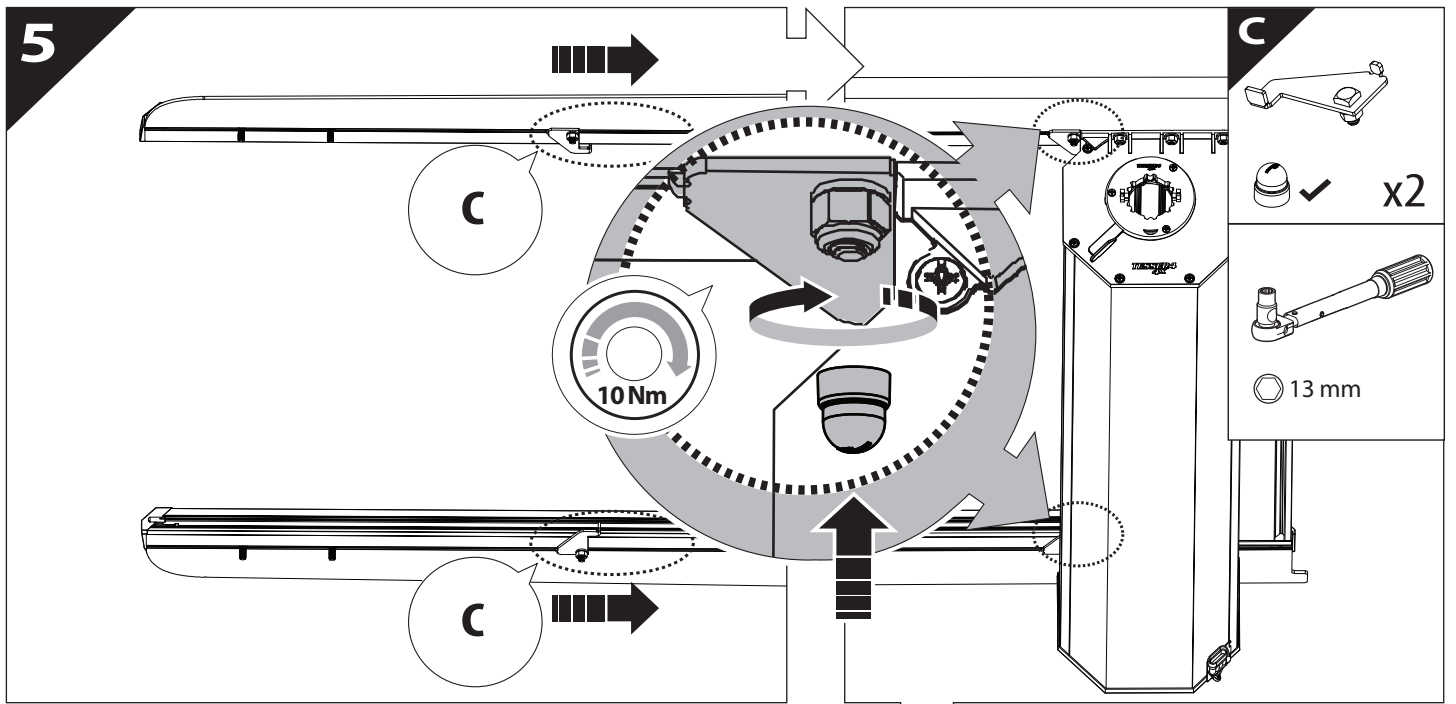


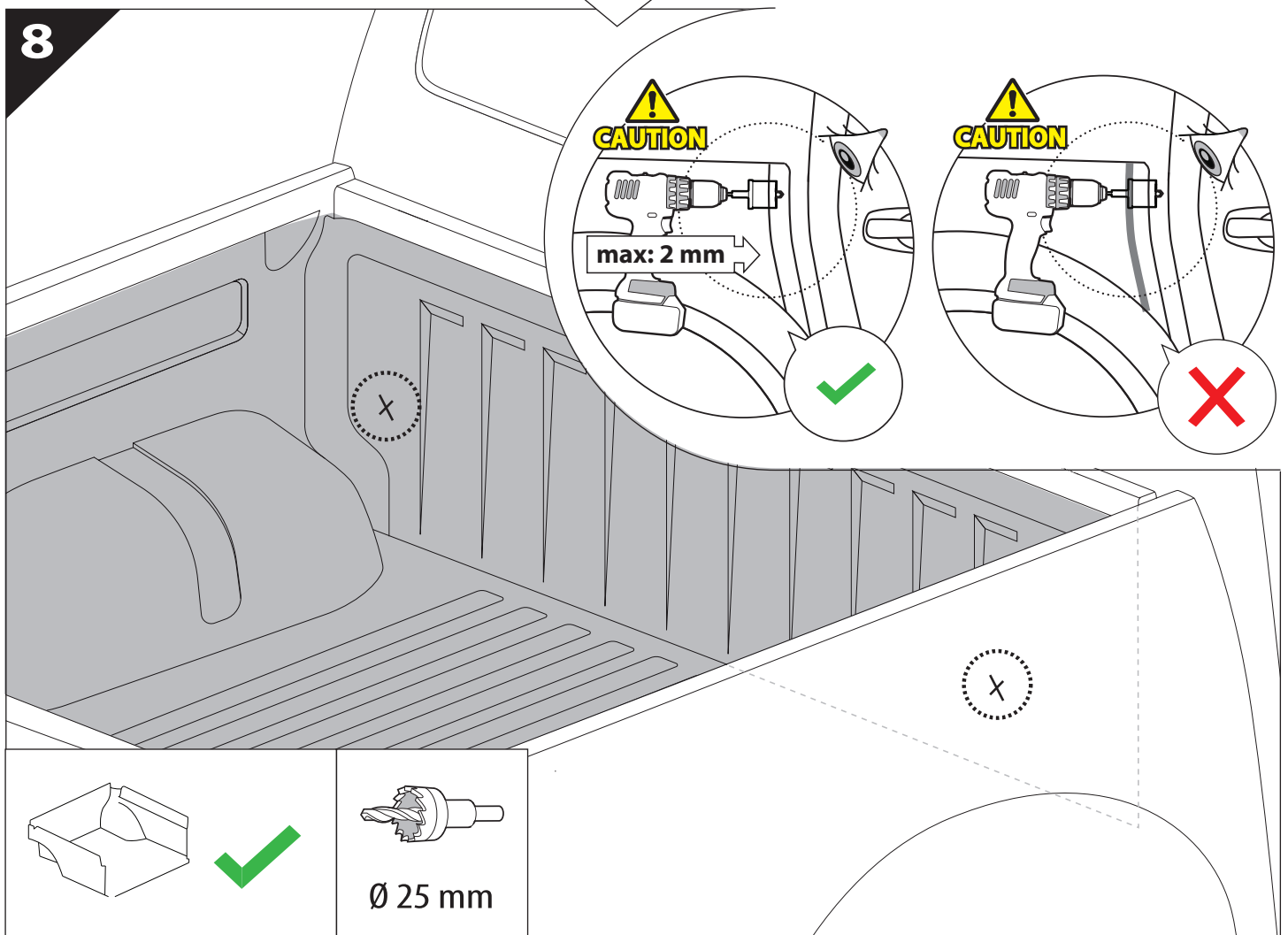
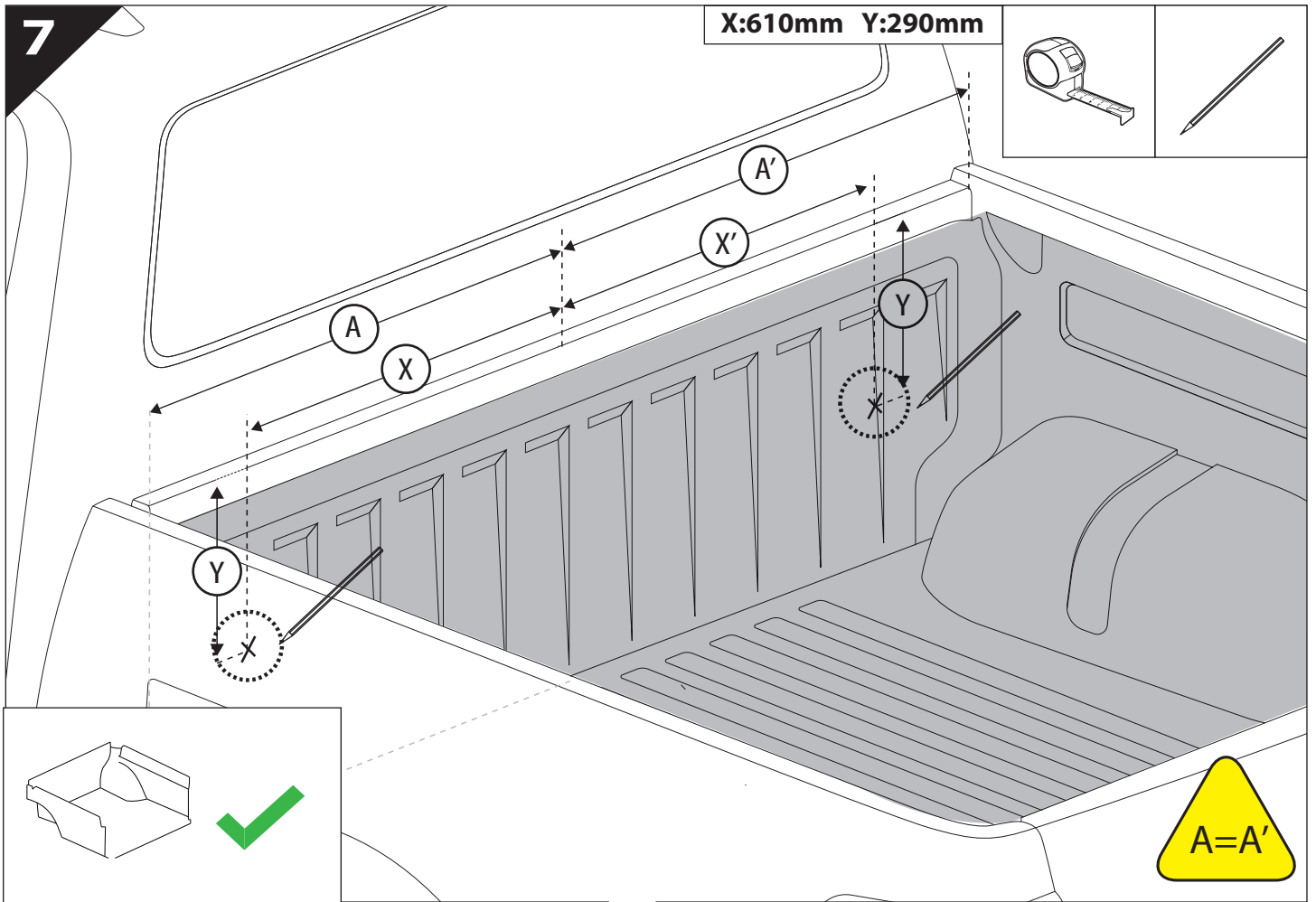
3

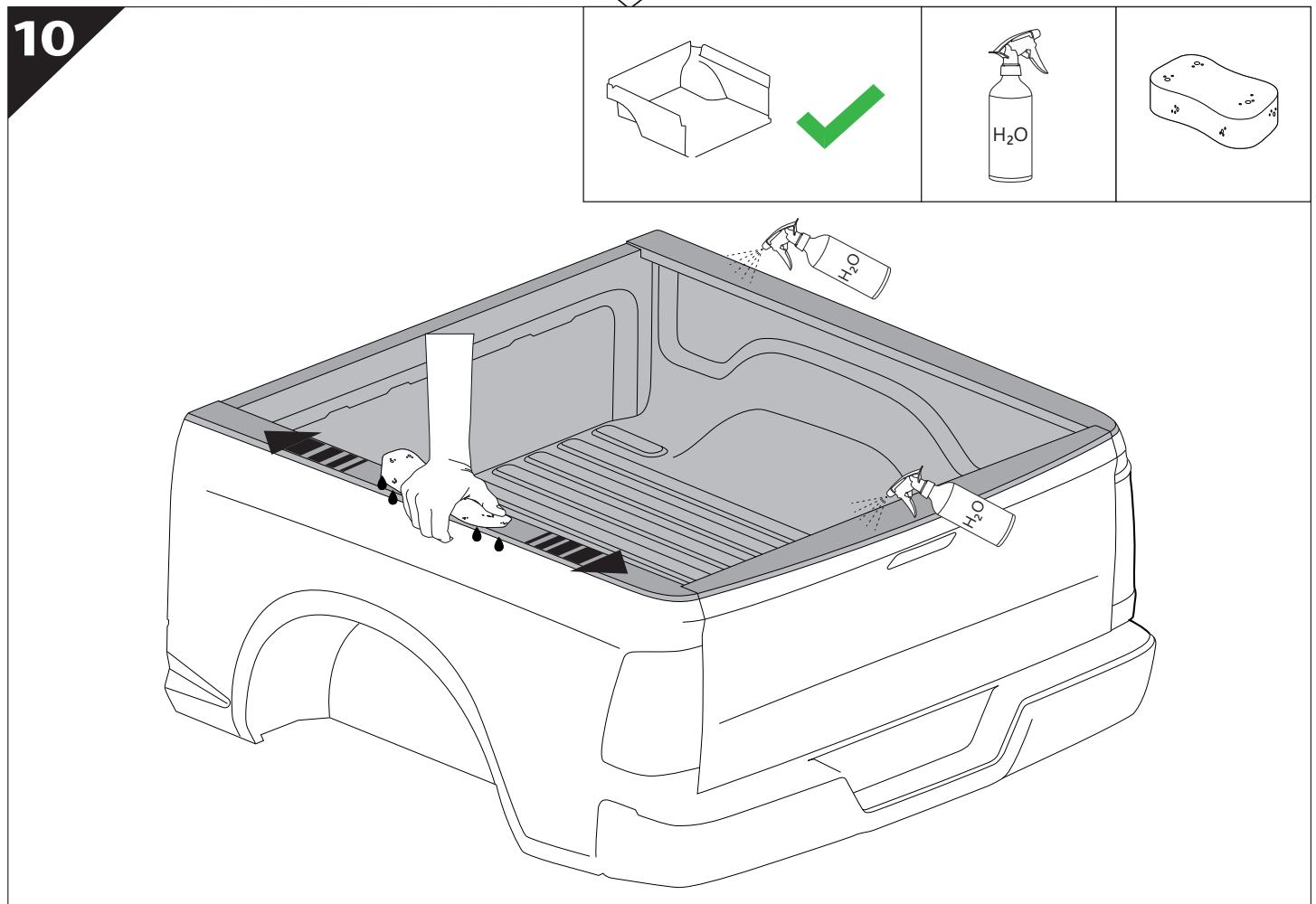
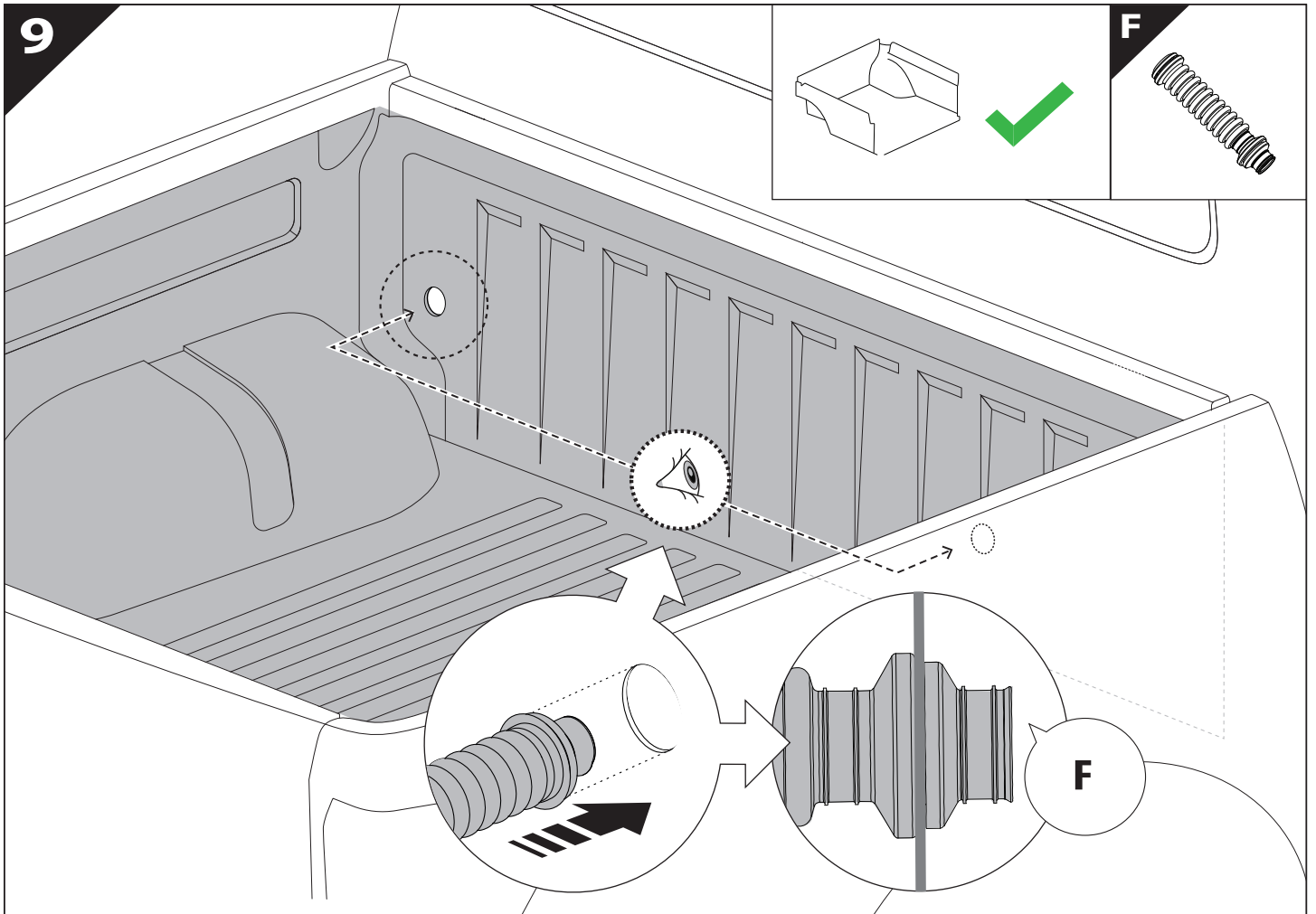


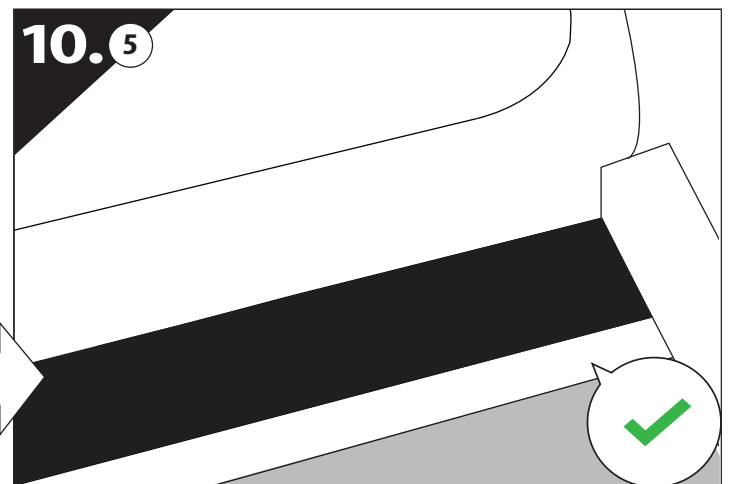
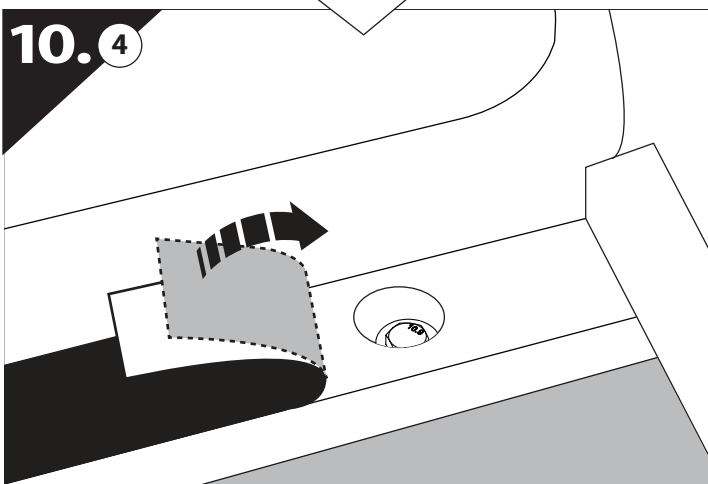
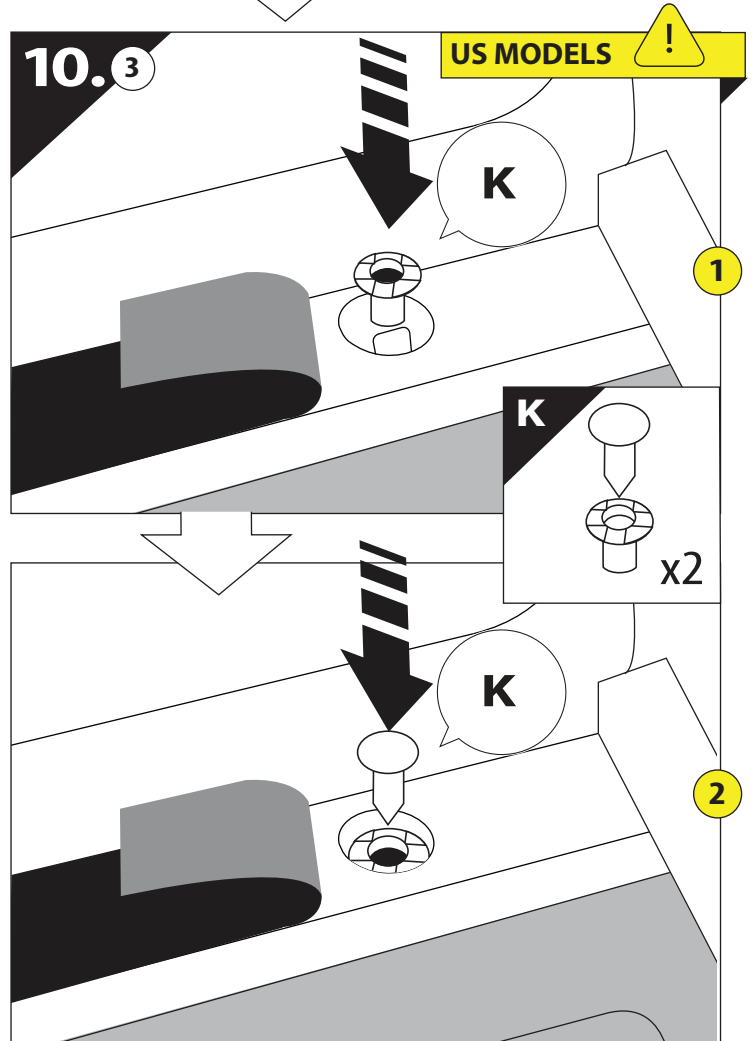
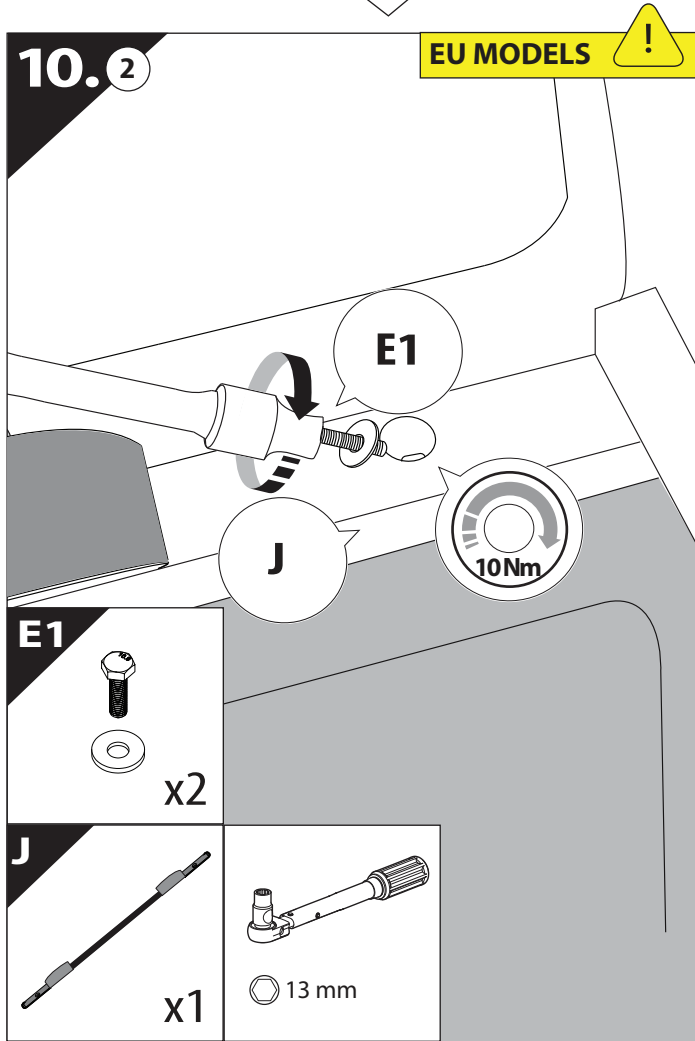
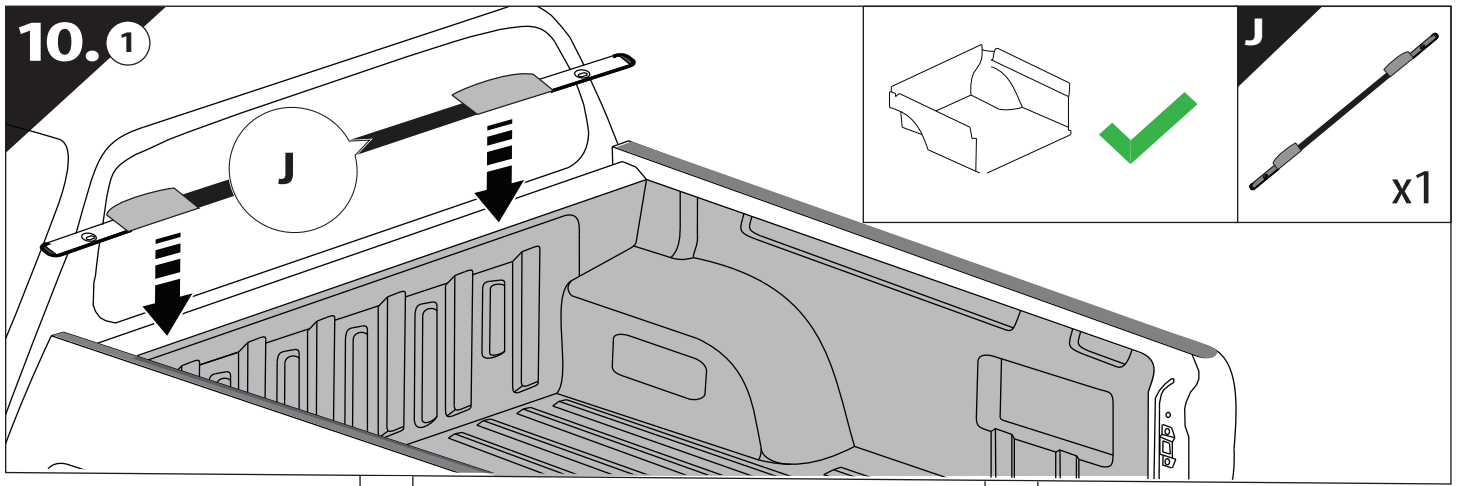
4





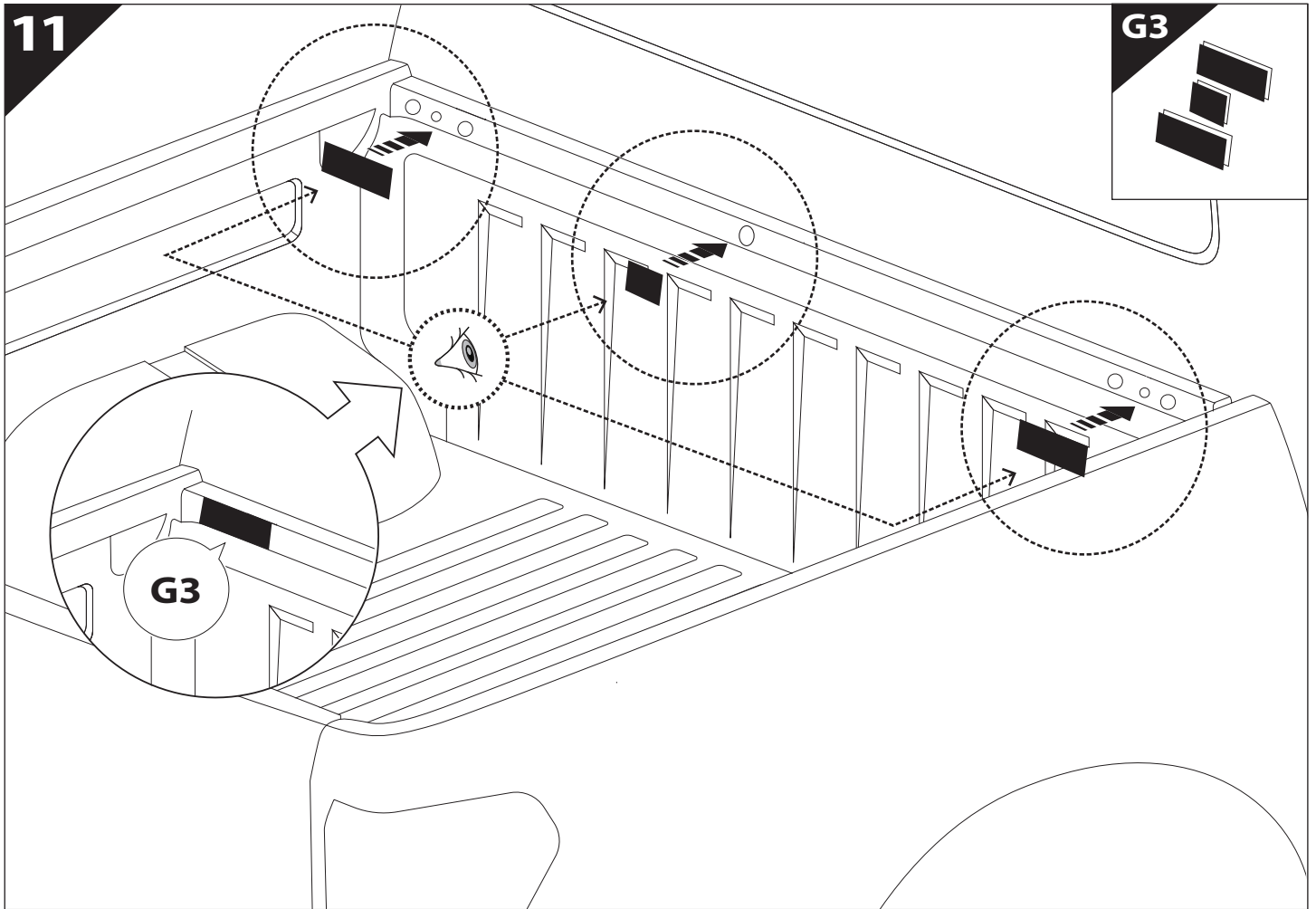


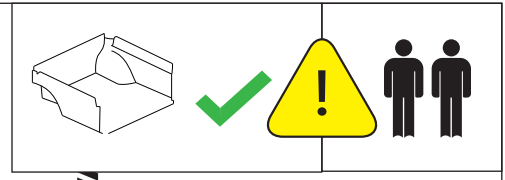
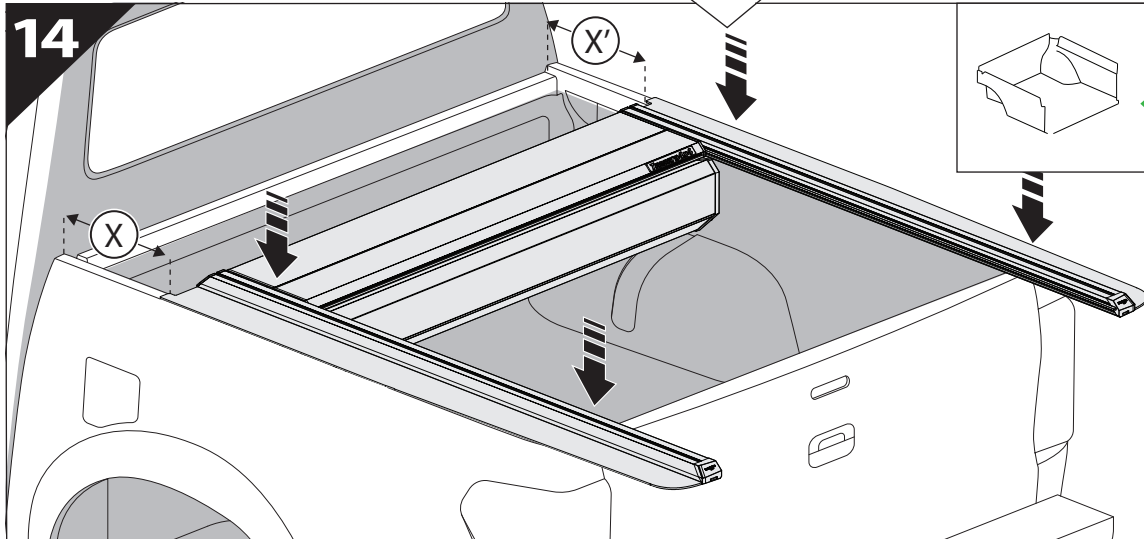
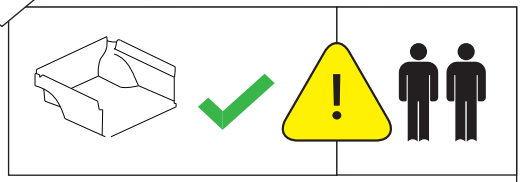
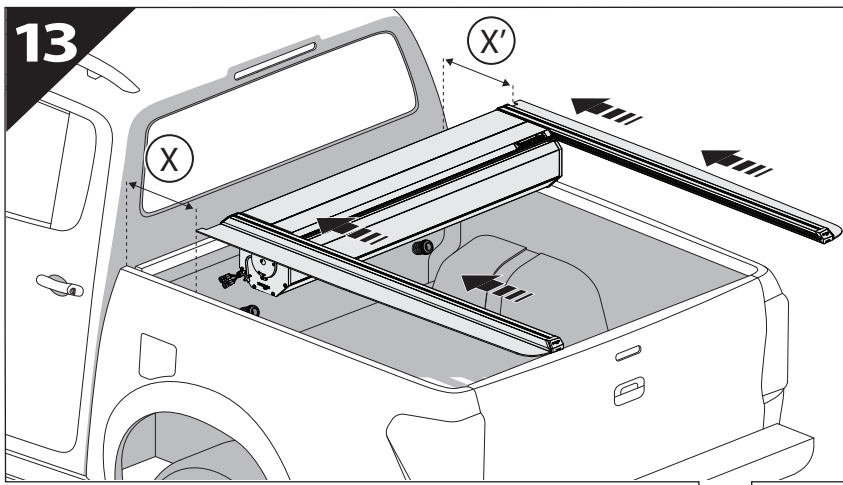
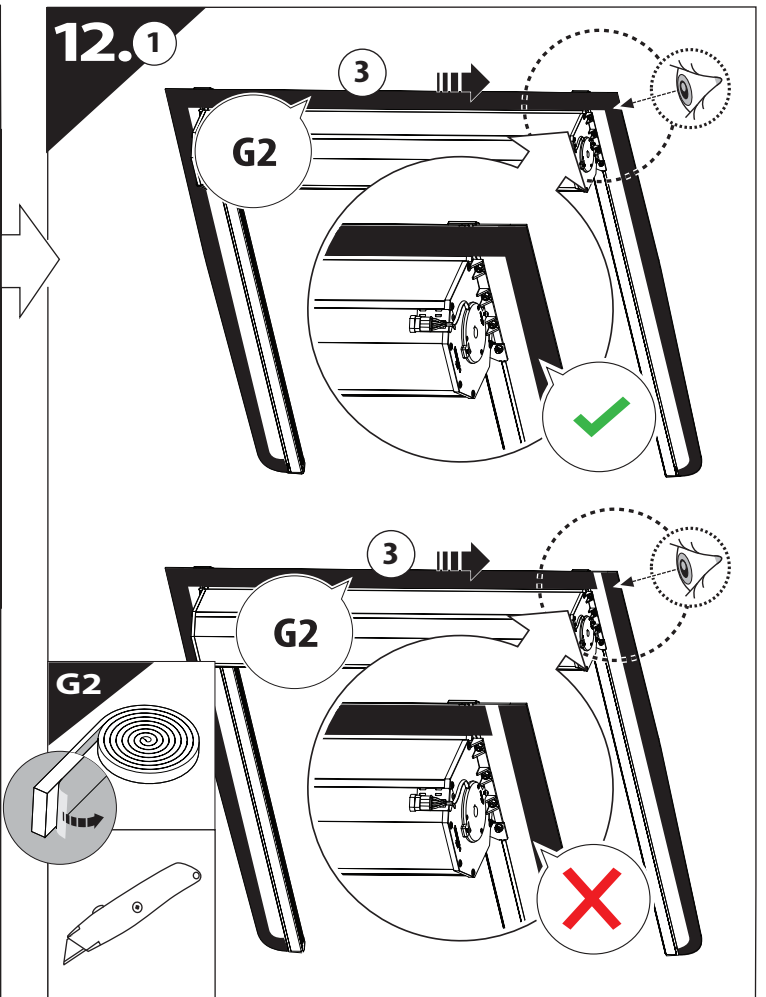
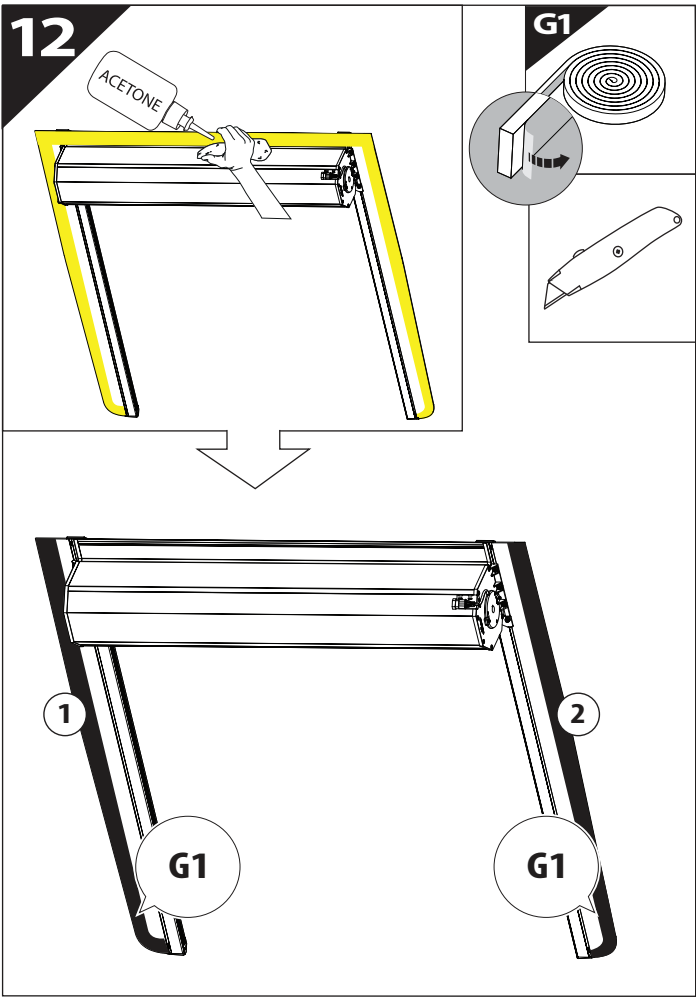




11

G3

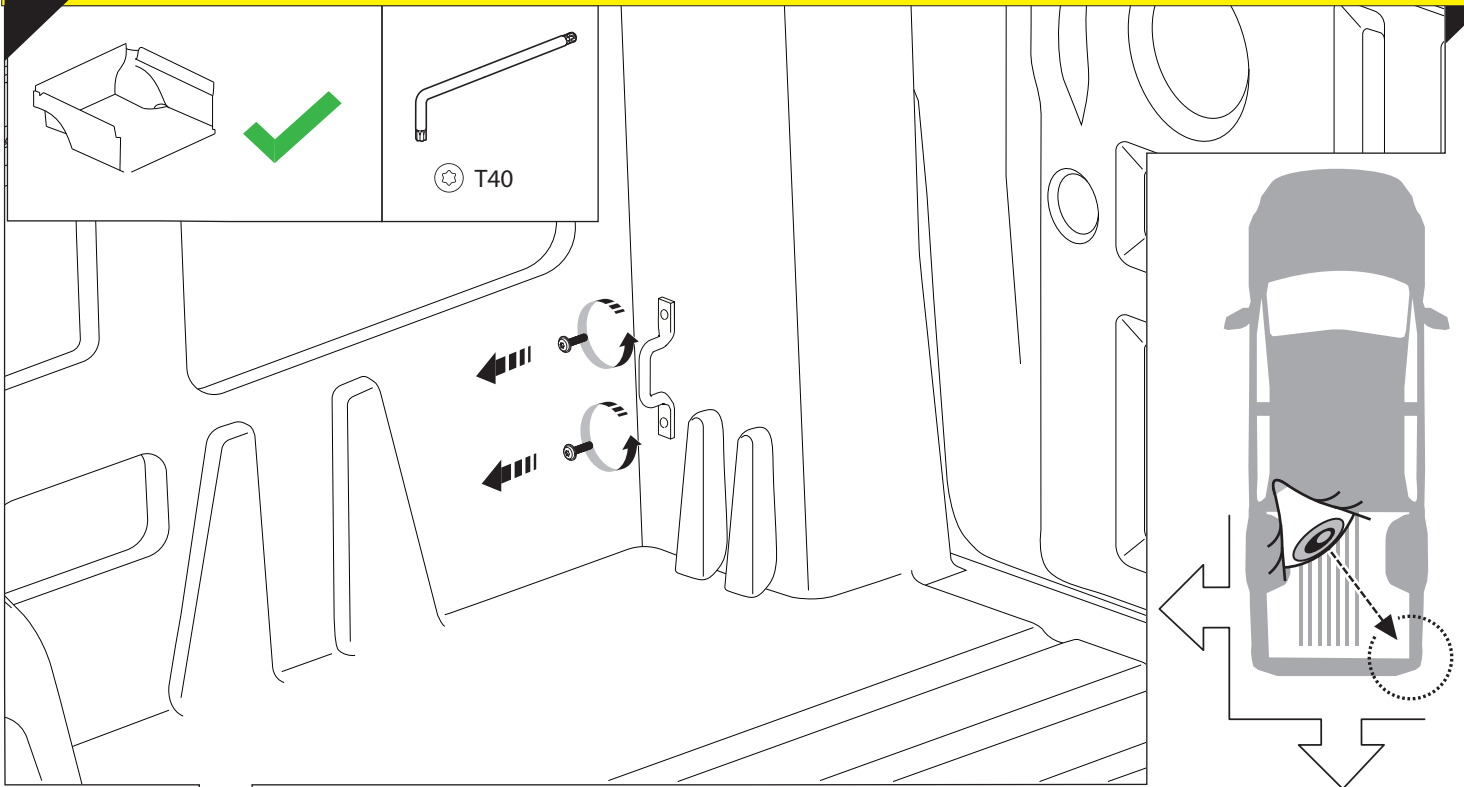




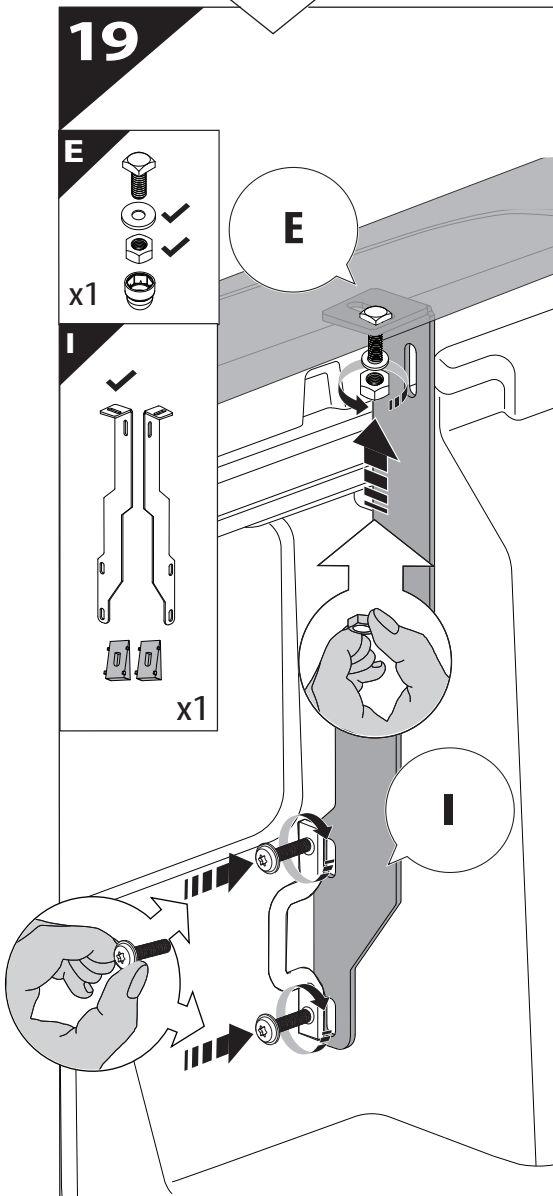
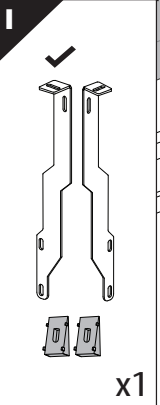
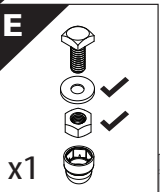
18



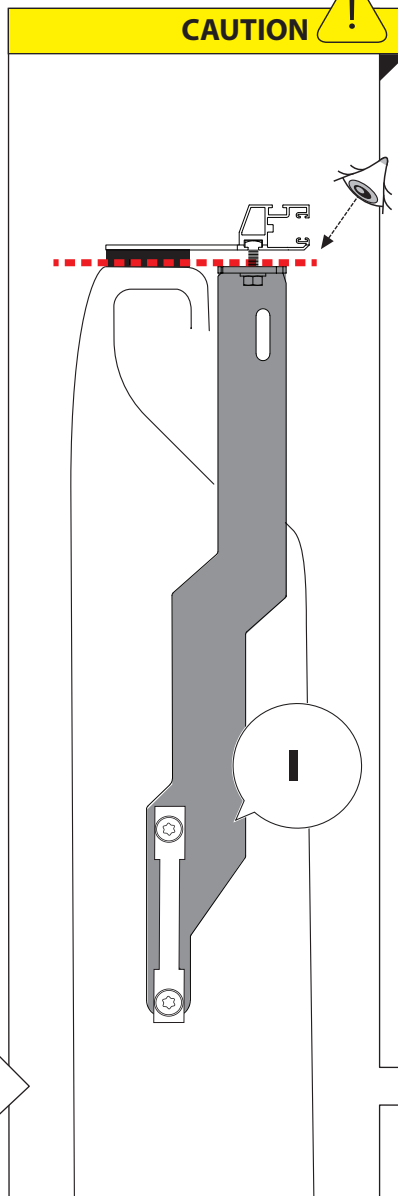
WITH & WITHOUT C - CHANNELS



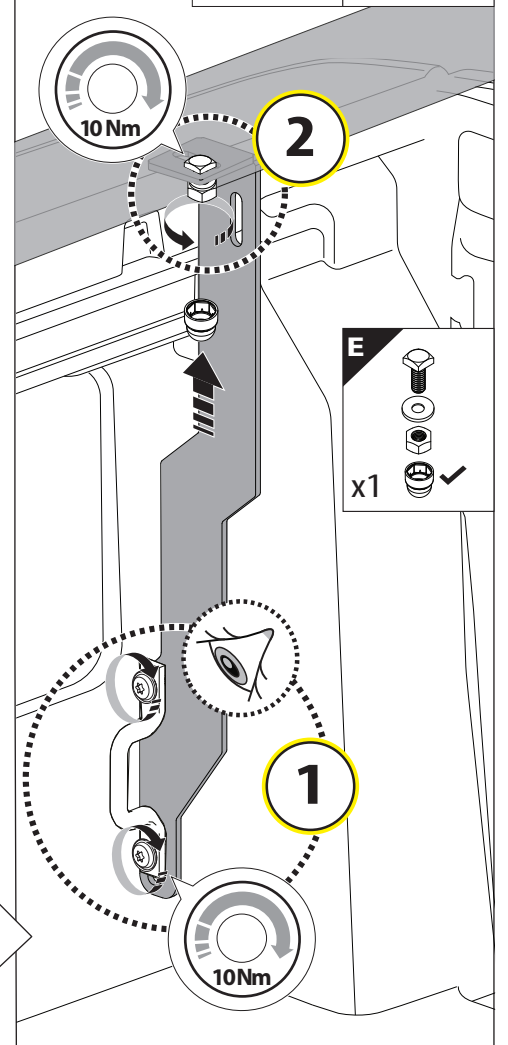
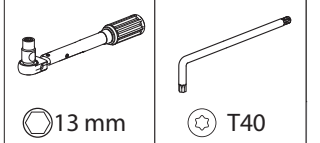
19



CAUTION



19.1



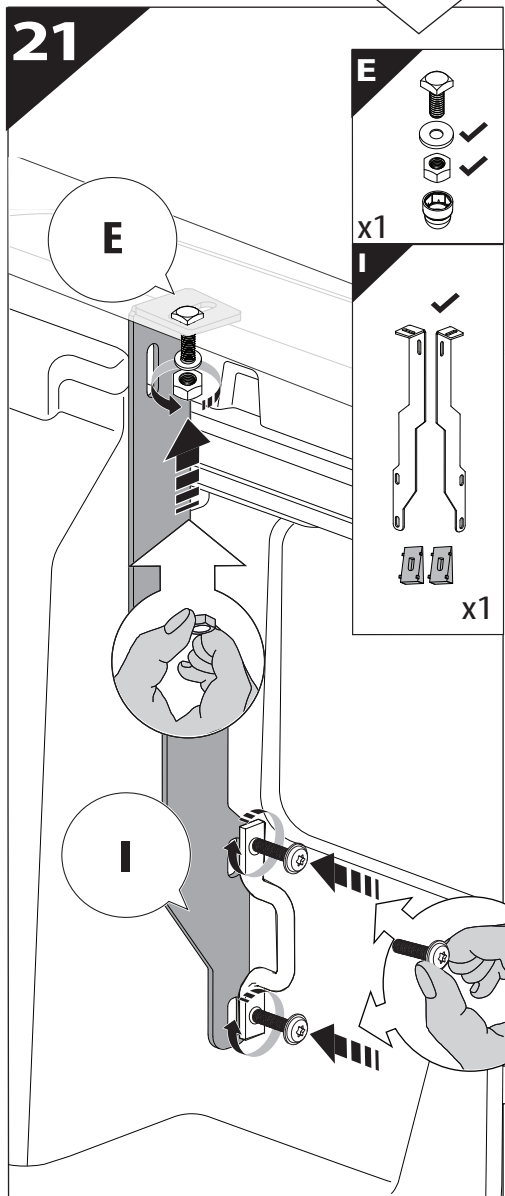
20



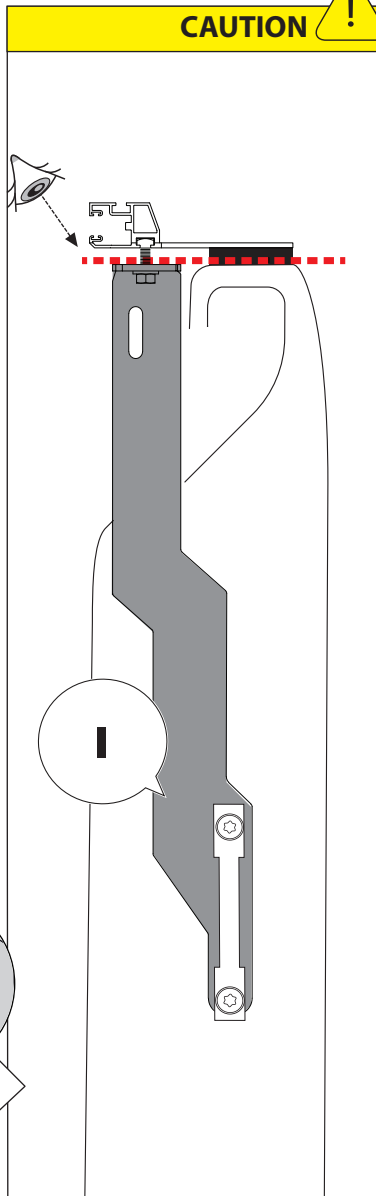
WITHOUT C - CHANNELS



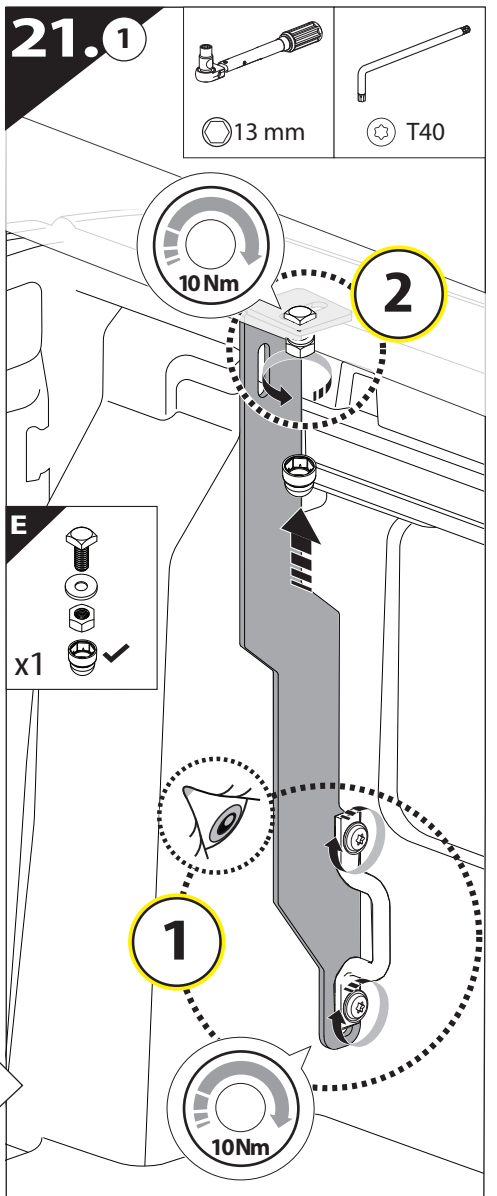
21

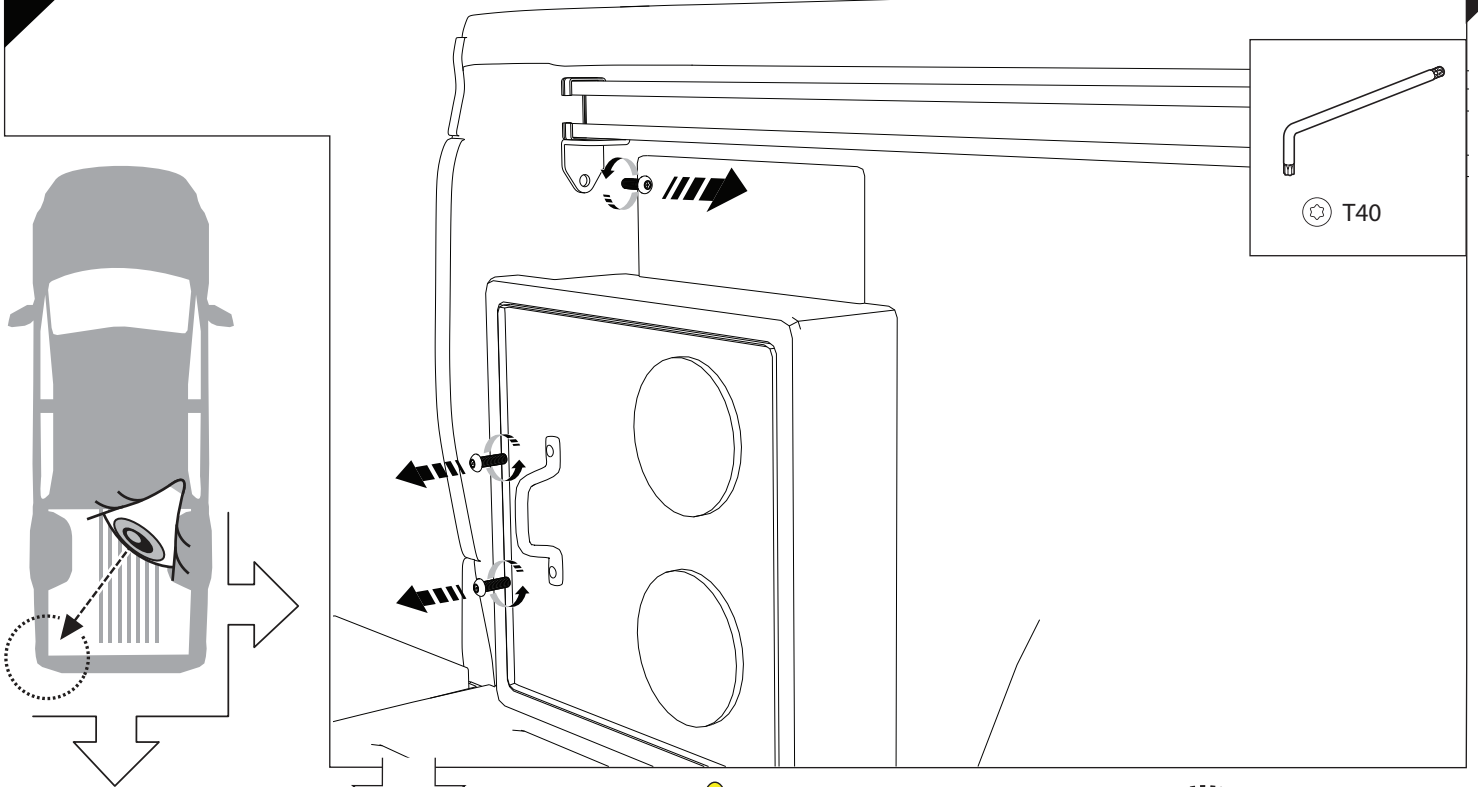


CAUTION !



21.1



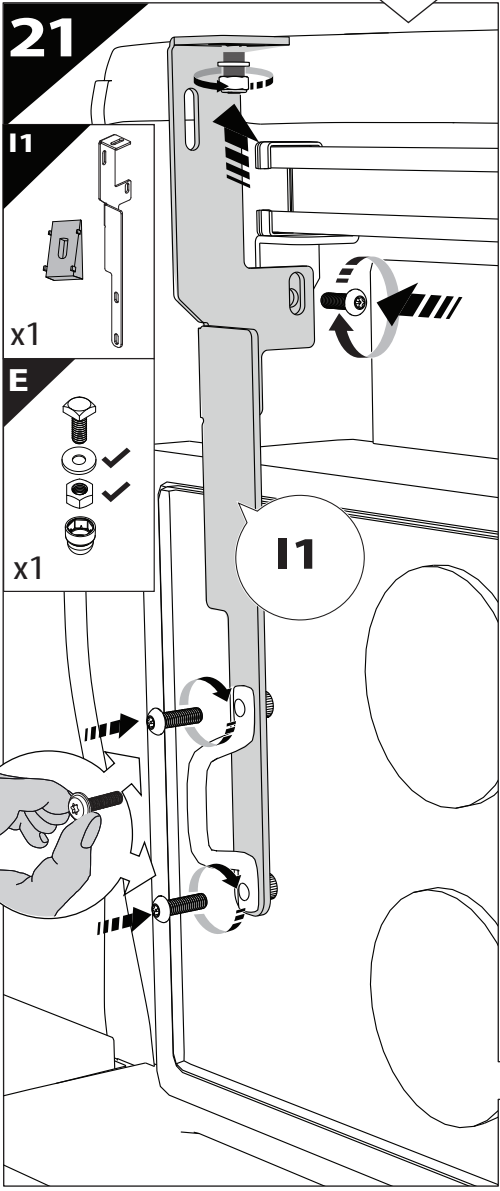
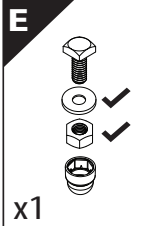


21

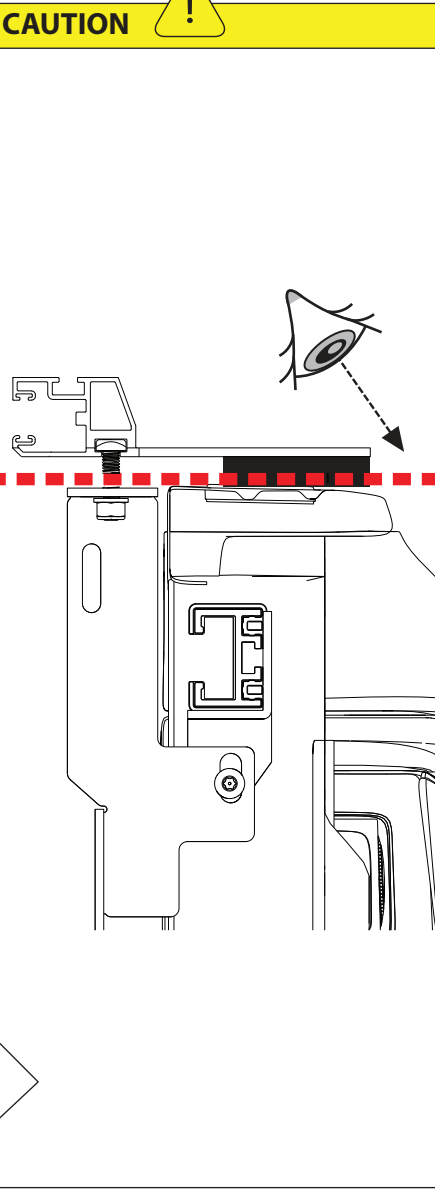
I1

x1

x1



CAUTION



21.1

3

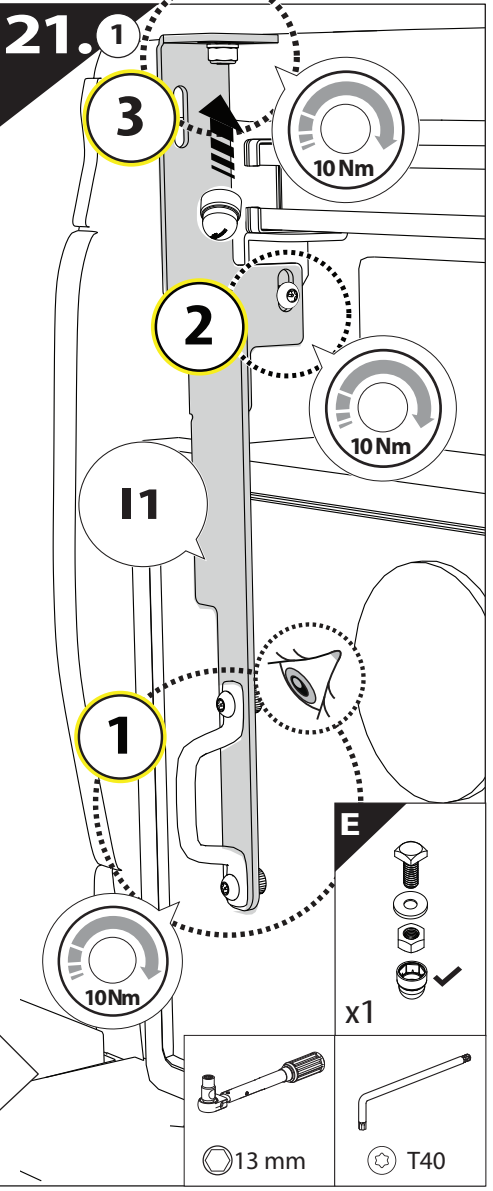
2

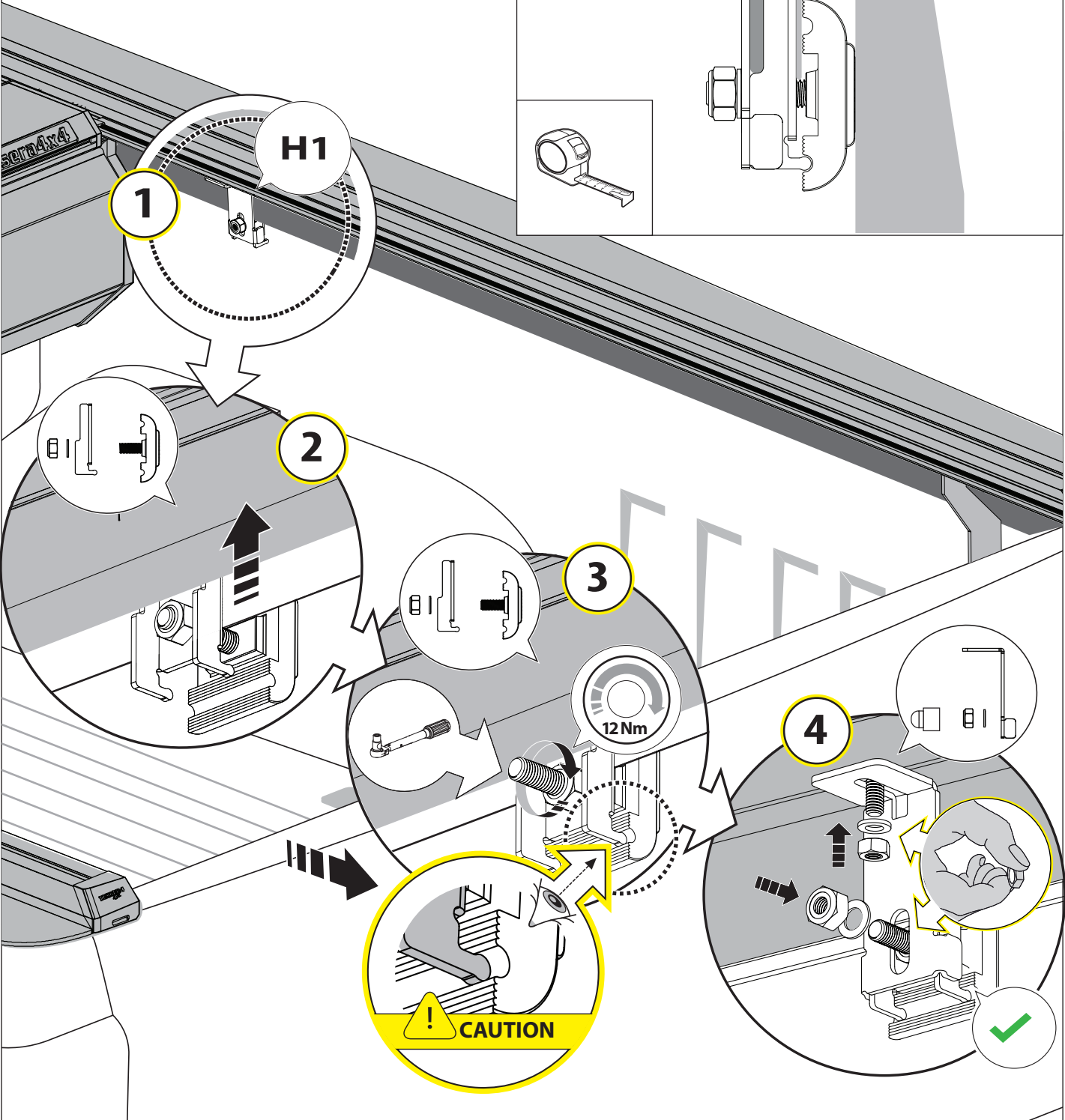
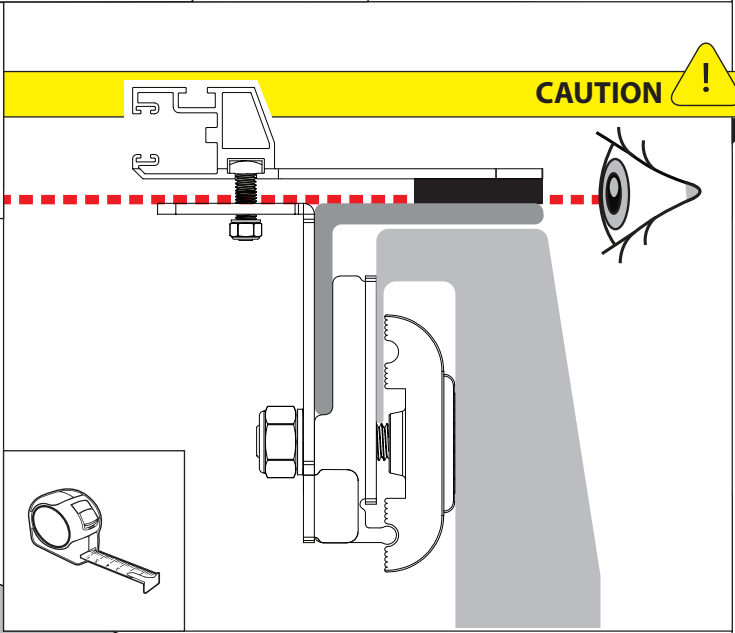
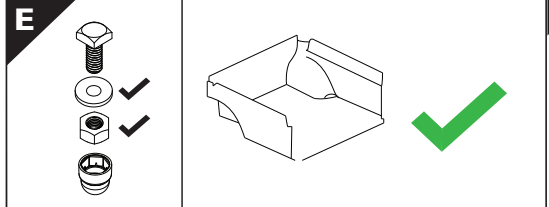
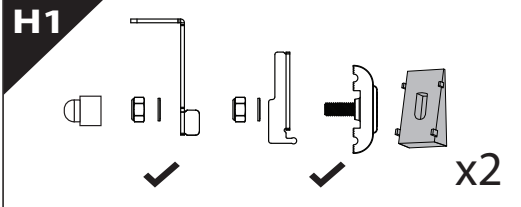
I1

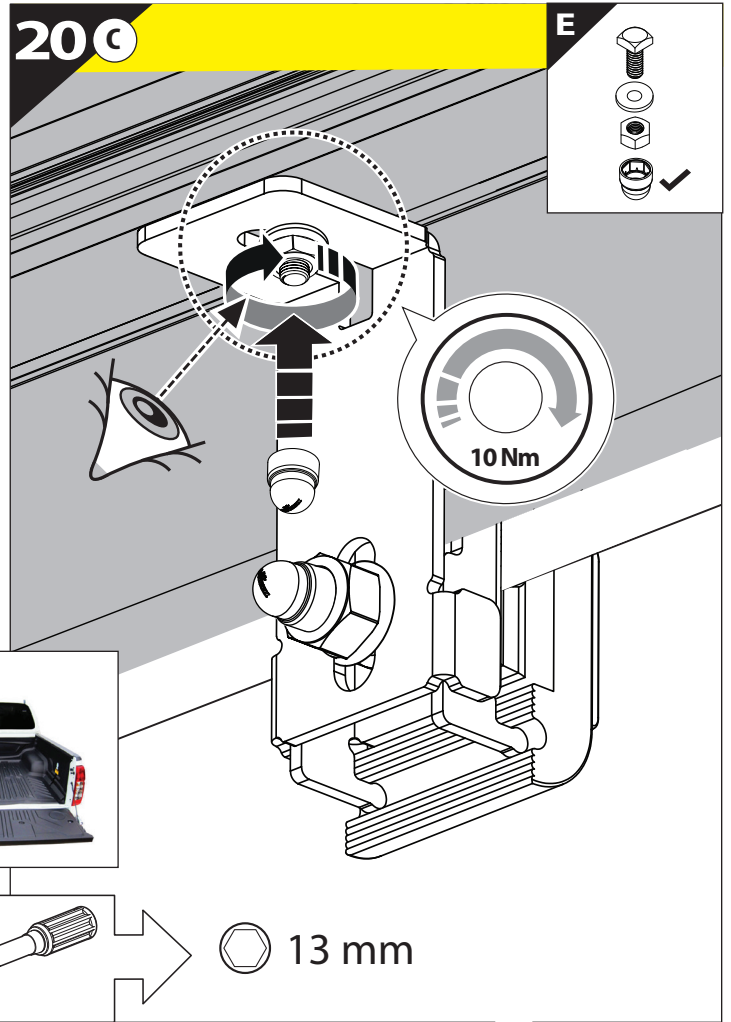
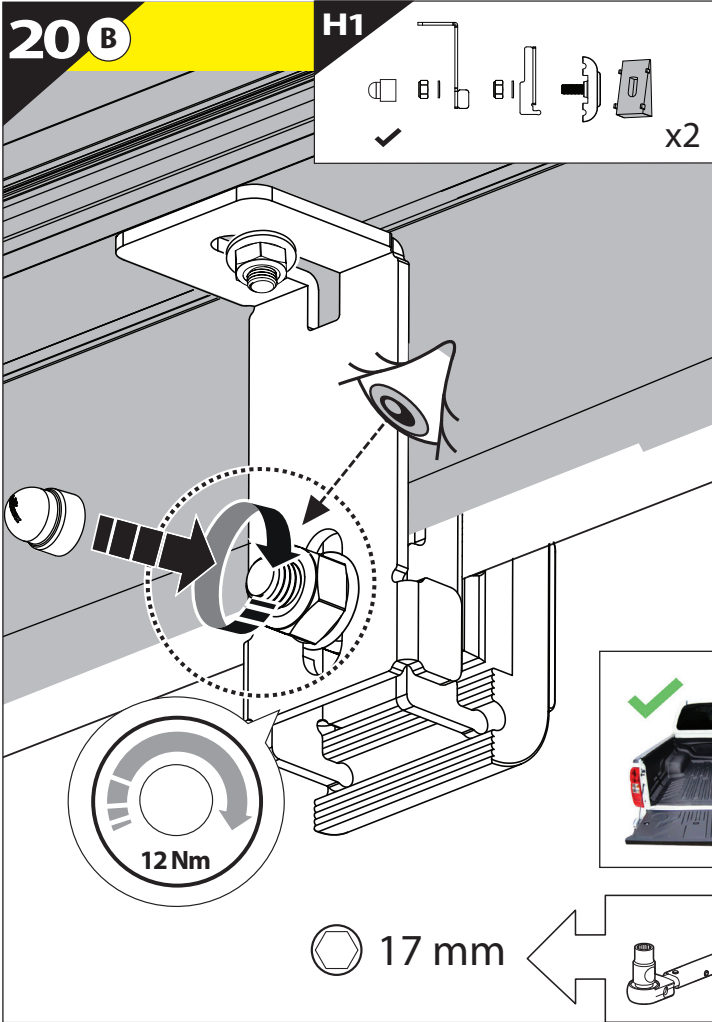
1

10Nm

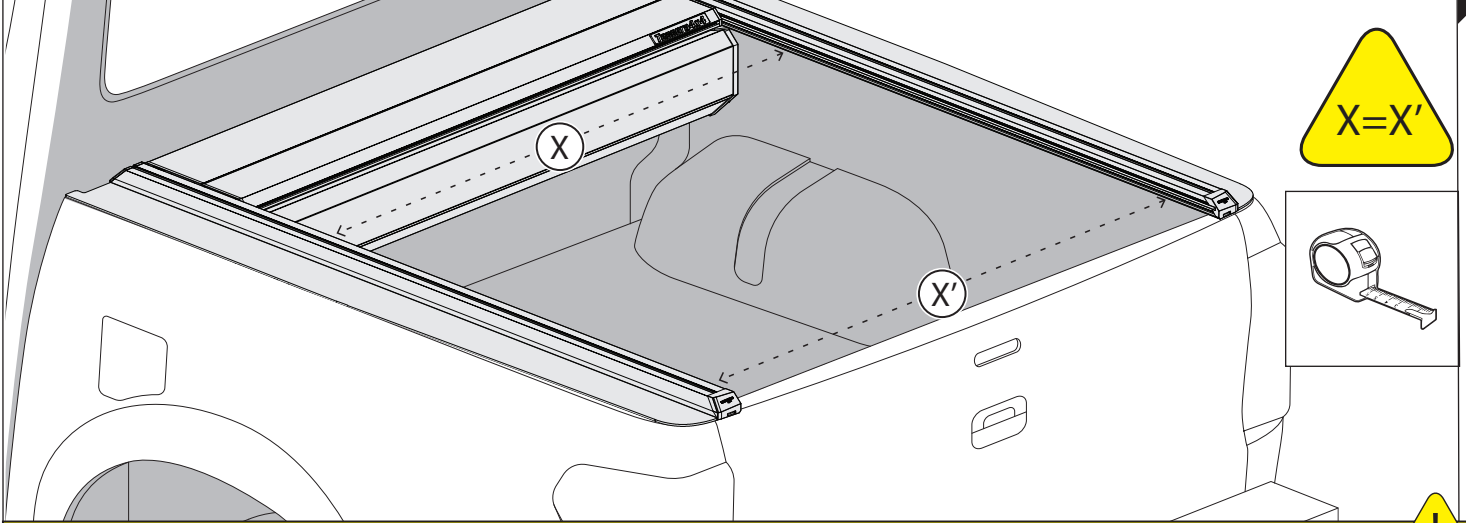
13 mm



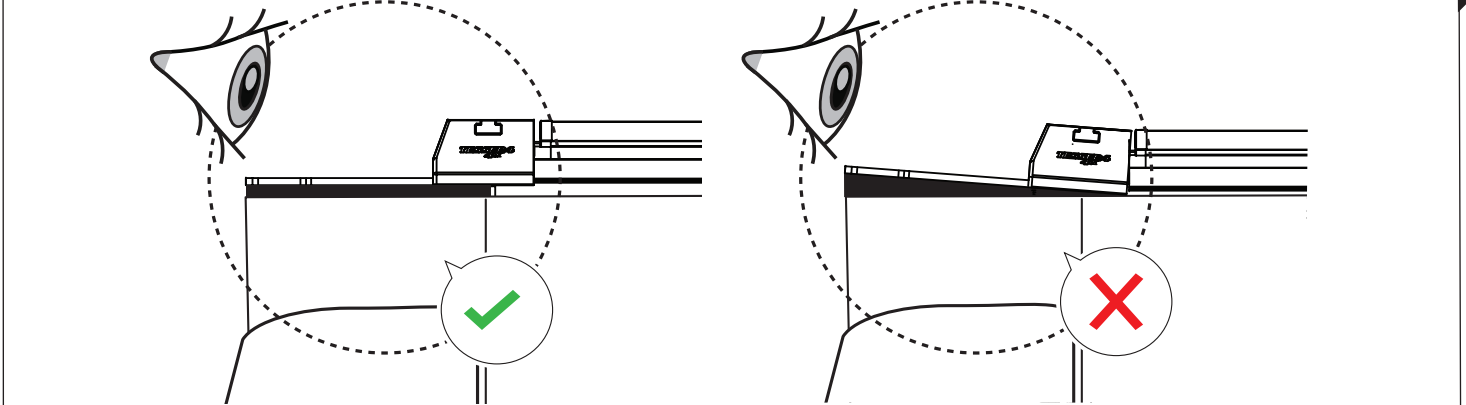




CAUTION !



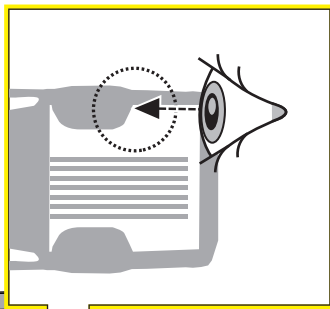
CAUTION !



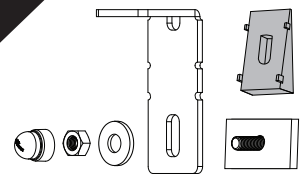
20A



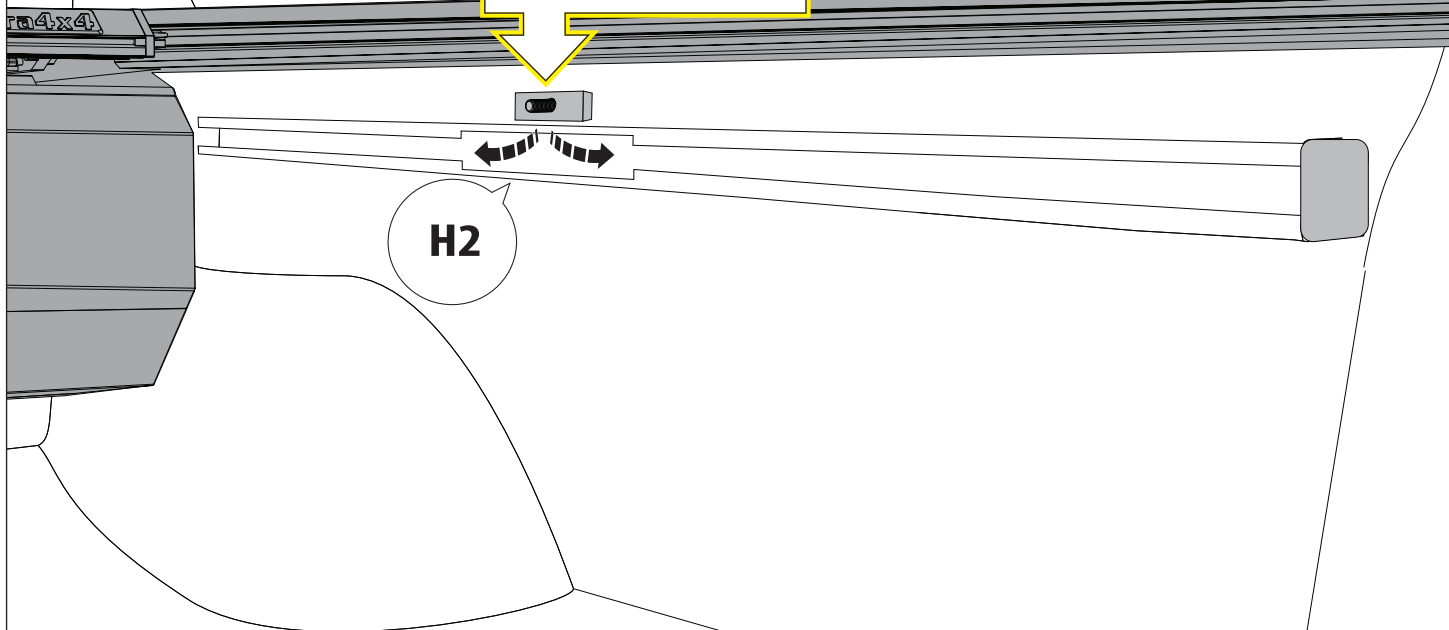
WITH C - CHANNELS



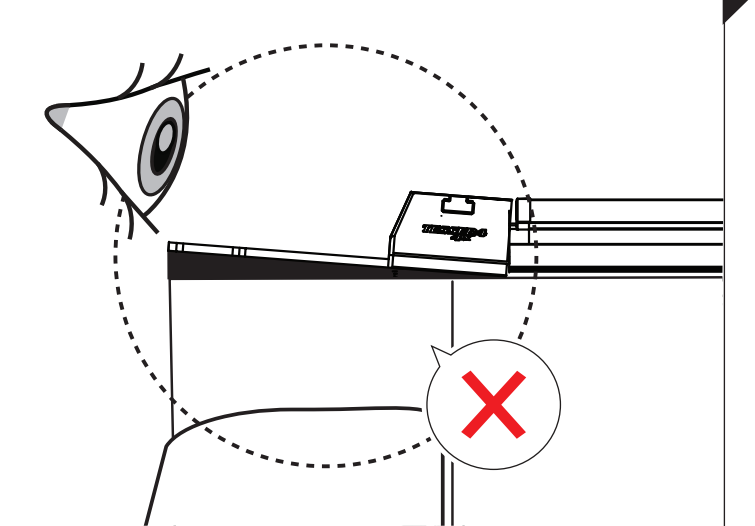
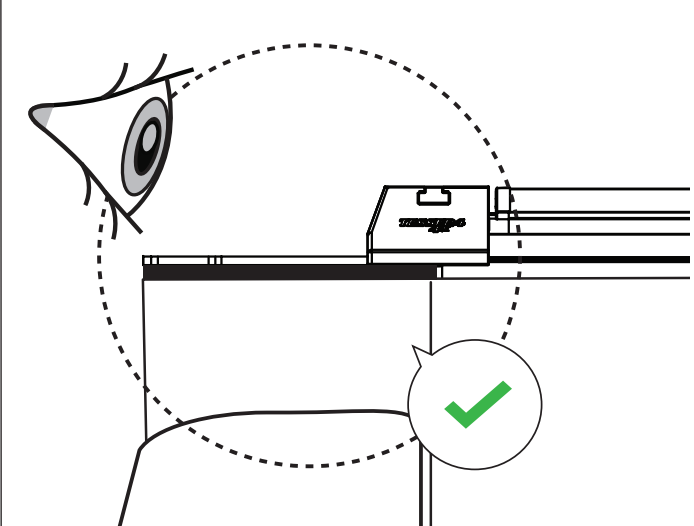
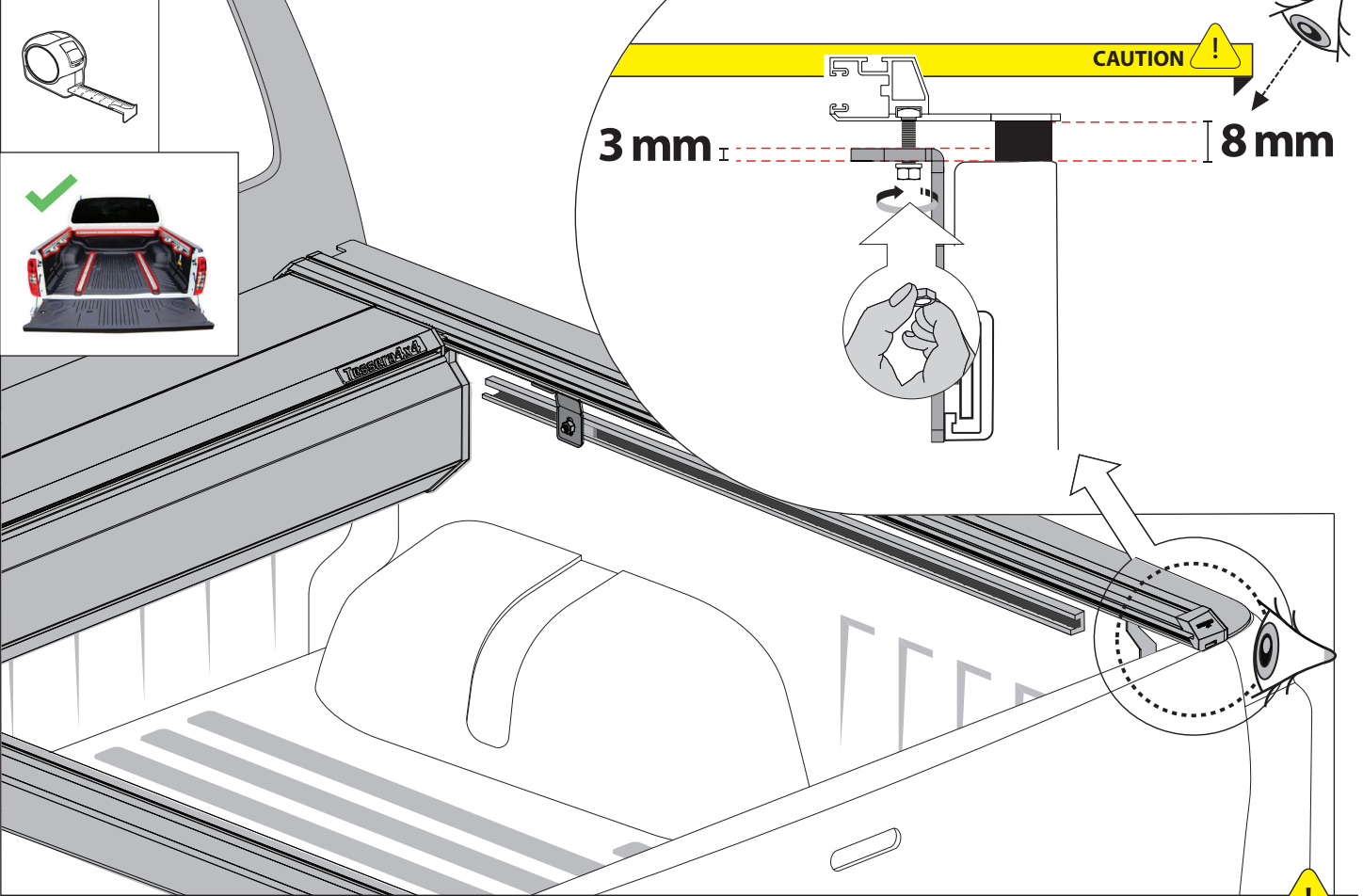
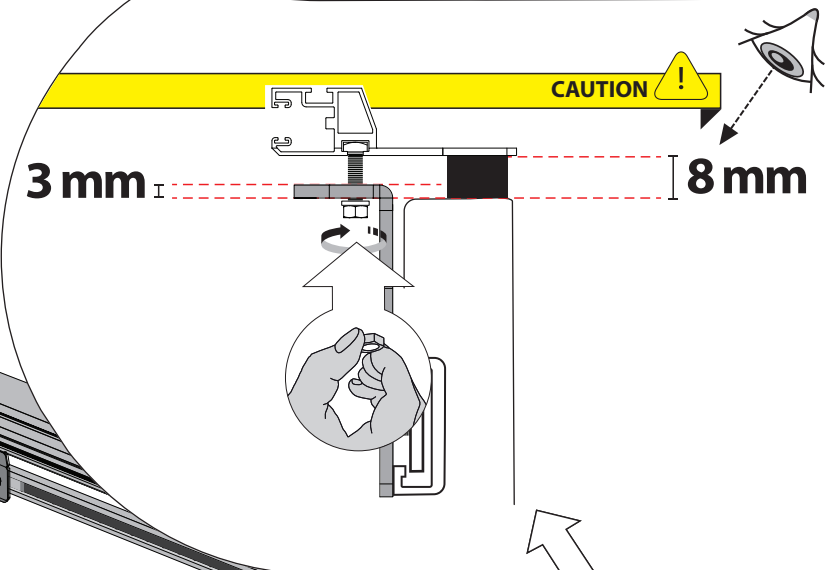
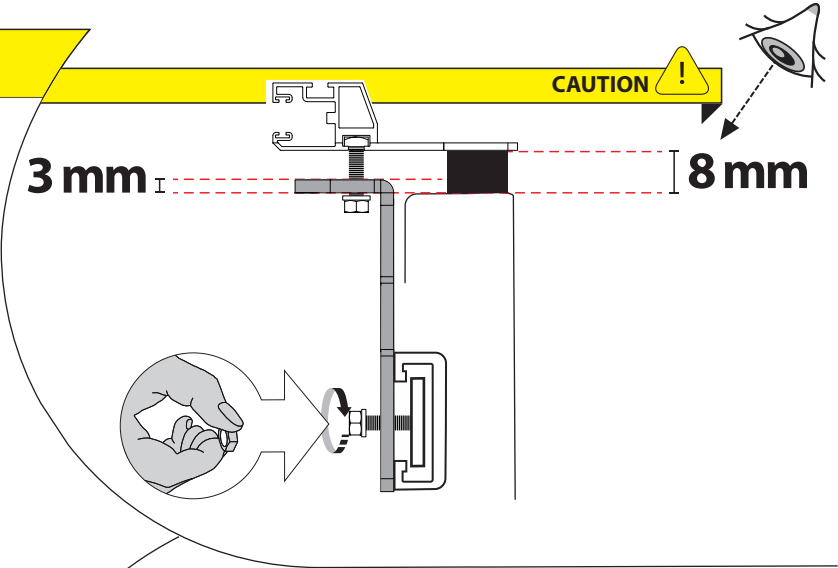
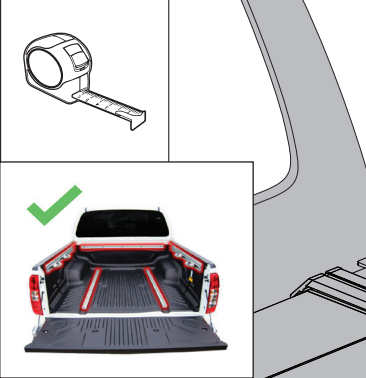
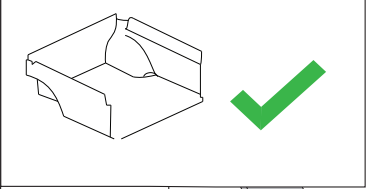
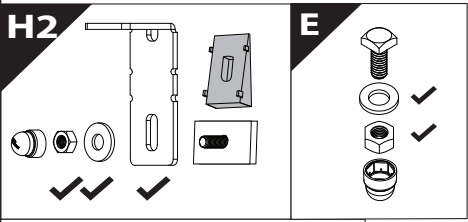
H2

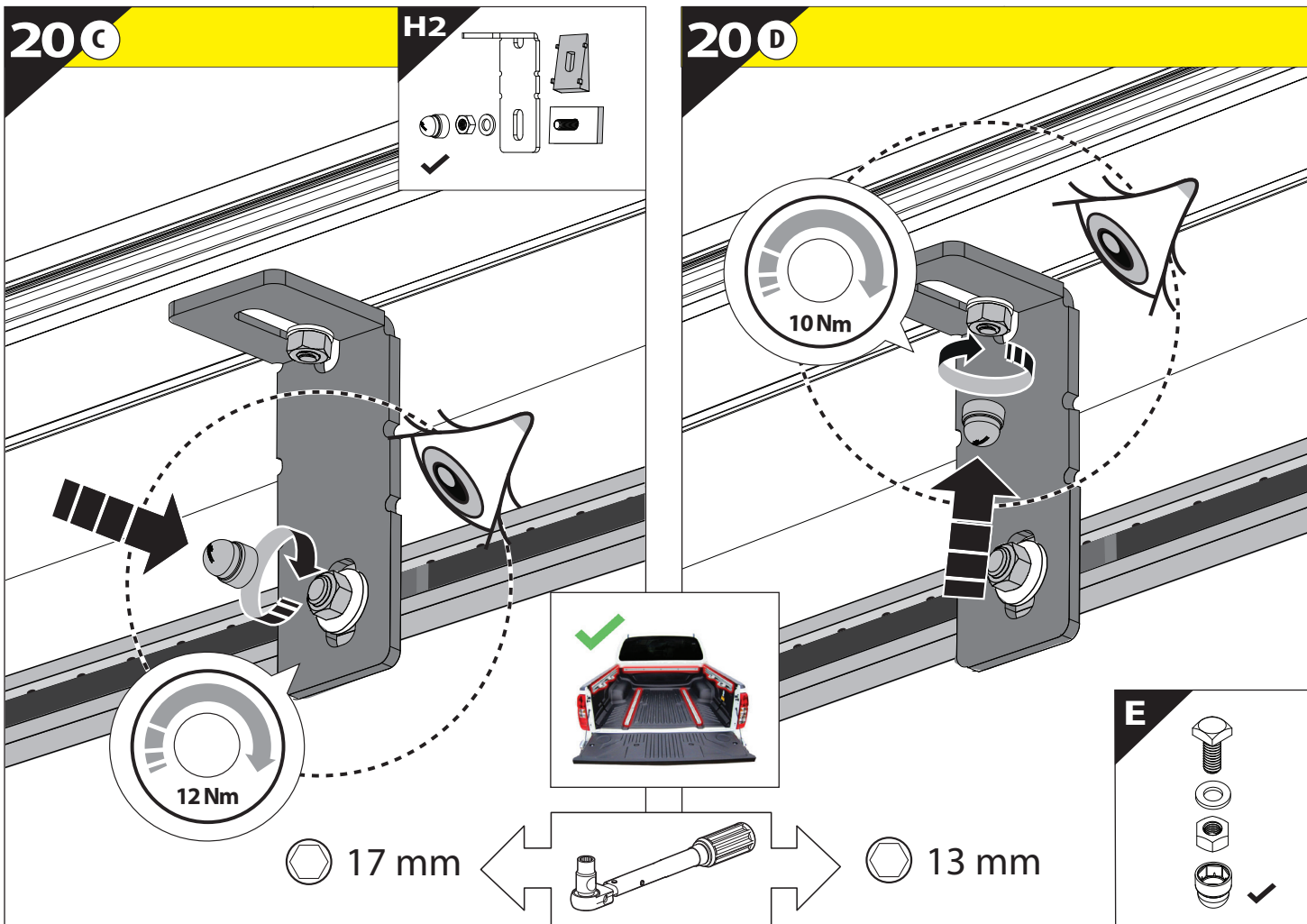


x2

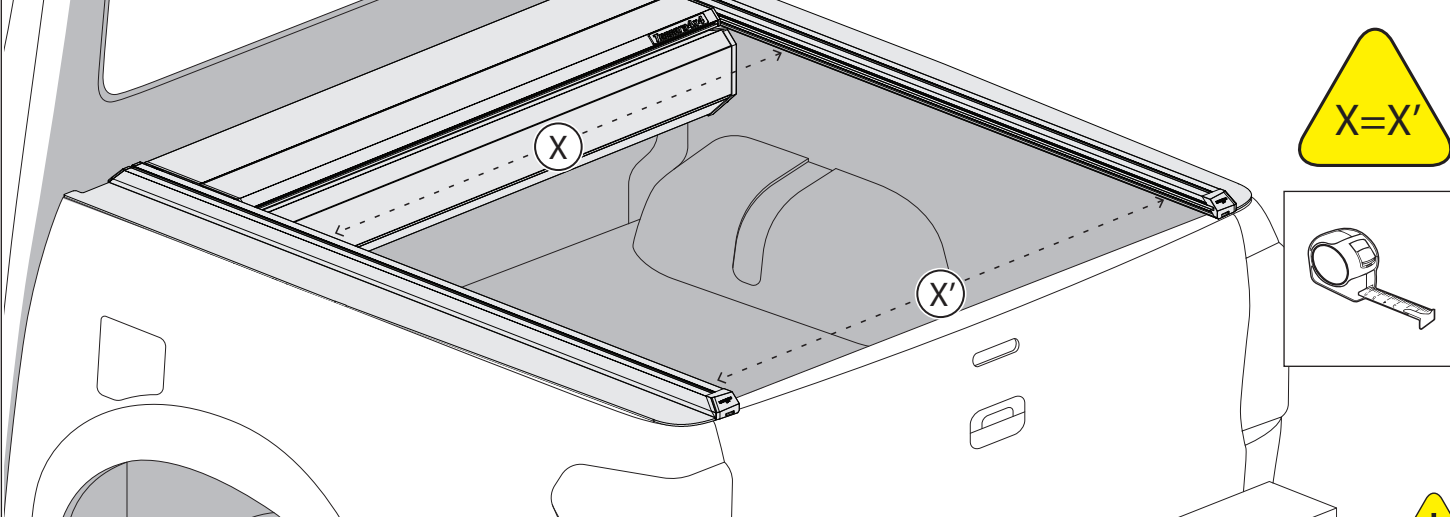


20 B

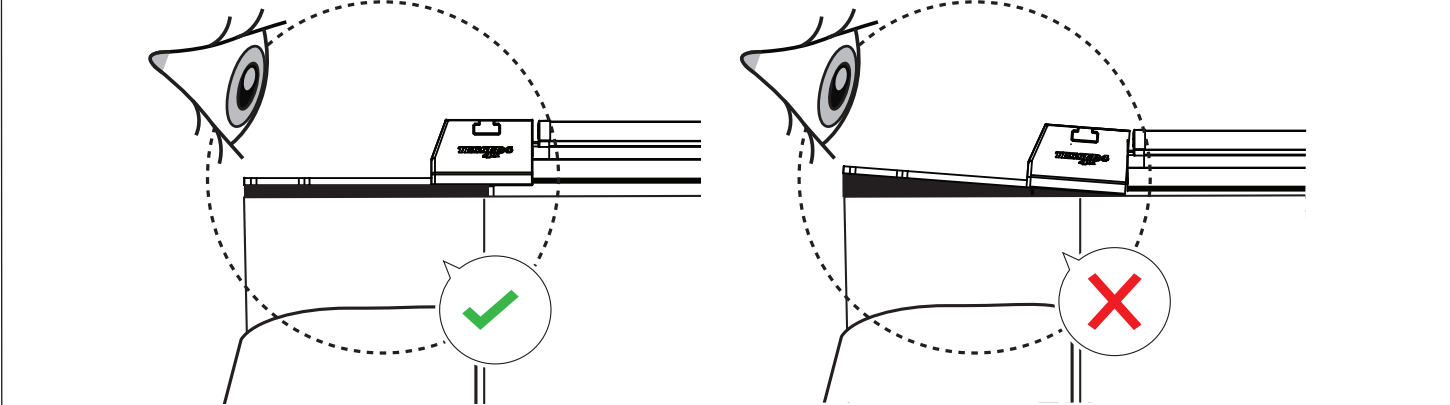




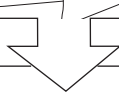
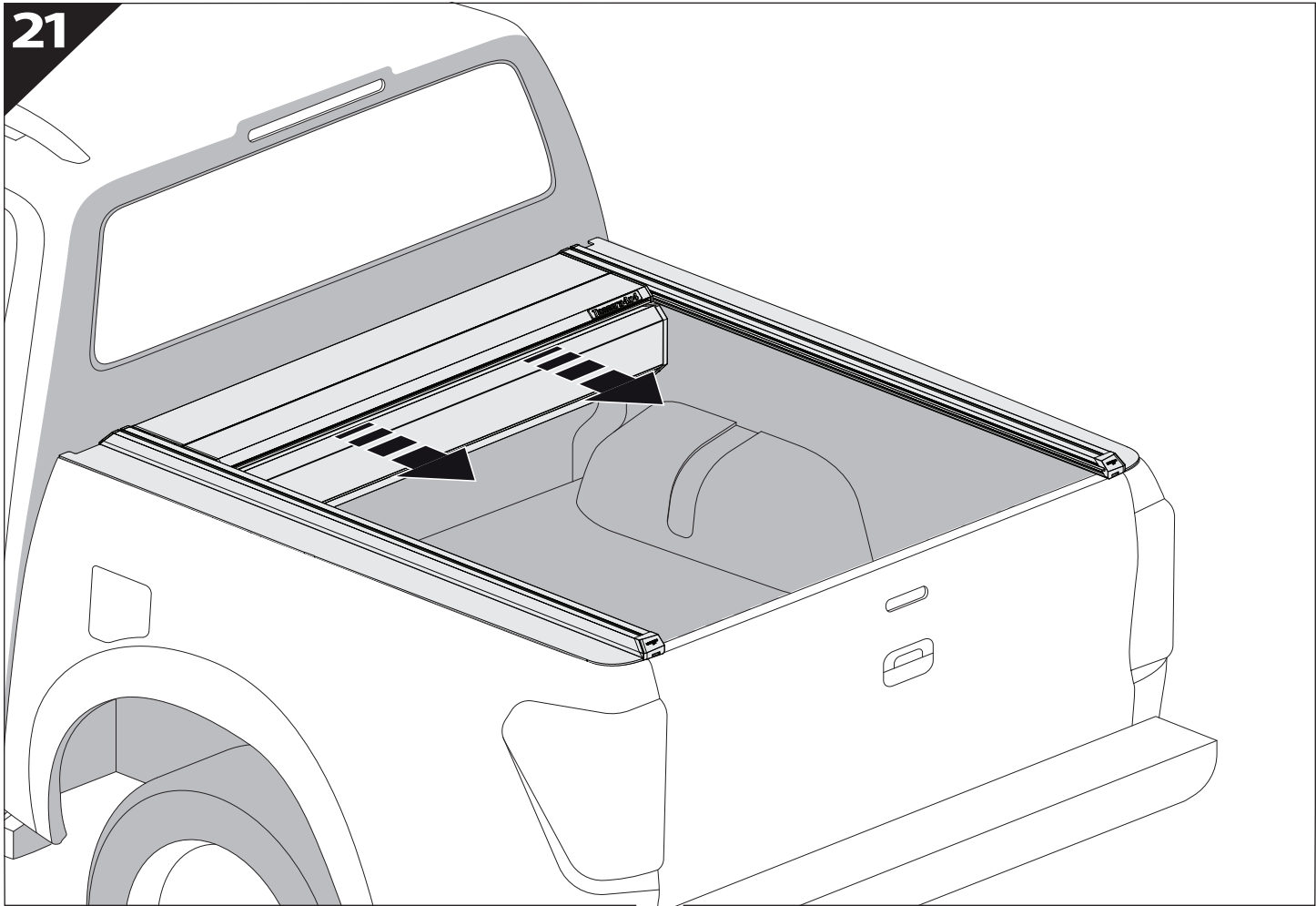
CAUTION !



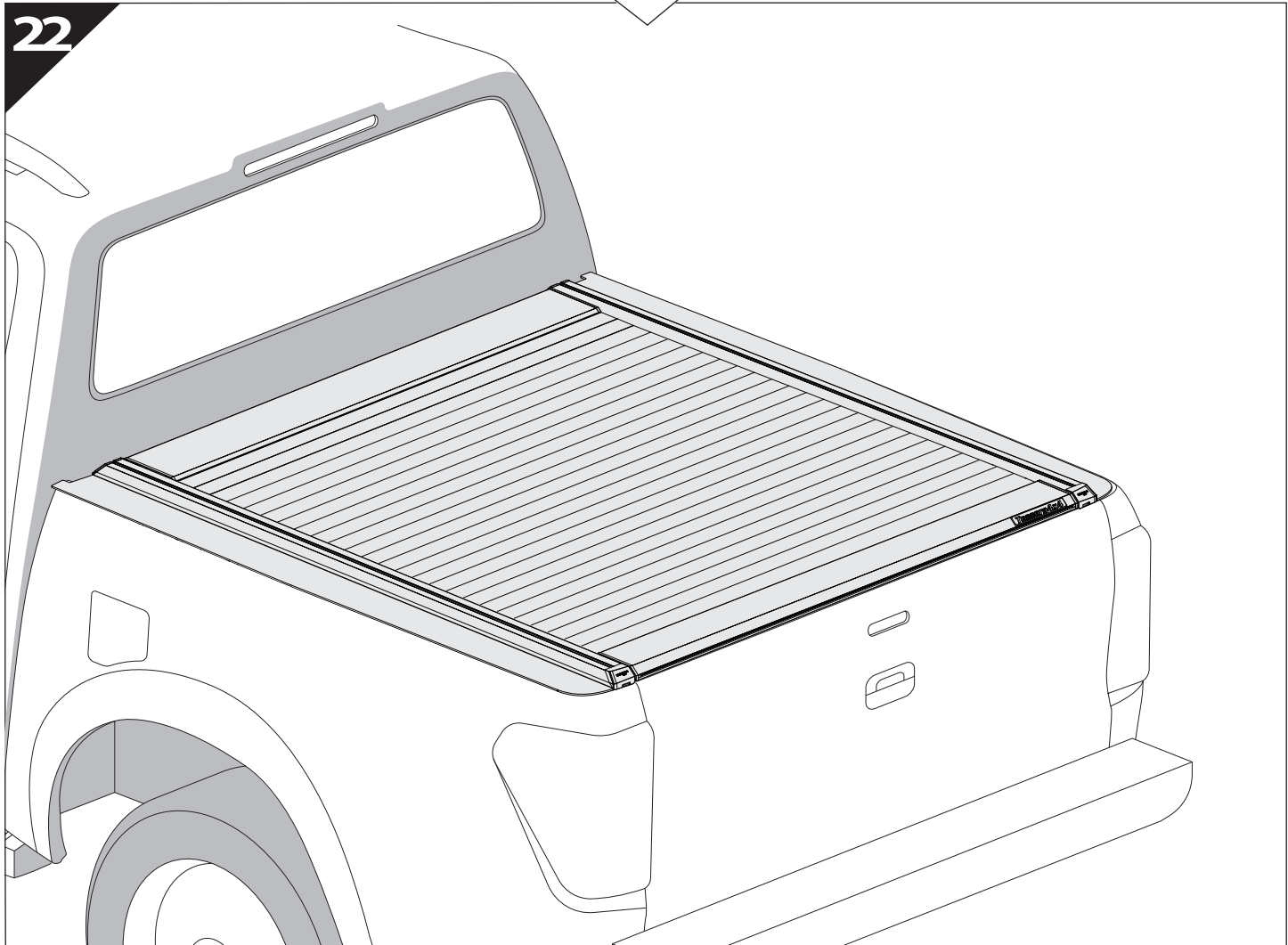
CAUTION !



21



22



GR: Οδηγίες Εγκατάστασης
GB: Installation manual
SF: Asennusohje
F: Notice de montage
PL: Instrukcja montażu
NL: Installatie-instructies
TR: Montaj Talimatı
S: Monteringsanvisning
E: Instrucciones de montaje

H: Szerelési utasítás
P: Instruções de instalação
RUS: Инструкция по установке
N: Monteringsveiledning
D: Einbauanleitung
CZ: Návod k instalaci
I: Istruzioni di montaggio
DK: Monteringsvejledning
RO: Instructiuni de instalare

Customer Service:

+30 (210) 5541161, +30 (210) 5541154 (08:00 - 16:00 EET)

Support department:

info@gianso.gr

Website:

www.tessera4x4.com

Address:

19.5 km of National road Athens-Korinthos (Elefsina) Greece, P.C: 19200