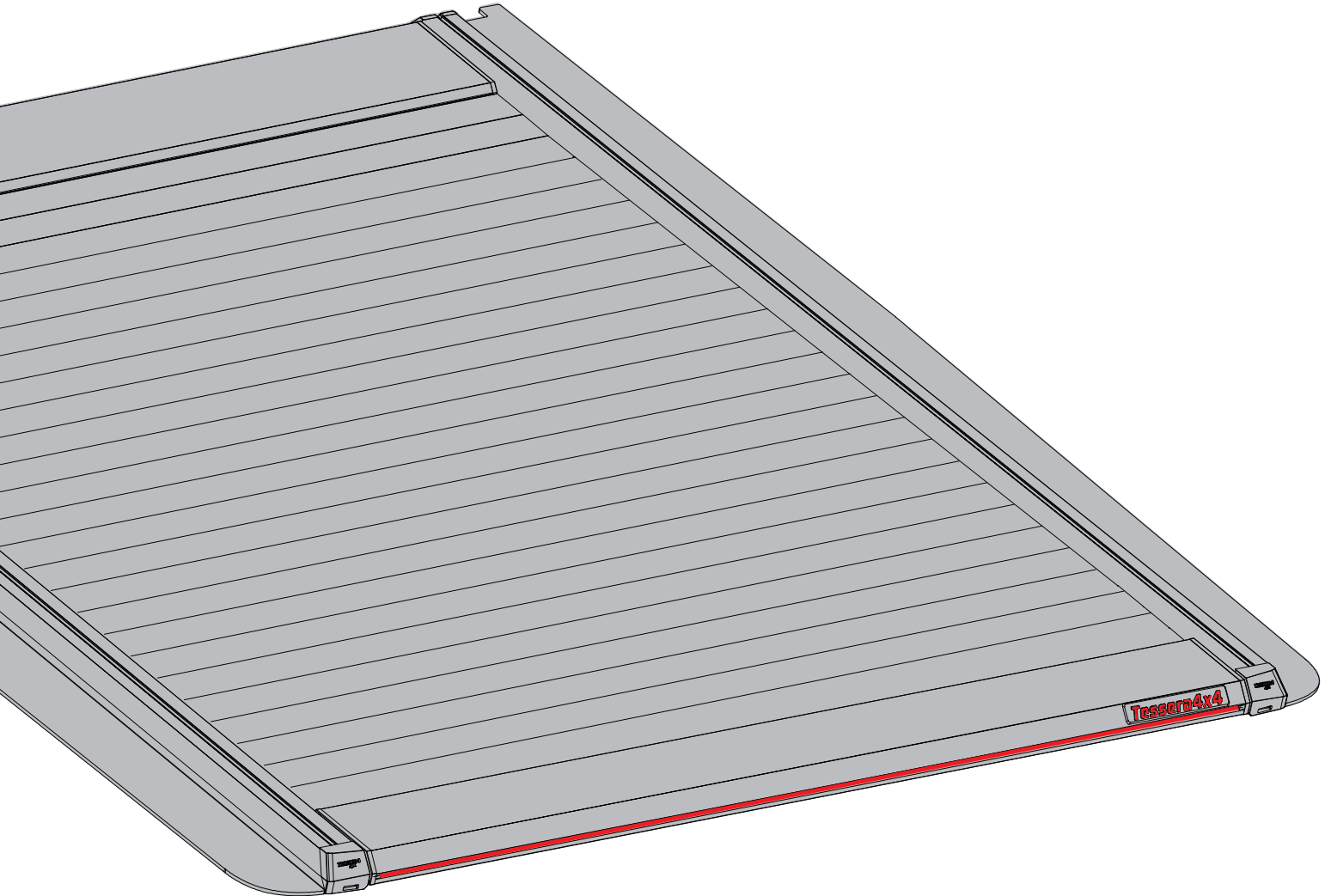


# Tessera Roll+

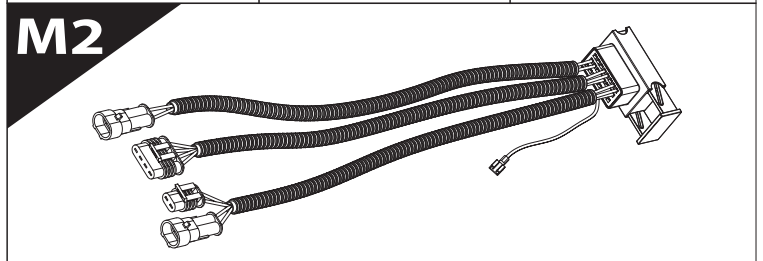
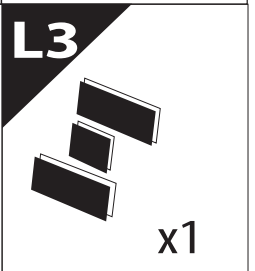
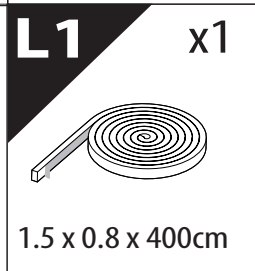
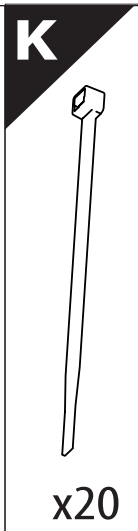
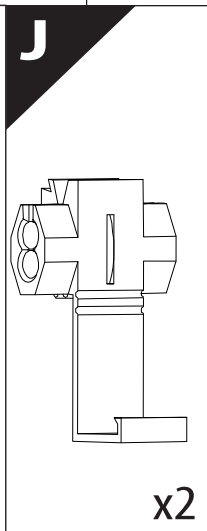
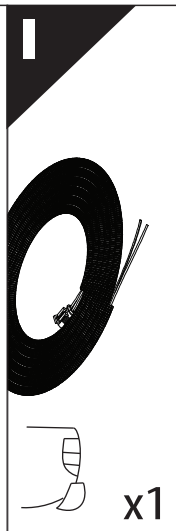
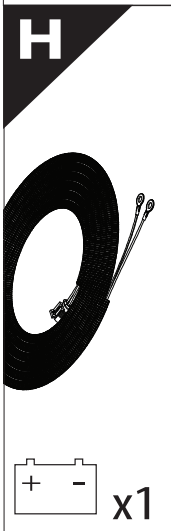
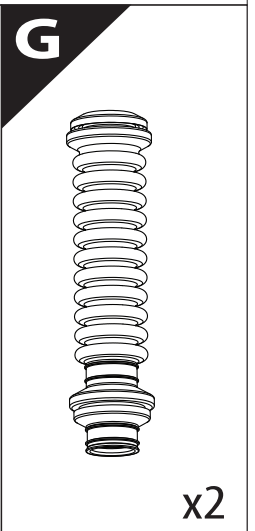
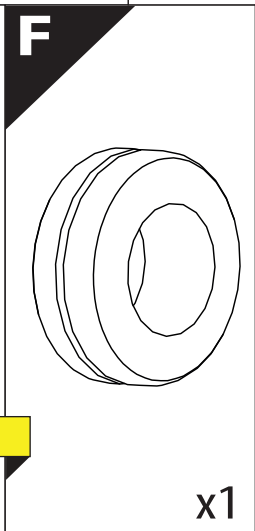
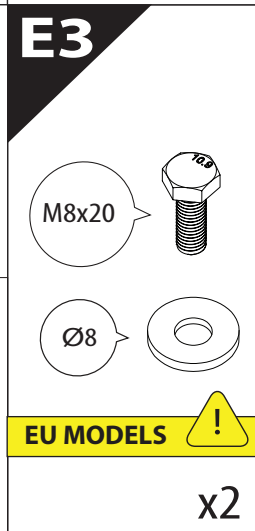
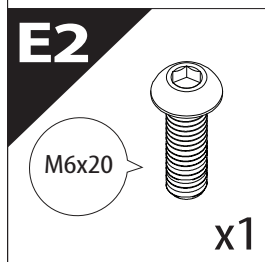
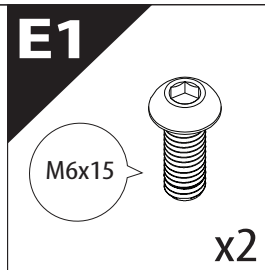
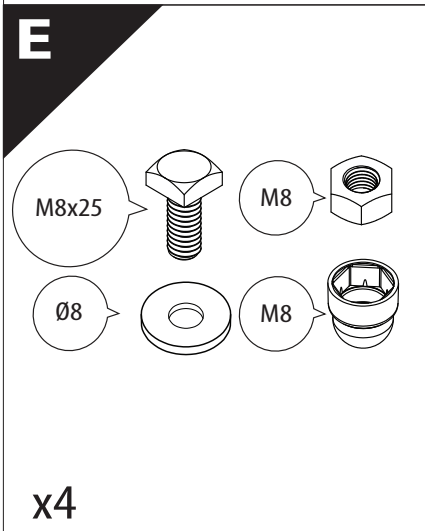
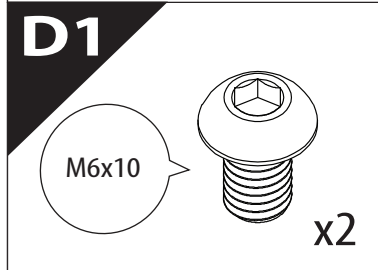
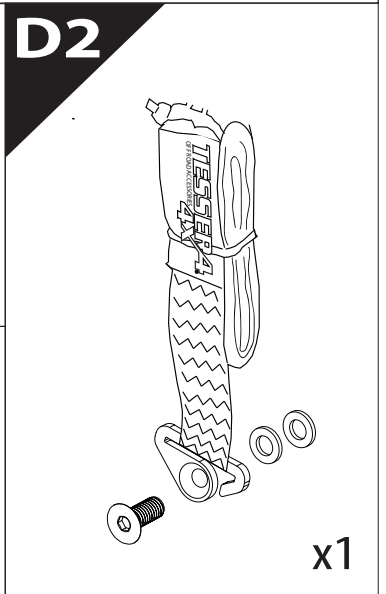
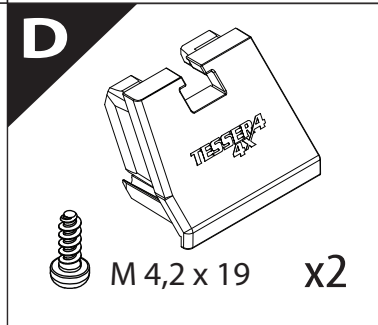
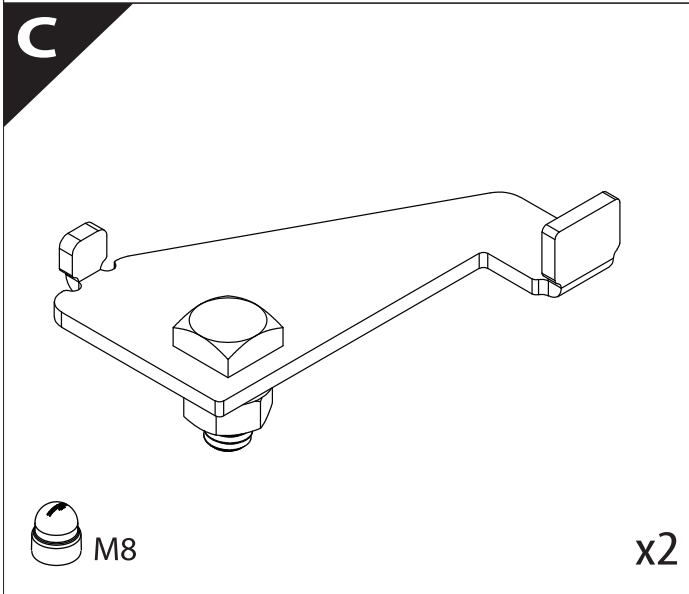
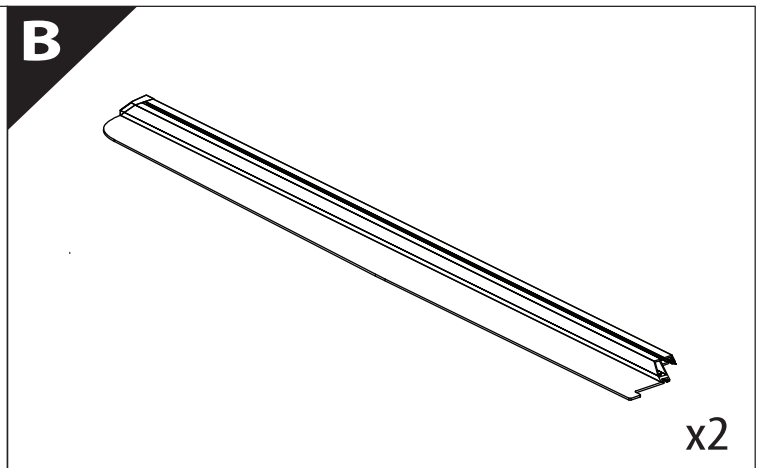
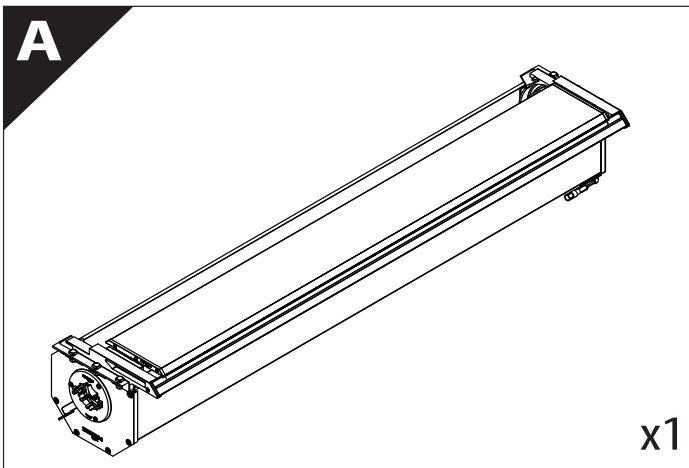
## Basic Version + ⚡ E-KIT



## Installation Manual

PART NUMBER(S)	Model Year
TESS 14062 ROLL+E-KIT	FORD RANGER 2025+ PHEV (P 703) (with and without c-channels)
Cab(s)	Installation Time / Weight
Double Cab	40-60 minutes / 53-57 kg





**N1**

Ø10  
M10  
M10

x2

**N2**

M10

x2

**O**

x1

**O1**

x1

**P**

x1

**Q**

x1

**R**

x1

**S**

x1

**T**

US MODELS !

x2

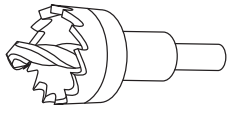
**U**

x2

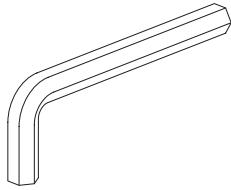
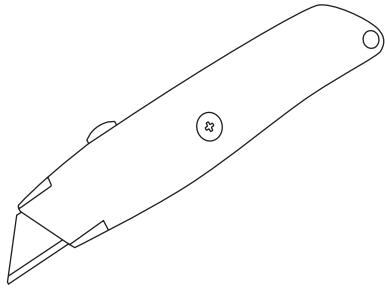
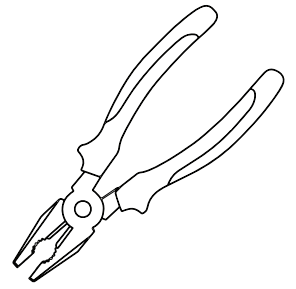
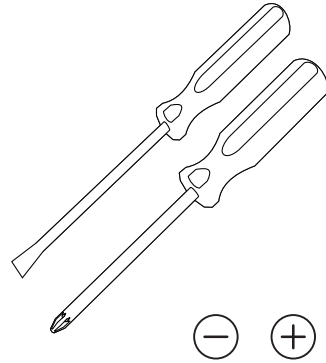
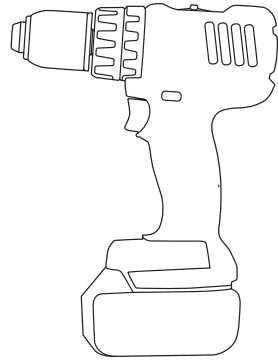
**V**

TESSERA  
OFF ROAD ACCESSORIES  
www.tessera-uk.gr

x2

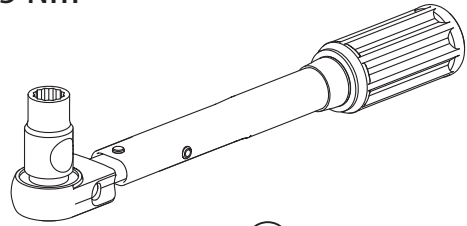


Ø 25 mm



4 mm

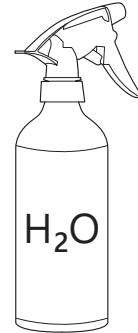
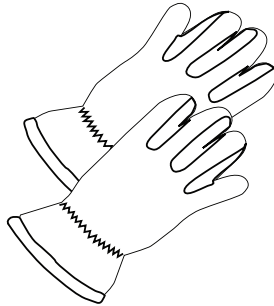
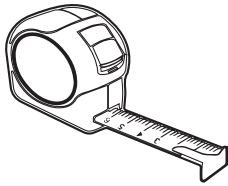
1 - 25 Nm



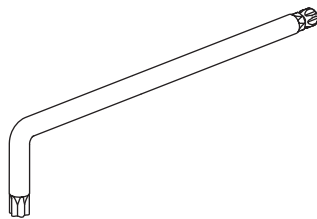
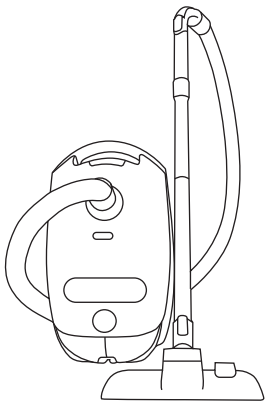
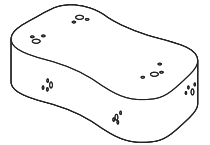
10, 12, 13, 17 mm



ACETONE



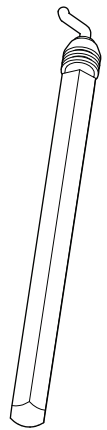
H<sub>2</sub>O



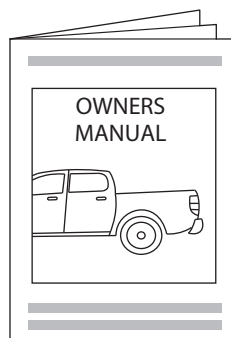
T30, T40



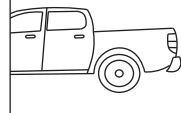
ANTI-RUST



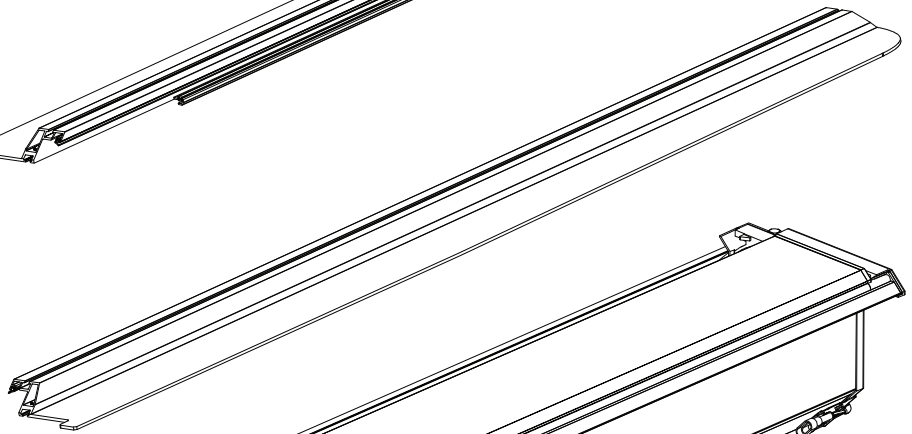
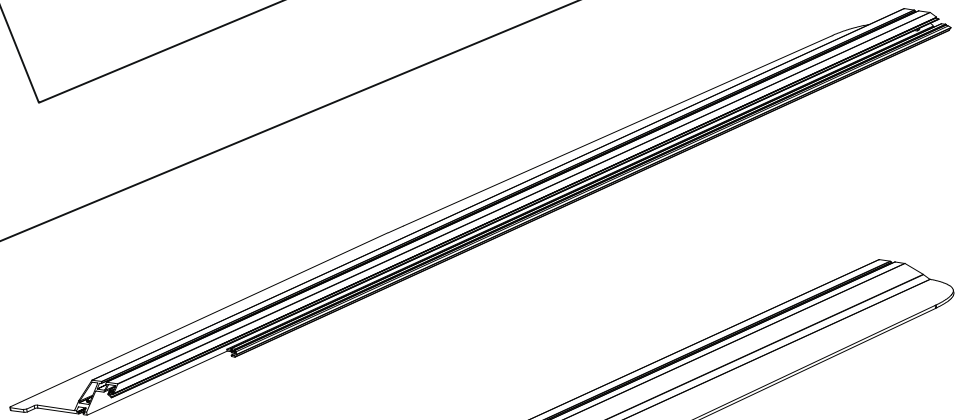
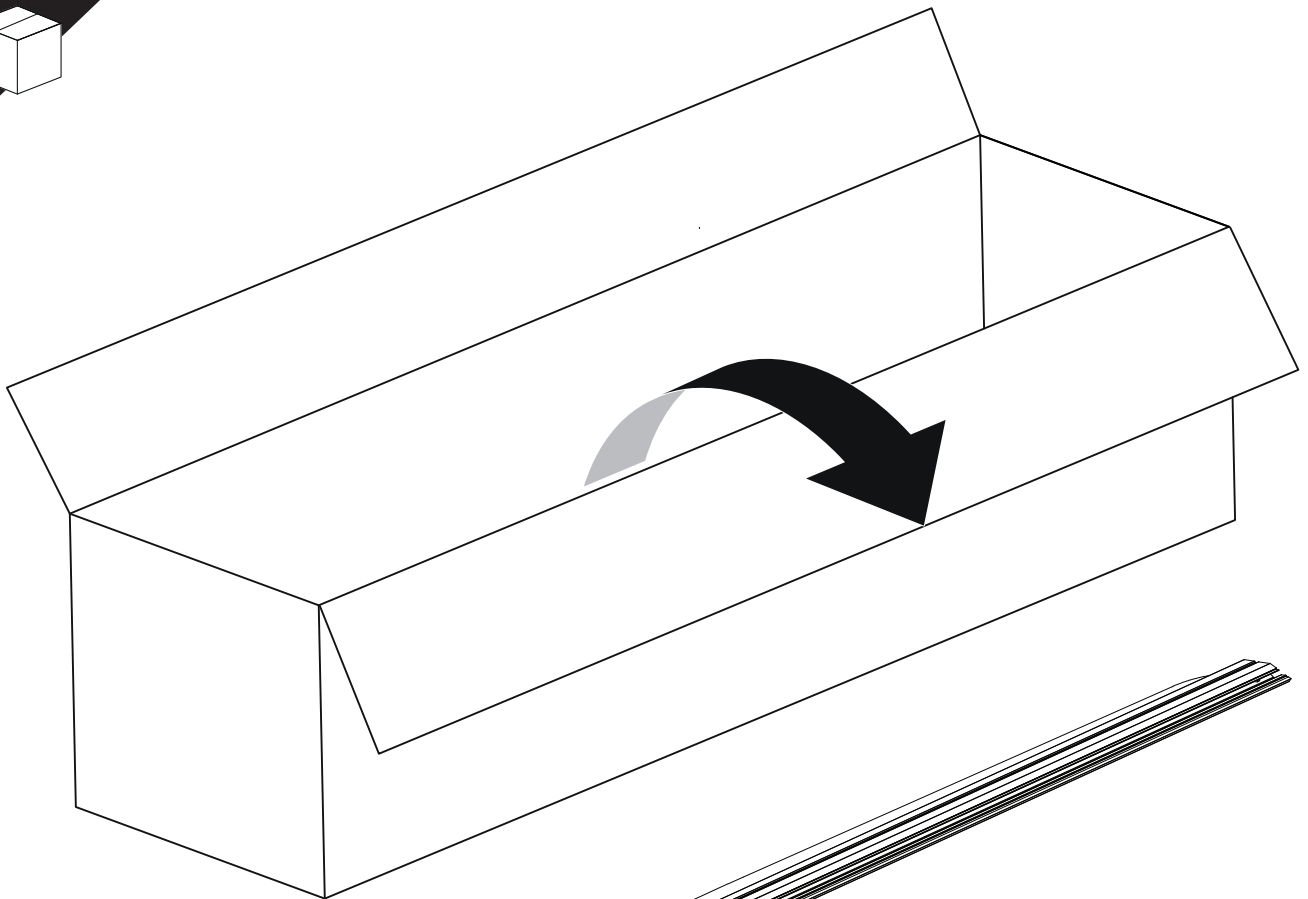
INSTALATION  
MANUAL  
+E-KIT



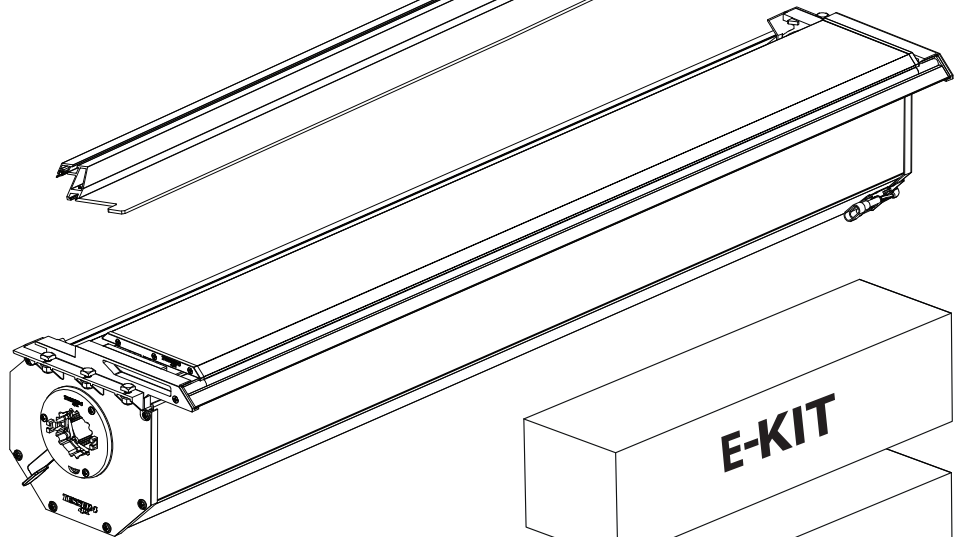
OWNERS  
MANUAL



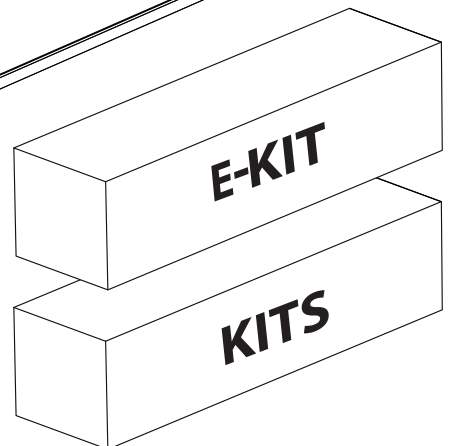
x1



**B**

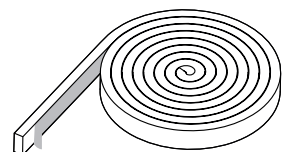


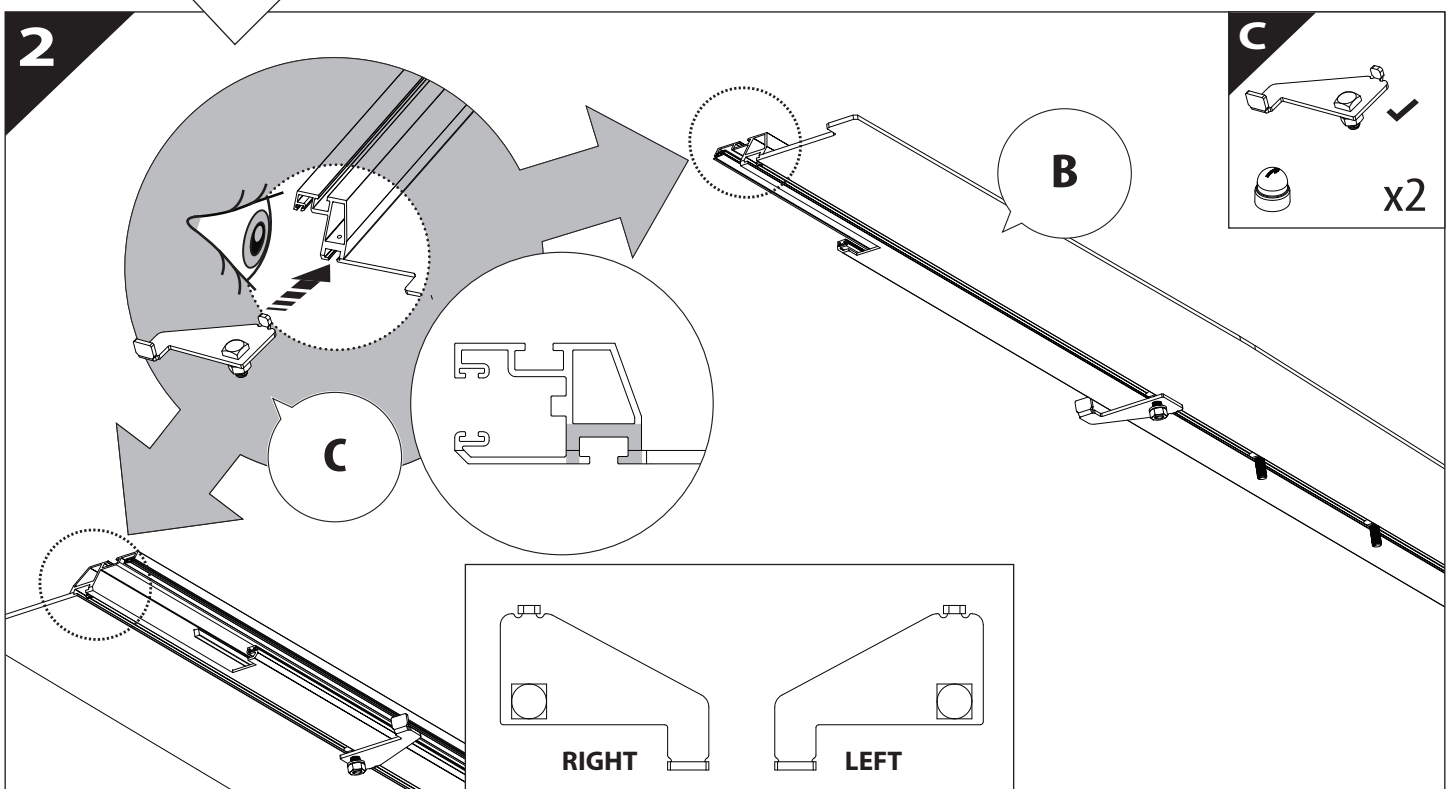
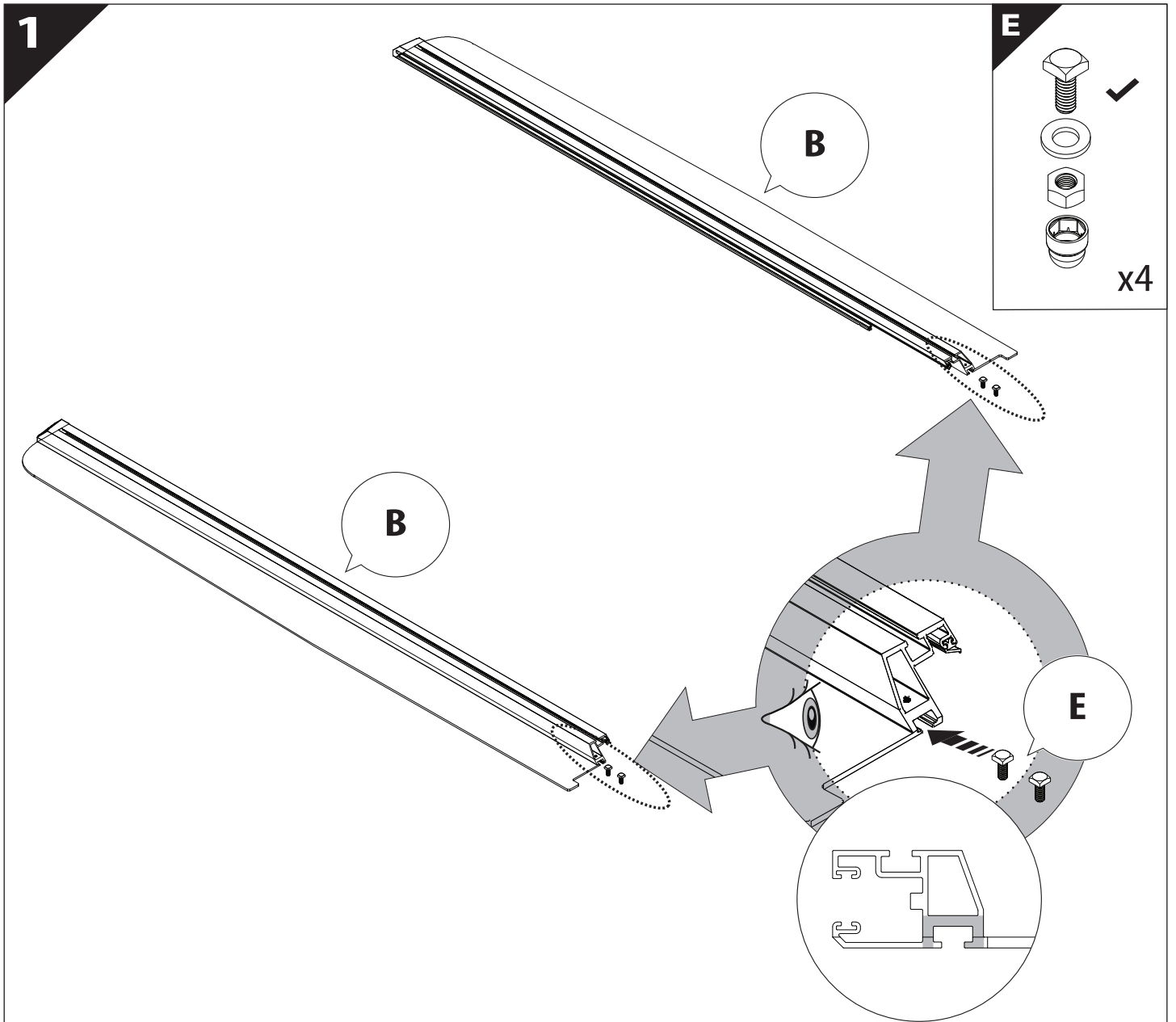
**A**



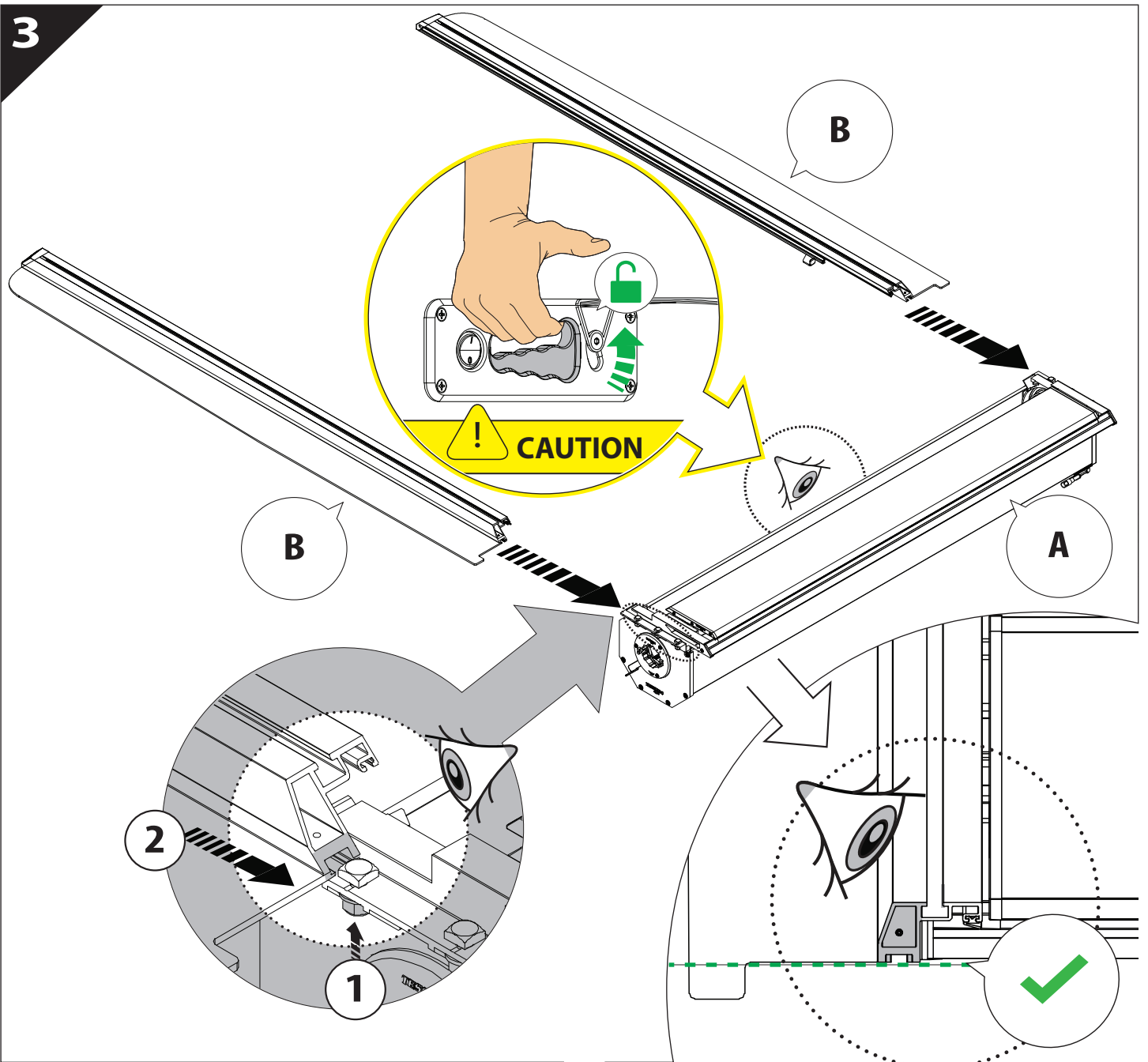
**KITS**

**L**

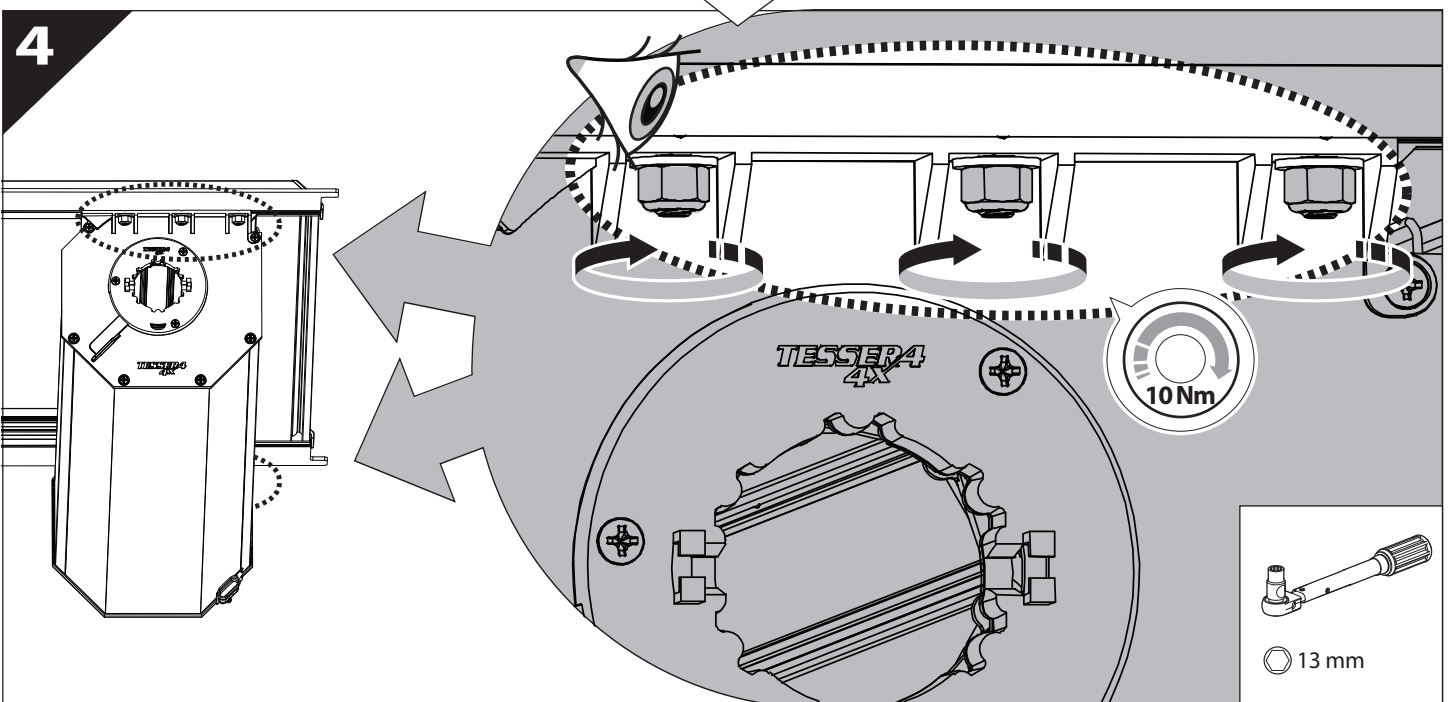


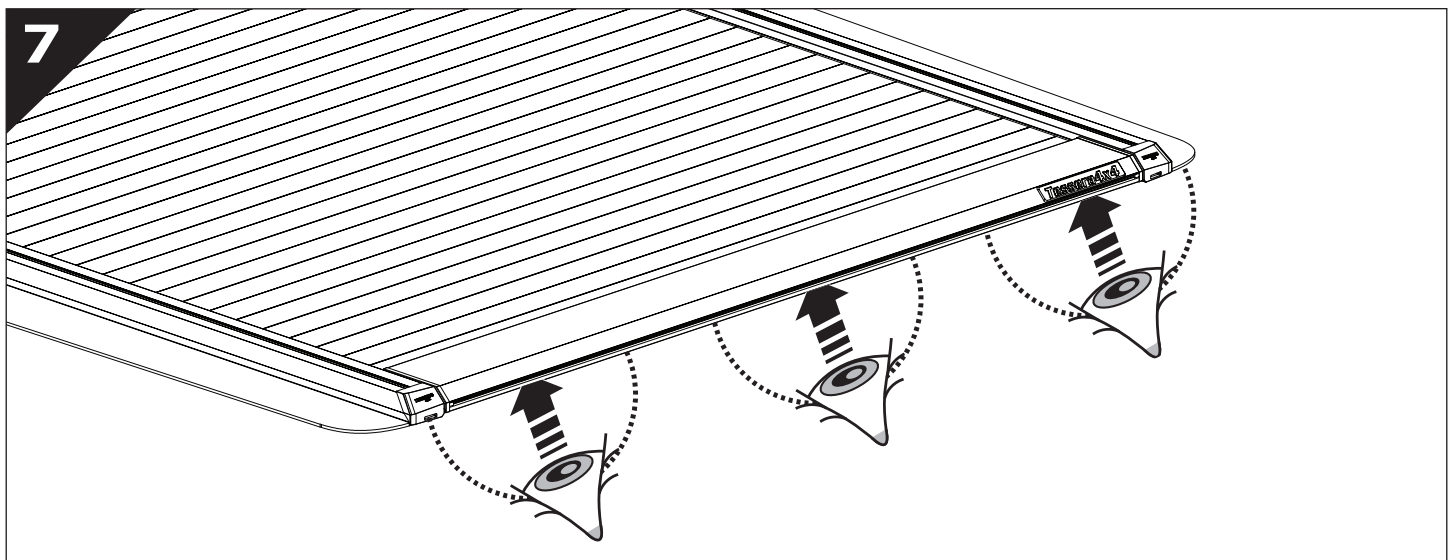
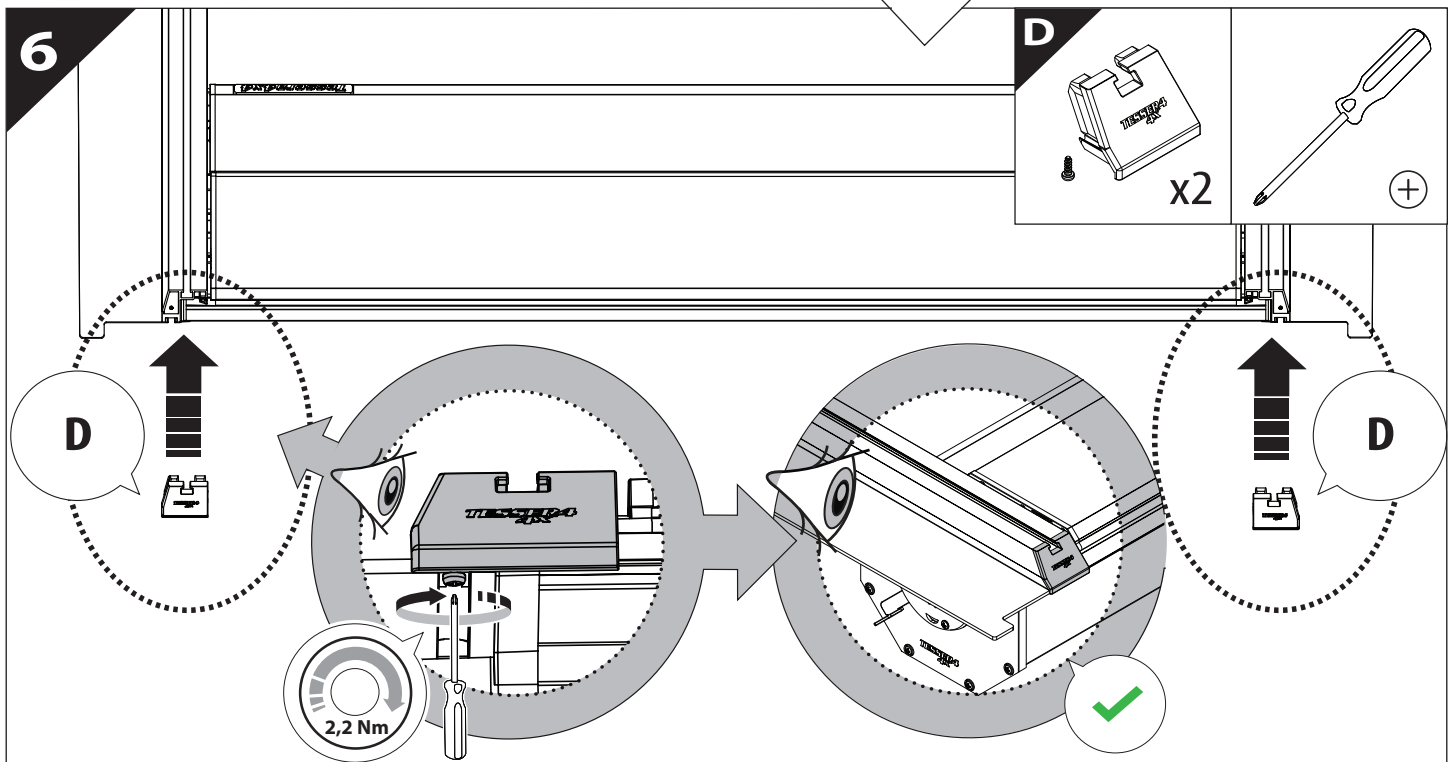
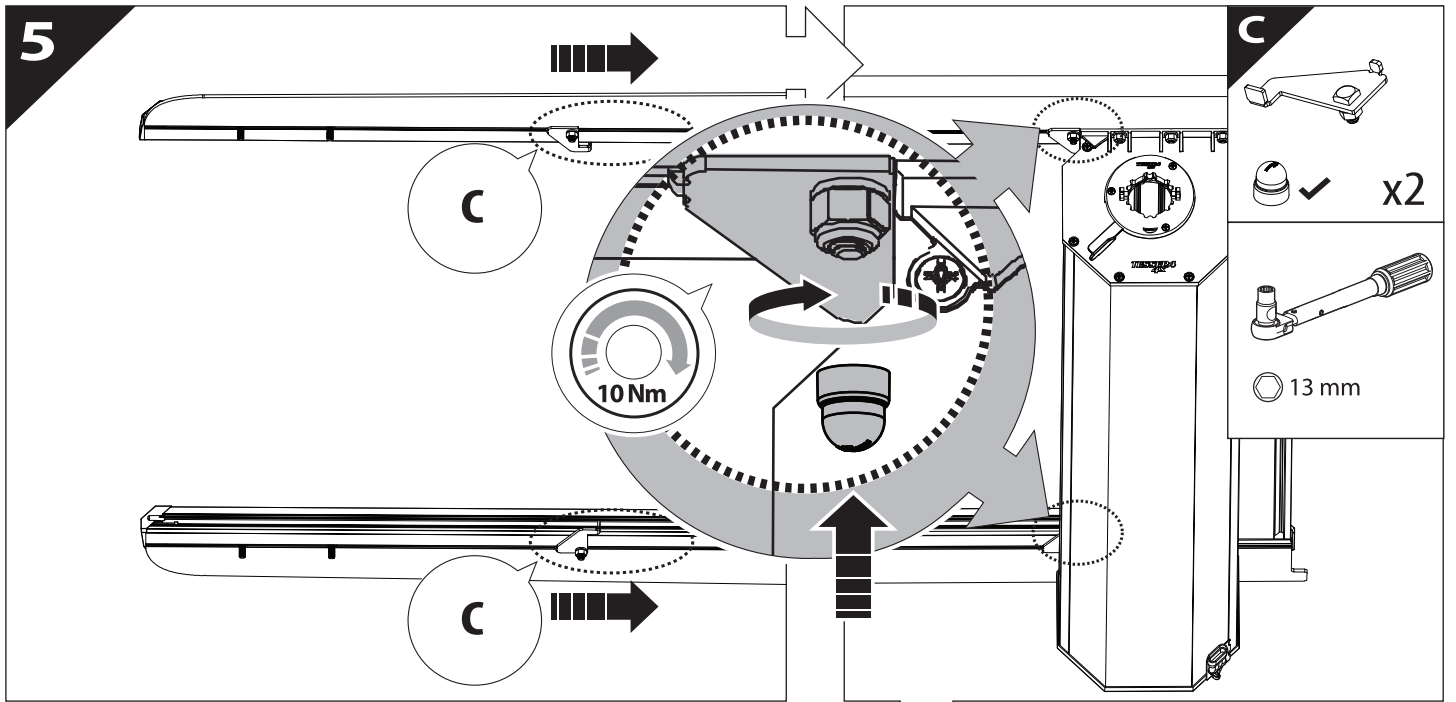


3



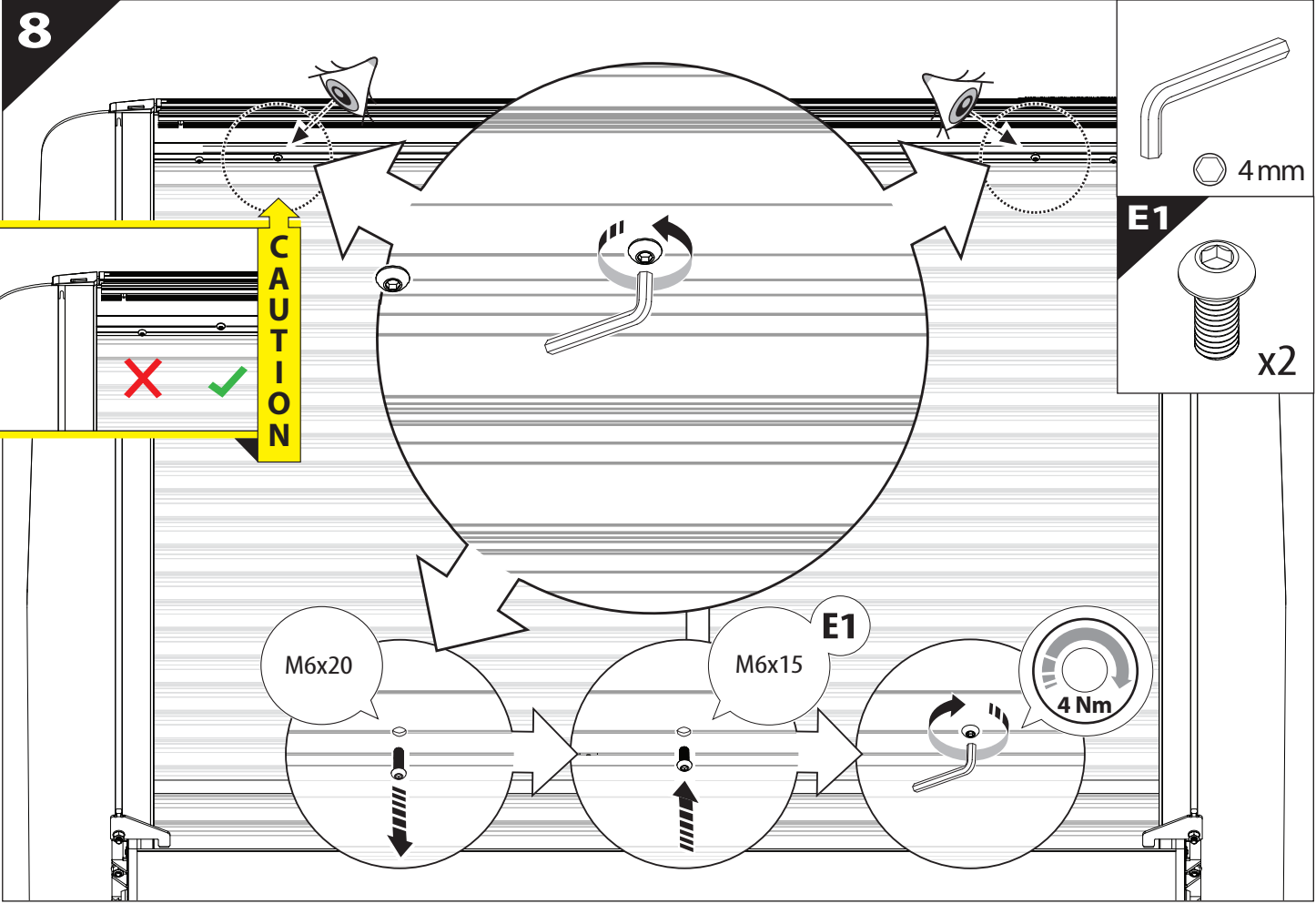
4





8

**CAUTION**



**E1**

4mm

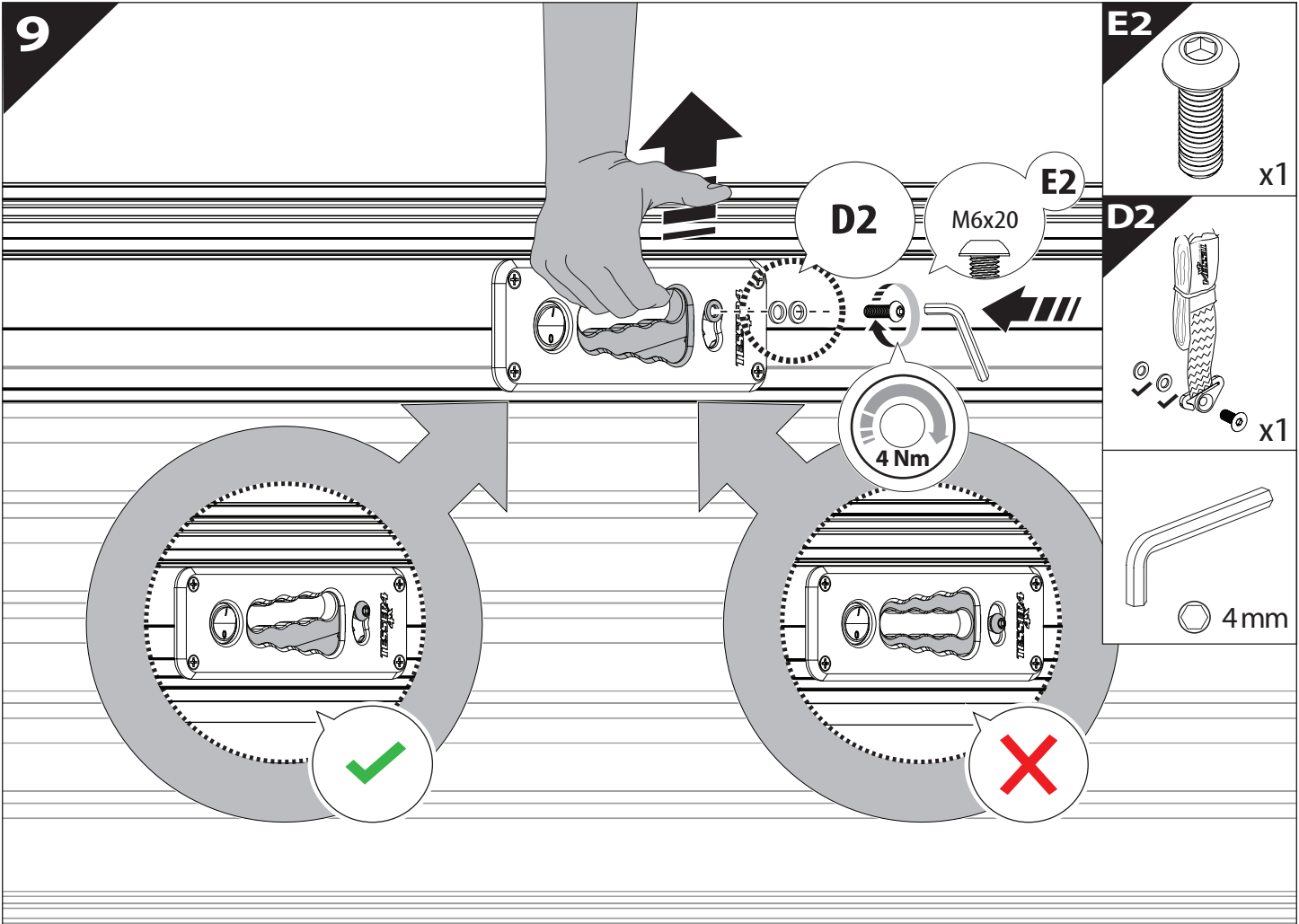
x2

M6x20

M6x15 **E1**

4 Nm

9



**E2**

x1

**D2**

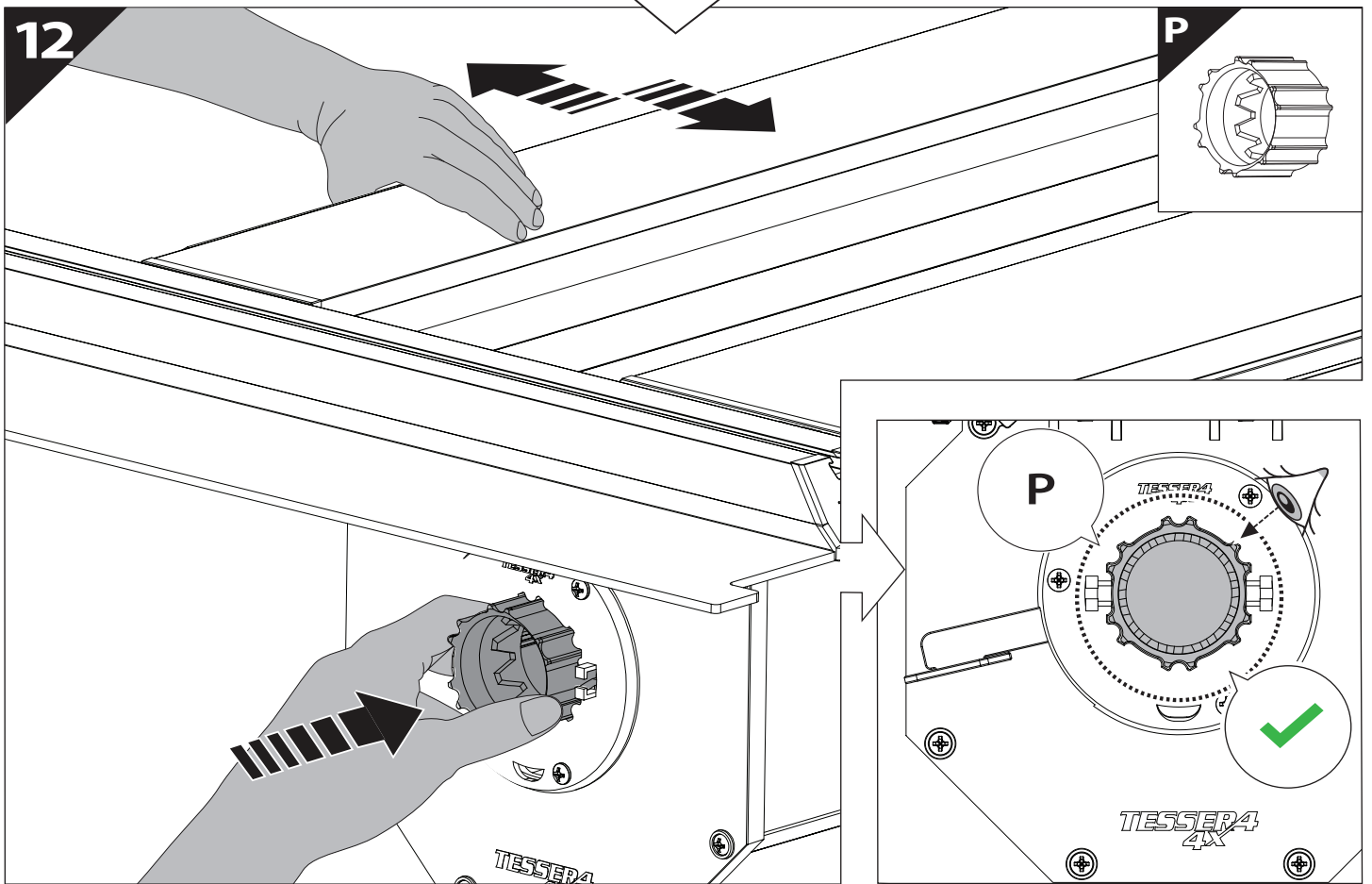
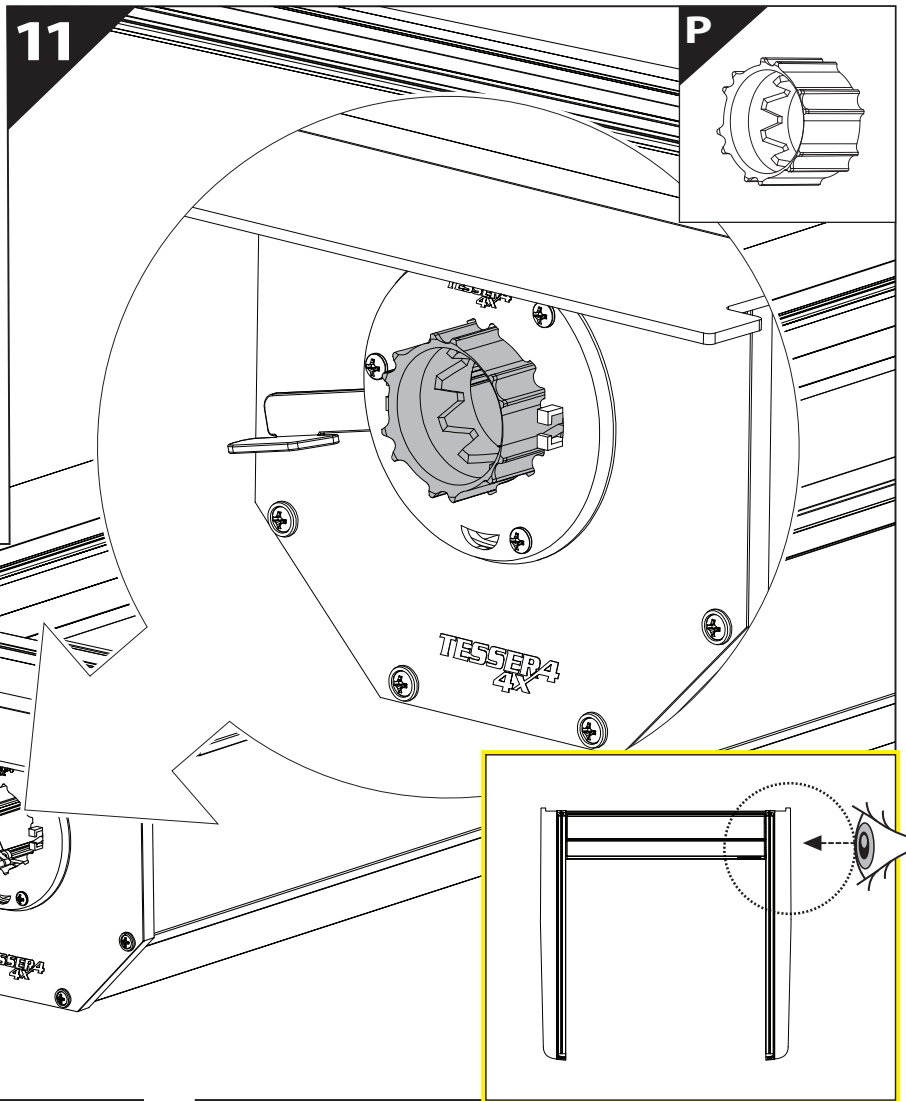
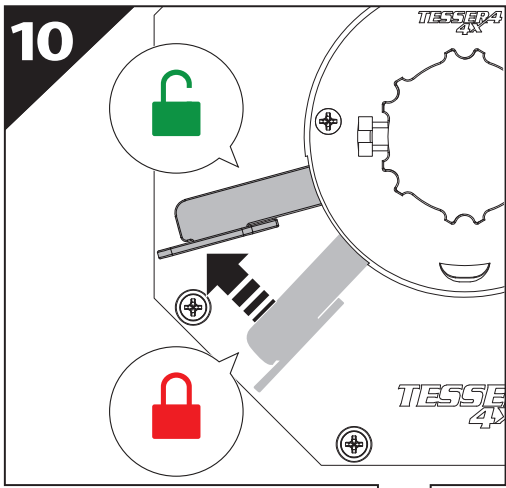
x1

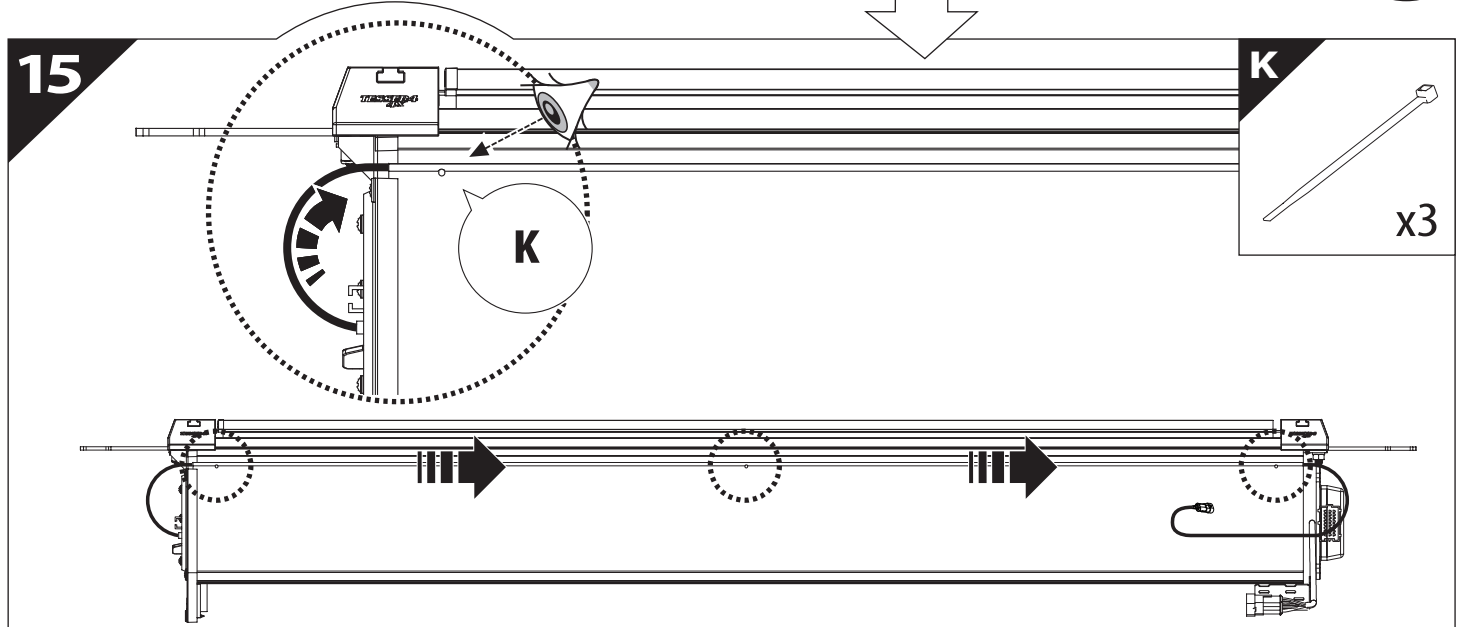
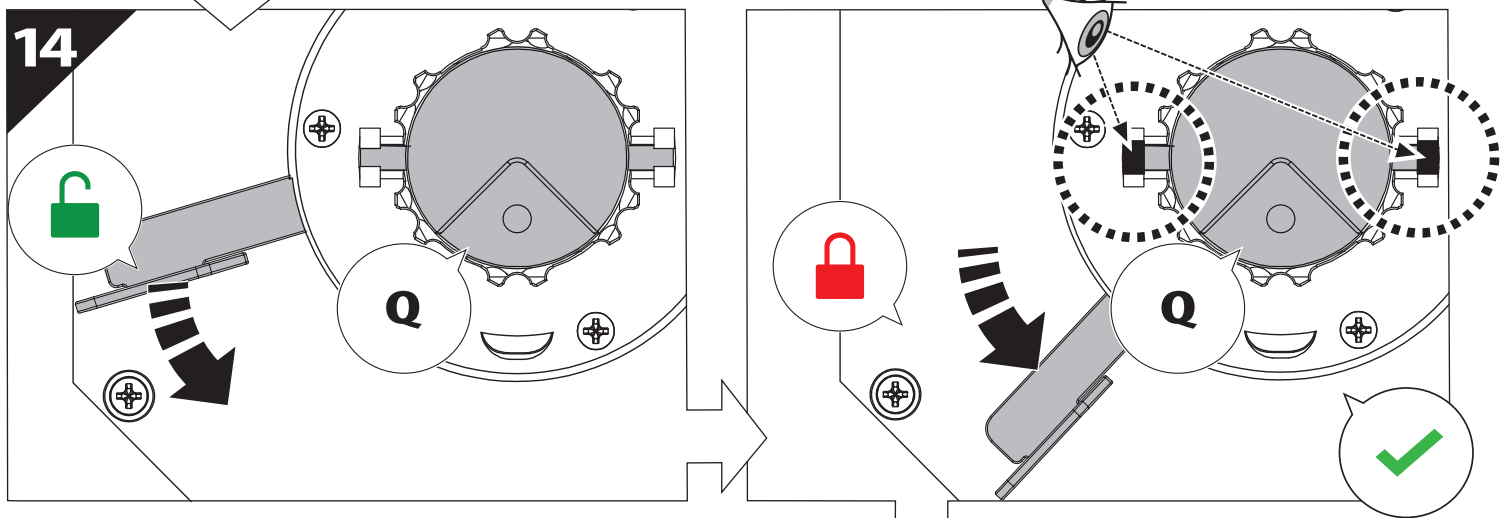
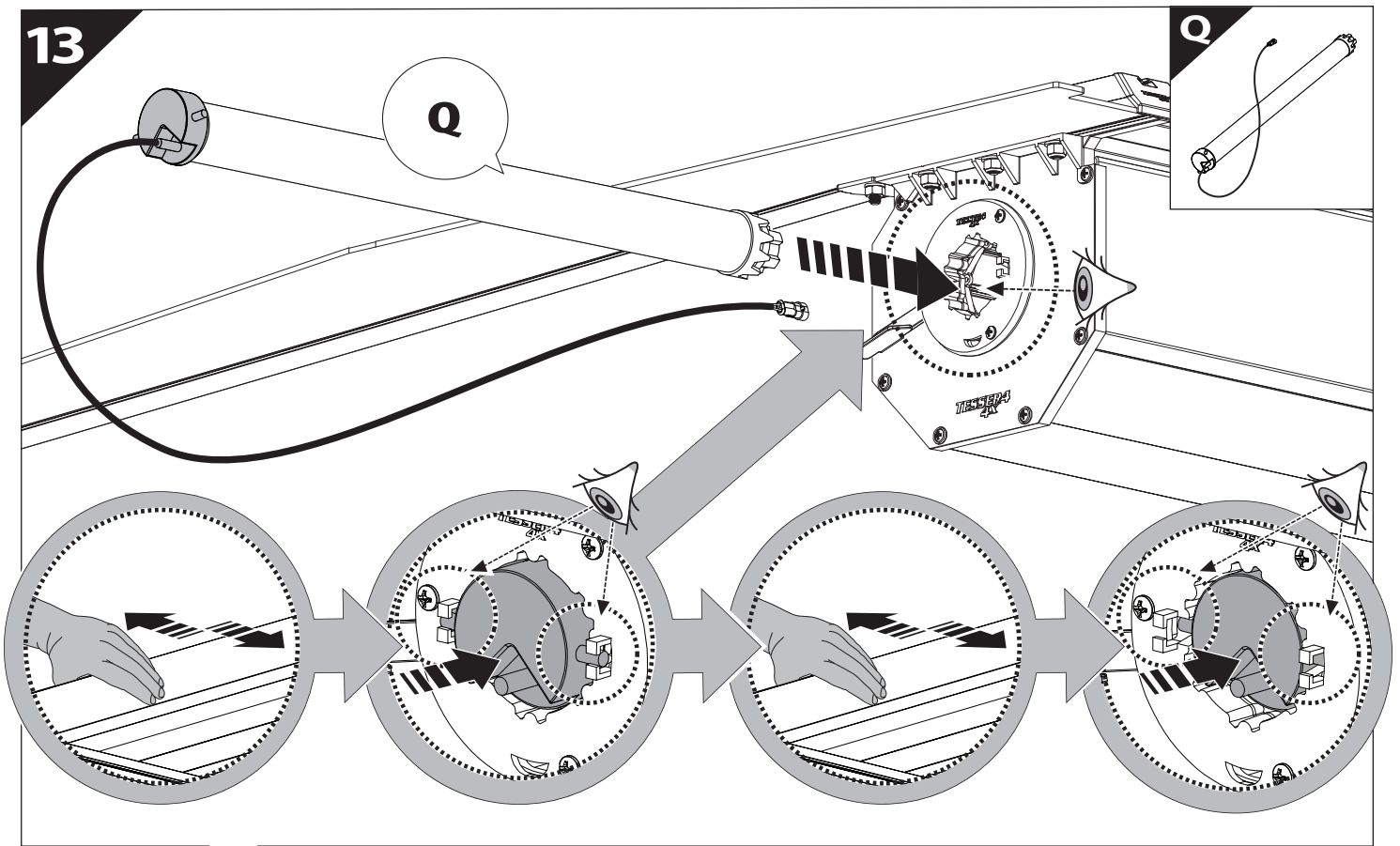
4mm

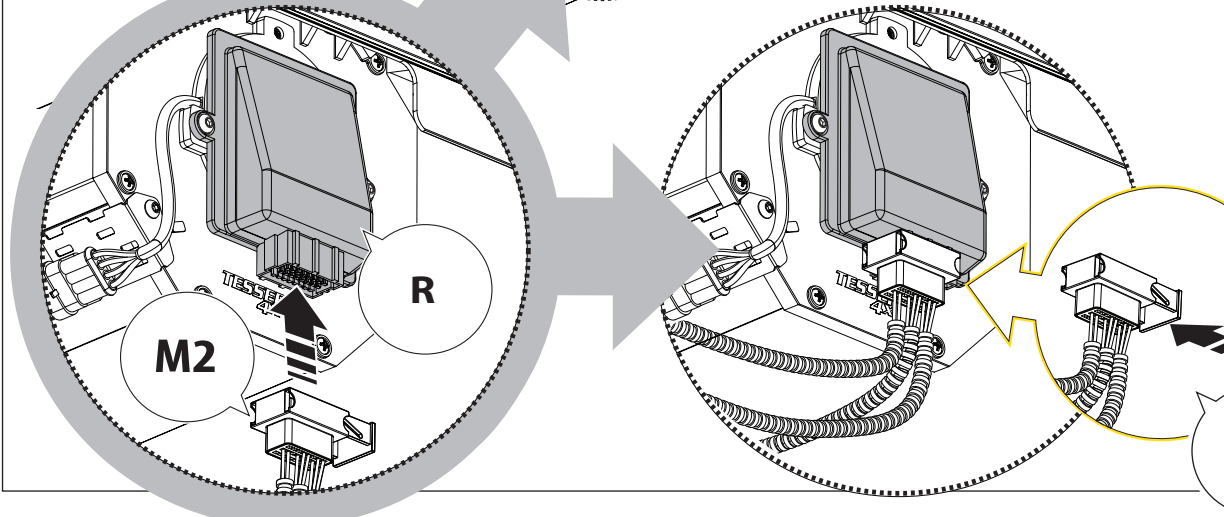
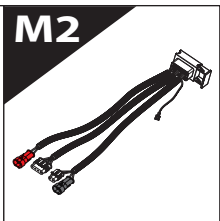
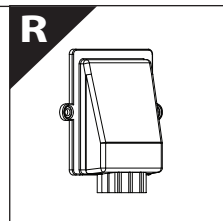
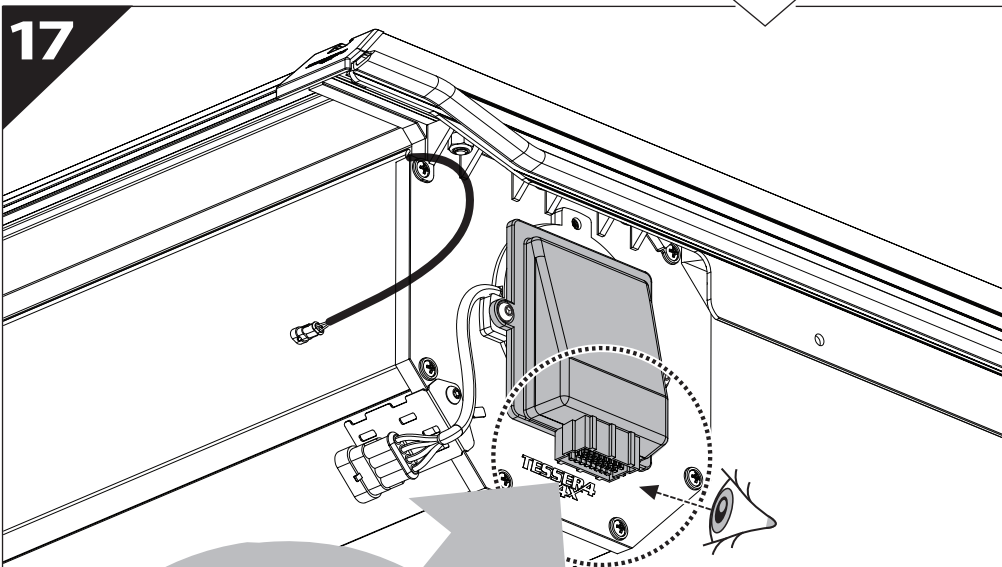
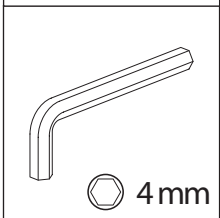
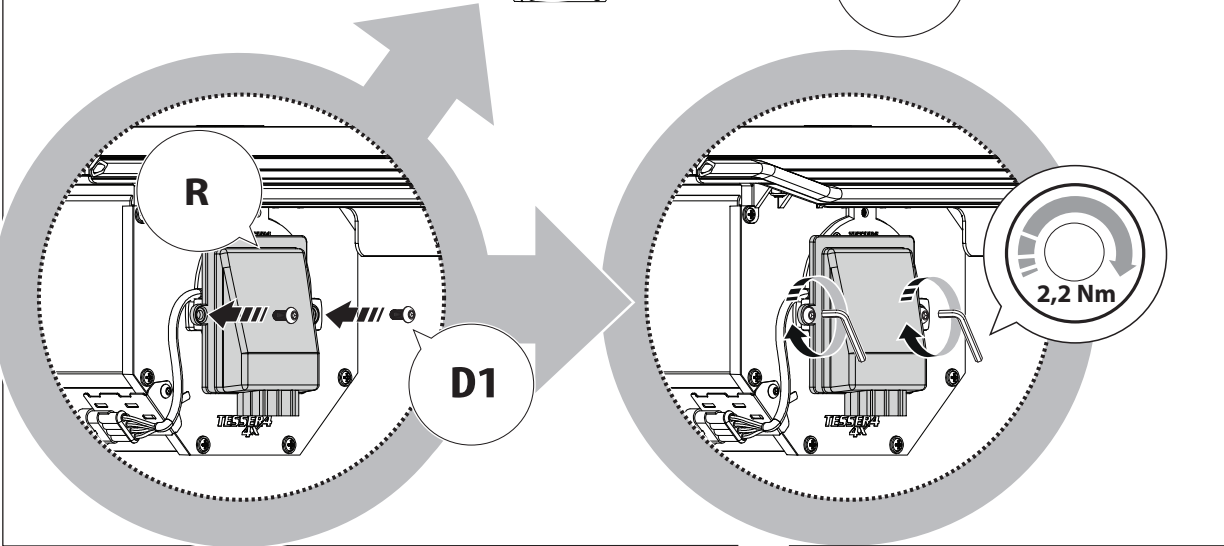
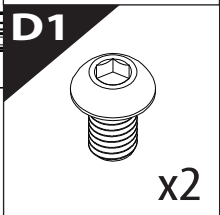
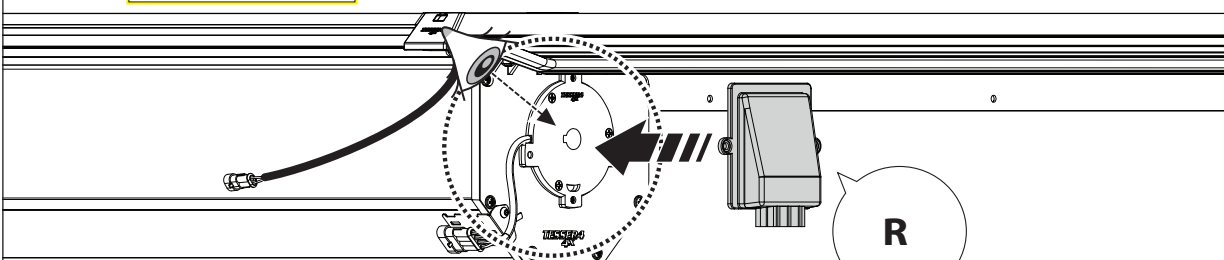
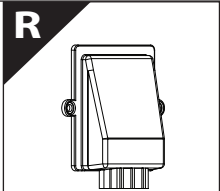
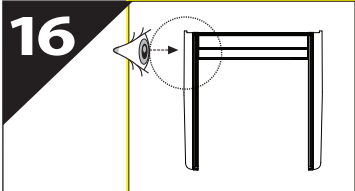
**D2**

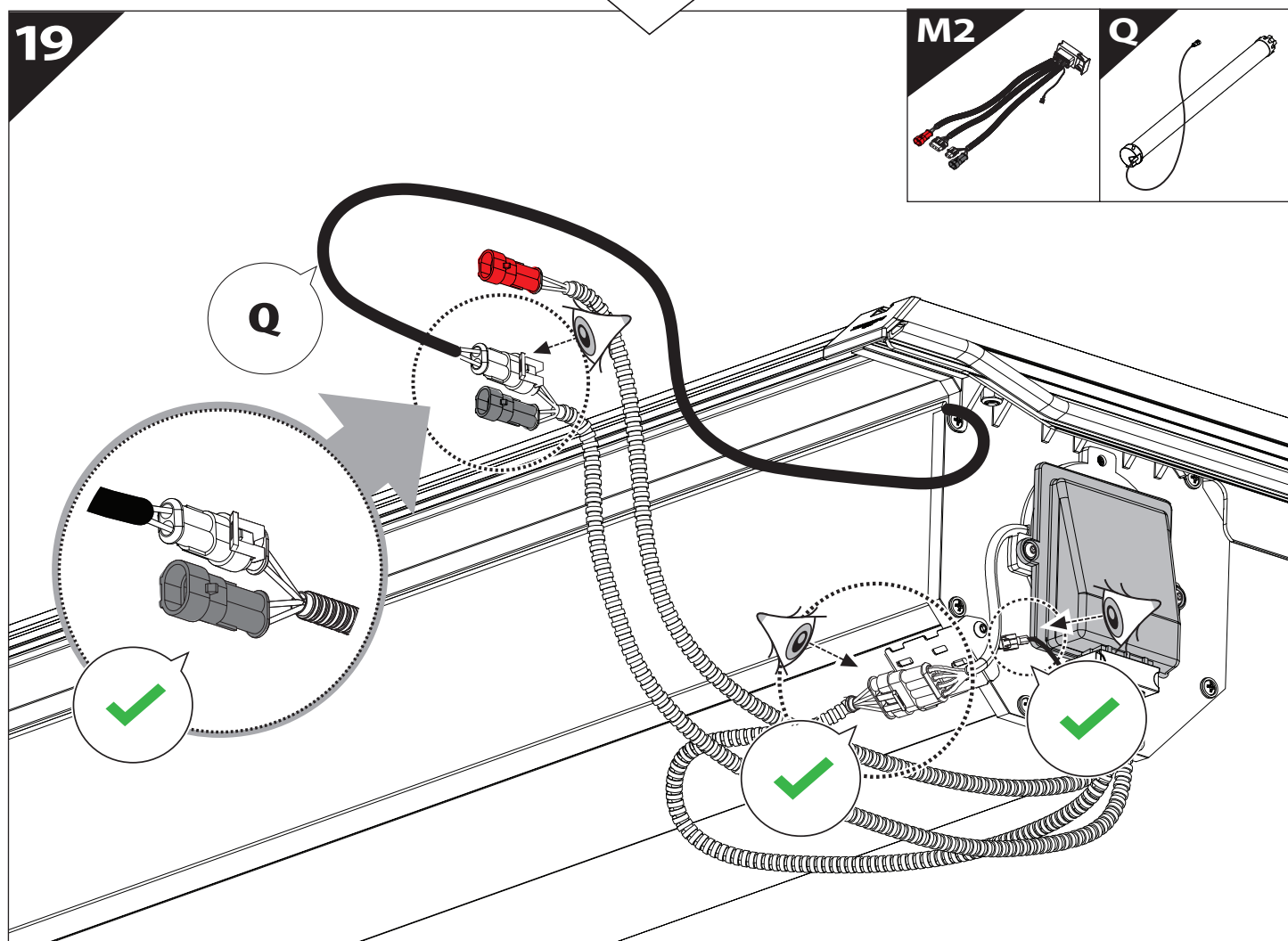
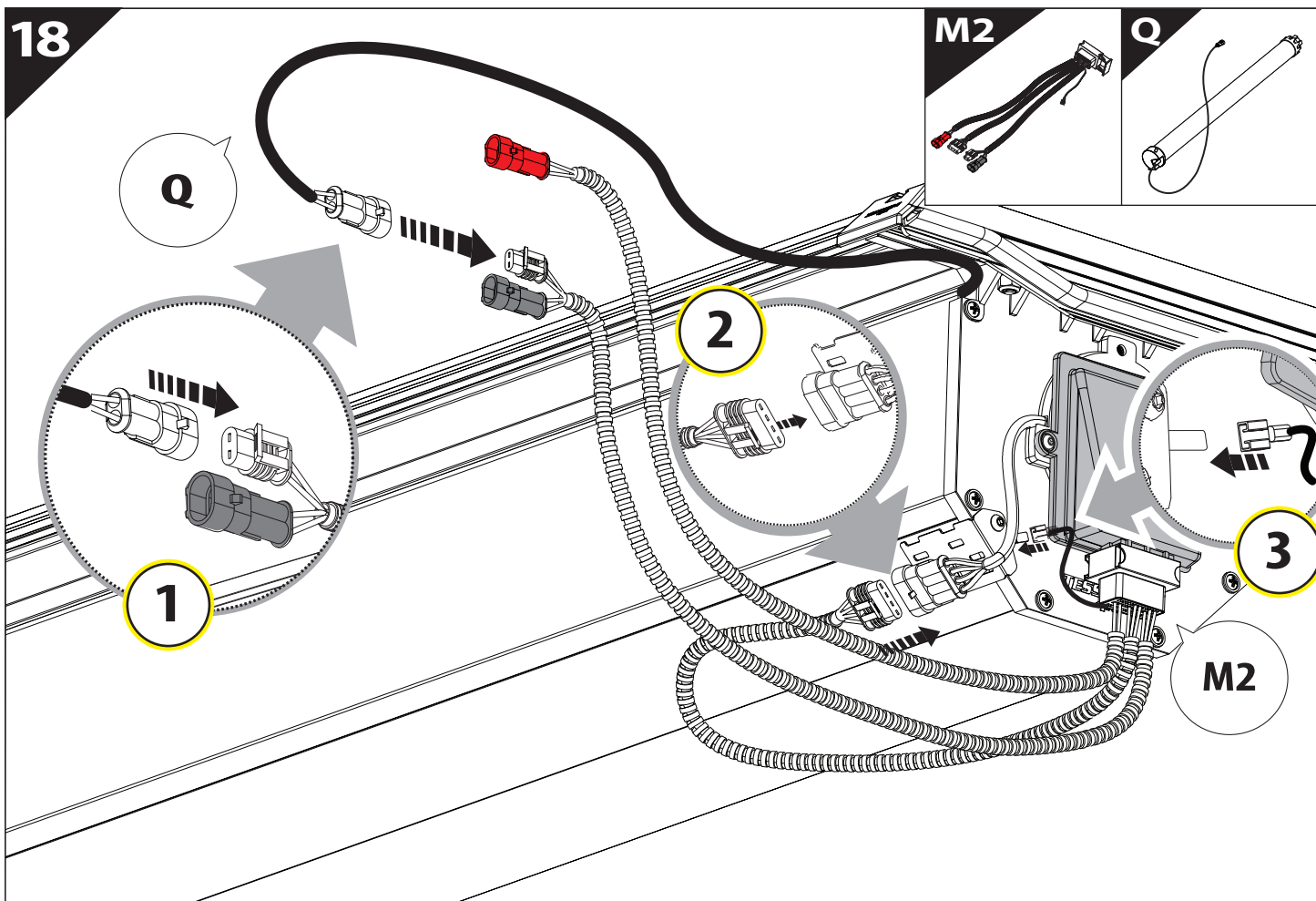
M6x20 **E2**

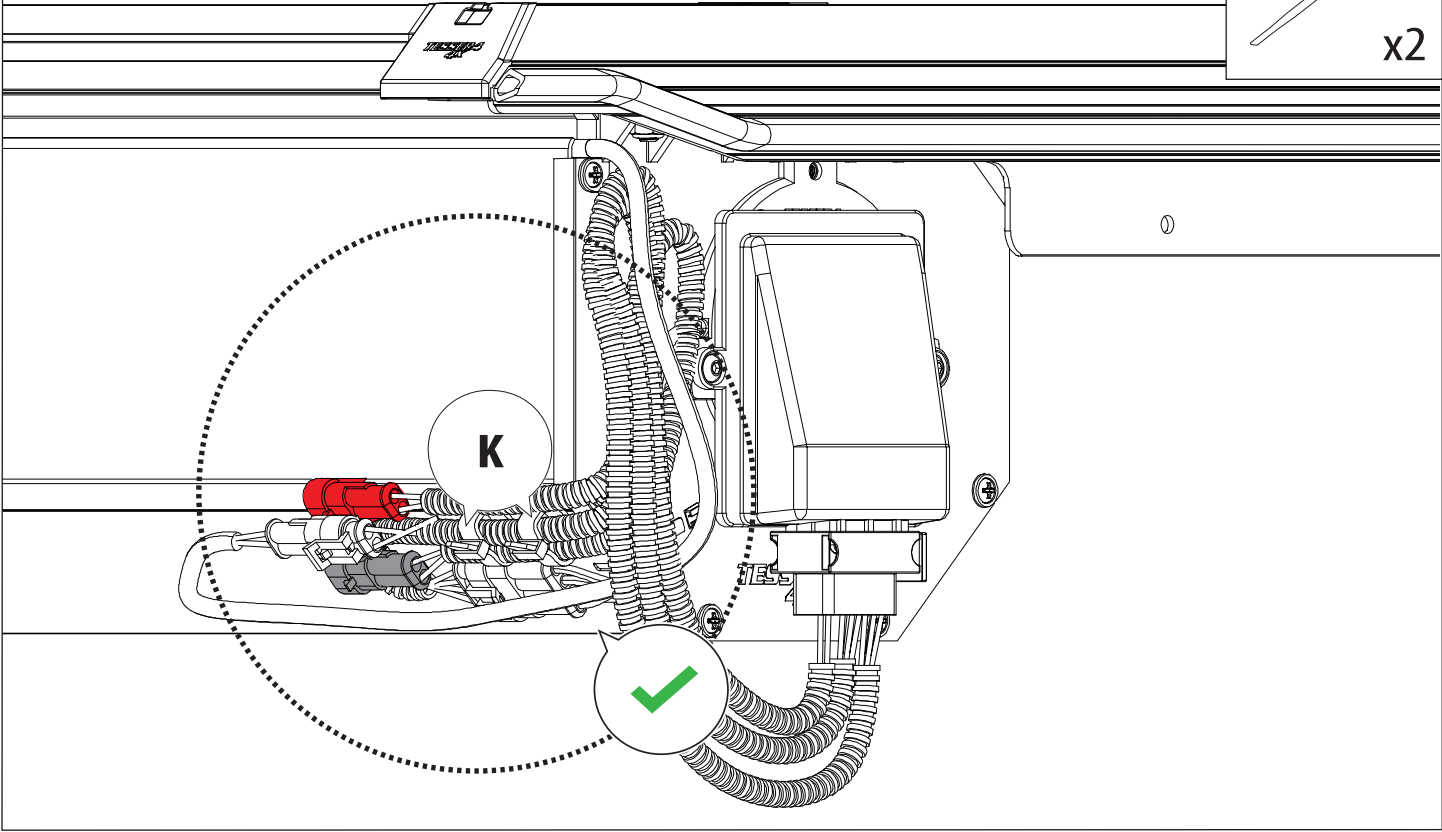
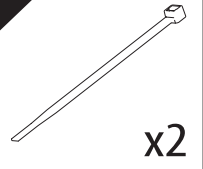
4 Nm

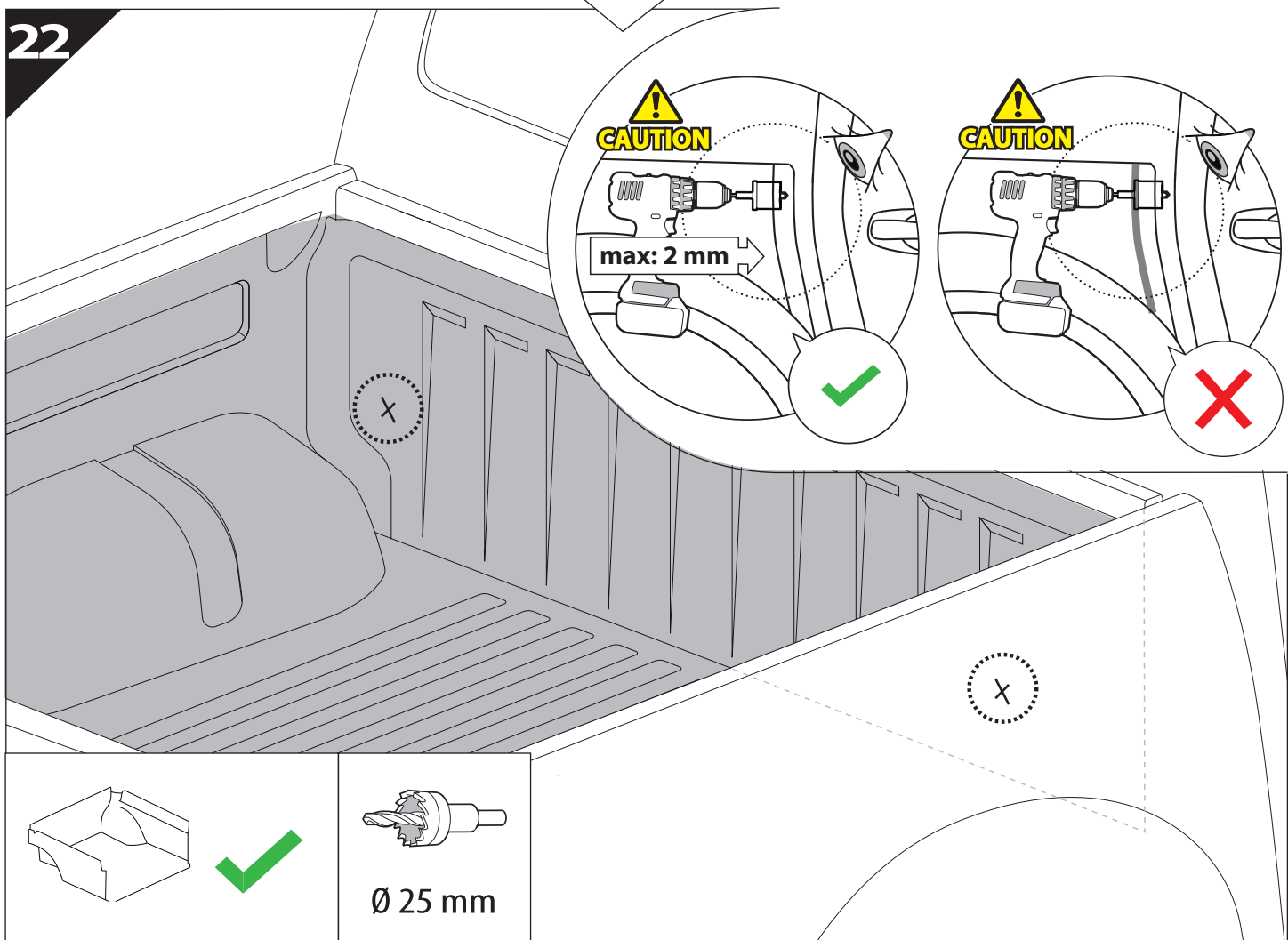
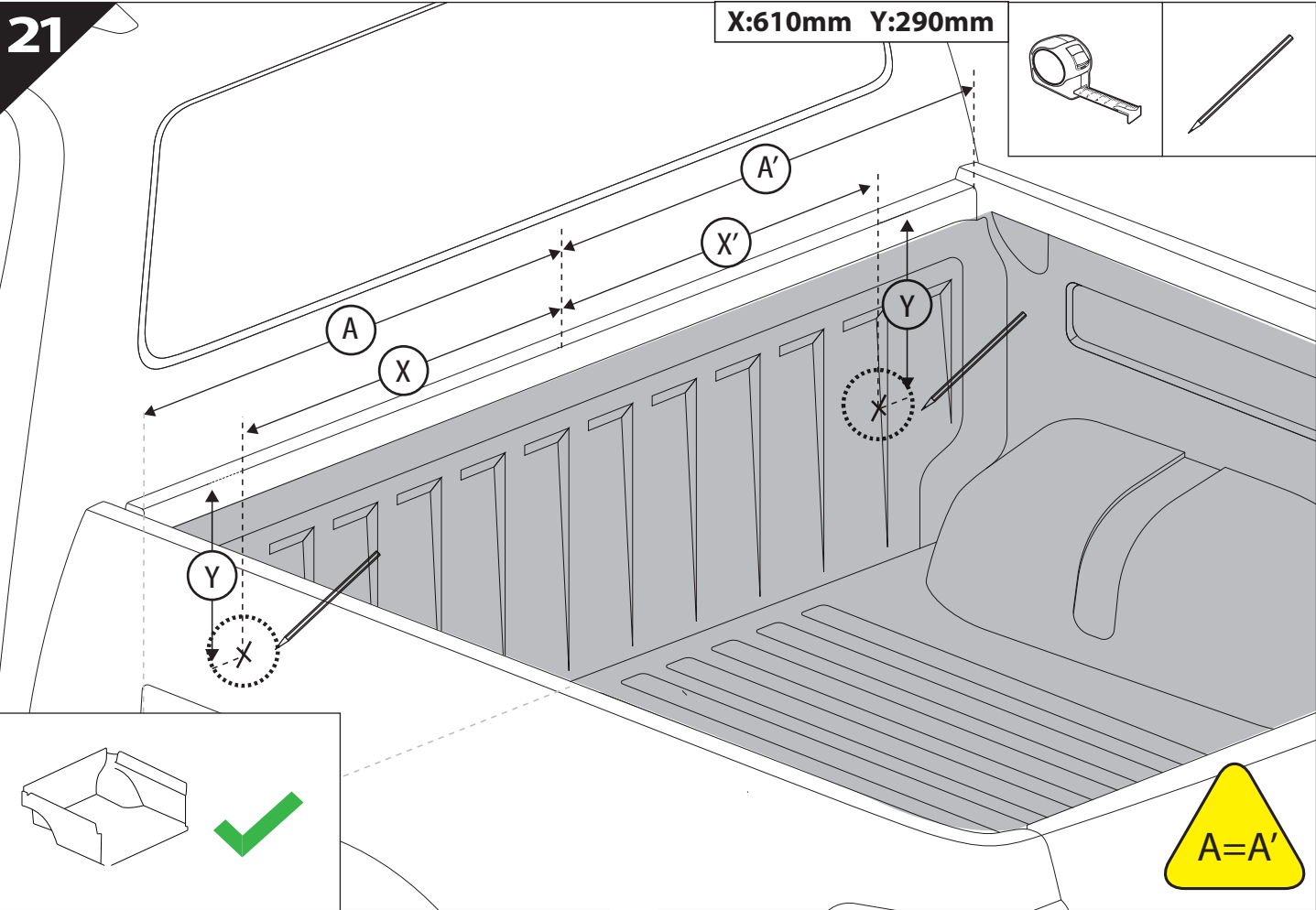






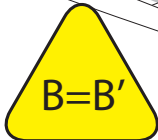
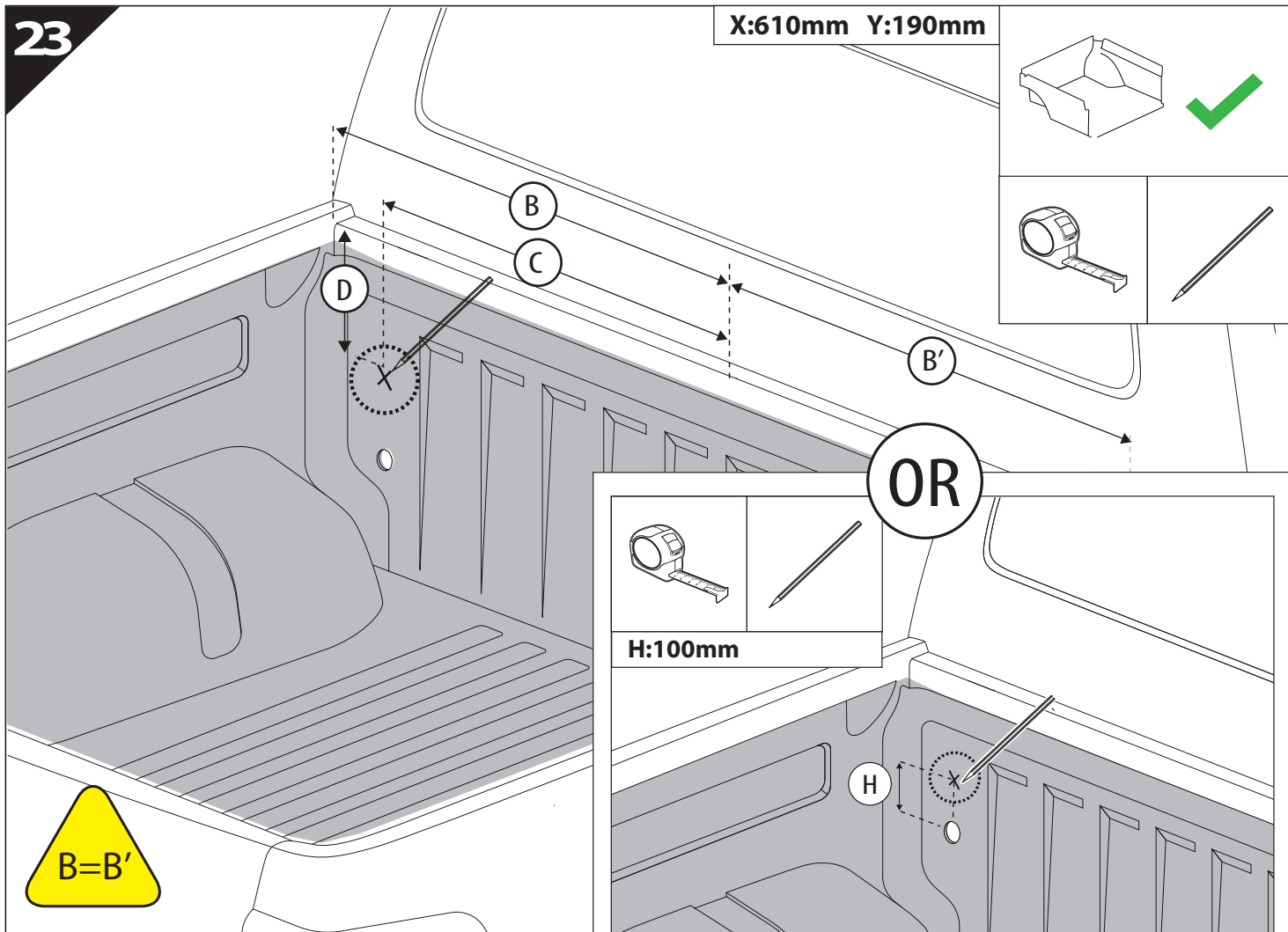
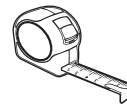
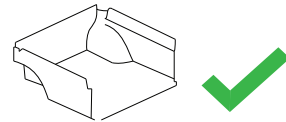




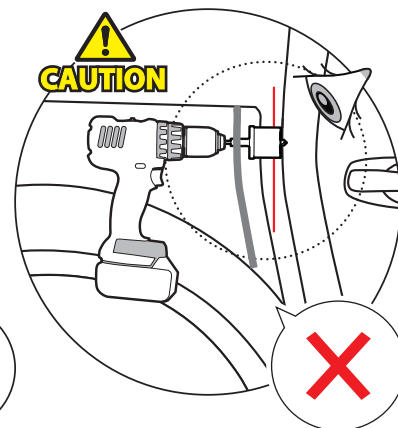
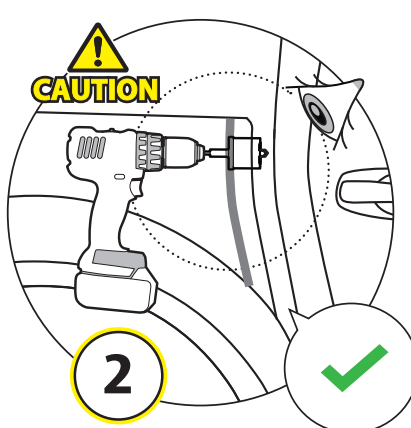
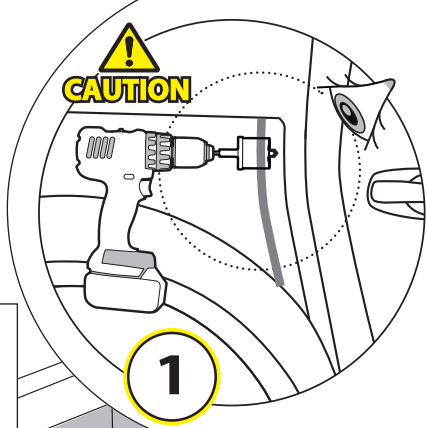


23

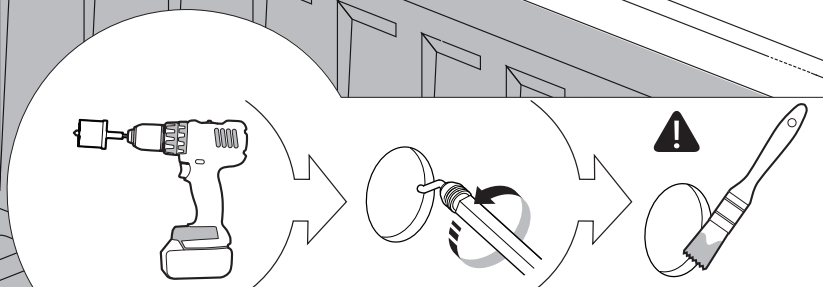
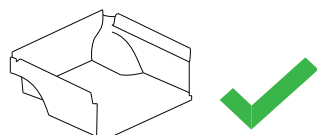
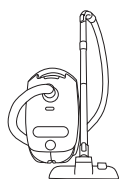
X:610mm Y:190mm

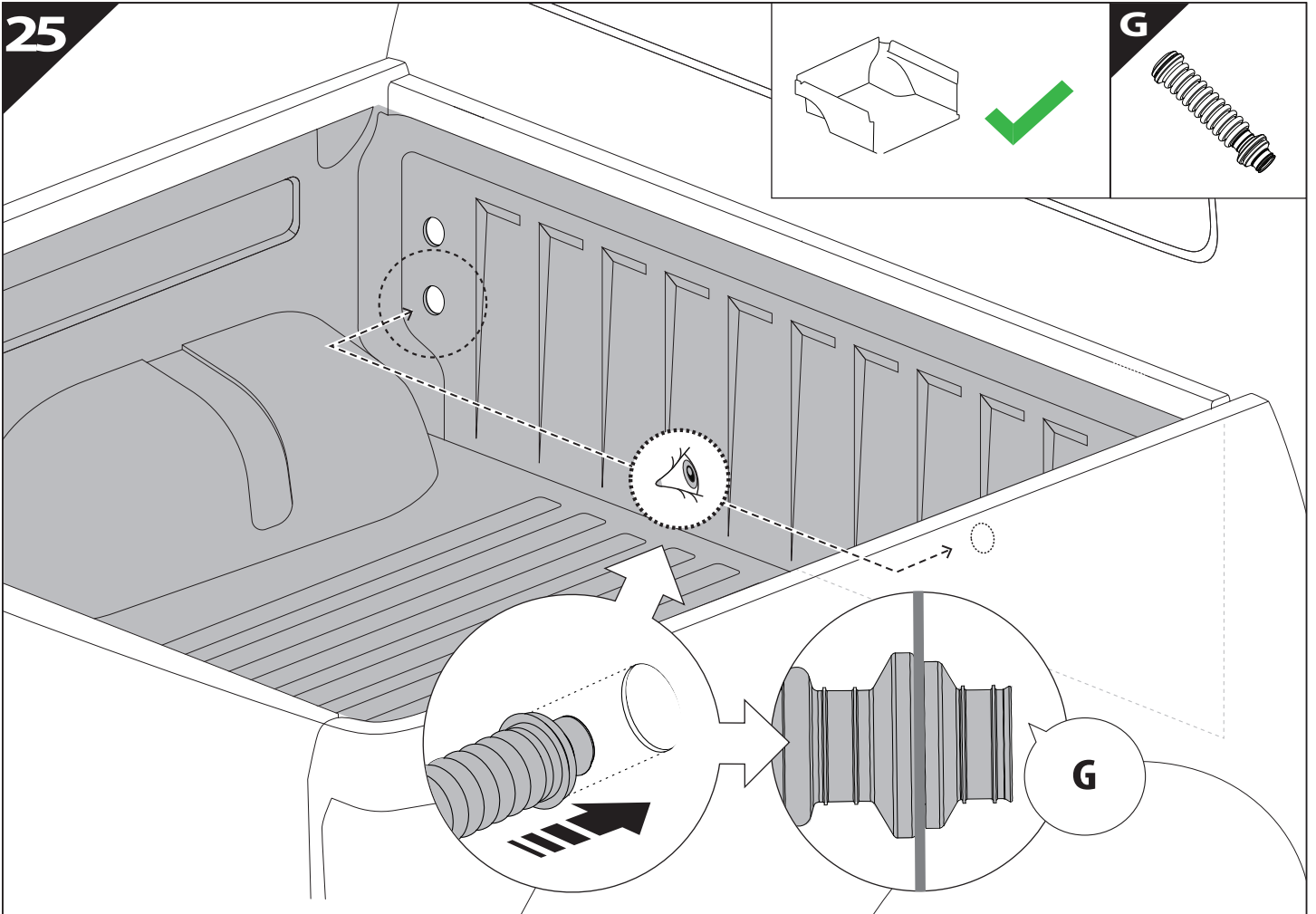


24

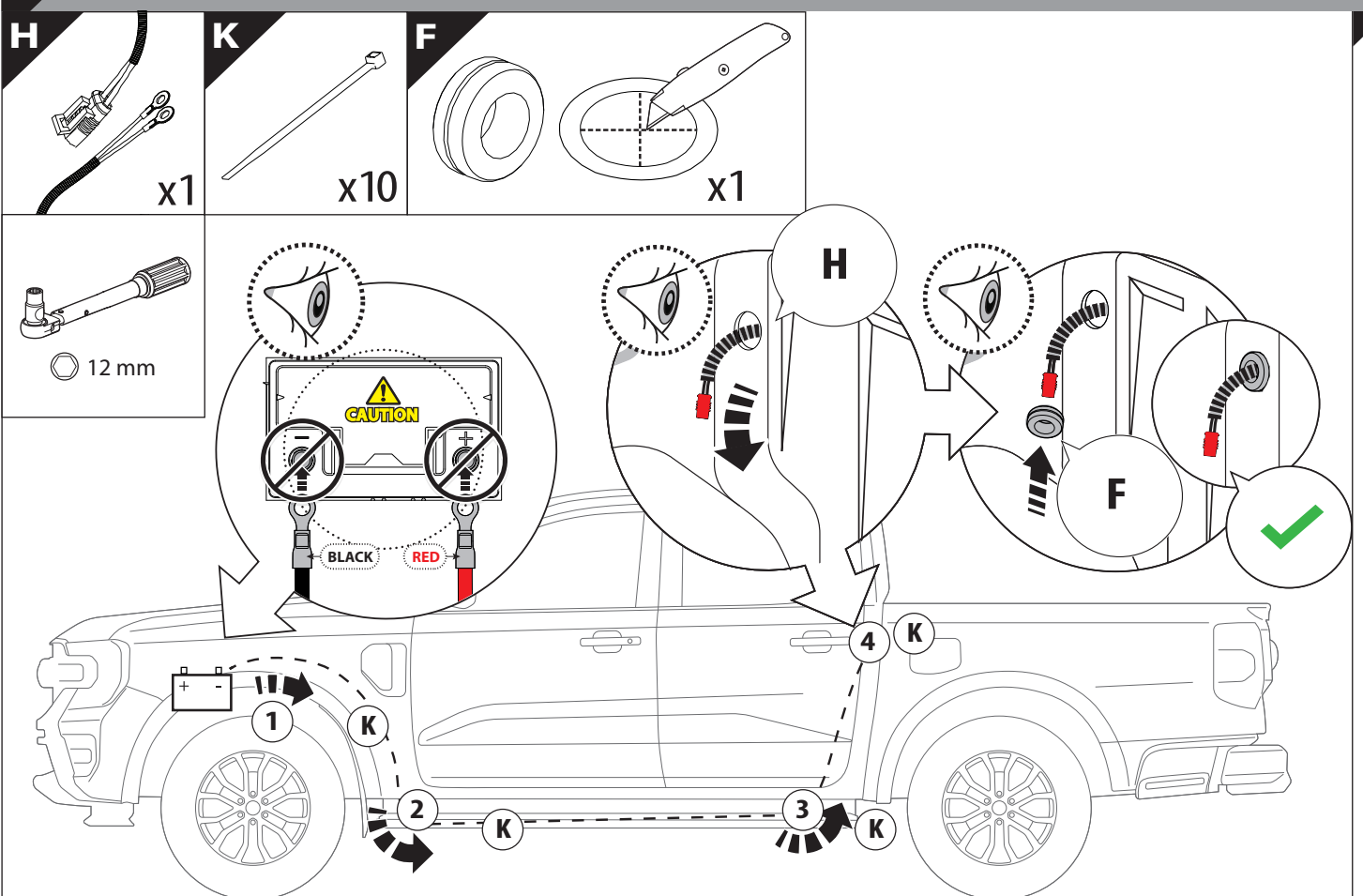


Ø 25 mm

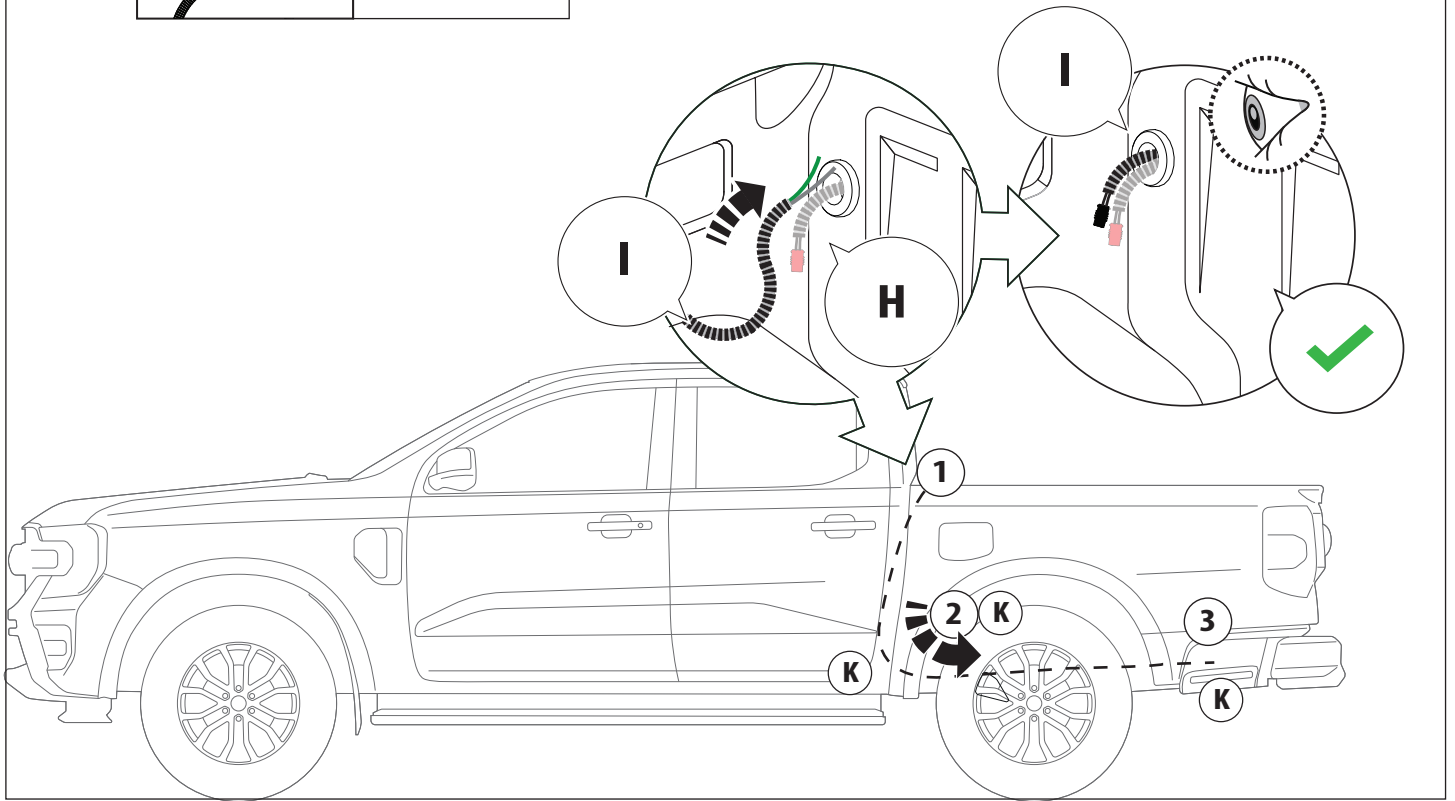
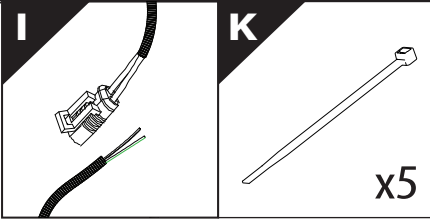




**26** Only to be installed by authorized personnel



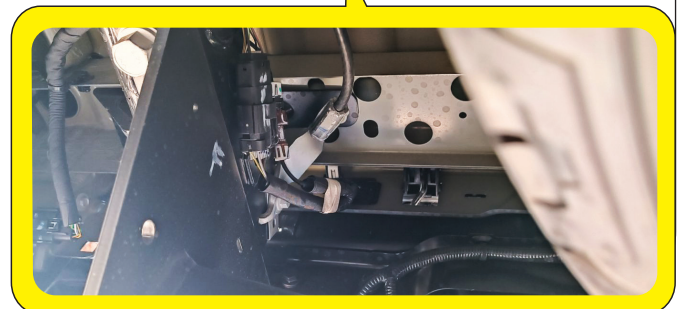
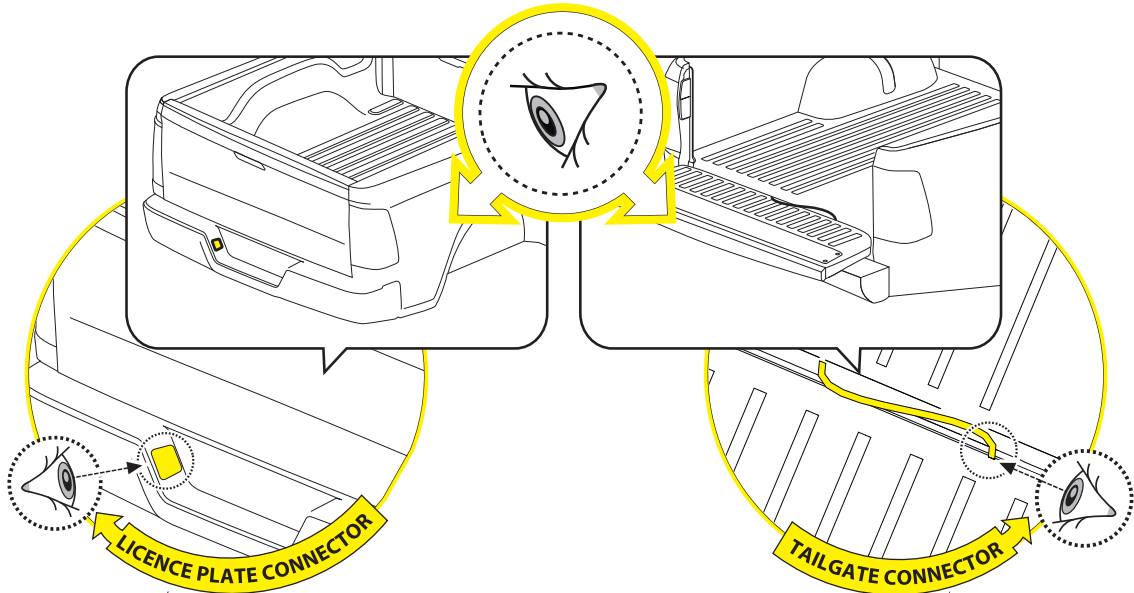
27



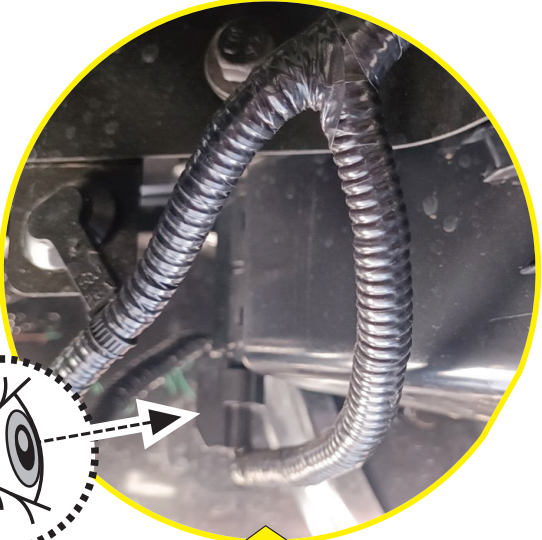
28



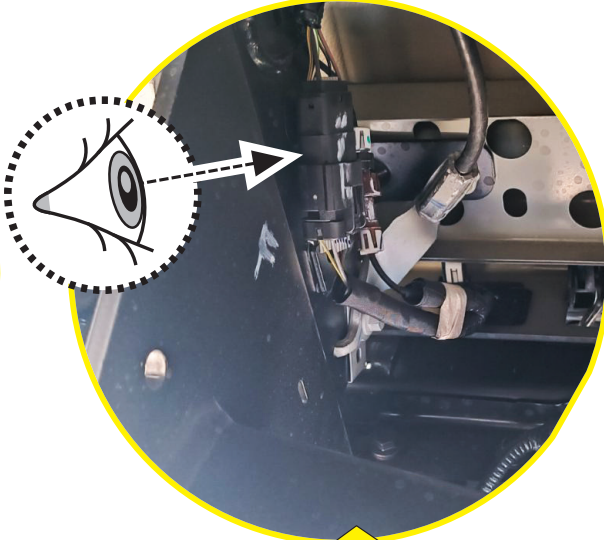
**CAUTION: LIMITED, WILDTRAK, WILDTRAK X, PLATINUM**



28. 1



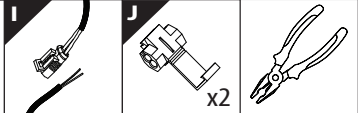
LICENCE PLATE CONNECTOR



TAILGATE CONNECTOR

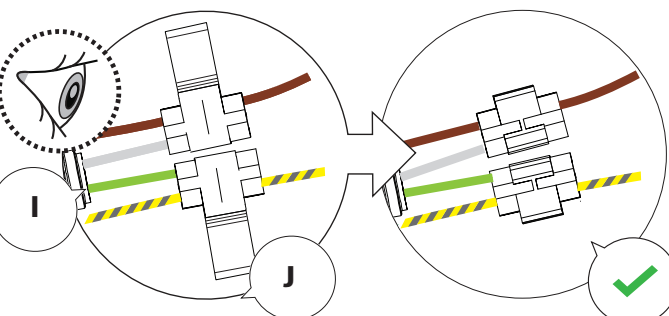
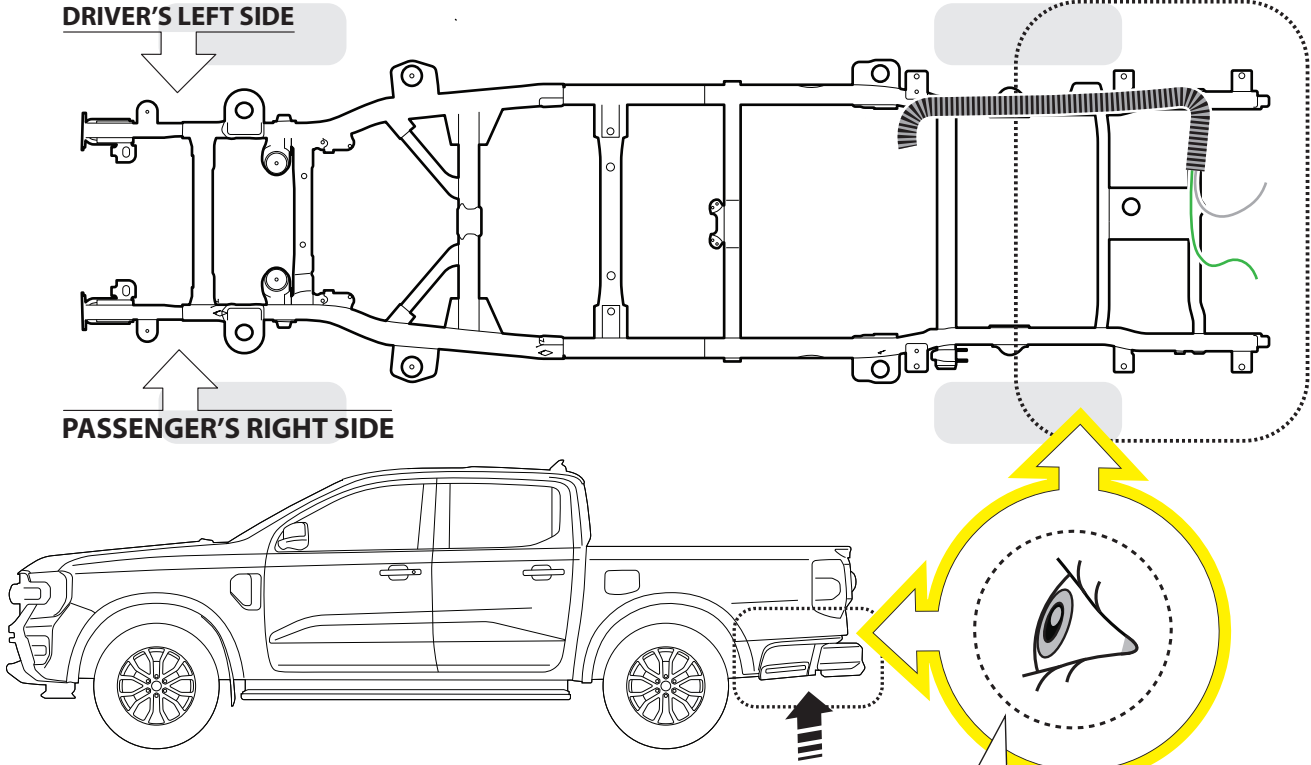
28. 2

BOTTOM VIEW



DRIVER'S LEFT SIDE

PASSENGER'S RIGHT SIDE

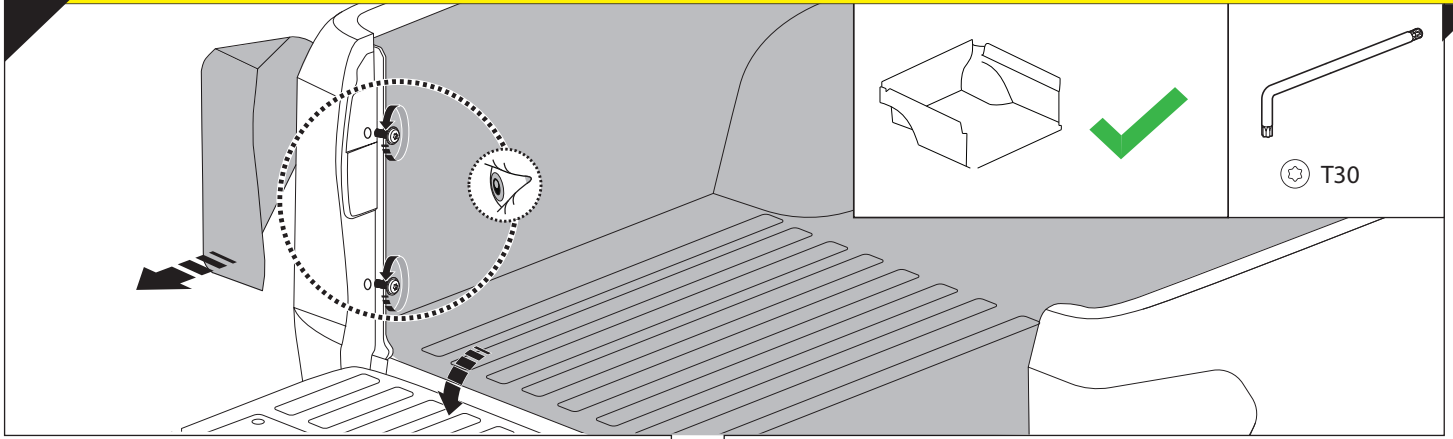


	CAR		TESSERA ROLL+
BEAM		↔	
LICENCE PLATE 2 PIN LIGHT CONNECTOR			
STOP		↔	
TAILGATE CONNECTOR			

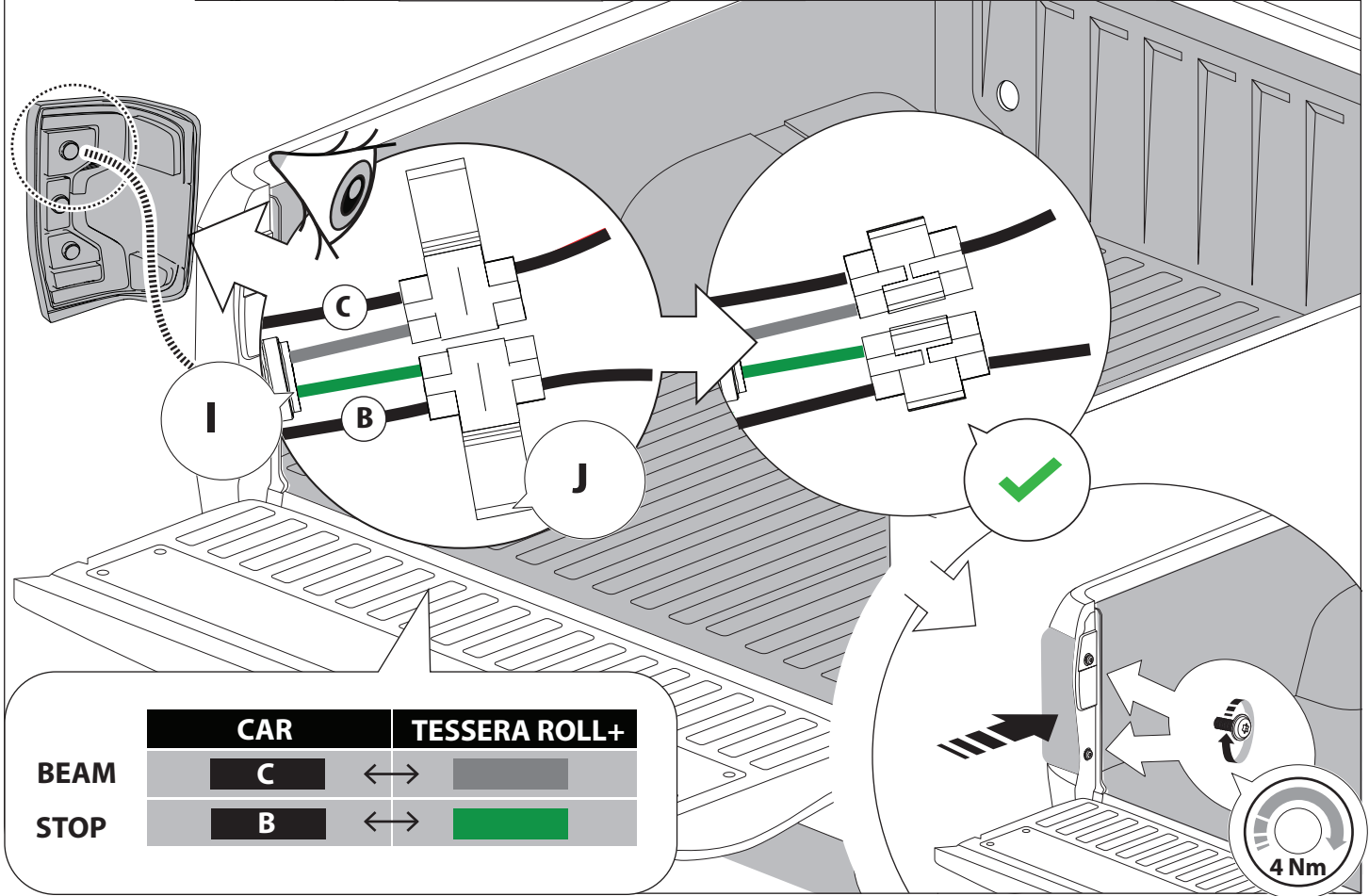
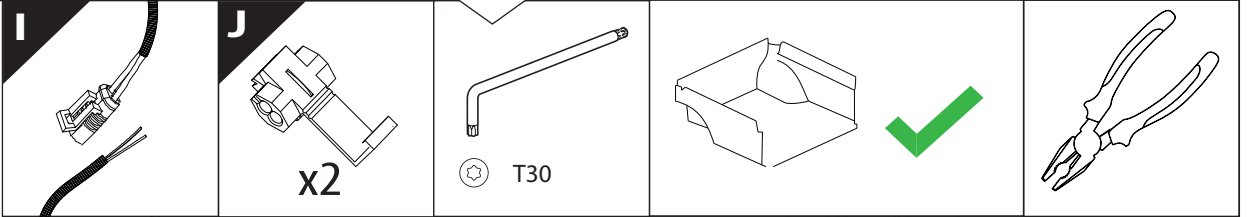
29



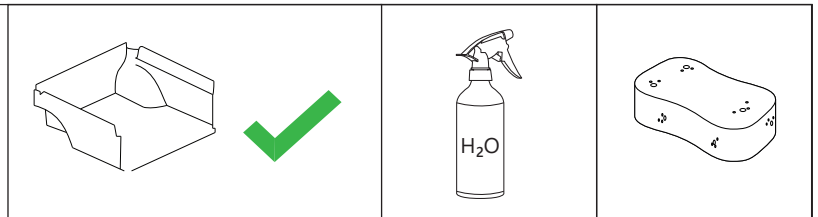
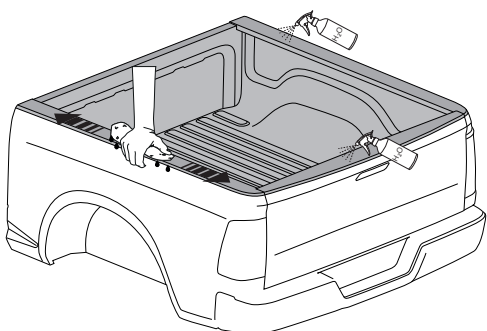
CAUTION: XL, XLT, TREMOR

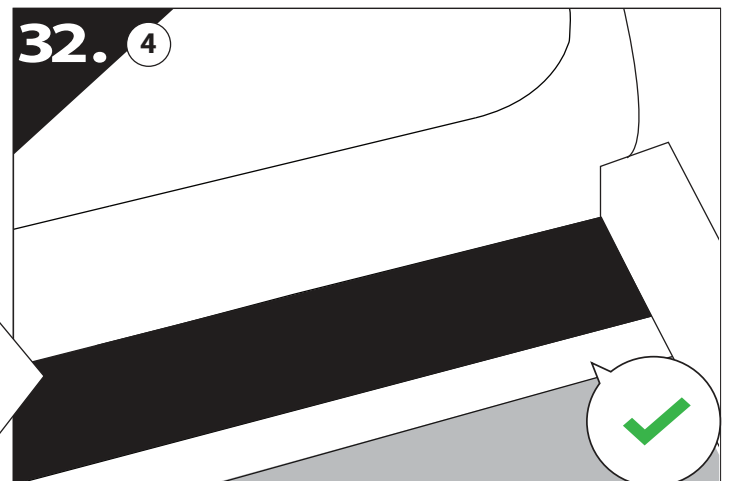
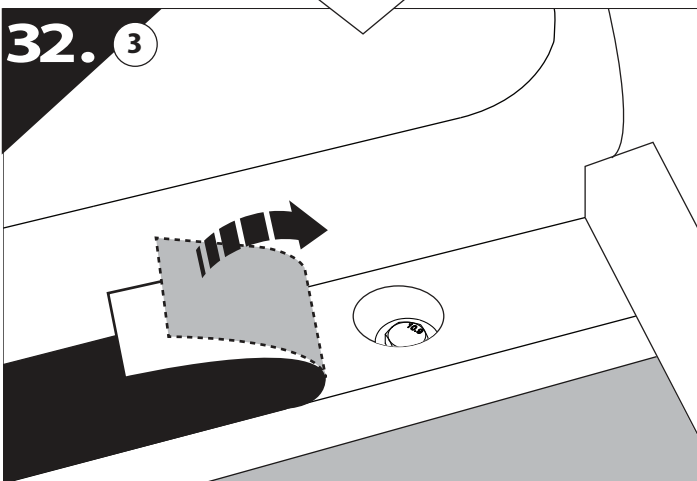
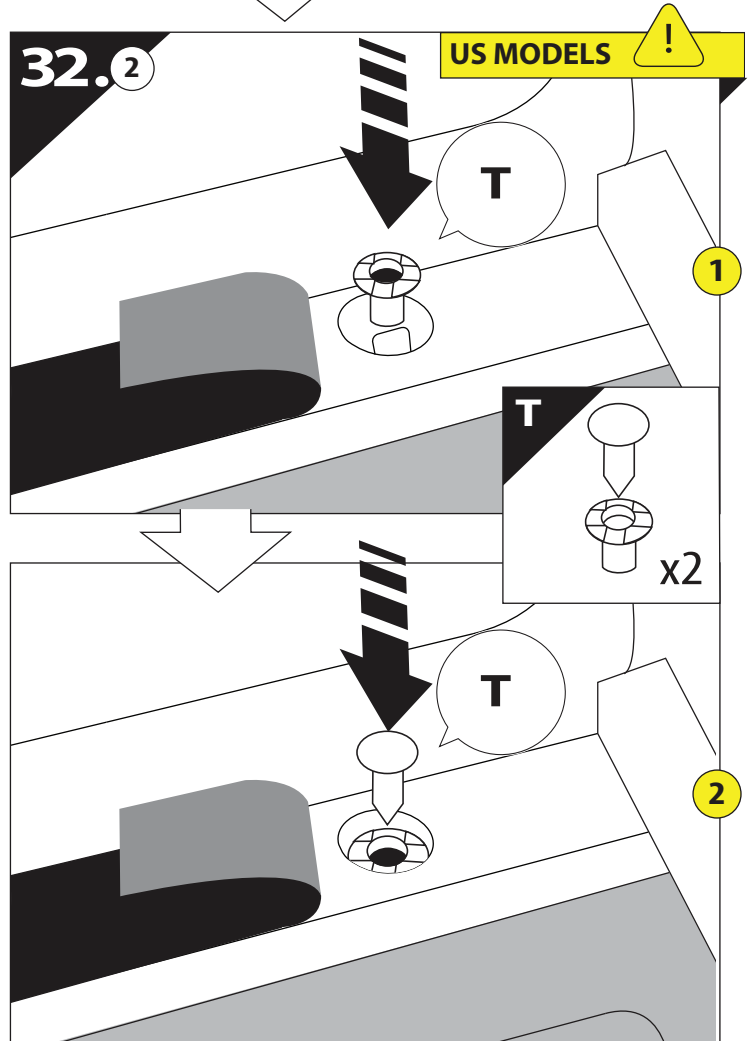
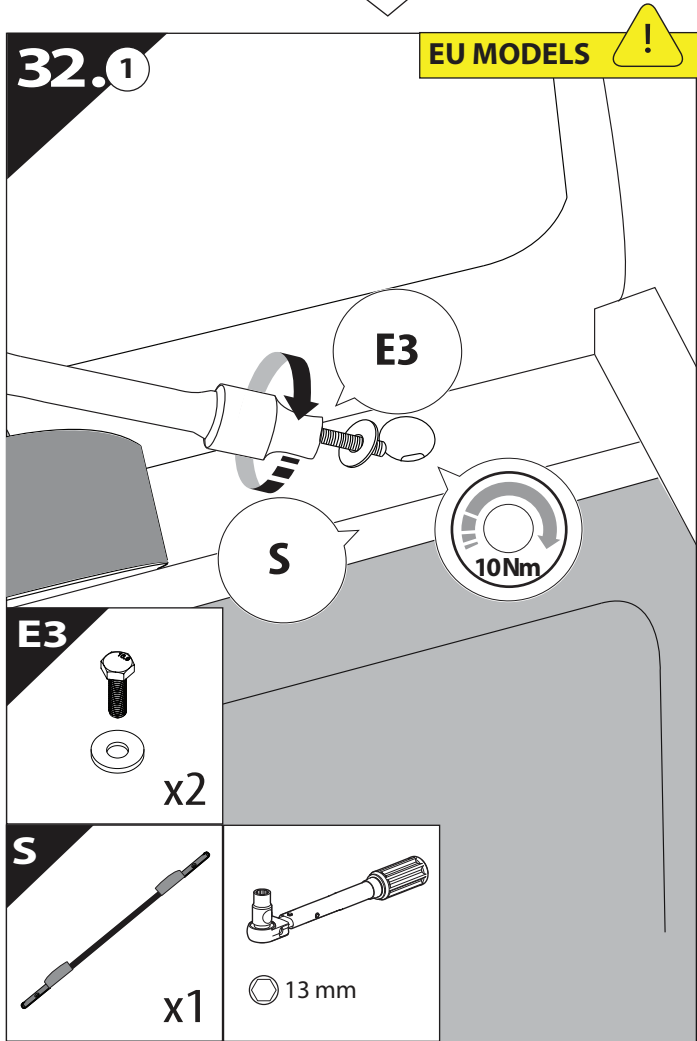
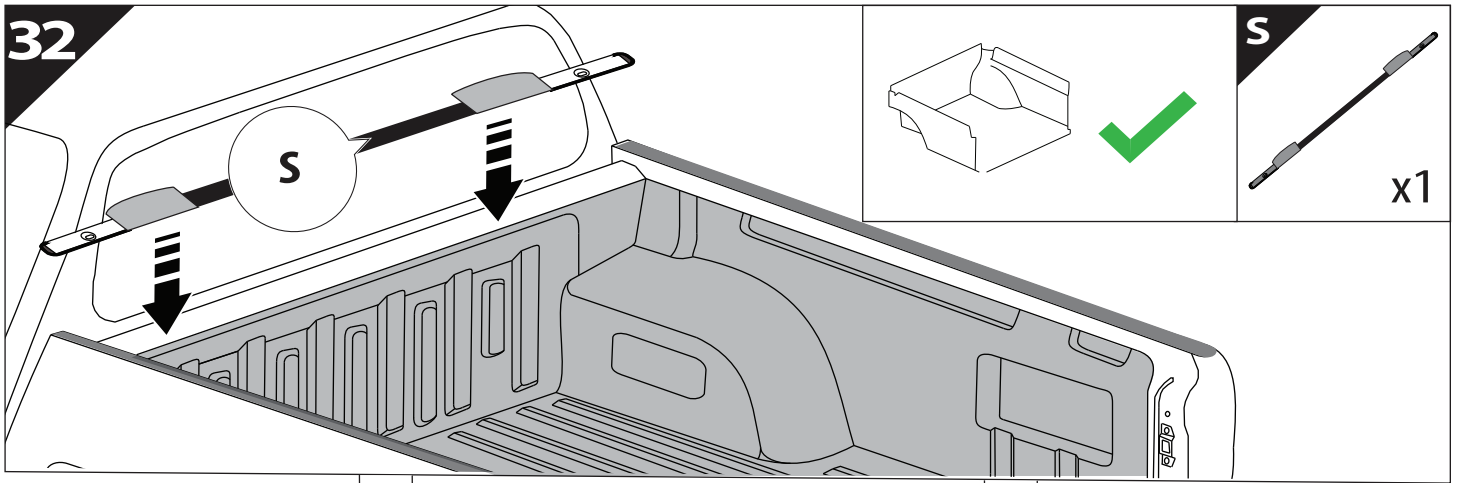


30



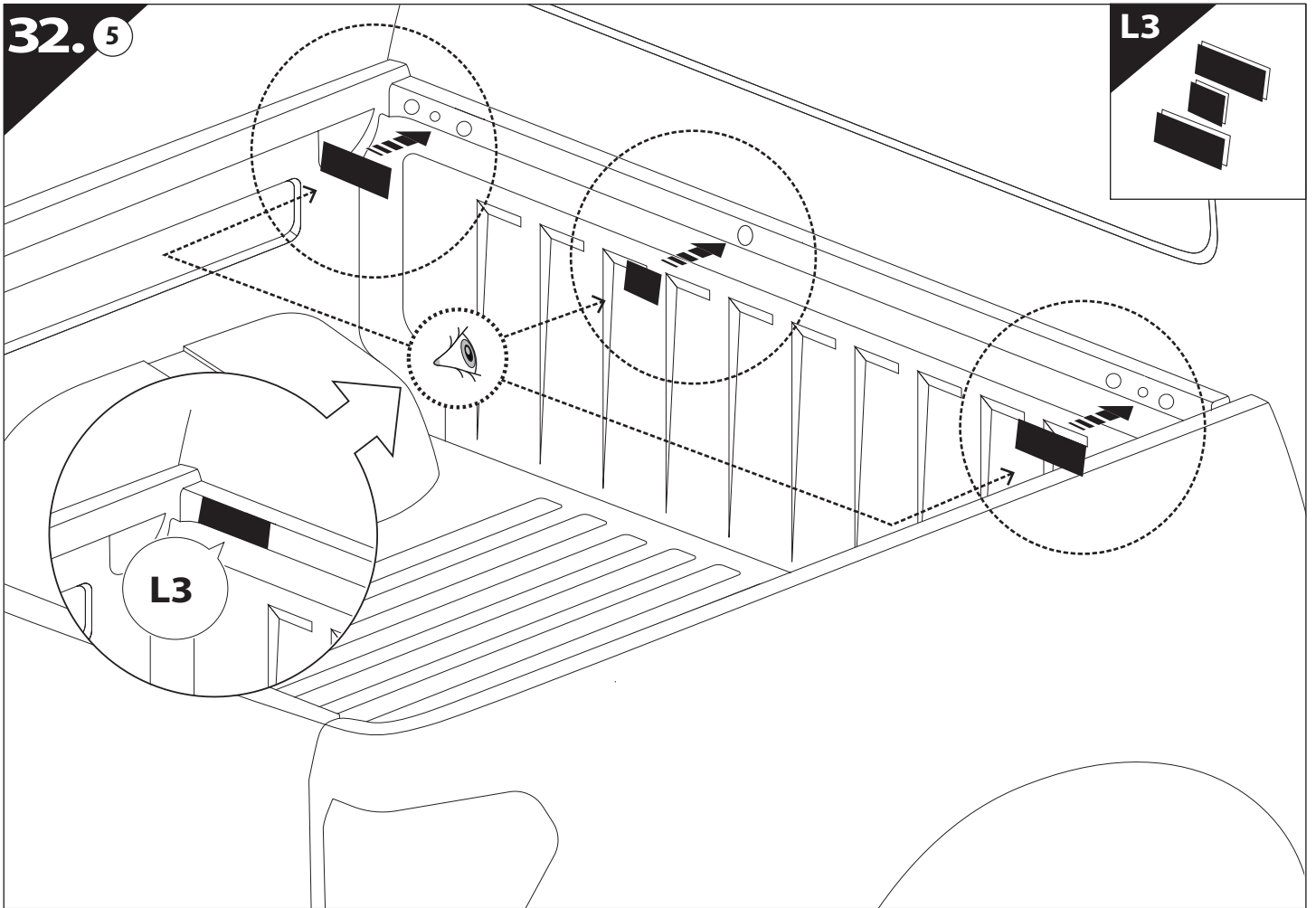
31

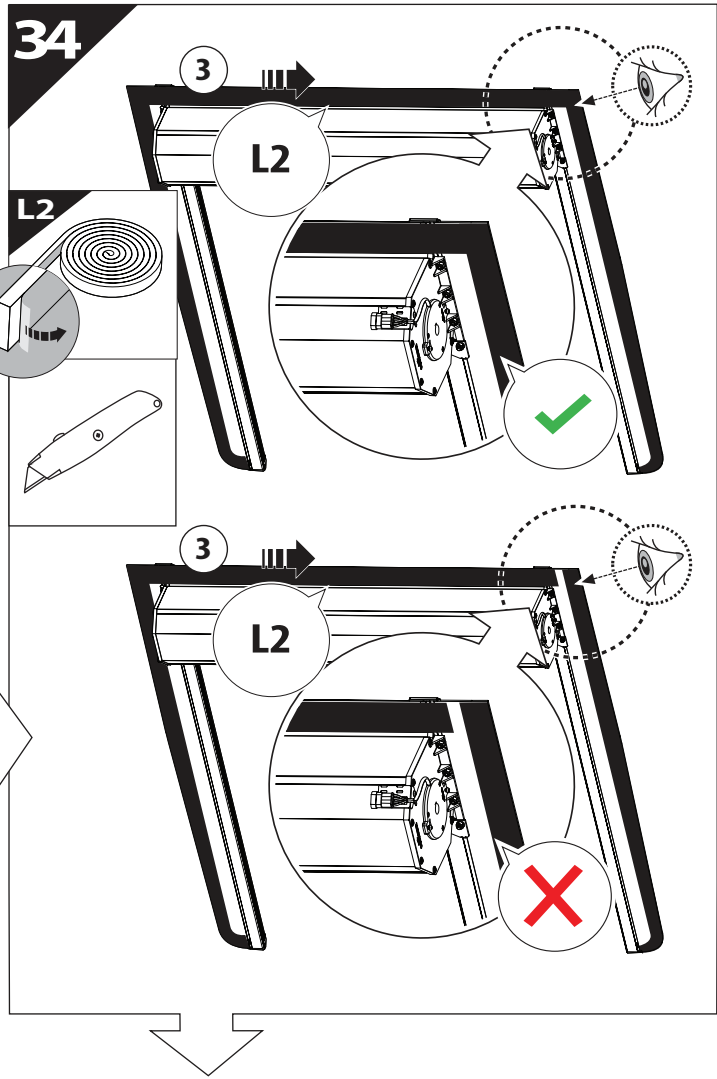
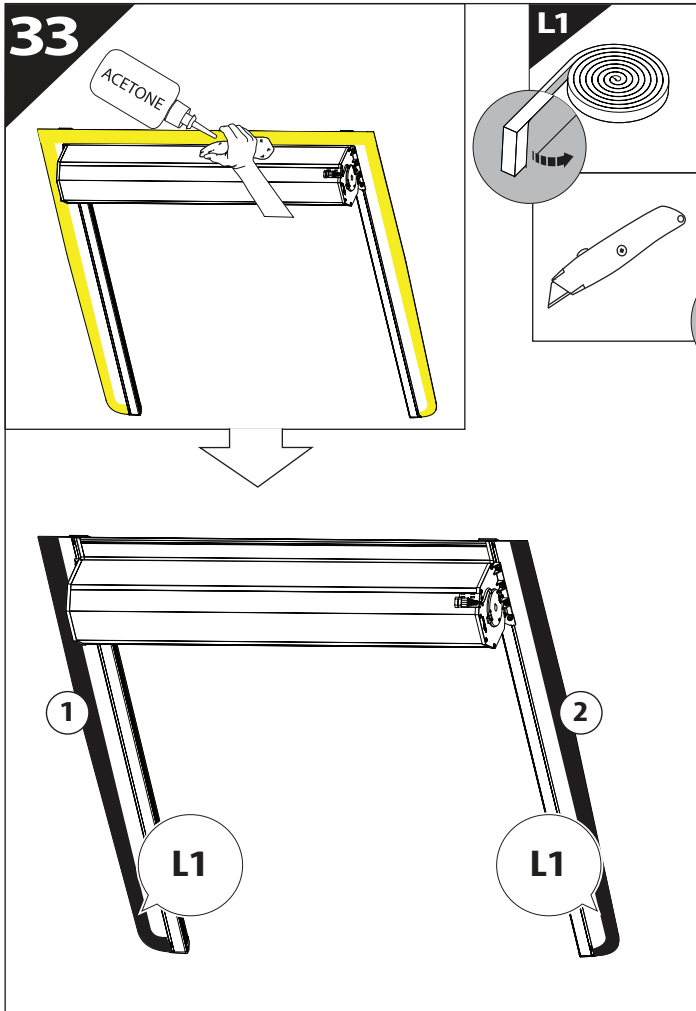


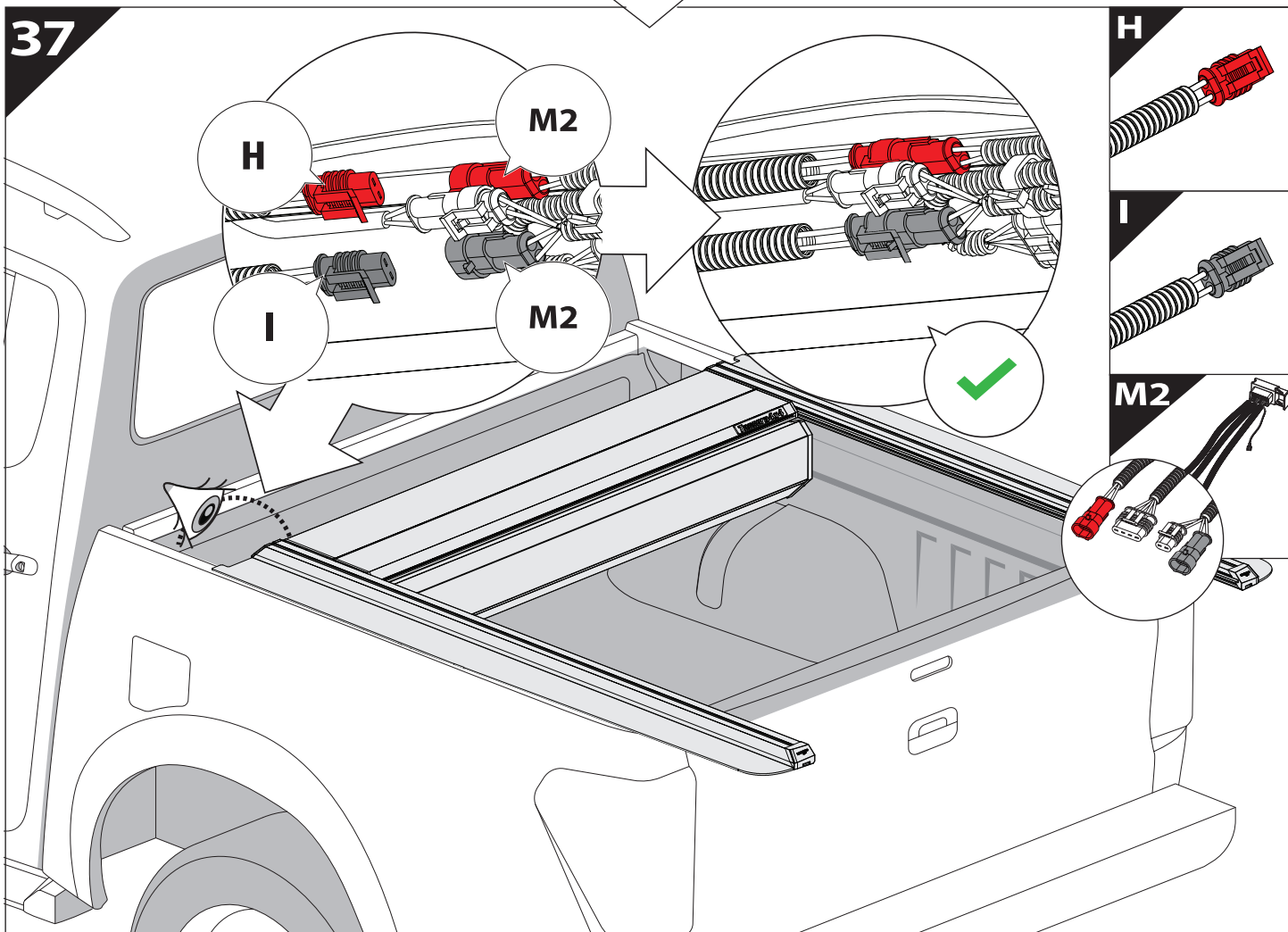
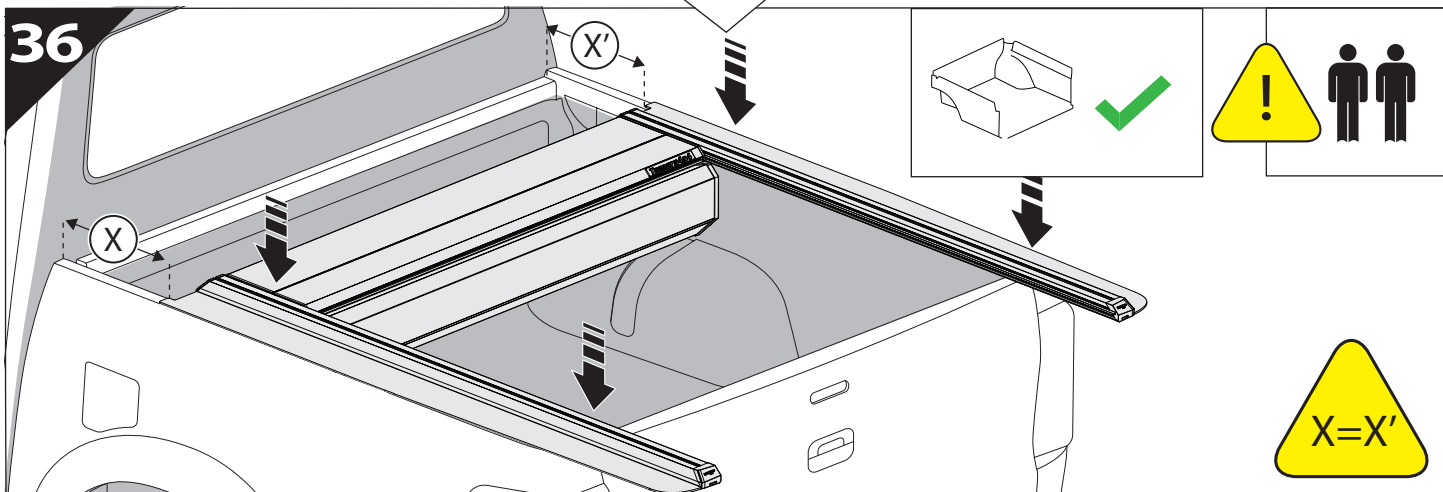
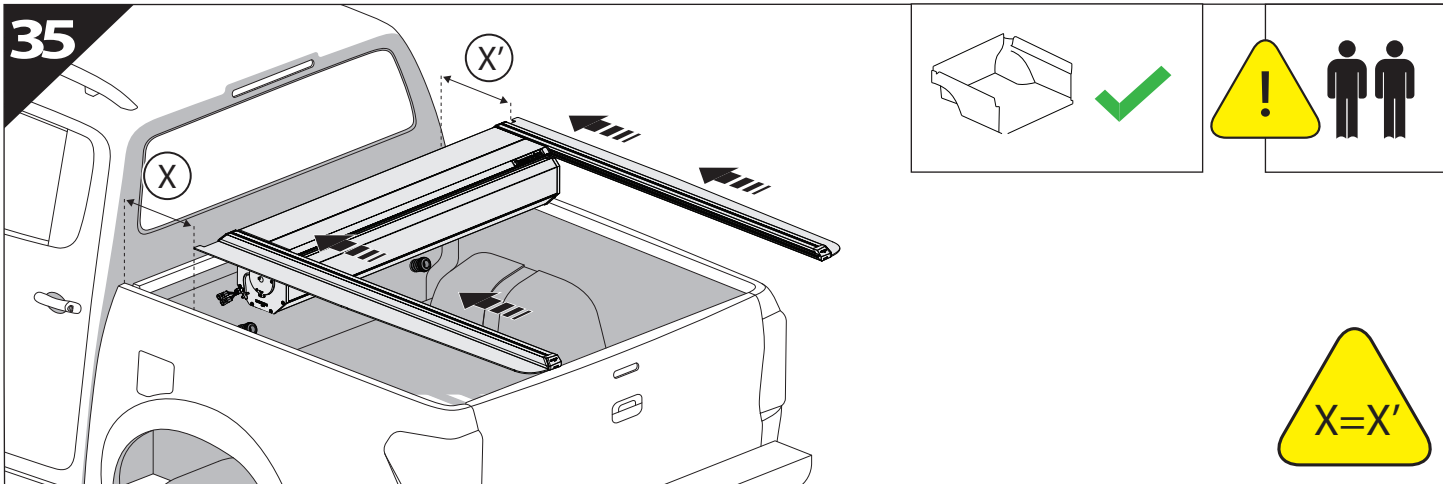


32. ⑤

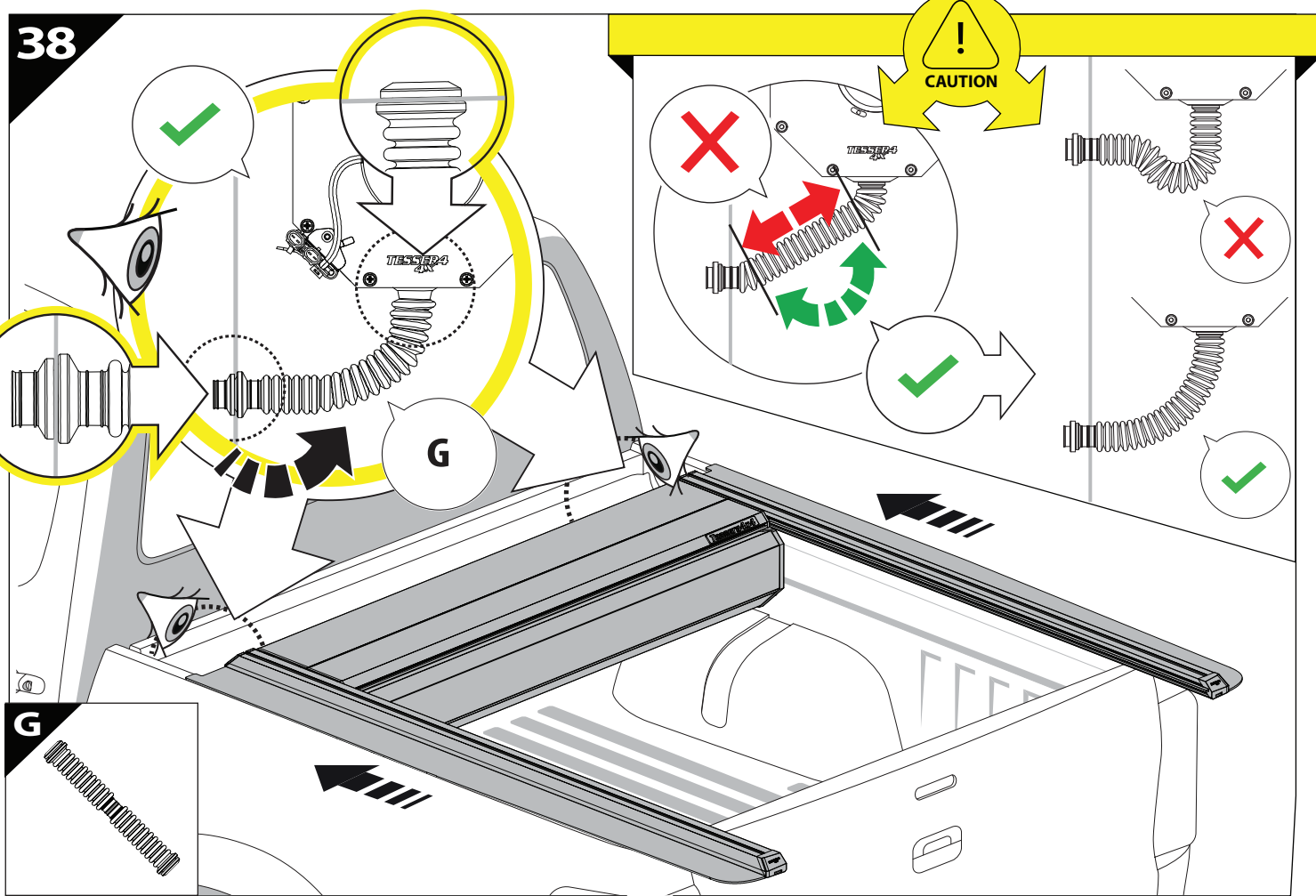
L3



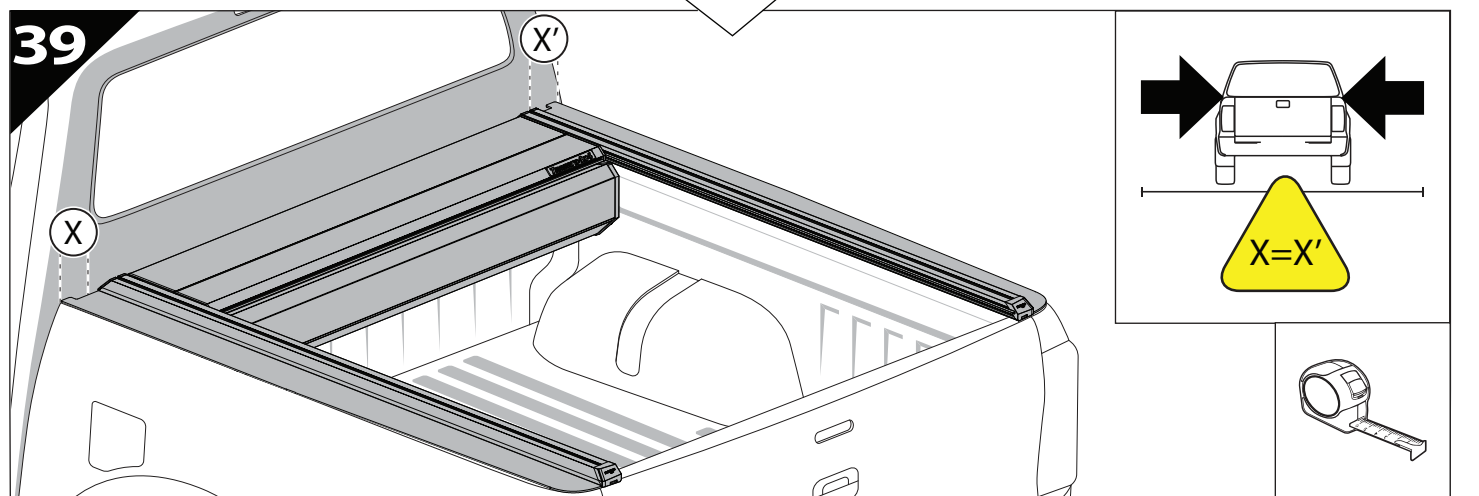




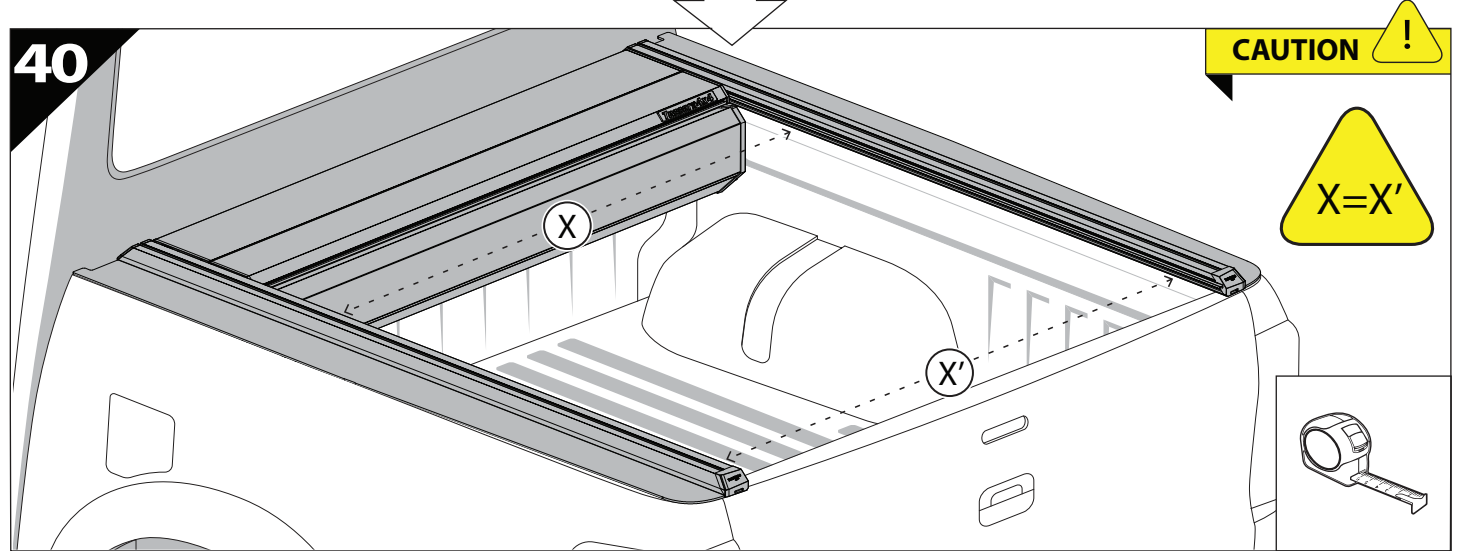
38



39



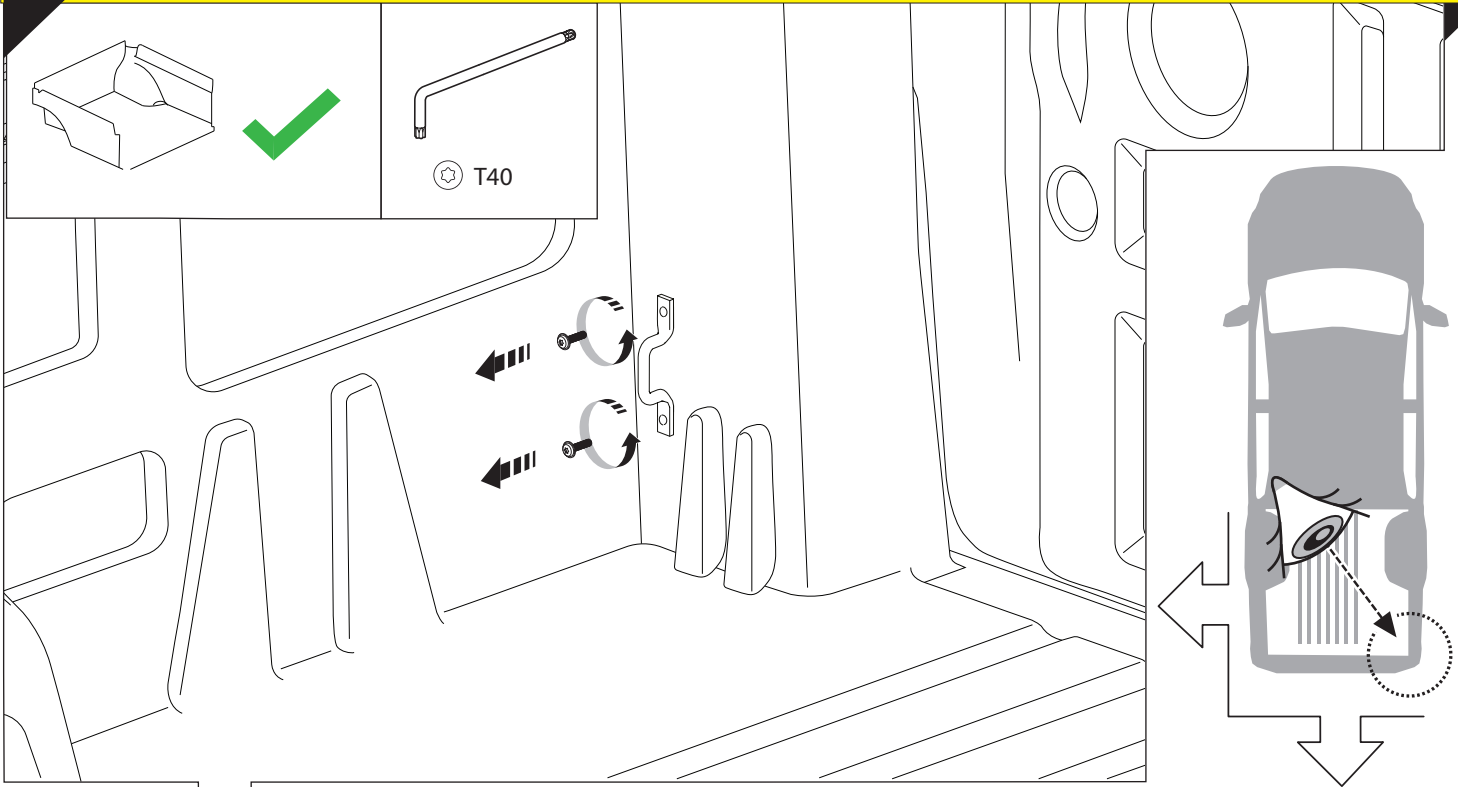
40



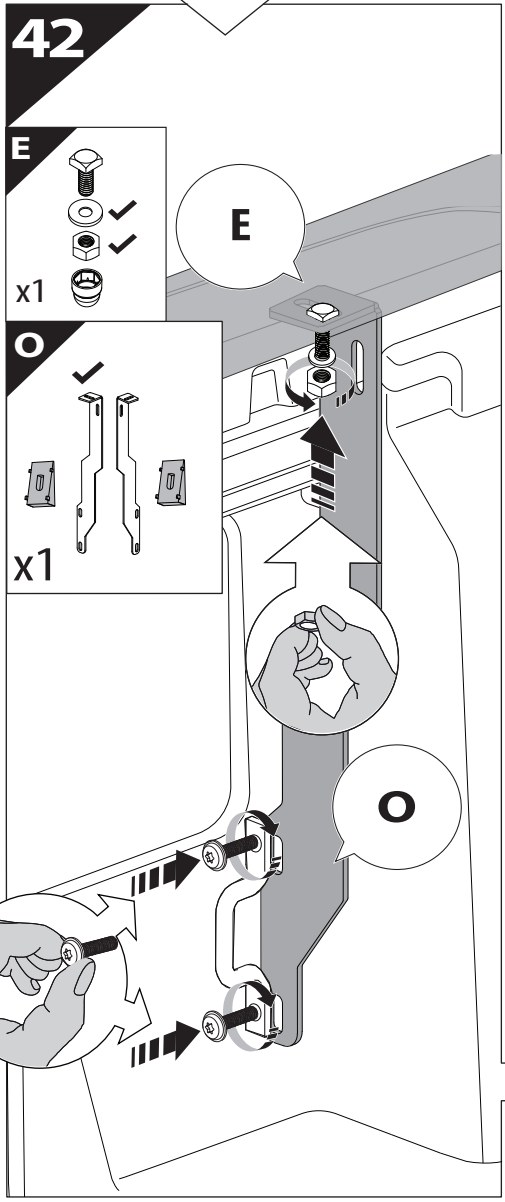
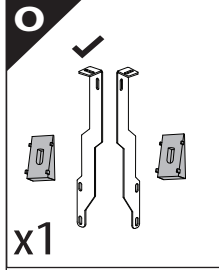
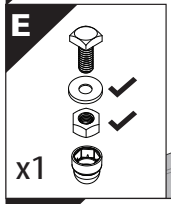
41



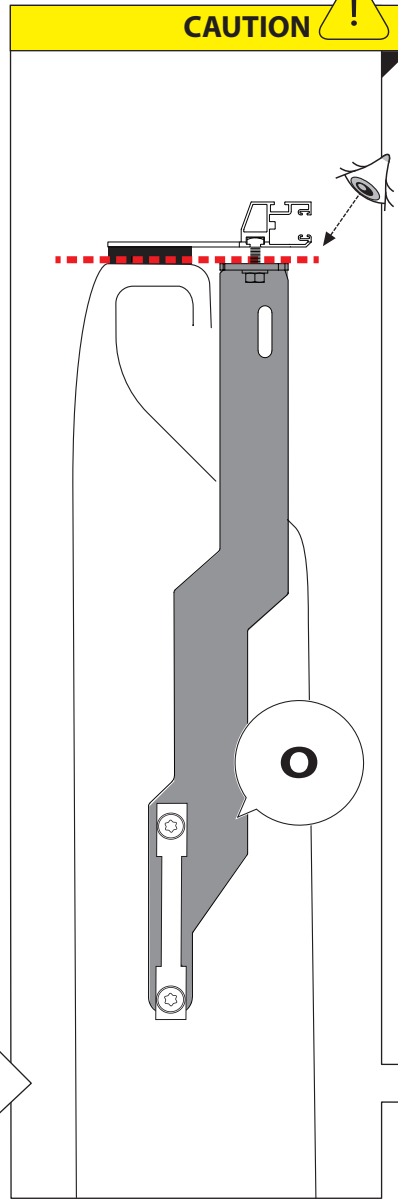
WITH & WITHOUT C - CHANNELS



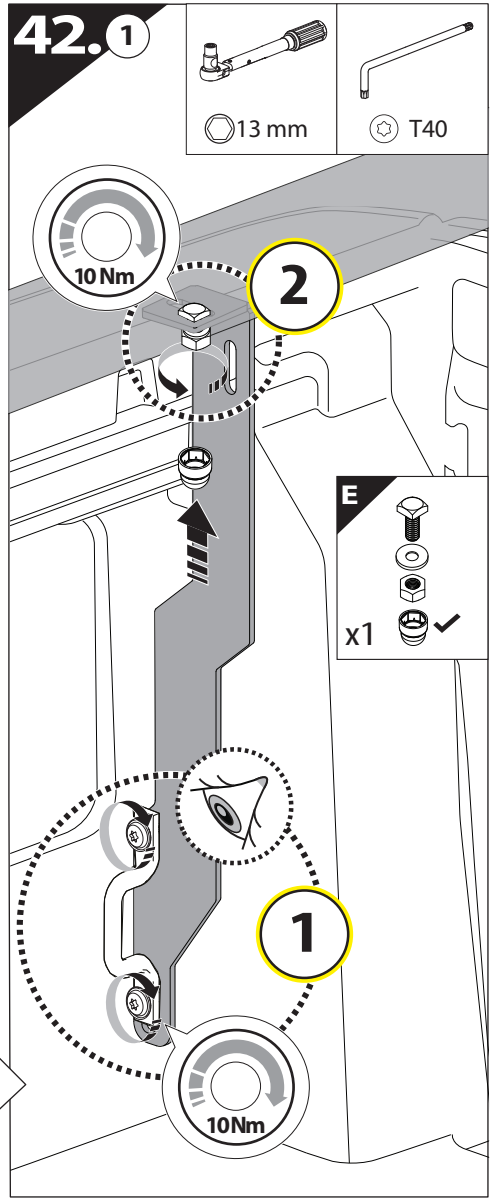
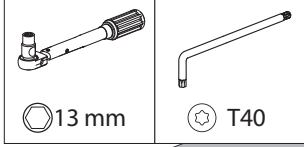
42



CAUTION



42.1



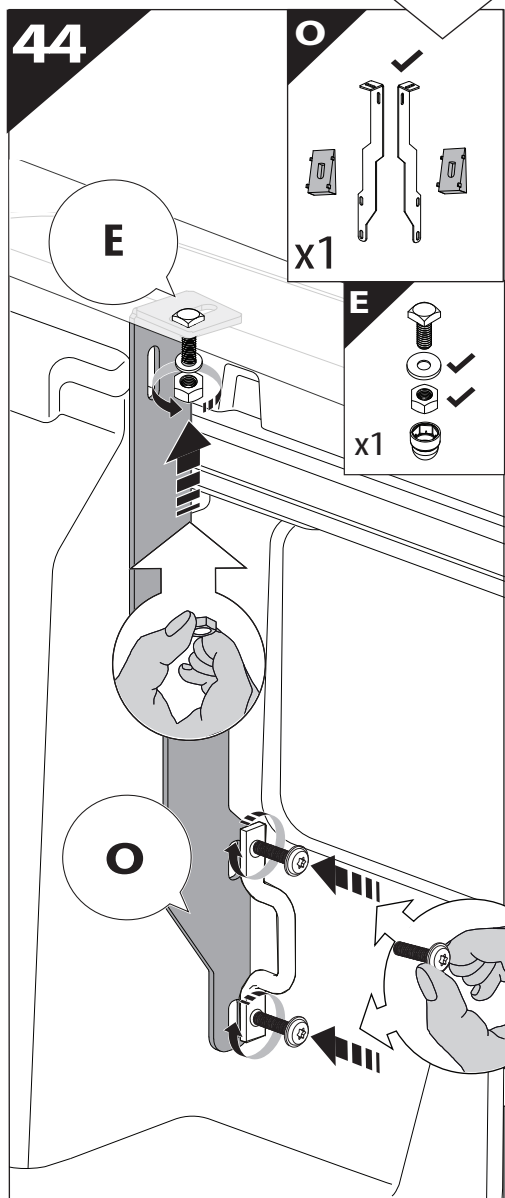
43



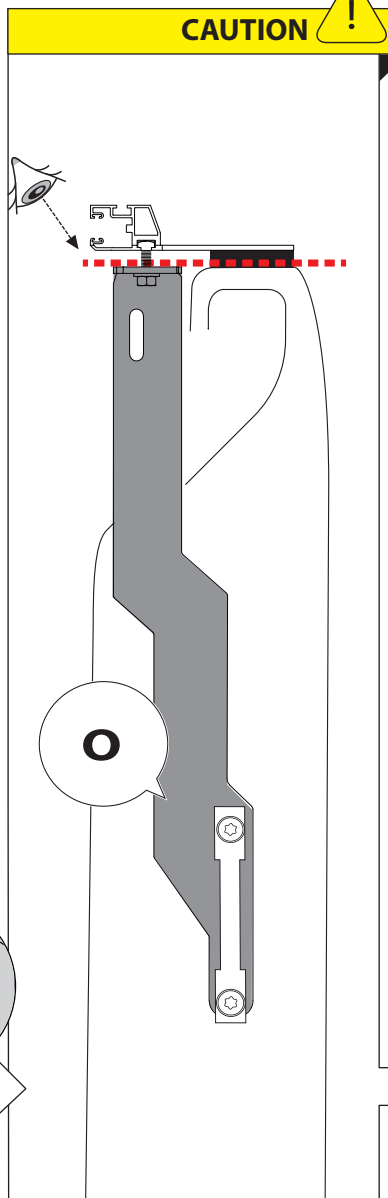
WITHOUT C - CHANNELS



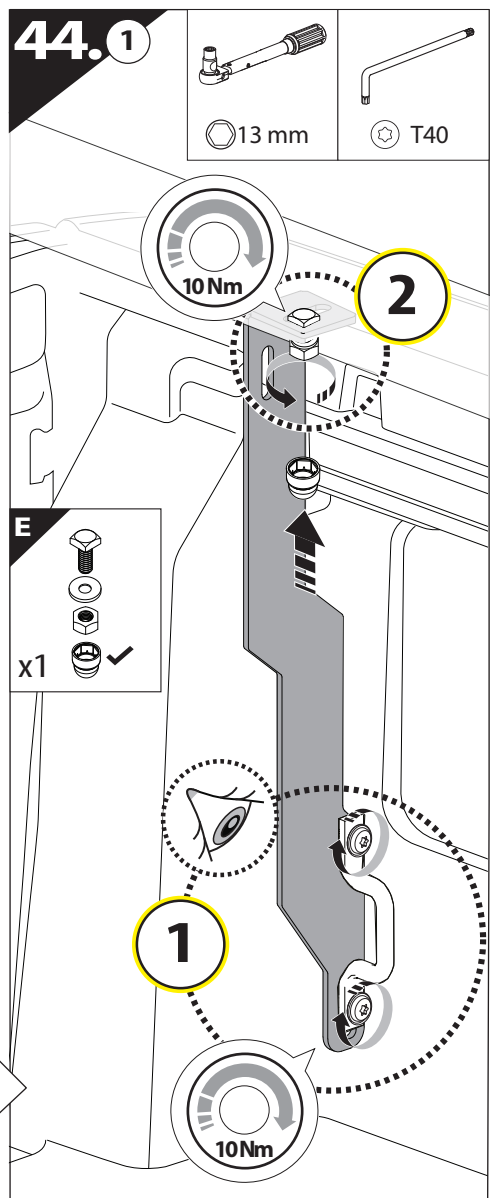
44



CAUTION



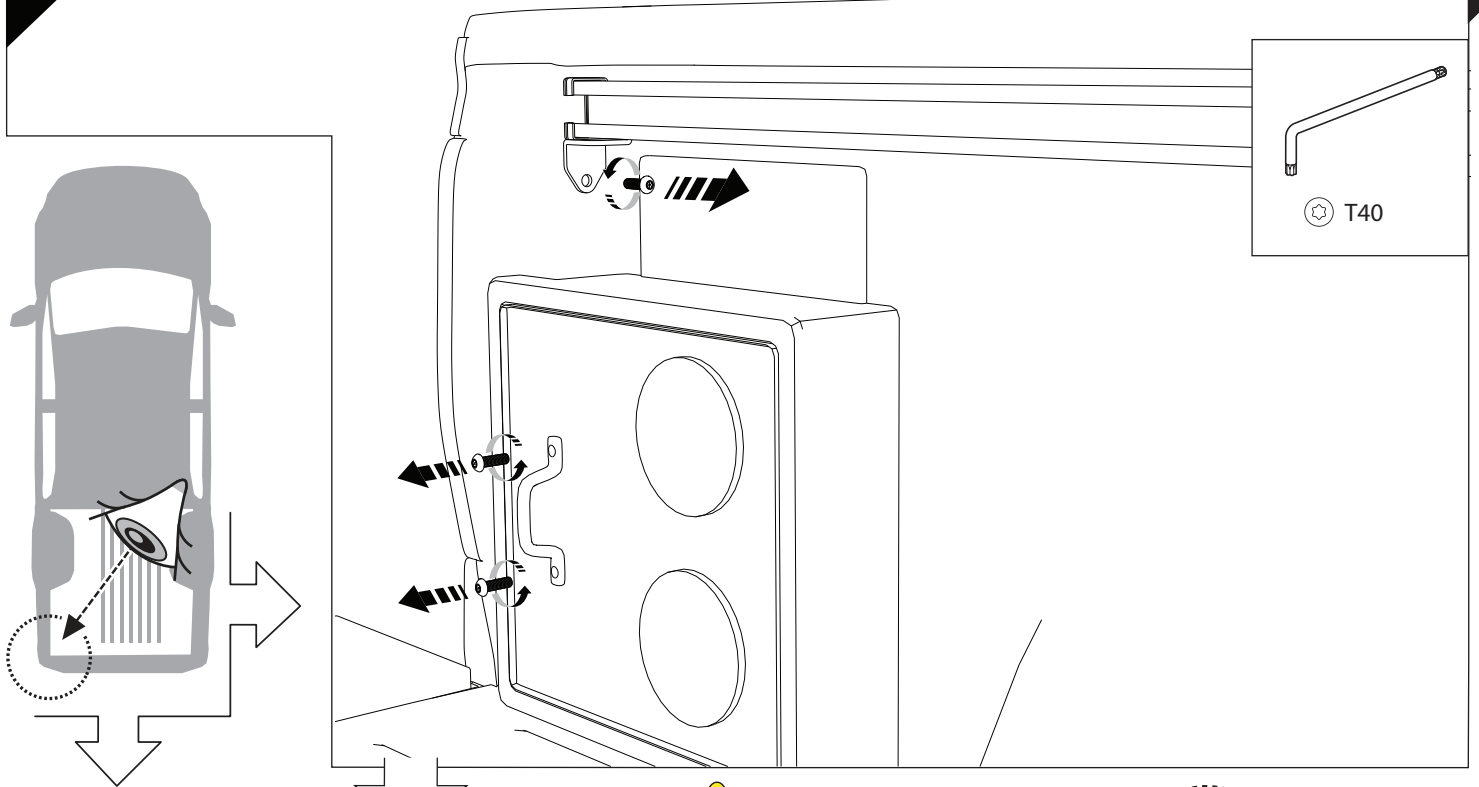
44.1



43



WITH C - CHANNELS



44

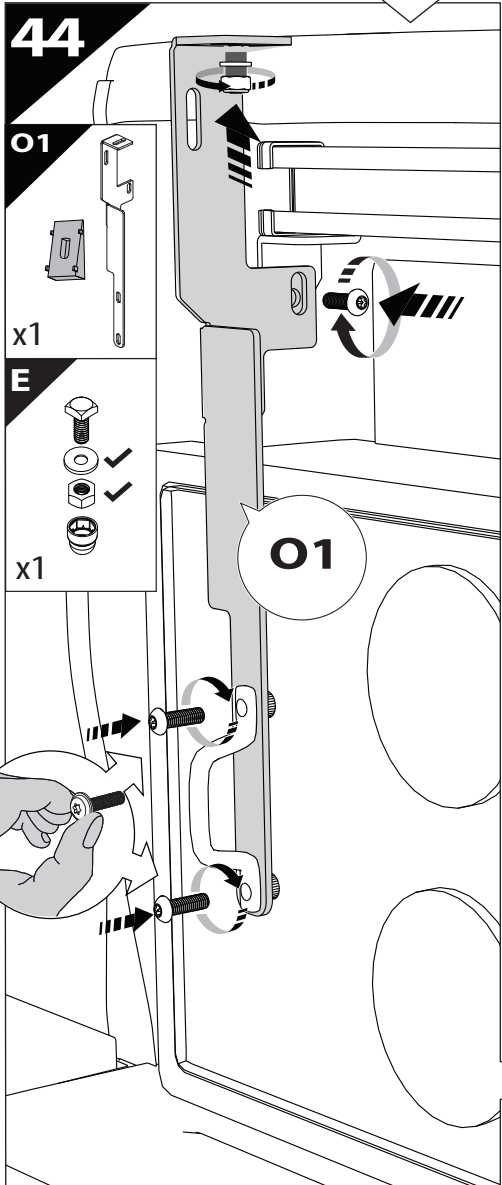
O1

x1

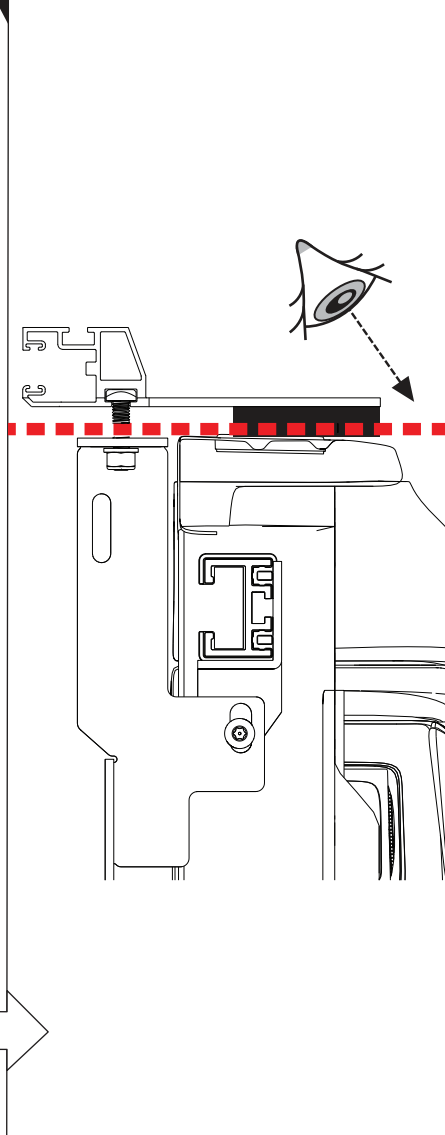
E

x1

O1



CAUTION



44.1

3

2

O1

1

10 Nm

10 Nm

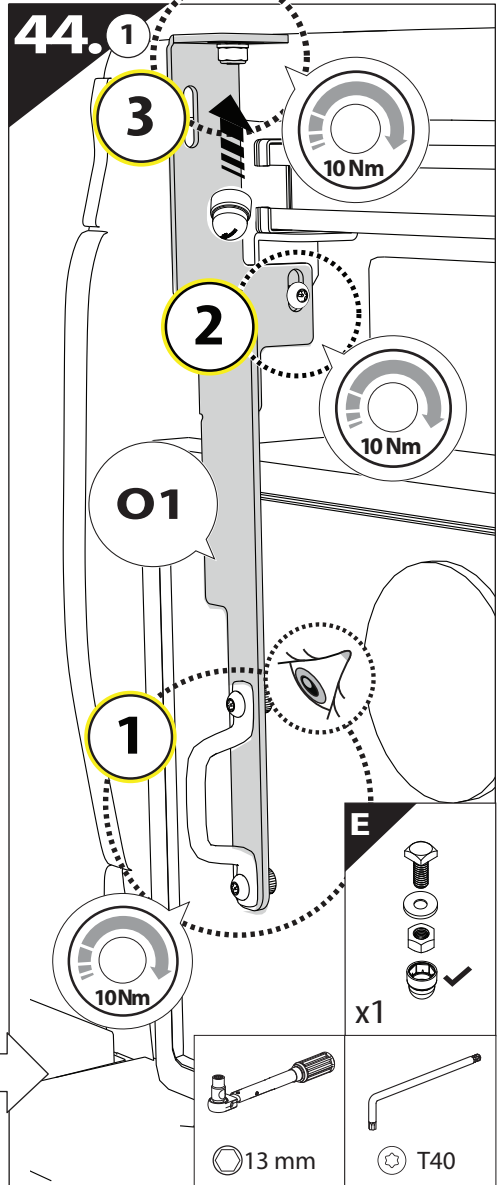
10 Nm

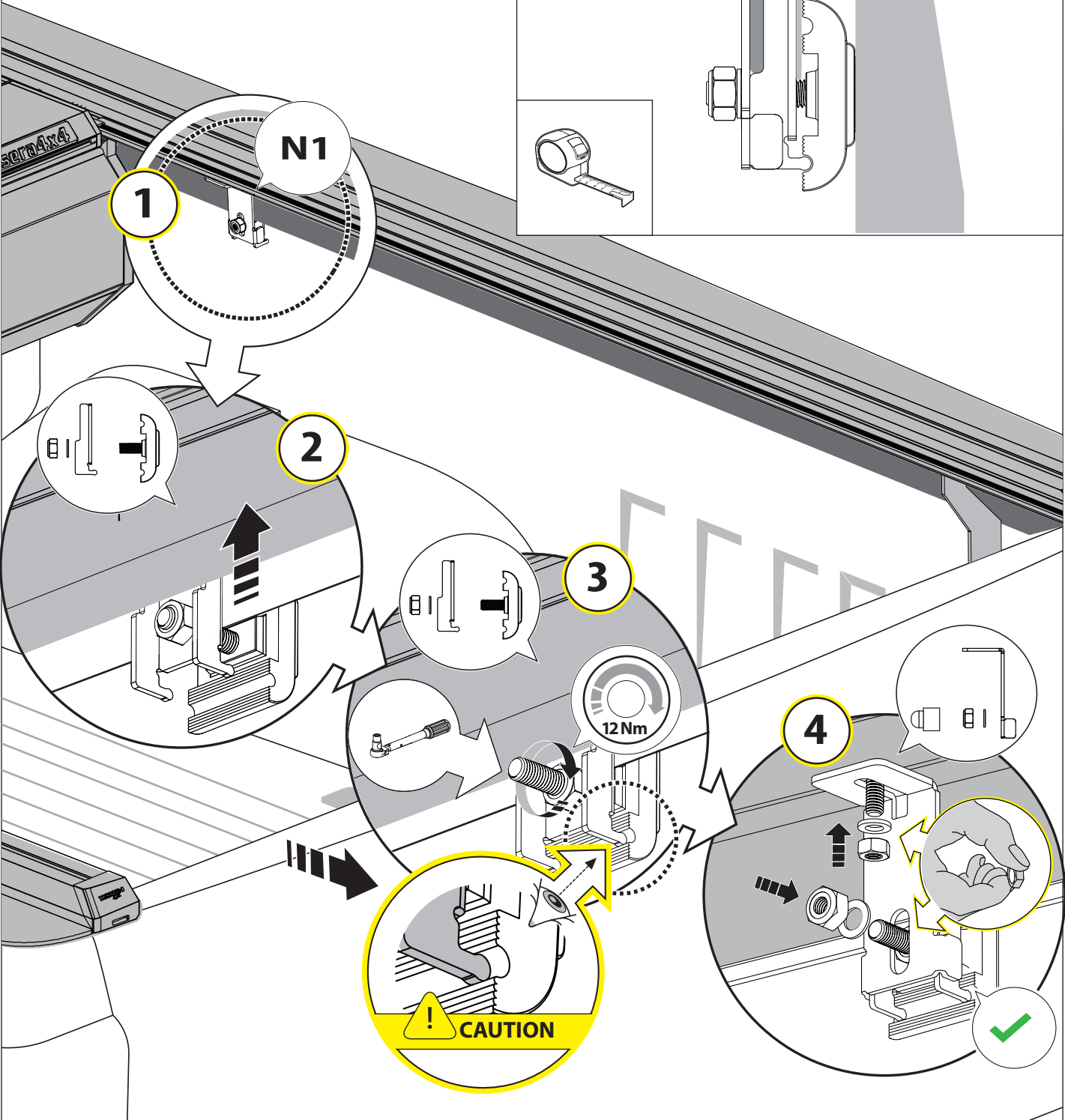
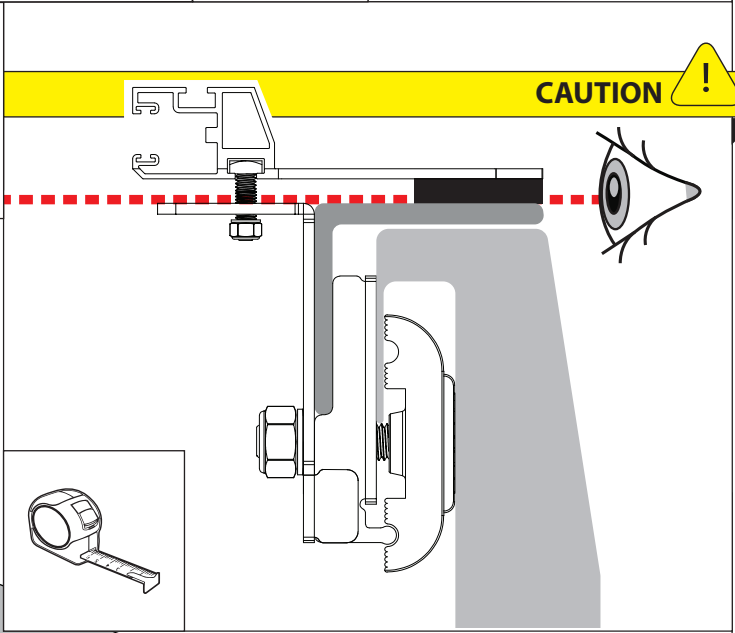
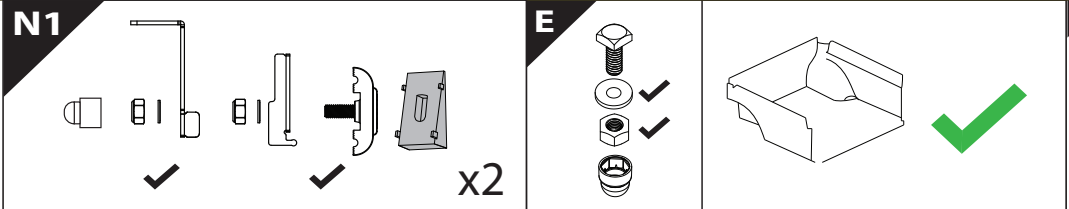
E

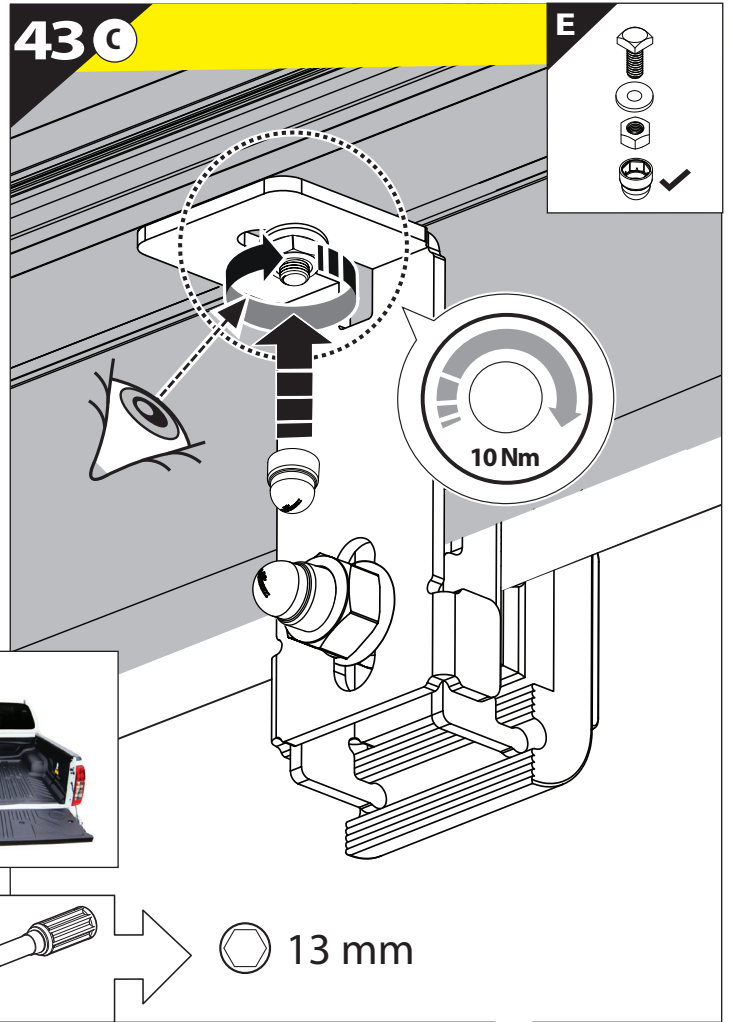
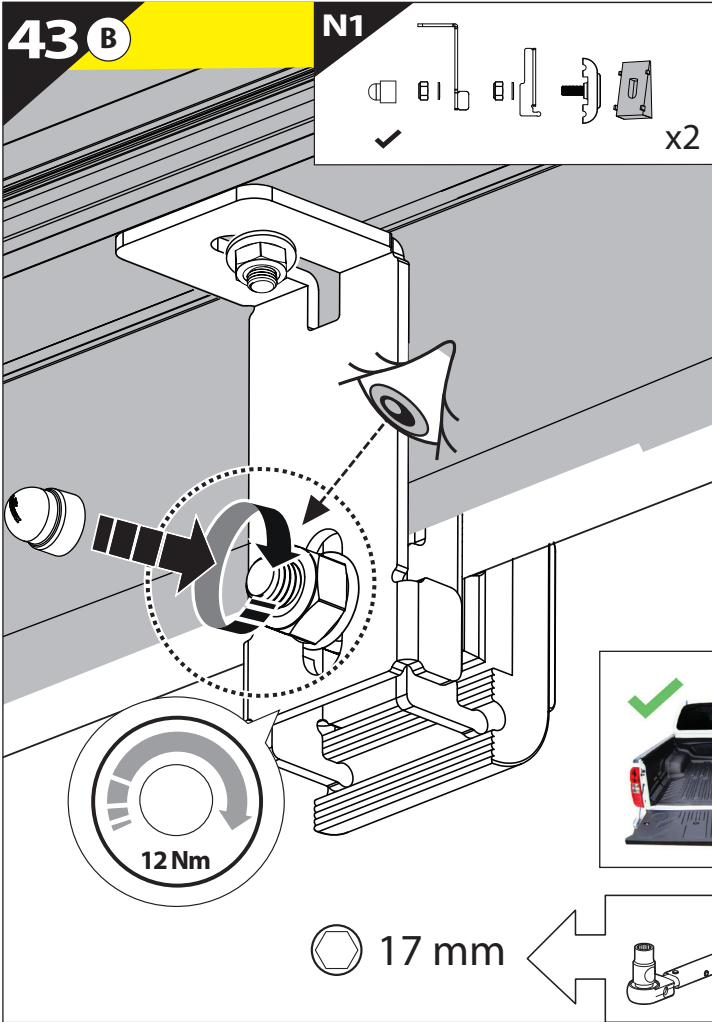
x1

13 mm

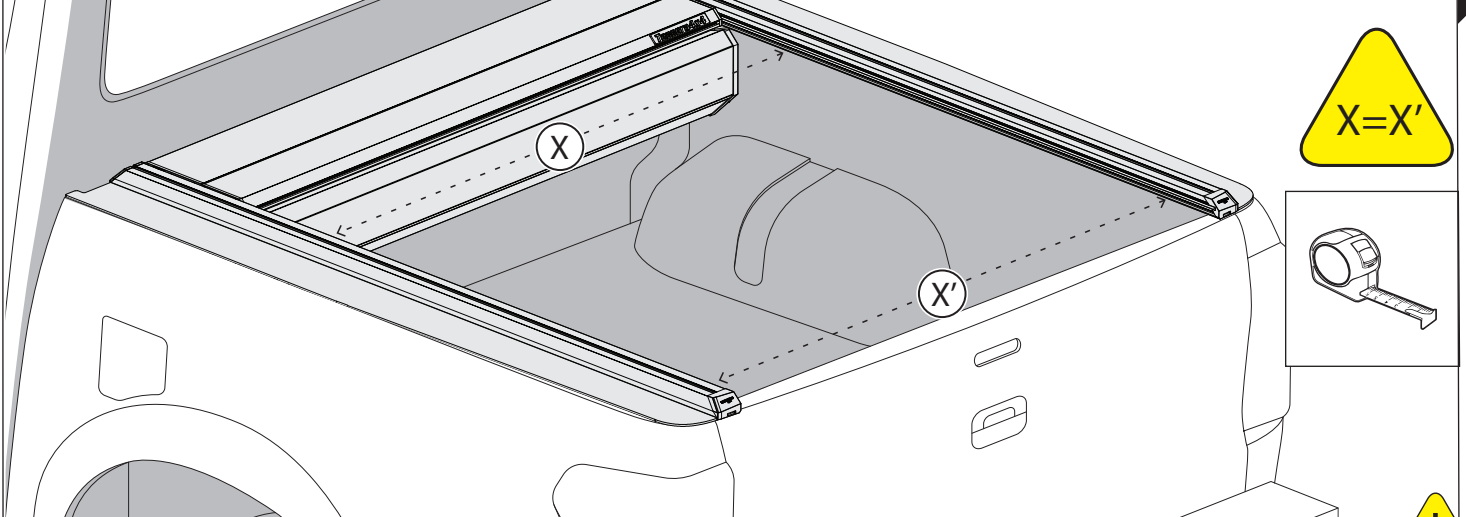
T40



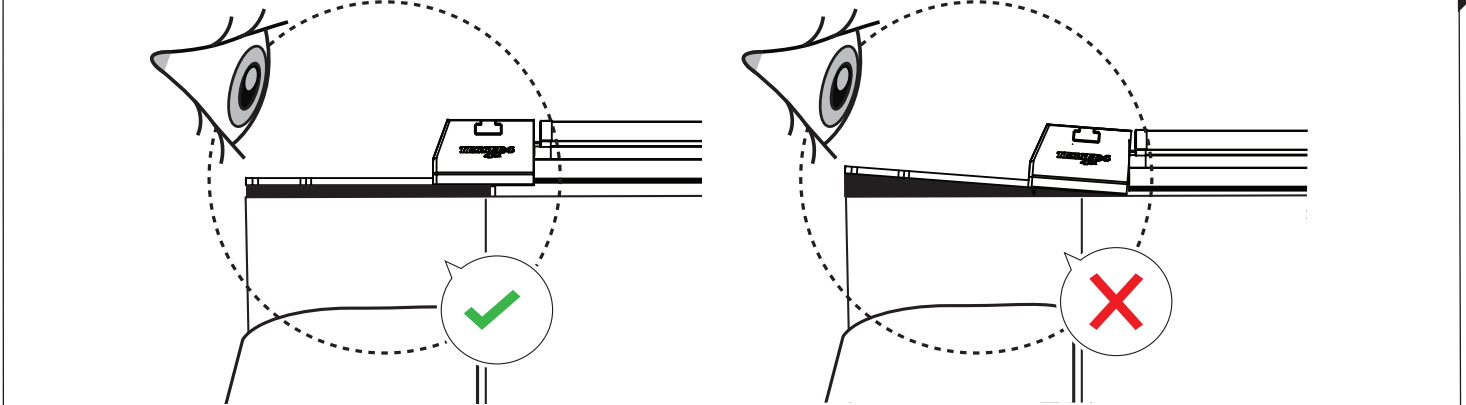




**CAUTION** !



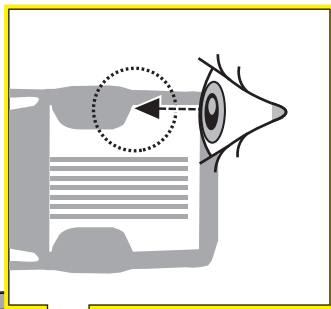
**CAUTION** !



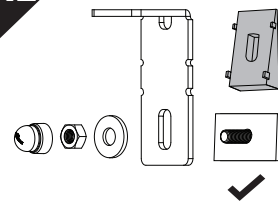
43 A



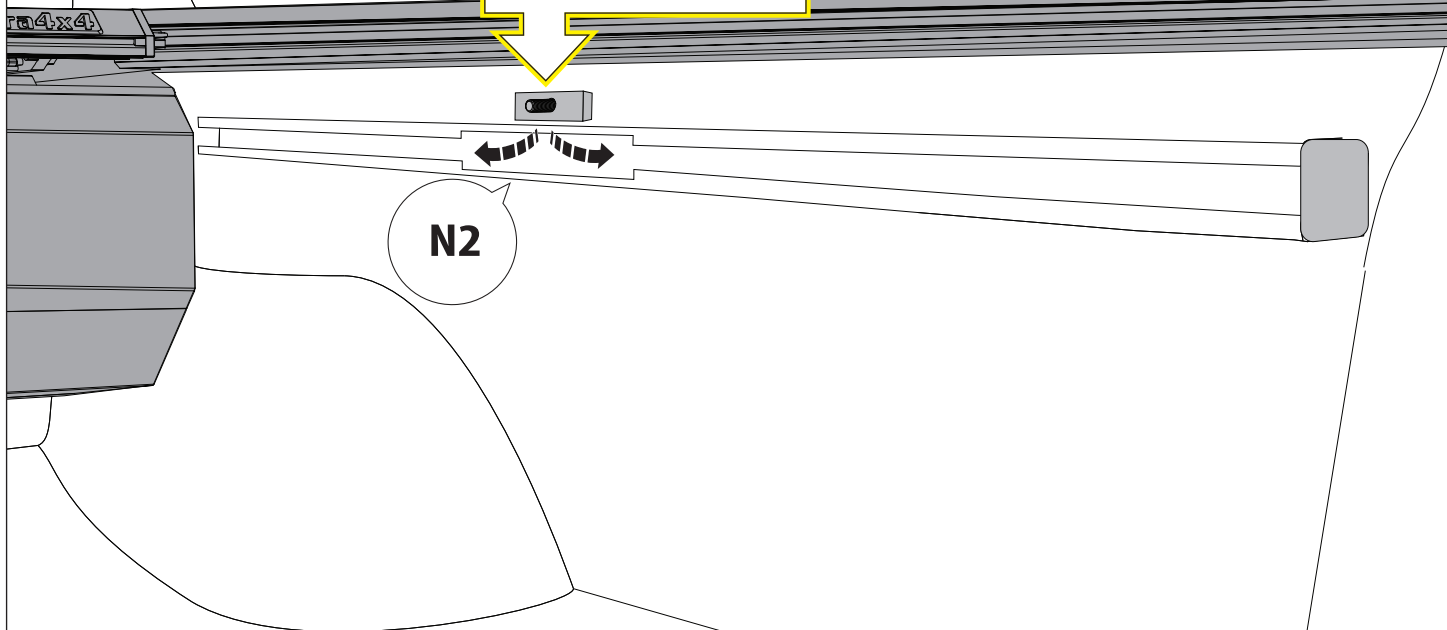
WITH C - CHANNELS



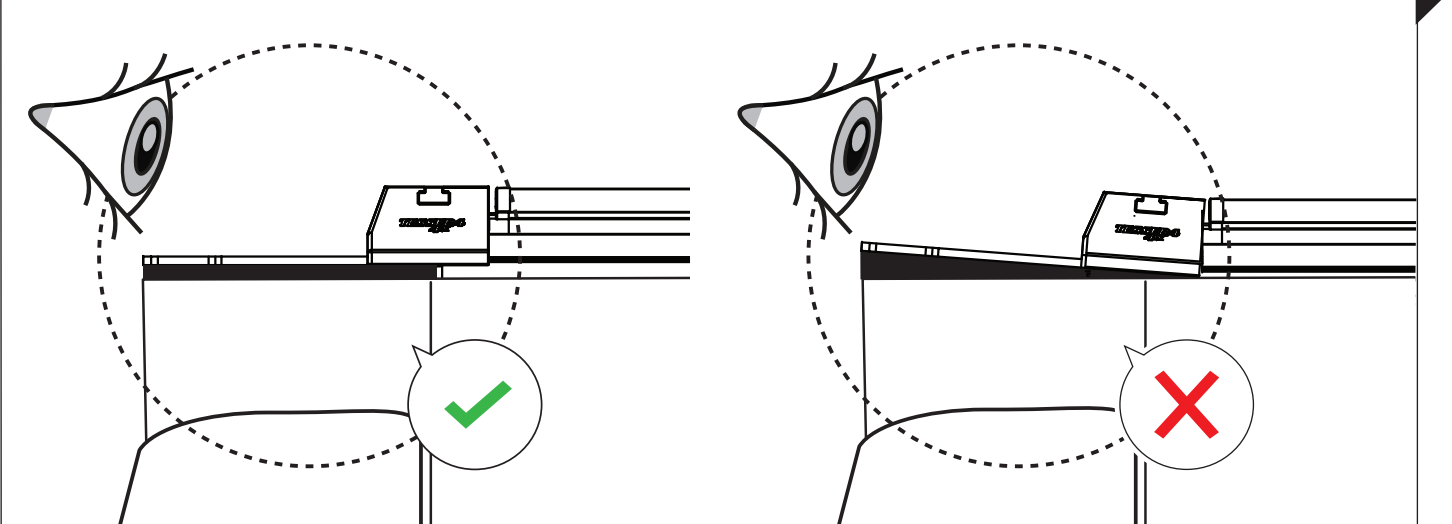
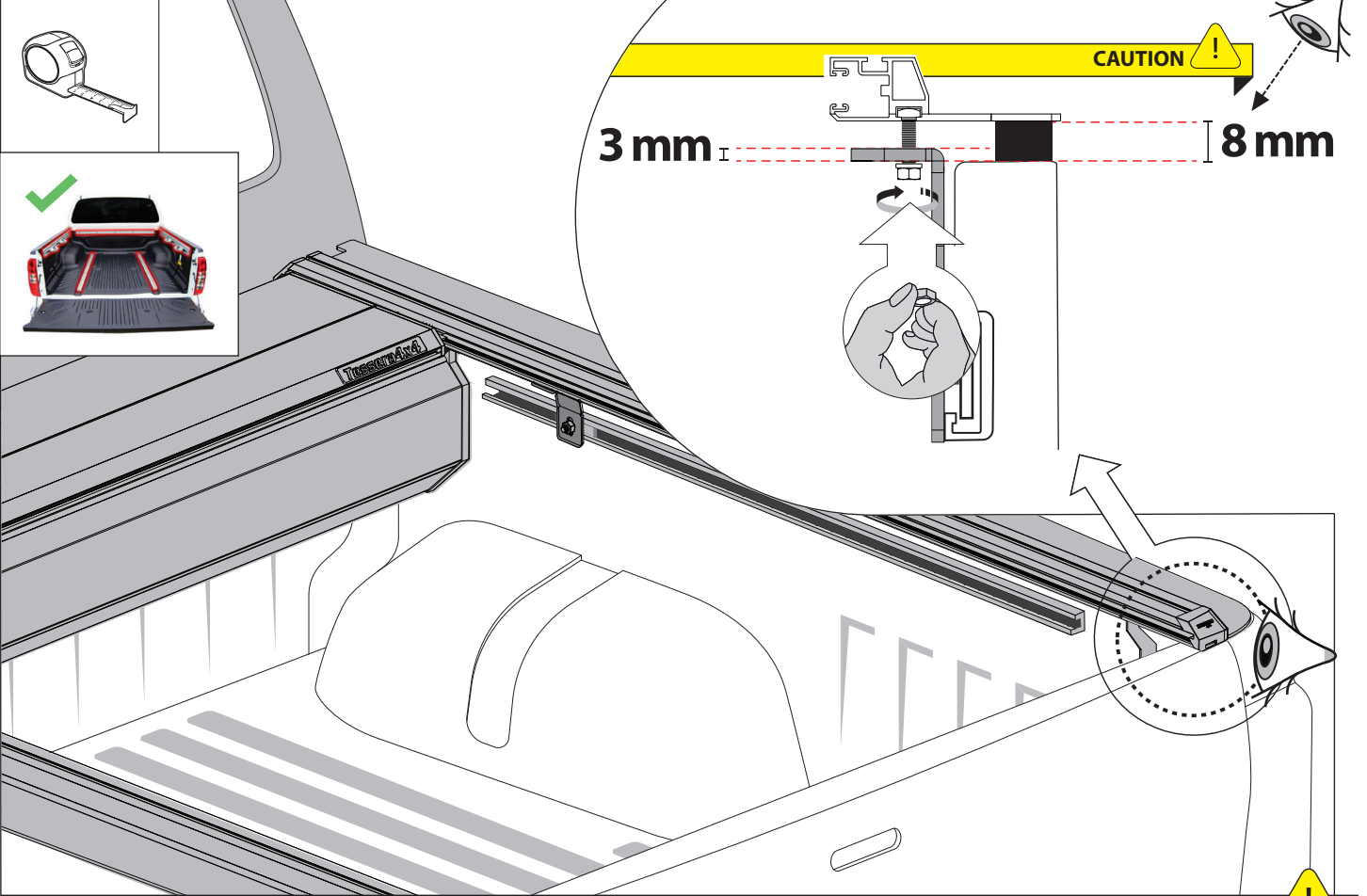
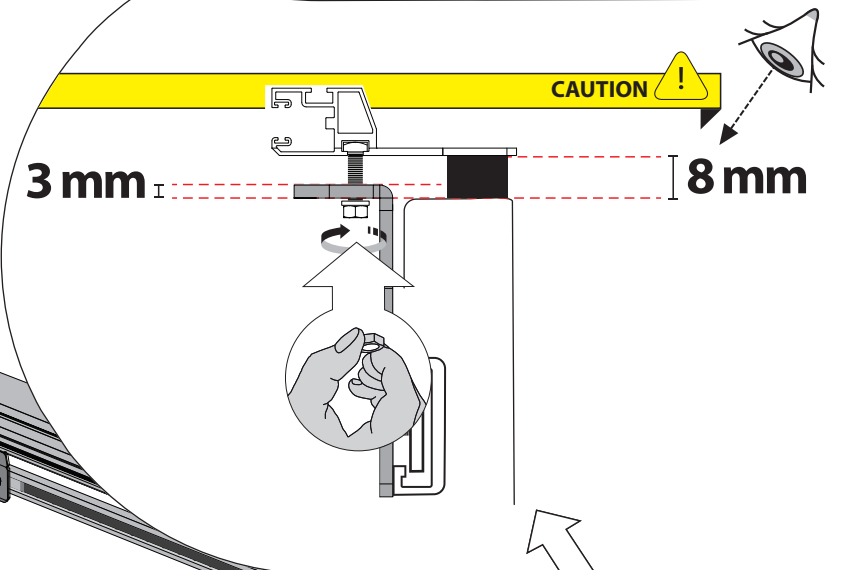
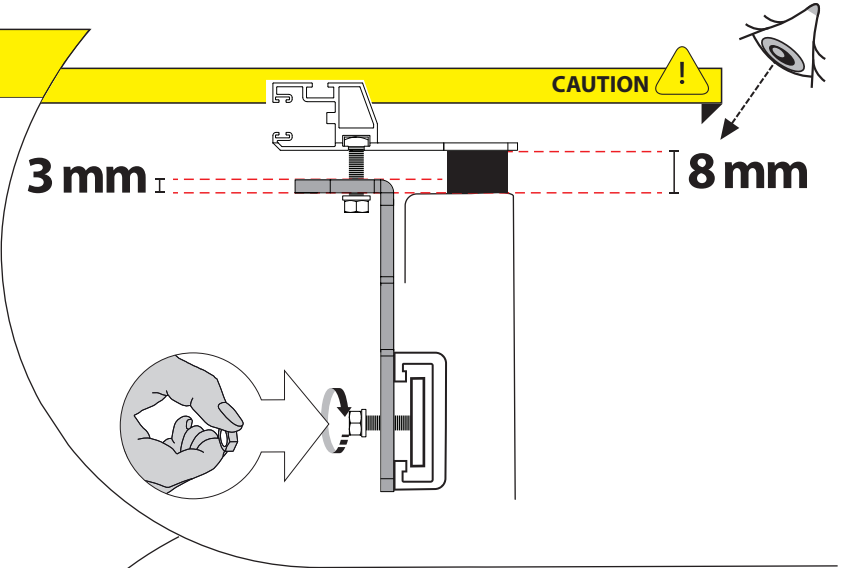
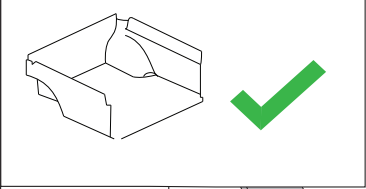
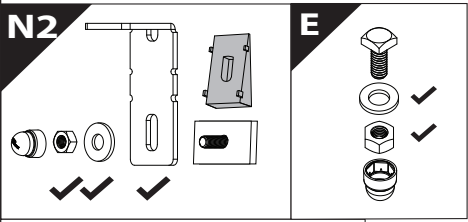
N2

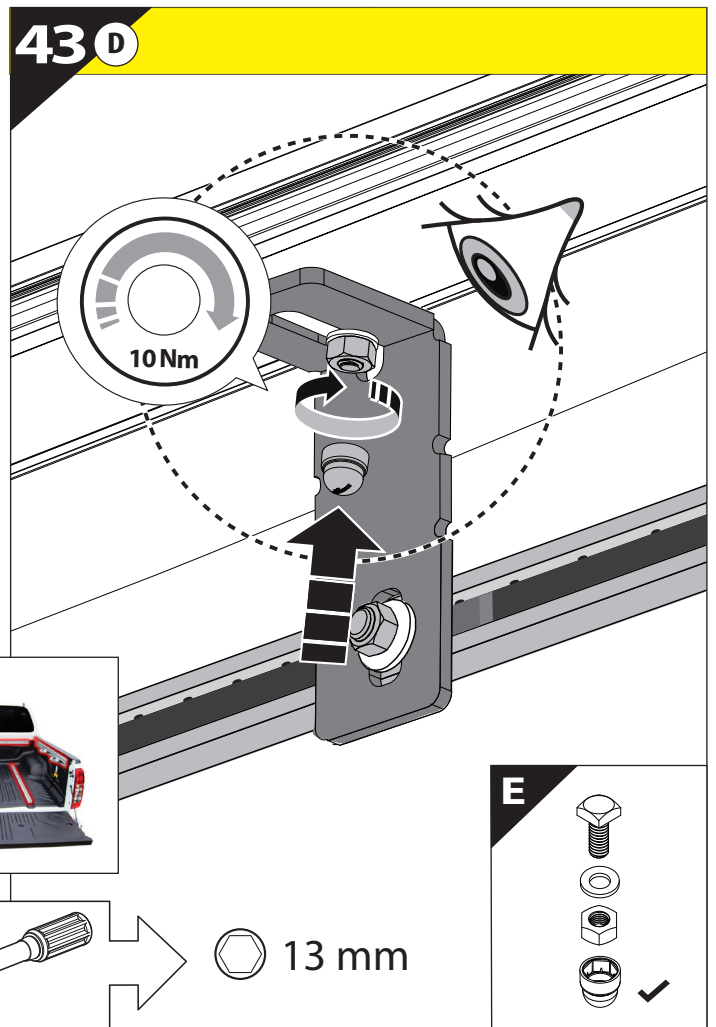
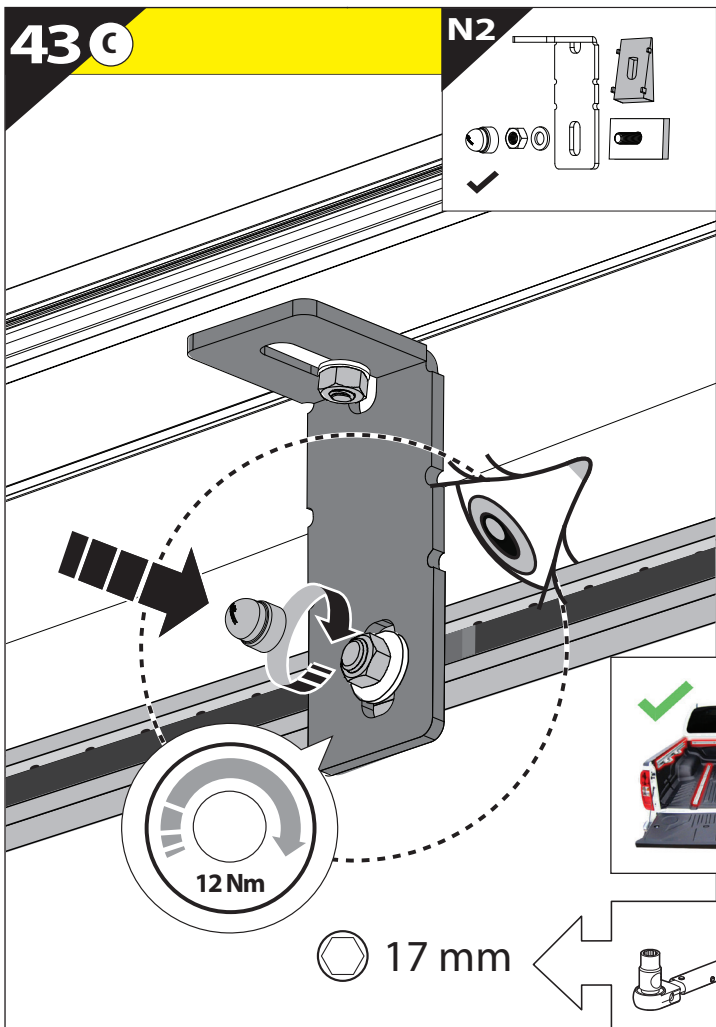


x2

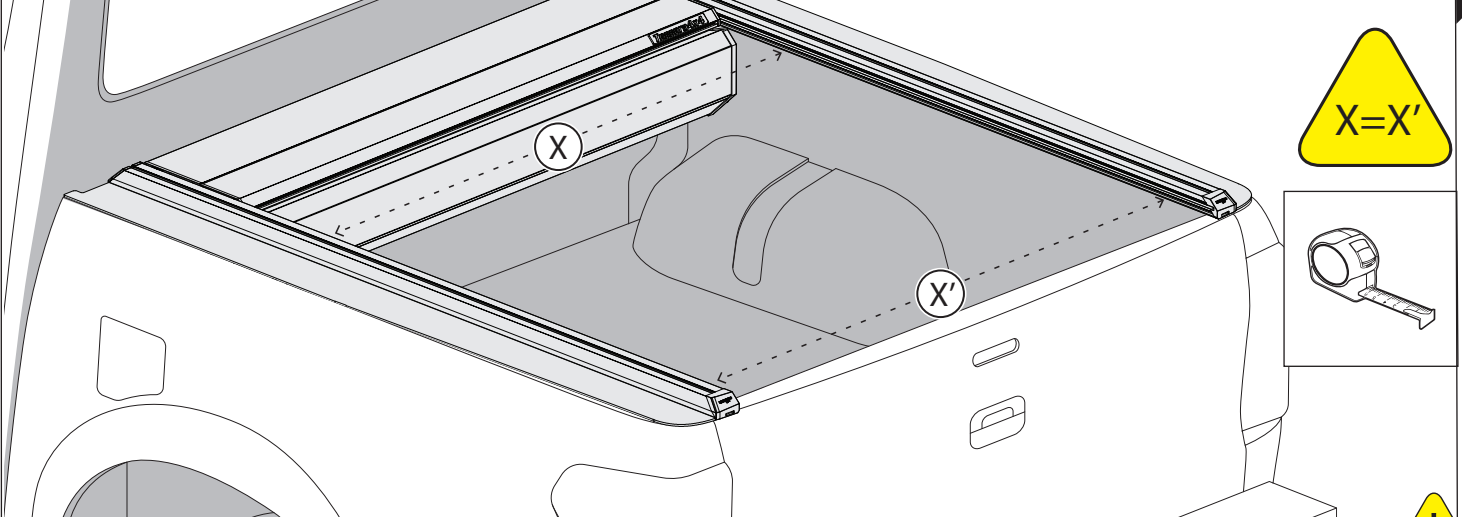


# 43 B

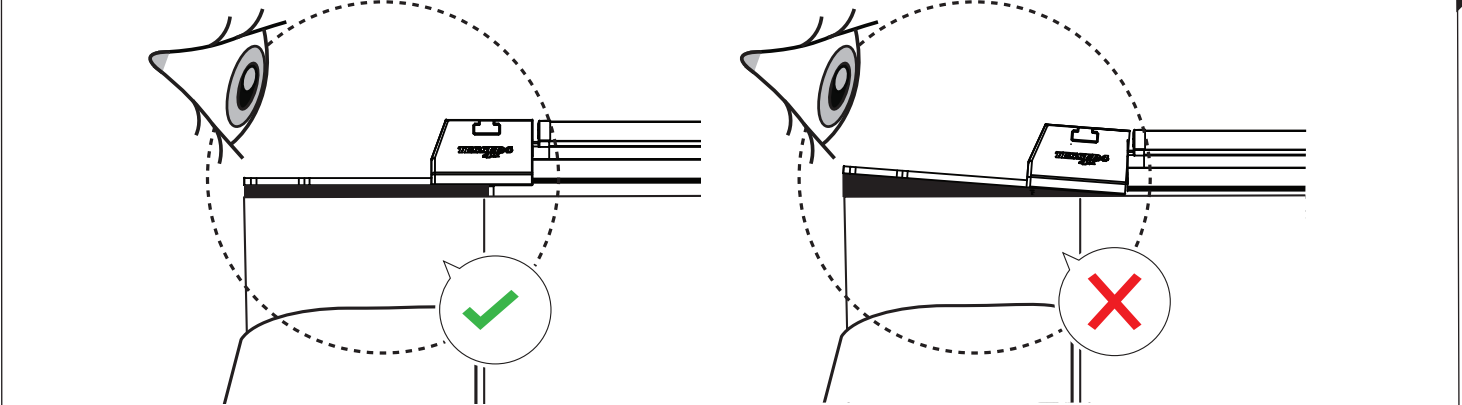




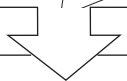
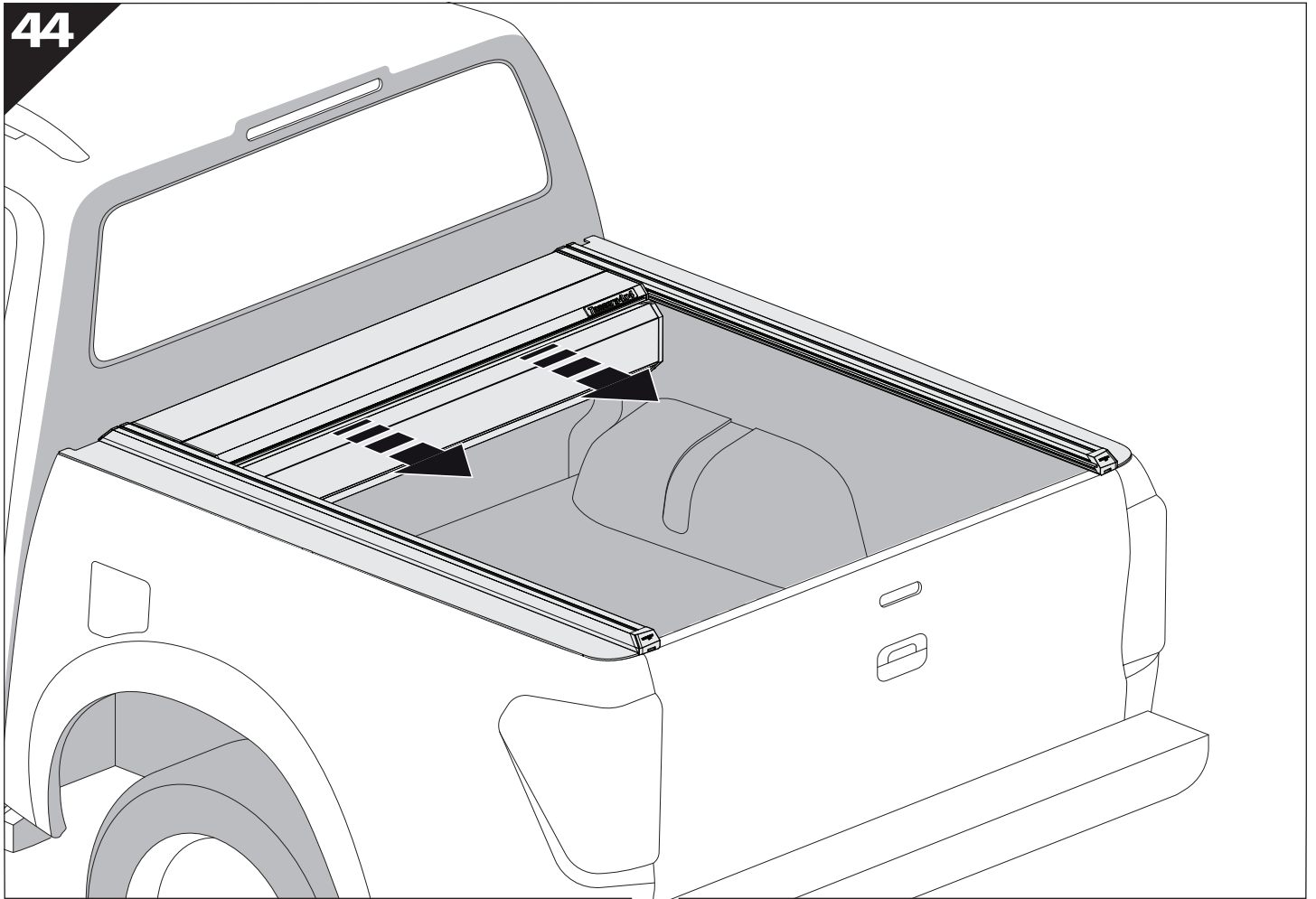
**CAUTION** !



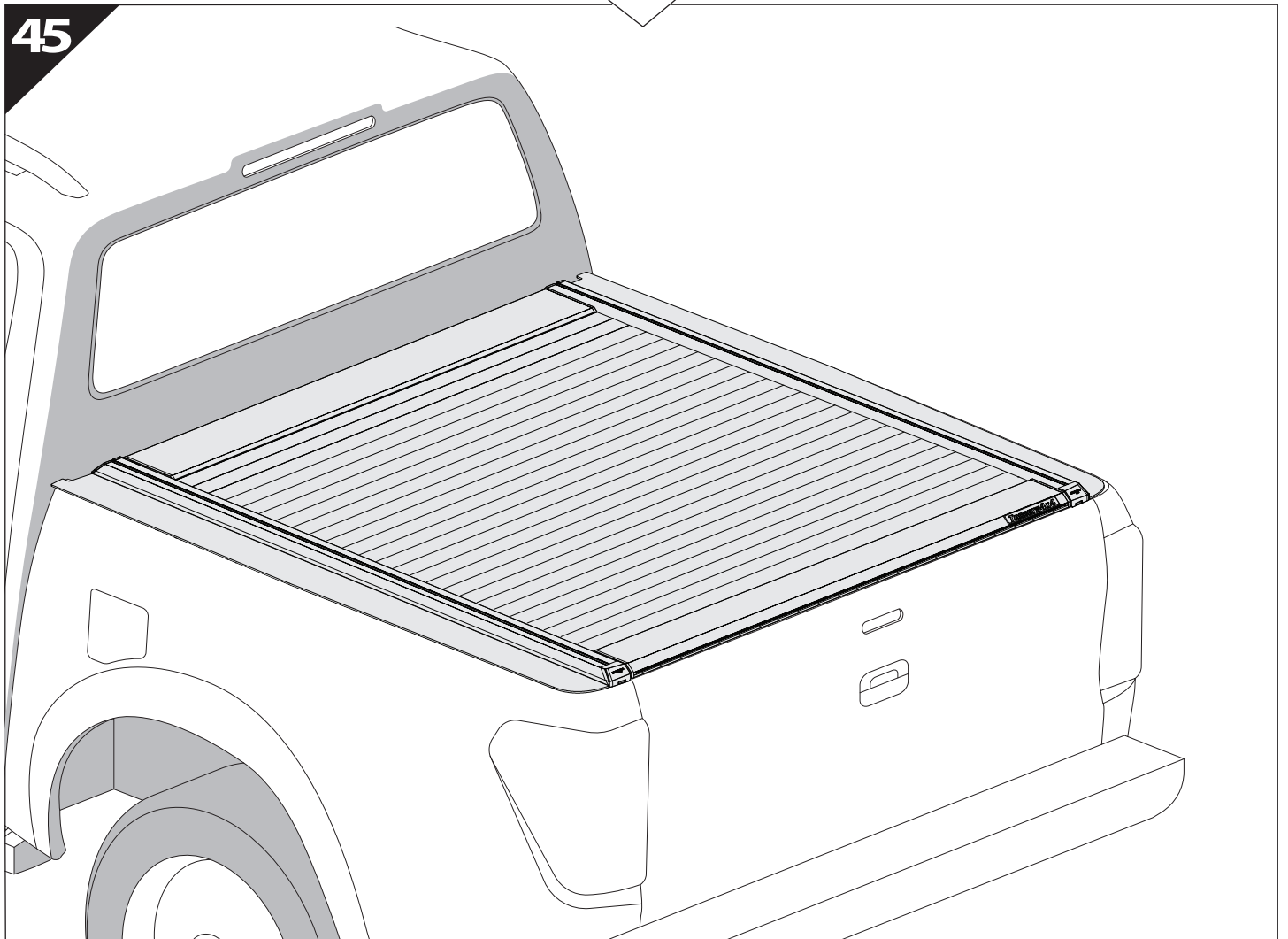
**CAUTION** !



44



45





**GR:** Οδηγίες Εγκατάστασης  
**GB:** Installation manual  
**SF:** Asennusohje  
**F:** Notice de montage  
**PL:** Instrukcja montażu  
**NL:** Installatie-instructies  
**TR:** Montaj Talimatı  
**S:** Monteringsanvisning  
**E:** Instrucciones de montaje

**H:** Szerelési utasítás  
**P:** Instruções de instalação  
**RUS:** Инструкция по установке  
**N:** Monteringsveiledning  
**D:** Einbauanleitung  
**CZ:** Návod k instalaci  
**I:** Istruzioni de montaggio  
**DK:** Monteringsvejledning  
**RO:** Instructiuni de instalare

Customer Service:

+30 (210) 5541161, +30 (210) 5541154 (08:00 - 16:00 EET)

Support department:

[info@gianso.gr](mailto:info@gianso.gr)

Website:

[www.tessera4x4.com](http://www.tessera4x4.com)

Address:

19.5 km of National road Athens-Korinthos (Elefsina) Greece, P.C: 19200