

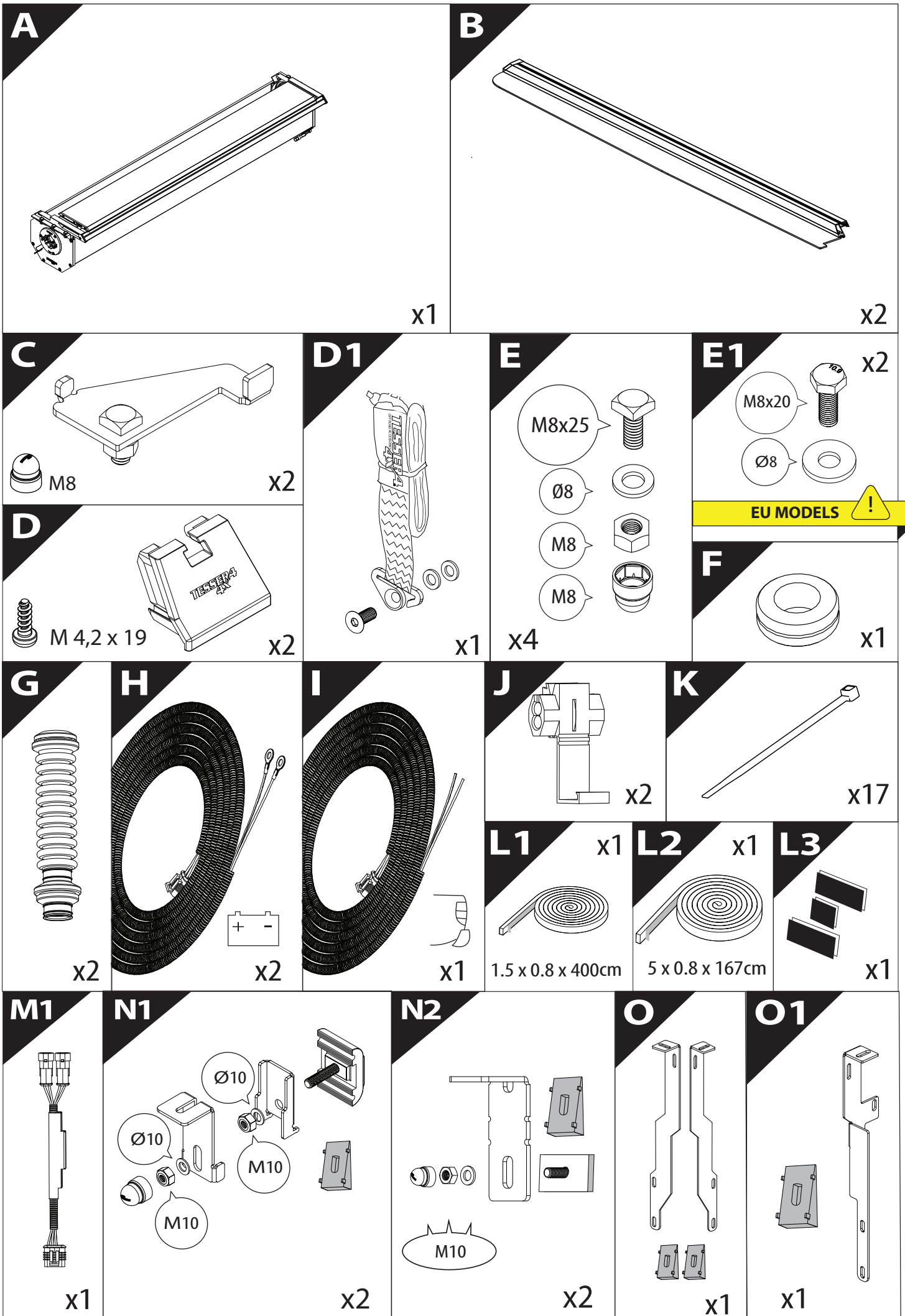
Tessera Roll+

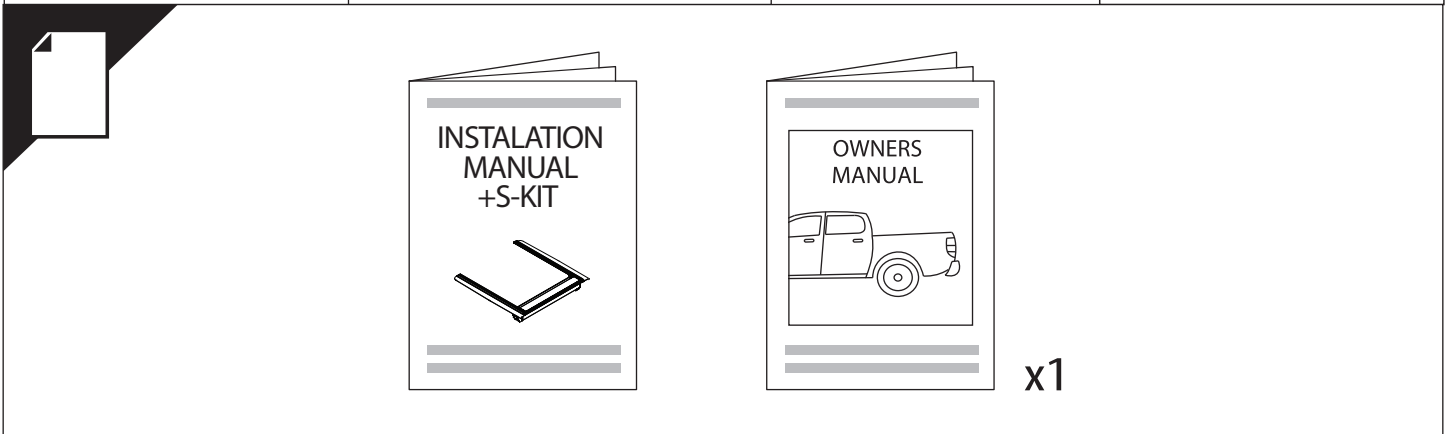
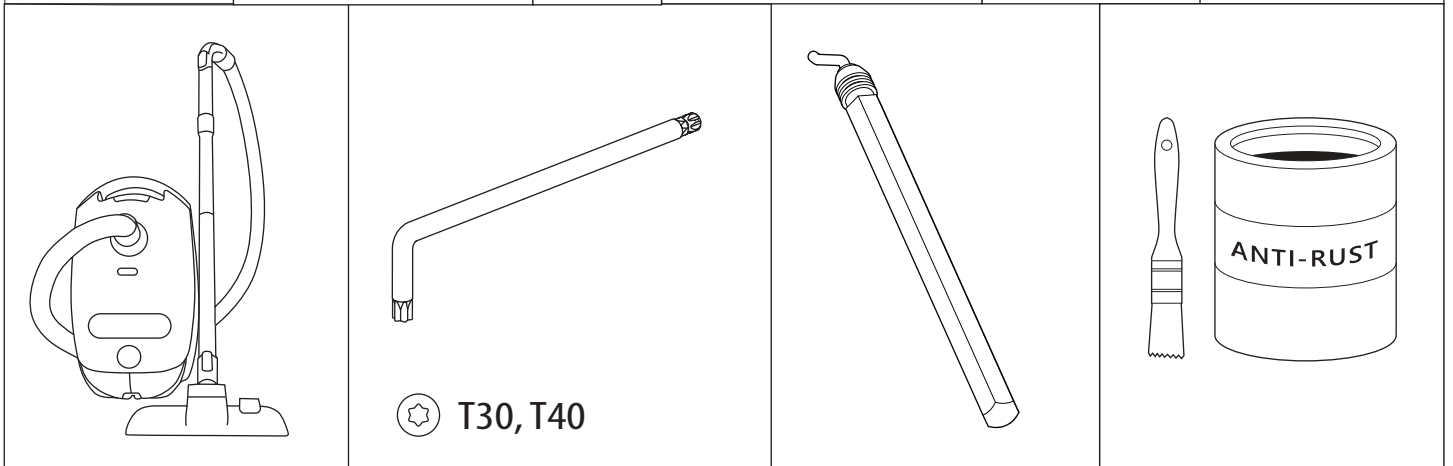
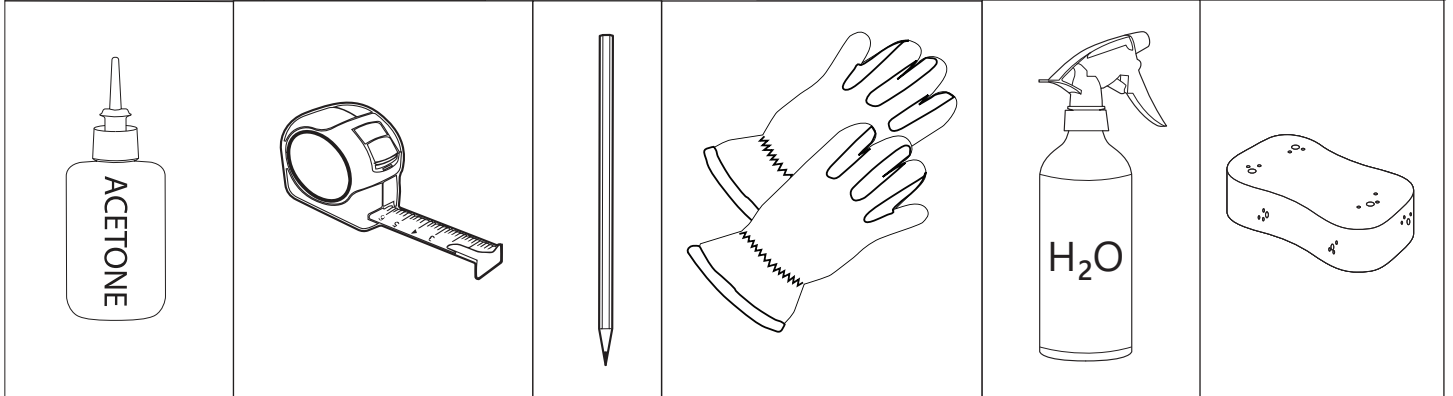
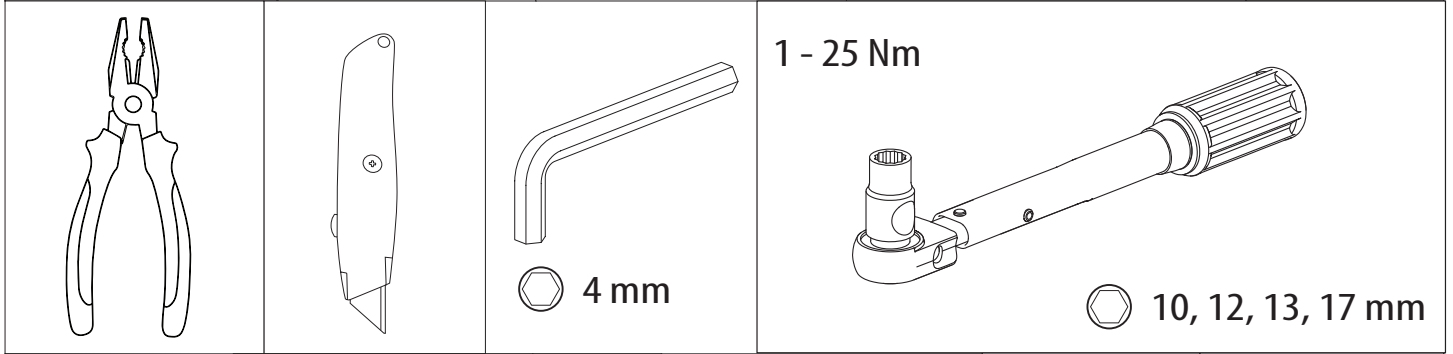
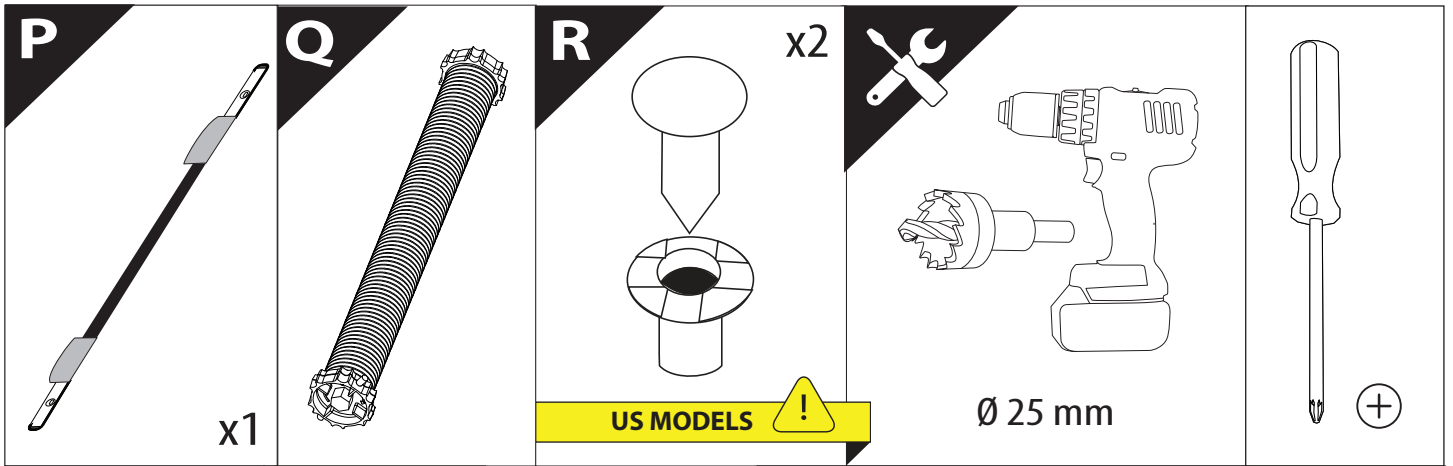
Basic Version + ⚙️ S-KIT

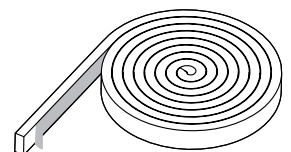
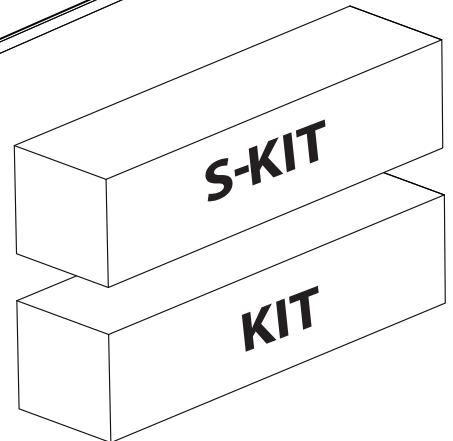
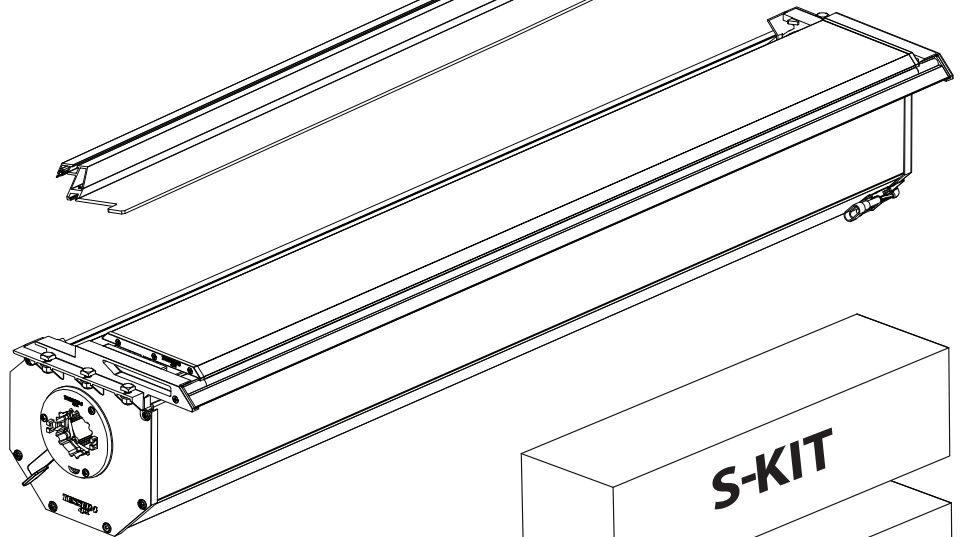


Installation Manual

PART NUMBER(S)	Model Year
TESS 14062 ROLL+S-KIT	FORD RANGER 2025+ PHEV (P 703) (with and without c-channels)
Cab(s)	Installation Time / Weight
Double Cab	40-60 minutes / 53-57 kg





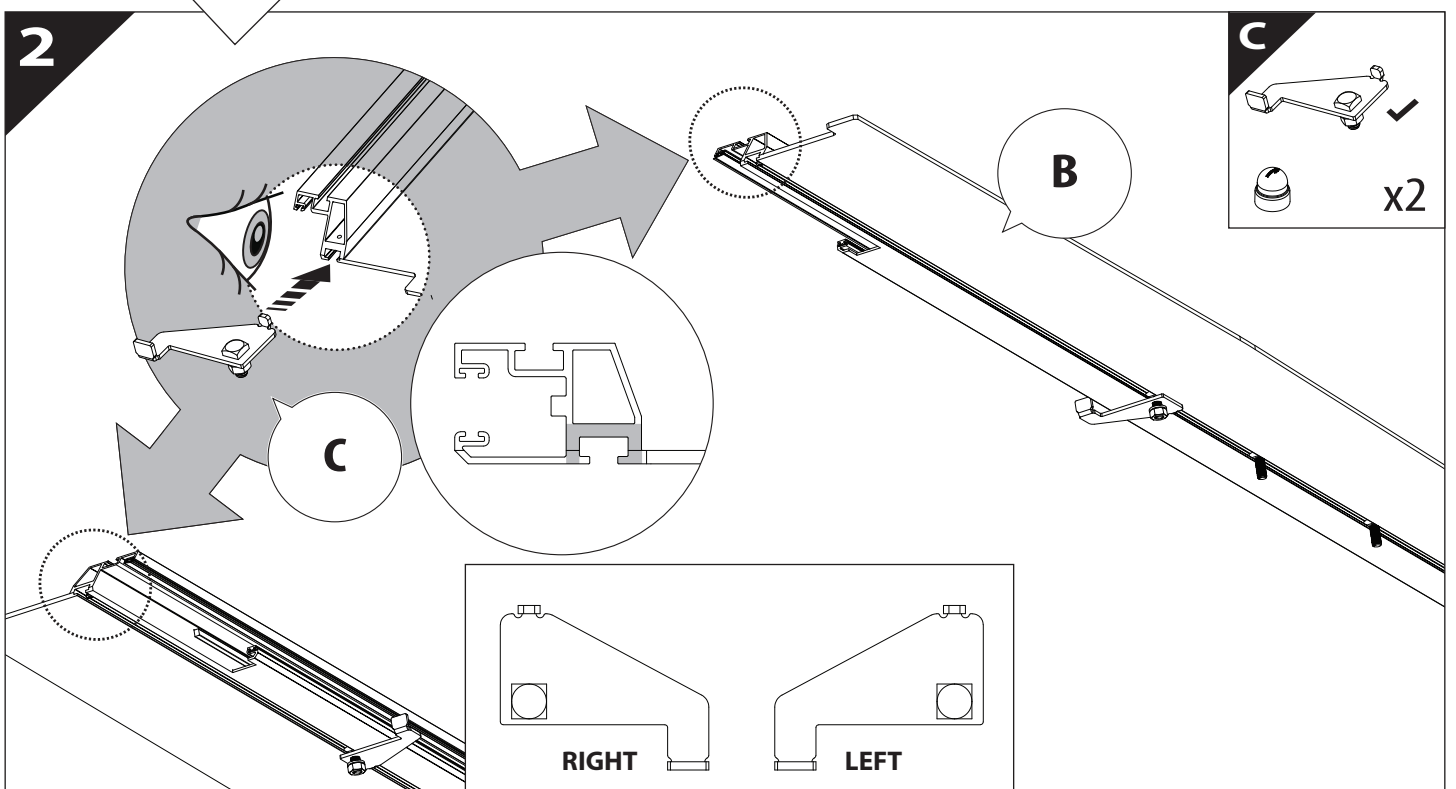
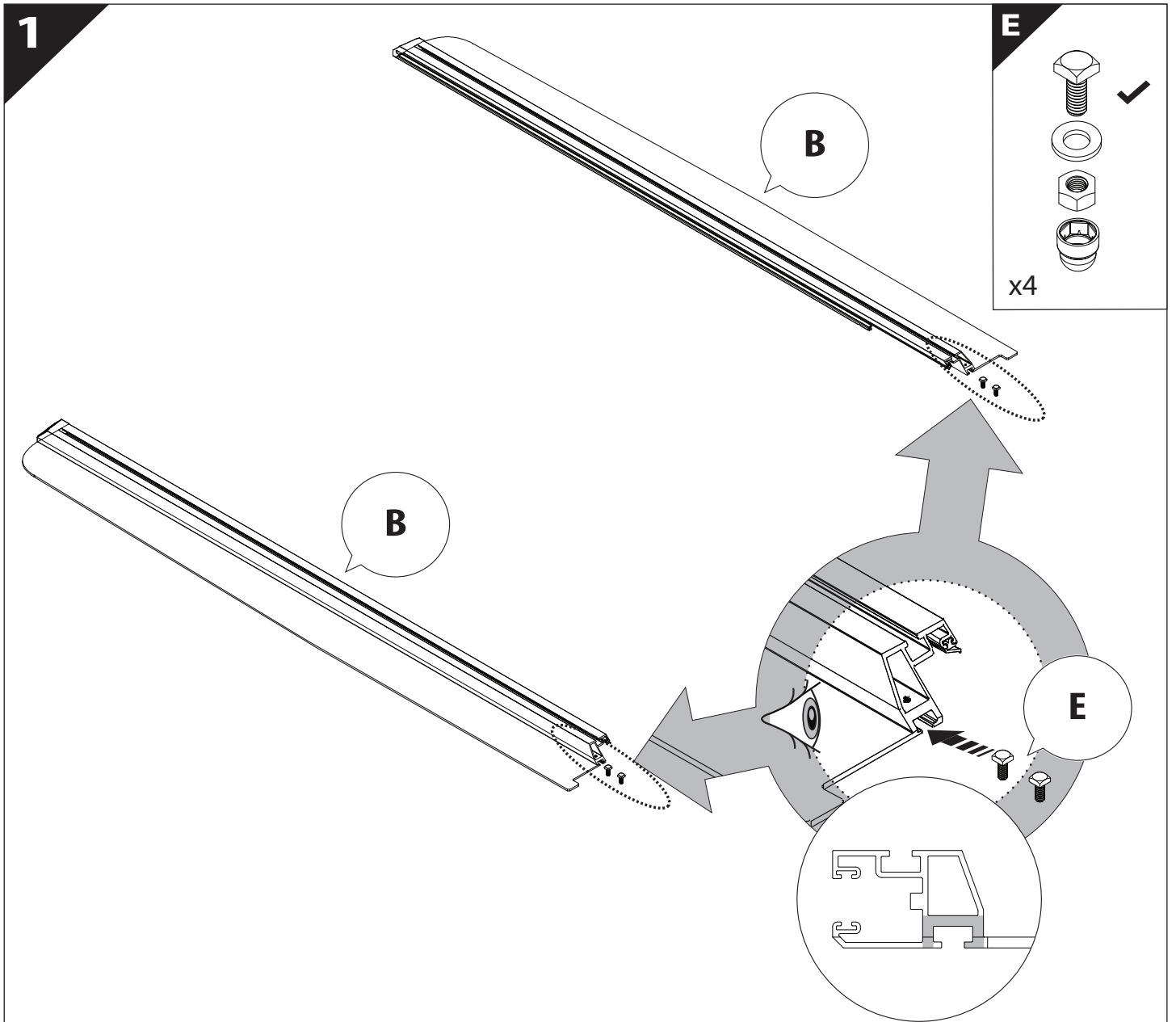


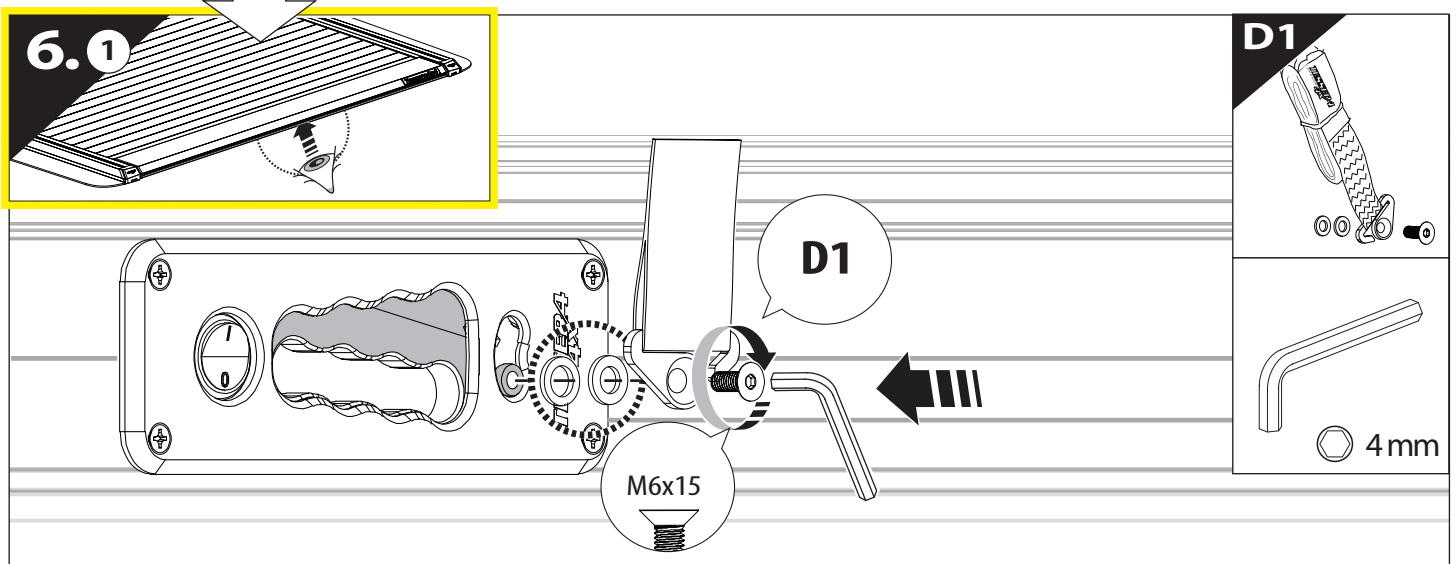
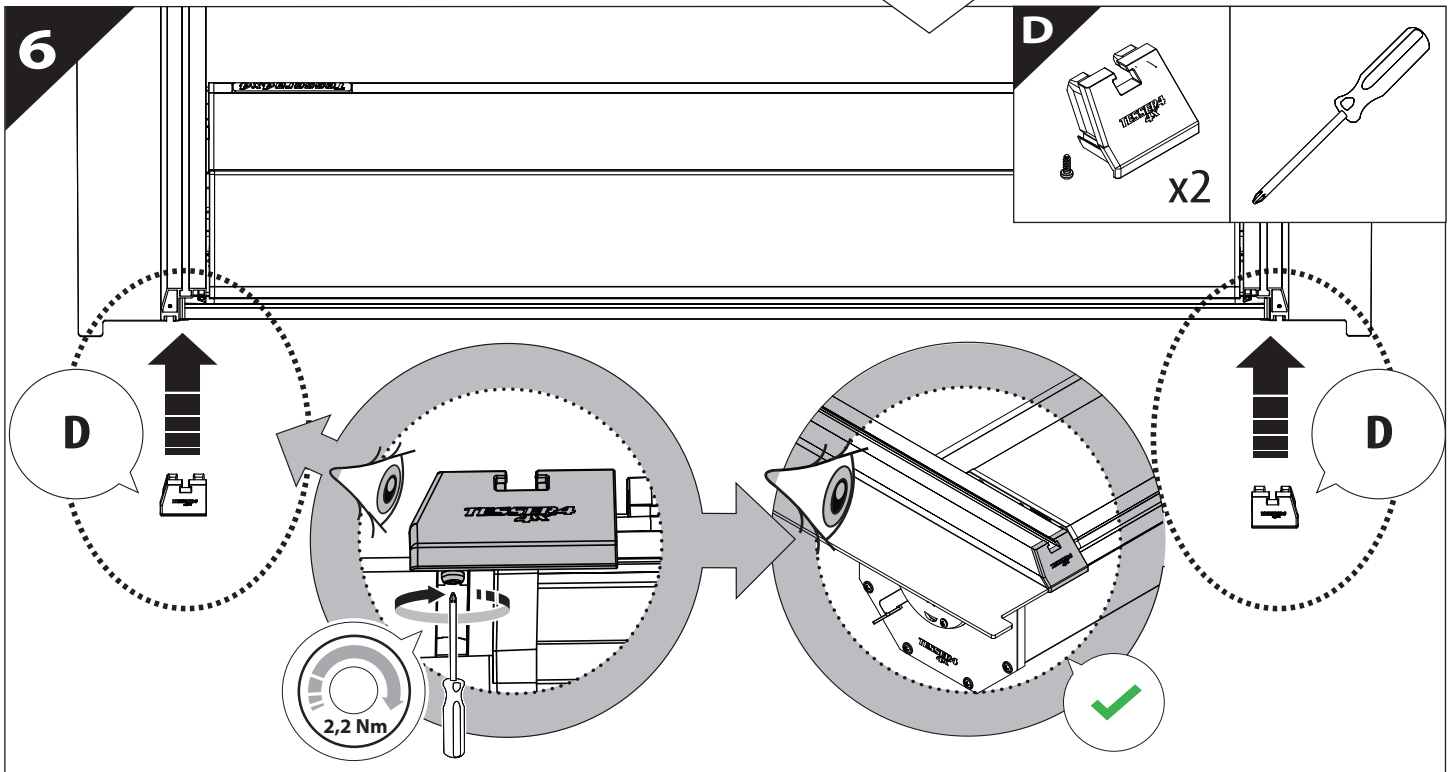
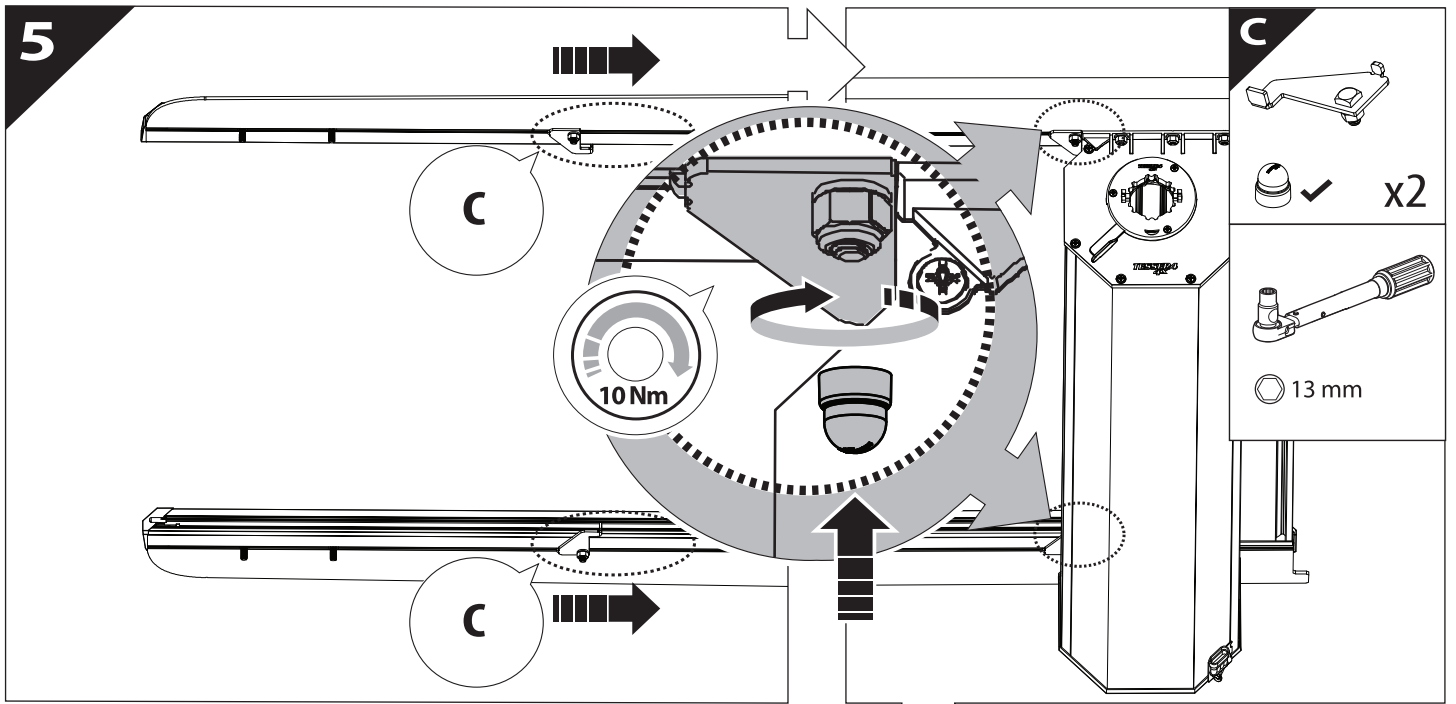
B

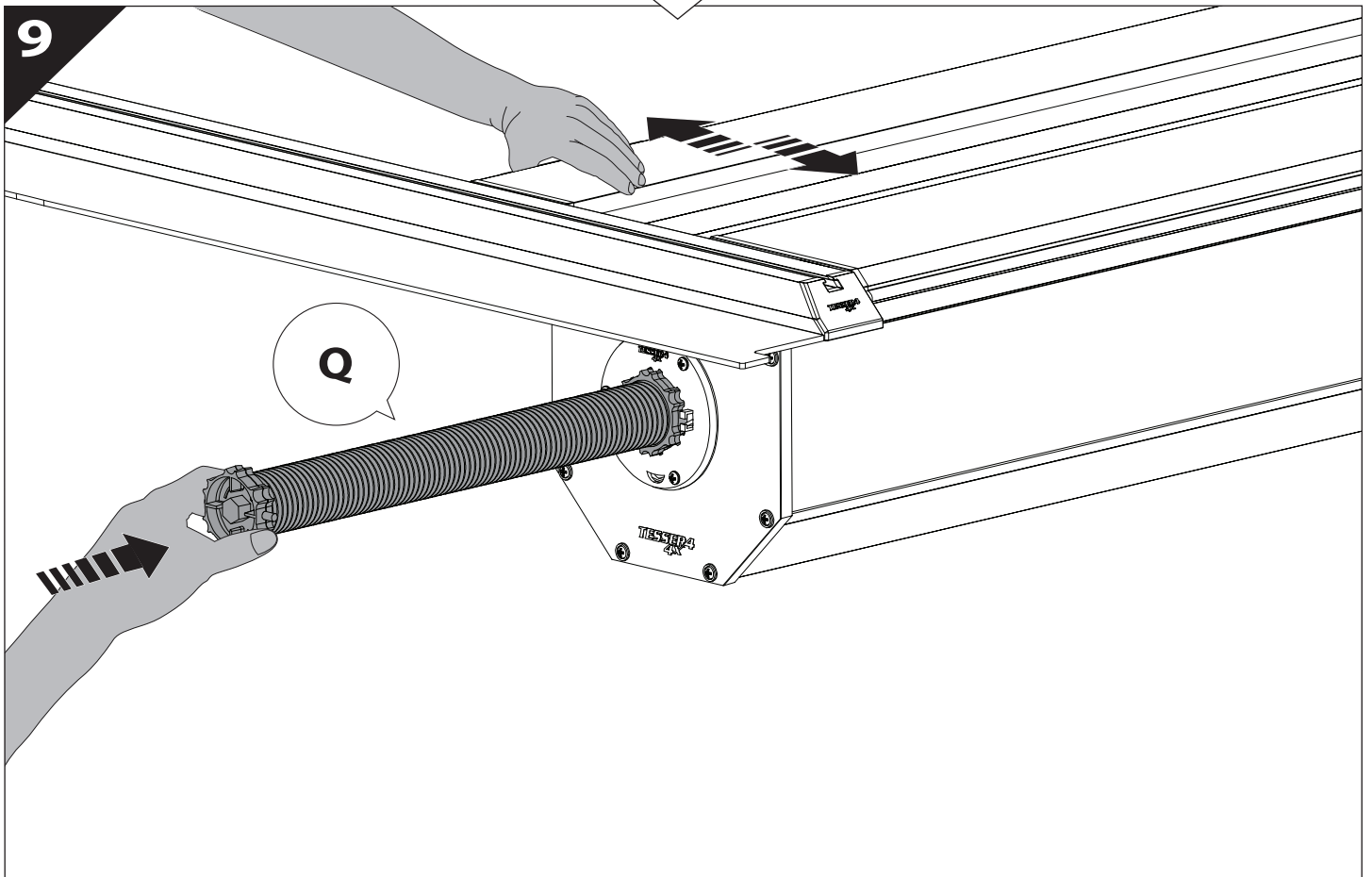
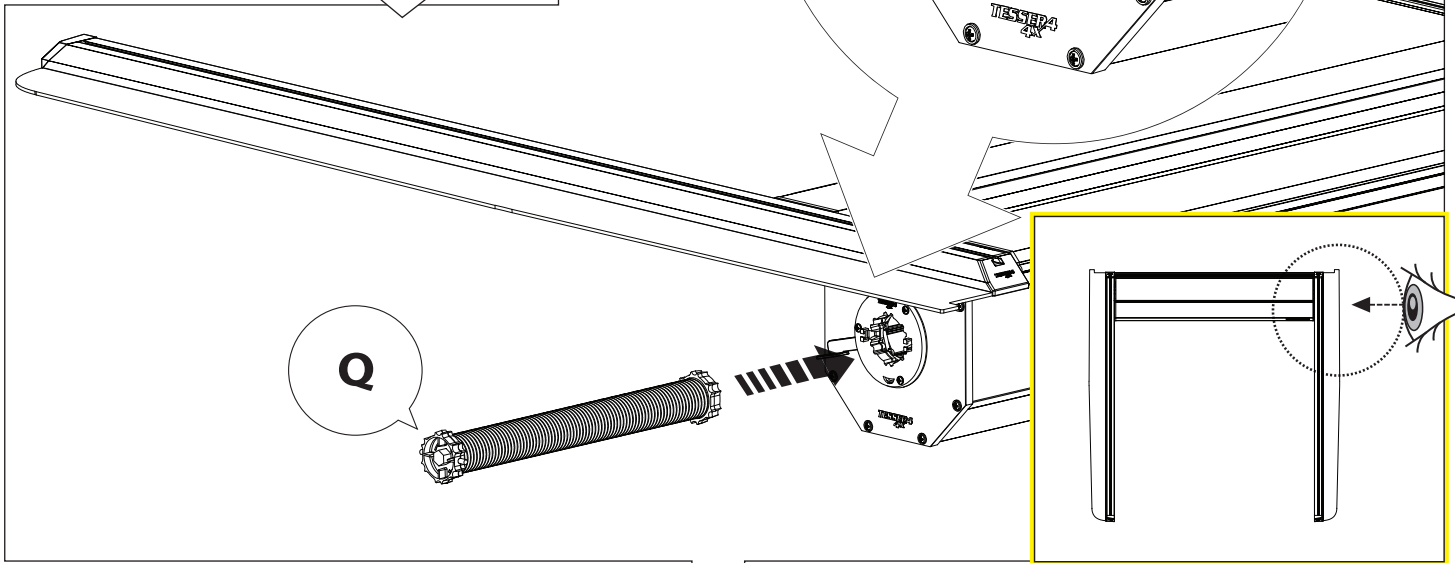
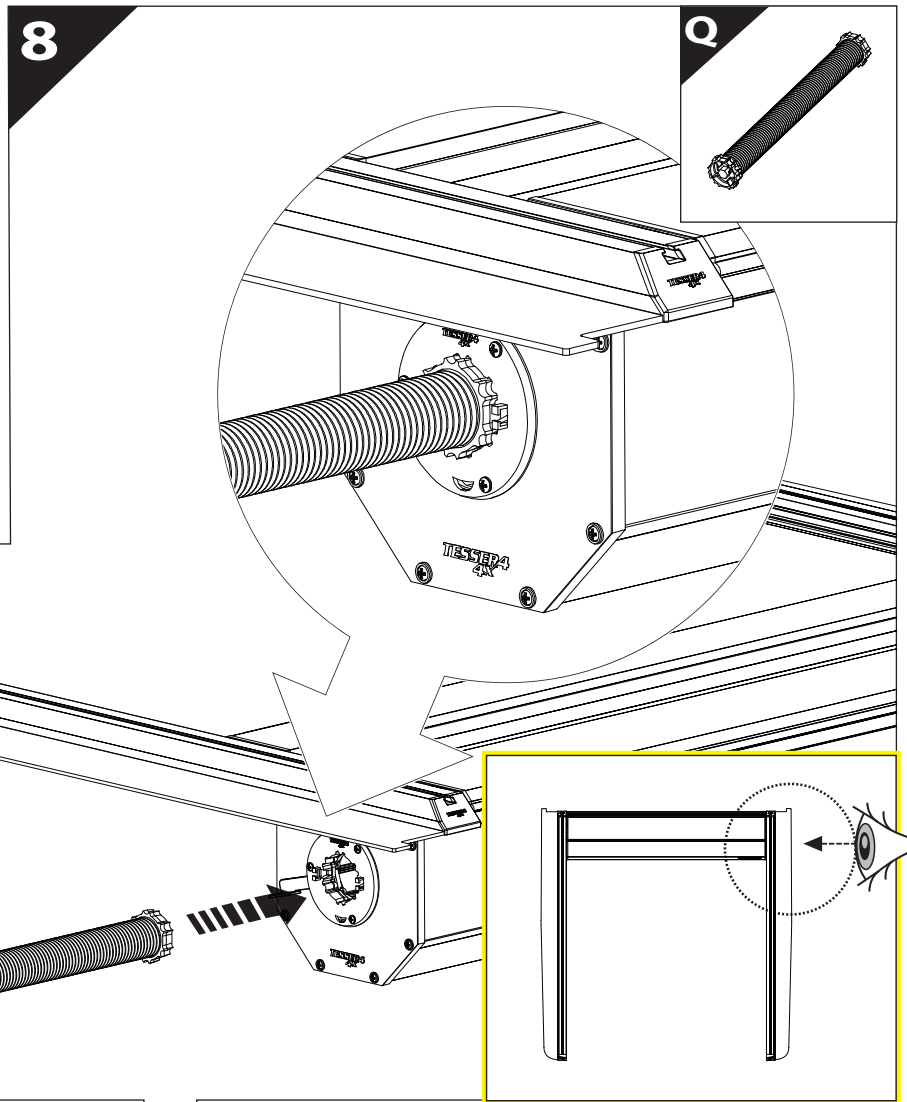
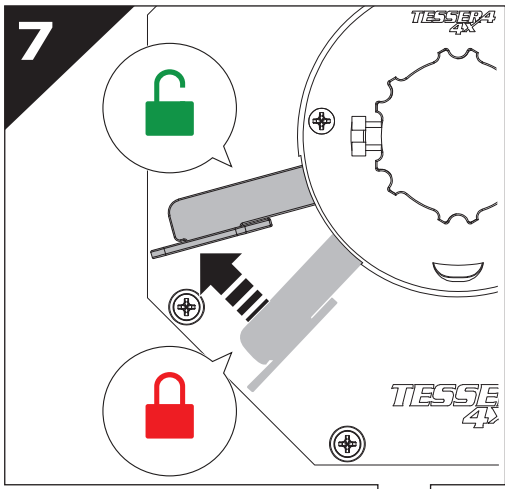
A

KITS

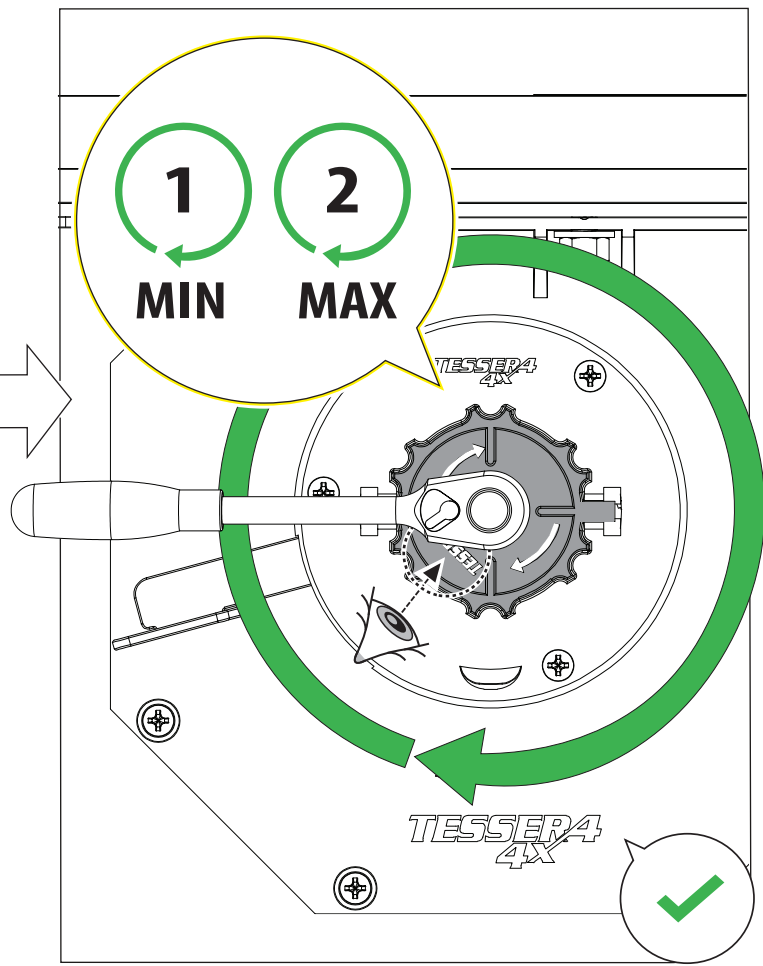
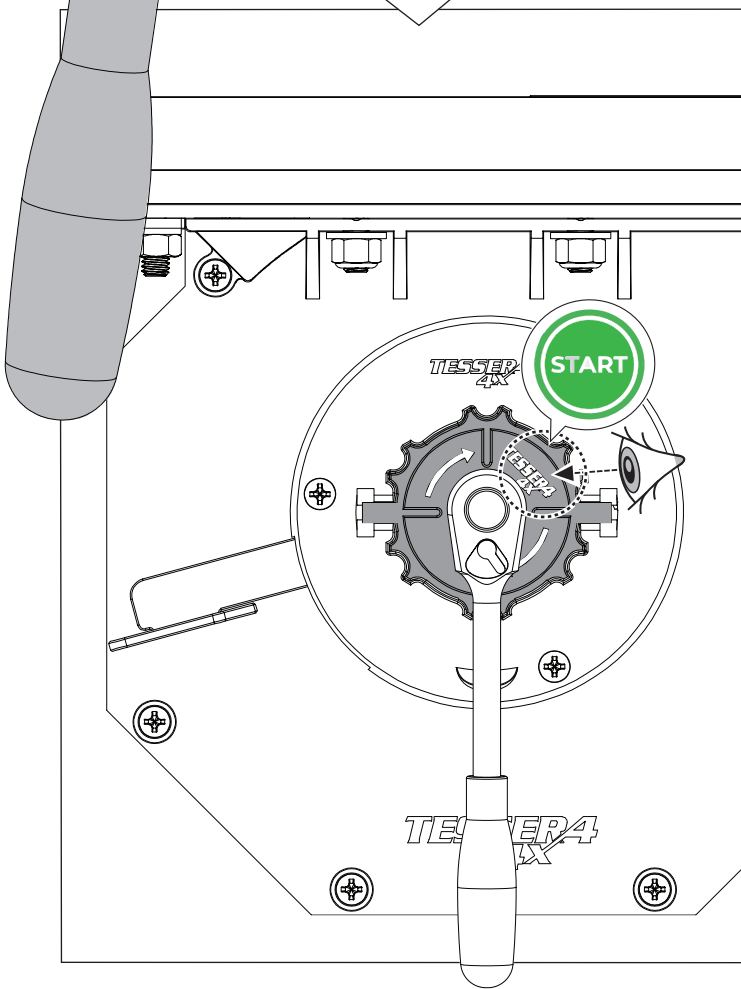
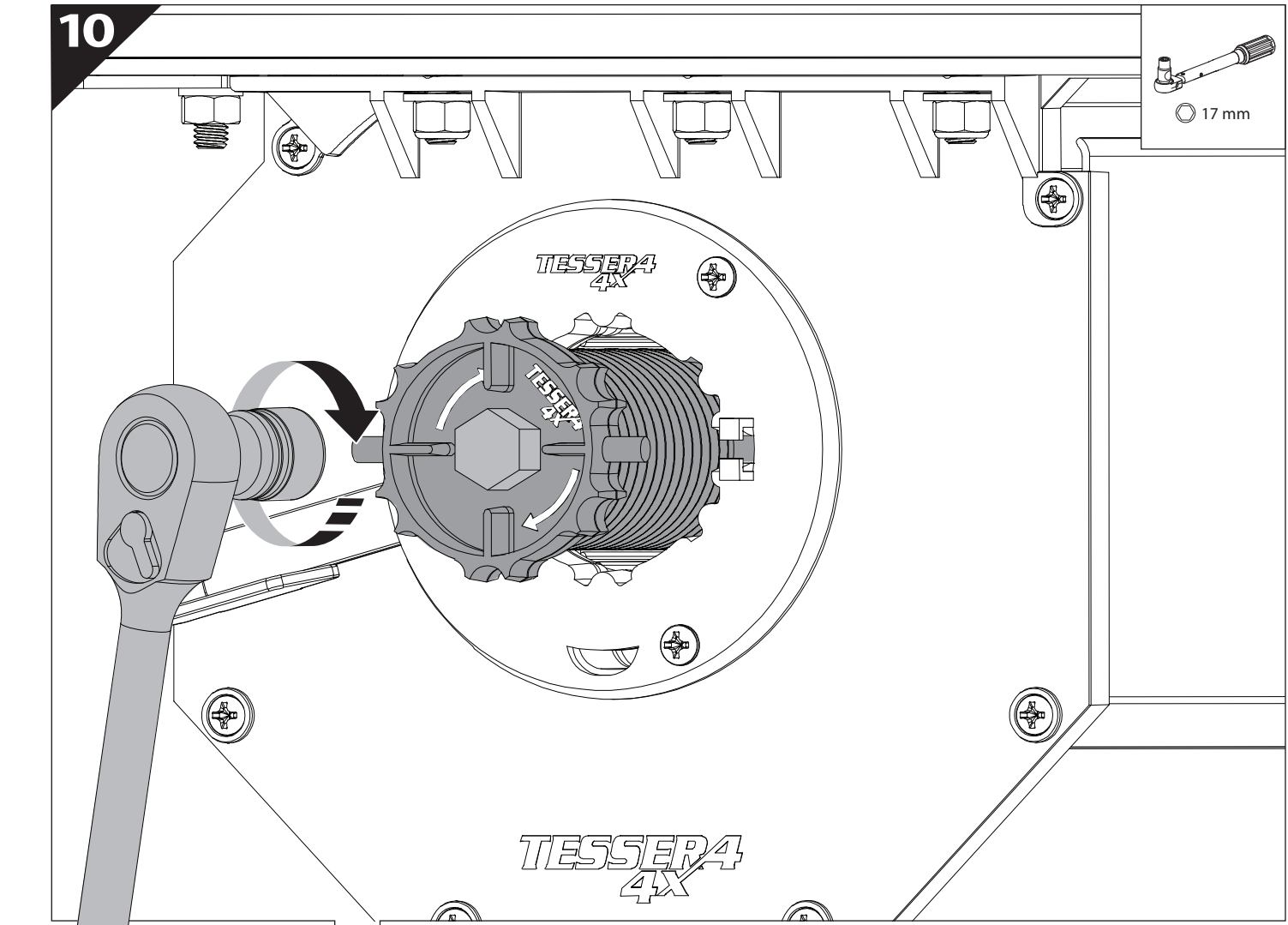
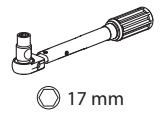
L



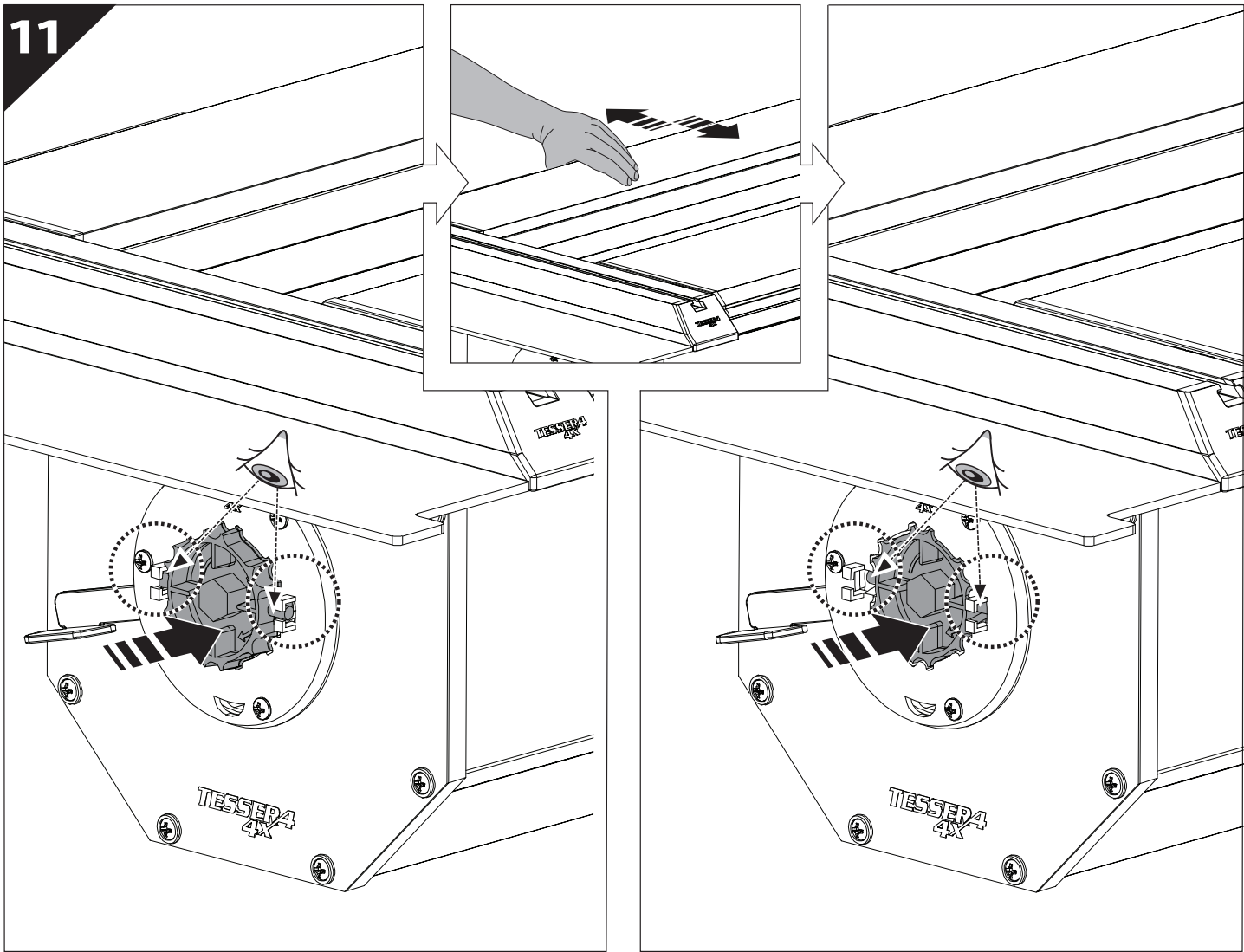




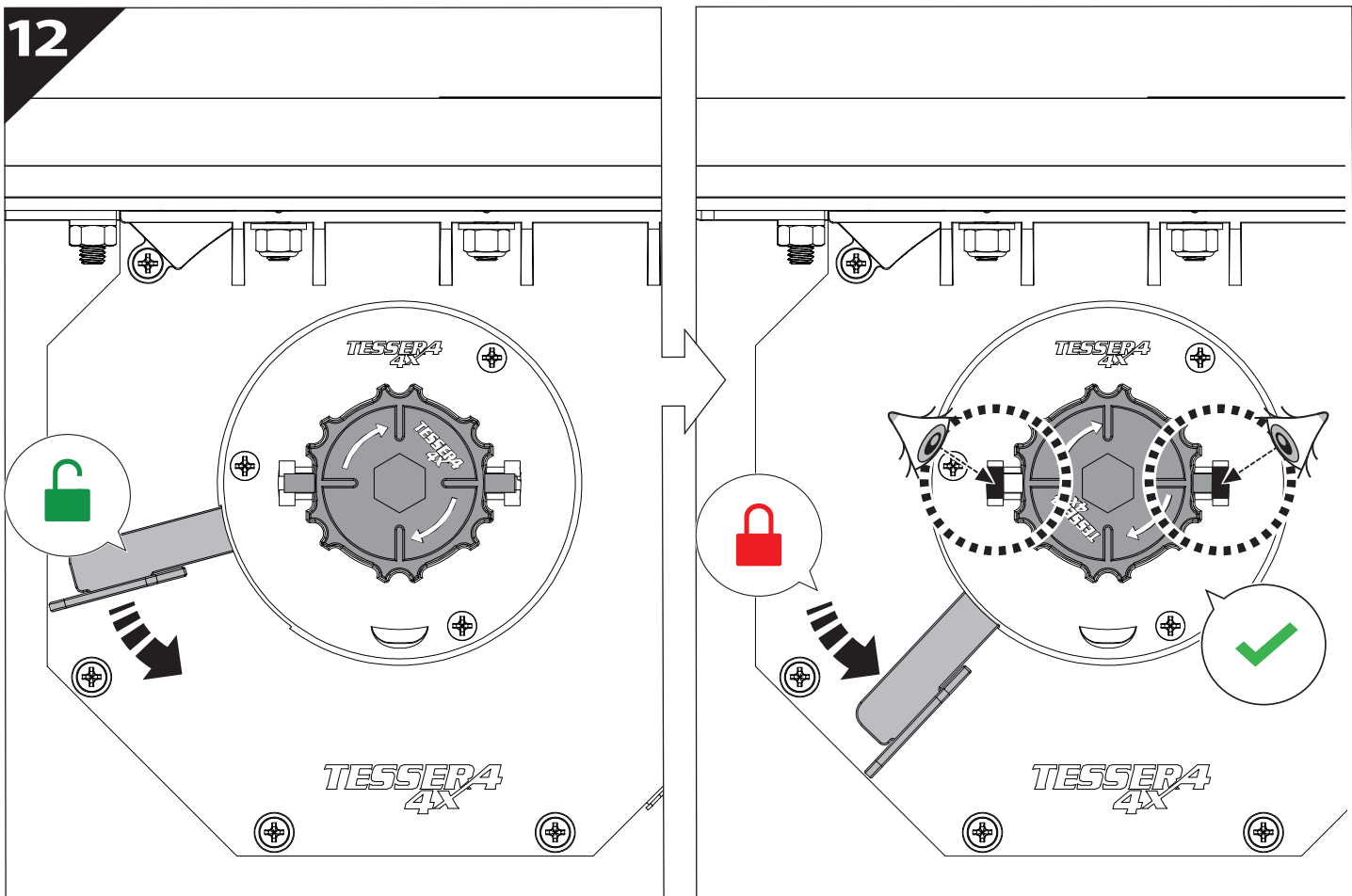
10



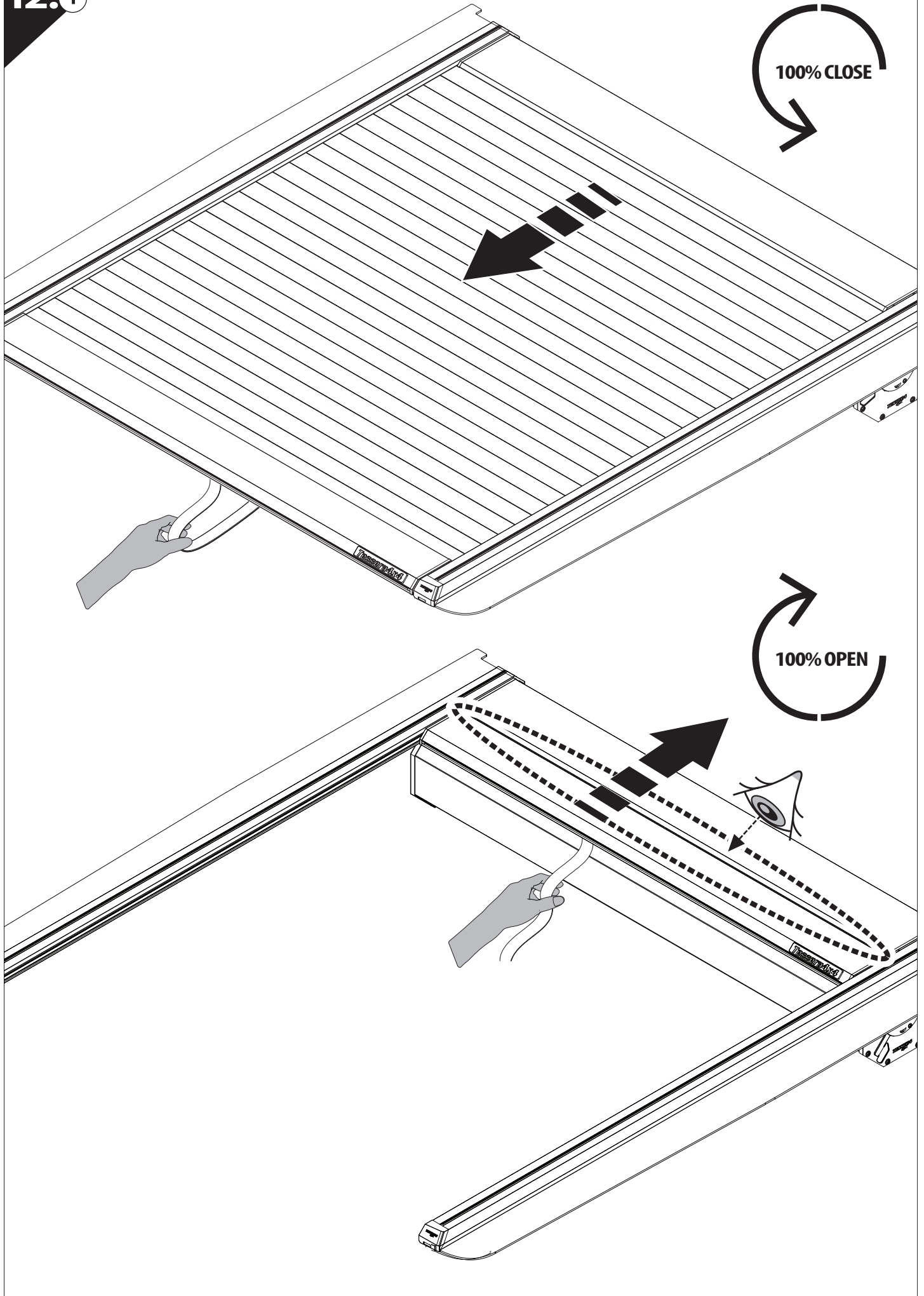
11

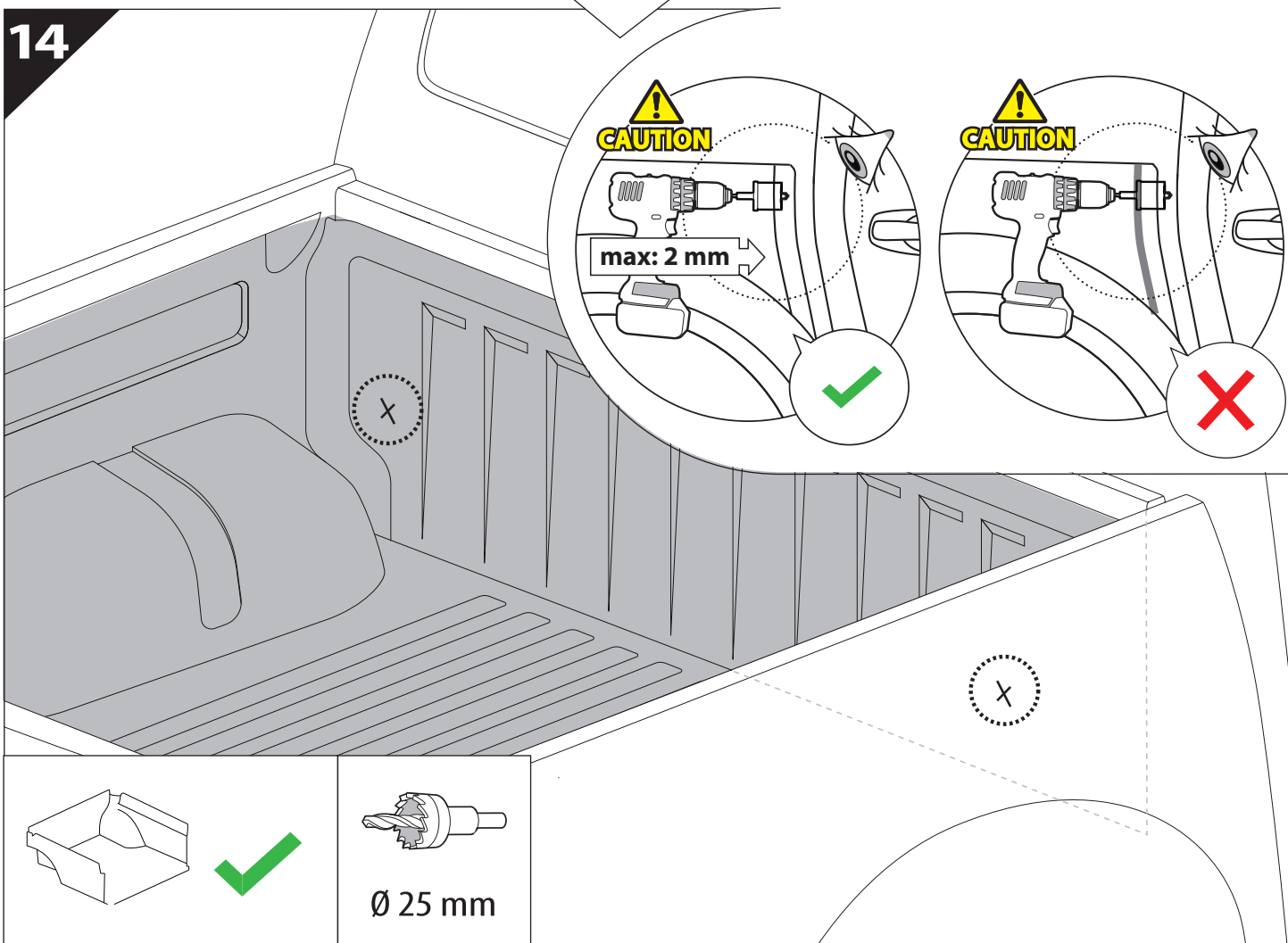
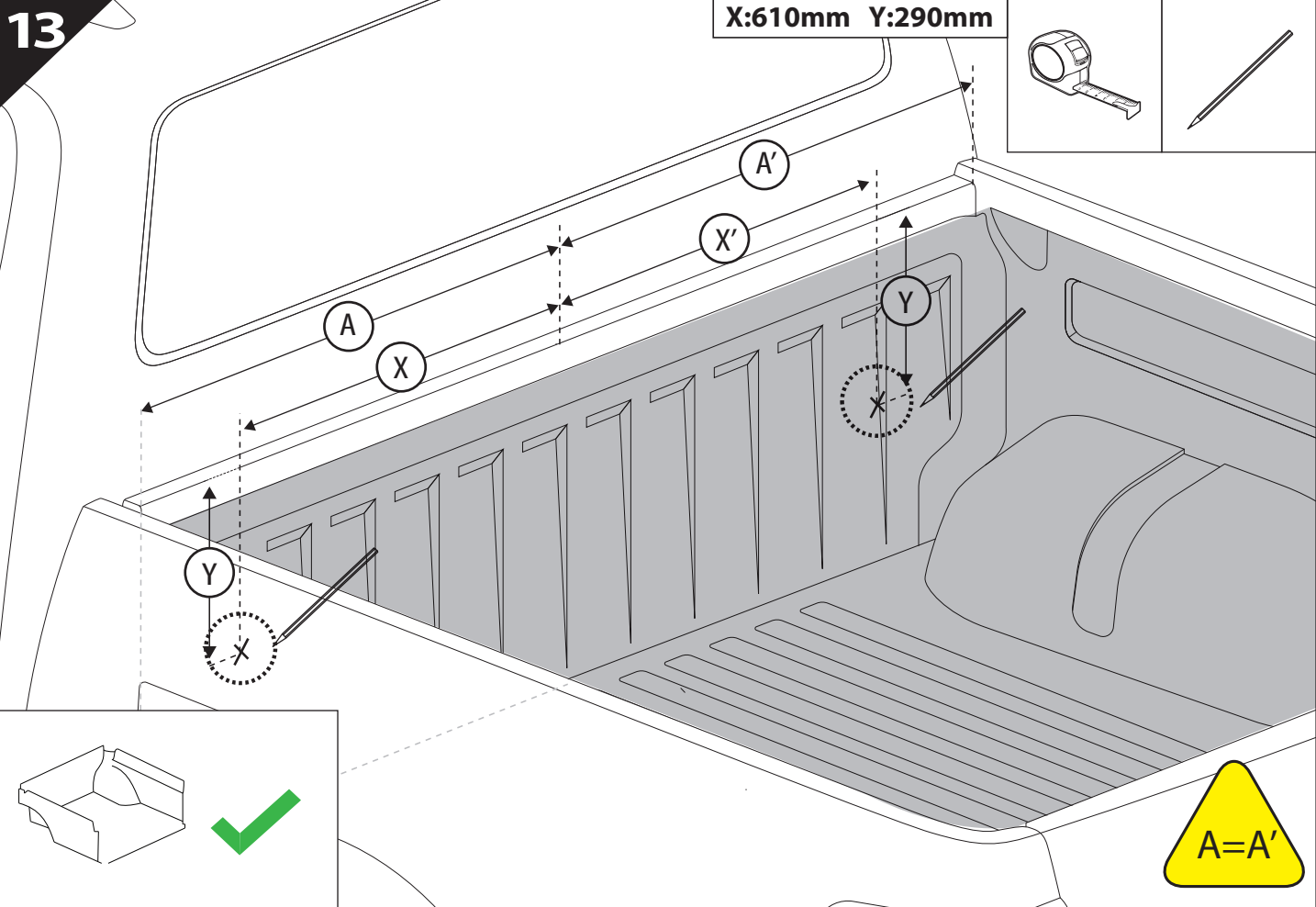


12



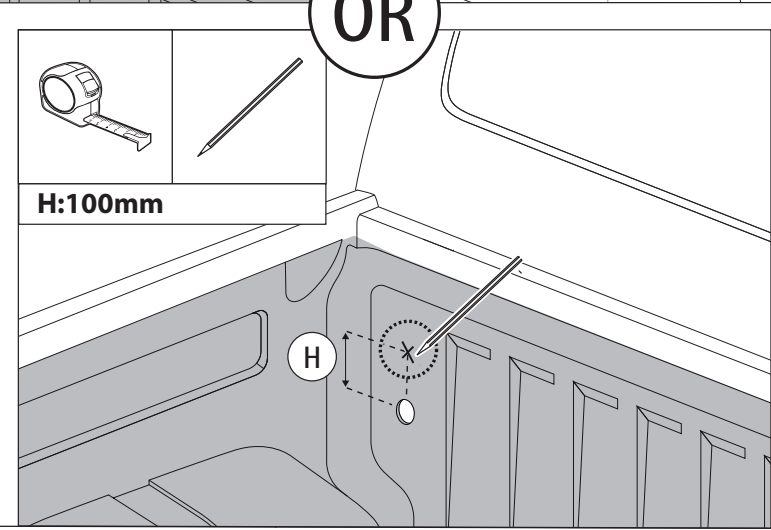
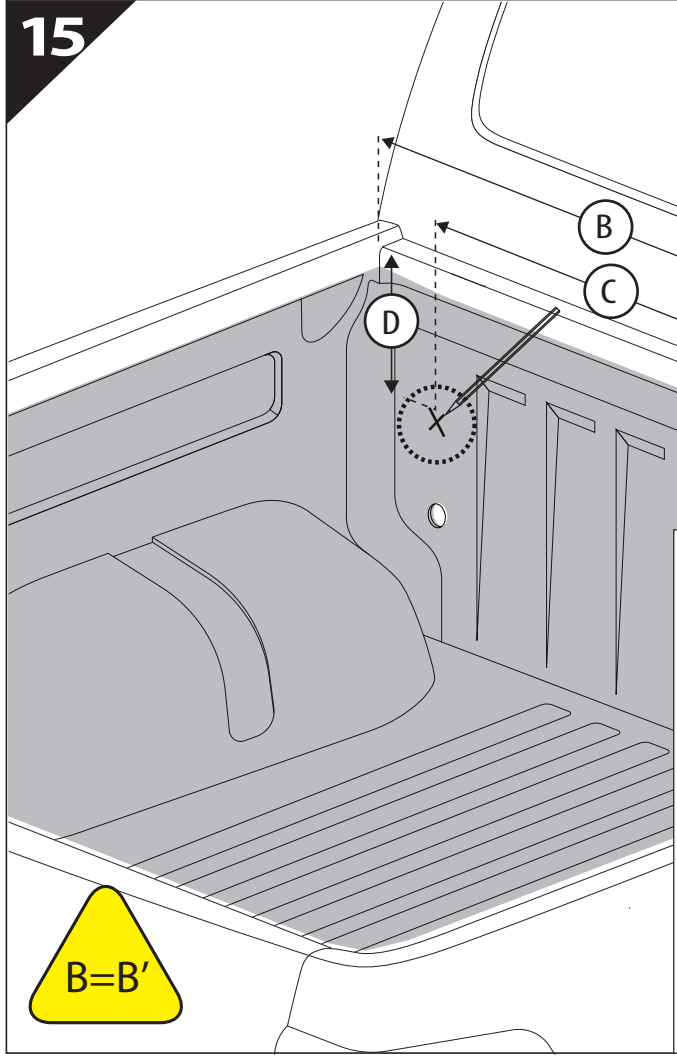
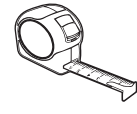
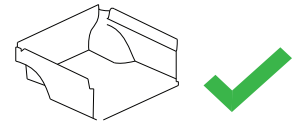
12.0



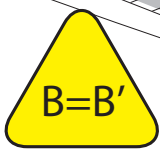


15

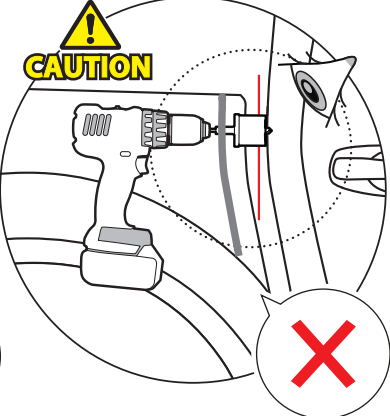
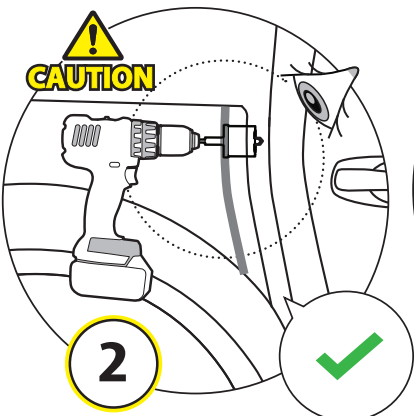
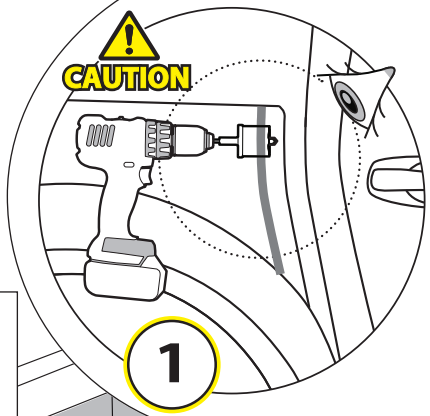
X:610mm Y:190mm



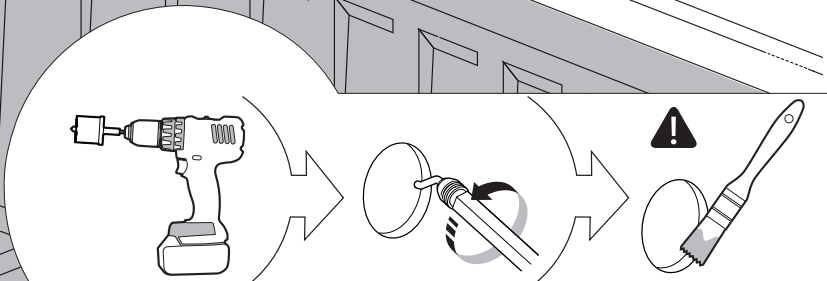
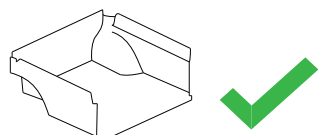
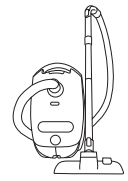
OR

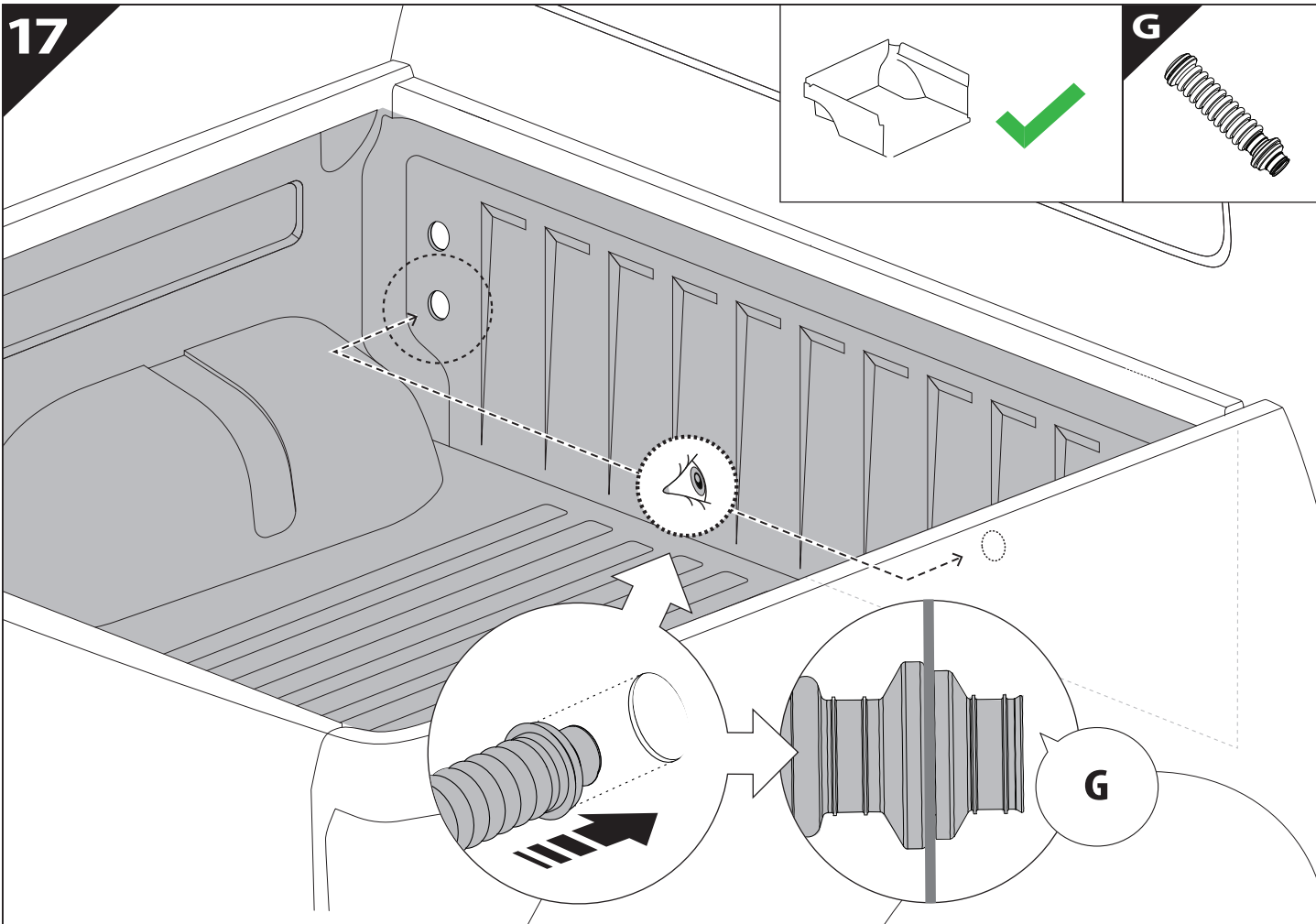


16

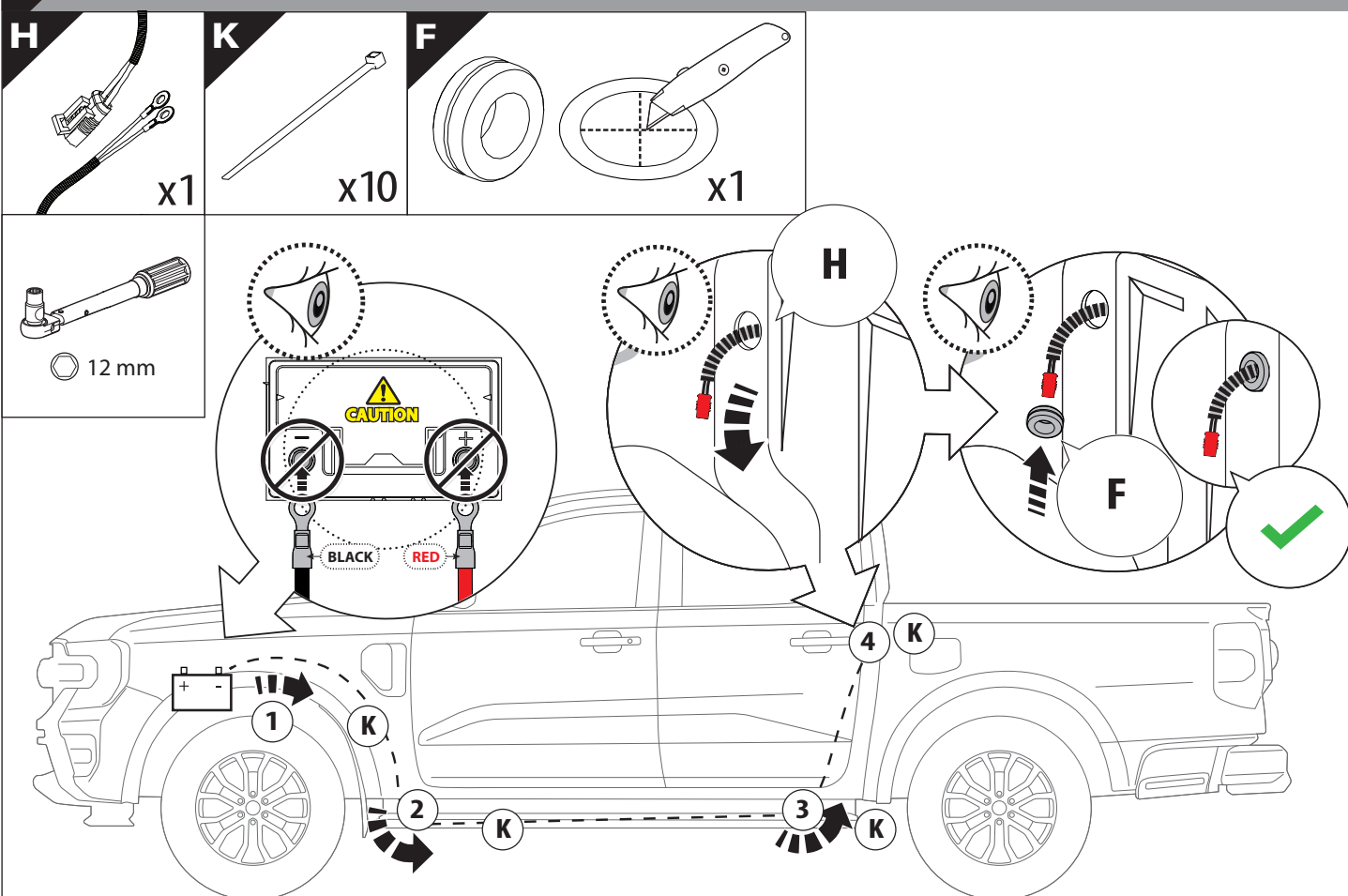


Ø 25 mm

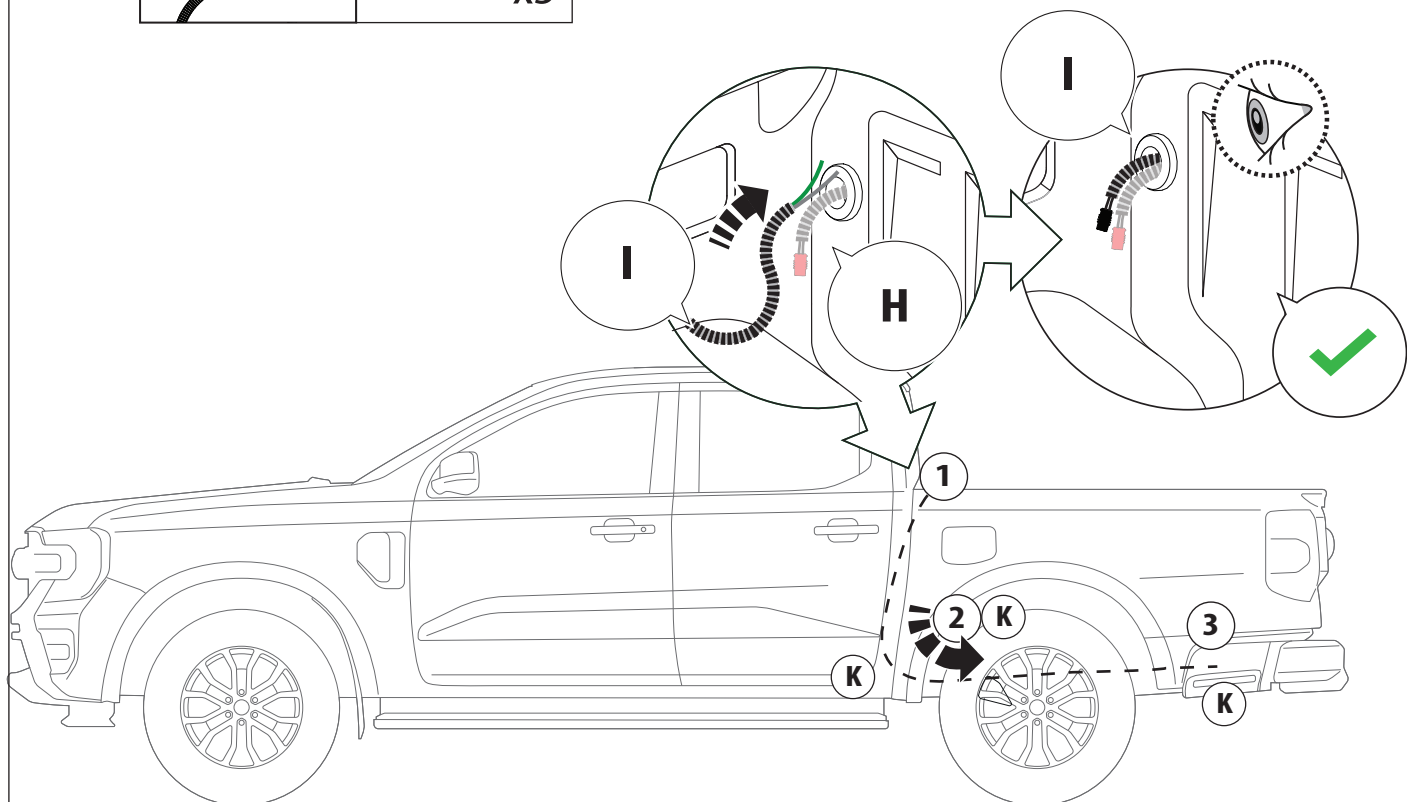
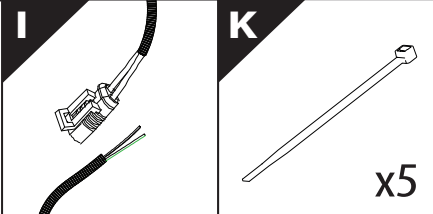




18 Only to be installed by authorized personnel



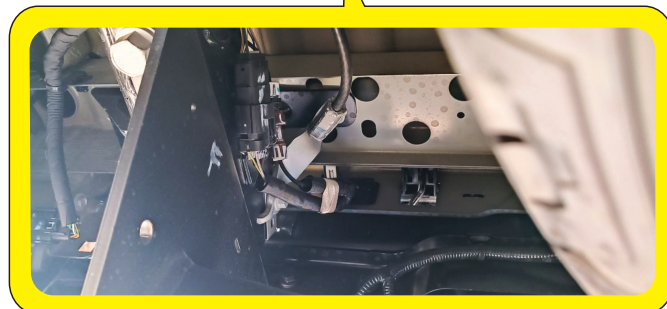
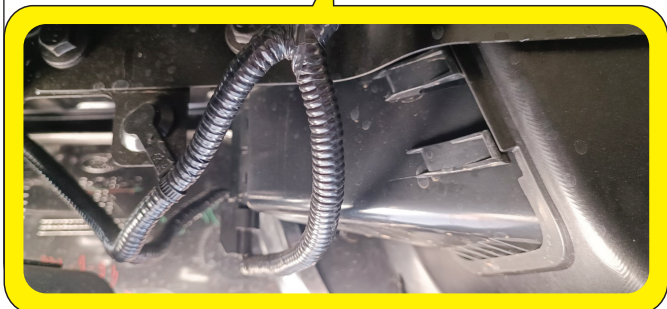
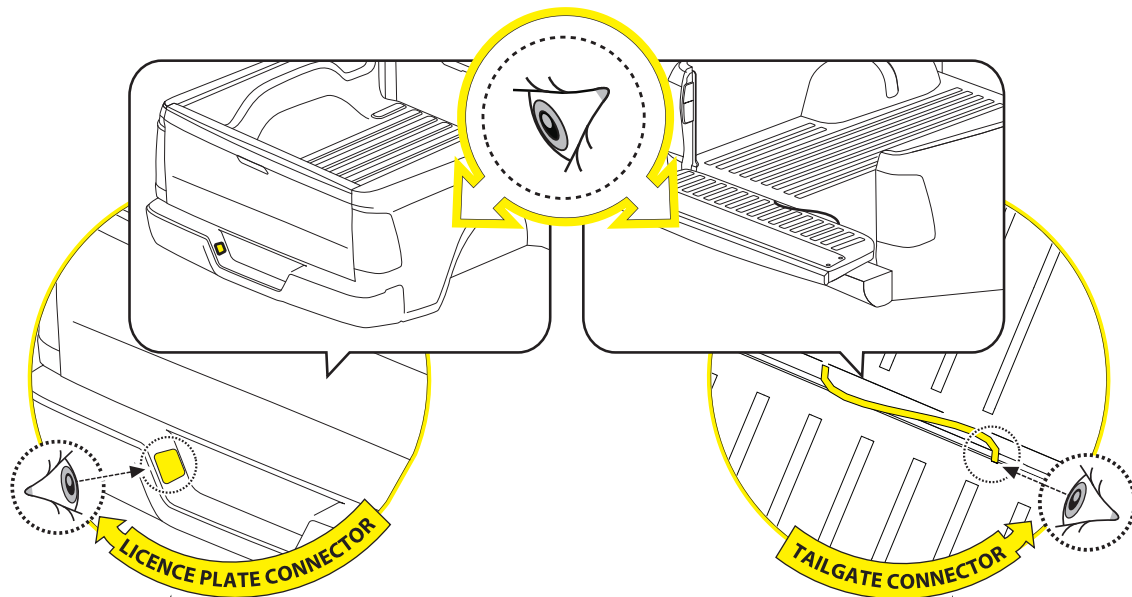
19



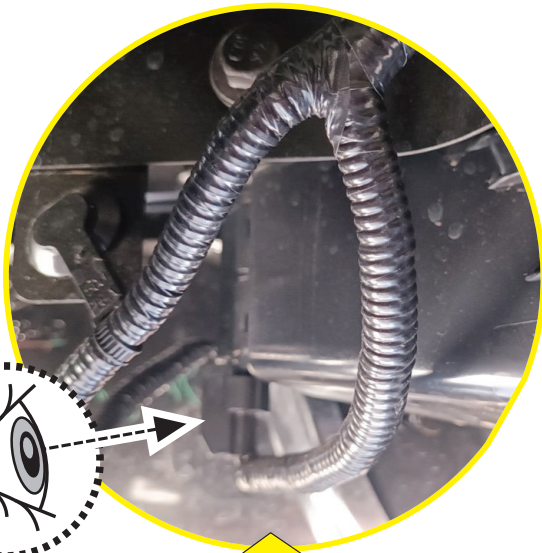
20



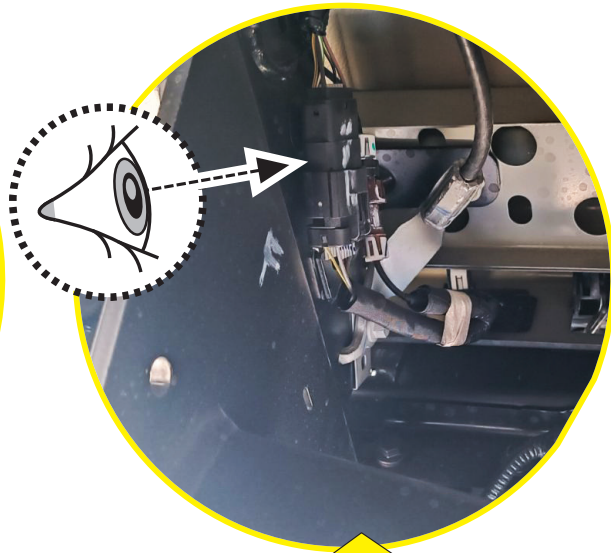
CAUTION: LIMITED, WILDTRAK, WILDTRAK X, PLATINUM



20. 1



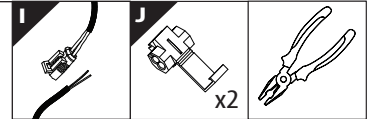
LICENCE PLATE CONNECTOR



TAILGATE CONNECTOR

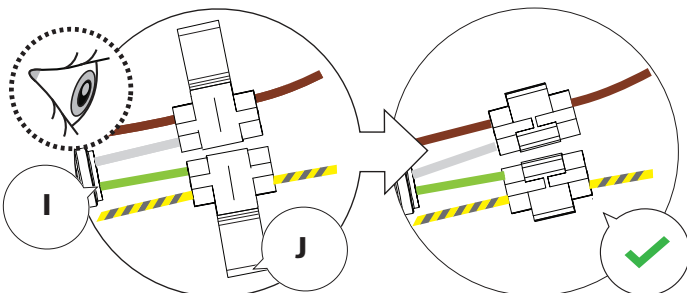
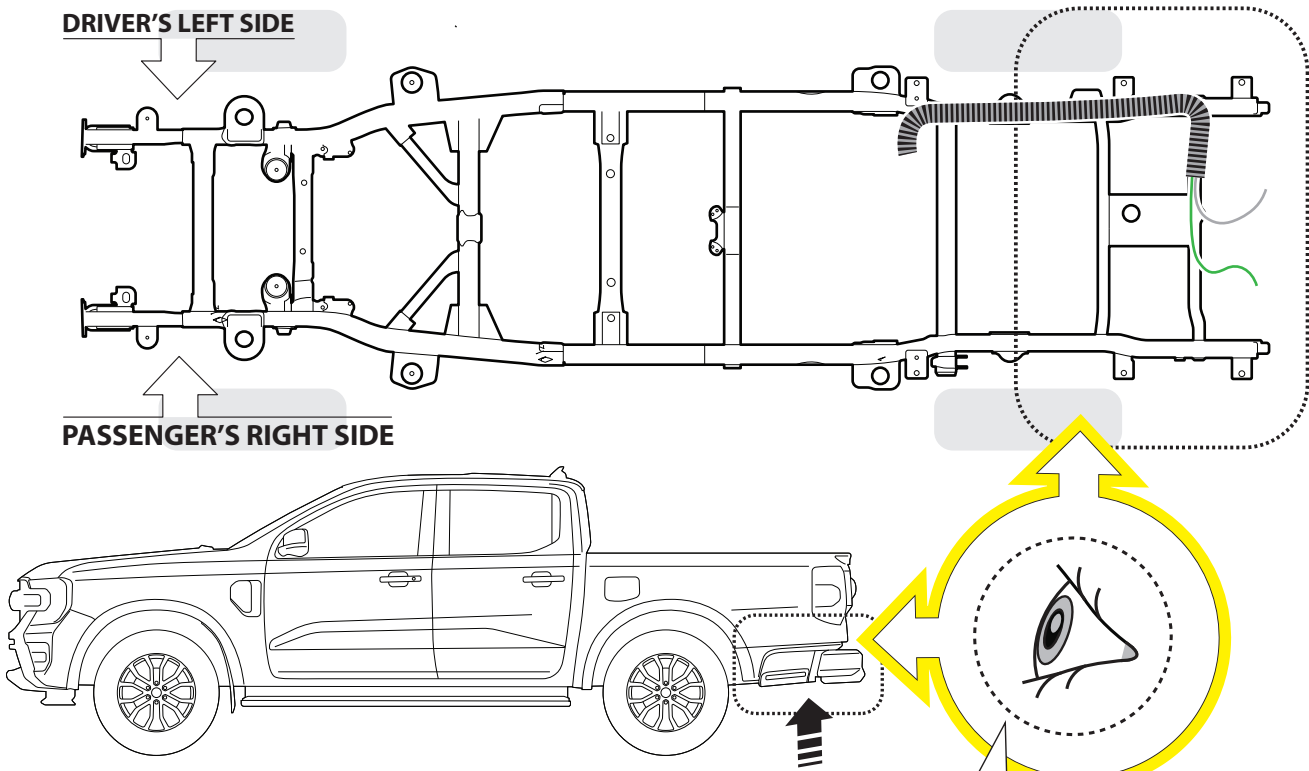
20. 2

BOTTOM VIEW



DRIVER'S LEFT SIDE

PASSENGER'S RIGHT SIDE

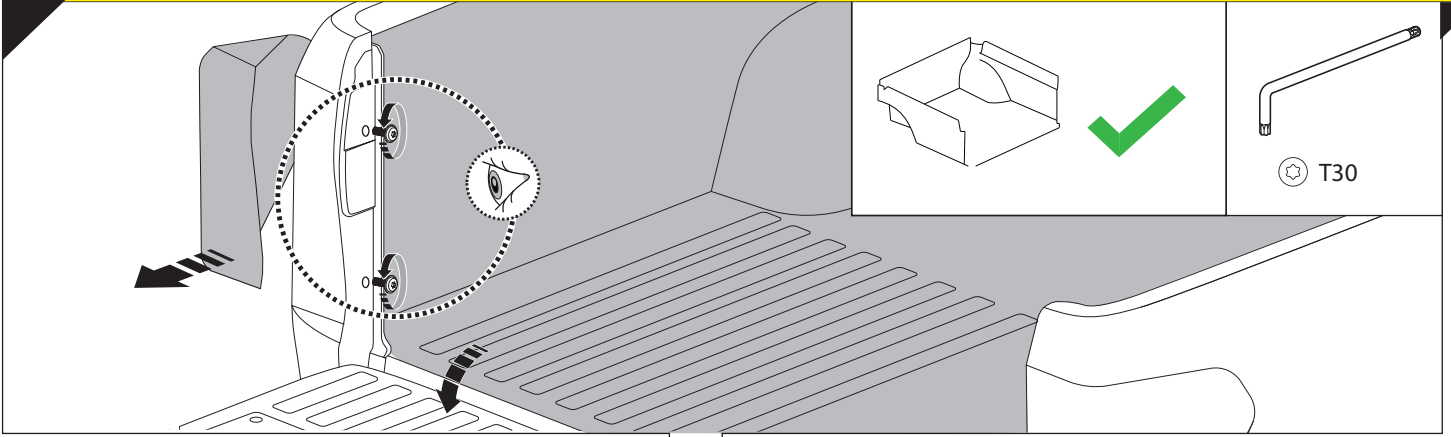


	CAR		TESSERA ROLL+
BEAM		↔	
LICENCE PLATE 2 PIN LIGHT CONNECTOR			
STOP		↔	
TAILGATE CONNECTOR			

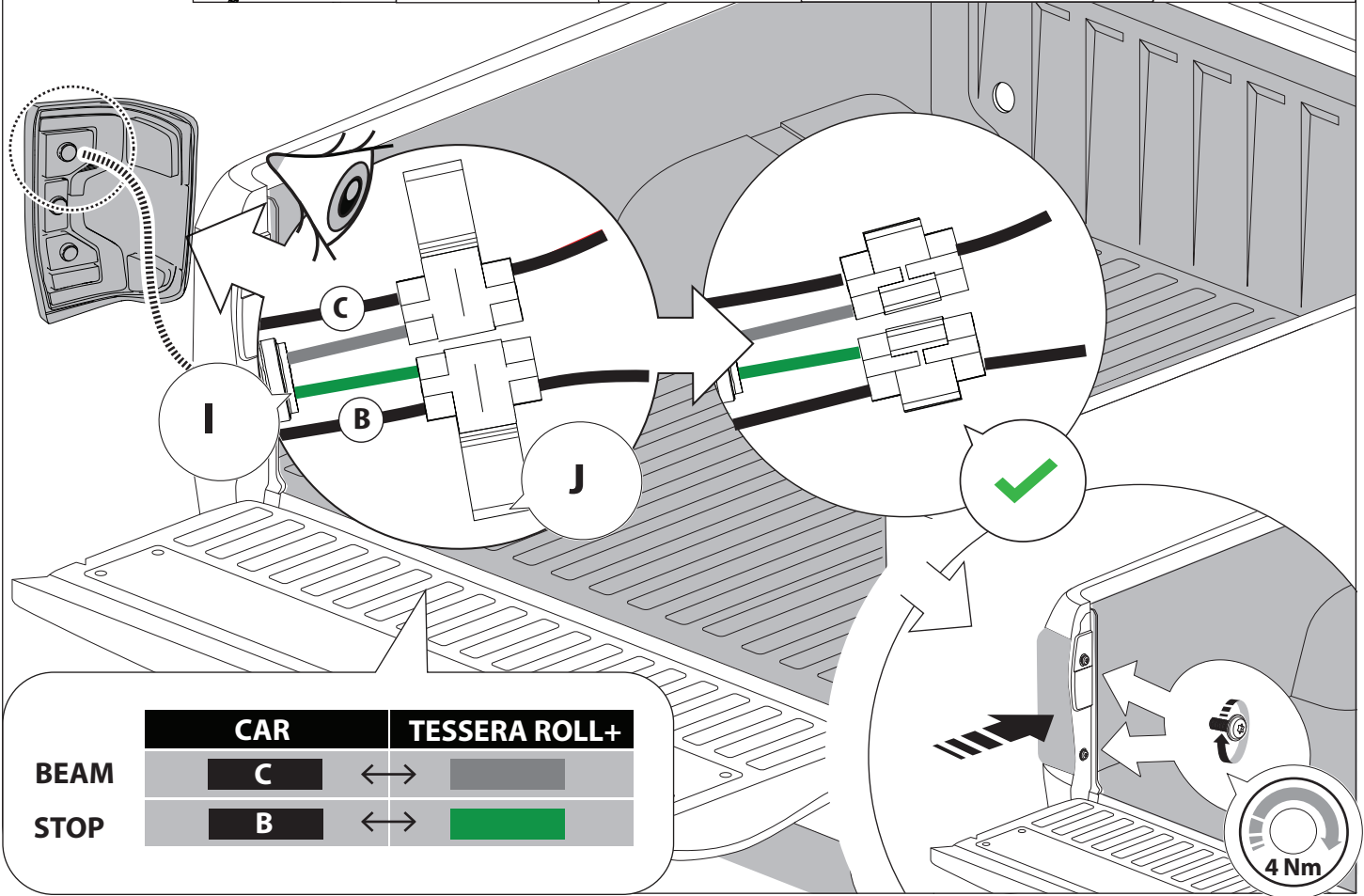
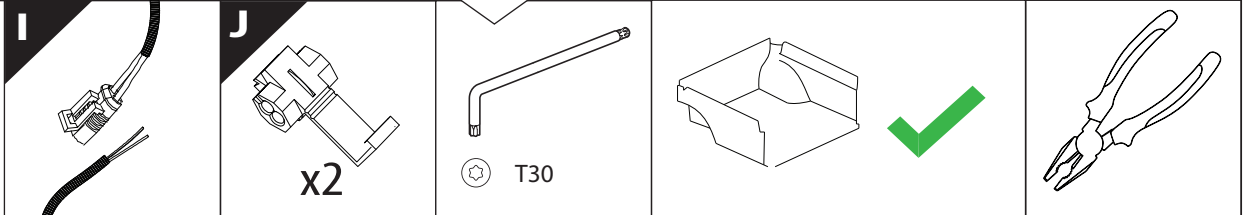
21



CAUTION: XL, XLT, TREMOR

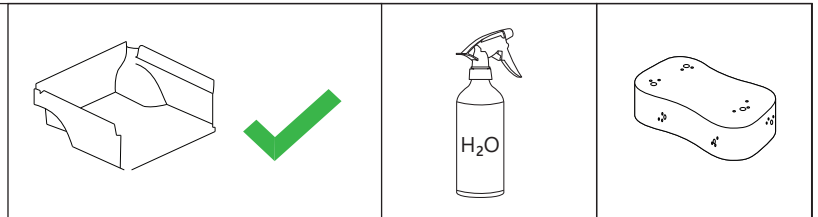
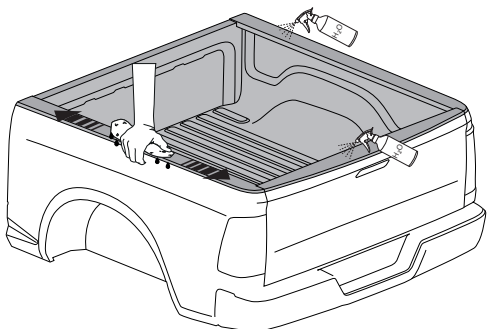


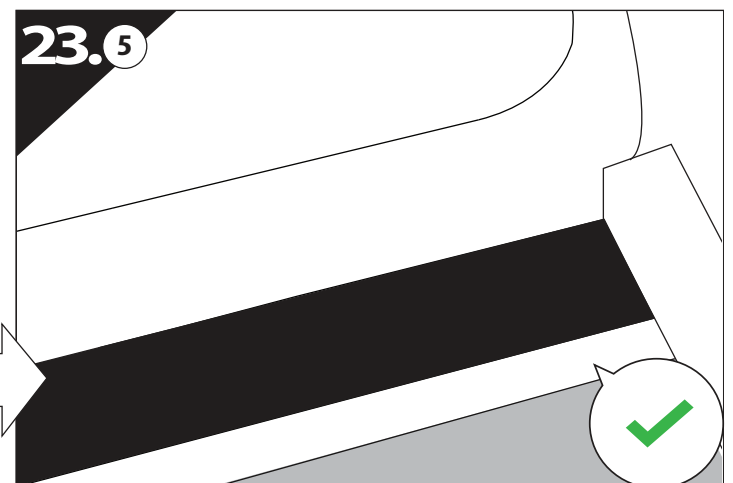
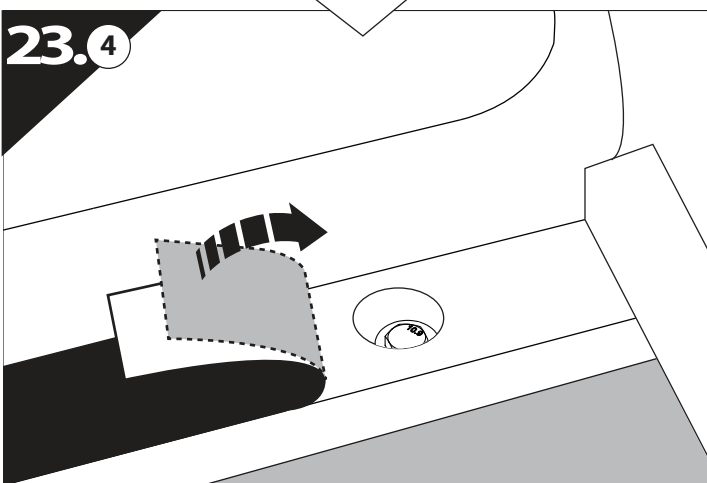
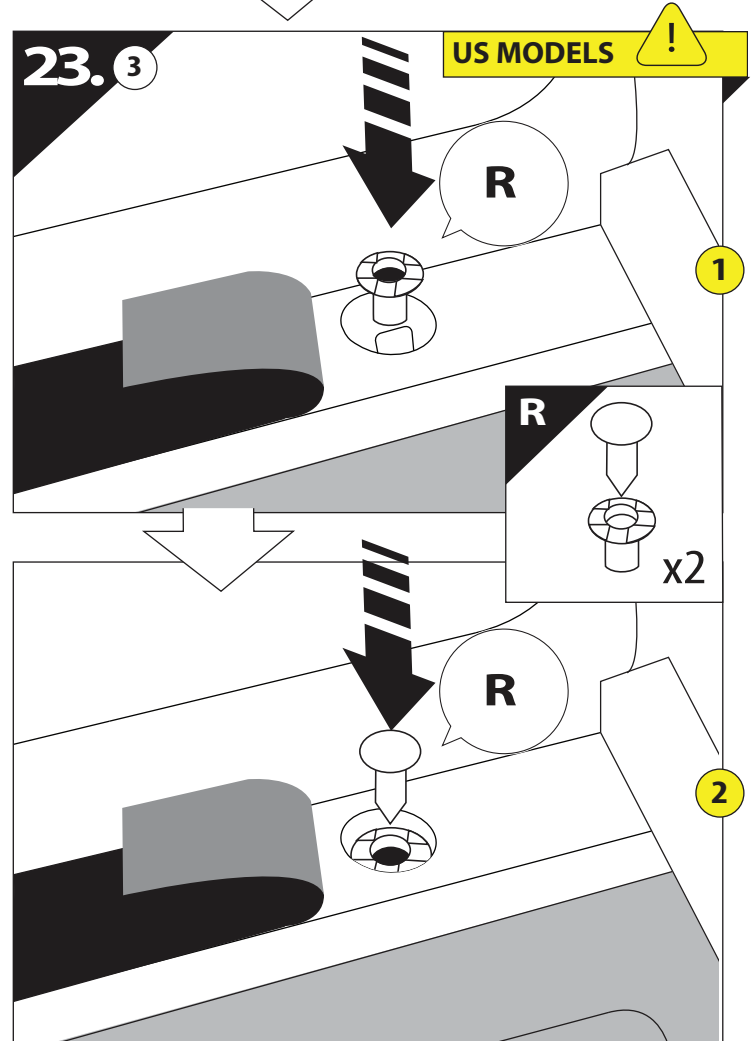
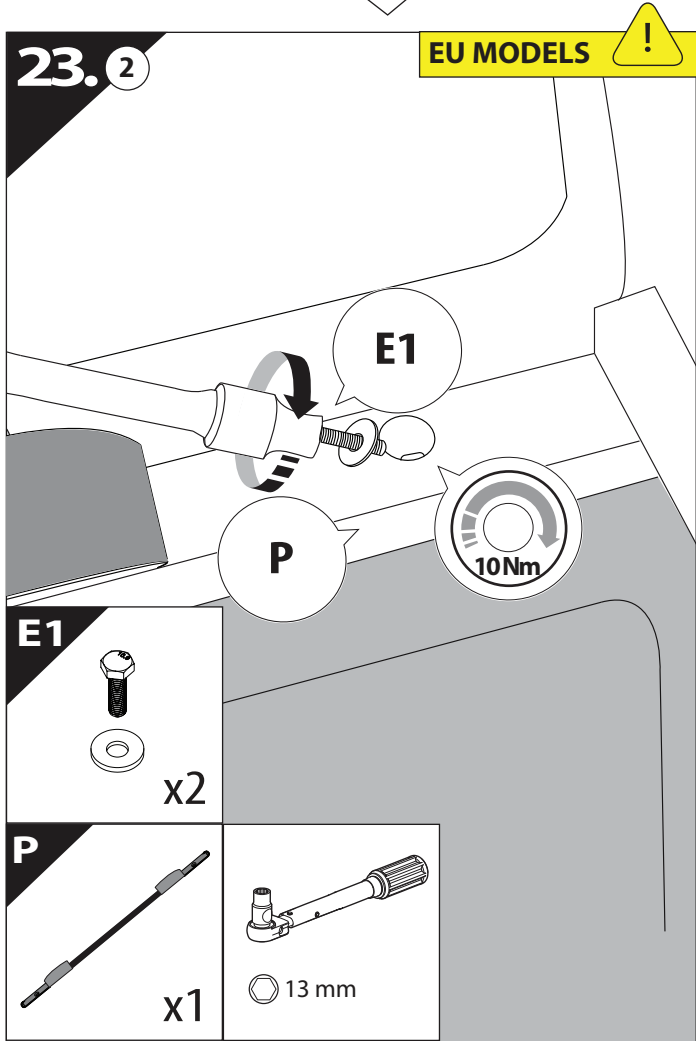
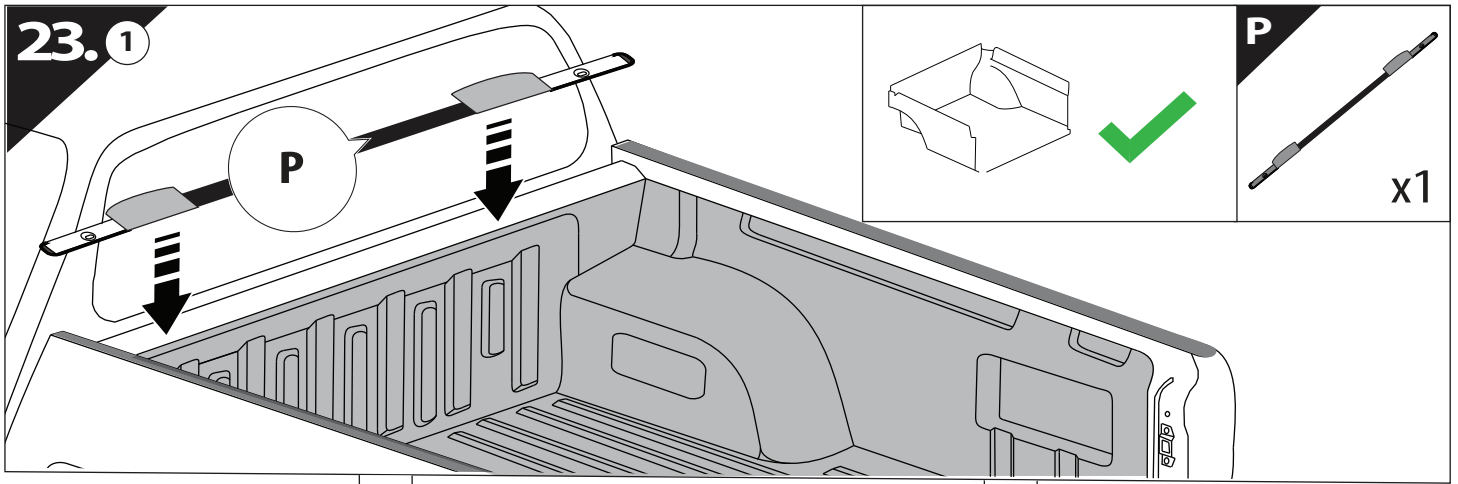
22

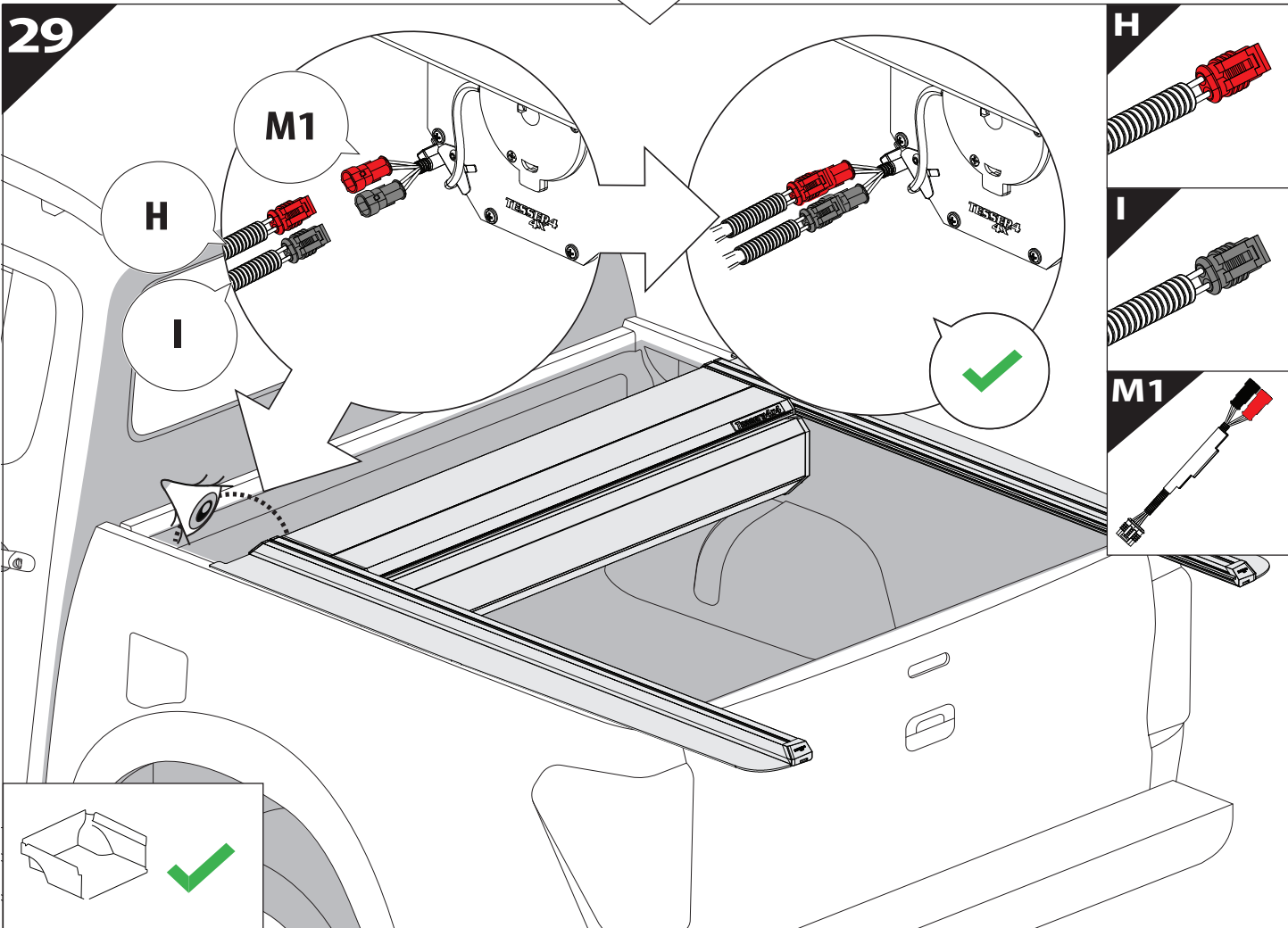
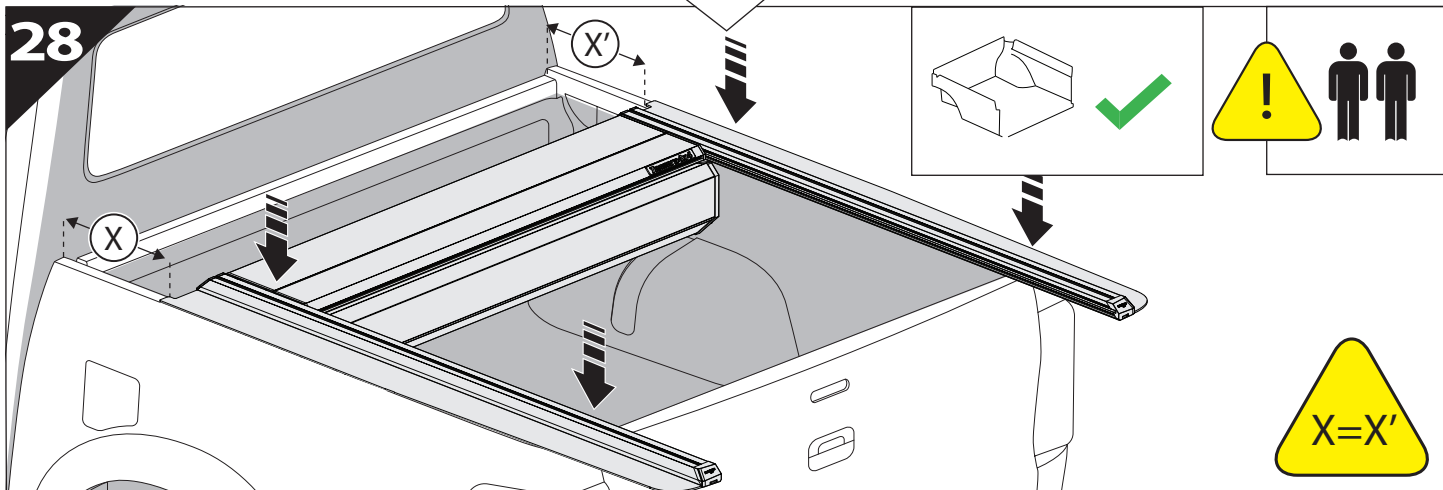
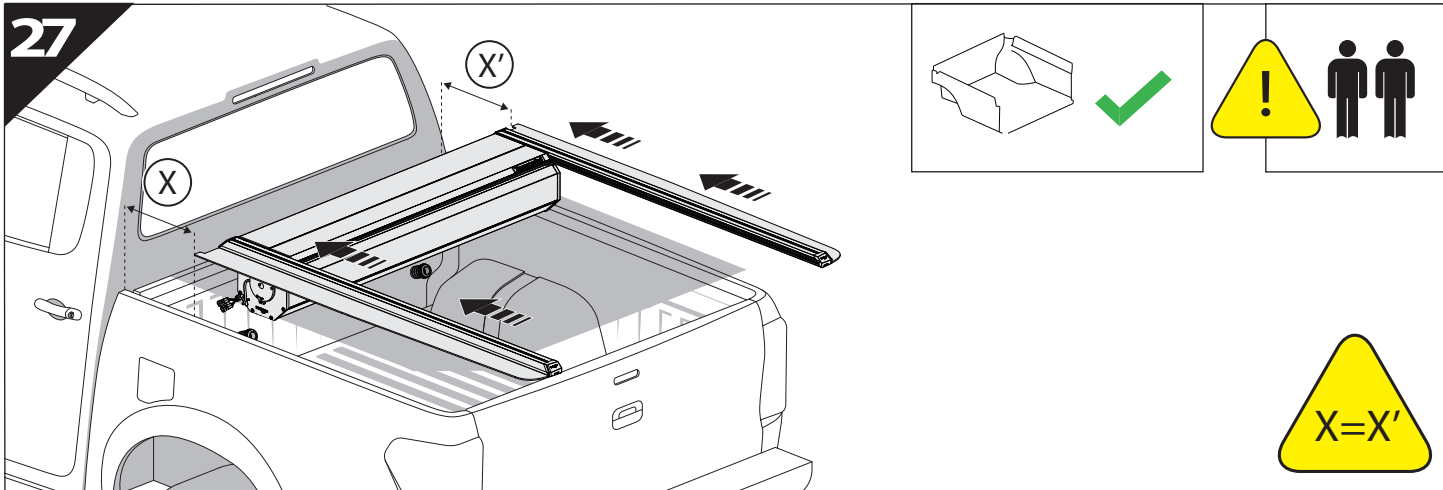


	CAR		TESSERA ROLL+
BEAM	C	↔	■
STOP	B	↔	■

23



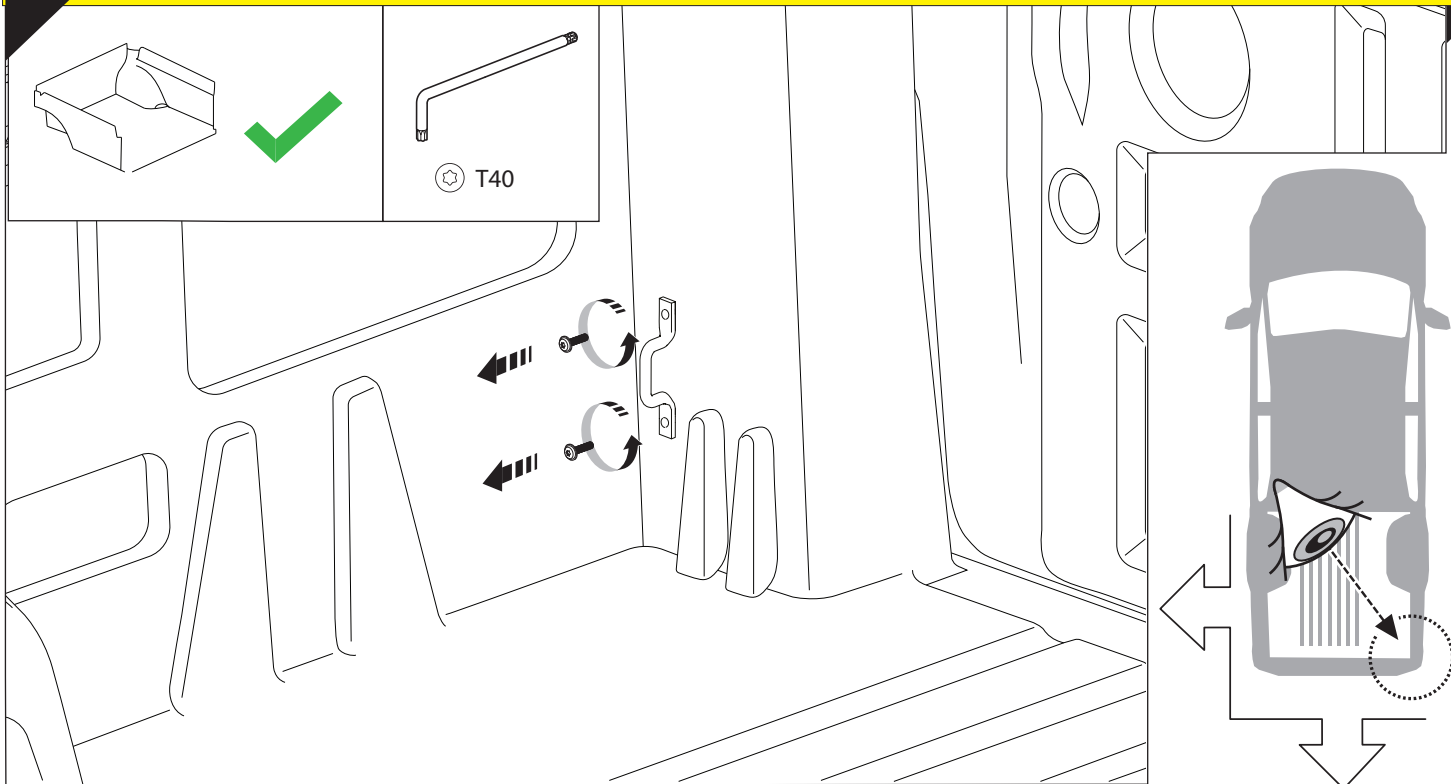




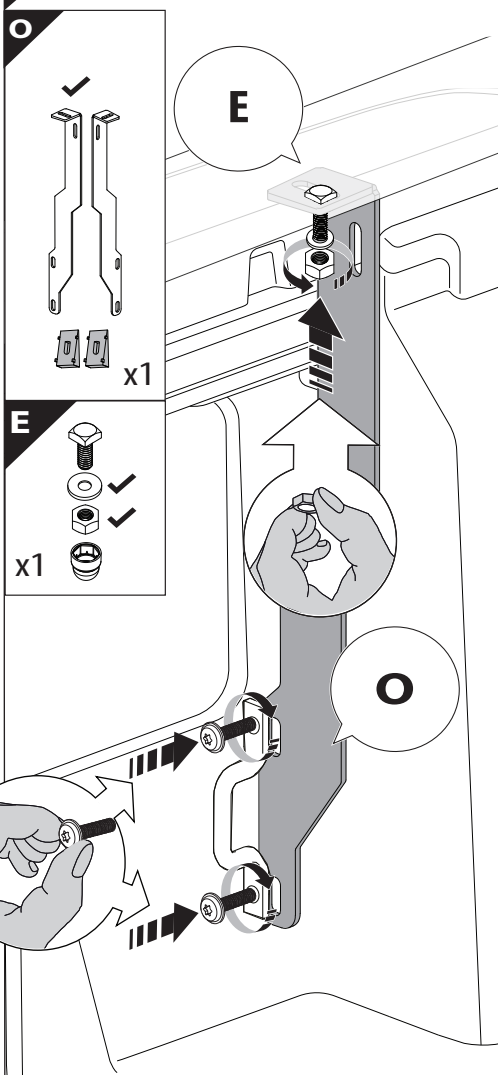
33



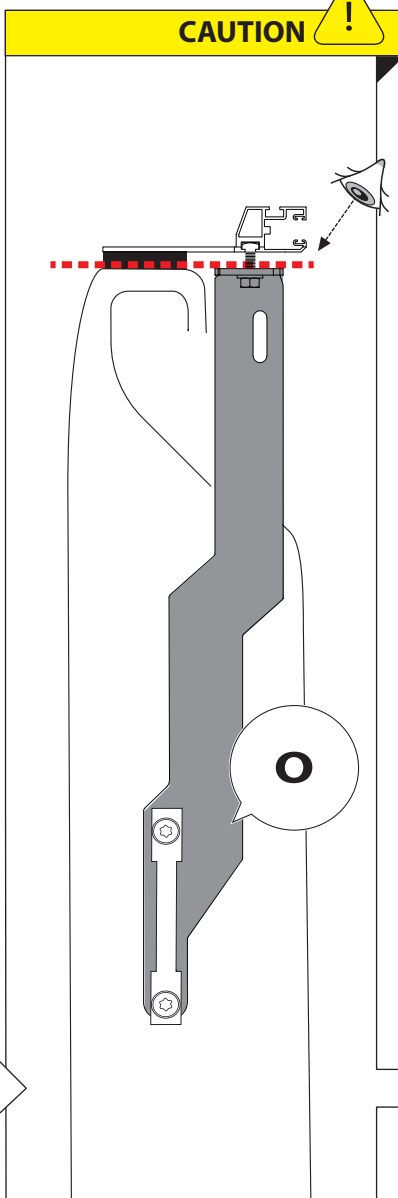
WITH & WITHOUT C - CHANNELS



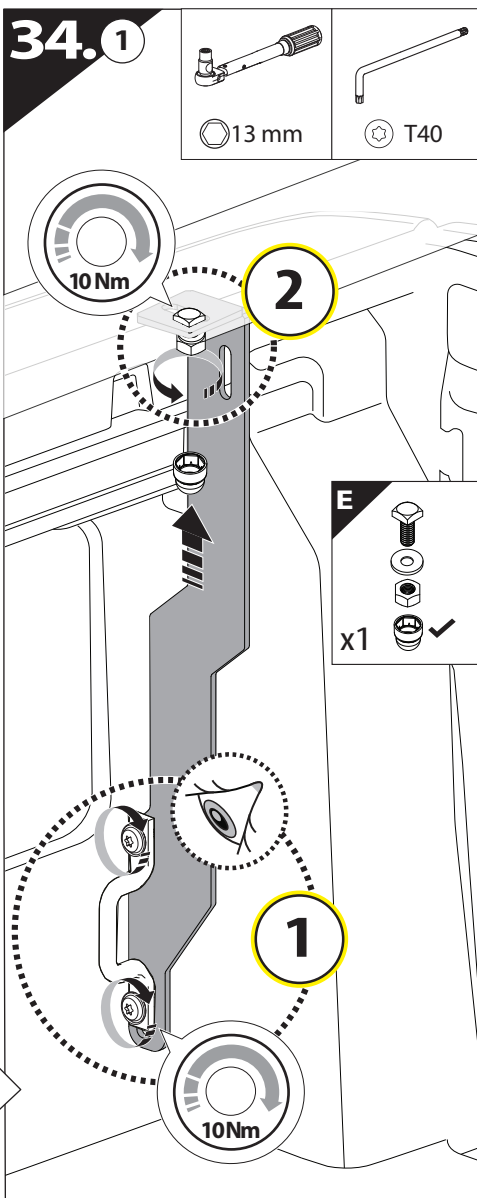
34



CAUTION



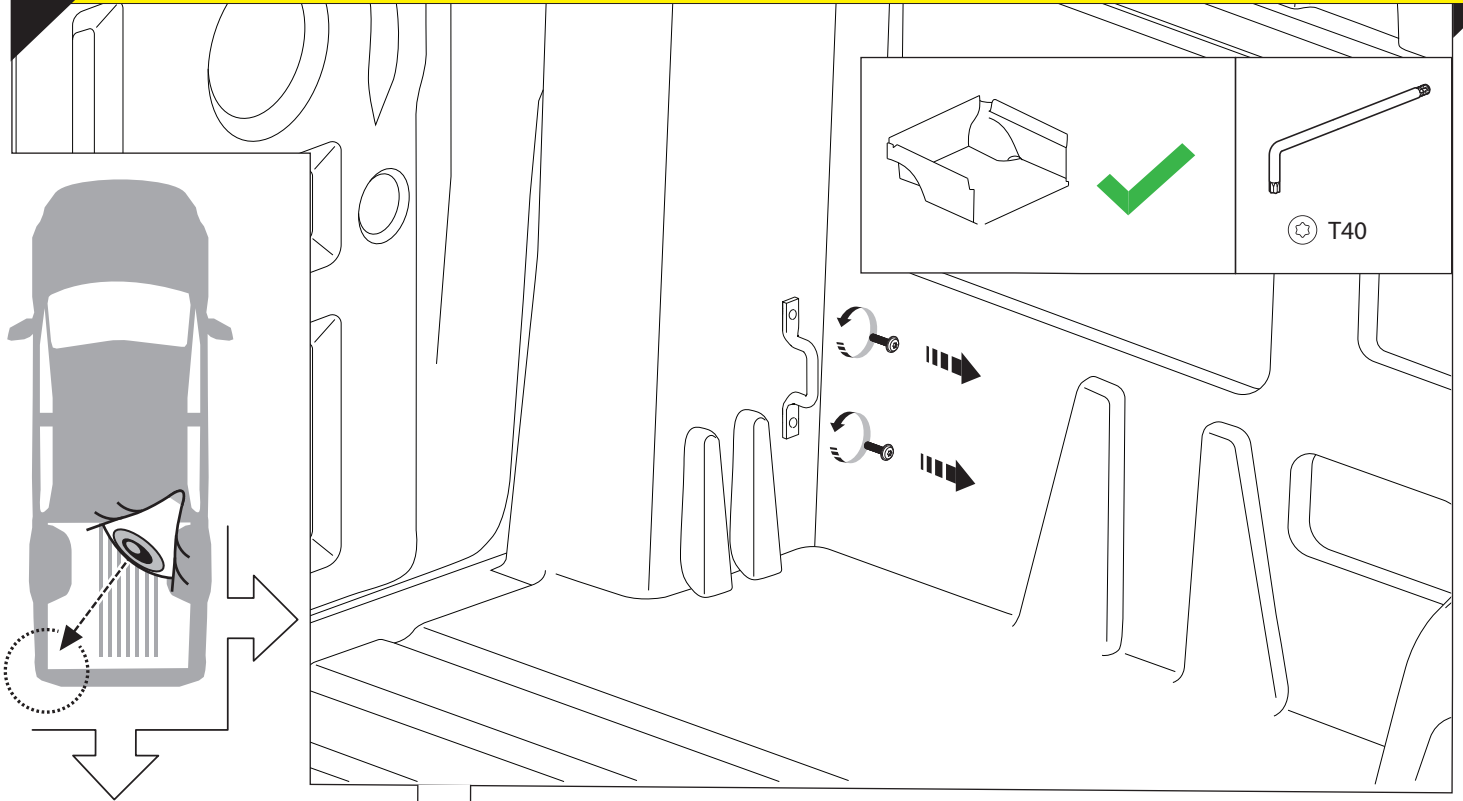
34.1



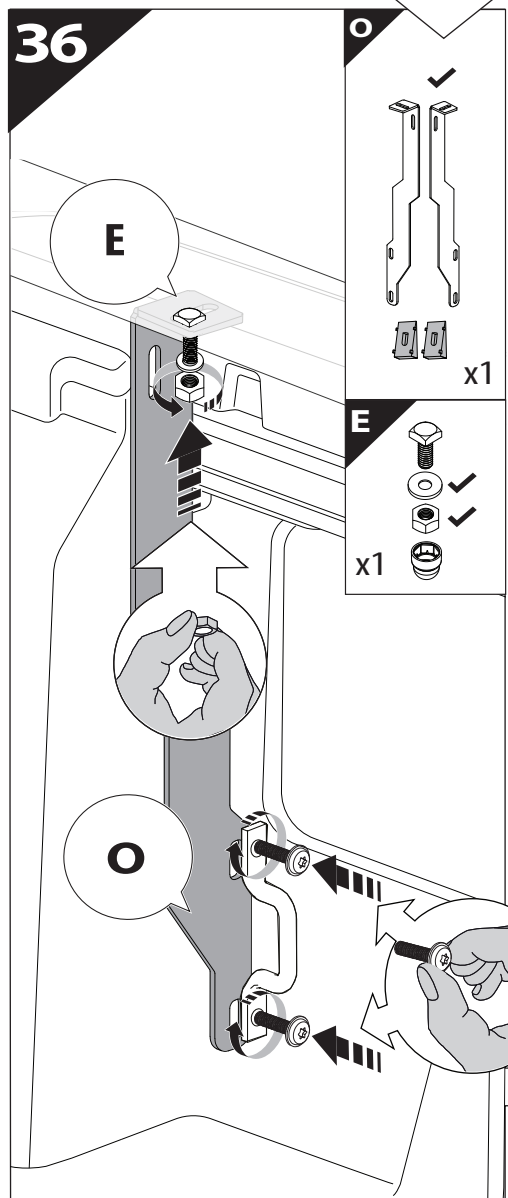
35



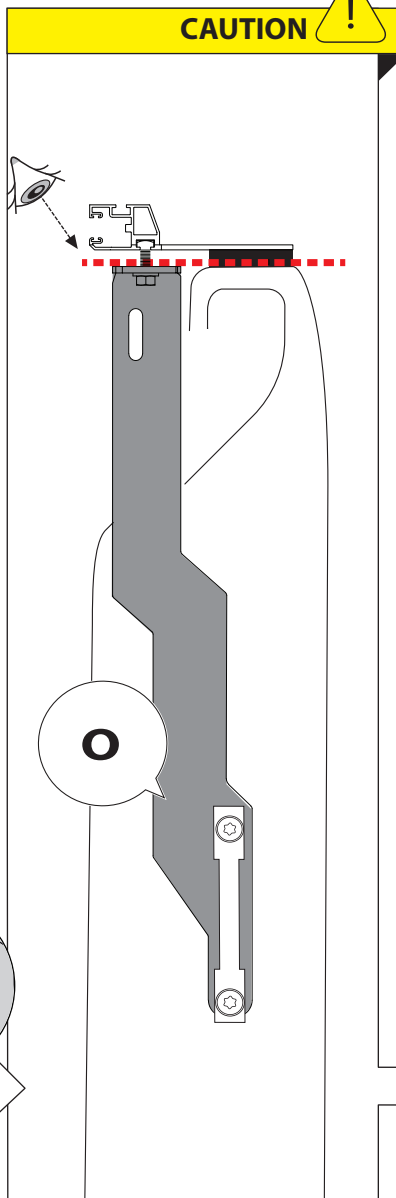
WITHOUT C - CHANNELS



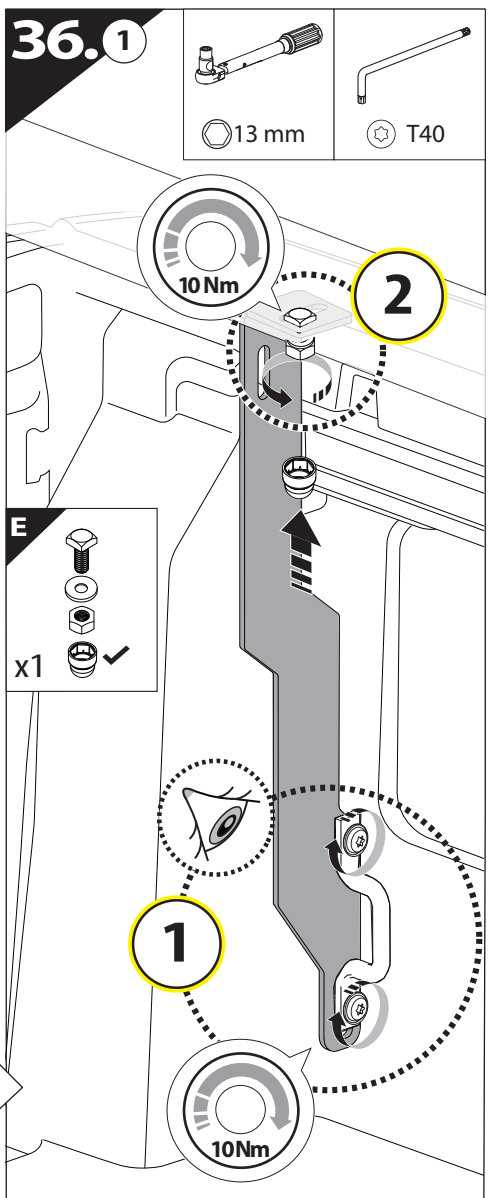
36



CAUTION



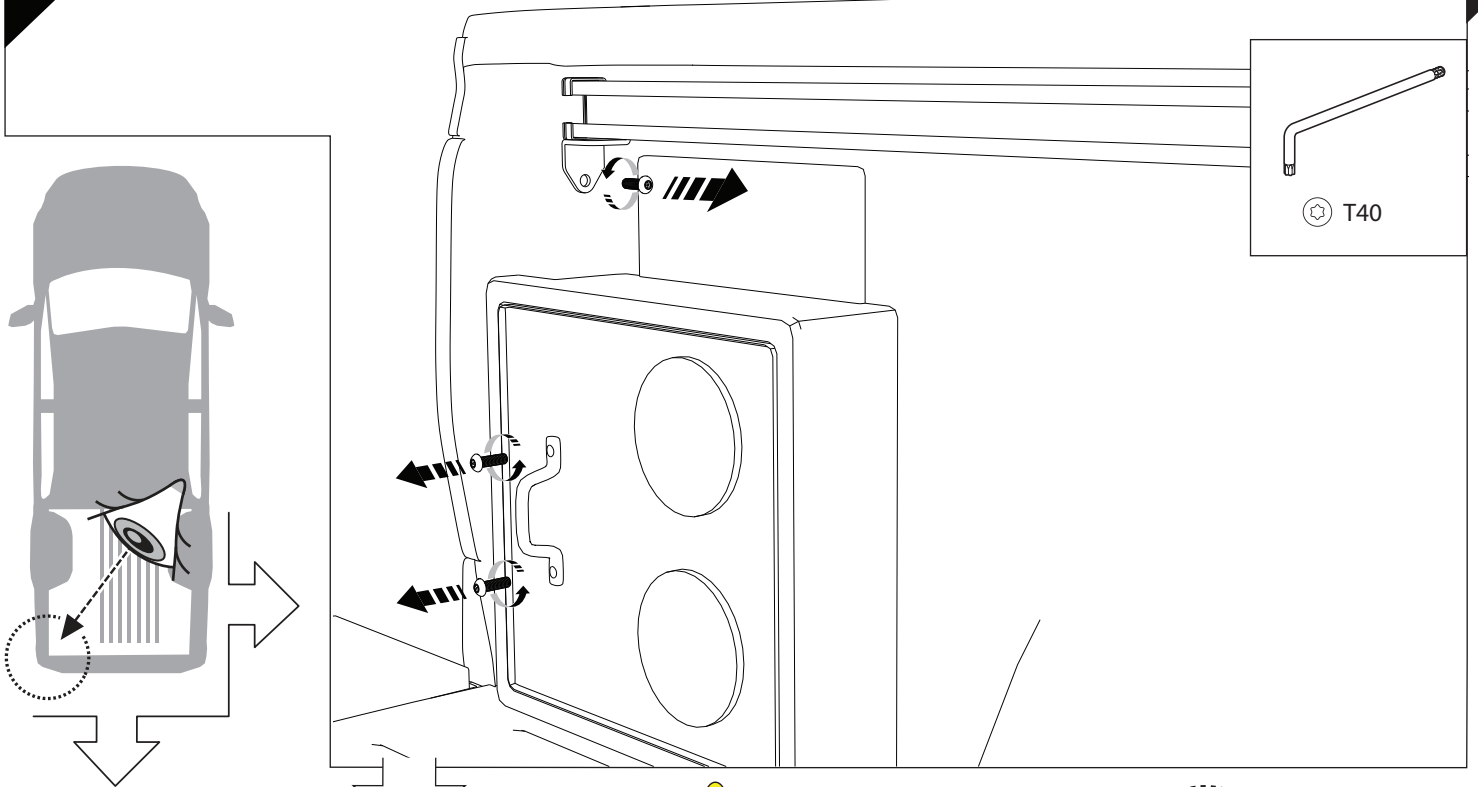
36.1



35



WITH C - CHANNELS



36

O1

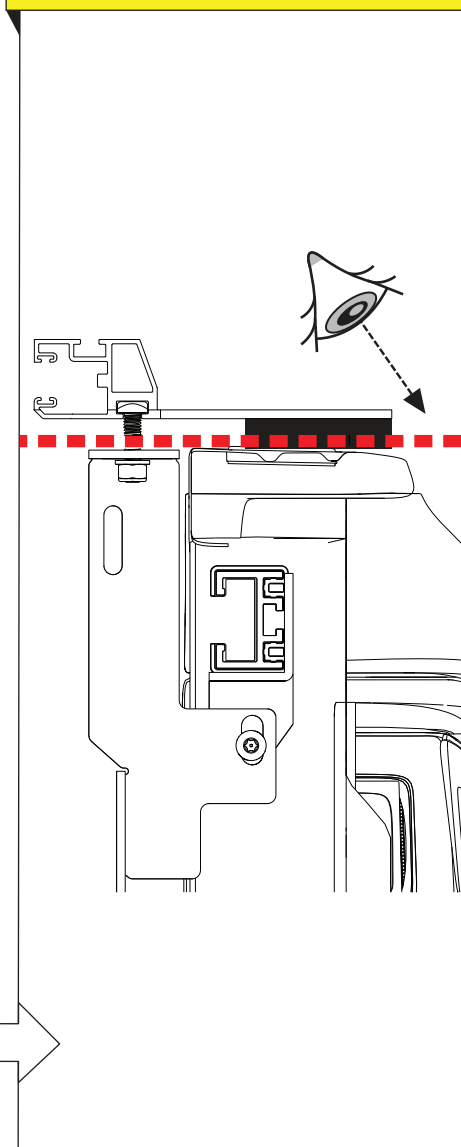
x1

E

x1

O1

CAUTION



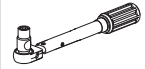
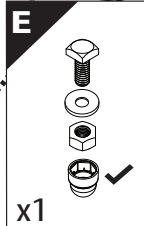
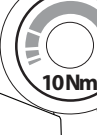
36.1

3

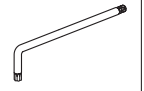
2

1

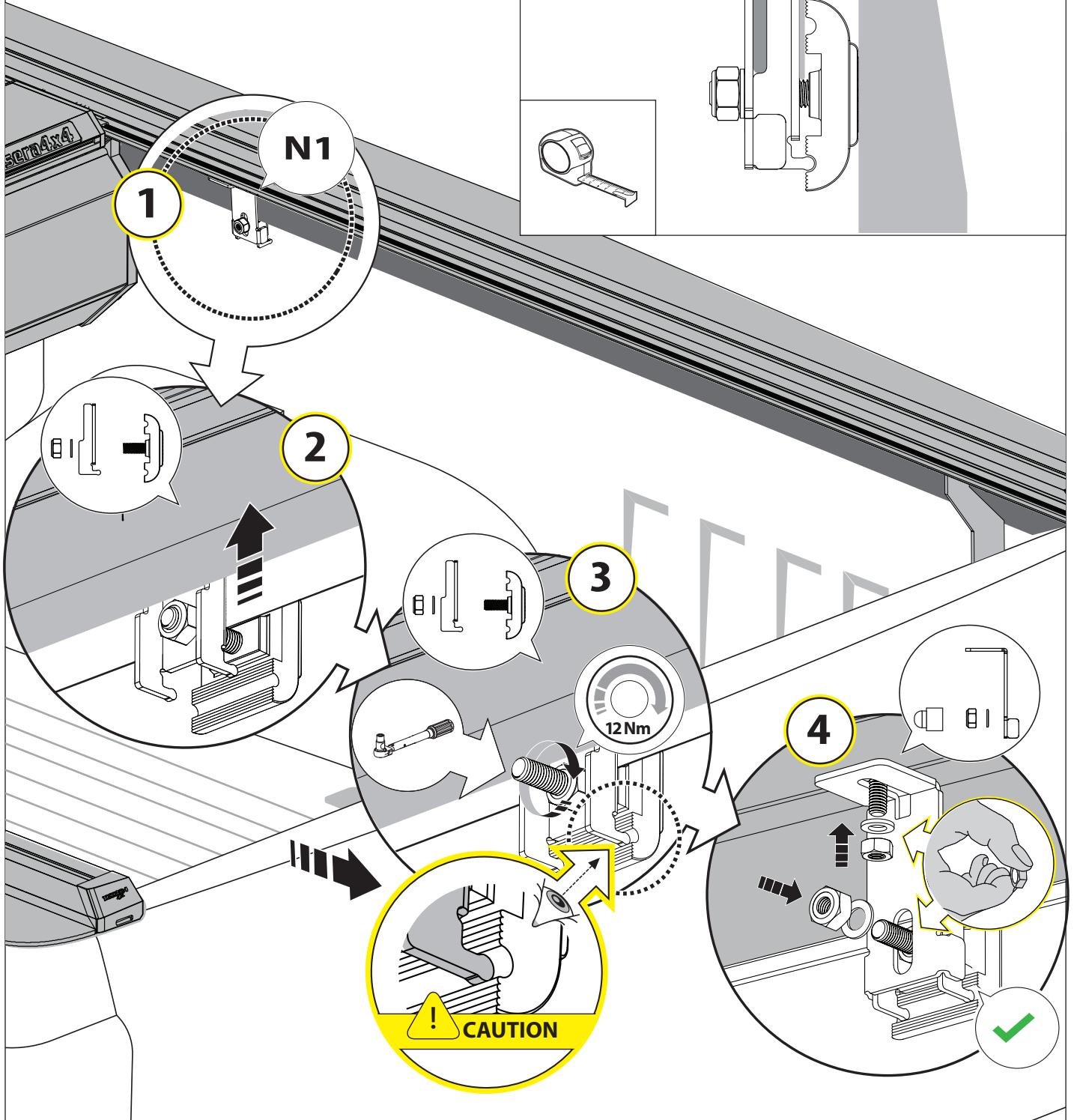
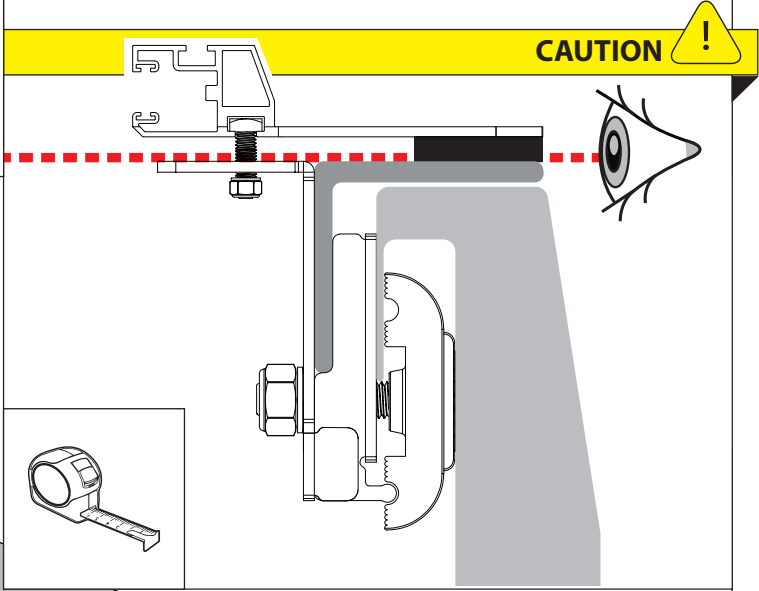
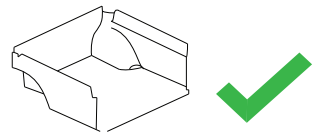
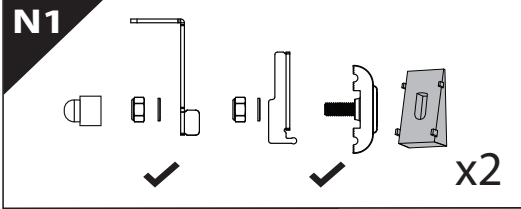
O1

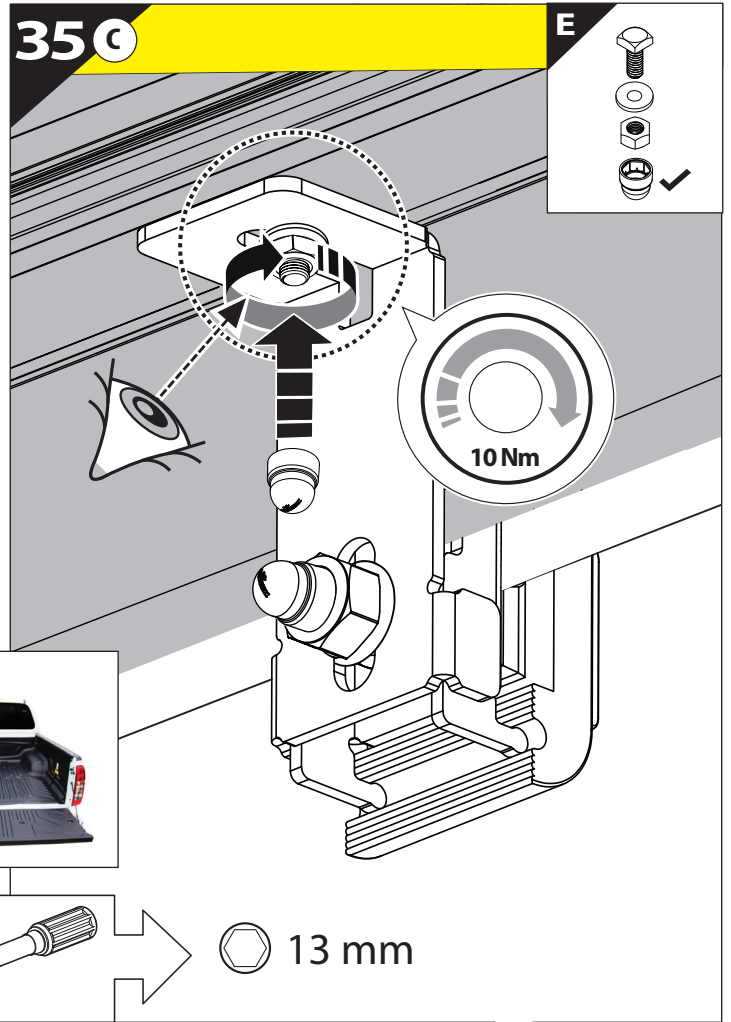
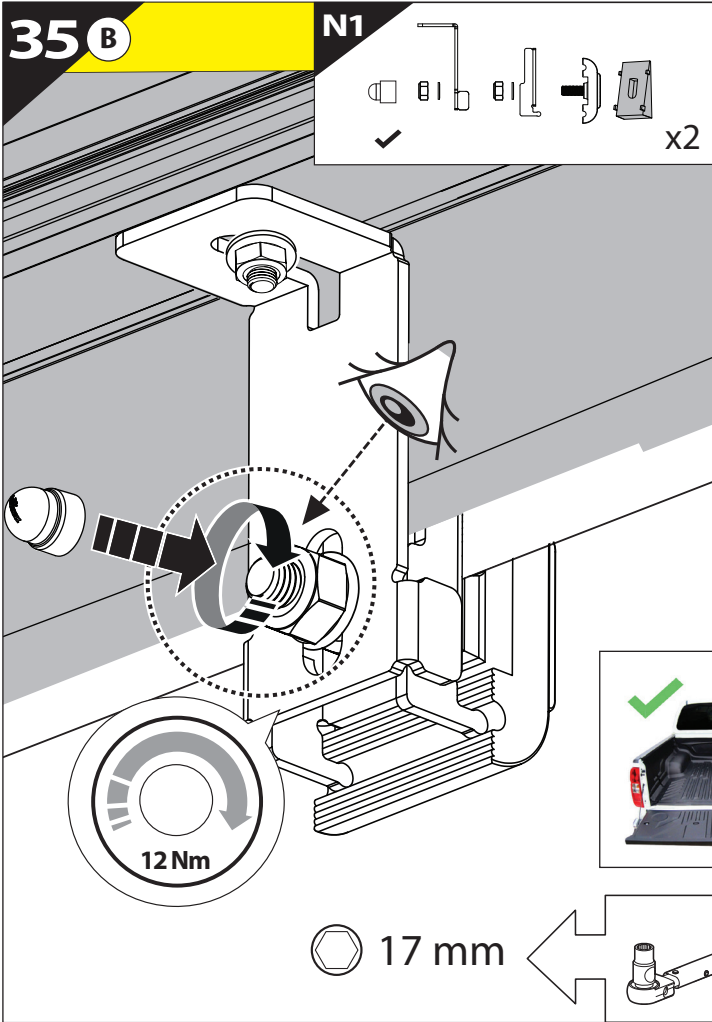


13 mm

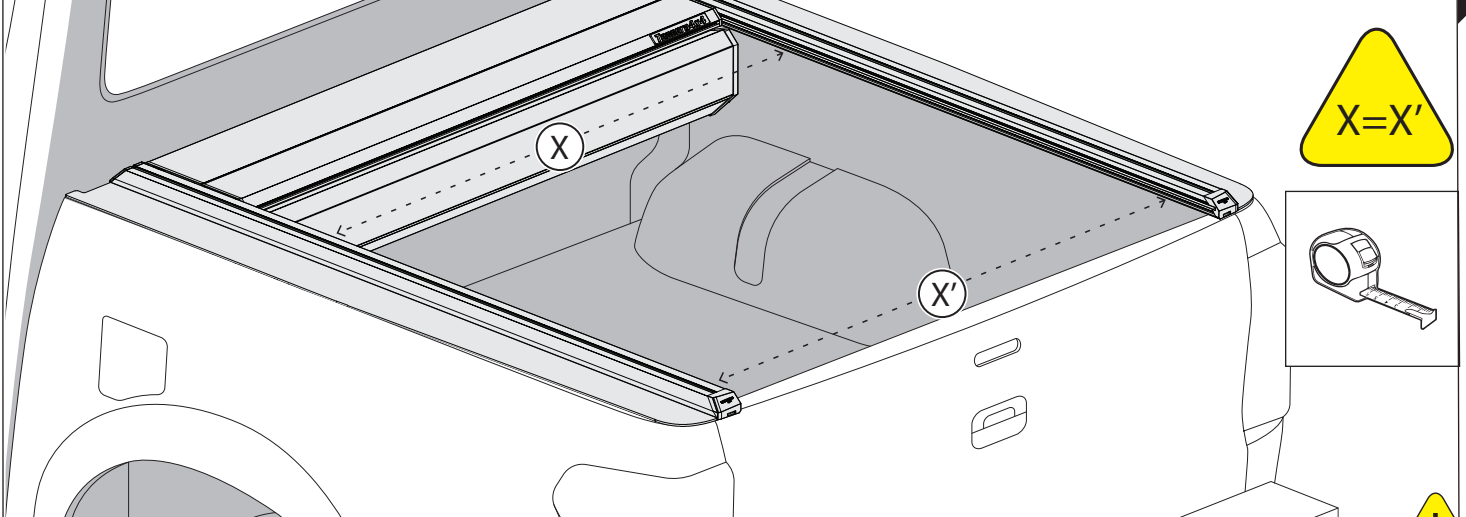


T40

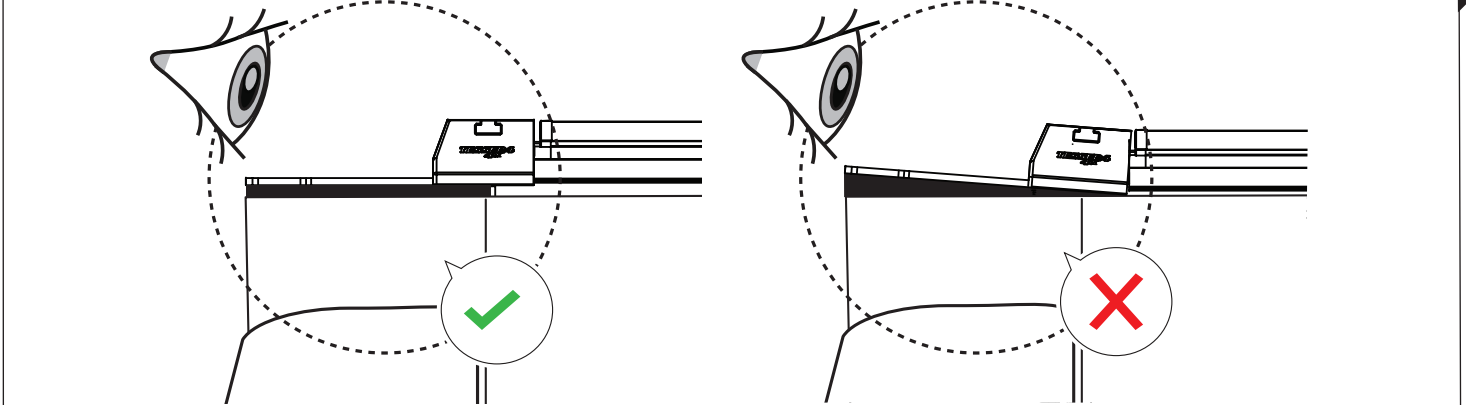




CAUTION !



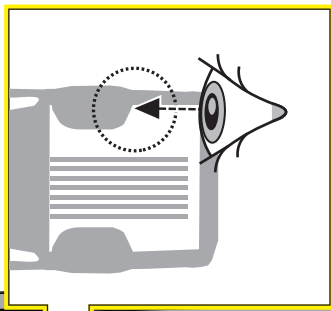
CAUTION !



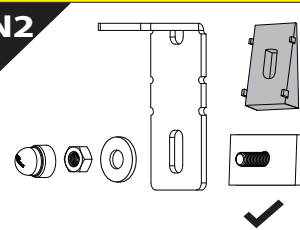
35 A



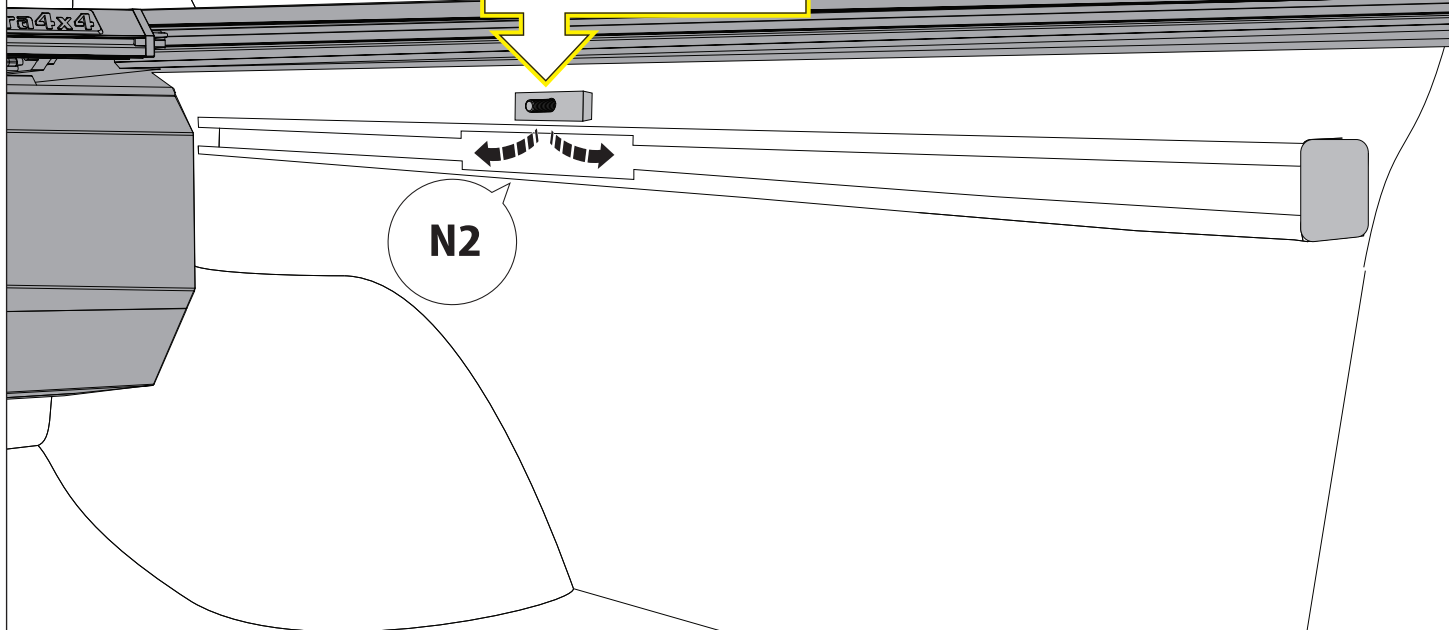
WITH C - CHANNELS



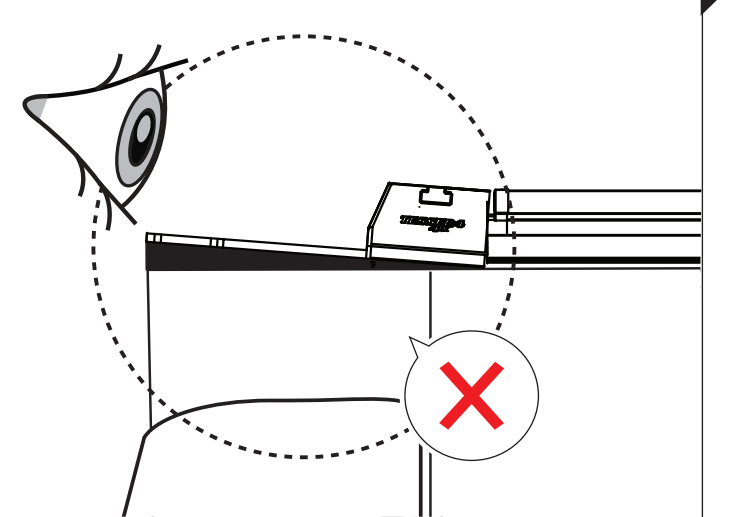
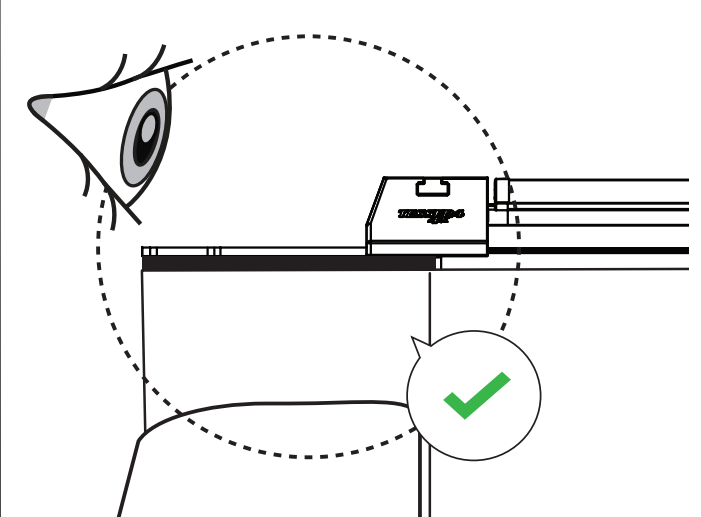
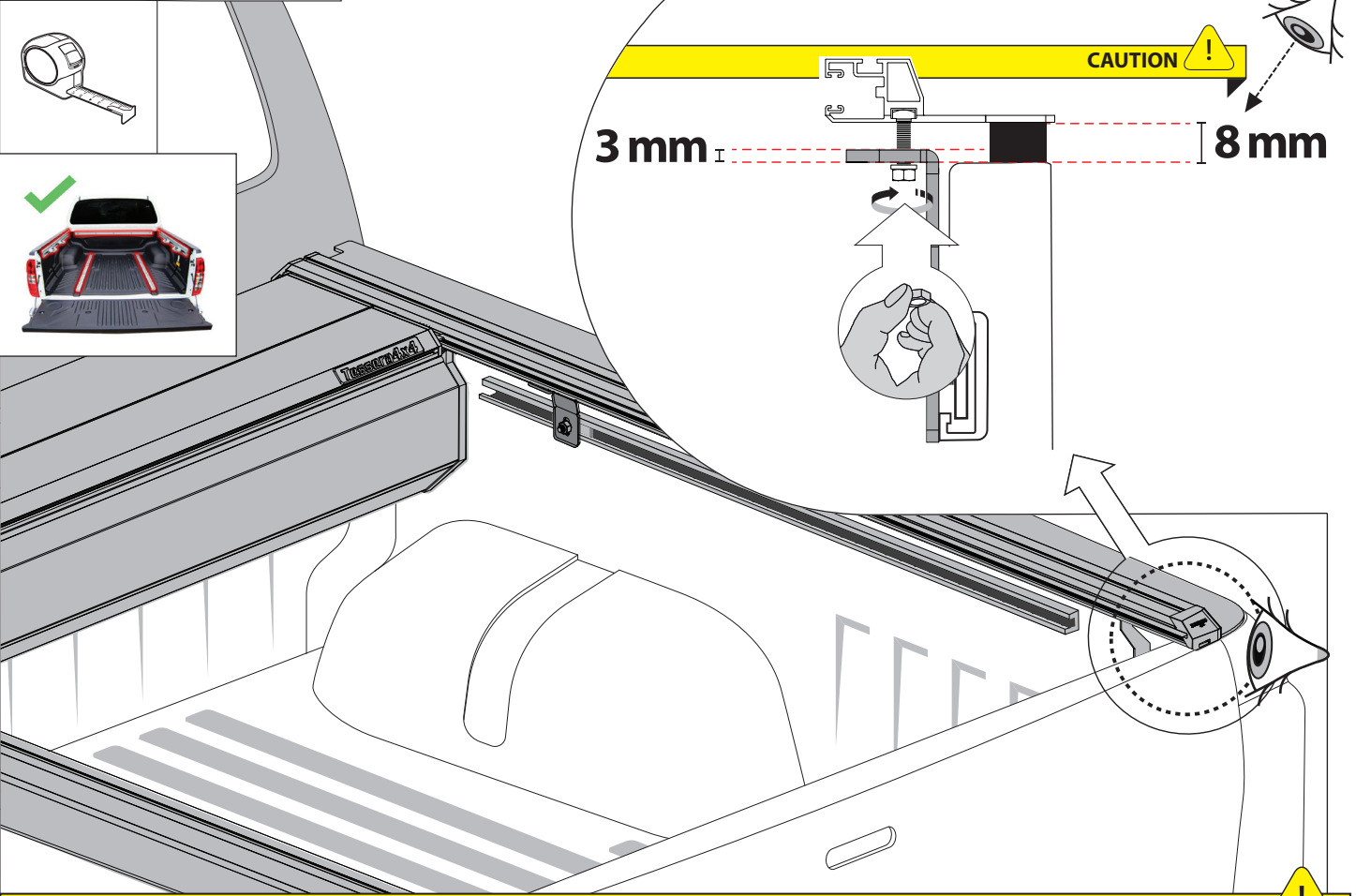
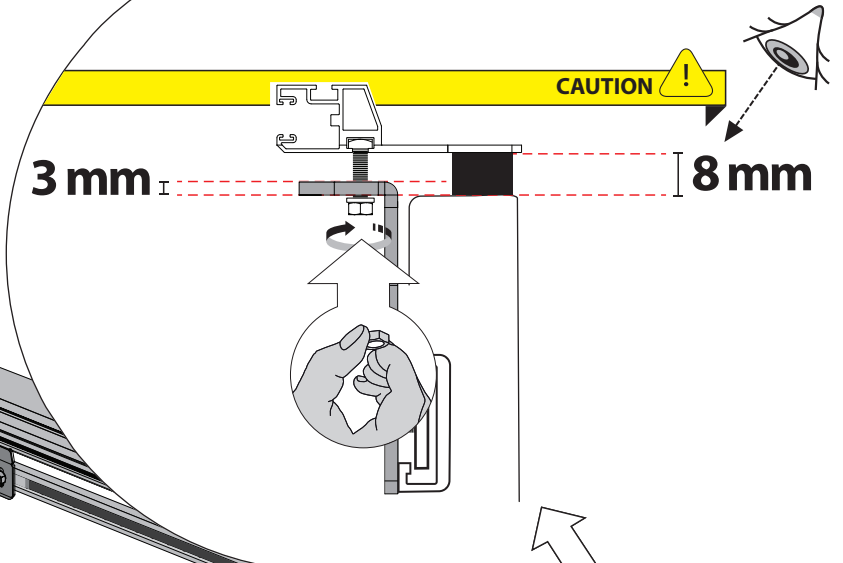
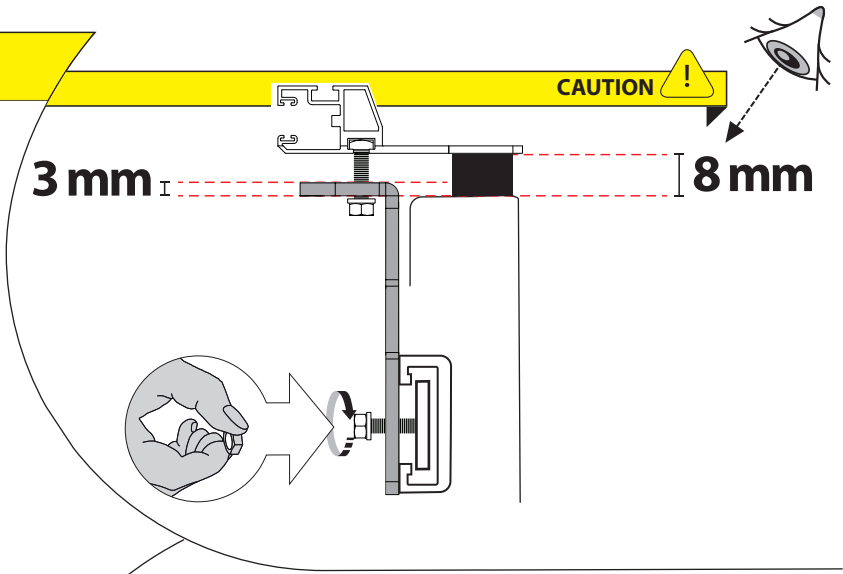
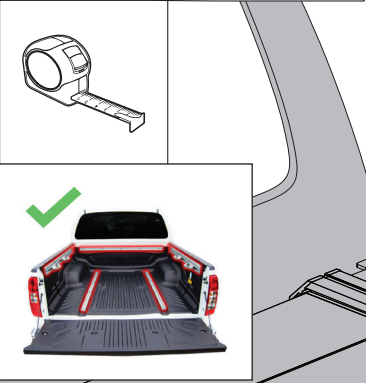
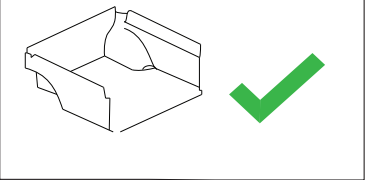
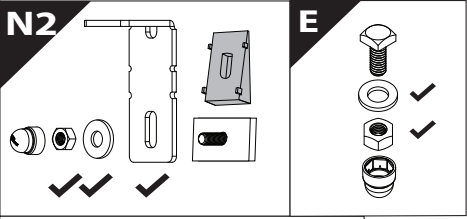
N2

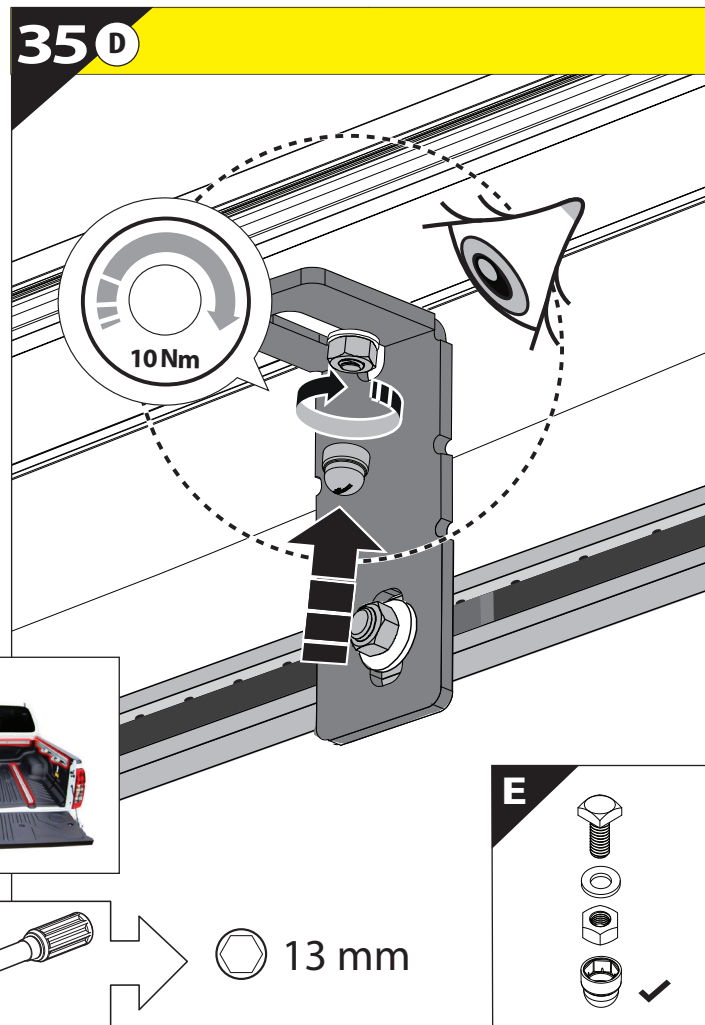
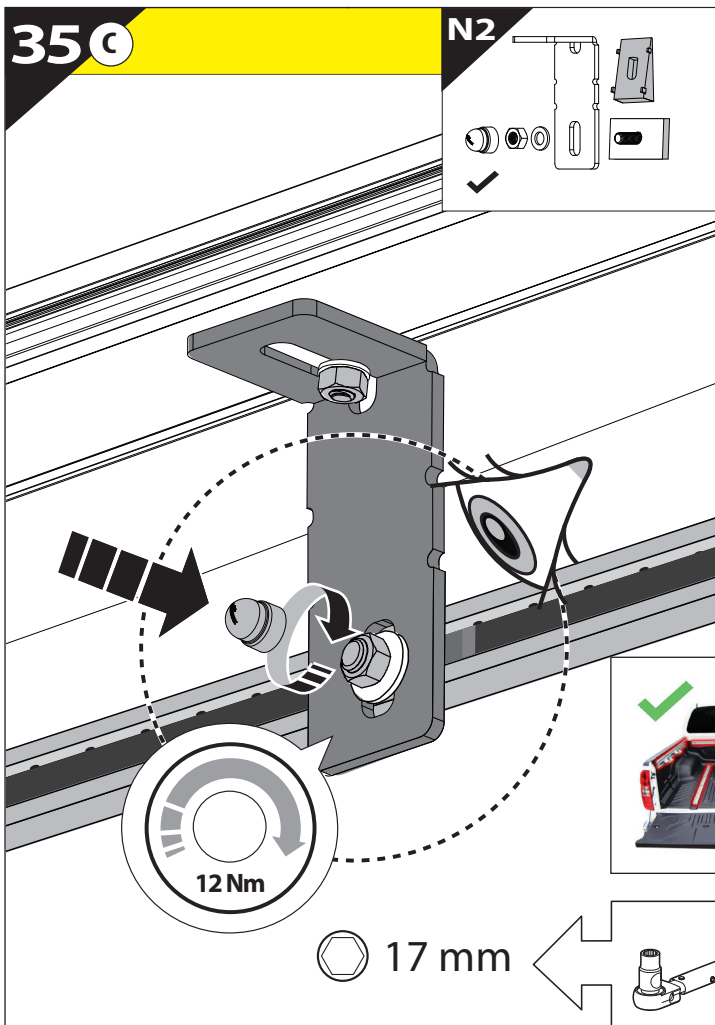


x2

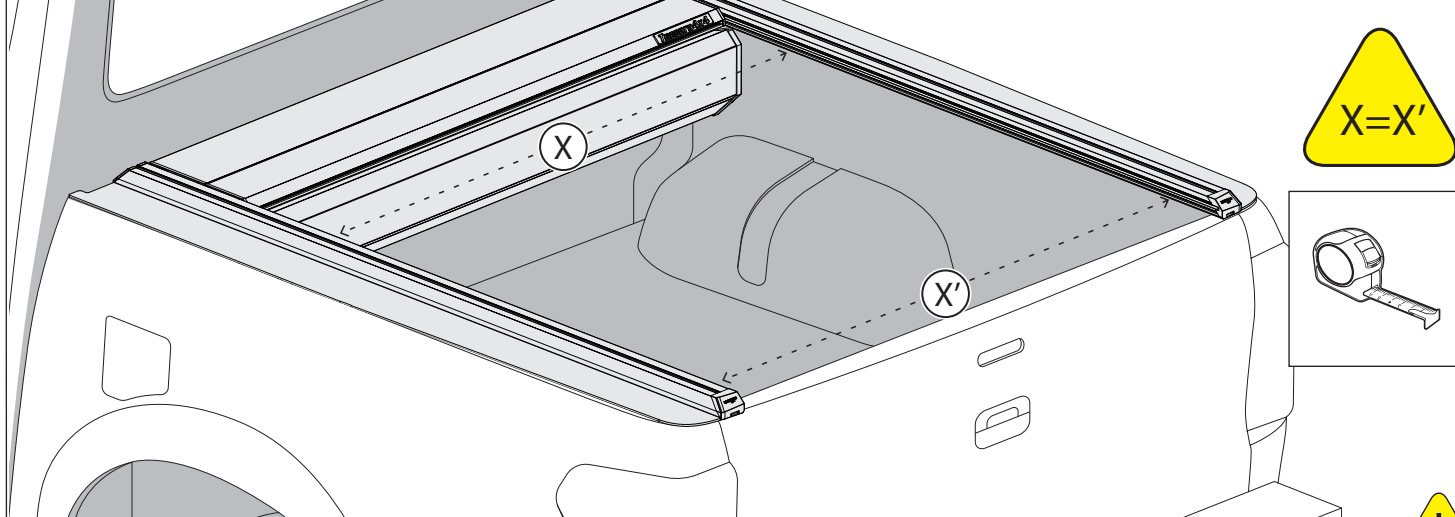


35 B

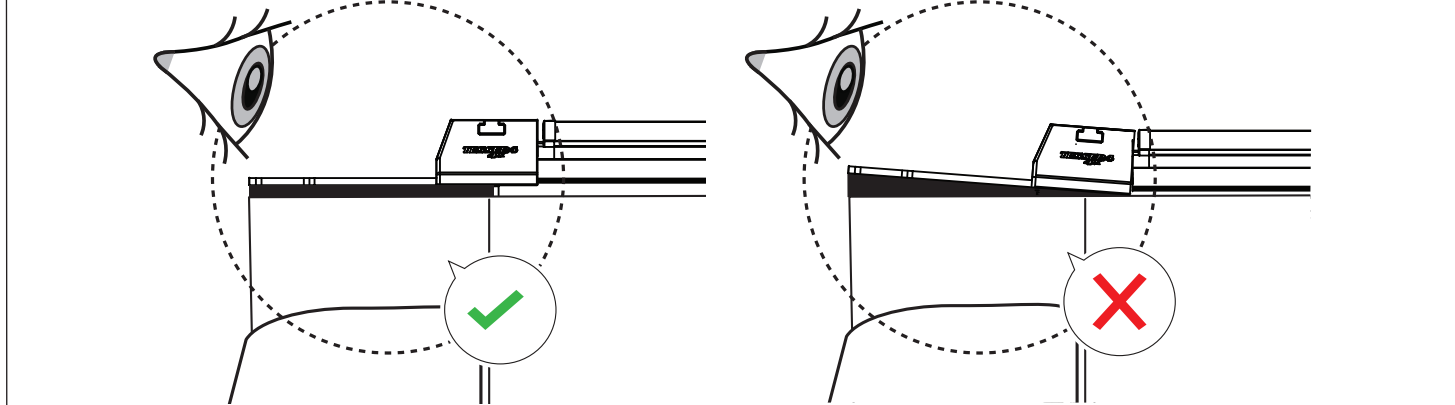


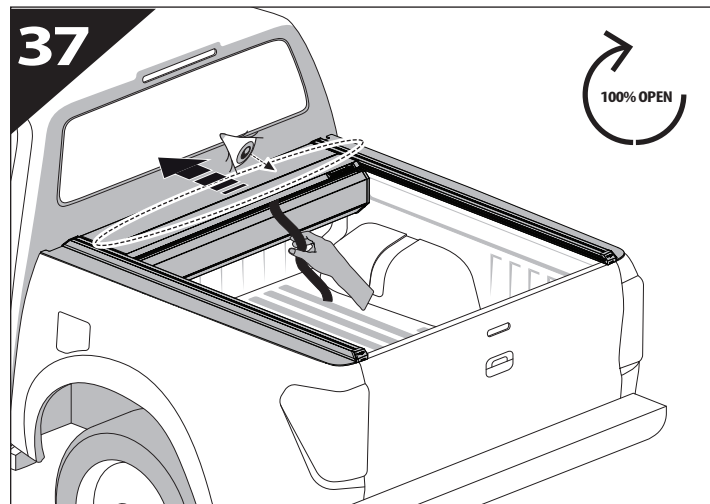
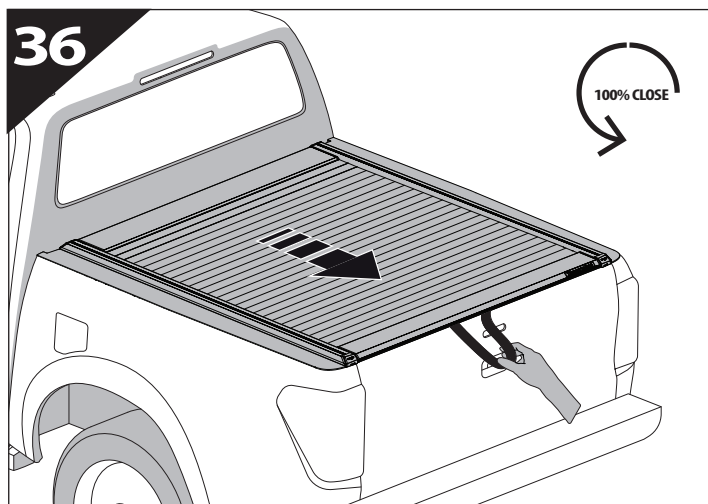


CAUTION !



CAUTION !





GR: Οδηγίες Εγκατάστασης
GB: Installation manual
SF: Asennusohje
F: Notice de montage
PL: Instrukcja montażu
NL: Installatie-instructies
TR: Montaj Talimatı
S: Monteringsanvisning
E: Instrucciones de montaje

H: Szerelési utasítás
P: Instruções de instalação
RUS: Инструкция по установке
N: Monteringsveiledning
D: Einbauanleitung
CZ: Návod k instalaci
I: Istruzioni de montaggio
DK: Monteringsvejledning
RO: Instructiuni de instalare

Customer Service:

+30 (210) 5541161, +30 (210) 5541154 (08:00 - 16:00 EET)

Support department:

info@gianso.gr

Website:

www.tessera4x4.com

Address:

19.5 km of National road Athens-Korinthos (Elefsina) Greece, P.C: 19200