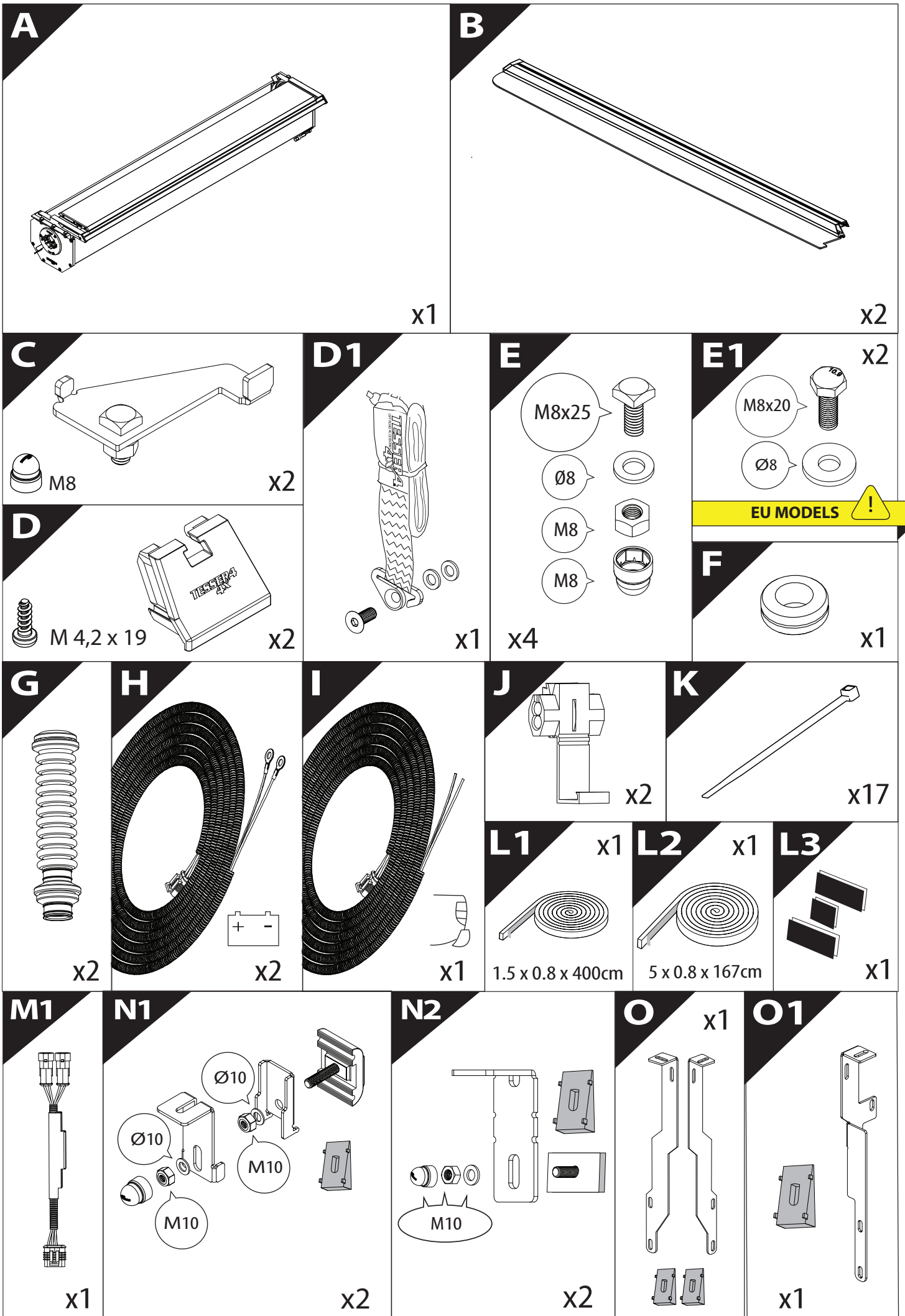

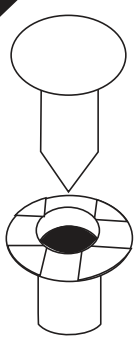


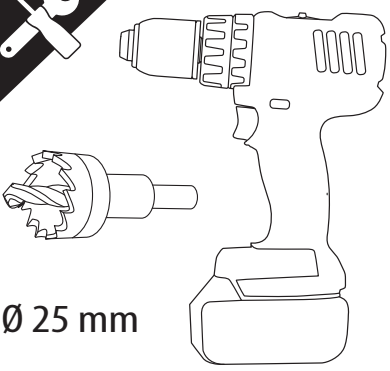
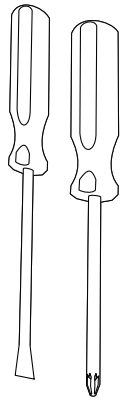
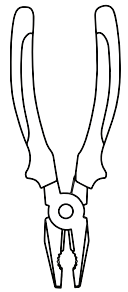


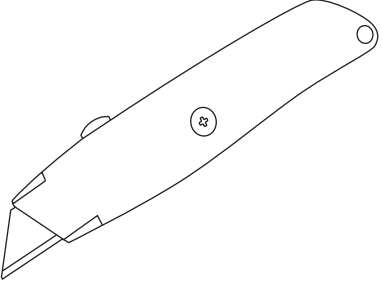
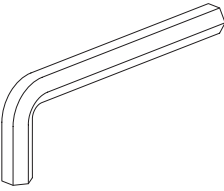
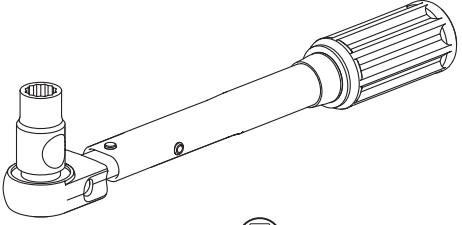
## Installation Manual


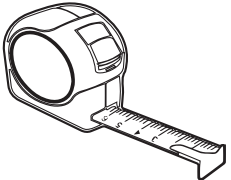

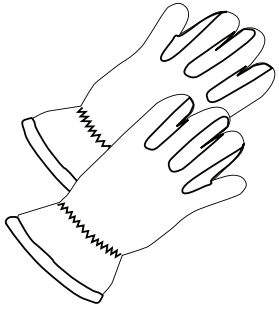
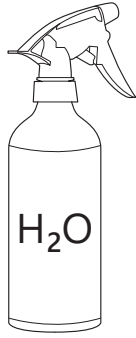
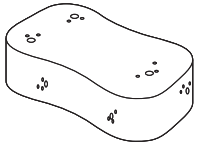
<b>PART NUMBER(S)</b>	<b>Model Year</b>
<b>TESS 14062 ROLL</b>	<b>FORD RANGER 2025+ PHEV (P 703) (with and without c-channels)</b>
<b>Cab(s)</b>	<b>Installation Time / Weight</b>
<b>Double Cab</b>	<b>40-60 minutes / 53-57 kg</b>

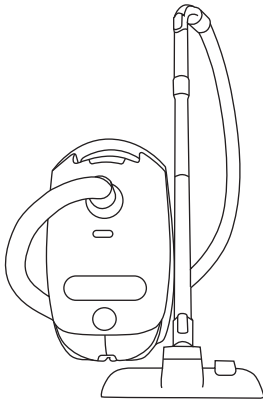
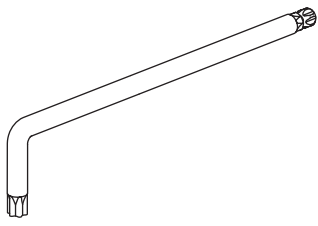
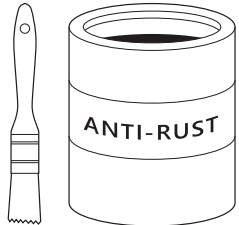
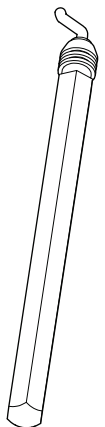



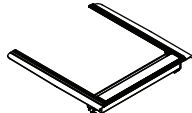
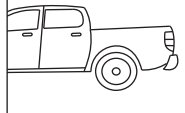


<p><b>P</b></p>  <p>x1</p>	<p><b>Q</b></p>  <p>x2</p> <p><b>US MODELS</b> </p>	  <p>Ø 25 mm</p>	 <p>+</p> <p>-</p>	
--	---	--	---	---

	 <p>4 mm</p>	<p>1 - 25 Nm</p>  <p>10, 12, 13, 17 mm</p>
---	---	--

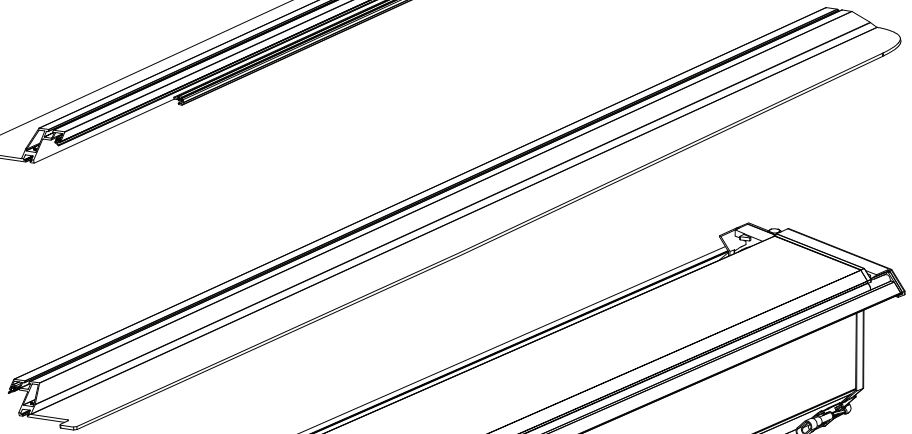
 <p>ACETONE</p>				 <p>H<sub>2</sub>O</p>	
---	--	--	---	--	---

	 <p>T30, T40</p>	 <p>ANTI-RUST</p>	
---	---	---	---

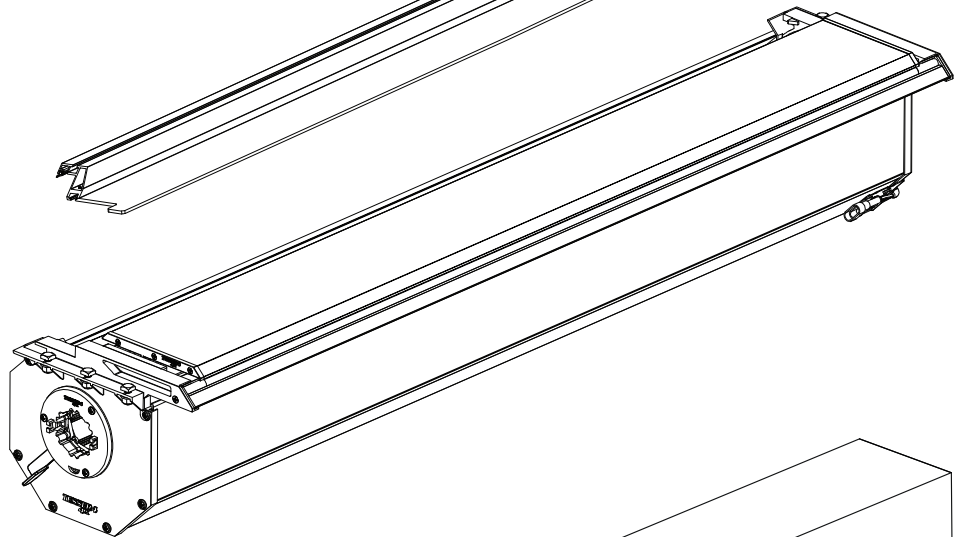
	<p>INSTALLATION MANUAL</p> 	<p>OWNERS MANUAL</p> 	<p>x1</p>
---	--	---	-----------



**B**



**A**

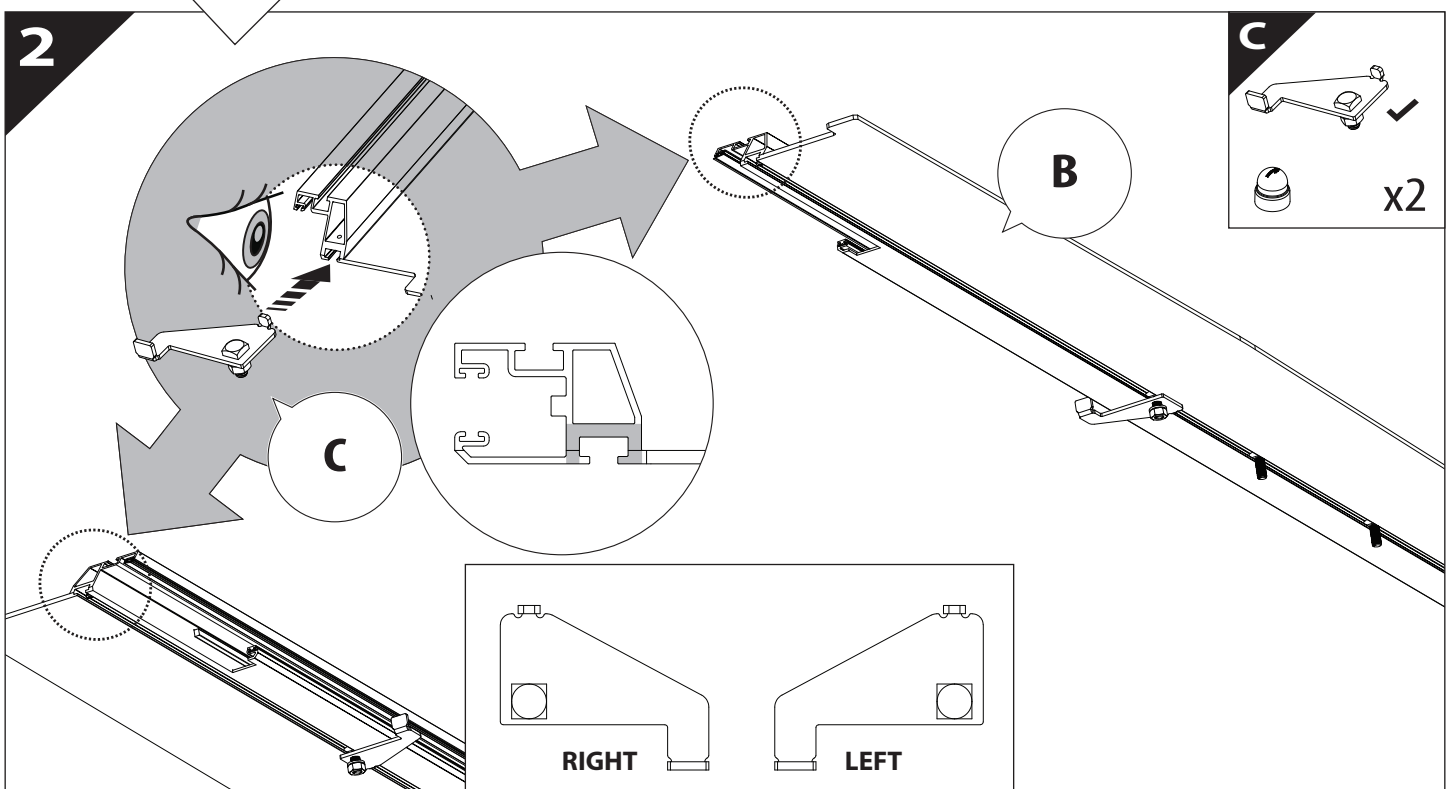
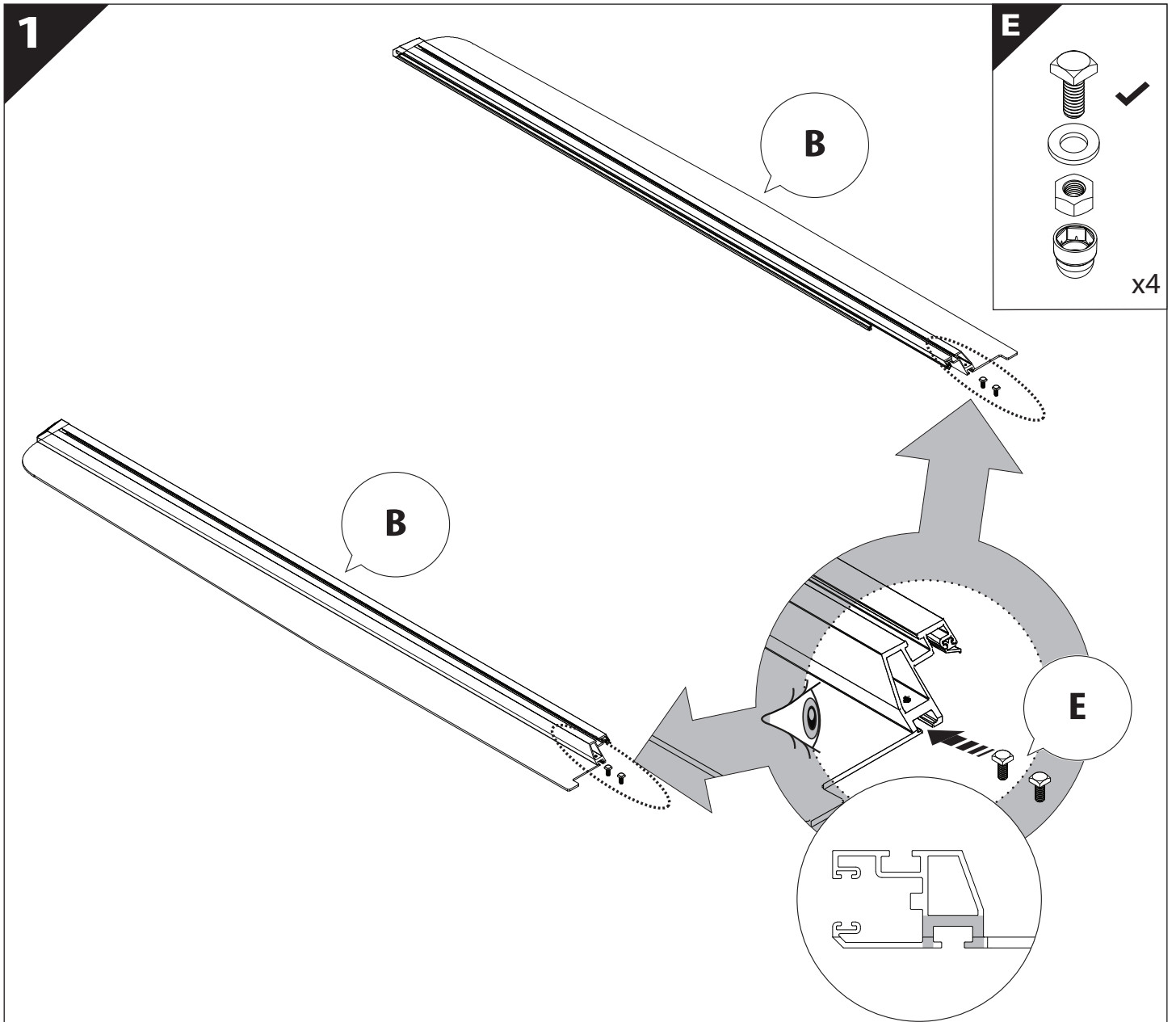


**KITS**



**L**

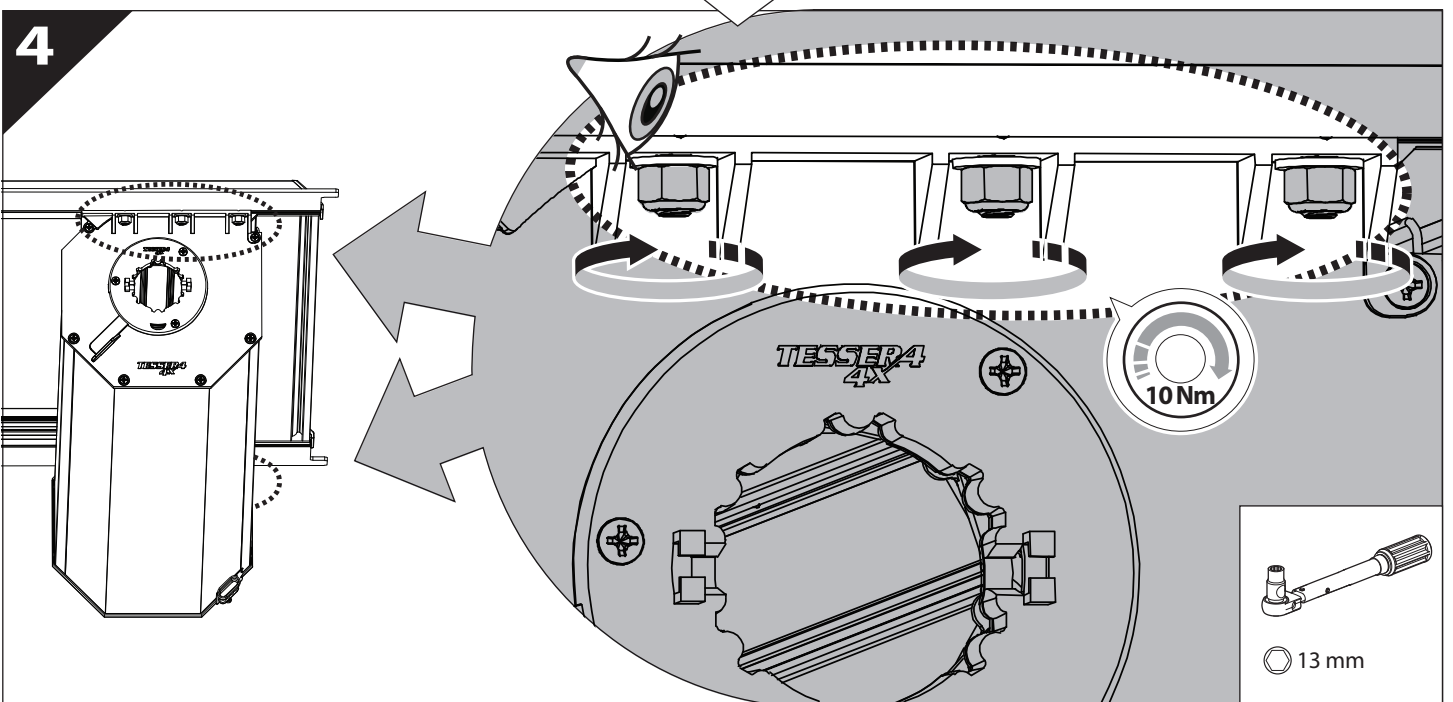


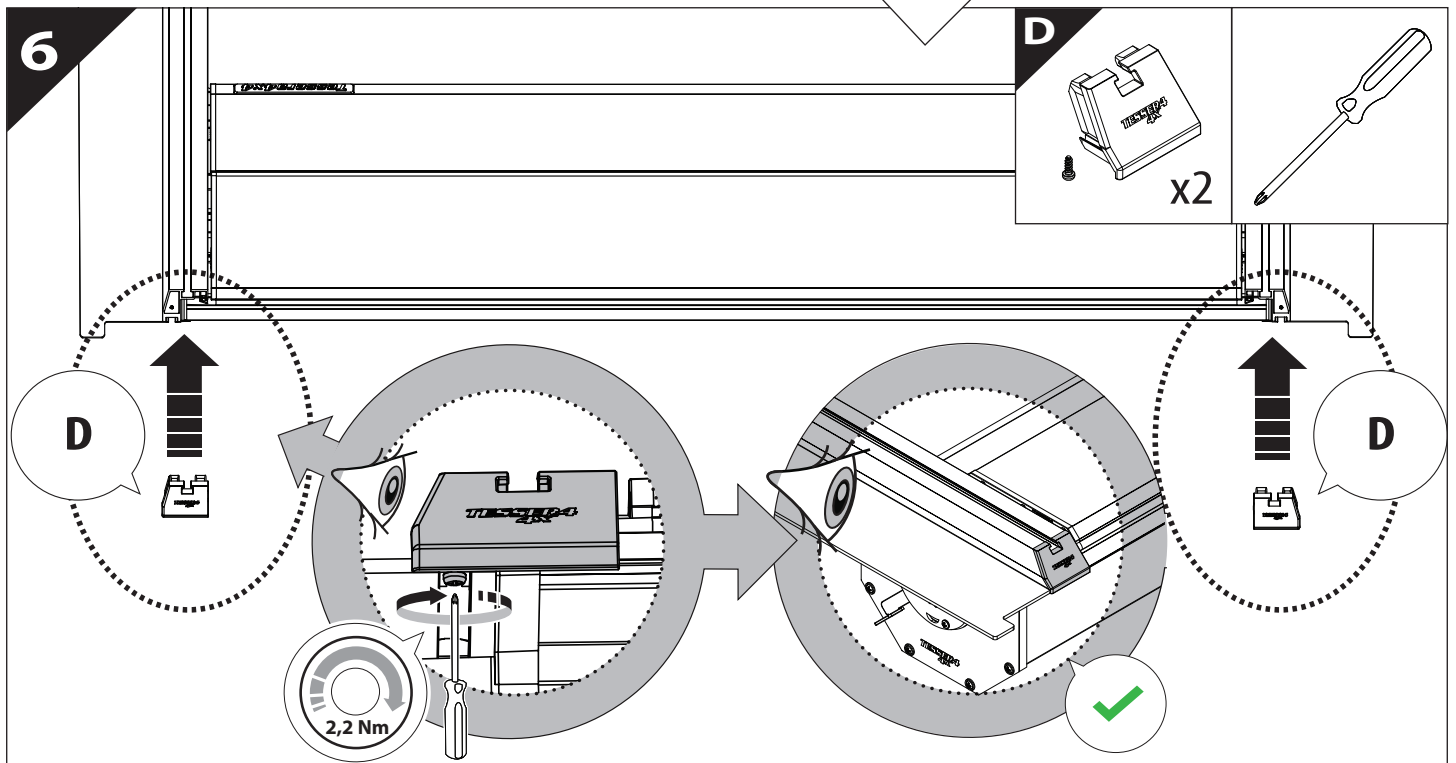
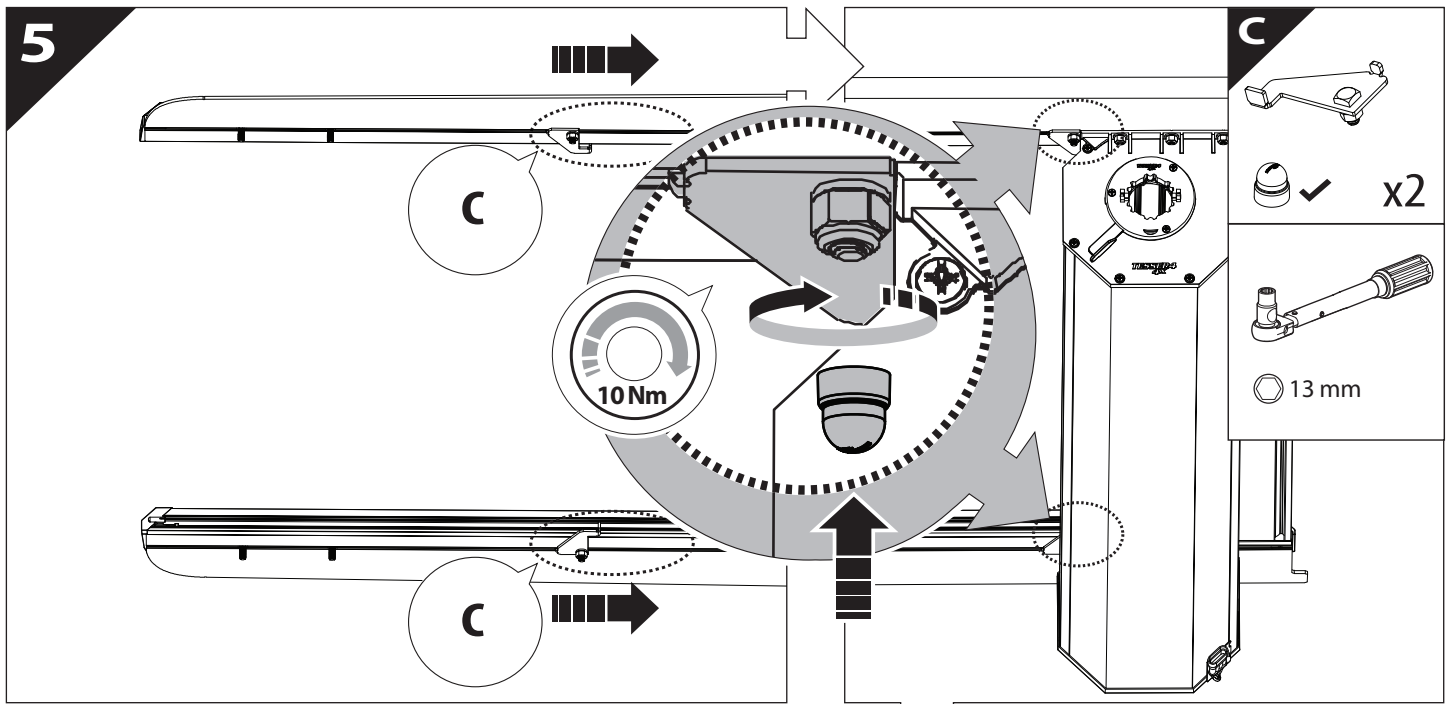


3

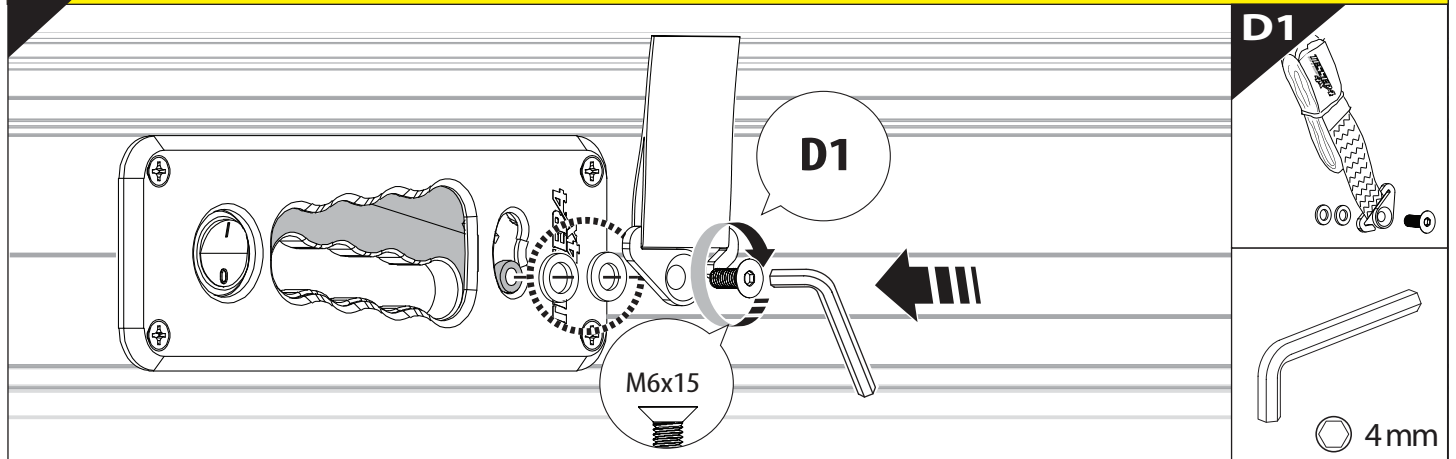


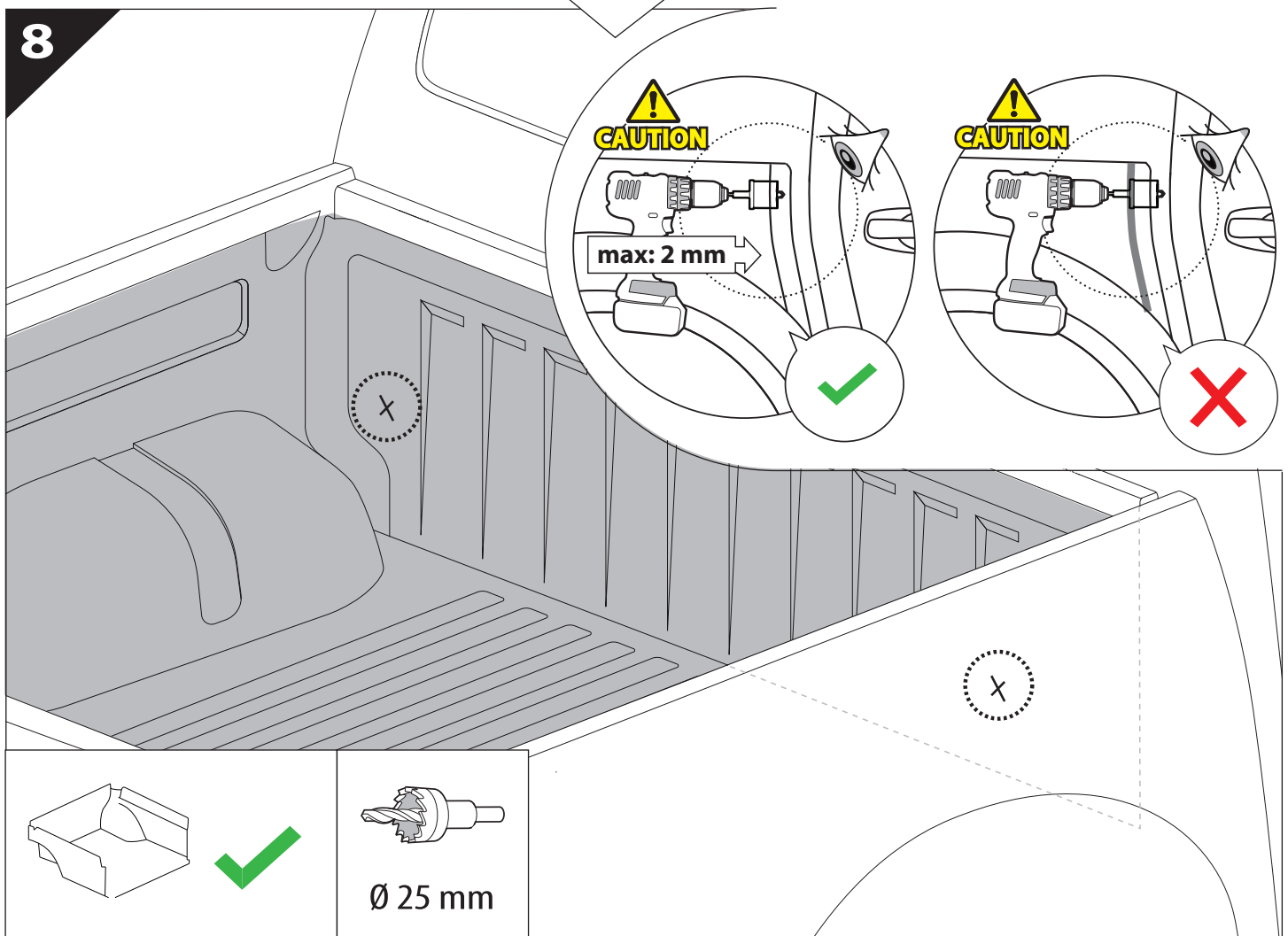
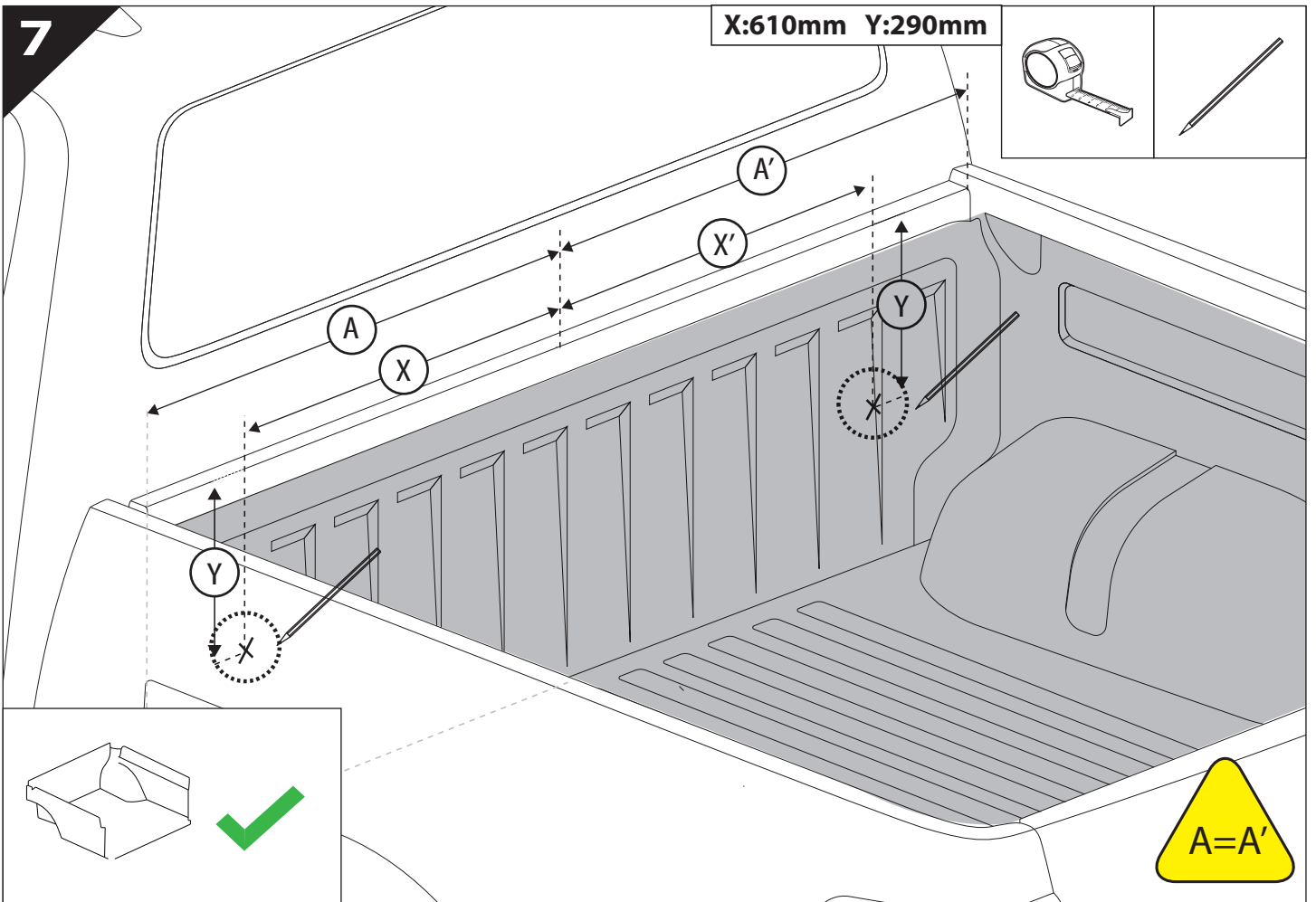
4

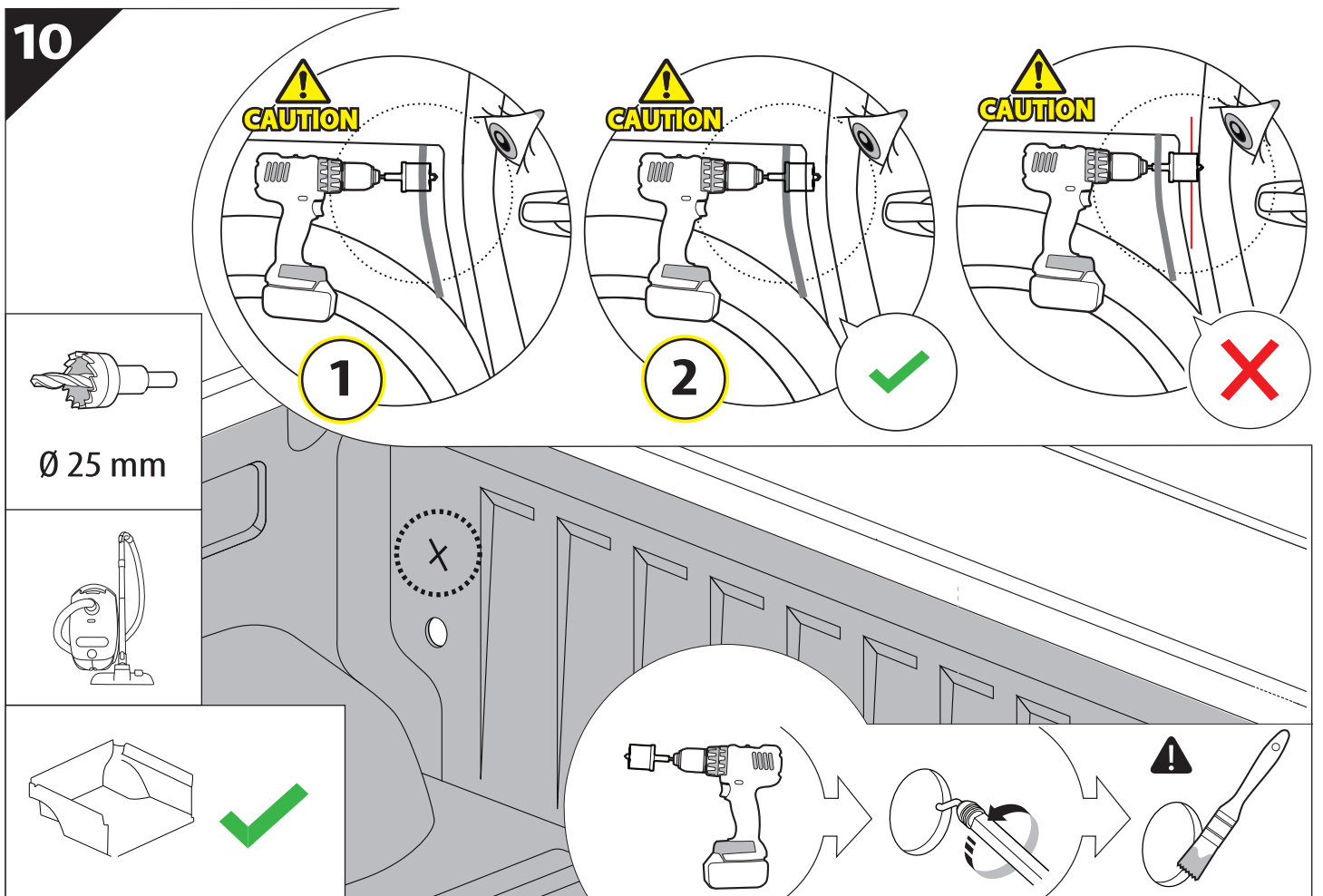
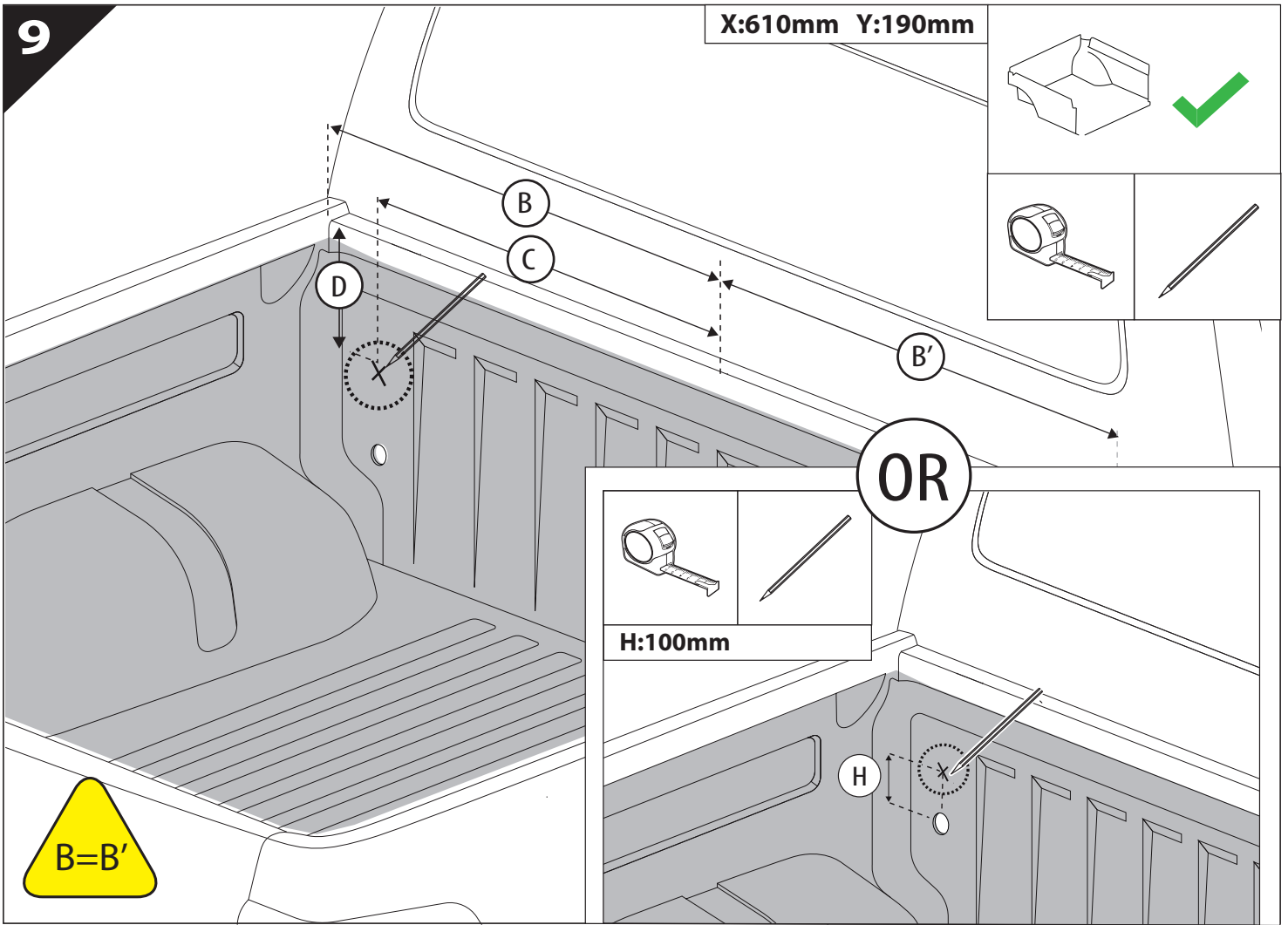


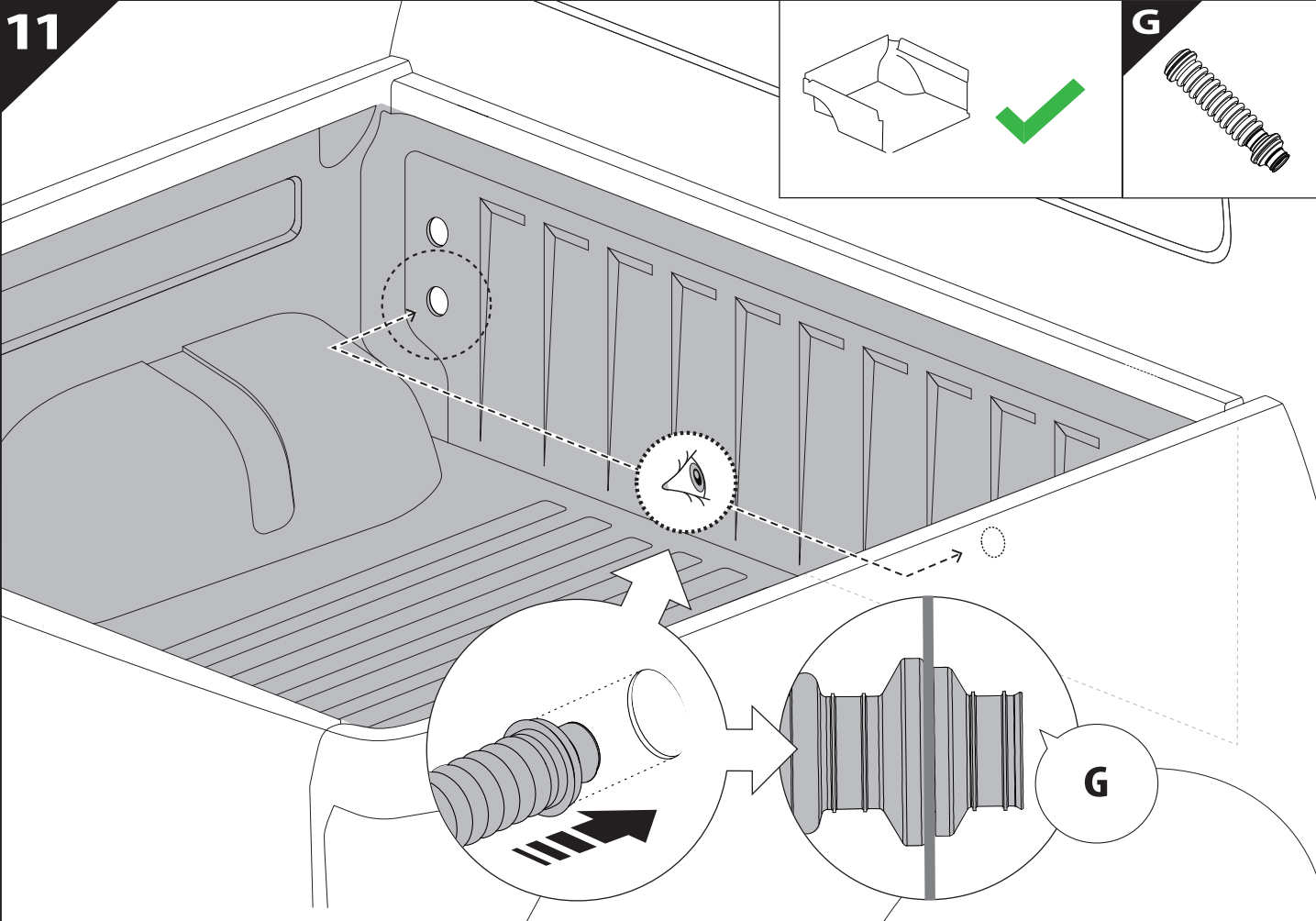


**6.1** **CAUTION** Basic Version ✓ & Basic+S-KIT Version ✓

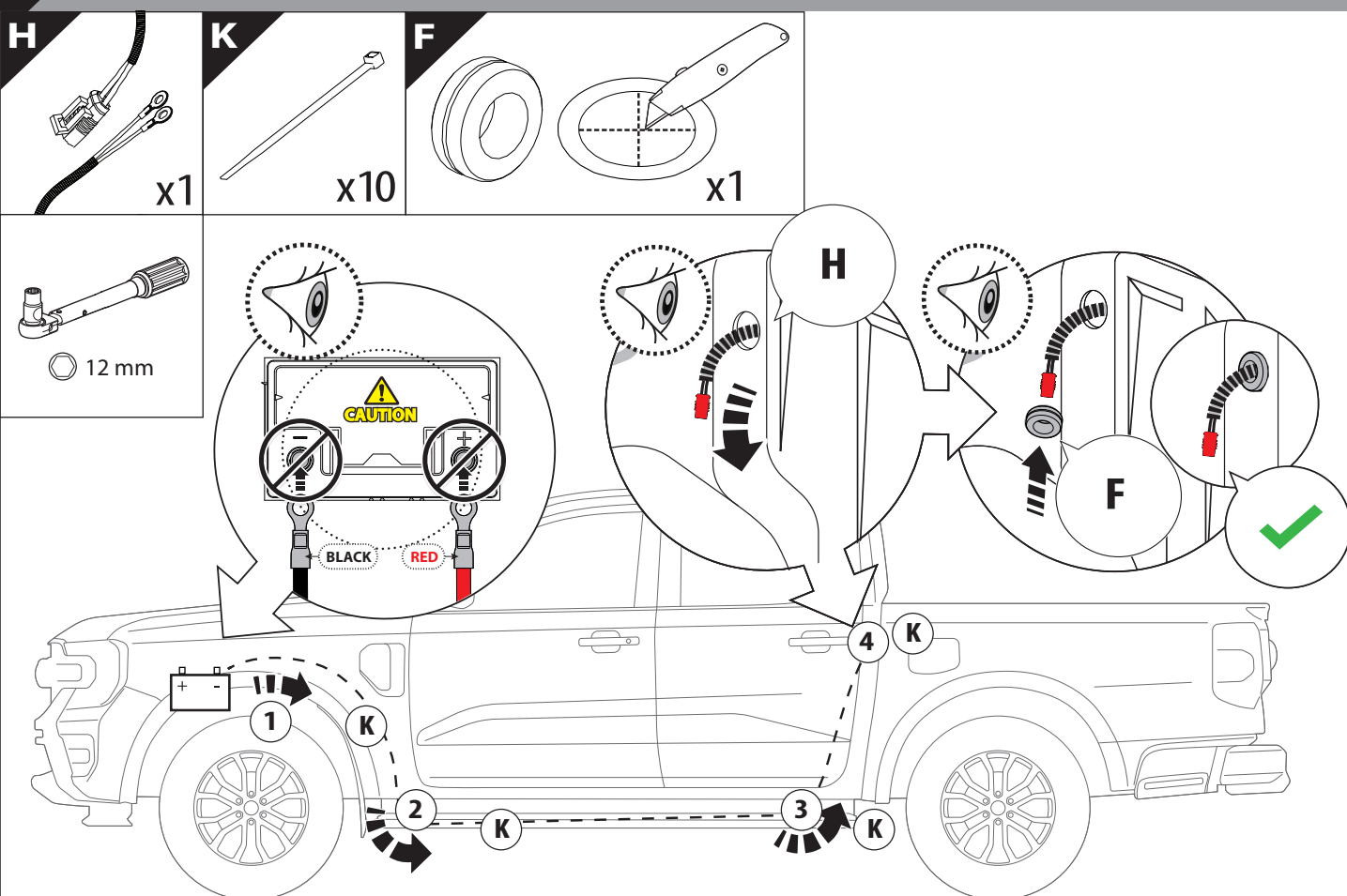




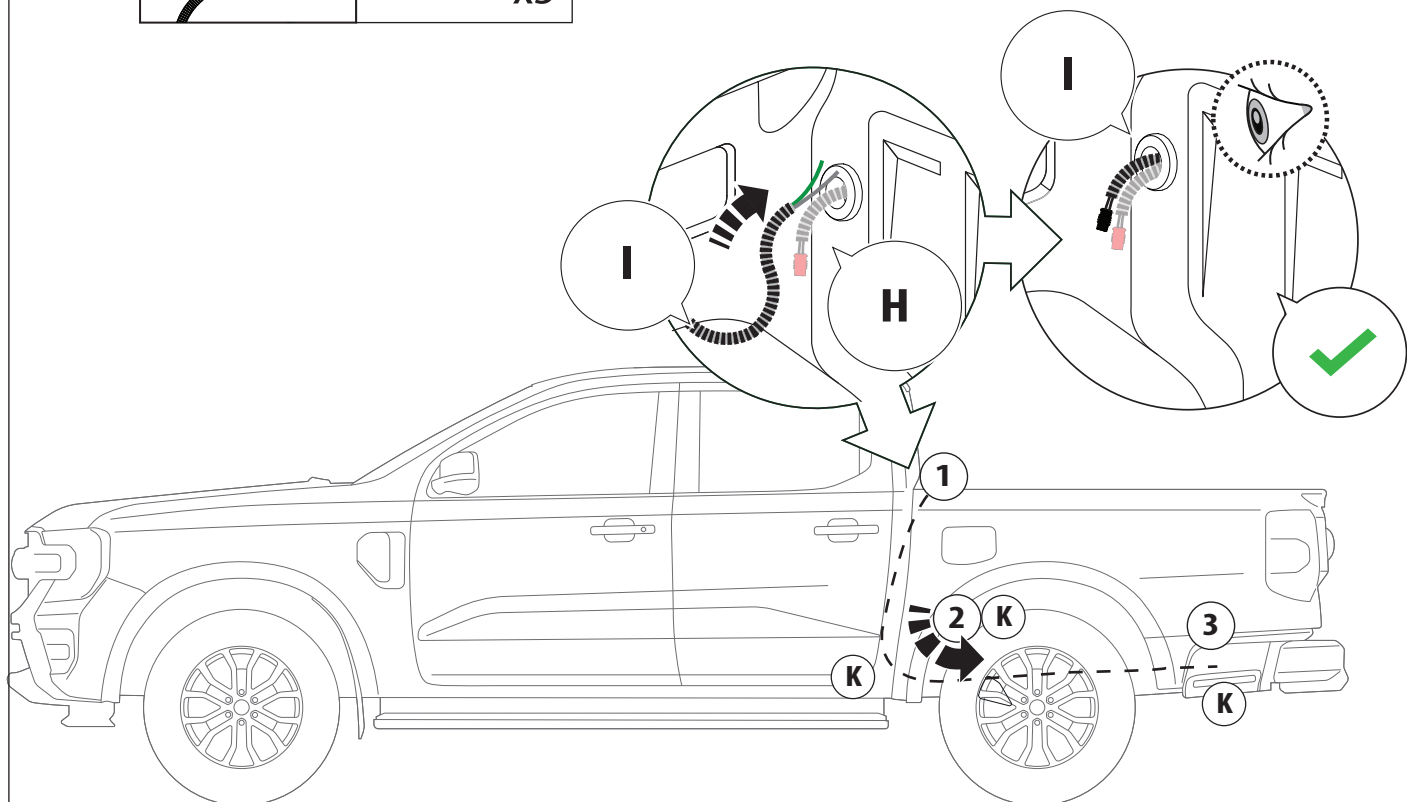
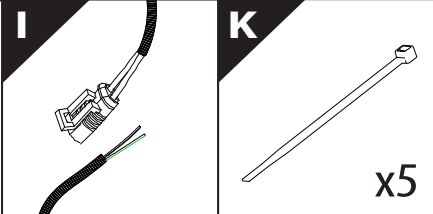




**12** Only to be installed by authorized personnel



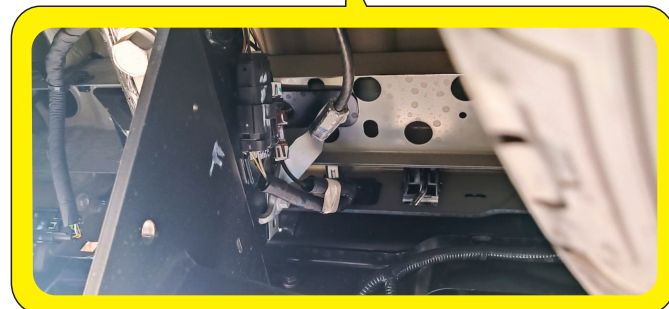
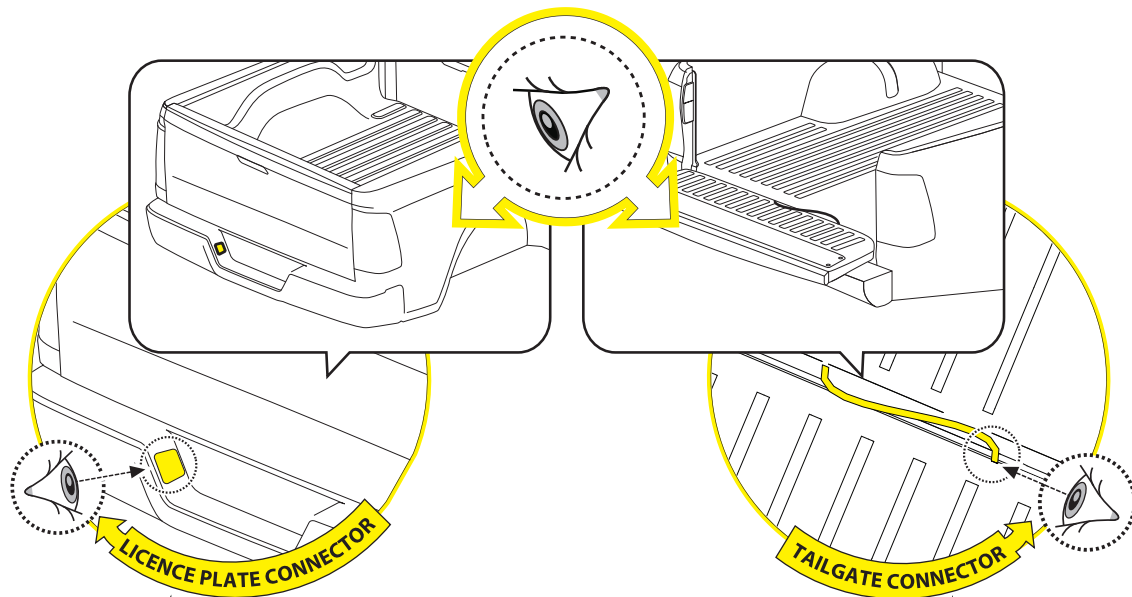
13



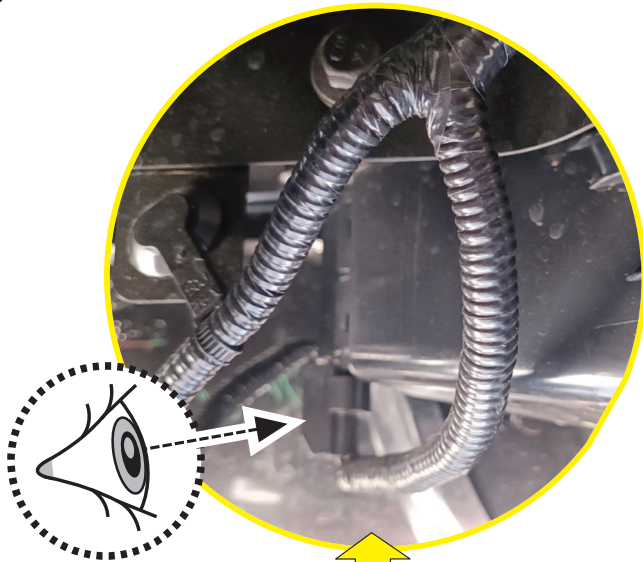
14



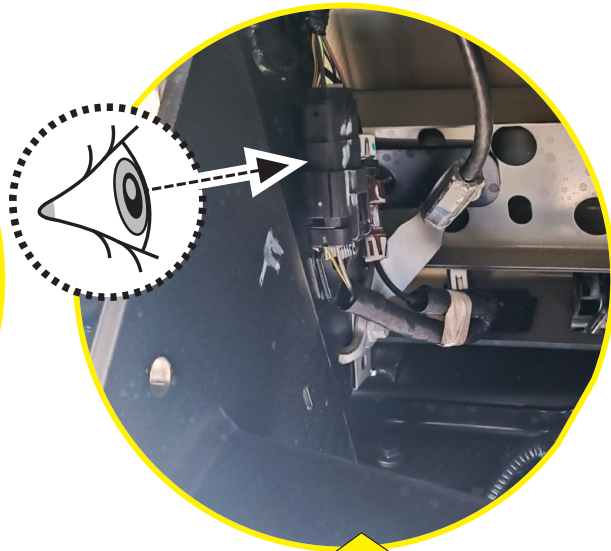
CAUTION: LIMITED, WILDTRAK, WILDTRAK X, PLATINUM



# 14.1



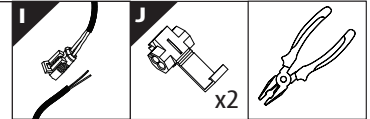
LICENCE PLATE CONNECTOR



TAILGATE CONNECTOR

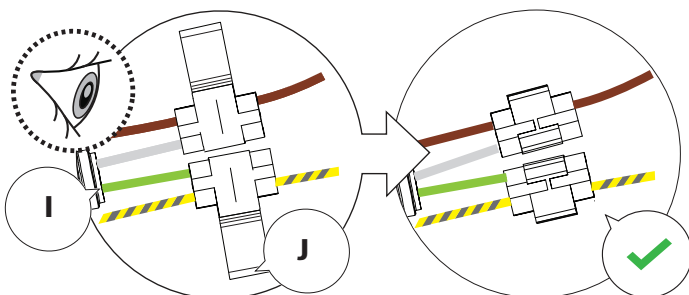
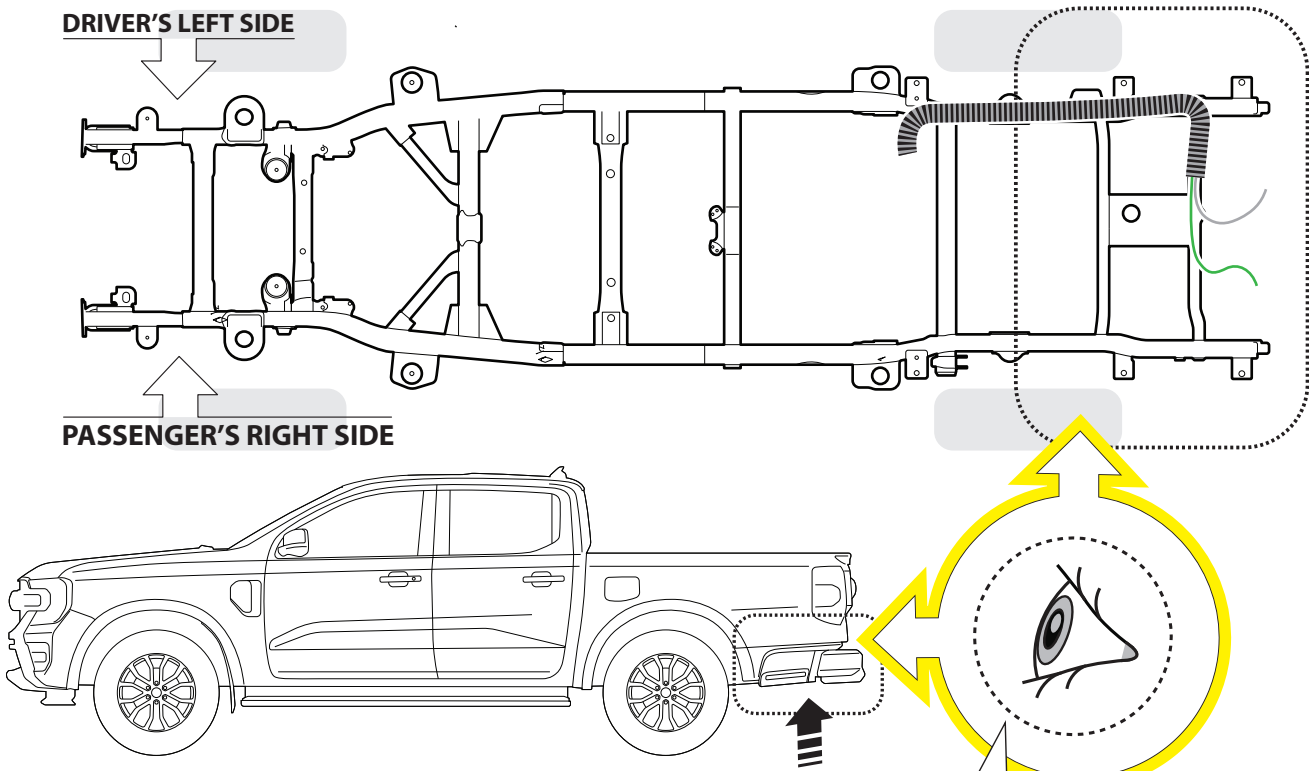
# 14.2

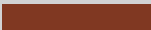
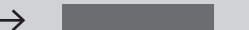


## BOTTOM VIEW



DRIVER'S LEFT SIDE

PASSENGER'S RIGHT SIDE

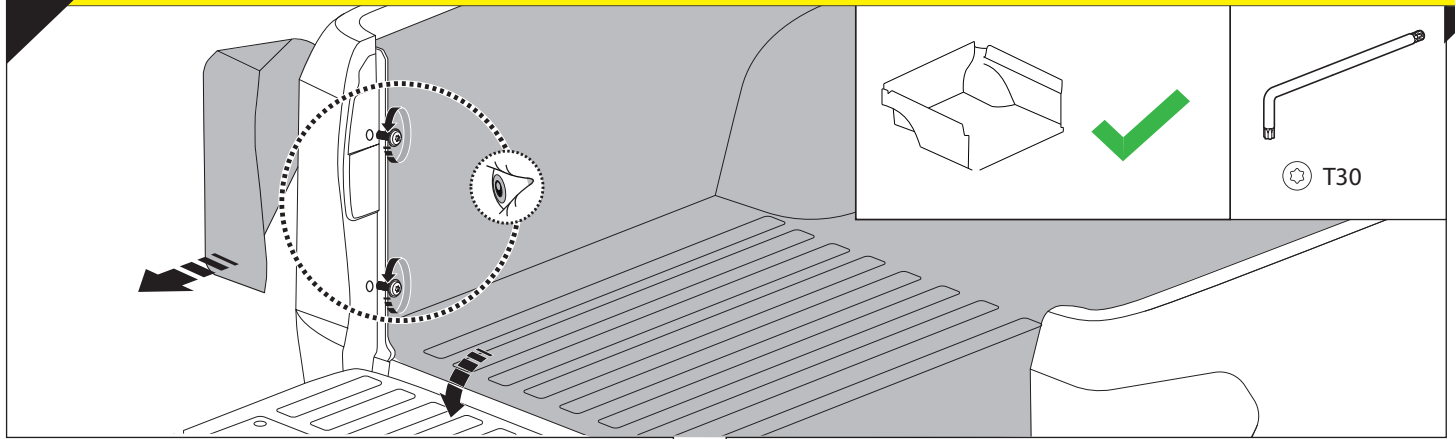


	CAR		TESSERA ROLL+
BEAM		↔	
LICENCE PLATE 2 PIN LIGHT CONNECTOR			
STOP		↔	
TAILGATE CONNECTOR			

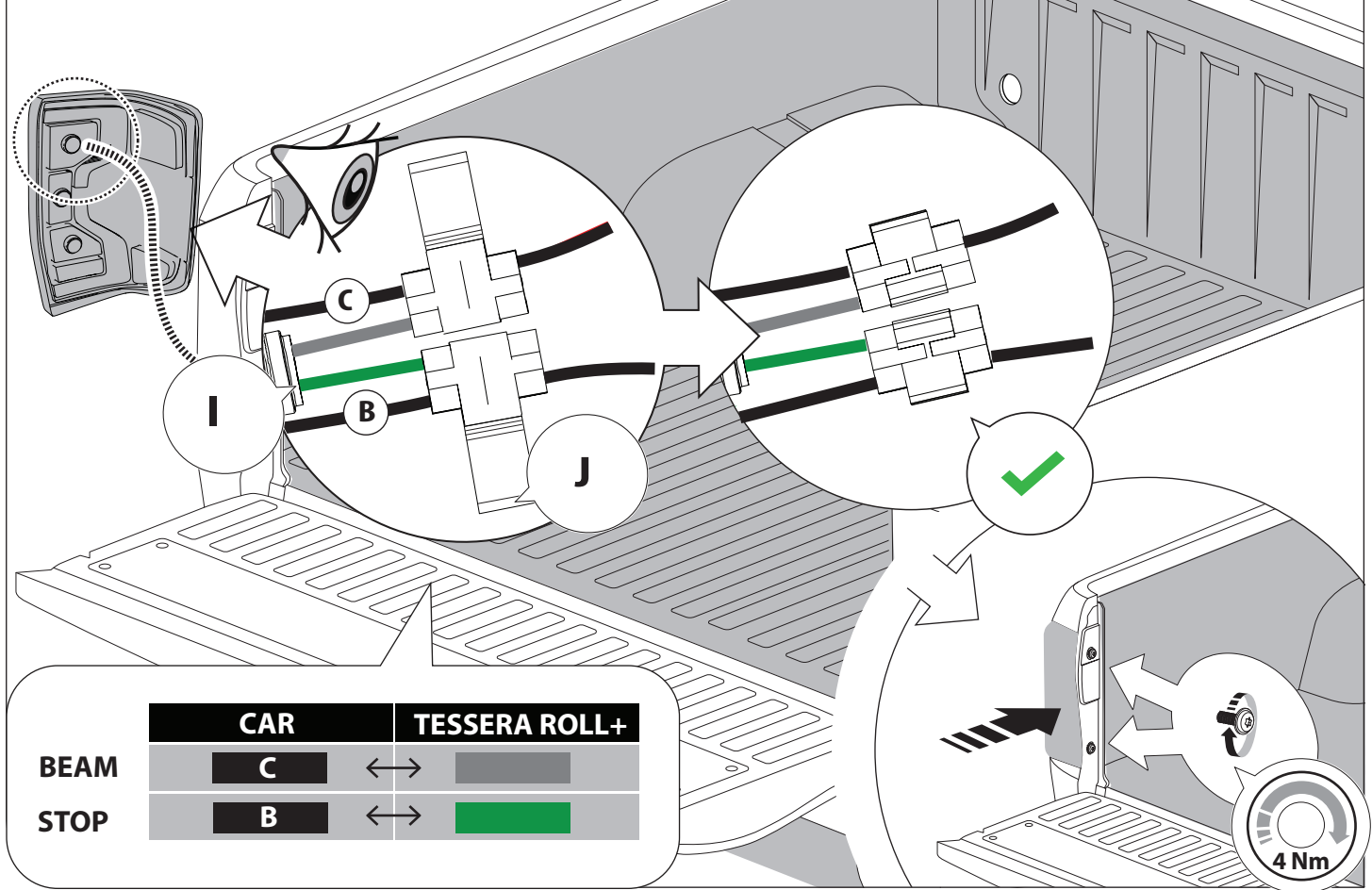
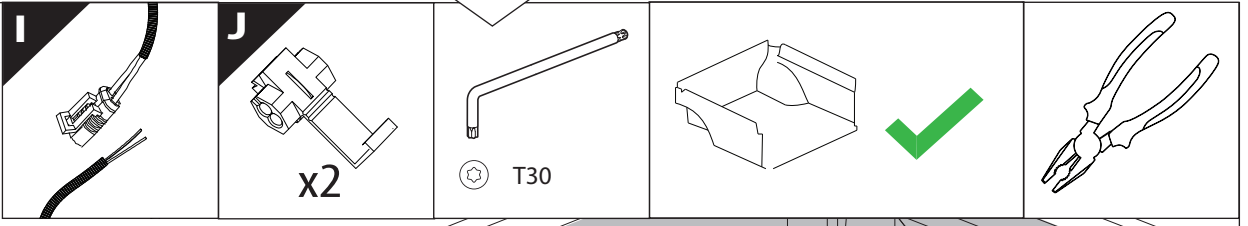
15



CAUTION: XL, XLT, TREMOR

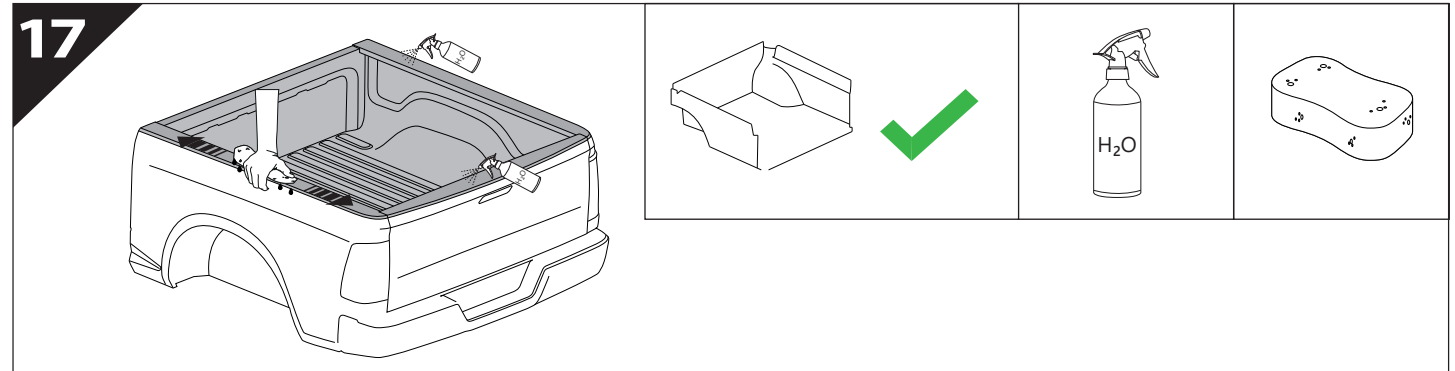


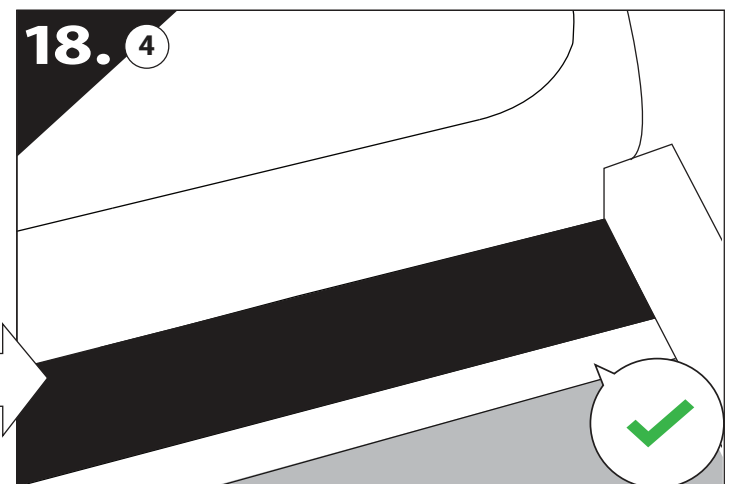
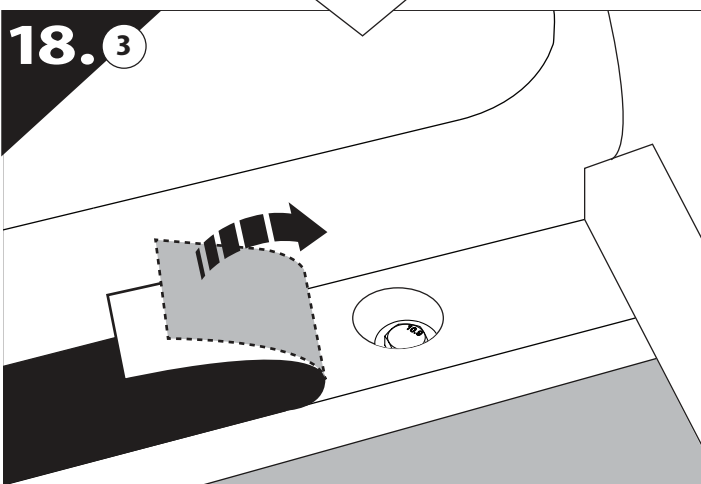
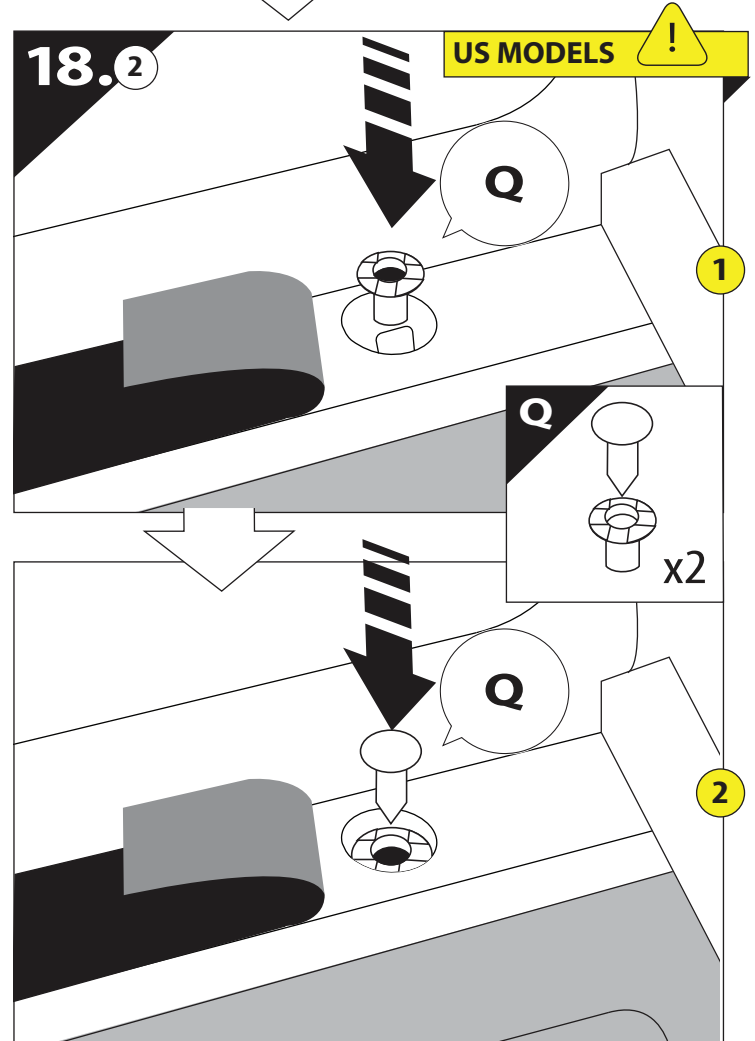
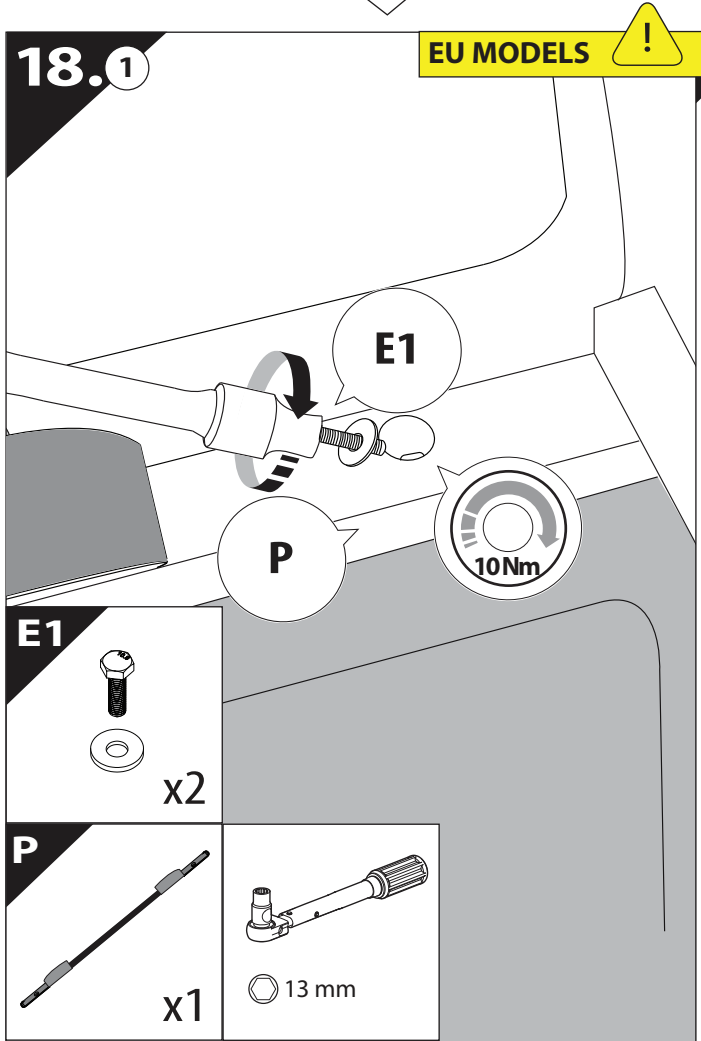
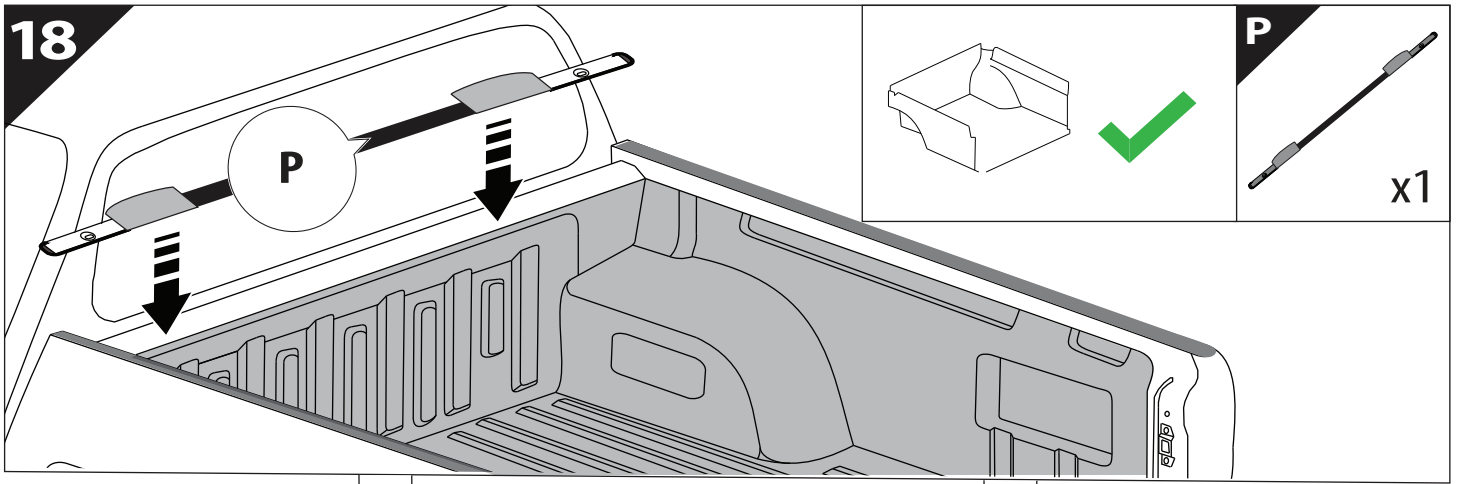
16



	CAR		TESSERA ROLL+
BEAM	C	↔	■
STOP	B	↔	■

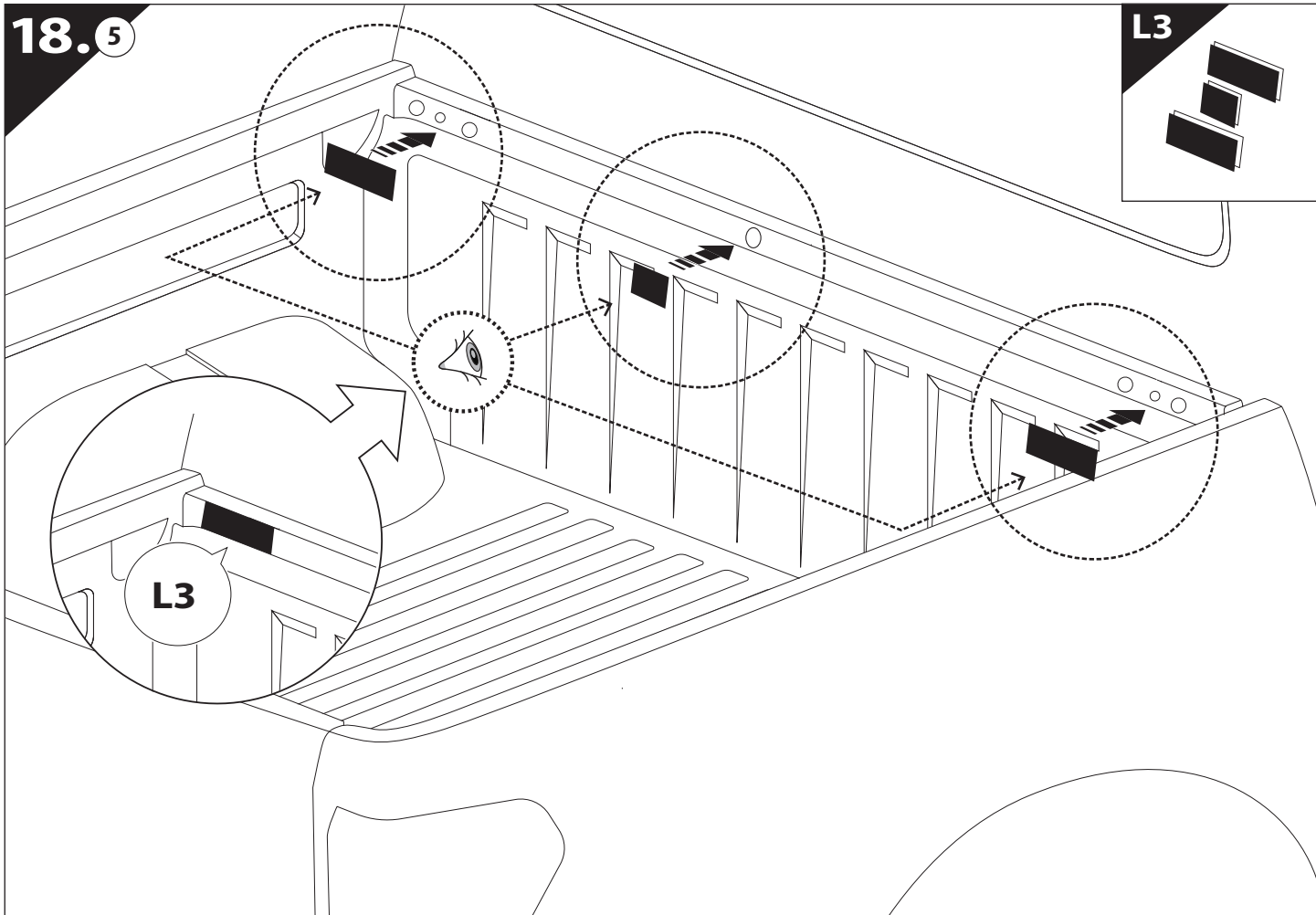
17

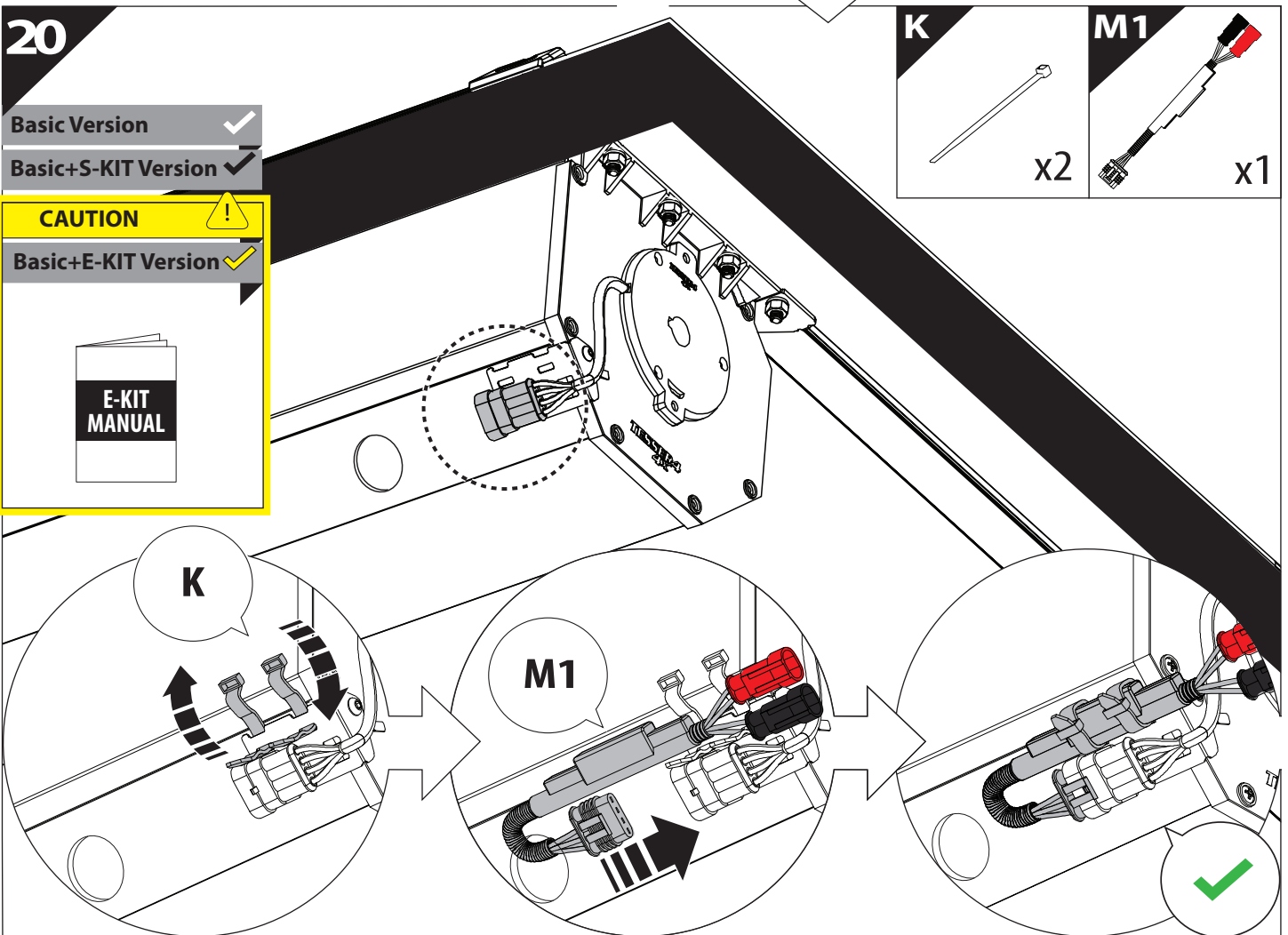
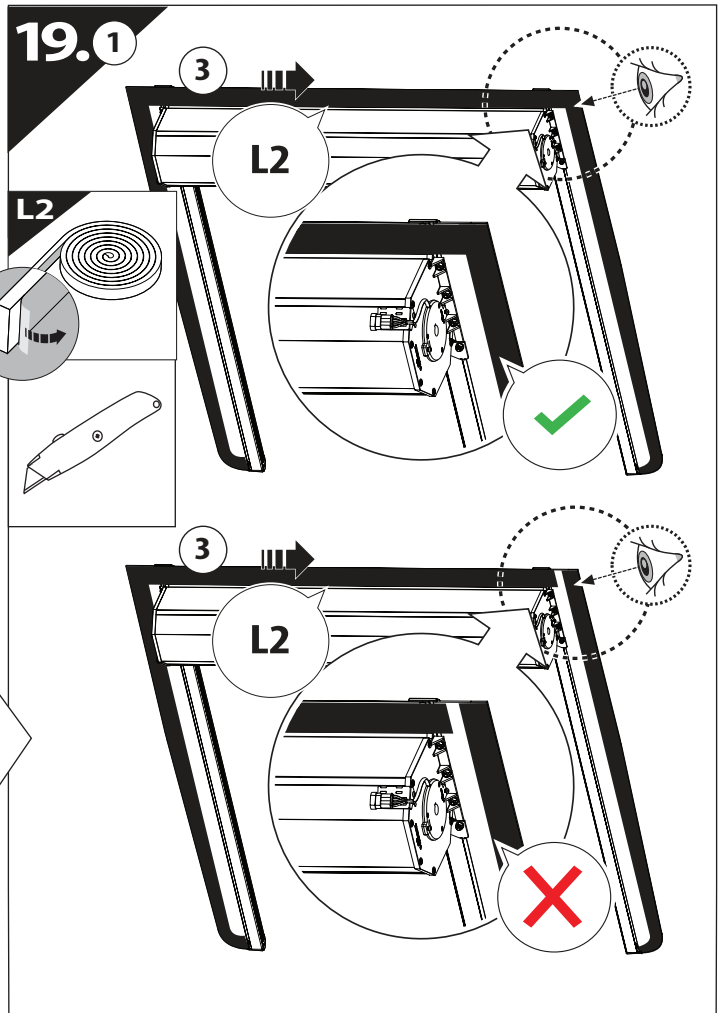
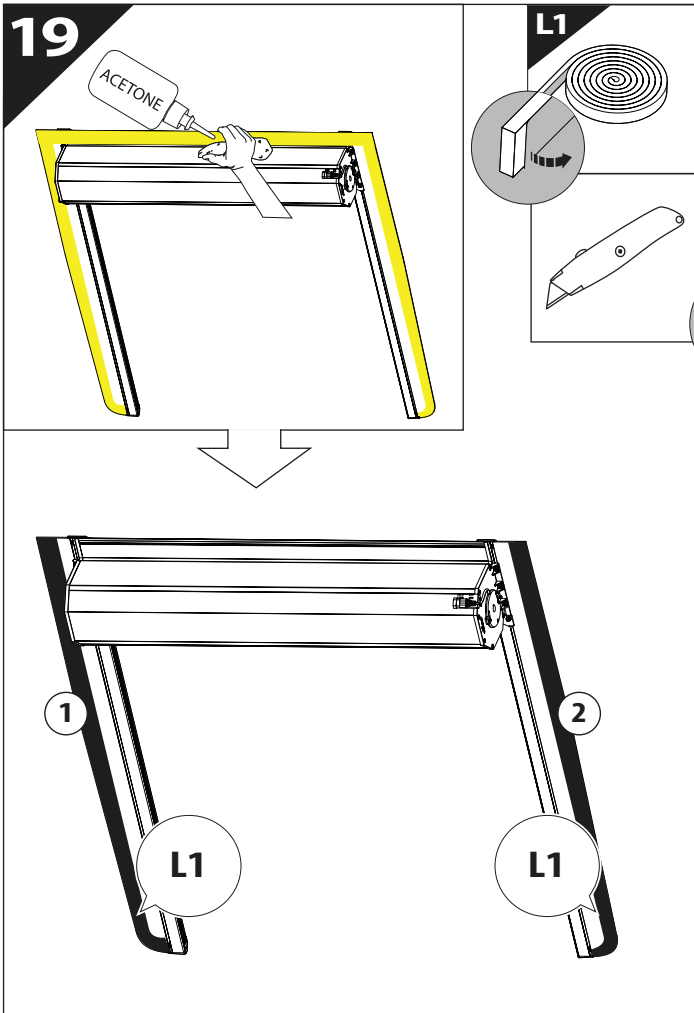


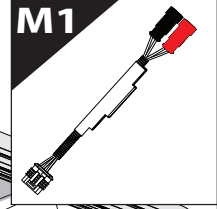
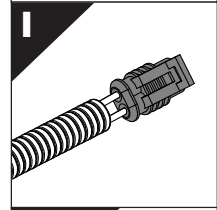
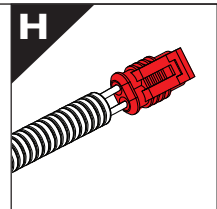
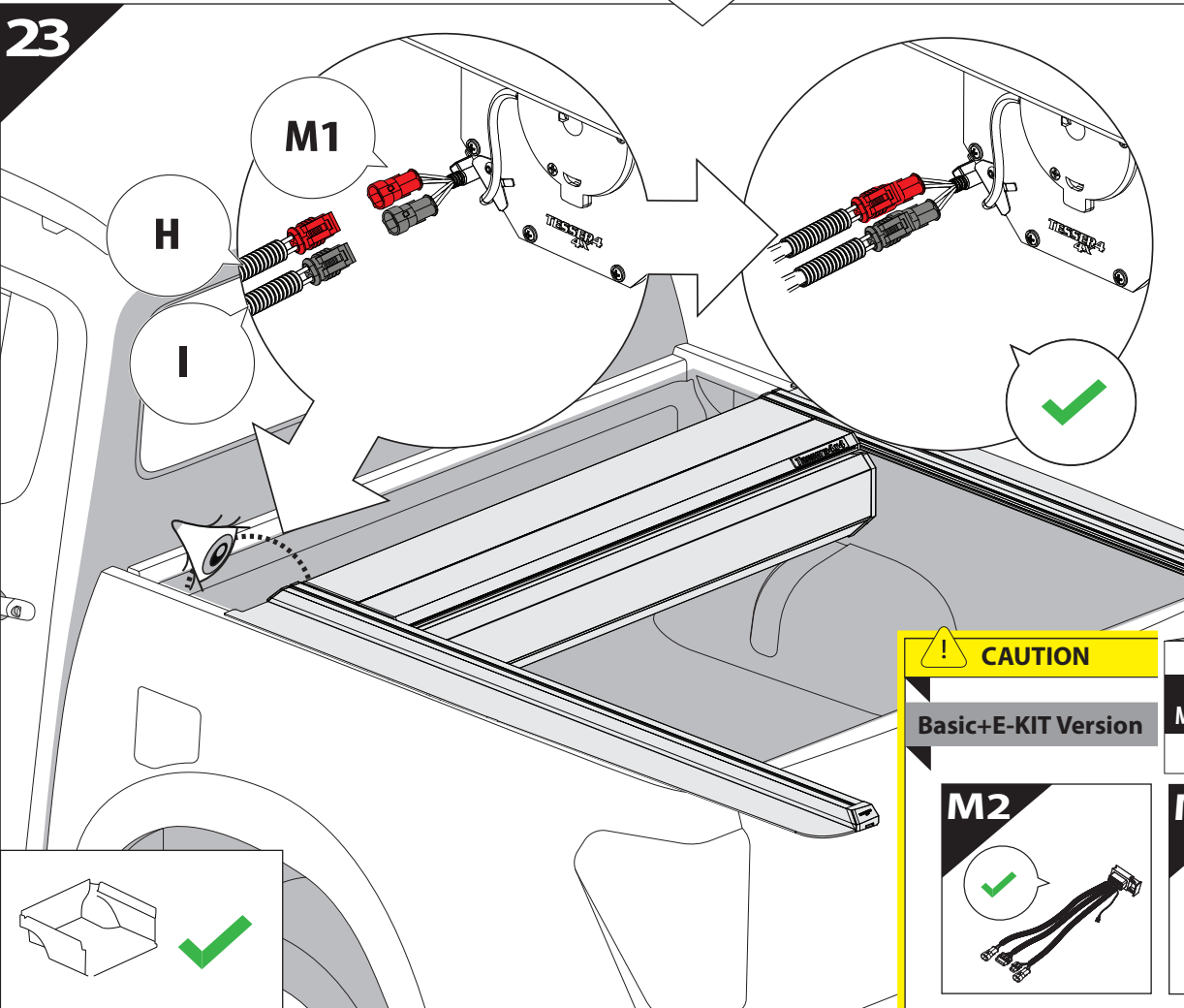
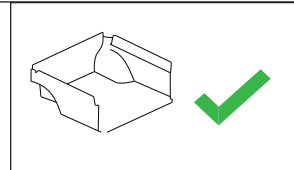
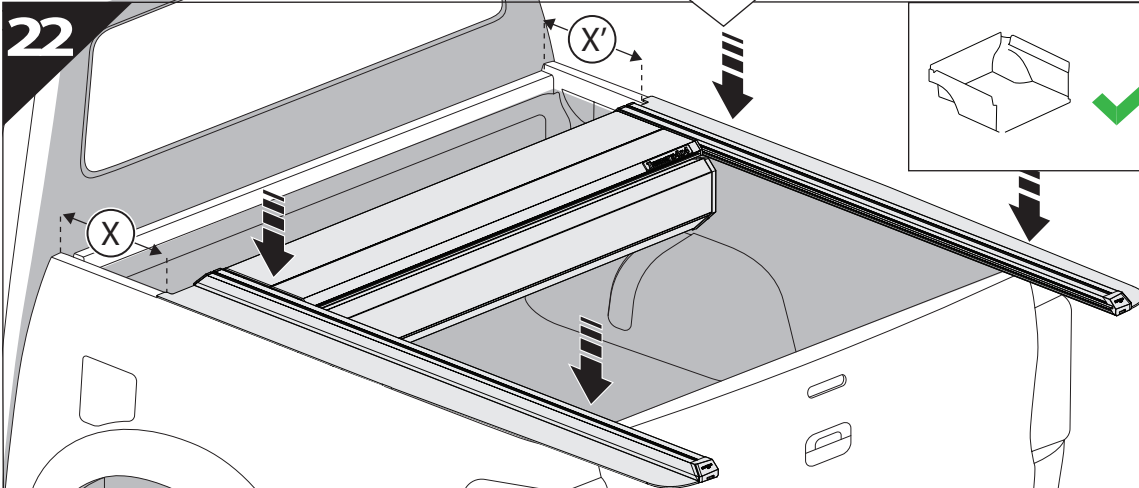
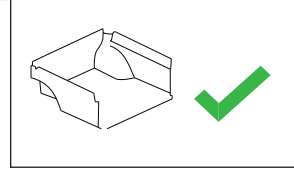
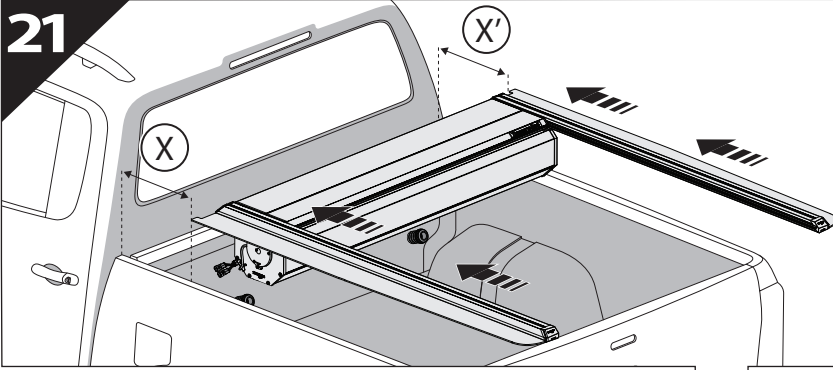


18.5

L3

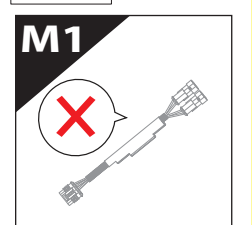
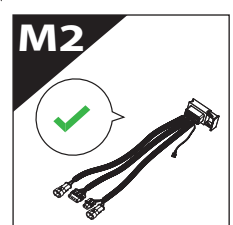




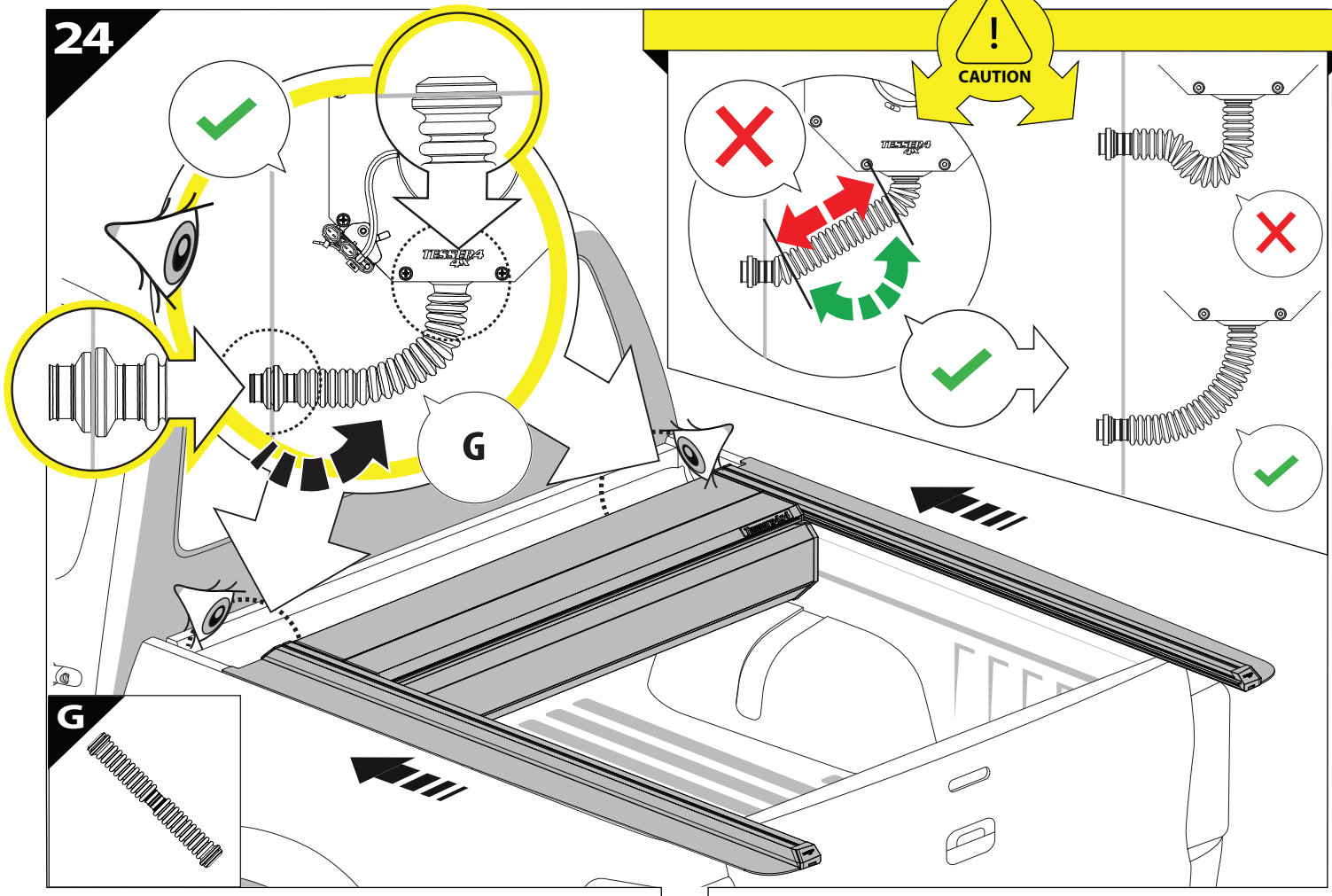


**CAUTION**  
Basic+E-KIT Version

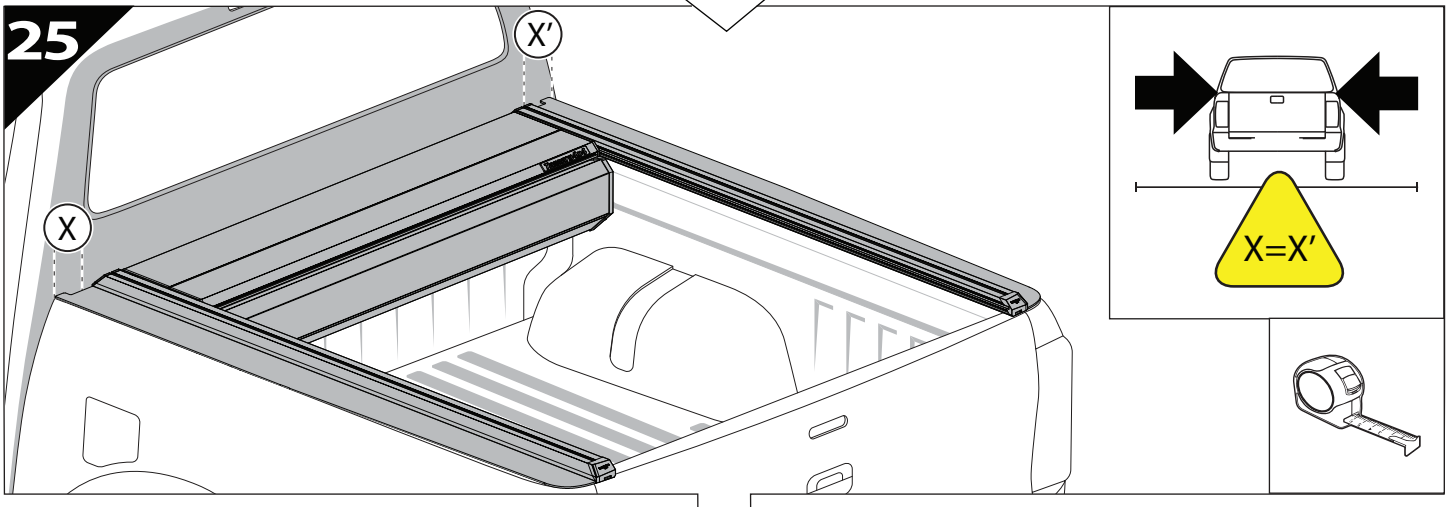
E-KIT  
MANUAL



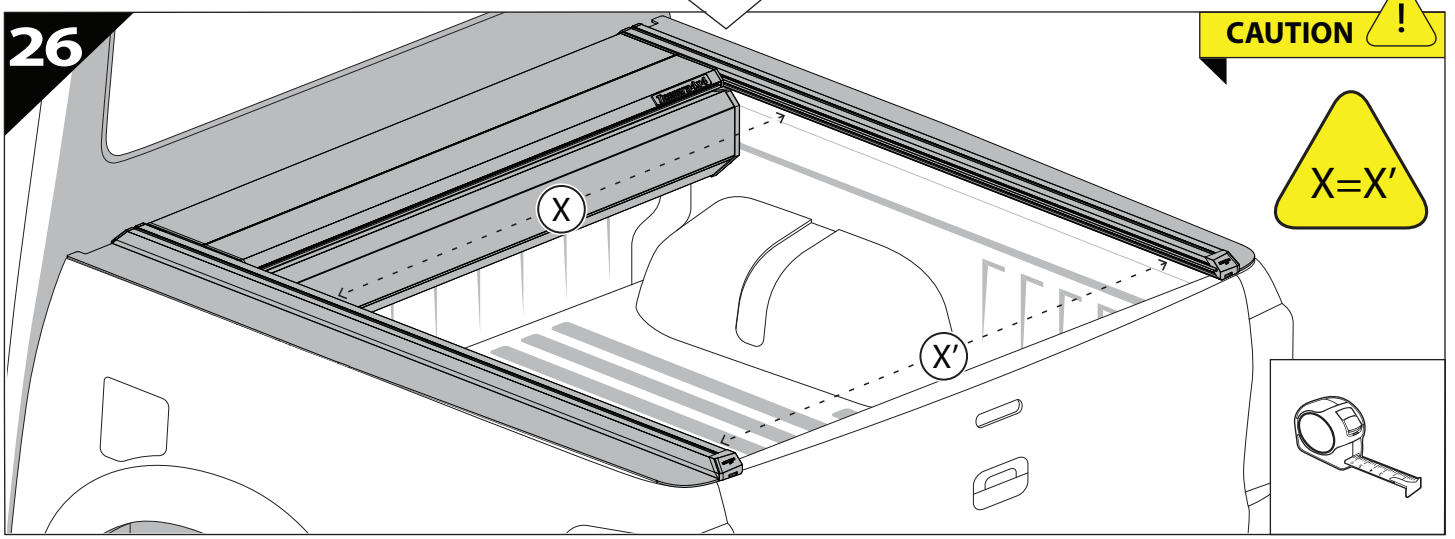
24

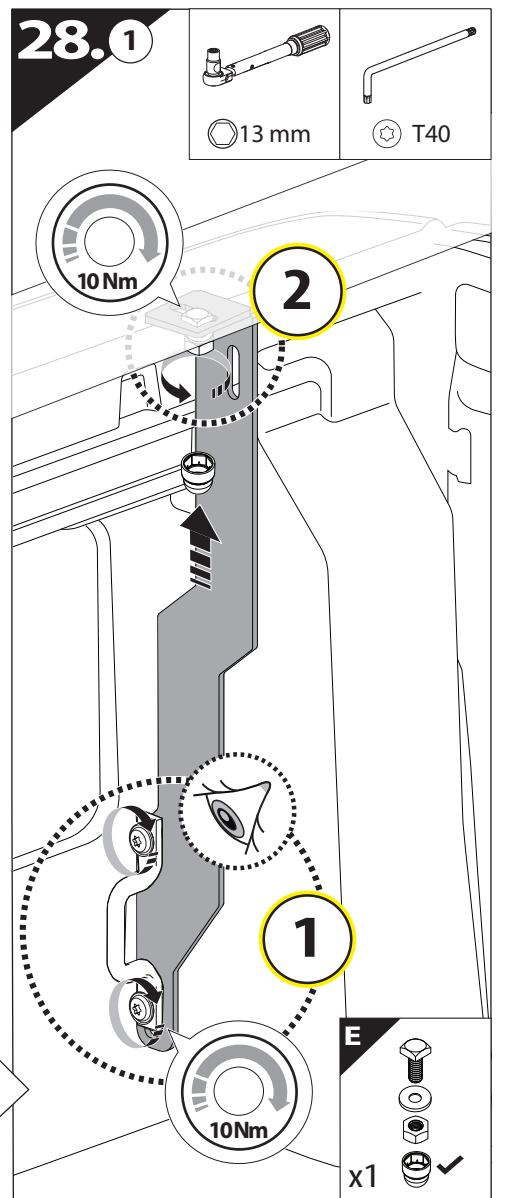
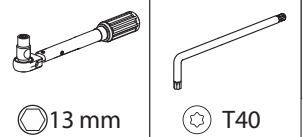
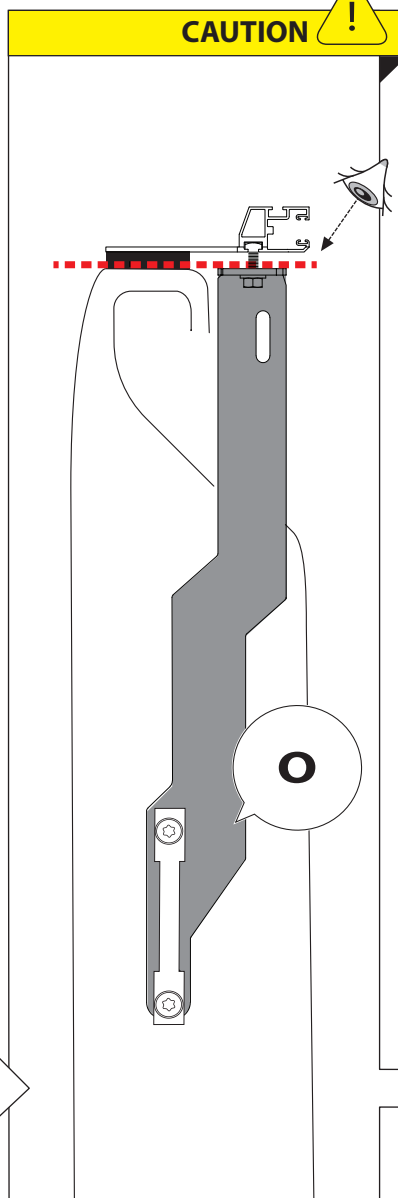
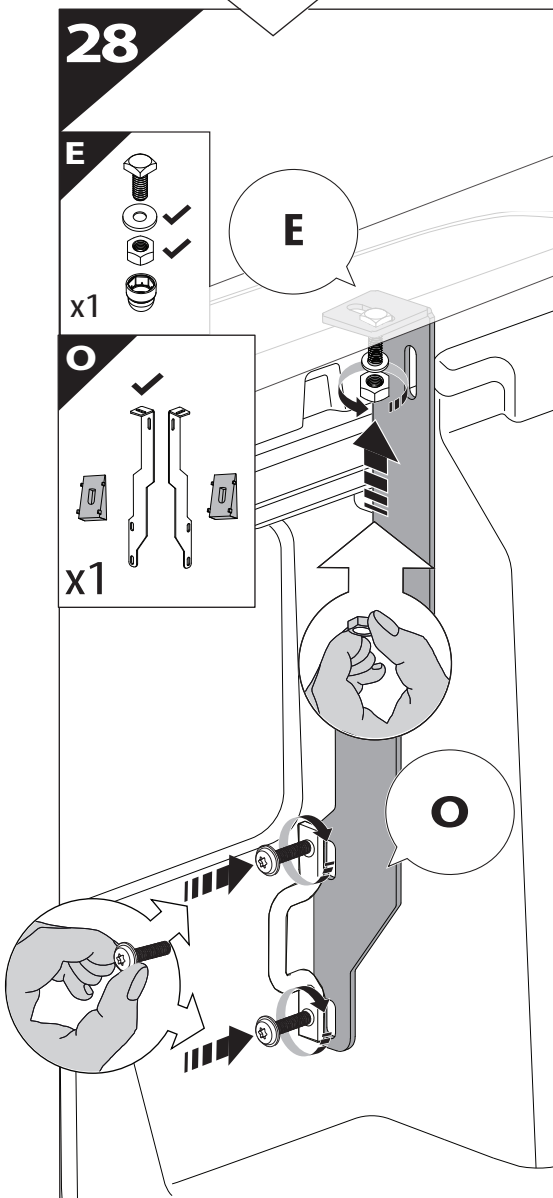
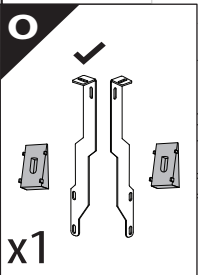
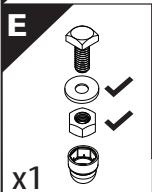
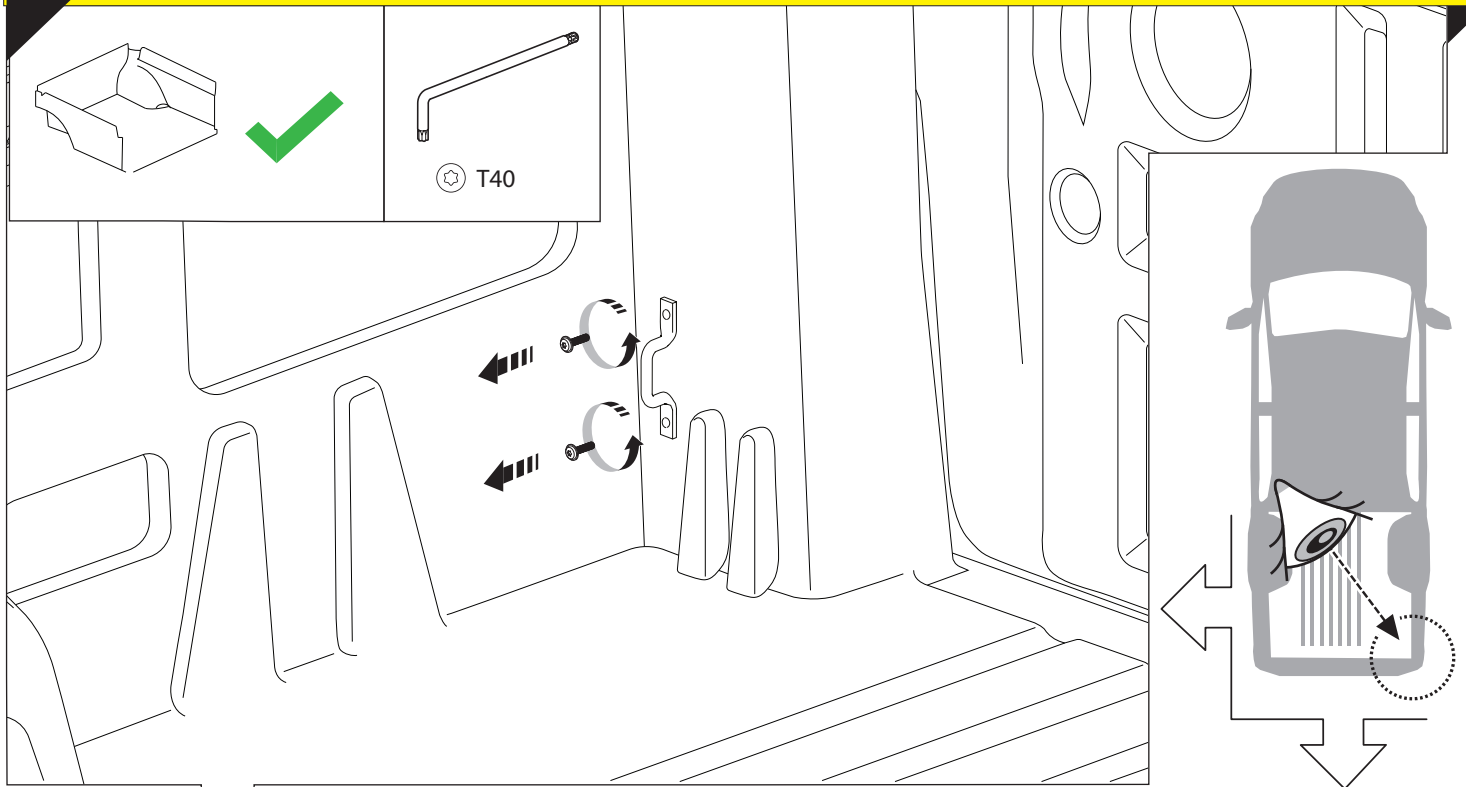


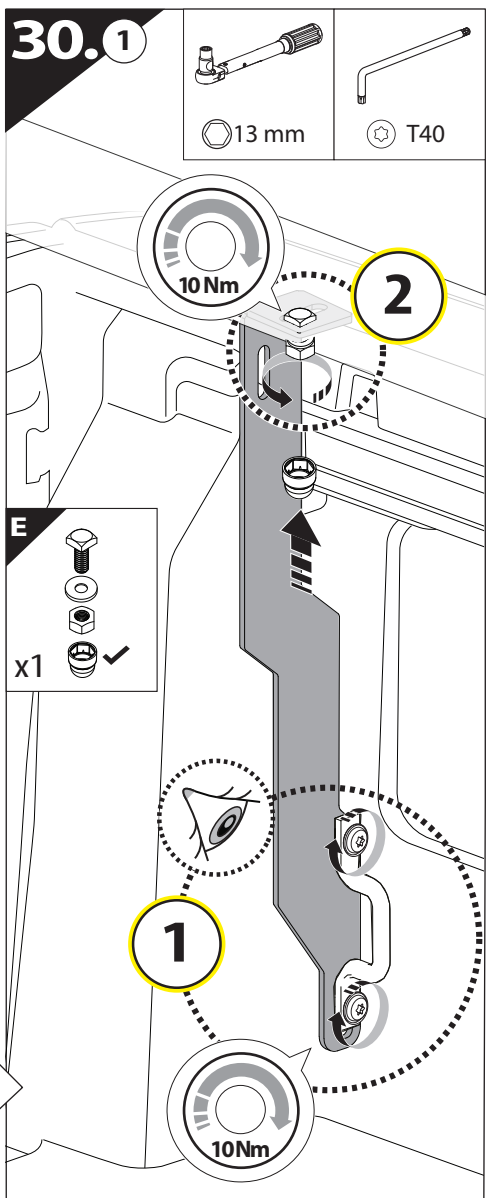
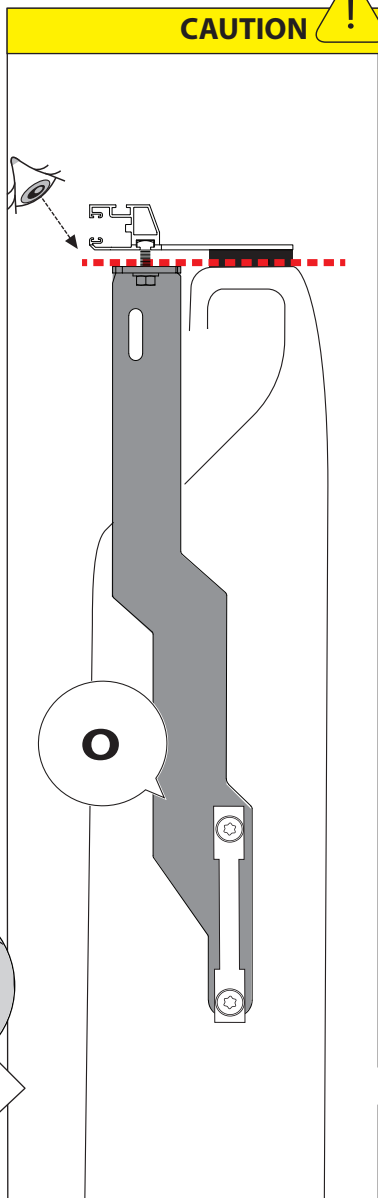
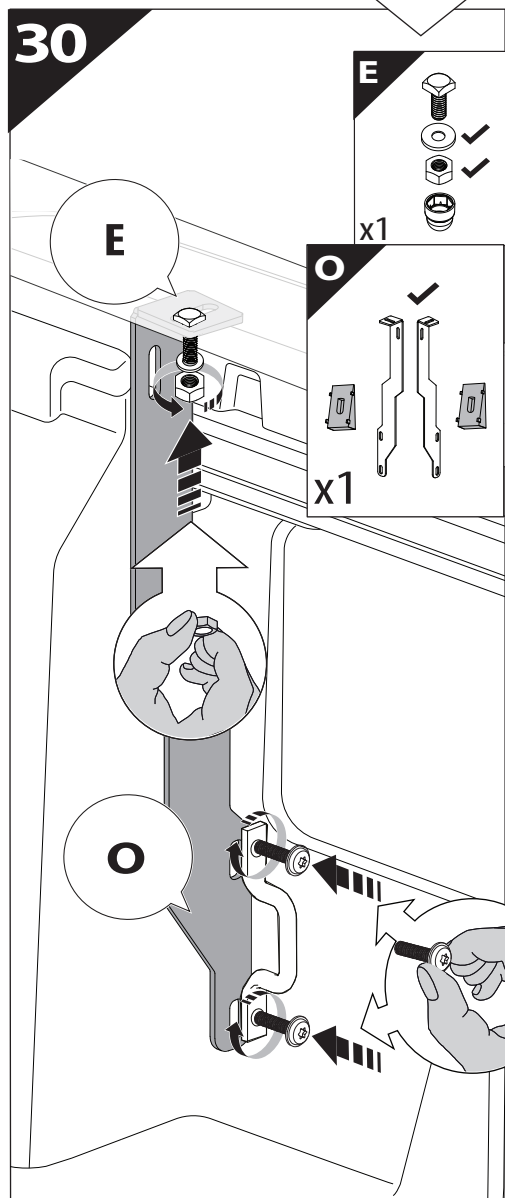
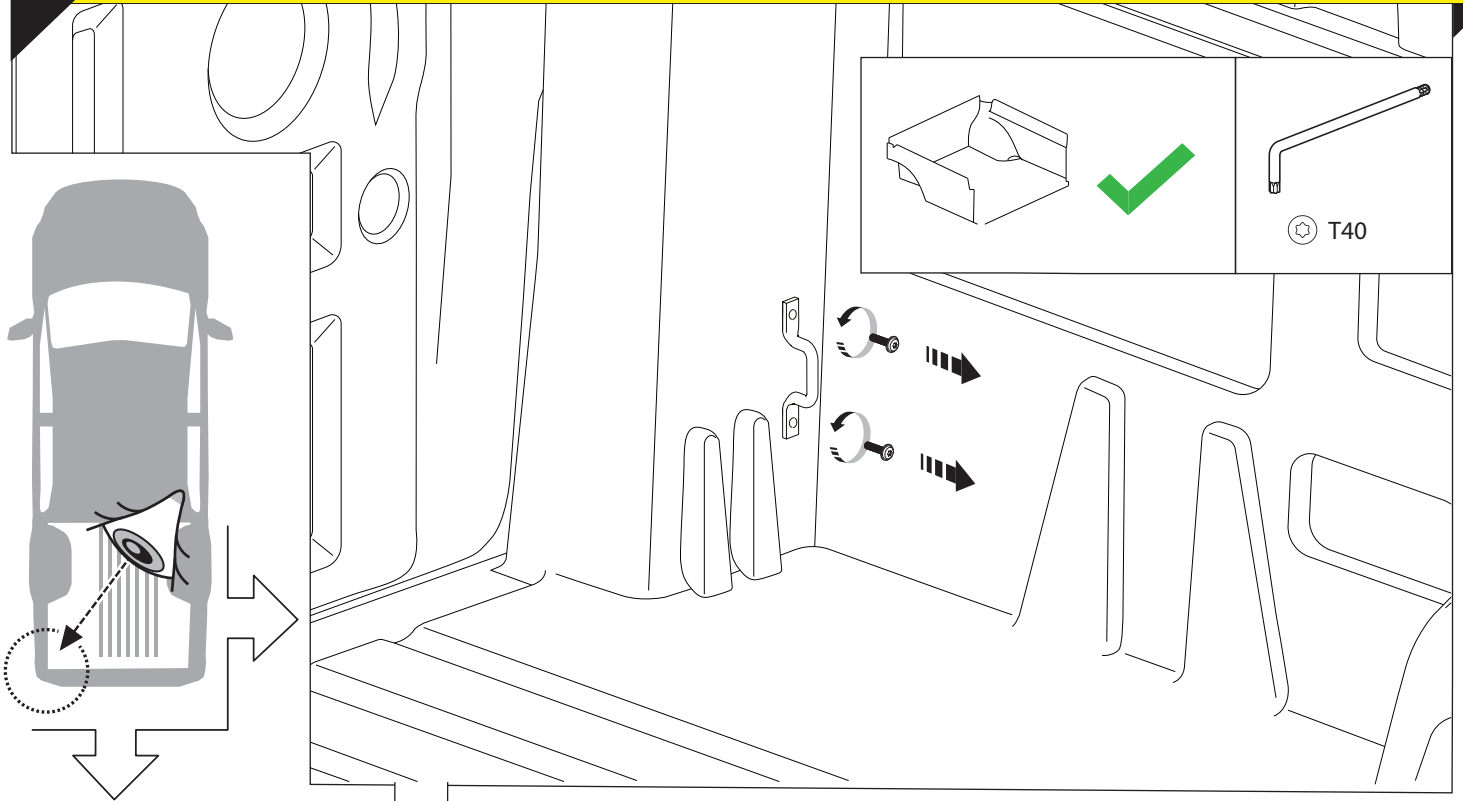
25

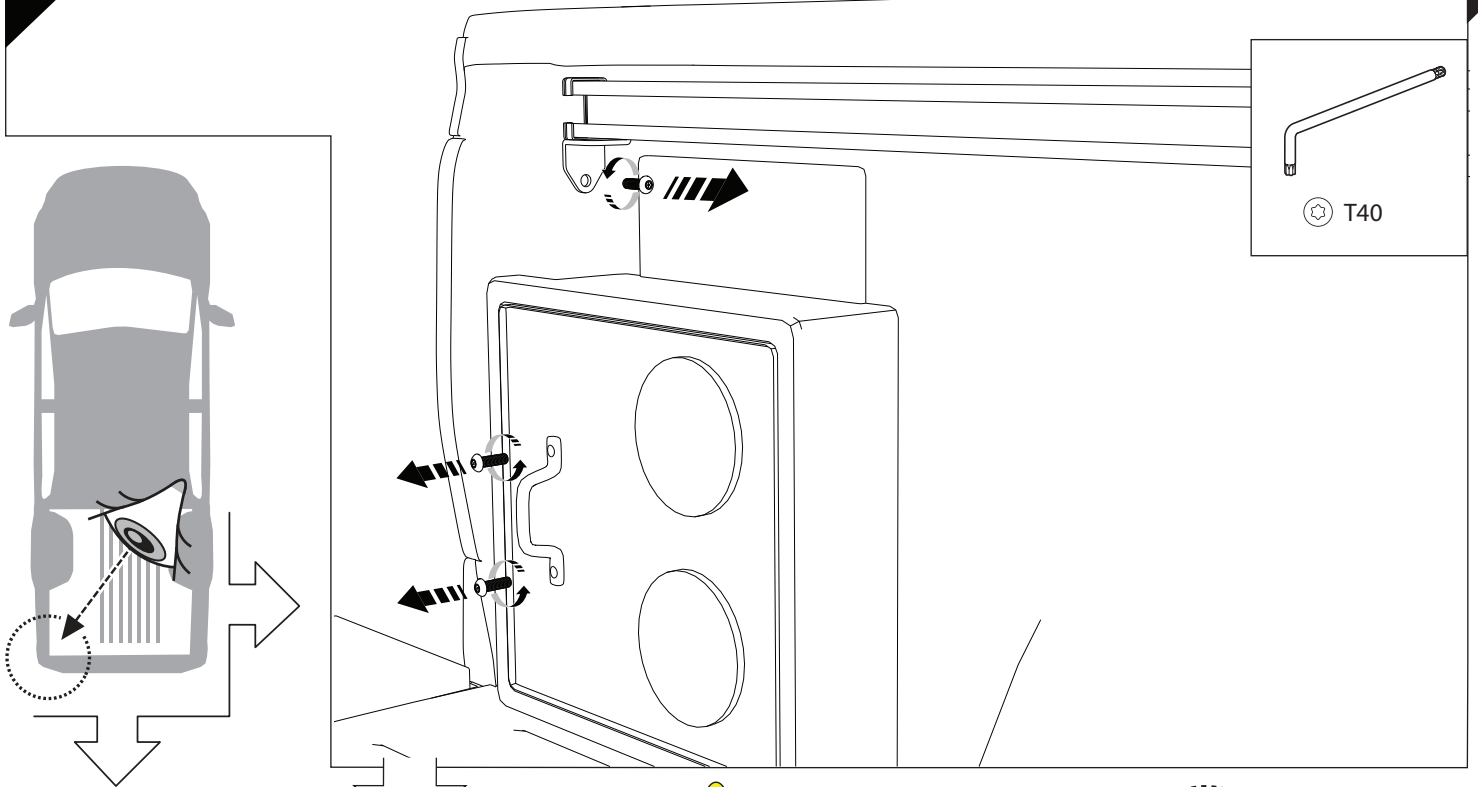


26









30

O1

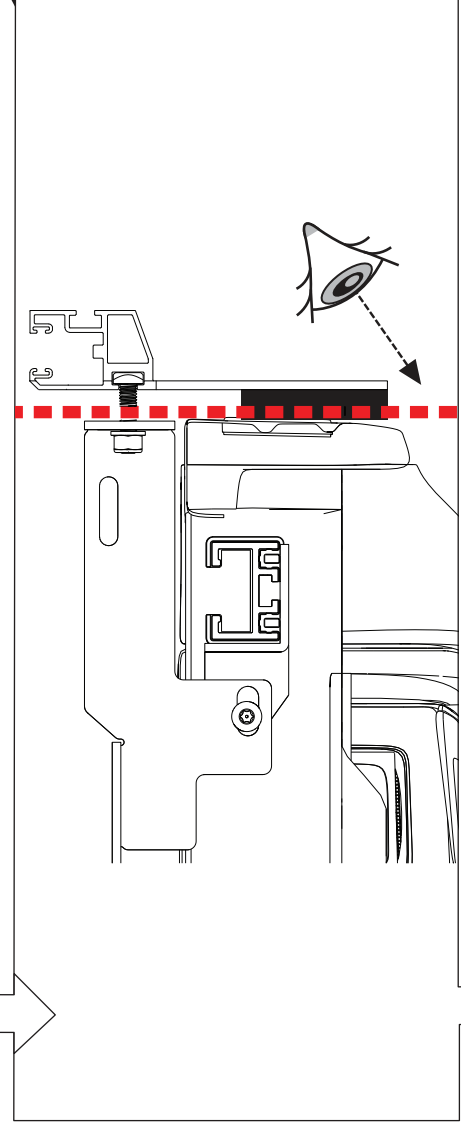
x1

E

x1

O1

CAUTION



30.1

3

2

O1

1

10 Nm

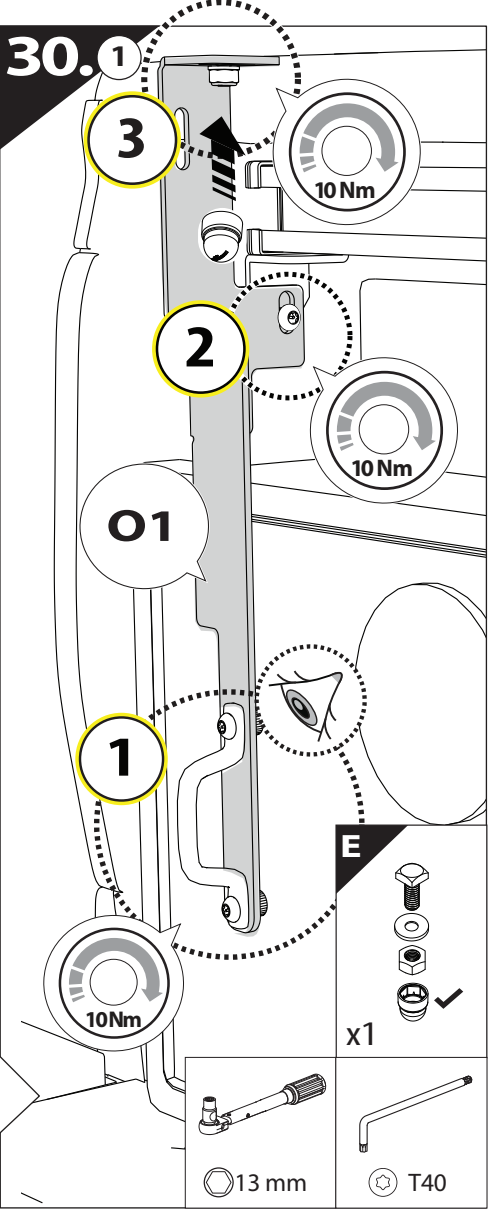
10 Nm

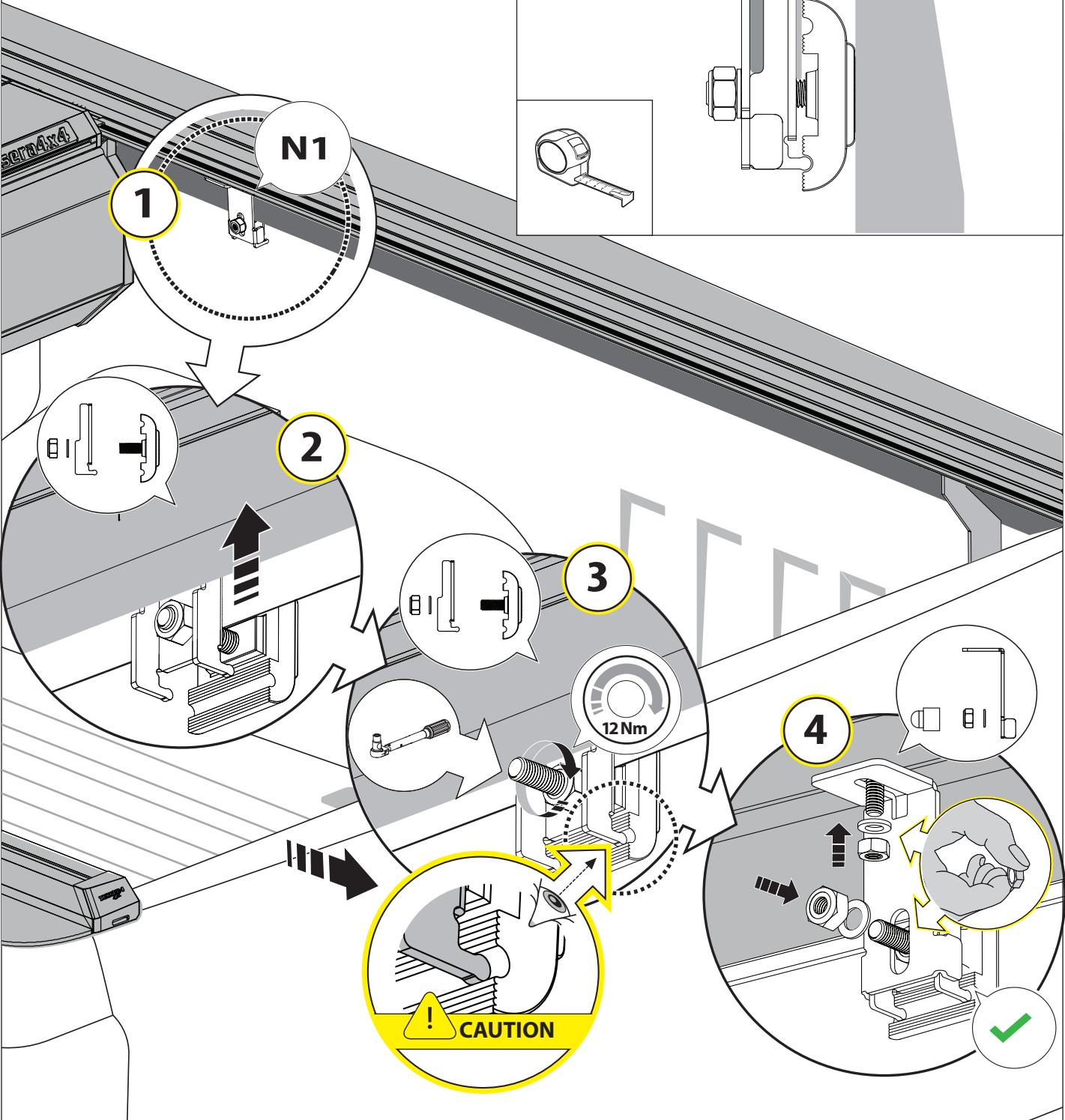
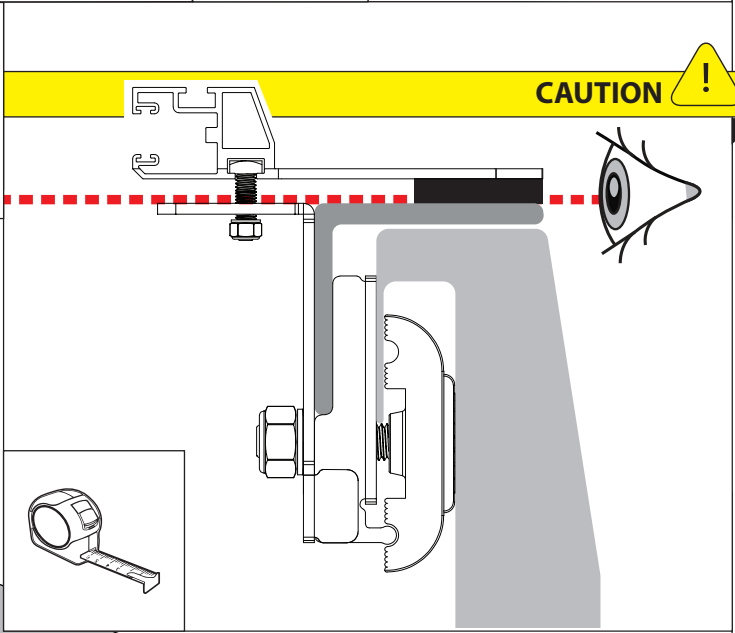
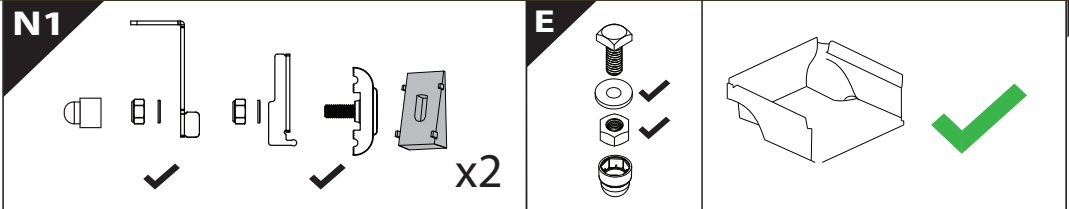
10 Nm

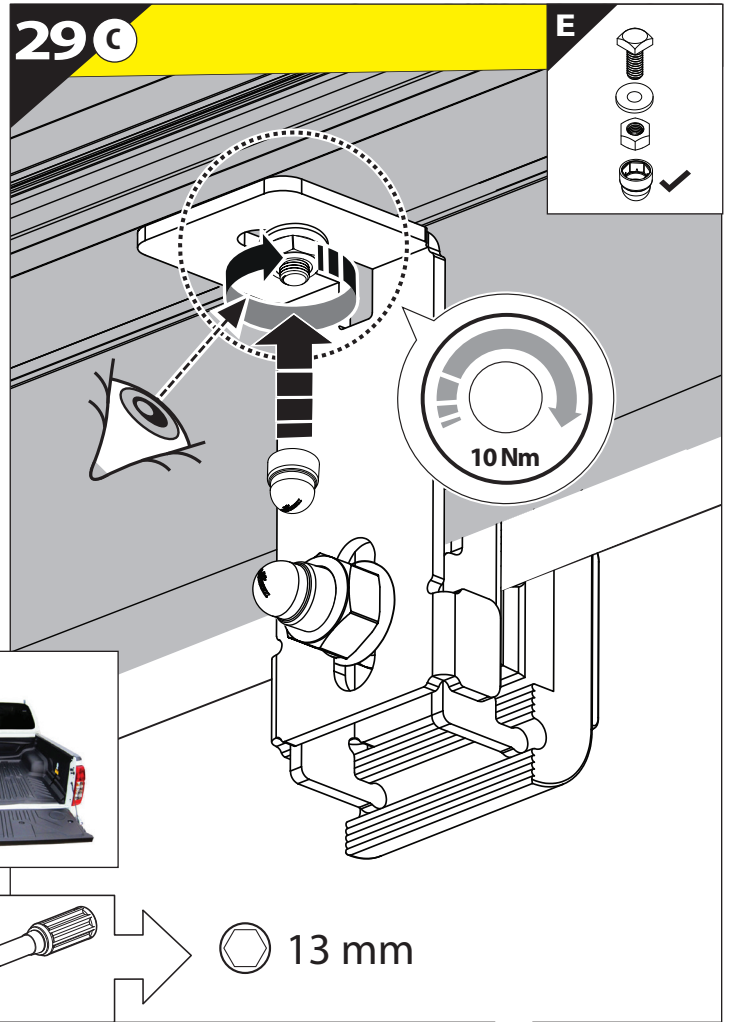
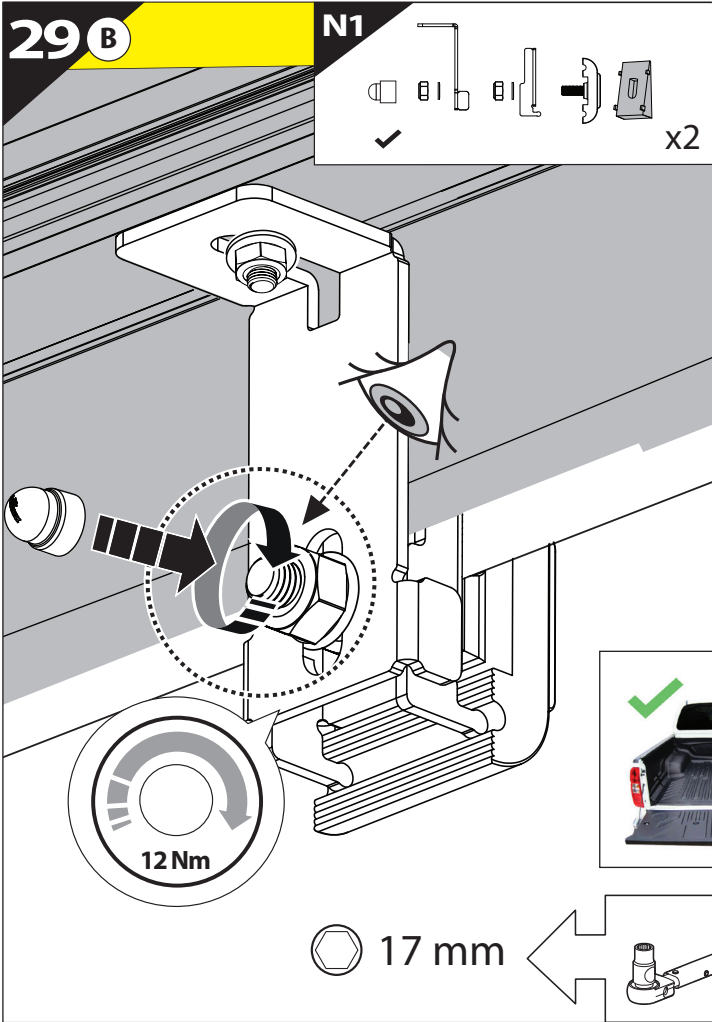
E x1

13 mm

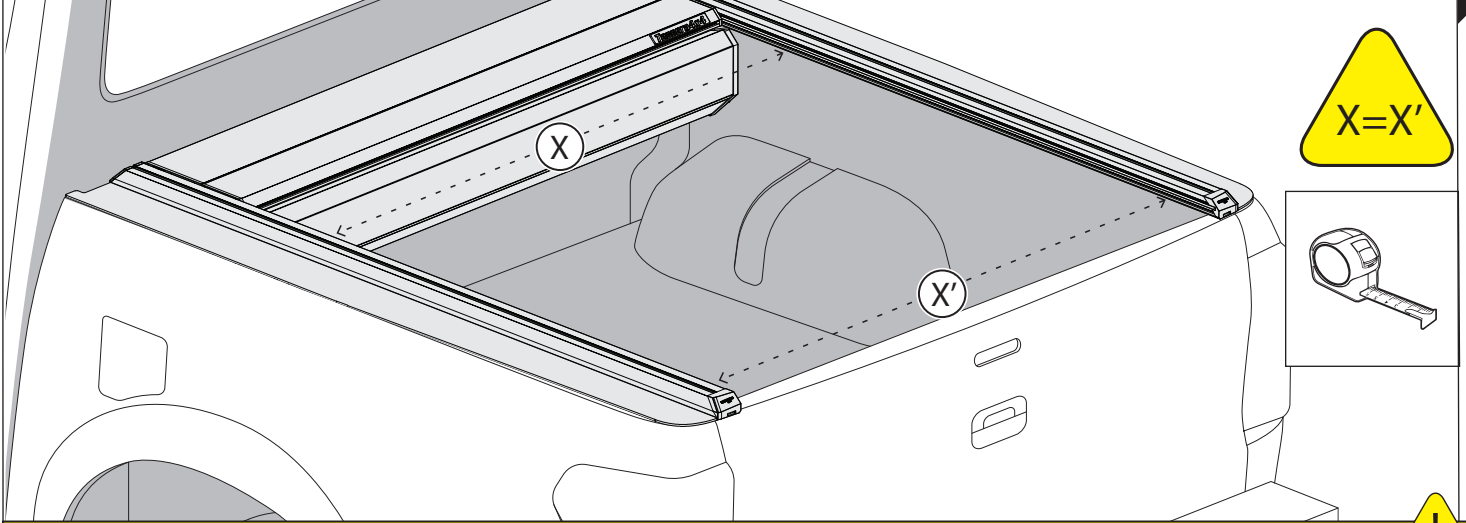
T40



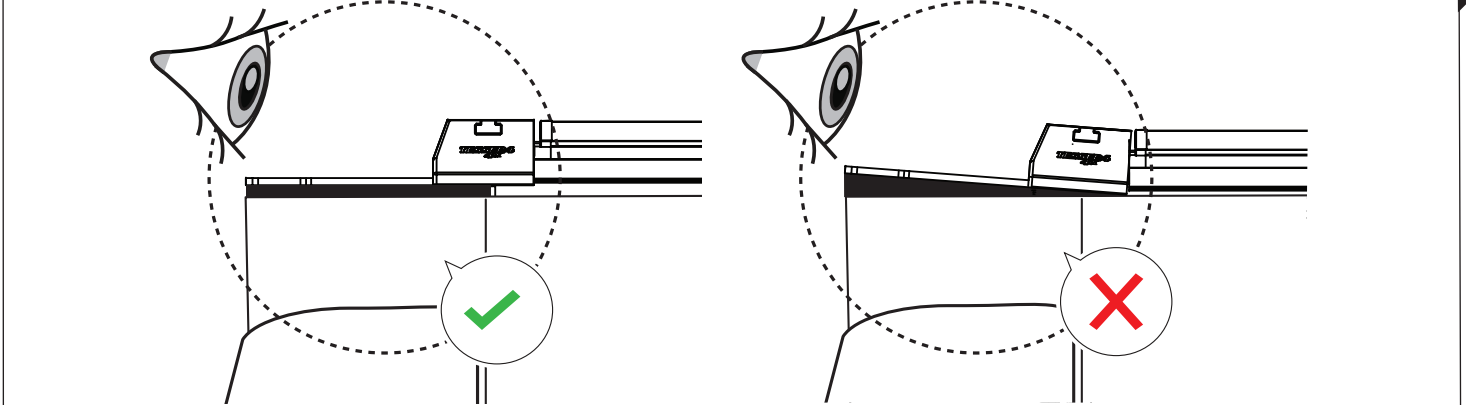




**CAUTION** !



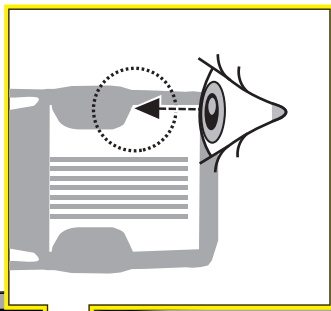
**CAUTION** !



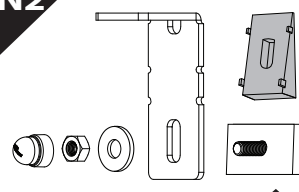
29 A



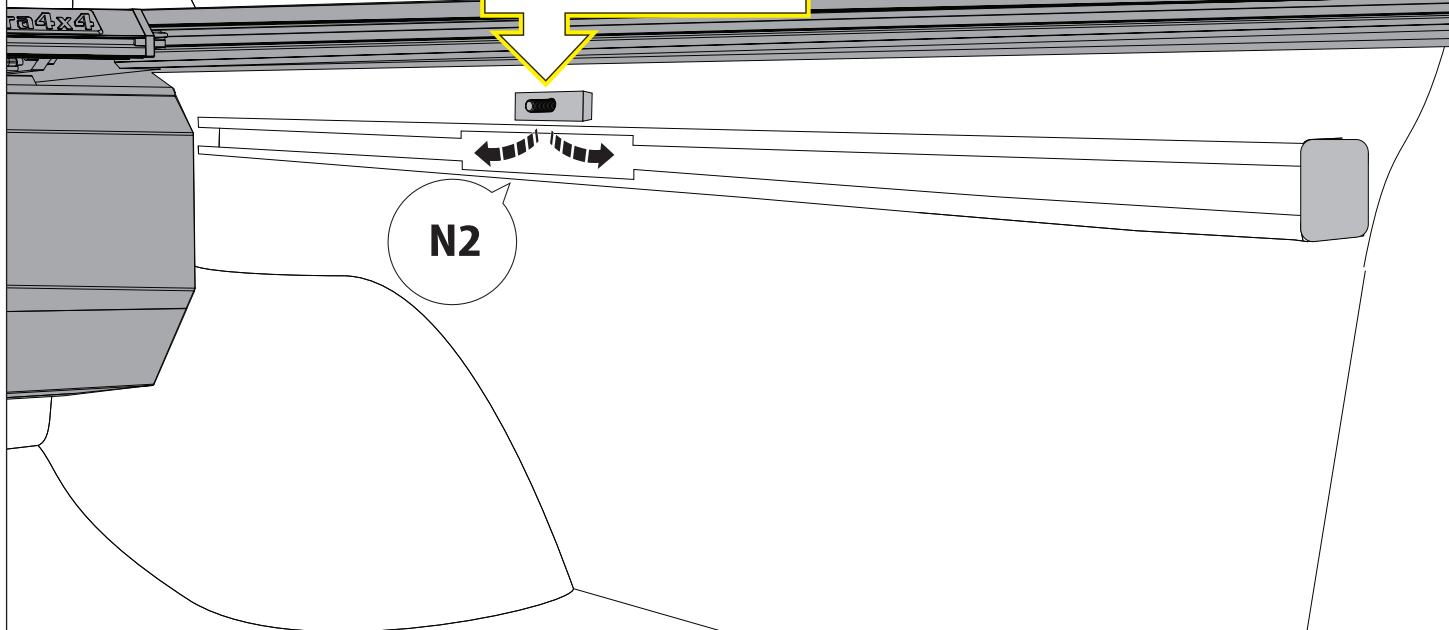
WITH C - CHANNELS



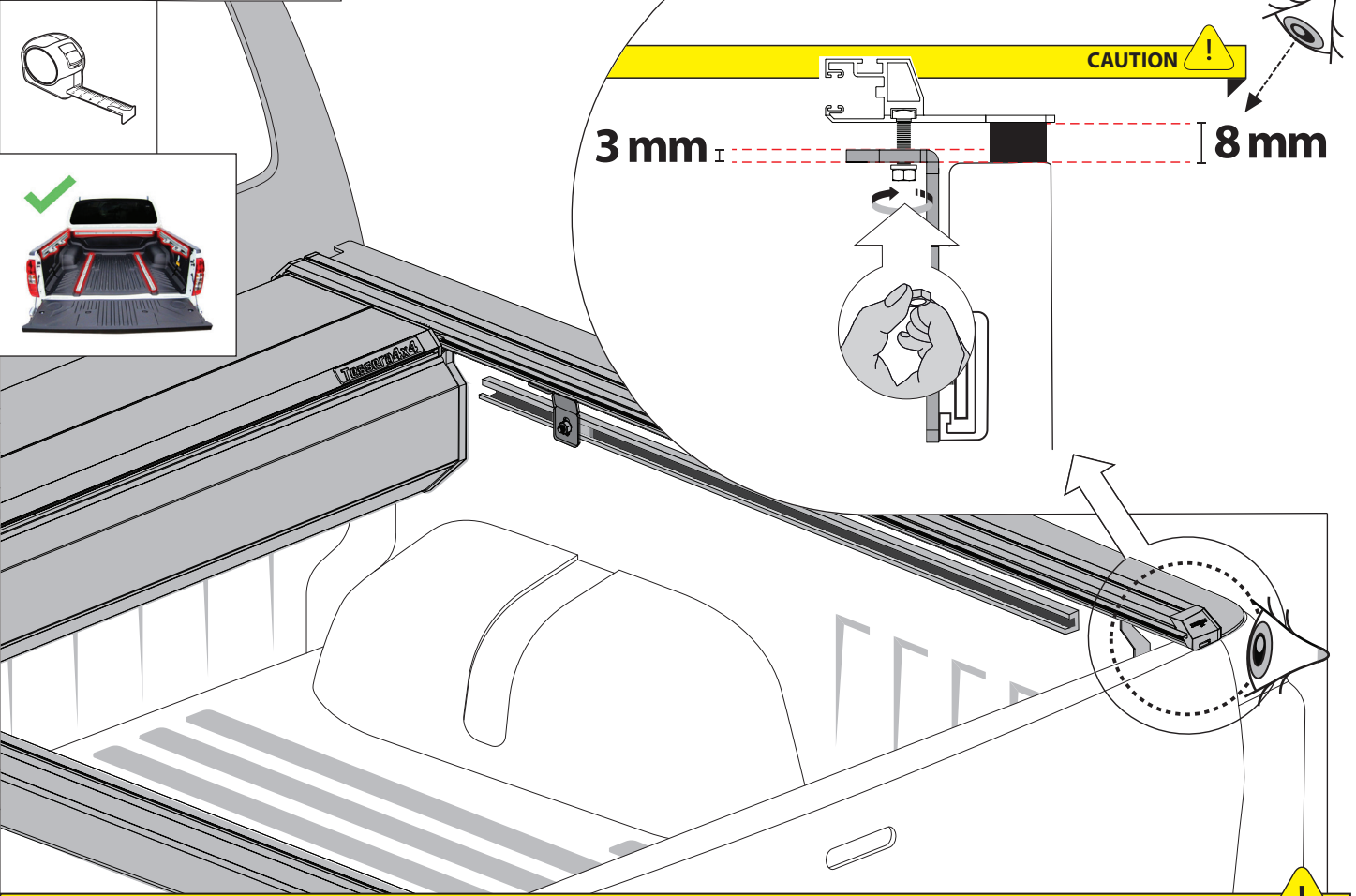
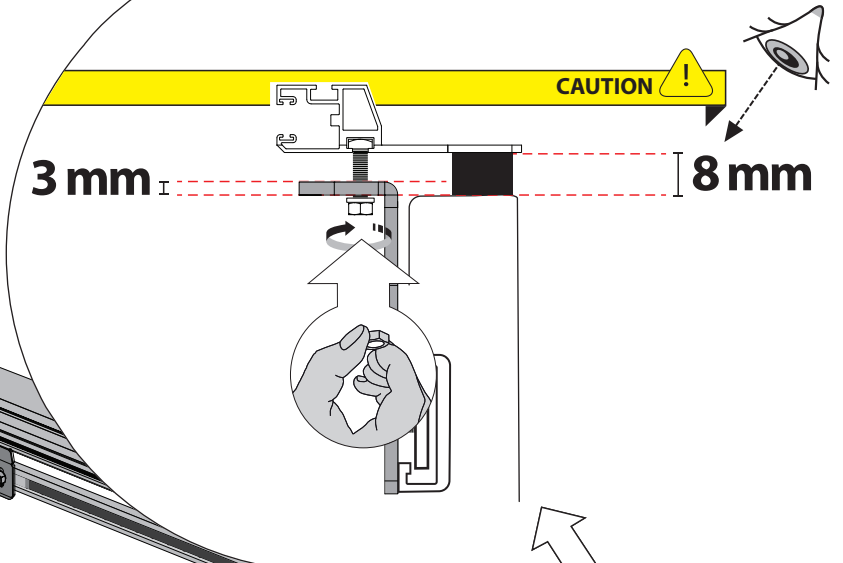
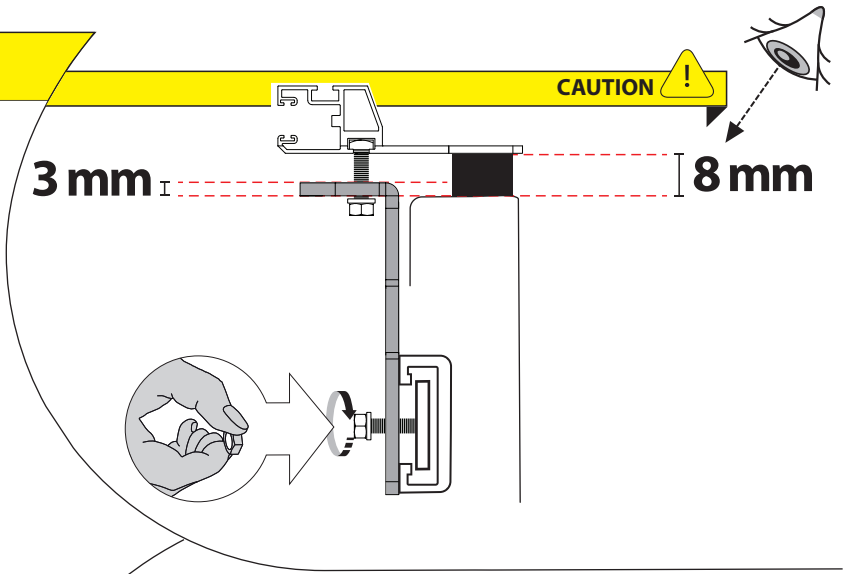
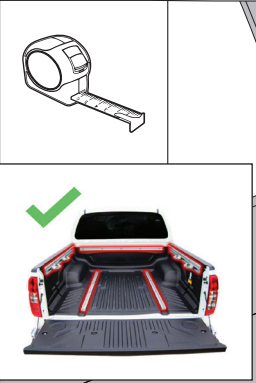
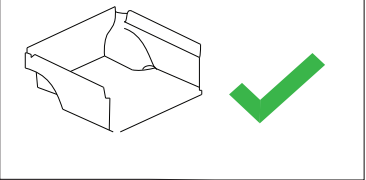
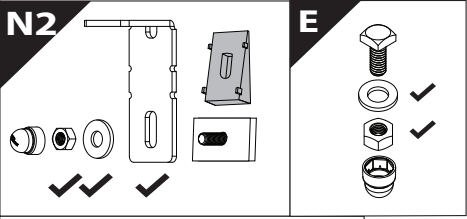
N2



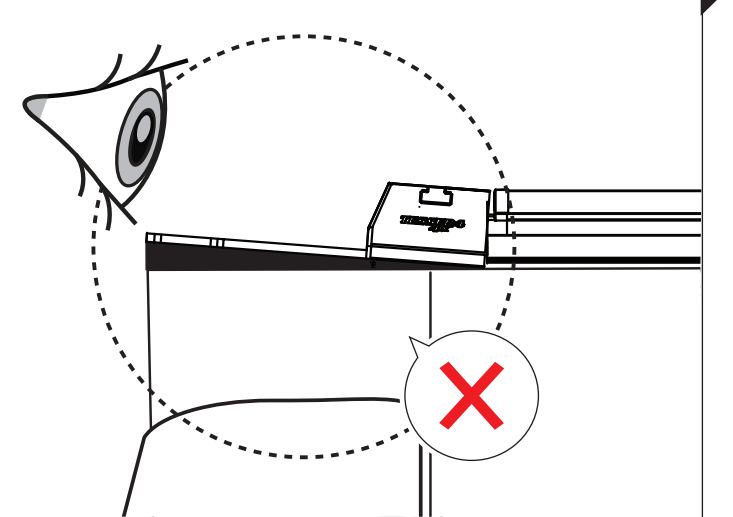
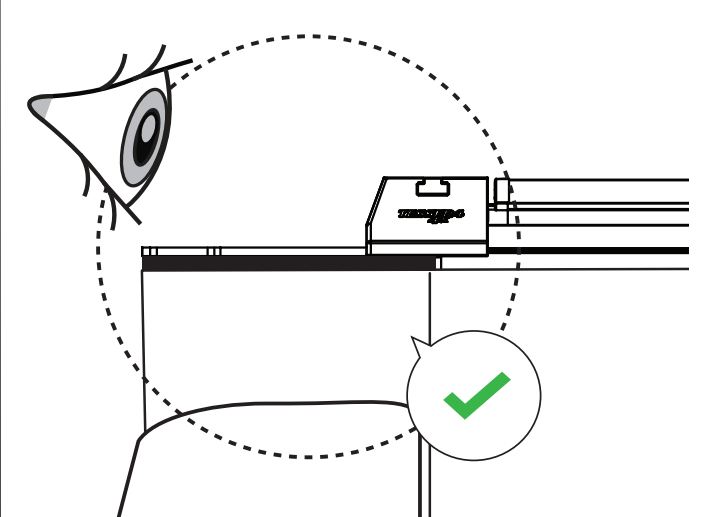
x2

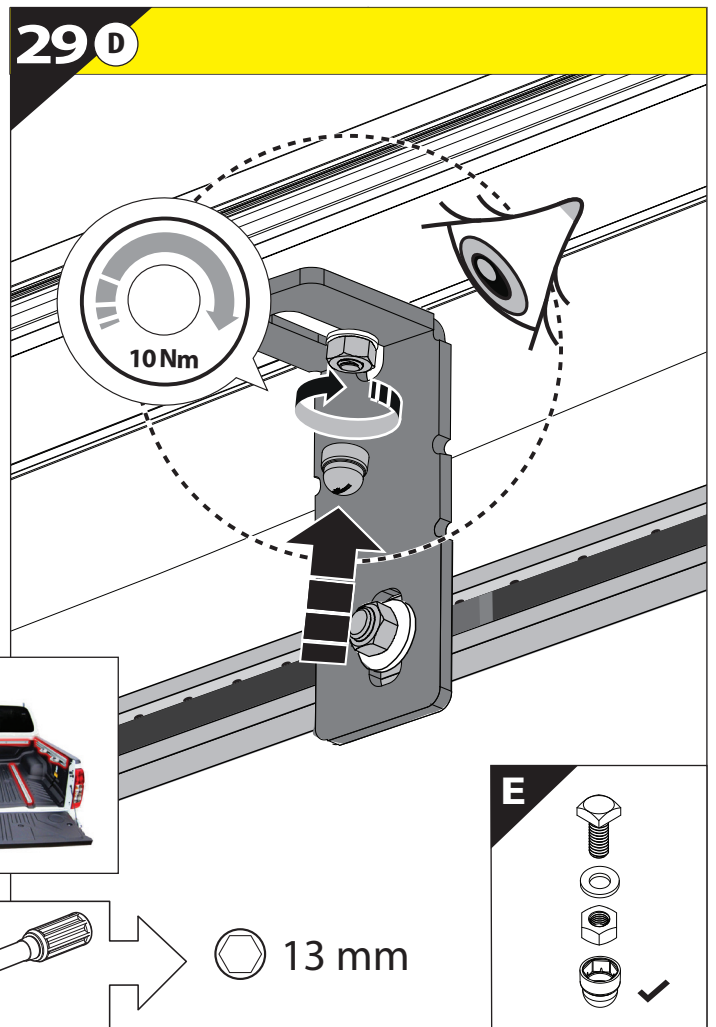
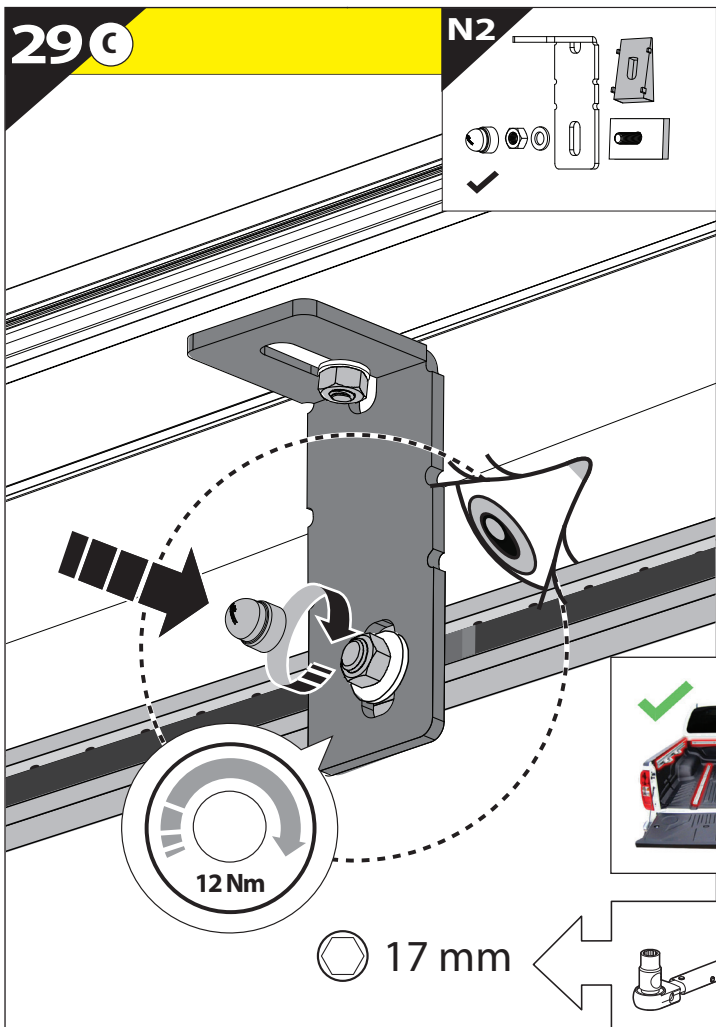


29 B

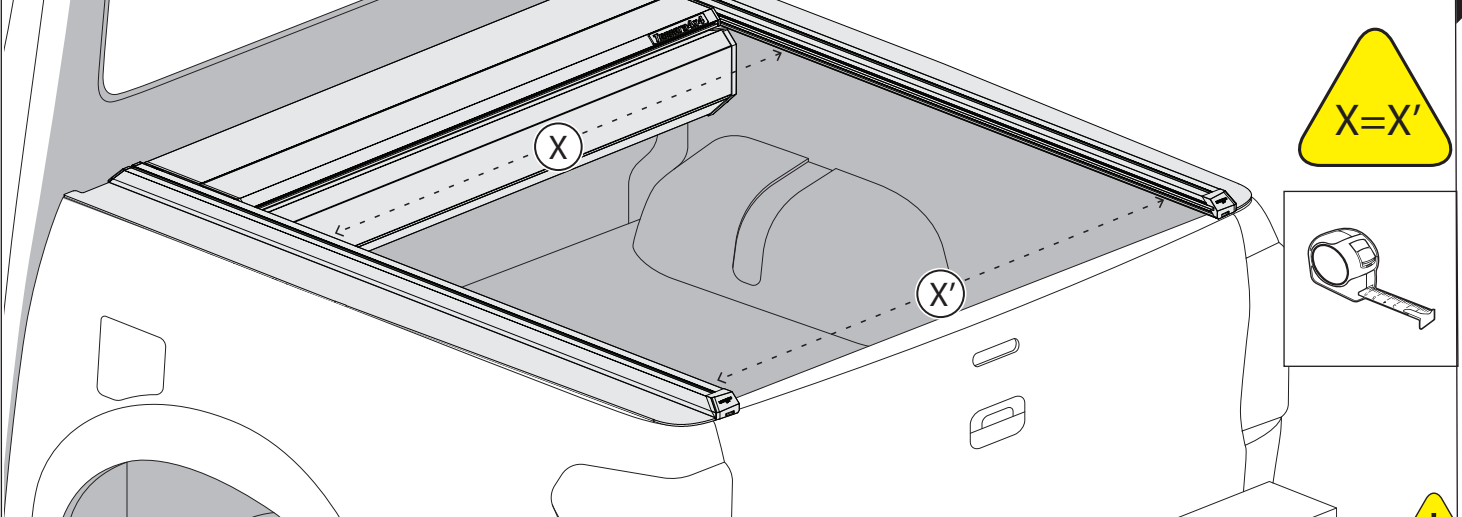


CAUTION

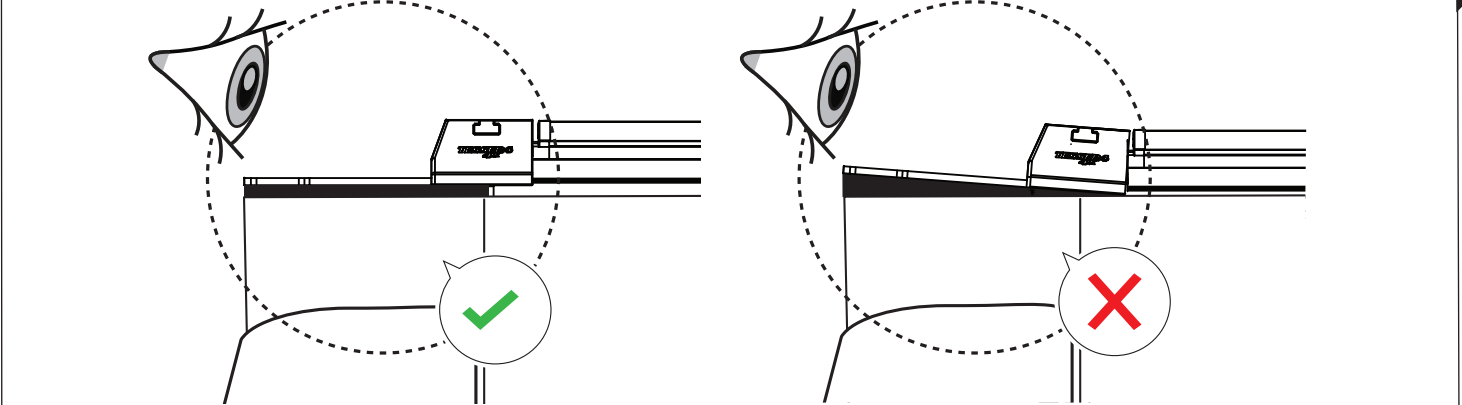


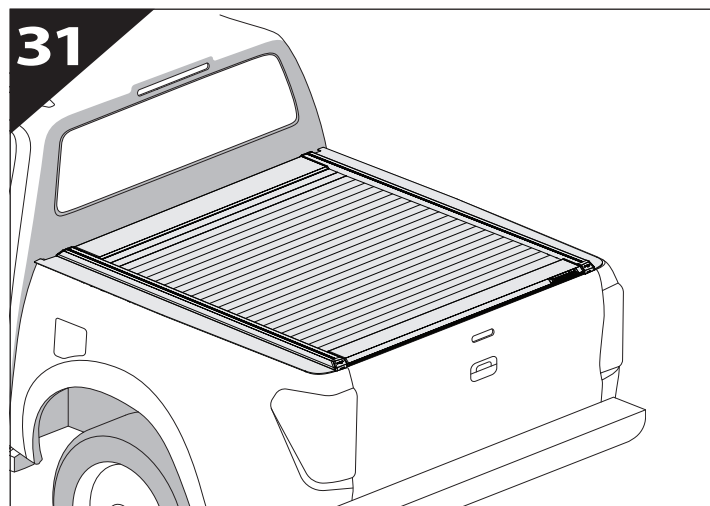
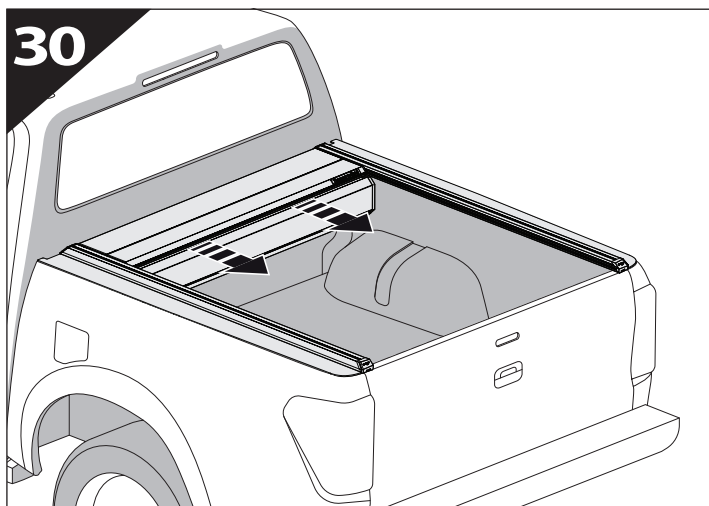


**CAUTION** !



**CAUTION** !





**GR:** Οδηγίες Εγκατάστασης  
**GB:** Installation manual  
**SF:** Asennusohje  
**F:** Notice de montage  
**PL:** Instrukcja montażu  
**NL:** Installatie-instructies  
**TR:** Montaj Talimatı  
**S:** Monteringsanvisning  
**E:** Instrucciones de montaje

**H:** Szerelési utasítás  
**P:** Instruções de instalação  
**RUS:** Инструкция по установке  
**N:** Monteringsveiledning  
**D:** Einbauanleitung  
**CZ:** Návod k instalaci  
**I:** Istruzioni de montaggio  
**DK:** Monteringsvejledning  
**RO:** Instructiuni de instalare

Customer Service:

+30 (210) 5541161, +30 (210) 5541154 (08:00 - 16:00 EET)

Support department:

[info@gianso.gr](mailto:info@gianso.gr)

Website:

[www.tessera4x4.com](http://www.tessera4x4.com)

Address:

19.5 km of National road Athens-Korinthos (Elefsina) Greece, P.C: 19200