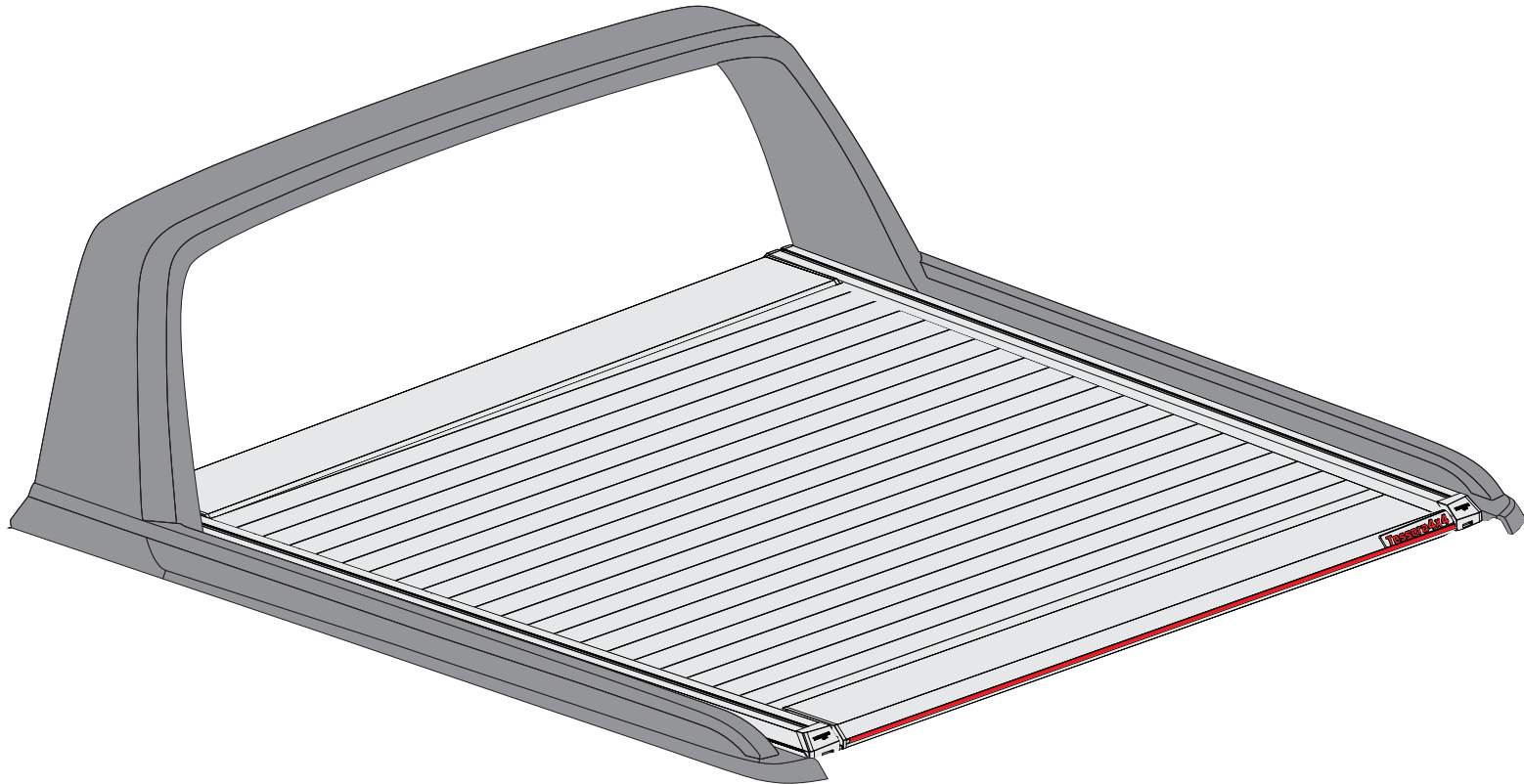


# Tessera Roll+

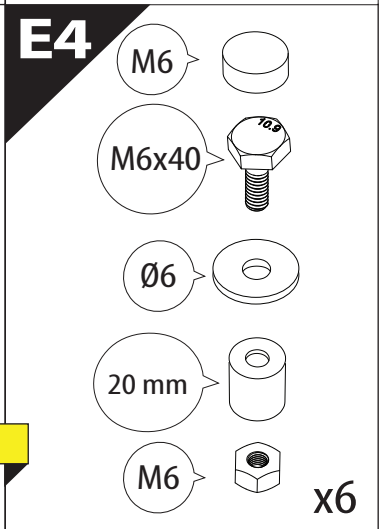
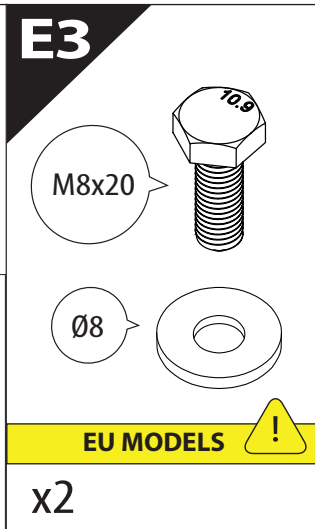
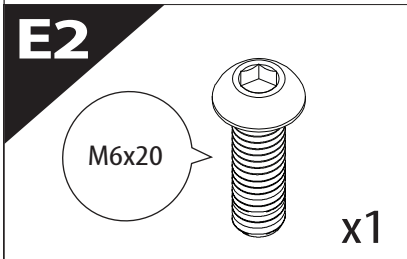
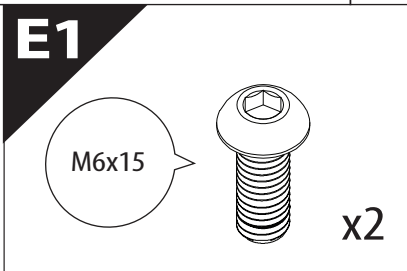
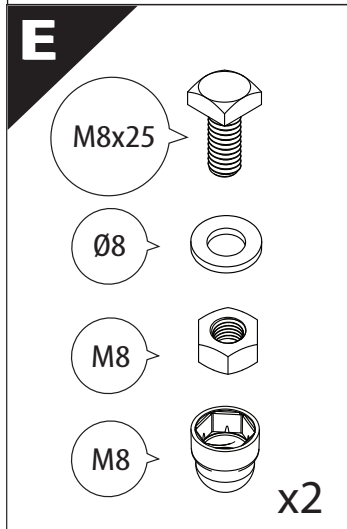
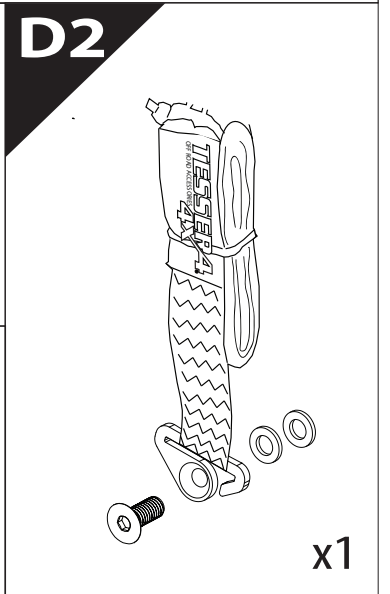
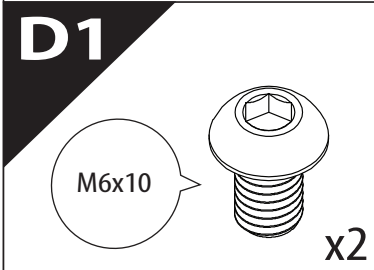
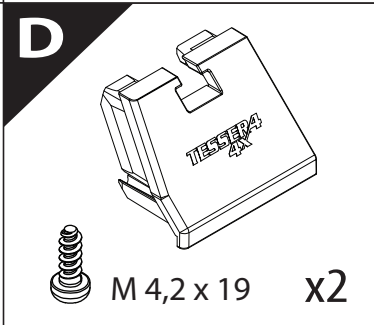
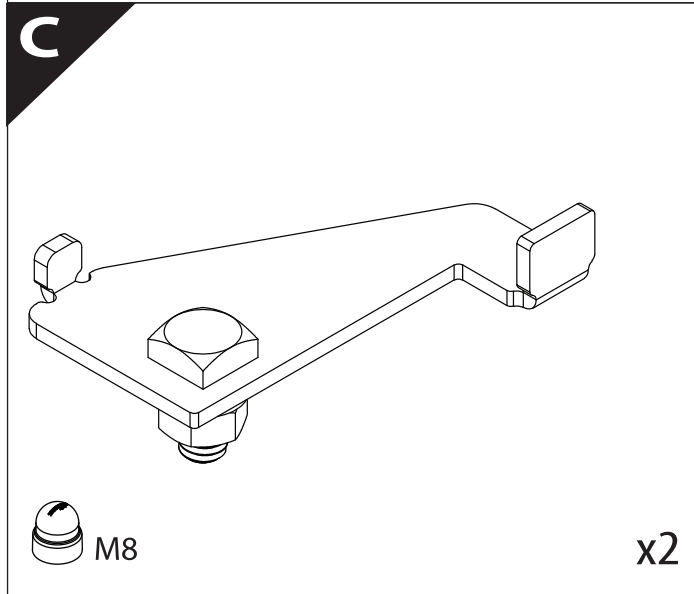
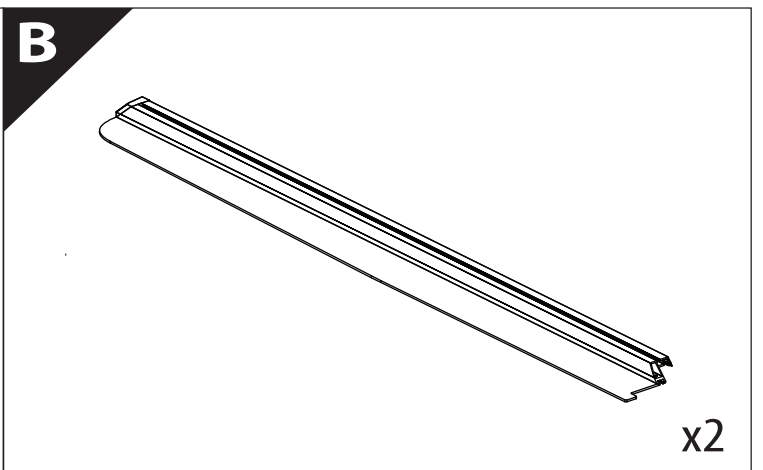
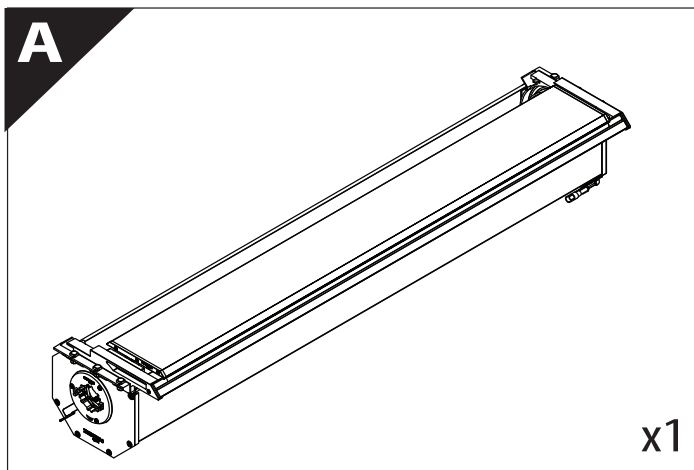
## Basic Version + ⚡ E-KIT



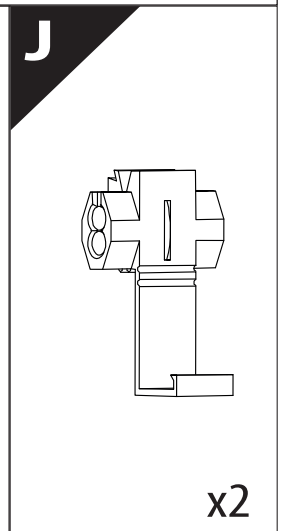
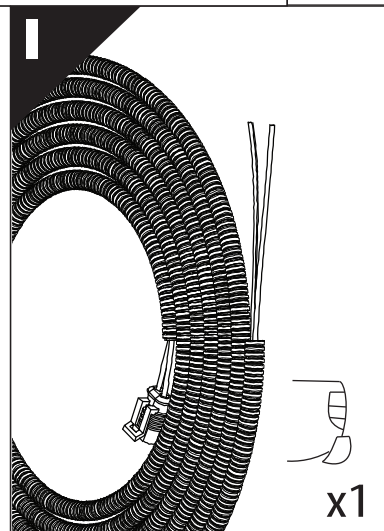
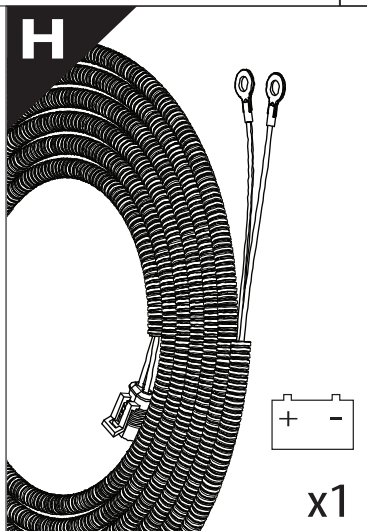
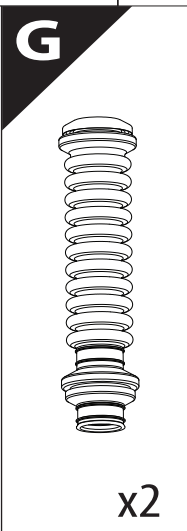
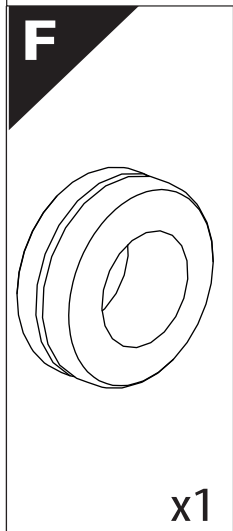
## Installation Manual

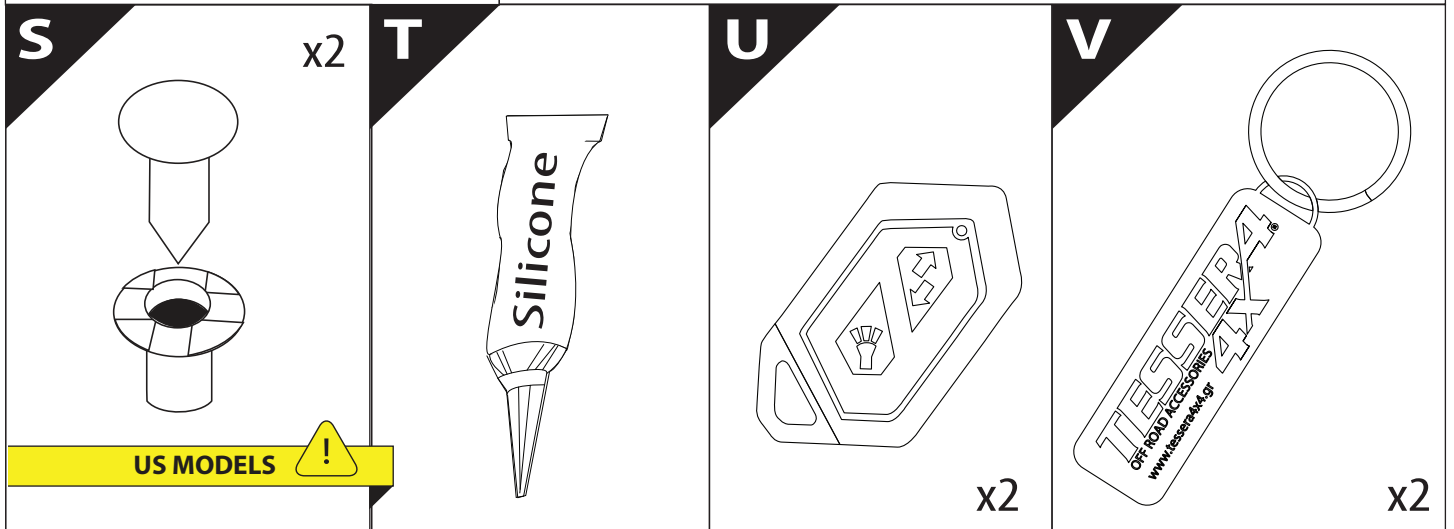
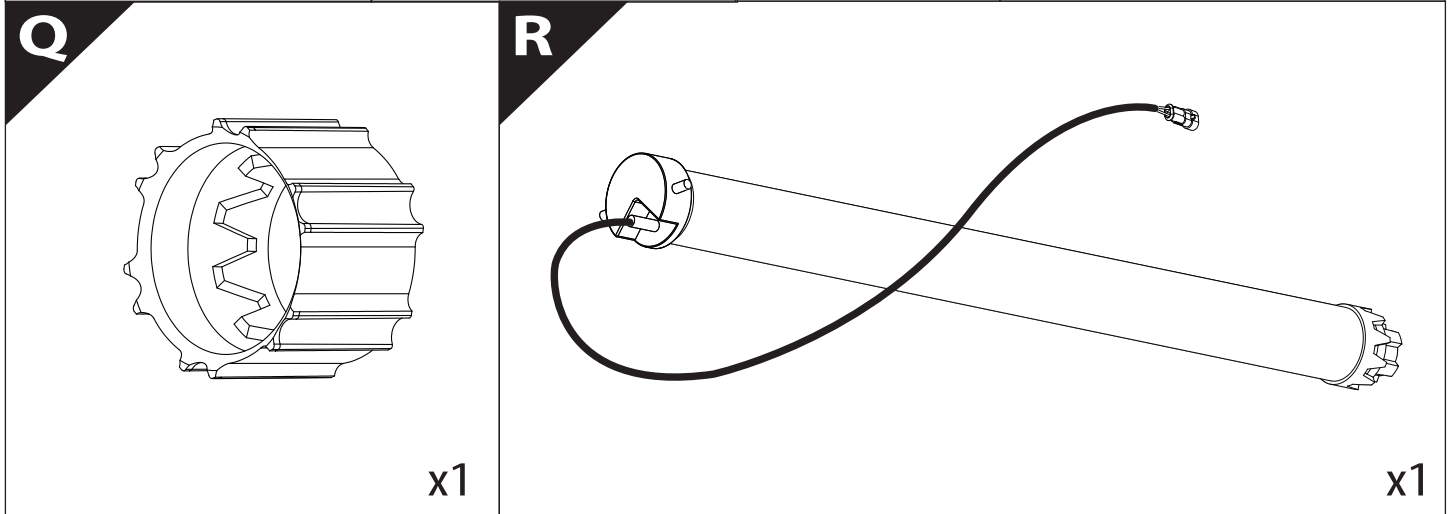
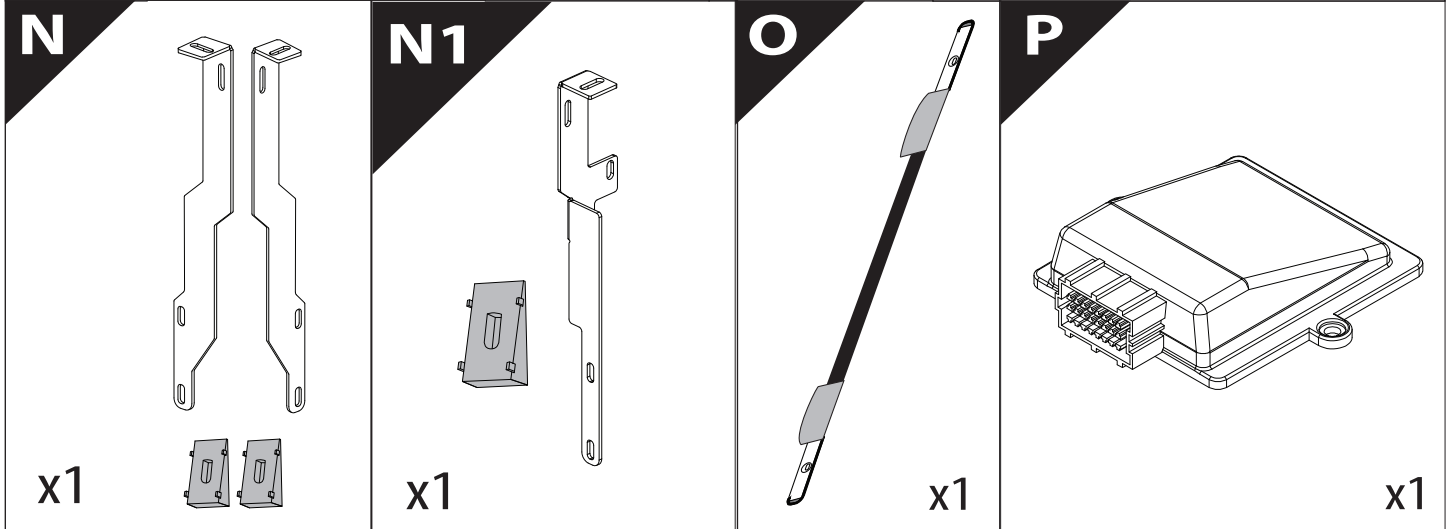
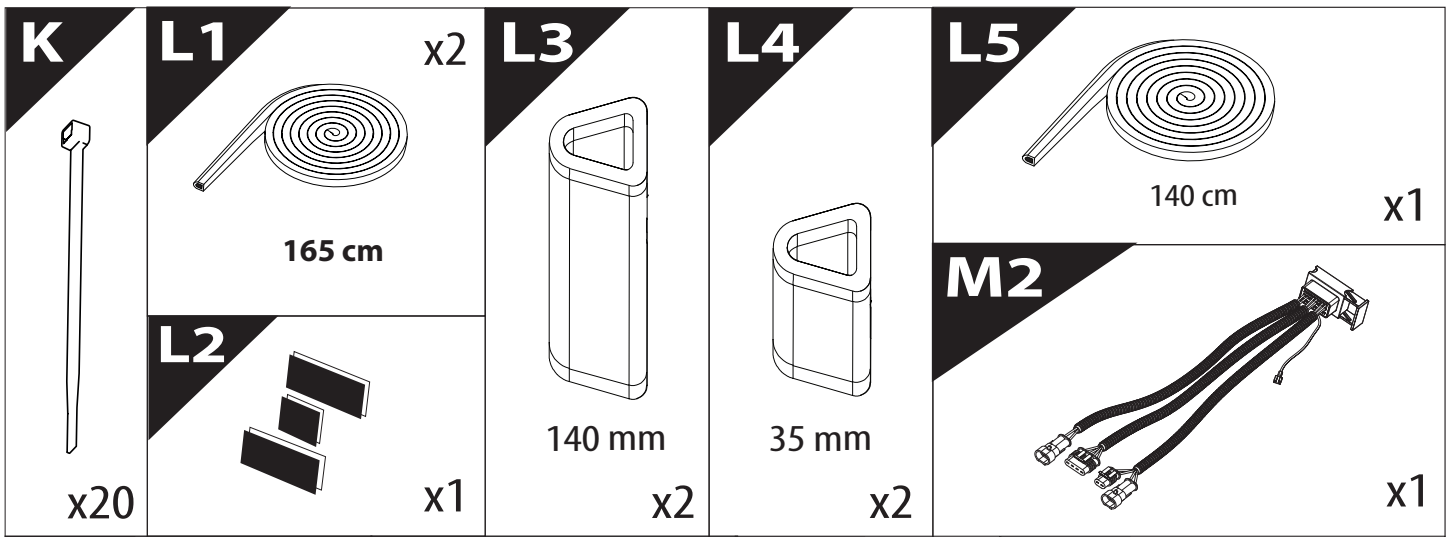
PART NUMBER(S)	Model Year
TESS 14081 ROLL+E-KIT	FORD RANGER <b>WILDTRAK</b> PHEV 2025+ (with & without c-channels)
Cab(s)	Installation Time / Weight
Double Cab	40-60 minutes / 53-57 kg



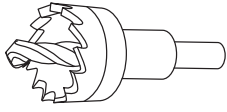


**EU MODELS** !

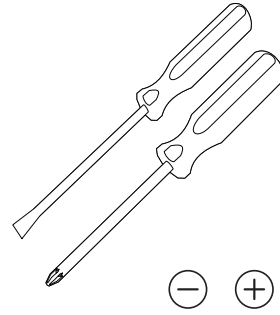
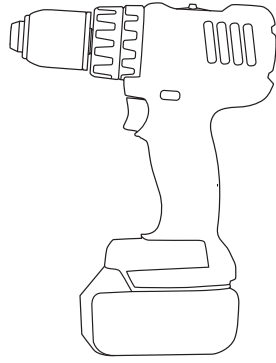




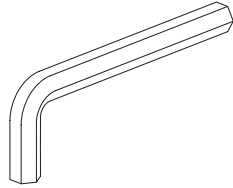
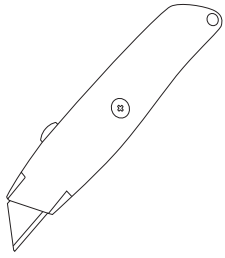
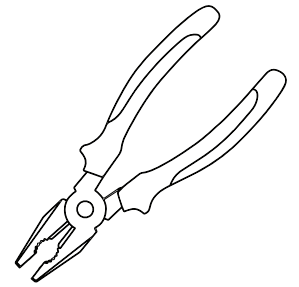
**US MODELS** 



Ø 25 mm

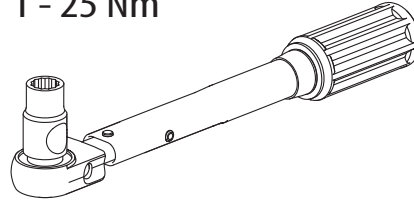


- +



4 mm

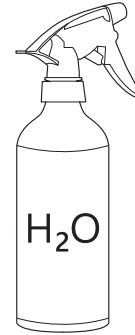
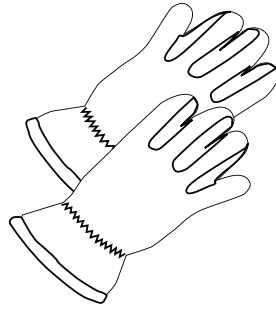
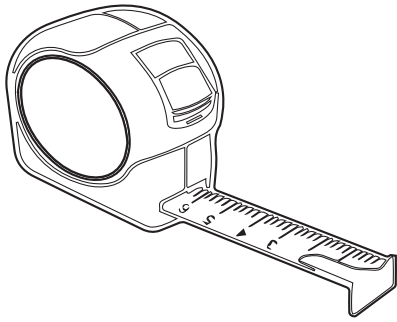
1 - 25 Nm



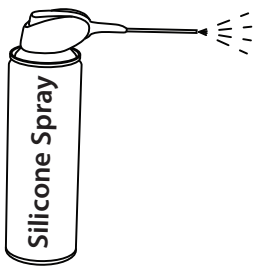
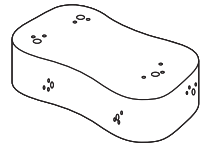
10,12, 13, 17 mm



ACETONE



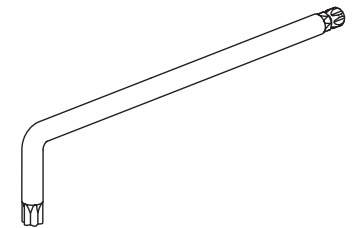
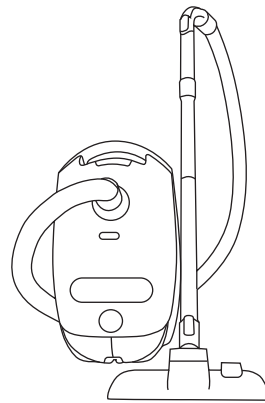
H<sub>2</sub>O



Silicone Spray



ANTI-RUST



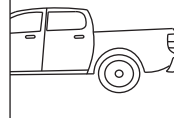
T30, T40



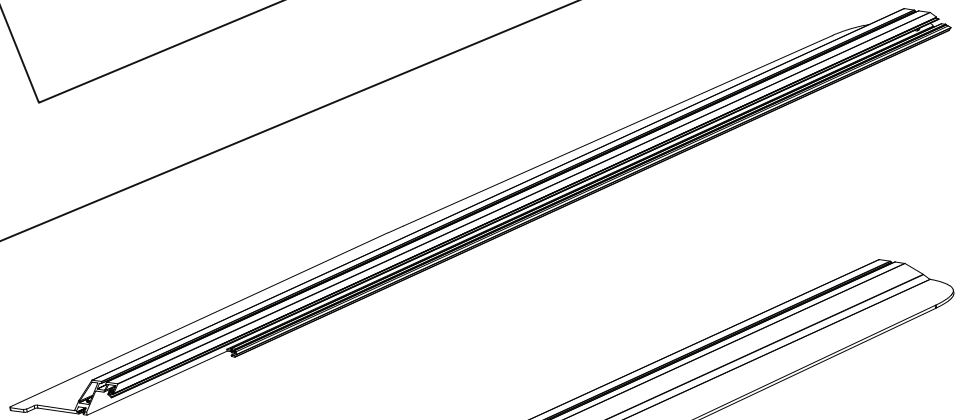
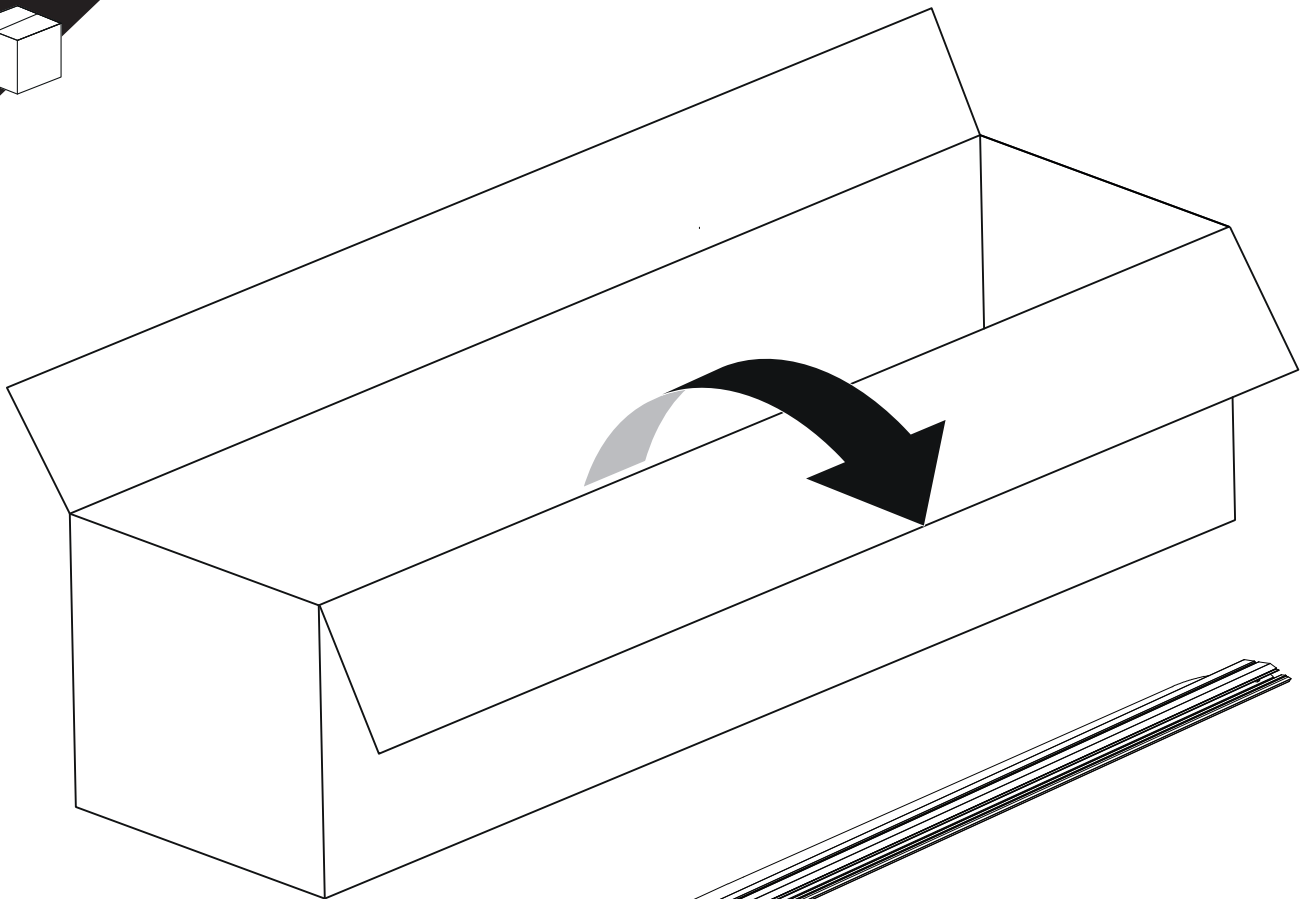
INSTALATION  
MANUAL  
+E-KIT



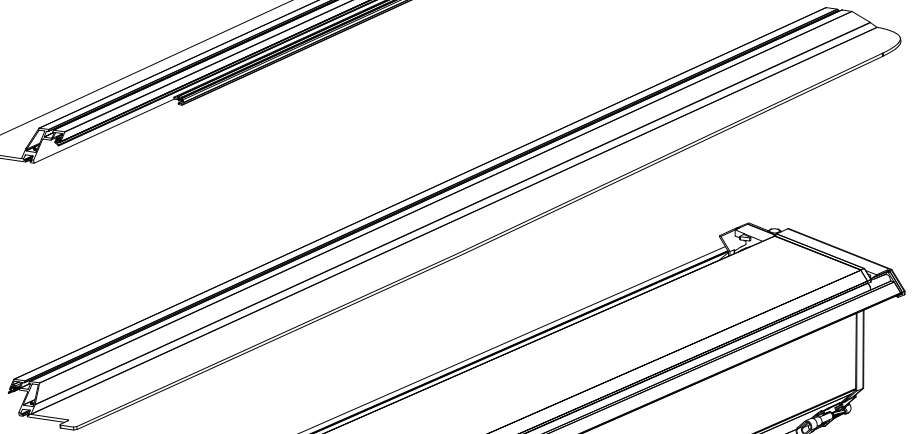
OWNERS  
MANUAL



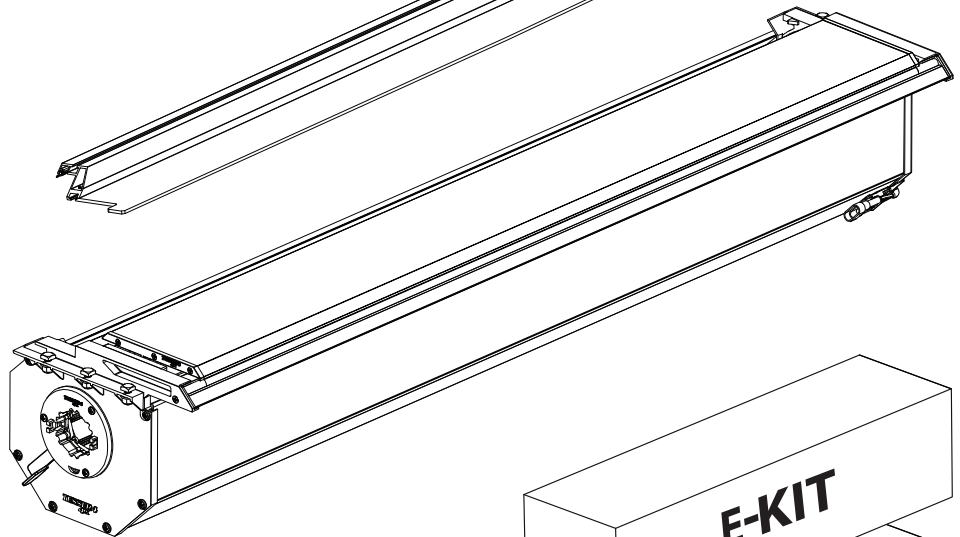
x1



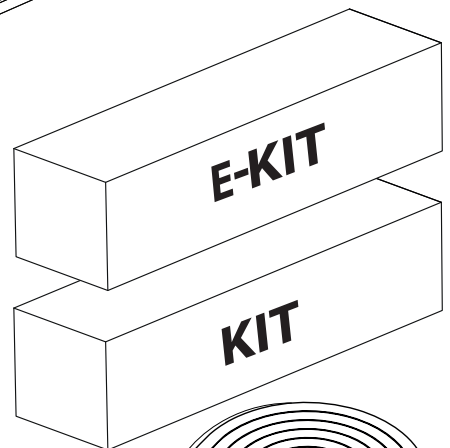
**B**



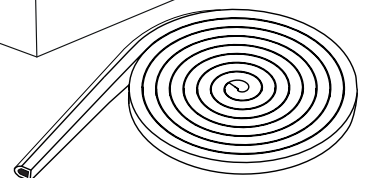
**A**

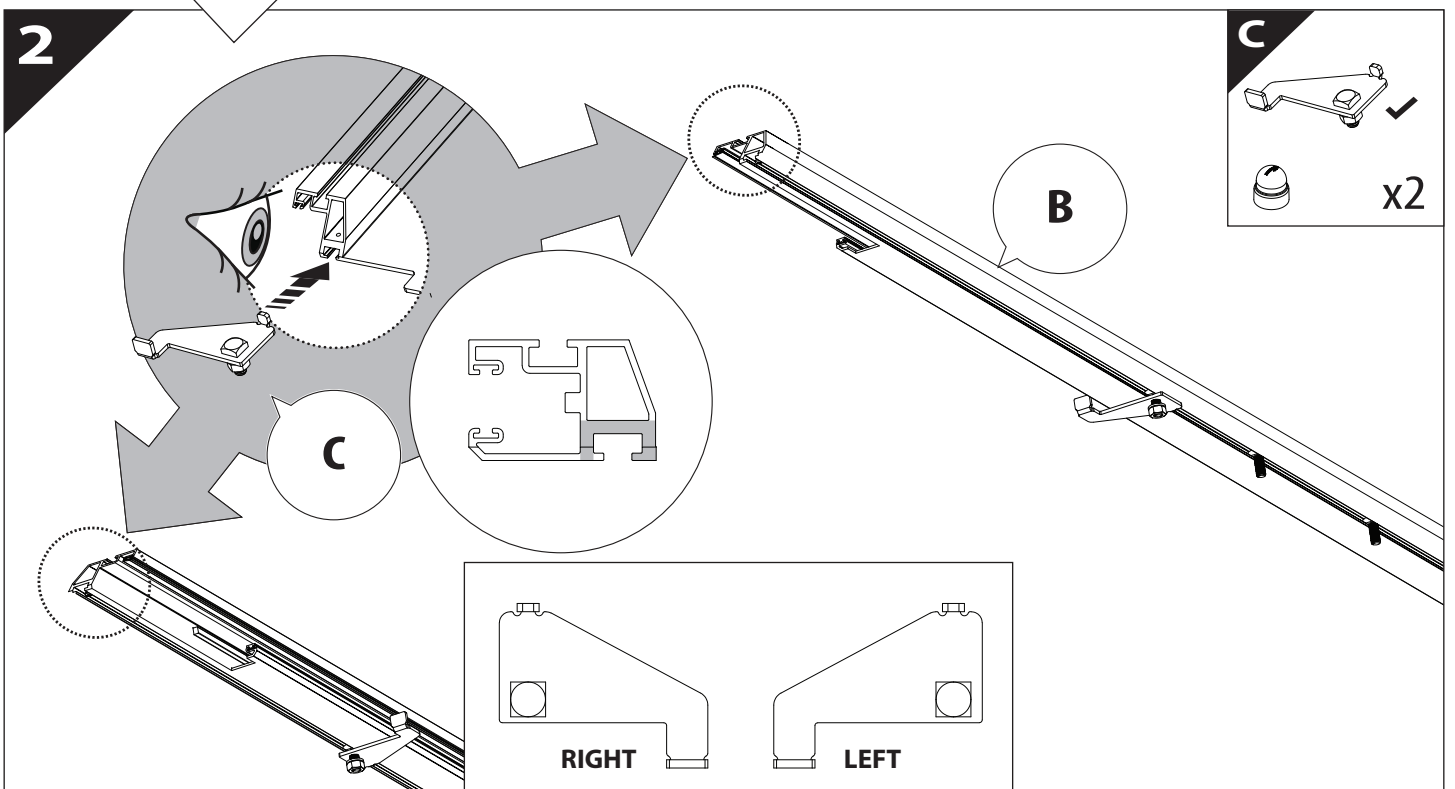
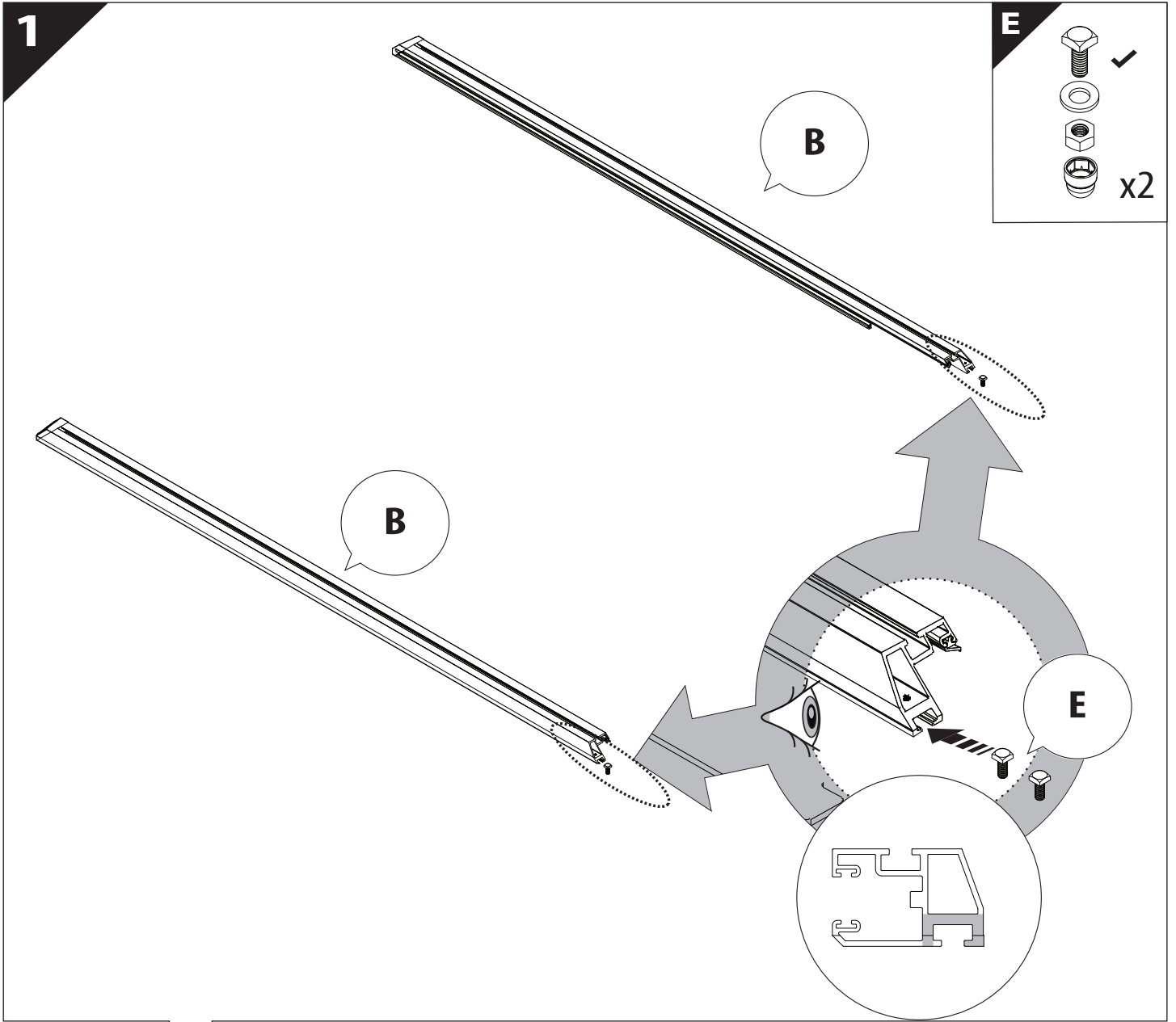


**KITS**

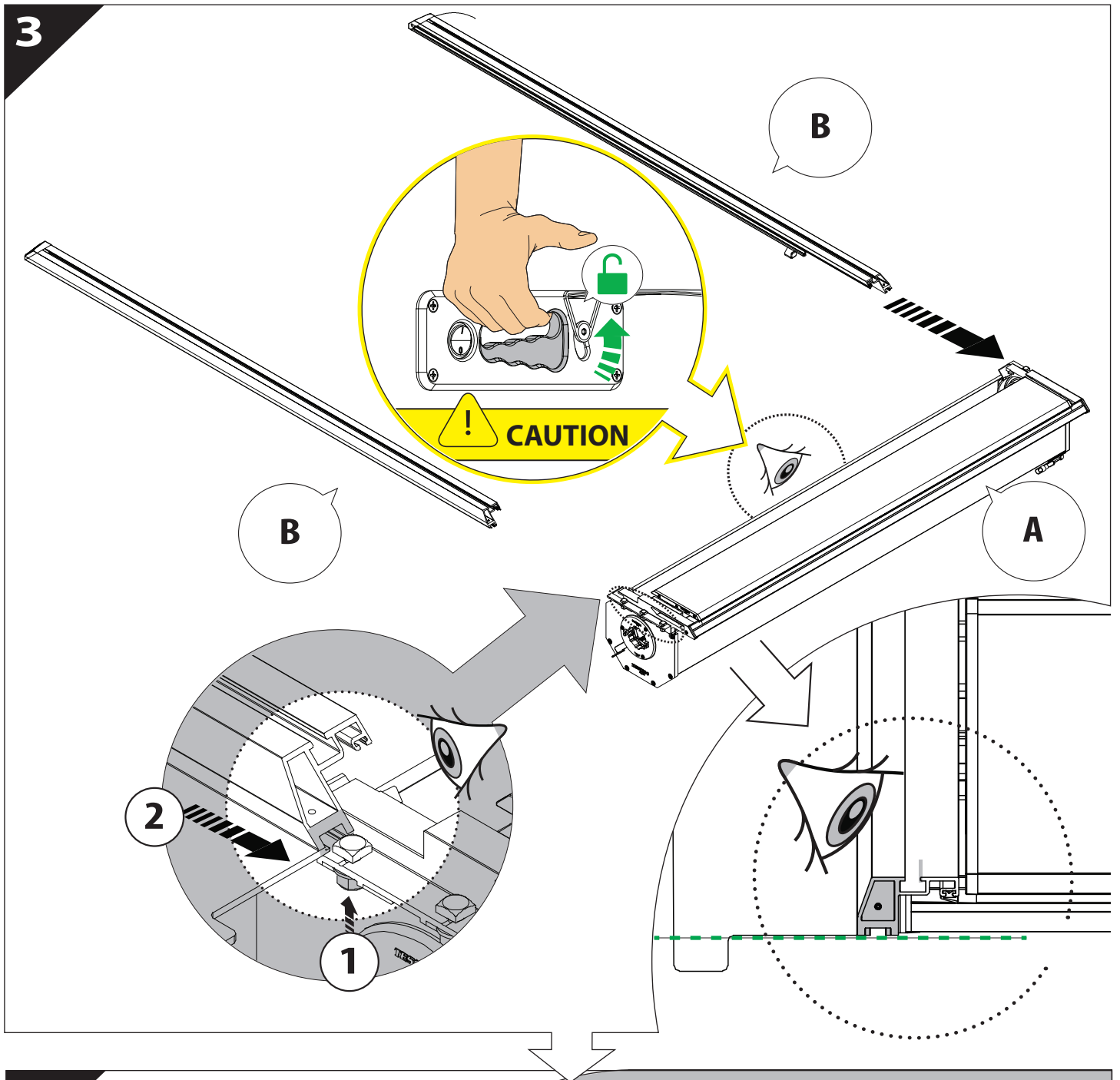


**L**

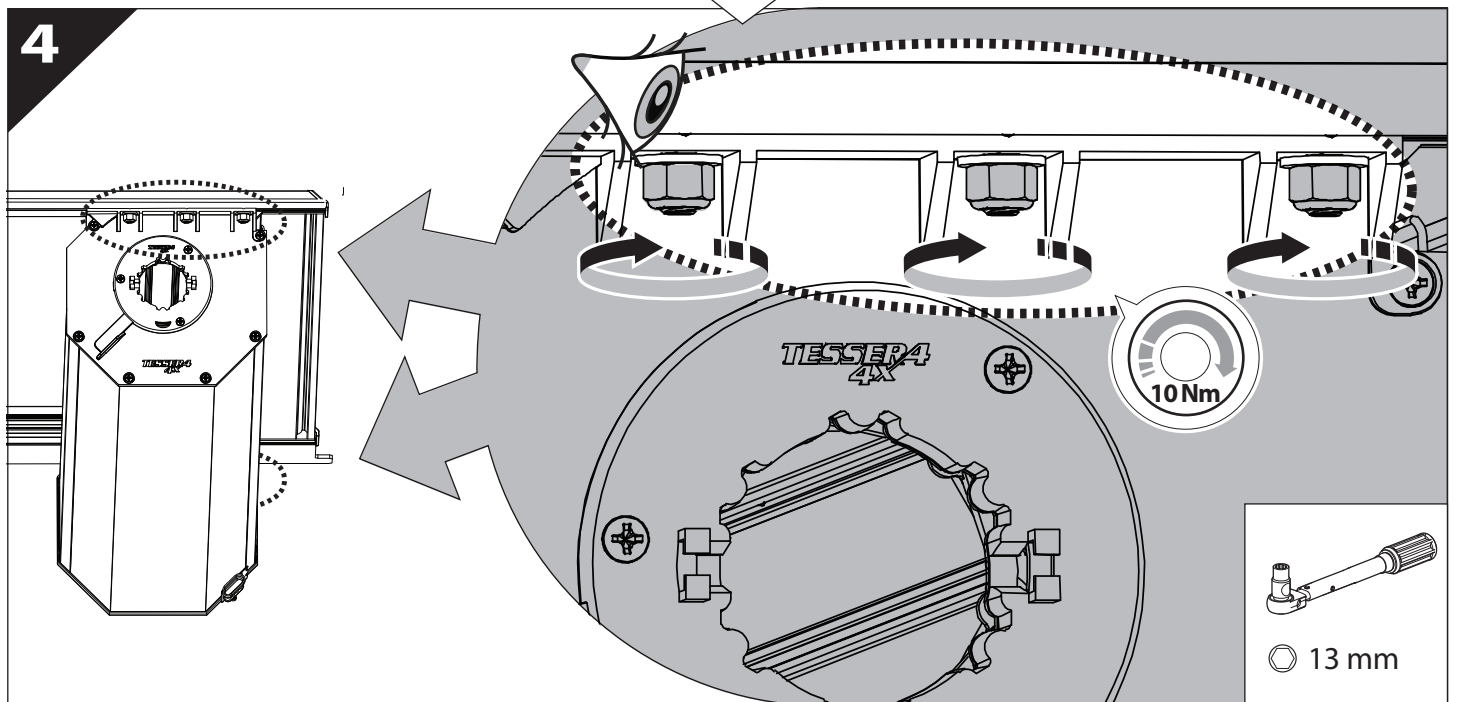


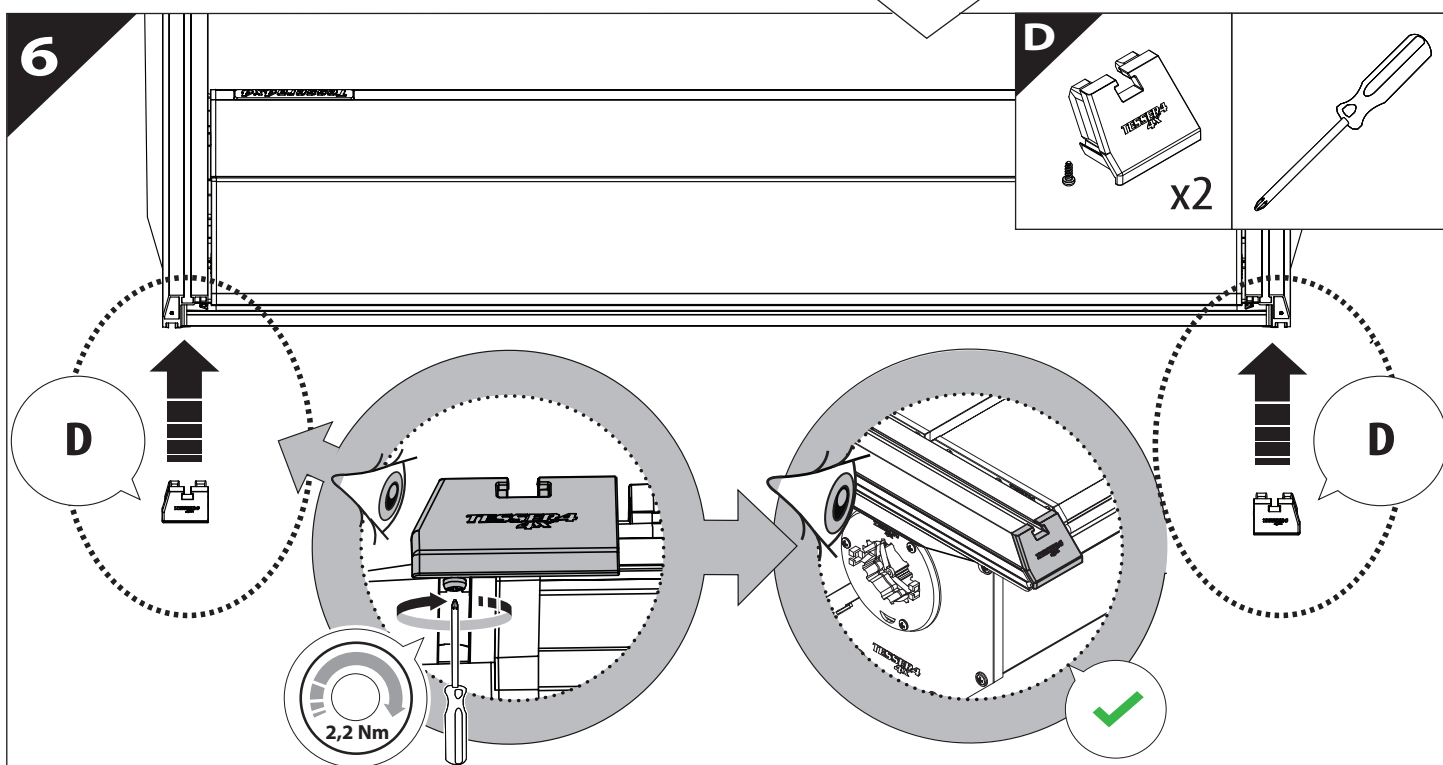
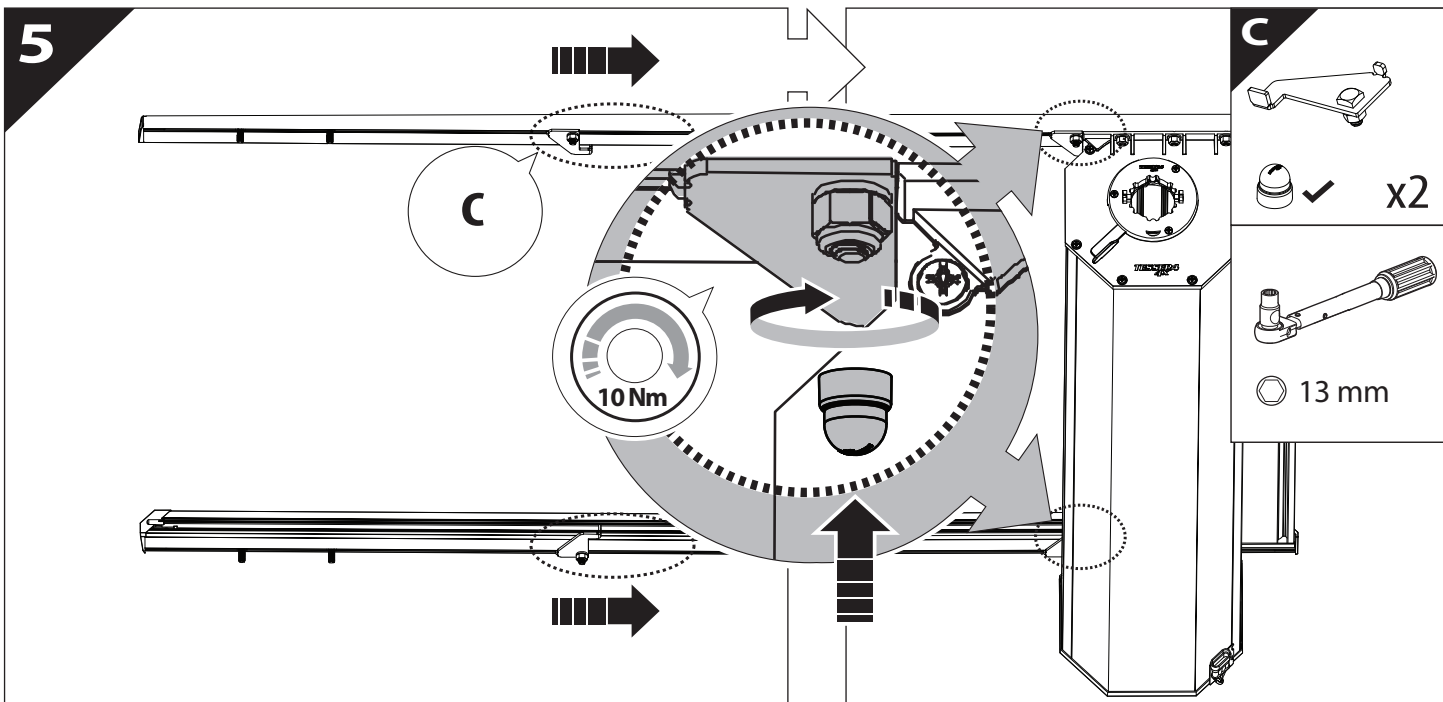


3

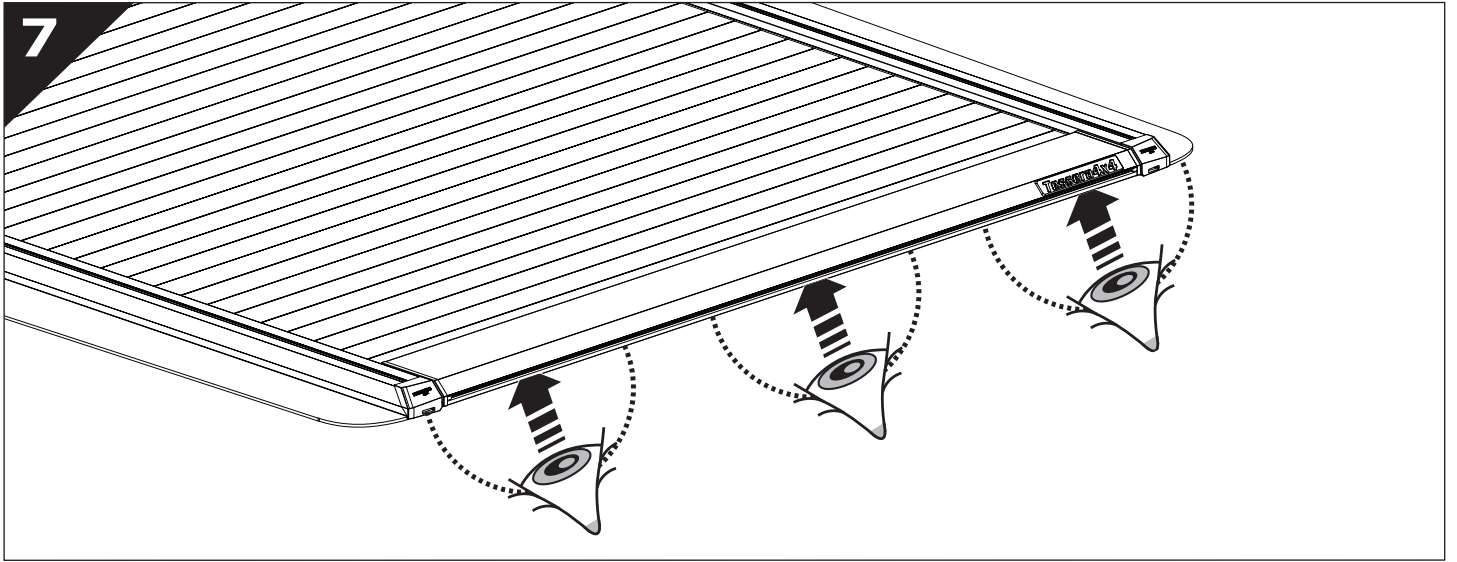


4

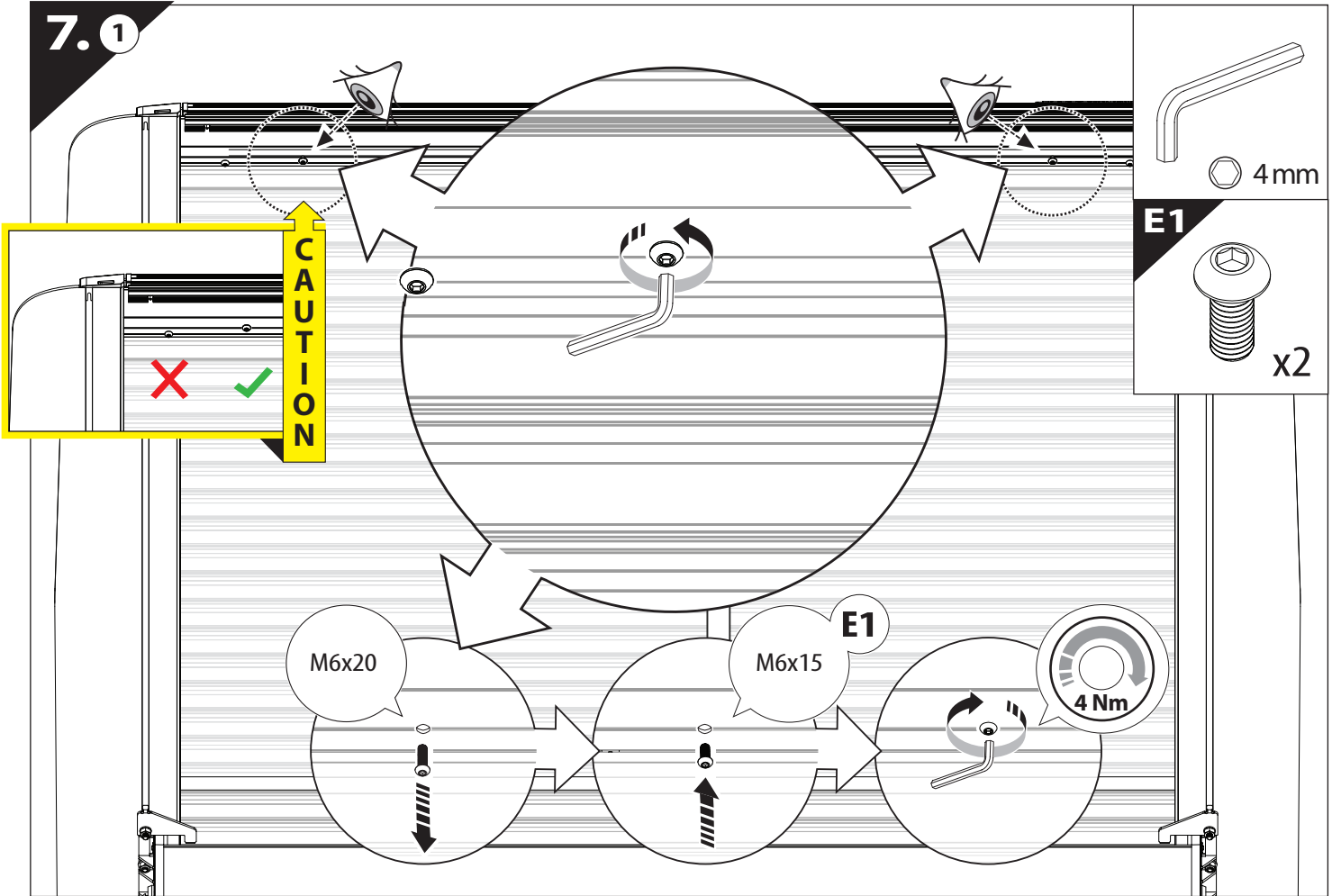




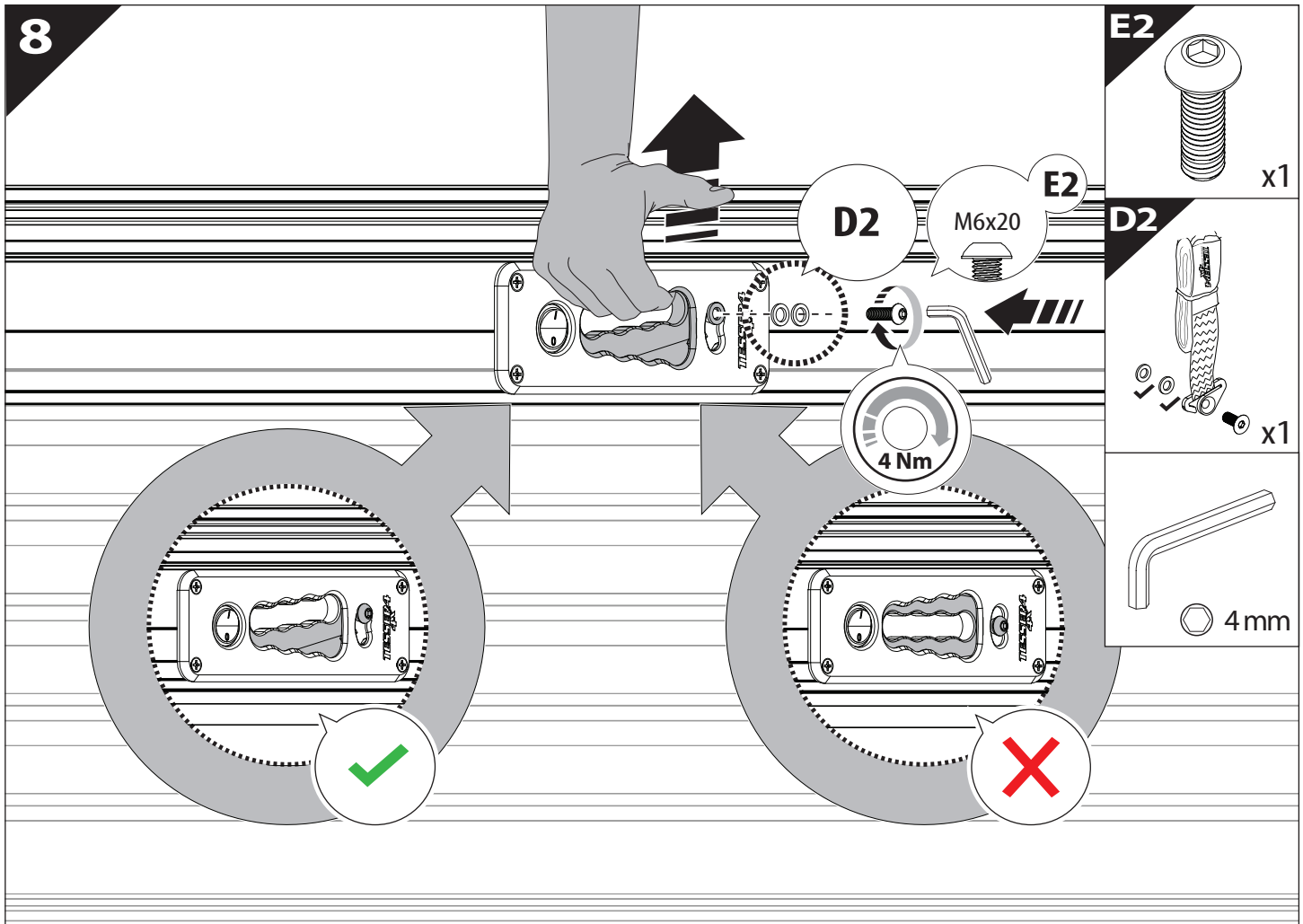


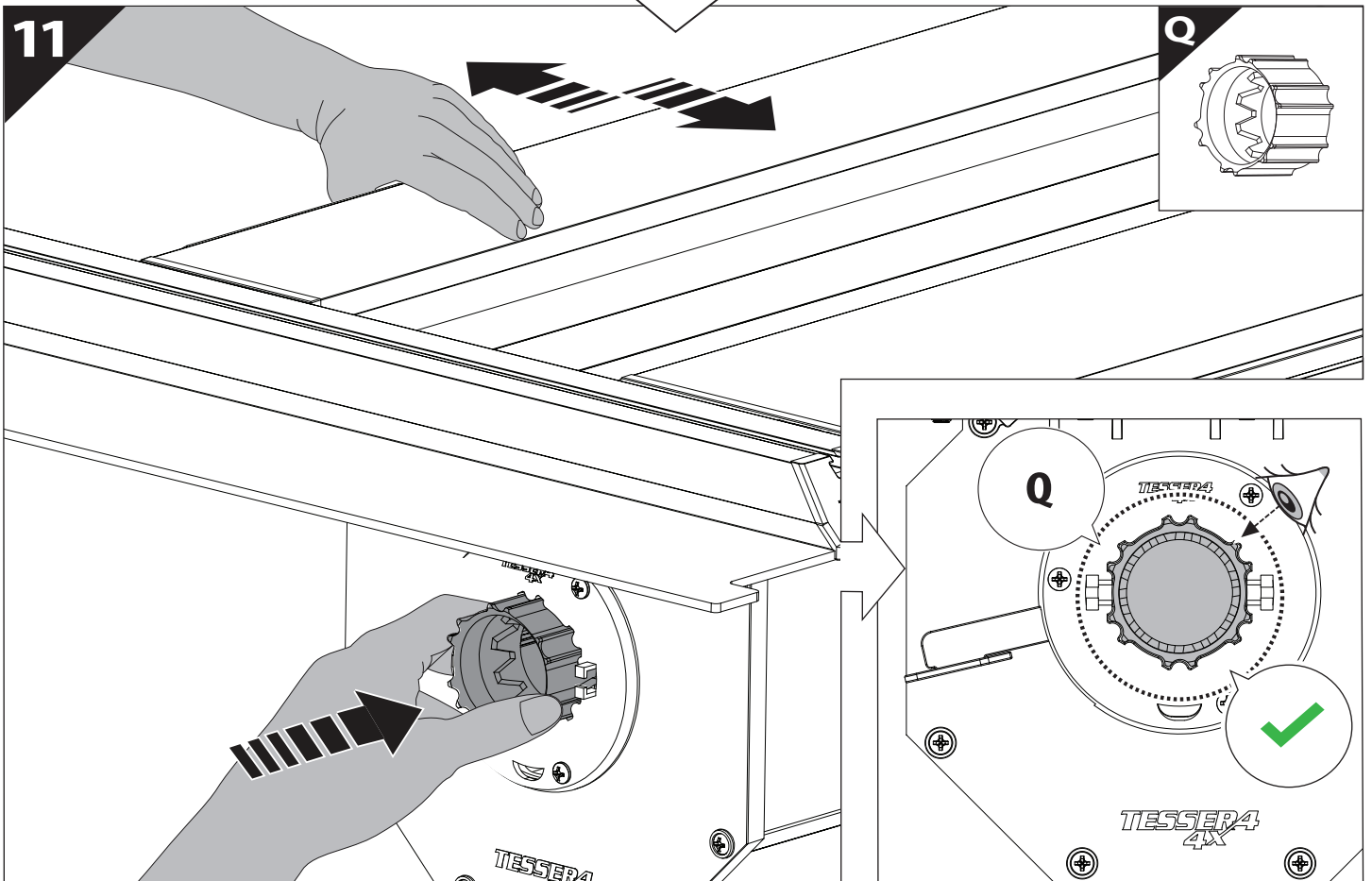
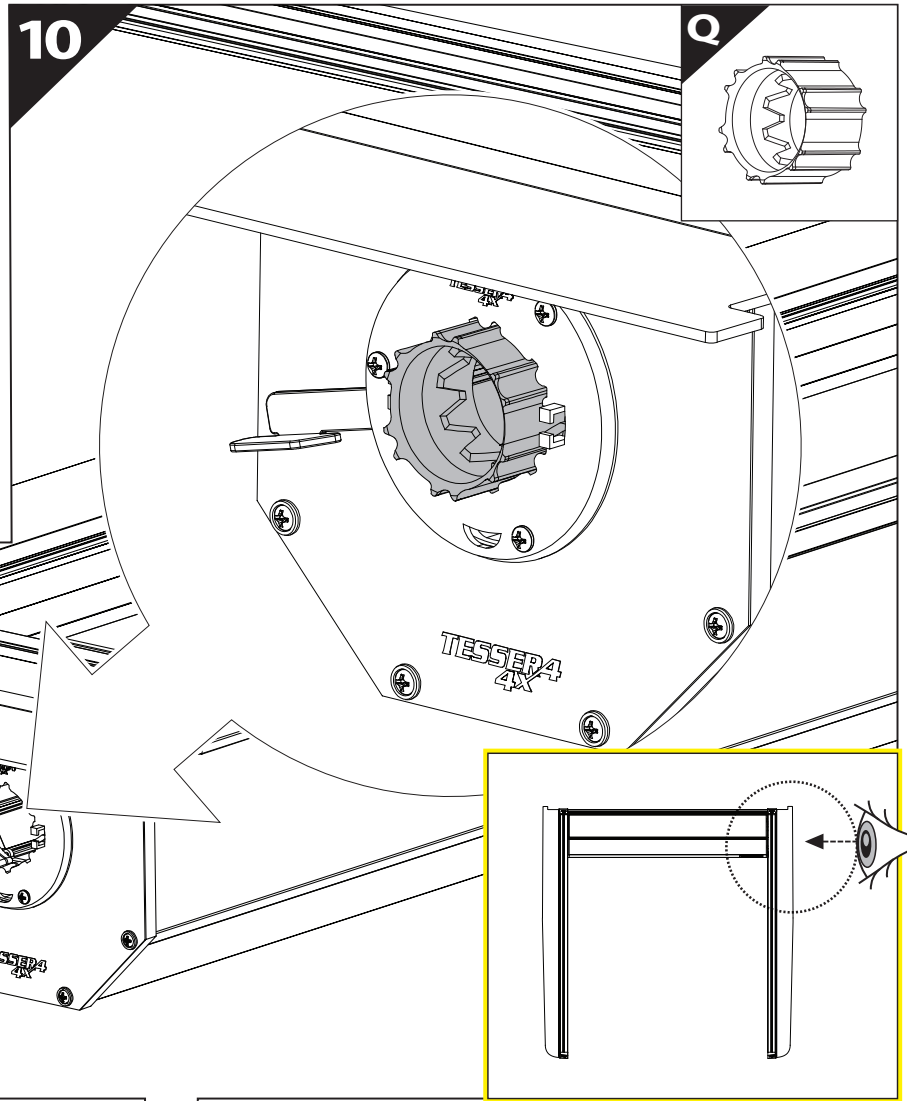
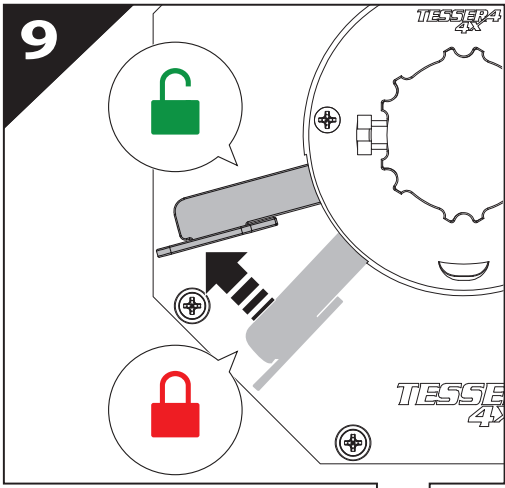


7.1

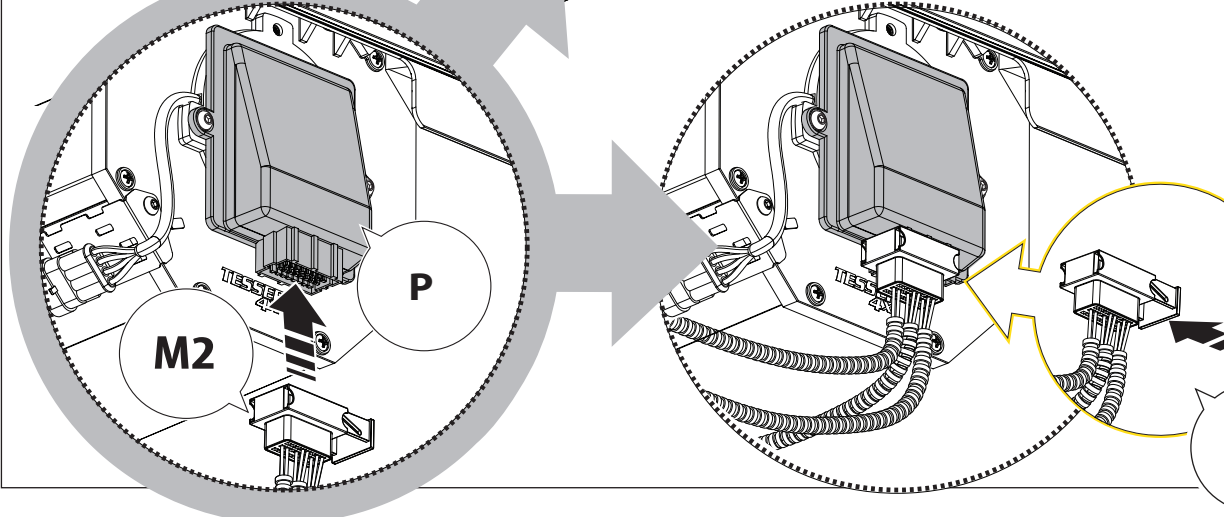
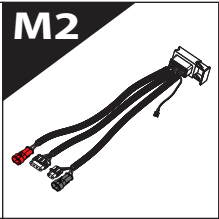
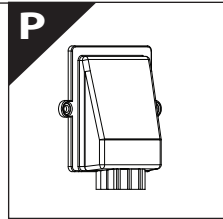
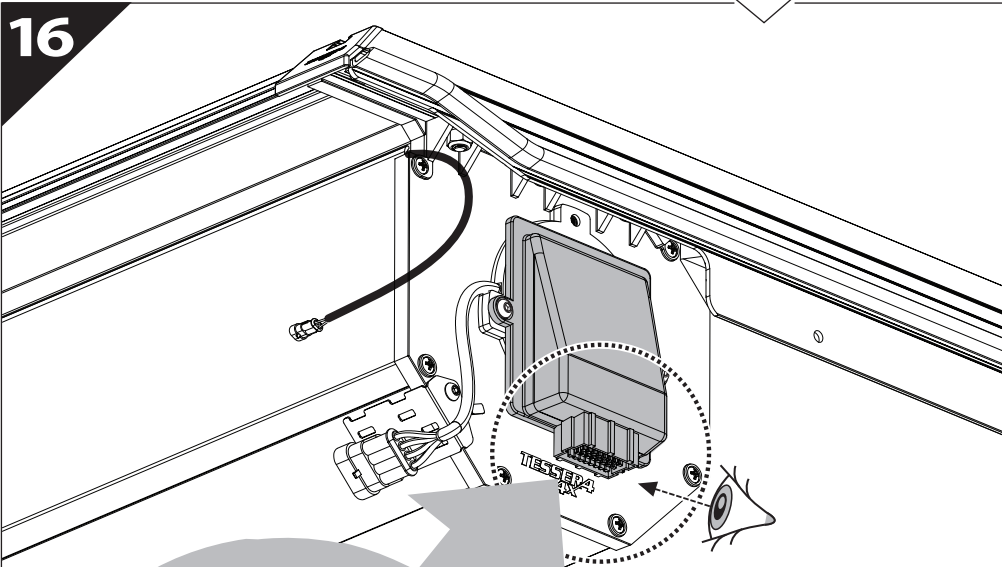
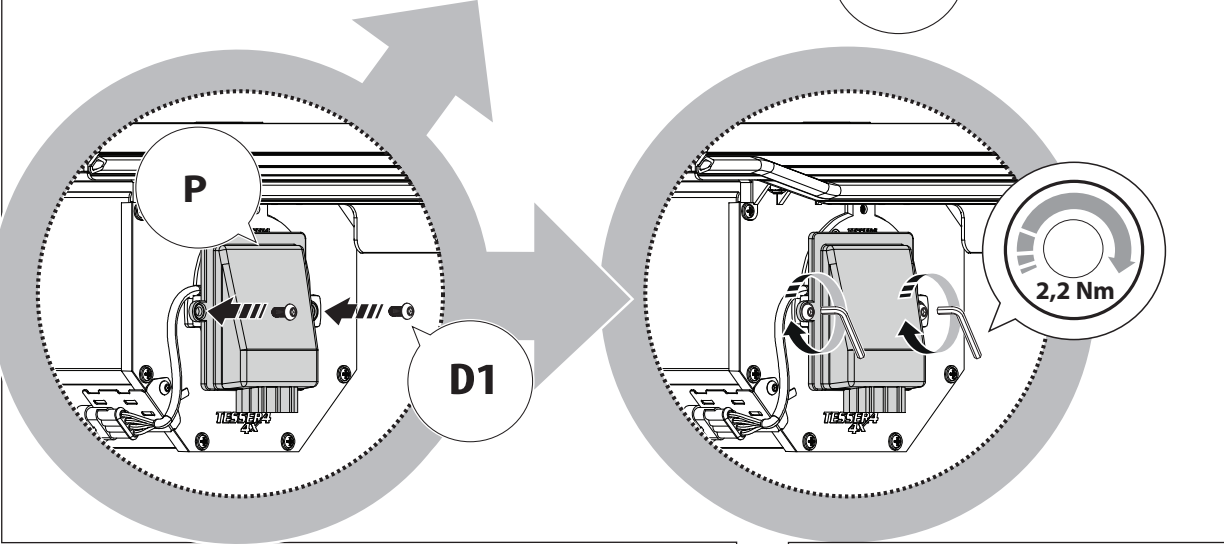
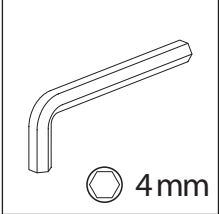
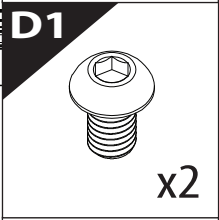
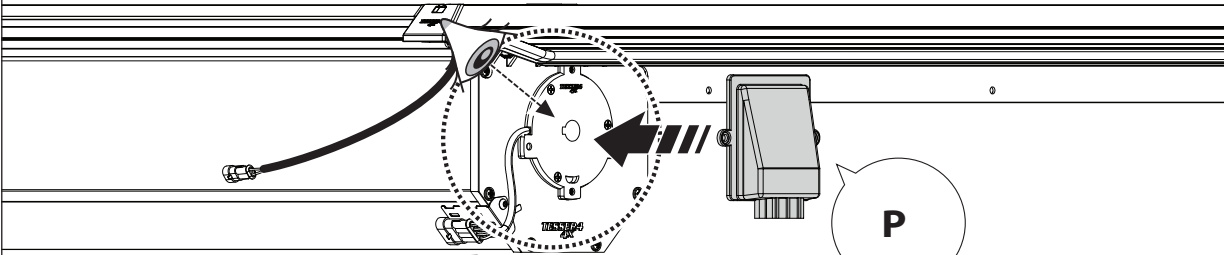
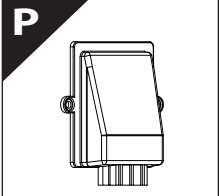
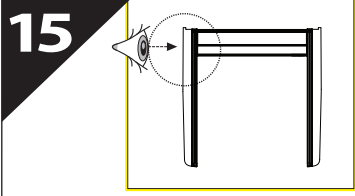


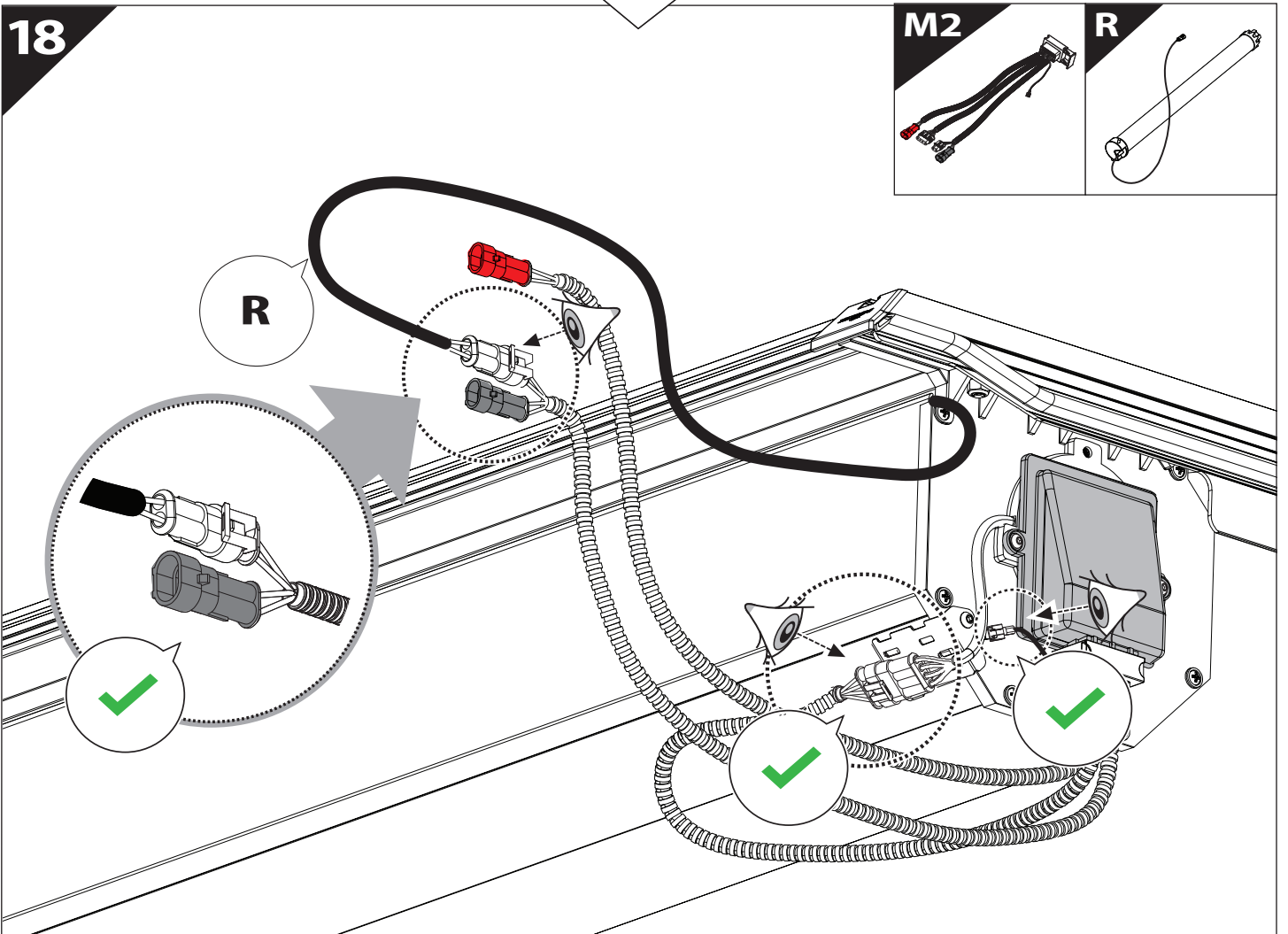
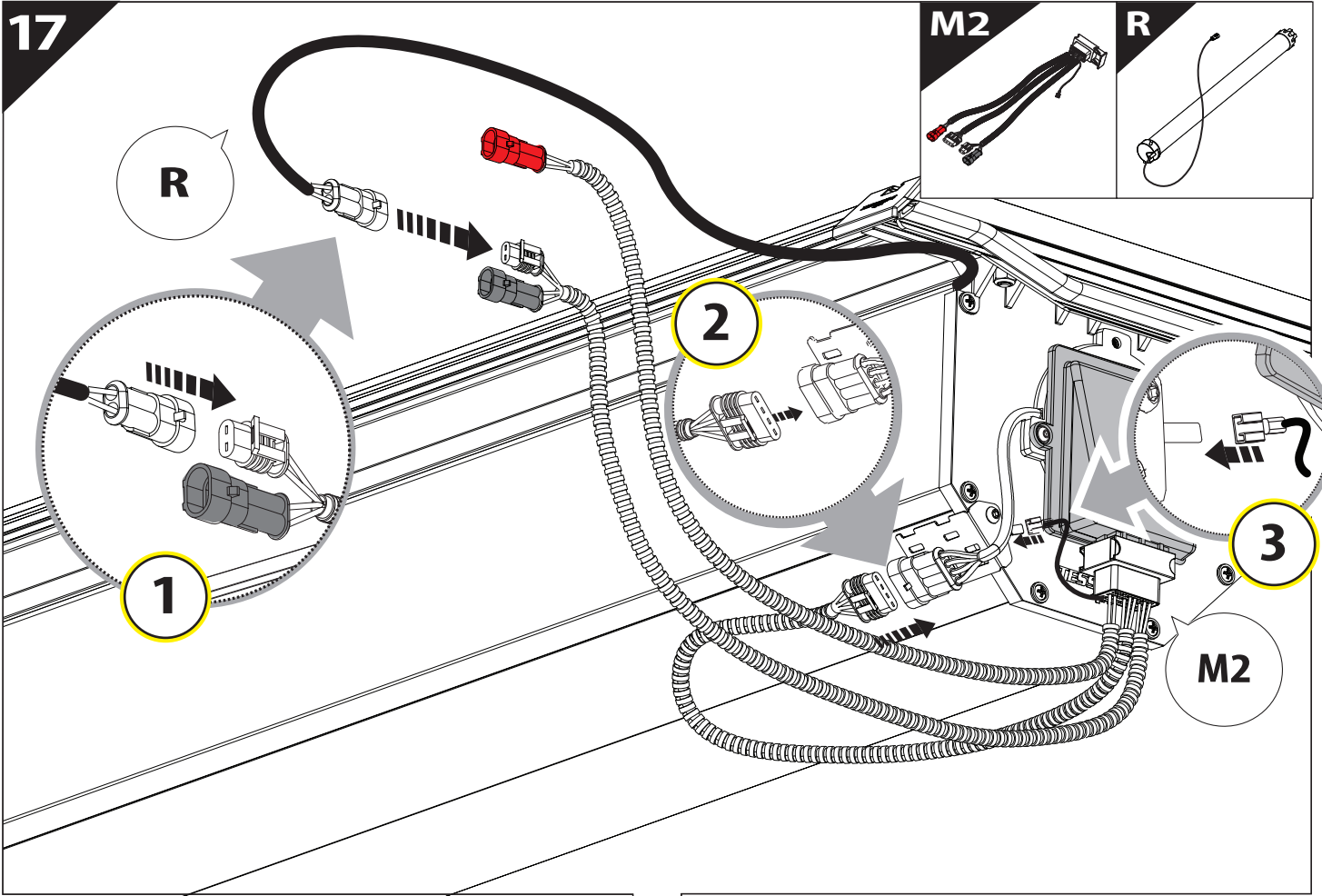
8





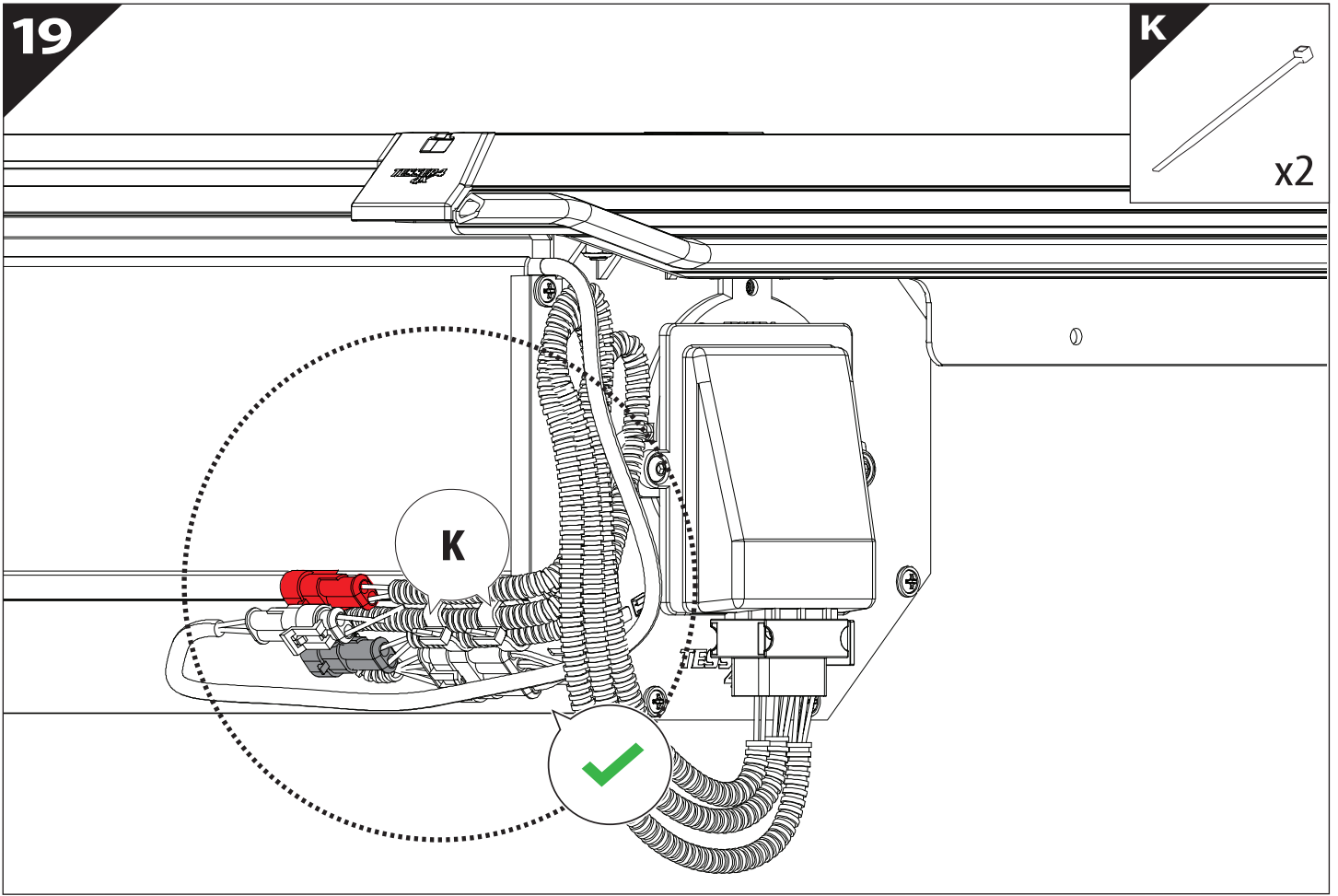
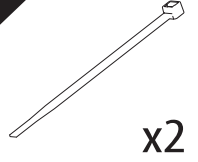






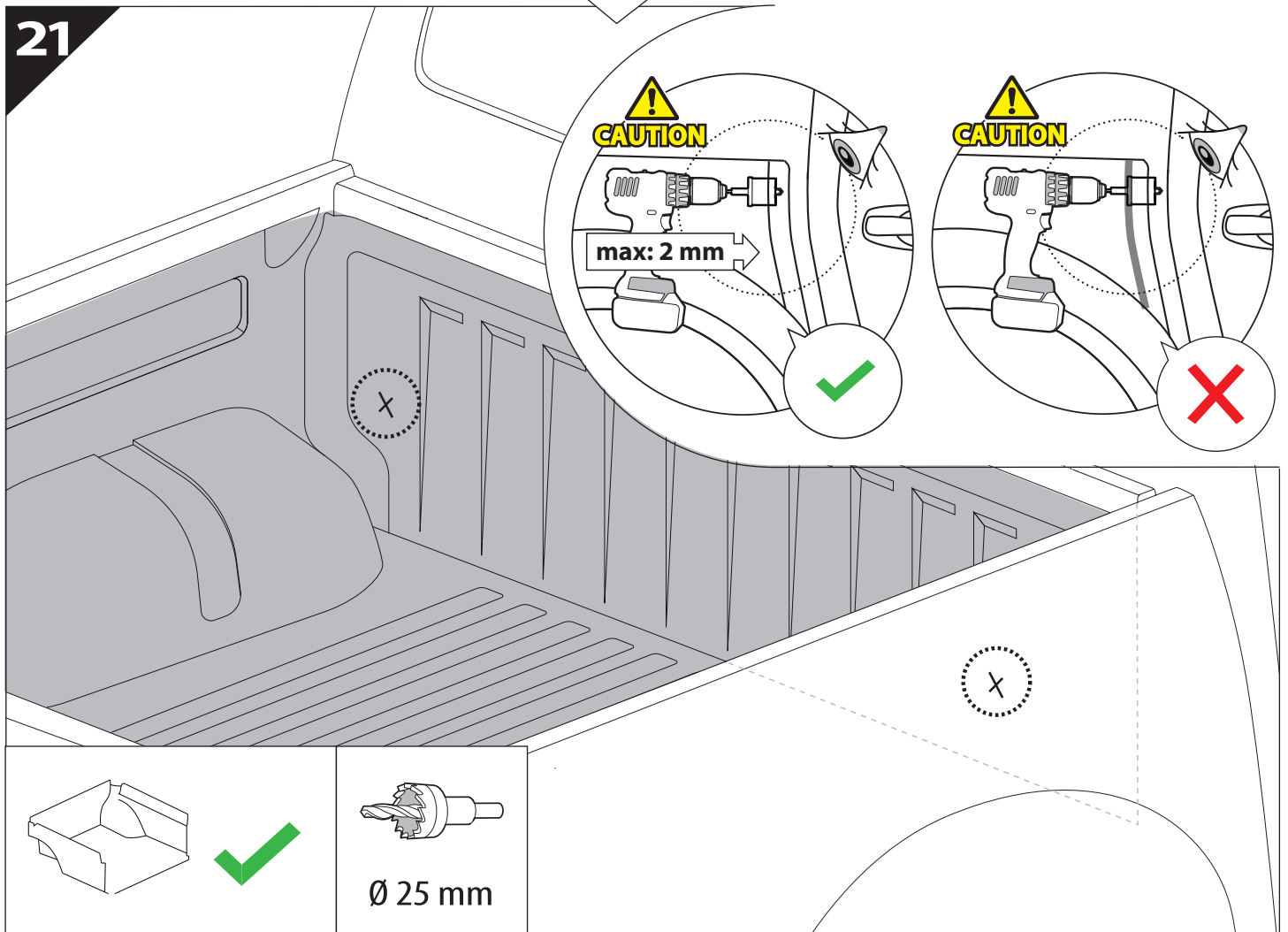
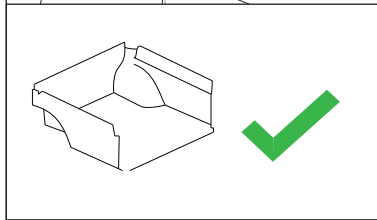
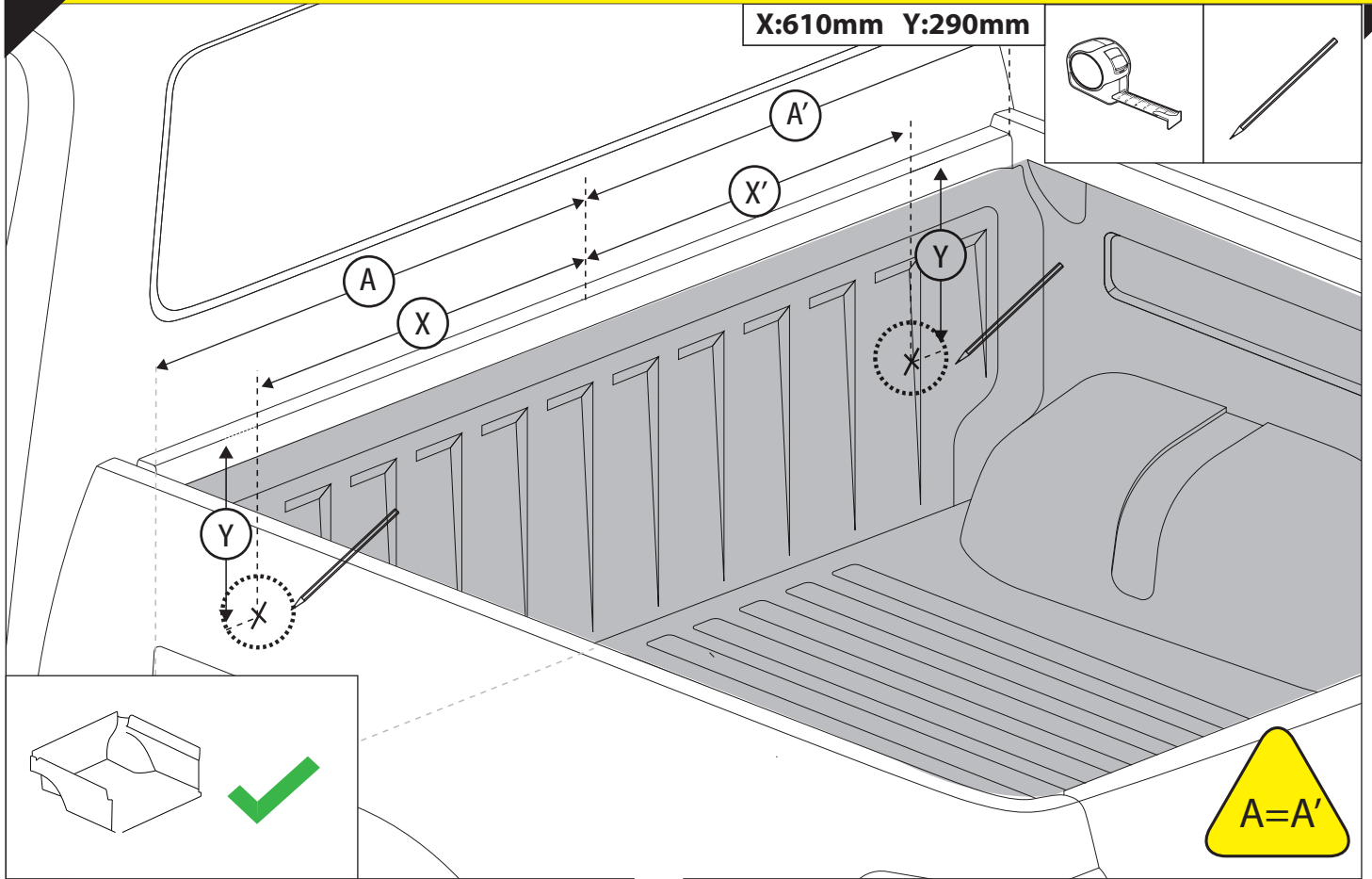
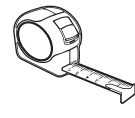
19

K



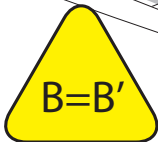
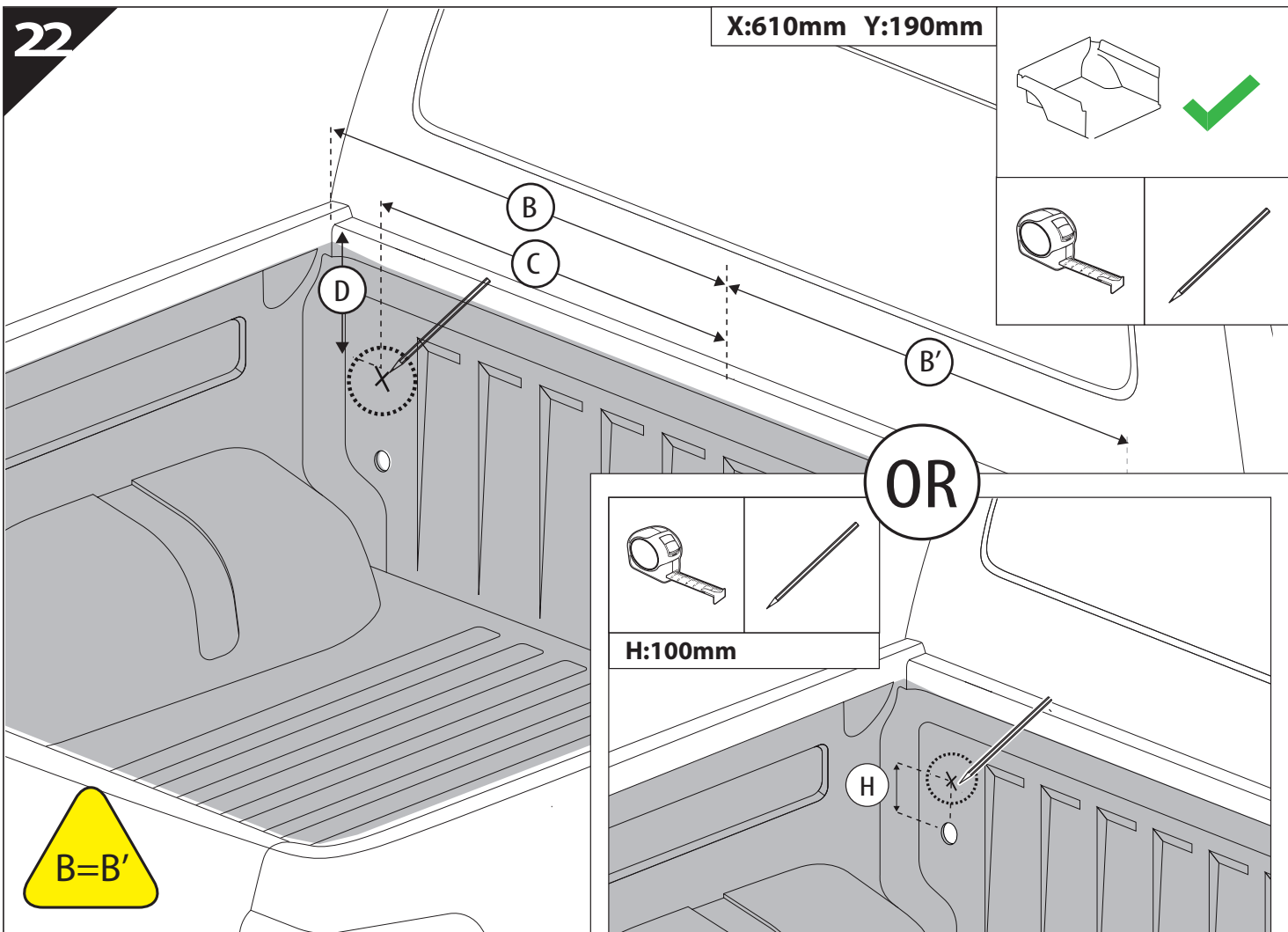
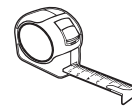
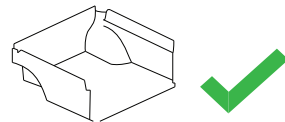


X:610mm Y:290mm



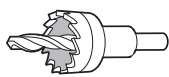
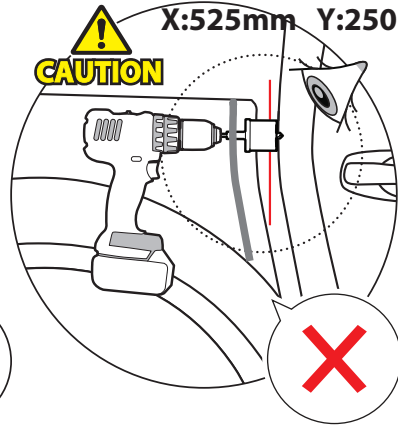
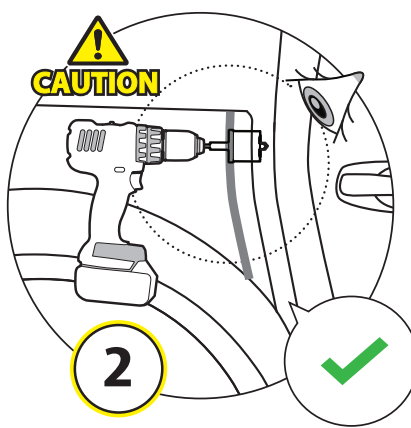
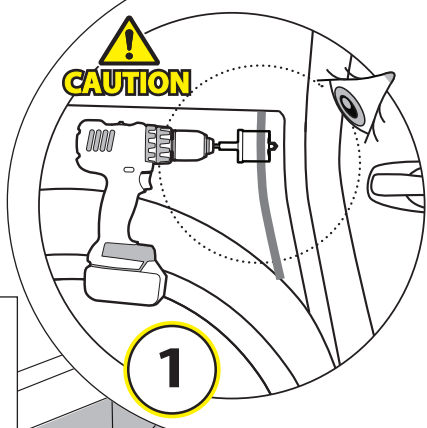
22

X:610mm Y:190mm

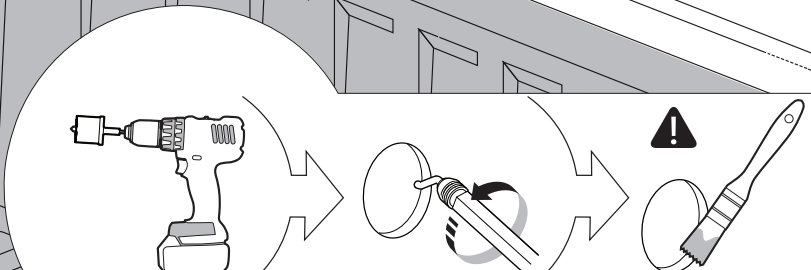
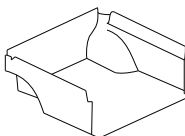
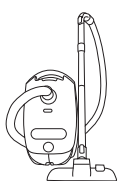


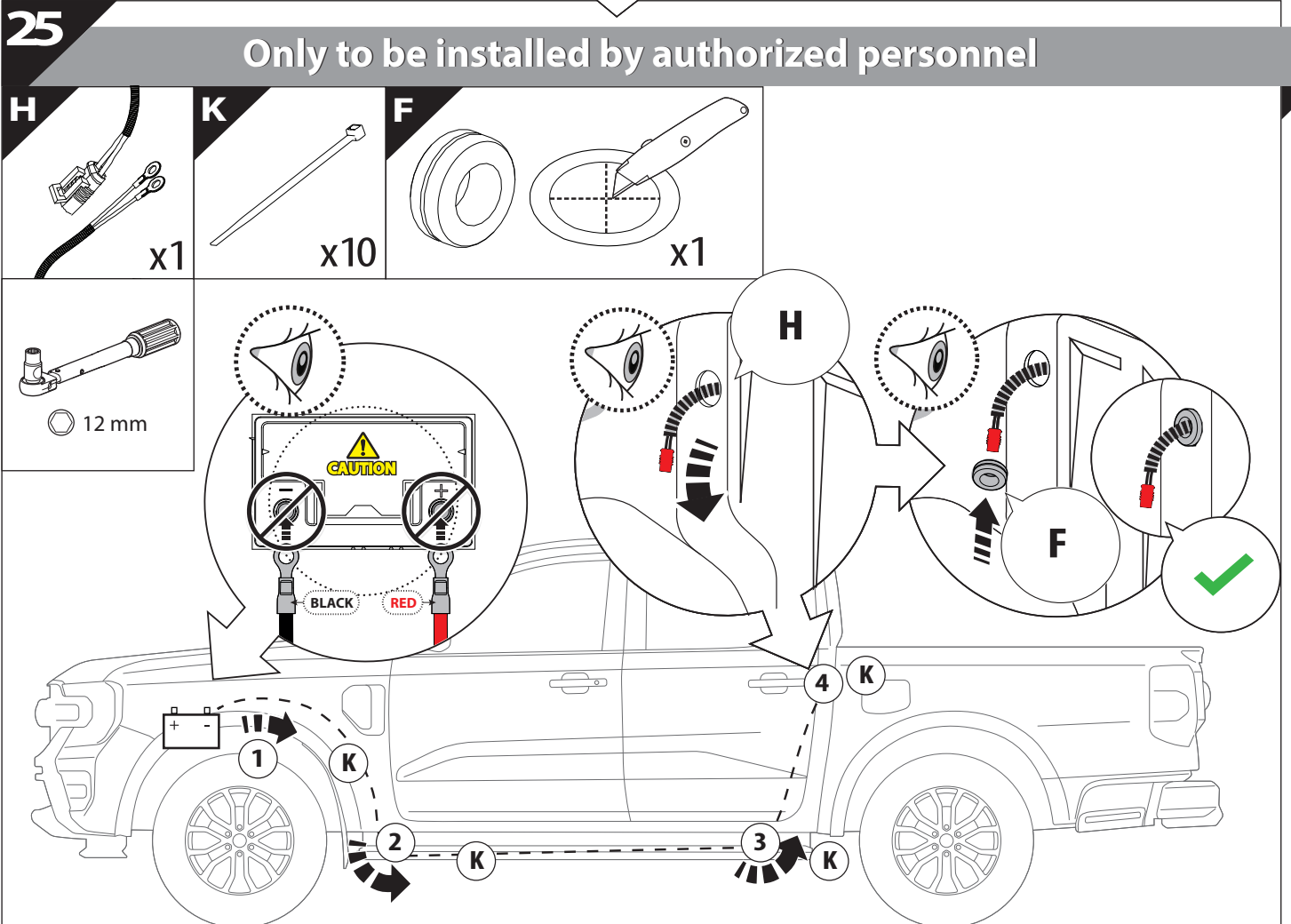
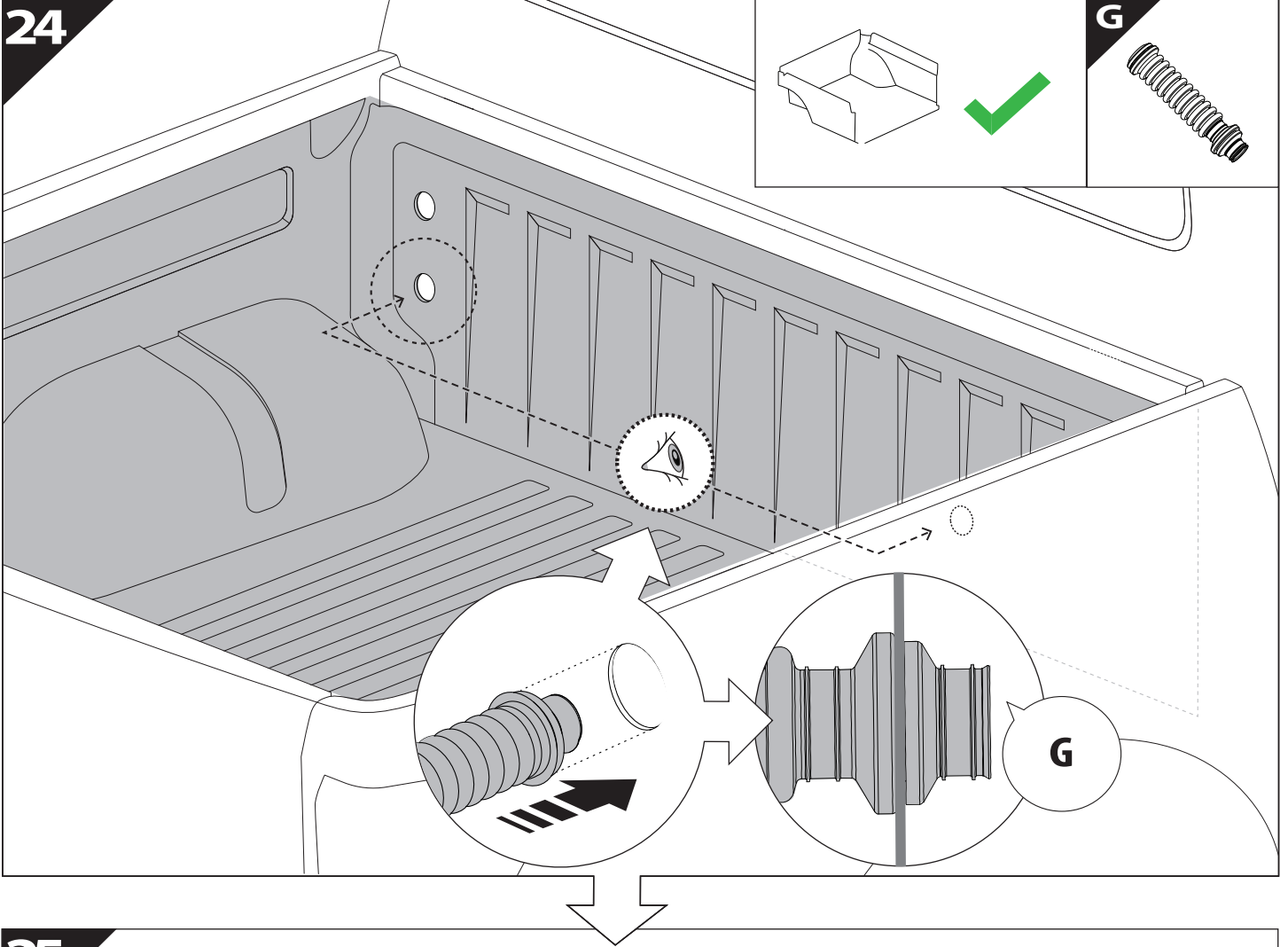
23

X:525mm Y:250mm

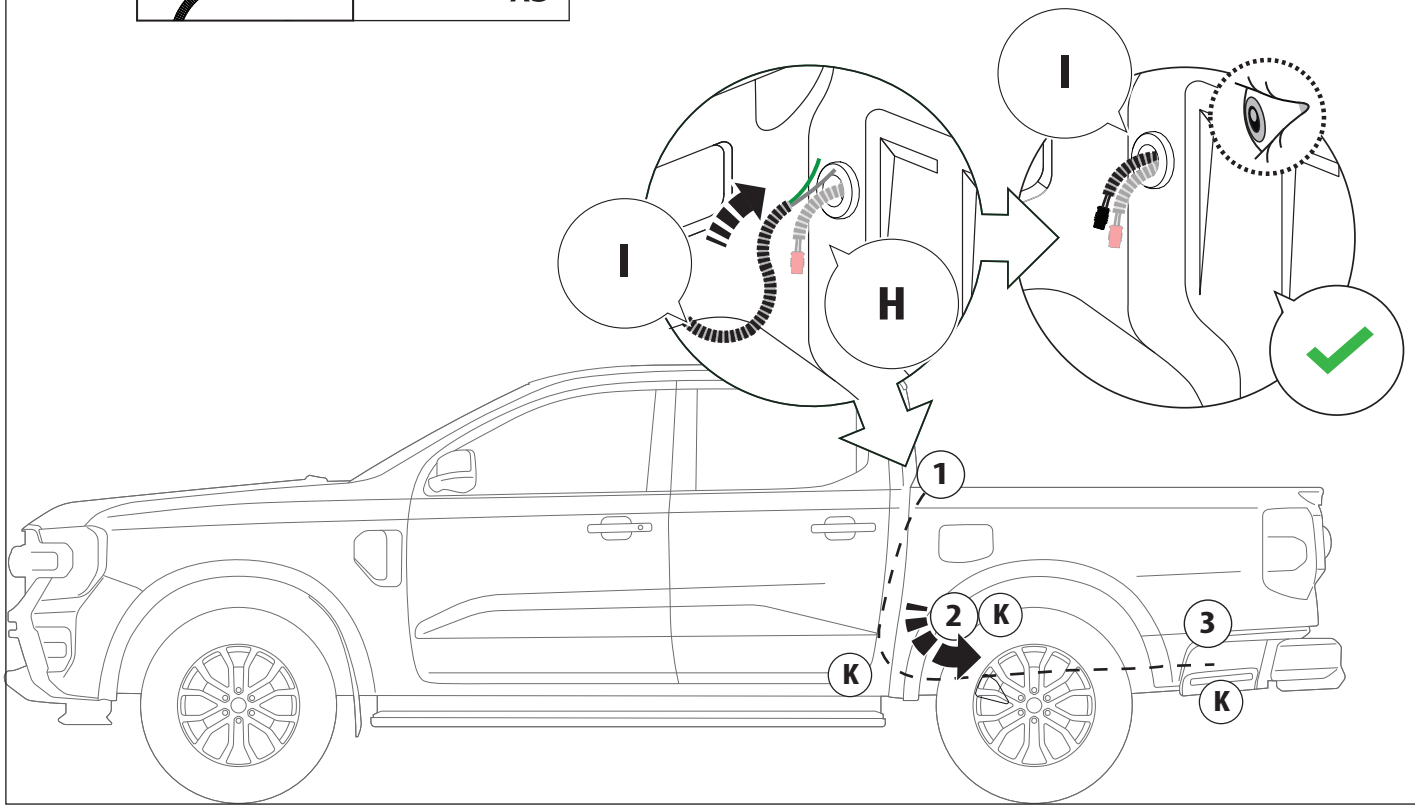
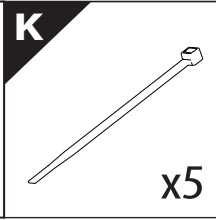
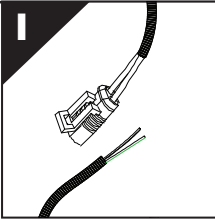


Ø 25 mm





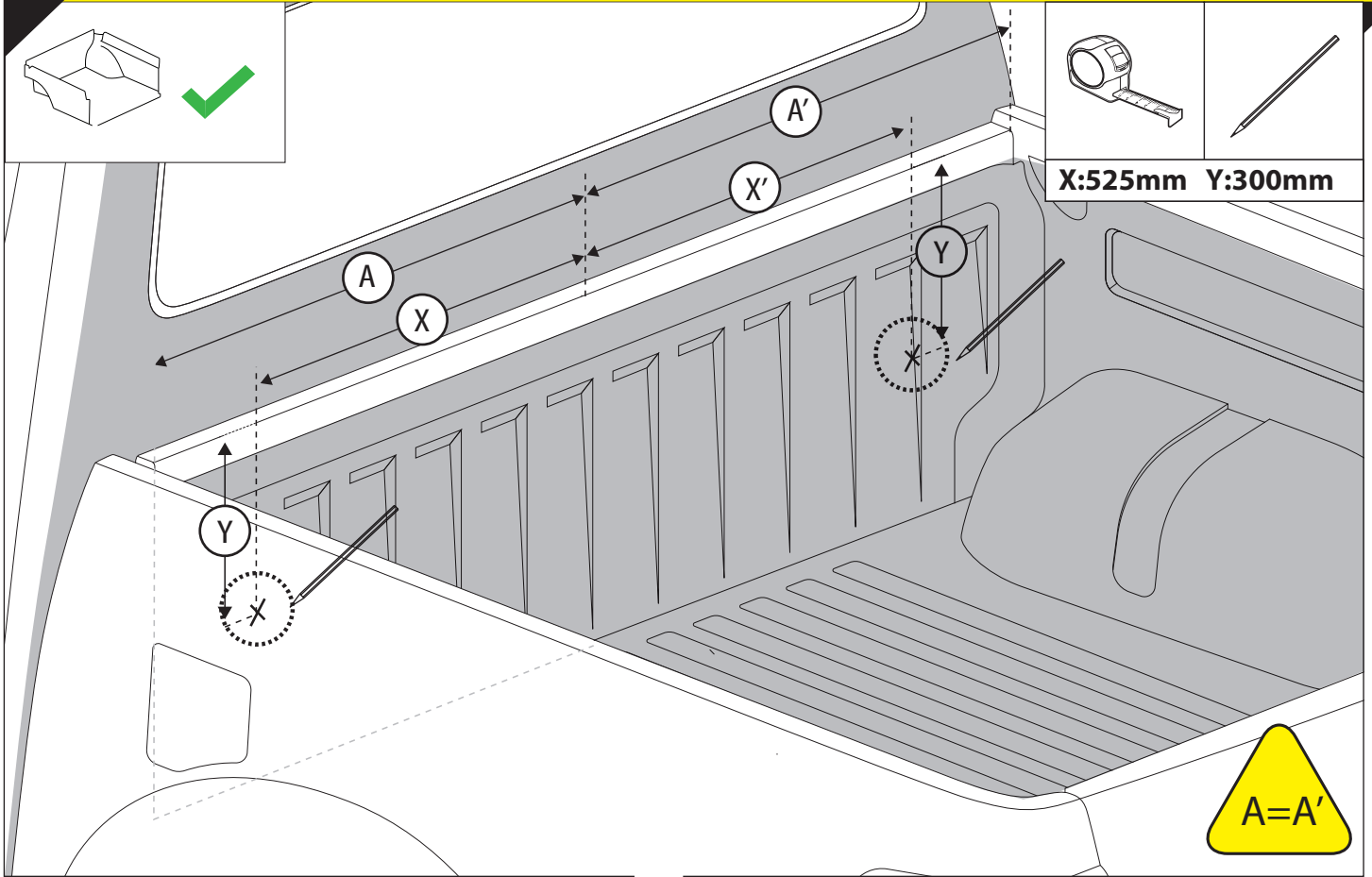
26



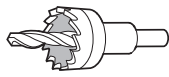
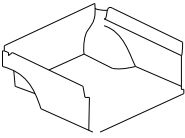
27



CAUTION: RAPTOR



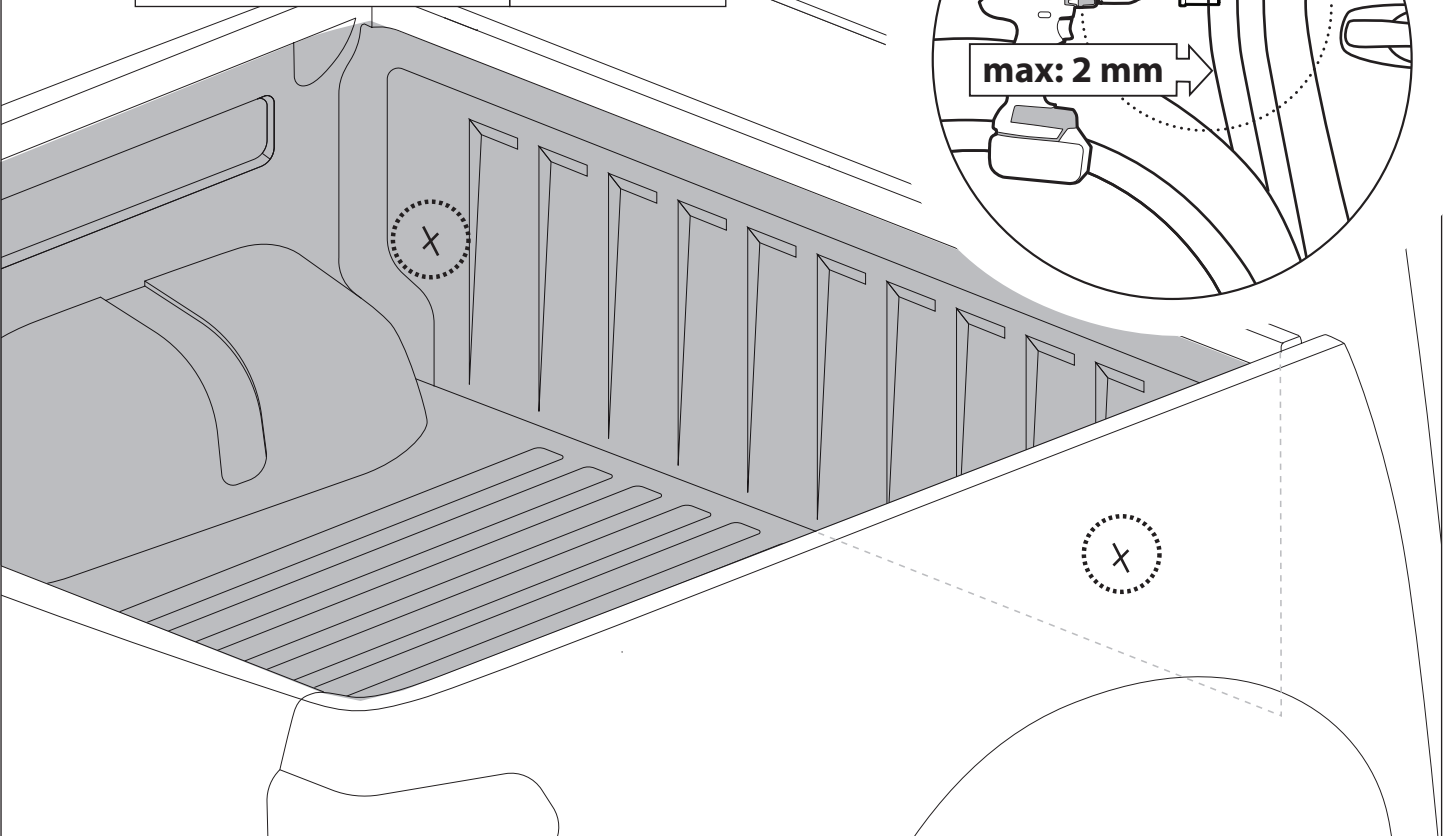
28



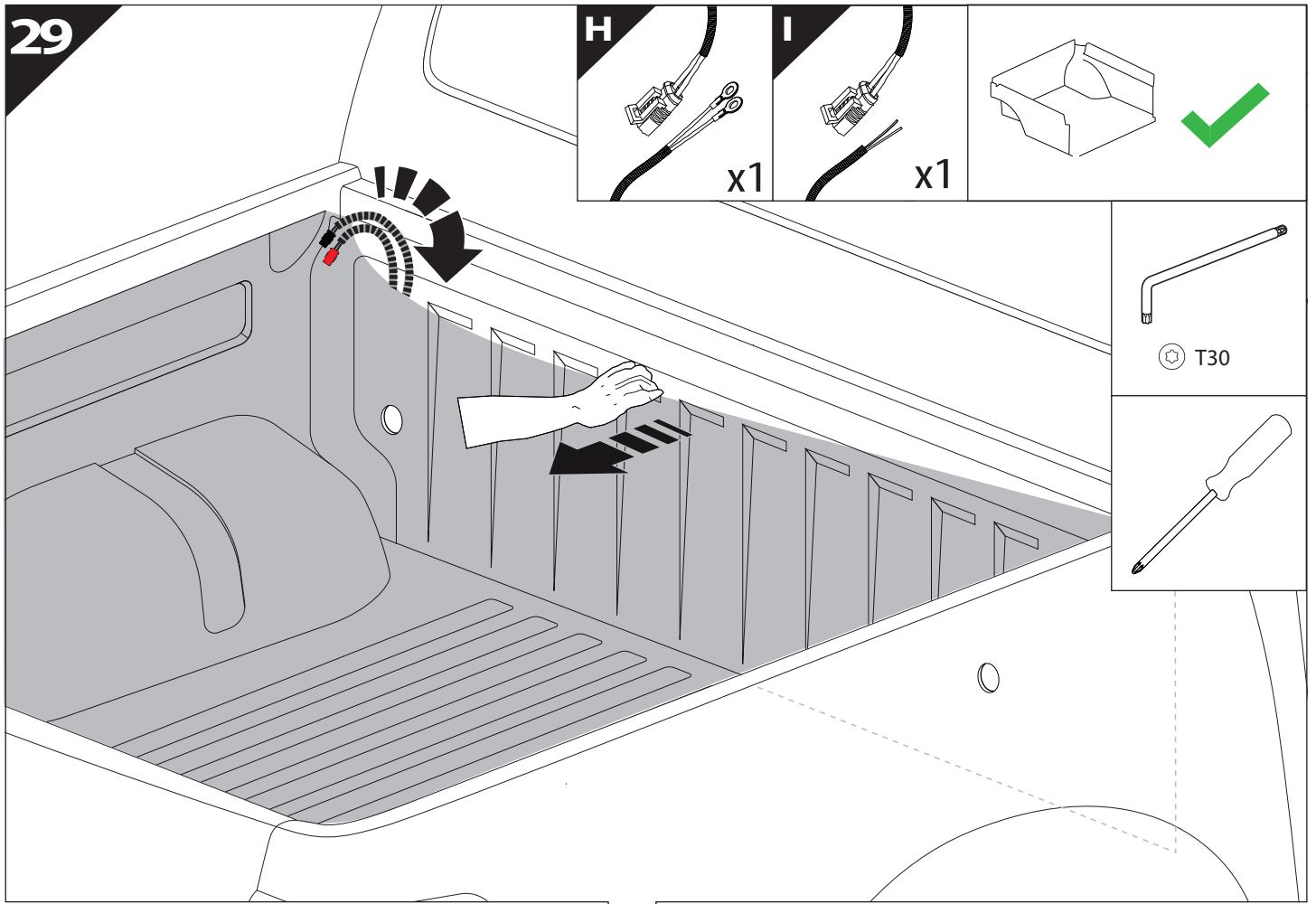
$\varnothing 25\text{ mm}$

CAUTION

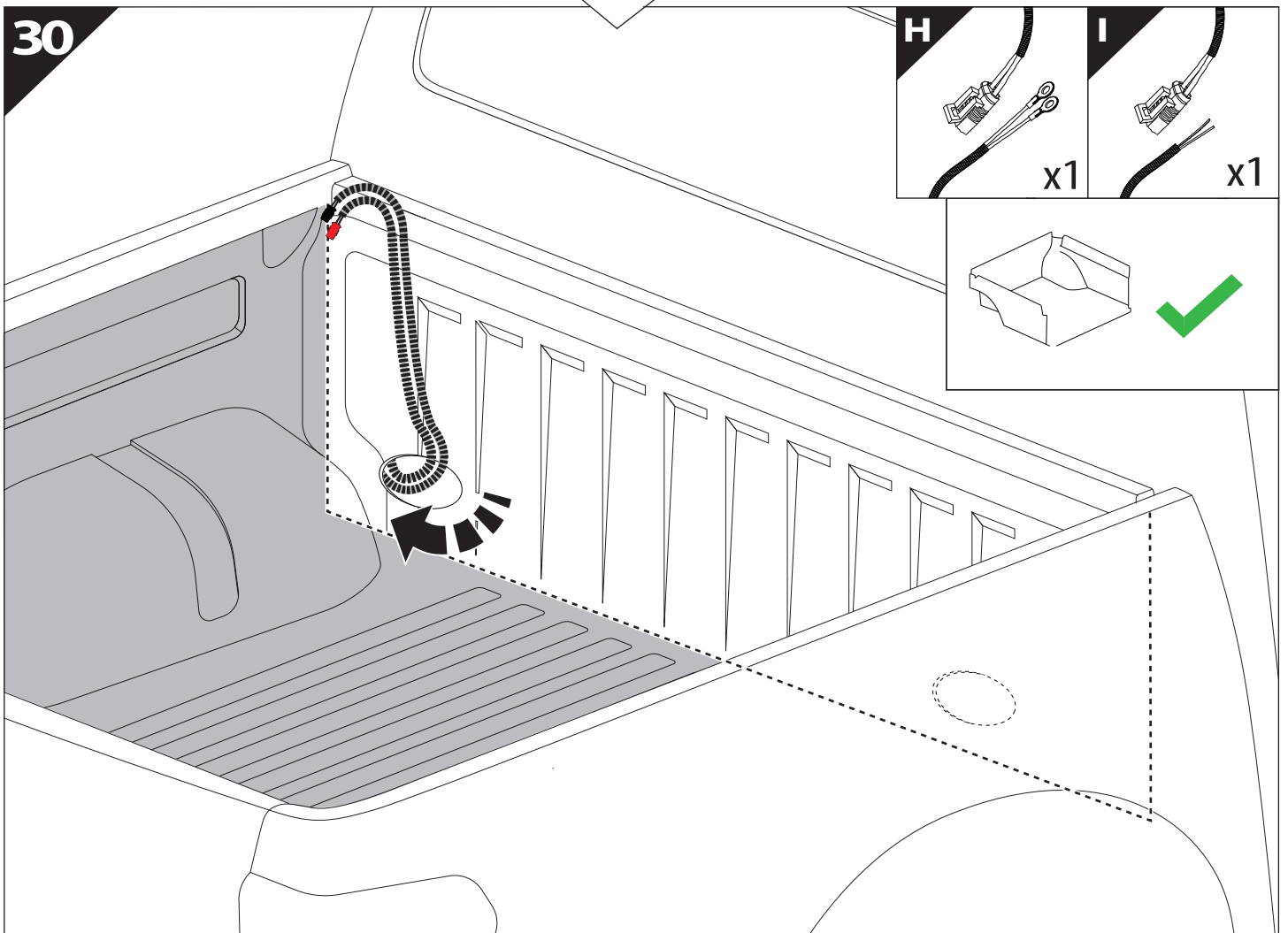
max: 2 mm



29

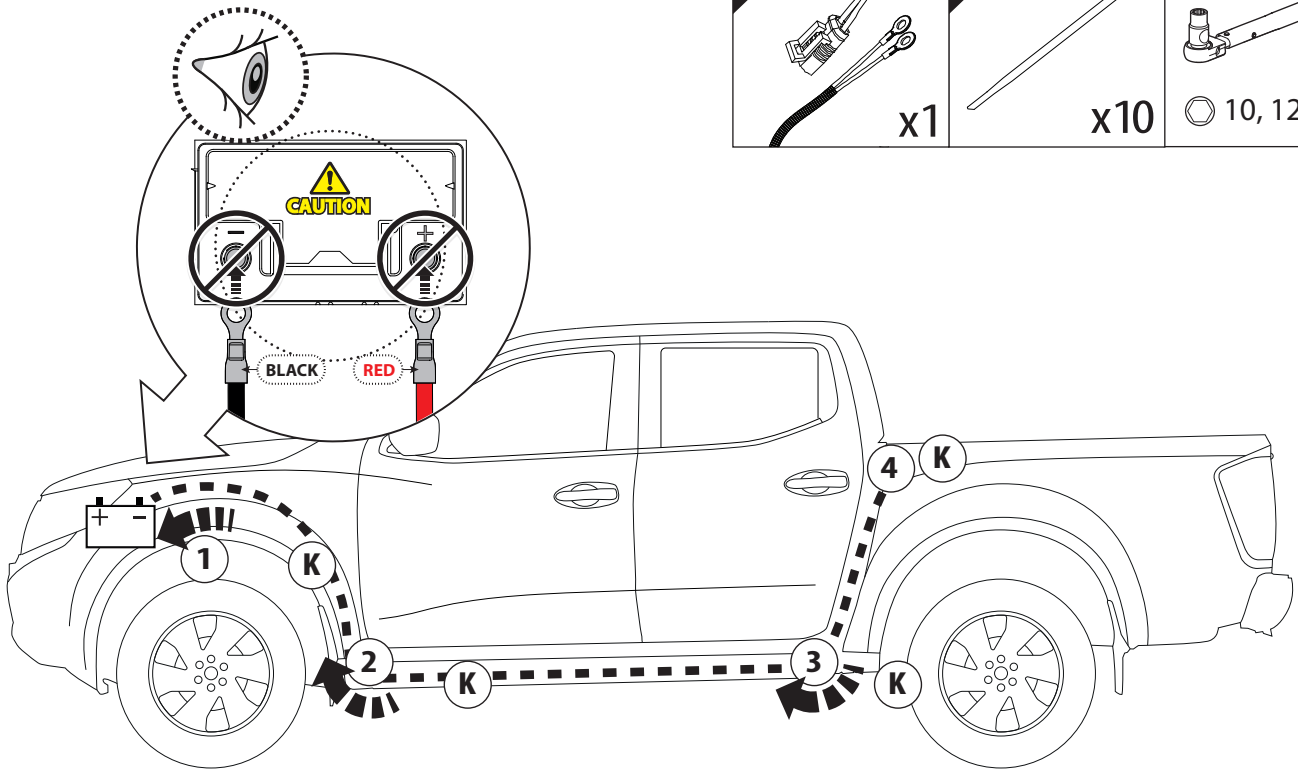
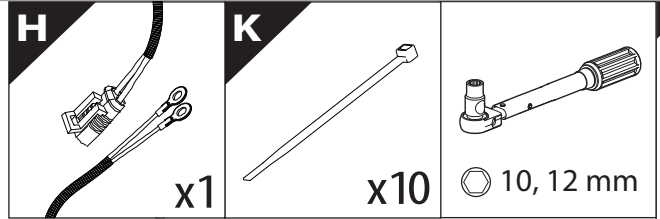


30

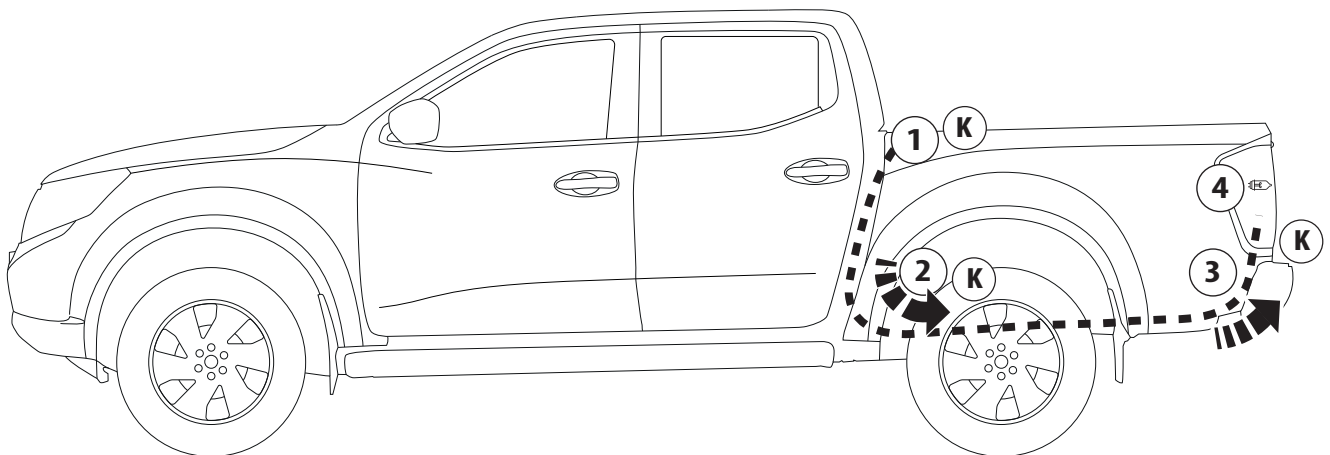
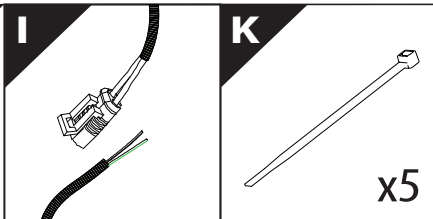


31

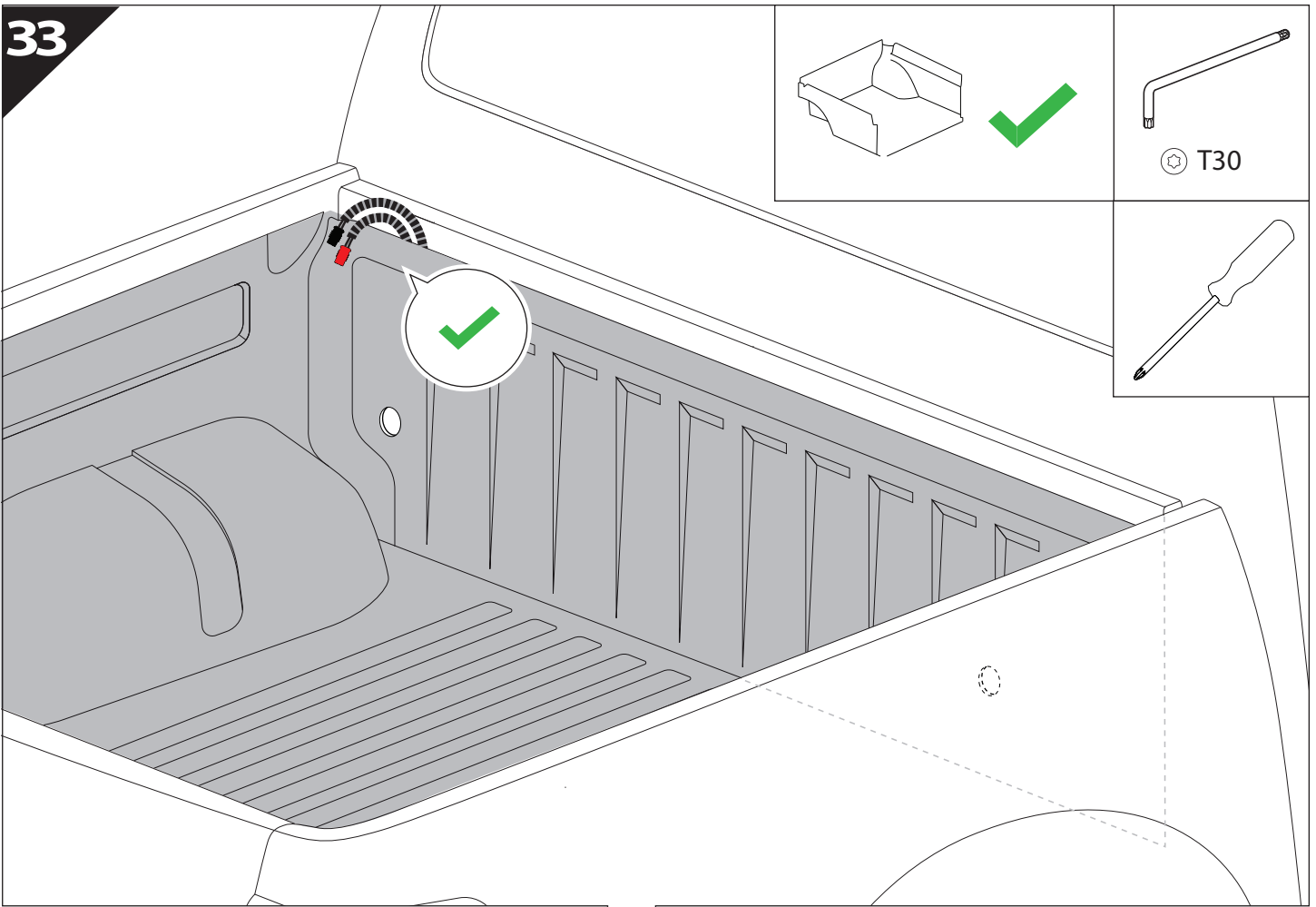
Only to be installed by authorized personnel



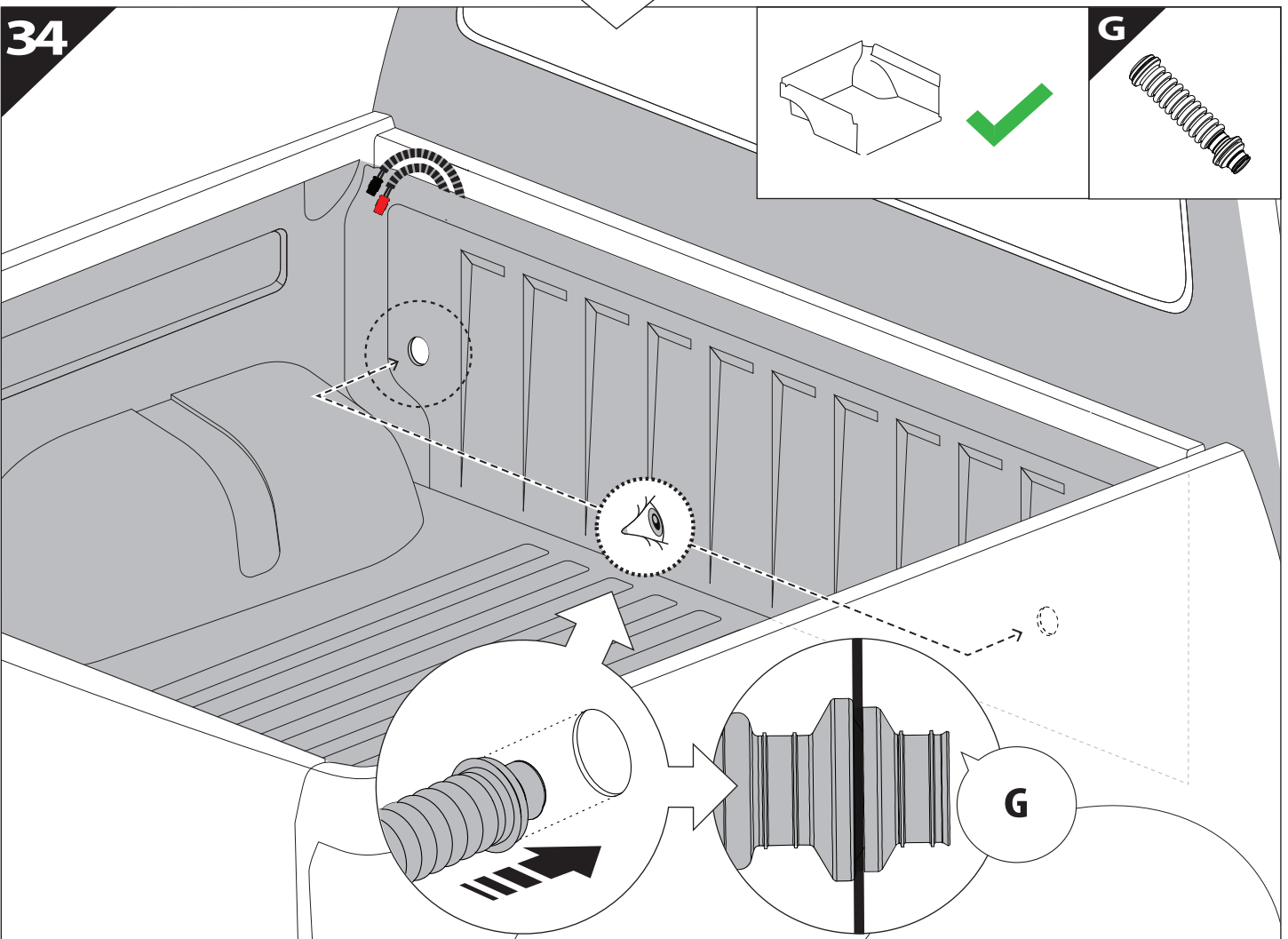
32



33

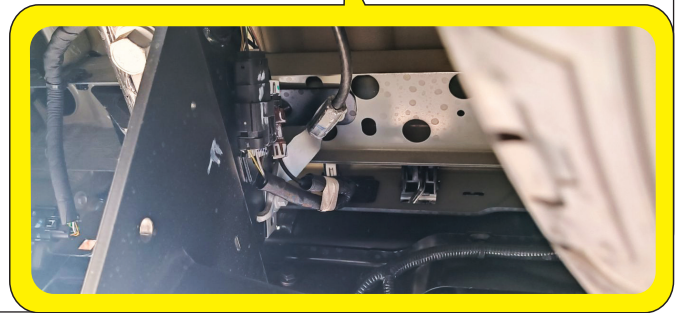
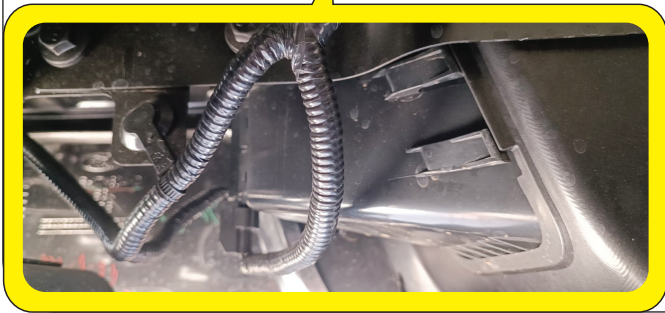
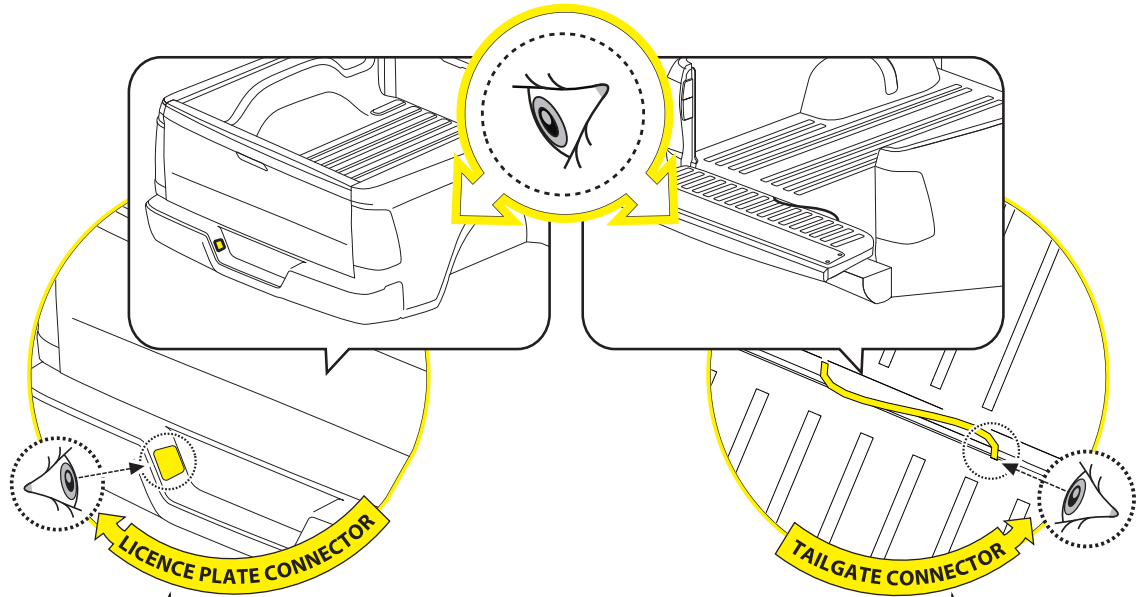


34

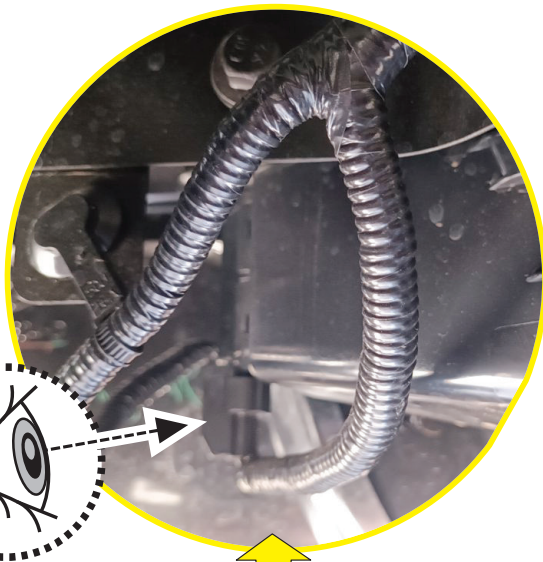




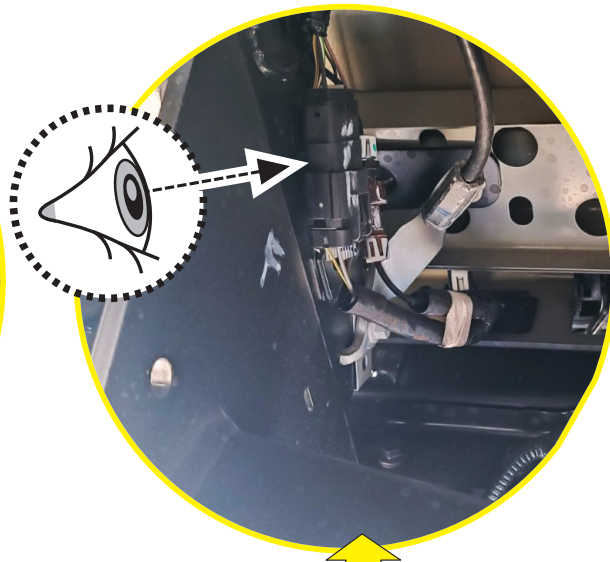
CAUTION: LIMITED, WILDTRAK, WILDTRAK X, PLATINUM



# 36. ①



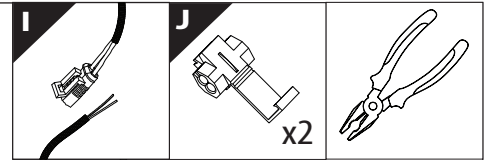
LICENCE PLATE CONNECTOR



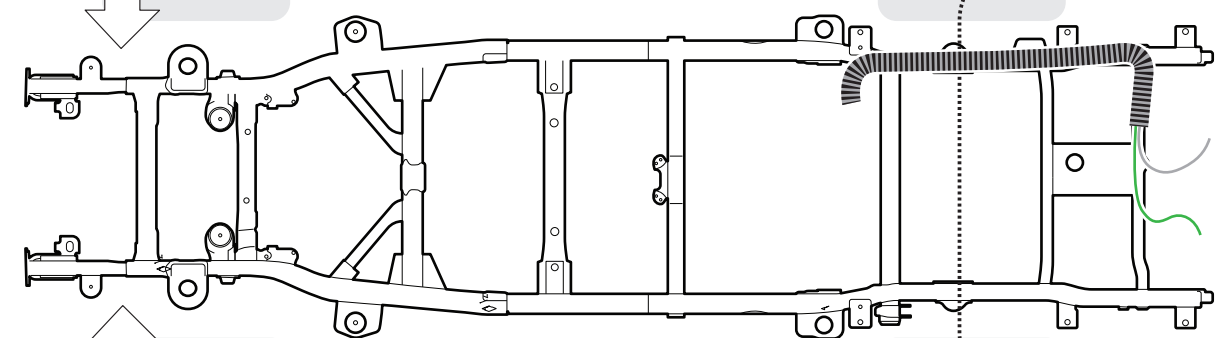
TAILGATE CONNECTOR

# 36. ②

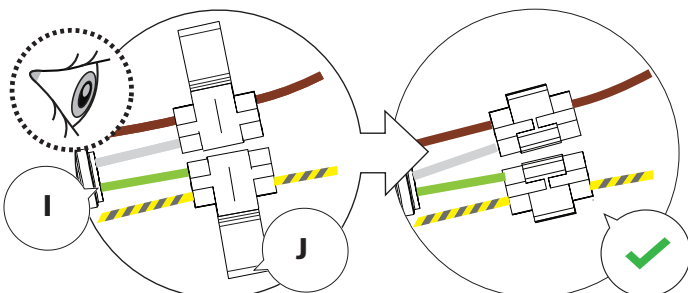
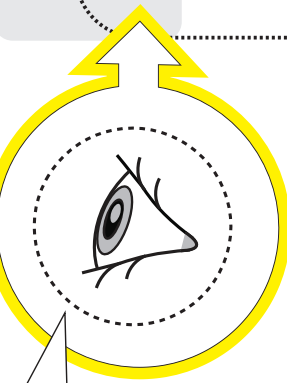
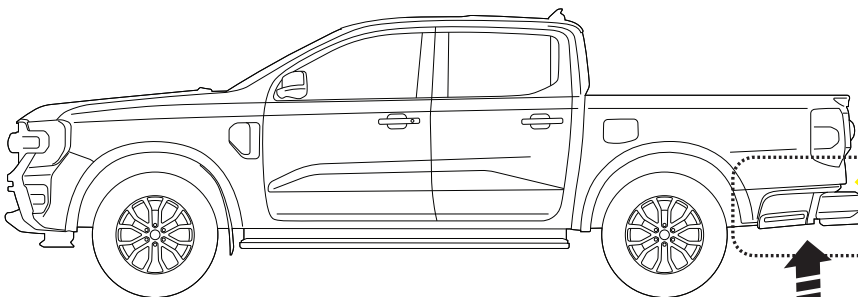
## BOTTOM VIEW



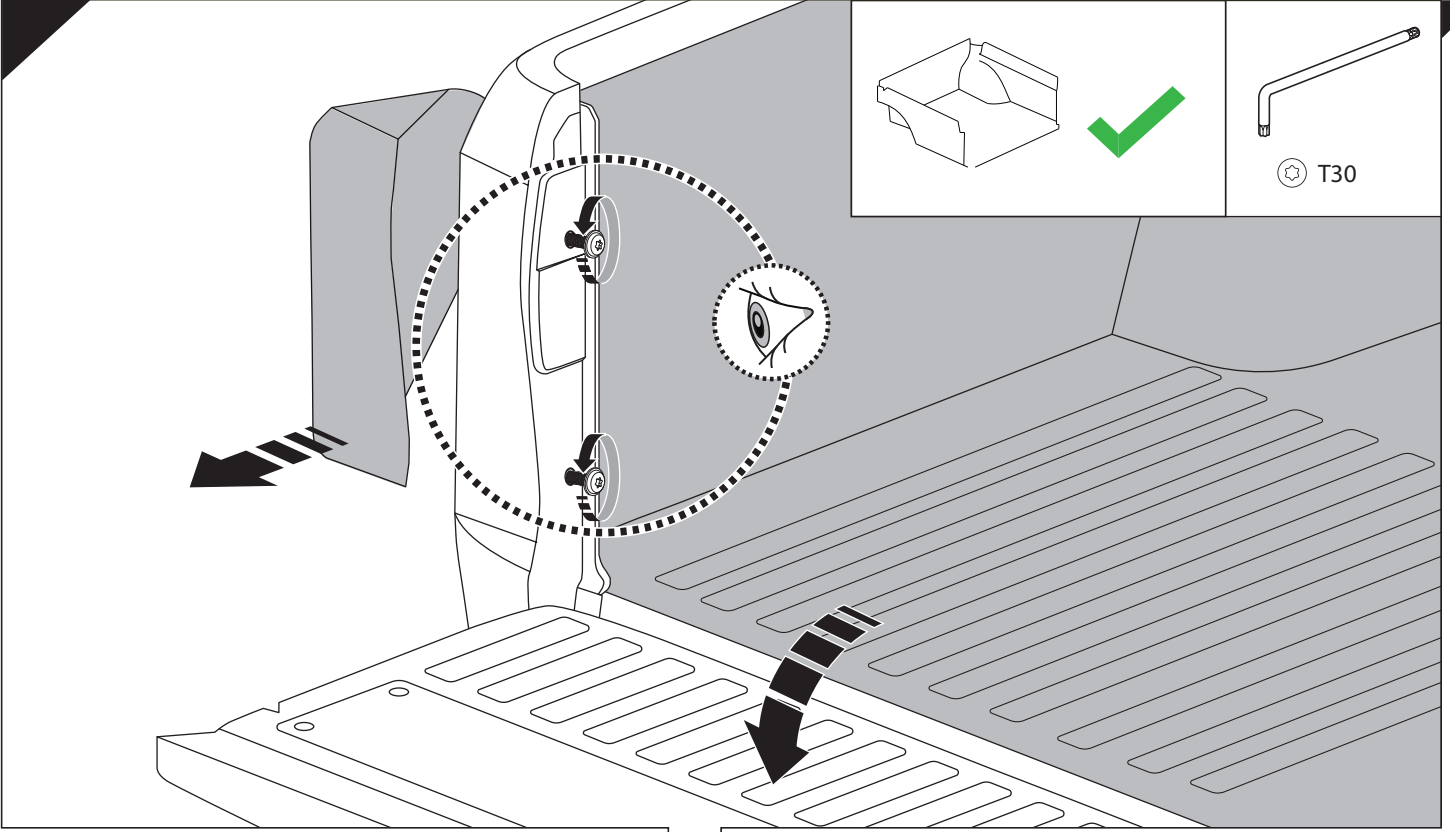
DRIVER'S LEFT SIDE



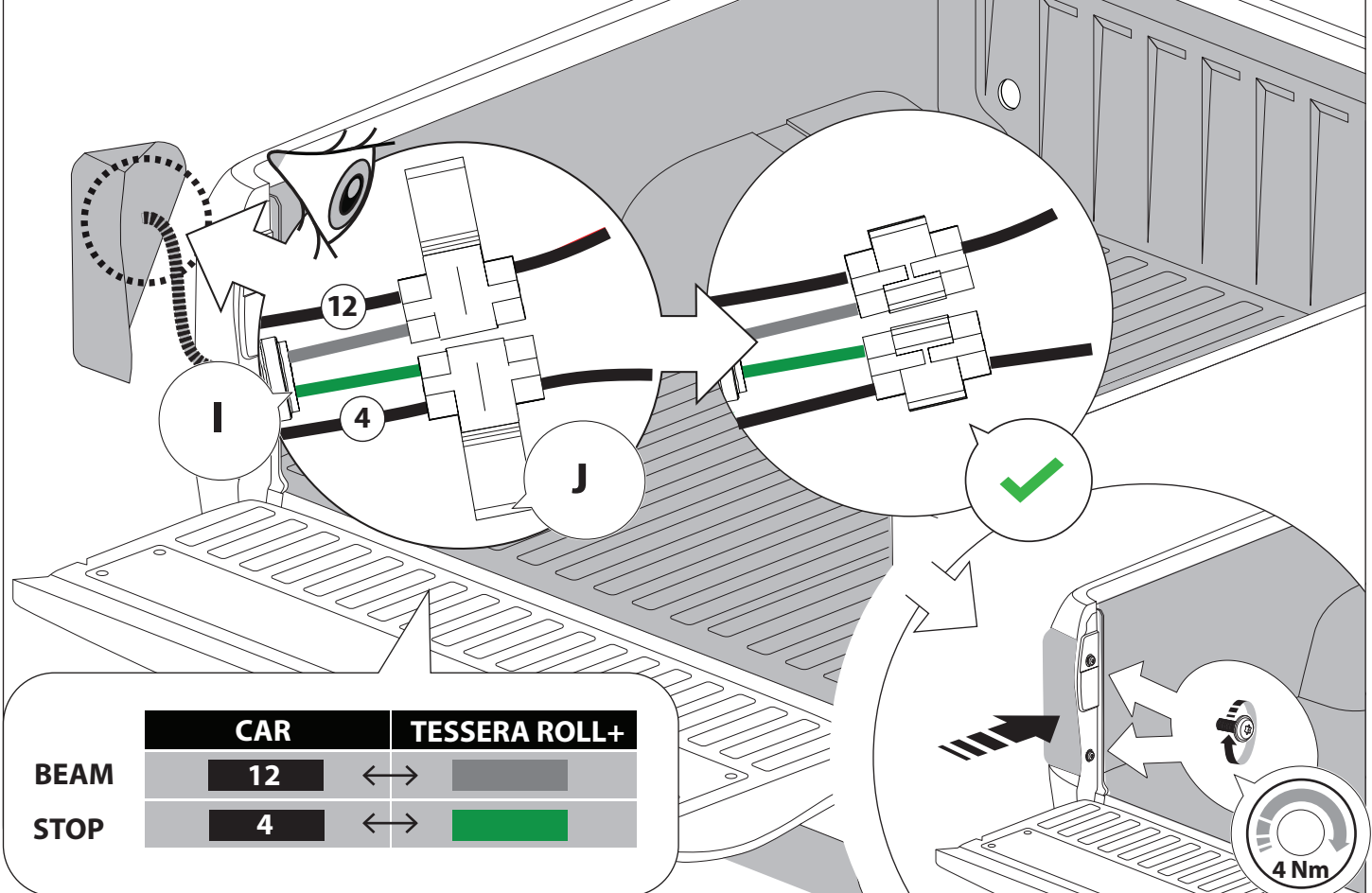
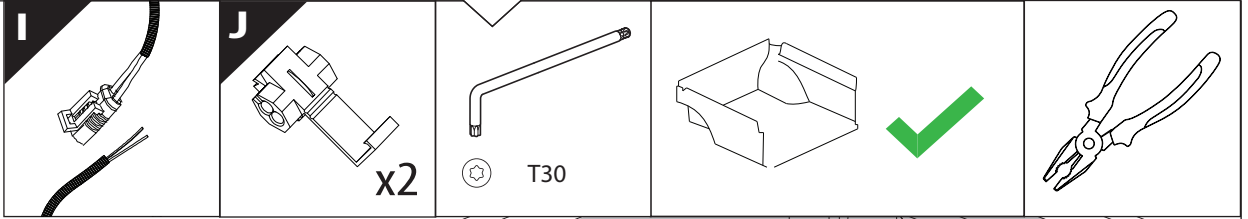
PASSENGER'S RIGHT SIDE



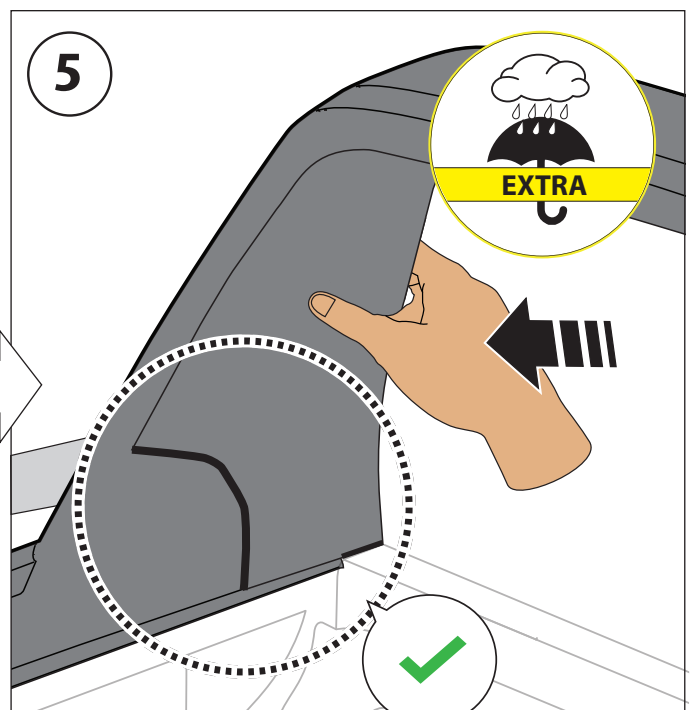
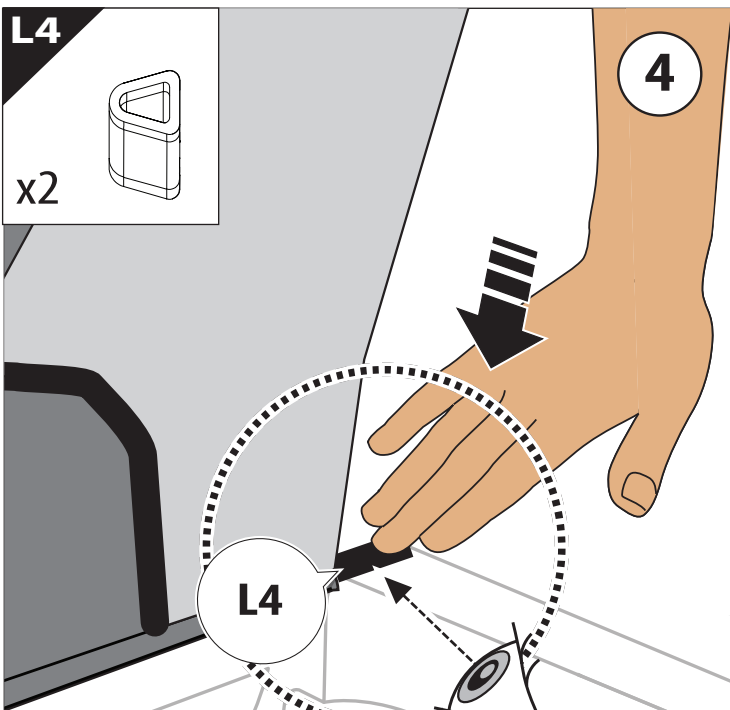
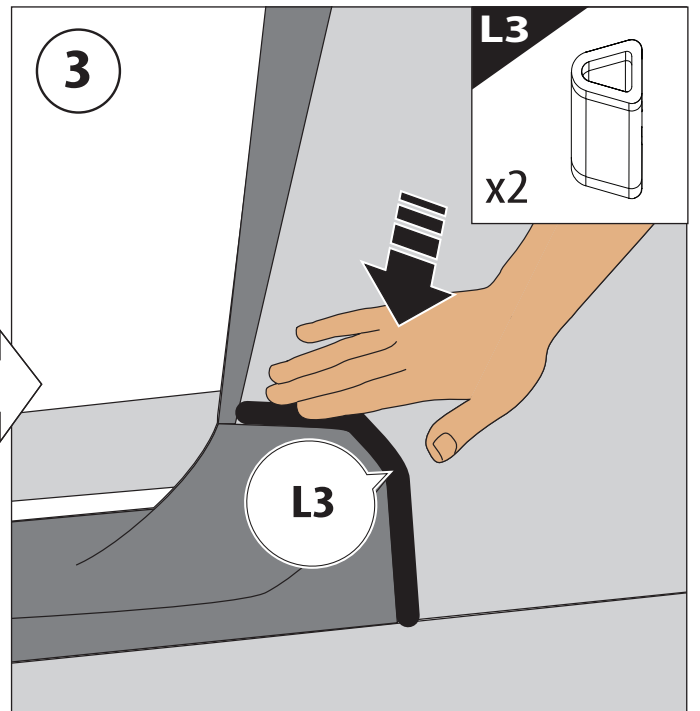
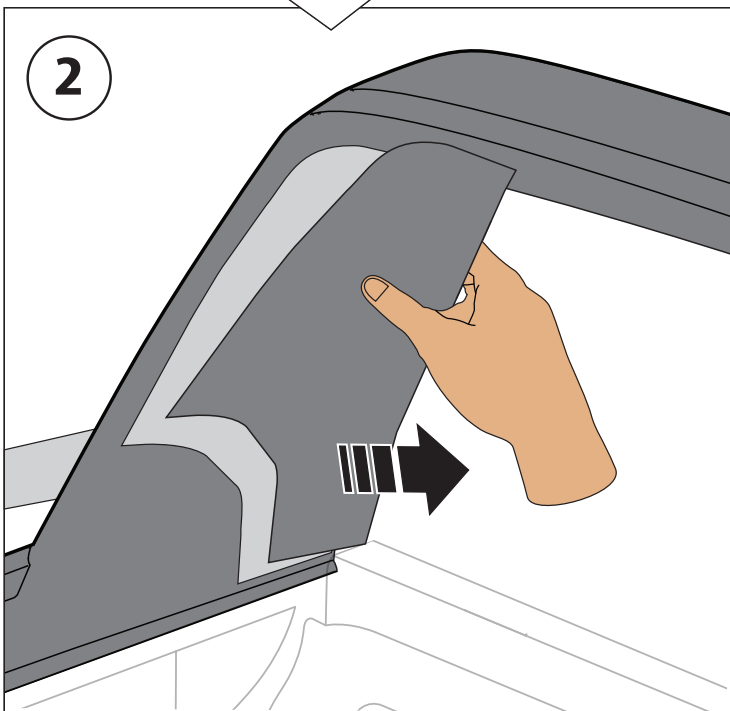
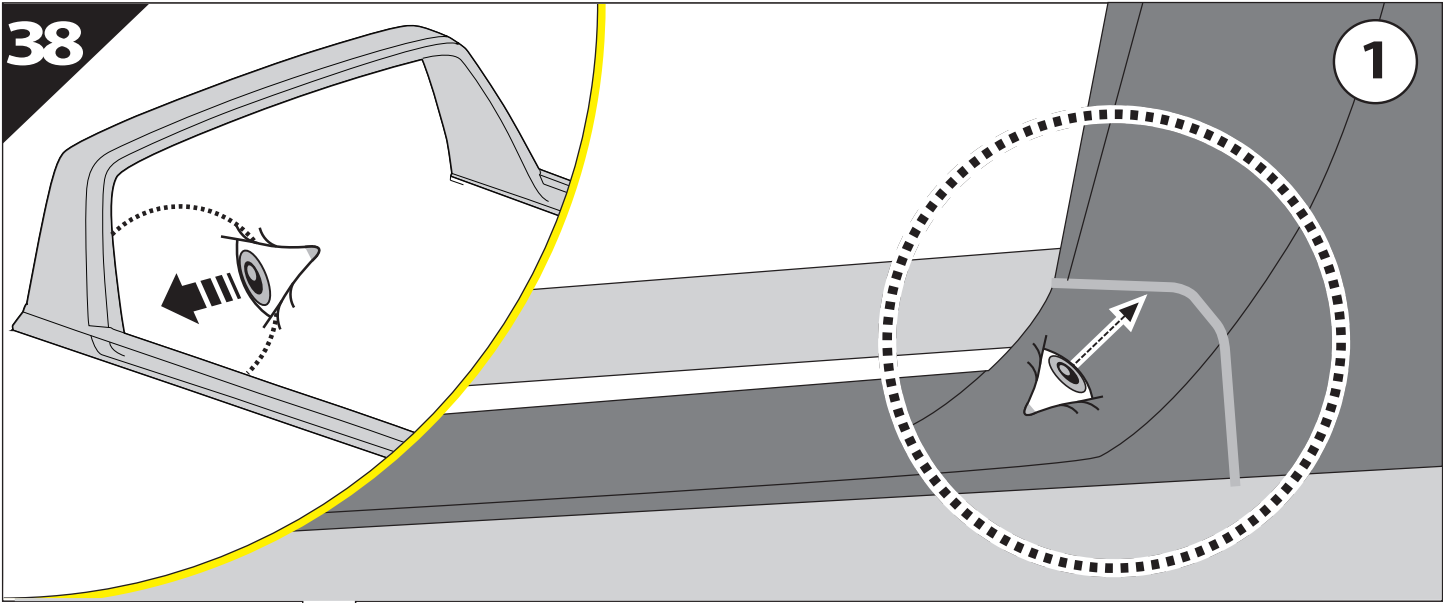
	CAR		TESSERA ROLL+
BEAM		↔	
LICENCE PLATE 2 PIN LIGHT CONNECTOR			
STOP		↔	
TAILGATE CONNECTOR			

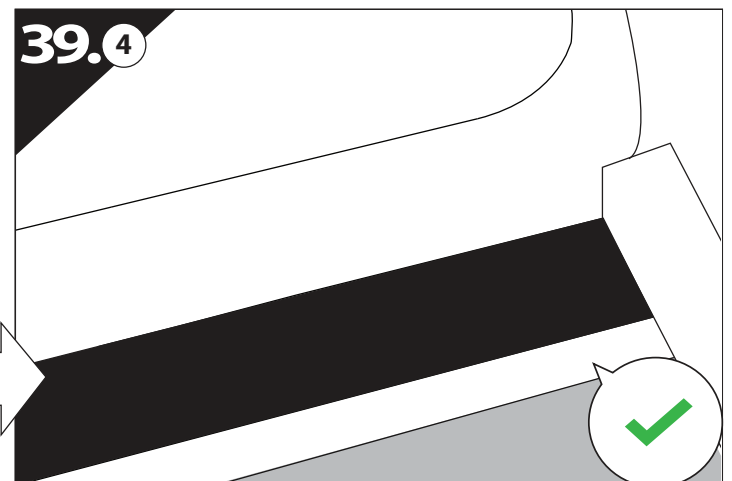
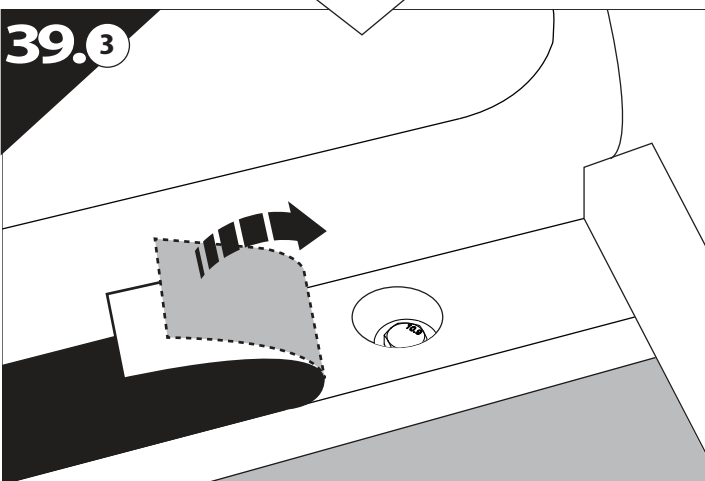
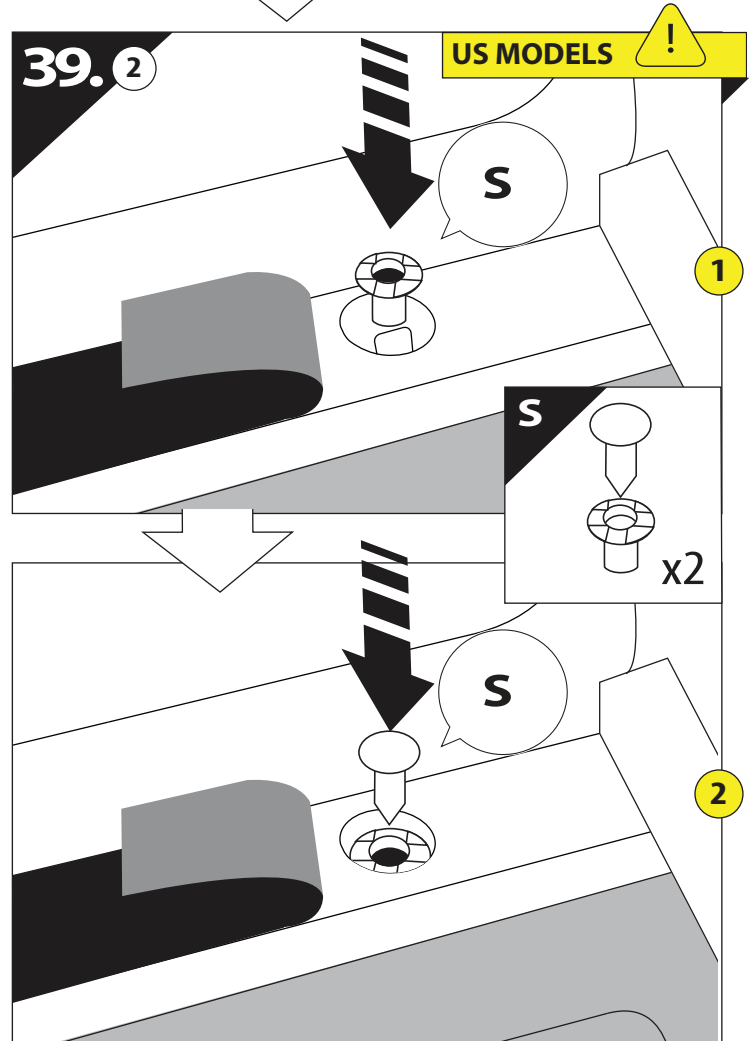
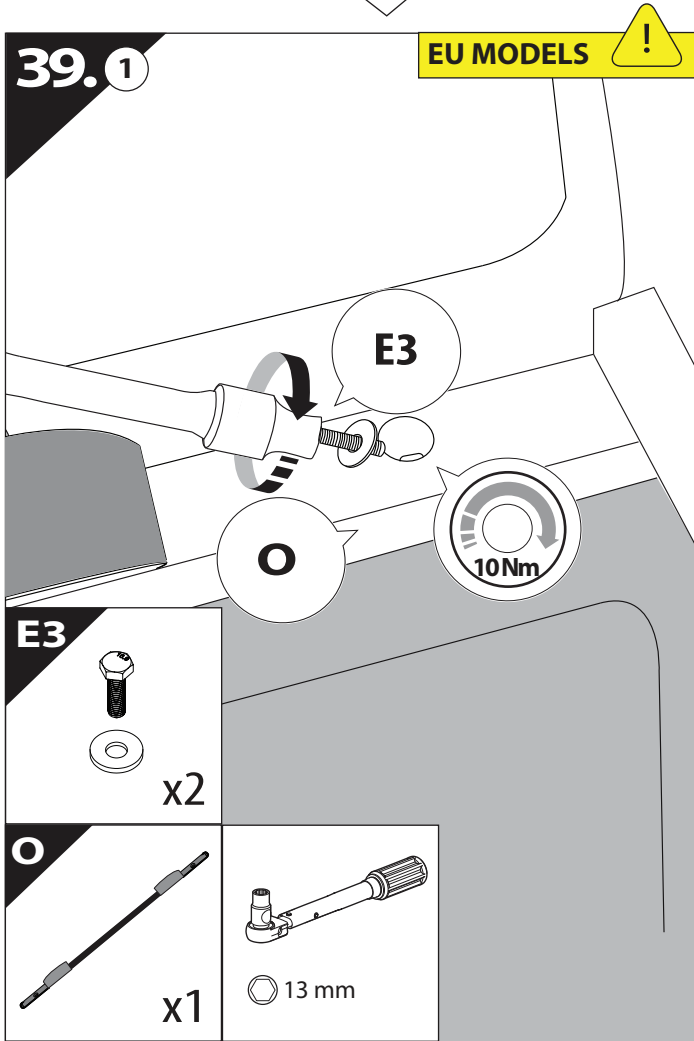
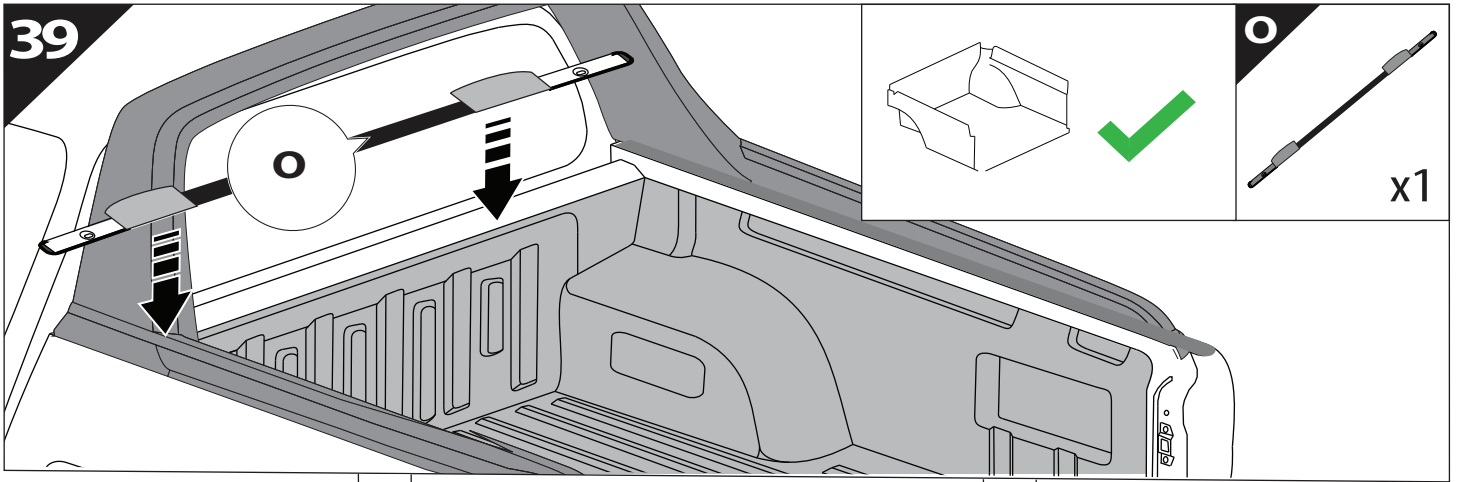


37.1



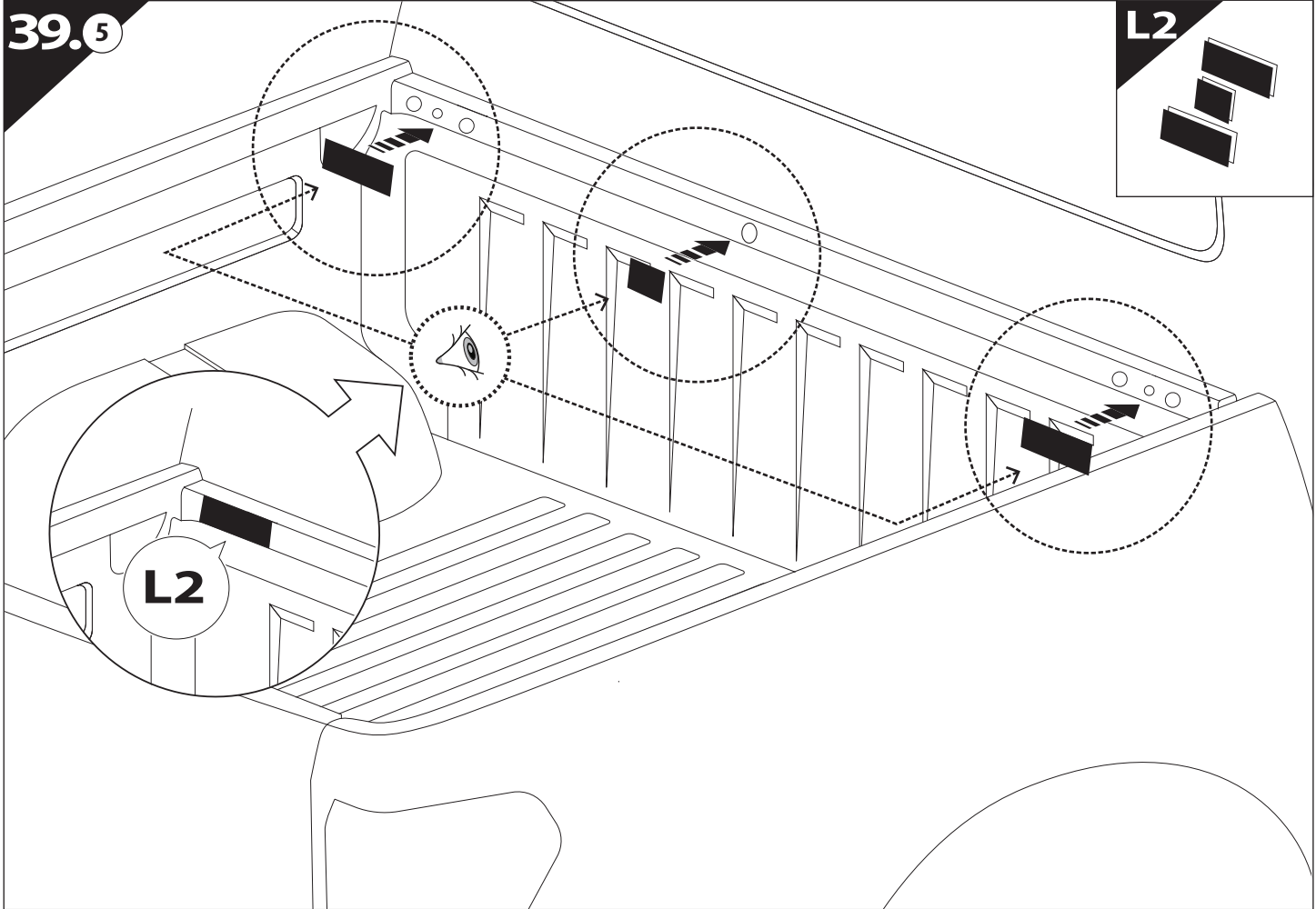
	CAR		TESSERA ROLL+
BEAM	12	↔	
STOP	4	↔	





39.6

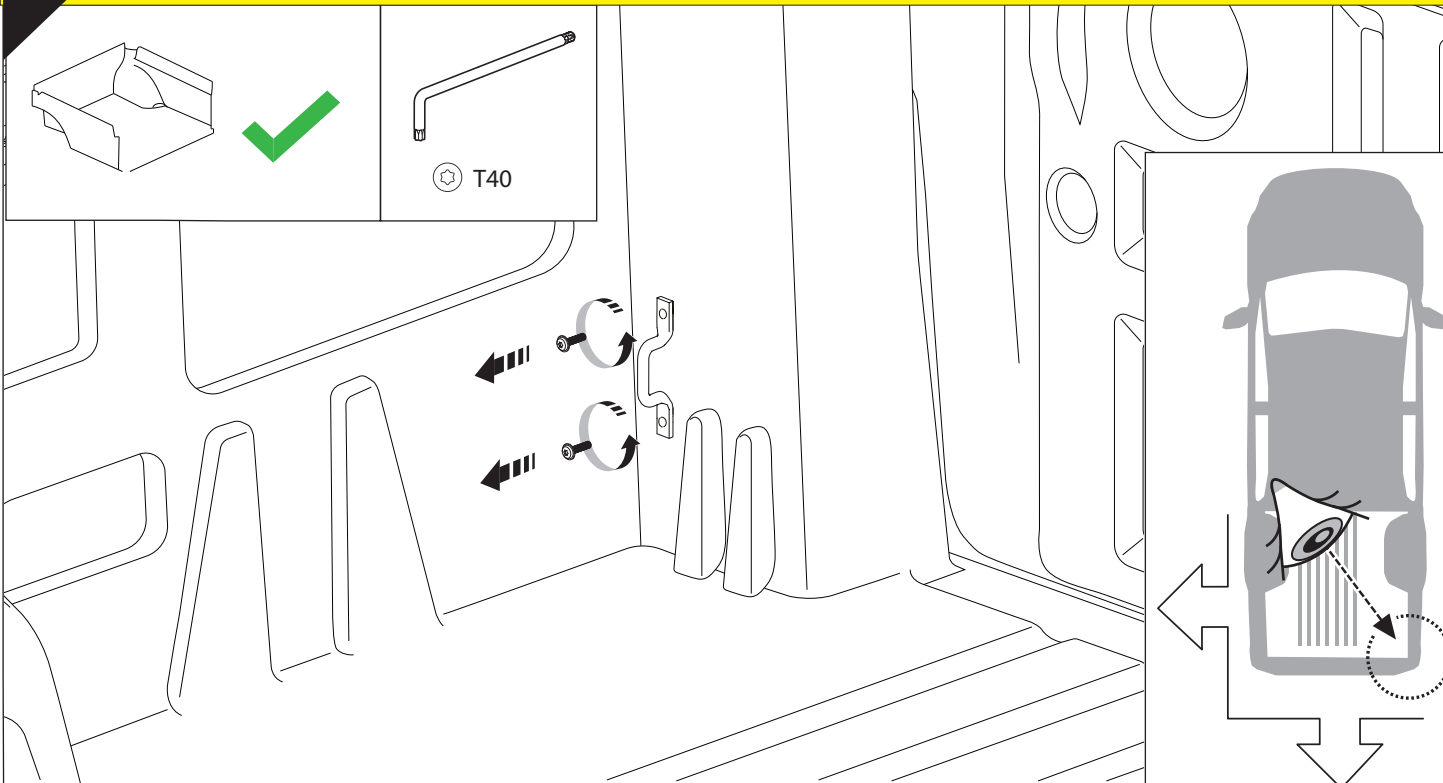
L2



40

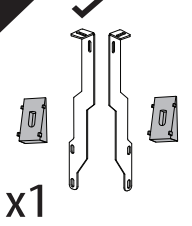


WITH & WITHOUT C - CHANNELS



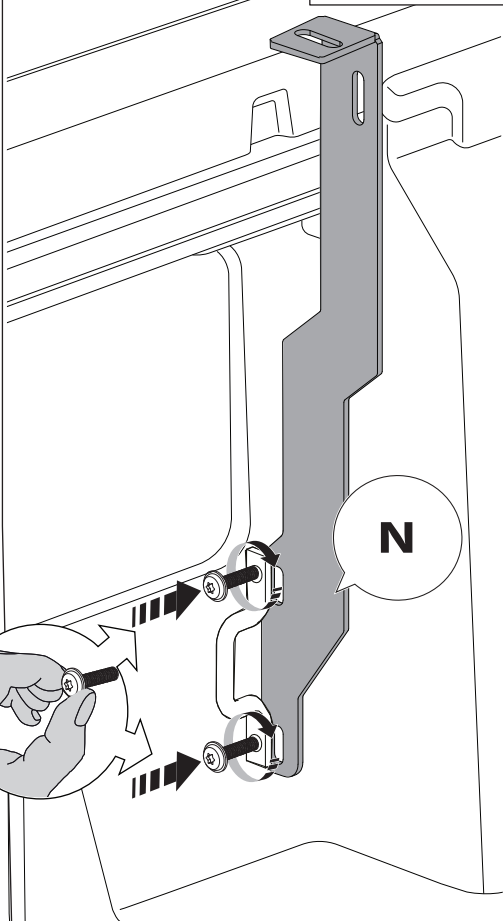
41

N



x1

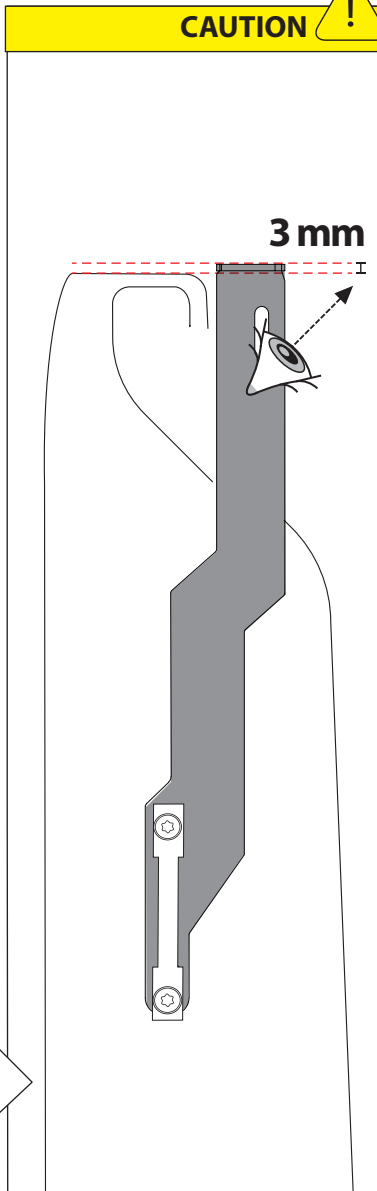
N



CAUTION

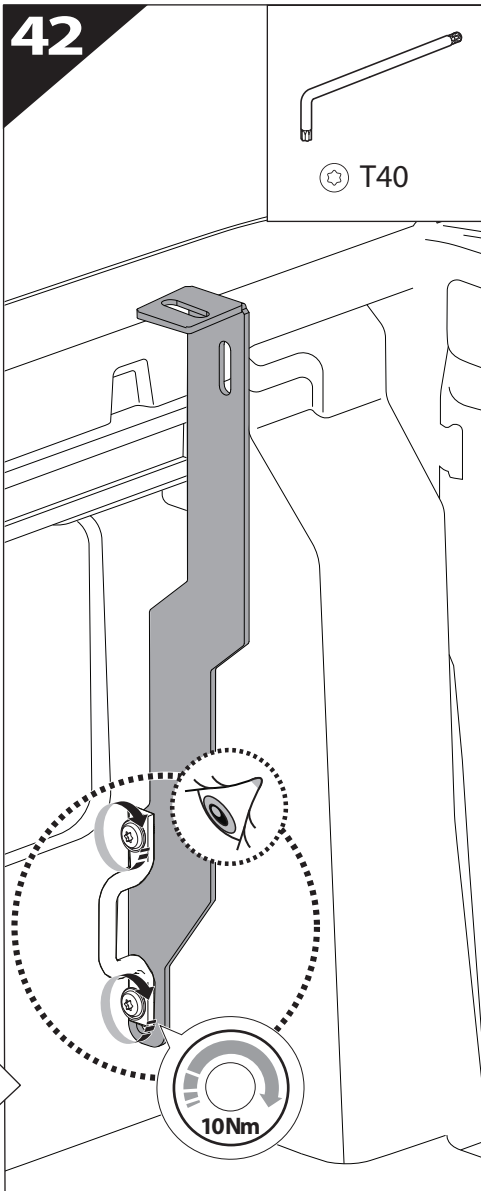


3 mm



42

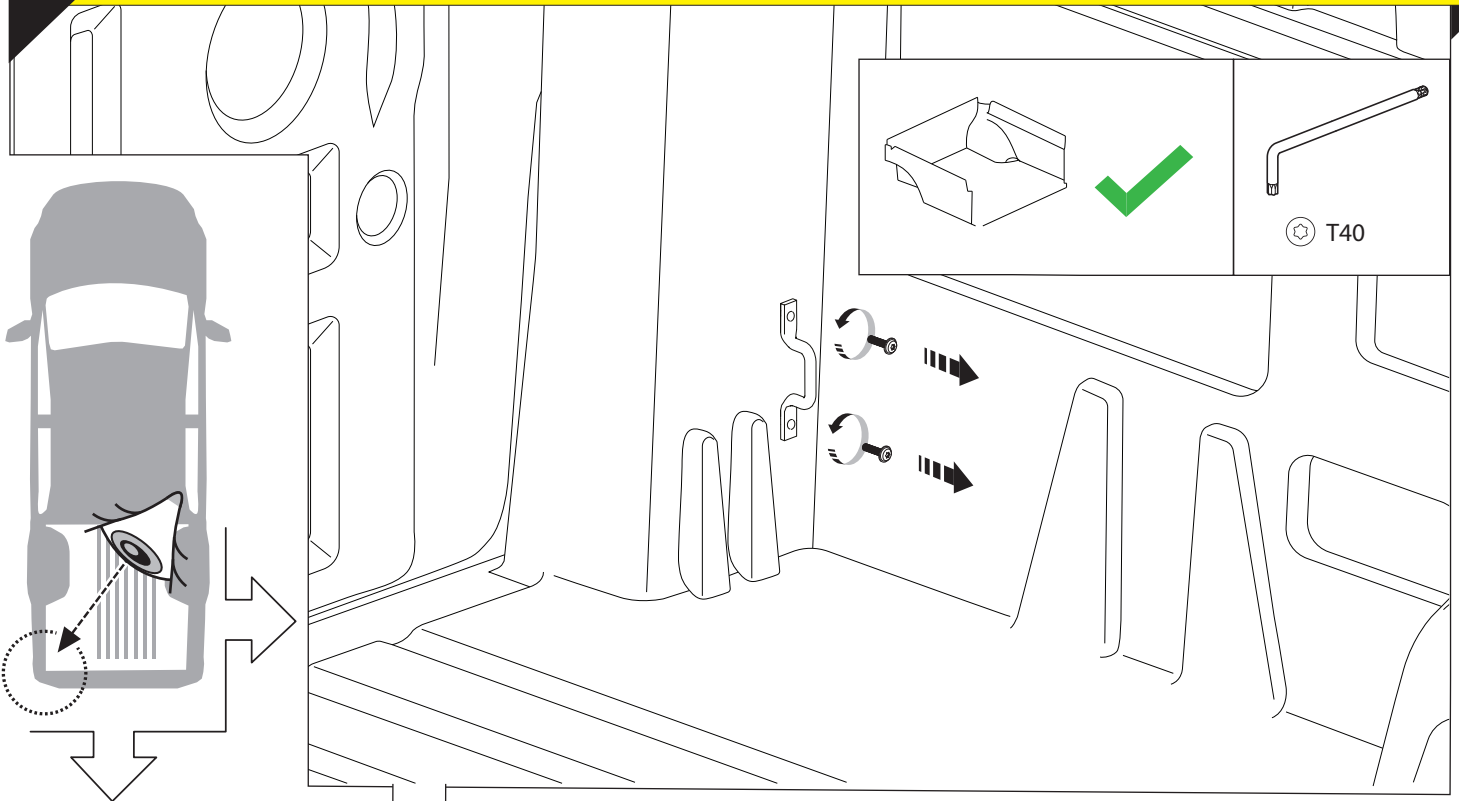
T40



43

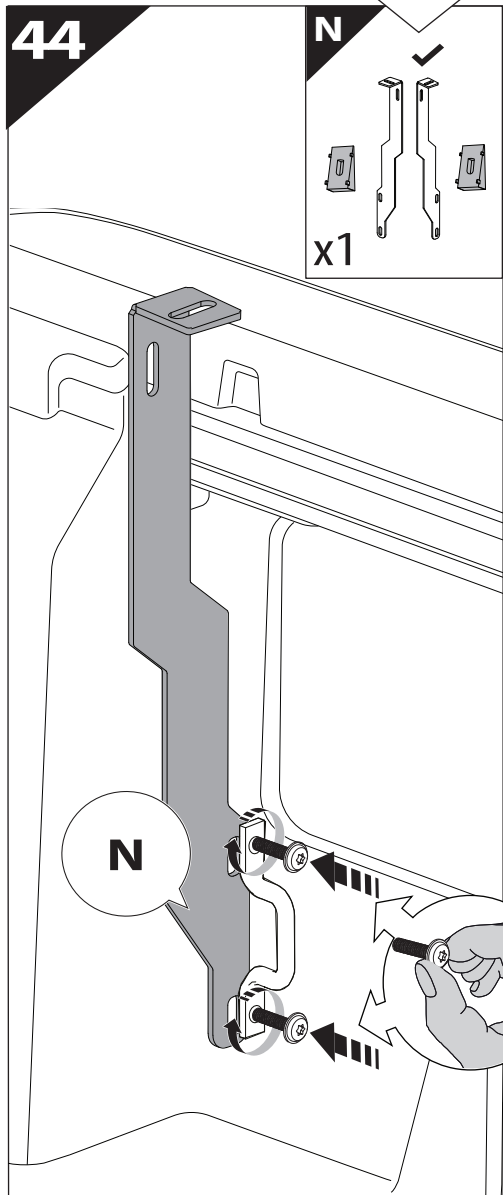
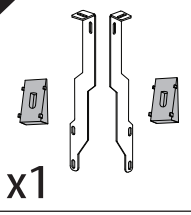


WITHOUT C - CHANNELS



44

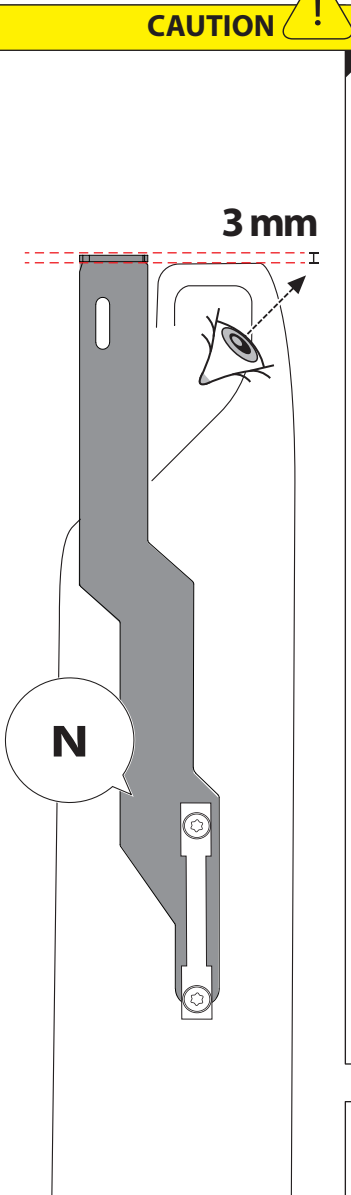
N



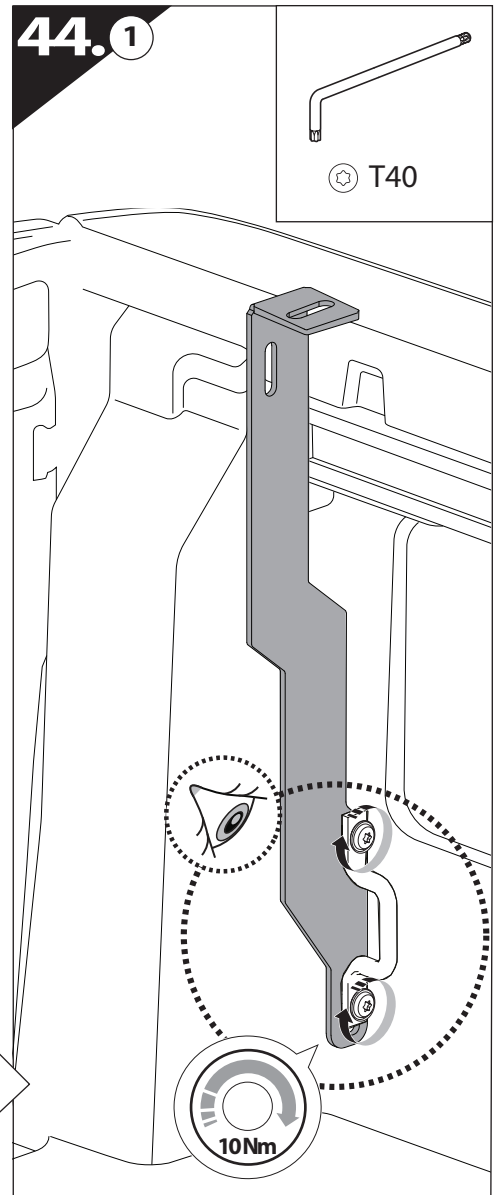
CAUTION



3 mm



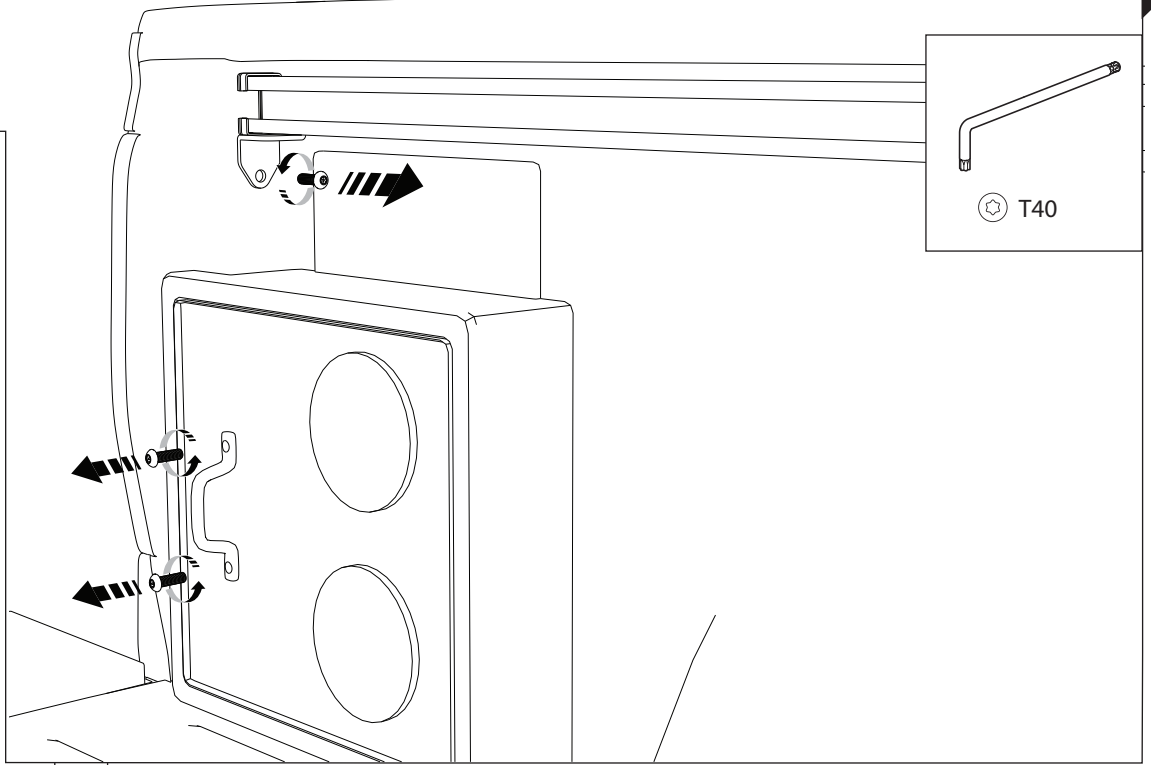
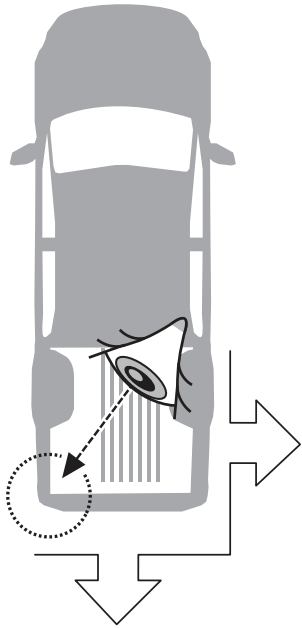
44.1



45



WITH C - CHANNELS

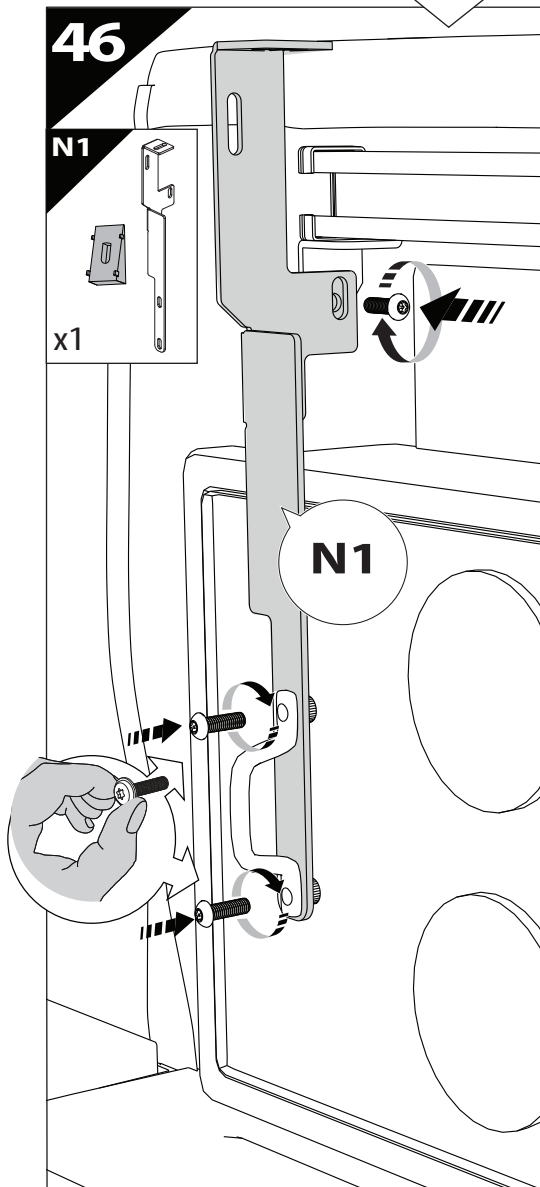


T40

46

N1

x1

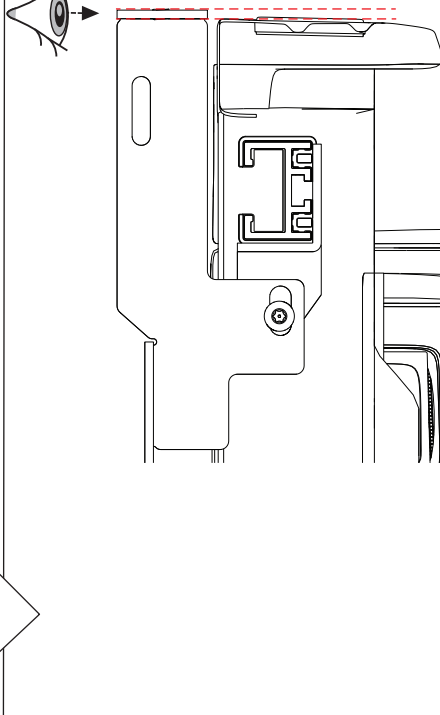


N1

CAUTION



3 mm



47

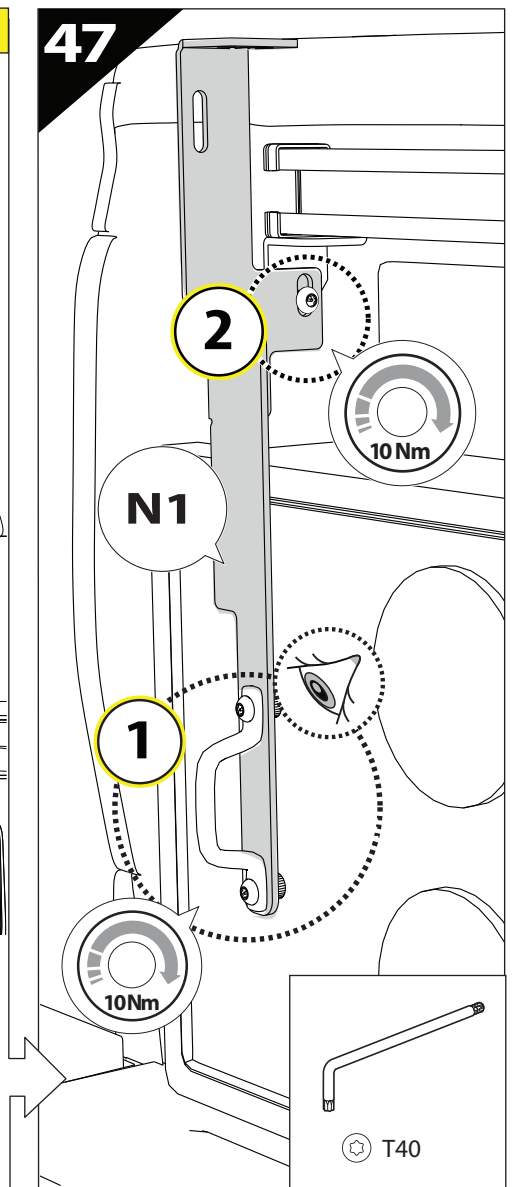
2

1

N1

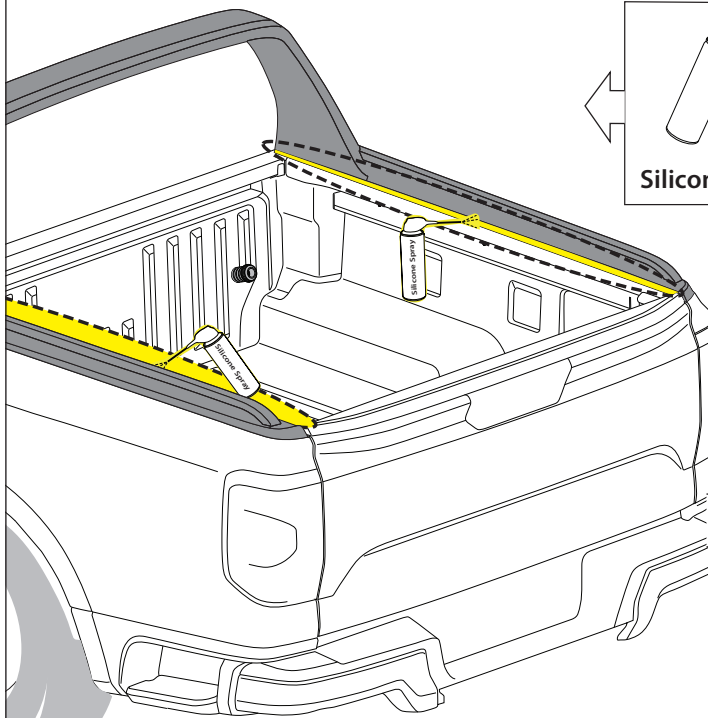
10 Nm

10Nm

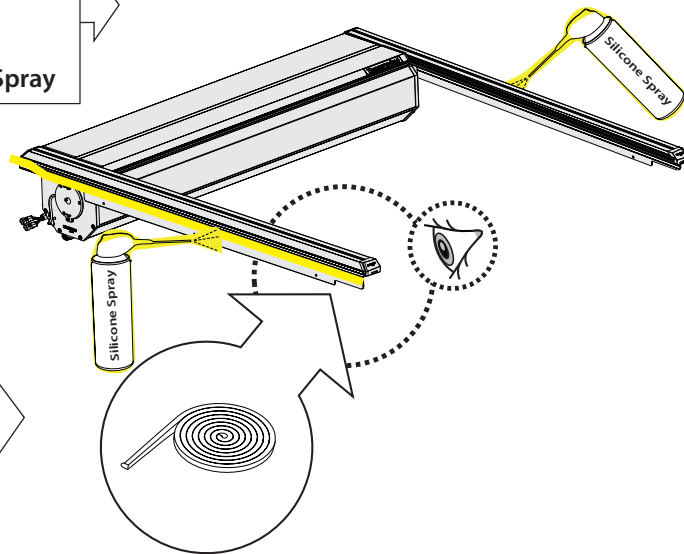
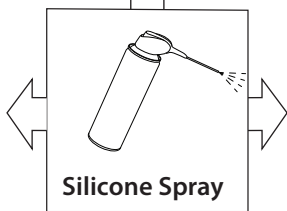


T40

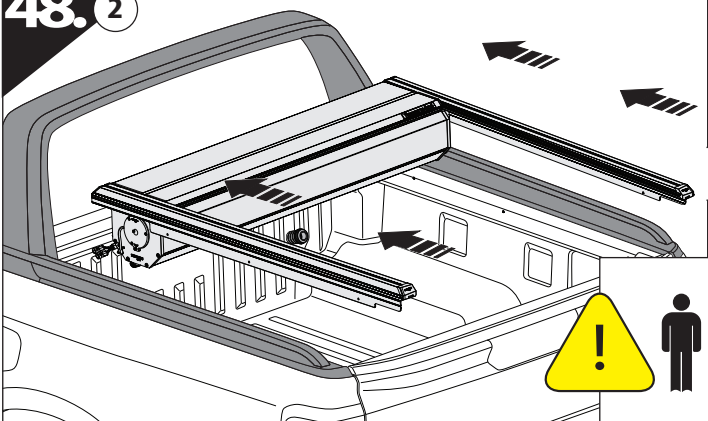
48



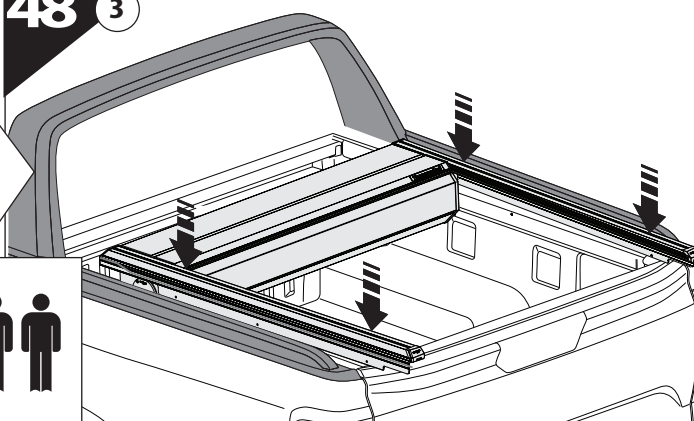
48.1



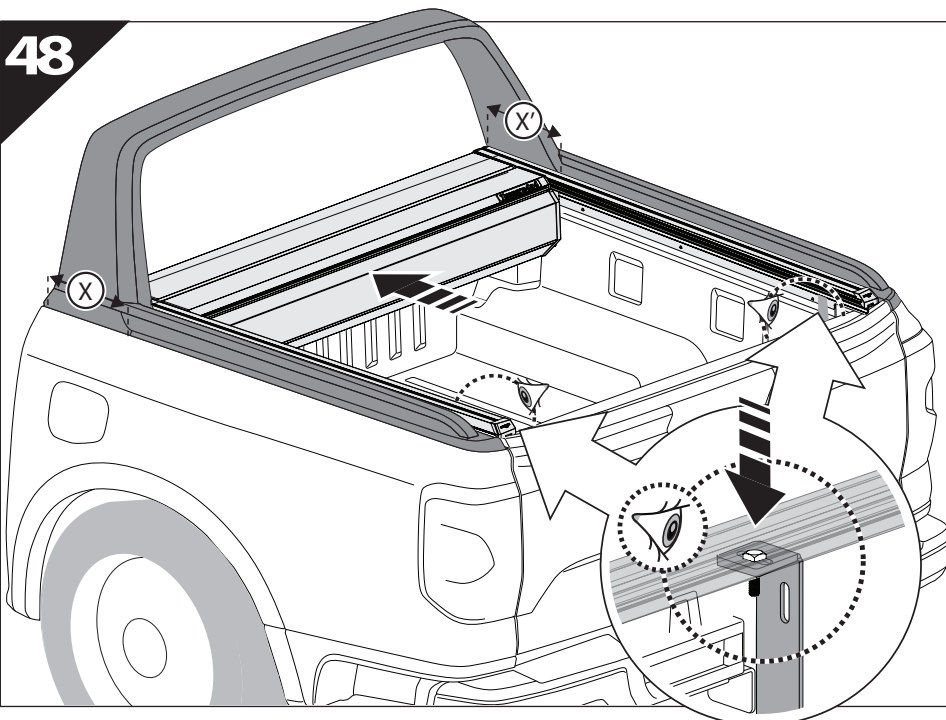
48.2

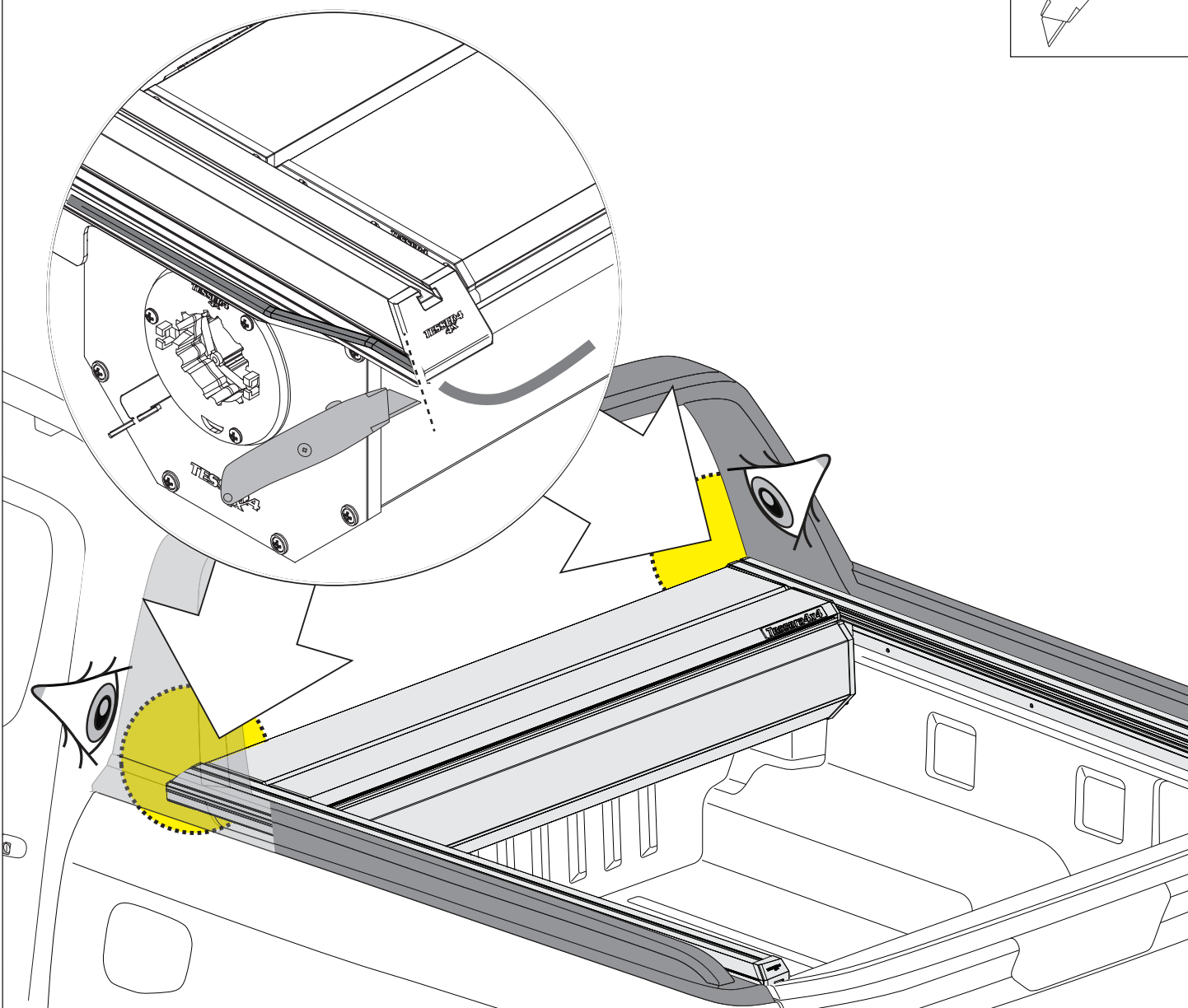
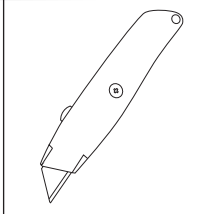


48.3

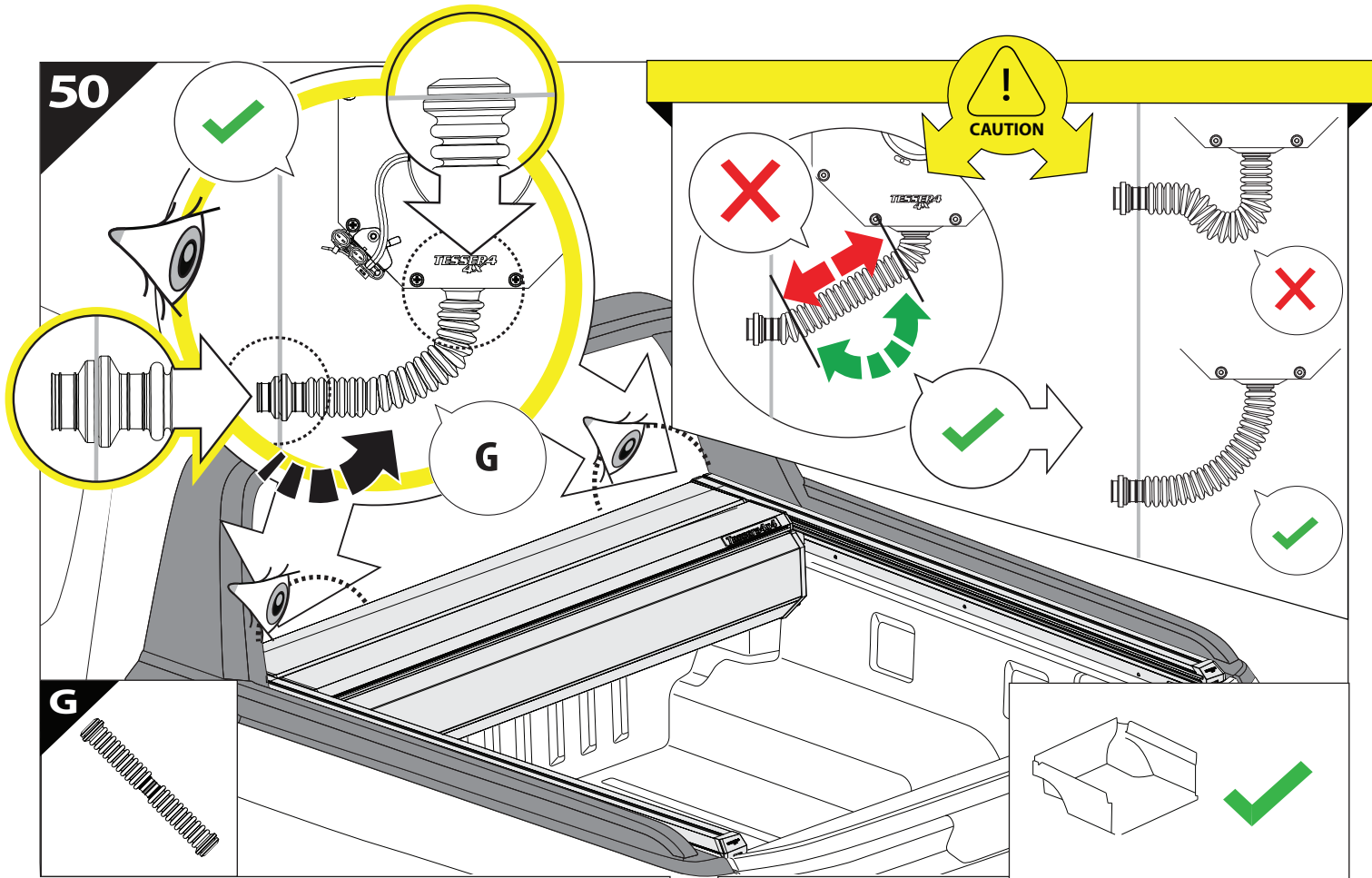


48

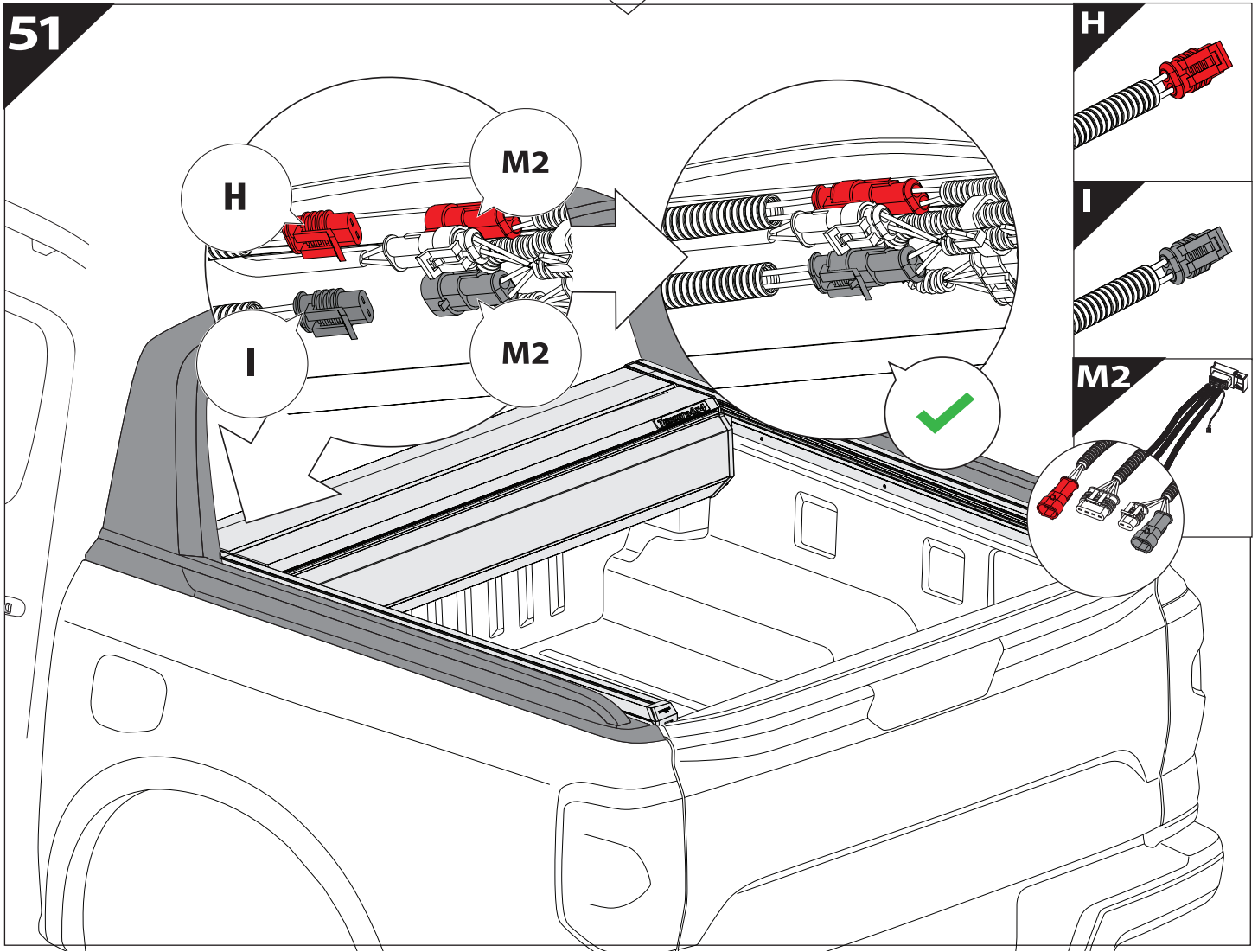




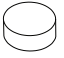


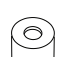
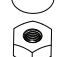

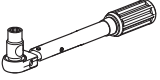

50

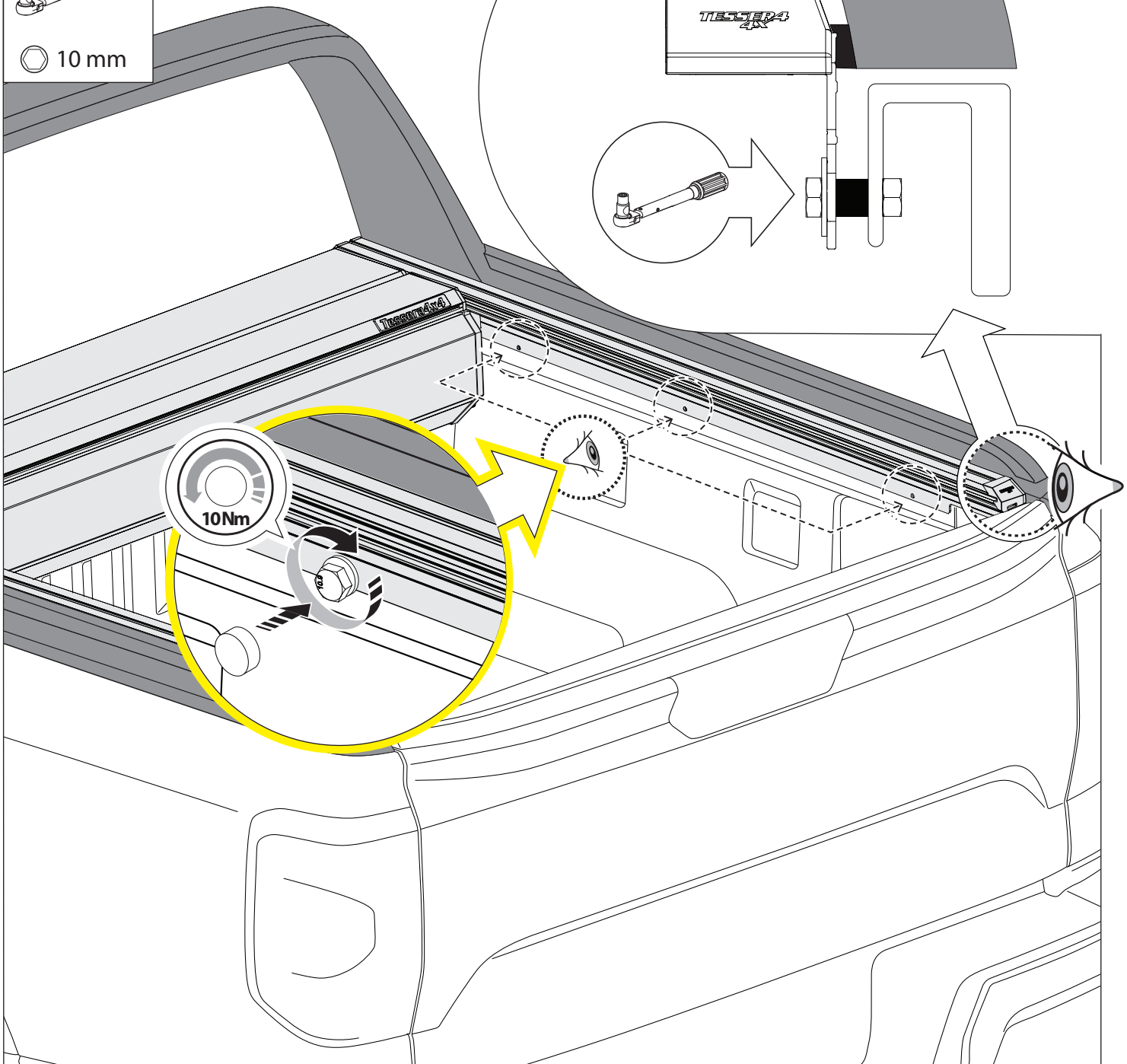
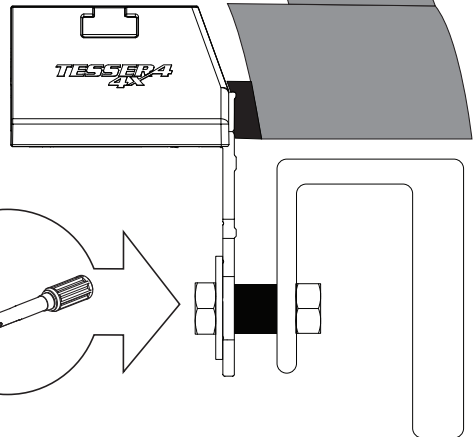
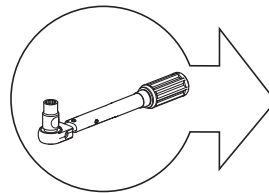
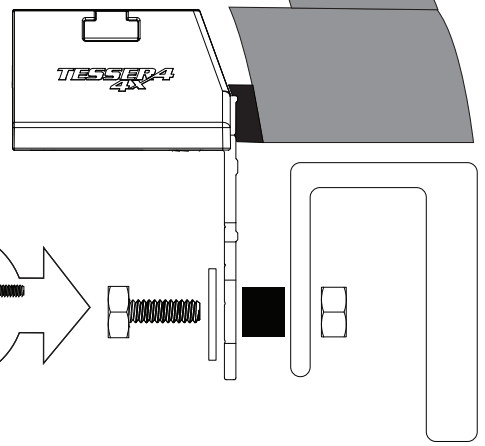
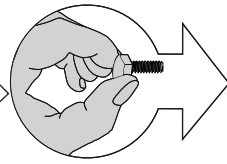
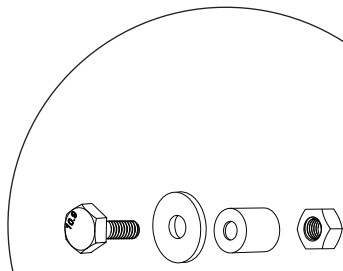


51



52

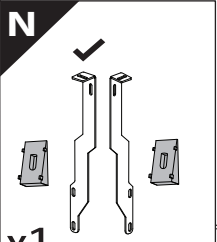
- E4**
-  ✓
  -  ✓
  -  ✓
  -  ✓
  -  ✓
  -  ✓
- x6
- 
  -  10 mm



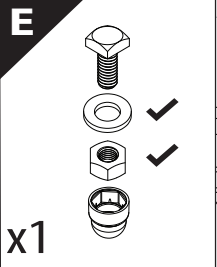


WITH & WITHOUT C - CHANNELS

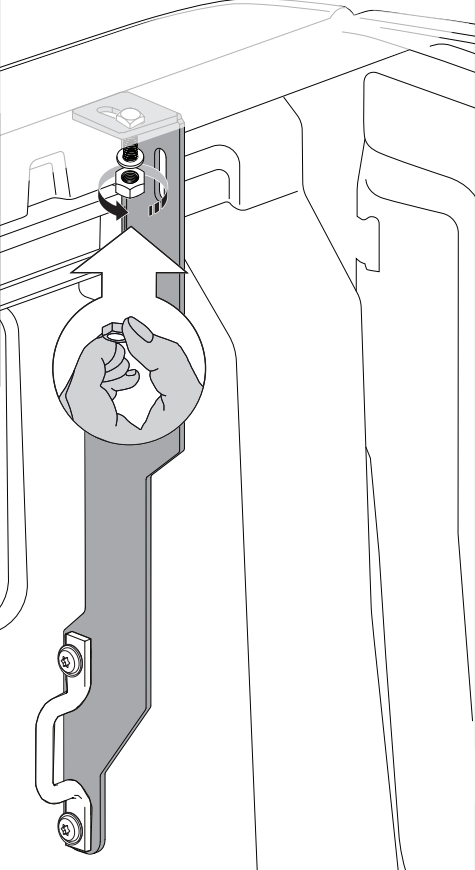
53



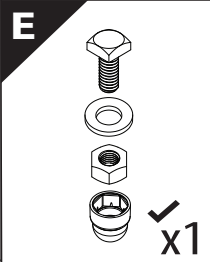
x1



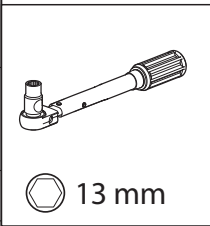
x1



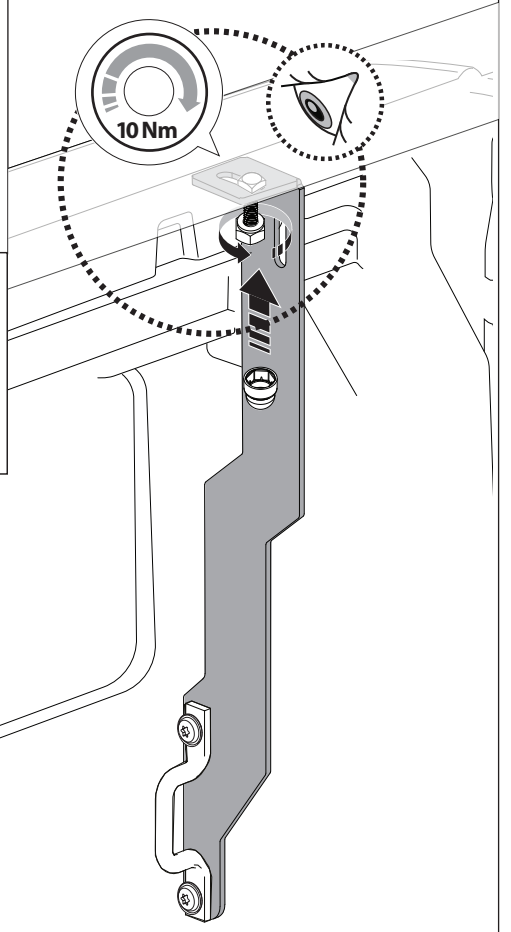
54



x1



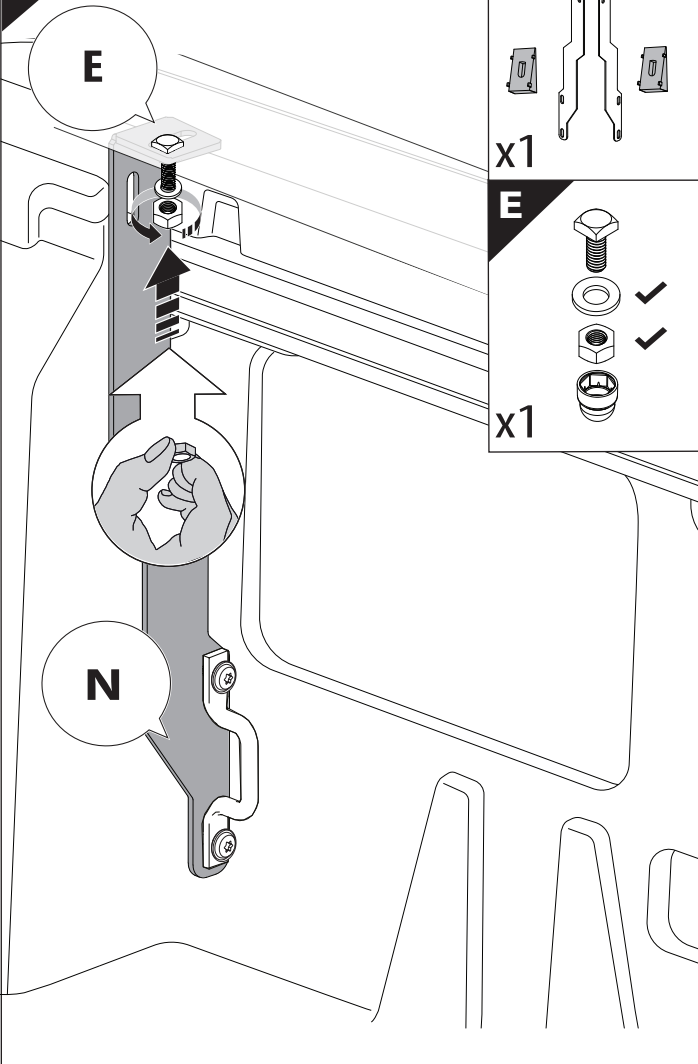
13 mm



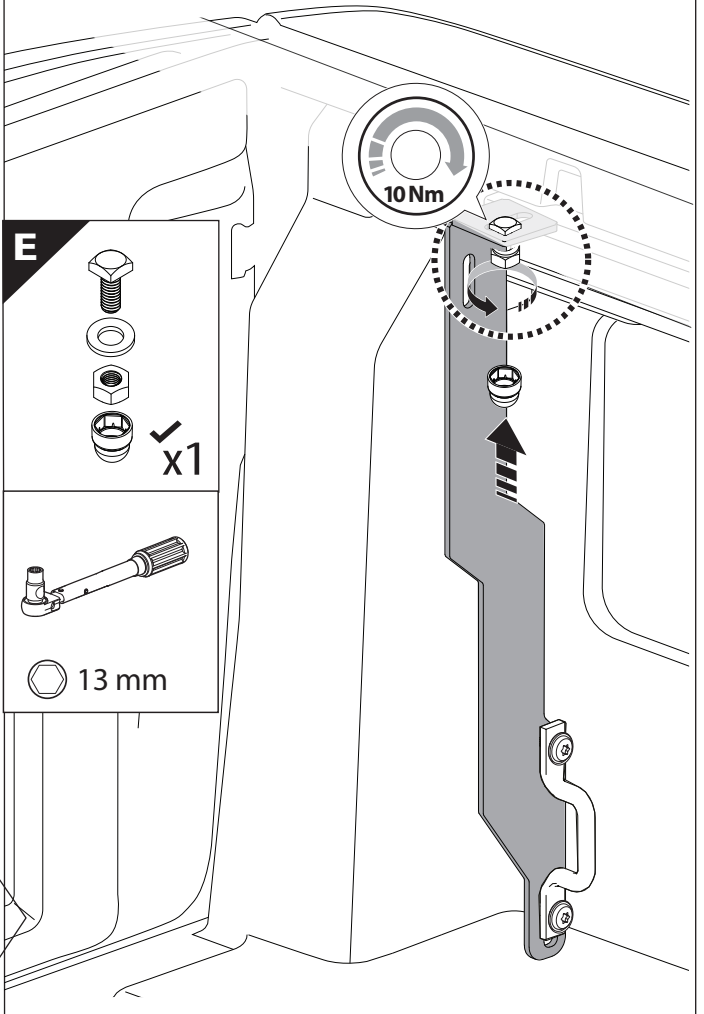


**WITHOUT C - CHANNELS**

**55**



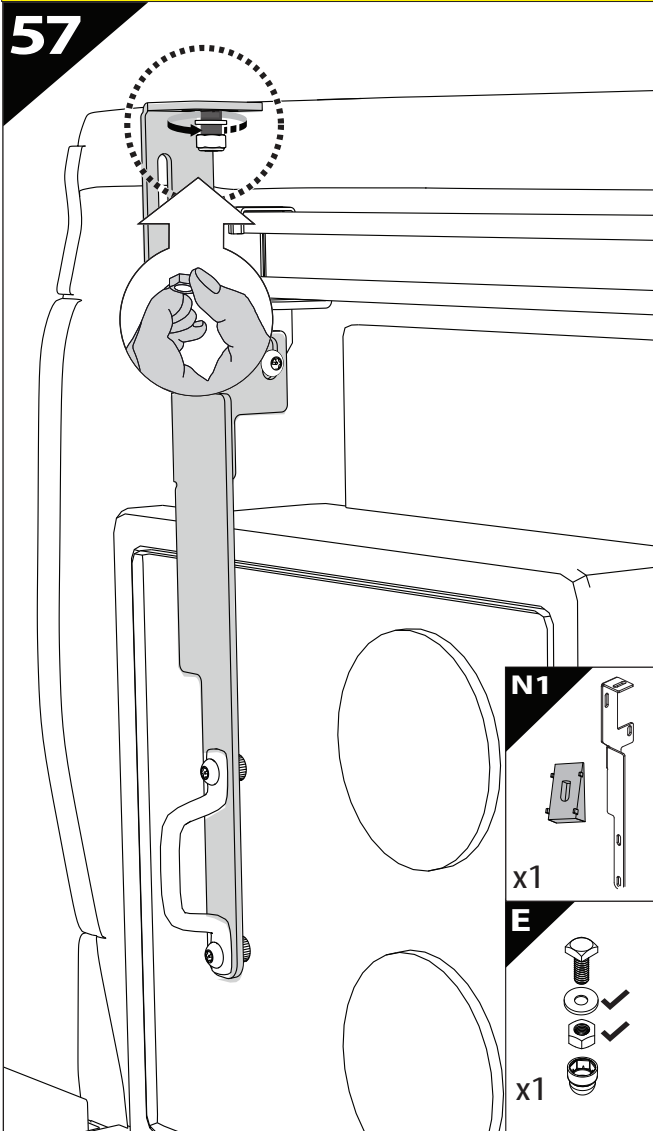
**56**



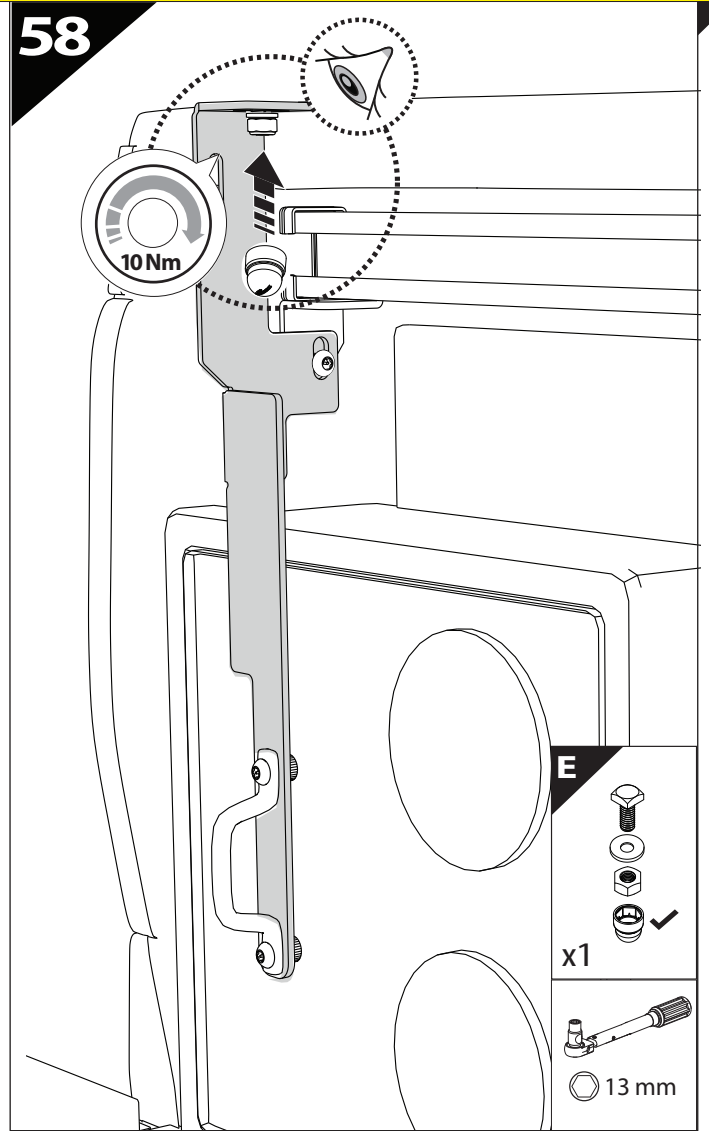


WITH C - CHANNELS

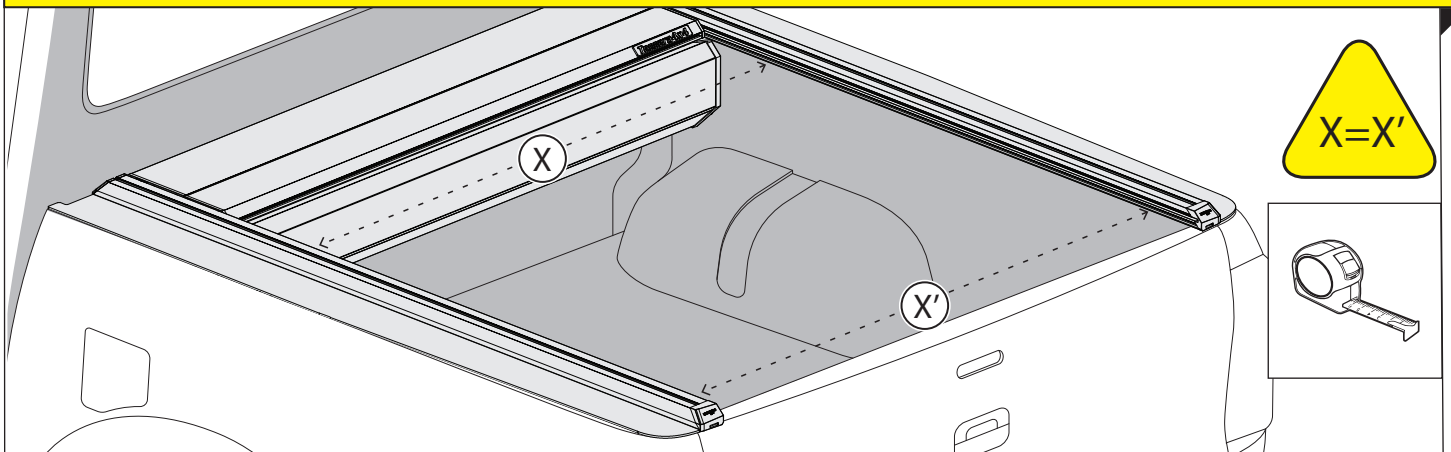
57



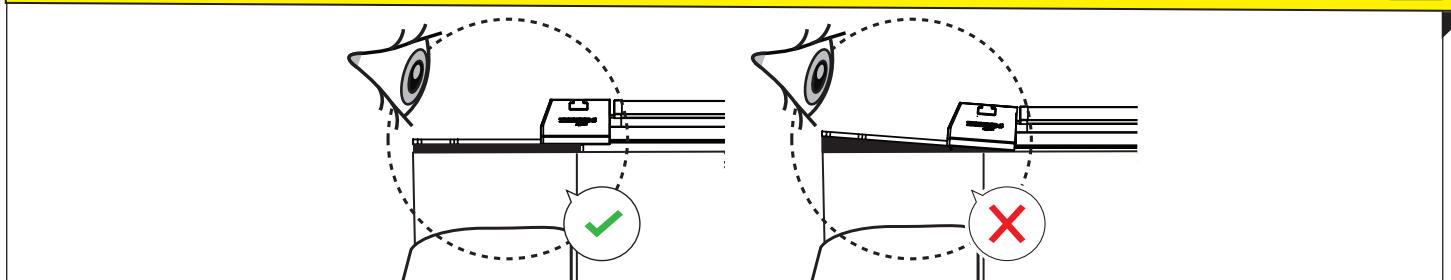
58



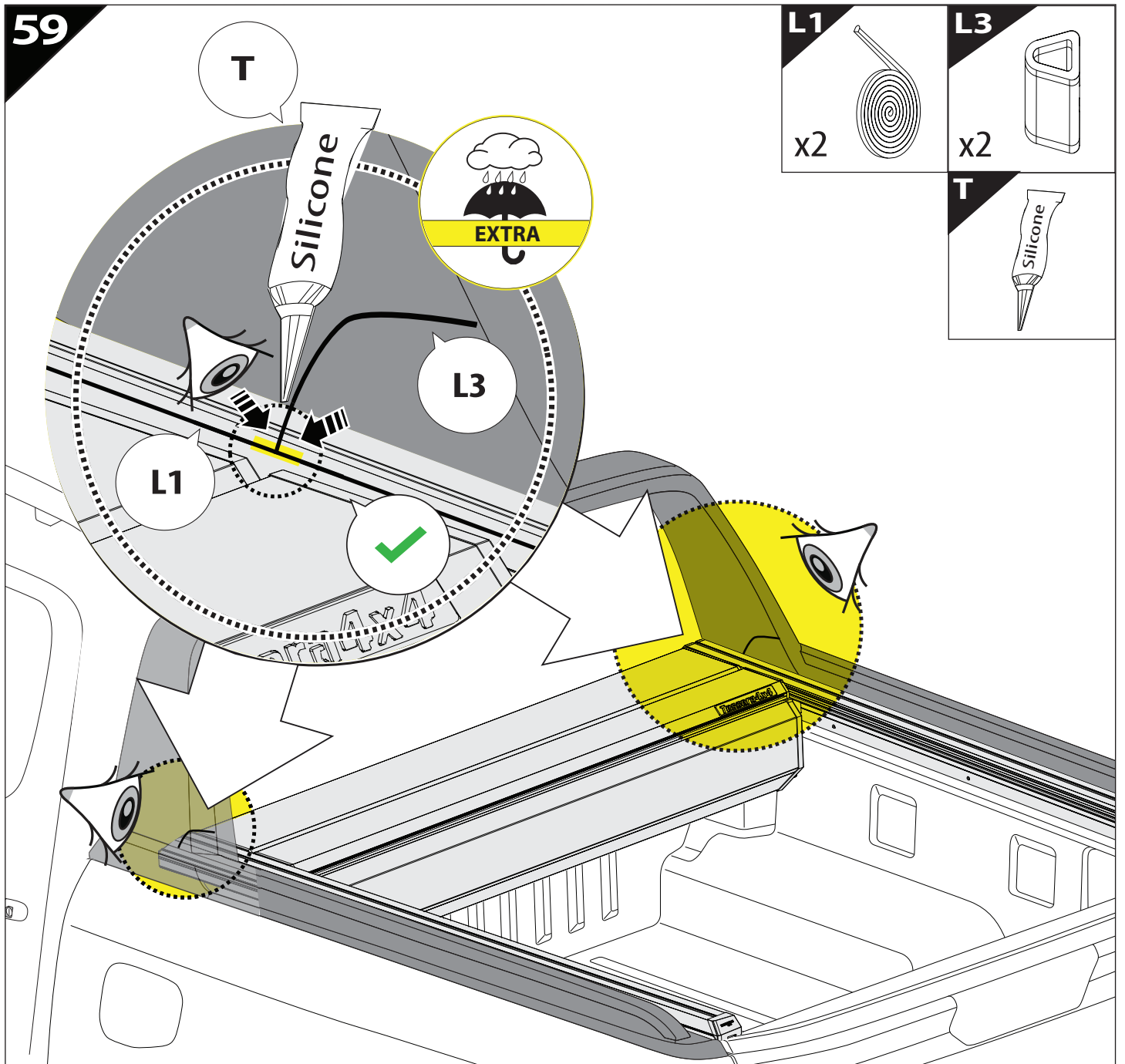
CAUTION !



CAUTION !



59



L1

x2

L3

x2

T

T

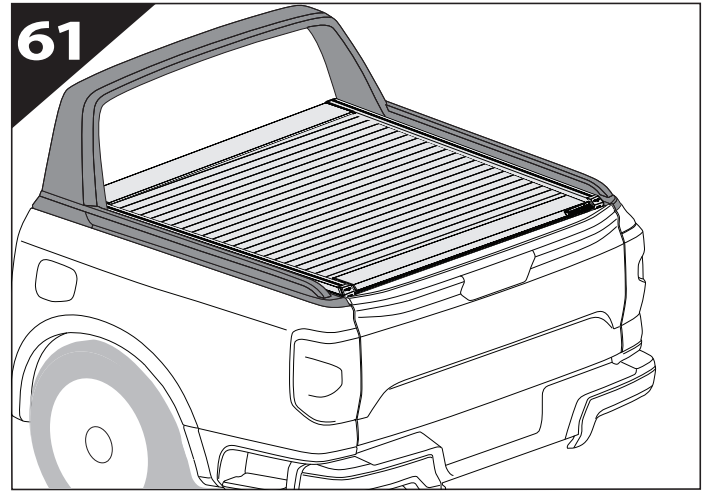
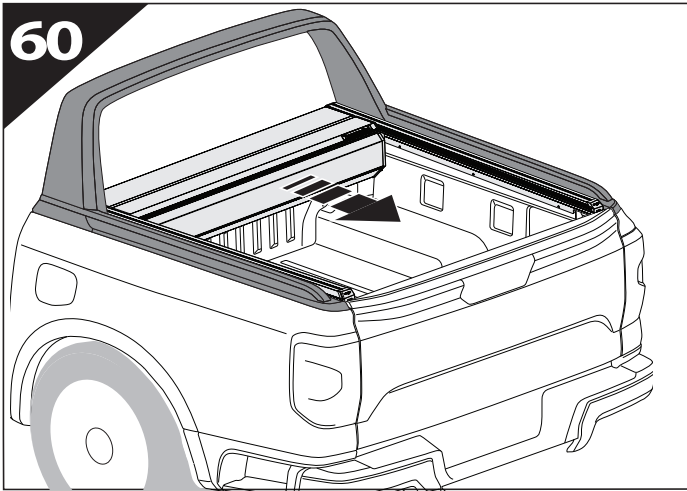
EXTRA

L3

L1







**GR:** Οδηγίες Εγκατάστασης  
**GB:** Installation manual  
**SF:** Asennusohje  
**F:** Notice de montage  
**PL:** Instrukcja montażu  
**NL:** Installatie-instructies  
**TR:** Montaj Talimatı  
**S:** Monteringsanvisning  
**E:** Instrucciones de montaje

**H:** Szerelési utasítás  
**P:** Instruções de instalação  
**RUS:** Инструкция по установке  
**N:** Monteringsveiledning  
**D:** Einbauanleitung  
**CZ:** Návod k instalaci  
**I:** Istruzioni de montaggio  
**DK:** Monteringsvejledning  
**RO:** Instructiuni de instalare

Customer Service:

+30 (210) 5541161, +30 (210) 5541154 (08:00 - 16:00 EET)

Support department:

[info@gianso.gr](mailto:info@gianso.gr)

Website:

[www.tessera4x4.com](http://www.tessera4x4.com)

Address:

19.5 km of National road Athens-Korinthos (Elefsina) Greece, P.C: 19200