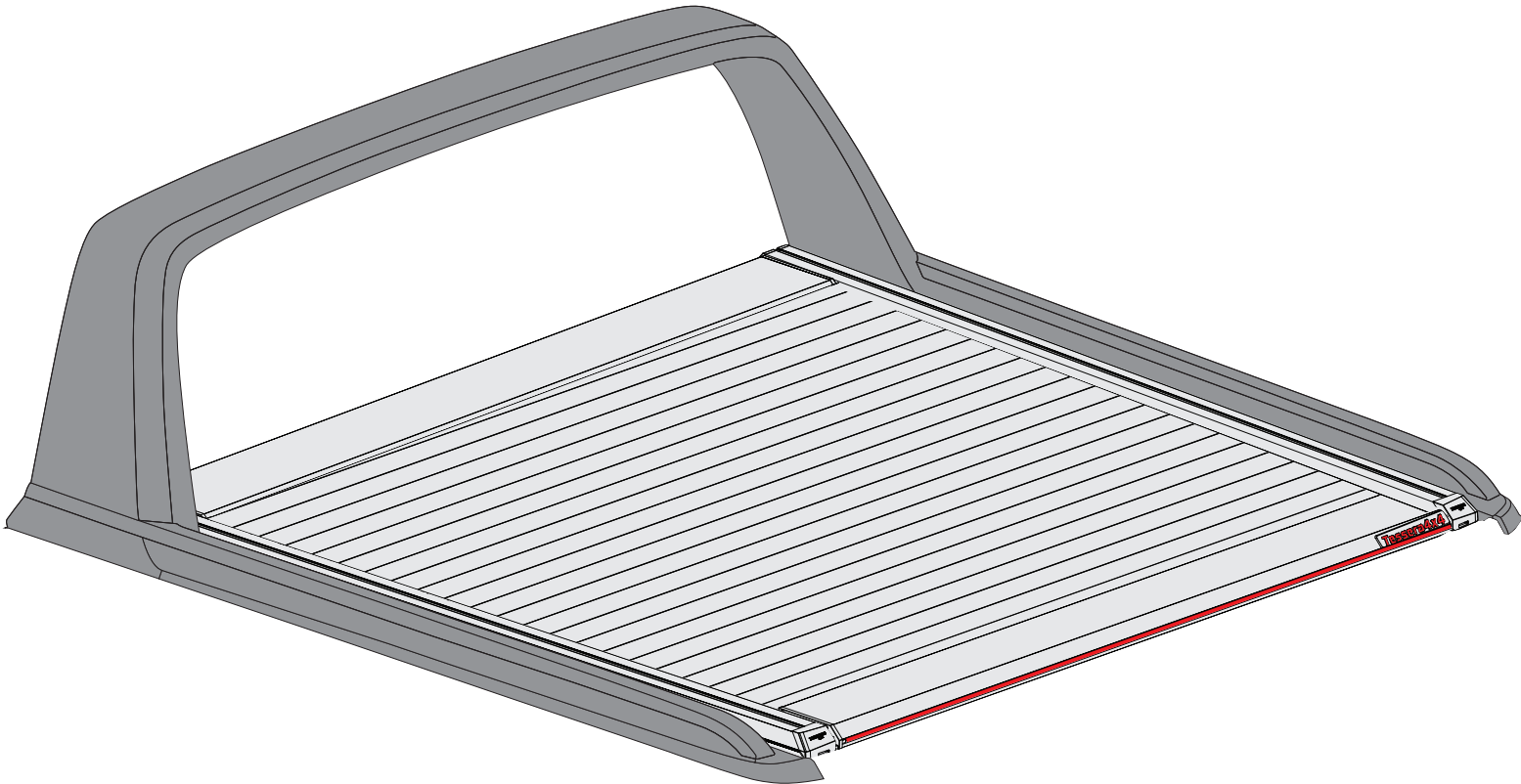


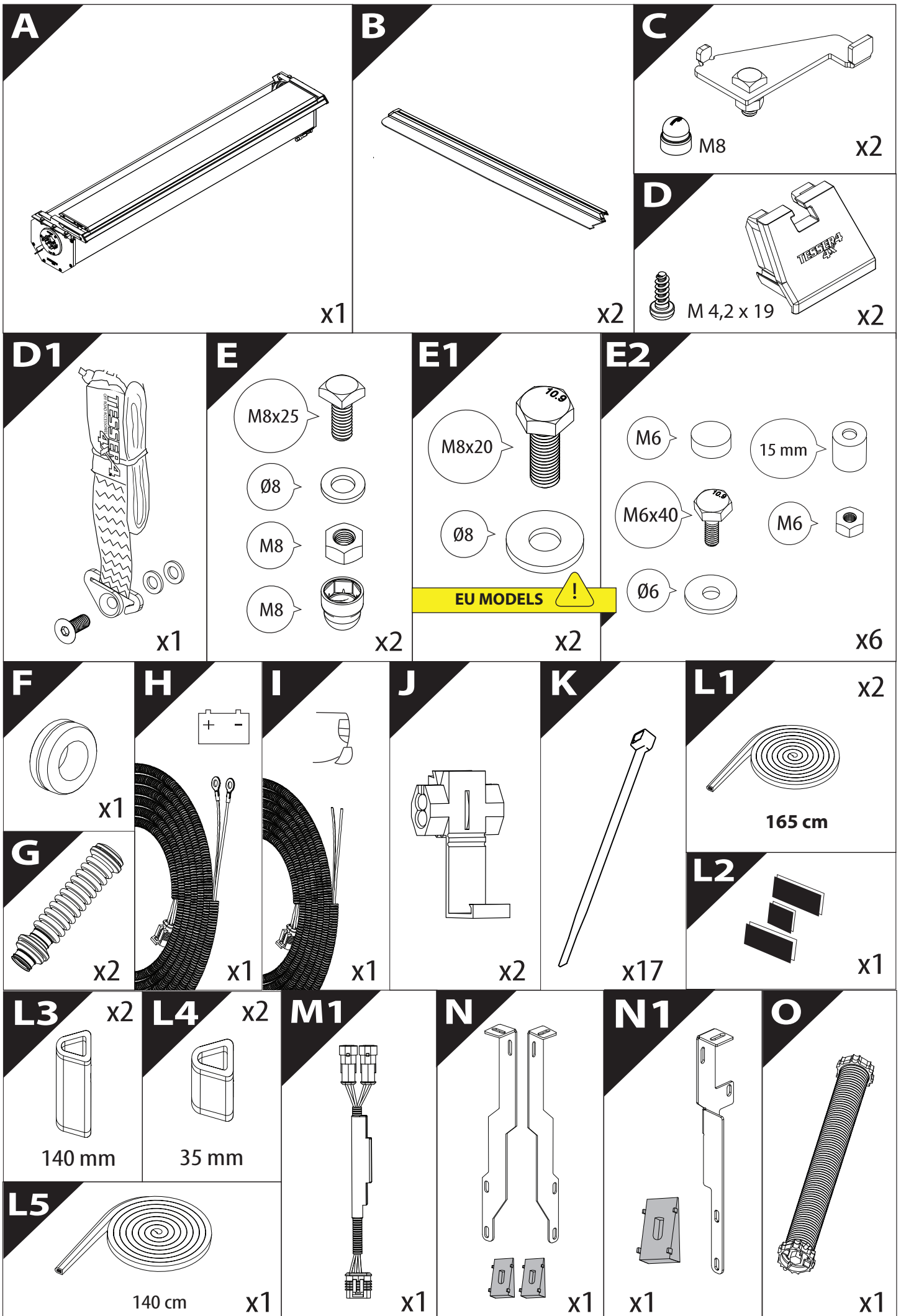
Tessera Roll+

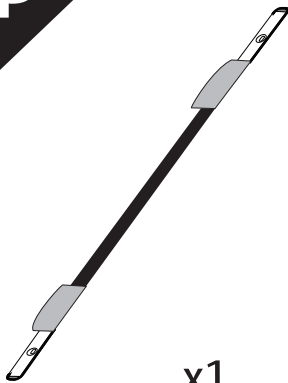
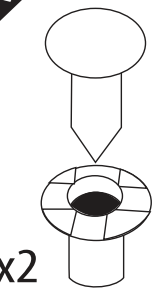



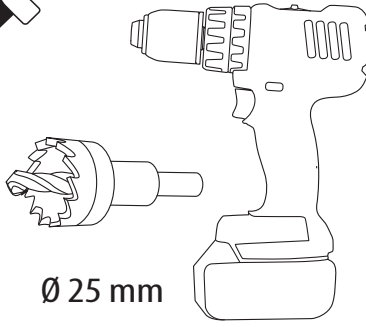
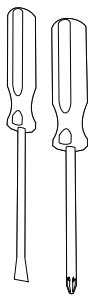
Basic Version + ⚙️ S-KIT

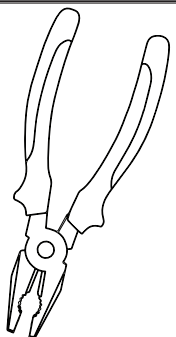
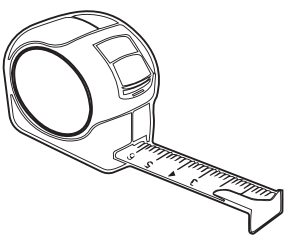
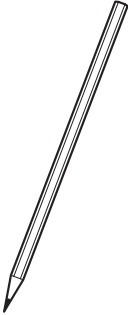
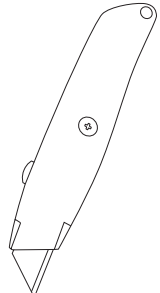
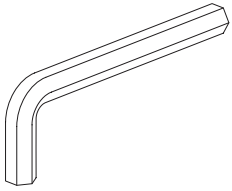


Installation Manual

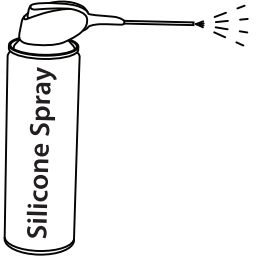
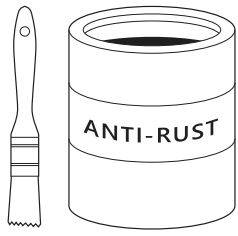

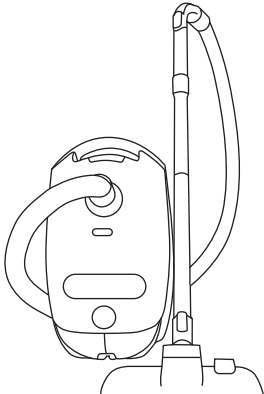
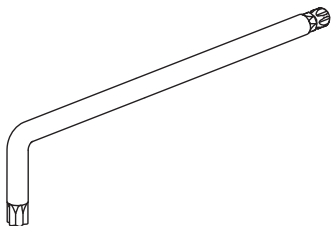
PART NUMBER(S)	Model Year
TESS 14081 ROLL+S-KIT	FORD RANGER WILDTRAK PHEV 2025+ (with & without c-channels)
Cab(s)	Installation Time / Weight
Double Cab	40-60 minutes / 53-57 kg



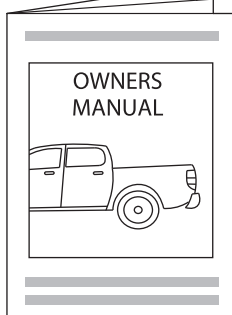


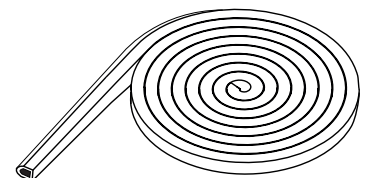
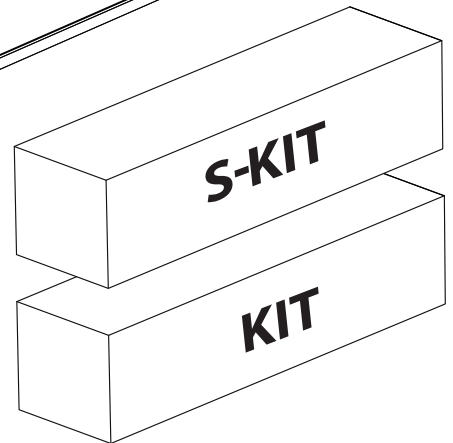
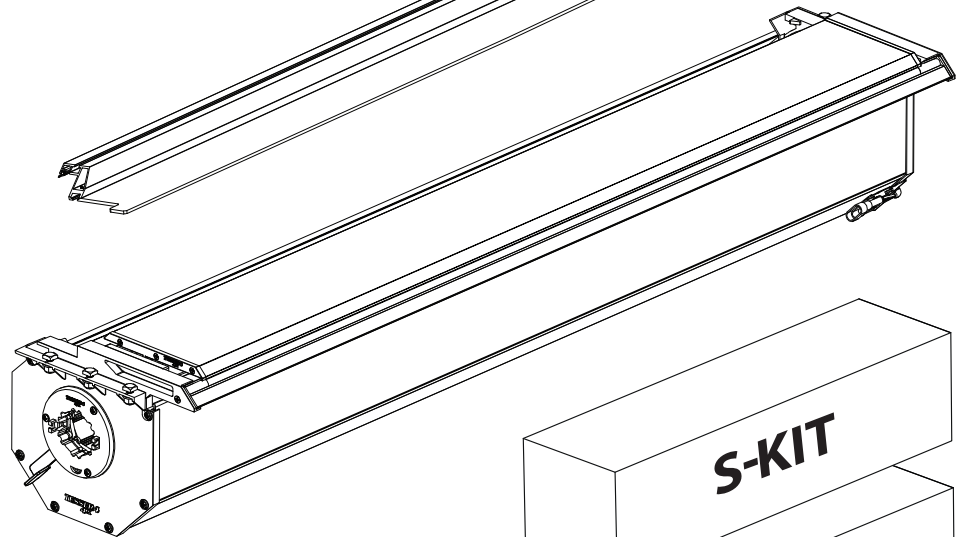
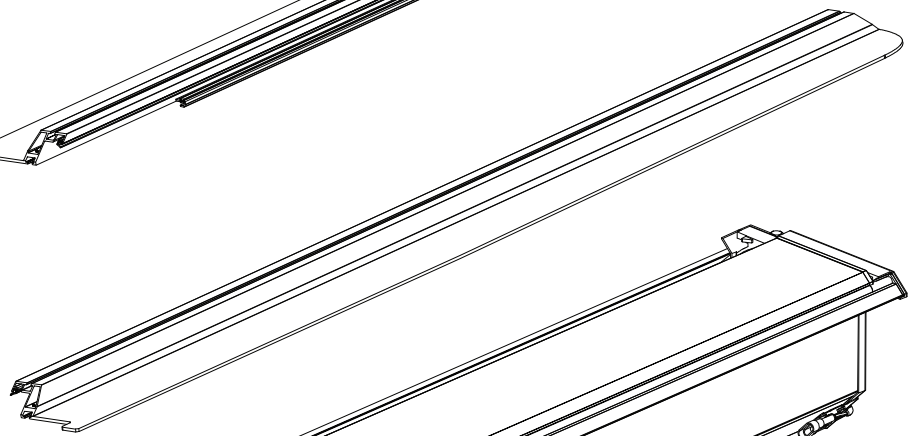
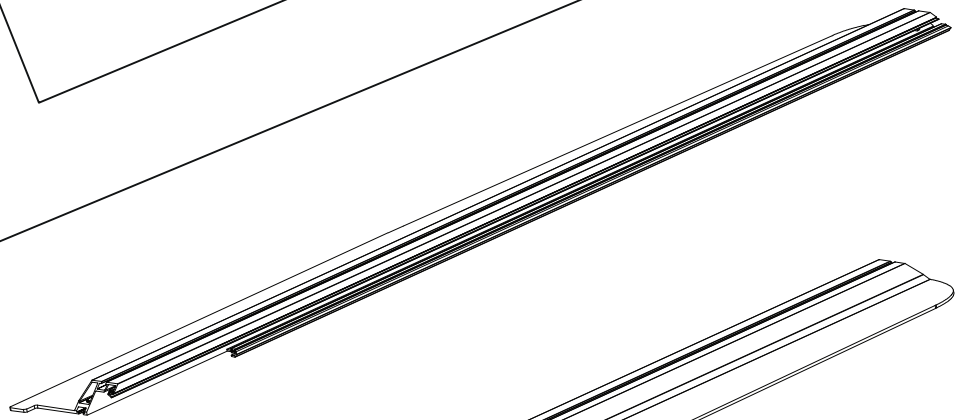
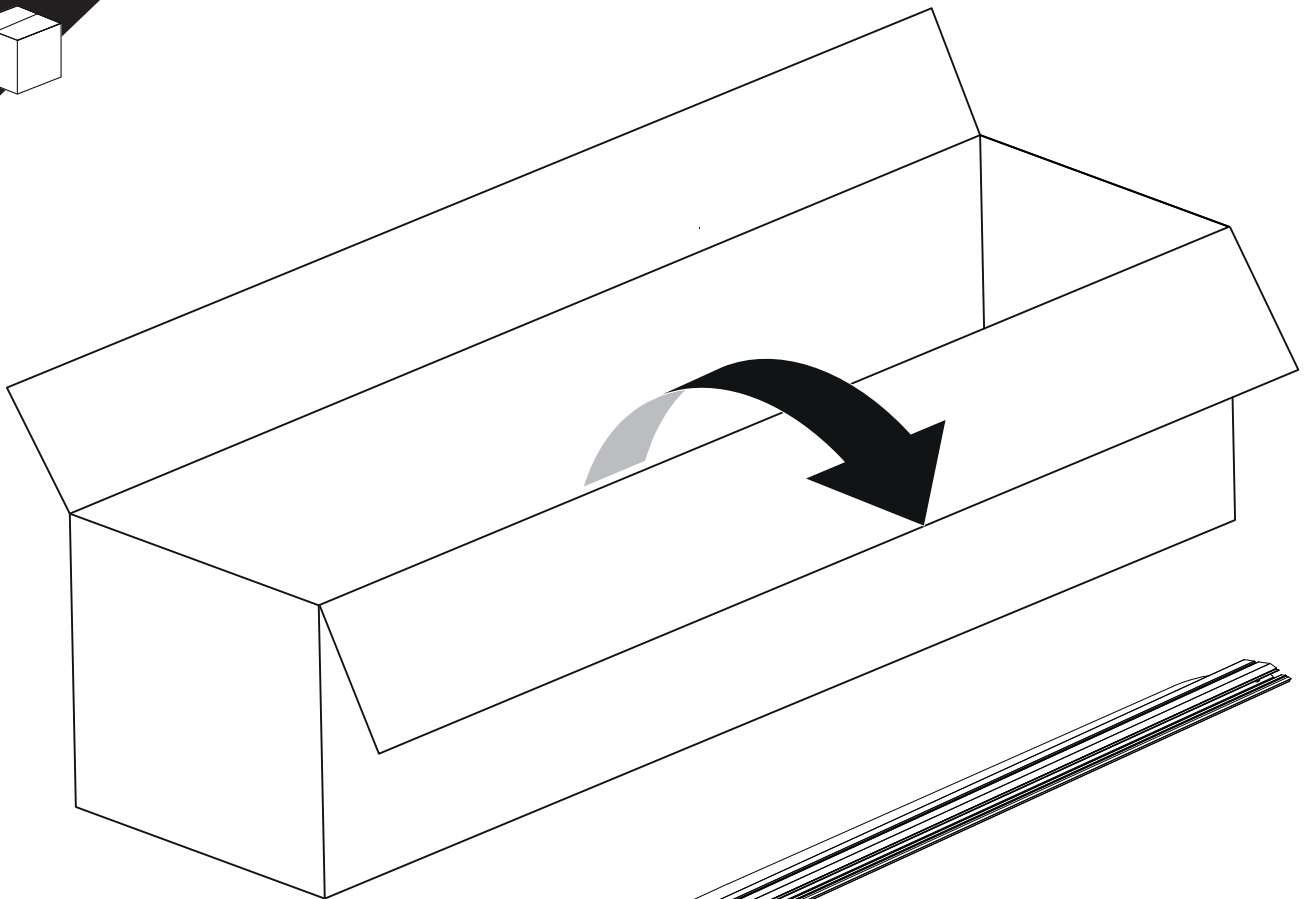
<p>P</p>  <p>x1</p>	<p>Q</p>  <p>x2</p> <p>US MODELS </p>	<p>R</p>  <p>Silicone</p>	  <p>Ø 25 mm</p>	 <p>+ -</p>
--	---	---	--	--

				 <p>4 mm</p>
---	---	---	---	---

<p>1 - 25 Nm</p>  <p>10, 12, 13, 17 mm</p>		 <p>H₂O</p>		 <p>ACETONE</p>
---	--	---	---	---

 <p>Silicone Spray</p>	 <p>ANTI-RUST</p>			 <p>T30, T40</p>
---	--	---	--	---

	 <p>INSTALLATION MANUAL +S-KIT</p>	 <p>OWNERS MANUAL</p> <p>x1</p>
--	---	---

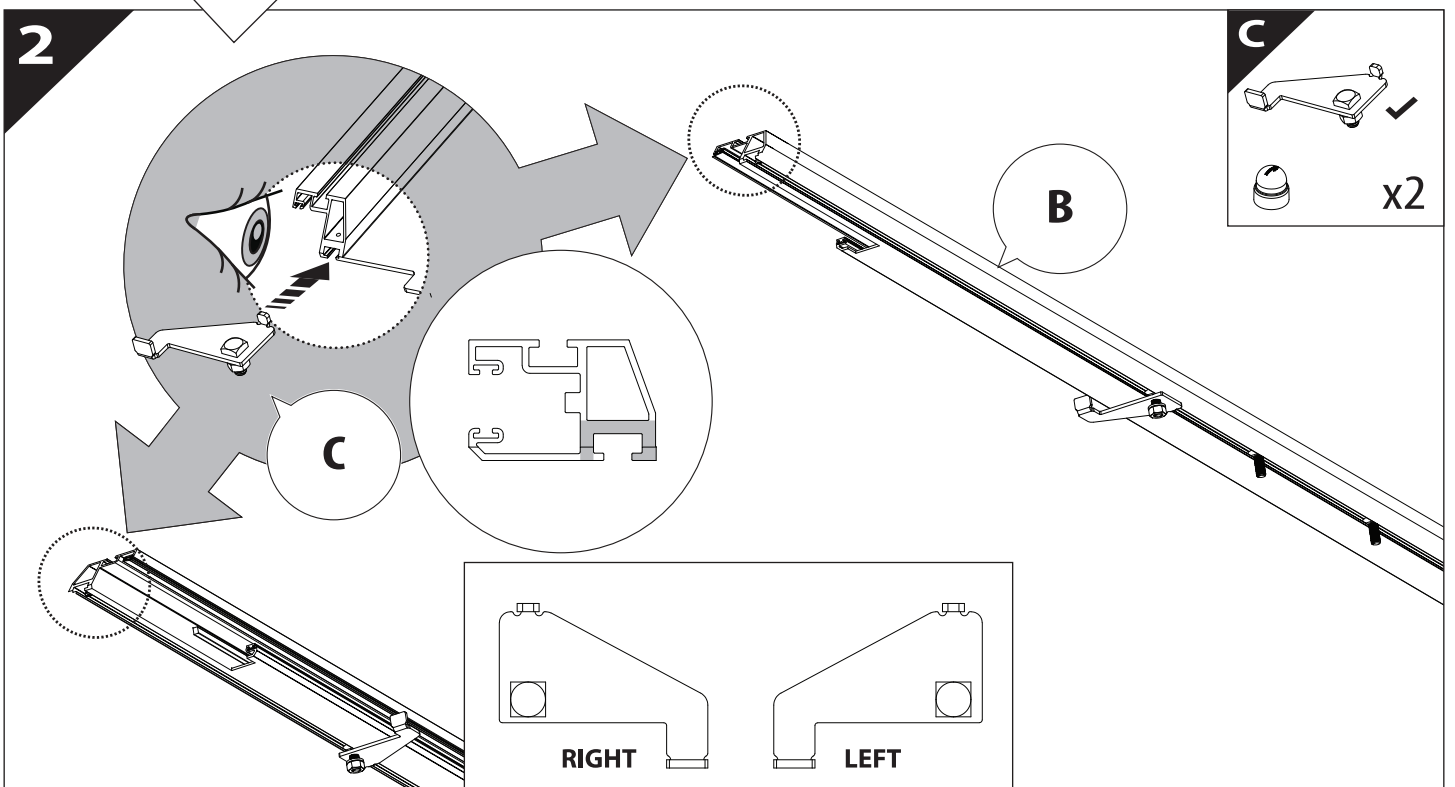
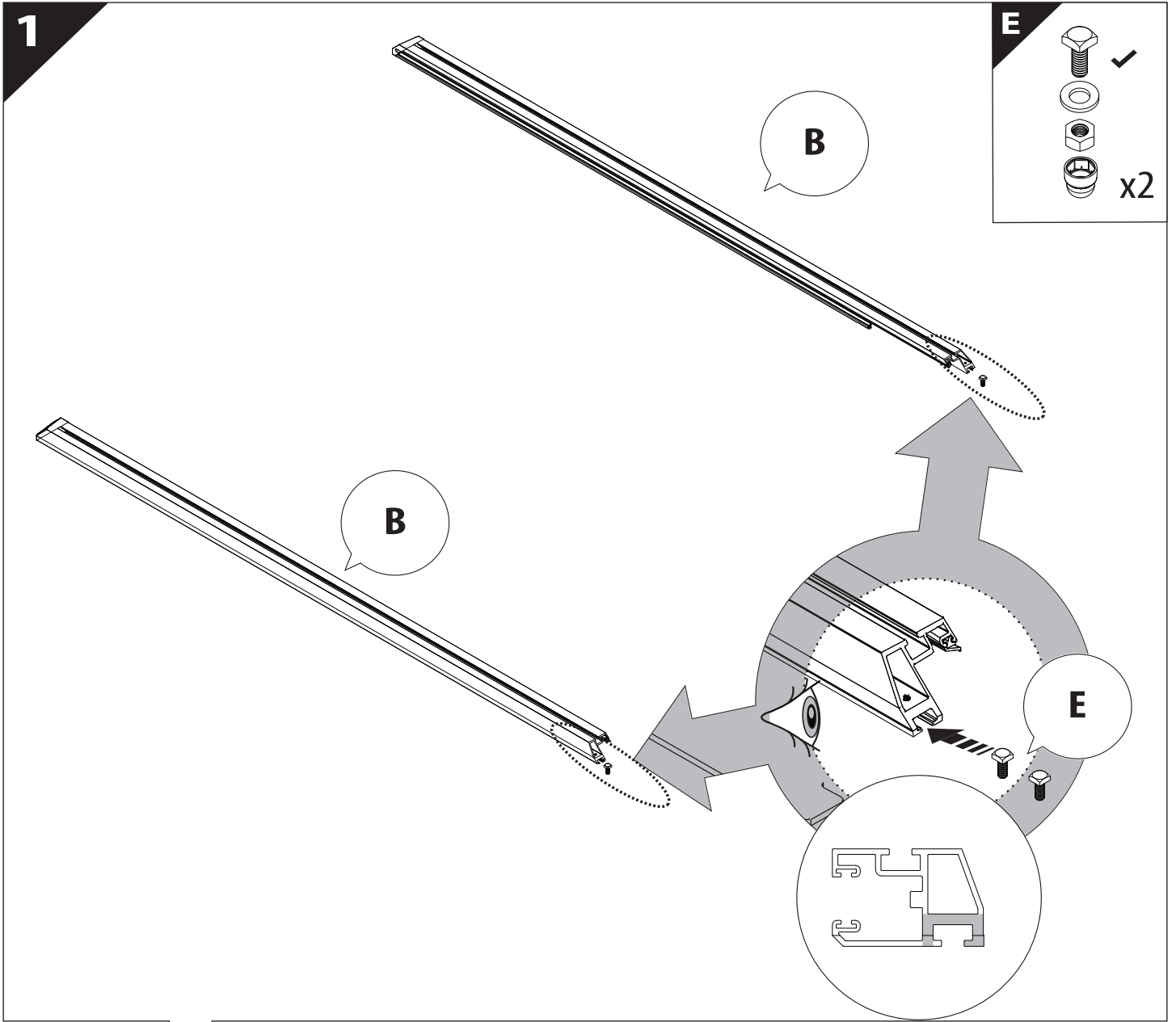


B

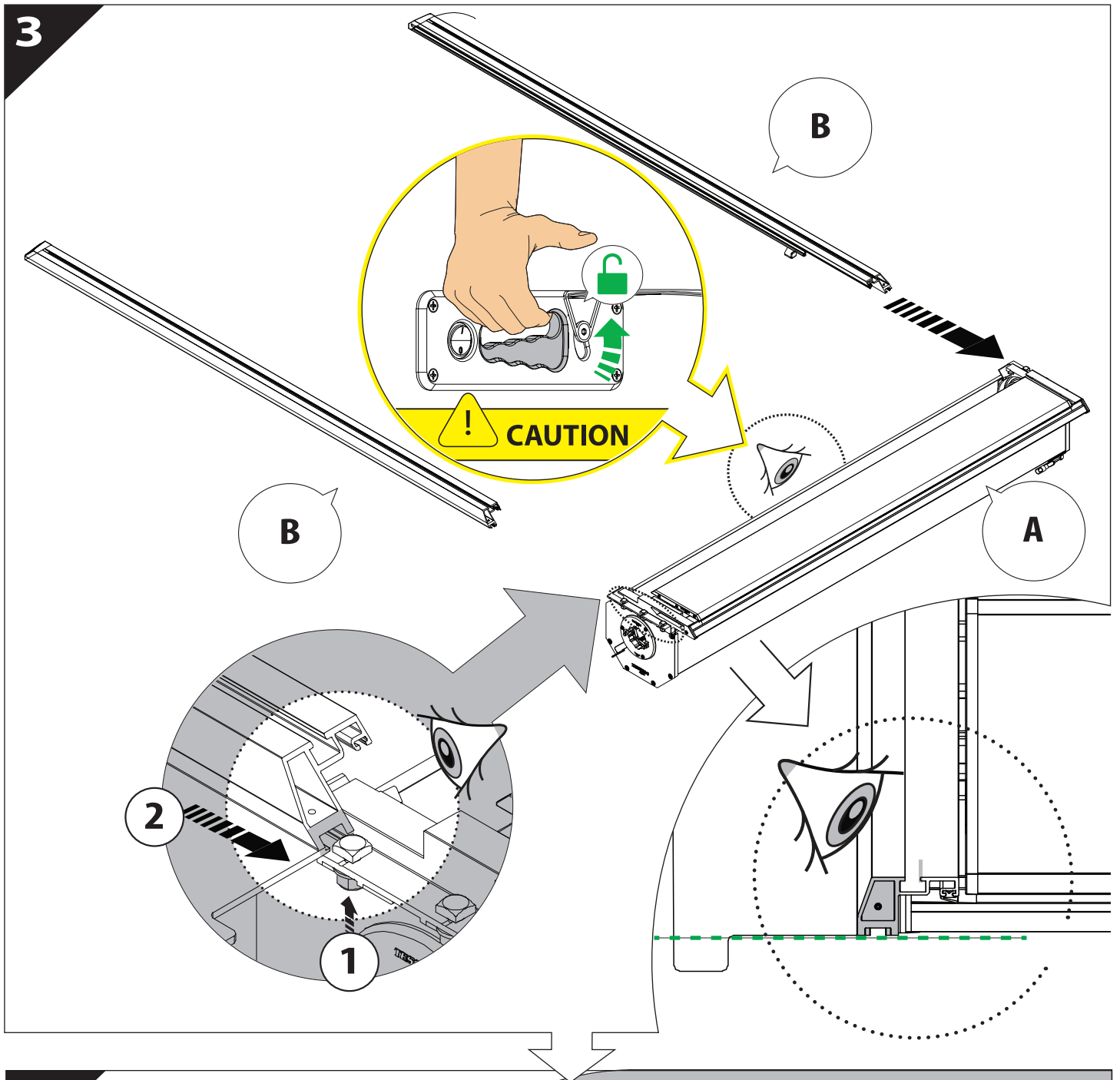
A

KITS

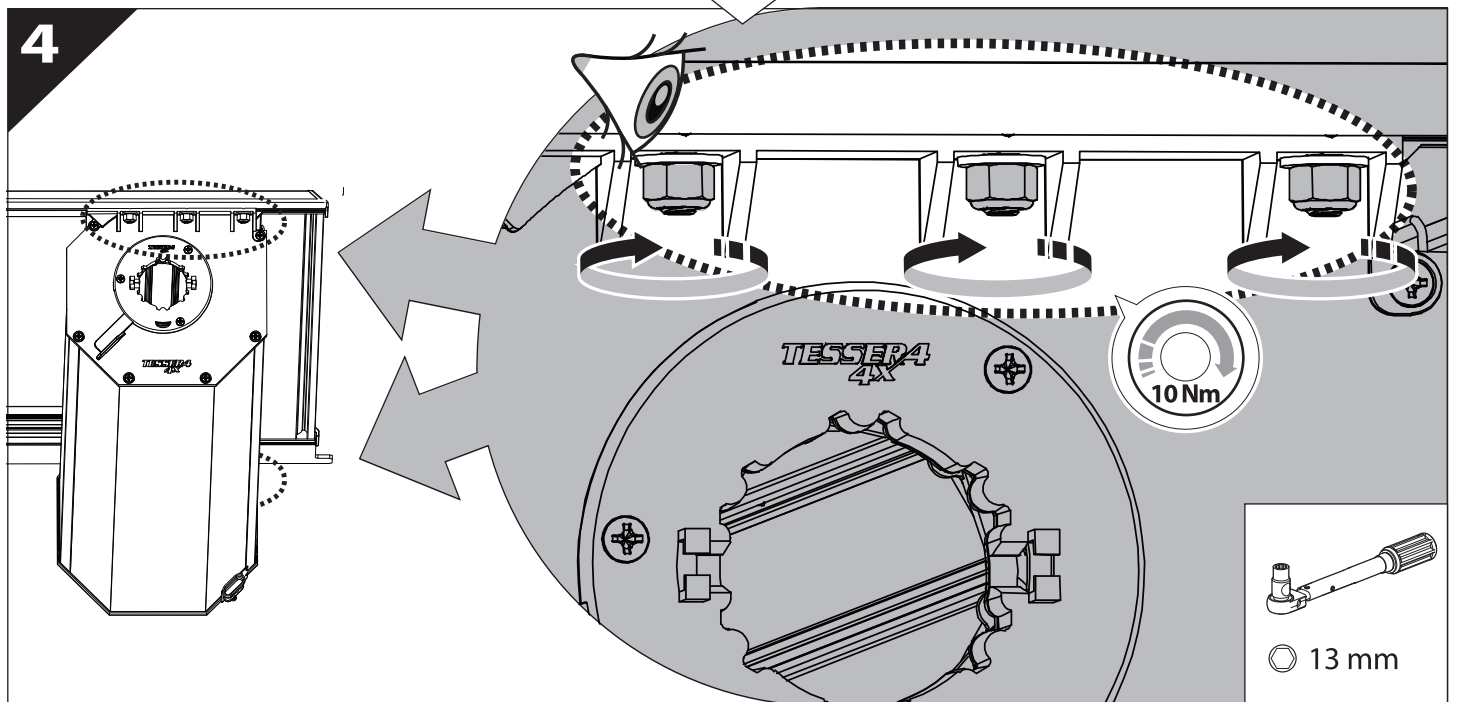
L

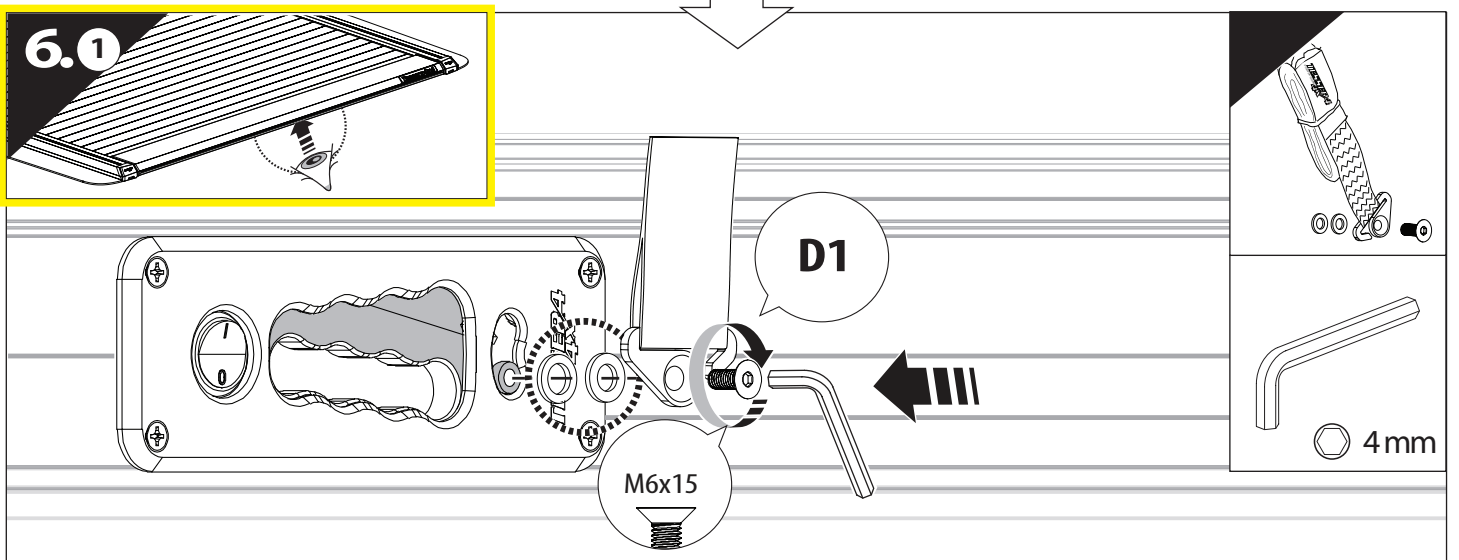
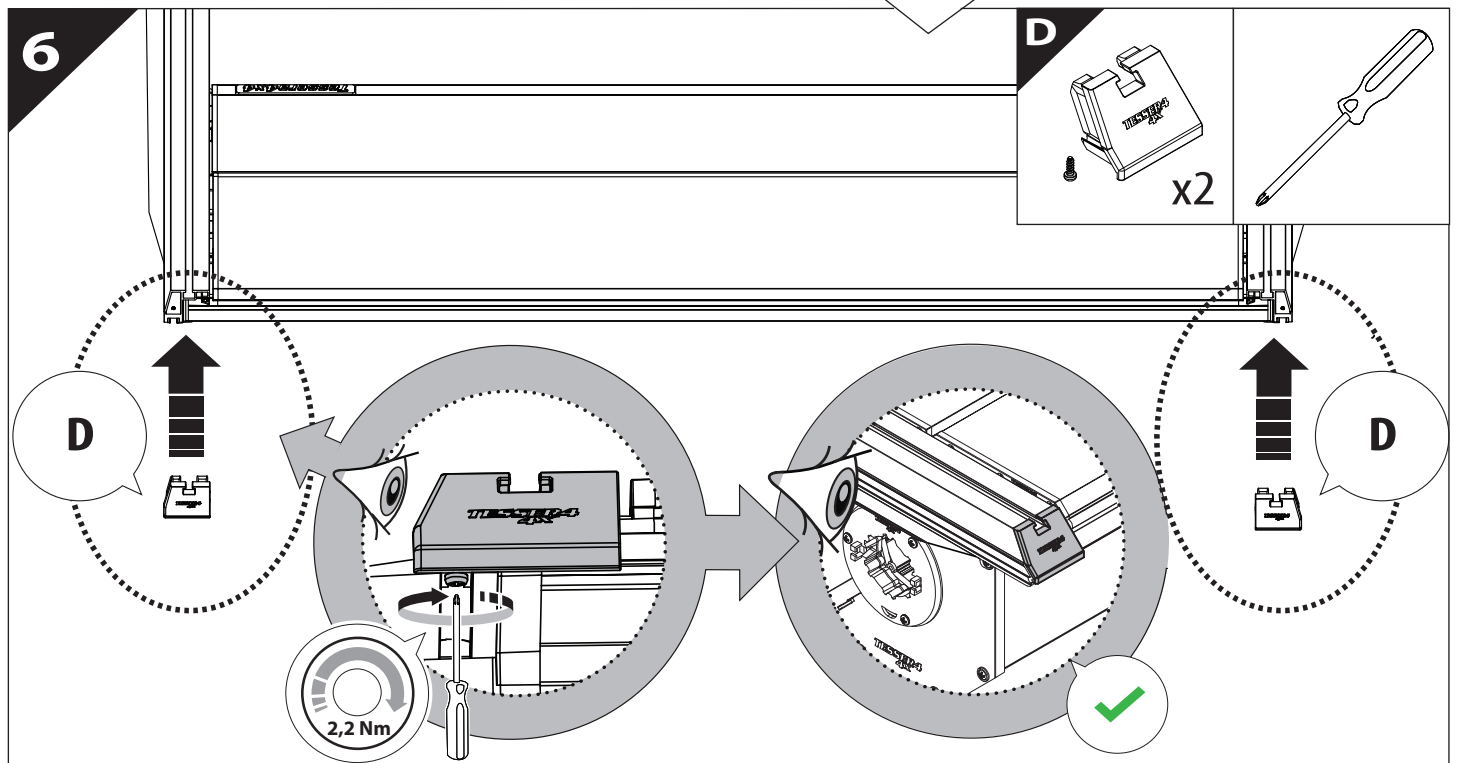
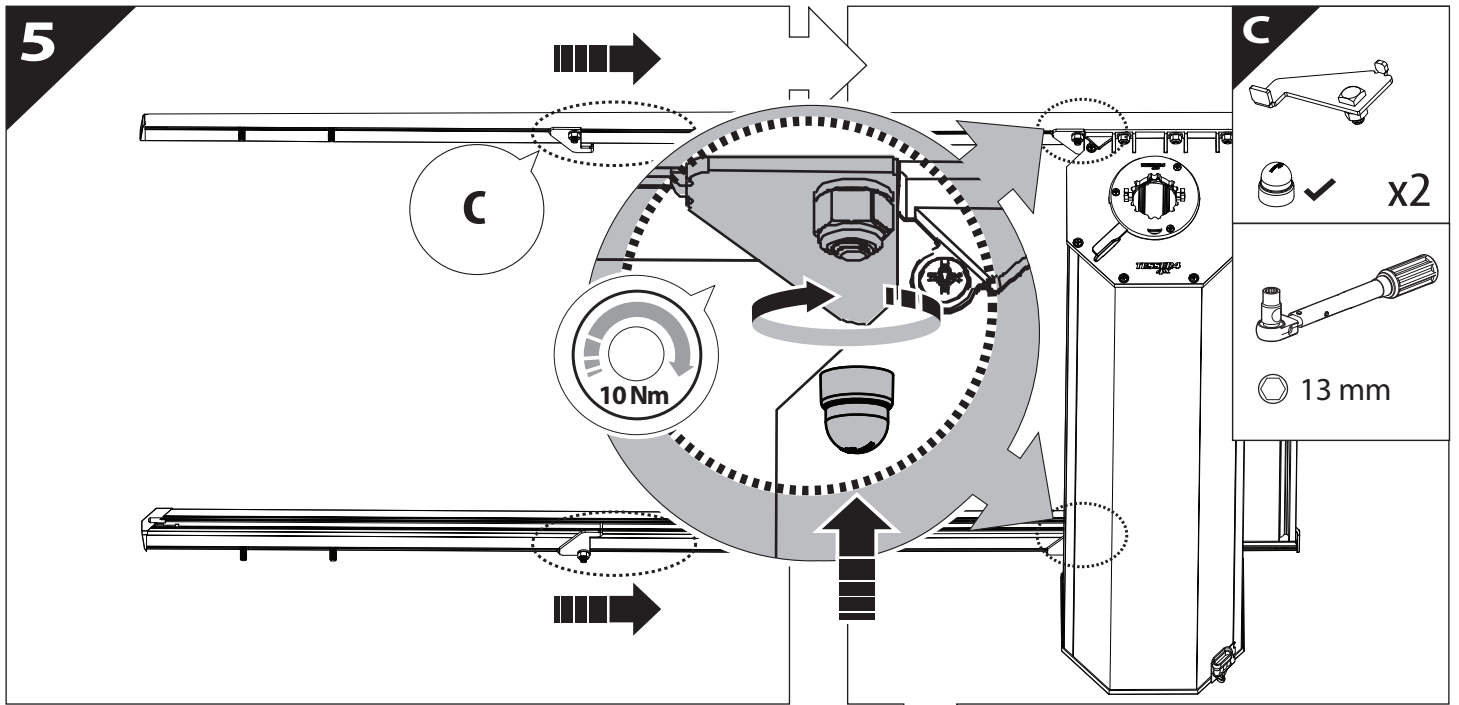


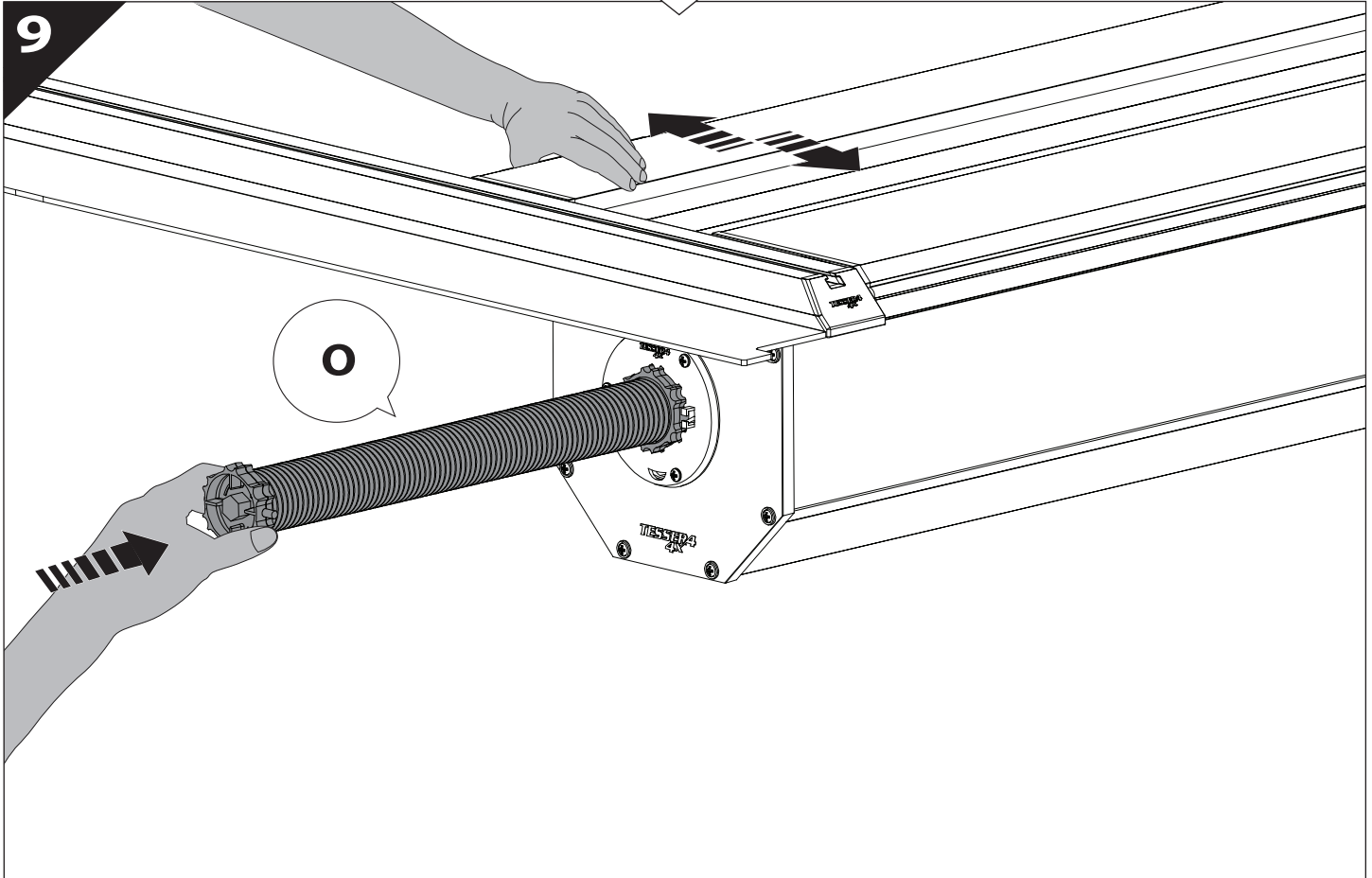
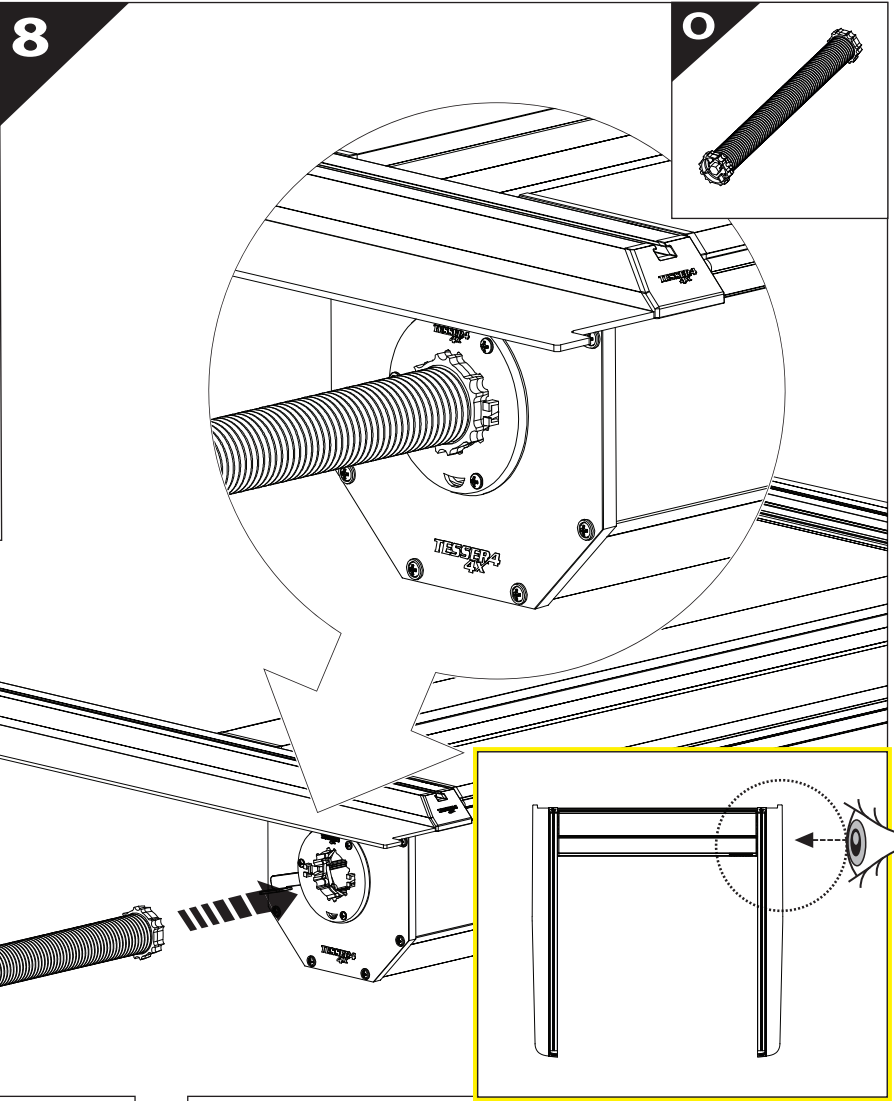
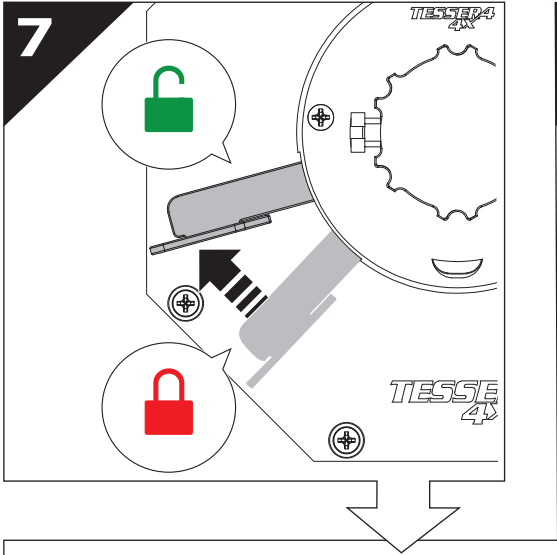
3

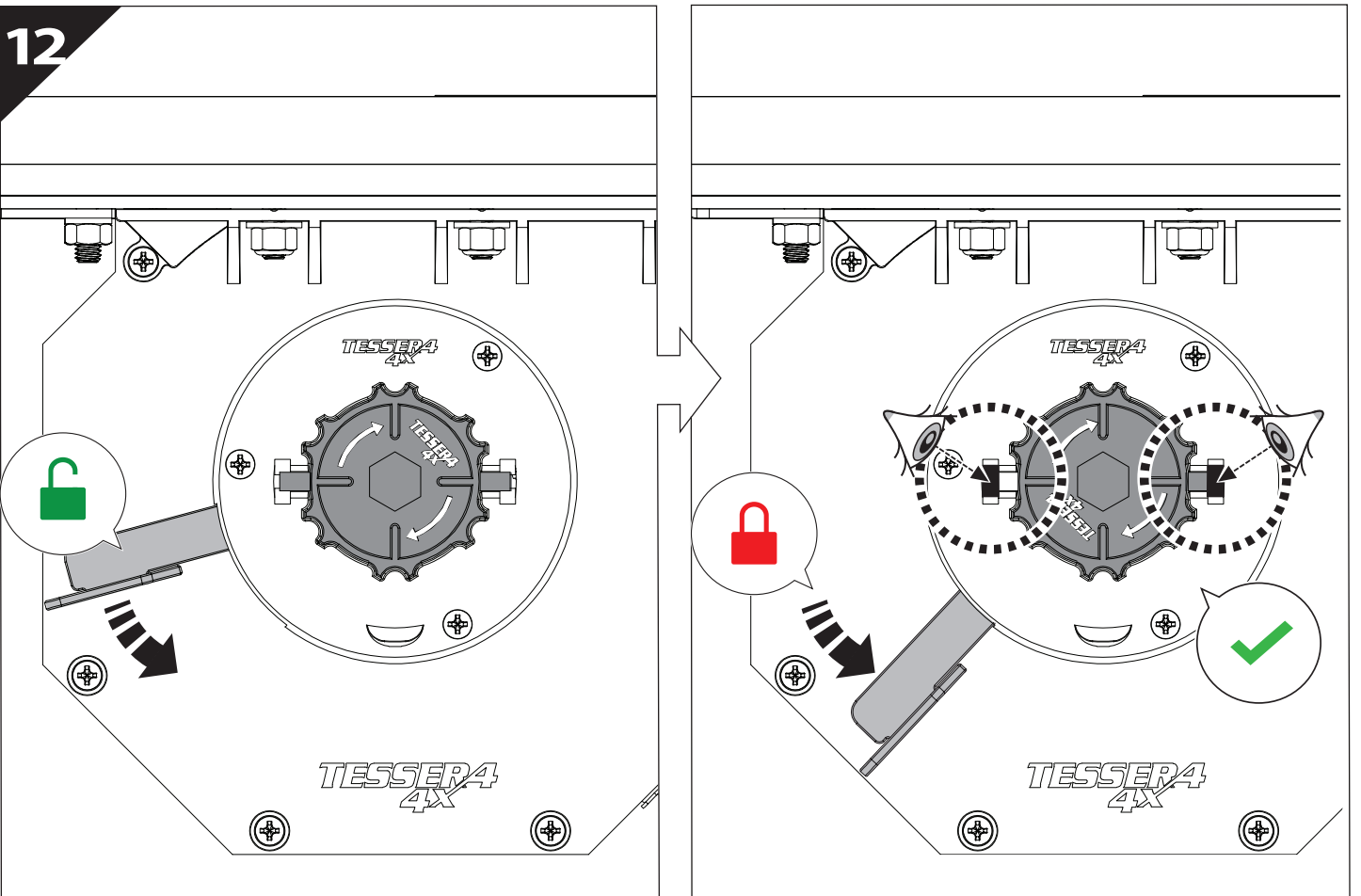
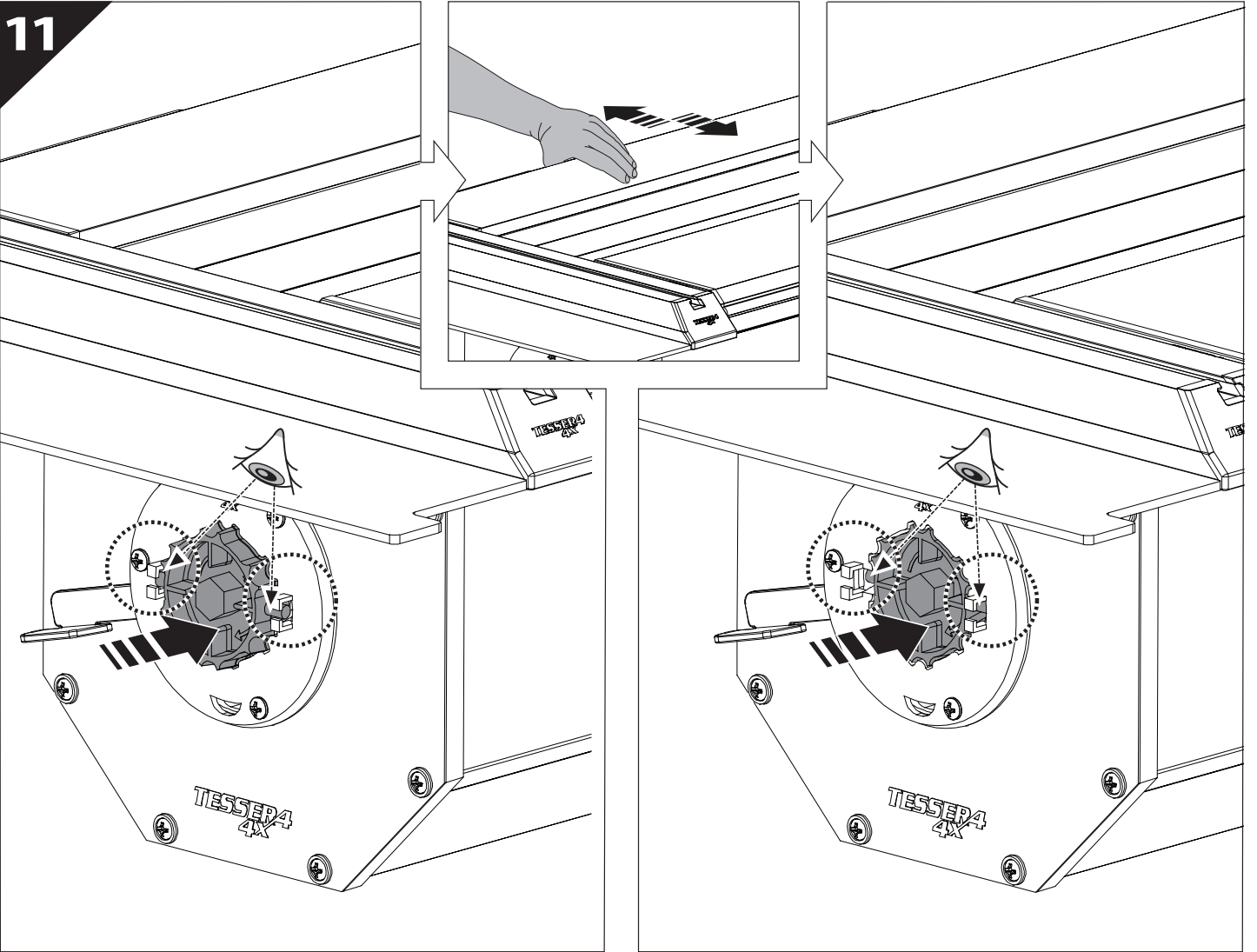


4

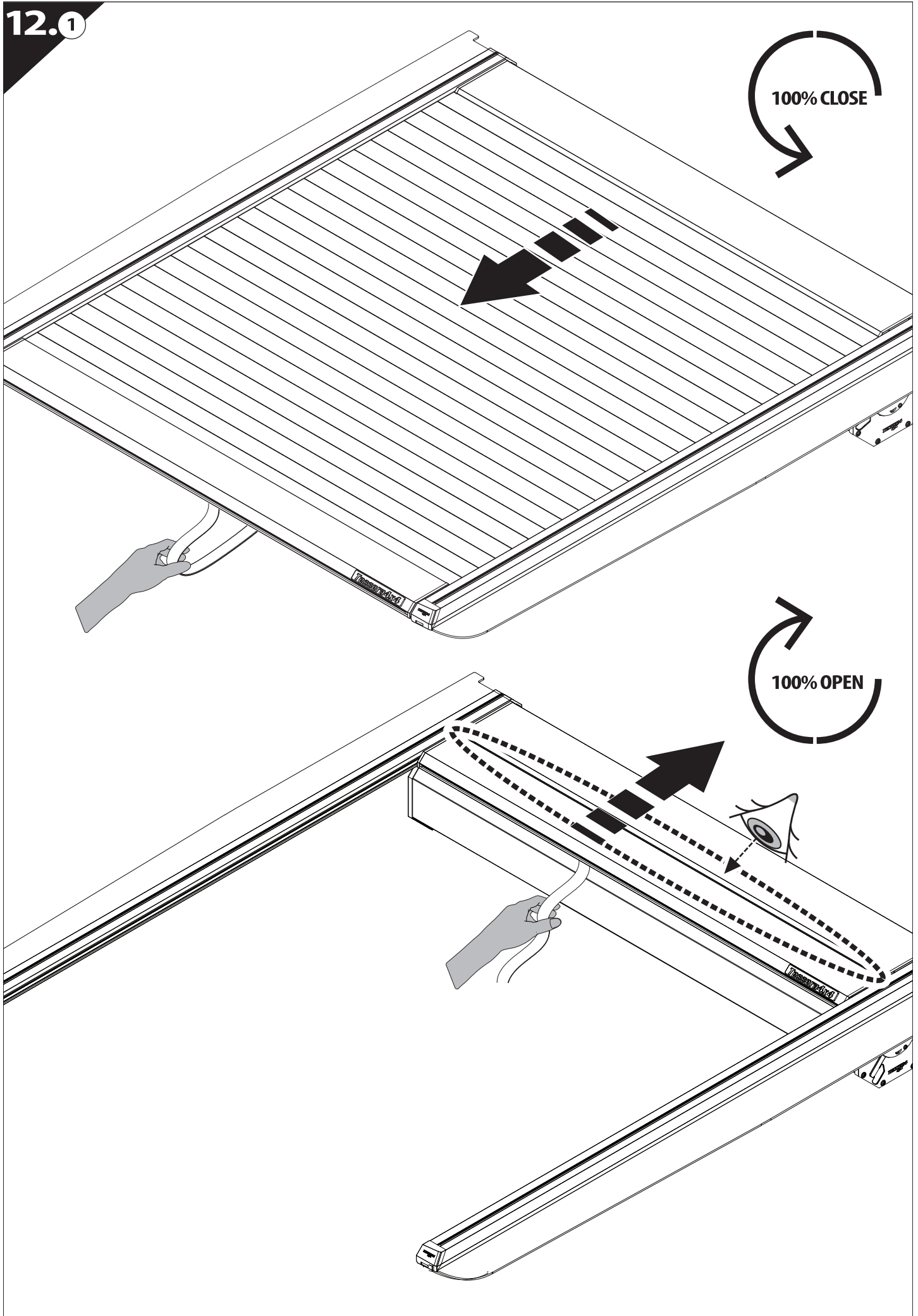




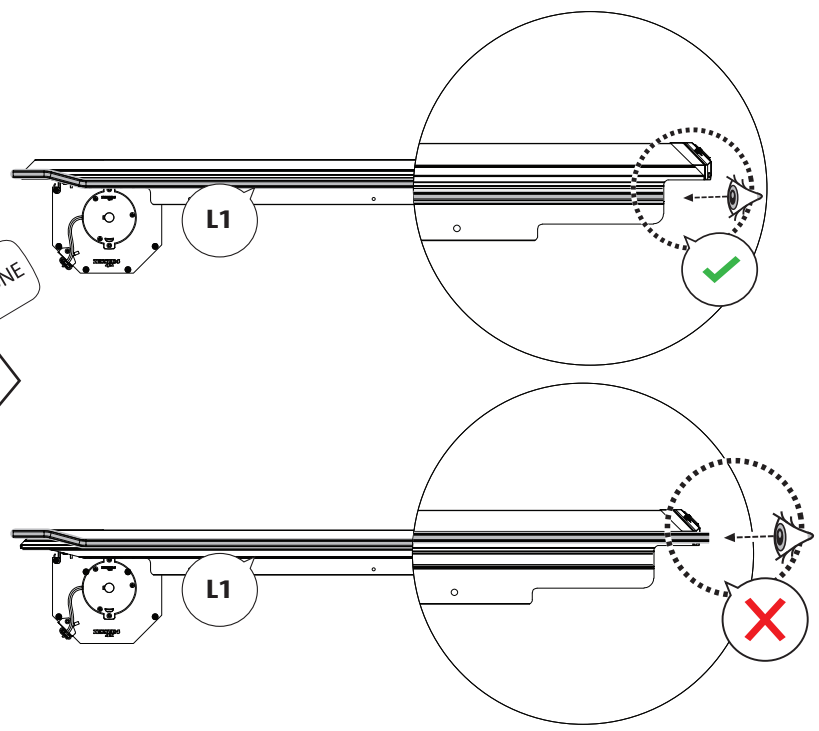
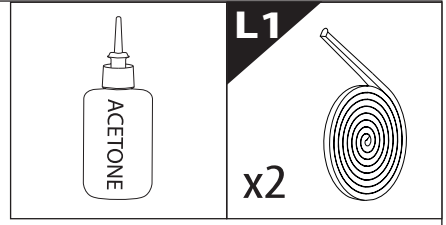
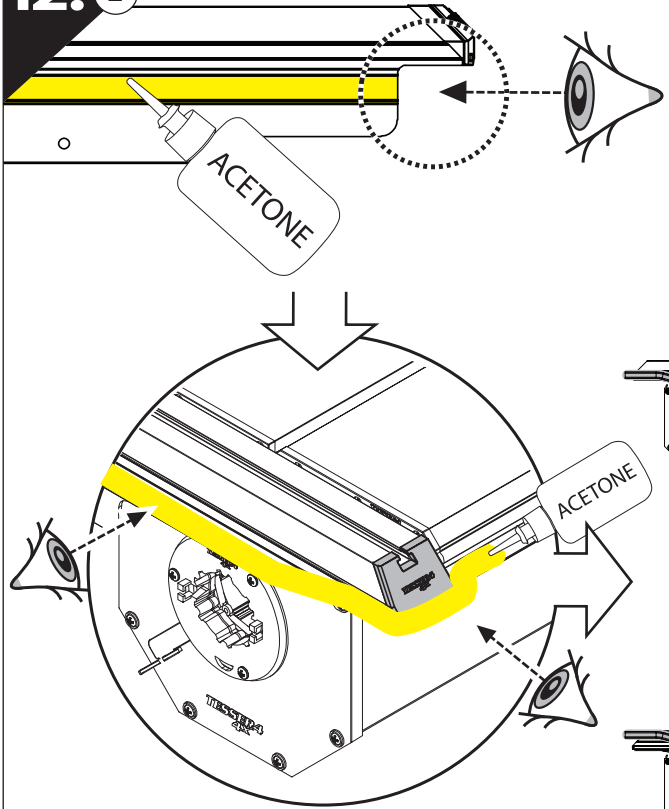




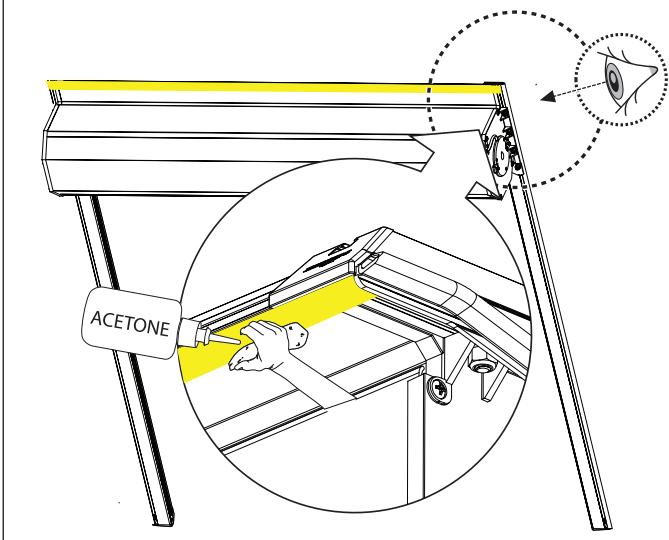
12.0



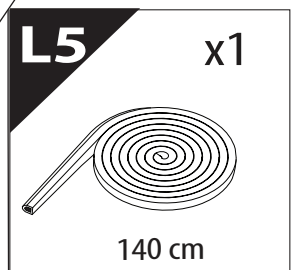
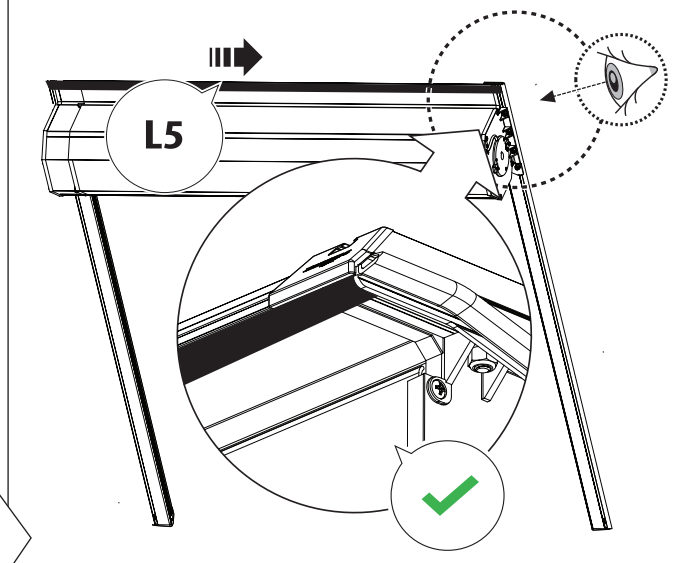
12.2



12.3



12.4

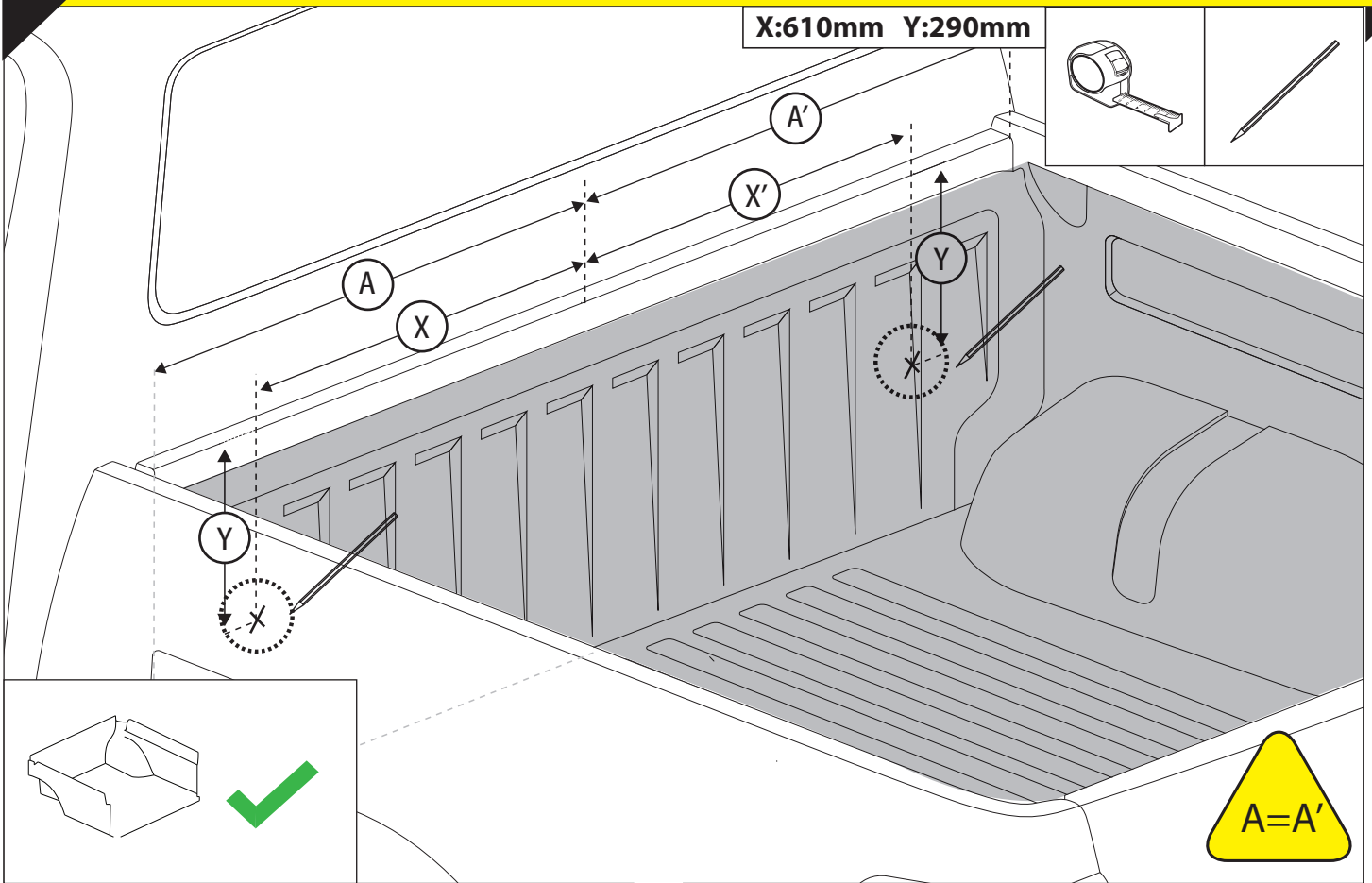
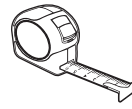


13

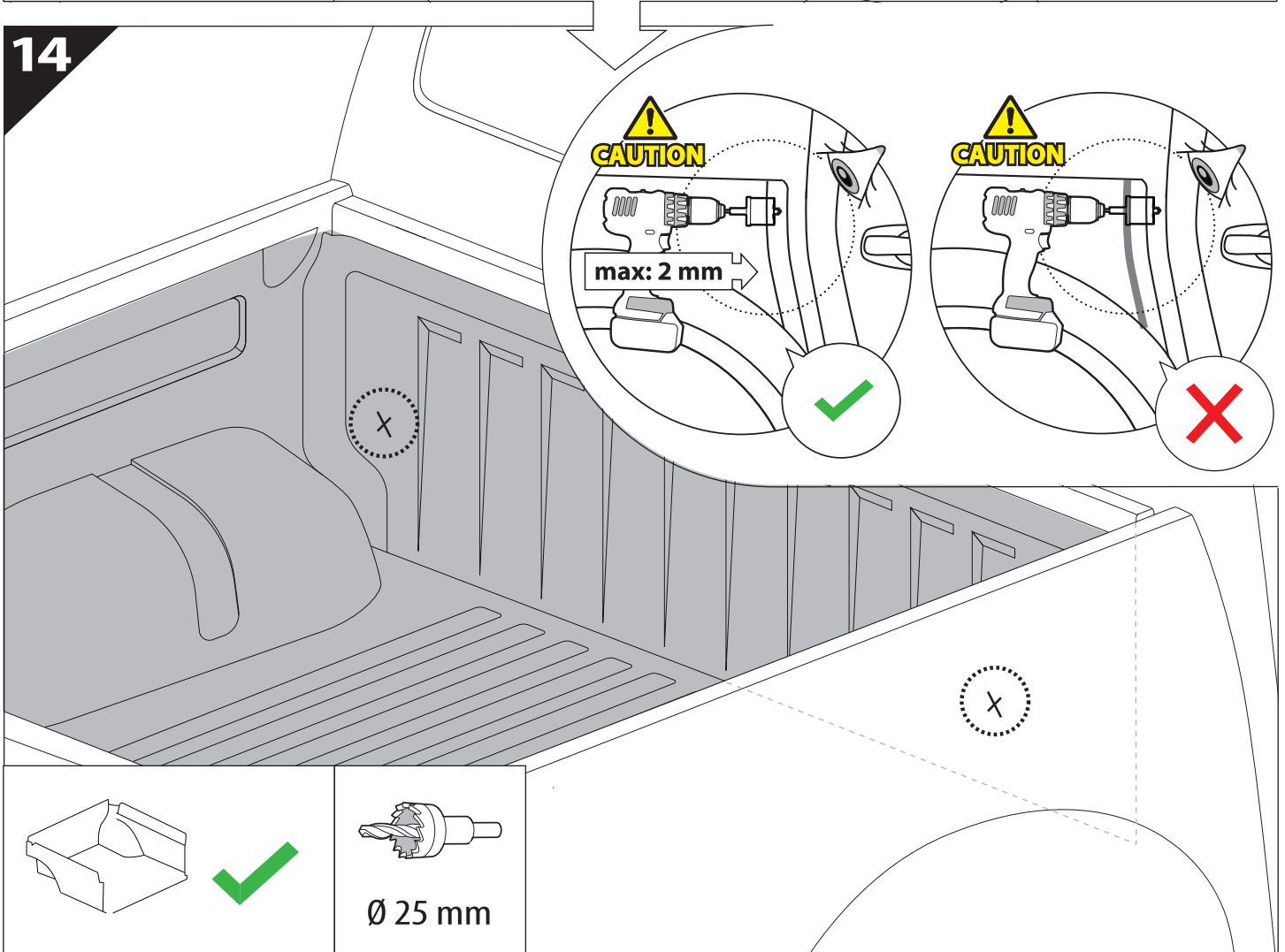


CAUTION: LIMITED, WILDTRAK, WILDTRAK X, PLATINUM

X:610mm Y:290mm

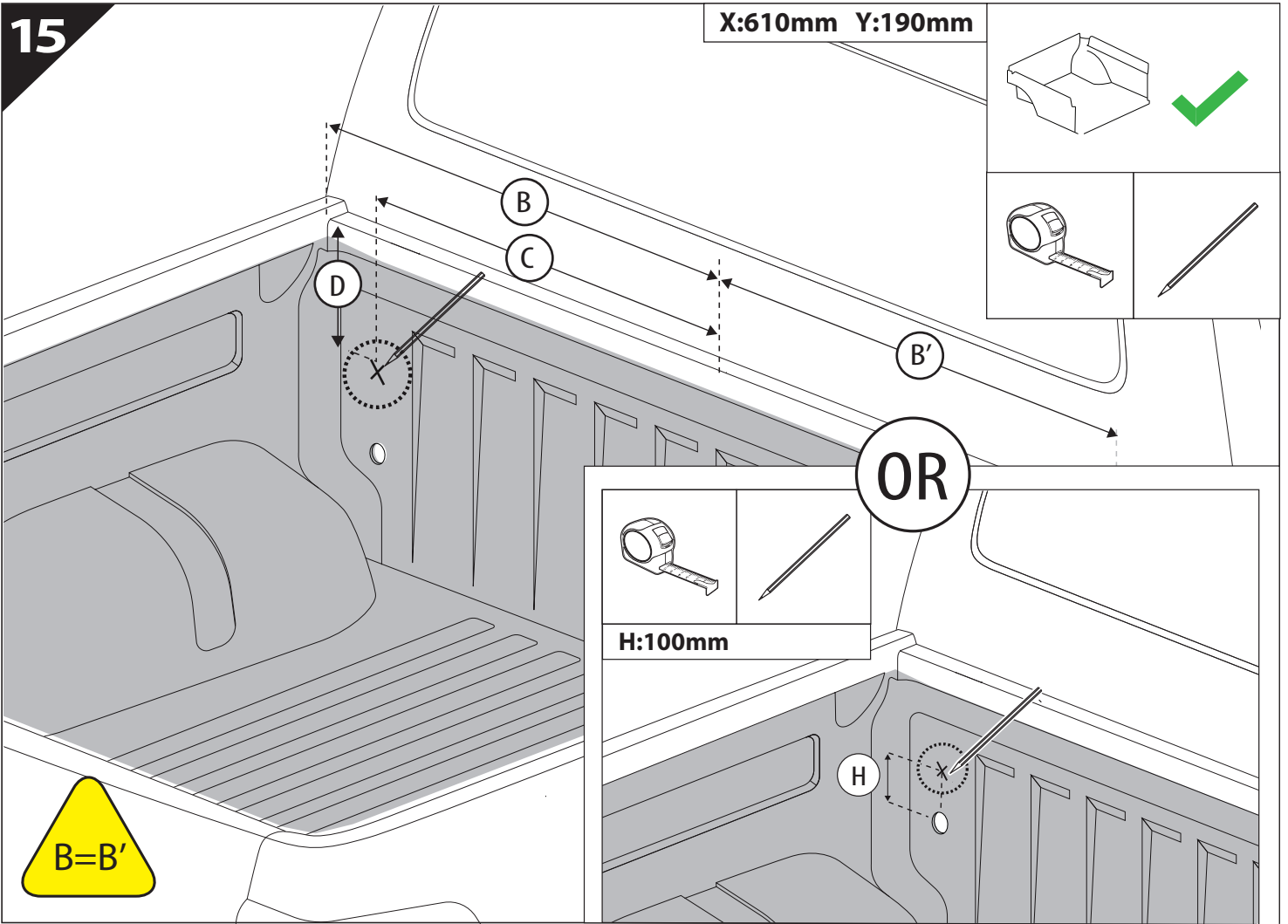
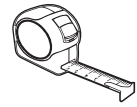
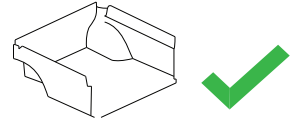


14

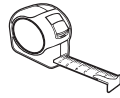


15

X:610mm Y:190mm



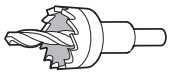
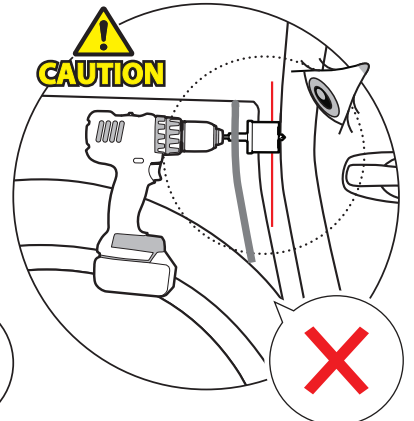
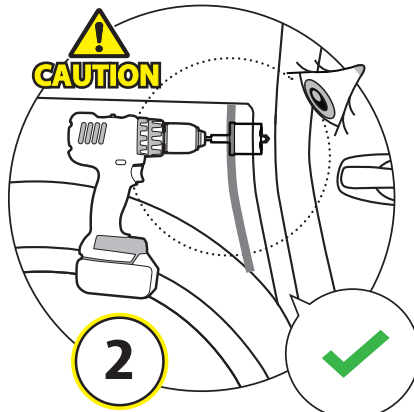
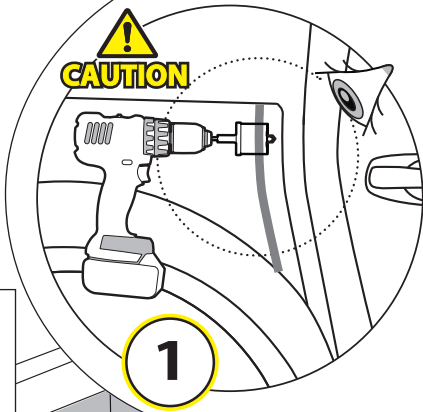
OR



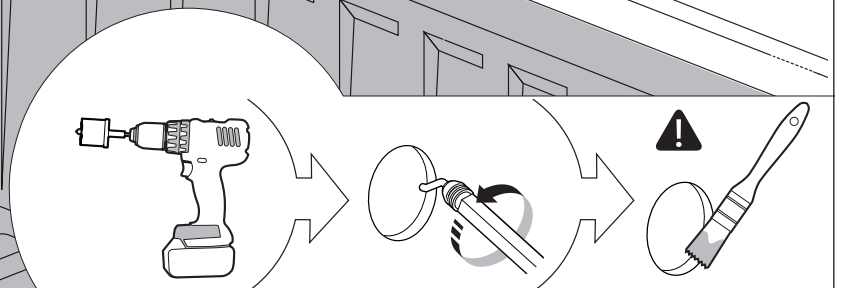
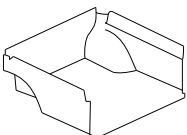
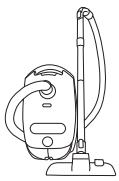
H:100mm

H

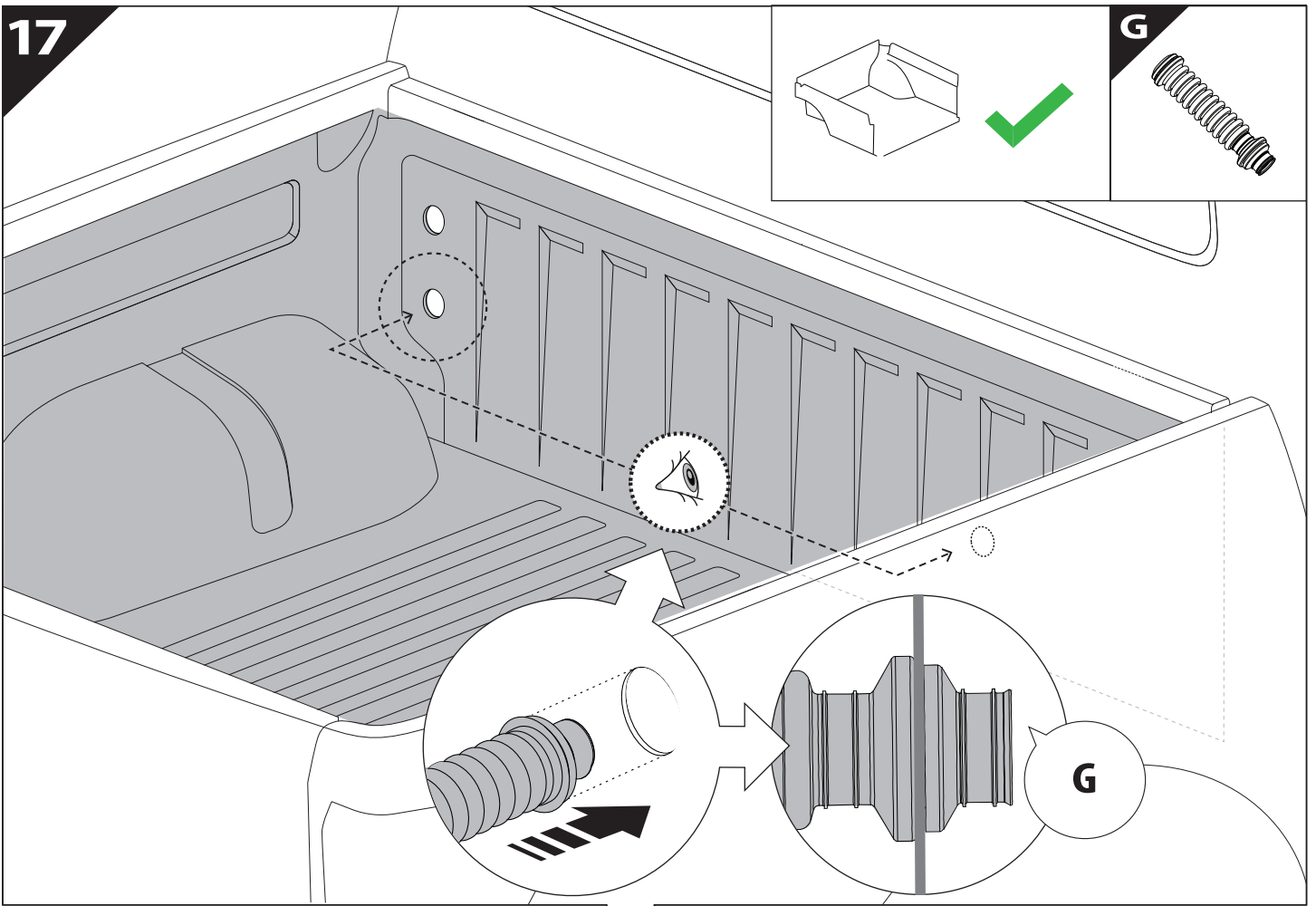
16



Ø 25 mm

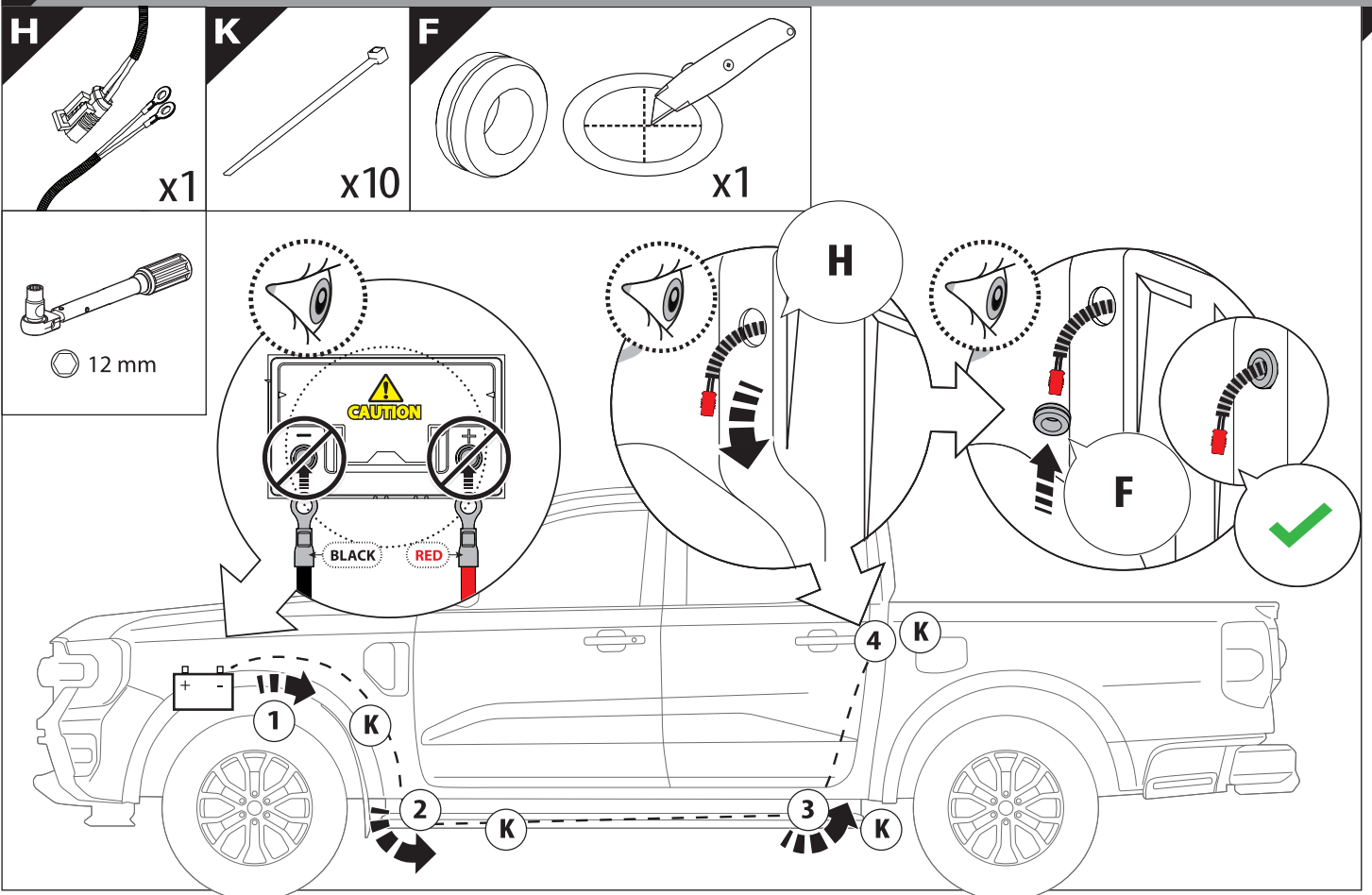


17

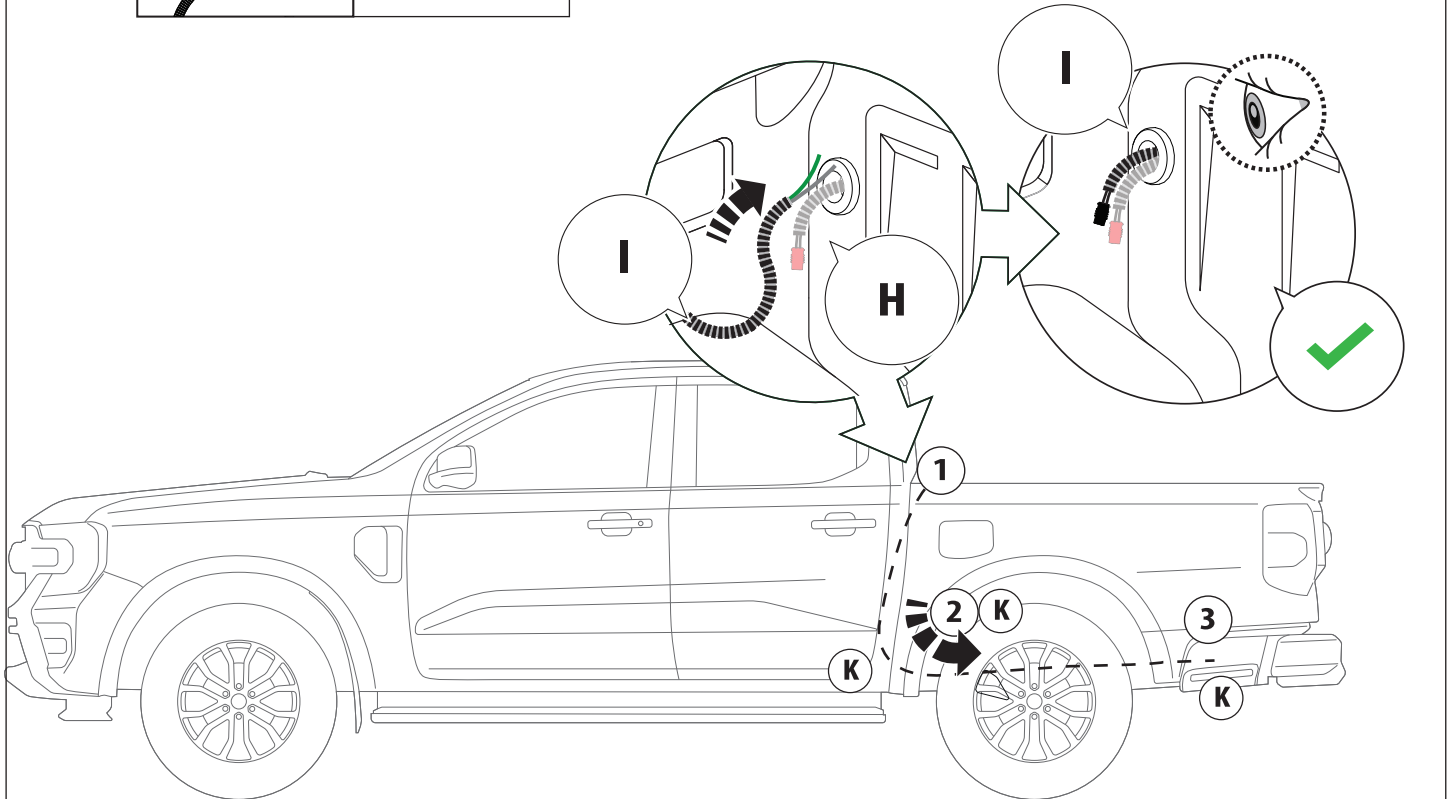
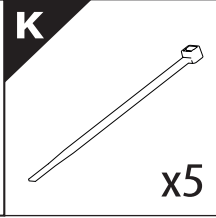
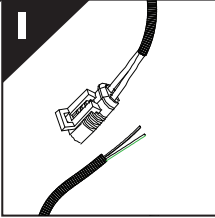


18

Only to be installed by authorized personnel



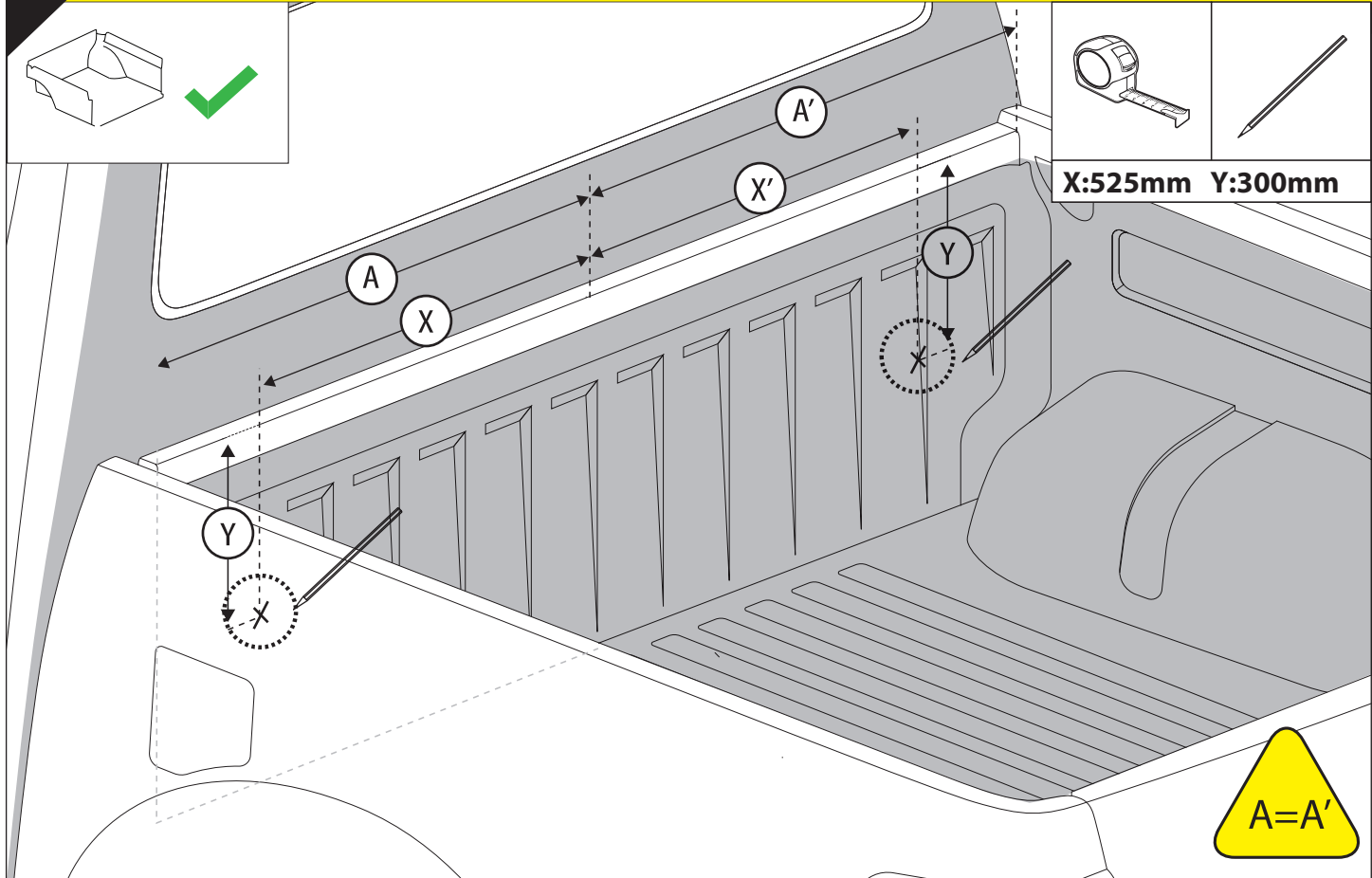
19



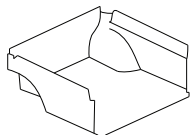
20



CAUTION: RAPTOR



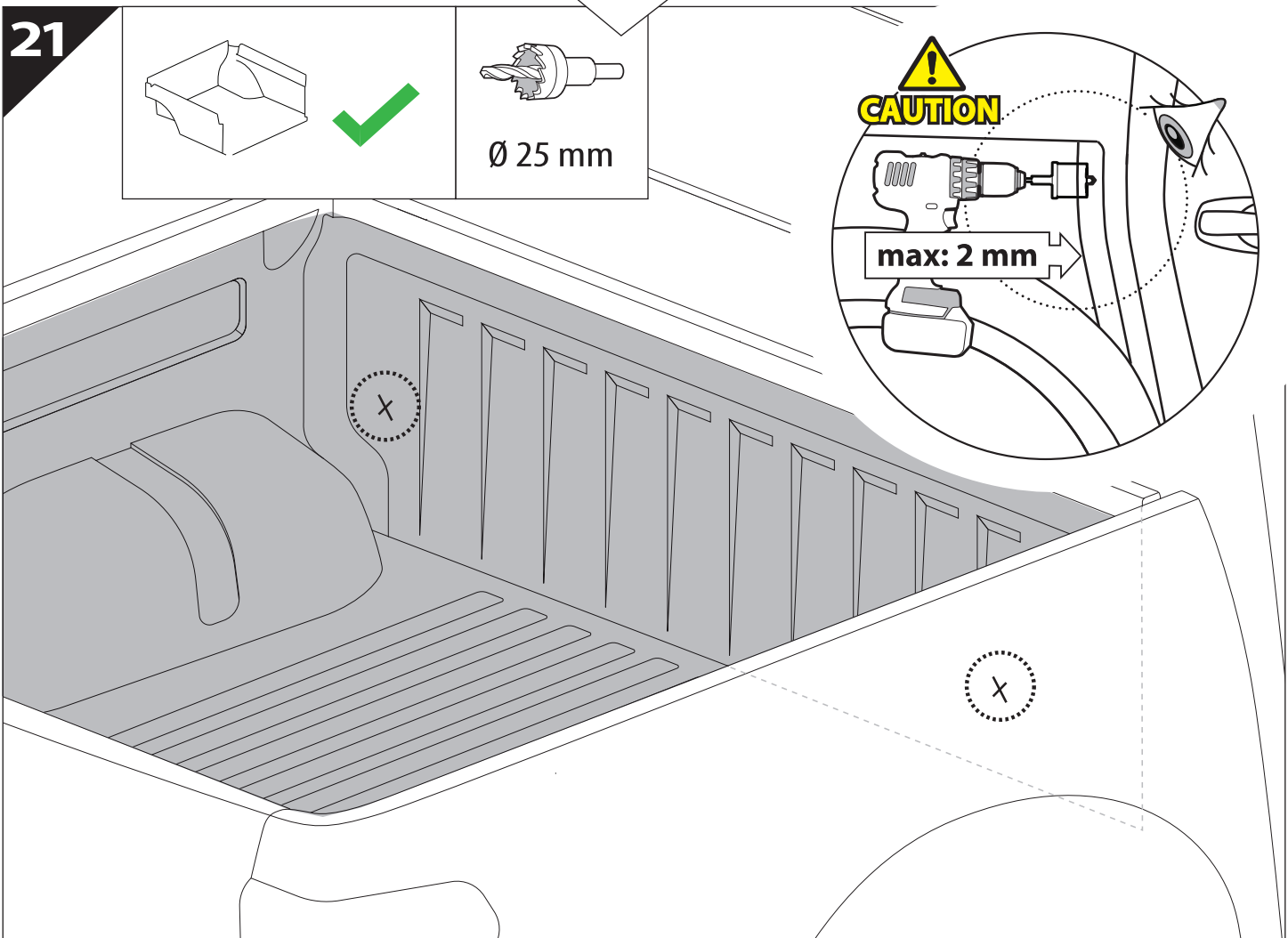
21



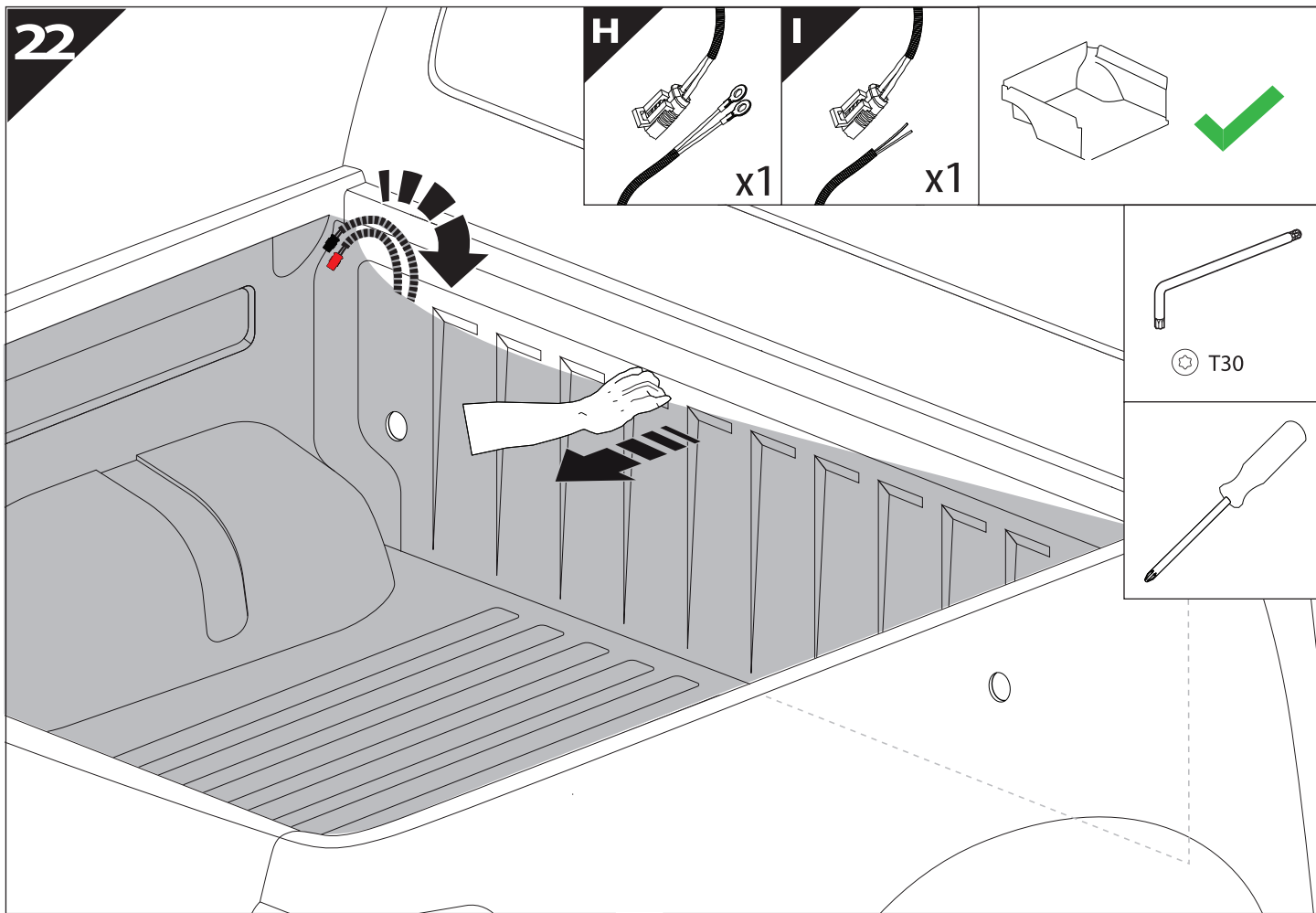
Ø 25 mm

CAUTION

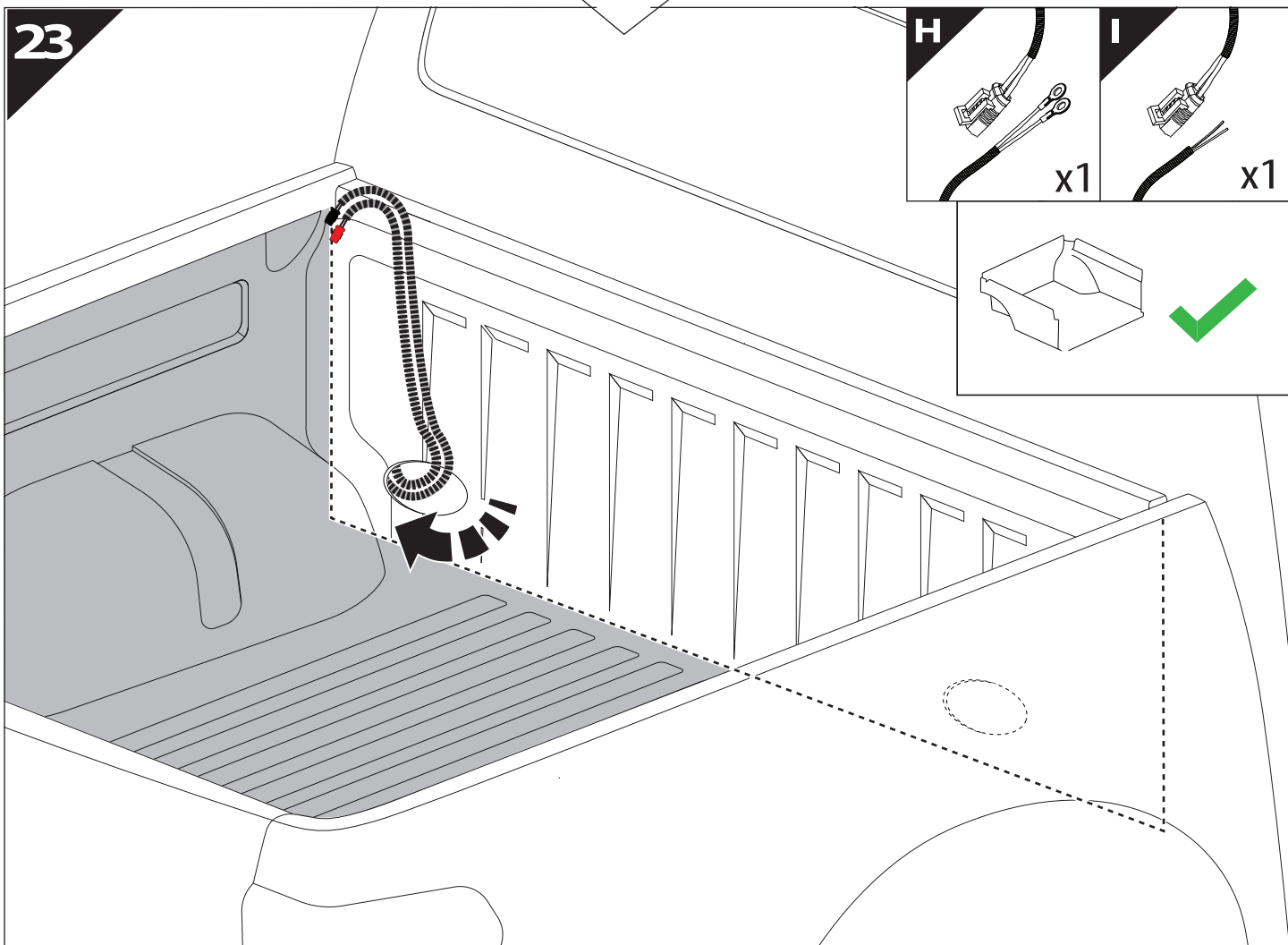
max: 2 mm

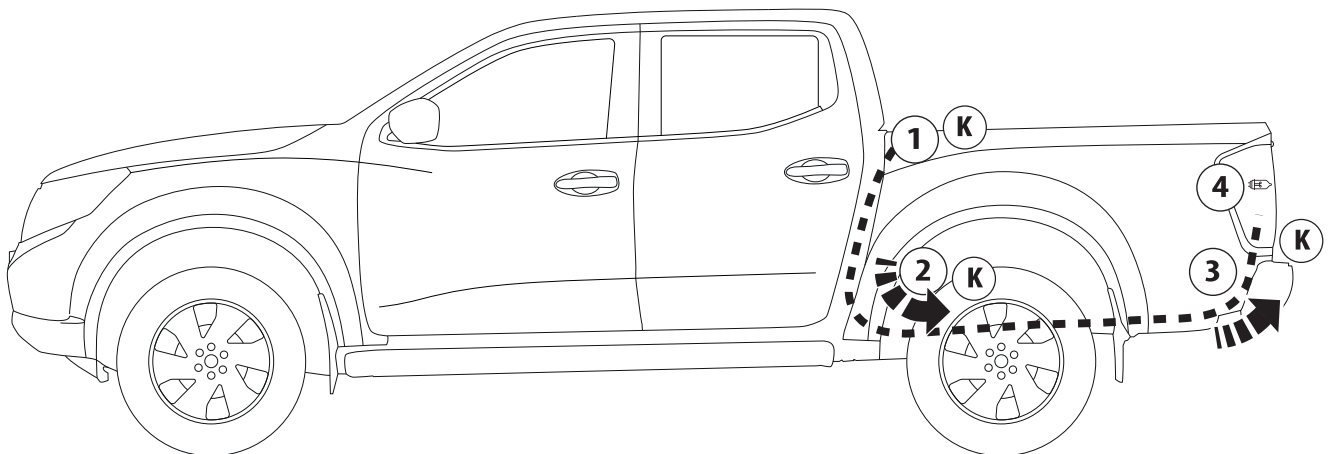
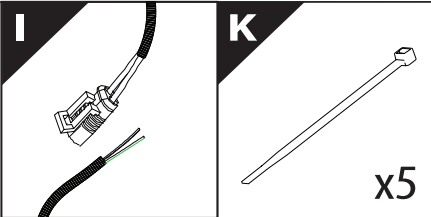
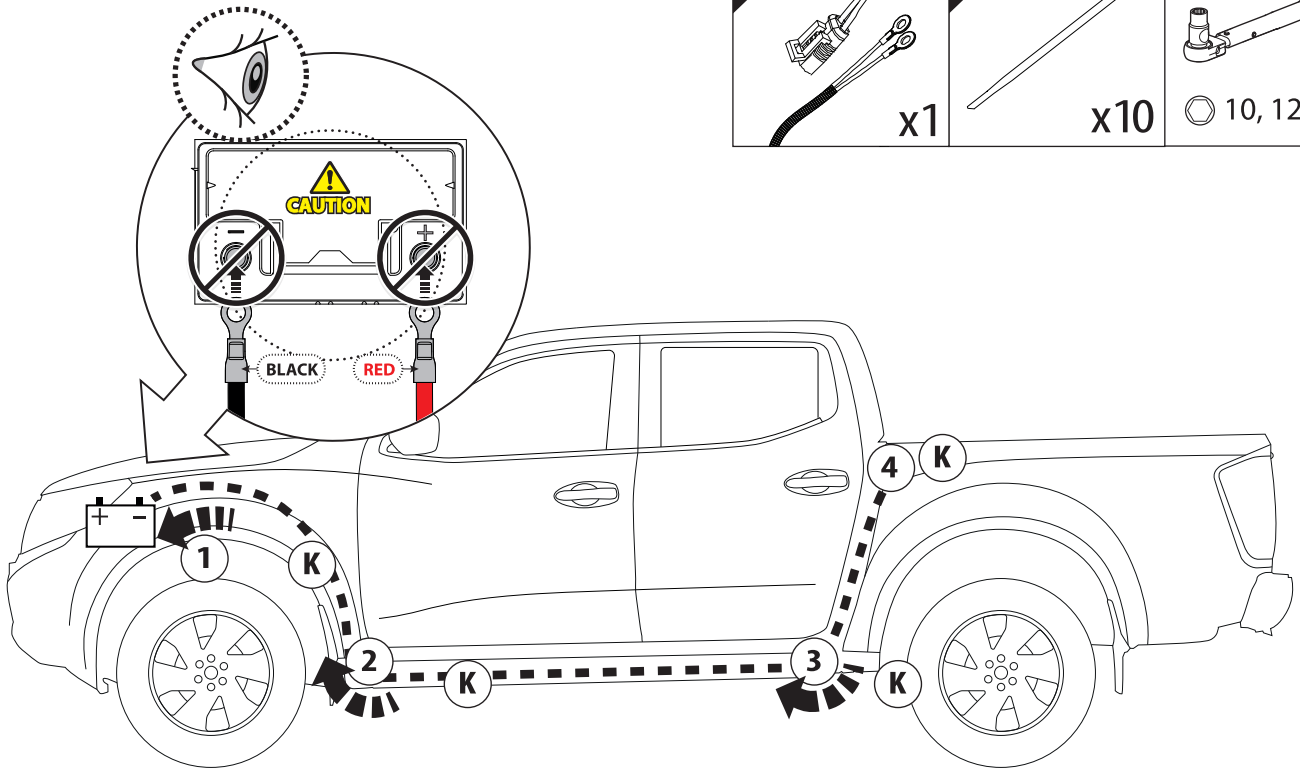
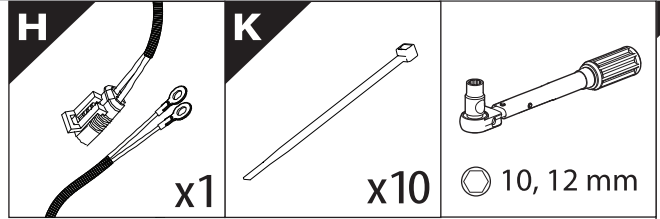


22

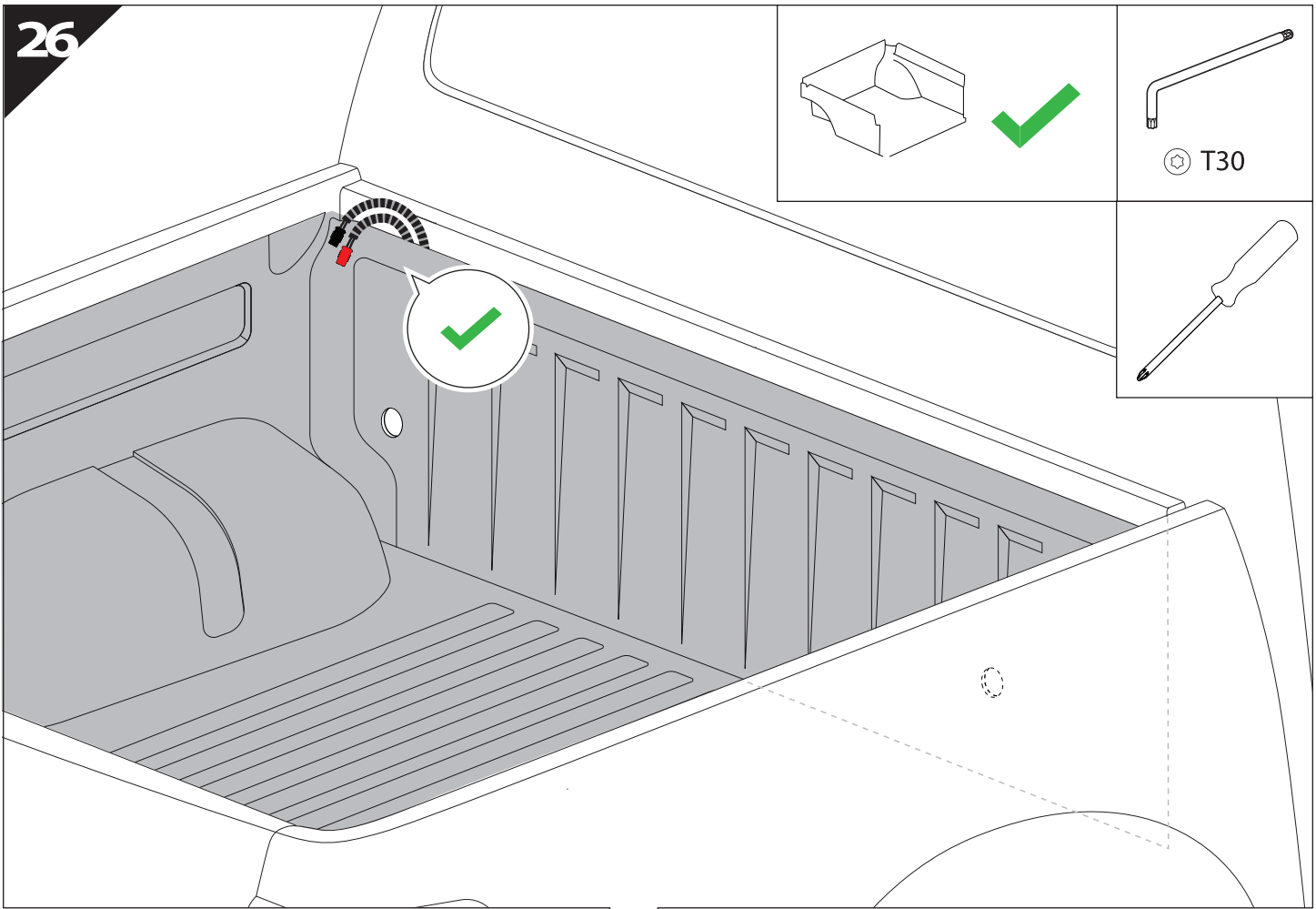
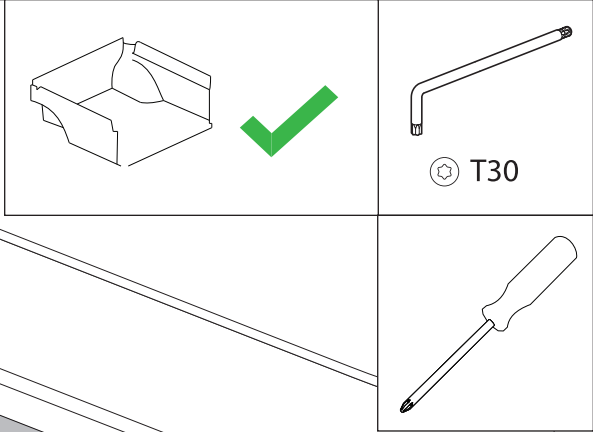


23

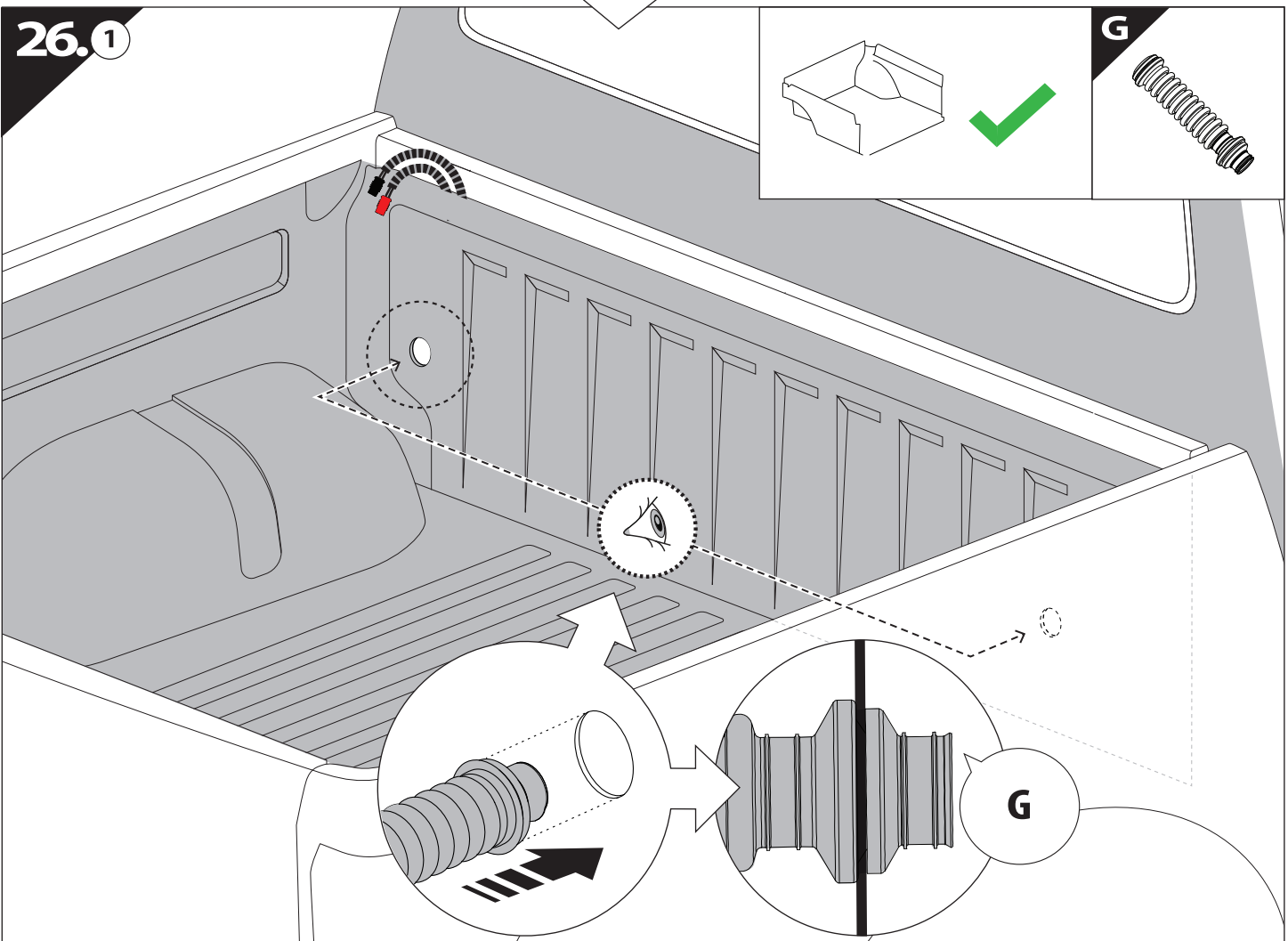
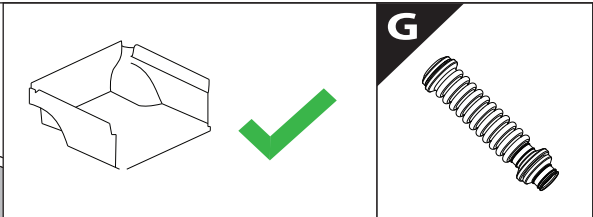




26

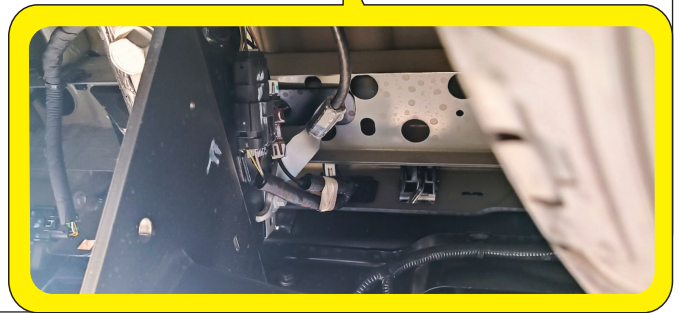
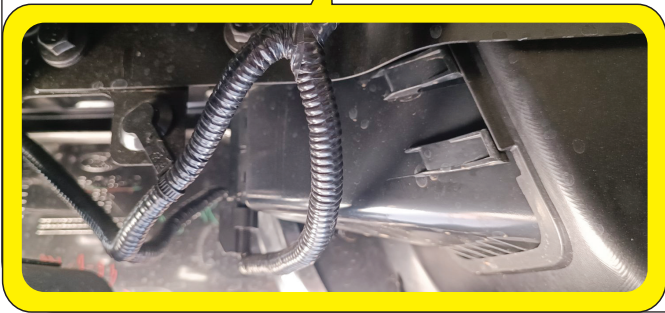
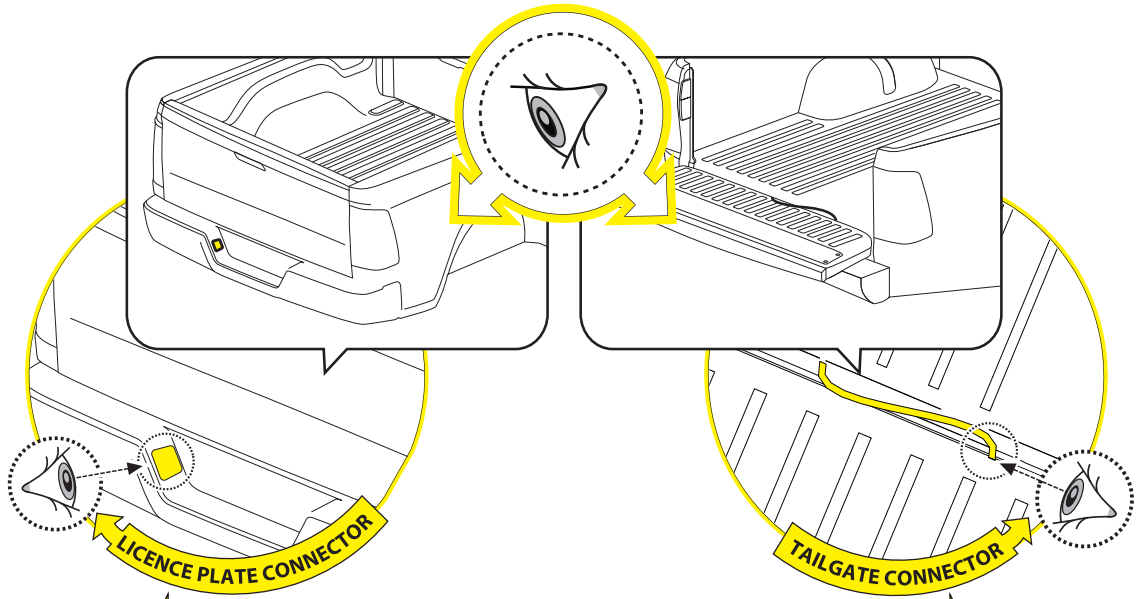


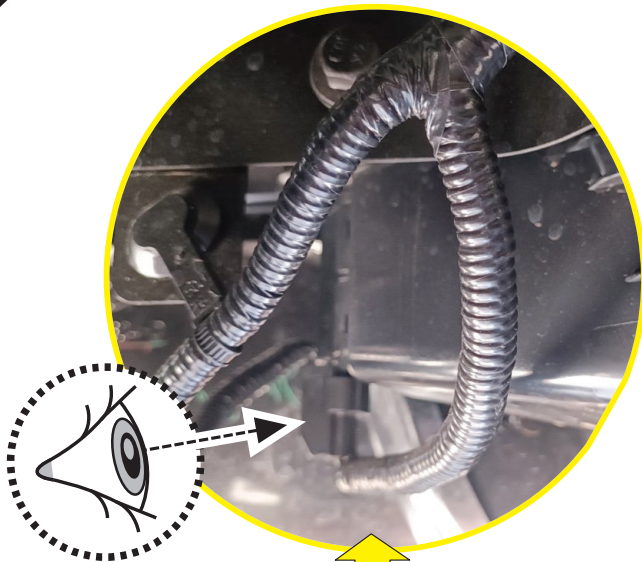
26.1



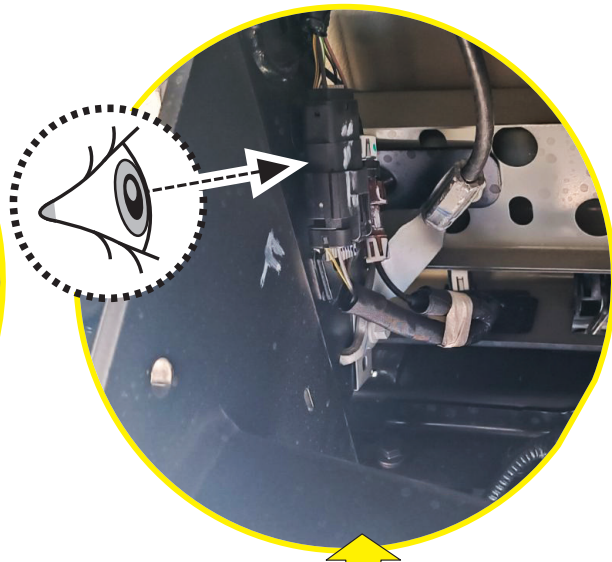


CAUTION: LIMITED, WILDTRAK, WILDTRAK X, PLATINUM



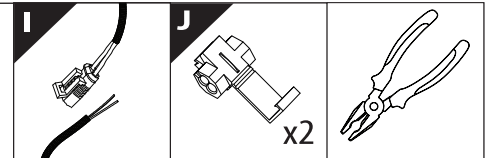


LICENCE PLATE CONNECTOR



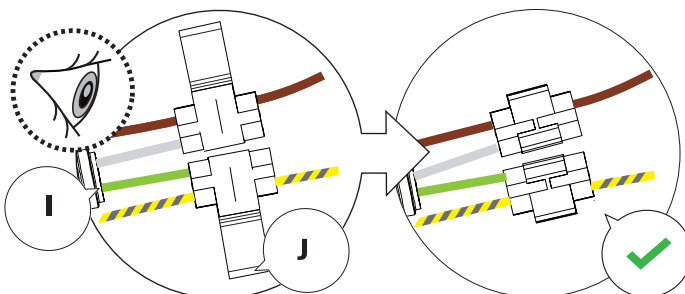
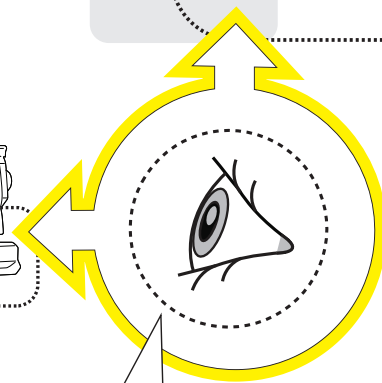
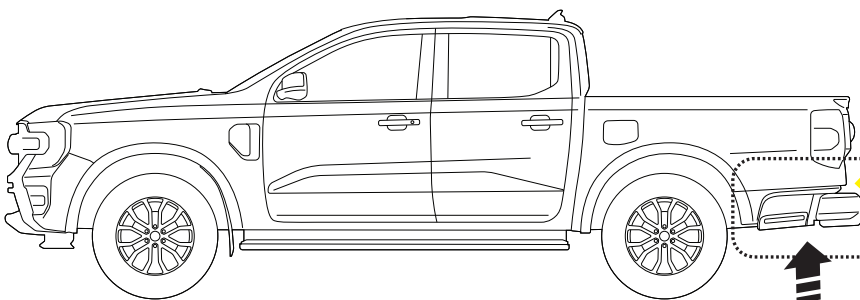
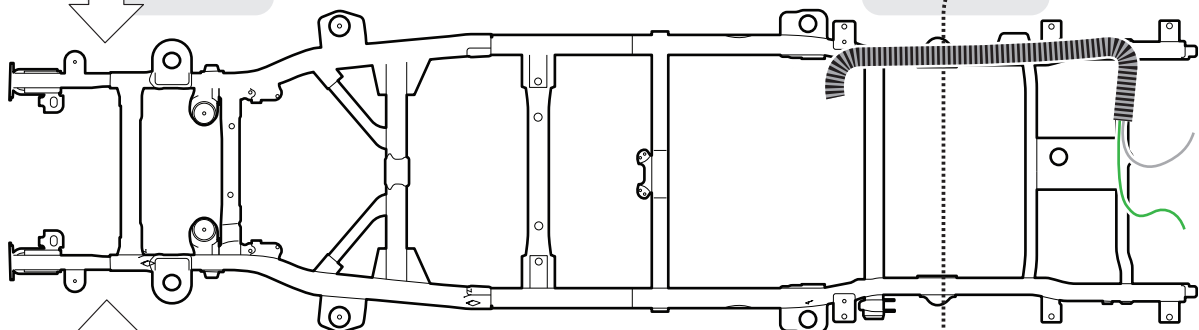
TAILGATE CONNECTOR

BOTTOM VIEW



DRIVER'S LEFT SIDE

PASSENGER'S RIGHT SIDE

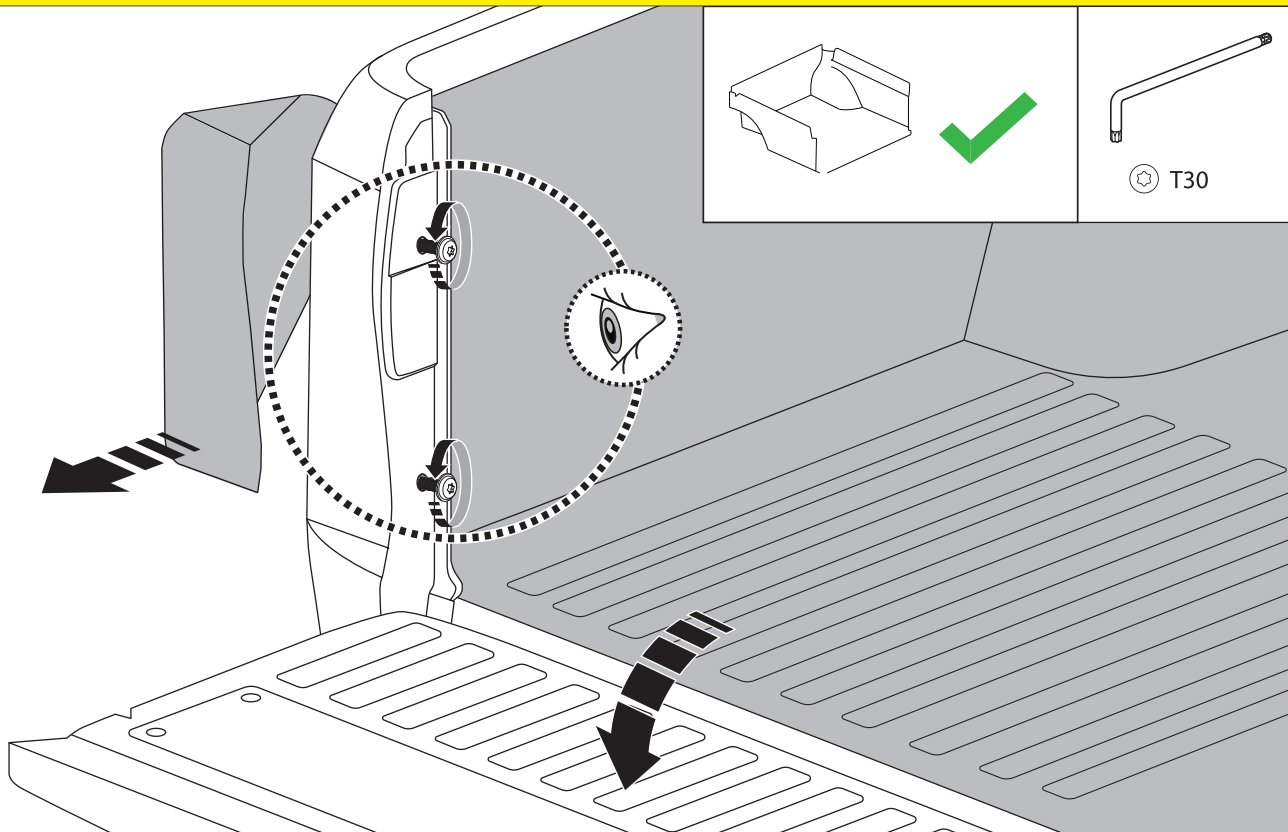


	CAR		TESSERA ROLL+
BEAM		↔	
LICENCE PLATE 2 PIN LIGHT CONNECTOR			
STOP		↔	
TAILGATE CONNECTOR			

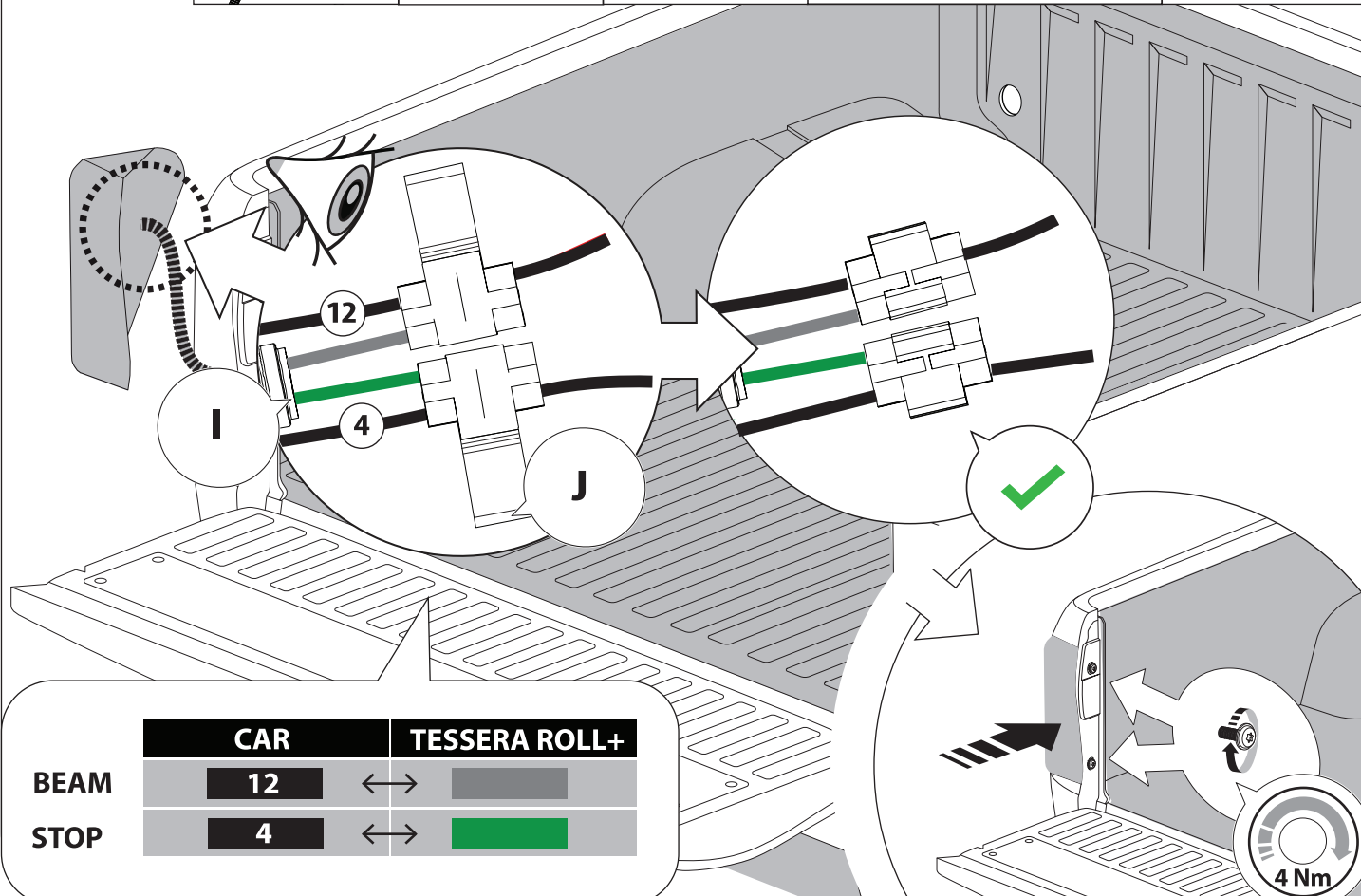
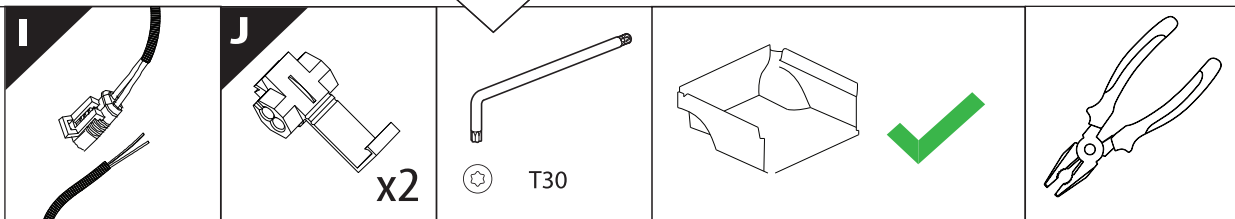
28.1



CAUTION: RAPTOR

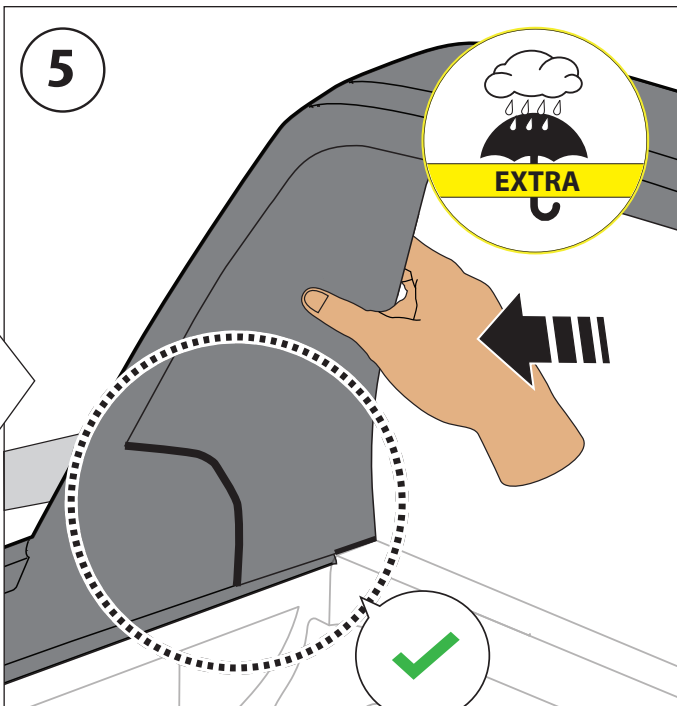
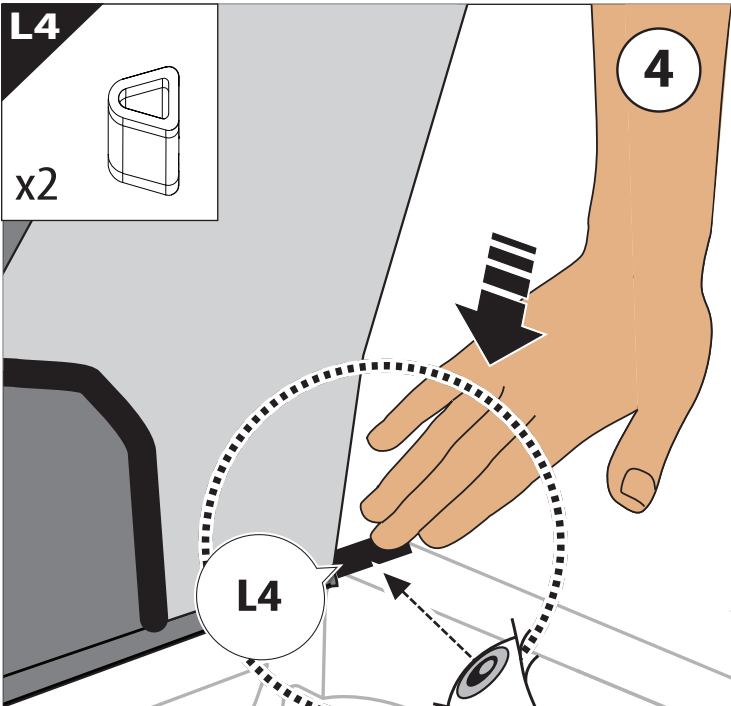
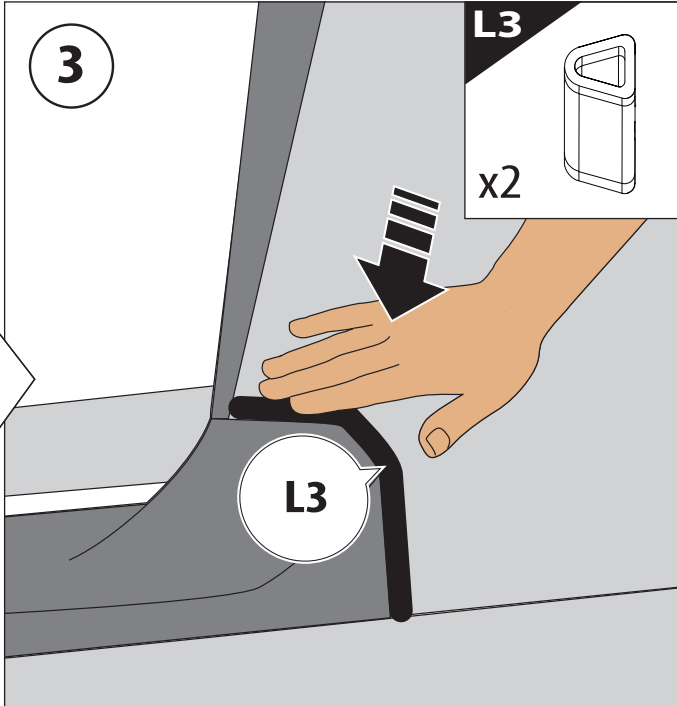
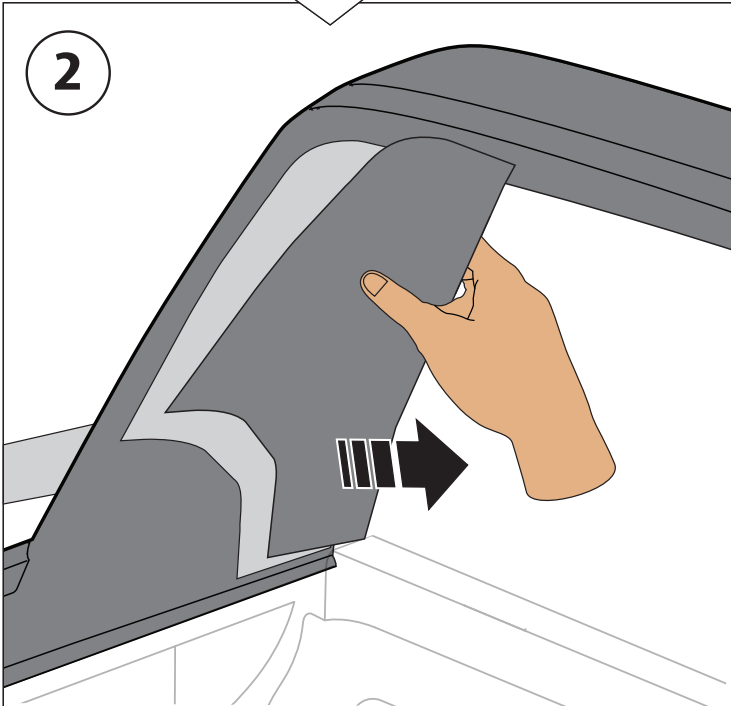
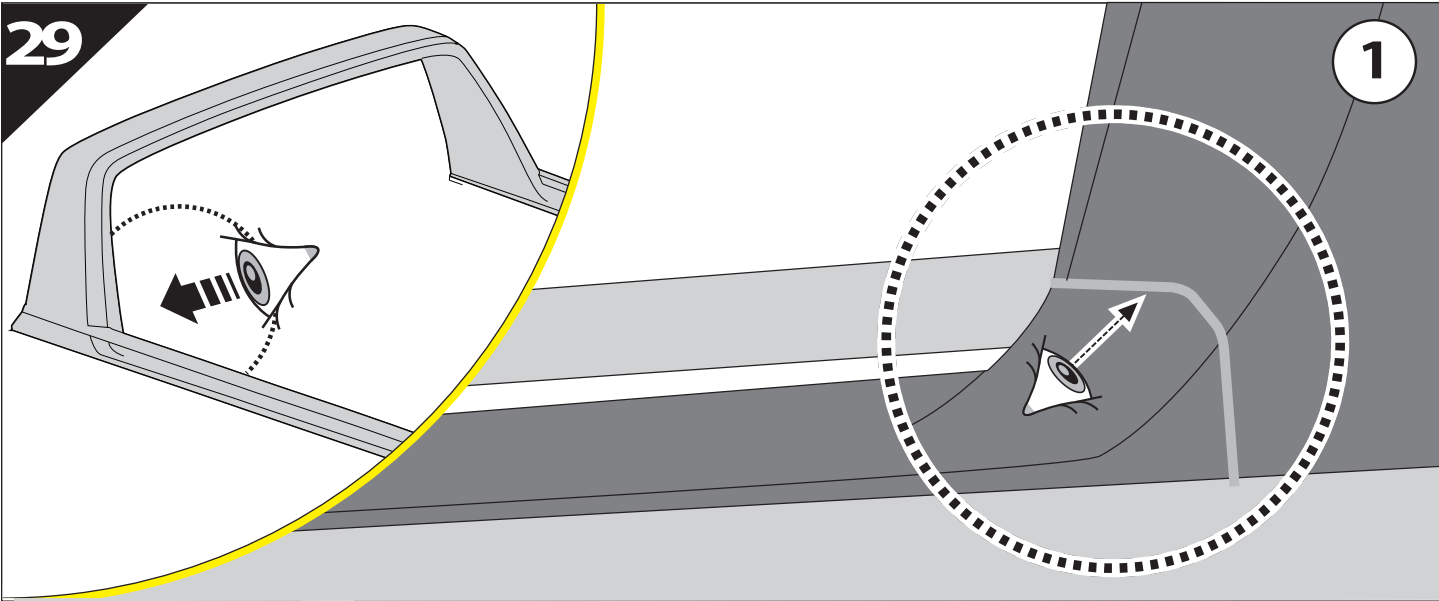


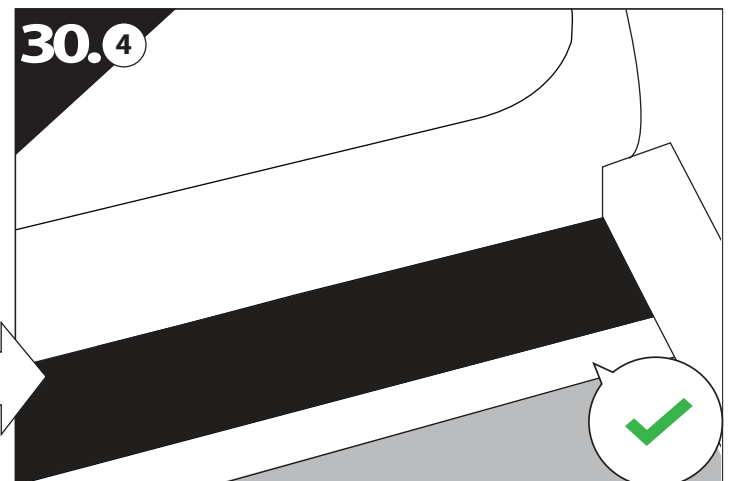
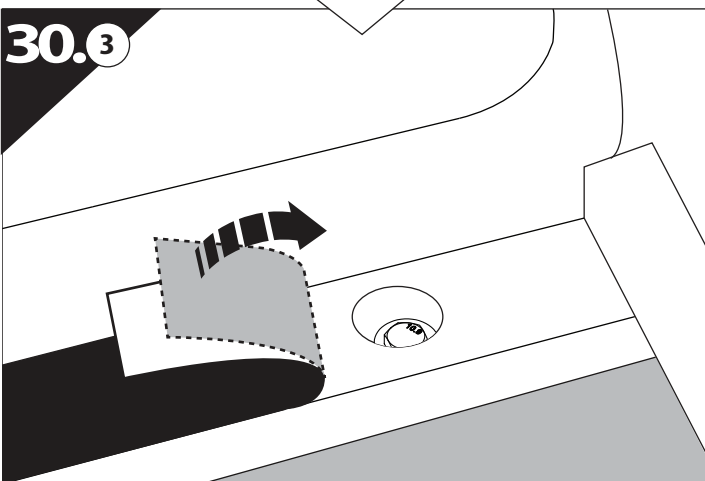
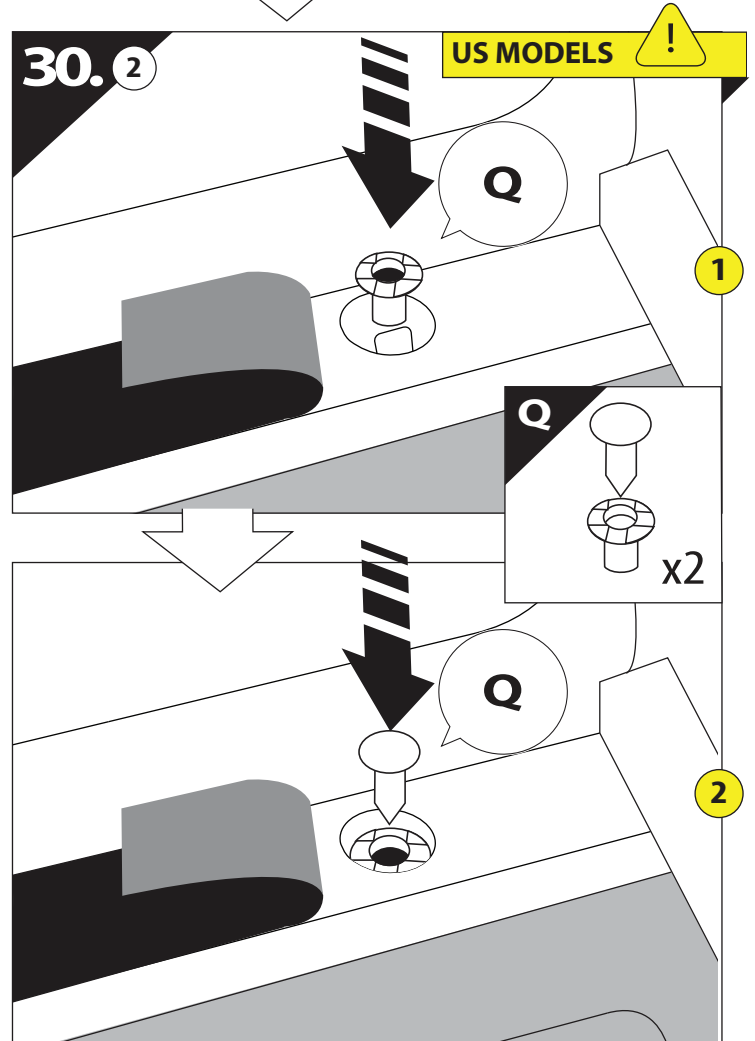
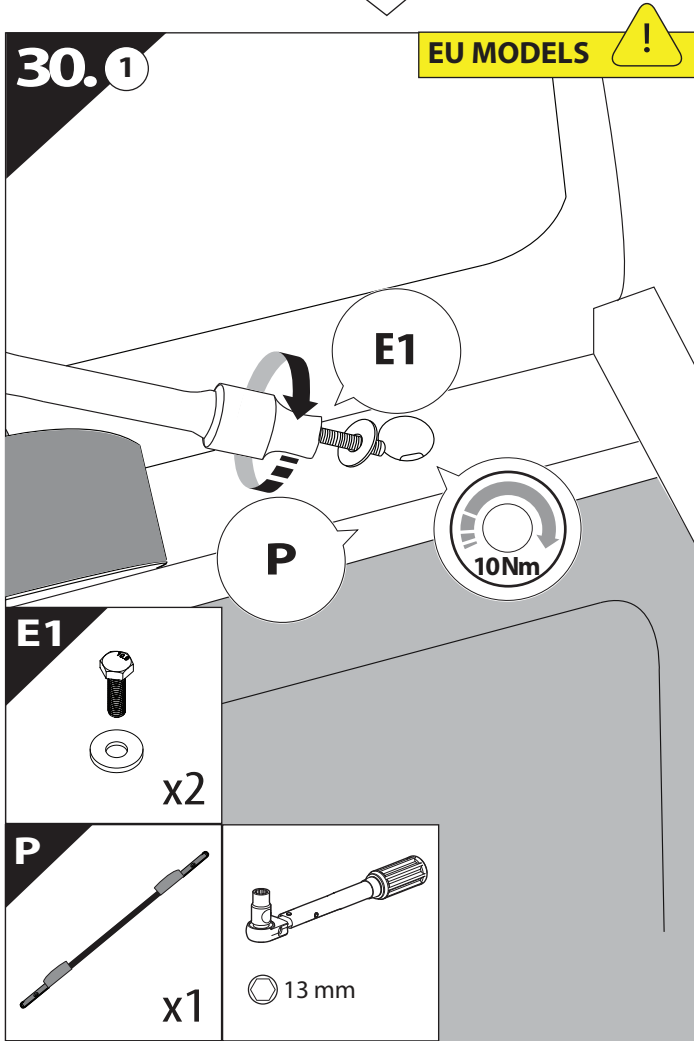
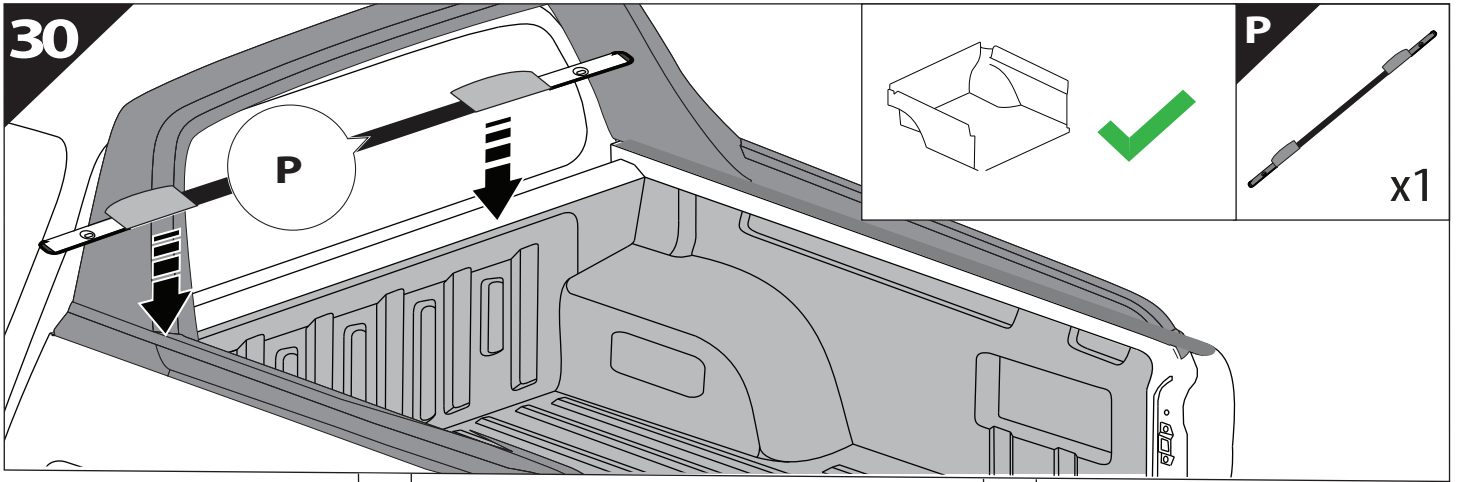
28.2



	CAR		TESSERA ROLL+
BEAM	12	↔	■
STOP	4	↔	■

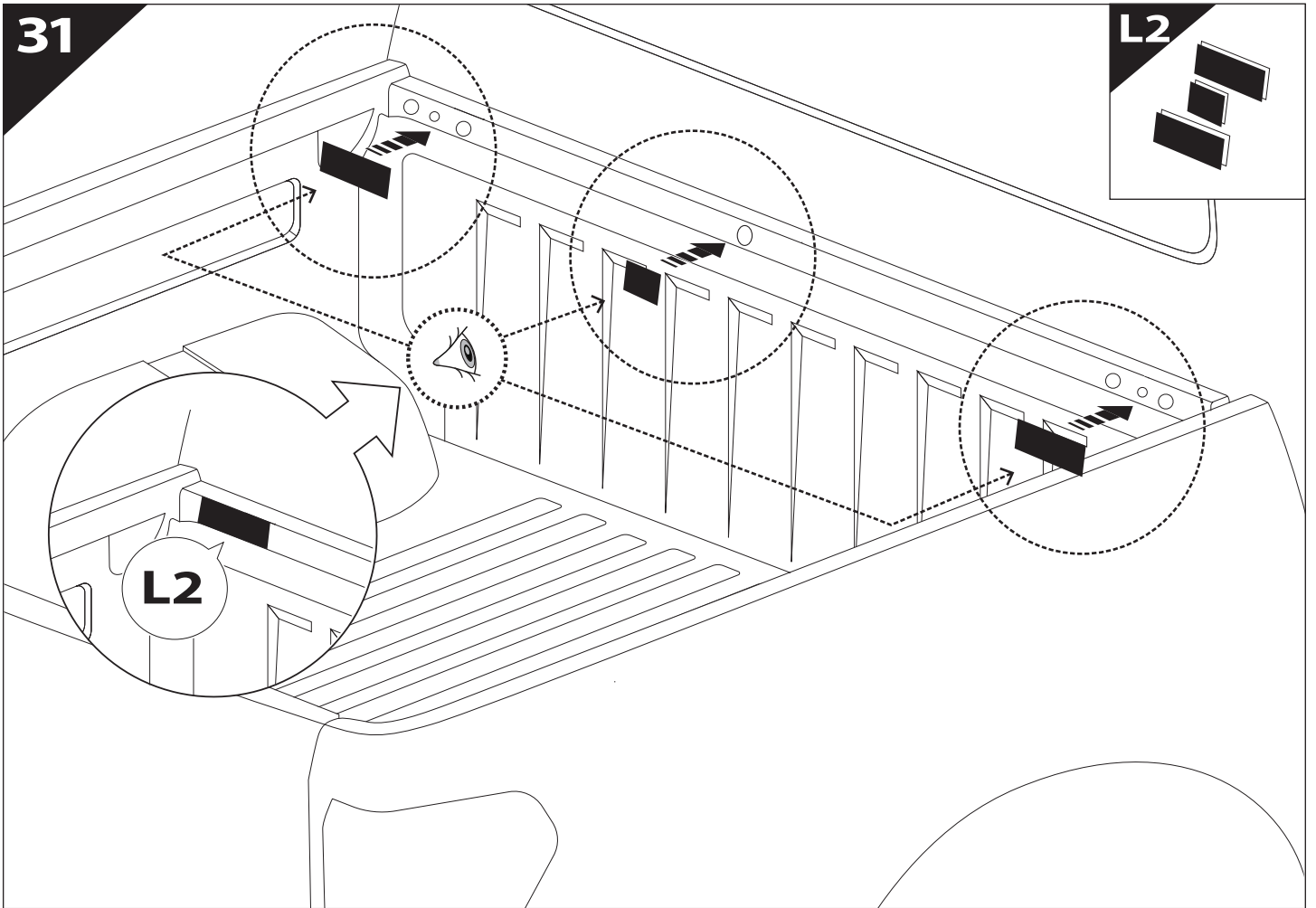






31

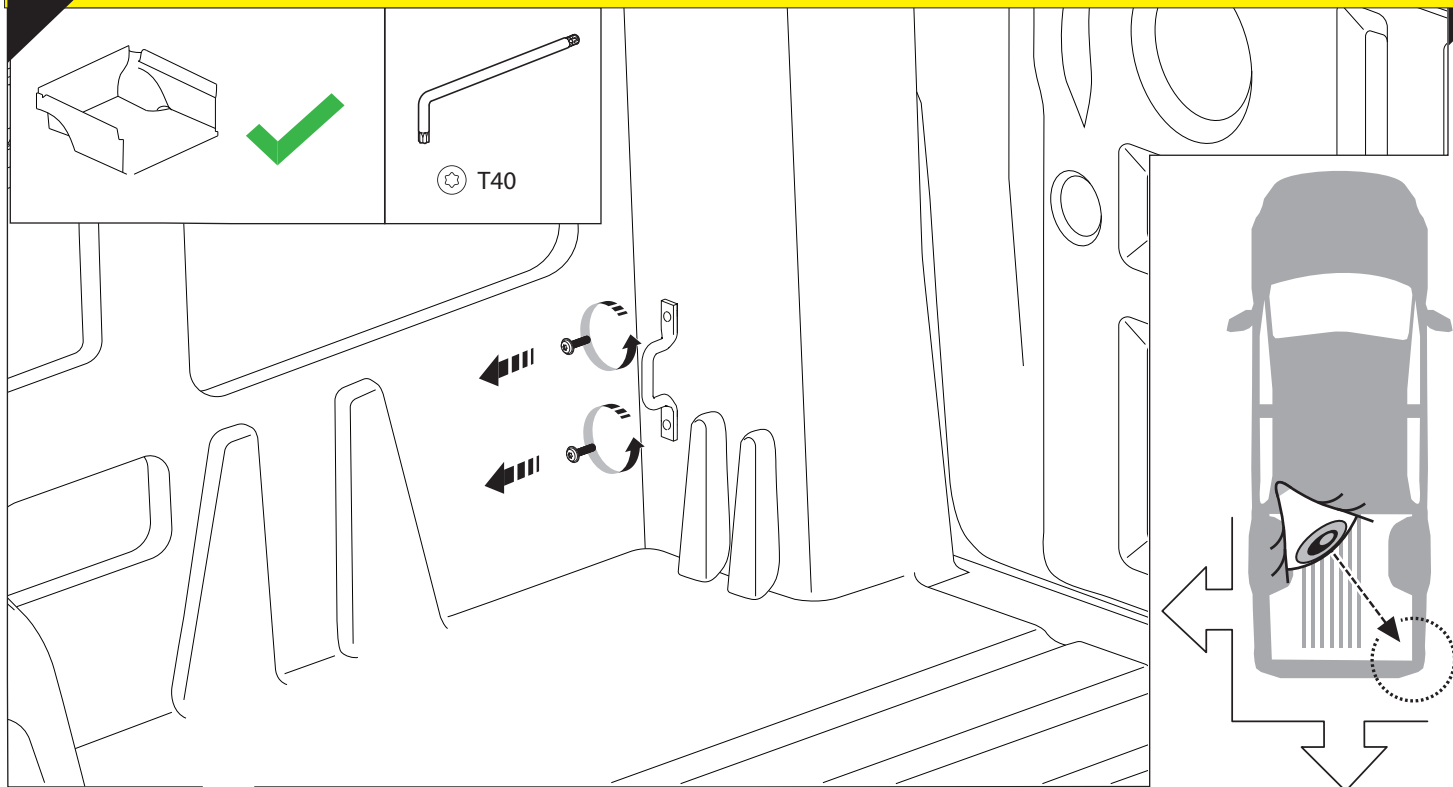
L2



32

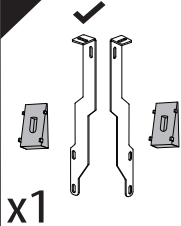


WITH & WITHOUT C - CHANNELS



33

N



x1

N

CAUTION



3 mm

34

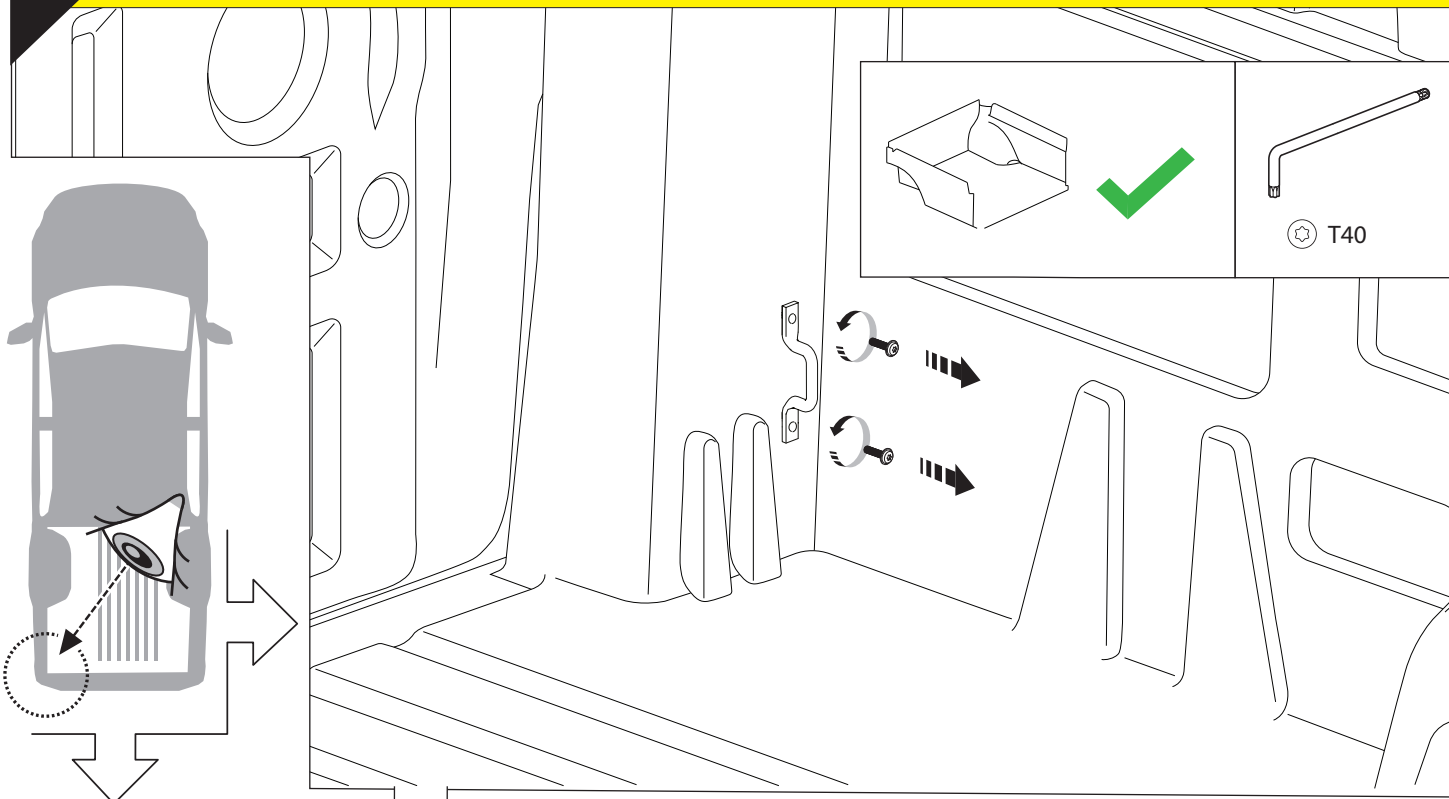
T40

10Nm

35

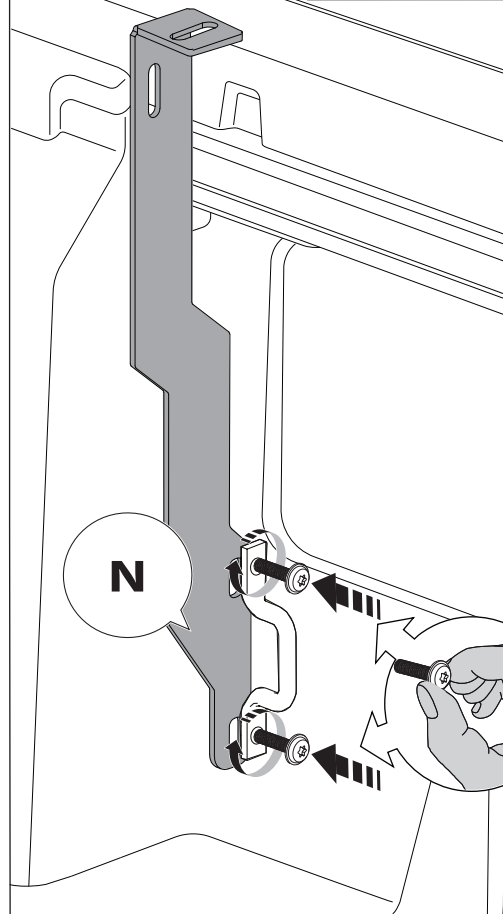
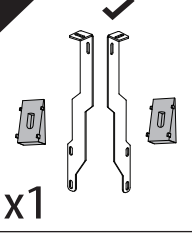


WITHOUT C - CHANNELS



36

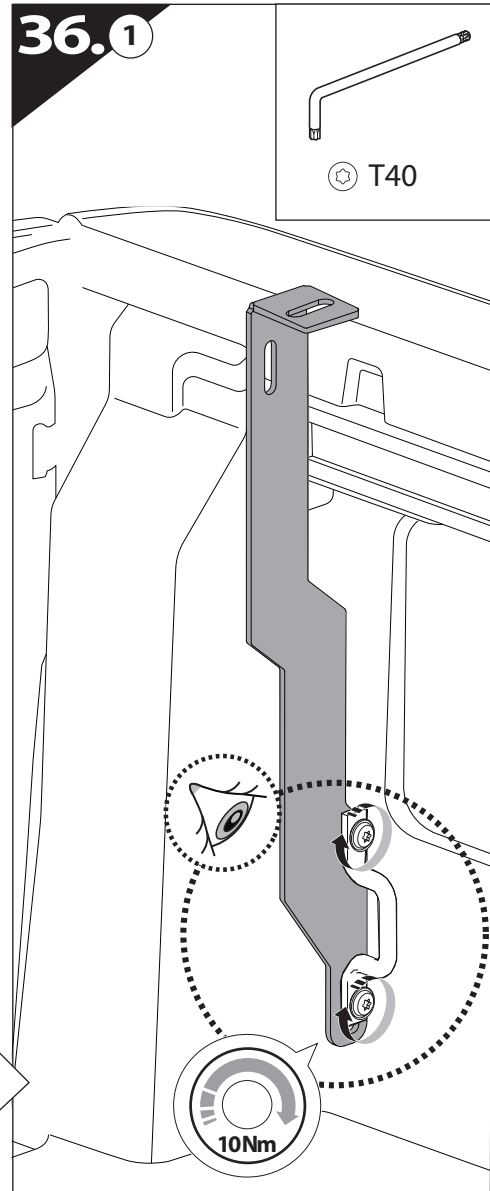
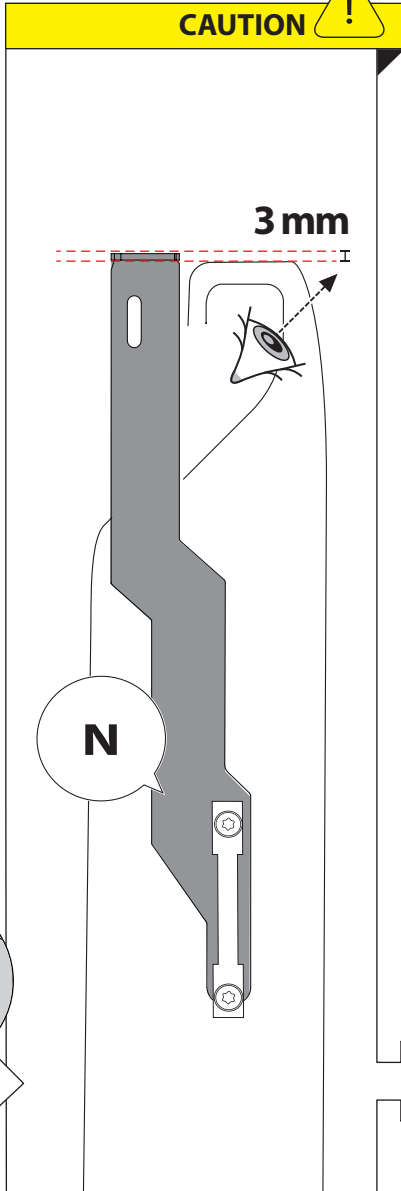
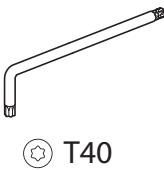
N



CAUTION



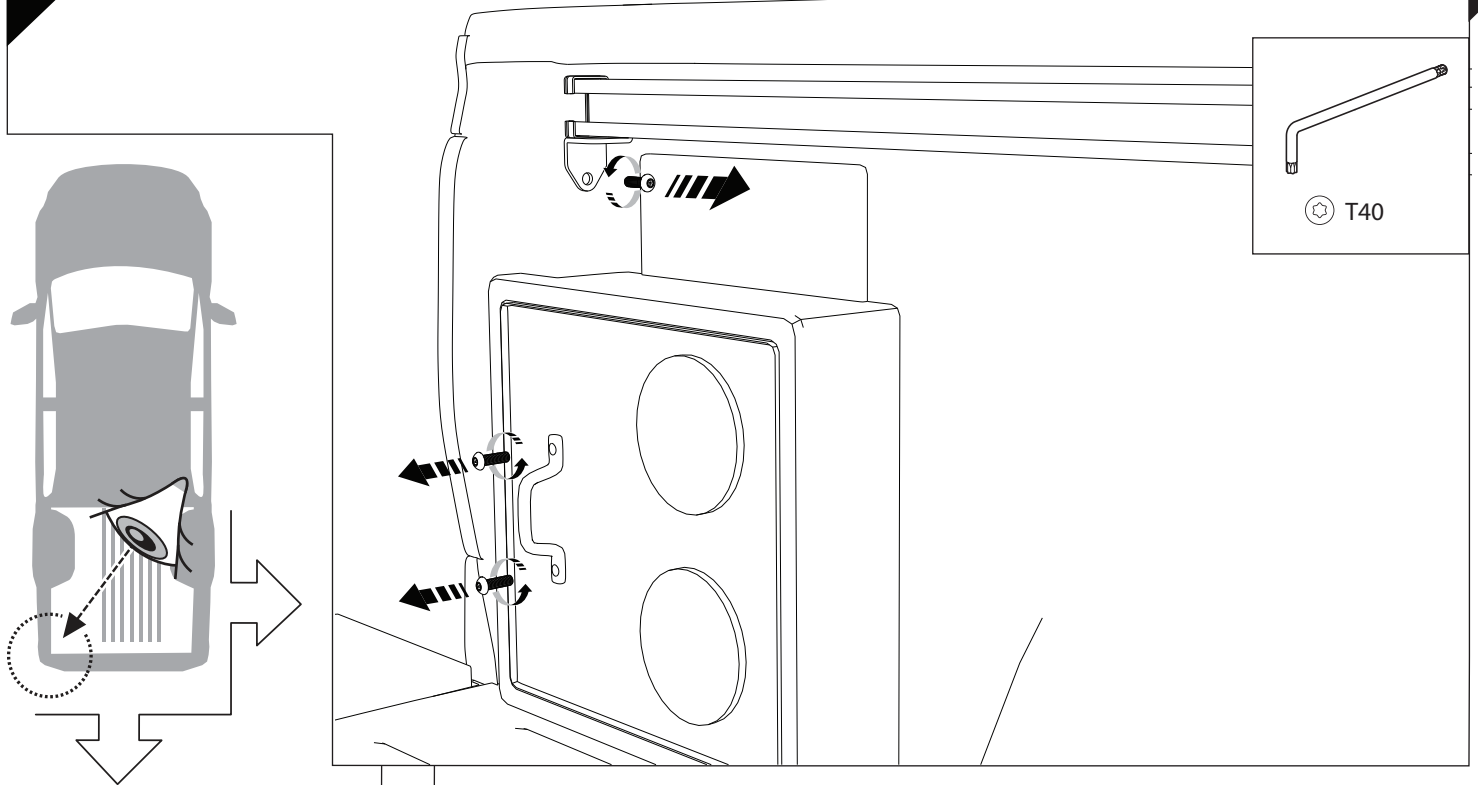
36.1



35



WITH C - CHANNELS

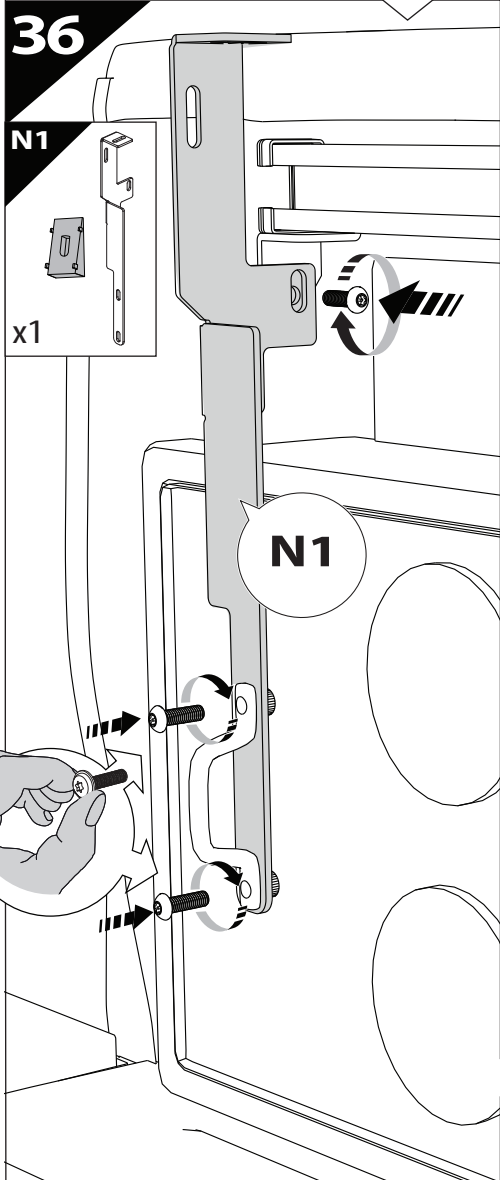


36

N1

x1

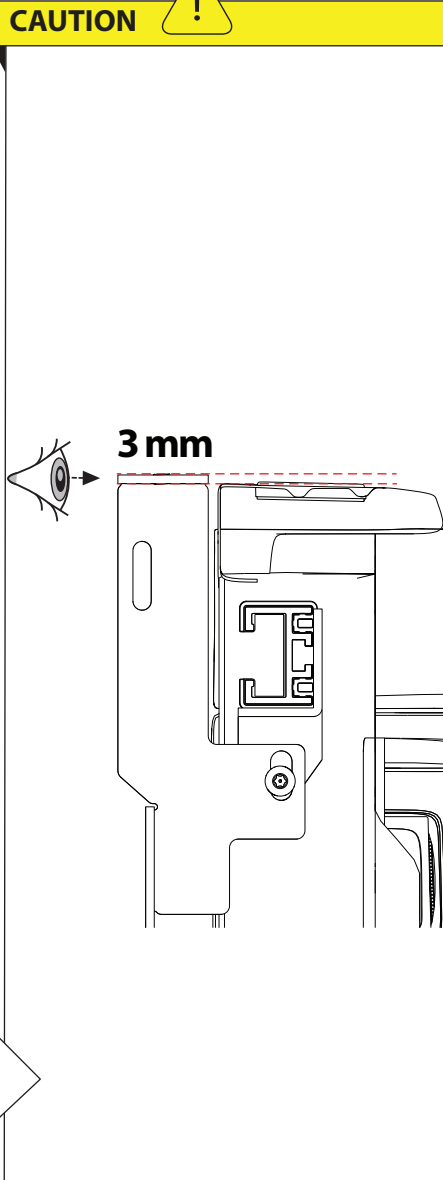
N1



CAUTION



3 mm



36.1

2

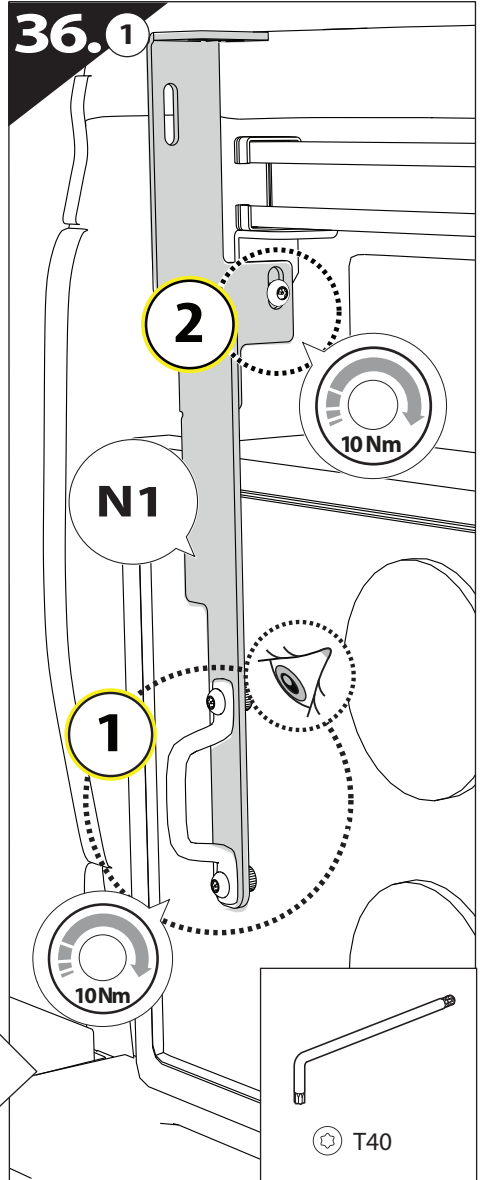
1

N1

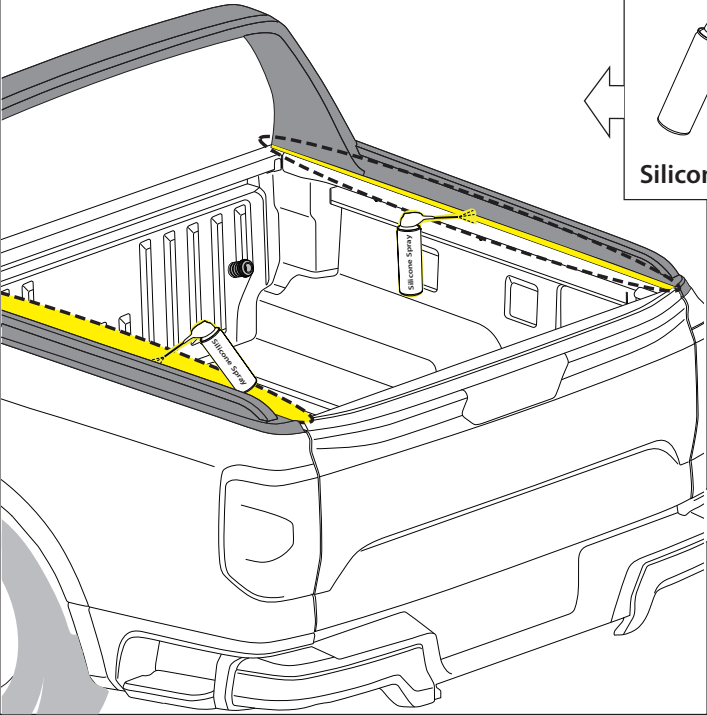
10Nm

10Nm

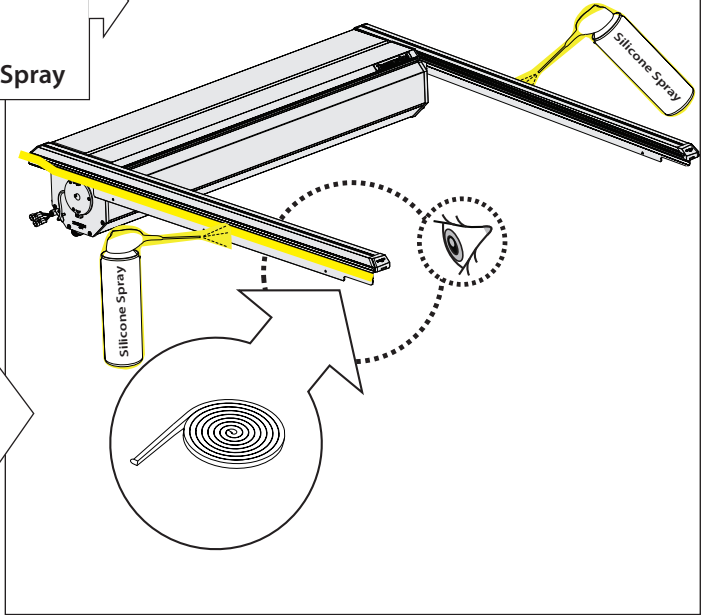
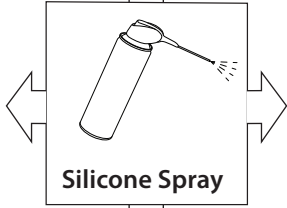
T40



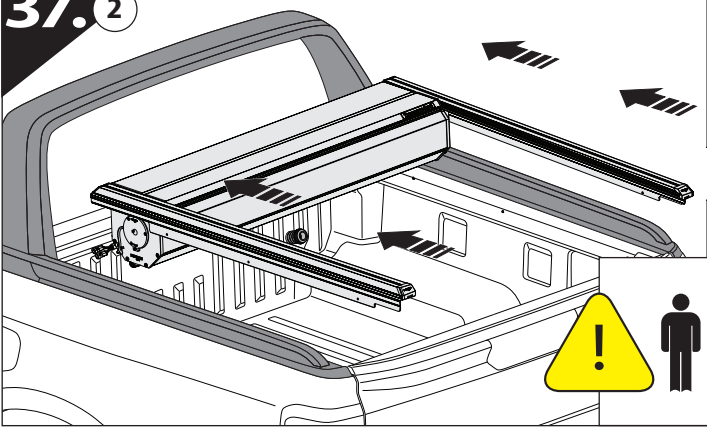
37



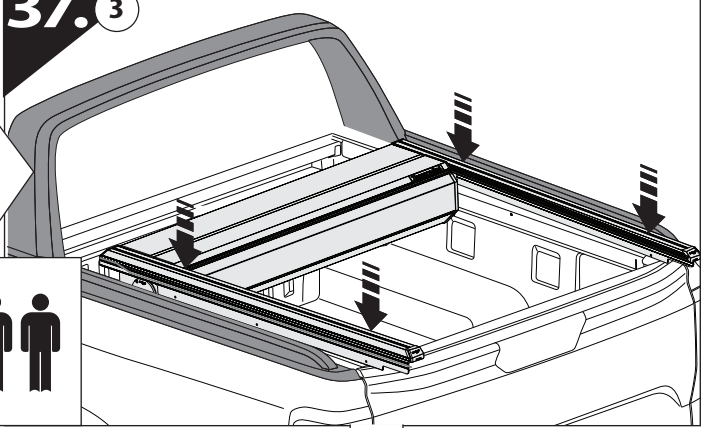
37.1



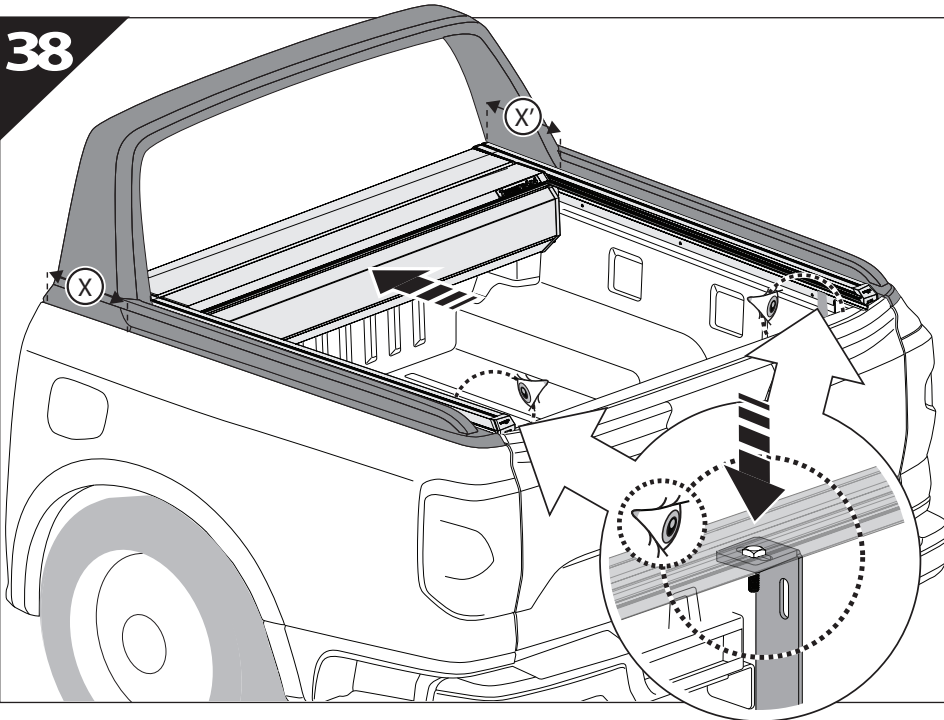
37.2

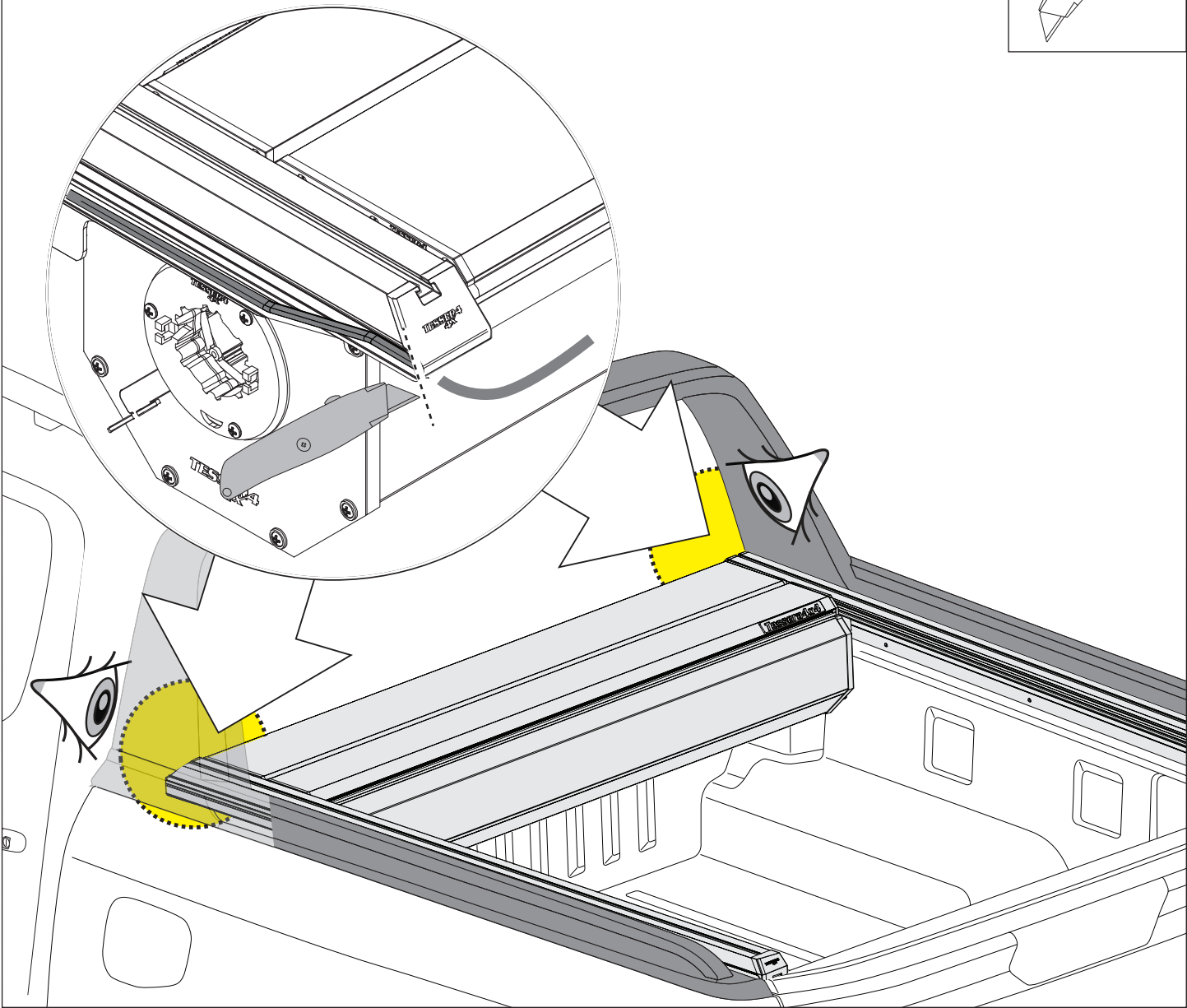
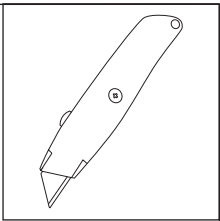


37.3

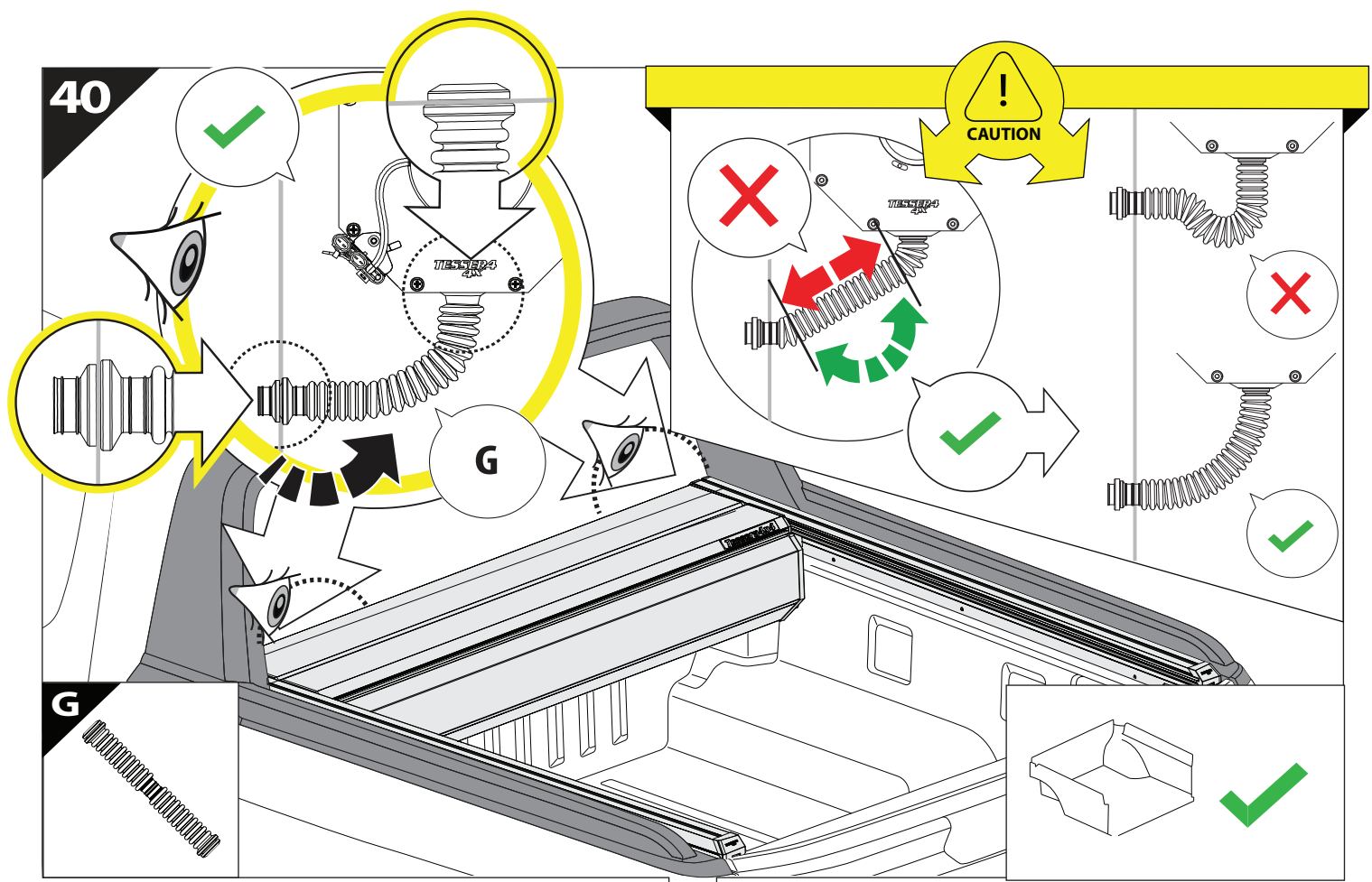


38



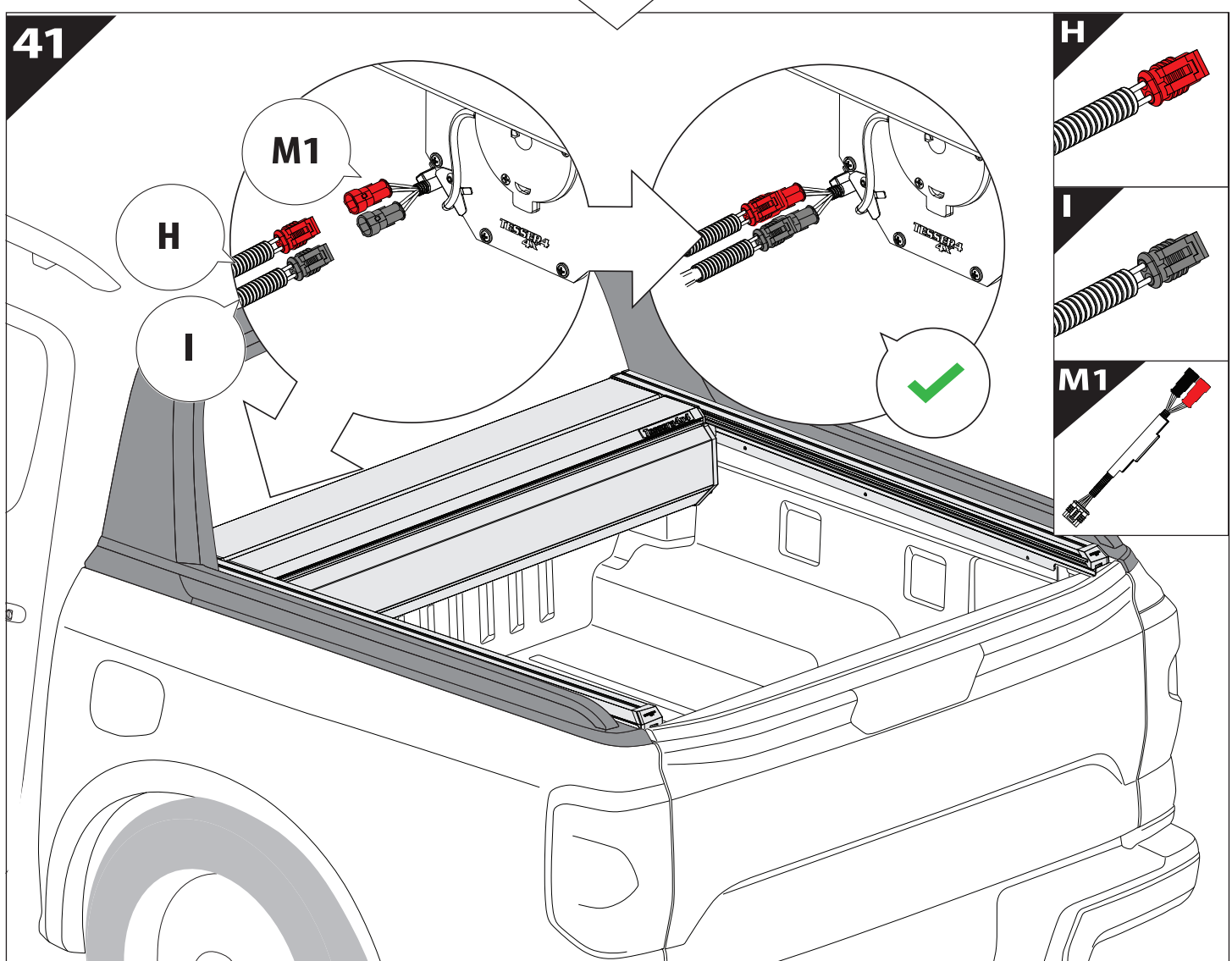


40

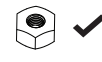
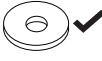
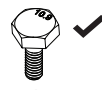


G

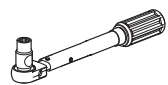
41



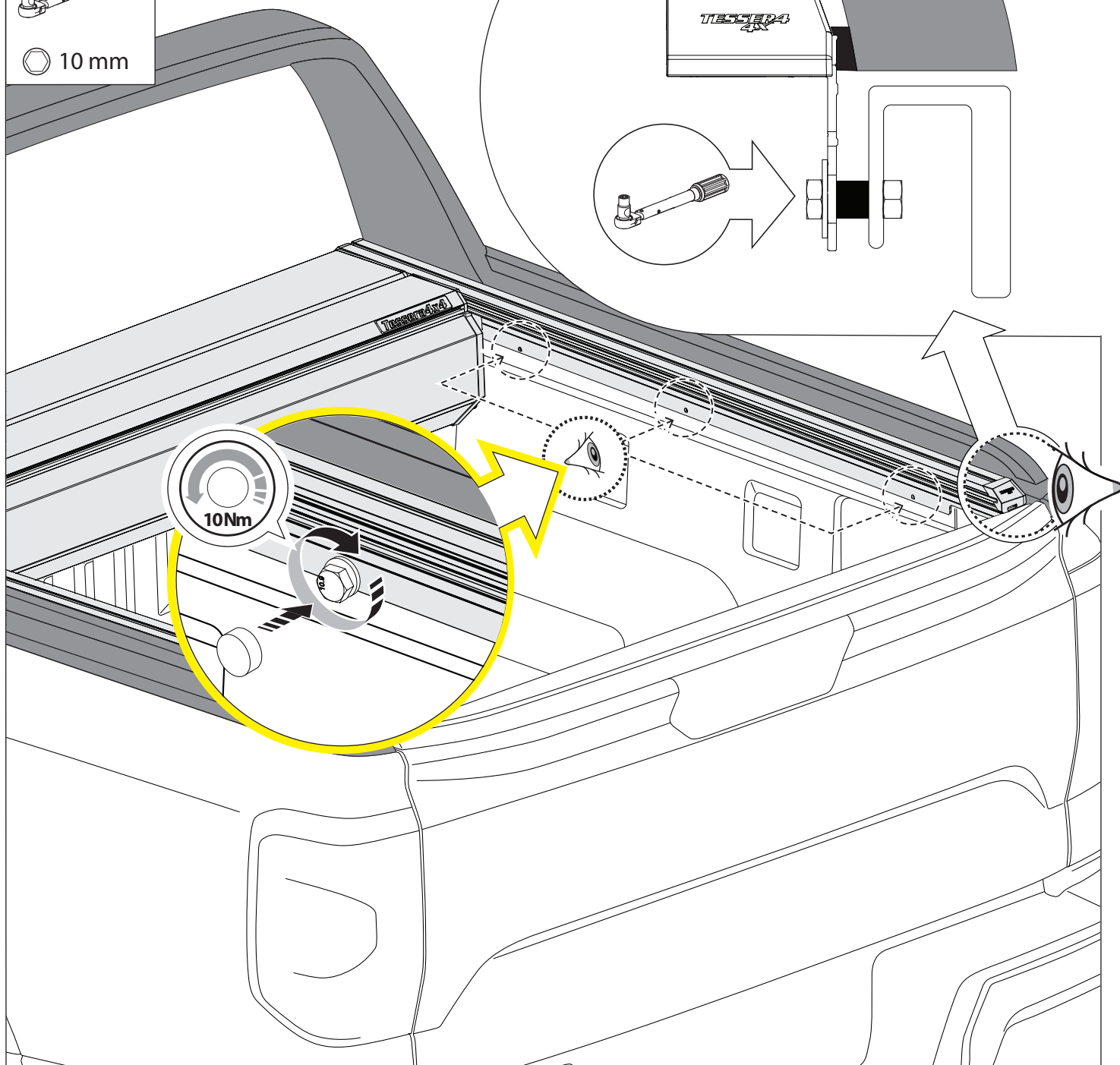
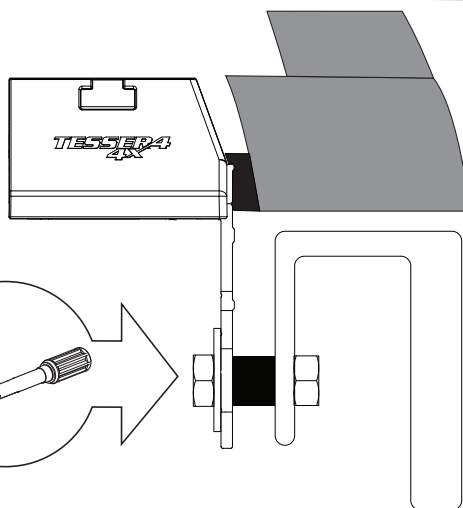
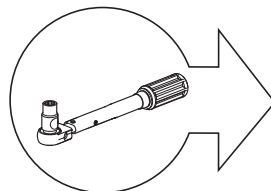
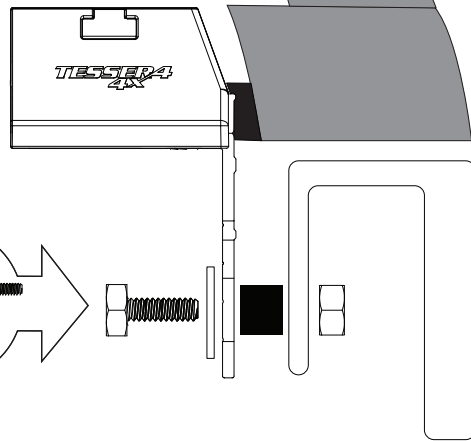
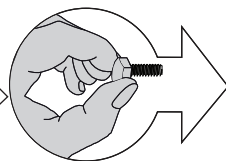
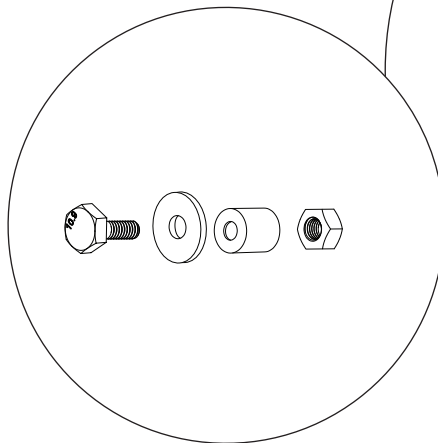
E2



x6



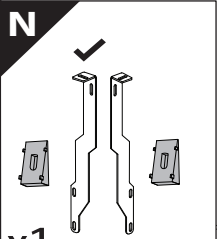
10 mm



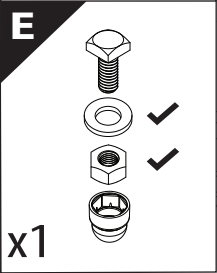


WITH & WITHOUT C - CHANNELS

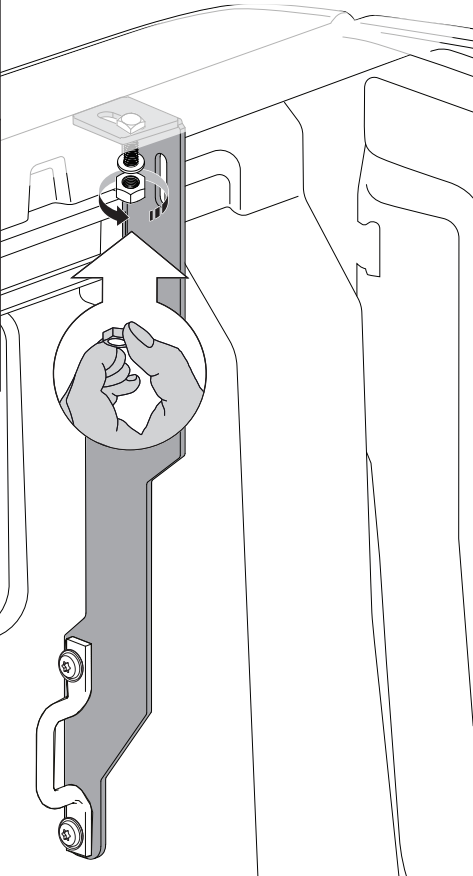
43



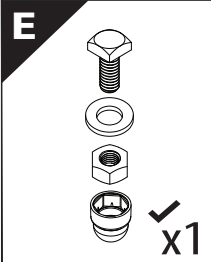
x1



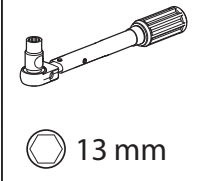
x1



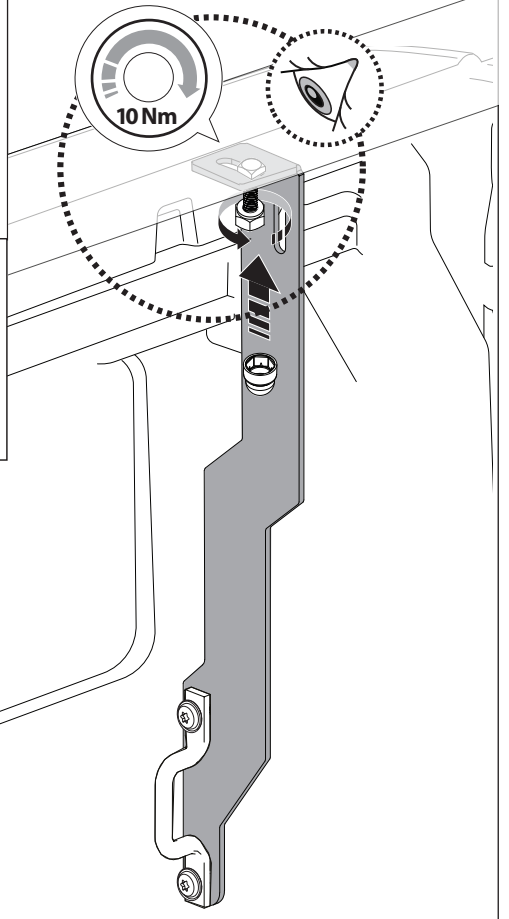
44



x1



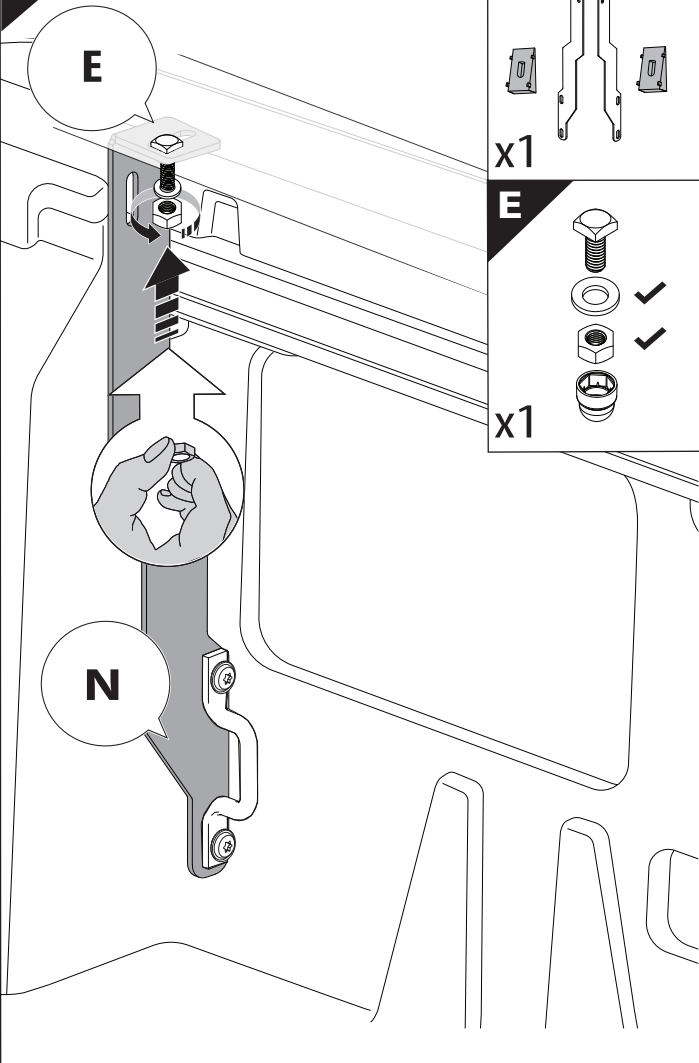
13 mm





WITHOUT C - CHANNELS

45



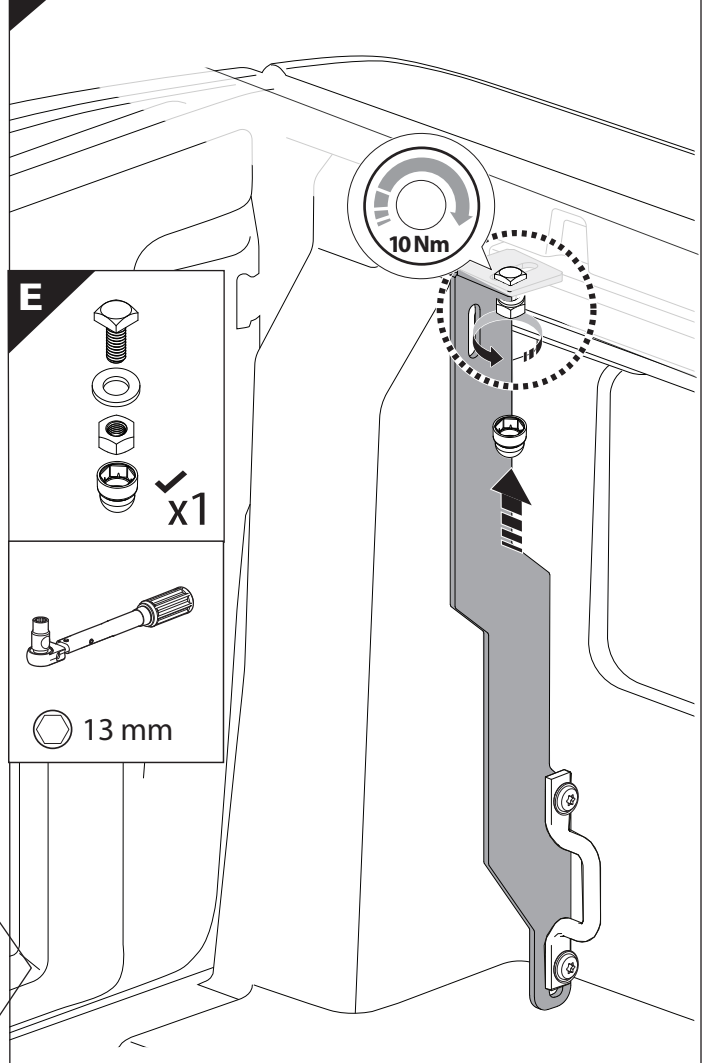
N

x1

E

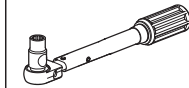
x1

46



E

x1

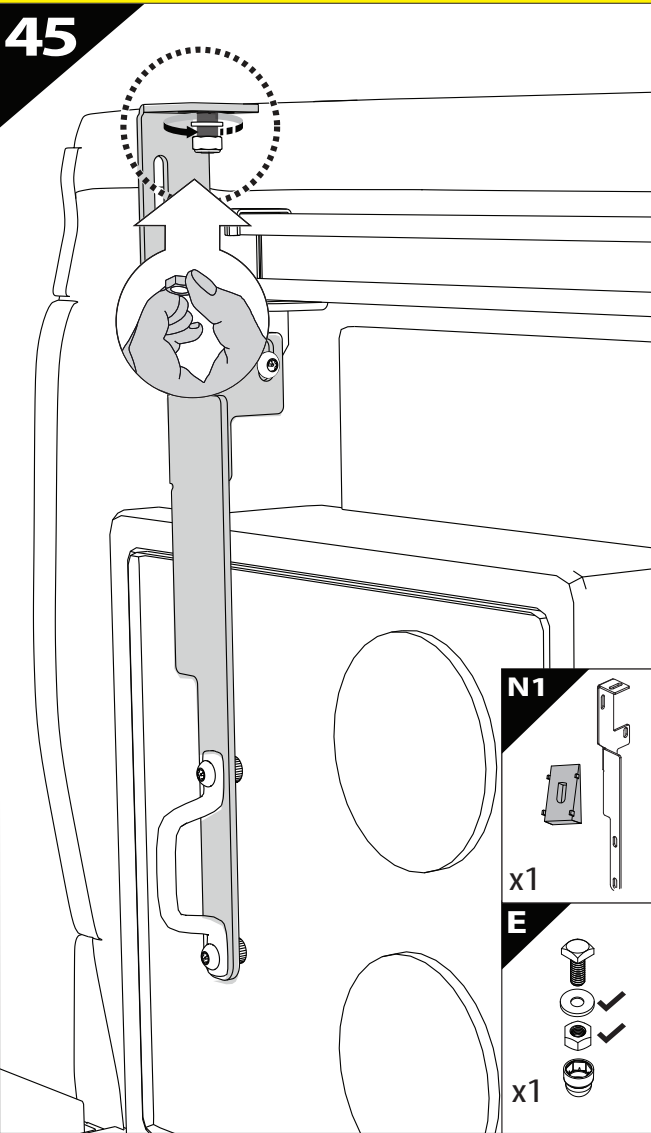


13 mm

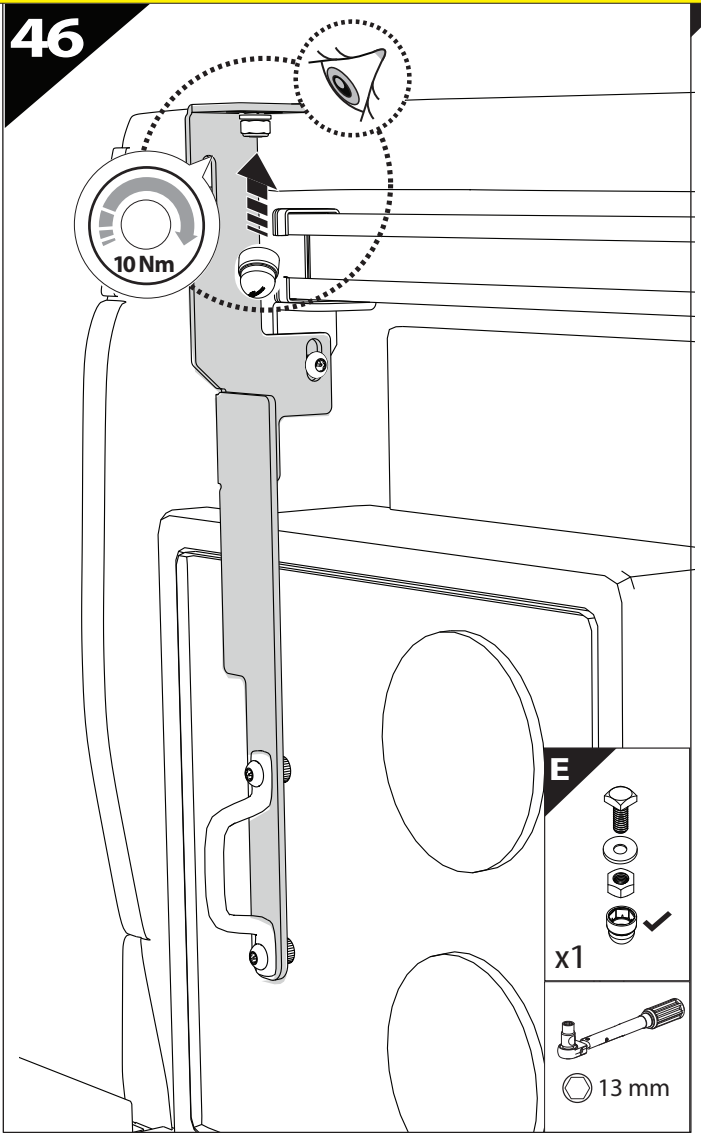


WITH C - CHANNELS

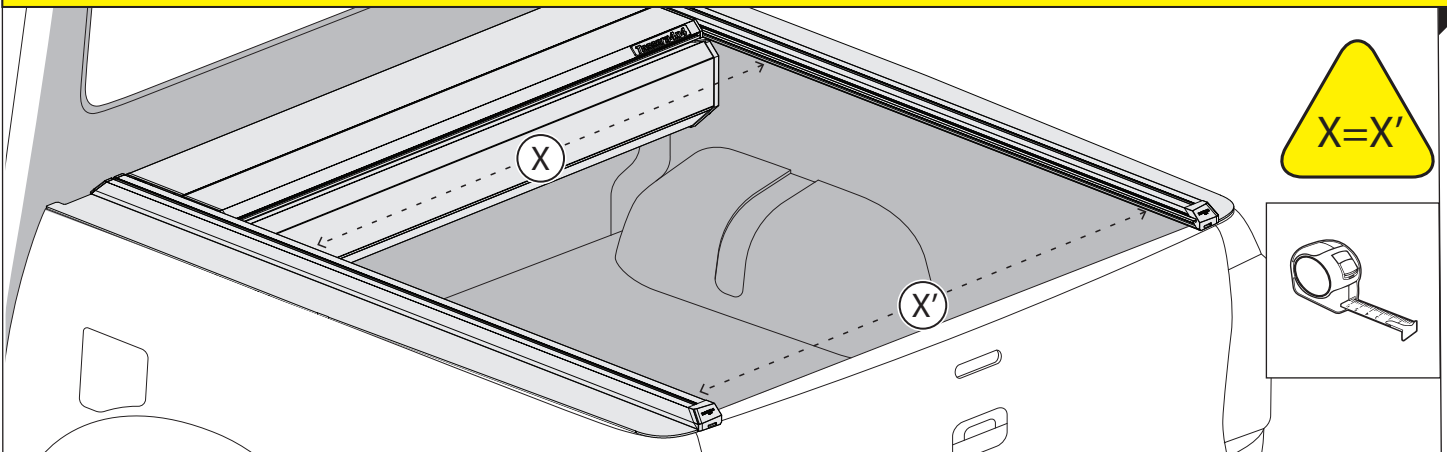
45



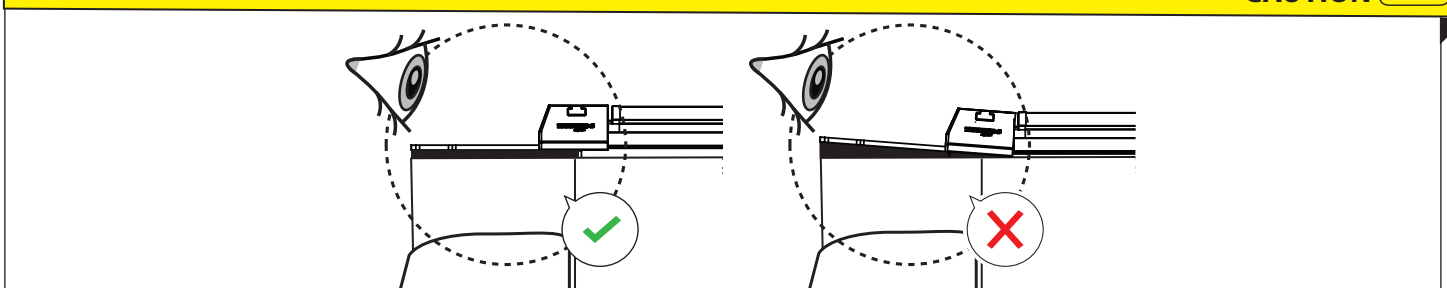
46

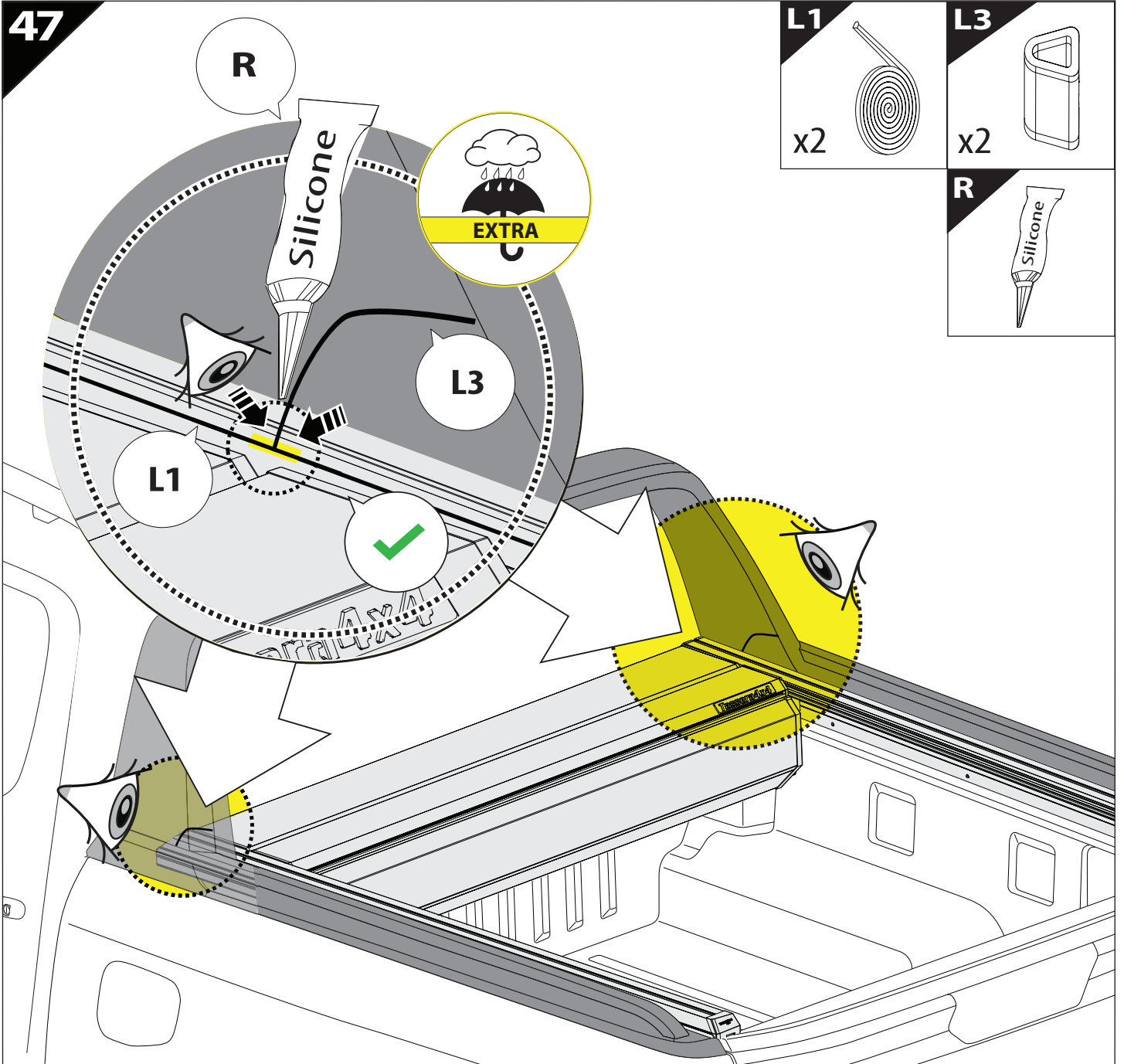


CAUTION

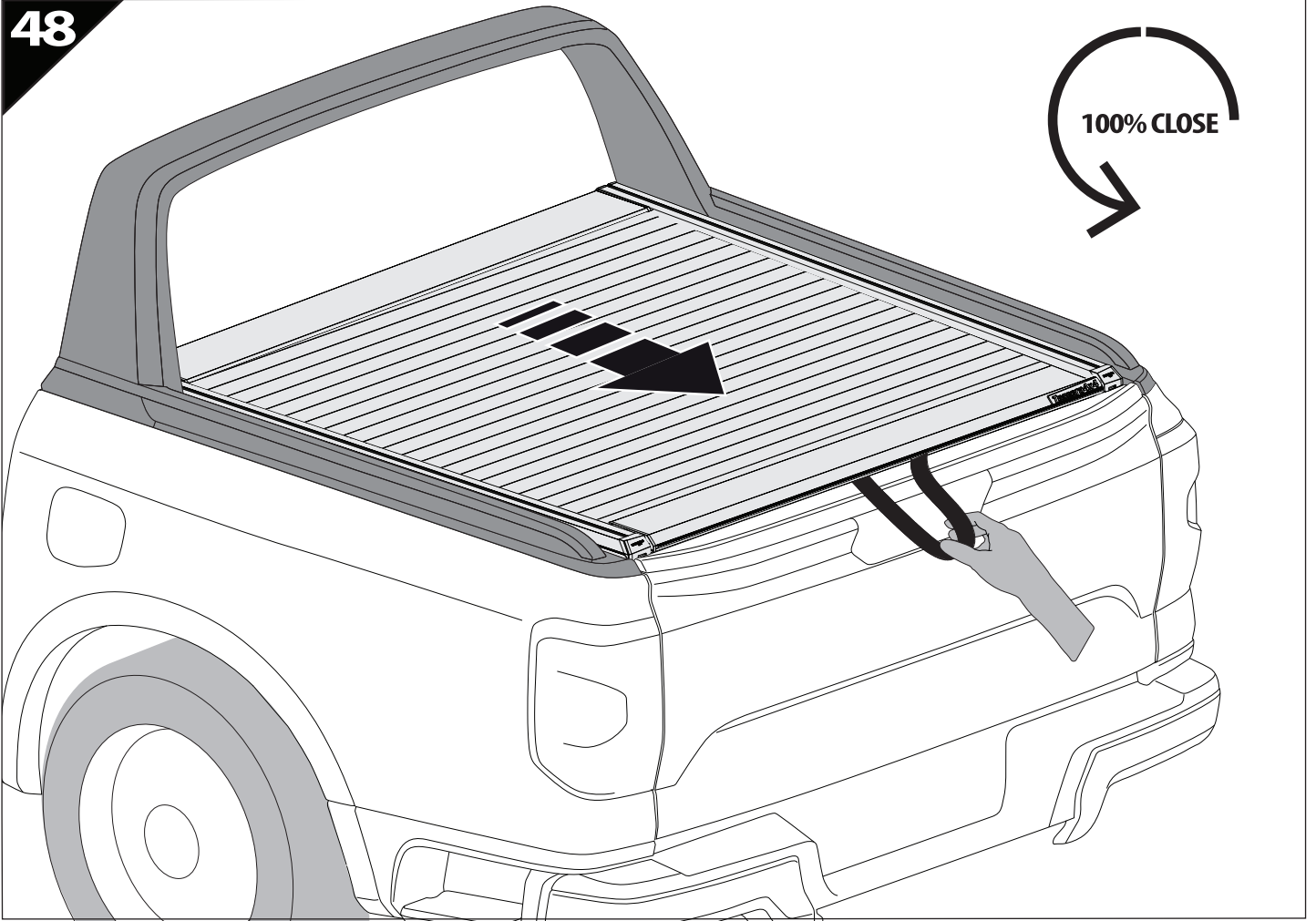


CAUTION

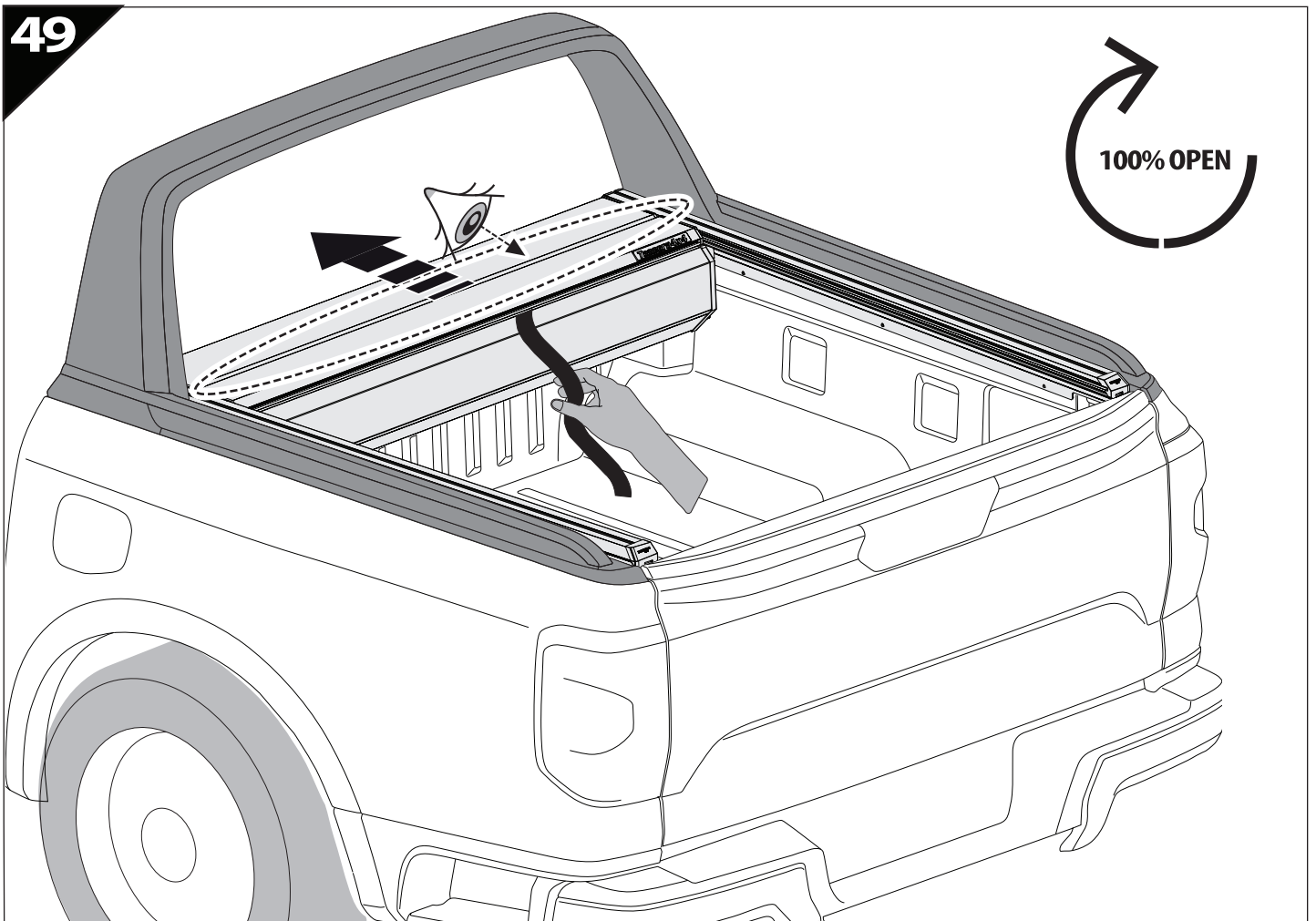




48



49





GR: Οδηγίες Εγκατάστασης
GB: Installation manual
SF: Asennusohje
F: Notice de montage
PL: Instrukcja montażu
NL: Installatie-instructies
TR: Montaj Talimatı
S: Monteringsanvisning
E: Instrucciones de montaje

H: Szerelési utasítás
P: Instruções de instalação
RUS: Инструкция по установке
N: Monteringsveiledning
D: Einbauanleitung
CZ: Návod k instalaci
I: Istruzioni de montaggio
DK: Monteringsvejledning
RO: Instructiuni de instalare

Customer Service:

+30 (210) 5541161, +30 (210) 5541154 (08:00 - 16:00 EET)

Support department:

info@gianso.gr

Website:

www.tessera4x4.com

Address:

19.5 km of National road Athens-Korinthos (Elefsina) Greece, P.C: 19200