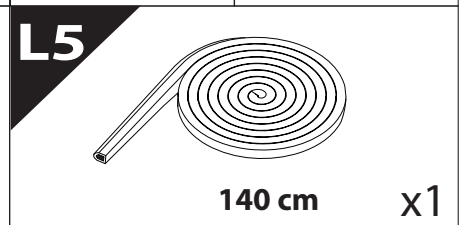
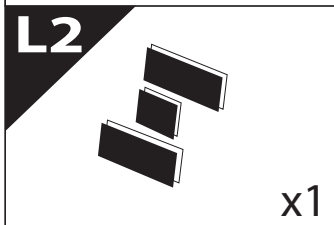
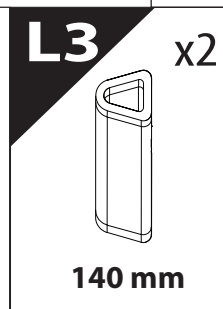
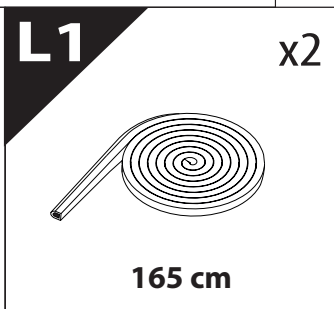
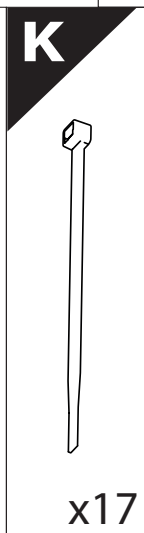
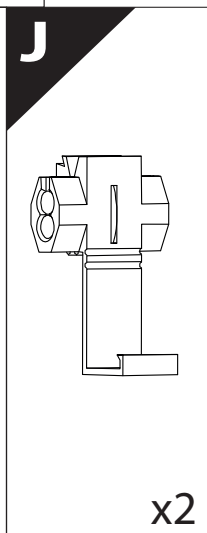
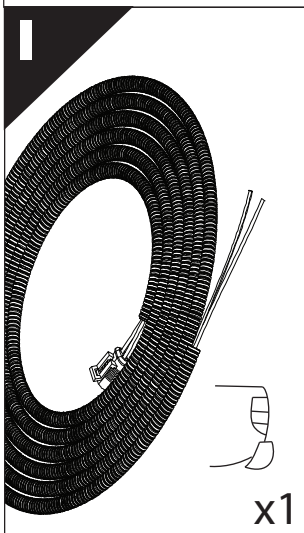
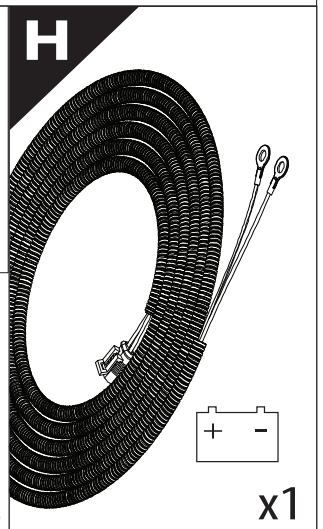
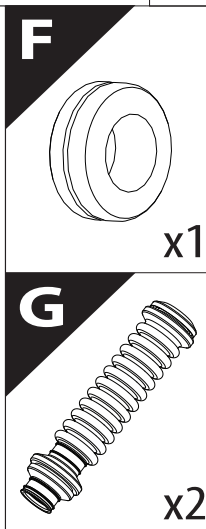
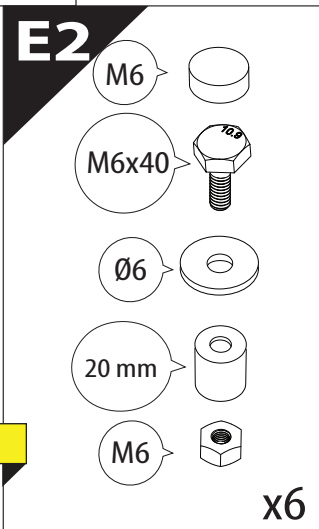
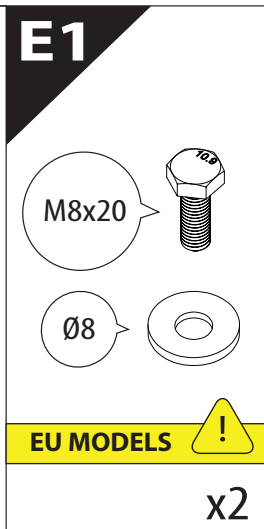
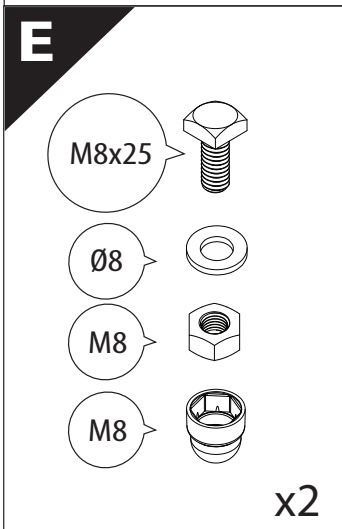
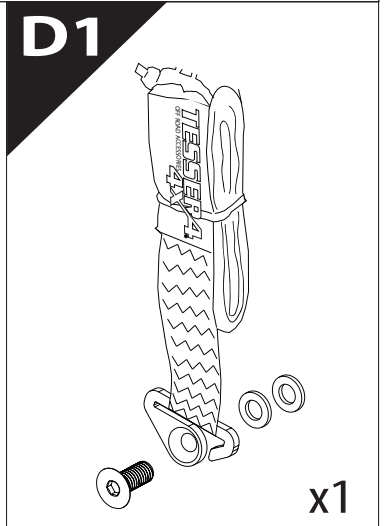
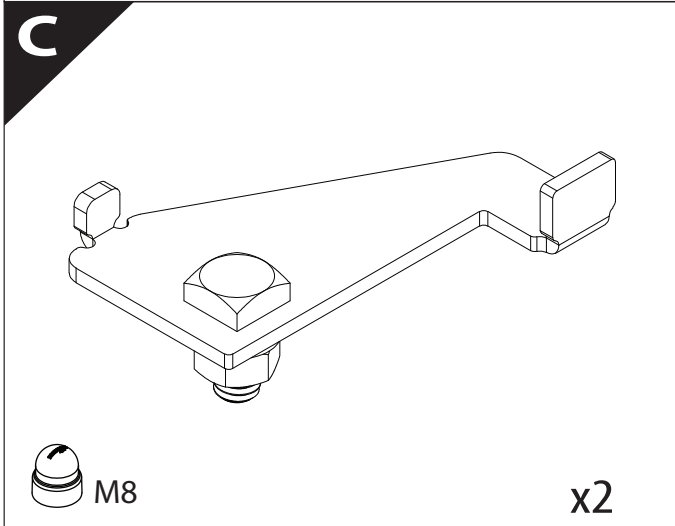
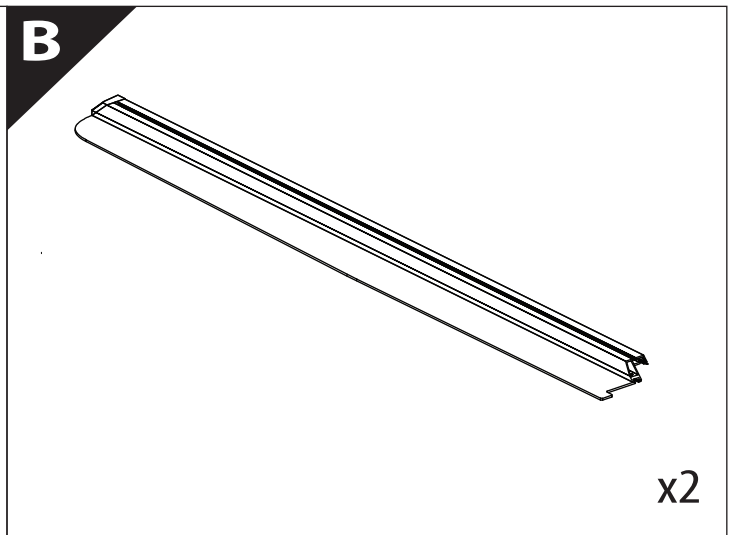
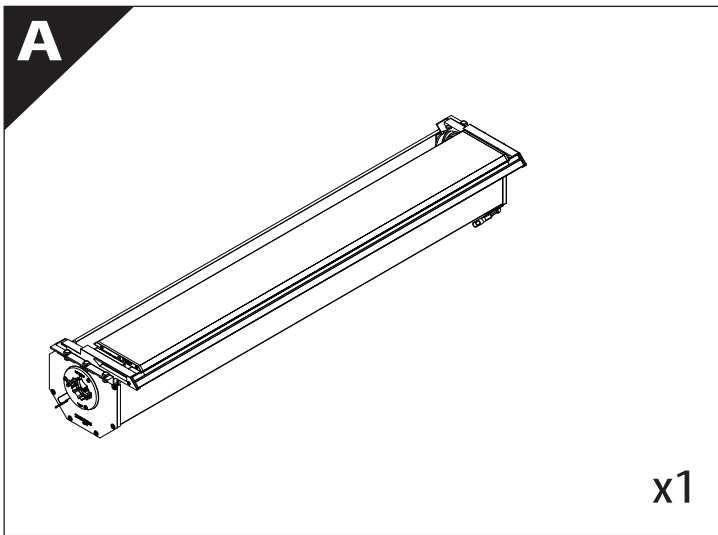
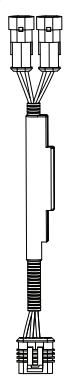
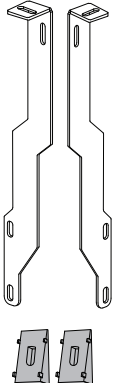
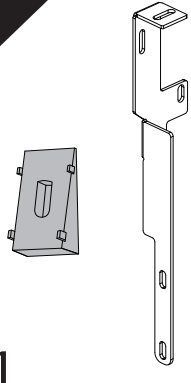

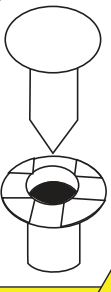





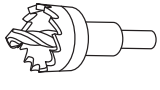
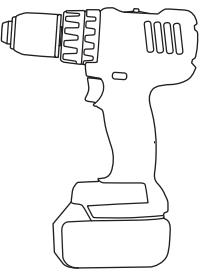
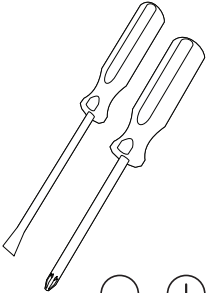
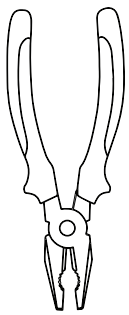
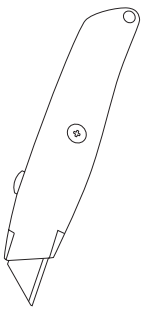
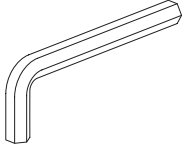

## Installation Manual

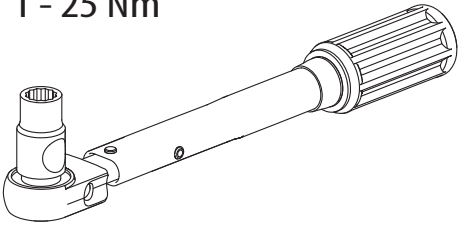
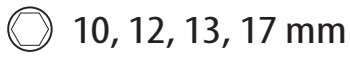
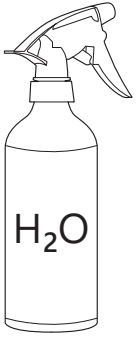

PART NUMBER(S)	Model Year
TESS 14081 ROLL	FORD RANGER <b>WILDTRAK</b> PHEV 2025+ (with & without c-channels)
Cab(s)	Installation Time / Weight
Double Cab	40-60 minutes / 53-57 kg

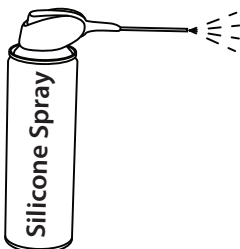
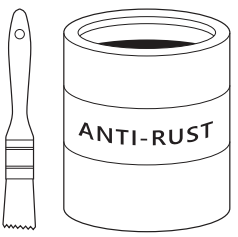

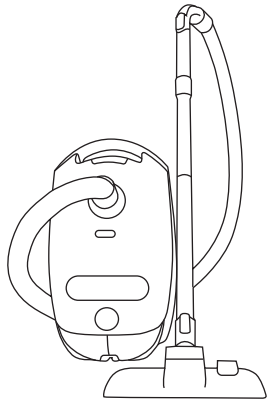
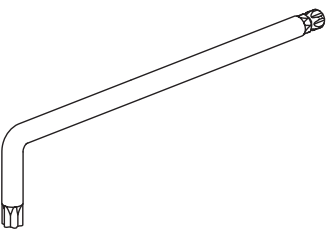



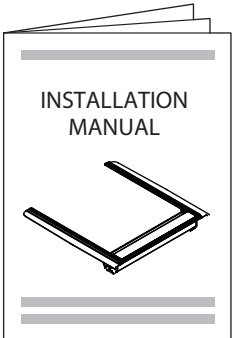
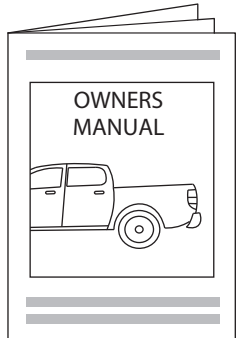
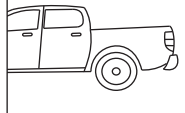


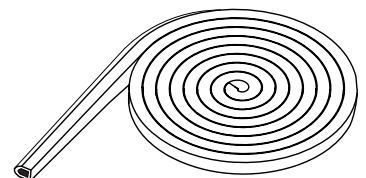
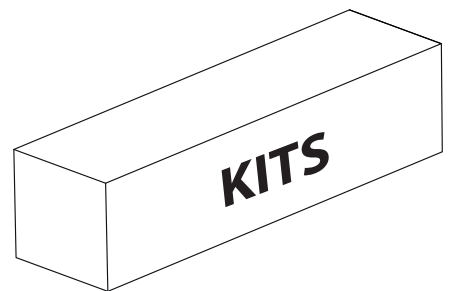
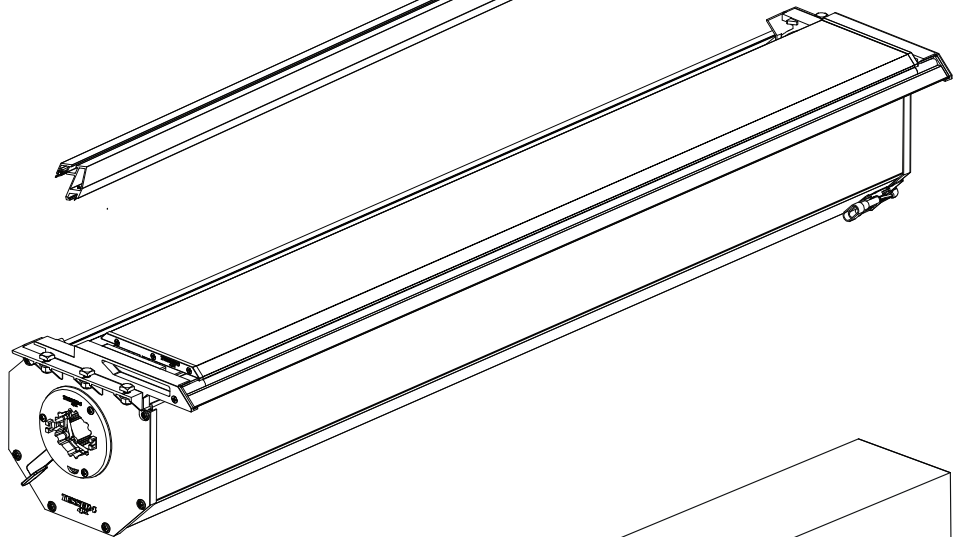
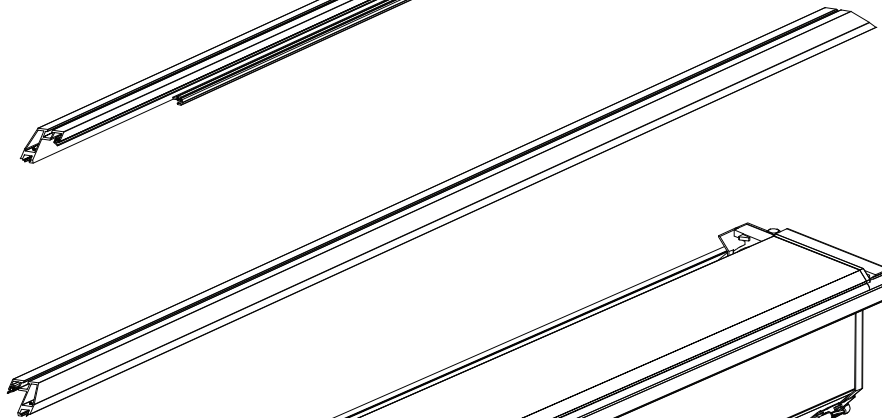
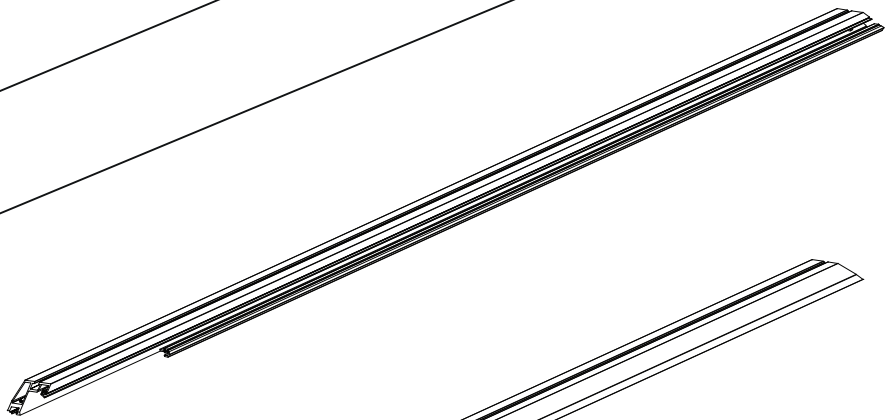
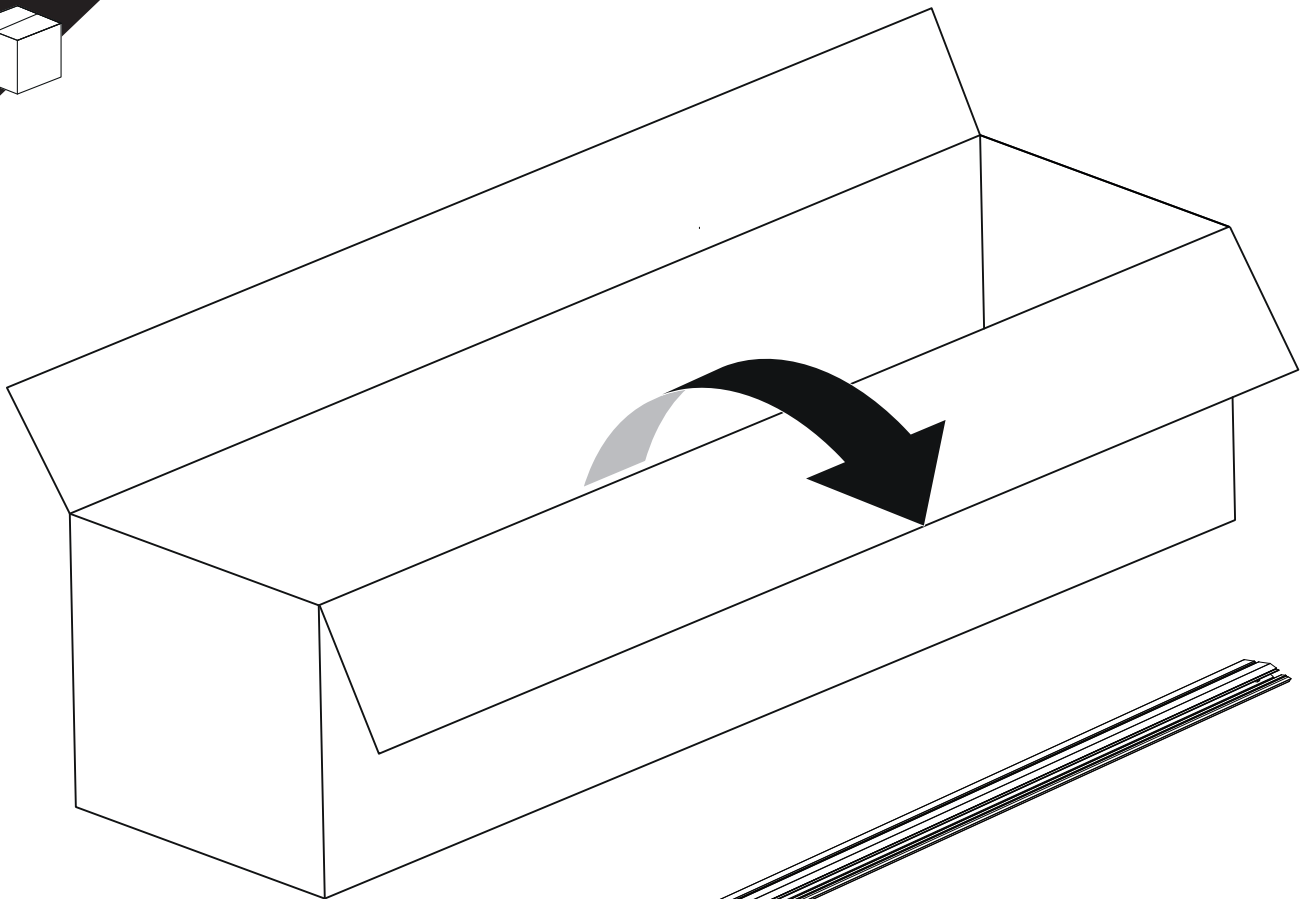
<b>M1</b>  x1	<b>N</b>  x1	<b>N1</b>  x1	<b>O</b>  x1	<b>P</b>  <b>US MODELS</b>  x2	<b>Q</b>  
--	---	--	--	---	---

  Ø 25 mm		 - +			  4 mm
--	---	--	--	---	---

1 - 25 Nm   10, 12, 13, 17 mm		 H <sub>2</sub> O		 ACETONE
--	--	---	---	---

 Silicone Spray	 ANTI-RUST			  T30, T40
---	--	---	--	---

 INSTALLATION MANUAL	 OWNERS MANUAL  x1
--	---

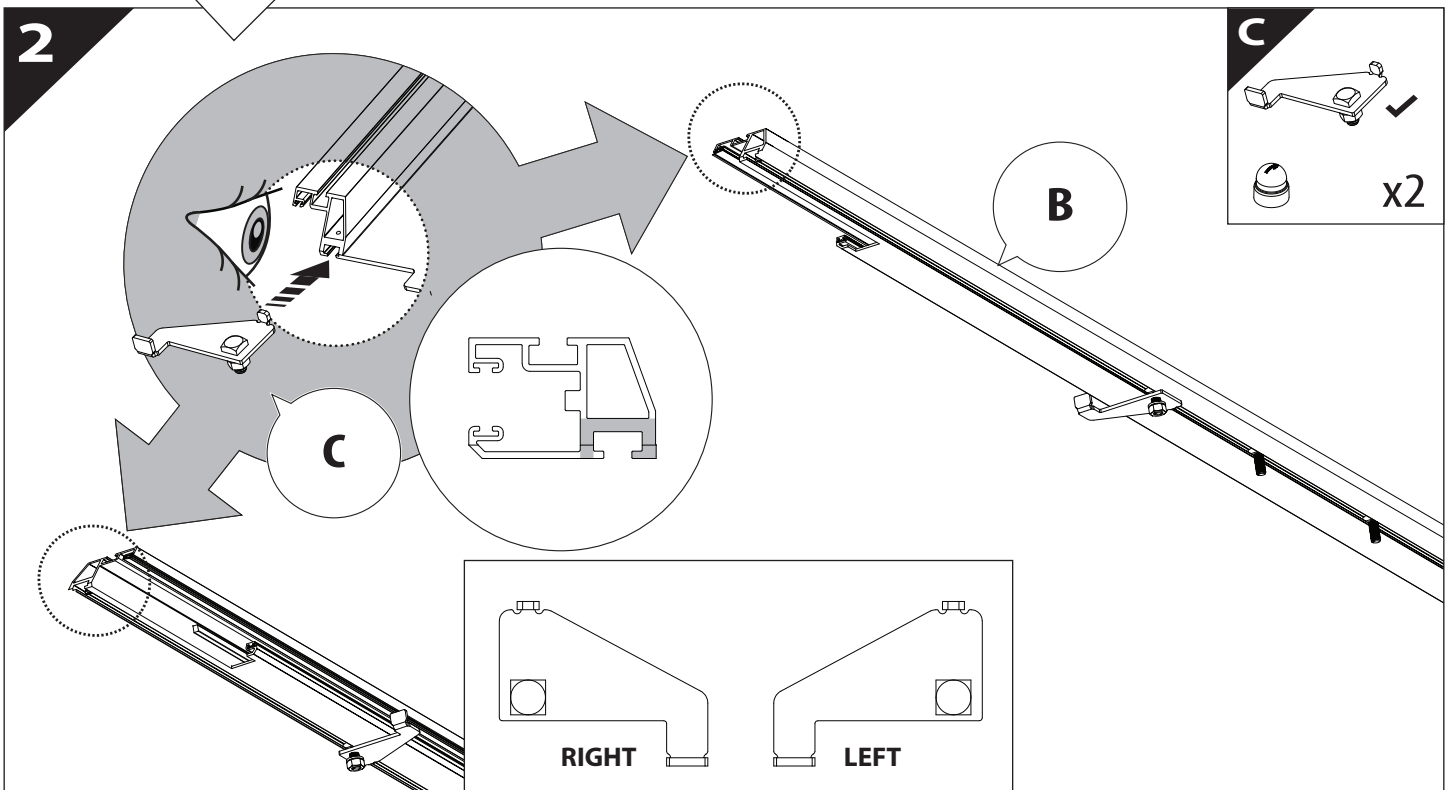
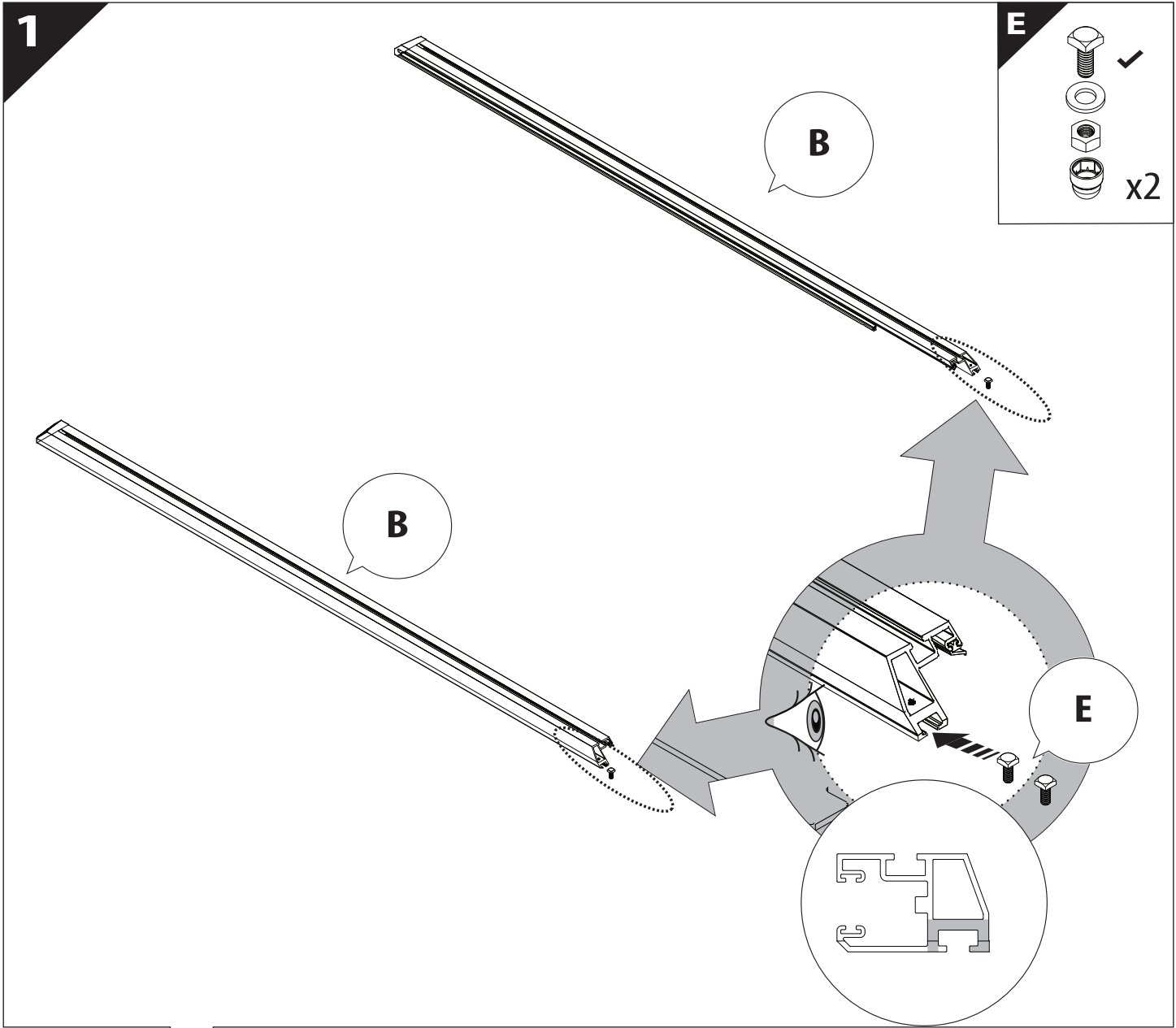


**B**

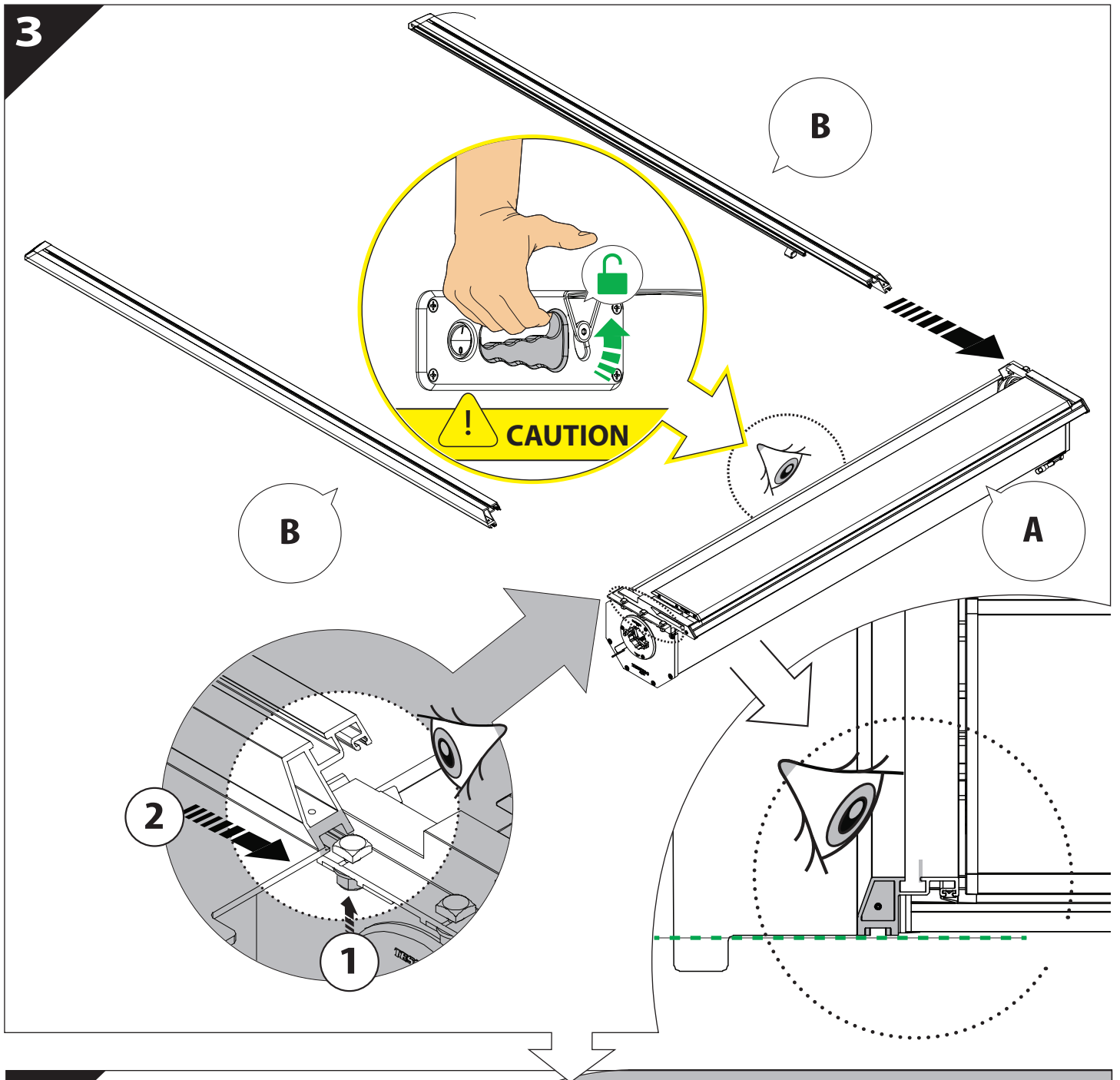
**A**

**KITS**

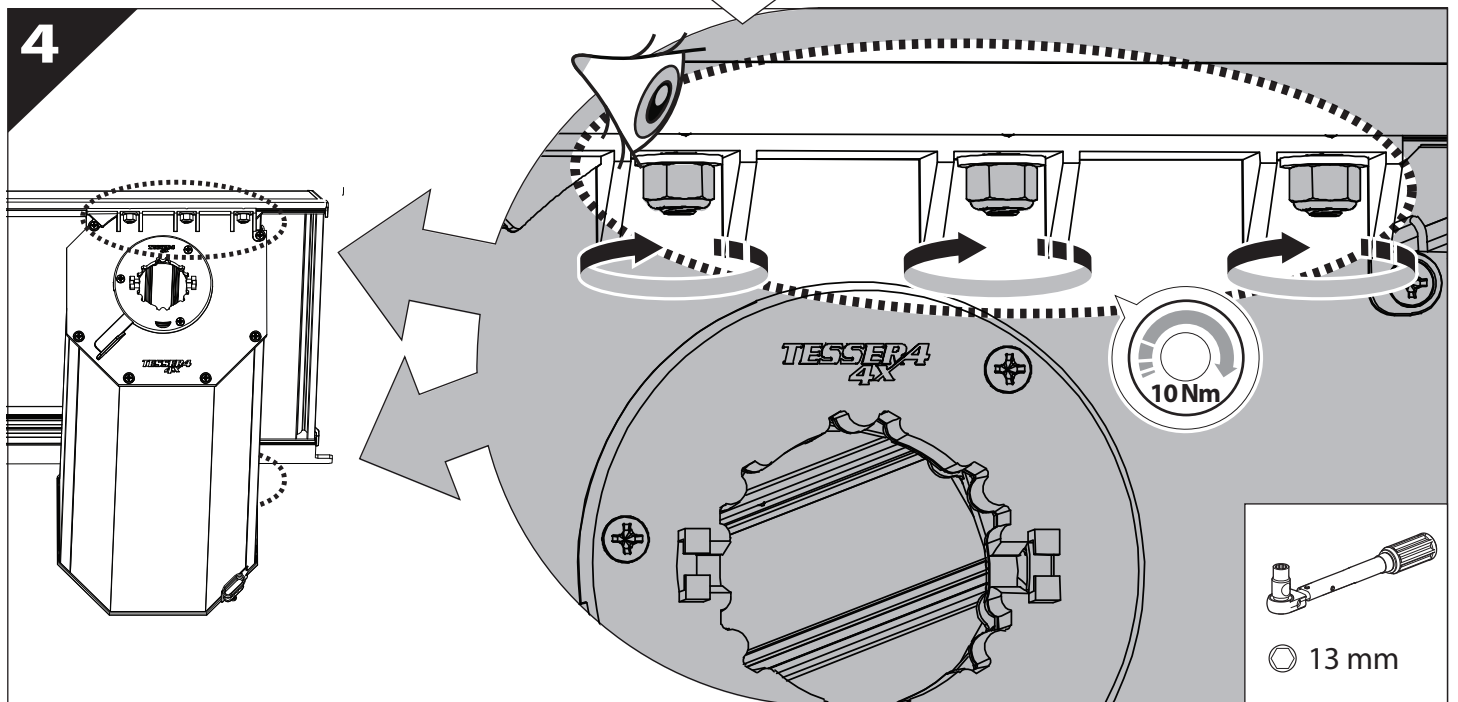
**L**

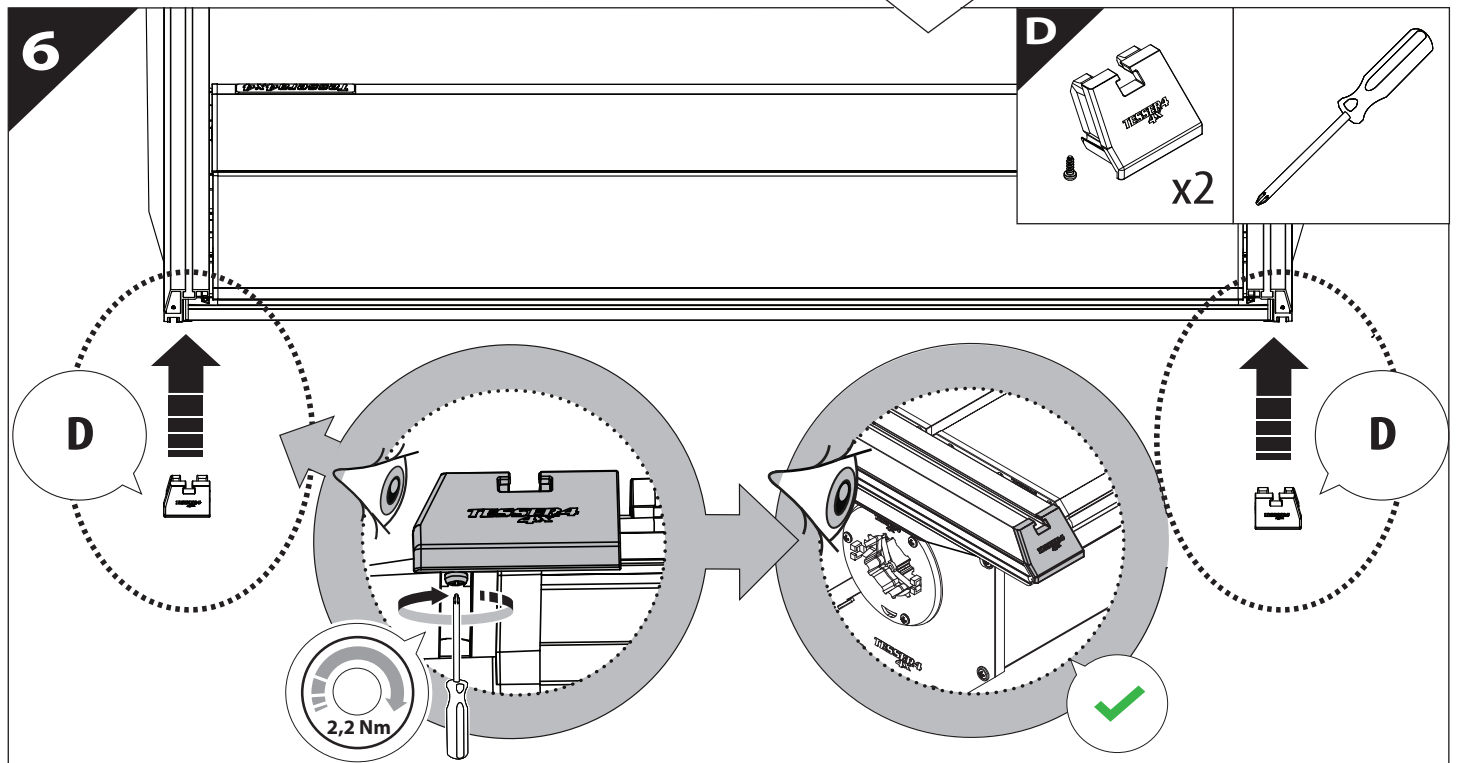
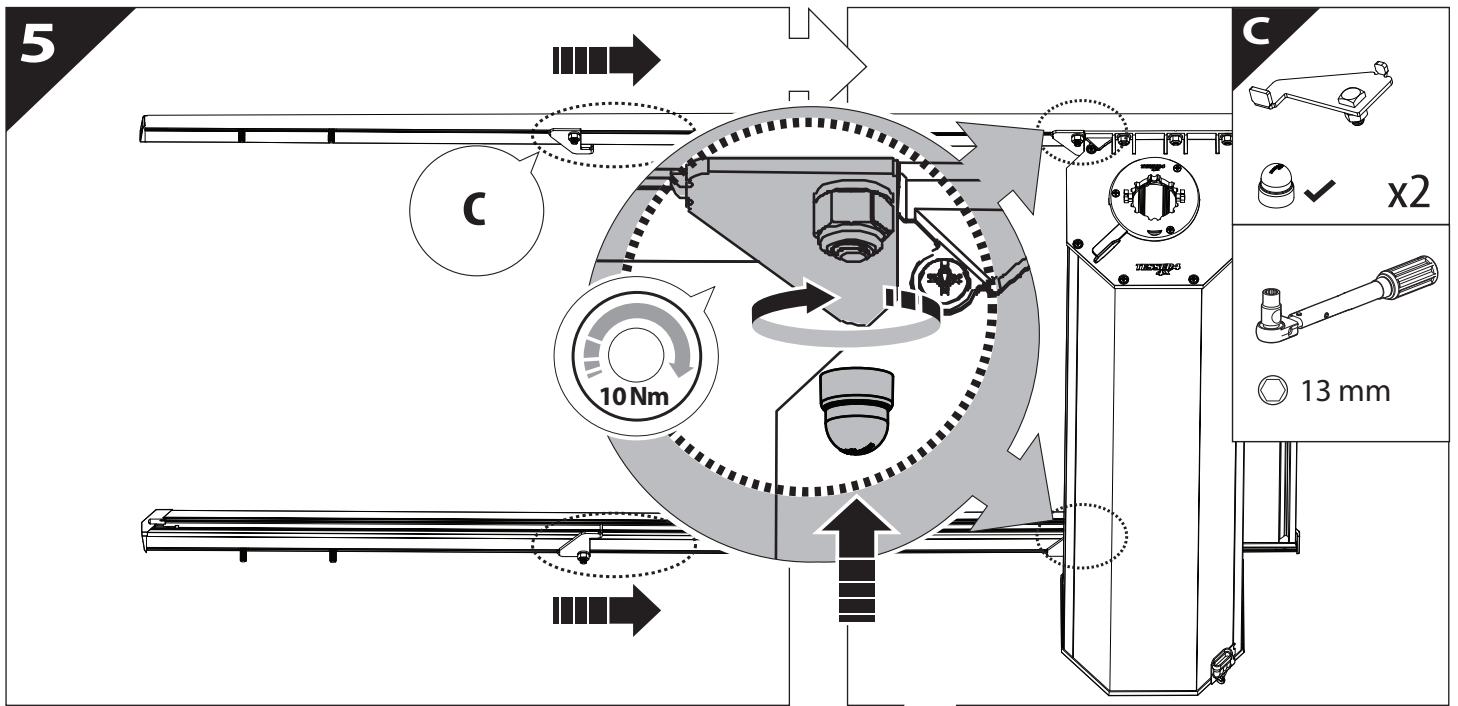


3

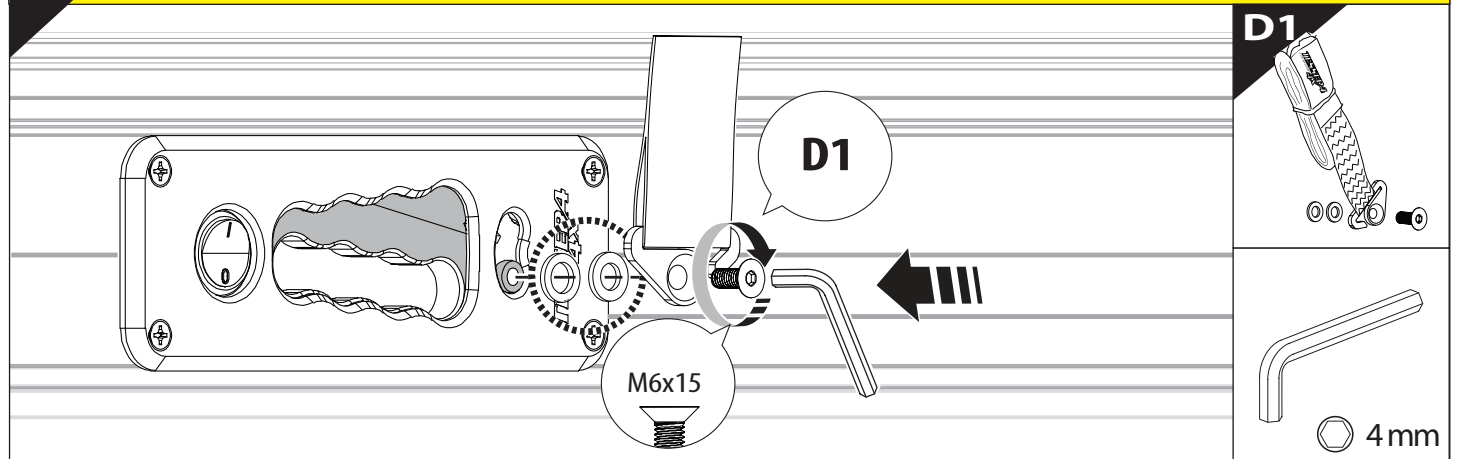


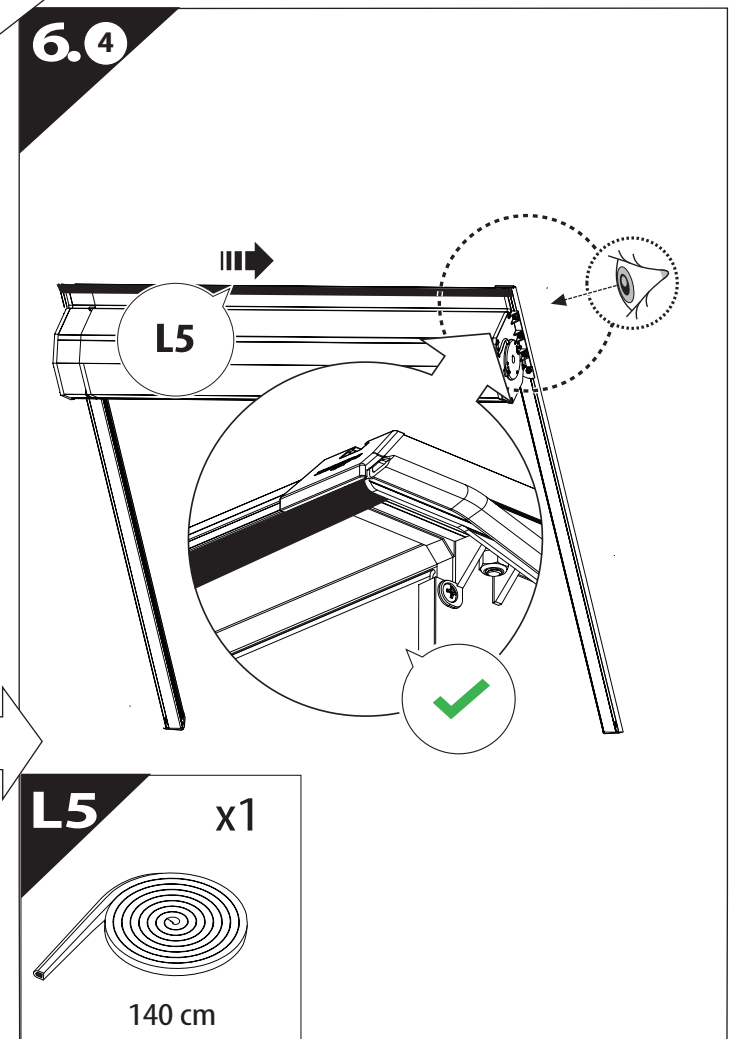
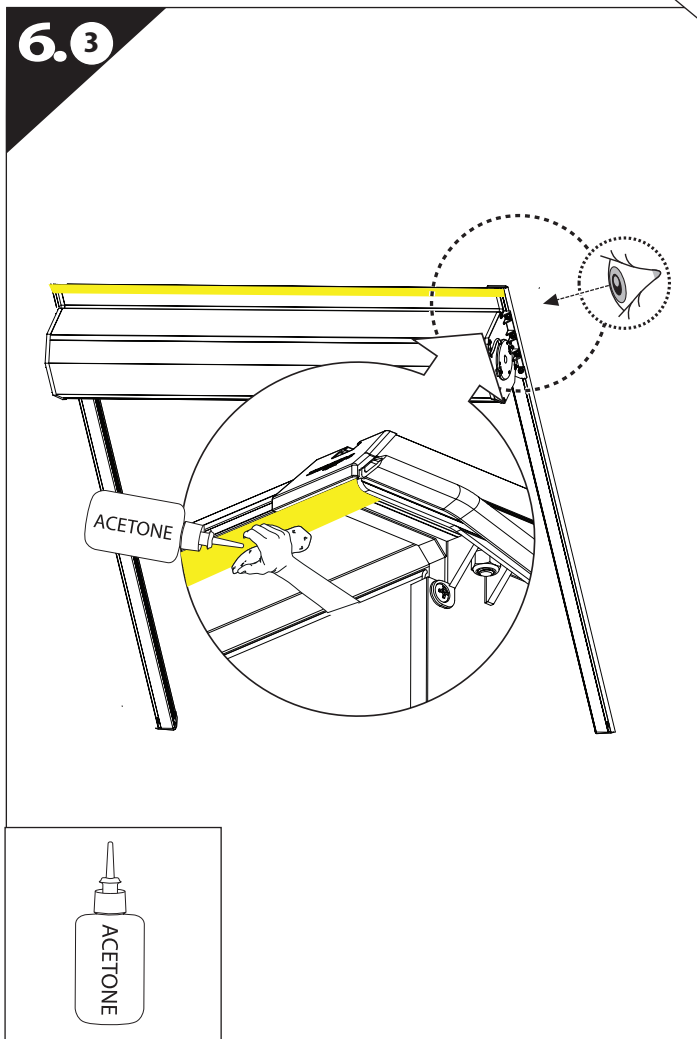
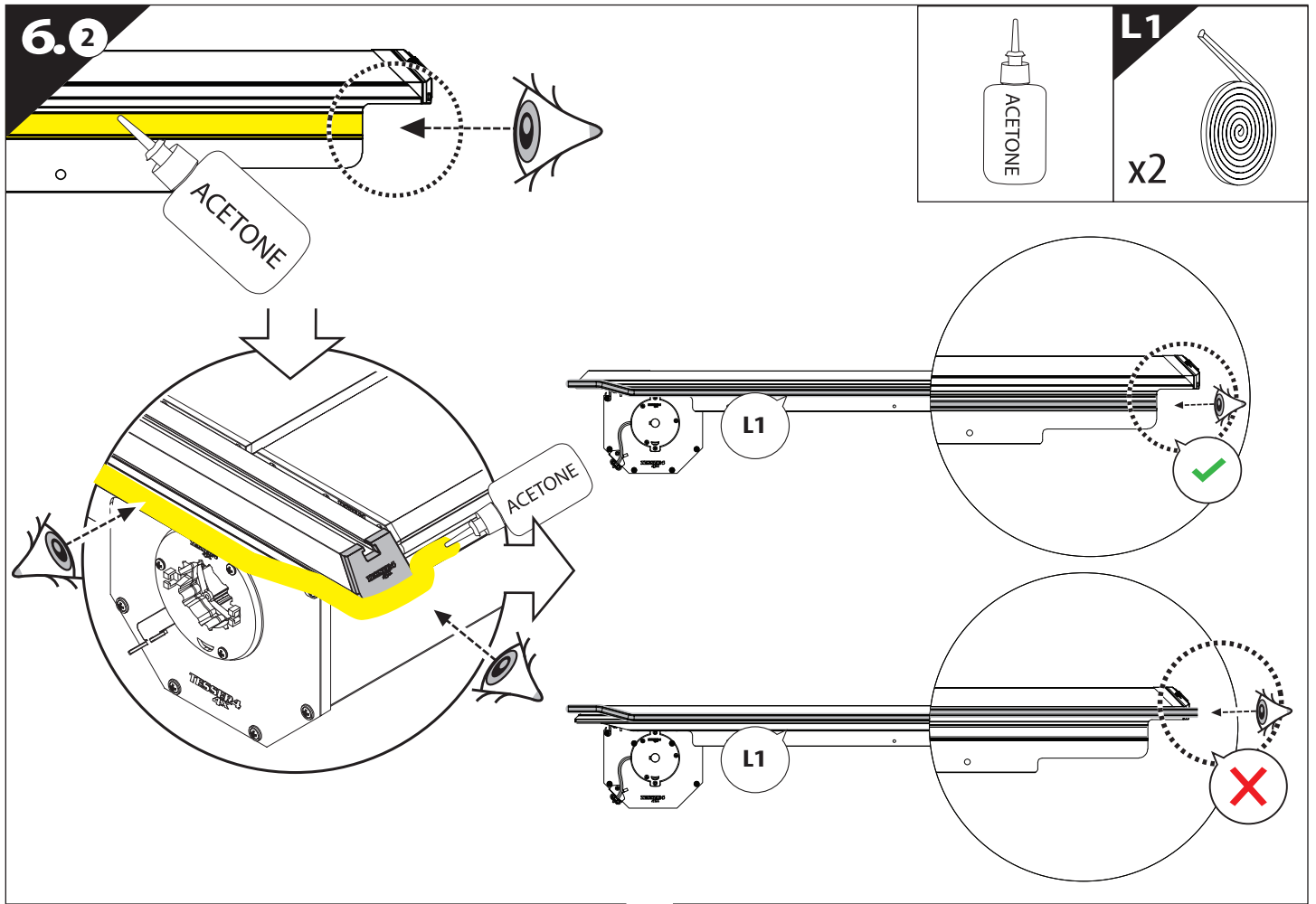
4





**6.1** **CAUTION** Basic Version ✓ & Basic+S-KIT Version ✓



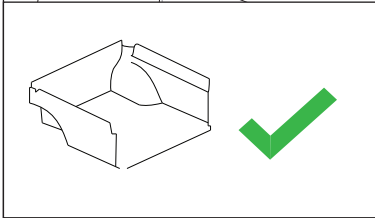
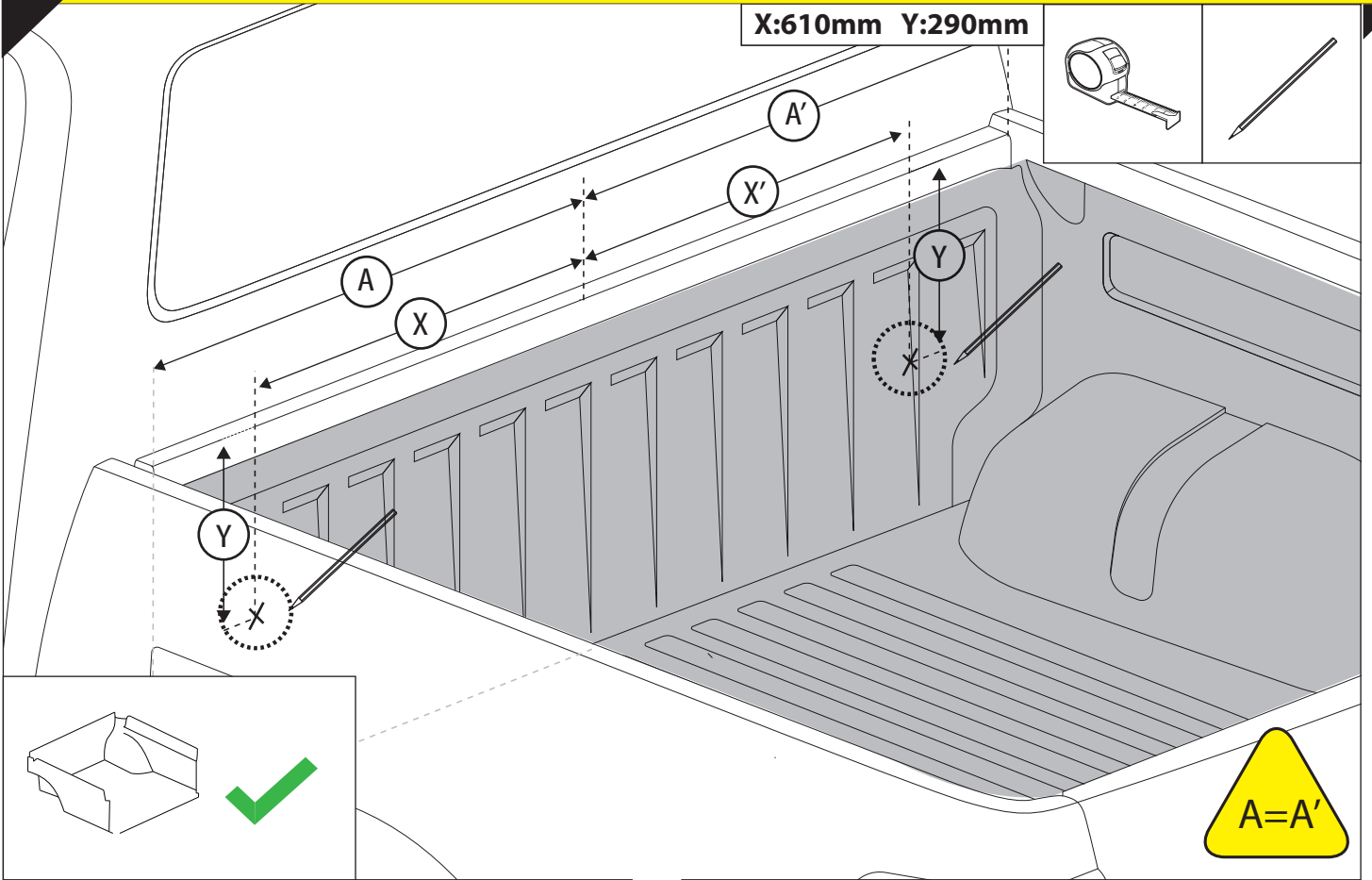
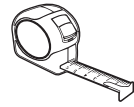


7

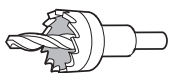
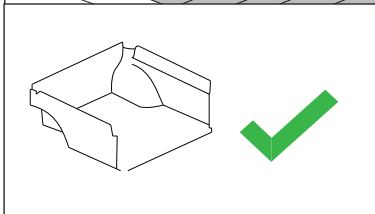
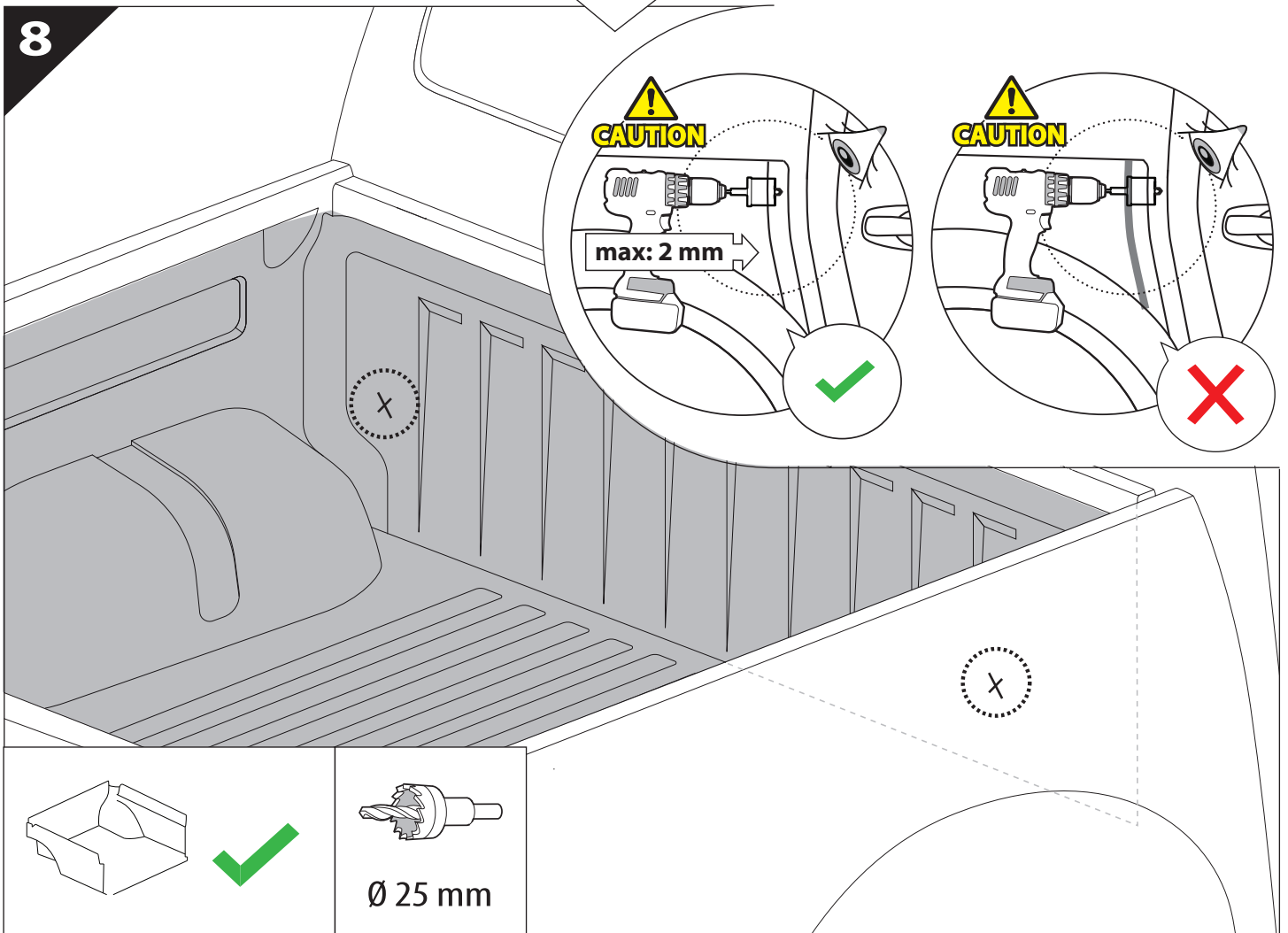


CAUTION: LIMITED, WILDTRAK, WILDTRAK X, PLATINUM

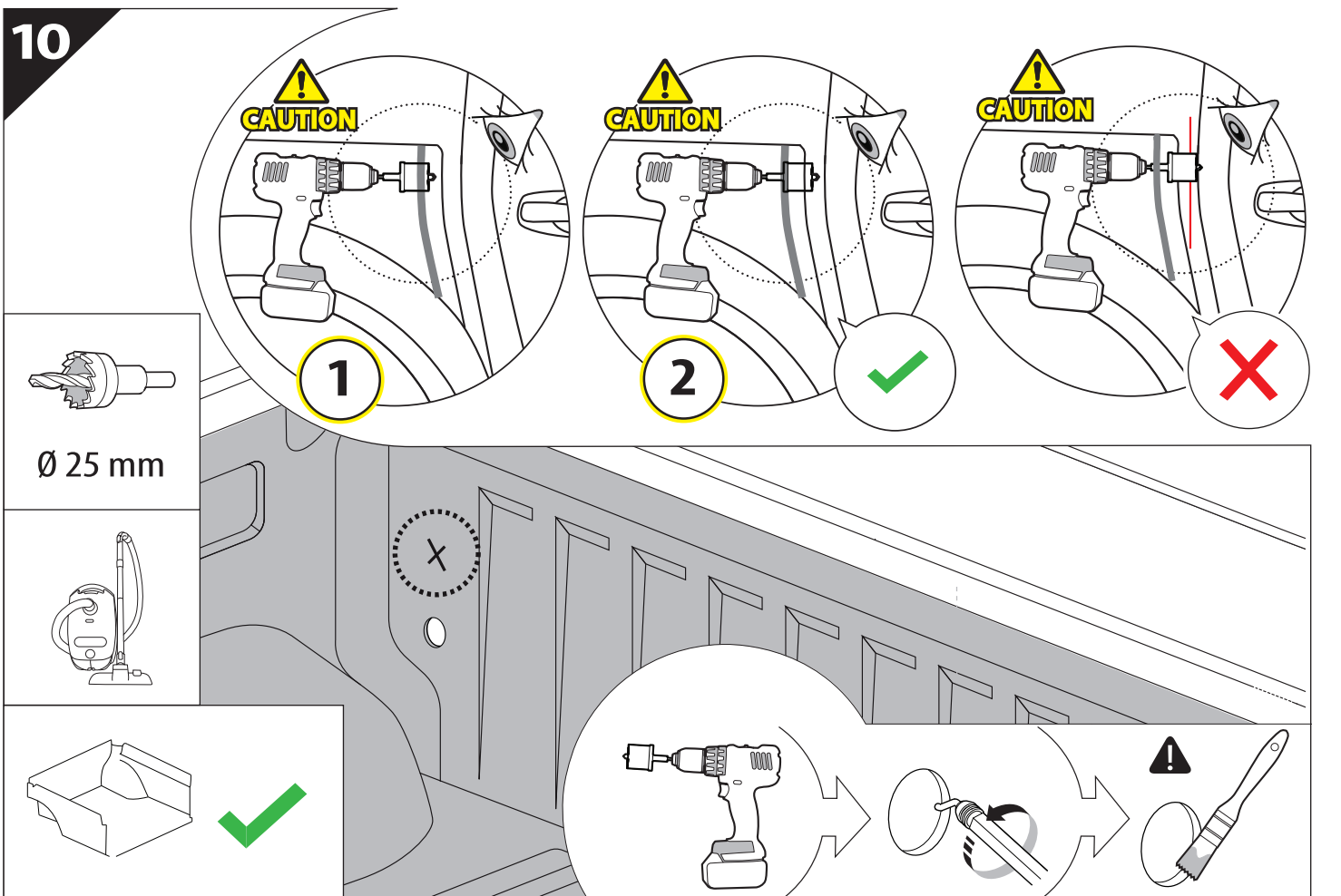
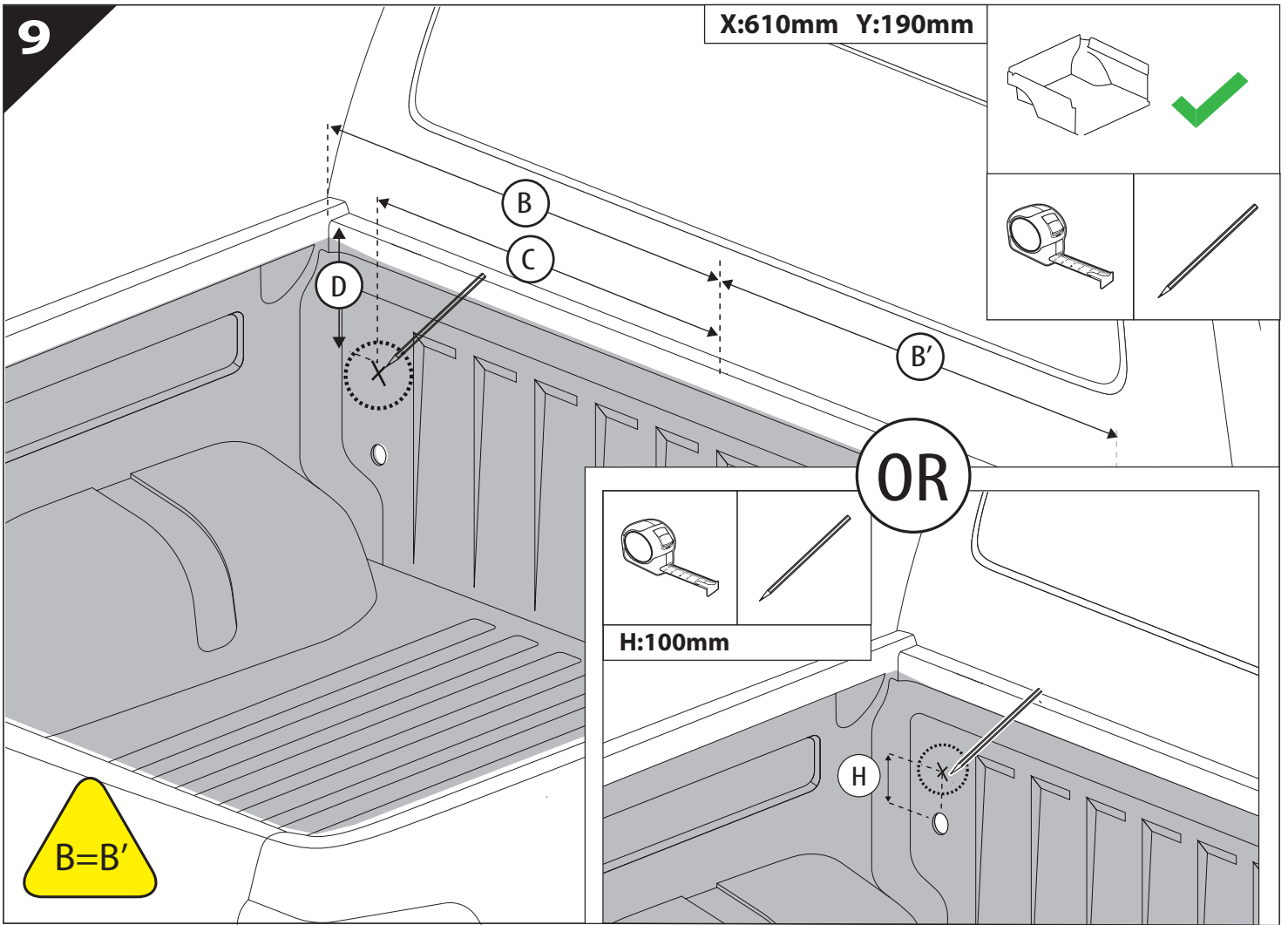
X:610mm Y:290mm

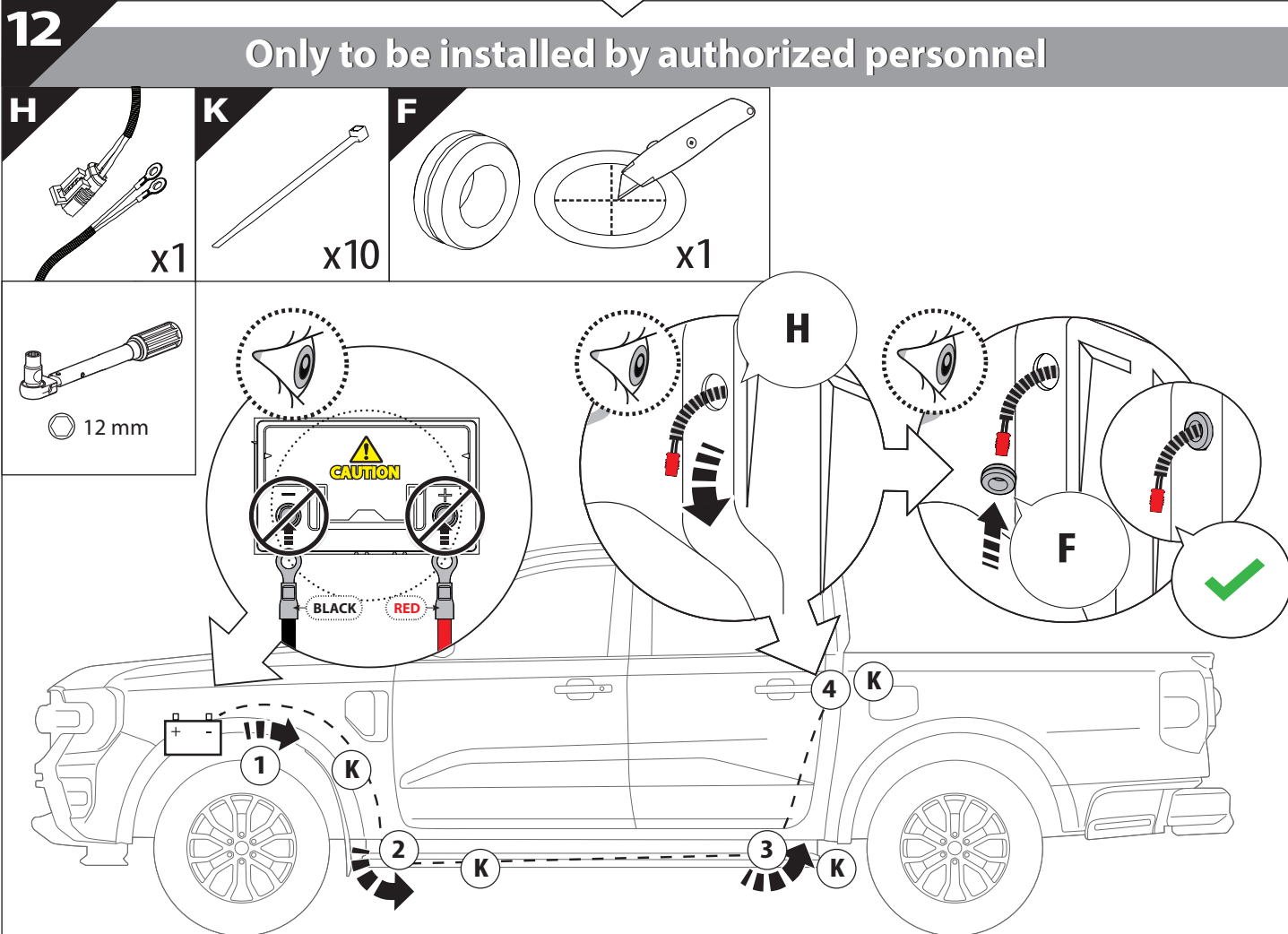
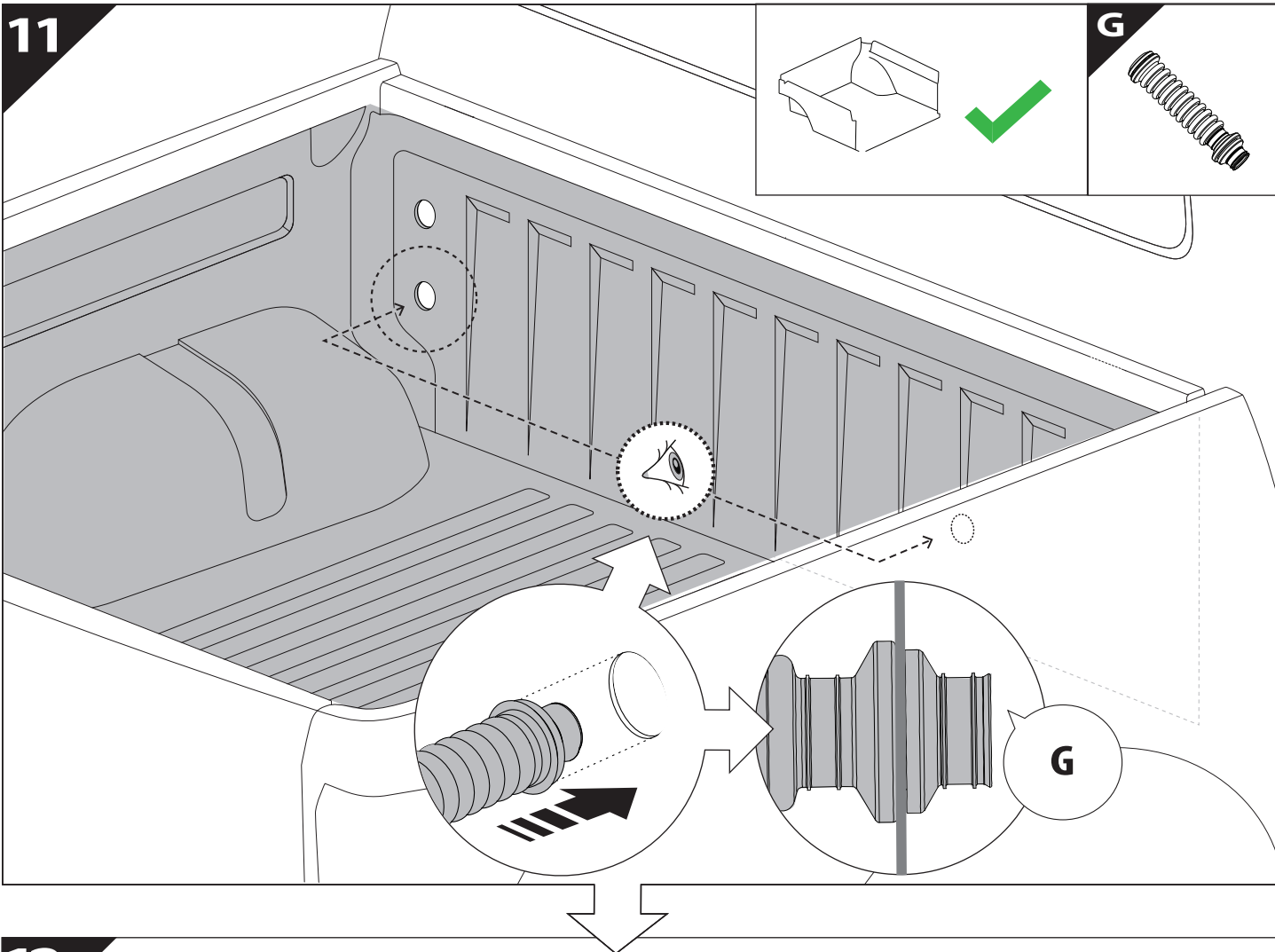


8

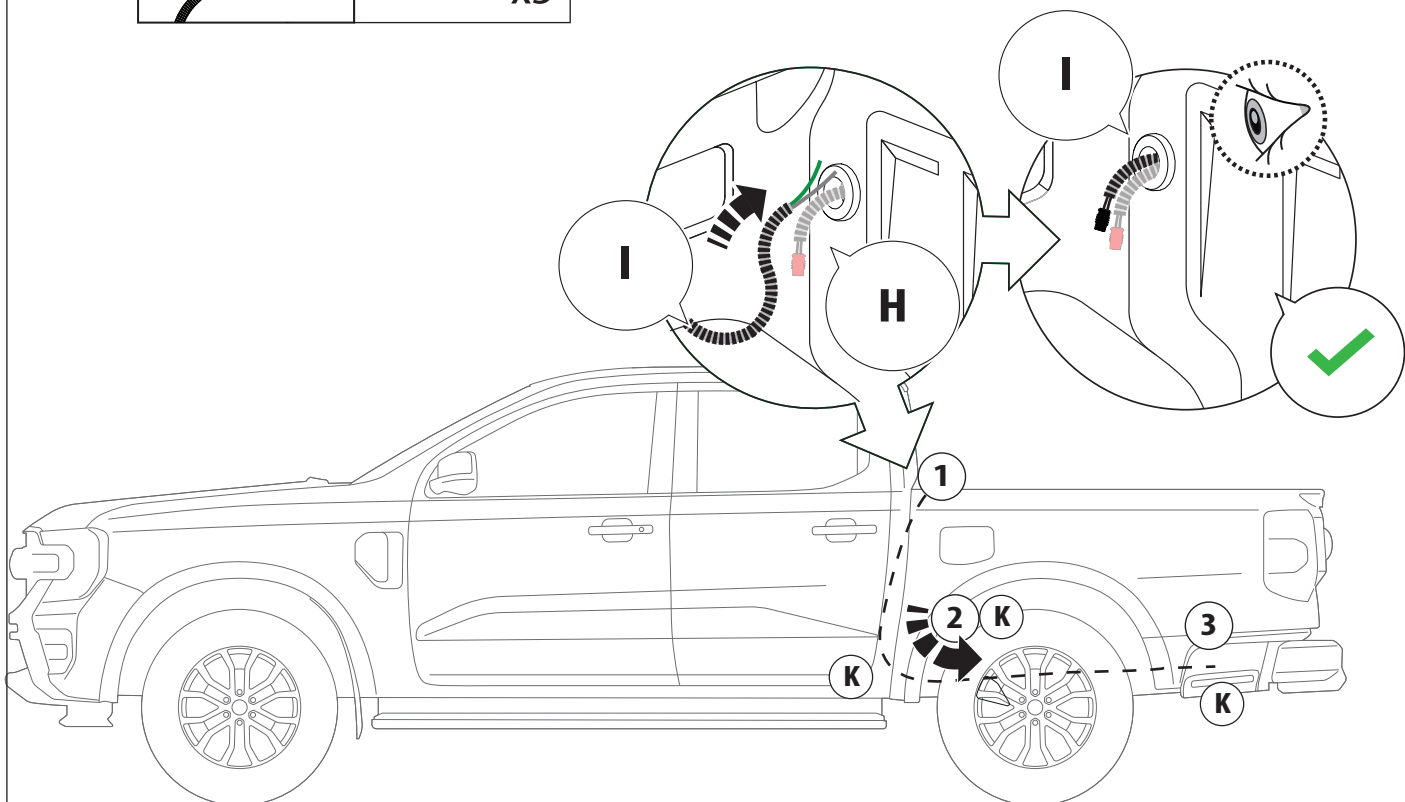
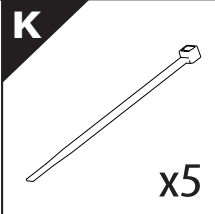
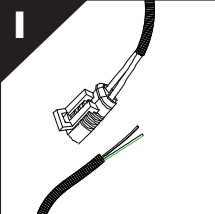


Ø 25 mm





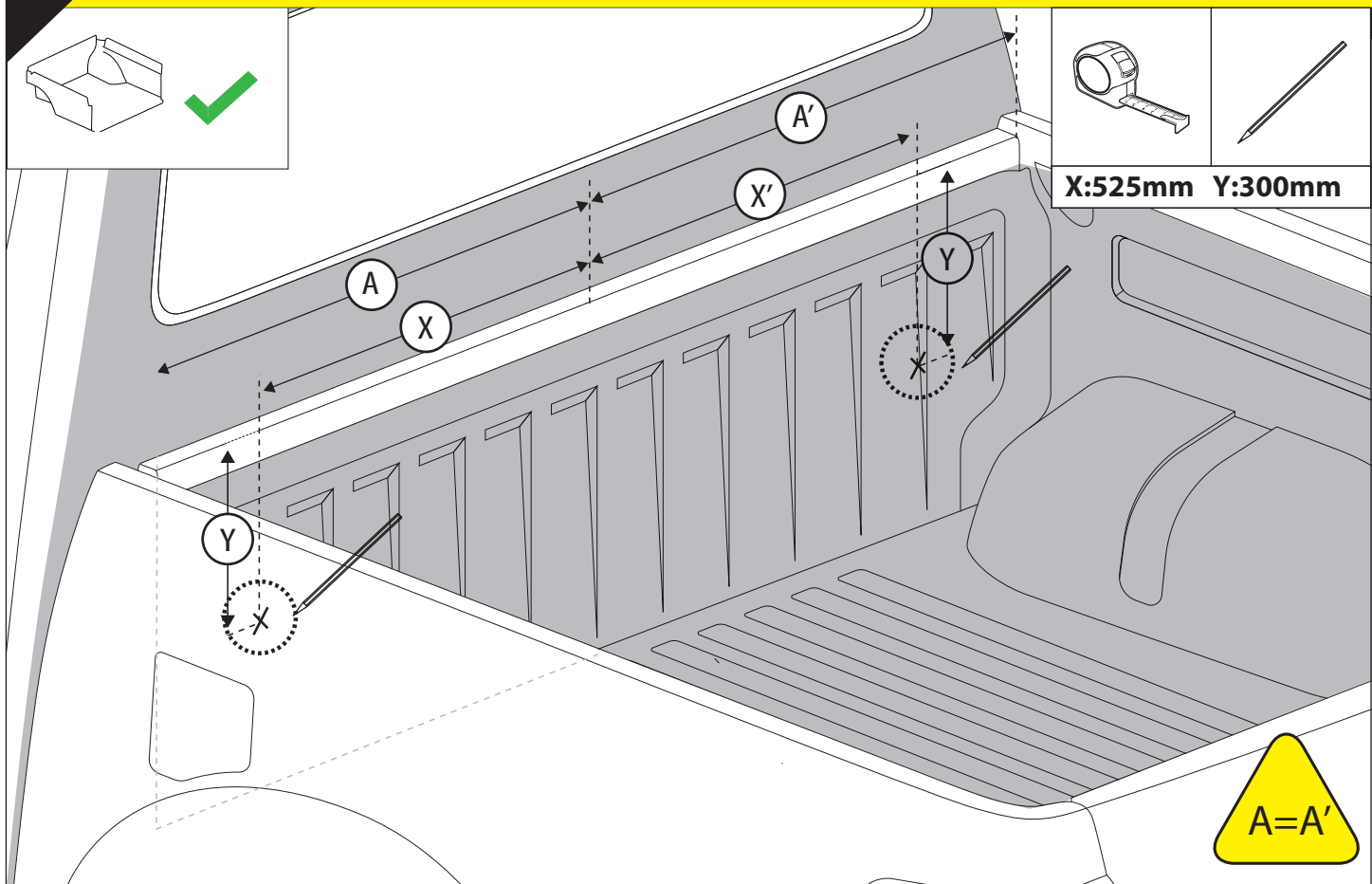
13



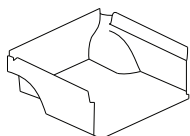
14



CAUTION: RAPTOR



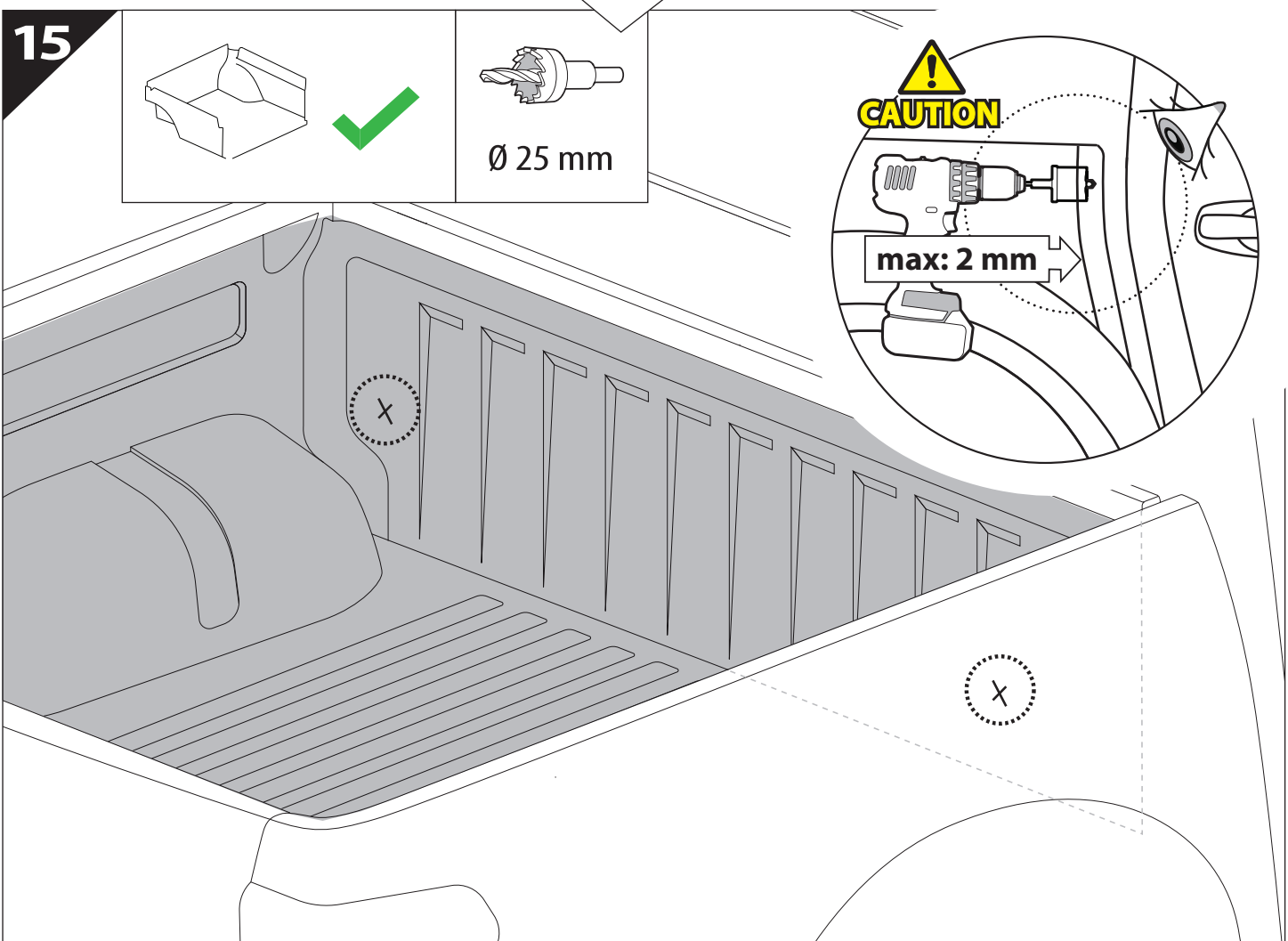
15



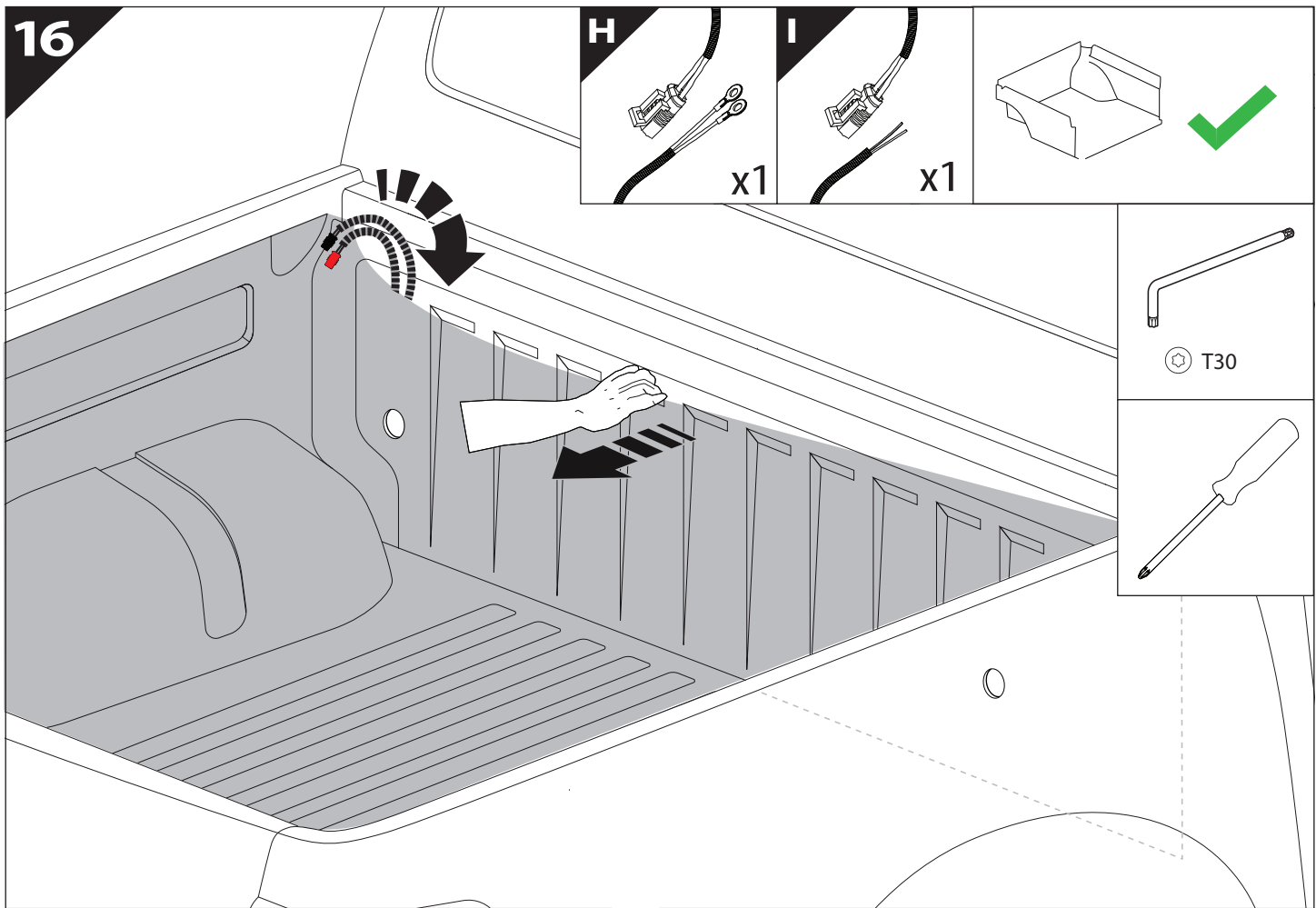
Ø 25 mm

CAUTION

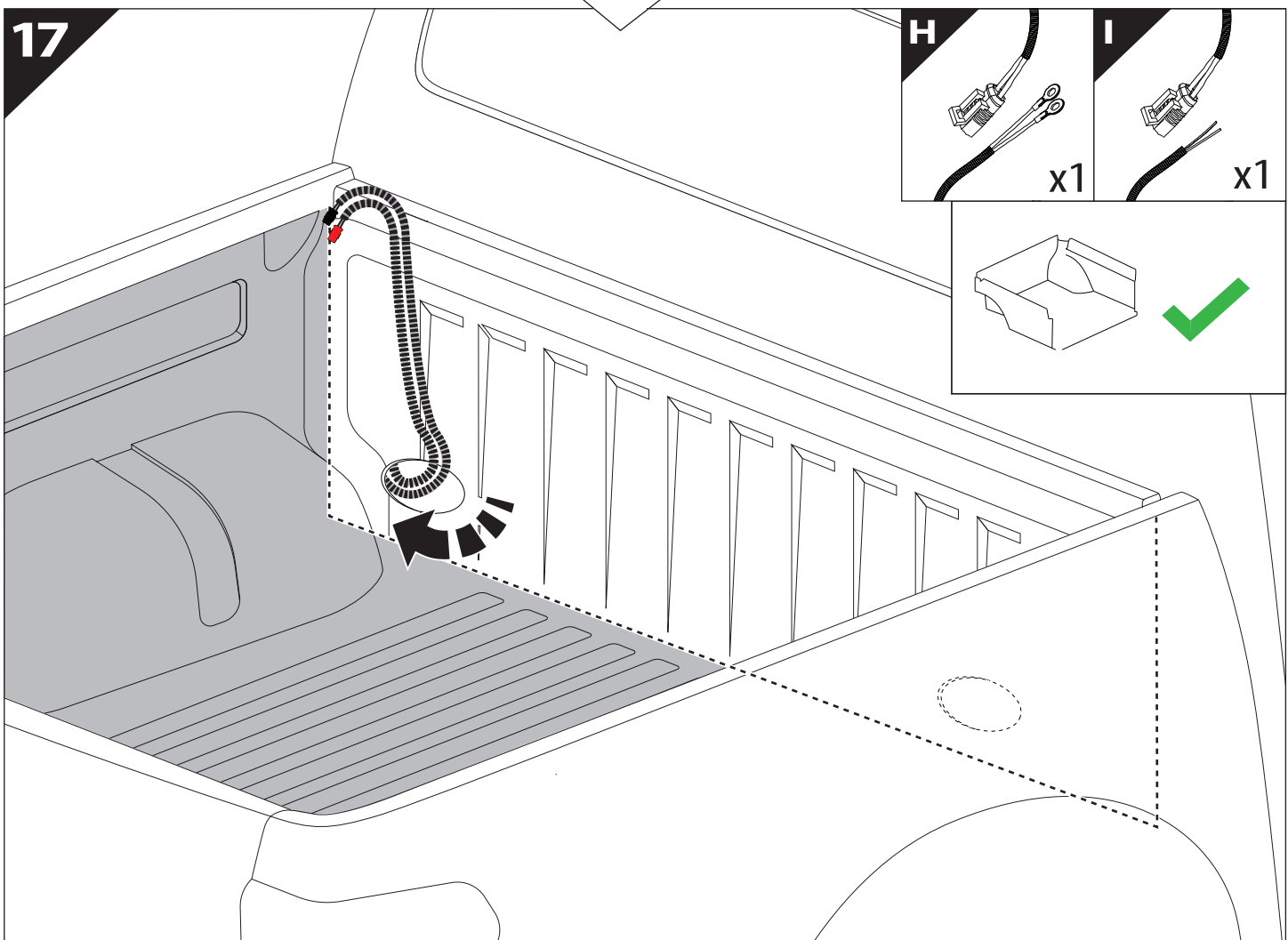
max: 2 mm

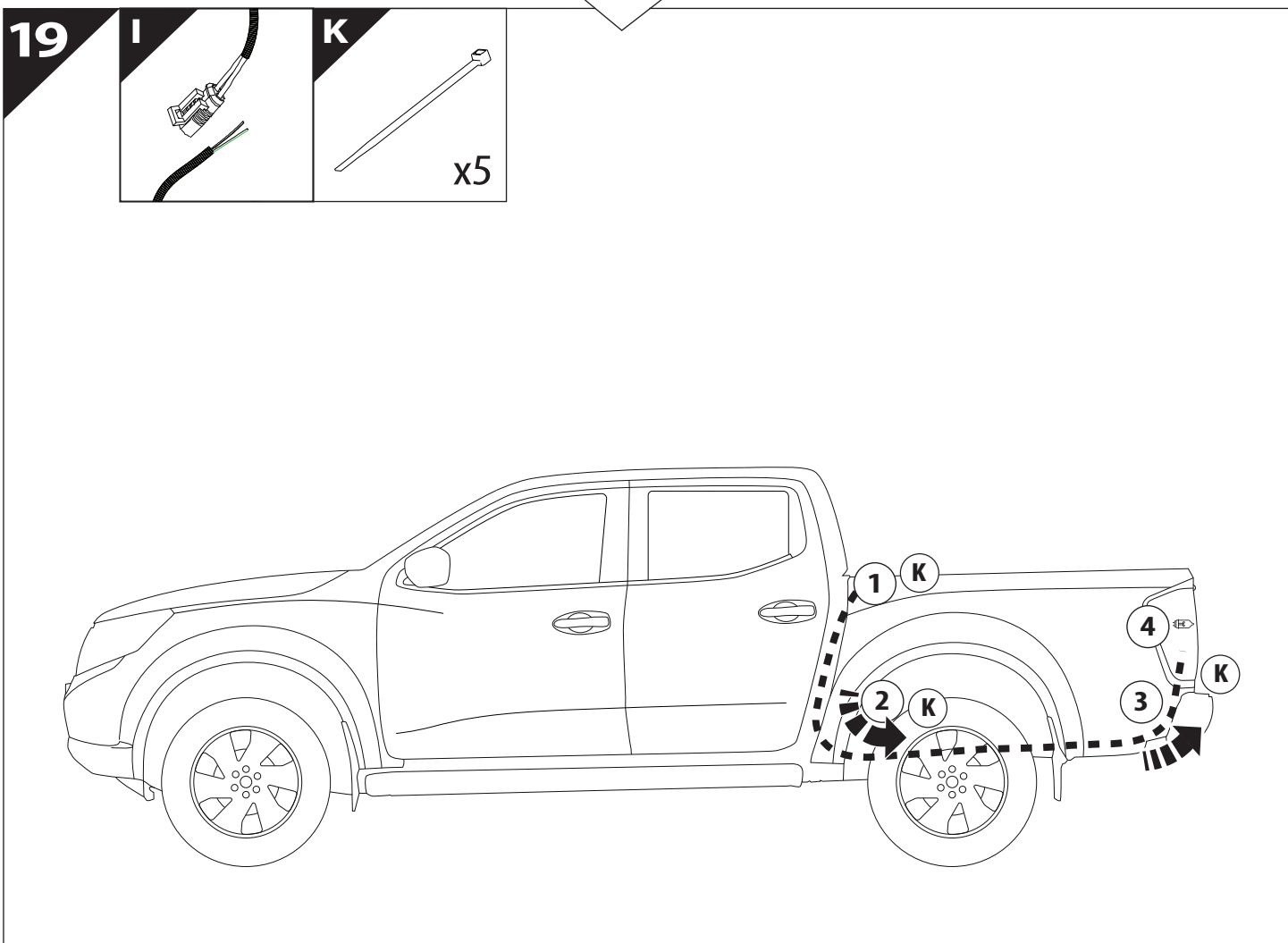
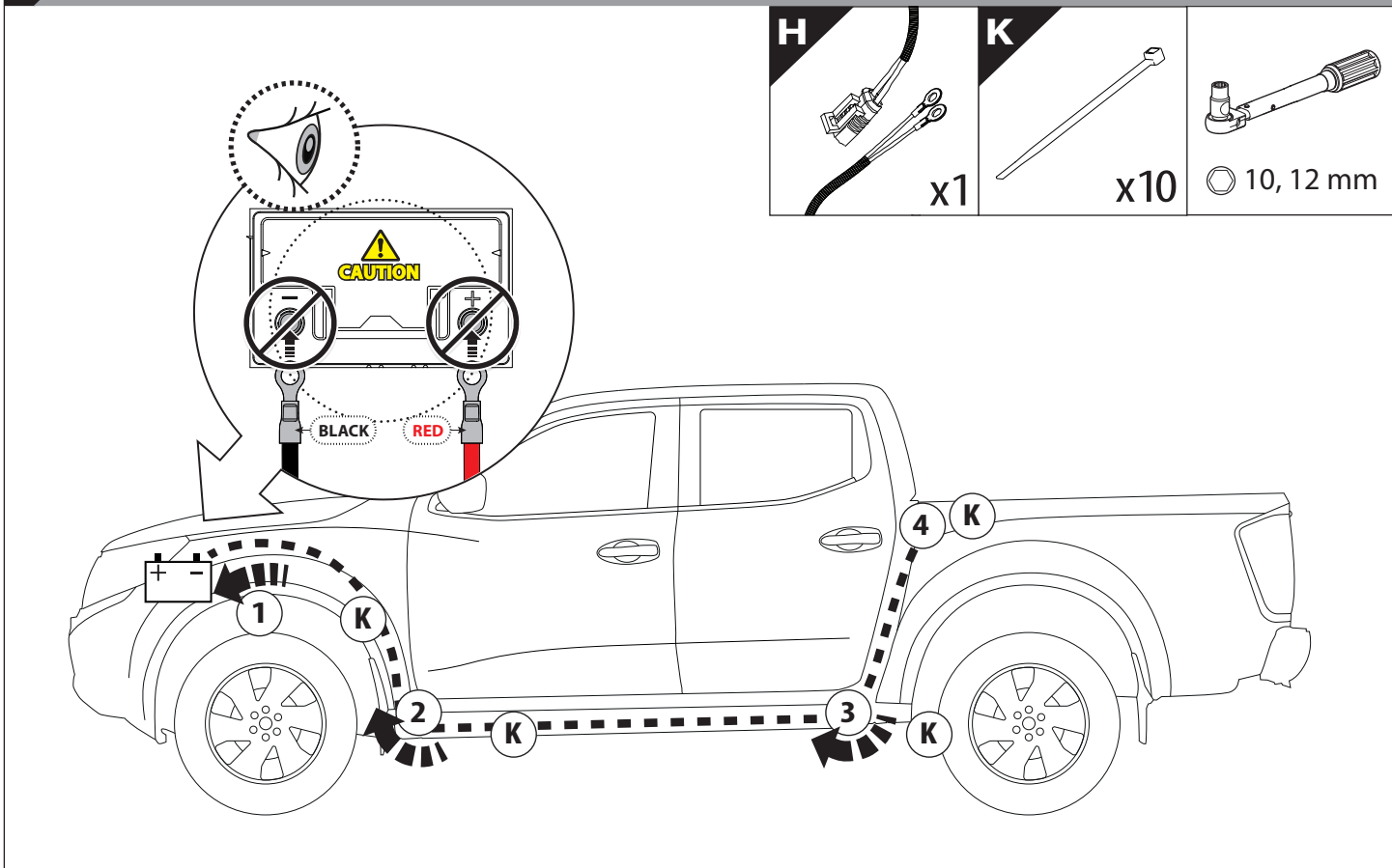


16

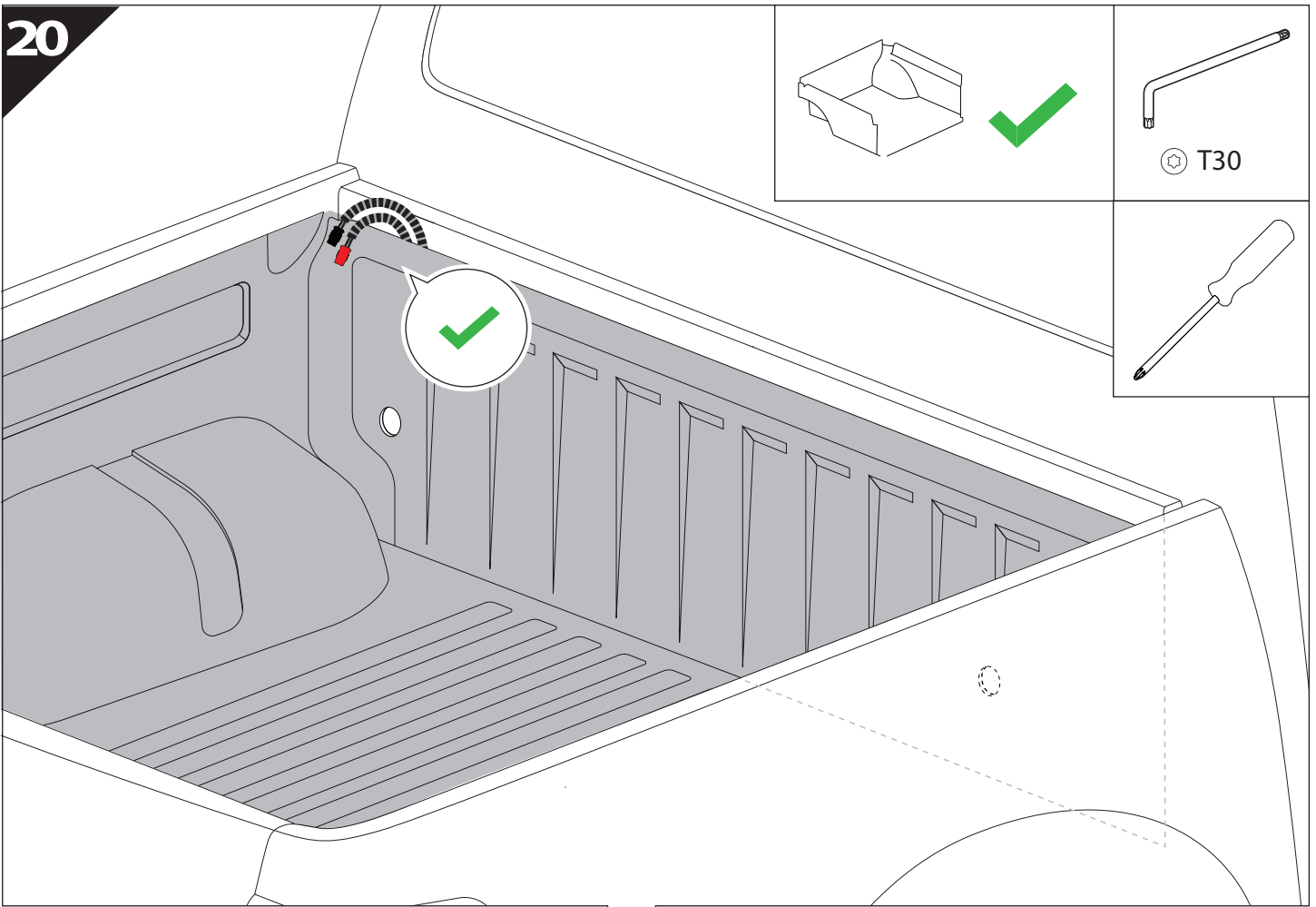


17

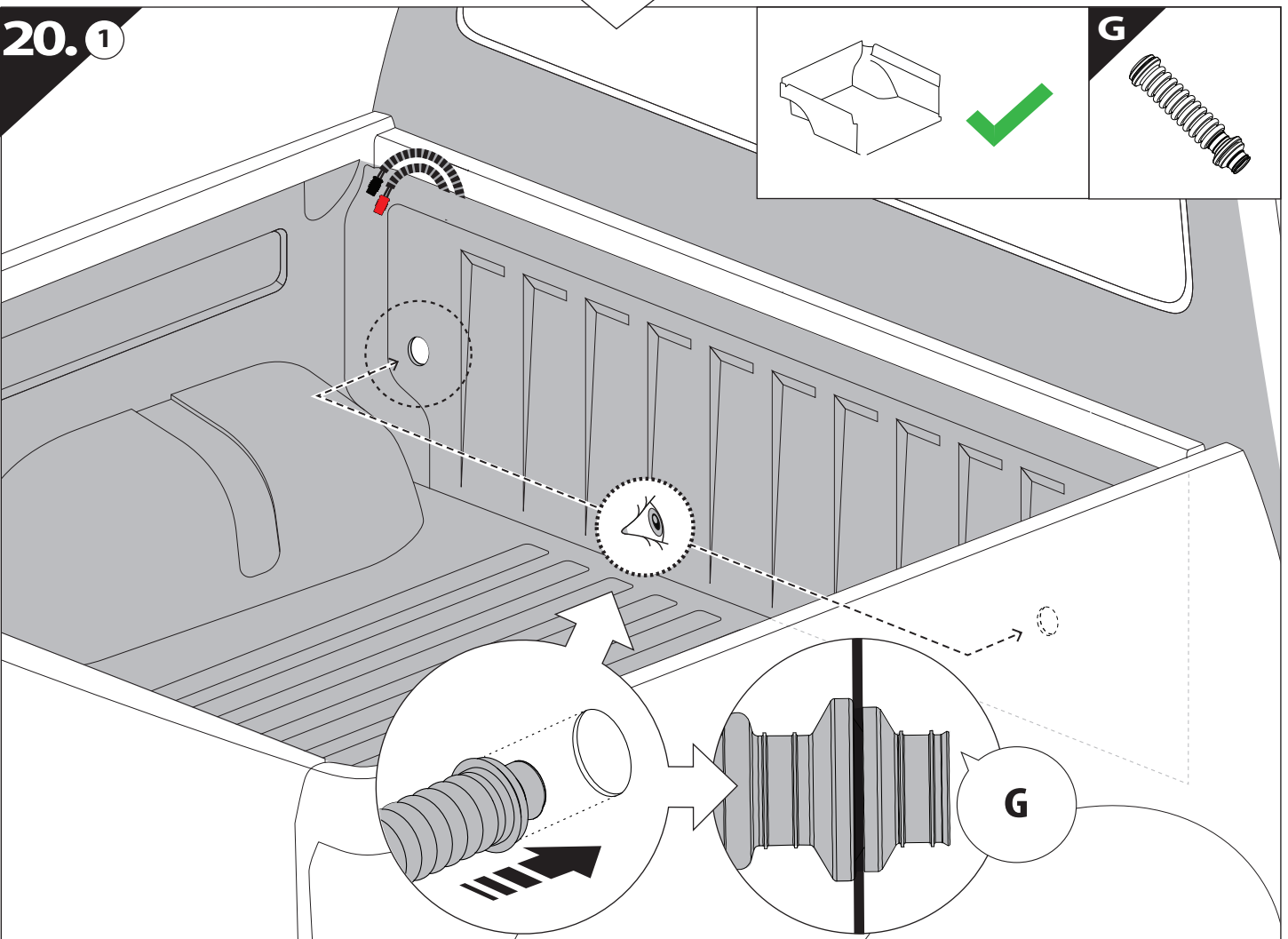




20

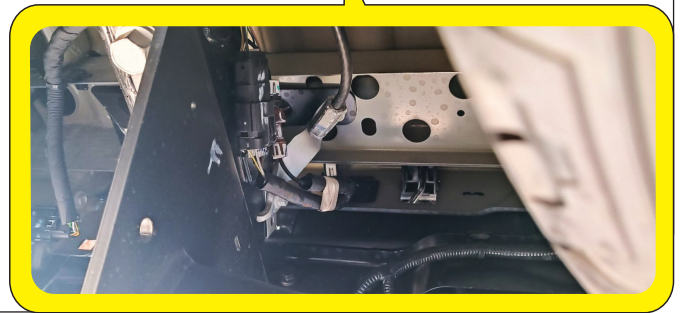
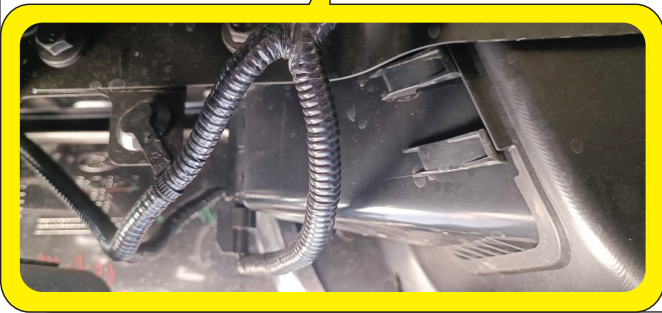
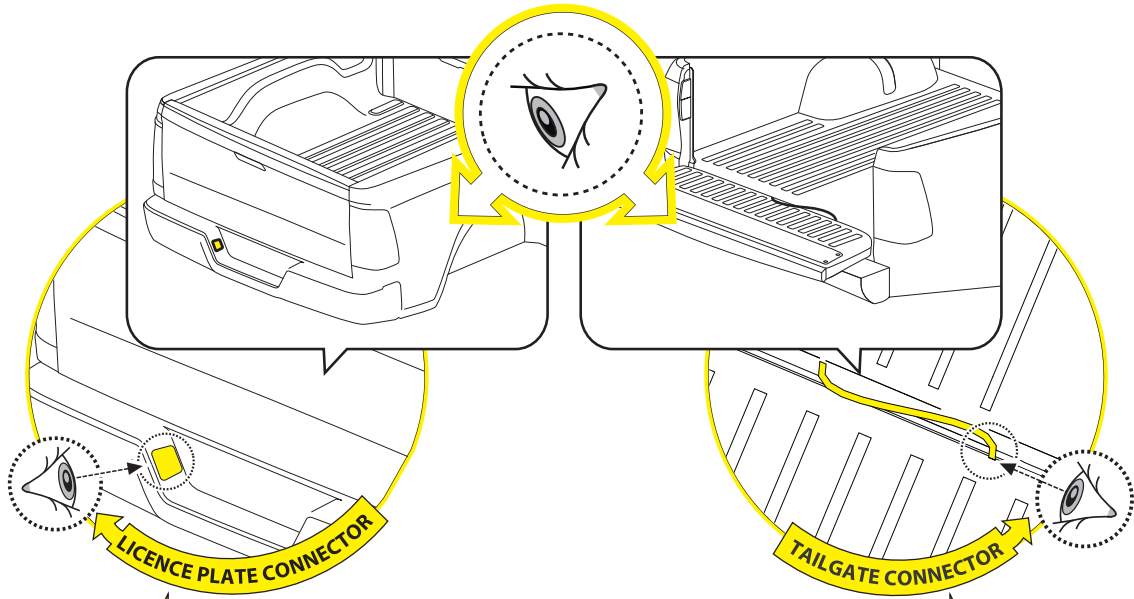


20.1

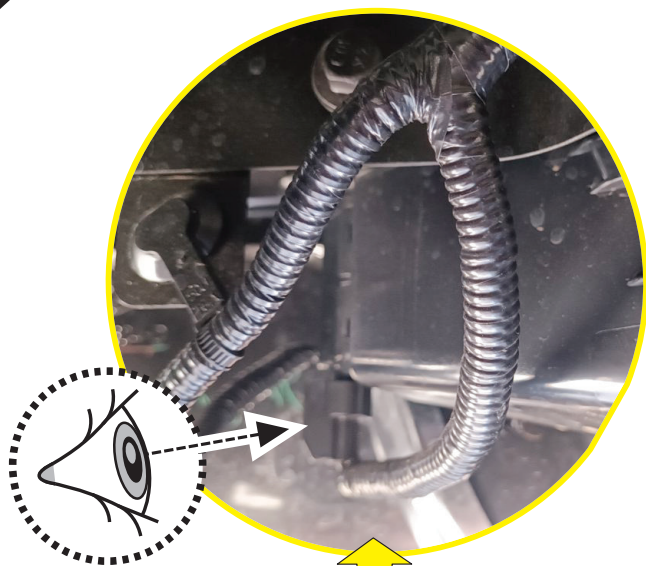




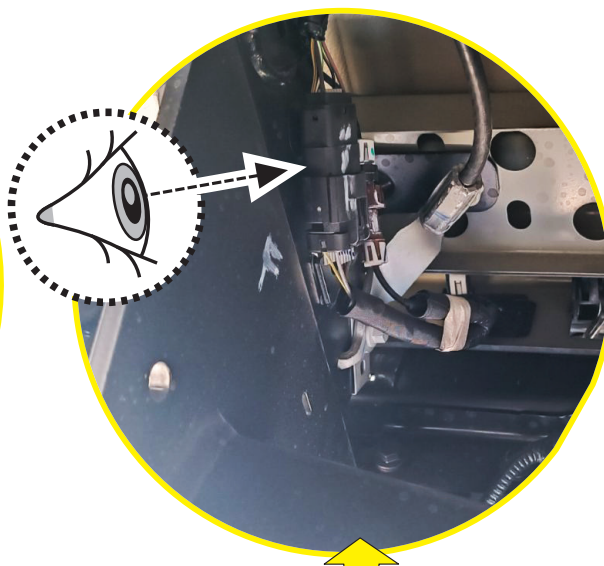
CAUTION: LIMITED, WILDTRAK, WILDTRAK X, PLATINUM



# 21. ①



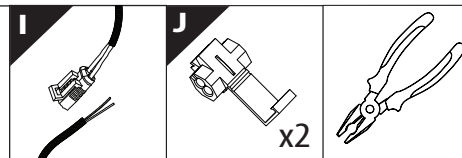
LICENCE PLATE CONNECTOR



TAILGATE CONNECTOR

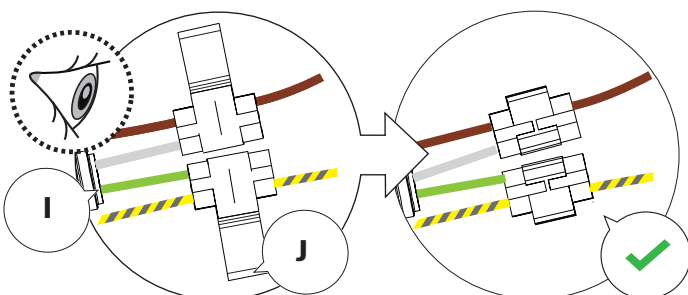
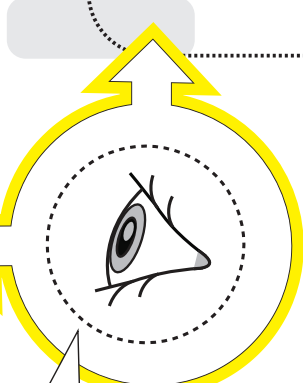
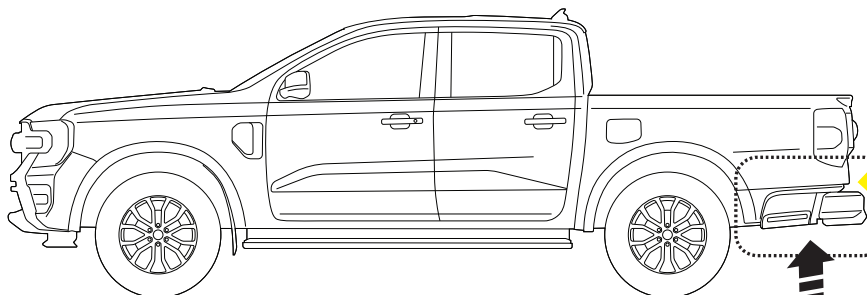
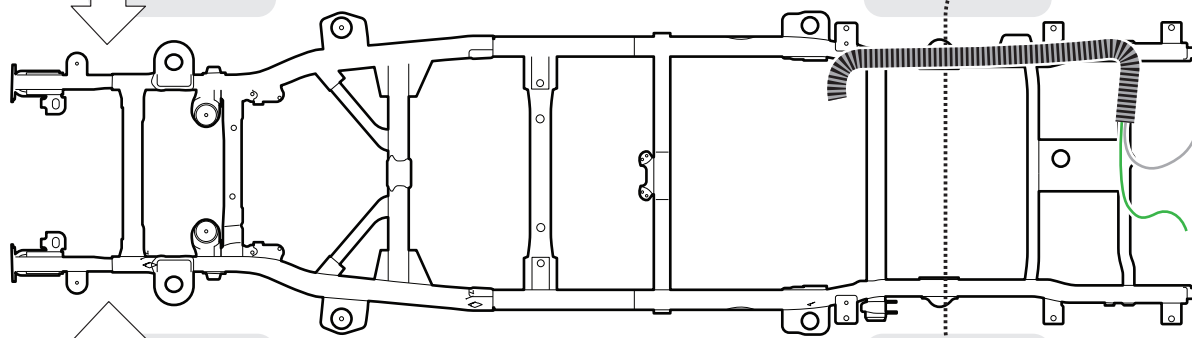
# 21. ②

## BOTTOM VIEW

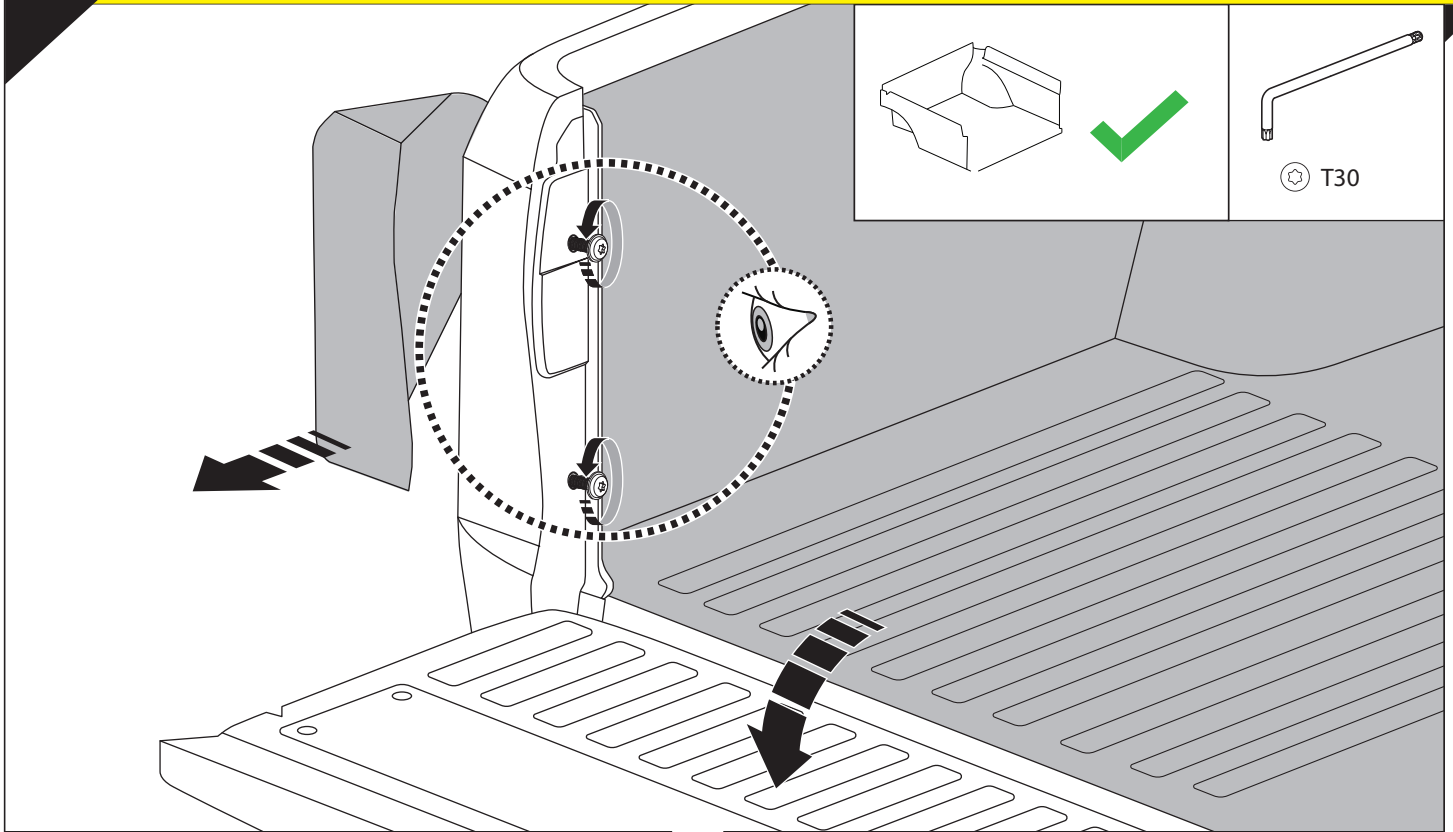


DRIVER'S LEFT SIDE

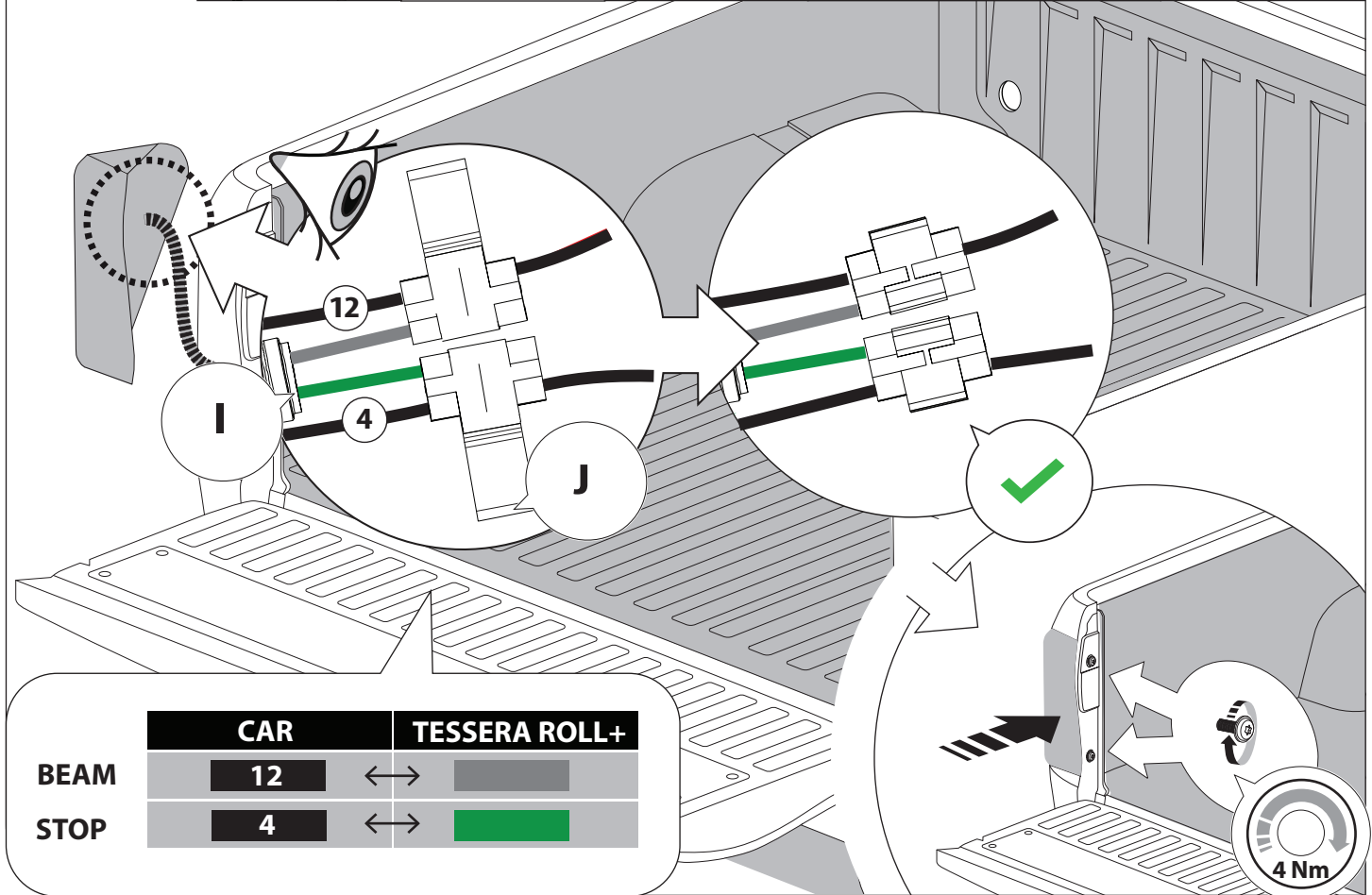
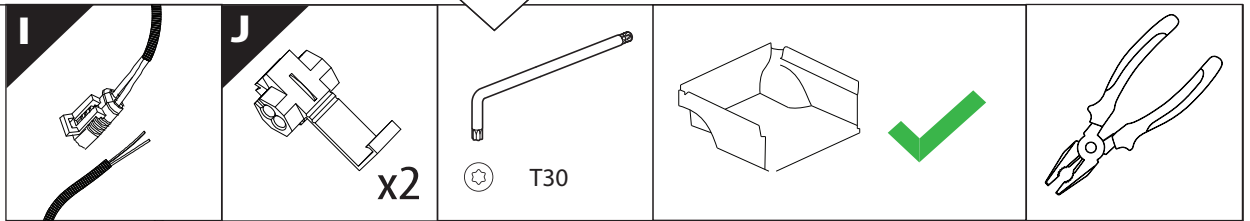
PASSENGER'S RIGHT SIDE



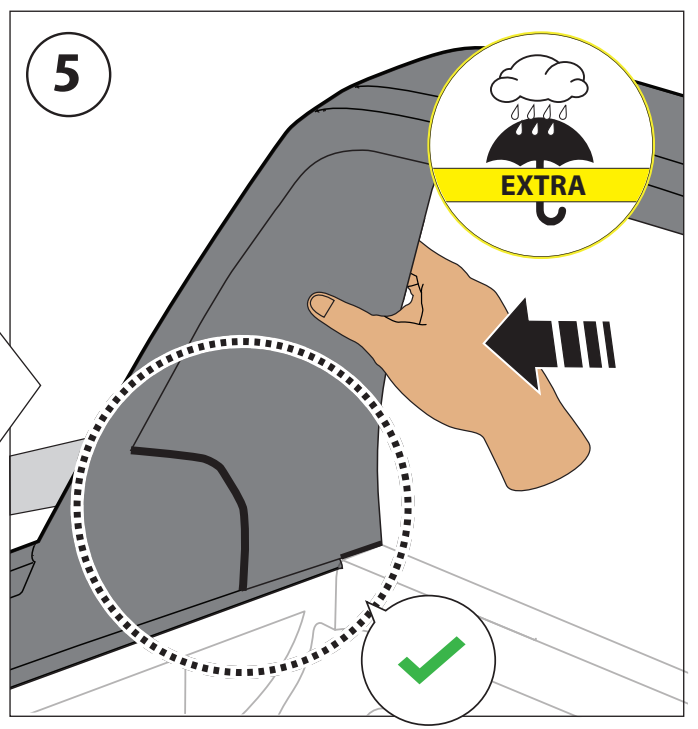
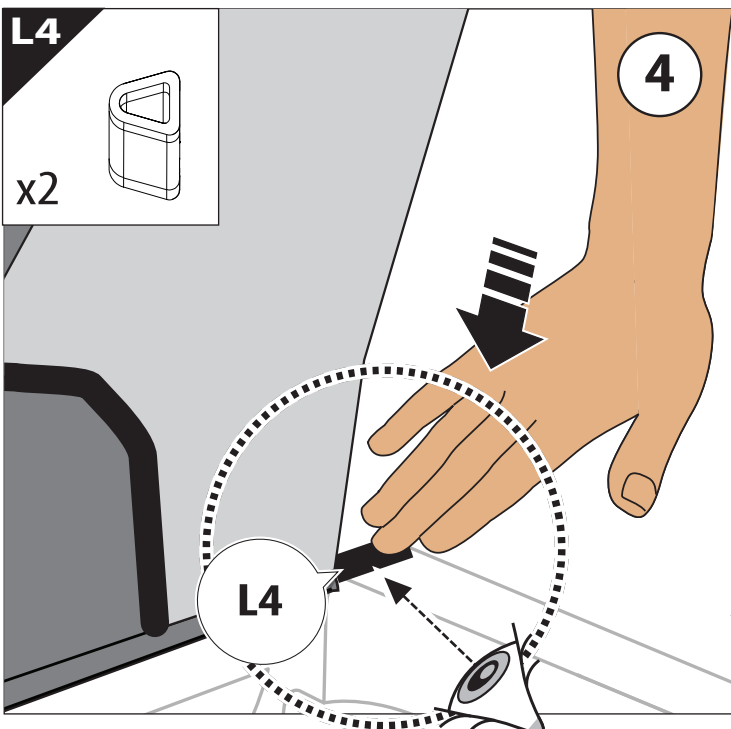
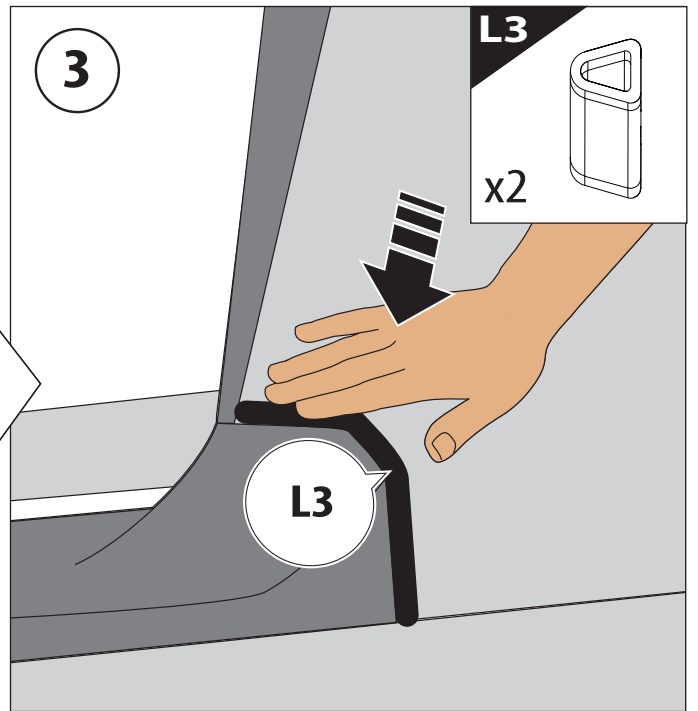
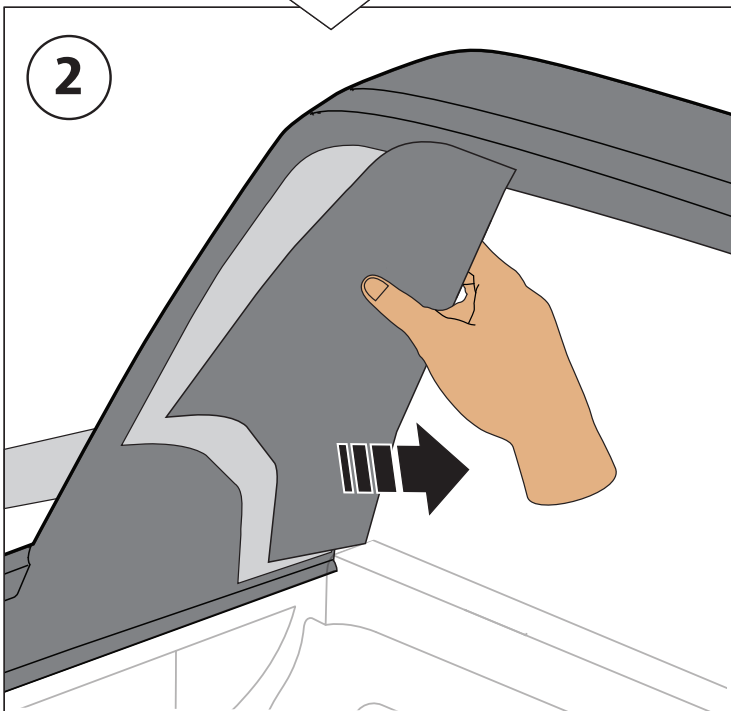
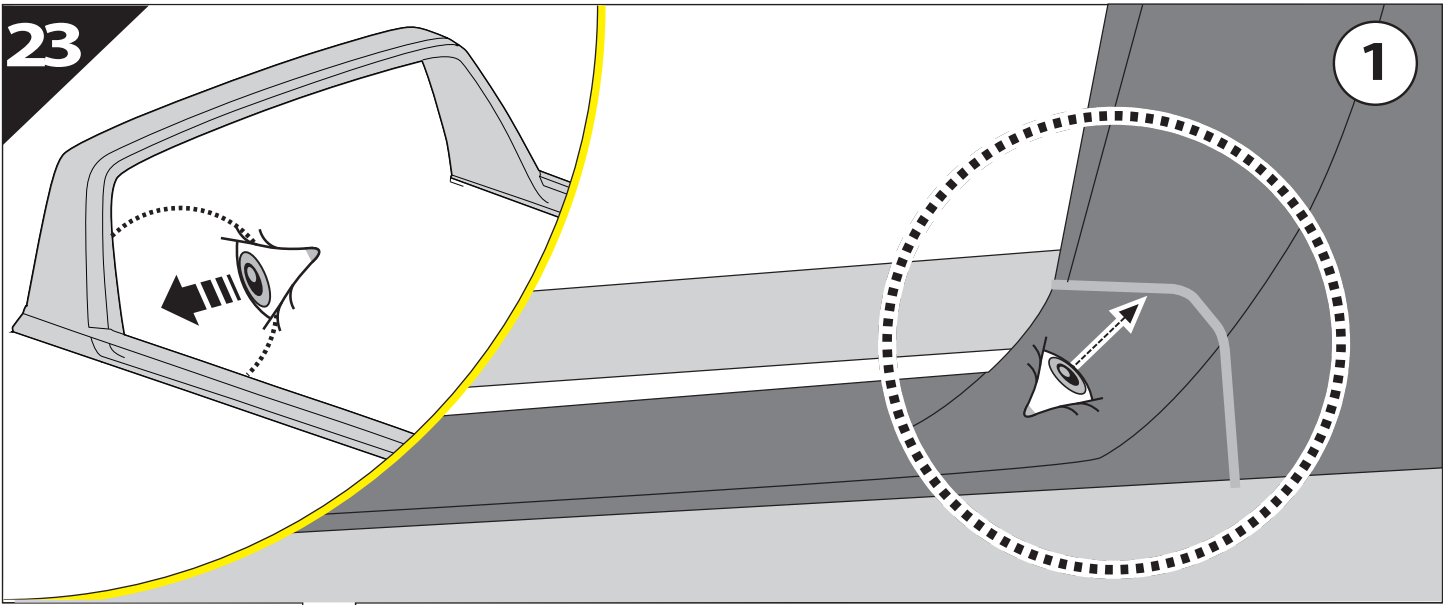
	CAR		TESSERA ROLL+
BEAM		↔	
LICENCE PLATE 2 PIN LIGHT CONNECTOR			
STOP		↔	
TAILGATE CONNECTOR			



22.1



	CAR		TESSERA ROLL+
BEAM	12	↔	
STOP	4	↔	



24

Basic Version ✓

Basic+S-KIT Version ✓

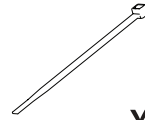
**CAUTION** ⚠

Basic+E-KIT Version ✓

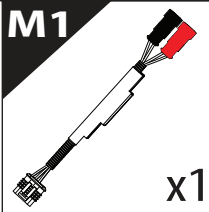


**K**

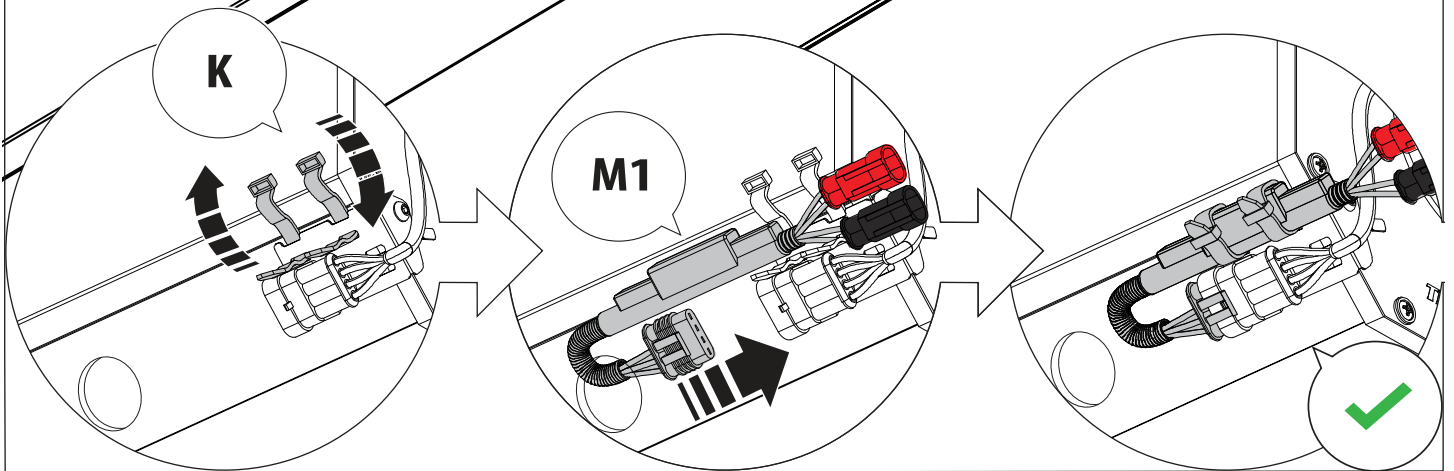
**M1**

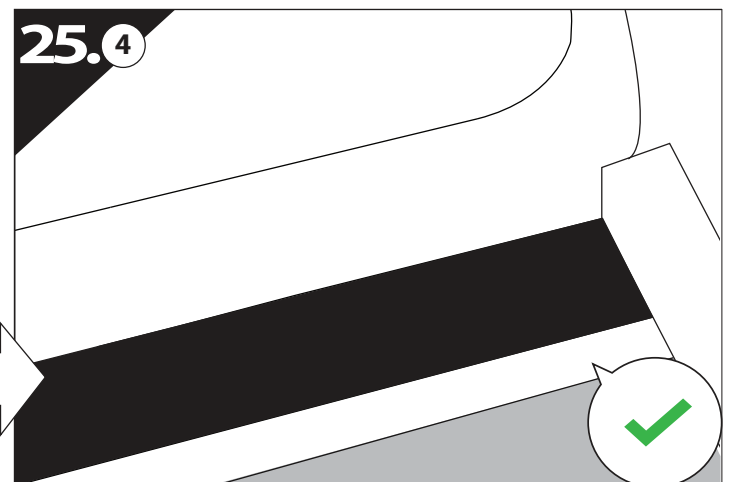
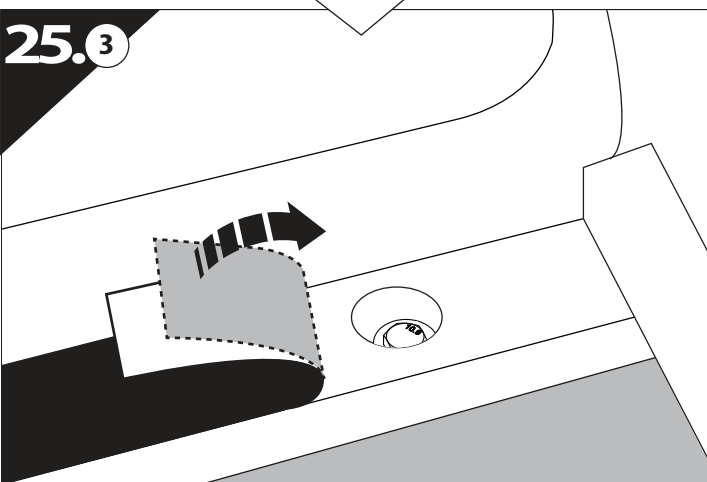
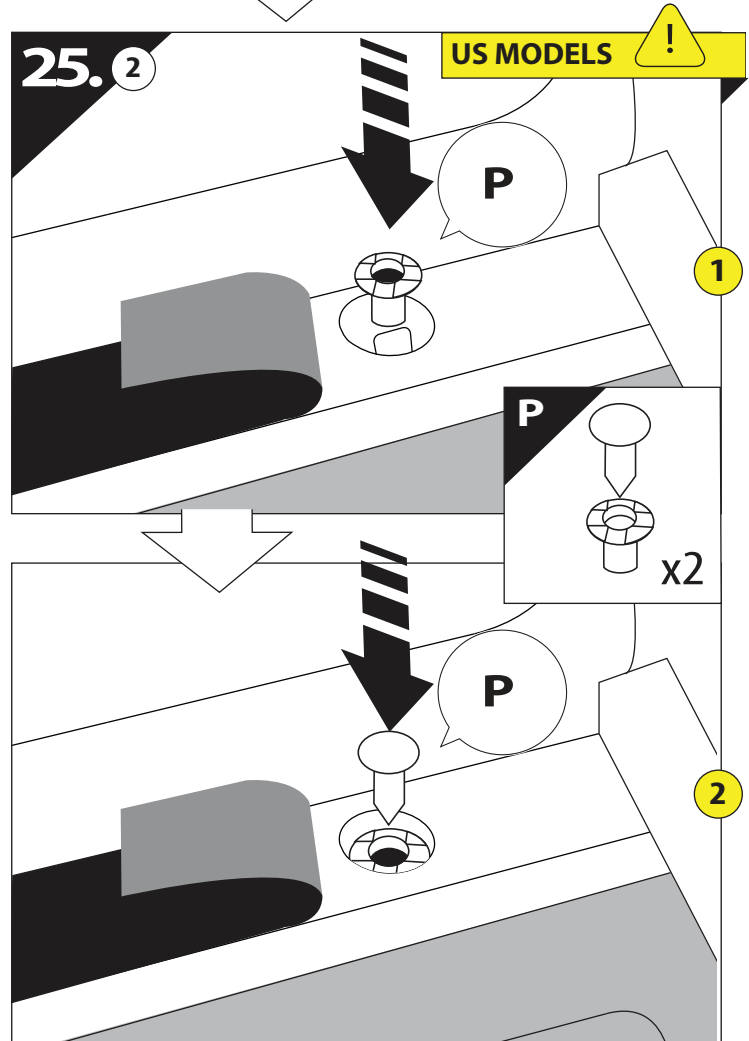
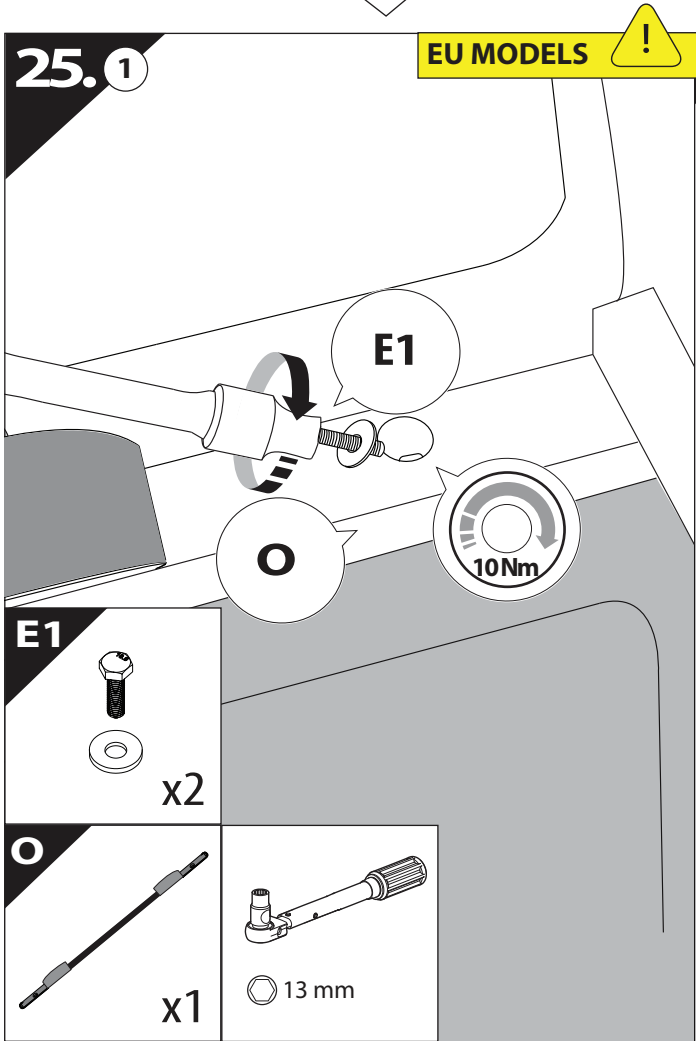
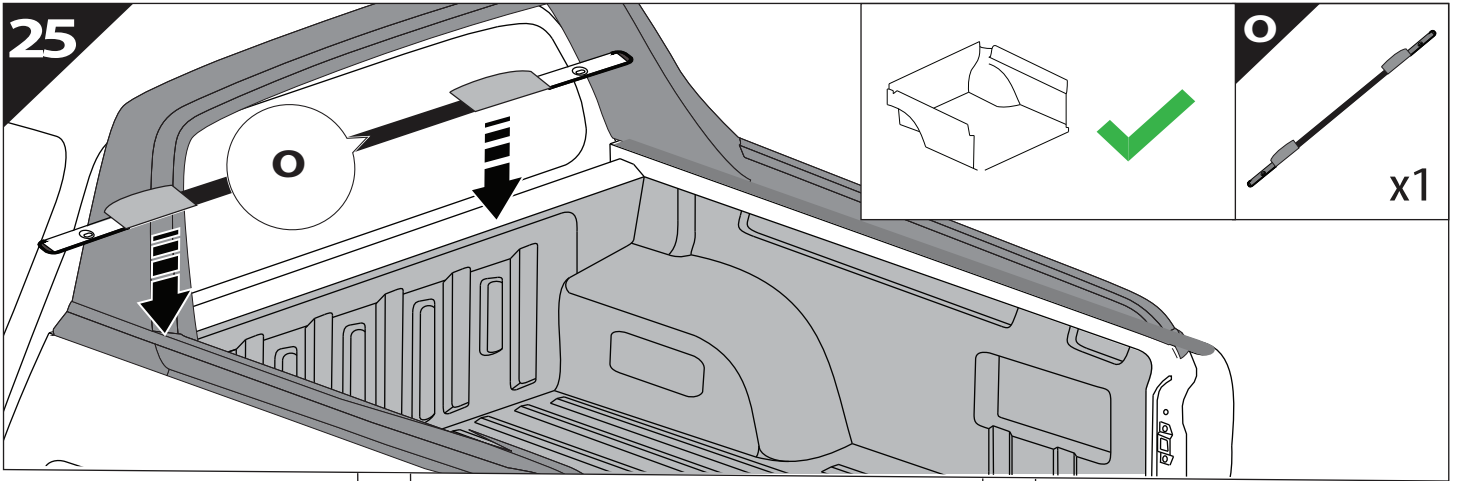


x2



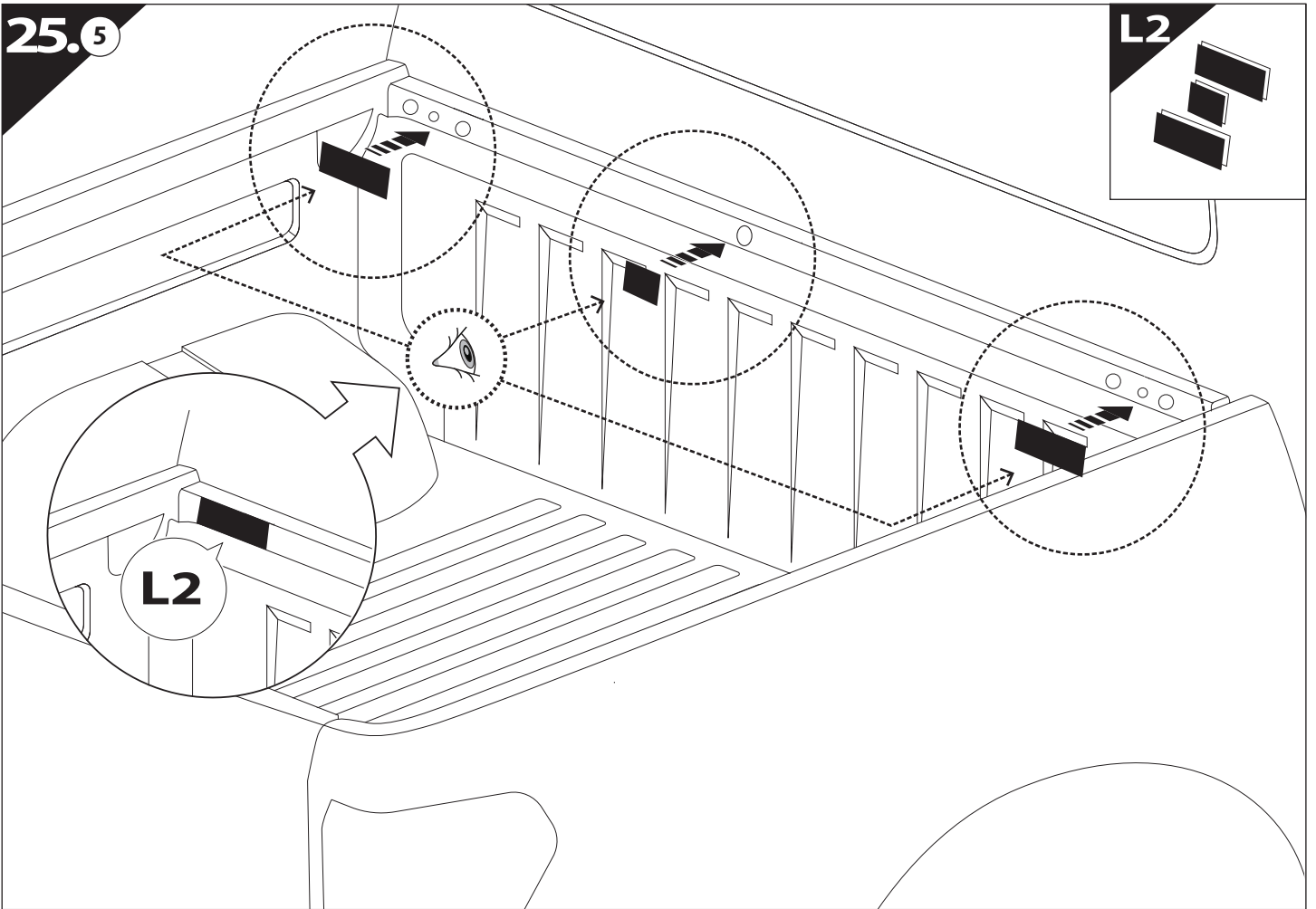
x1





25.6

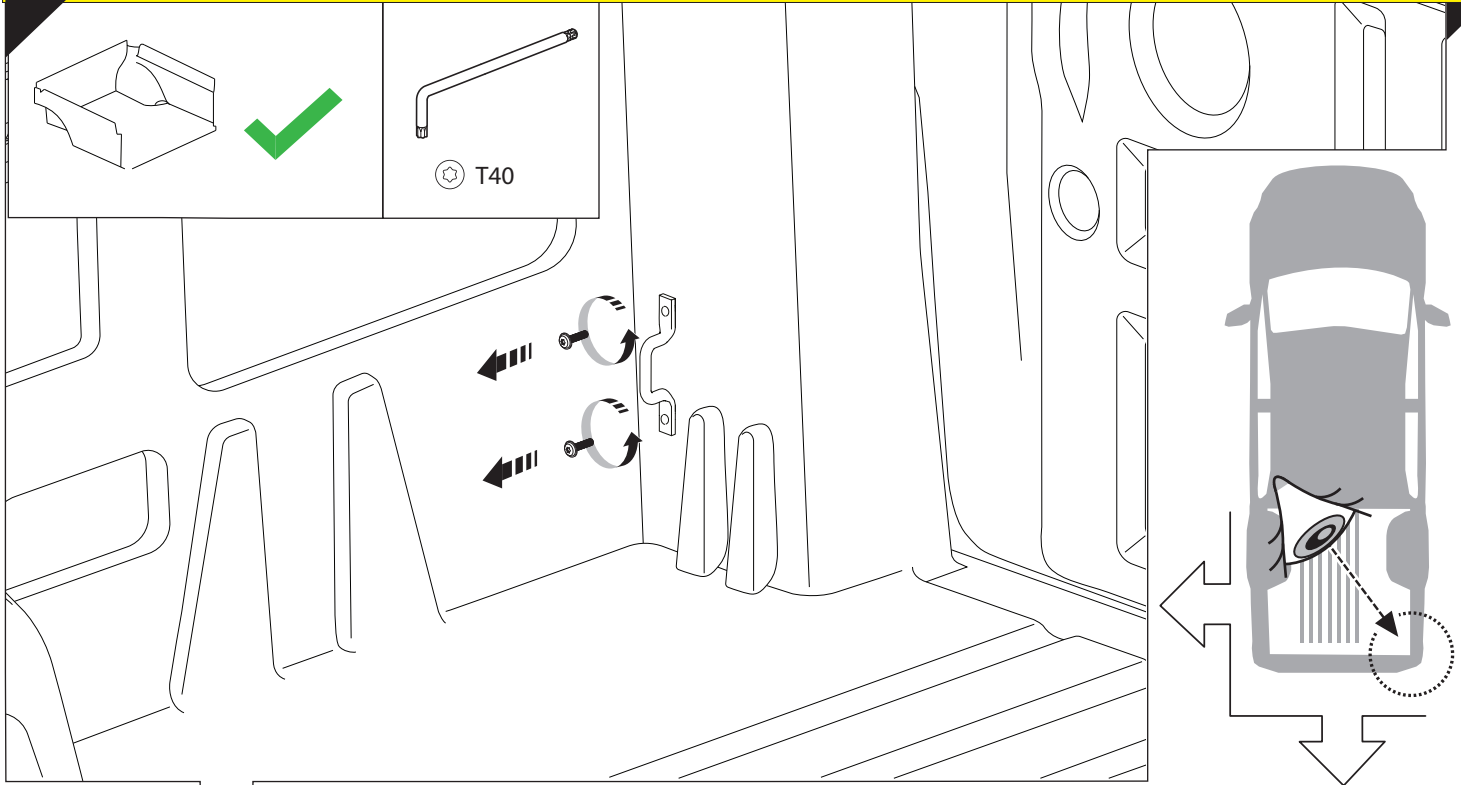
L2



26

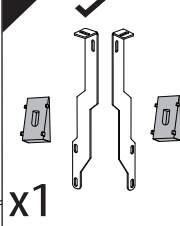


WITH & WITHOUT C - CHANNELS

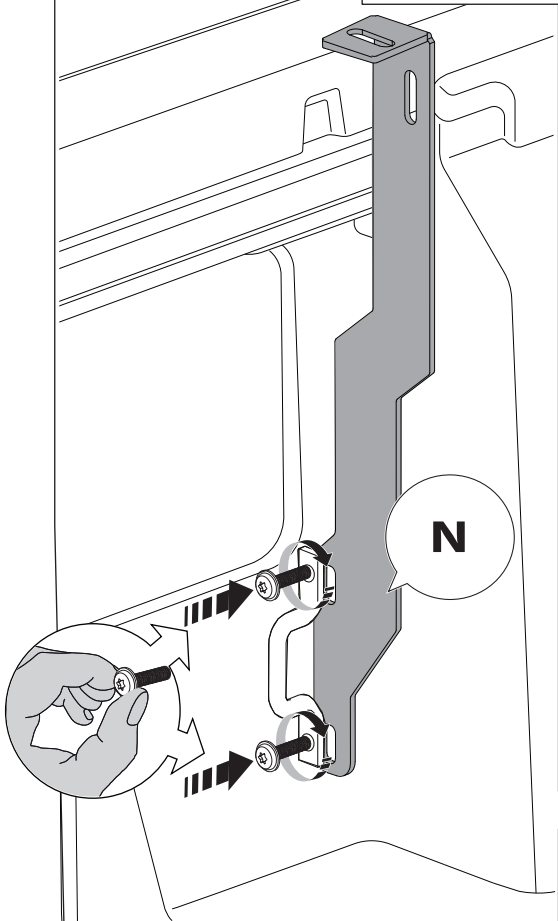


27

N



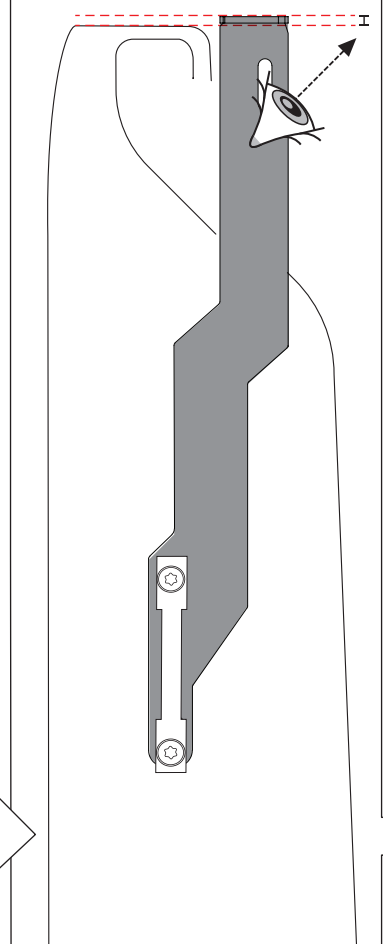
x1



CAUTION

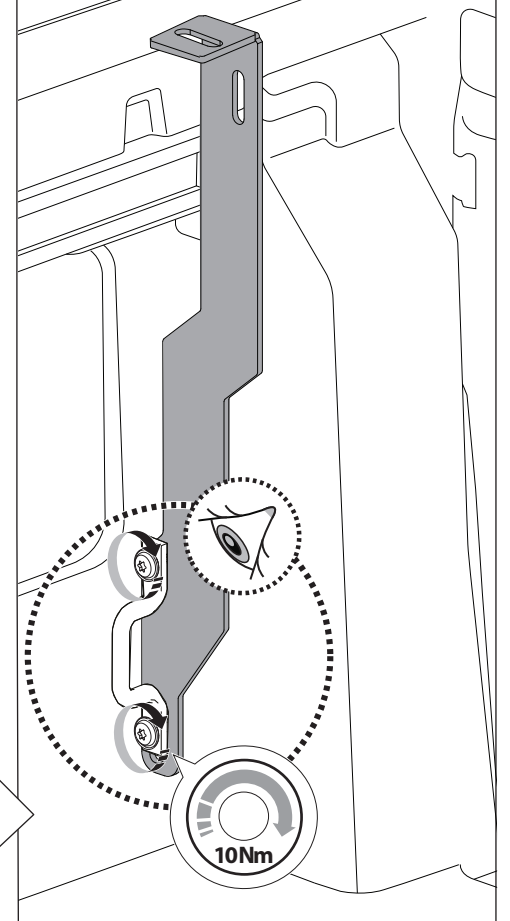


3 mm



28

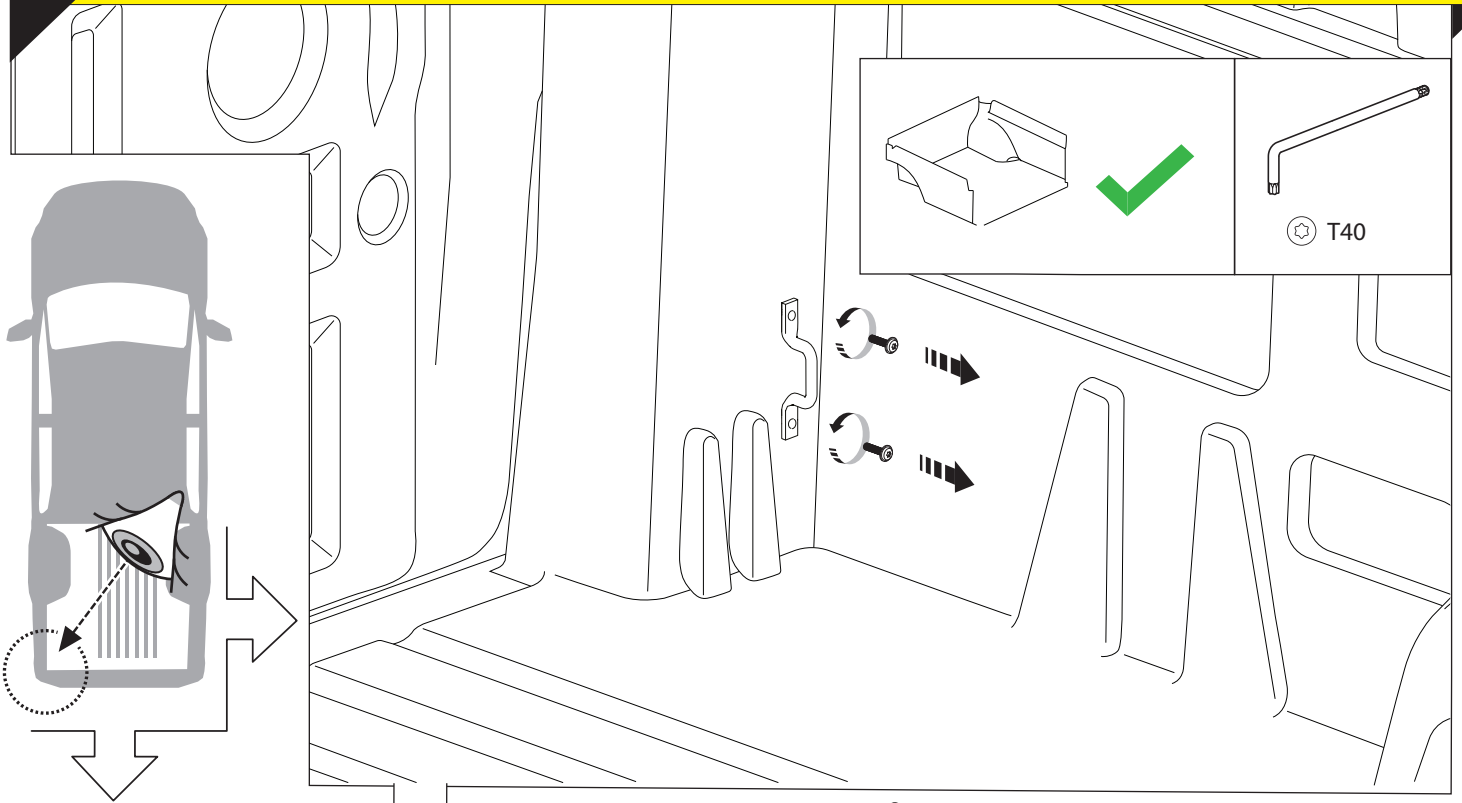
T40



29

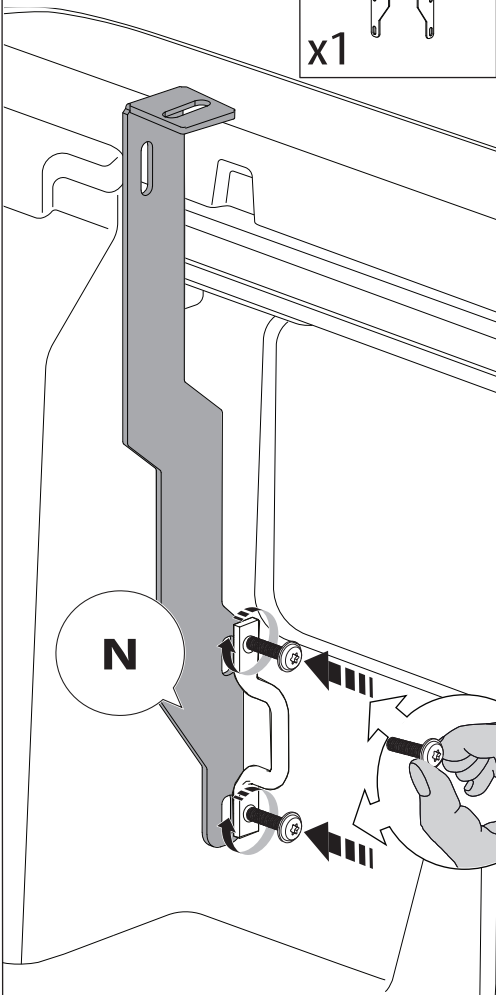
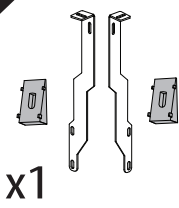


WITHOUT C - CHANNELS



30

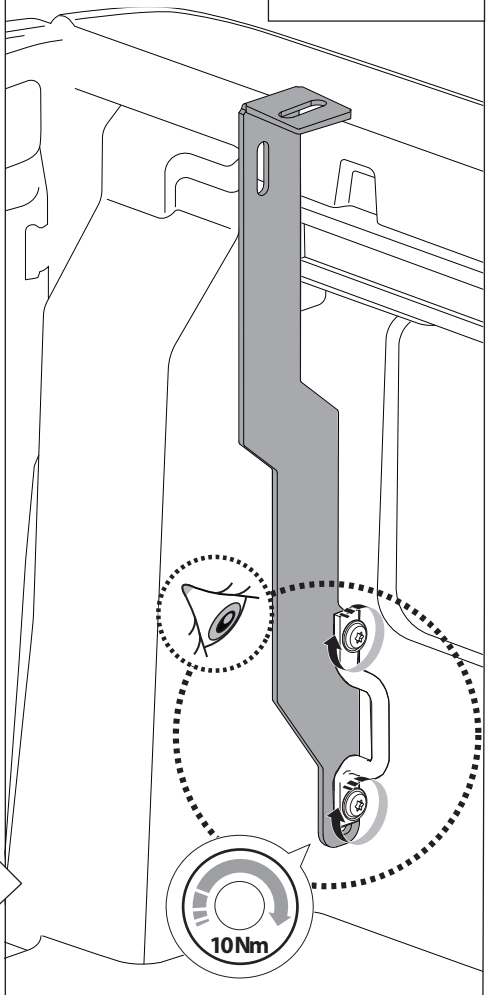
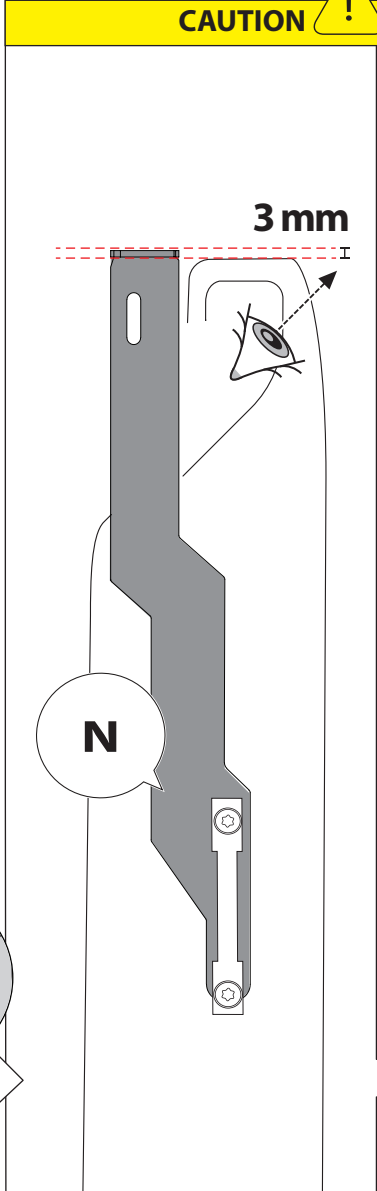
N



CAUTION



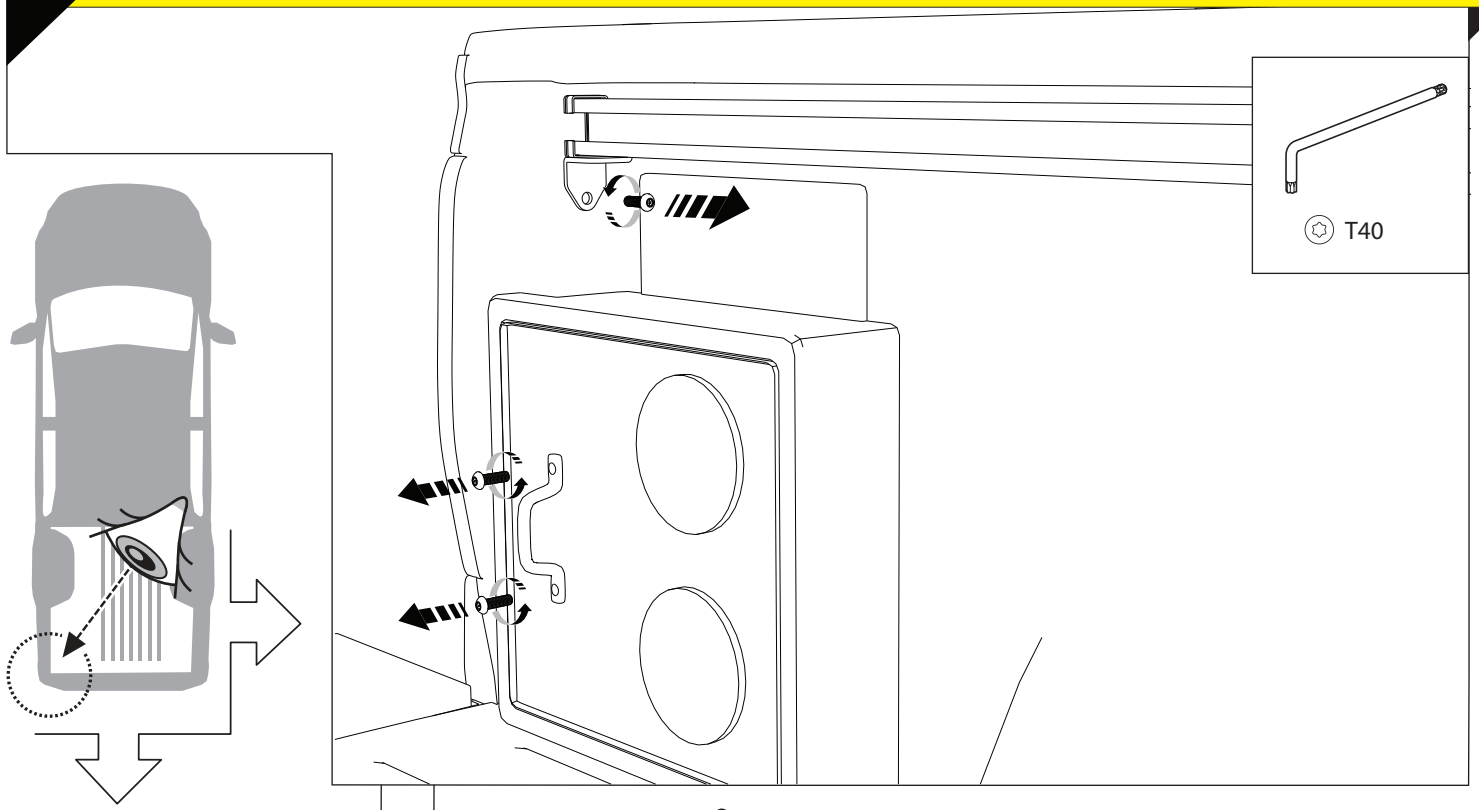
30.1



31



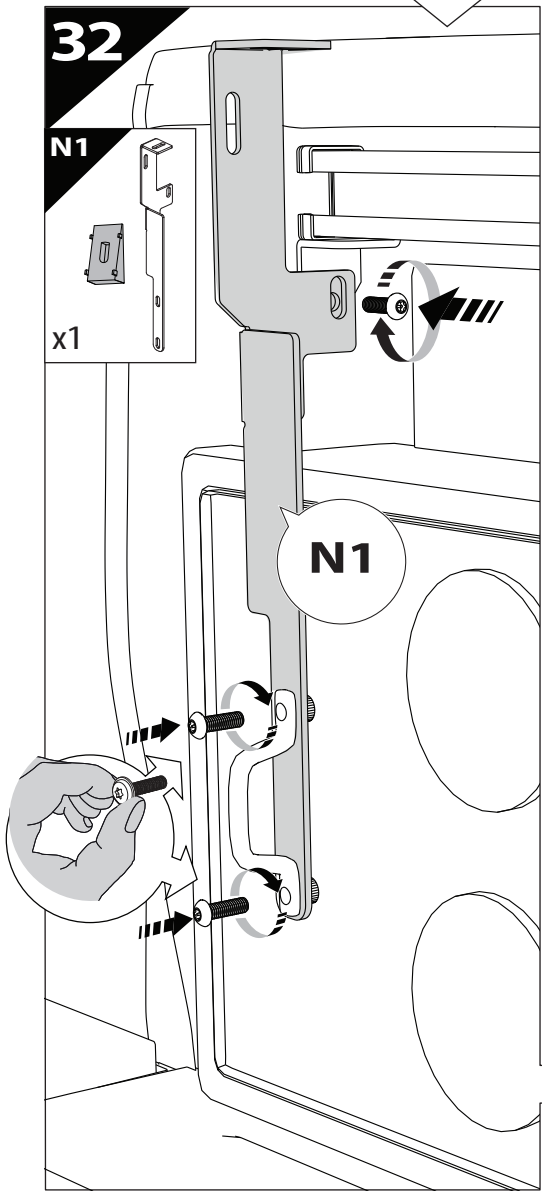
WITH C - CHANNELS



32

N1

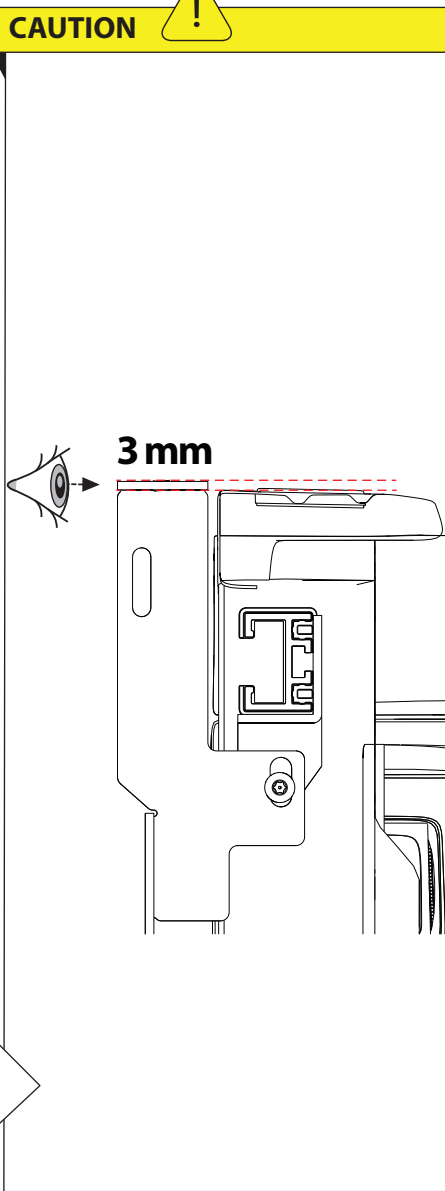
x1



CAUTION



3 mm

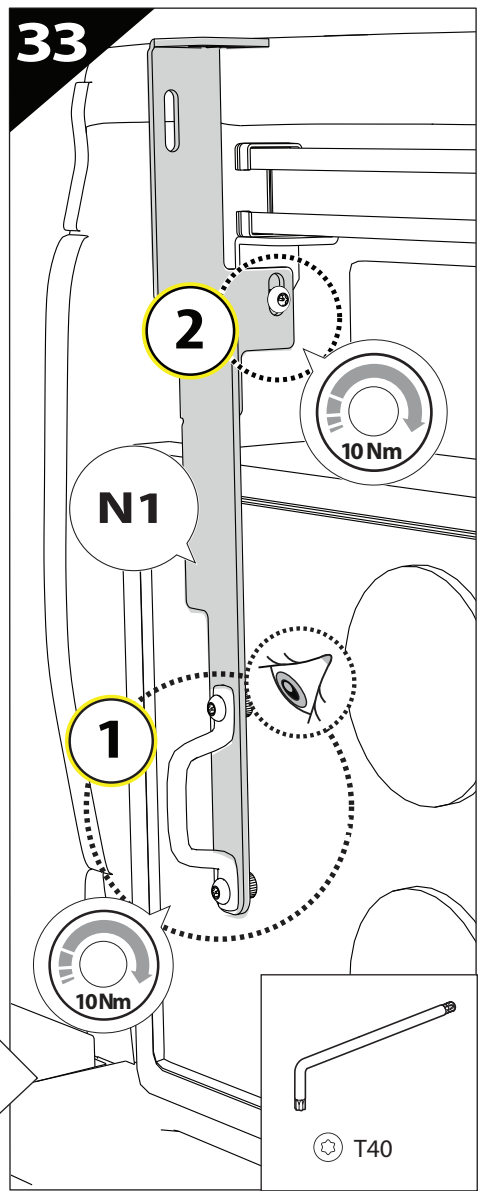


33

2

1

N1



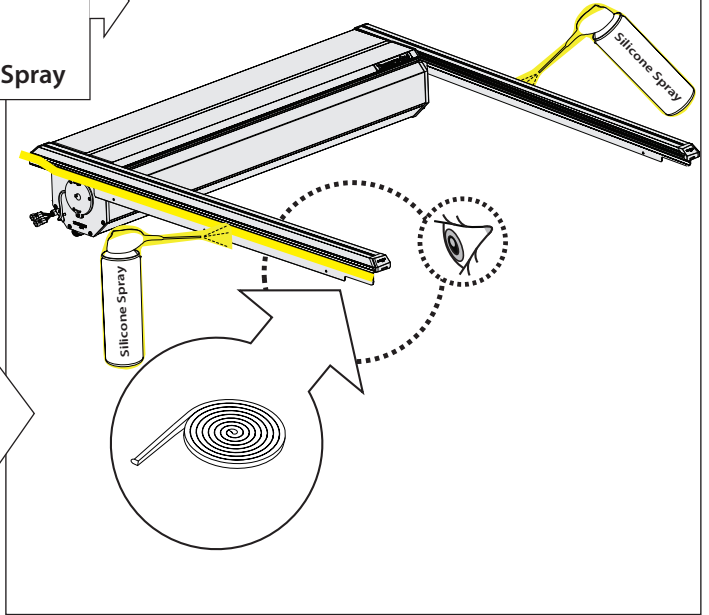
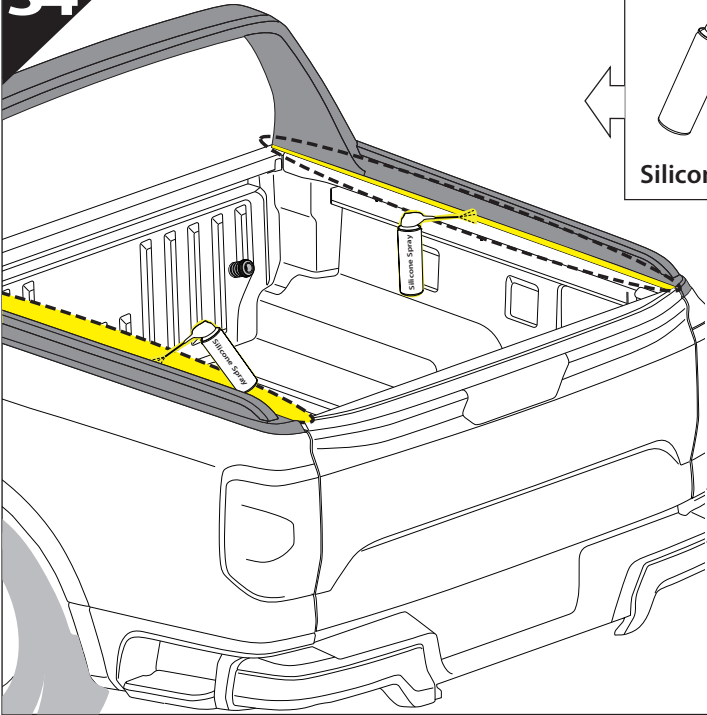
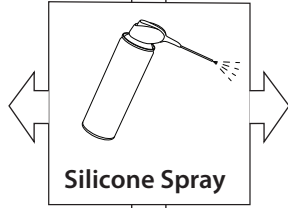
33. 1

Basic+S-KIT Version

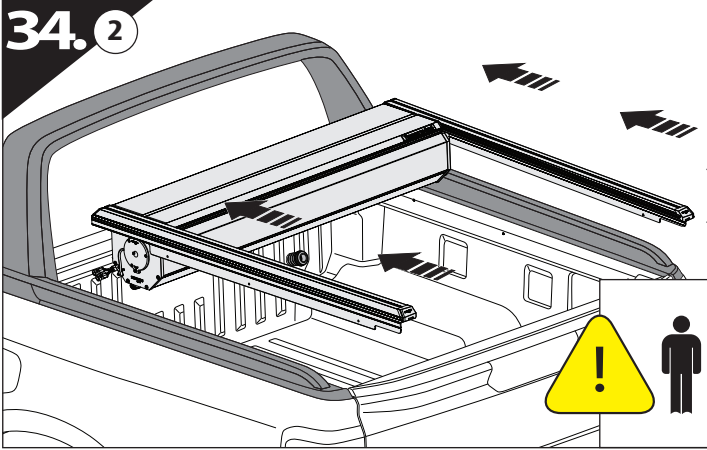
S-KIT  
MANUAL

34. 1

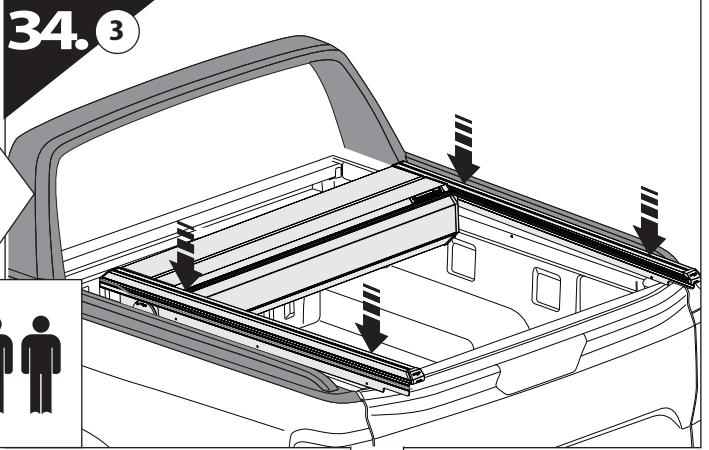
34



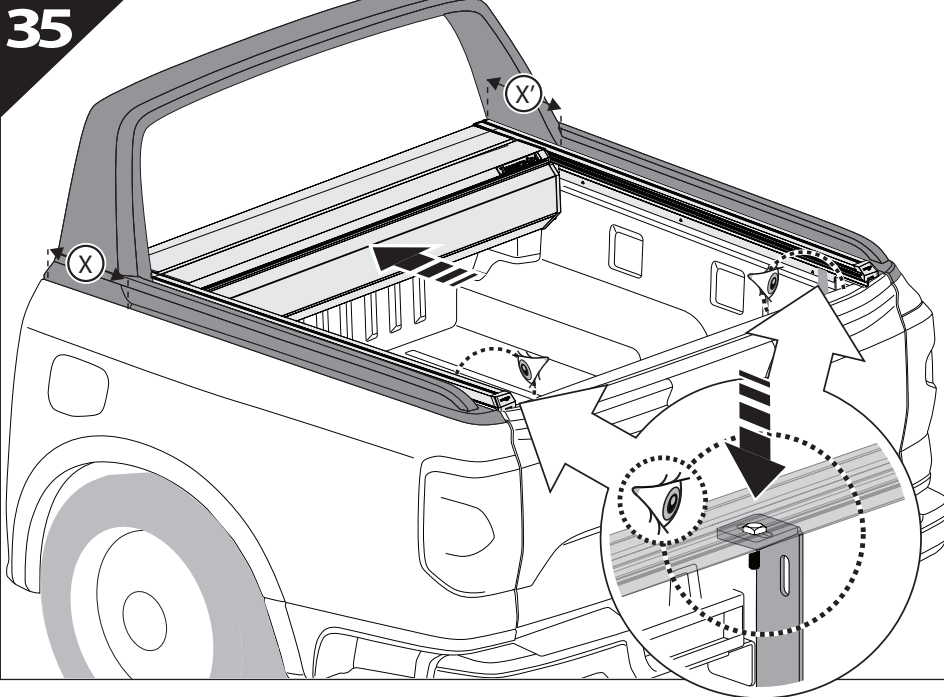
34. 2

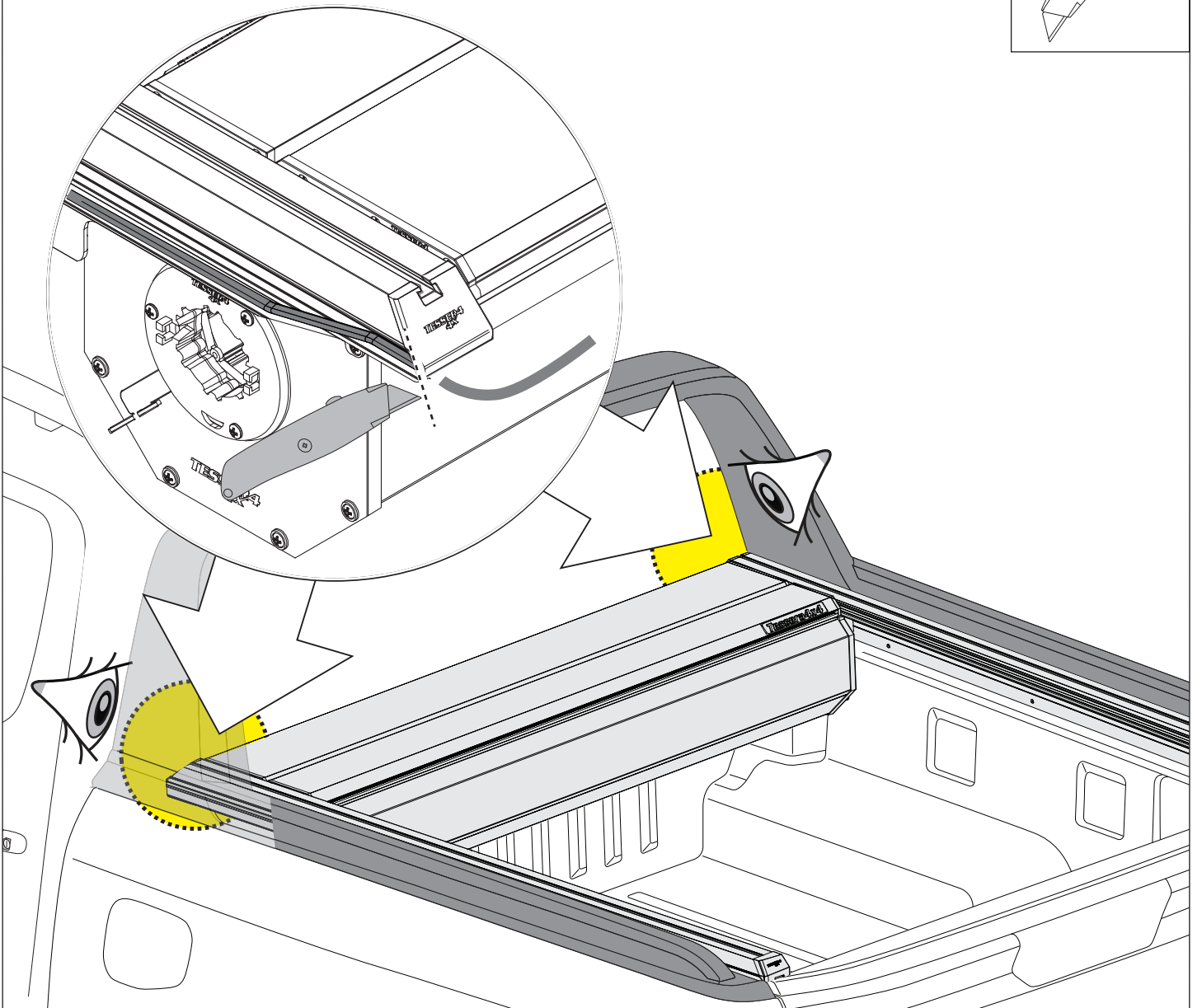
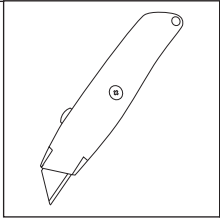


34. 3

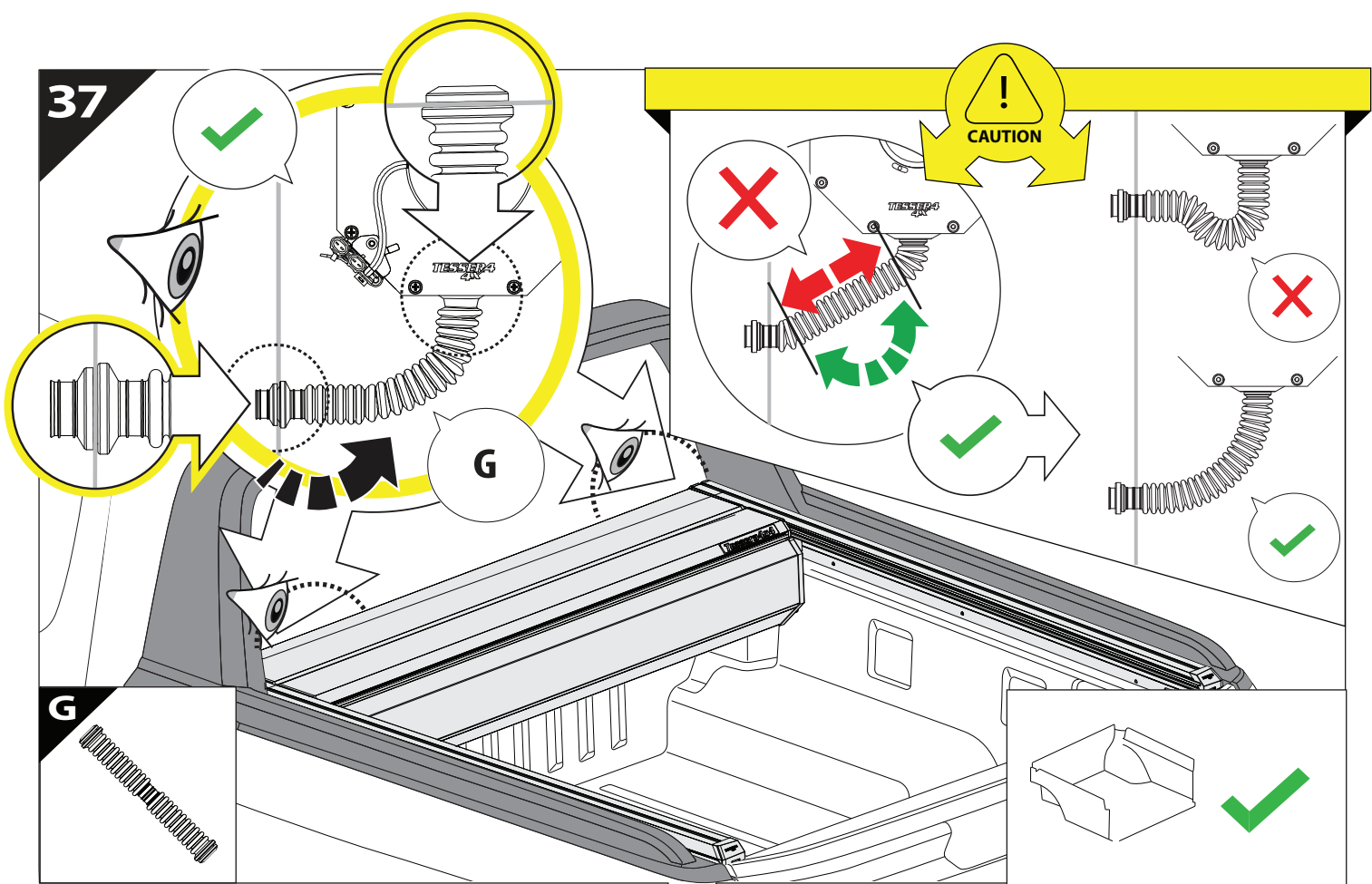


35

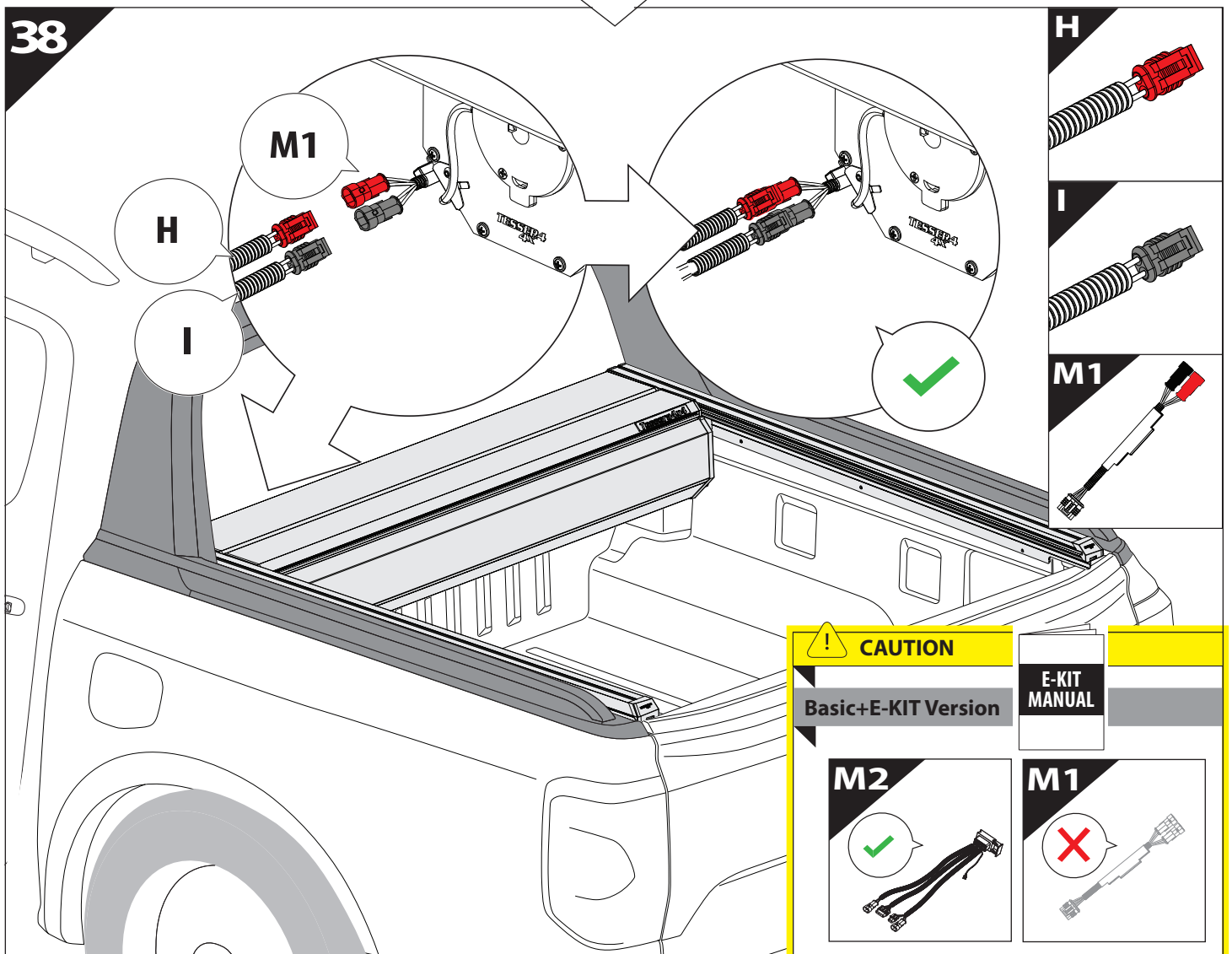




37



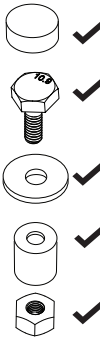
38



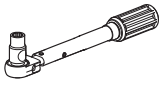
<b>CAUTION</b>	
Basic+E-KIT Version	E-KIT MANUAL
<b>M2</b> ✓ 	<b>M1</b> ✗ 

39

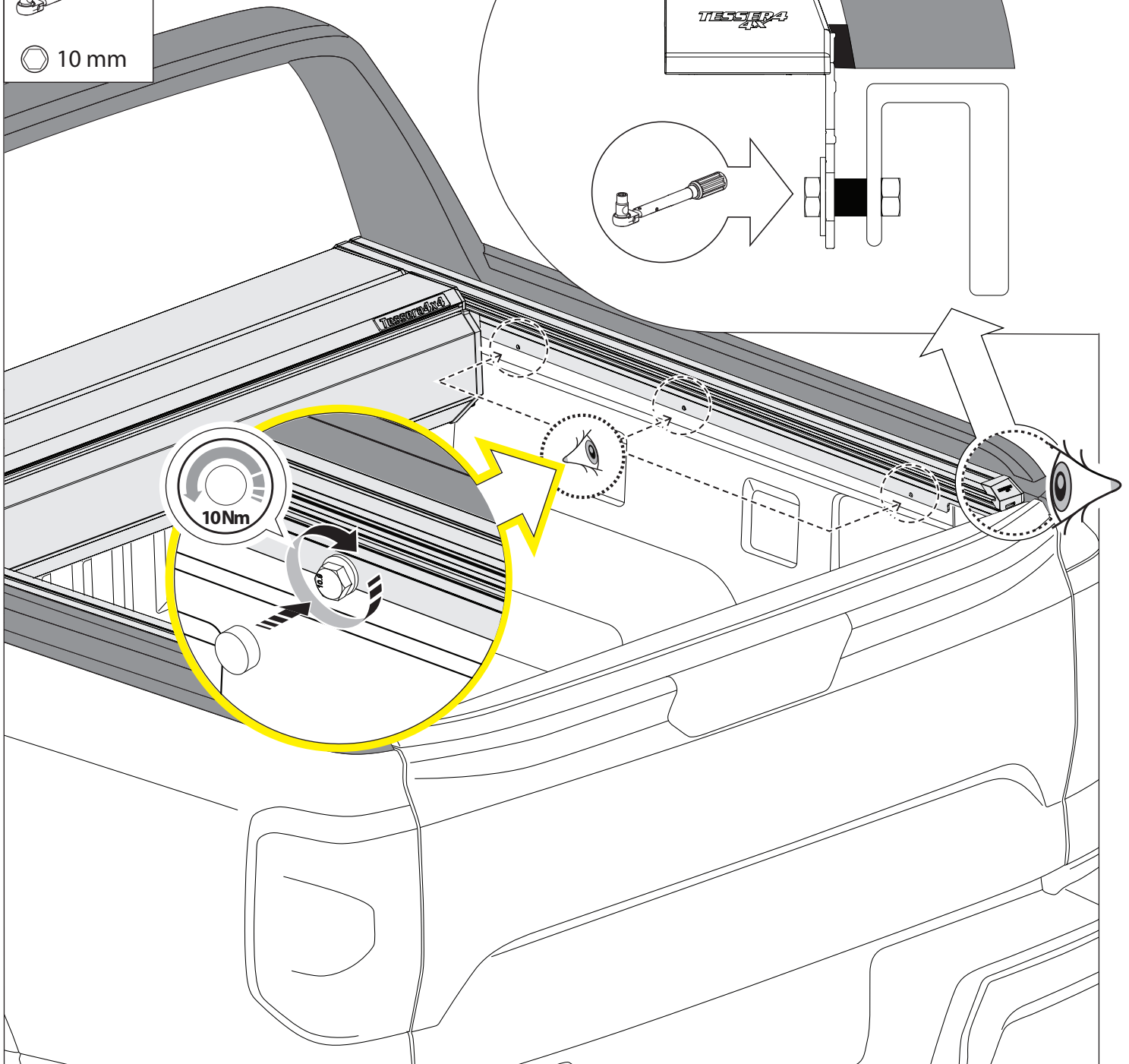
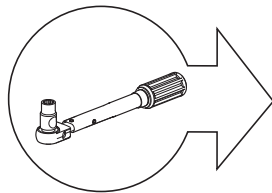
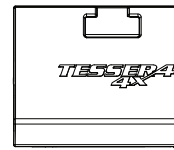
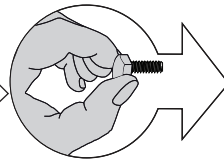
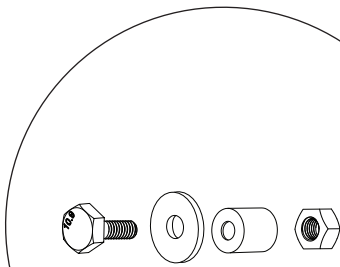
E2



x6



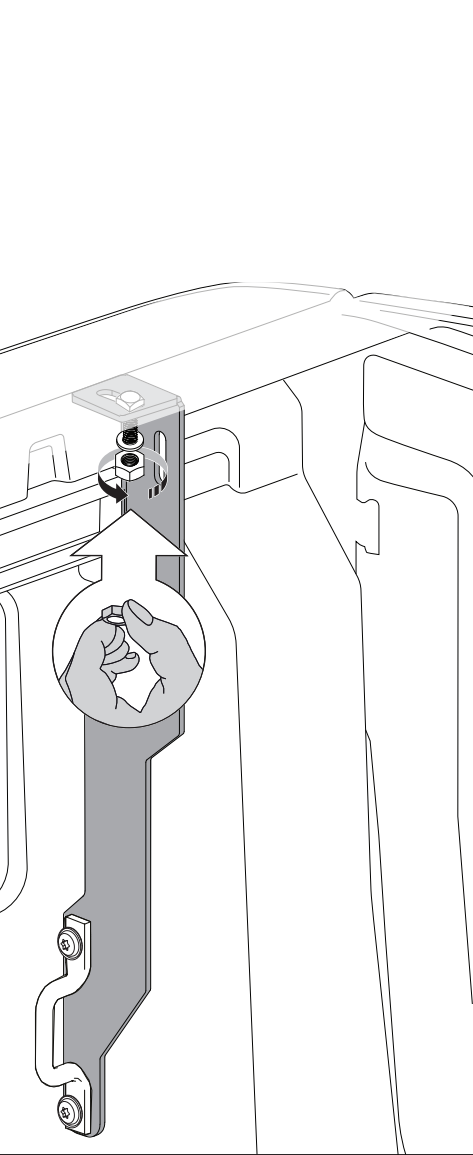
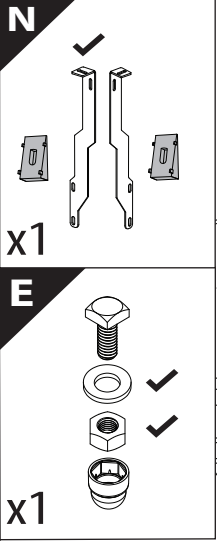
10 mm



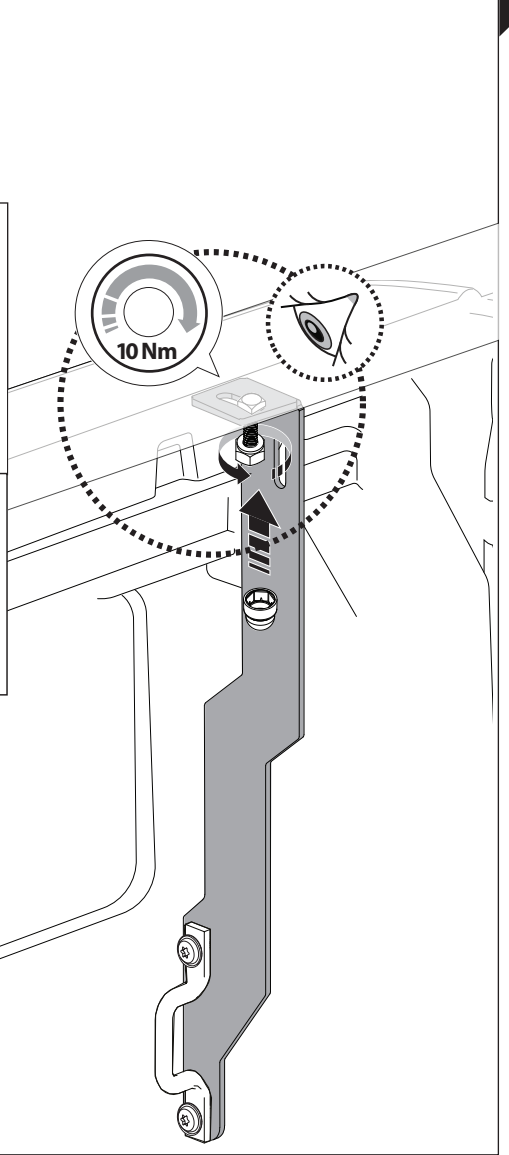
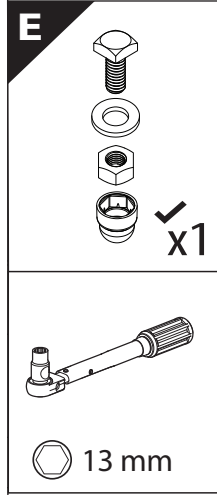


WITH & WITHOUT C - CHANNELS

40



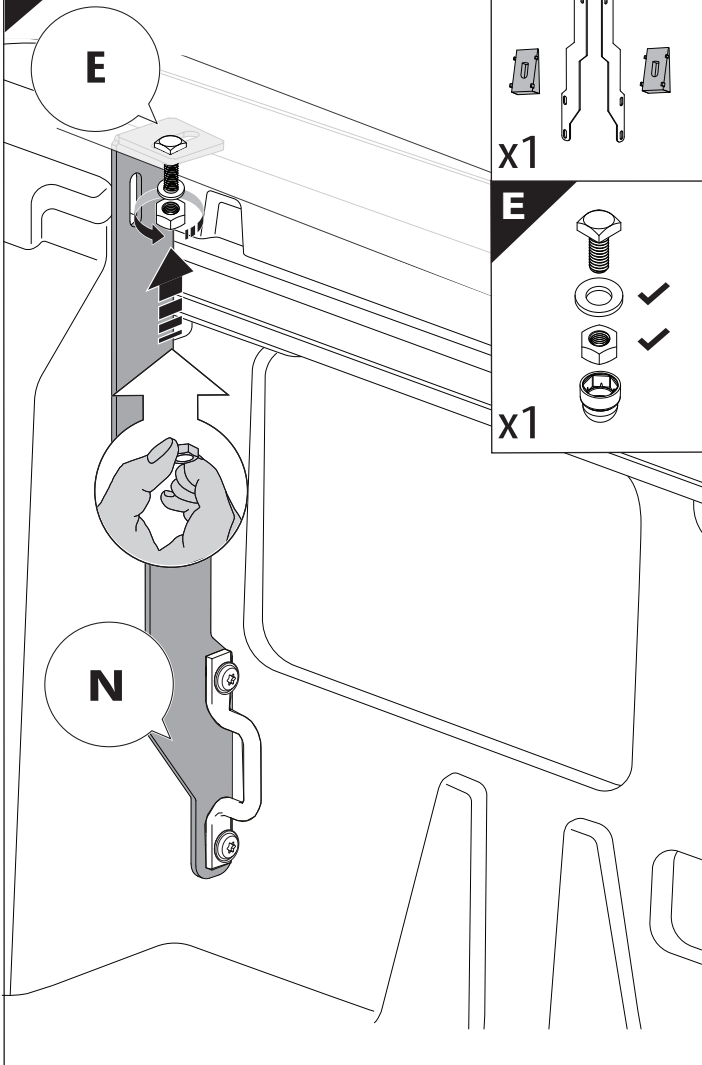
41



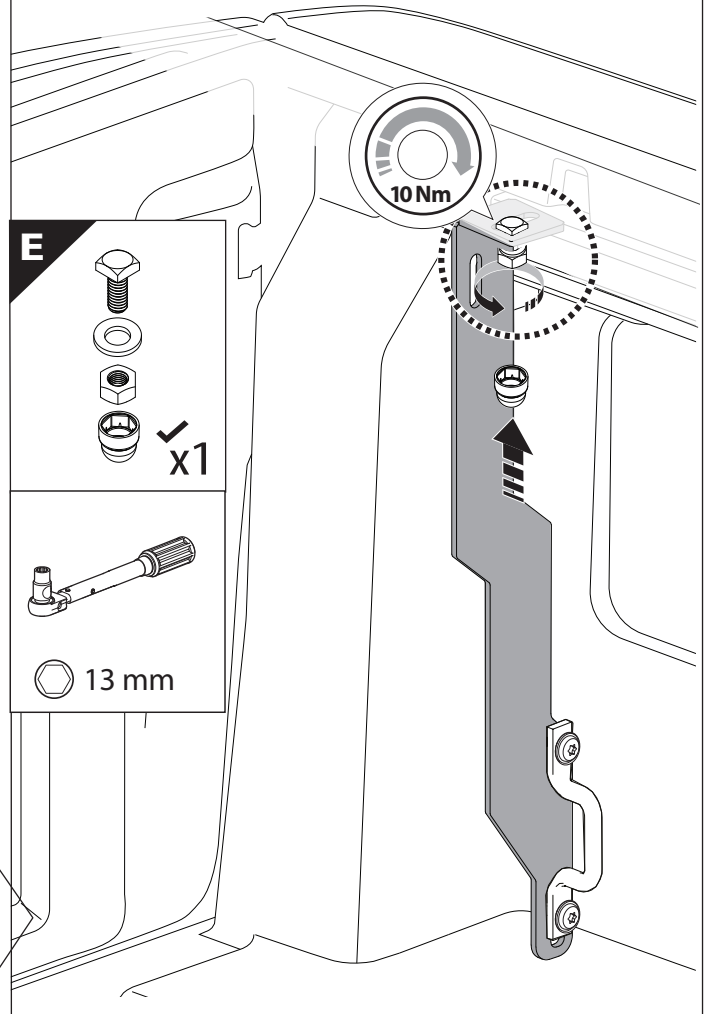


**WITHOUT C - CHANNELS**

**42**



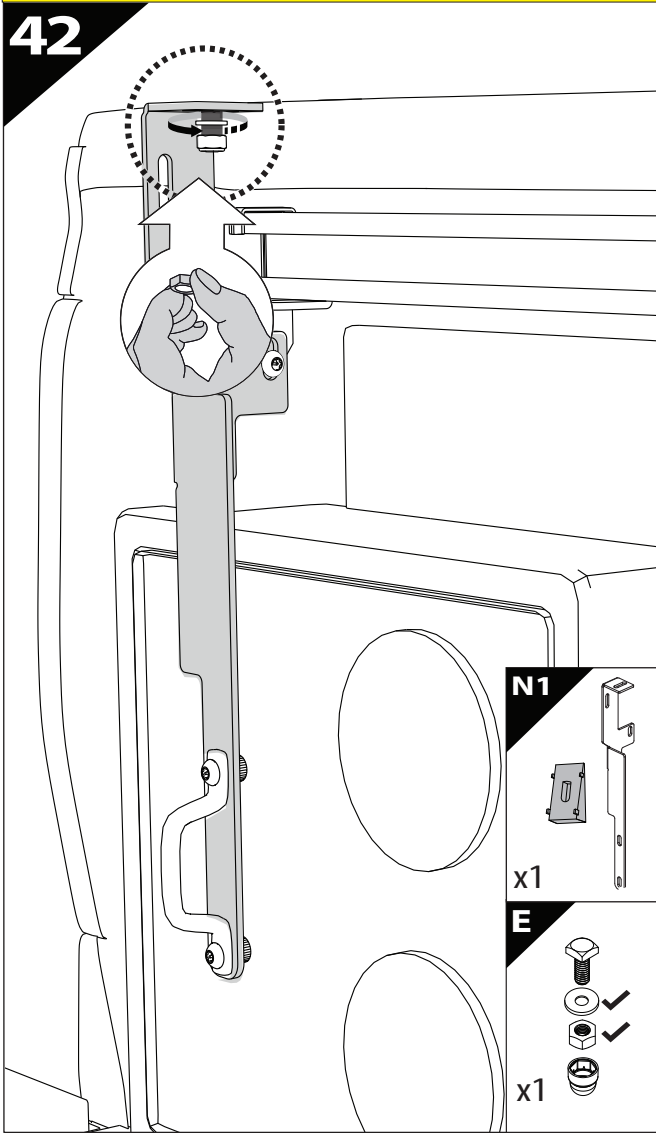
**43**



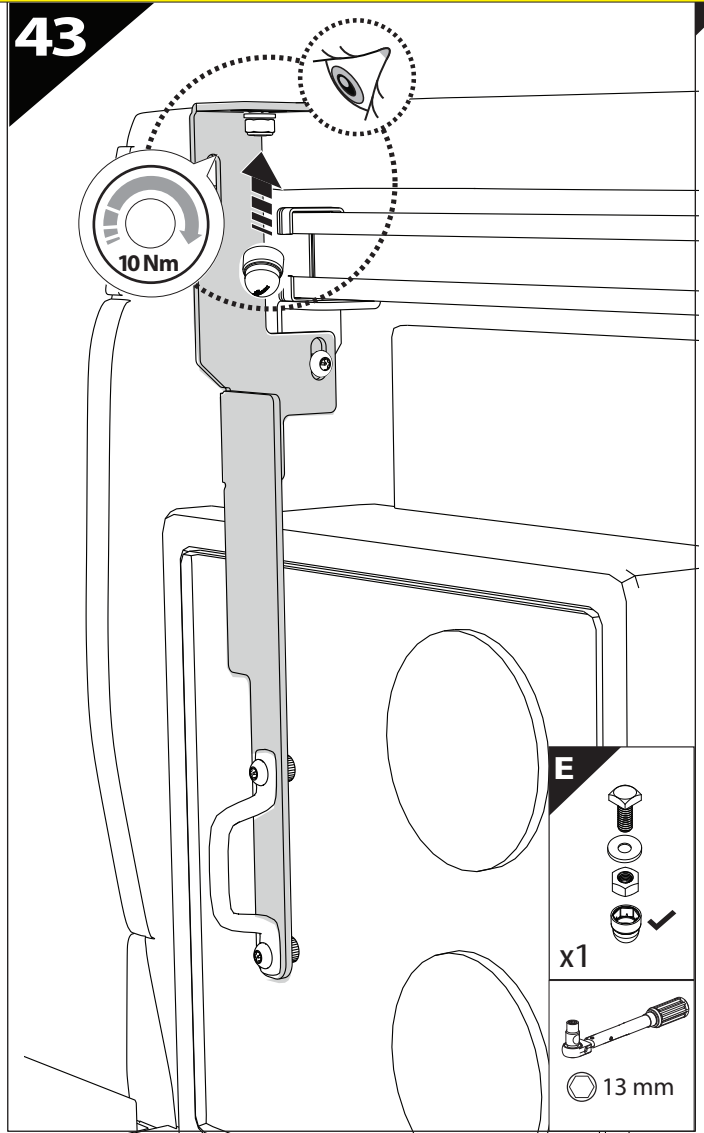


WITH C - CHANNELS

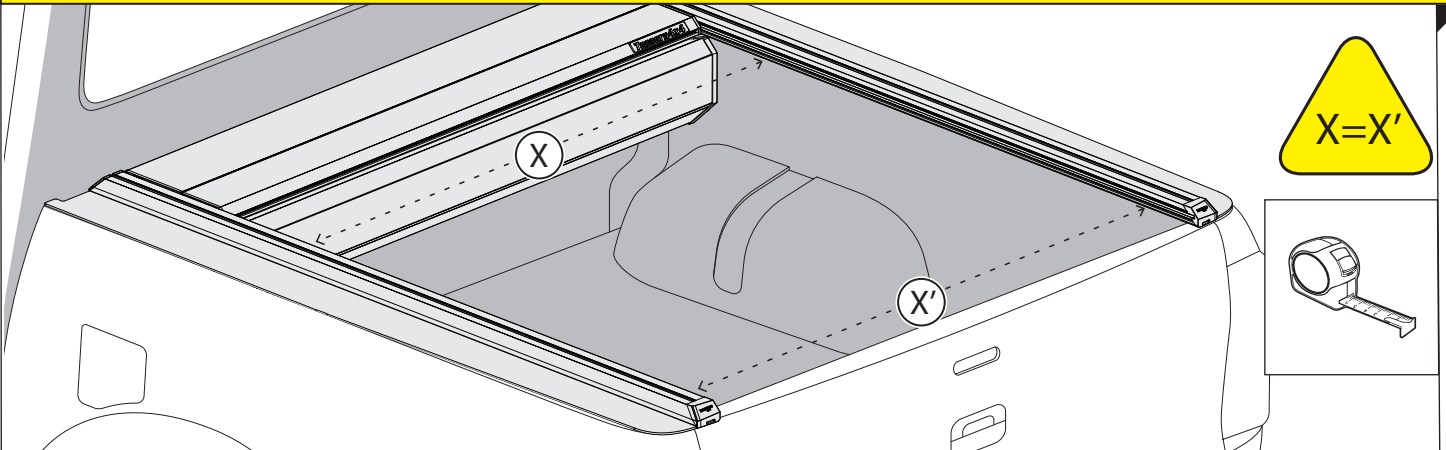
42



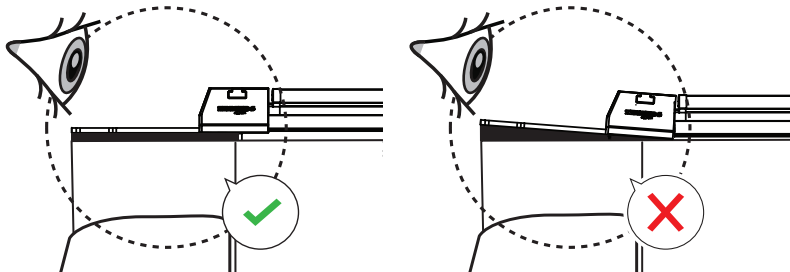
43

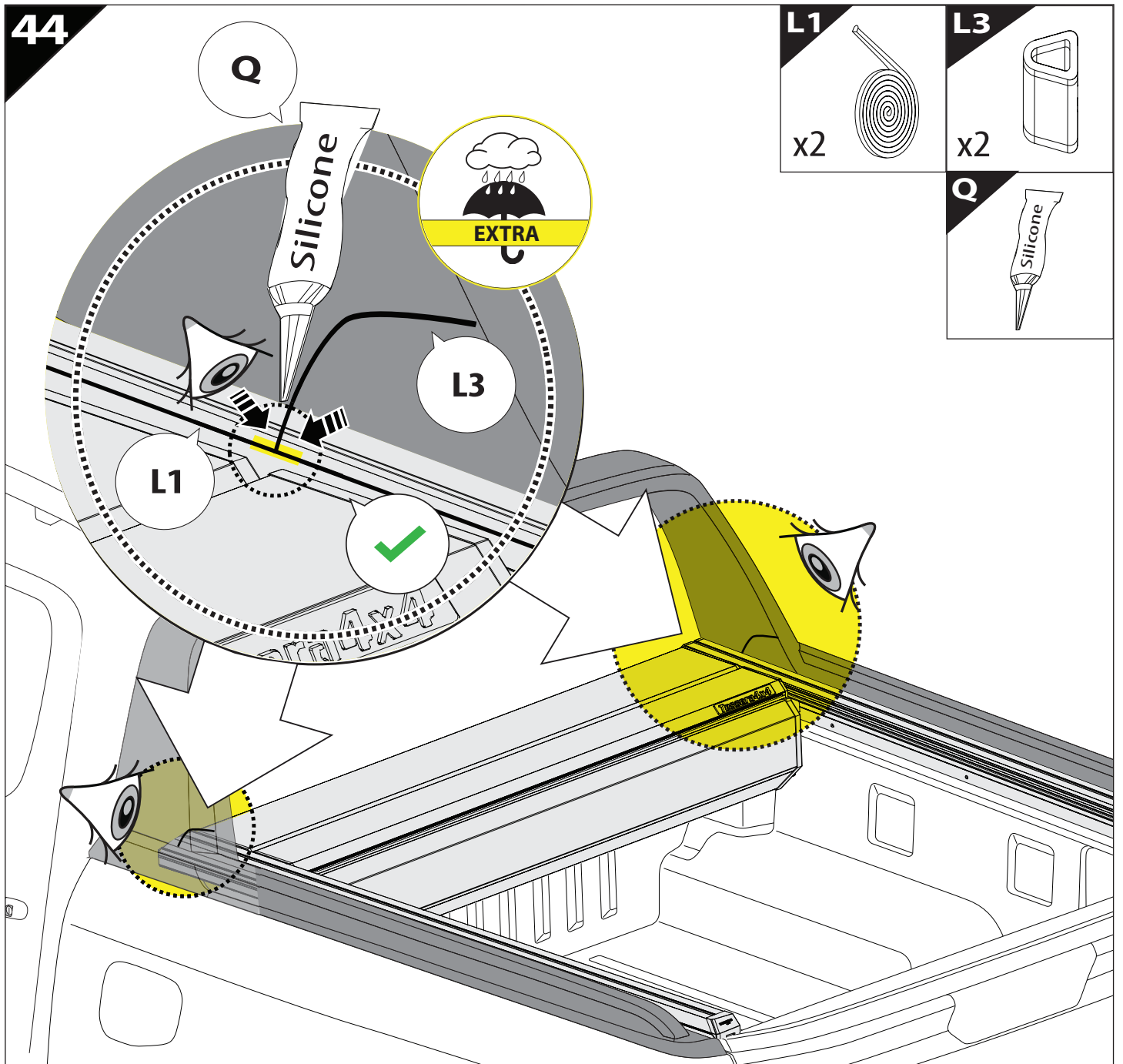


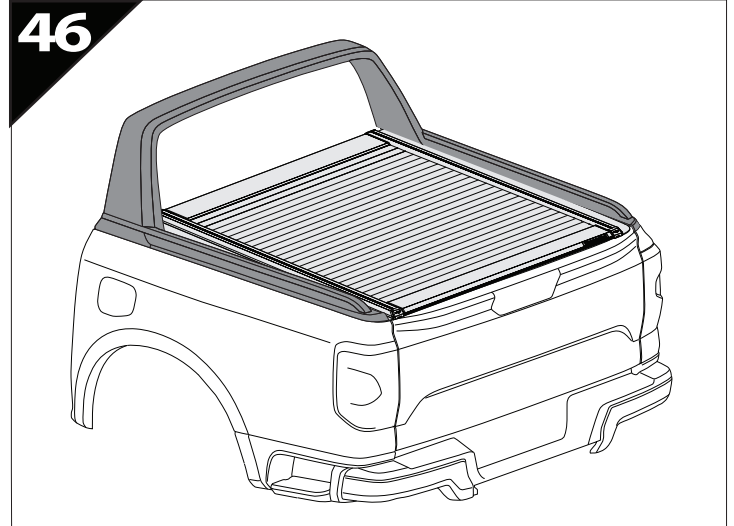
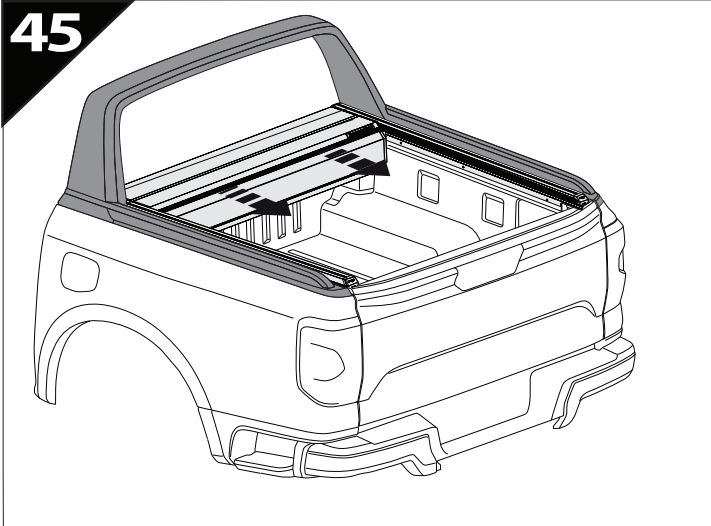
CAUTION



CAUTION







**GR:** Οδηγίες Εγκατάστασης  
**GB:** Installation manual  
**SF:** Asennusohje  
**F:** Notice de montage  
**PL:** Instrukcja montażu  
**NL:** Installatie-instructies  
**TR:** Montaj Talimatı  
**S:** Monteringsanvisning  
**E:** Instrucciones de montaje

**H:** Szerelési utasítás  
**P:** Instruções de instalação  
**RUS:** Инструкция по установке  
**N:** Monteringsveiledning  
**D:** Einbauanleitung  
**CZ:** Návod k instalaci  
**I:** Istruzioni de montaggio  
**DK:** Monteringsvejledning  
**RO:** Instructiuni de instalare

Customer Service:

+30 (210) 5541161, +30 (210) 5541154 (08:00 - 16:00 EET)

Support department:

info@gianso.gr

Website:

www.tessera4x4.com

Address:

19.5 km of National road Athens-Korinthos (Elefsina) Greece, P.C: 19200