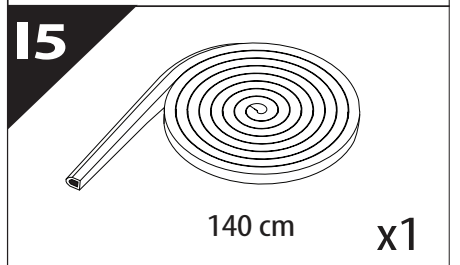
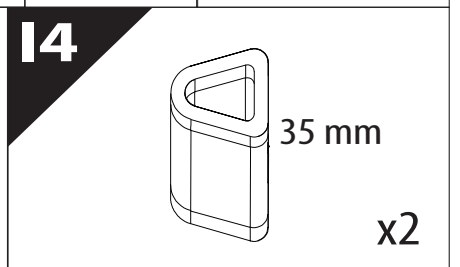
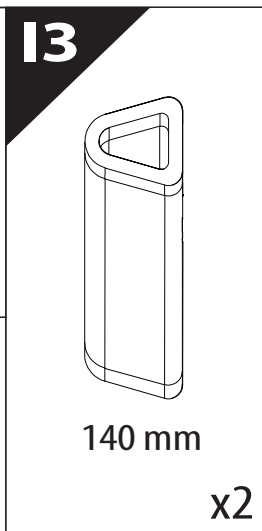
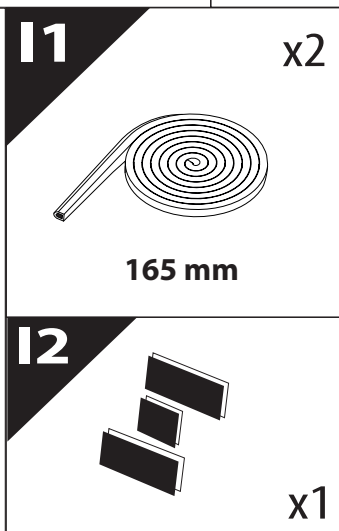
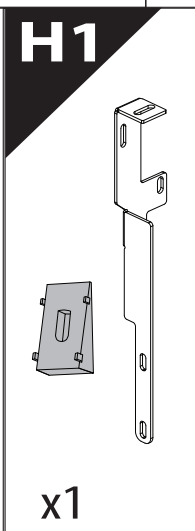
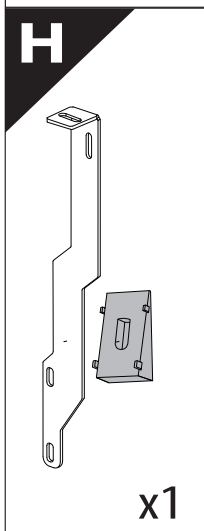
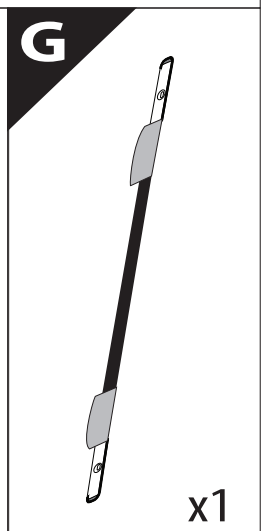
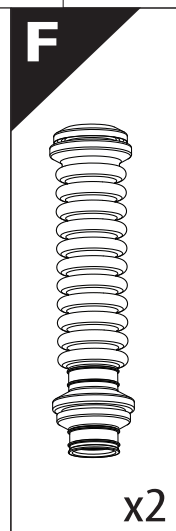
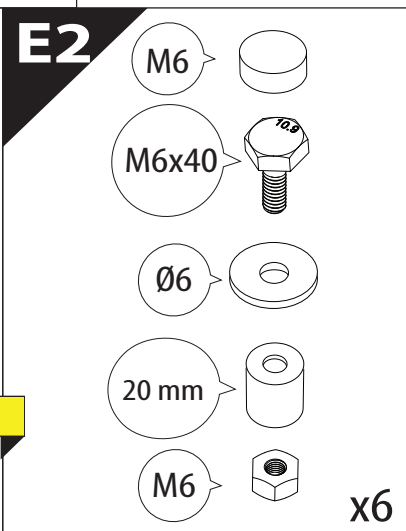
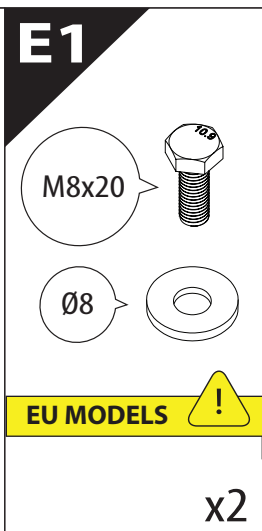
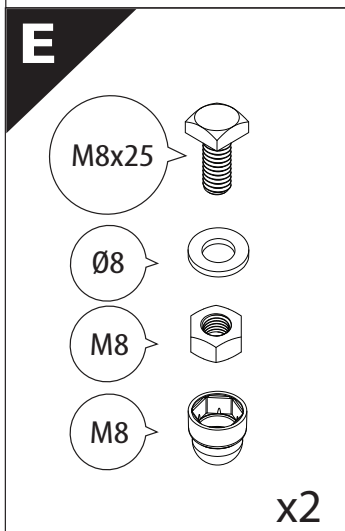
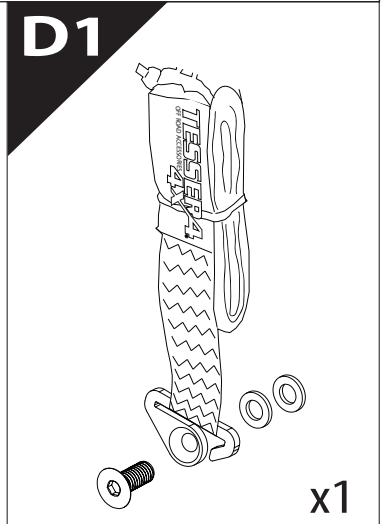
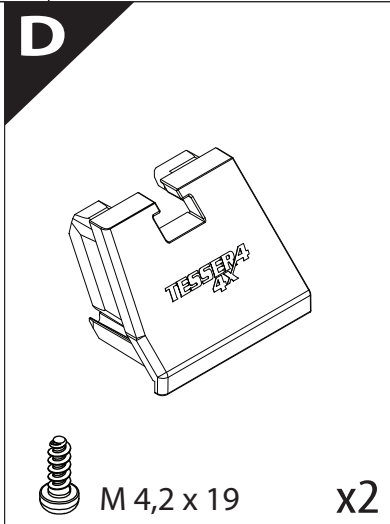
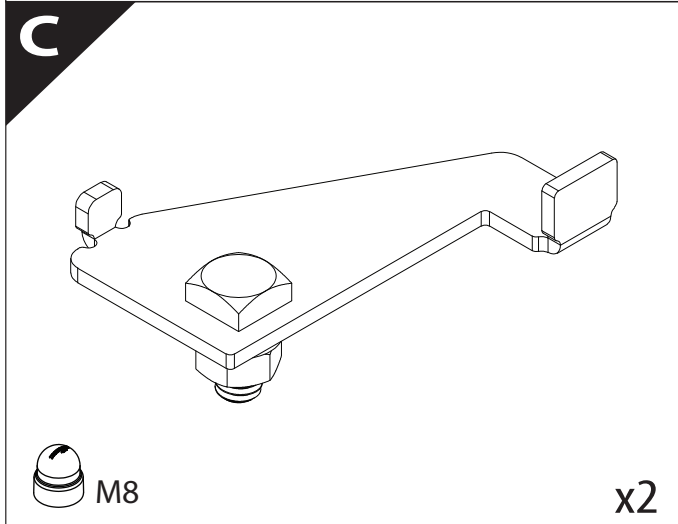
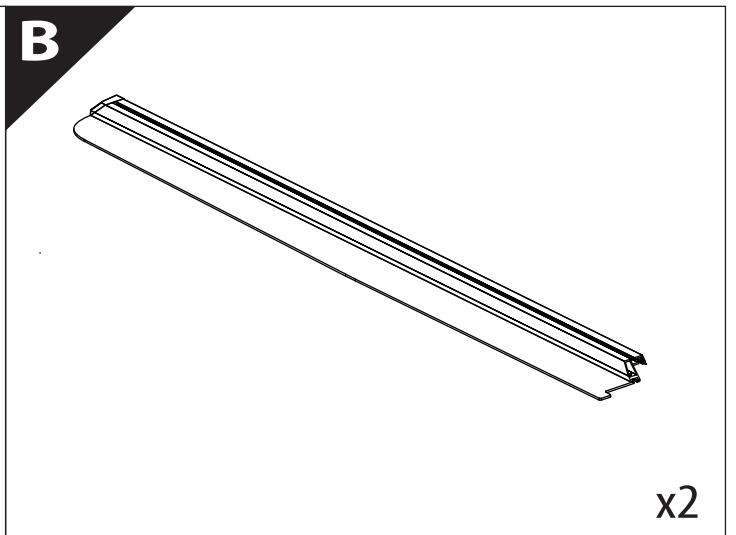
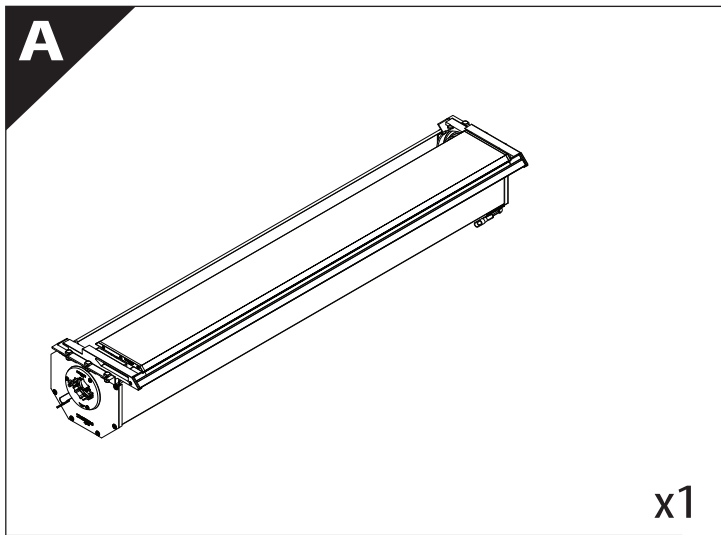
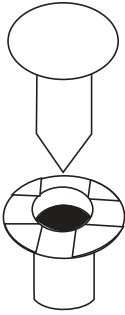

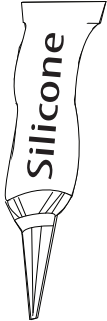

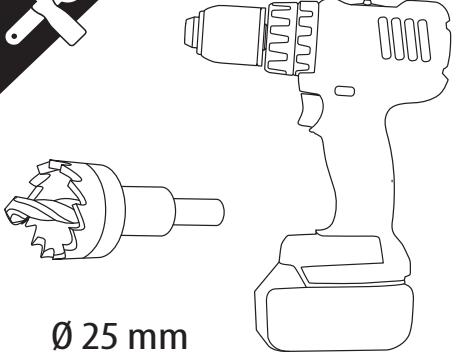
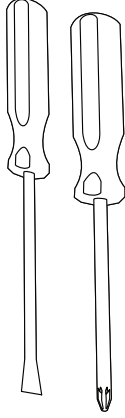

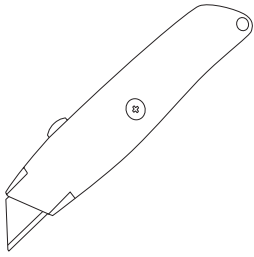
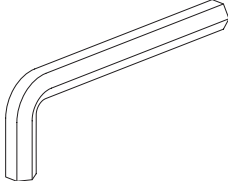


Installation Manual

PART NUMBER(S)	Model Year
TESS 15081 SE	FORD RANGER WILDTRAK PHEV 2025+ (with c-channels)
Cab(s)	Installation Time / Weight
Double Cab	40-60 minutes / 53-57 kg

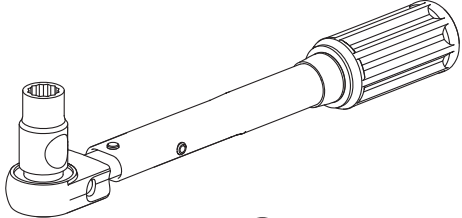


<p>J</p>  <p>x2</p> <p>US MODELS </p>	<p>K</p>  <p>Silicone</p>	  <p>Ø 25 mm</p>	 
---	---	--	--

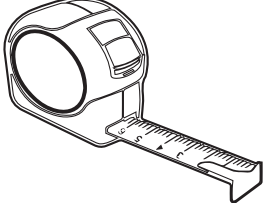

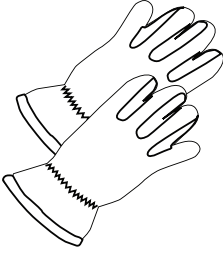




4 mm

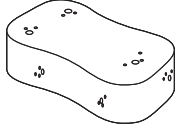
1 - 25 Nm



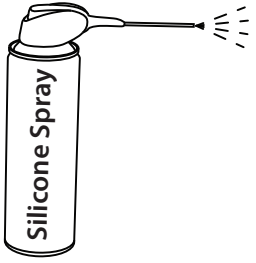
13, 17 mm


H₂O



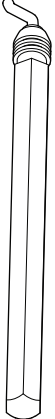
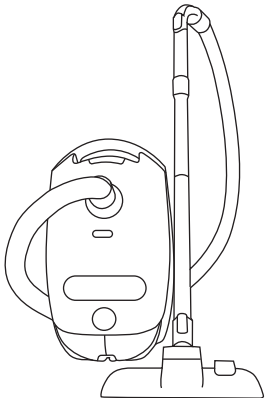
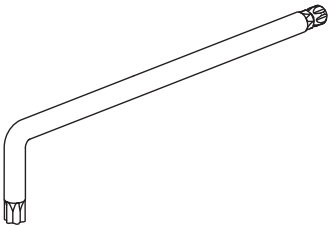

ACETONE



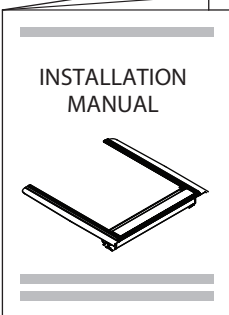
Silicone Spray



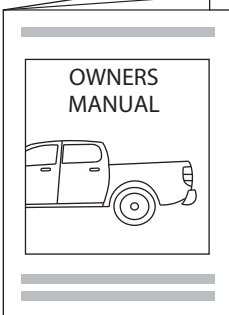
ANTI-RUST

T30, T40

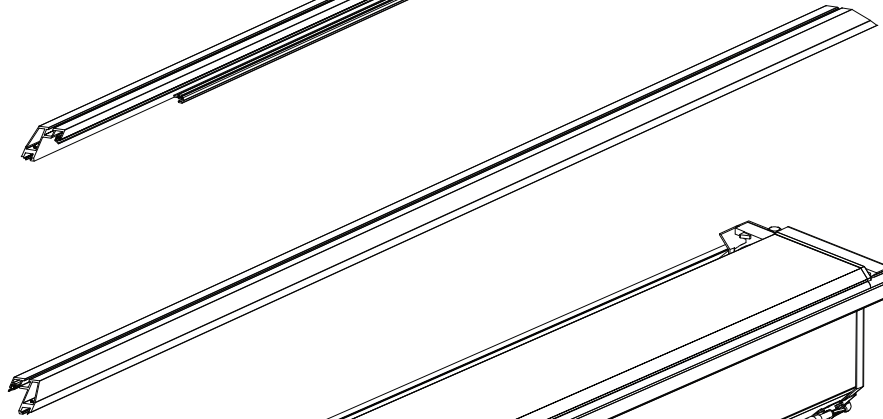
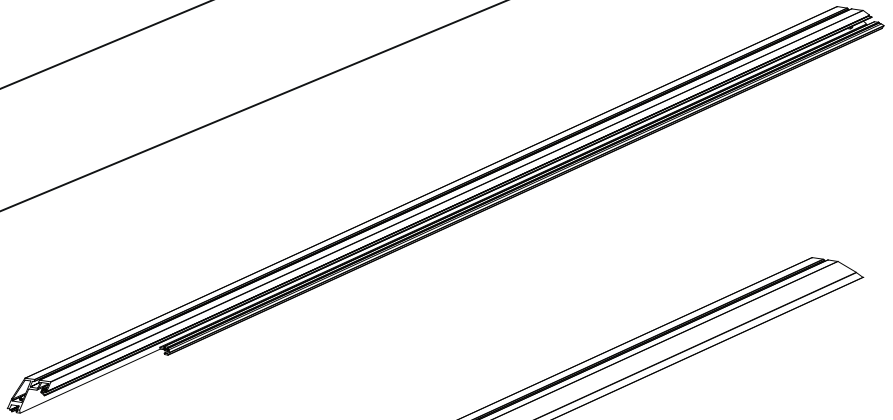
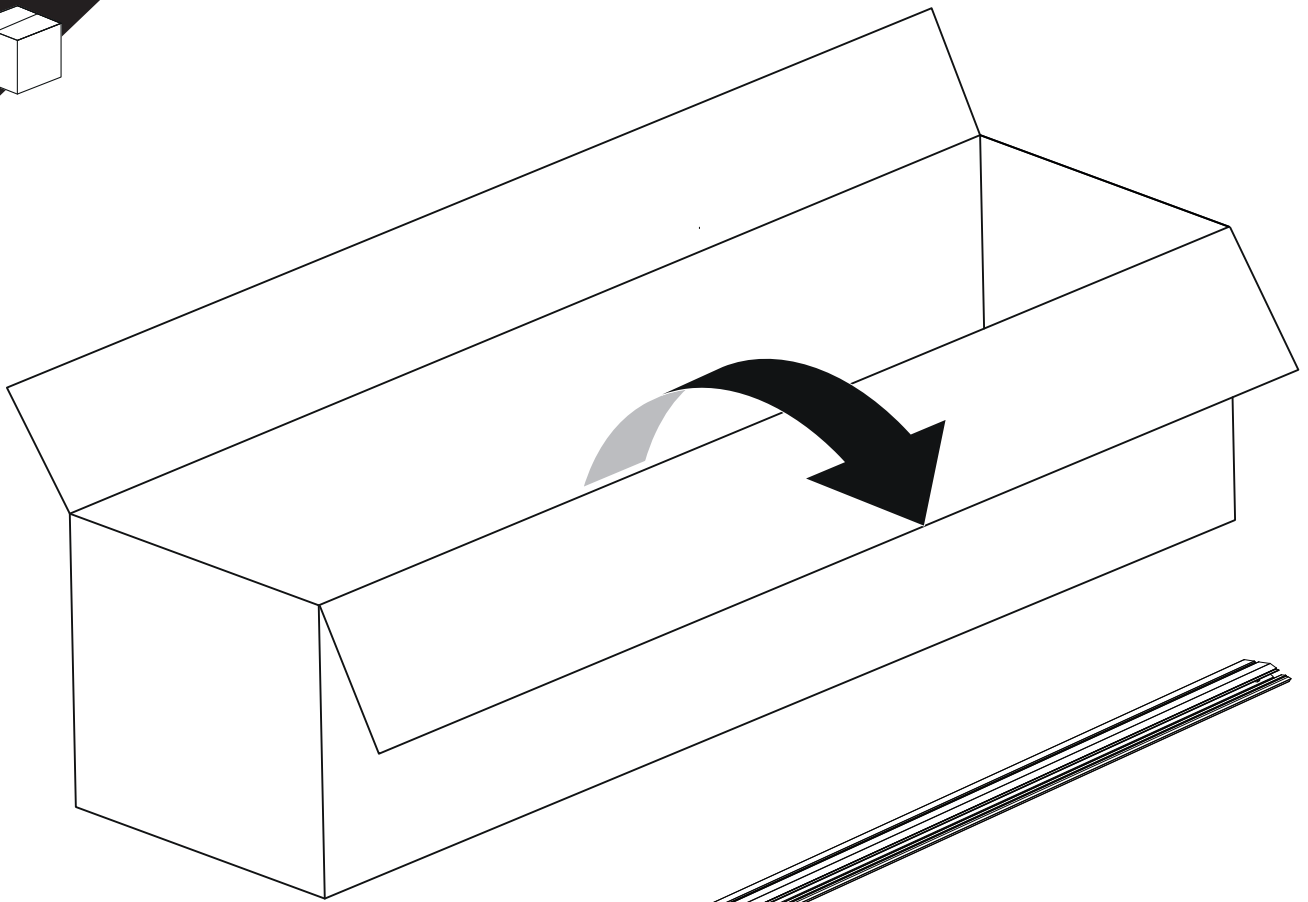


INSTALLATION MANUAL

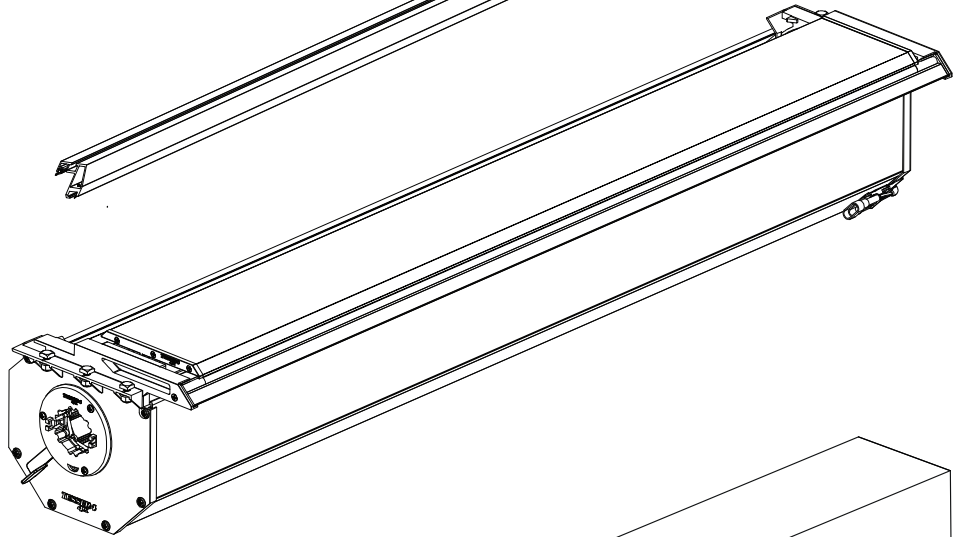


OWNERS MANUAL

x1

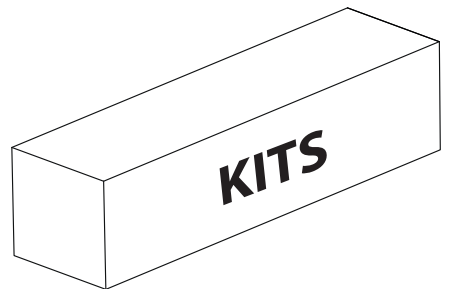


B

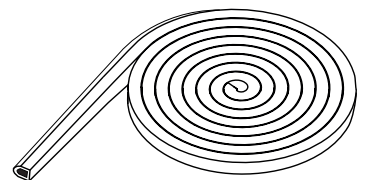


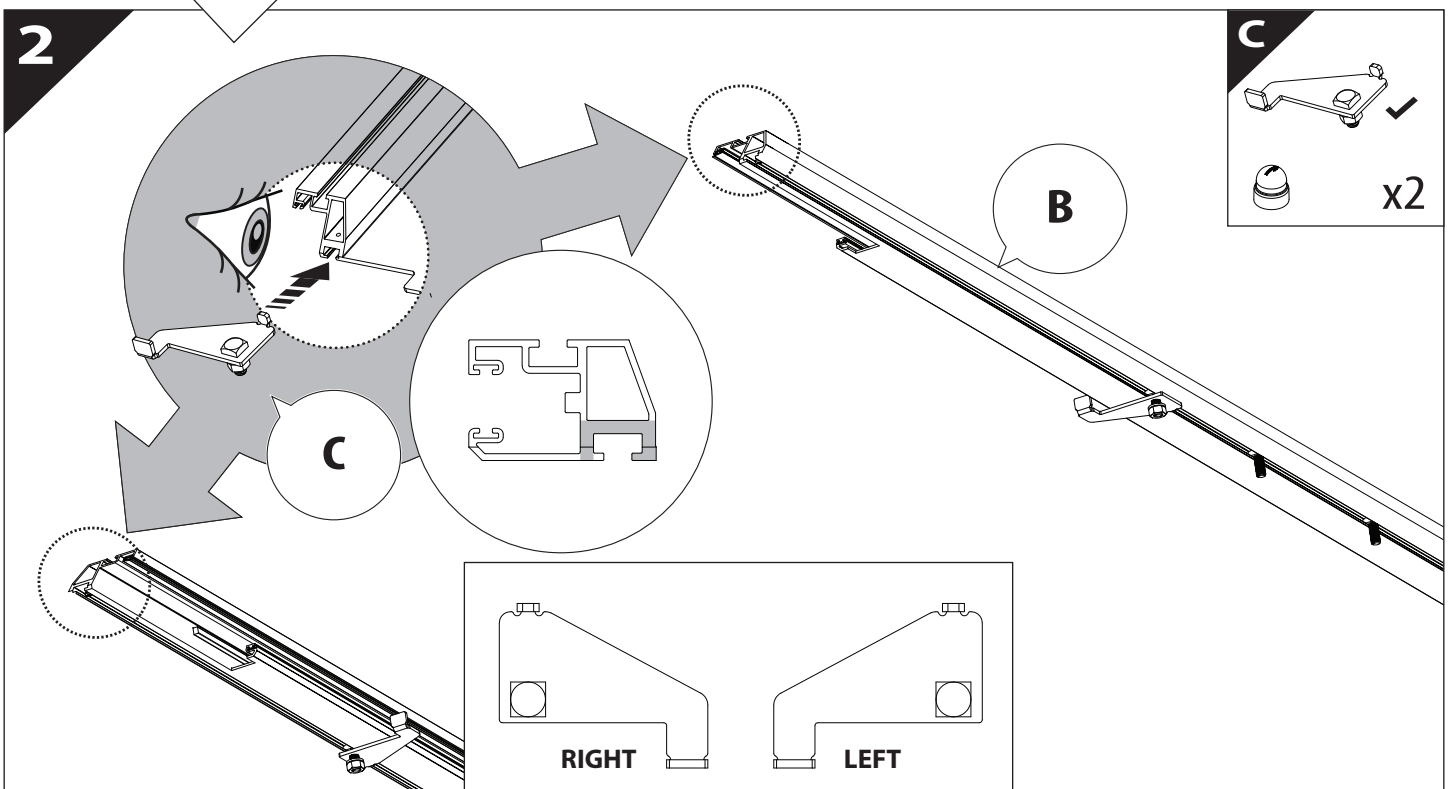
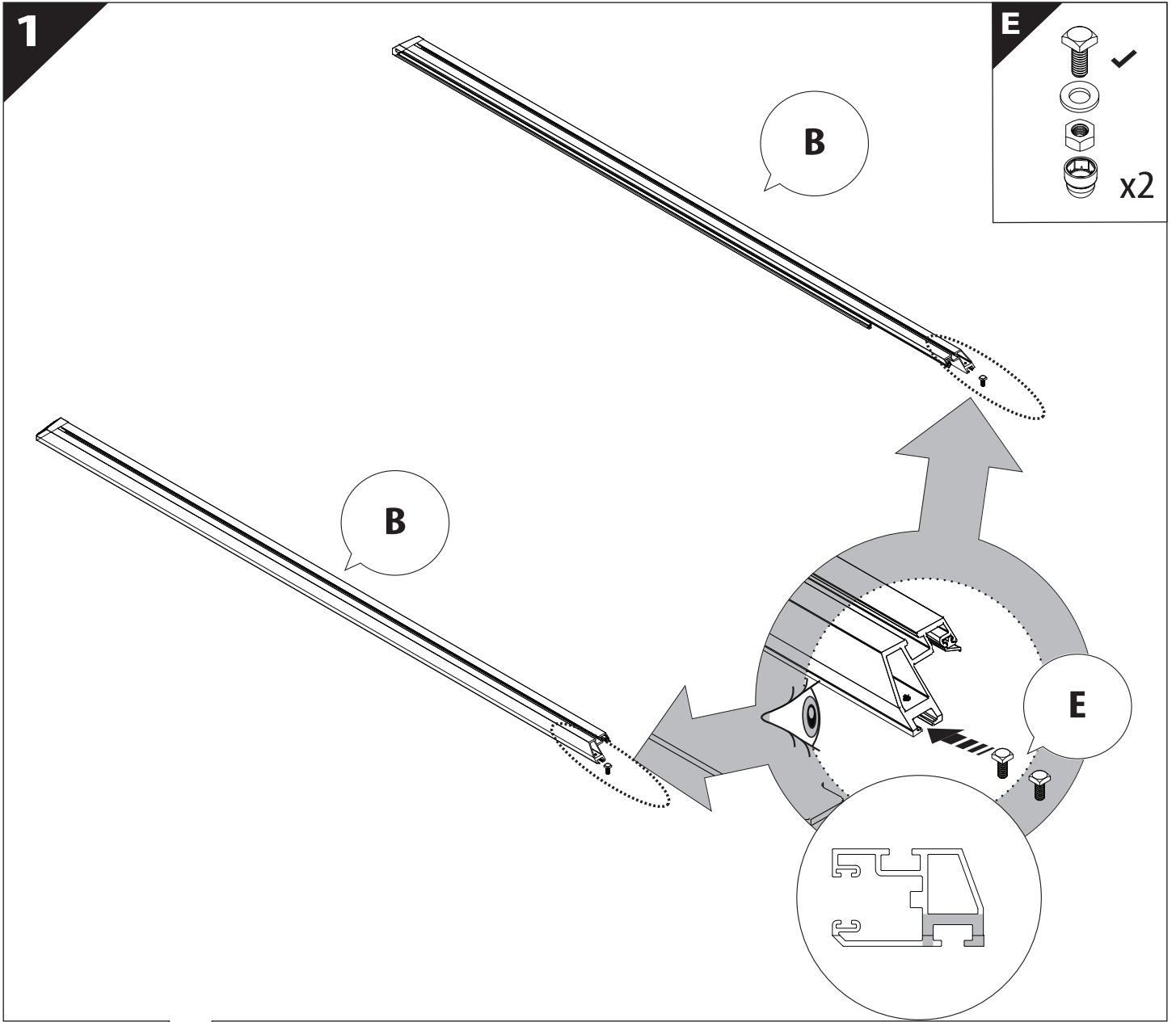
A

KITS

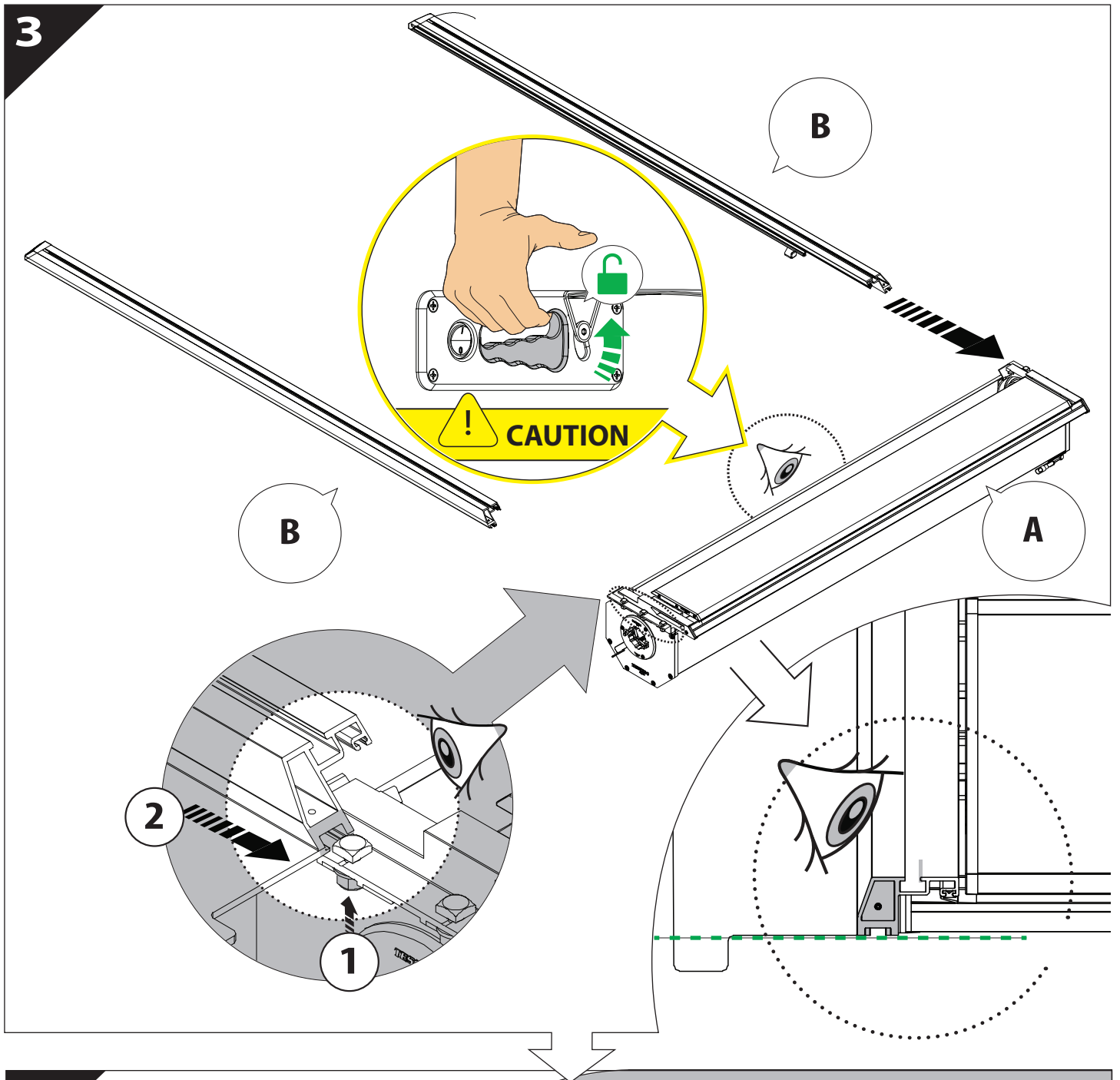


I

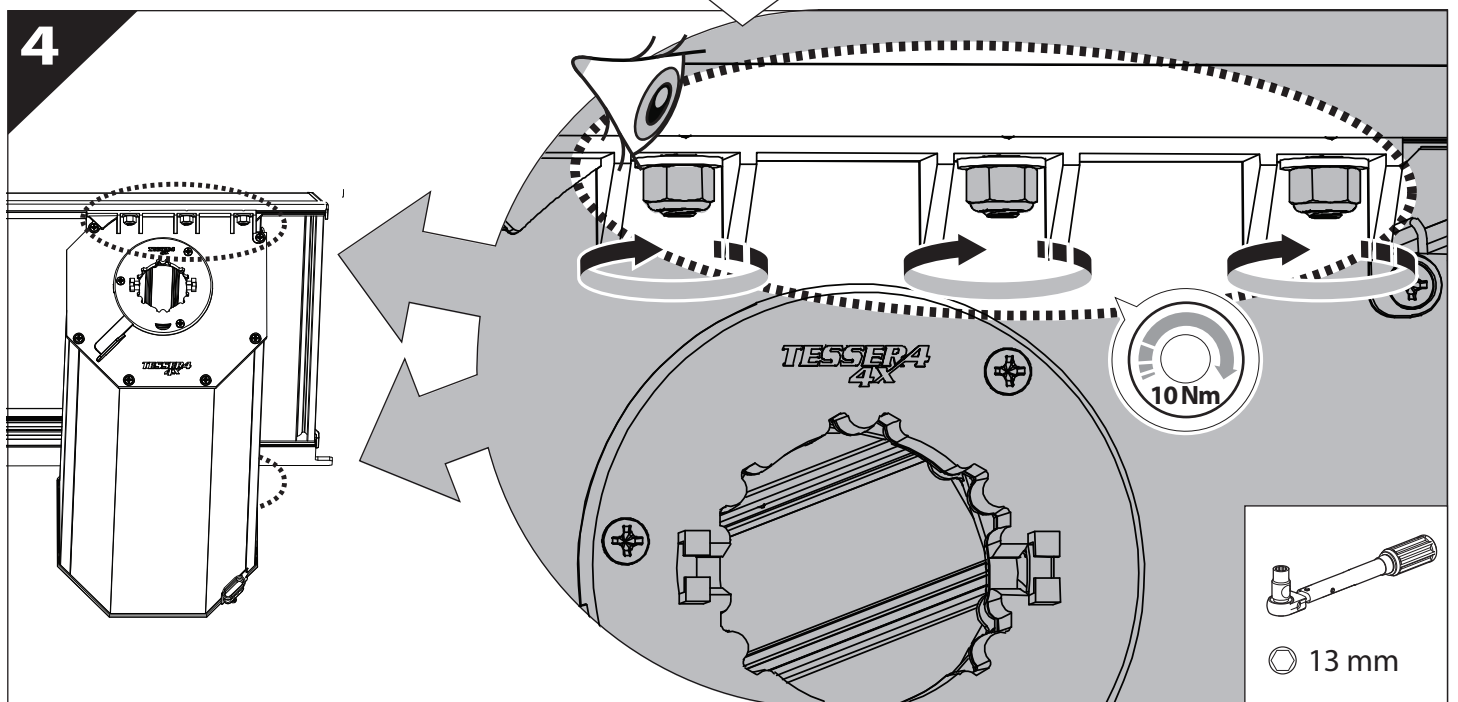


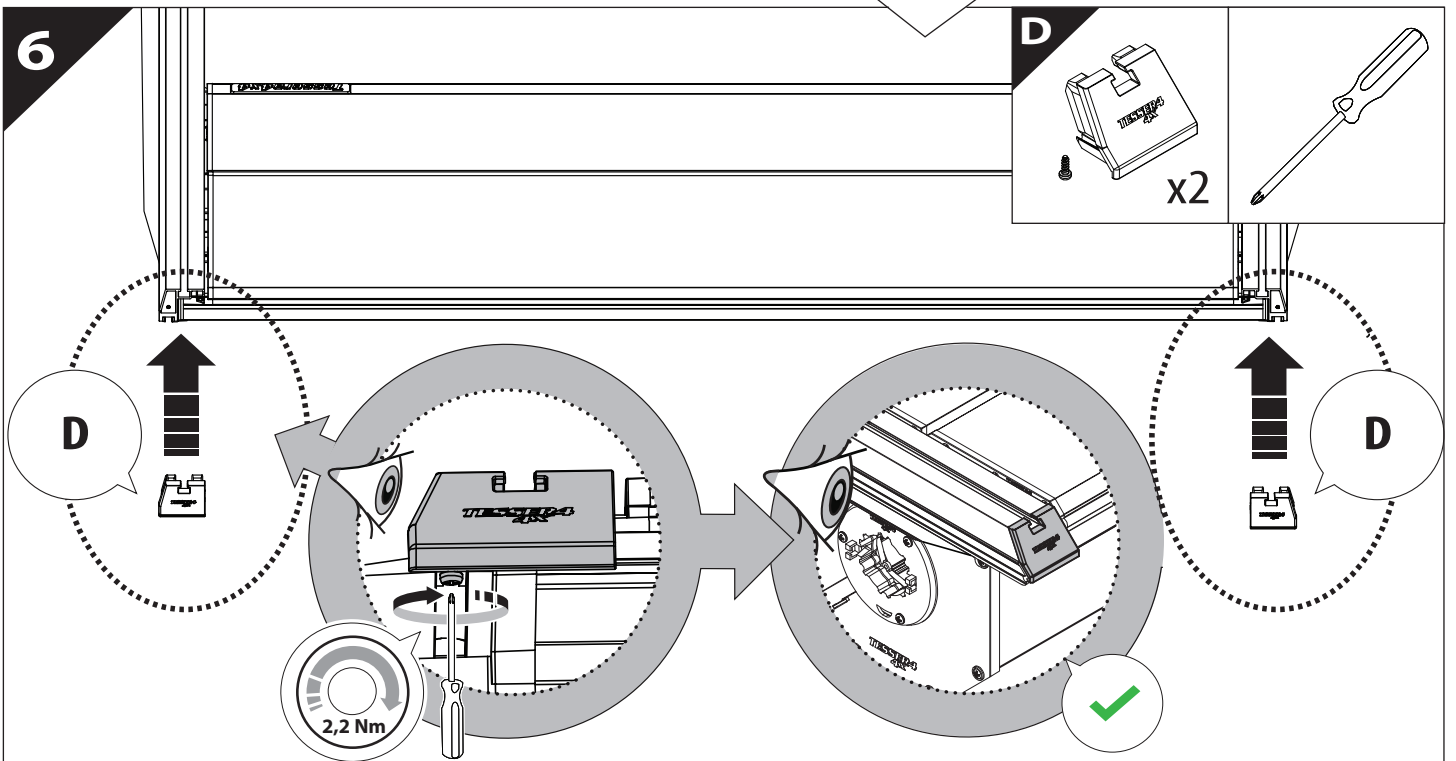
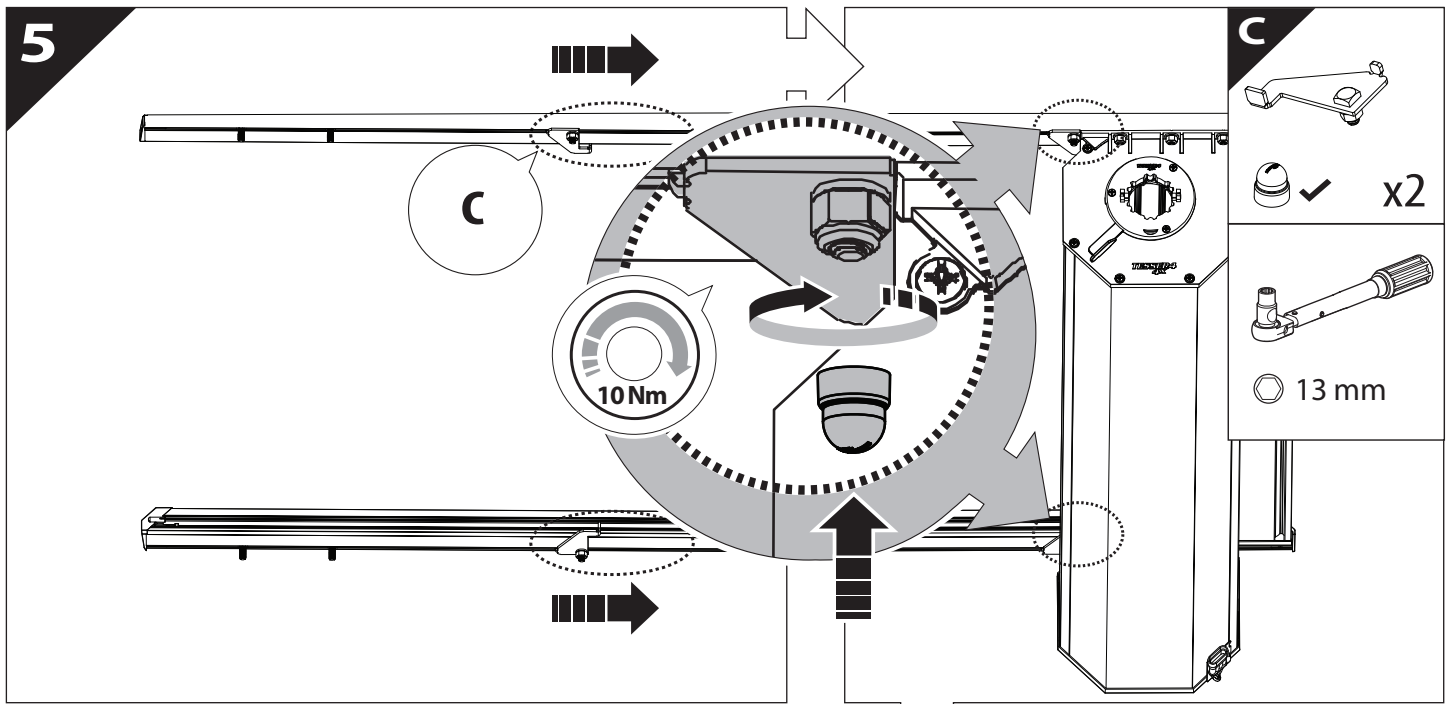


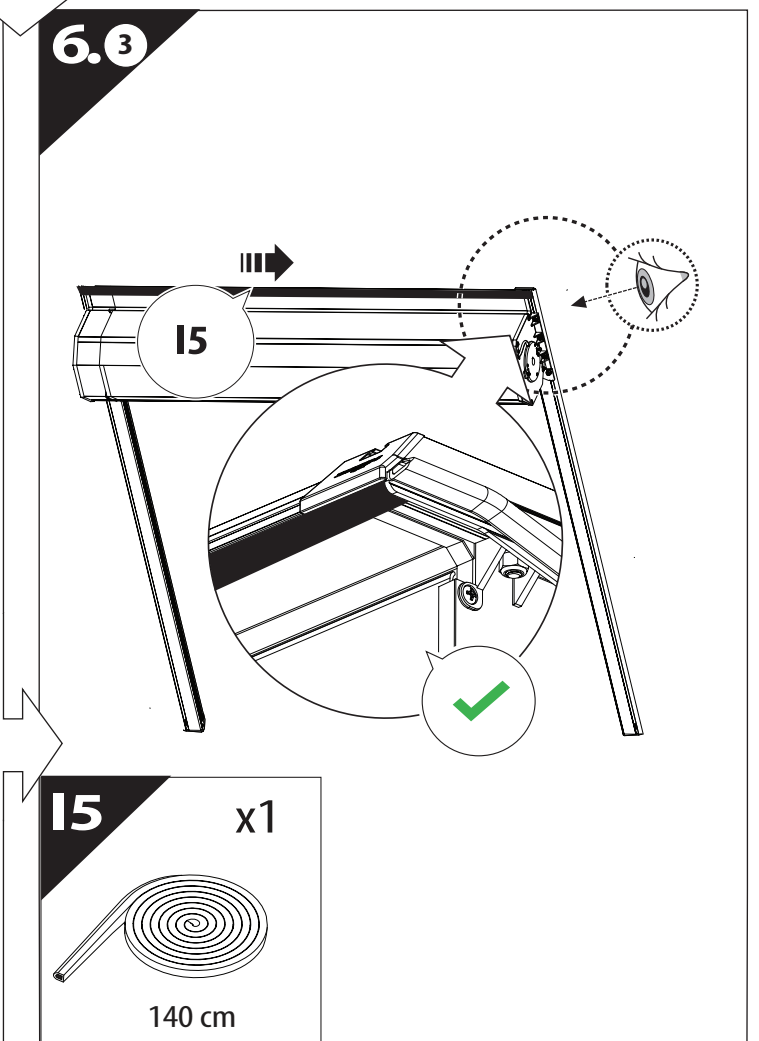
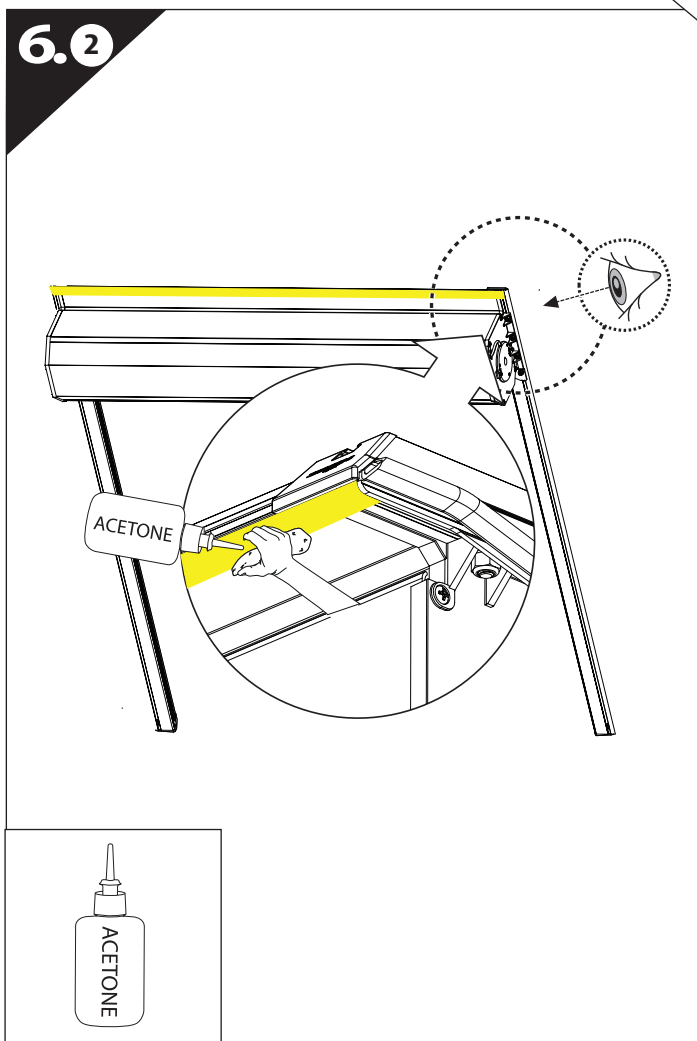
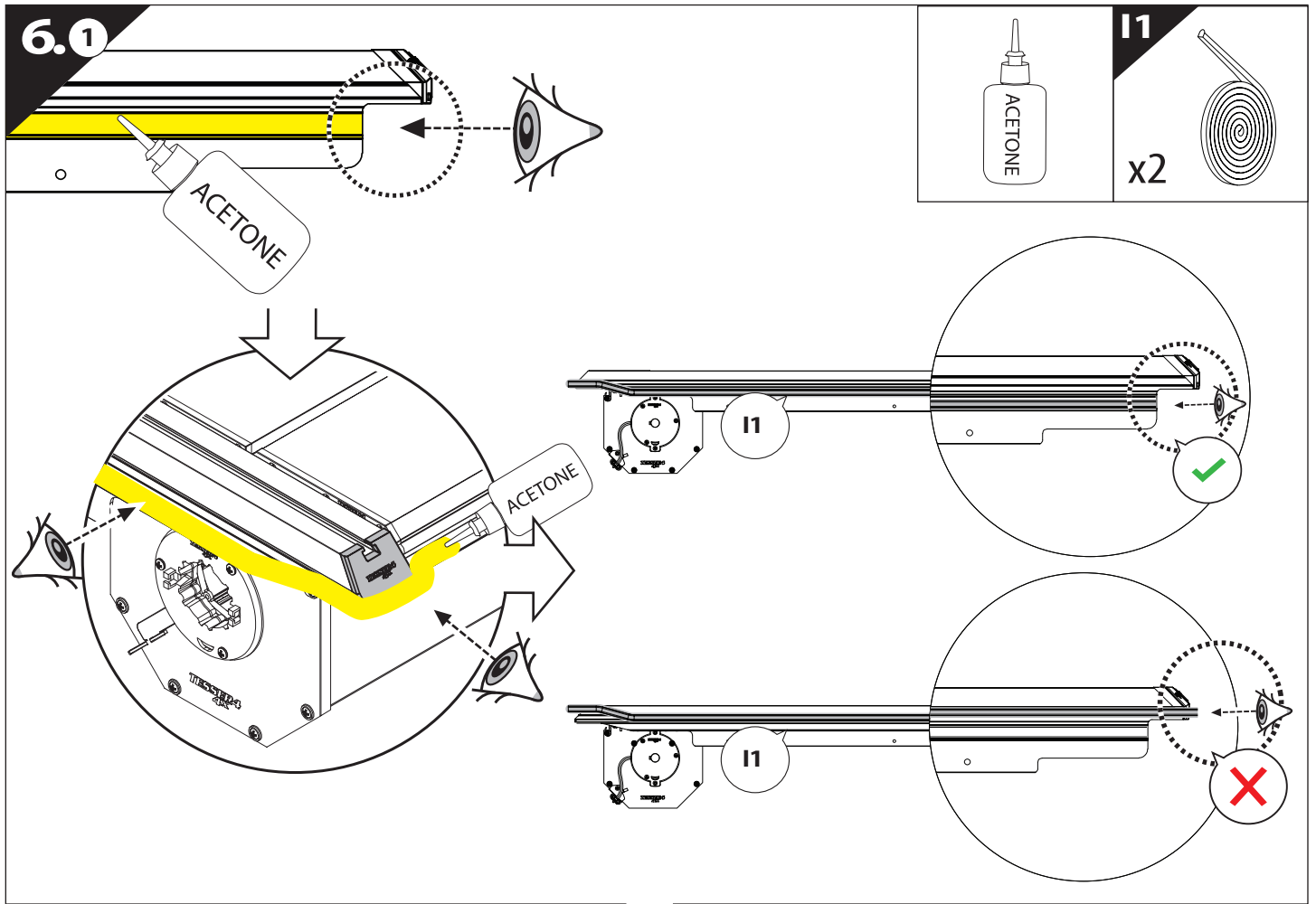
3

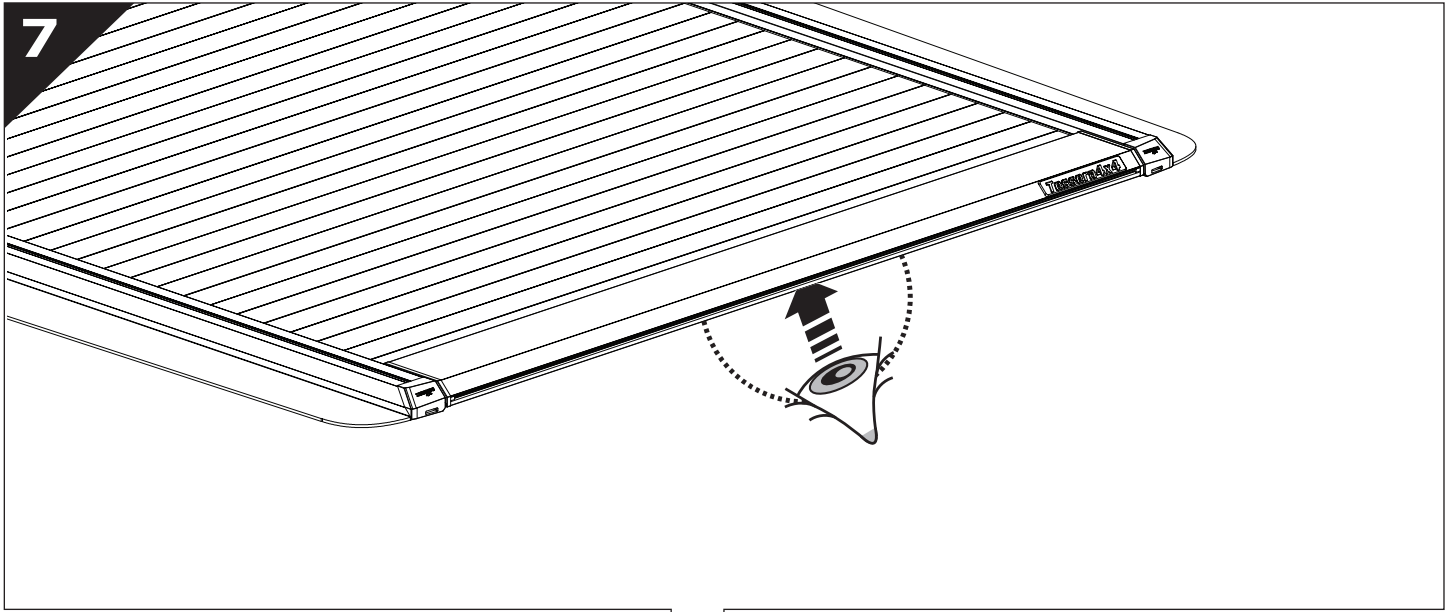



4

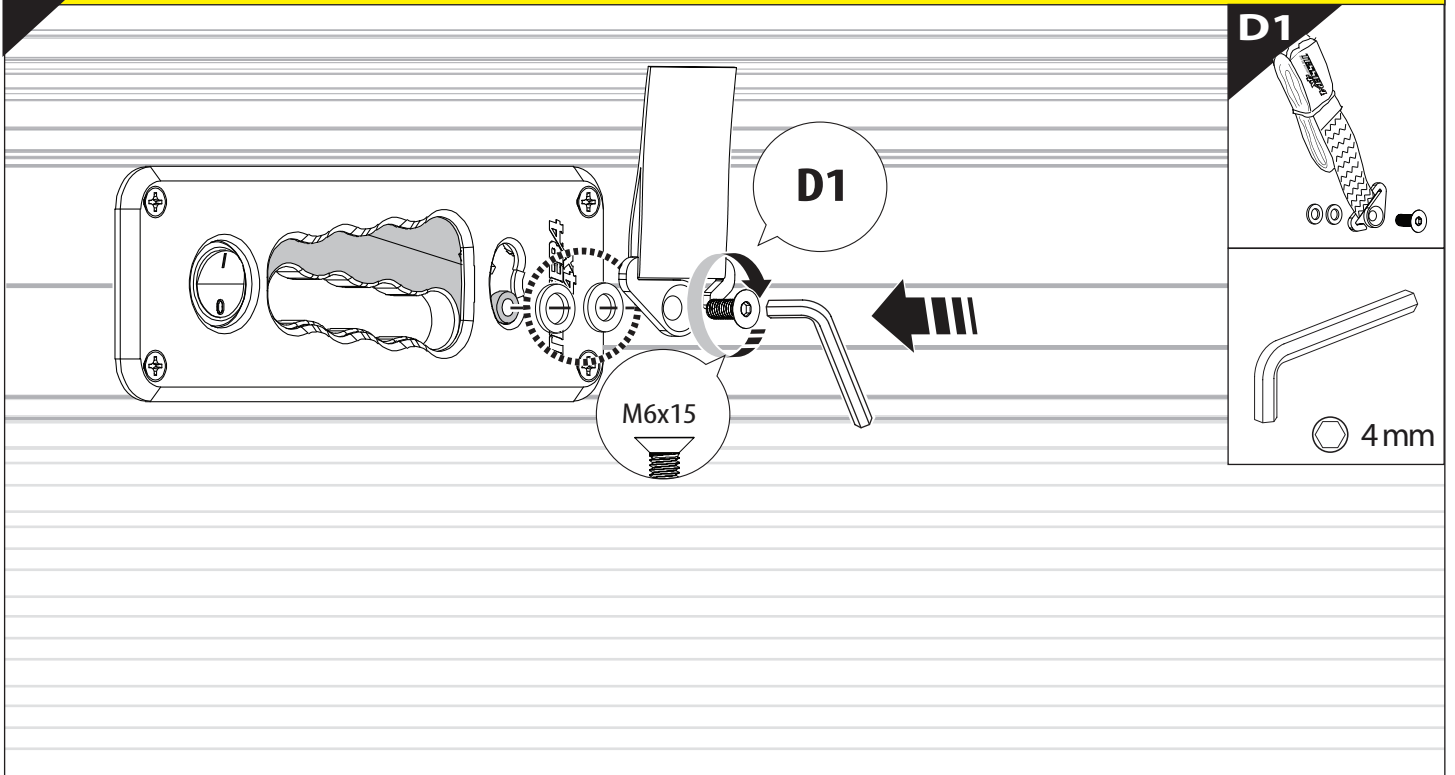








7.1  **CAUTION** Basic Version ✓ & Basic+S-KIT Version ✓

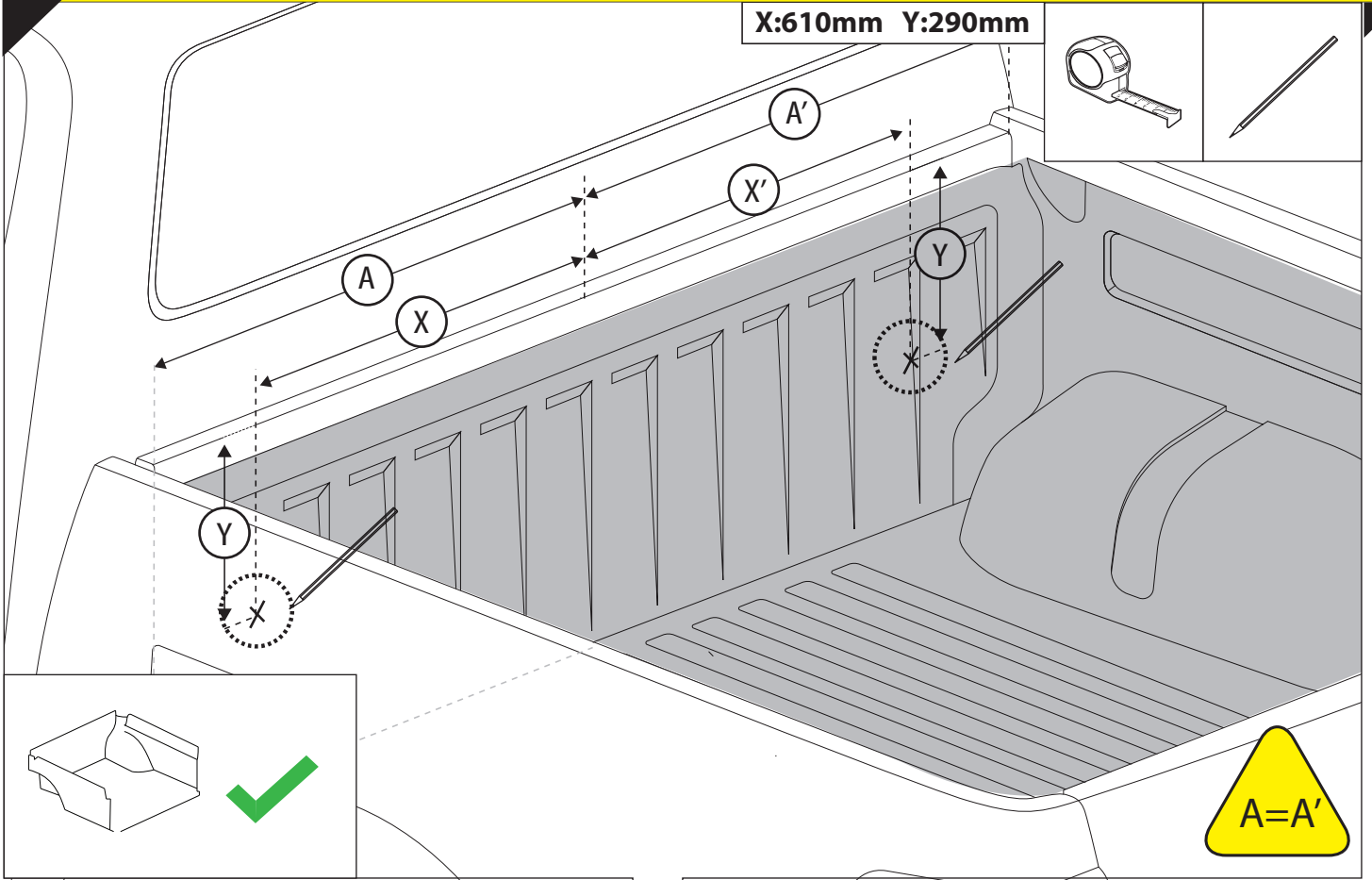
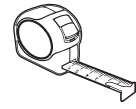


8

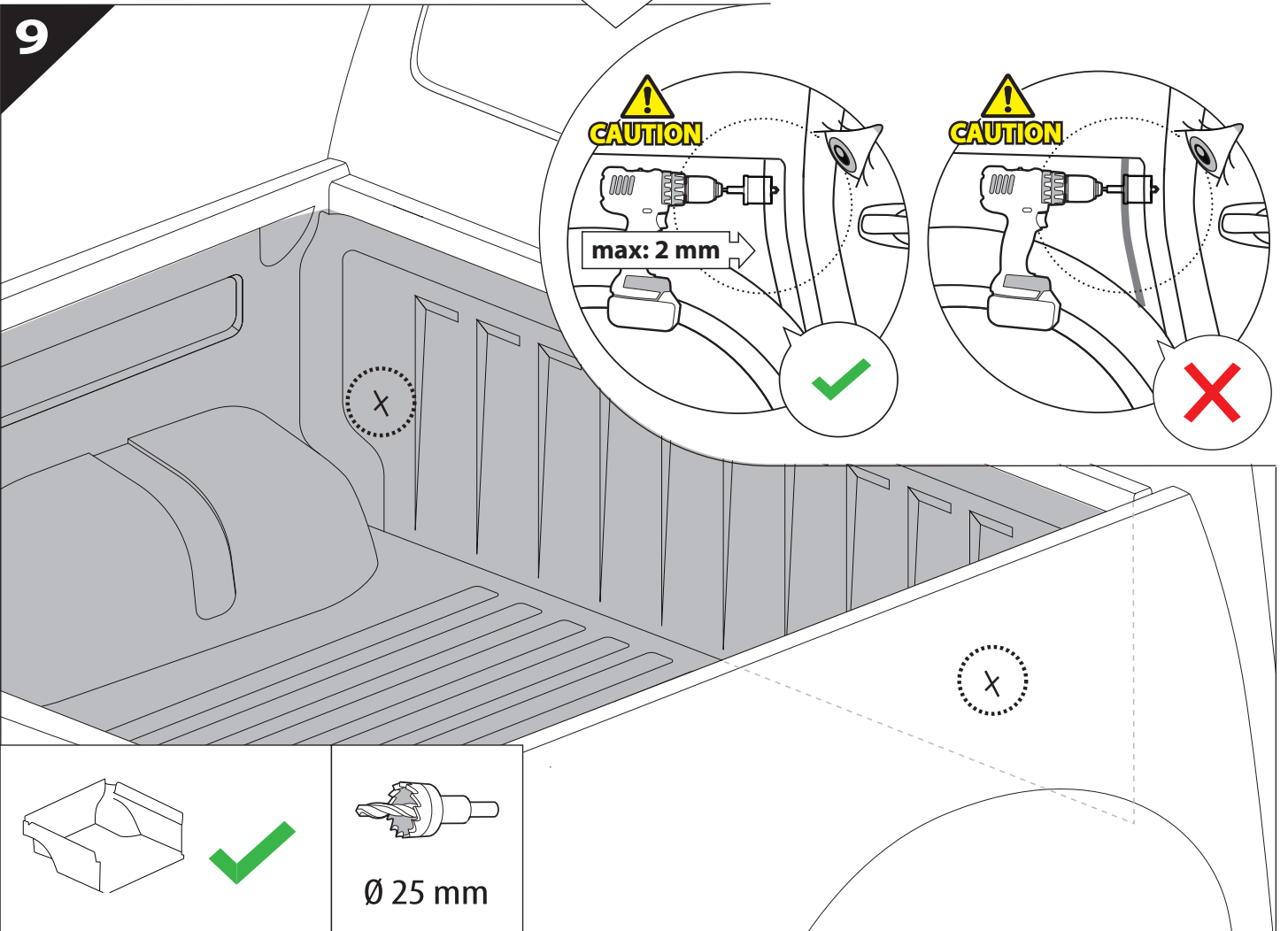


CAUTION: LIMITED, WILDTRAK, WILDTRAK X, PLATINUM

X:610mm Y:290mm

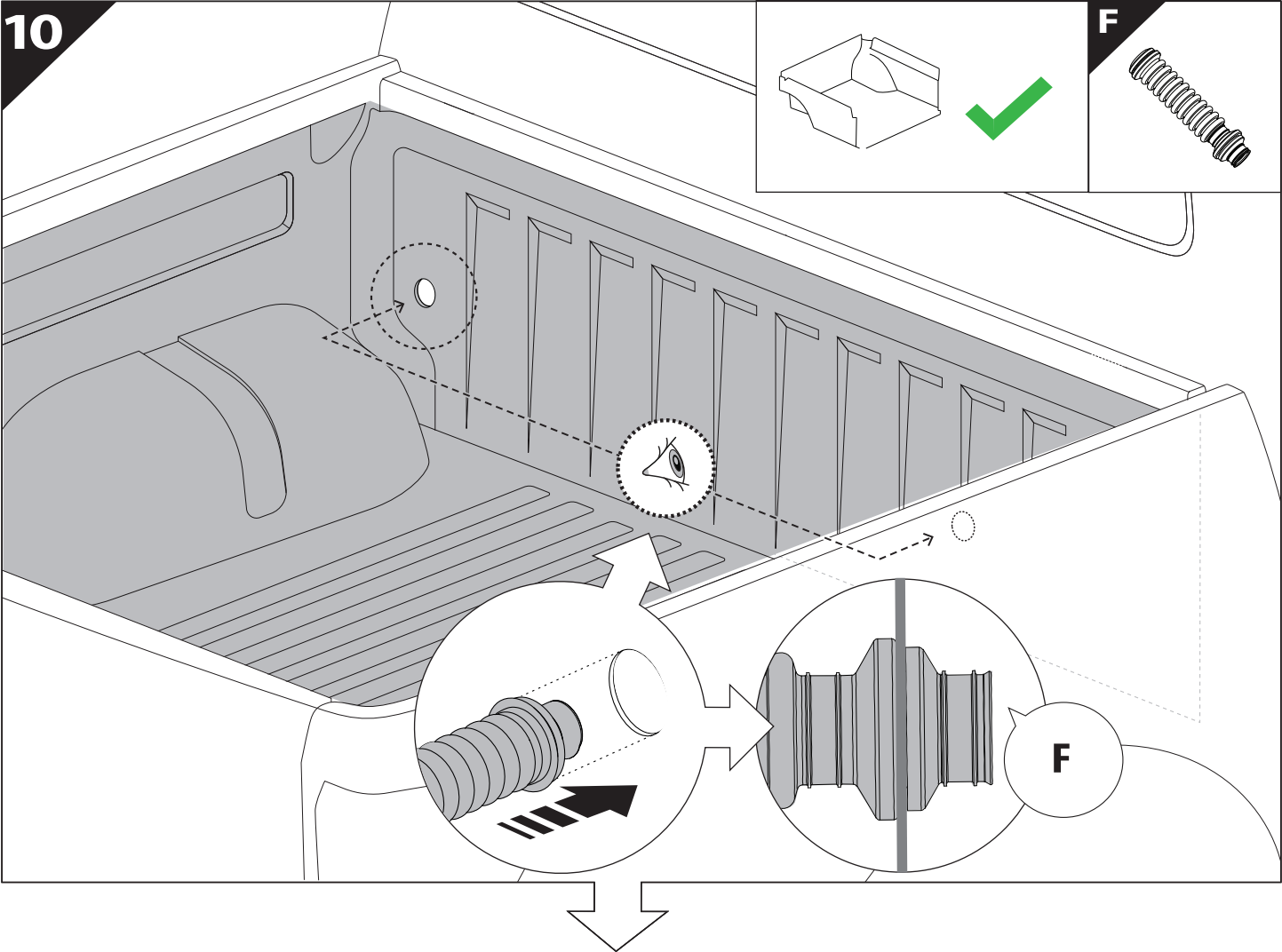


9



10

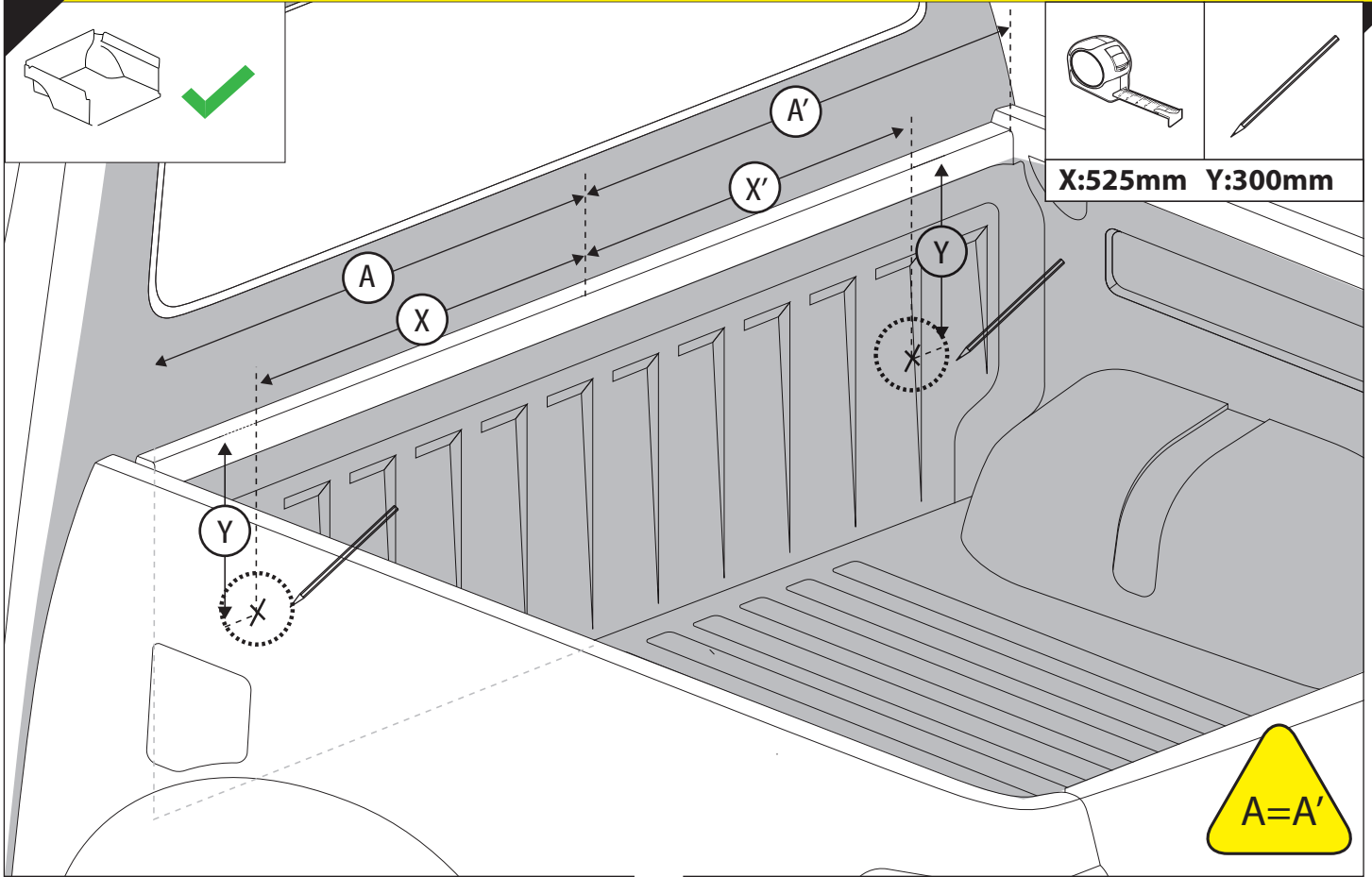
F



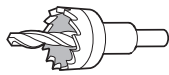
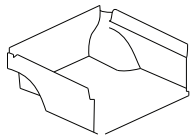
11



CAUTION: RAPTOR



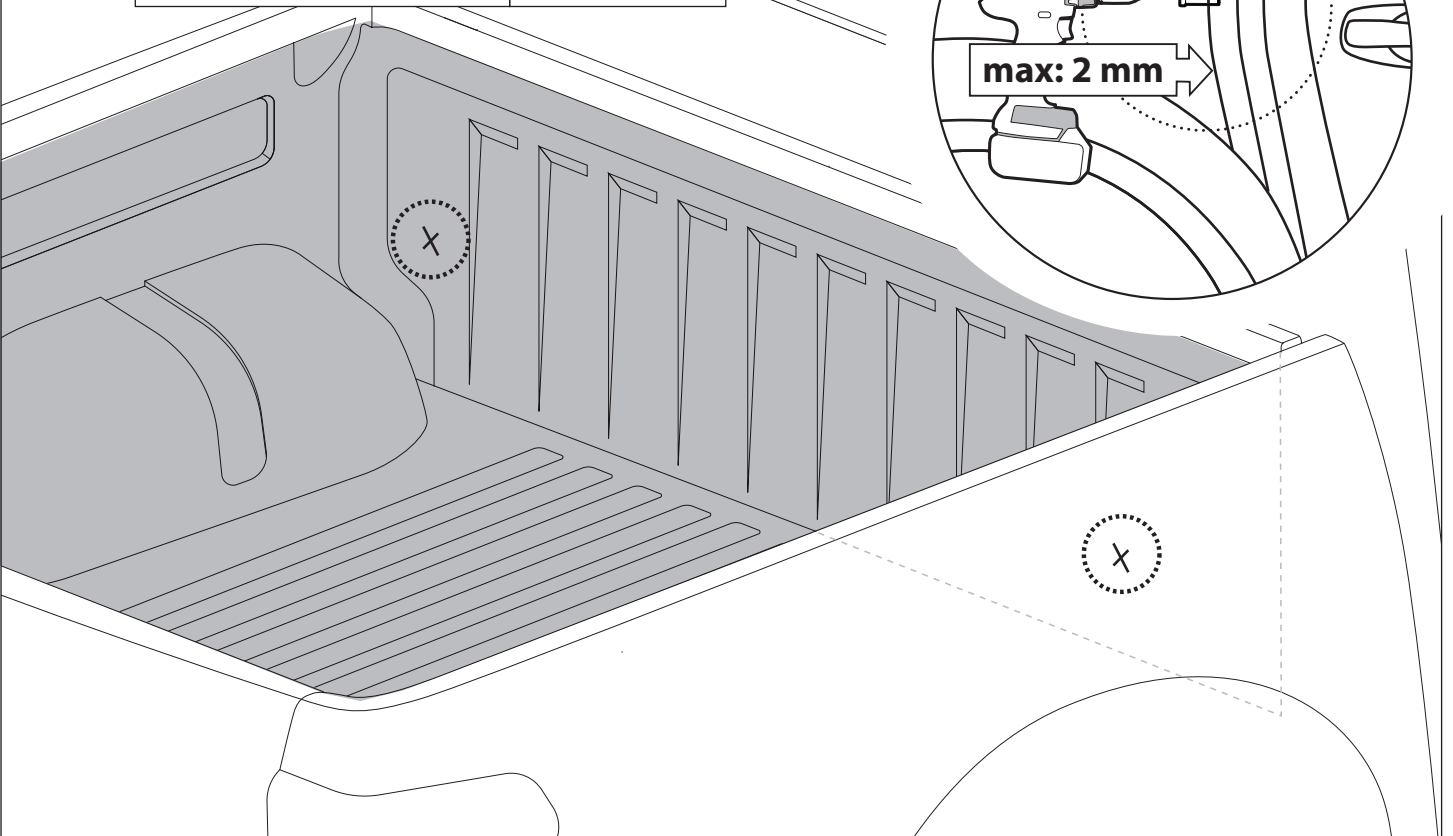
12



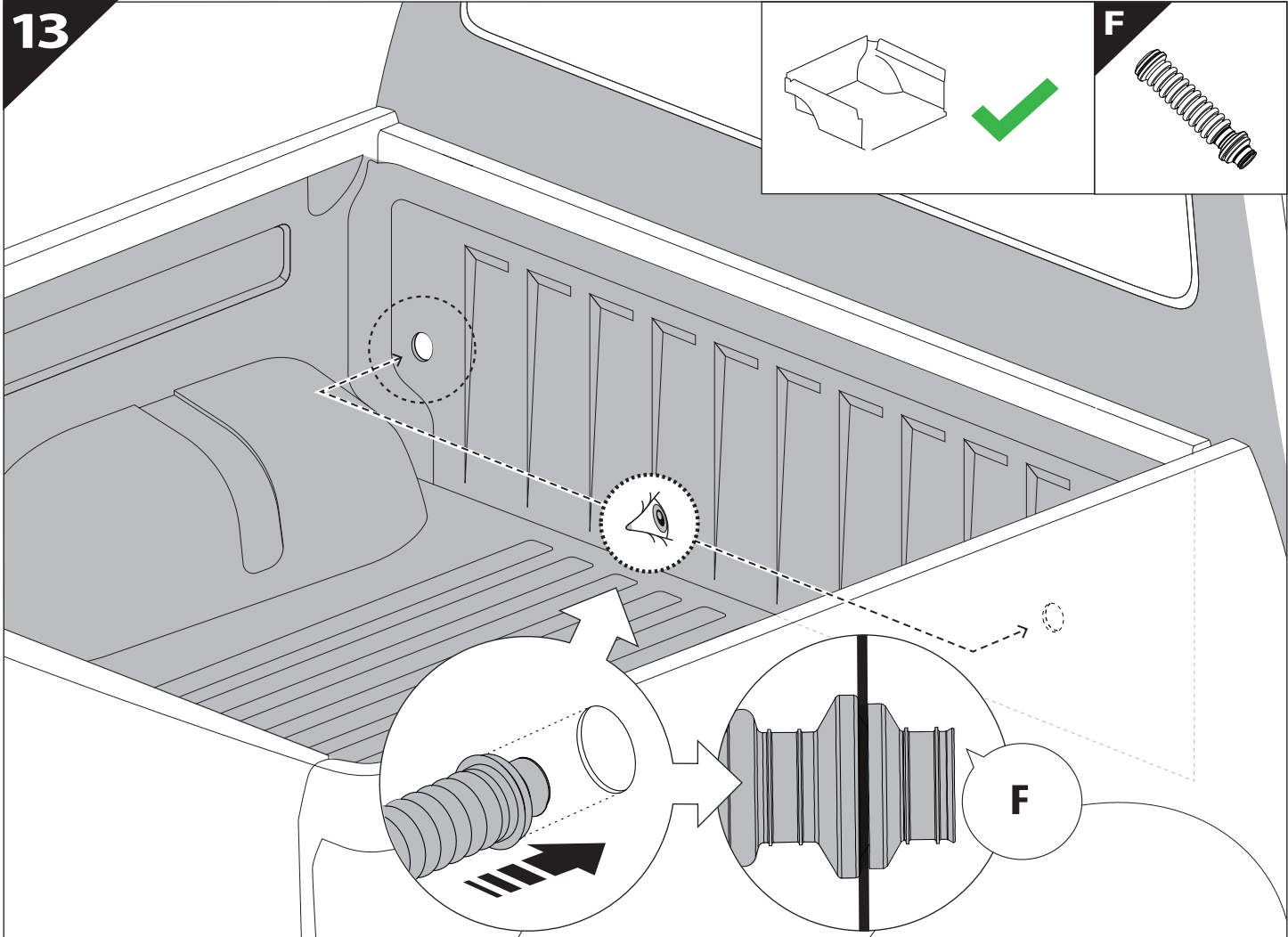
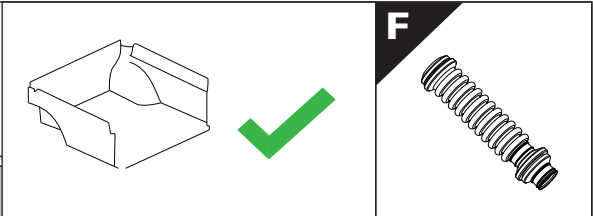
Ø 25 mm

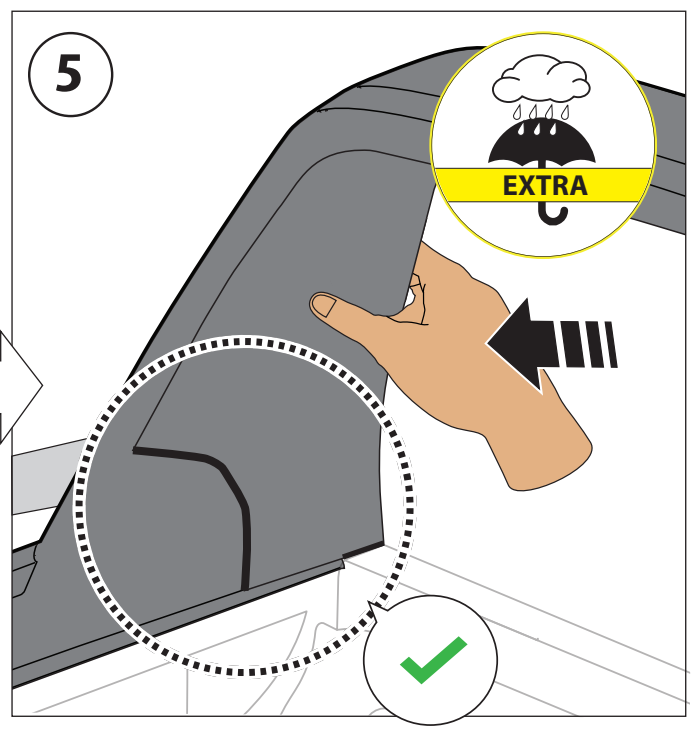
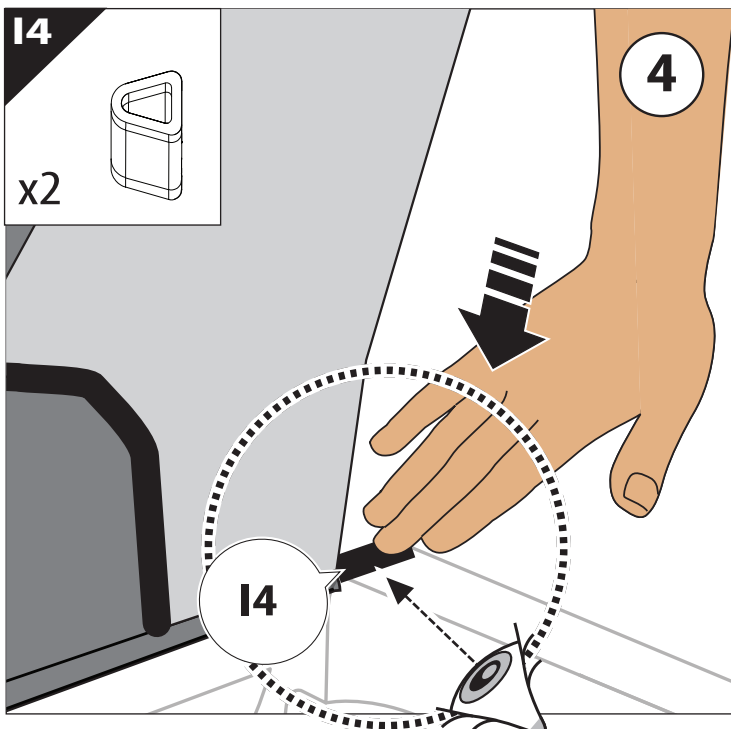
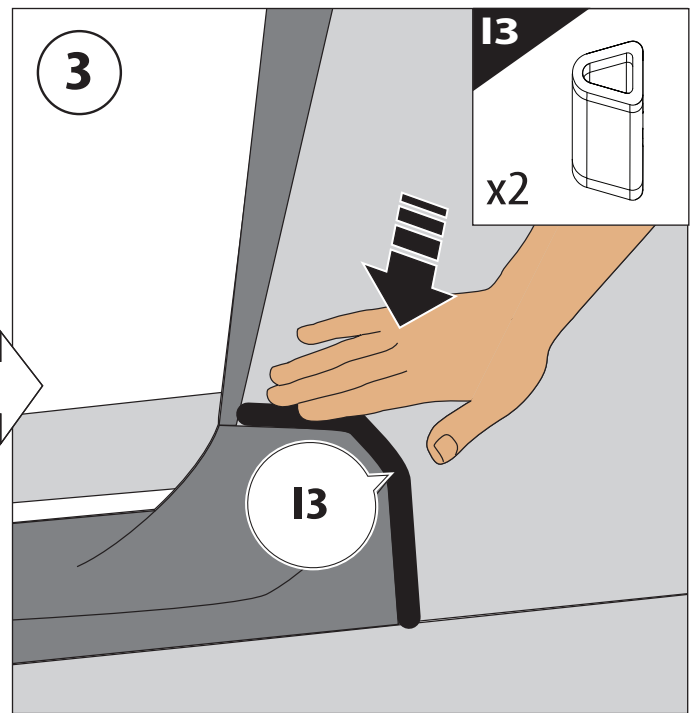
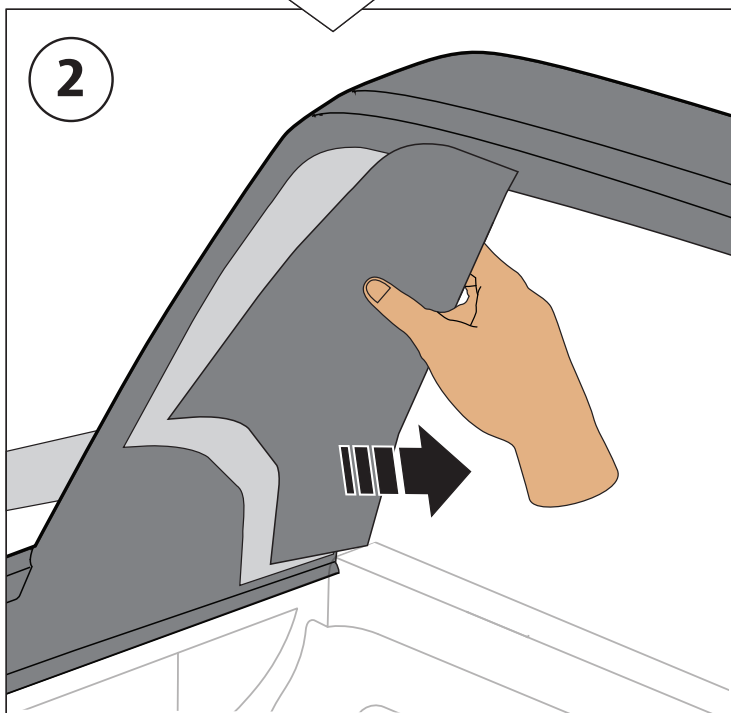
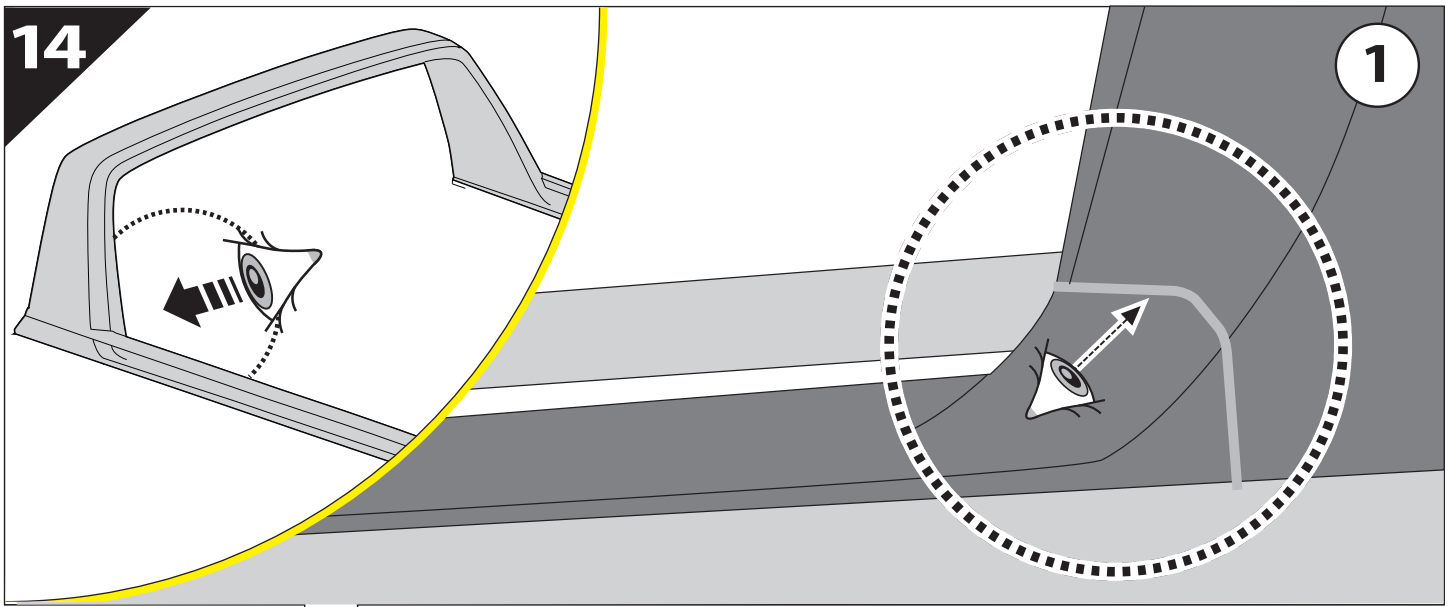
CAUTION

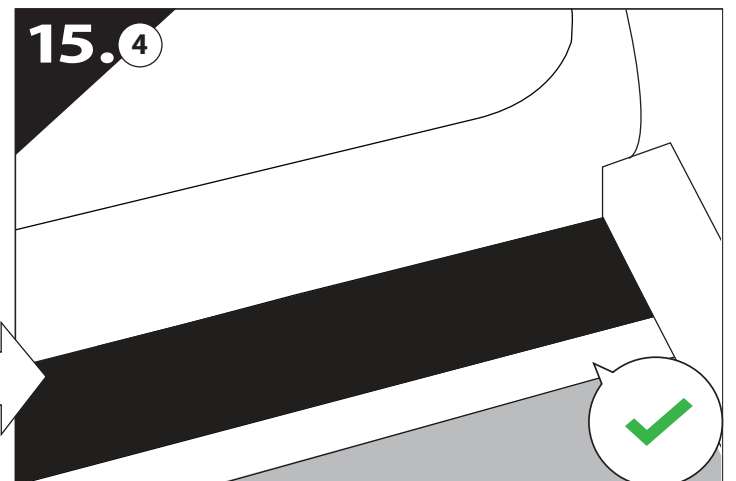
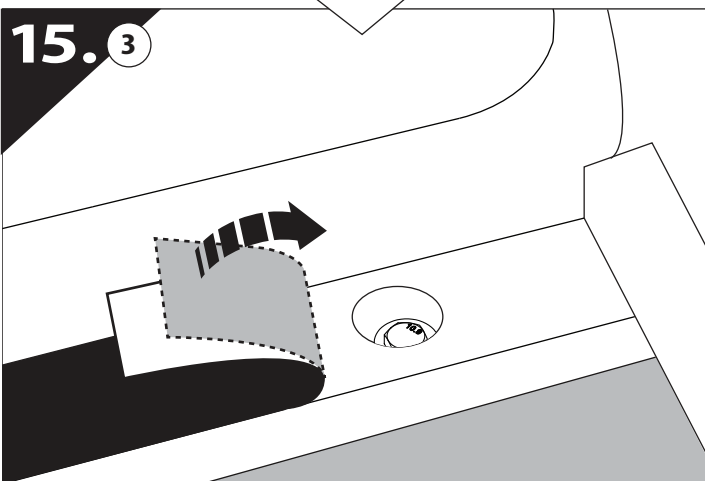
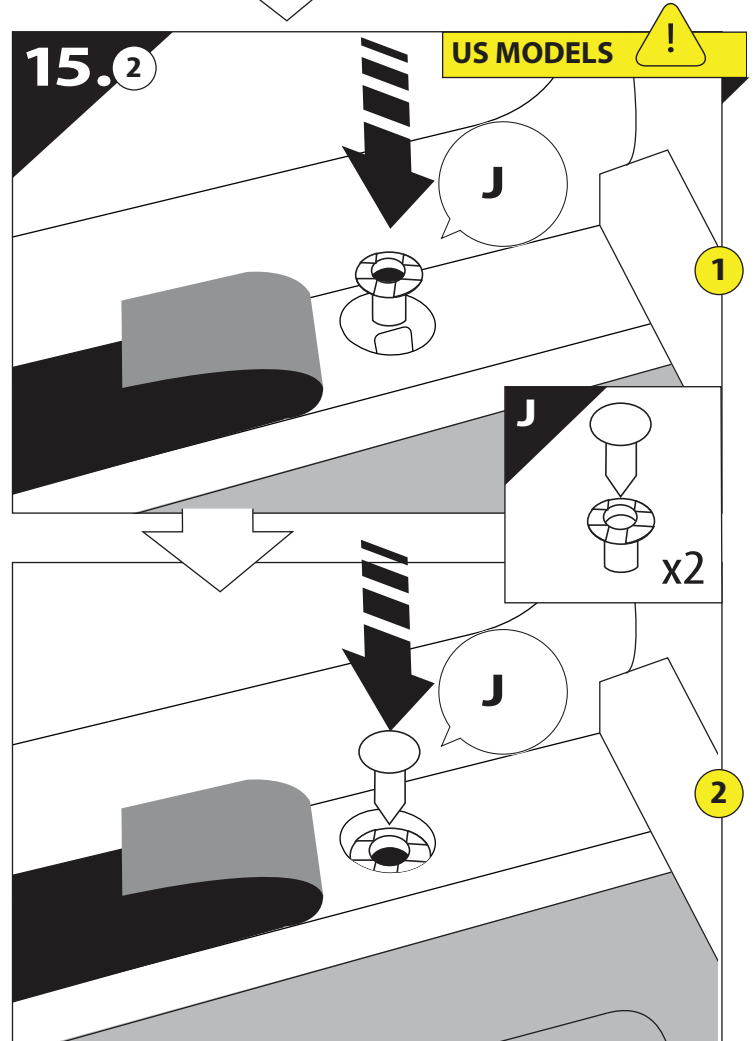
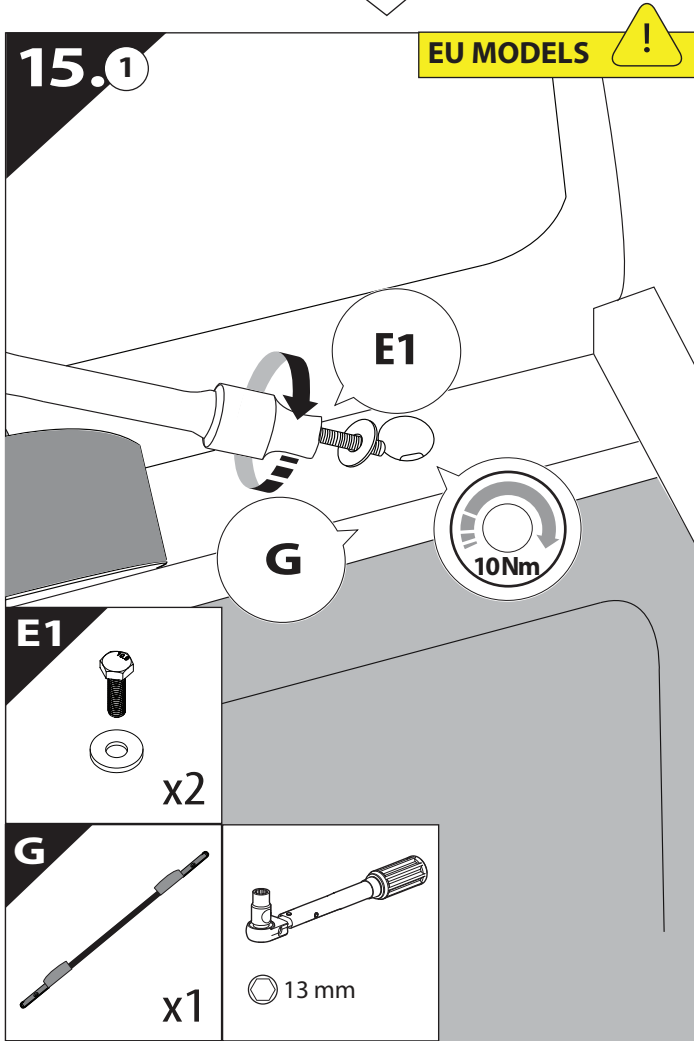
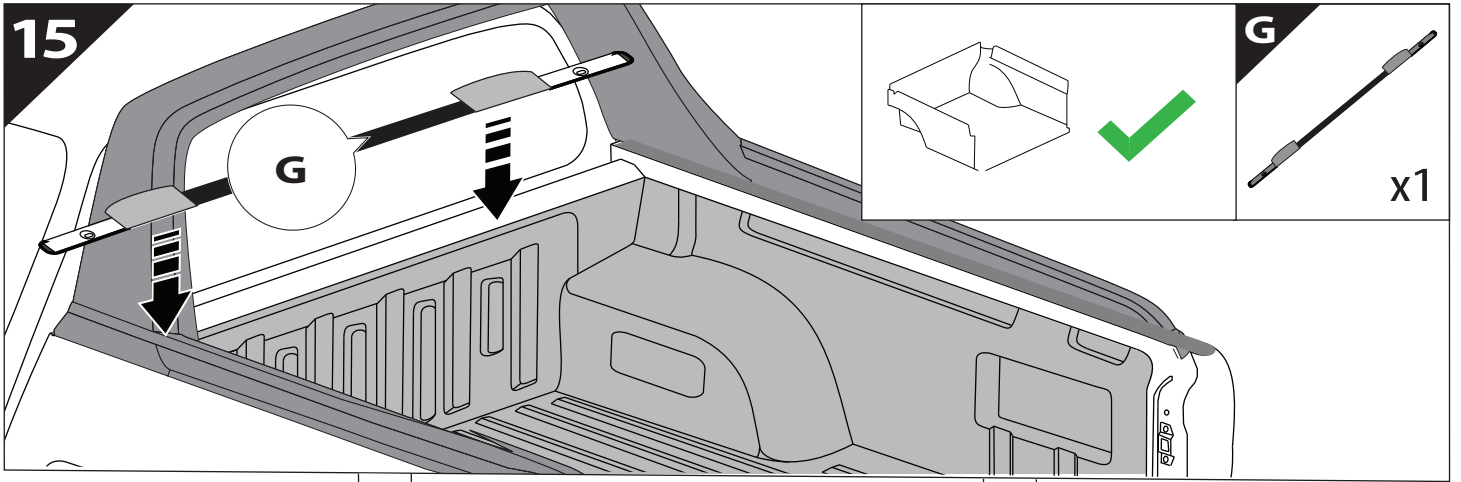
max: 2 mm

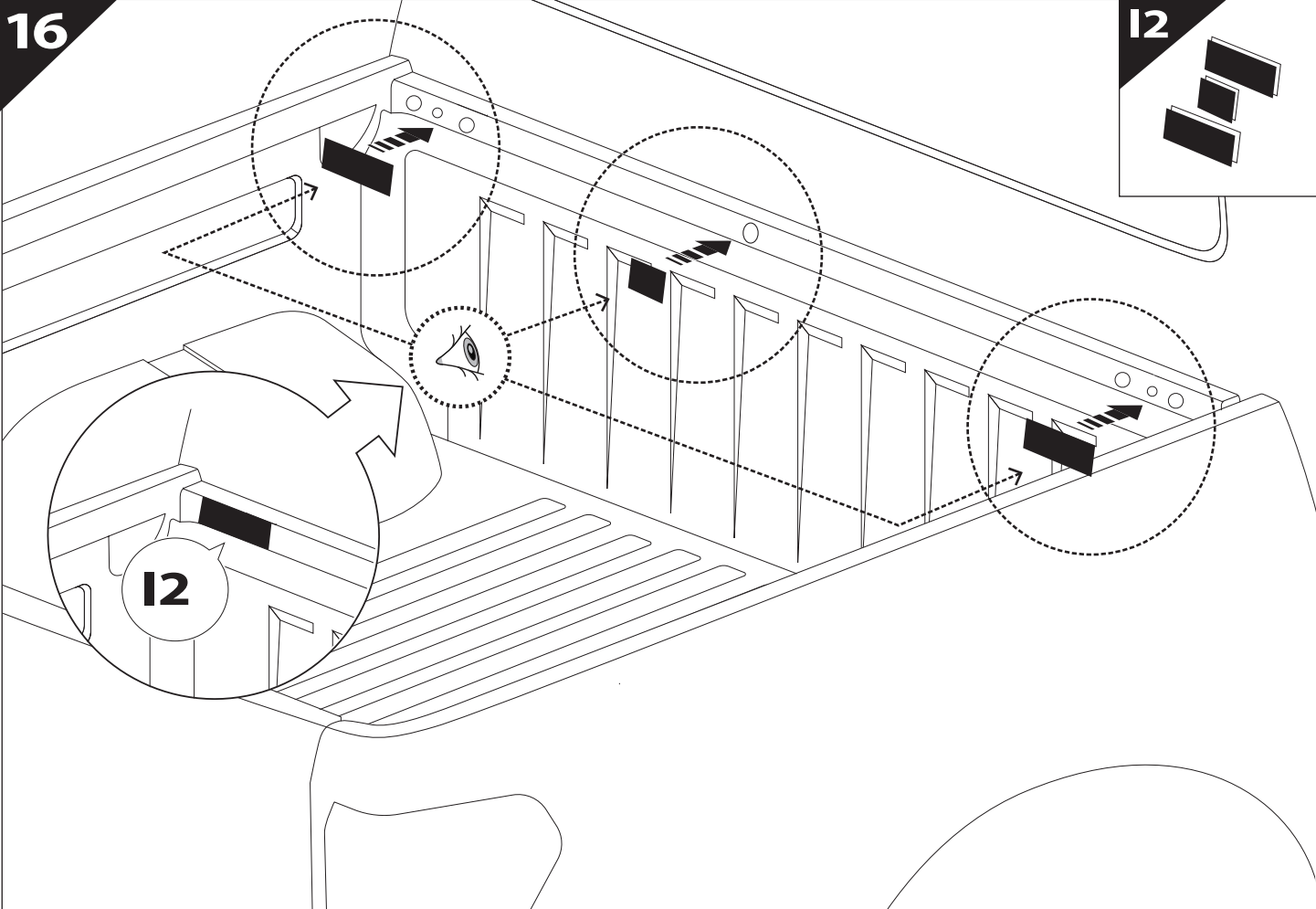


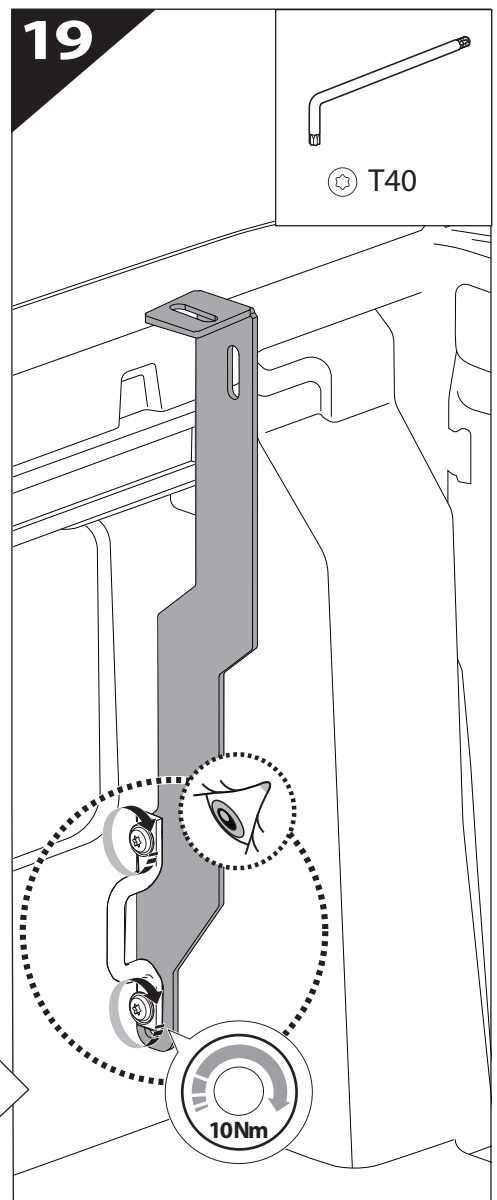
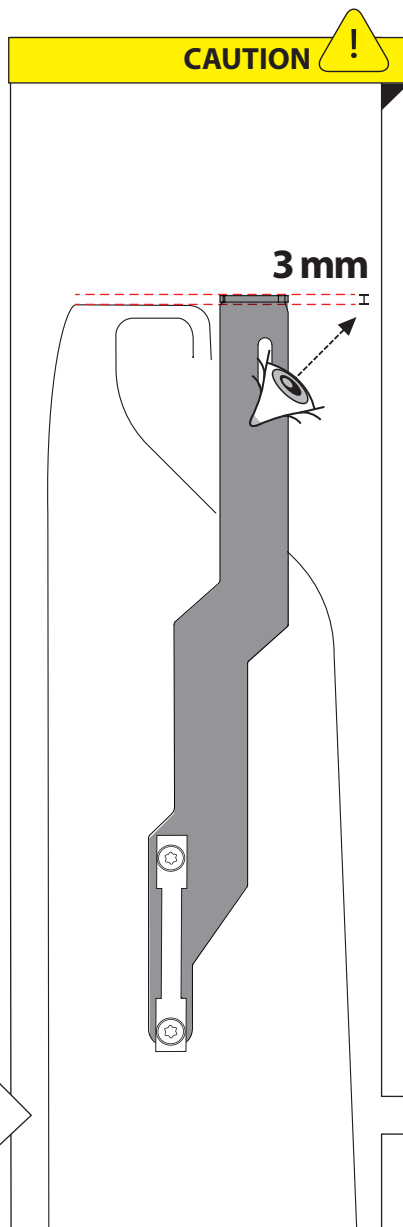
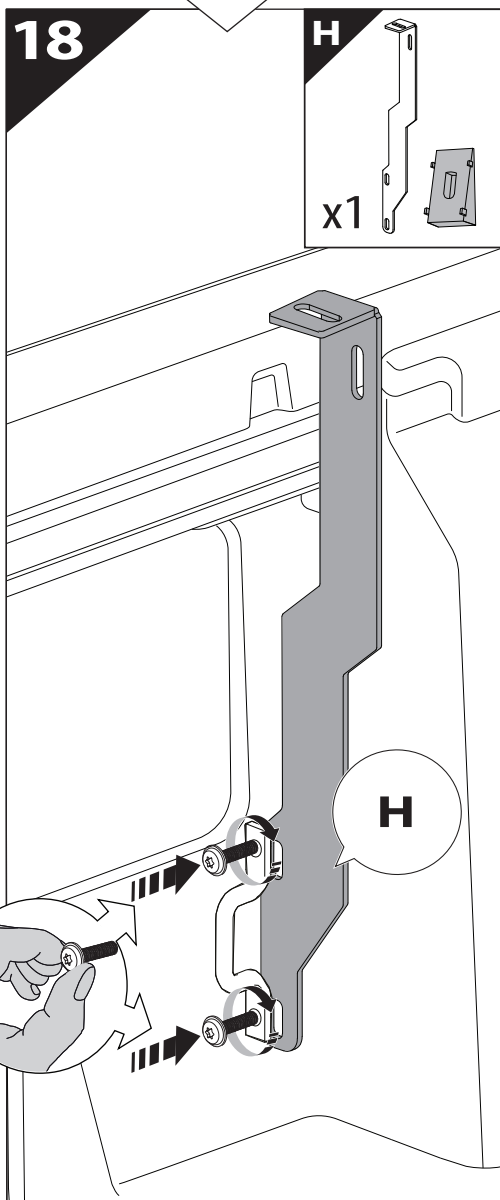
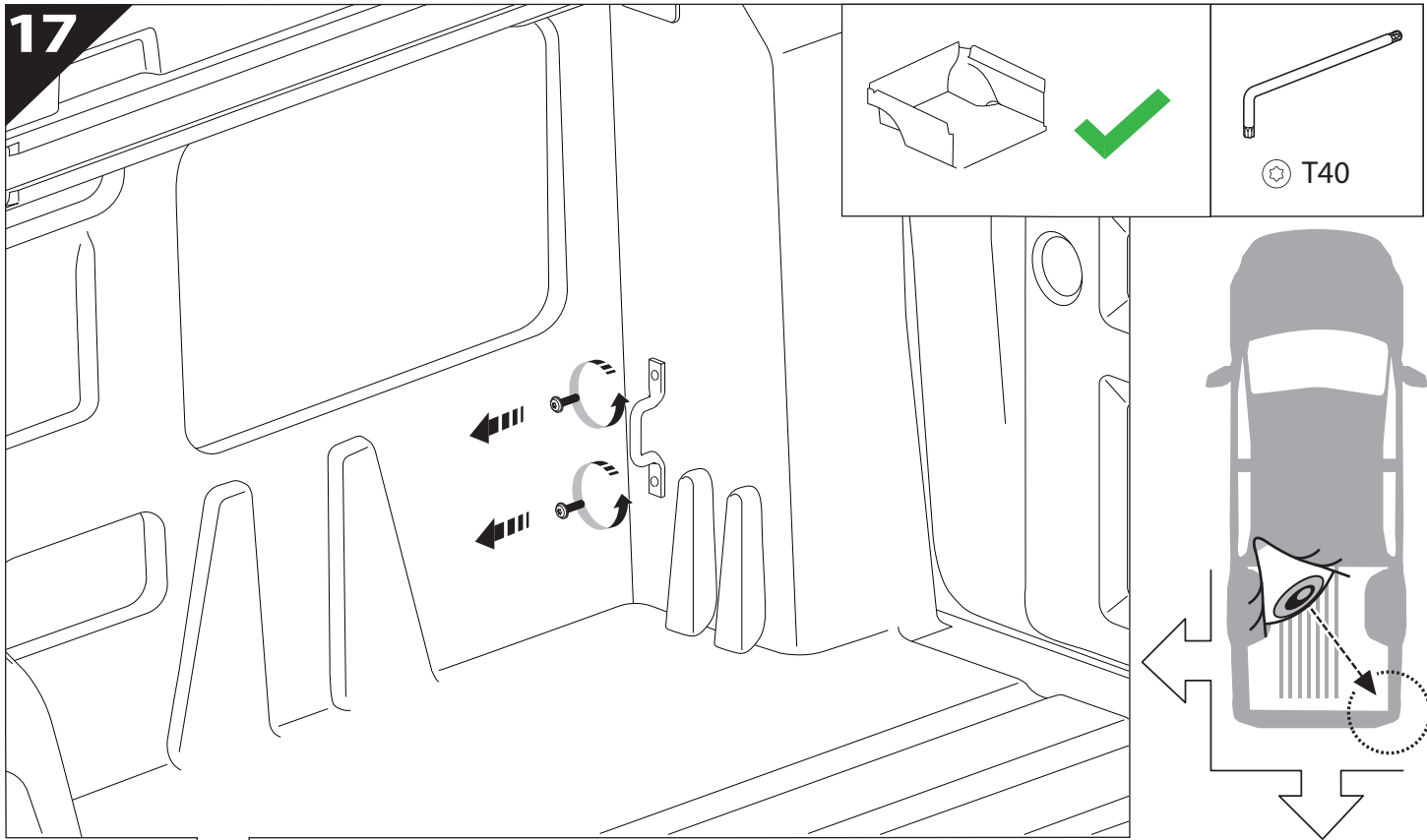
13



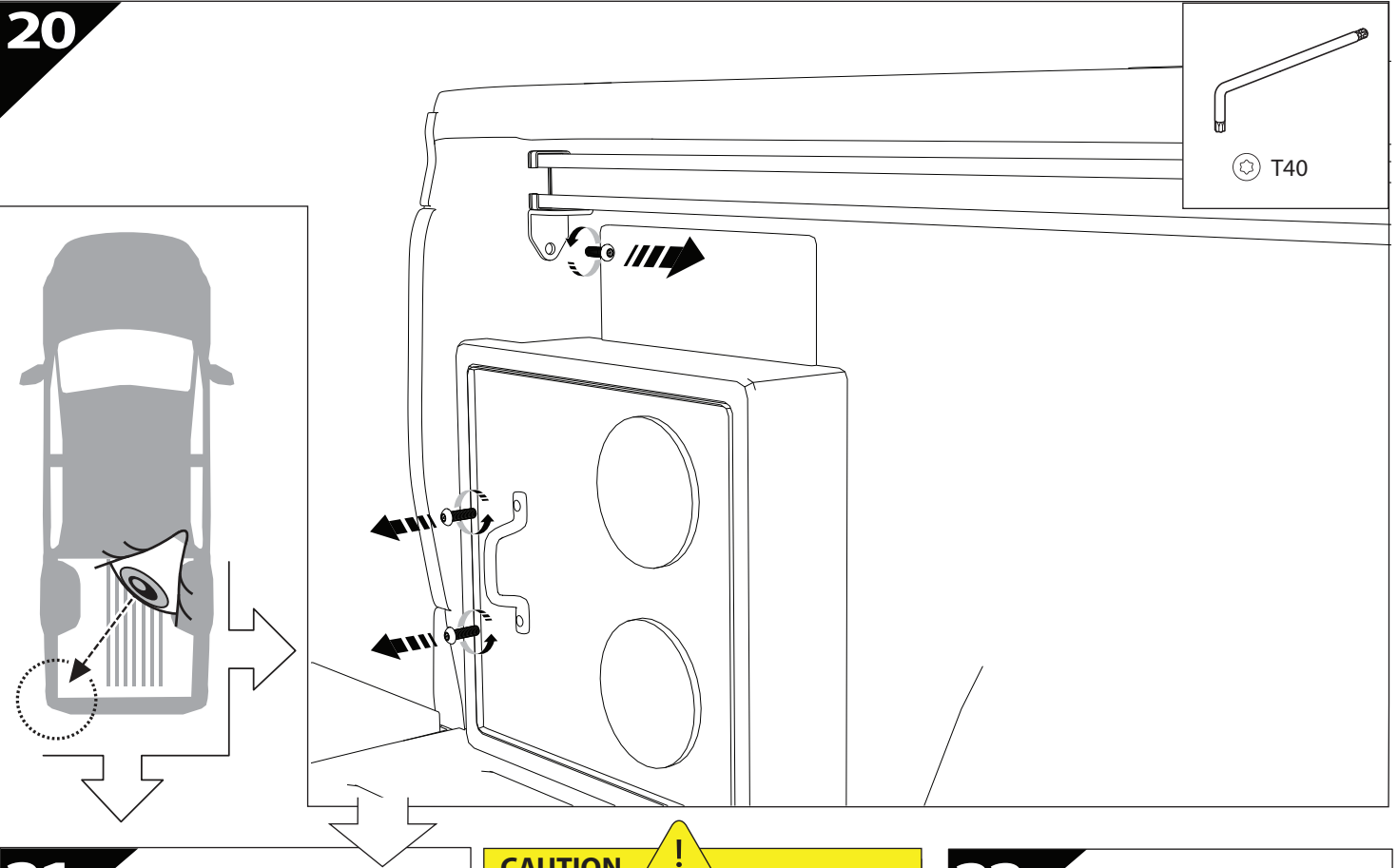




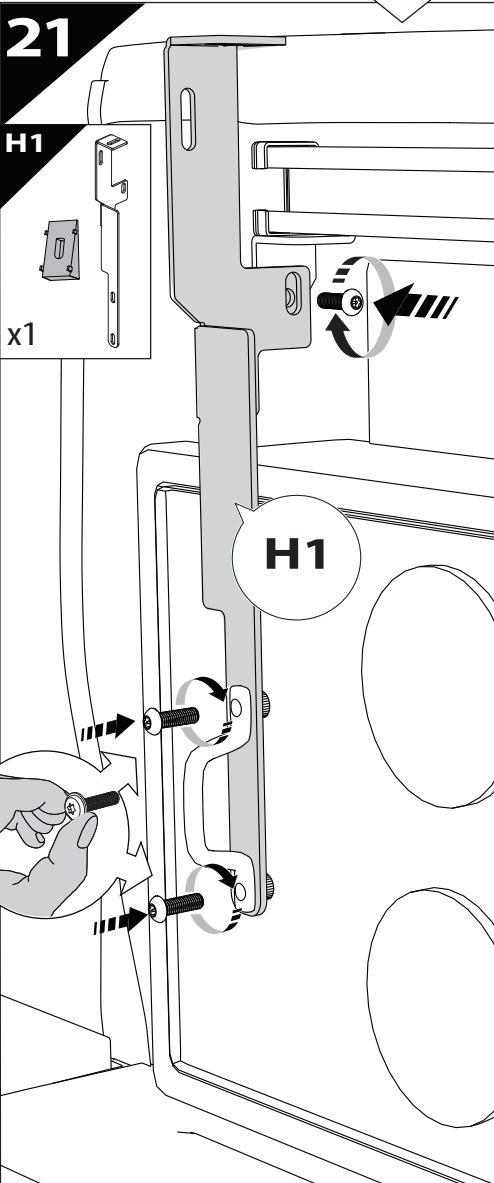




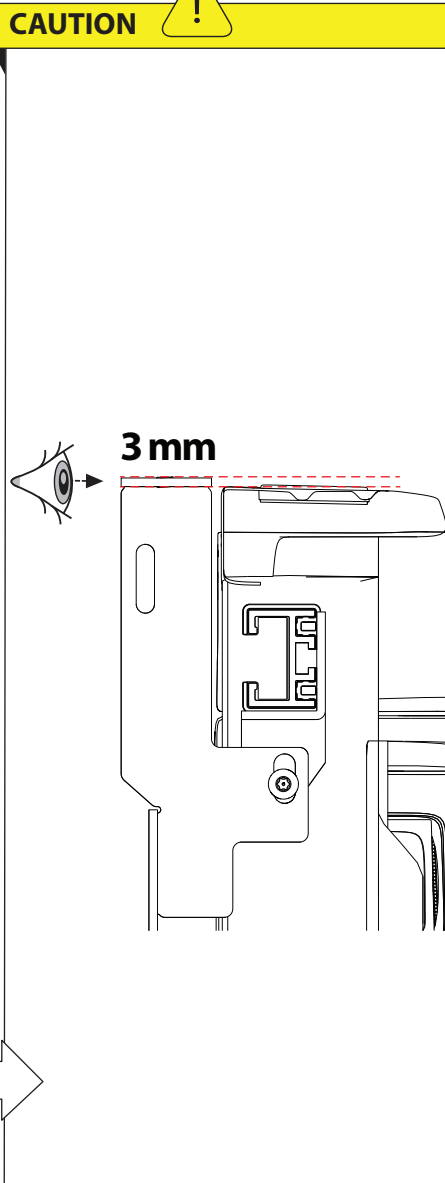
20



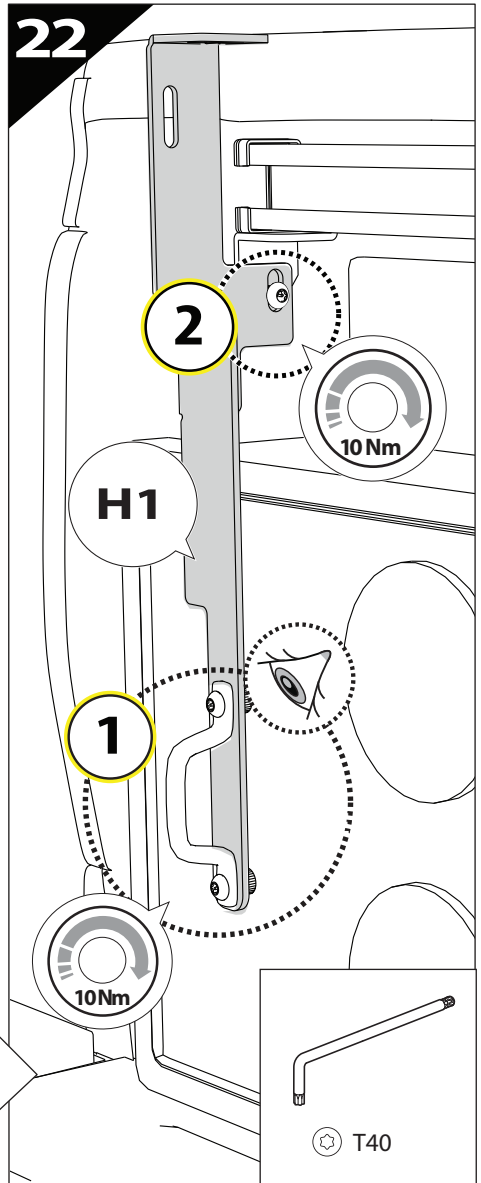
21



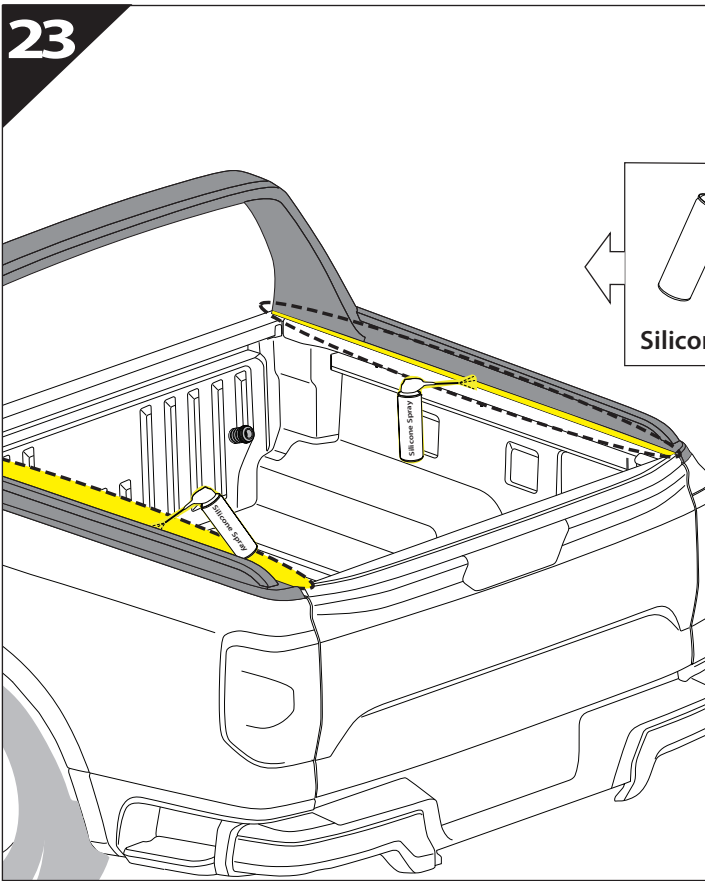
CAUTION !



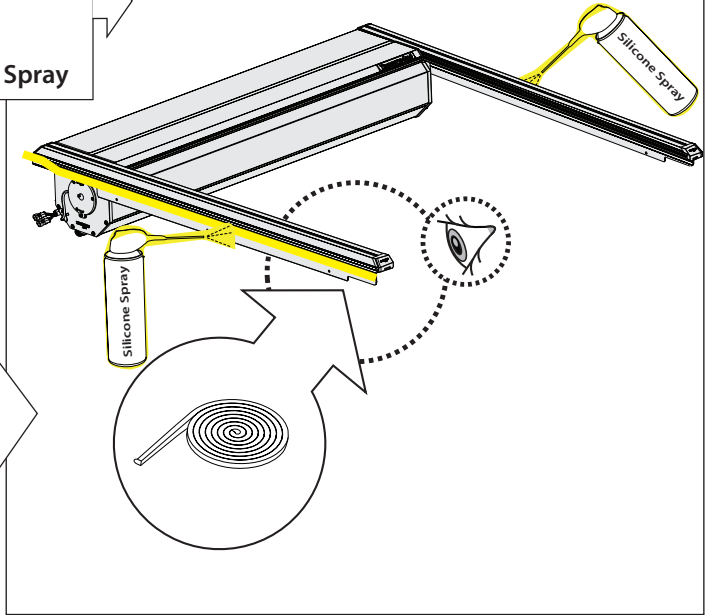
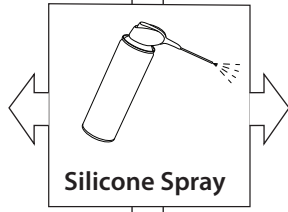
22



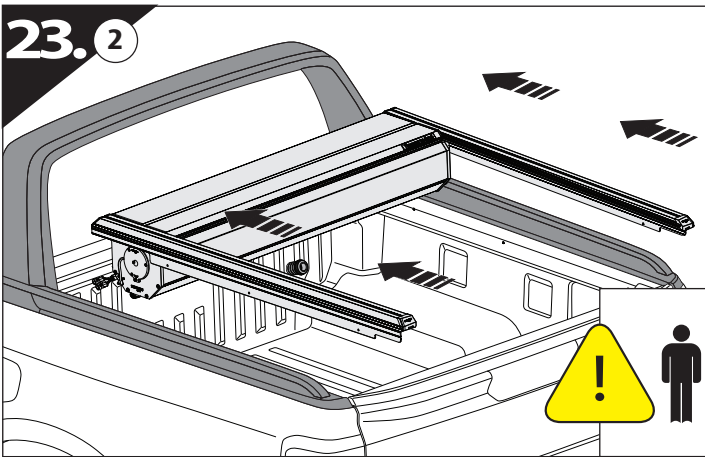
23



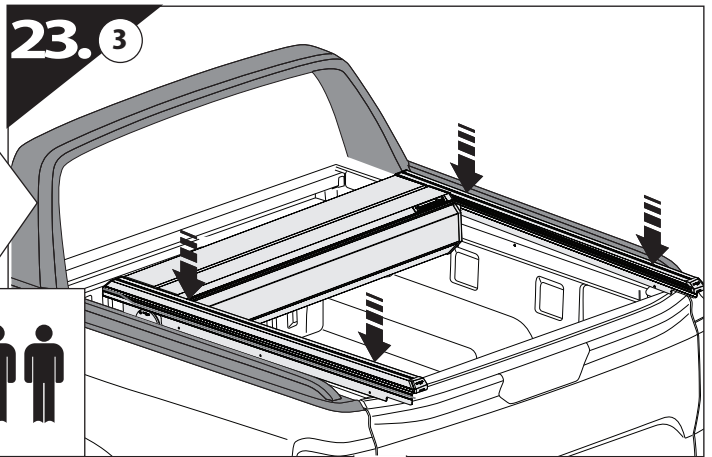
23.1



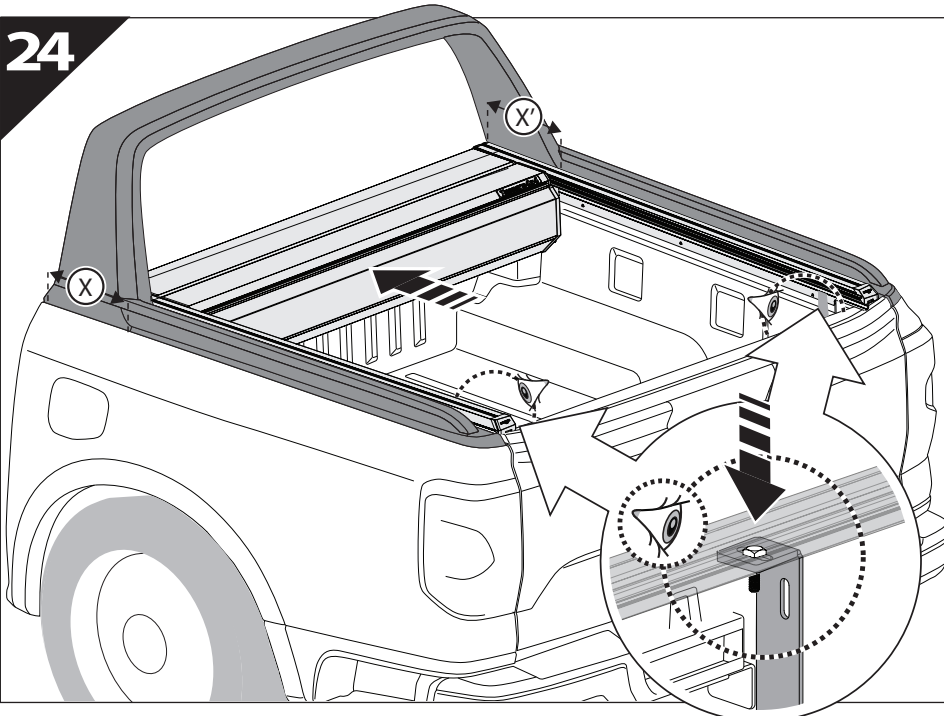
23.2

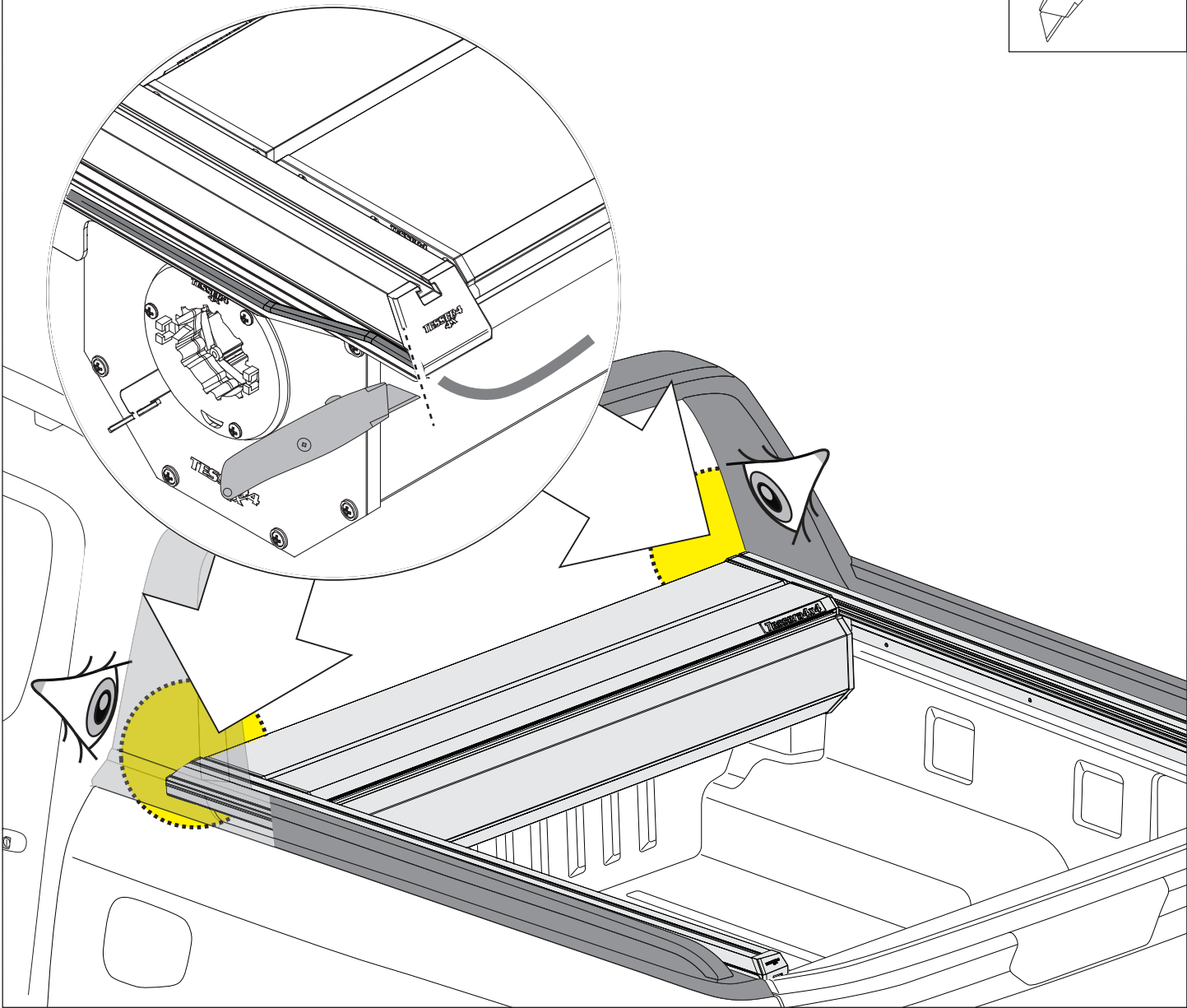
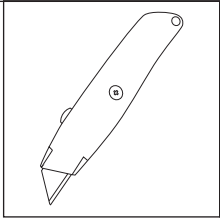


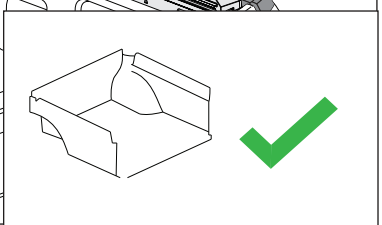
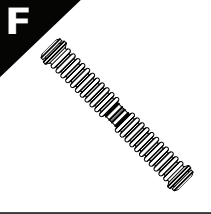
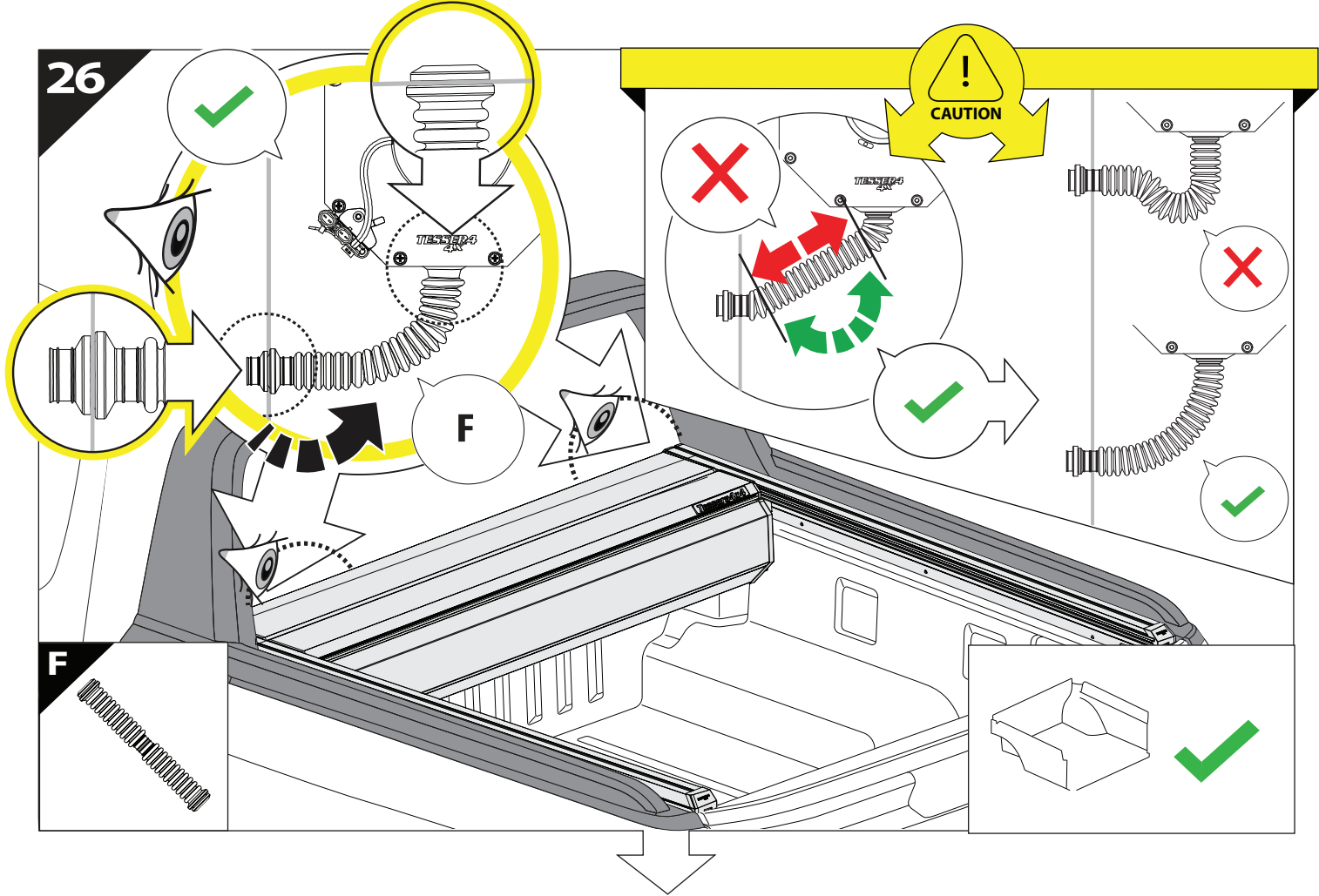
23.3


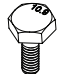

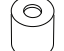


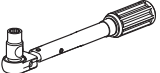



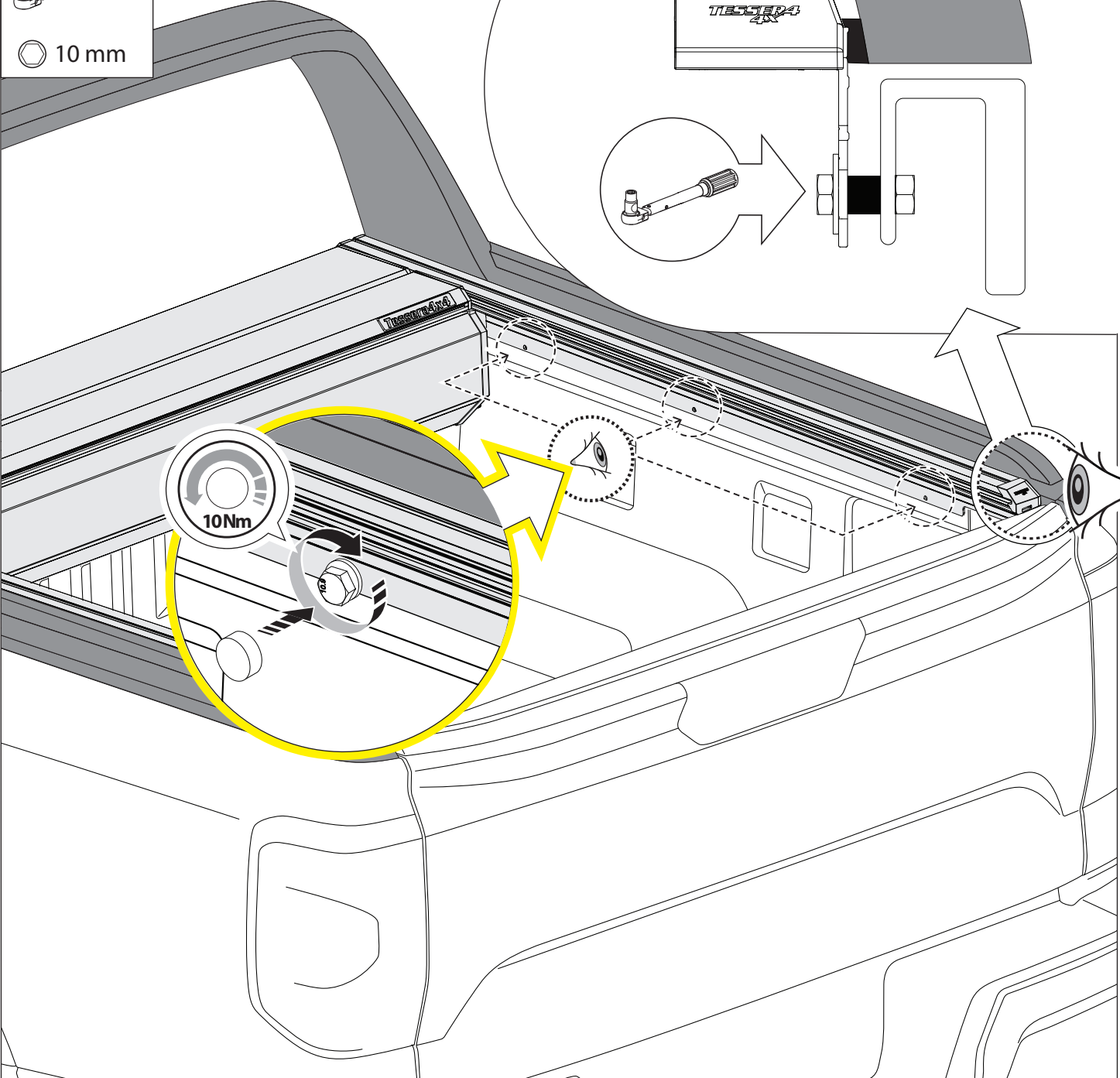
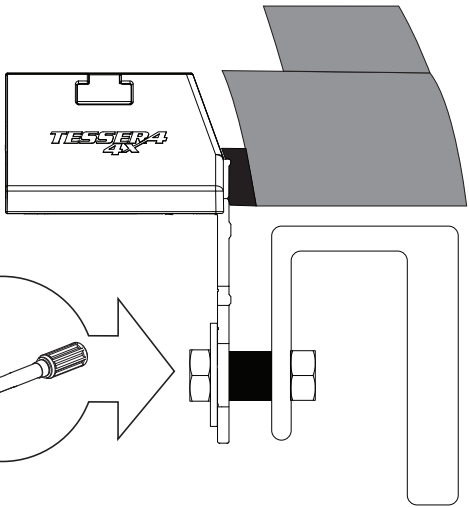
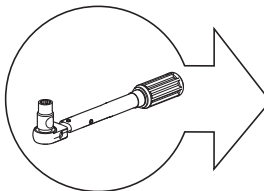
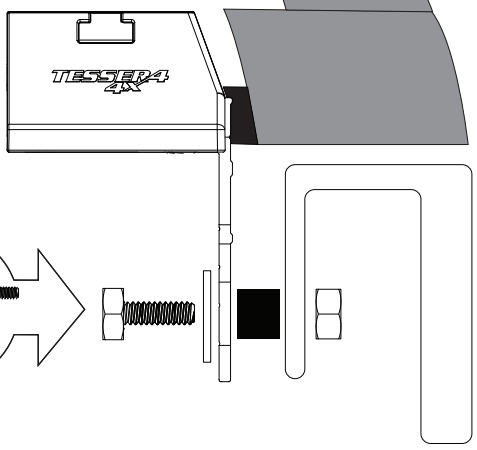
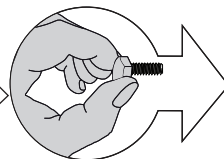
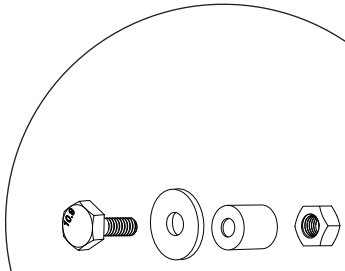
24





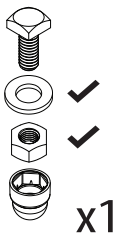


- E2
-  ✓
 -  ✓
 -  ✓
 -  ✓
 -  ✓
 -  ✓
- x6
- 
 -  10 mm

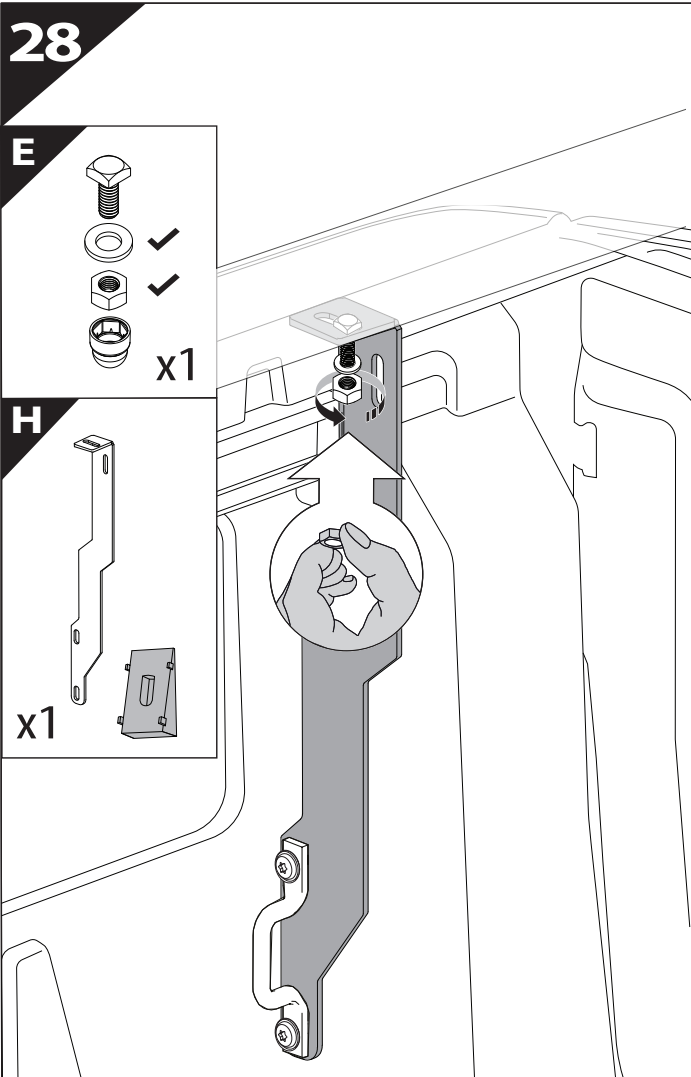
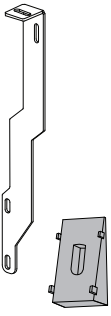


28

E

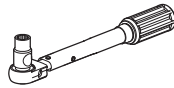
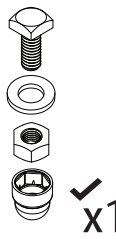


H

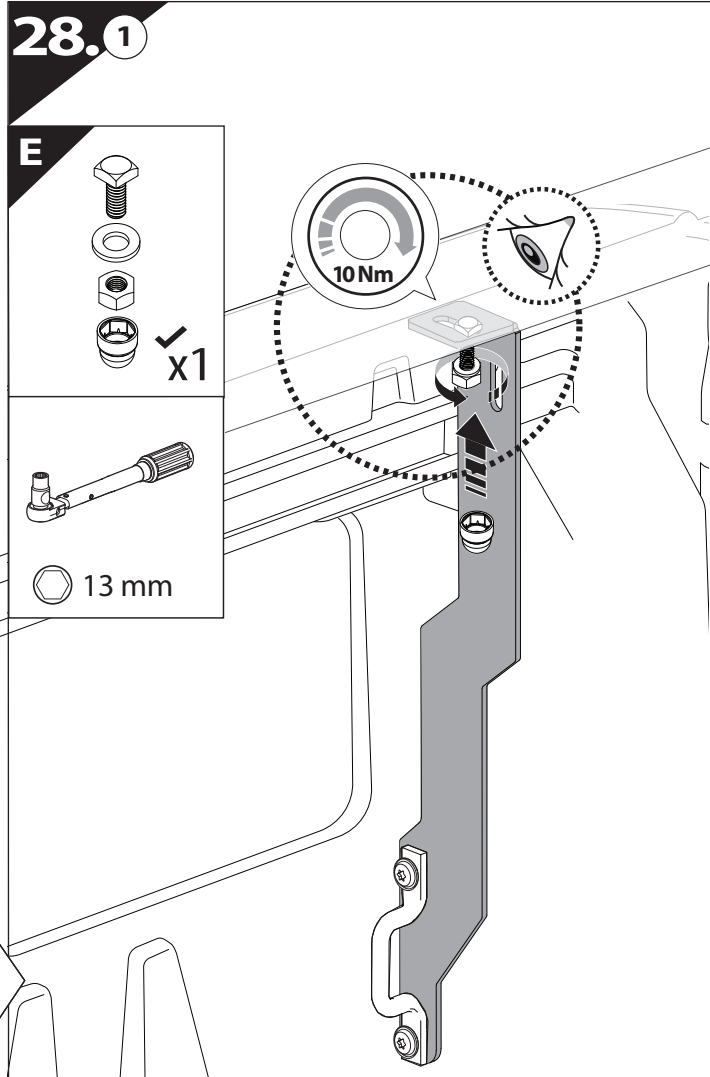


28.1

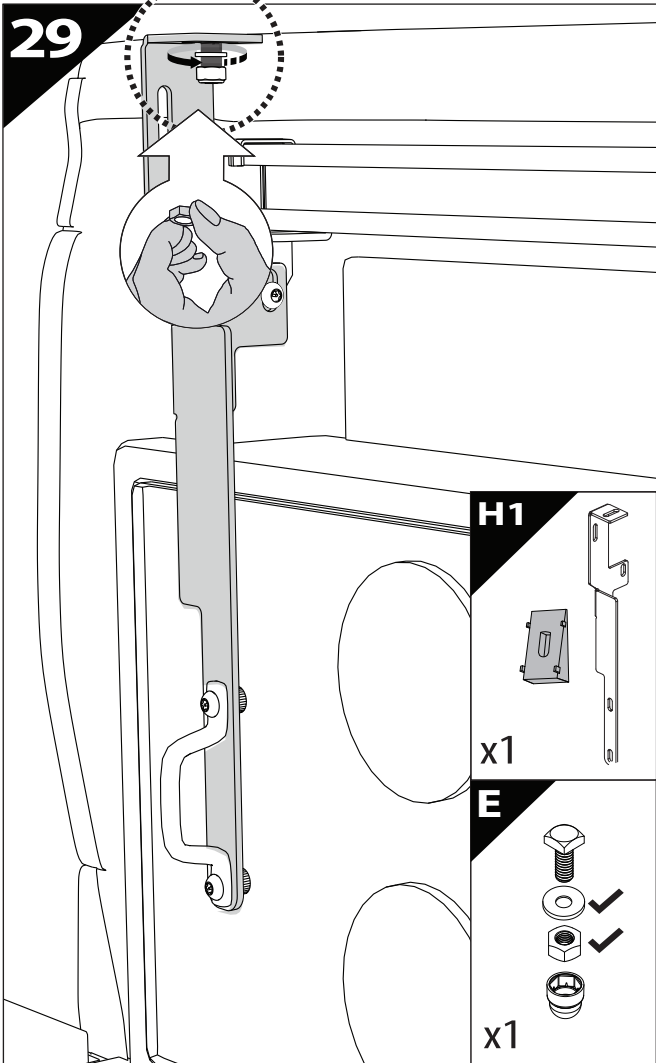
E



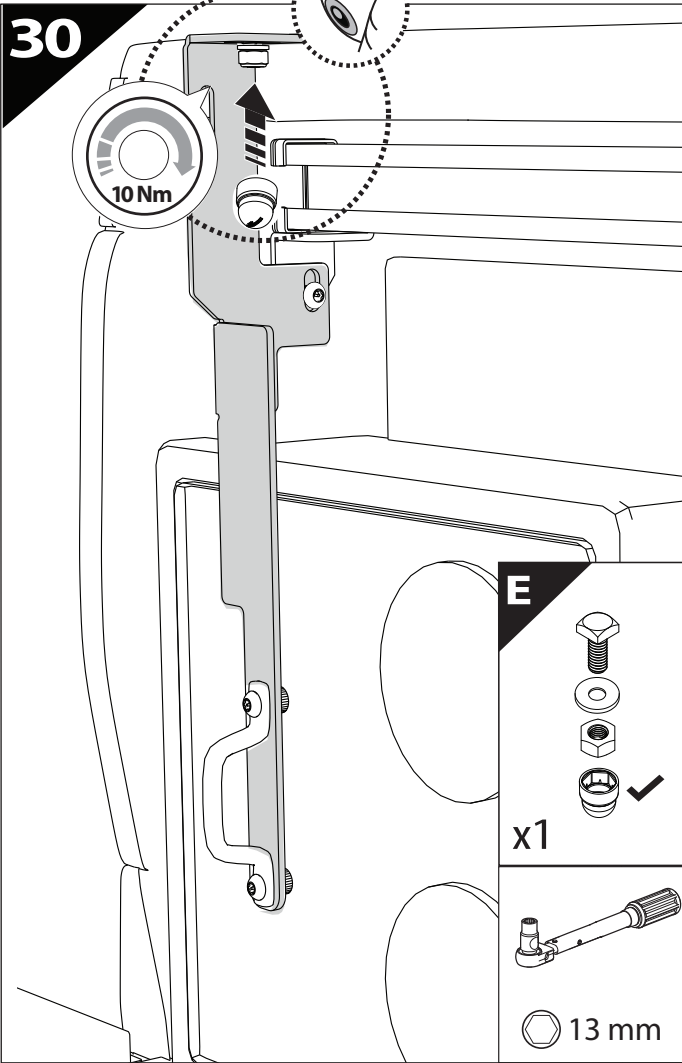
13 mm



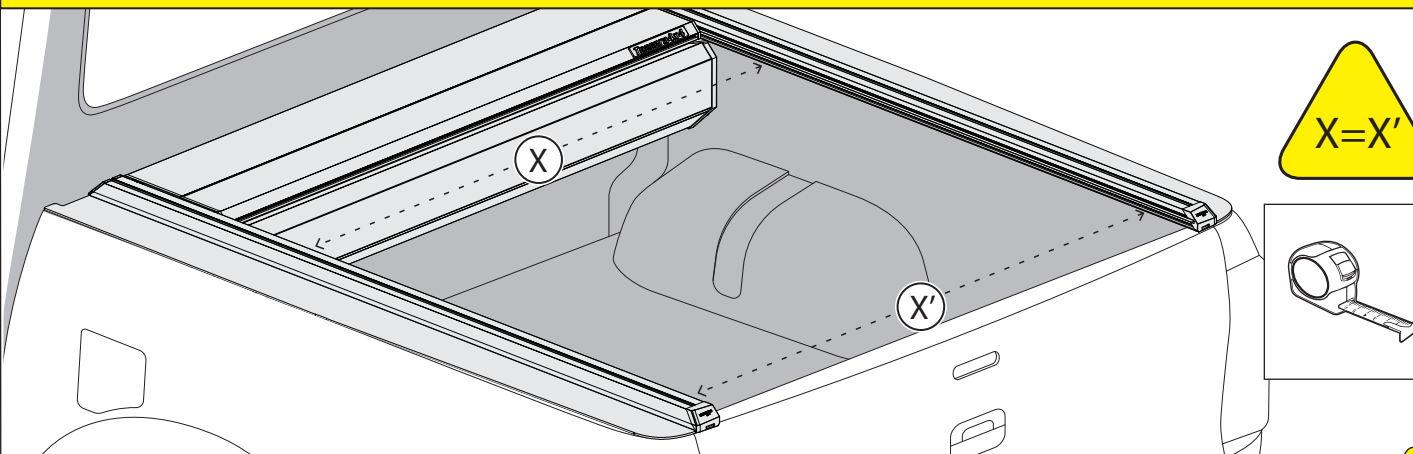
29



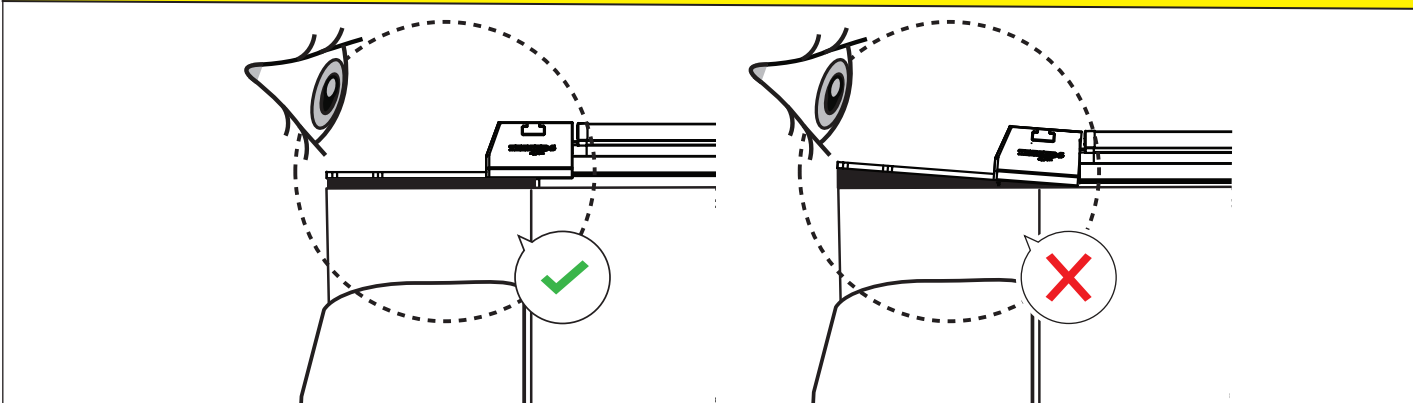
30



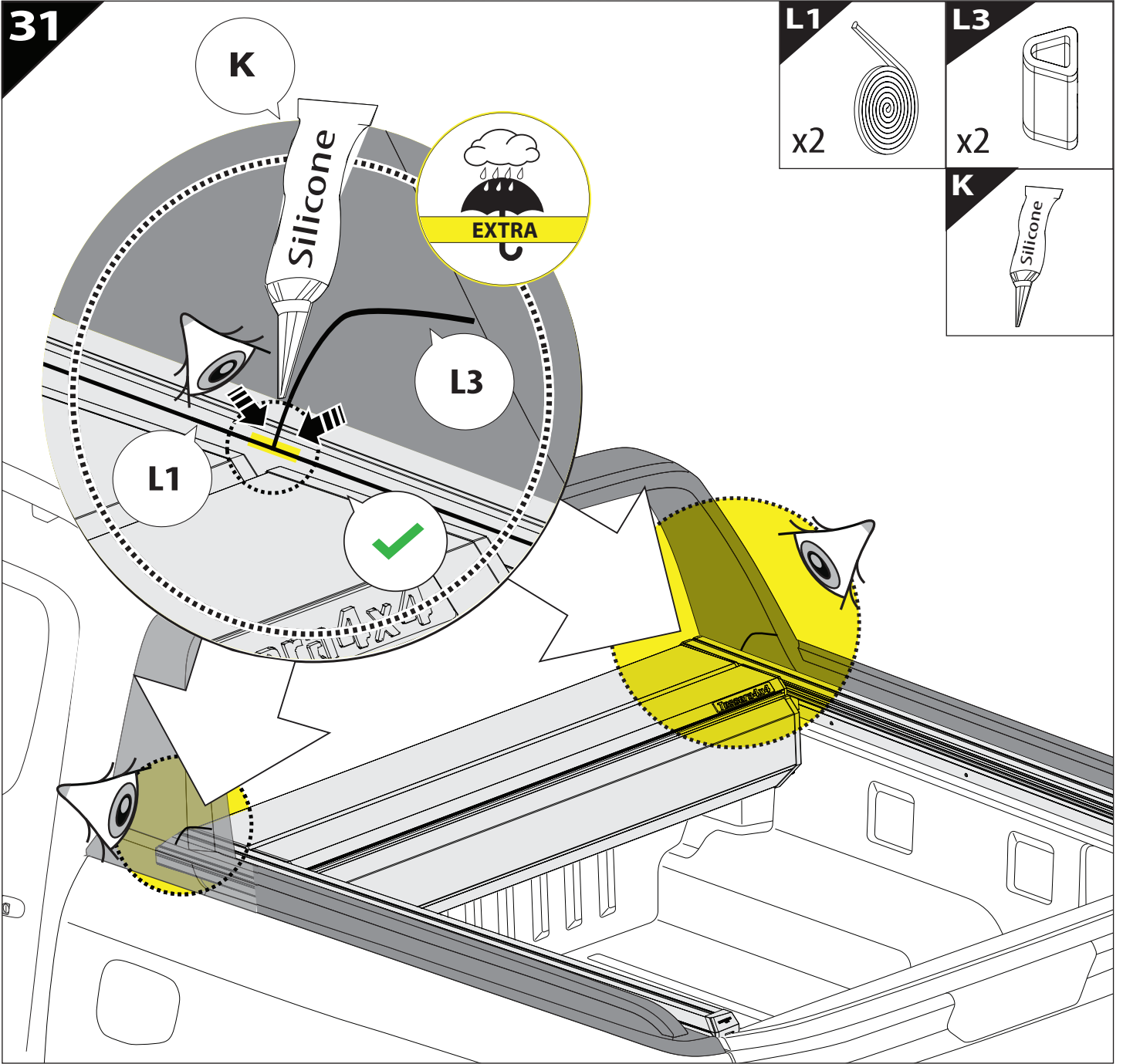
CAUTION !



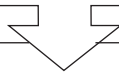
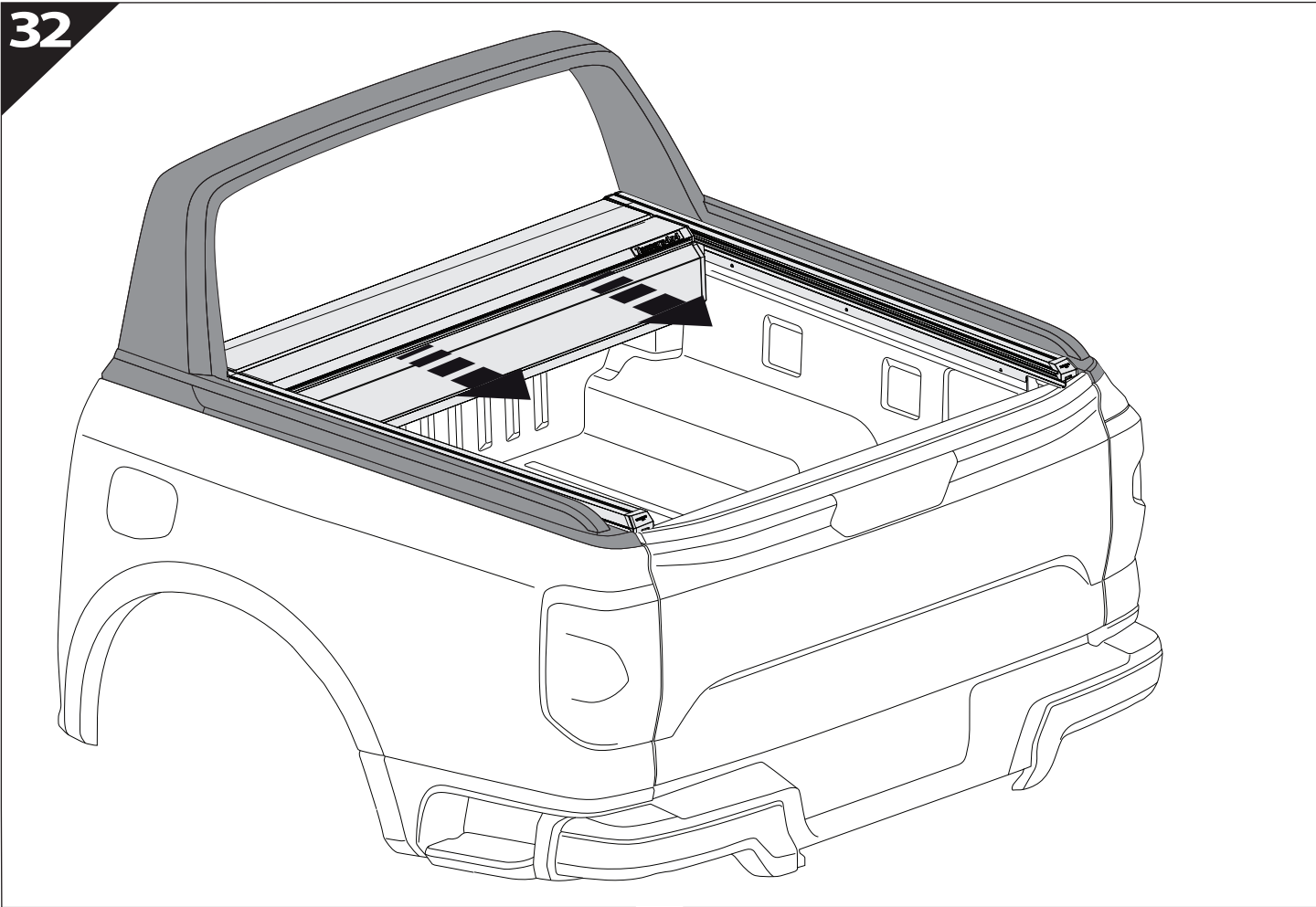
CAUTION !



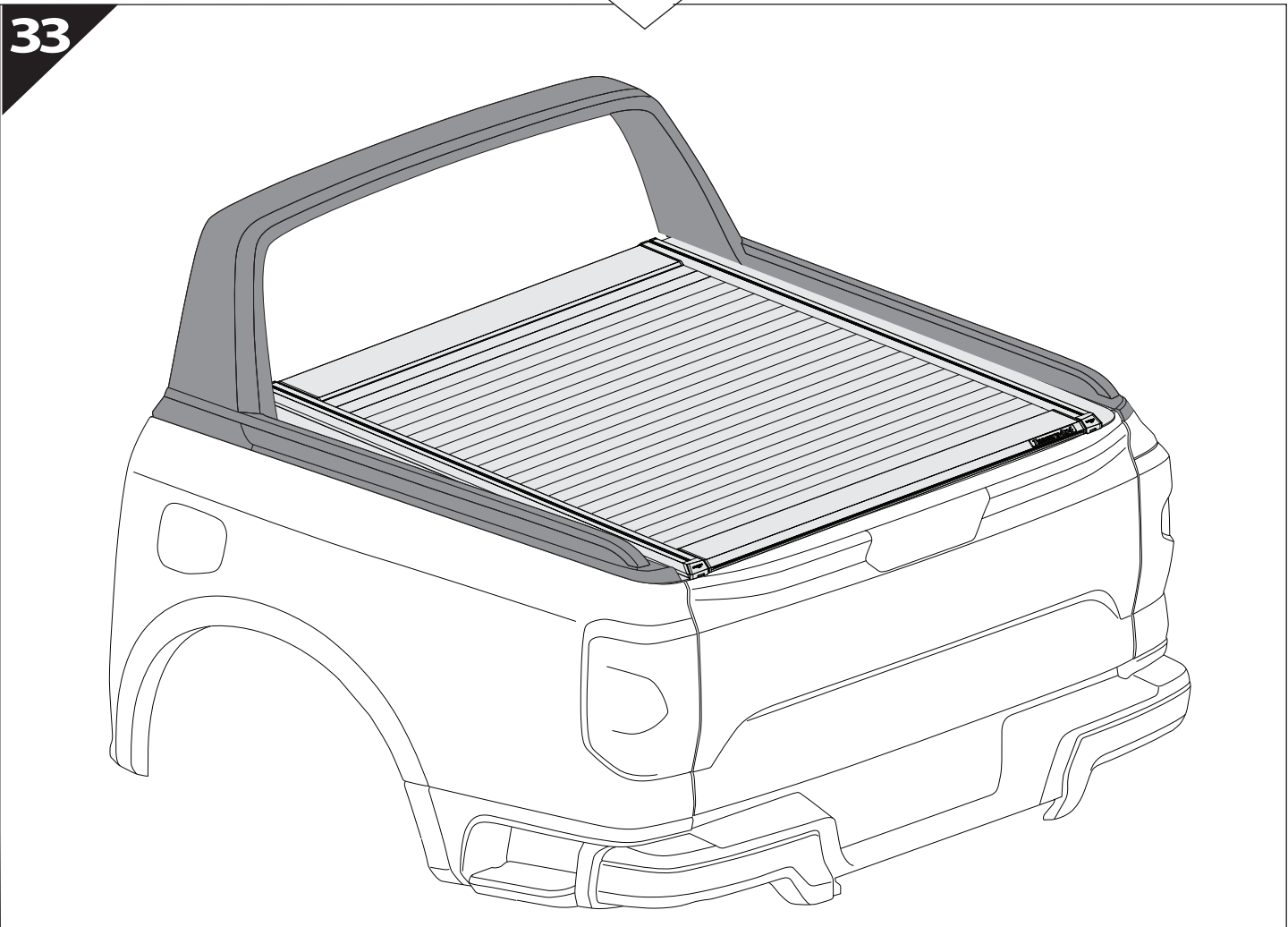
31



32



33





GR: Οδηγίες Εγκατάστασης
GB: Installation manual
SF: Asennusohje
F: Notice de montage
PL: Instrukcja montażu
NL: Installatie-instructies
TR: Montaj Talimatı
S: Monteringsanvisning
E: Instrucciones de montaje

H: Szerelési utasítás
P: Instruções de instalação
RUS: Инструкция по установке
N: Monteringsveiledning
D: Einbauanleitung
CZ: Návod k instalaci
I: Istruzioni di montaggio
DK: Monteringsvejledning
RO: Instructiuni de instalare

Customer Service:

+30 (210) 5541161, +30 (210) 5541154 (08:00 - 16:00 EET)

Support department:

info@gianso.gr

Website:

www.tessera4x4.com

Address:

19.5 km of National road Athens-Korinthos (Elefsina) Greece, P.C: 19200