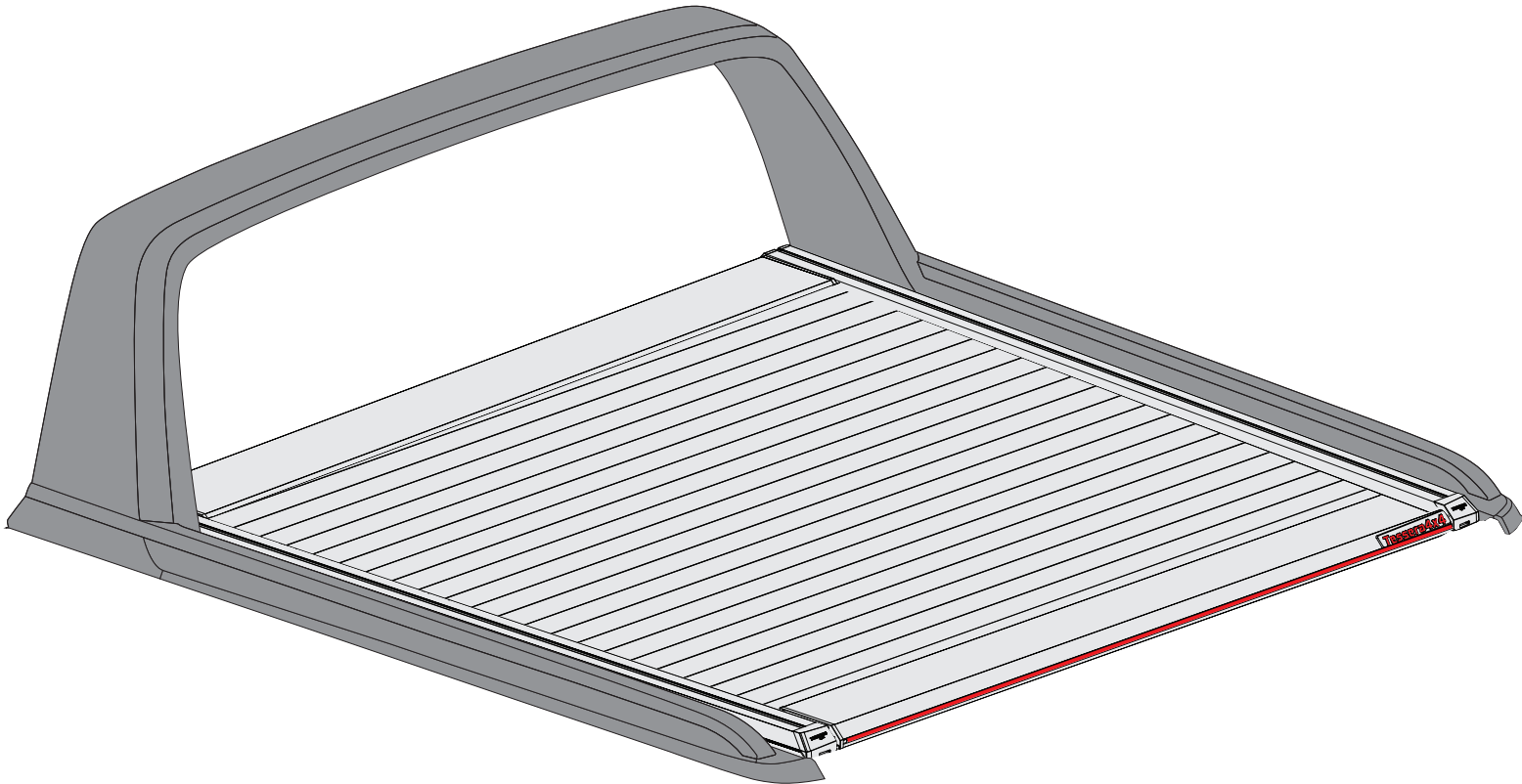


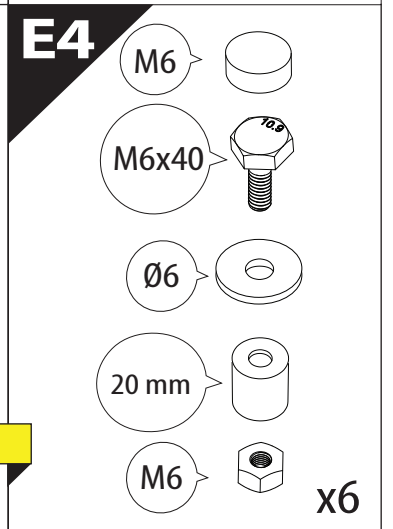
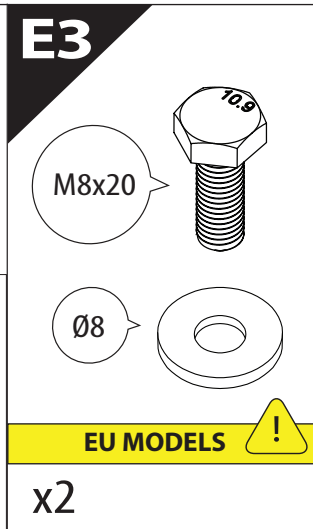
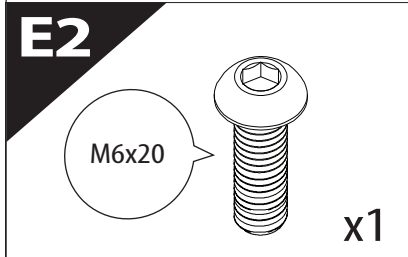
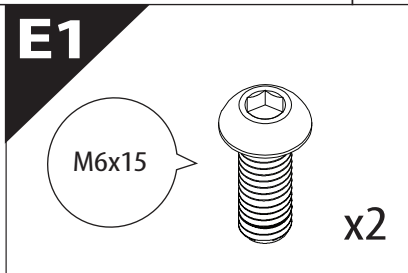
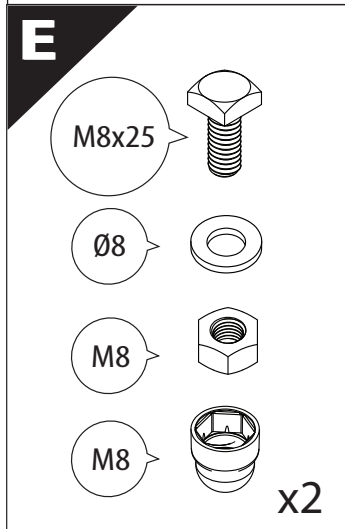
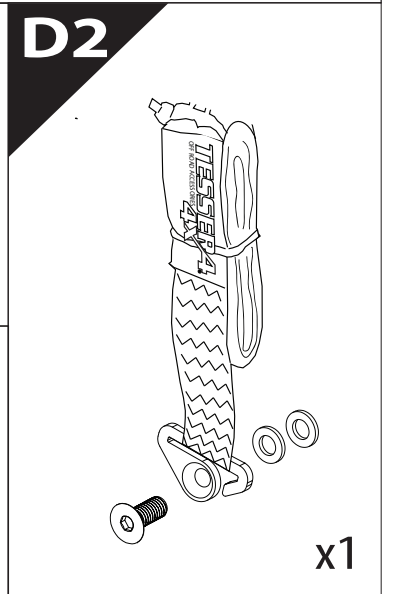
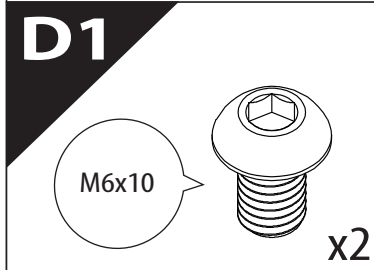
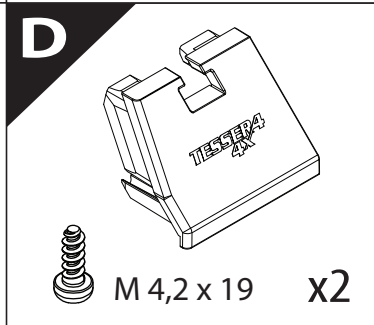
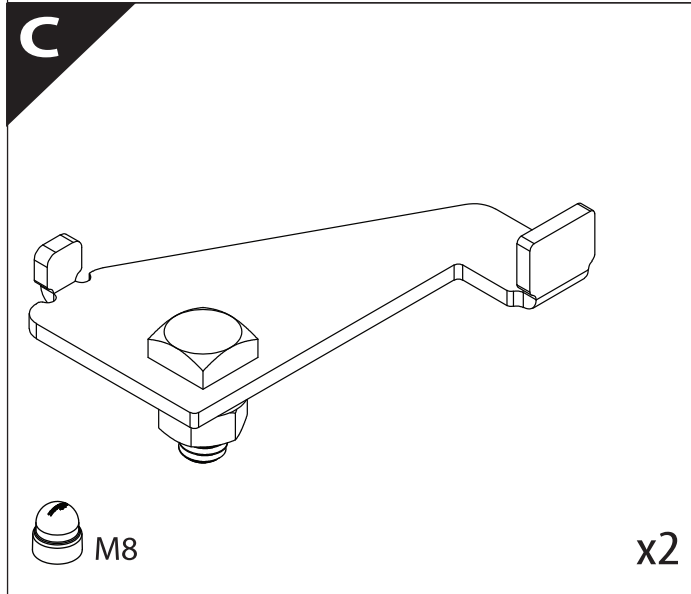
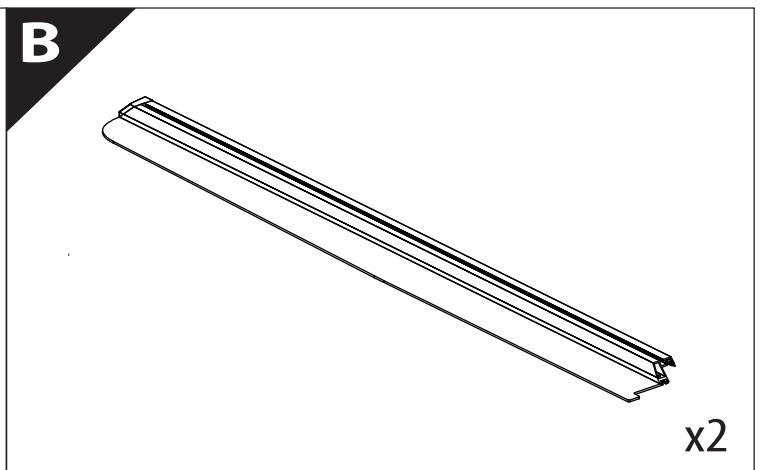
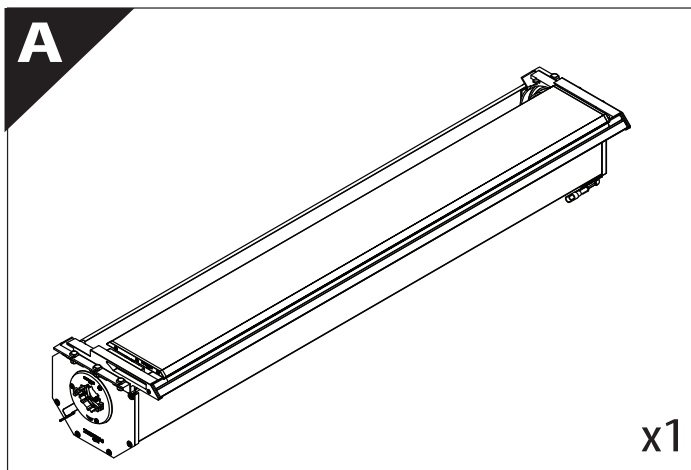
Tessera Roll+

Basic Version + ⚡ E-KIT

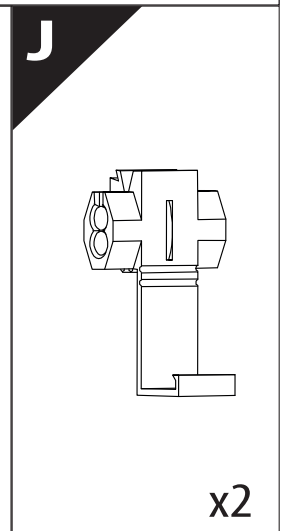
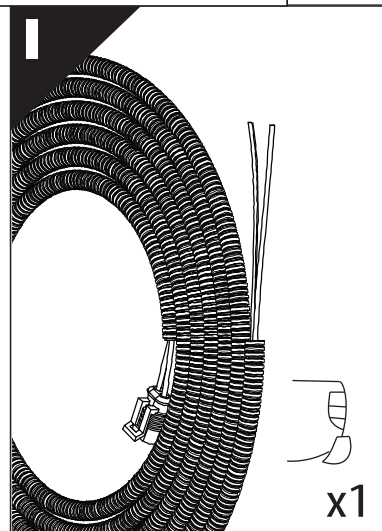
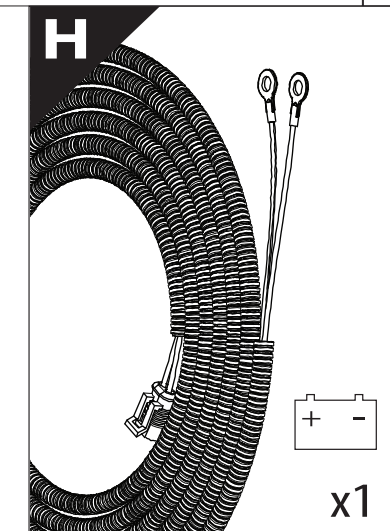
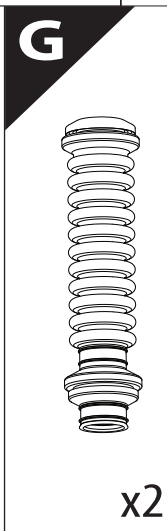
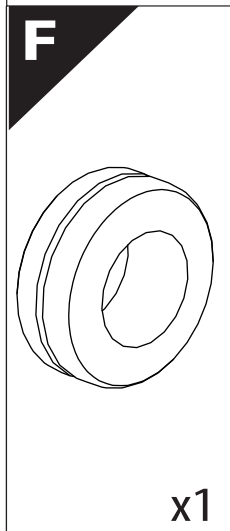


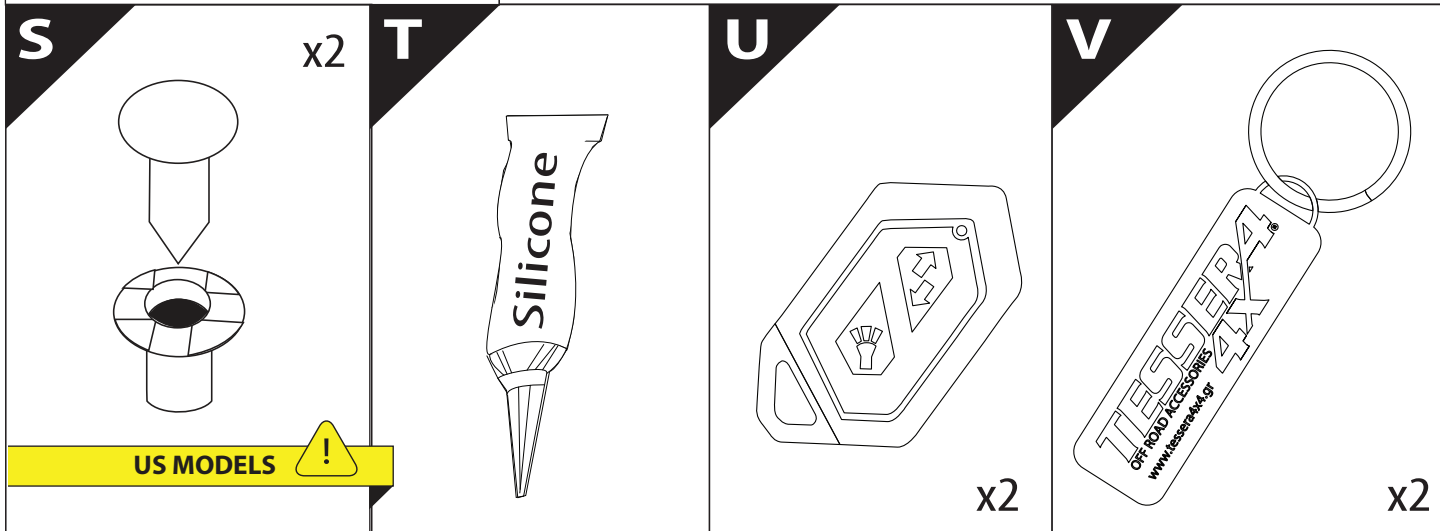
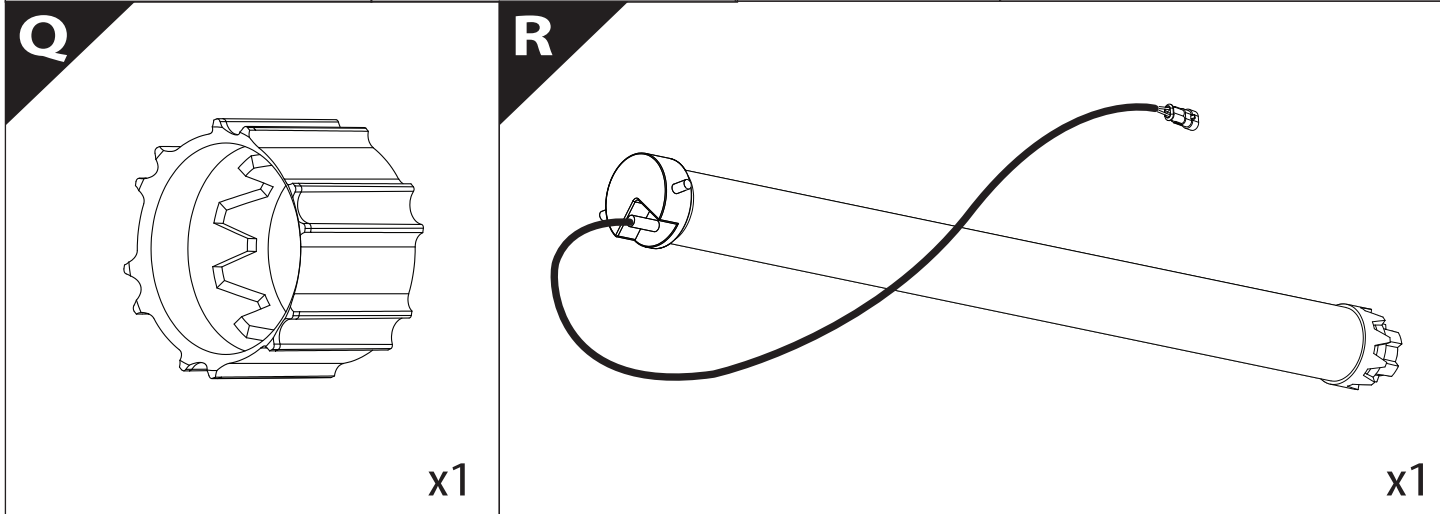
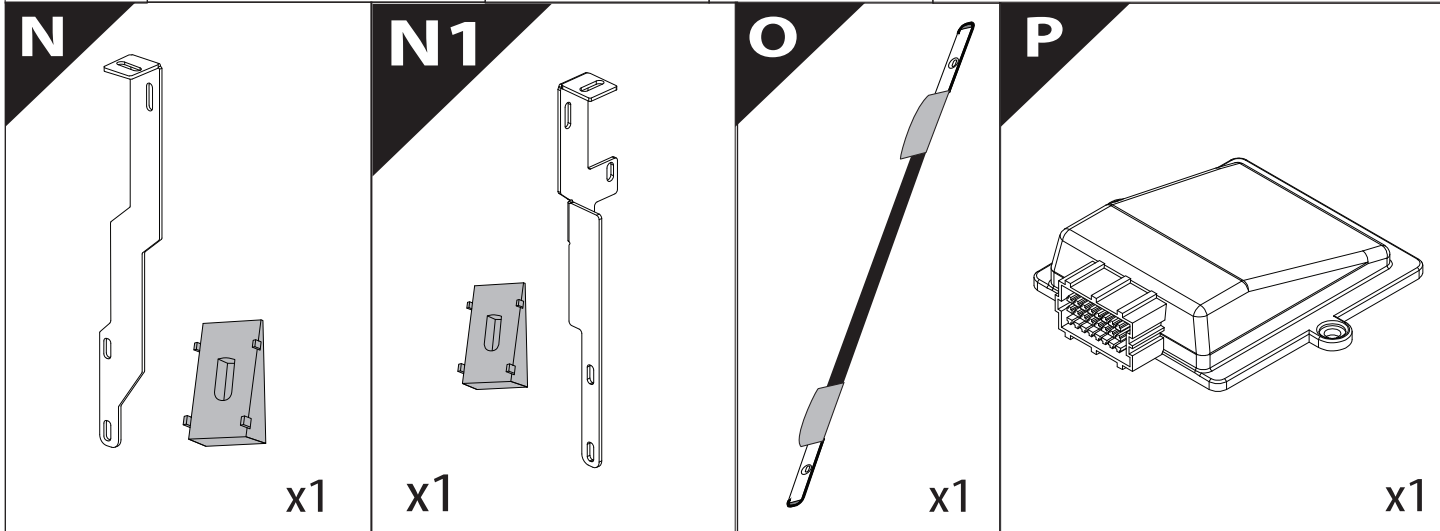
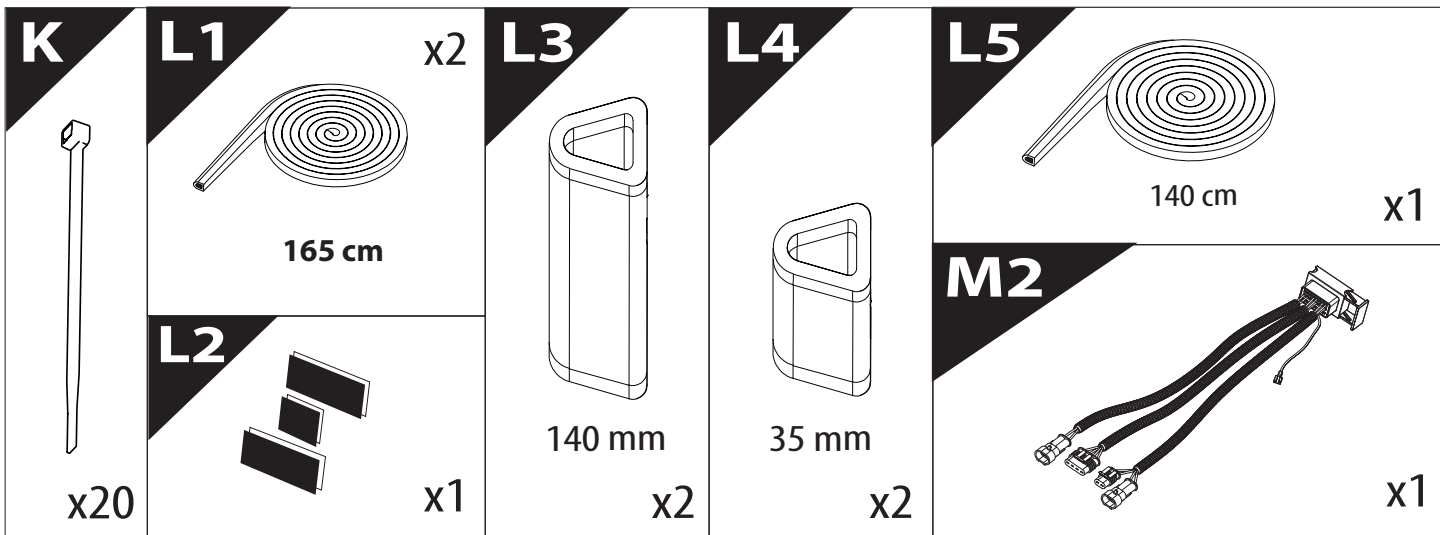
Installation Manual

PART NUMBER(S)	Model Year
TESS 14081 ROLL+E-KIT	FORD RANGER WILDTRAK PHEV 2025+ (with c-channels)
Cab(s)	Installation Time / Weight
Double Cab	40-60 minutes / 53-57 kg


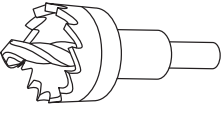
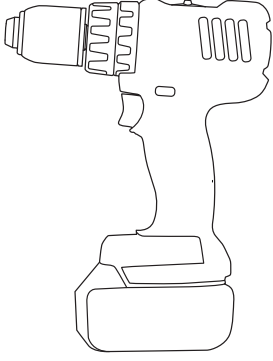
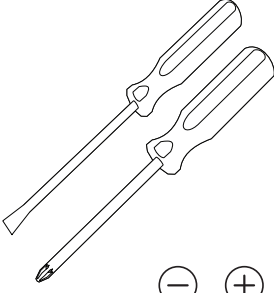
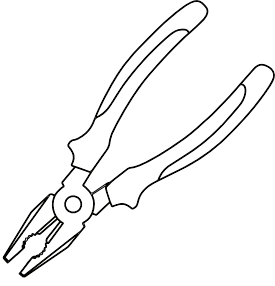
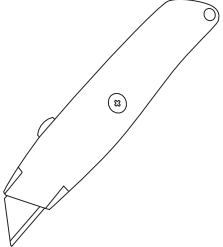
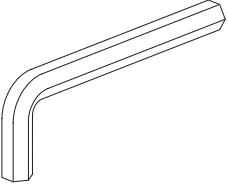
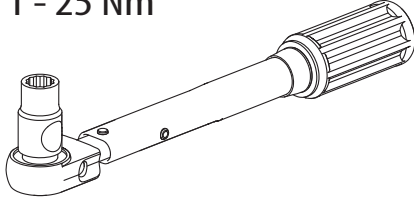

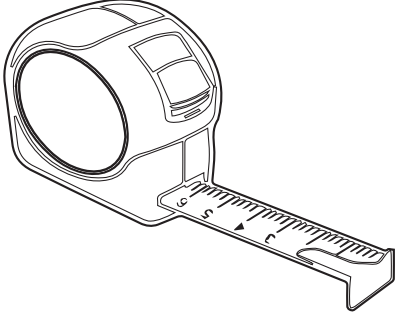

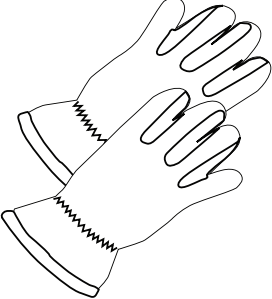
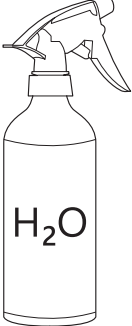
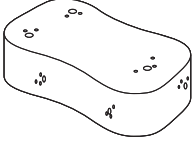
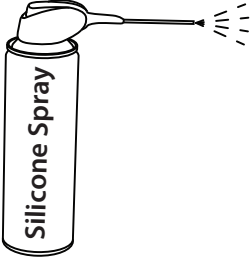
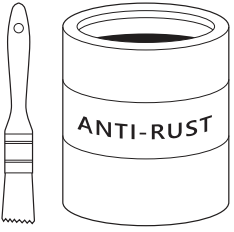

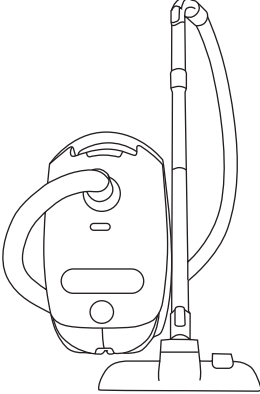
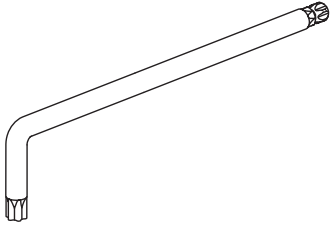


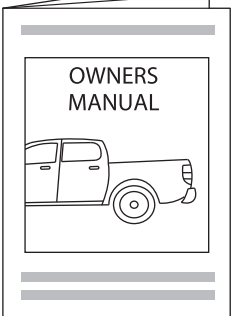


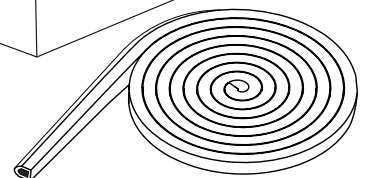
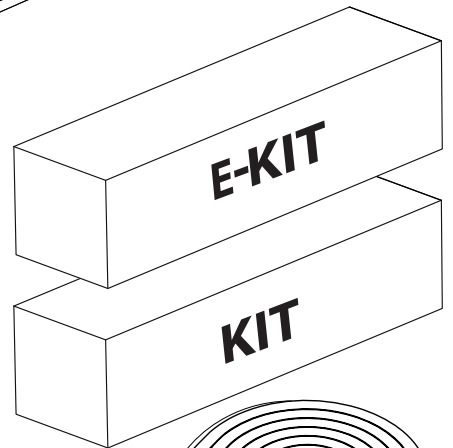
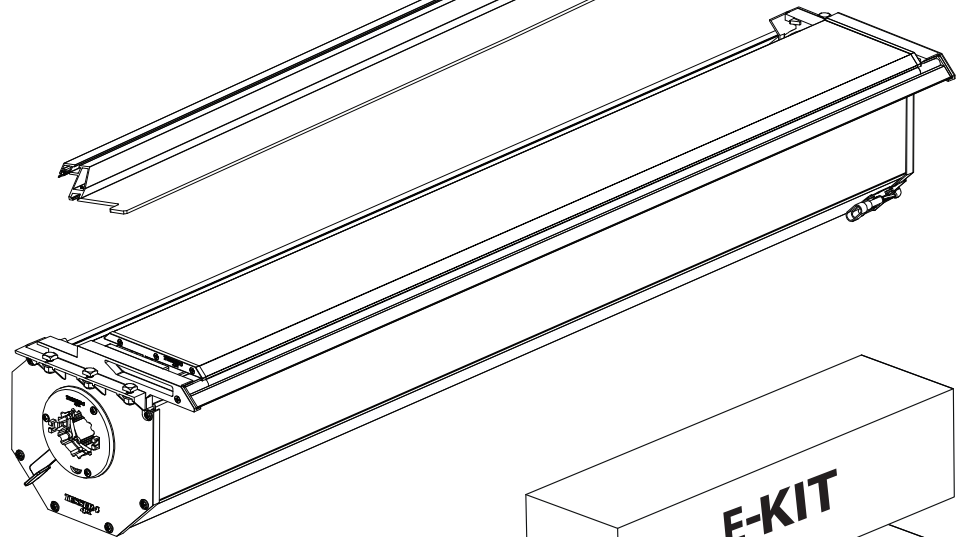
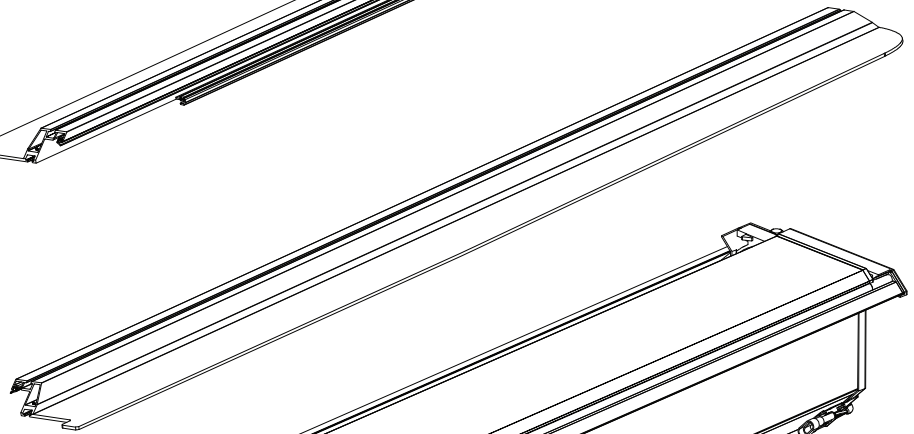
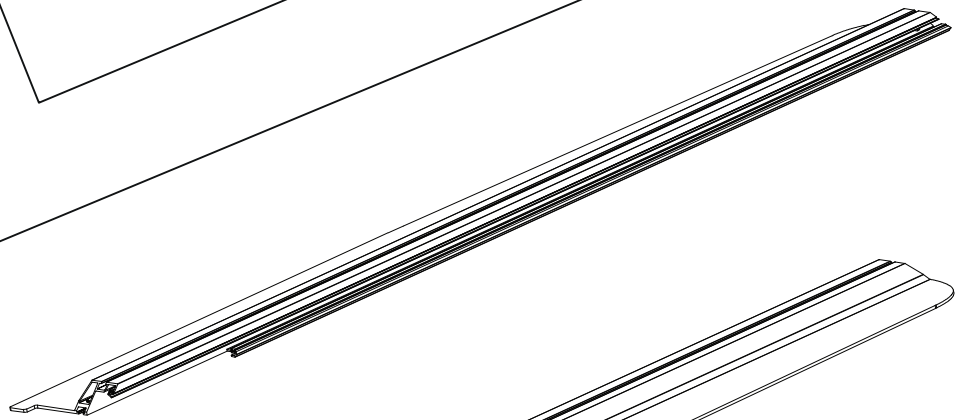
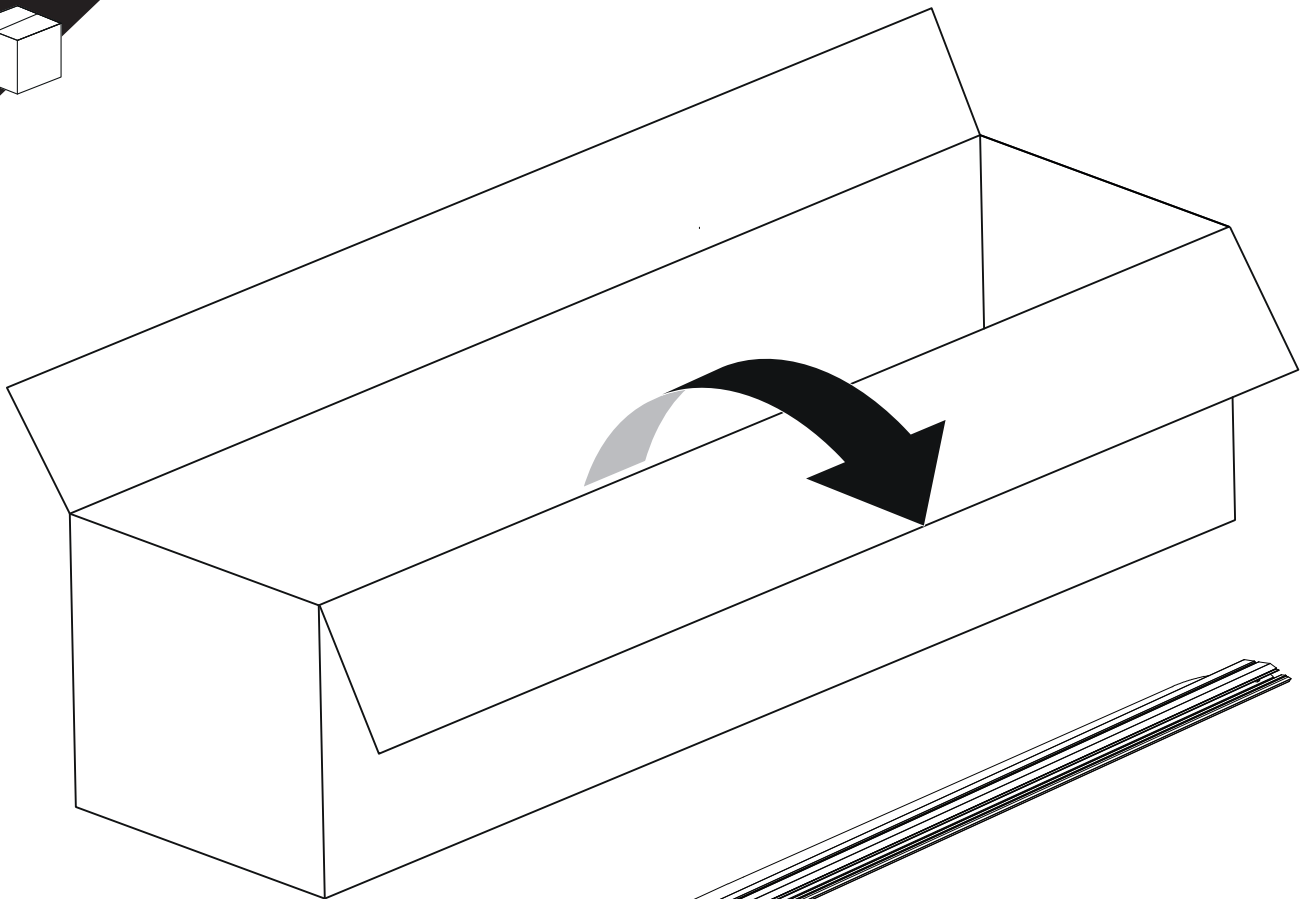
EU MODELS !





US MODELS !

  <p>Ø 25 mm</p>		 <p>− +</p>		
	 <p>⊙ 4 mm</p>	<p>1 - 25 Nm</p>  <p>⊙ 10,12, 13, 17 mm</p>	 <p>ACETONE</p>	
			 <p>H₂O</p>	
 <p>Silicone Spray</p>	 <p>ANTI-RUST</p>			 <p>⊙ T30, T40</p>
	 <p>INSTALLATION MANUAL +E-KIT</p>	 <p>OWNERS MANUAL</p>	<p>x1</p>	

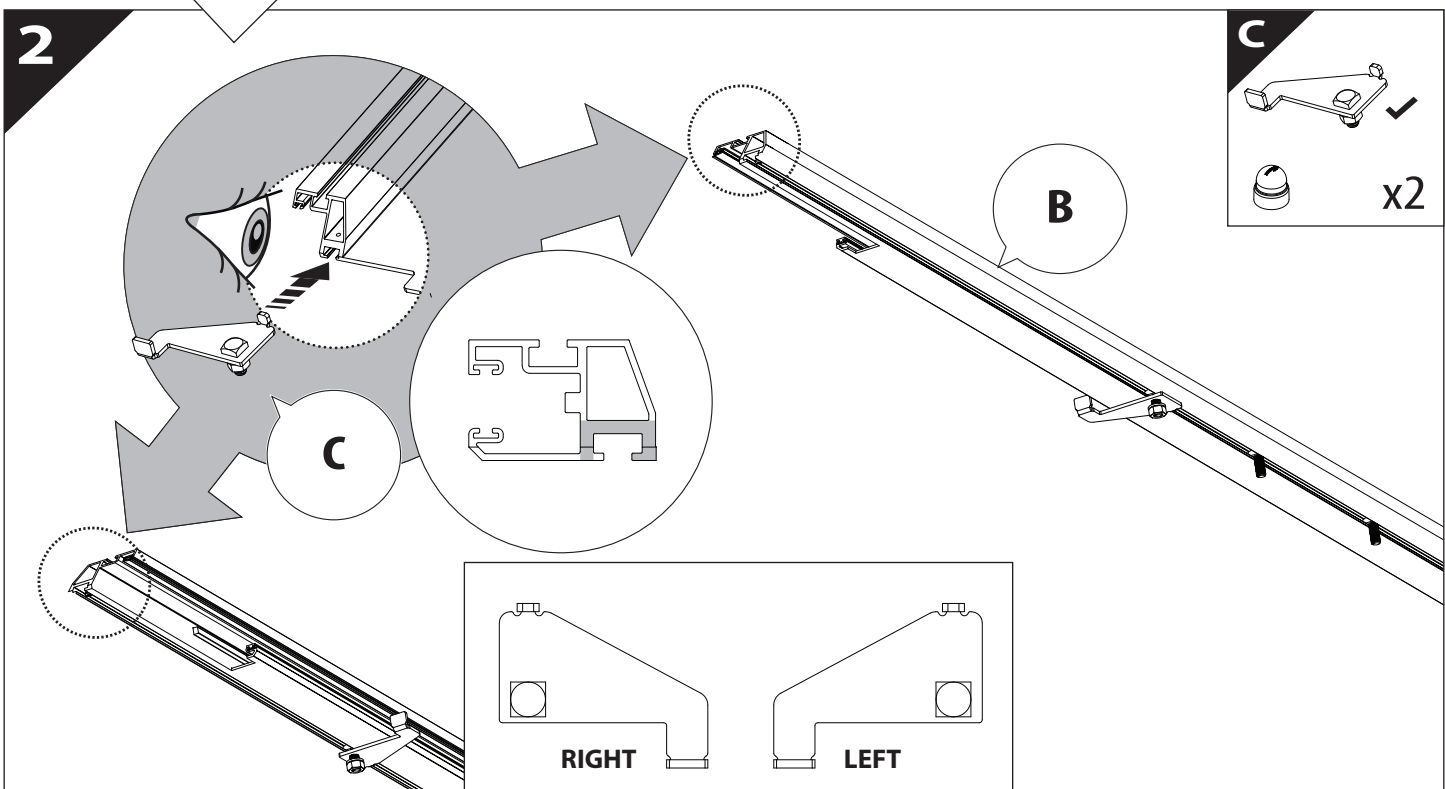
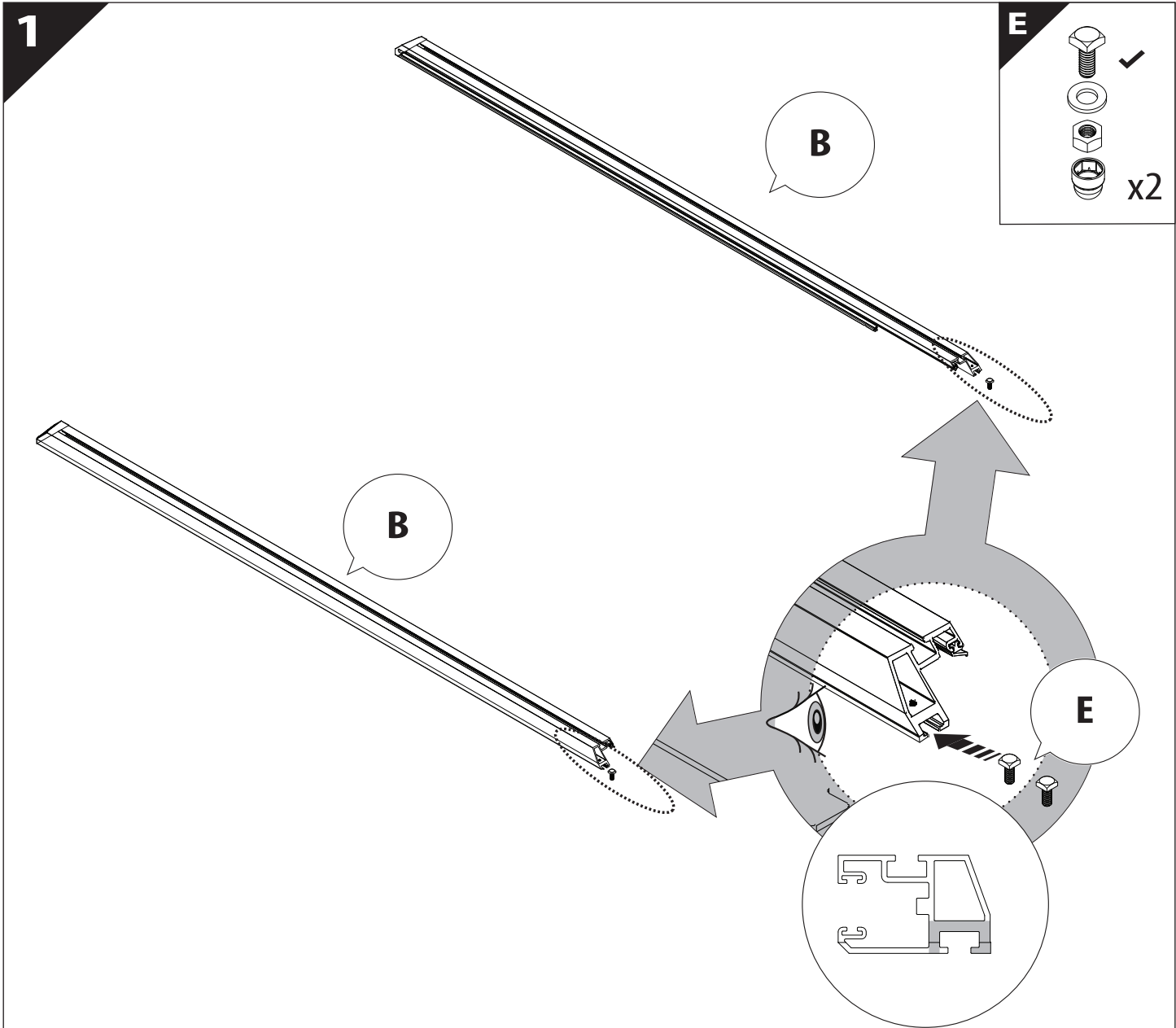


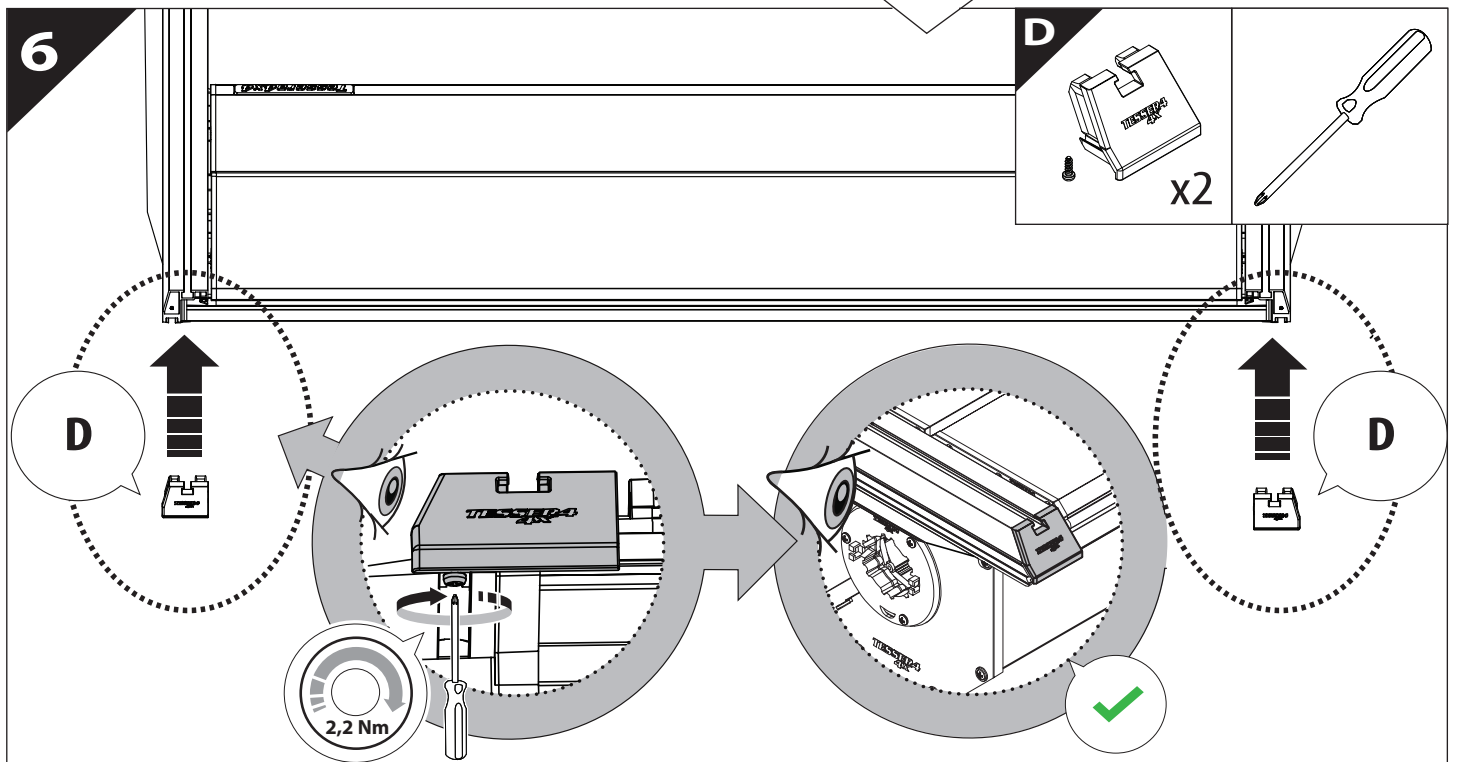
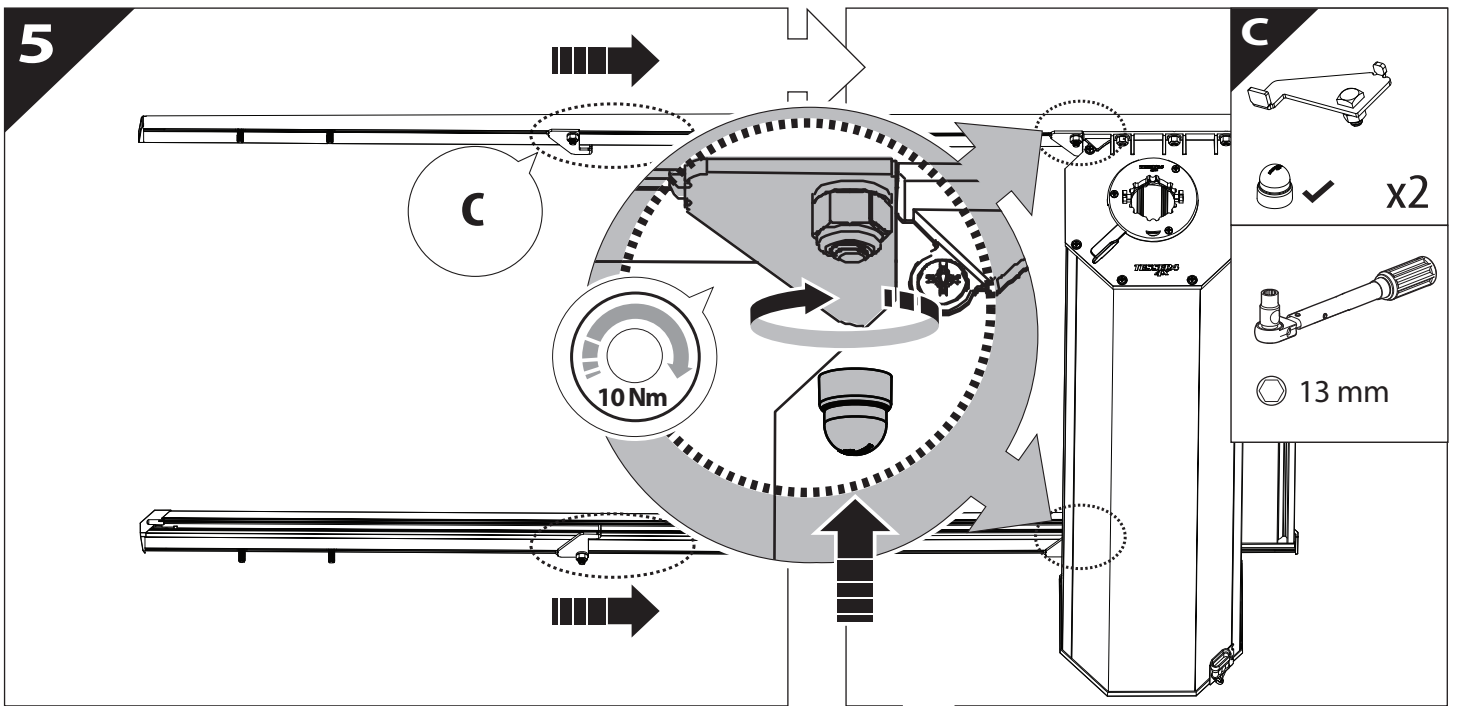
B

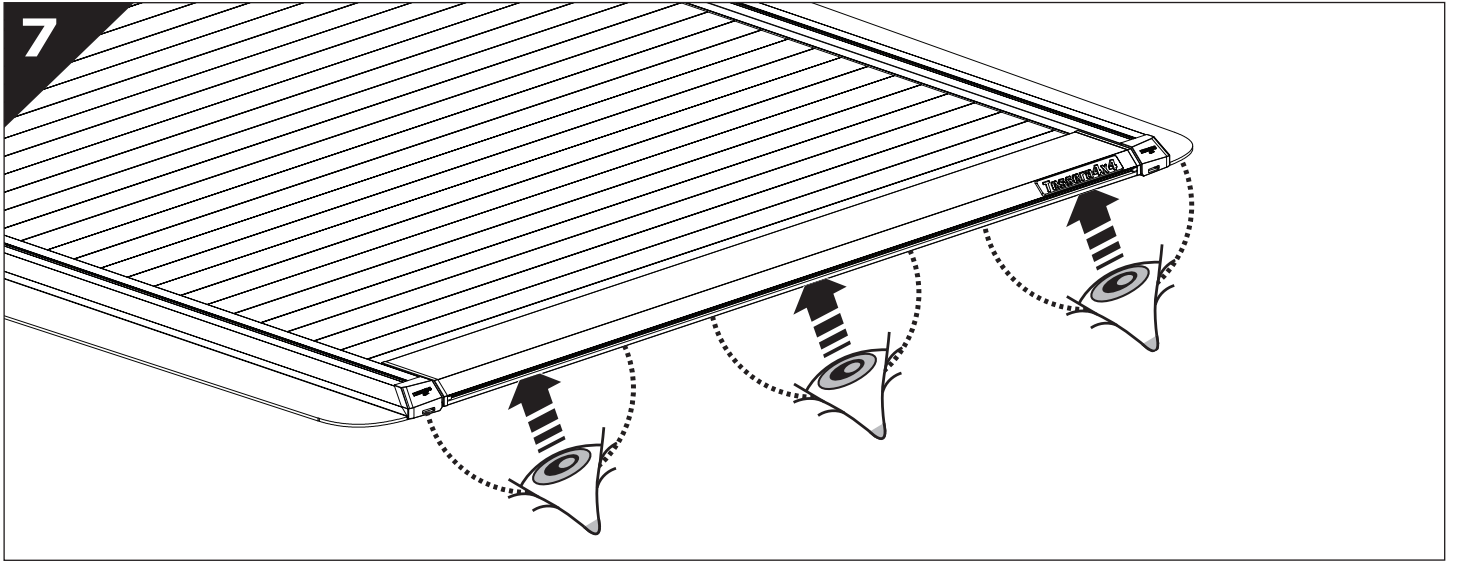
A

KITS

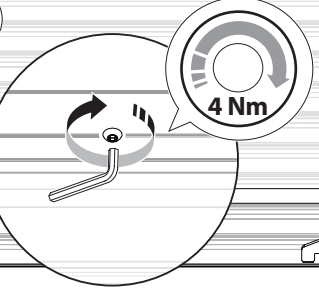
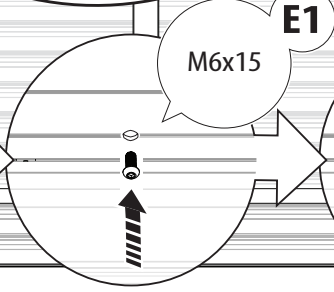
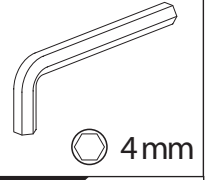
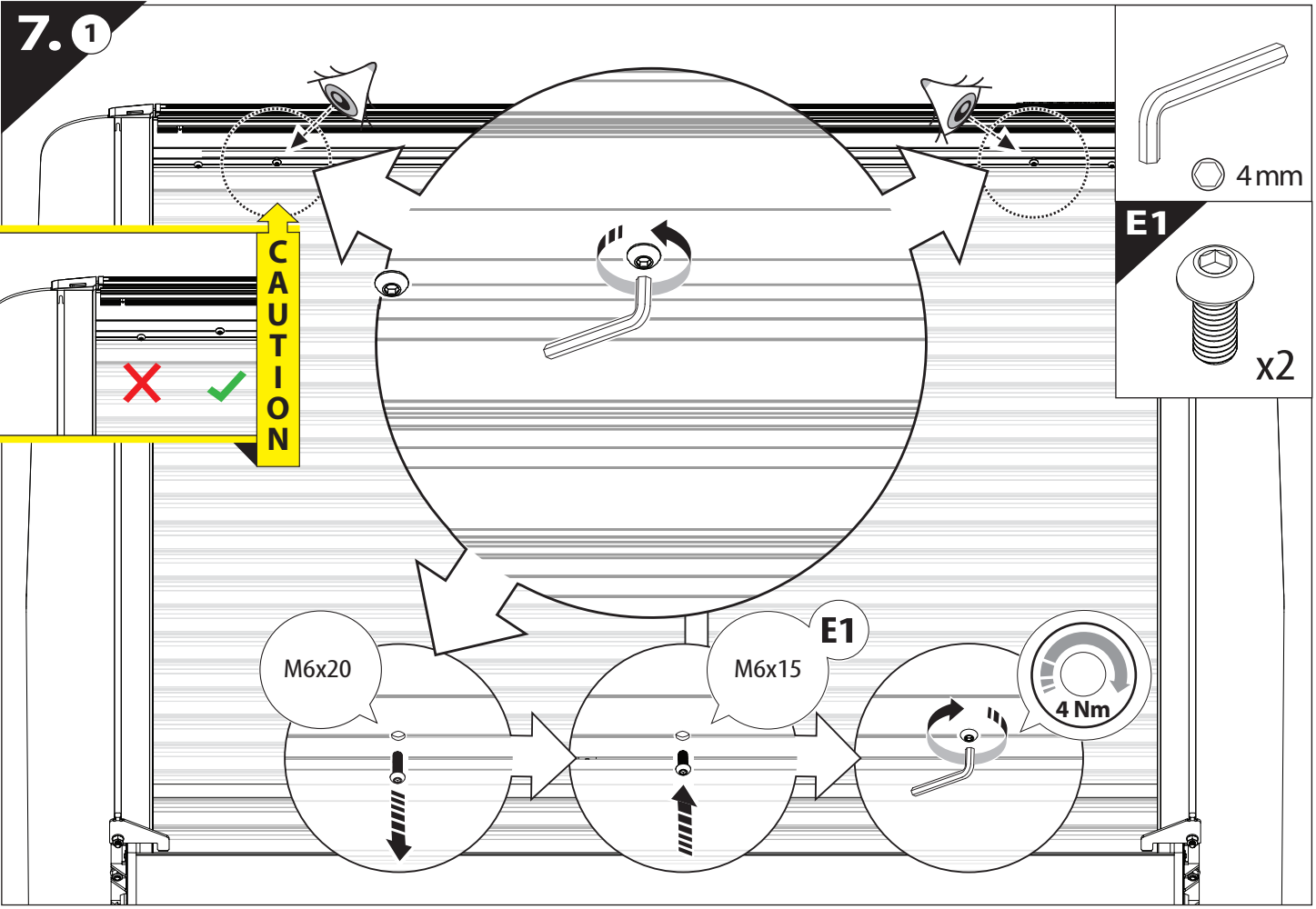
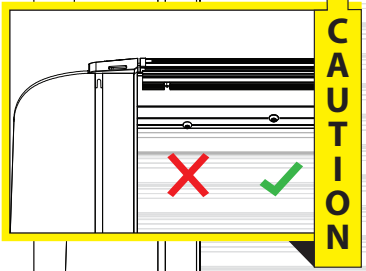
L



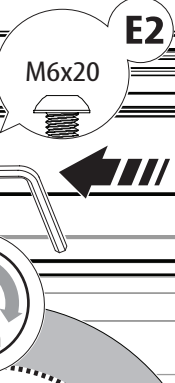
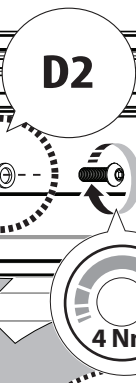
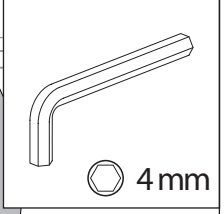
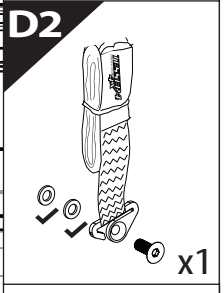
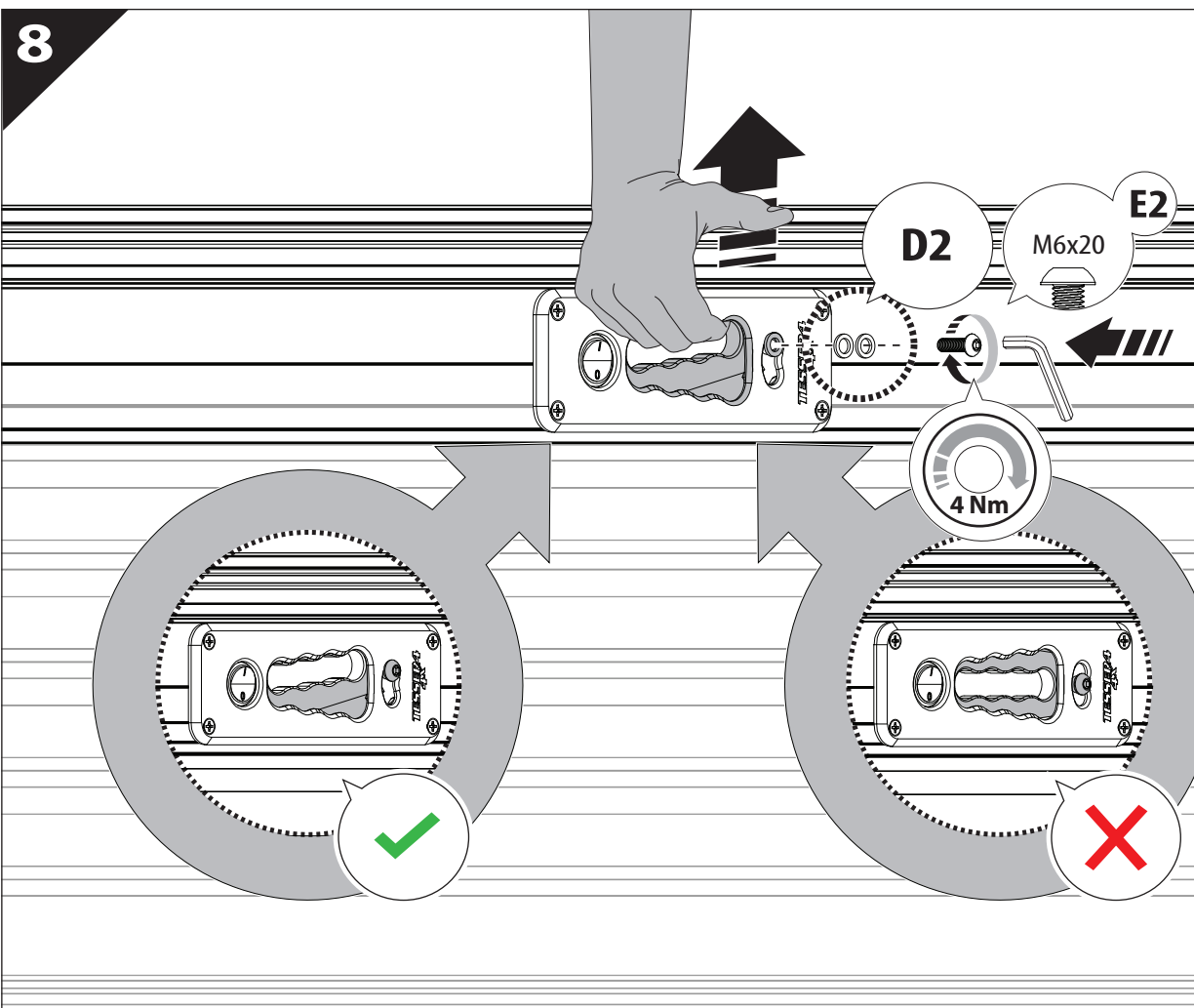


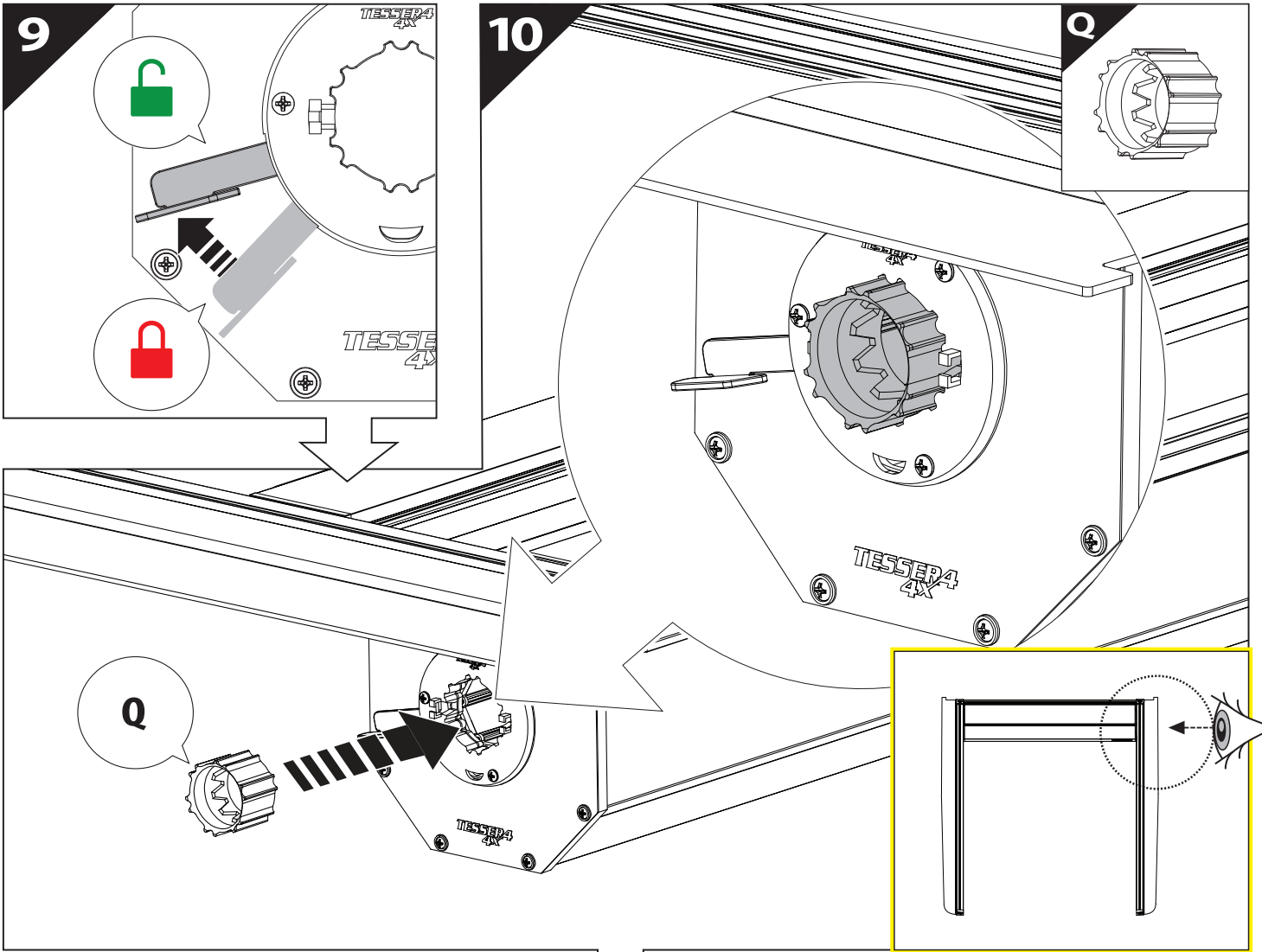


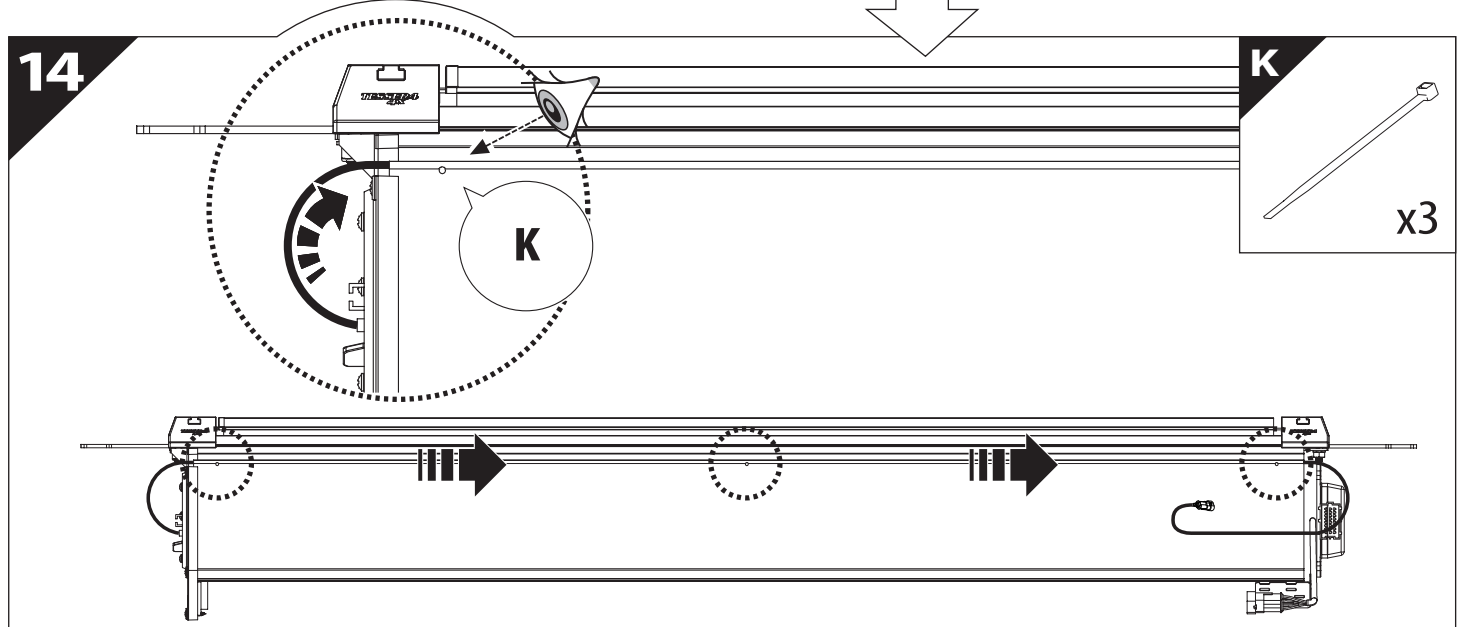
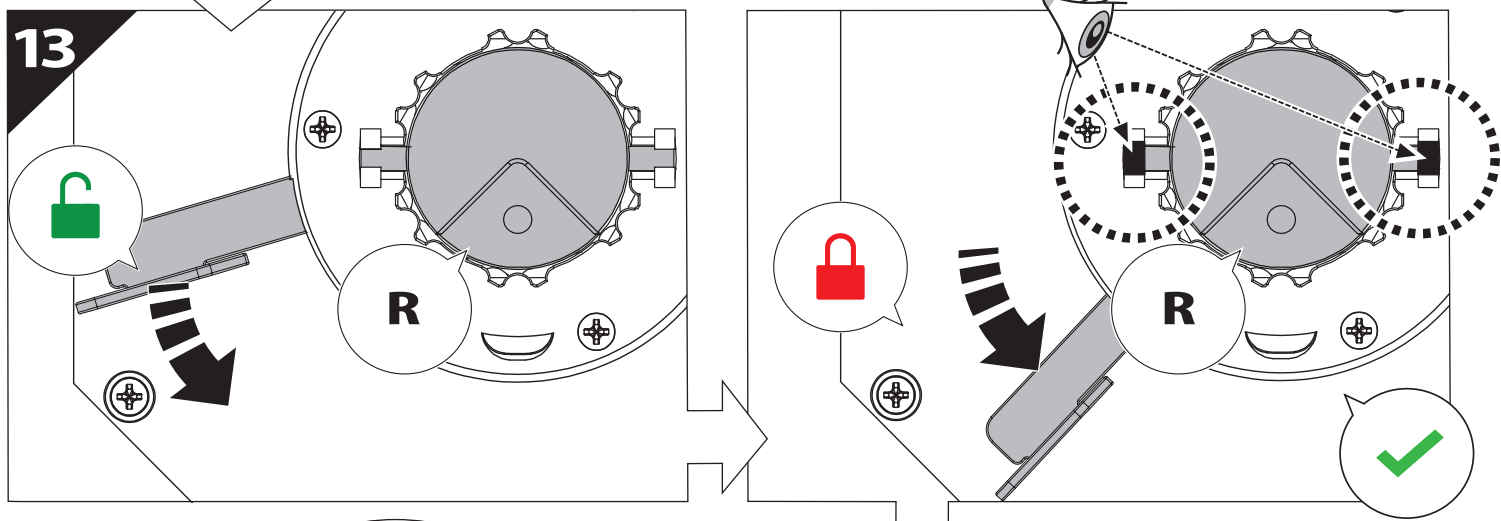
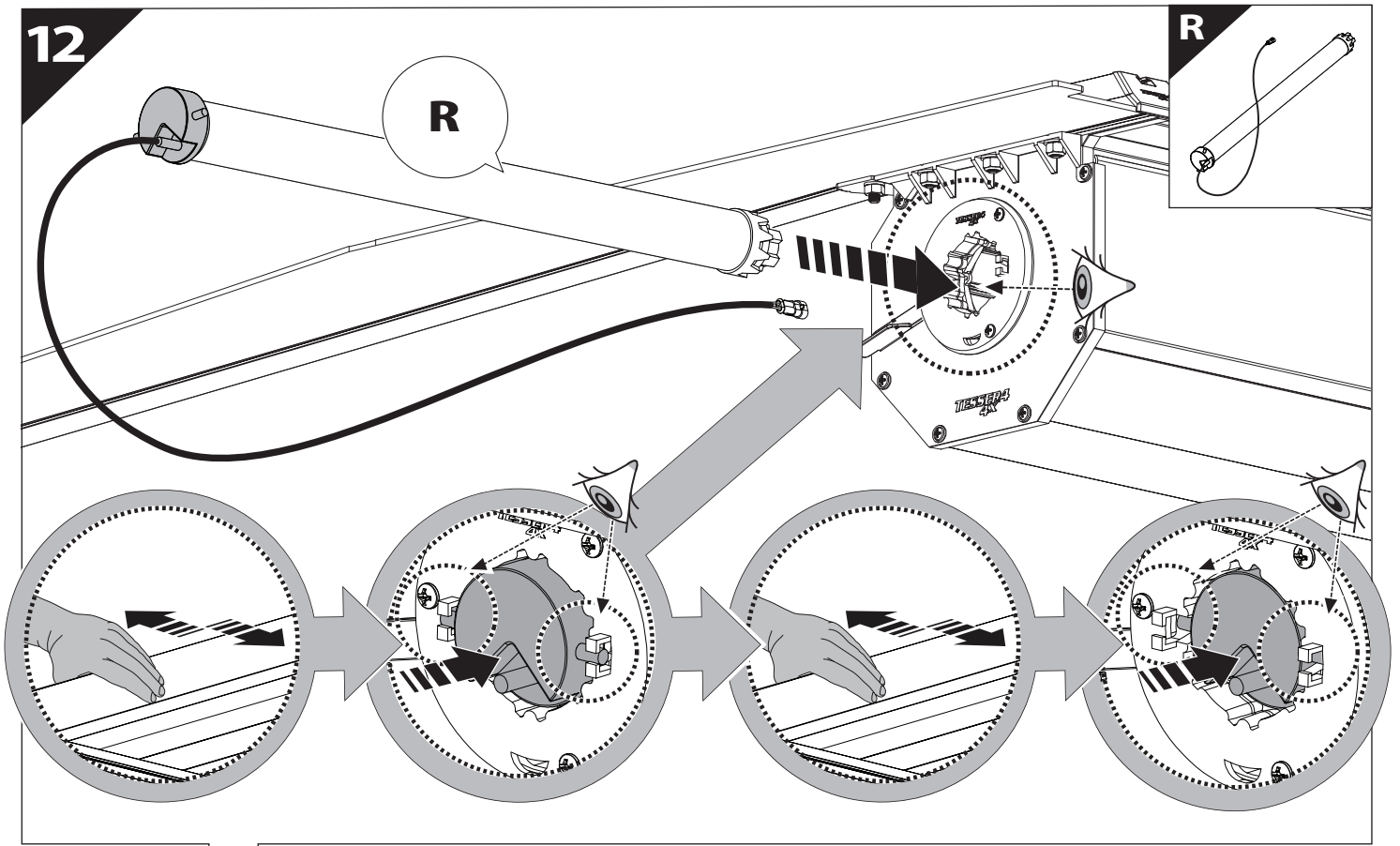
7.1

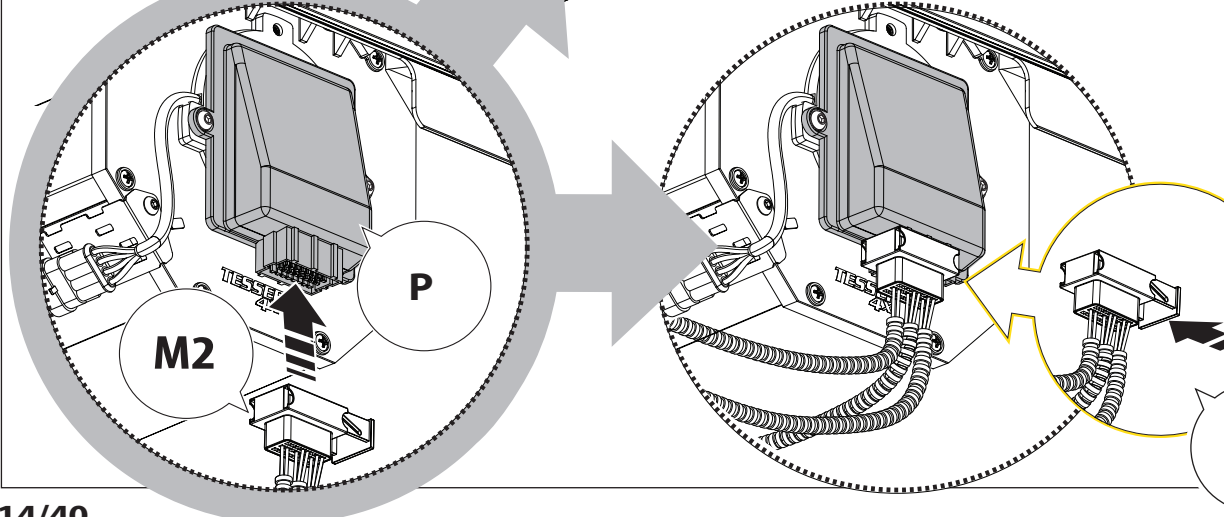
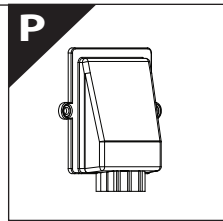
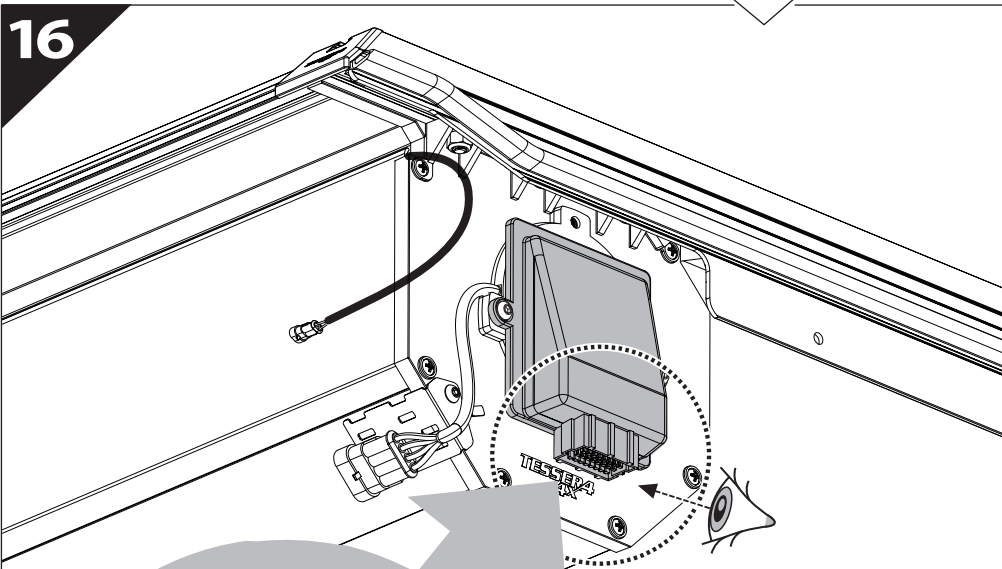
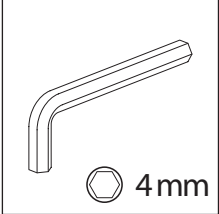
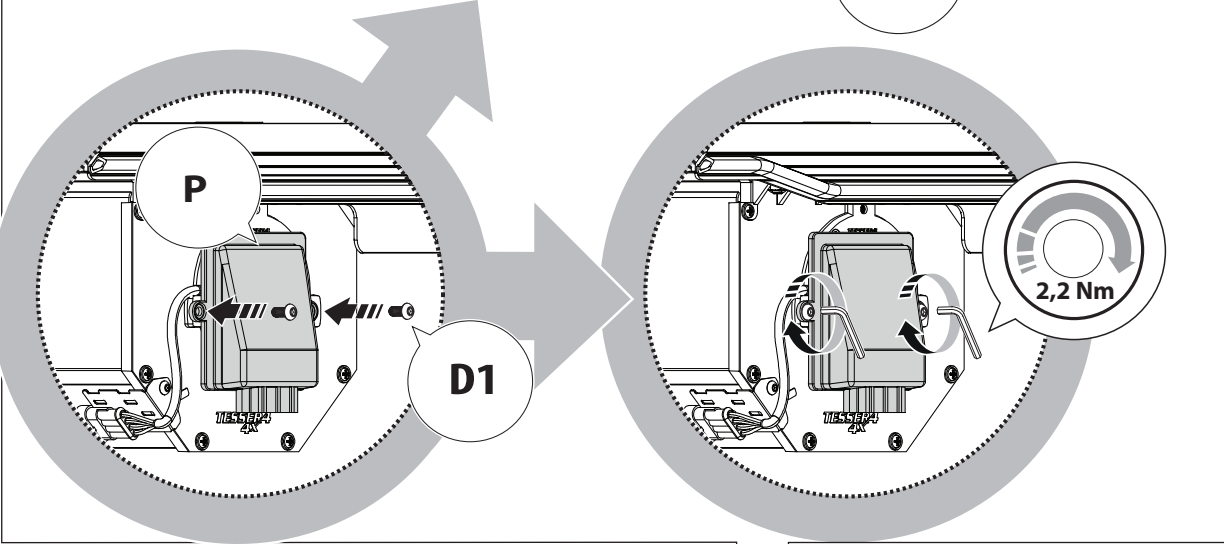
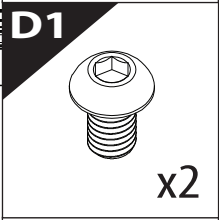
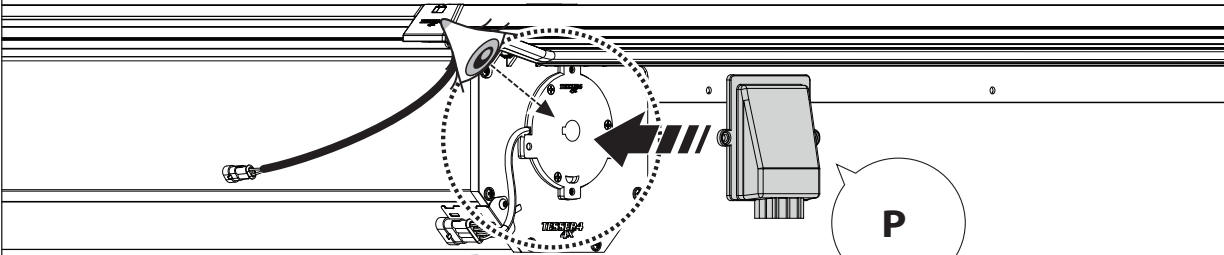
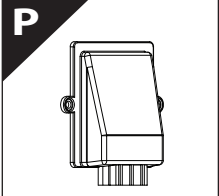
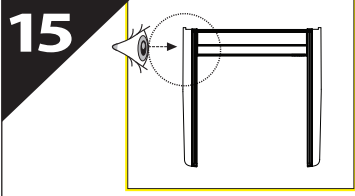


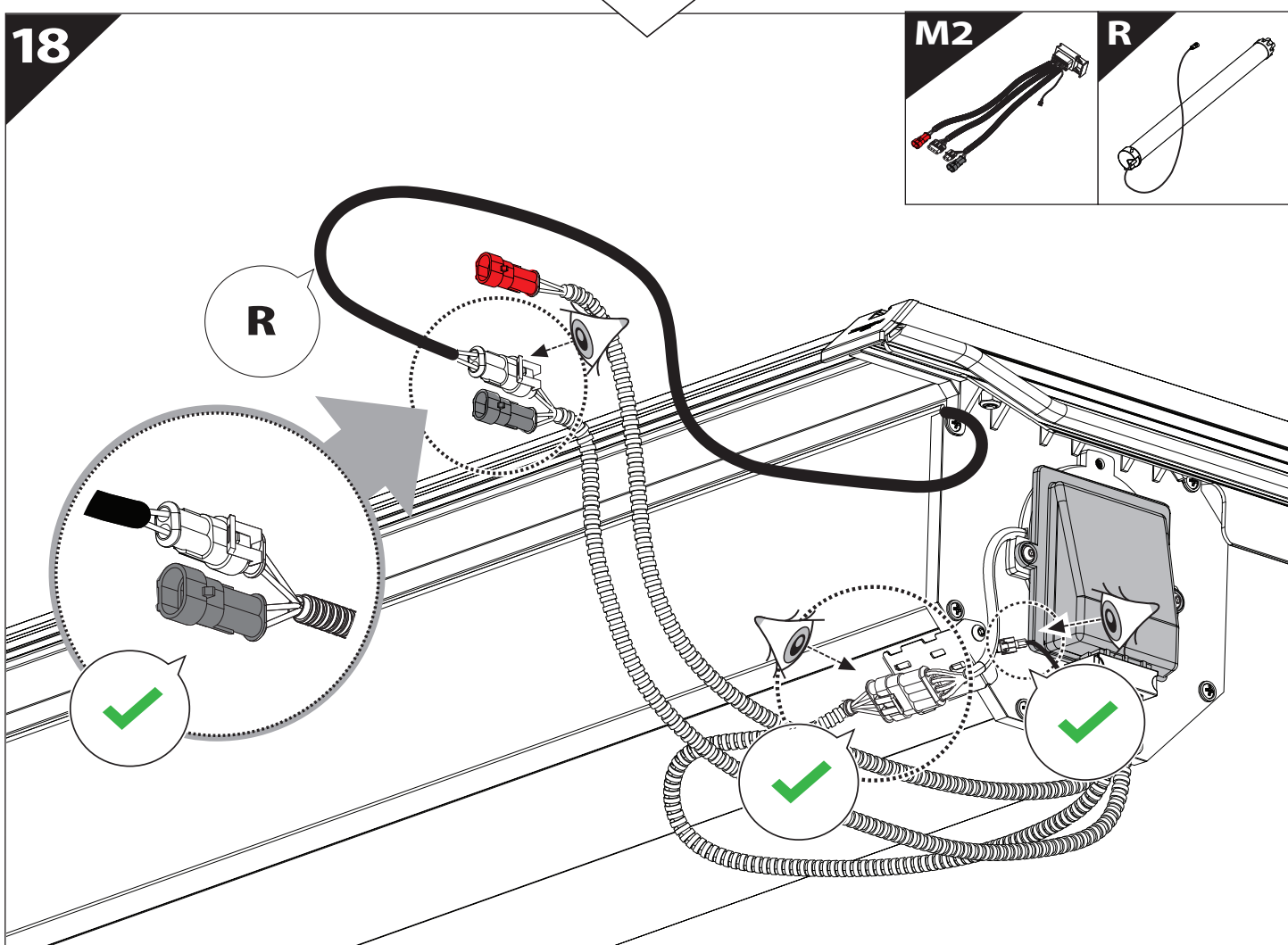
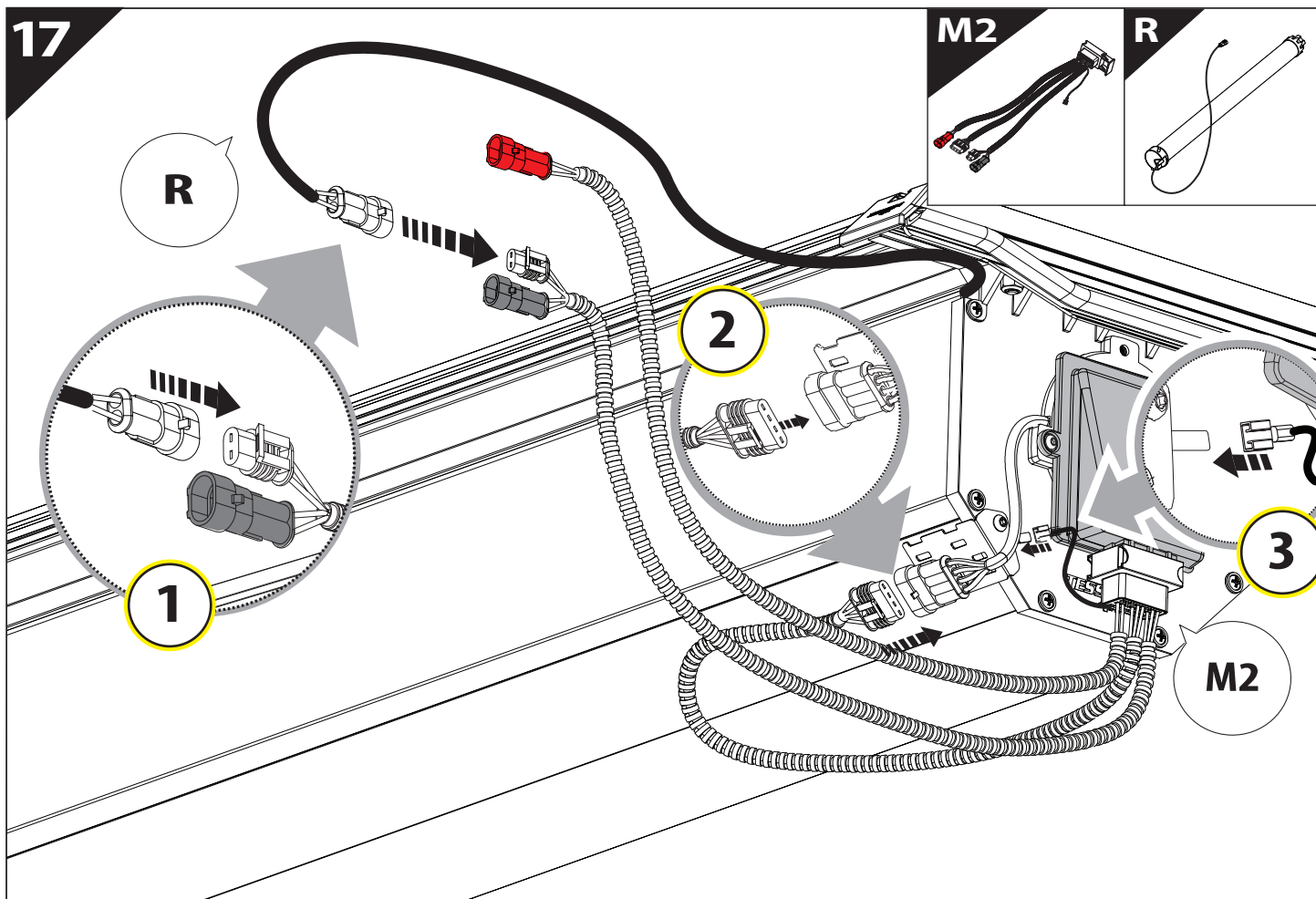
8





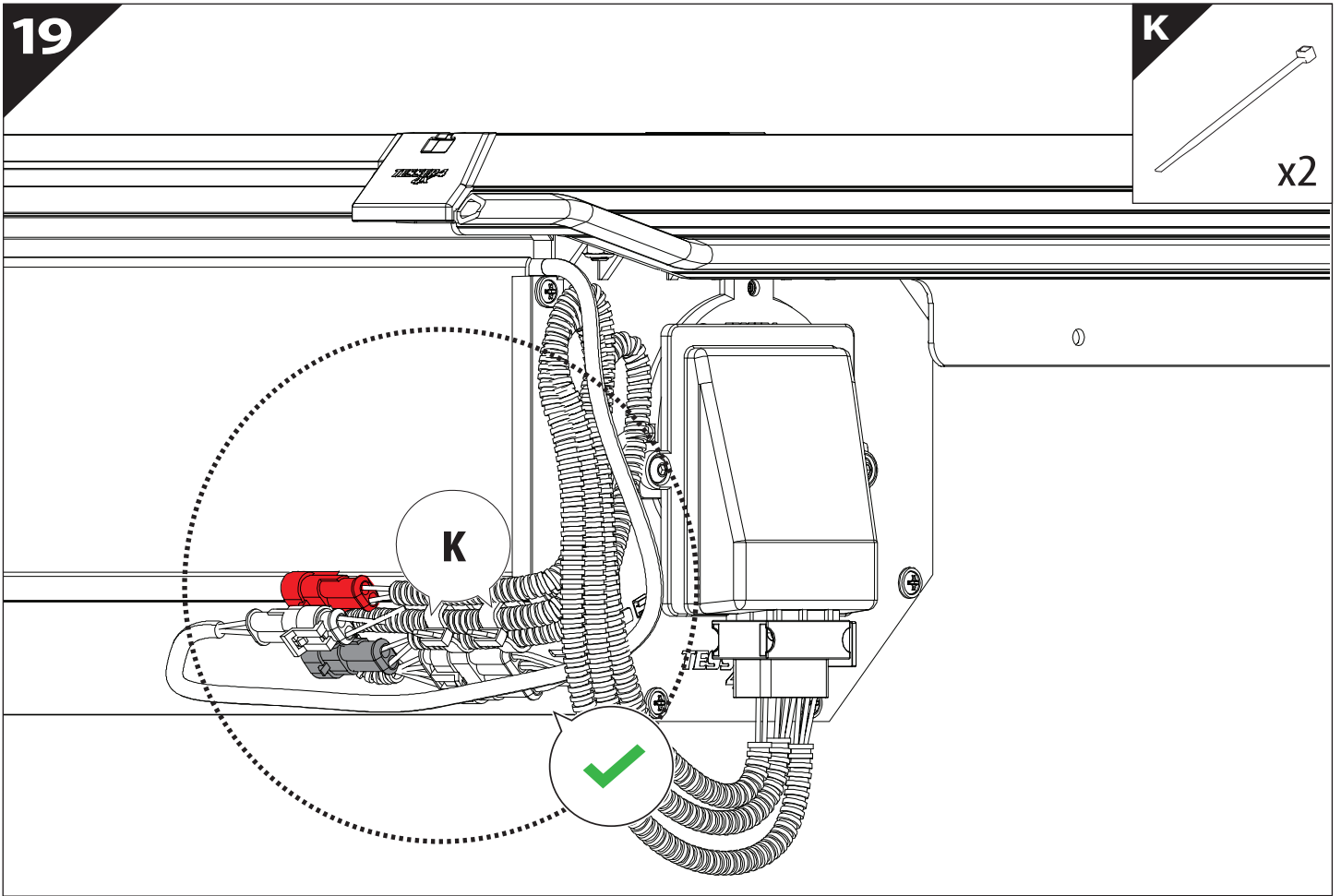
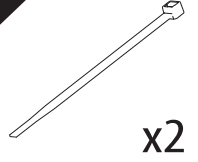






19

K

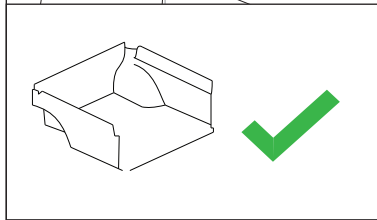
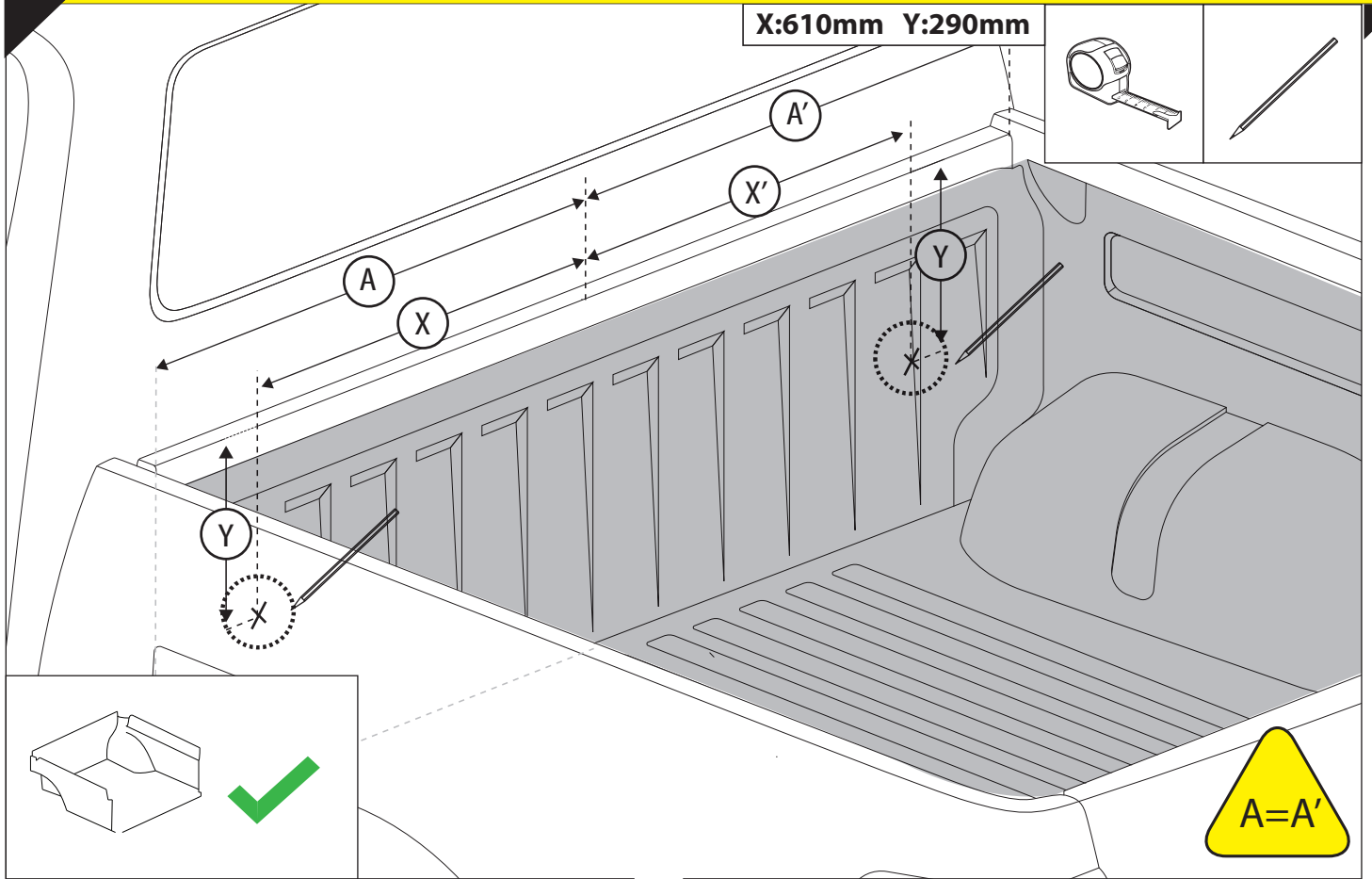
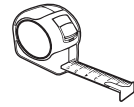


20

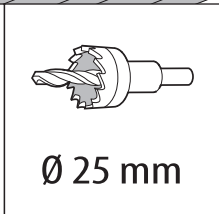
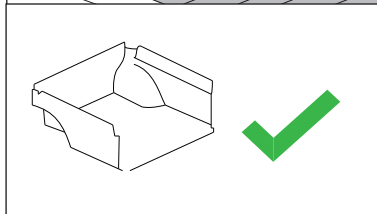
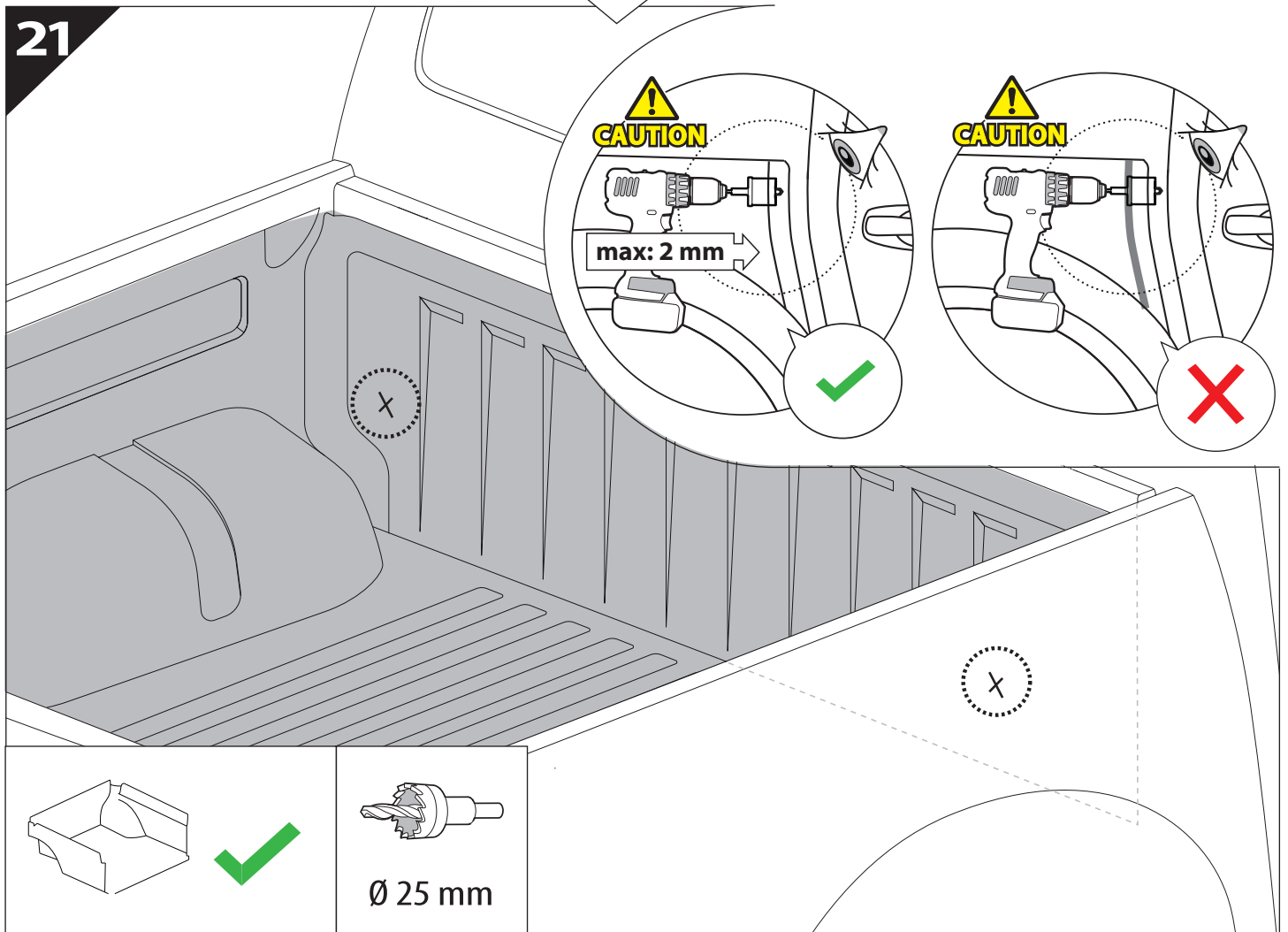


CAUTION: LIMITED, WILDTRAK, WILDTRAK X, PLATINUM

X:610mm Y:290mm

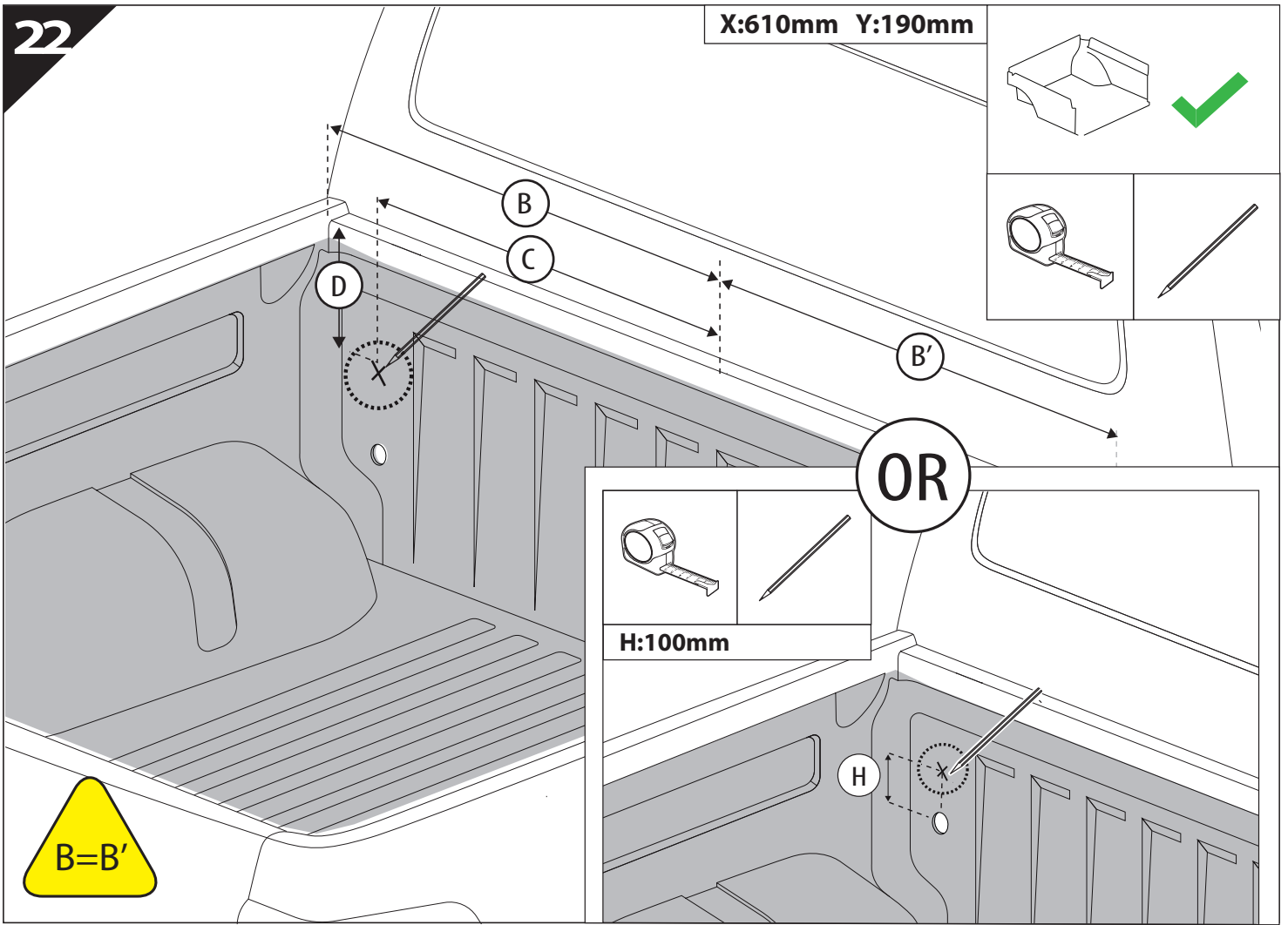
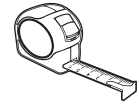
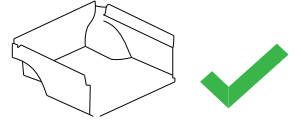


21



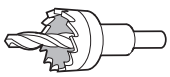
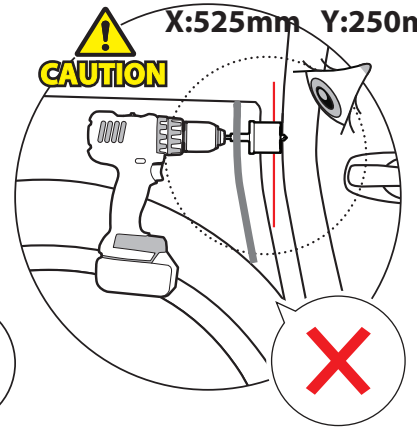
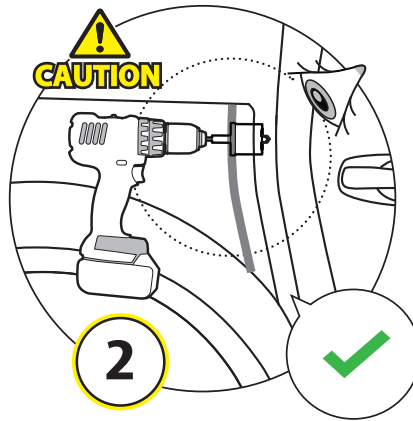
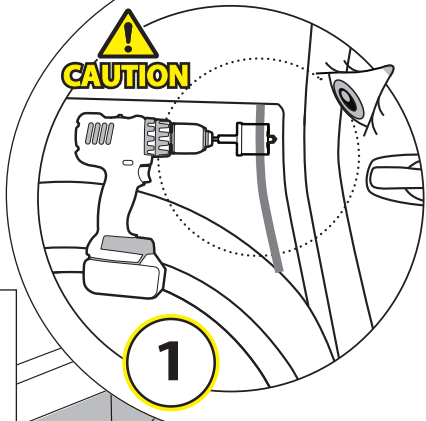
22

X:610mm Y:190mm

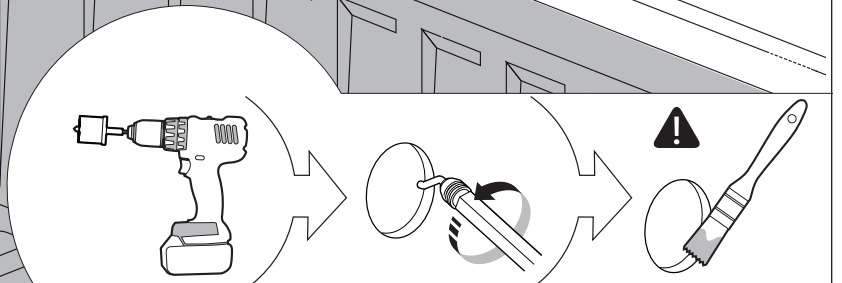
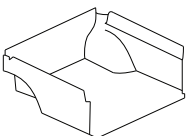
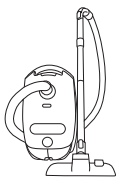


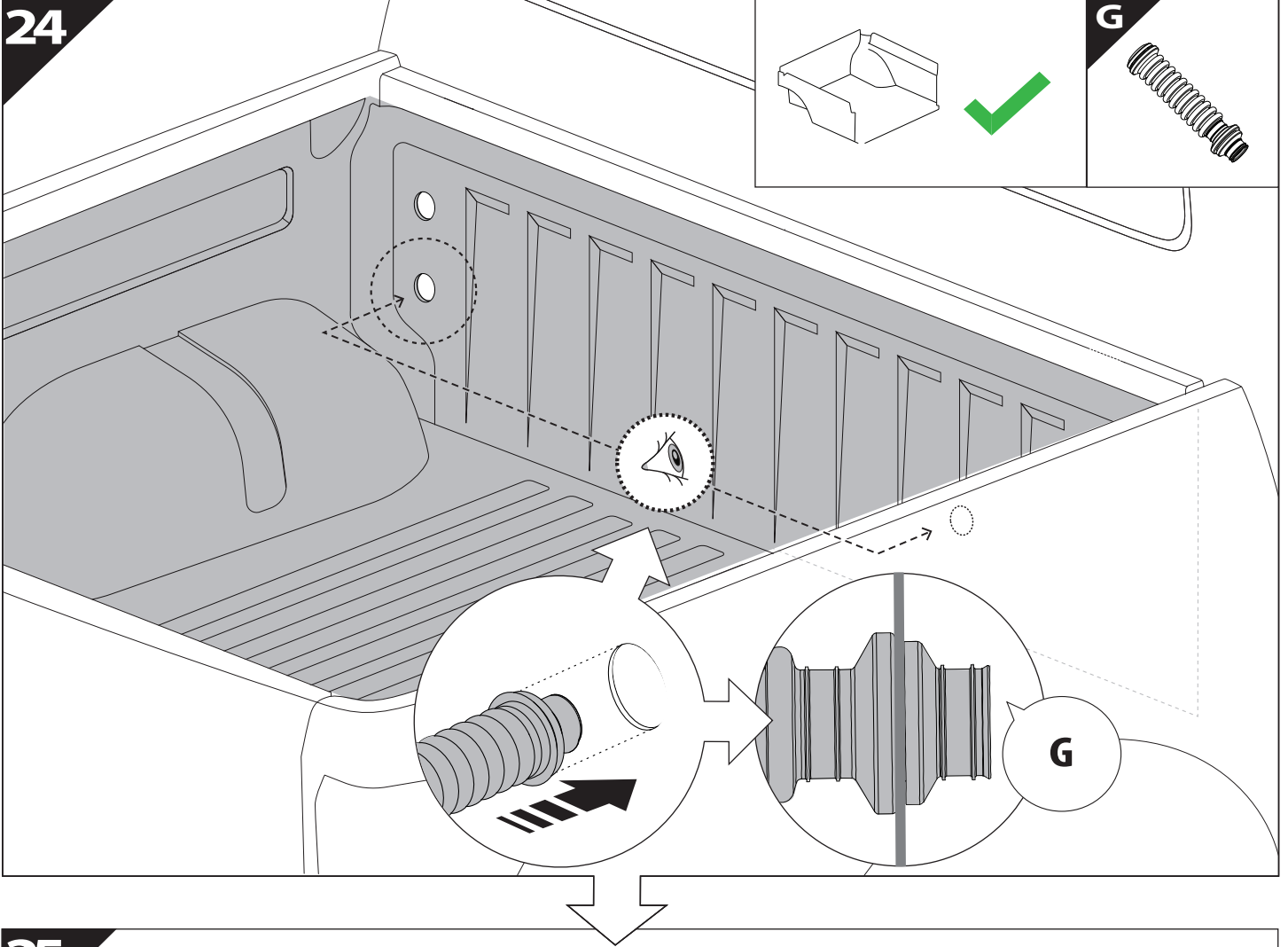
23

X:525mm Y:250mm

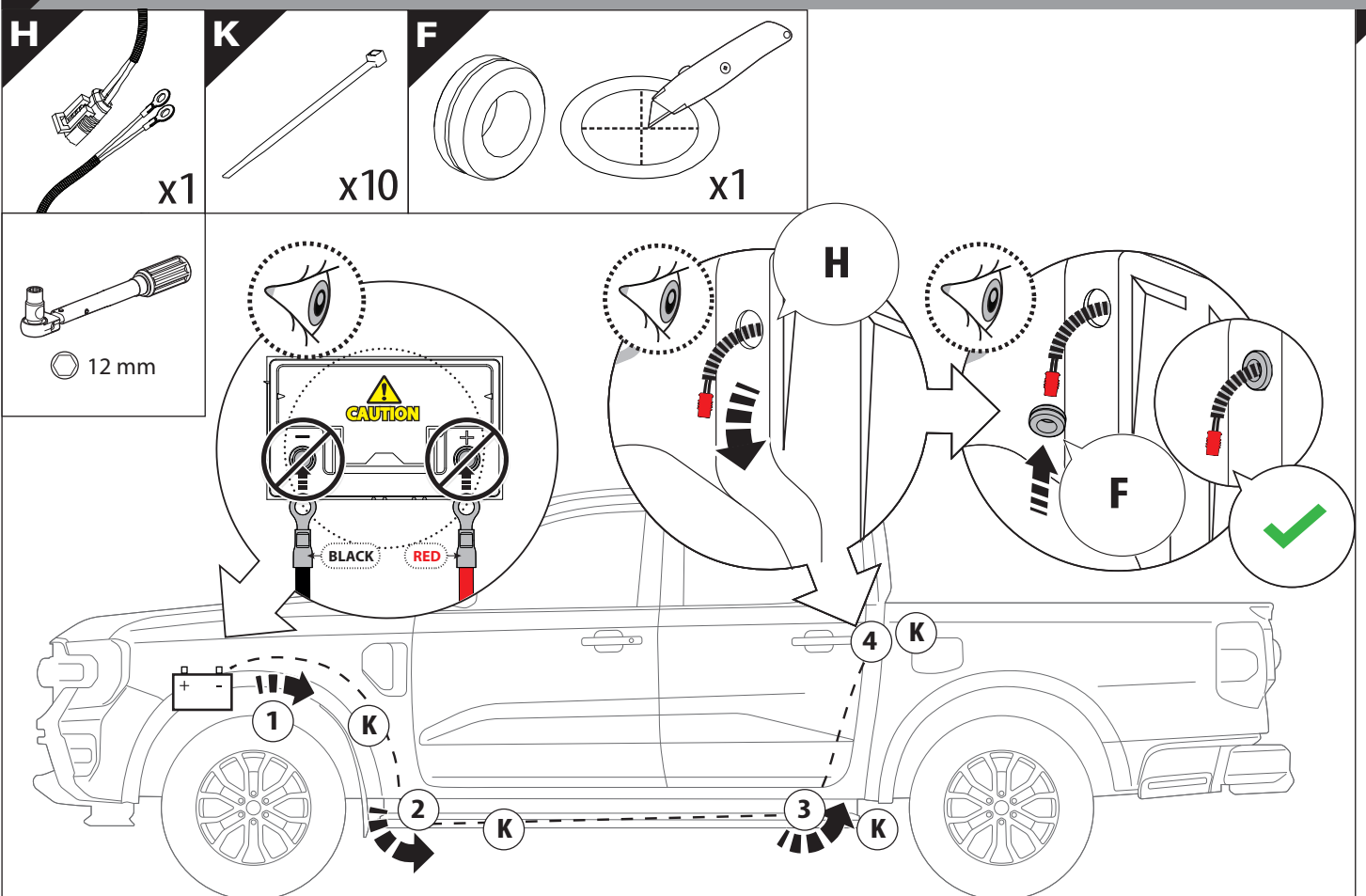


Ø 25 mm

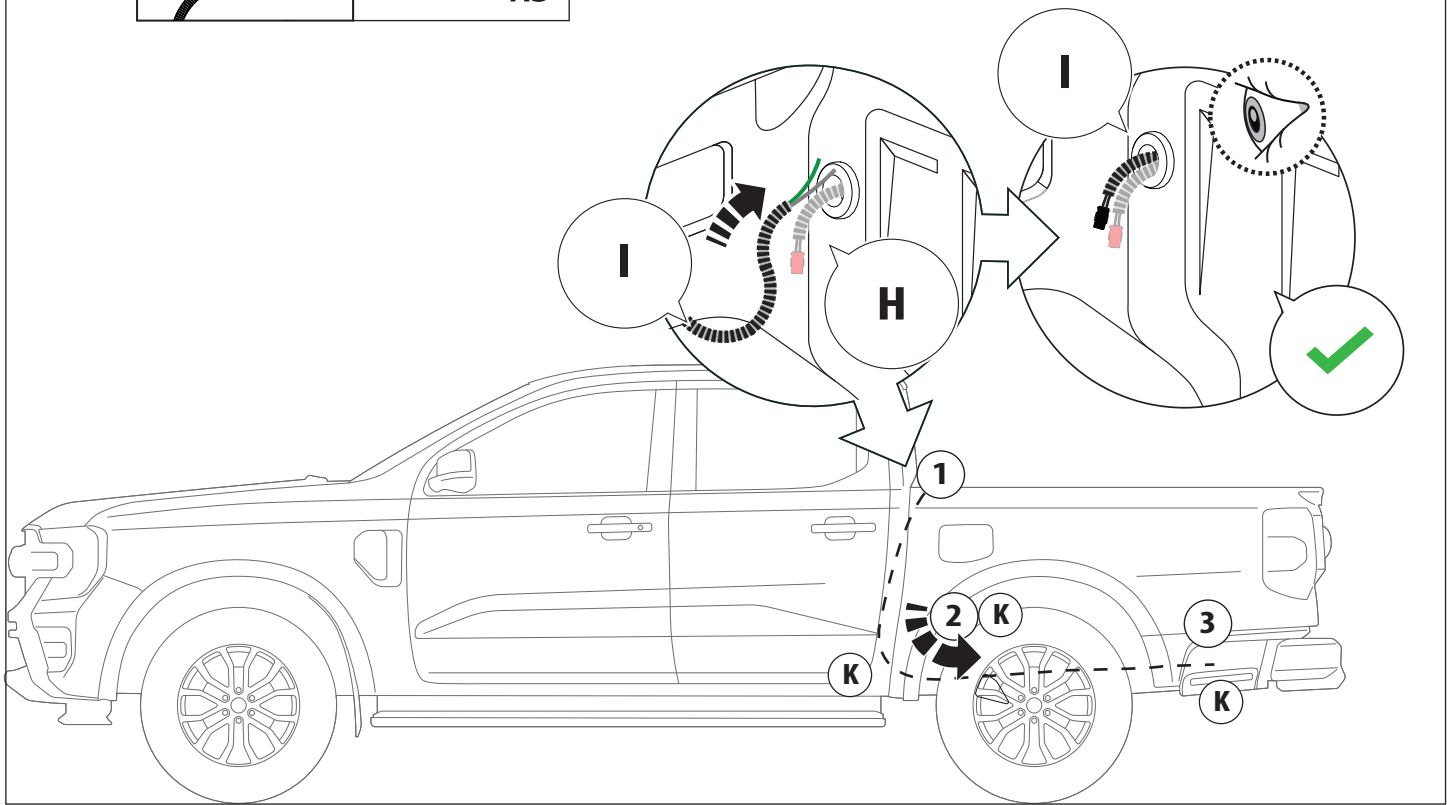
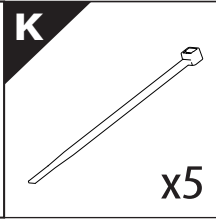
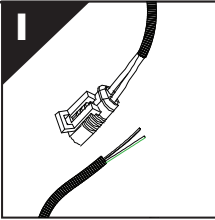




25 Only to be installed by authorized personnel



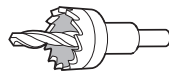
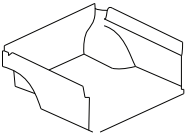
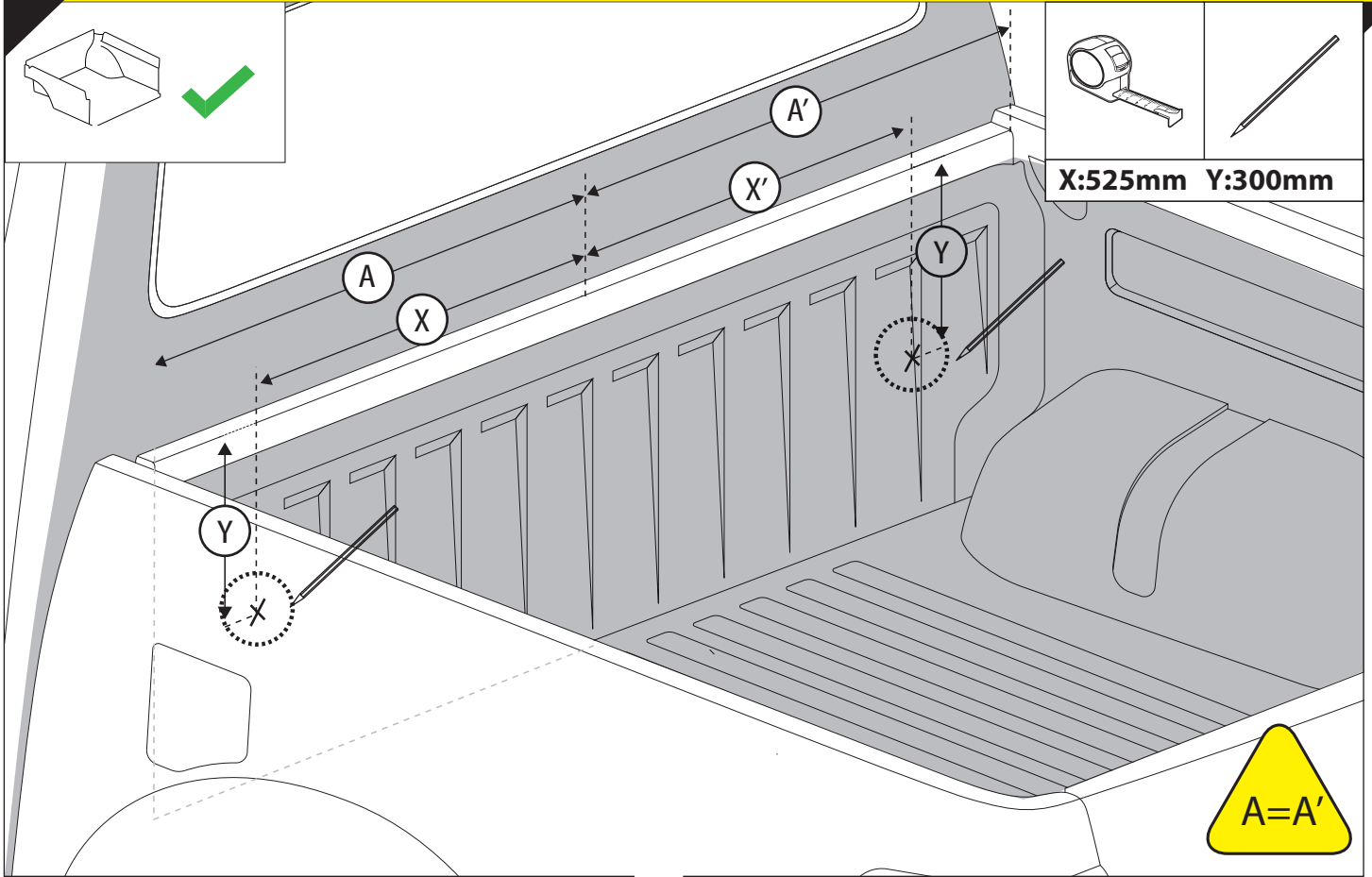
26



27



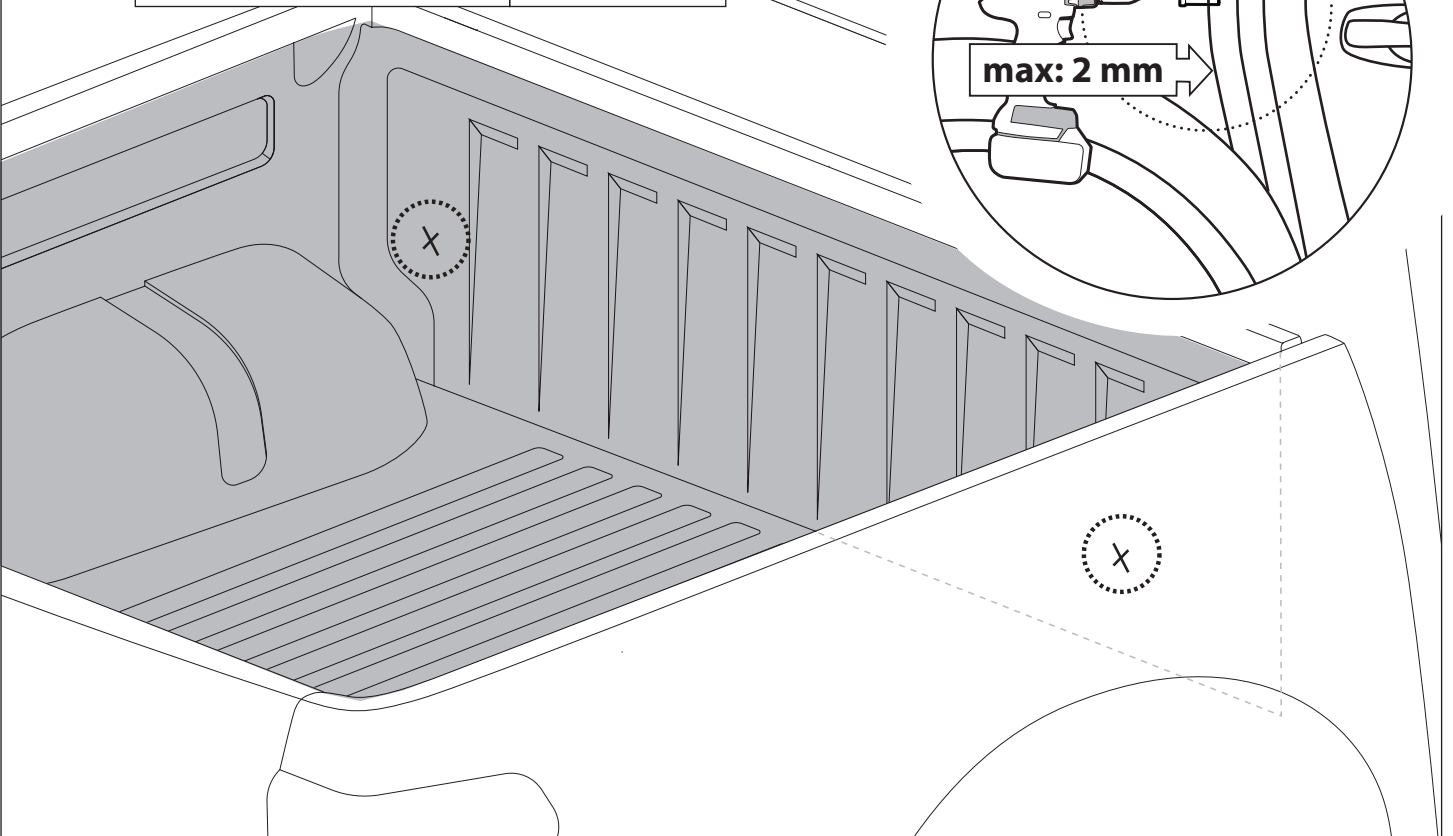
CAUTION: RAPTOR



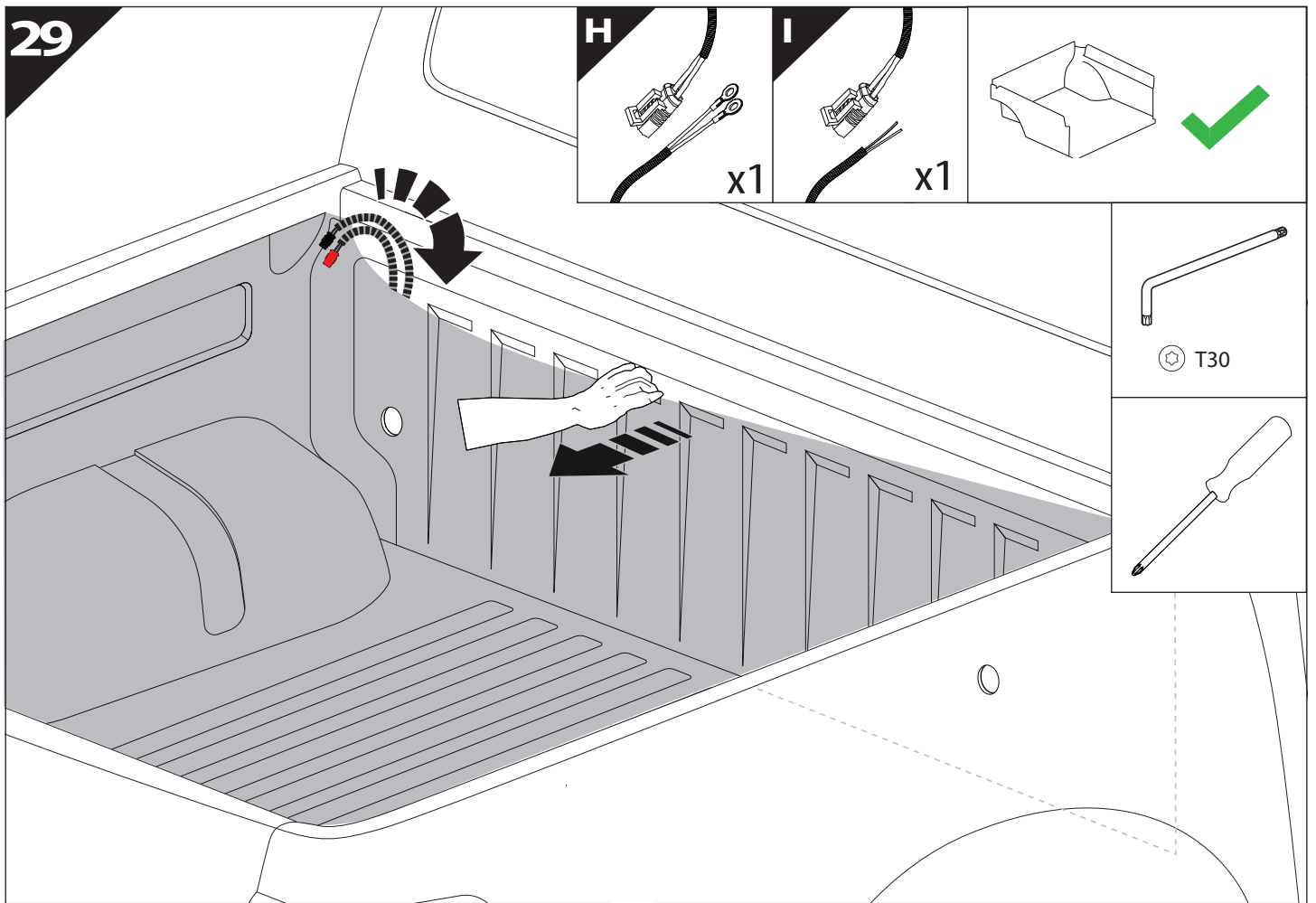
Ø 25 mm

CAUTION

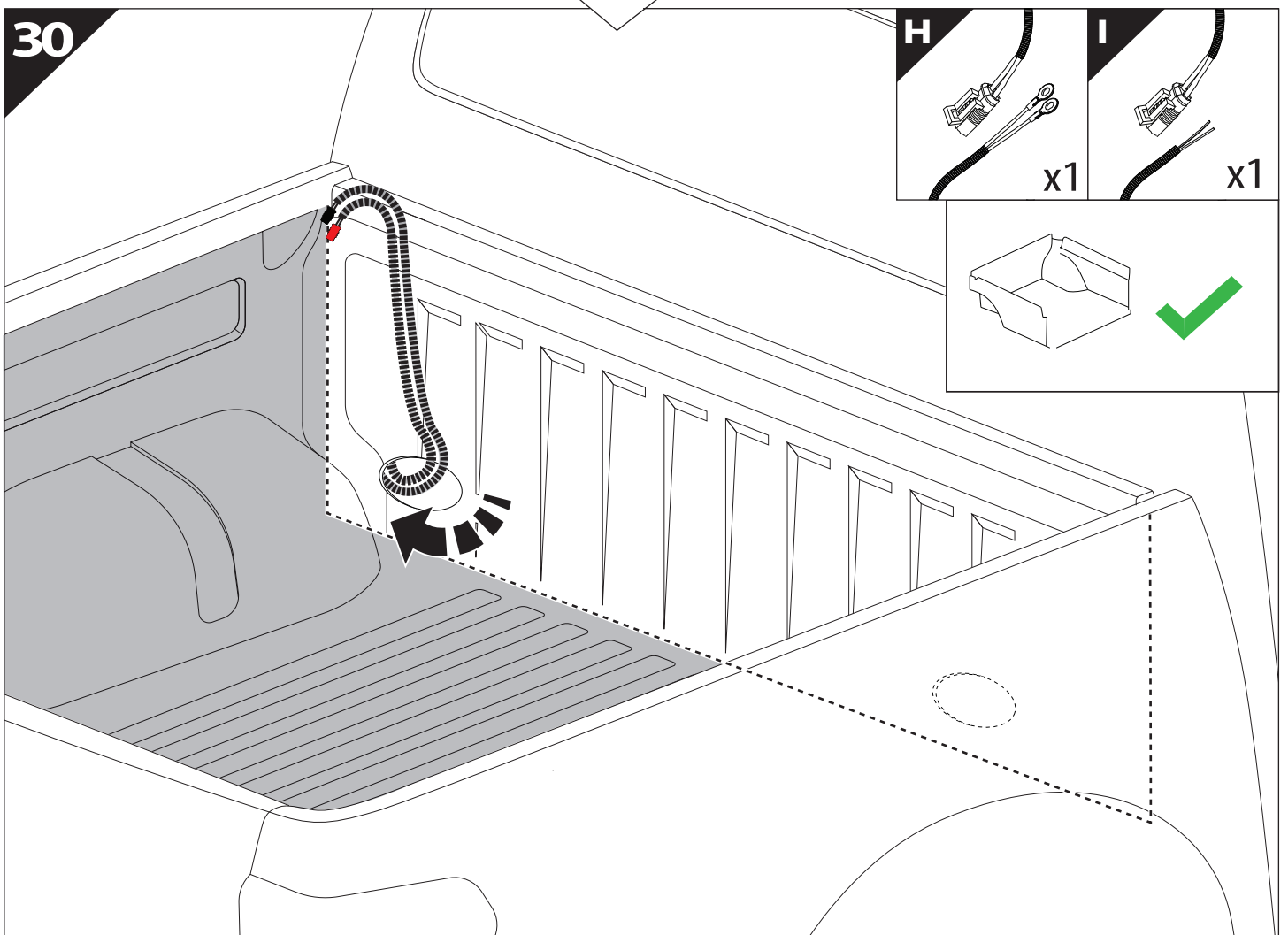
max: 2 mm



29

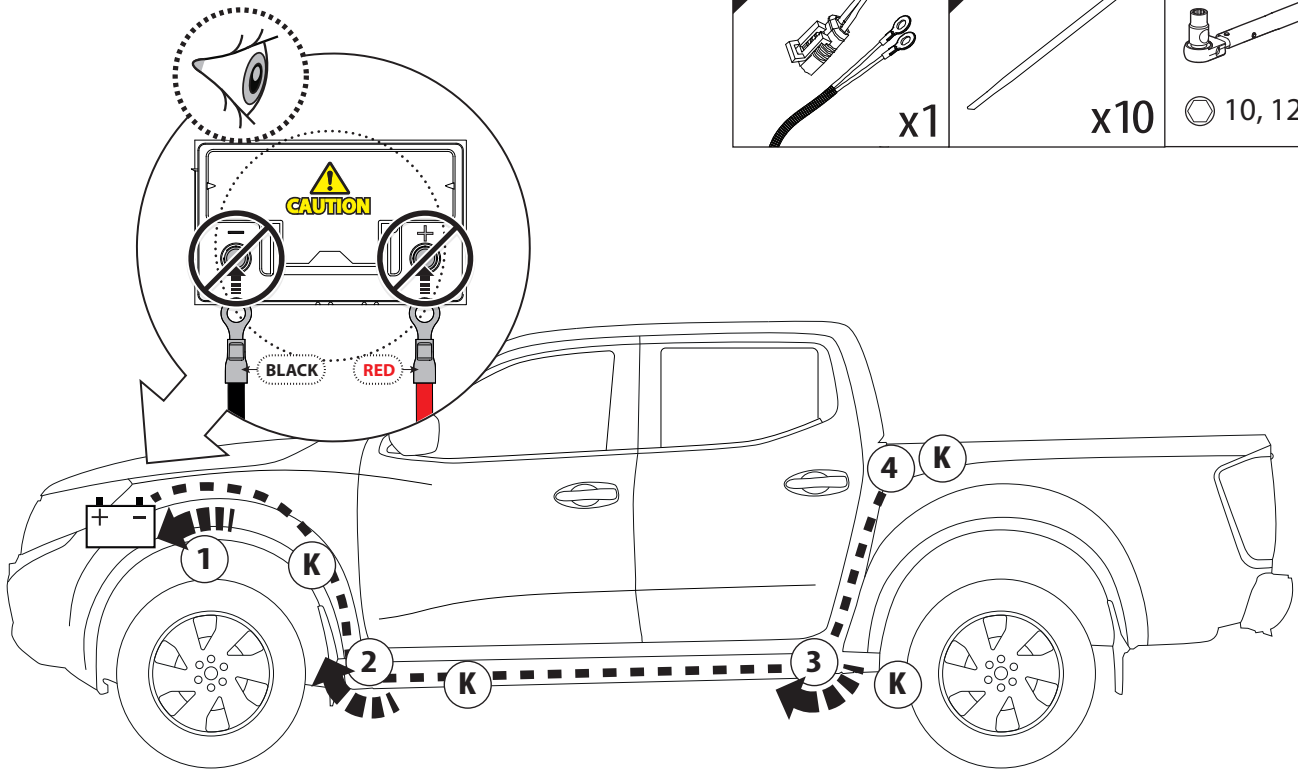
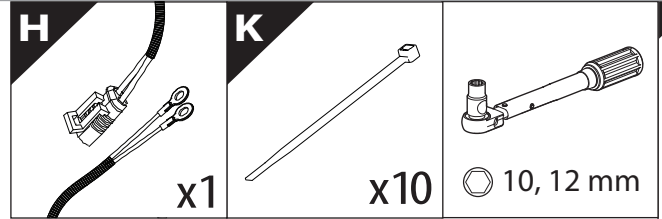


30

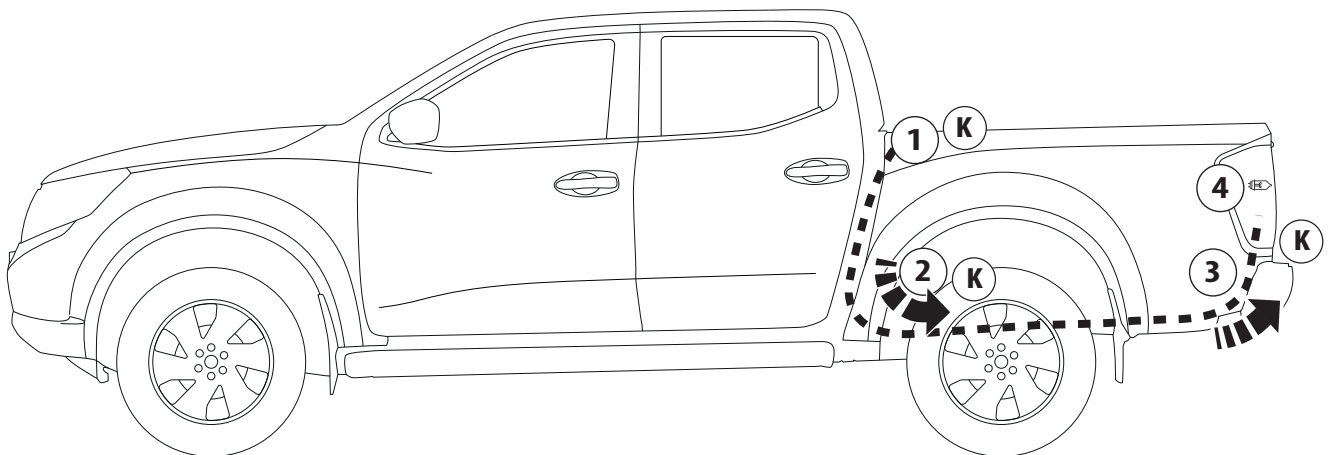
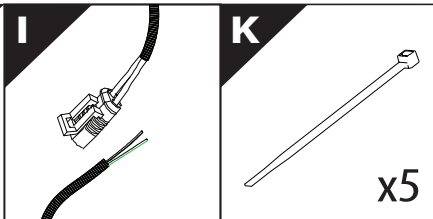


31

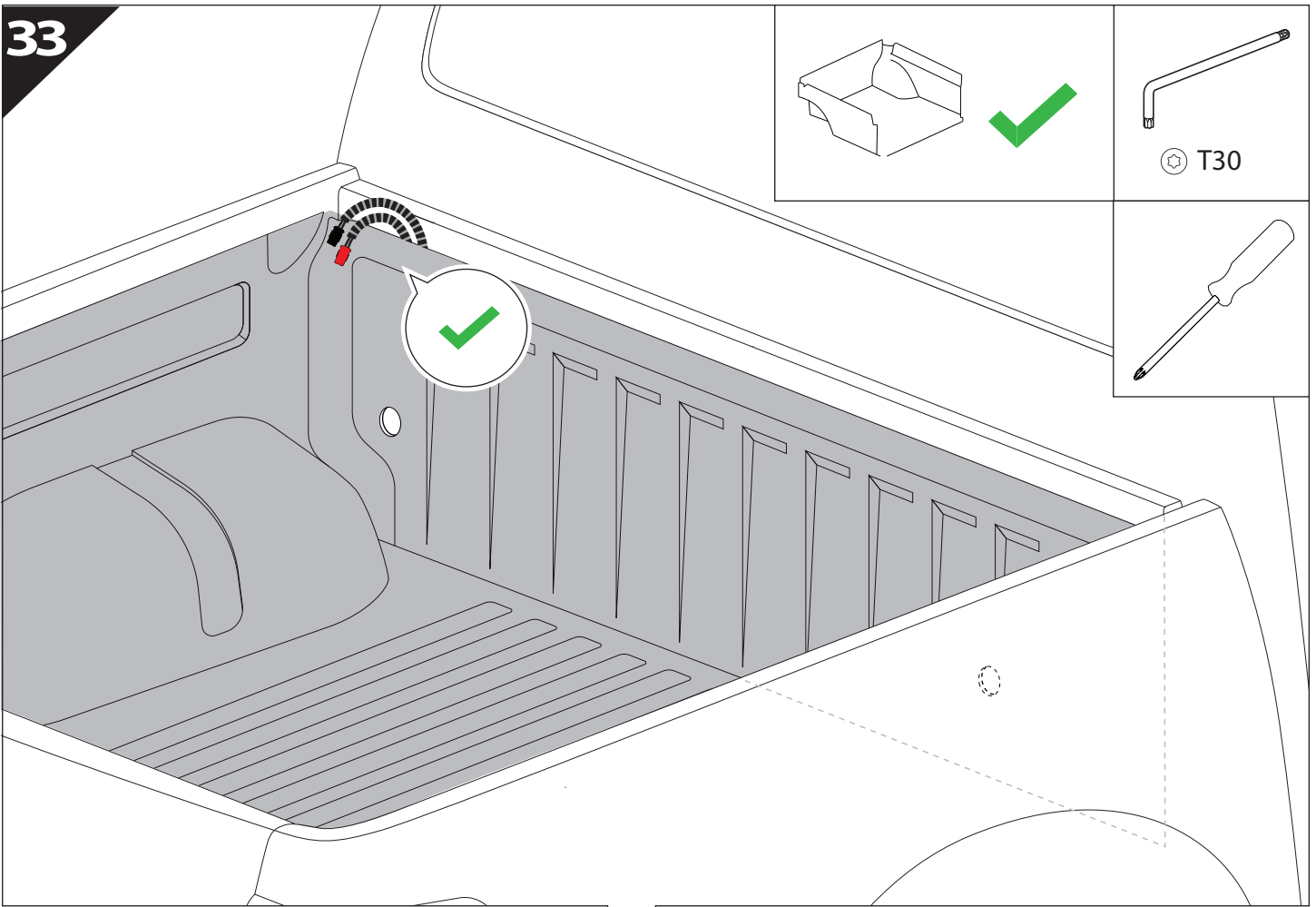
Only to be installed by authorized personnel



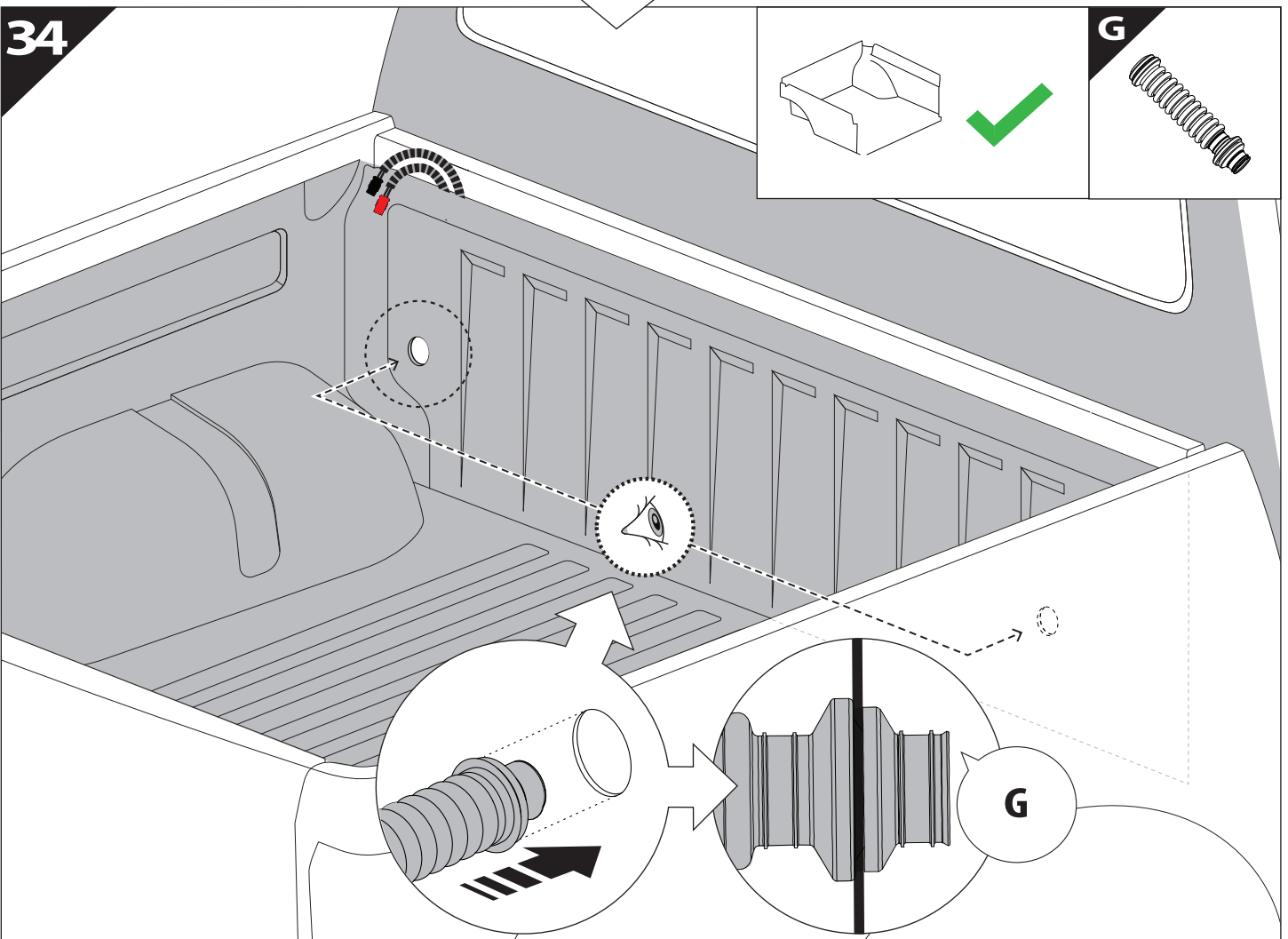
32



33

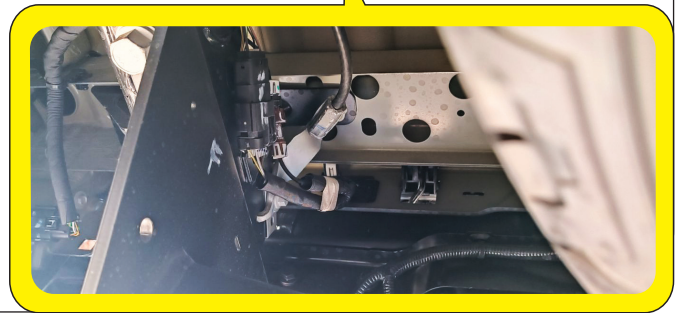
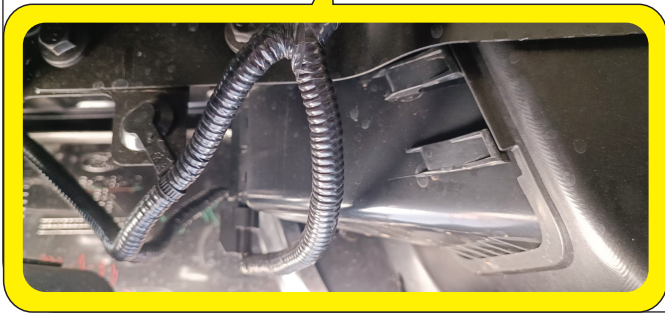
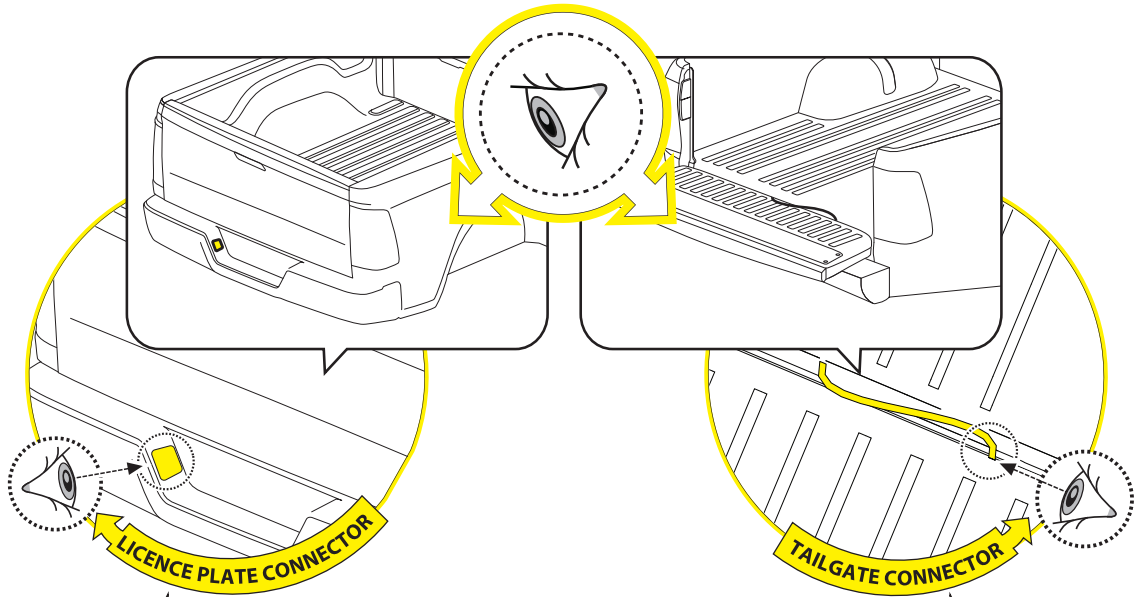


34

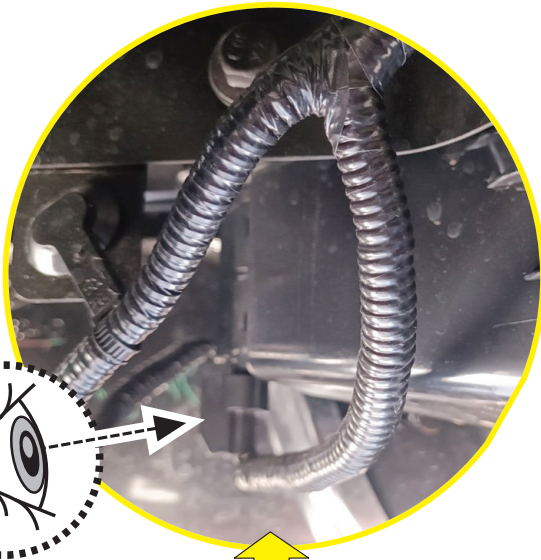




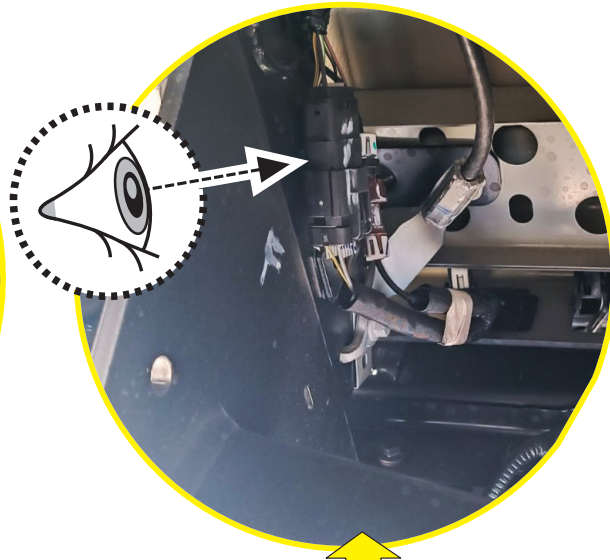
CAUTION: LIMITED, WILDTRAK, WILDTRAK X, PLATINUM



36. ①



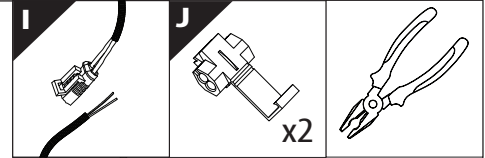
LICENCE PLATE CONNECTOR



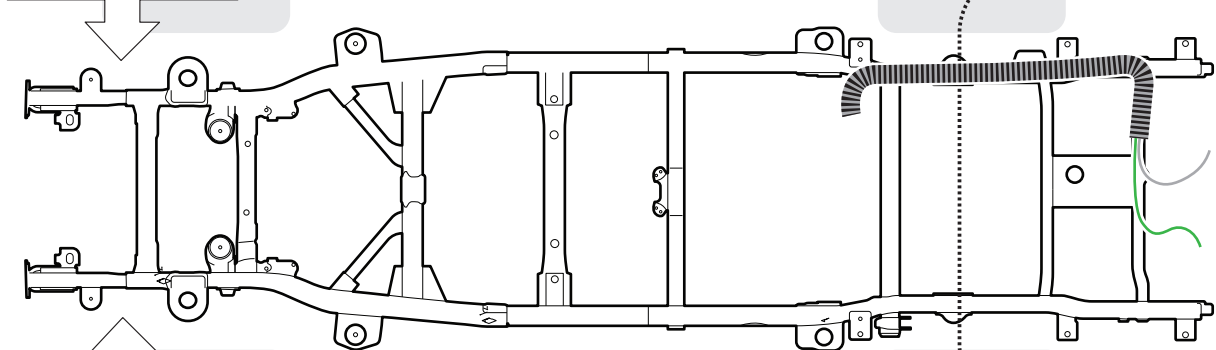
TAILGATE CONNECTOR

36. ②

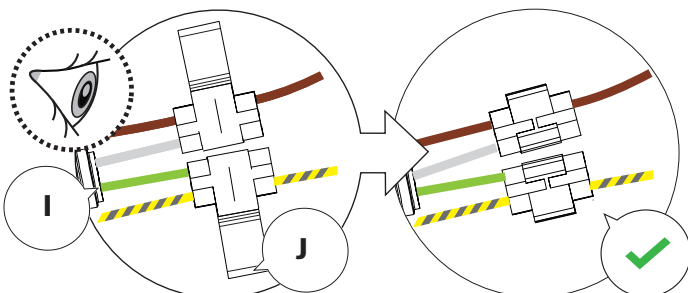
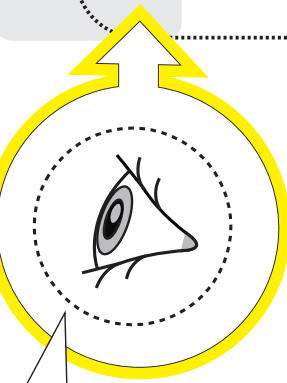
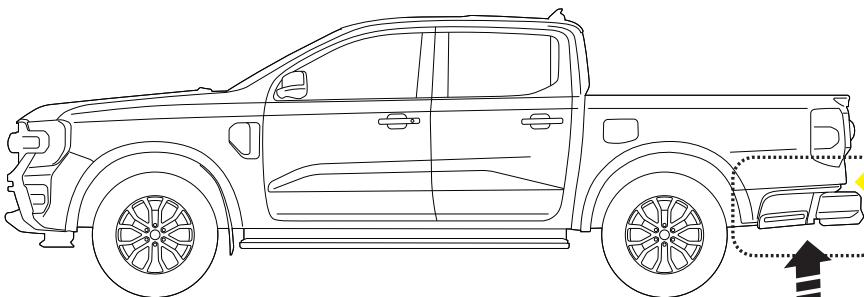
BOTTOM VIEW



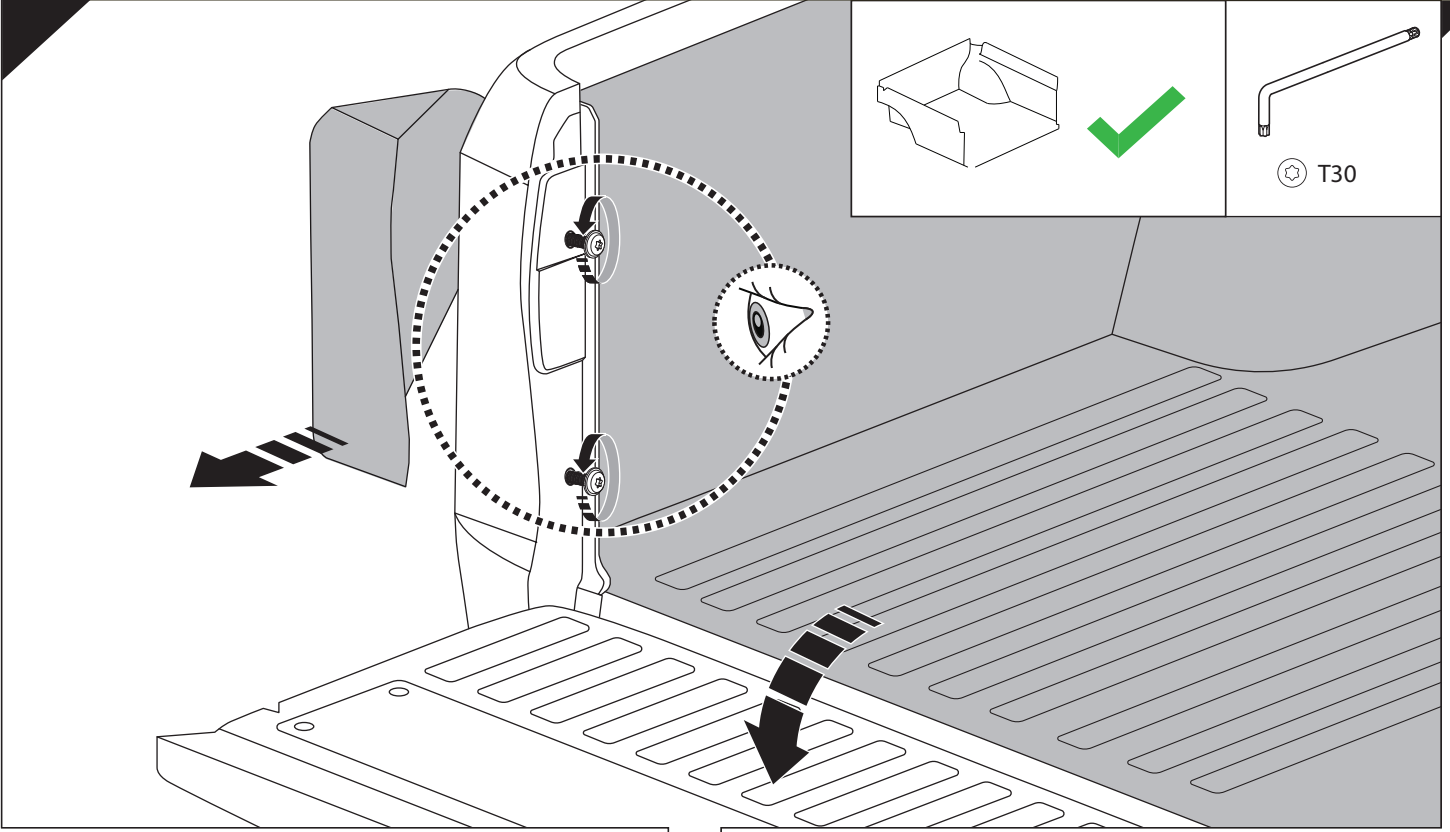
DRIVER'S LEFT SIDE



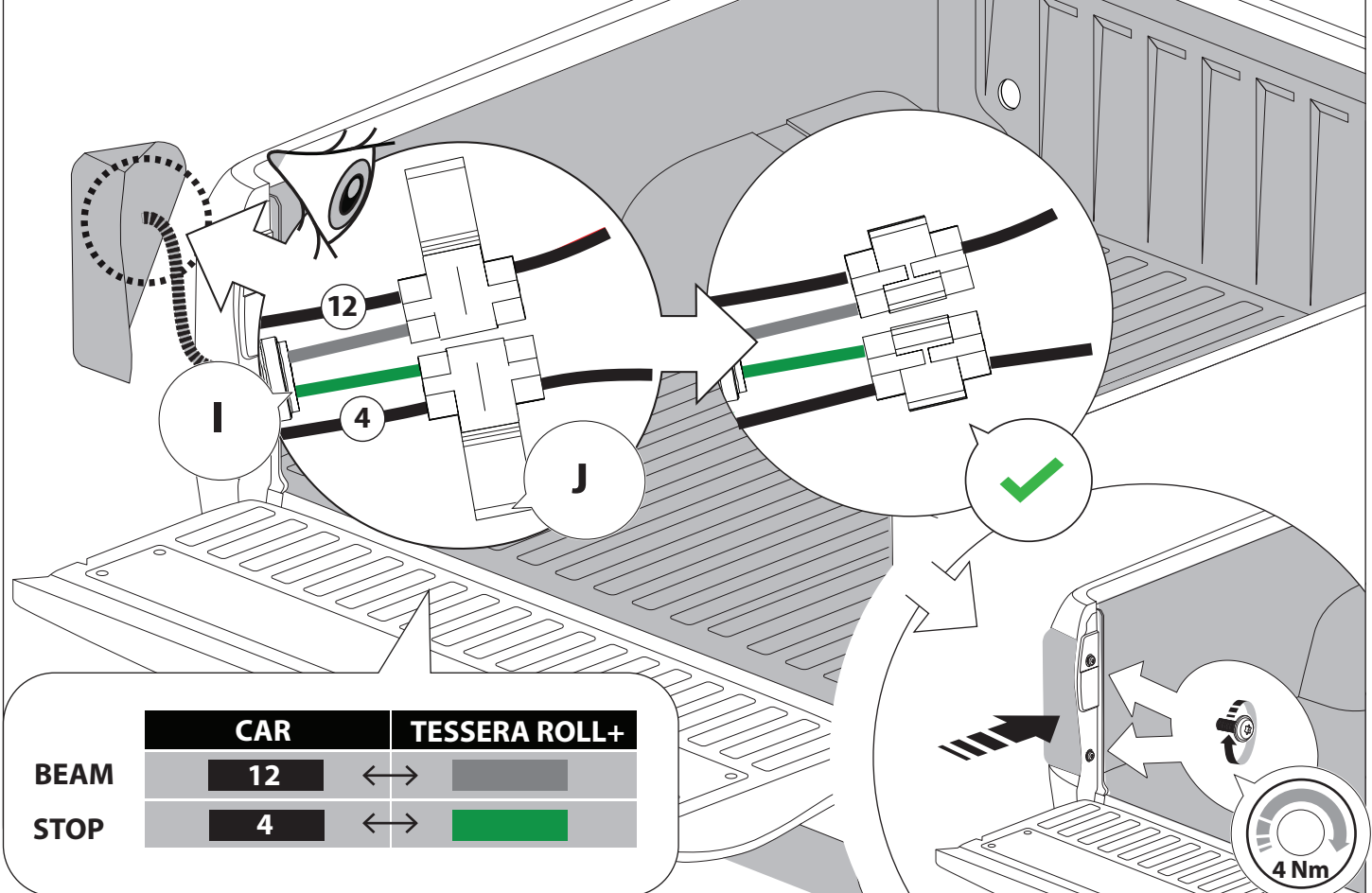
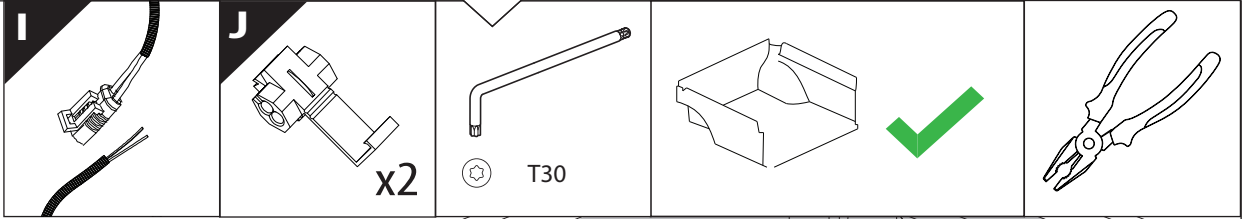
PASSENGER'S RIGHT SIDE



	CAR		TESSERA ROLL+
BEAM		↔	
LICENCE PLATE 2 PIN LIGHT CONNECTOR			
STOP		↔	
TAILGATE CONNECTOR			

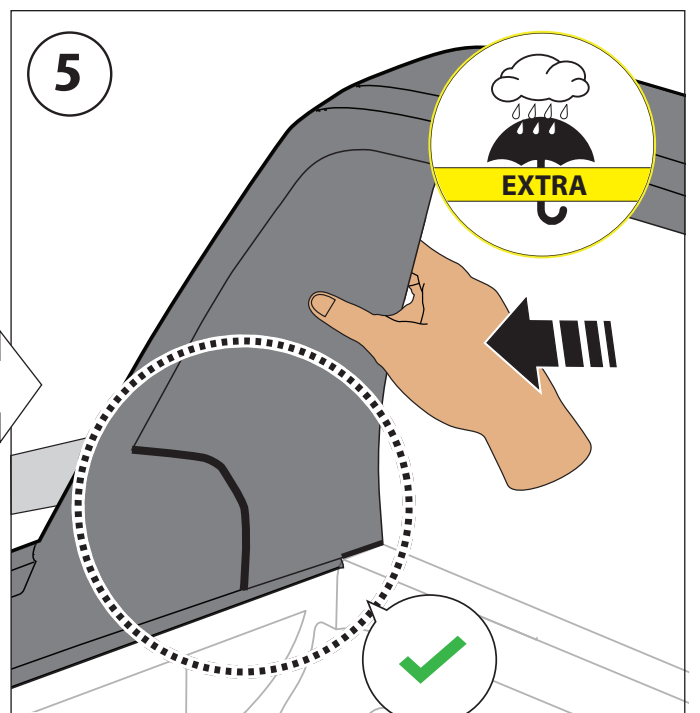
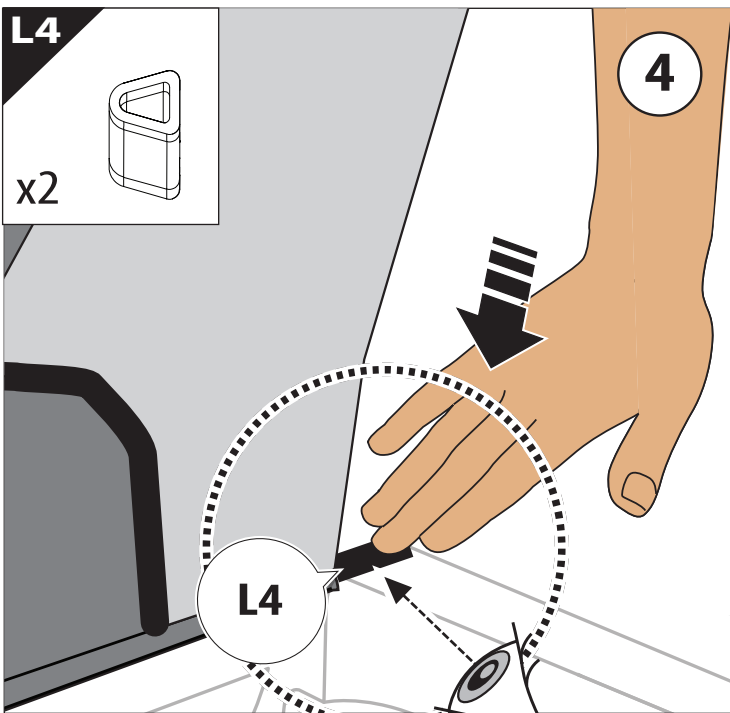
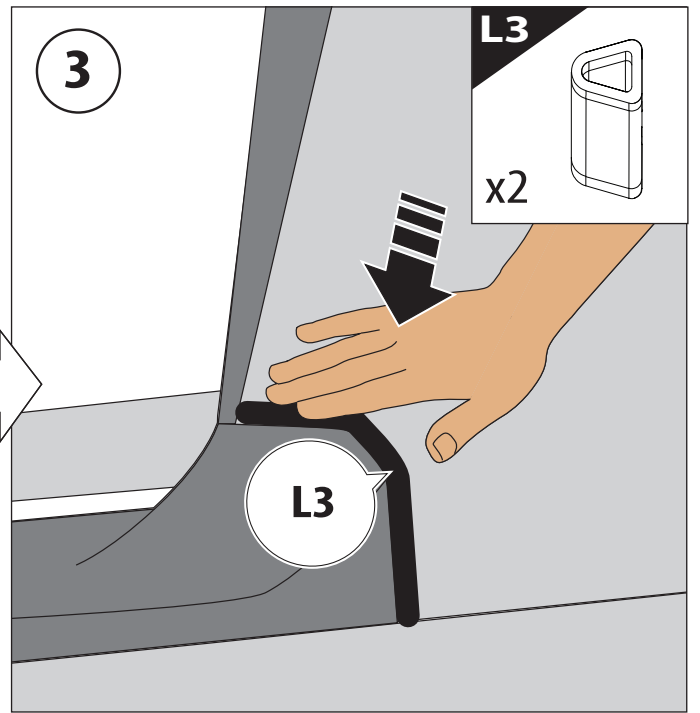
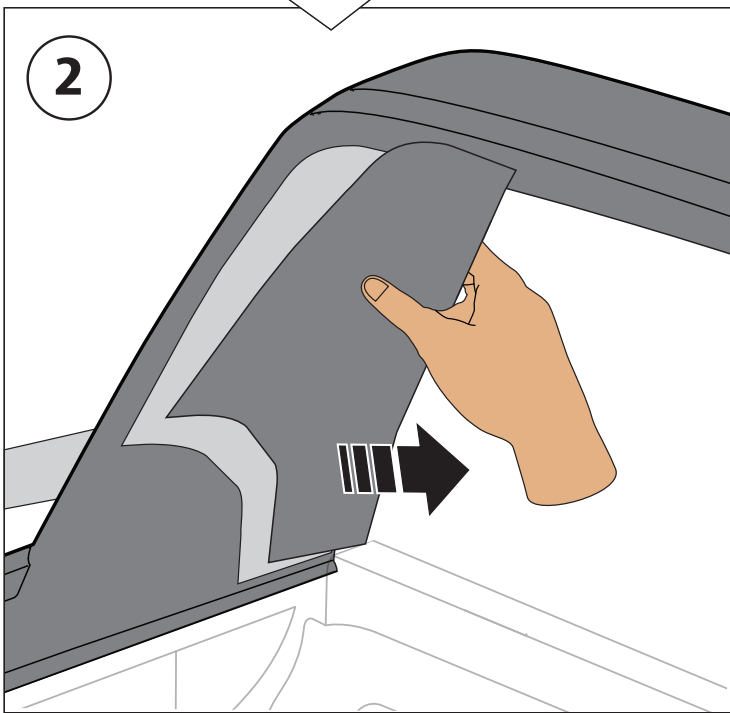
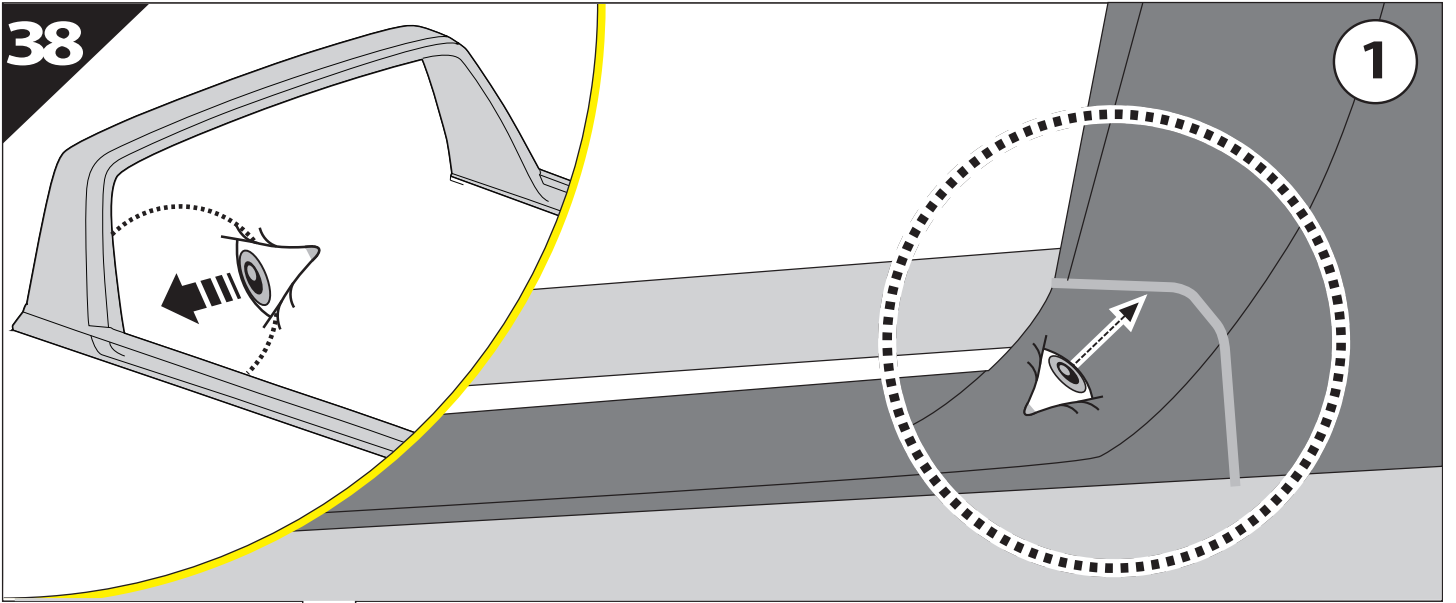


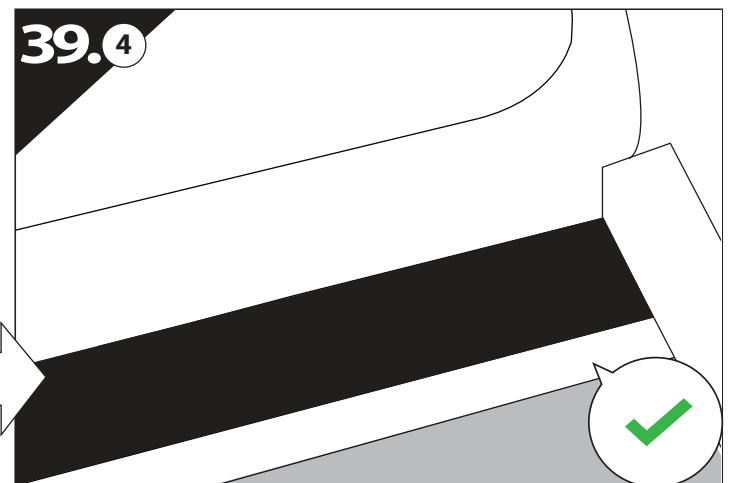
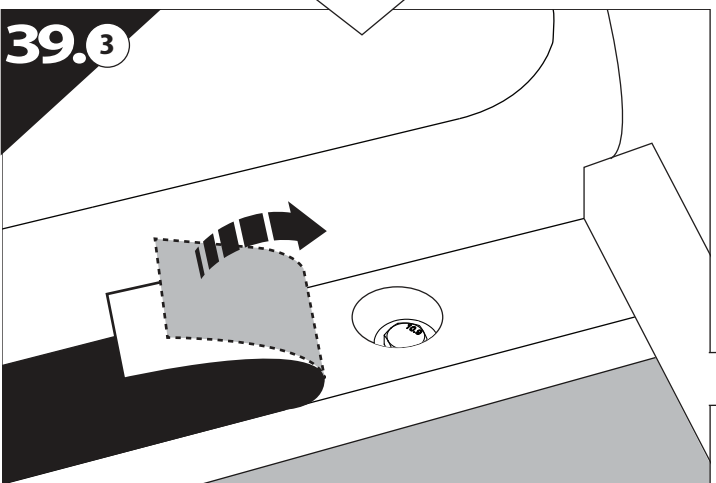
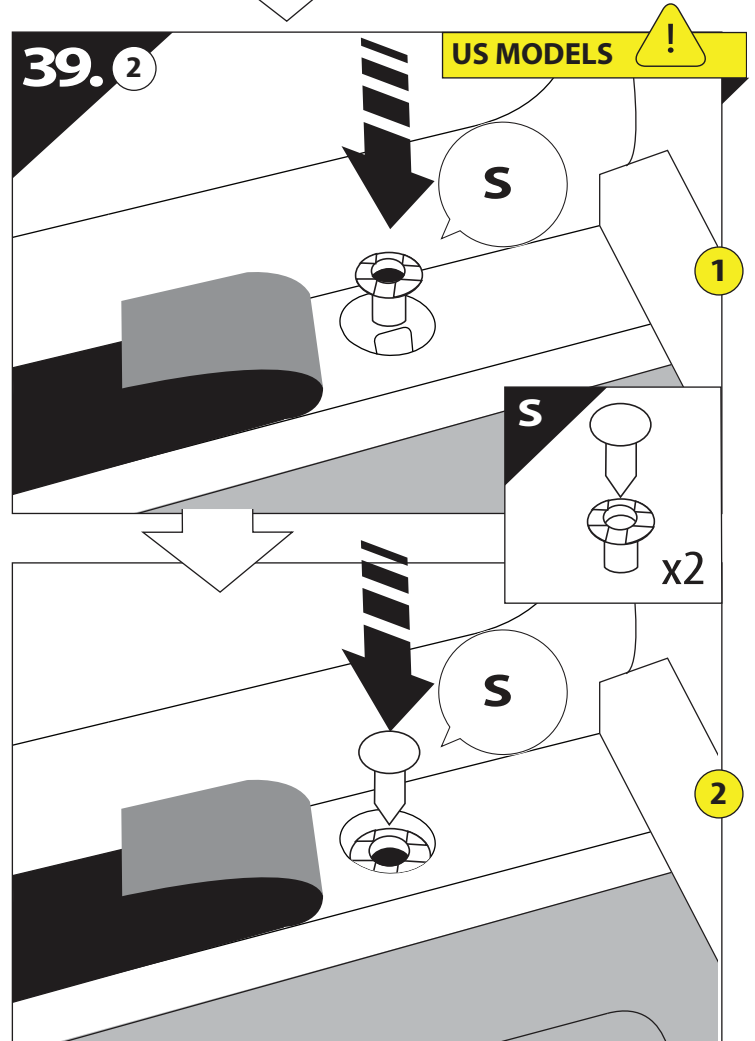
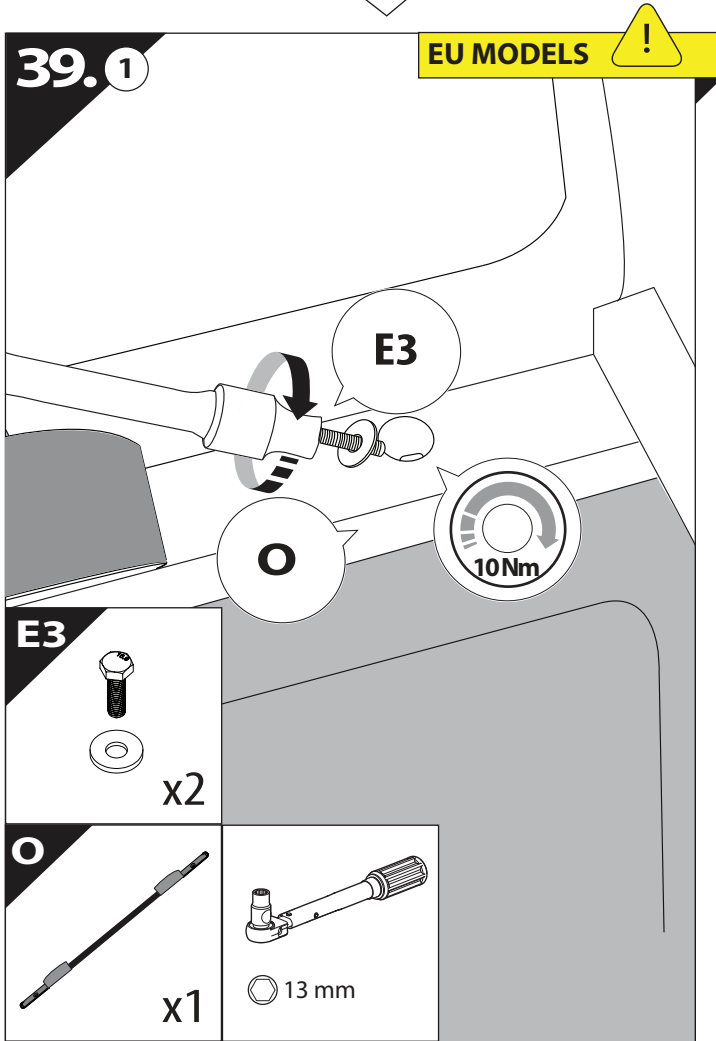
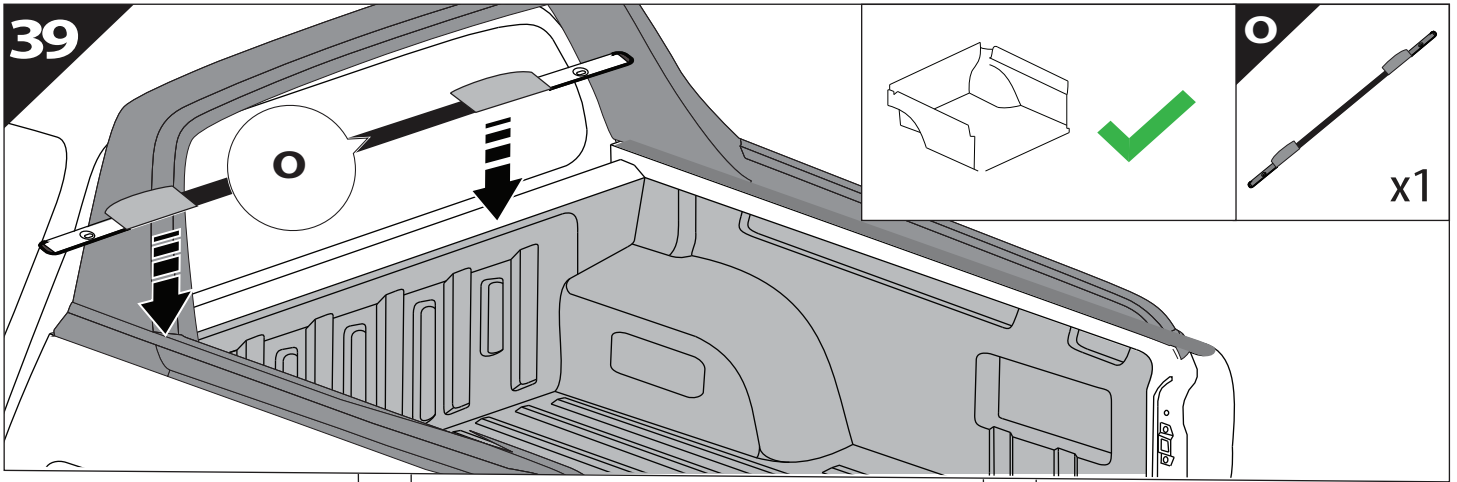
37.1



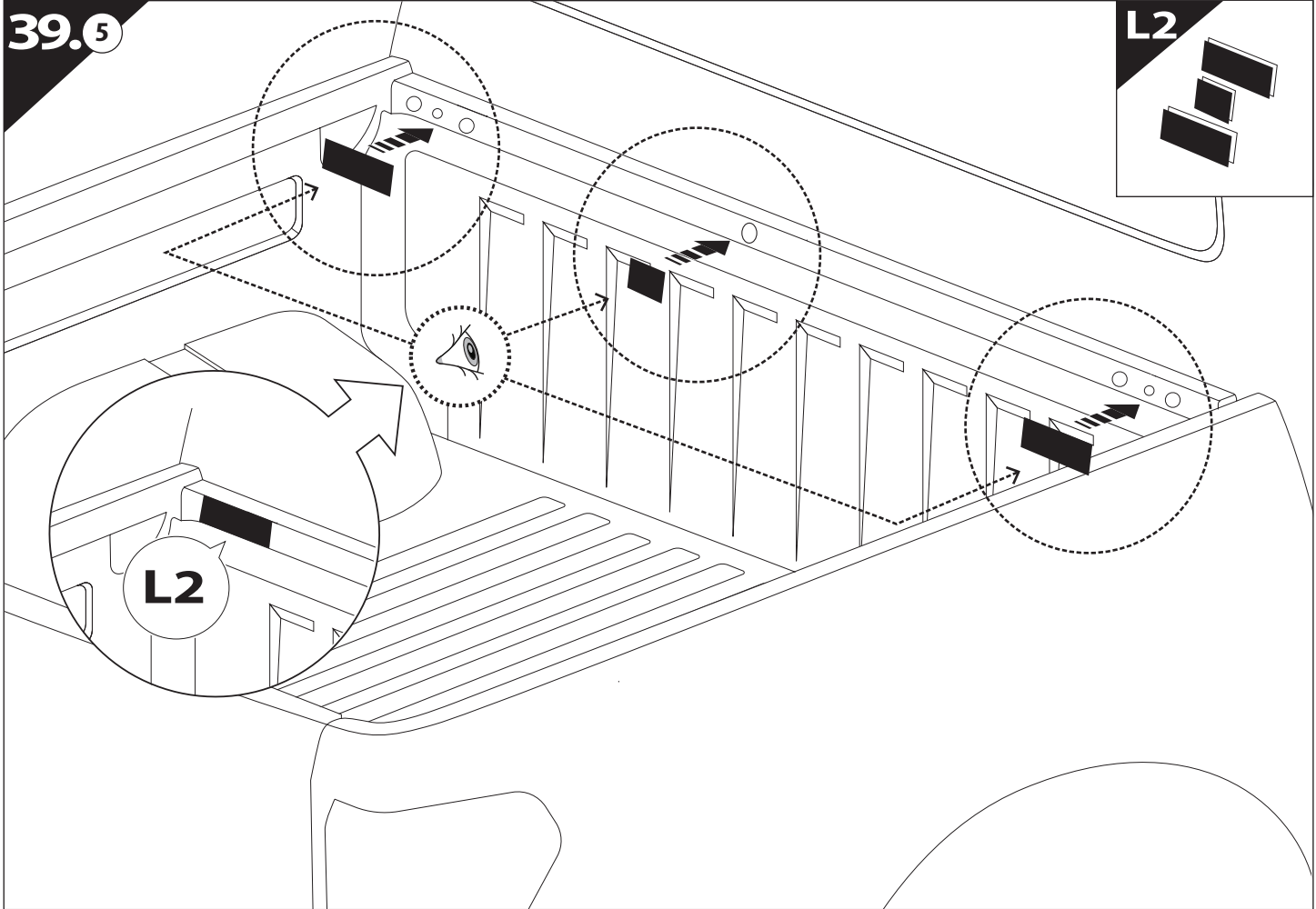
	CAR		TESSERA ROLL+
BEAM	12	↔	
STOP	4	↔	

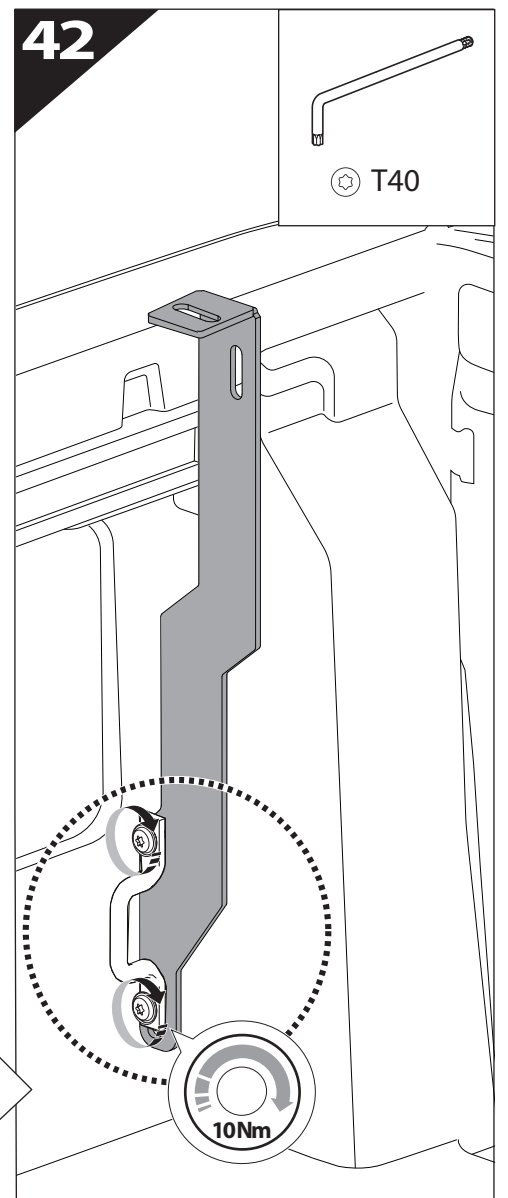
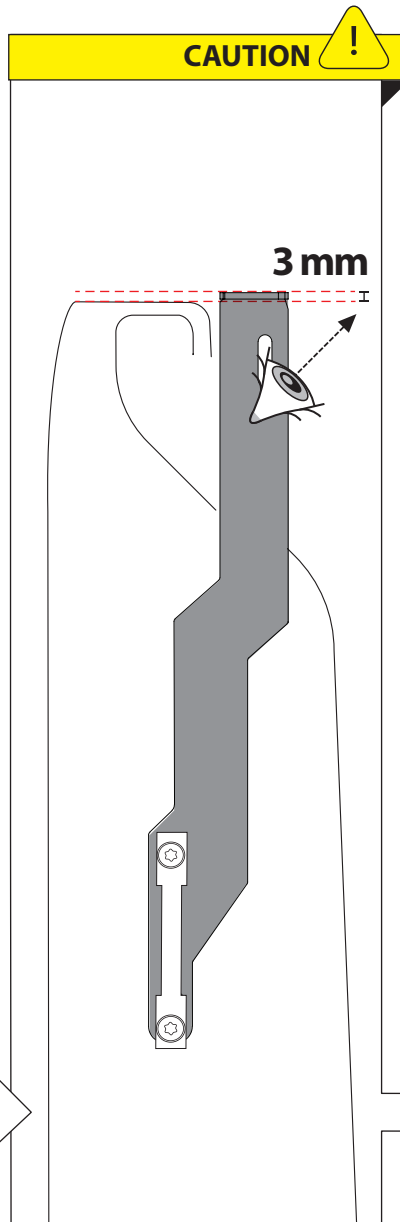
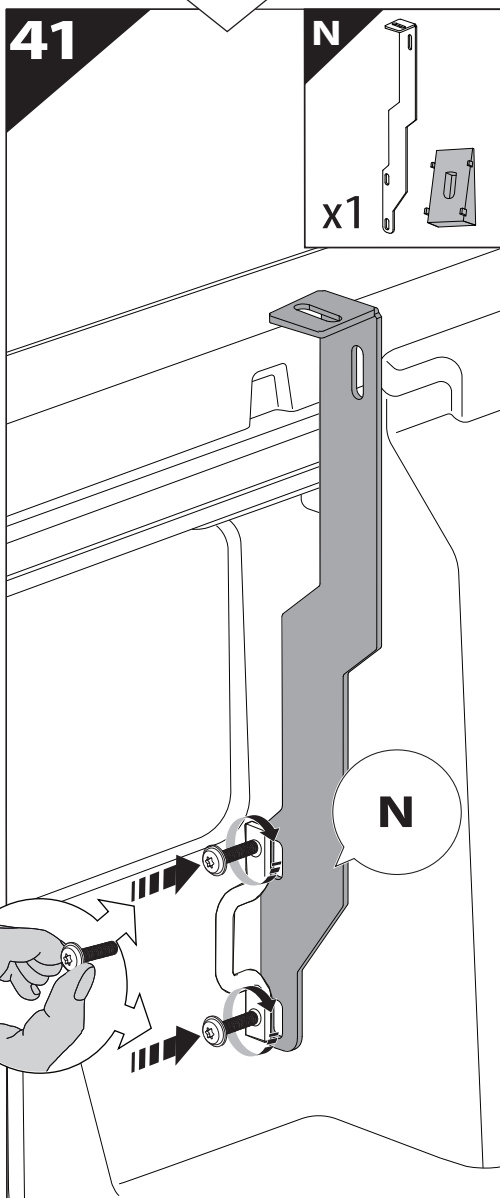
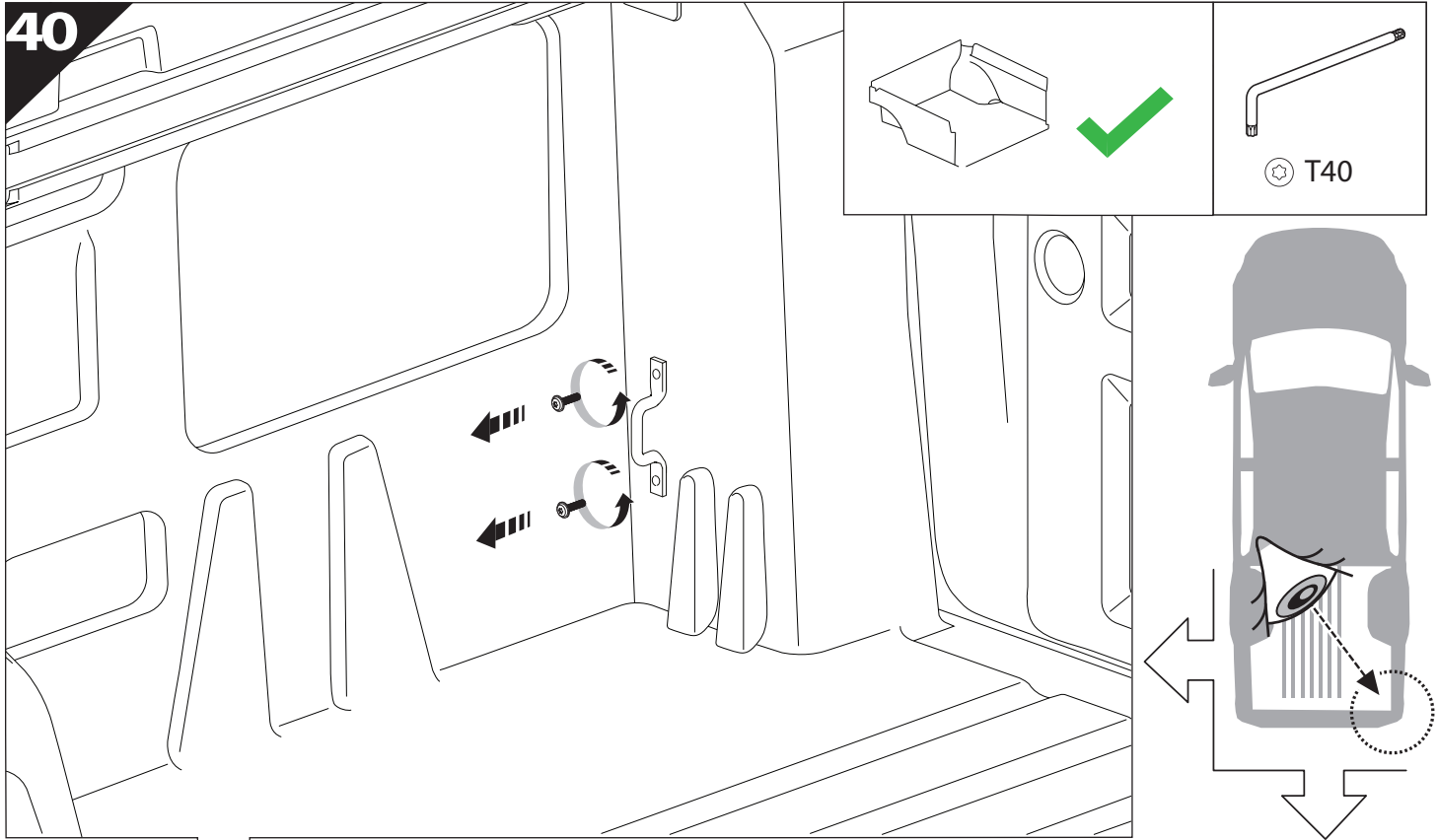


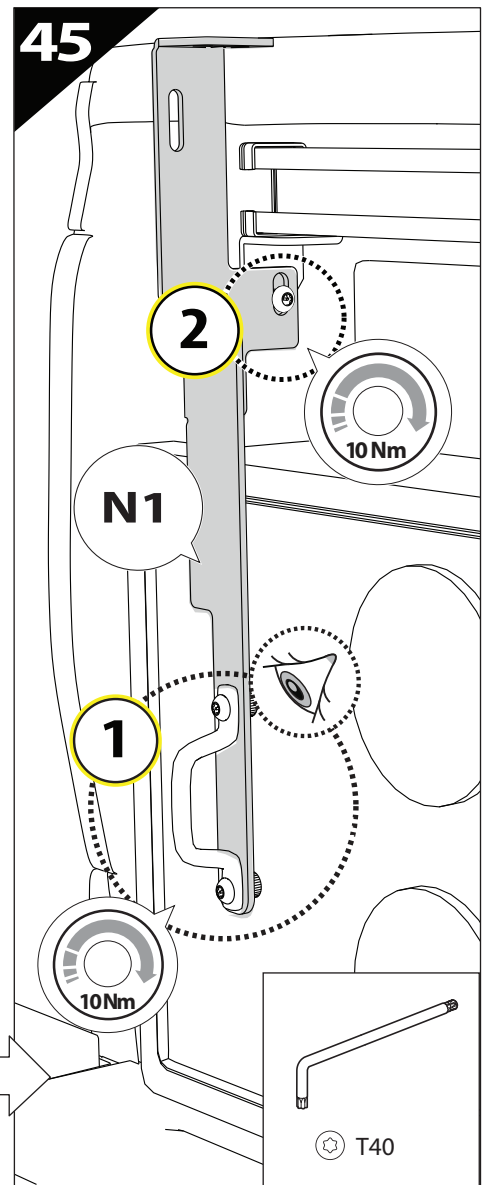
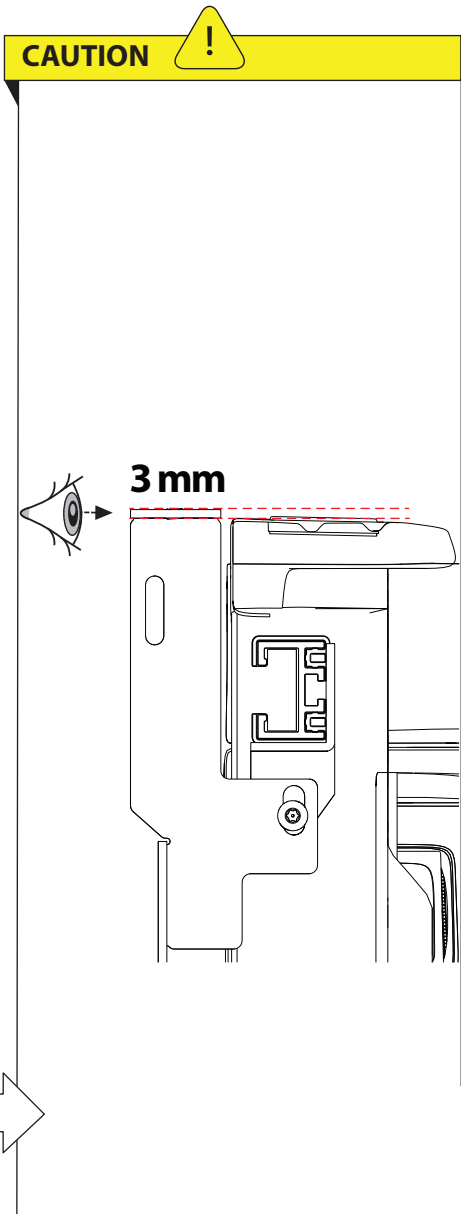
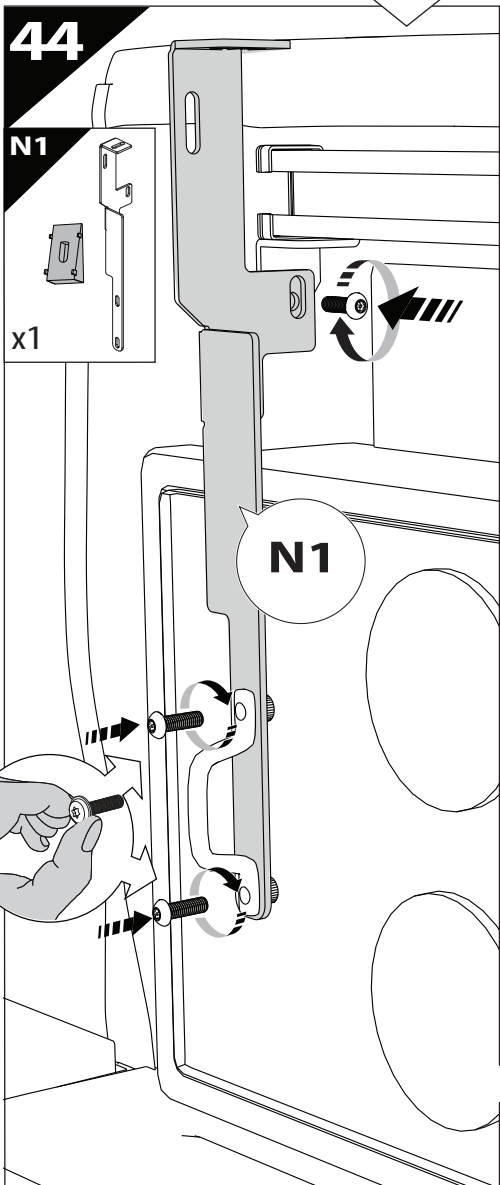
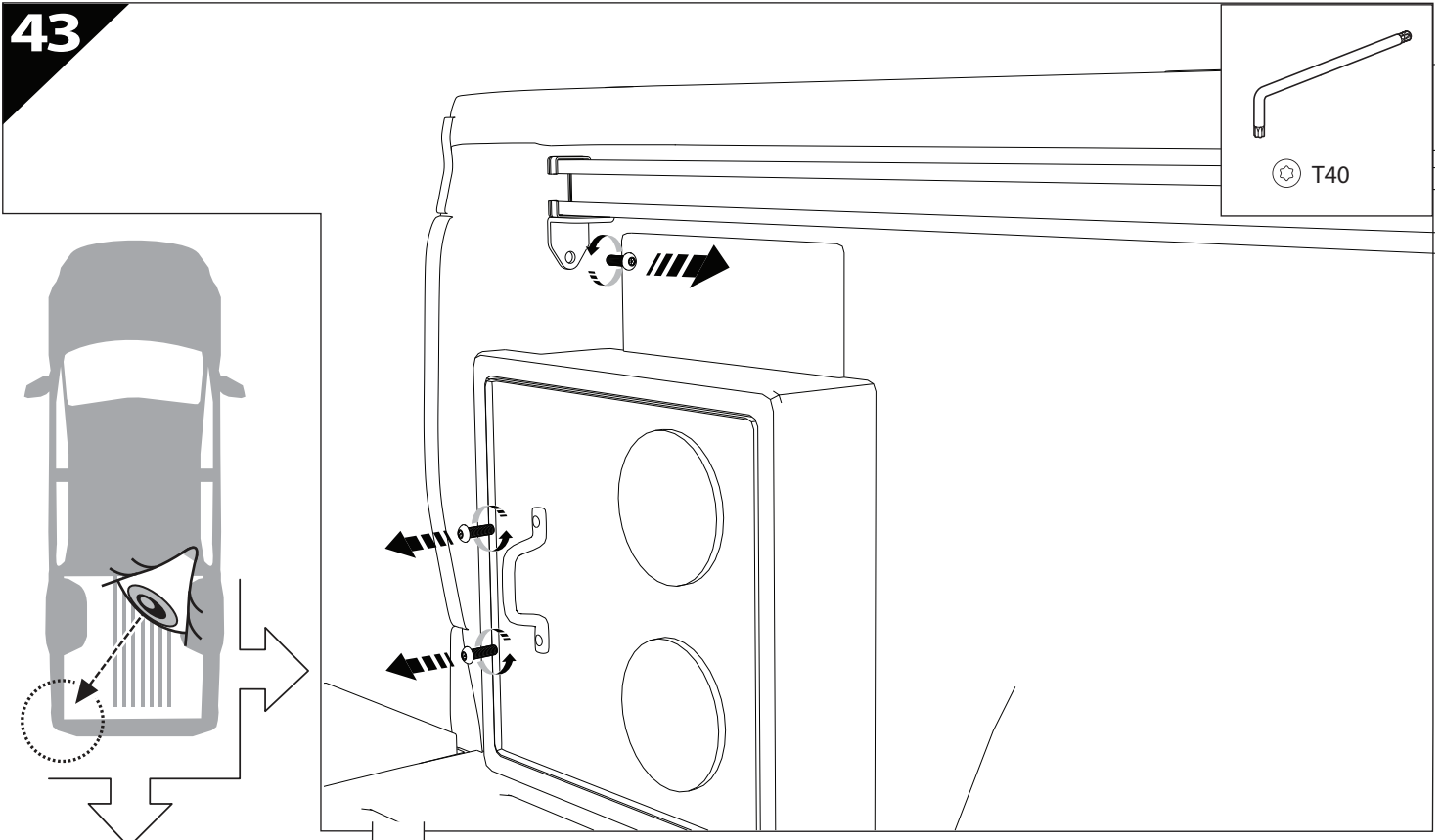




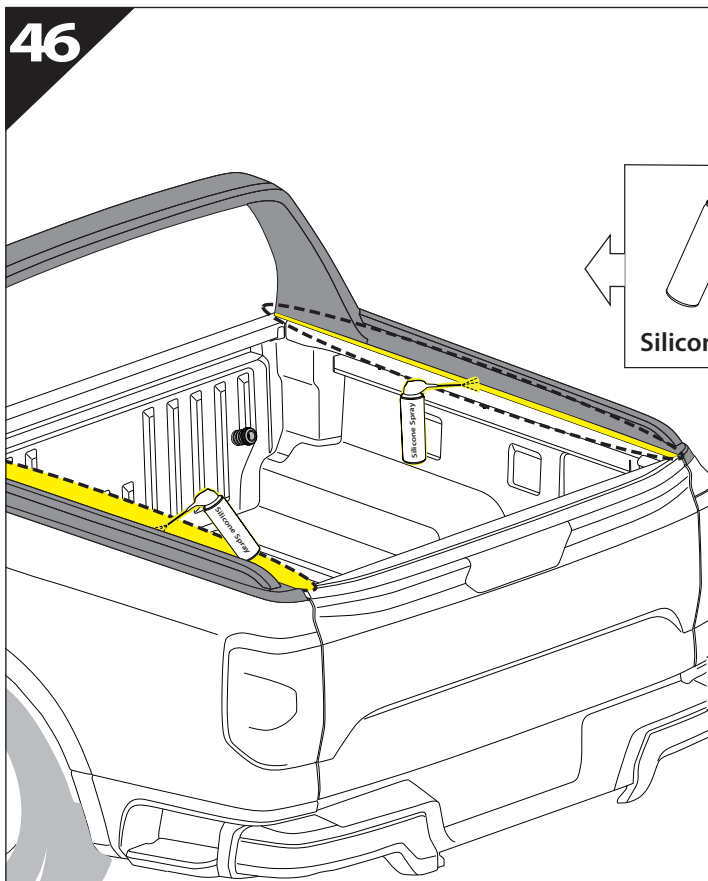
39.6



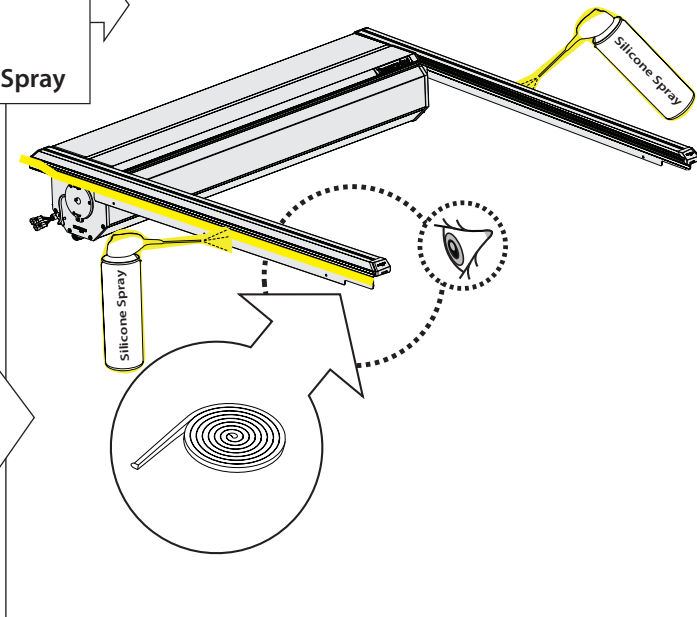
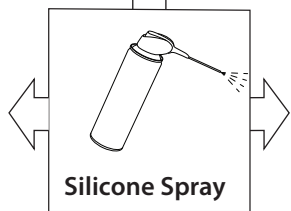




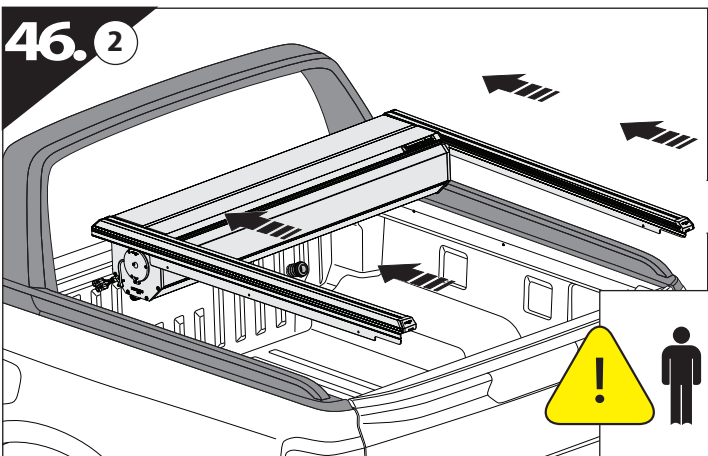
46



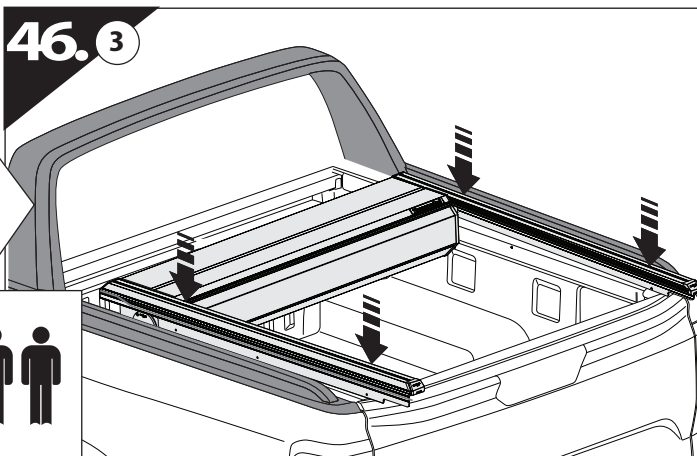
46.1



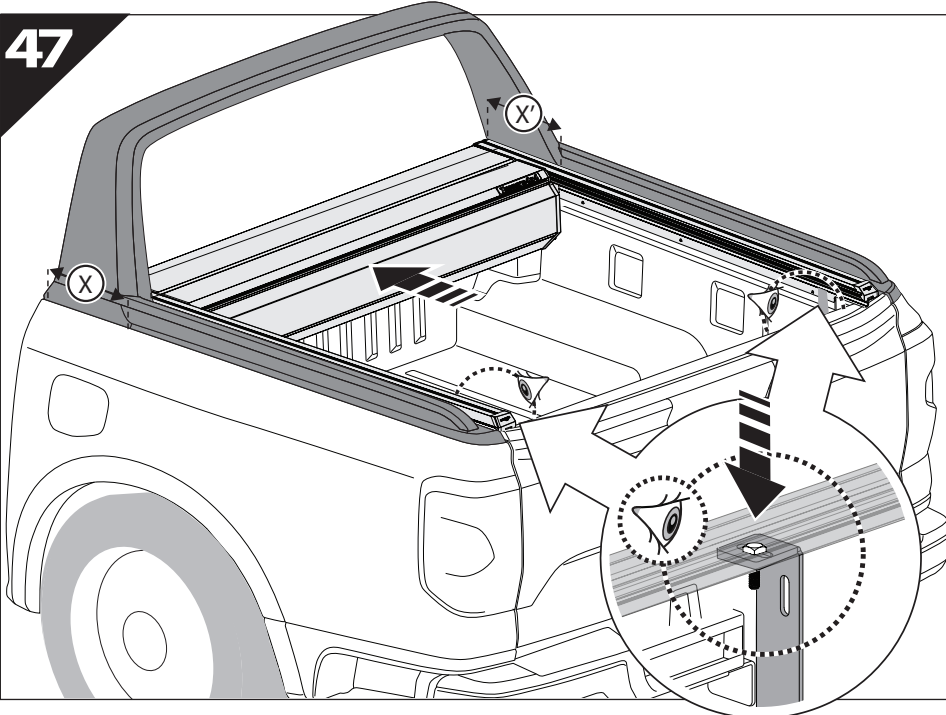
46.2

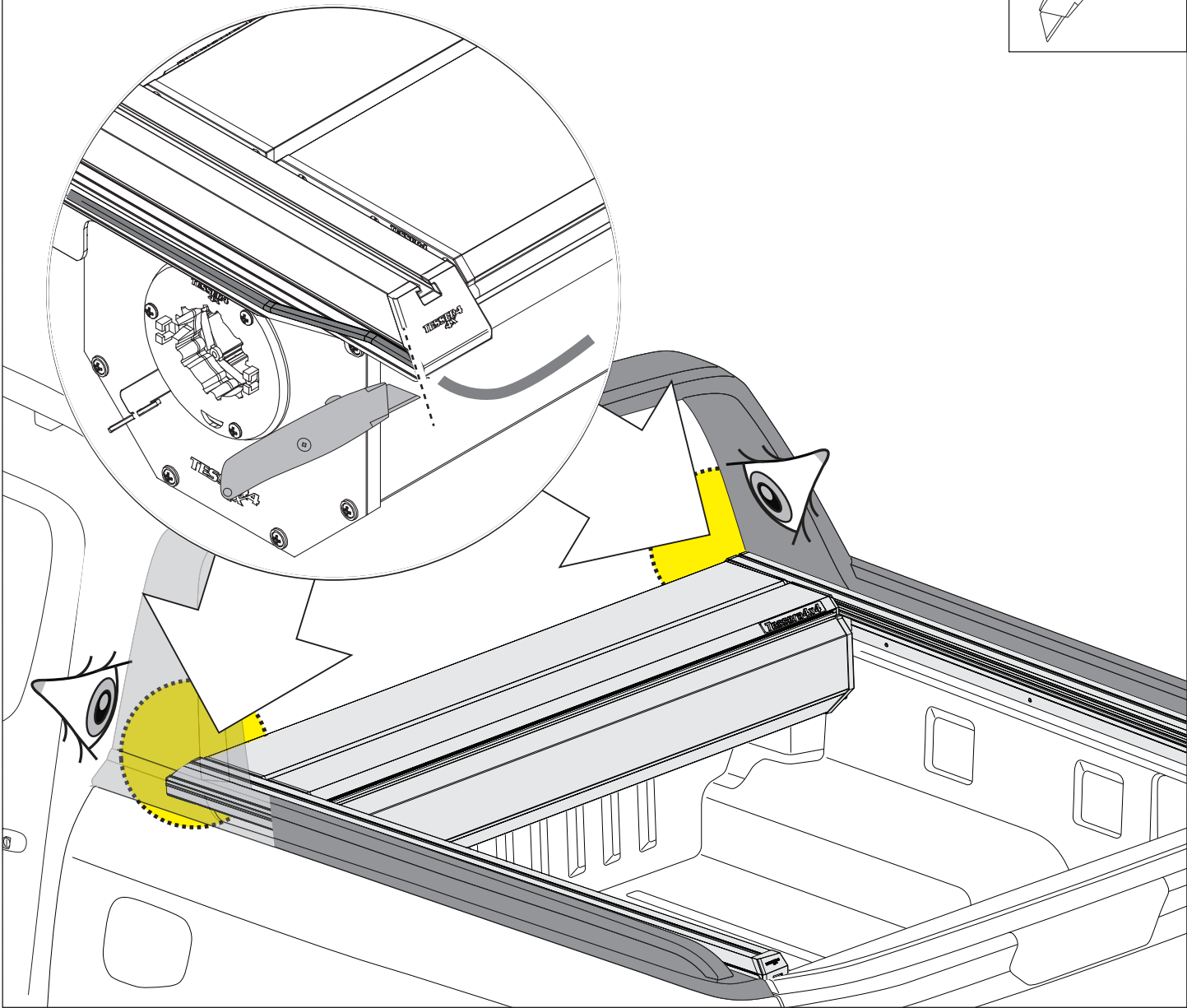
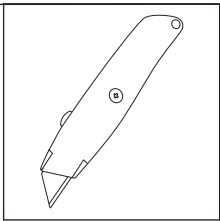


46.3



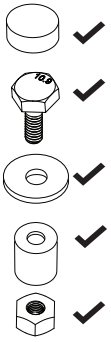
47



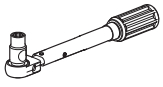


51

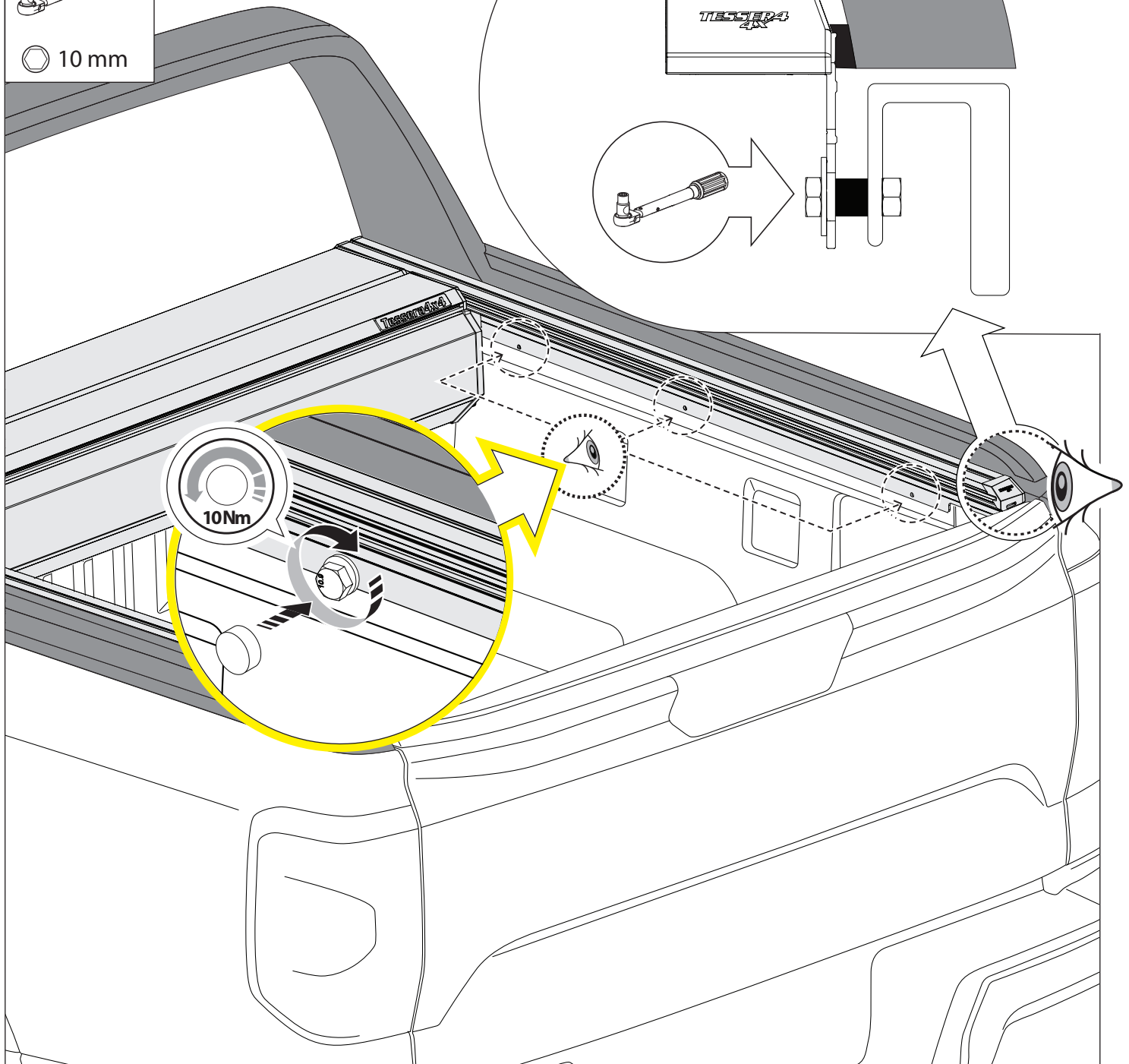
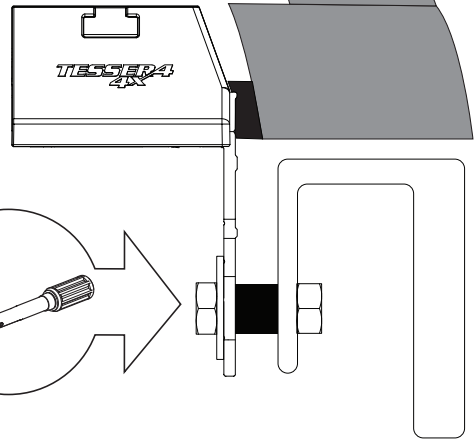
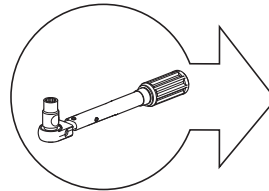
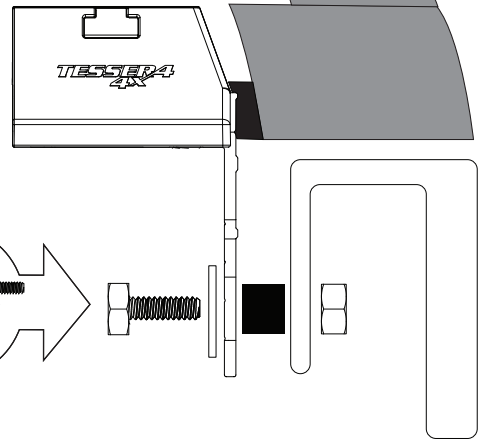
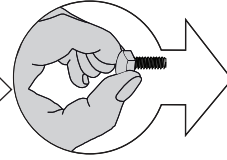
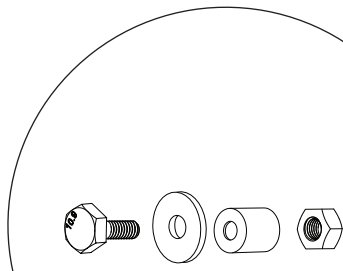
E4



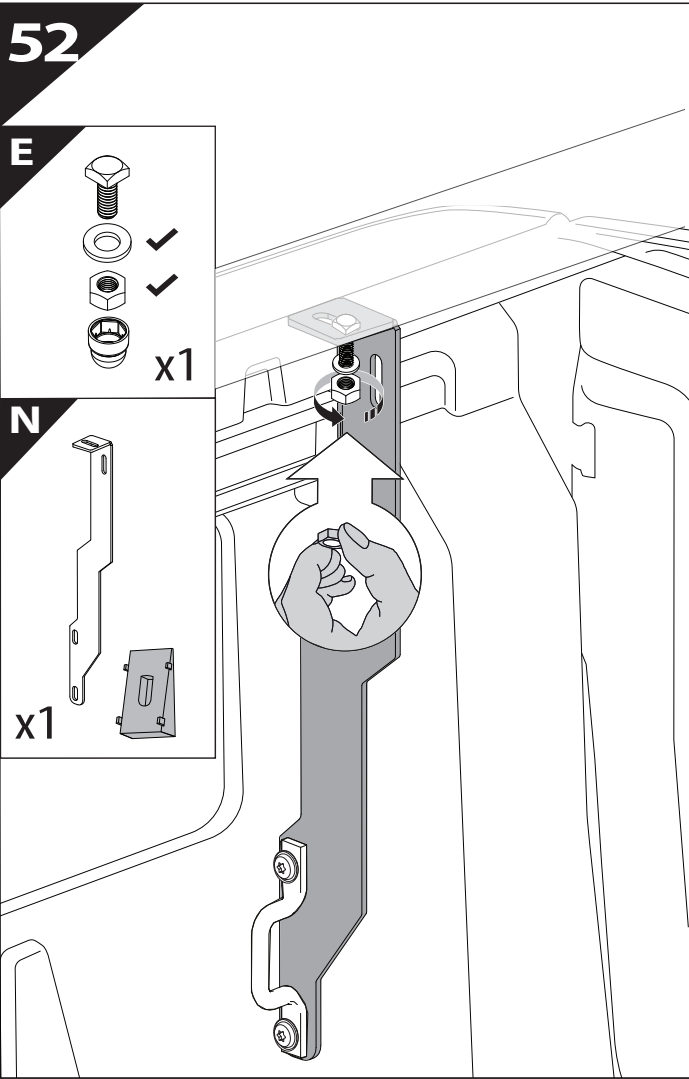
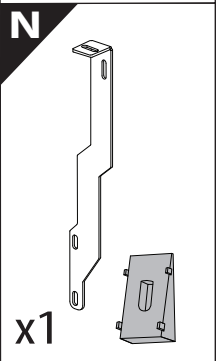
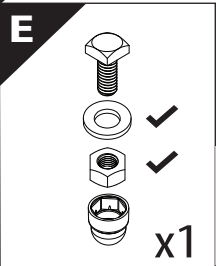
x6



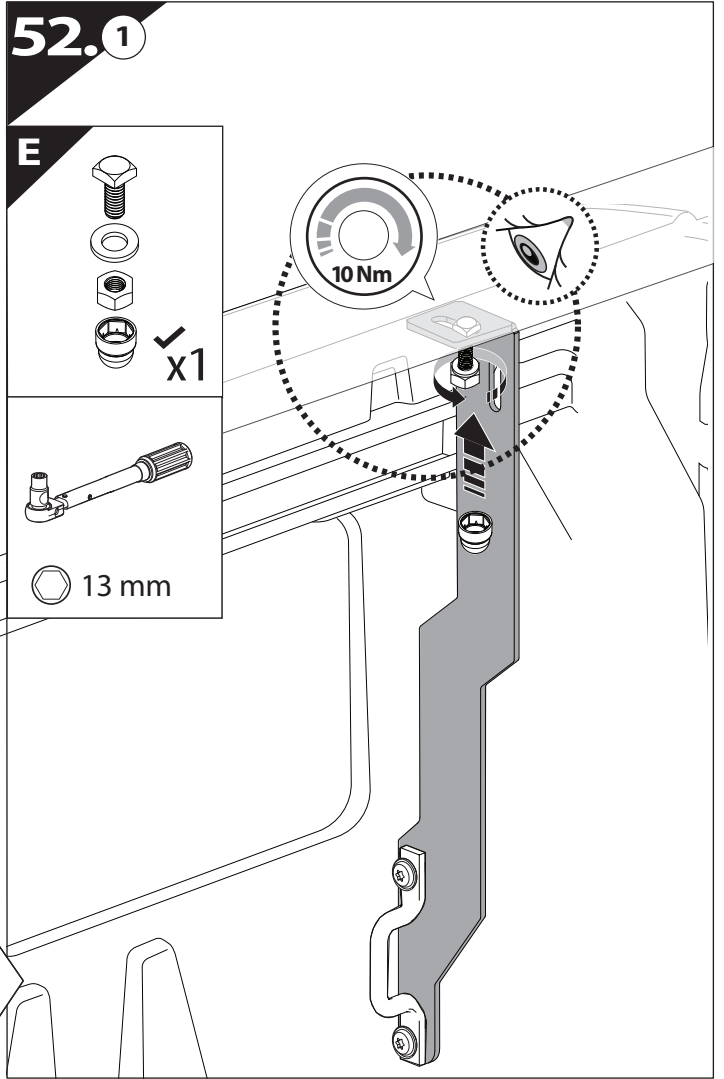
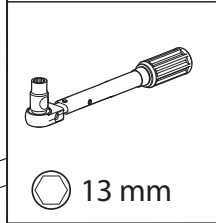
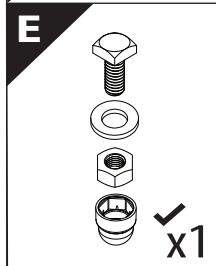
10 mm

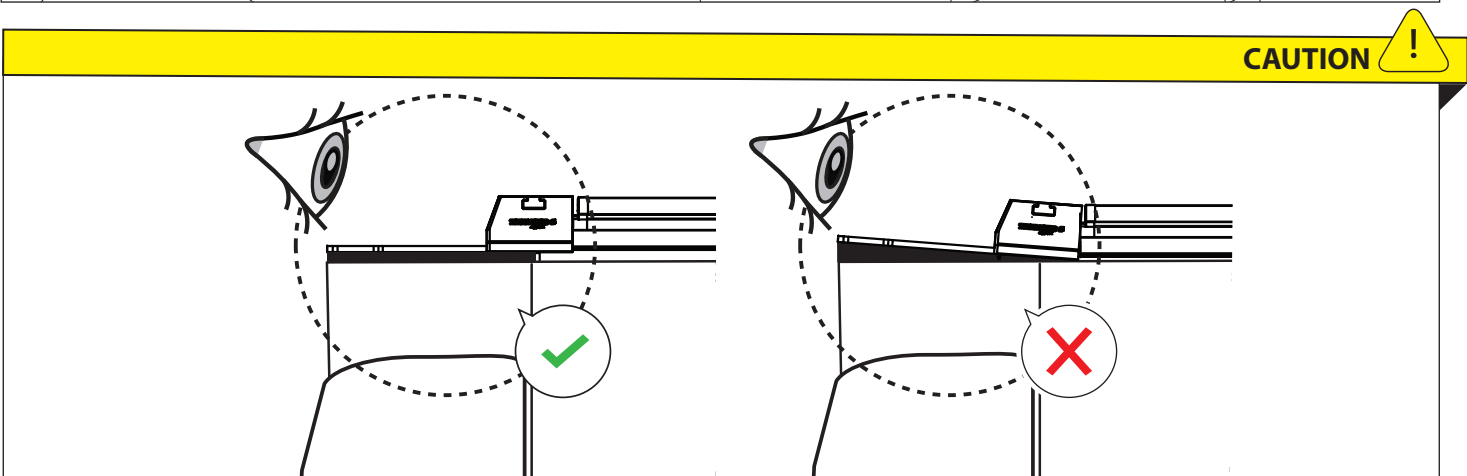
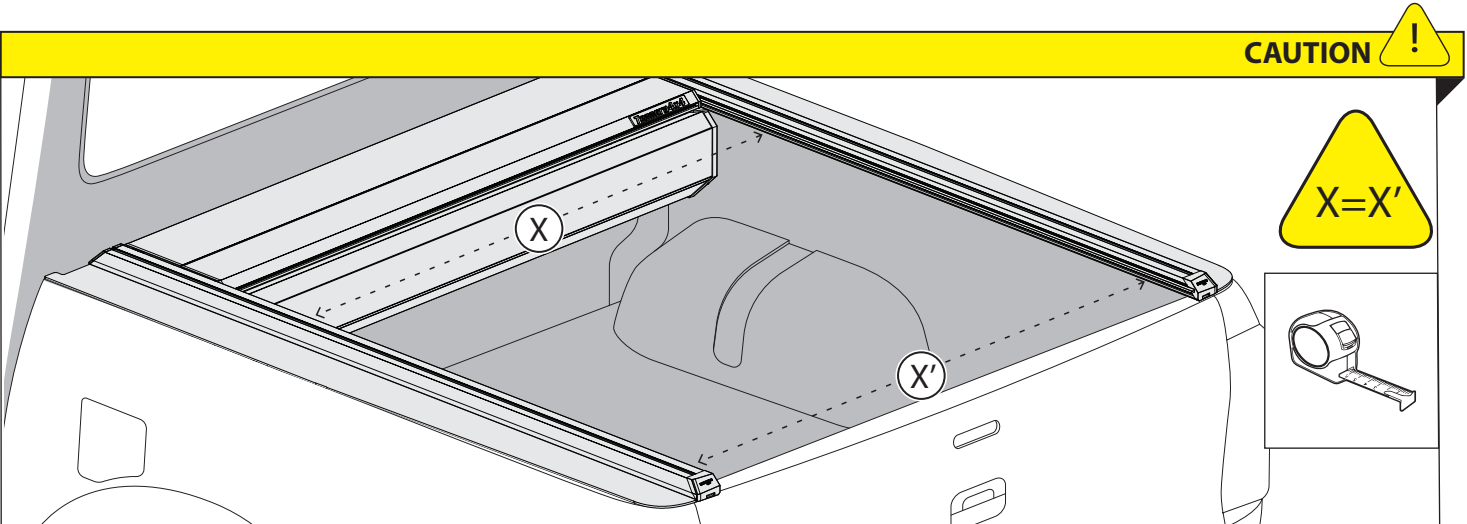
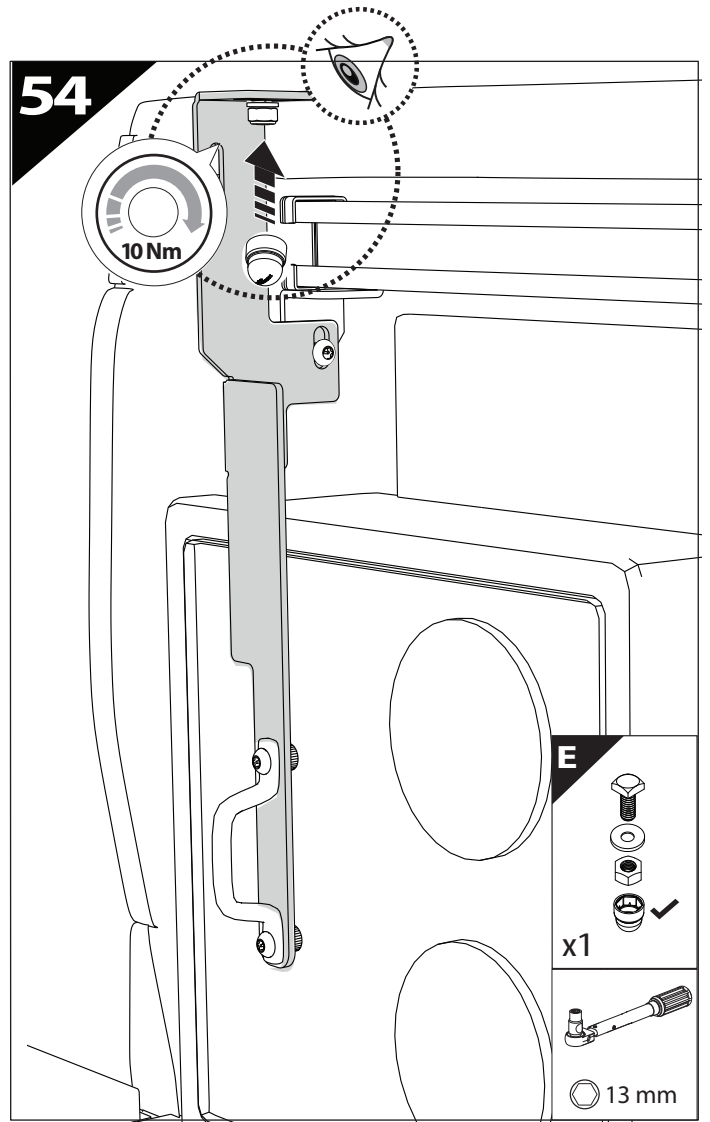
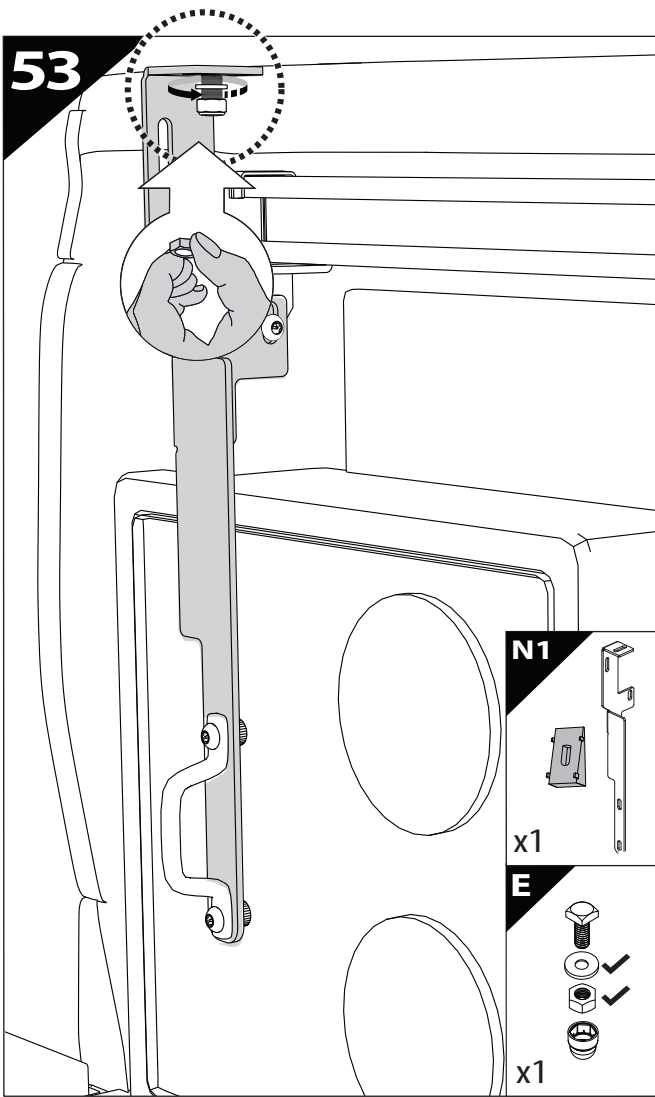


52

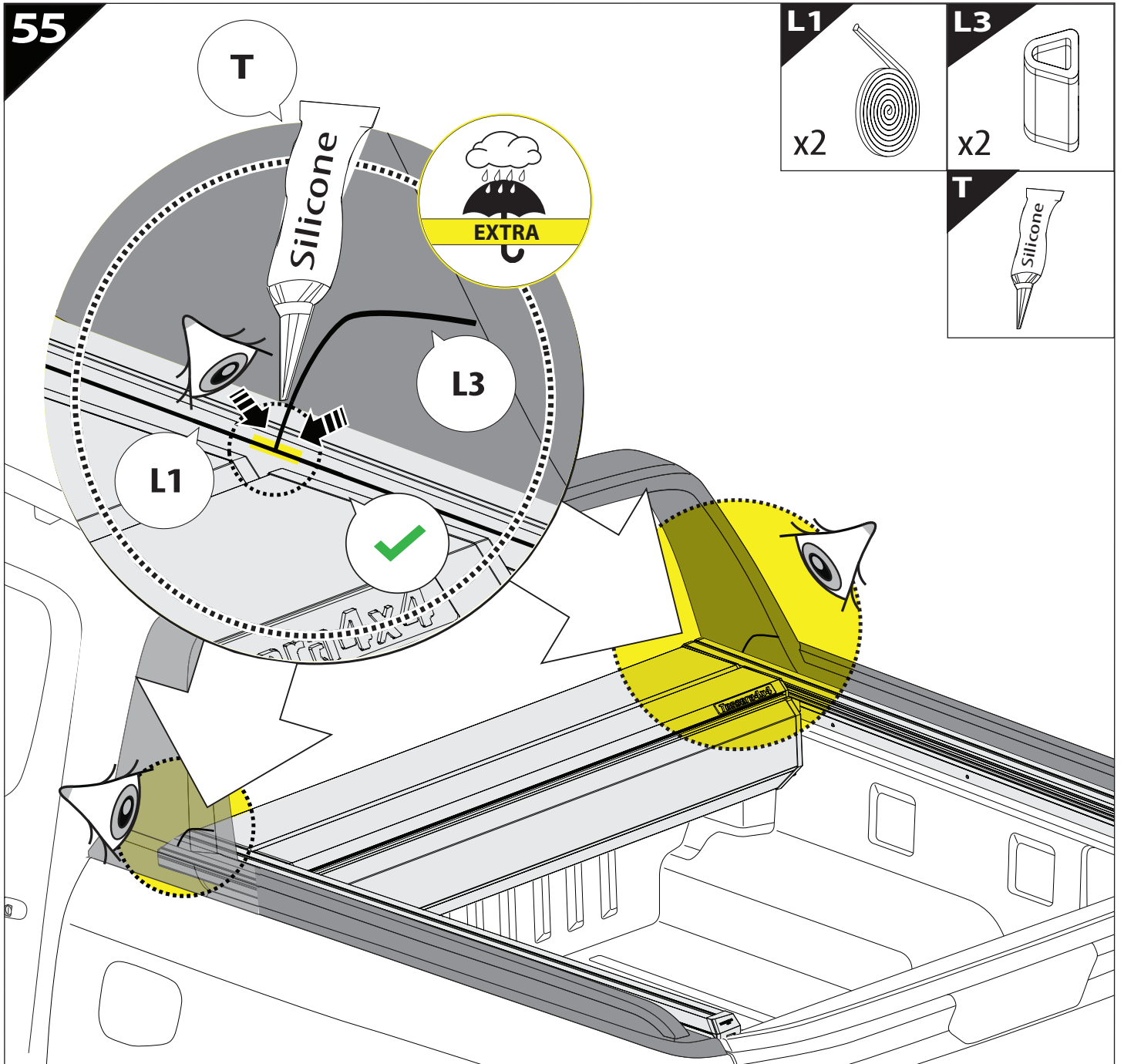


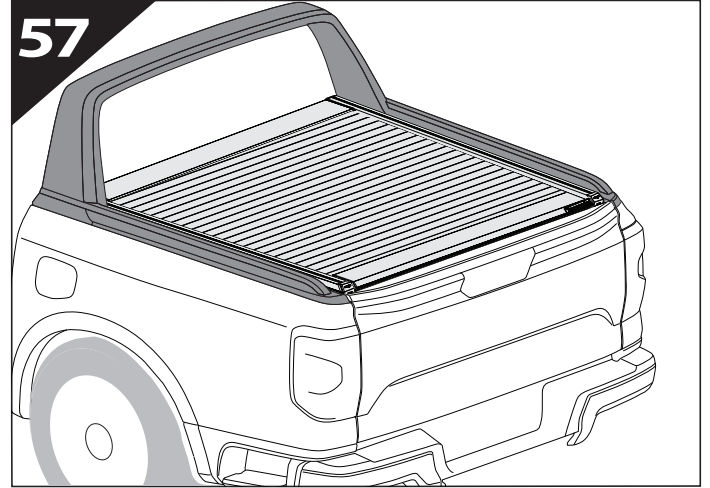
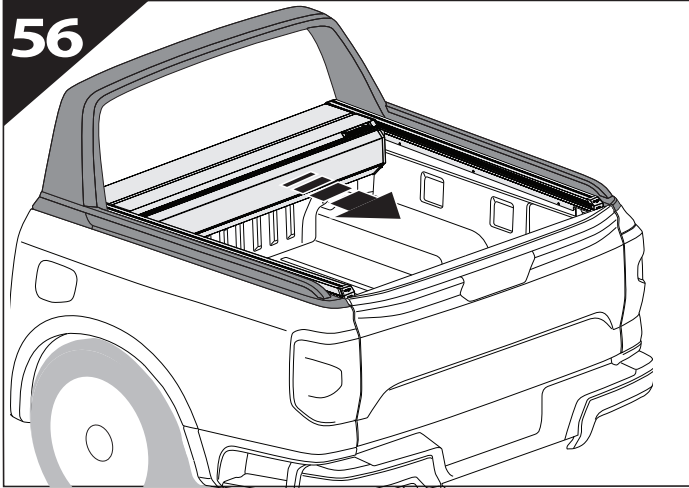
52.0





55





GR: Οδηγίες Εγκατάστασης
GB: Installation manual
SF: Asennusohje
F: Notice de montage
PL: Instrukcja montażu
NL: Installatie-instructies
TR: Montaj Talimatı
S: Monteringsanvisning
E: Instrucciones de montaje

H: Szerelési utasítás
P: Instruções de instalação
RUS: Инструкция по установке
N: Monteringsveiledning
D: Einbauanleitung
CZ: Návod k instalaci
I: Istruzioni de montaggio
DK: Monteringsvejledning
RO: Instructiuni de instalare

Customer Service:

+30 (210) 5541161, +30 (210) 5541154 (08:00 - 16:00 EET)

Support department:

info@gianso.gr

Website:

www.tessera4x4.com

Address:

19.5 km of National road Athens-Korinthos (Elefsina) Greece, P.C: 19200