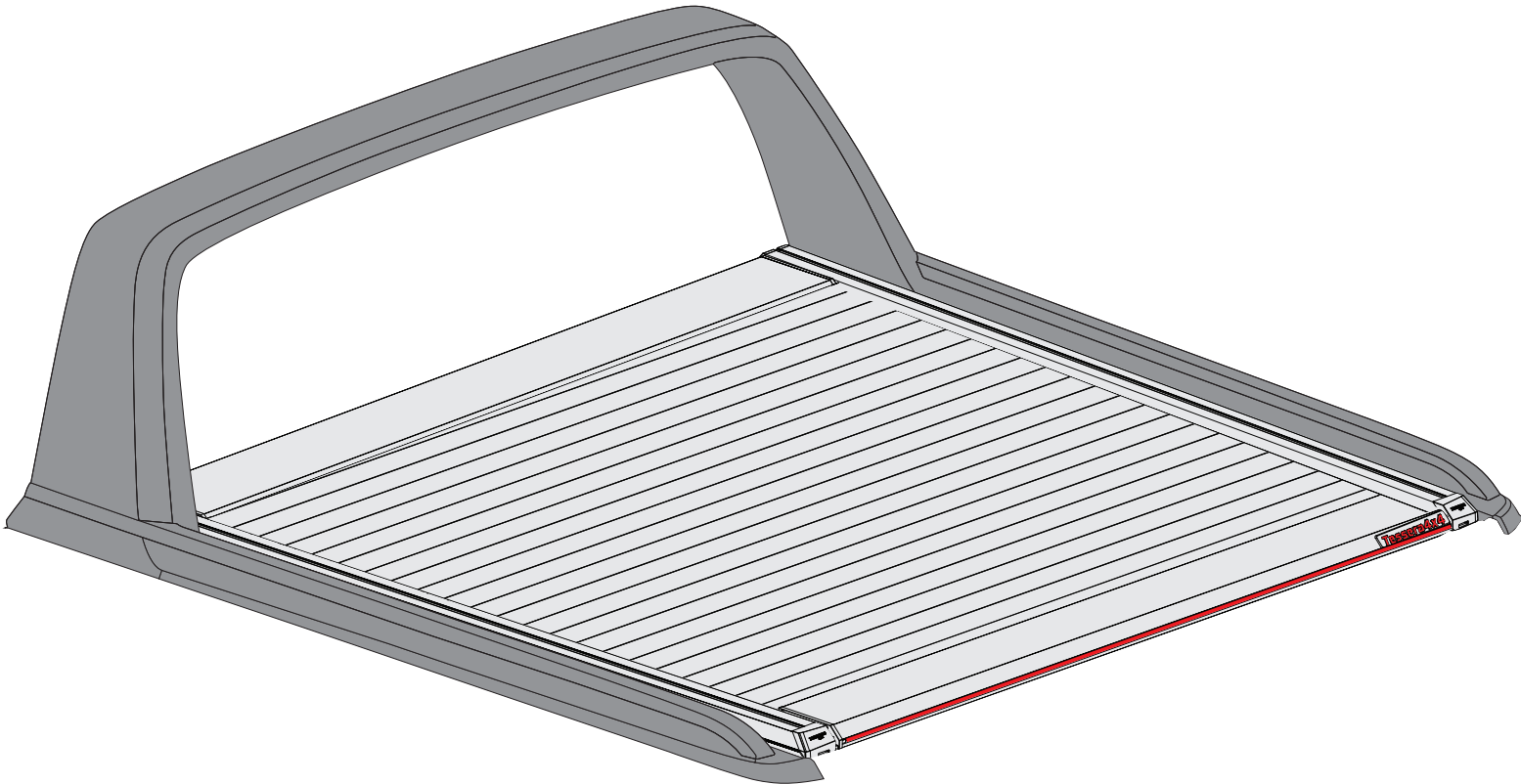


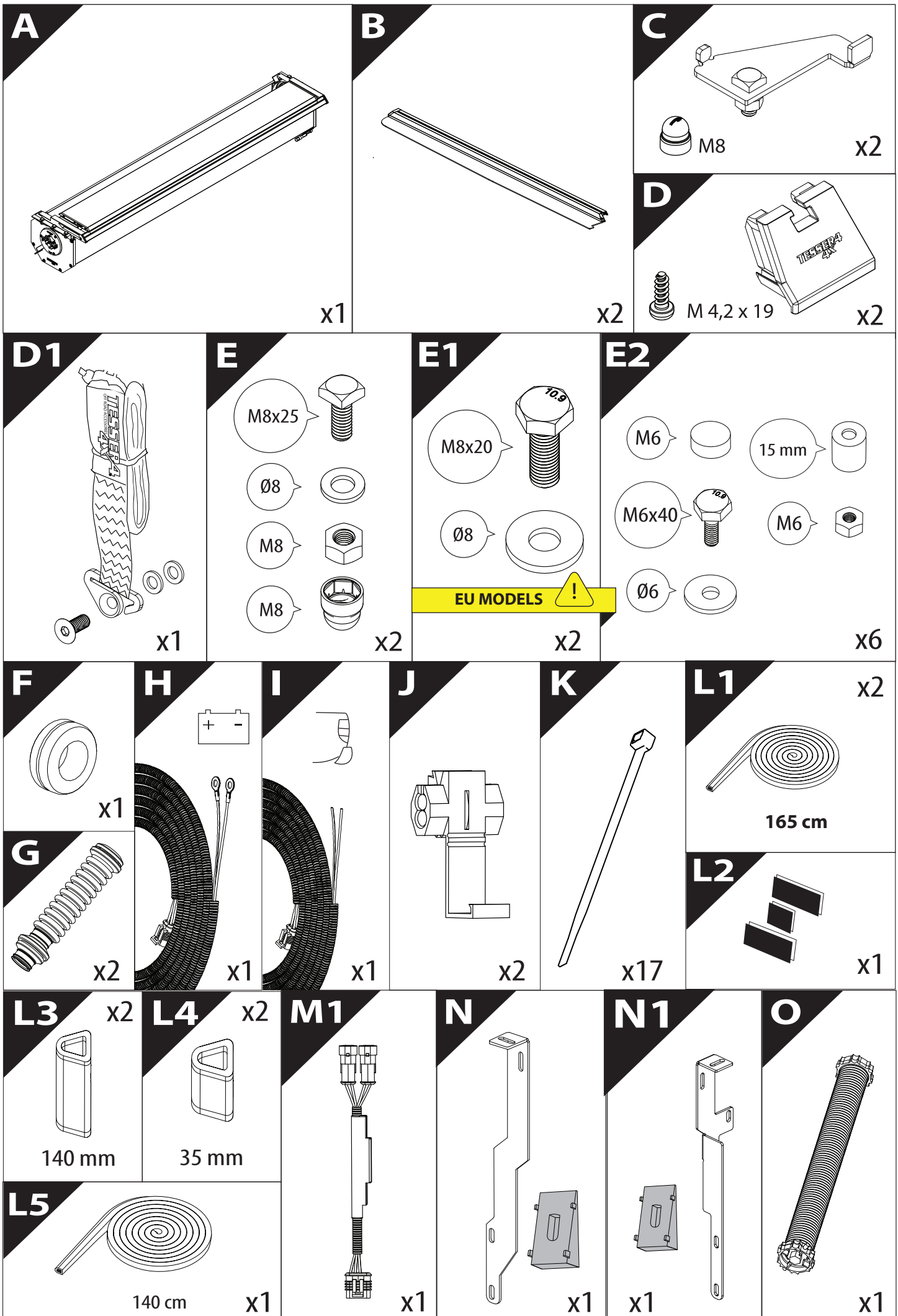
Tessera Roll+

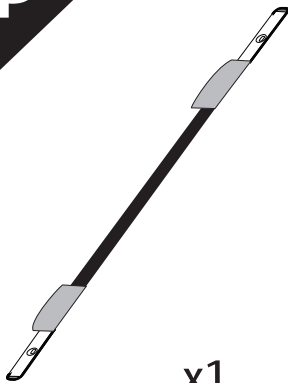
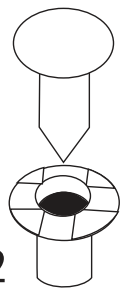



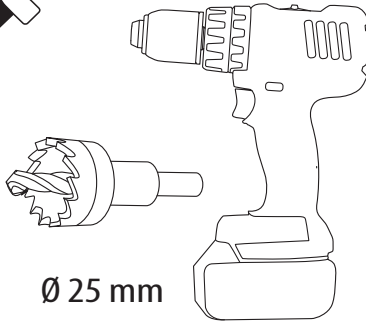
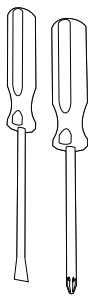
Basic Version + ⚙️ S-KIT

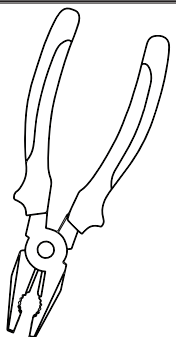
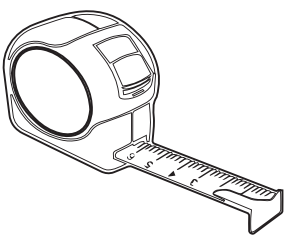
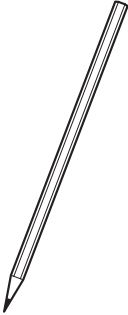
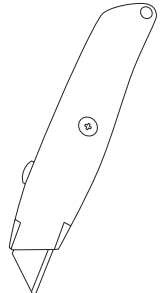
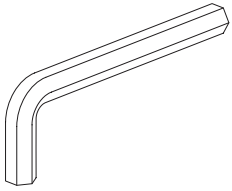


Installation Manual

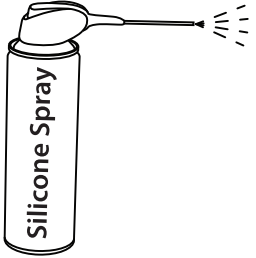
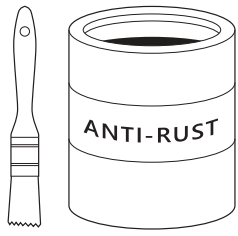

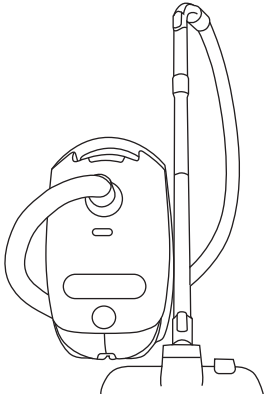
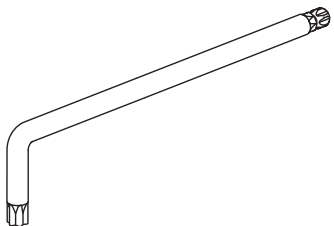
PART NUMBER(S)	Model Year
TESS 14081 ROLL+S-KIT	FORD RANGER WILDTRAK PHEV 2025+ (with c-channels)
Cab(s)	Installation Time / Weight
Double Cab	40-60 minutes / 53-57 kg



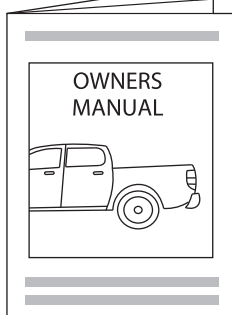


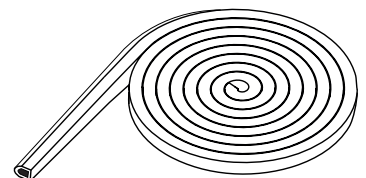
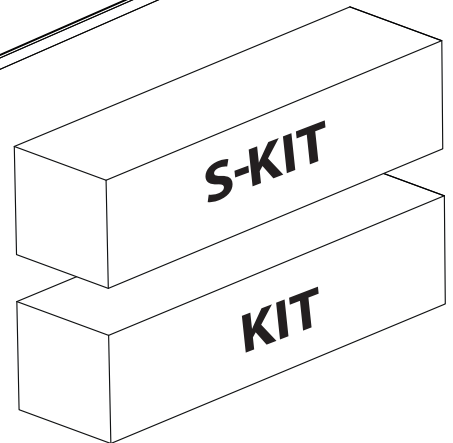
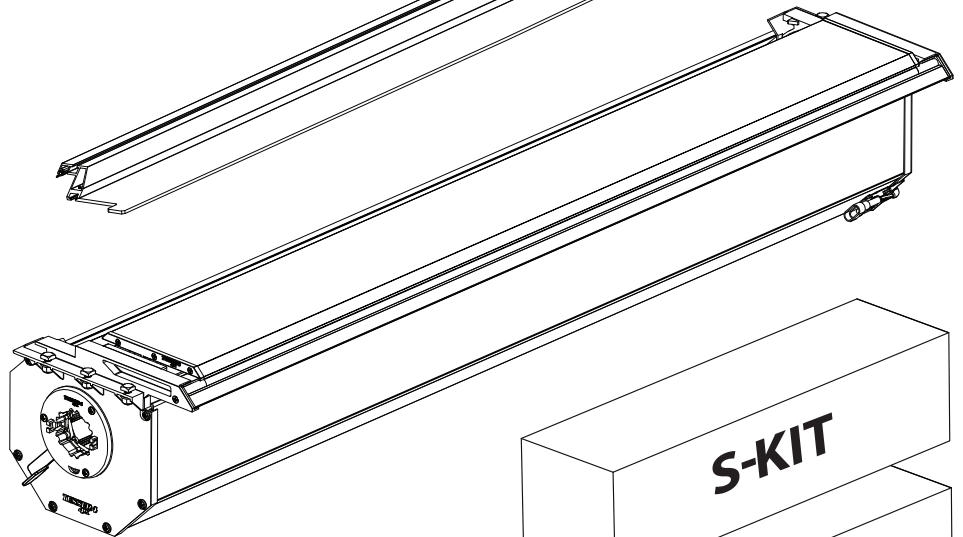
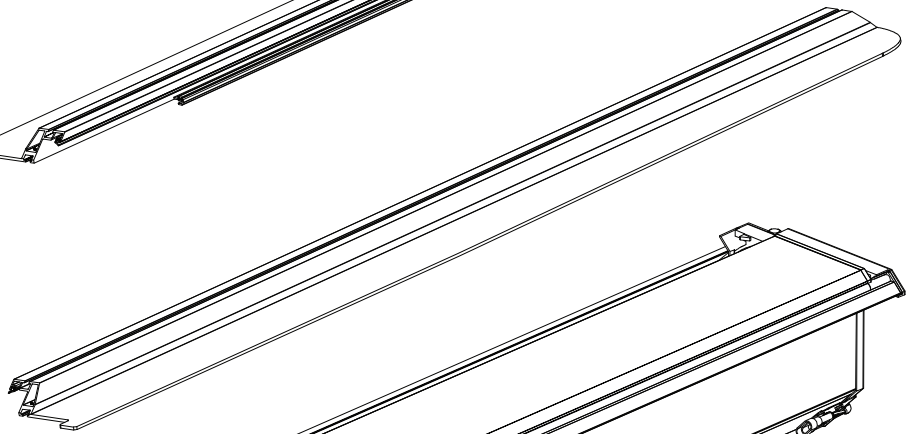
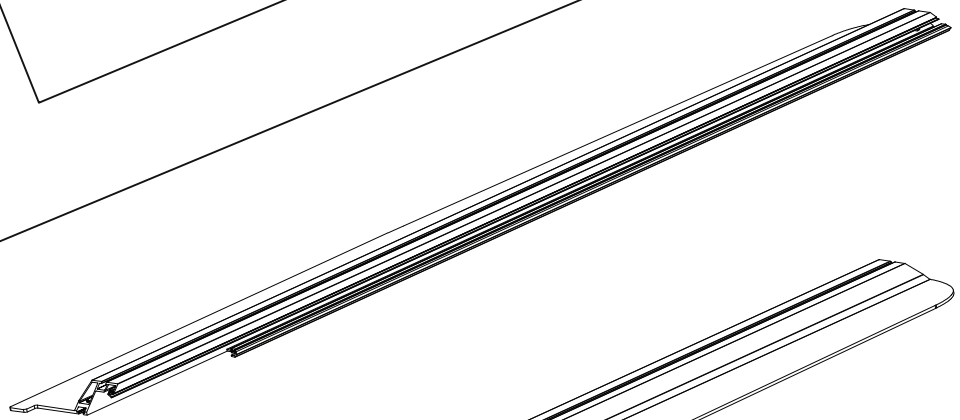
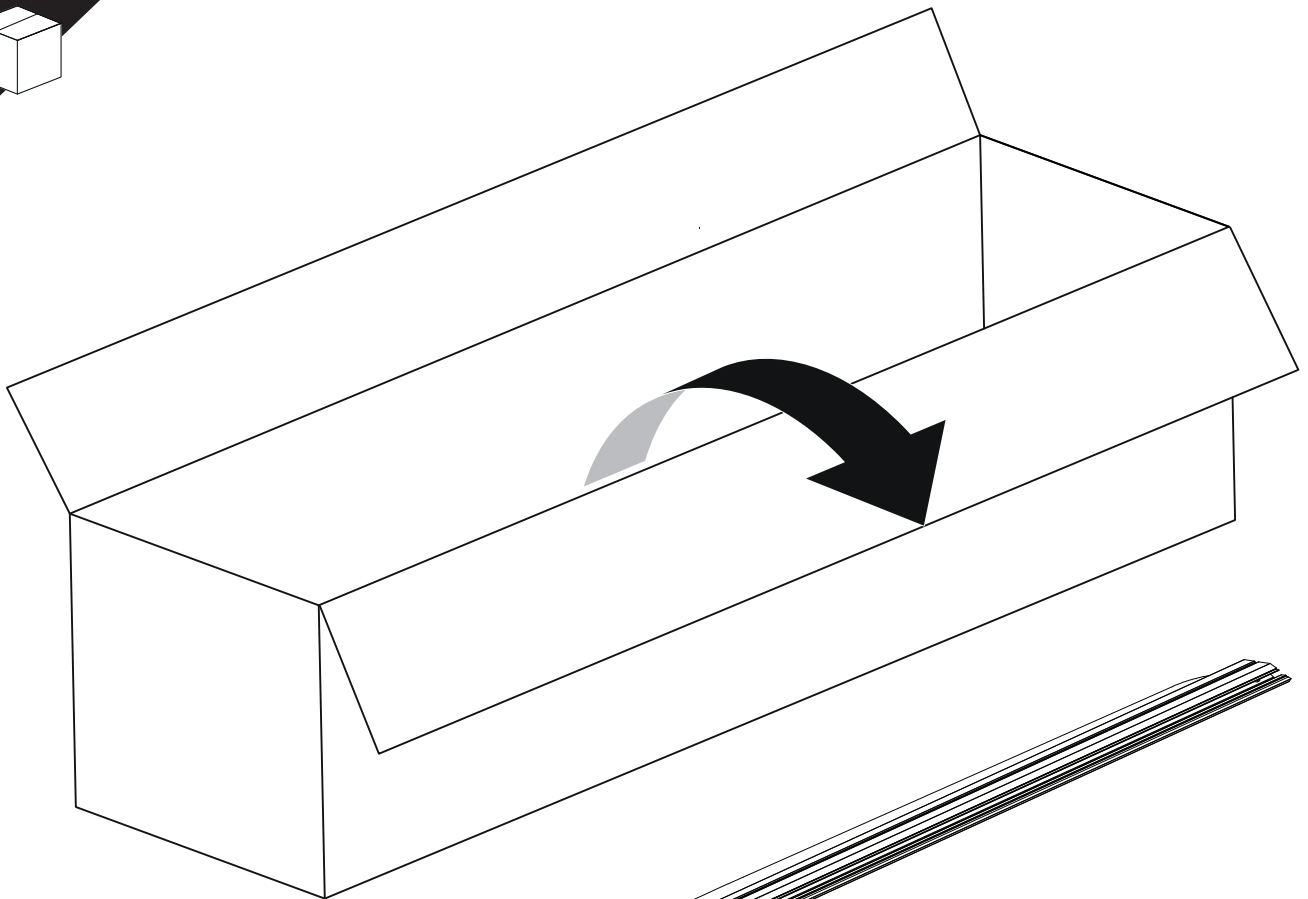
<p>P</p>  <p>x1</p>	<p>Q</p>  <p>x2</p> <p>US MODELS </p>	<p>R</p>  <p>Silicone</p>	  <p>Ø 25 mm</p>	 <p>+</p> <p>-</p>
--	---	---	--	---

				 <p>4 mm</p>
---	---	---	---	---

<p>1 - 25 Nm</p>  <p>10, 12, 13, 17 mm</p>		 <p>H₂O</p>		 <p>ACETONE</p>
---	--	---	---	---

 <p>Silicone Spray</p>	 <p>ANTI-RUST</p>			 <p>T30, T40</p>
---	--	---	--	---

	 <p>INSTALLATION MANUAL +S-KIT</p>	 <p>OWNERS MANUAL</p> <p>x1</p>
--	---	---

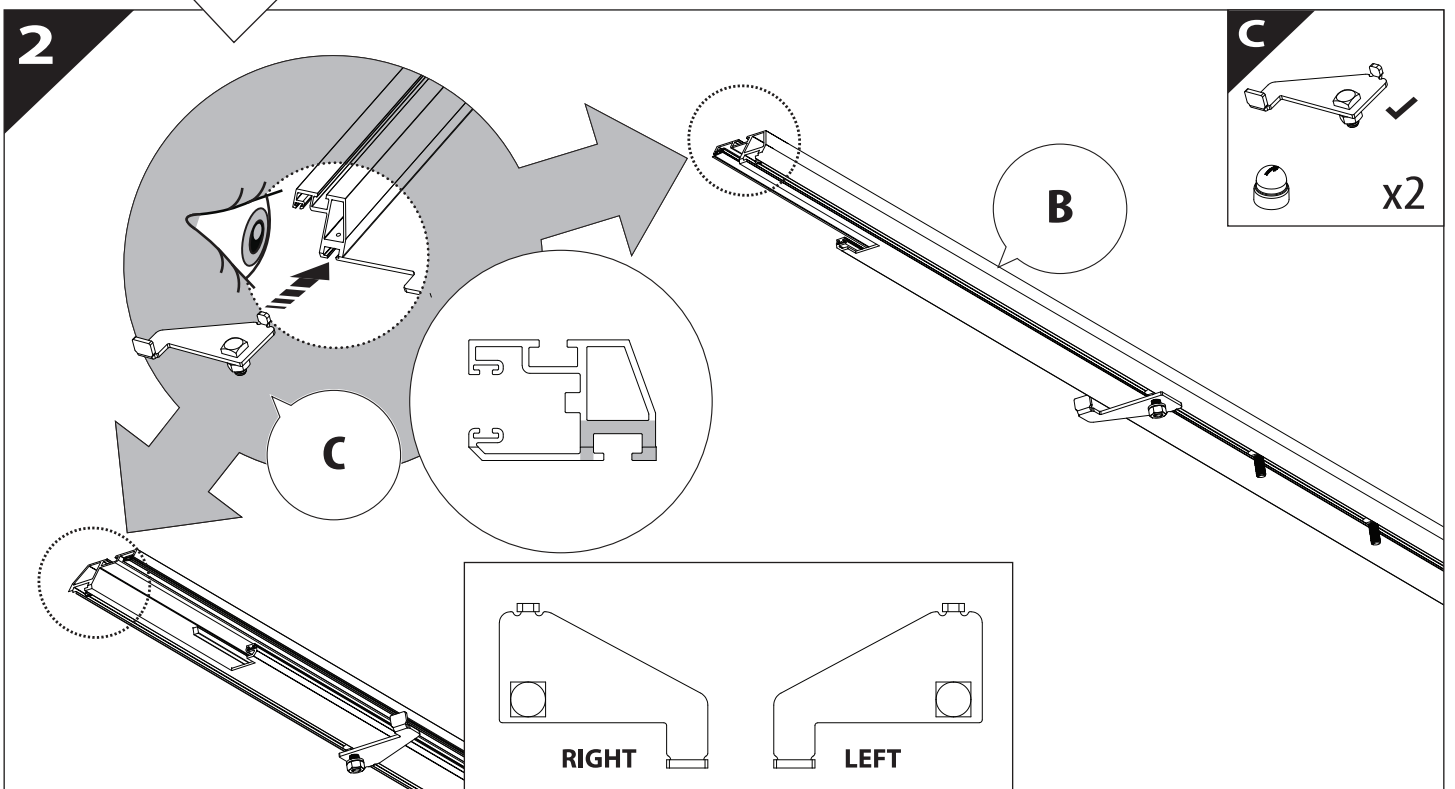
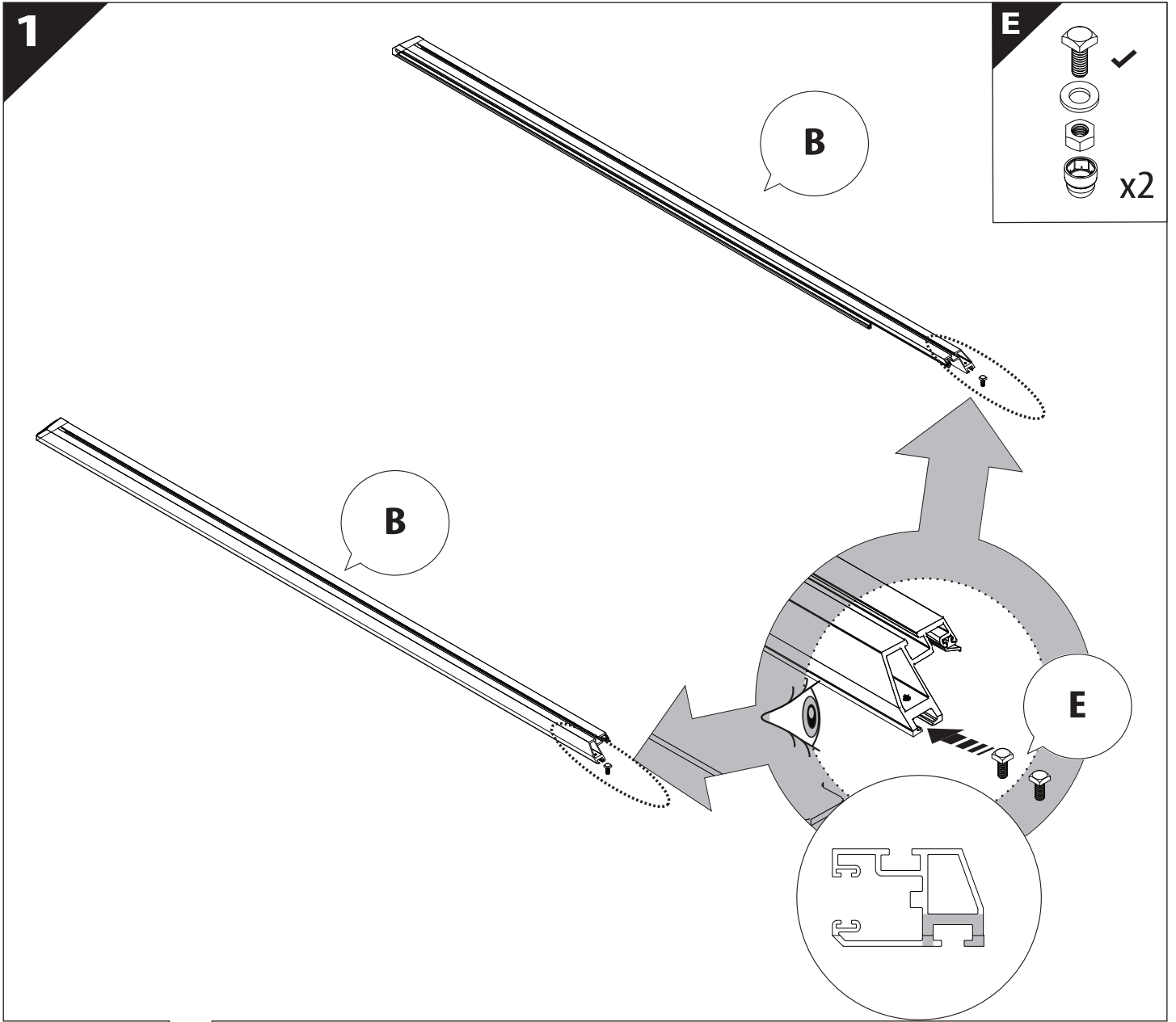


B

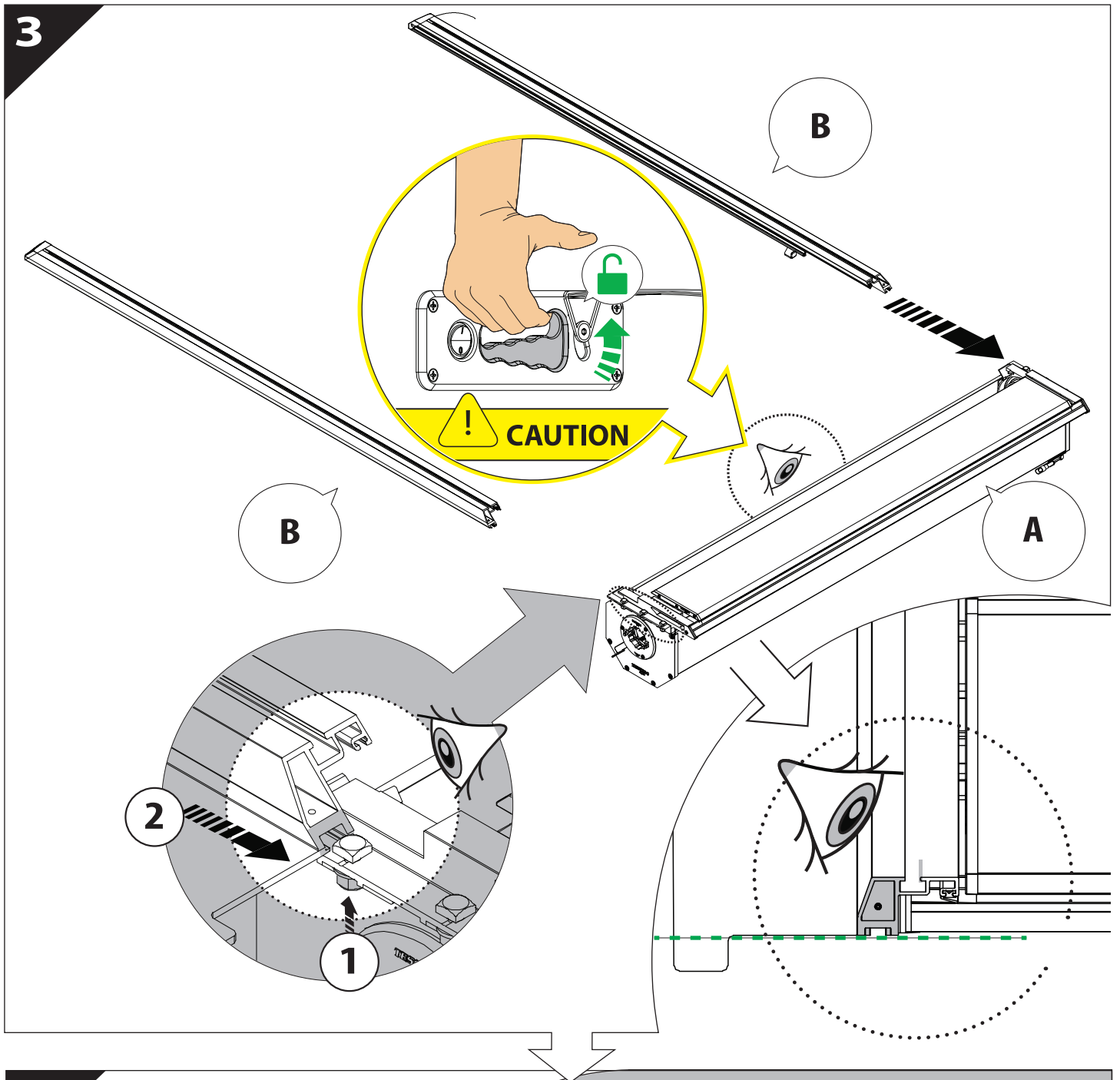
A

KITS

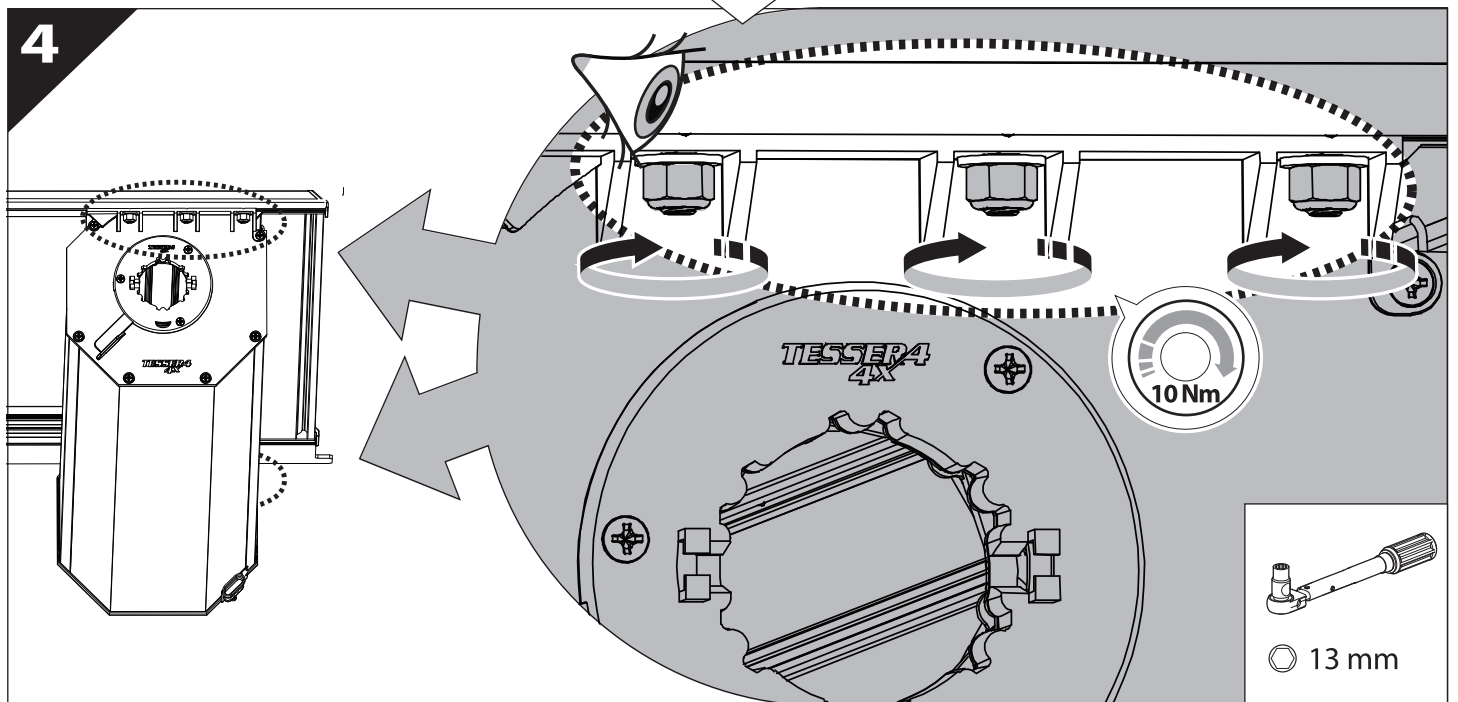
L

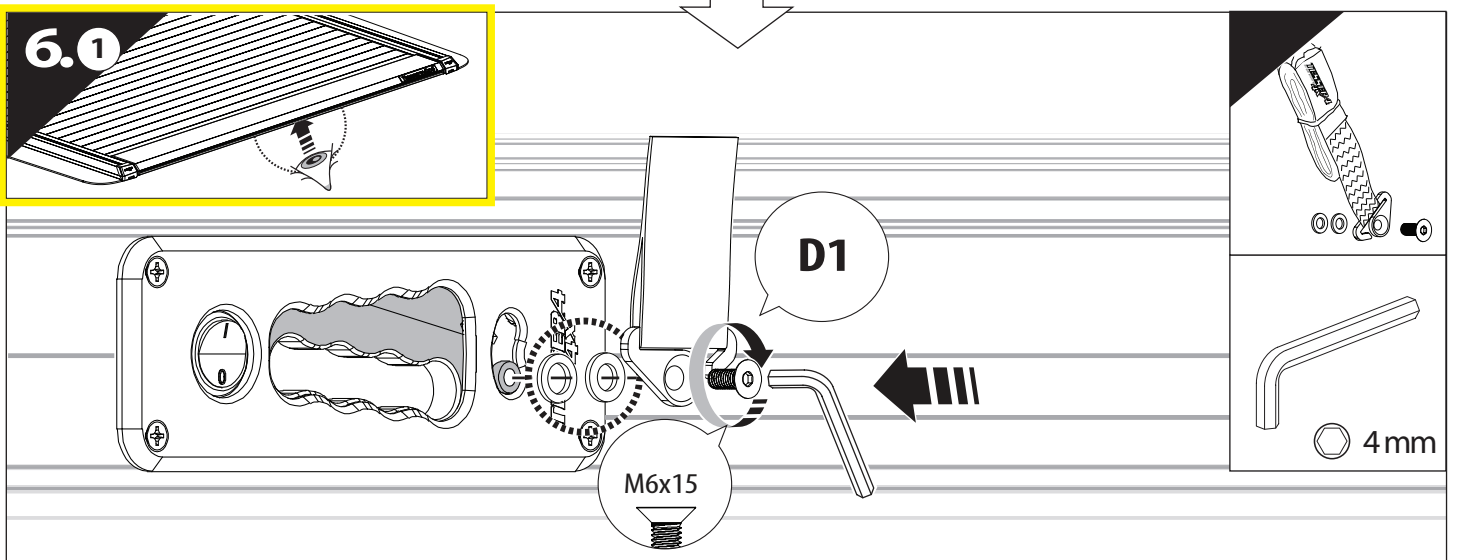
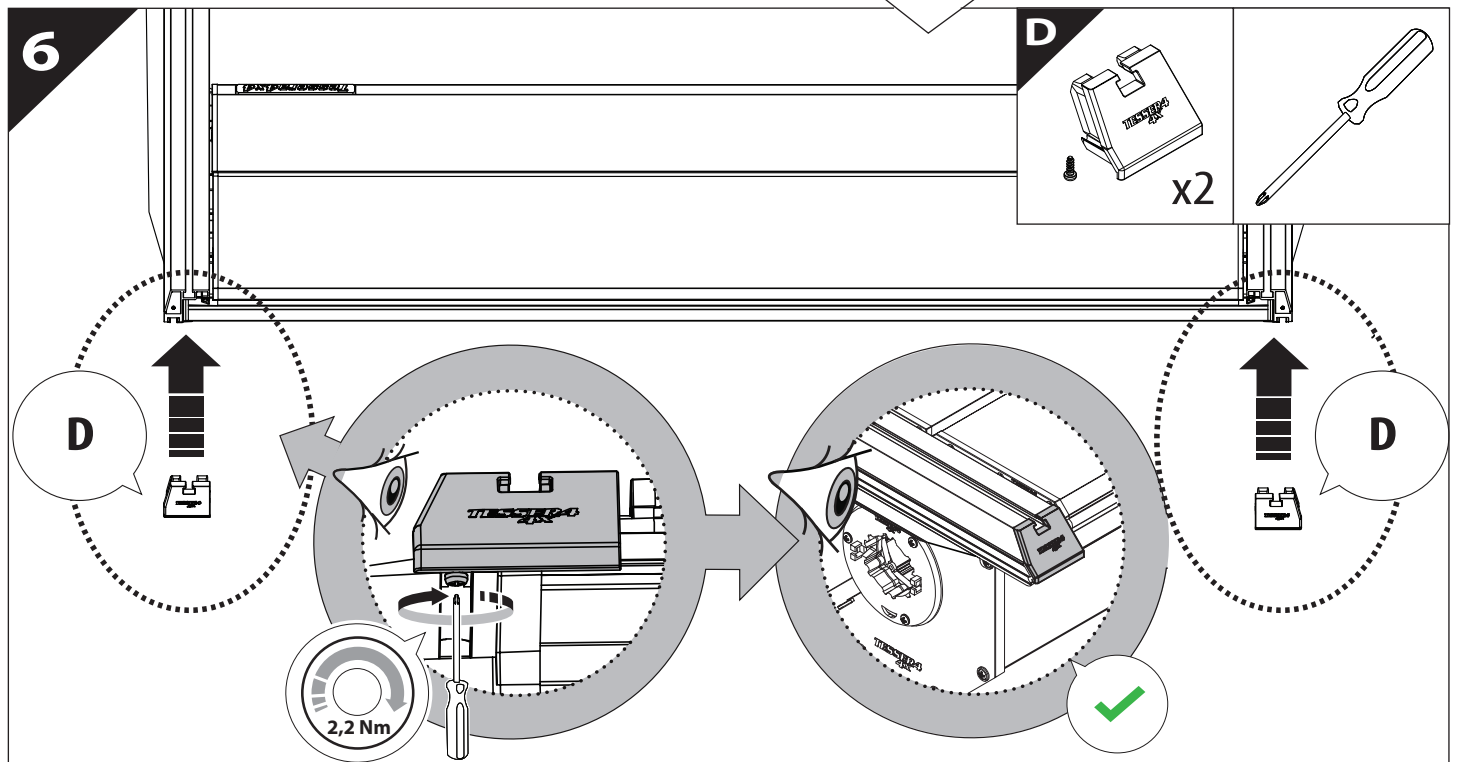
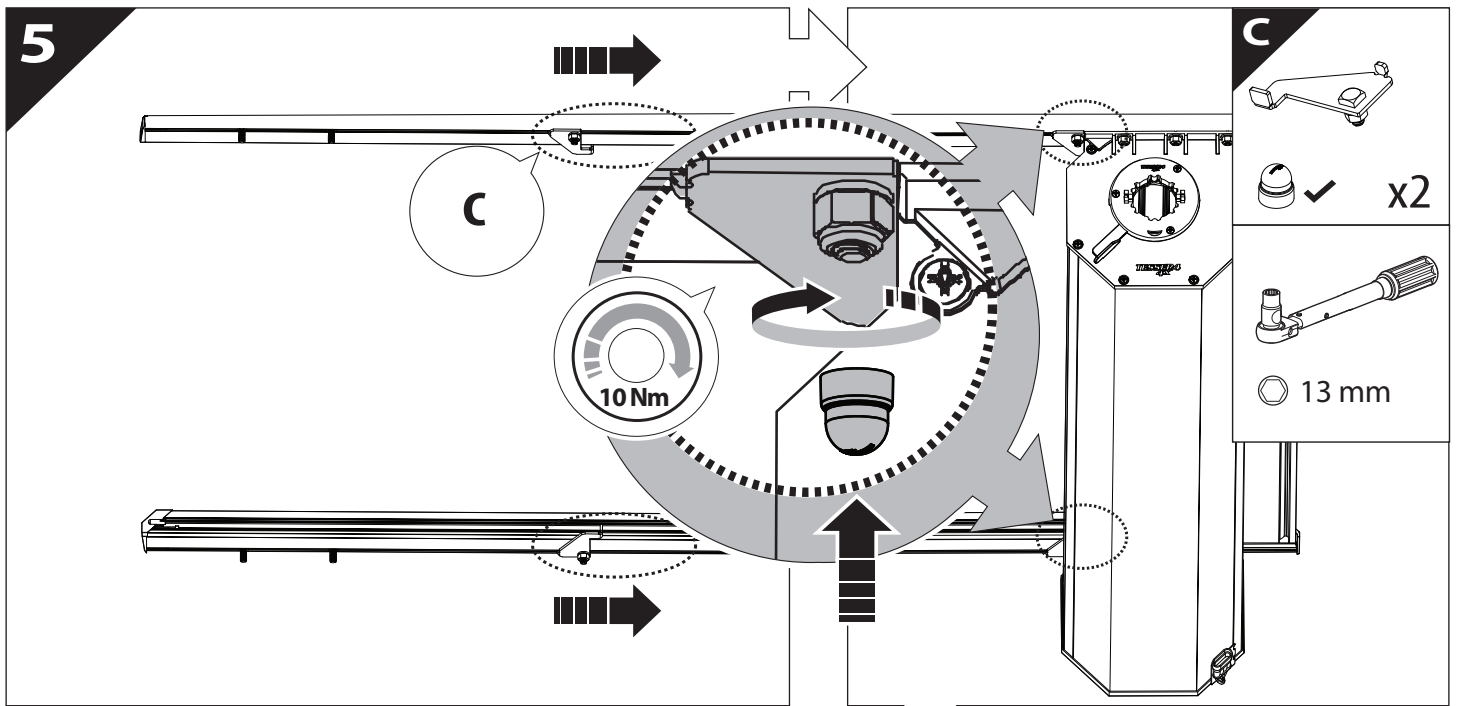


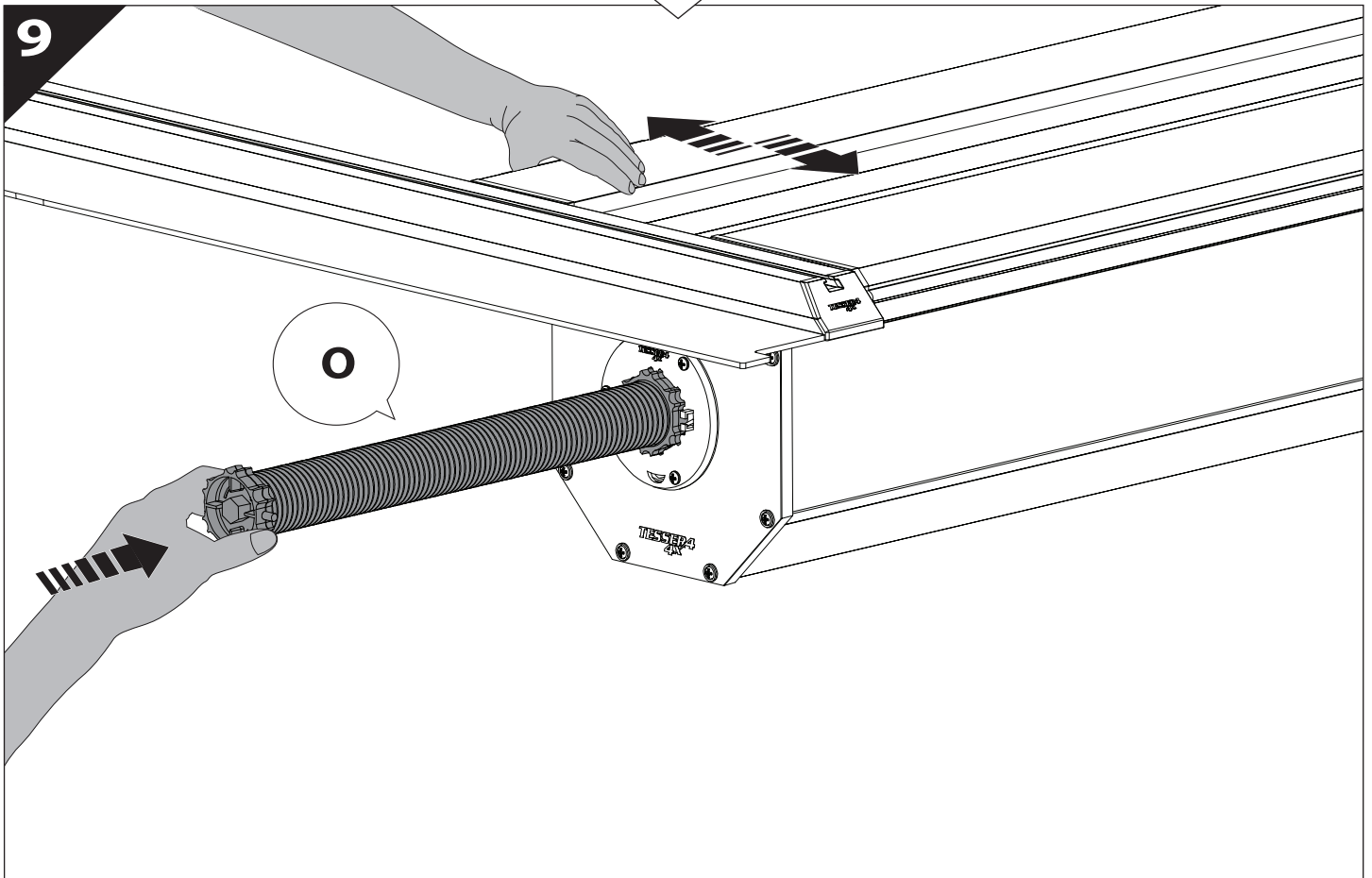
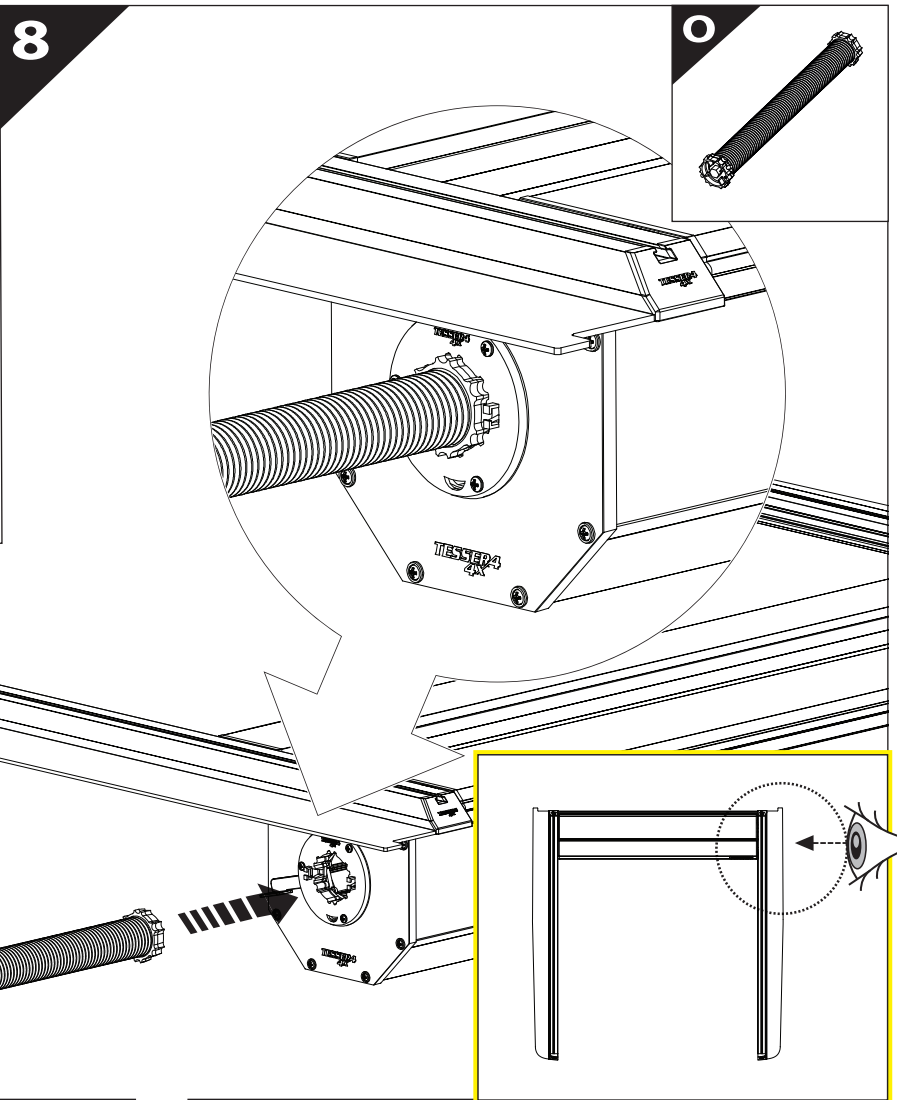
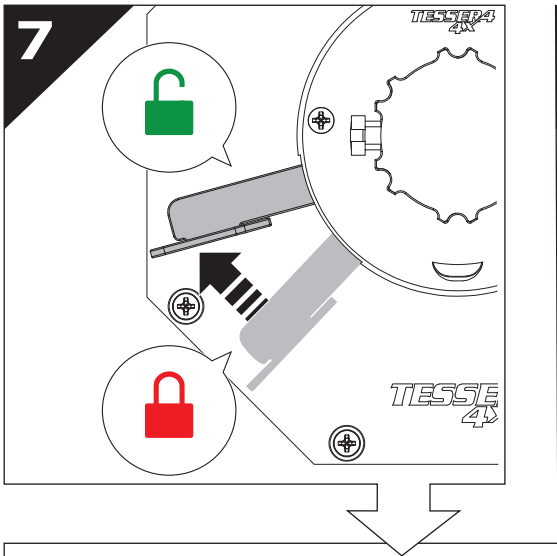
3



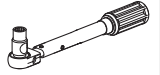
4



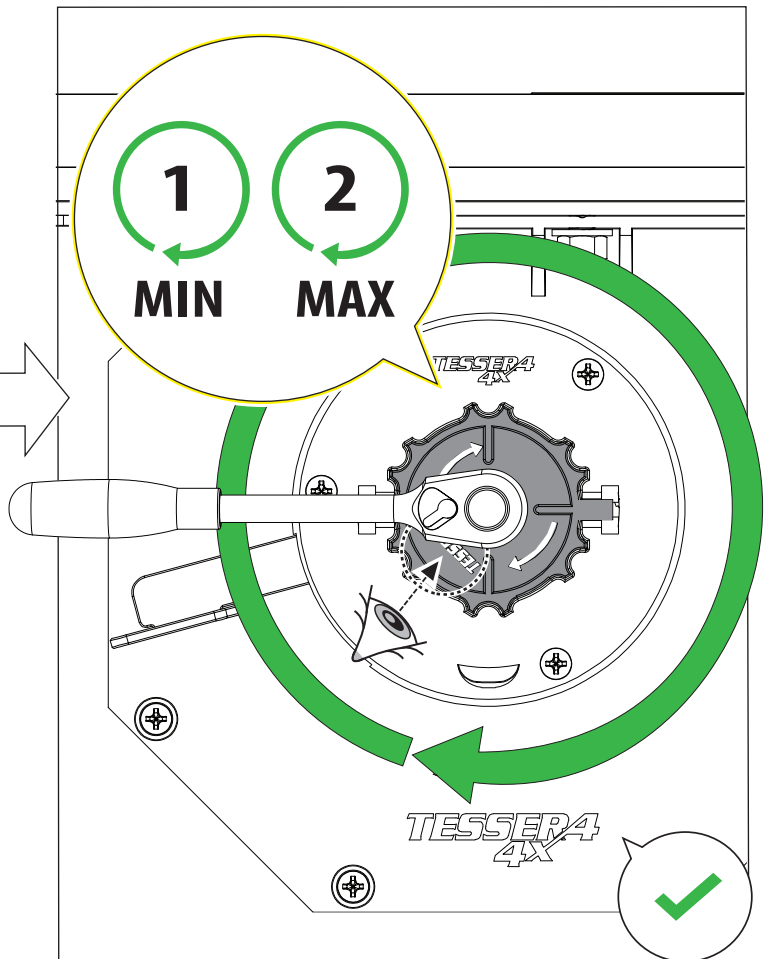
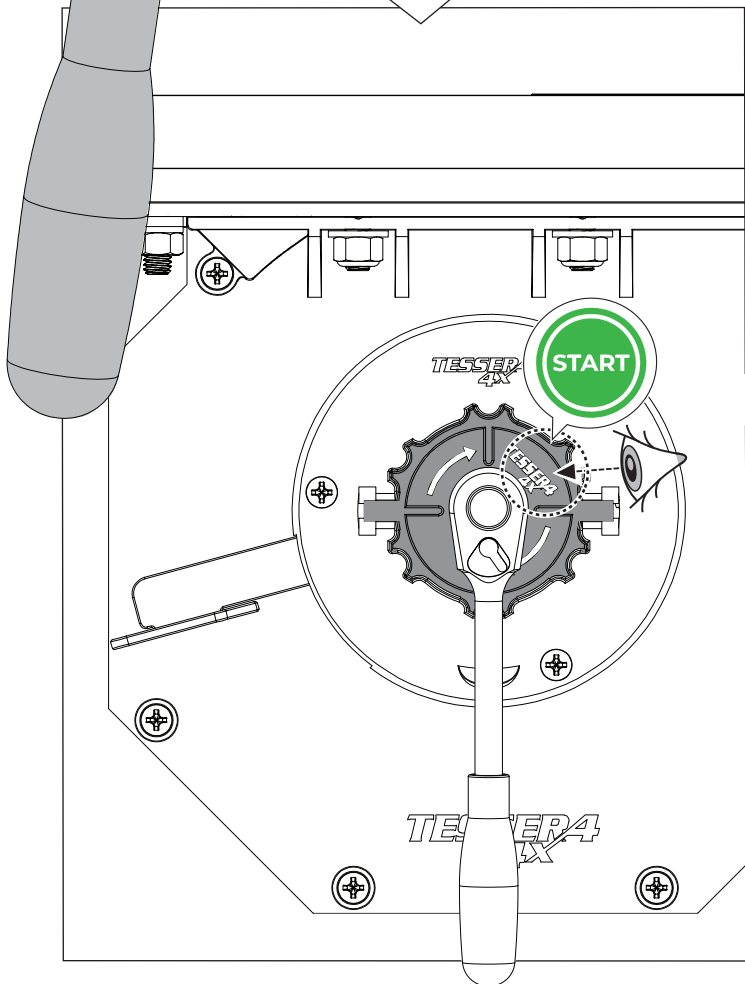
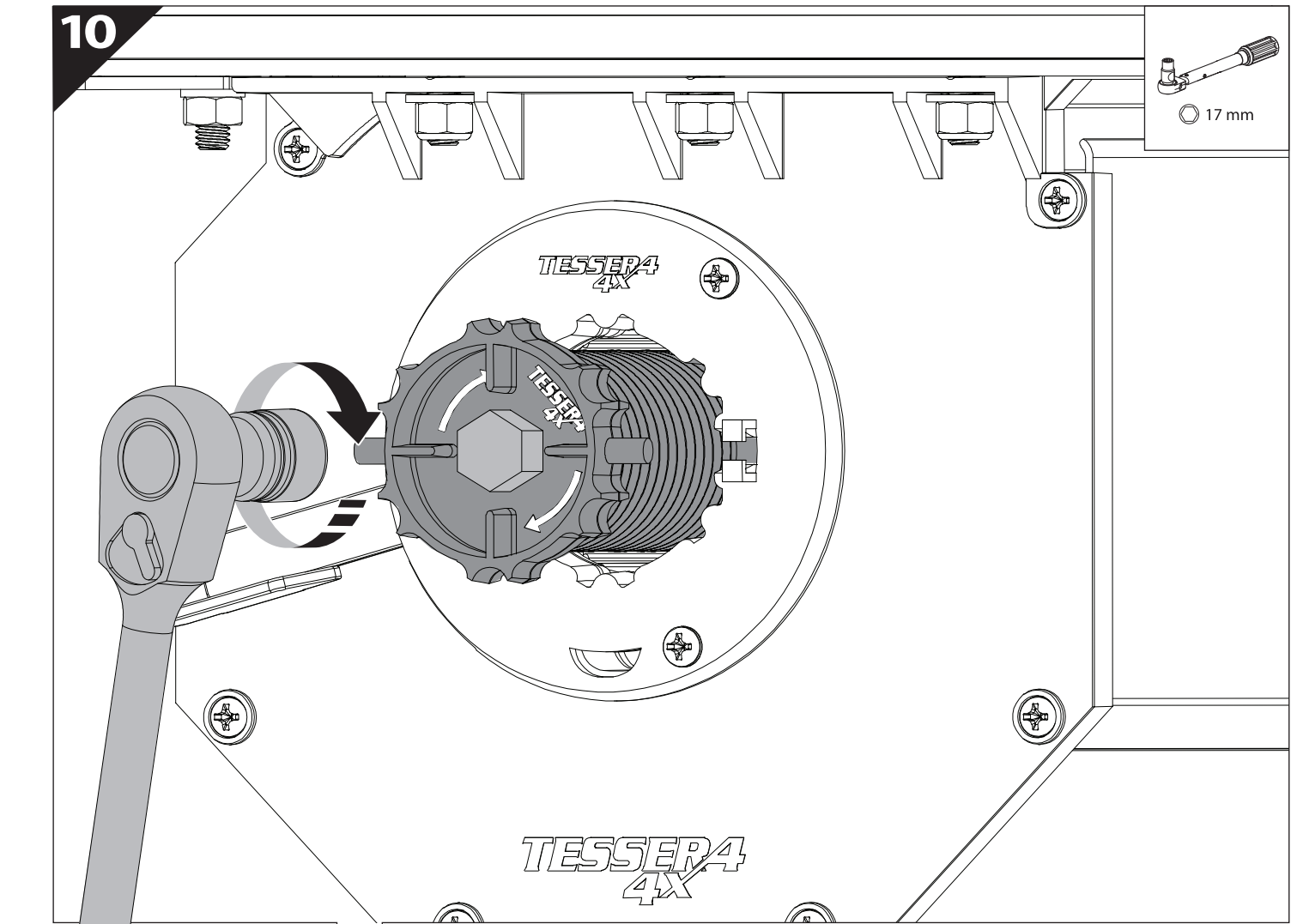


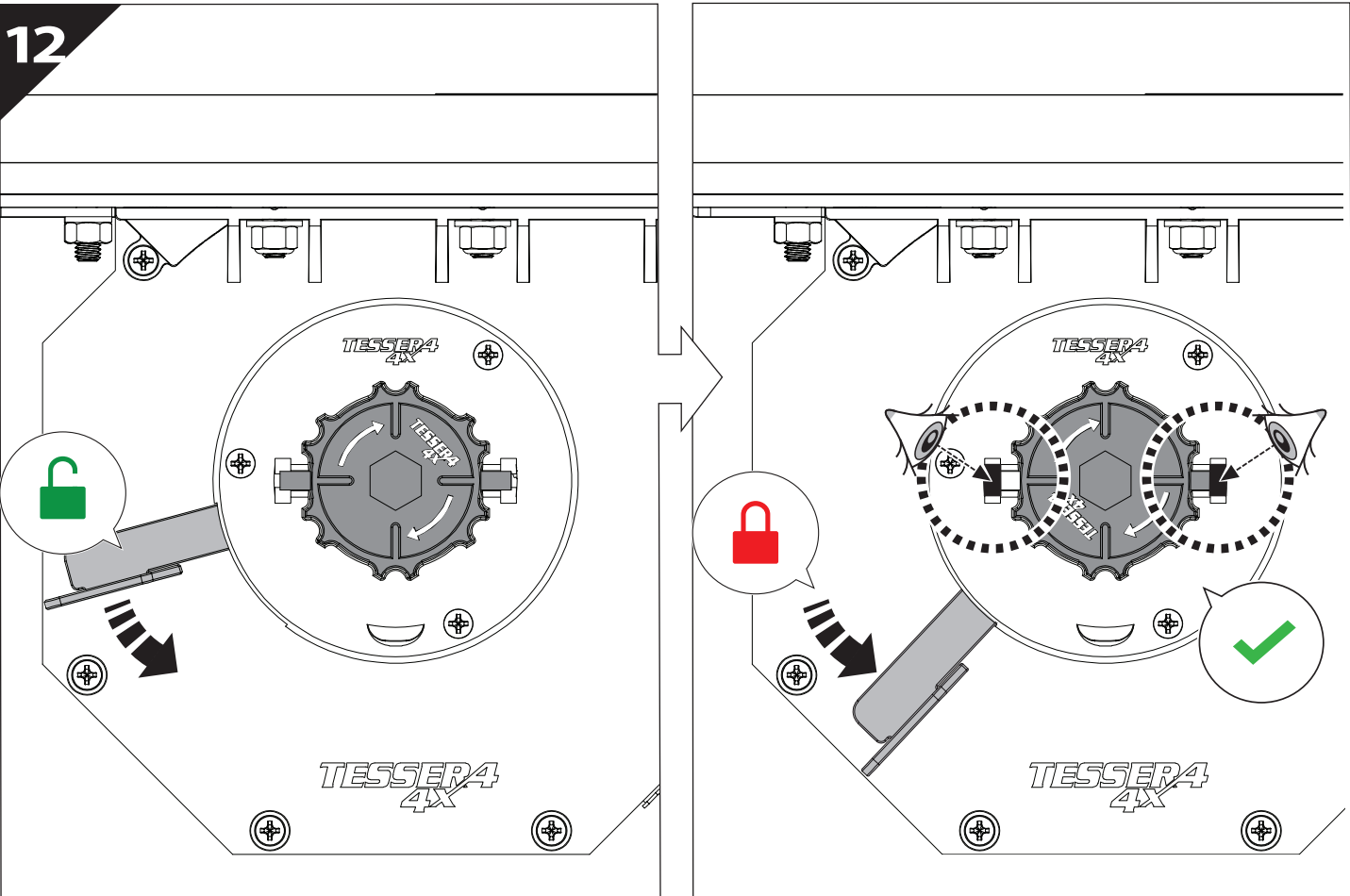
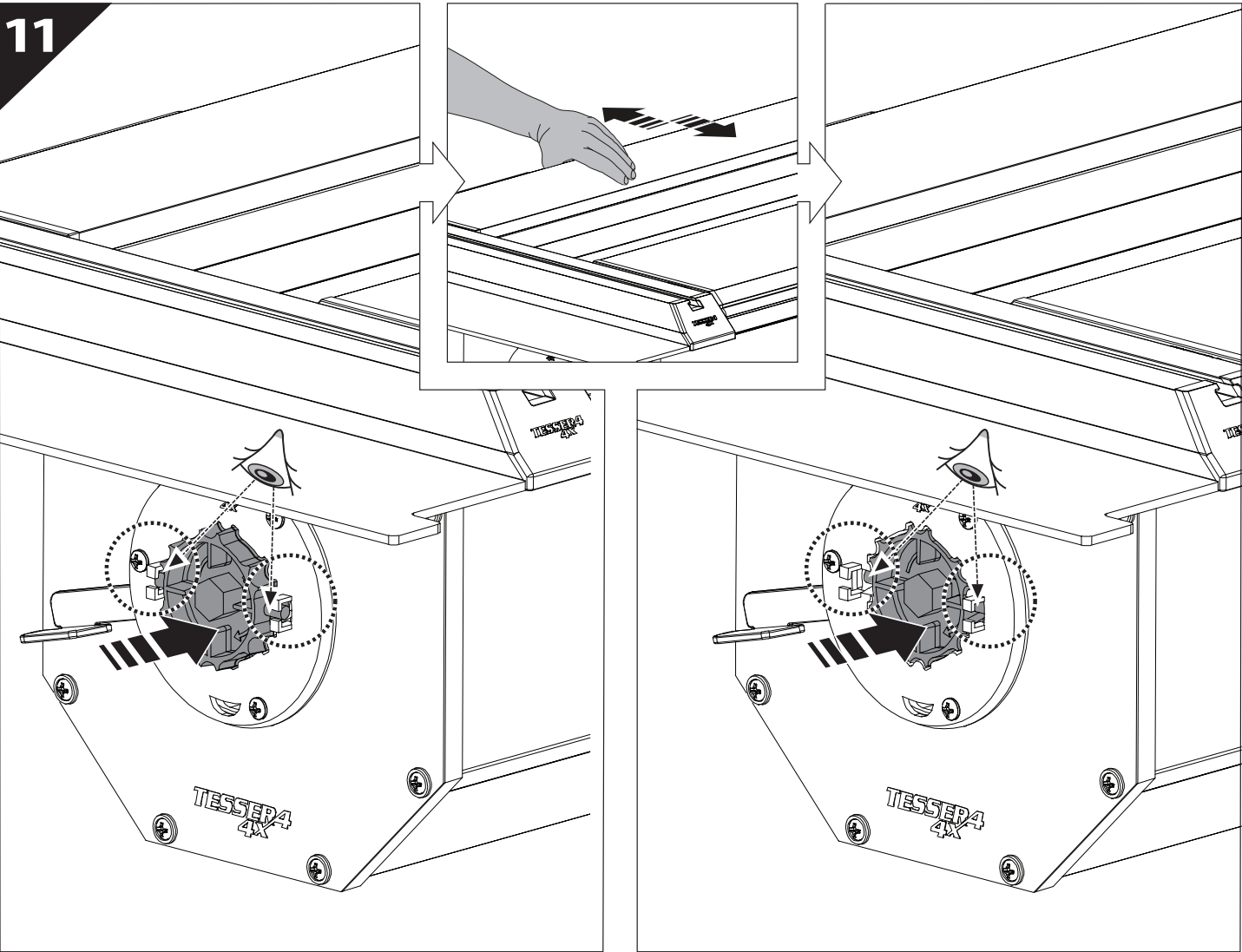


10

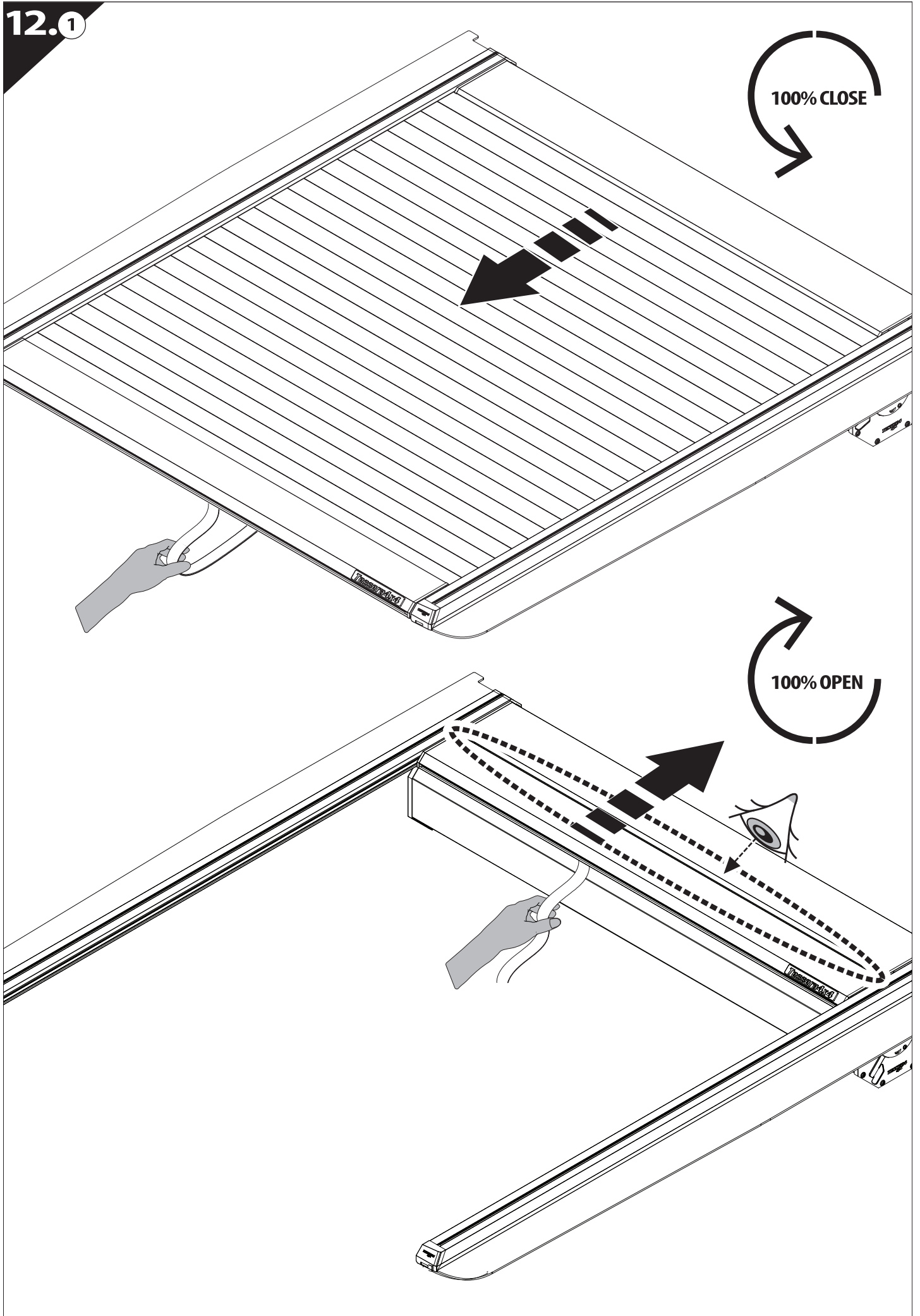


17 mm

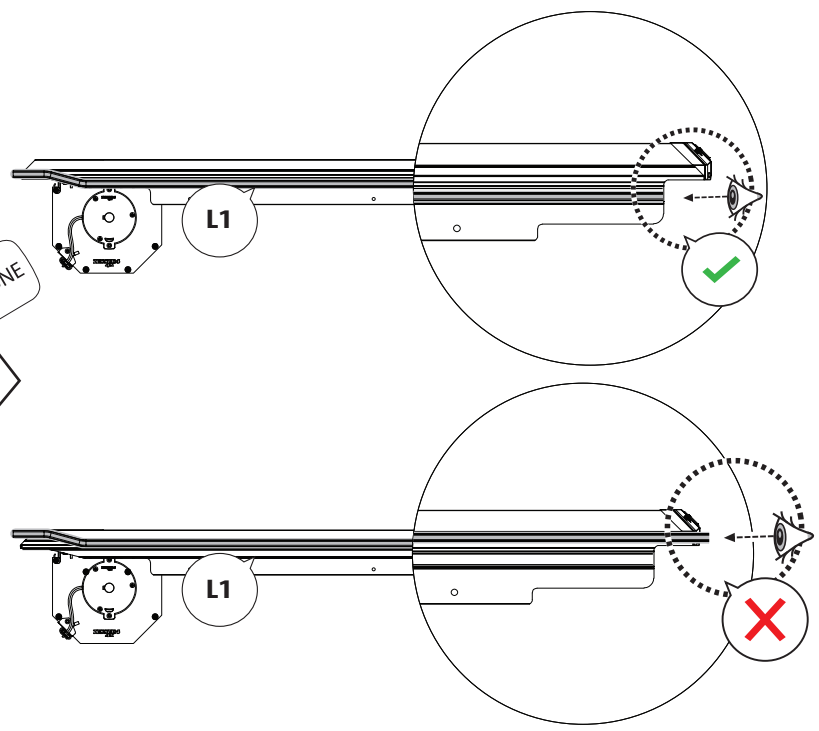
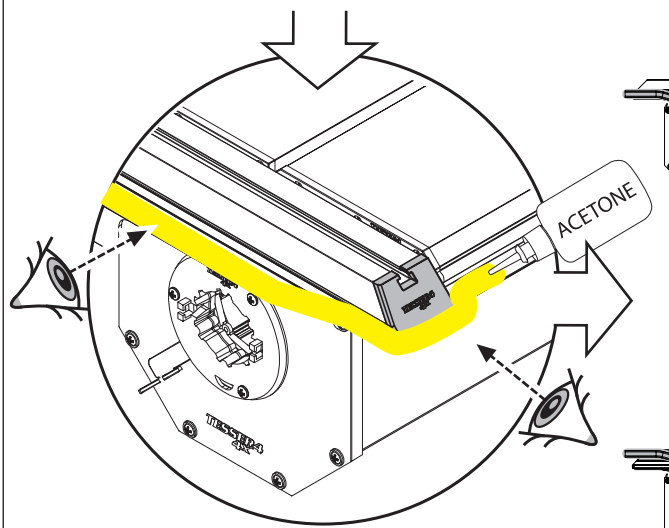
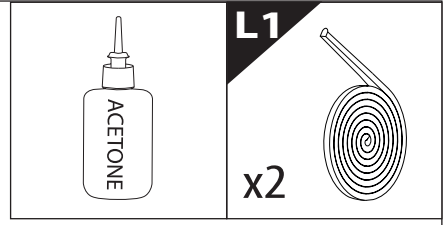
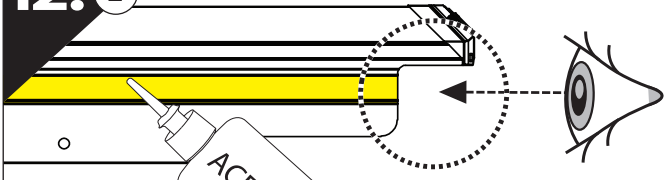




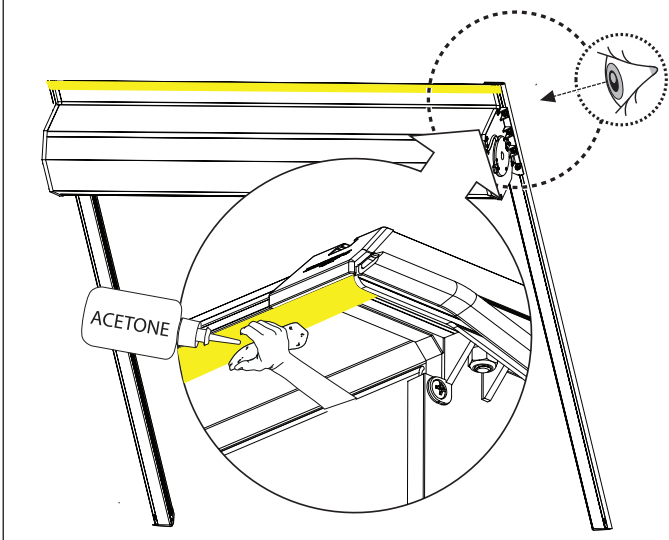
12.0



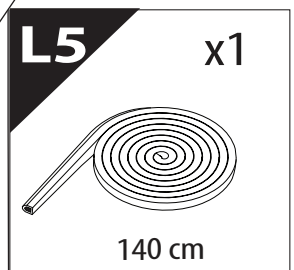
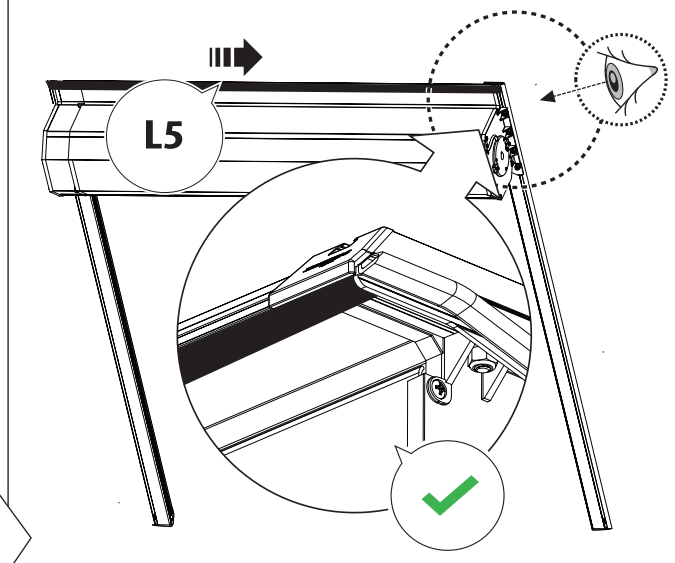
12.2



12.3



12.4

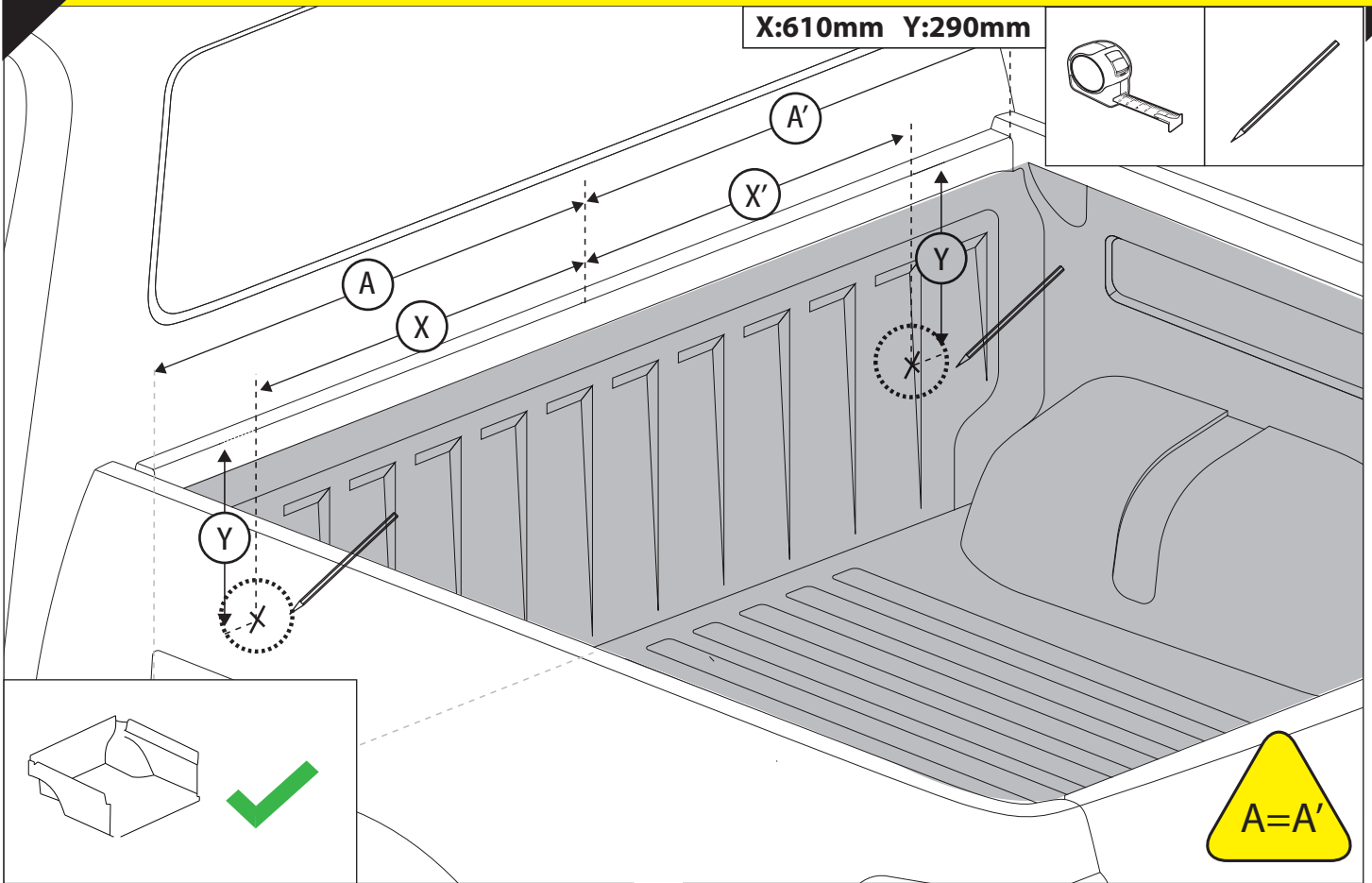
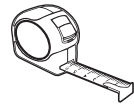


13

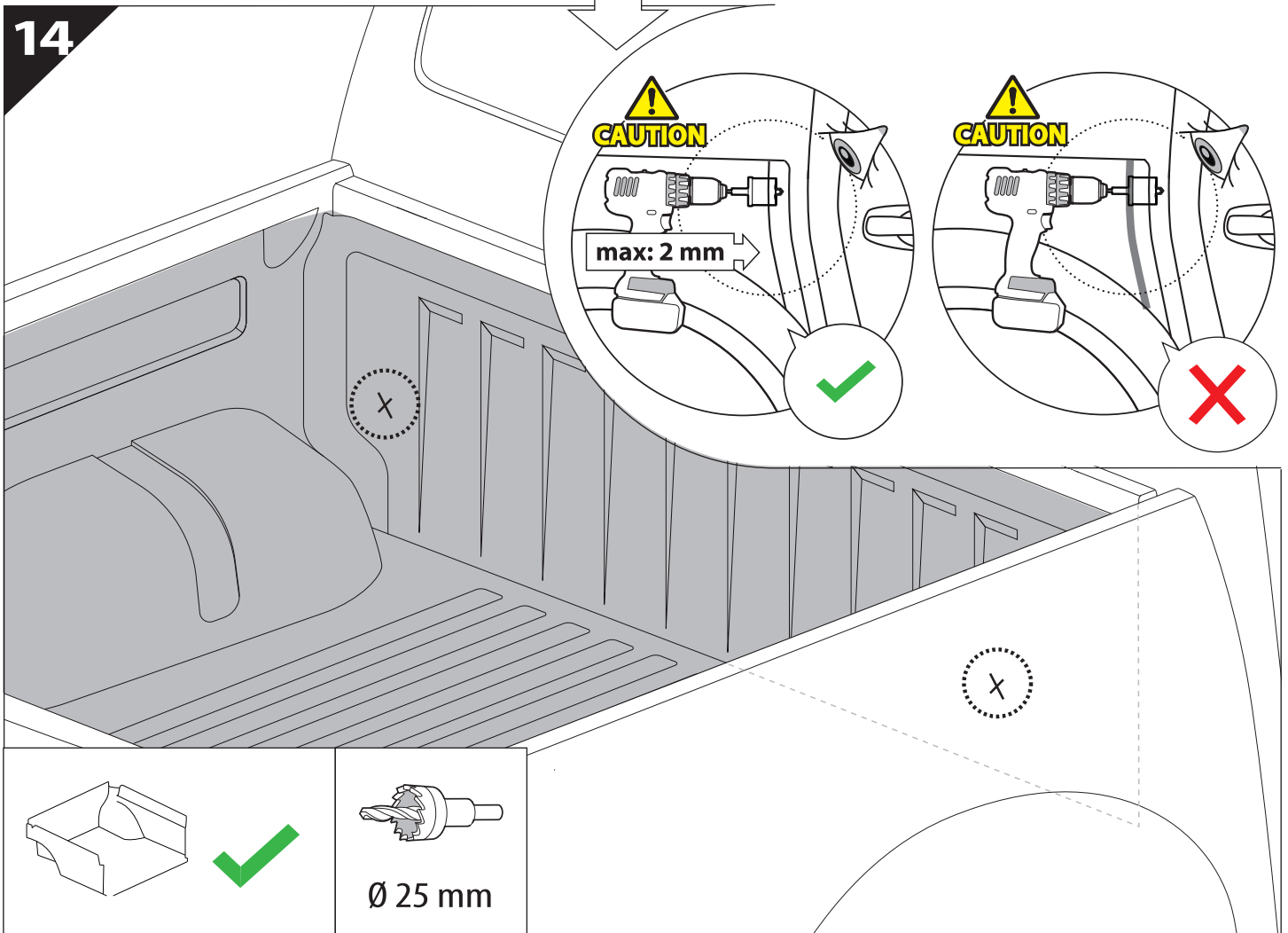


CAUTION: LIMITED, WILDTRAK, WILDTRAK X, PLATINUM

X:610mm Y:290mm

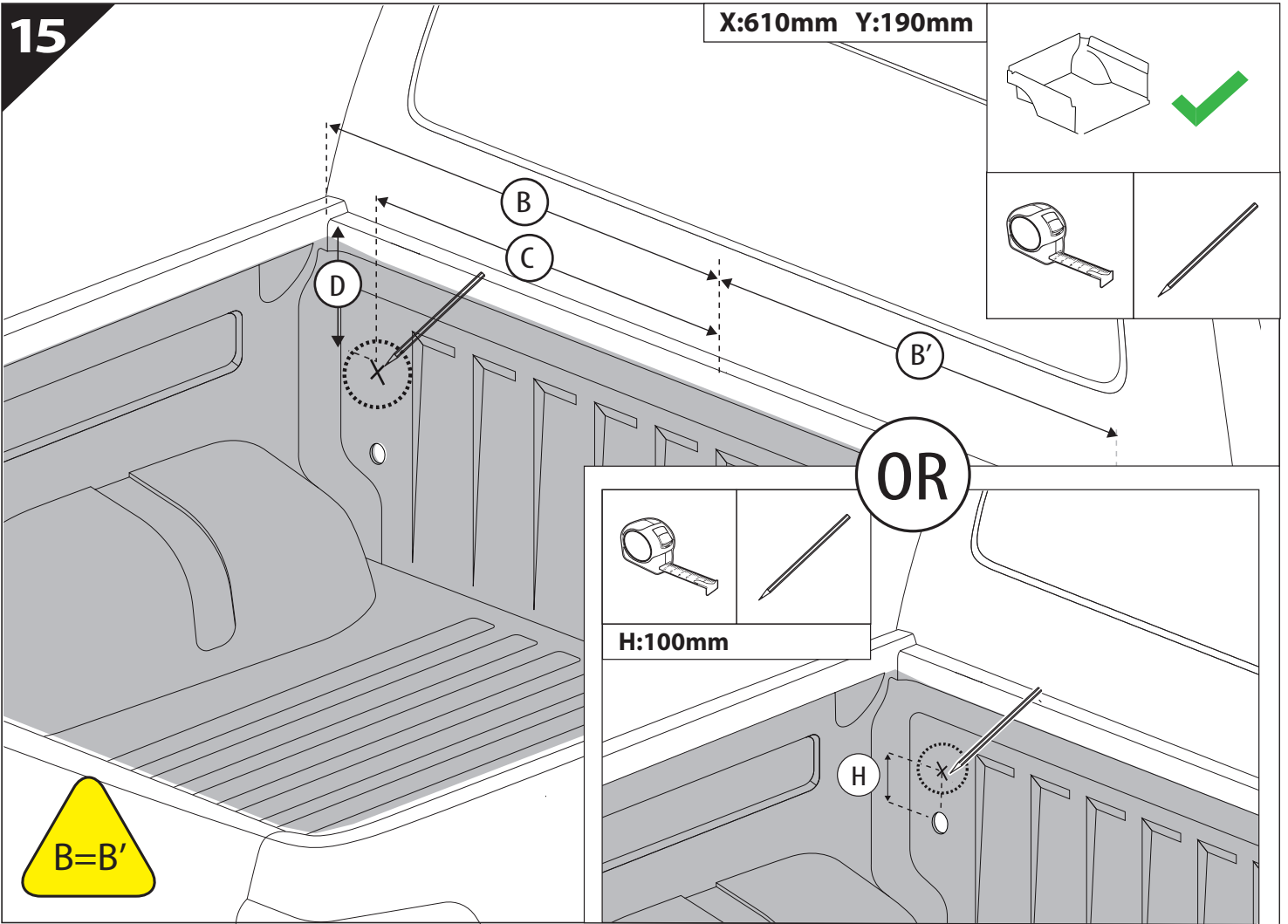
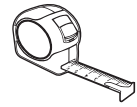
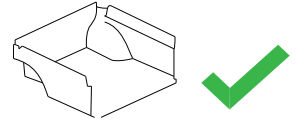


14

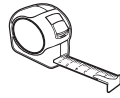


15

X:610mm Y:190mm



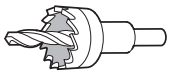
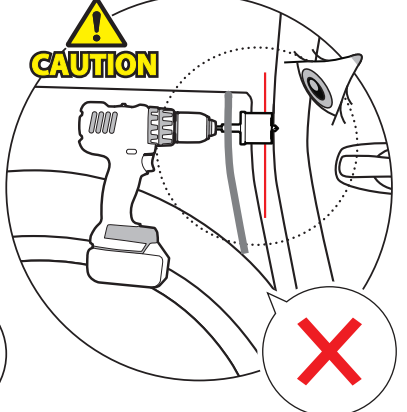
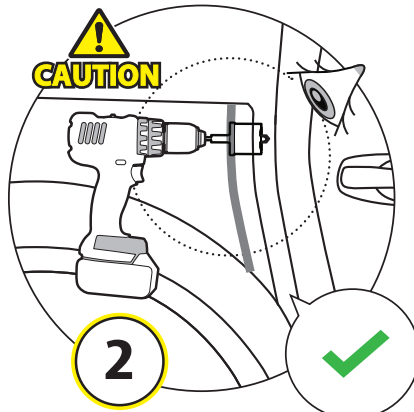
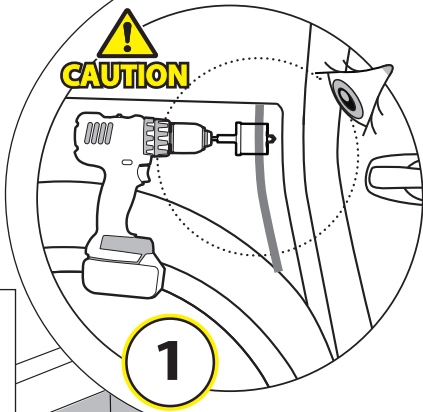
OR



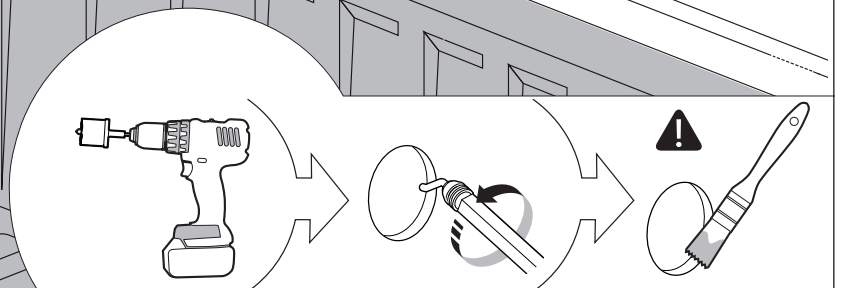
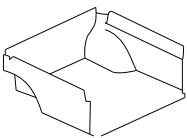
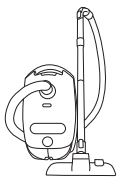
H:100mm

H

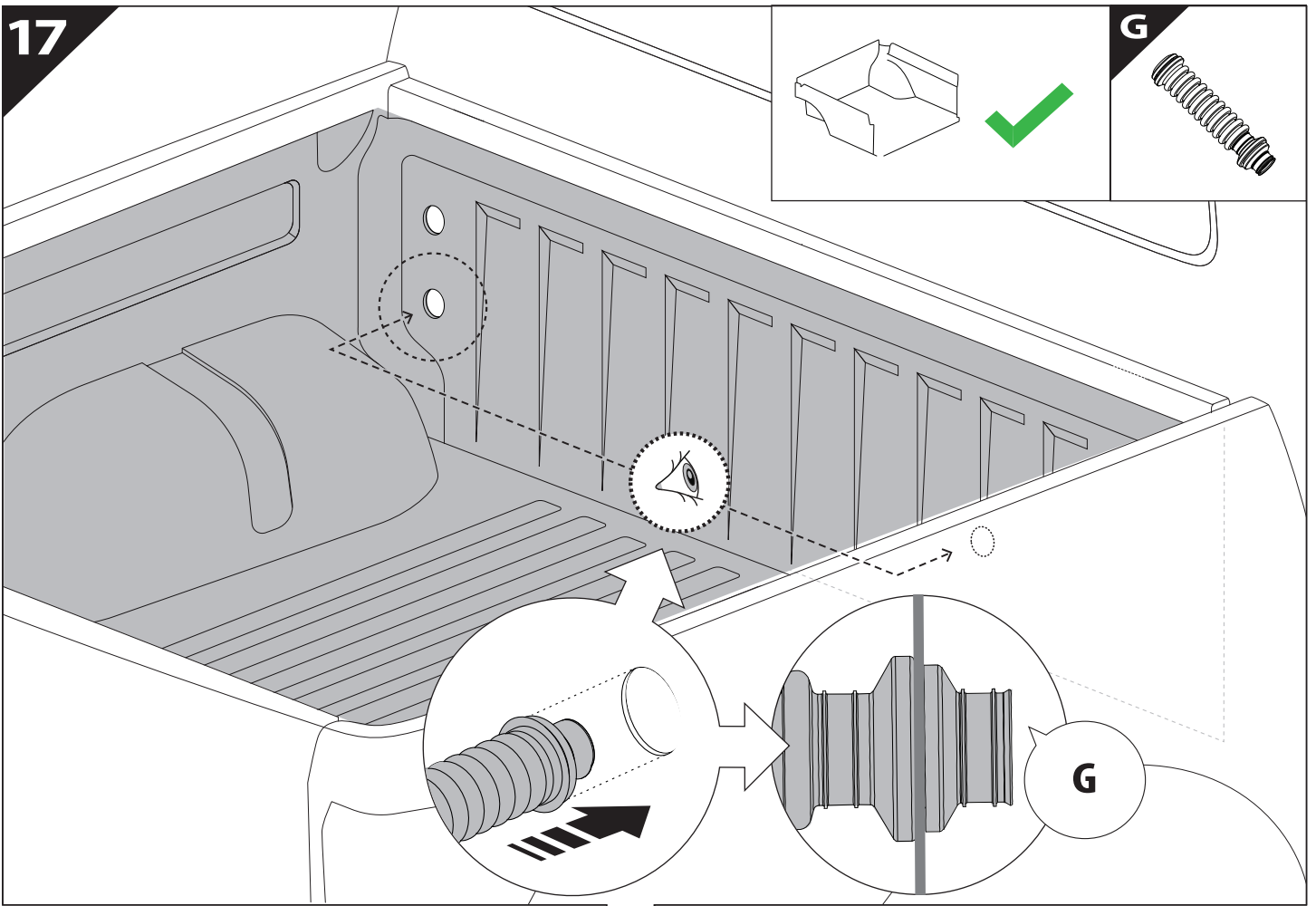
16



Ø 25 mm

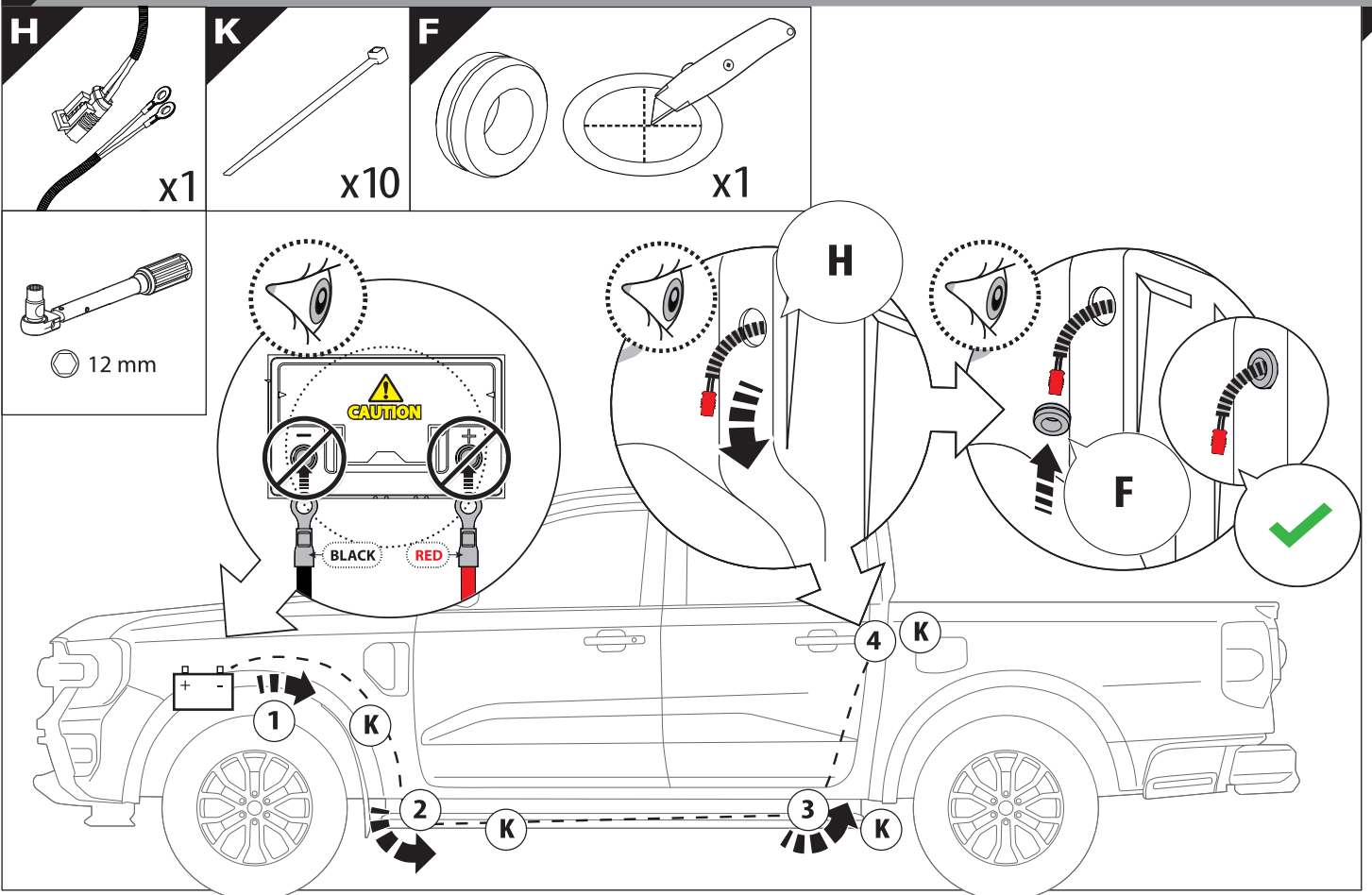


17

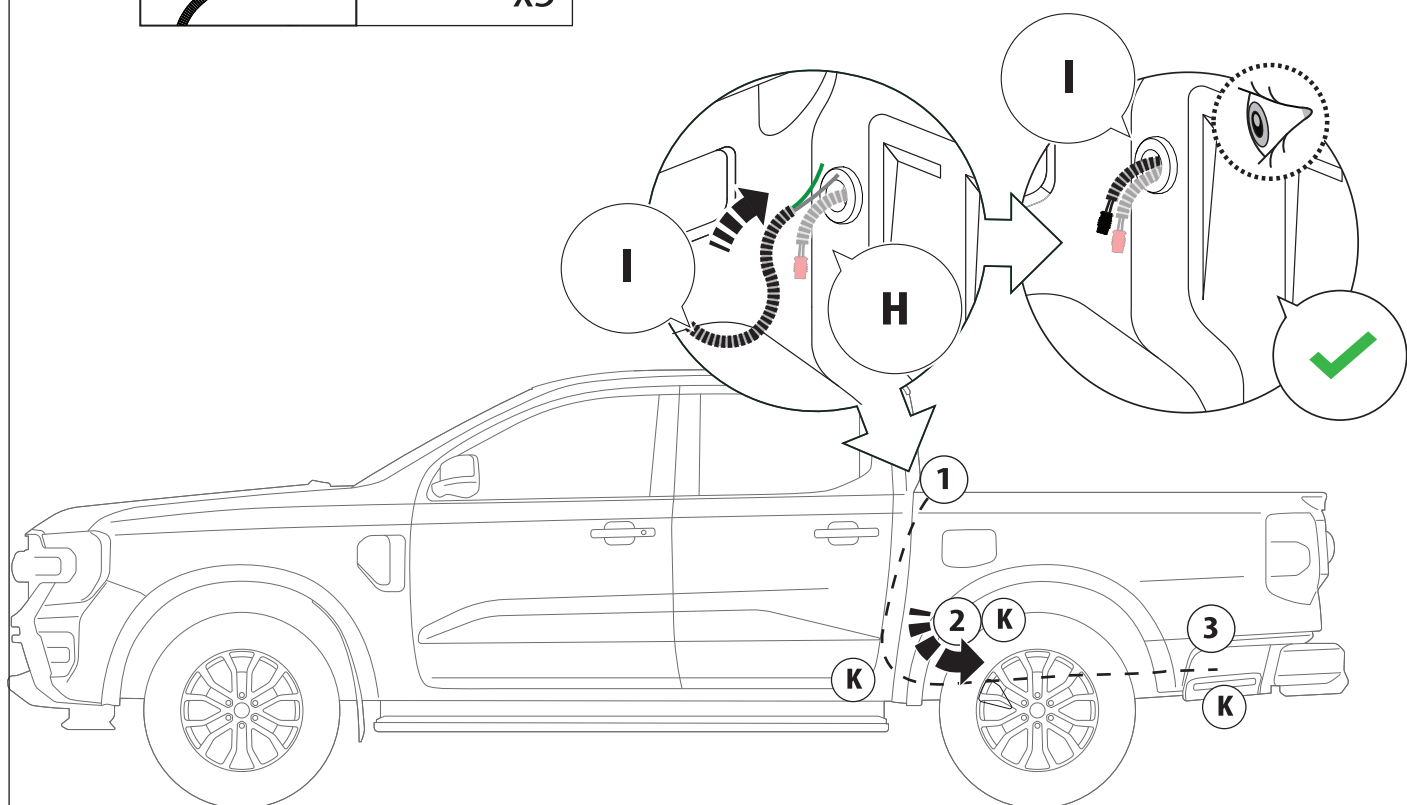
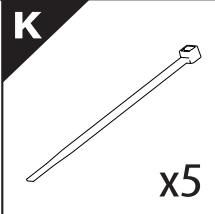
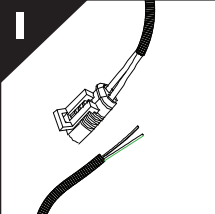


18

Only to be installed by authorized personnel



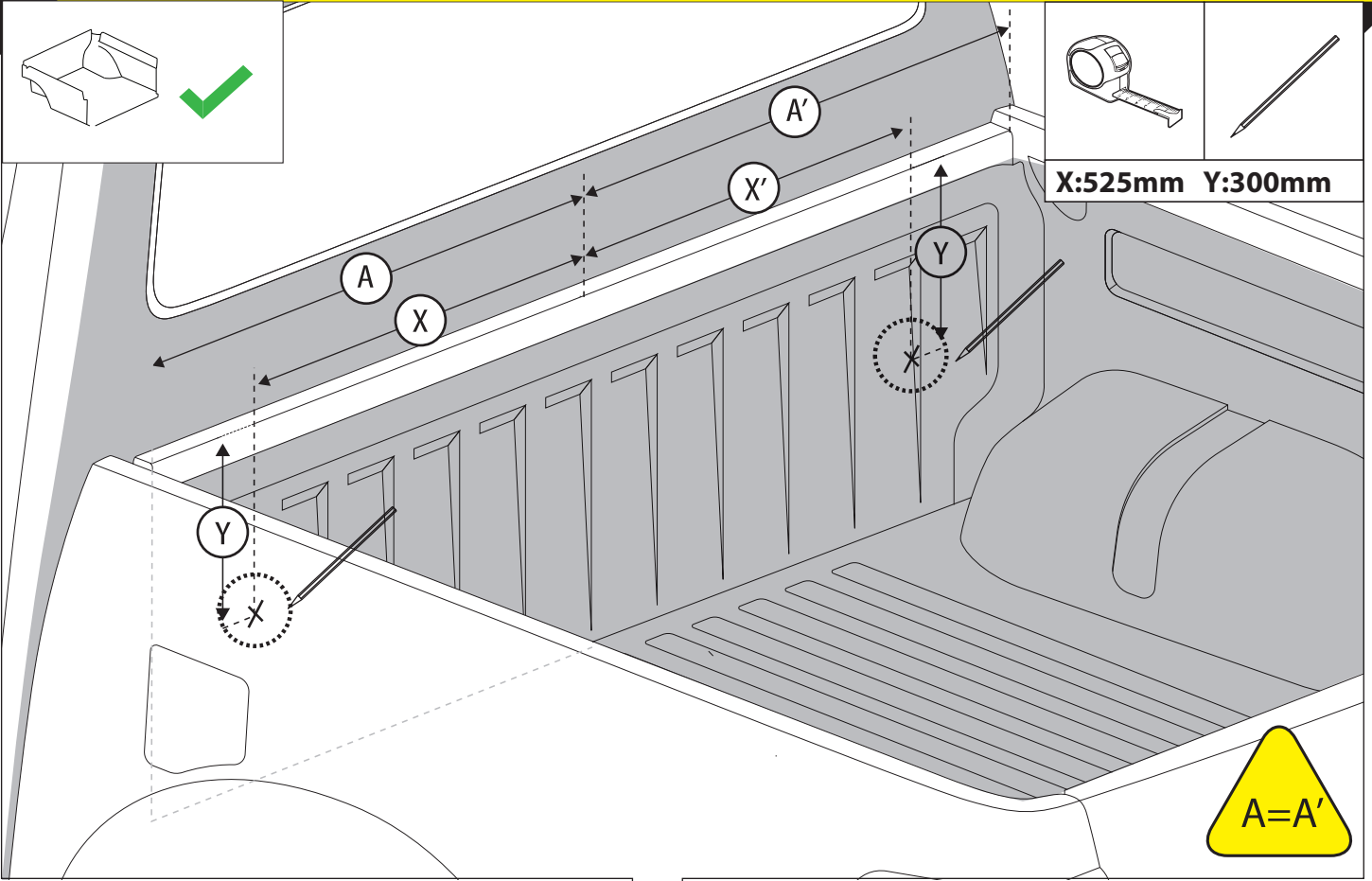
19



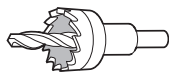
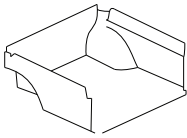
20



CAUTION: RAPTOR



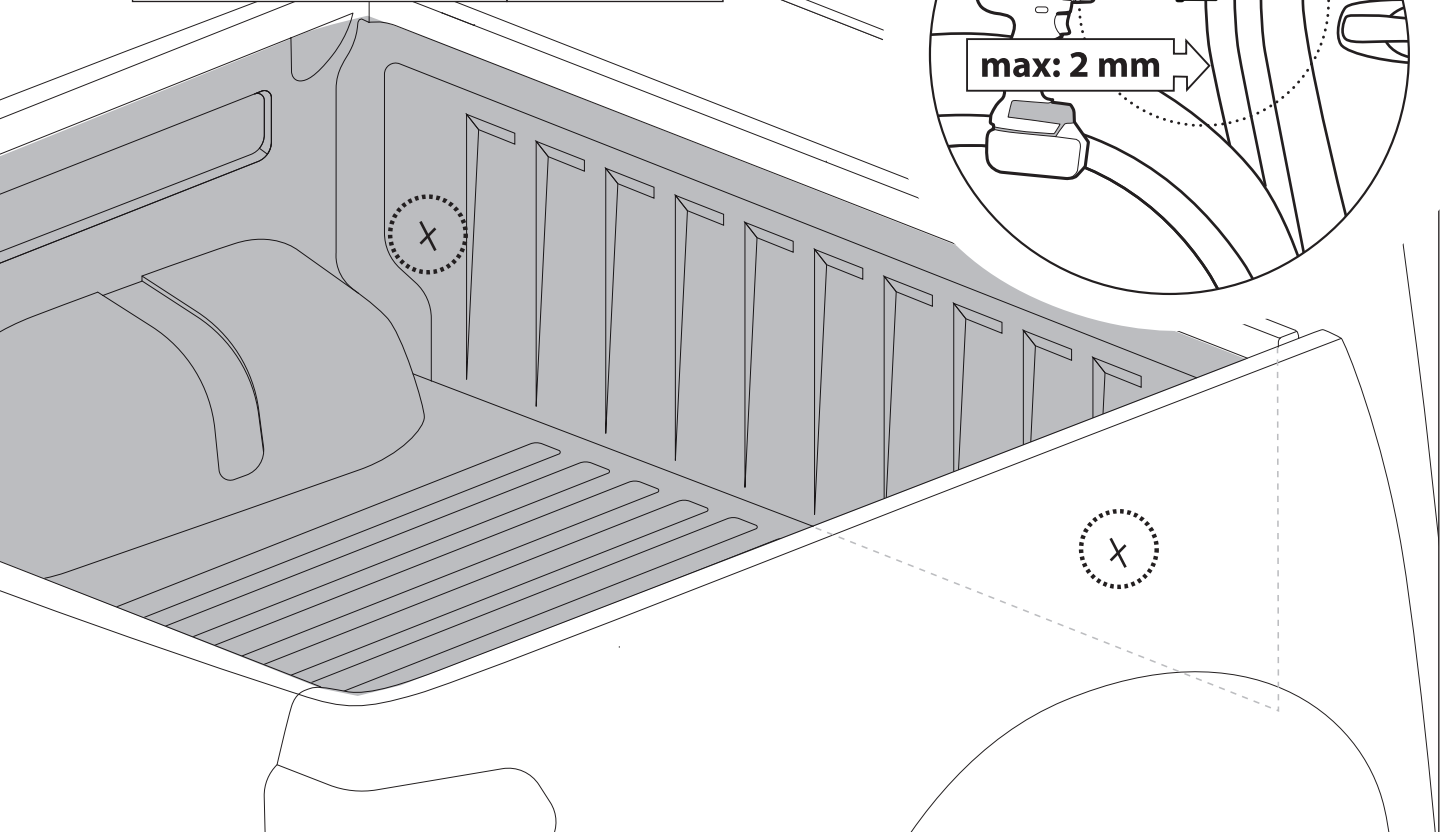
21



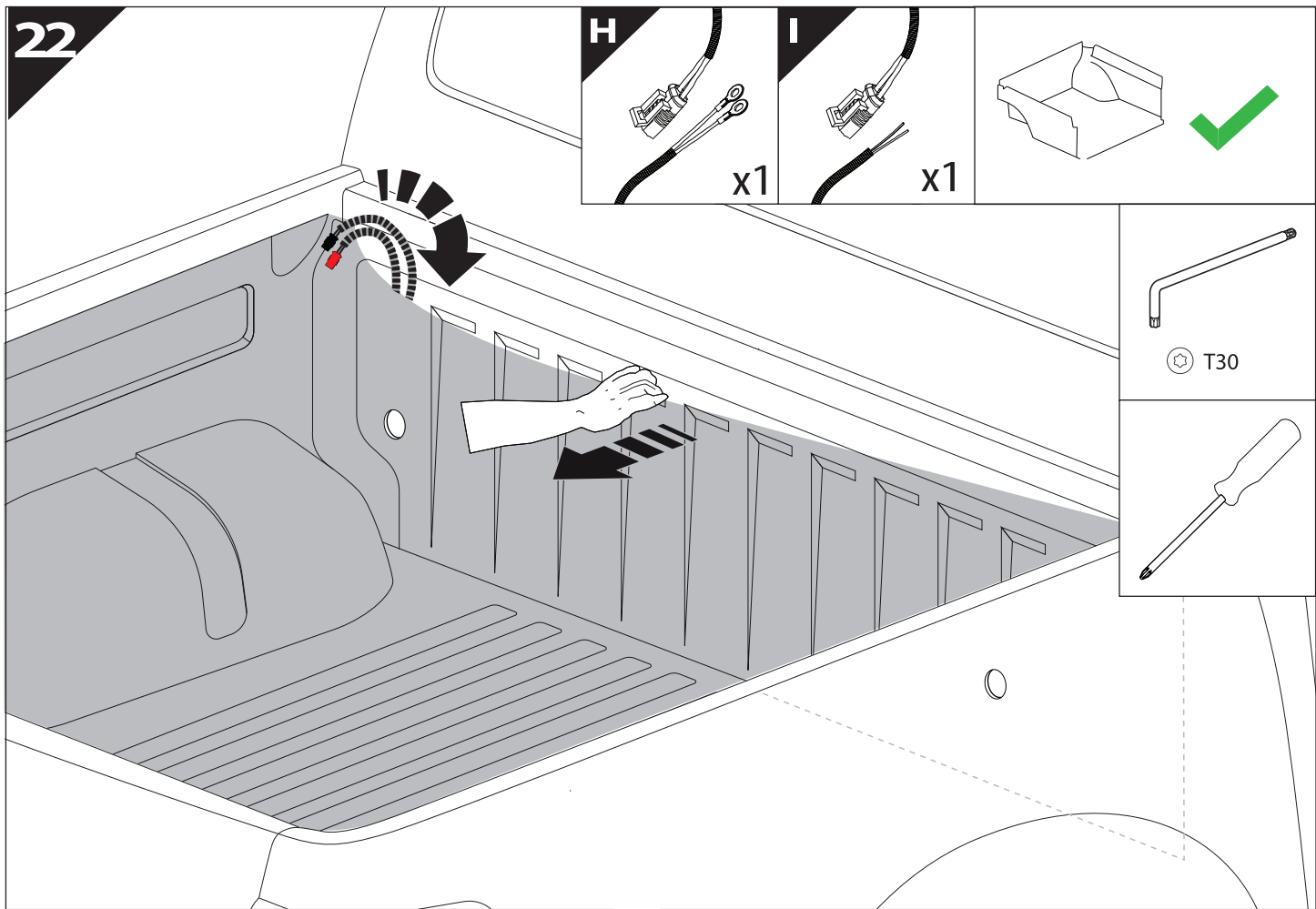
Ø 25 mm

CAUTION

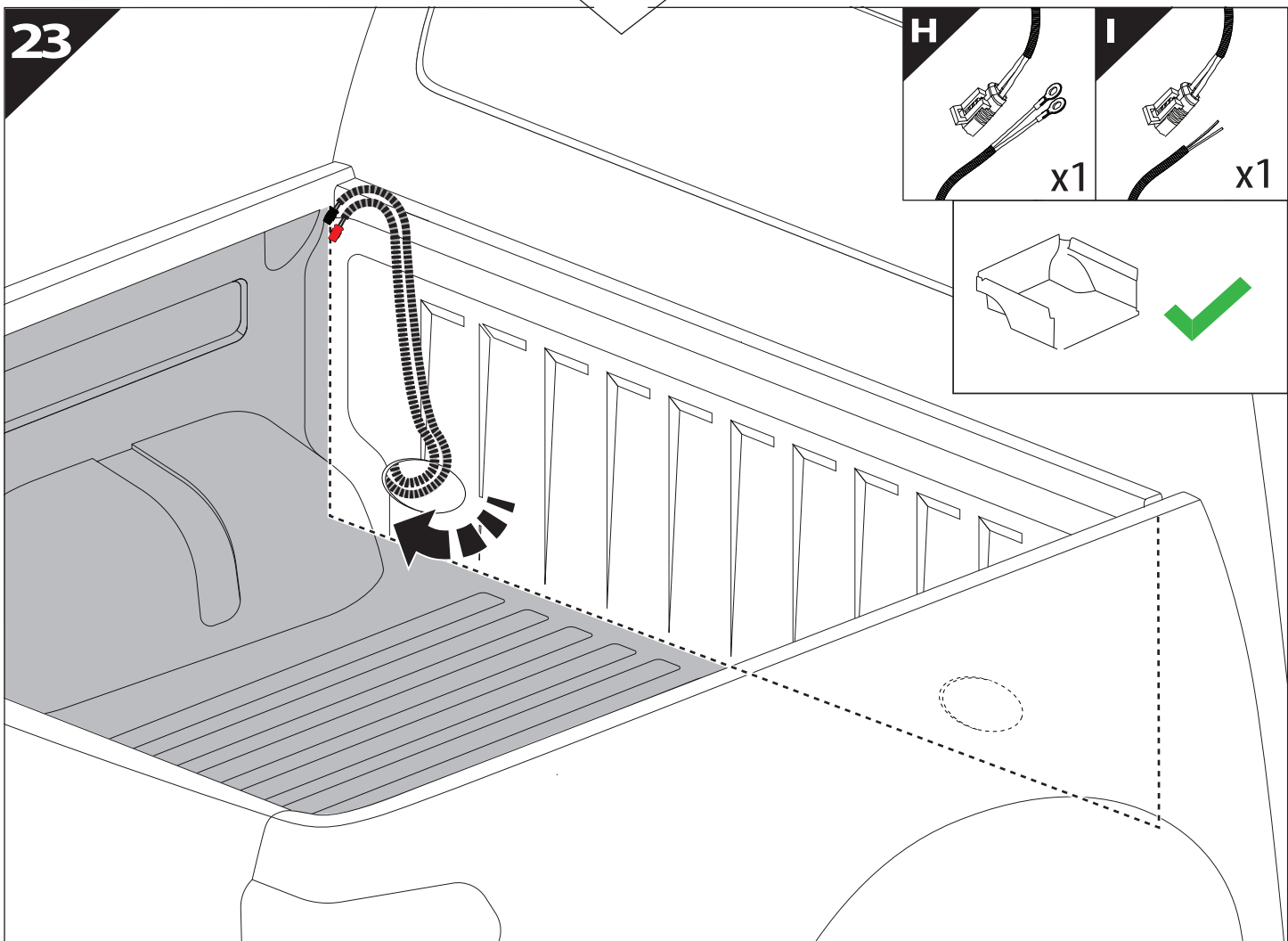
max: 2 mm

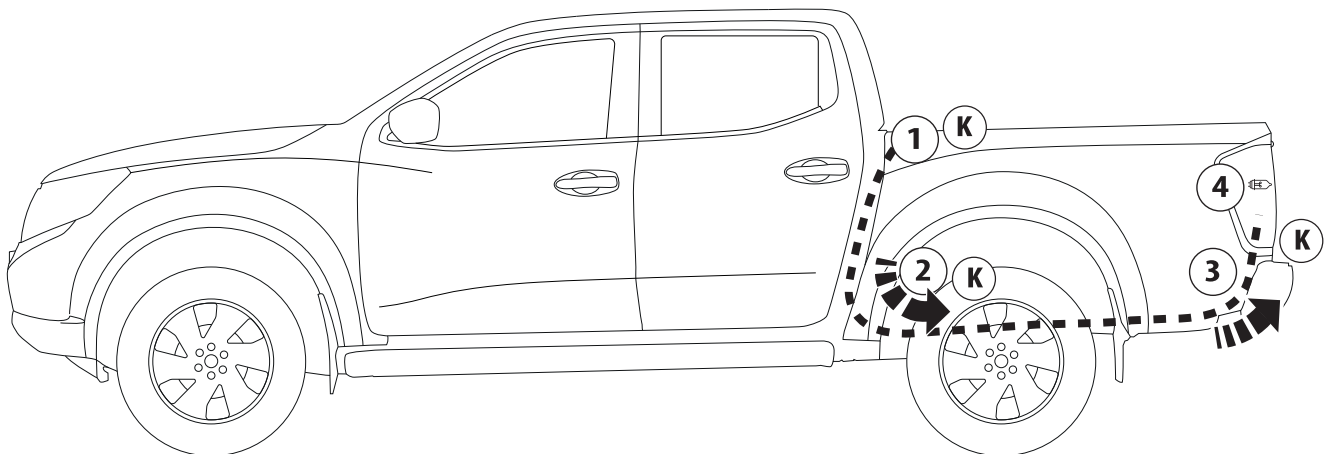
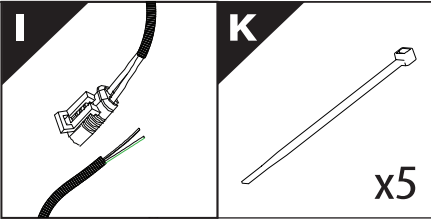
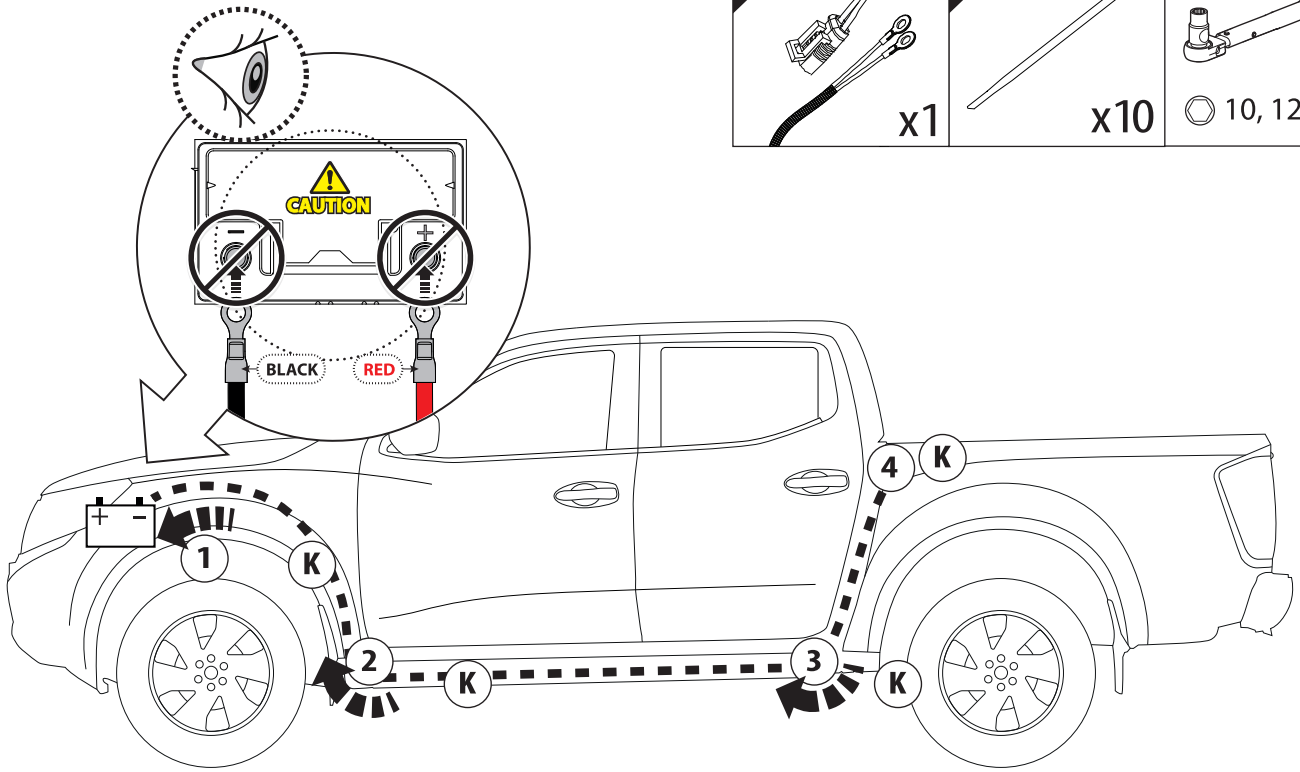
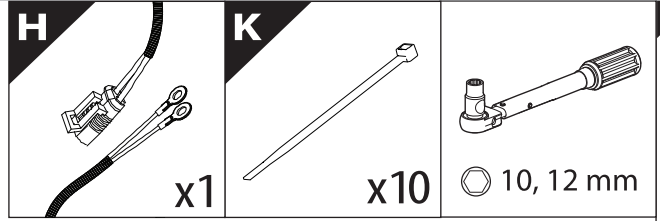


22

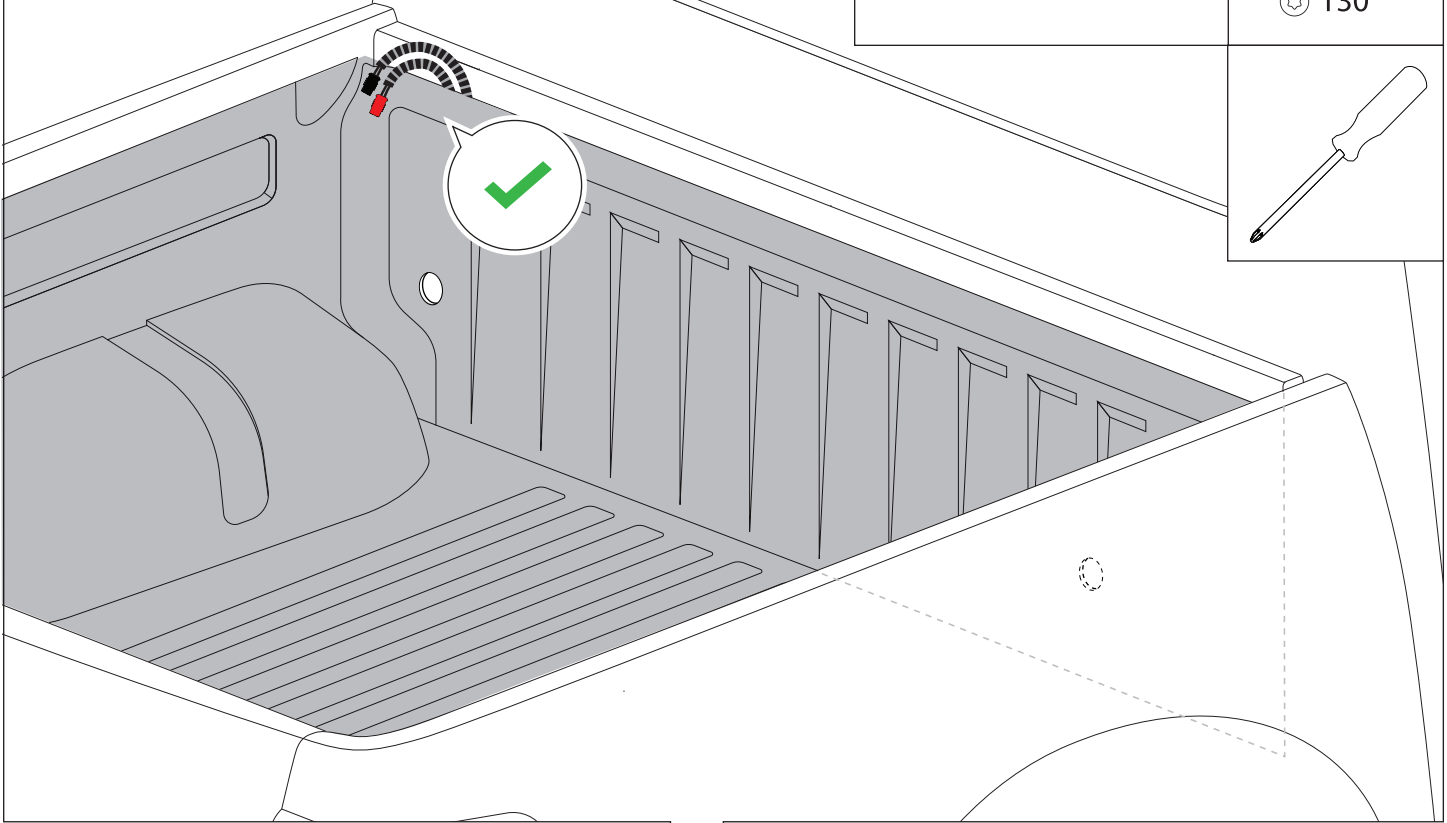
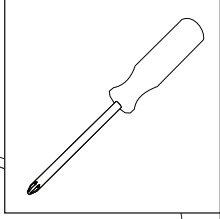
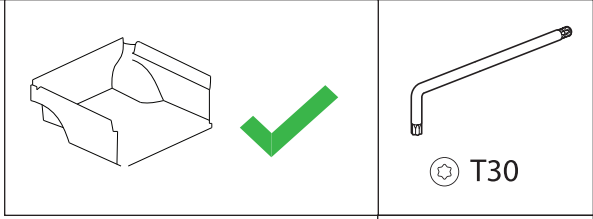


23

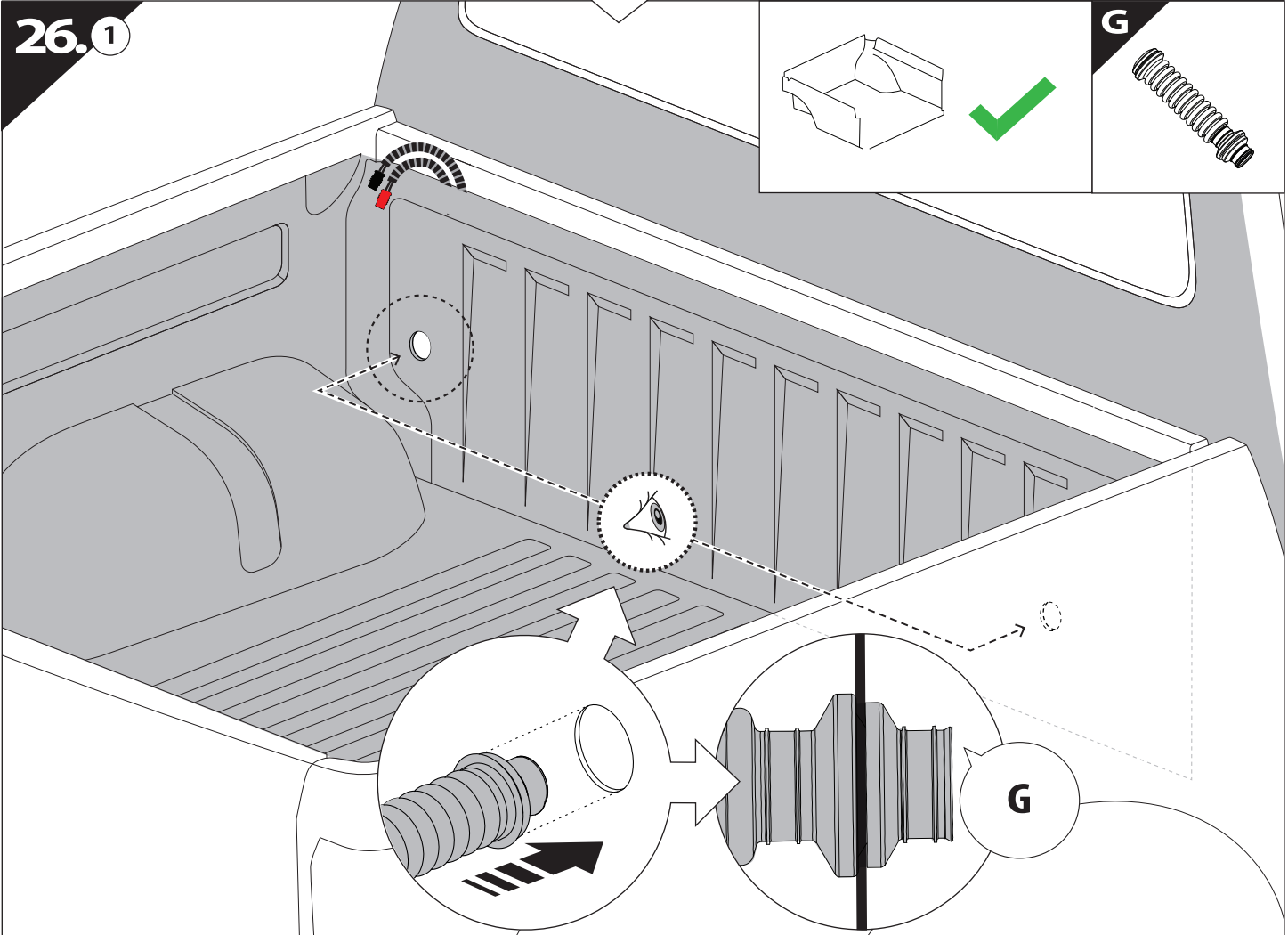
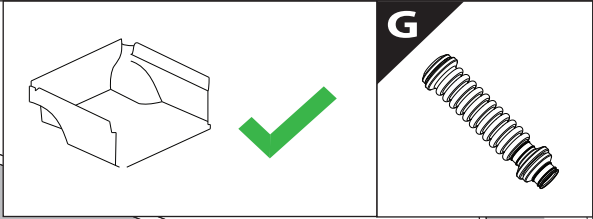




26

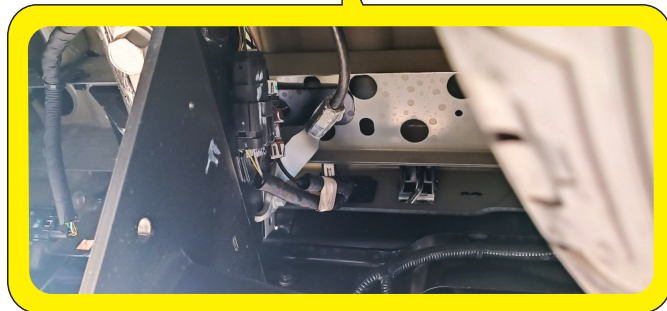
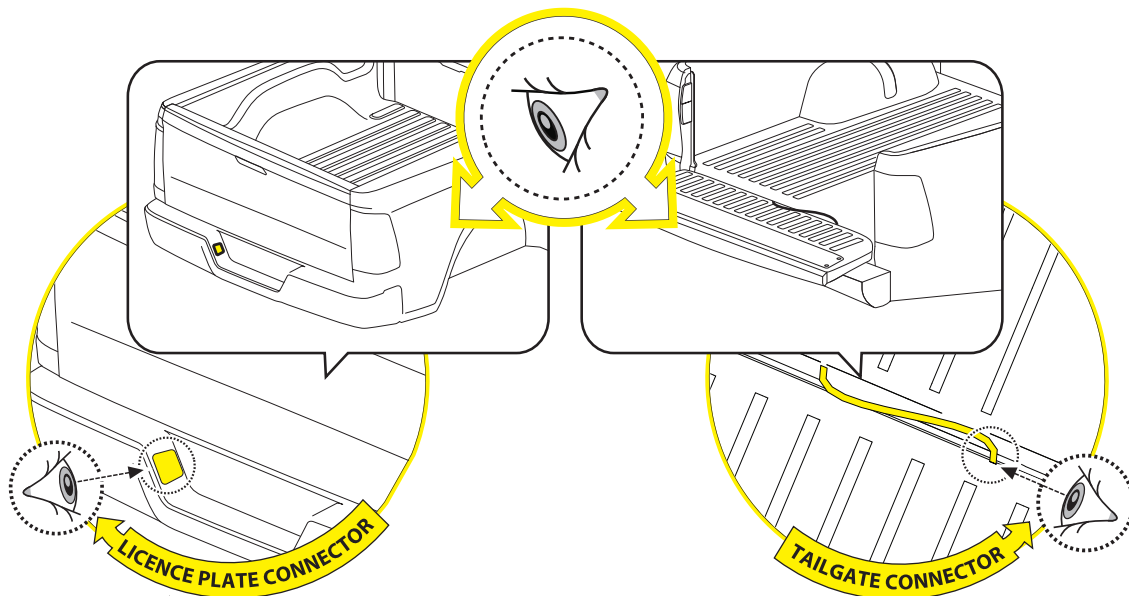


26.1

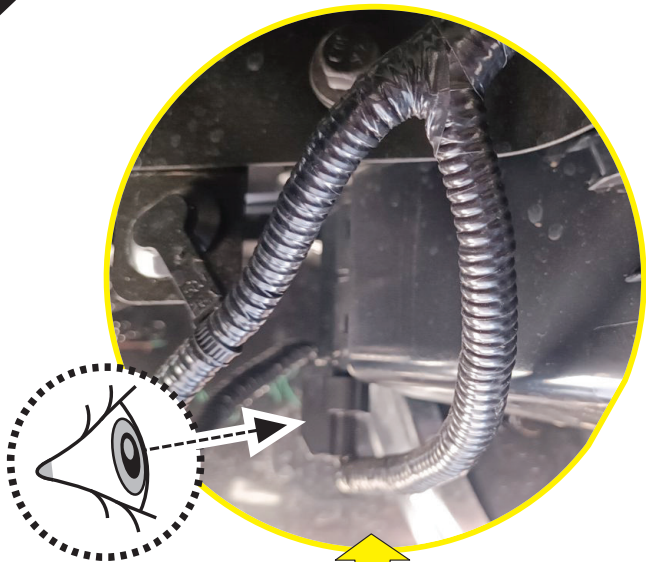




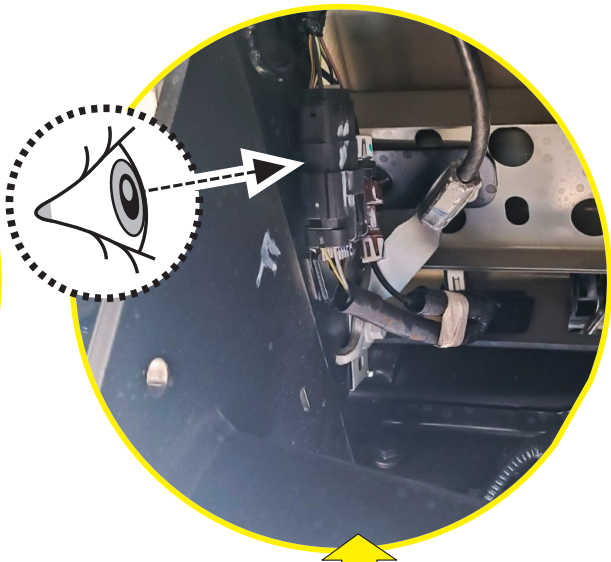
CAUTION: LIMITED, WILDTRAK, WILDTRAK X, PLATINUM



27.1



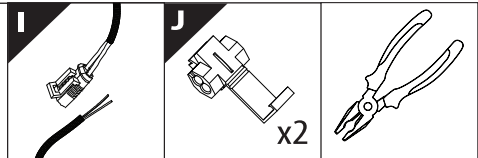
LICENCE PLATE CONNECTOR



TAILGATE CONNECTOR

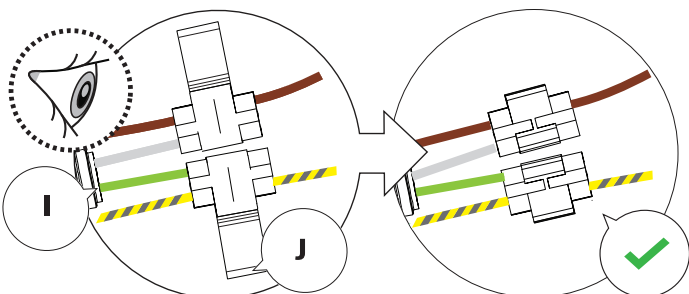
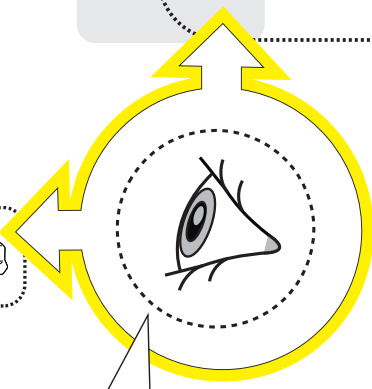
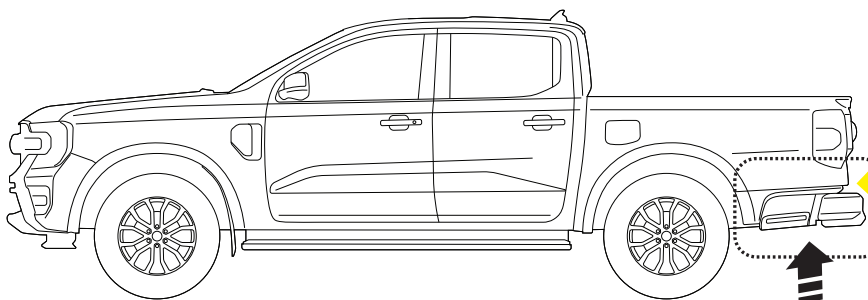
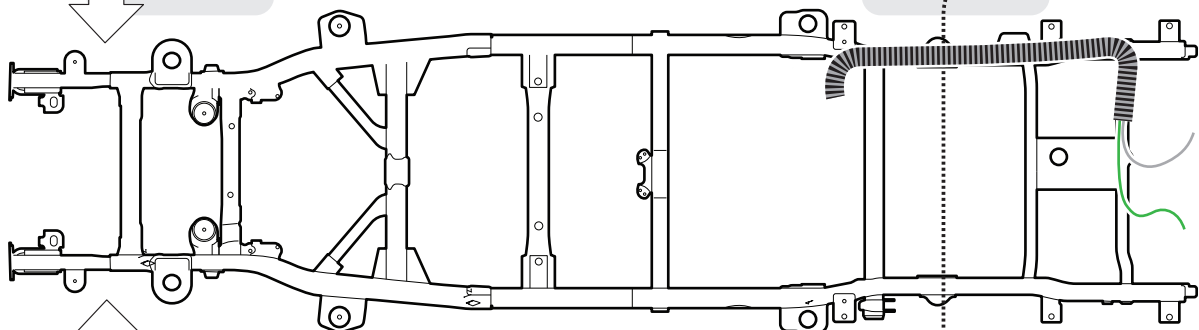
27.2

BOTTOM VIEW



DRIVER'S LEFT SIDE

PASSENGER'S RIGHT SIDE

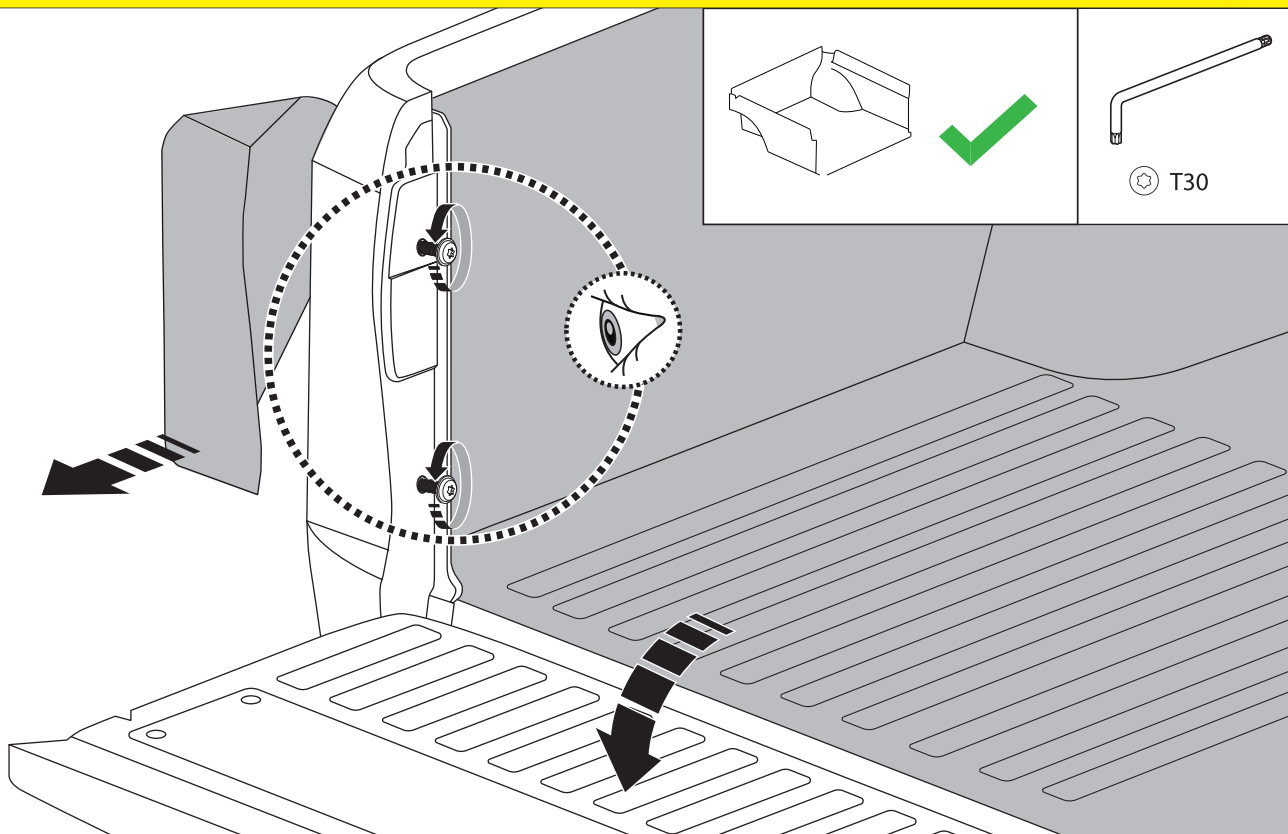


	CAR		TESSERA ROLL+
BEAM		↔	
LICENCE PLATE 2 PIN LIGHT CONNECTOR			
STOP		↔	
TAILGATE CONNECTOR			

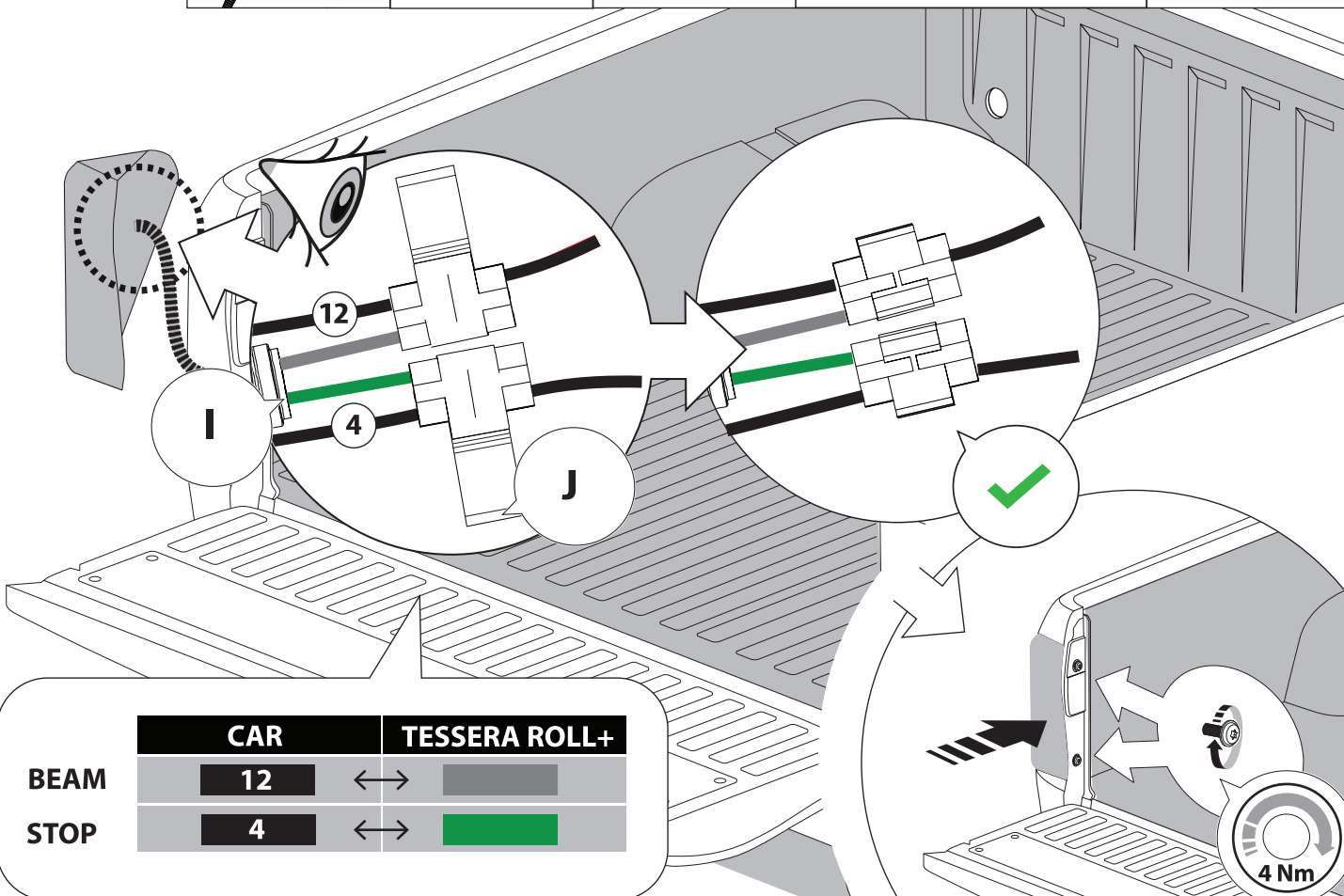
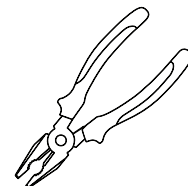
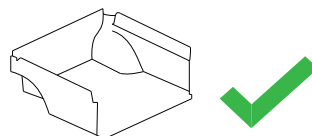
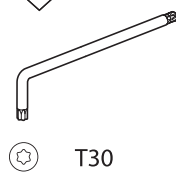
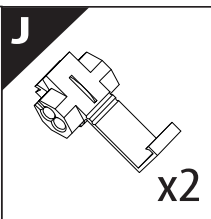
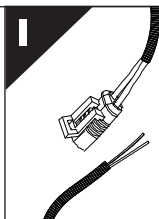
27.1



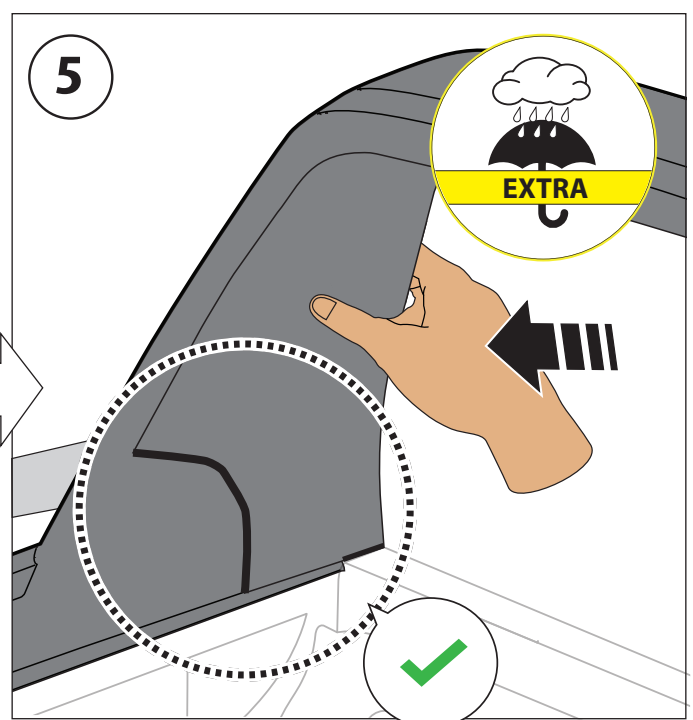
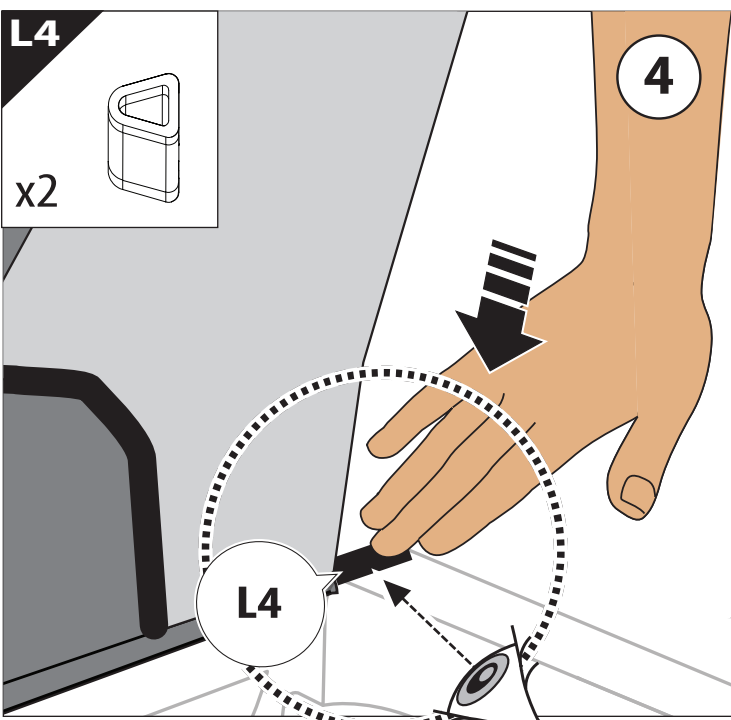
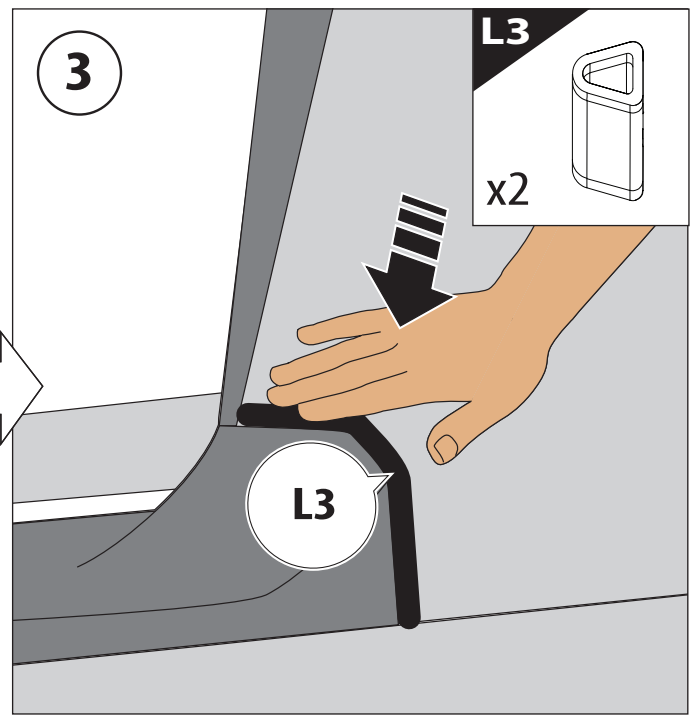
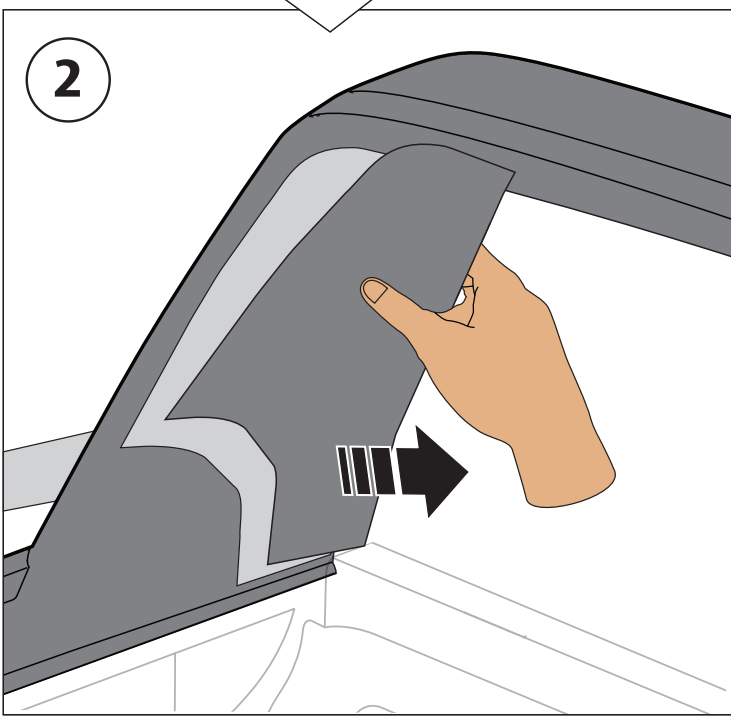
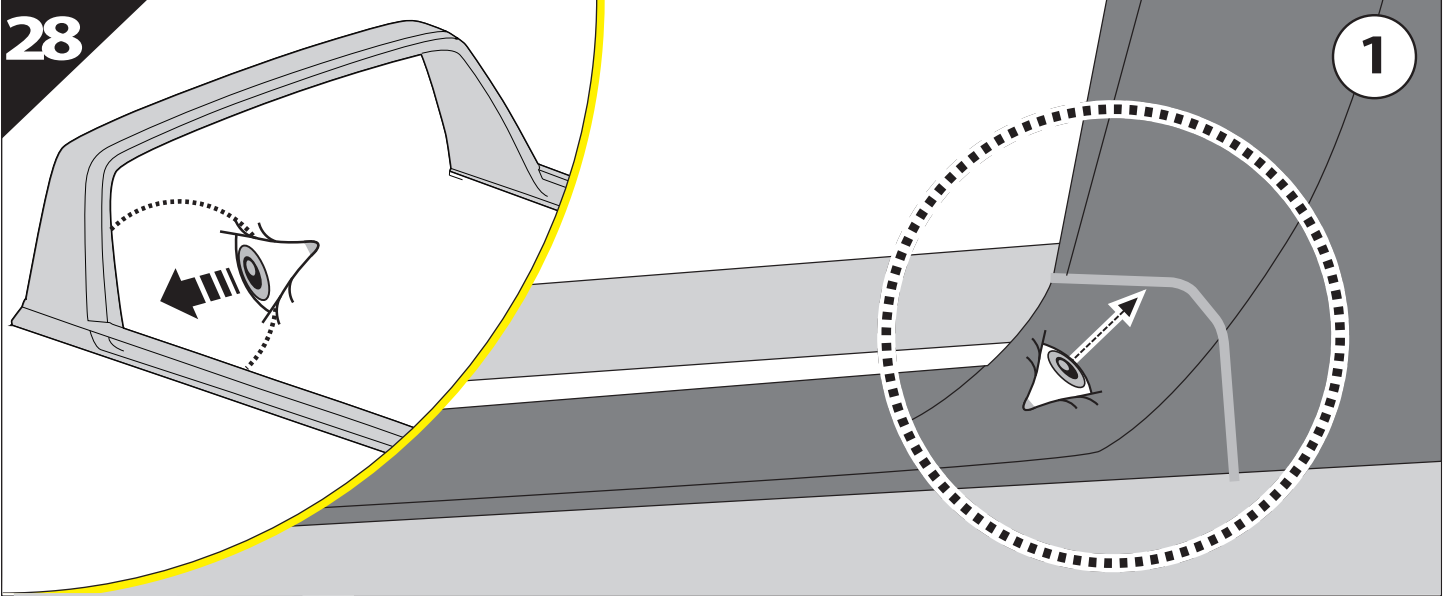
CAUTION: RAPTOR

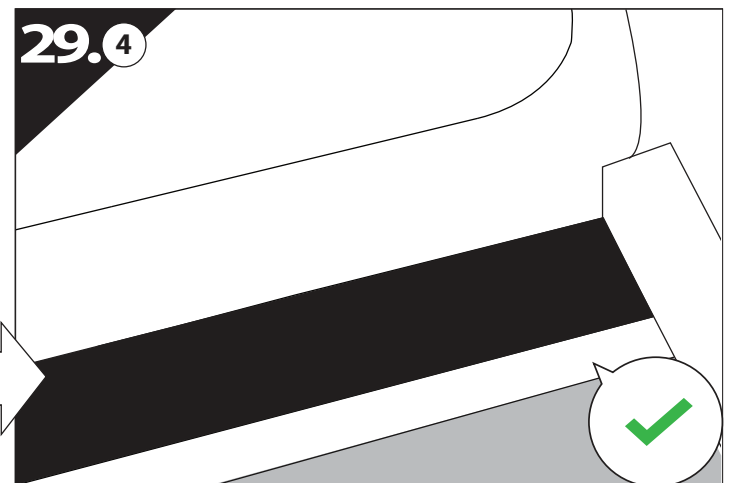
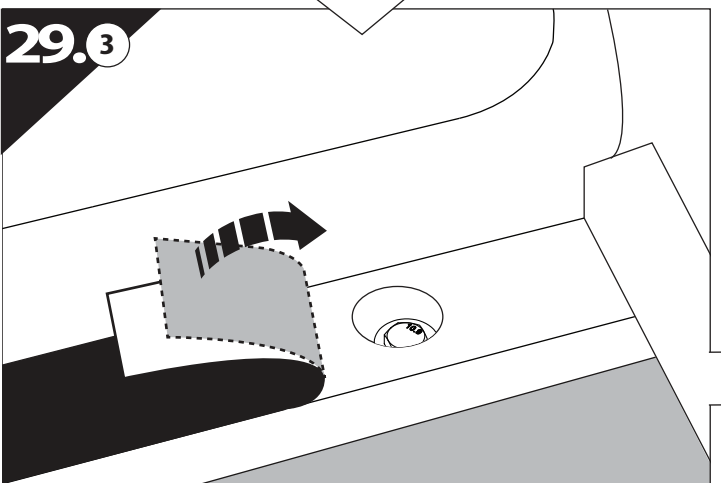
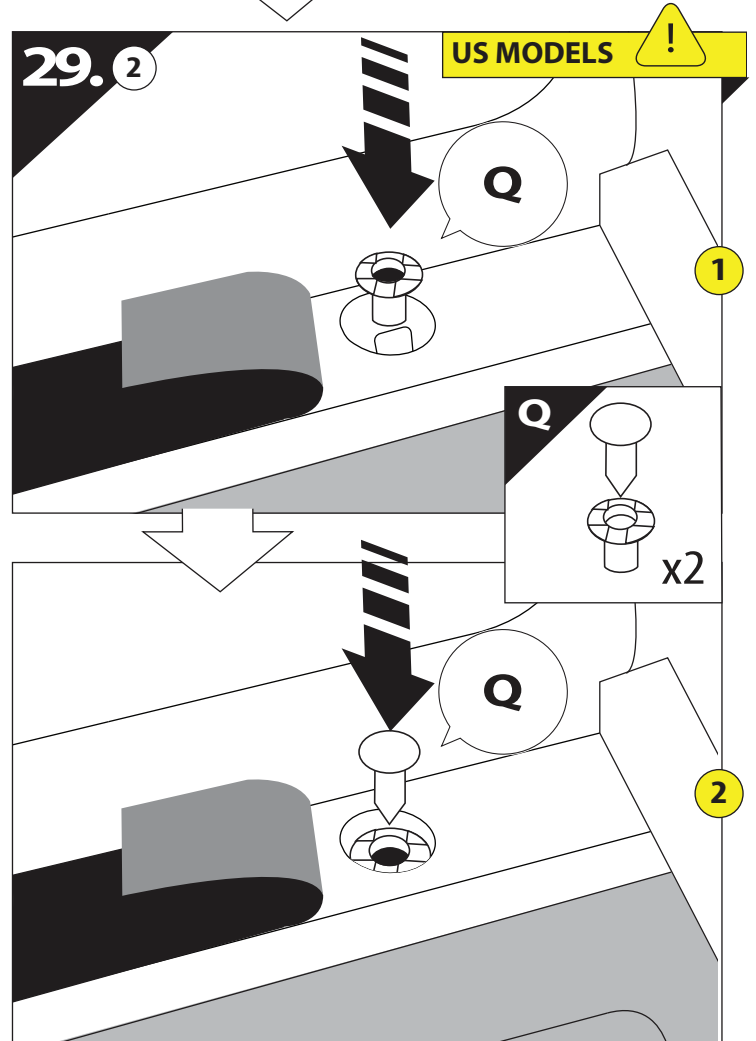
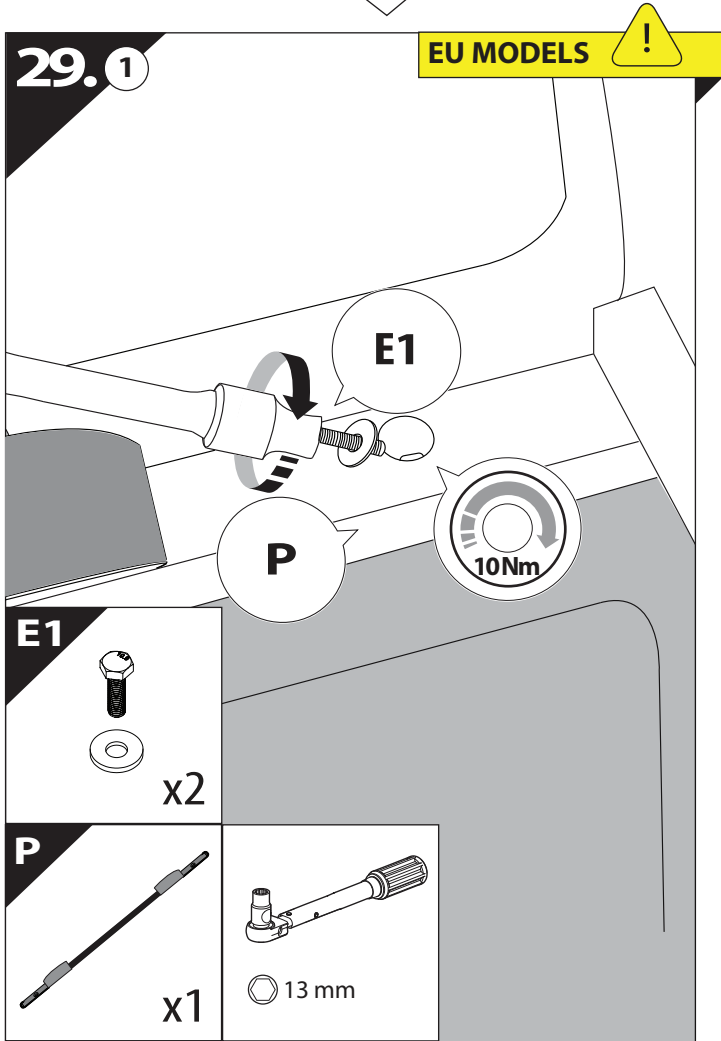
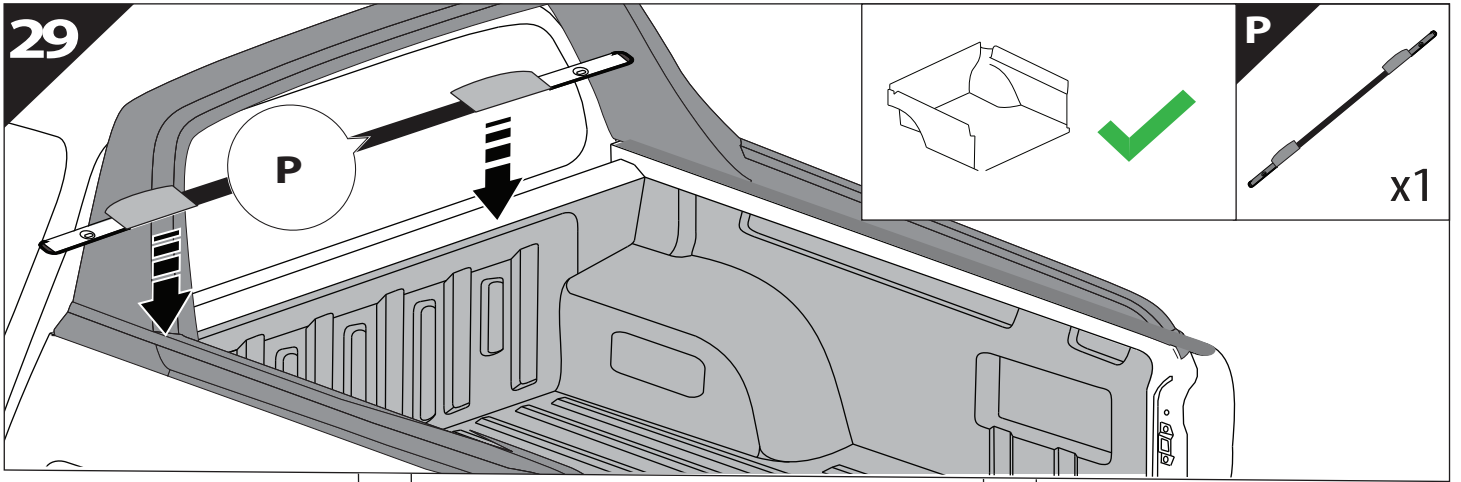


27.2



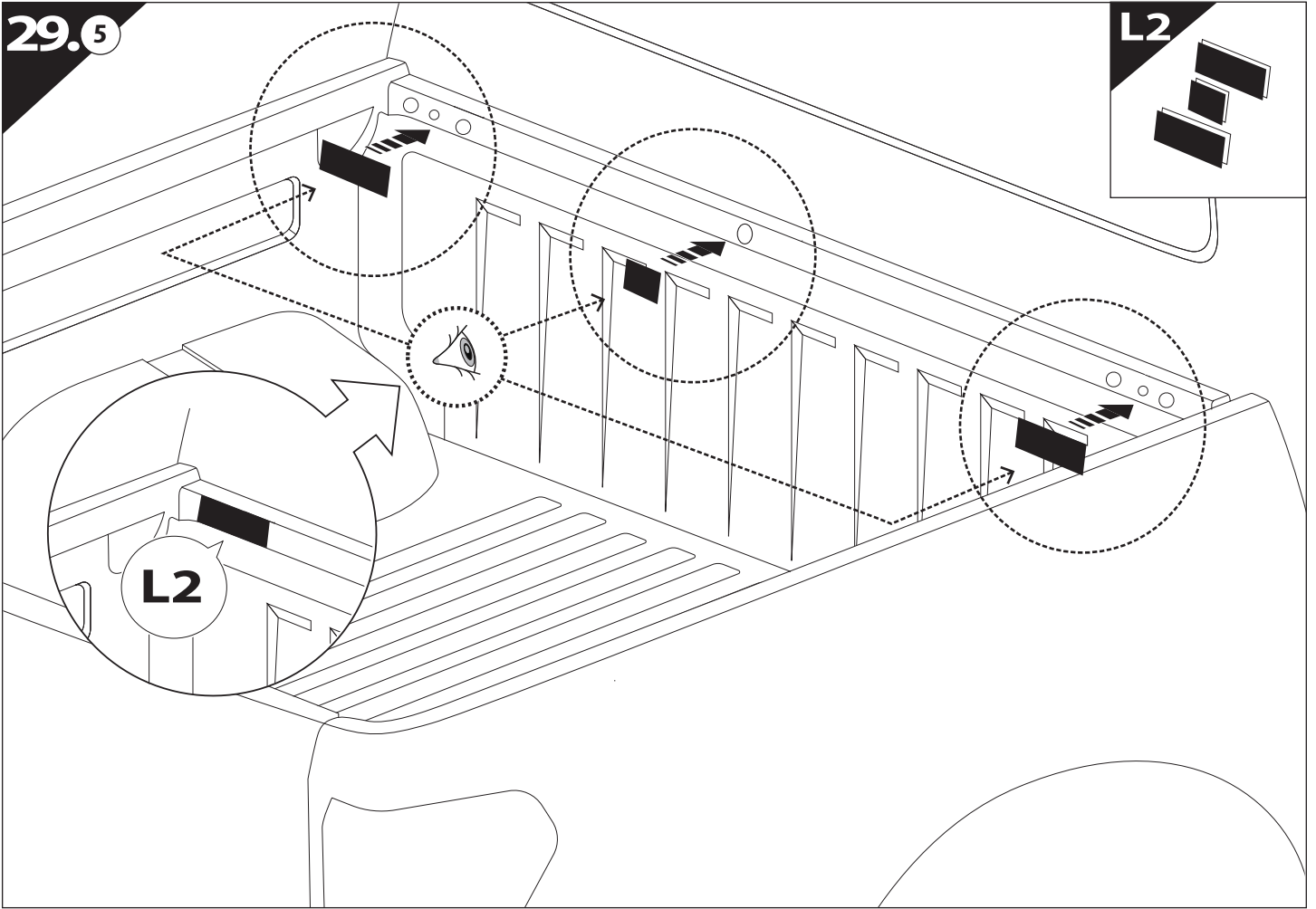
	CAR		TESSERA ROLL+
BEAM	12	↔	■
STOP	4	↔	■



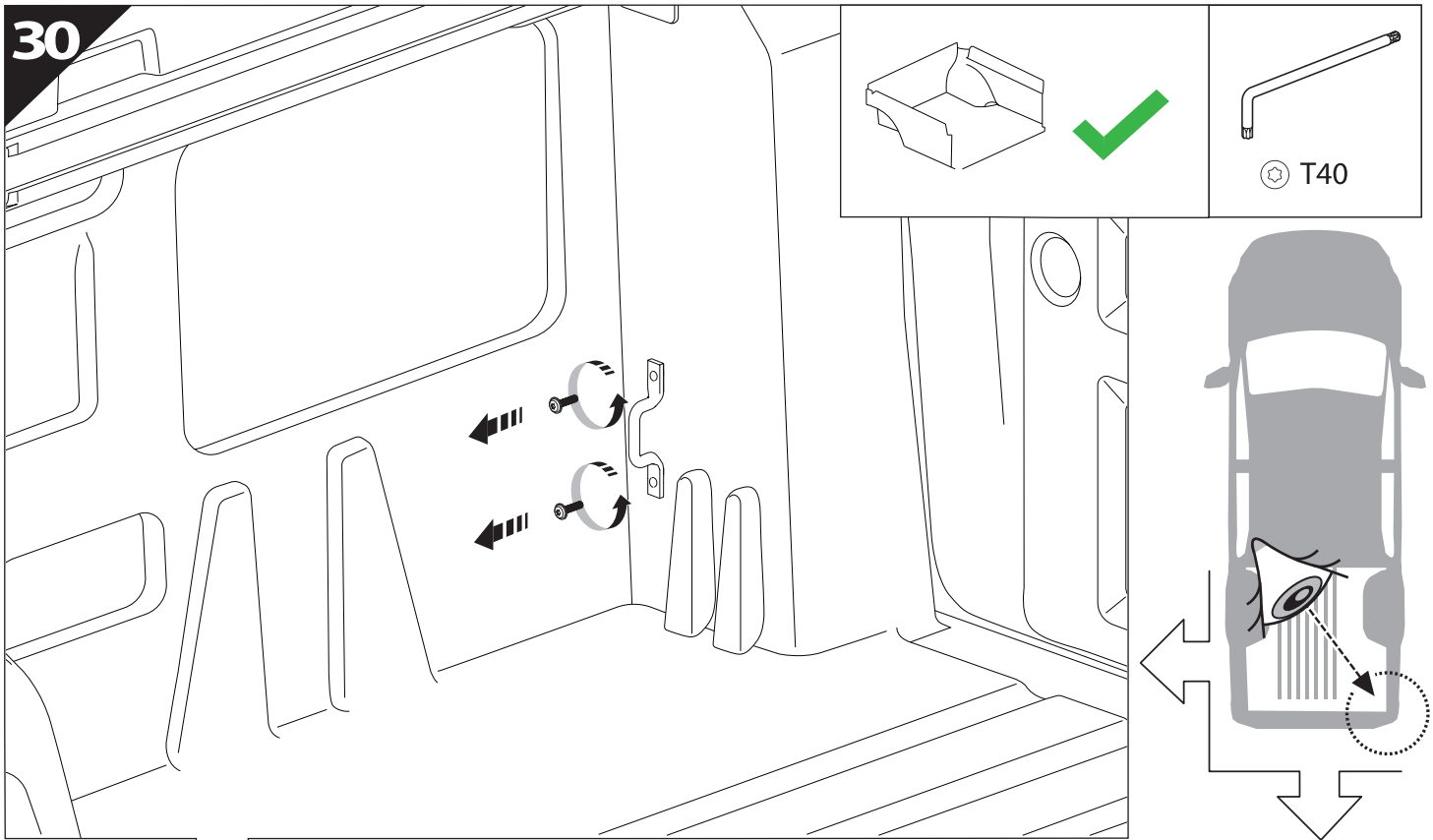


29.5

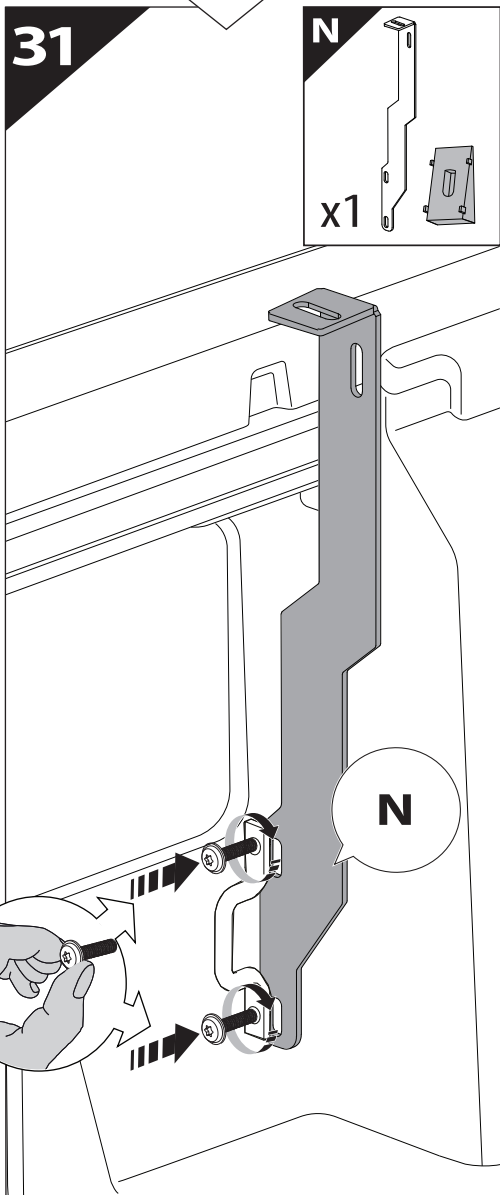
L2



30



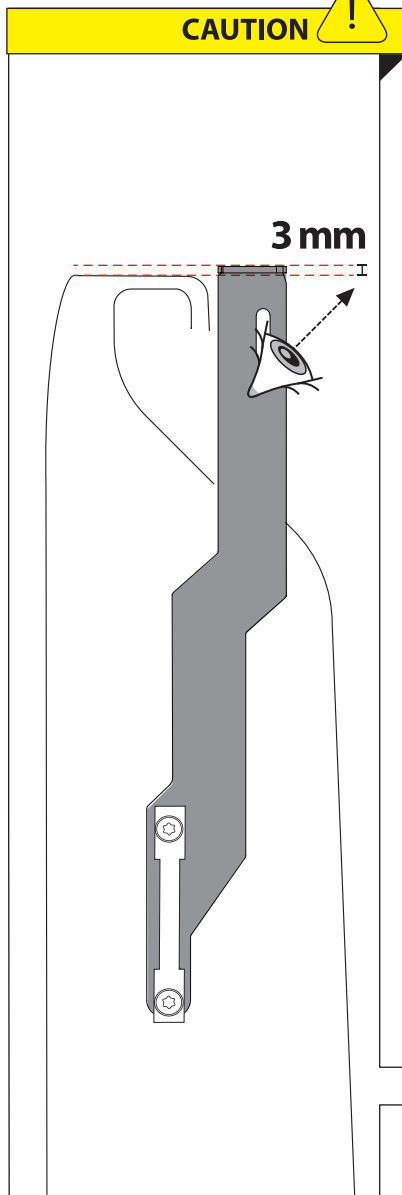
31



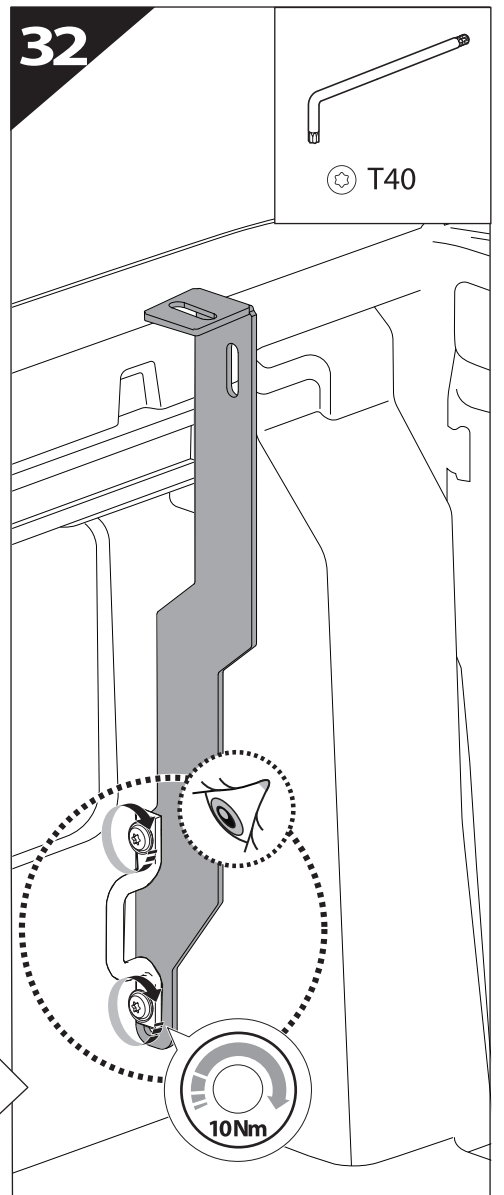
CAUTION



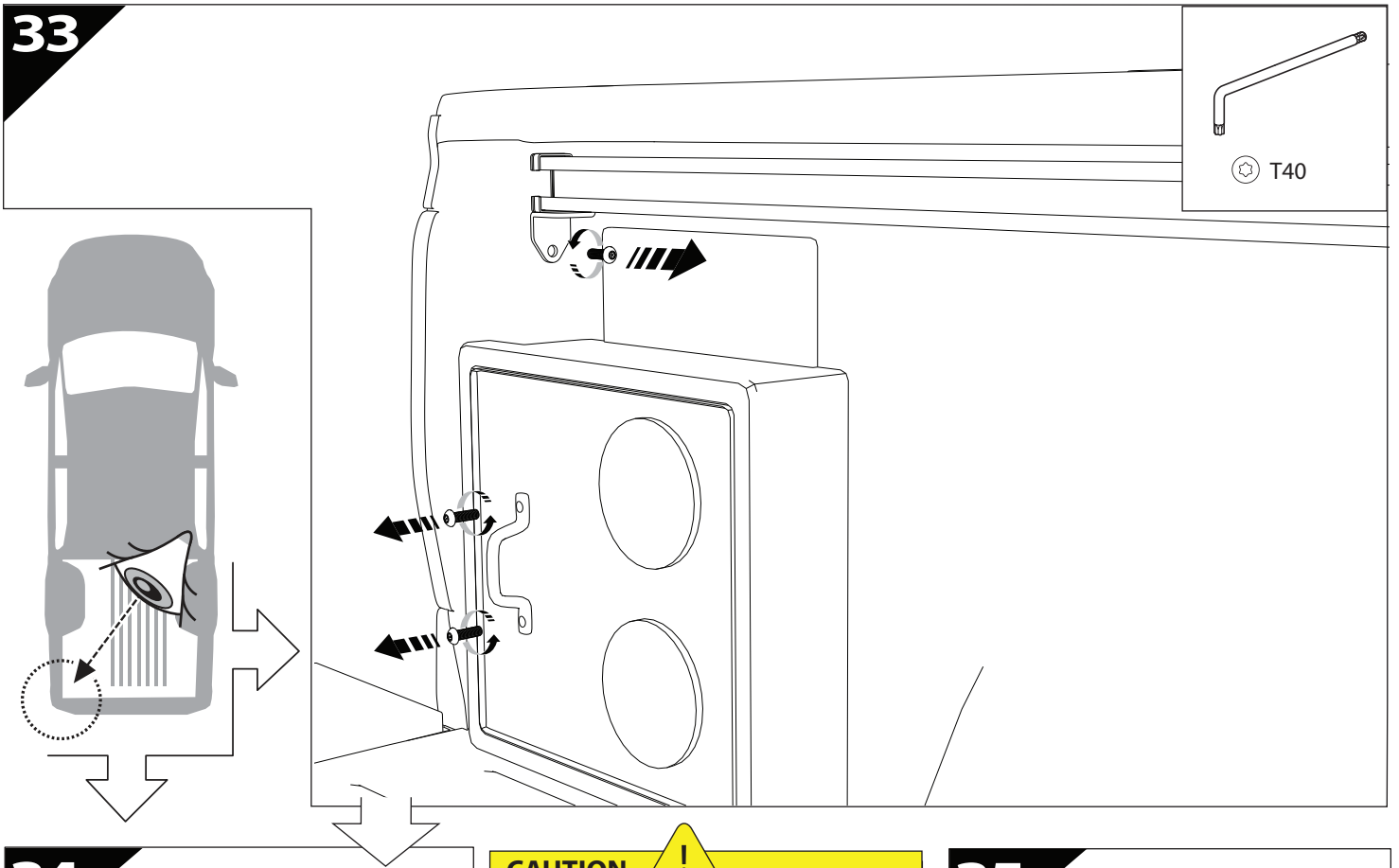
3 mm



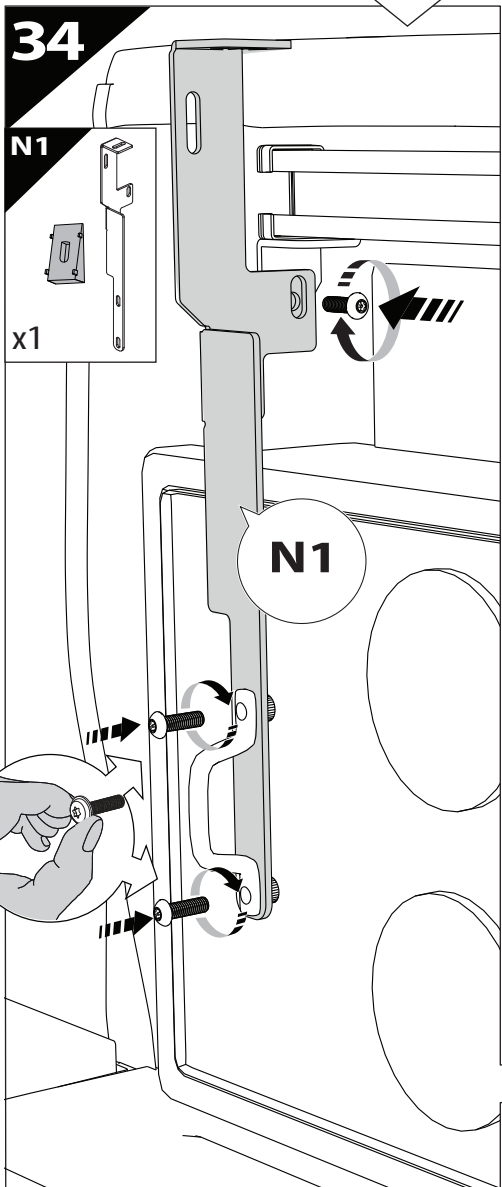
32



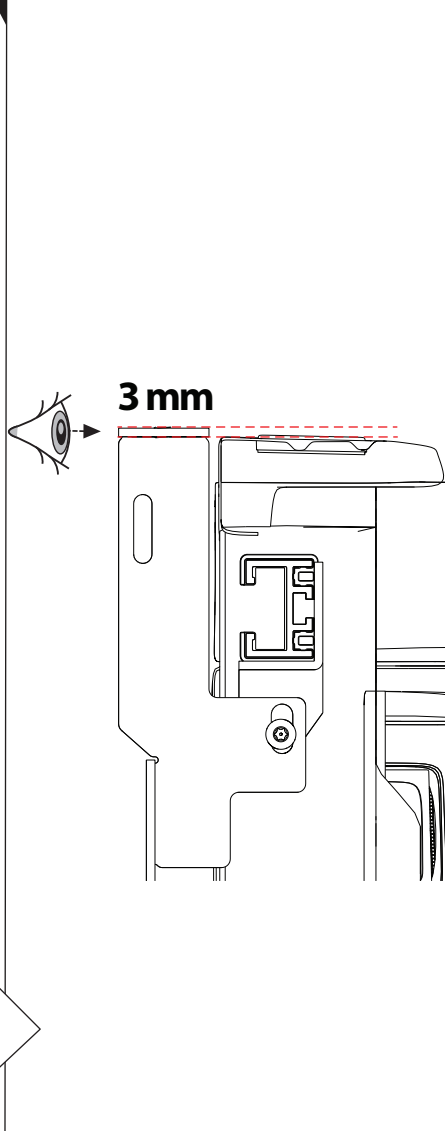
33



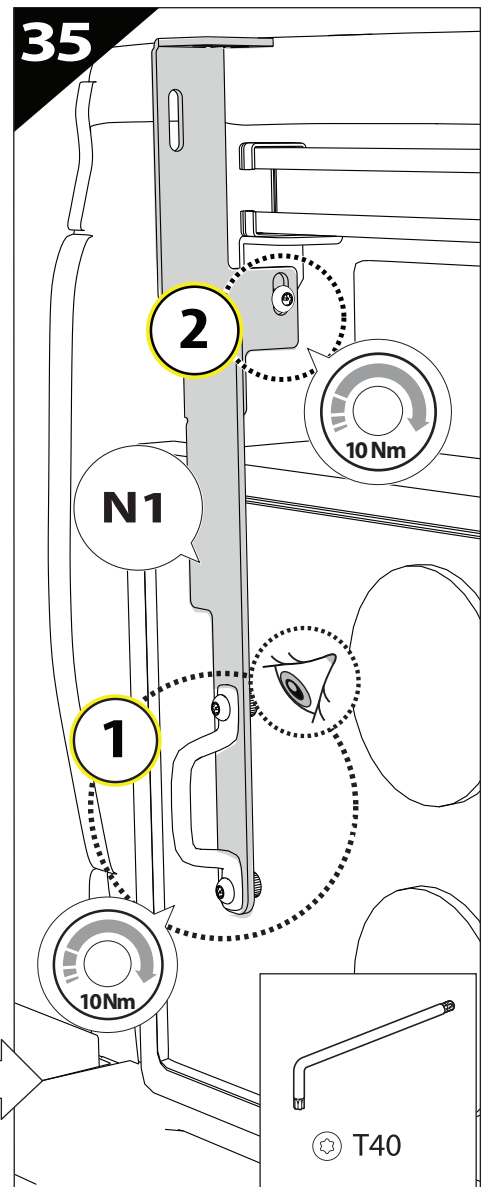
34



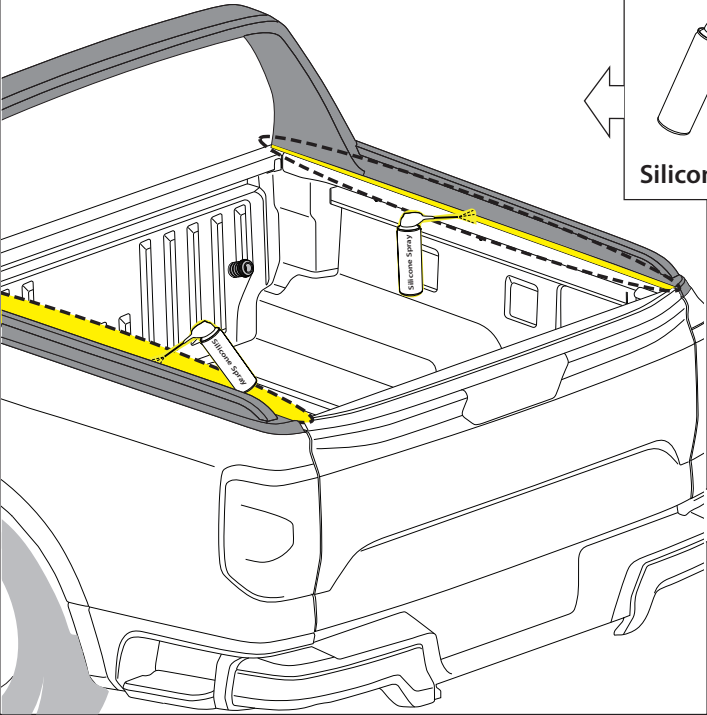
CAUTION !



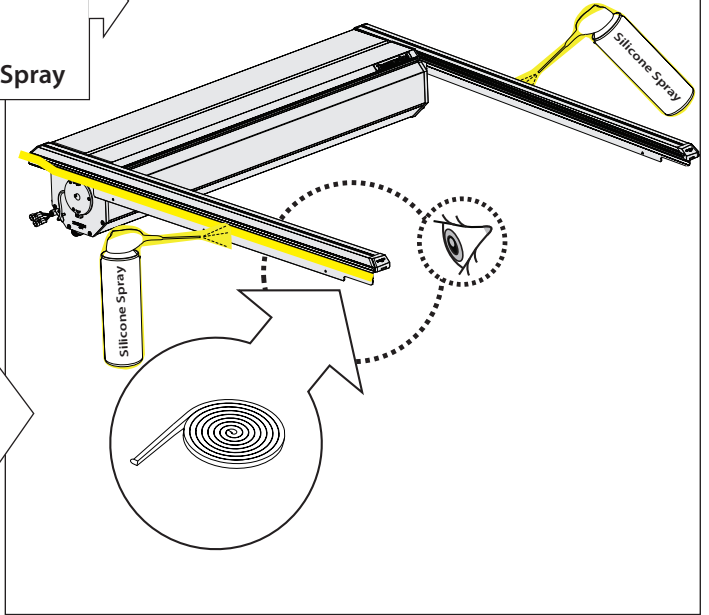
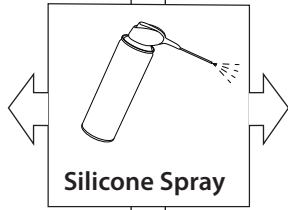
35



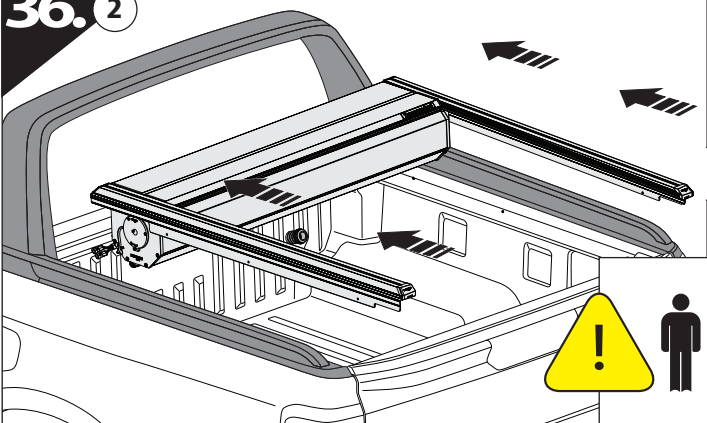
36



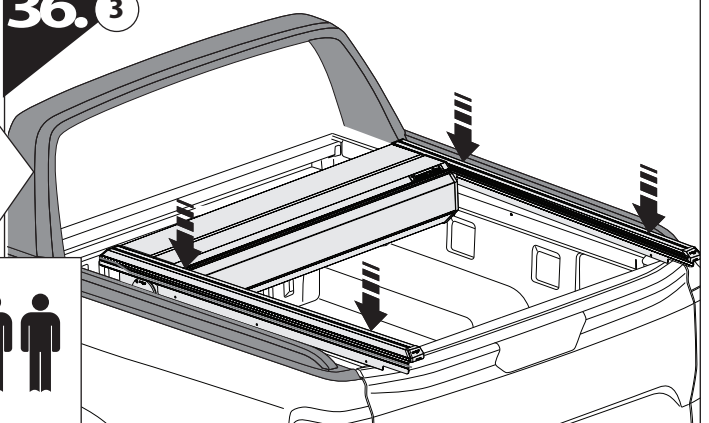
36.1



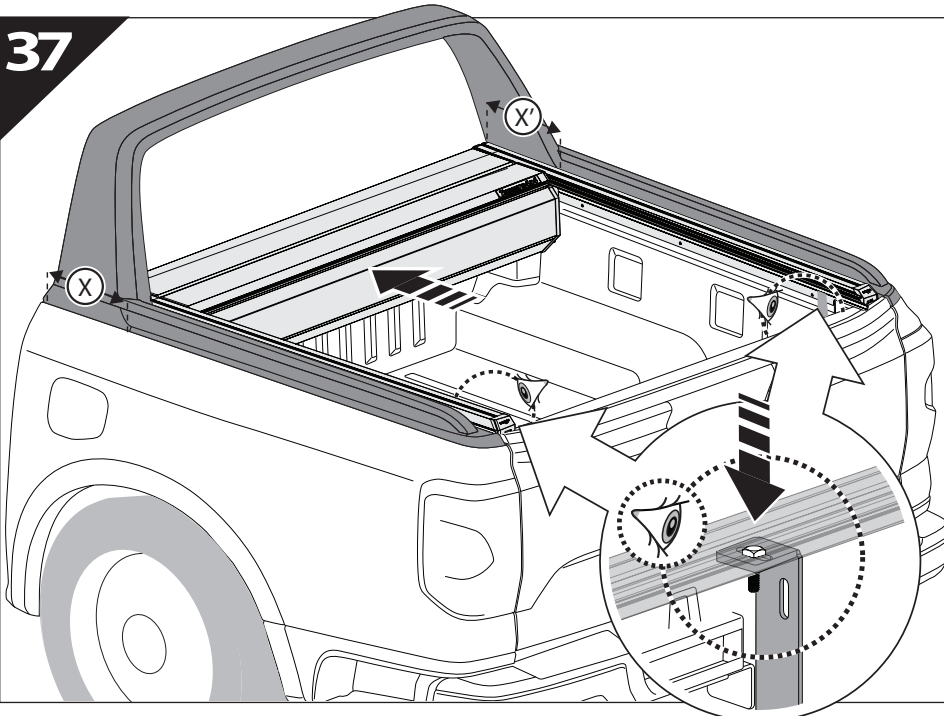
36.2

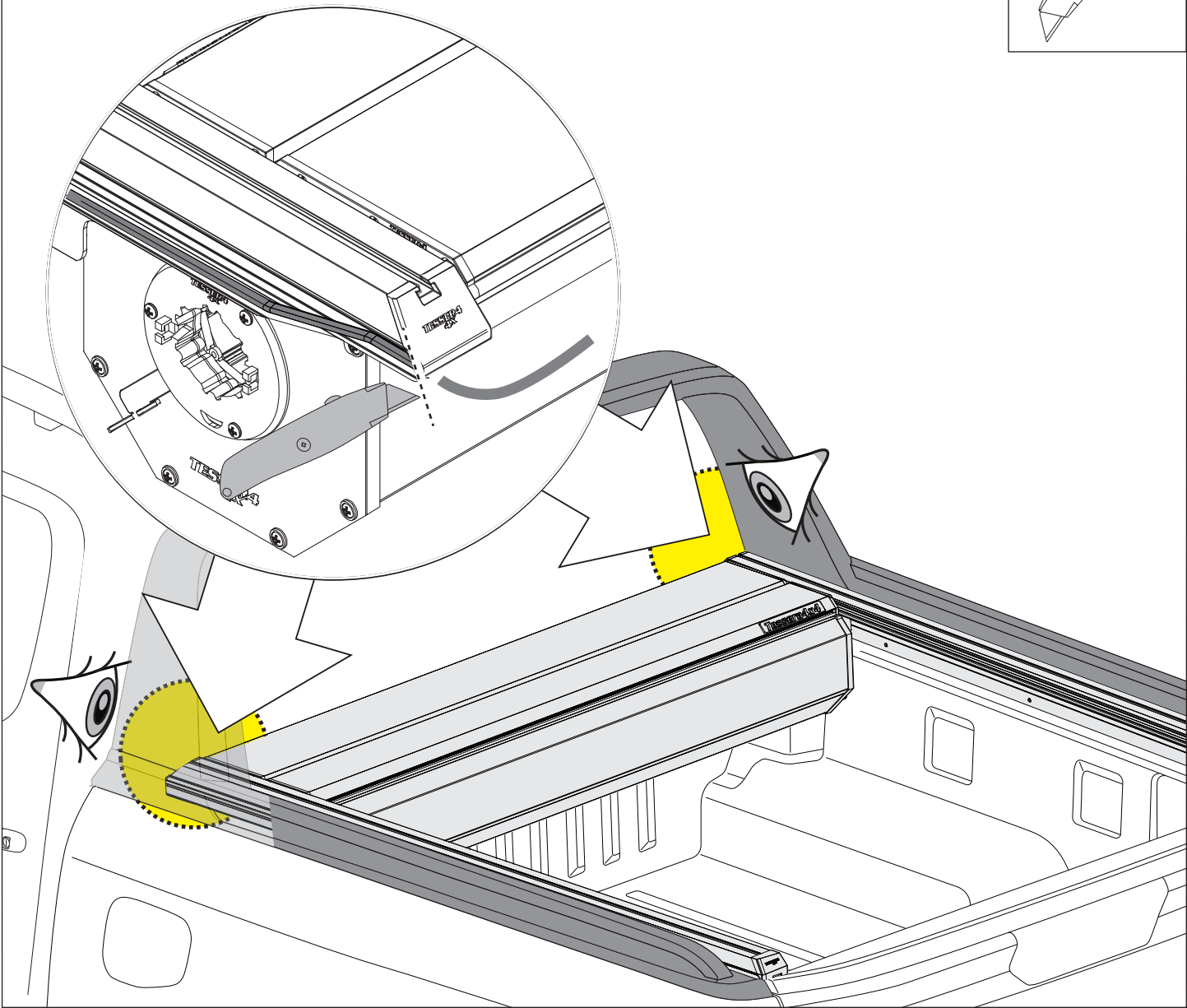
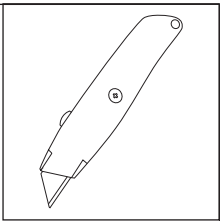


36.3







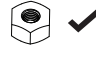
37



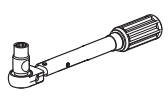


41

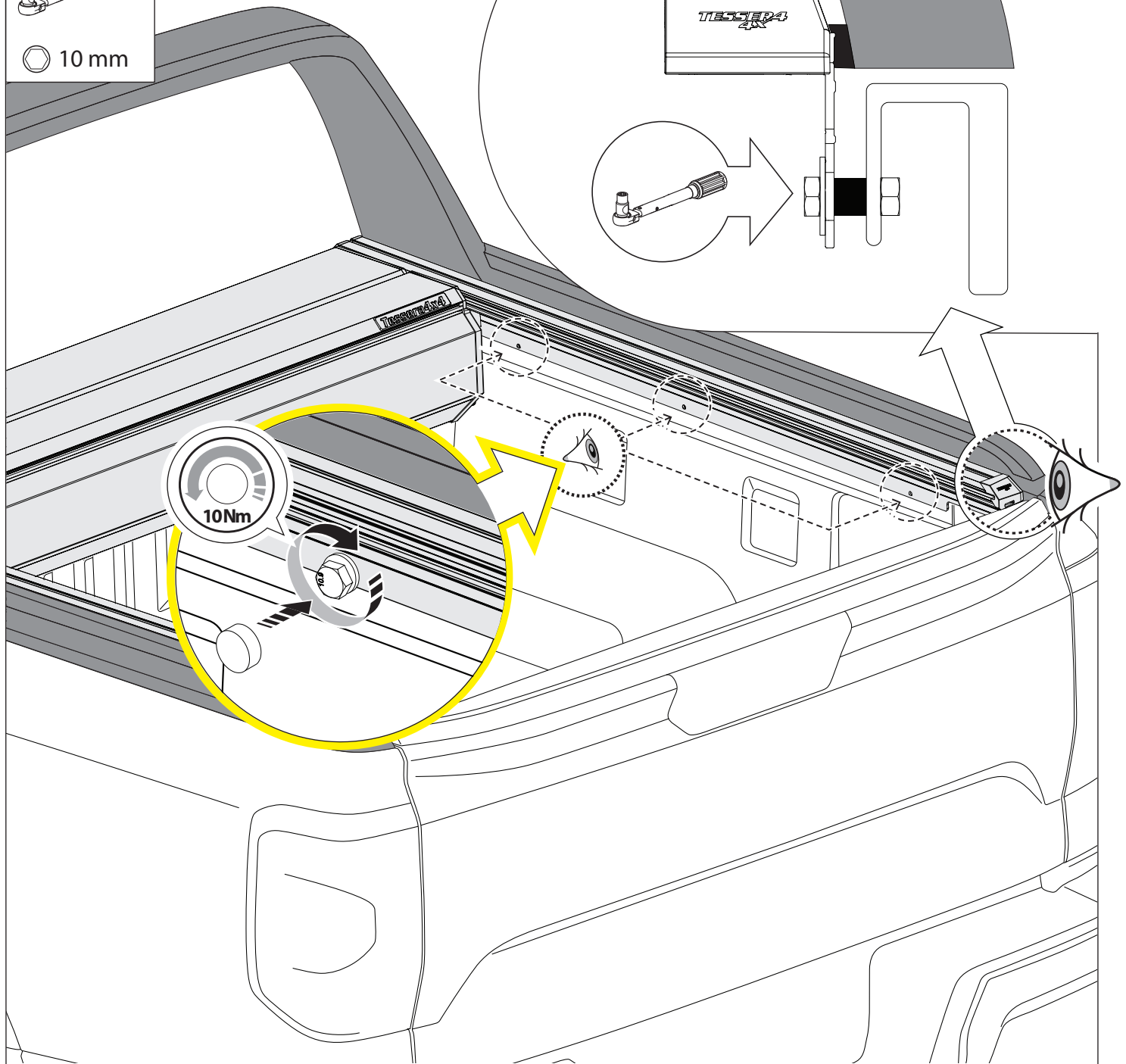
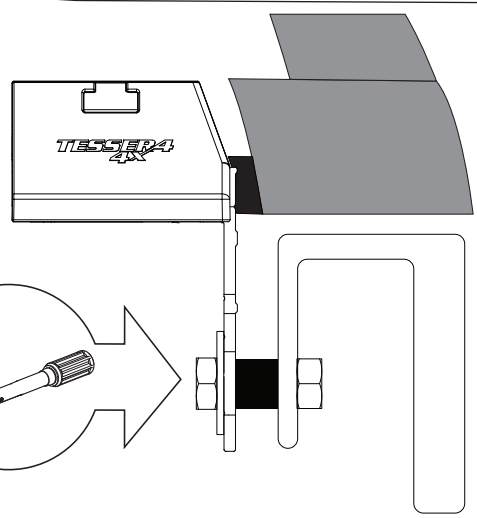
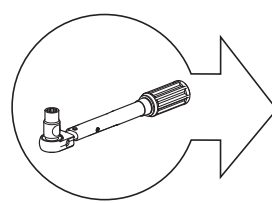
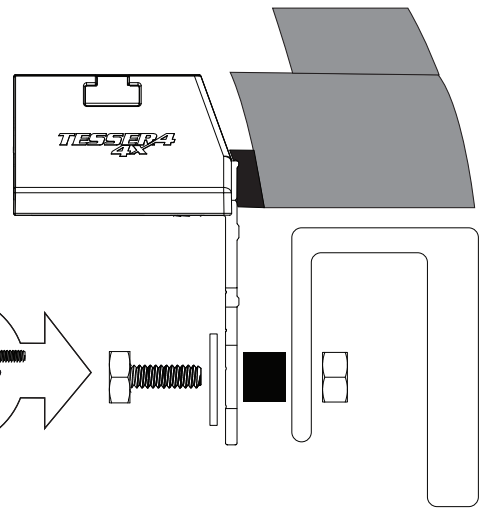
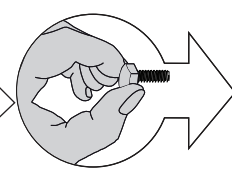
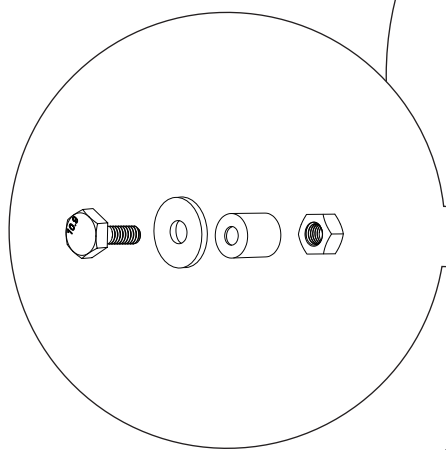
E2

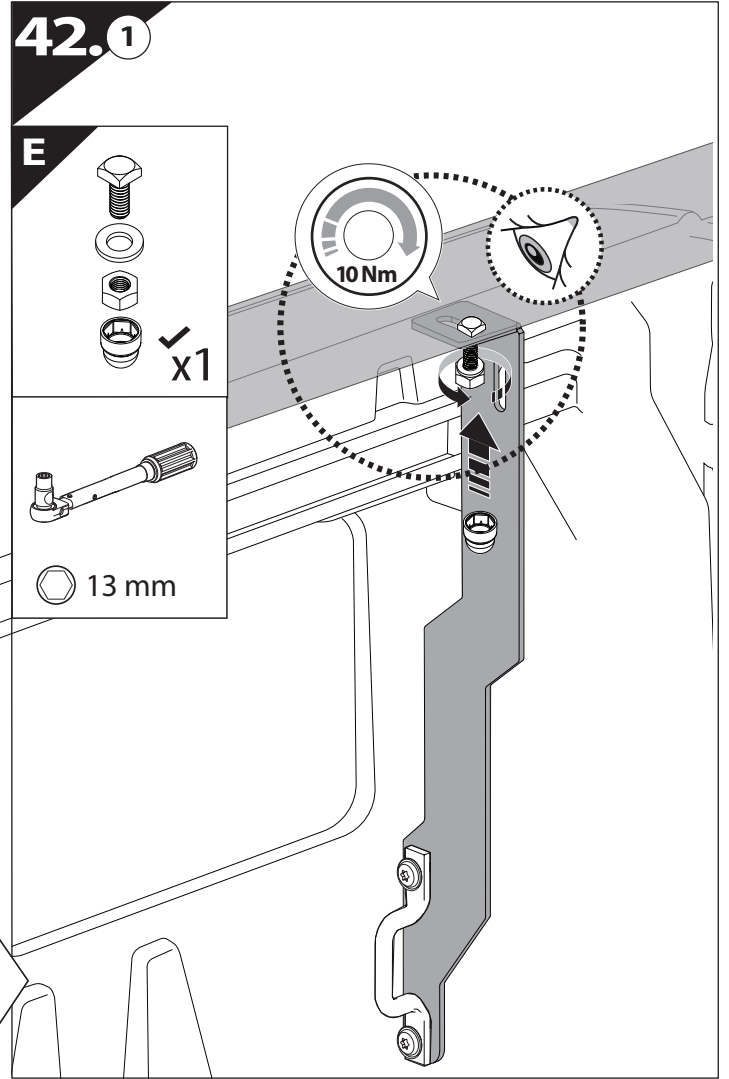
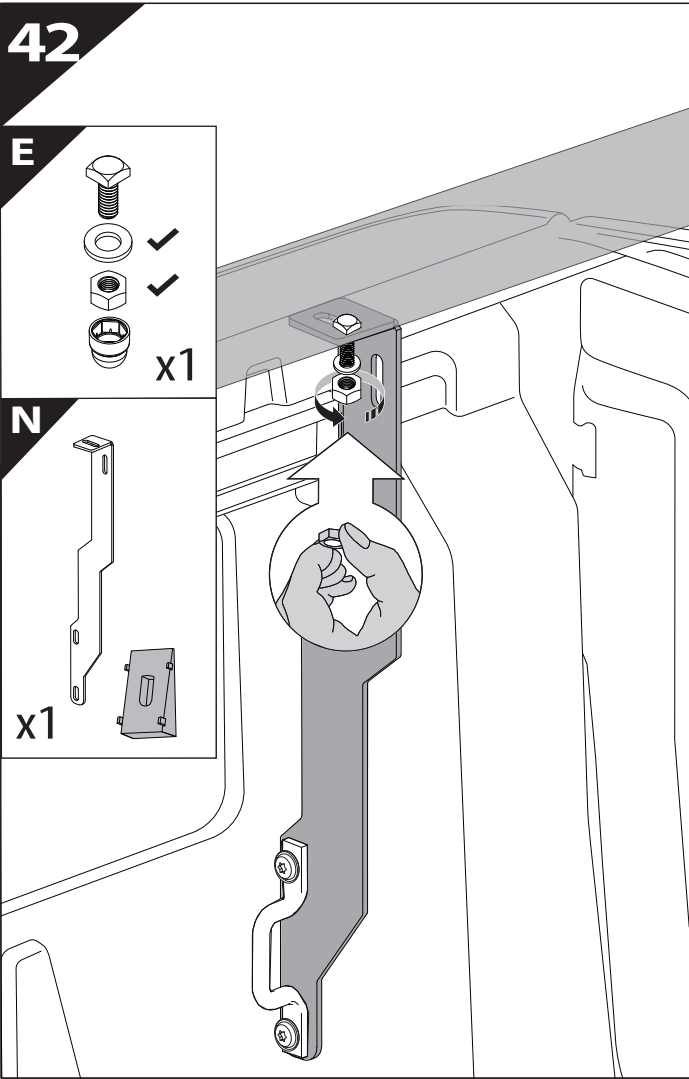
-  ✓
-  ✓
-  ✓
-  ✓
-  ✓

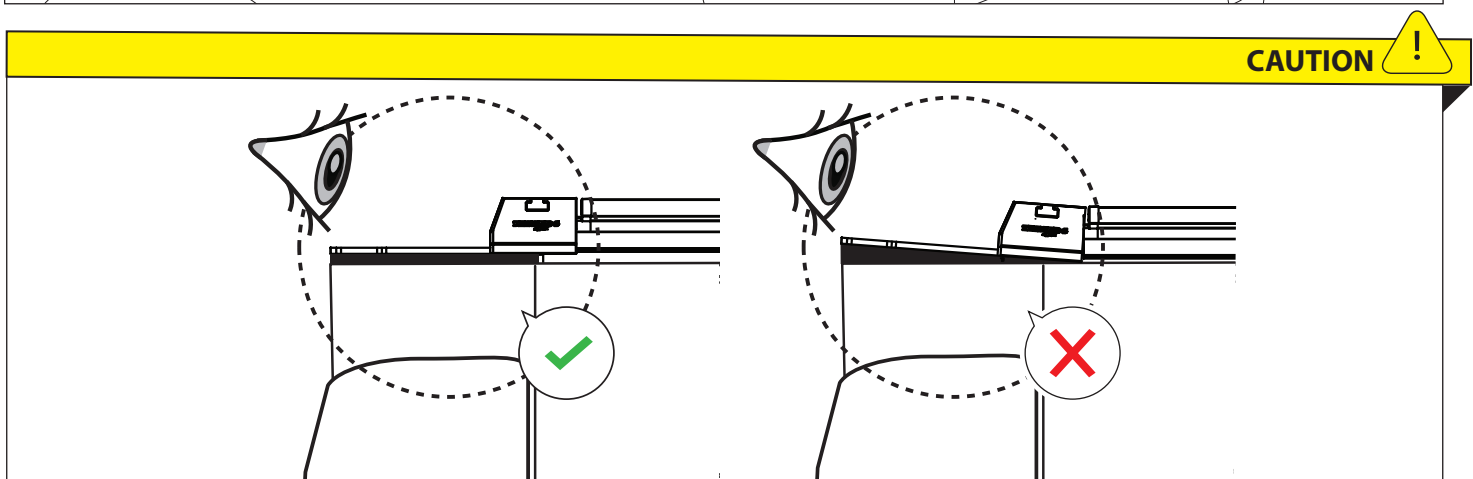
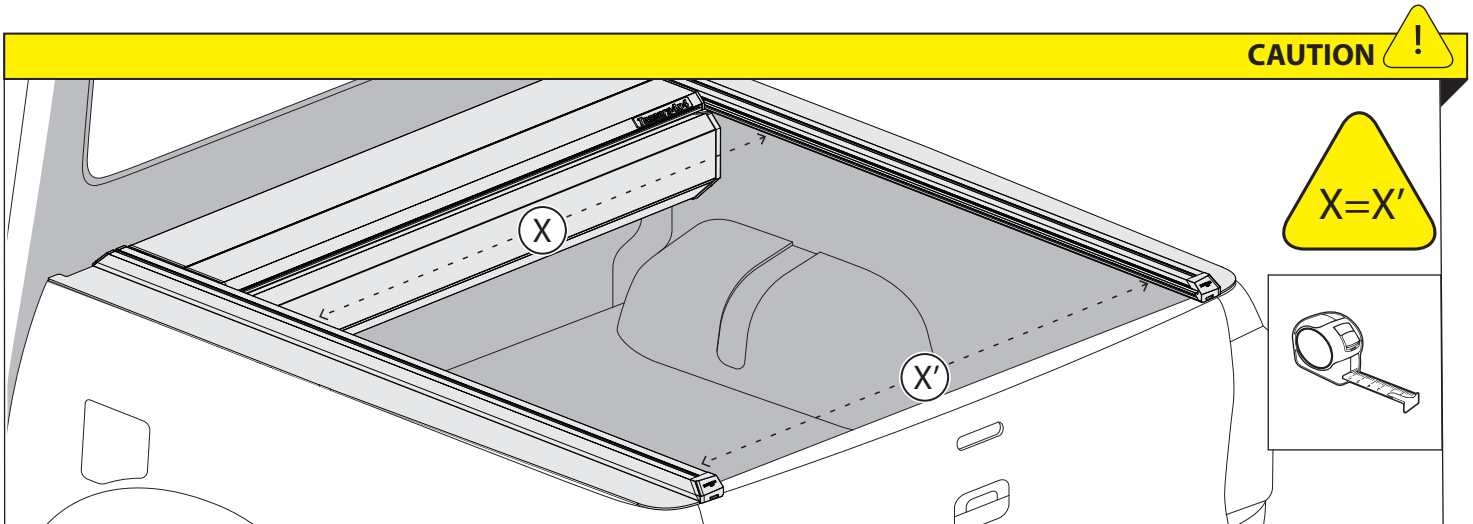
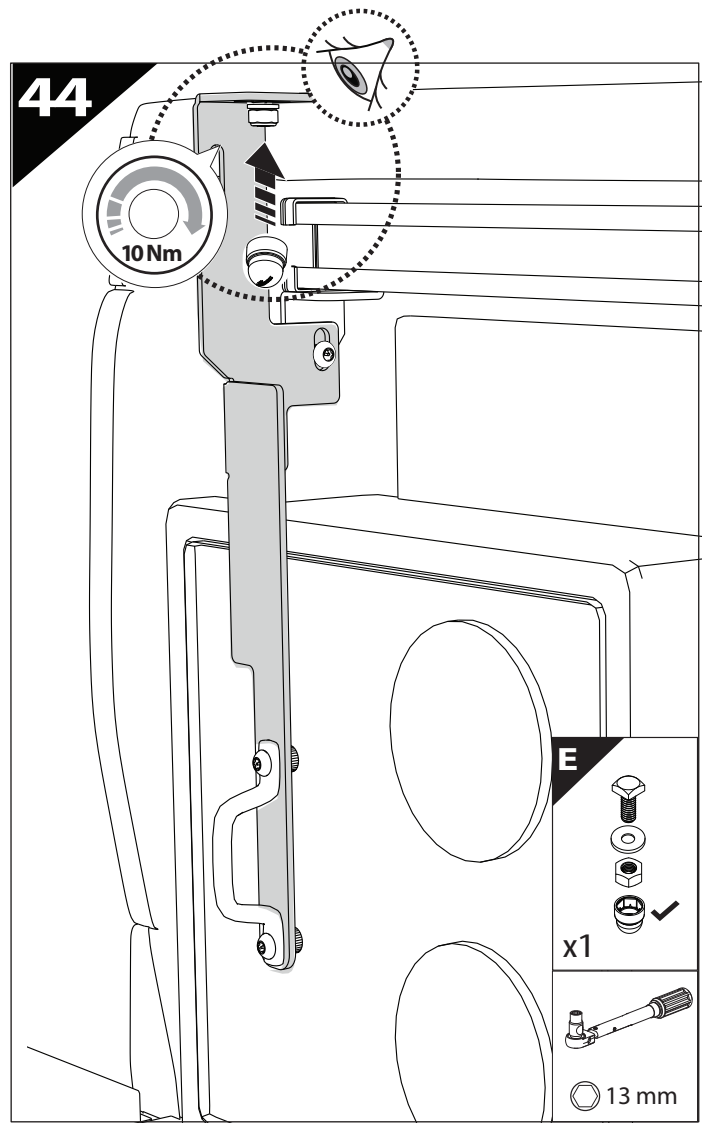
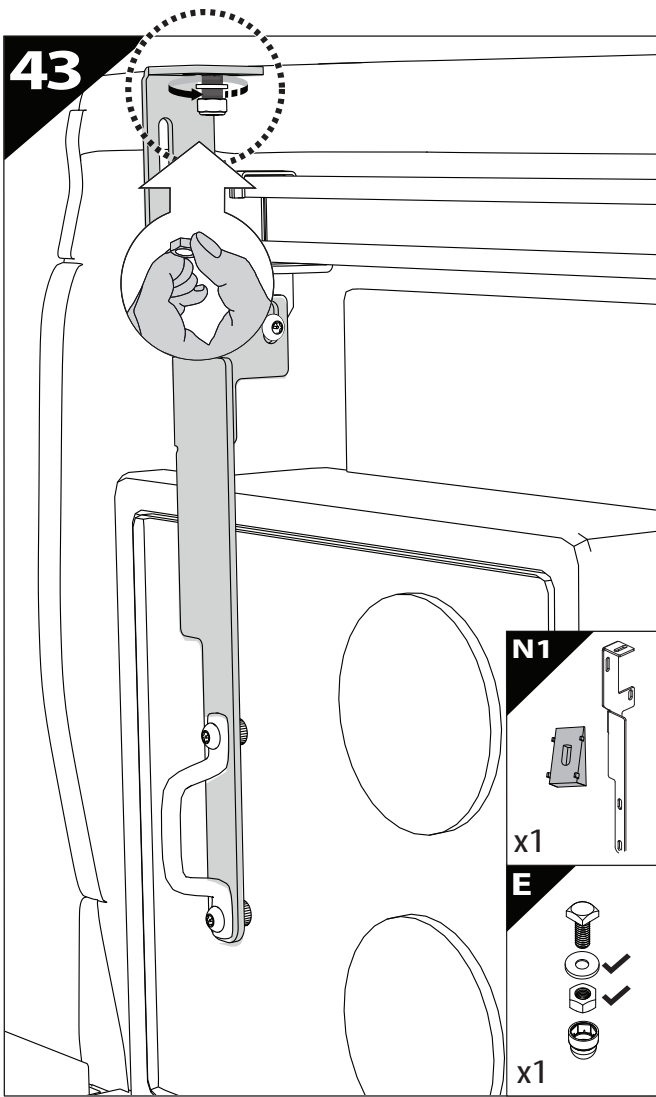
x6



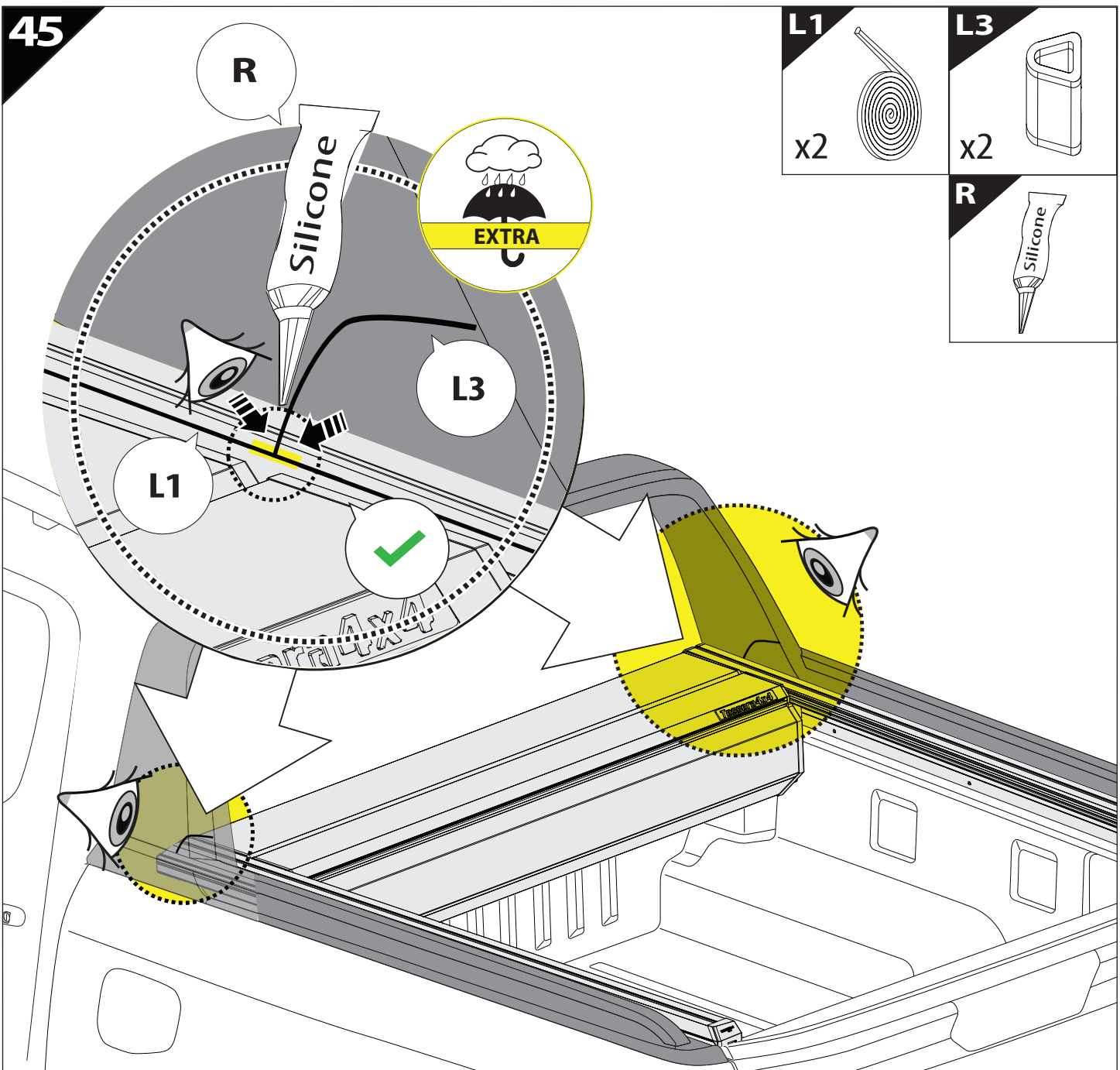
10 mm


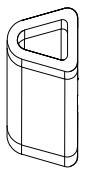



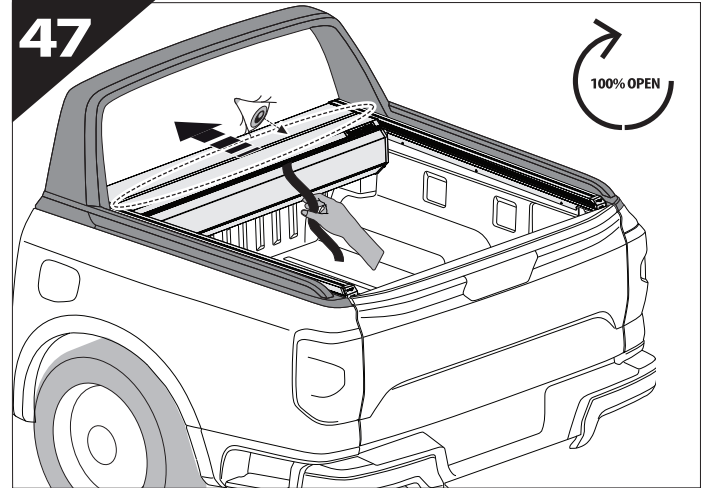
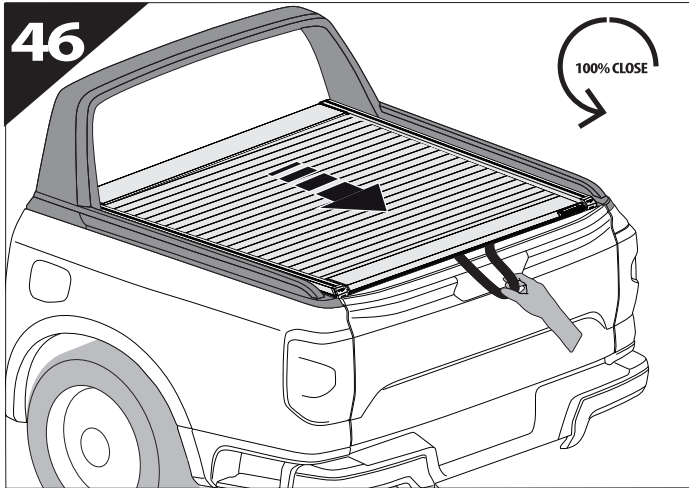




45



L1 x2		L3 x2	
		R	



GR: Οδηγίες Εγκατάστασης
GB: Installation manual
SF: Asennusohje
F: Notice de montage
PL: Instrukcja montażu
NL: Installatie-instructies
TR: Montaj Talimatı
S: Monteringsanvisning
E: Instrucciones de montaje

H: Szerelési utasítás
P: Instruções de instalação
RUS: Инструкция по установке
N: Monteringsveiledning
D: Einbauanleitung
CZ: Návod k instalaci
I: Istruzioni de montaggio
DK: Monteringsvejledning
RO: Instructiuni de instalare

Customer Service:

+30 (210) 5541161, +30 (210) 5541154 (08:00 - 16:00 EET)

Support department:

info@gianso.gr

Website:

www.tessera4x4.com

Address:

19.5 km of National road Athens-Korinthos (Elefsina) Greece, P.C: 19200