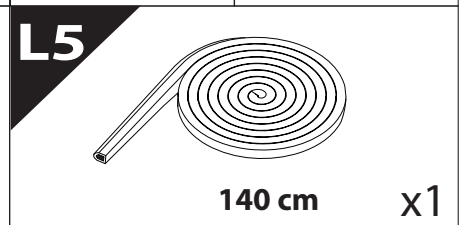
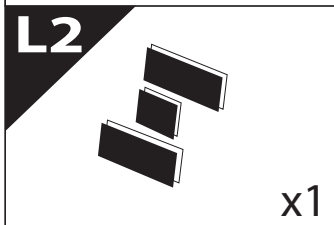
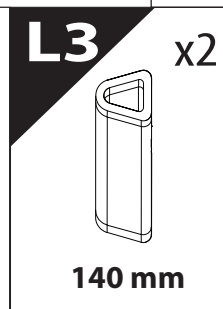
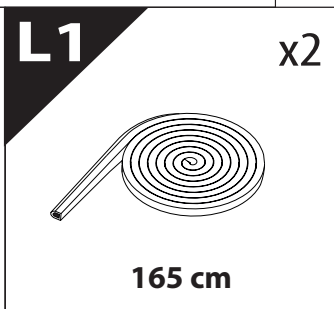
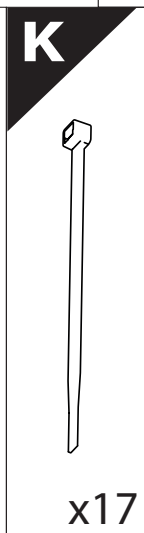
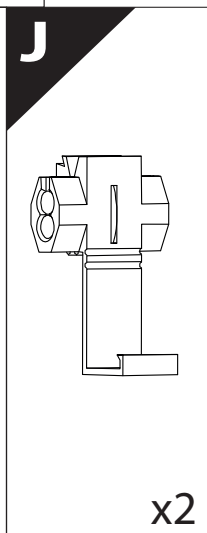
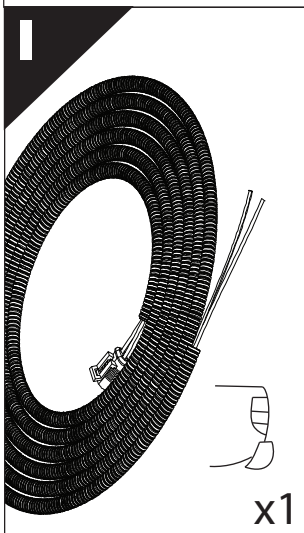
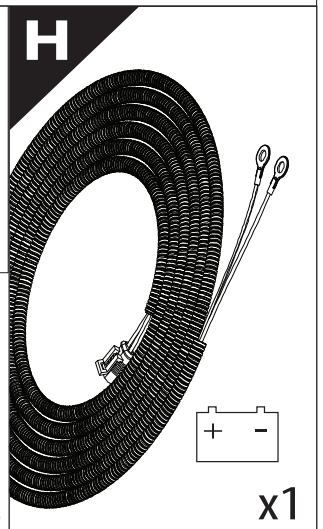
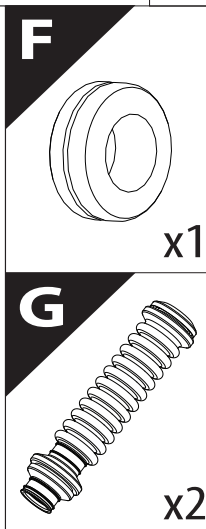
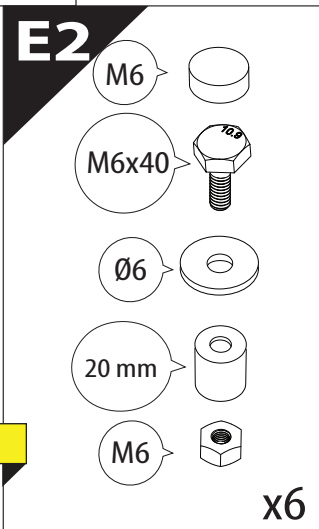
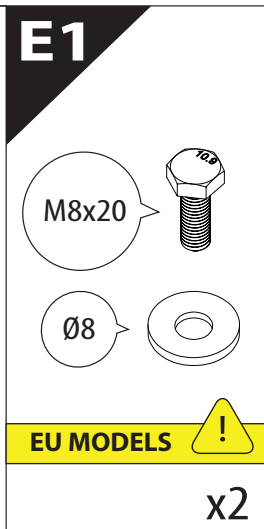
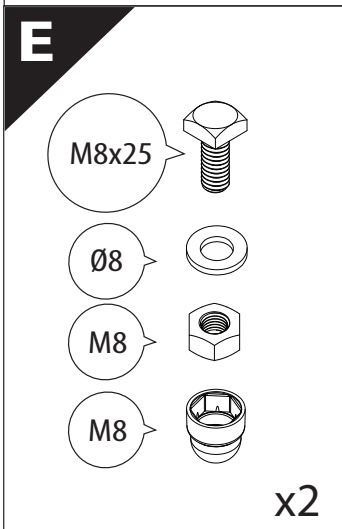
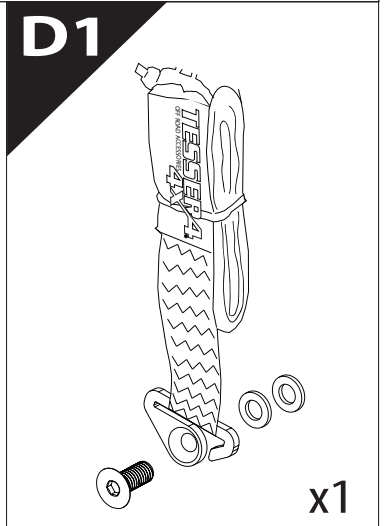
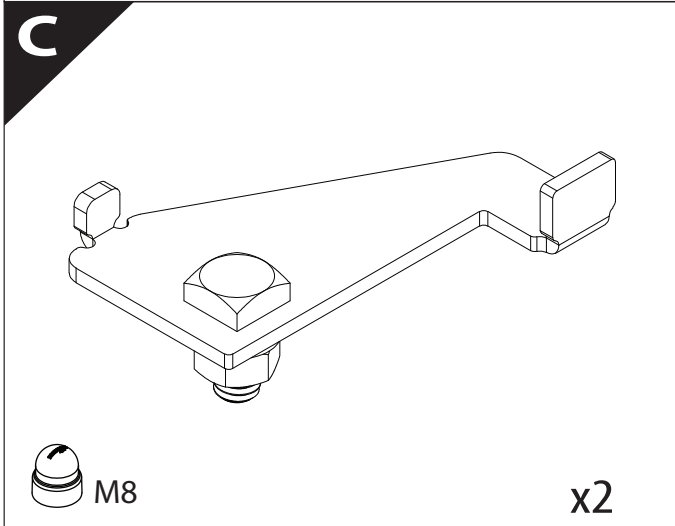
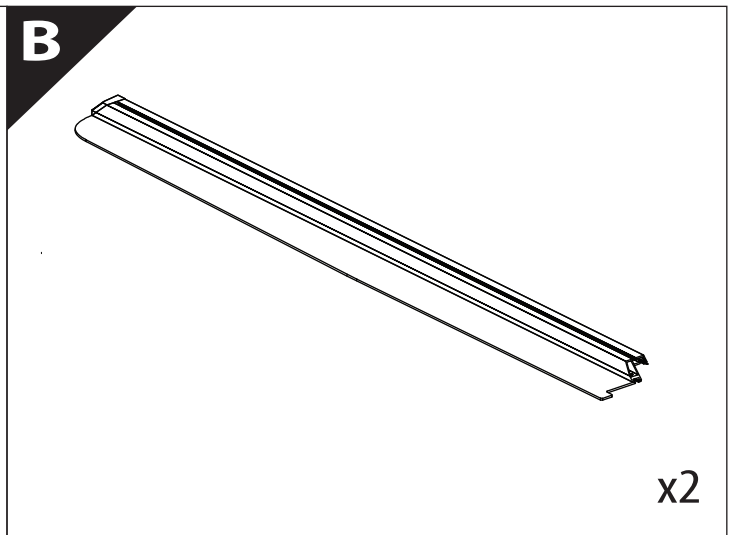
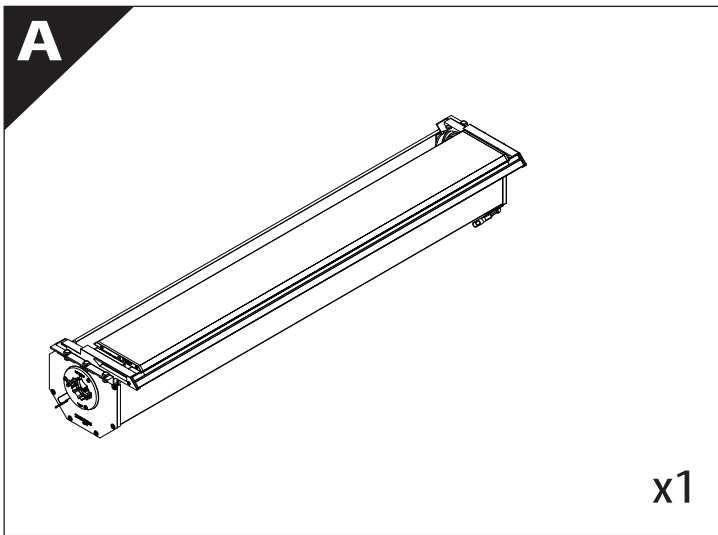
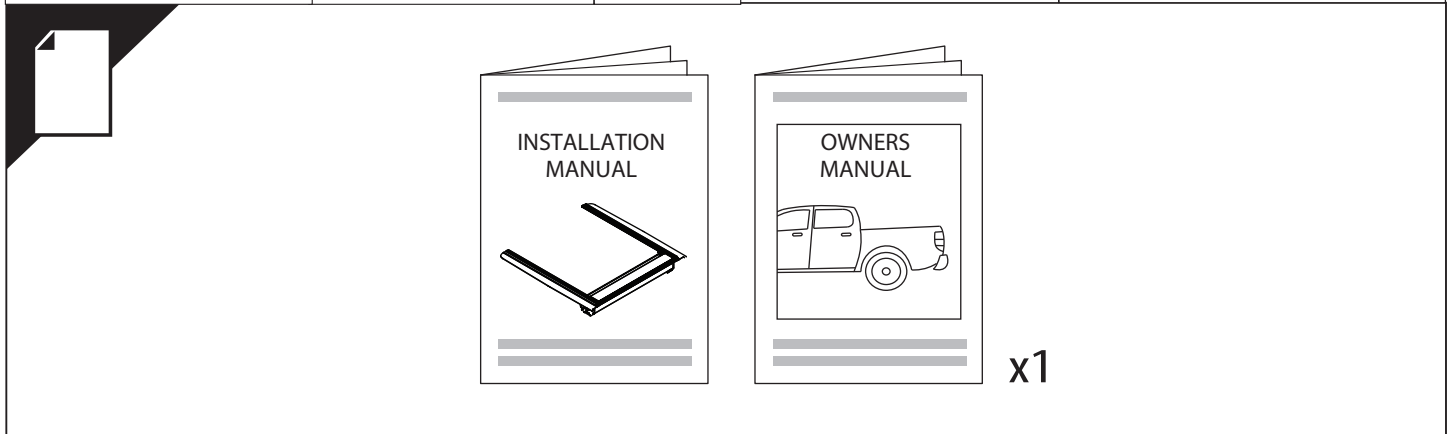
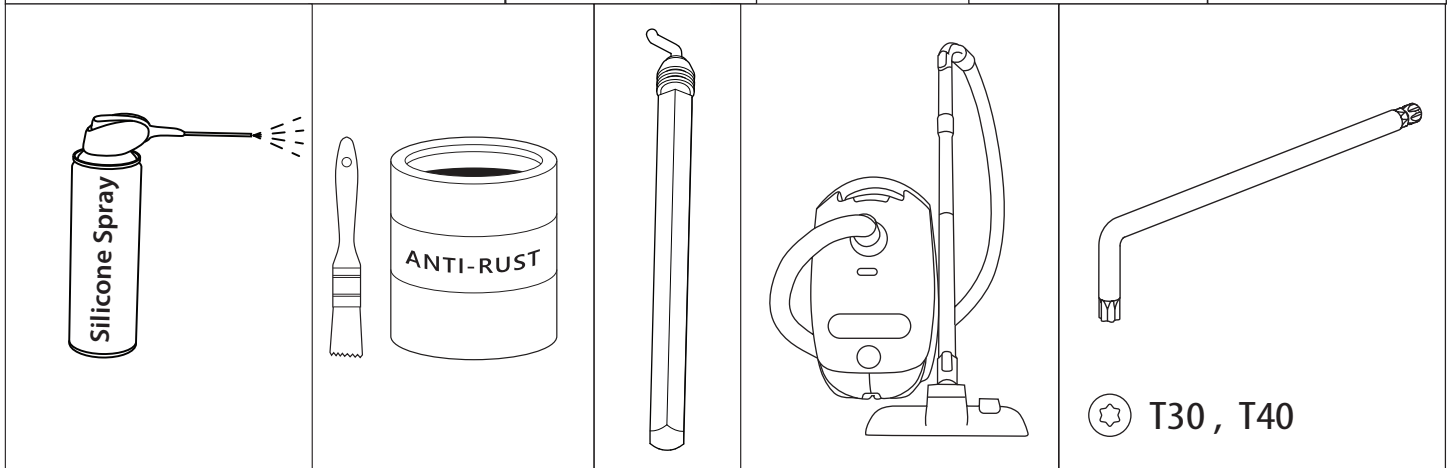
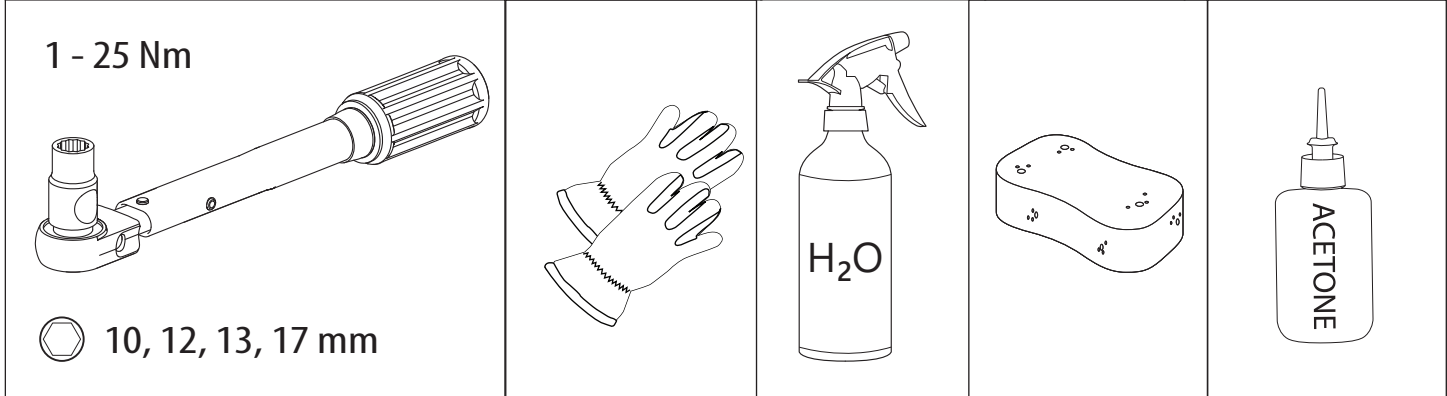
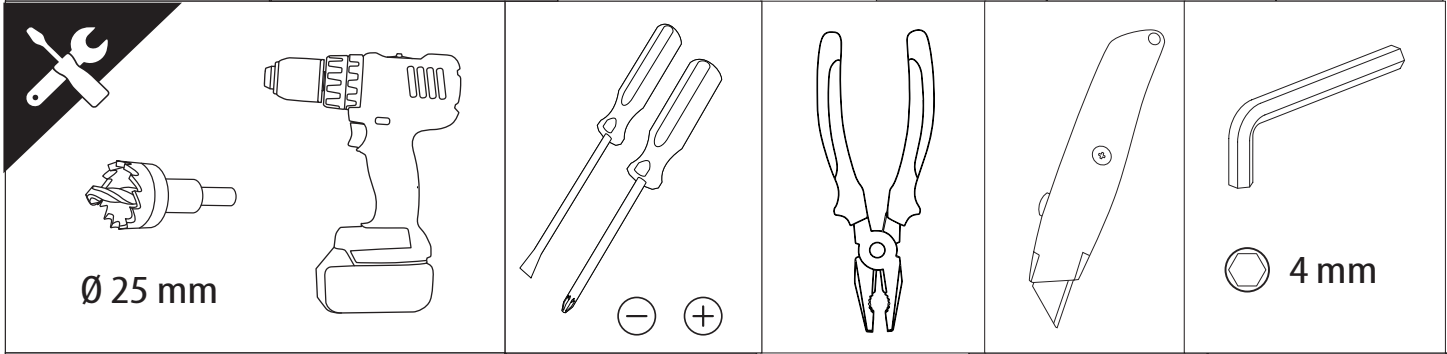
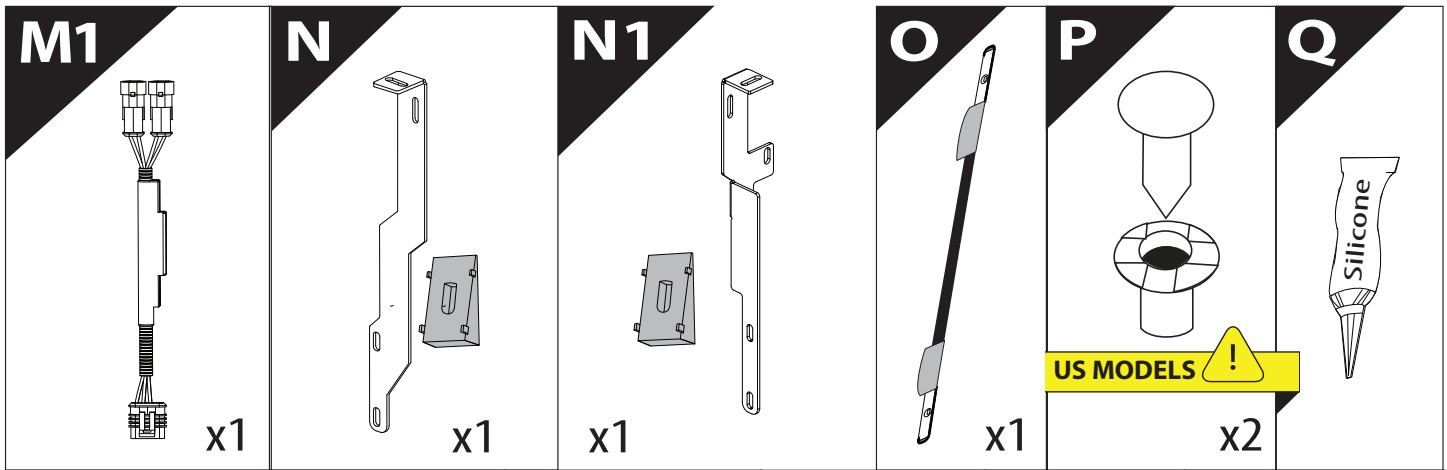
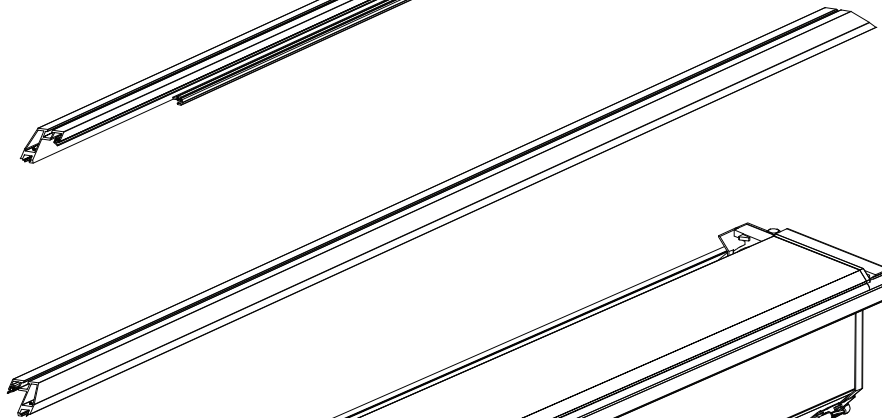
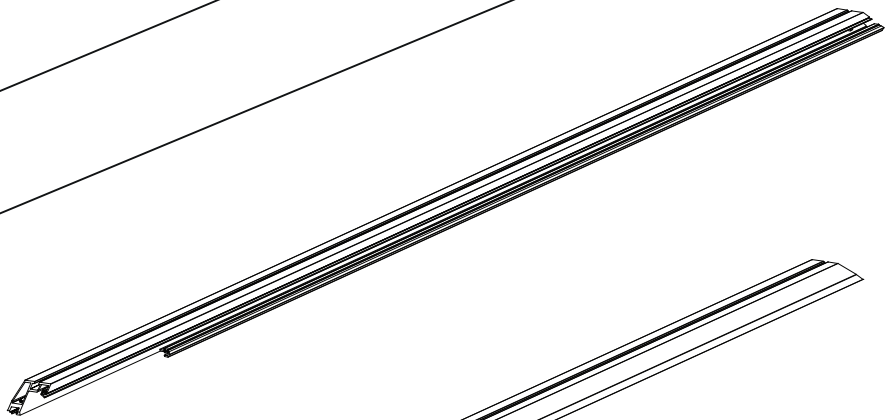
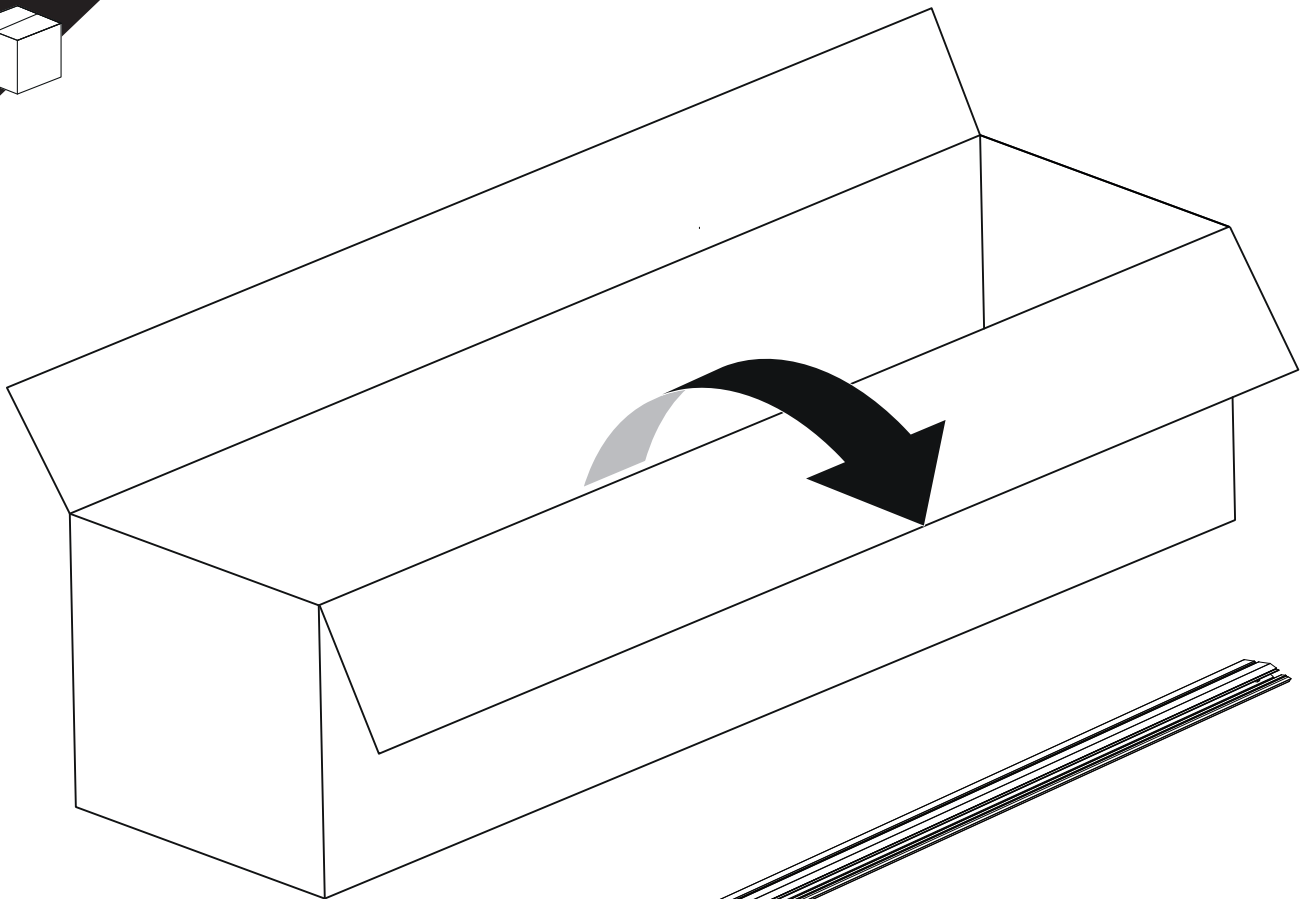


Installation Manual

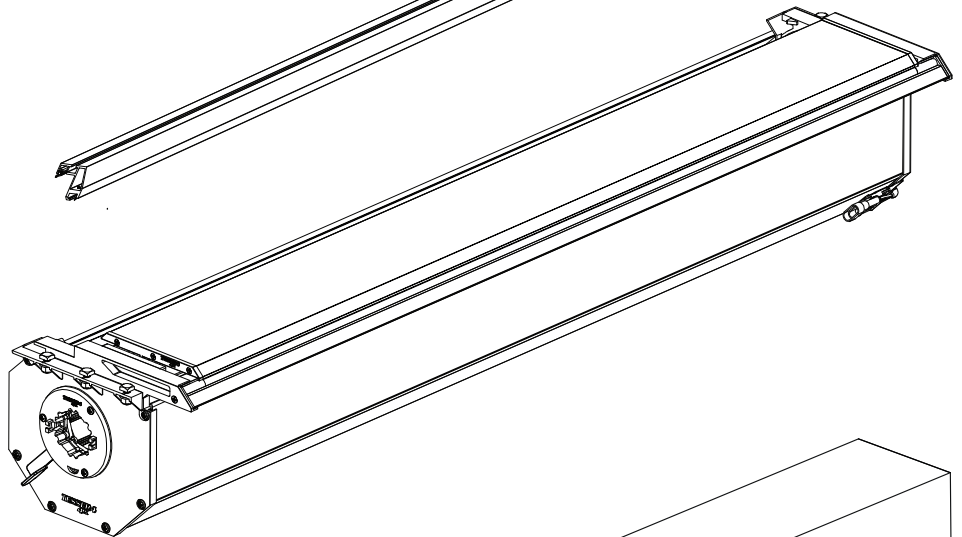
PART NUMBER(S)	Model Year
TESS 14081 ROLL	FORD RANGER WILDTRAK PHEV 2025+ (with c-channels)
Cab(s)	Installation Time / Weight
Double Cab	40-60 minutes / 53-57 kg





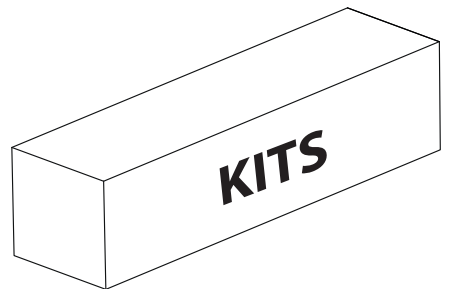


B

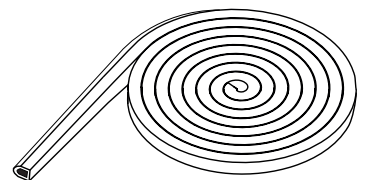


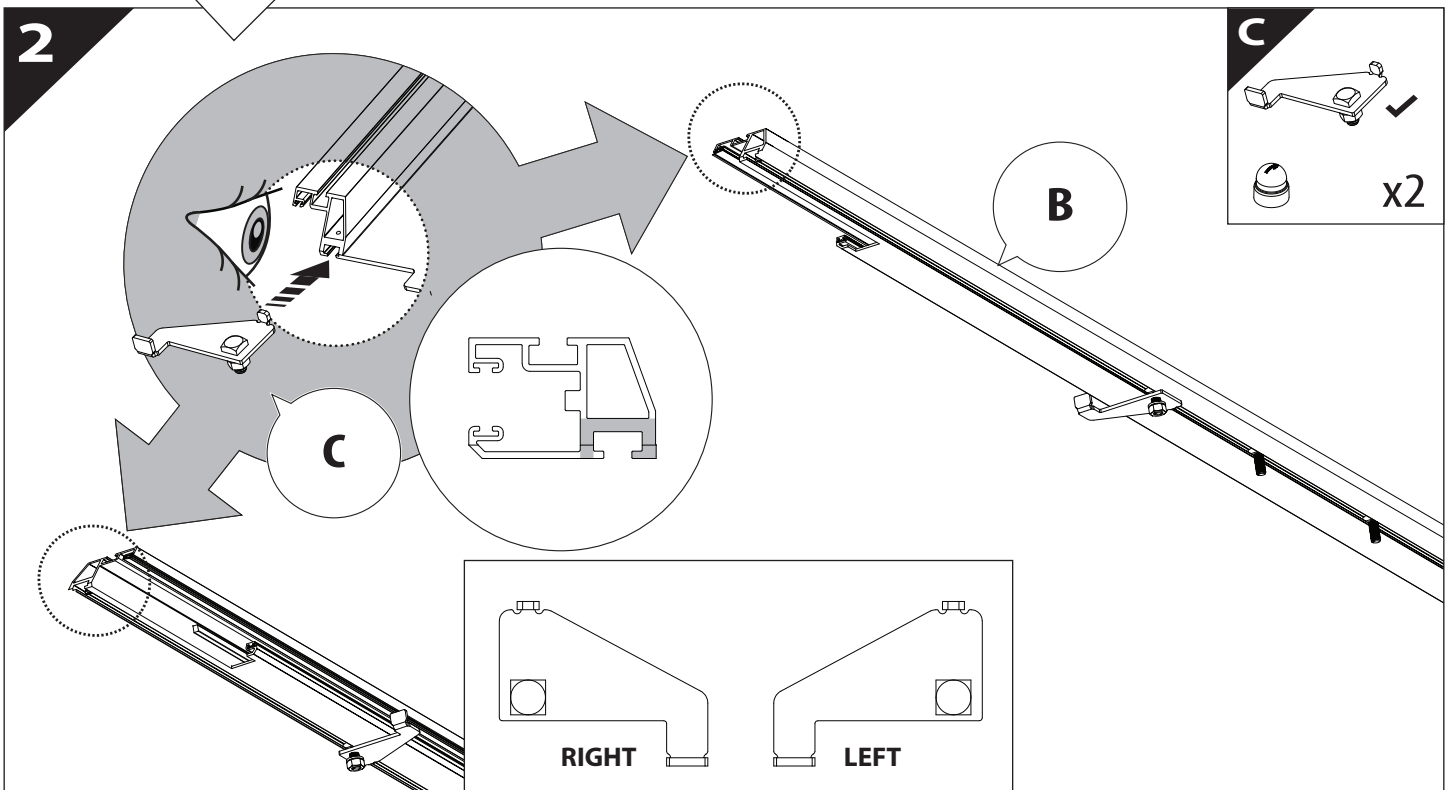
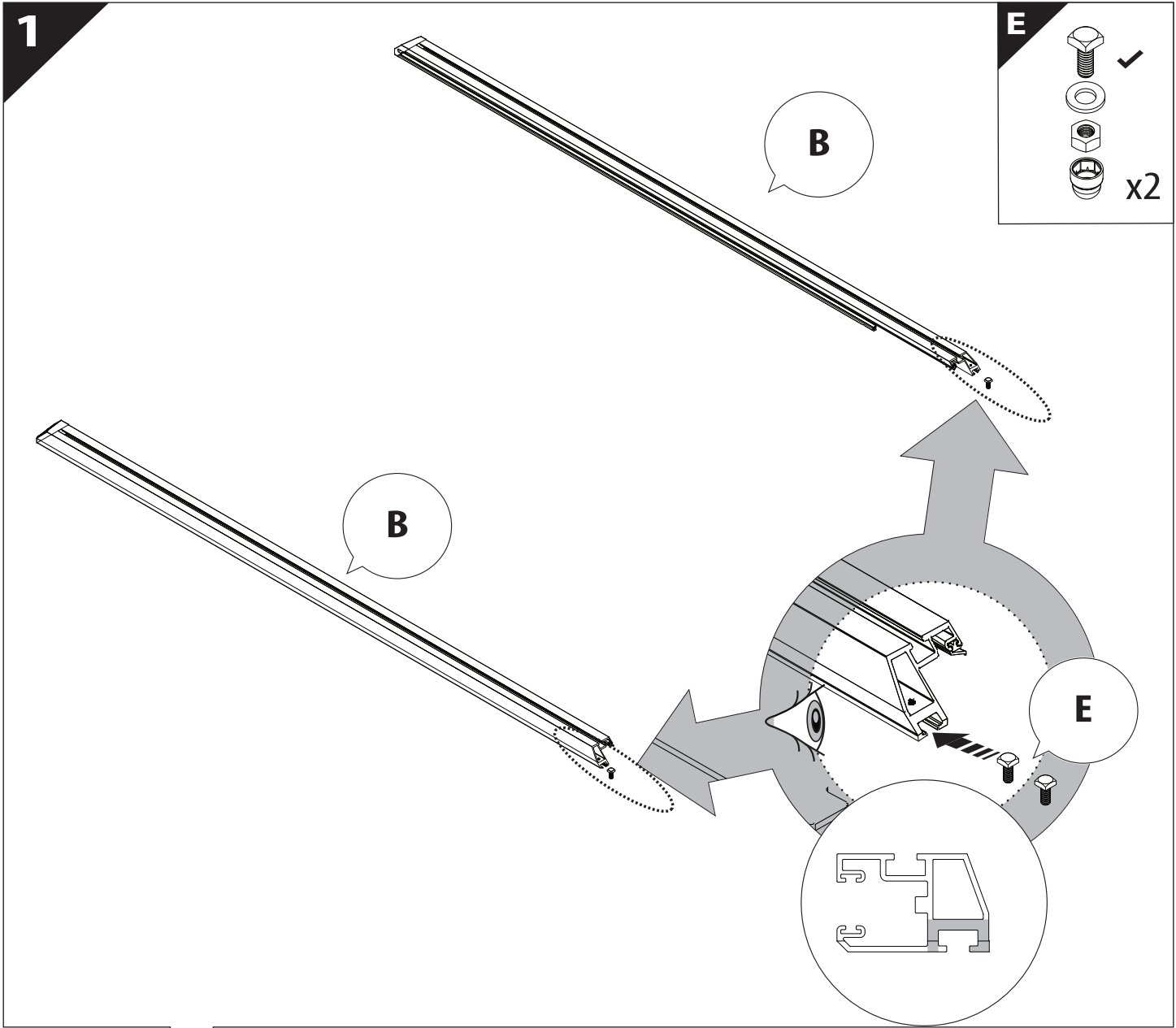
A

KITS

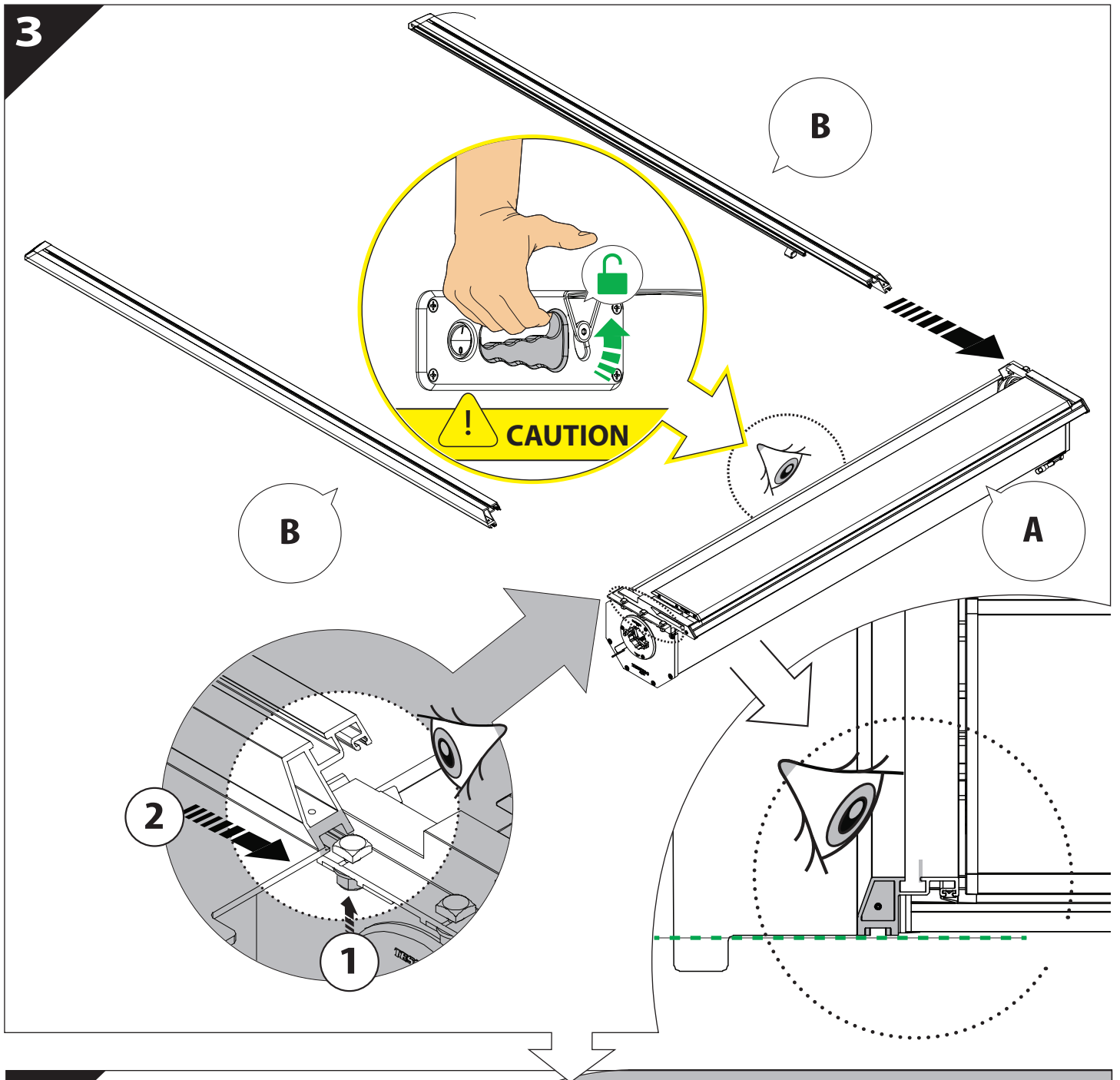


L

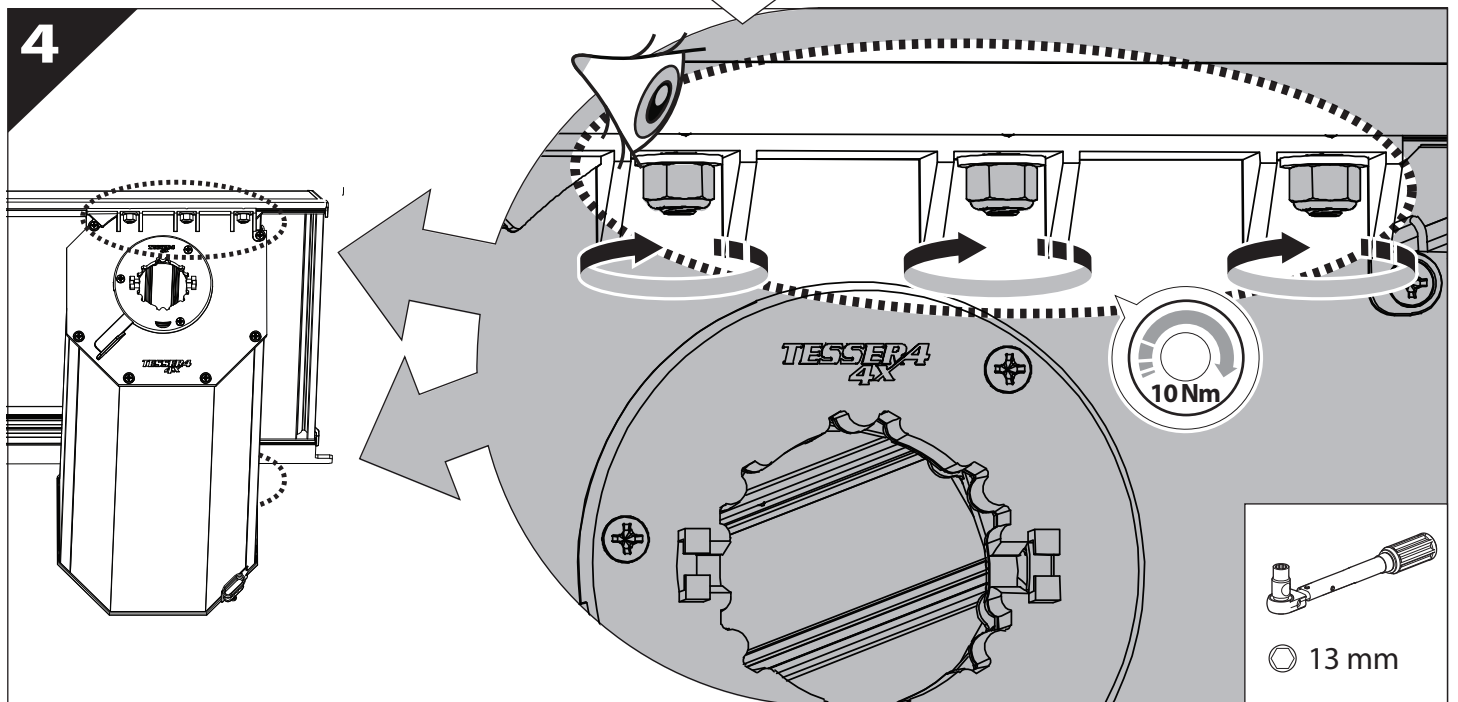


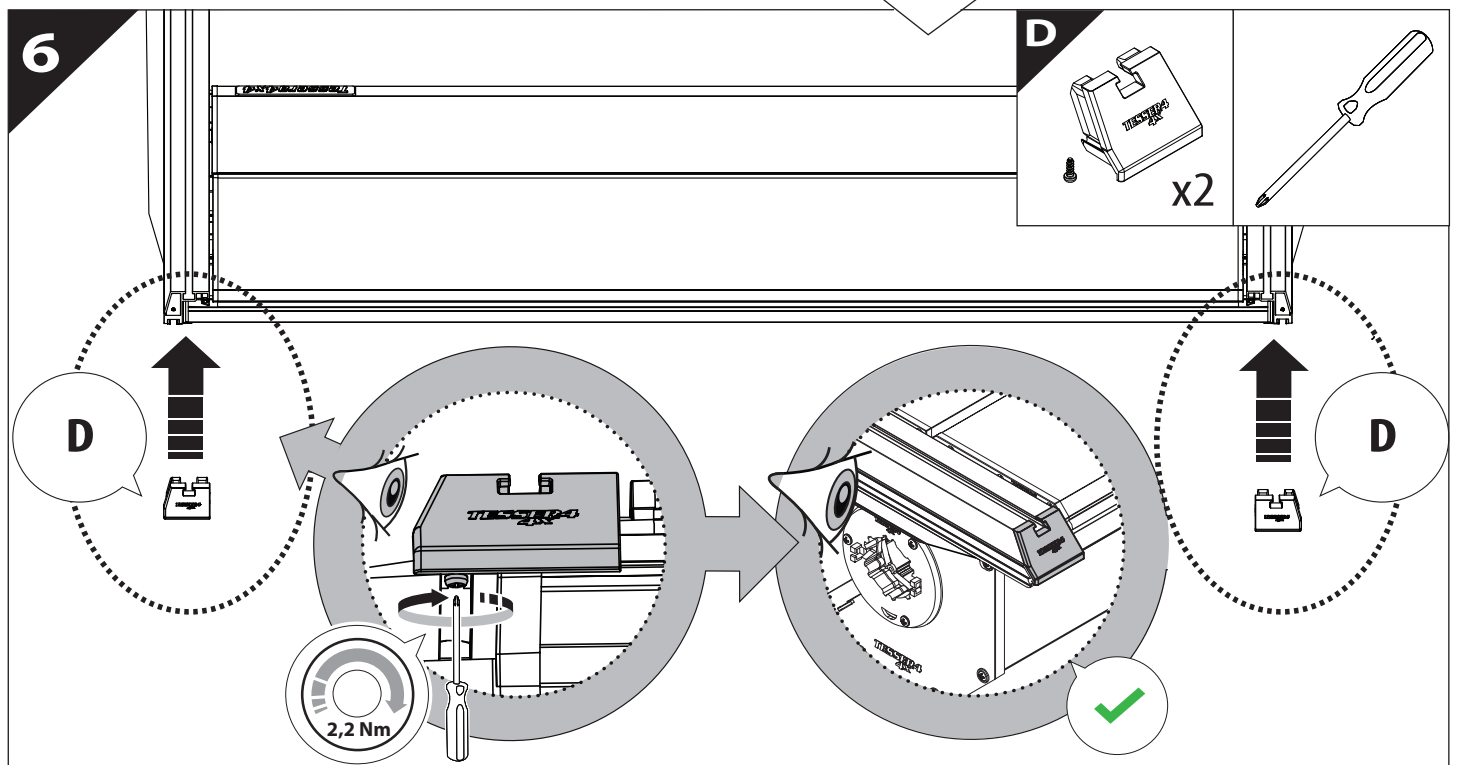
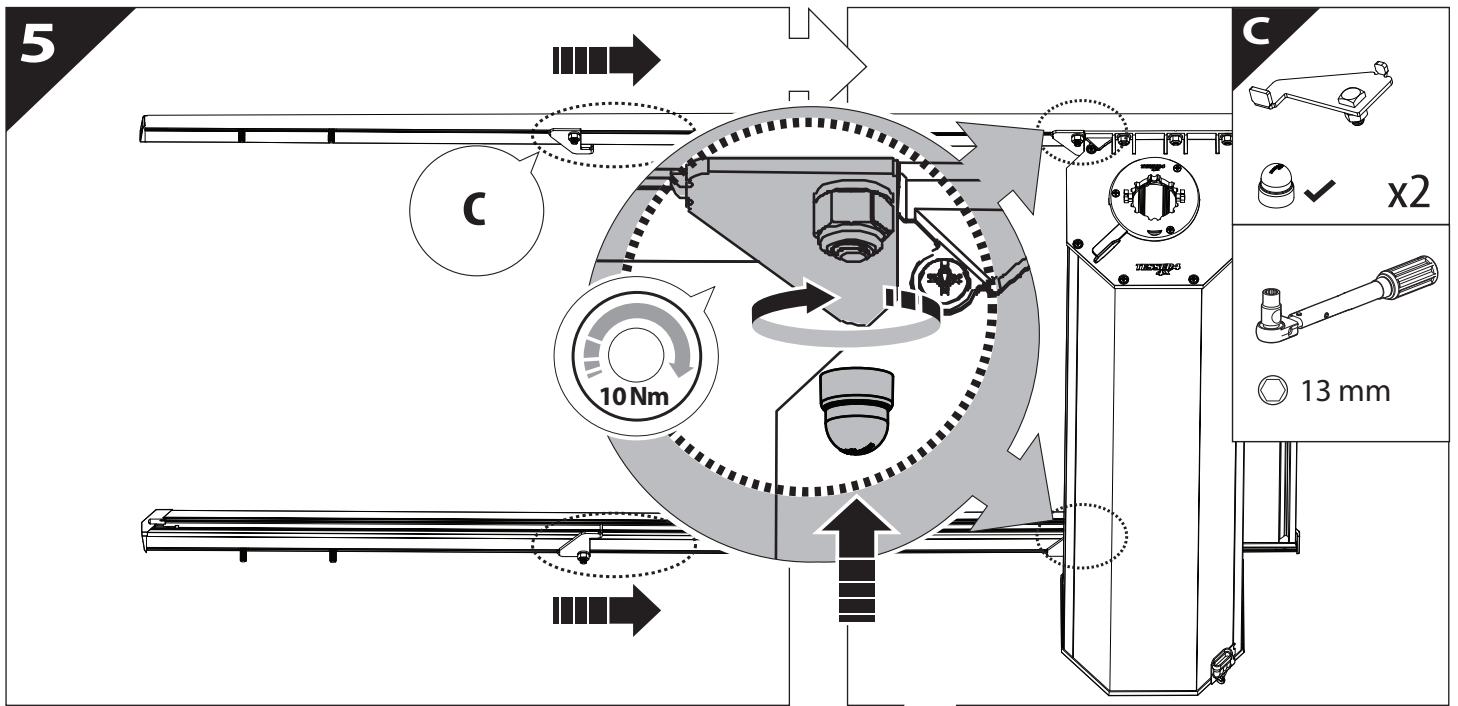


3

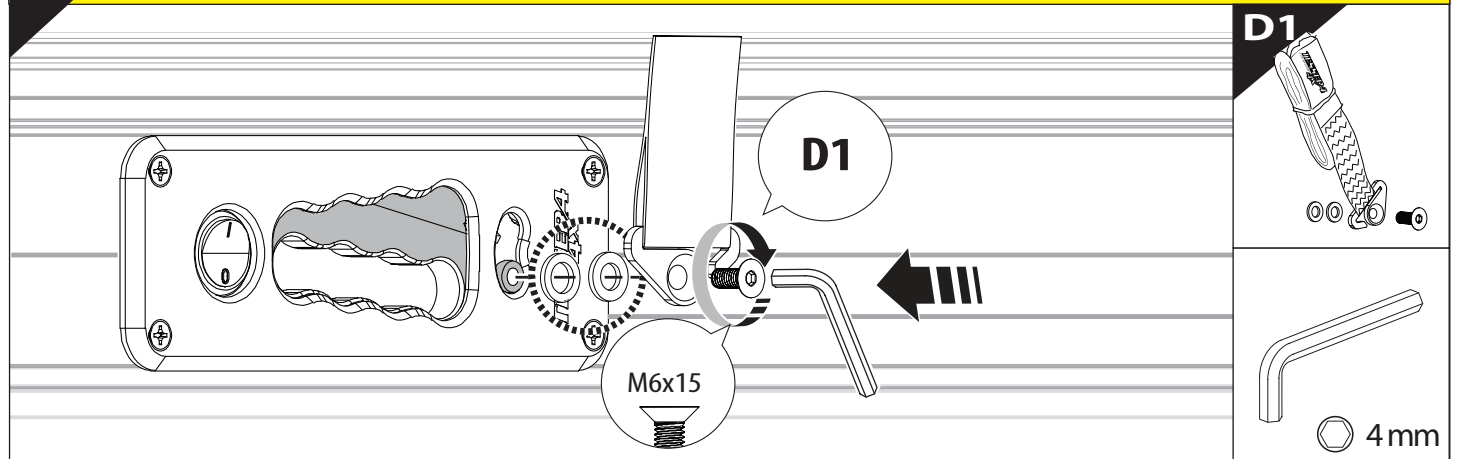


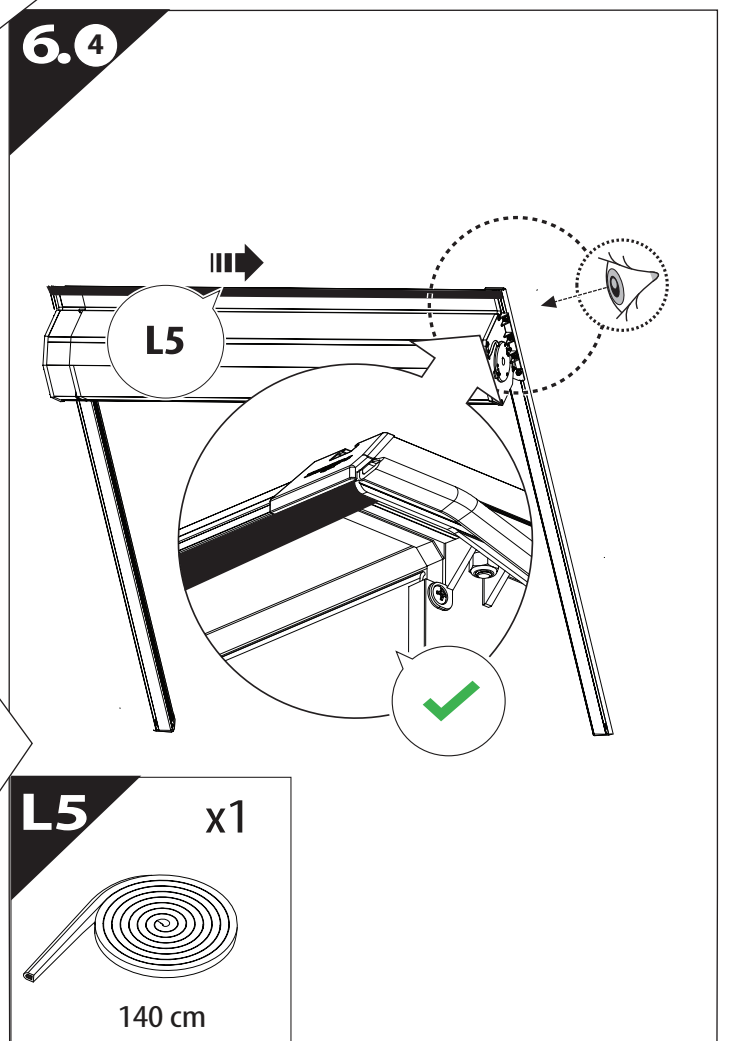
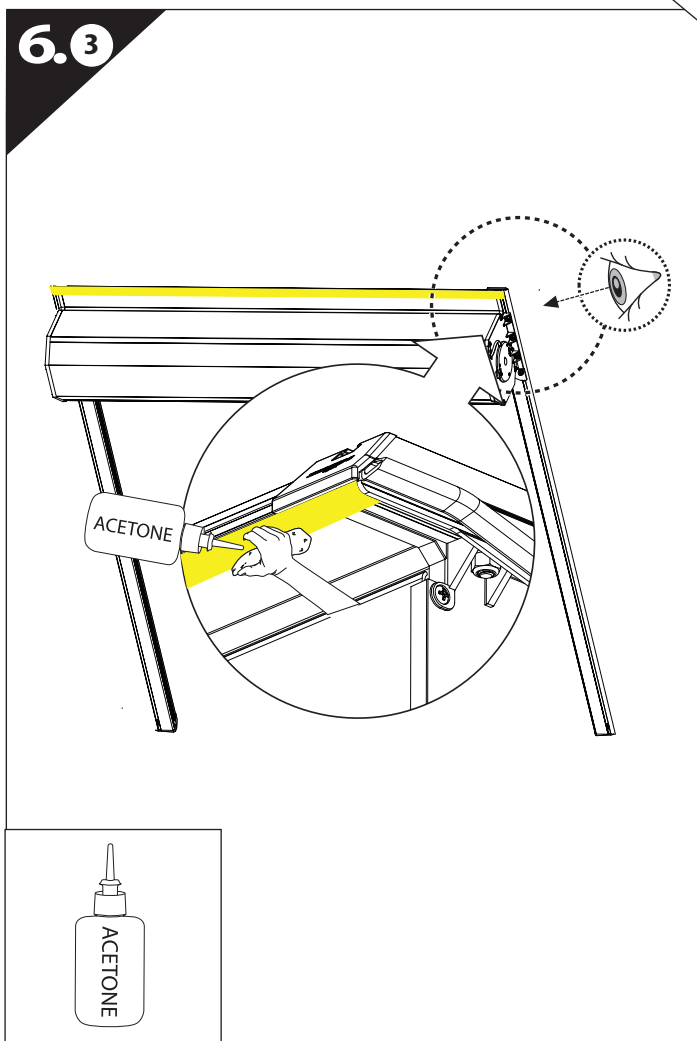
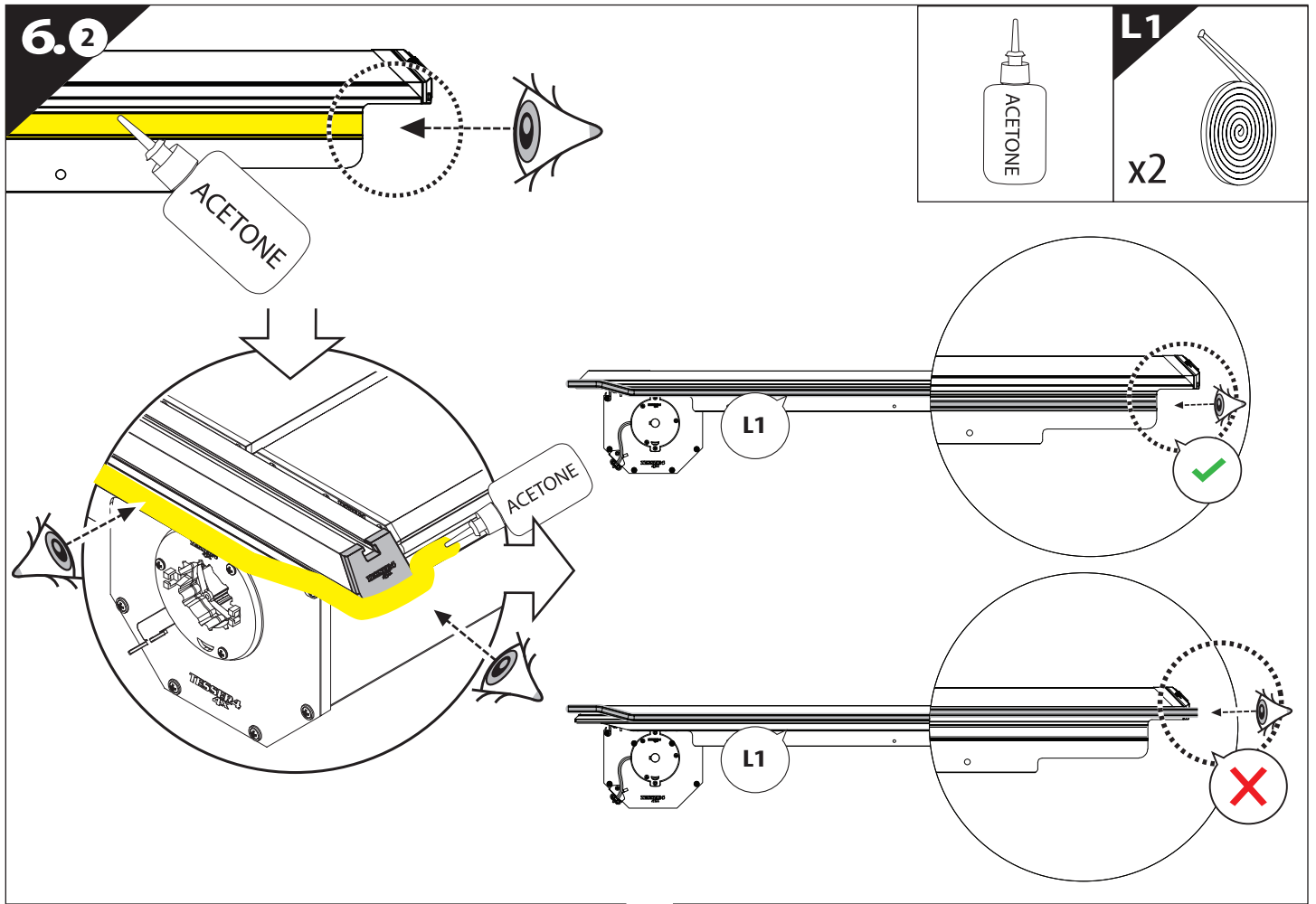
4





6.1 **CAUTION** Basic Version ✓ & Basic+S-KIT Version ✓



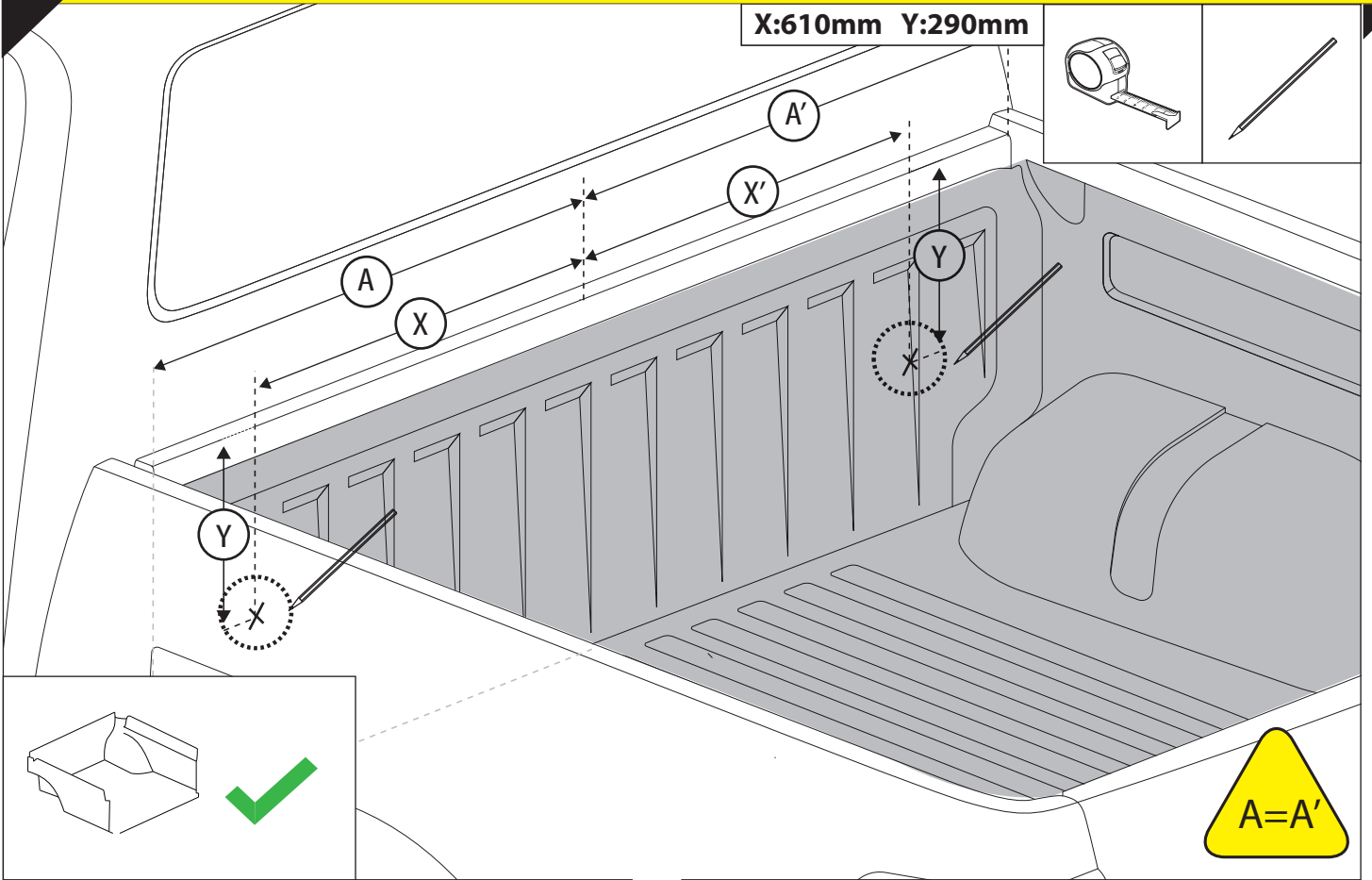
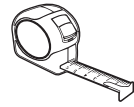


7

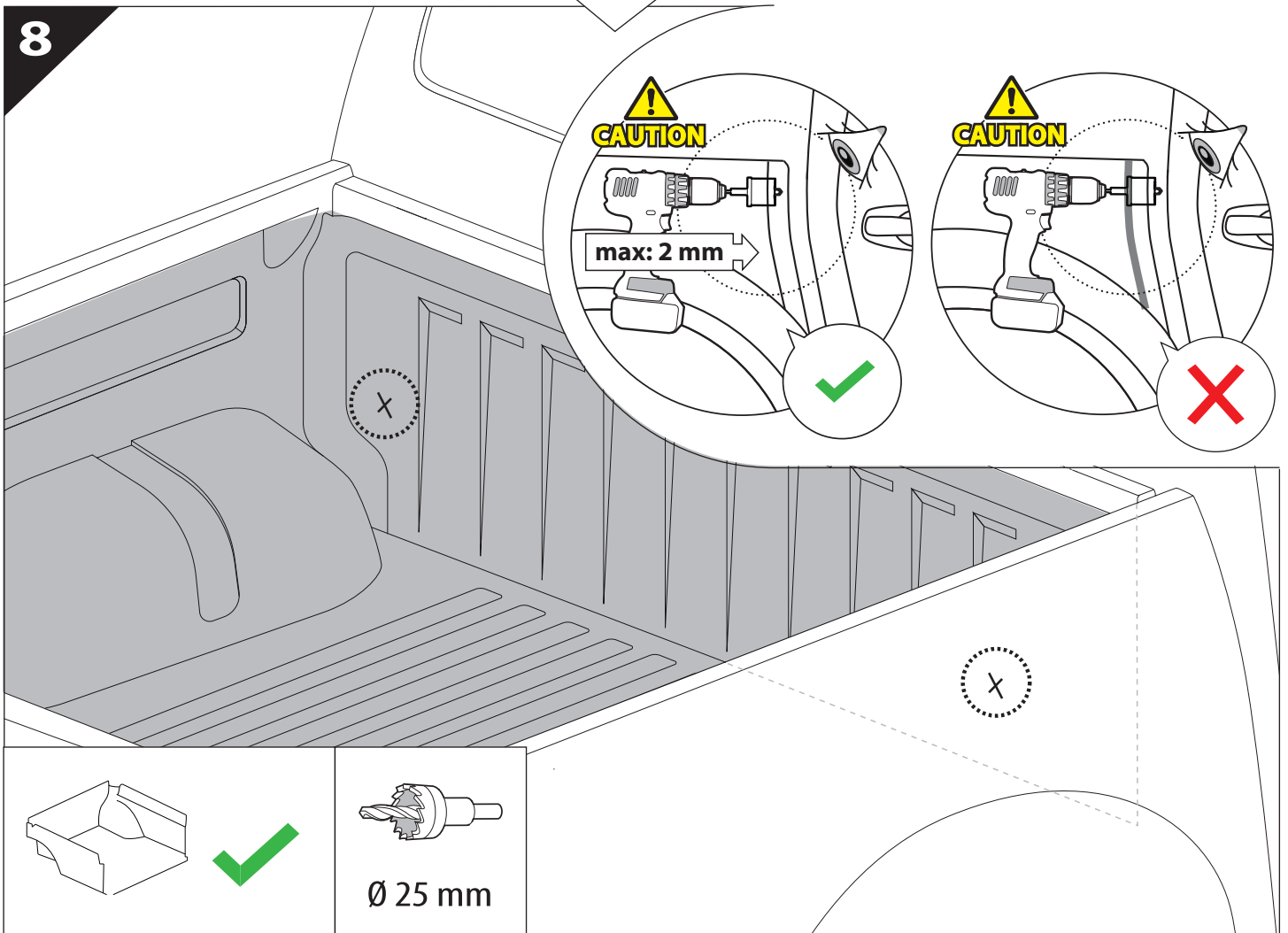


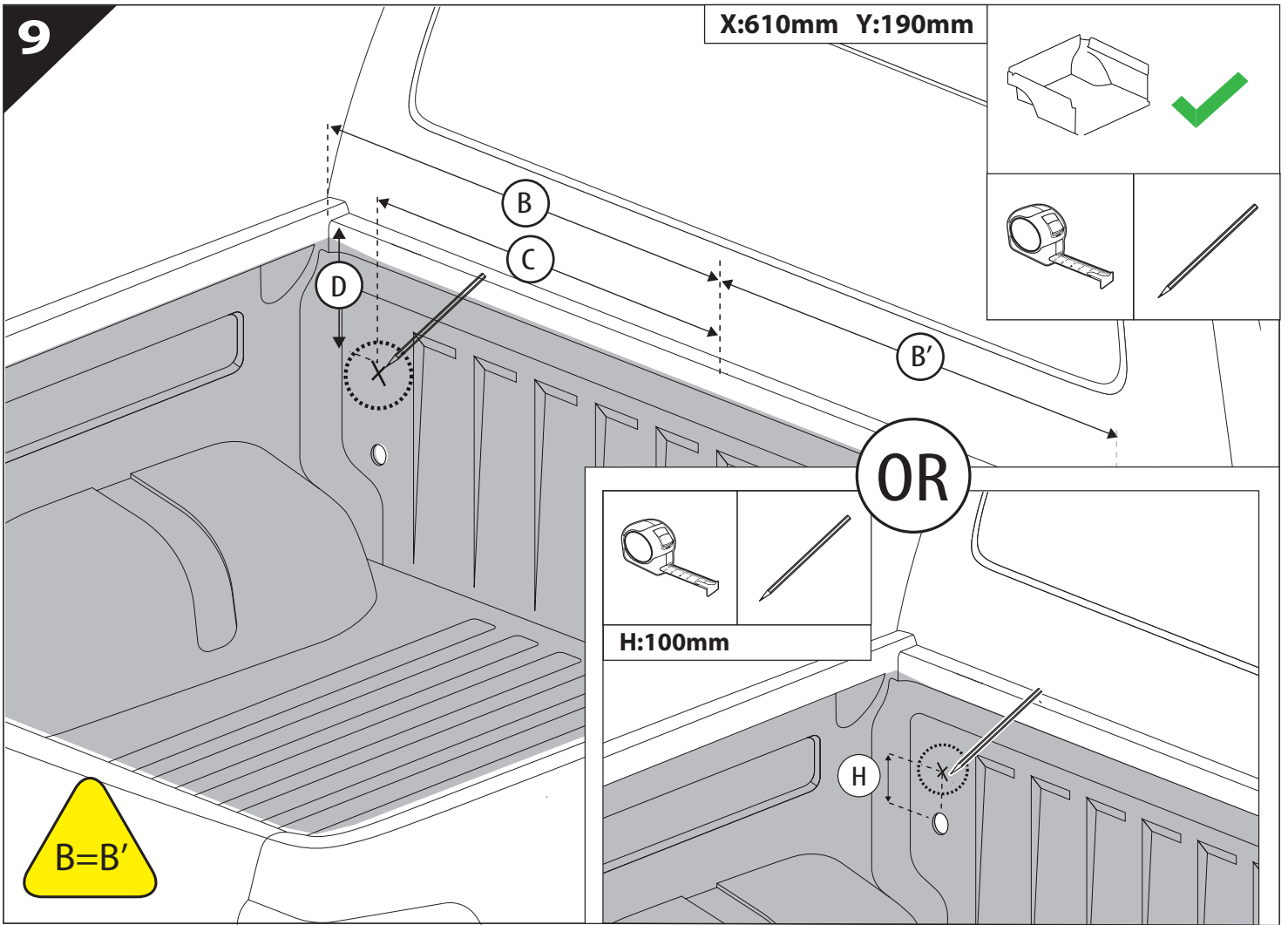
CAUTION: LIMITED, WILDTRAK, WILDTRAK X, PLATINUM

X:610mm Y:290mm

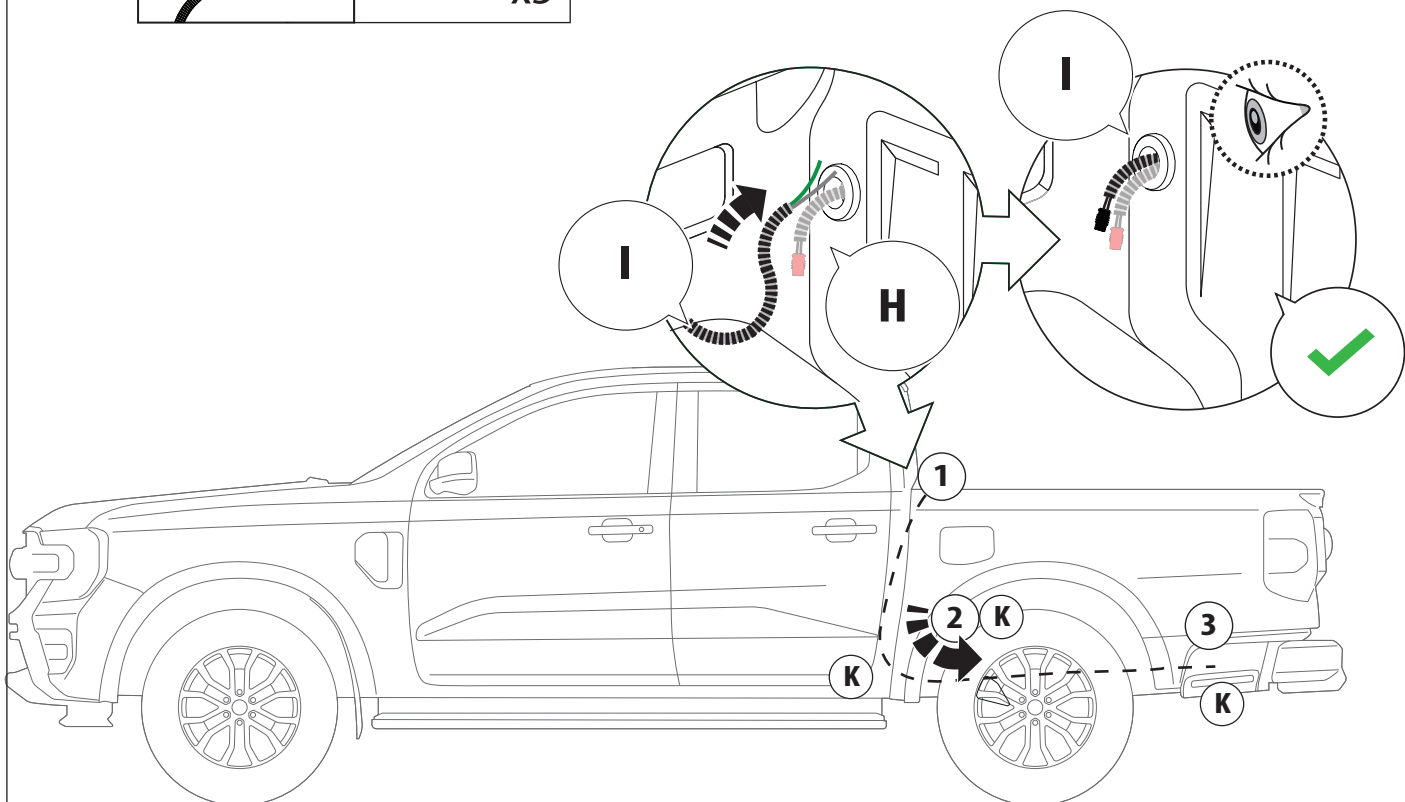
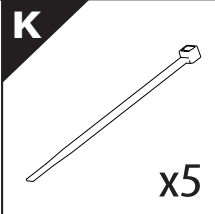
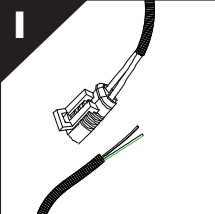


8





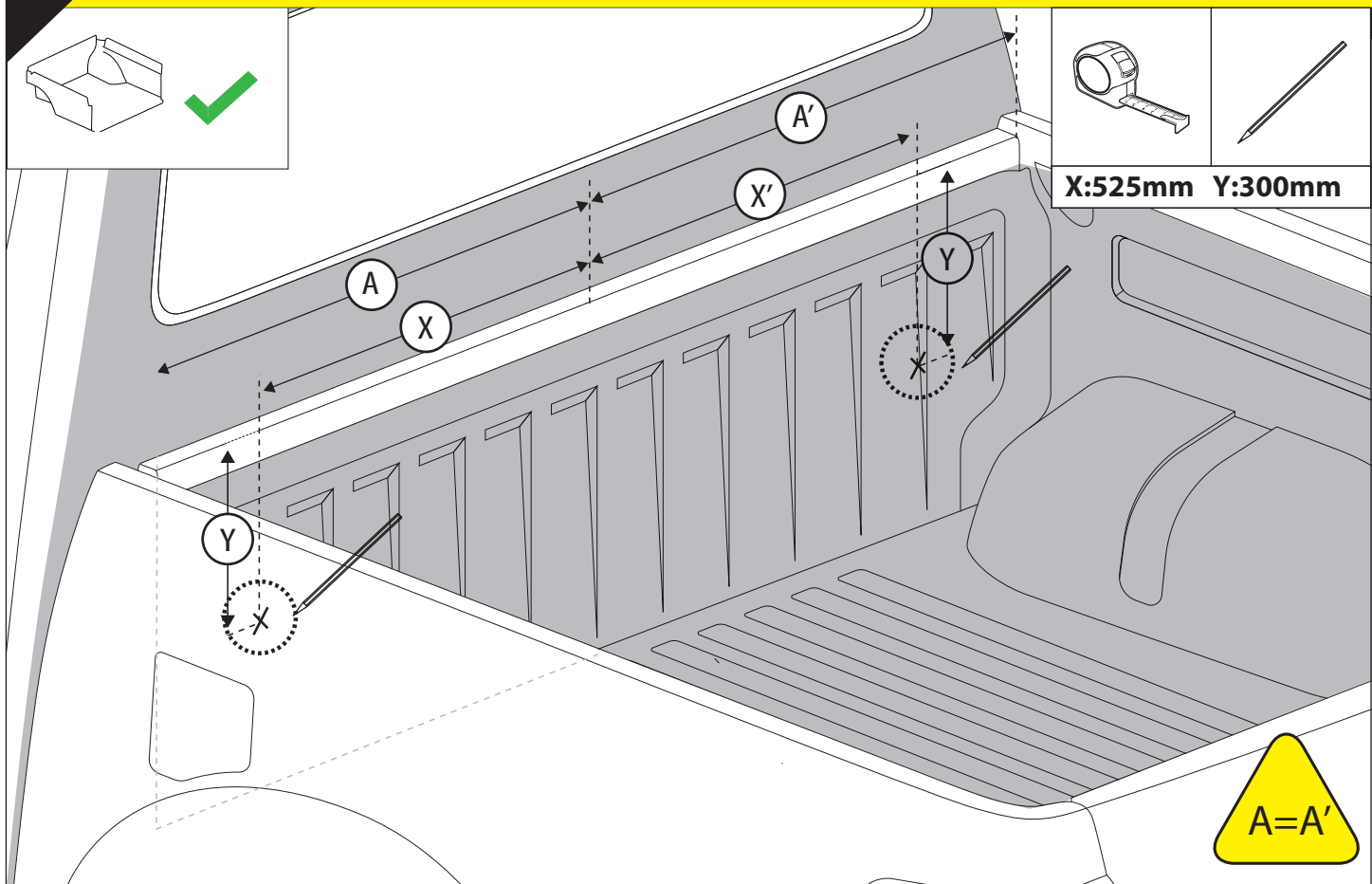
13



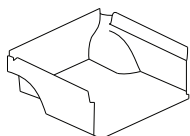
14



CAUTION: RAPTOR



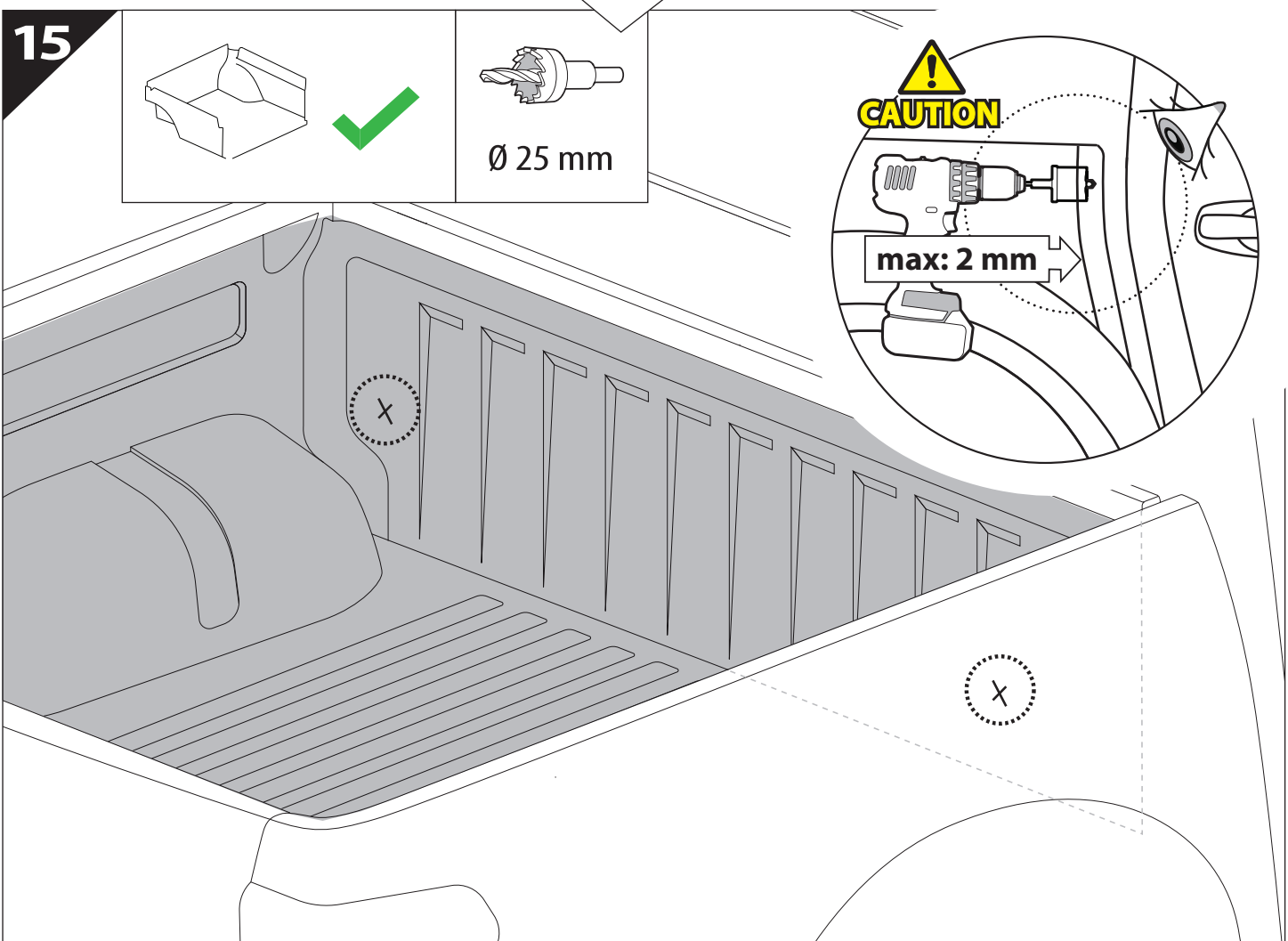
15



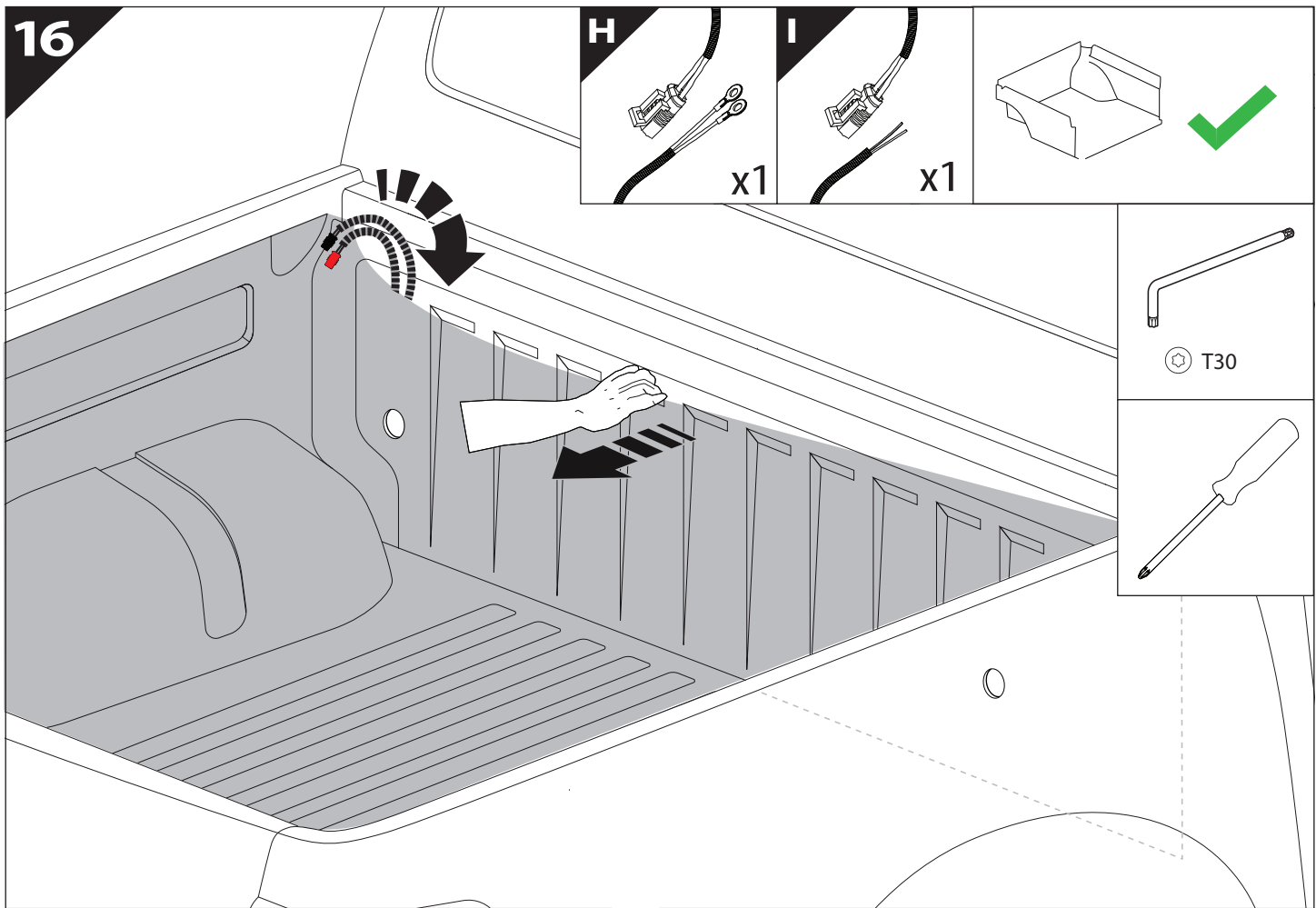
Ø 25 mm

CAUTION

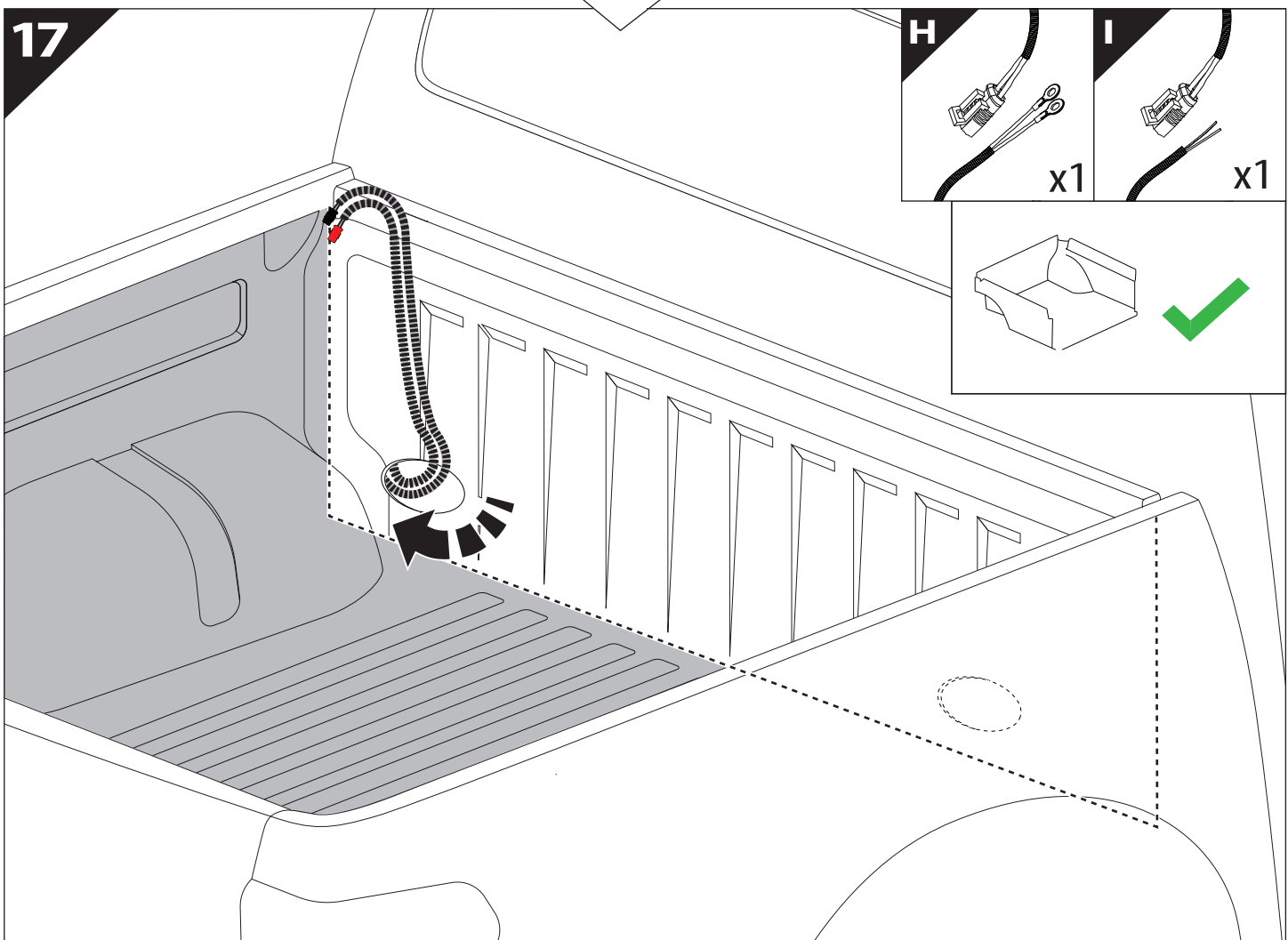
max: 2 mm

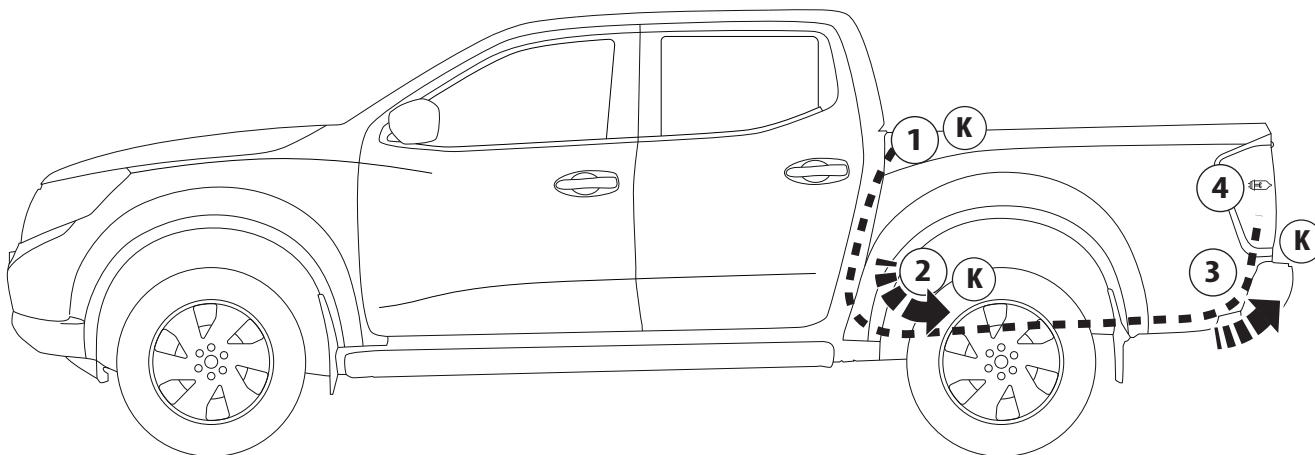
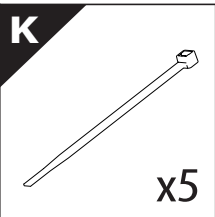
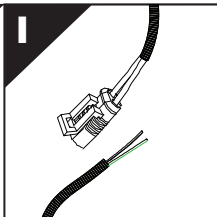
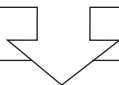
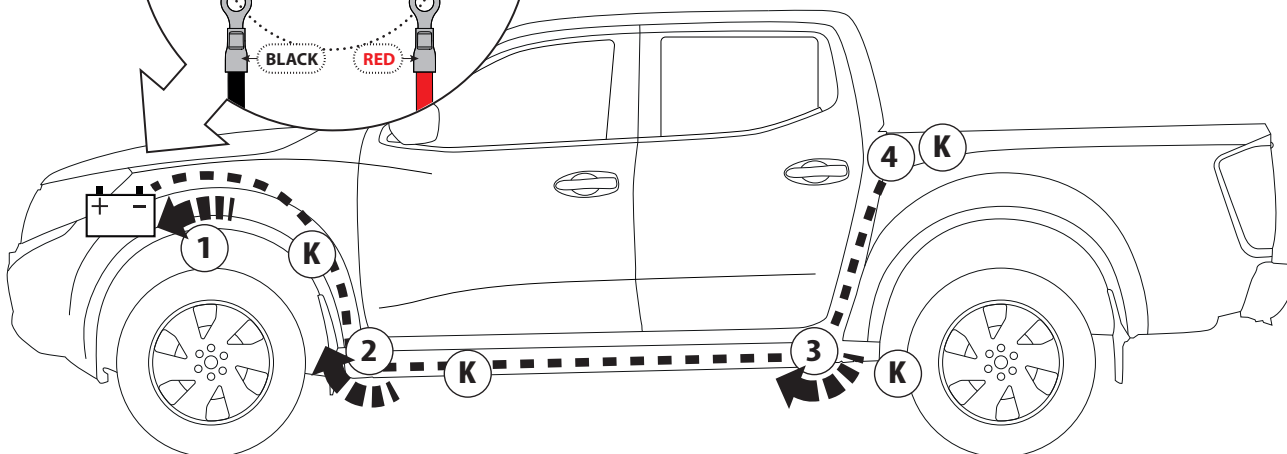
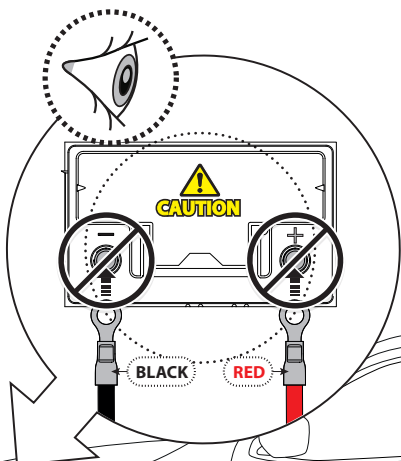
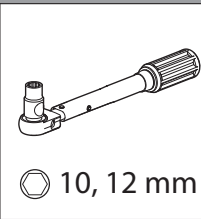
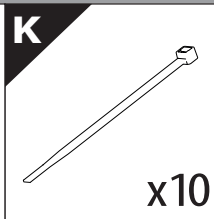
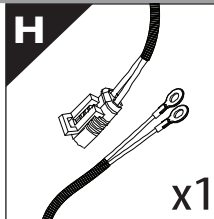


16

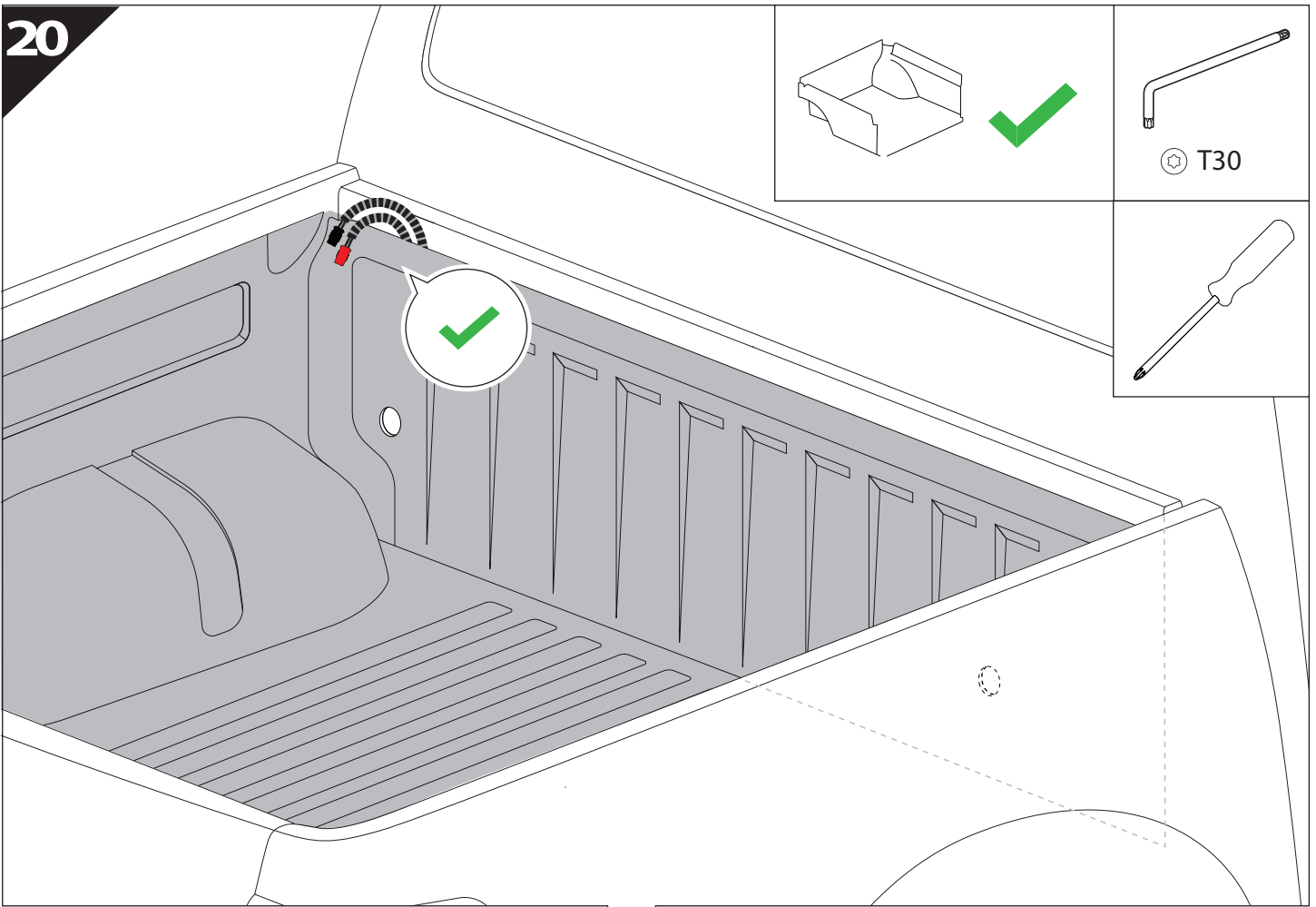


17

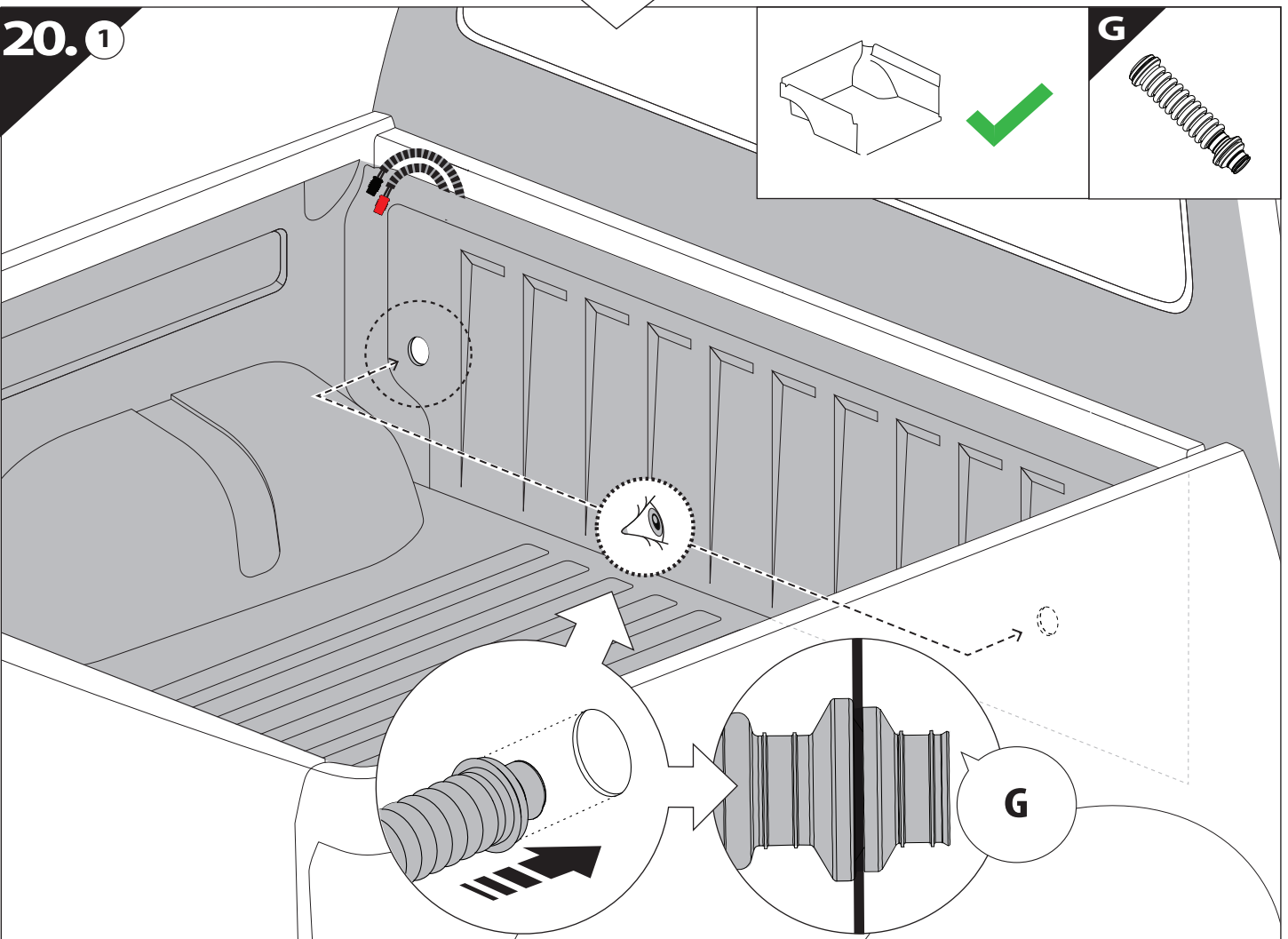




20

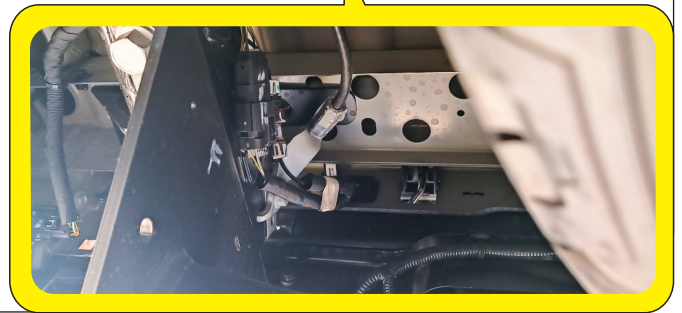
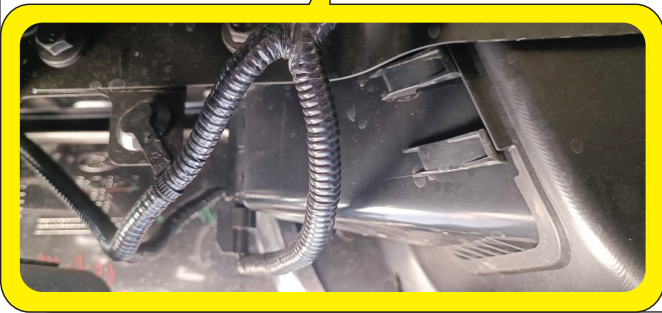
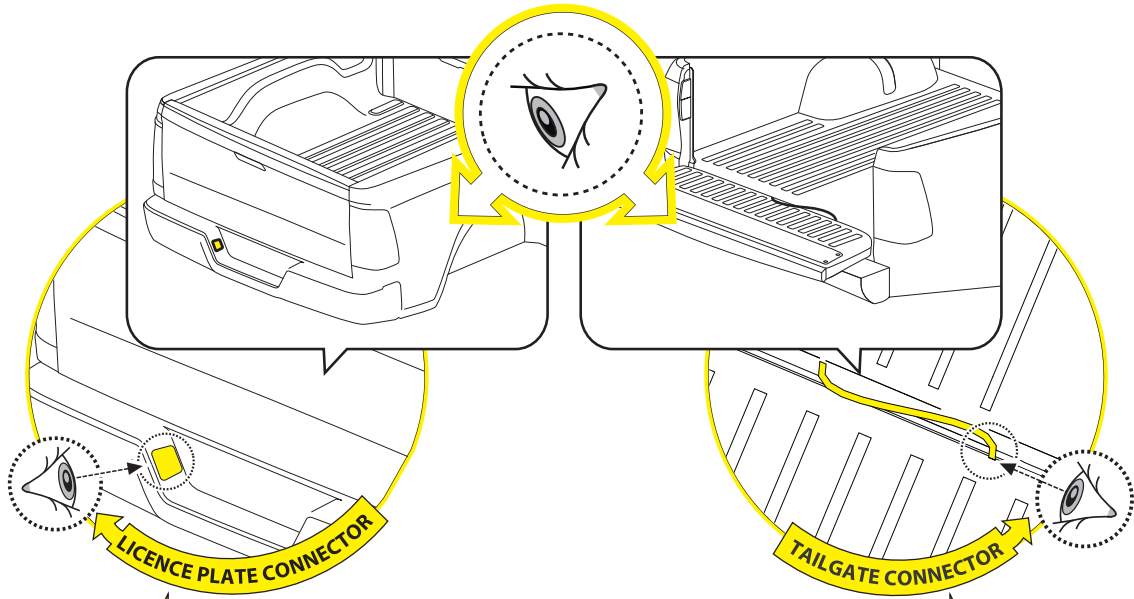


20.1

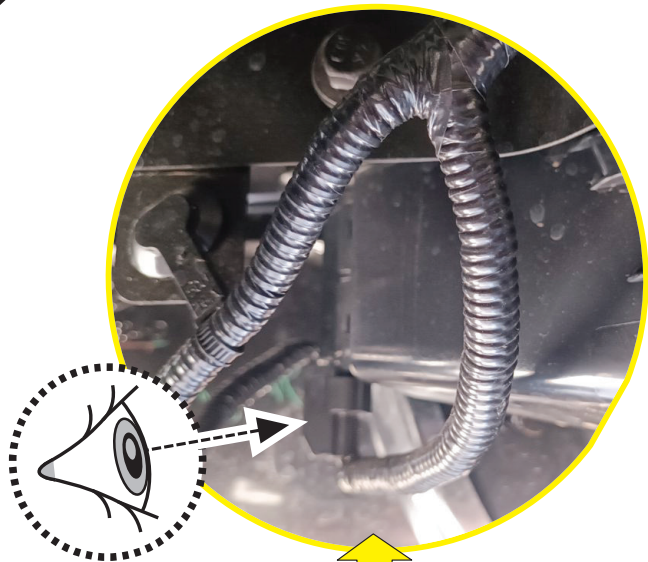




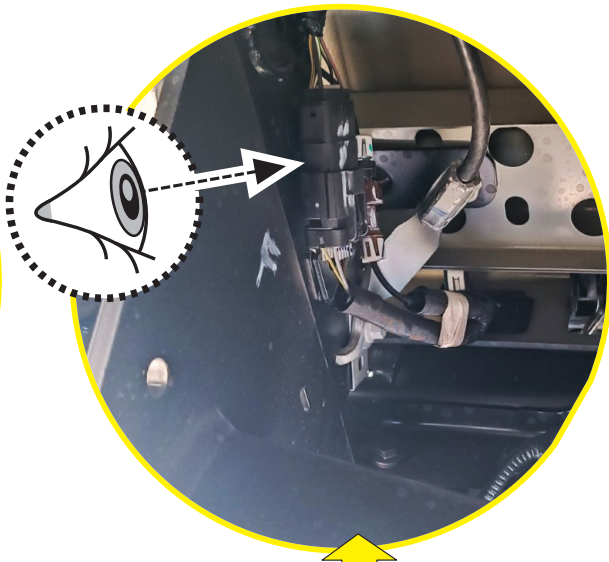
CAUTION: LIMITED, WILDTRAK, WILDTRAK X, PLATINUM



21. ①



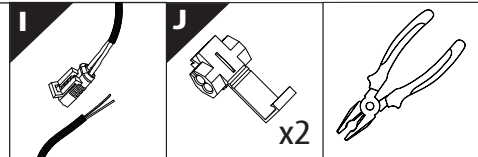
LICENCE PLATE CONNECTOR



TAILGATE CONNECTOR

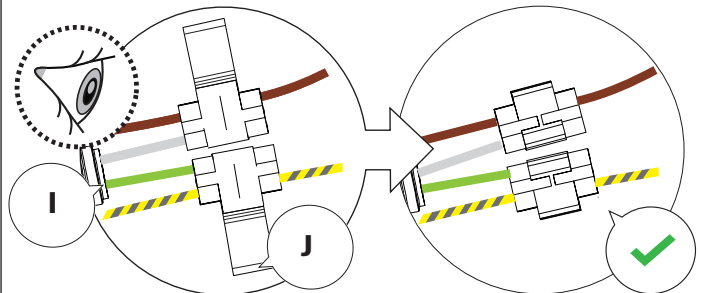
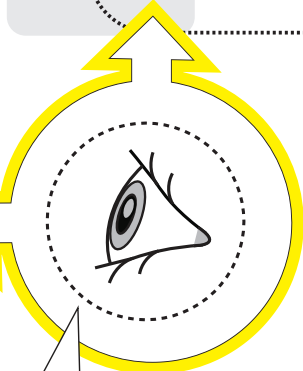
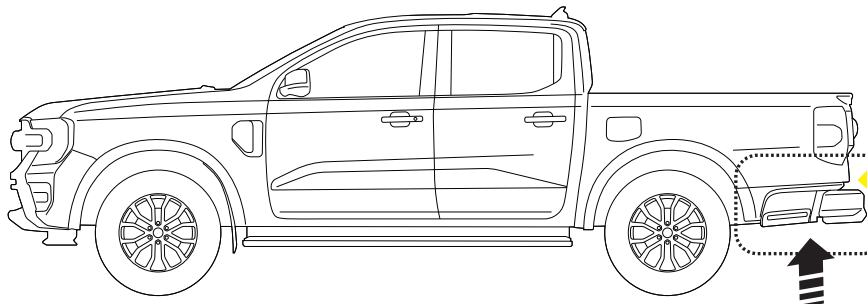
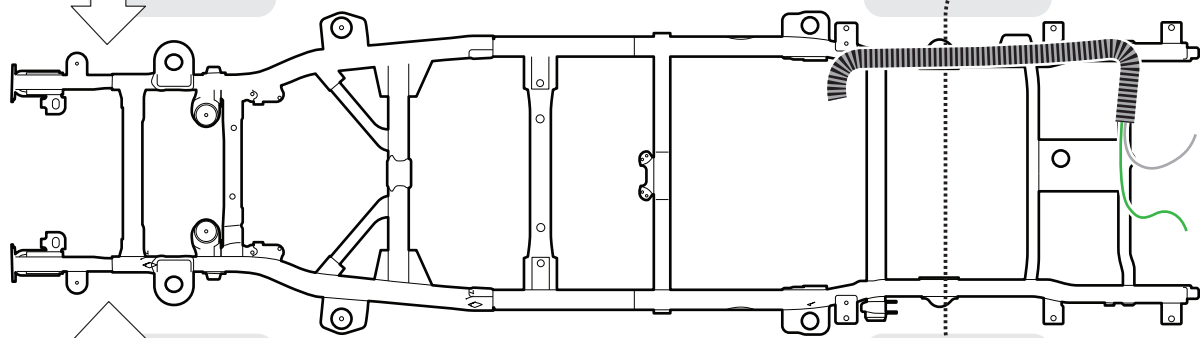
21. ②

BOTTOM VIEW

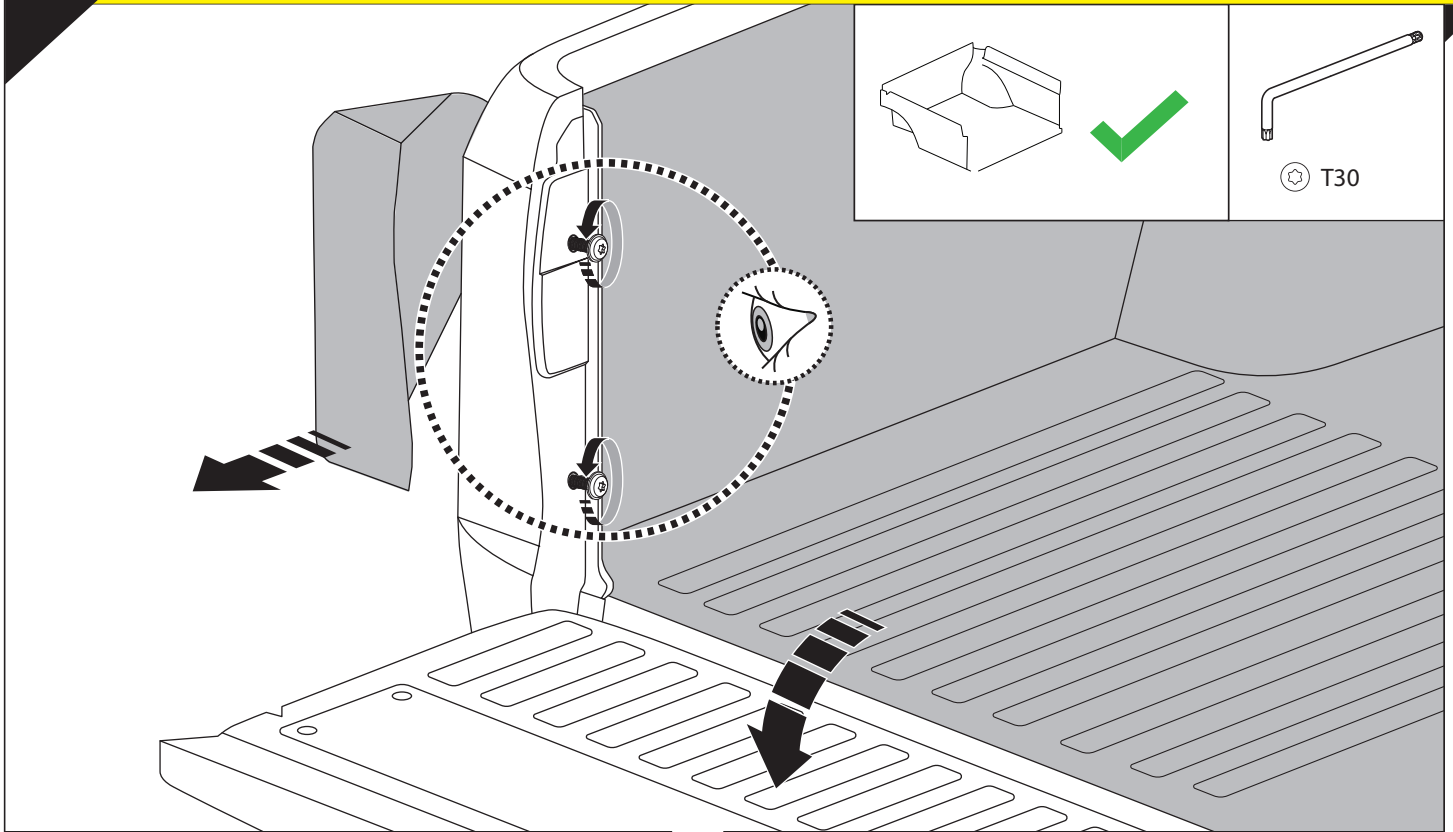


DRIVER'S LEFT SIDE

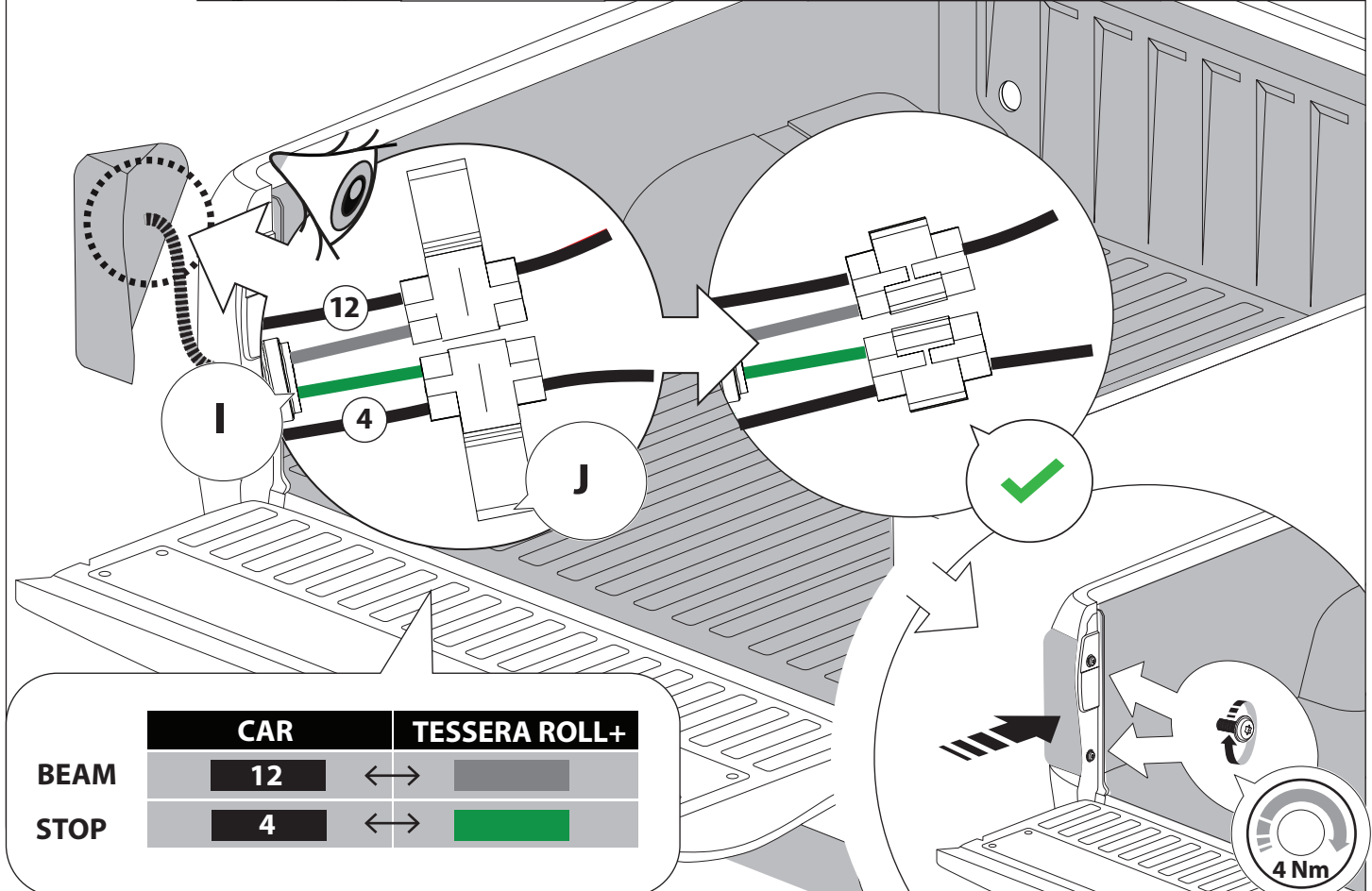
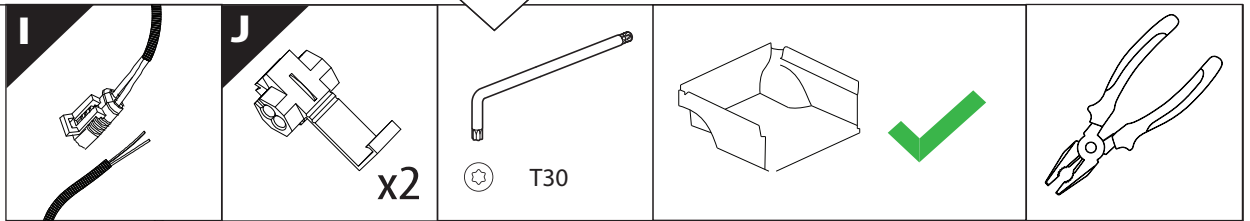
PASSENGER'S RIGHT SIDE



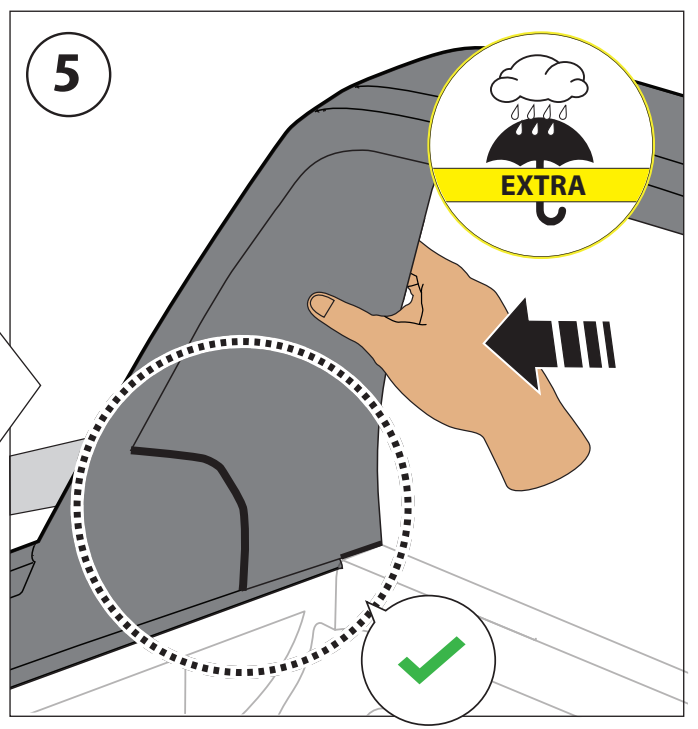
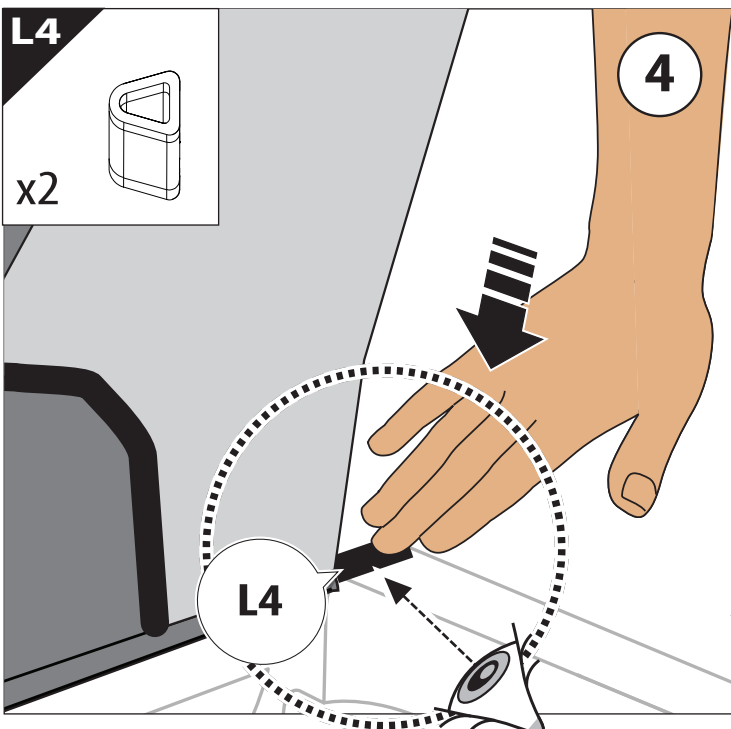
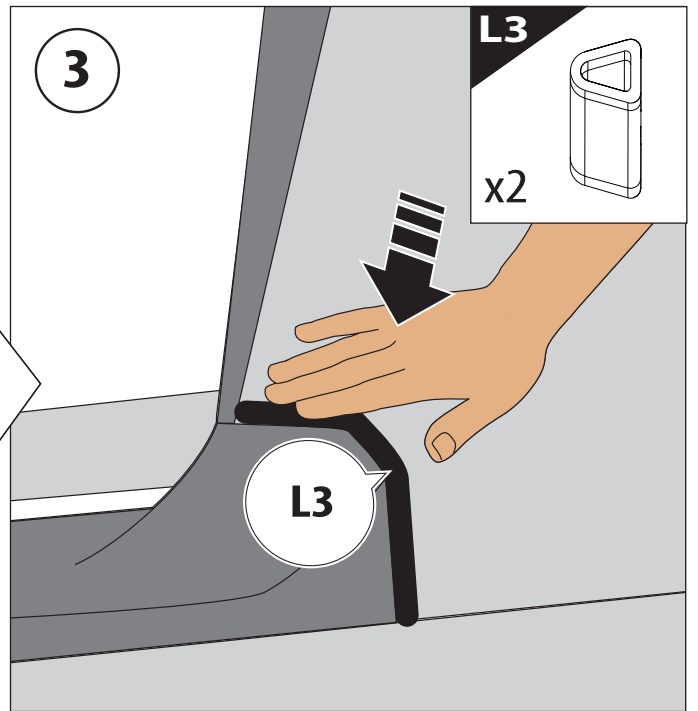
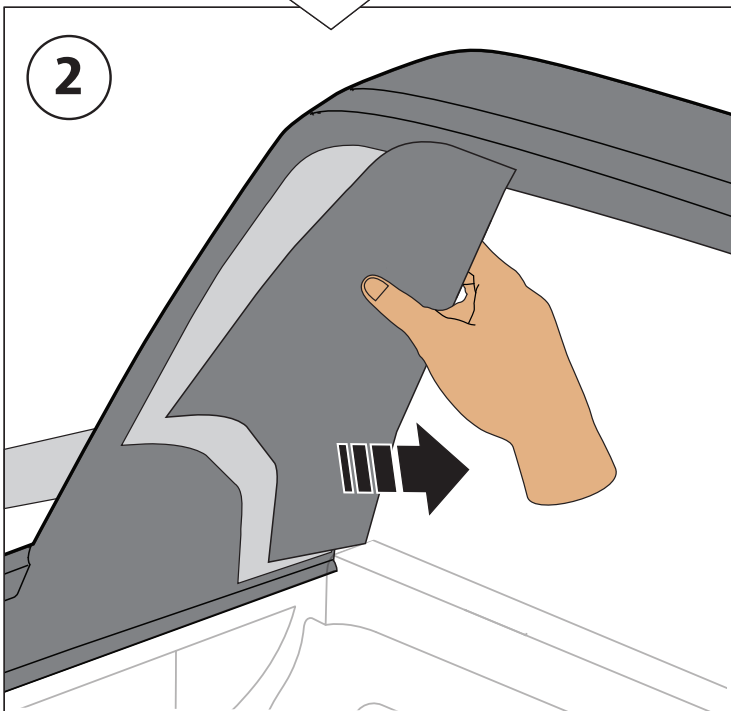
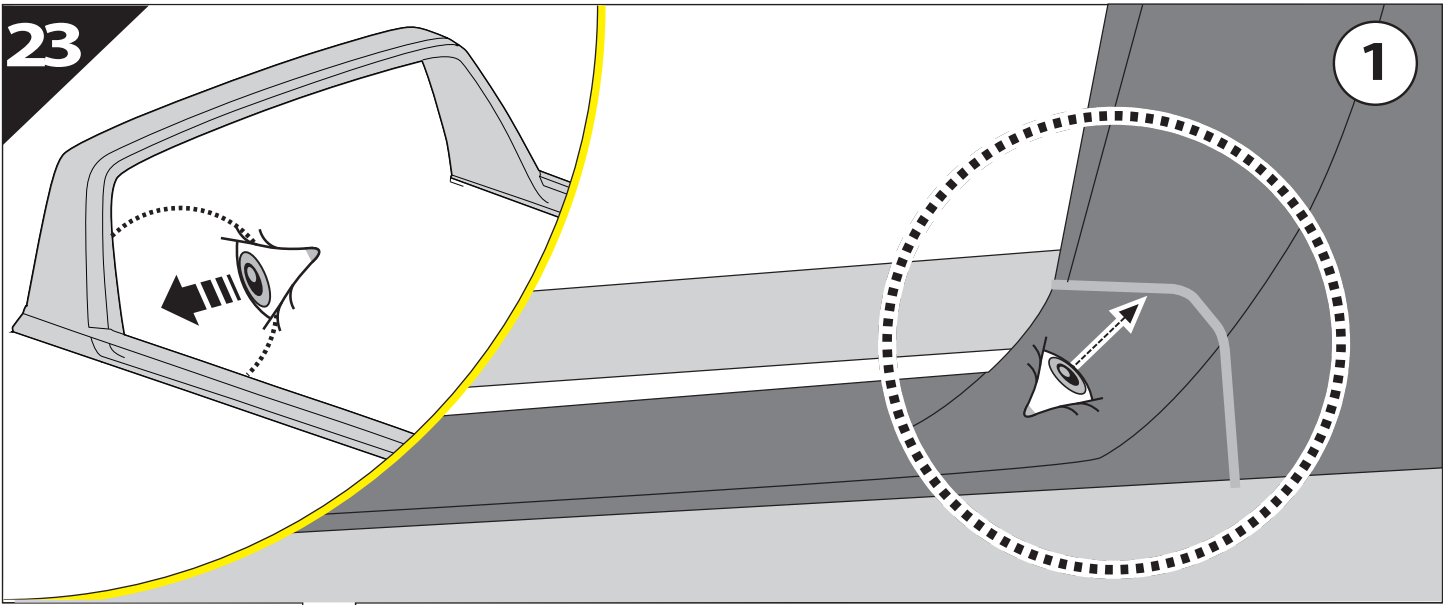
	CAR		TESSERA ROLL+
BEAM		↔	
LICENCE PLATE 2 PIN LIGHT CONNECTOR			
STOP		↔	
TAILGATE CONNECTOR			



22.1



	CAR		TESSERA ROLL+
BEAM	12	↔	
STOP	4	↔	



24

Basic Version ✓

Basic+S-KIT Version ✓

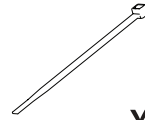
CAUTION ⚠

Basic+E-KIT Version ✓

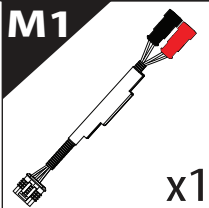


K

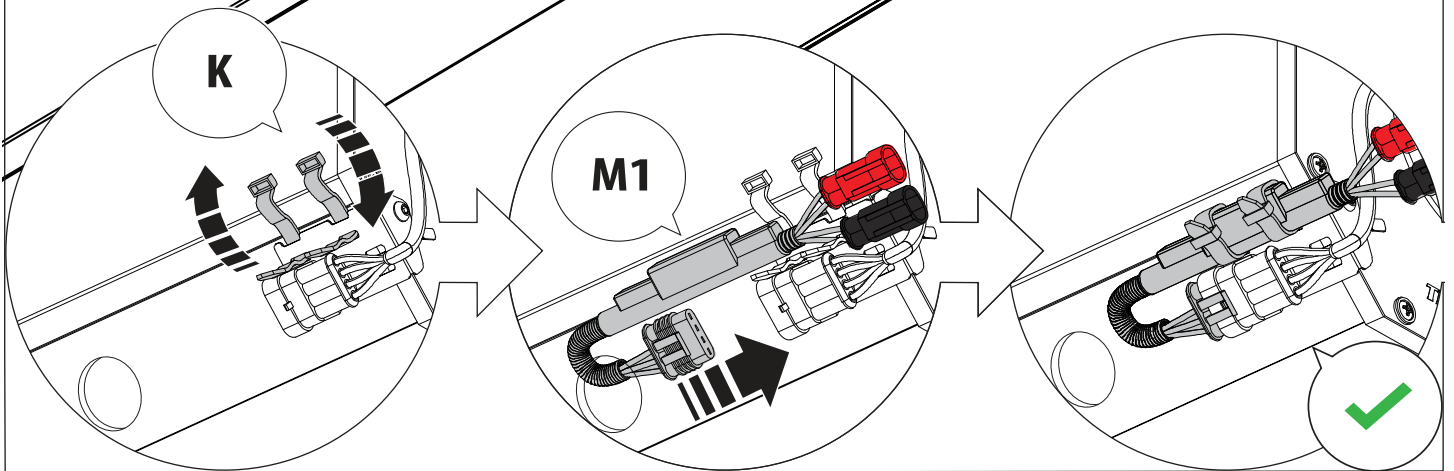
M1

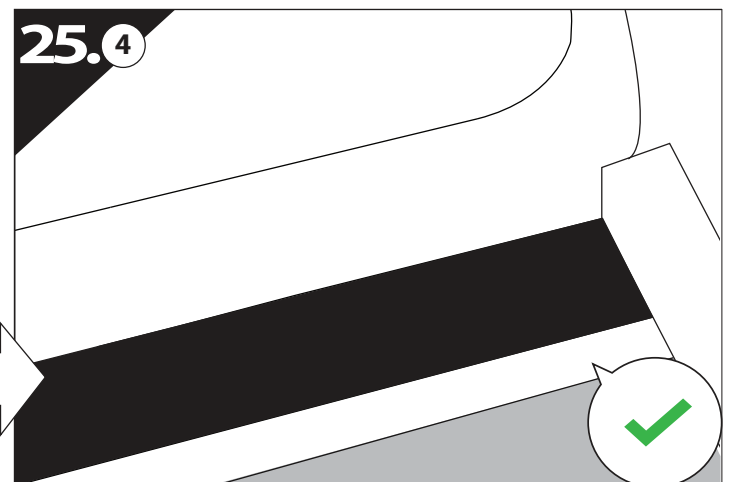
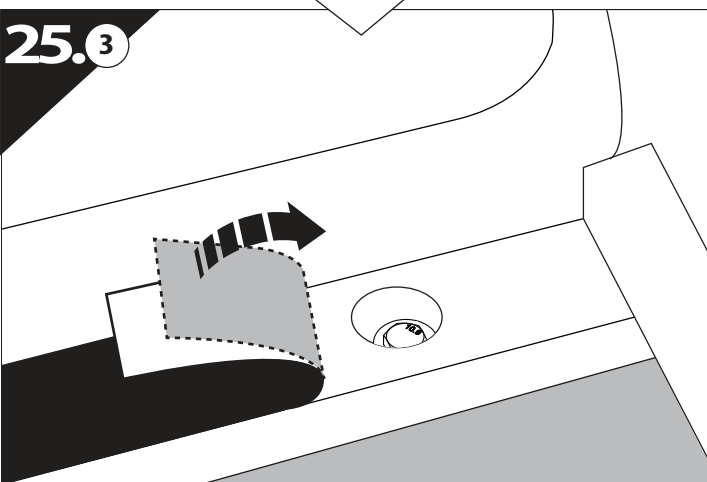
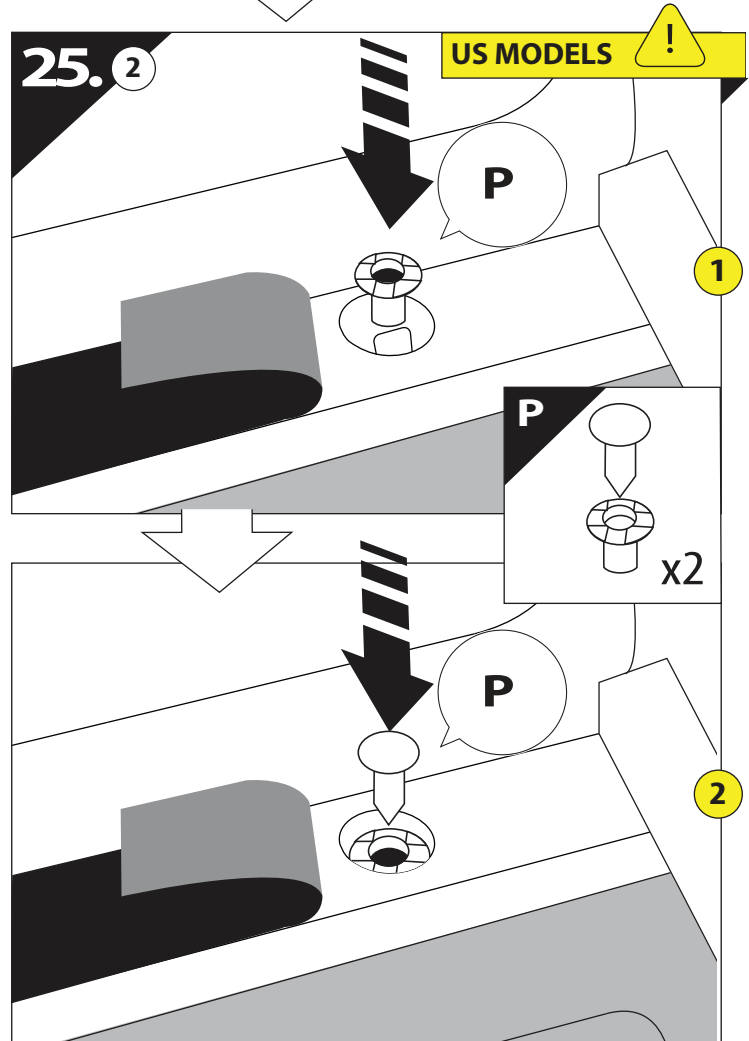
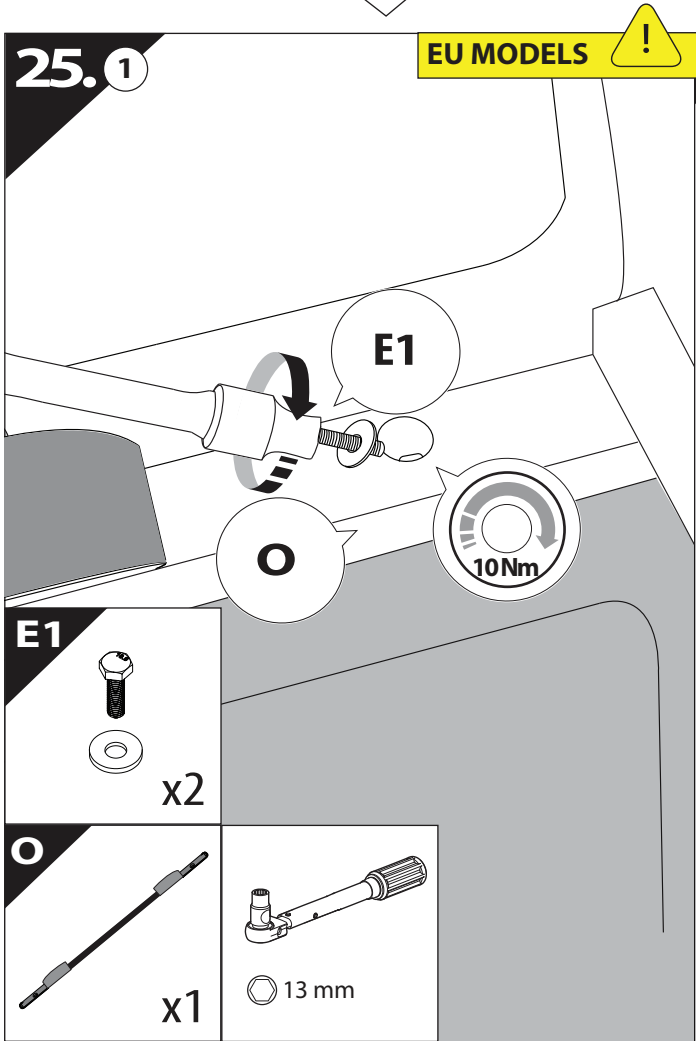
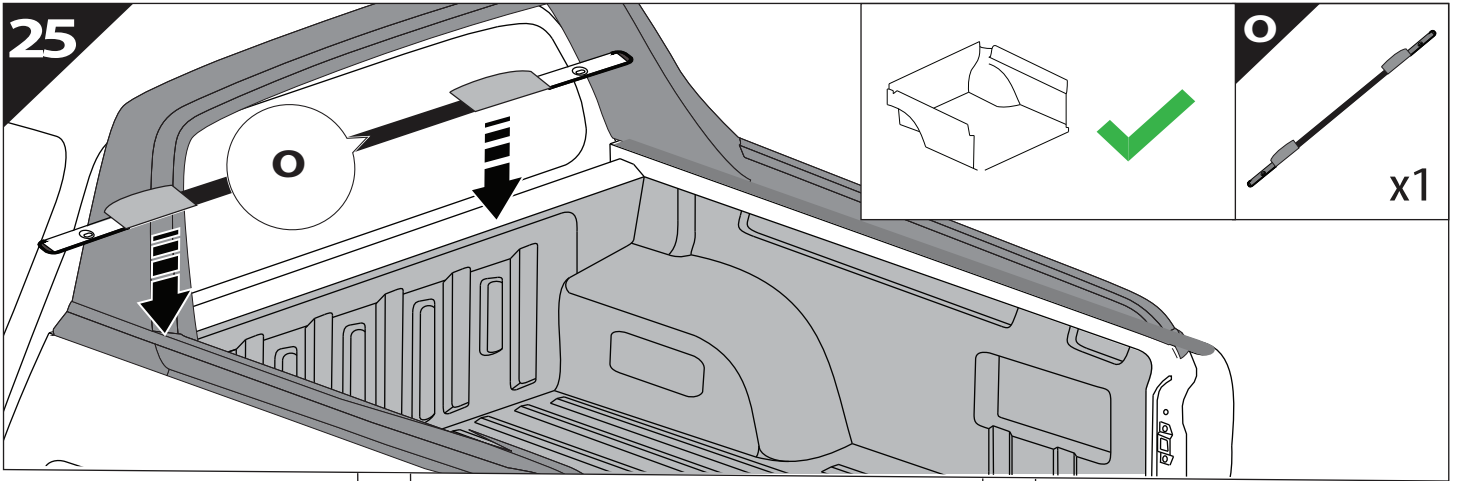


x2

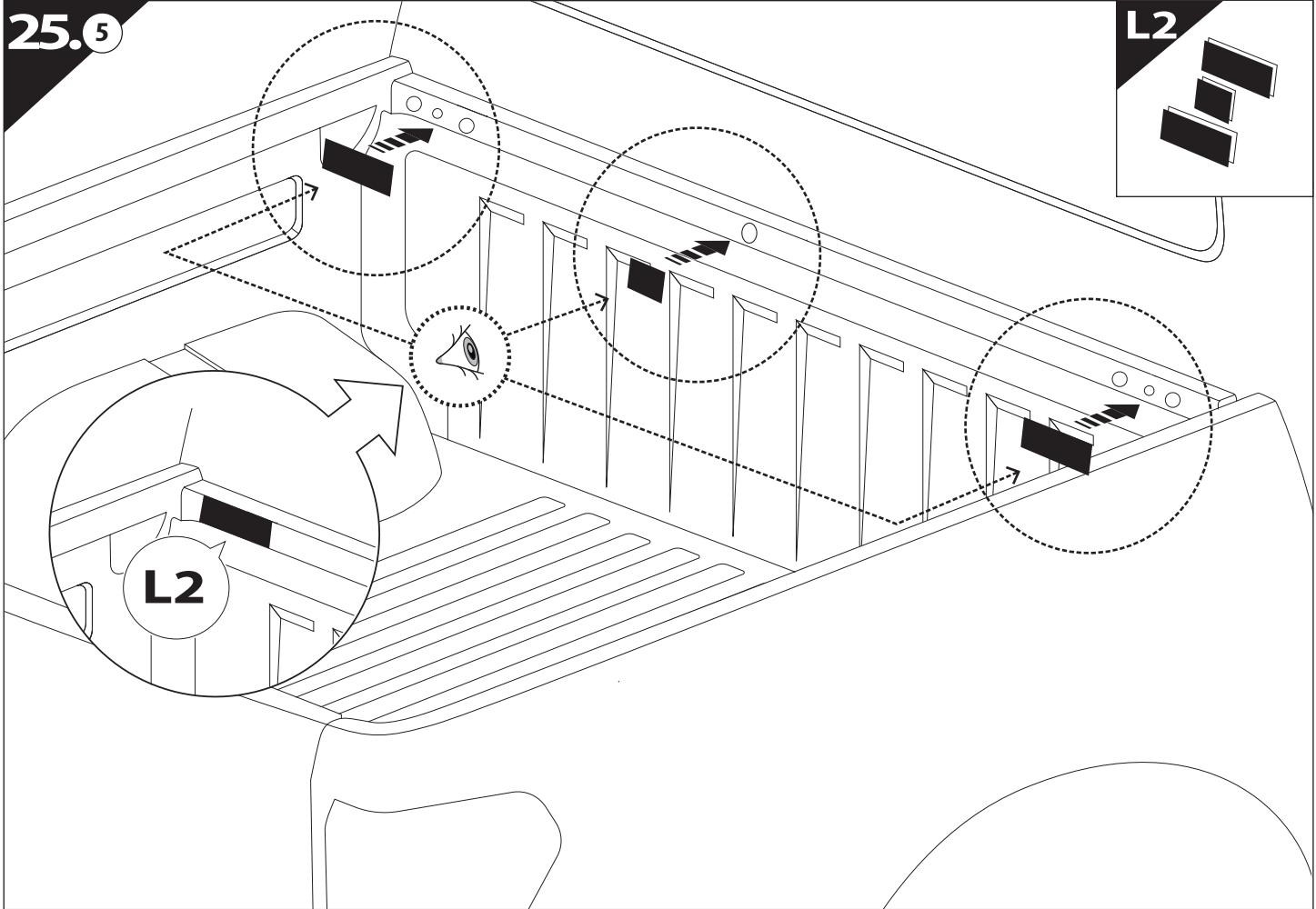


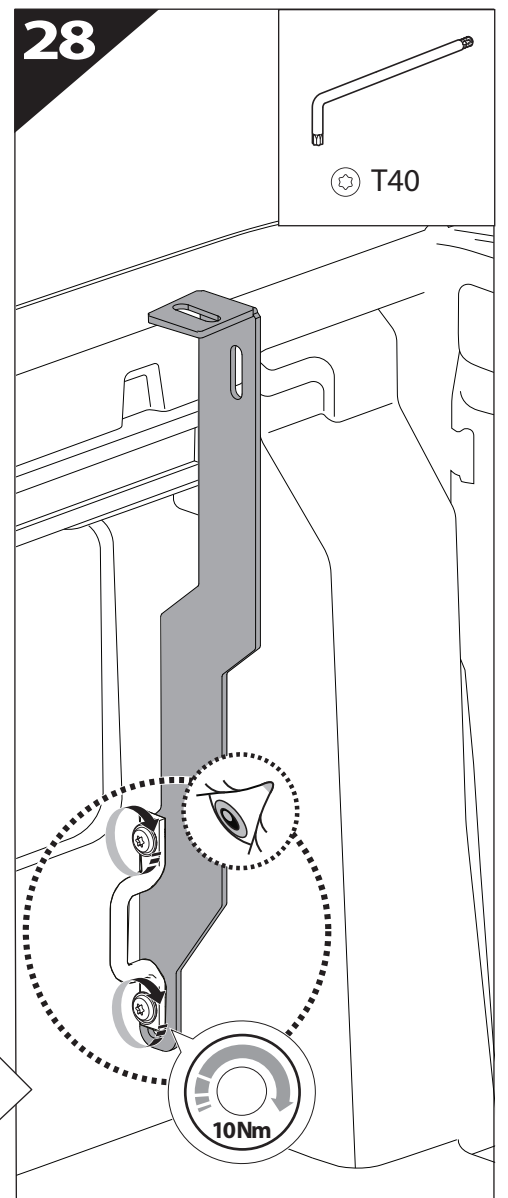
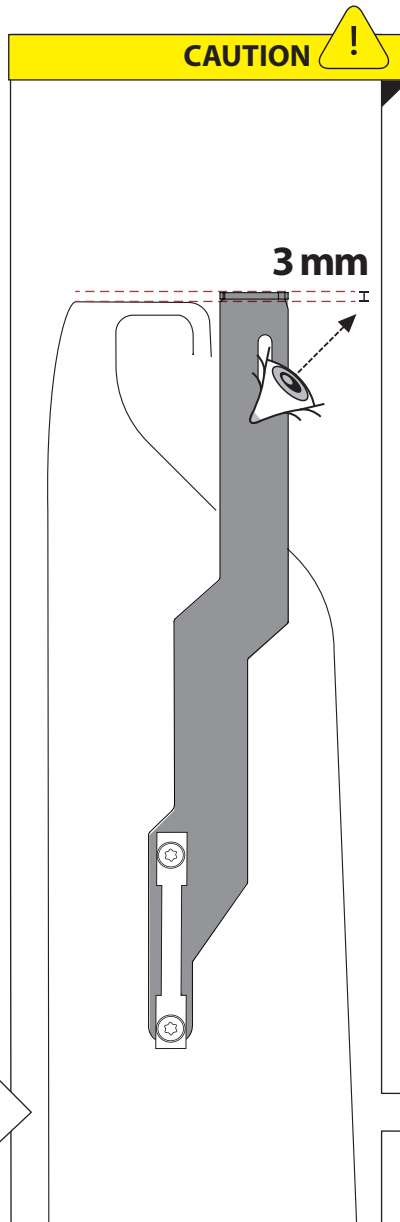
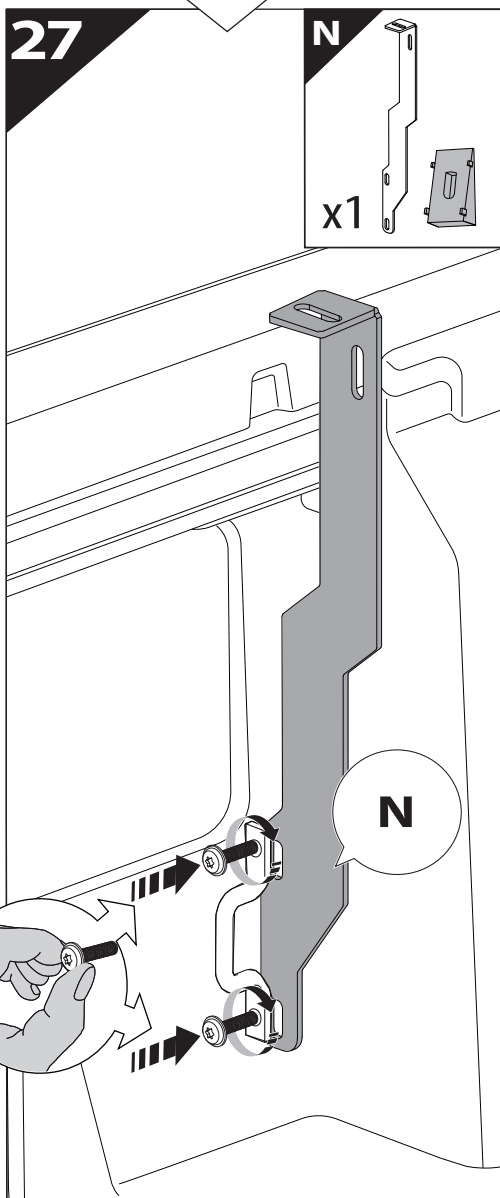
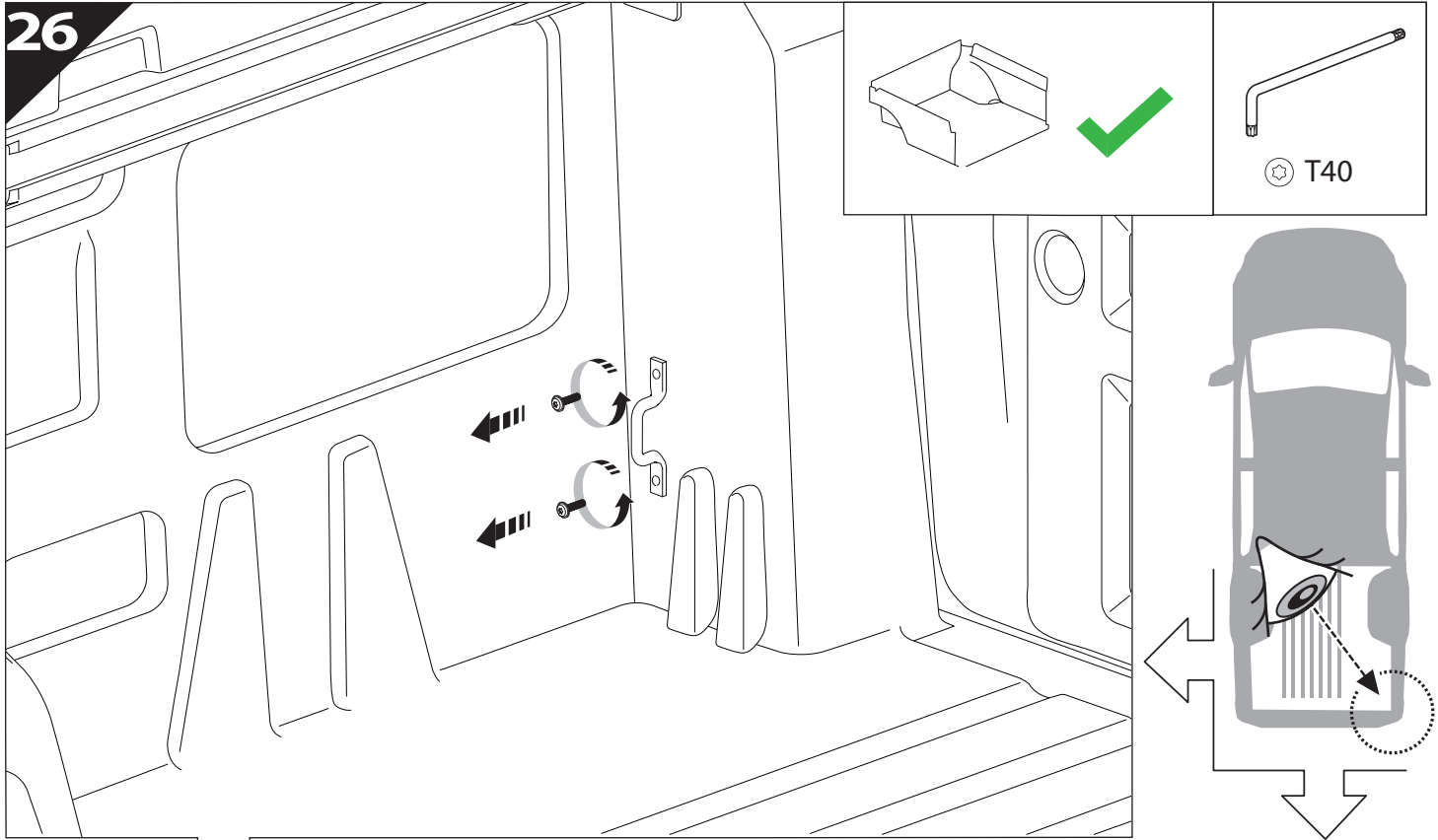
x1



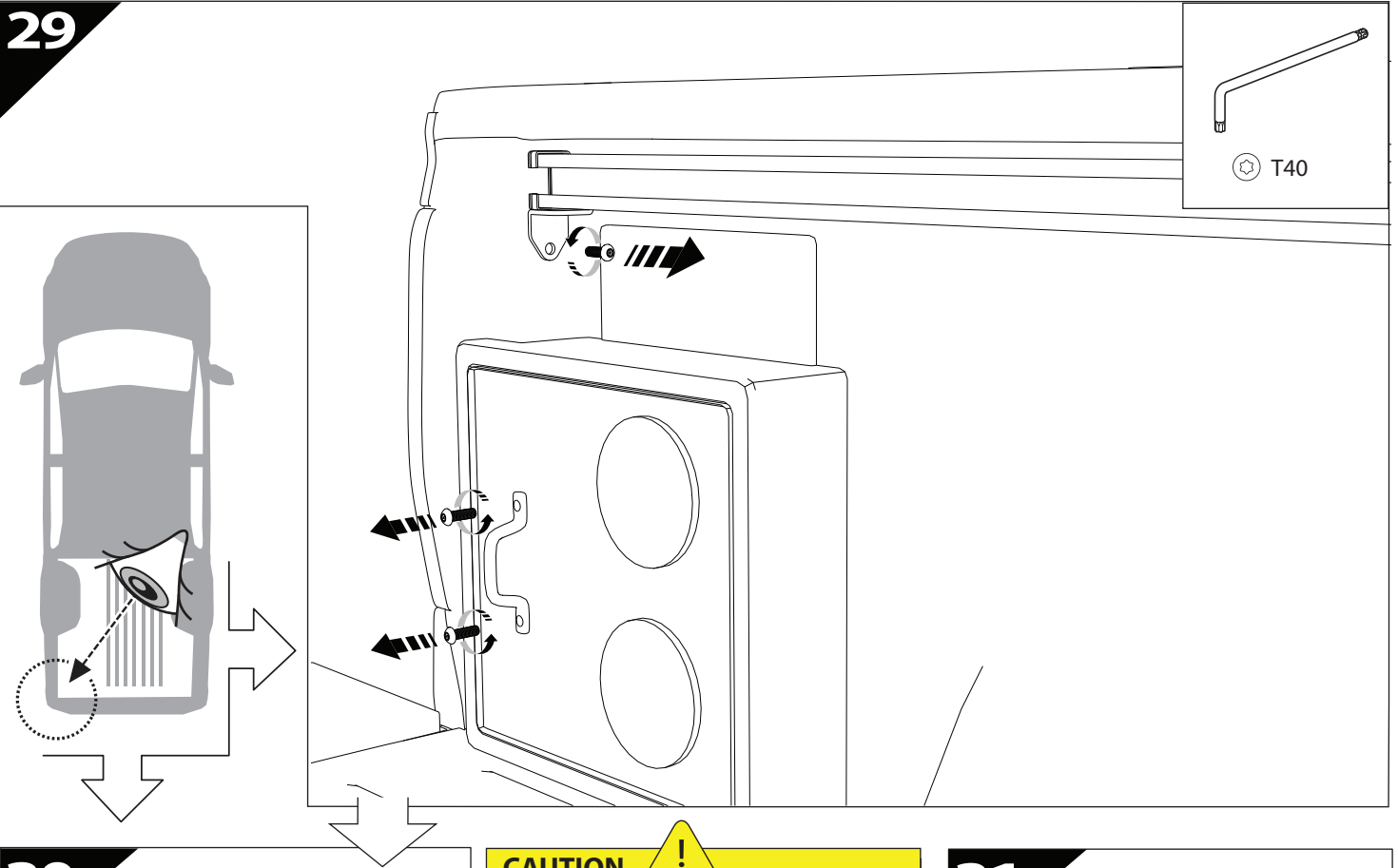


25.6

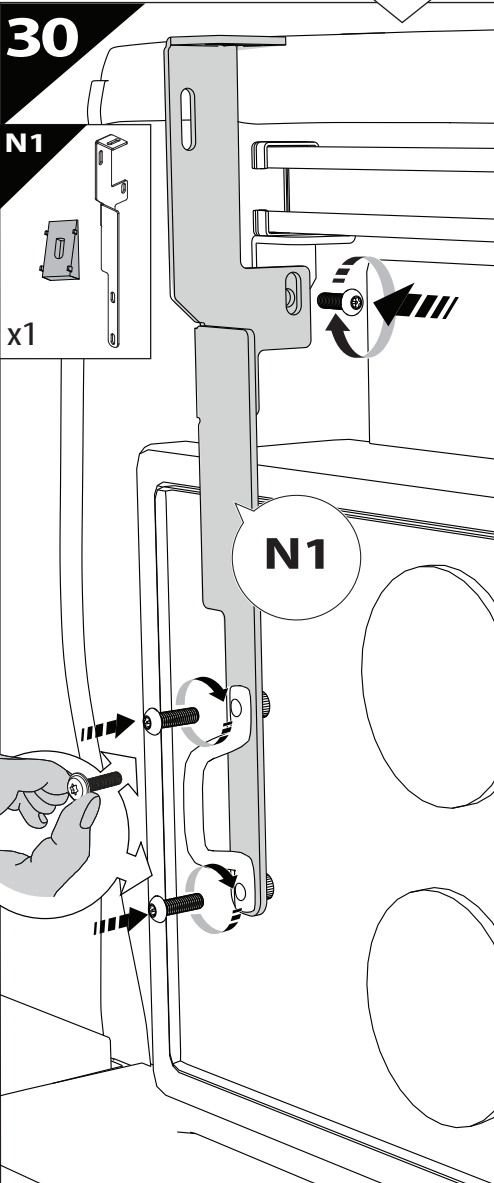




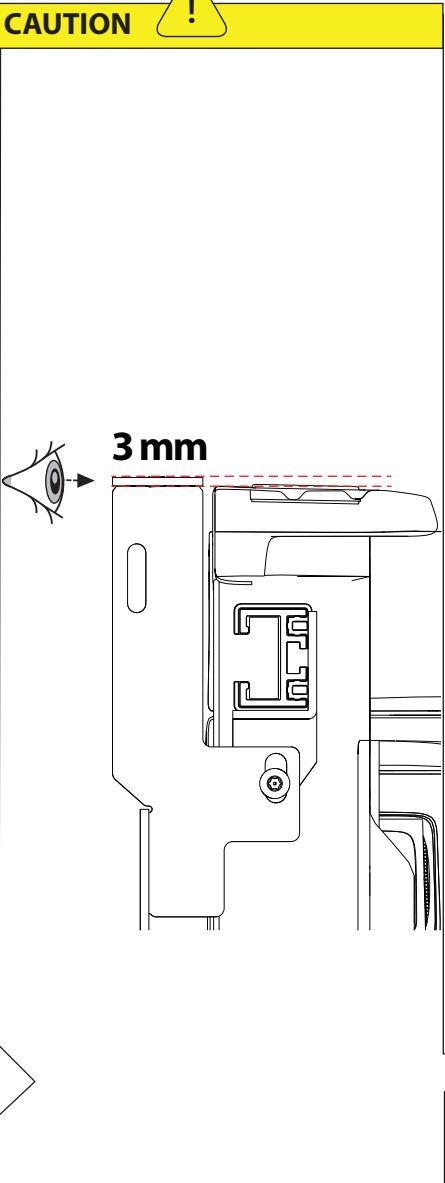
29



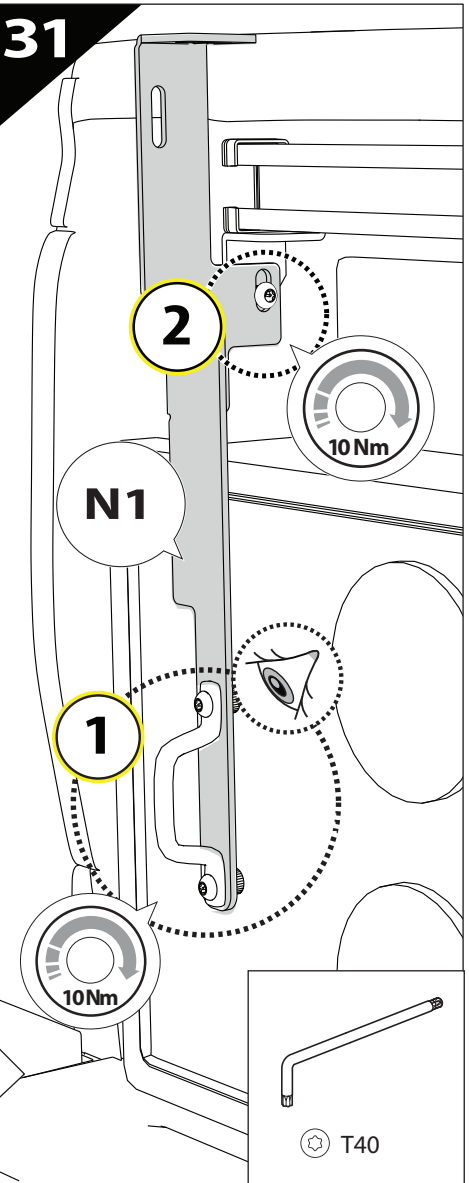
30



CAUTION !



31



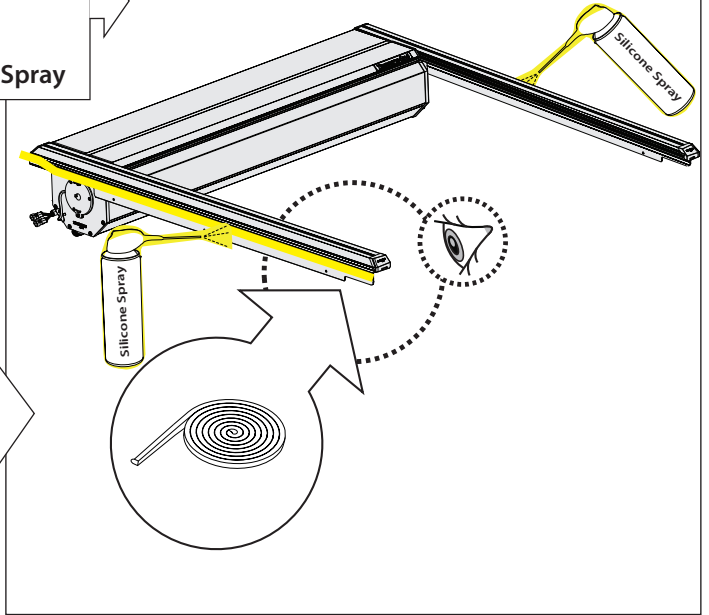
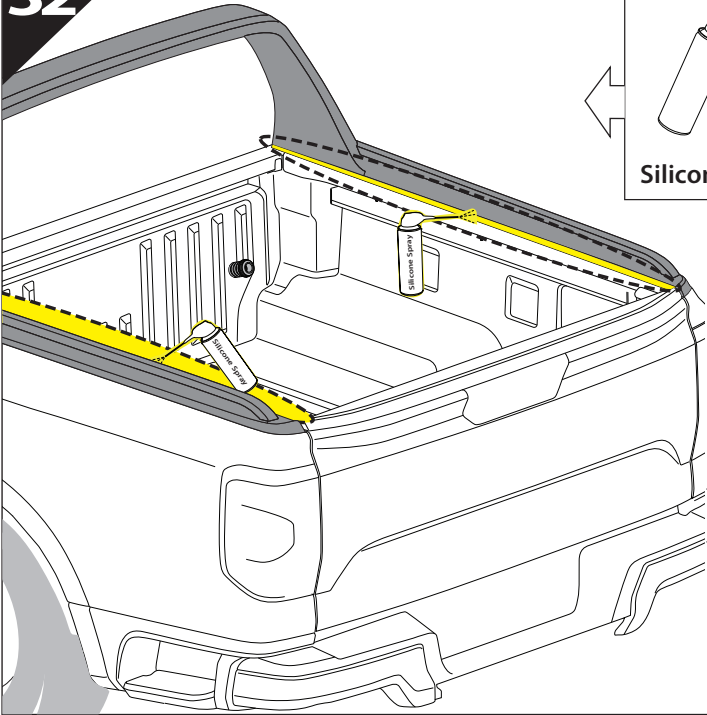
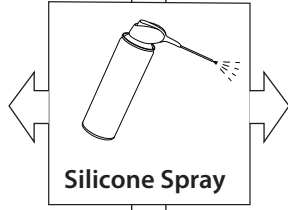
31.1

Basic+S-KIT Version

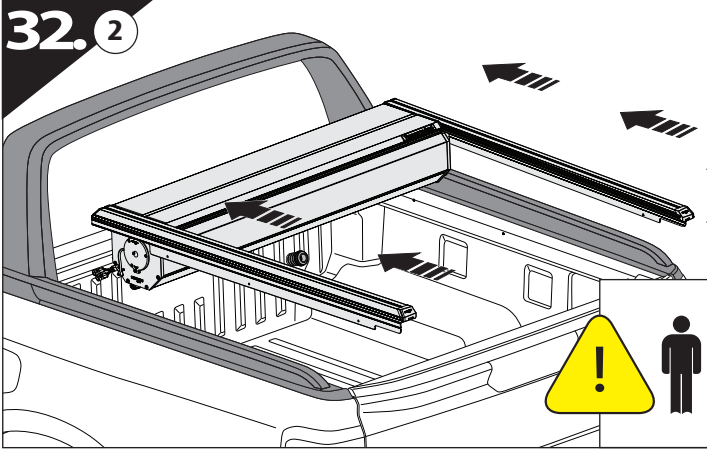
S-KIT
MANUAL

32.1

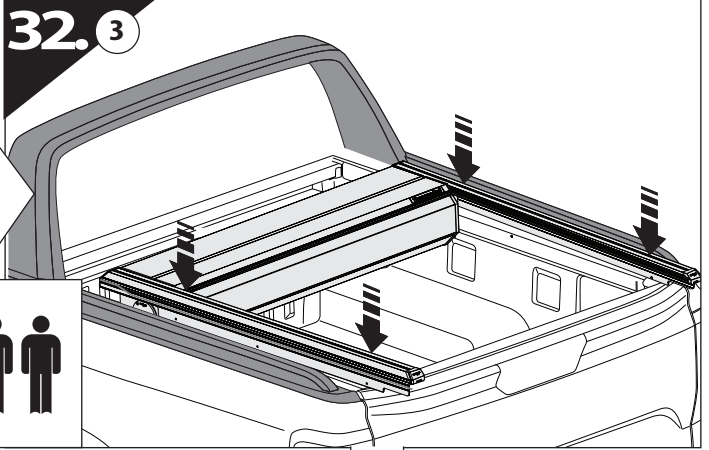
32



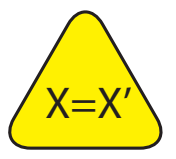
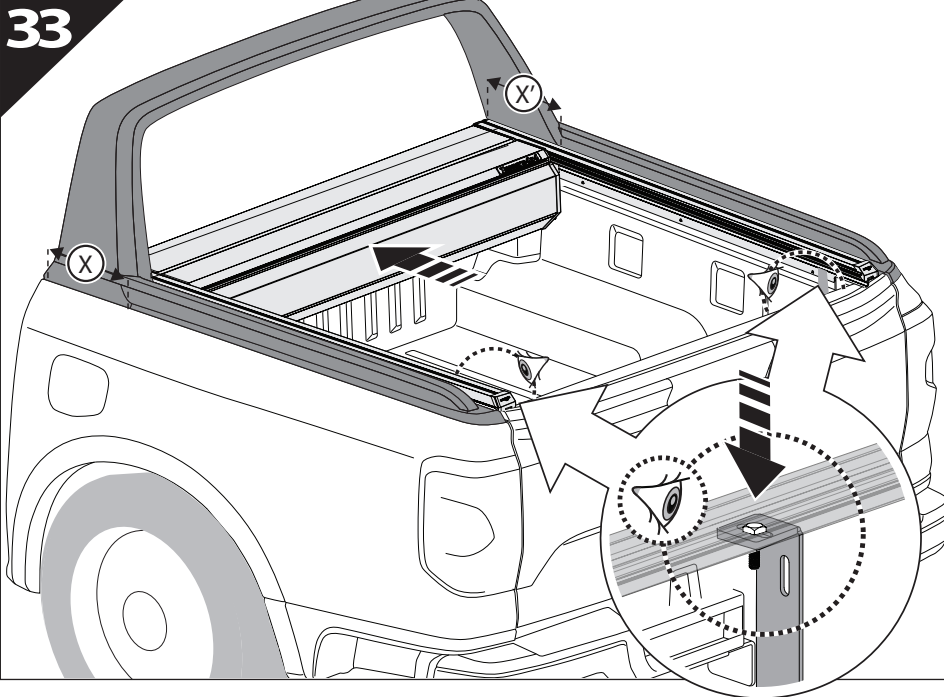
32.2

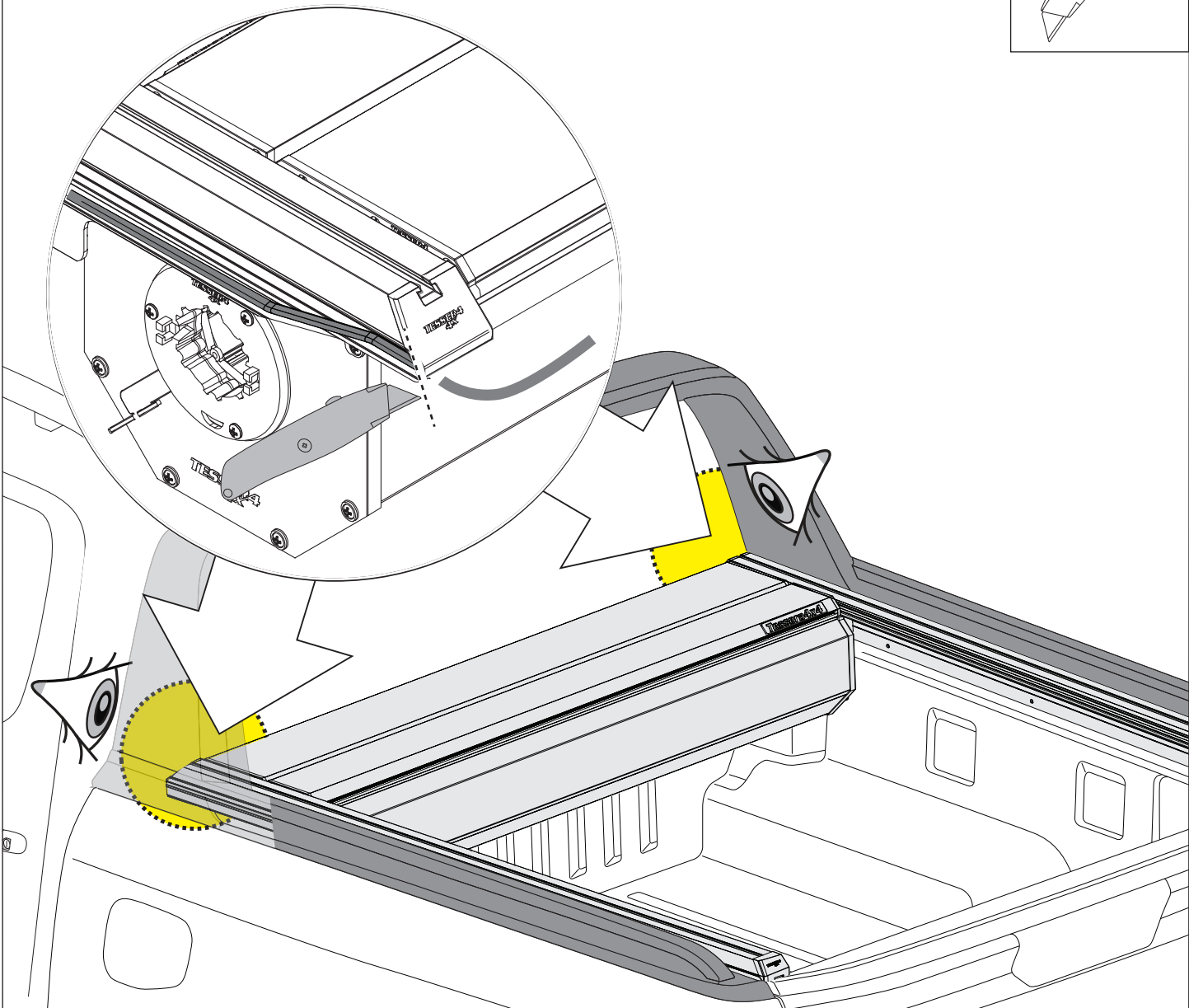
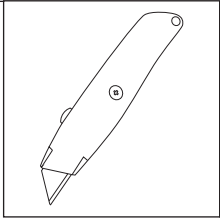


32.3

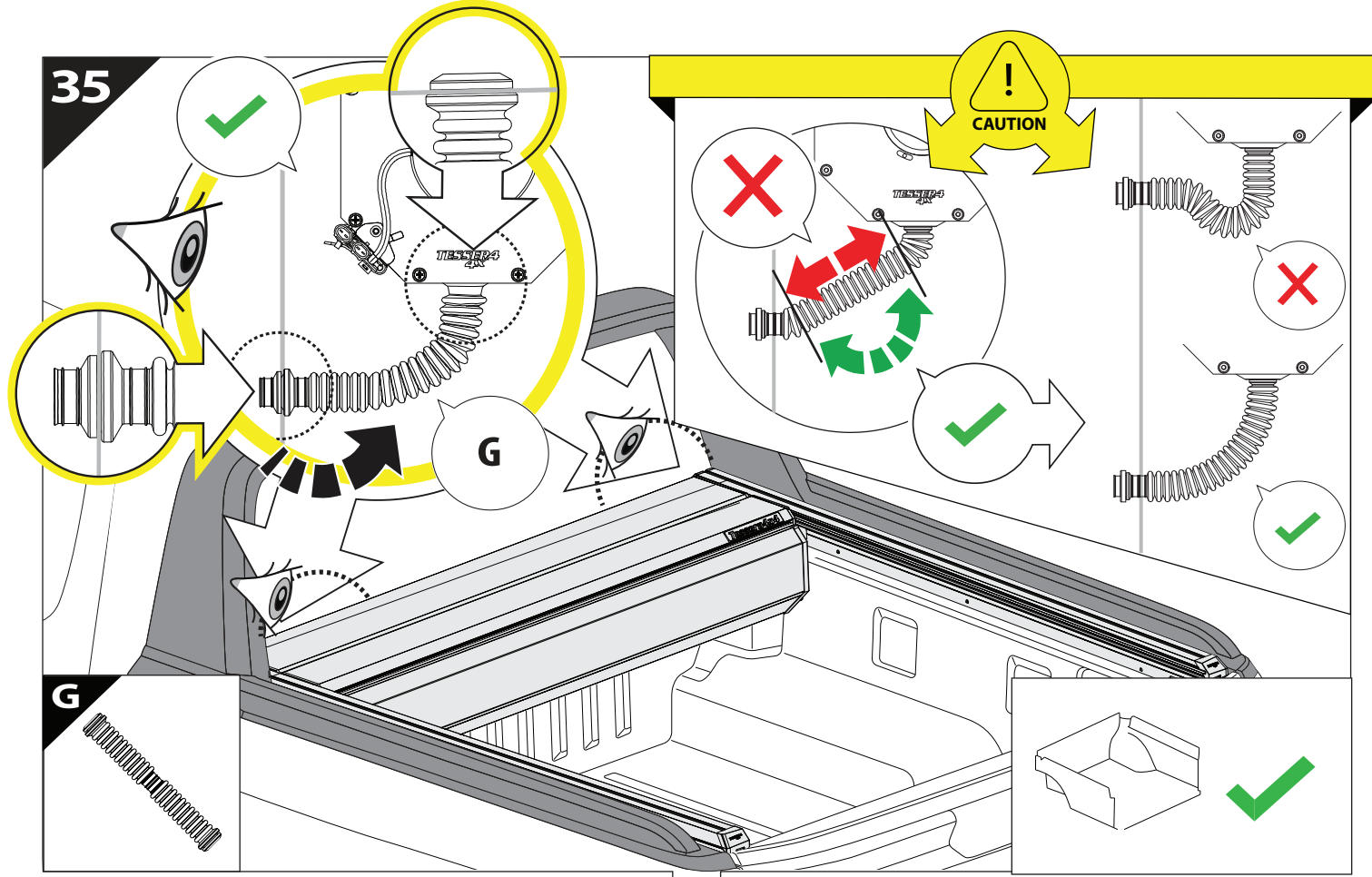


33

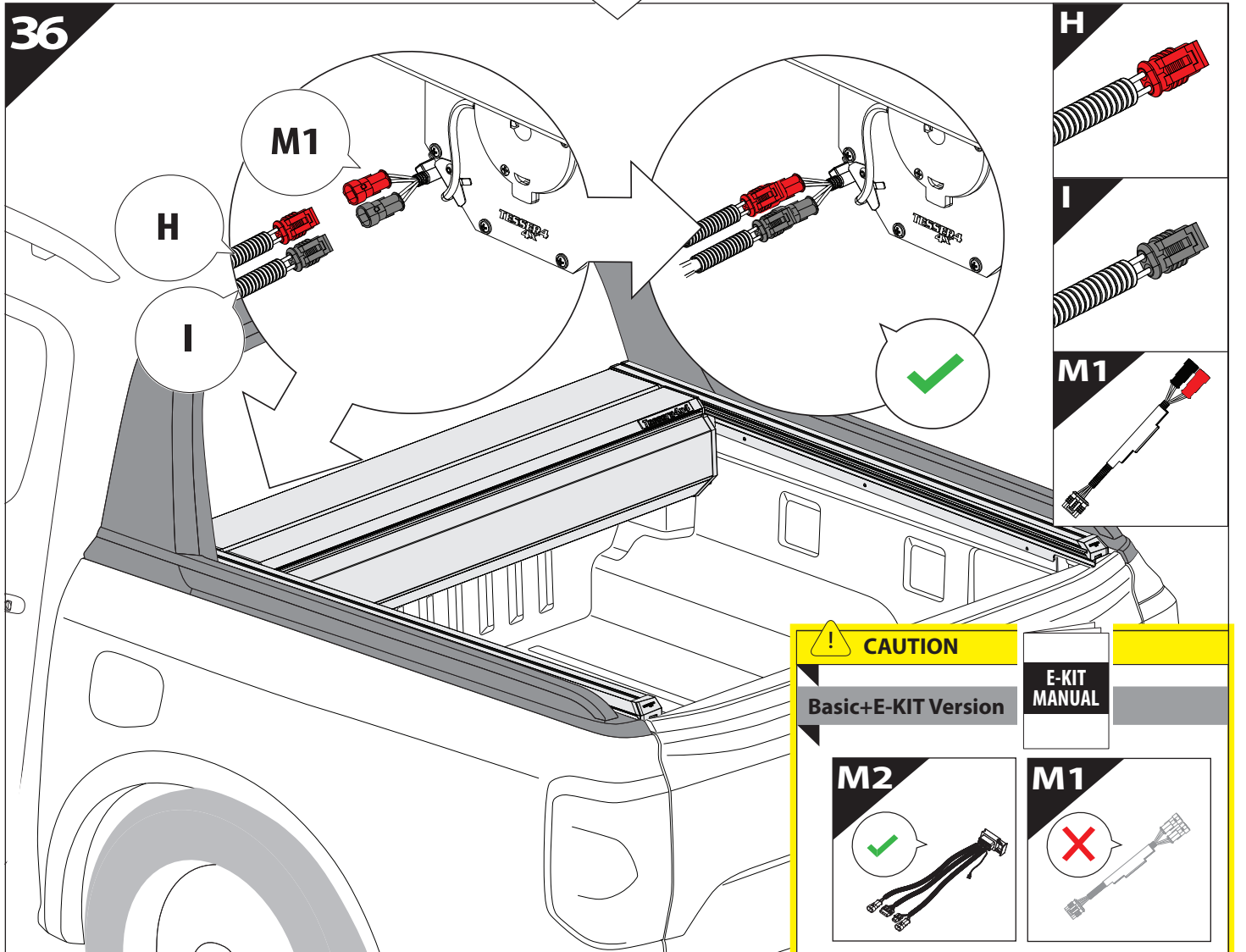




35

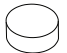






36

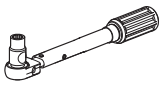


CAUTION	
Basic+E-KIT Version	E-KIT MANUAL
M2 ✓ 	M1 ✗

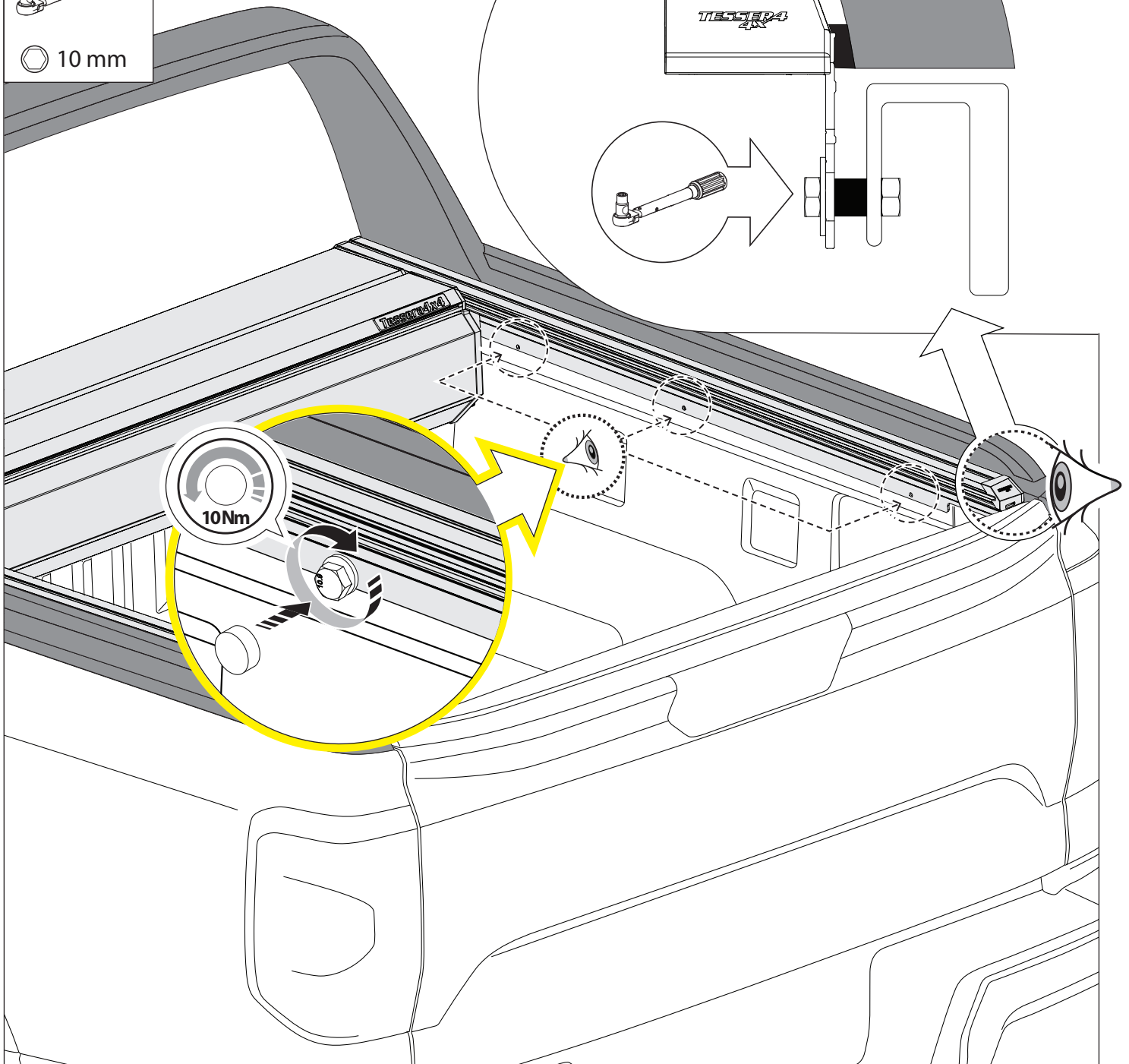
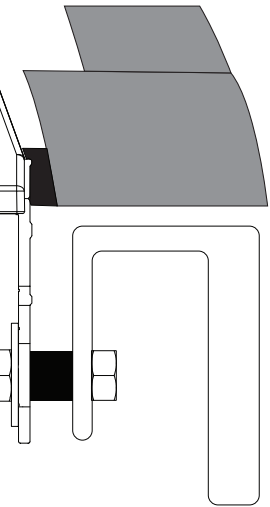
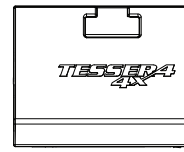
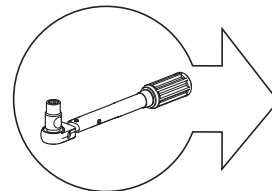
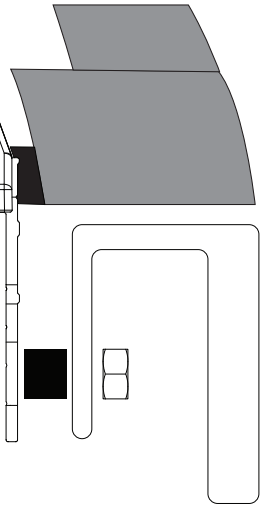
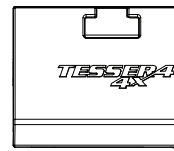
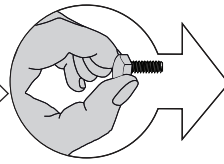
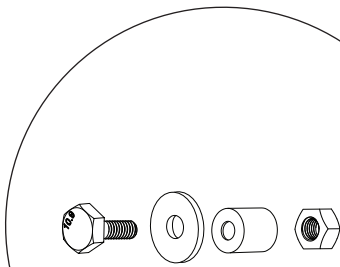
E2

-  ✓
-  ✓
-  ✓
-  ✓
-  ✓

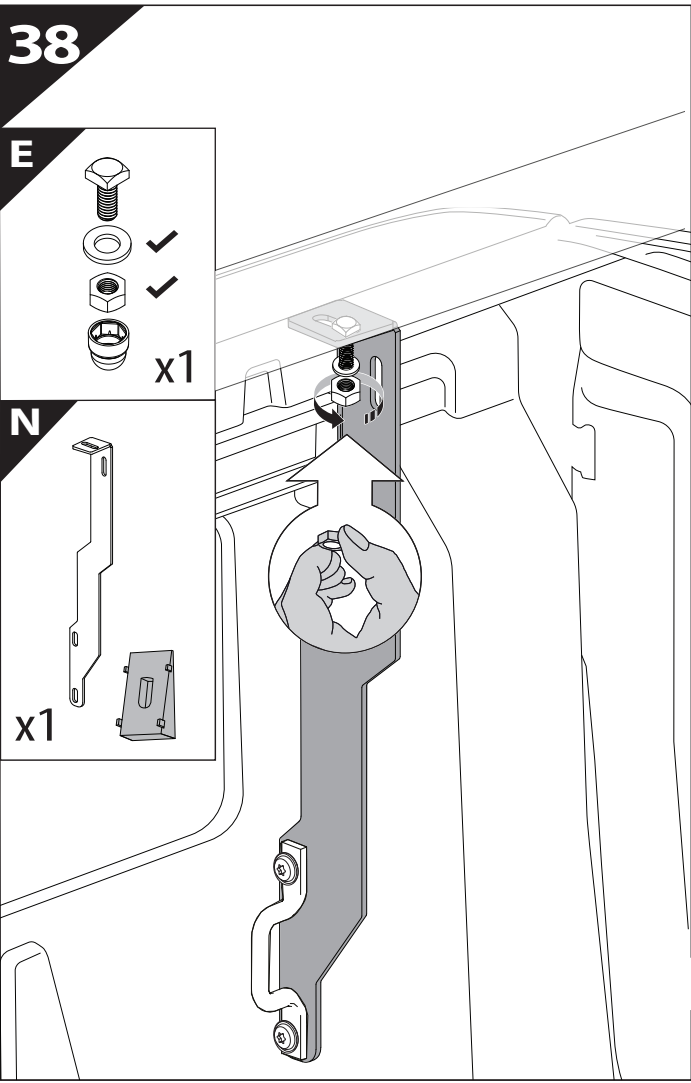
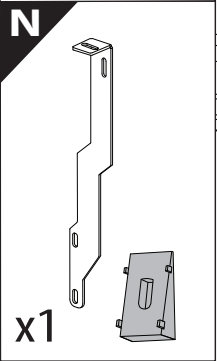
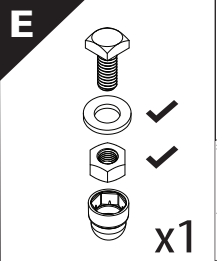
x6



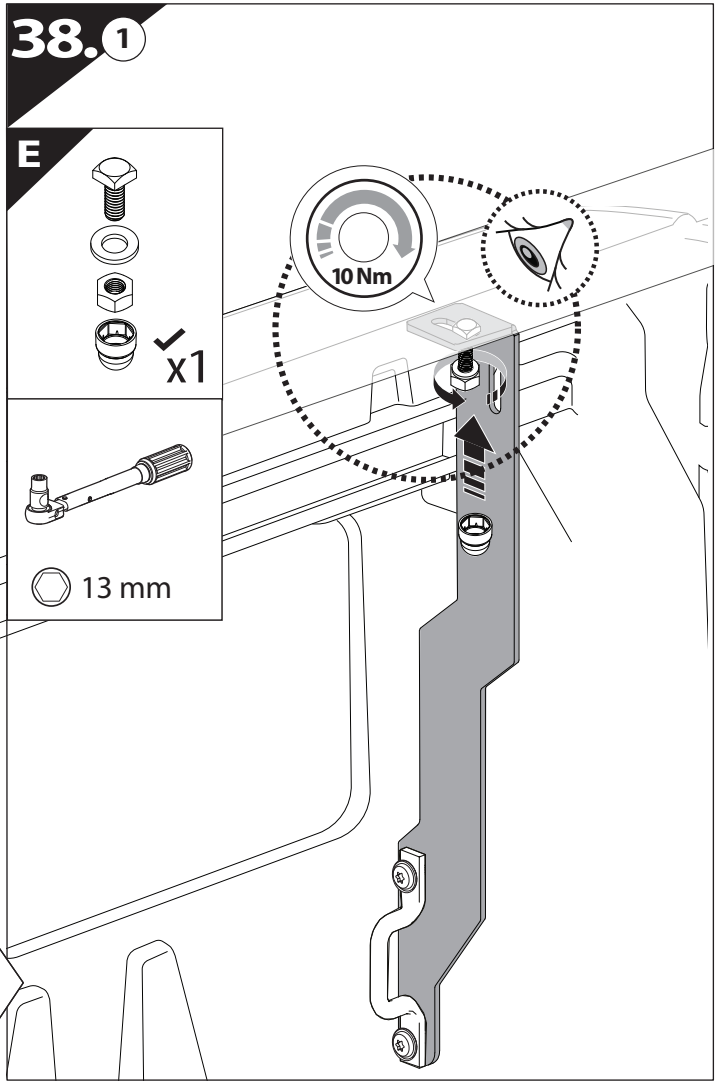
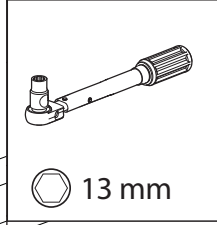
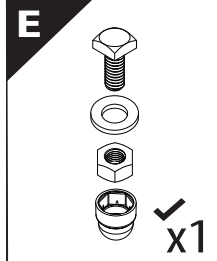
10 mm

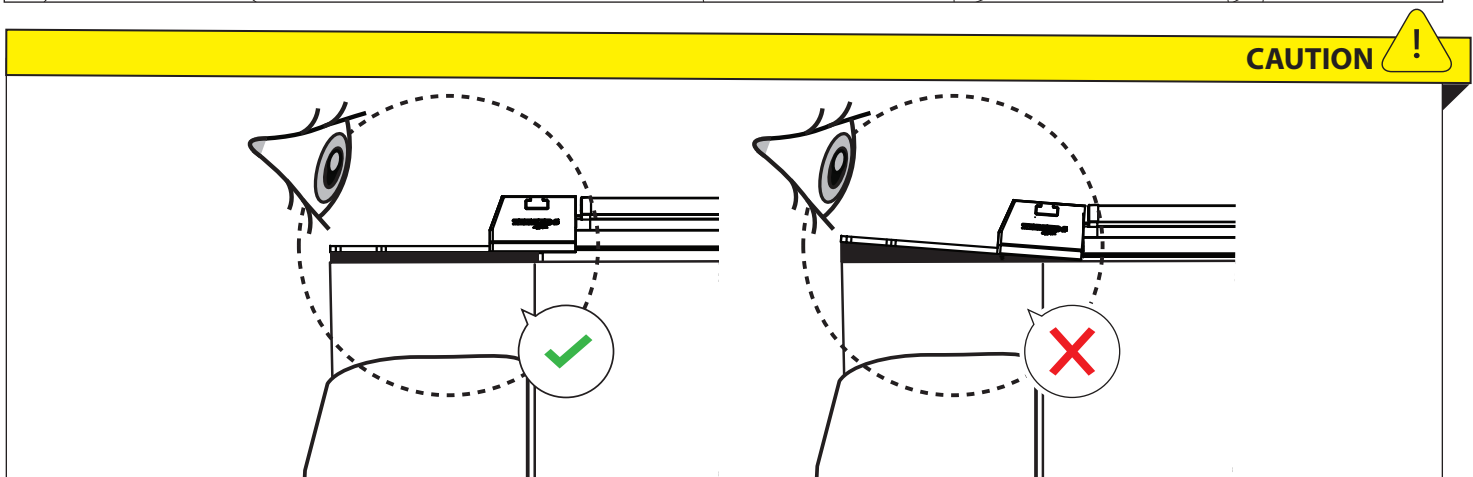
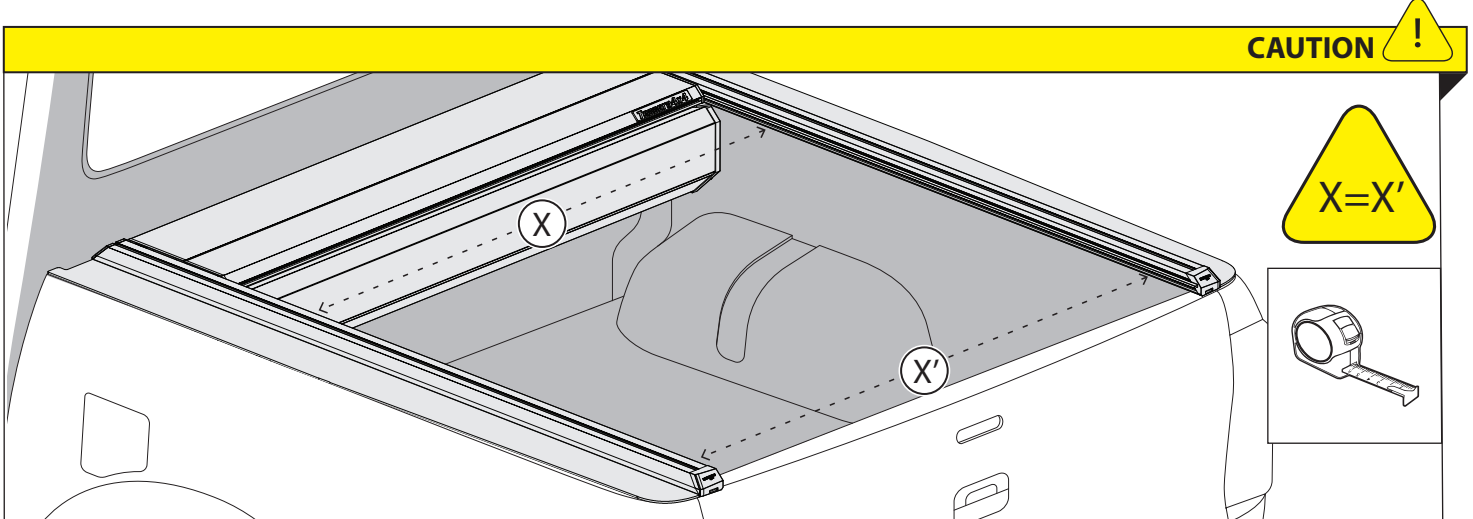
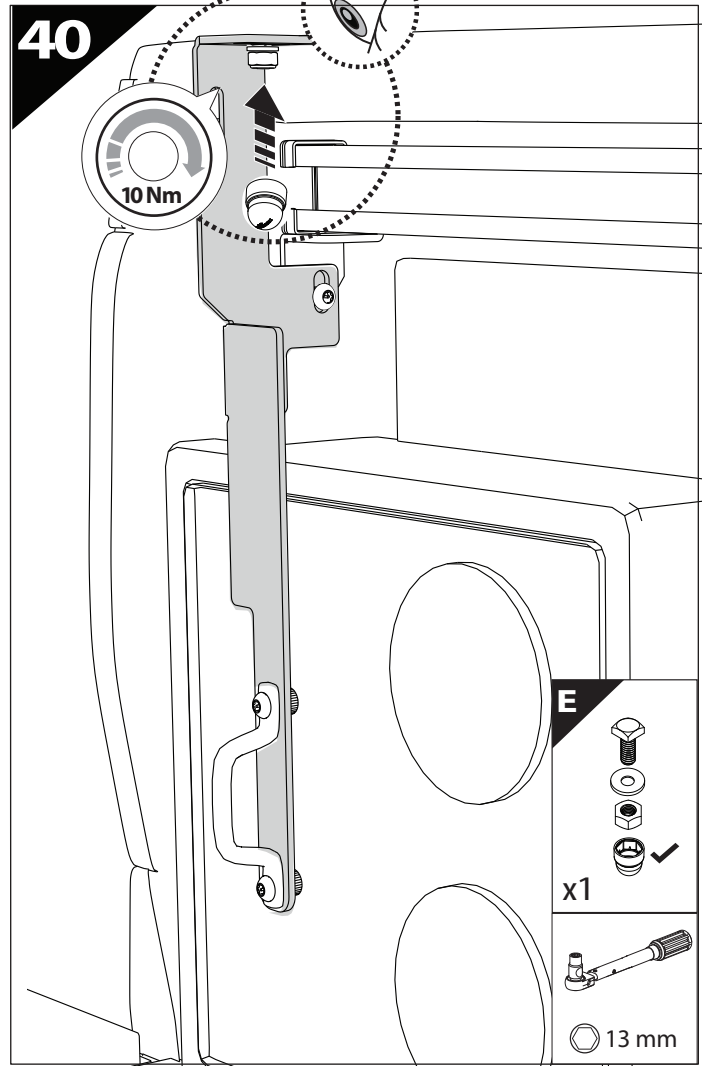
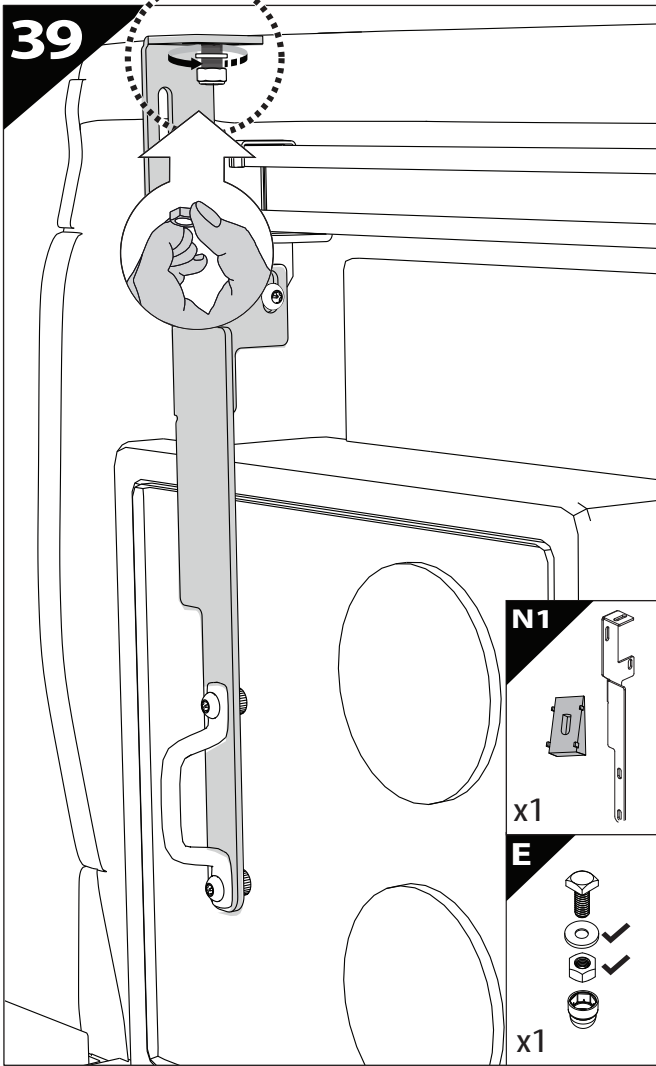


38

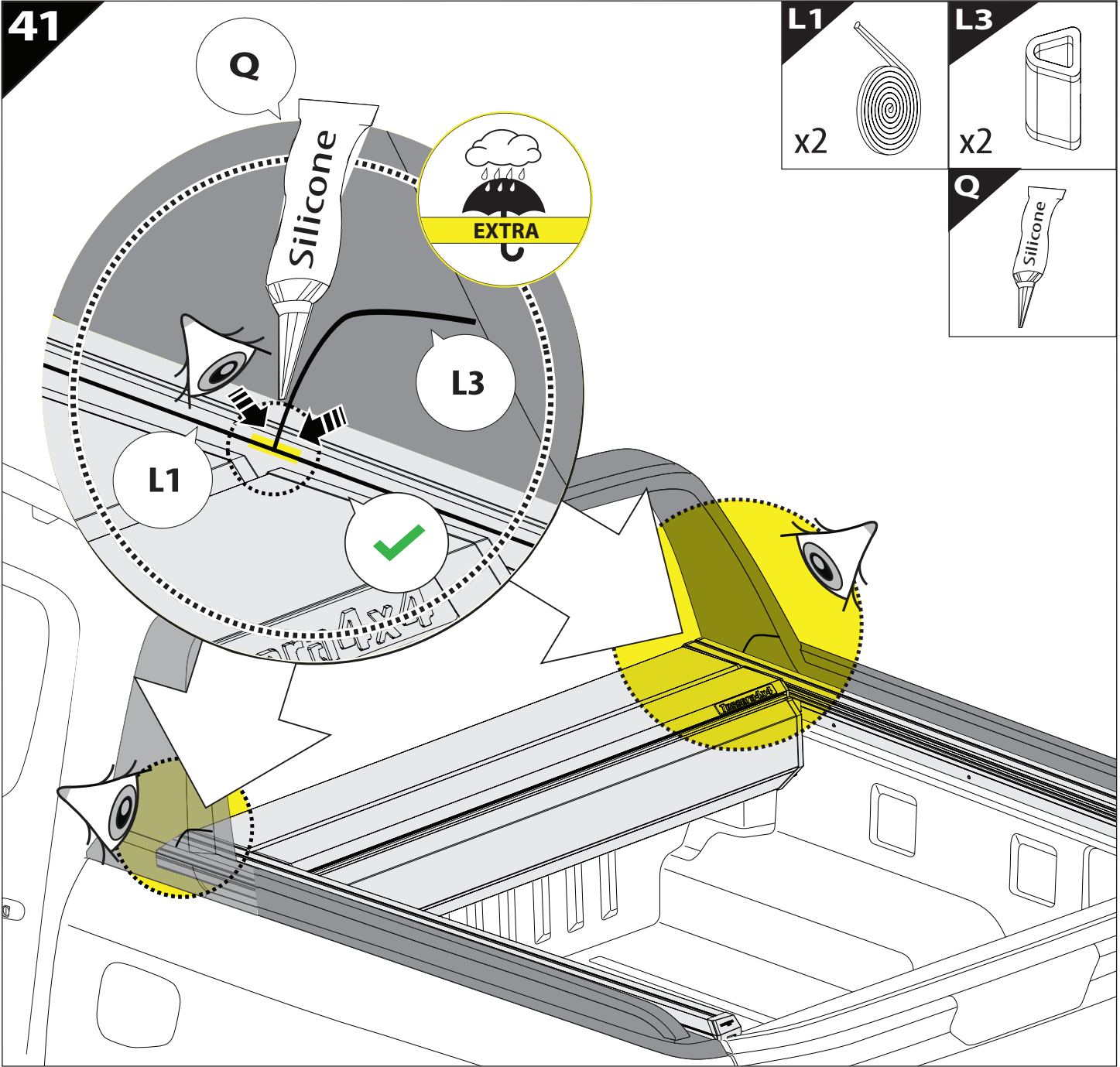


38.1





41



L1

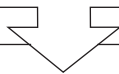
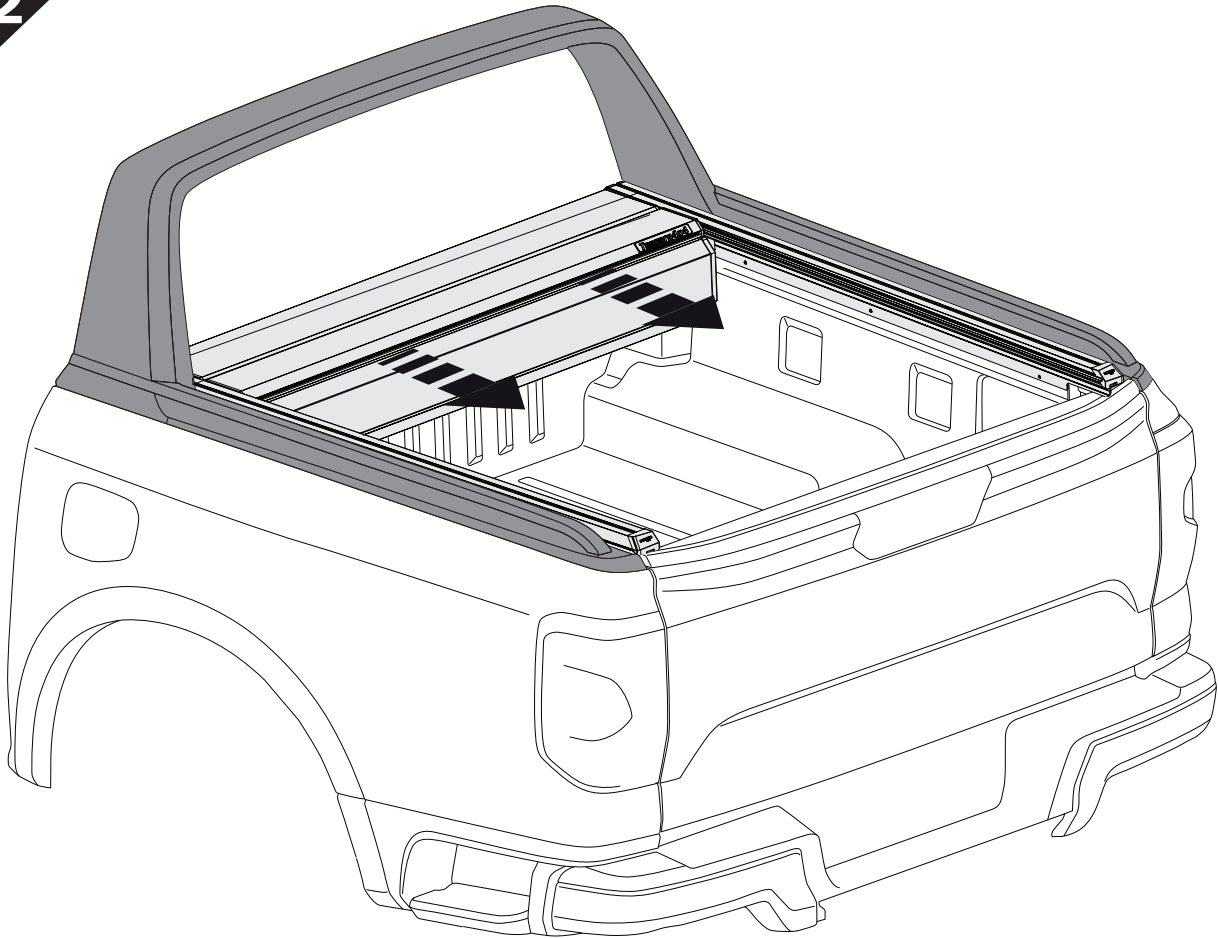
x2

L3

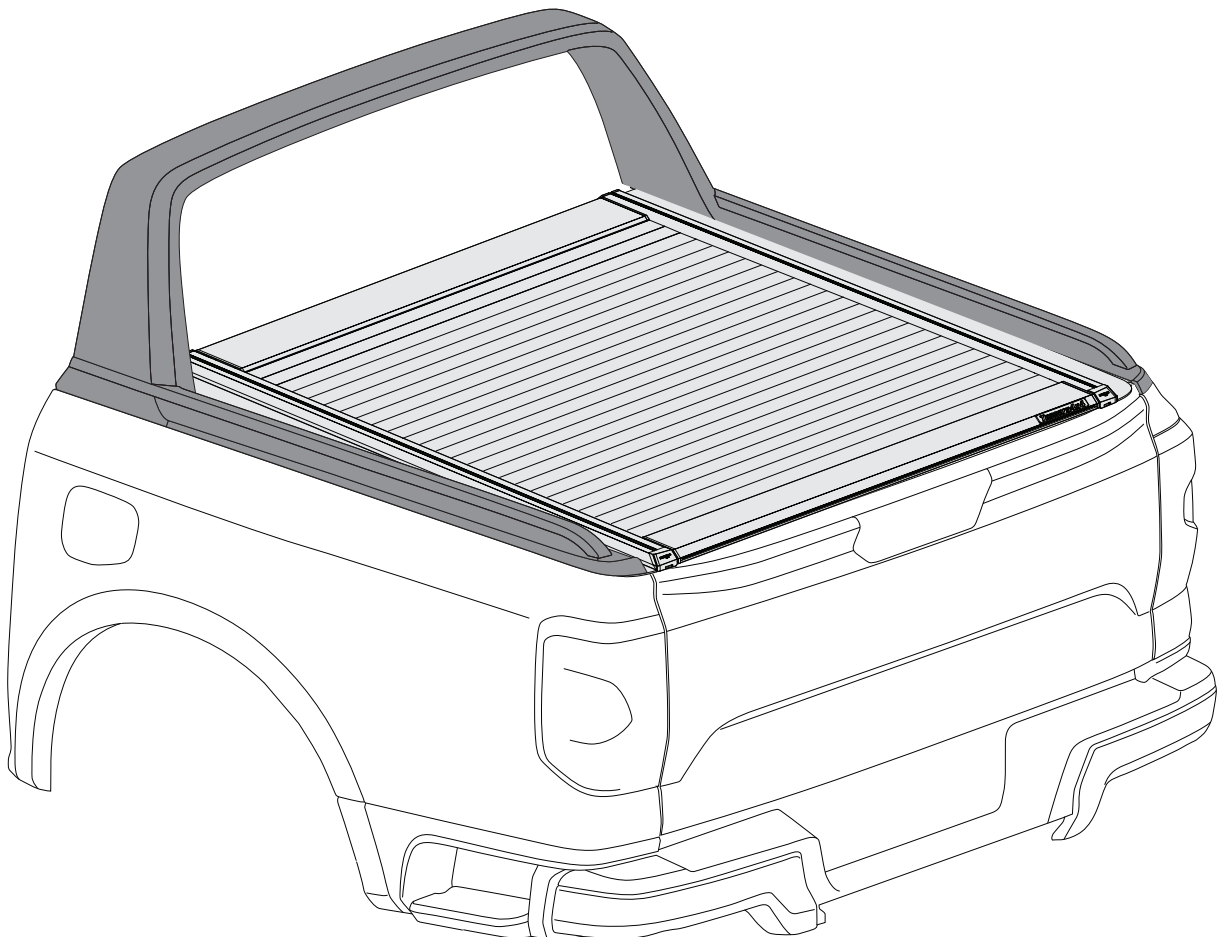
x2

Q

42



43



GR: Οδηγίες Εγκατάστασης
GB: Installation manual
SF: Asennusohje
F: Notice de montage
PL: Instrukcja montażu
NL: Installatie-instructies
TR: Montaj Talimatı
S: Monteringsanvisning
E: Instrucciones de montaje

H: Szerelési utasítás
P: Instruções de instalação
RUS: Инструкция по установке
N: Monteringsveiledning
D: Einbauanleitung
CZ: Návod k instalaci
I: Istruzioni de montaggio
DK: Monteringsvejledning
RO: Instructiuni de instalare

Customer Service:

+30 (210) 5541161, +30 (210) 5541154 (08:00 - 16:00 EET)

Support department:

info@gianso.gr

Website:

www.tessera4x4.com

Address:

19.5 km of National road Athens-Korinthos (Elefsina) Greece, P.C: 19200