

# Tessera Roll+

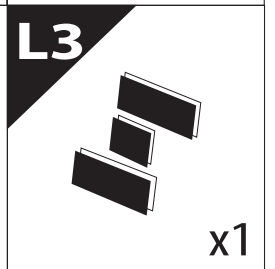
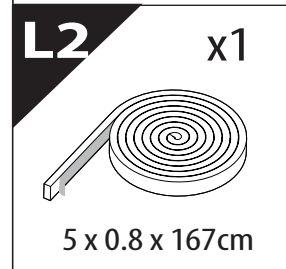
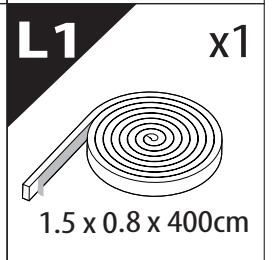
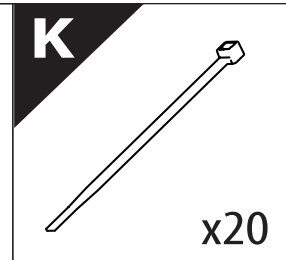
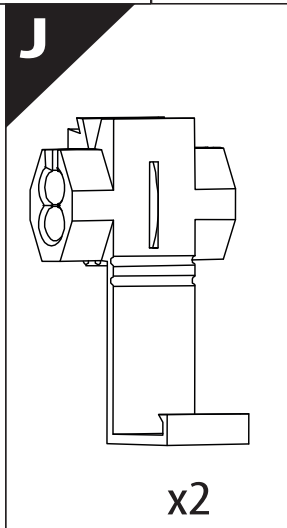
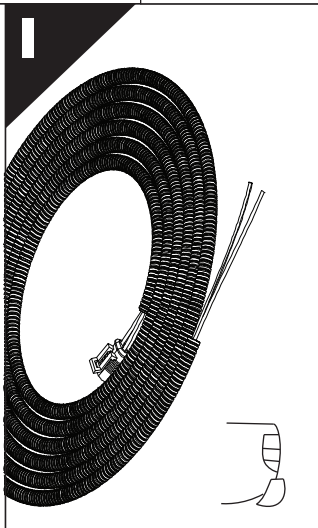
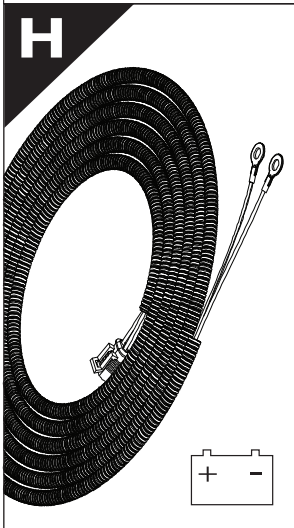
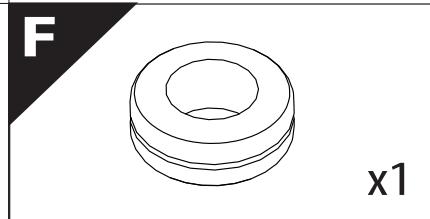
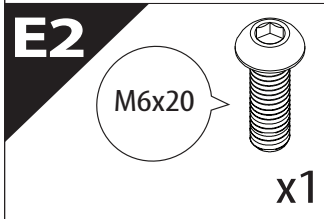
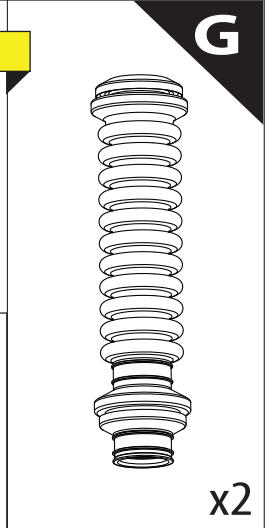
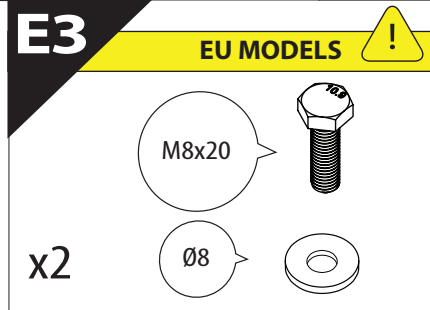
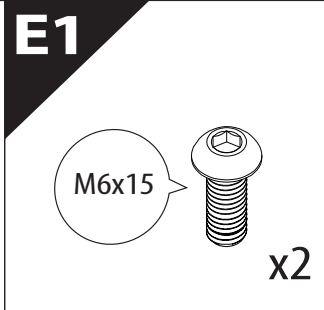
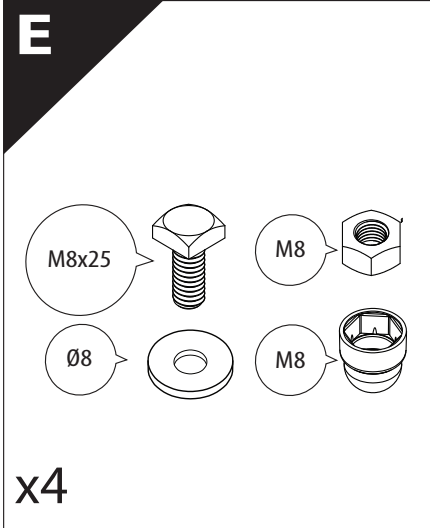
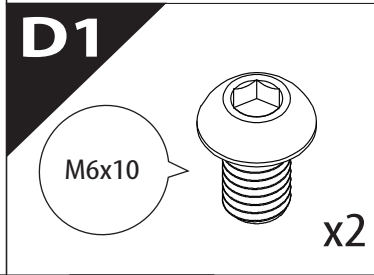
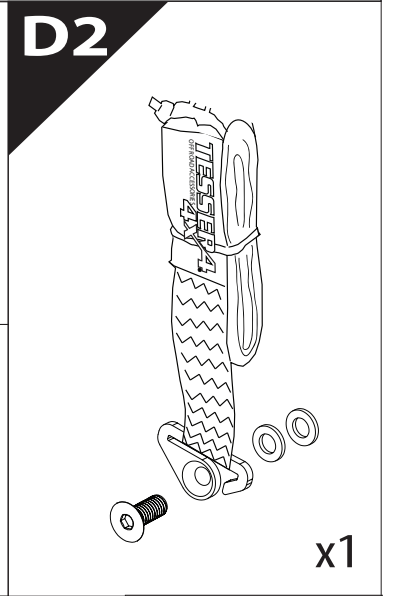
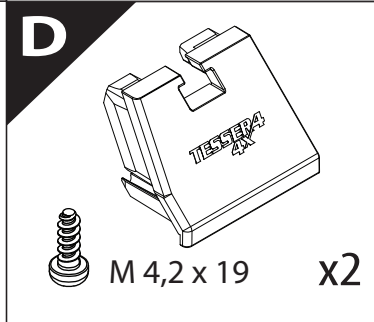
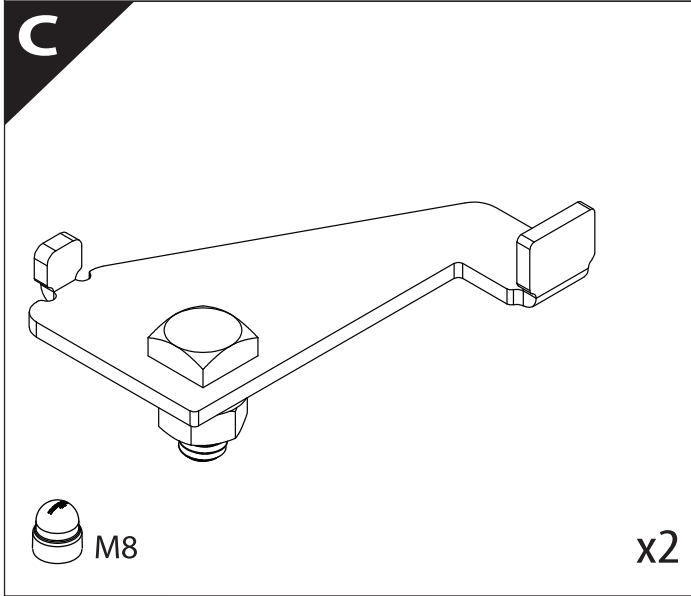
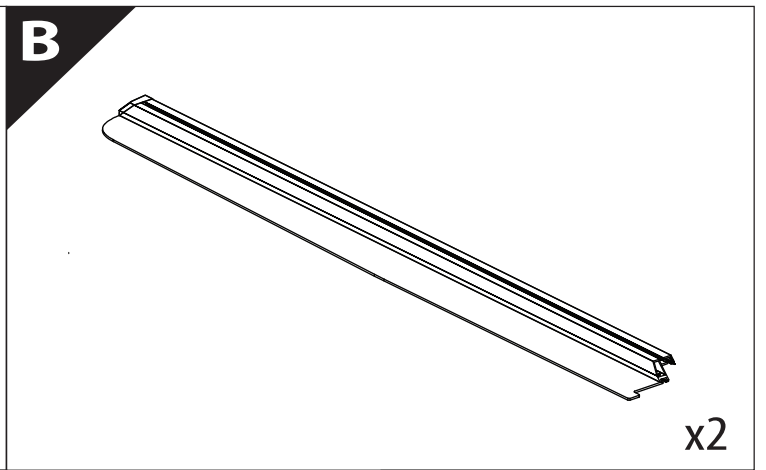
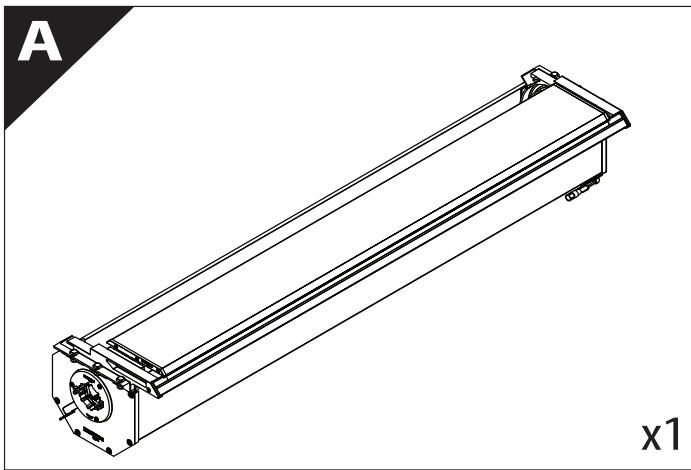
## Basic Version + ⚡ E-KIT



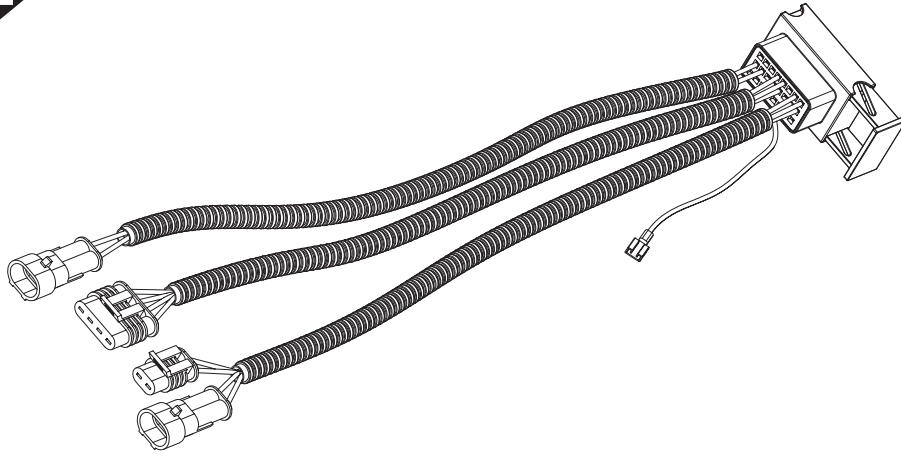
## Installation Manual

PART NUMBER(S)	Model Year
TESS 14062 ROLL+E-KIT	FORD RANGER 2025+ PHEV (P 703) (with c-channels)
Cab(s)	Installation Time / Weight
Double Cab	40-60 minutes / 53-57 kg



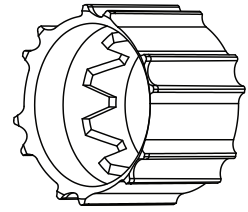


**M2**



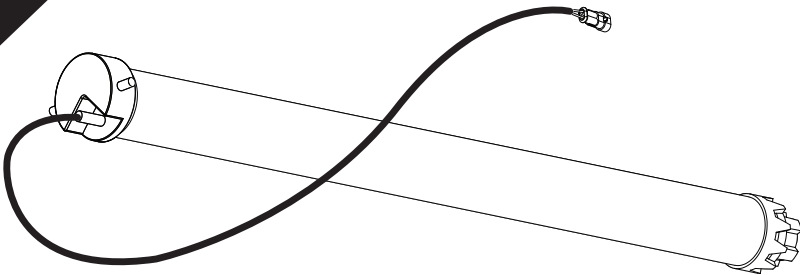
x1

**N**



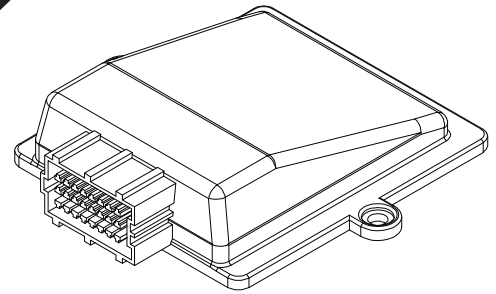
x1

**O**



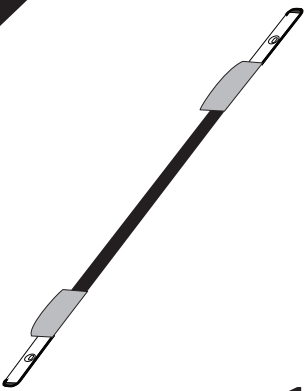
x1

**P**



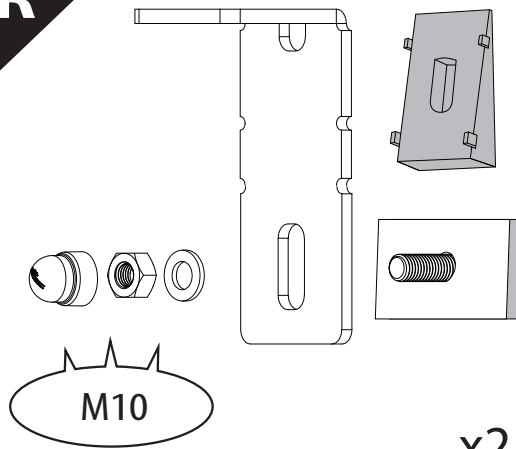
x1

**Q**



x1

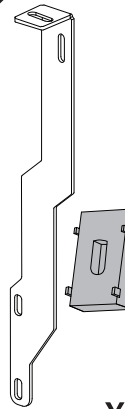
**R**



M10

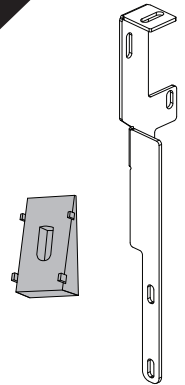
x2

**S**



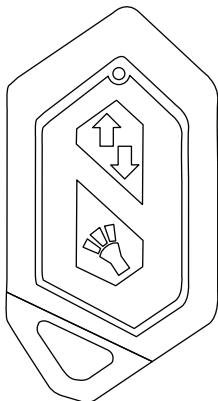
x1

**S1**



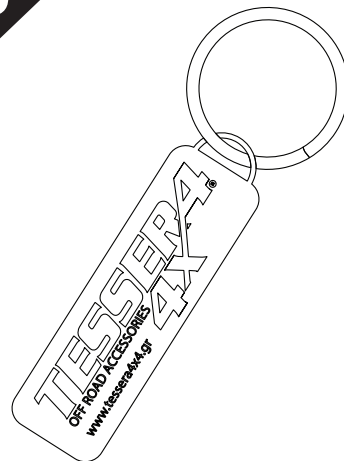
x1

**T**



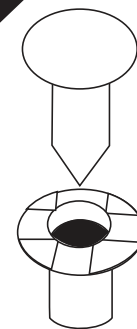
x2

**U**



x2

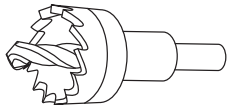
**V**



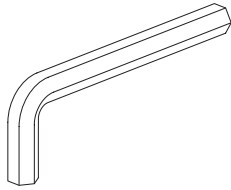
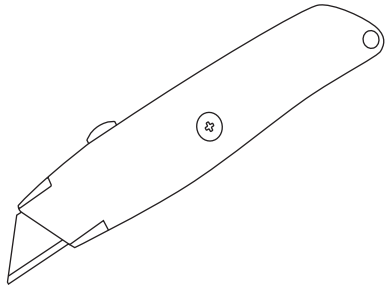
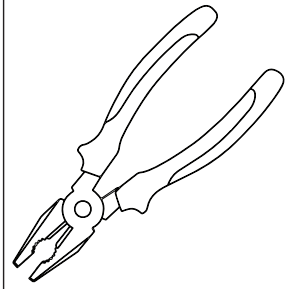
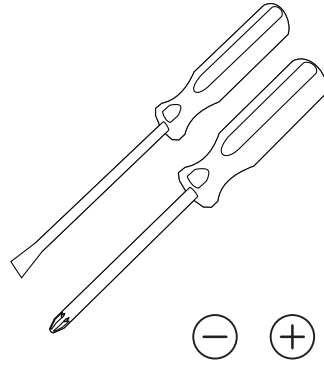
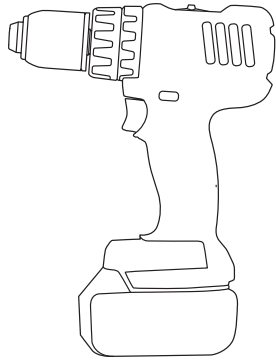
US MODELS



x2

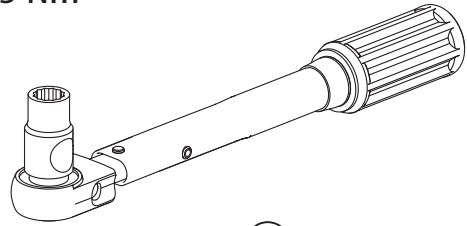


Ø 25 mm



4 mm

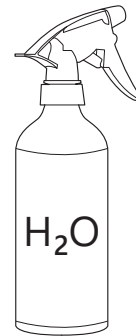
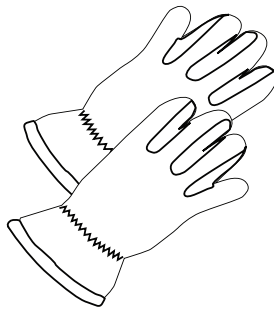
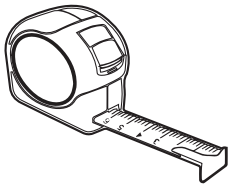
1 - 25 Nm



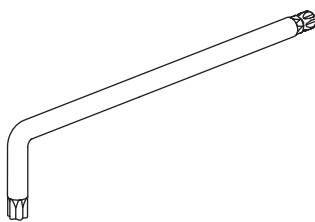
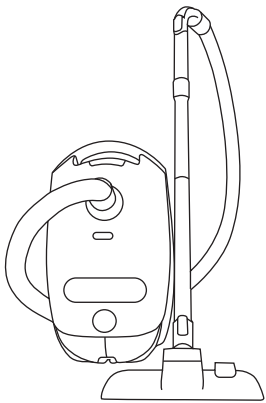
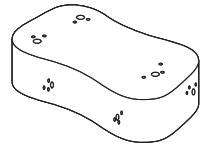
10, 12, 13, 17 mm



ACETONE



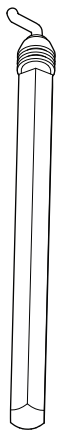
H<sub>2</sub>O



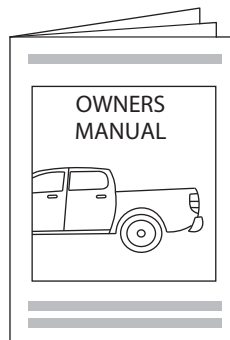
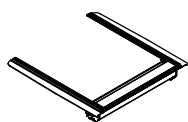
T30, T40



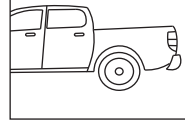
ANTI-RUST



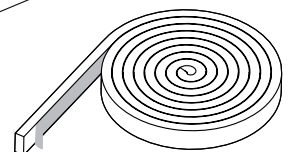
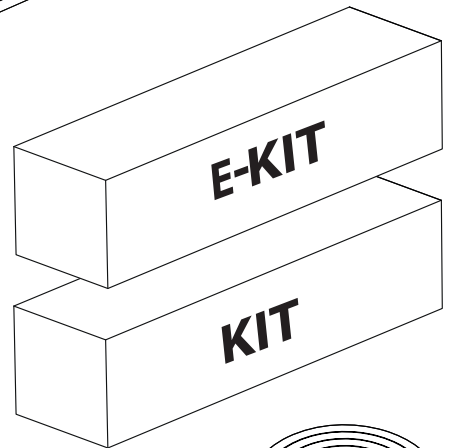
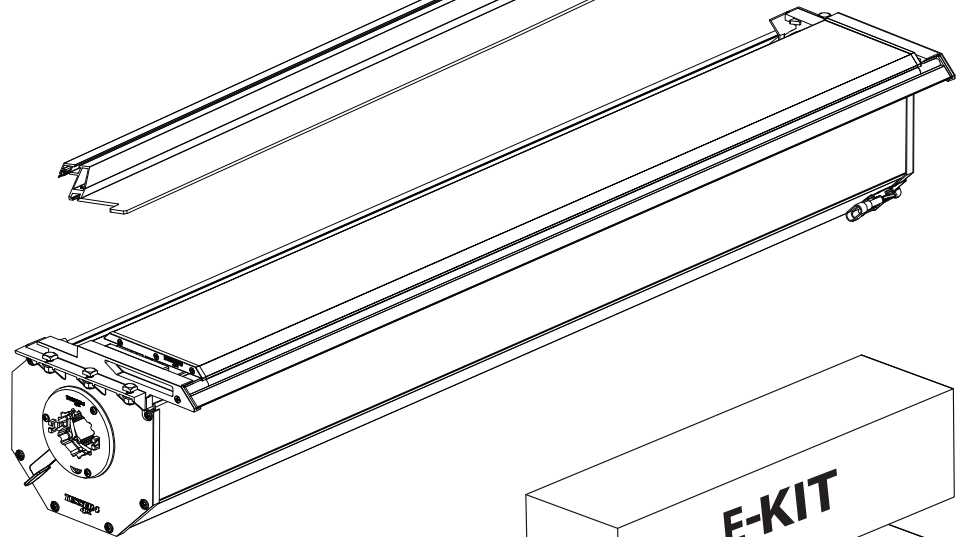
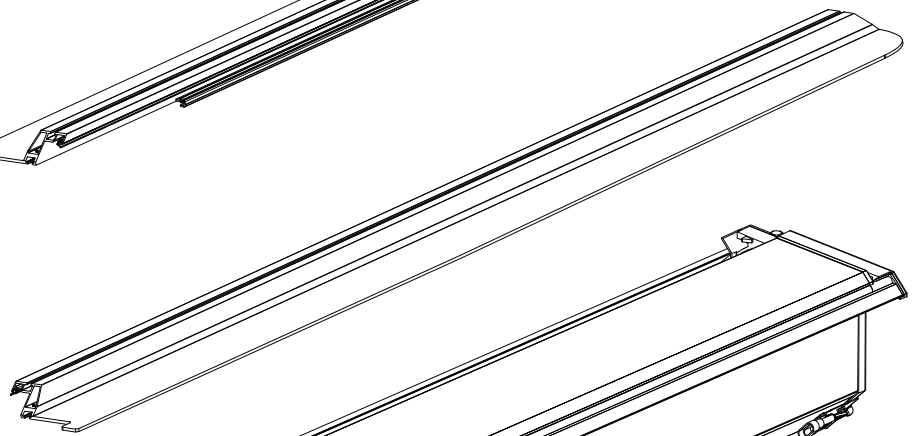
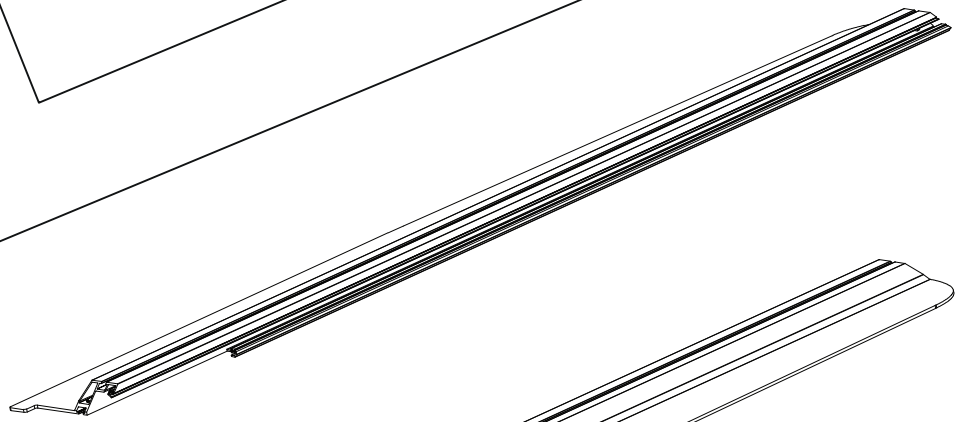
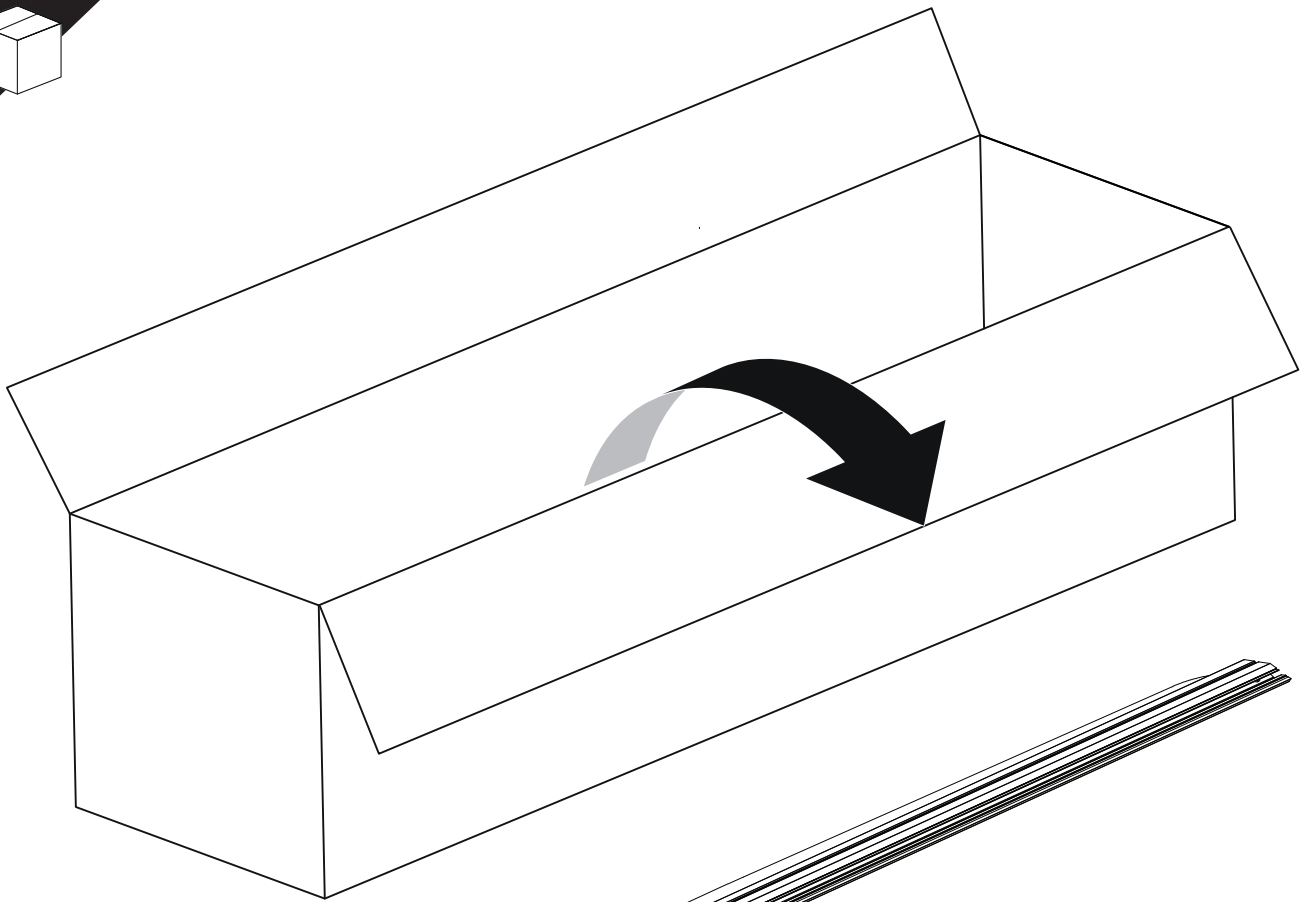
INSTALLATION  
MANUAL  
+E\_KIT



OWNERS  
MANUAL



x1

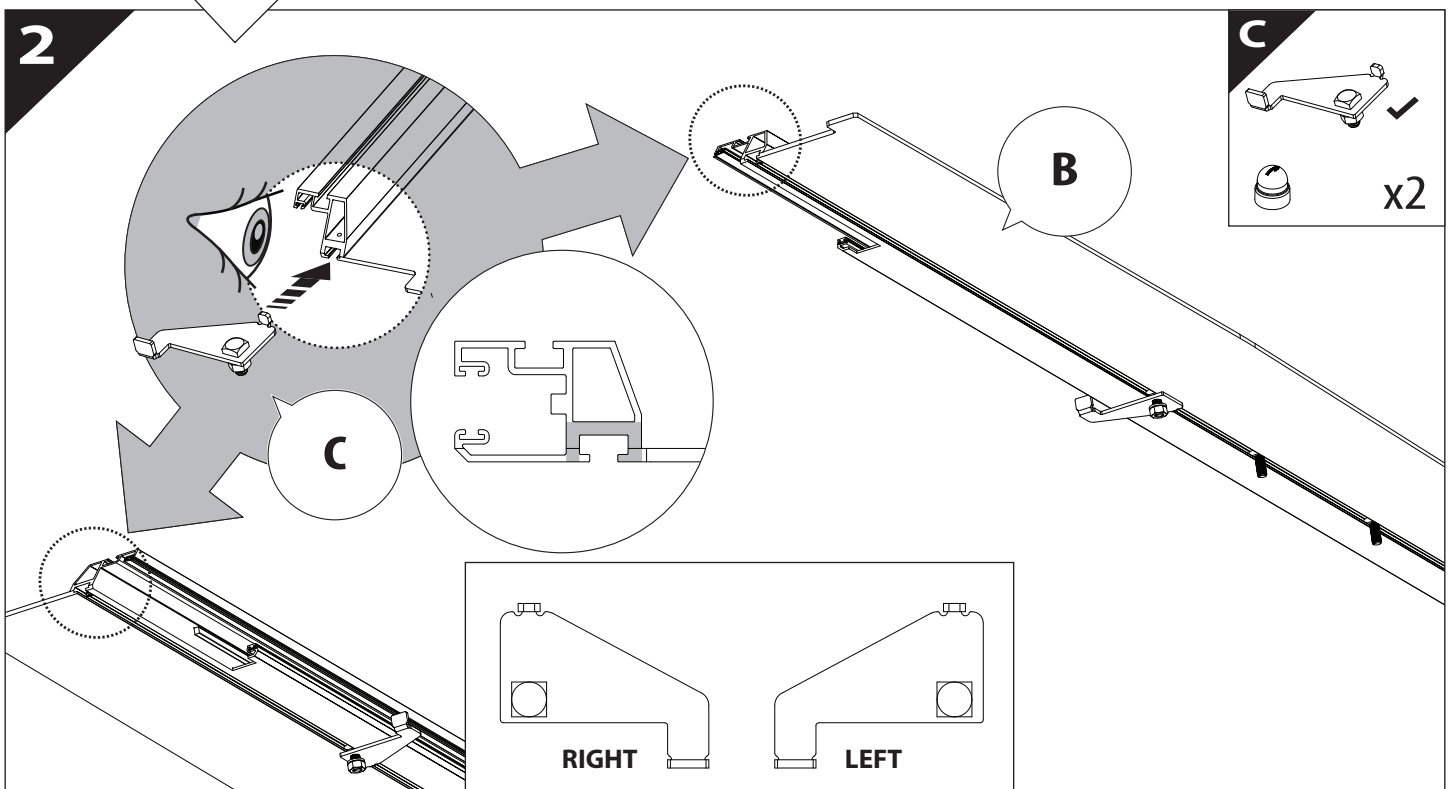
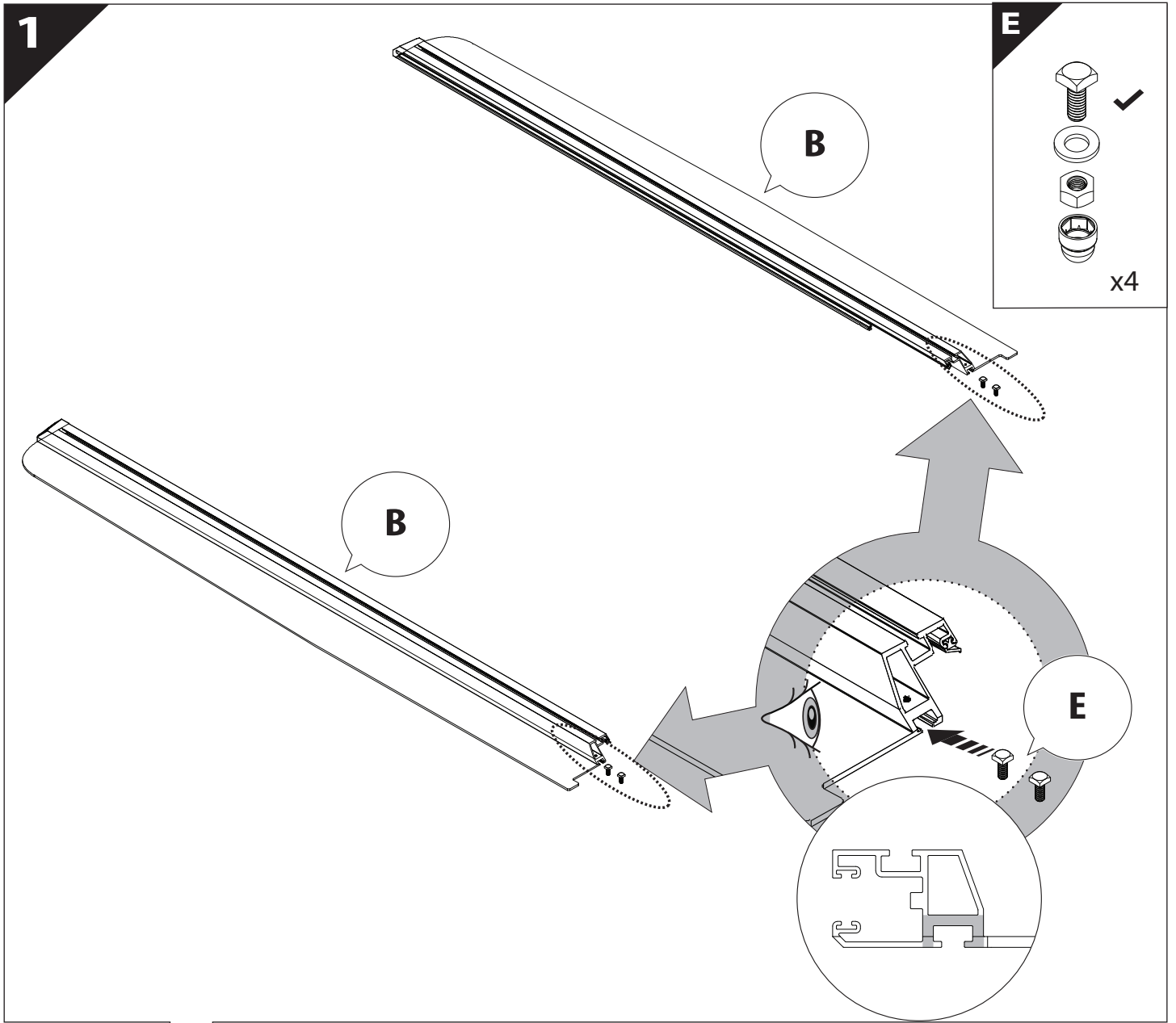


**B**

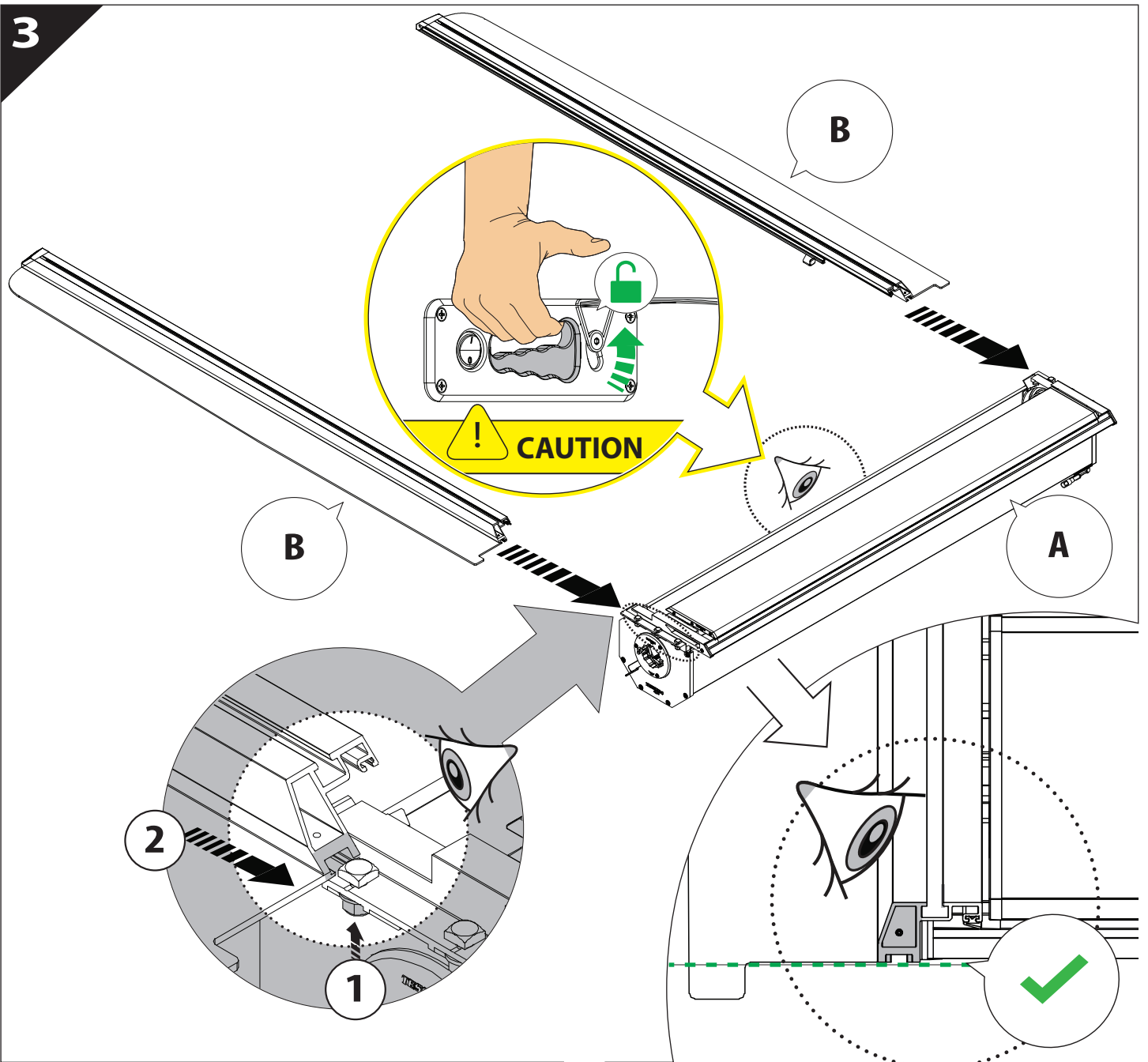
**A**

**KITS**

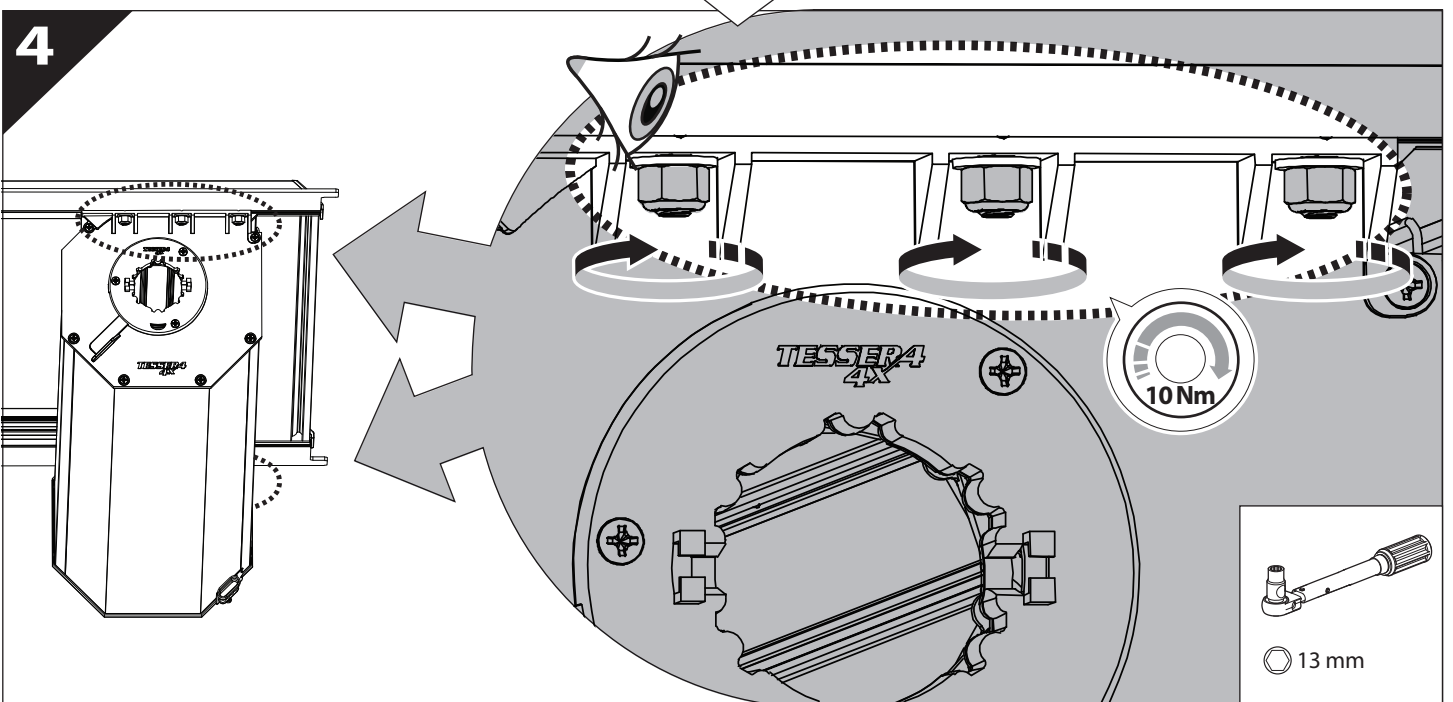
**L**

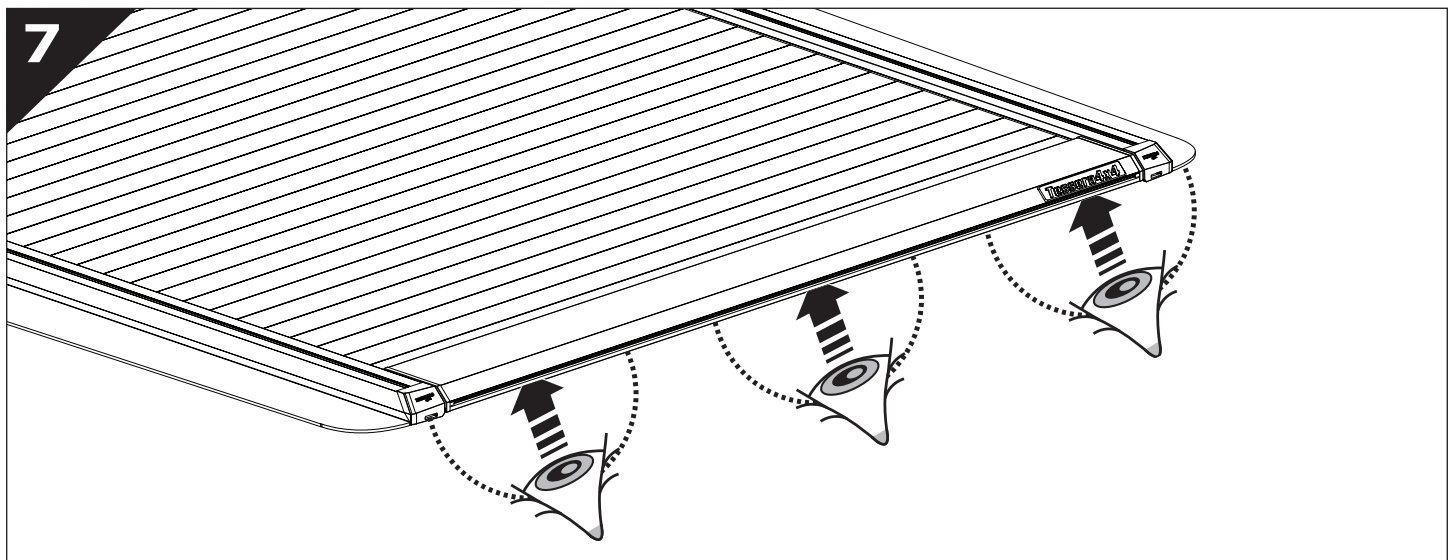
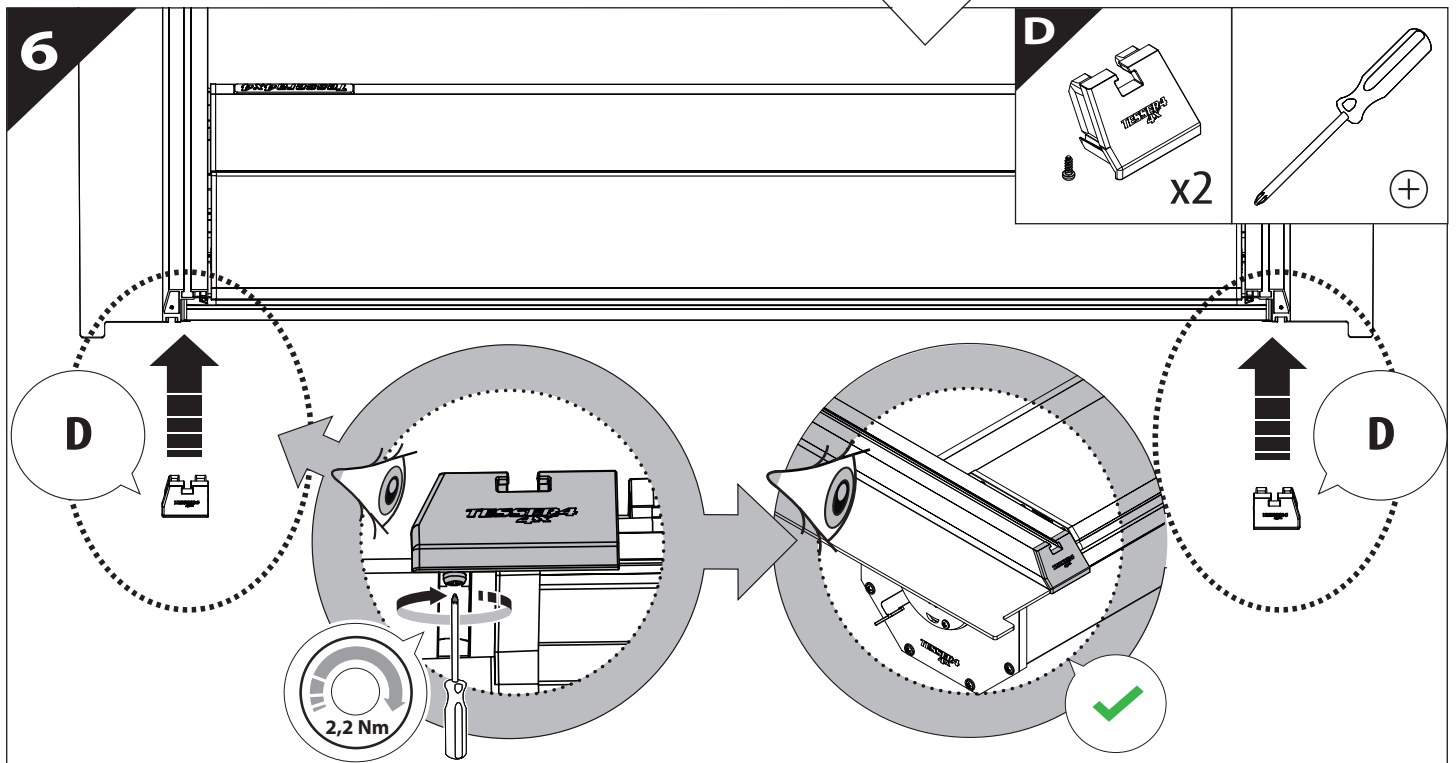
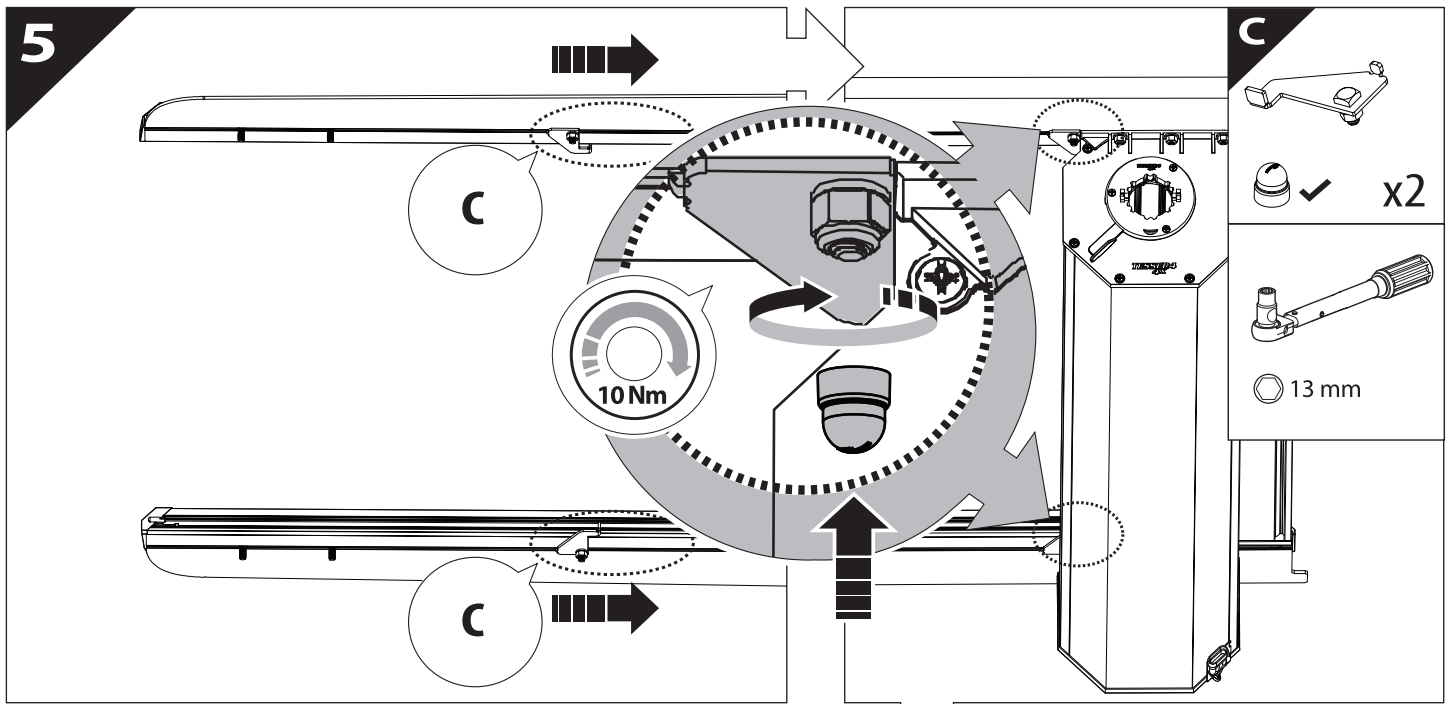


3

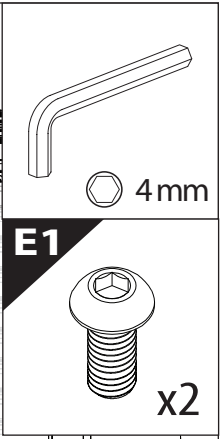
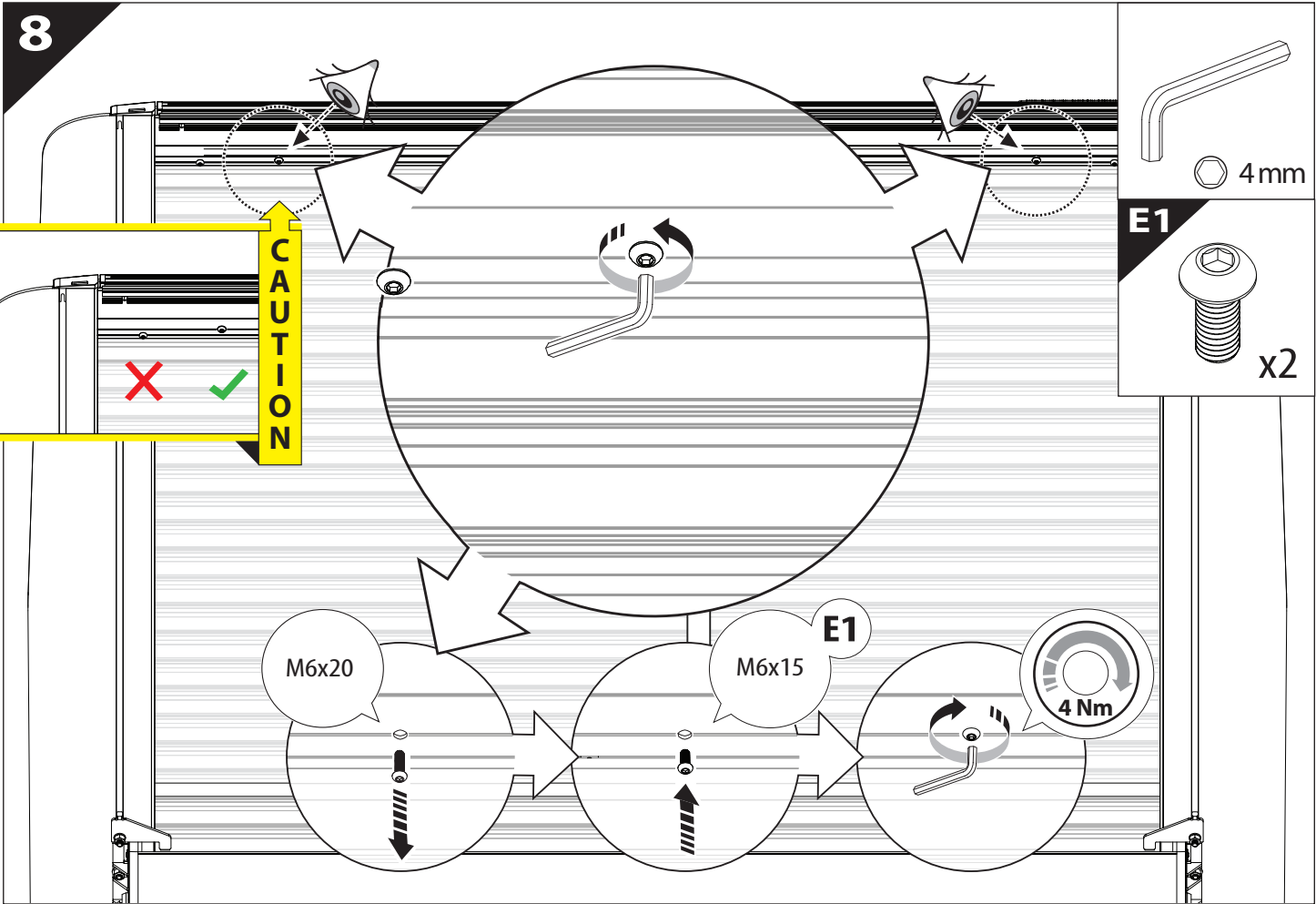
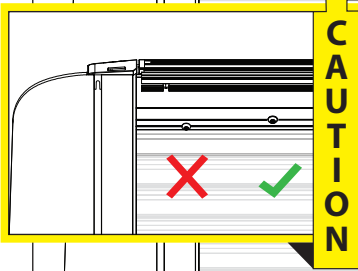


4

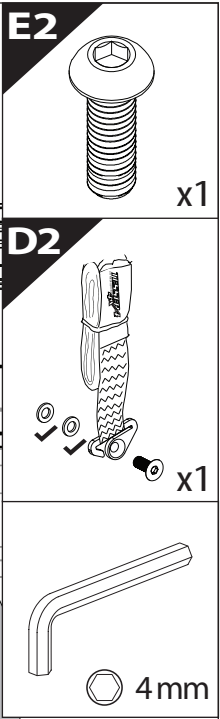
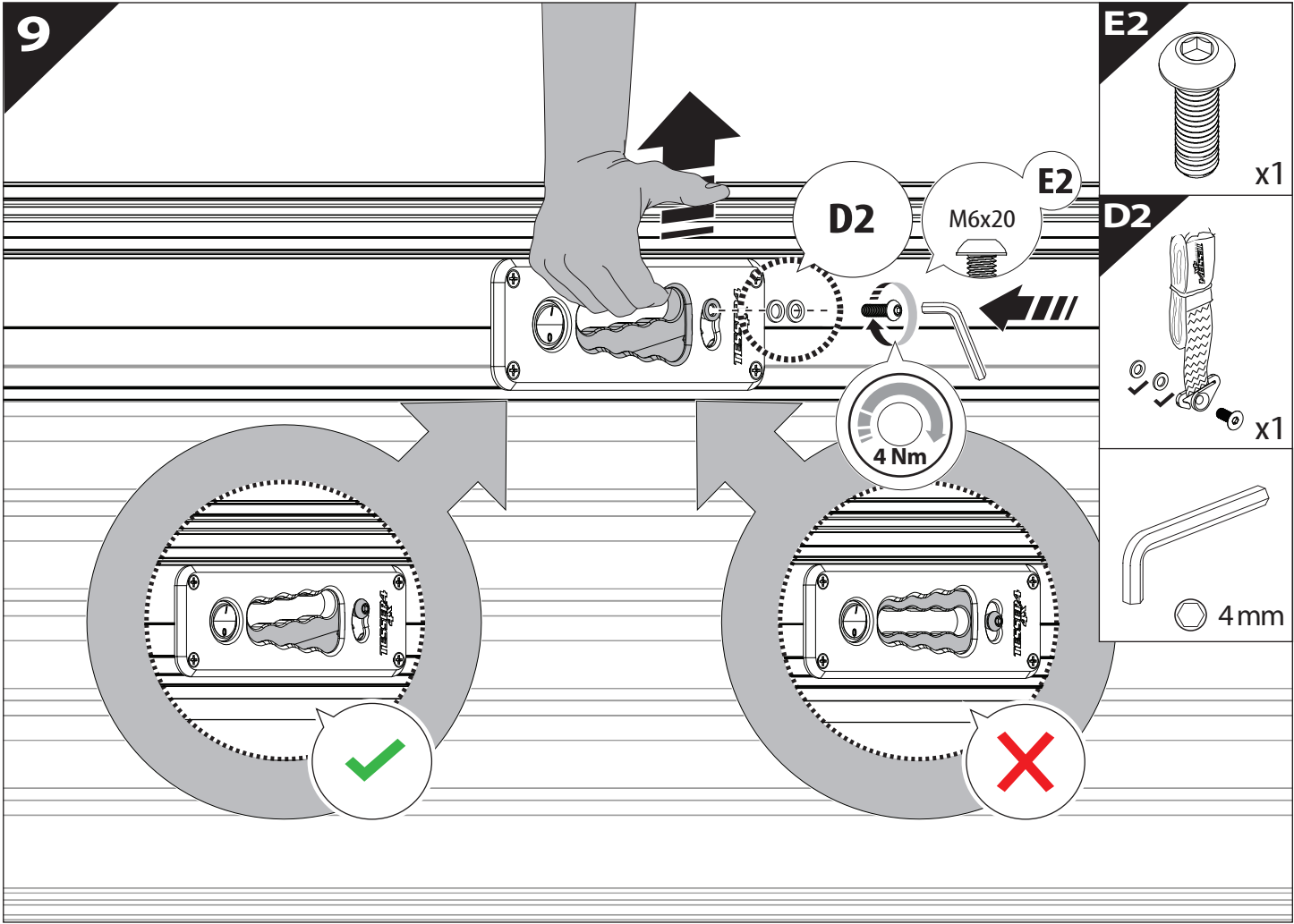


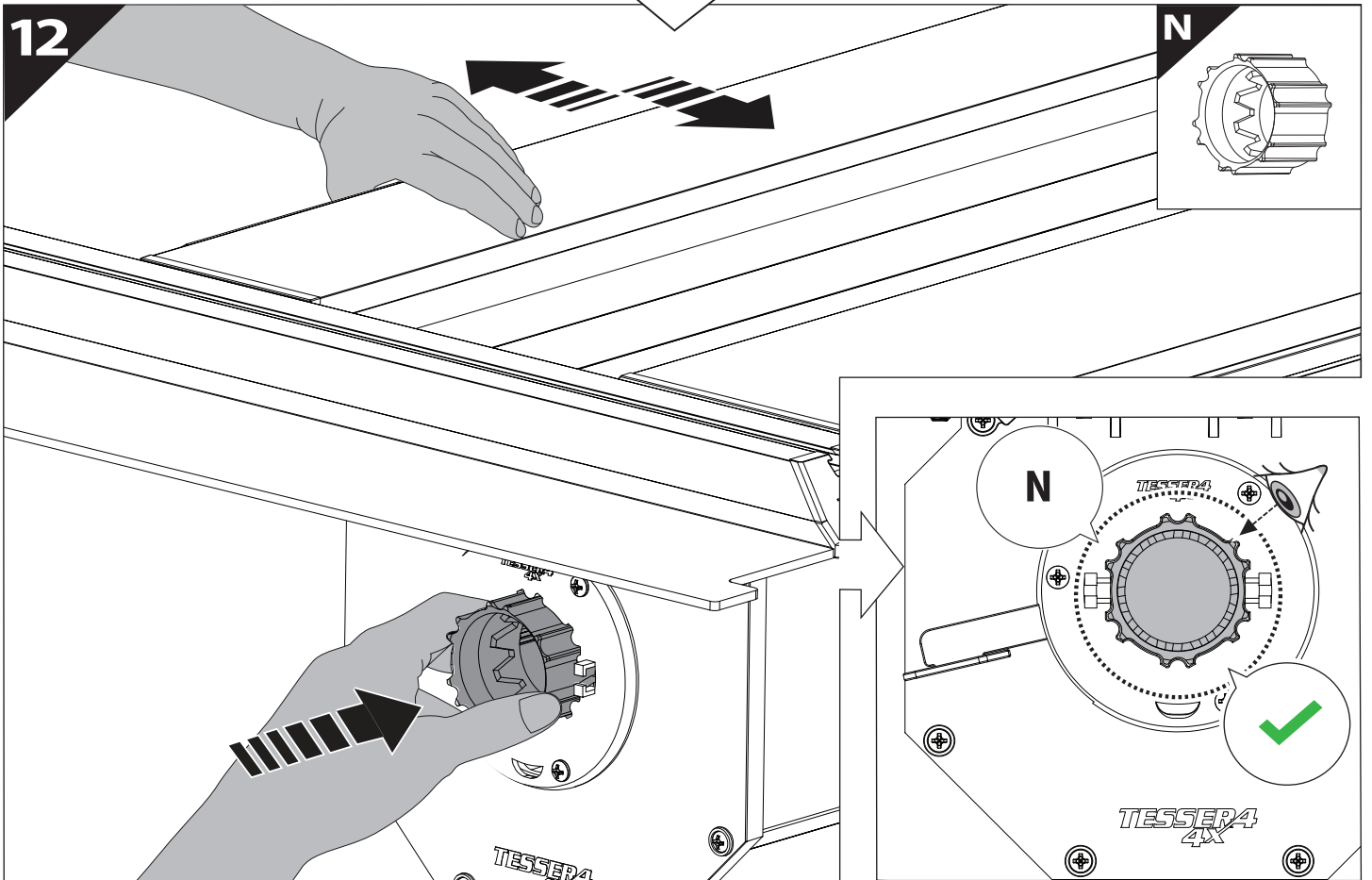
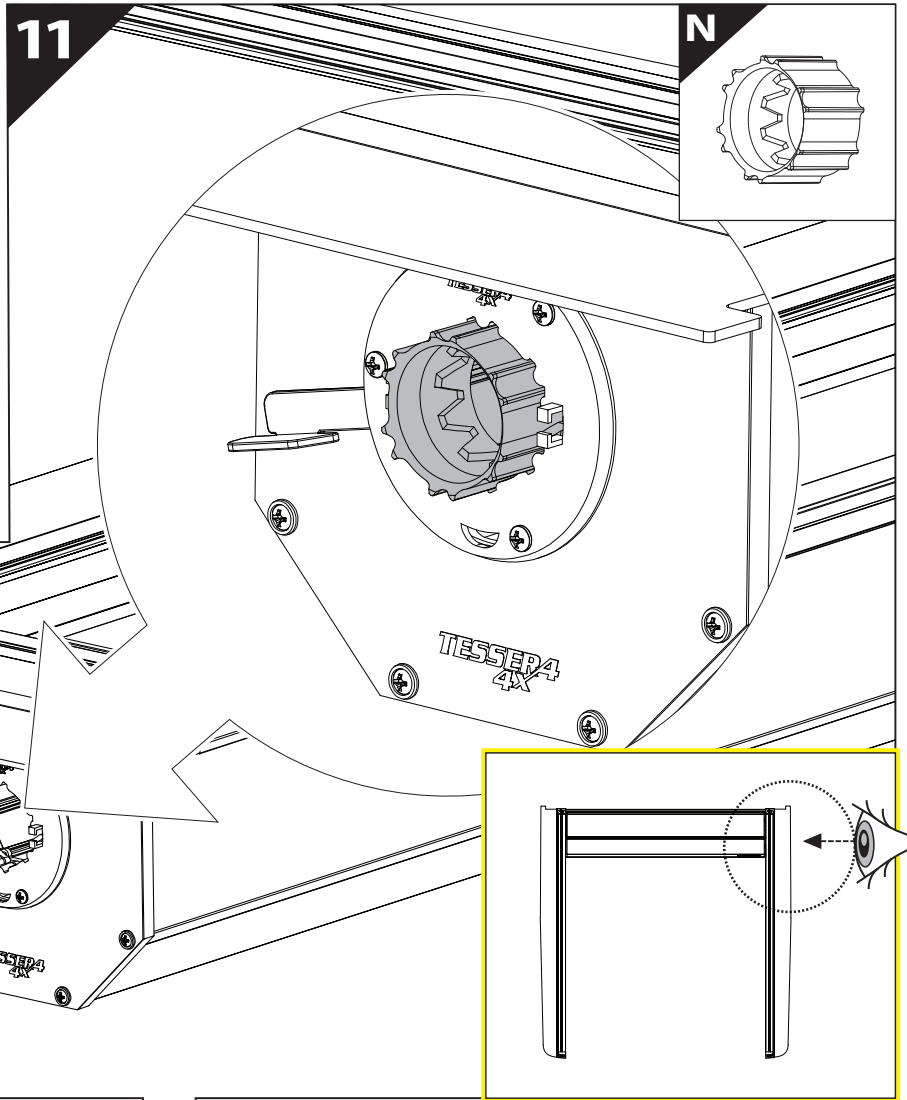
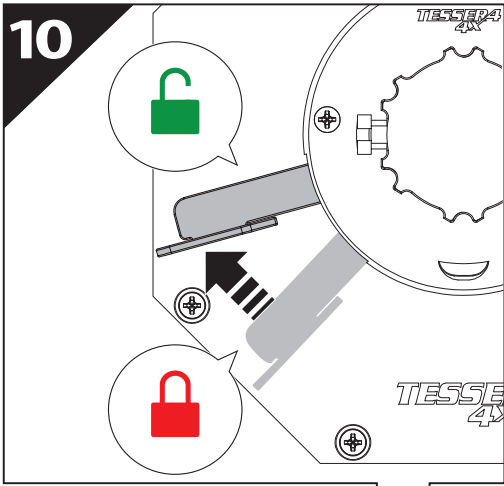


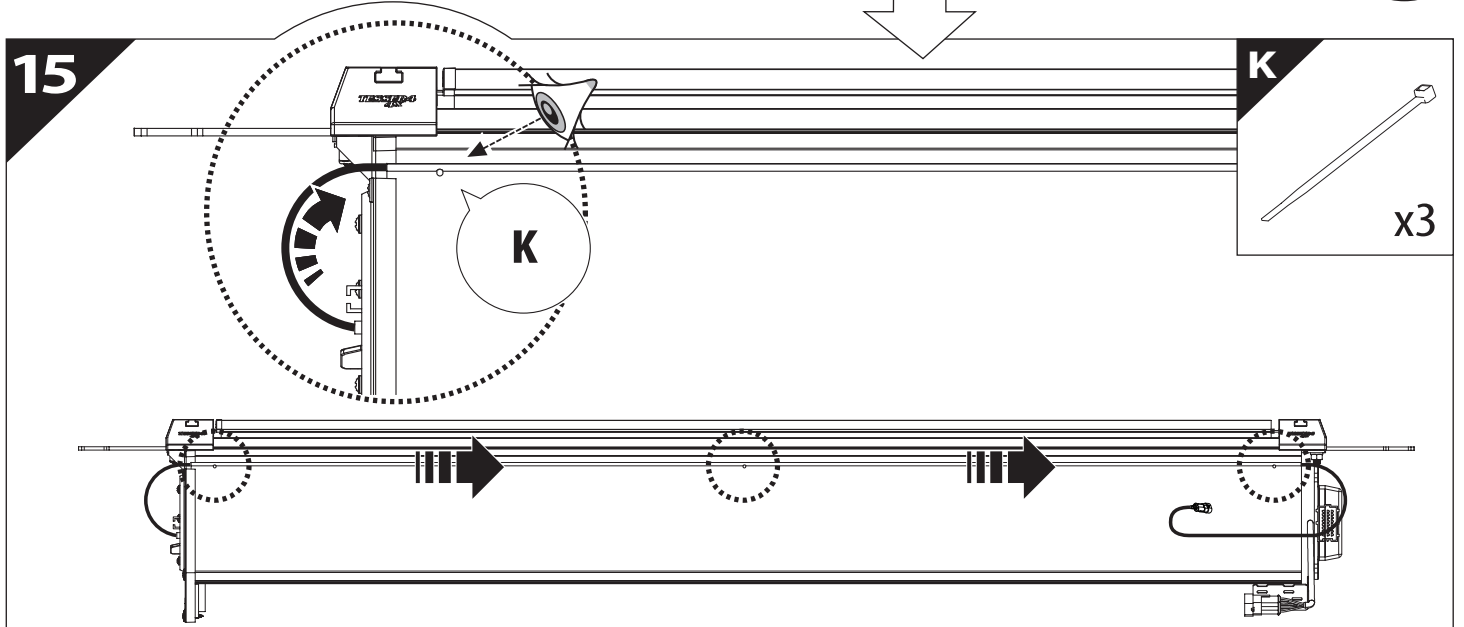
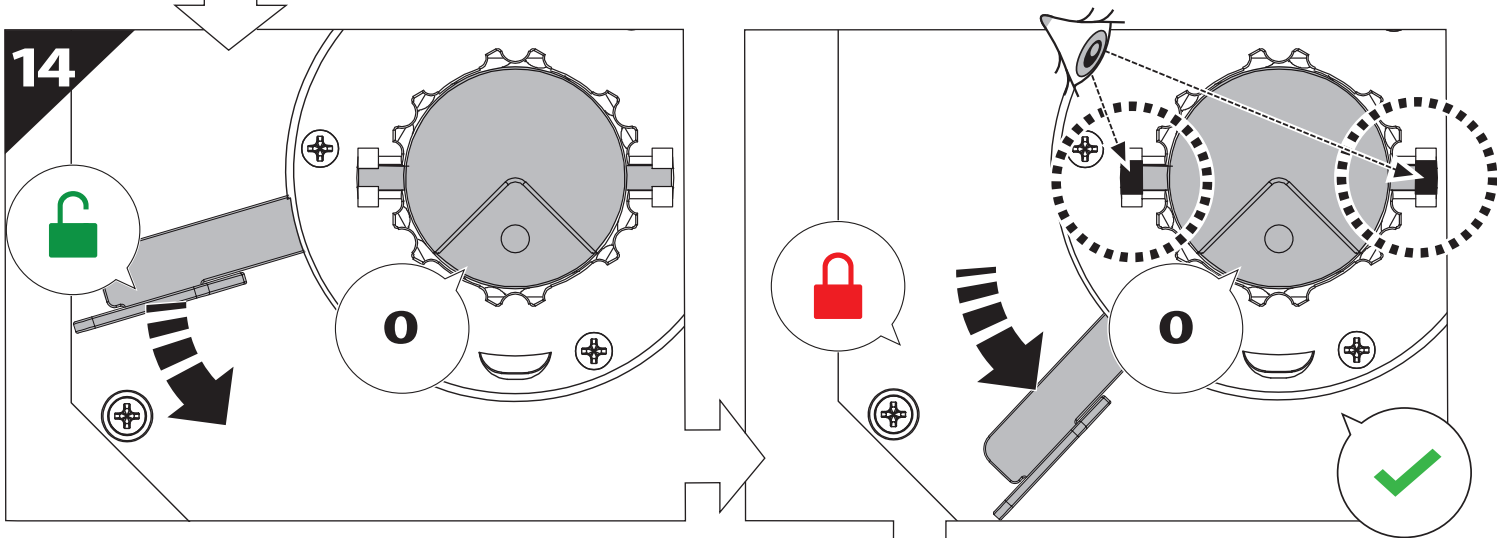
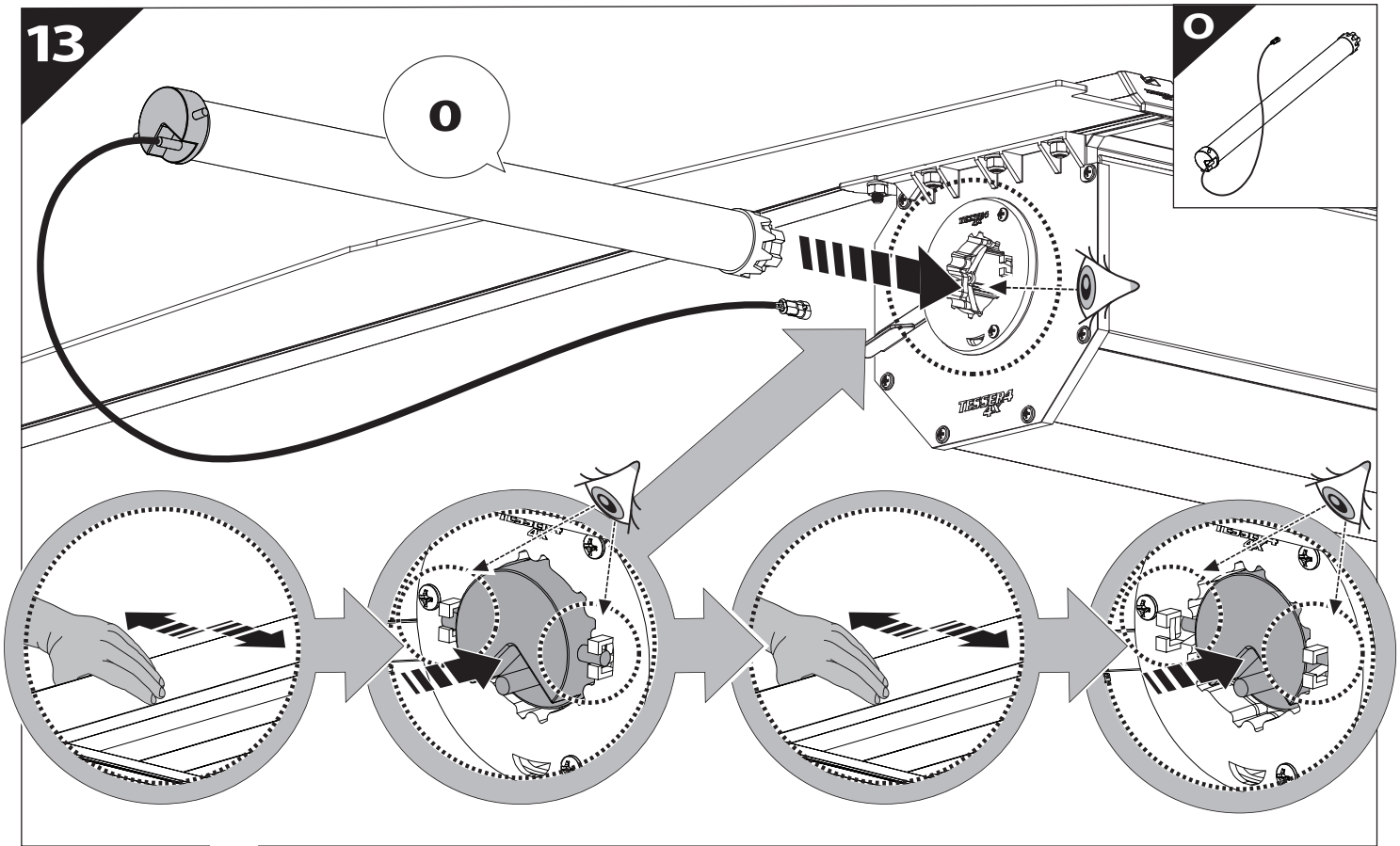
8

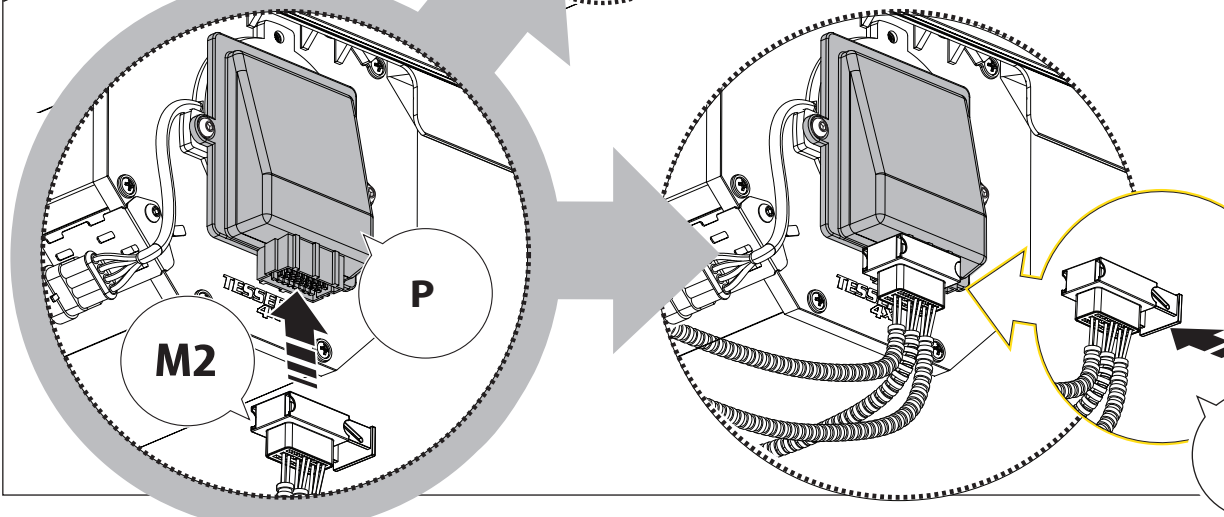
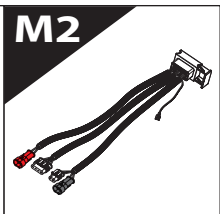
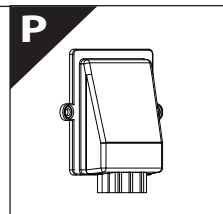
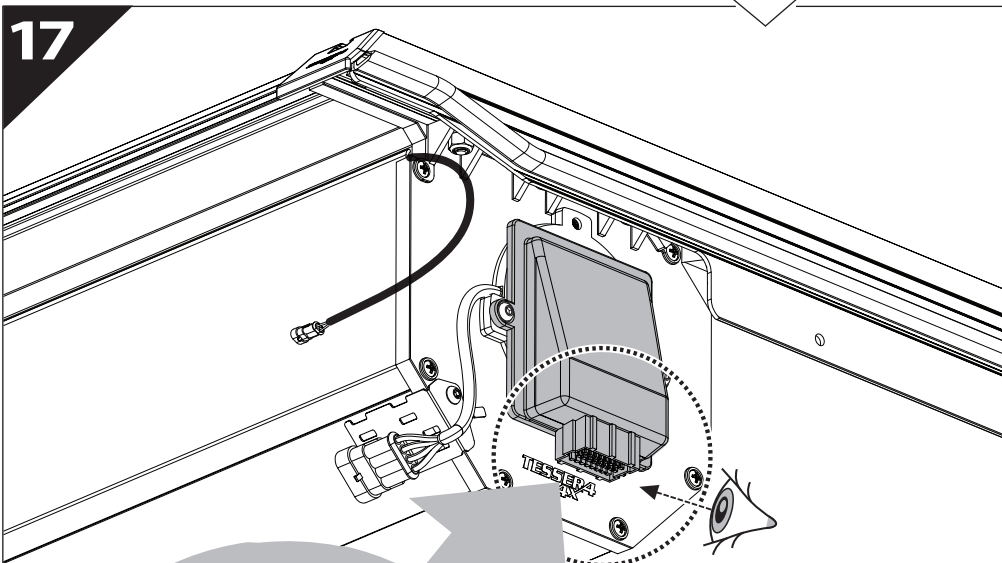
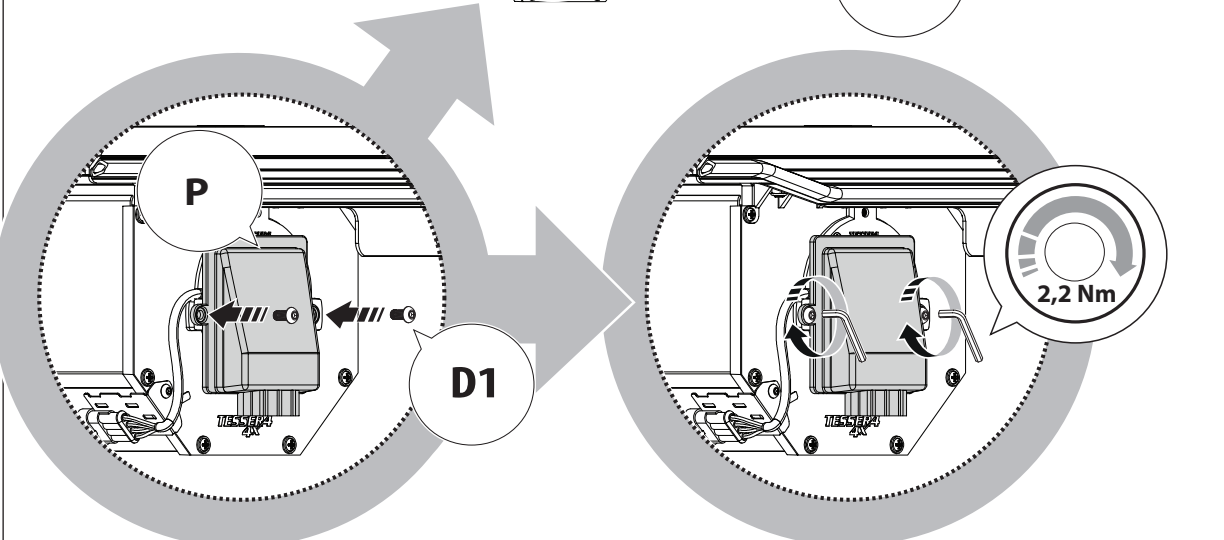
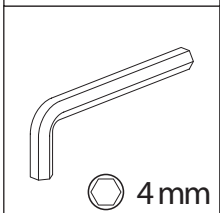
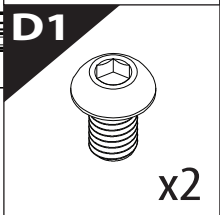
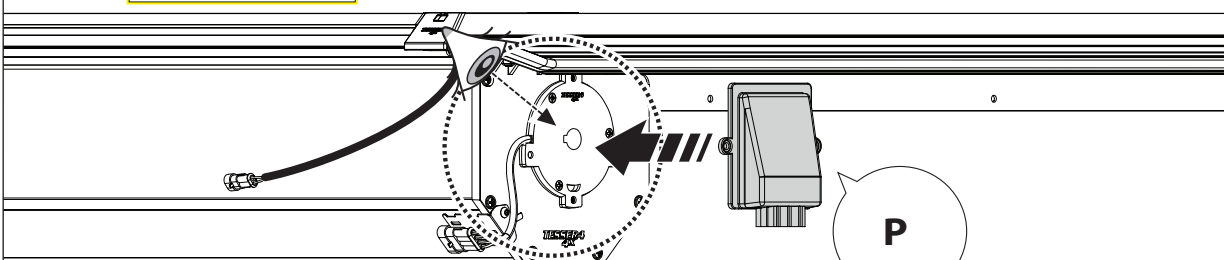
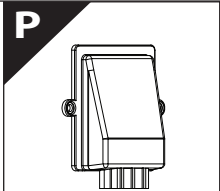
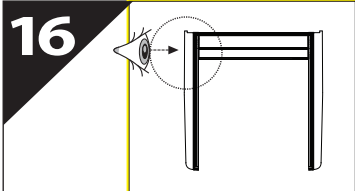


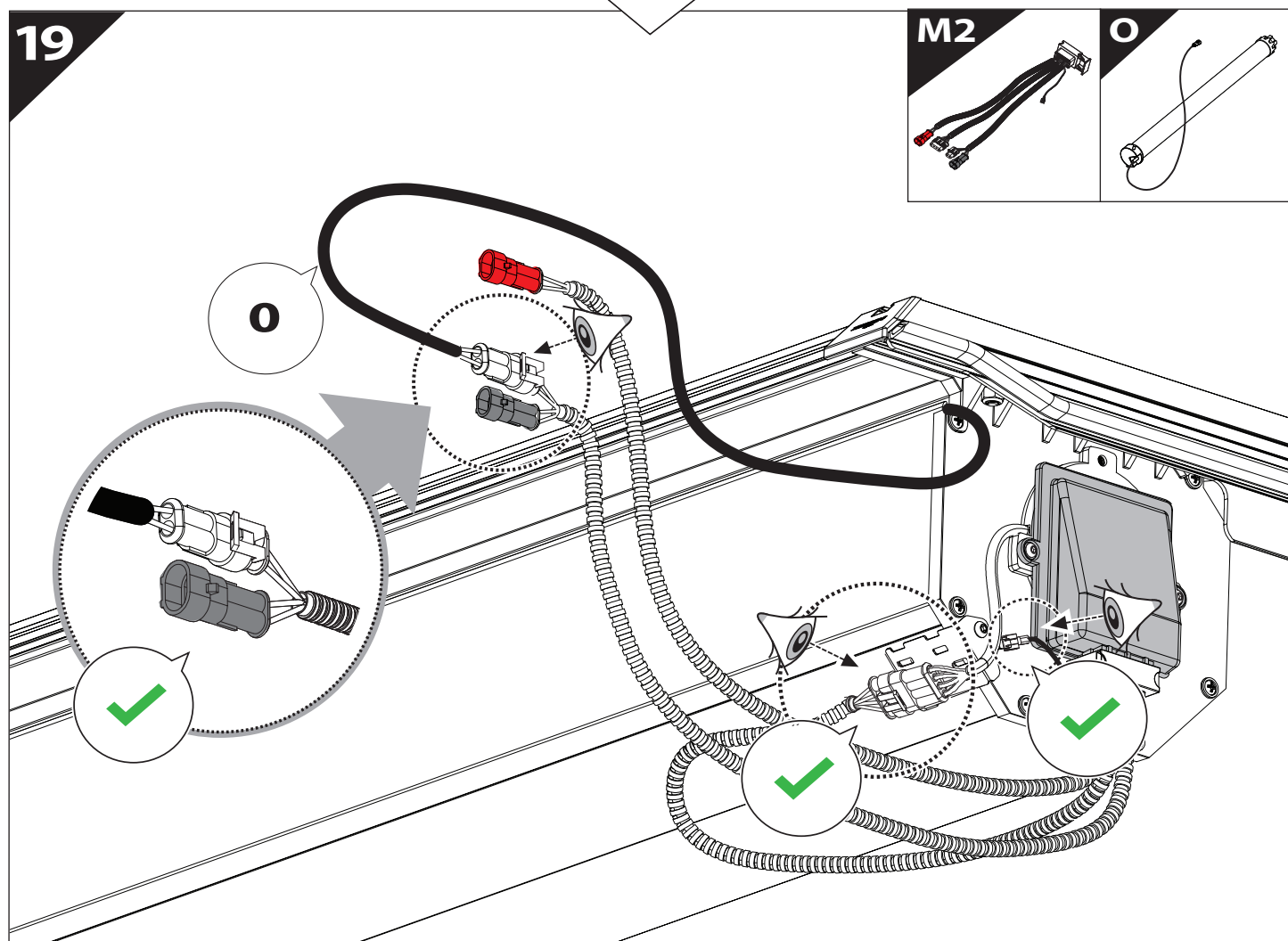
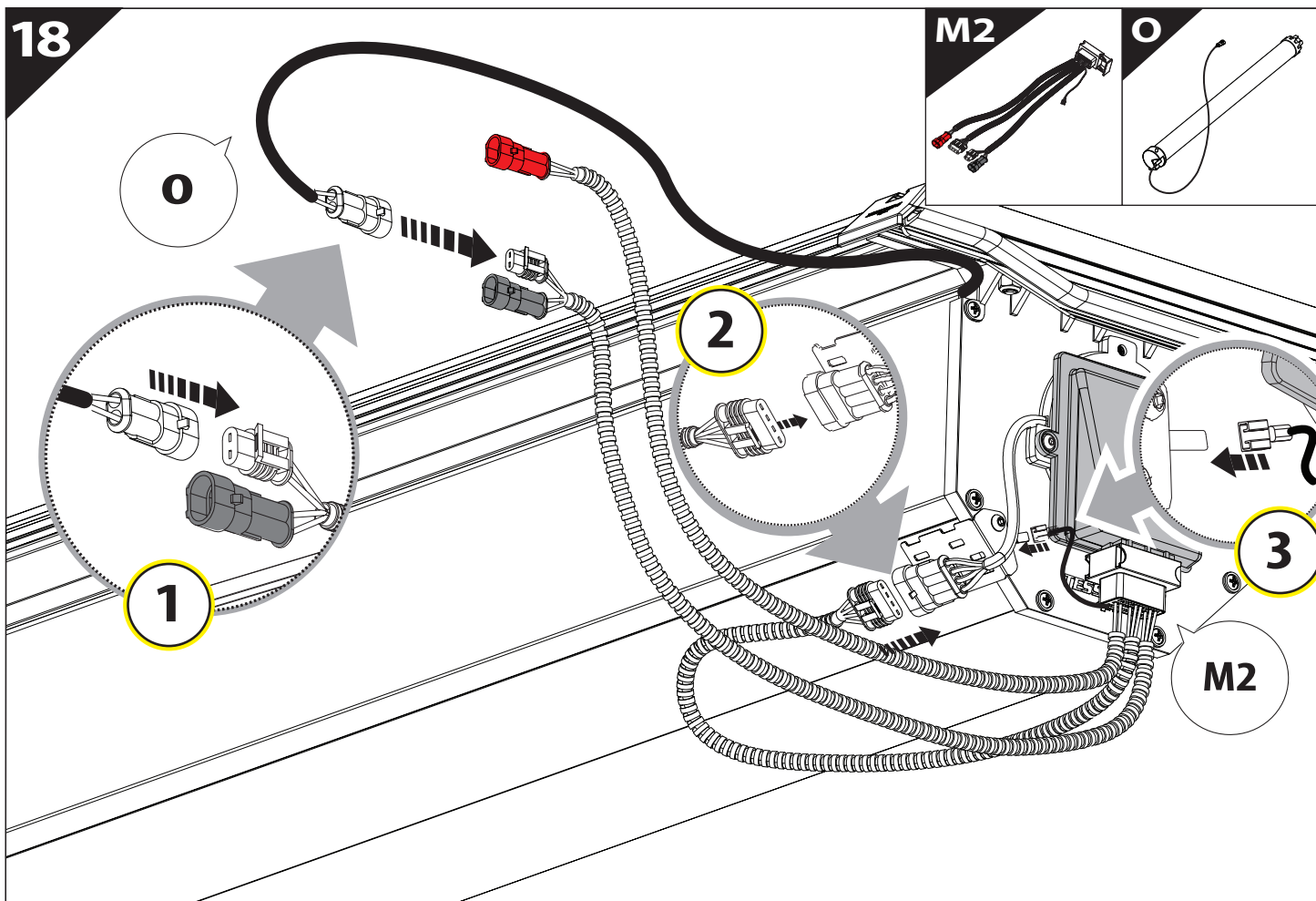
9

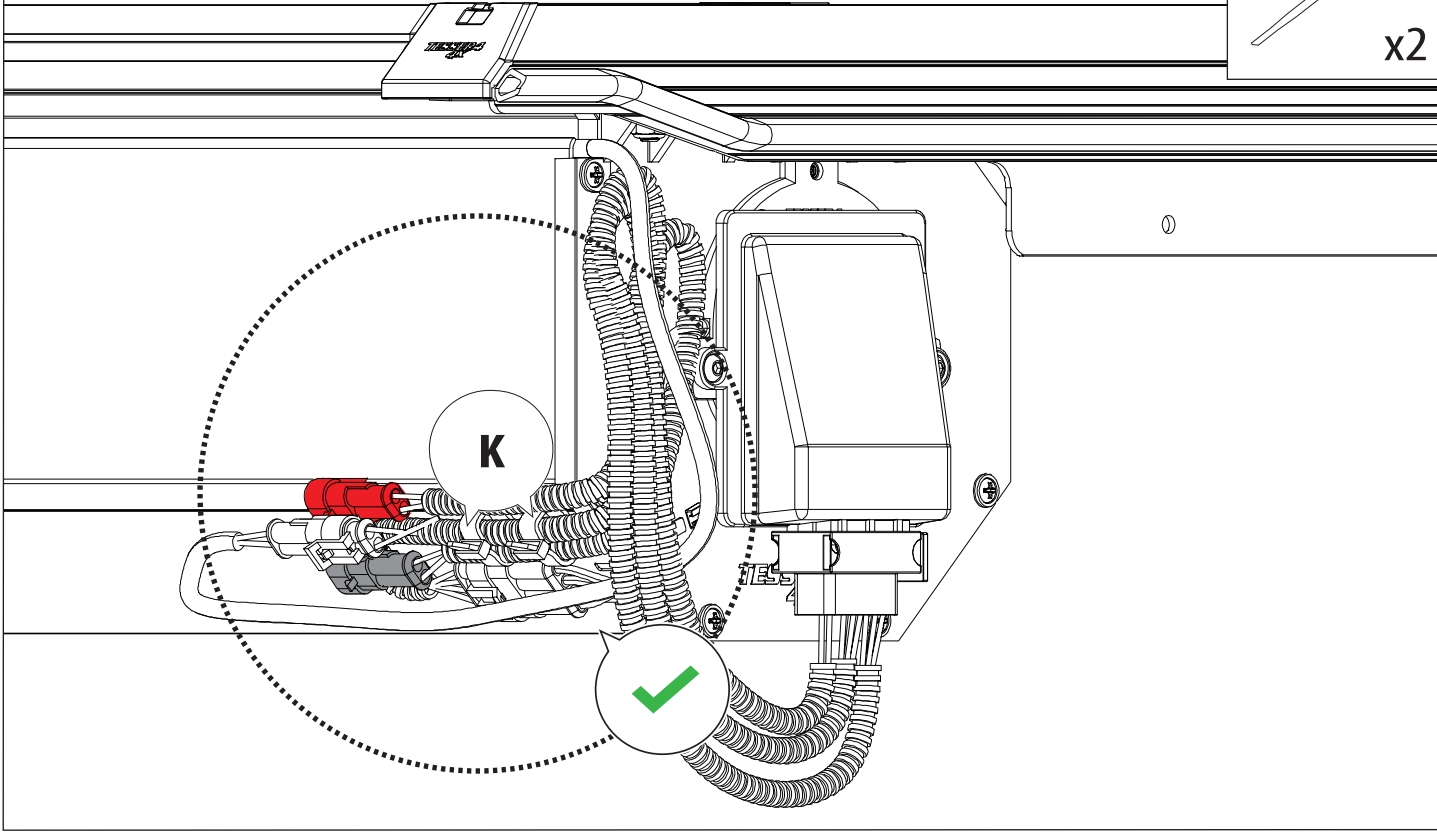
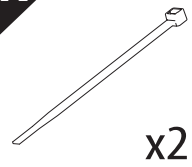


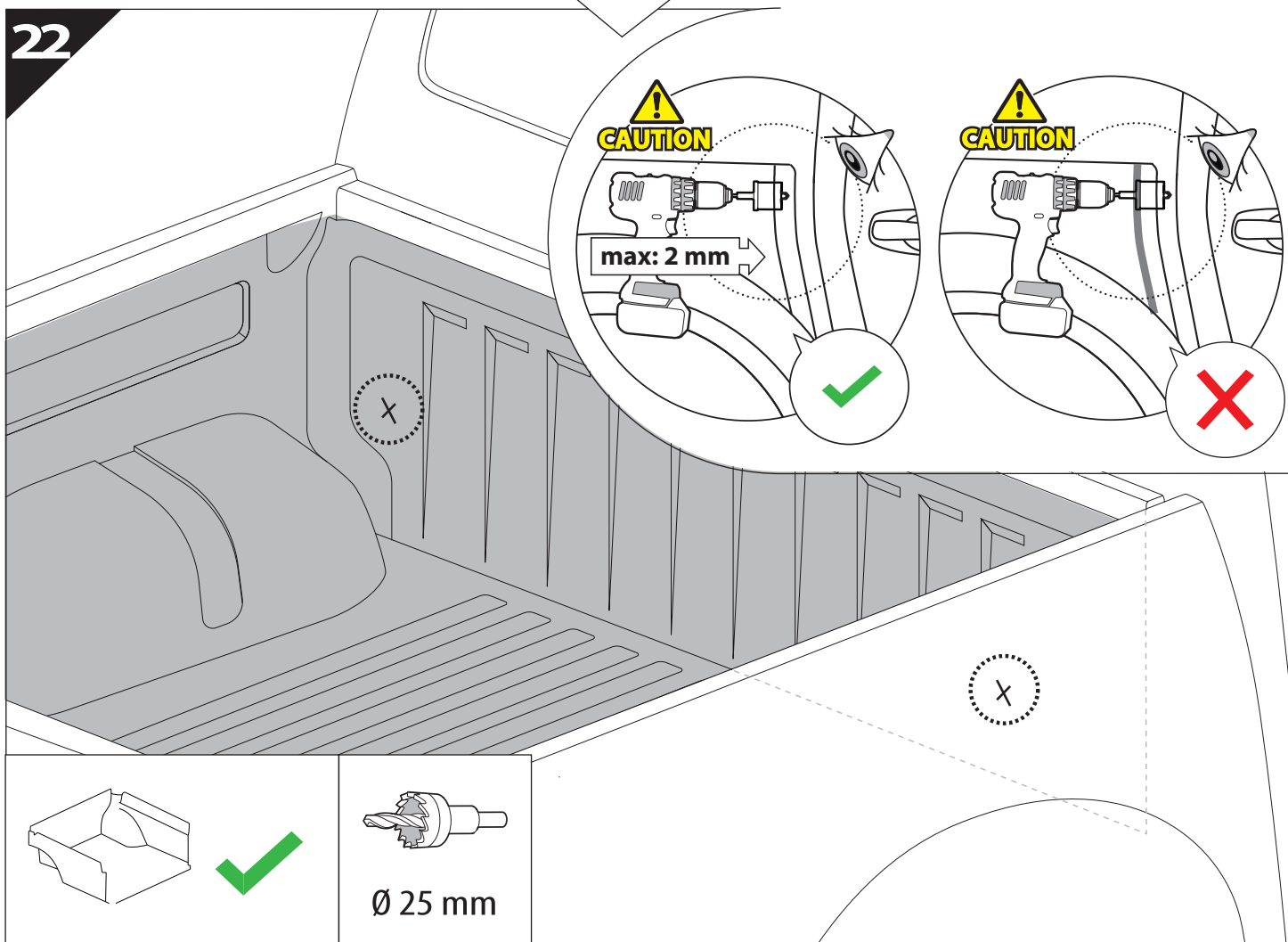
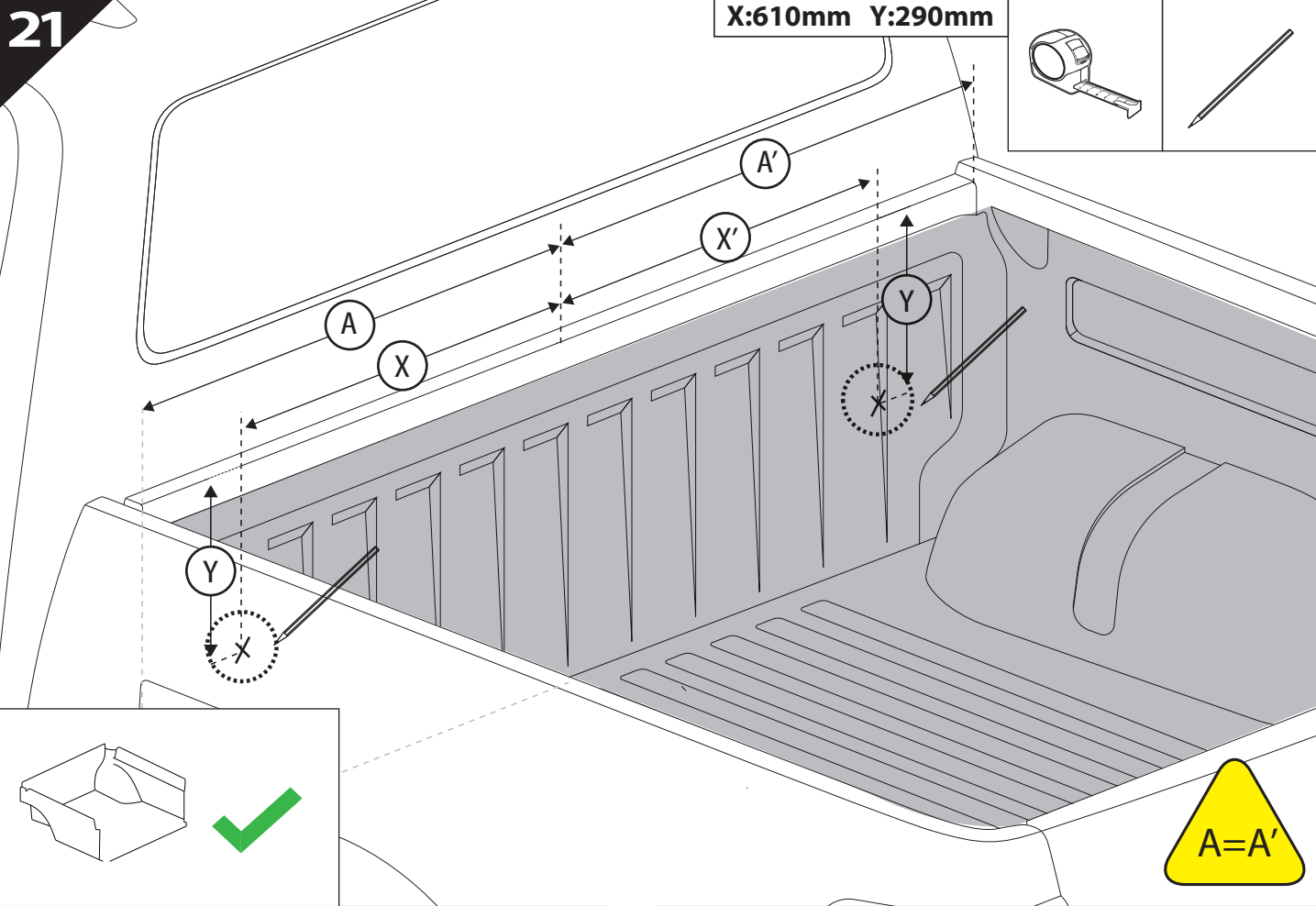






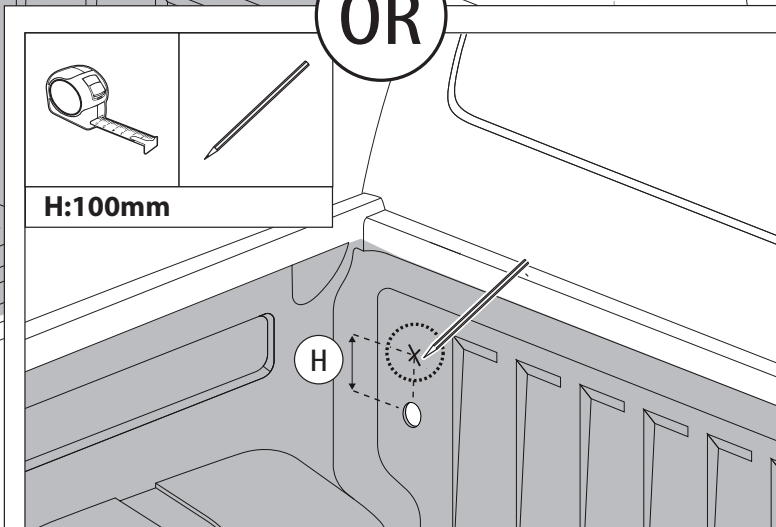
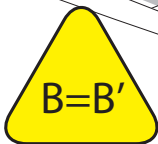
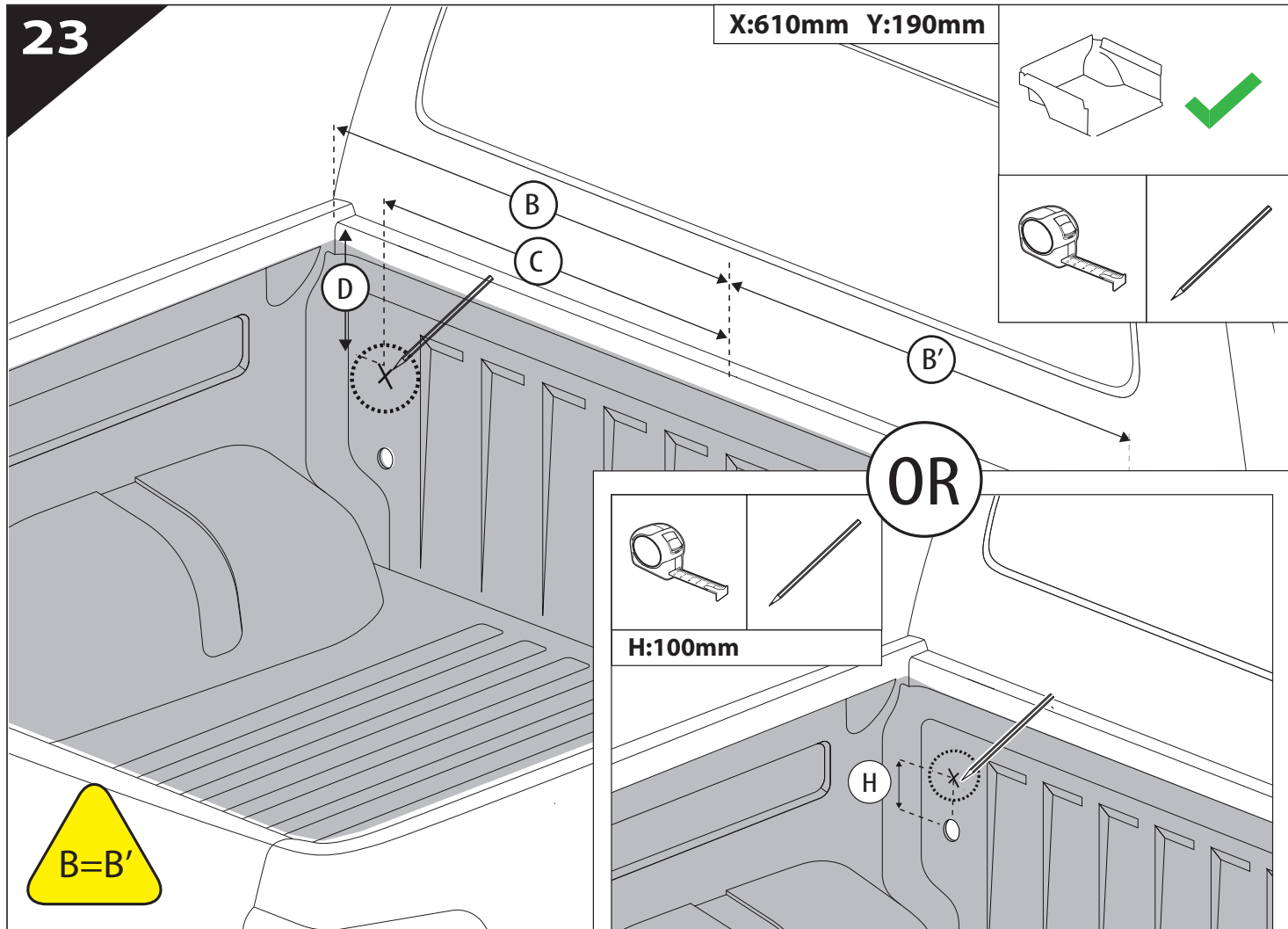
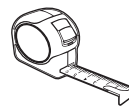
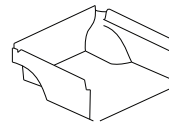




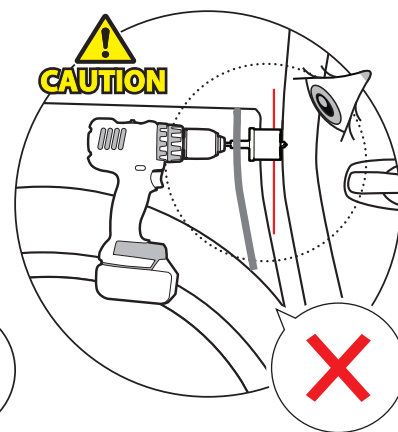
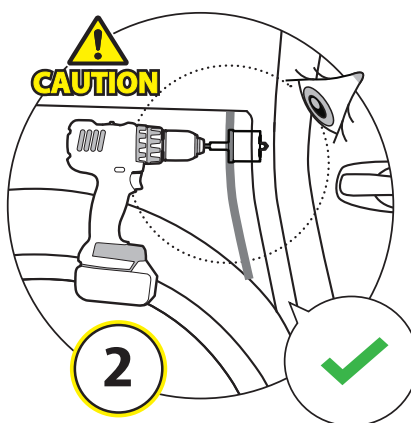
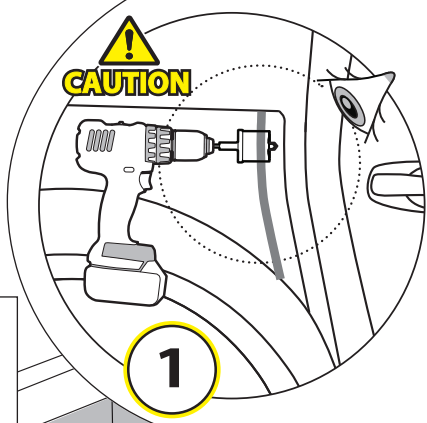


23

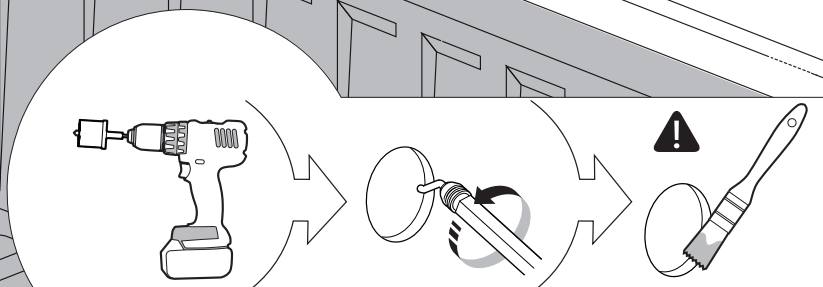
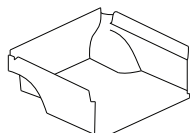
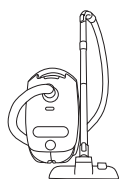
X:610mm Y:190mm

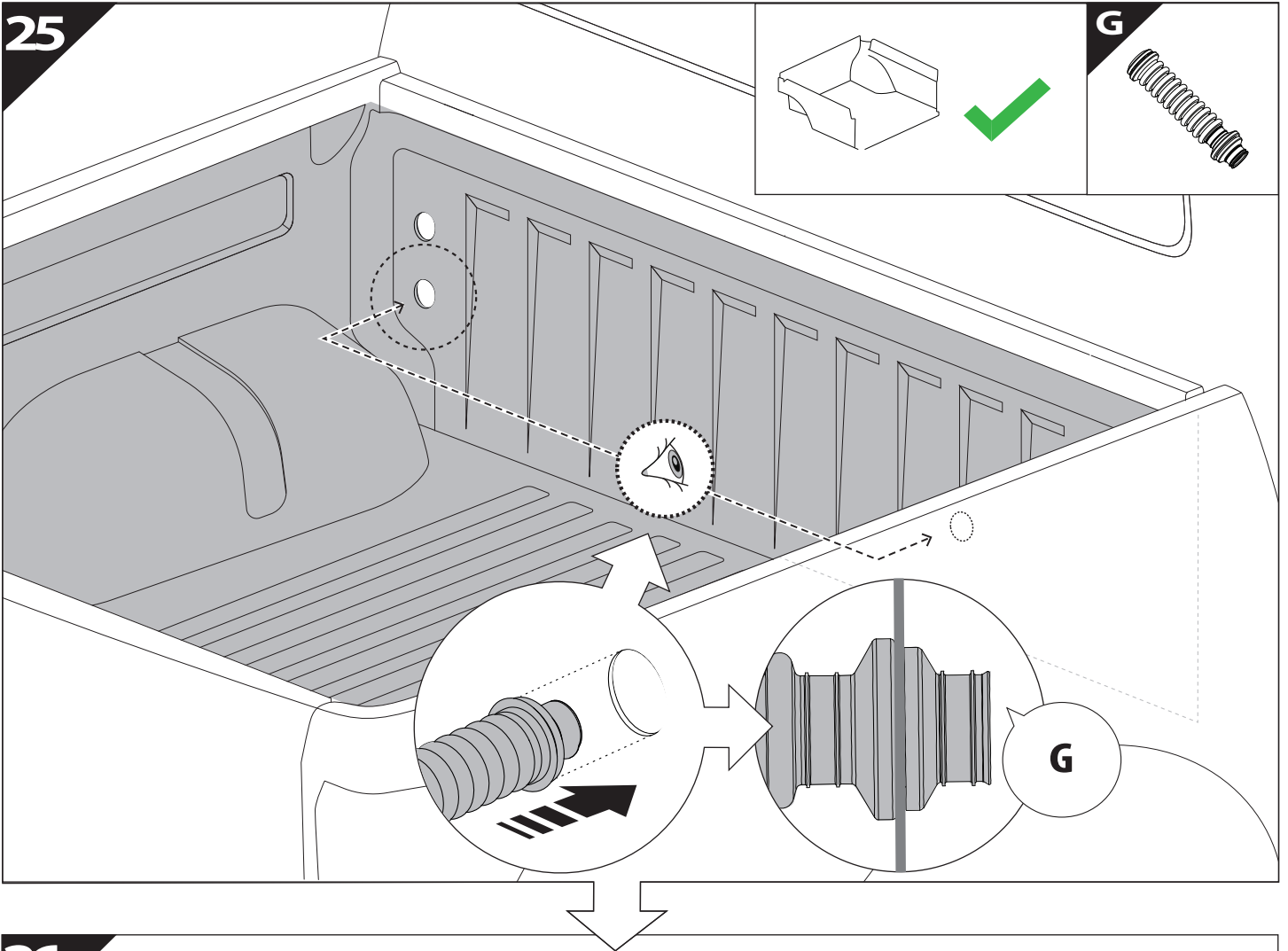


24

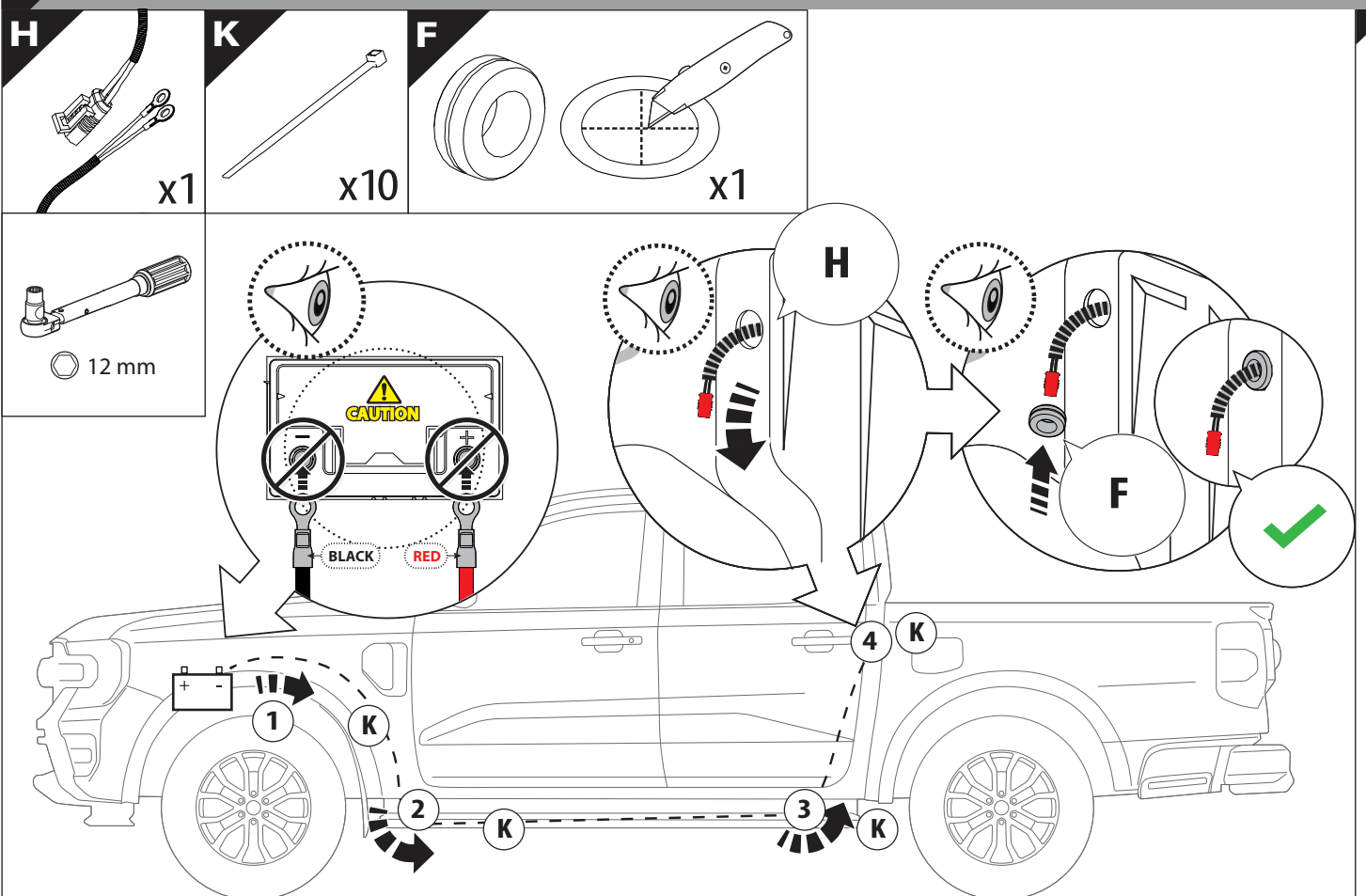


Ø 25 mm

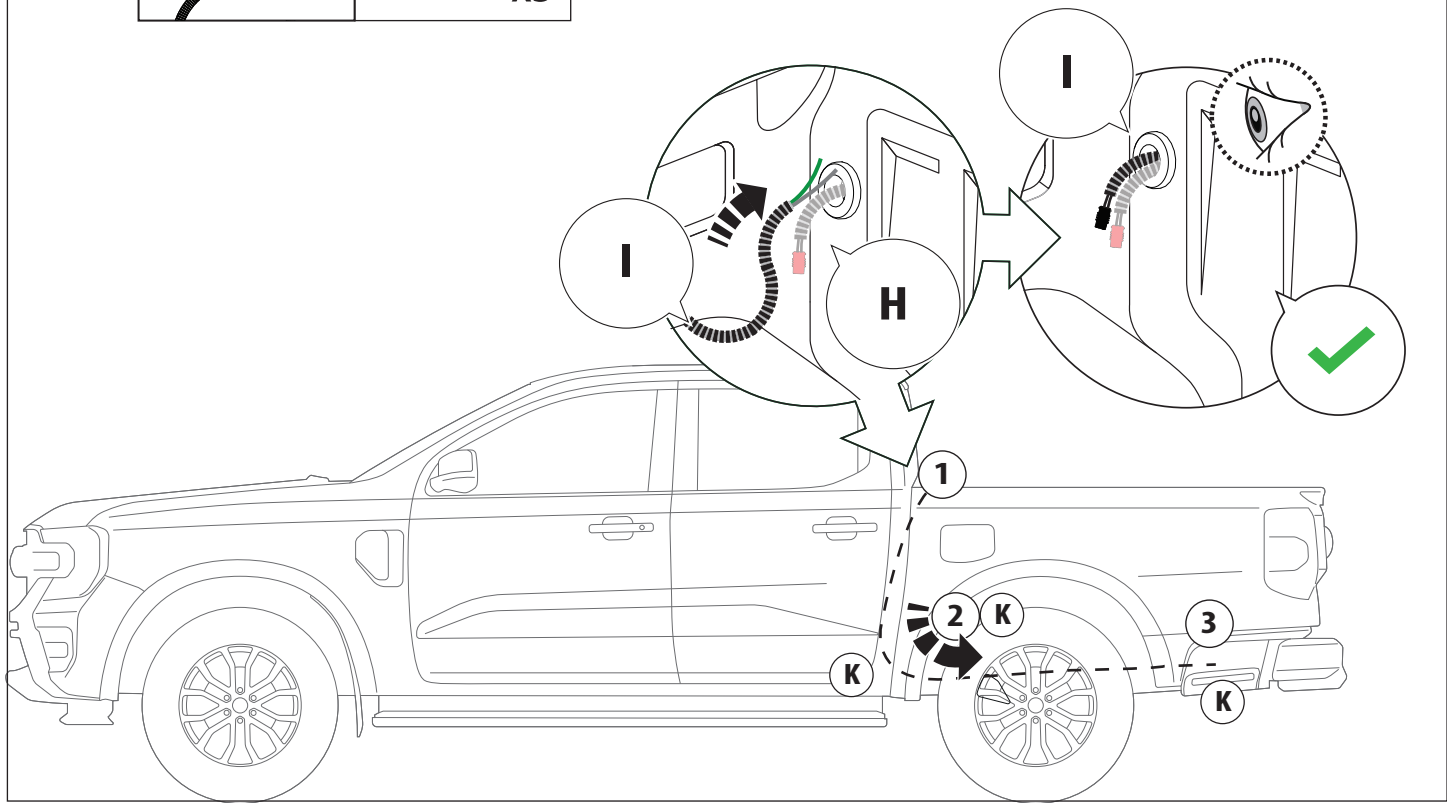
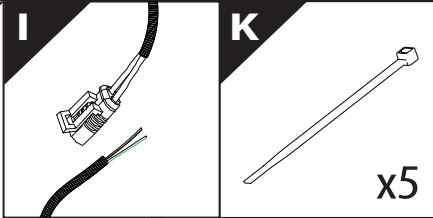




**26** Only to be installed by authorized personnel



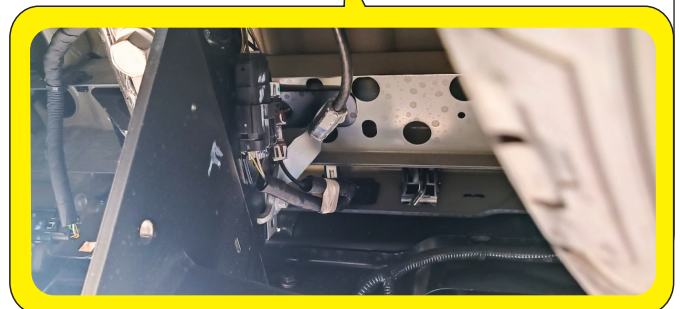
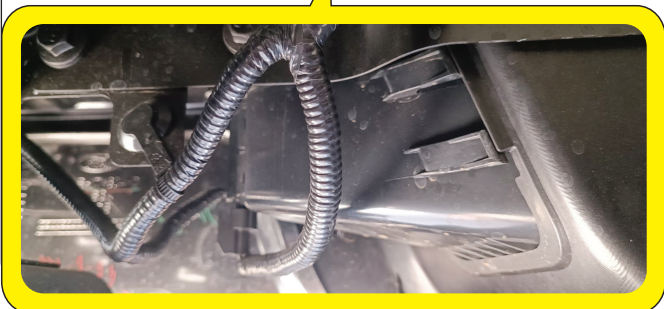
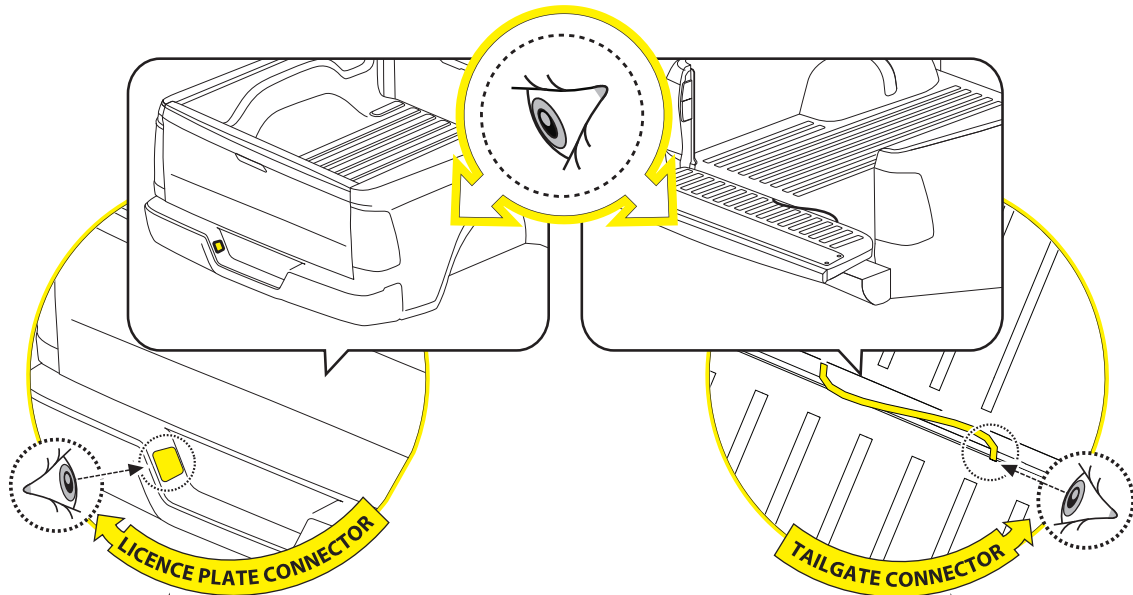
27



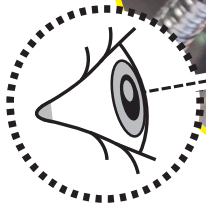
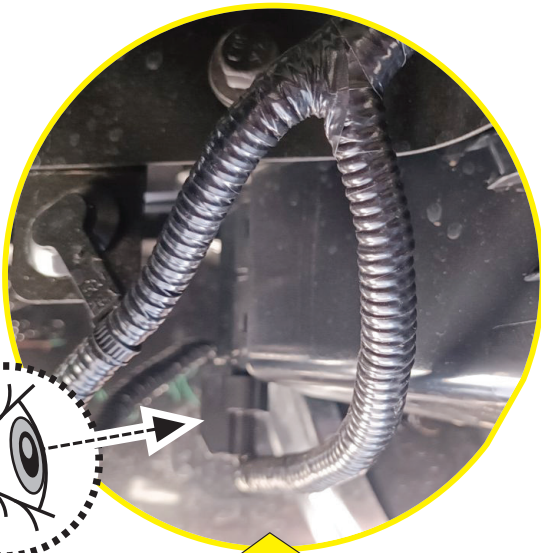
28



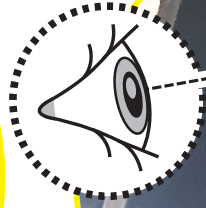
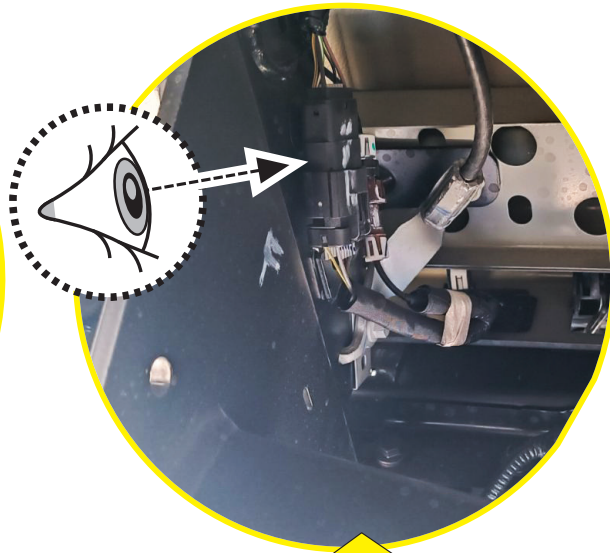
CAUTION: LIMITED, WILDTRAK, WILDTRAK X, PLATINUM



28. ①



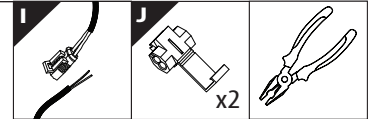
LICENCE PLATE CONNECTOR



TAILGATE CONNECTOR

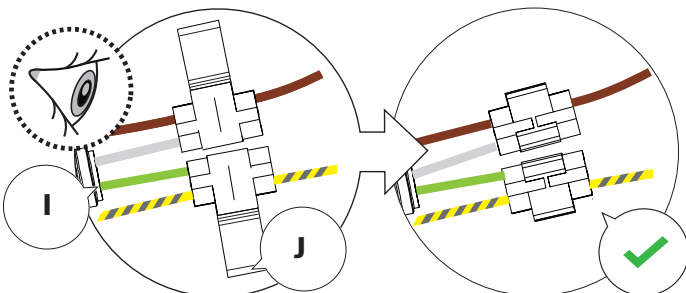
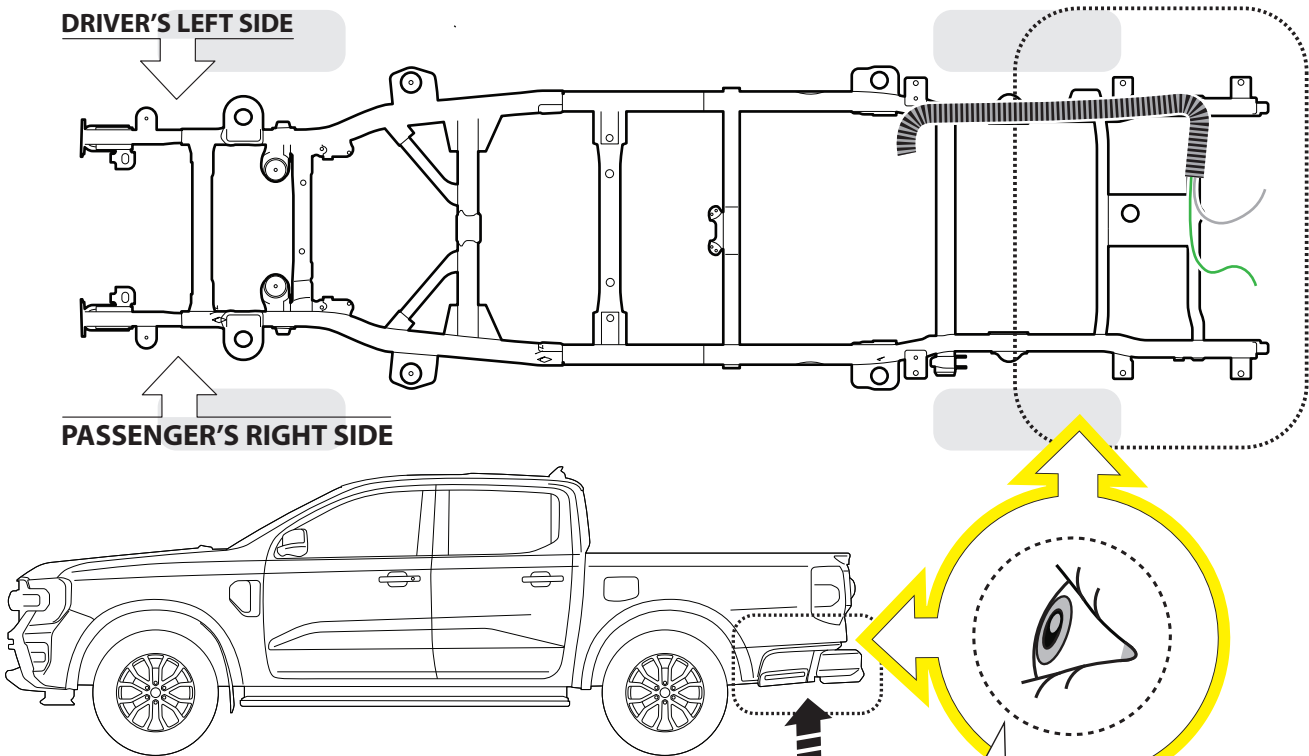
28. ②

BOTTOM VIEW

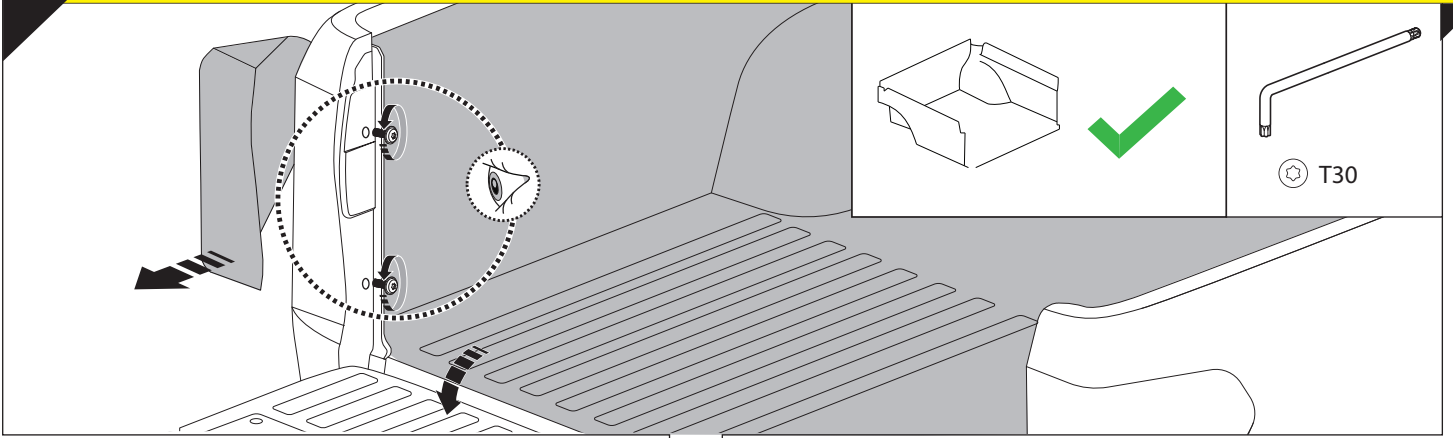


DRIVER'S LEFT SIDE

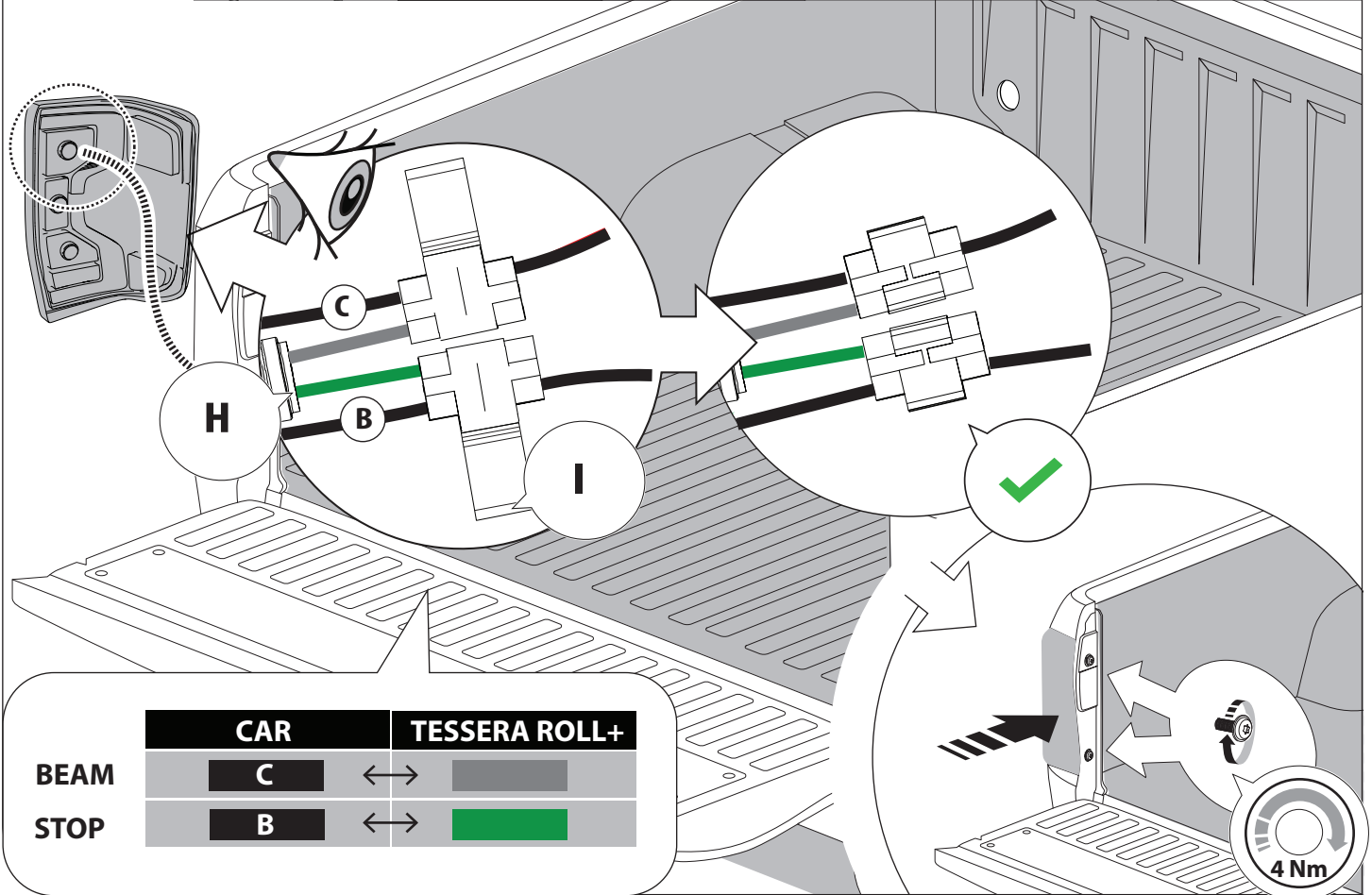
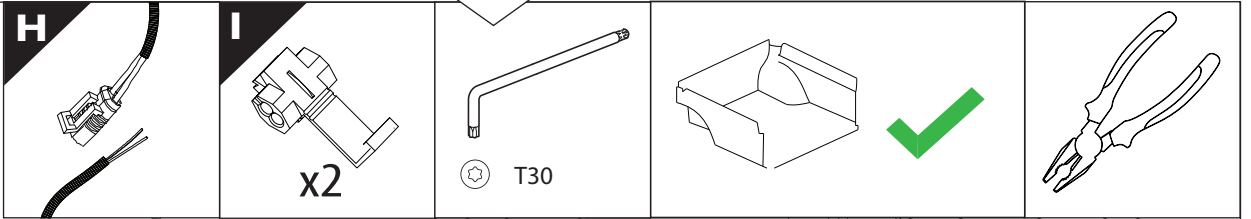
PASSENGER'S RIGHT SIDE



	CAR		TESSERA ROLL+
BEAM		↔	
LICENCE PLATE 2 PIN LIGHT CONNECTOR			
STOP		↔	
TAILGATE CONNECTOR			

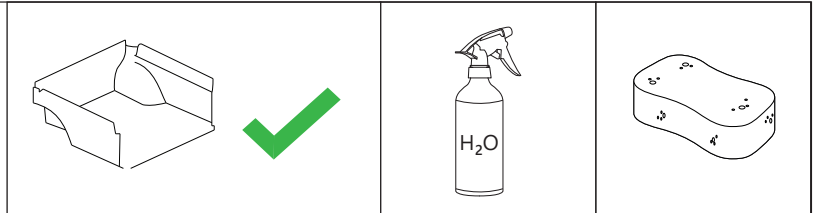
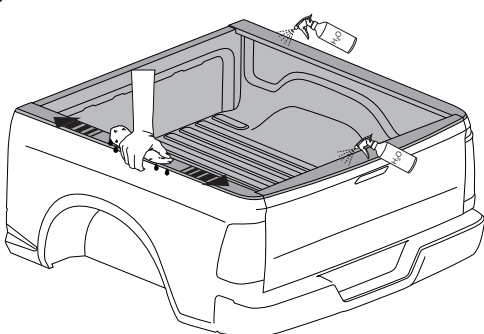


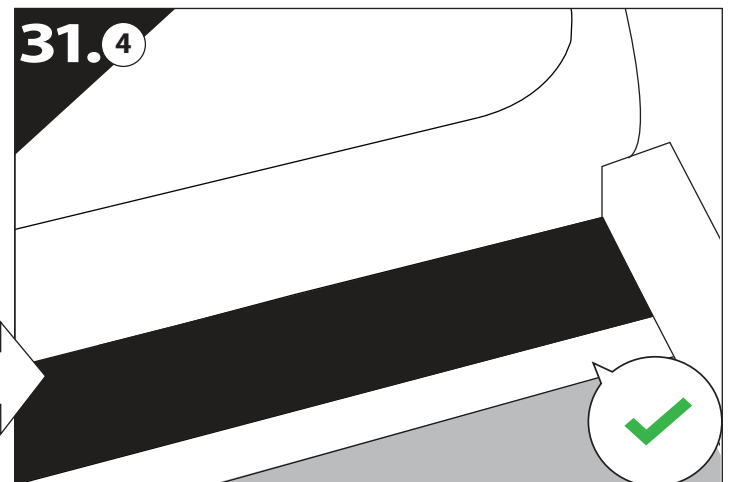
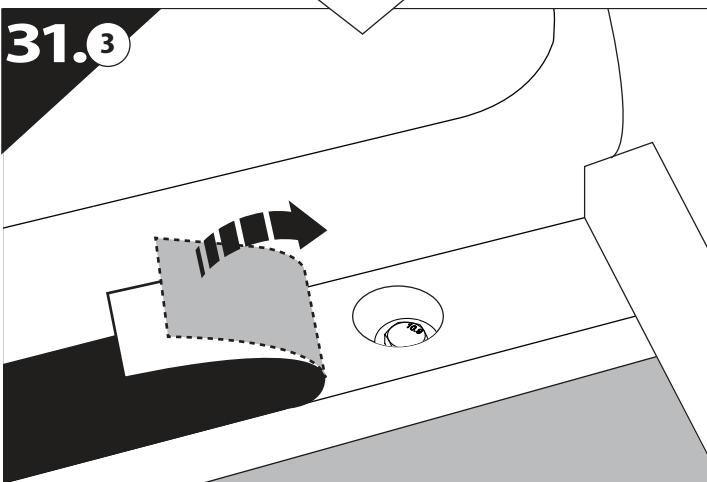
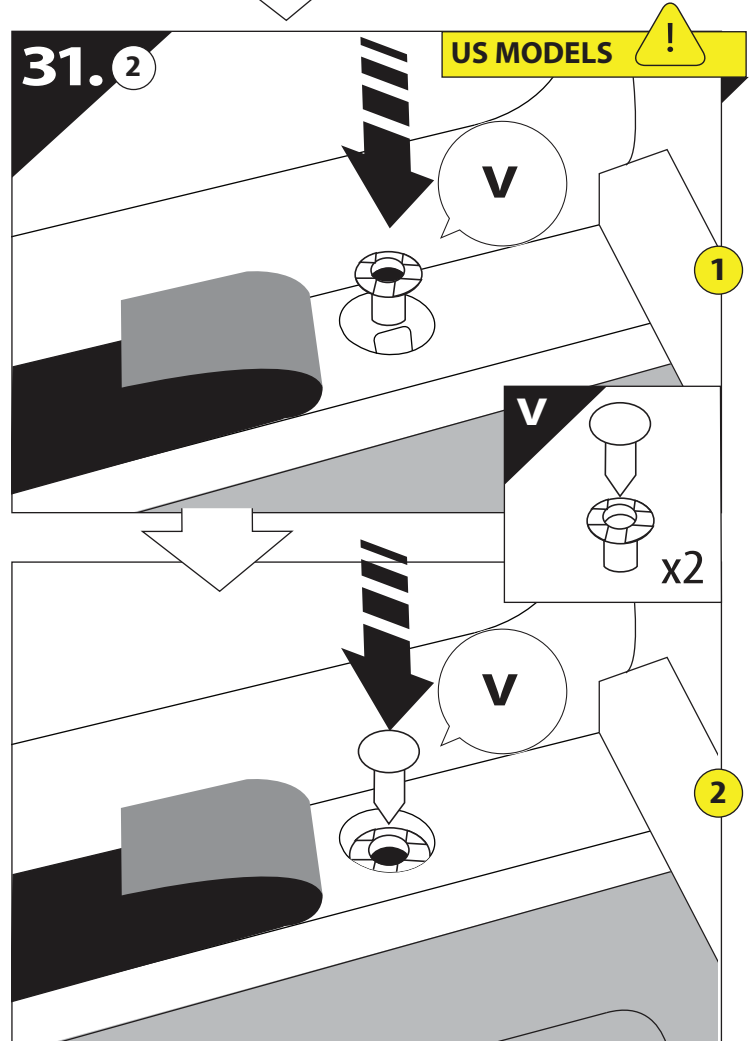
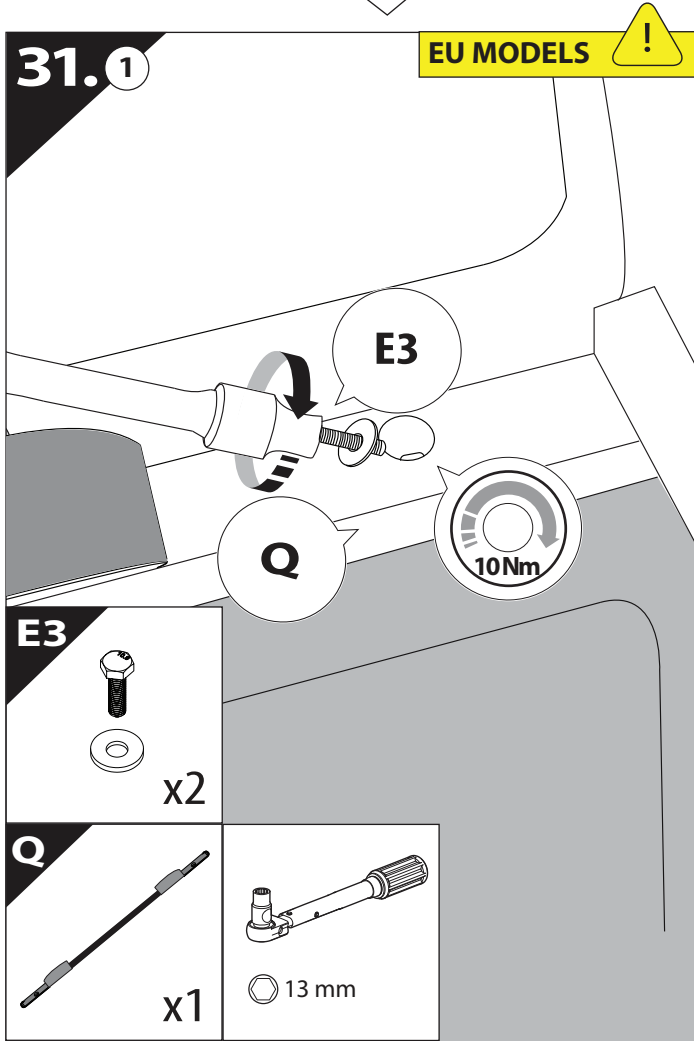
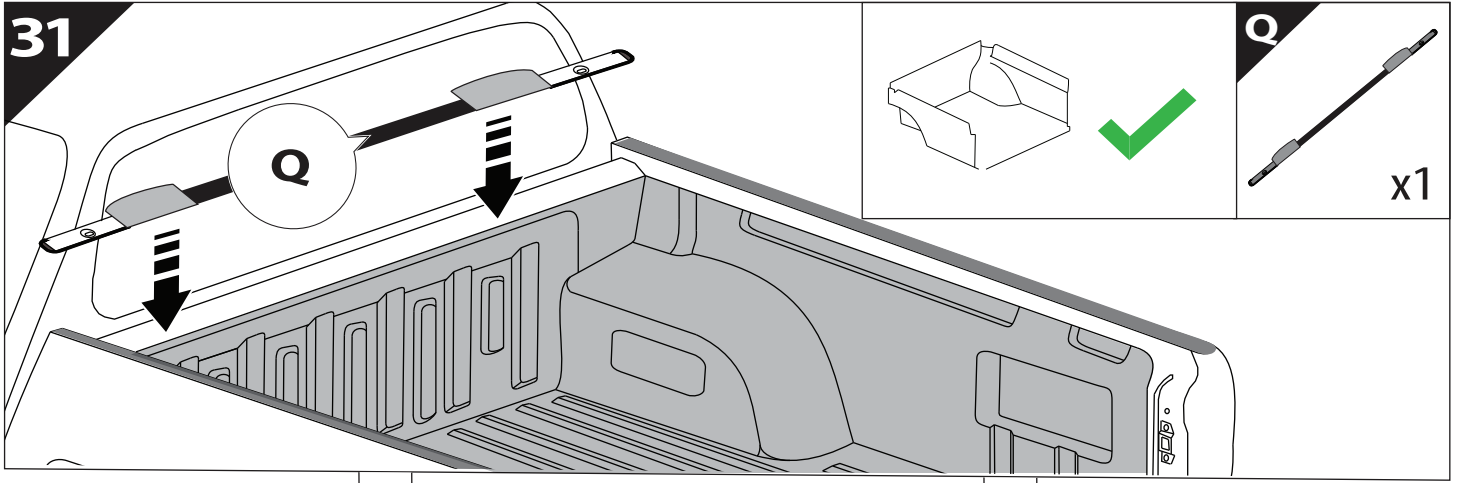
29.1

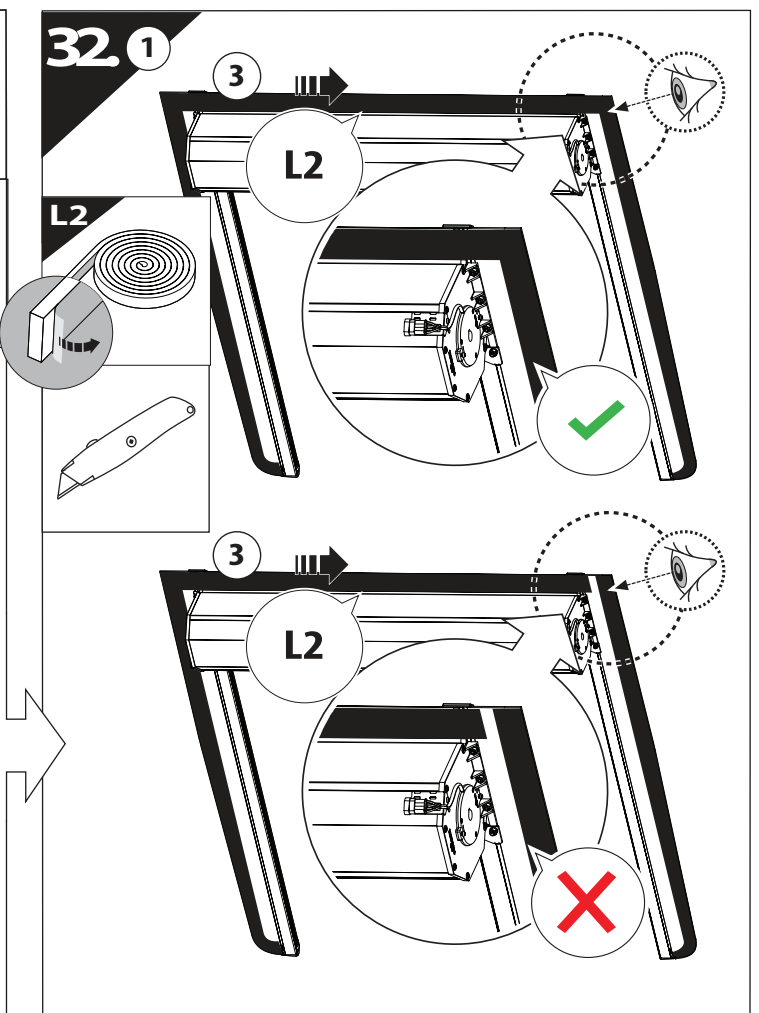
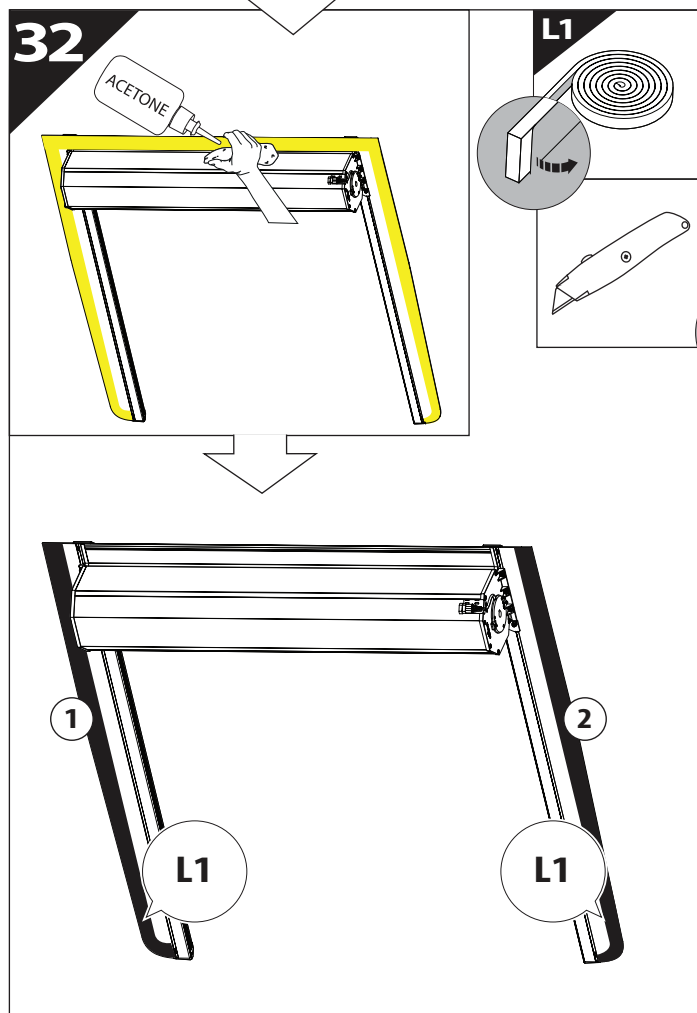
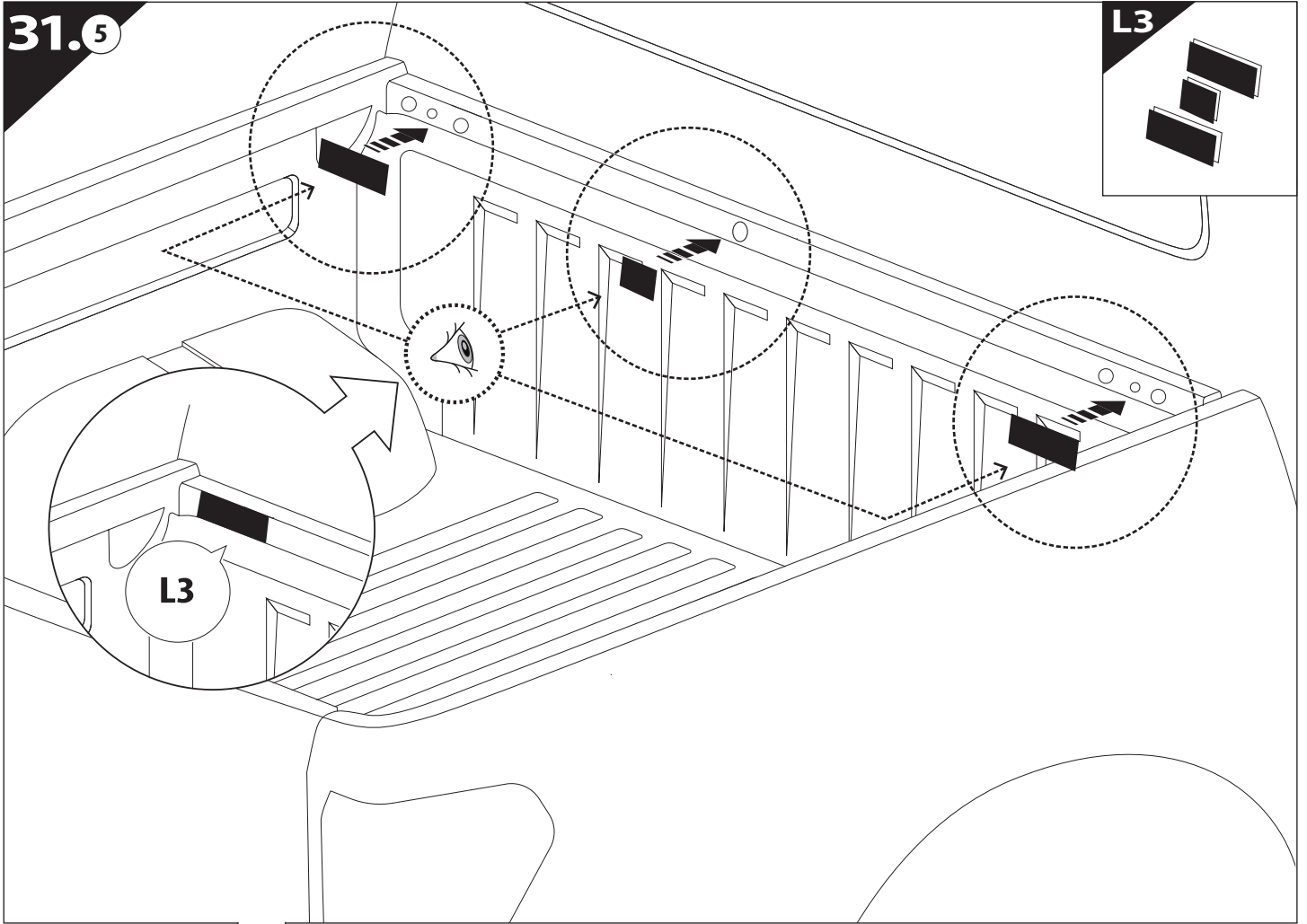


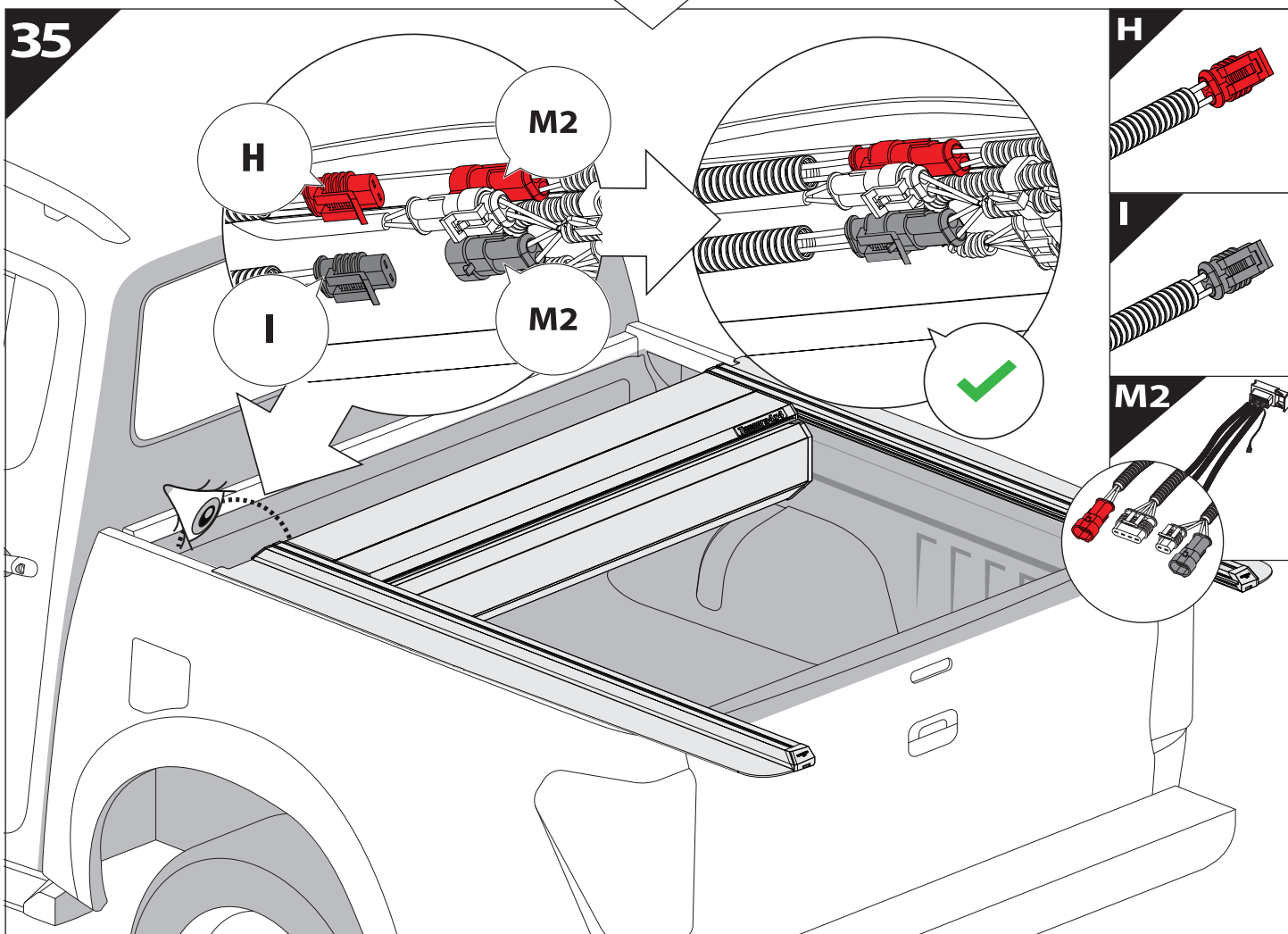
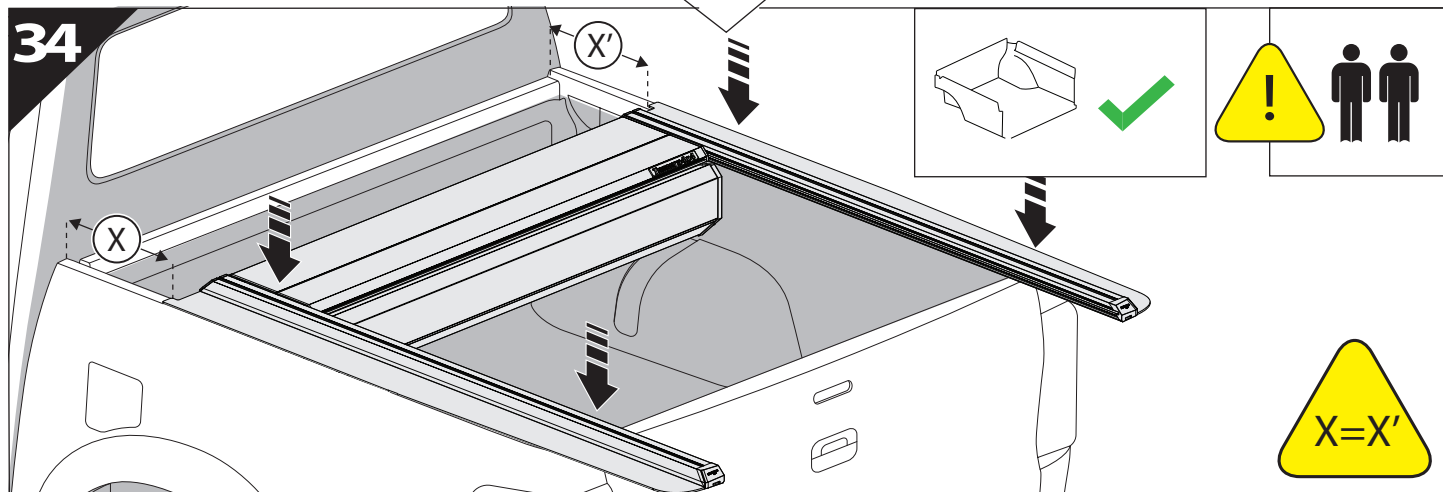
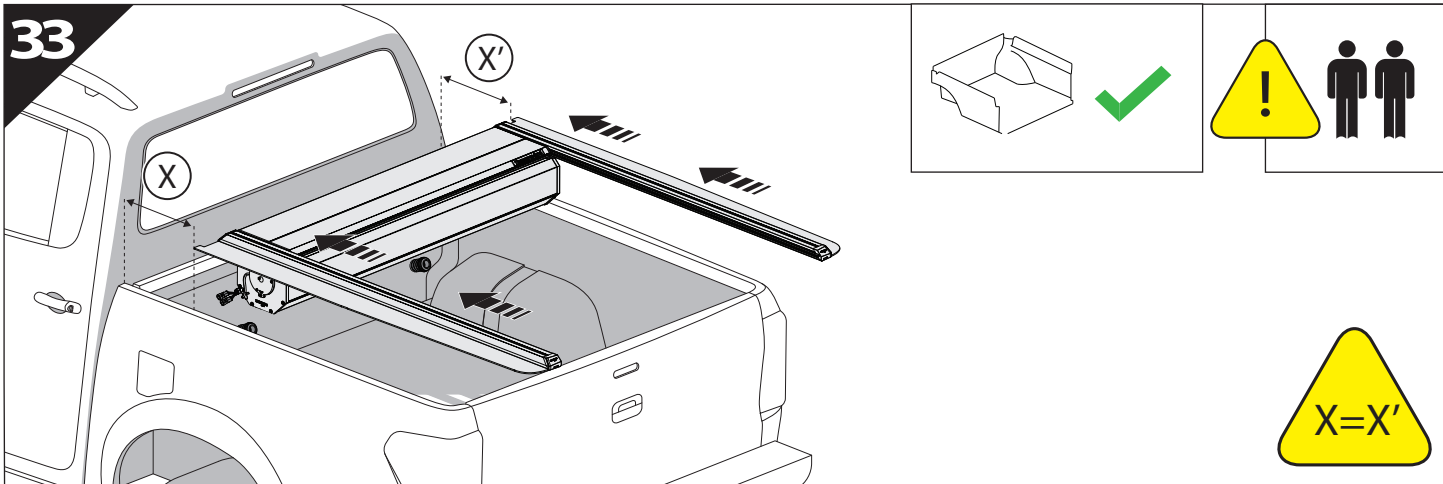
	CAR		TESSERA ROLL+
BEAM	C	↔	■
STOP	B	↔	■

30



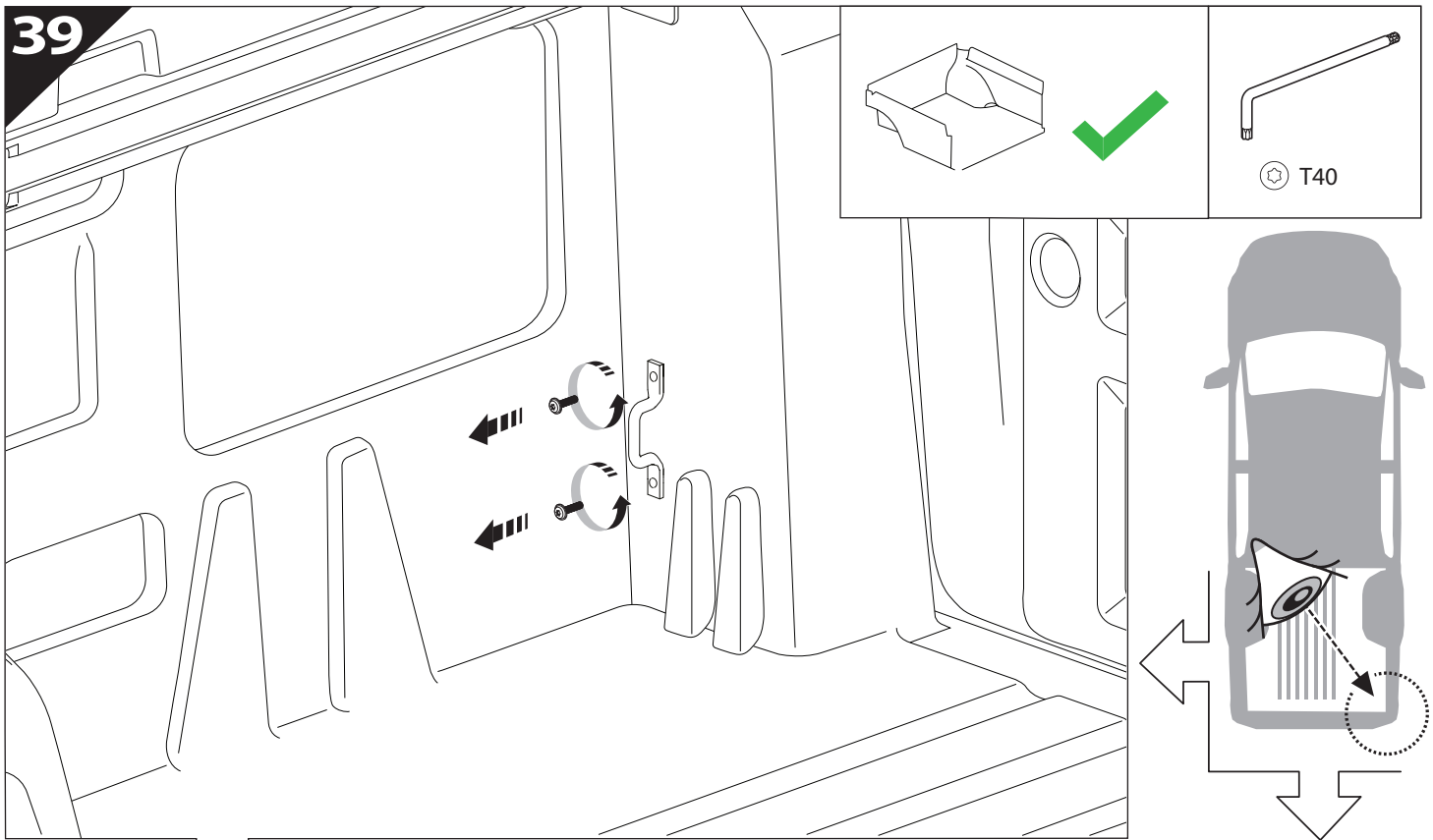




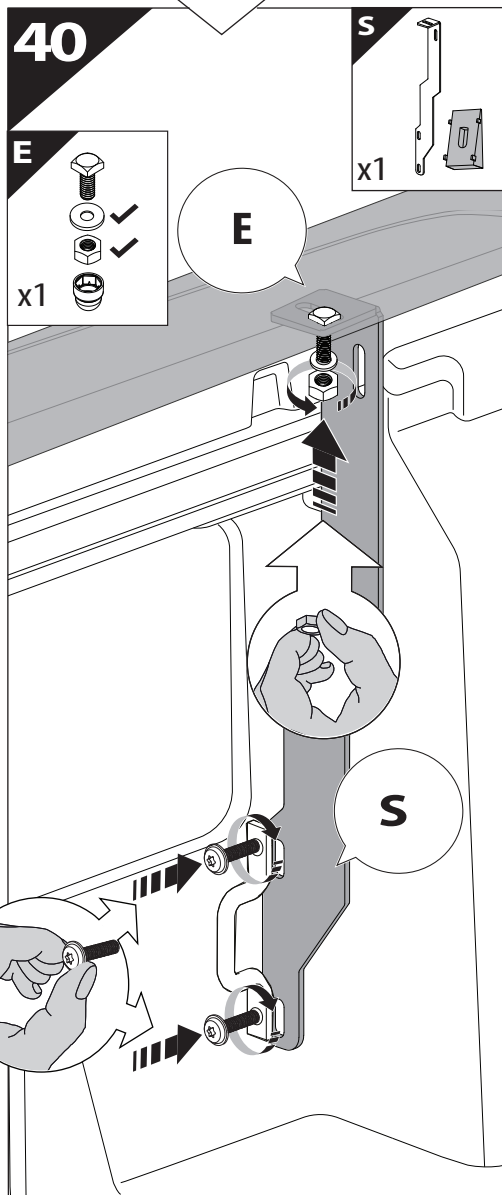




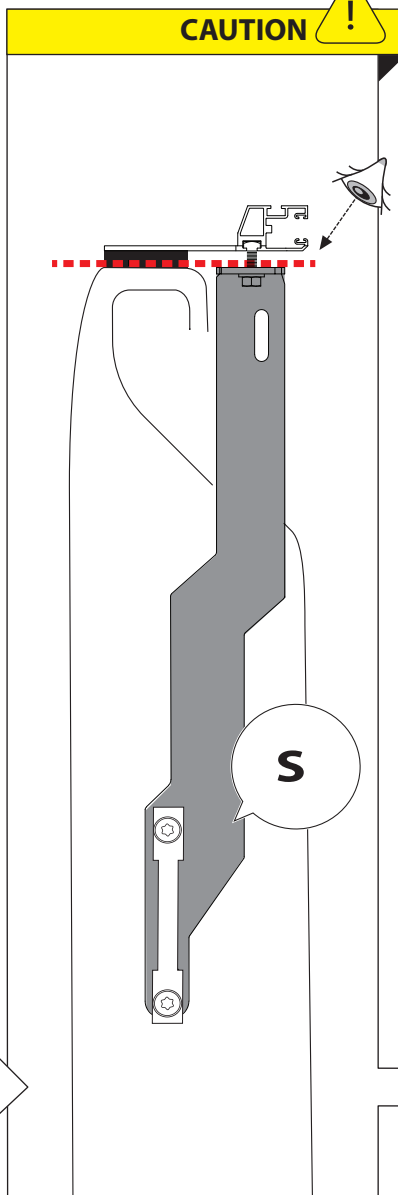
39



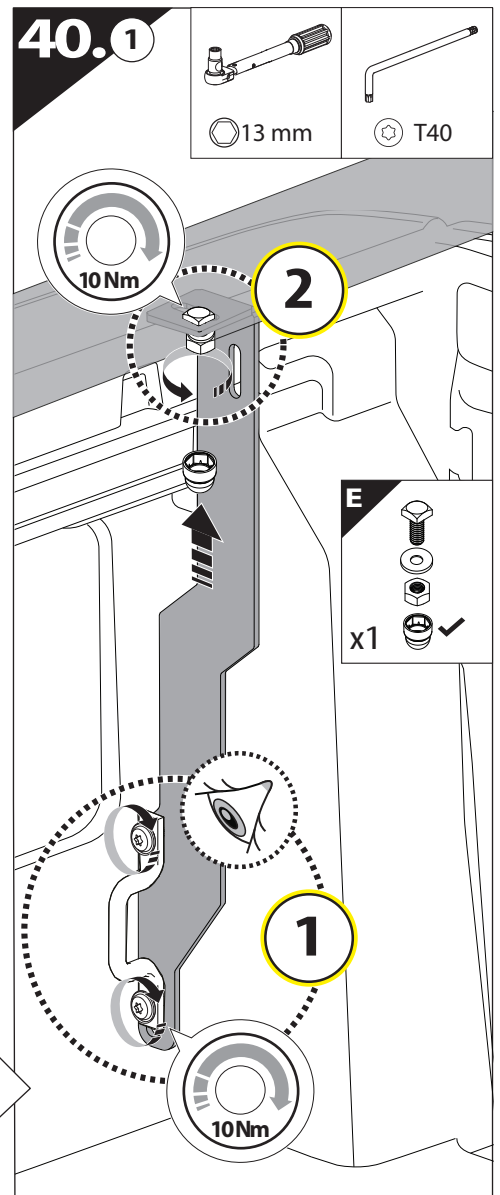
40



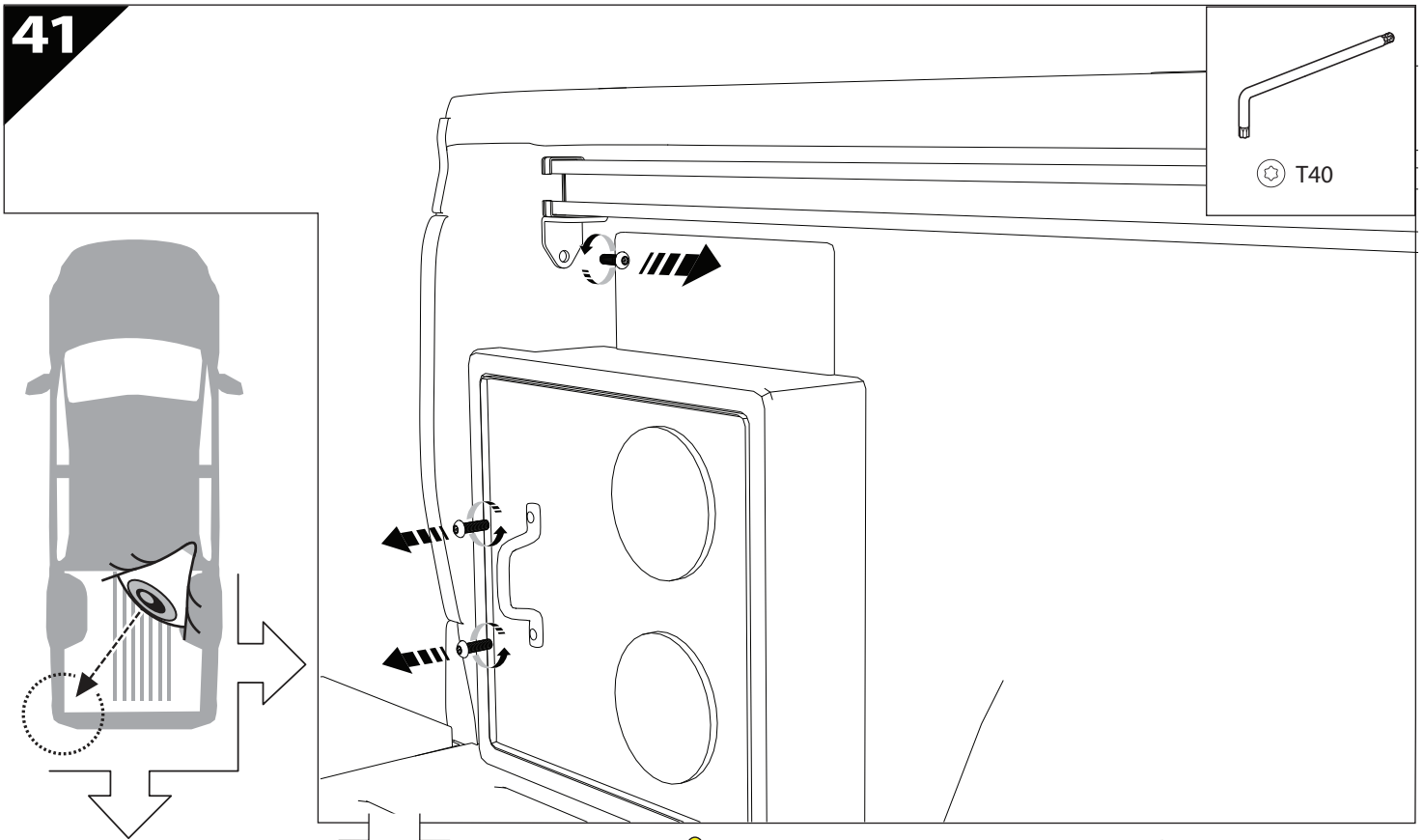
CAUTION



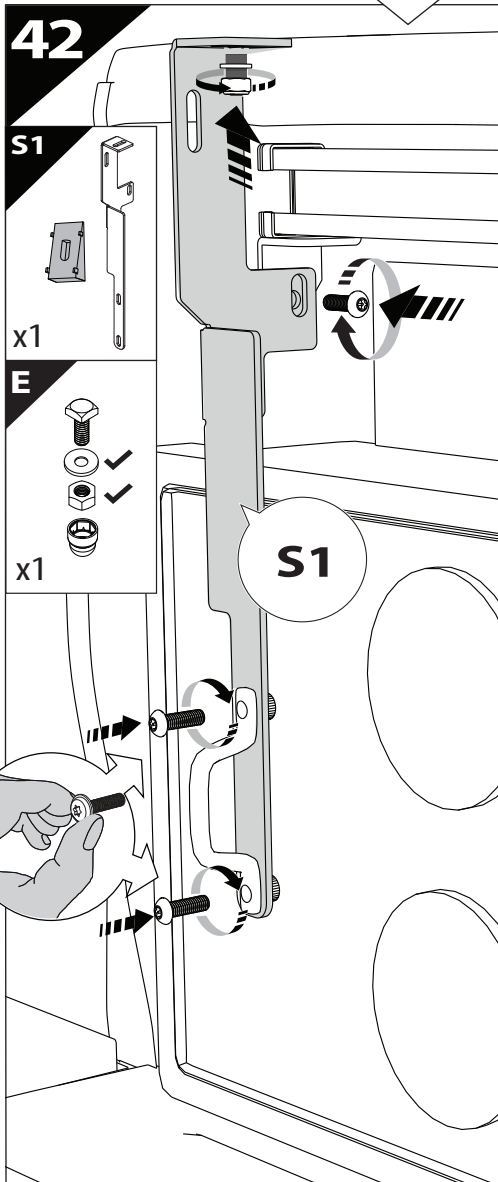
40.1



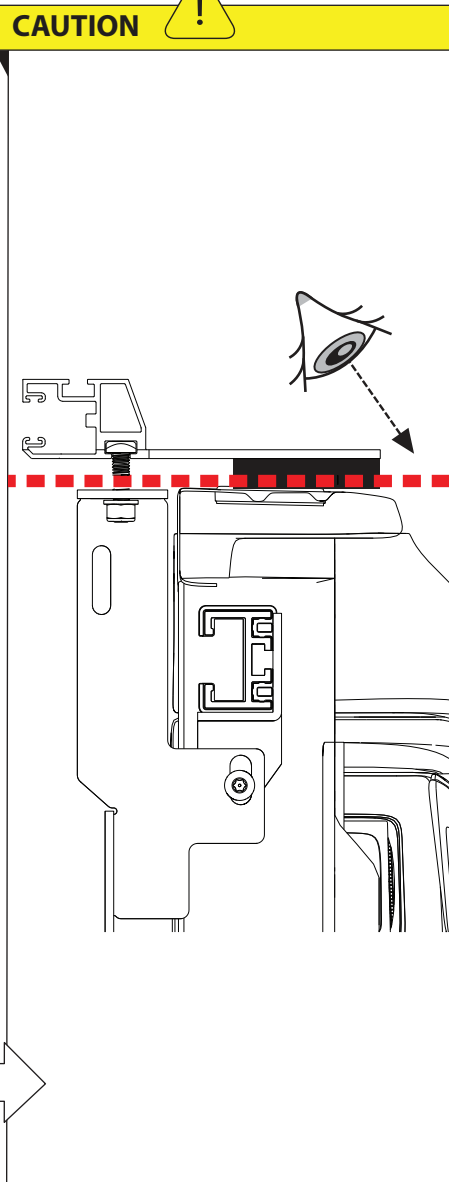
41



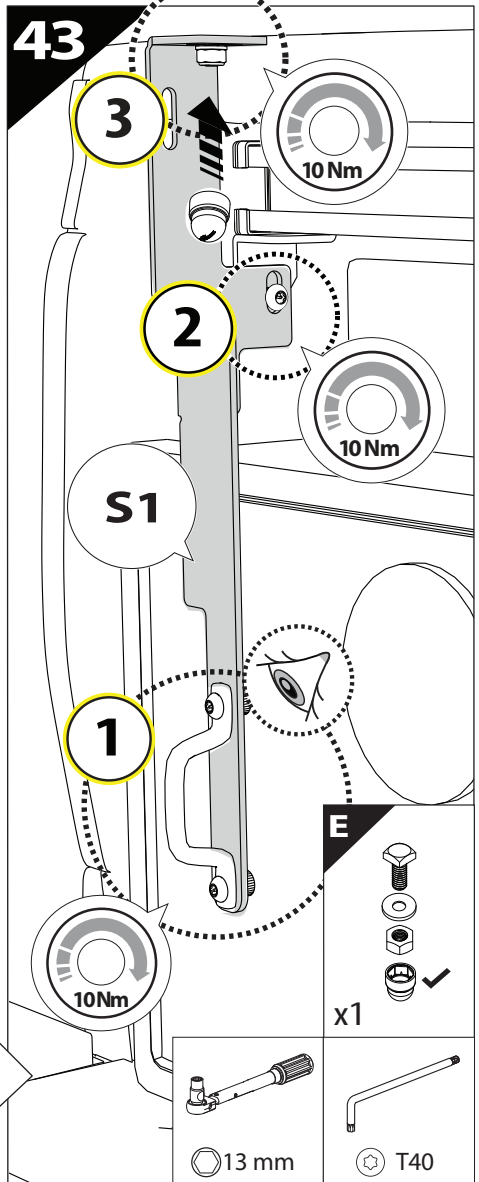
42



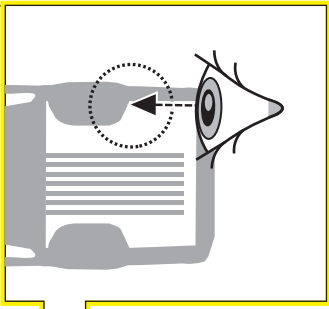
**CAUTION** !



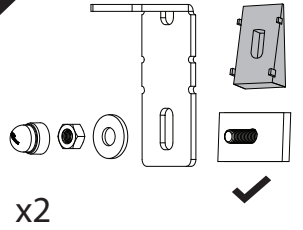
43



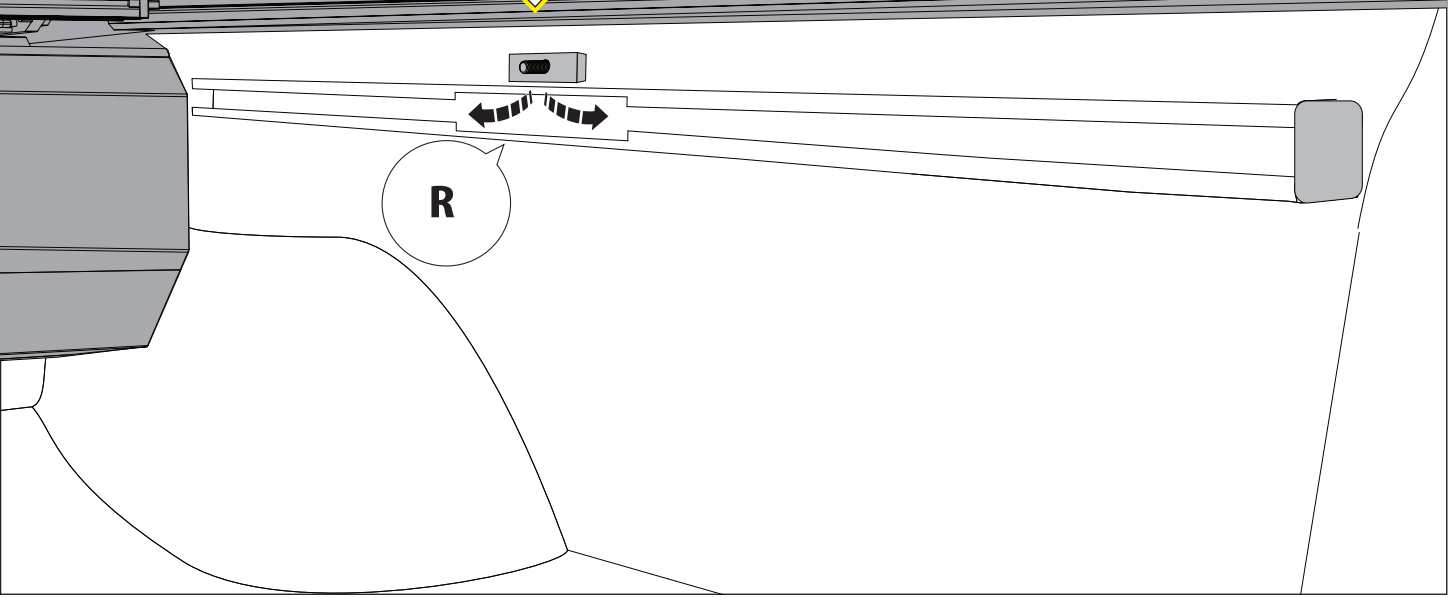
44



R

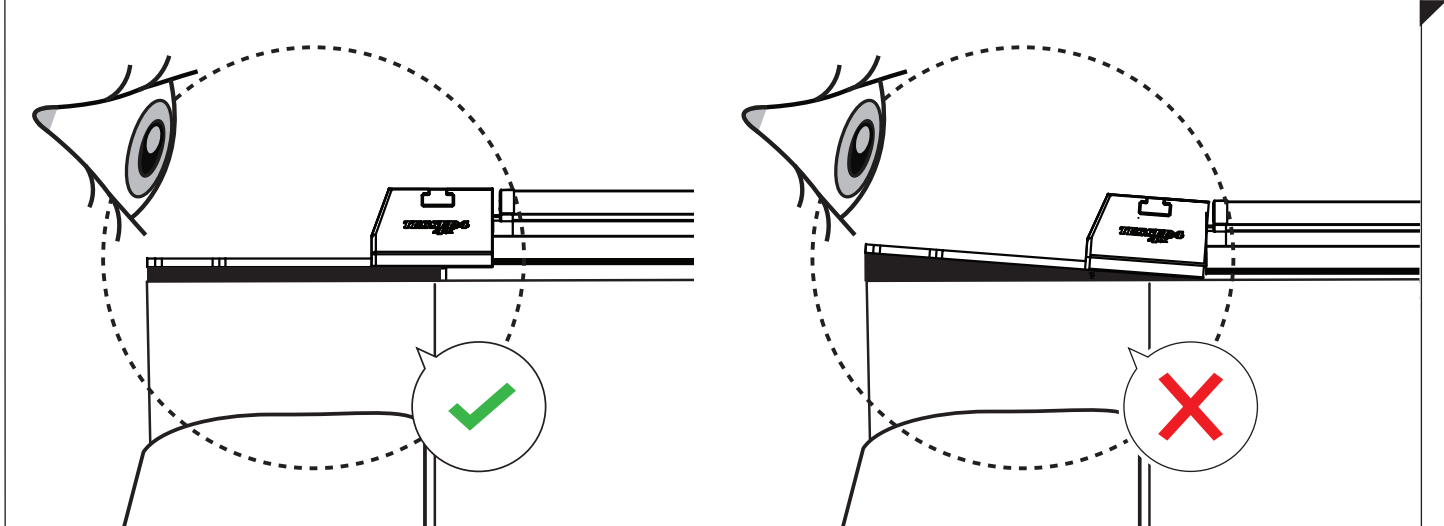
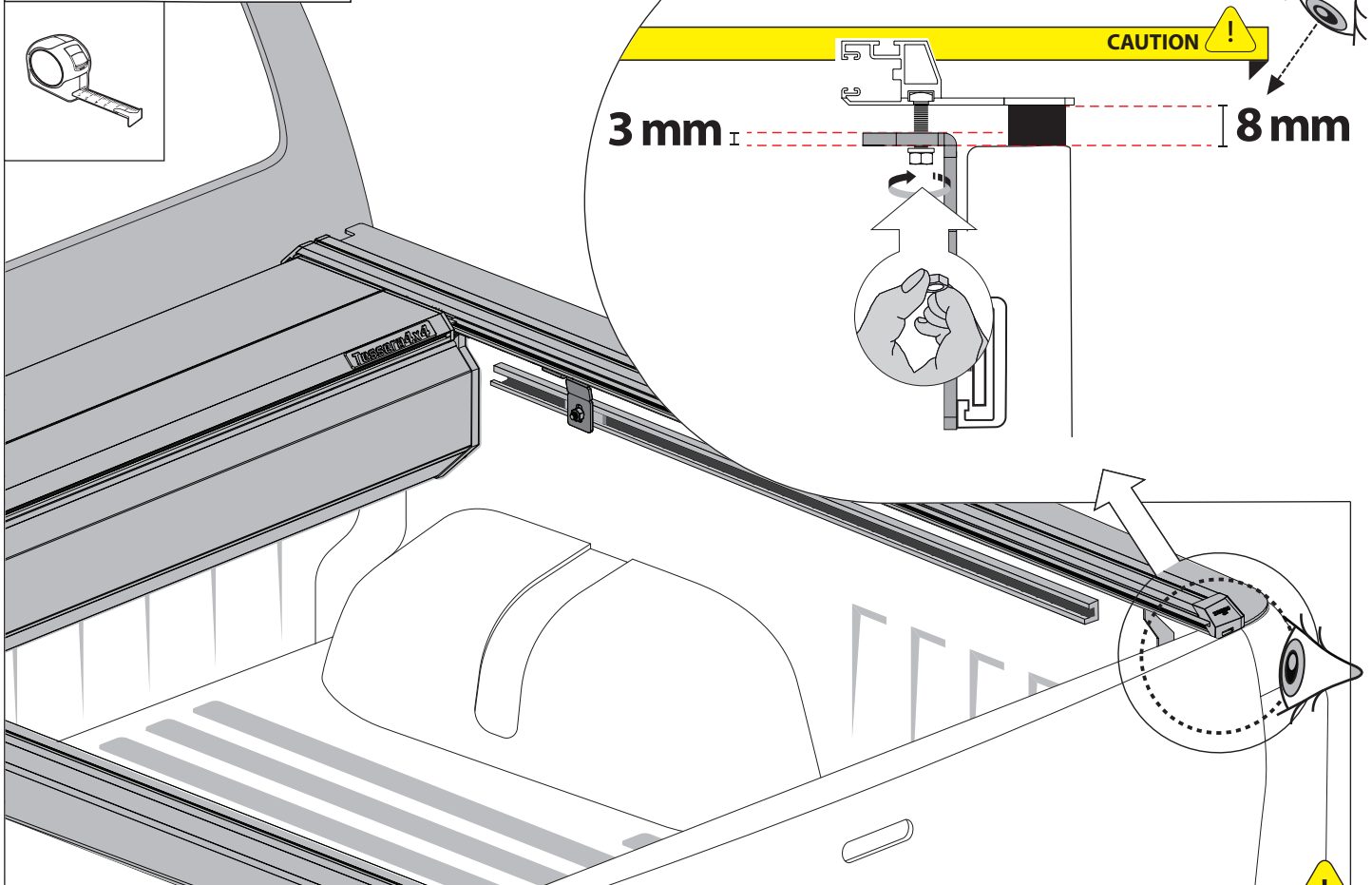
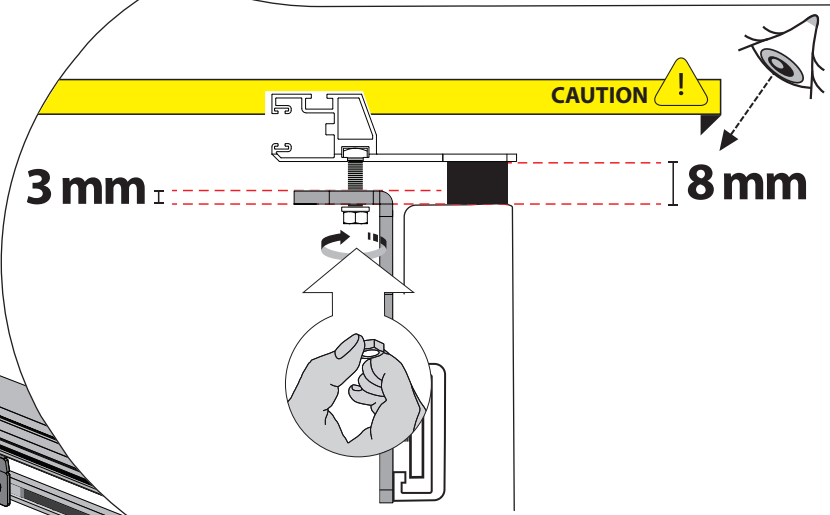
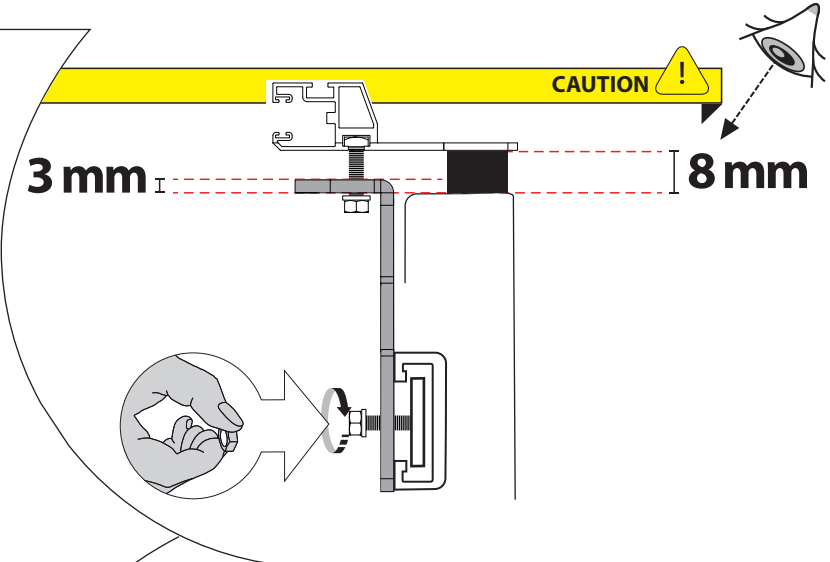
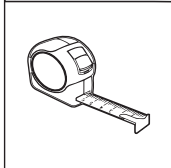
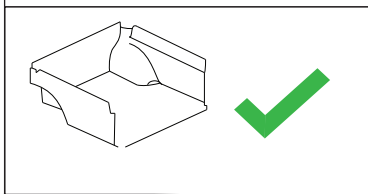
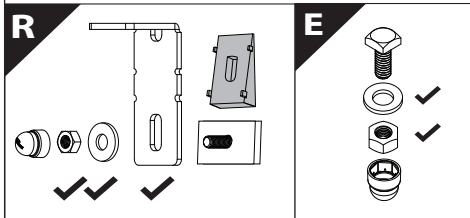


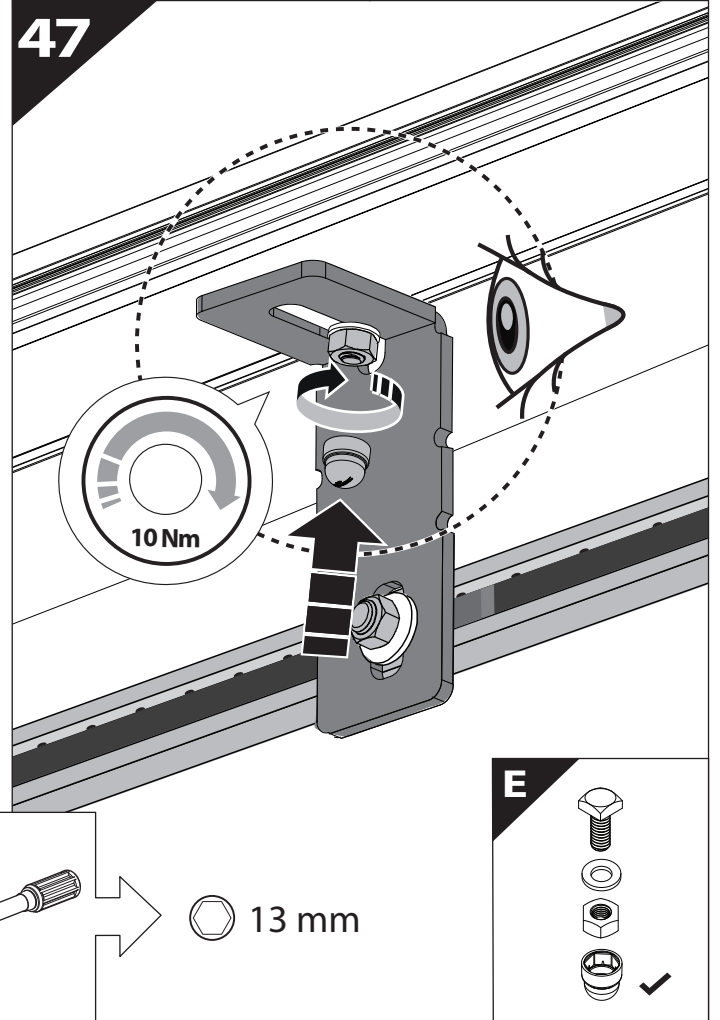
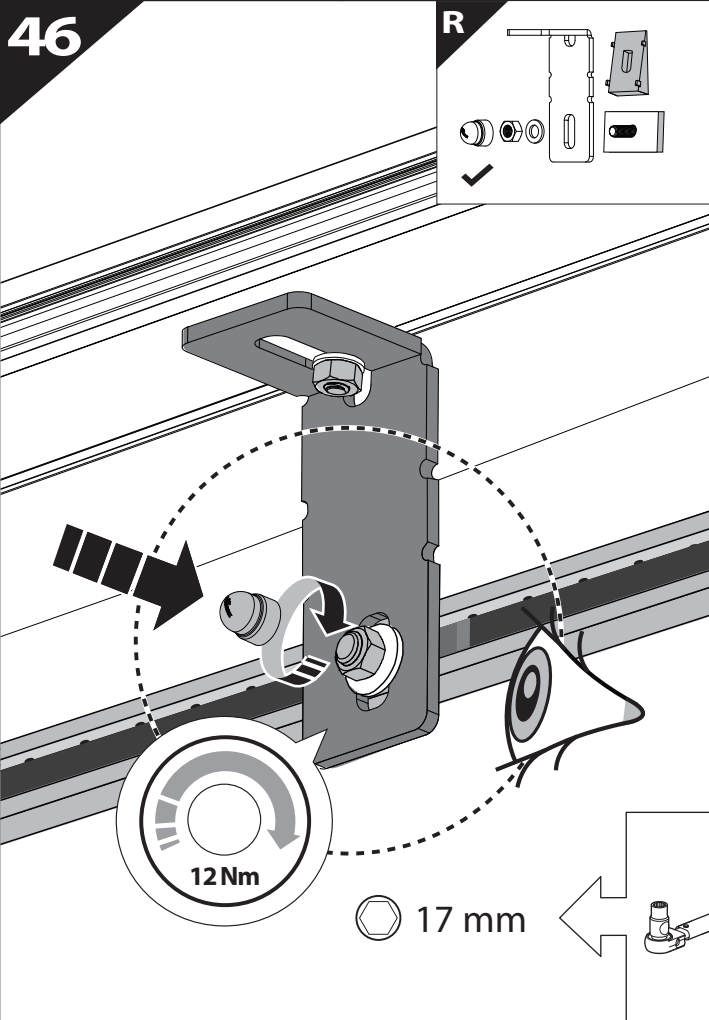
4x4



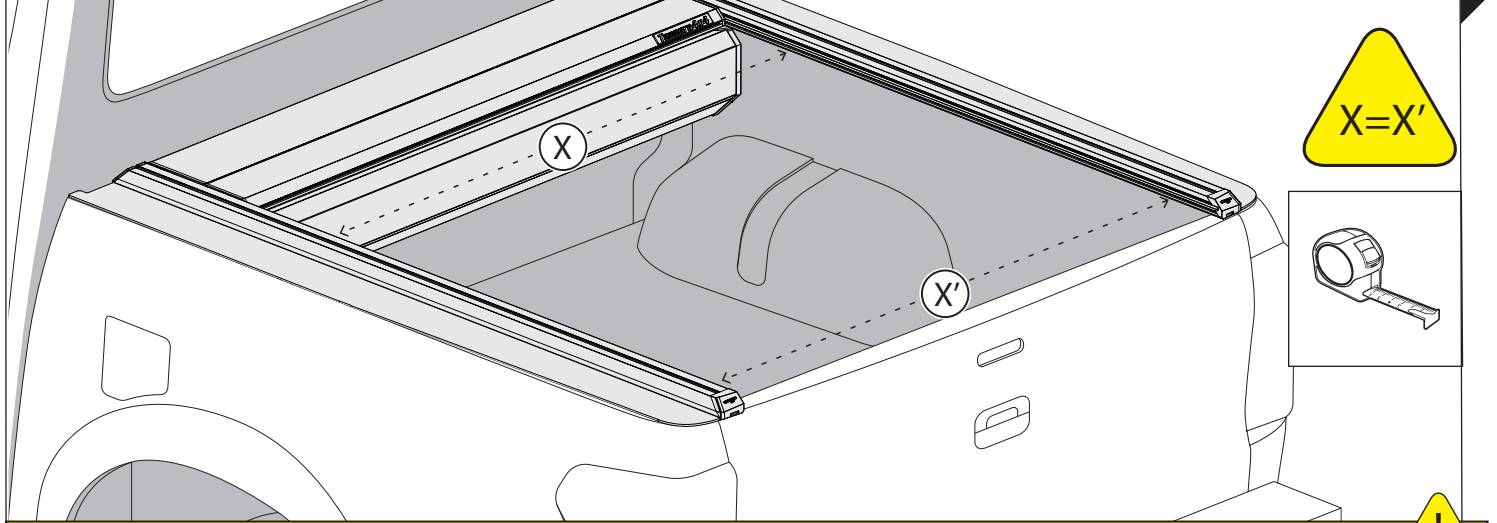
R

45

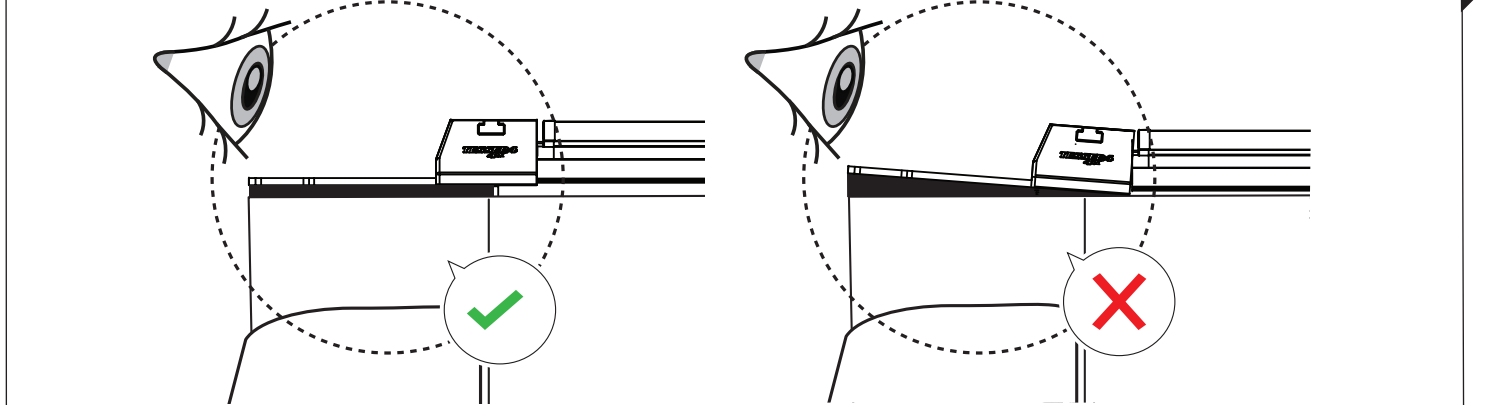




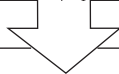
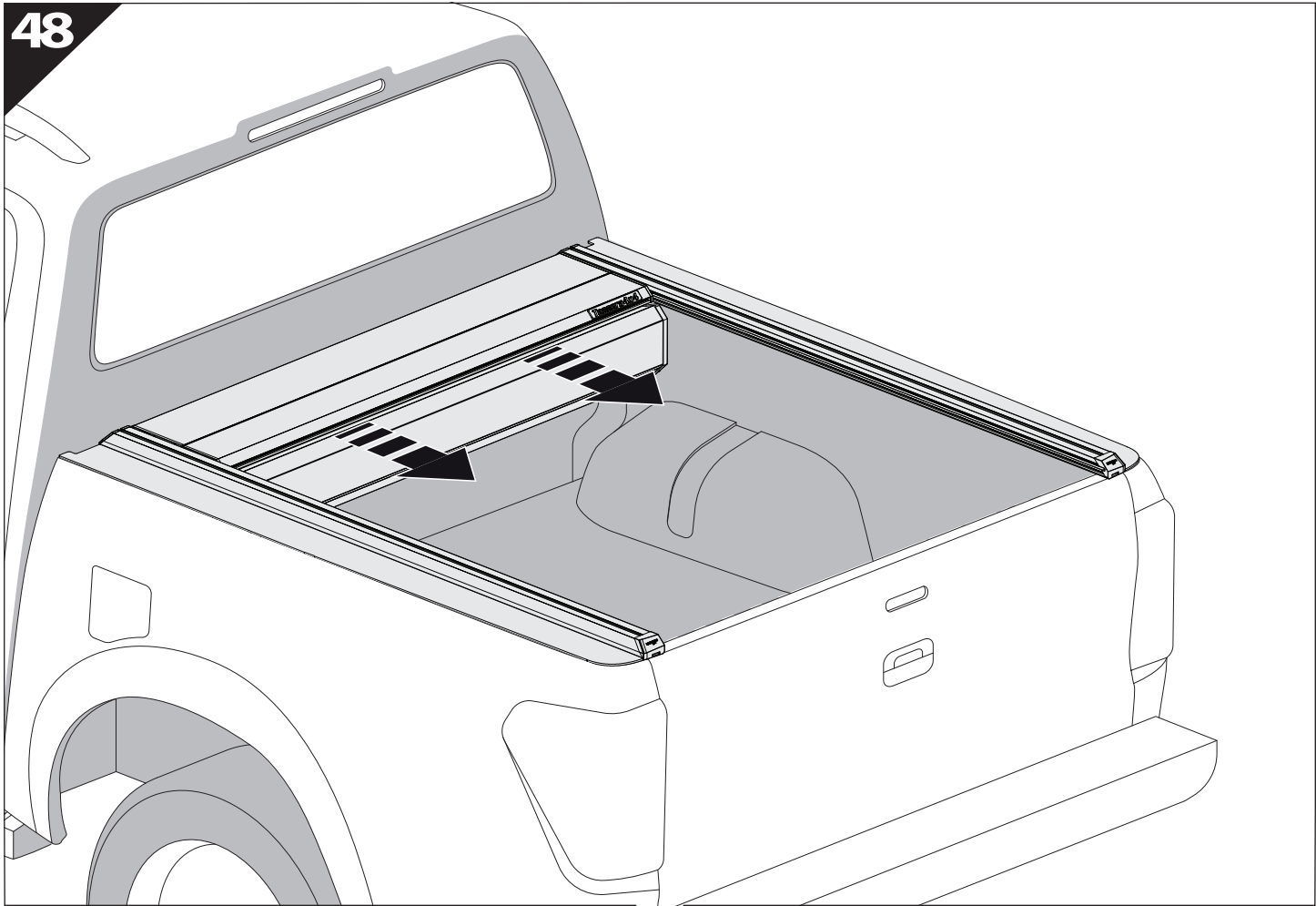
**CAUTION** !



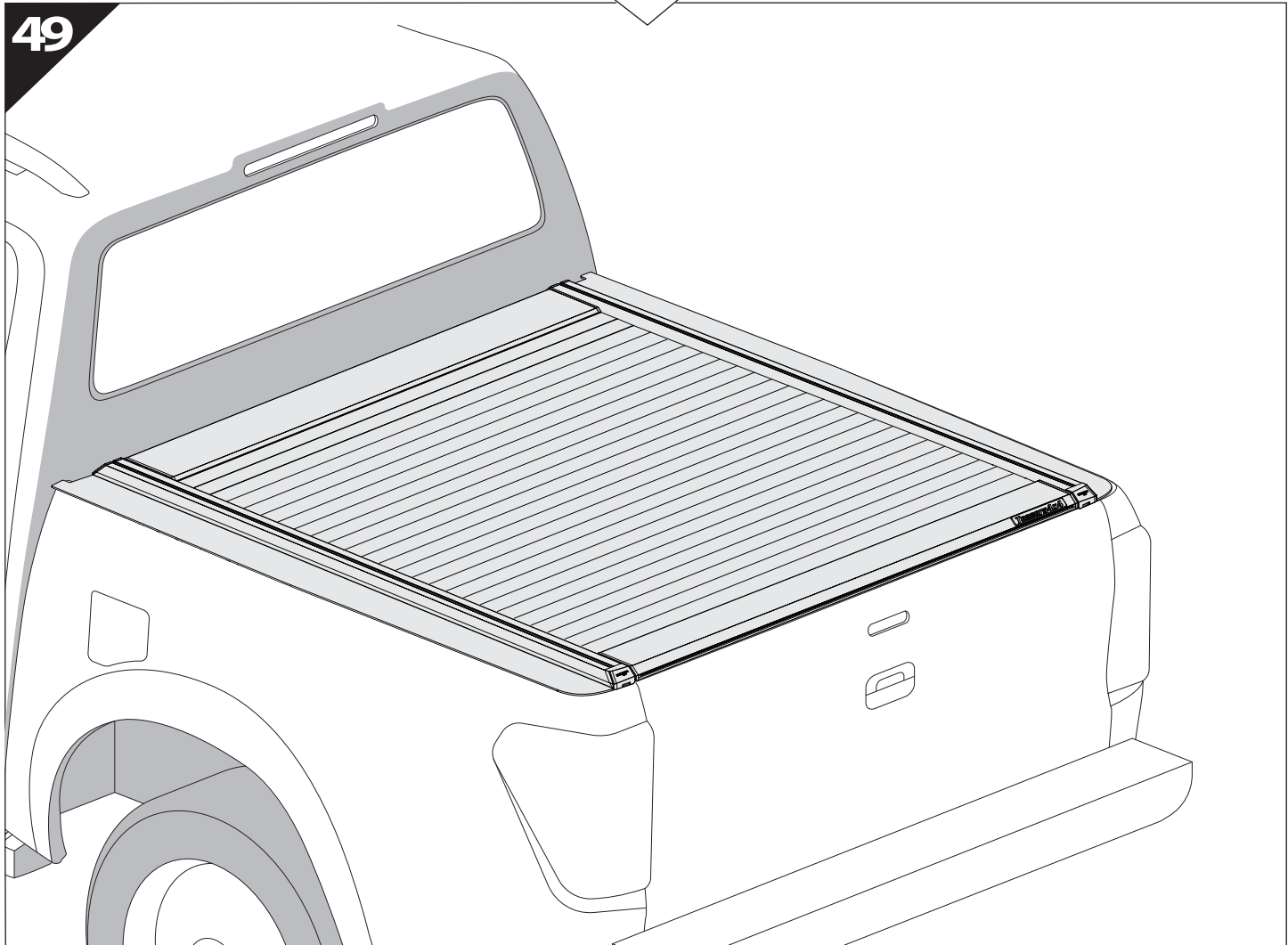
**CAUTION** !



48



49





**GR:** Οδηγίες Εγκατάστασης  
**GB:** Installation manual  
**SF:** Asennusohje  
**F:** Notice de montage  
**PL:** Instrukcja montażu  
**NL:** Installatie-instructies  
**TR:** Montaj Talimatı  
**S:** Monteringsanvisning  
**E:** Instrucciones de montaje

**H:** Szerelési utasítás  
**P:** Instruções de instalação  
**RUS:** Инструкция по установке  
**N:** Monteringsveiledning  
**D:** Einbauanleitung  
**CZ:** Návod k instalaci  
**I:** Istruzioni de montaggio  
**DK:** Monteringsvejledning  
**RO:** Instructiuni de instalare

Customer Service:

+30 (210) 5541161, +30 (210) 5541154 (08:00 - 16:00 EET)

Support department:

[info@gianso.gr](mailto:info@gianso.gr)

Website:

[www.tessera4x4.com](http://www.tessera4x4.com)

Address:

19.5 km of National road Athens-Korinthos (Elefsina) Greece, P.C: 19200