

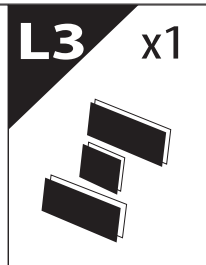
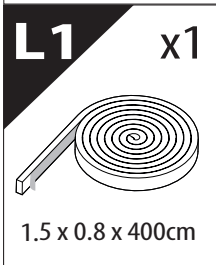
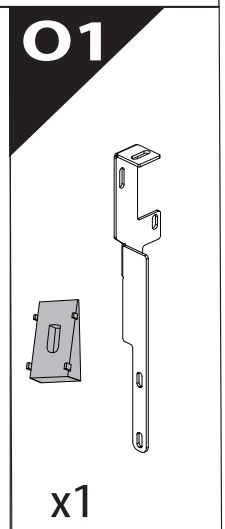
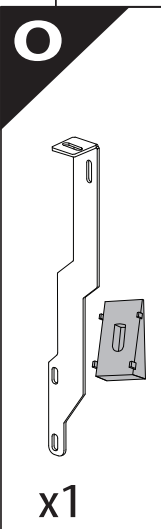
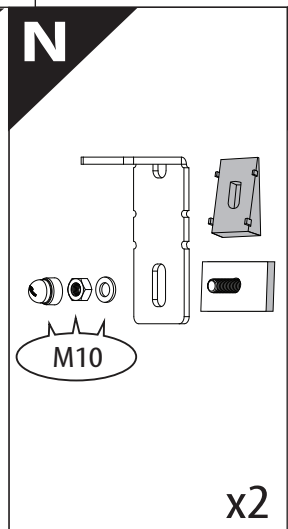
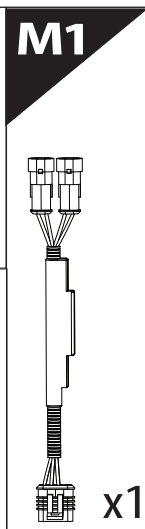
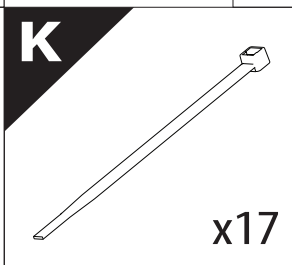
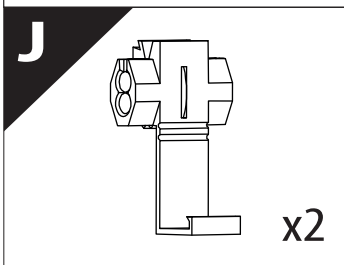
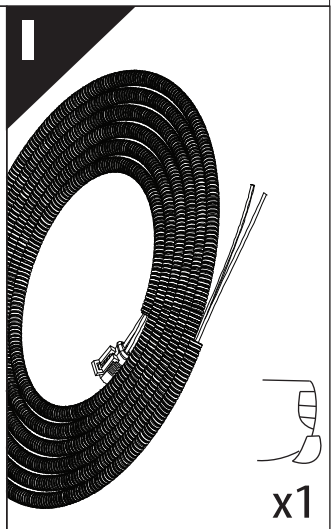
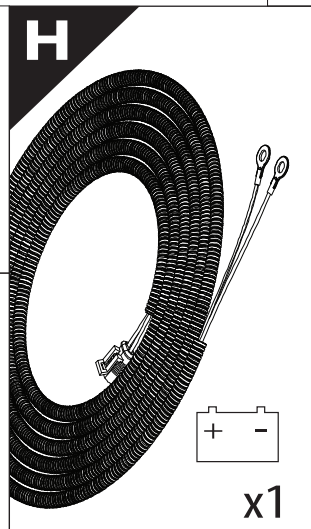
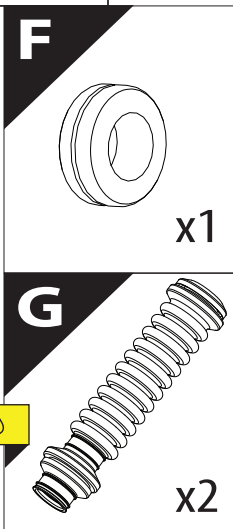
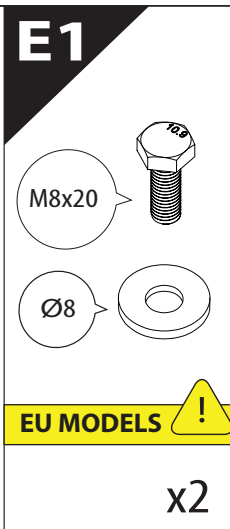
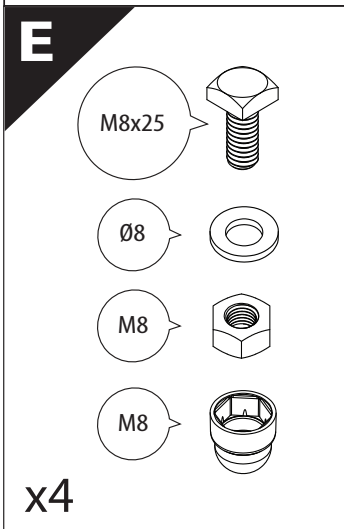
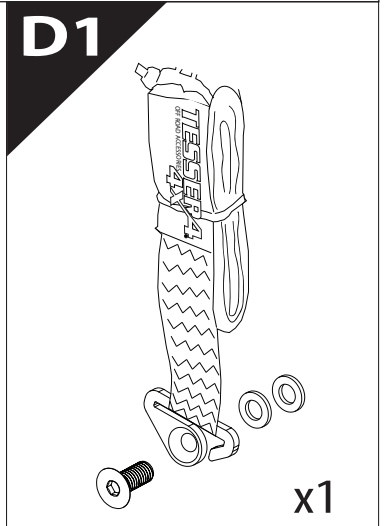
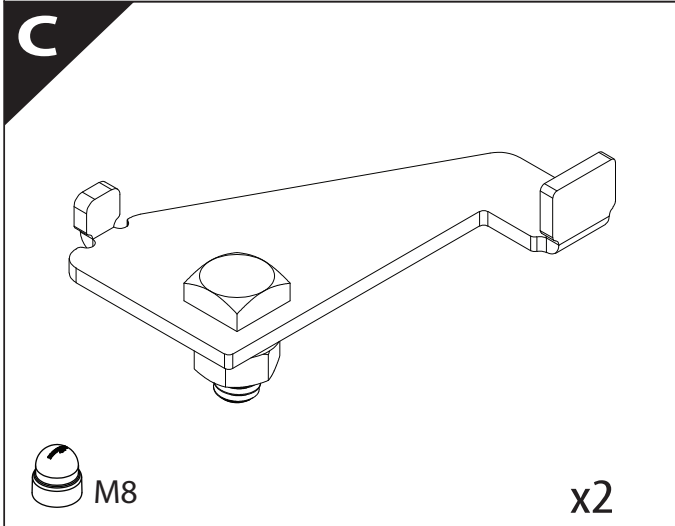
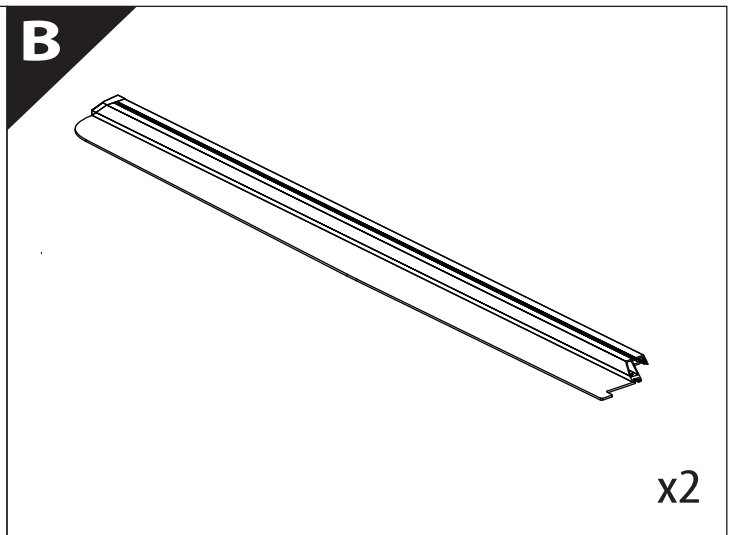
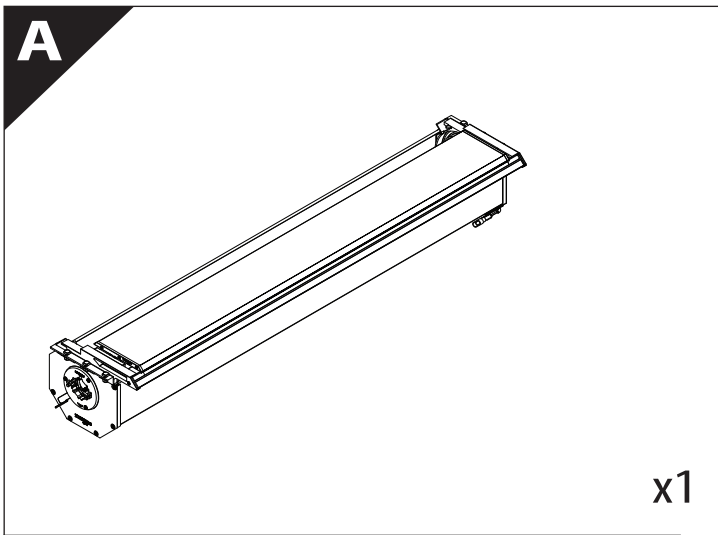
# Tessera Roll+

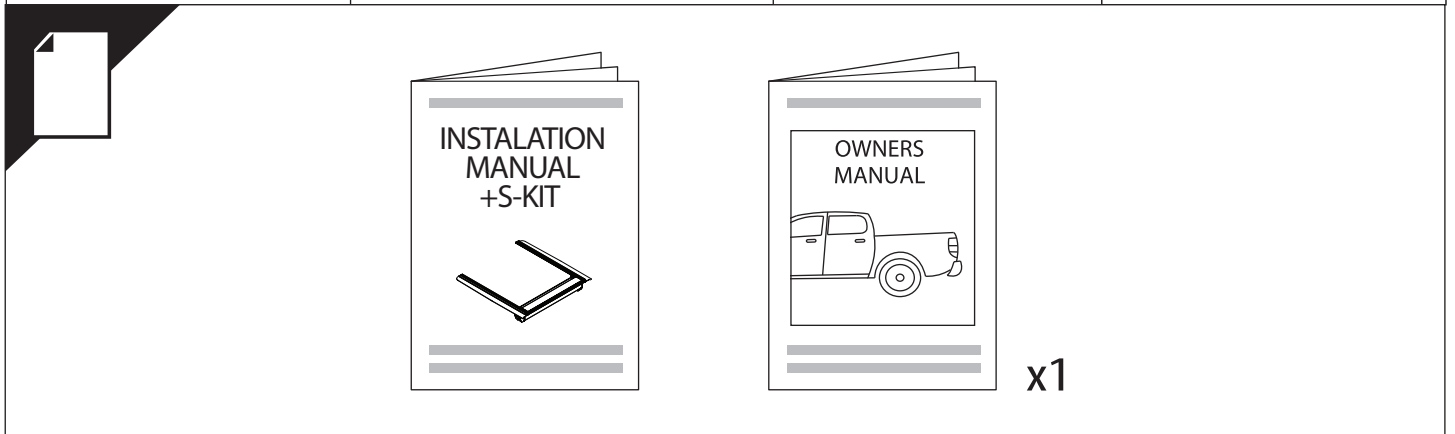
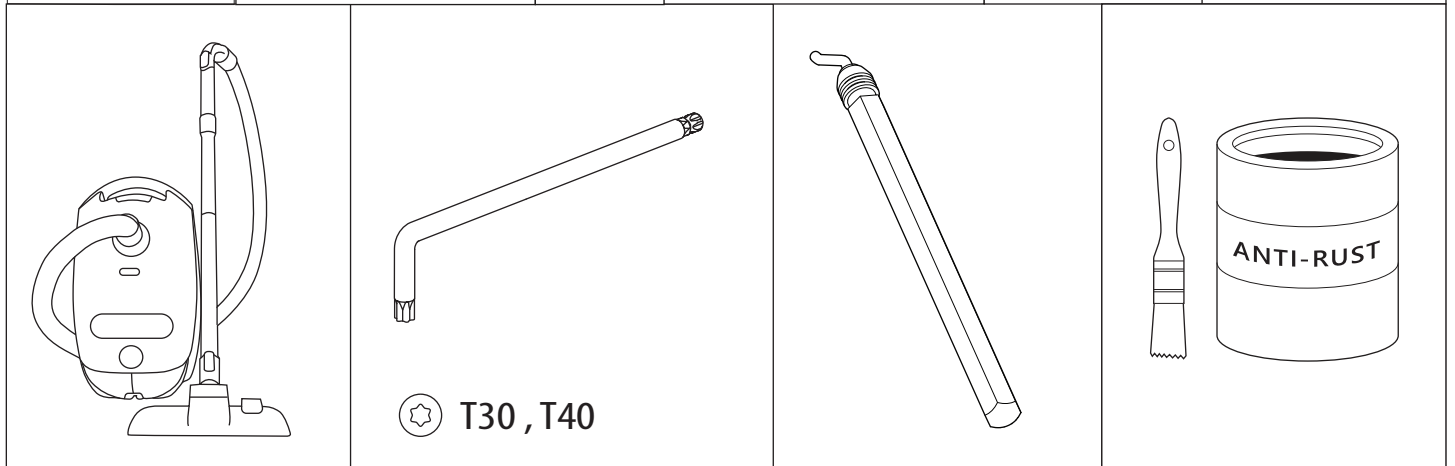
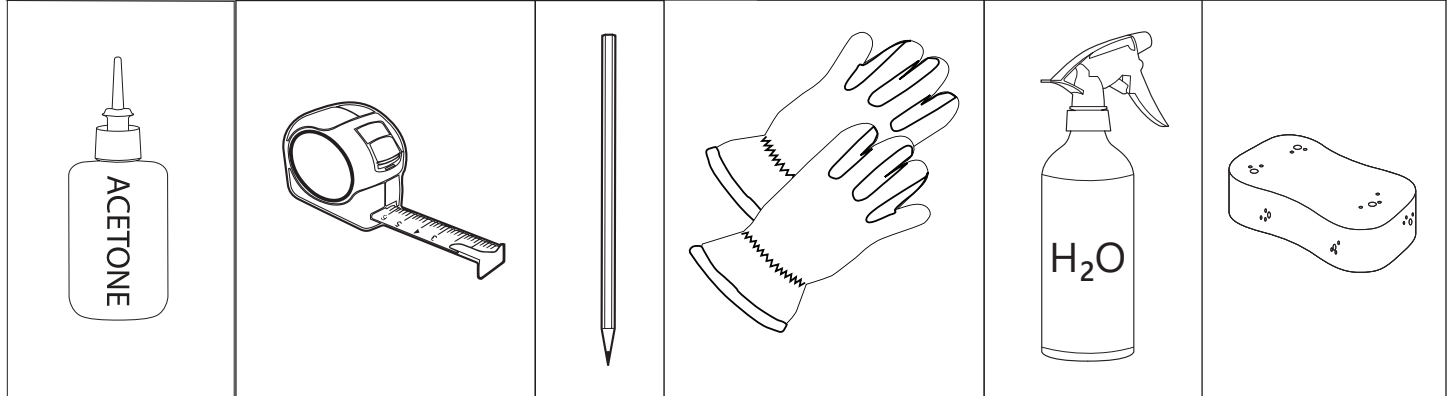
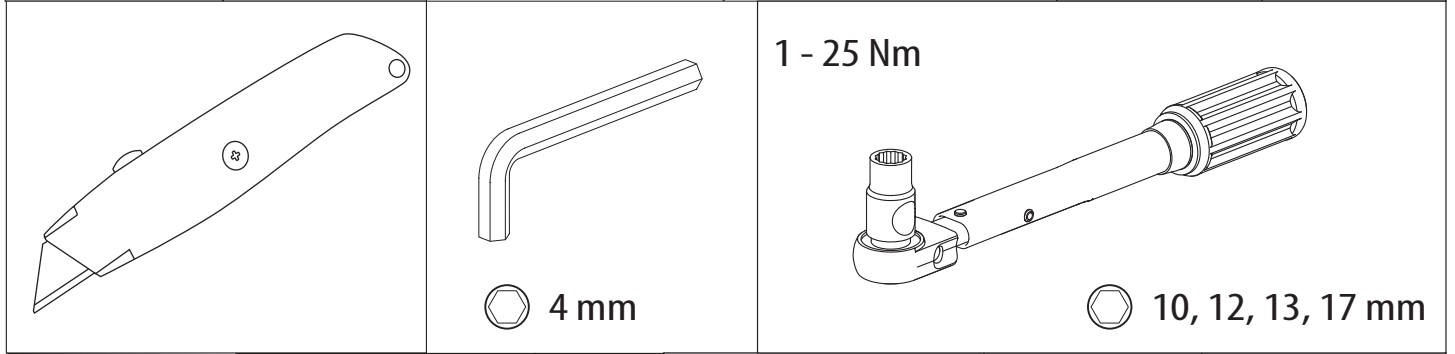
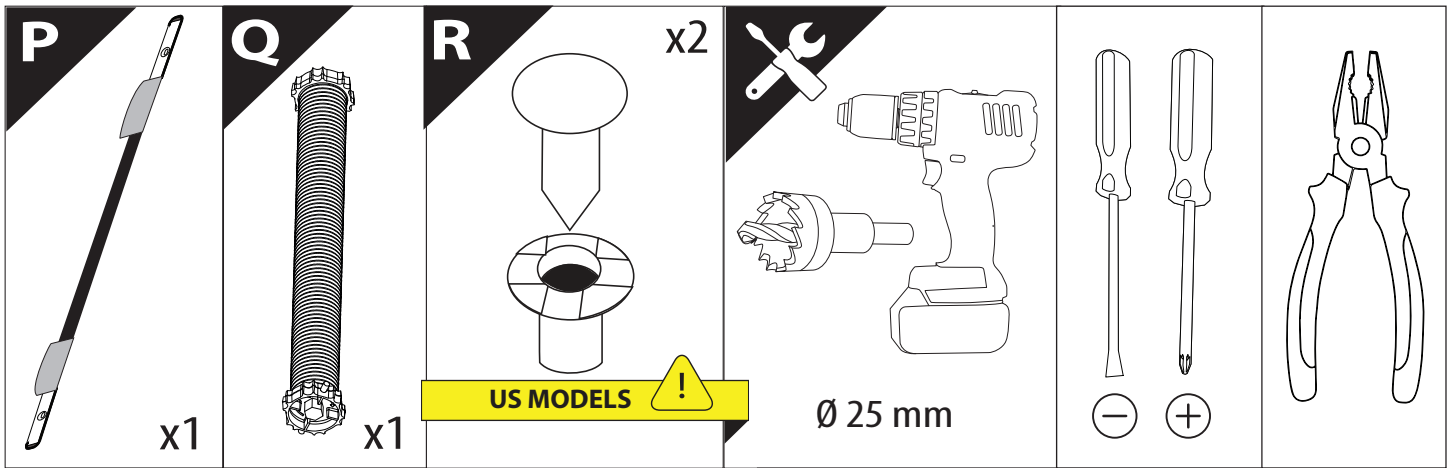
## Basic Version + ⚙️ S-KIT

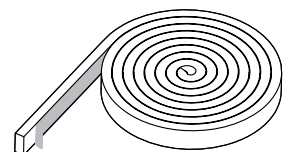
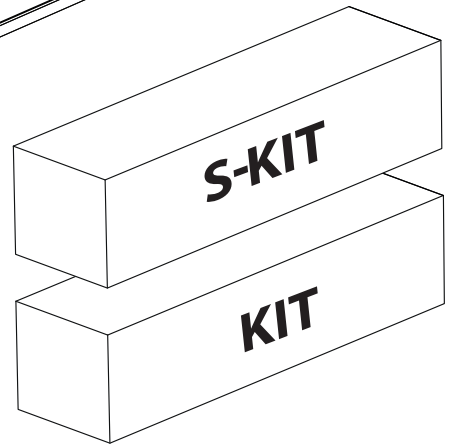
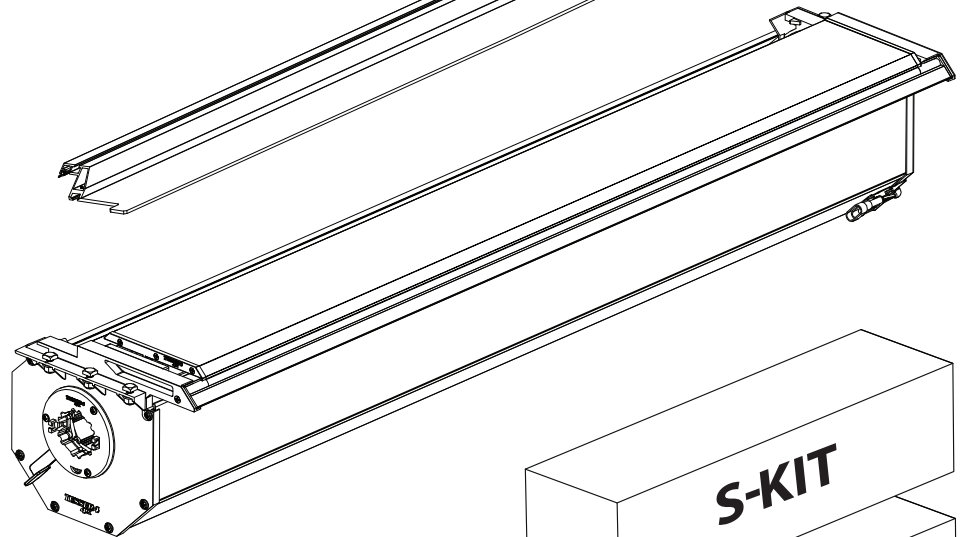
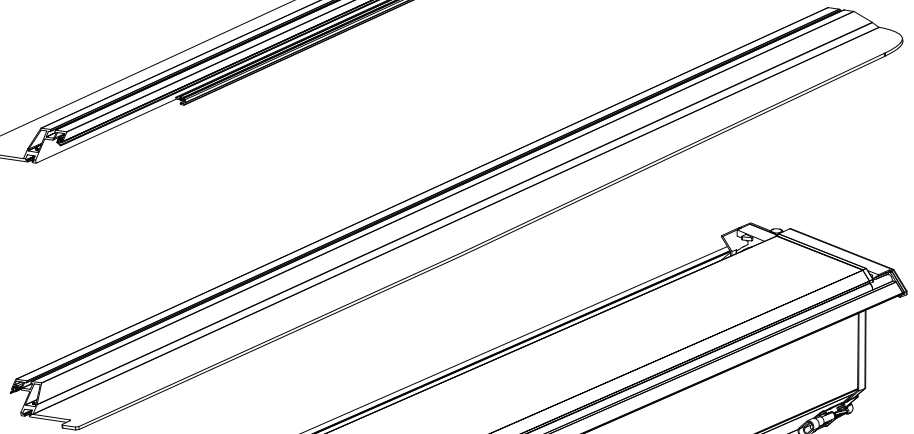
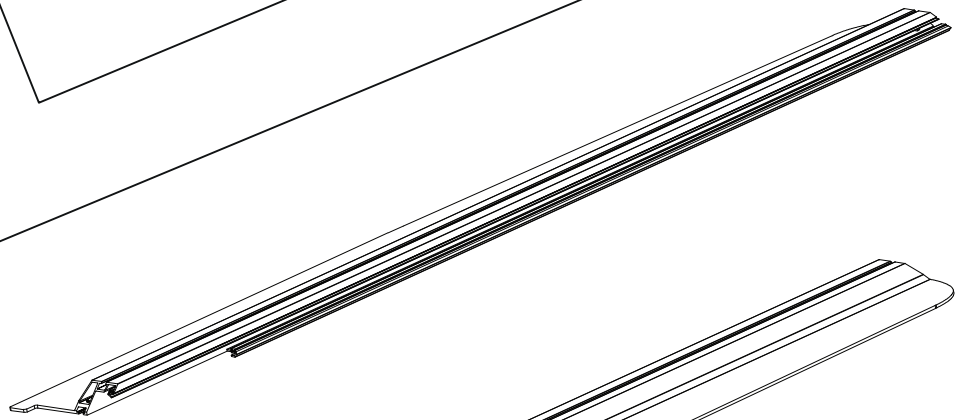
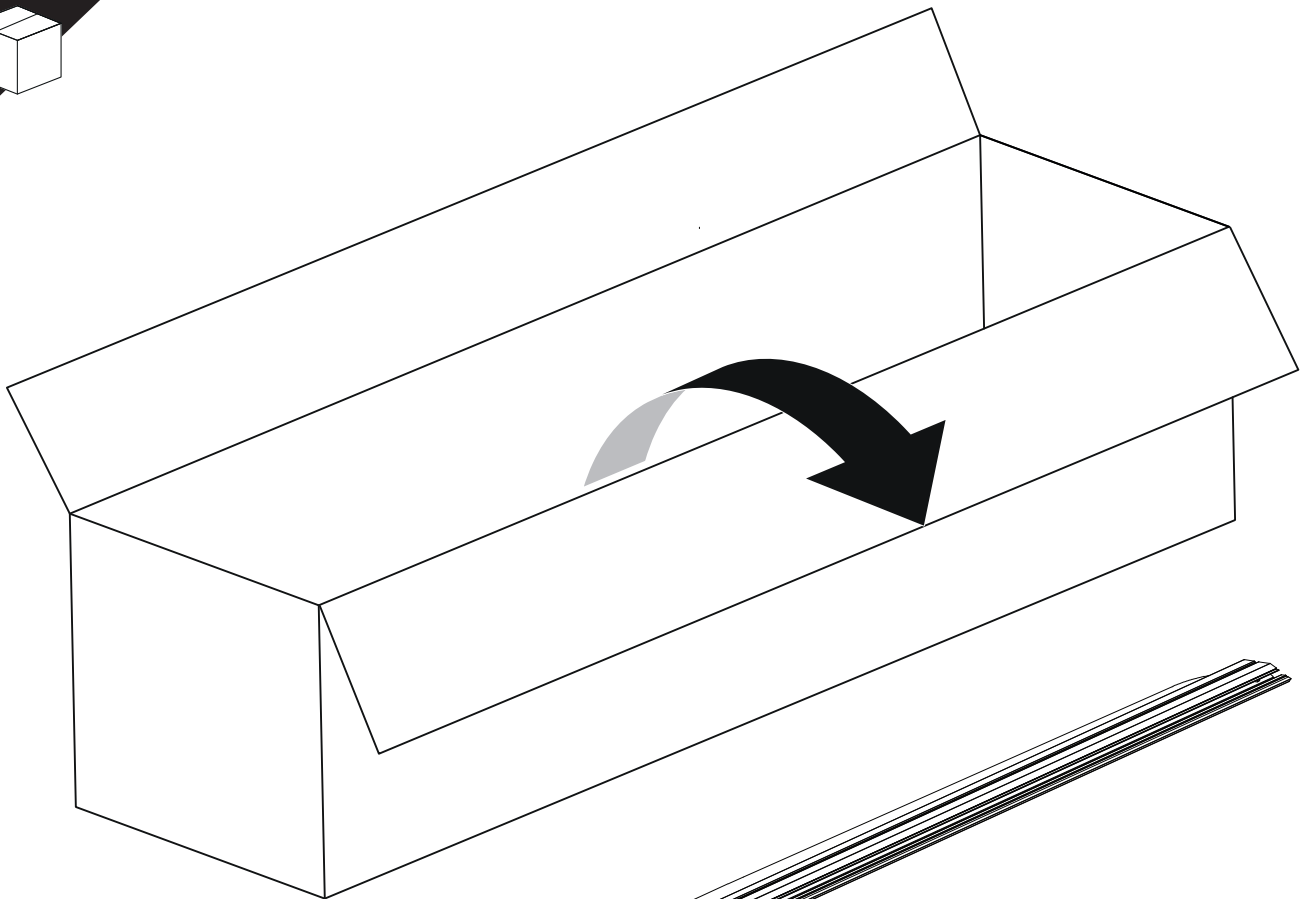


## Installation Manual

PART NUMBER(S)	Model Year
TESS 14062 ROLL+S-KIT	FORD RANGER 2025+ PHEV (P 703) (with c-channels)
Cab(s)	Installation Time / Weight
Double Cab	40-60 minutes / 53-57 kg





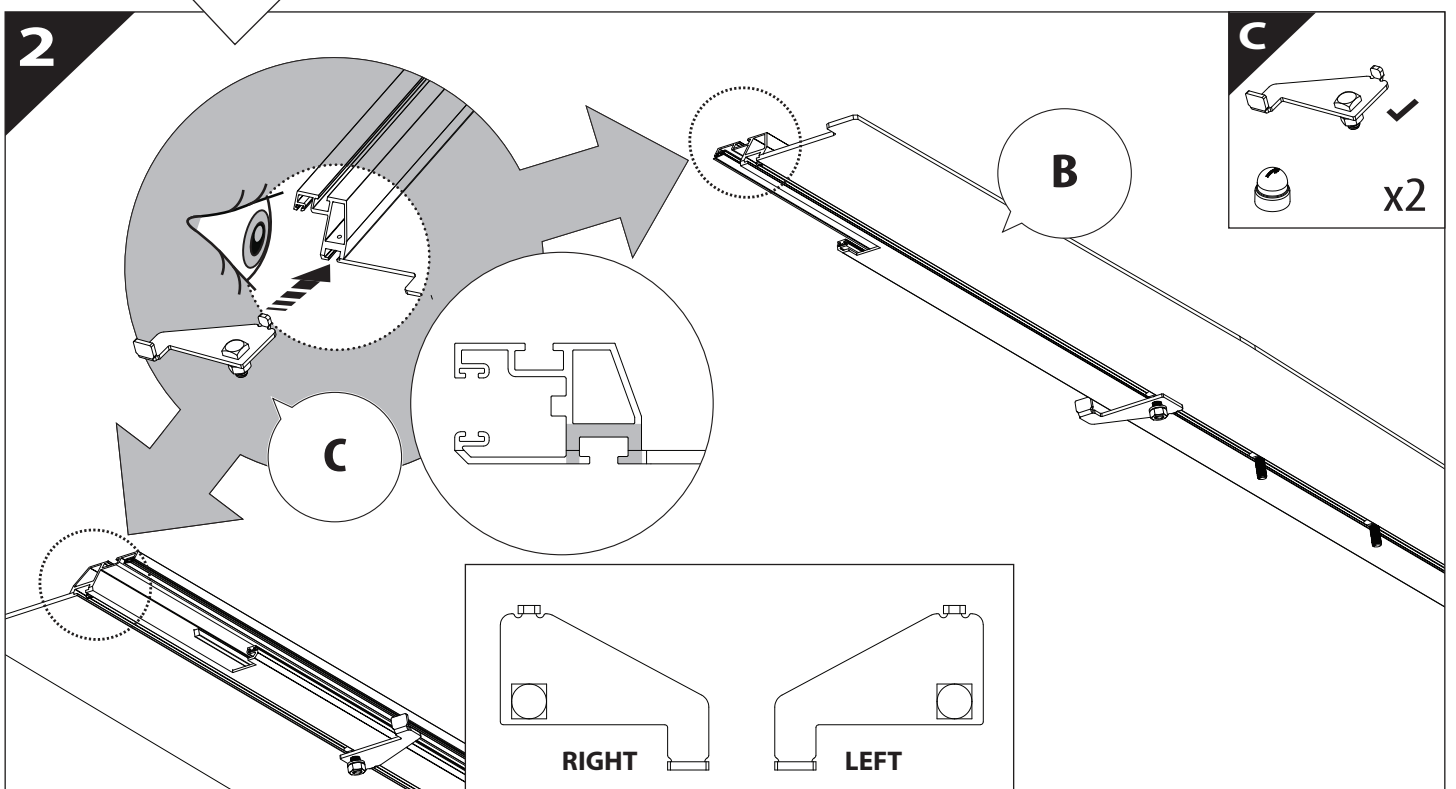
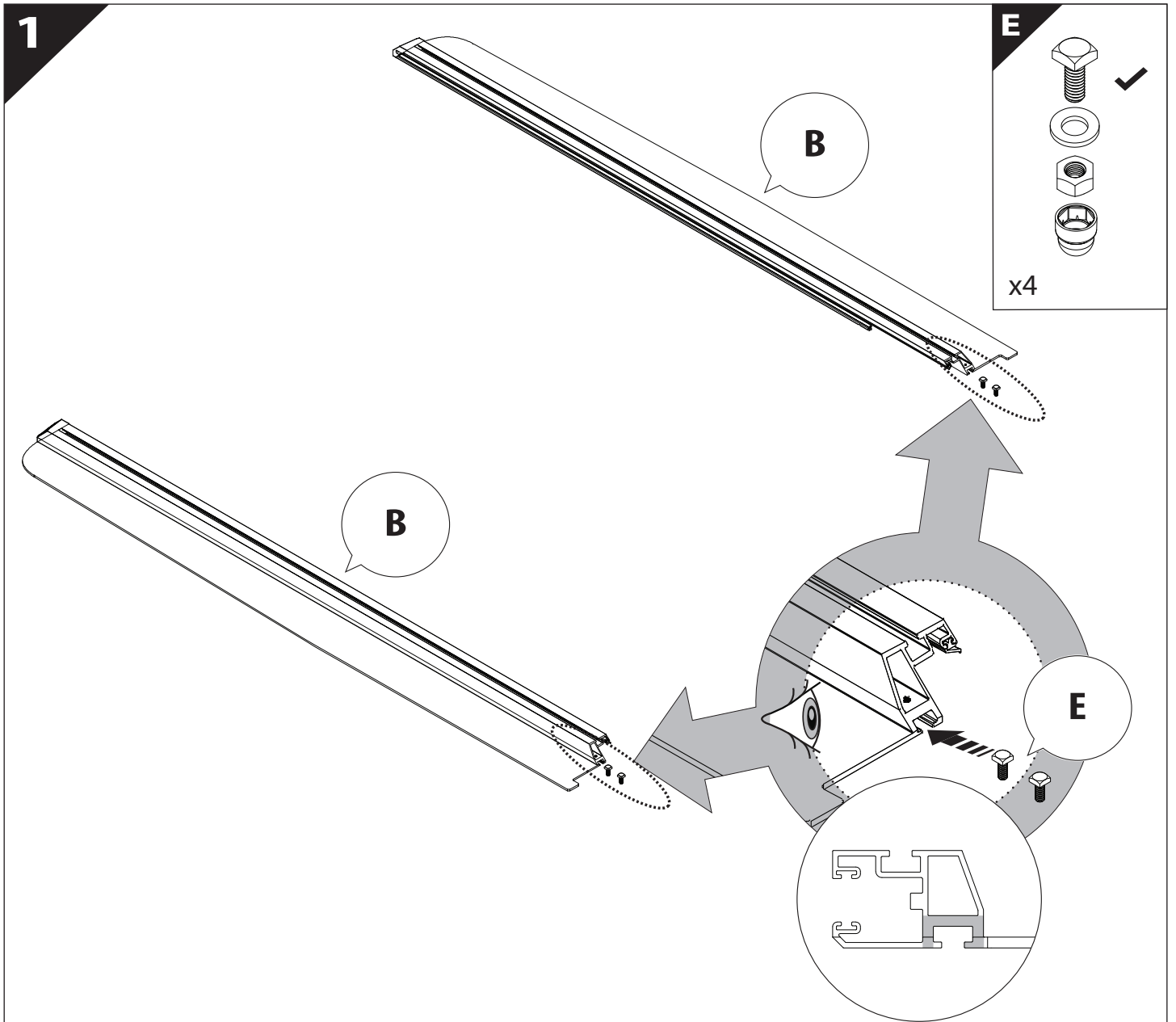


**B**

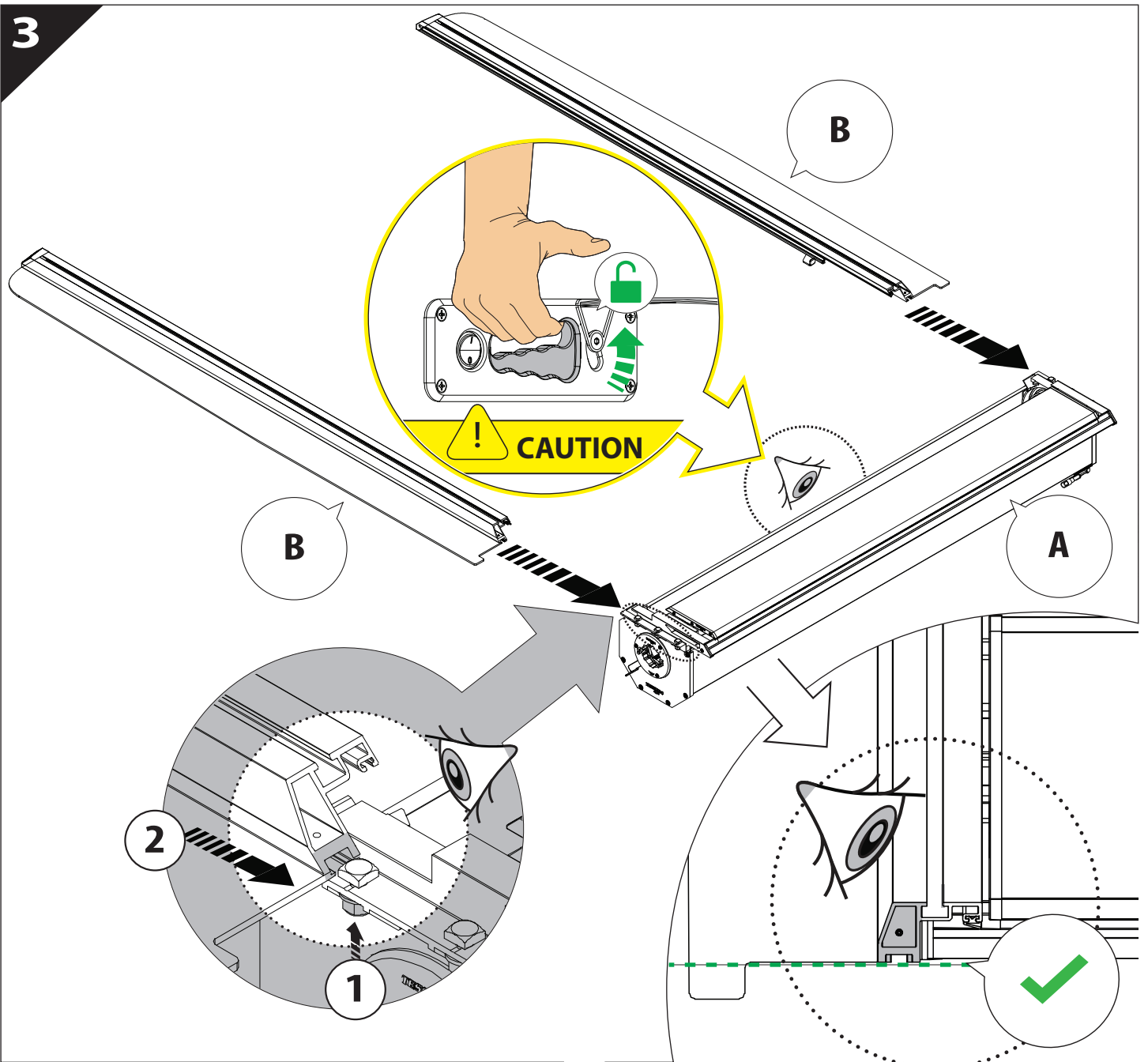
**A**

**KITS**

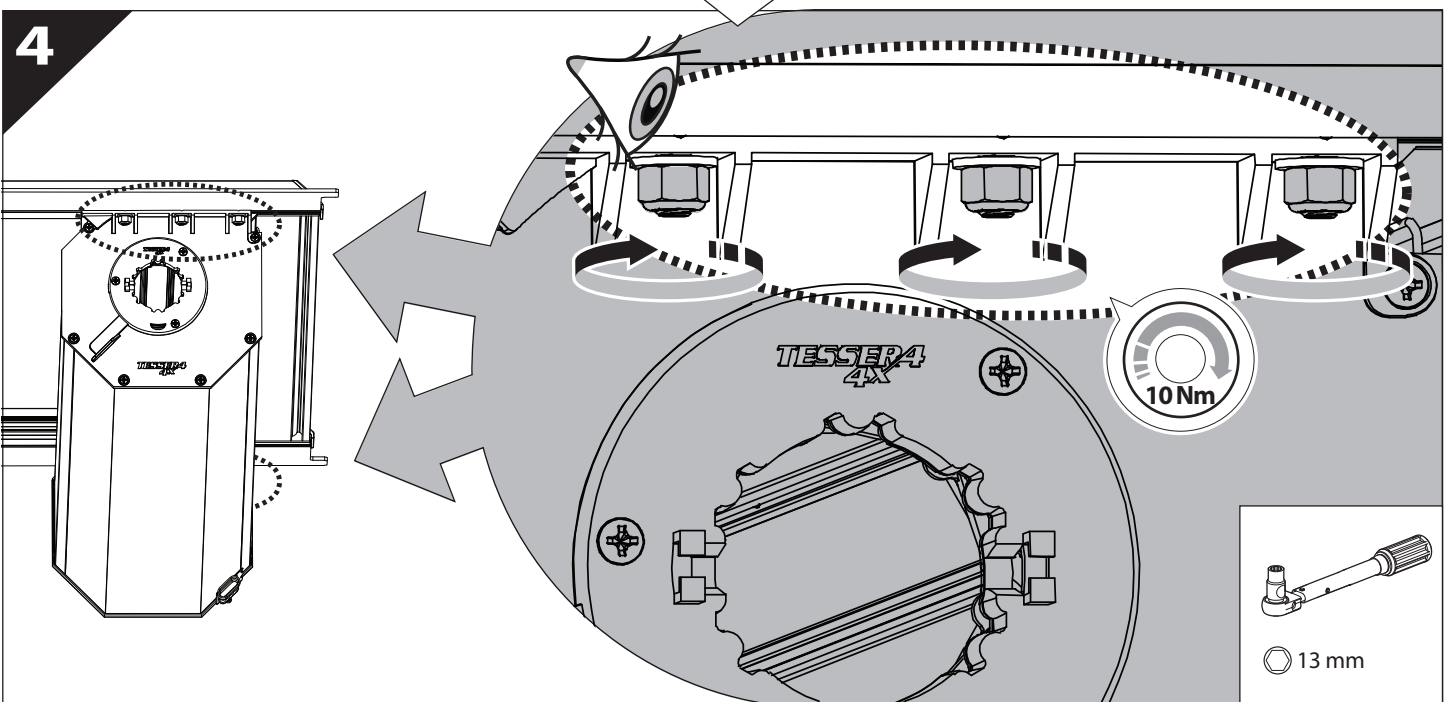
**L**

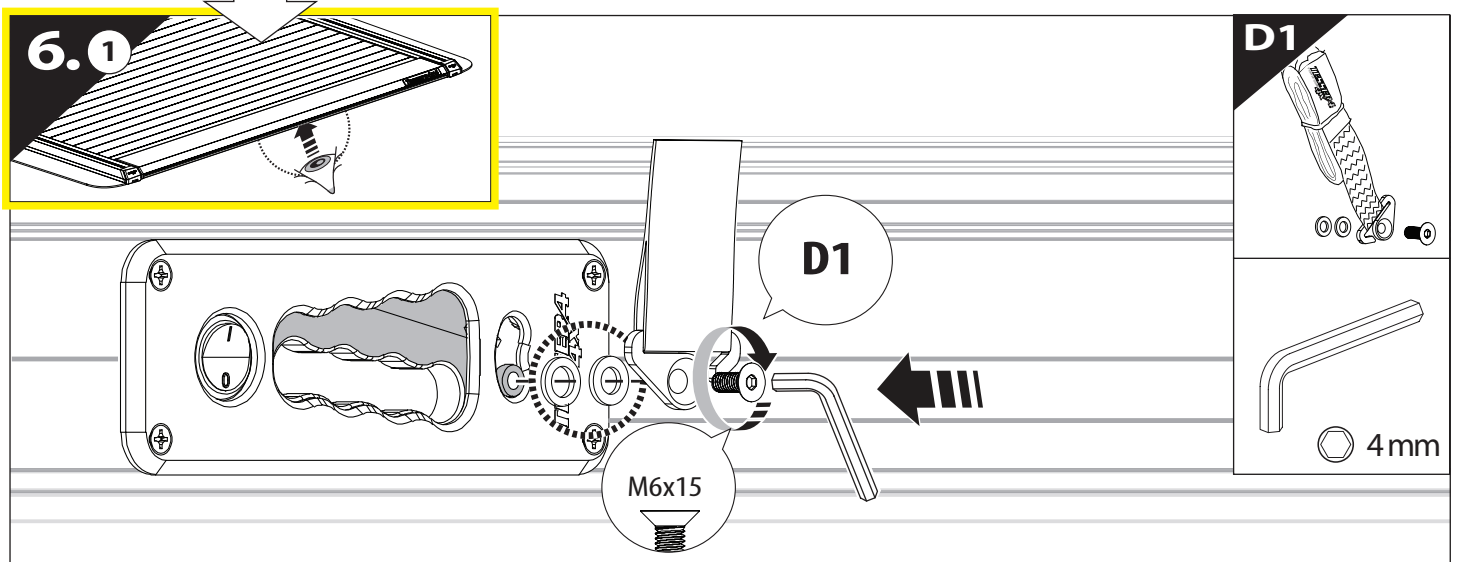
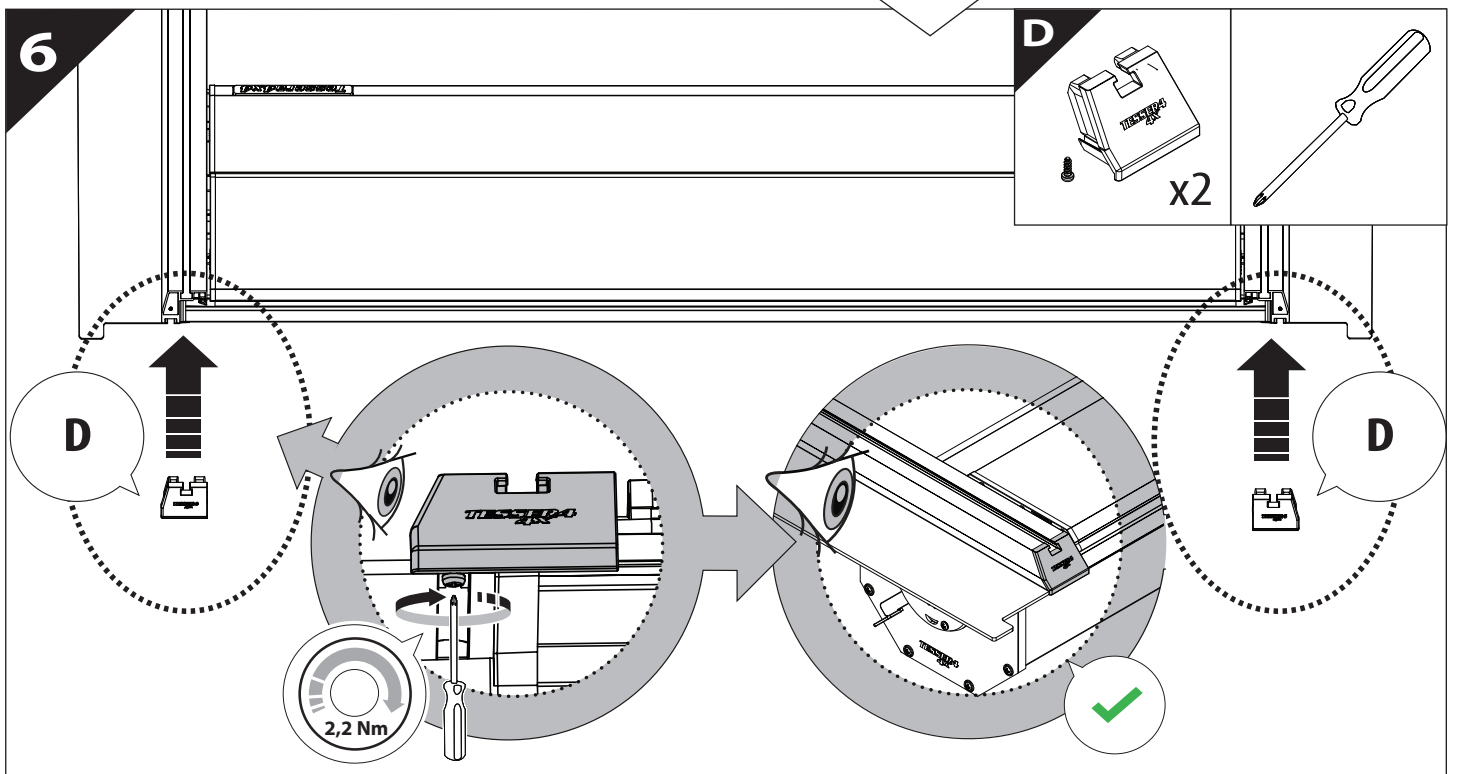
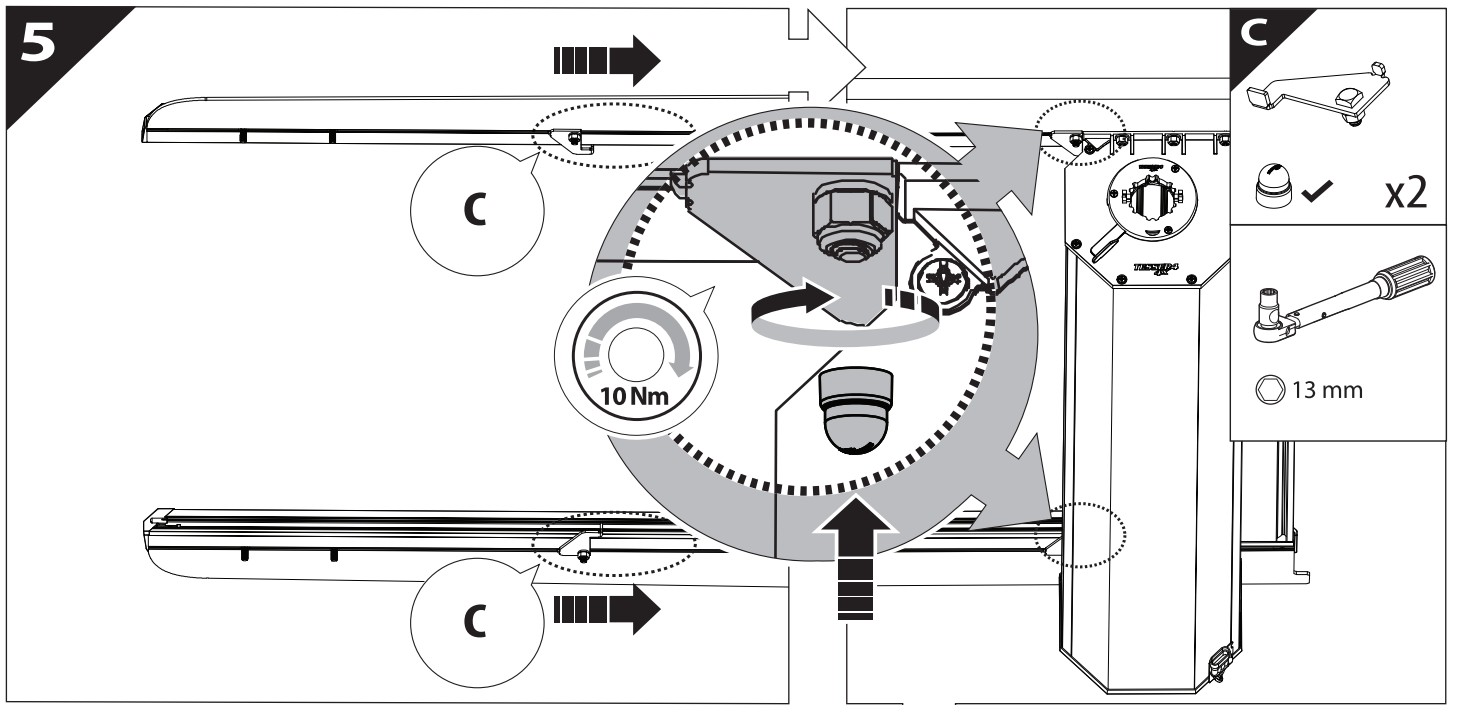


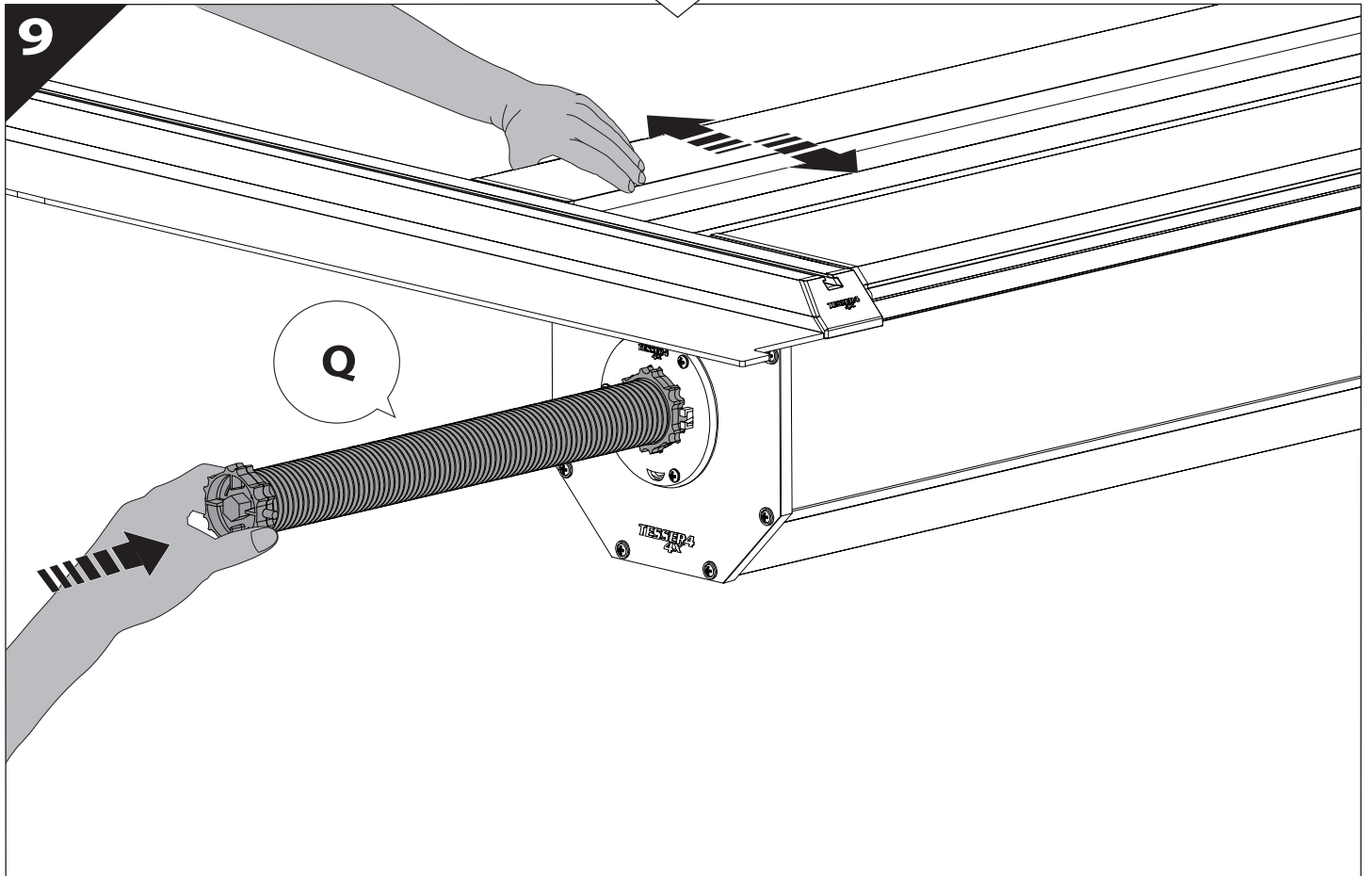
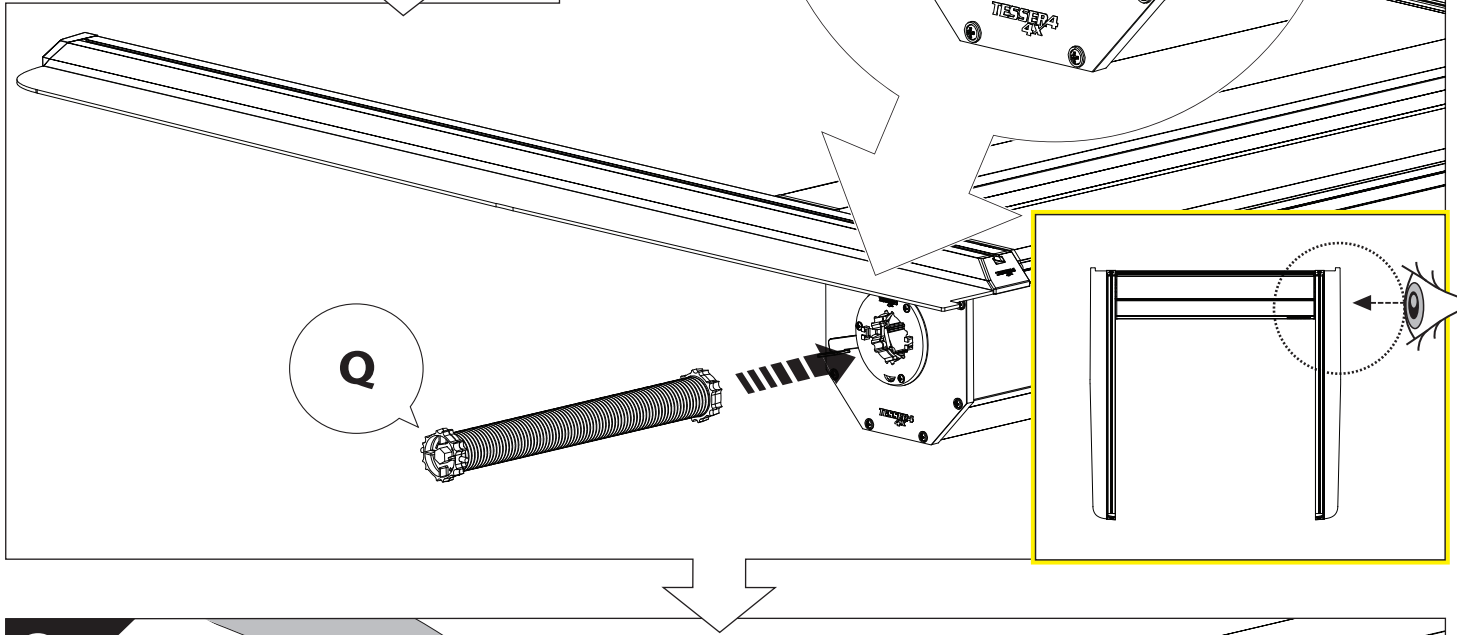
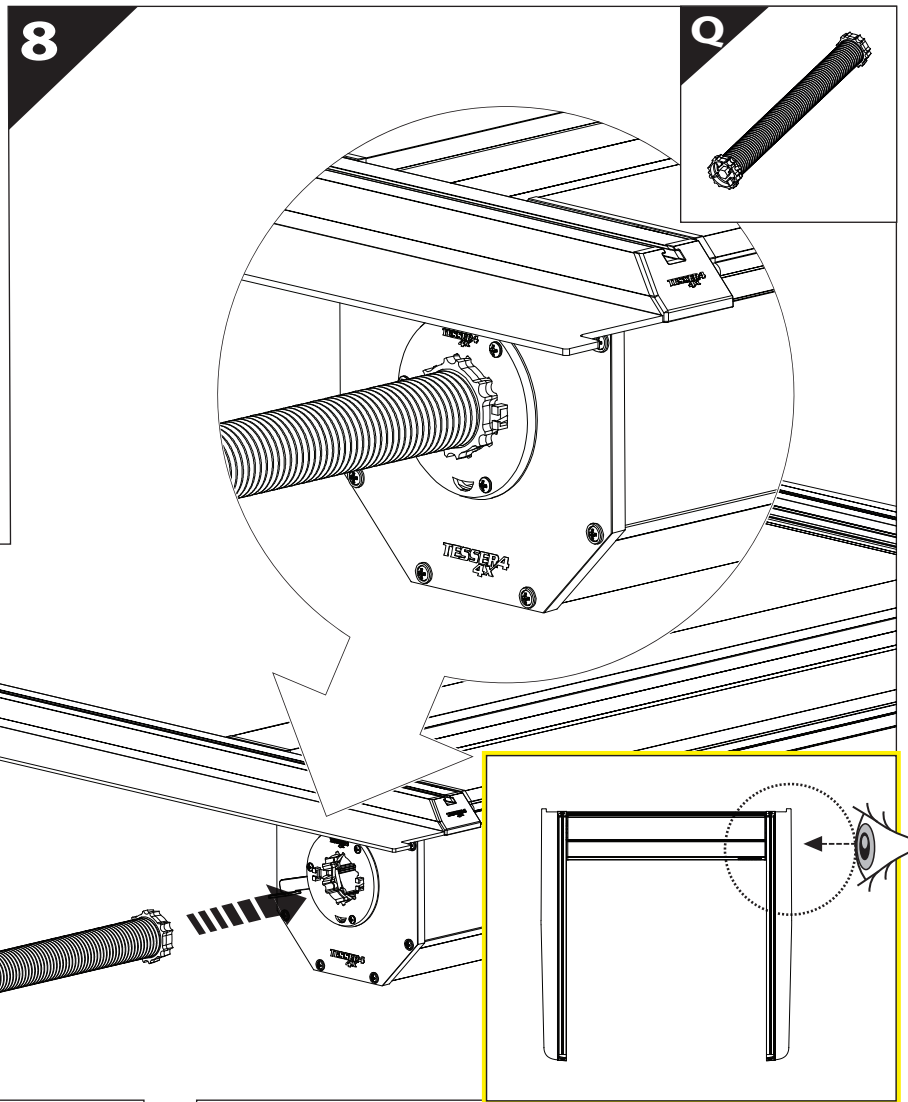
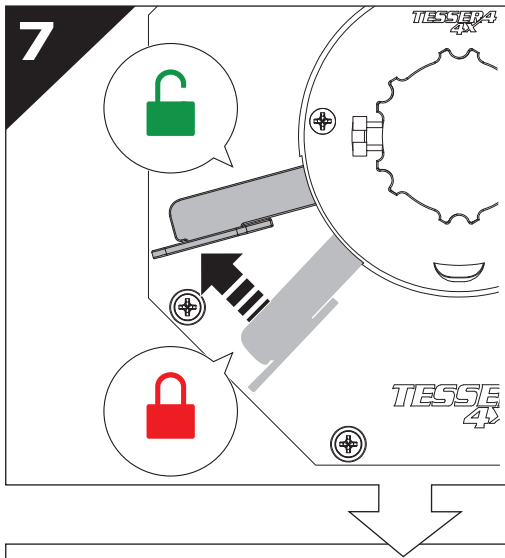
3



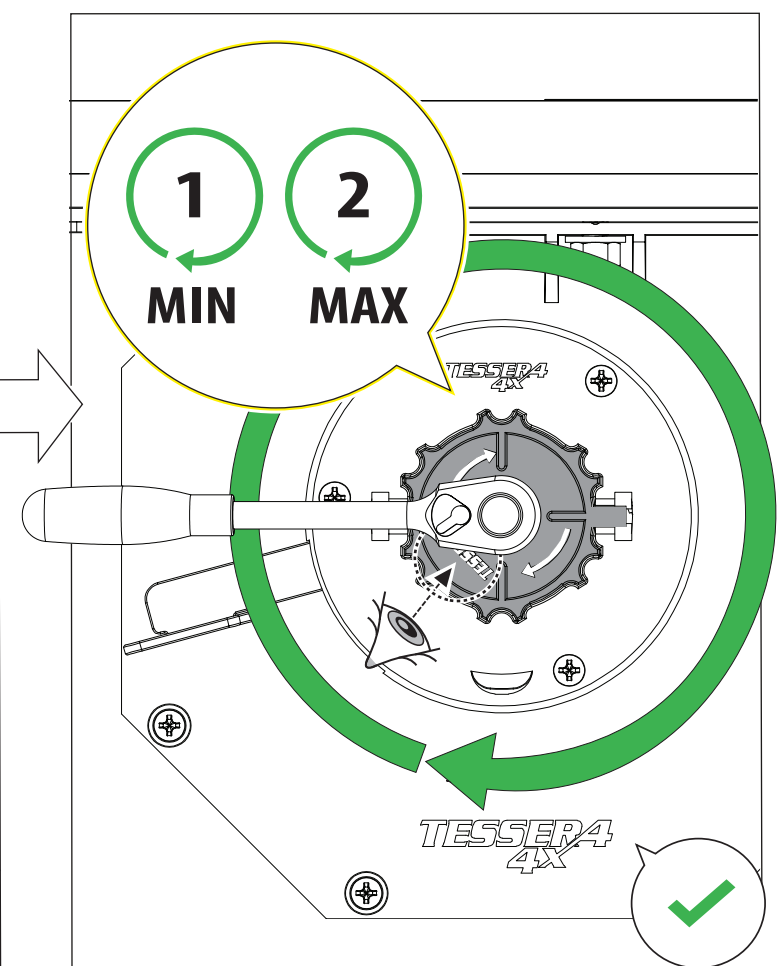
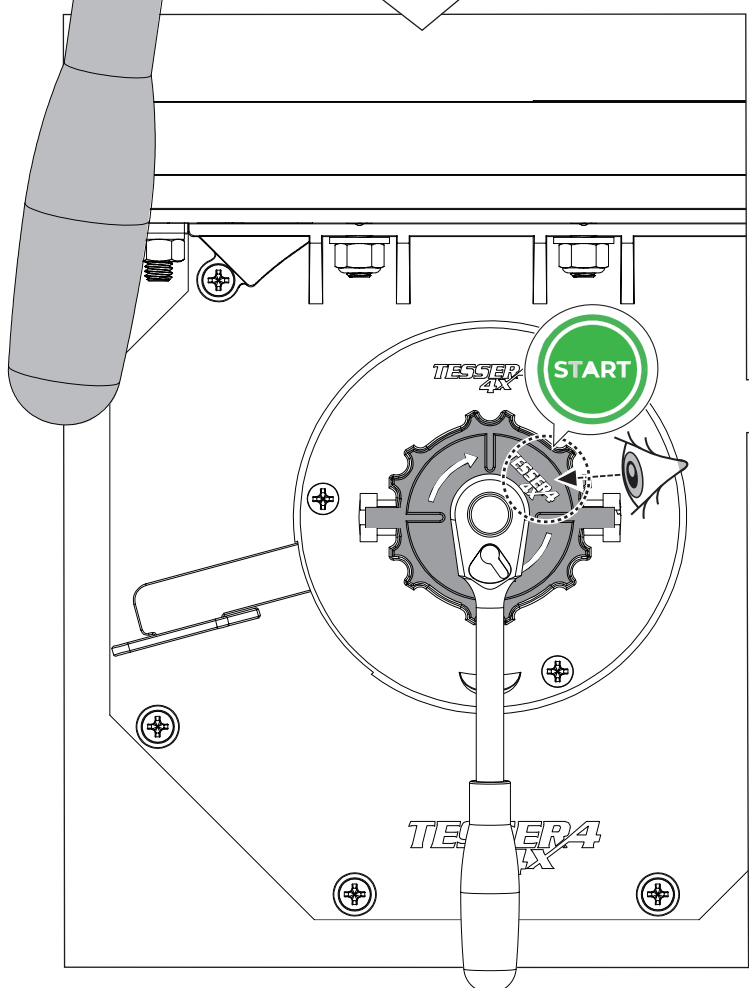
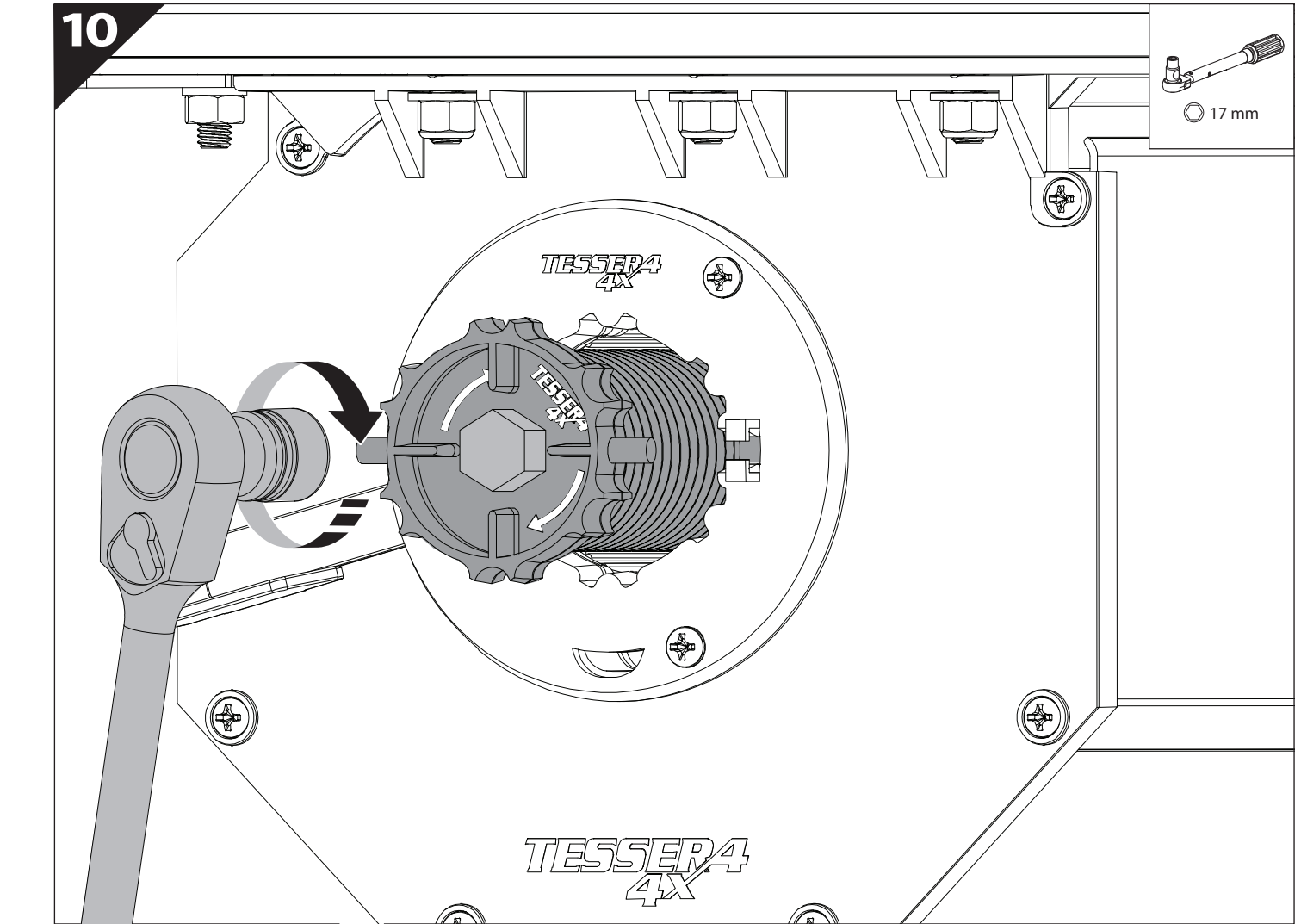
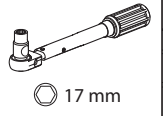
4



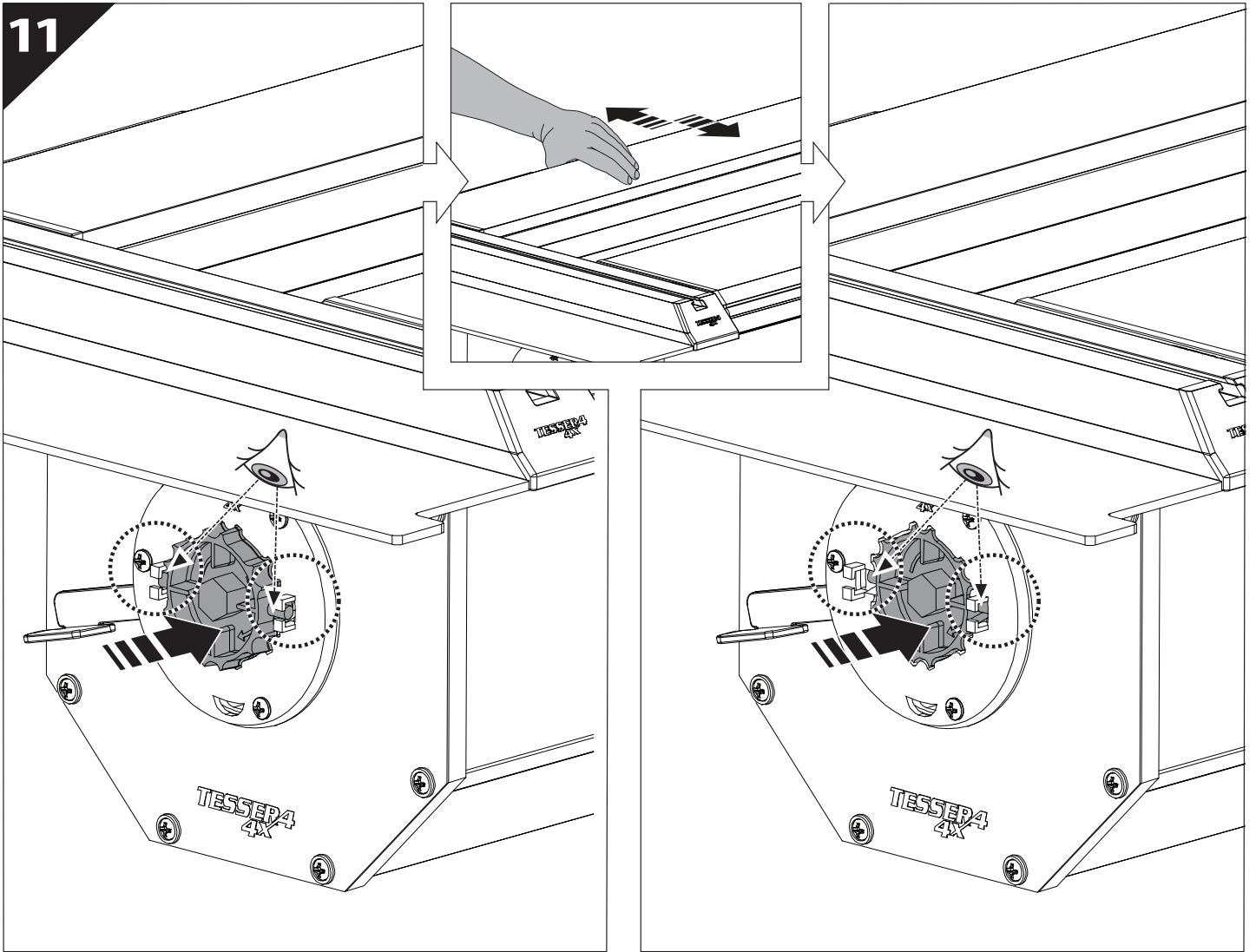




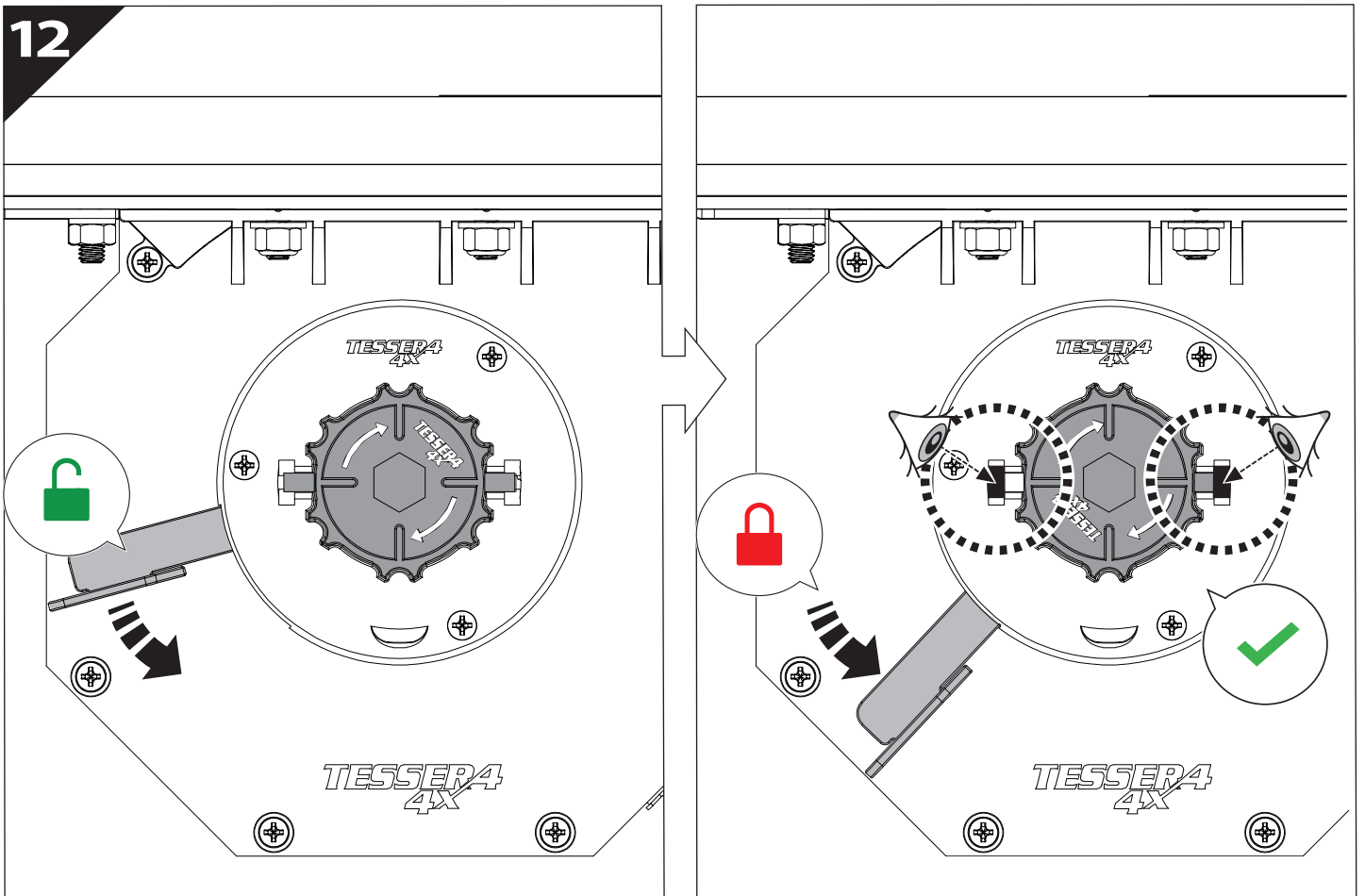
10



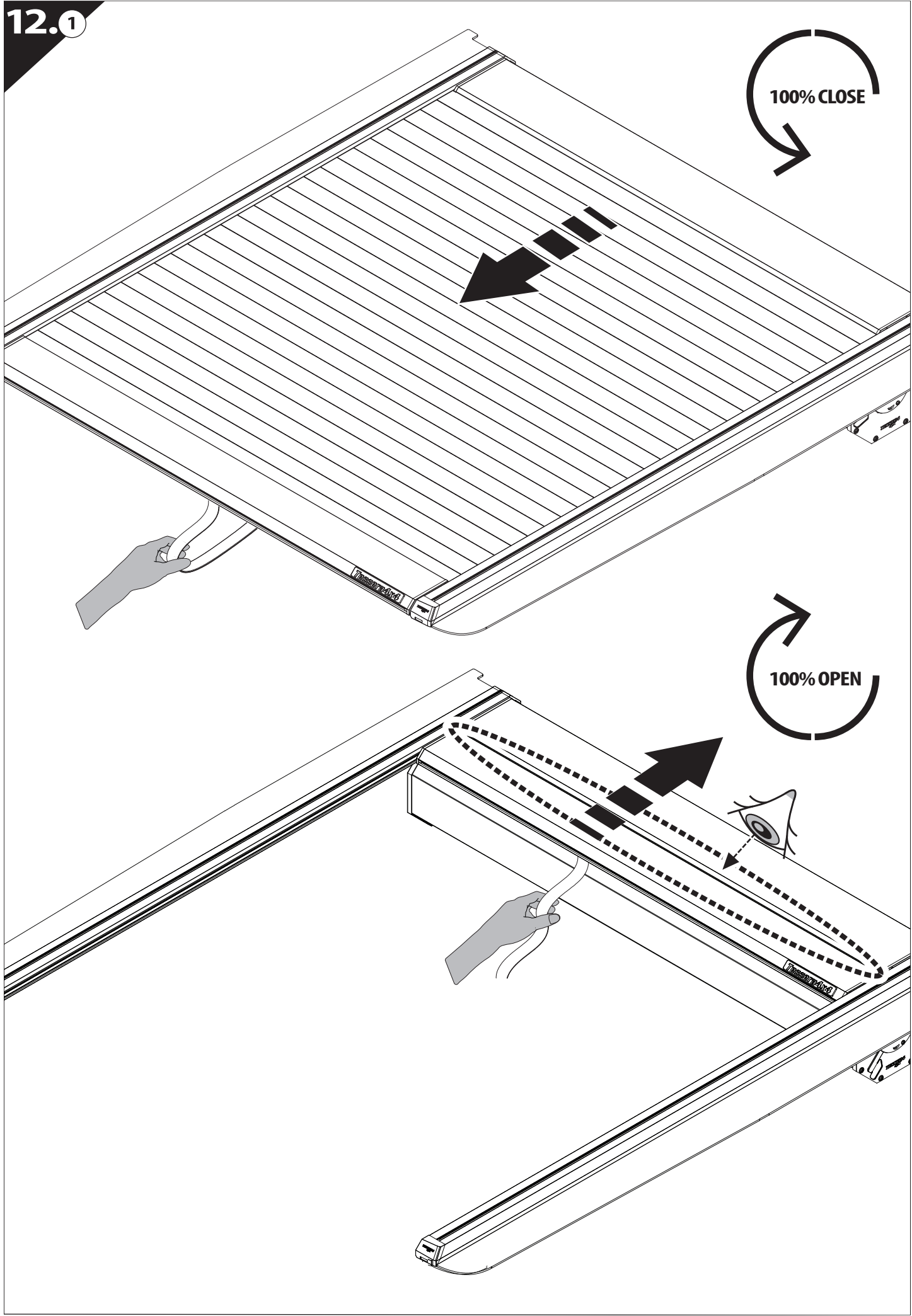
11

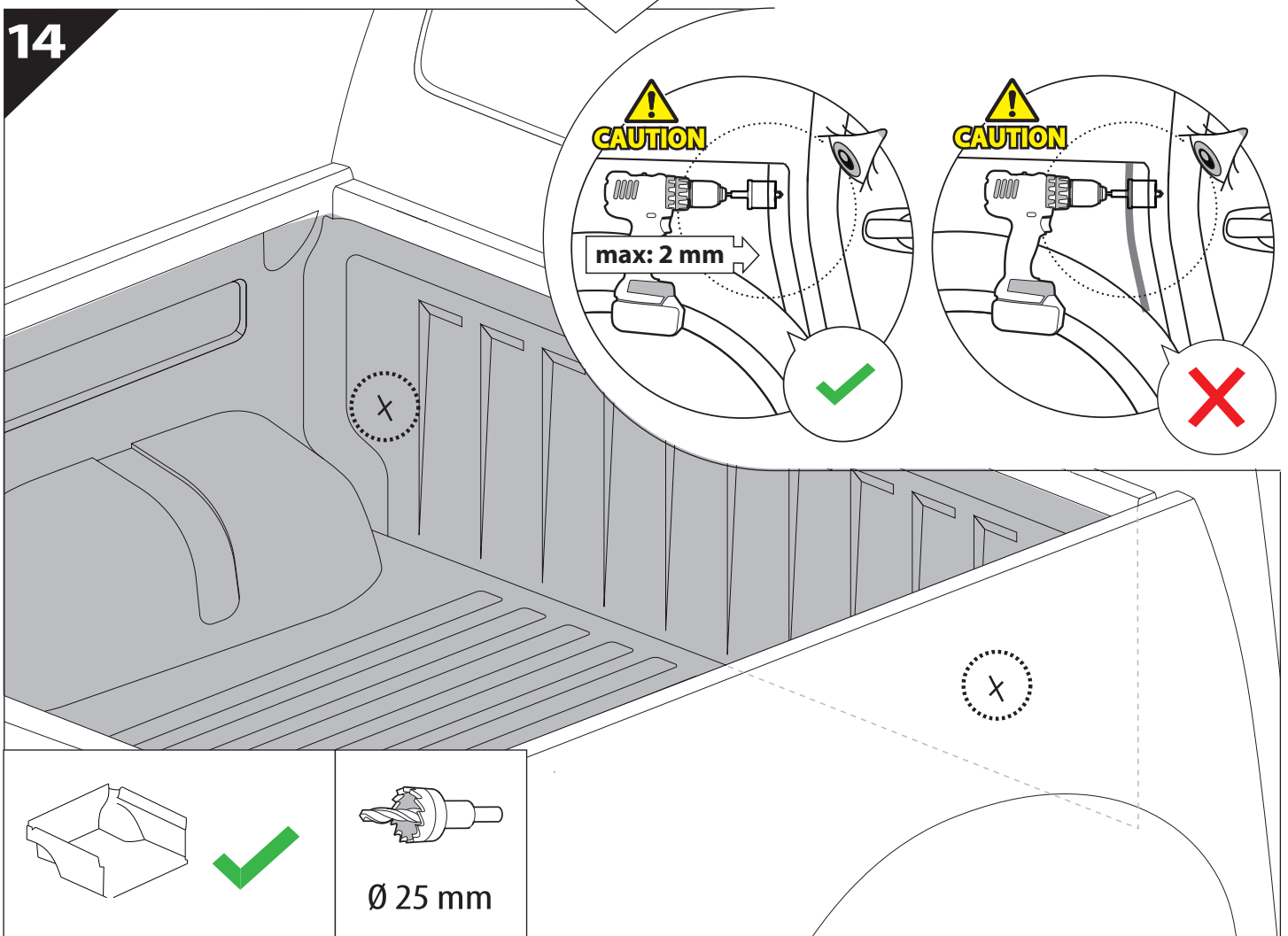
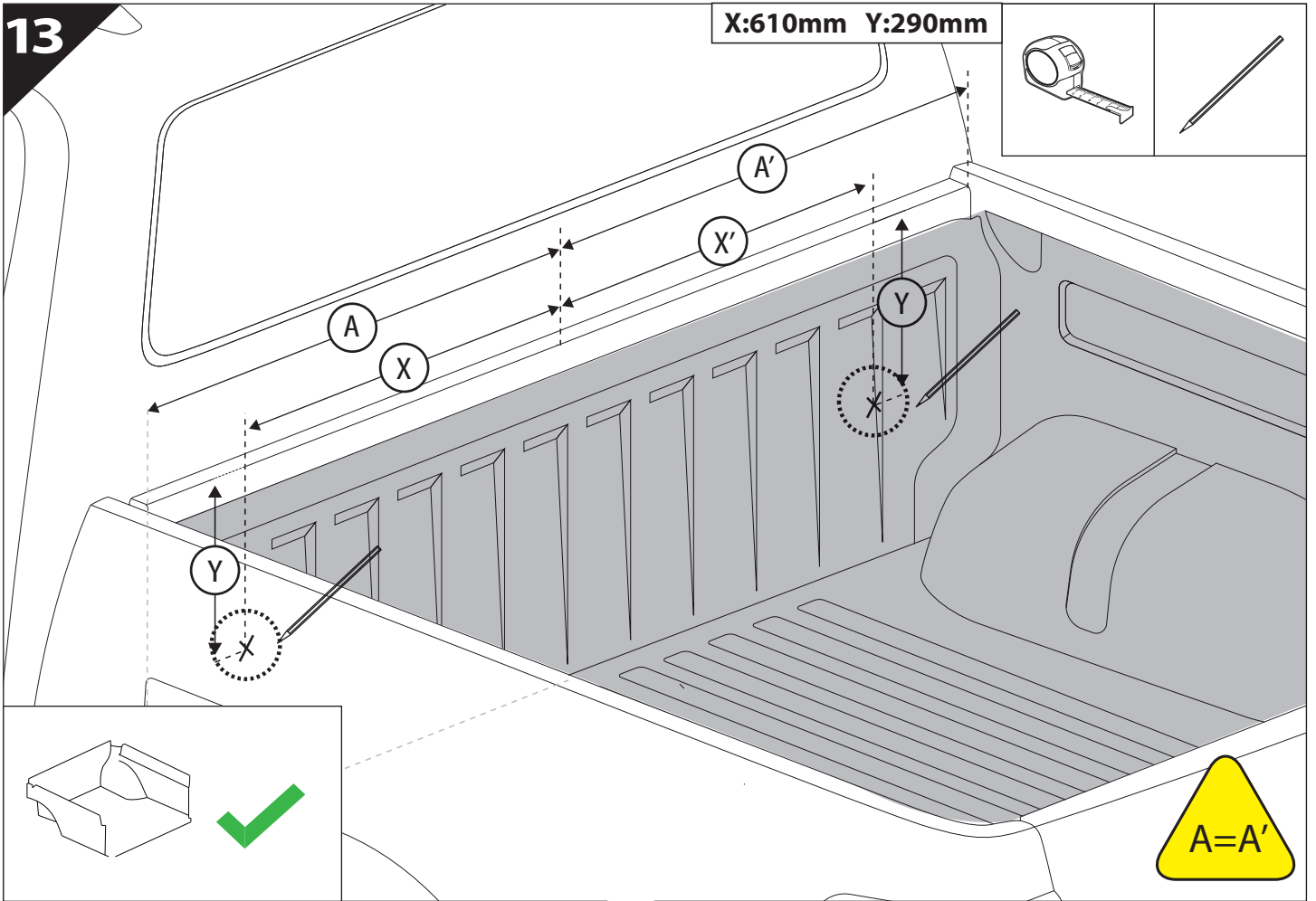


12



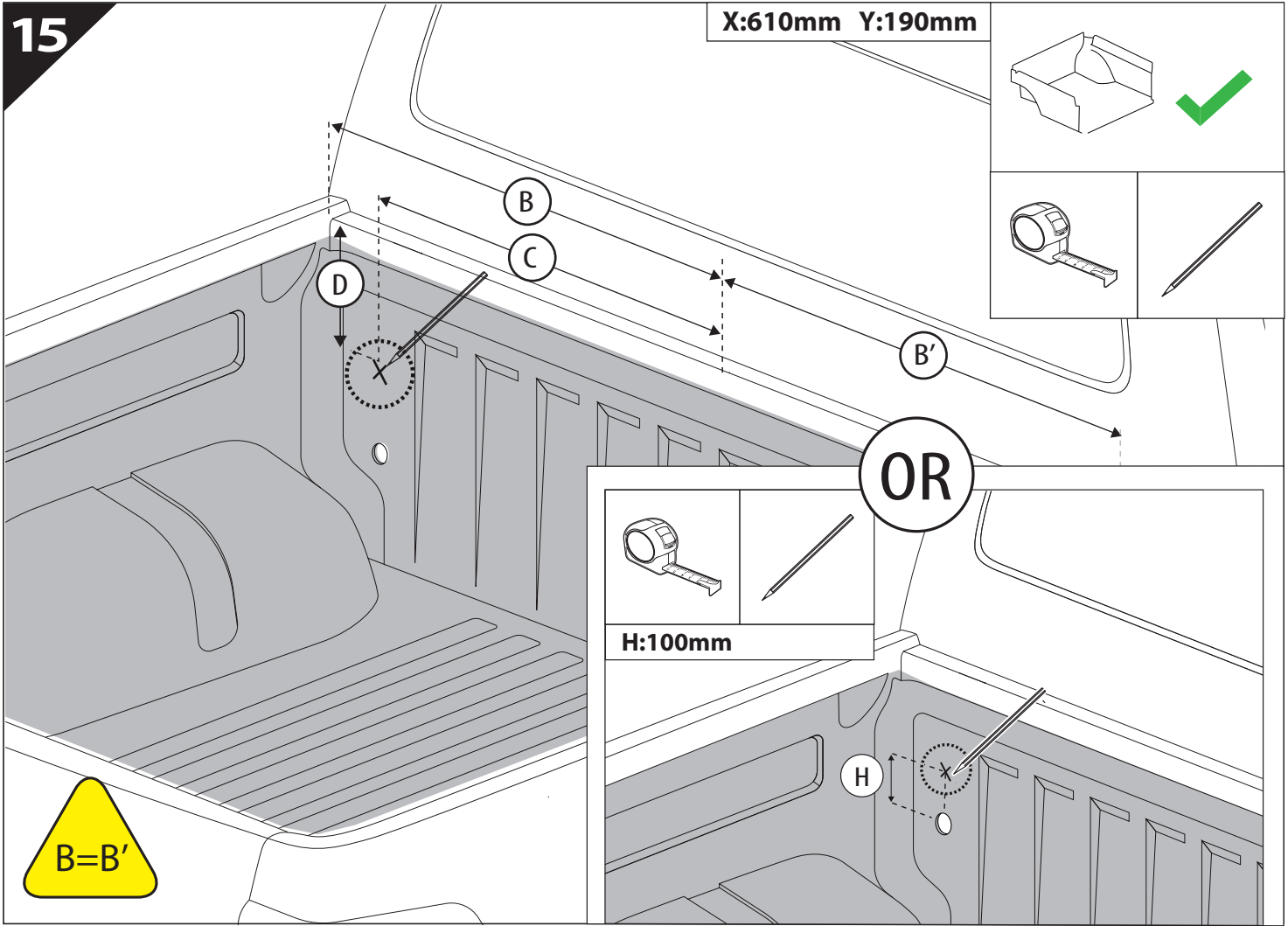
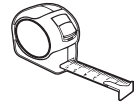
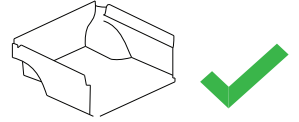
12.0





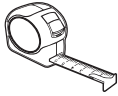
15

X:610mm Y:190mm



B=B'

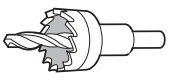
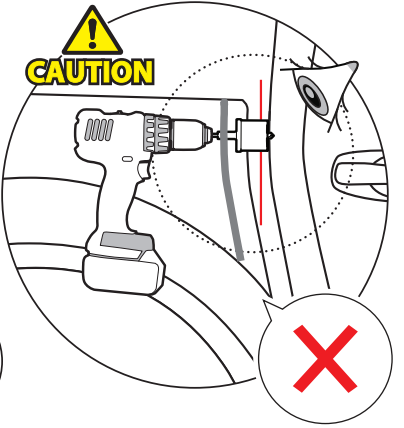
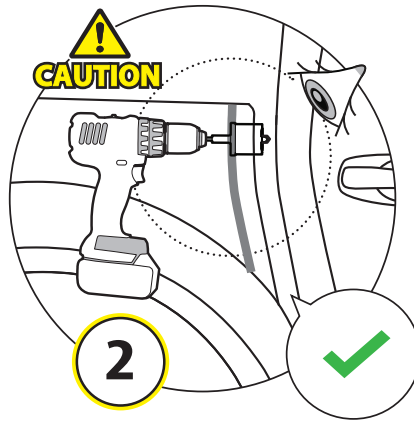
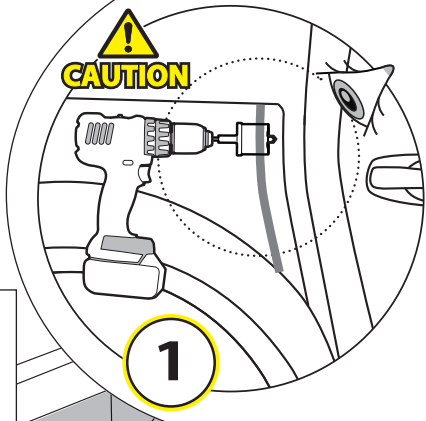
OR



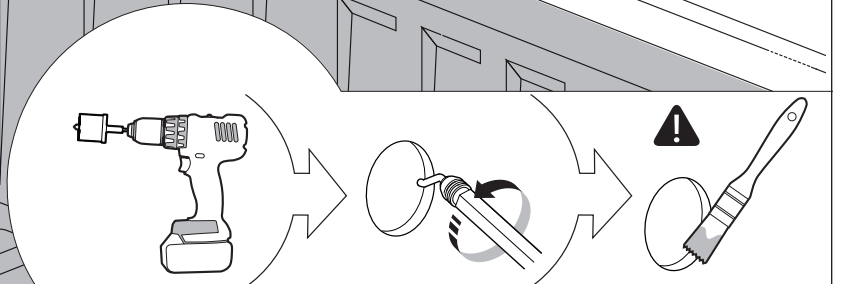
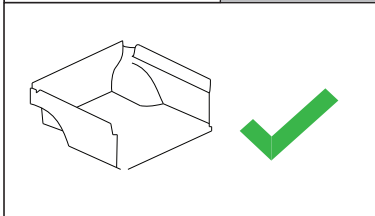
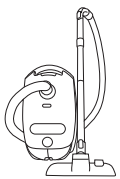
H:100mm

H

16

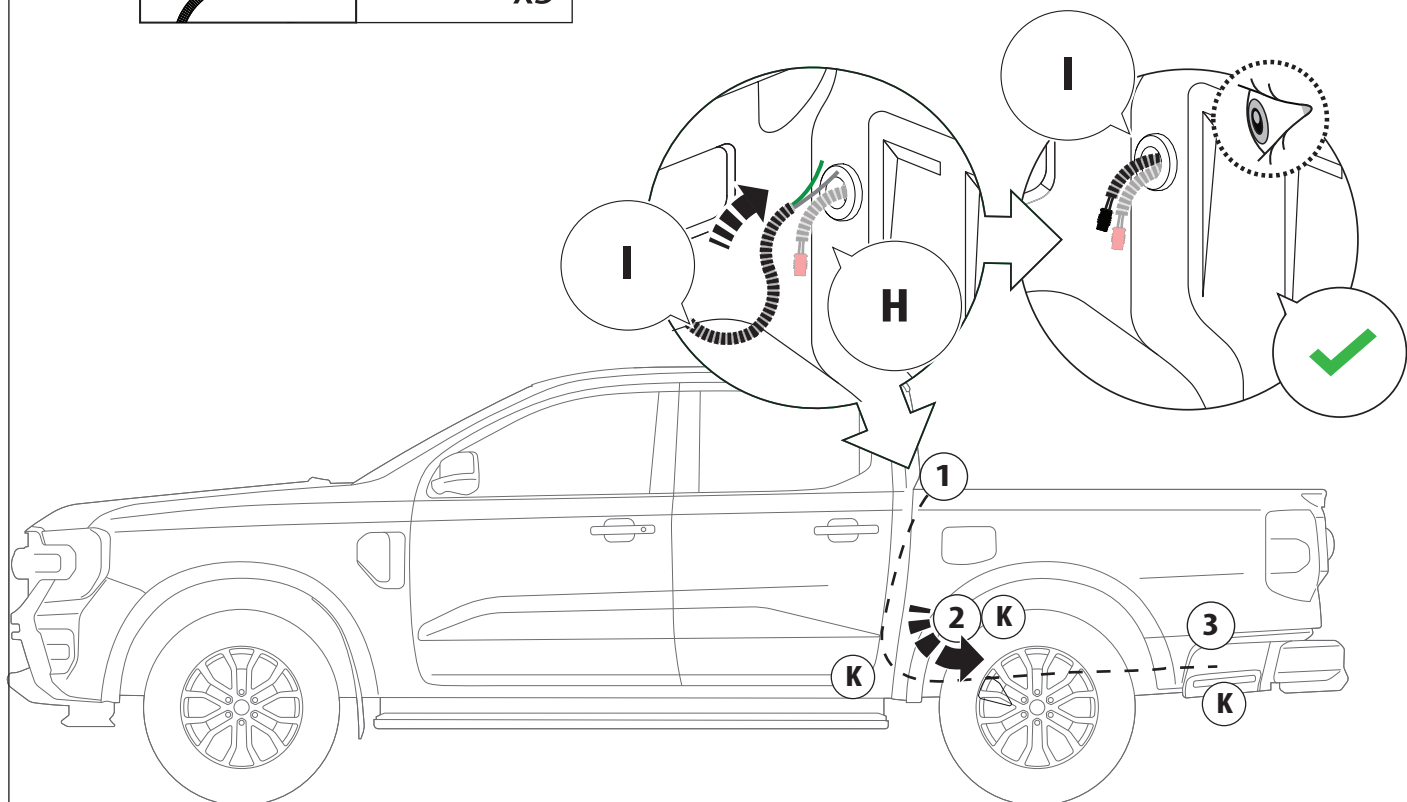
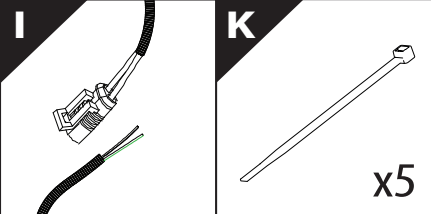


Ø 25 mm





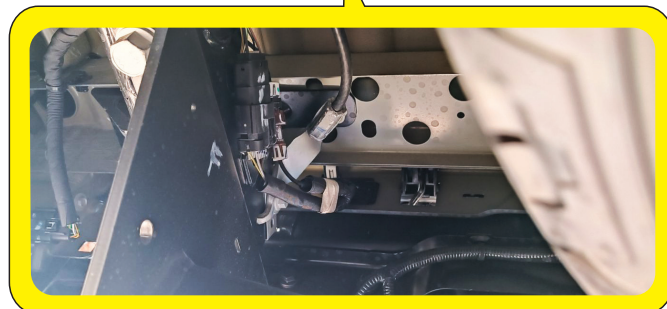
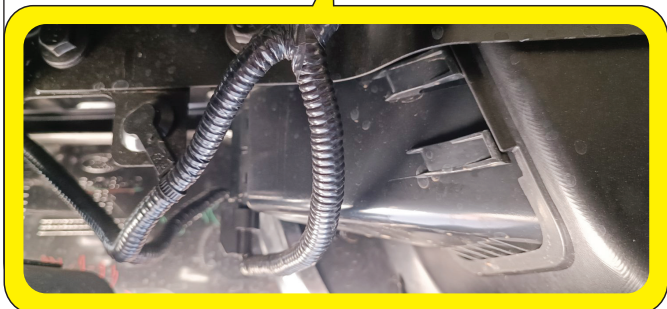
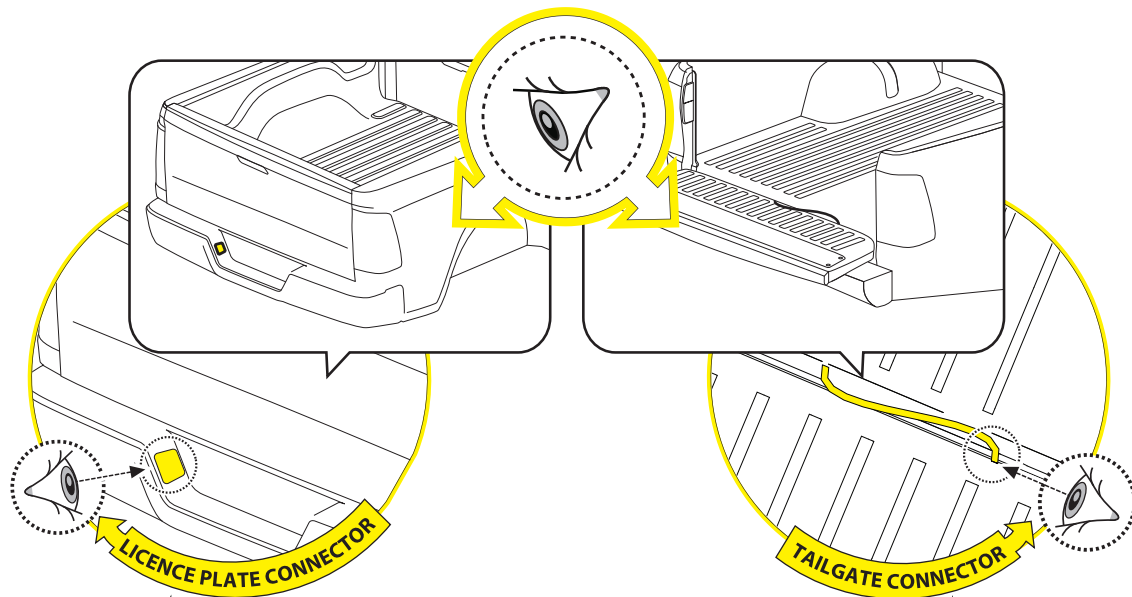
19



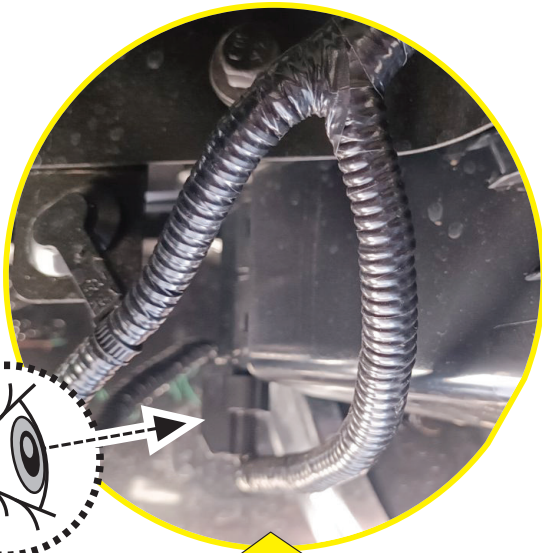
20



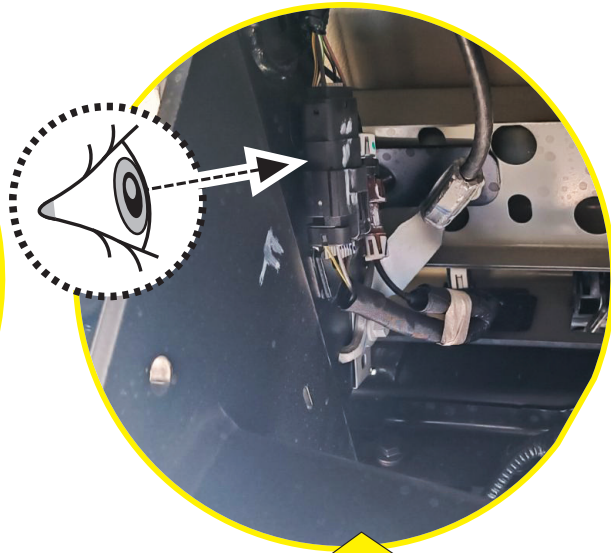
**CAUTION: LIMITED, WILDTRAK, WILDTRAK X, PLATINUM**



# 20.1



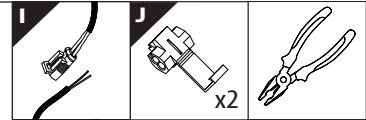
LICENCE PLATE CONNECTOR



TAILGATE CONNECTOR

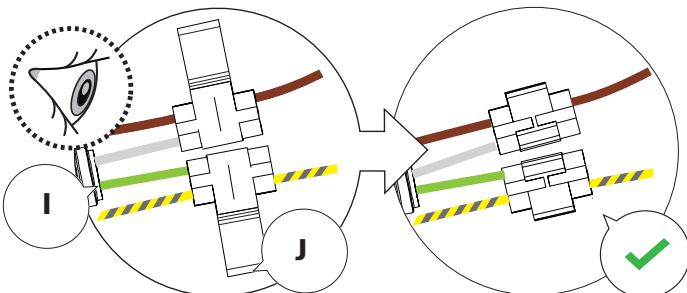
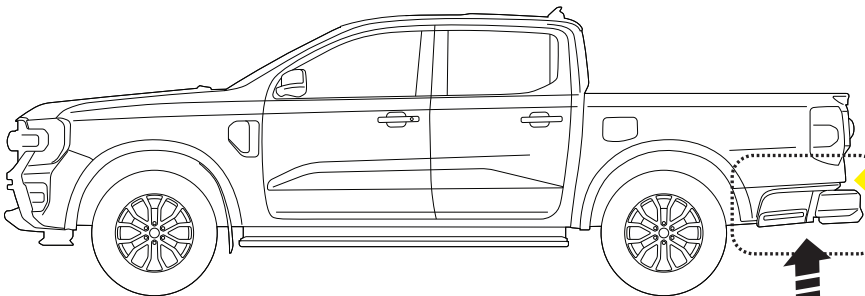
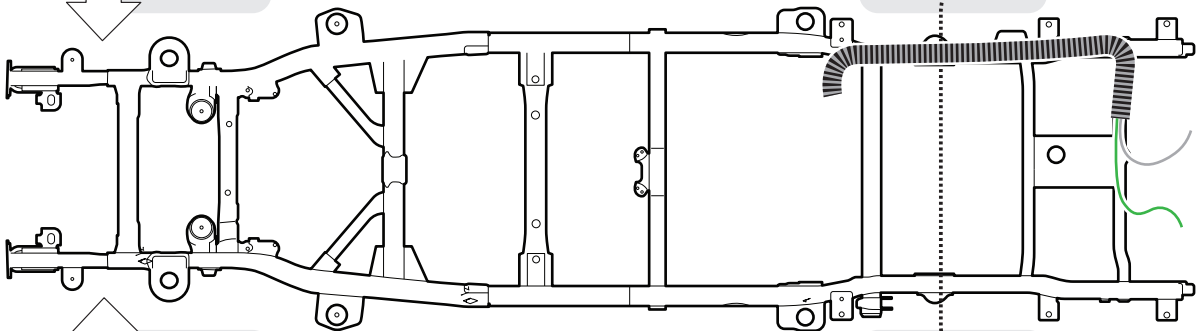
# 20.2

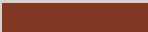


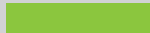
## BOTTOM VIEW



DRIVER'S LEFT SIDE

PASSENGER'S RIGHT SIDE

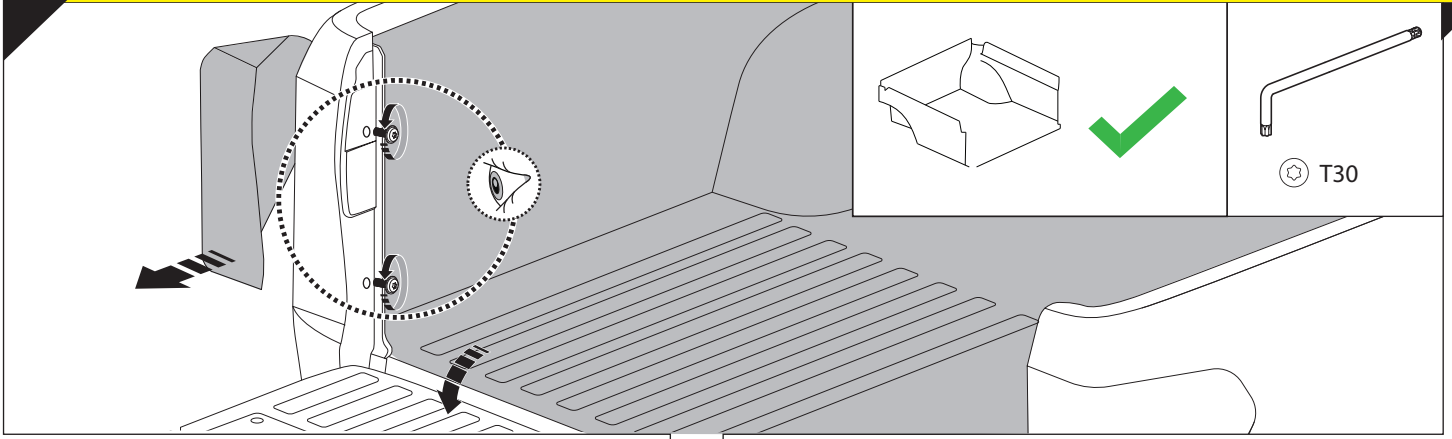


	CAR		TESSERA ROLL+
BEAM		↔	
LICENCE PLATE 2 PIN LIGHT CONNECTOR			
STOP		↔	
TAILGATE CONNECTOR			

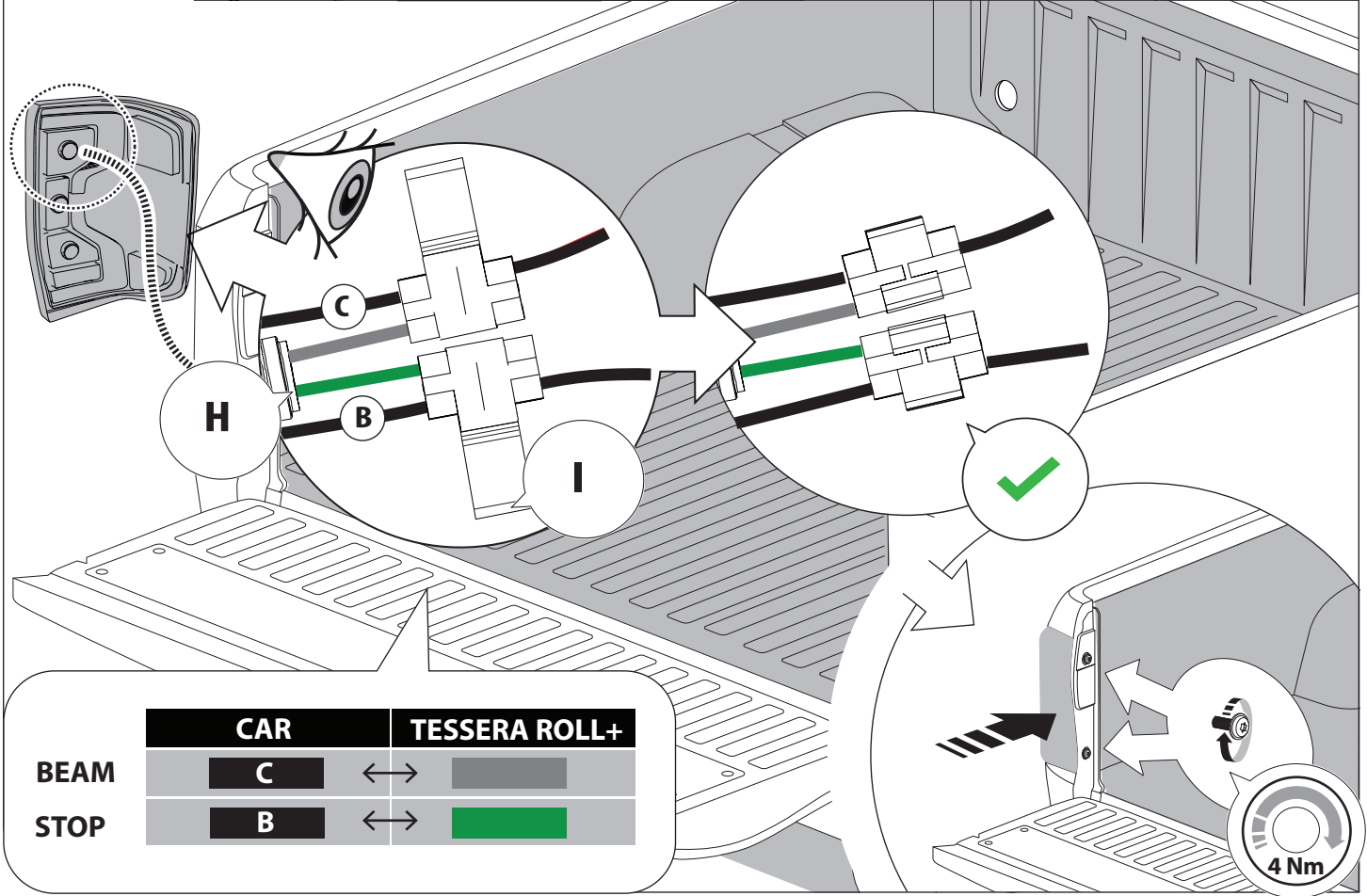
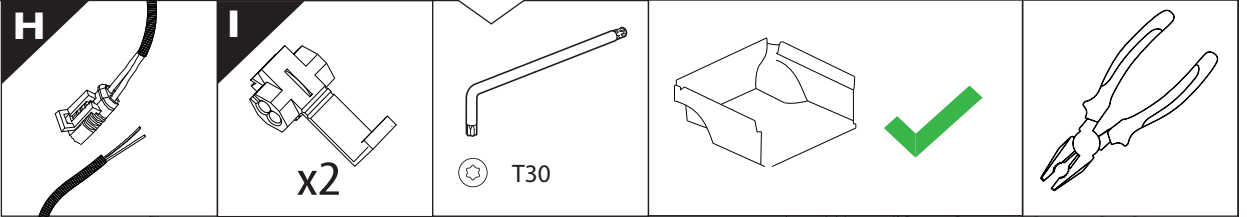
21



CAUTION: XL, XLT, TREMOR

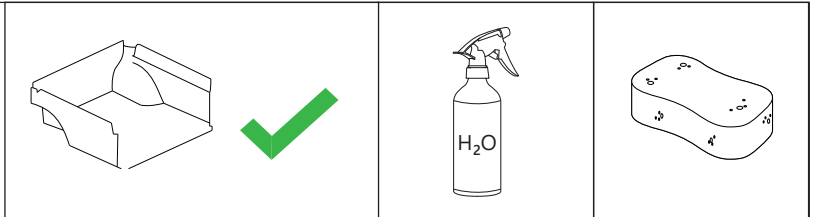
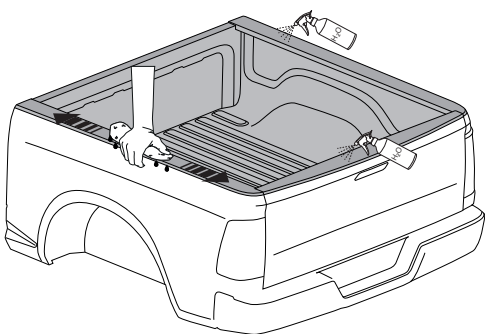


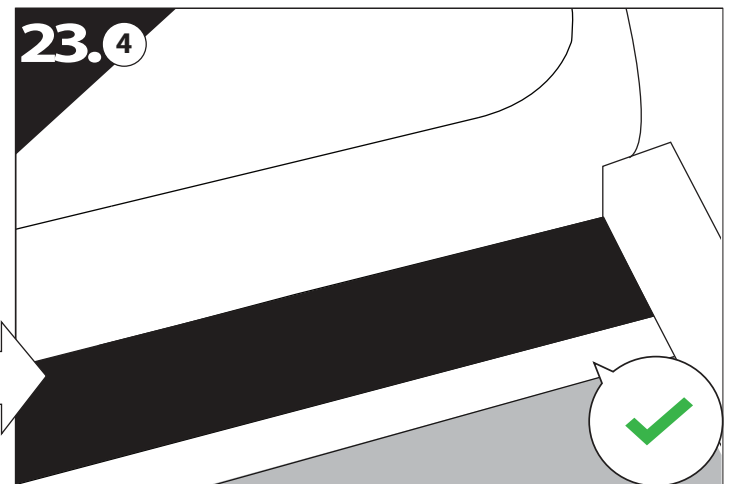
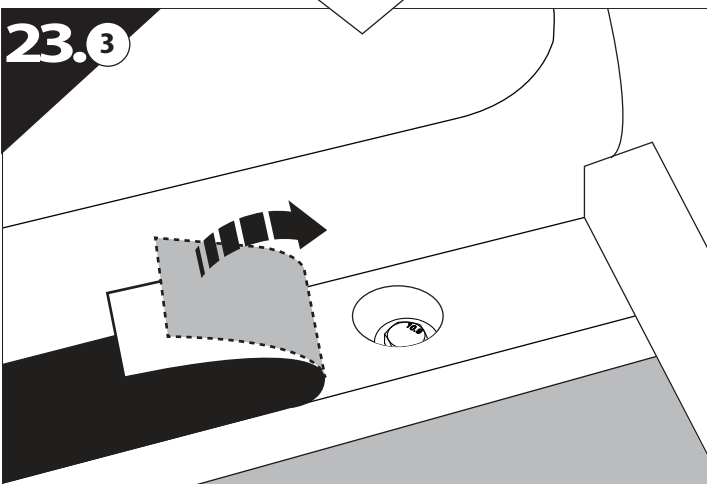
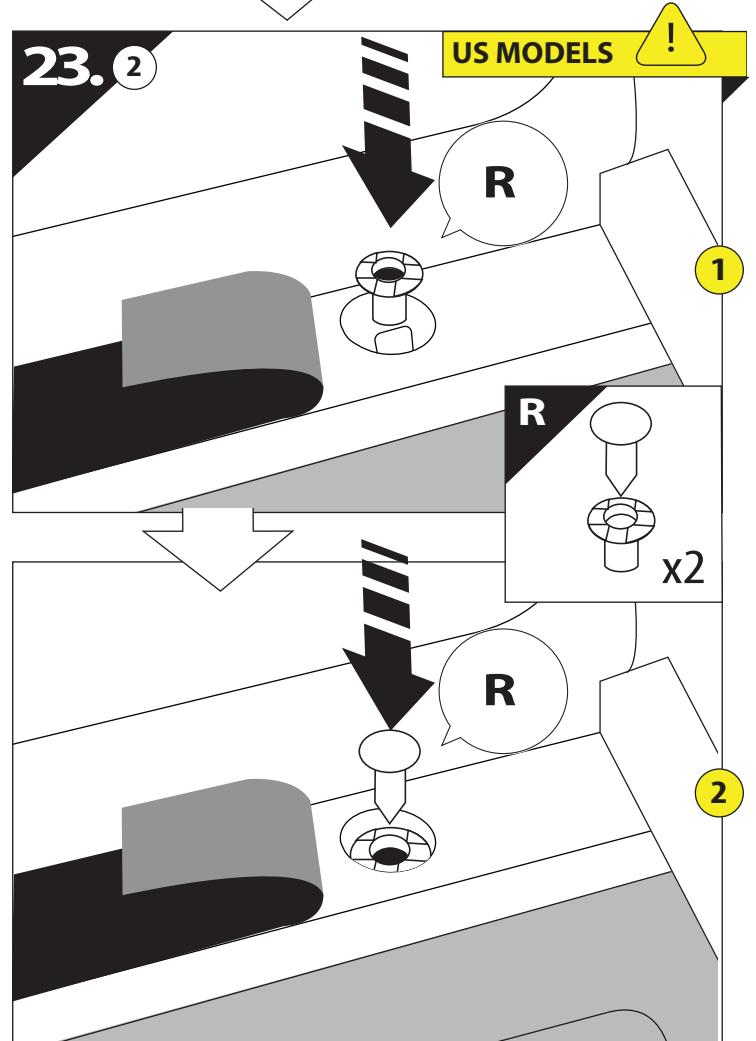
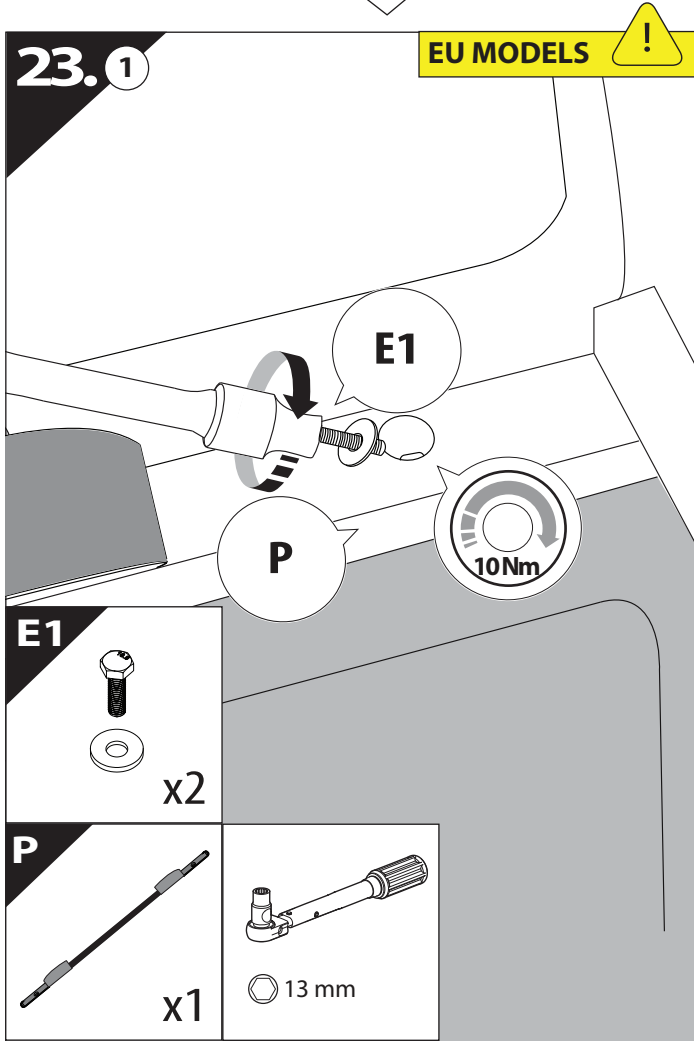
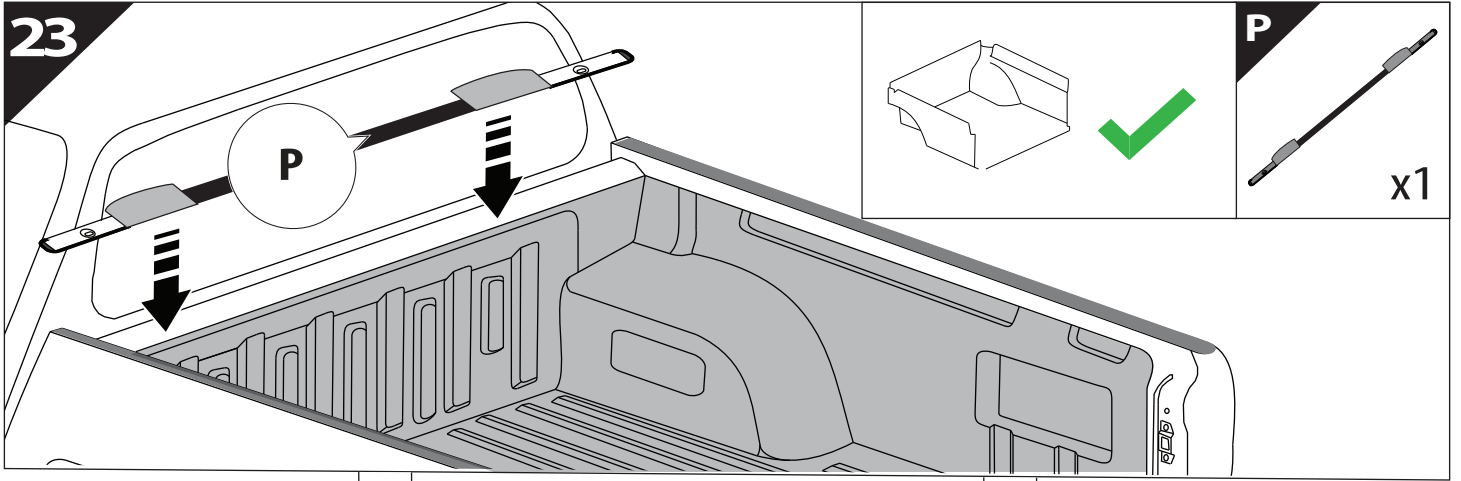
21.1

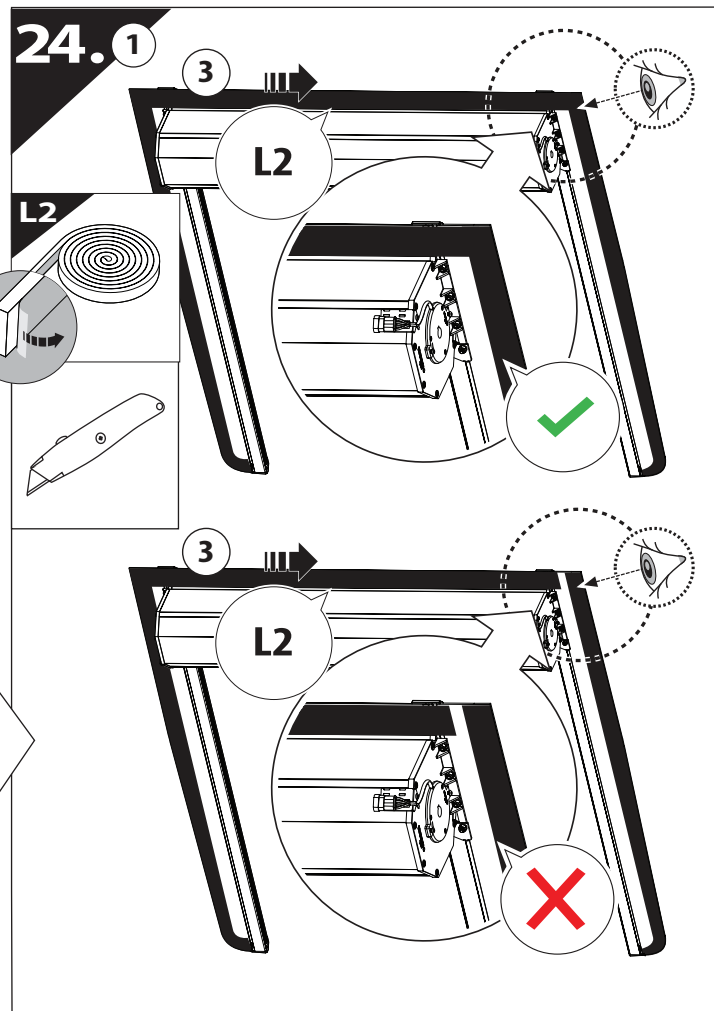
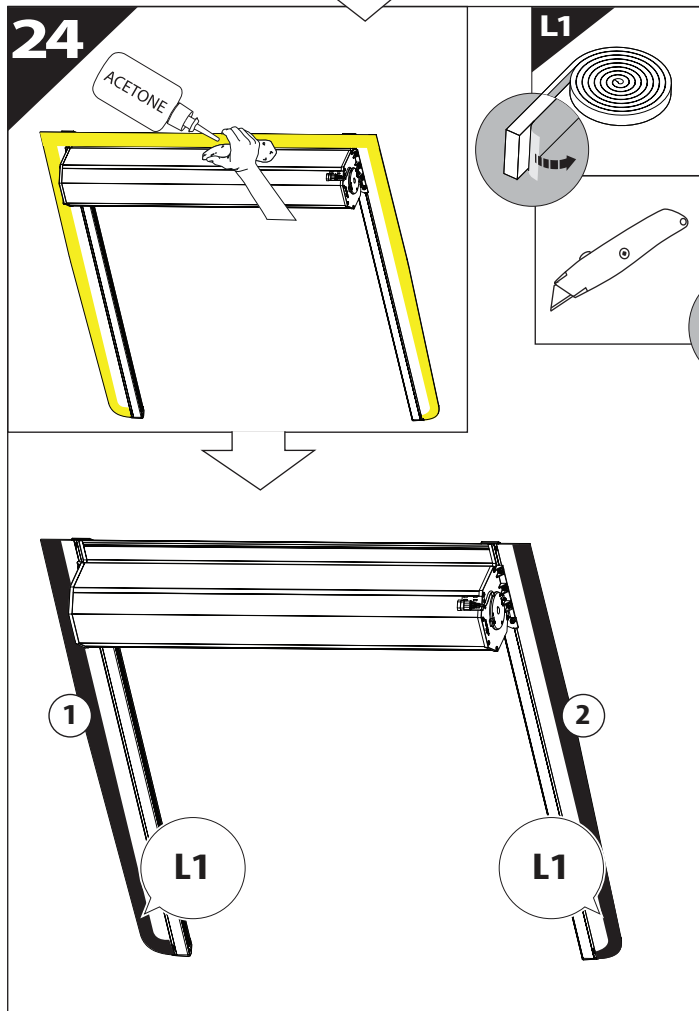
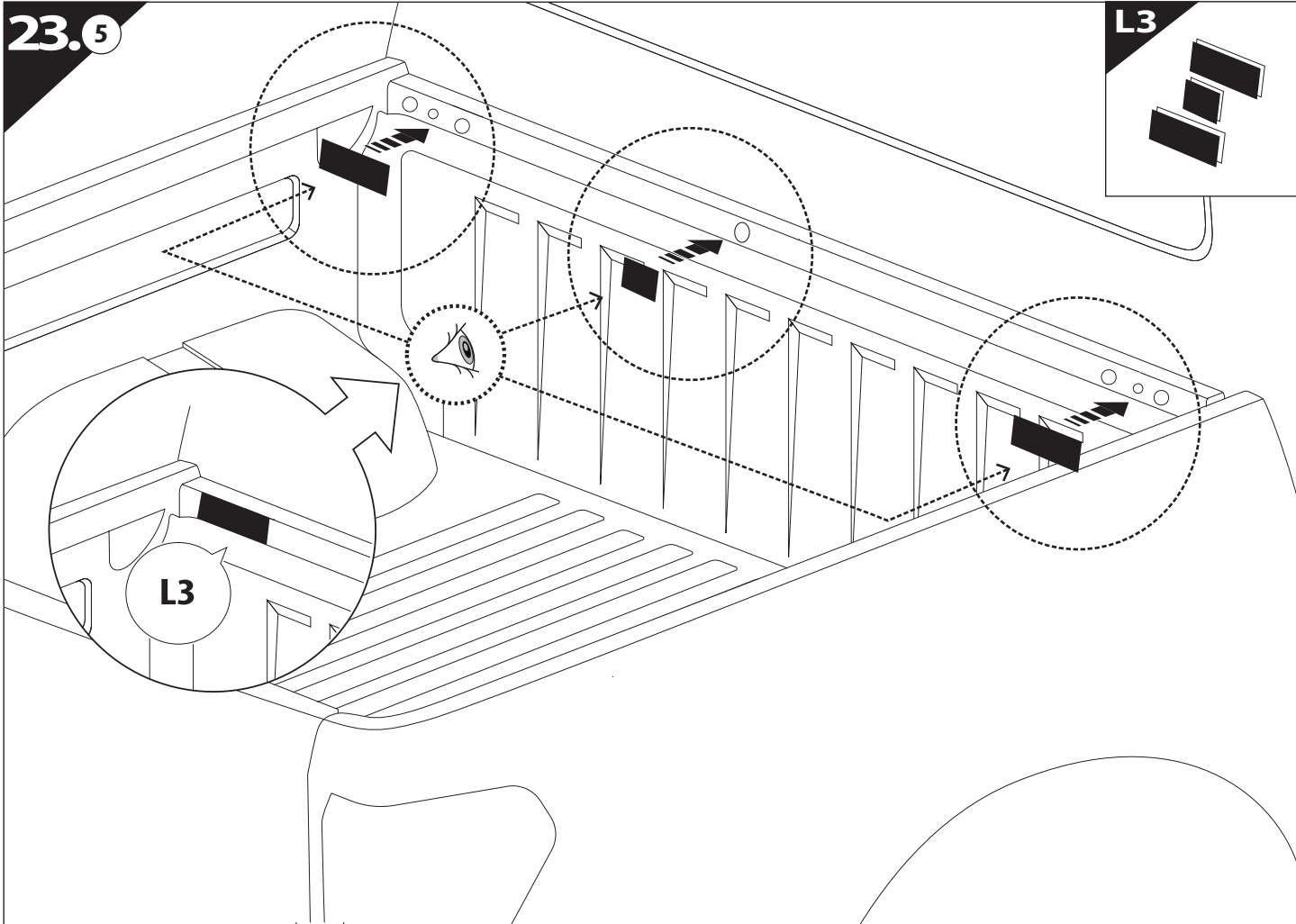


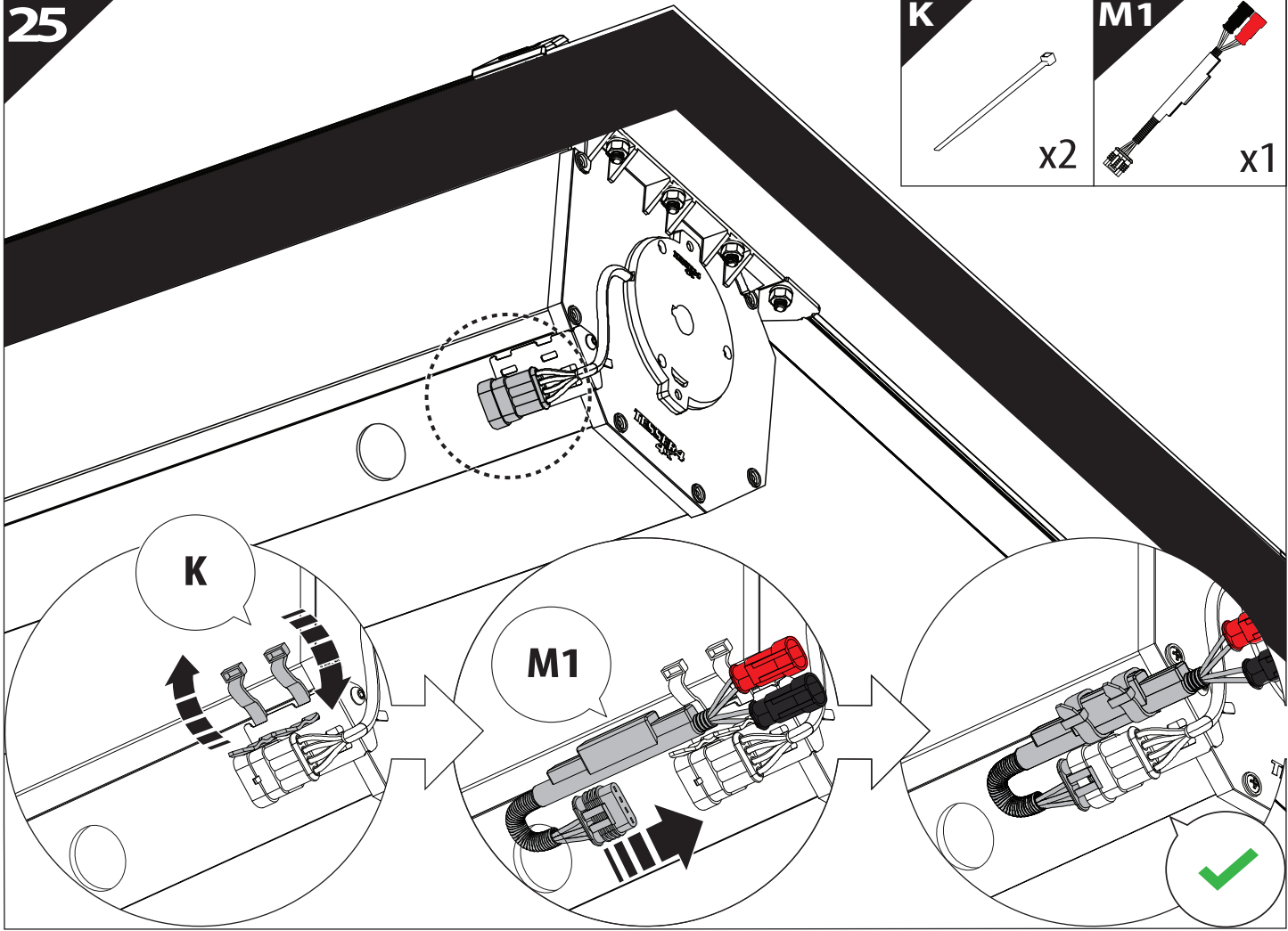
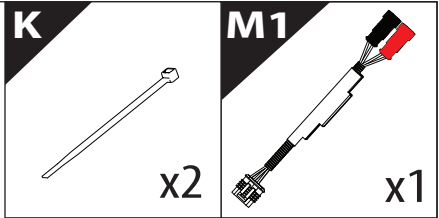
	CAR		TESSERA ROLL+
BEAM	C	↔	■
STOP	B	↔	■

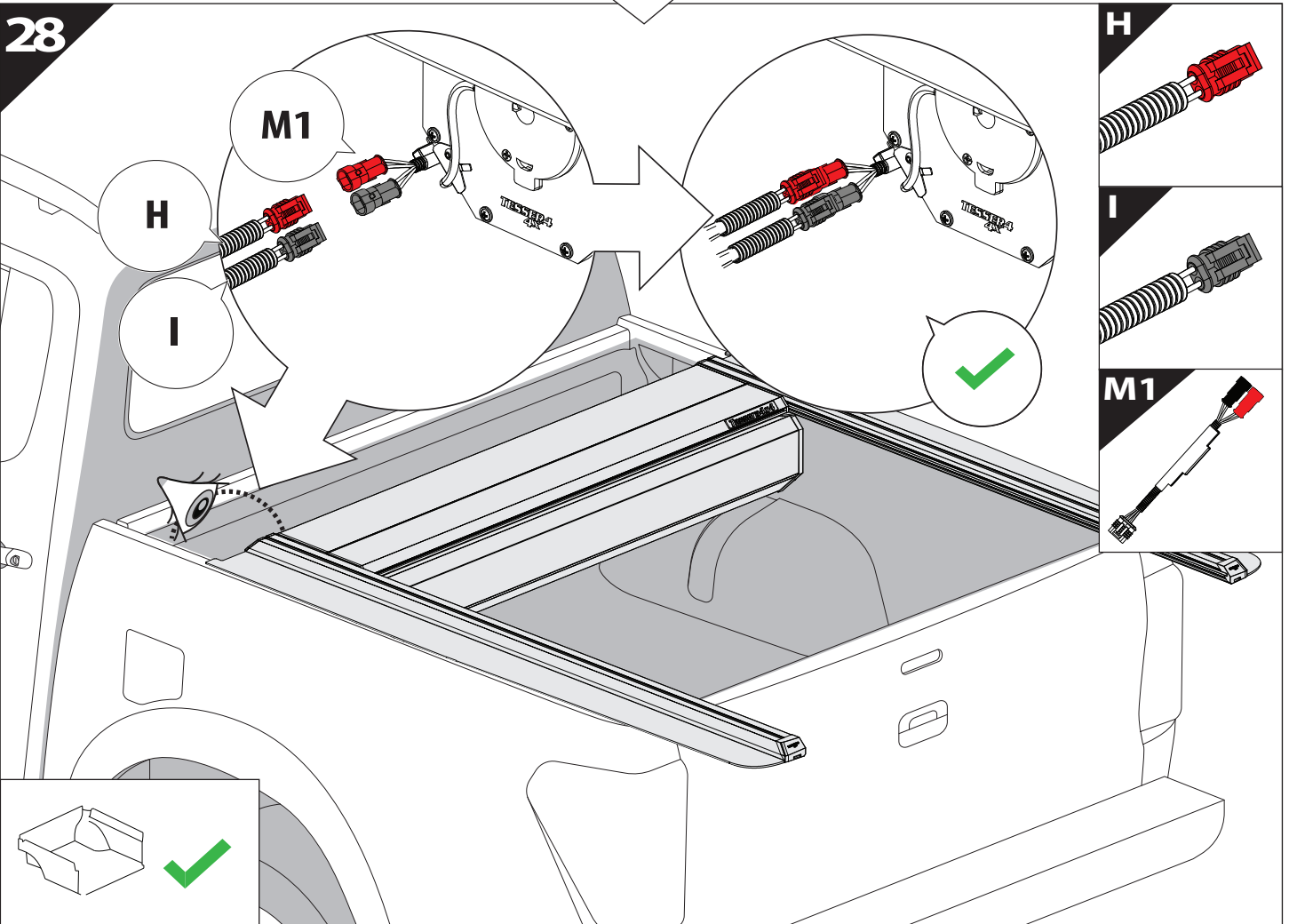
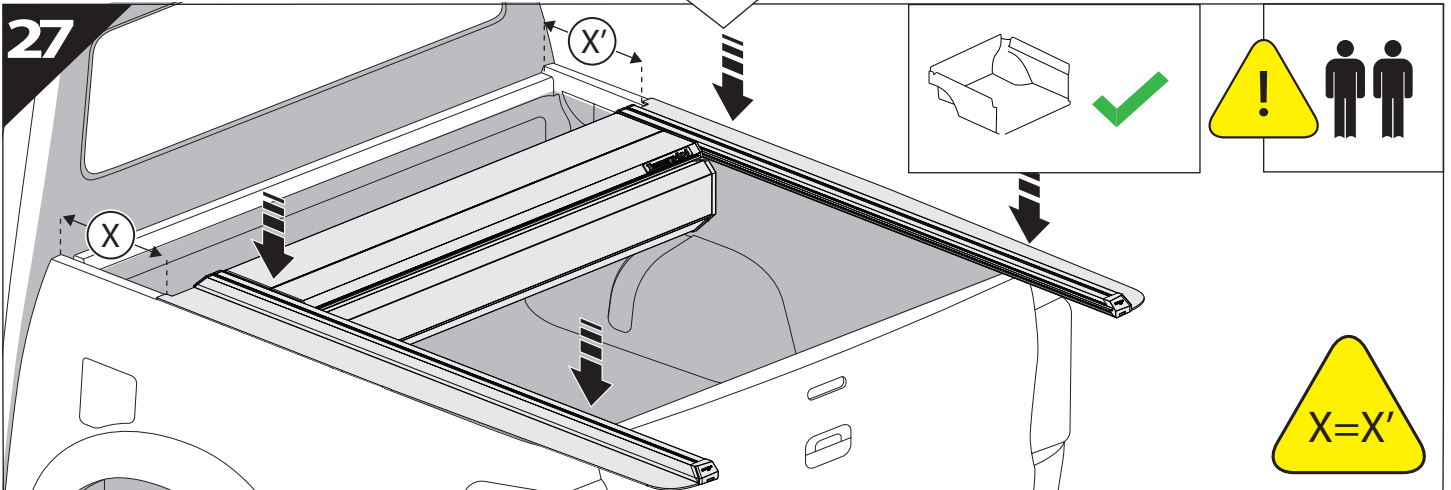
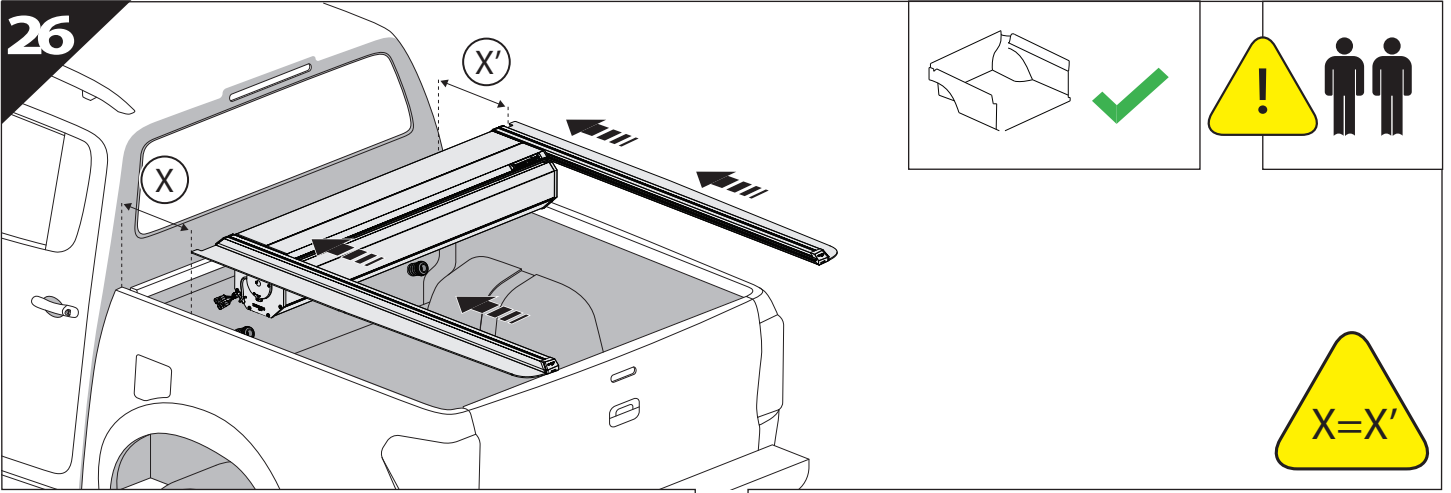
22



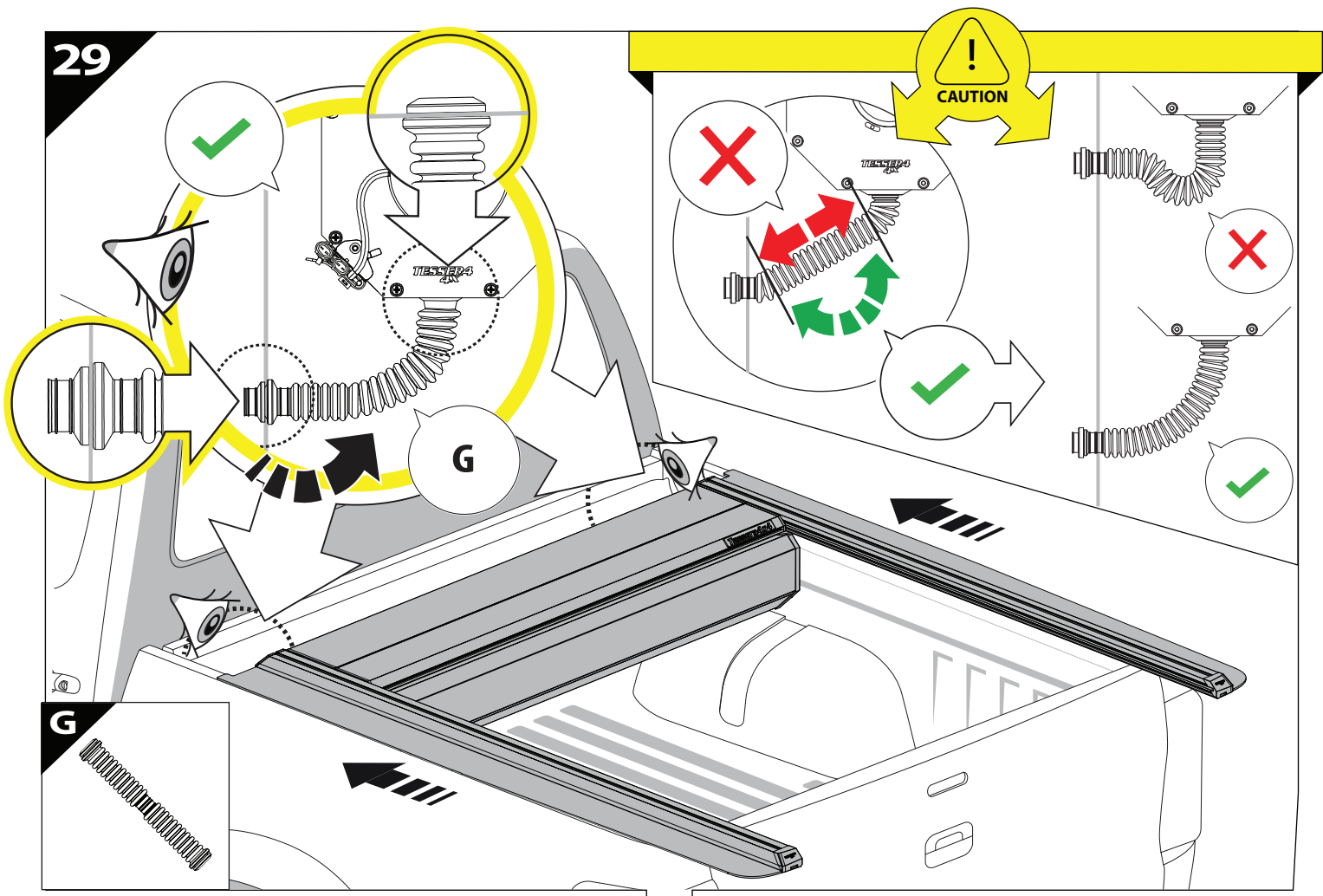




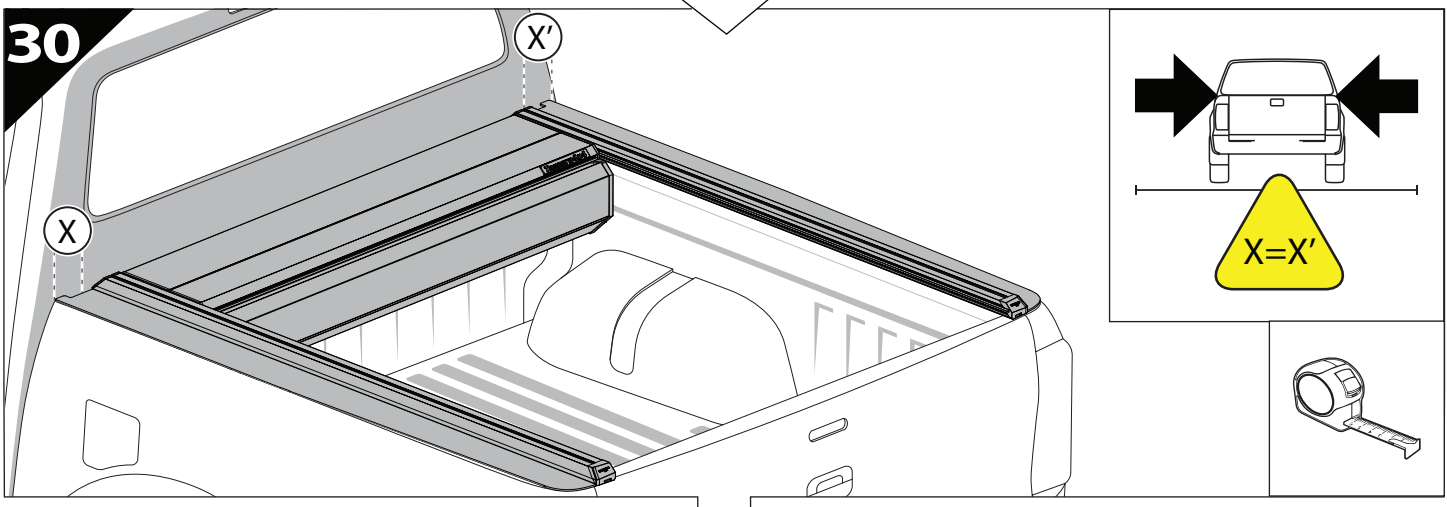




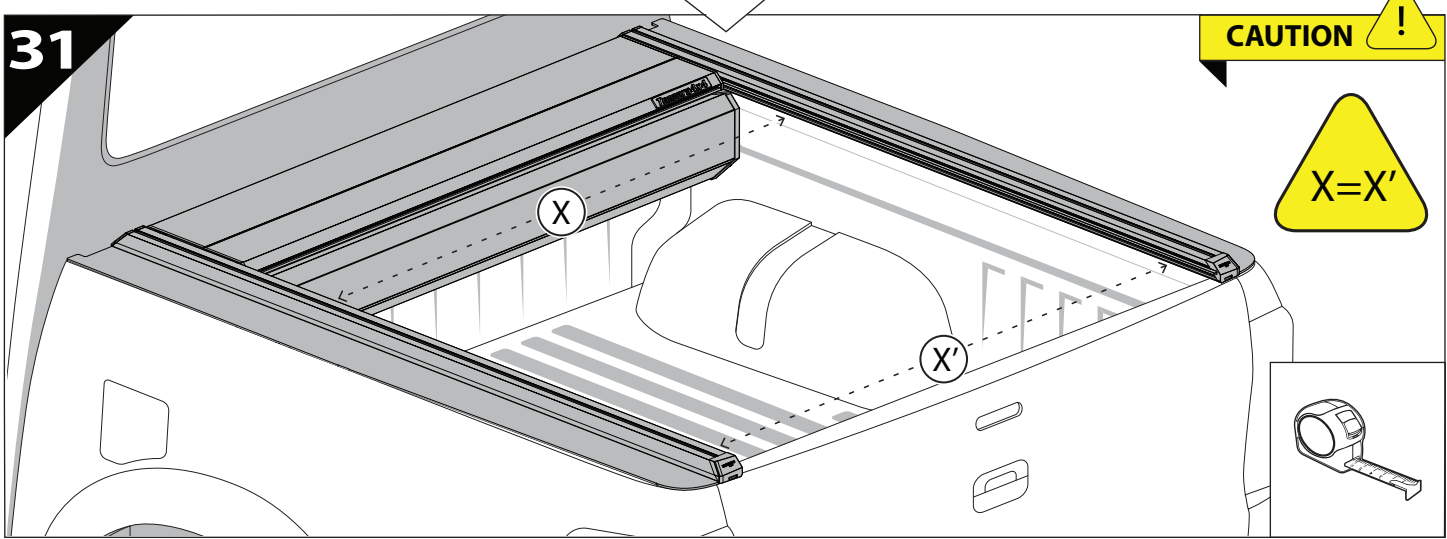
29



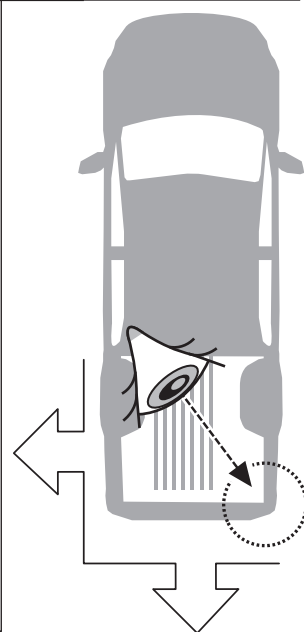
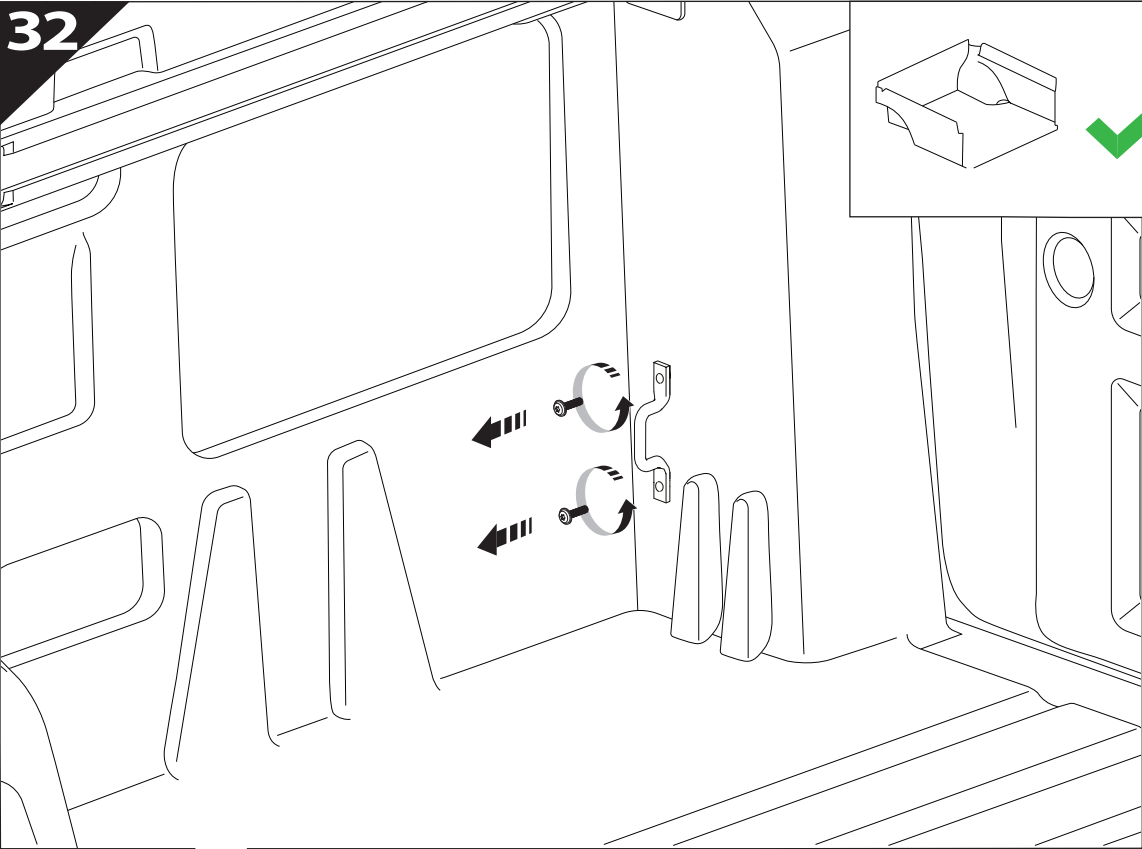
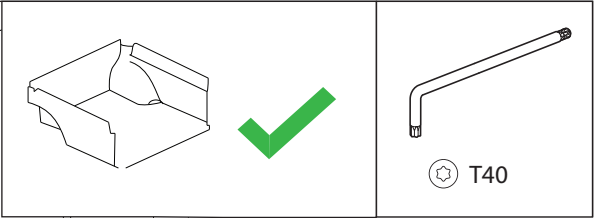
30



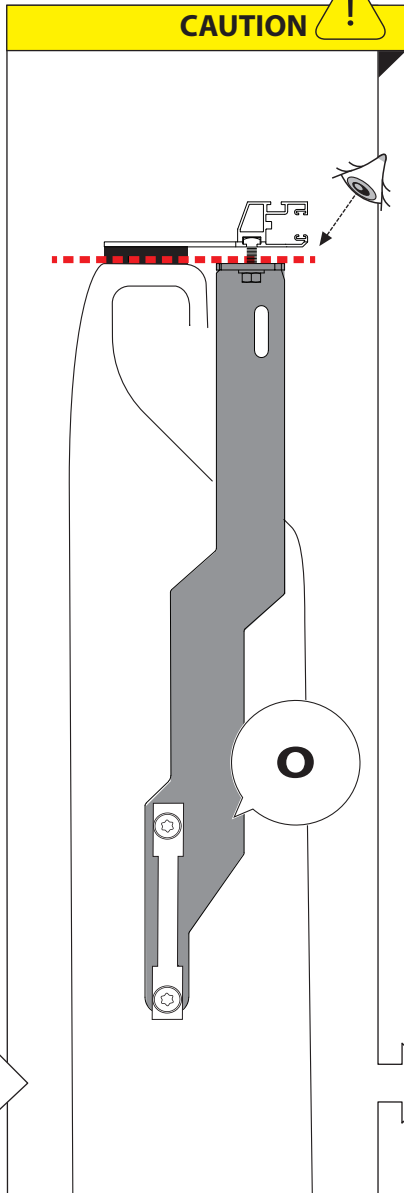
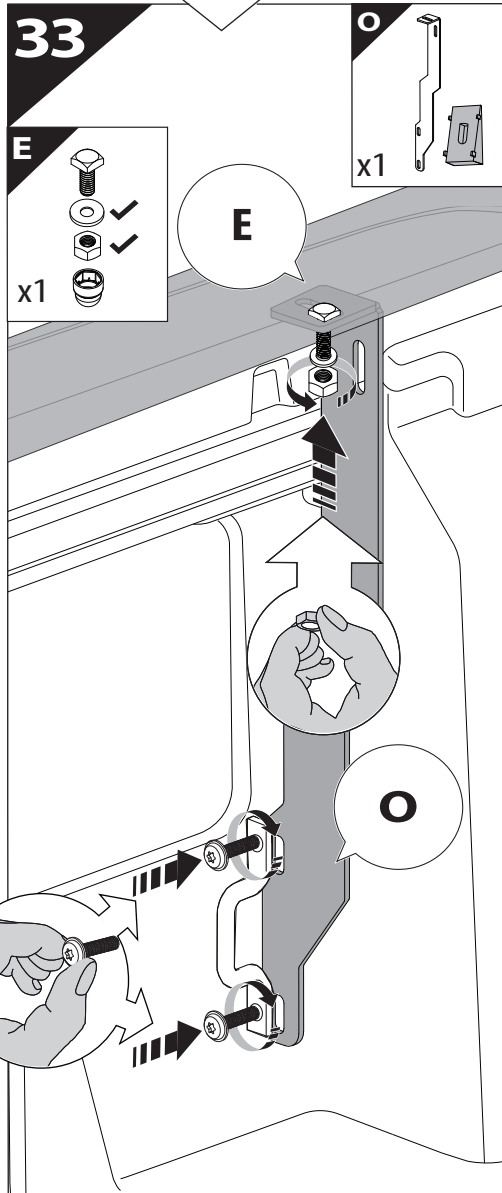
31



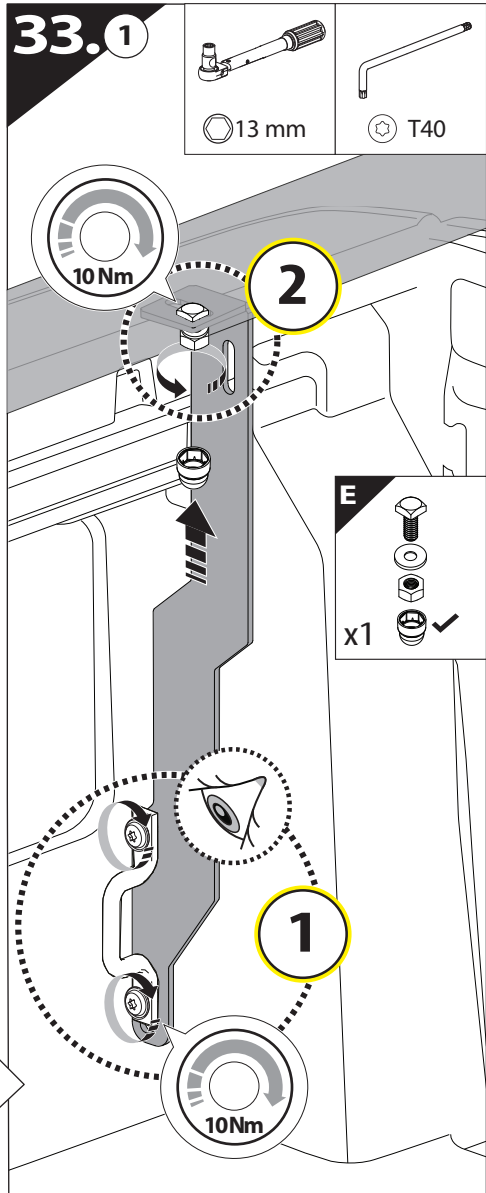
32

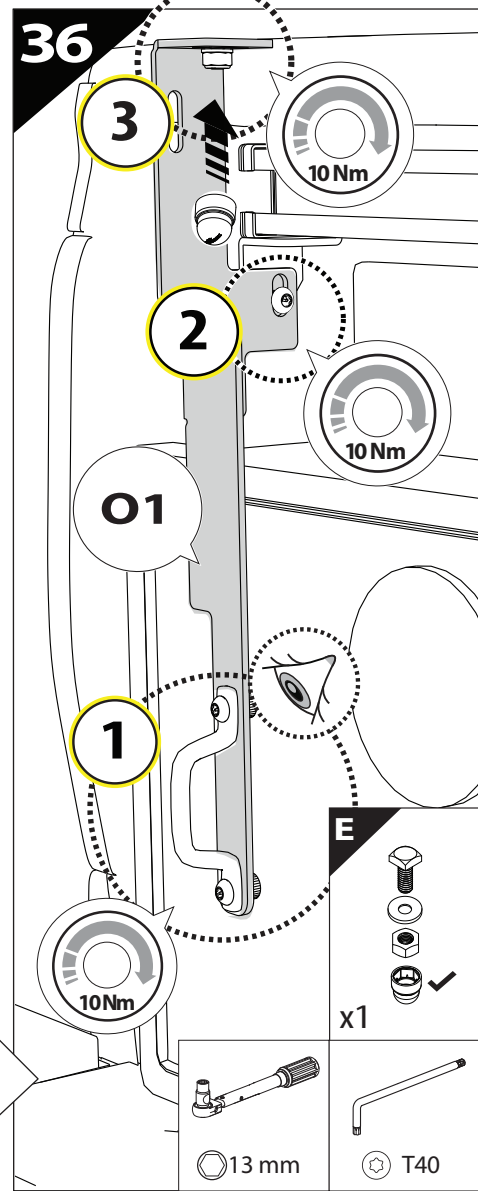
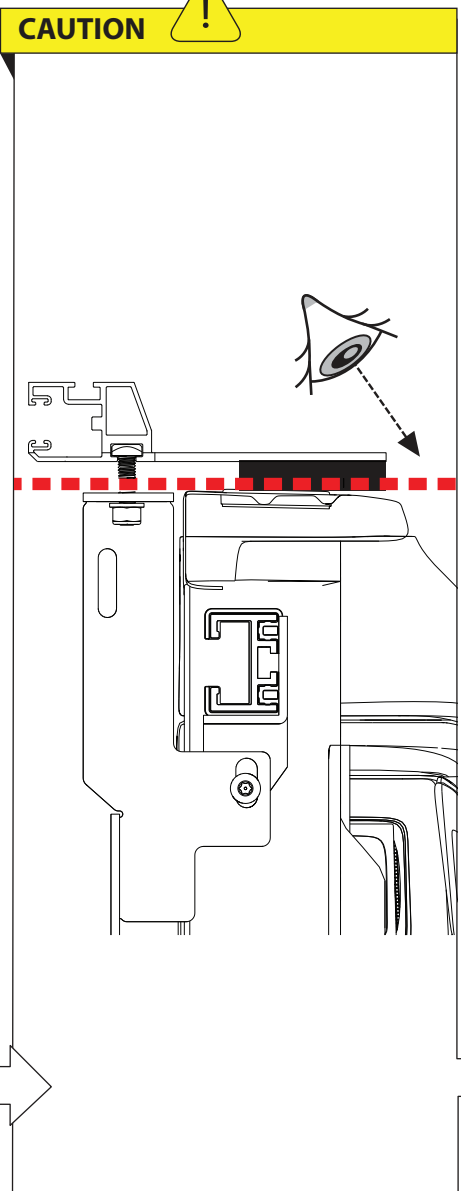
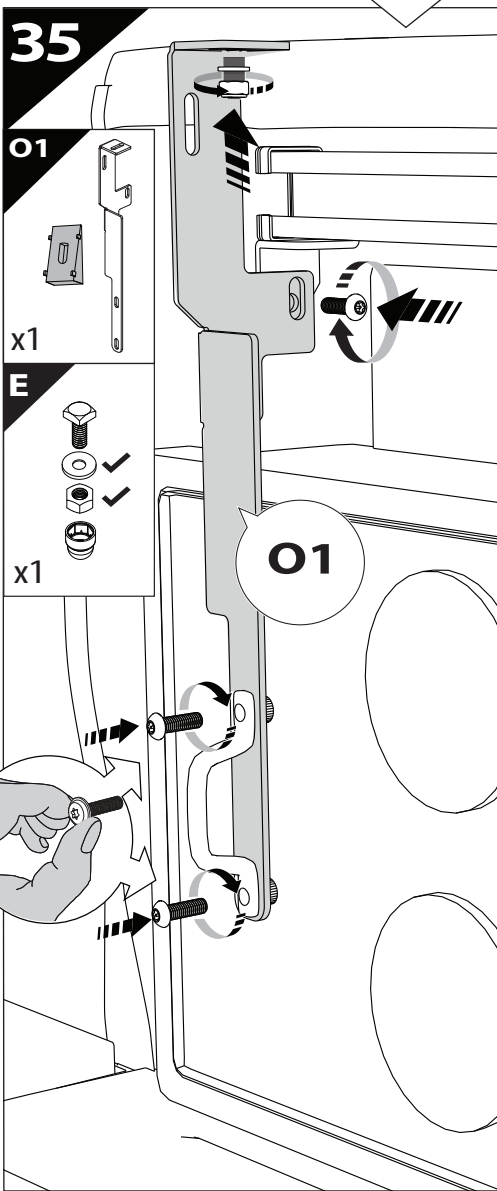
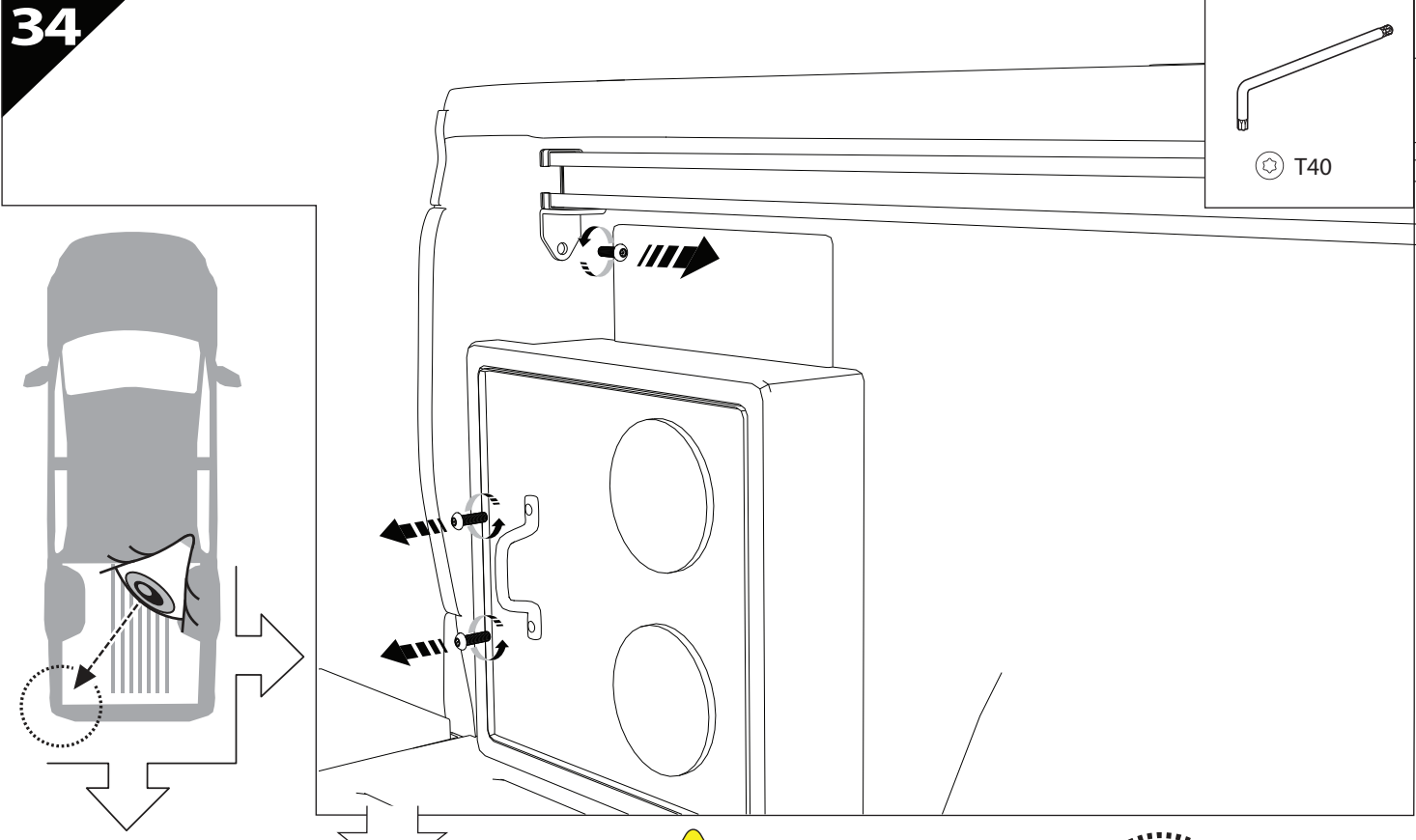


33

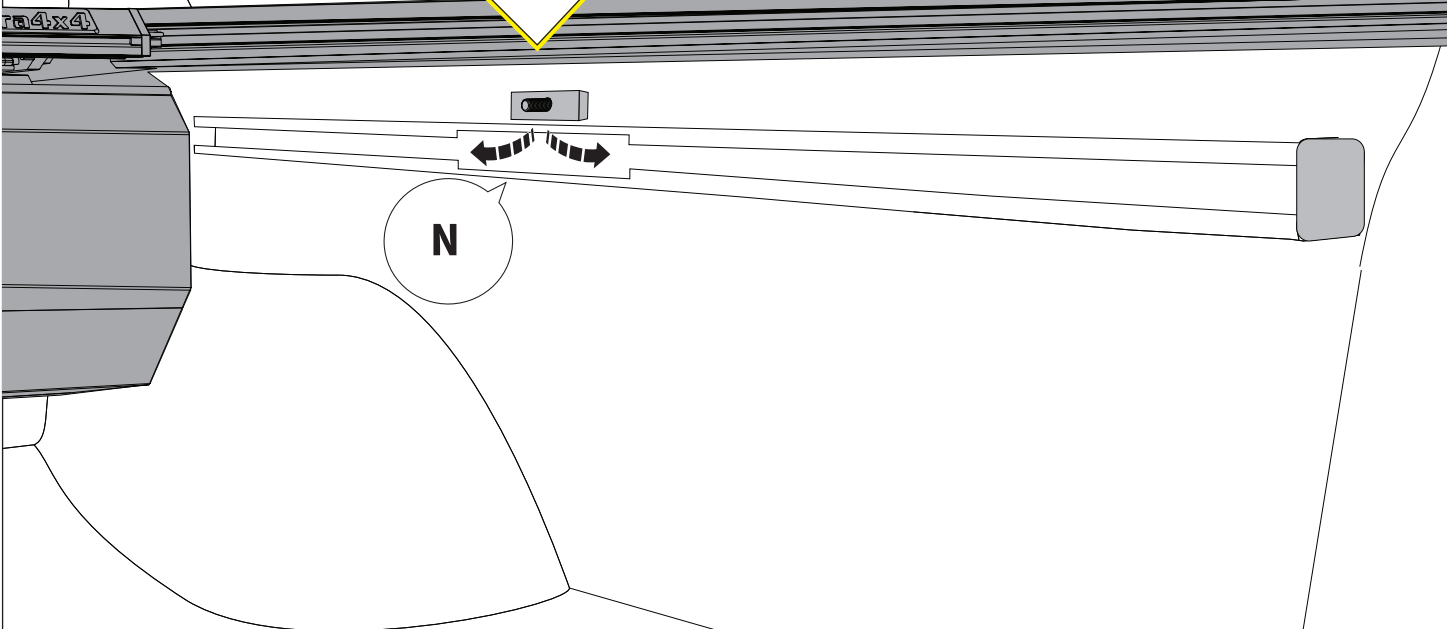
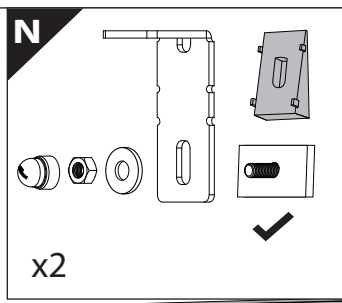
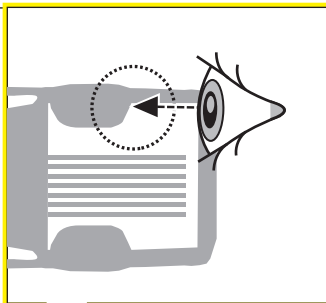


33.1

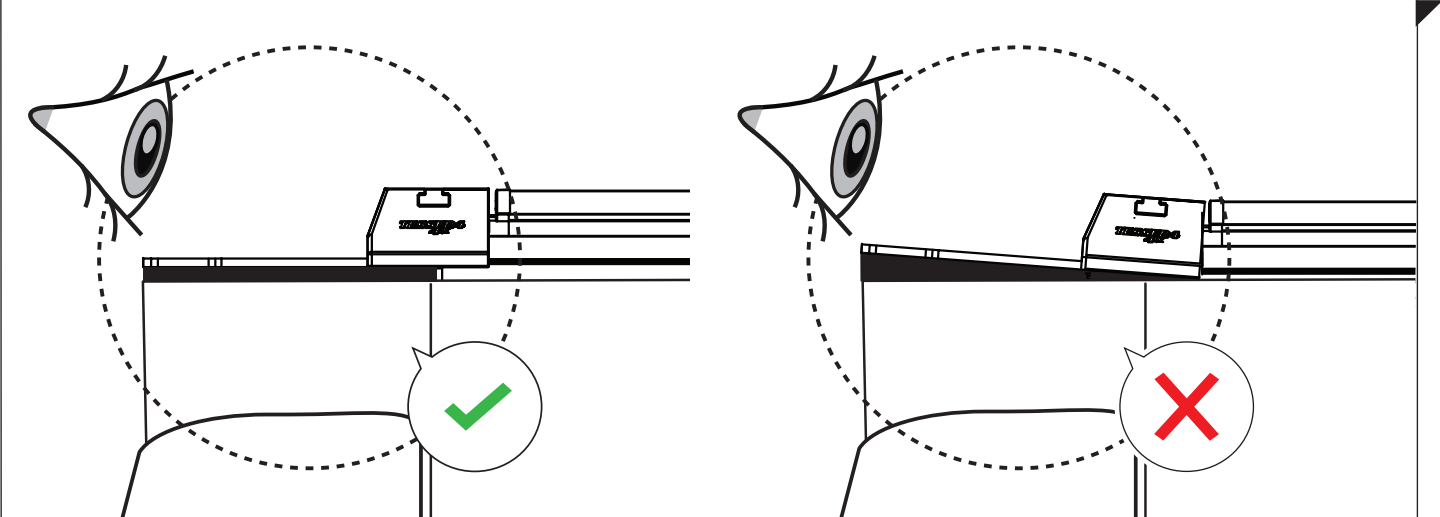
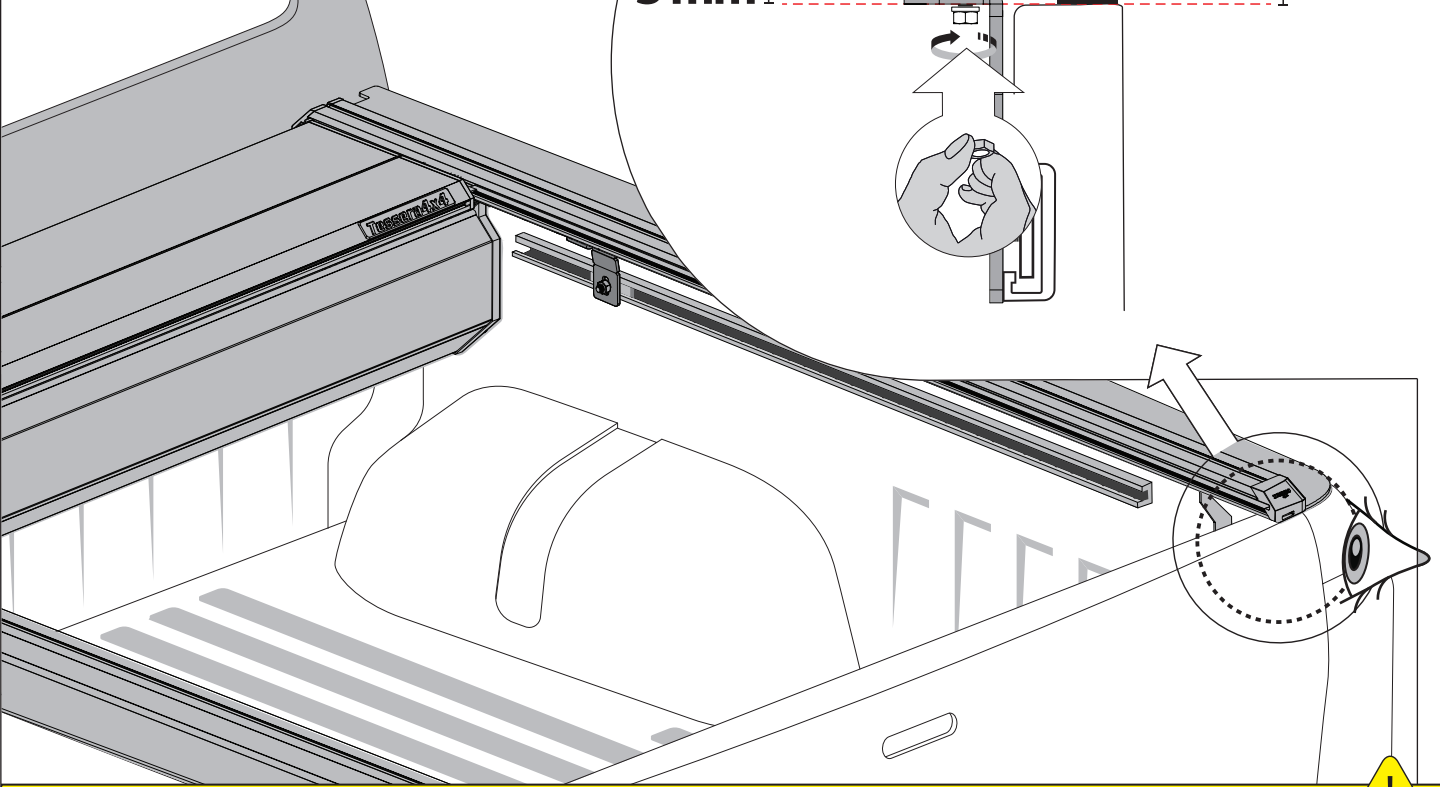
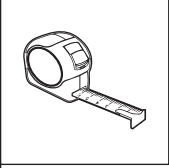
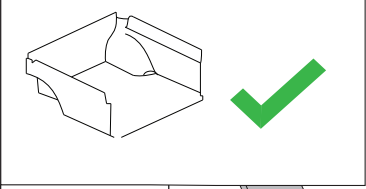
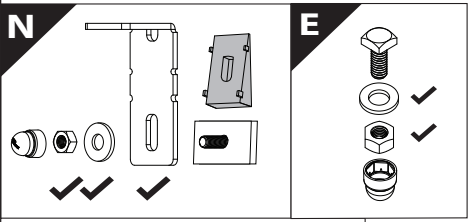


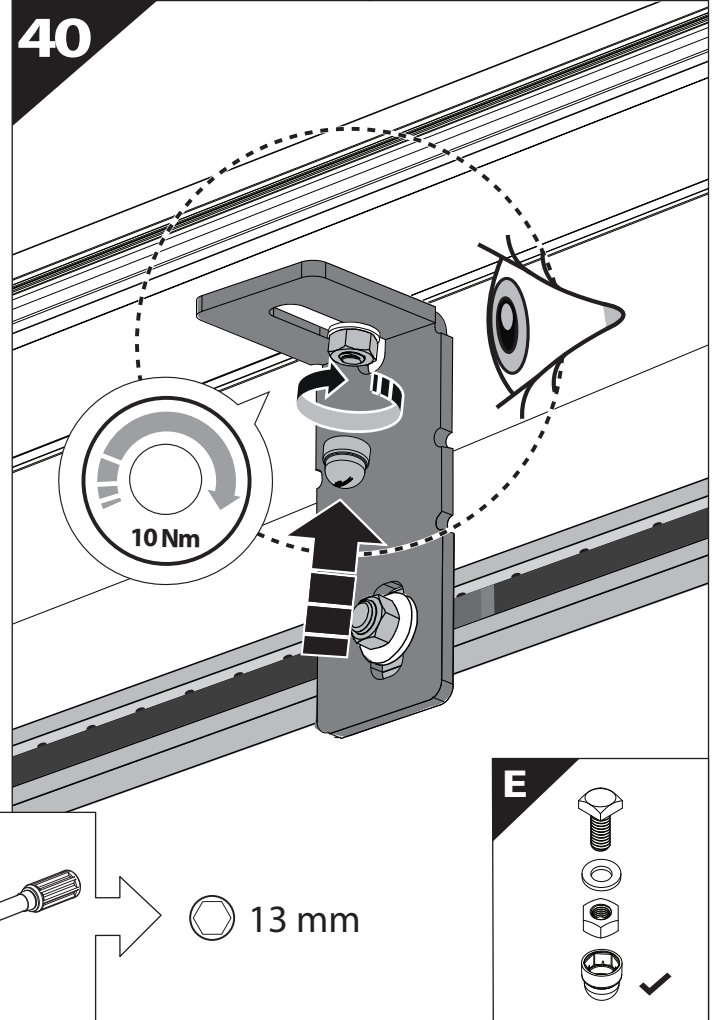
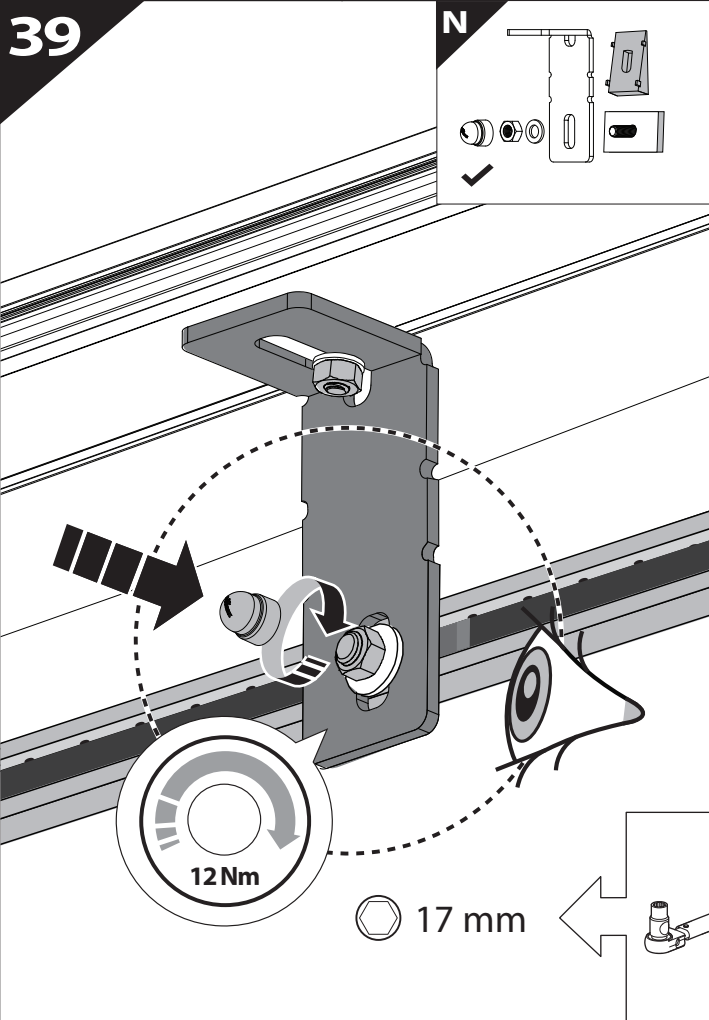


37

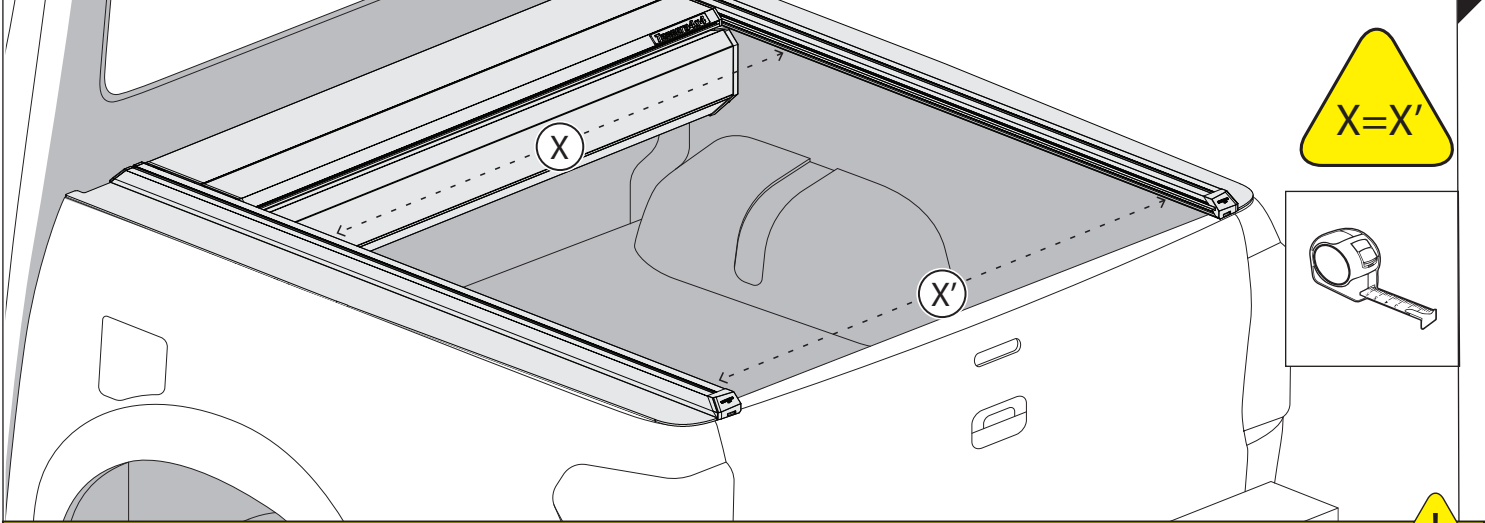


38

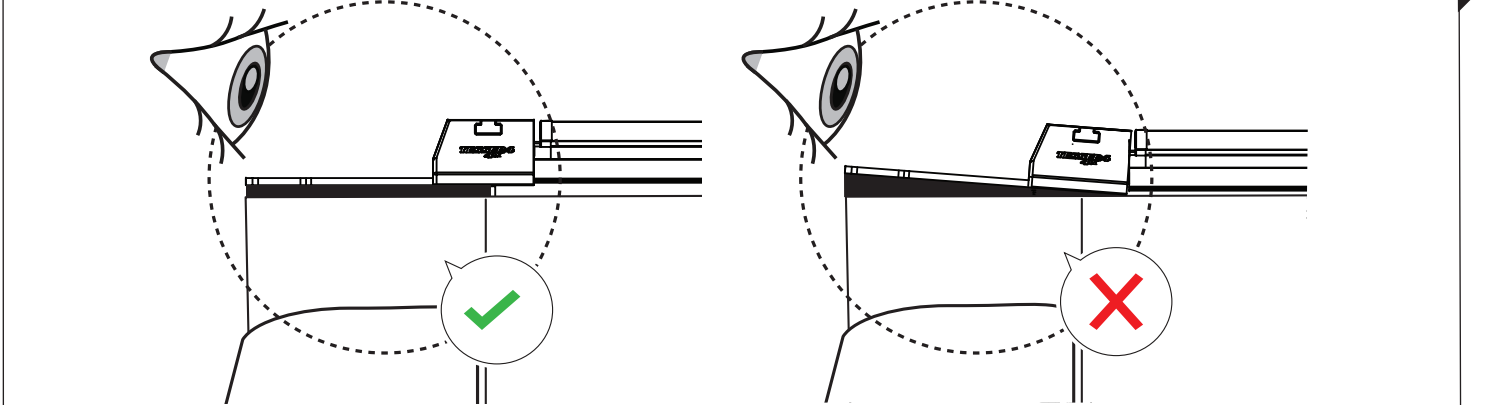


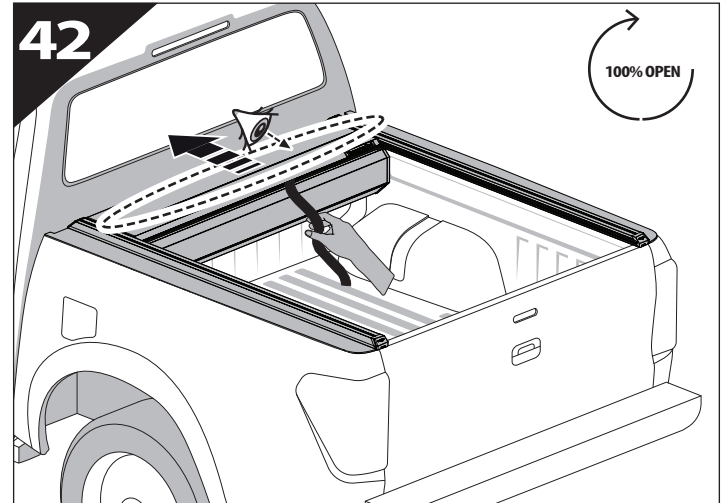
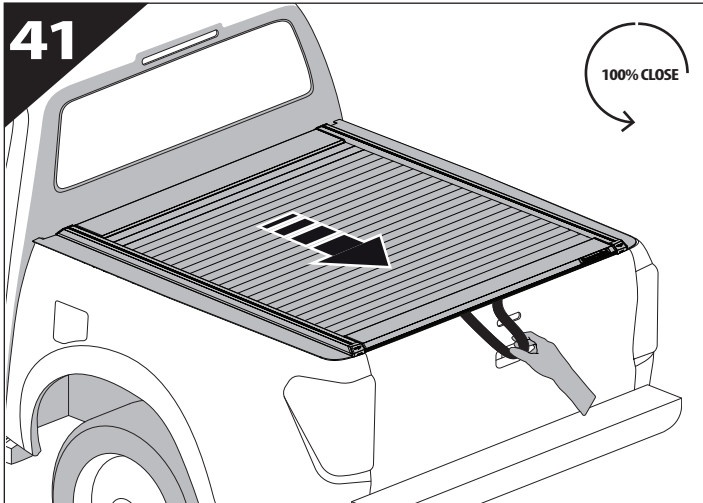


**CAUTION** !



**CAUTION** !





**GR:** Οδηγίες Εγκατάστασης  
**GB:** Installation manual  
**SF:** Asennusohje  
**F:** Notice de montage  
**PL:** Instrukcja montażu  
**NL:** Installatie-instructies  
**TR:** Montaj Talimatı  
**S:** Monteringsanvisning  
**E:** Instrucciones de montaje

**H:** Szerelési utasítás  
**P:** Instruções de instalação  
**RUS:** Инструкция по установке  
**N:** Monteringsveiledning  
**D:** Einbauanleitung  
**CZ:** Návod k instalaci  
**I:** Istruzioni de montaggio  
**DK:** Monteringsvejledning  
**RO:** Instructiuni de instalare

Customer Service:

+30 (210) 5541161, +30 (210) 5541154 (08:00 - 16:00 EET)

Support department:

info@gianso.gr

Website:

www.tessera4x4.com

Address:

19.5 km of National road Athens-Korinthos (Elefsina) Greece, P.C: 19200