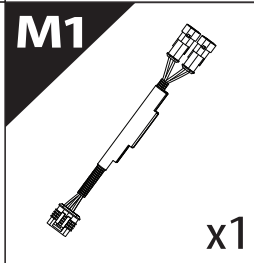
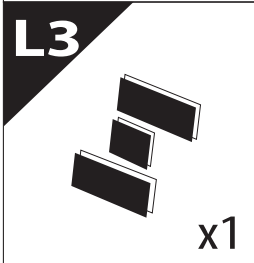
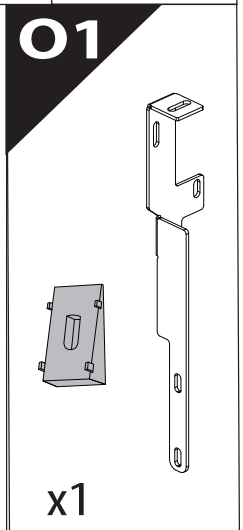
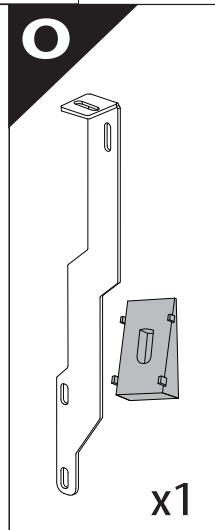
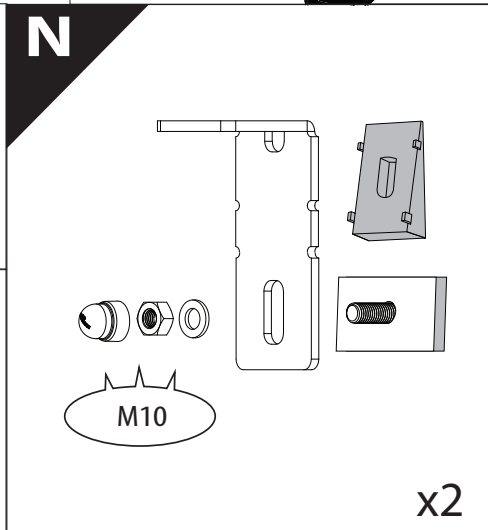
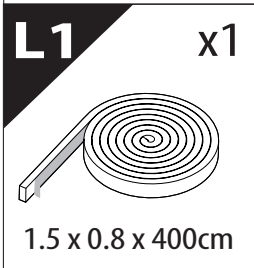
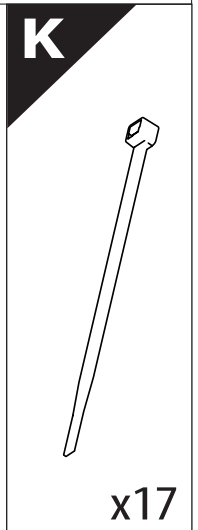
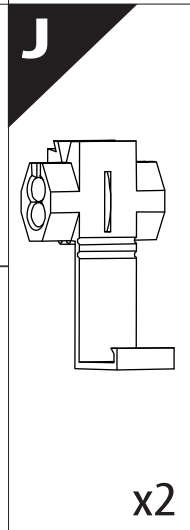
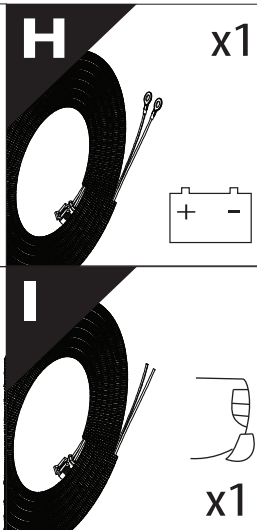
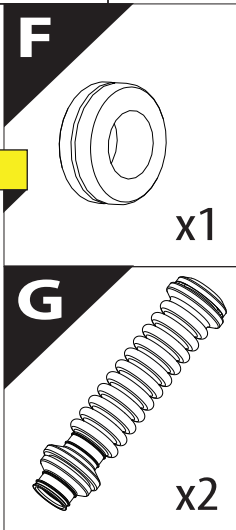
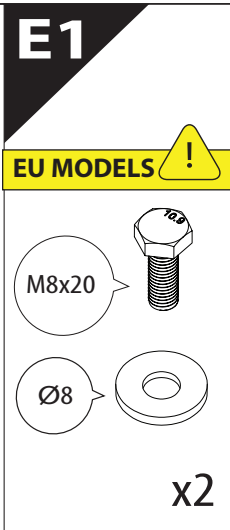
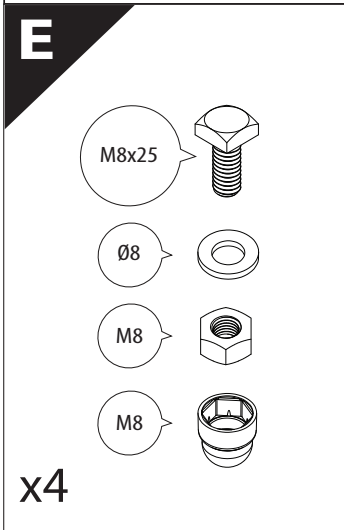
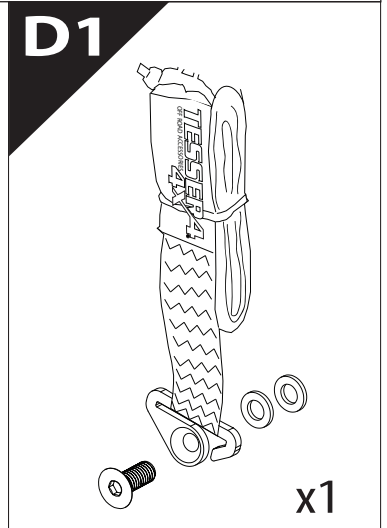
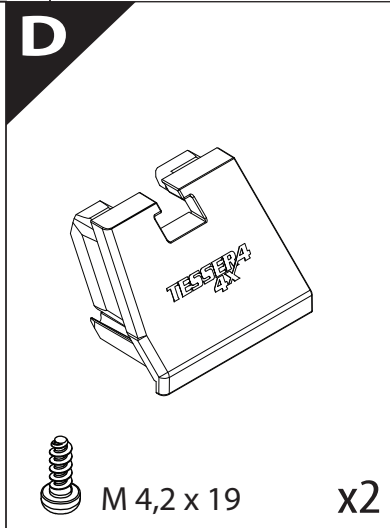
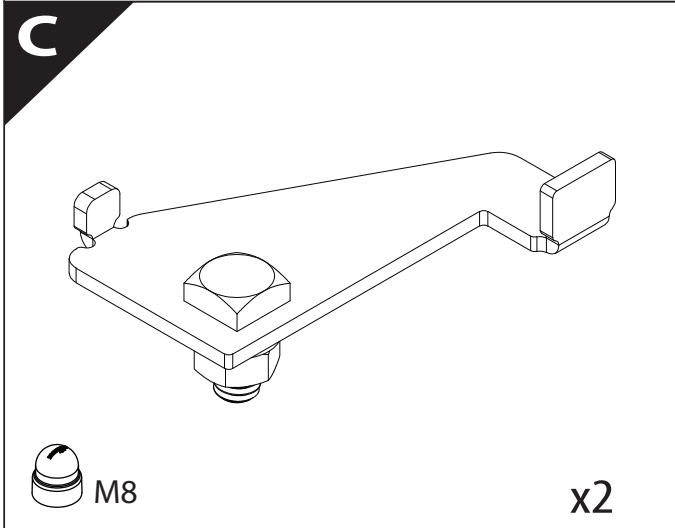
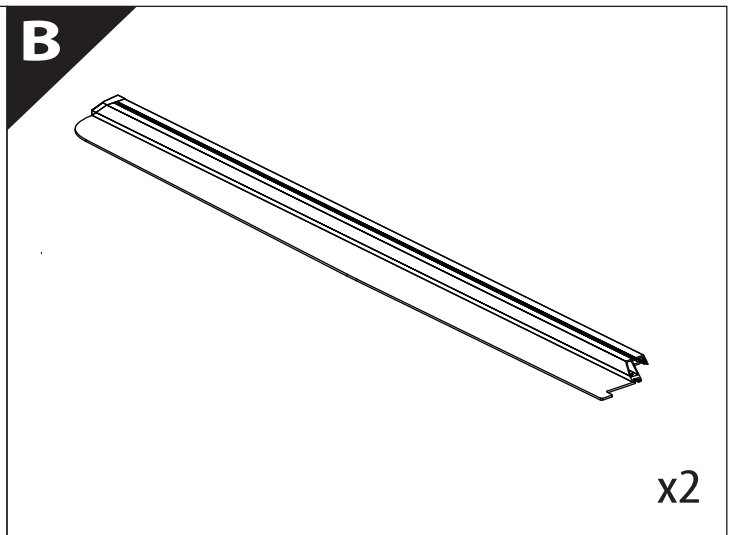
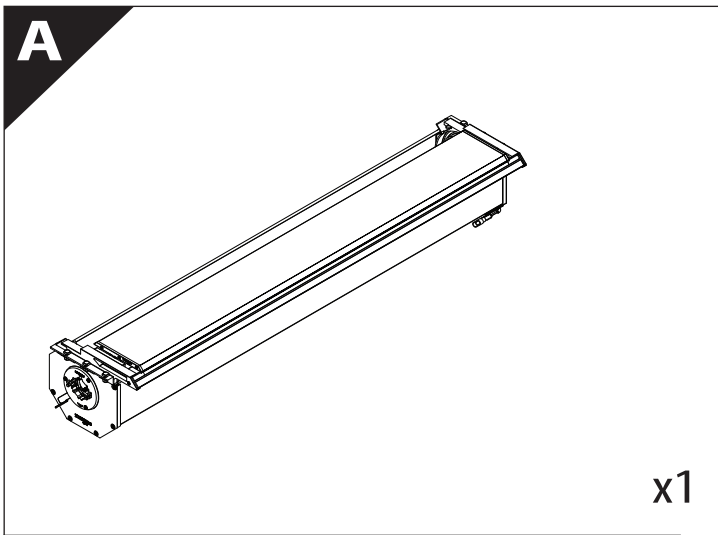
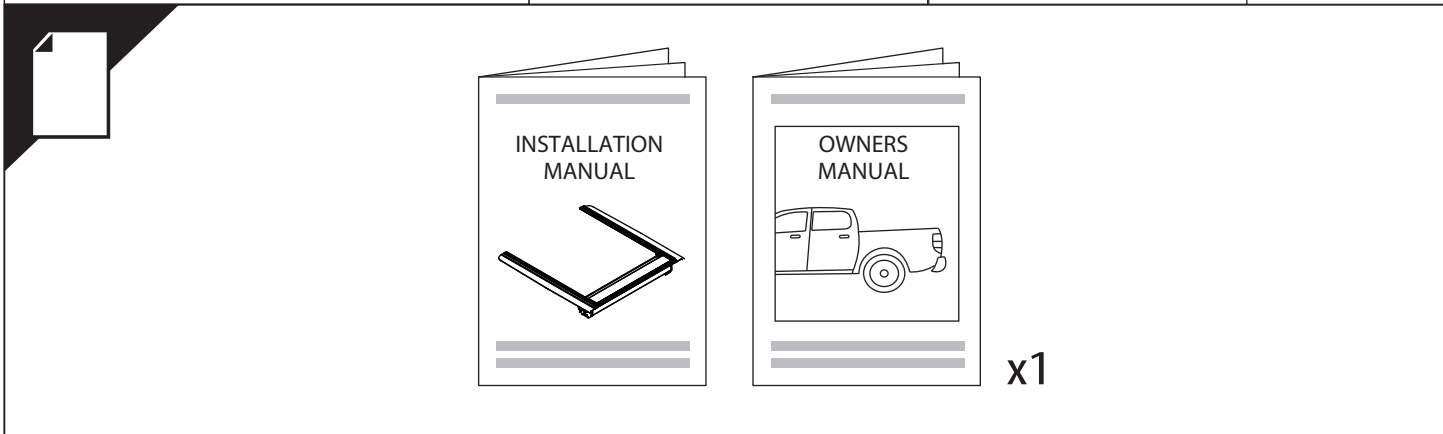
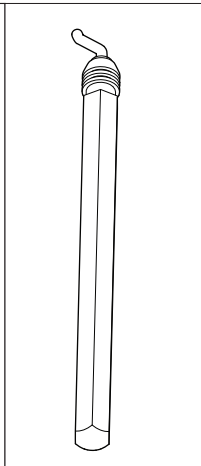
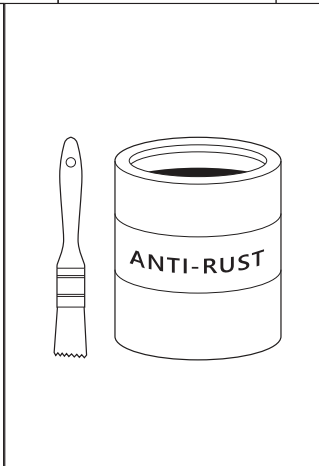
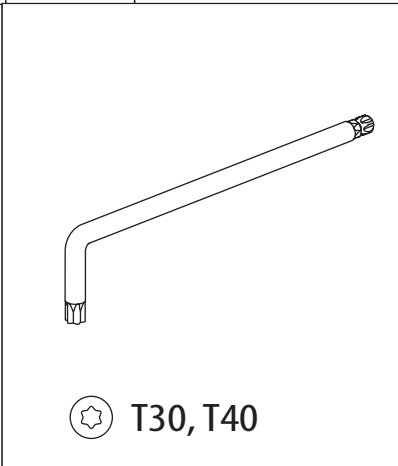
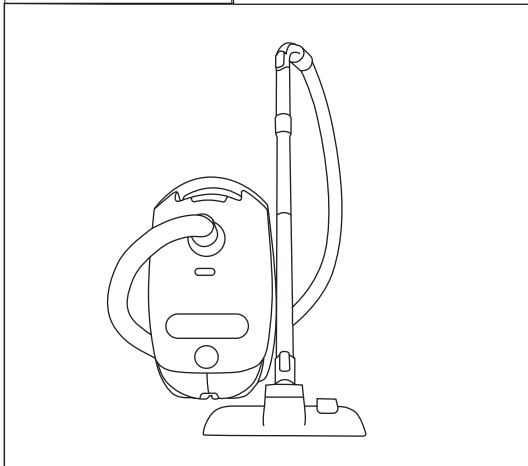
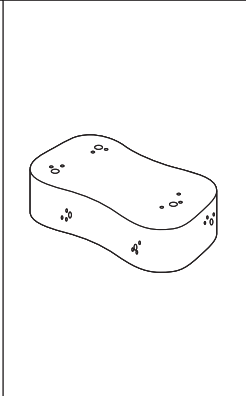
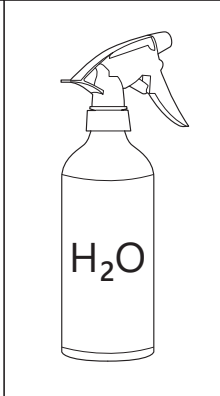
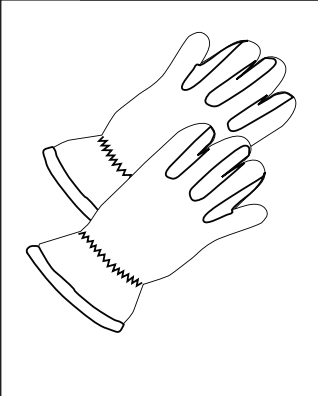
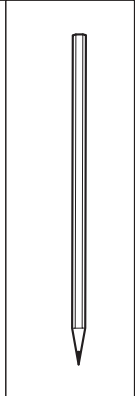
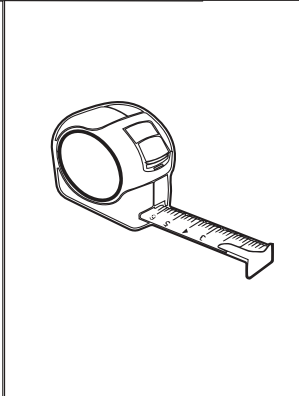
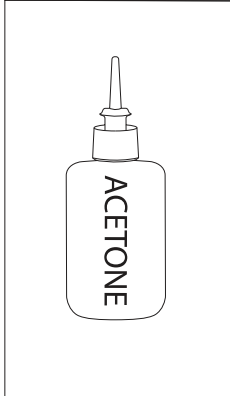
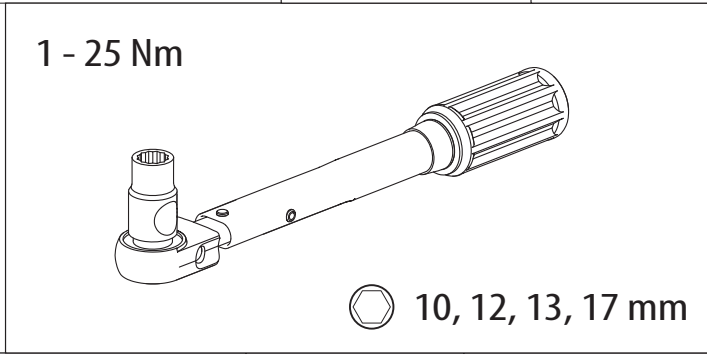
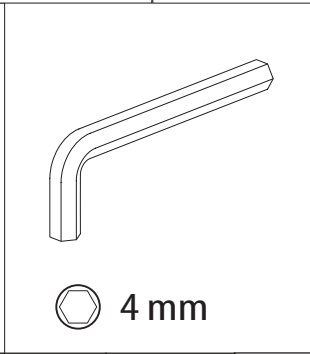
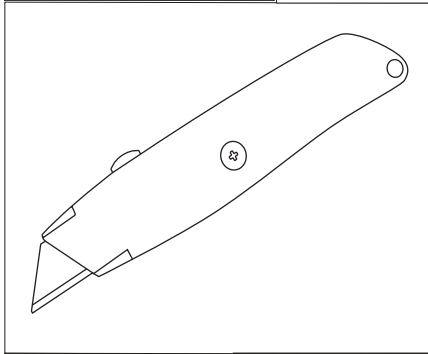
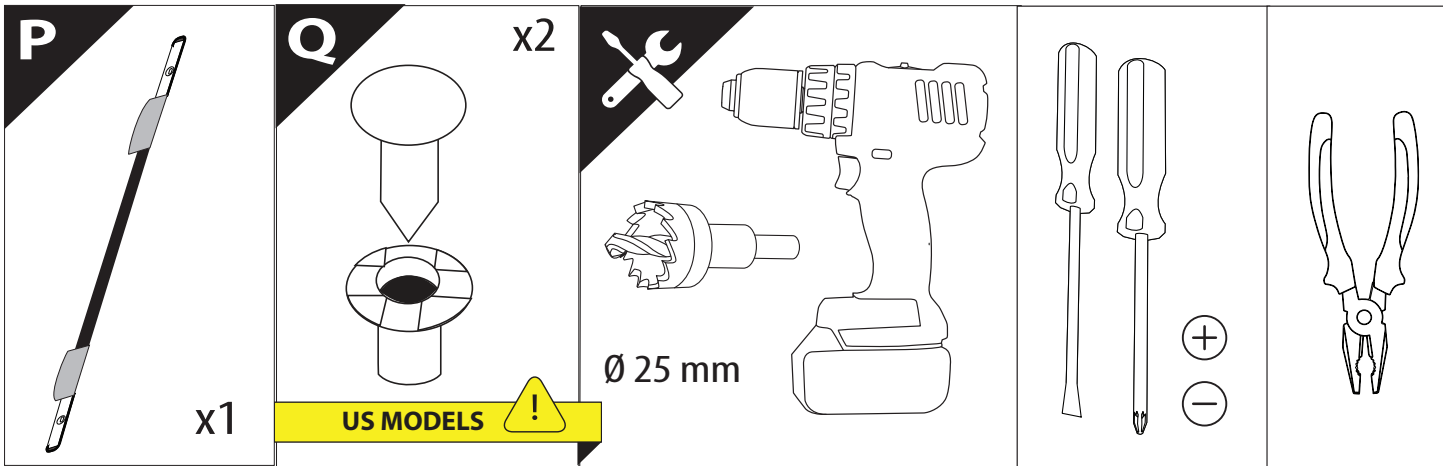


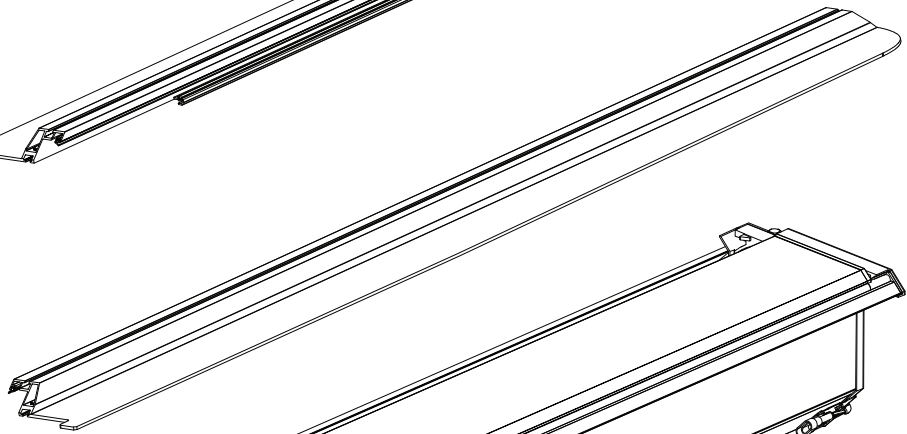
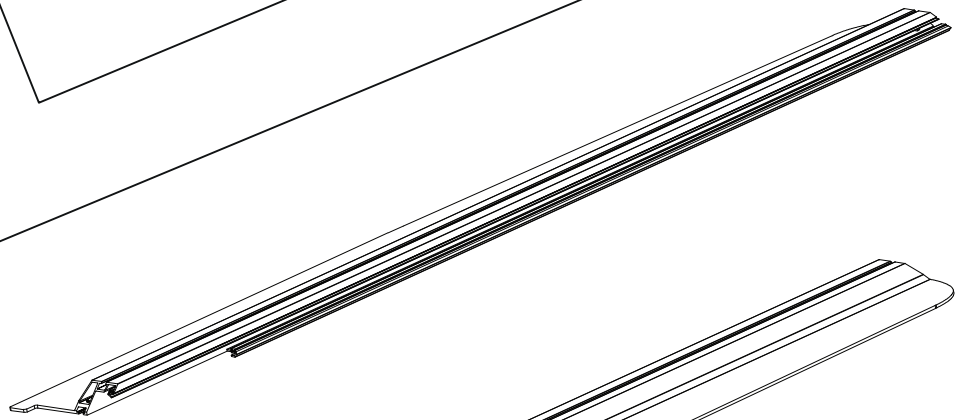
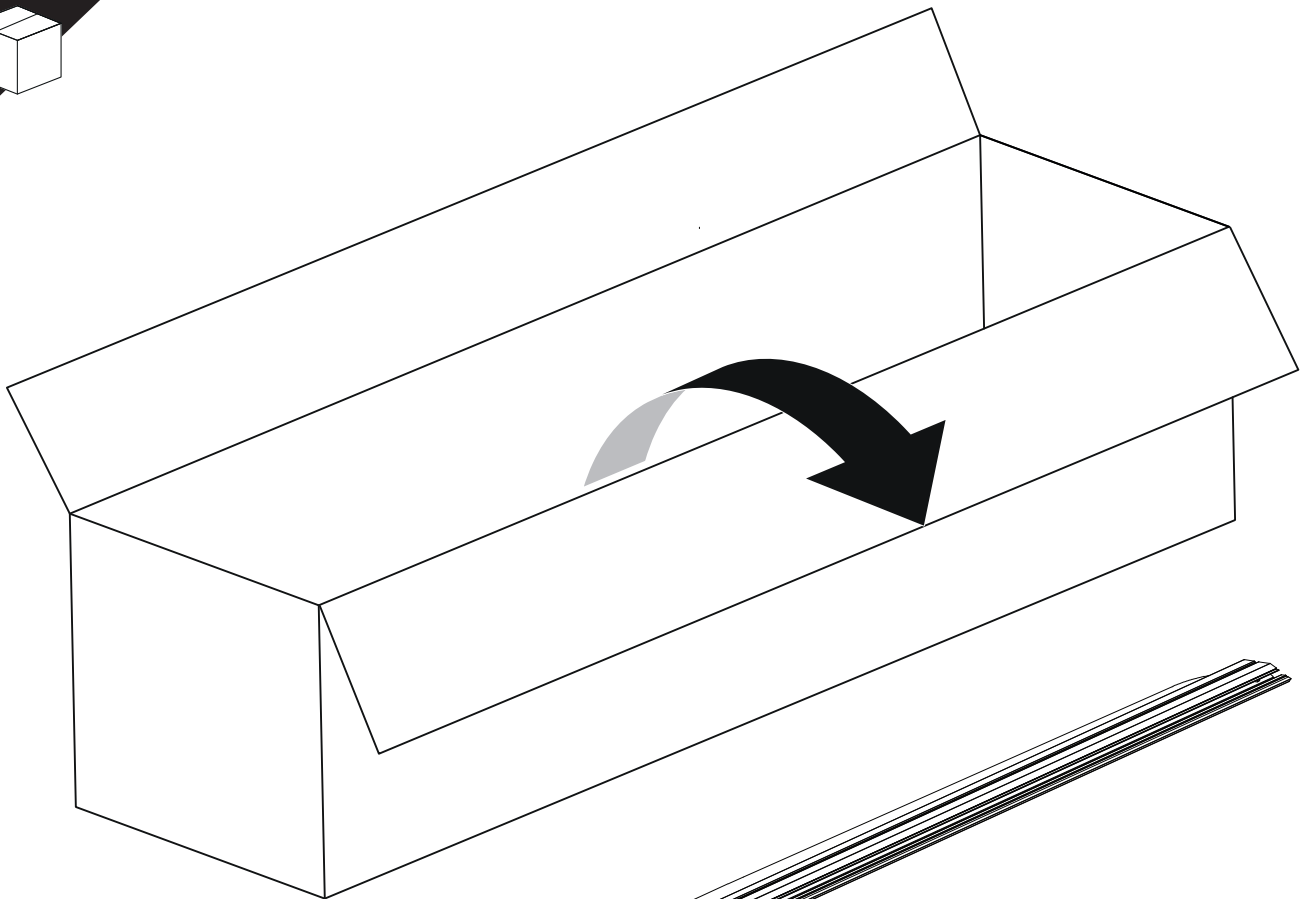


Installation Manual

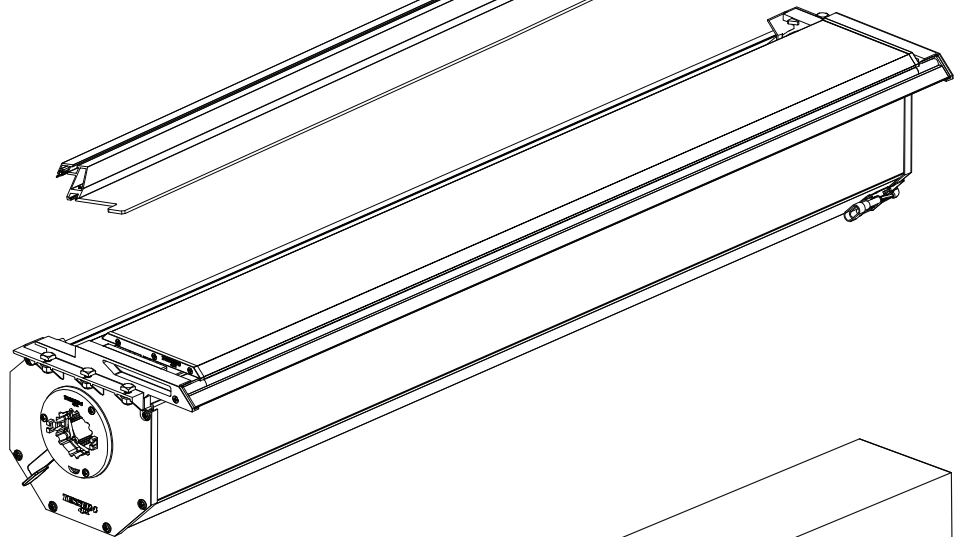
PART NUMBER(S)	Model Year
TESS 14062 ROLL	FORD RANGER 2025+ PHEV (P 703) (with c-channels)
Cab(s)	Installation Time / Weight
Double Cab	40-60 minutes / 53-57 kg





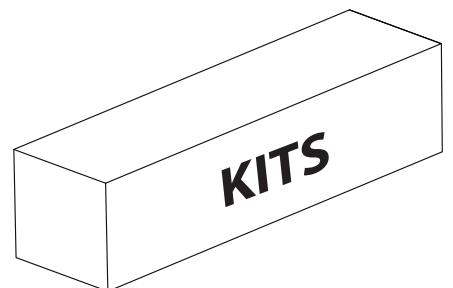


B

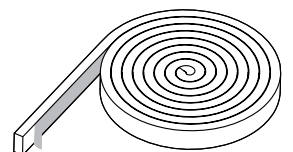


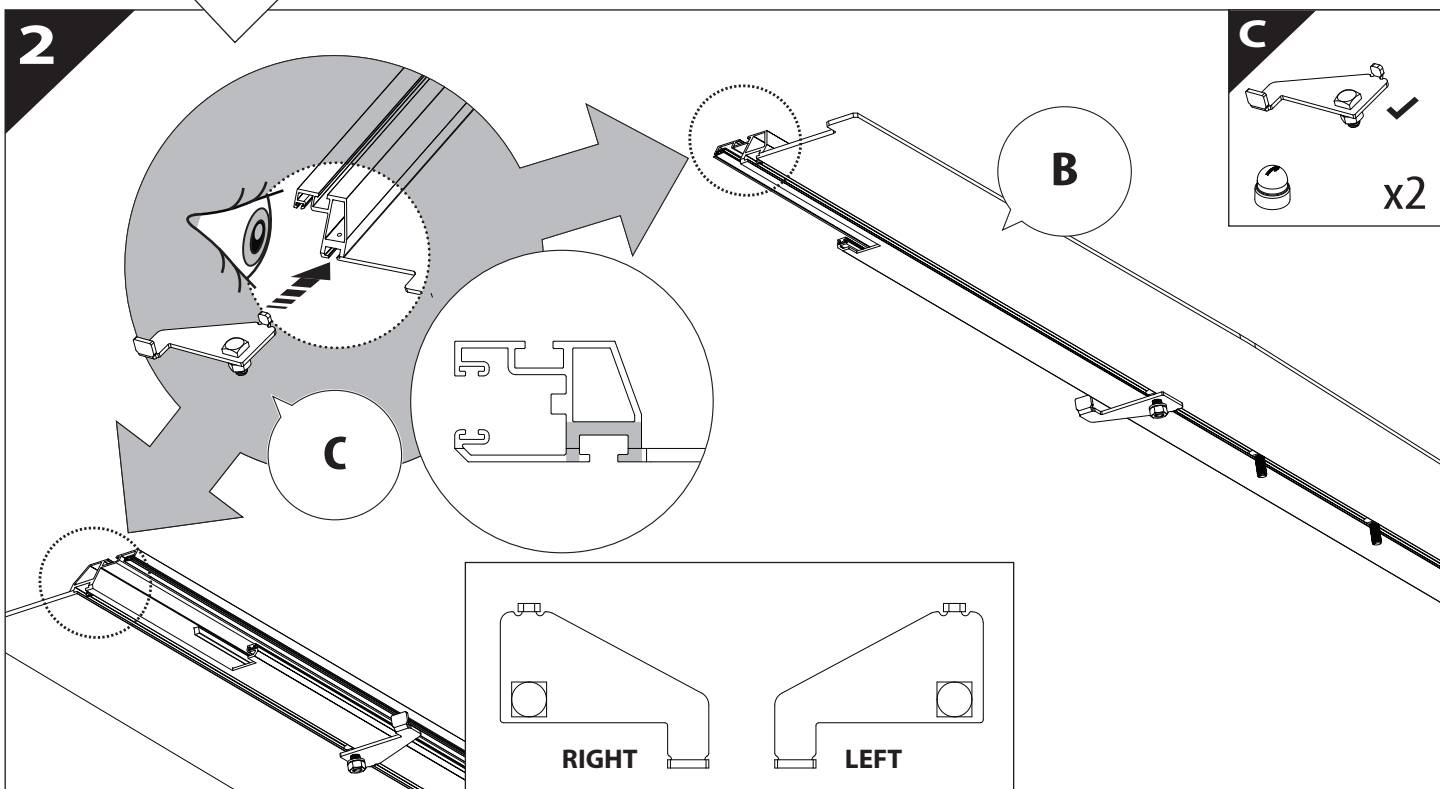
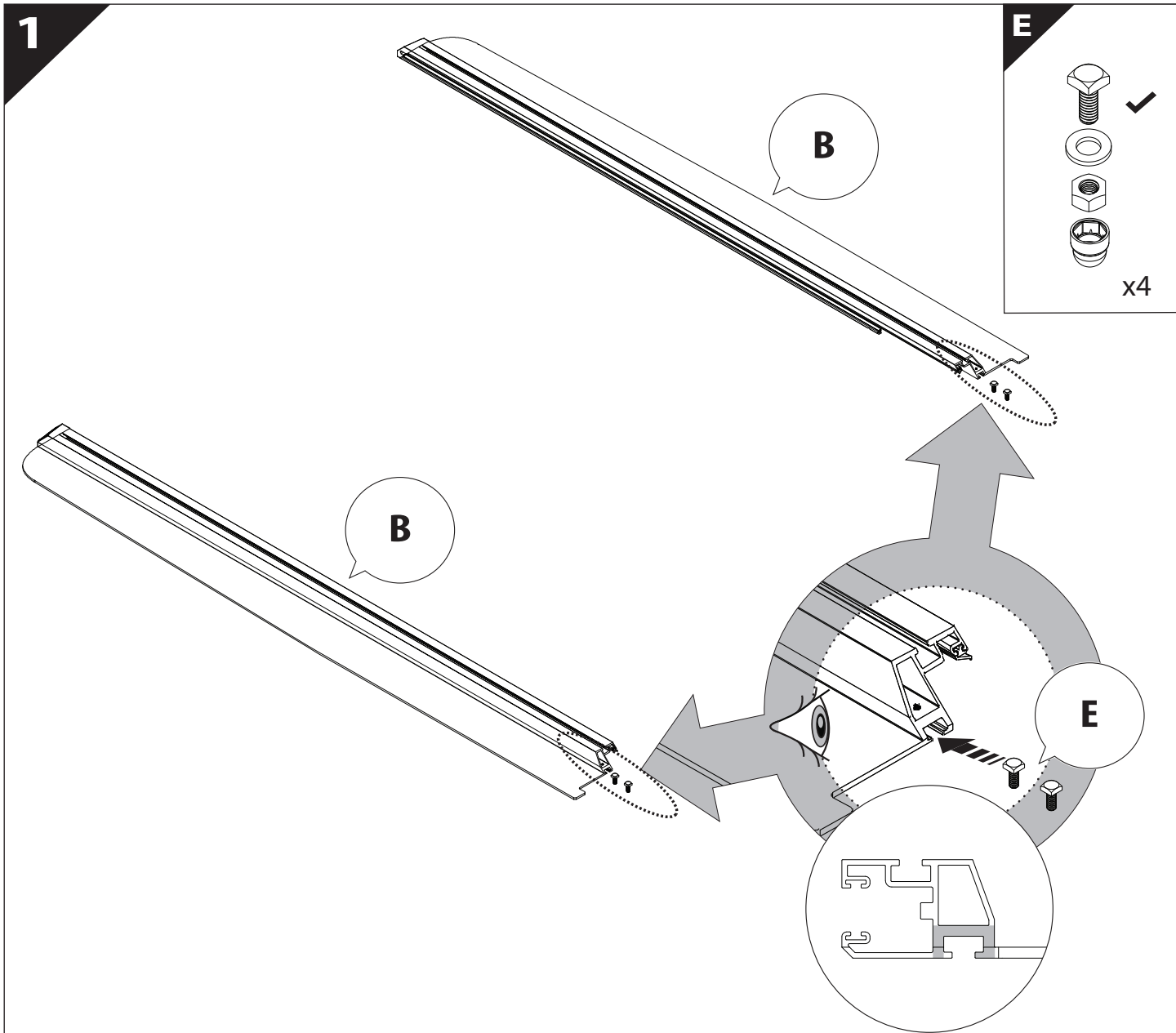
A

KITS

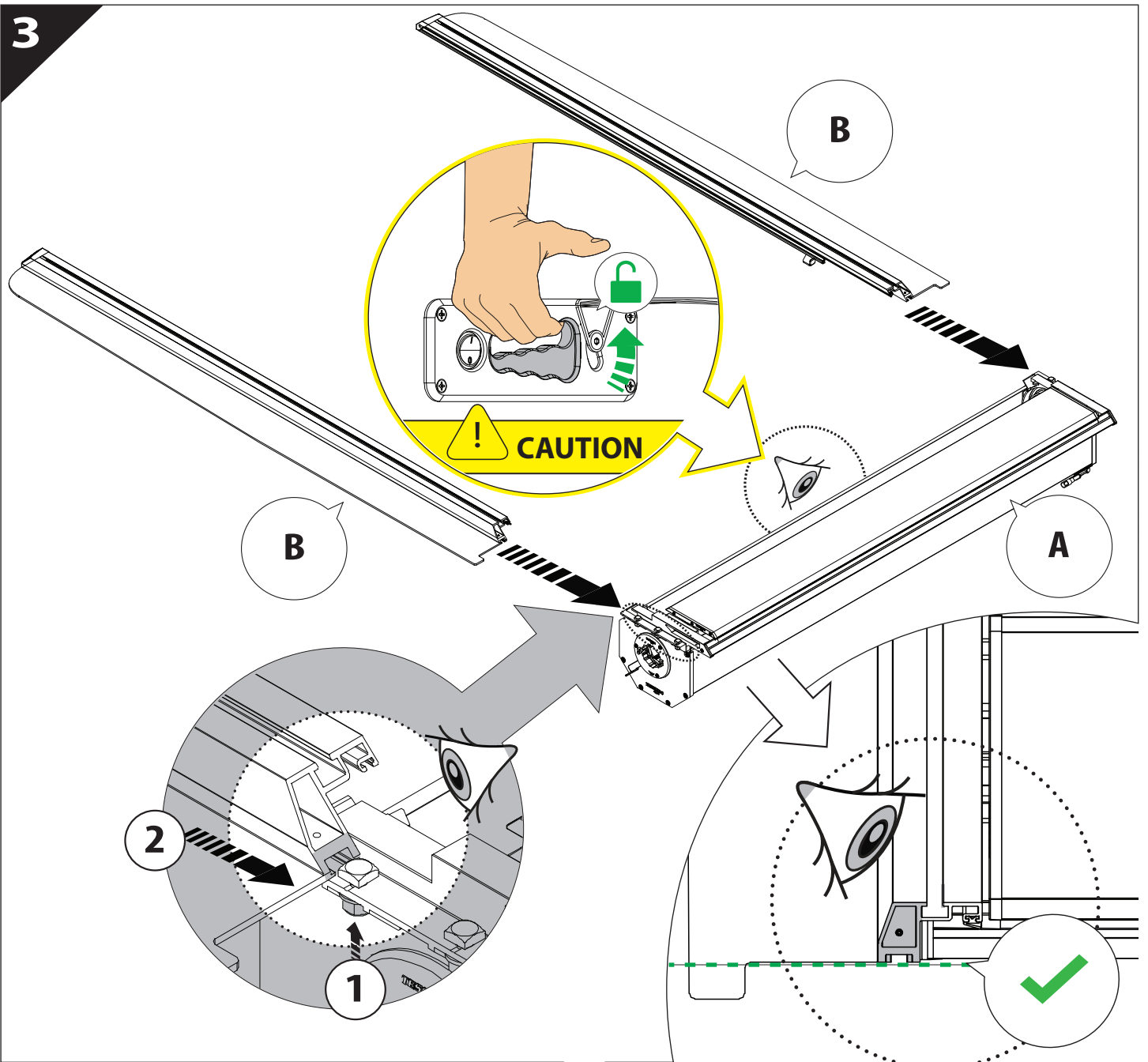


L

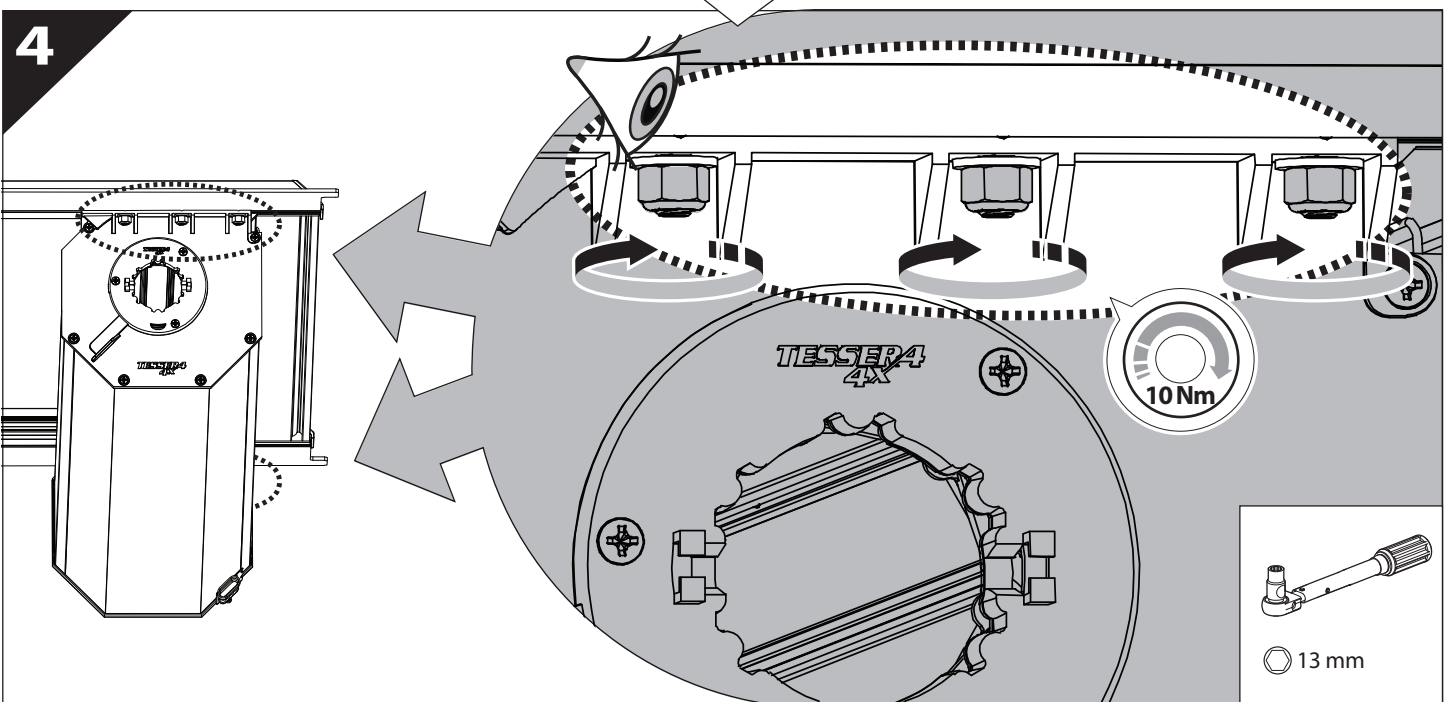


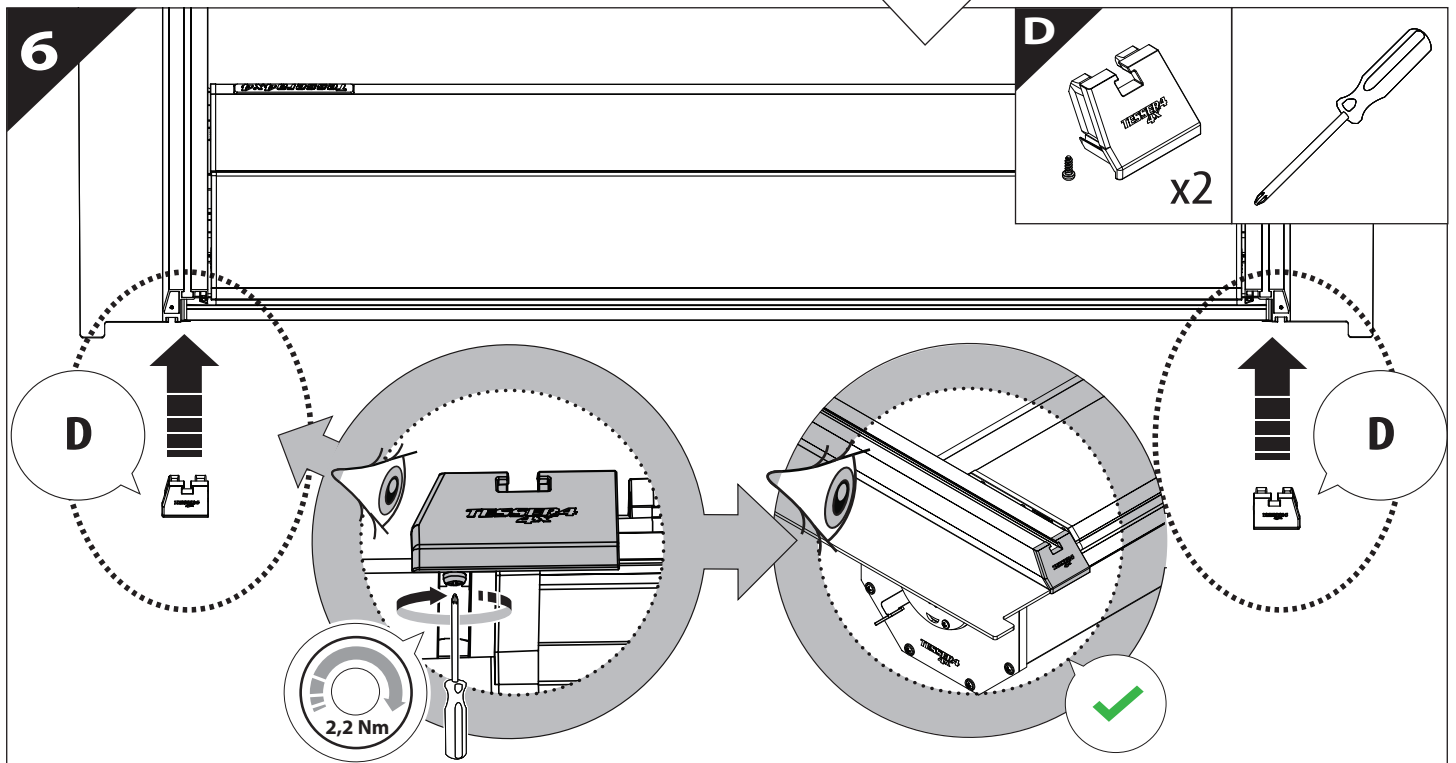
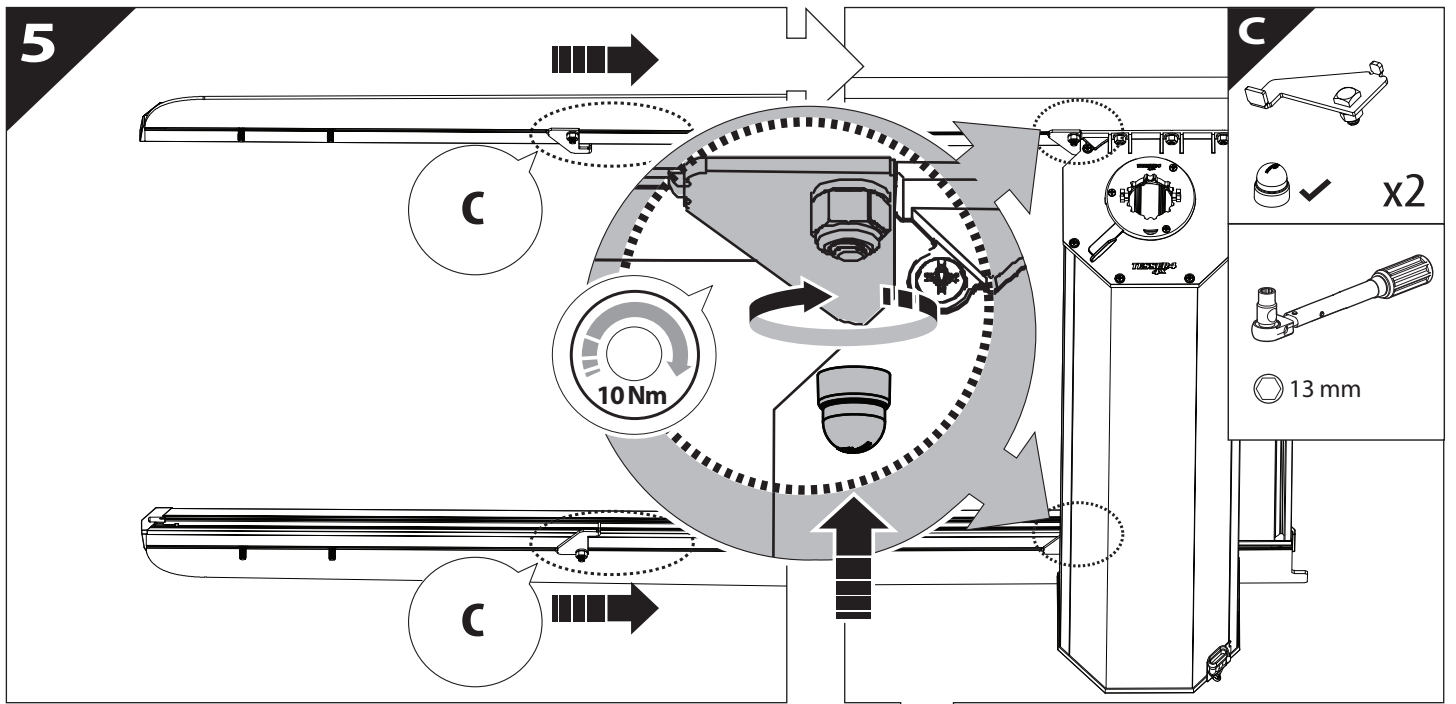


3

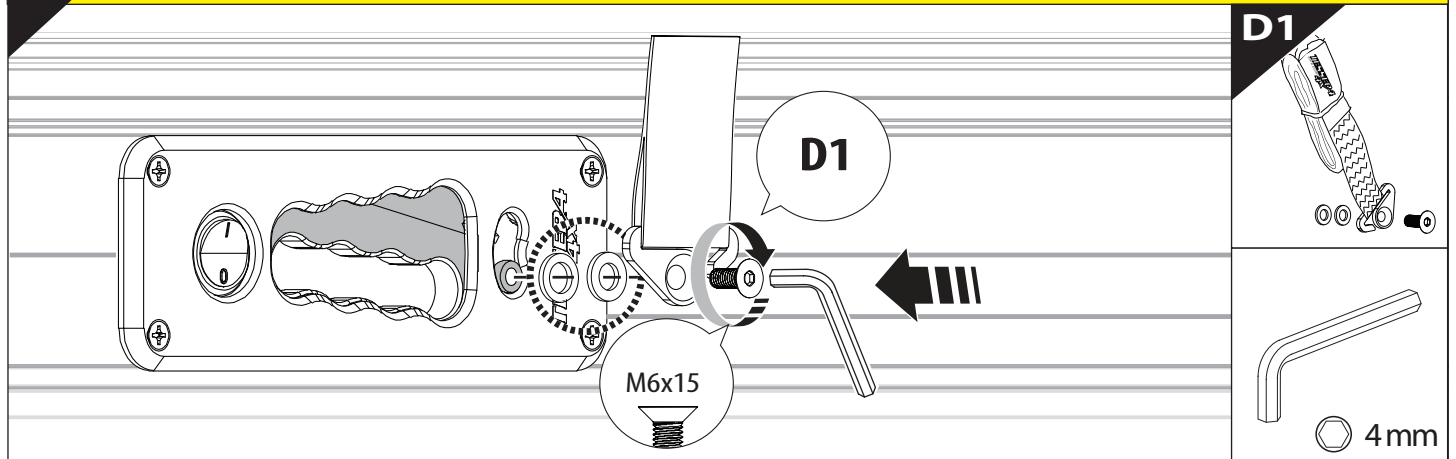


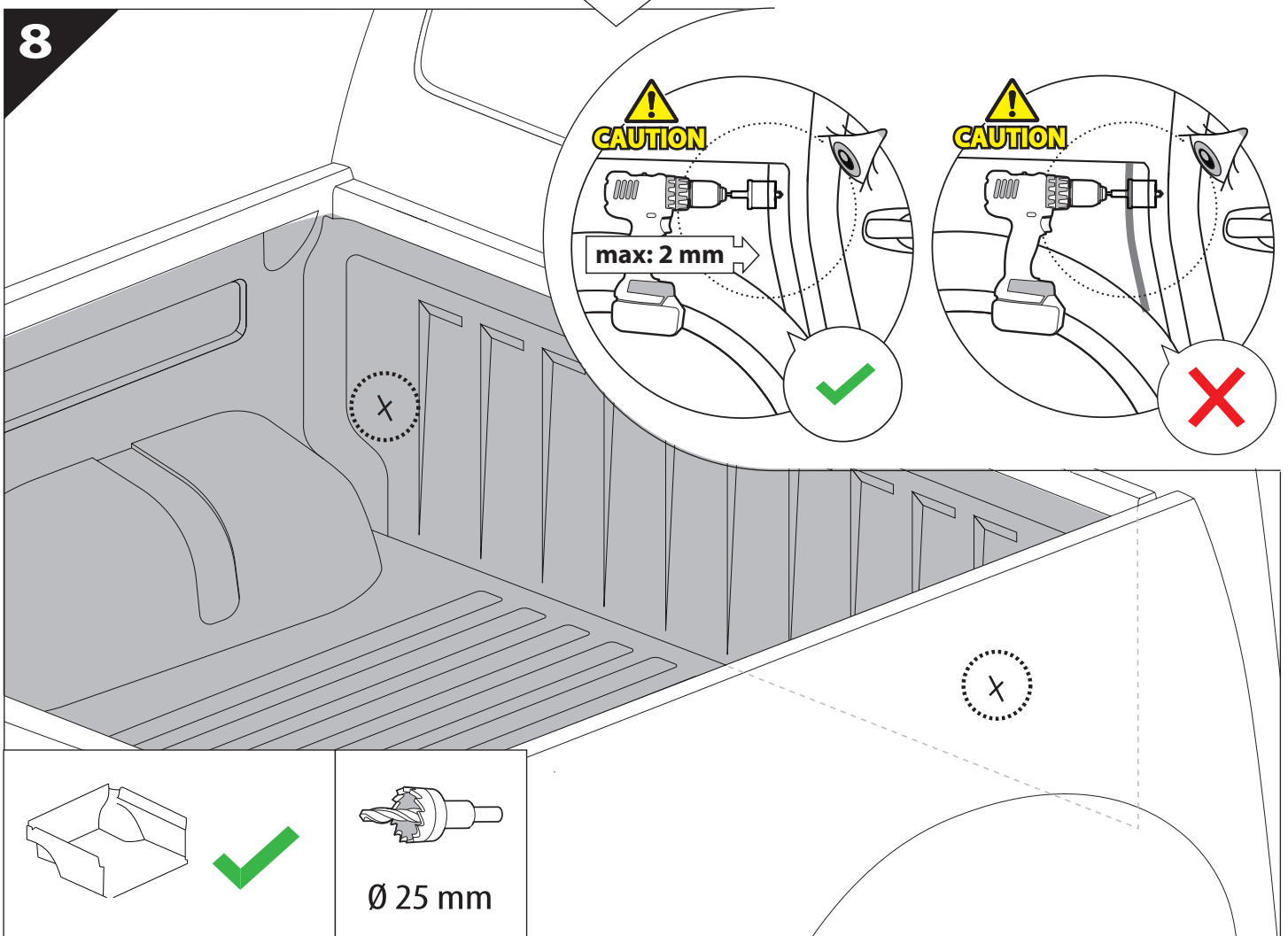
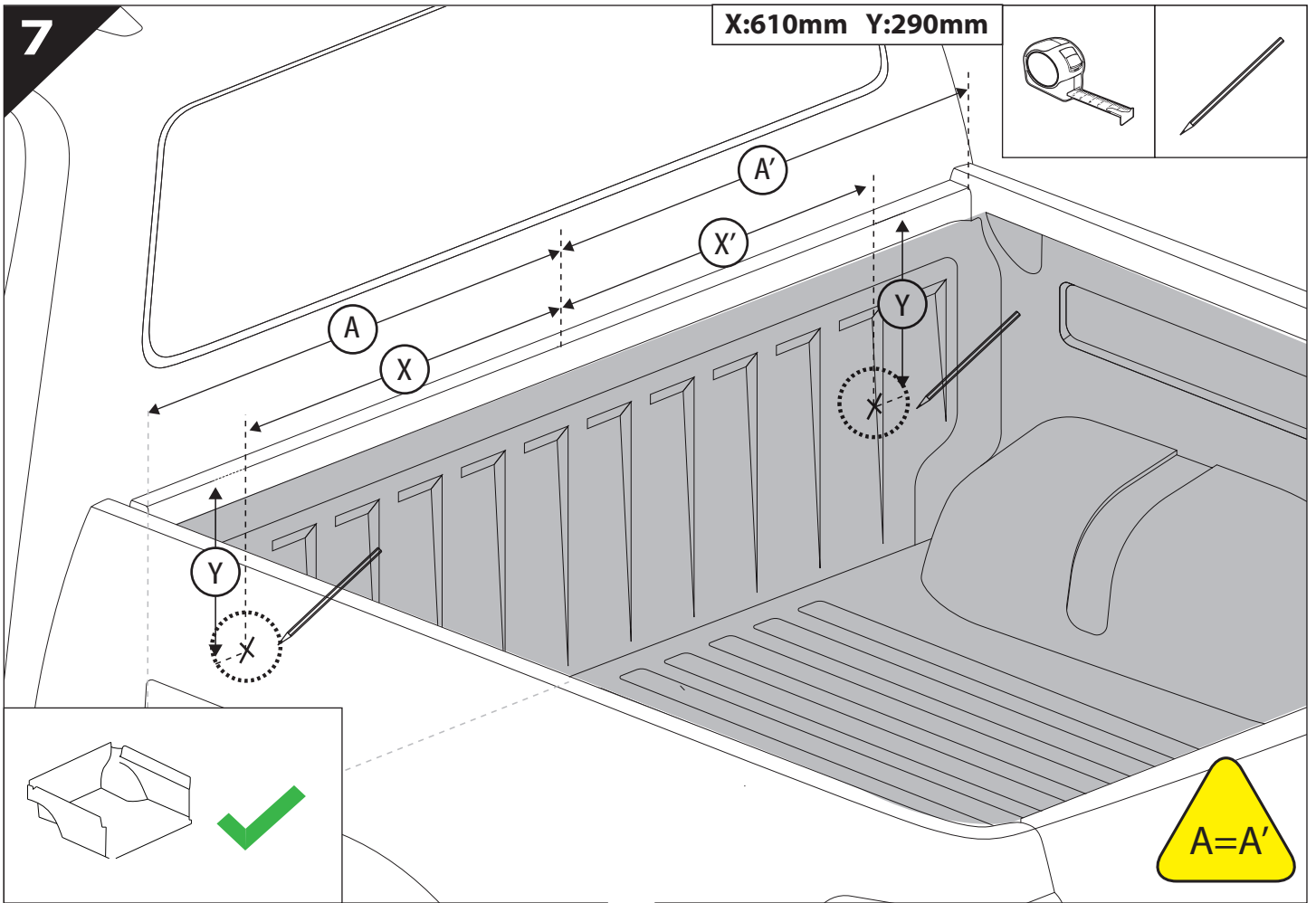
4

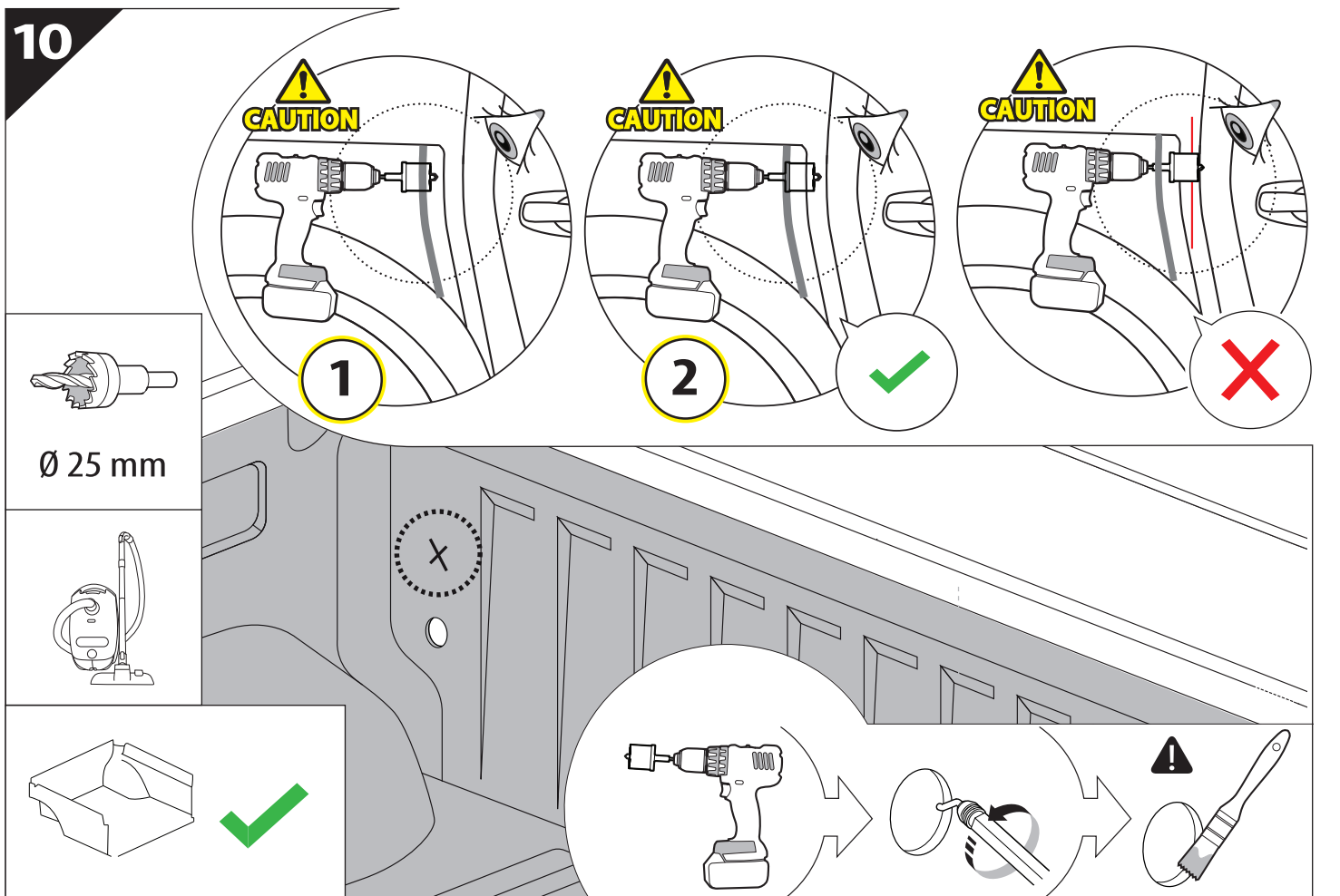
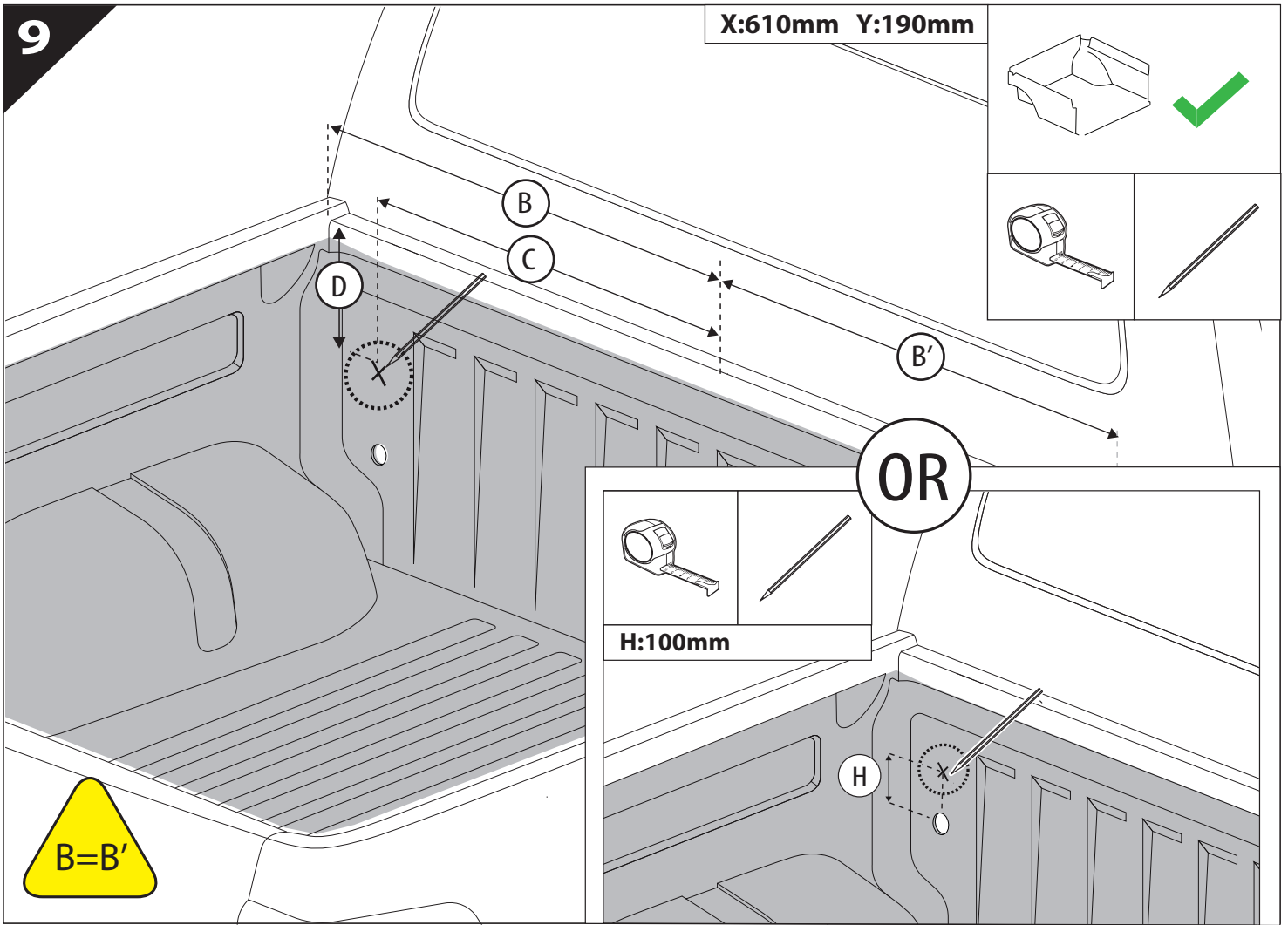


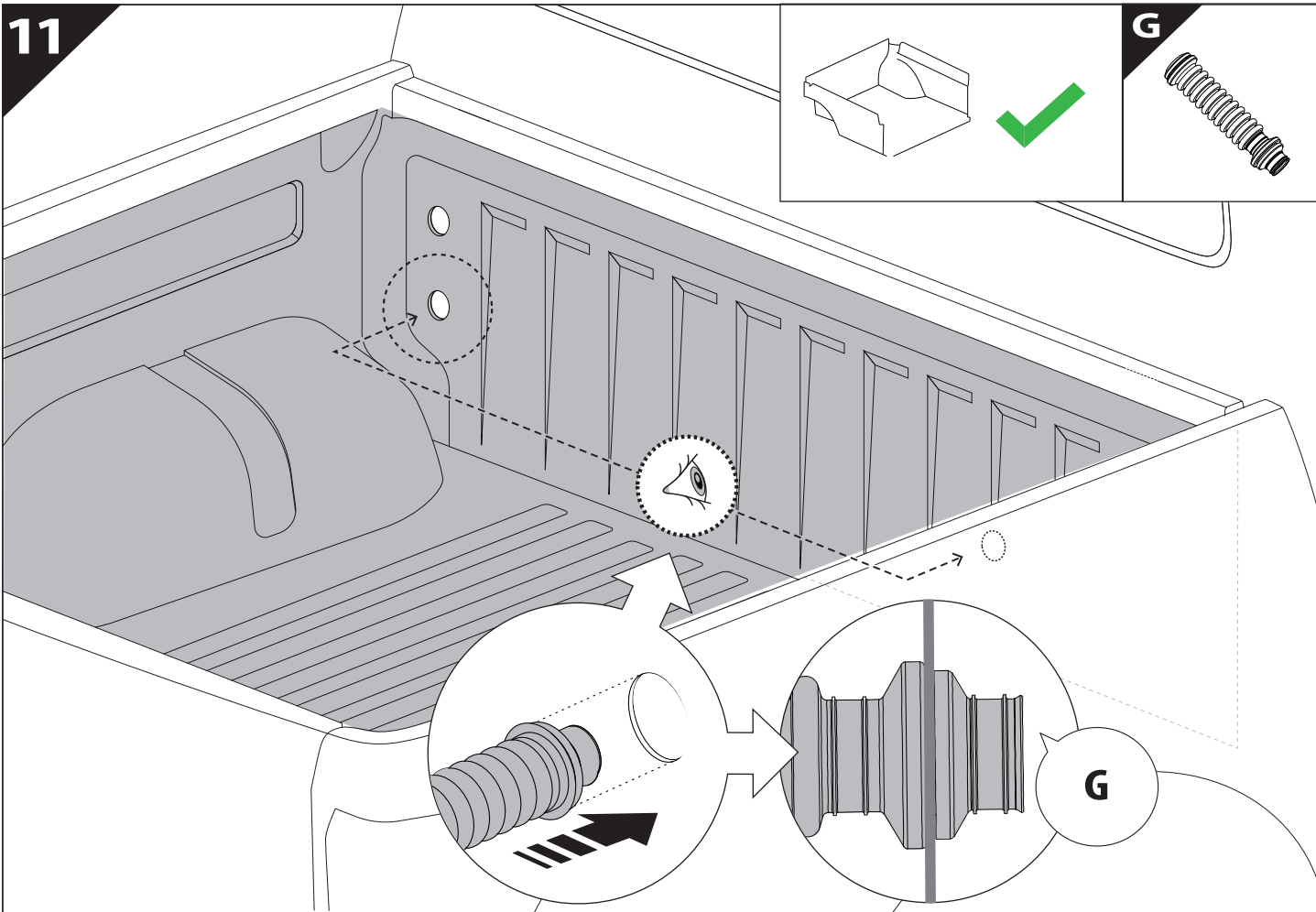


6.1 **CAUTION** Basic Version ✓ & Basic+S-KIT Version ✓

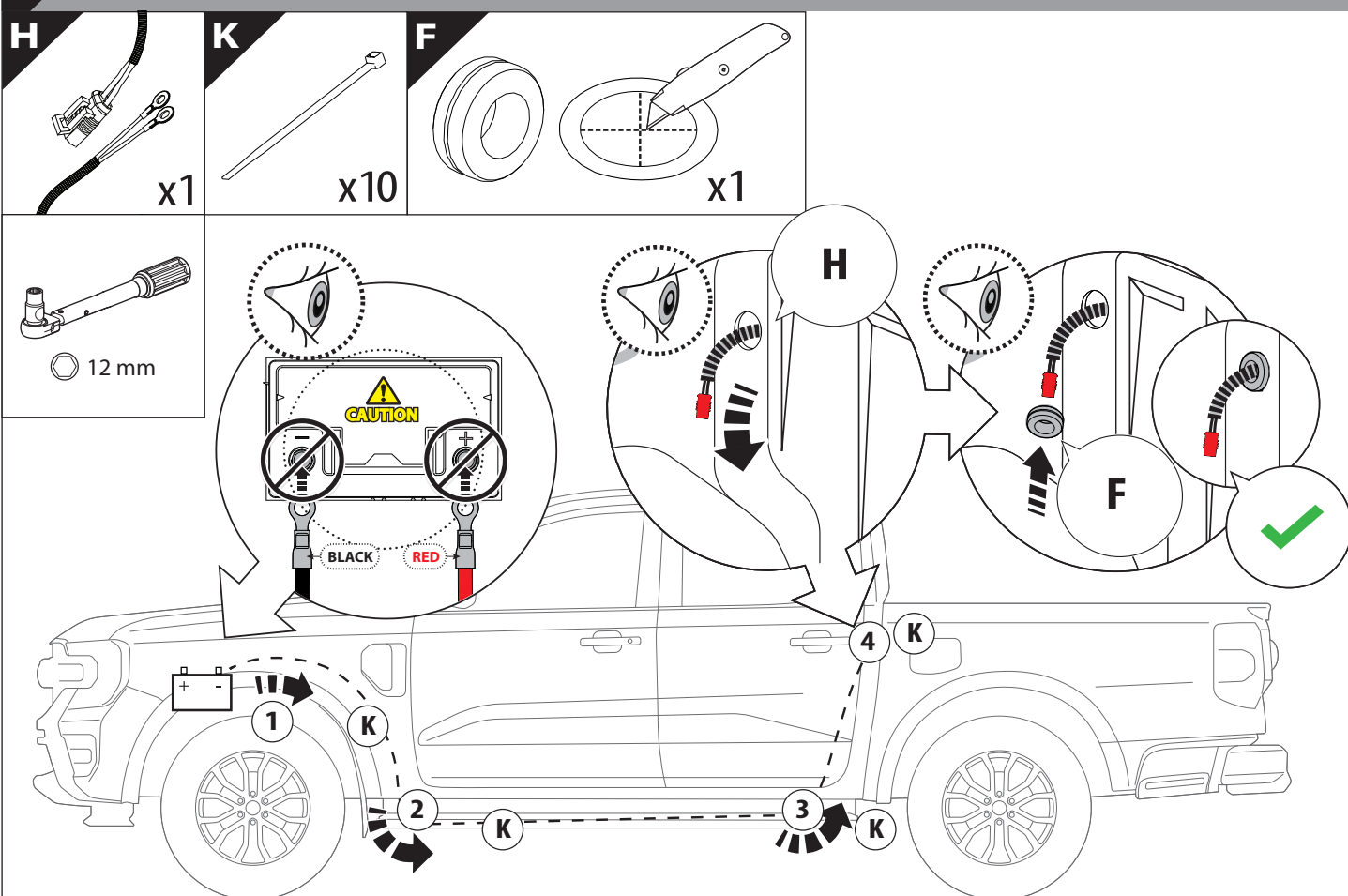




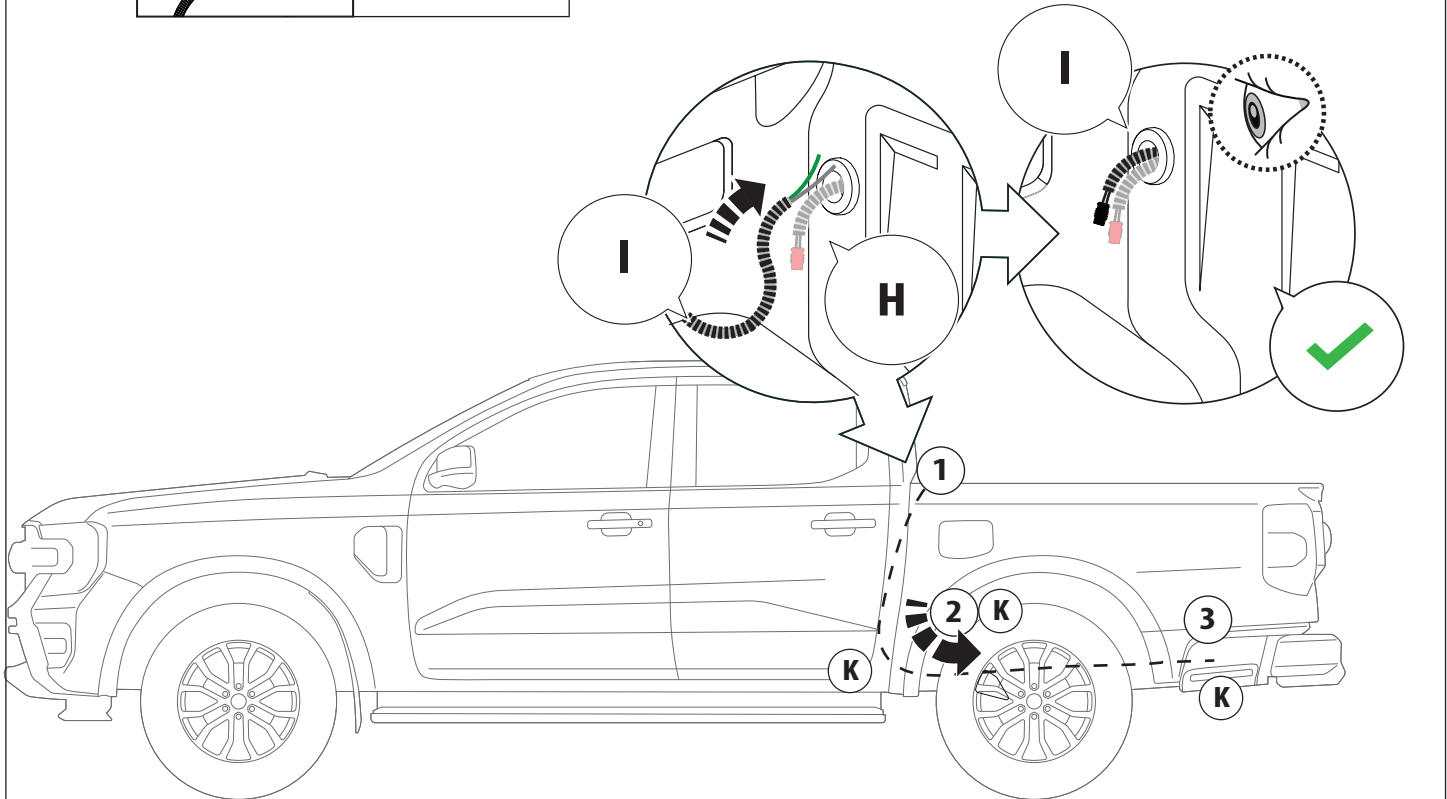
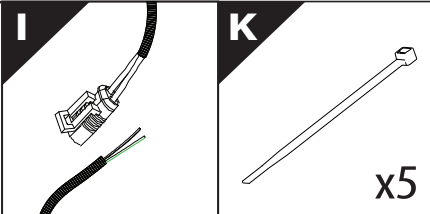




12 Only to be installed by authorized personnel

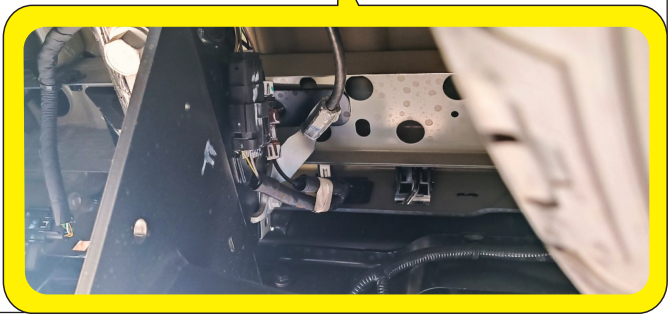
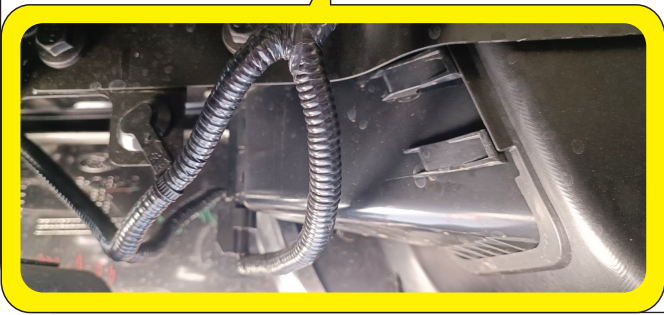
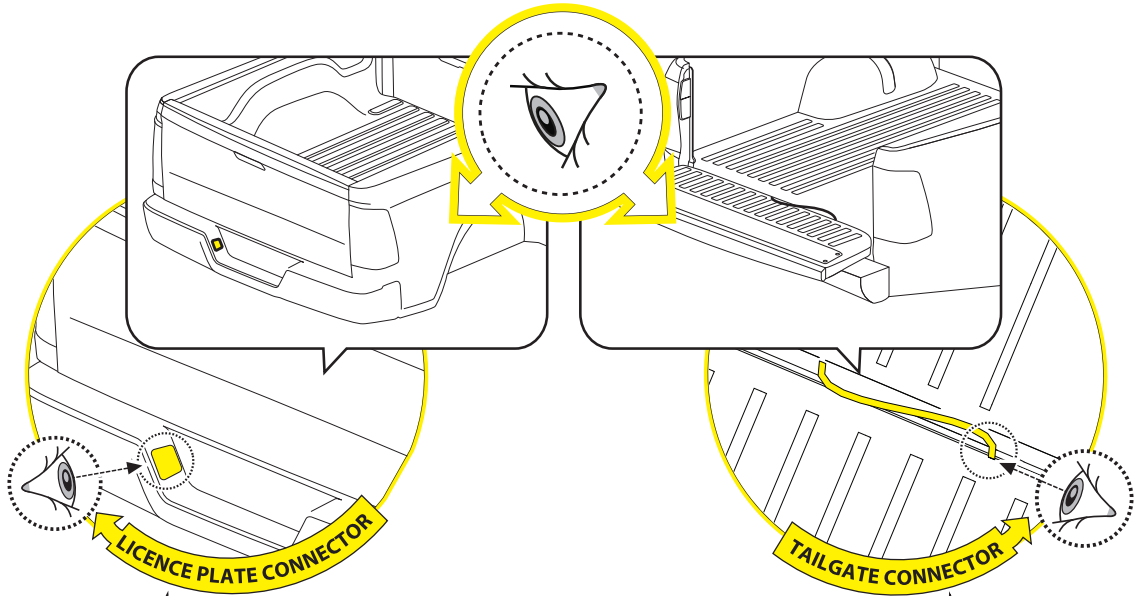


13

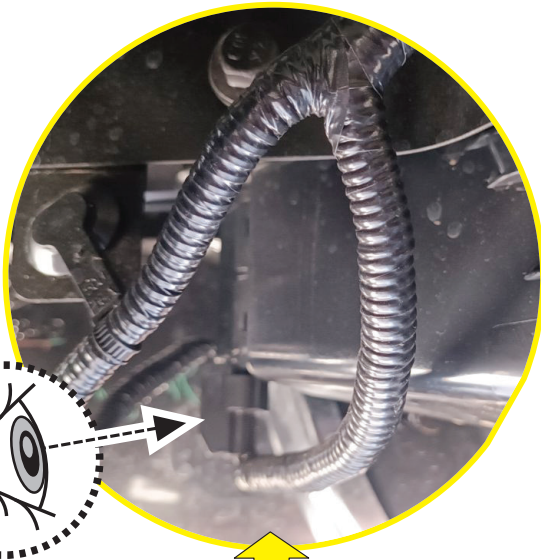


14

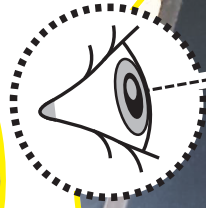
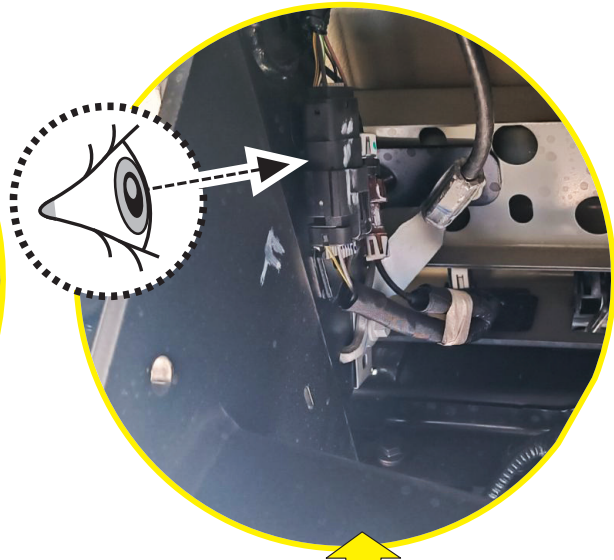
! CAUTION: LIMITED, WILDTRAK, WILDTRAK X, PLATINUM



14.1



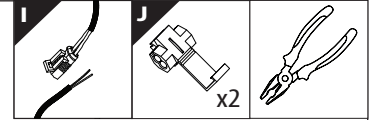
LICENCE PLATE CONNECTOR



TAILGATE CONNECTOR

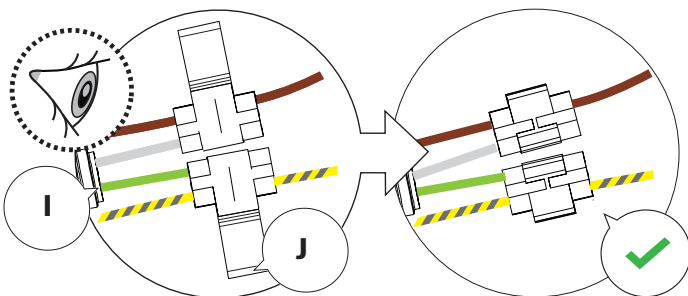
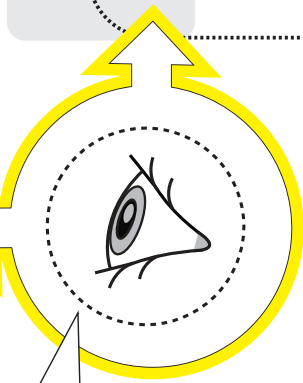
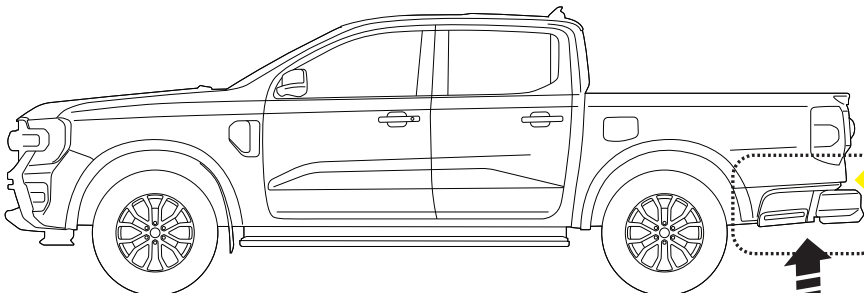
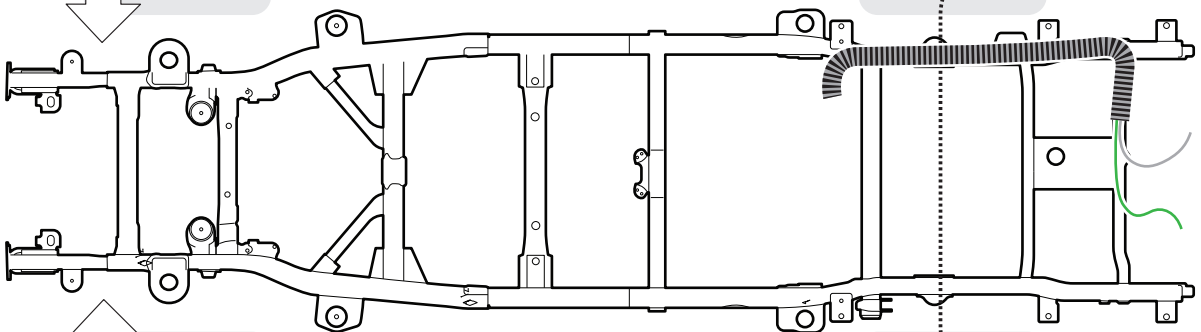
14.2

BOTTOM VIEW



DRIVER'S LEFT SIDE

PASSENGER'S RIGHT SIDE

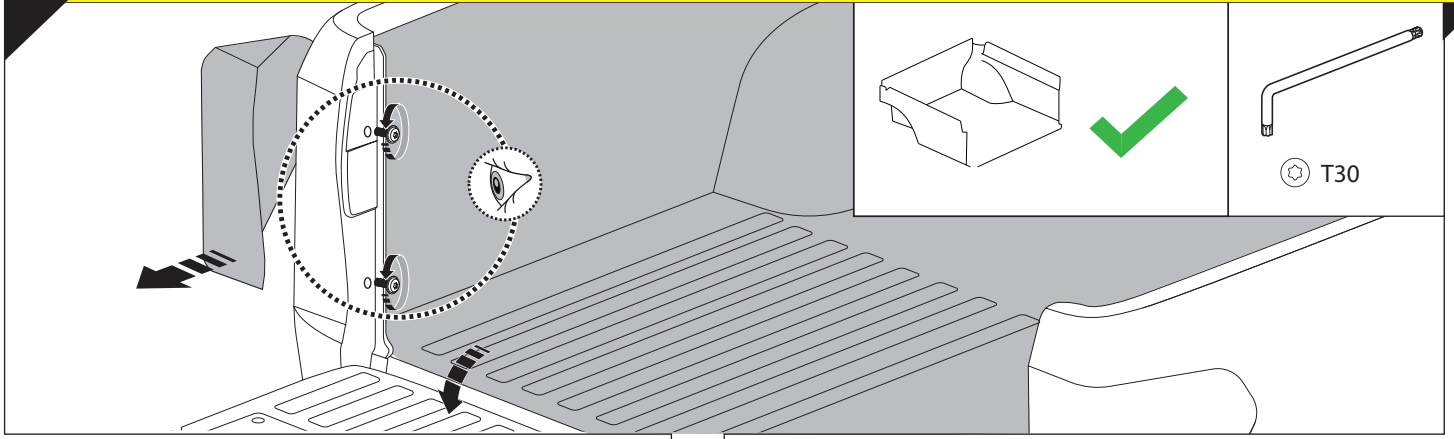


	CAR		TESSERA ROLL+
BEAM		↔	
LICENCE PLATE 2 PIN LIGHT CONNECTOR			
STOP		↔	
TAILGATE CONNECTOR			

15

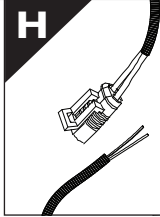


CAUTION: XL, XLT, TREMOR

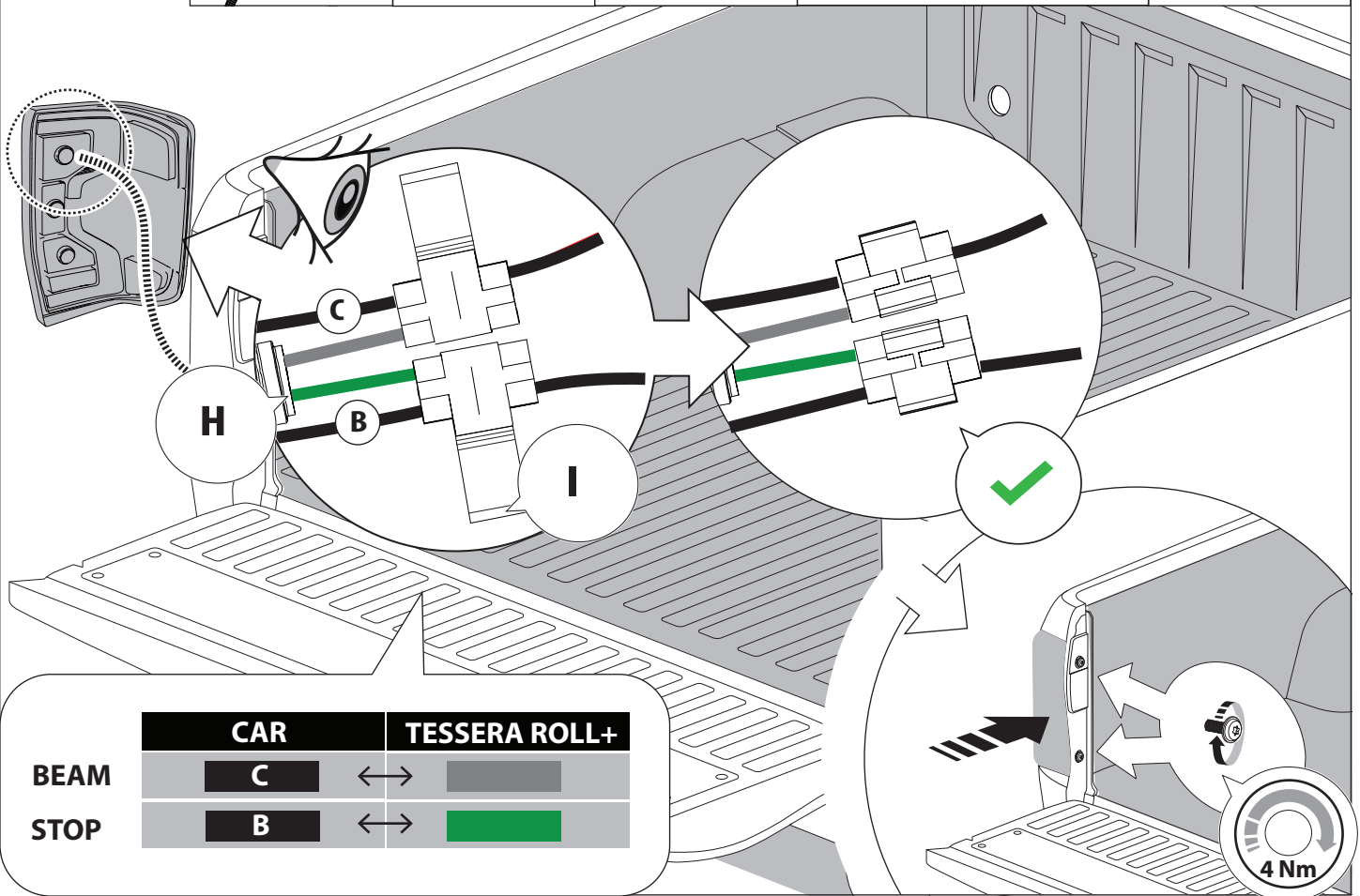
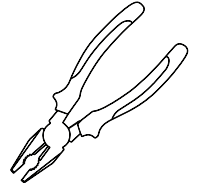
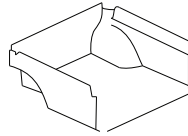
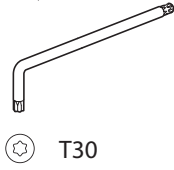
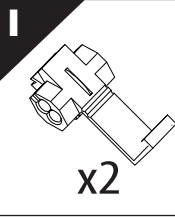


16

H

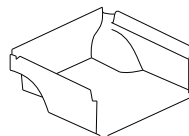
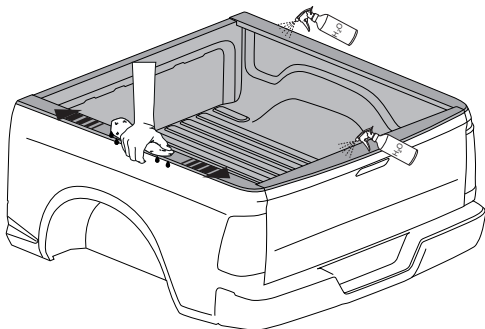


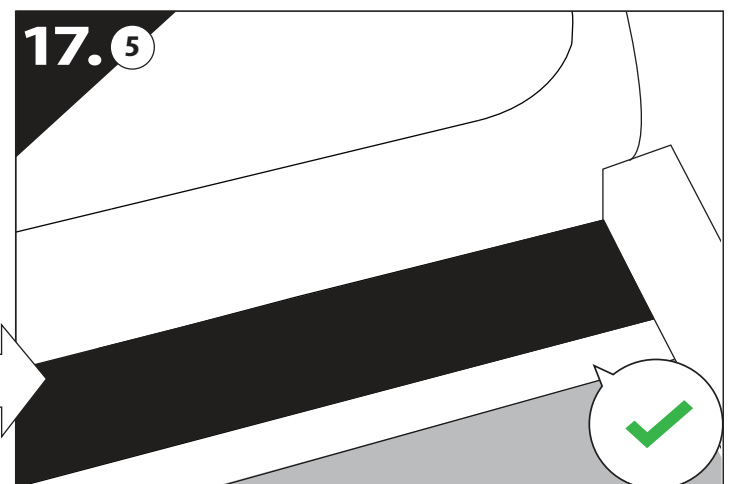
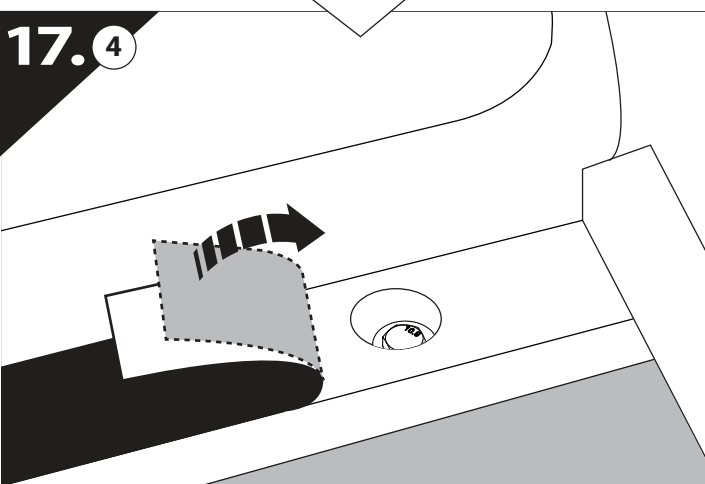
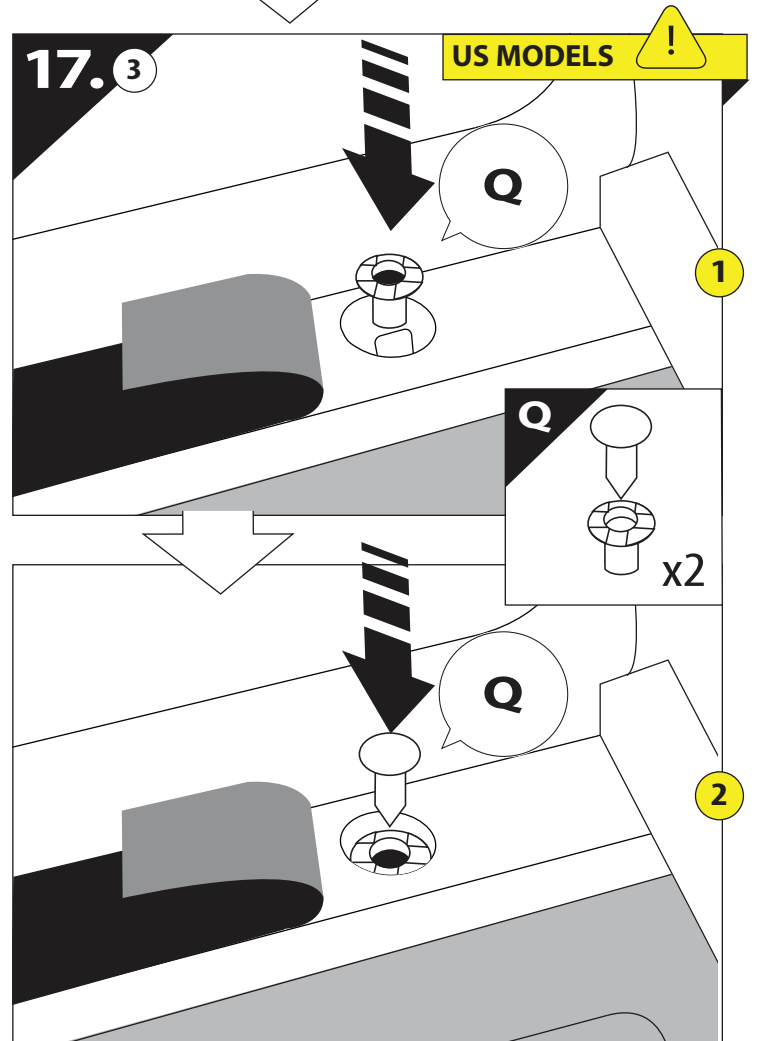
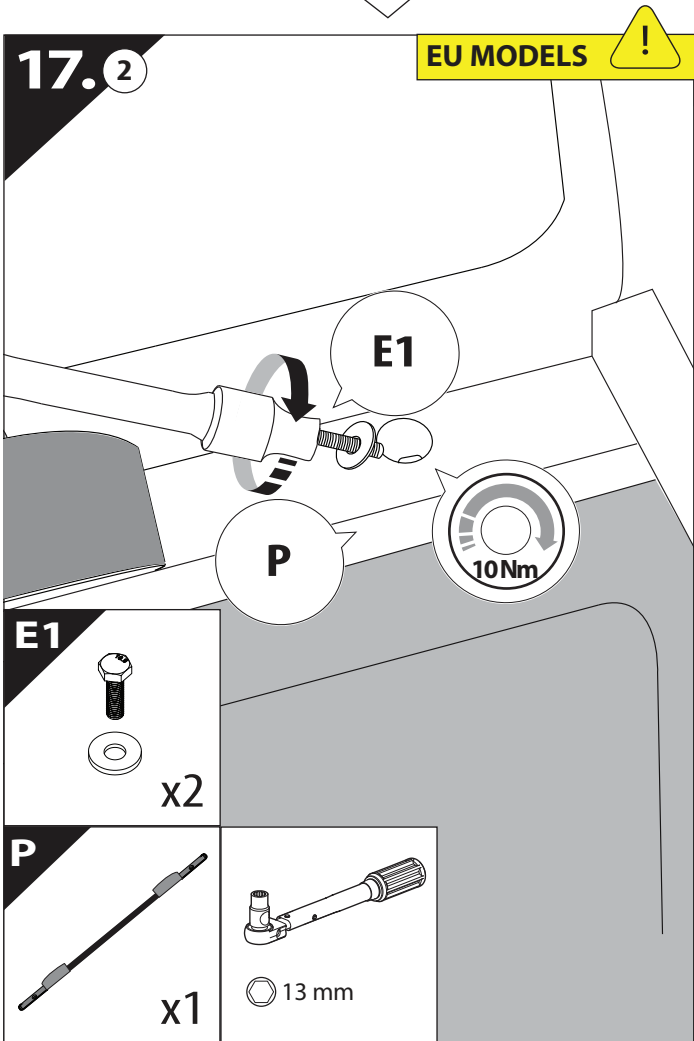
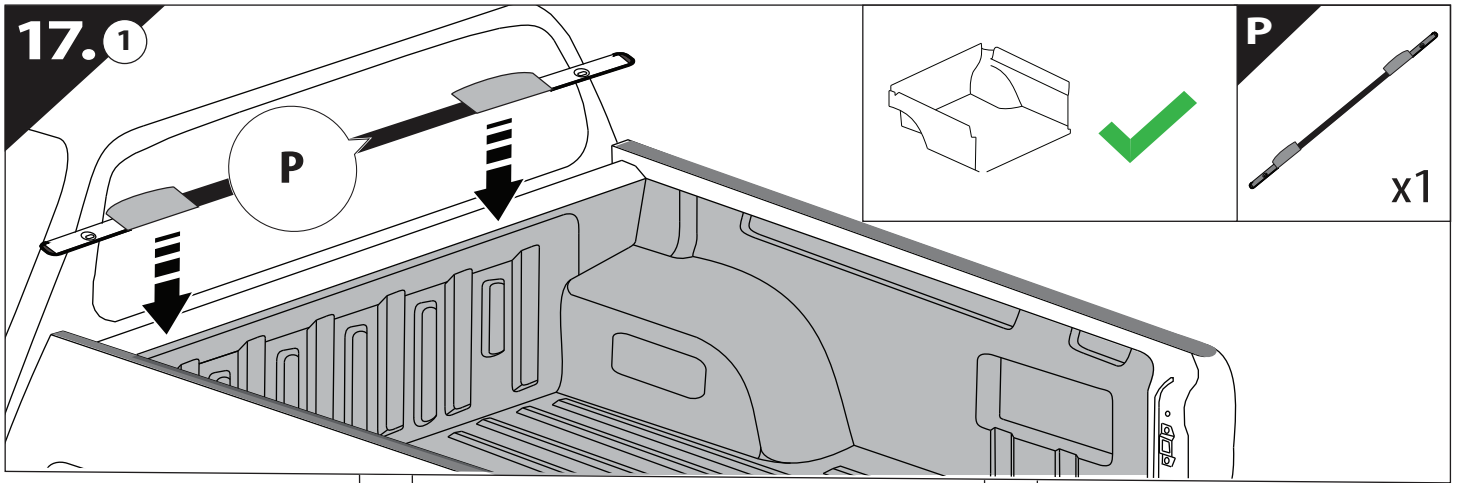
I



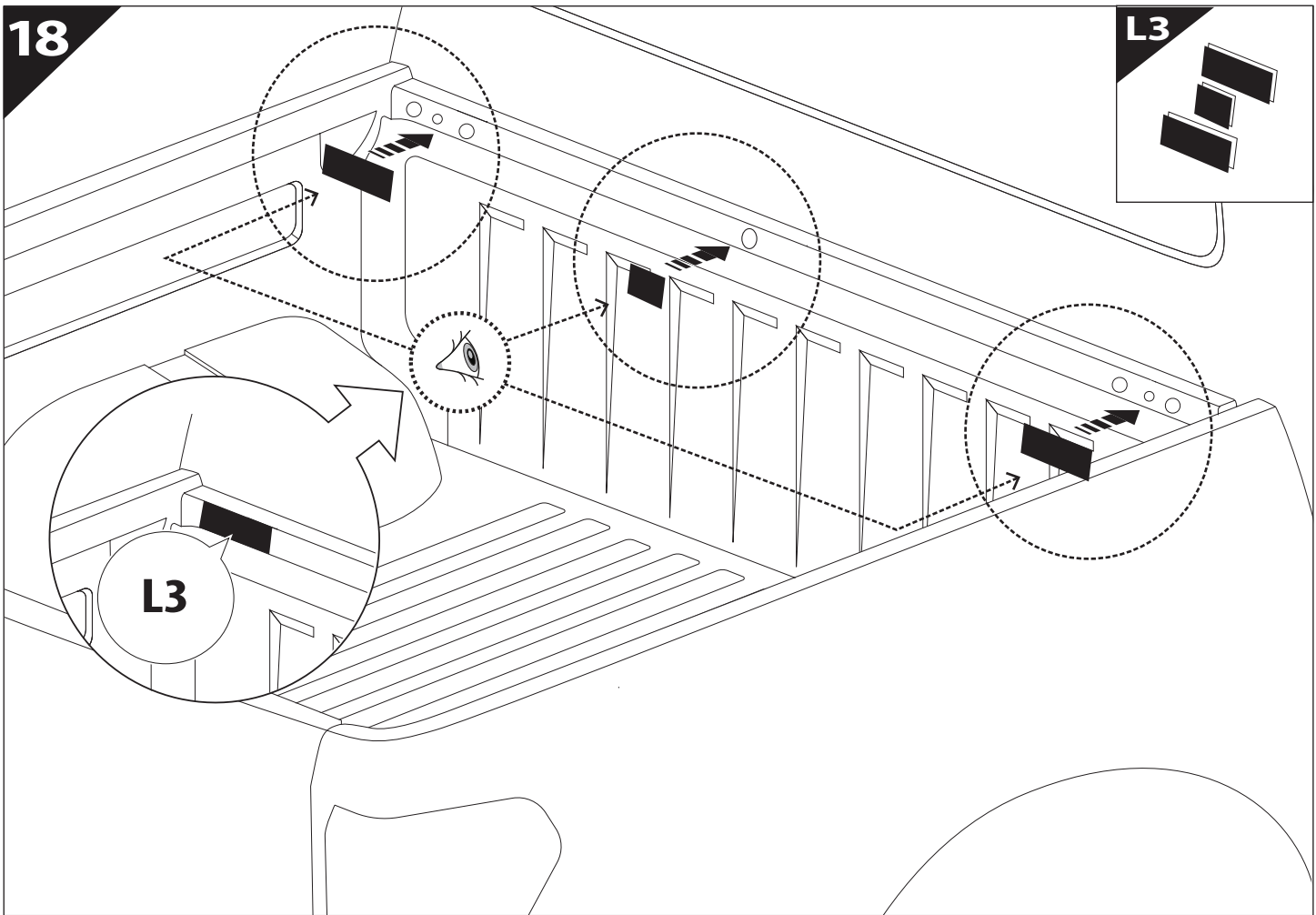
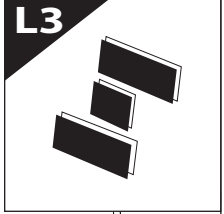
	CAR		TESSERA ROLL+
BEAM	C	↔	■
STOP	B	↔	■

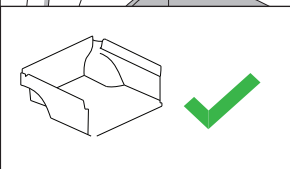
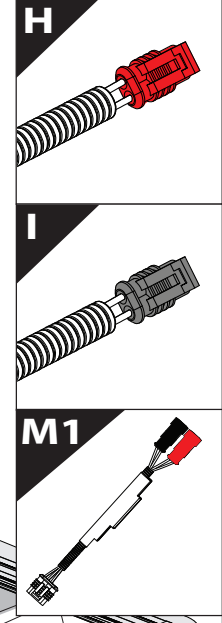
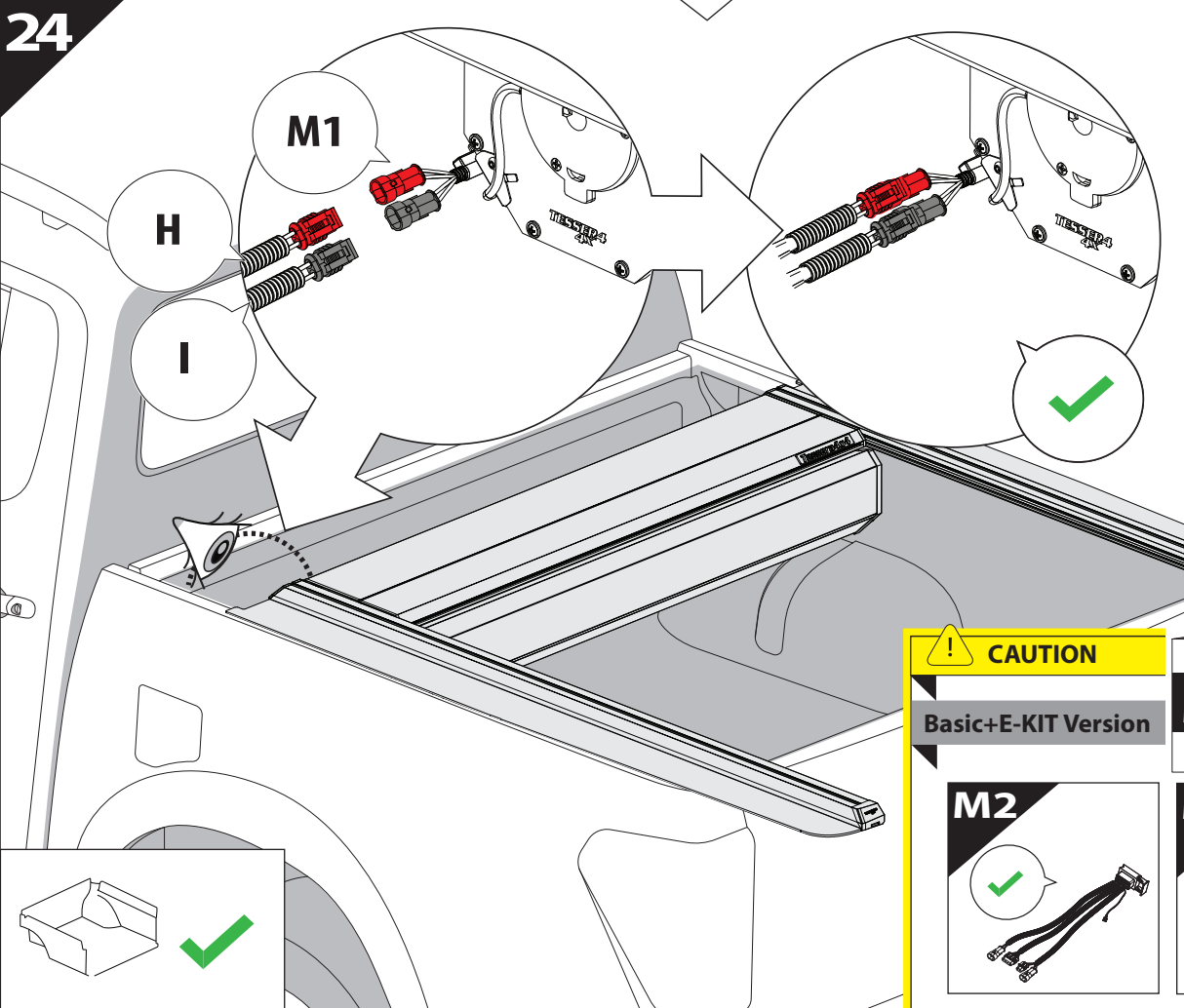
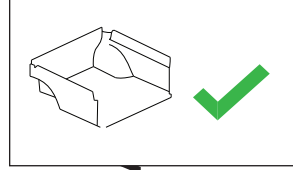
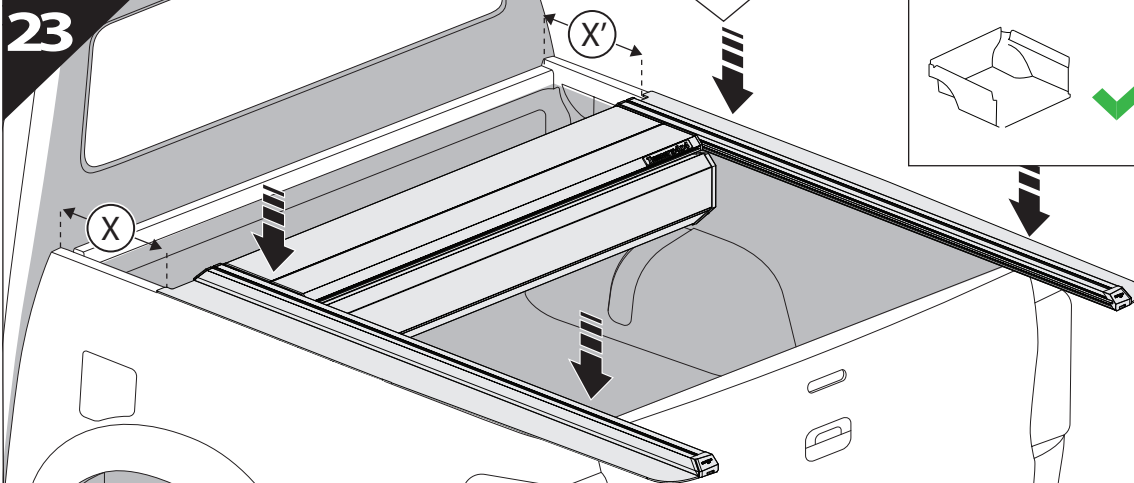
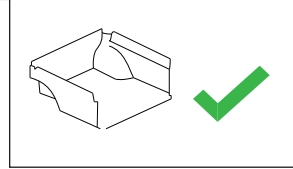
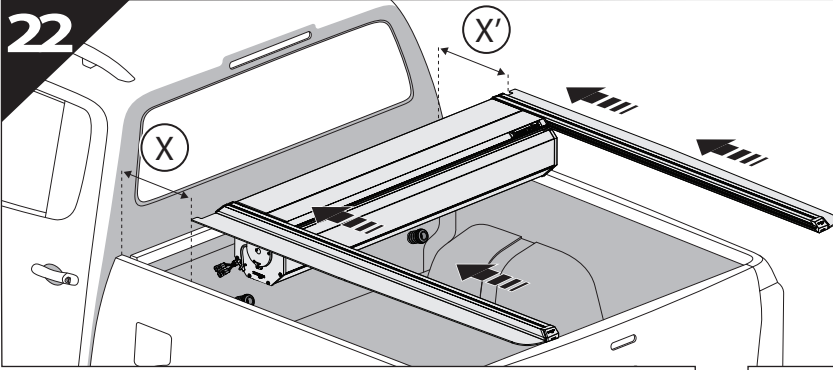
17



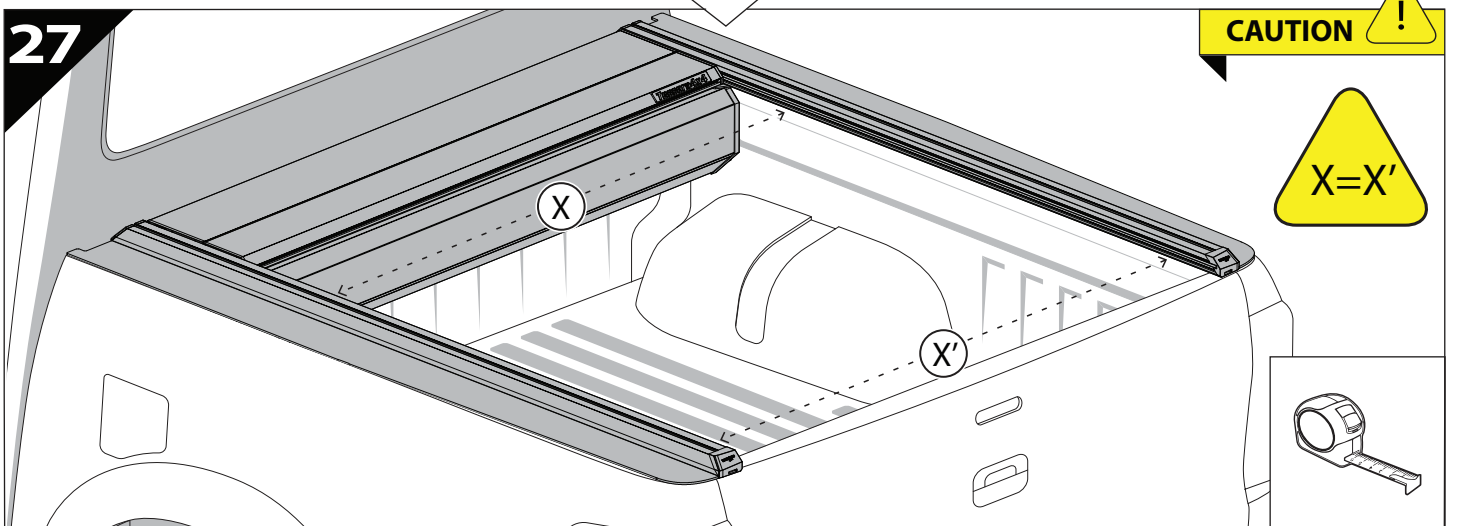
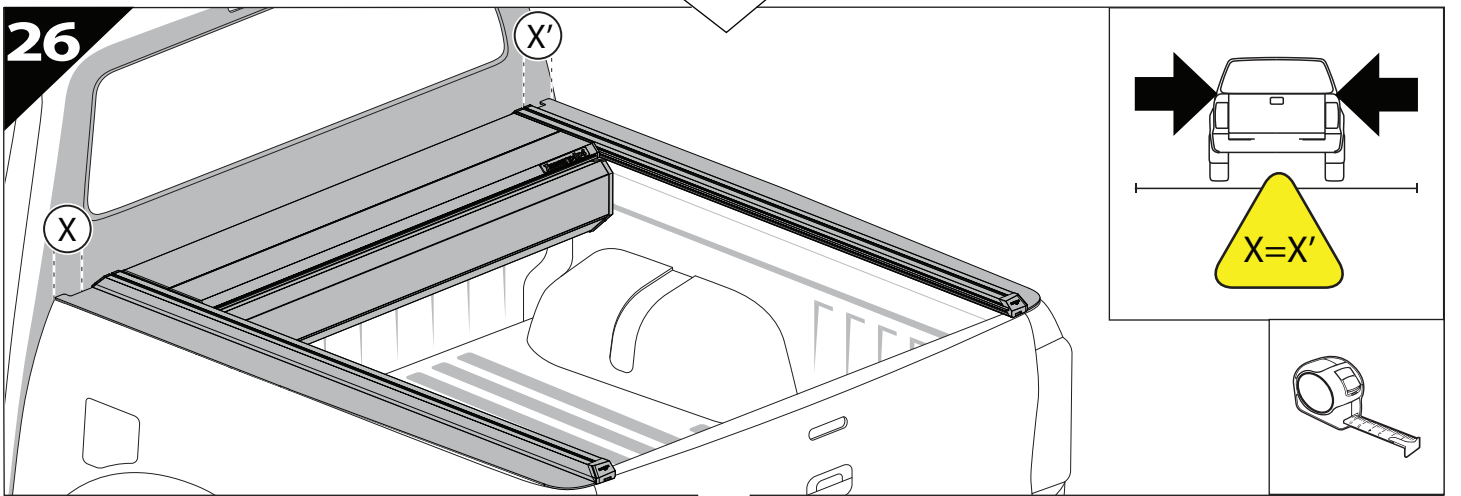
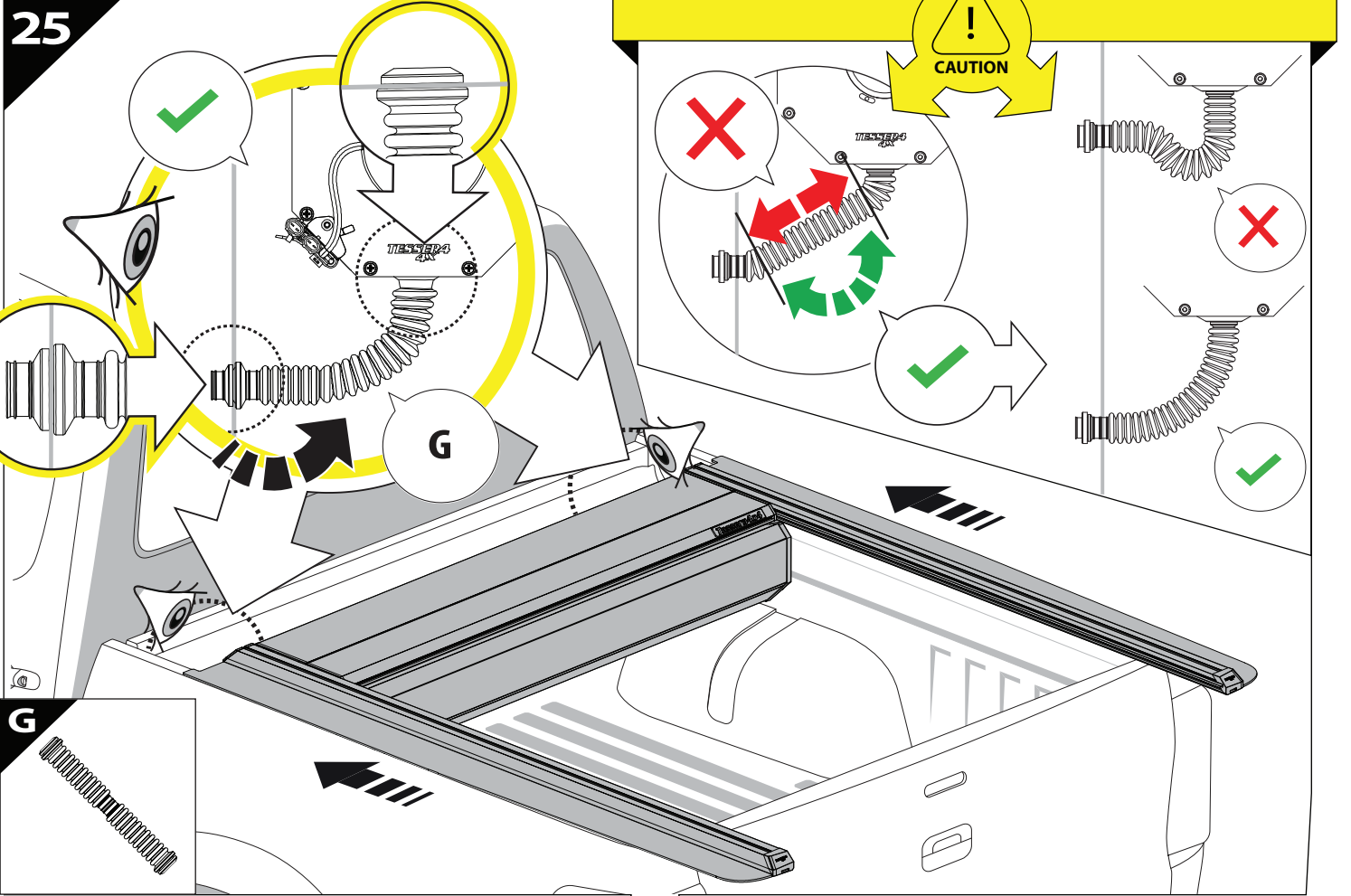


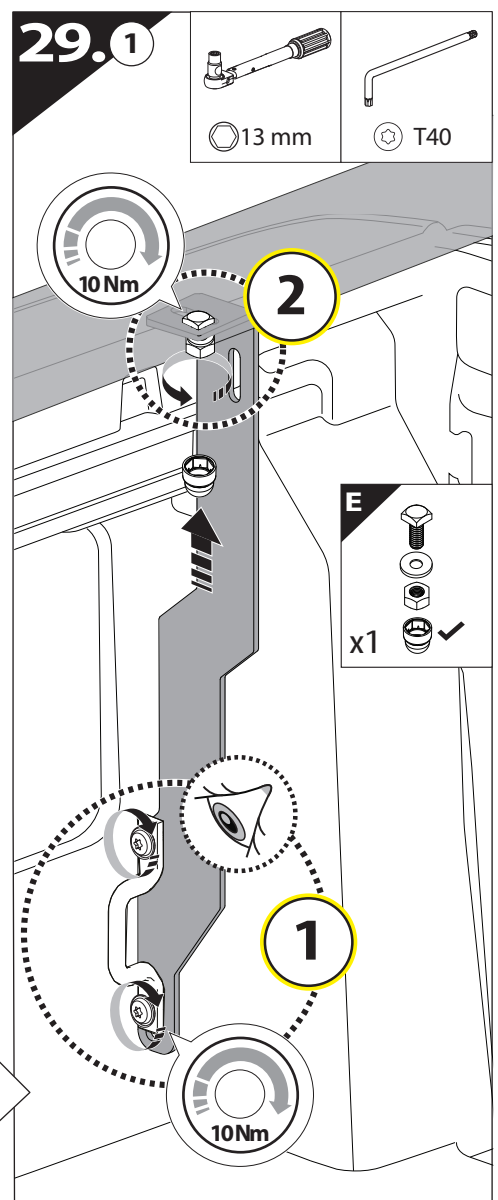
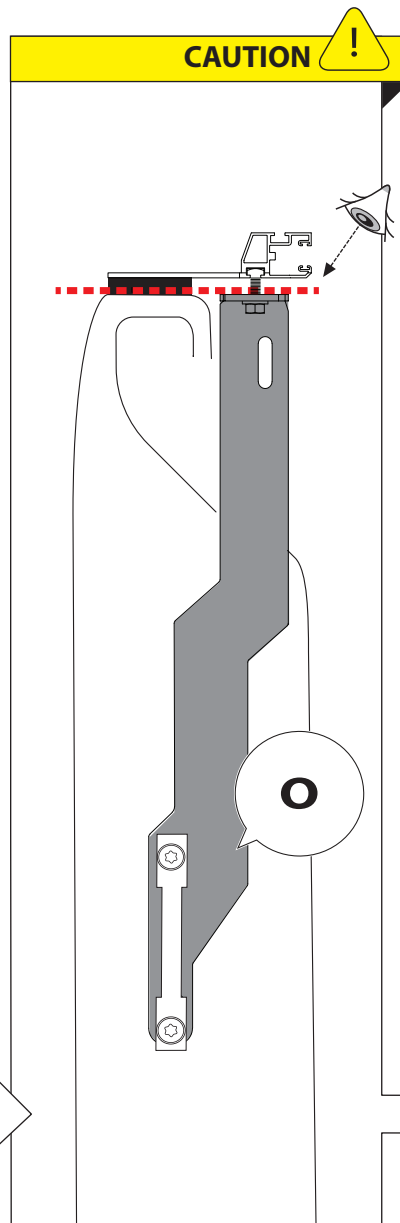
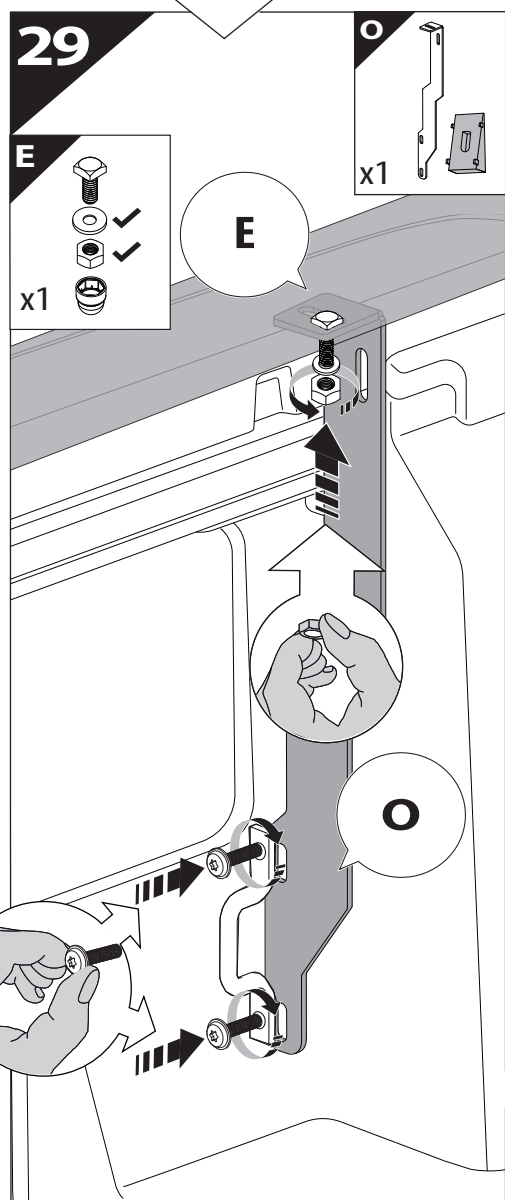
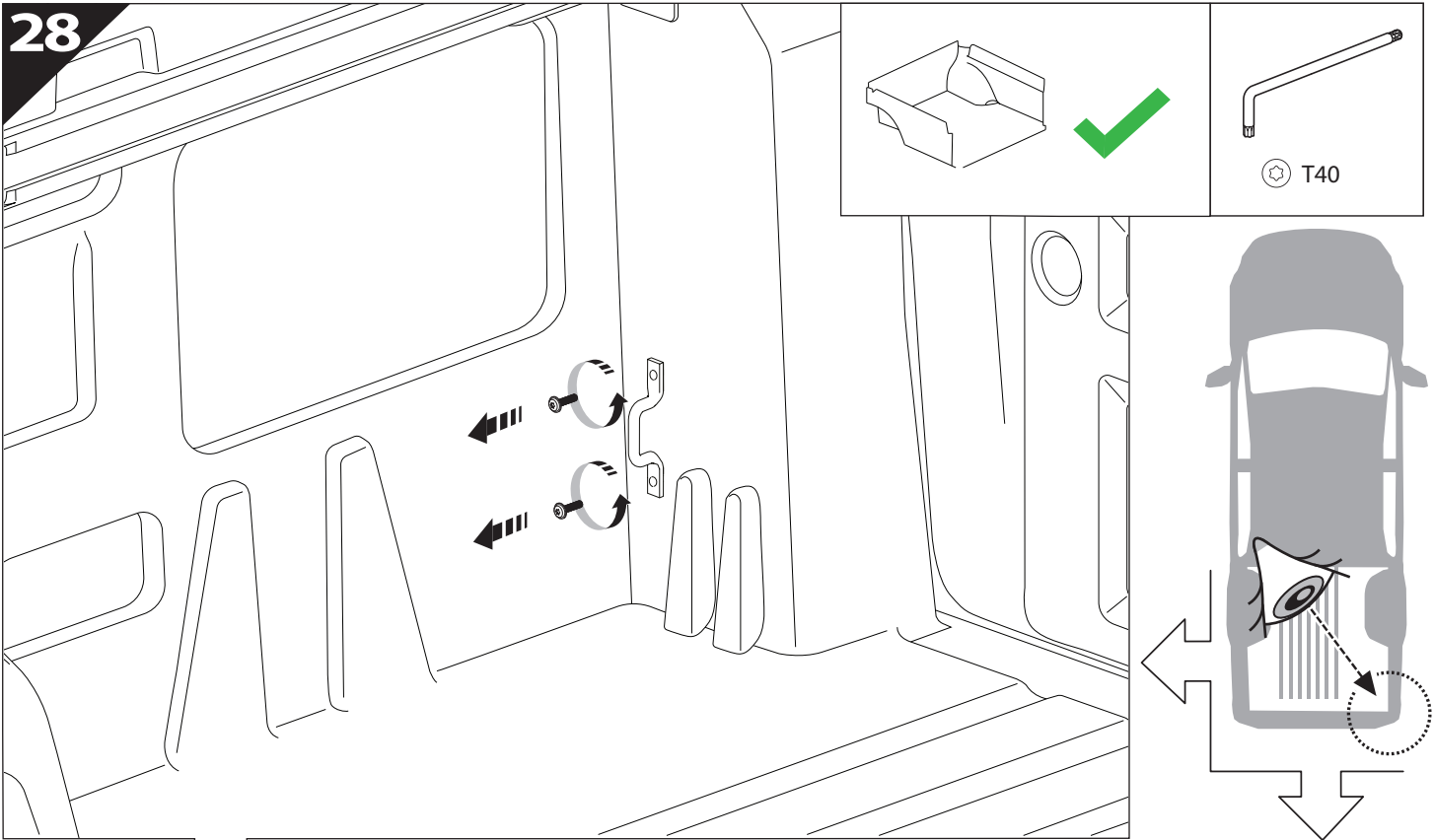
18



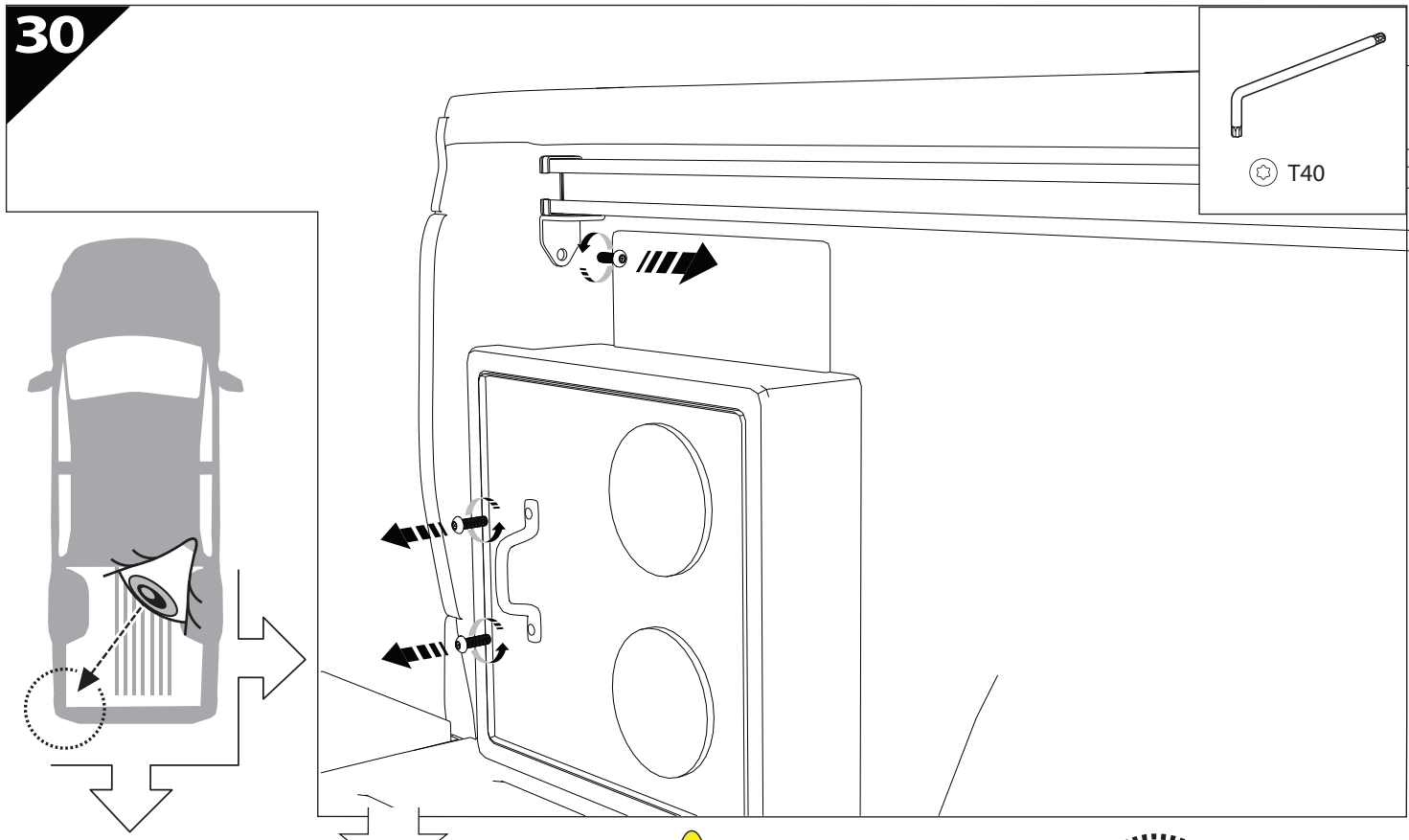


CAUTION	
Basic+E-KIT Version	
E-KIT MANUAL	
M2 ✓ 	M1 ✗

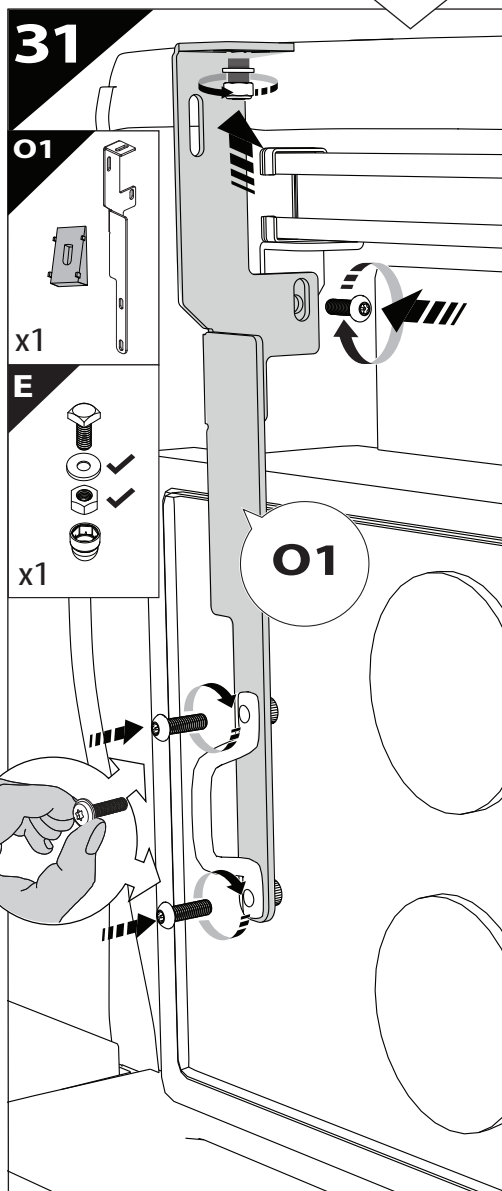




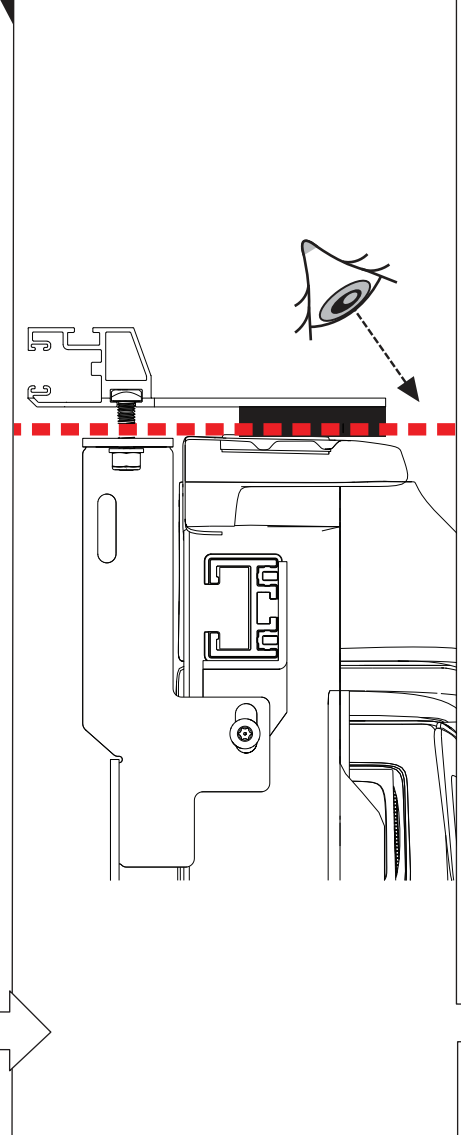
30



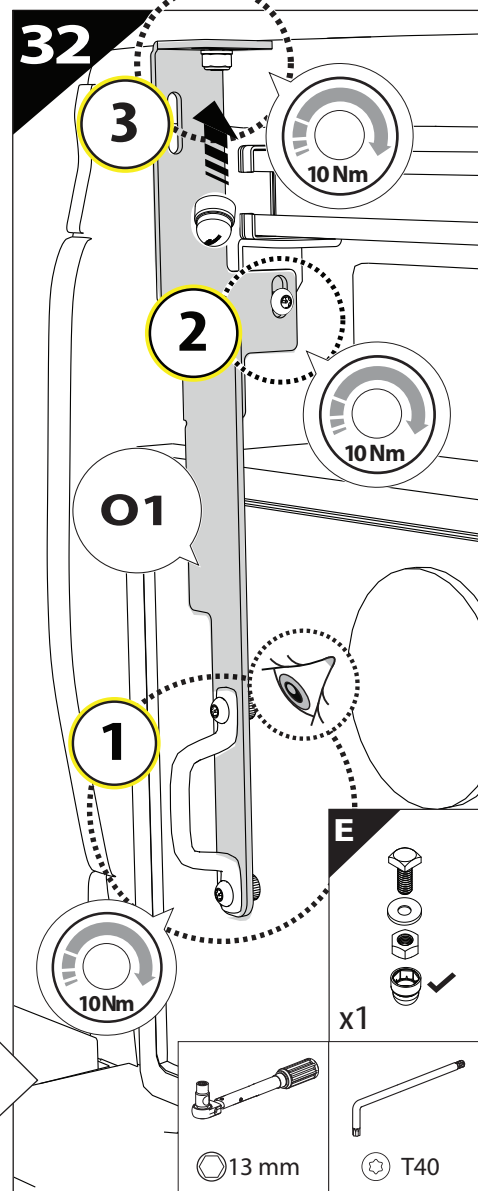
31



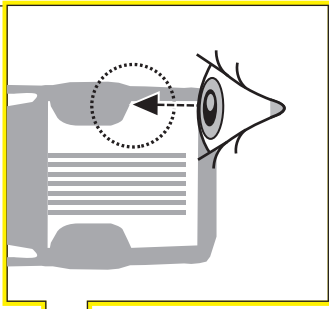
CAUTION !



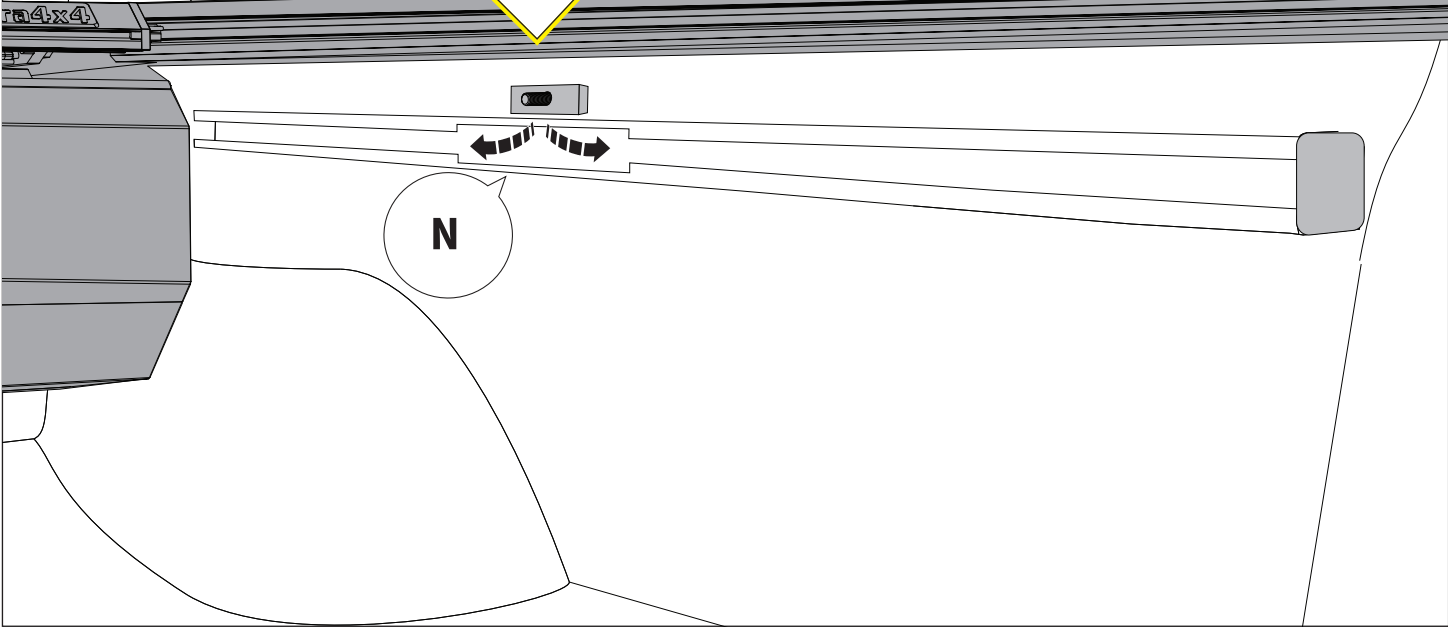
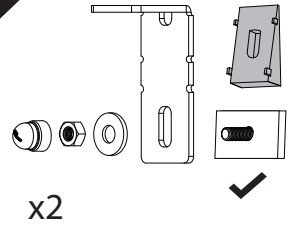
32



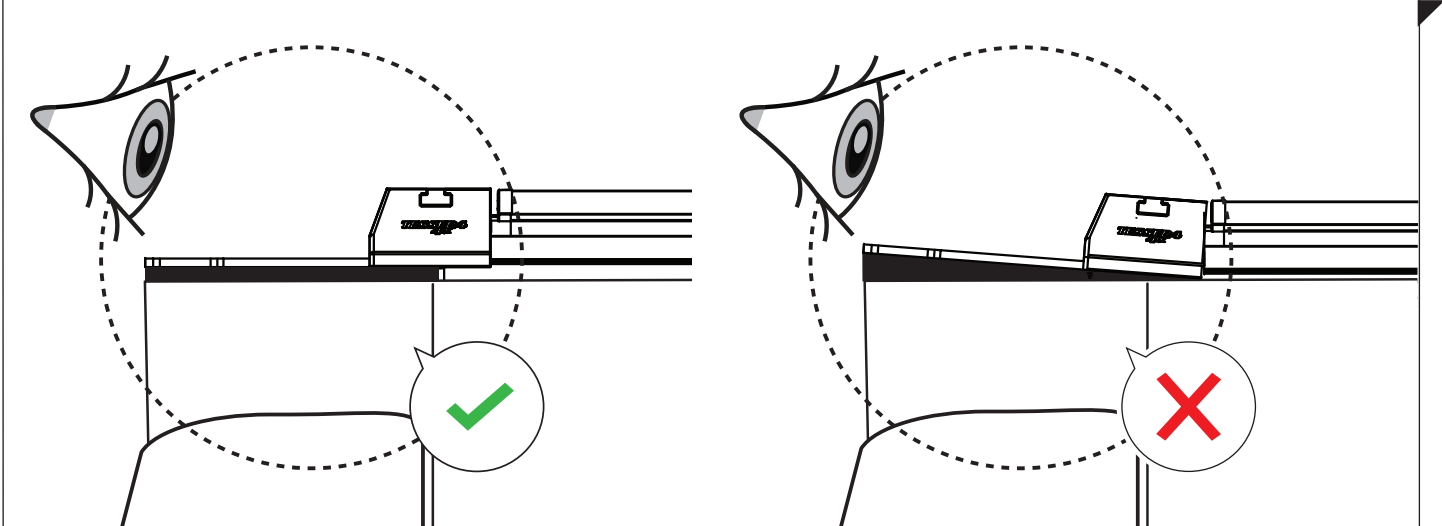
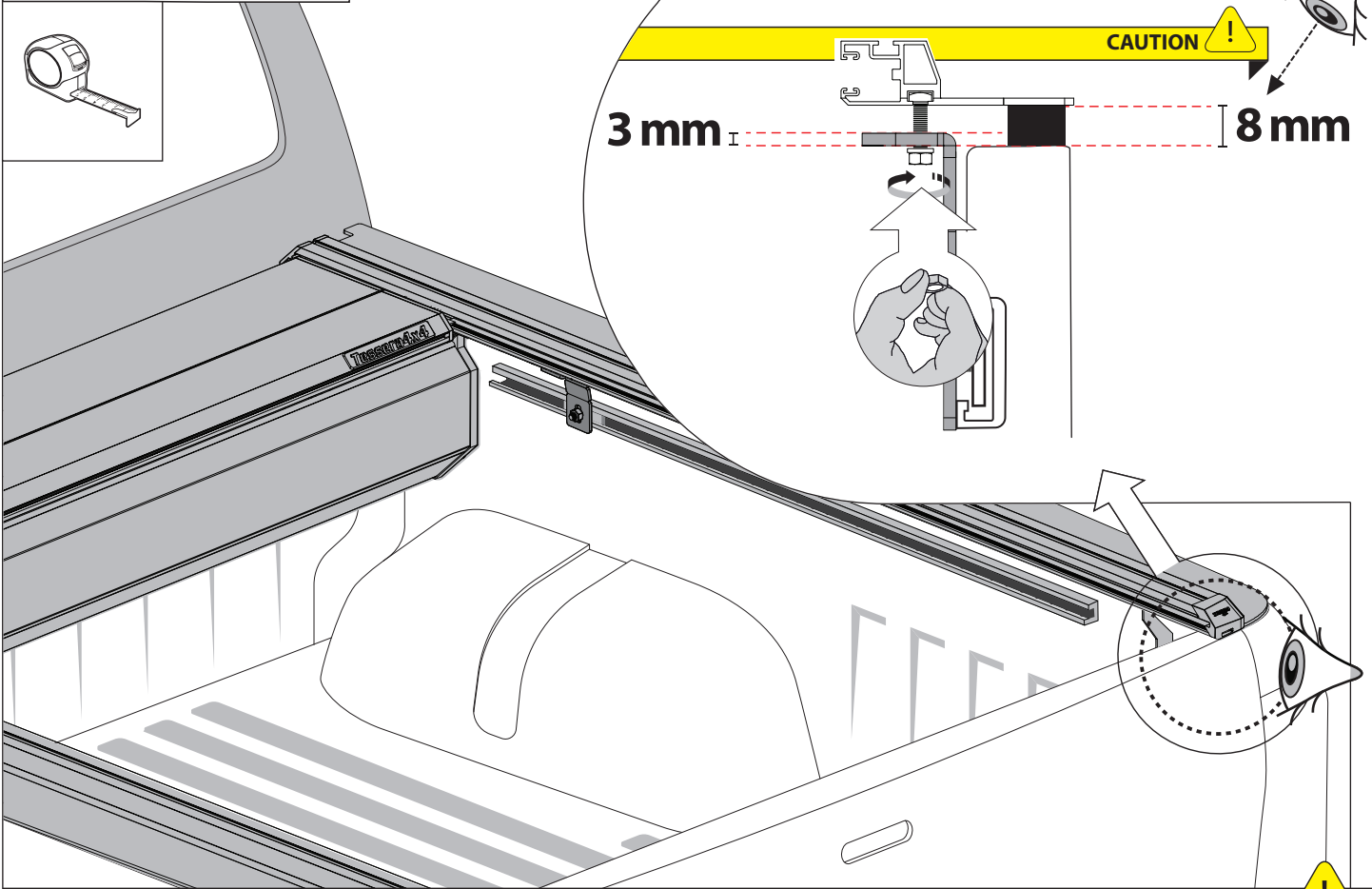
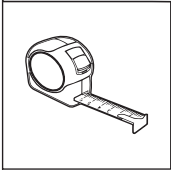
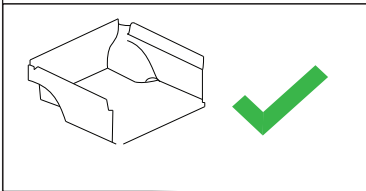
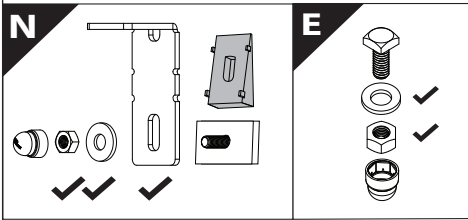
33

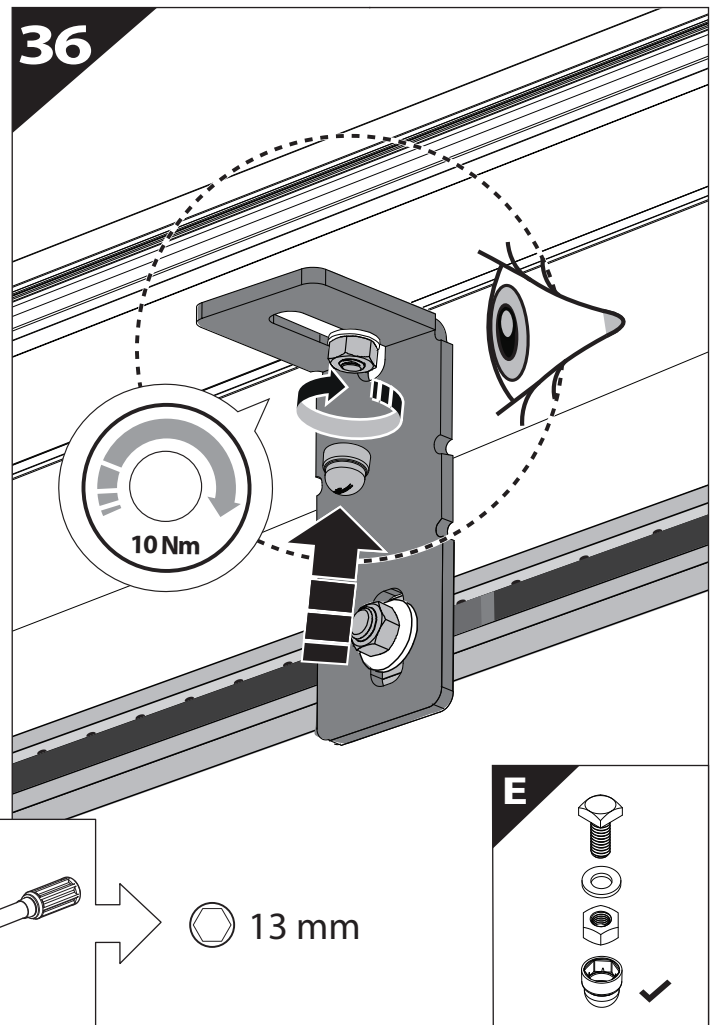
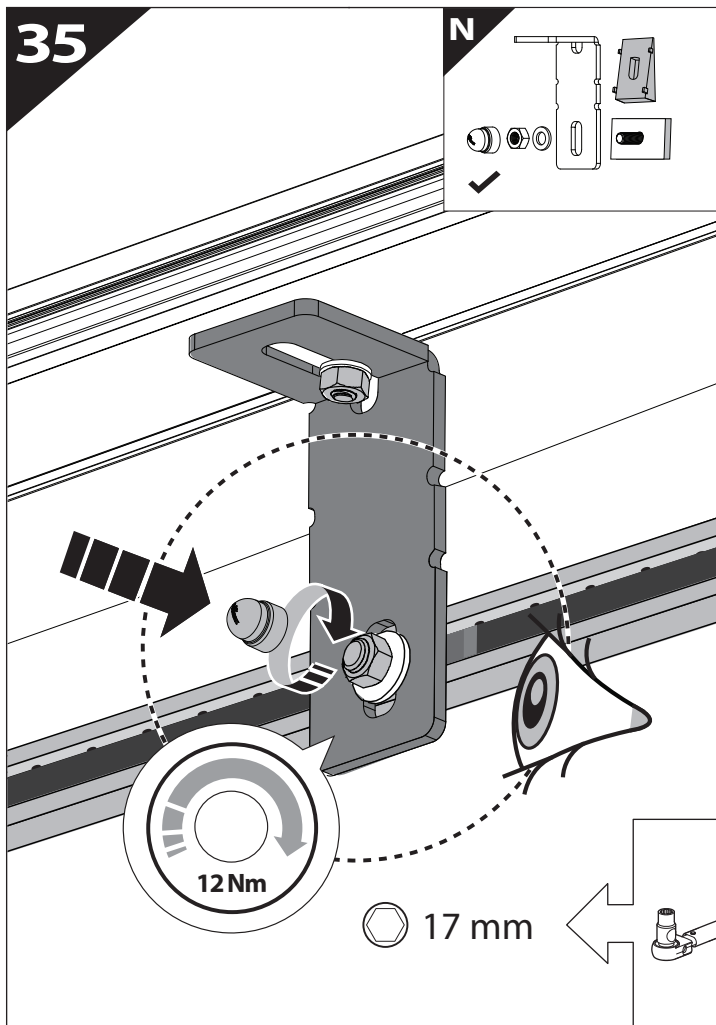


N

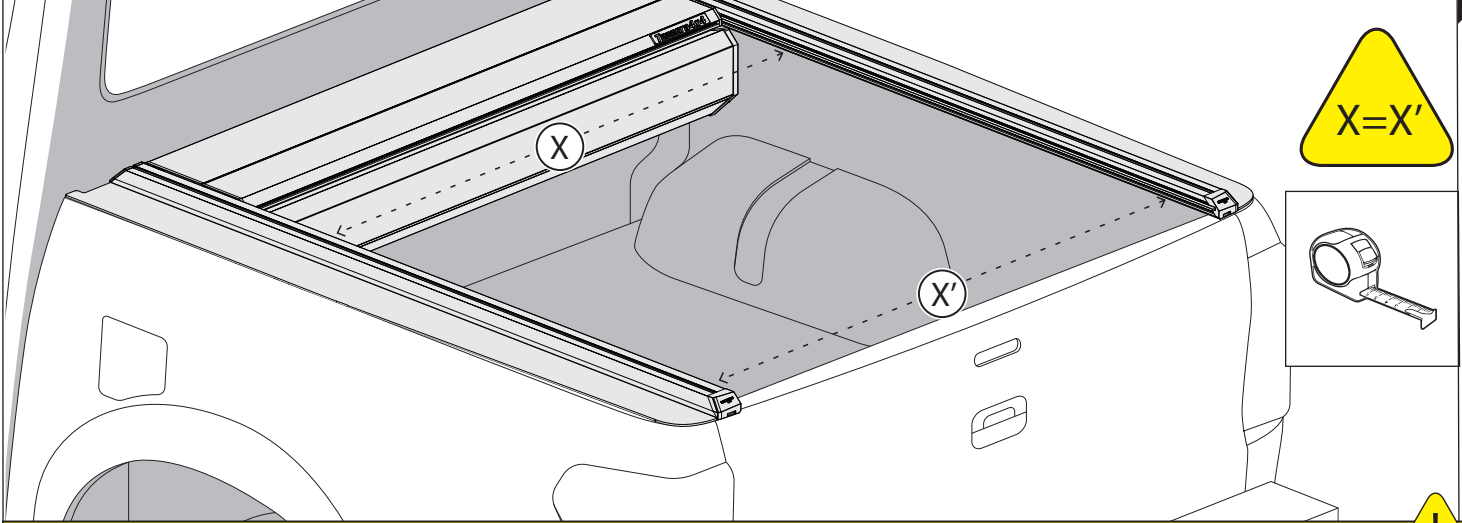


34

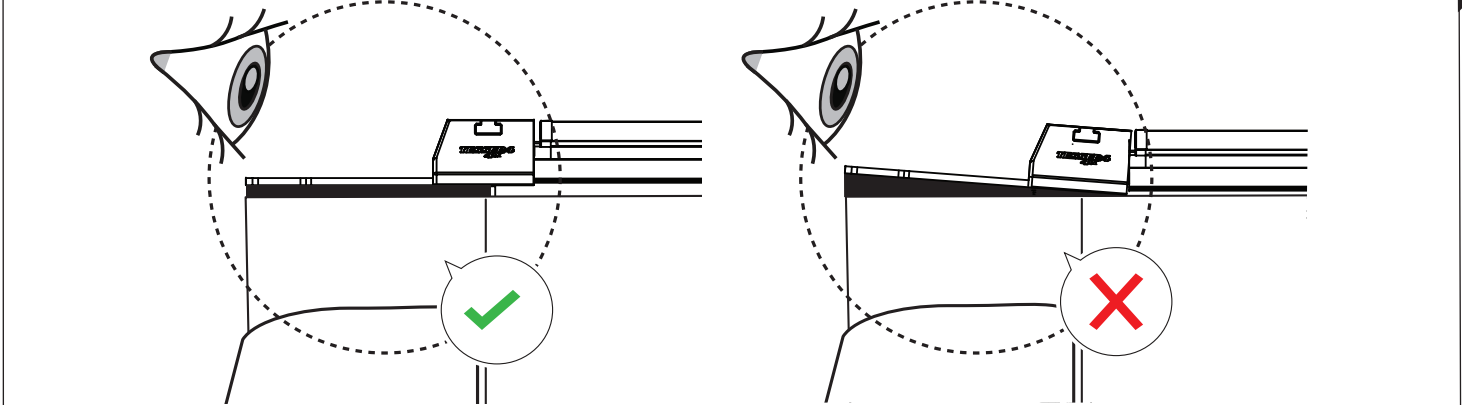


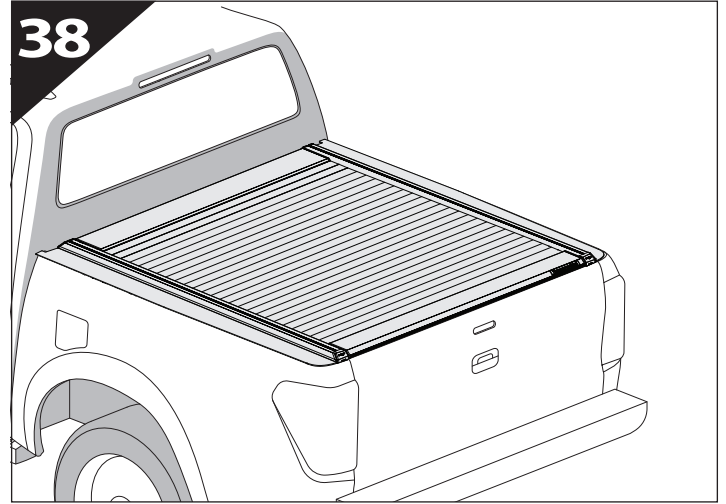
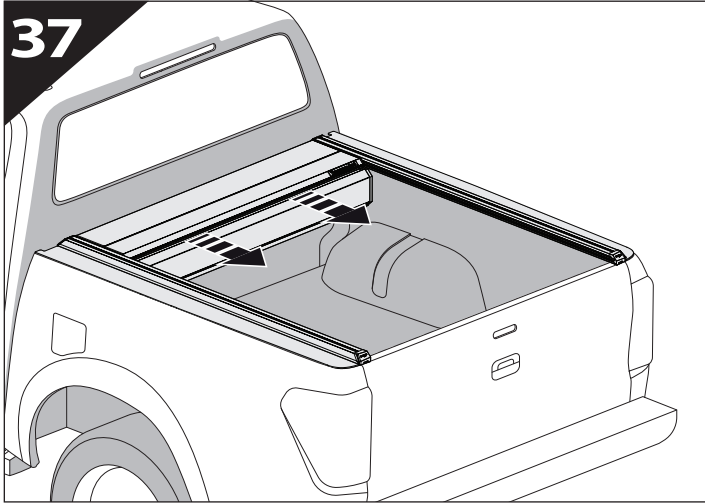


CAUTION !



CAUTION !





GR: Οδηγίες Εγκατάστασης
GB: Installation manual
SF: Asennusohje
F: Notice de montage
PL: Instrukcja montażu
NL: Installatie-instructies
TR: Montaj Talimatı
S: Monteringsanvisning
E: Instrucciones de montaje

H: Szerelési utasítás
P: Instruções de instalação
RUS: Инструкция по установке
N: Monteringsveiledning
D: Einbauanleitung
CZ: Návod k instalaci
I: Istruzioni de montaggio
DK: Monteringsvejledning
RO: Instructiuni de instalare

Customer Service:

+30 (210) 5541161, +30 (210) 5541154 (08:00 - 16:00 EET)

Support department:

info@gianso.gr

Website:

www.tessera4x4.com

Address:

19.5 km of National road Athens-Korinthos (Elefsina) Greece, P.C: 19200