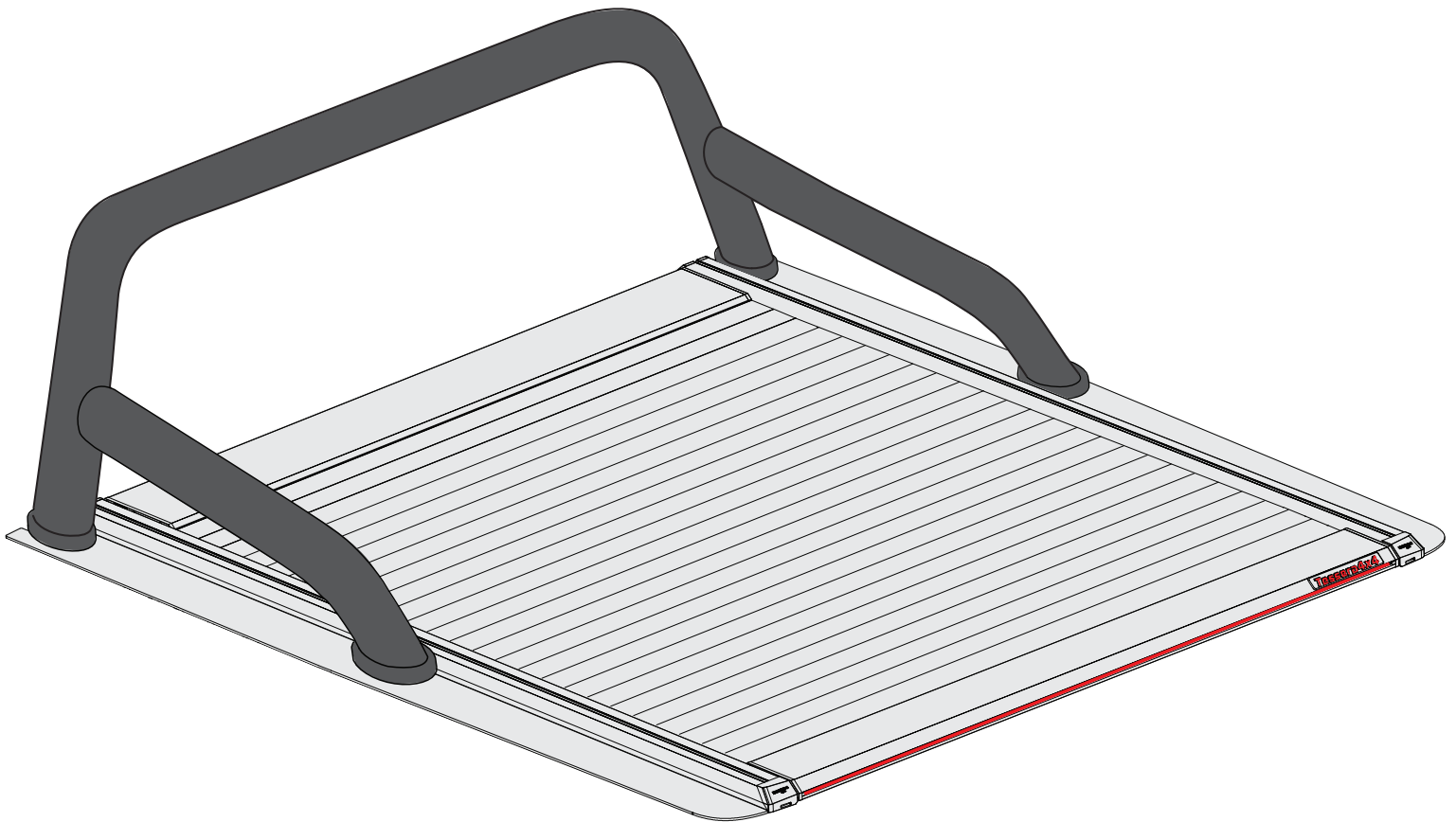


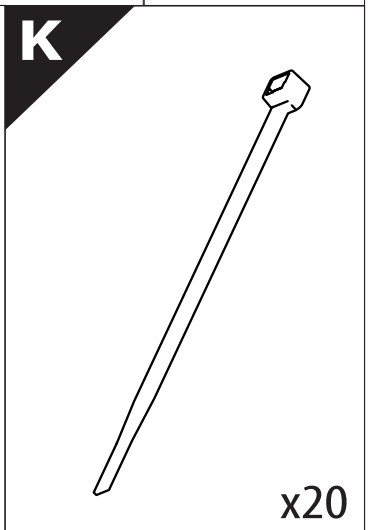
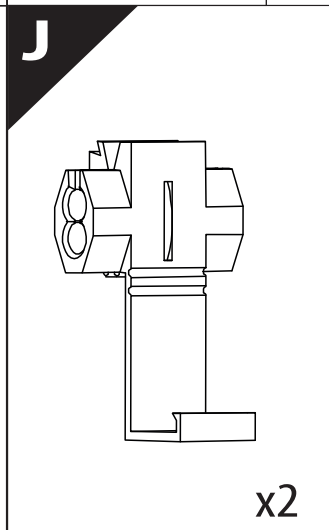
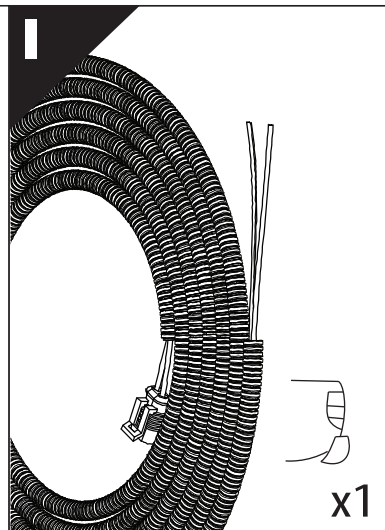
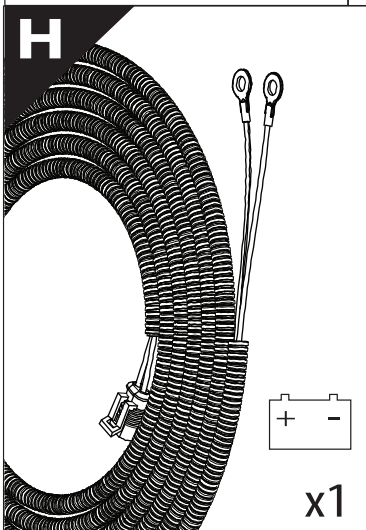
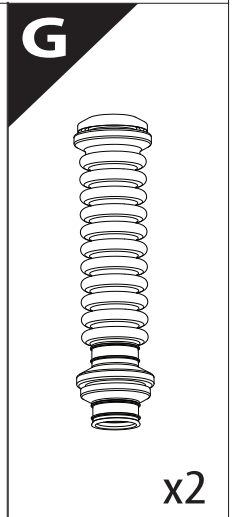
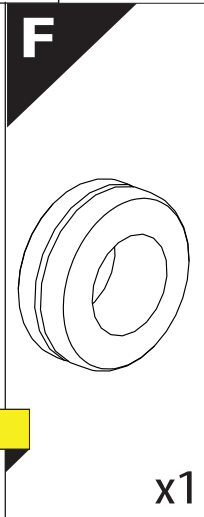
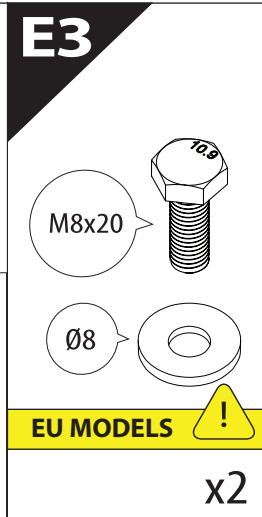
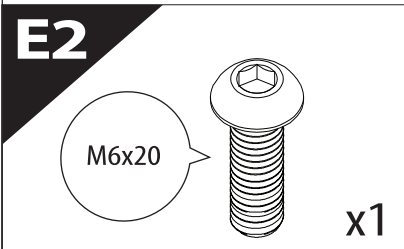
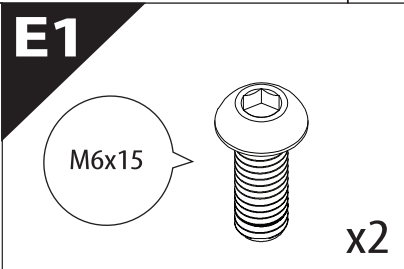
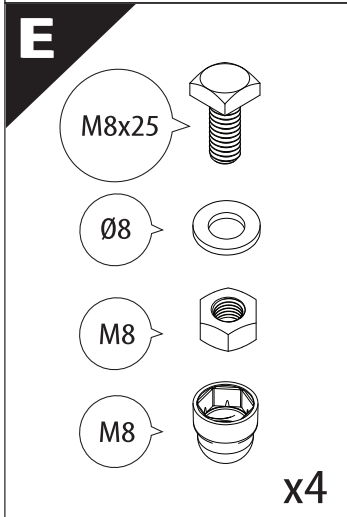
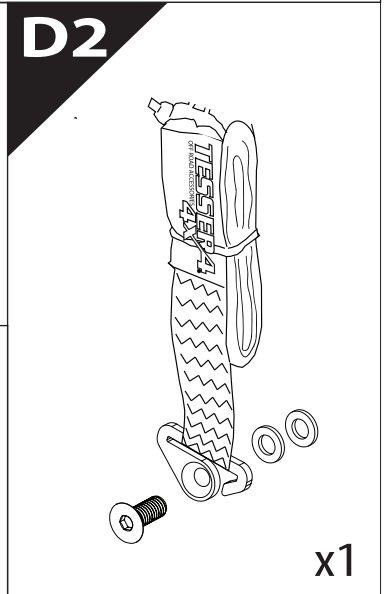
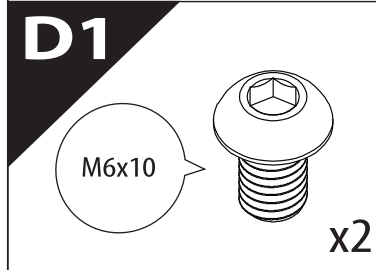
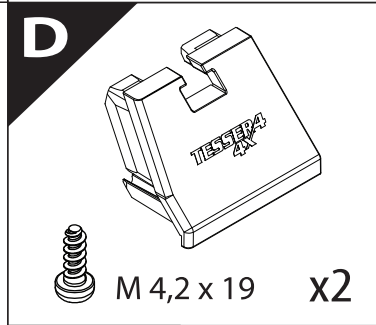
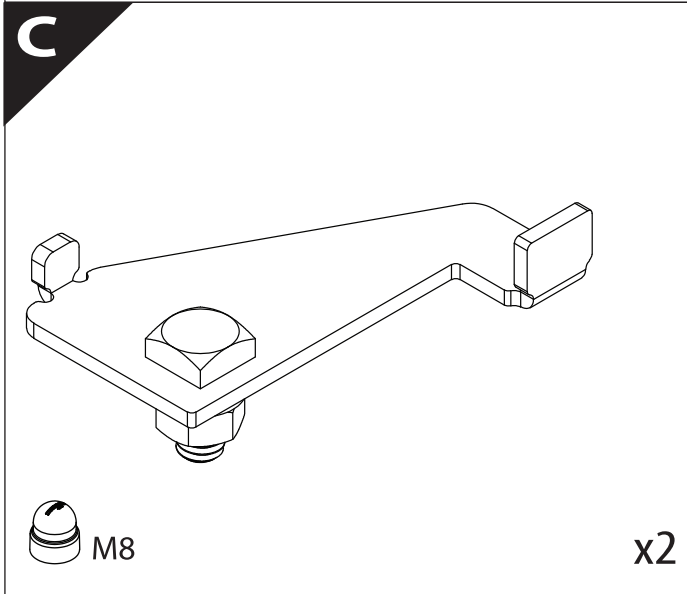
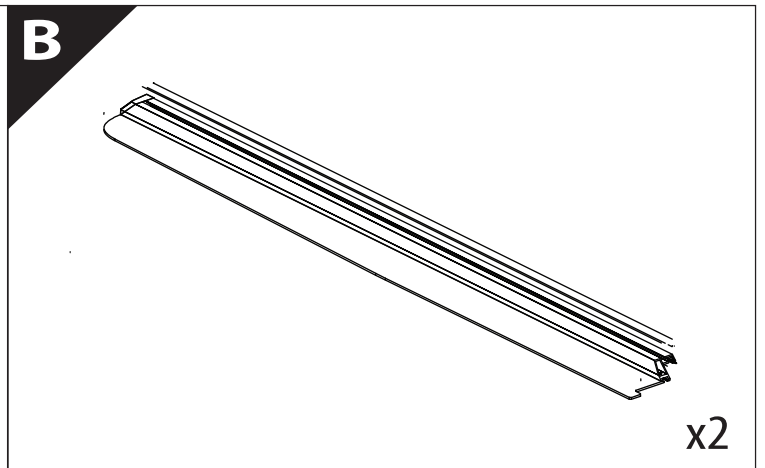
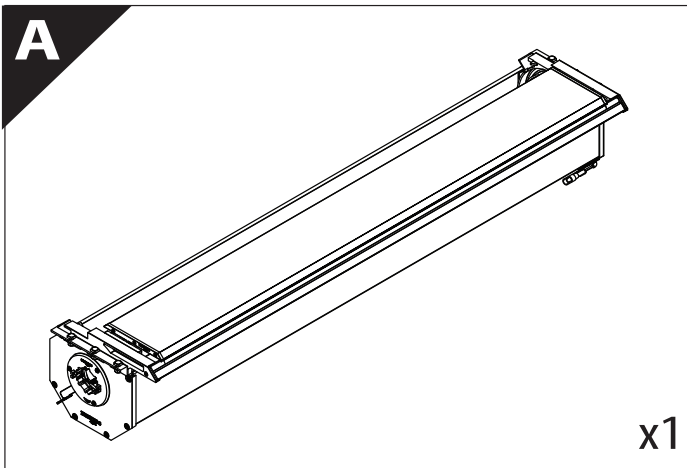
Tessera Roll+

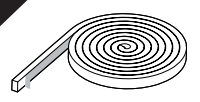
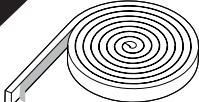
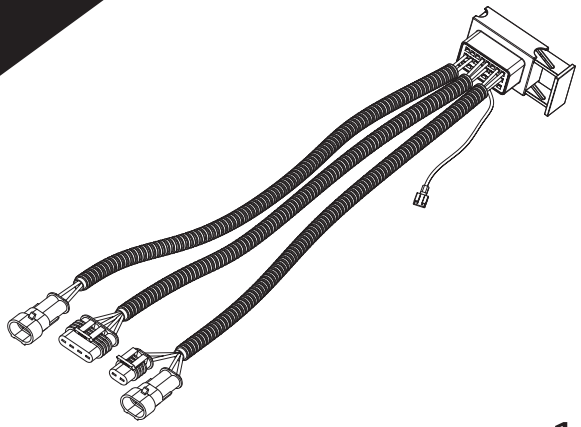
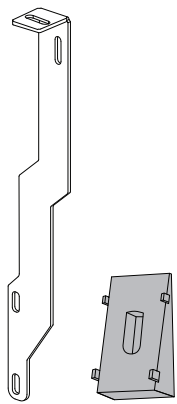


Basic Version + ⚡ E-KIT



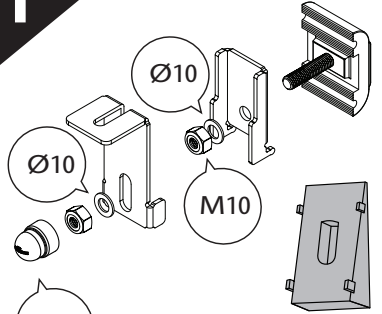
Installation Manual

PART NUMBER(S)	Model Year
TESS 14060 ROLL+ ADAPT 008 +E-KIT	FORD RANGER 2023+ SPORT WITH OEM ROLLBAR WITH OR WITHOUT C-CHANNELS
TESS 14070 ROLL+ ADAPT 008 +E-KIT	
Cab(s)	Installation Time / Weight
Double Cab & Space Cab	40-60 minutes / 53-57 kg



<p>L1 x1</p>  <p>1.5 x 0.8 x 400cm</p>	<p>L2 x1</p>  <p>5 x 0.8 x 167cm</p>	<p>M2</p>  <p>x1</p>	<p>N</p>  <p>x2</p>
<p>L3</p>  <p>x1</p>	<p>L4</p>  <p>x2</p>		

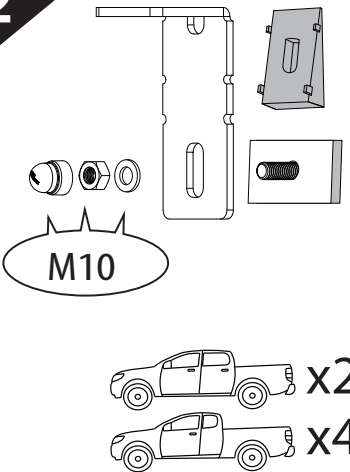
O1



Ø10
M10

x2
x4

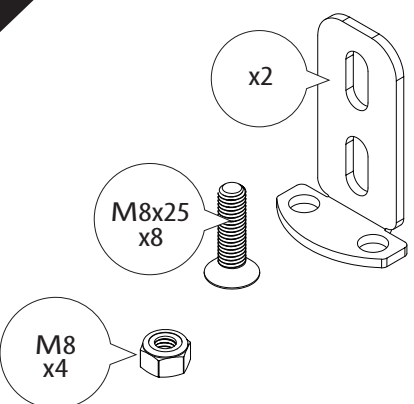
O2



M10

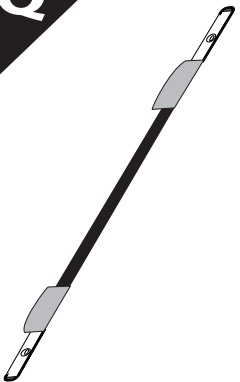
x2
x4

P



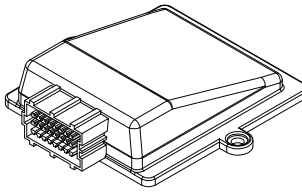
x2
M8x25 x8
M8 x4

Q



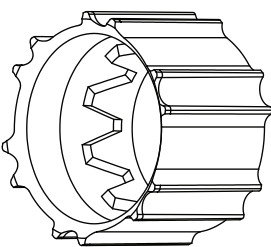
x1

R



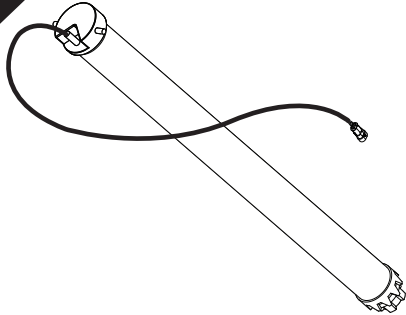
x1

S



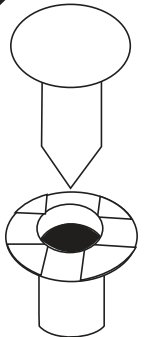
x1

T



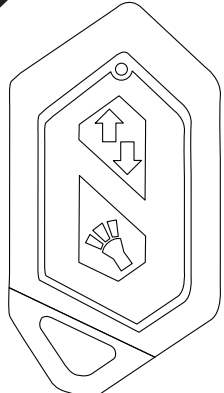
x1

U x2



US MODELS !

V

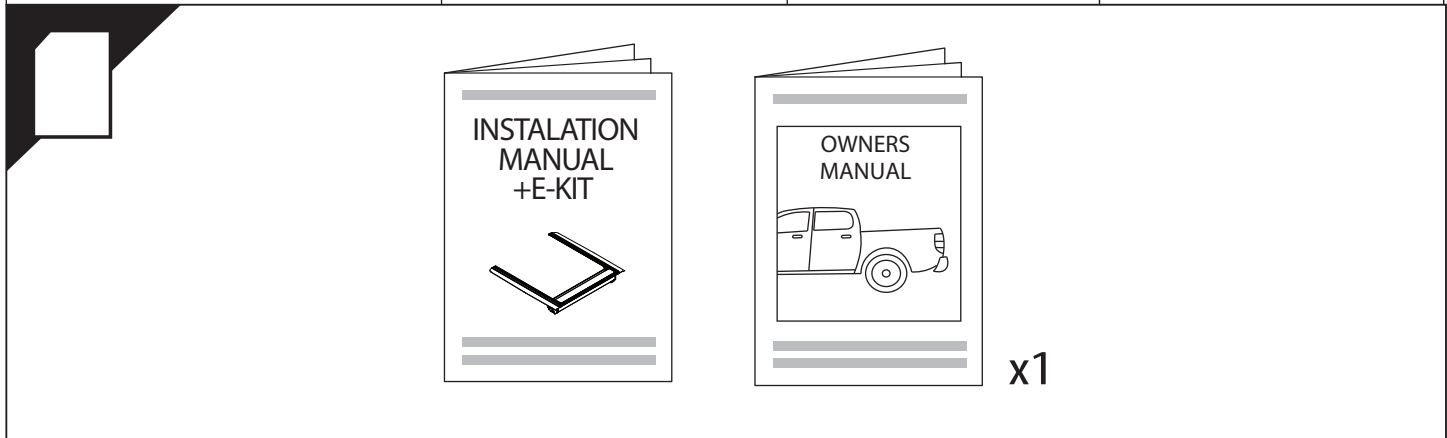
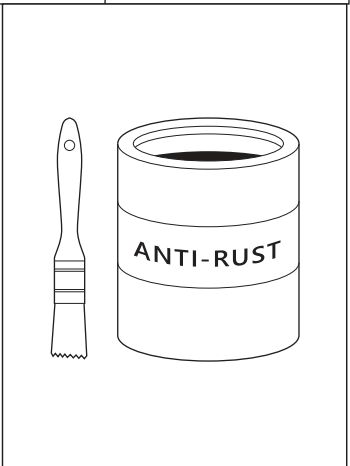
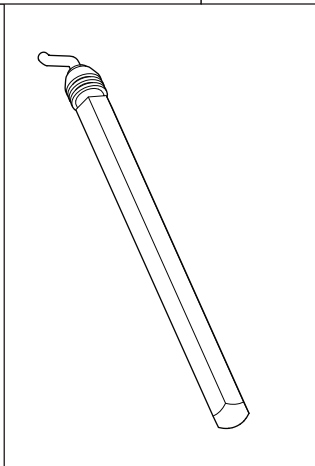
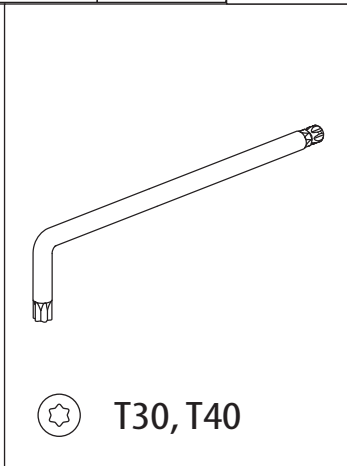
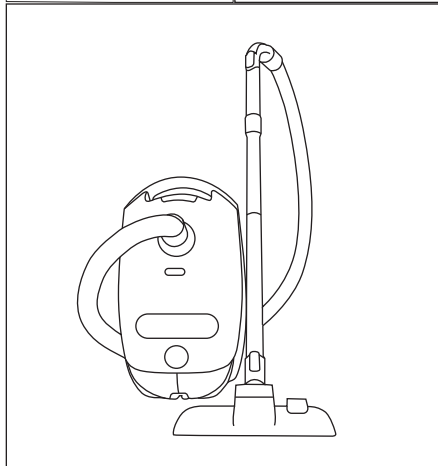
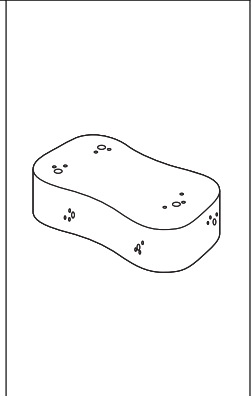
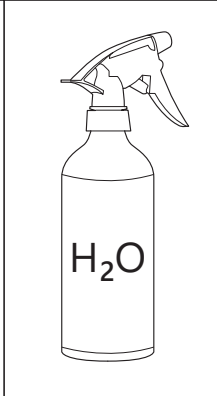
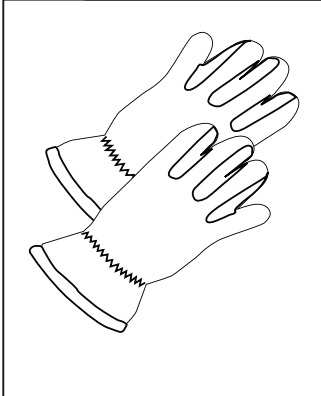
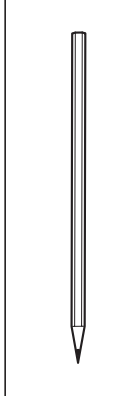
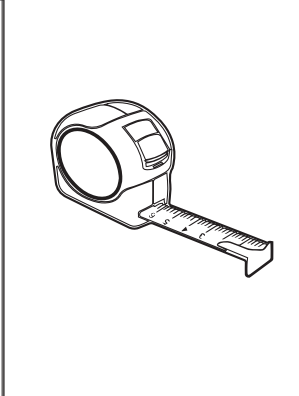
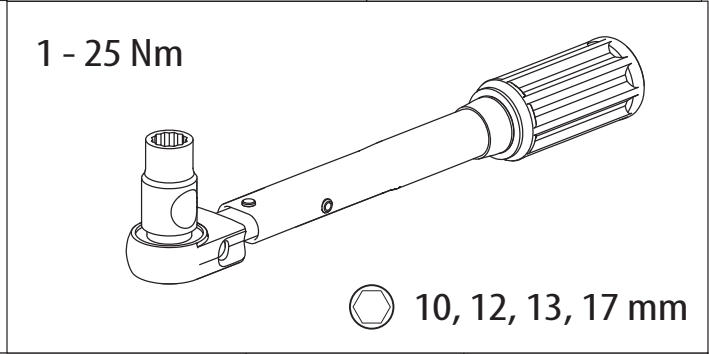
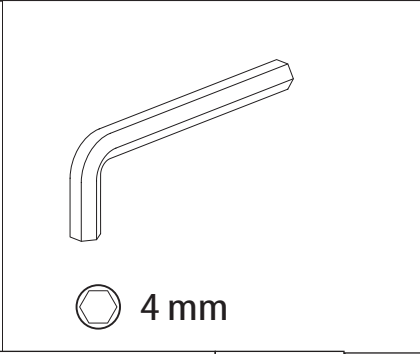
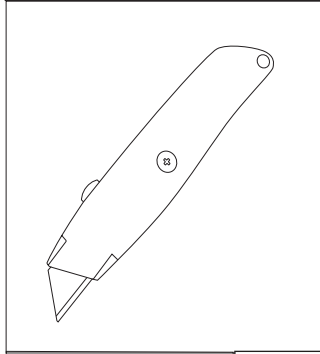
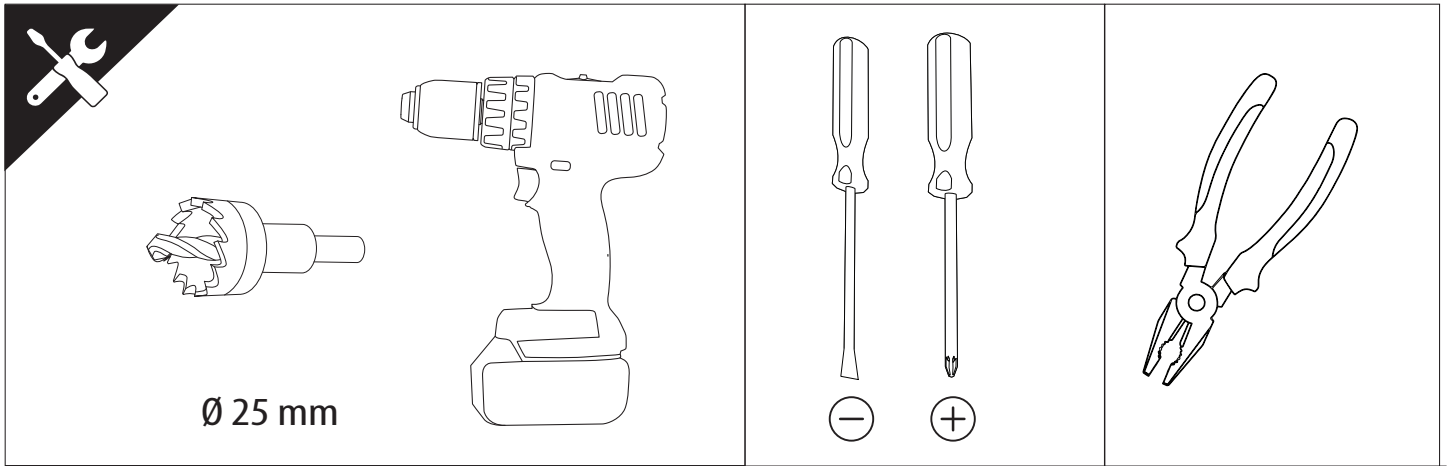


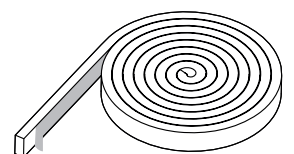
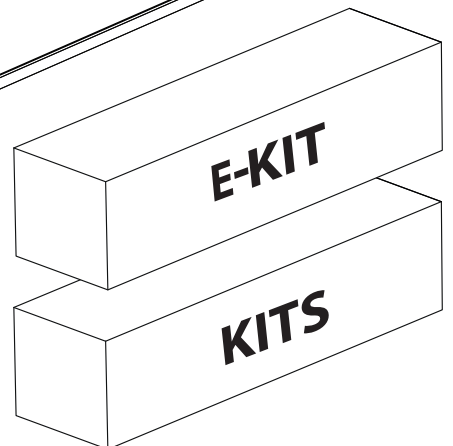
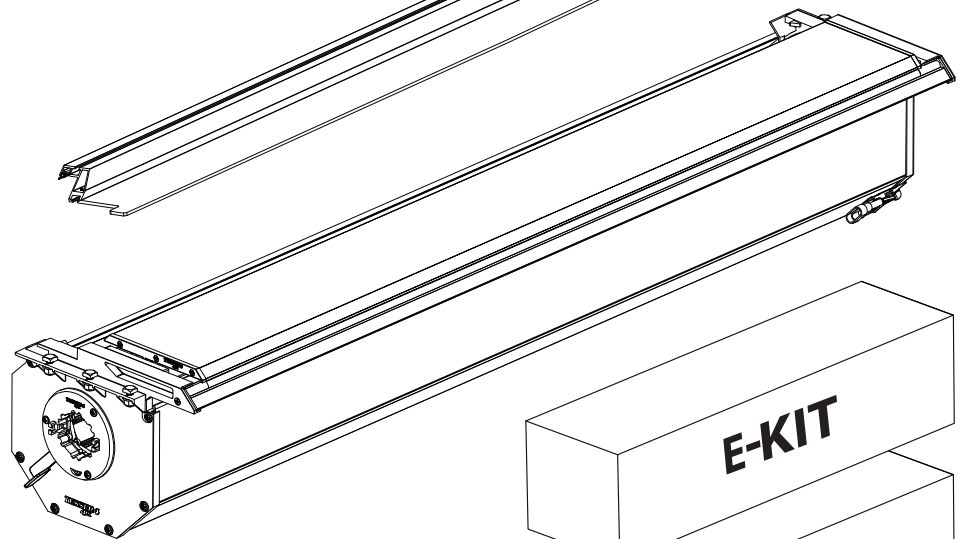
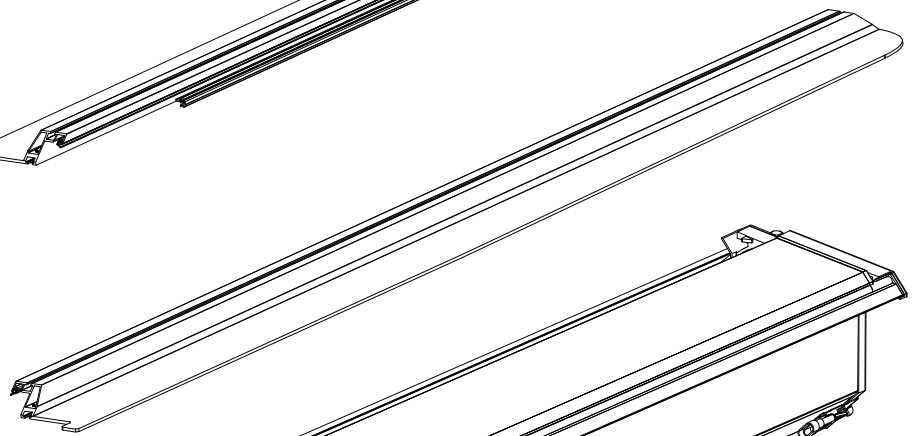
x2

X



x2



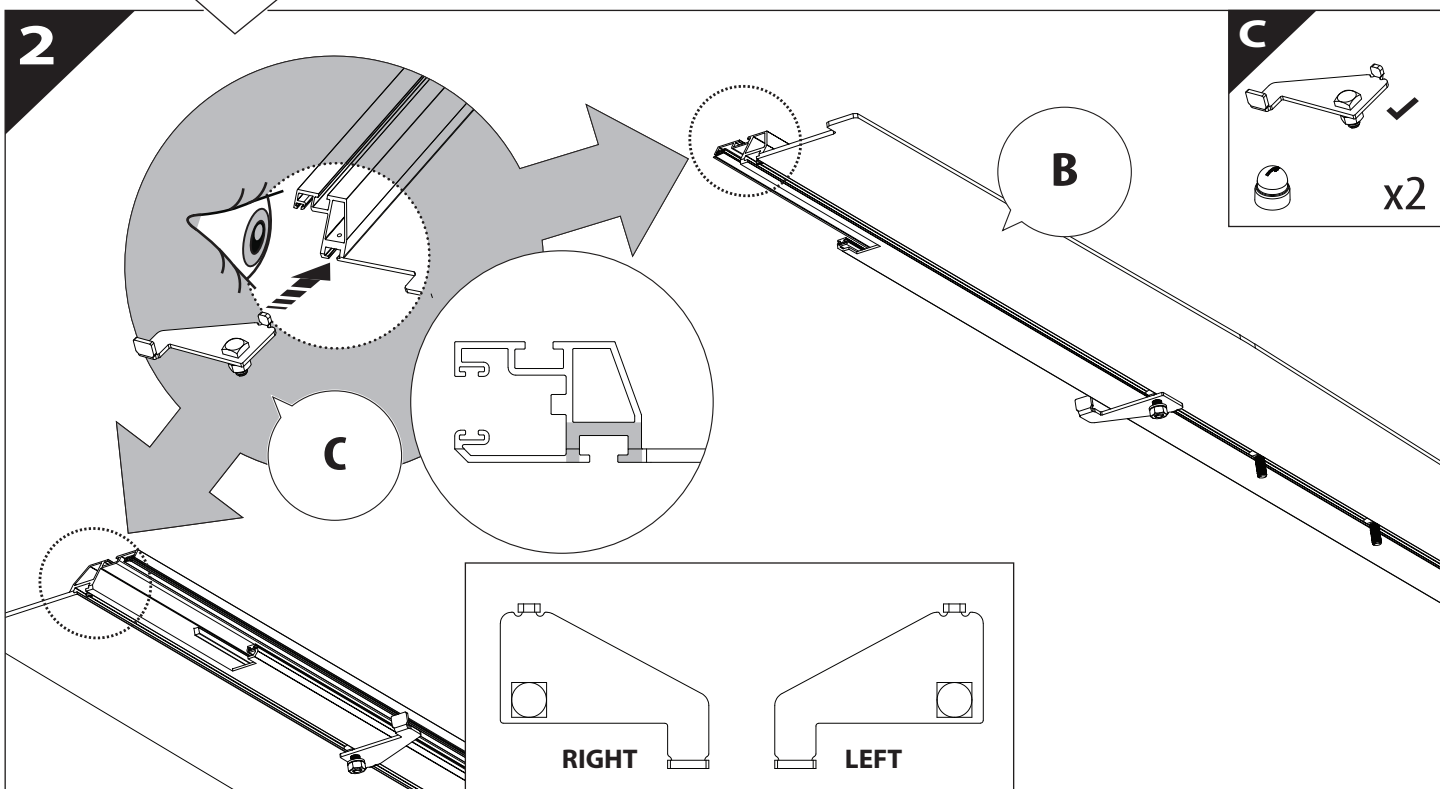
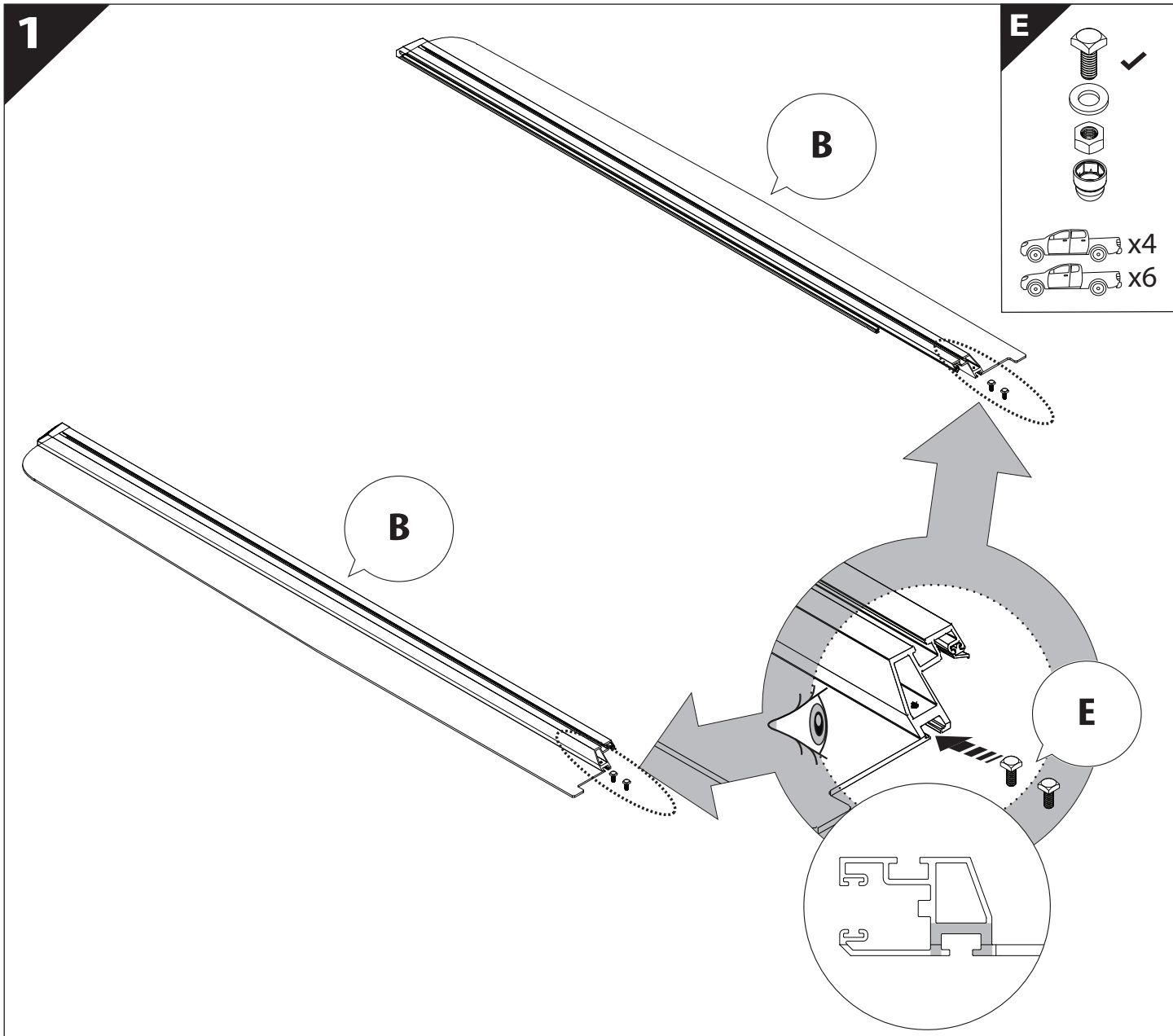


B

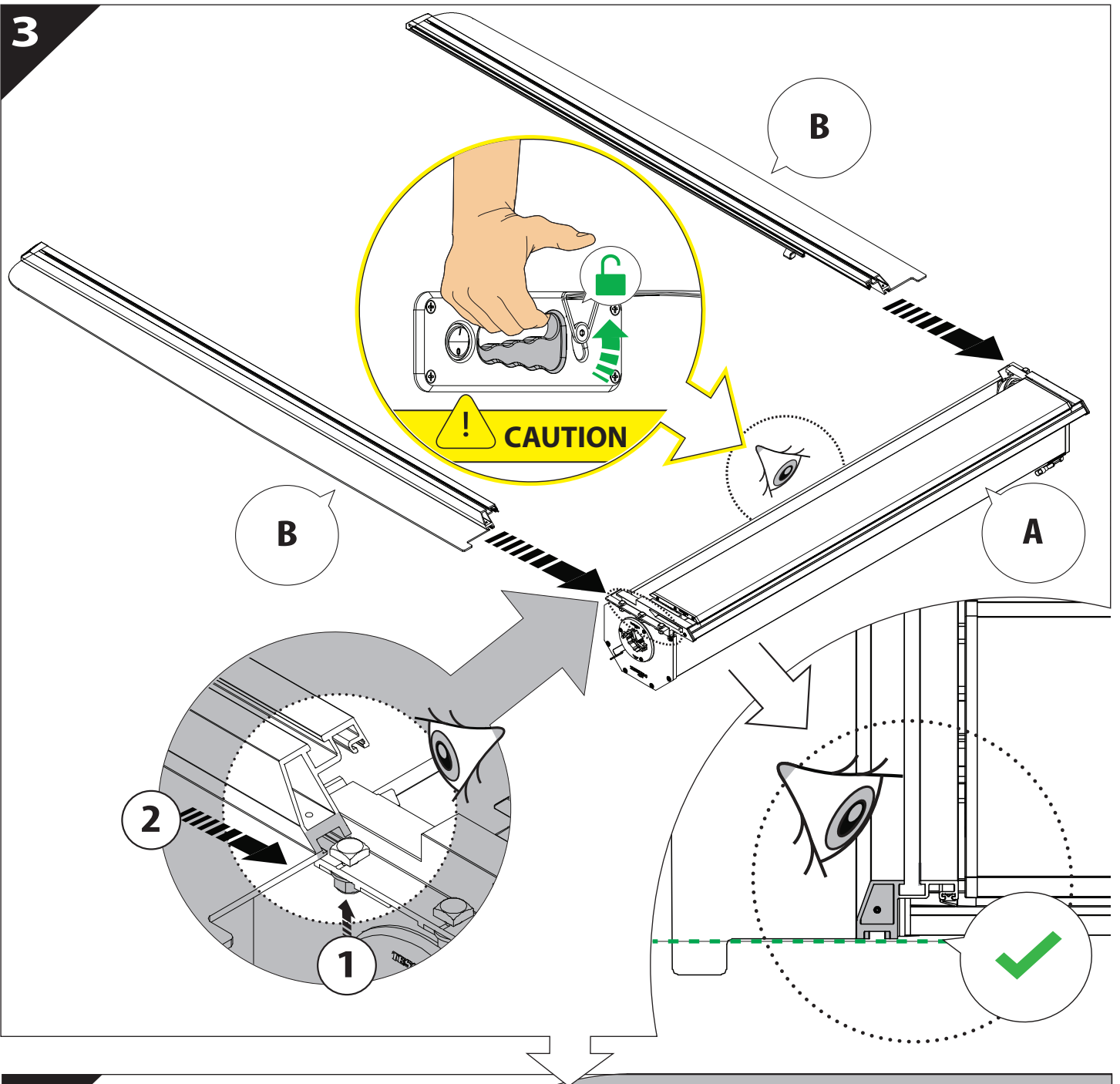
A

KITS

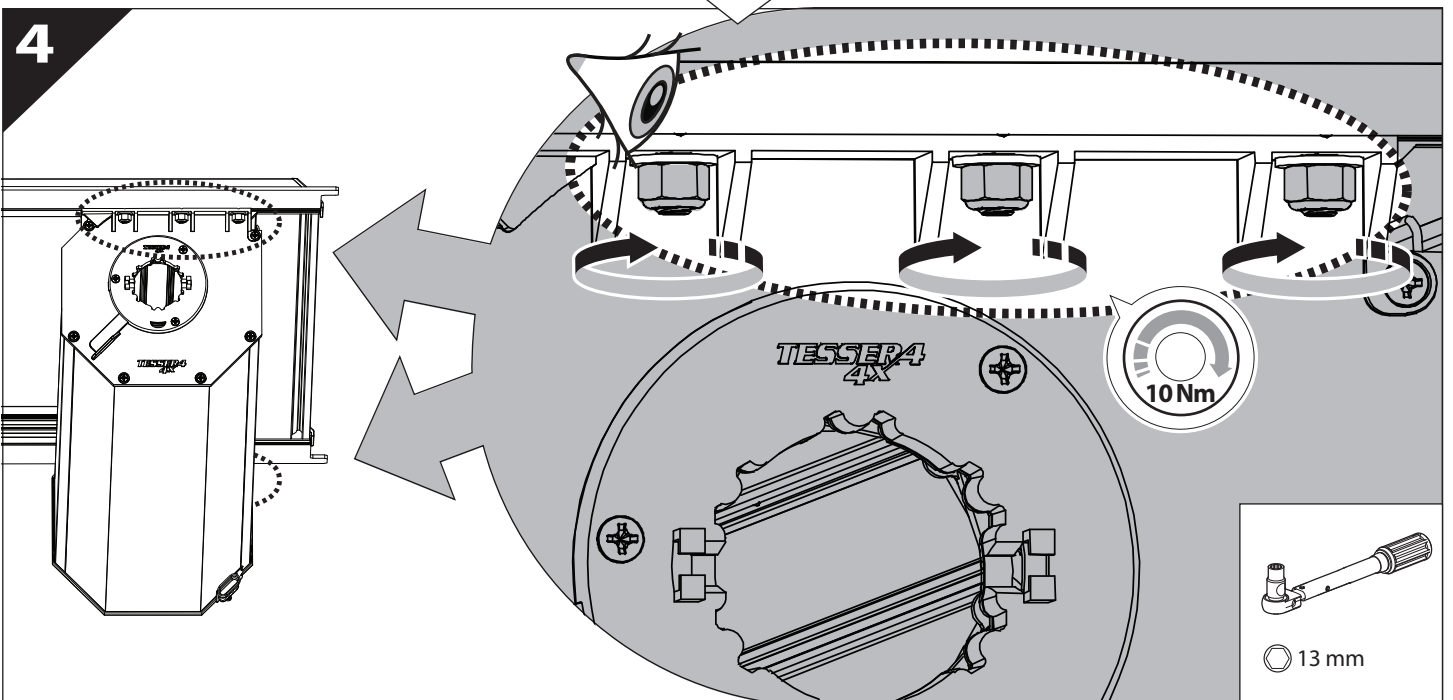
L

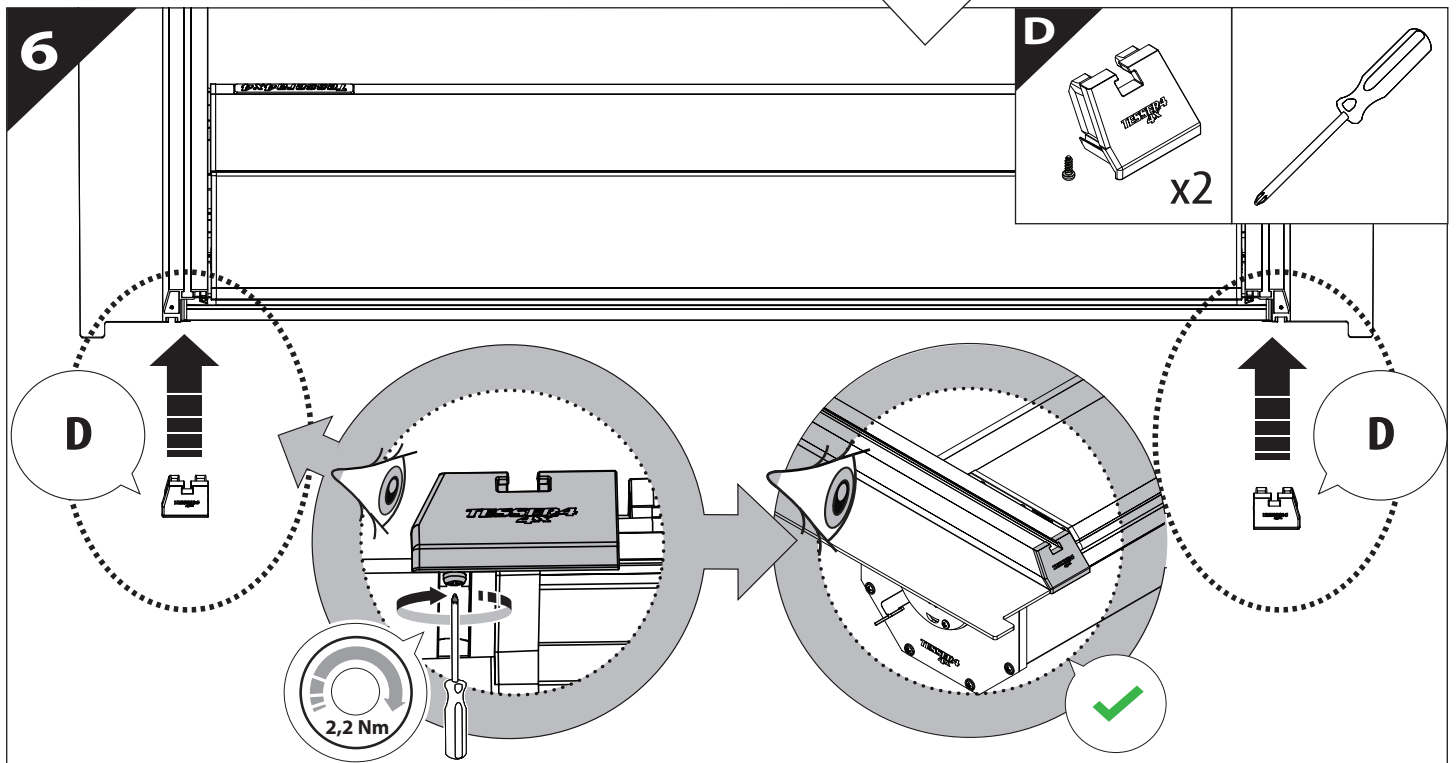
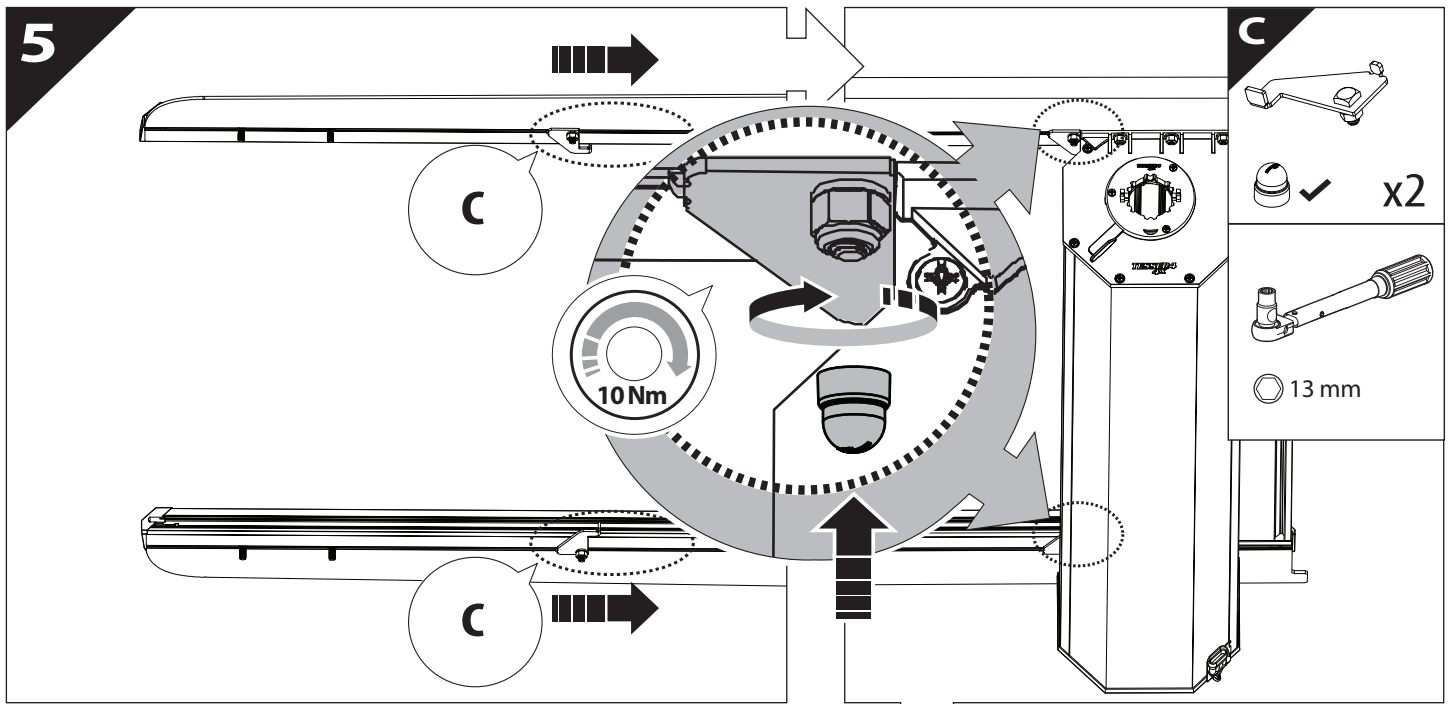


3

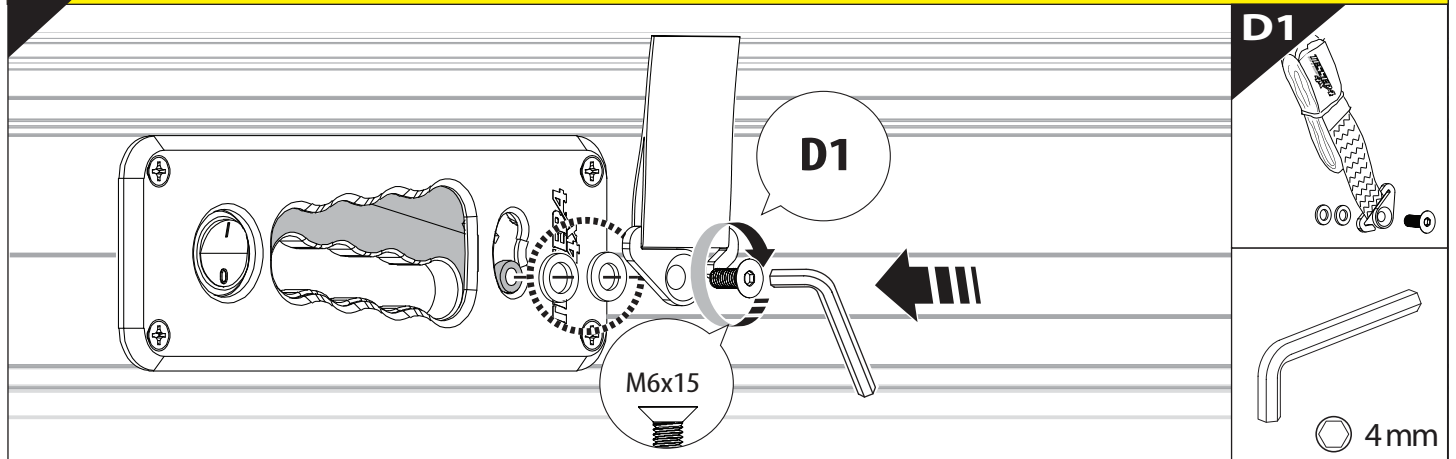


4

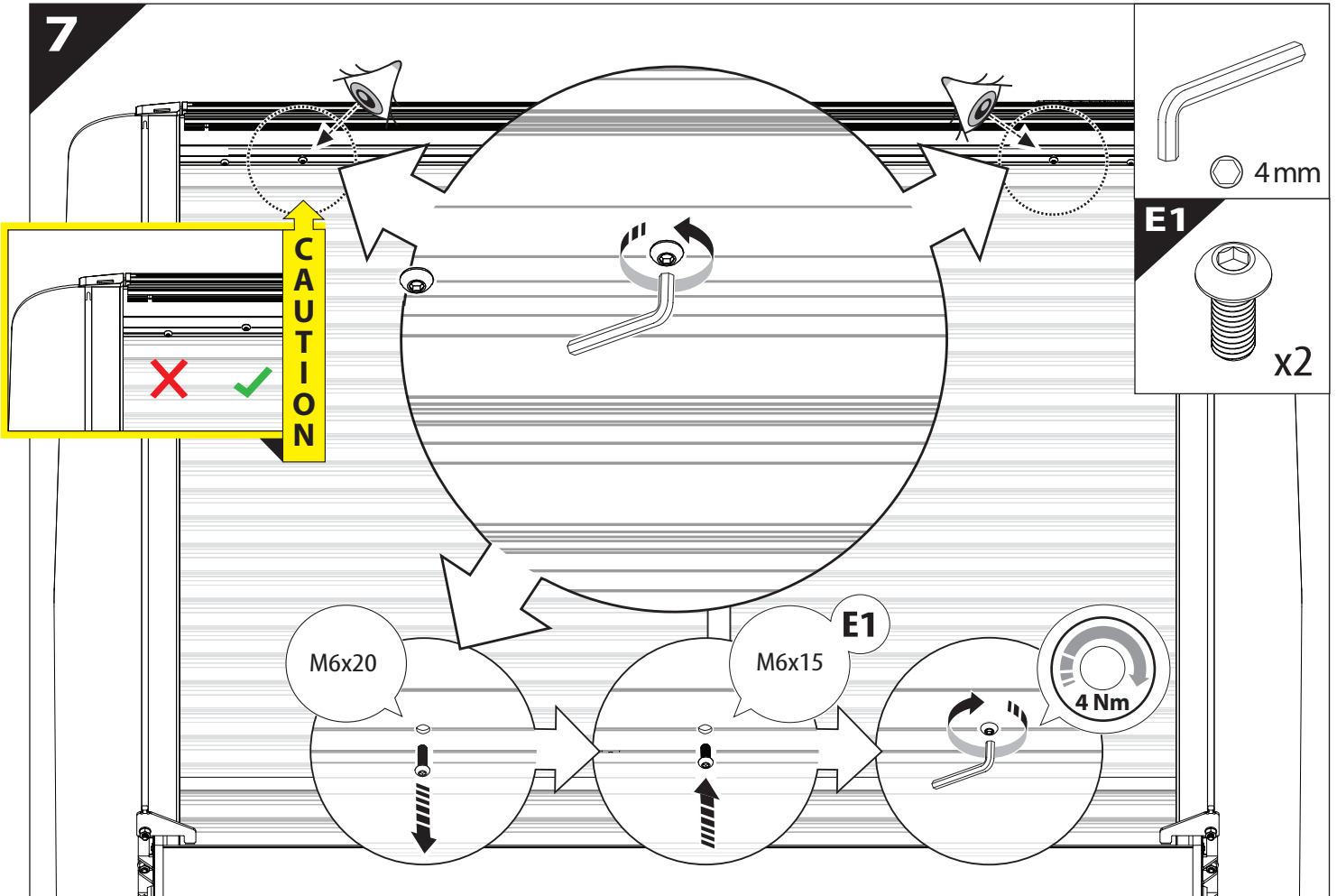




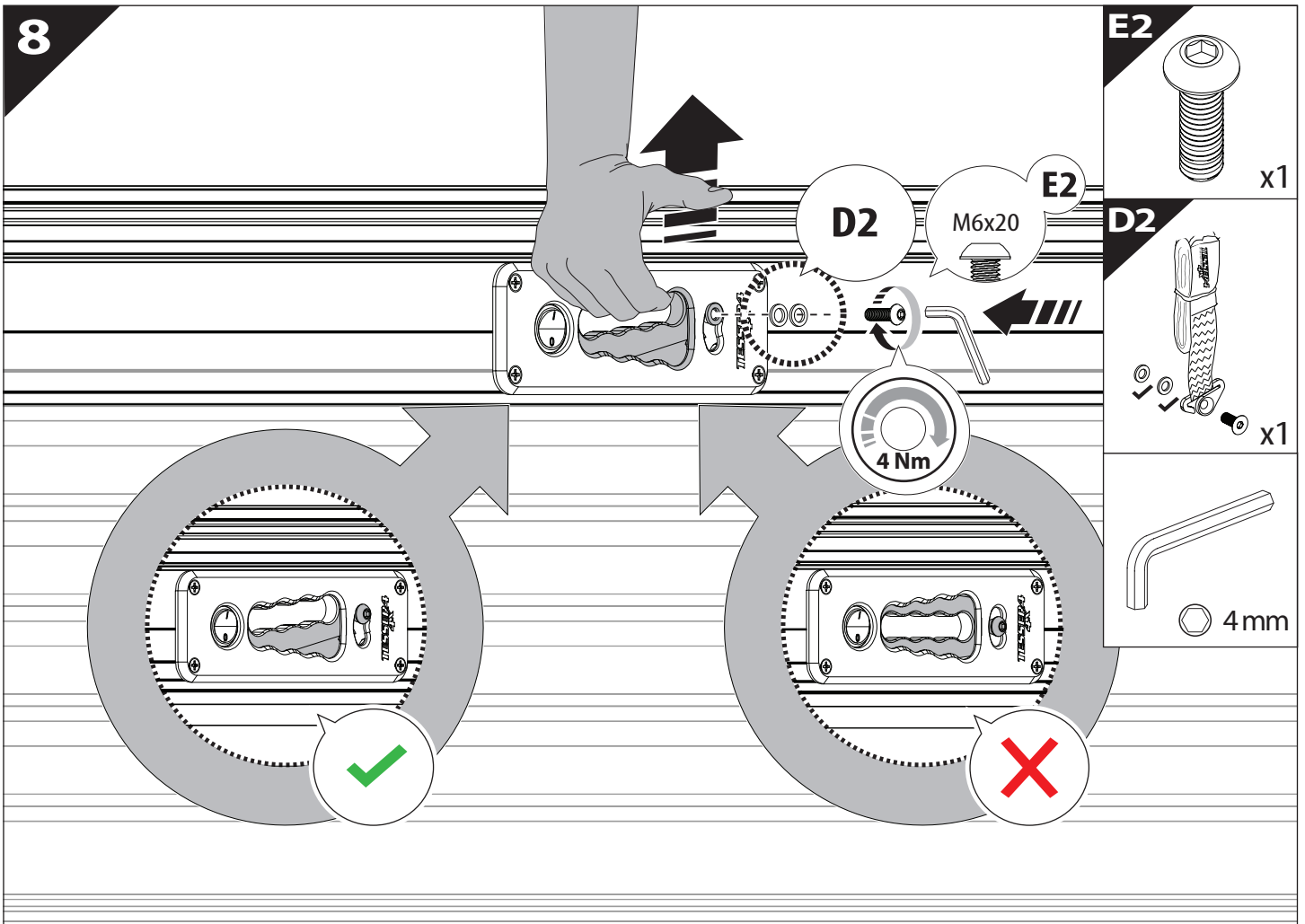
6.1 **CAUTION** Basic Version ✓ & Basic+S-KIT Version ✓

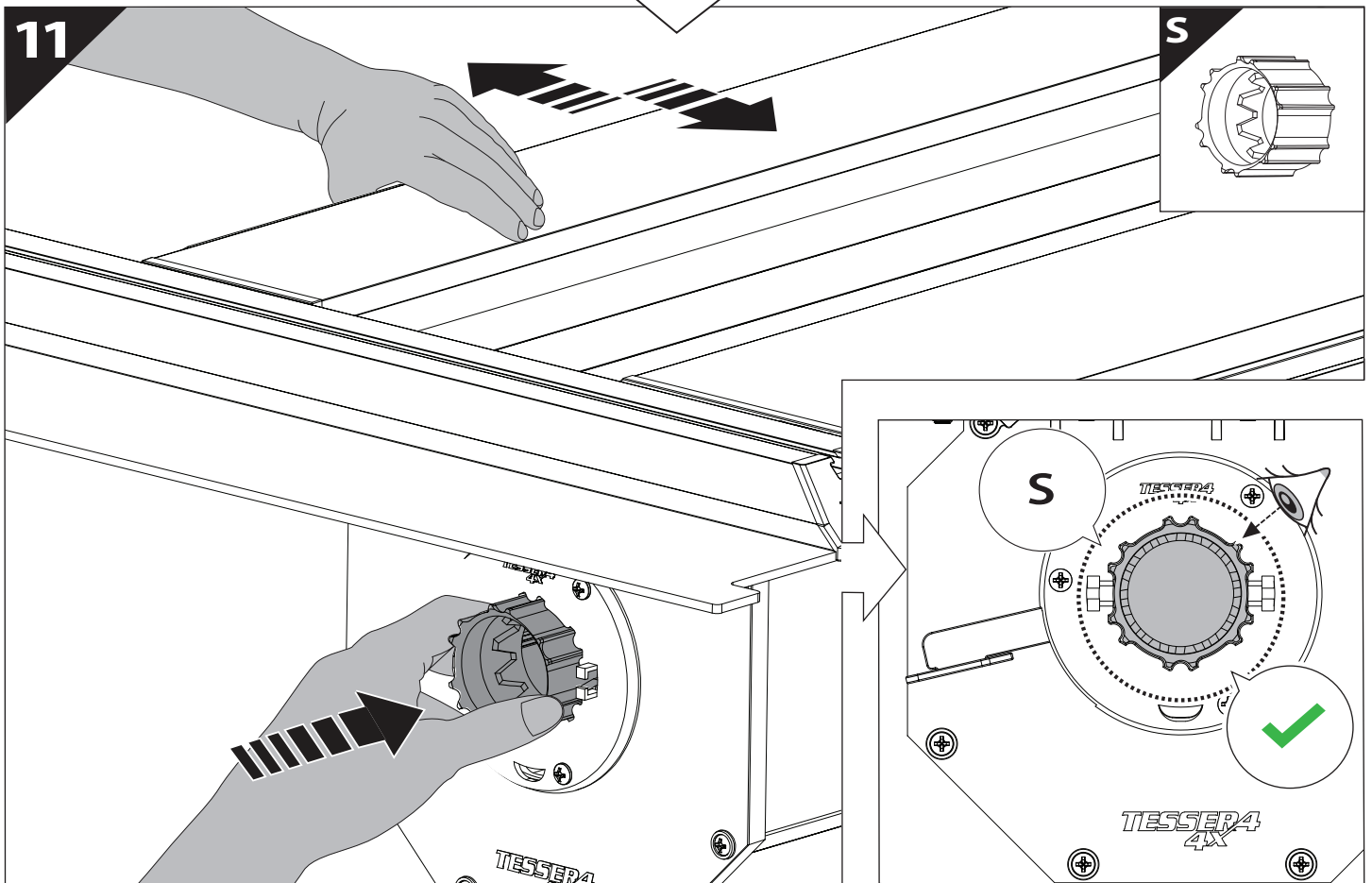
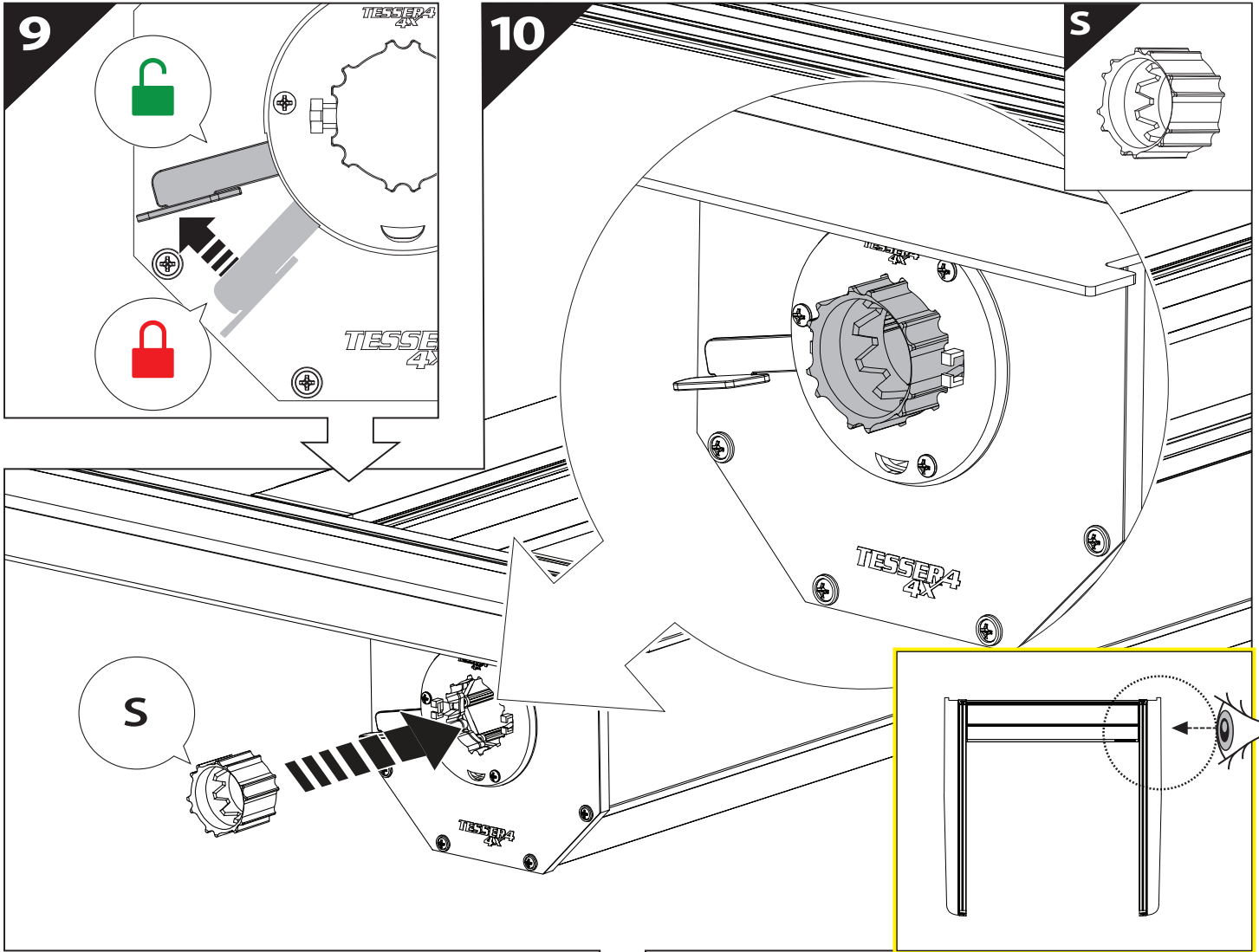


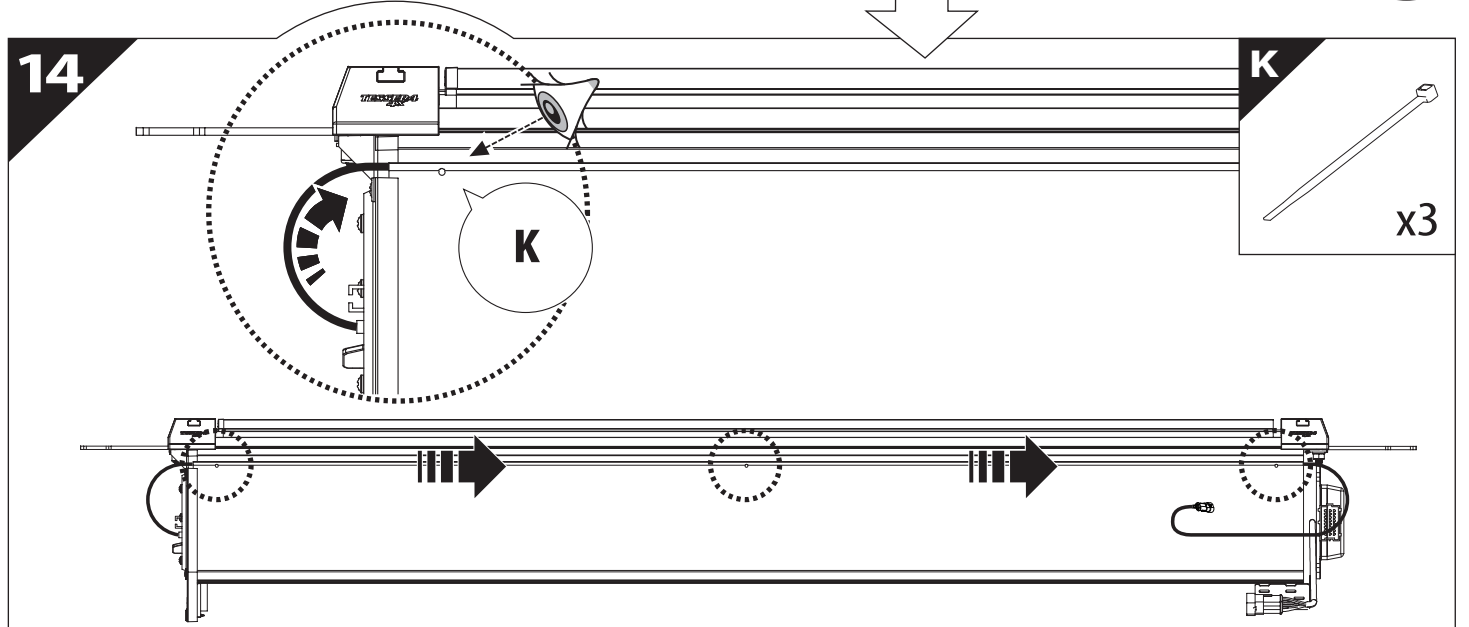
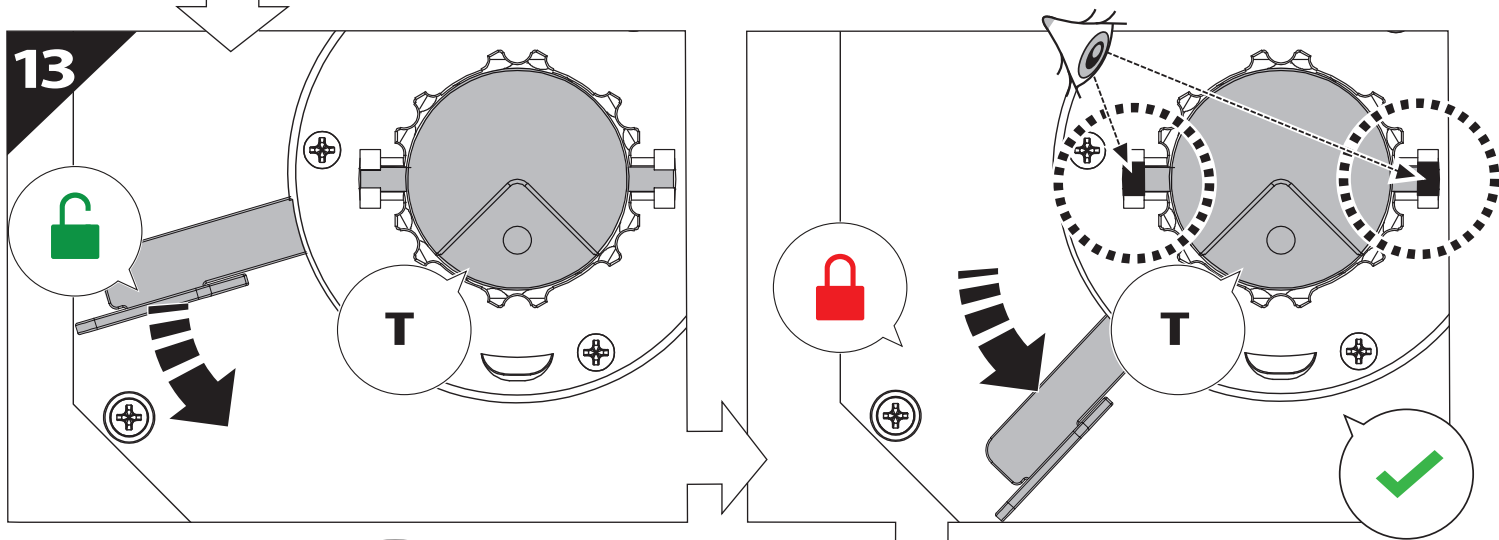
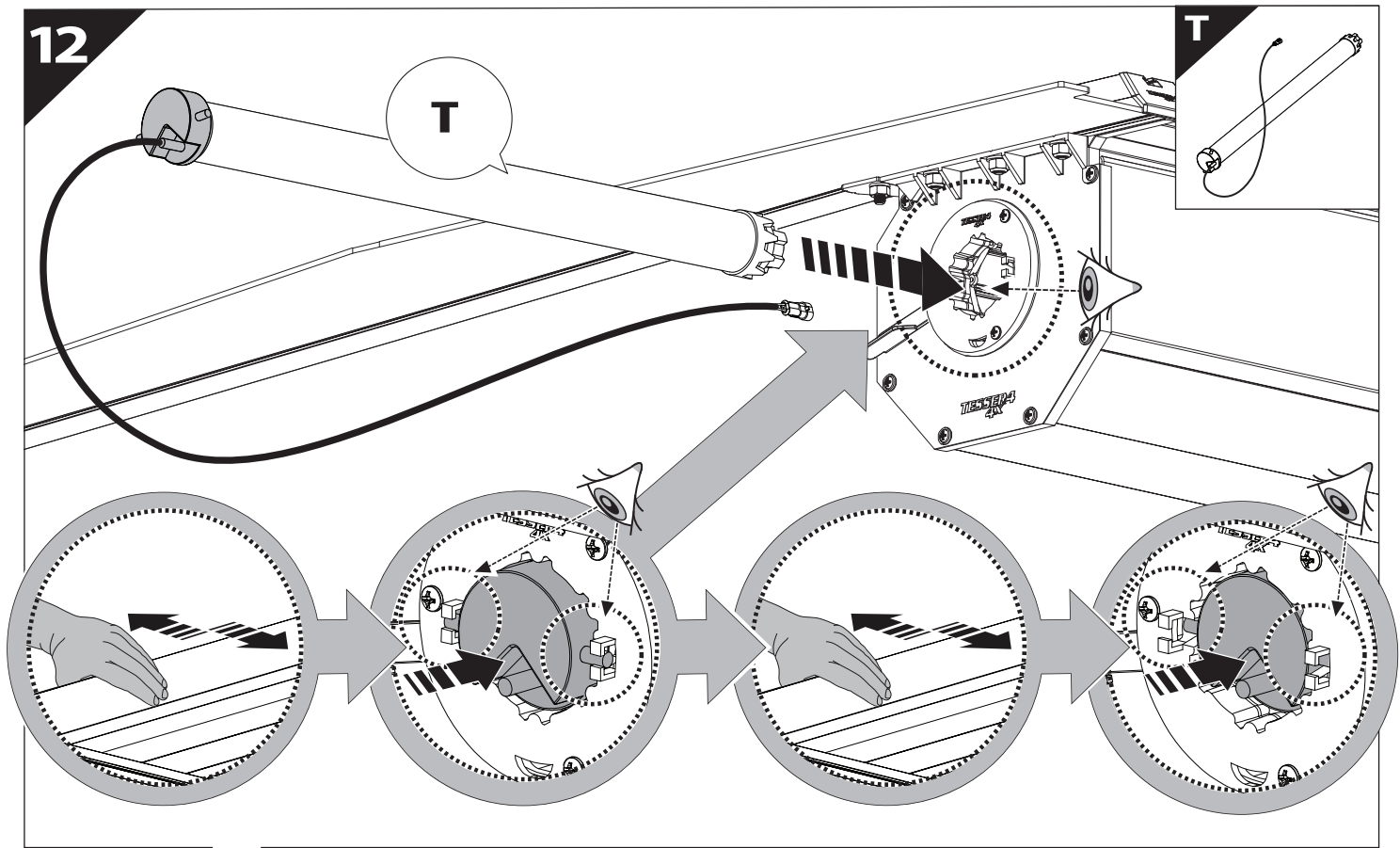
7



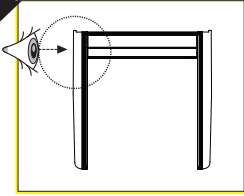
8



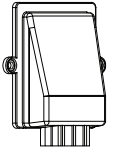




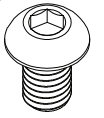
15



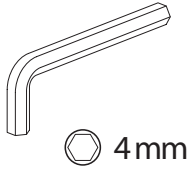
R



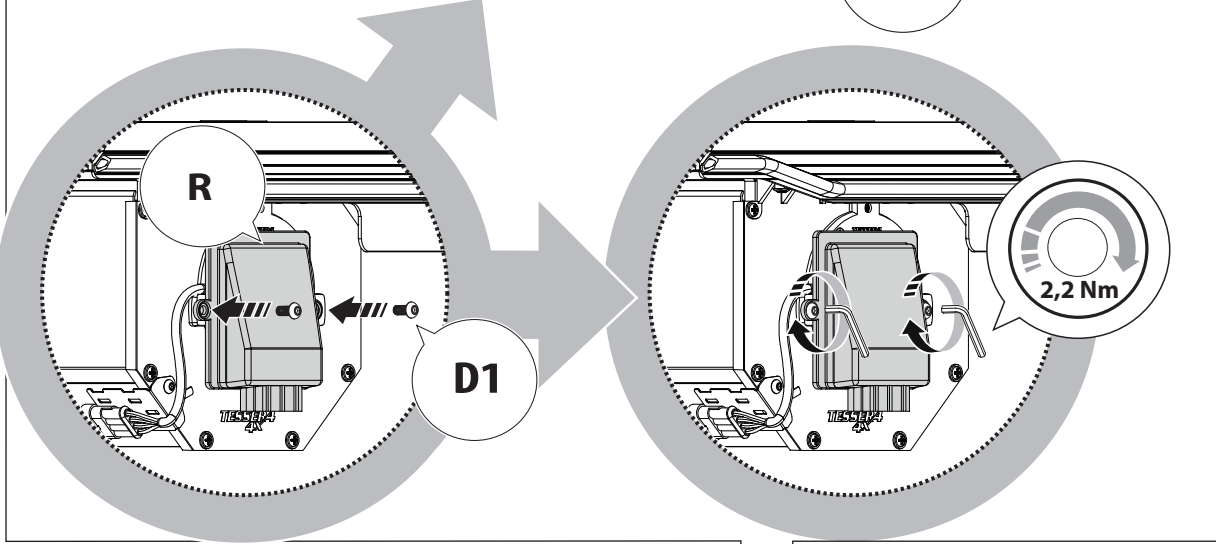
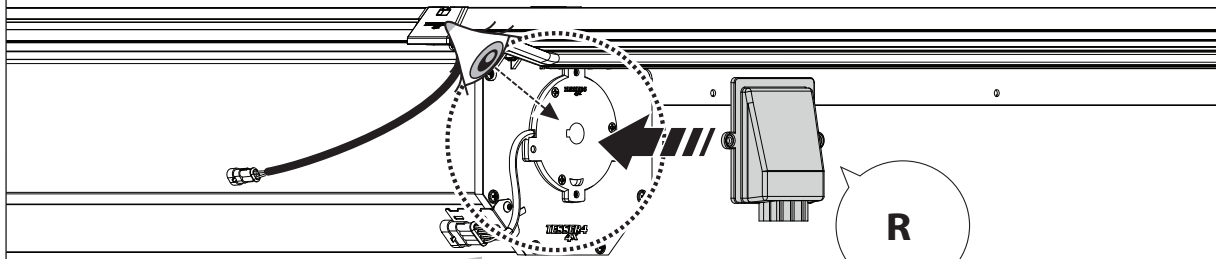
D1



x2

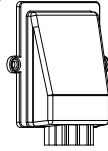


4mm

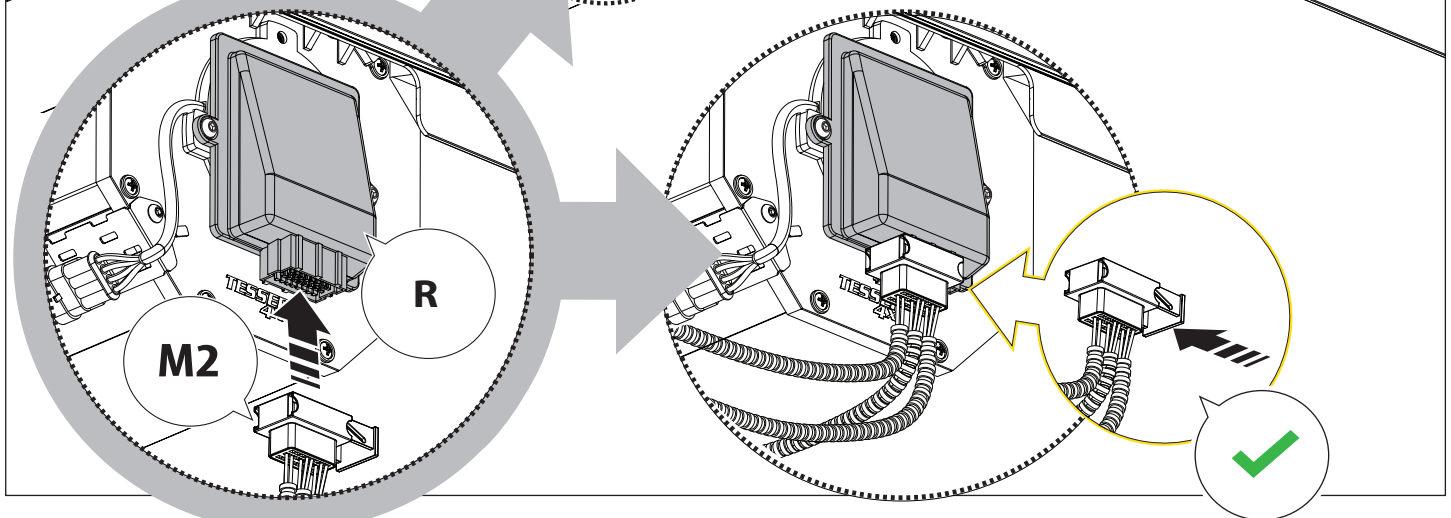
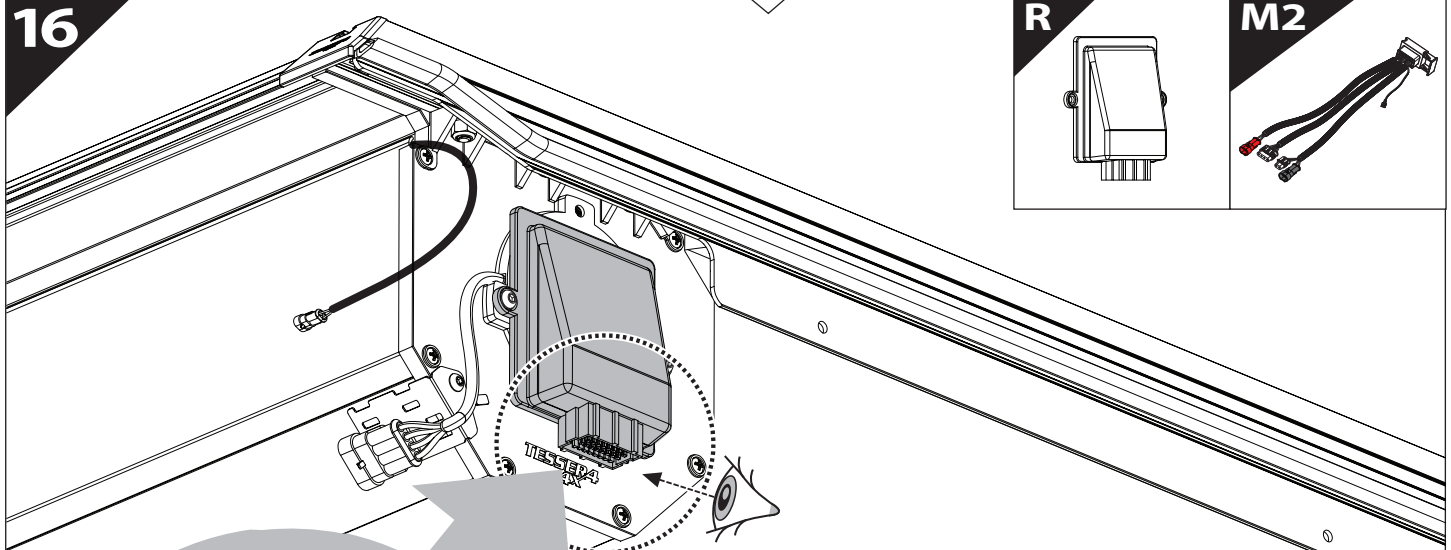


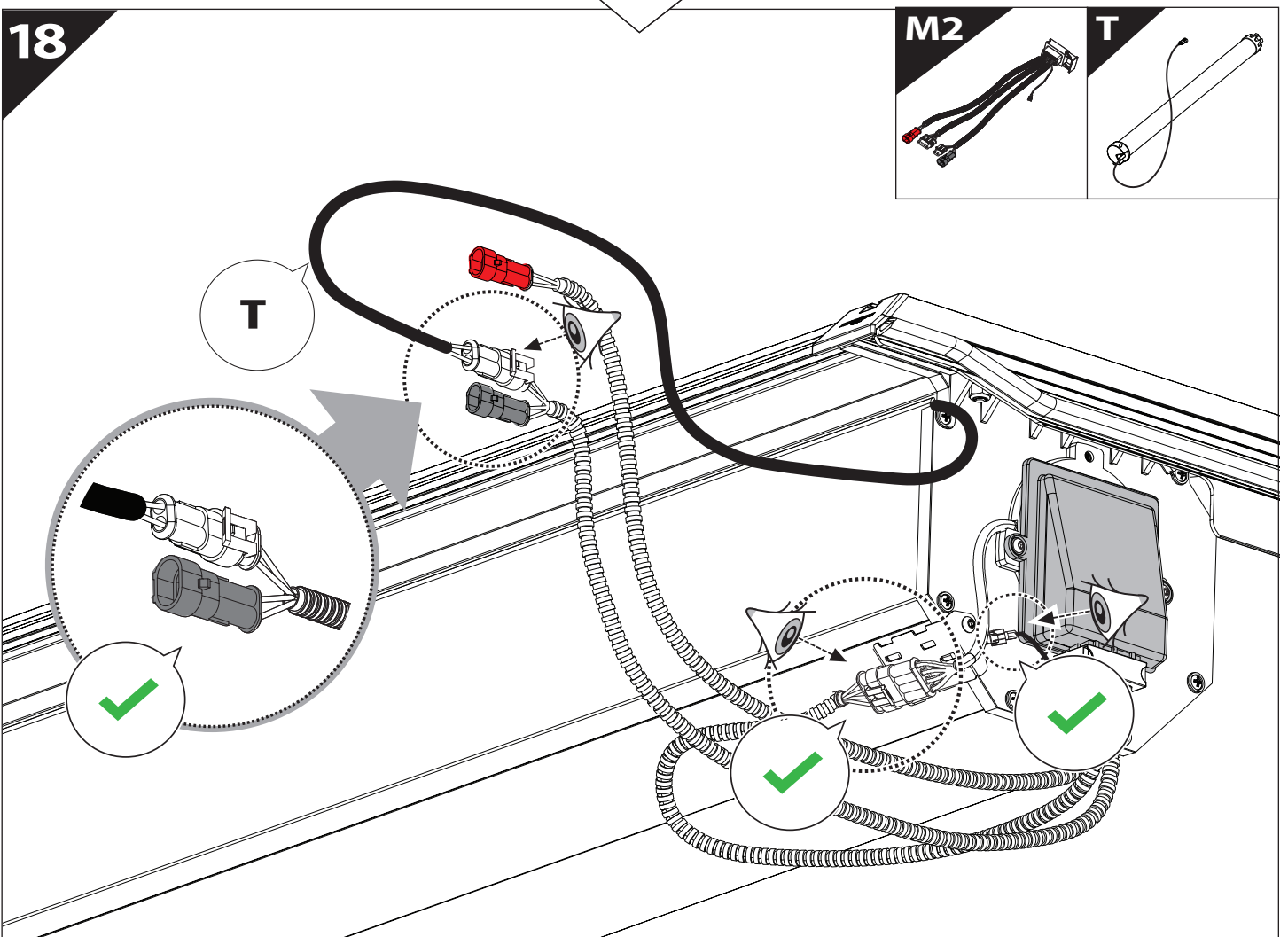
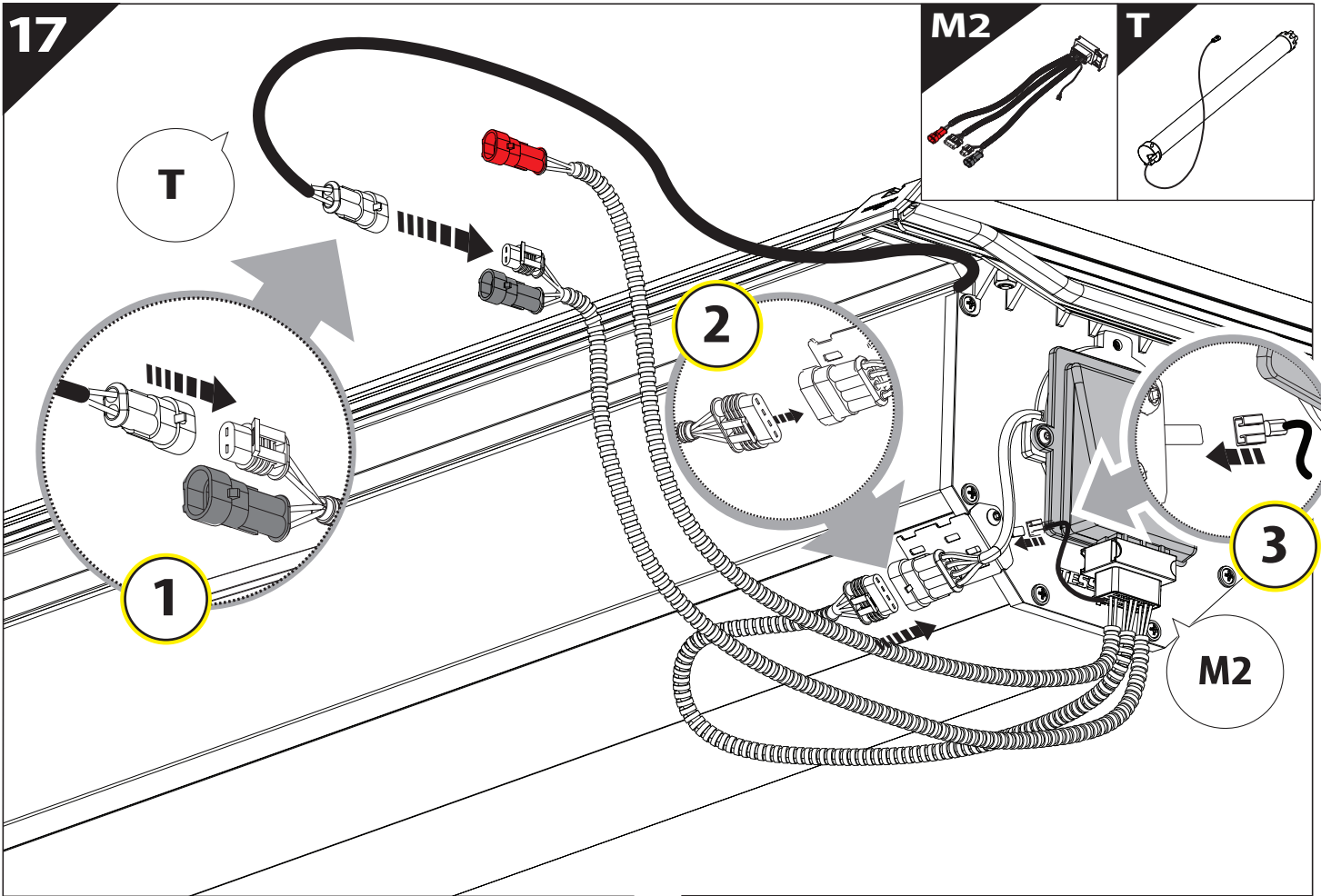
16

R



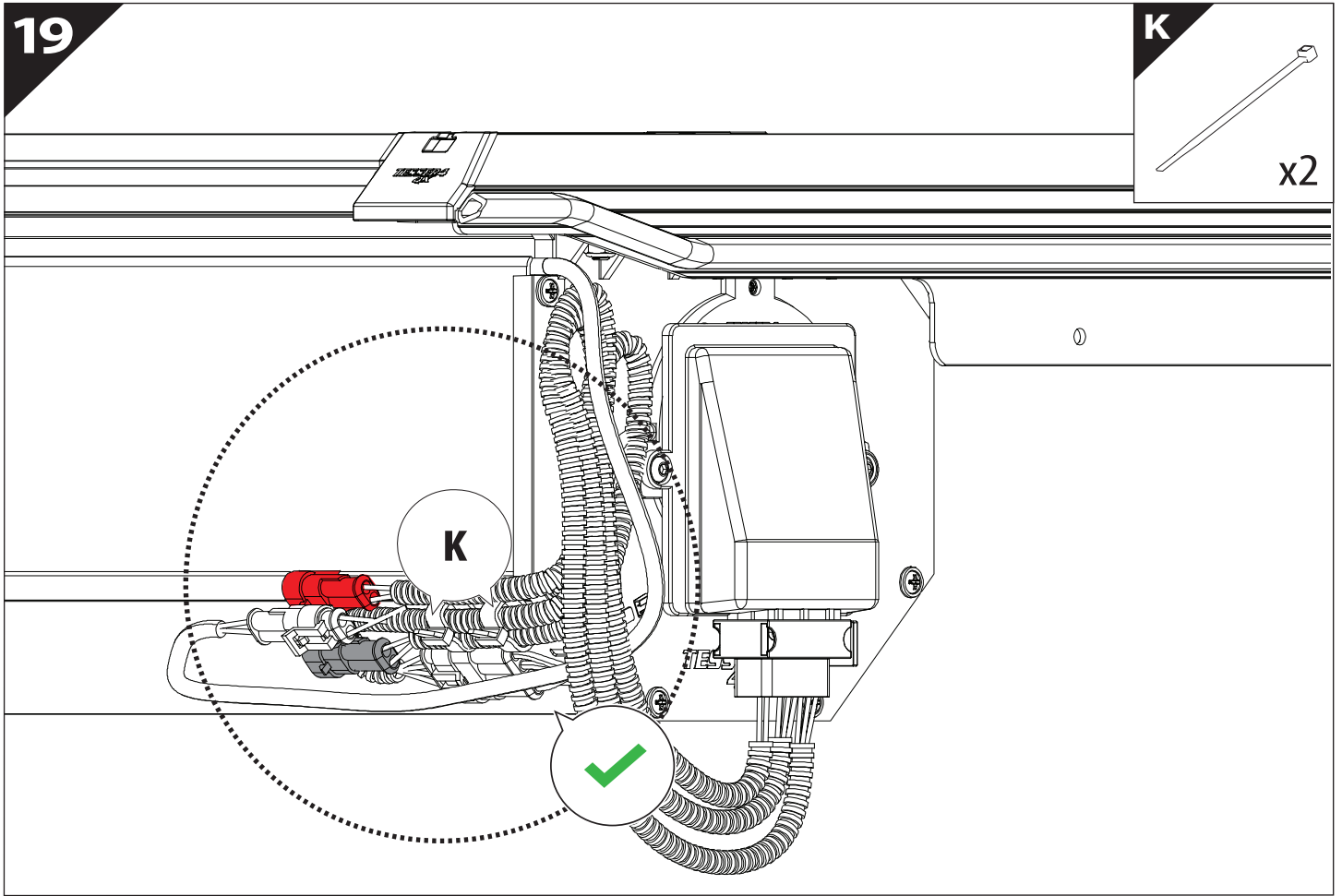
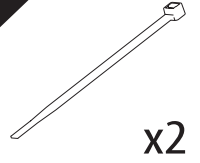
M2



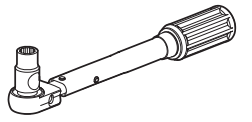


19

K

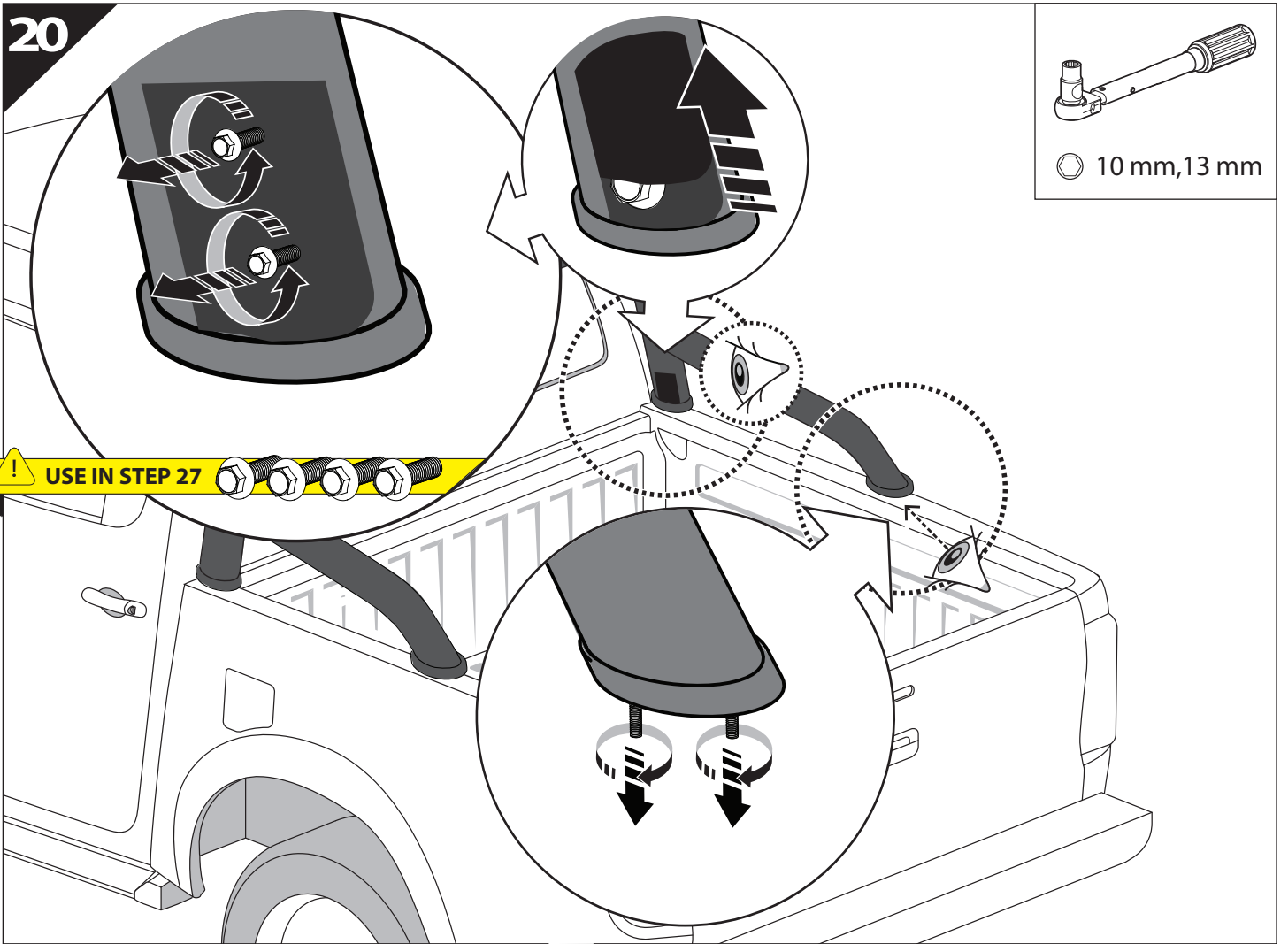


20



10 mm, 13 mm

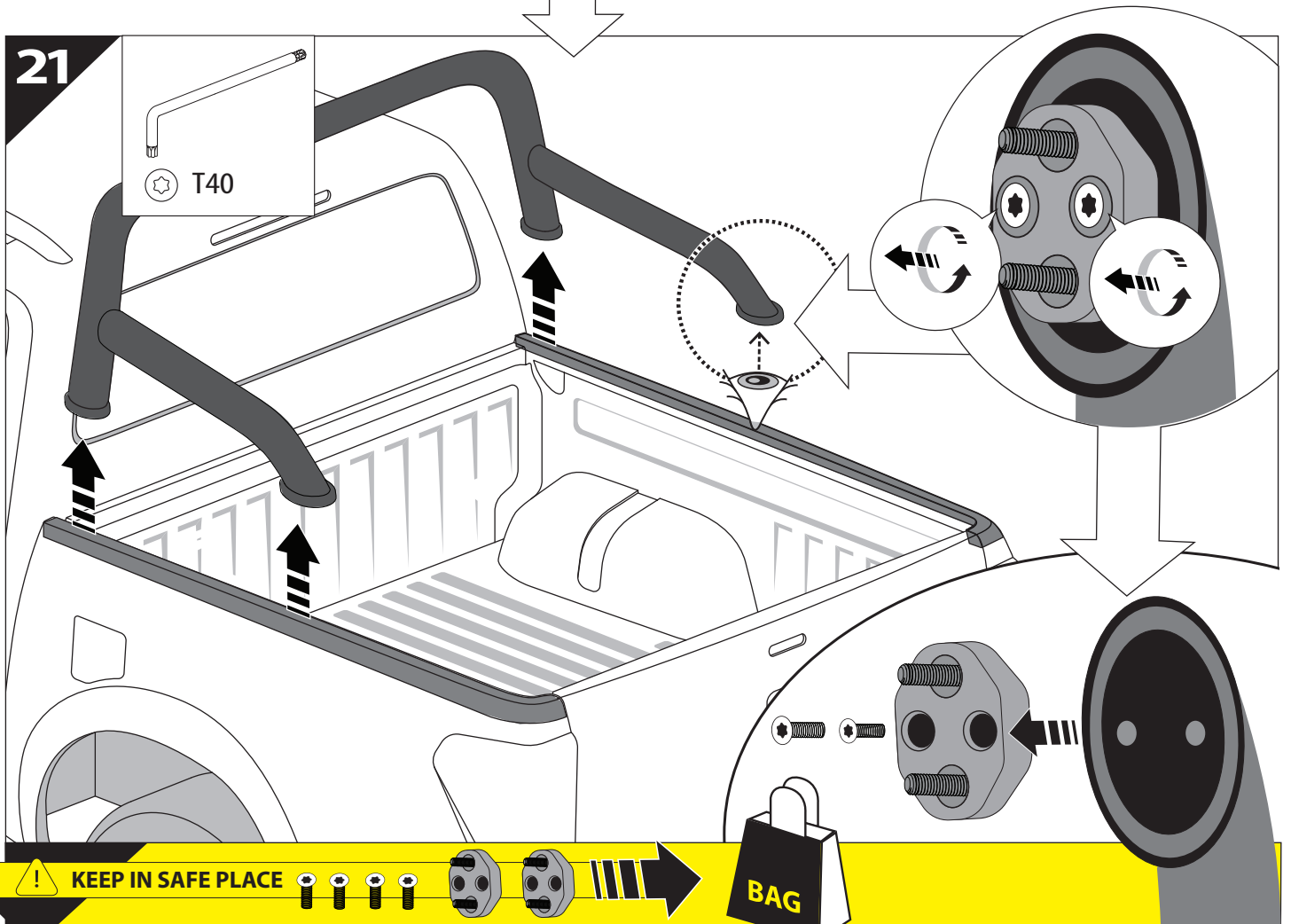
! USE IN STEP 27



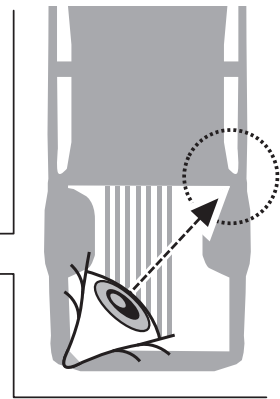
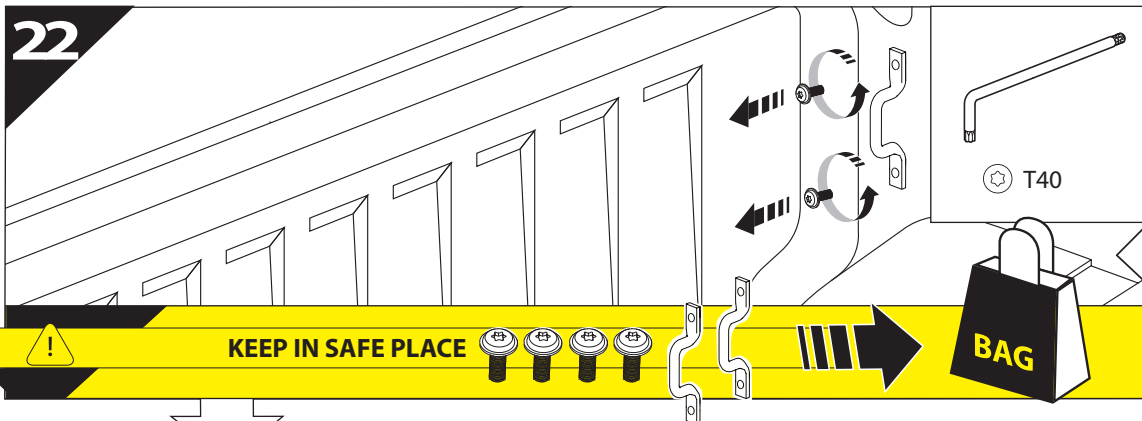
21



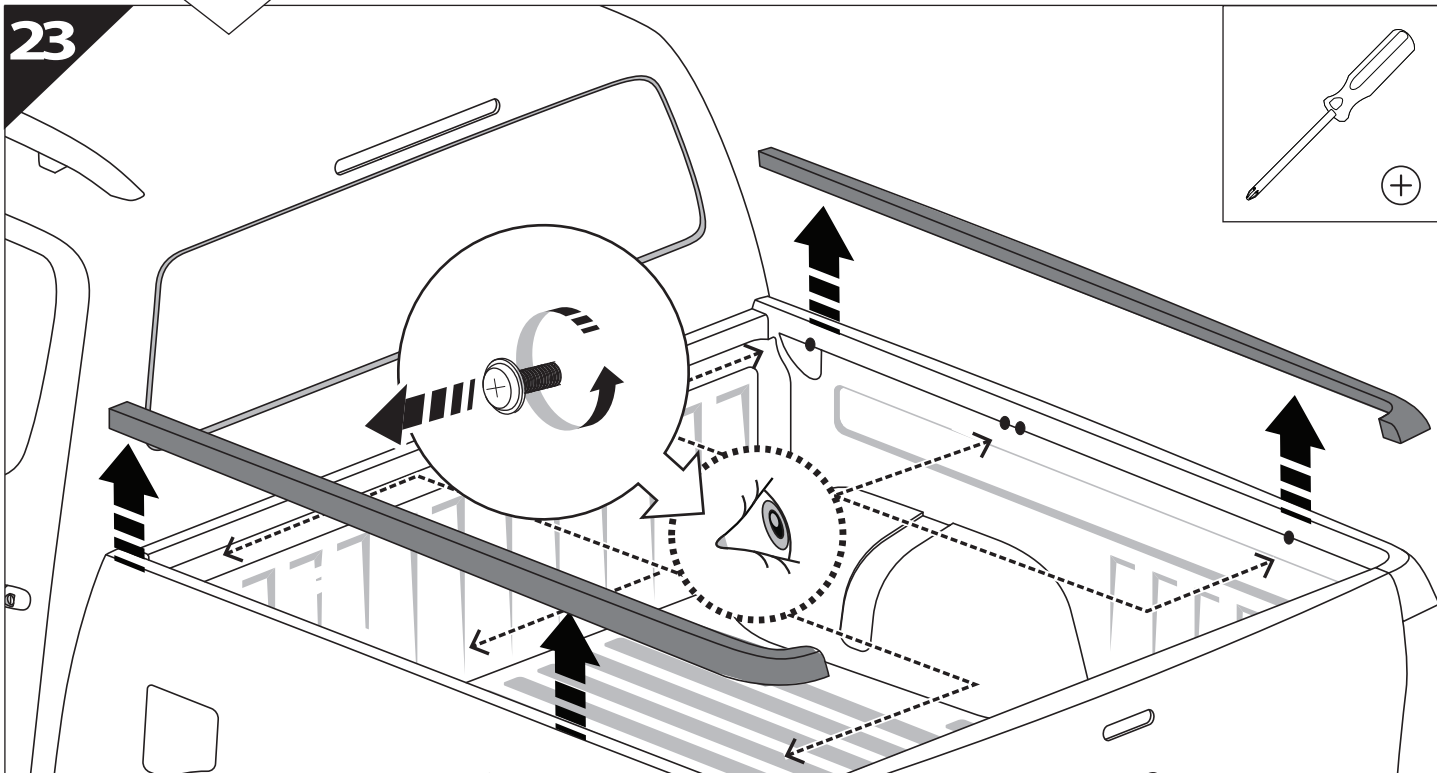
T40



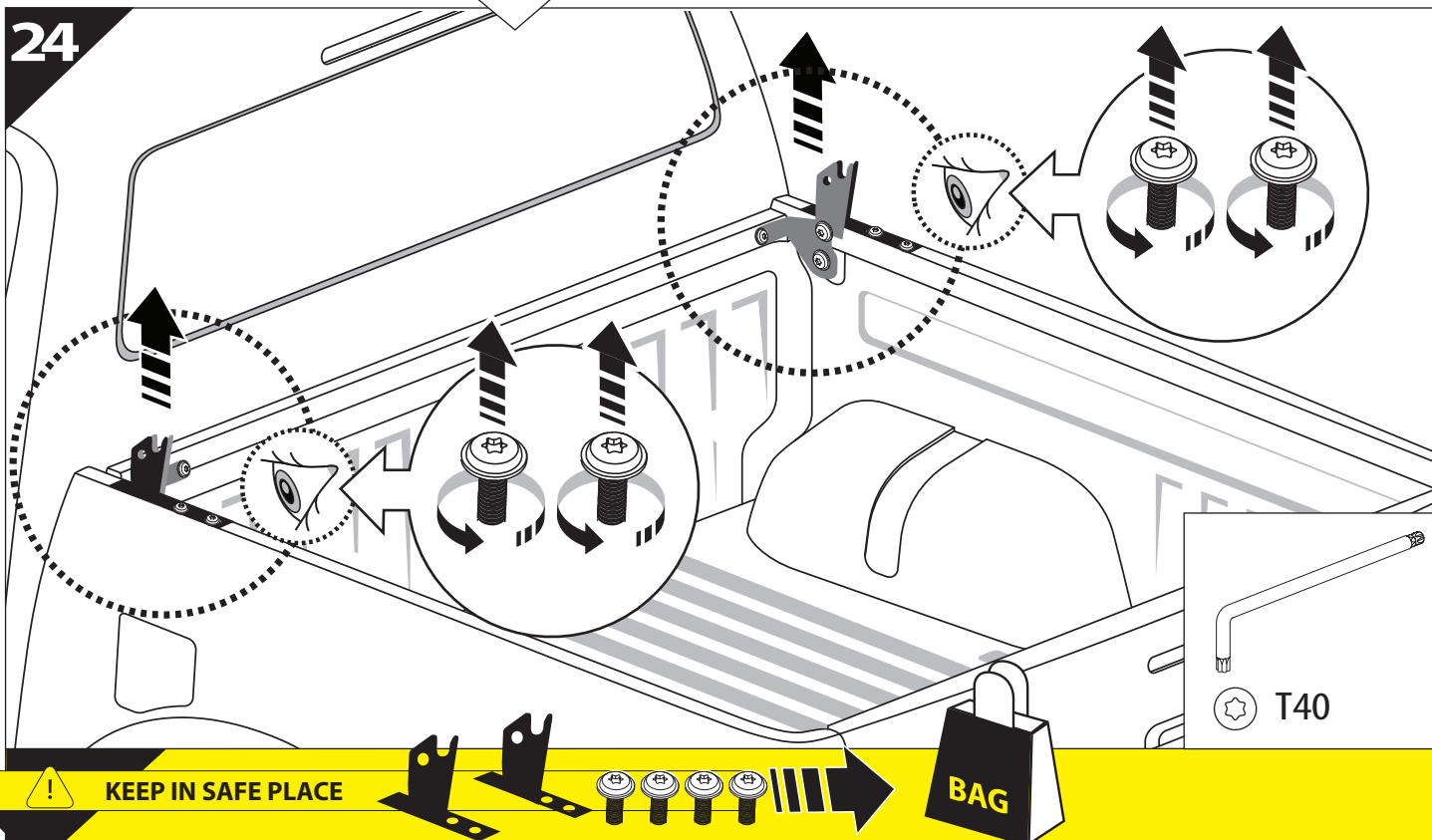
22



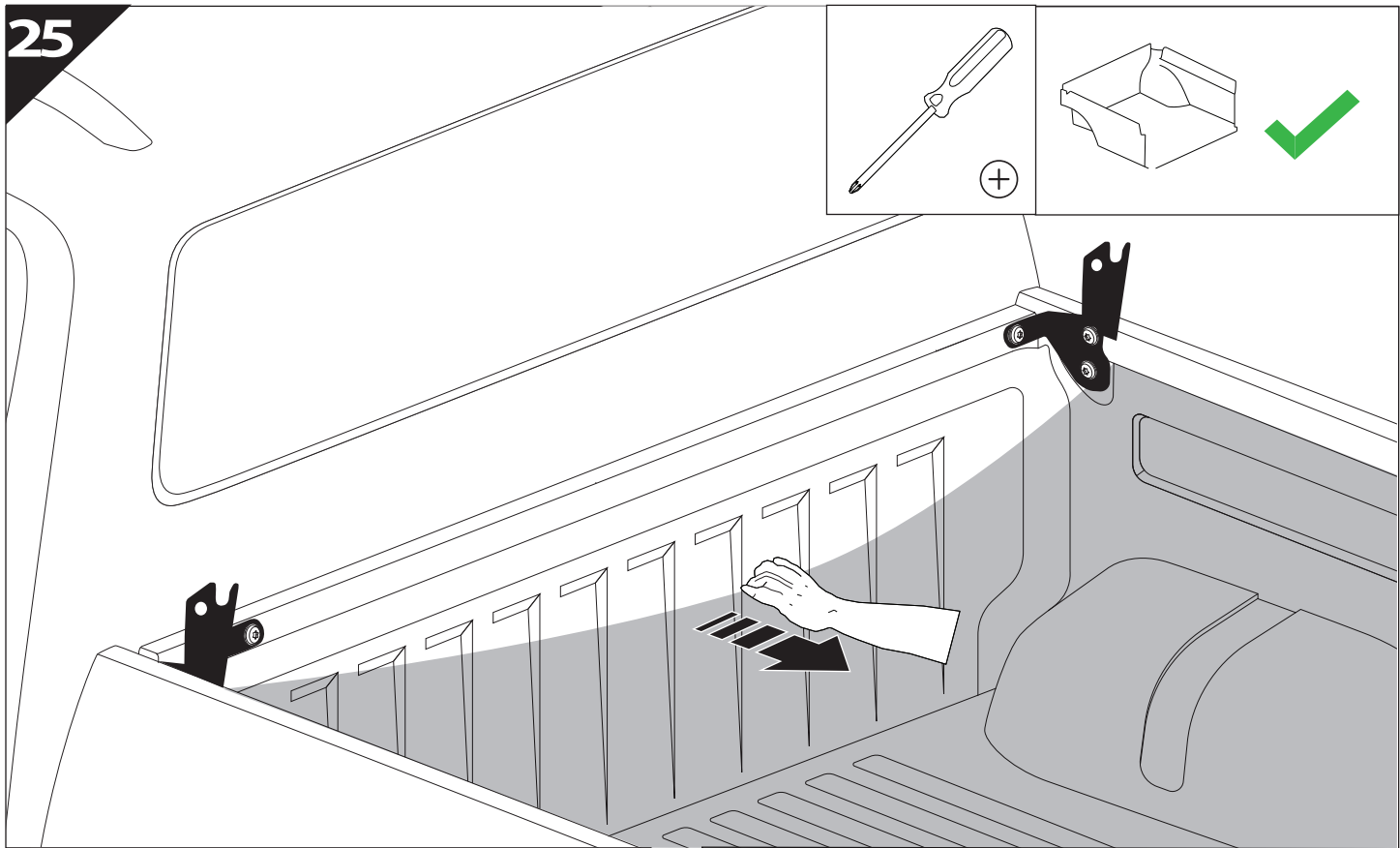
23



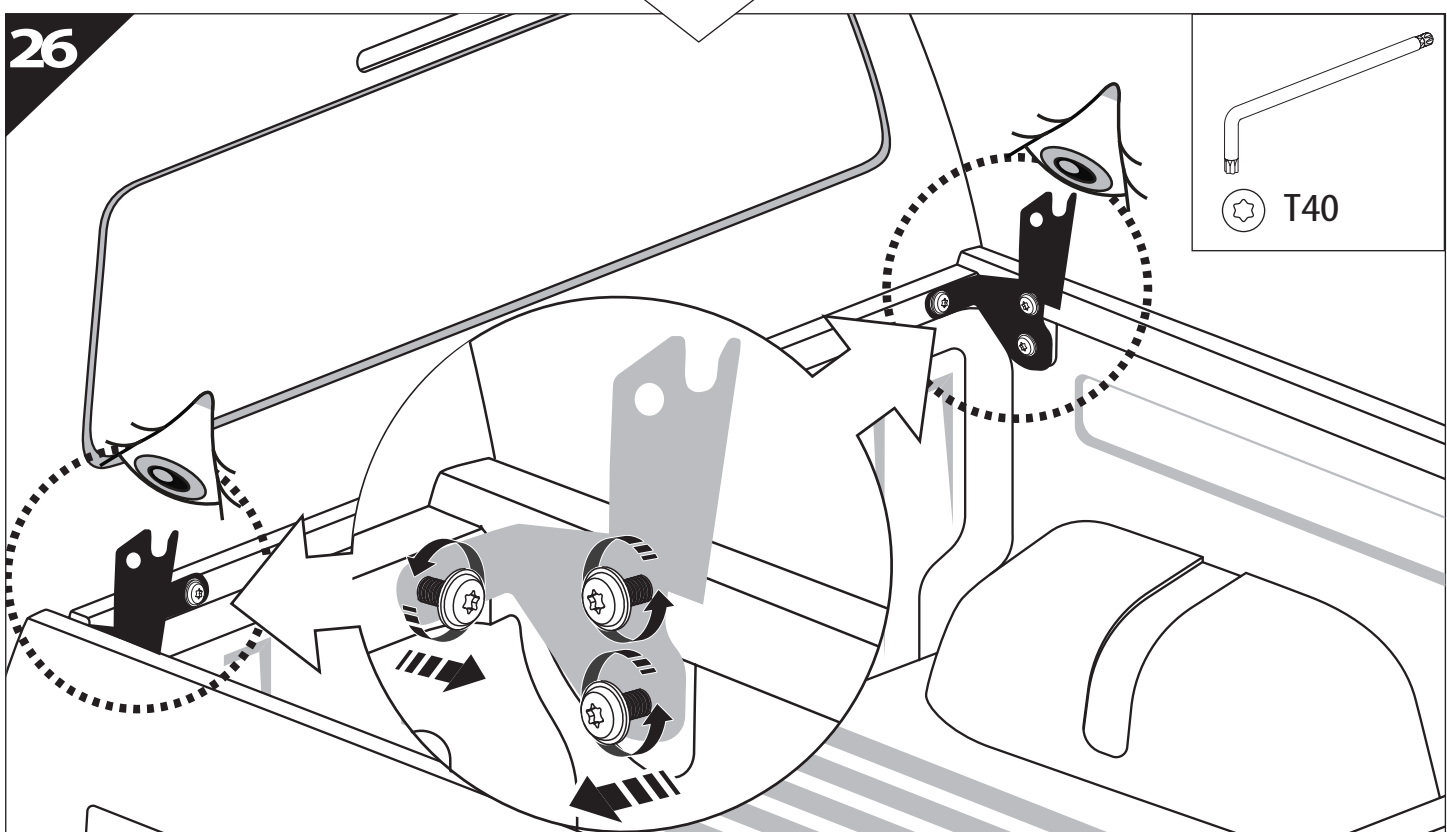
24



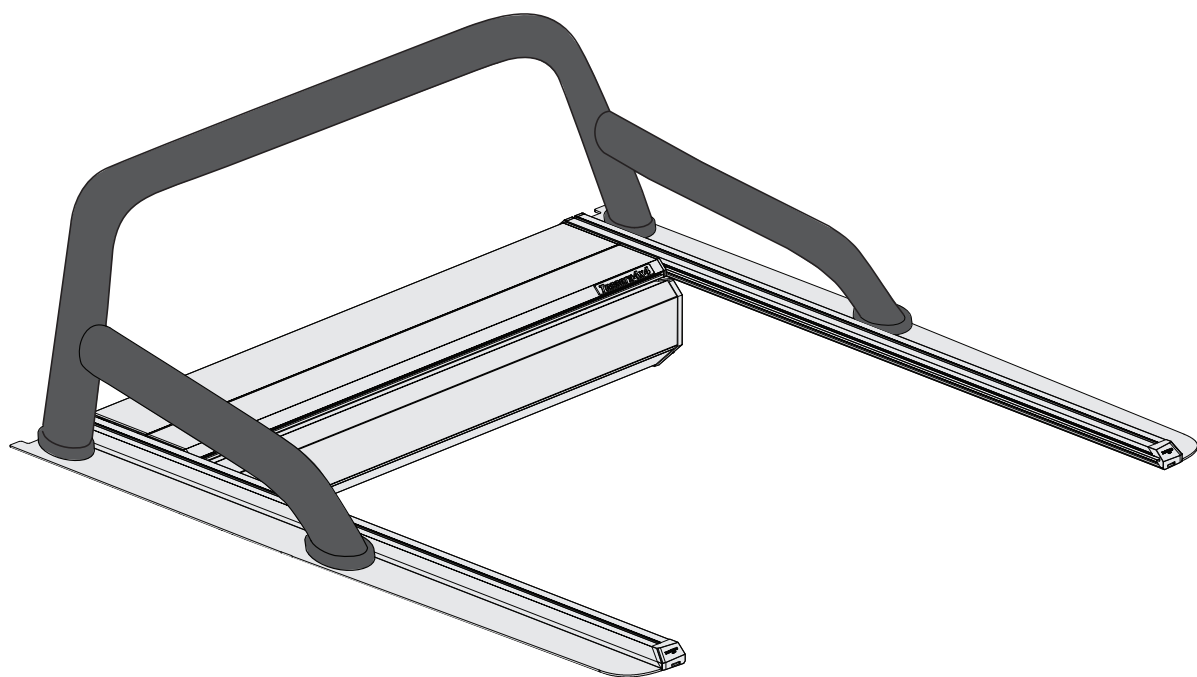
25



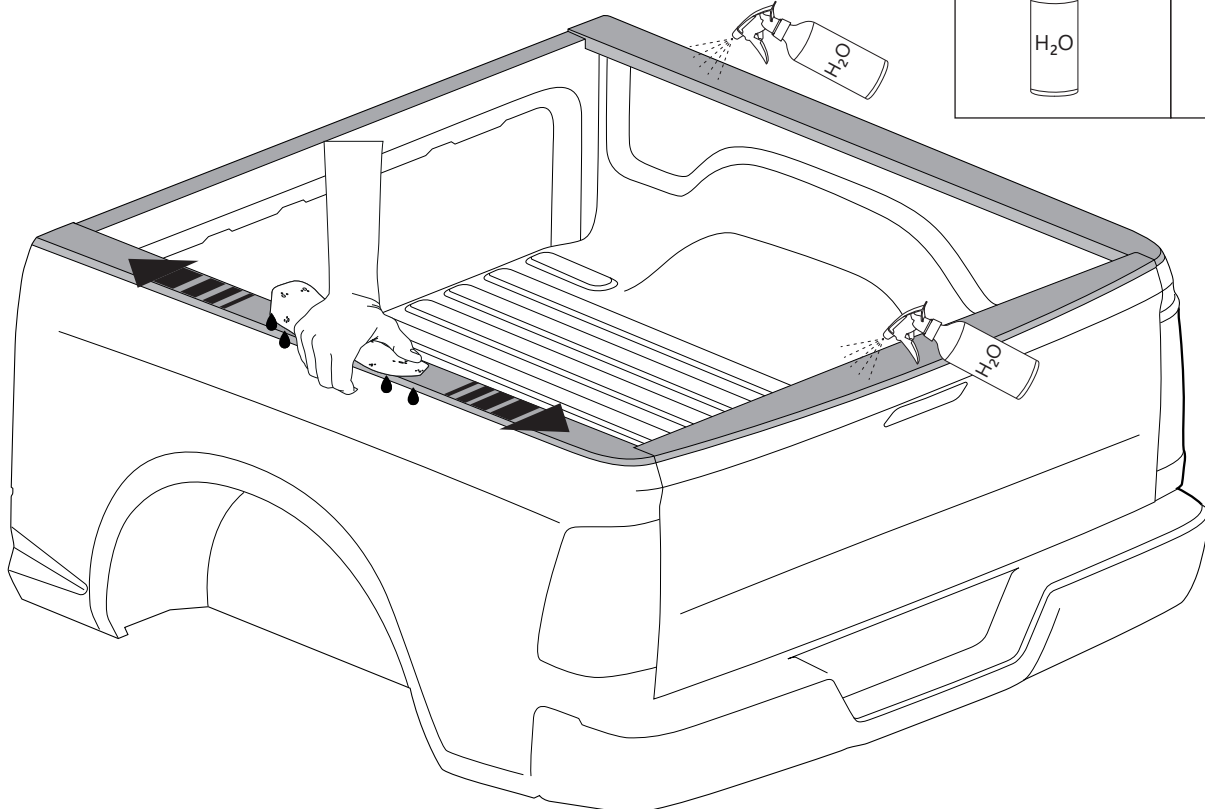
26

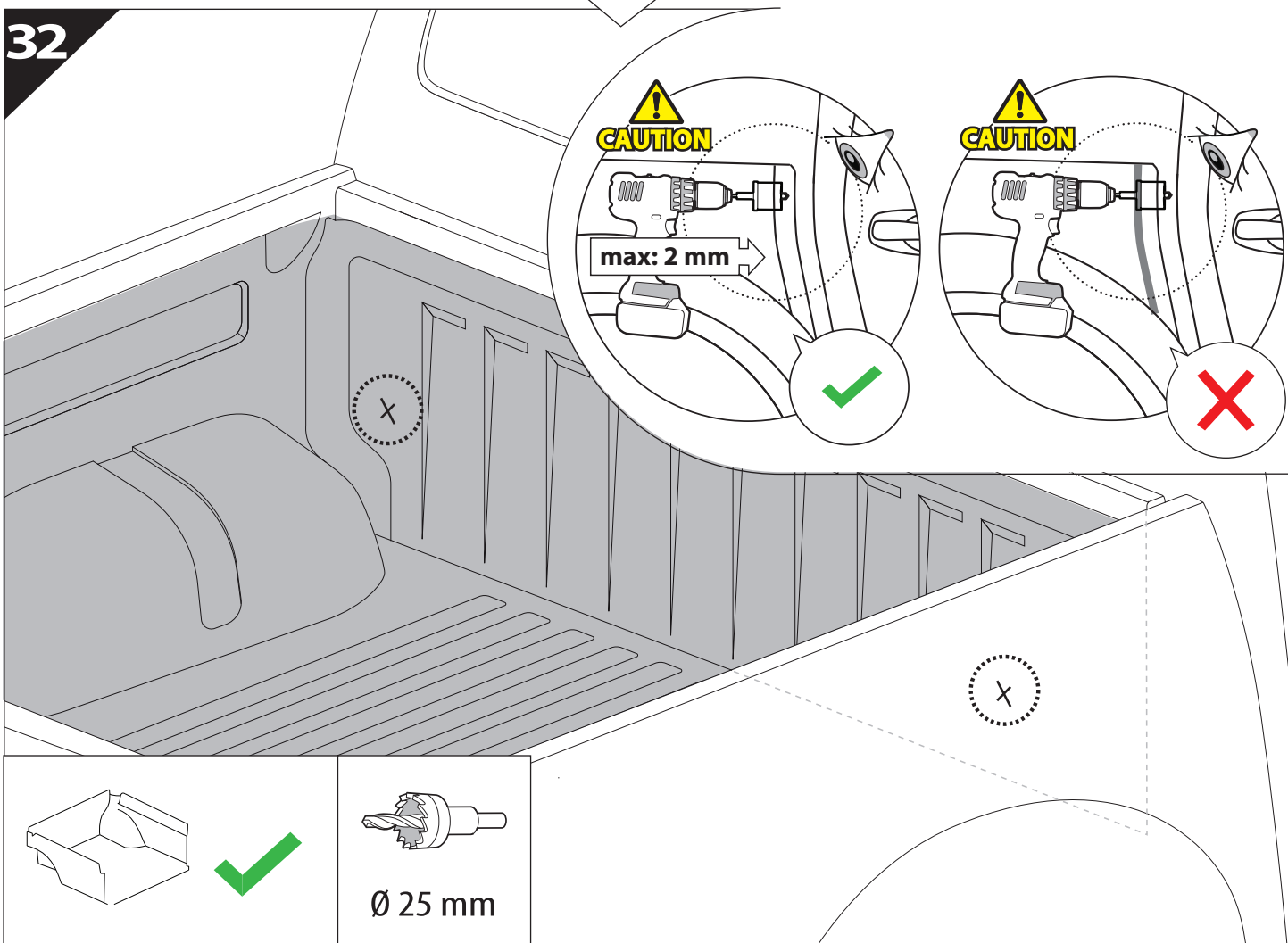
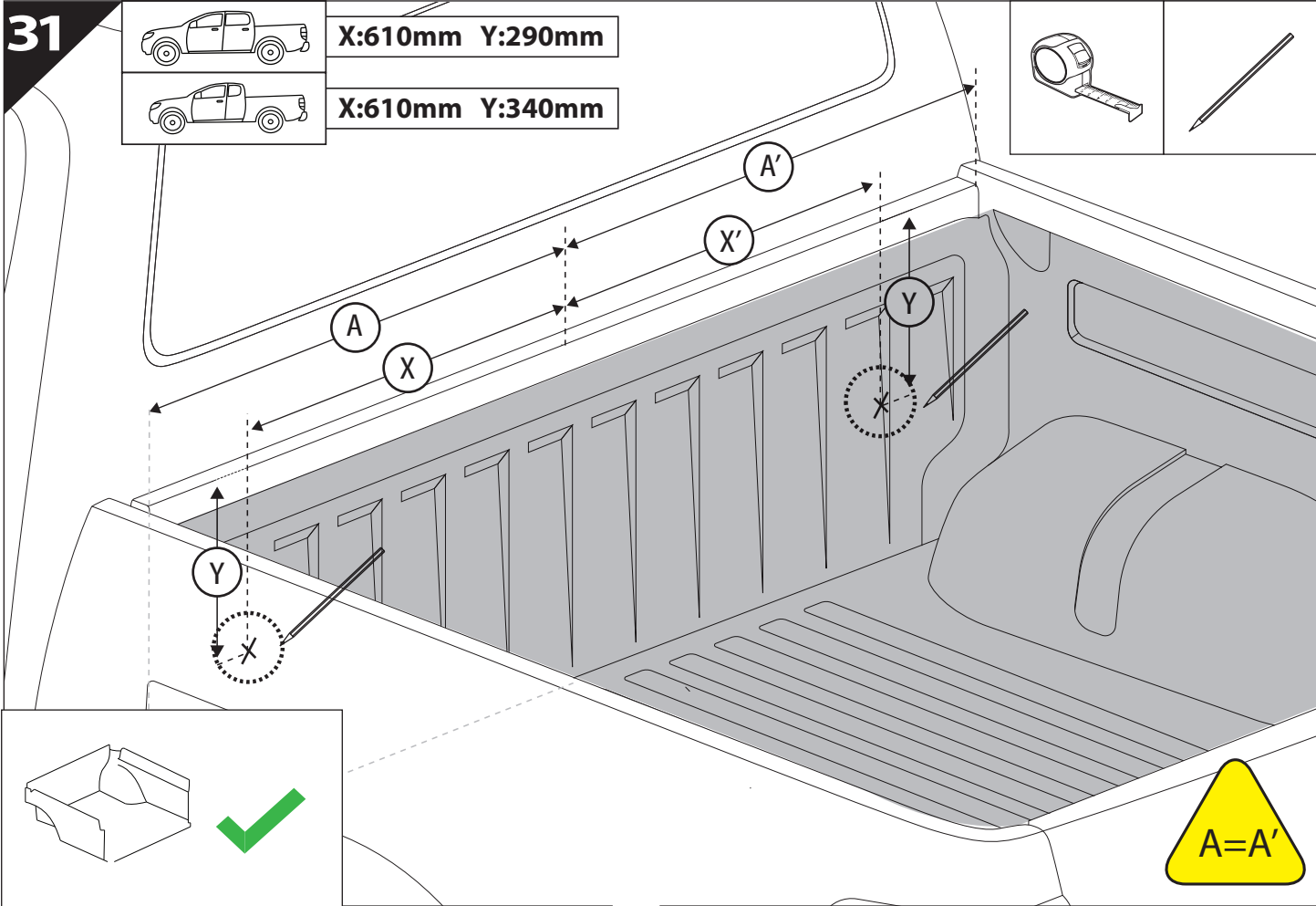


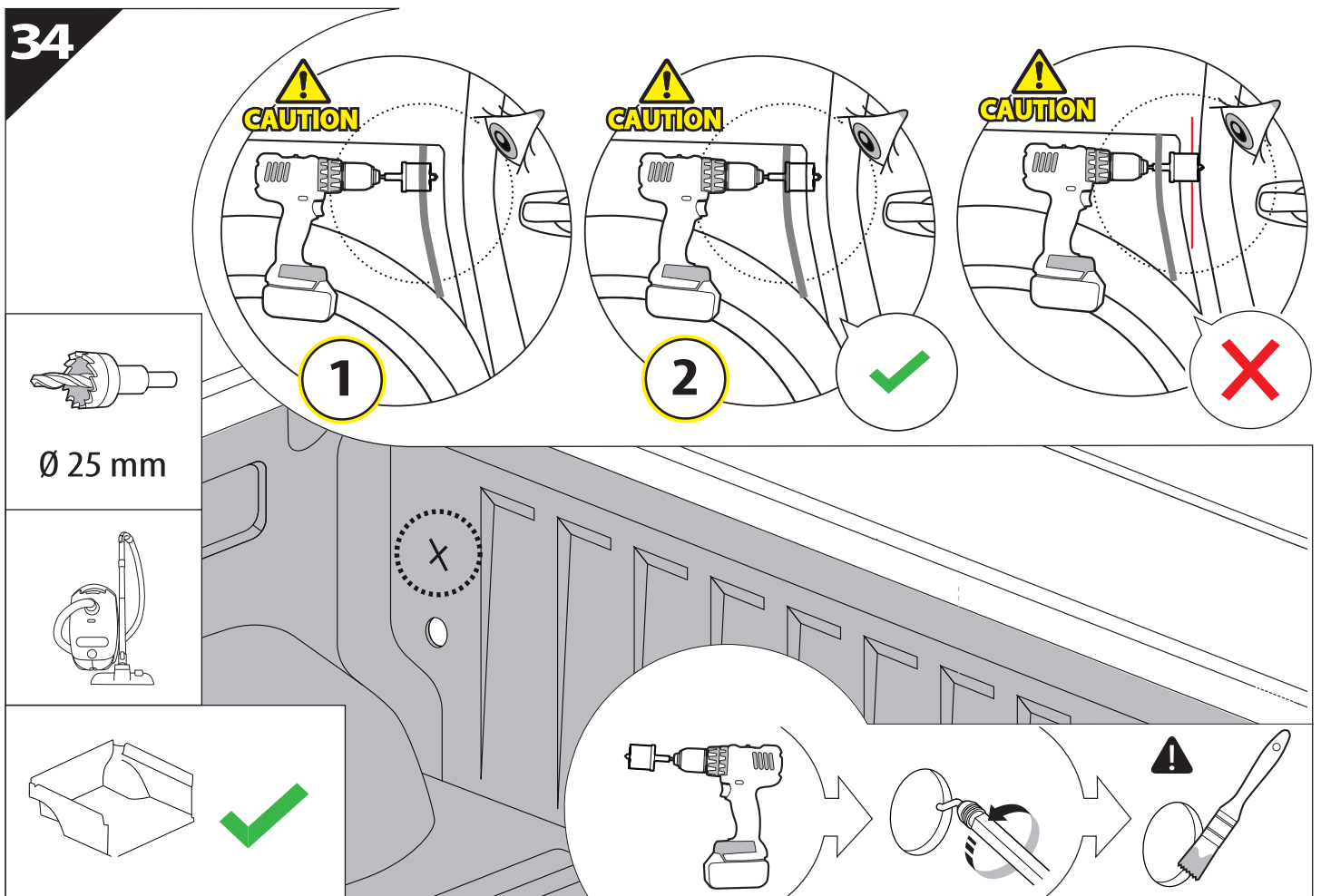
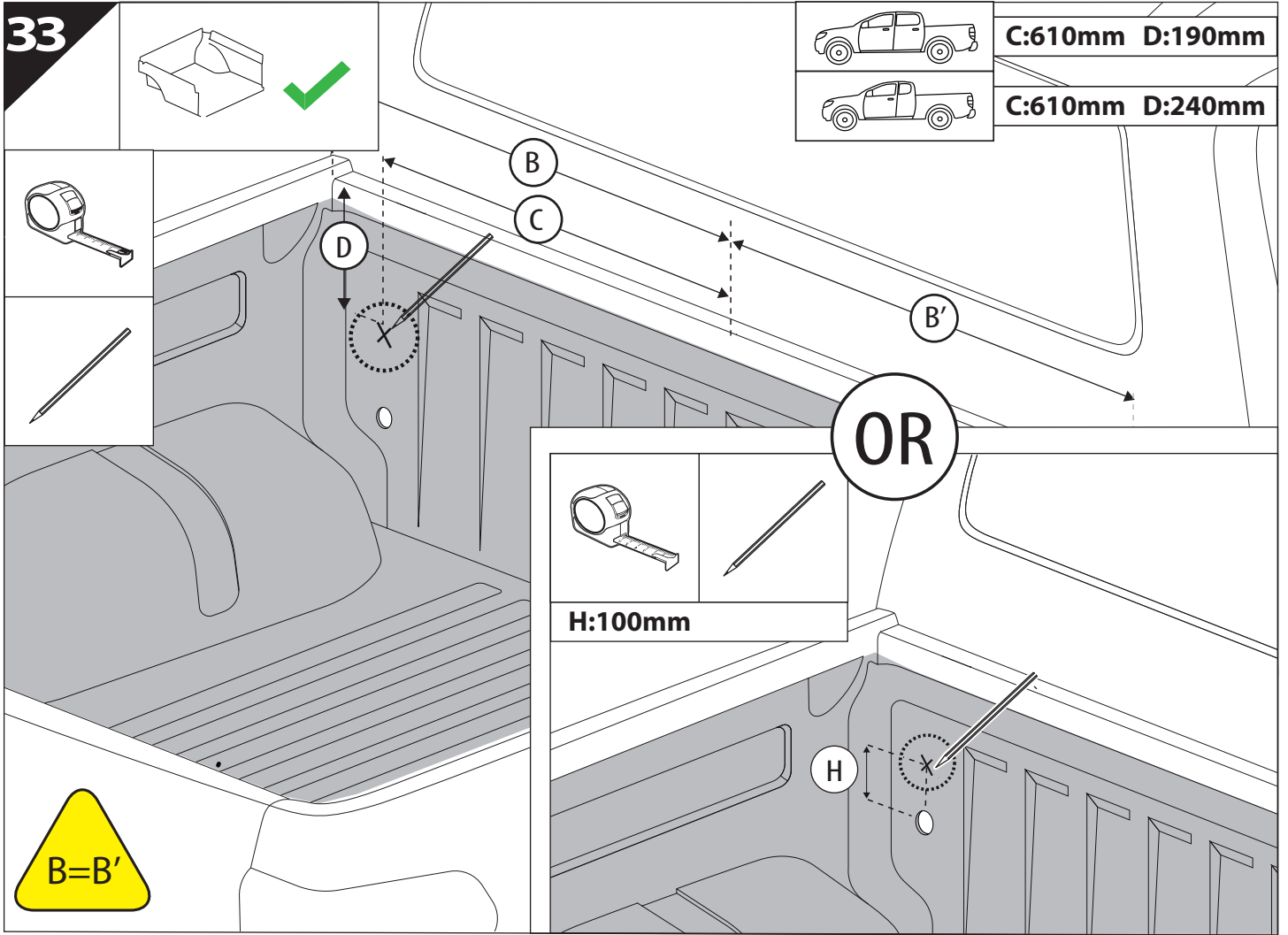
29

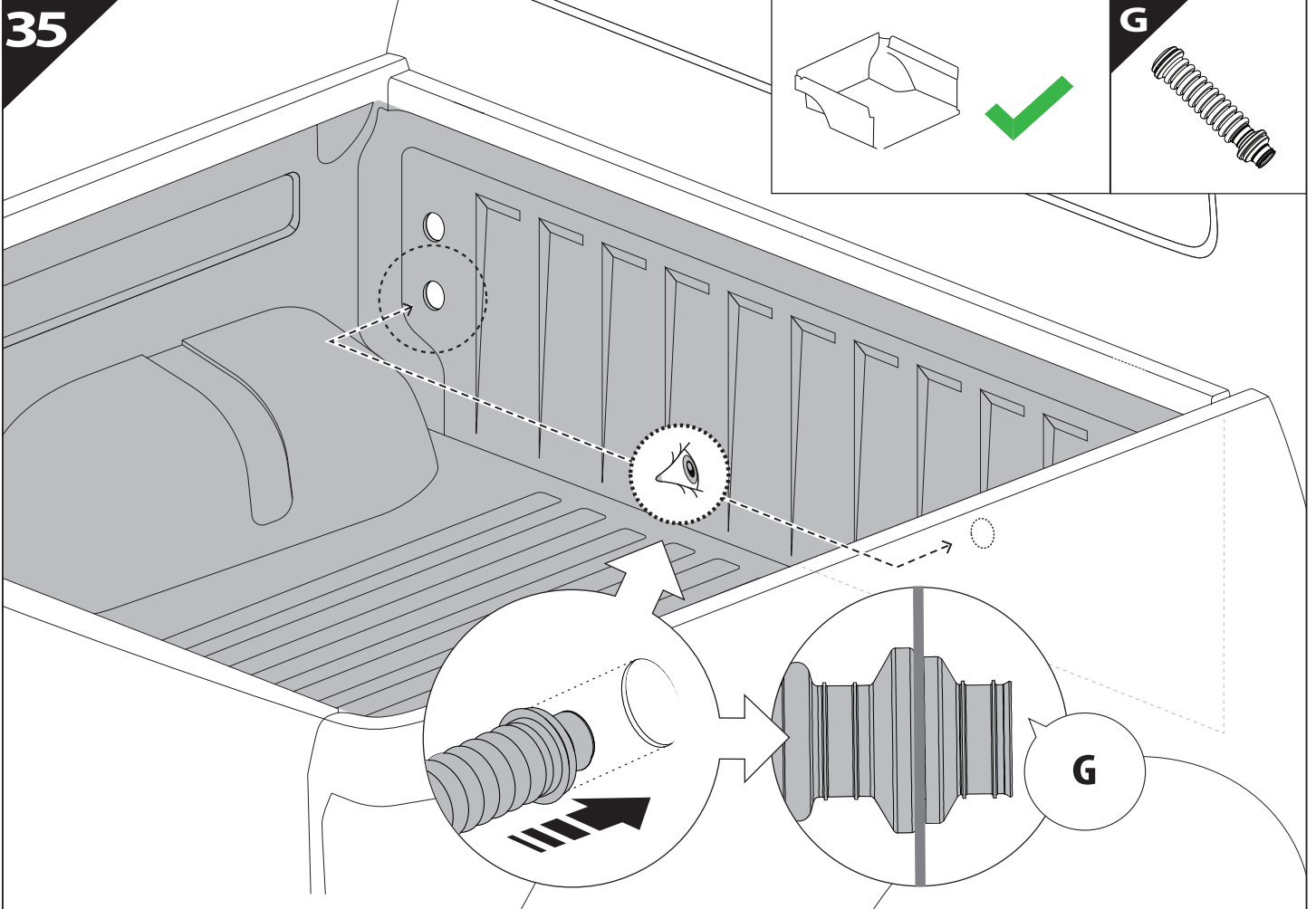


30

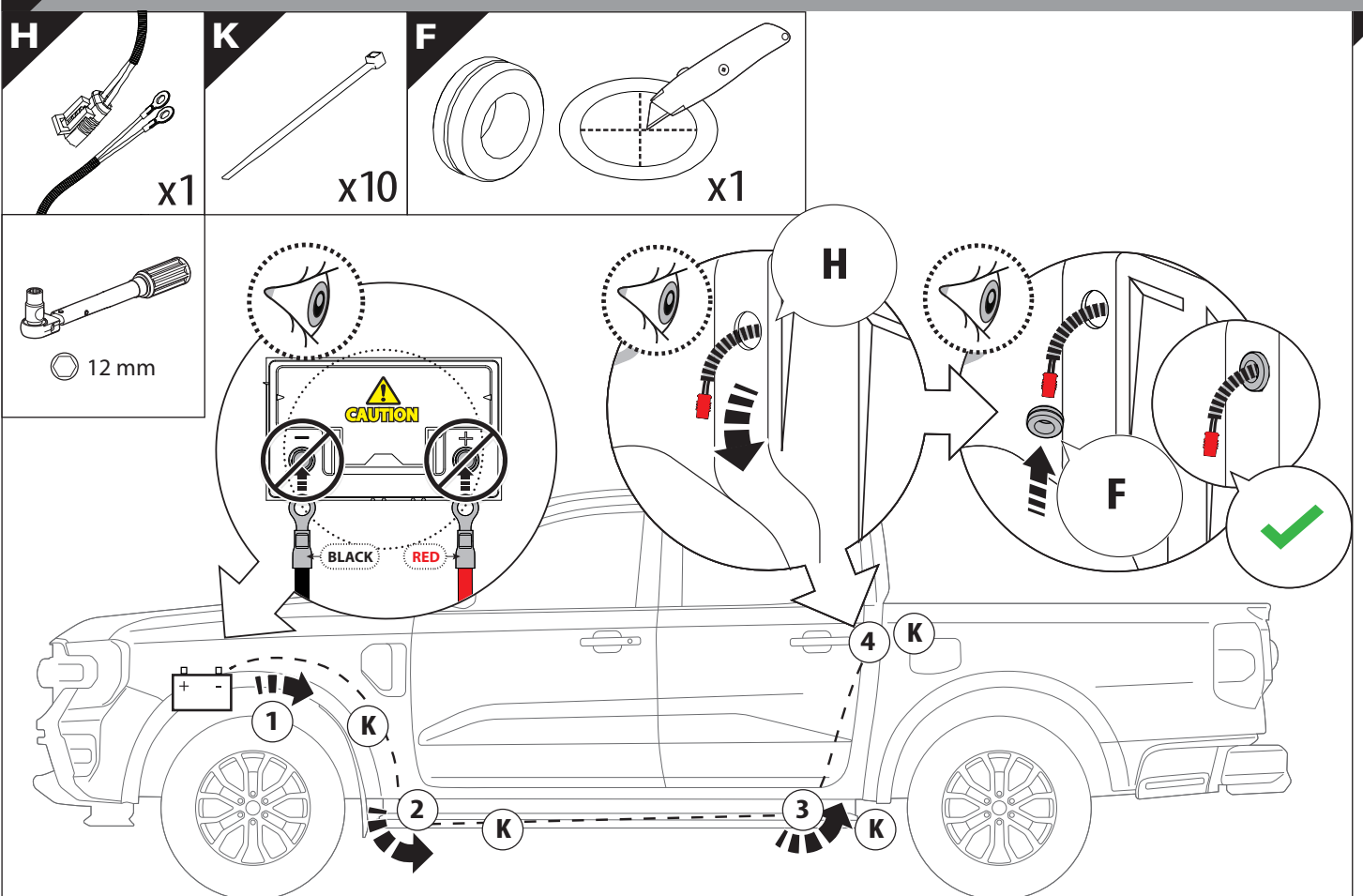




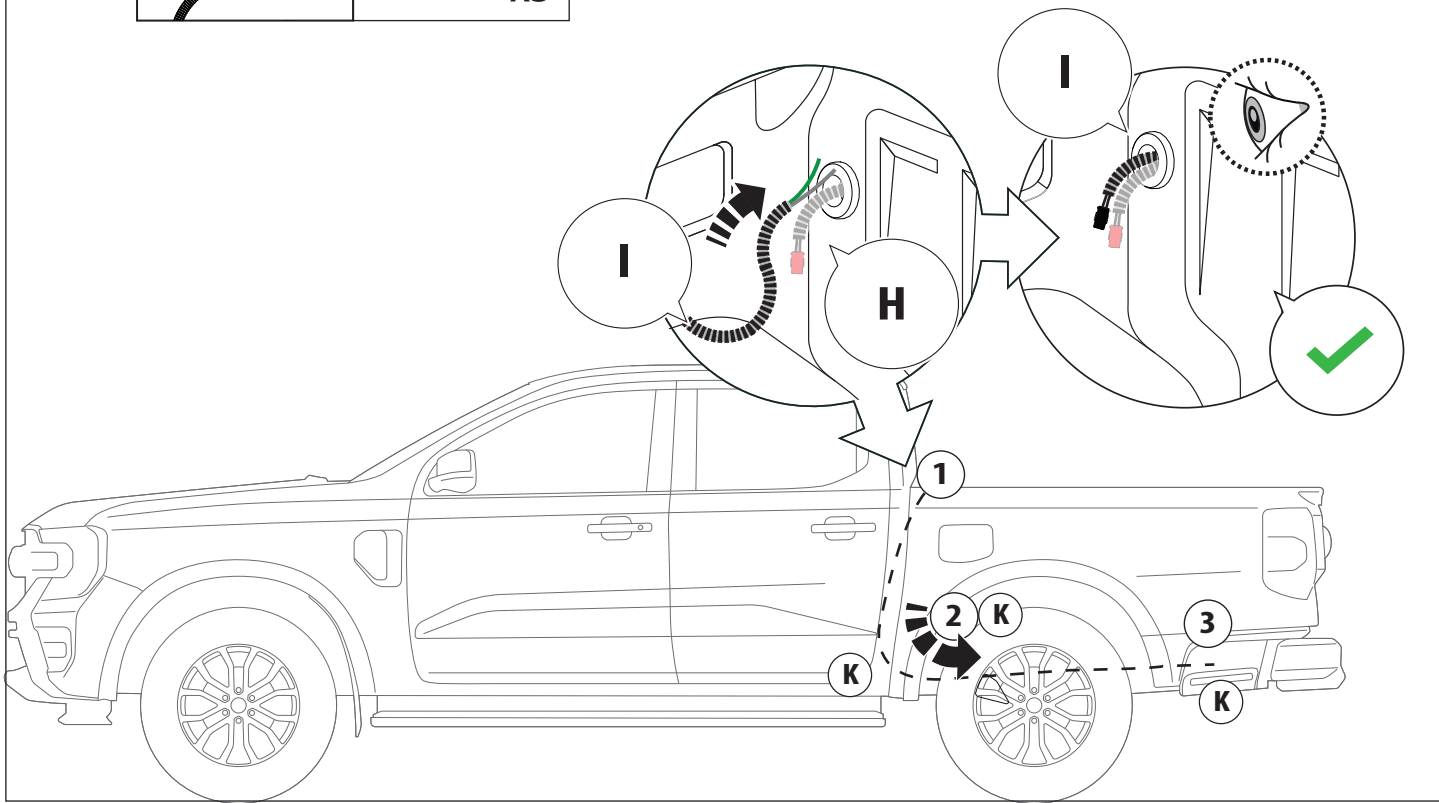
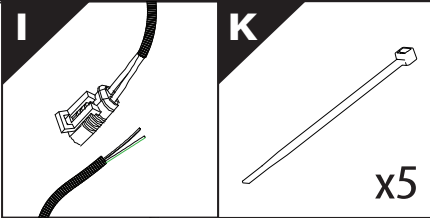




36 Only to be installed by authorized personnel



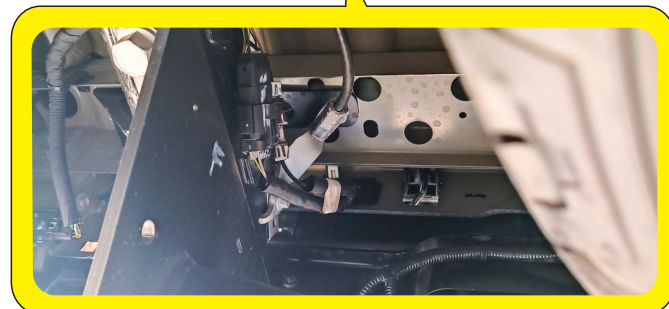
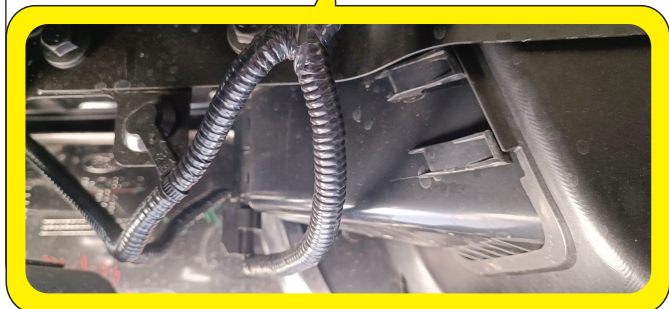
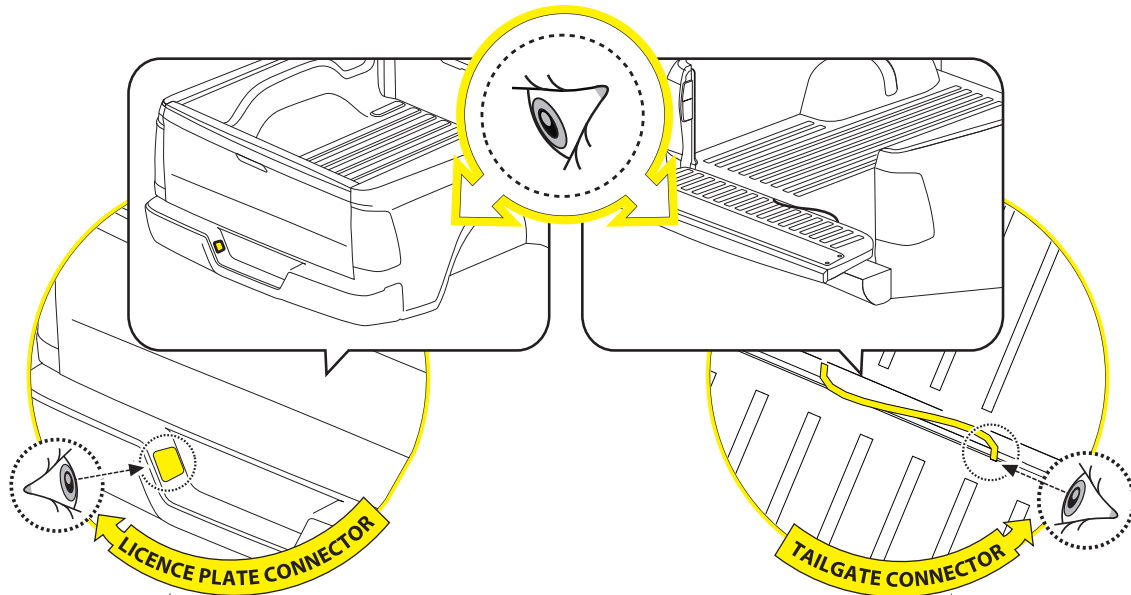
37



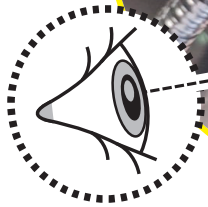
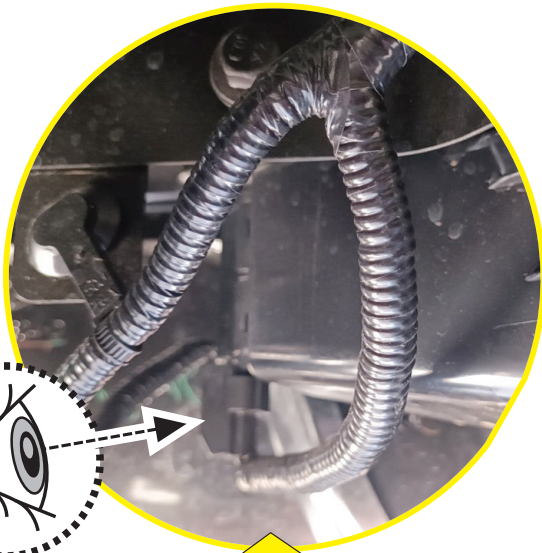
38



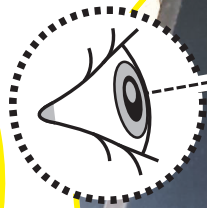
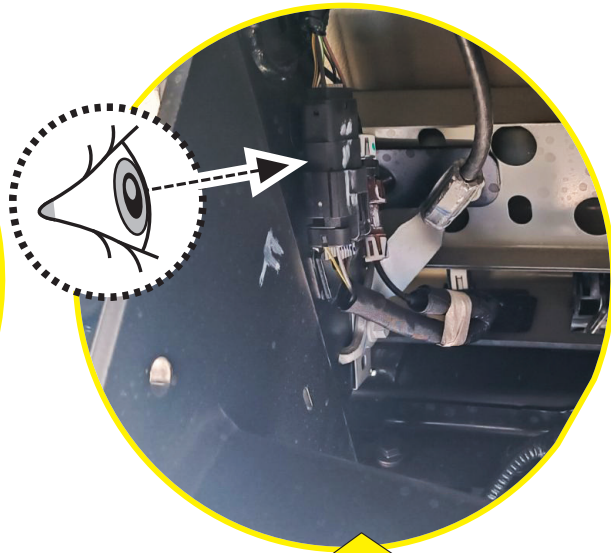
CAUTION: LIMITED, WILDTRAK, WILDTRAK X, PLATINUM



38.1



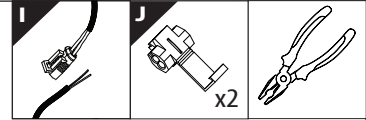
LICENCE PLATE CONNECTOR



TAILGATE CONNECTOR

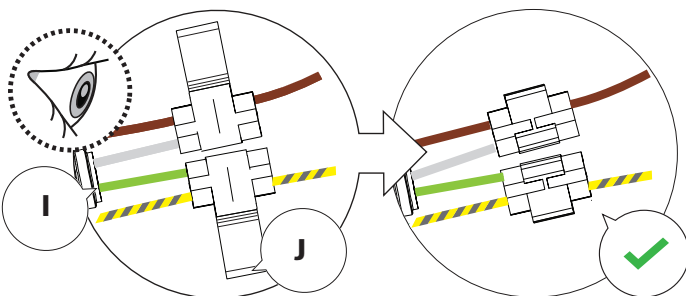
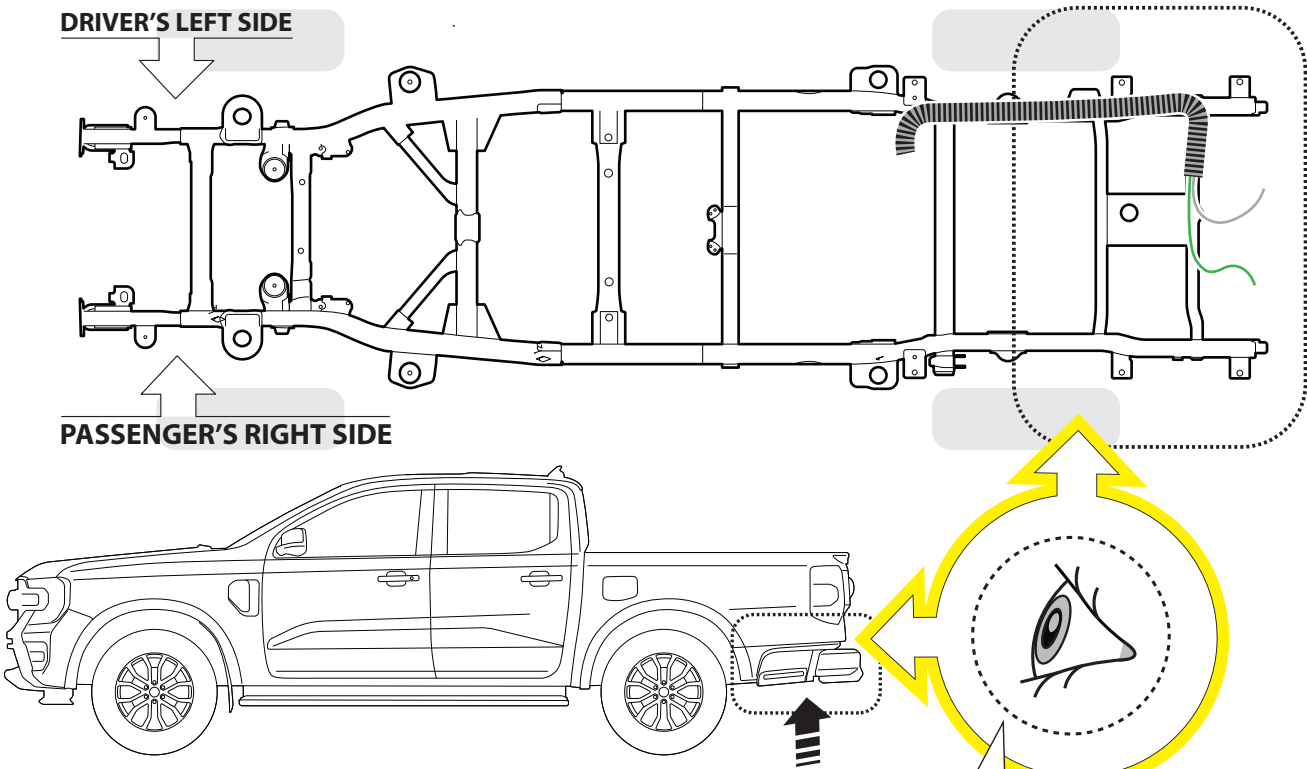
39

BOTTOM VIEW



DRIVER'S LEFT SIDE

PASSENGER'S RIGHT SIDE

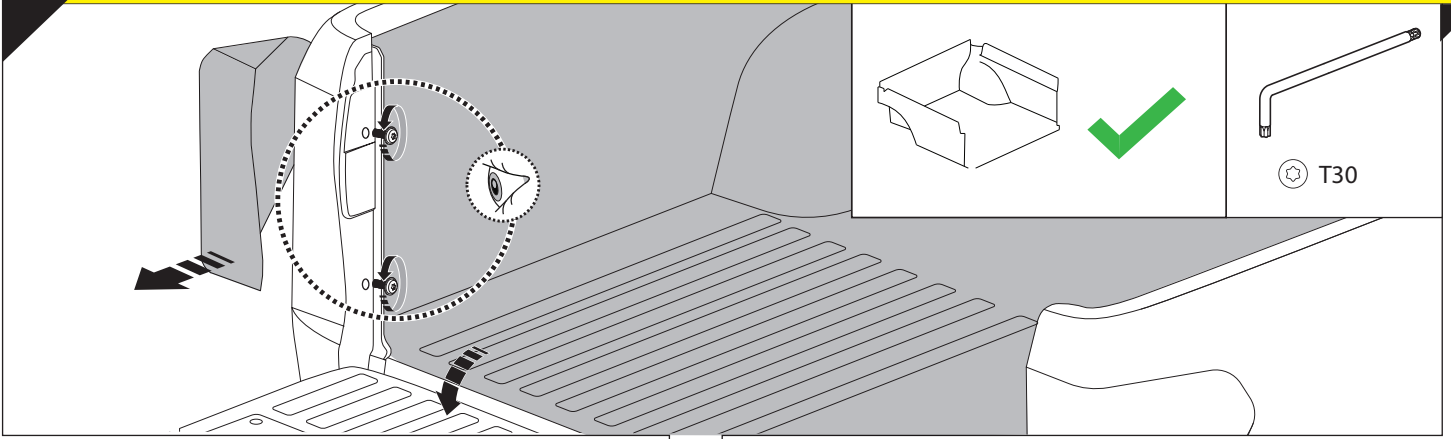


	CAR		TESSERA ROLL+
BEAM		↔	
LICENCE PLATE 2 PIN LIGHT CONNECTOR			
STOP		↔	
TAILGATE CONNECTOR			

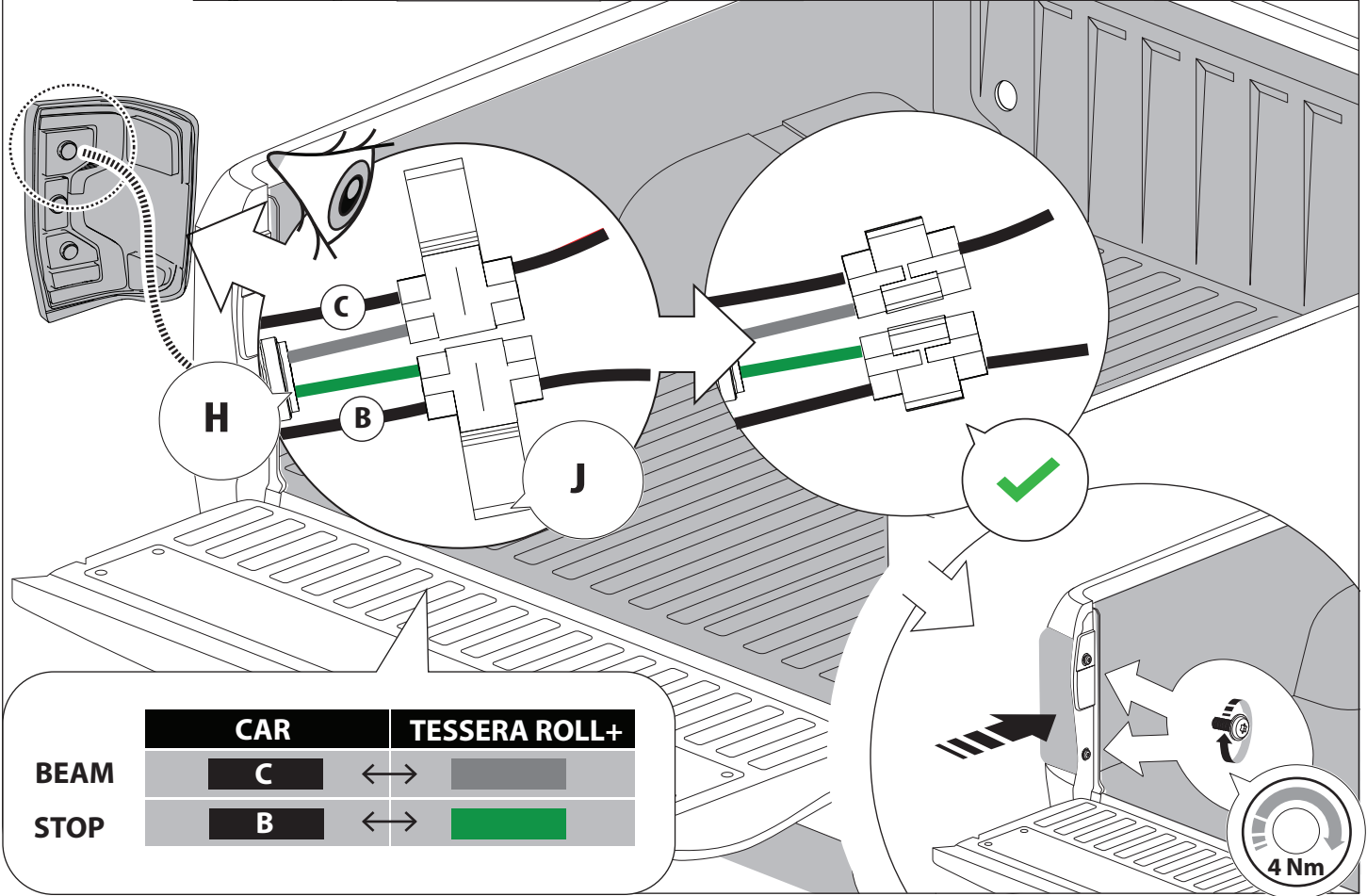
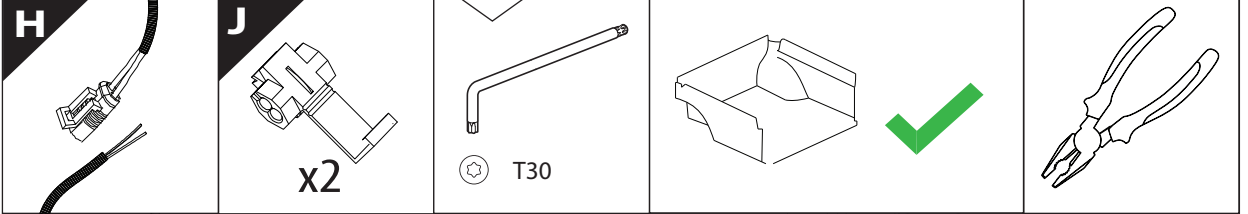
40



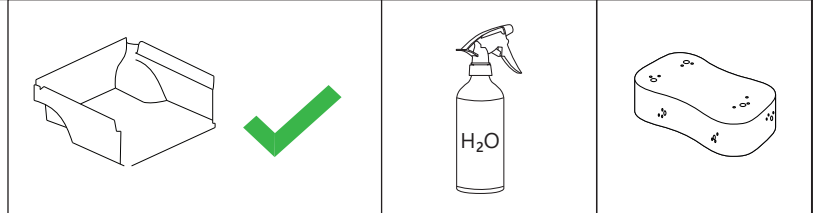
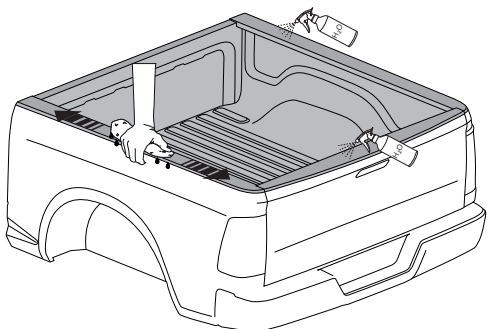
CAUTION: XL, XLT, TREMOR

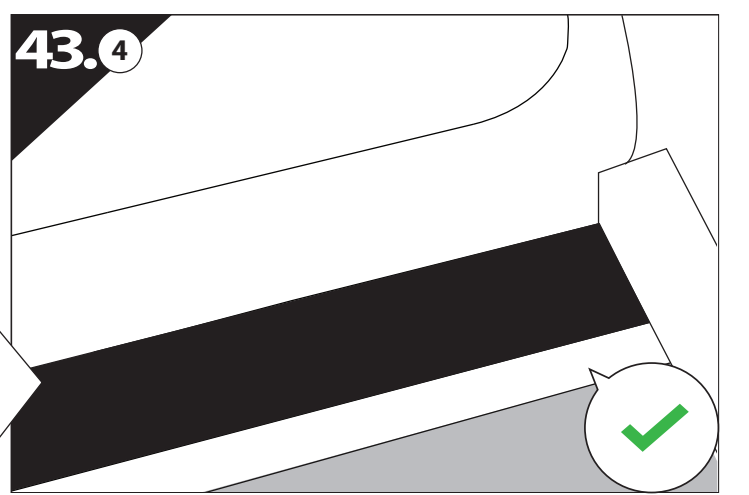
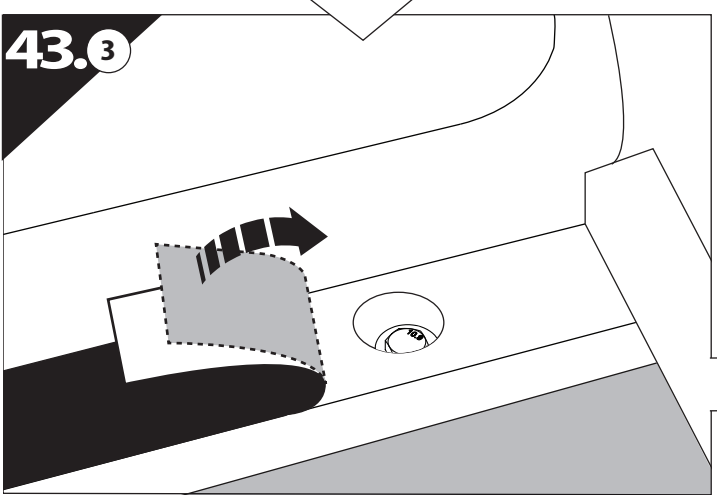
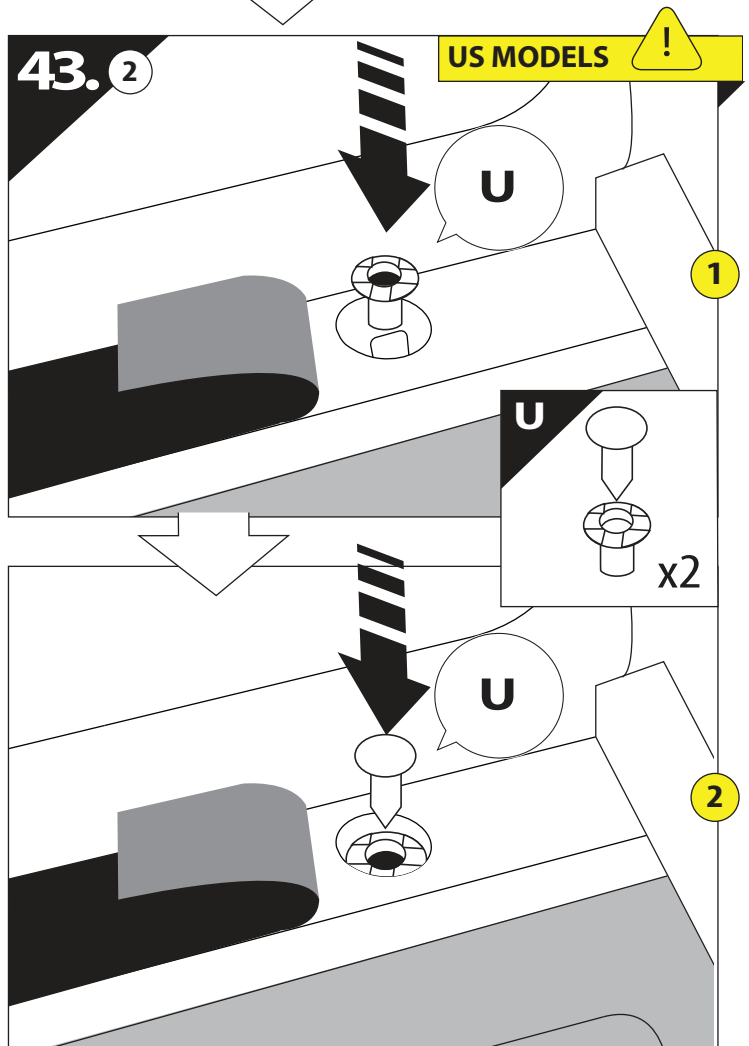
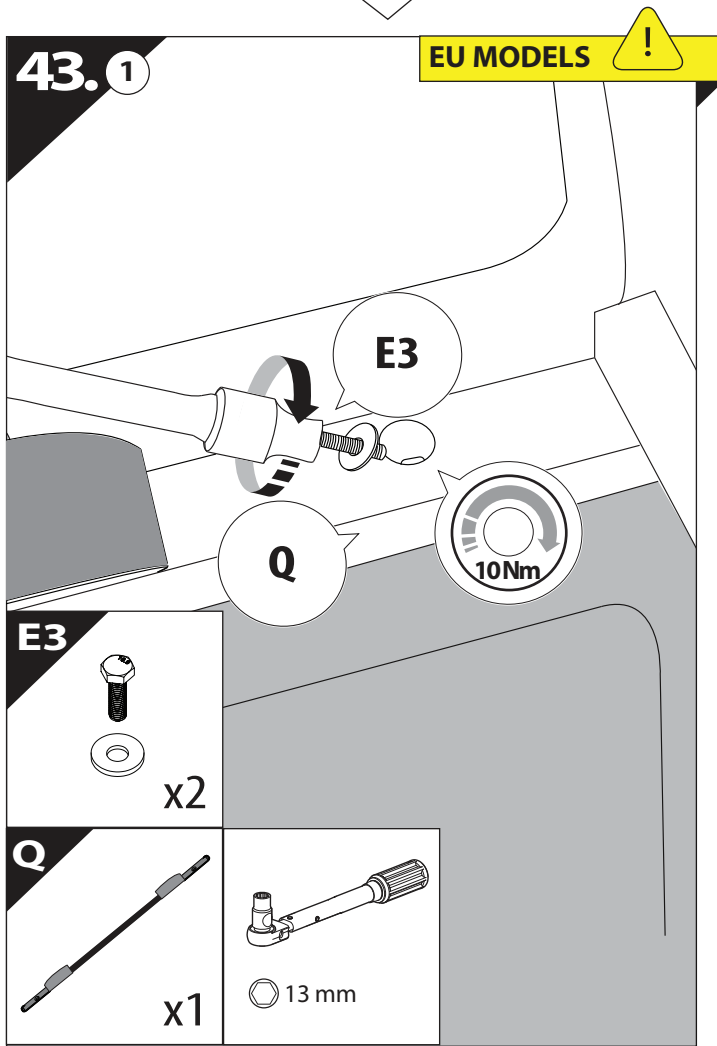
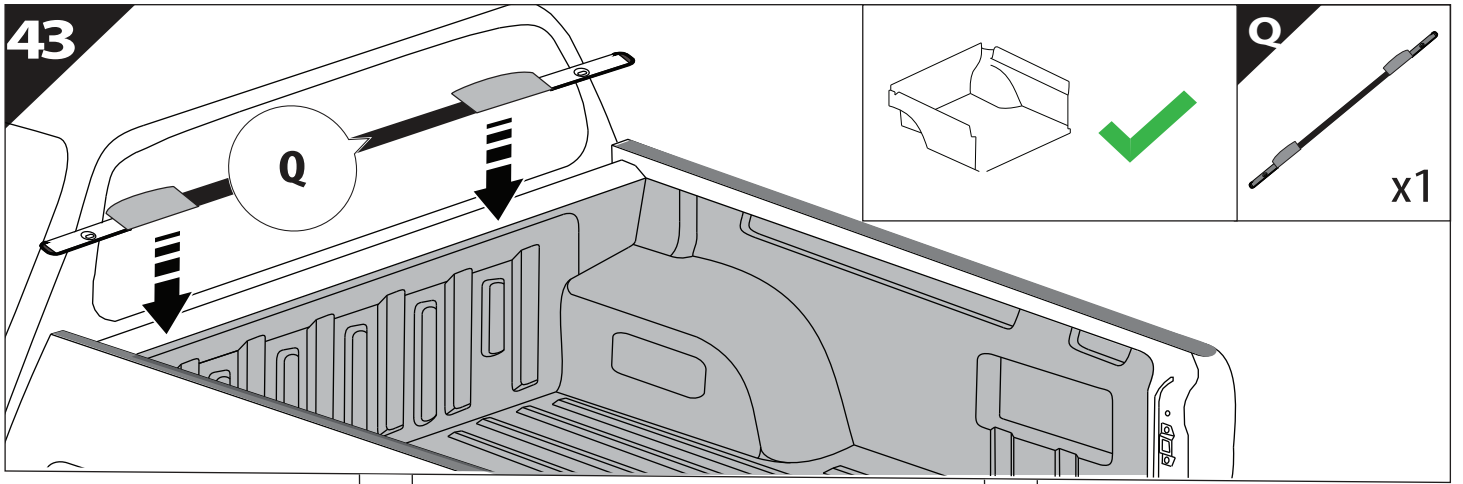


41



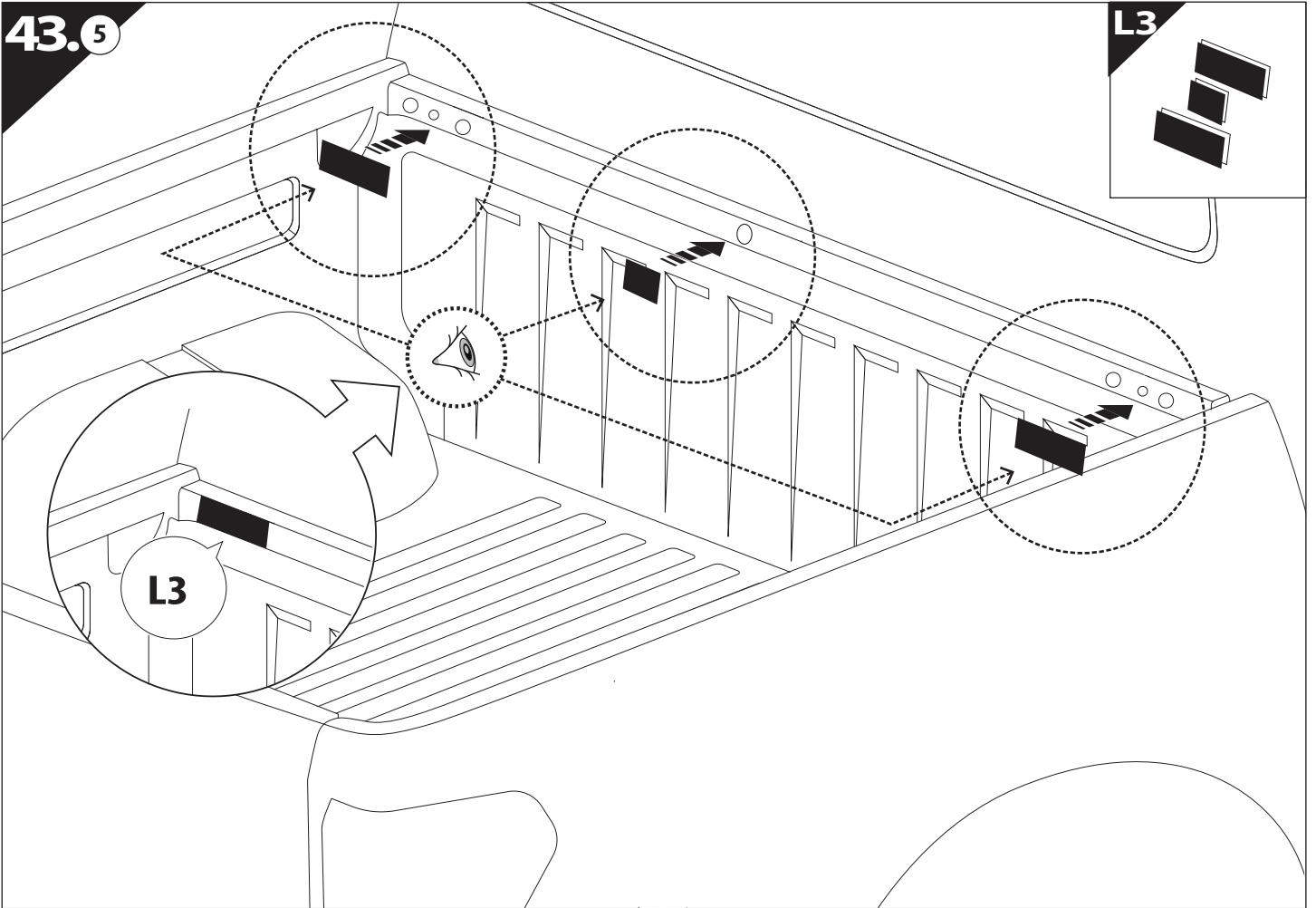
42





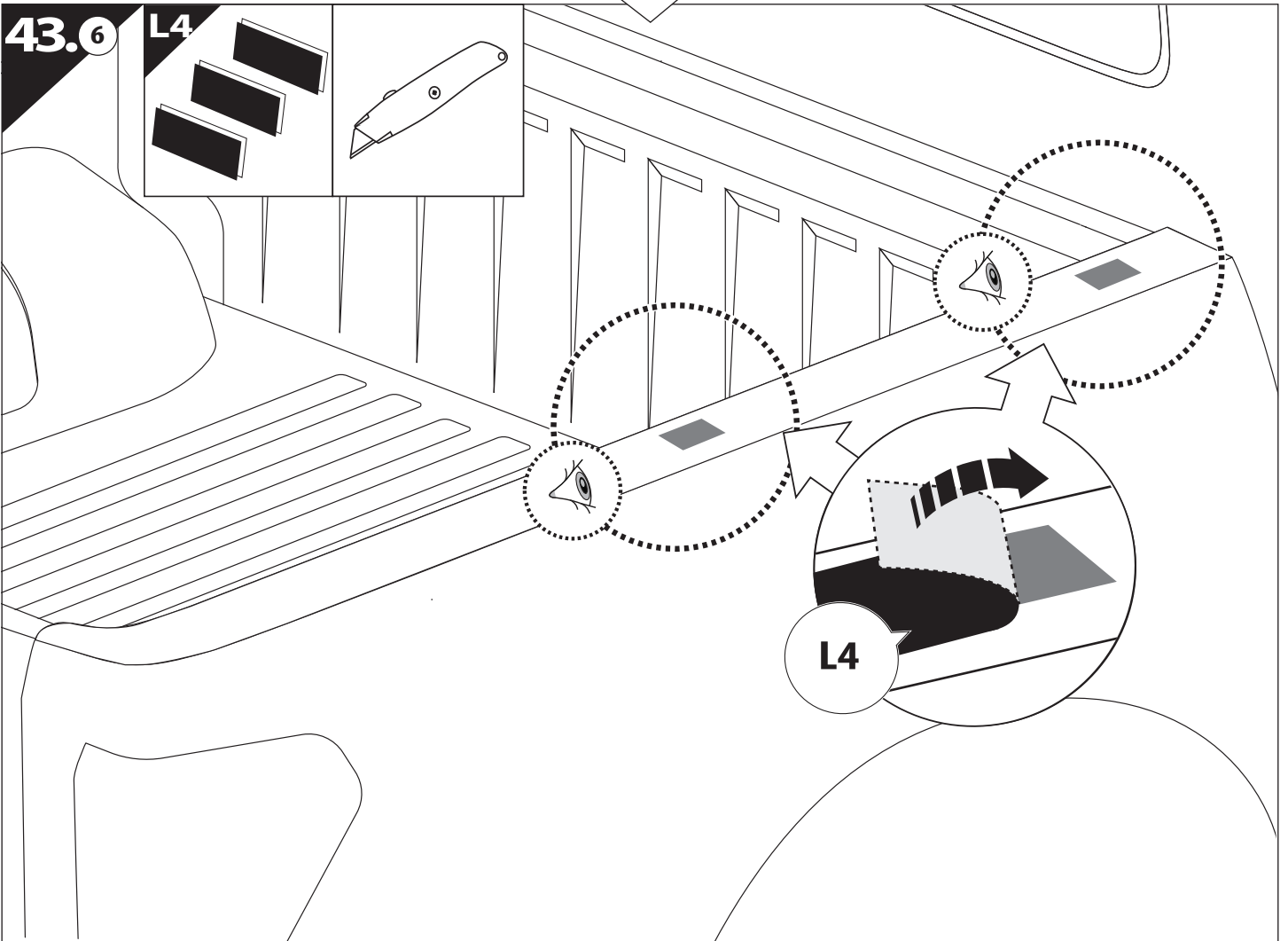
43.6

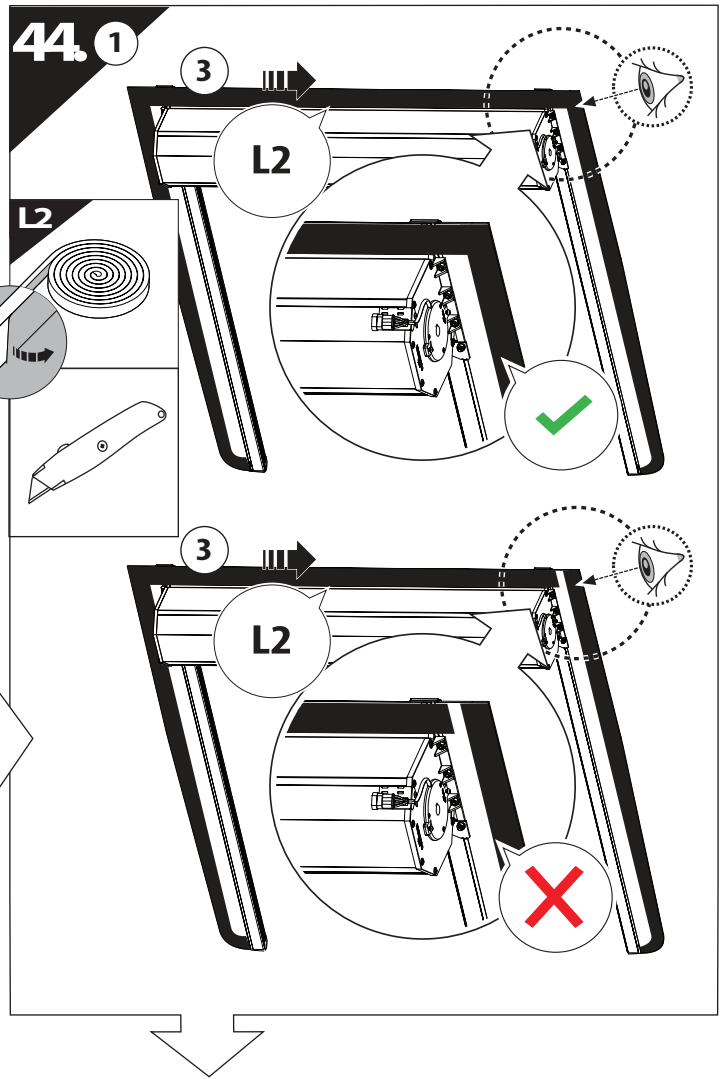
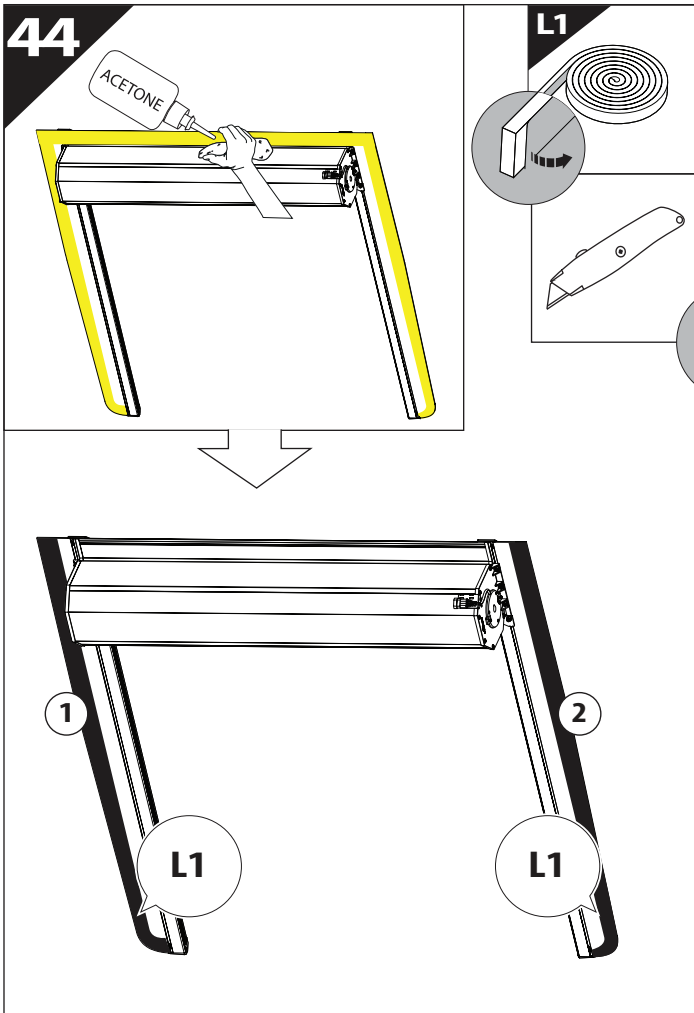
L3

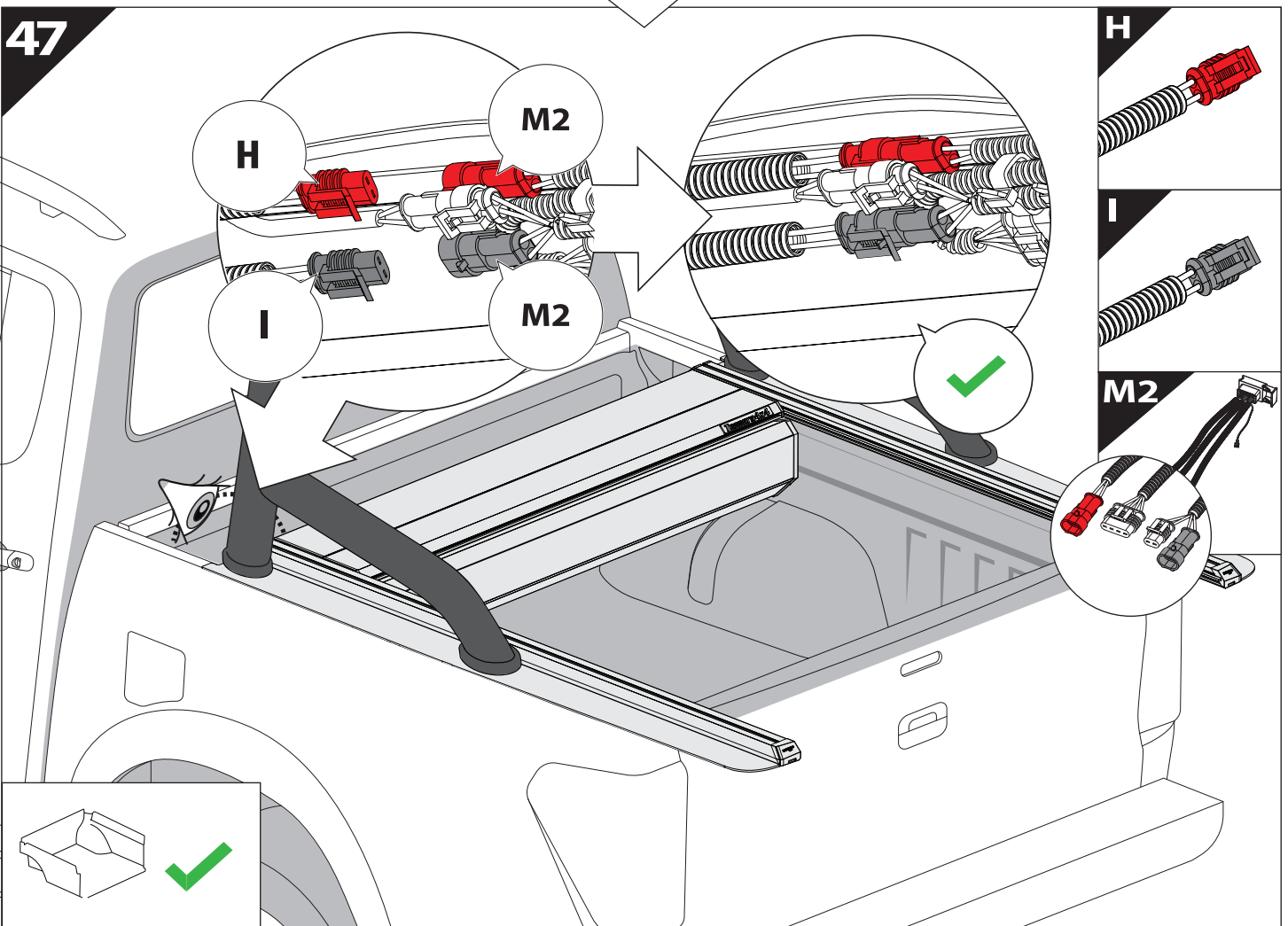
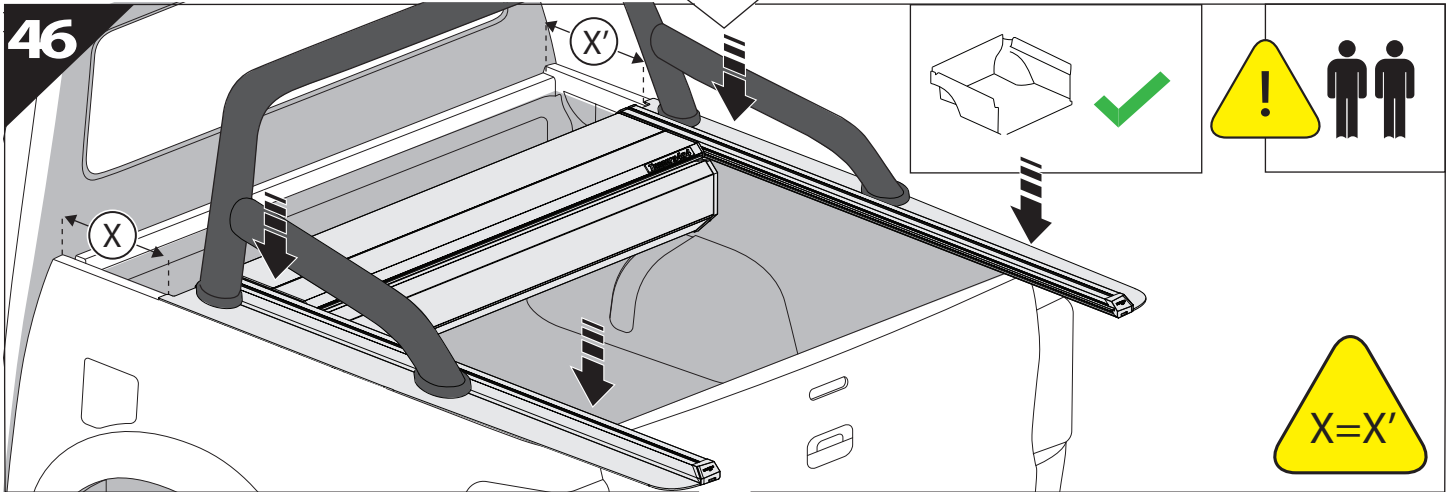
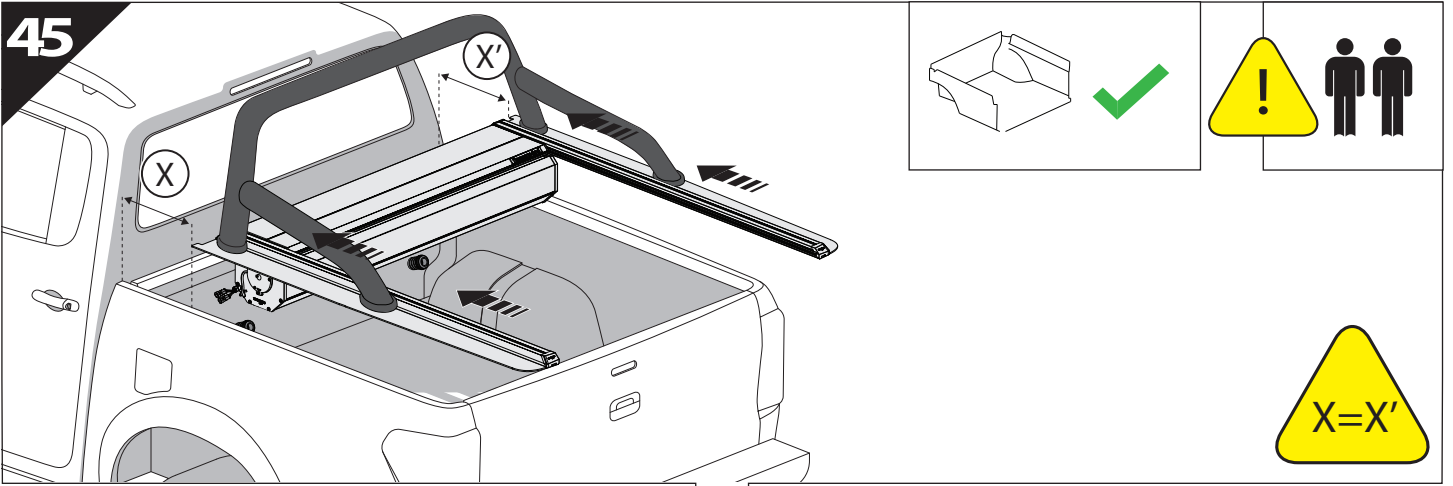


43.6

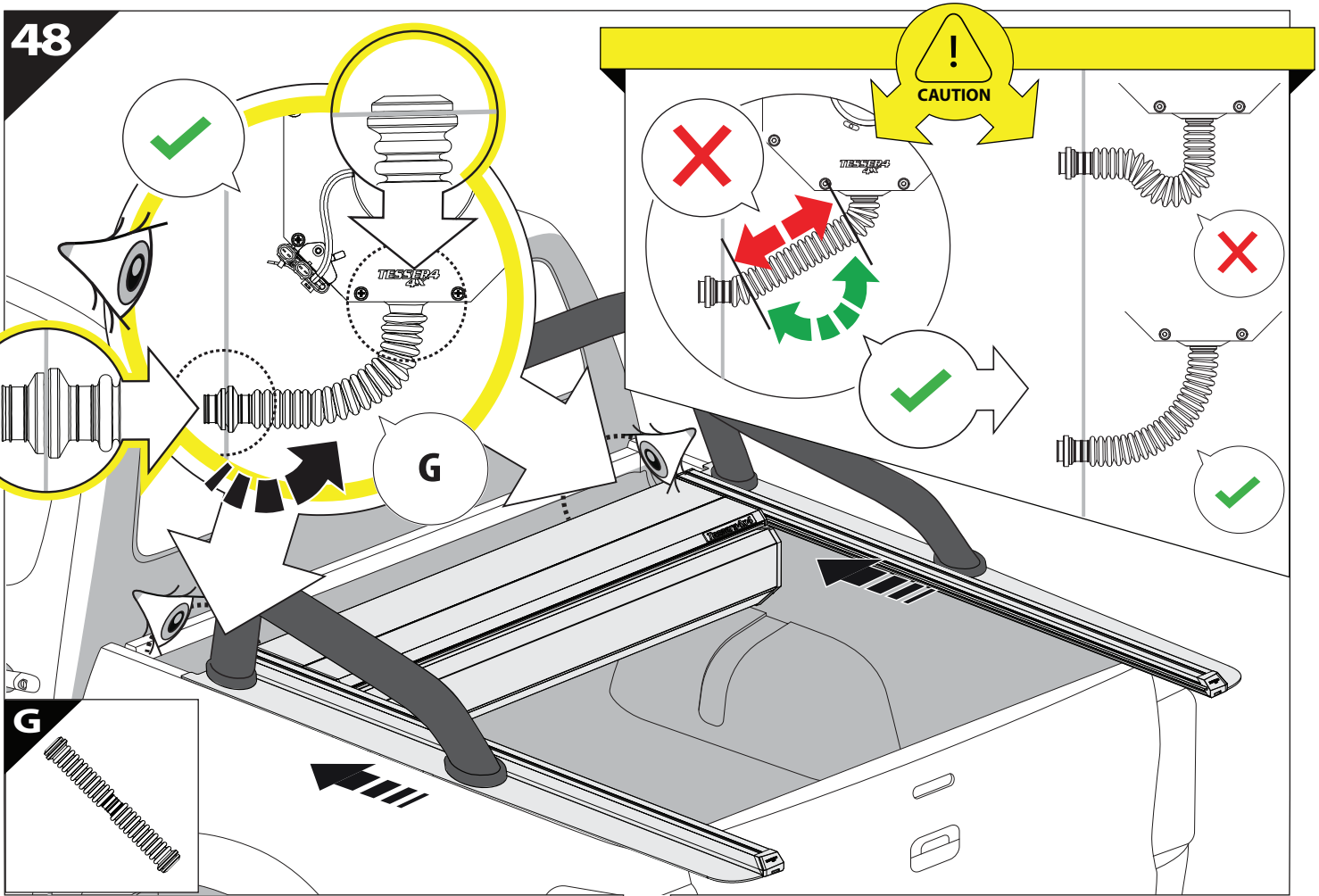
L4



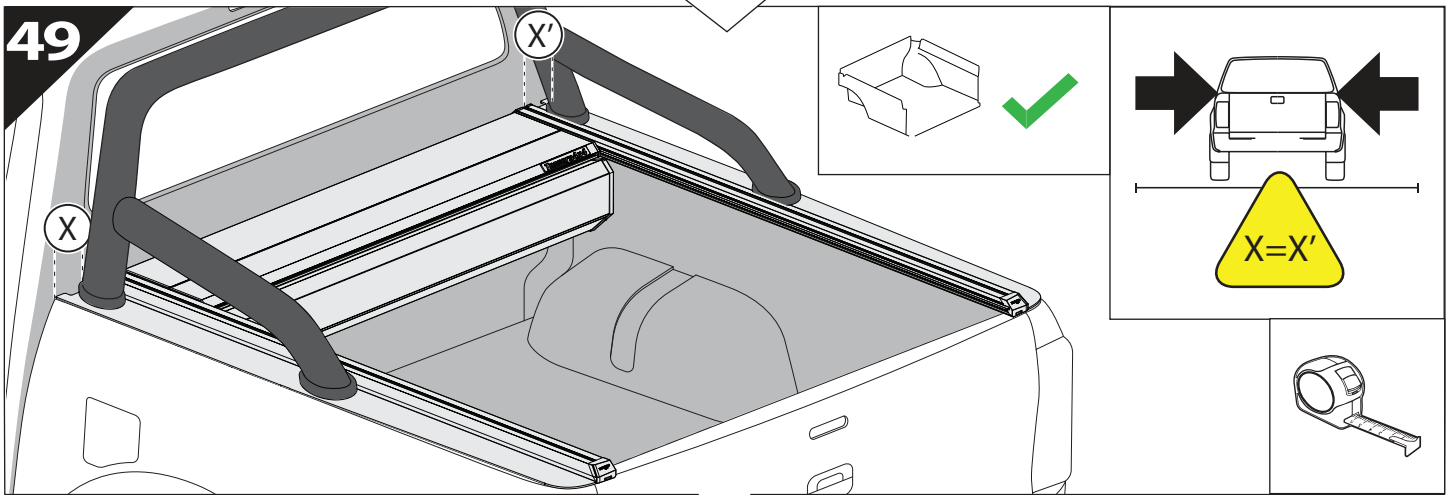




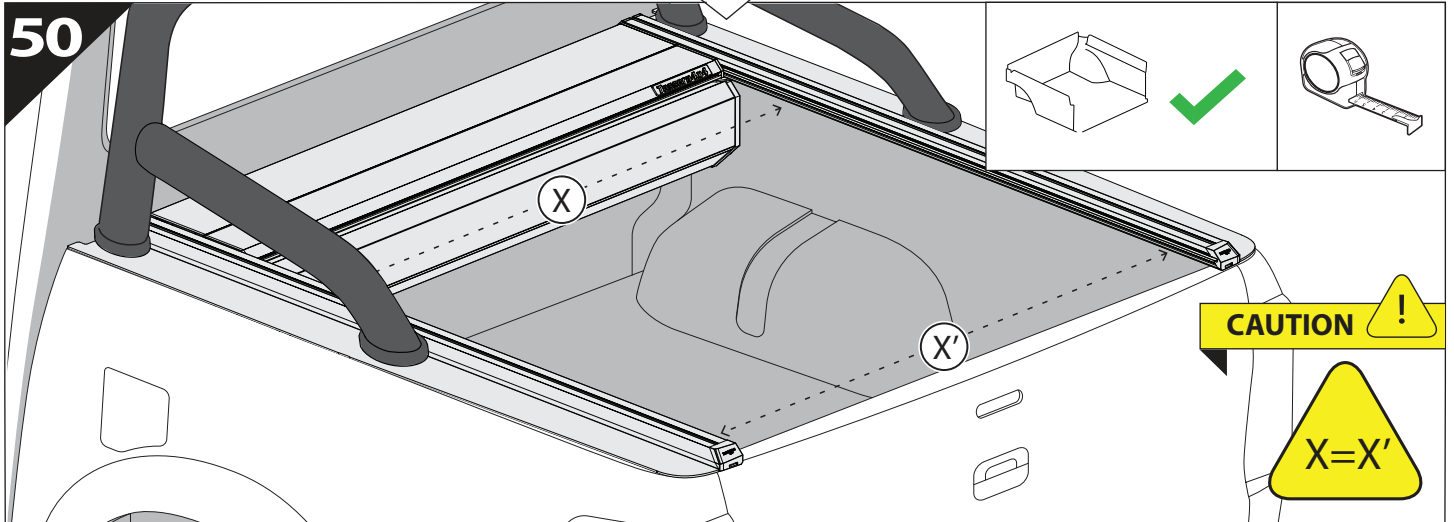
48

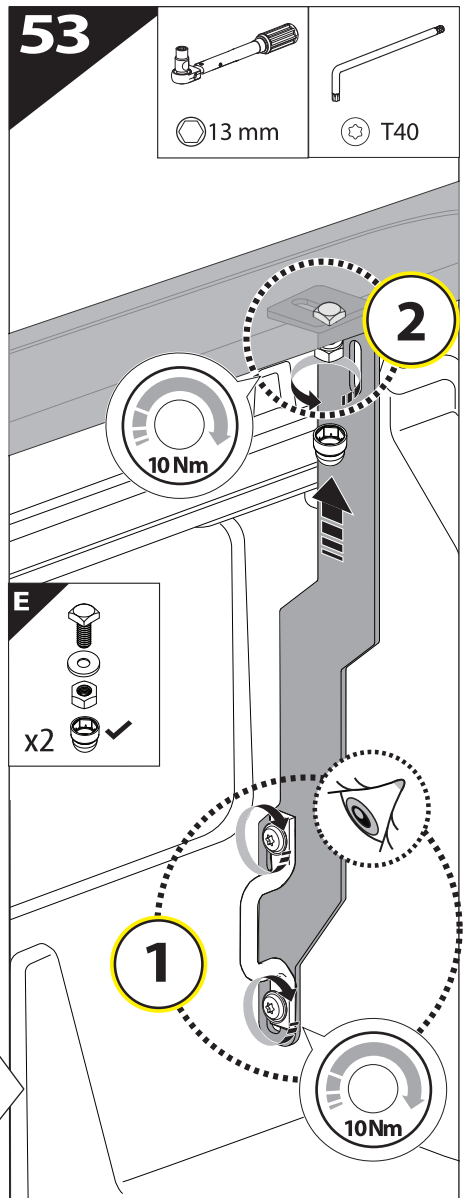
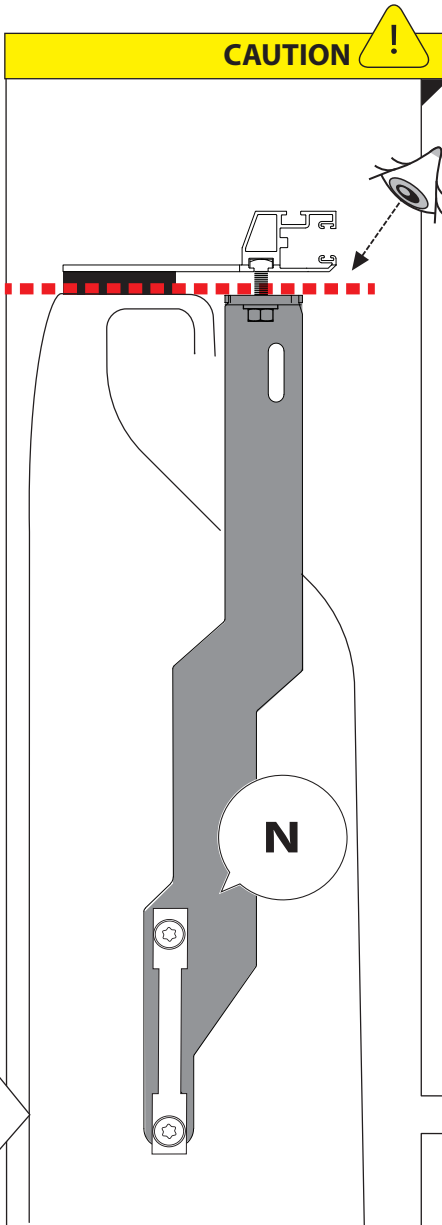
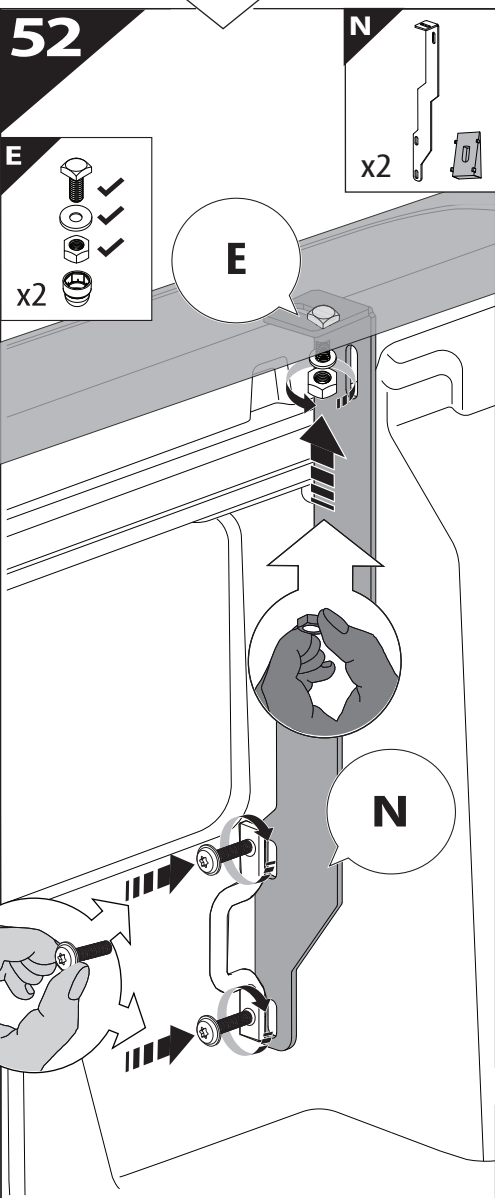
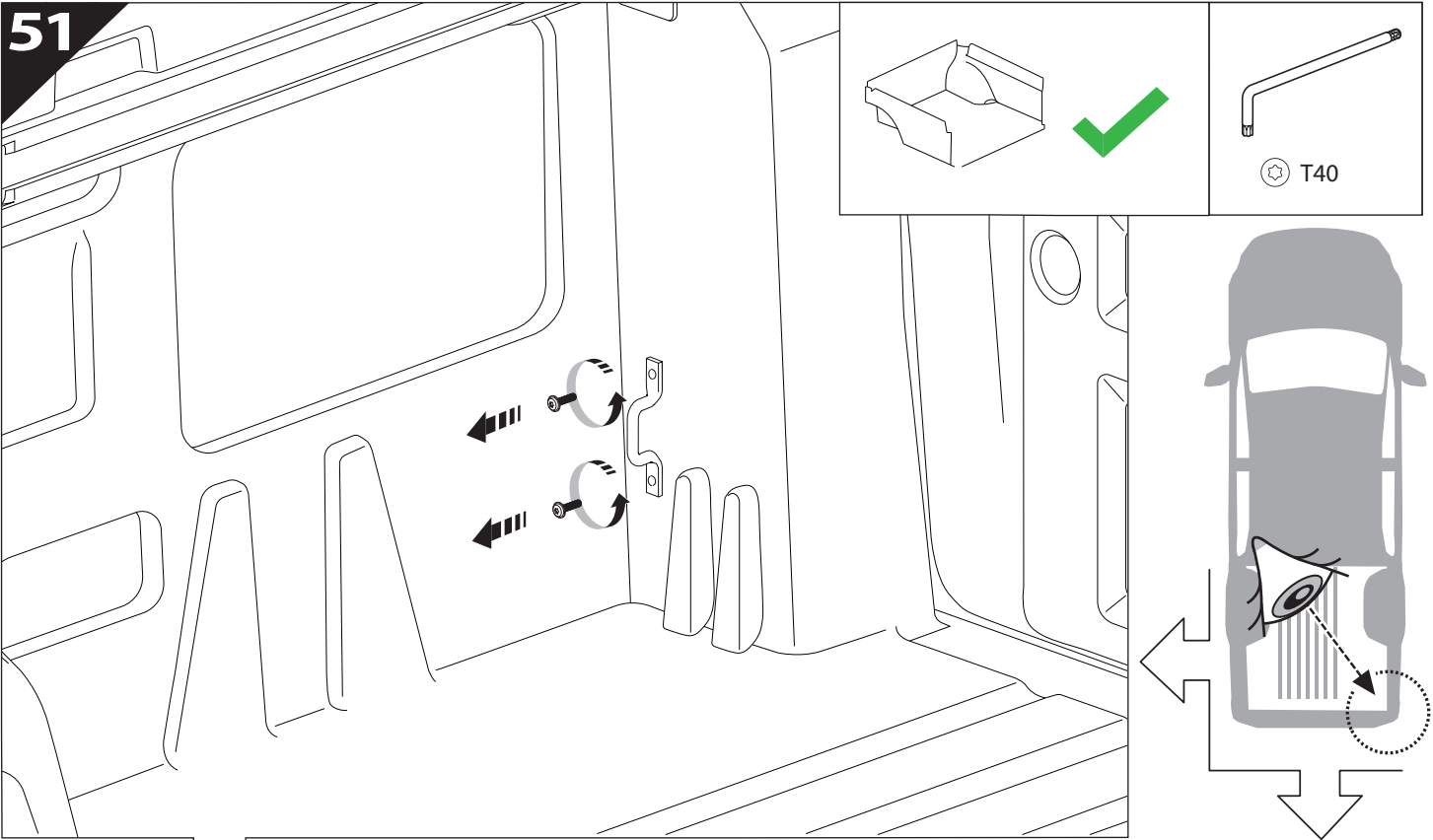


49



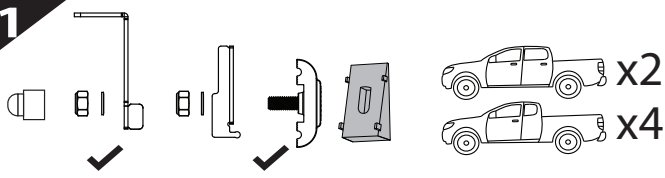
50



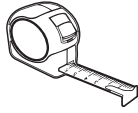
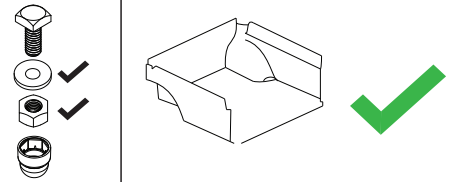




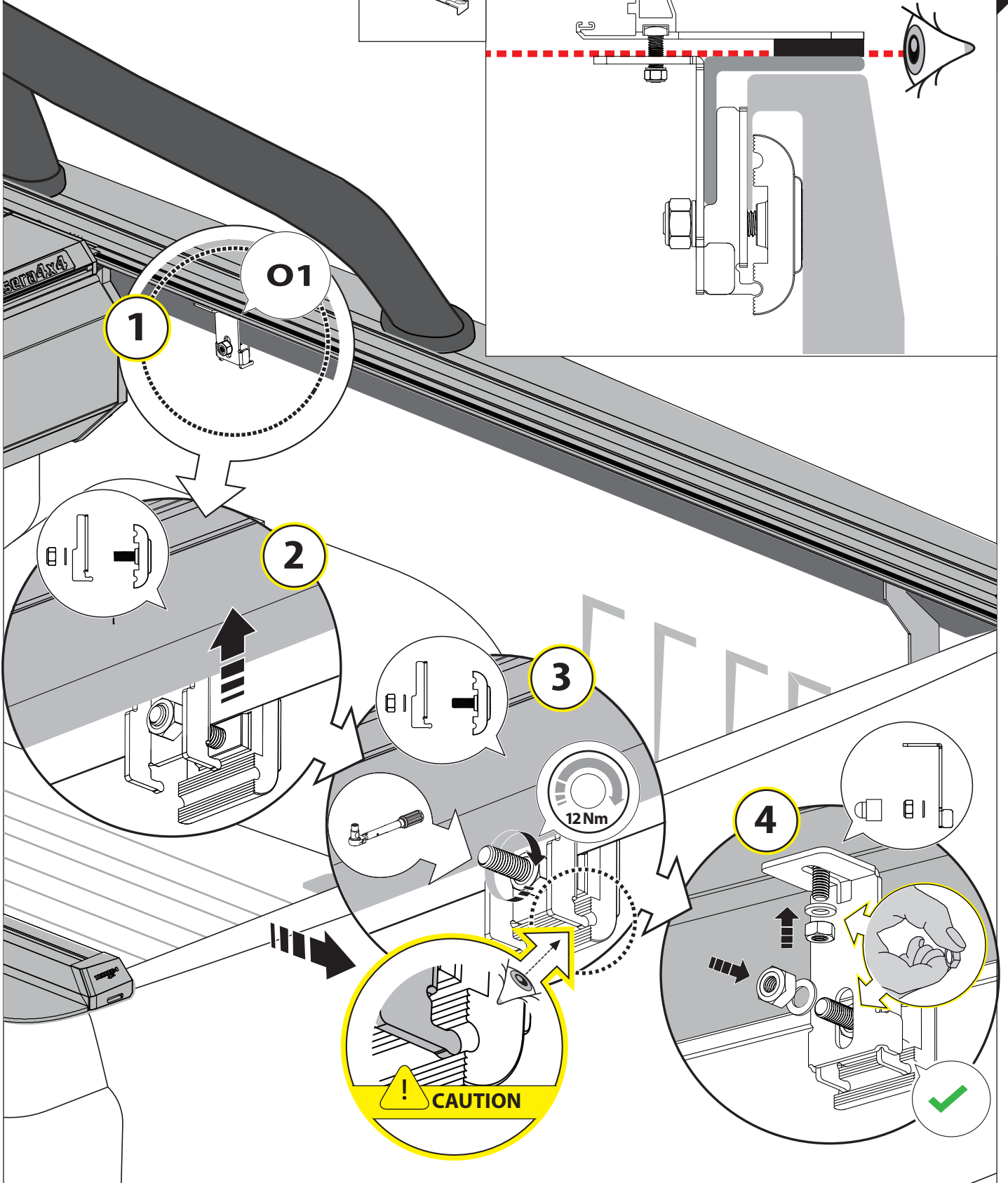
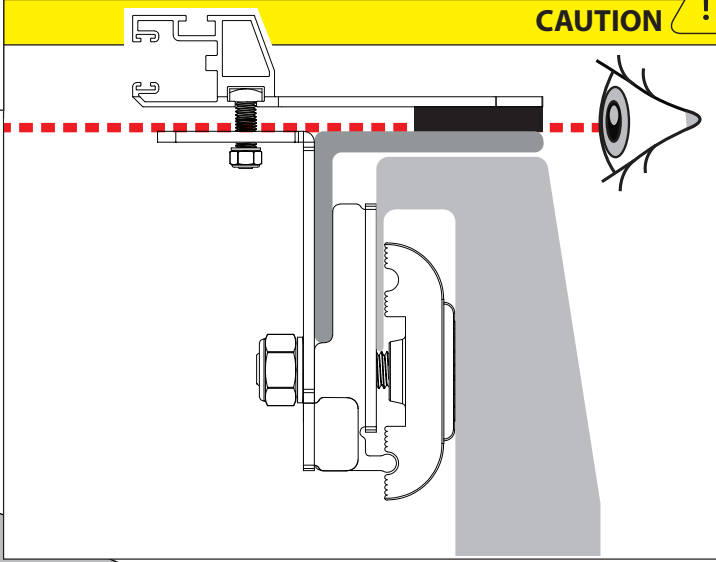
O1



E



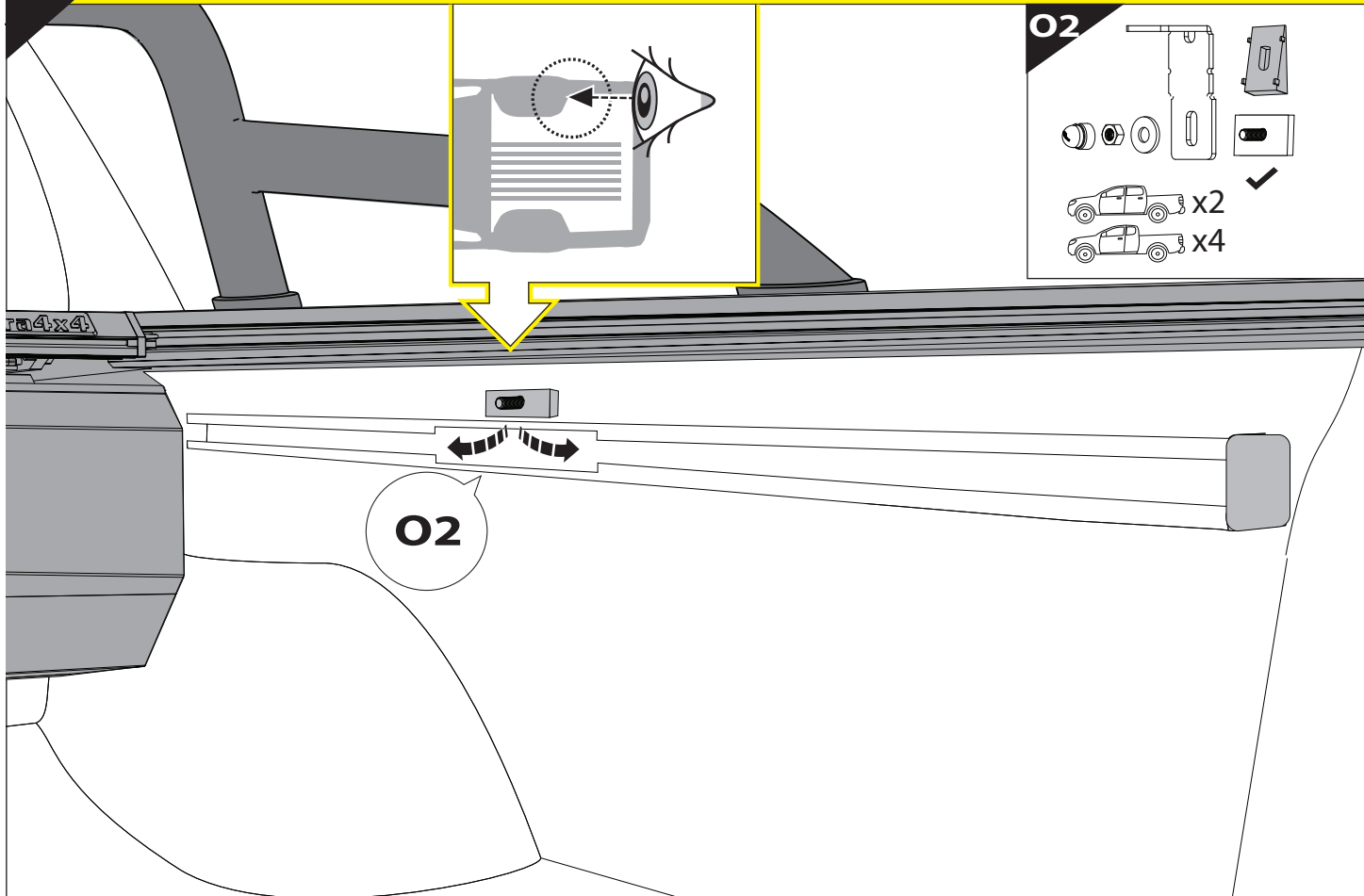
CAUTION



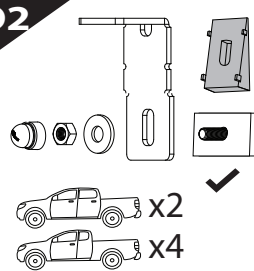
54A



WITH C - CHANNELS



02



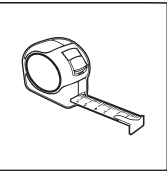
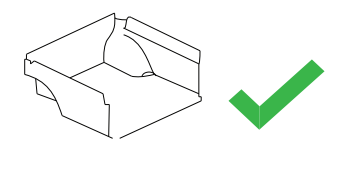
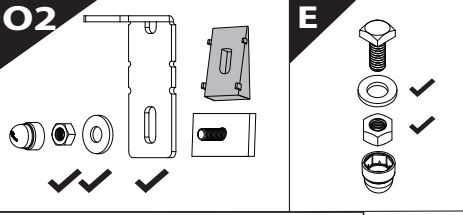
02

54 B

CAUTION !

3 mm

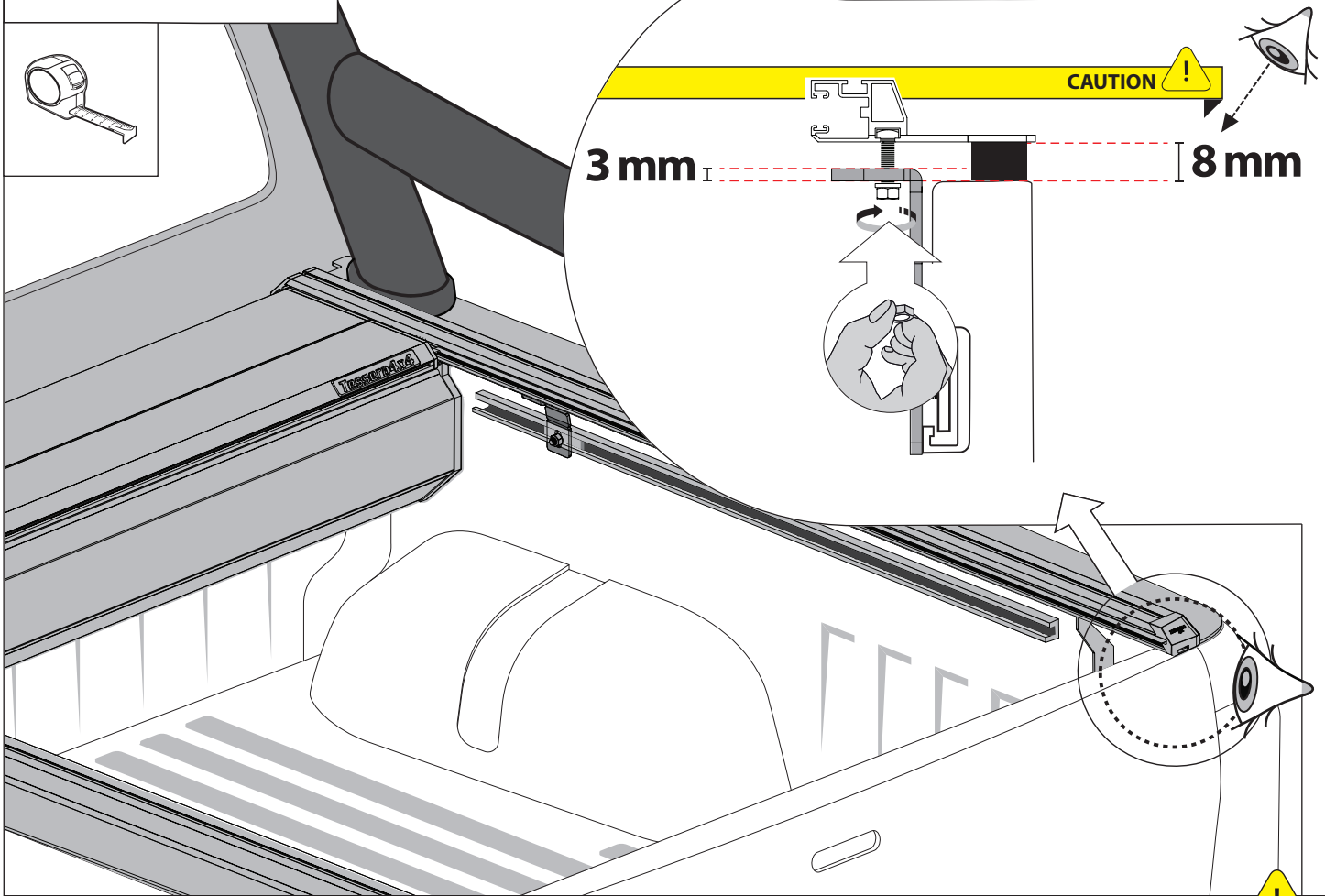
8 mm



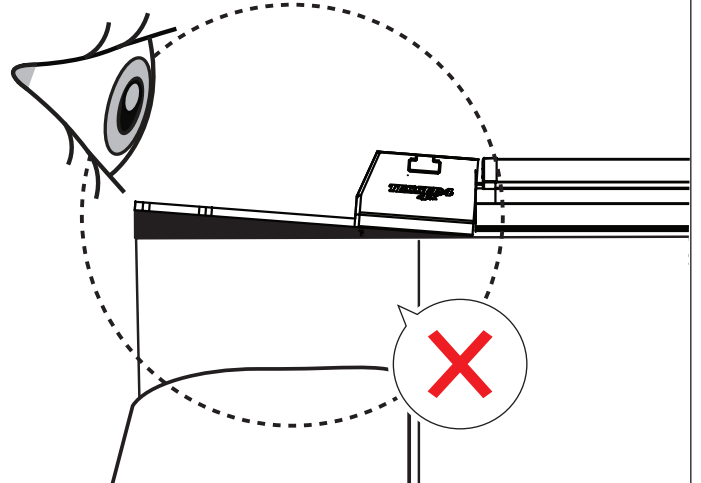
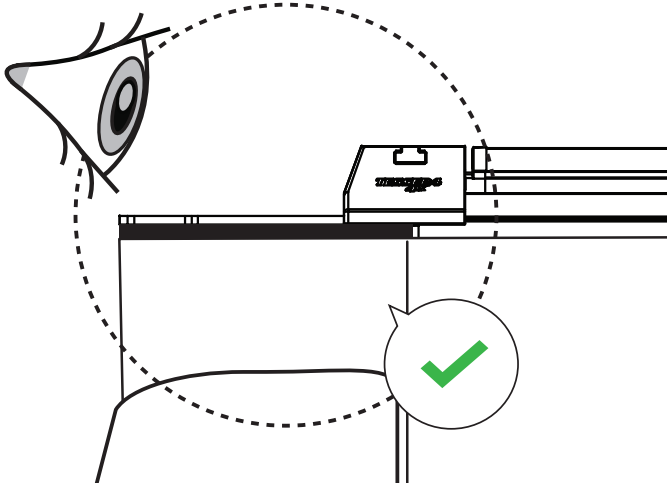
3 mm

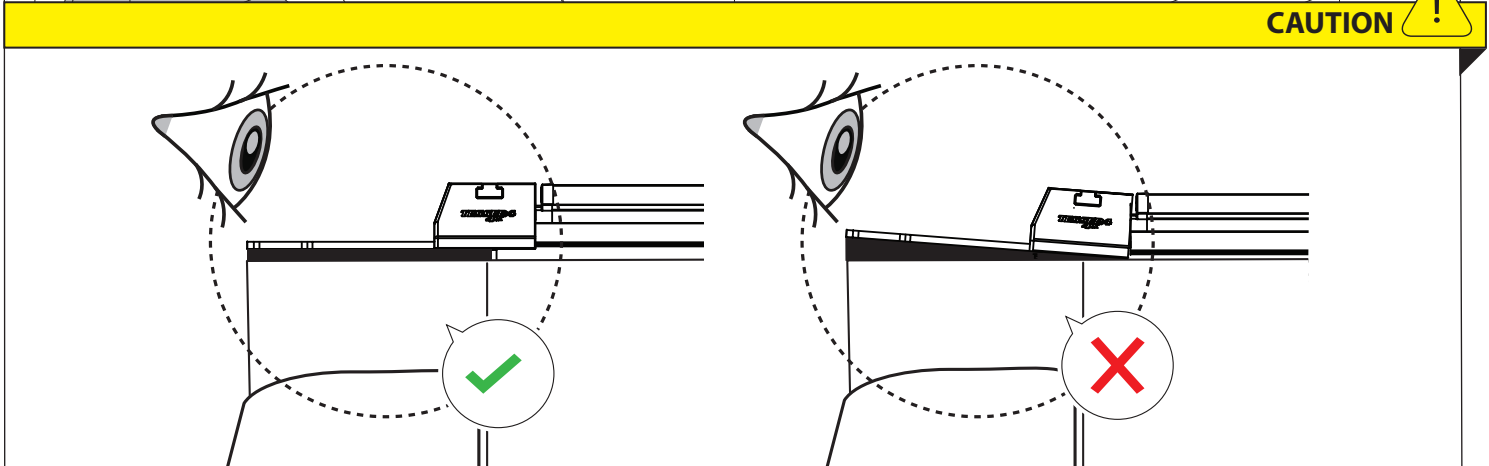
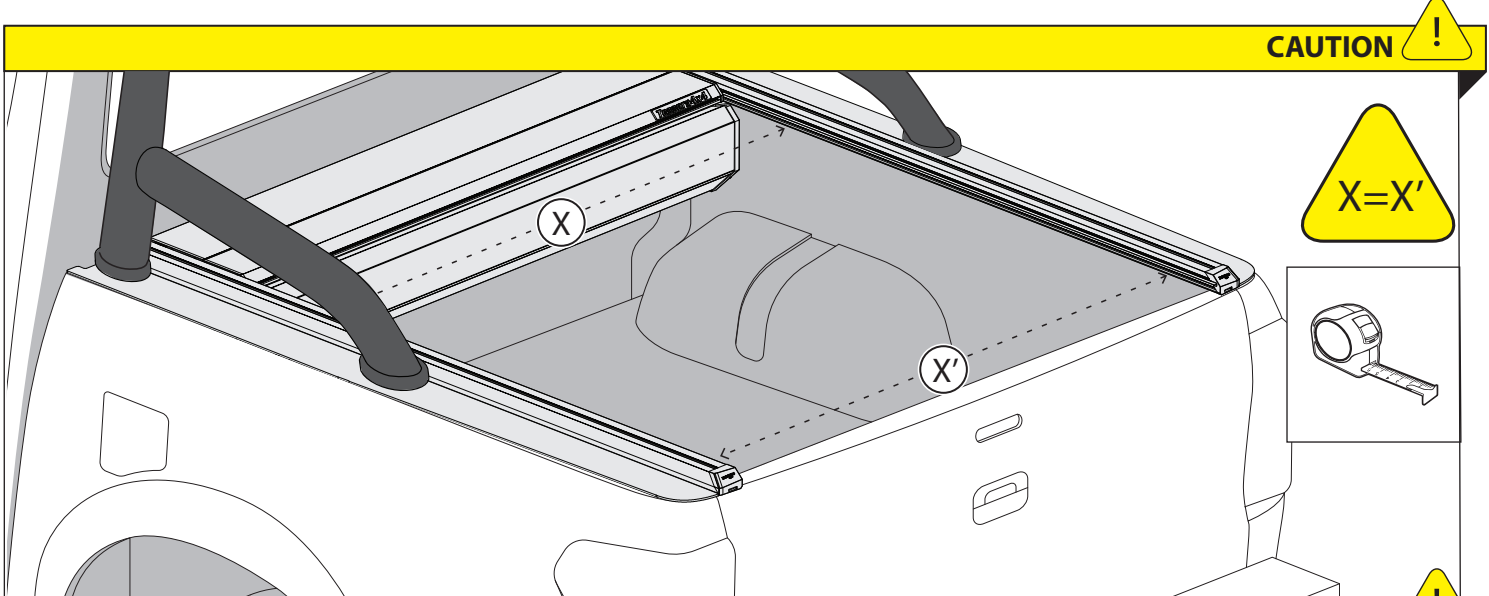
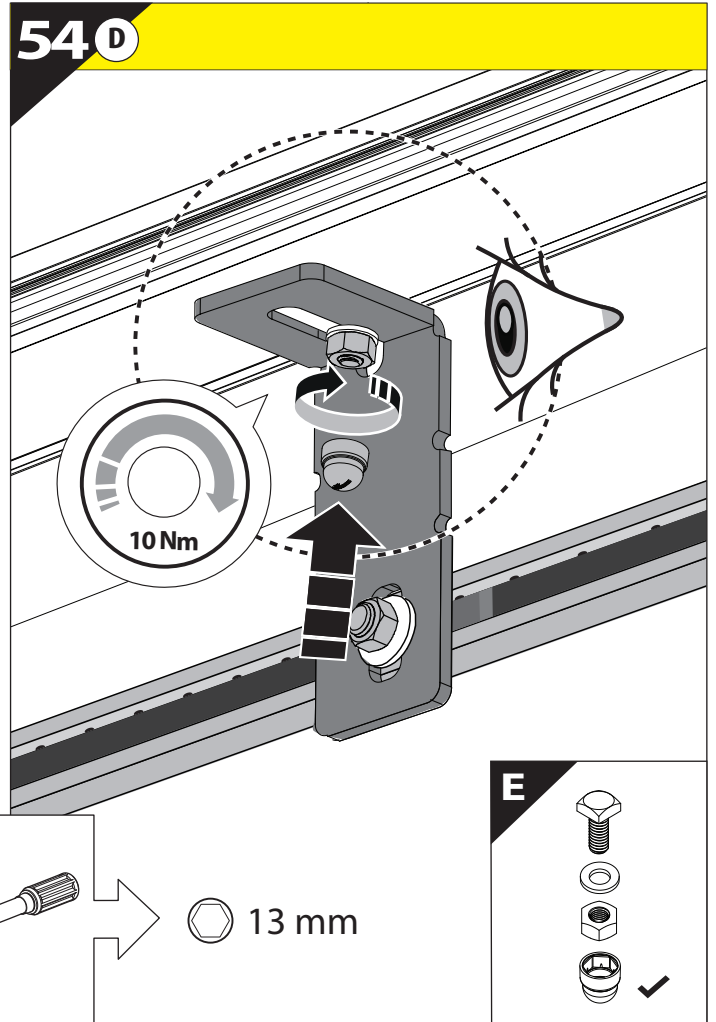
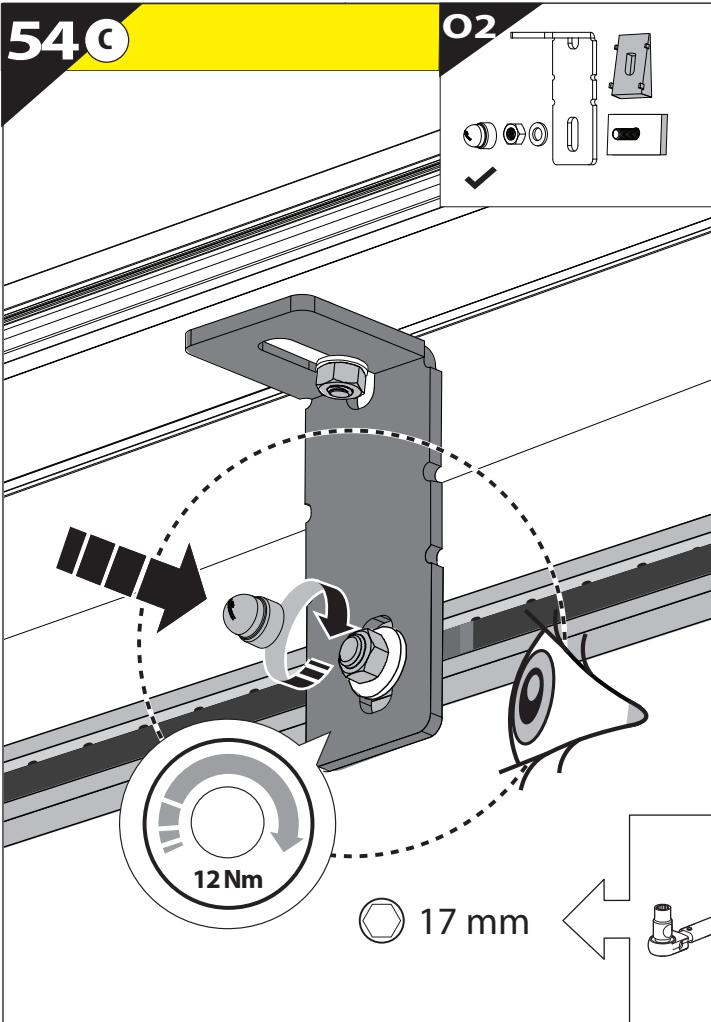
CAUTION !

8 mm

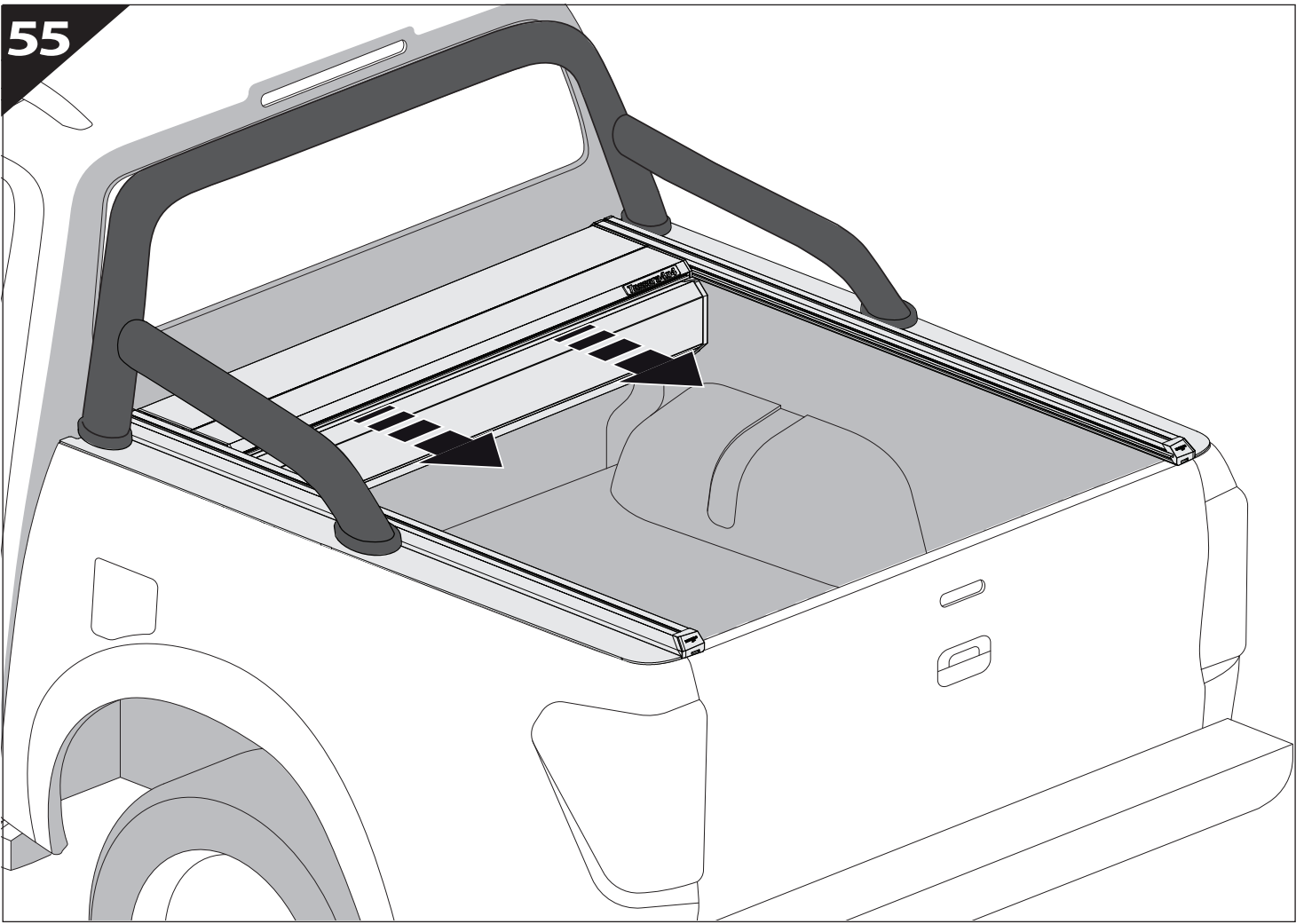


CAUTION !

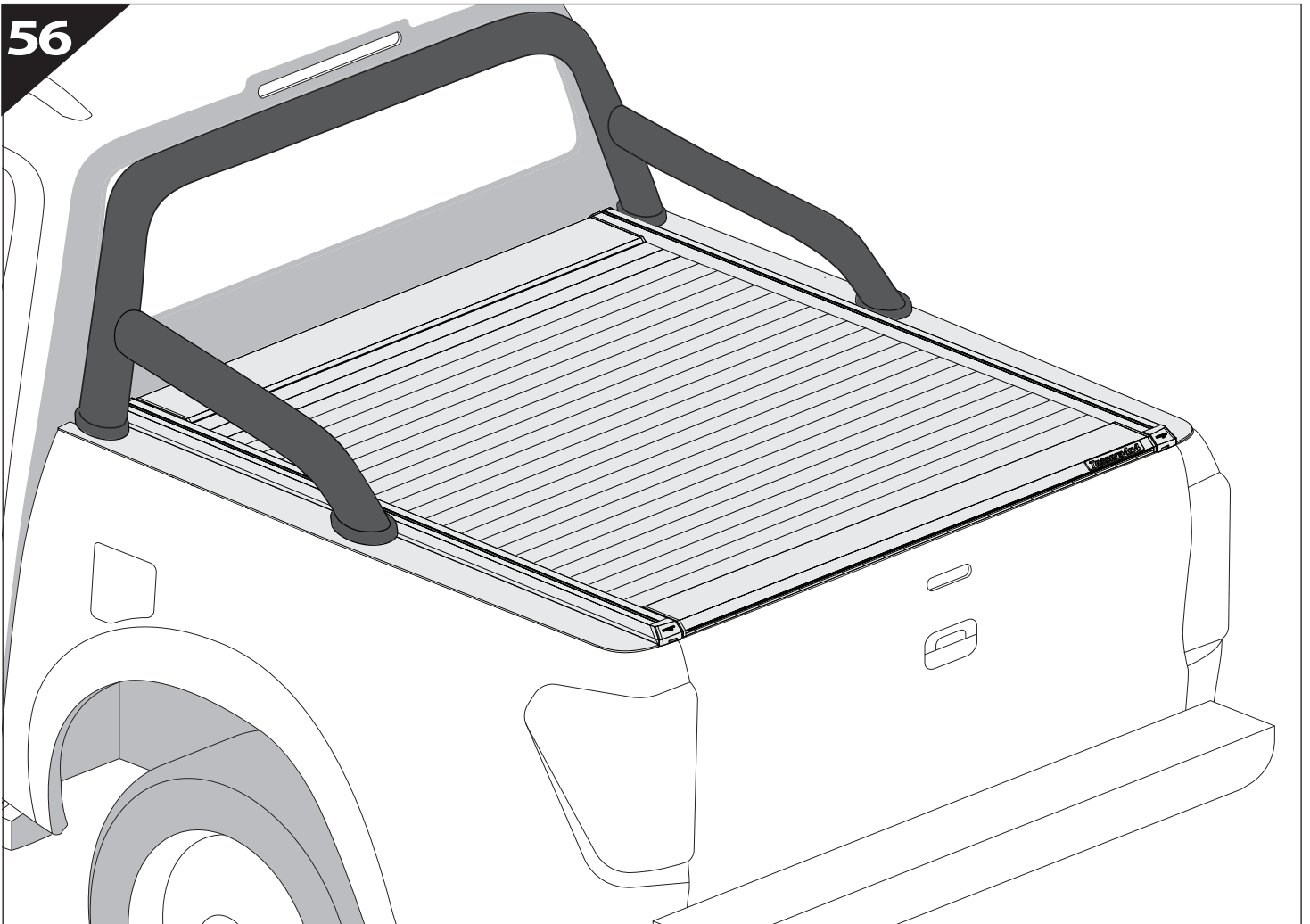




55



56





GR: Οδηγίες Εγκατάστασης
GB: Installation manual
SF: Asennusohje
F: Notice de montage
PL: Instrukcja montażu
NL: Installatie-instructies
TR: Montaj Talimatı
S: Monteringsanvisning
E: Instrucciones de montaje

H: Szerelési utasítás
P: Instruções de instalação
RUS: Инструкция по установке
N: Monteringsveiledning
D: Einbauanleitung
CZ: Návod k instalaci
I: Istruzioni de montaggio
DK: Monteringsvejledning
RO: Instructiuni de instalare

Customer Service:

+30 (210) 5541161, +30 (210) 5541154 (08:00 - 16:00 EET)

Support department:

info@gianso.gr

Website:

www.tessera4x4.com

Address:

19.5 km of National road Athens-Korinthos (Elefsina) Greece, P.C: 19200