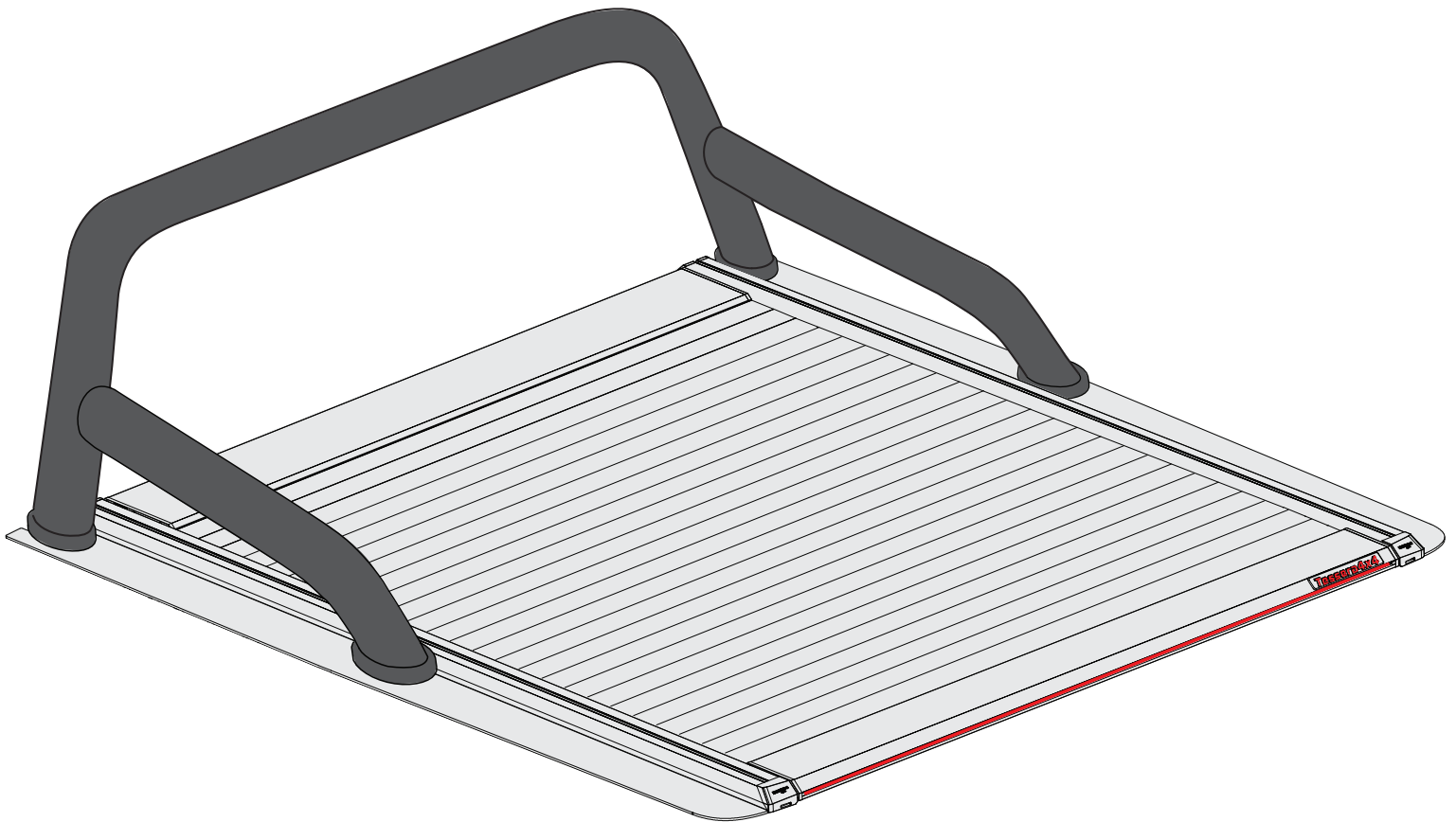


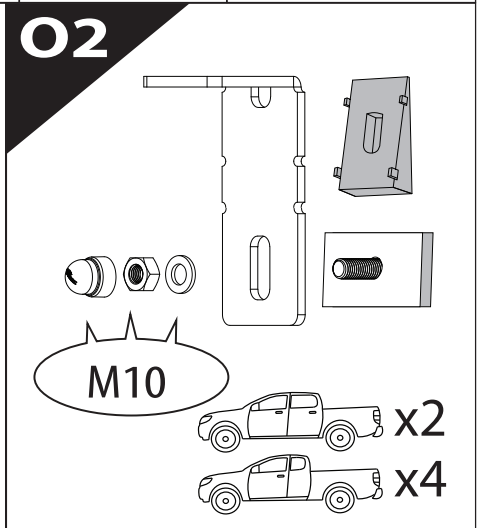
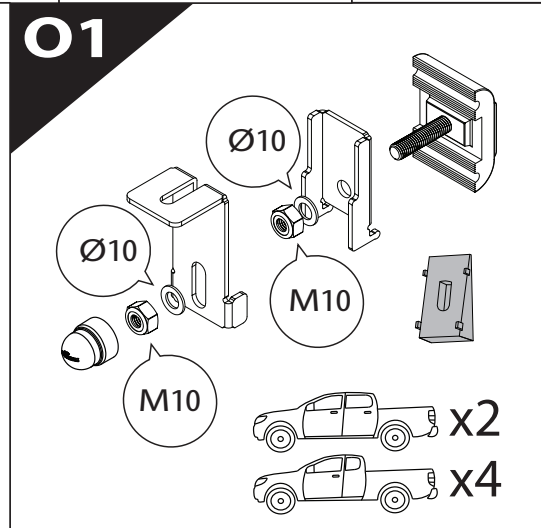
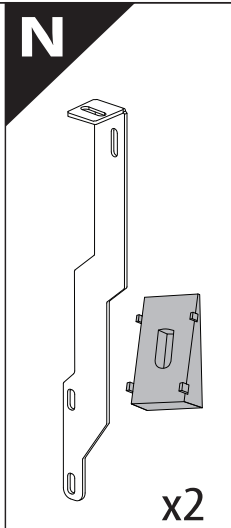
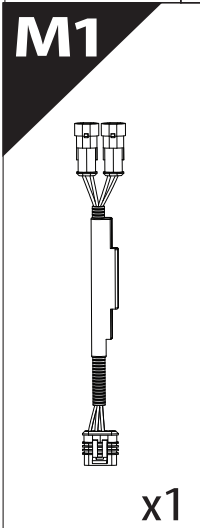
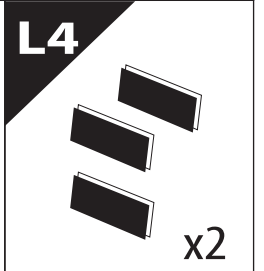
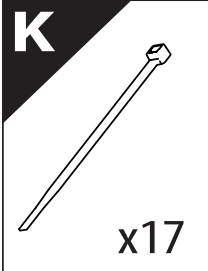
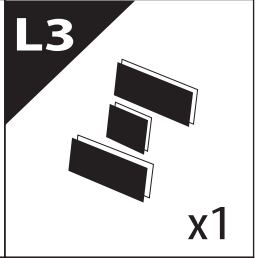
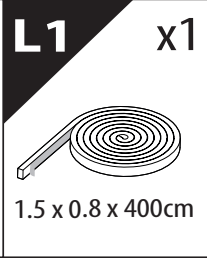
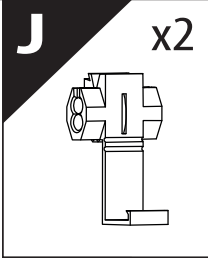
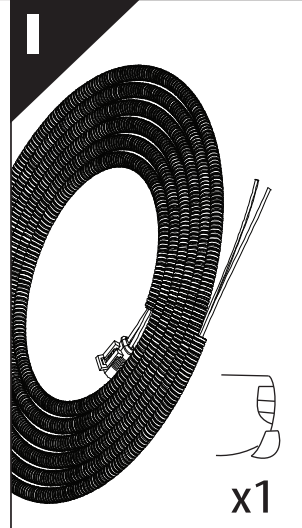
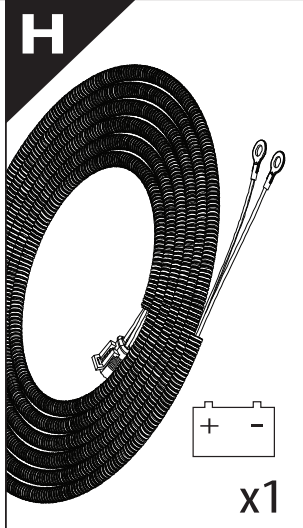
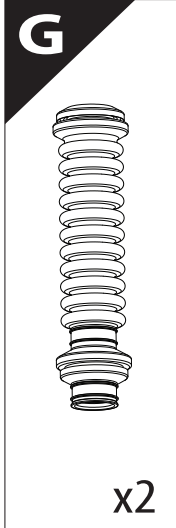
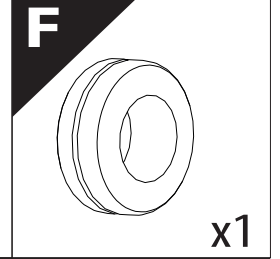
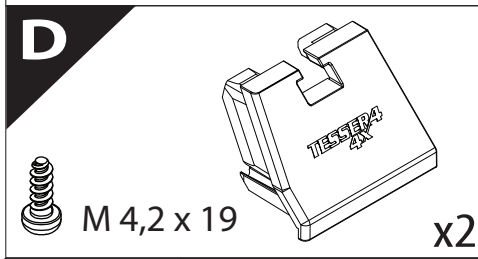
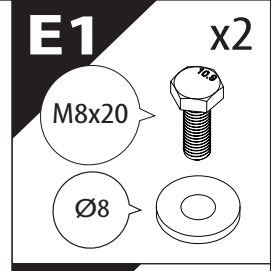
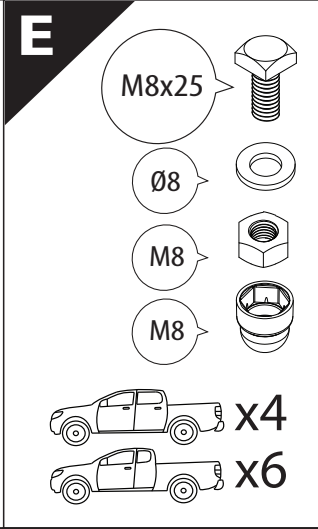
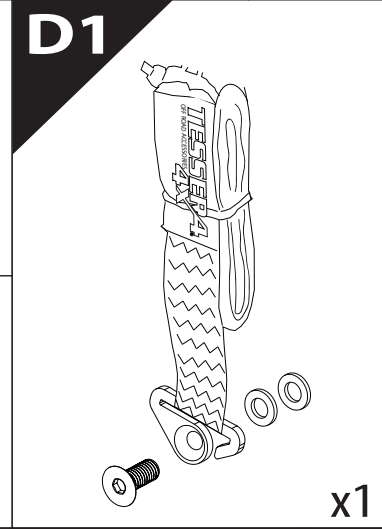
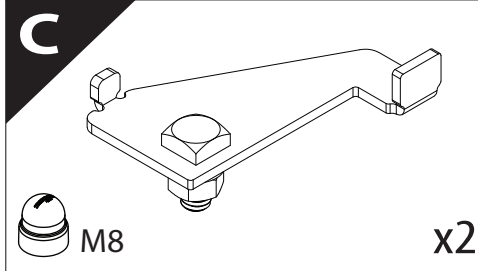
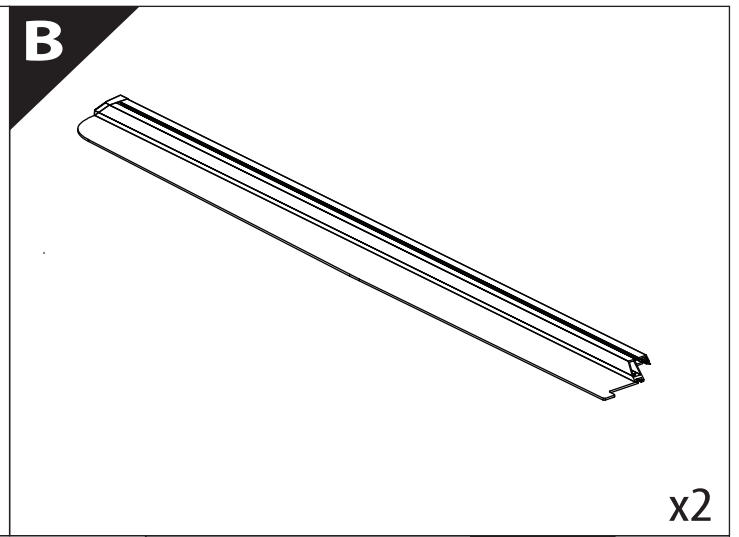
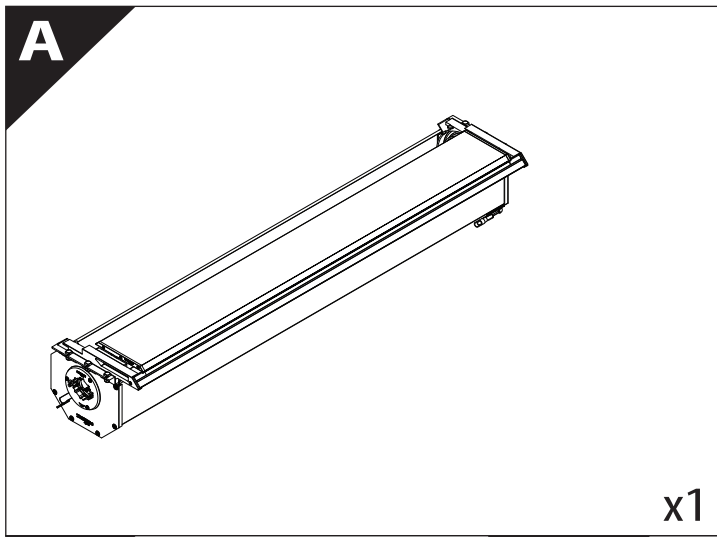
Tessera Roll+

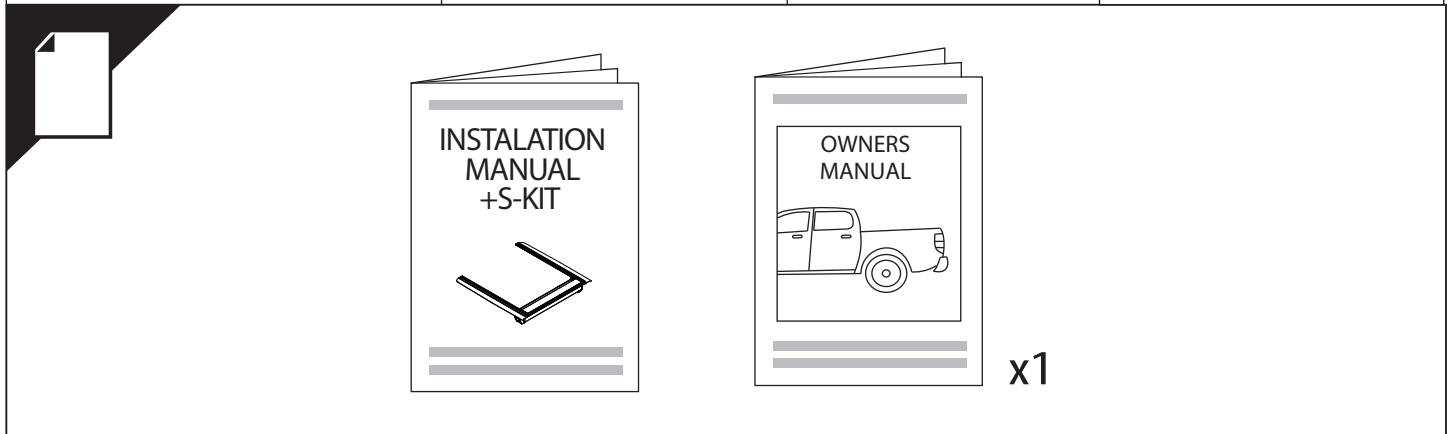
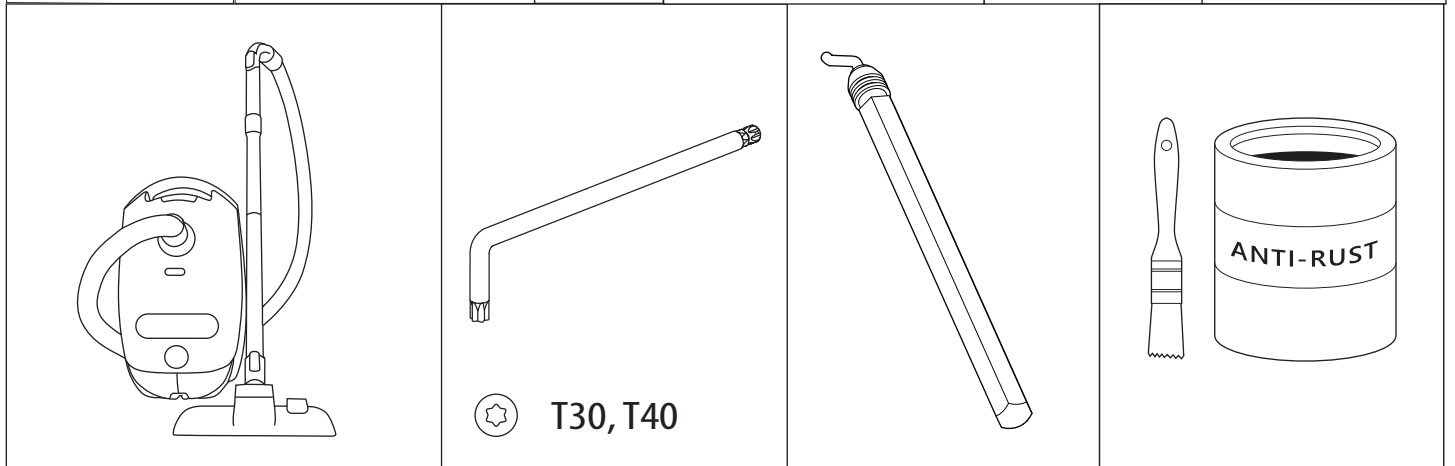
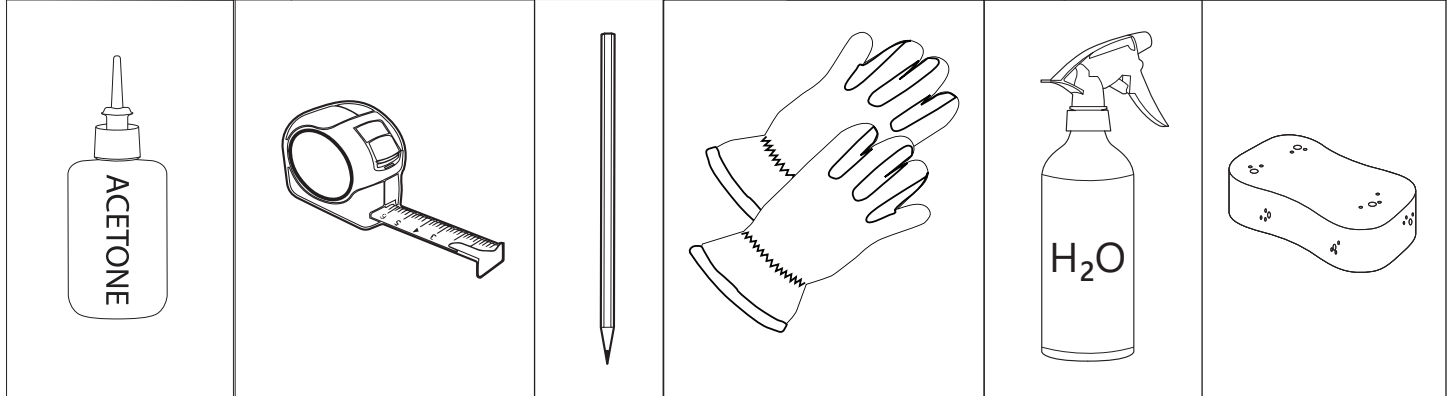
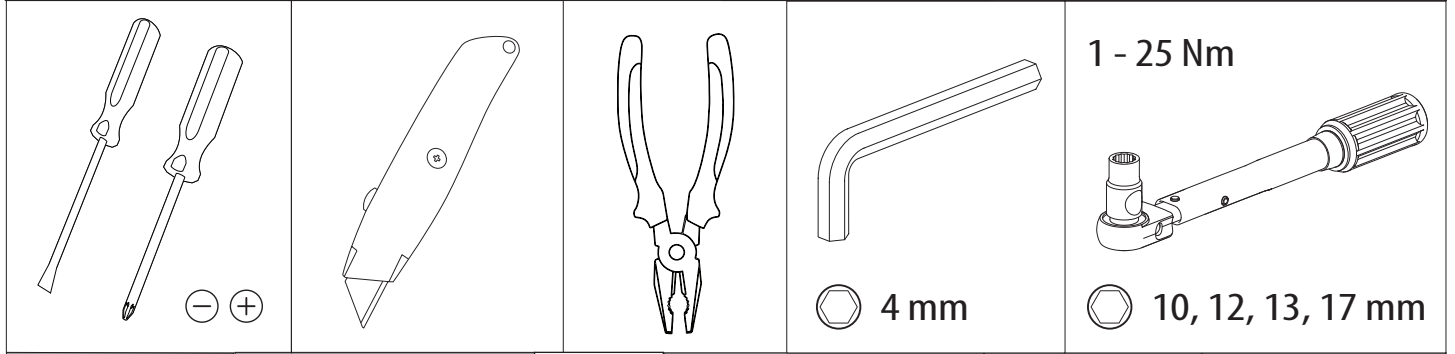
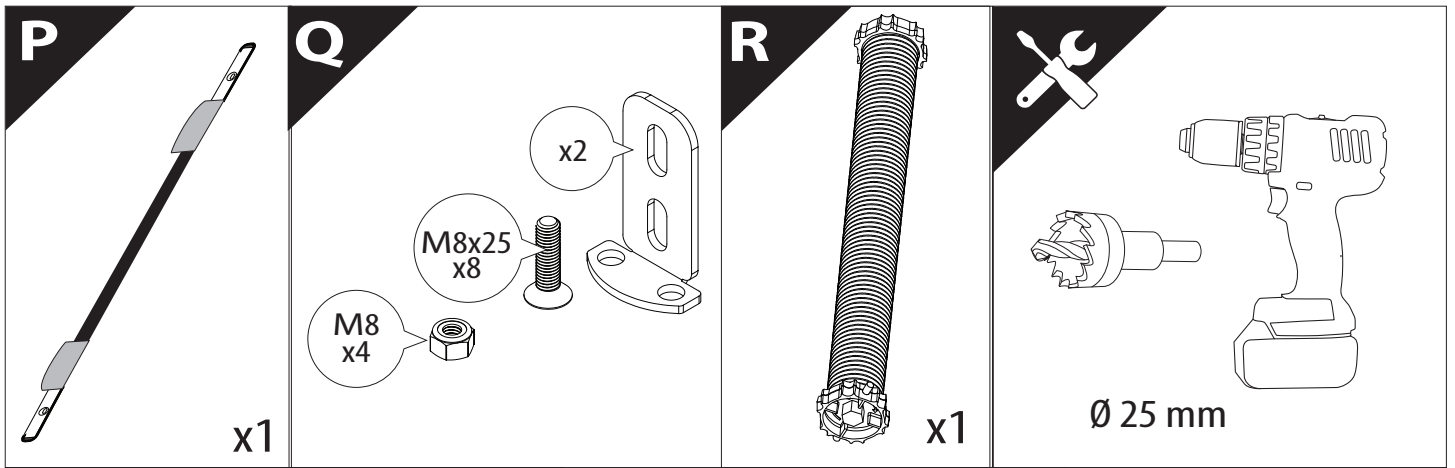
Basic Version + ⚙️ S-KIT

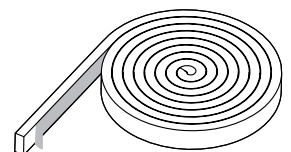
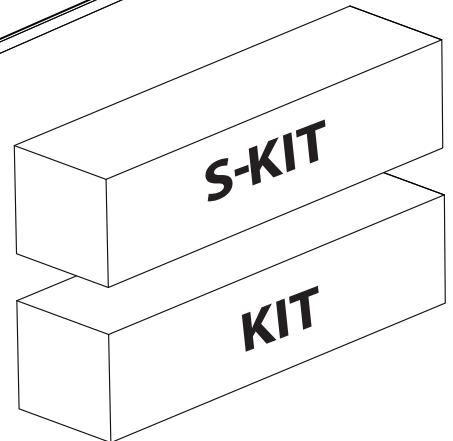
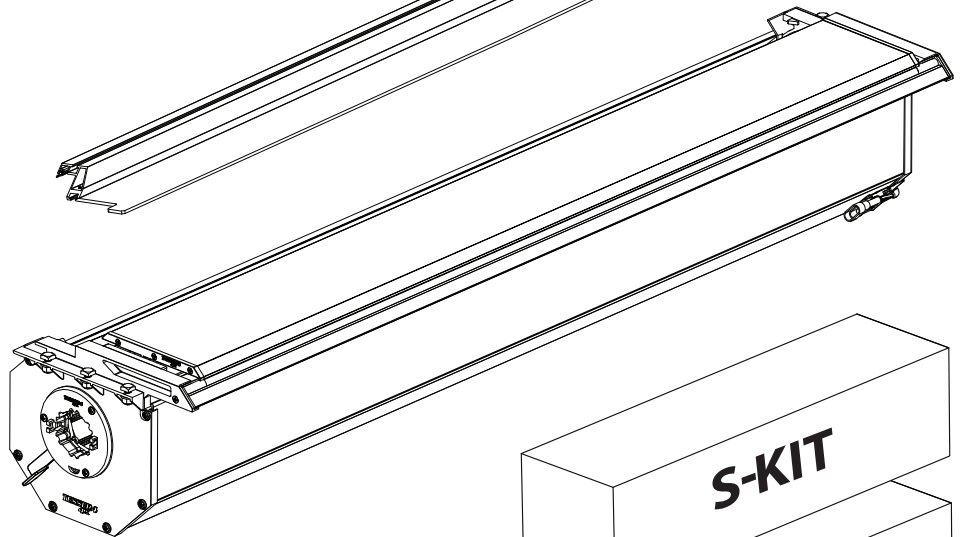


Installation Manual

PART NUMBER(S)	Model Year
TESS 14060 ROLL+ ADAPT 008 +S-KIT	FORD RANGER 2023+ SPORT WITH OEM ROLLBAR WITH OR WITHOUT C-CHANNELS
TESS 14070 ROLL+ ADAPT 008 +S-KIT	
Cab(s)	Installation Time / Weight
Double Cab & Space Cab	40-60 minutes / 53-57 kg





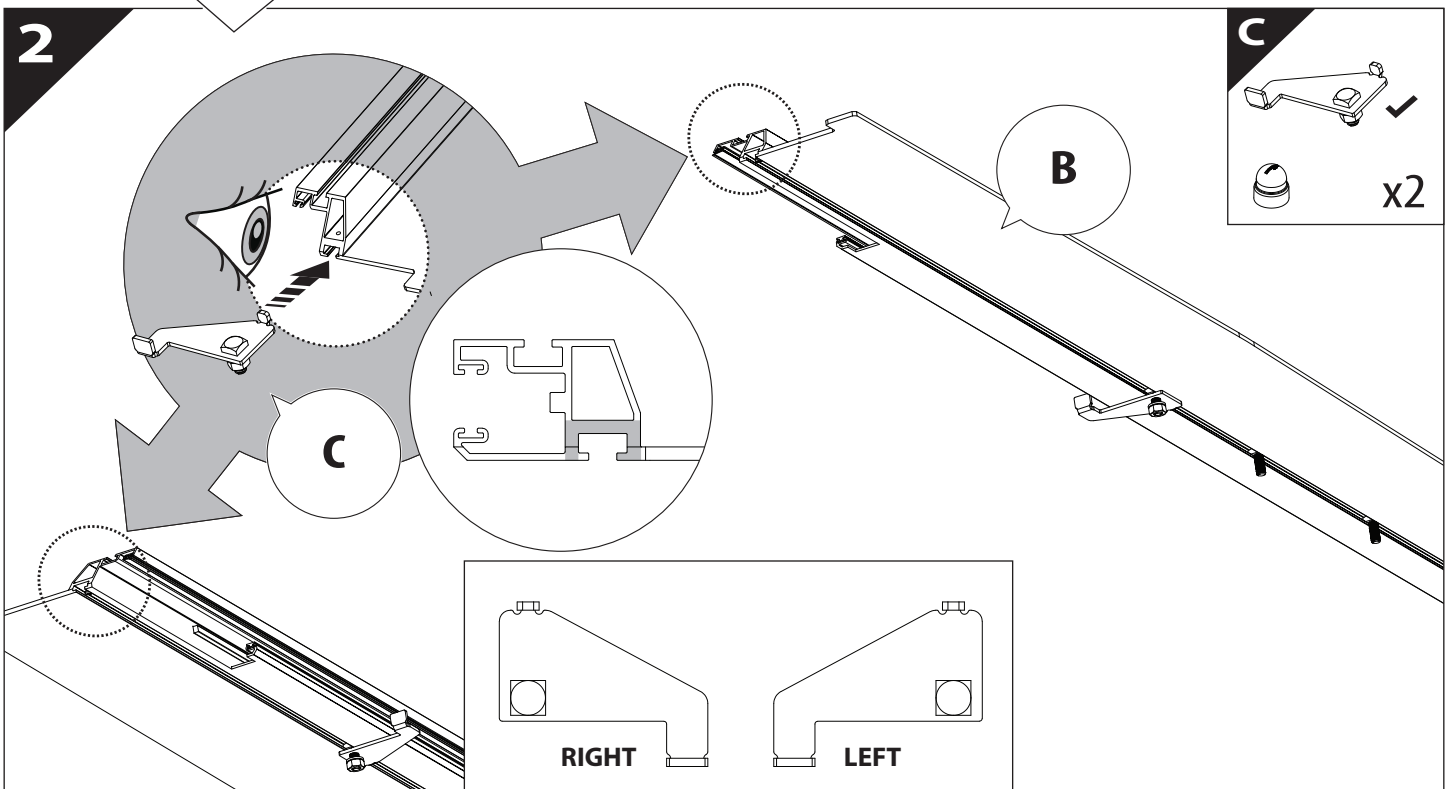
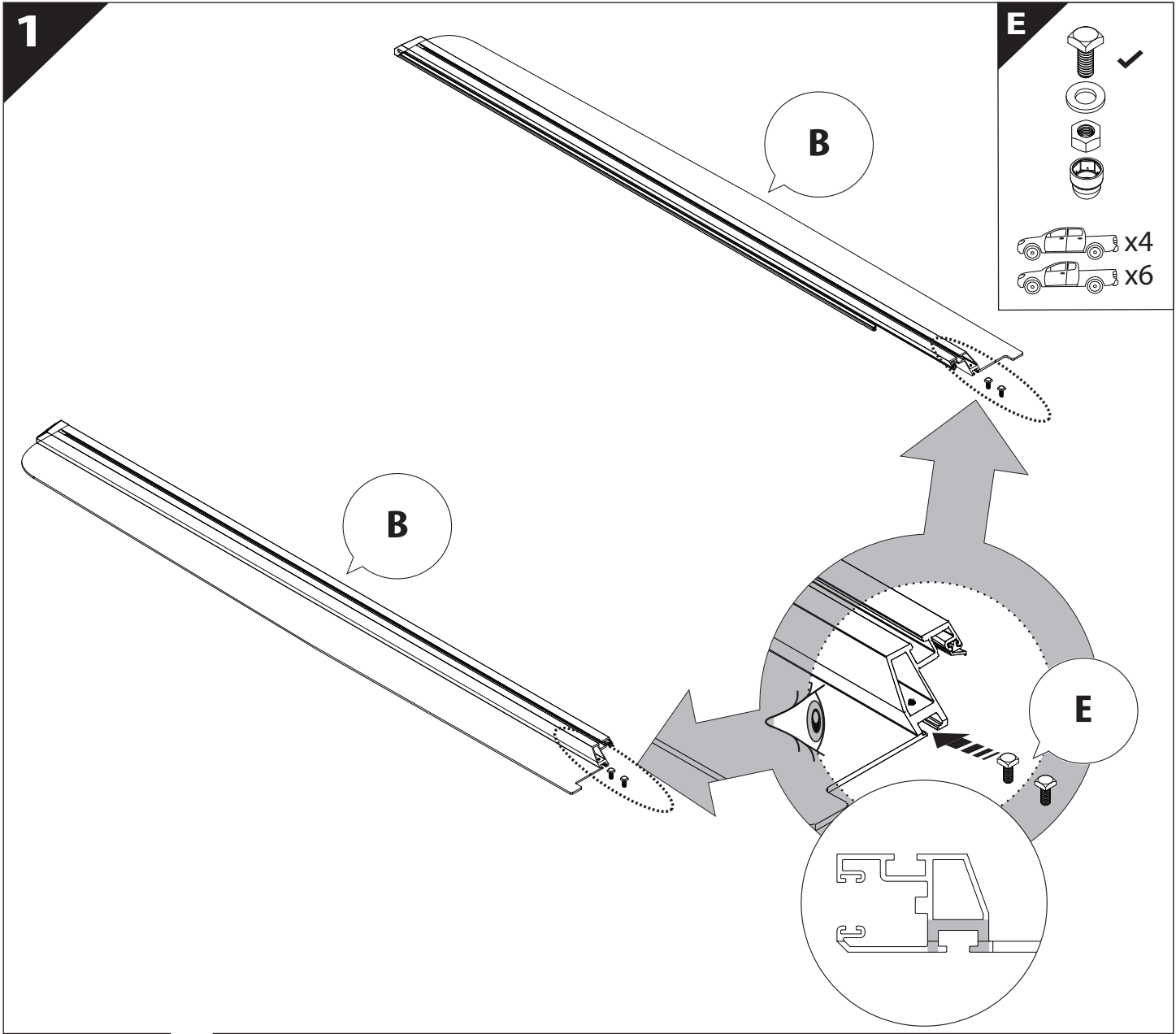


B

A

KITS

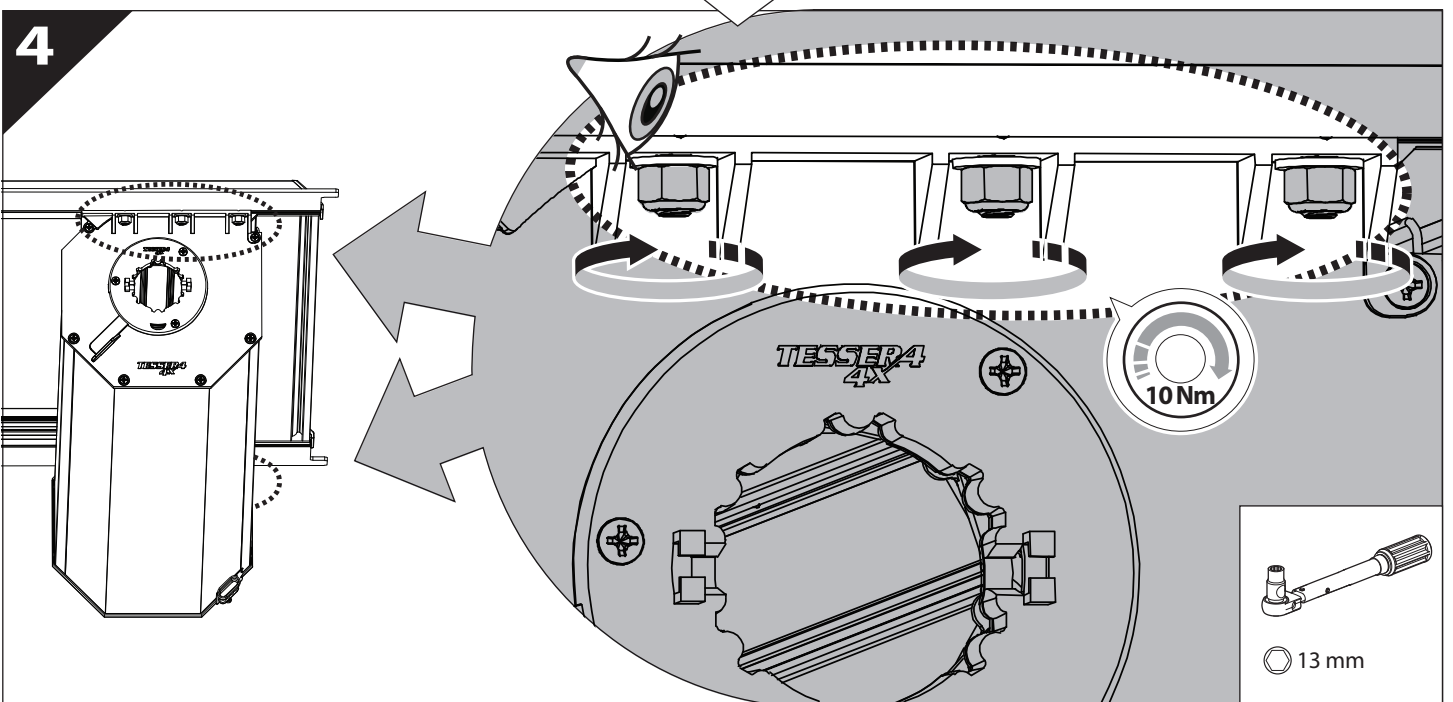
L

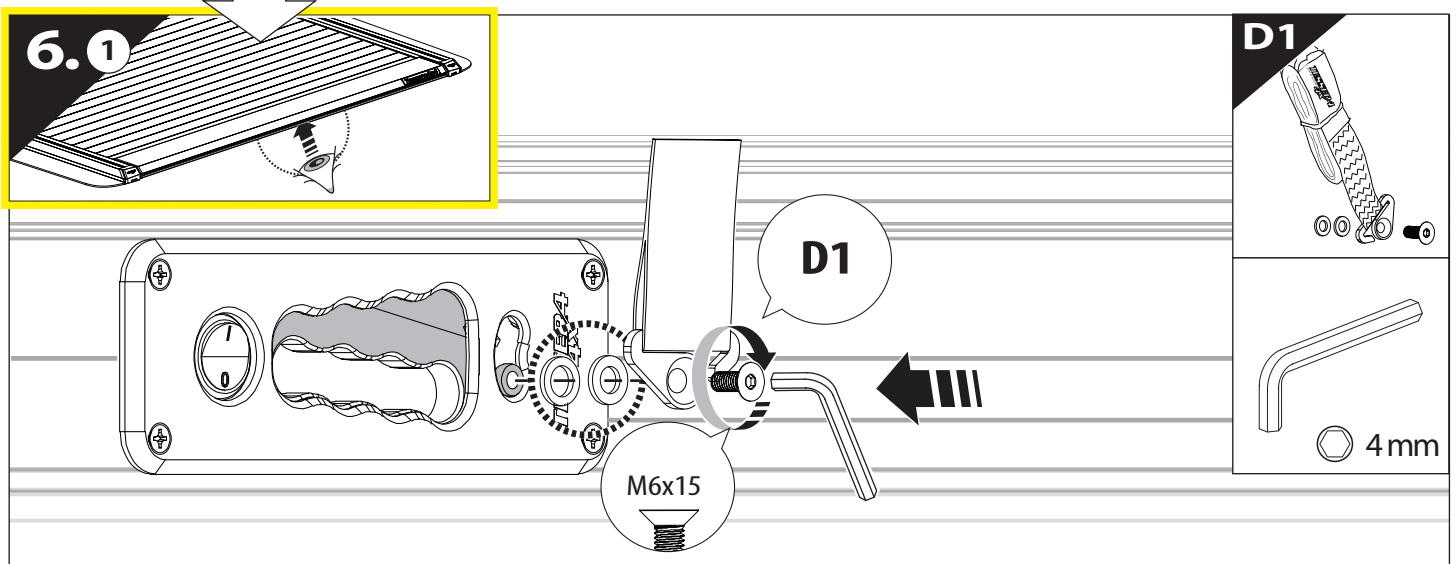
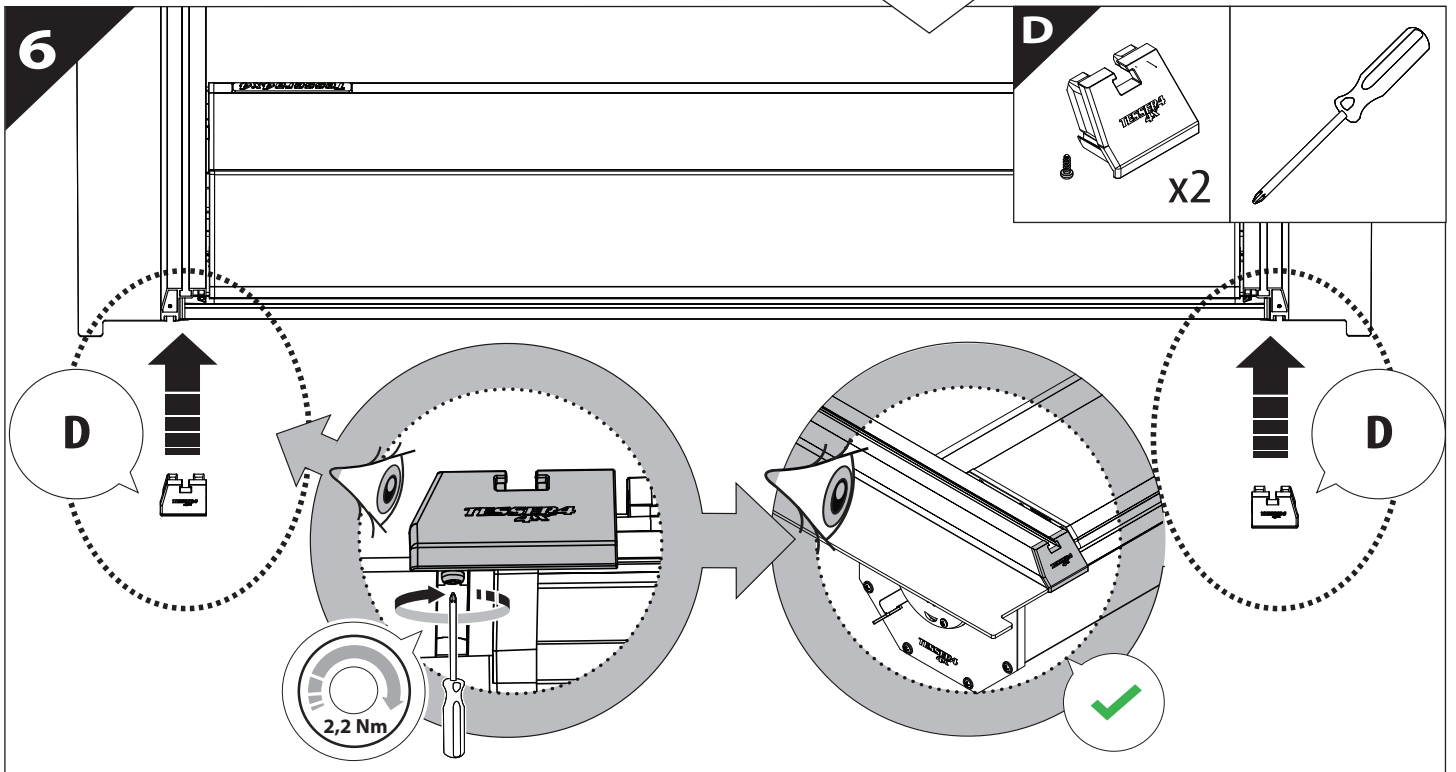
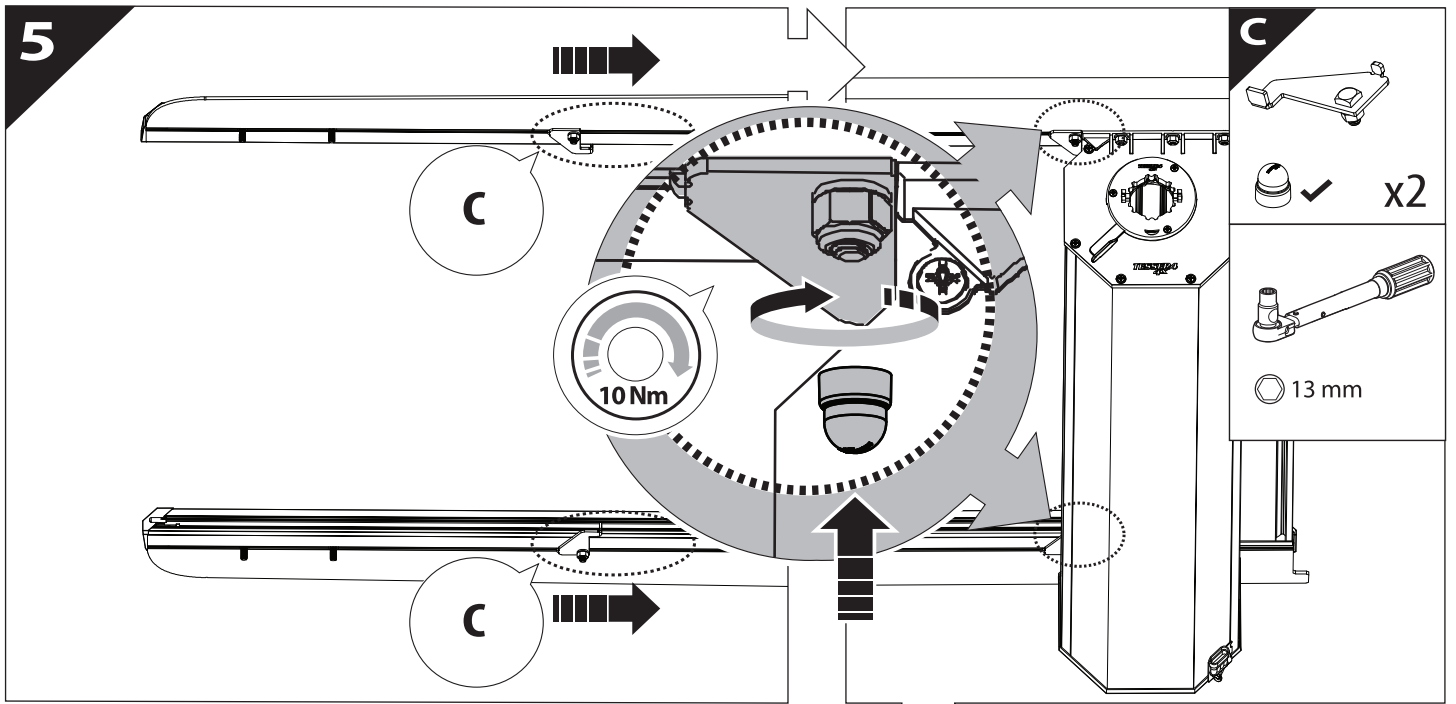


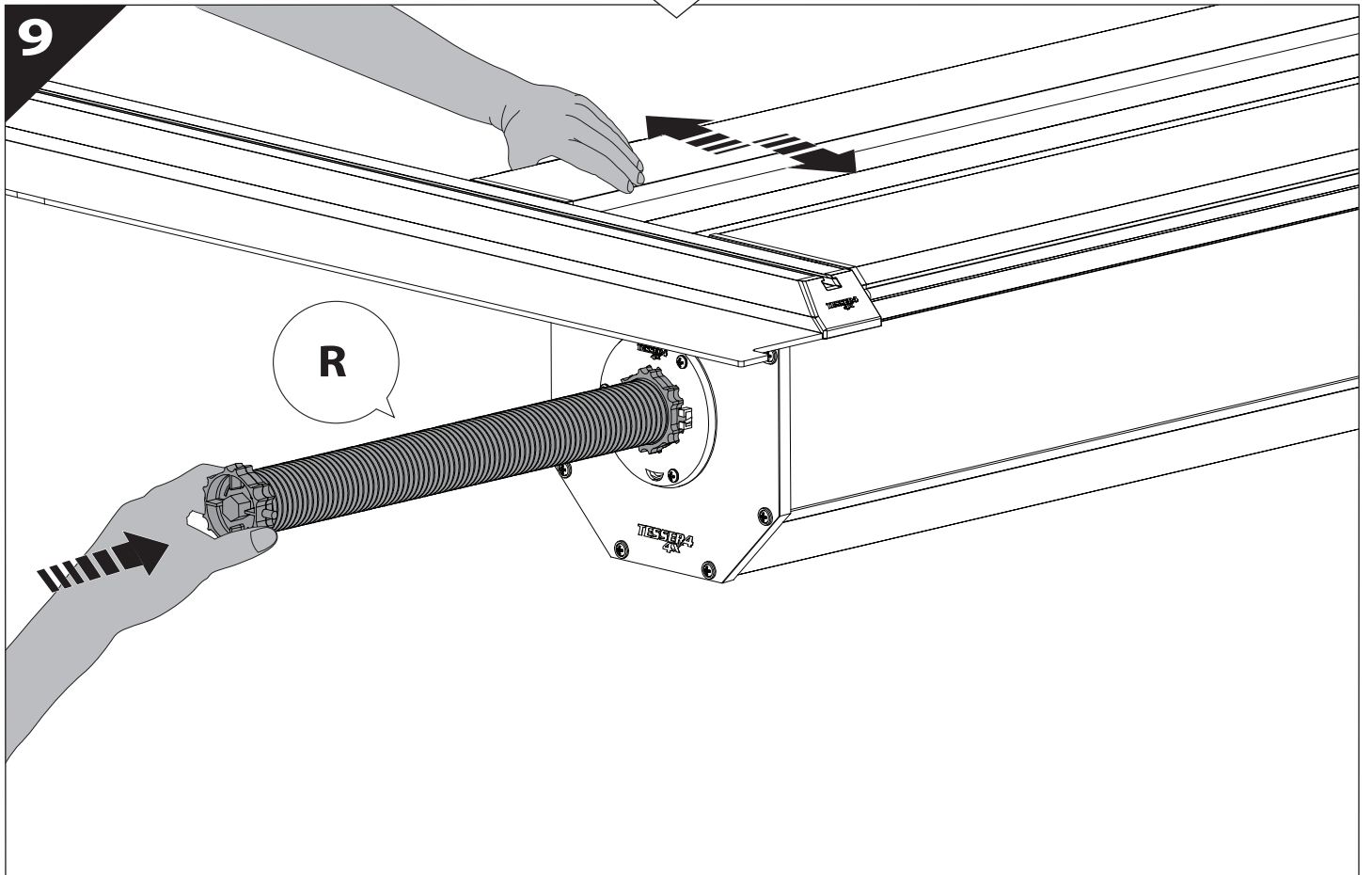
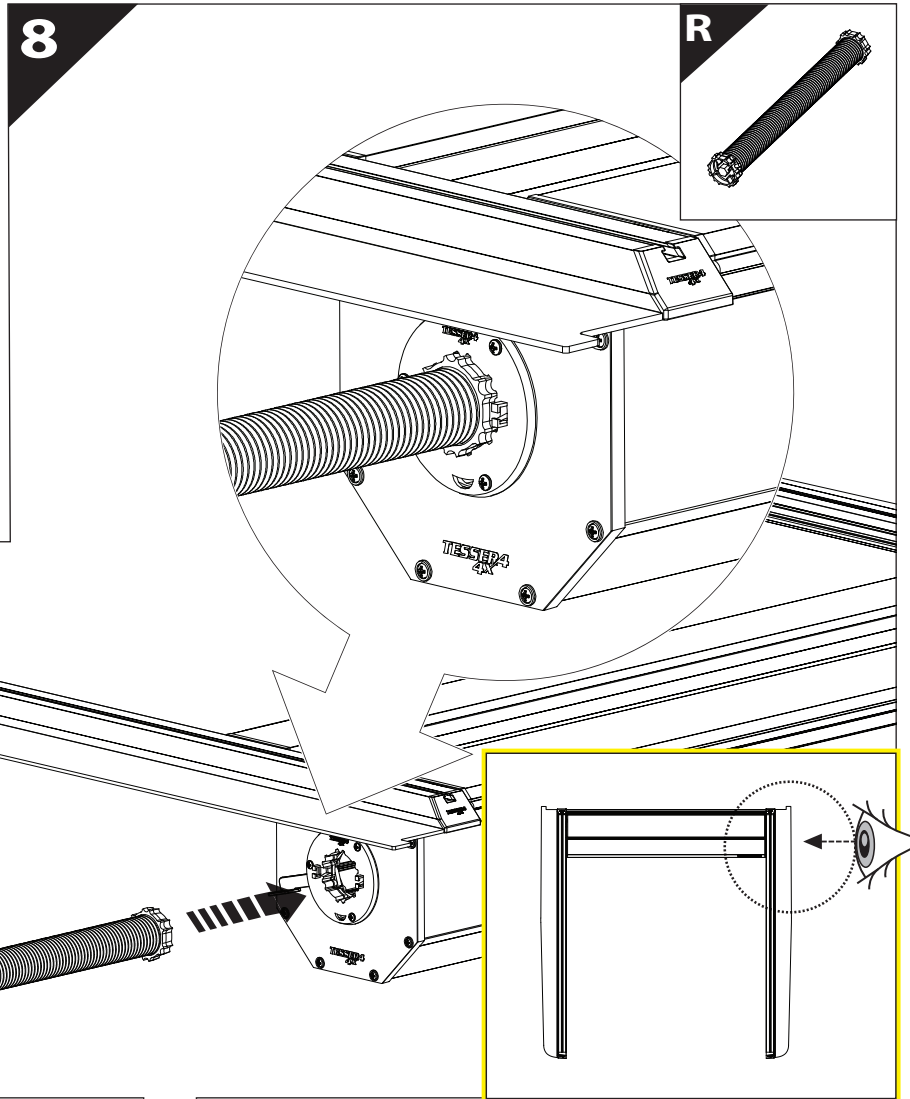
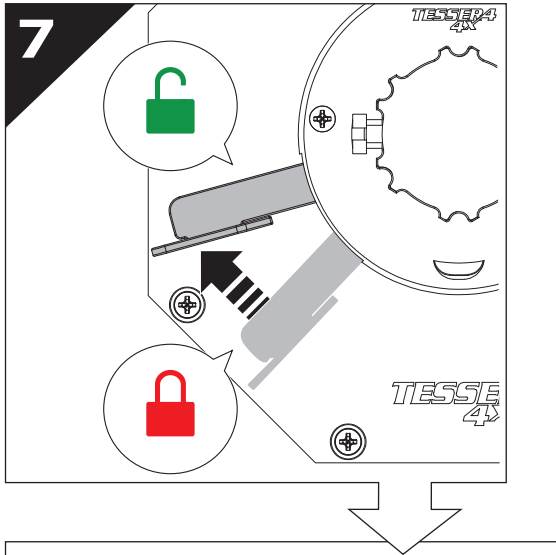
3



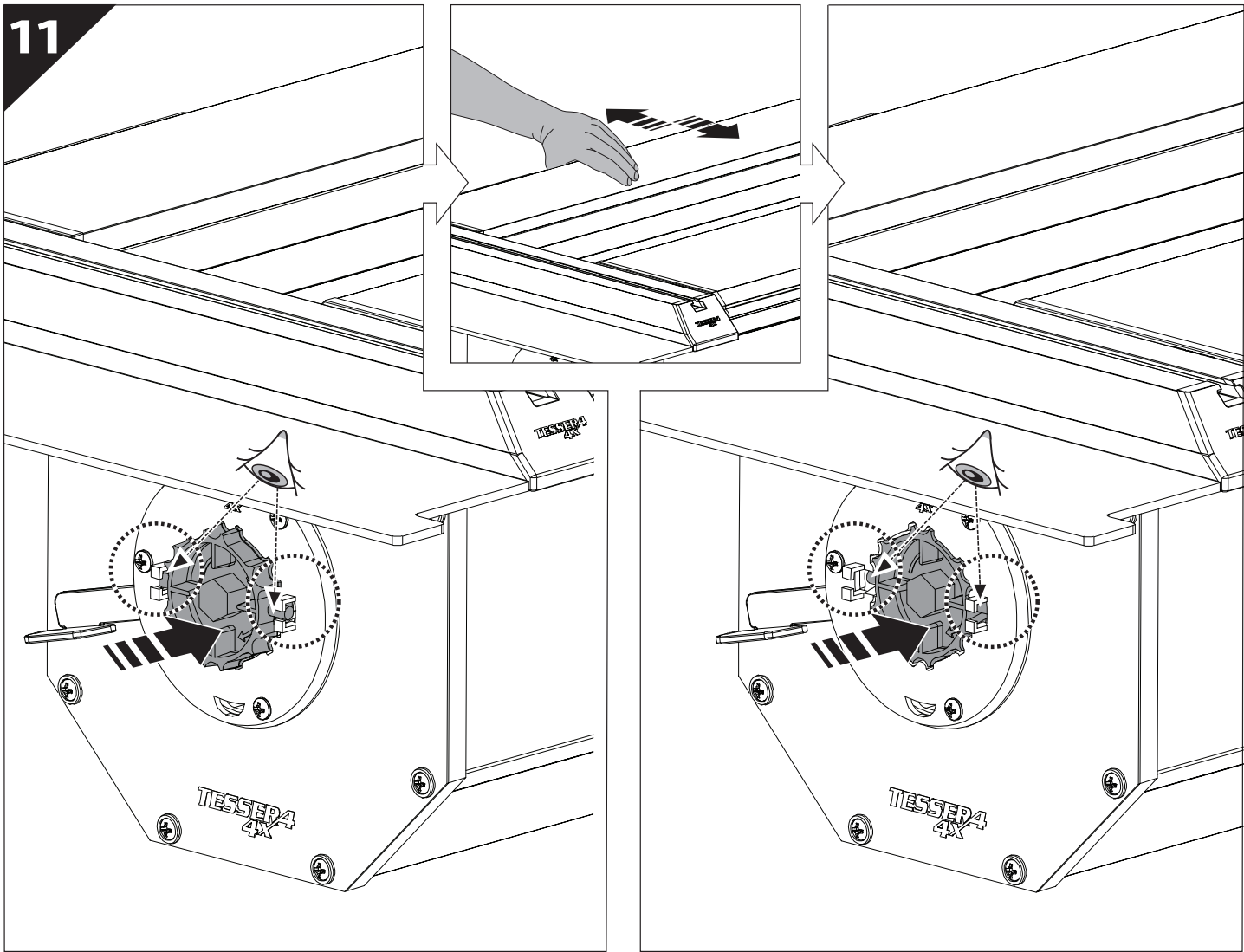
4



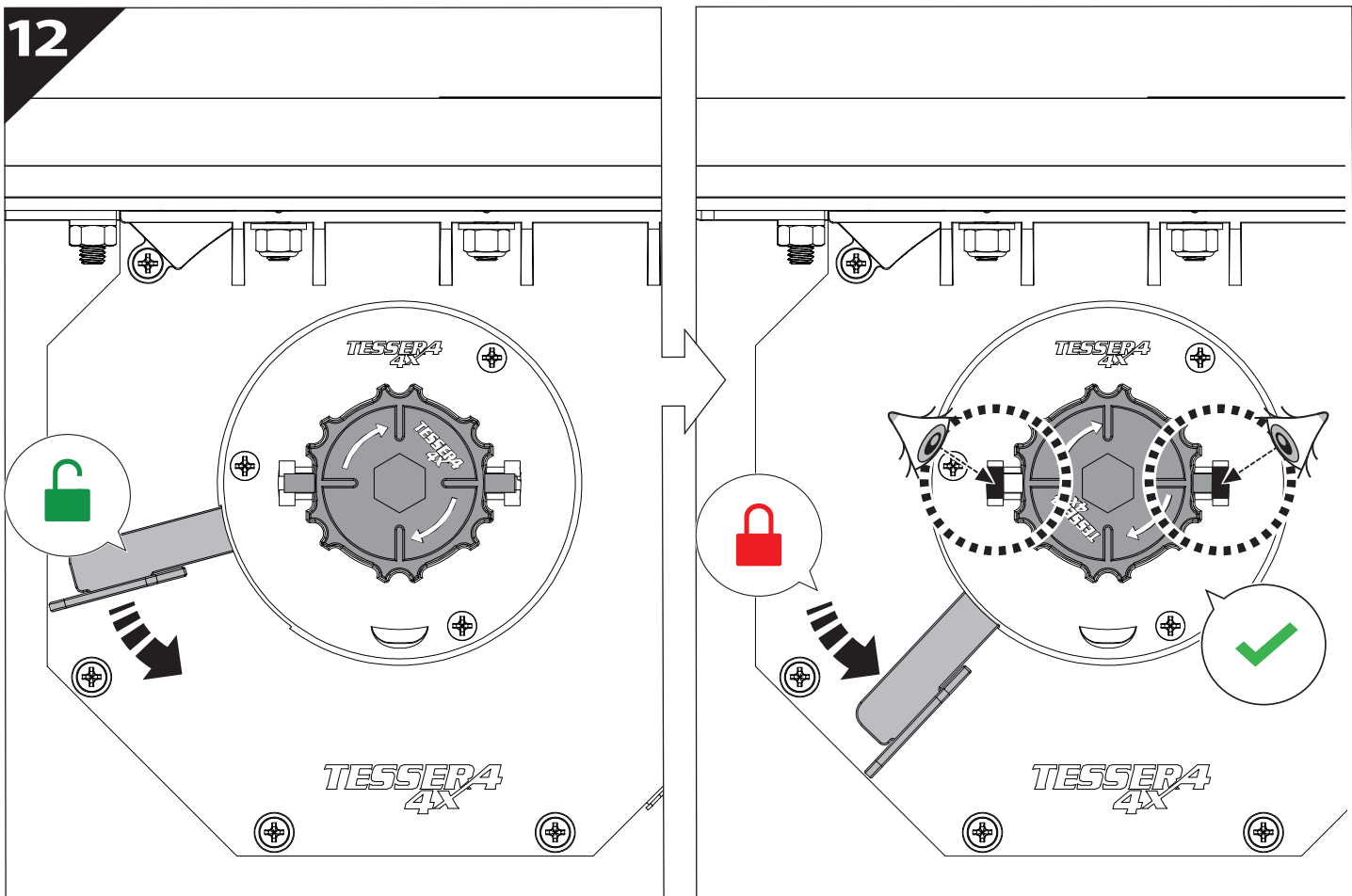




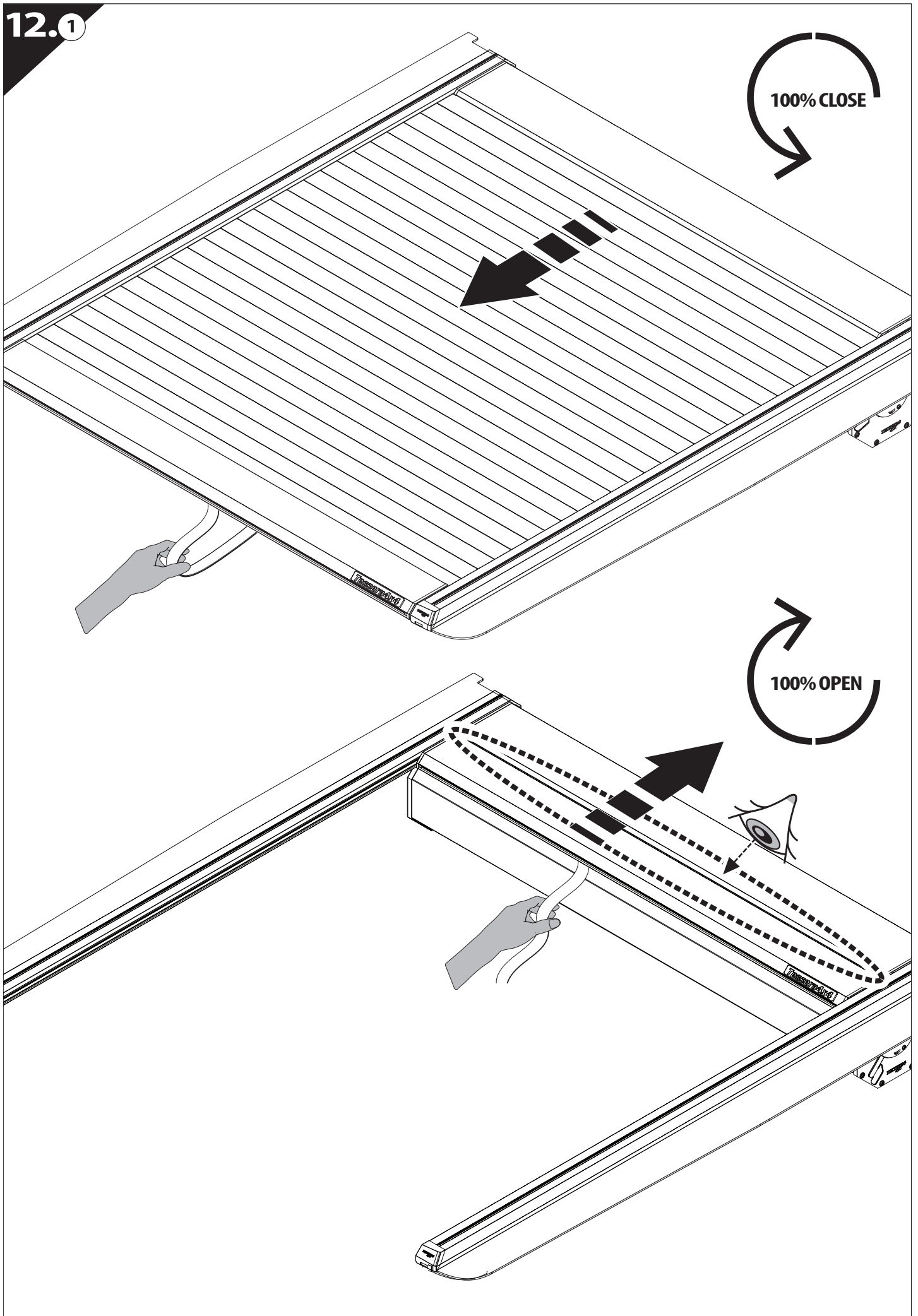
11



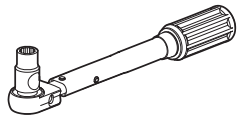
12



12.0

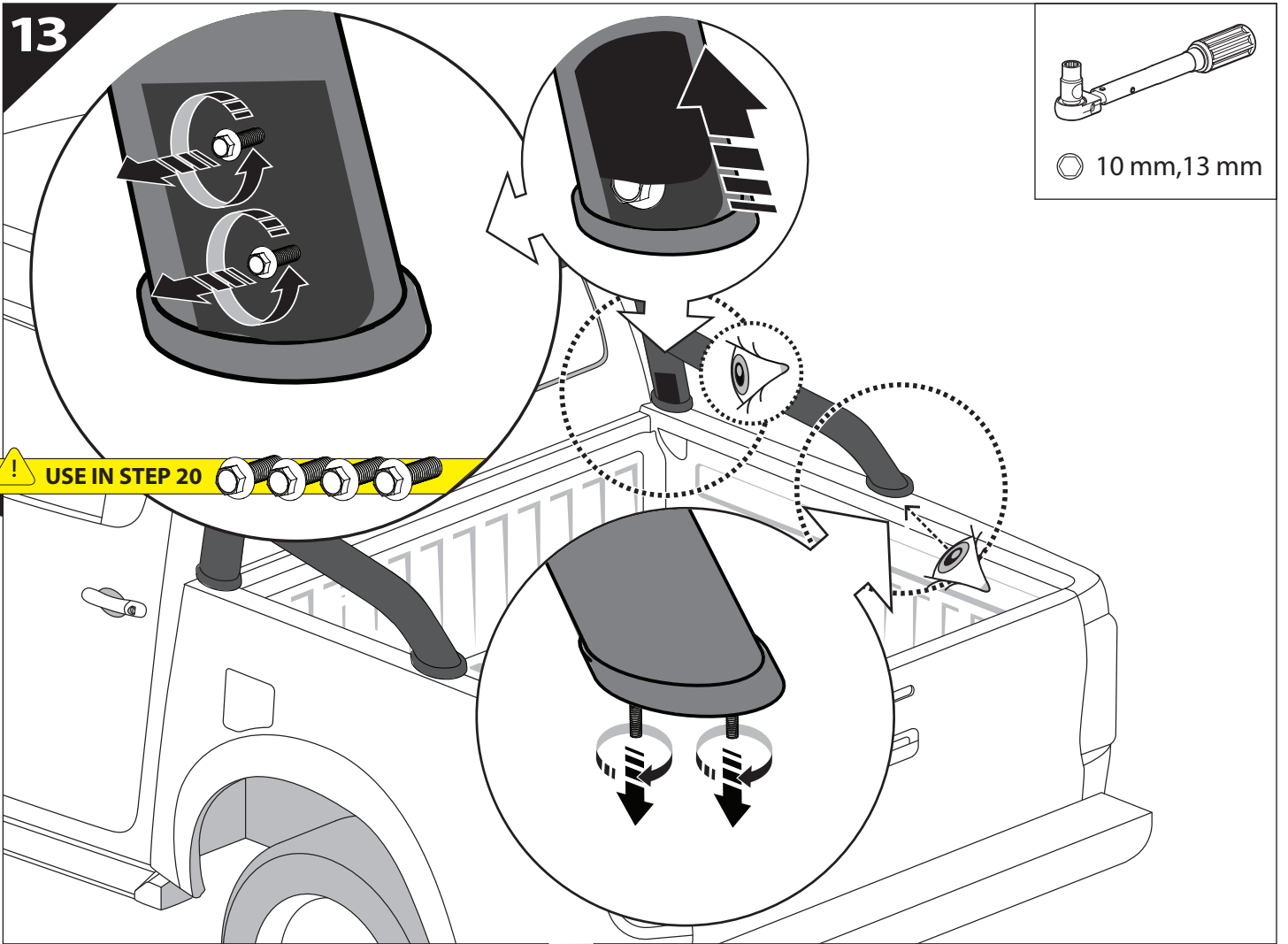


13

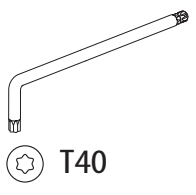


10 mm, 13 mm

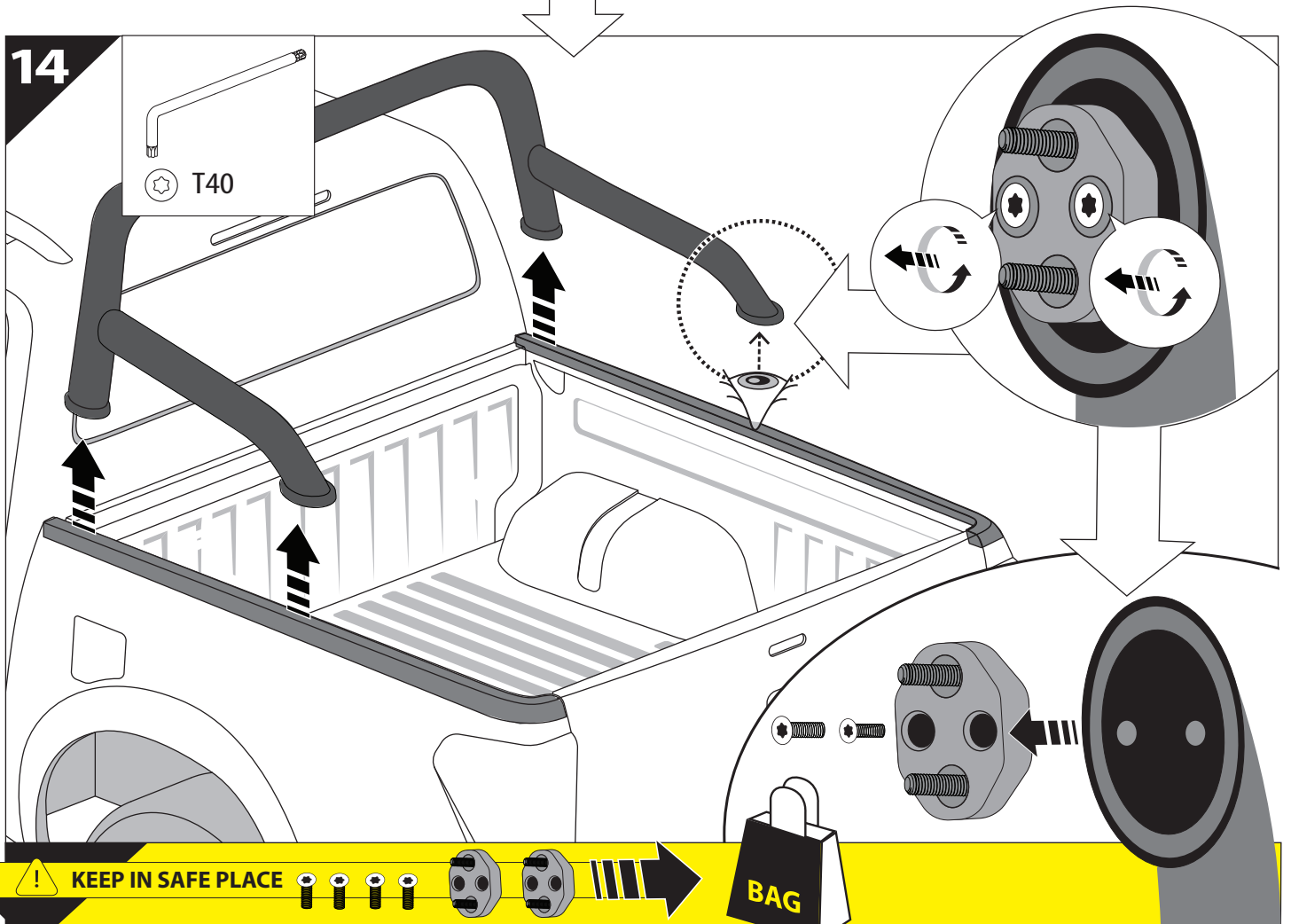
USE IN STEP 20



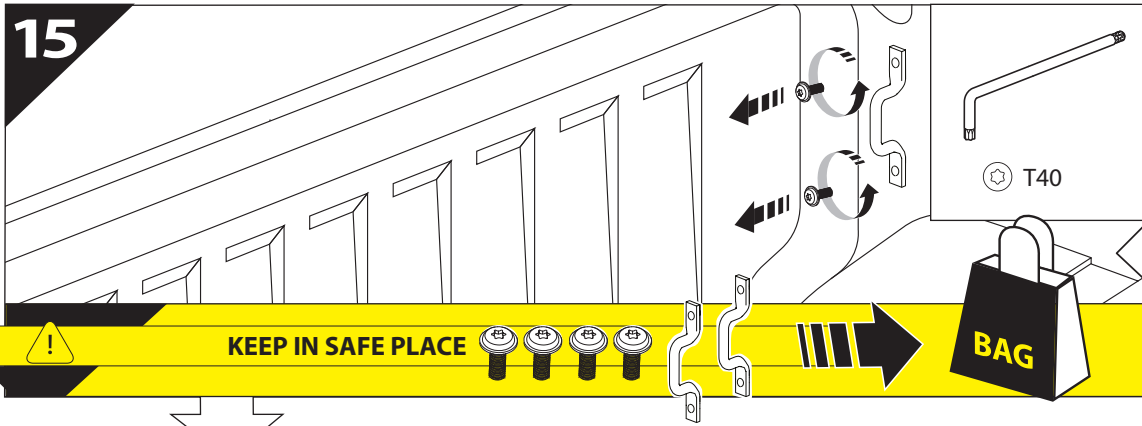
14



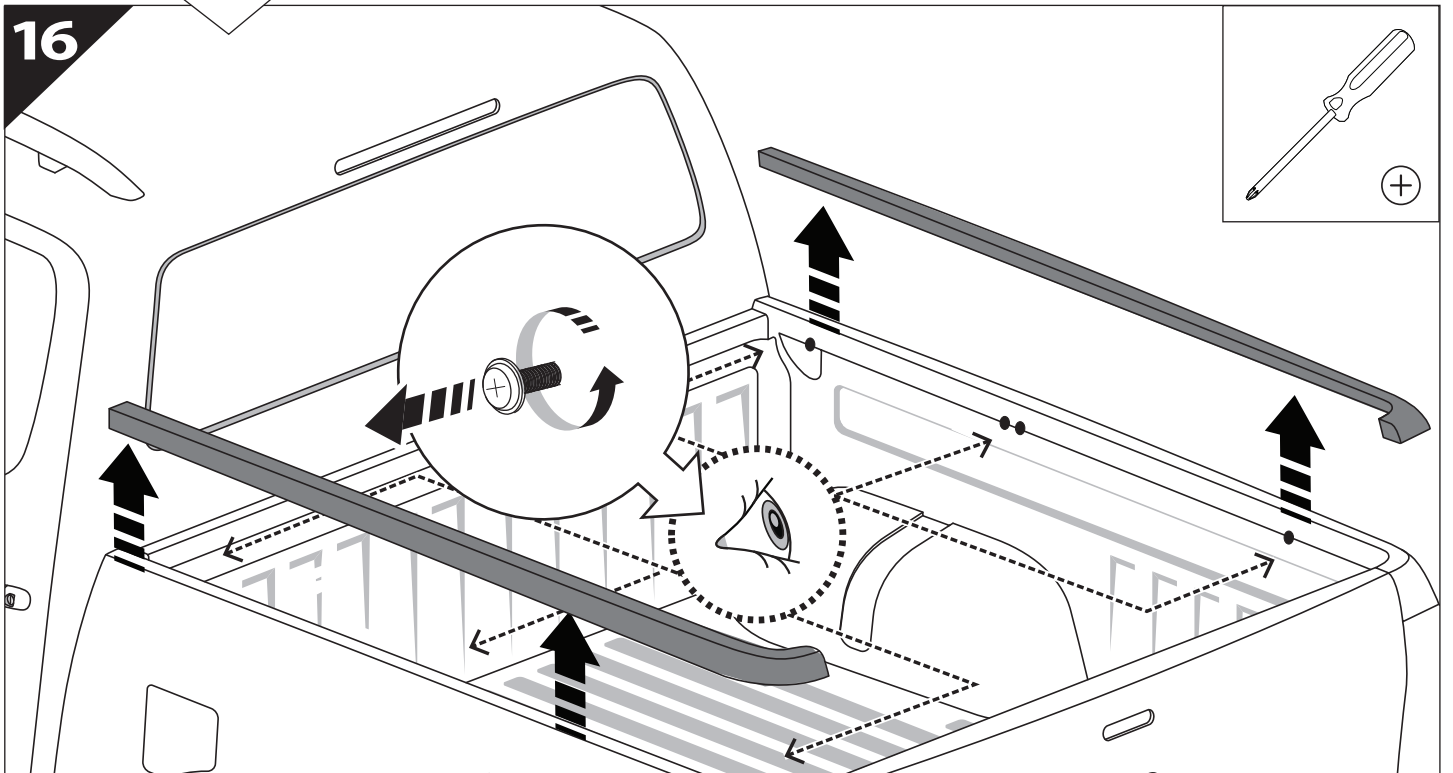
T40



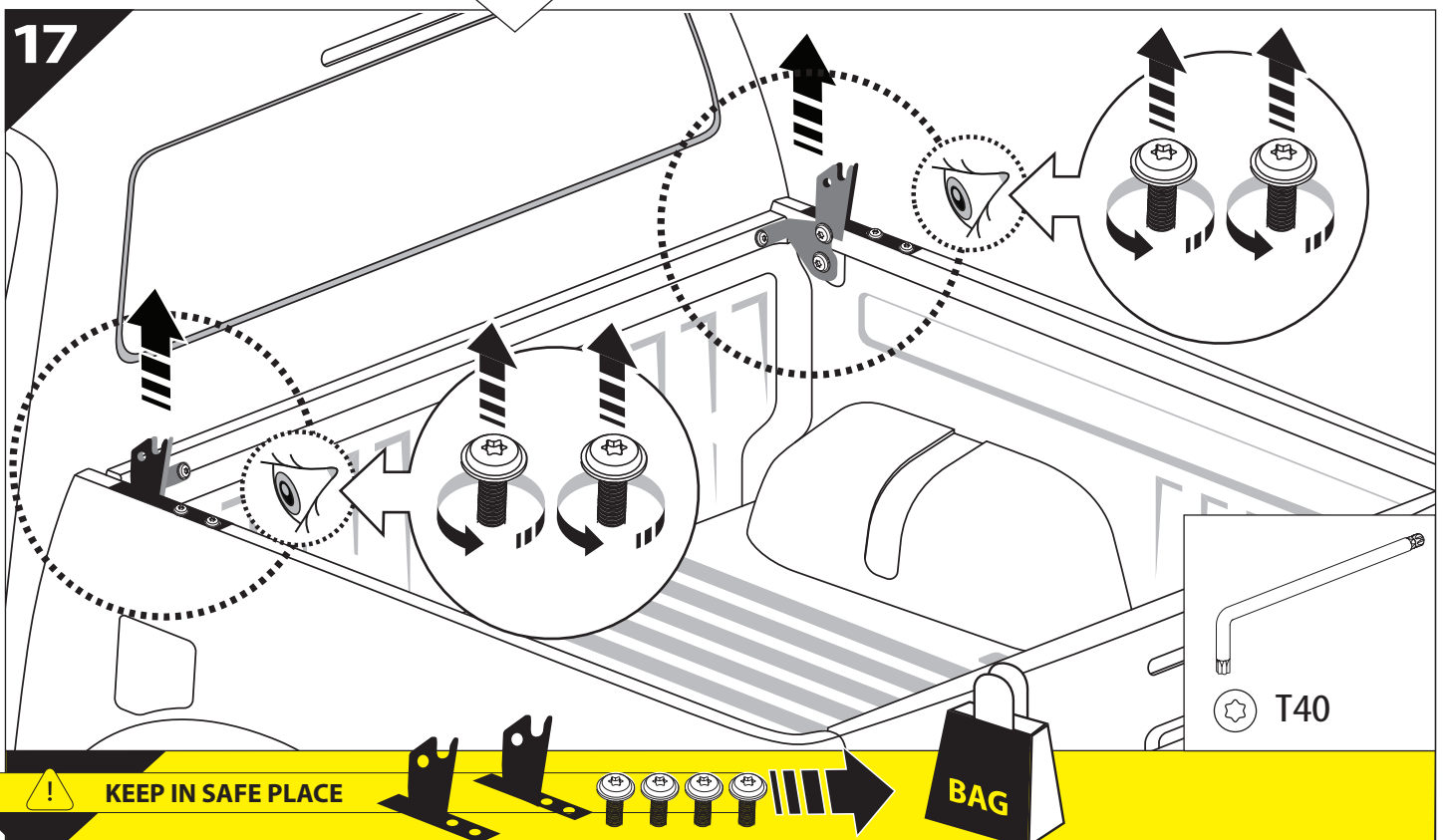
15



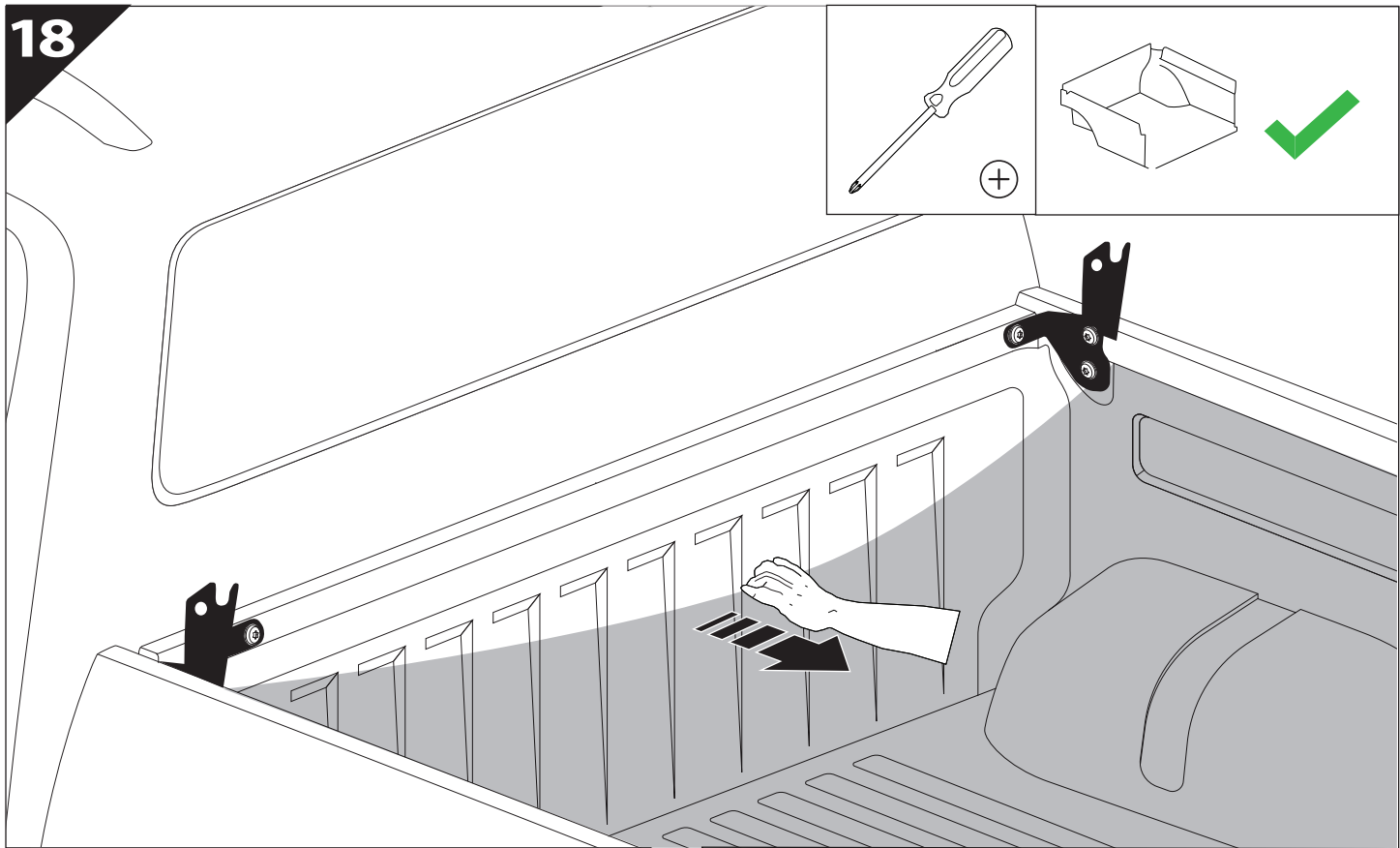
16



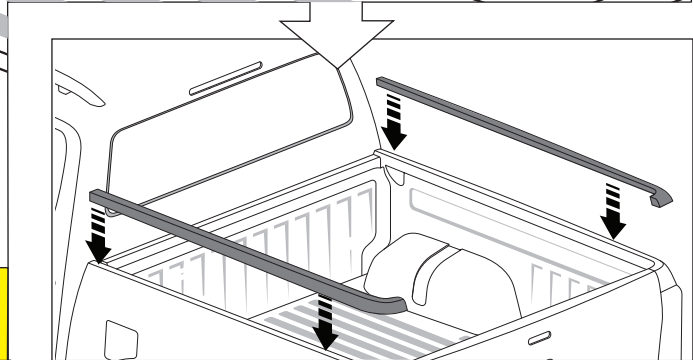
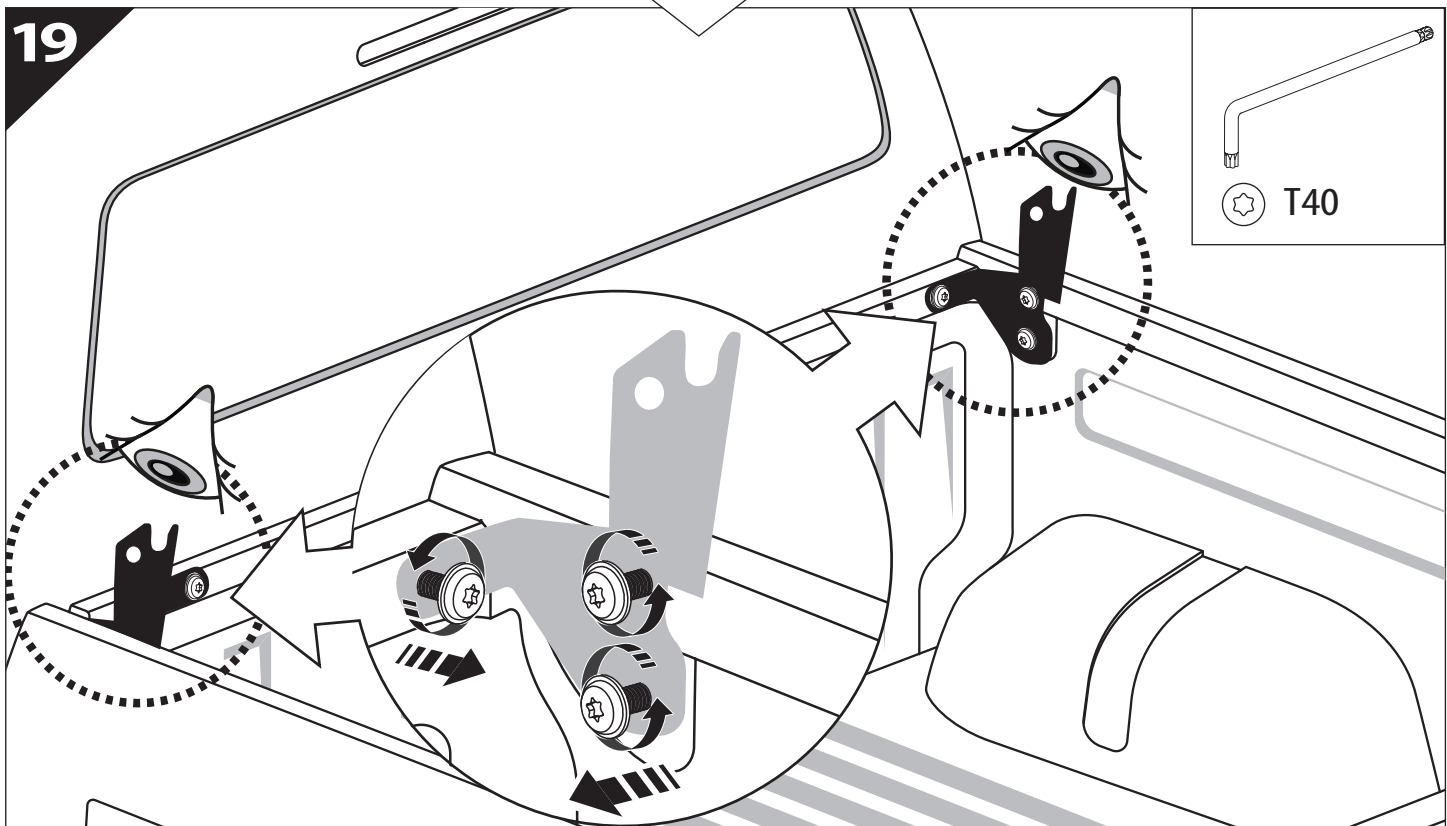
17



18

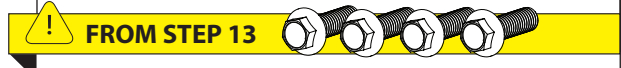
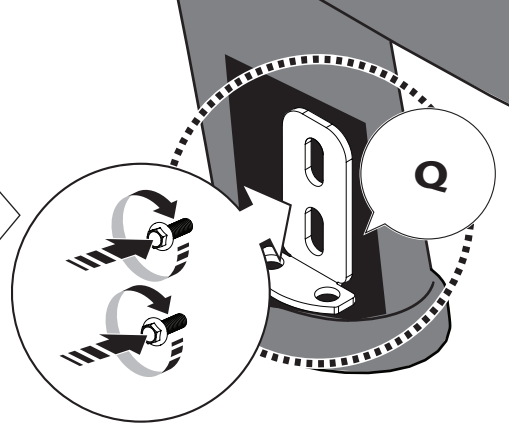
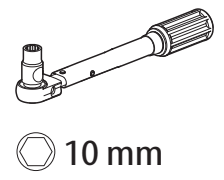
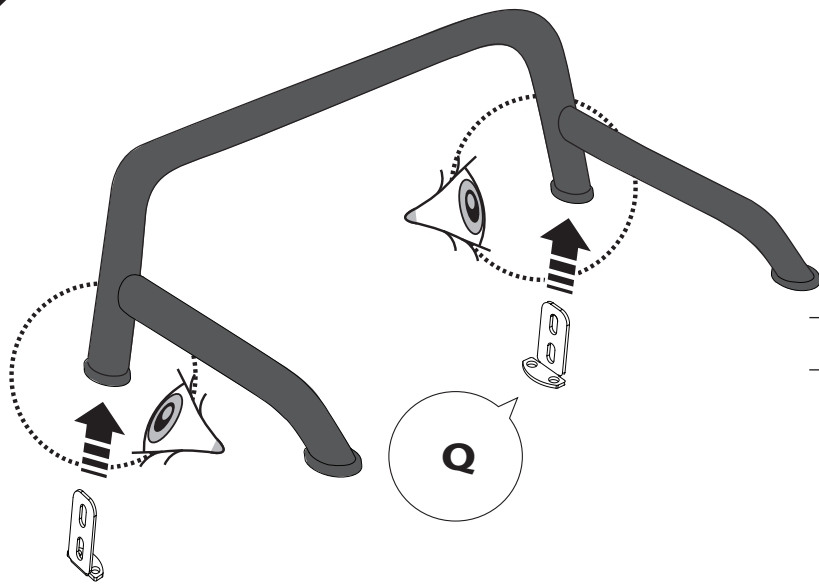


19



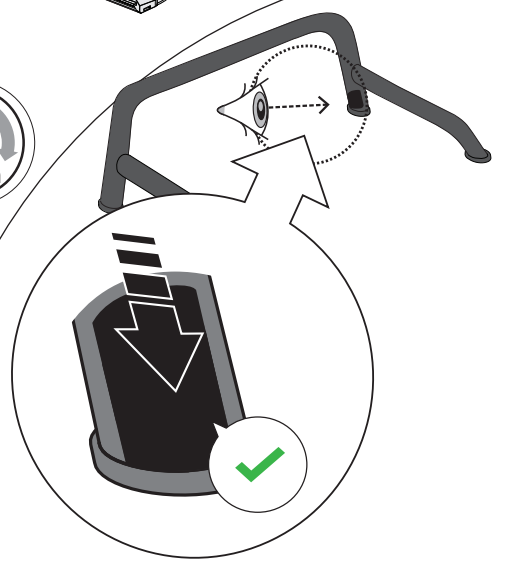
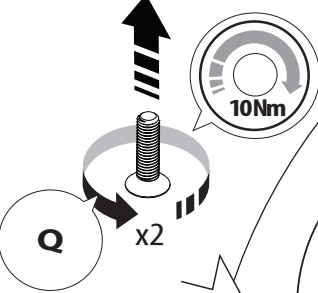
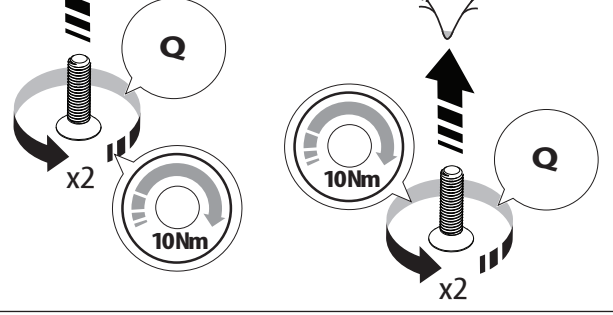
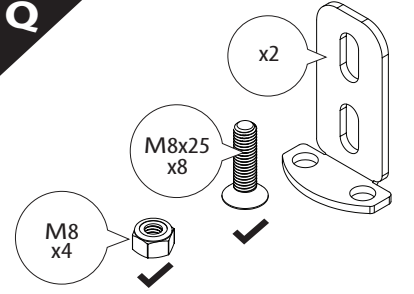
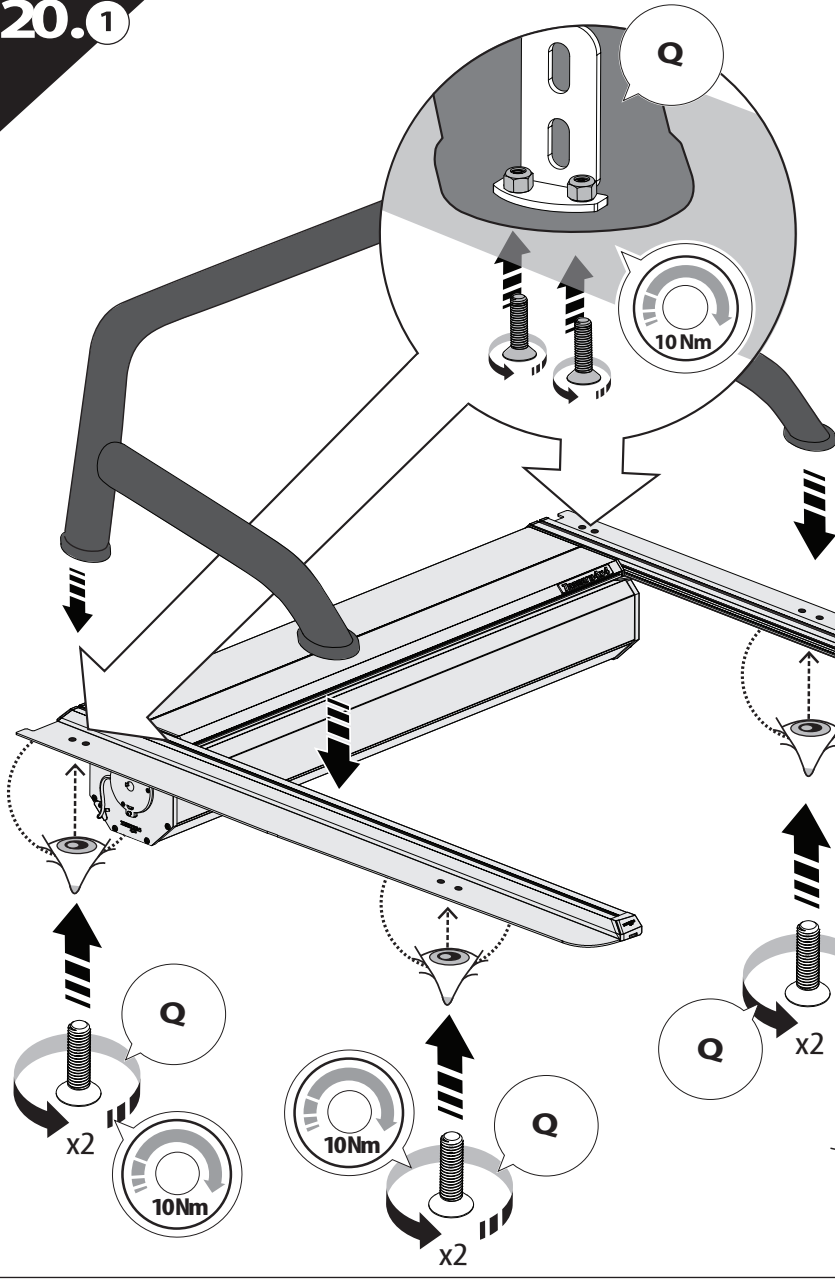
20

Q

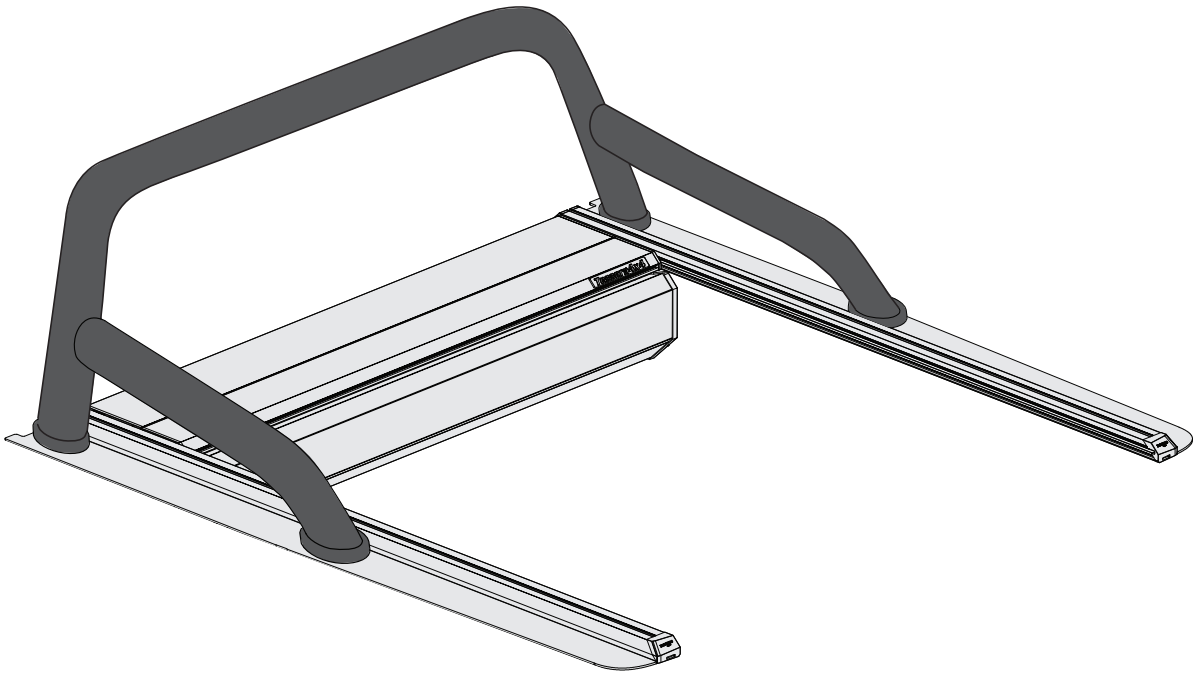


20.1

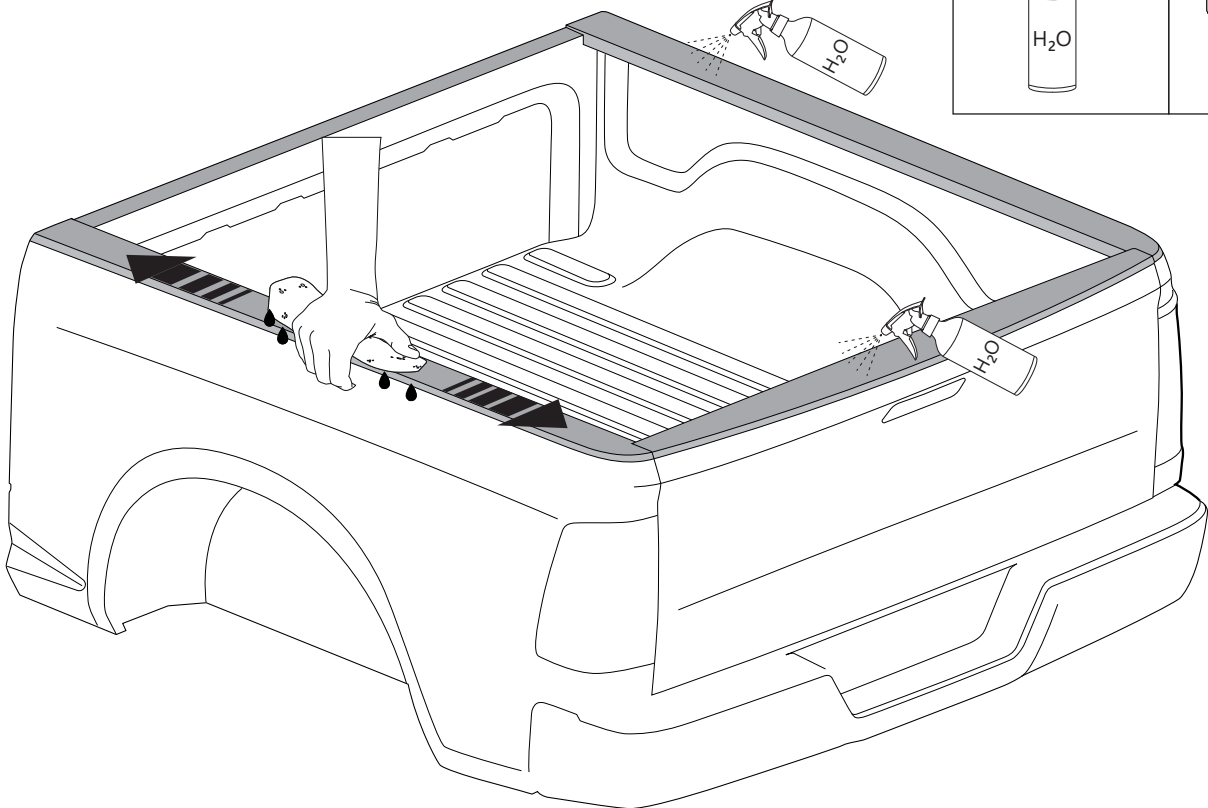
Q

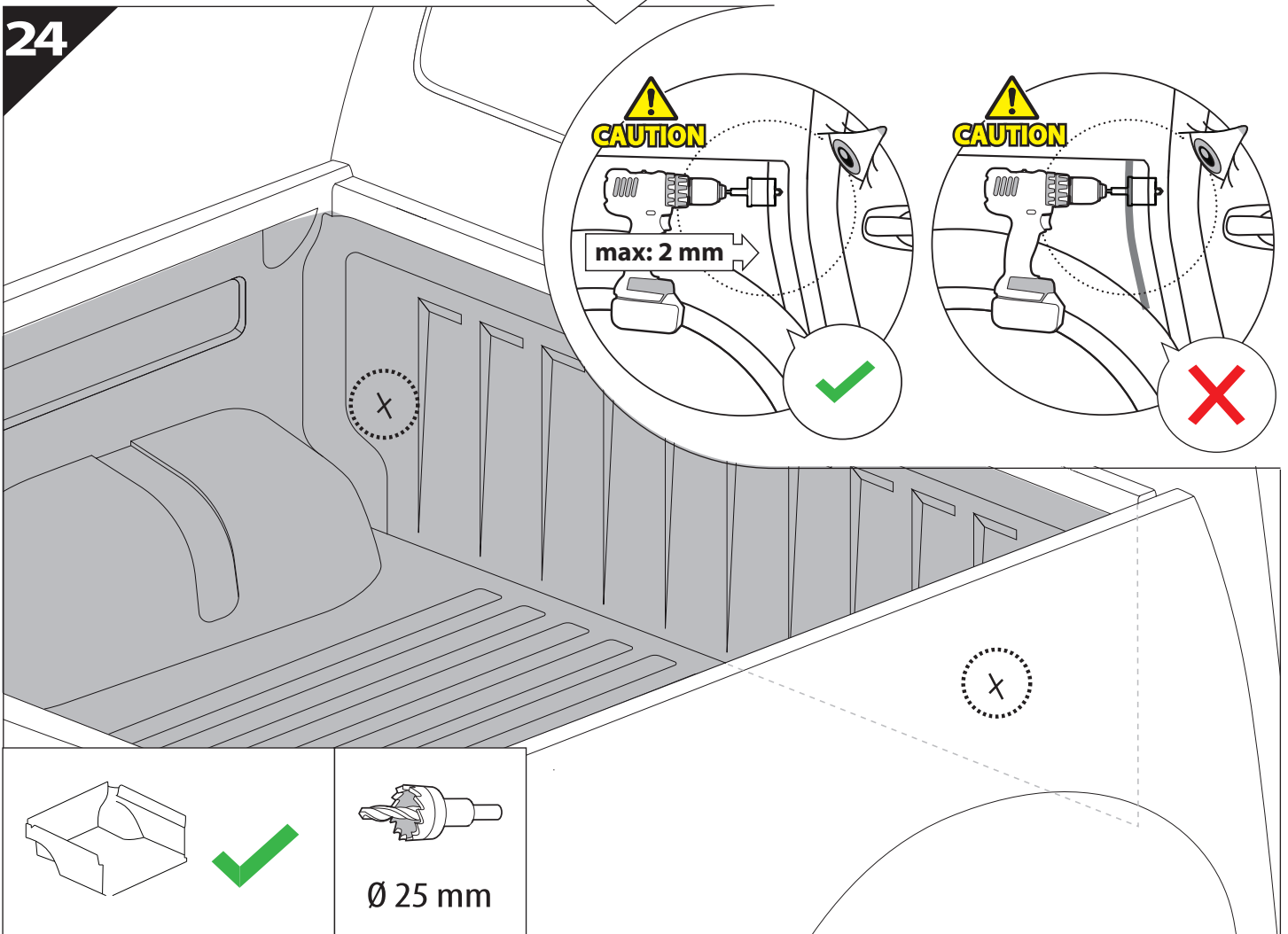
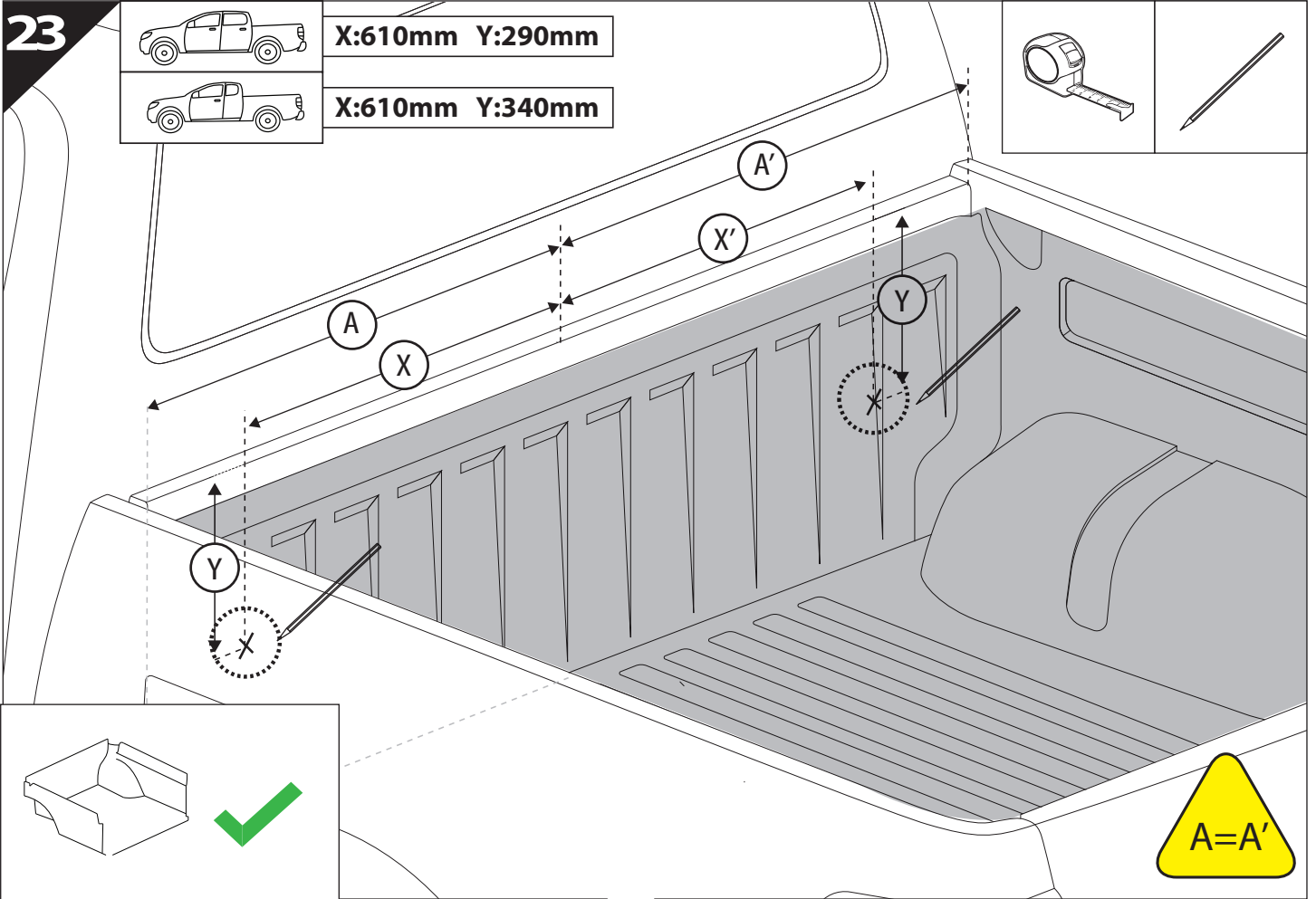


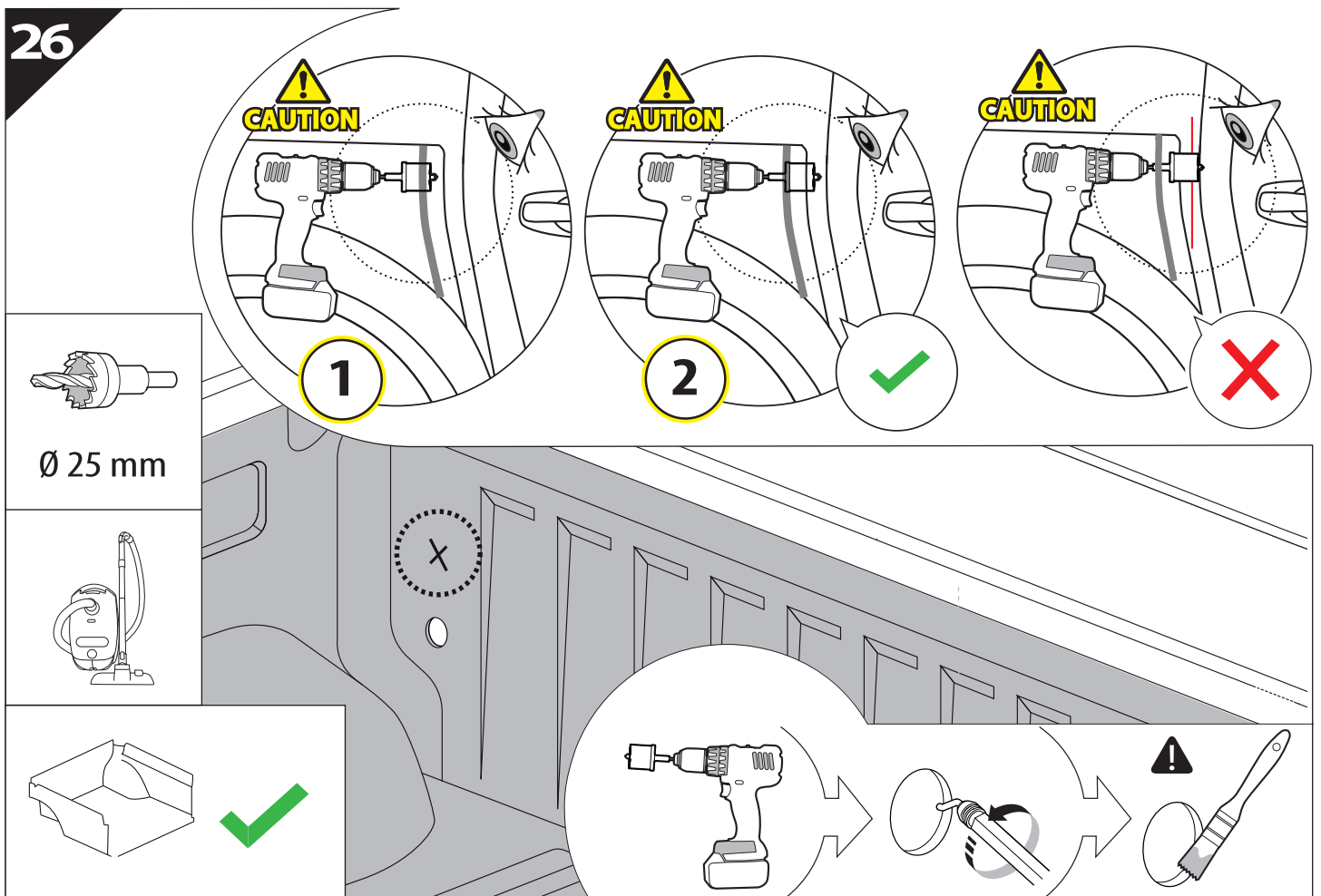
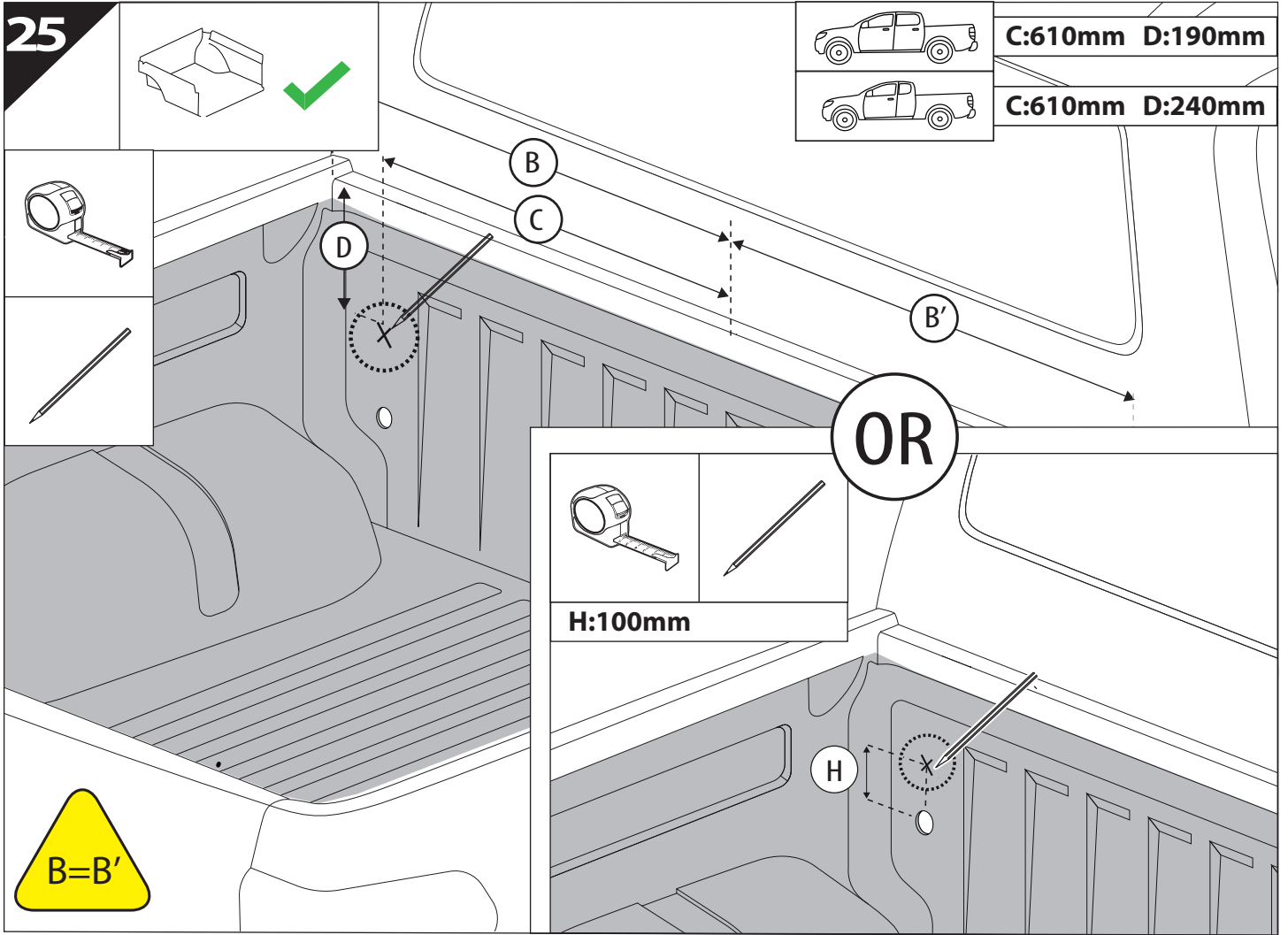
21

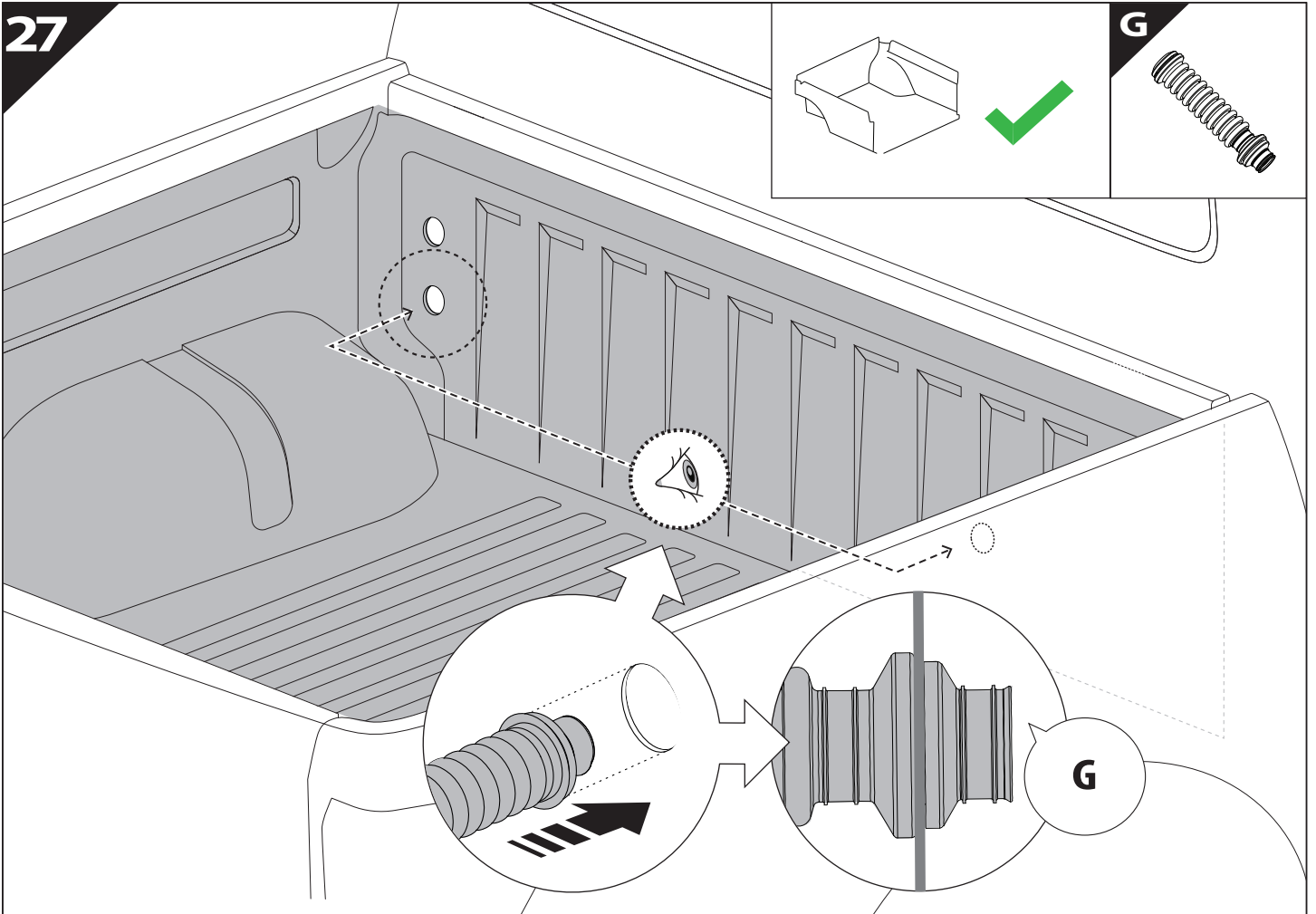


22

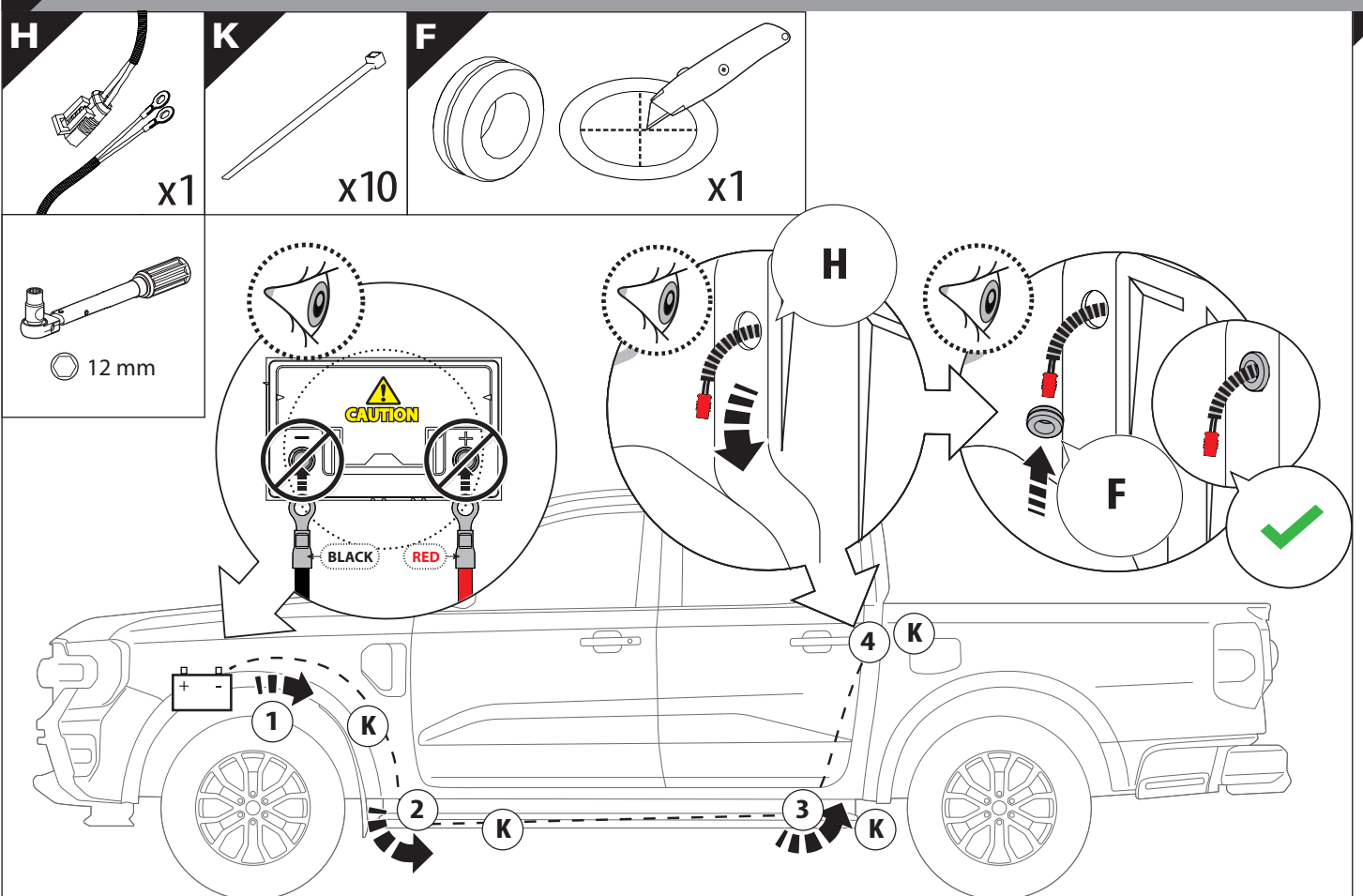




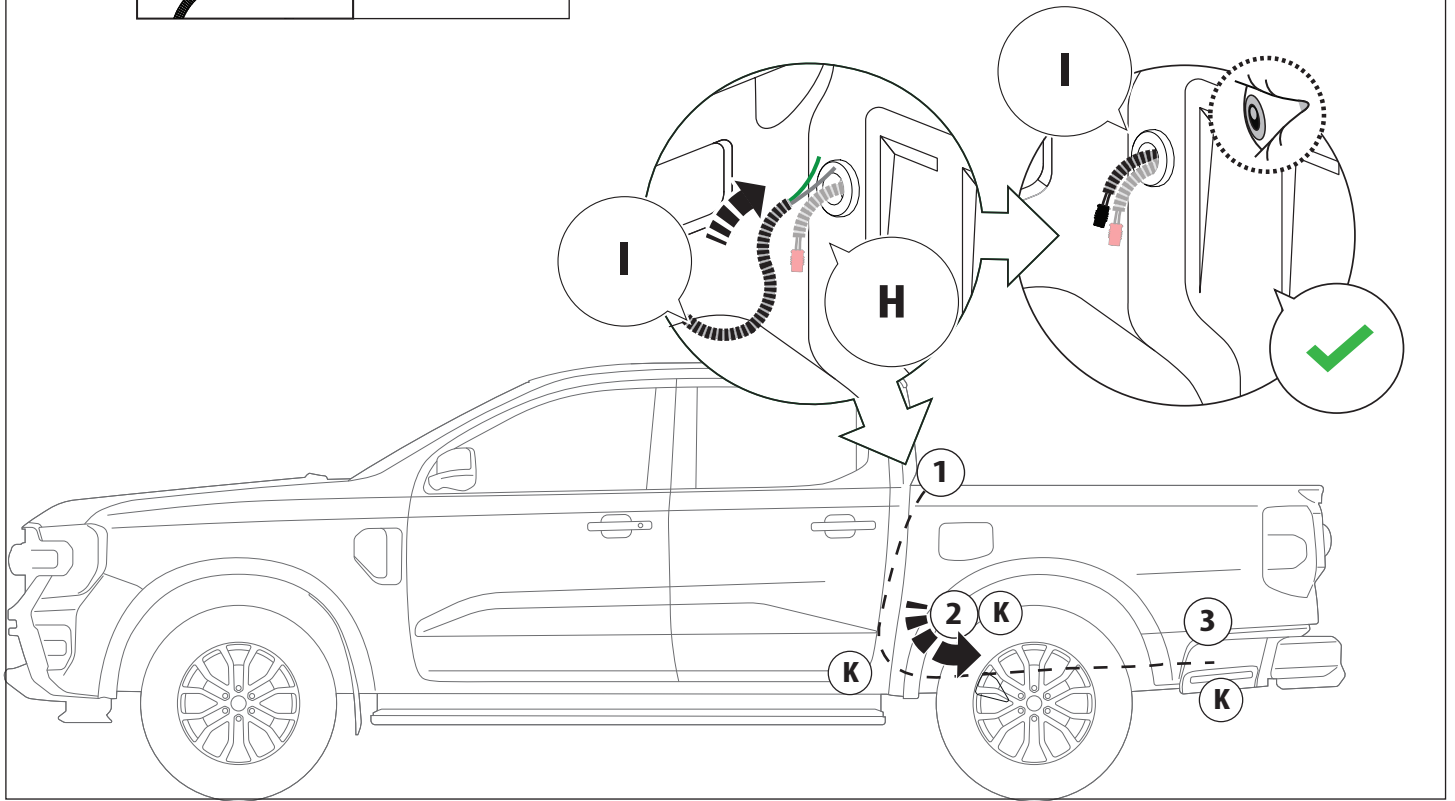
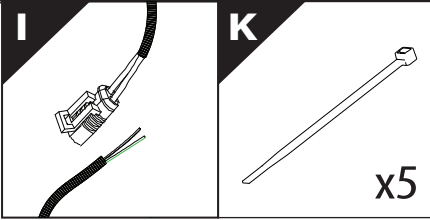




28 Only to be installed by authorized personnel



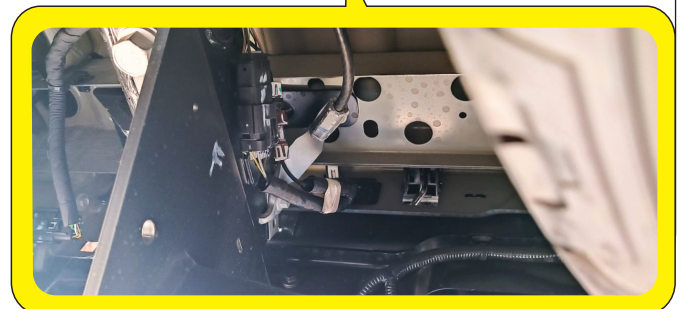
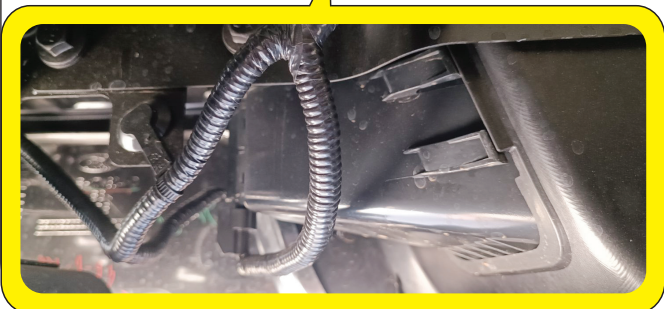
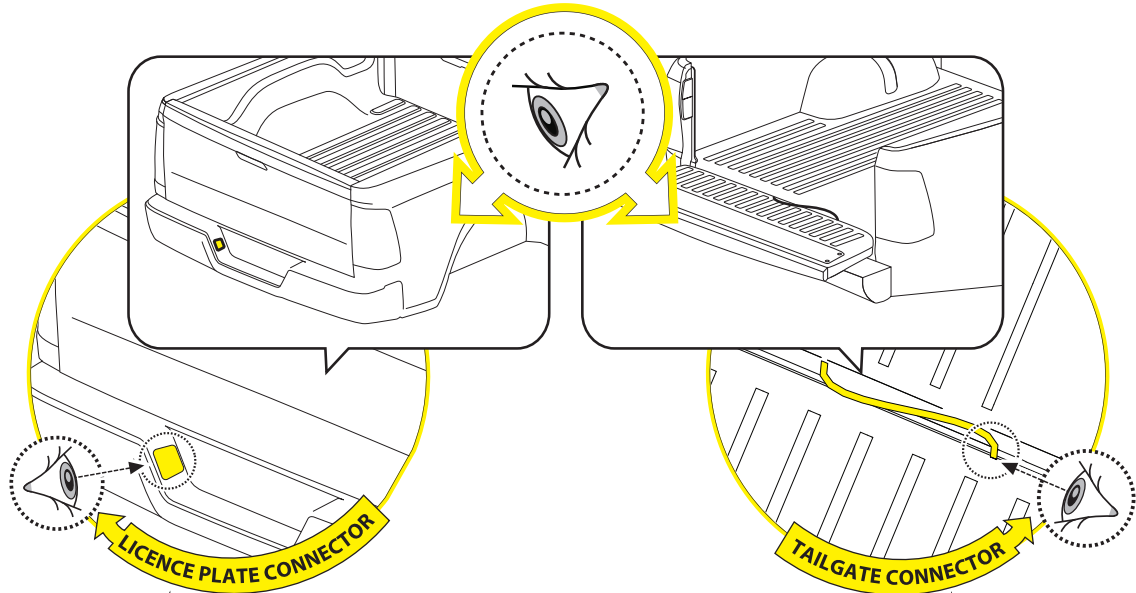
29



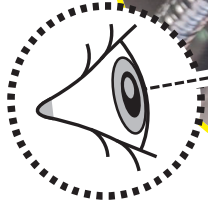
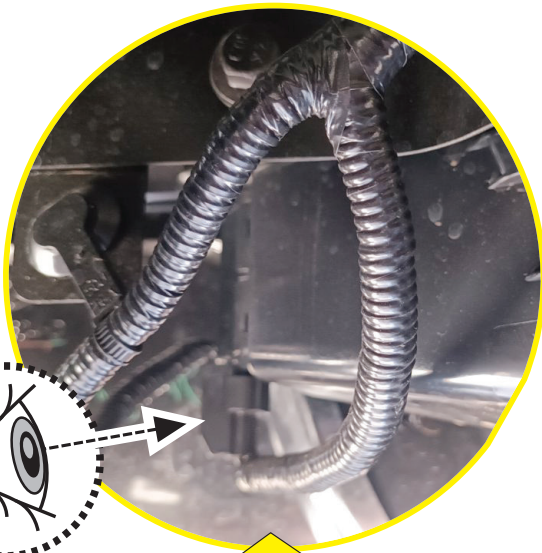
30



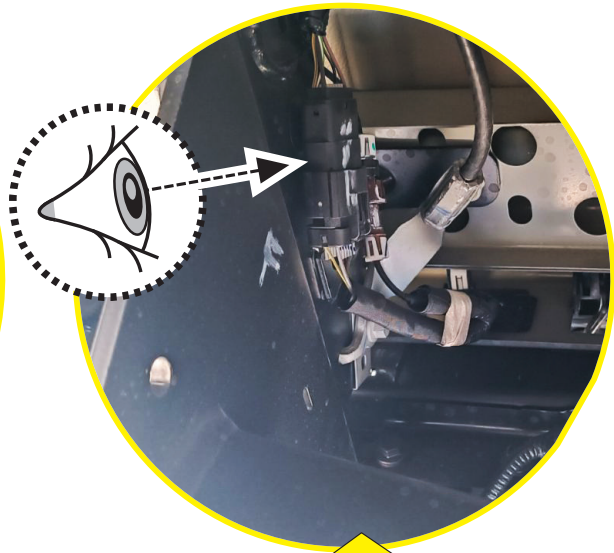
CAUTION: LIMITED, WILDTRAK, WILDTRAK X, PLATINUM



30.1



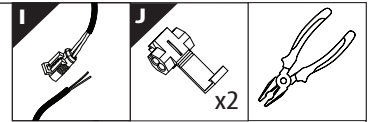
LICENCE PLATE CONNECTOR



TAILGATE CONNECTOR

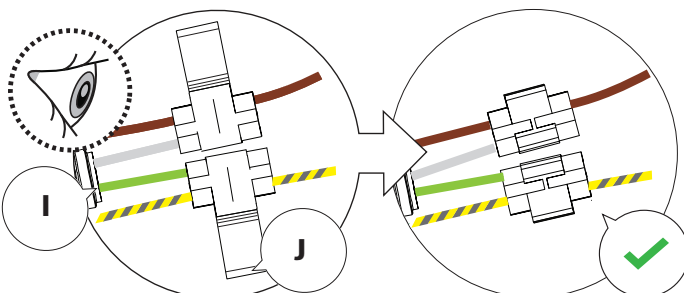
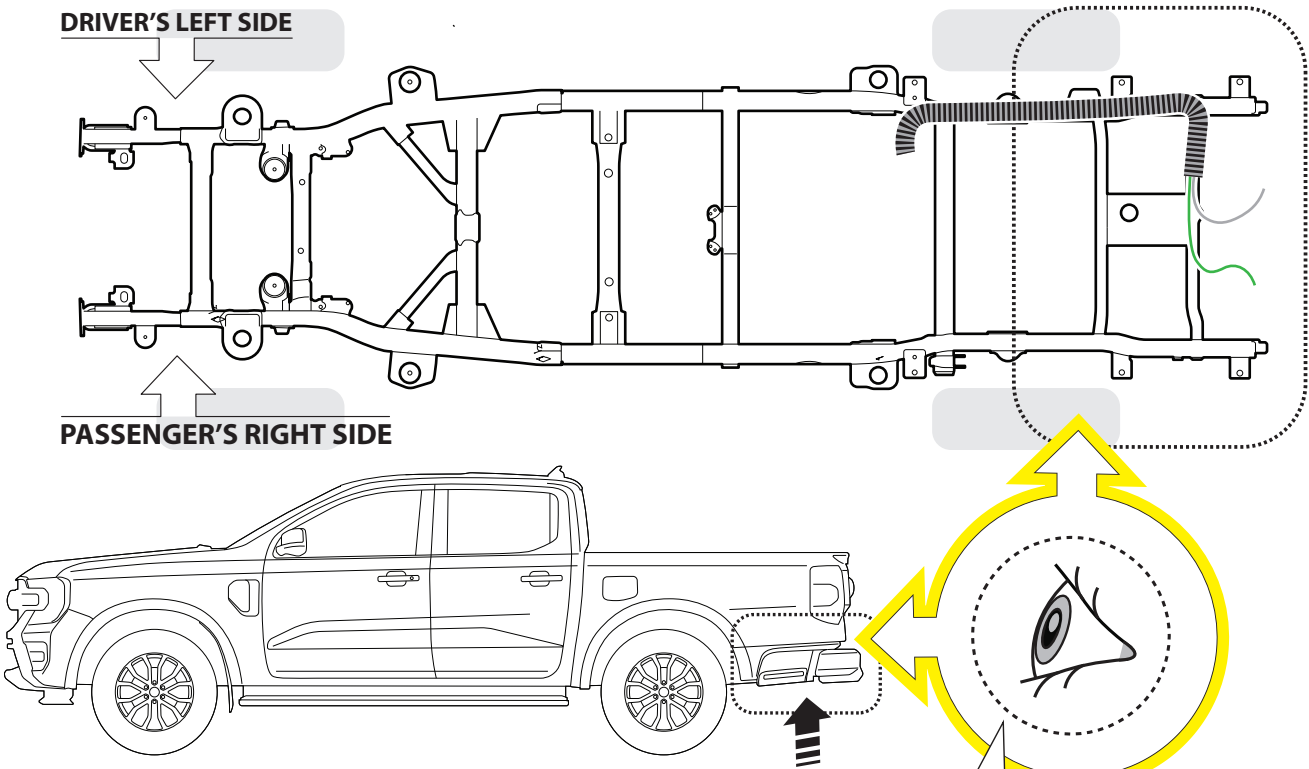
30.2

BOTTOM VIEW



DRIVER'S LEFT SIDE

PASSENGER'S RIGHT SIDE

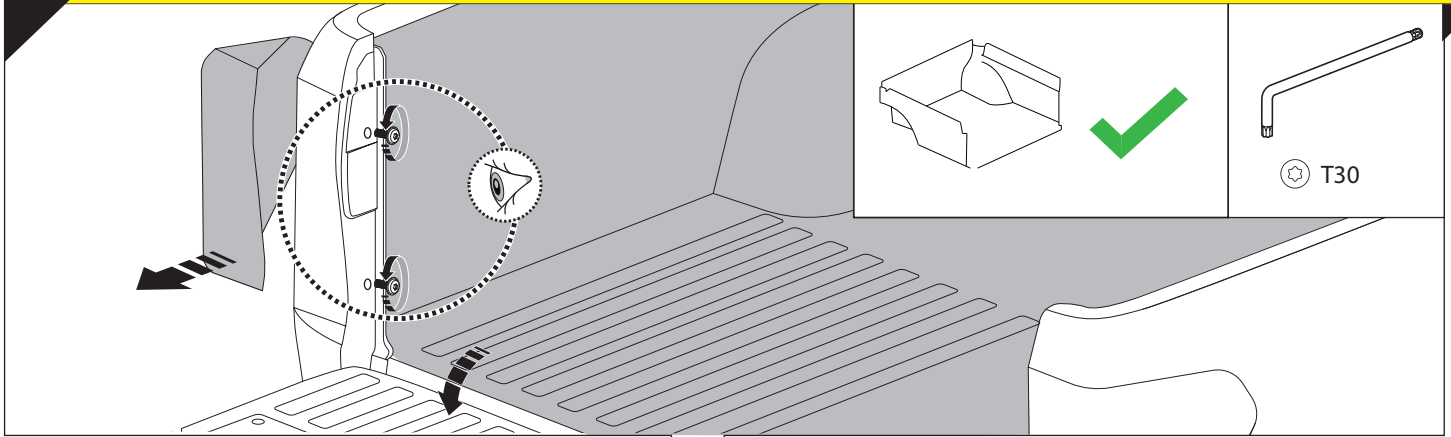


	CAR		TESSERA ROLL+
BEAM		↔	
LICENCE PLATE 2 PIN LIGHT CONNECTOR			
STOP		↔	
TAILGATE CONNECTOR			

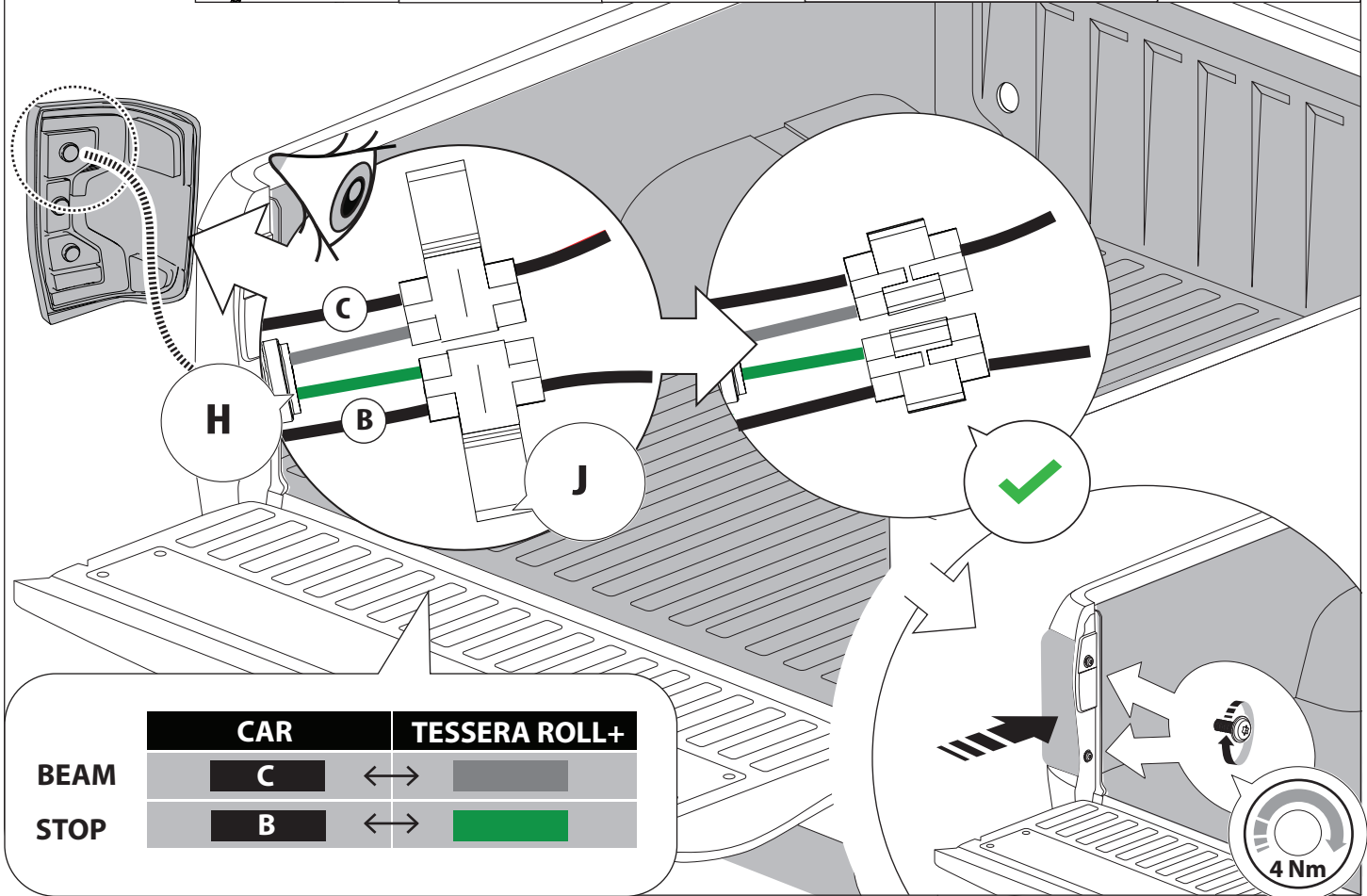
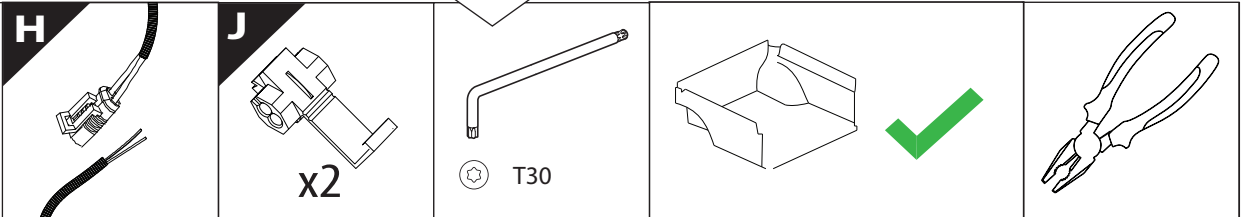
31



CAUTION: XL, XLT, TREMOR

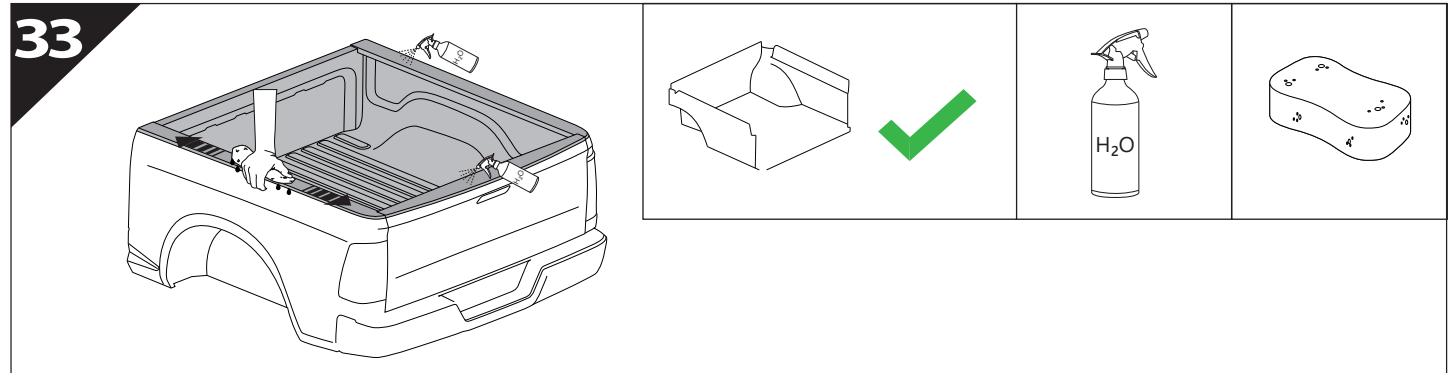


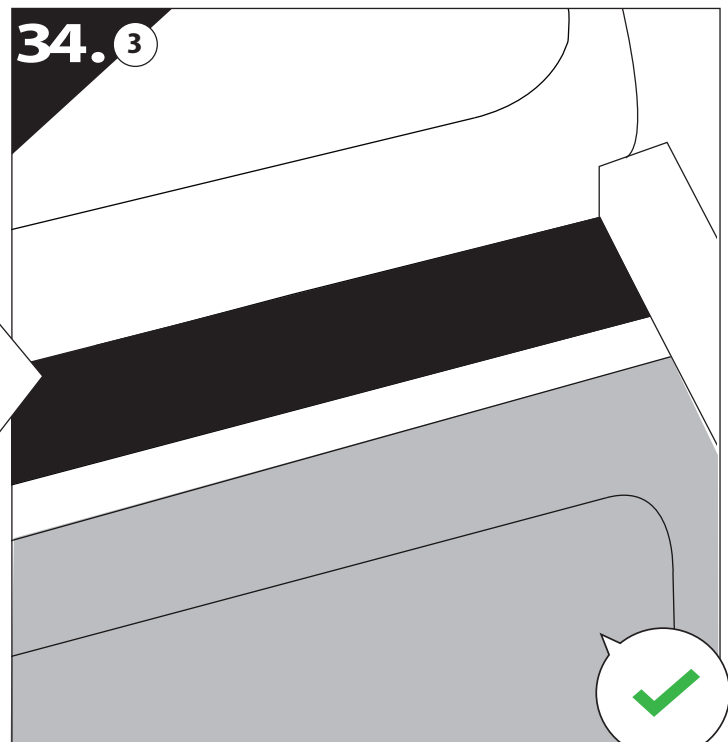
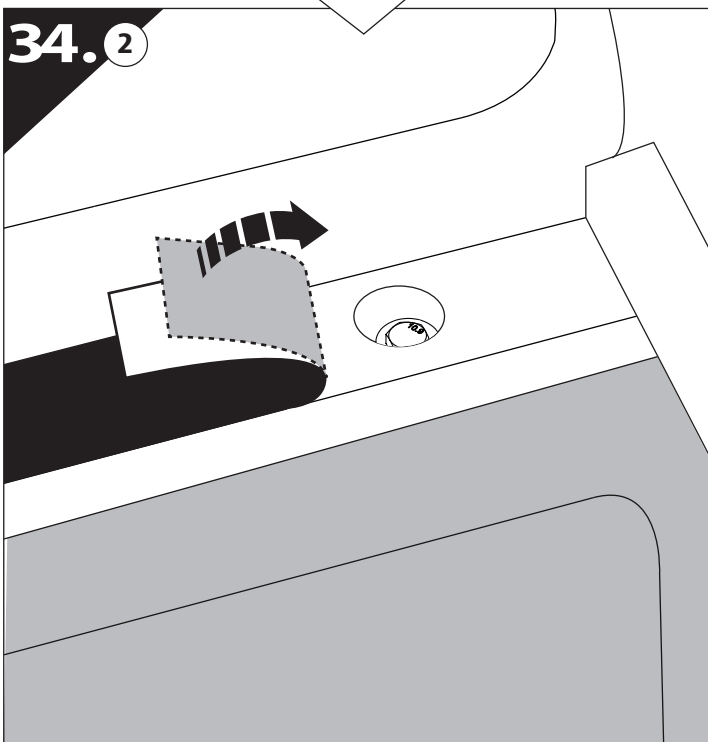
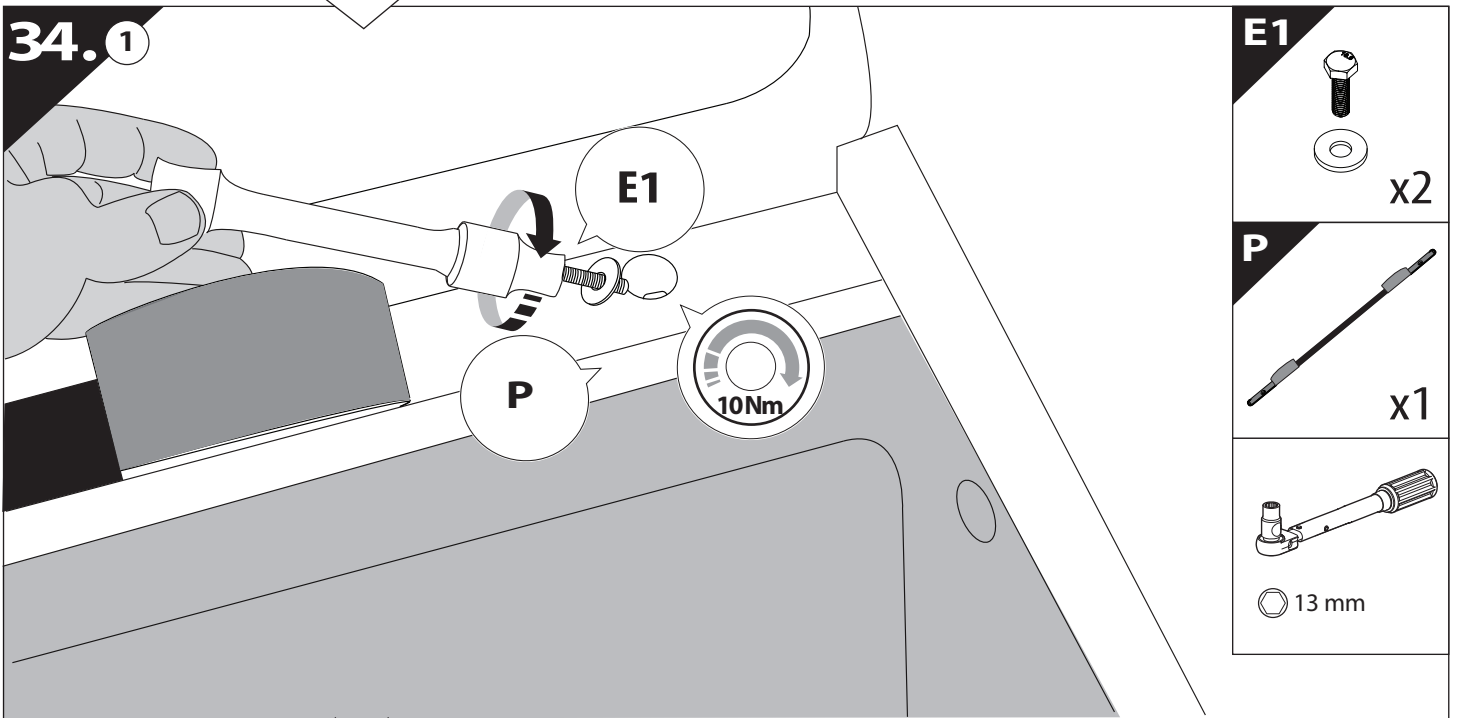
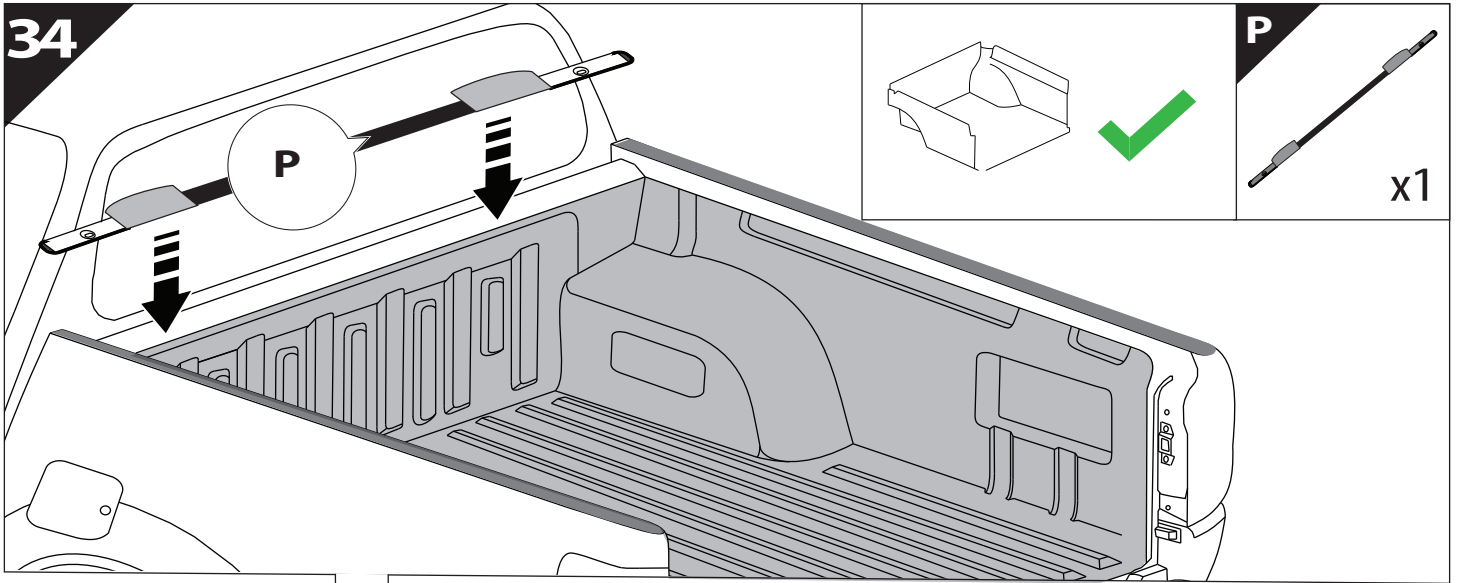
32



	CAR		TESSERA ROLL+
BEAM	C	↔	■
STOP	B	↔	■

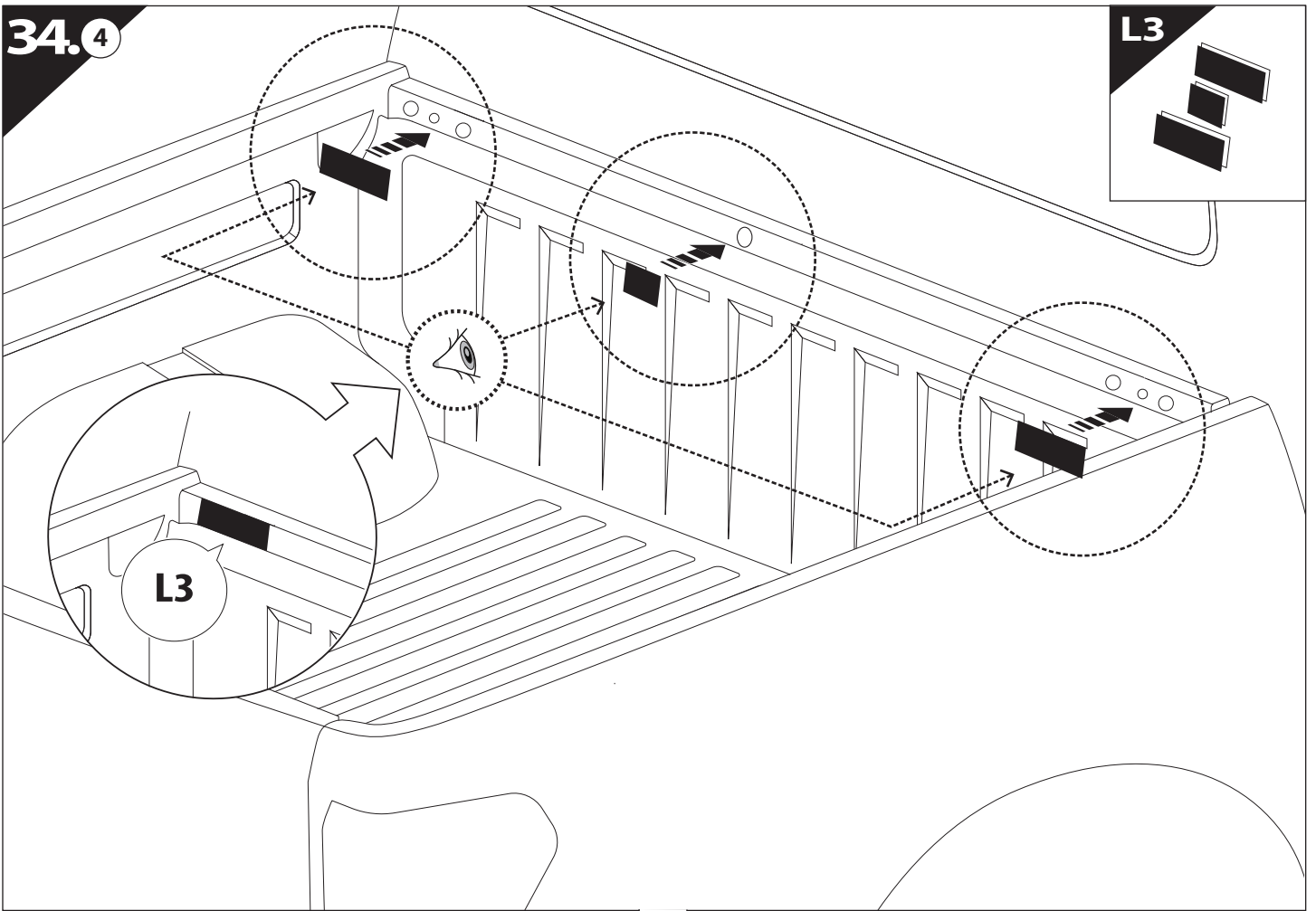
33



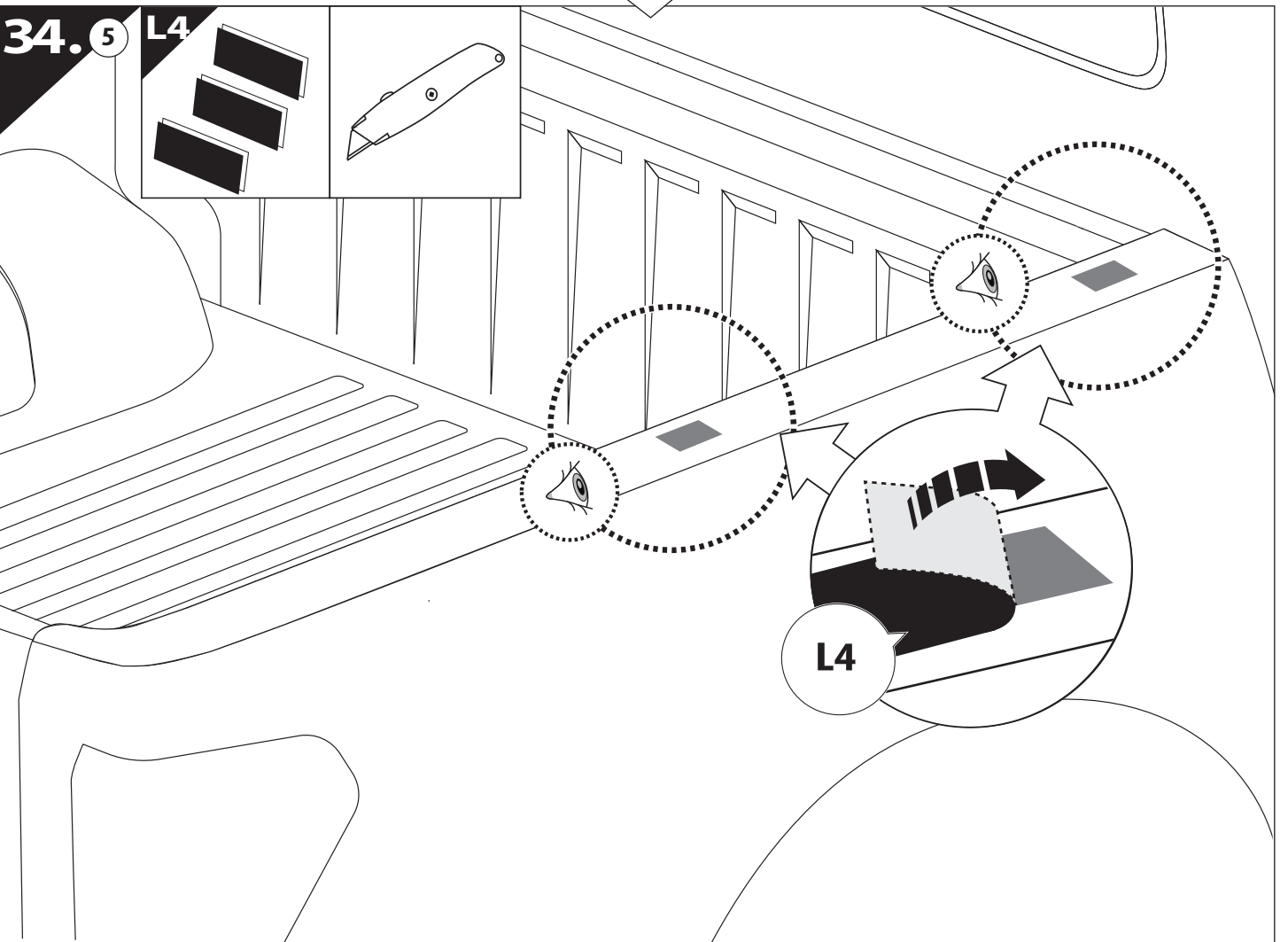


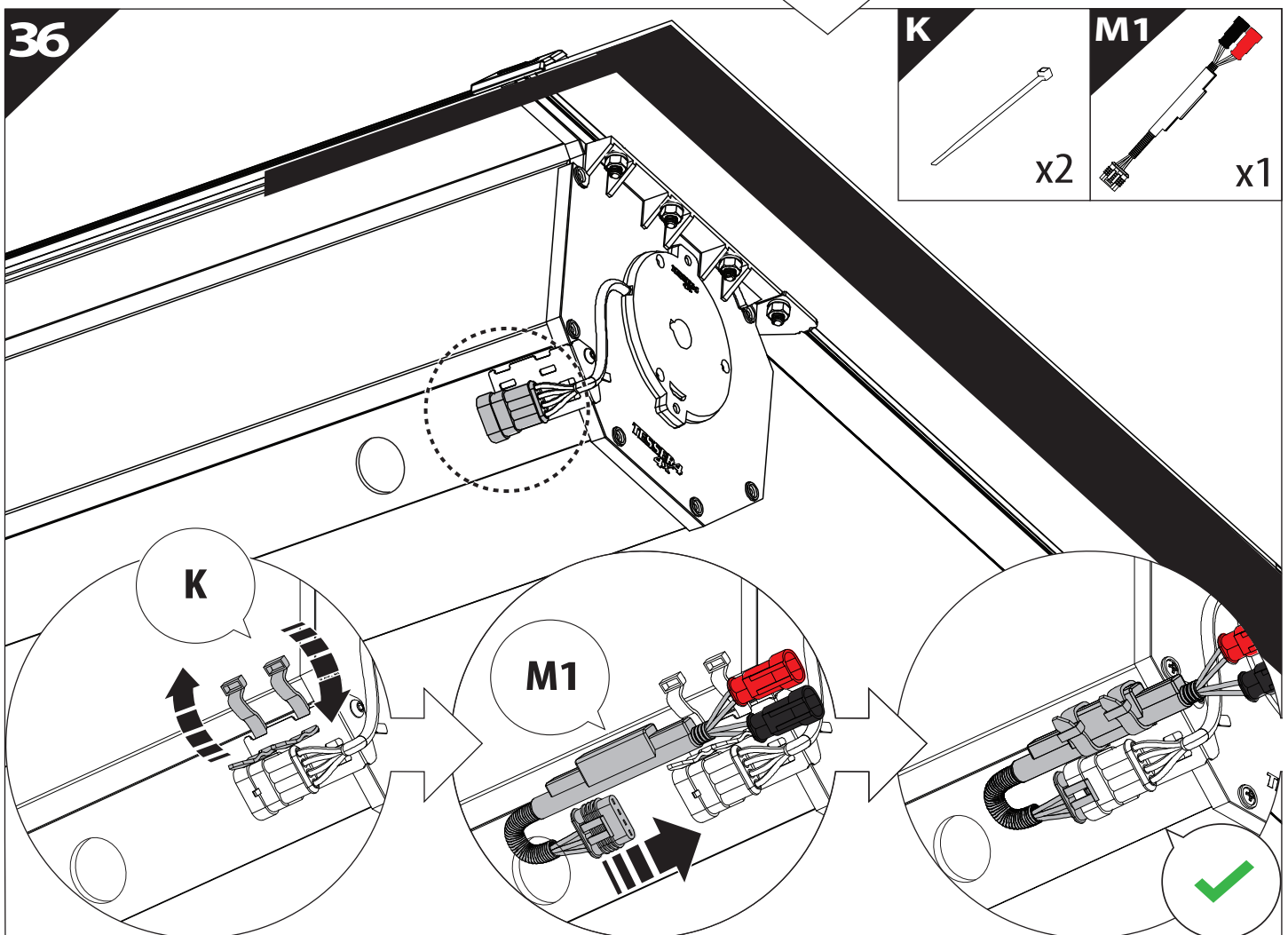
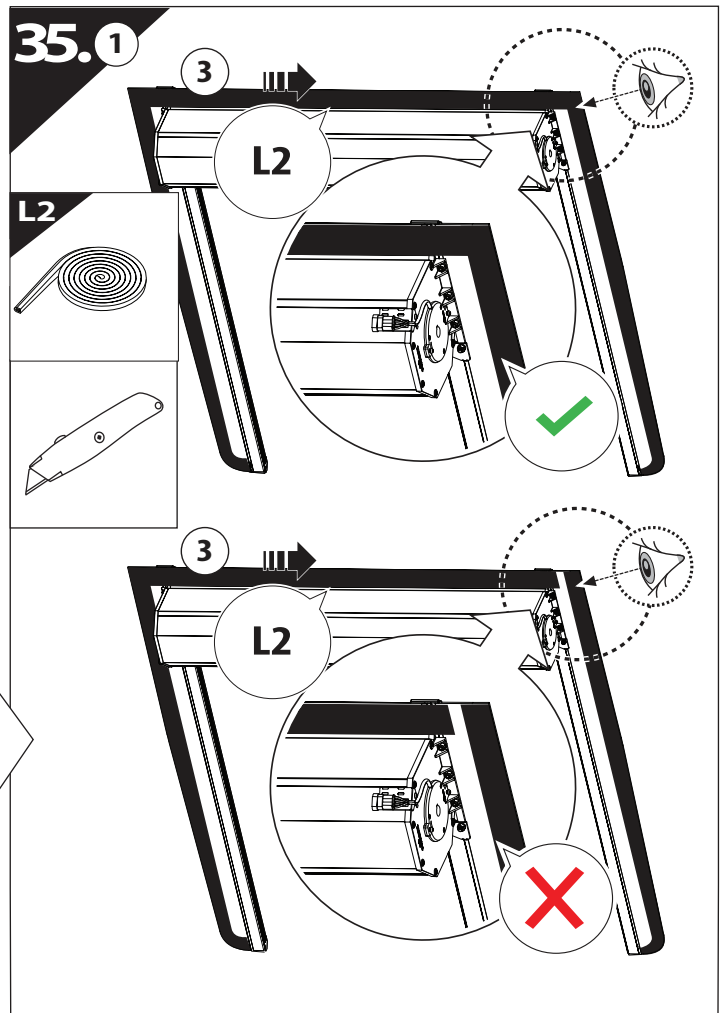
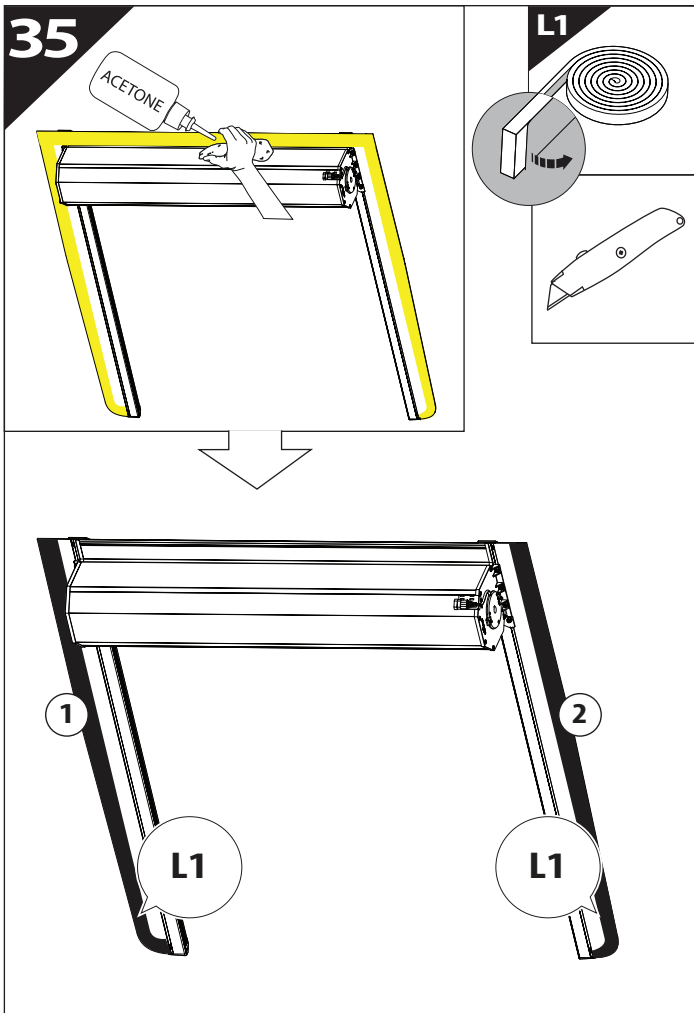
34.4

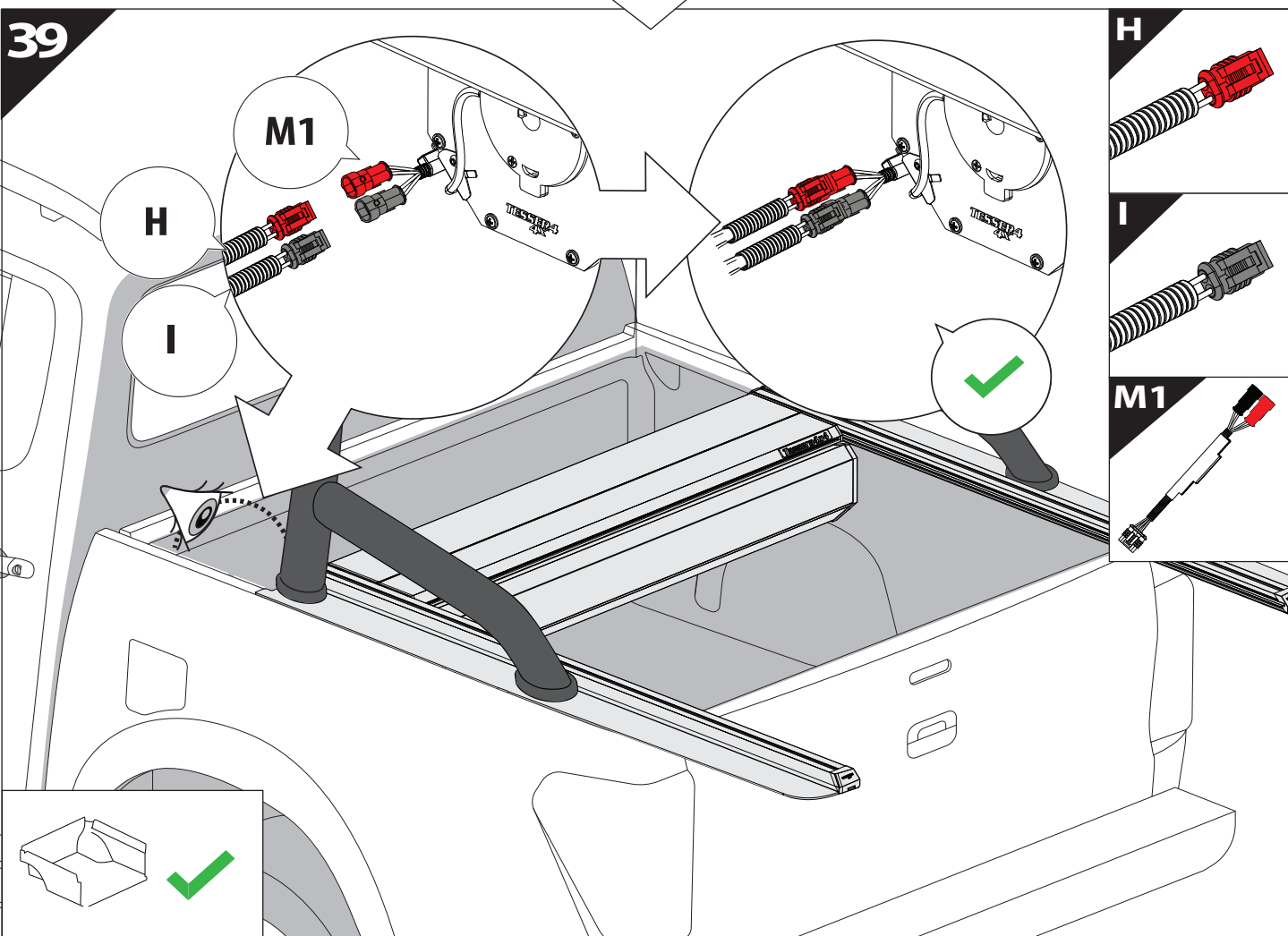
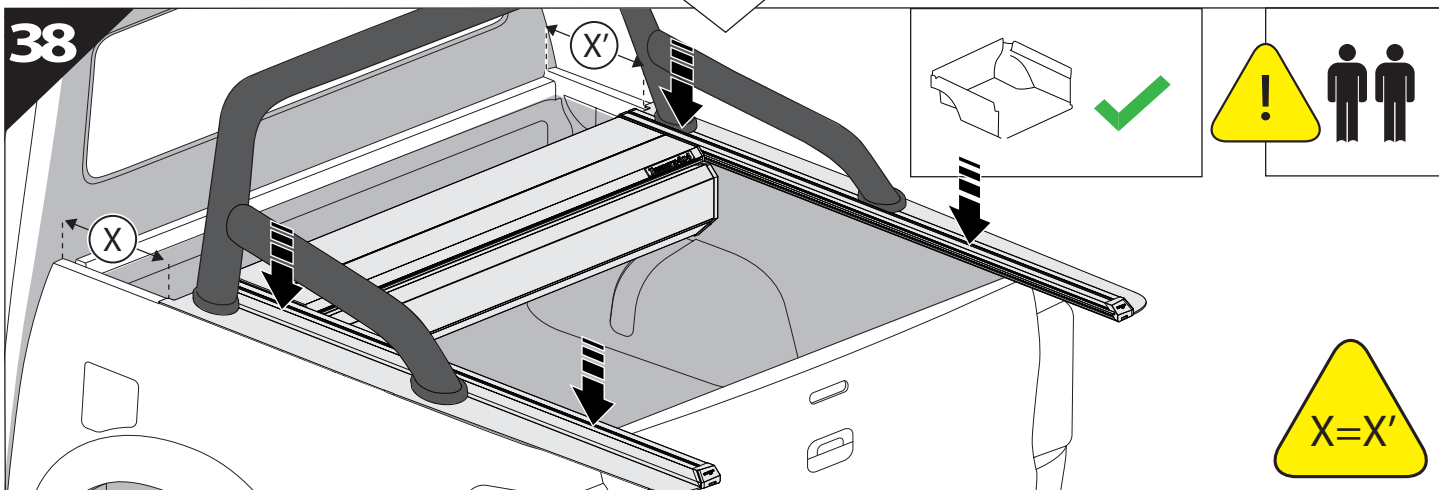
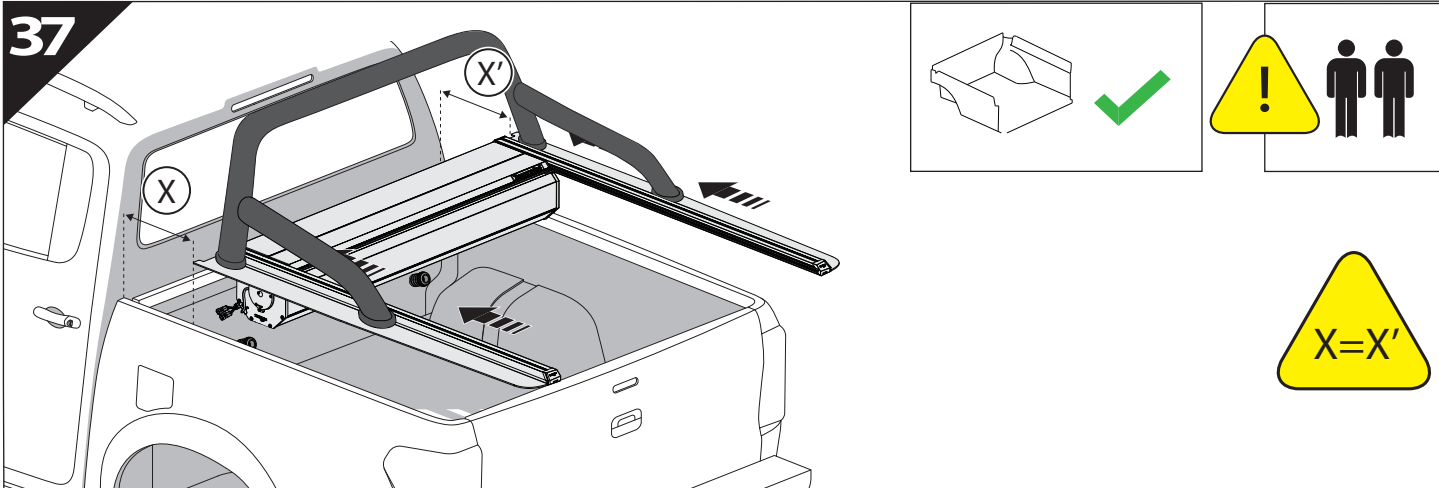
L3

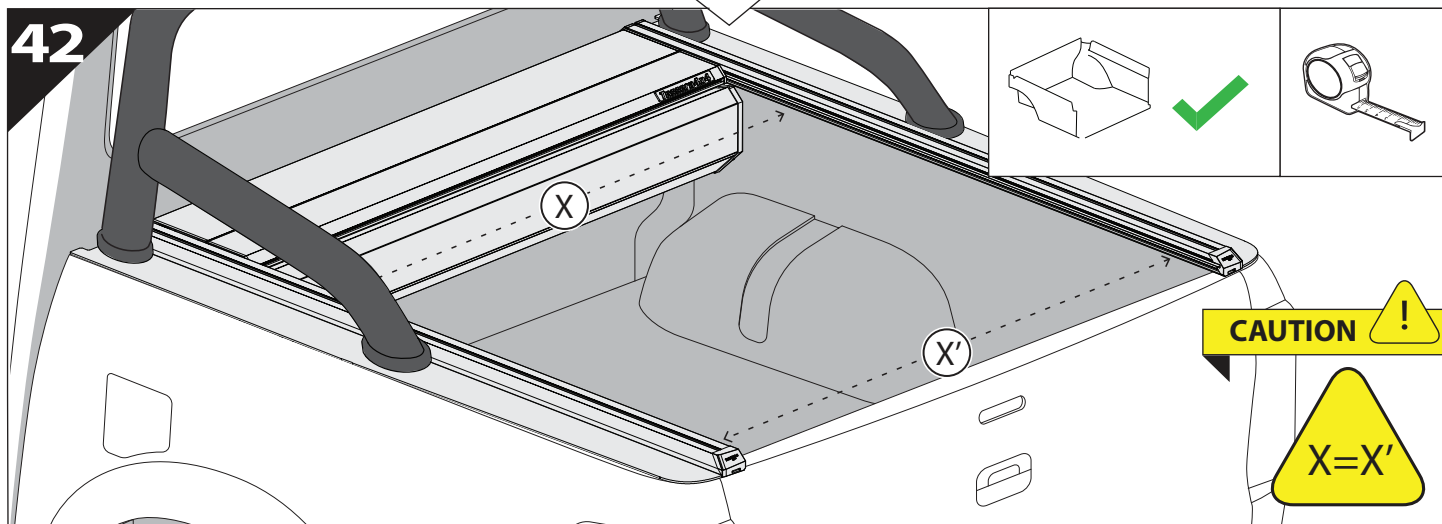
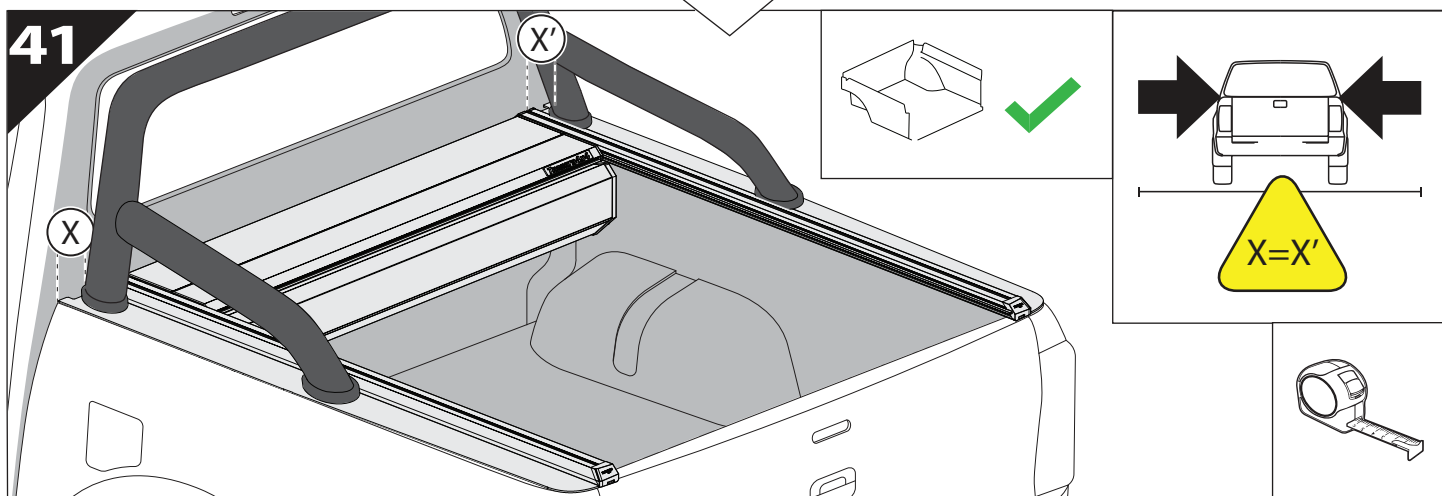
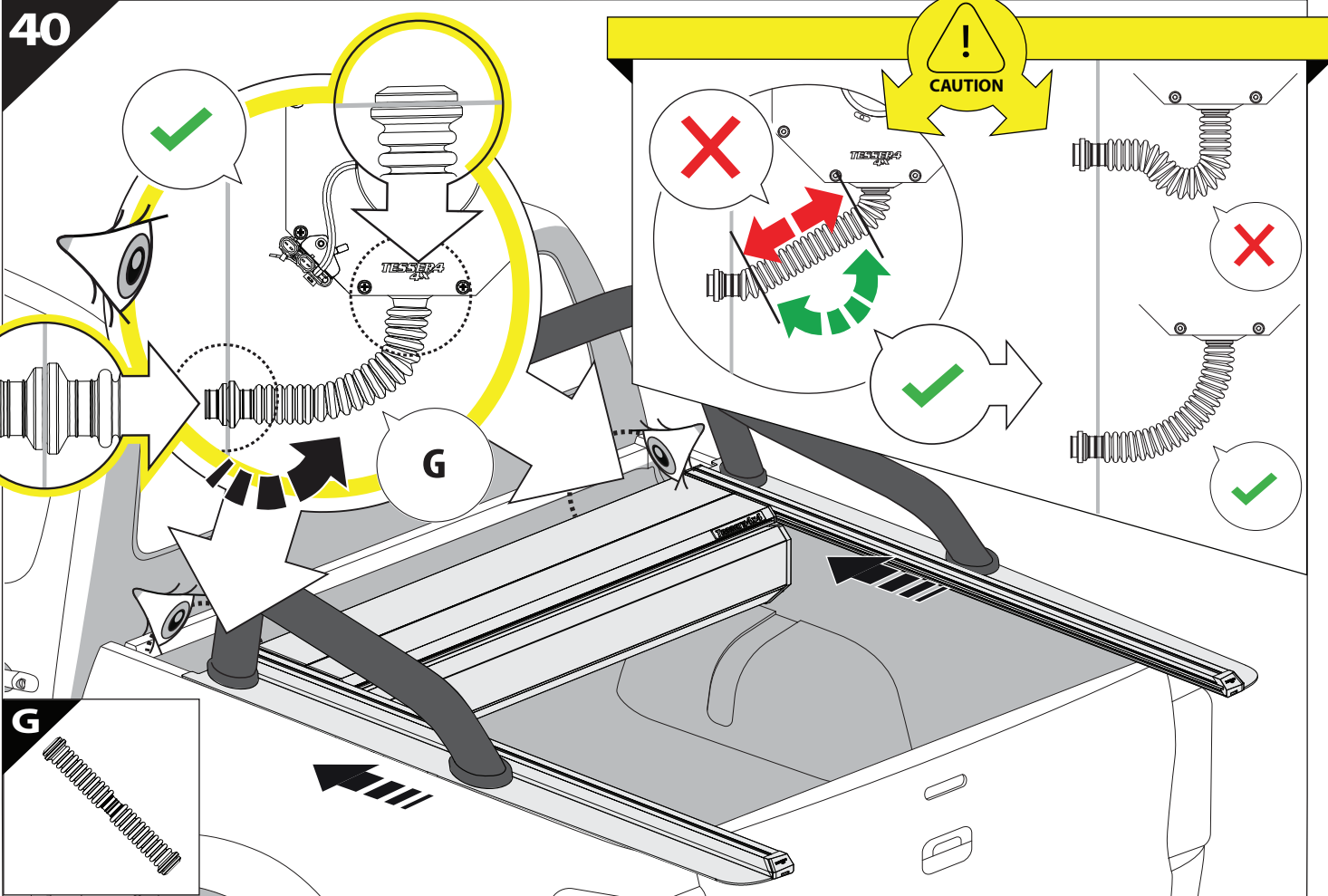


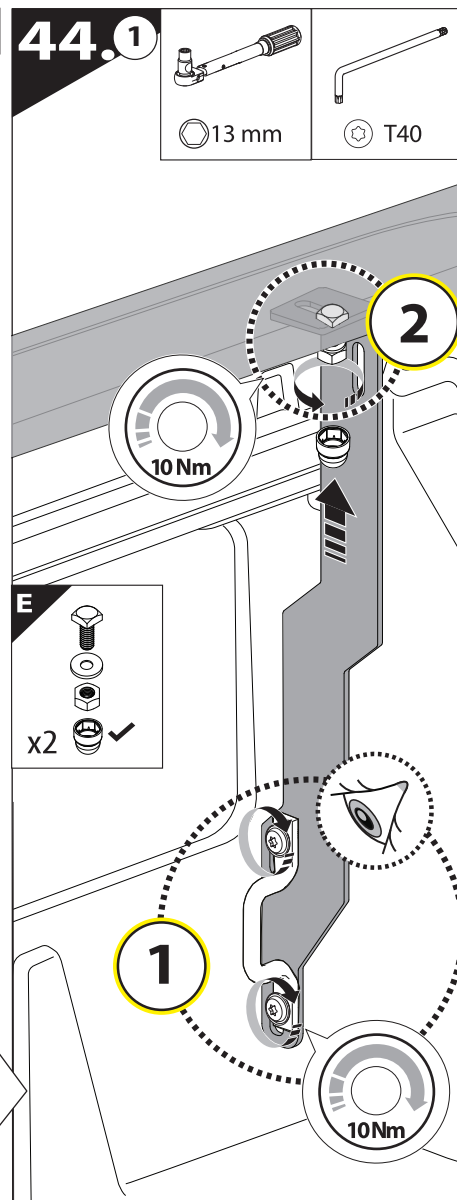
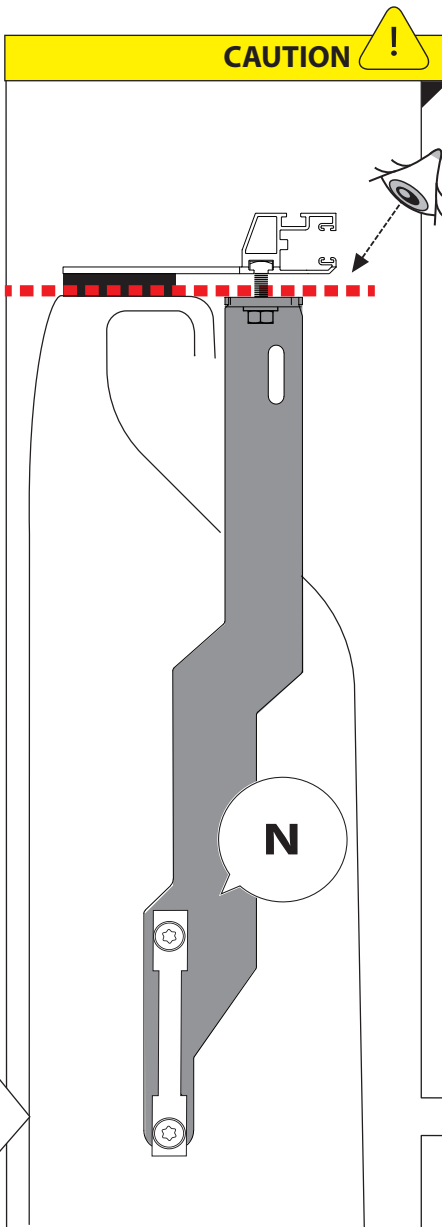
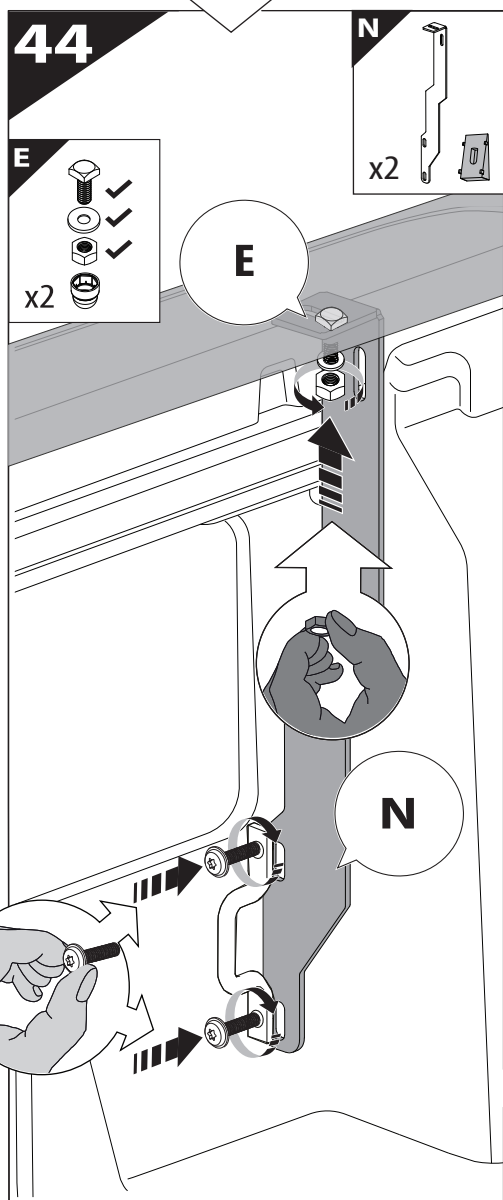
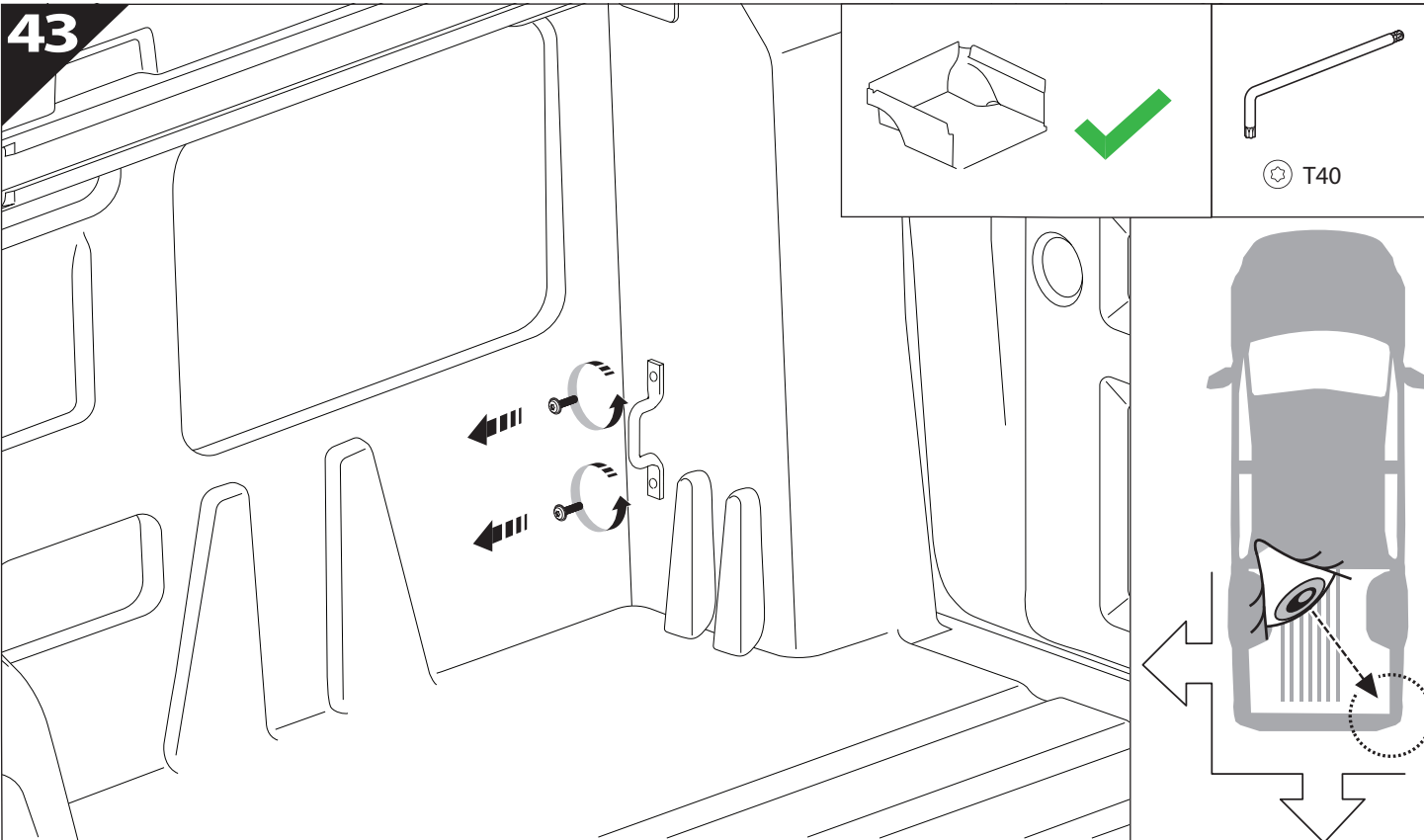
34.5 L4









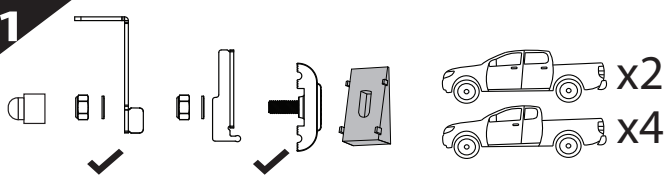


45 A

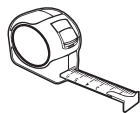
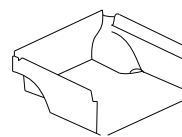
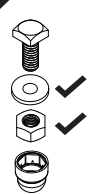


WITHOUT C - CHANNELS

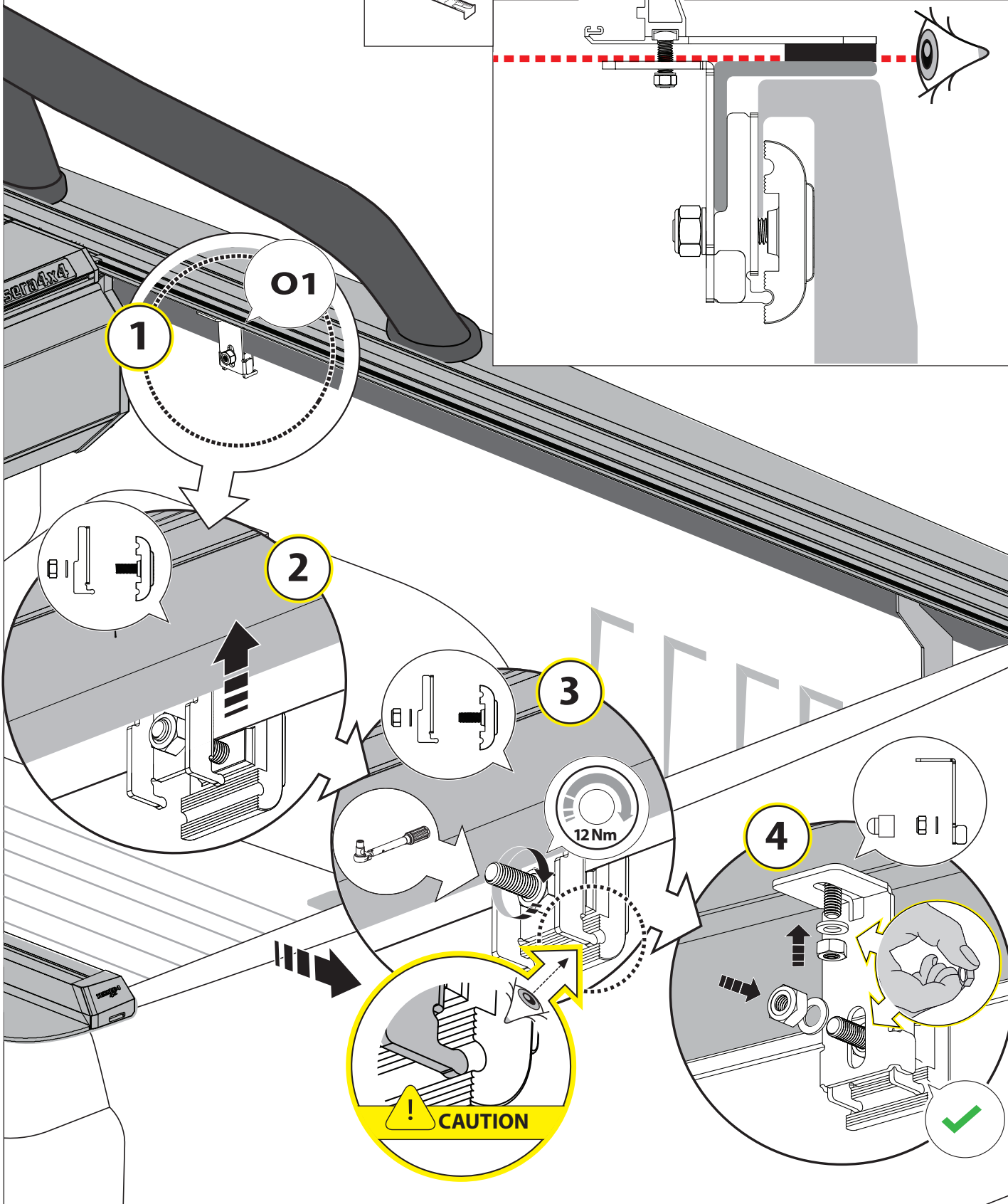
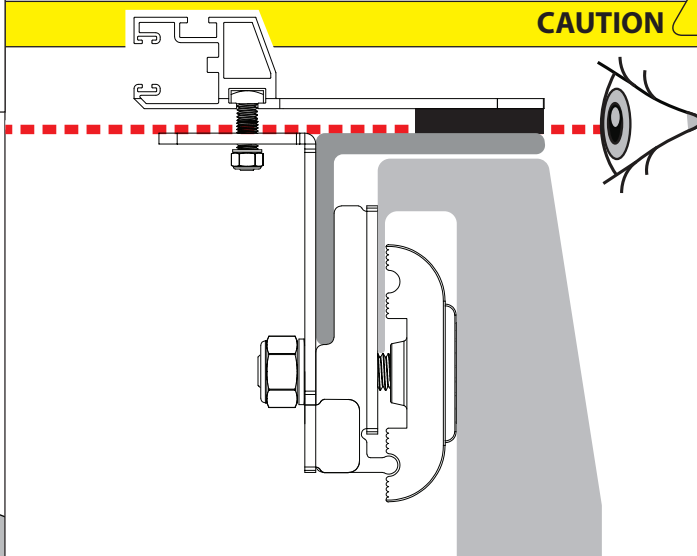
O1



E

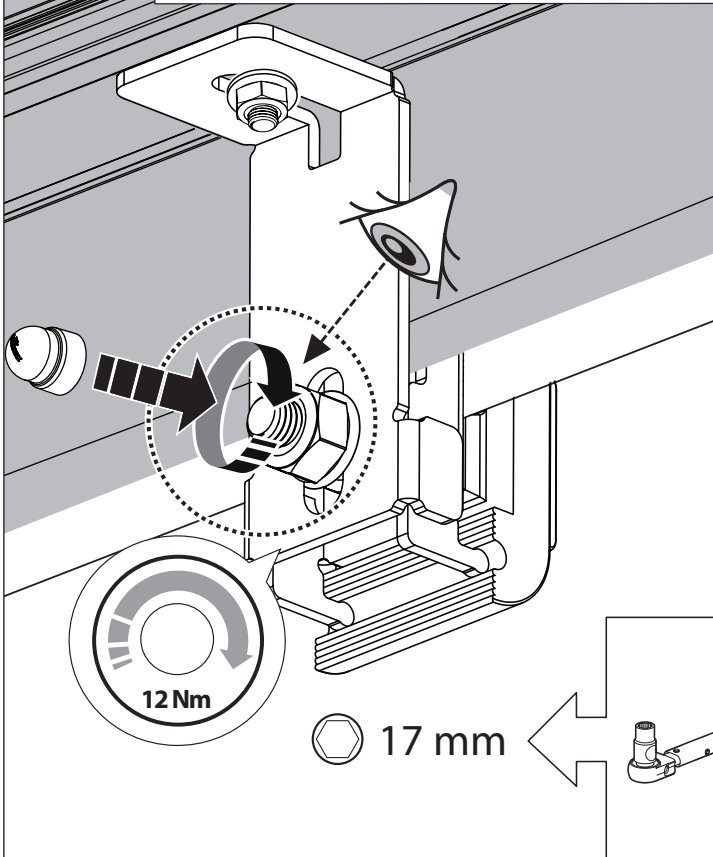
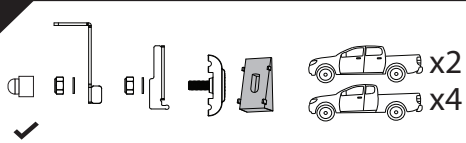


CAUTION



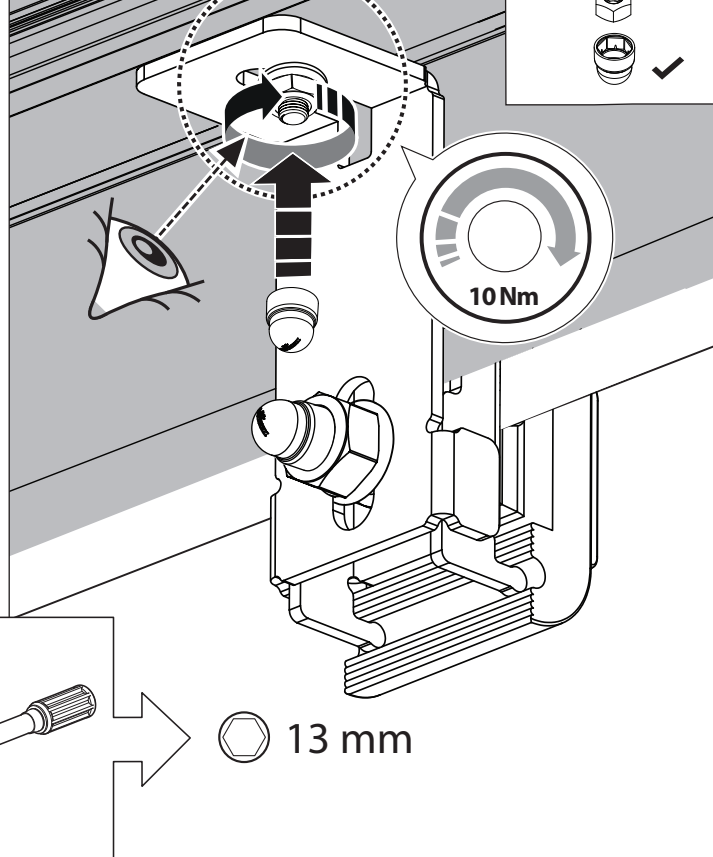
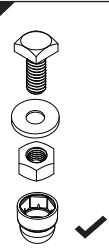
45 B

O1

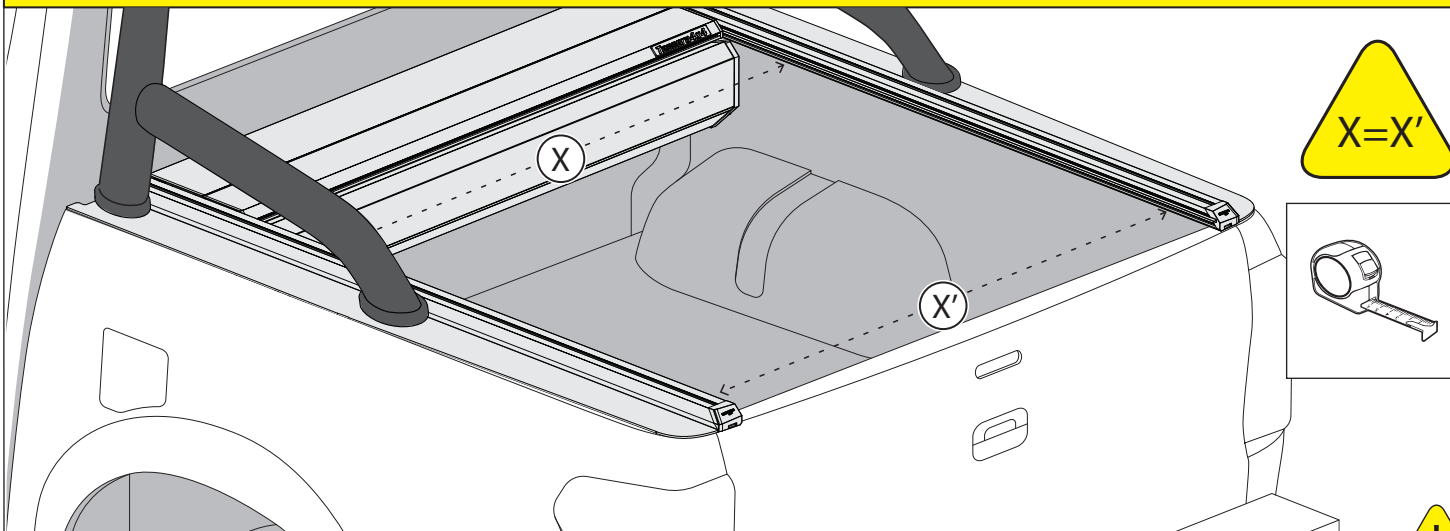


45 C

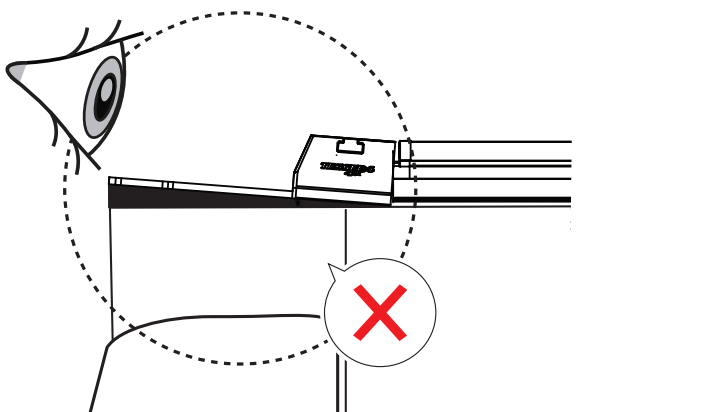
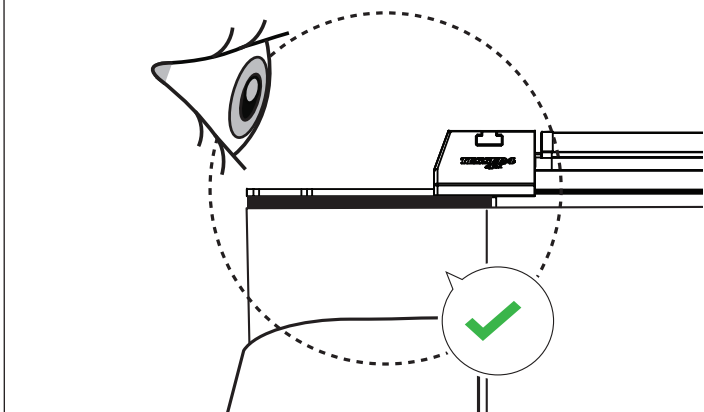
E



CAUTION



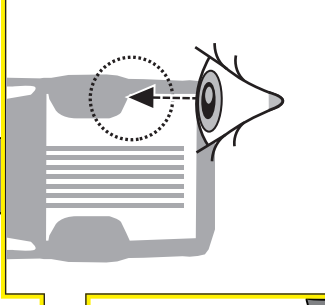
CAUTION



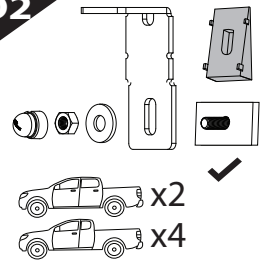
45 A



WITH C - CHANNELS



02



4x4

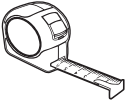
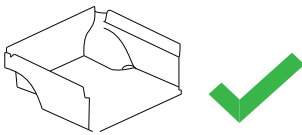
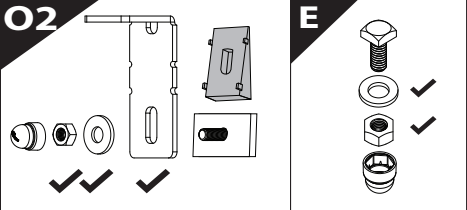
02

45 B

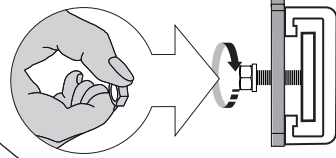
CAUTION !

O2

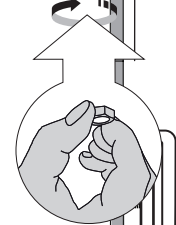
E



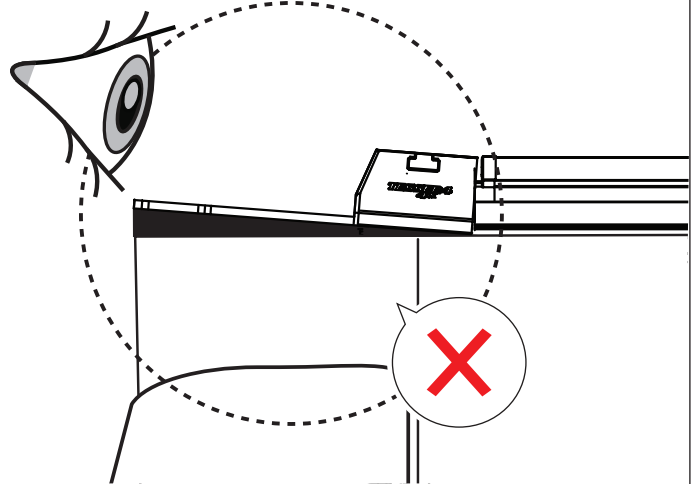
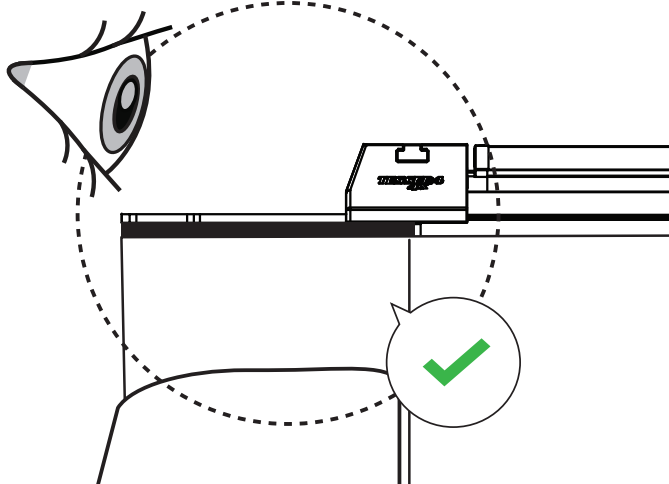
3 mm I 8 mm

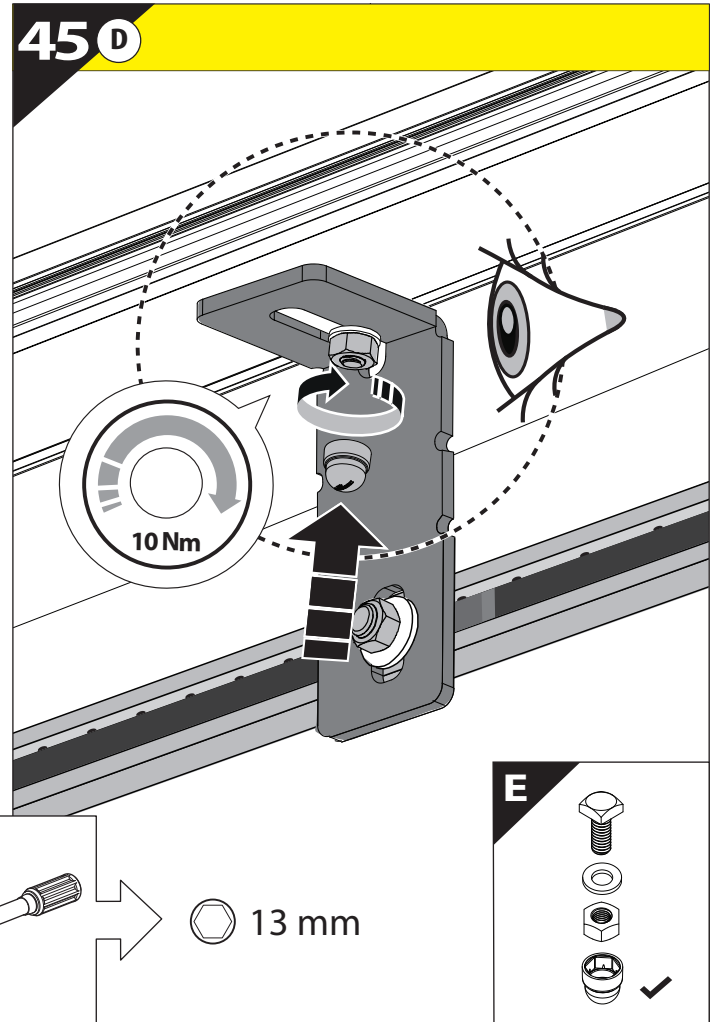
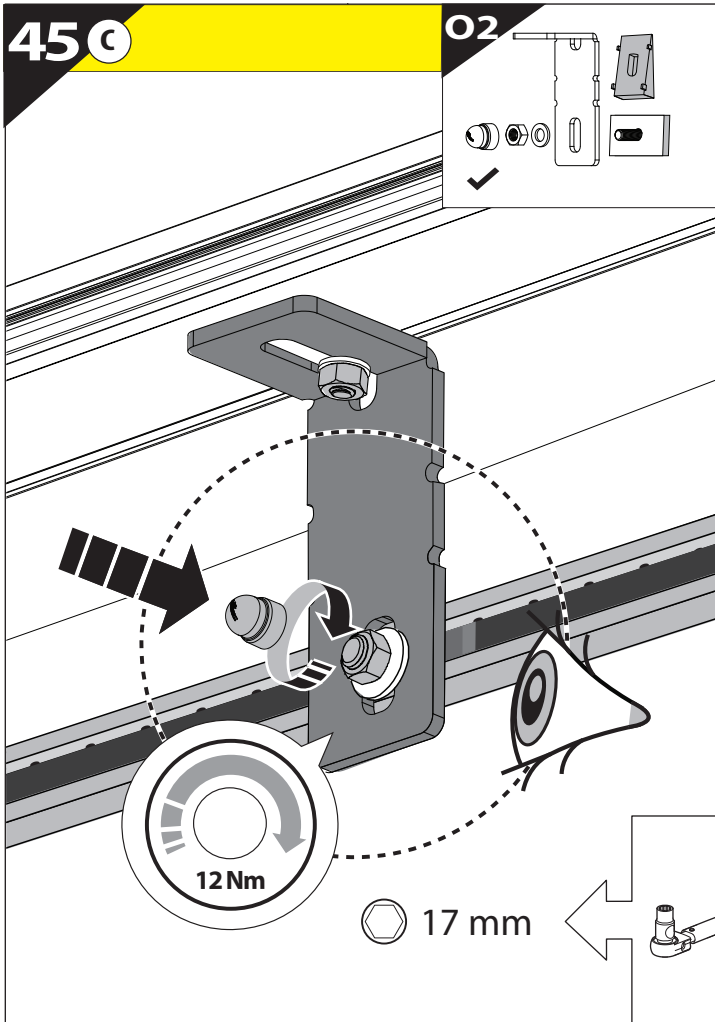


3 mm I 8 mm

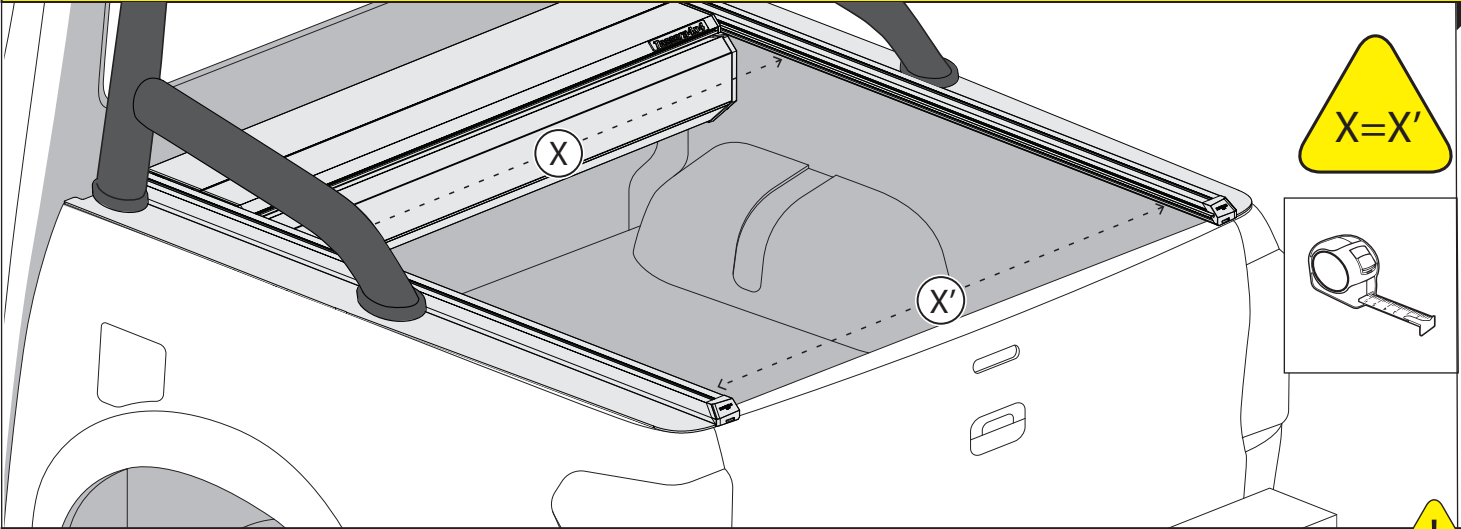


CAUTION !

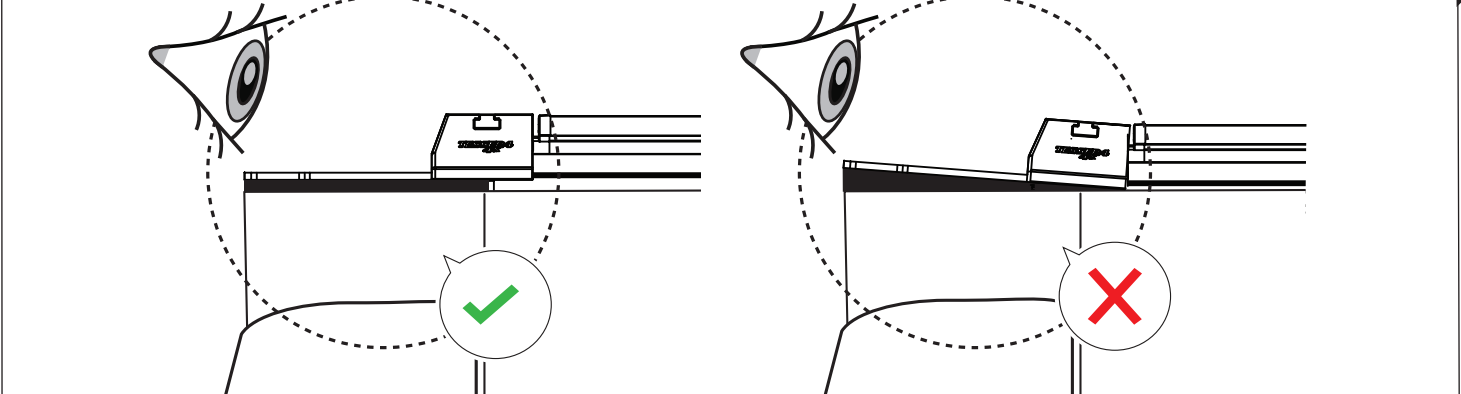




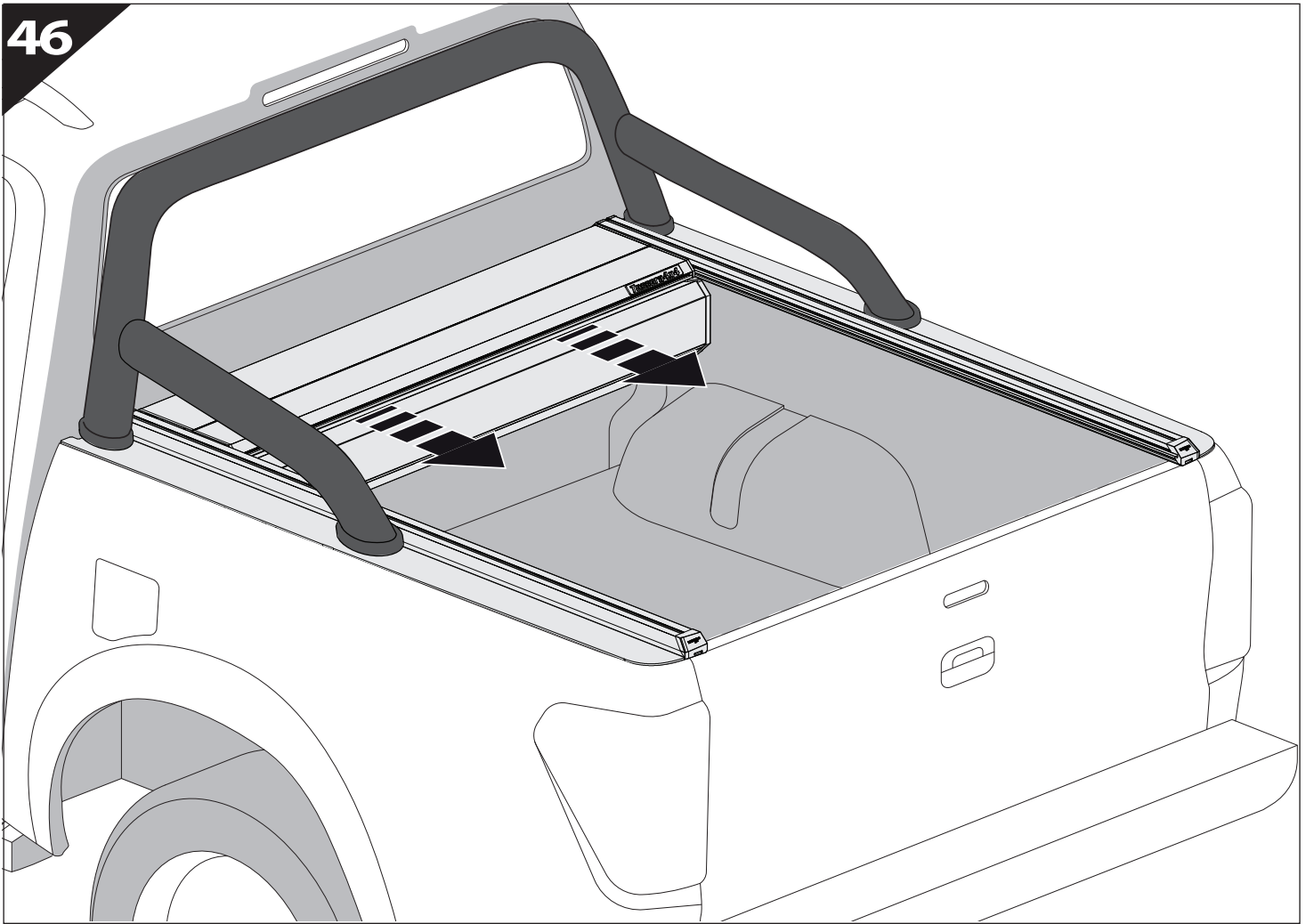
CAUTION !



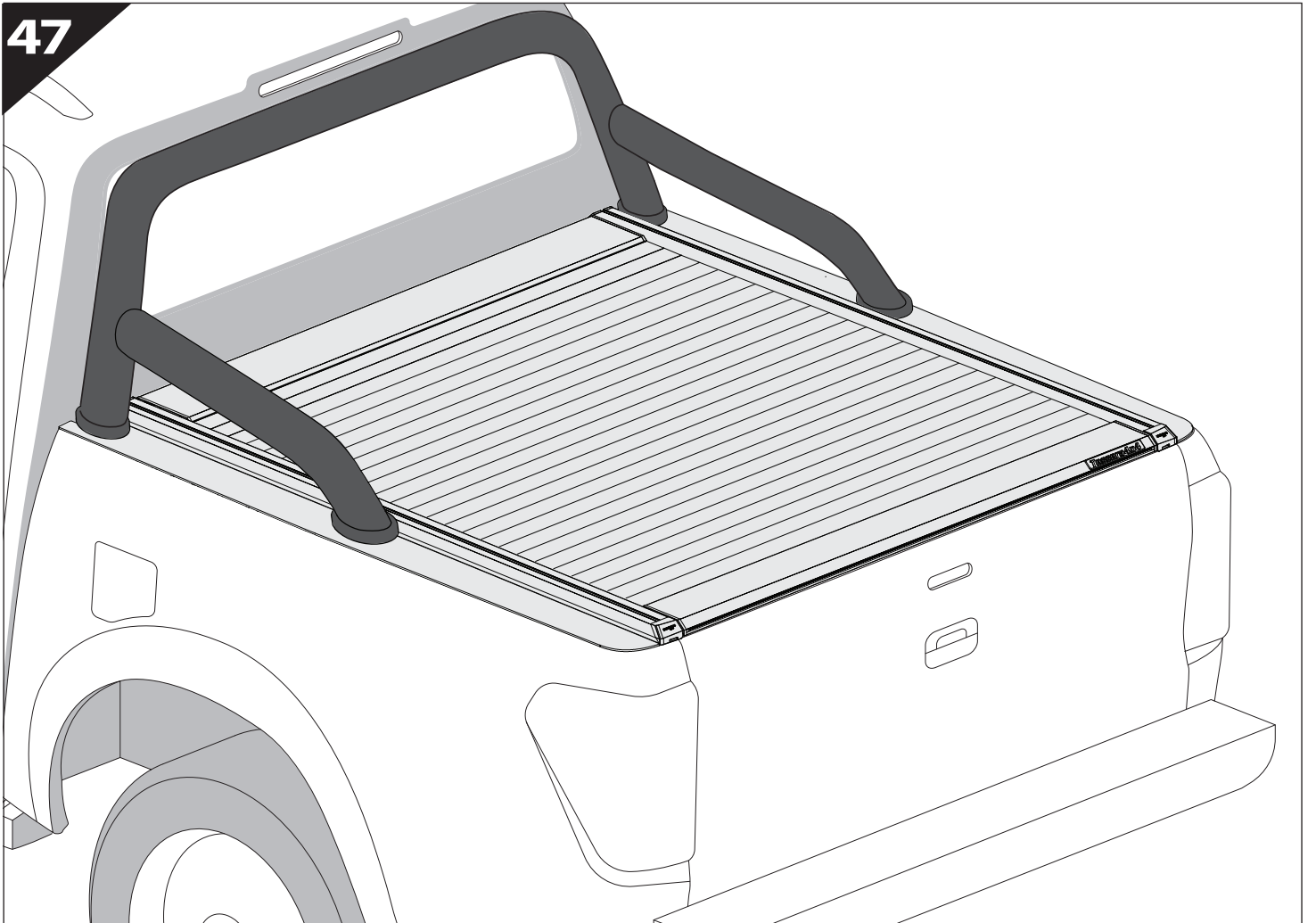
CAUTION !



46



47





GR: Οδηγίες Εγκατάστασης
GB: Installation manual
SF: Asennusohje
F: Notice de montage
PL: Instrukcja montażu
NL: Installatie-instructies
TR: Montaj Talimatı
S: Monteringsanvisning
E: Instrucciones de montaje

H: Szerelési utasítás
P: Instruções de instalação
RUS: Инструкция по установке
N: Monteringsveiledning
D: Einbauanleitung
CZ: Návod k instalaci
I: Istruzioni de montaggio
DK: Monteringsvejledning
RO: Instructiuni de instalare

Customer Service:

+30 (210) 5541161, +30 (210) 5541154 (08:00 - 16:00 EET)

Support department:

info@gianso.gr

Website:

www.tessera4x4.com

Address:

19.5 km of National road Athens-Korinthos (Elefsina) Greece, P.C: 19200