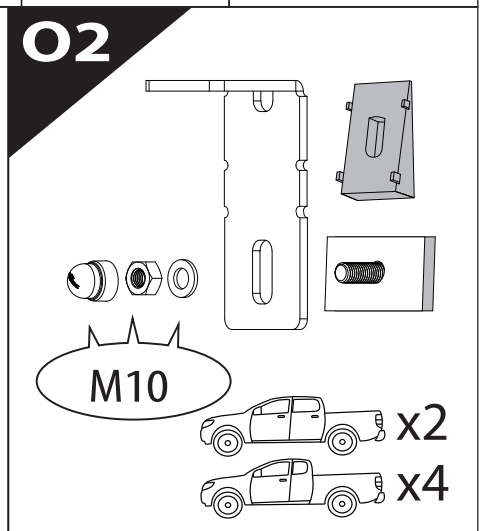
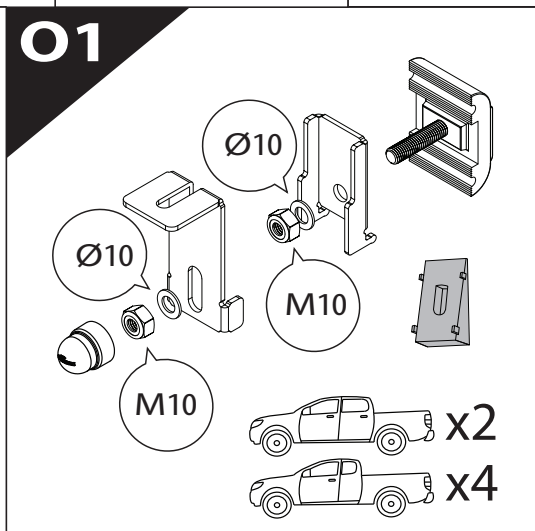
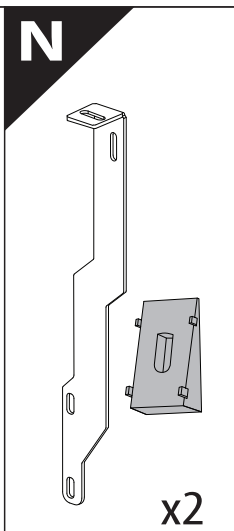
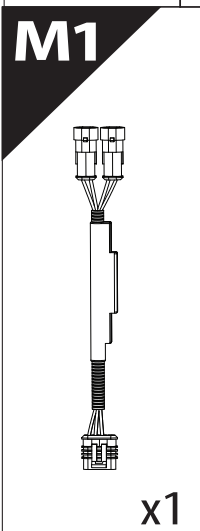
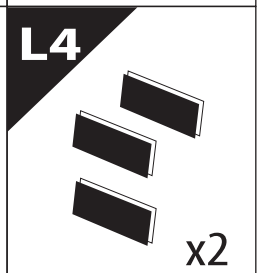
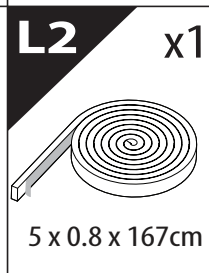
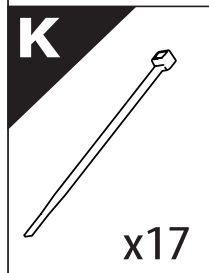
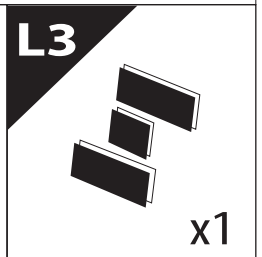
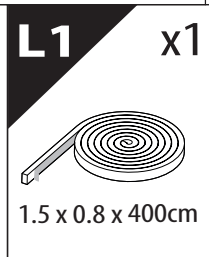
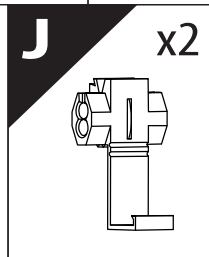
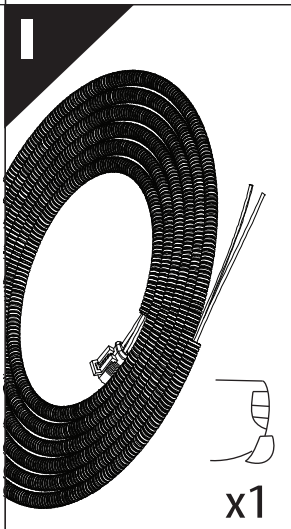
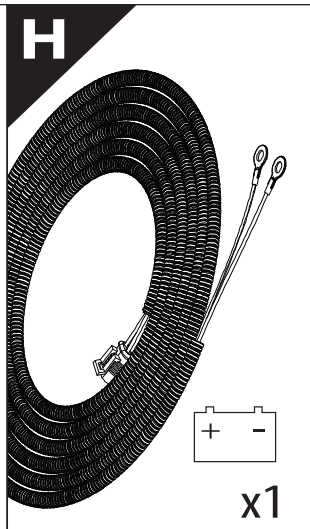
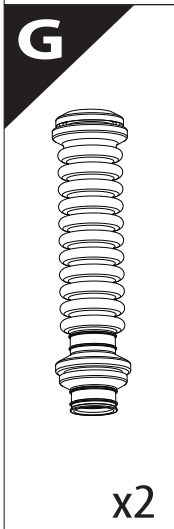
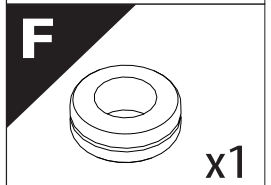
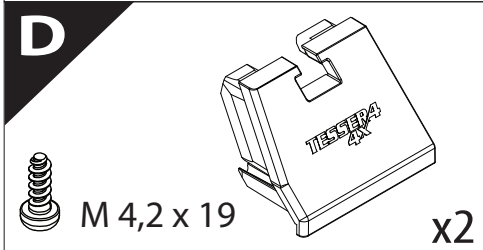
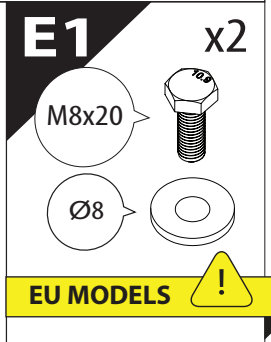
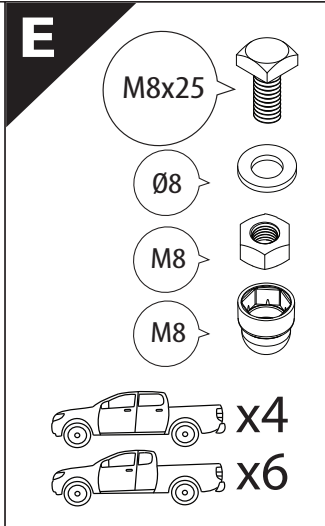
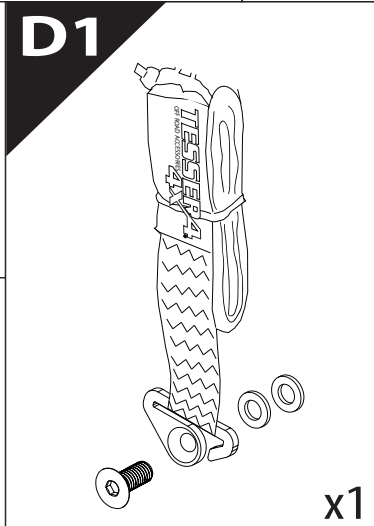
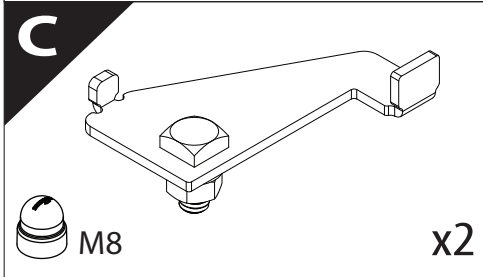
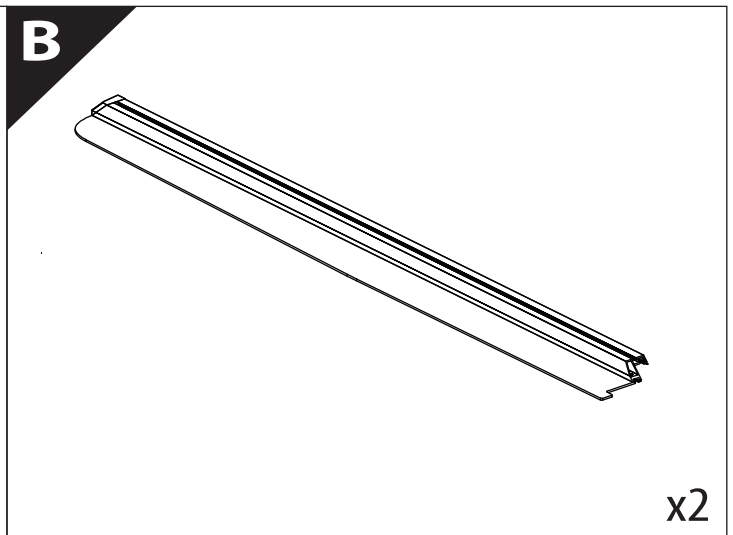
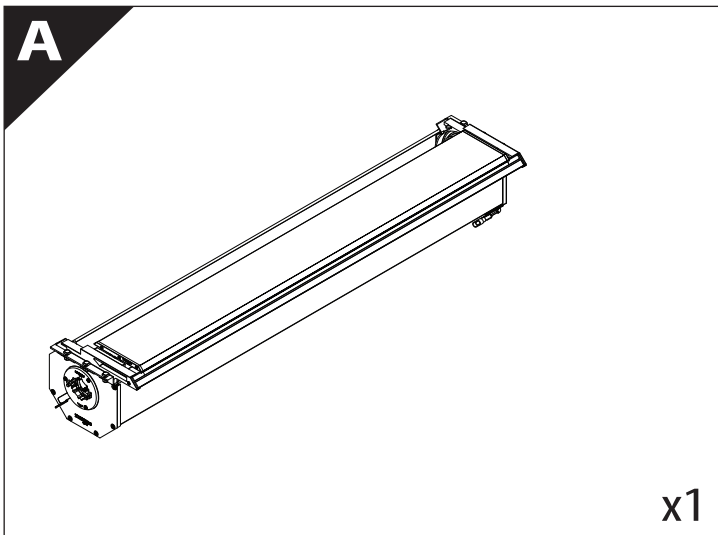

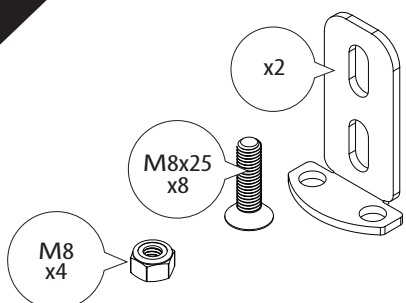

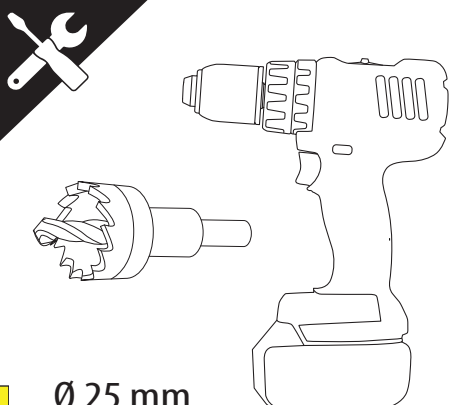


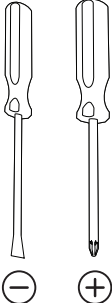
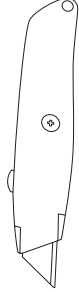

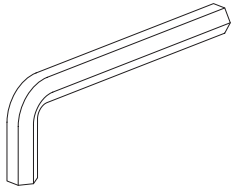
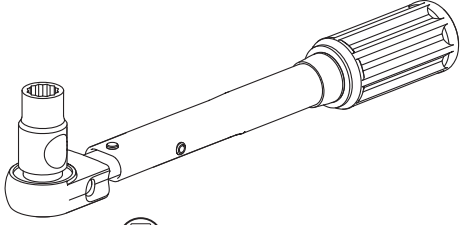
# Installation Manual


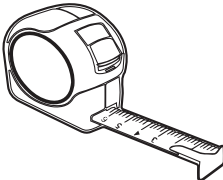

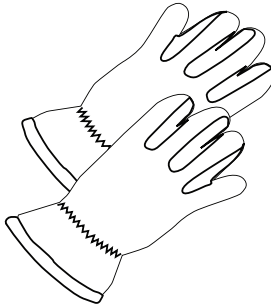
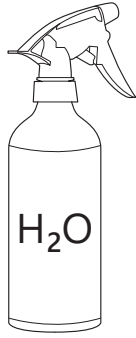
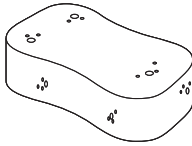
PART NUMBER(S)	Model Year
TESS 14060 ROLL+ADAPT 008	FORD RANGER 2023+ SPORT WITH OEM ROLLBAR WITH OR WITHOUT C-CHANNELS
TESS 14070 ROLL+ADAPT 008	
Cab(s)	Installation Time / Weight
Double Cab & Space Cab	40-60 minutes / 53-57 kg

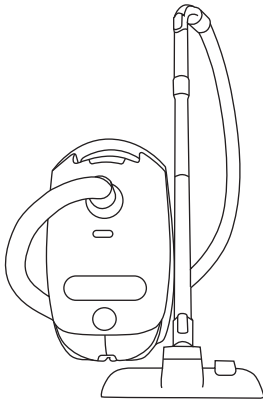
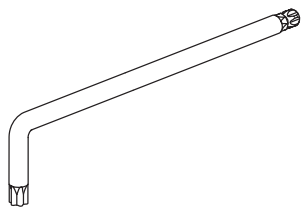
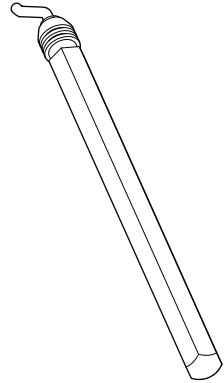
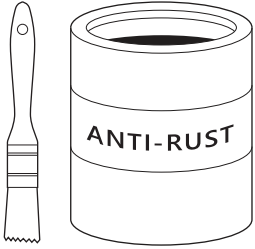



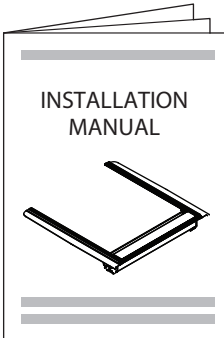
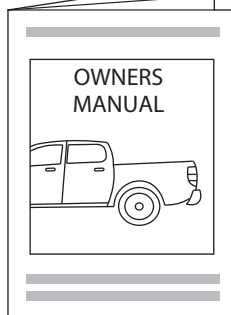


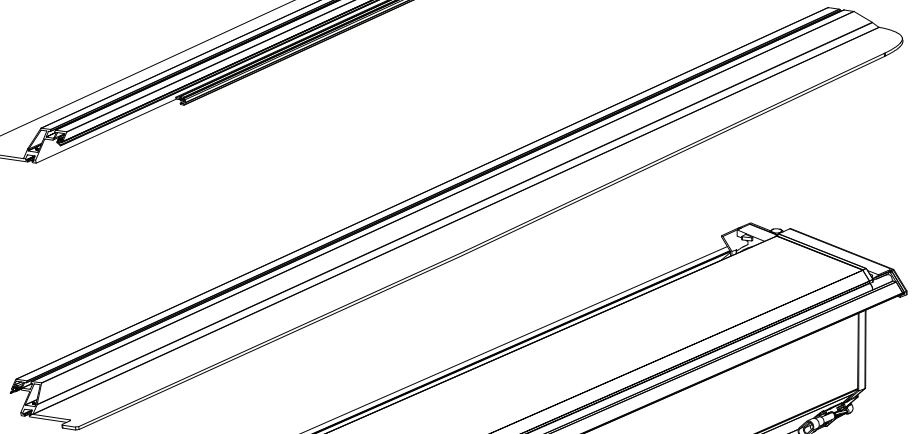
<p><b>P</b></p>  <p>x1</p>	<p><b>Q</b></p>  <p>M8 x4</p> <p>M8x25 x8</p> <p>x2</p>	<p><b>R</b></p> <p>x2</p>  <p>US MODELS !</p>	 <p>Ø 25 mm</p>
---	--	---	---

 <p>⊖</p> <p>⊕</p>			 <p>4 mm</p>	<p>1 - 25 Nm</p>  <p>10, 12, 13, 17 mm</p>
---	---	---	---	---

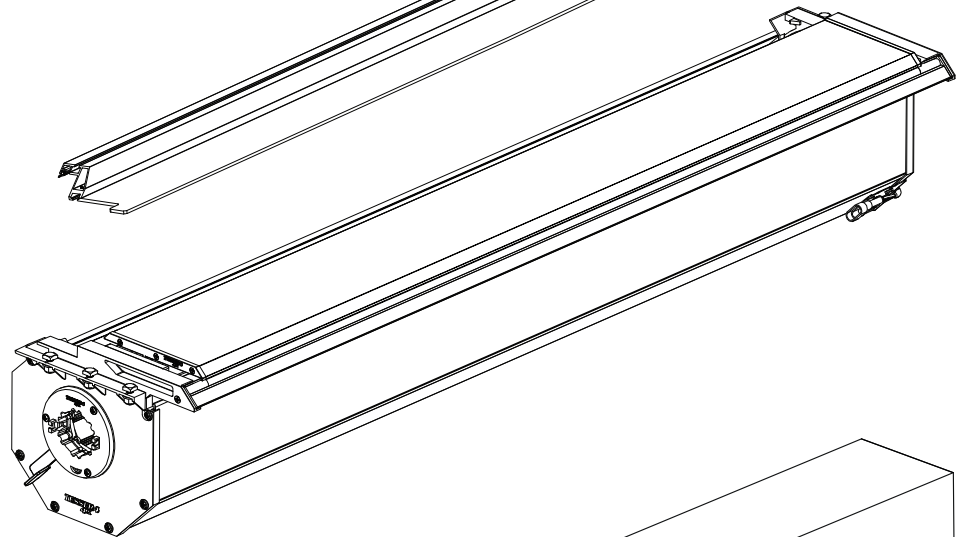
 <p>ACETONE</p>				 <p>H<sub>2</sub>O</p>	
---	--	--	---	--	---

	 <p>T30, T40</p>		 <p>ANTI-RUST</p>
---	---	--	--

	 <p>INSTALLATION MANUAL</p>	 <p>OWNERS MANUAL</p>	<p>x1</p>
---	--	---	-----------



**B**



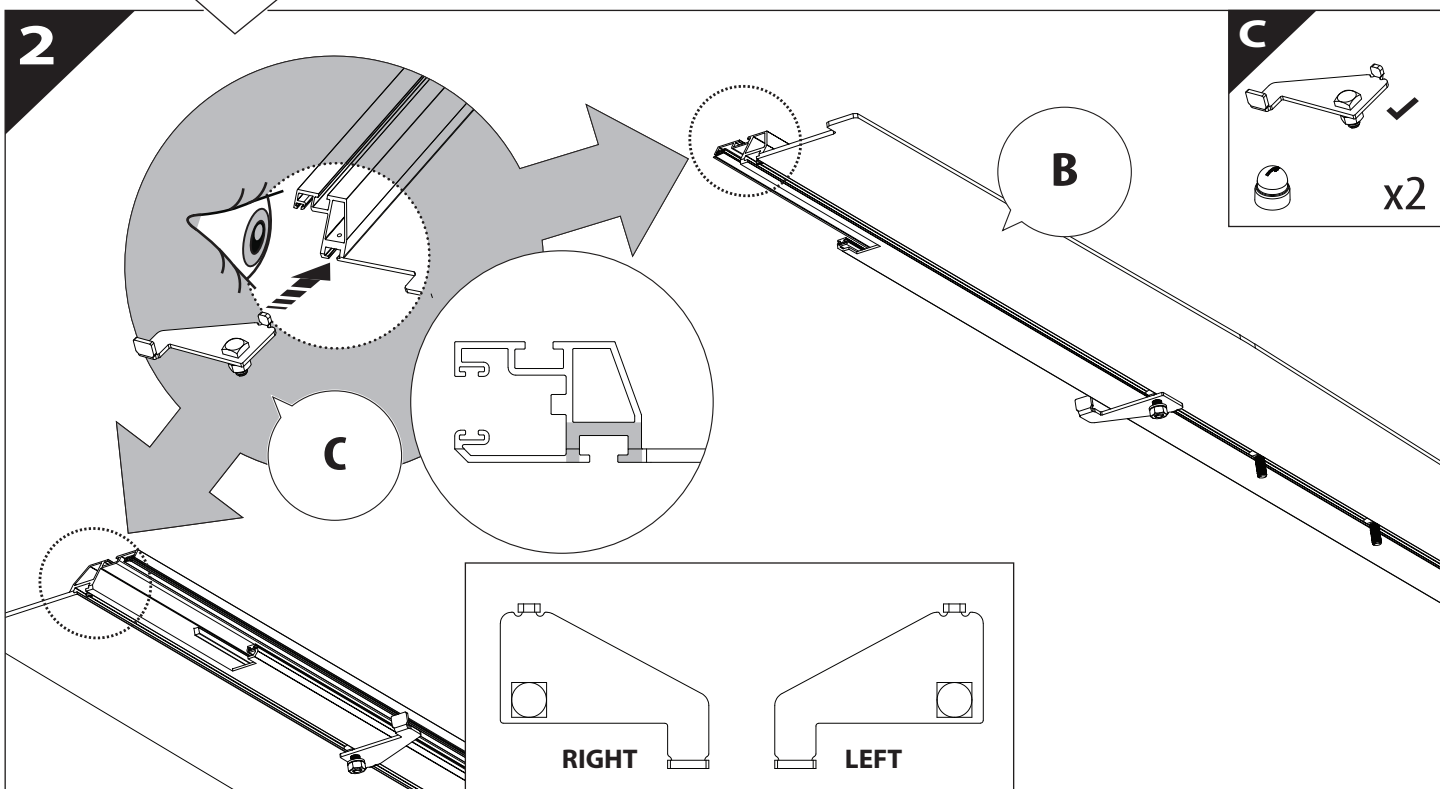
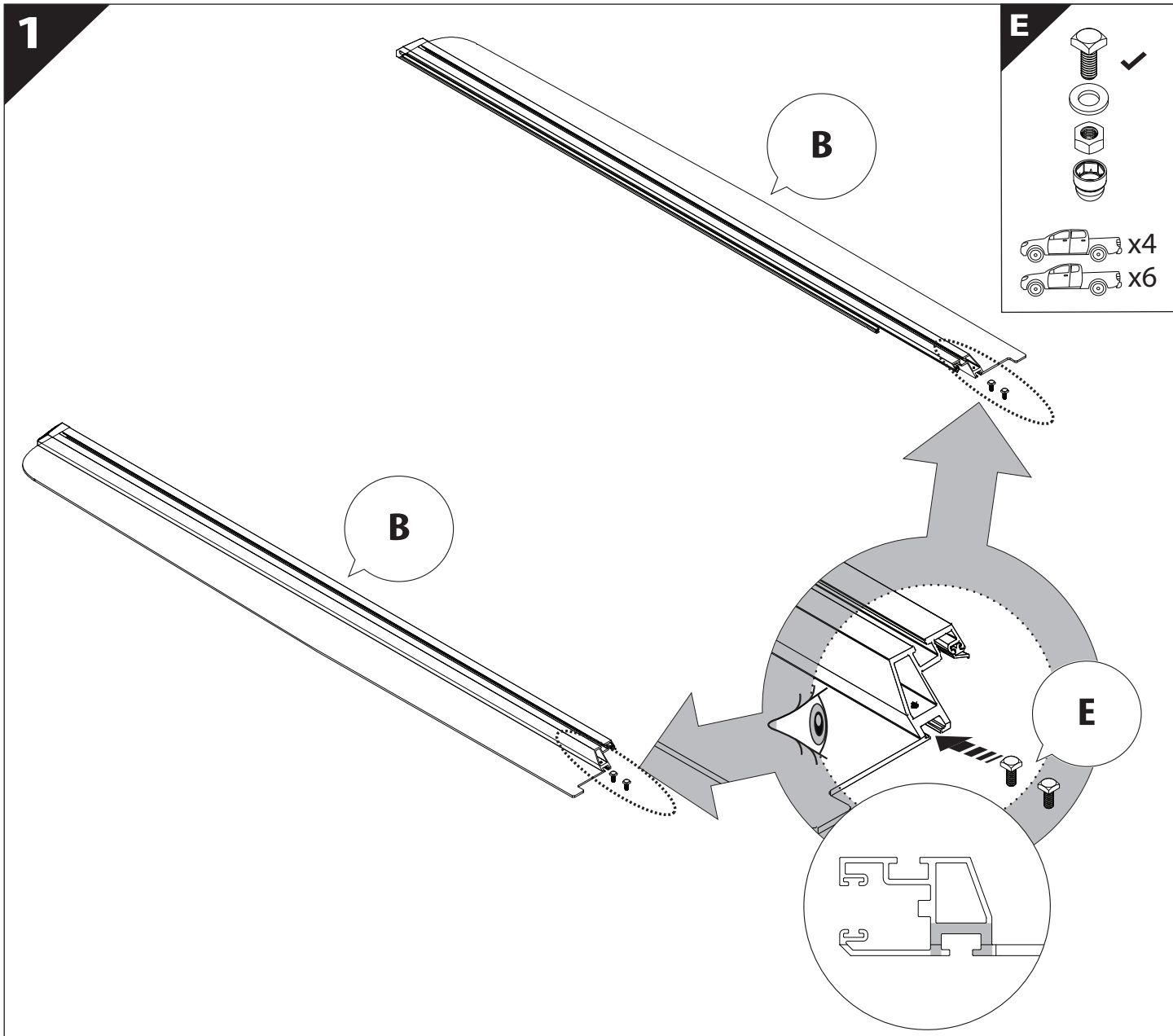
**A**

**KITS**

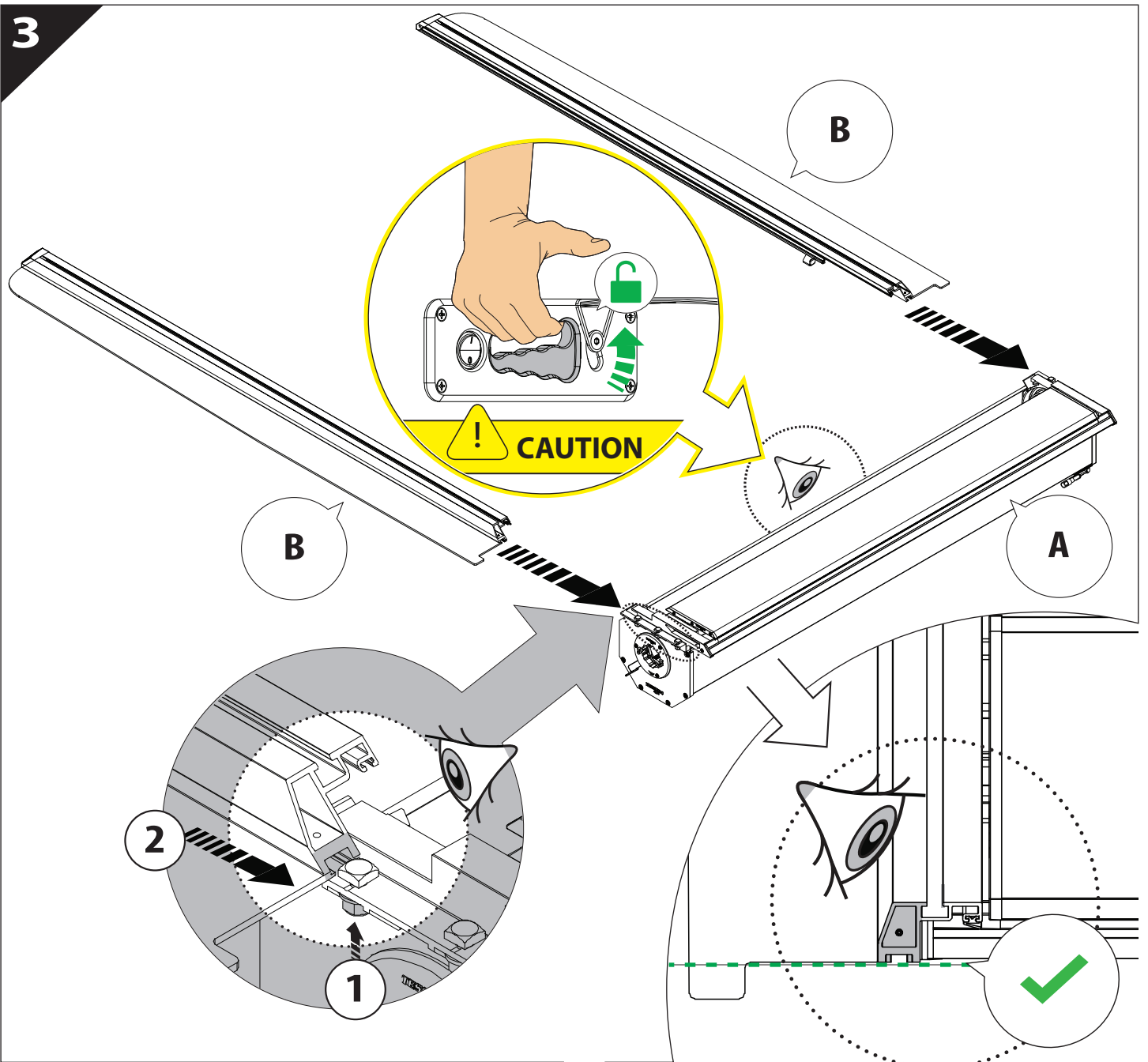


**L**

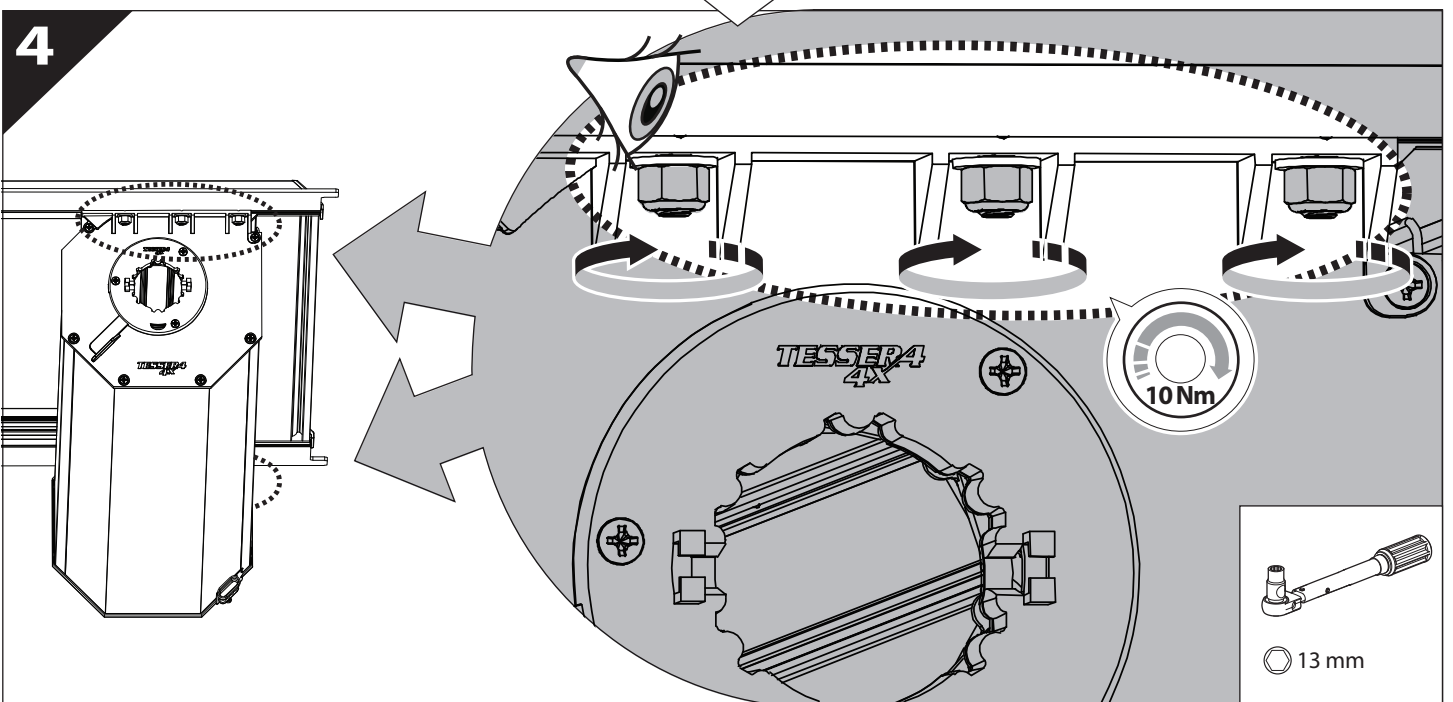


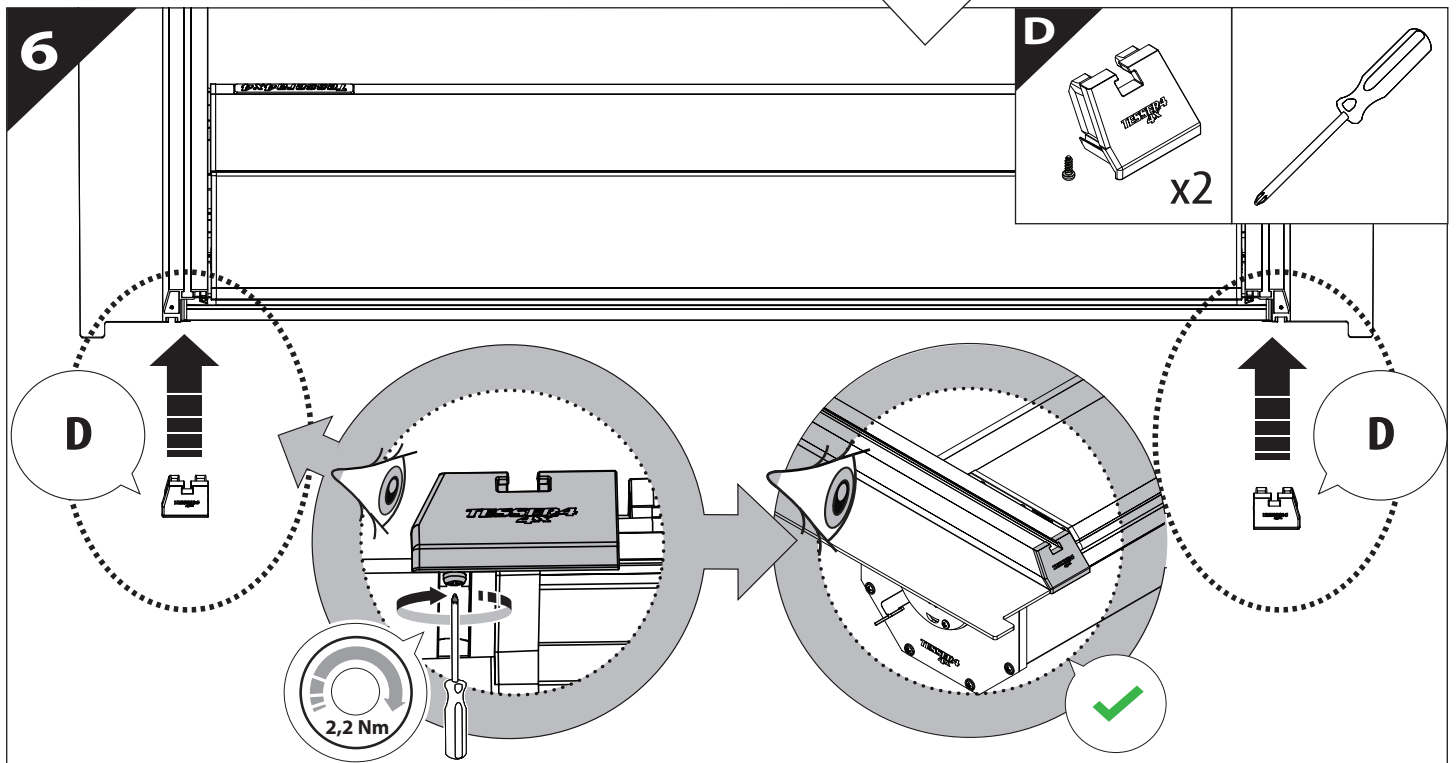
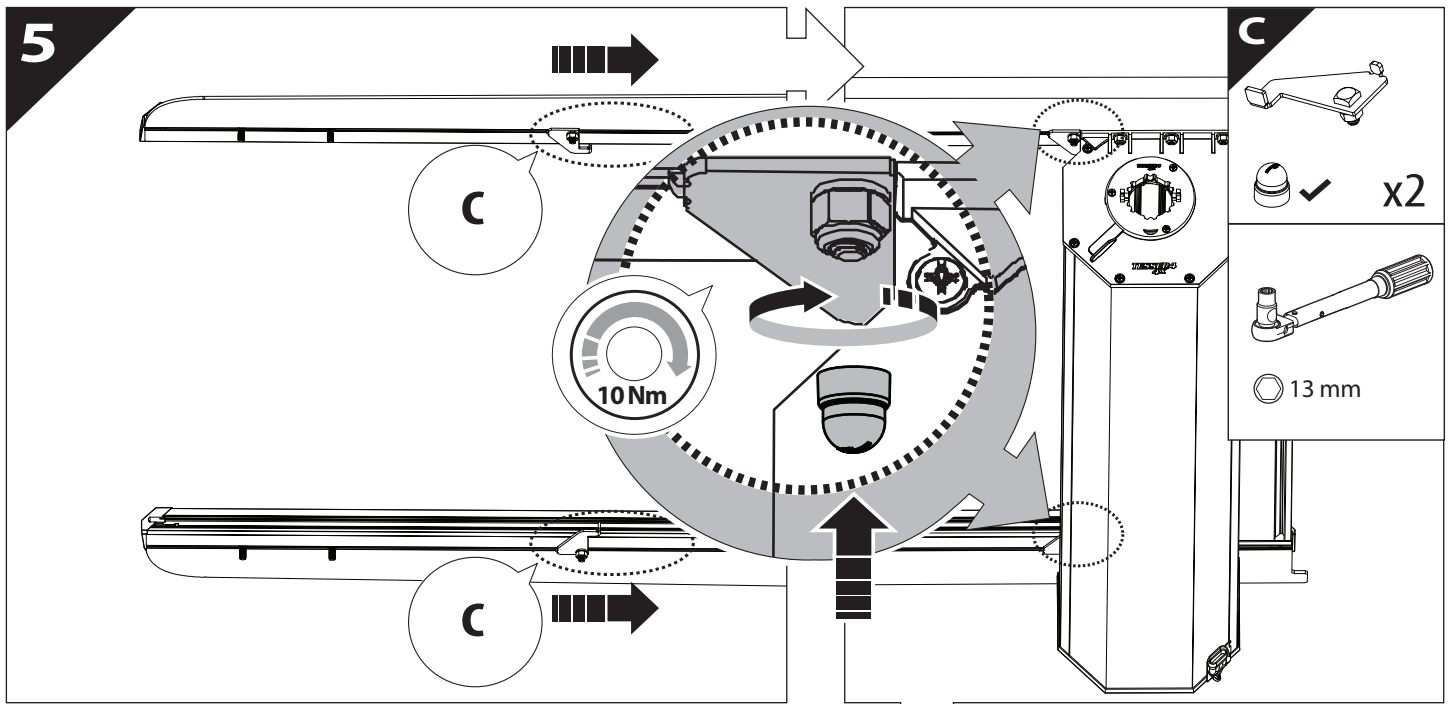


3

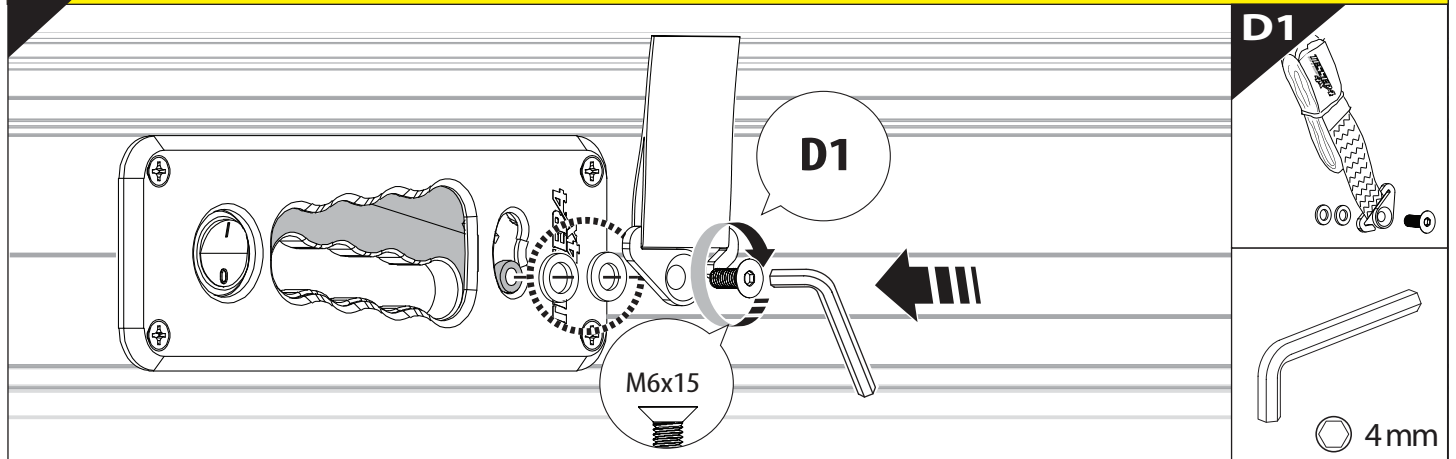


4

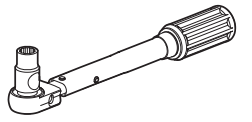




**6.1** **CAUTION** Basic Version ✓ & Basic+S-KIT Version ✓

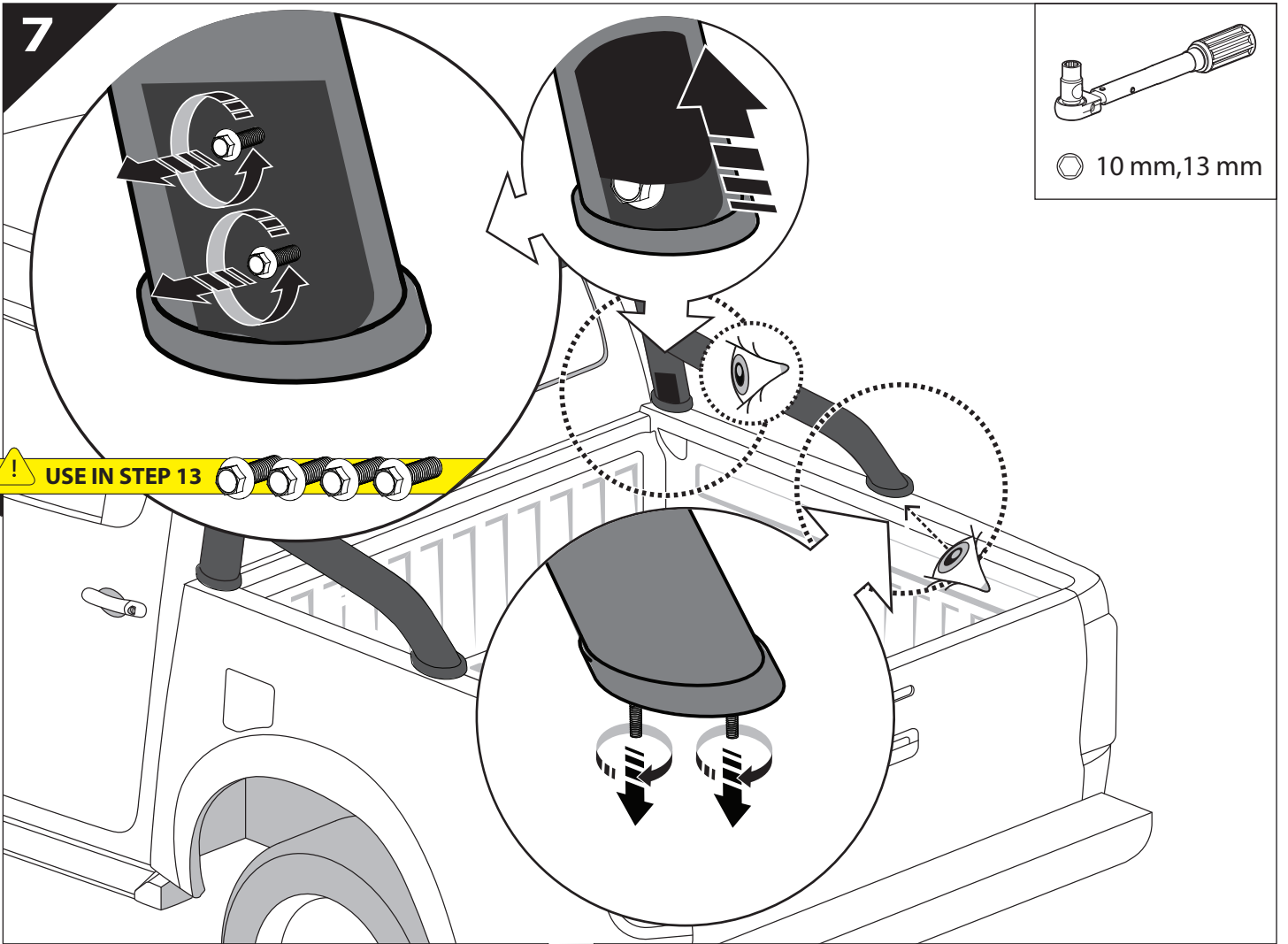


7



10 mm, 13 mm

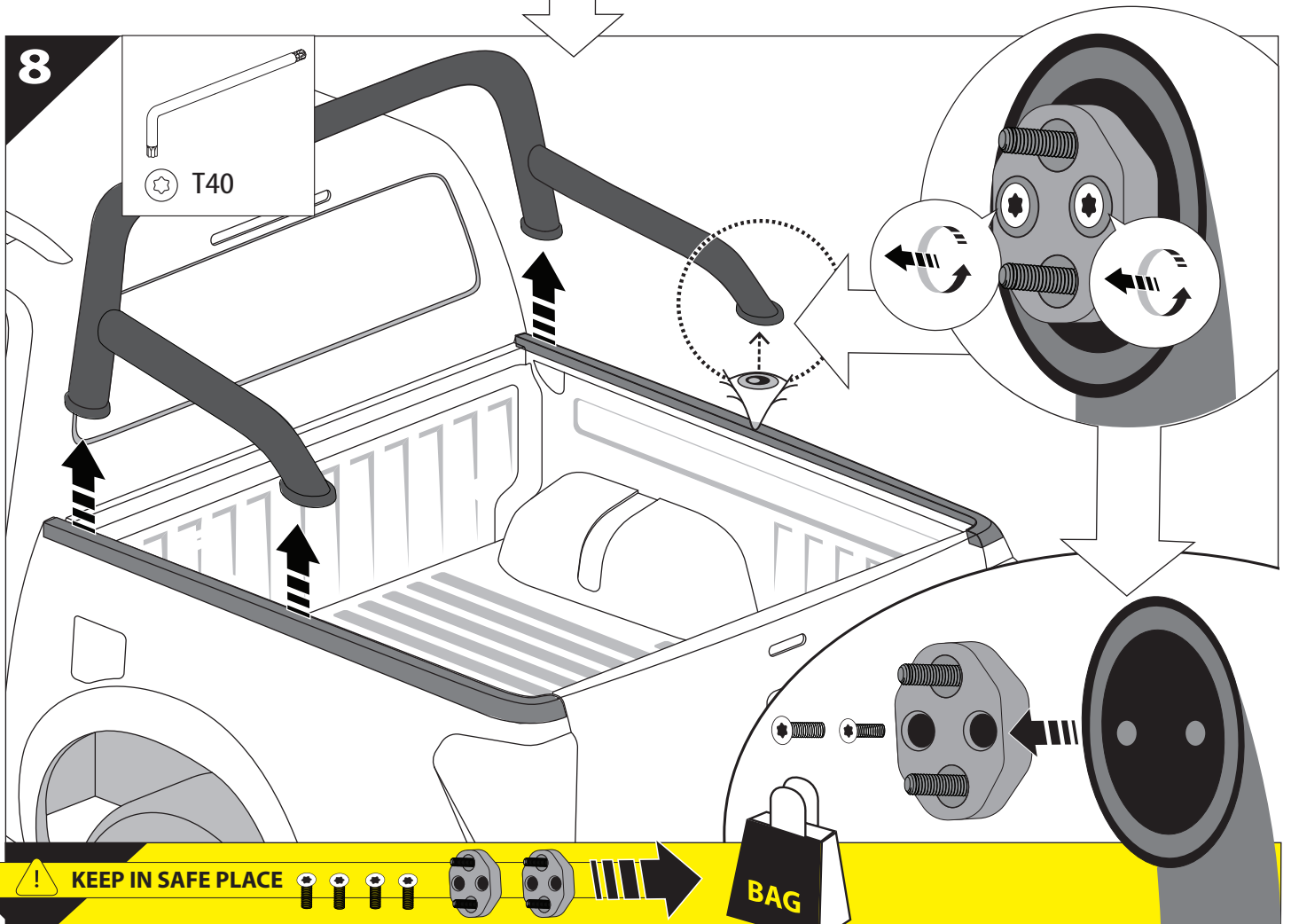
! USE IN STEP 13

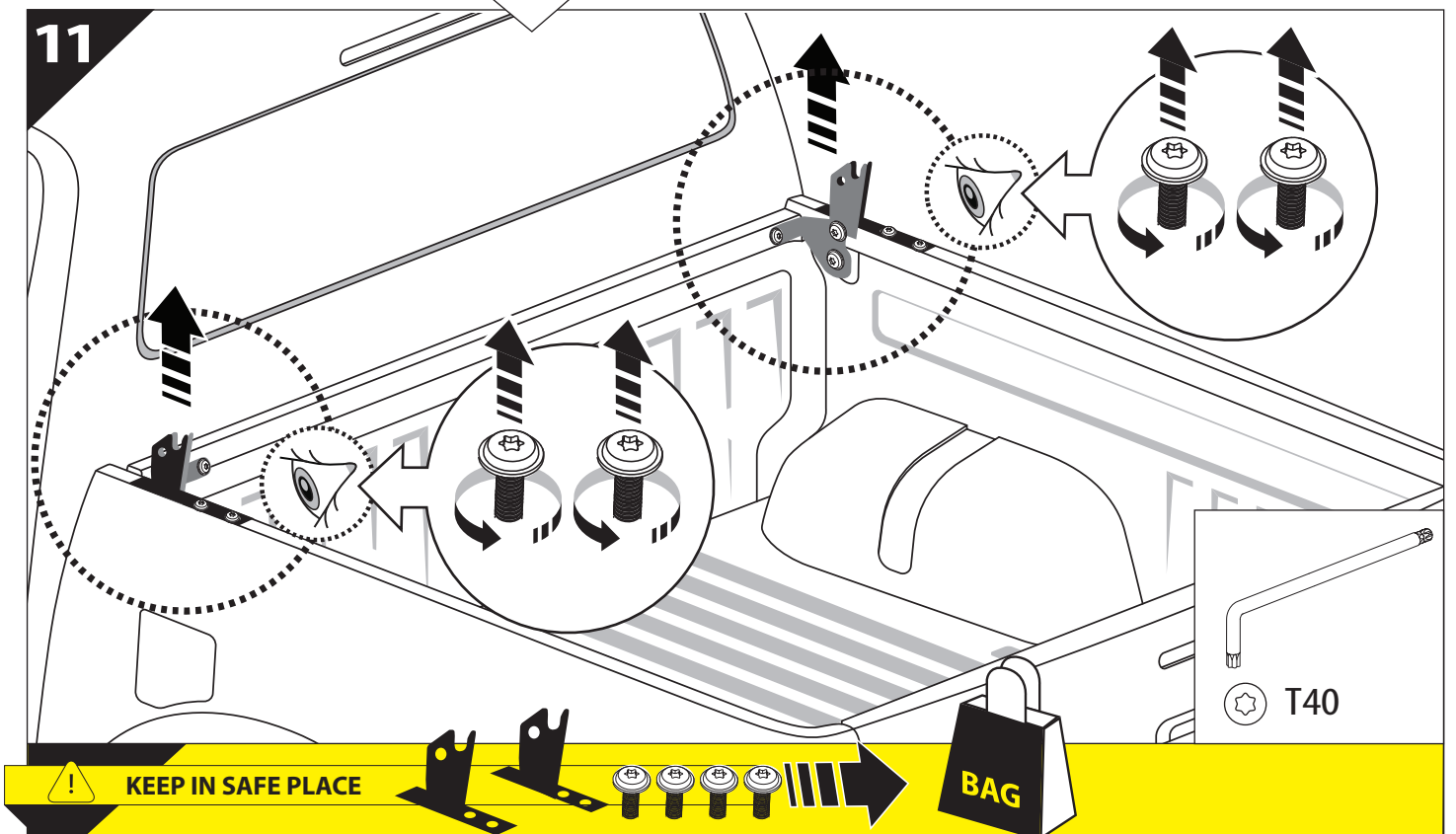
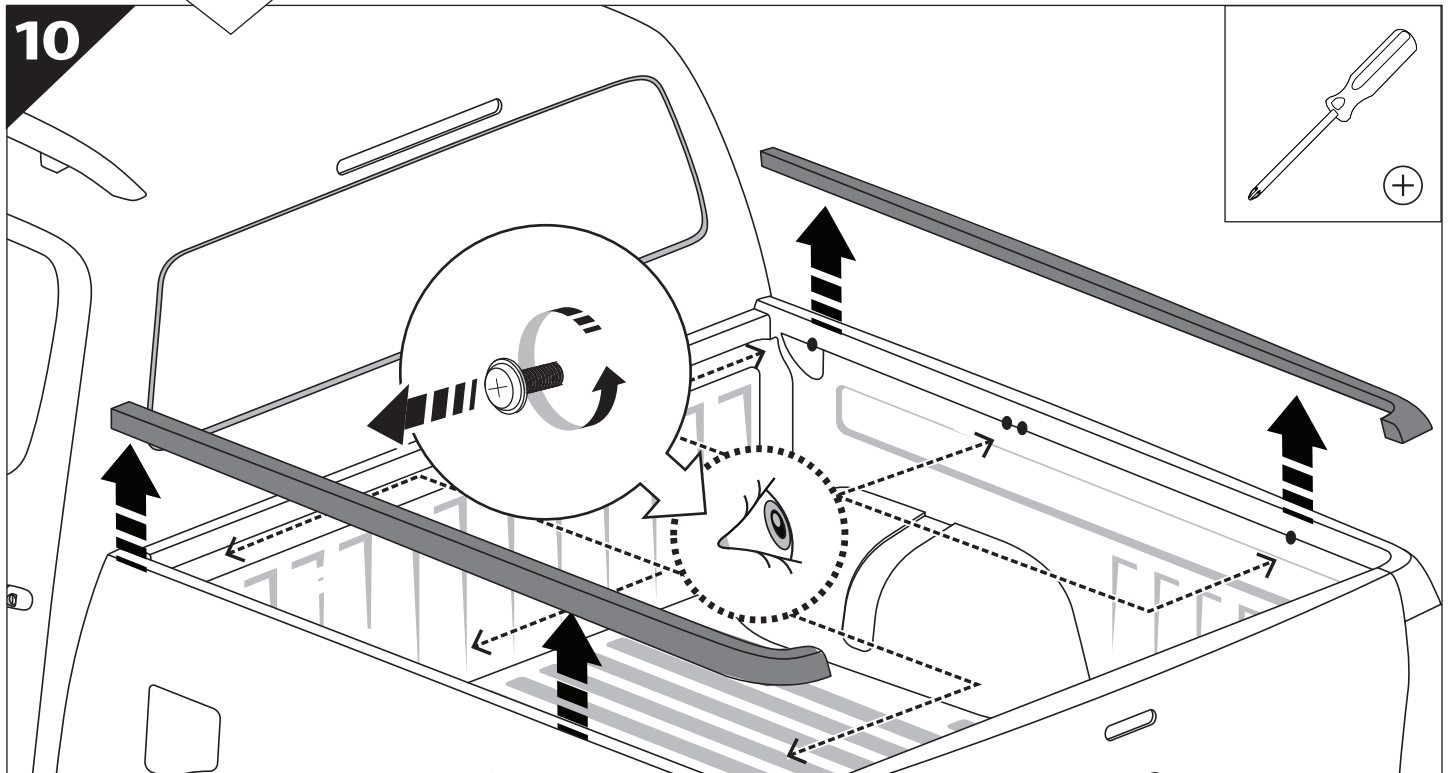
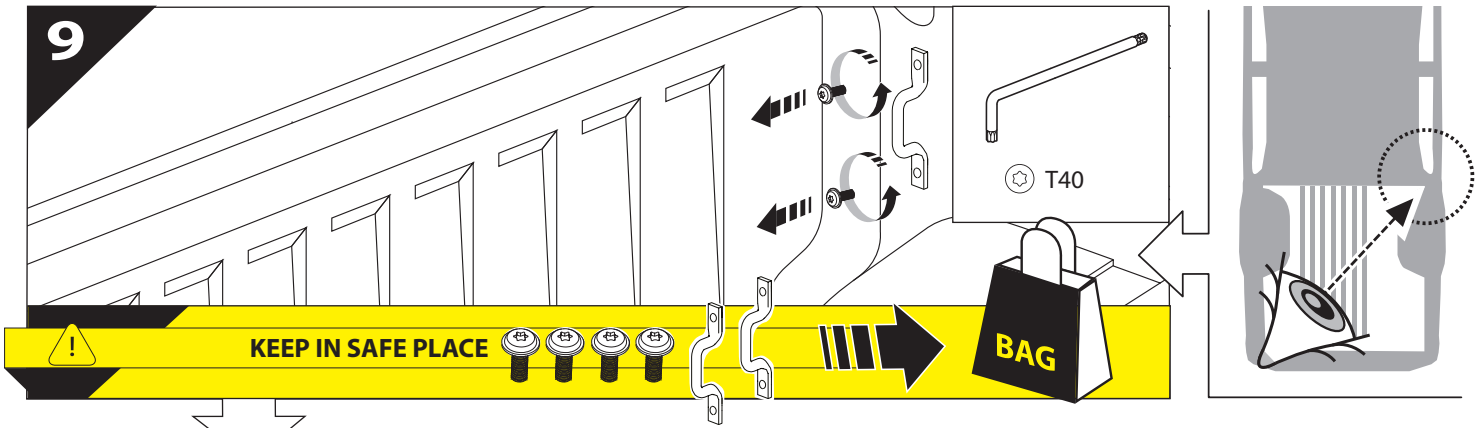


8

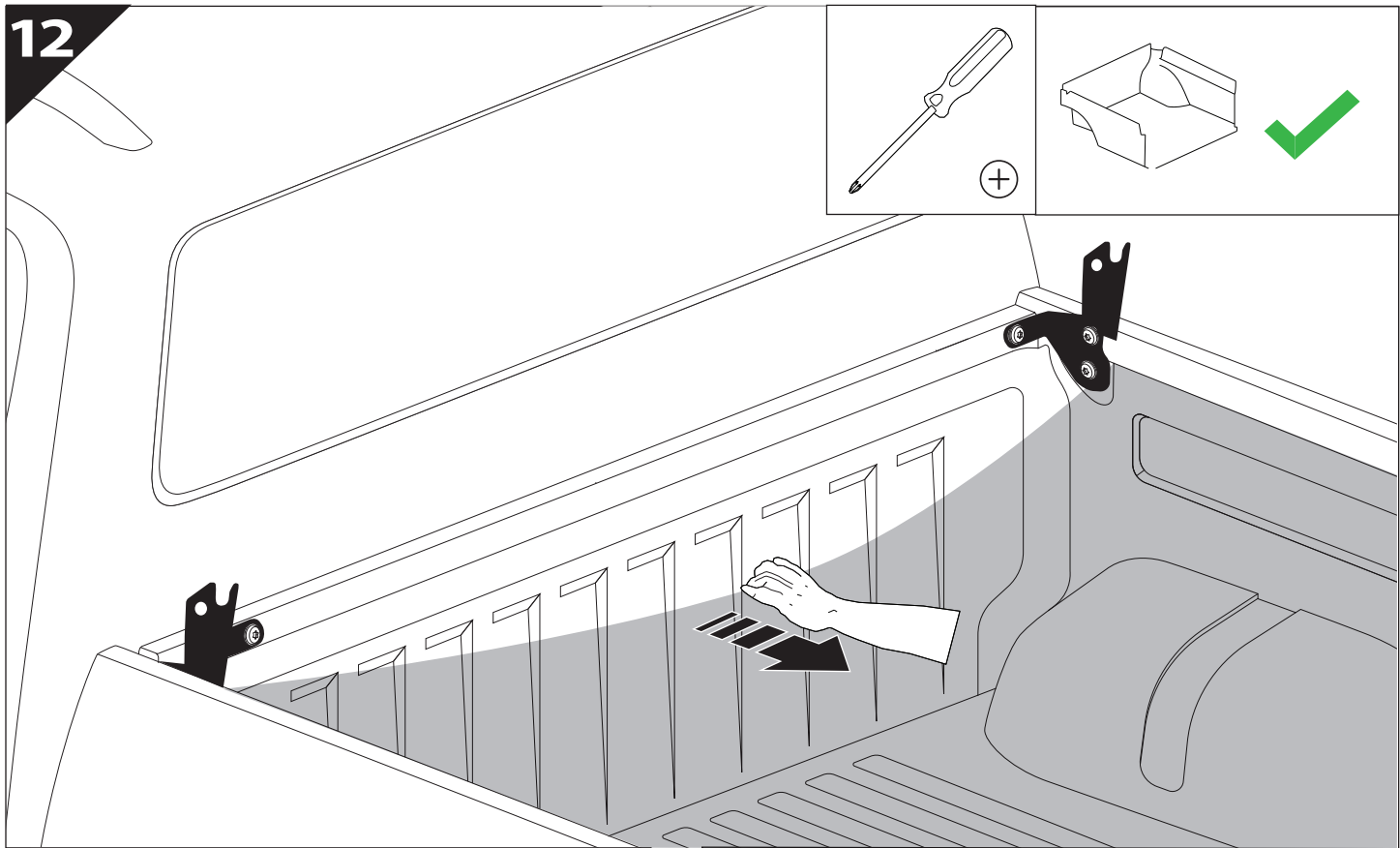


T40

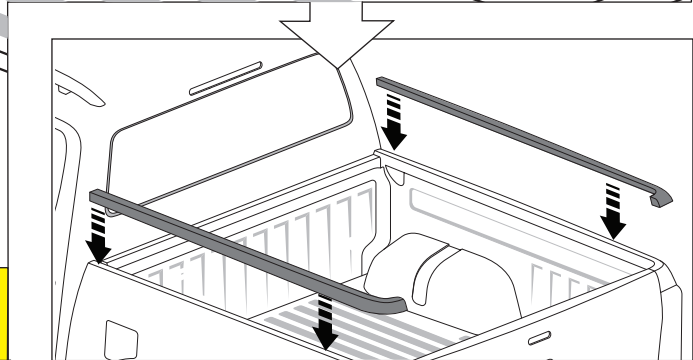
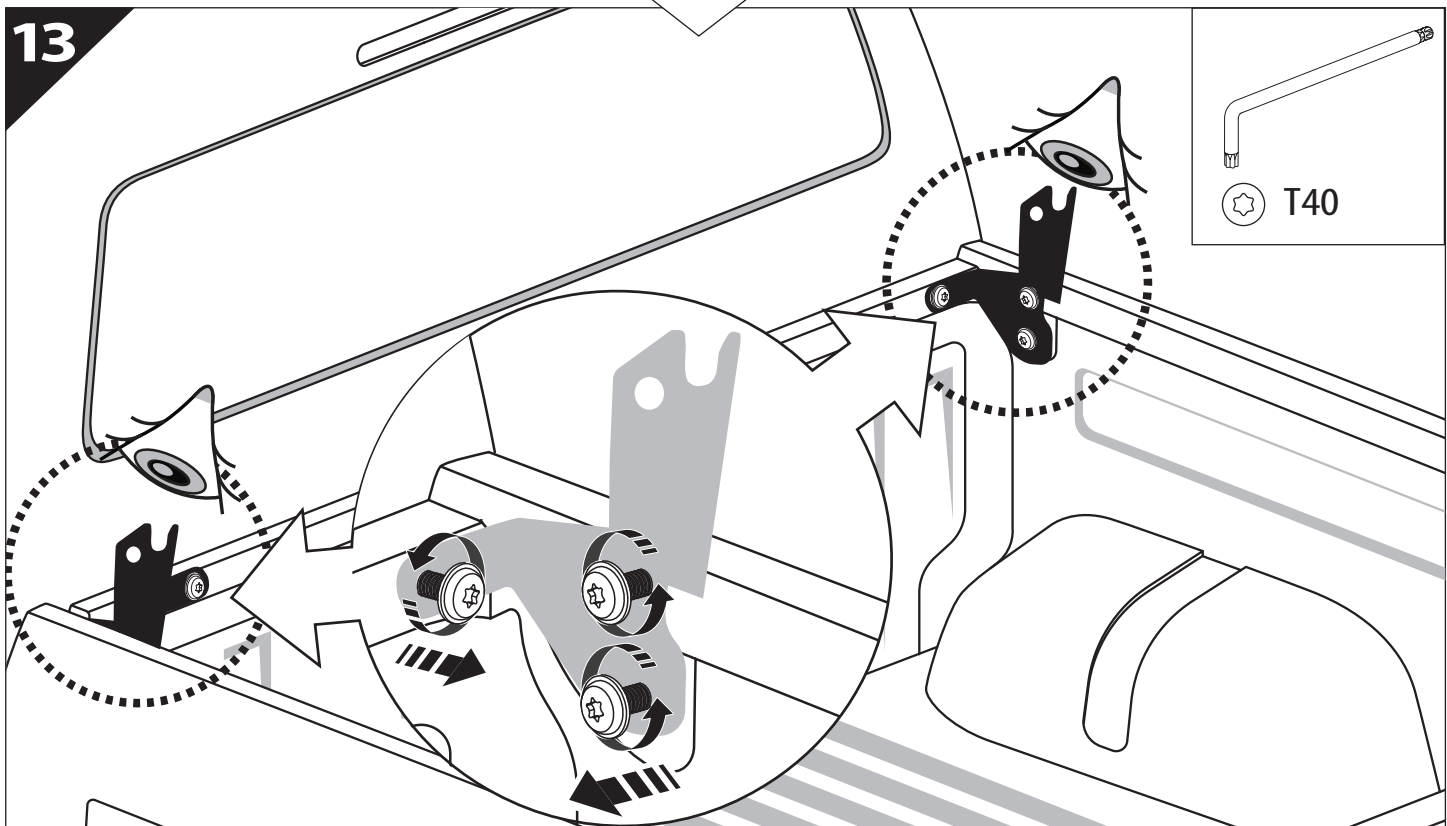




12

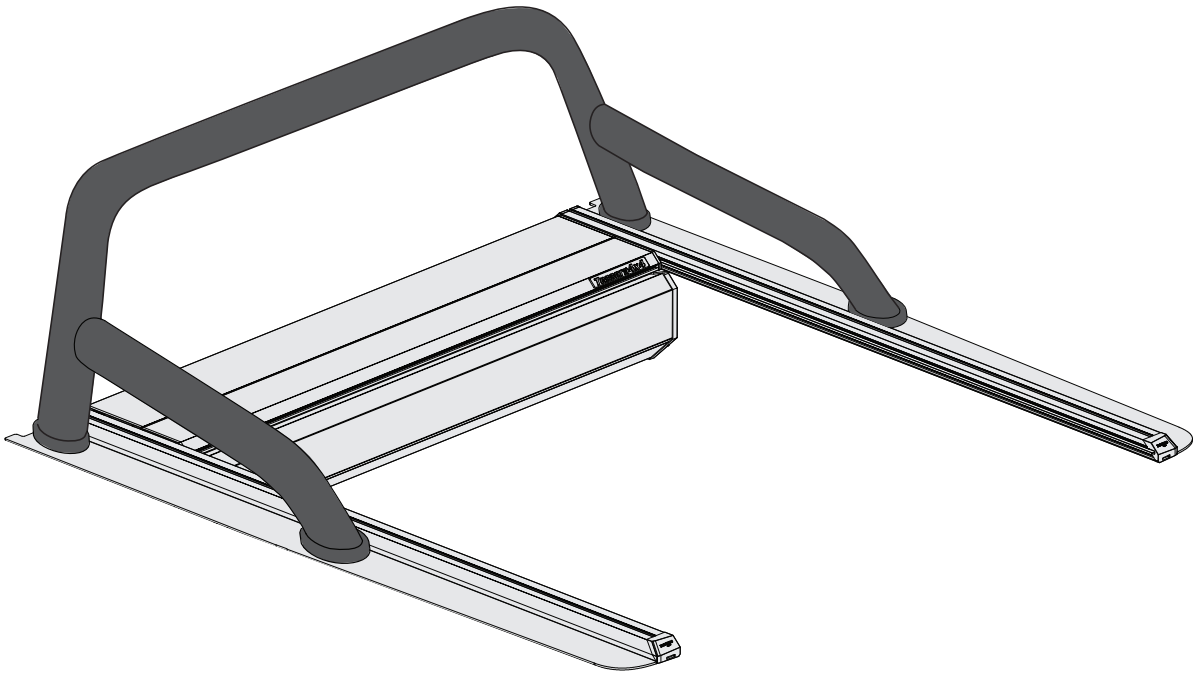


13

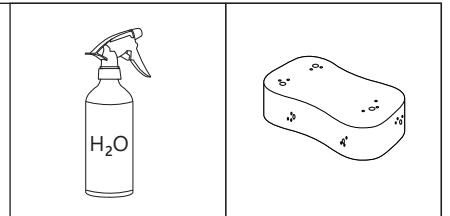
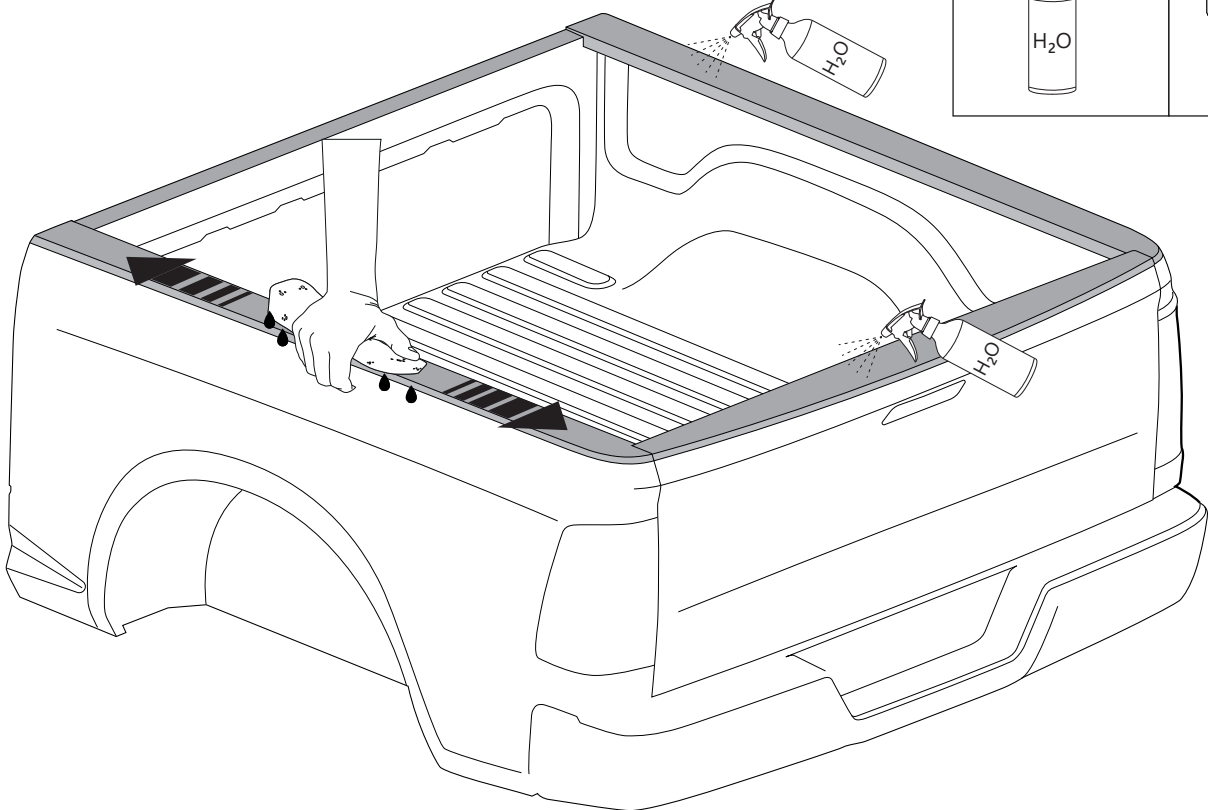




15. ①



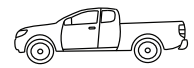
16



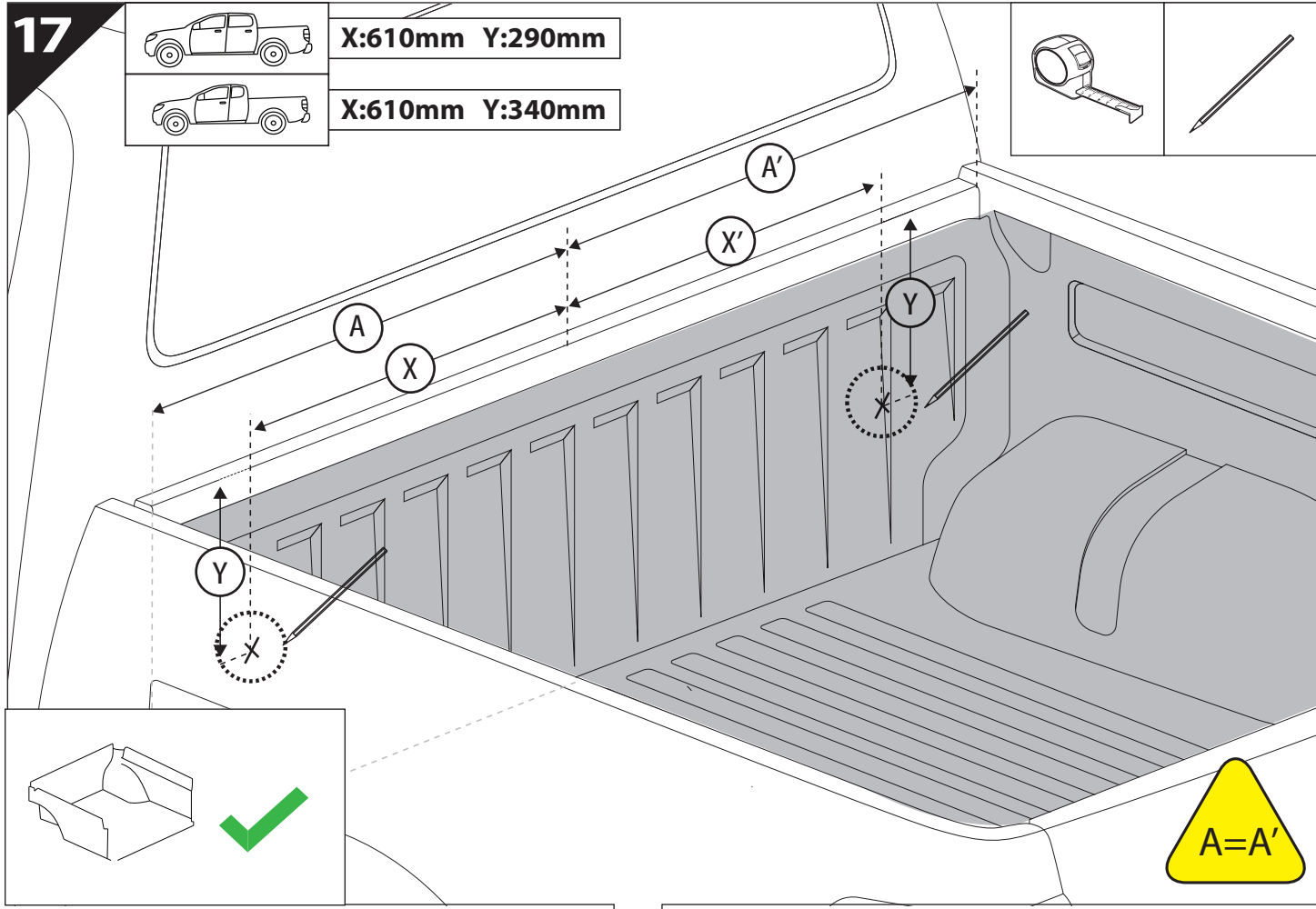
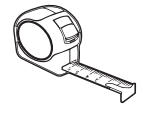
17



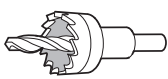
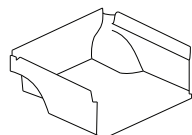
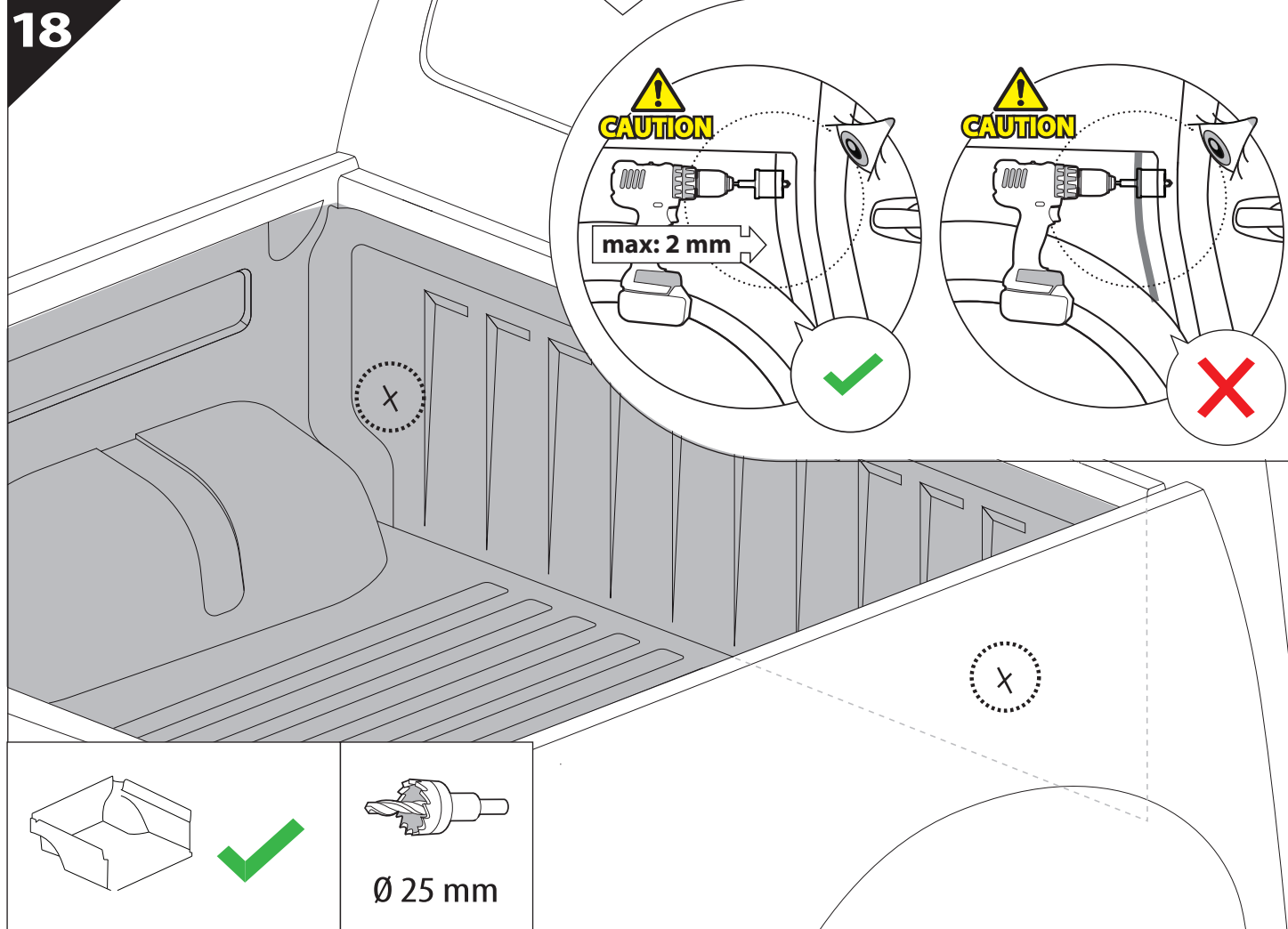
X:610mm Y:290mm



X:610mm Y:340mm

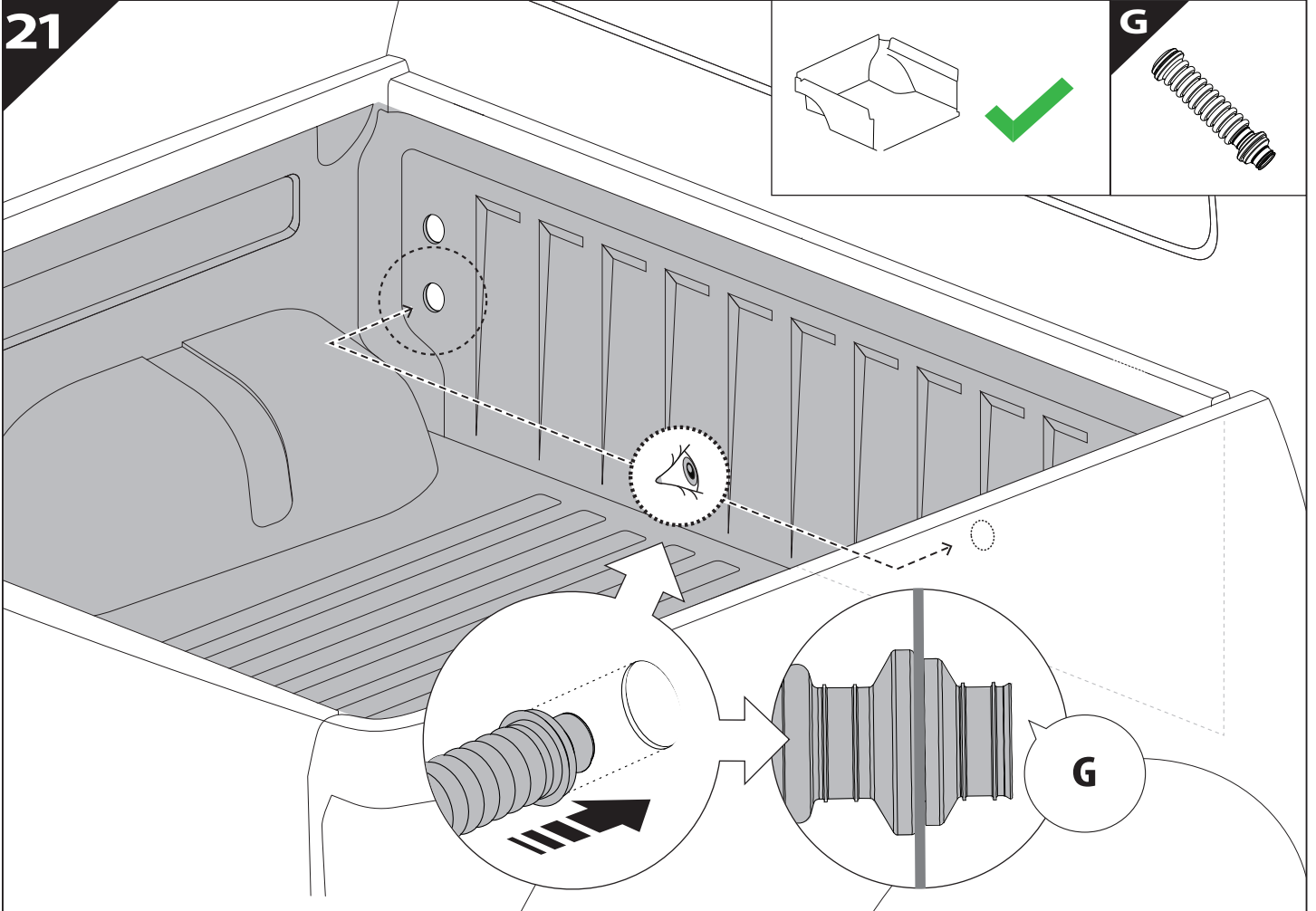


18

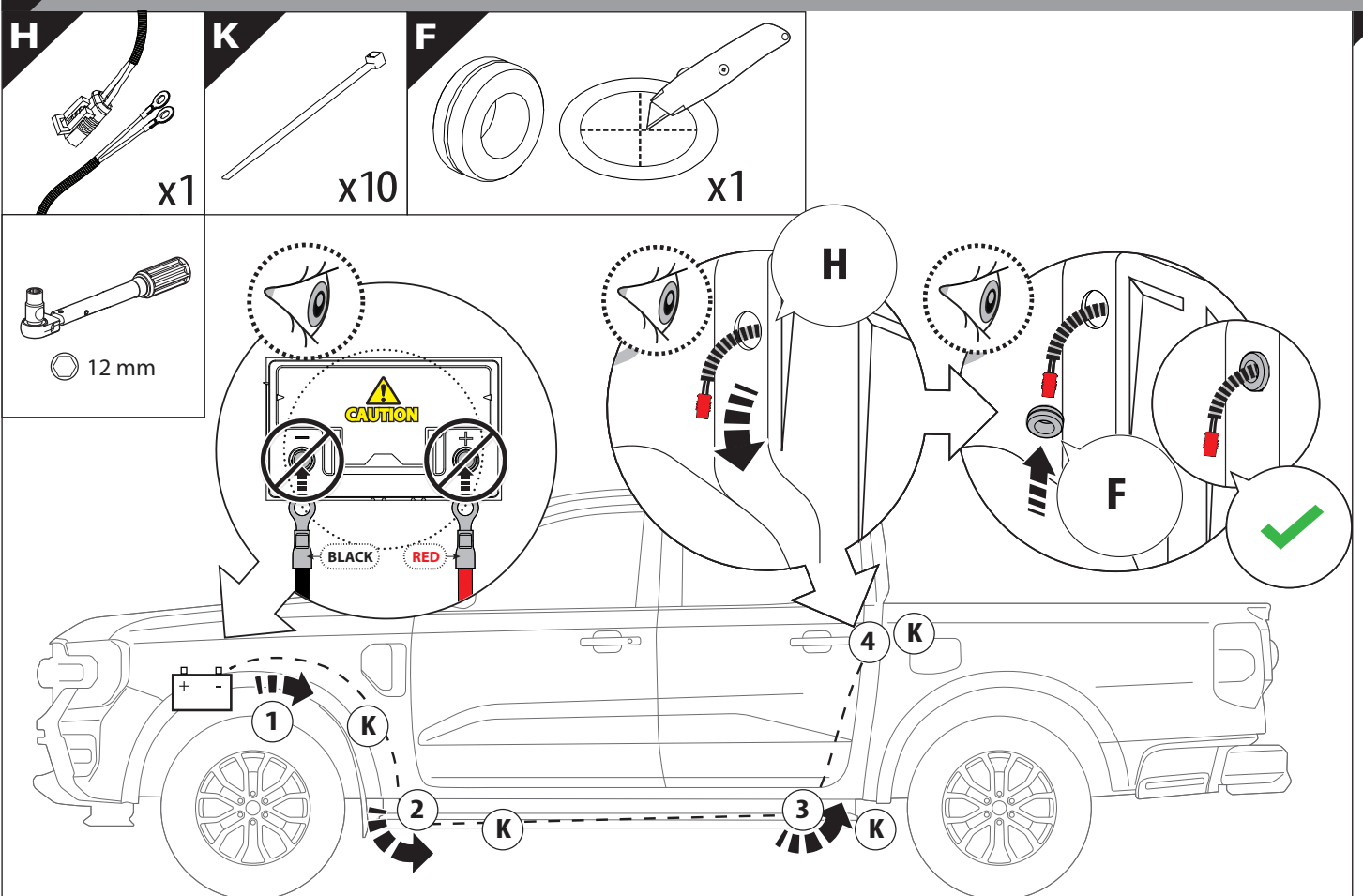


Ø 25 mm

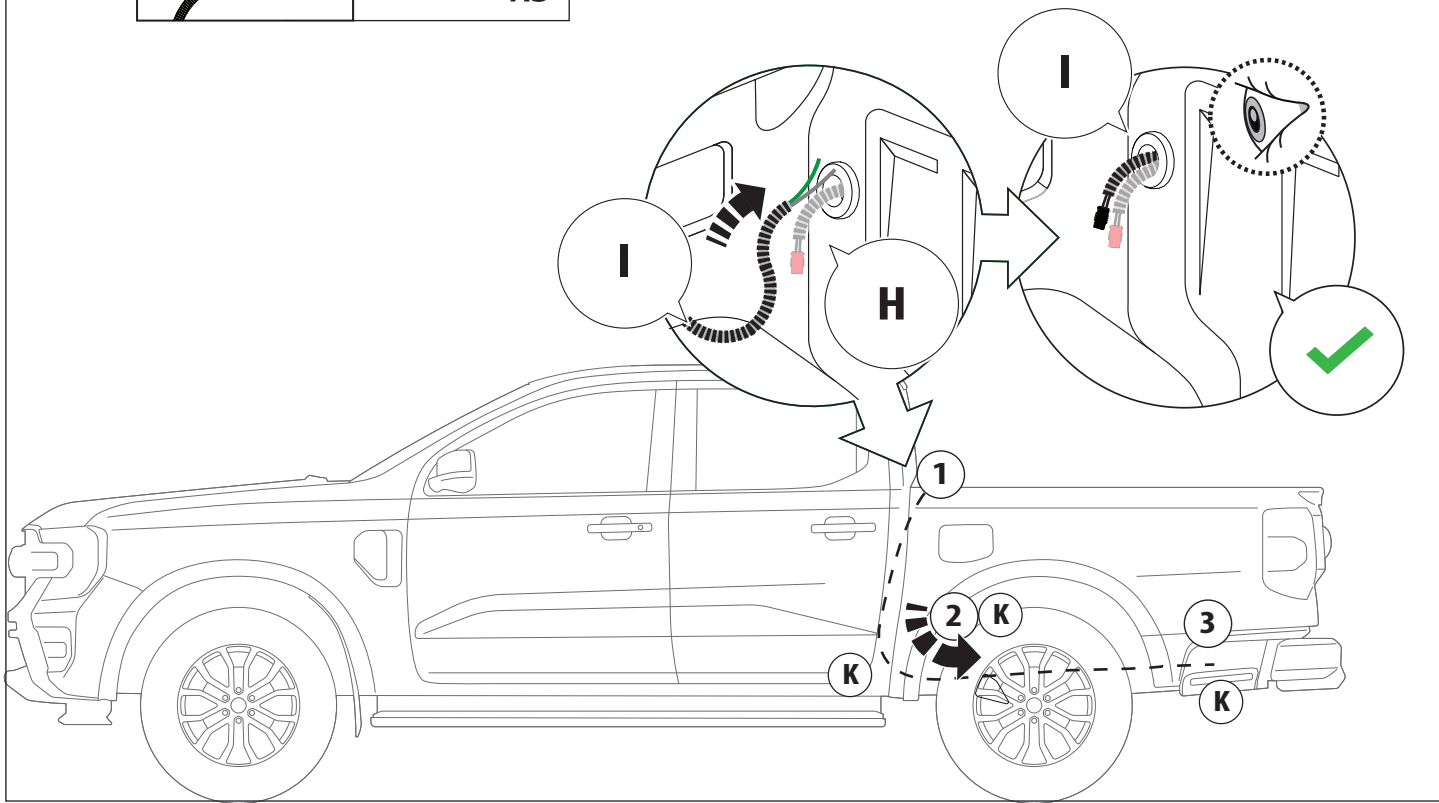
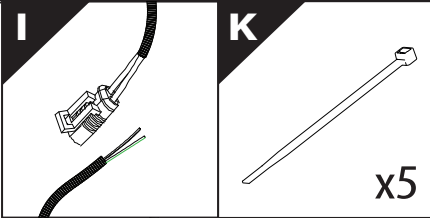




**22** Only to be installed by authorized personnel



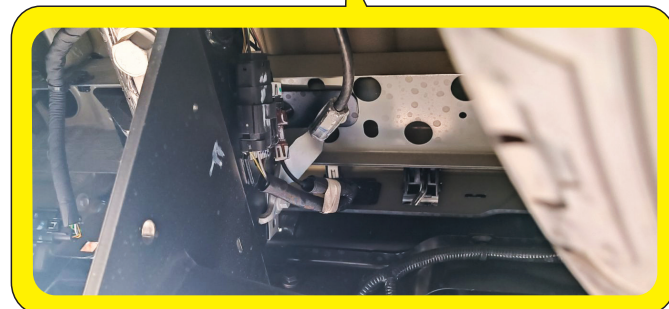
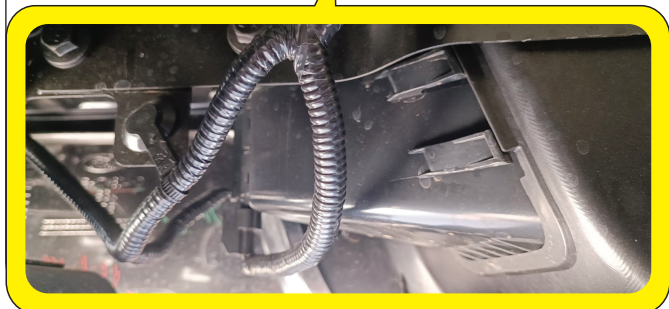
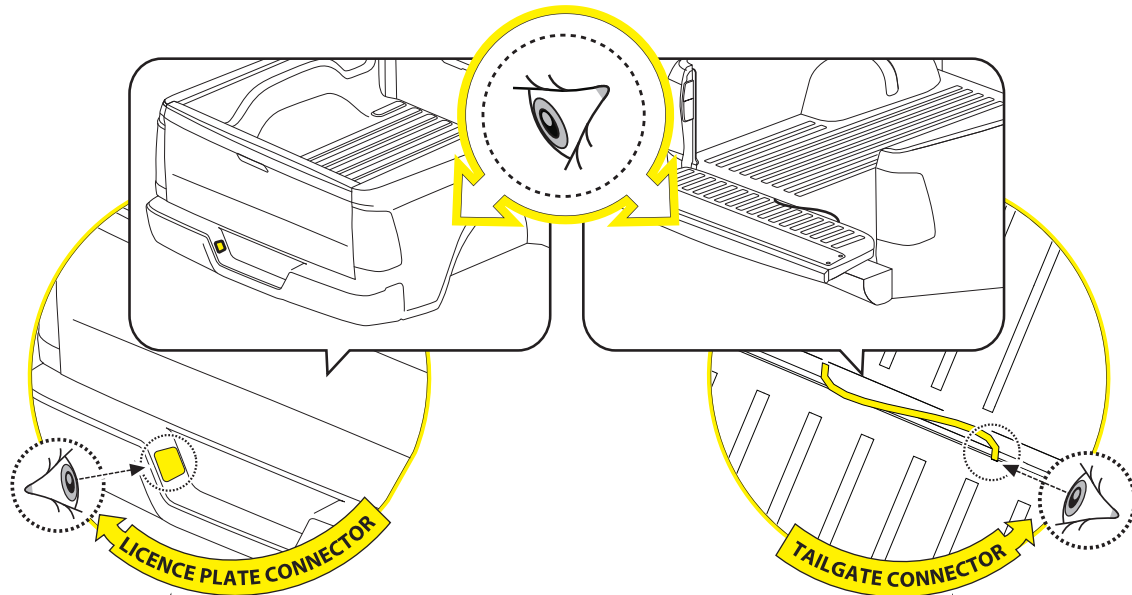
23



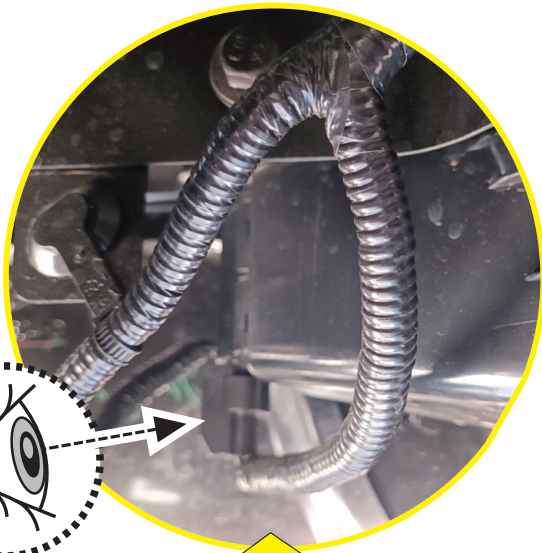
24



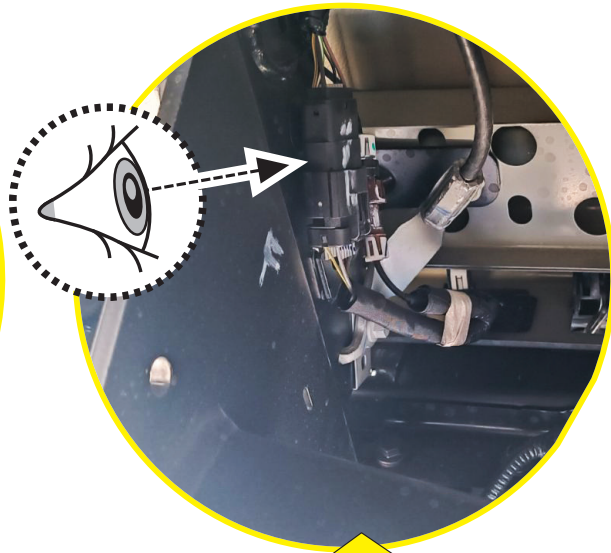
CAUTION: LIMITED, WILDTRAK, WILDTRAK X, PLATINUM



24.1



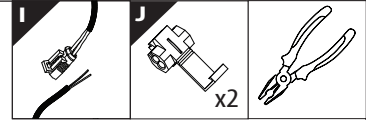
LICENCE PLATE CONNECTOR



TAILGATE CONNECTOR

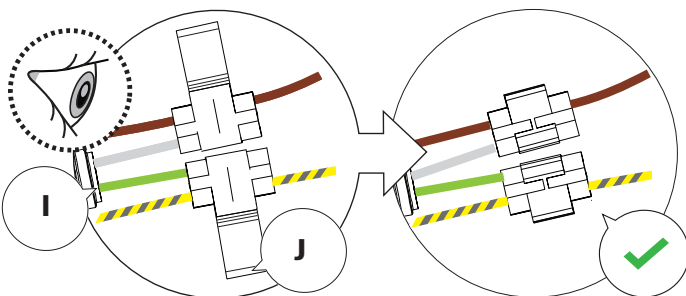
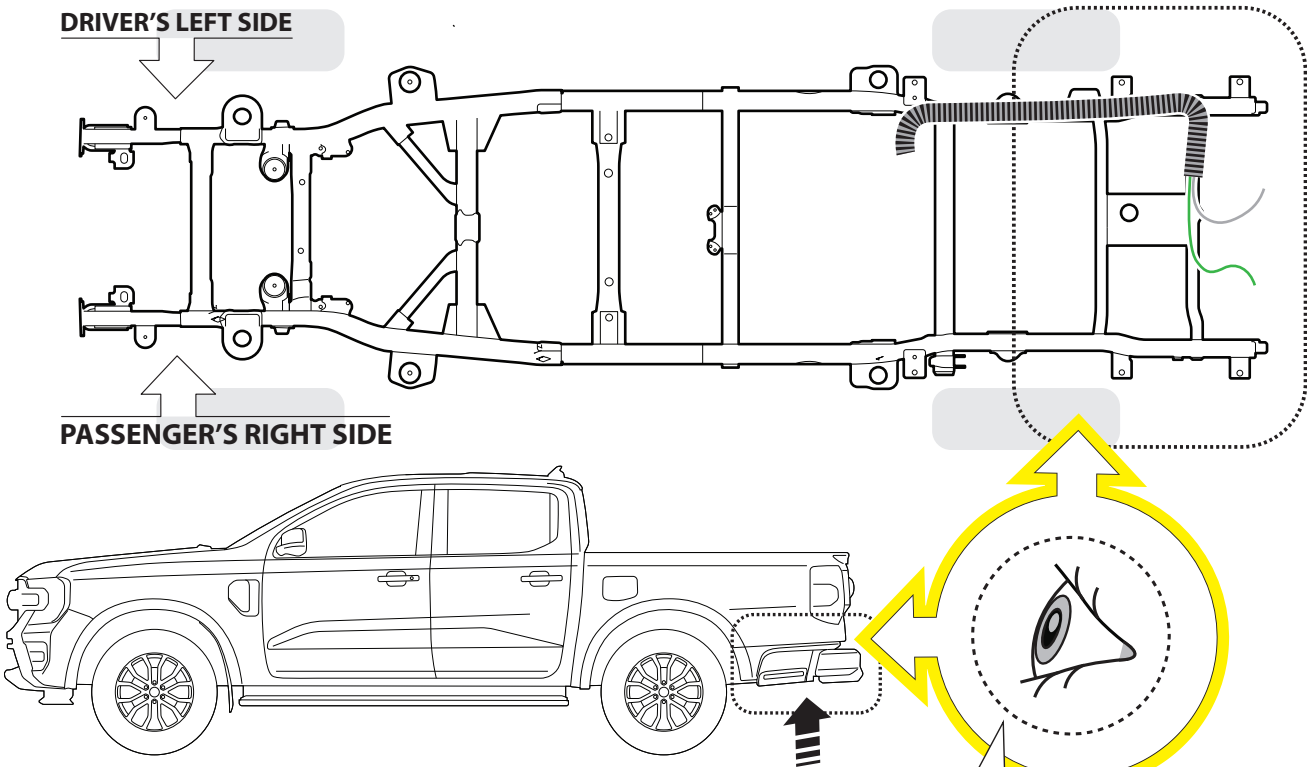
24.2

BOTTOM VIEW



DRIVER'S LEFT SIDE

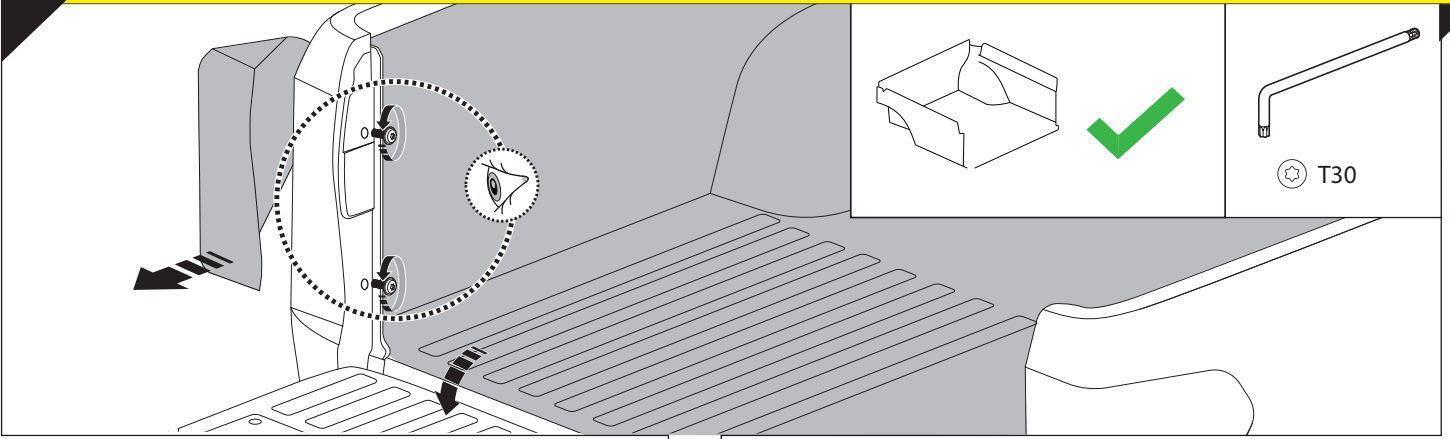
PASSENGER'S RIGHT SIDE



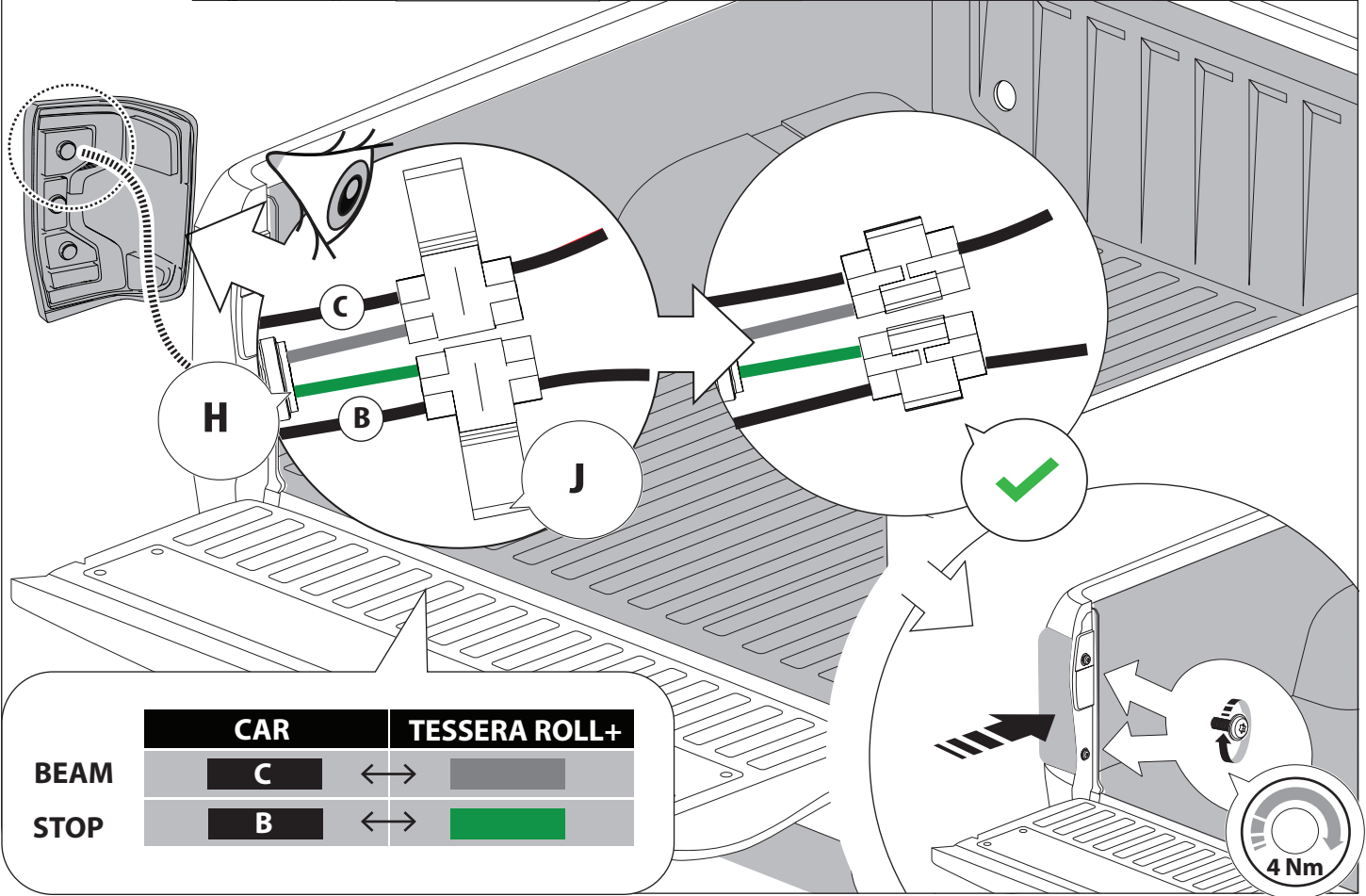
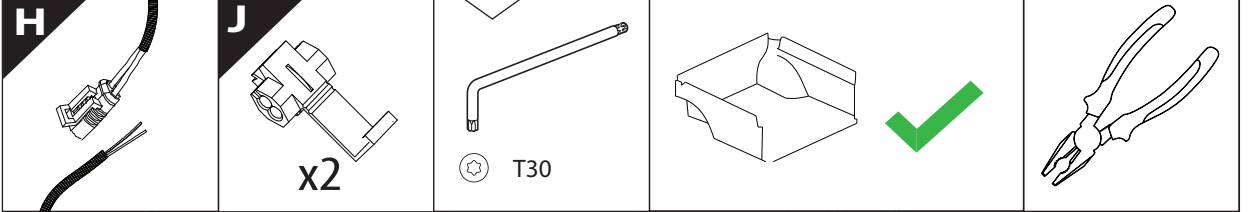
25



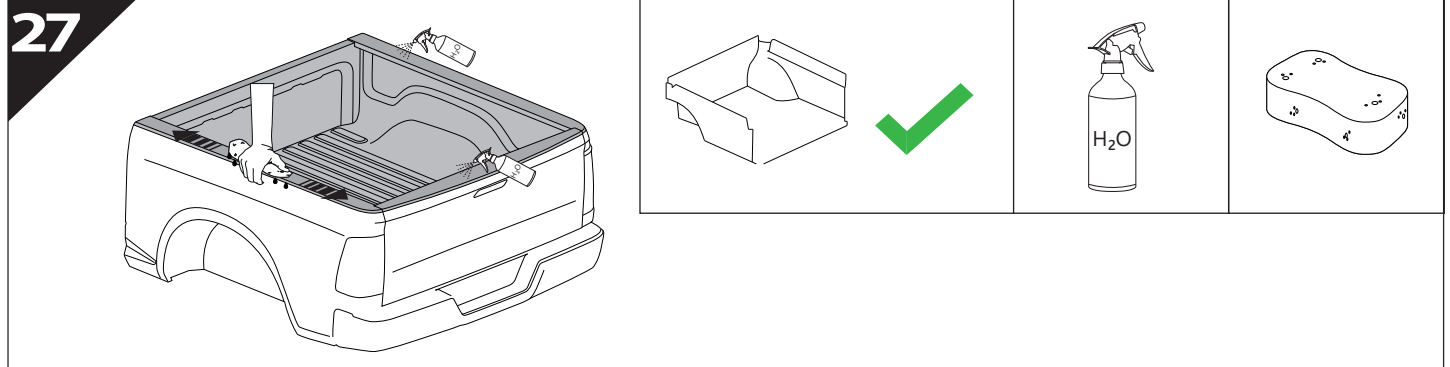
CAUTION: XL, XLT, TREMOR

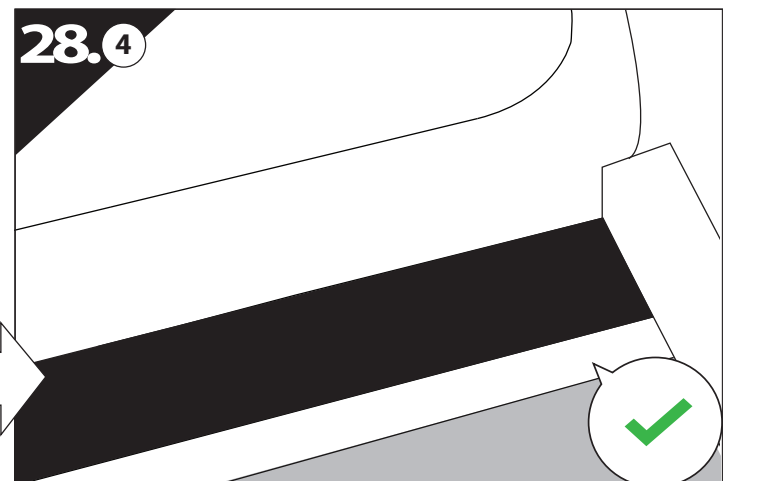
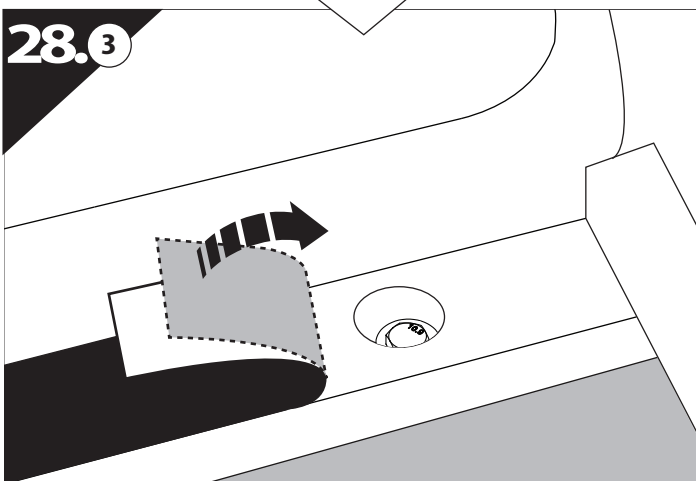
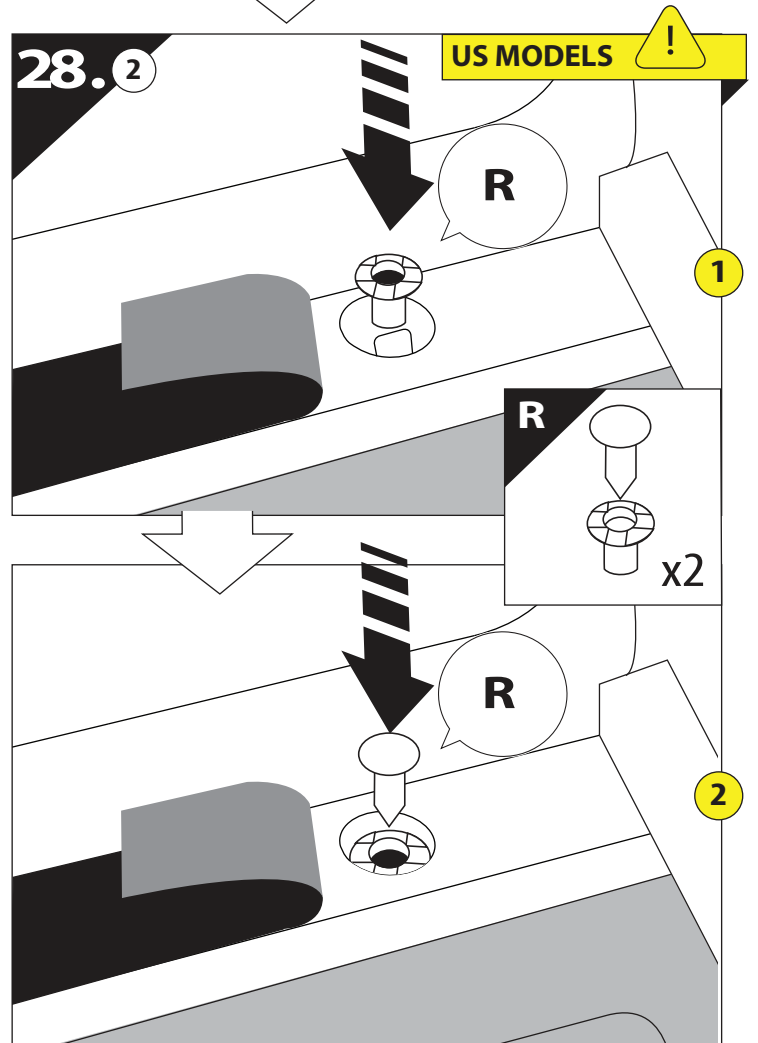
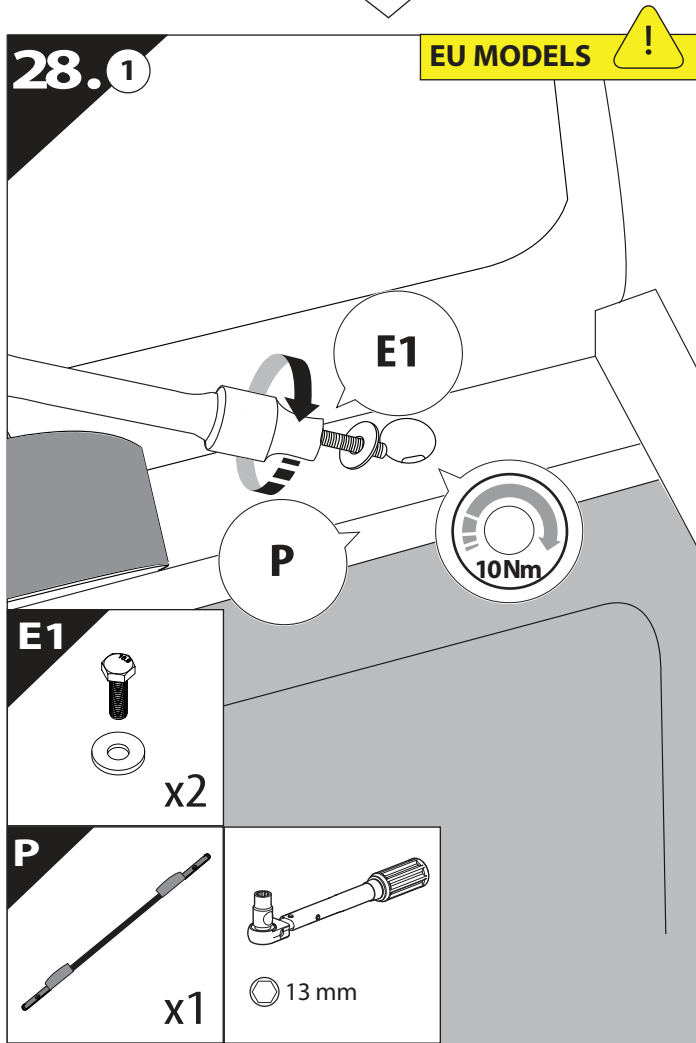
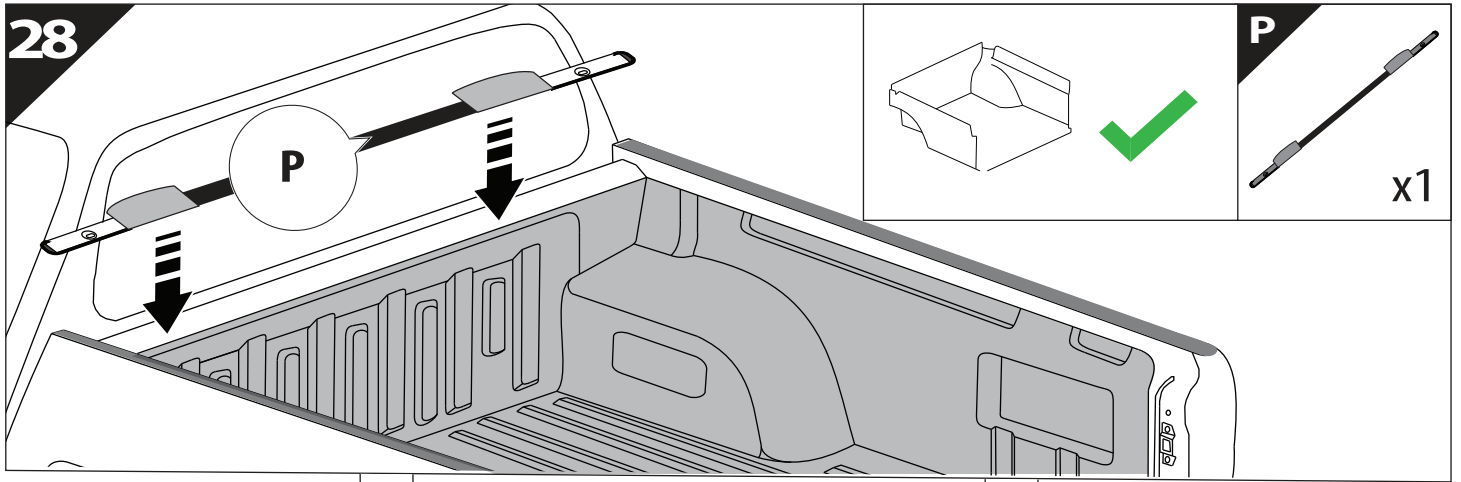


26

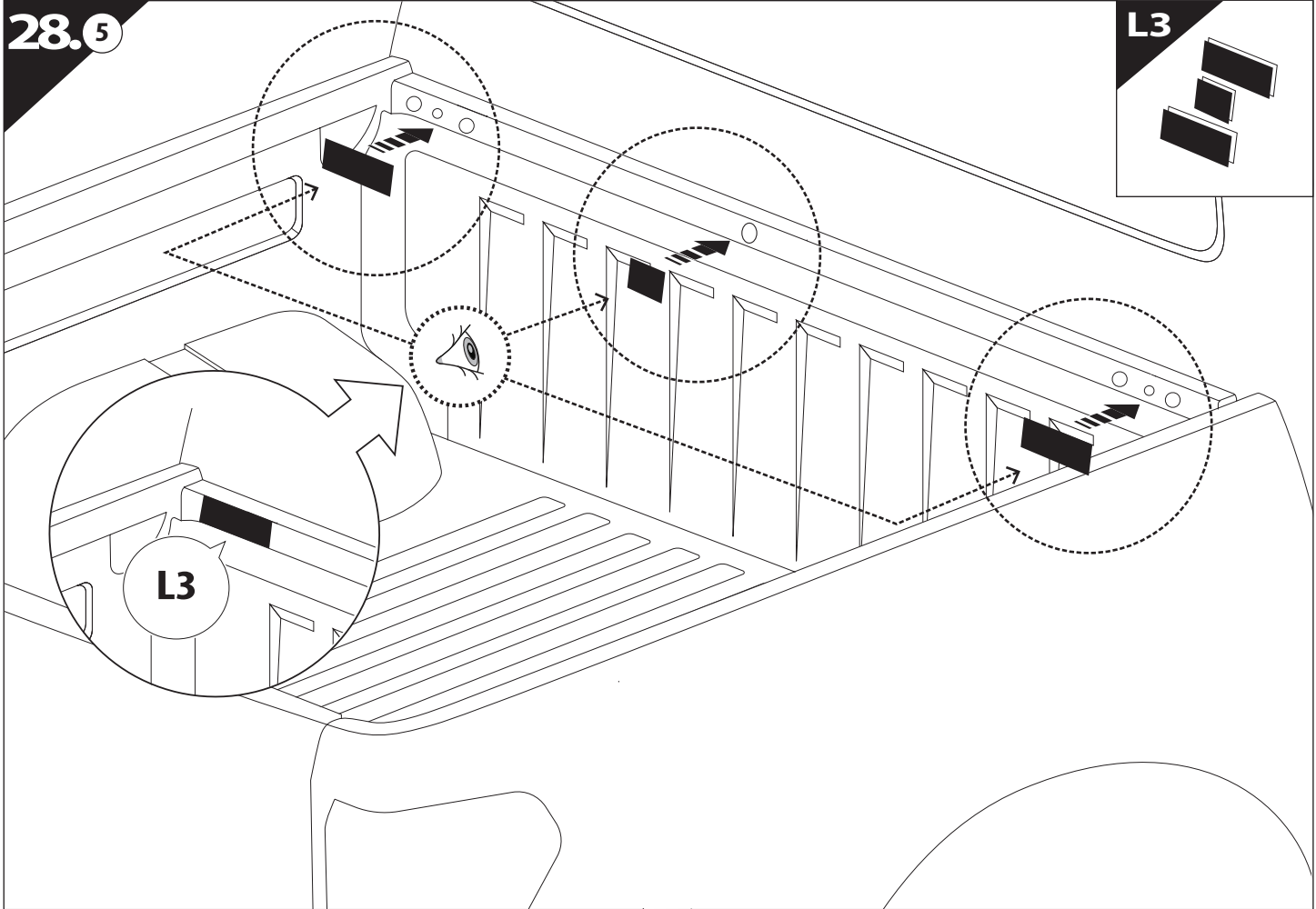
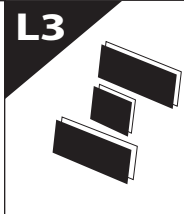


27

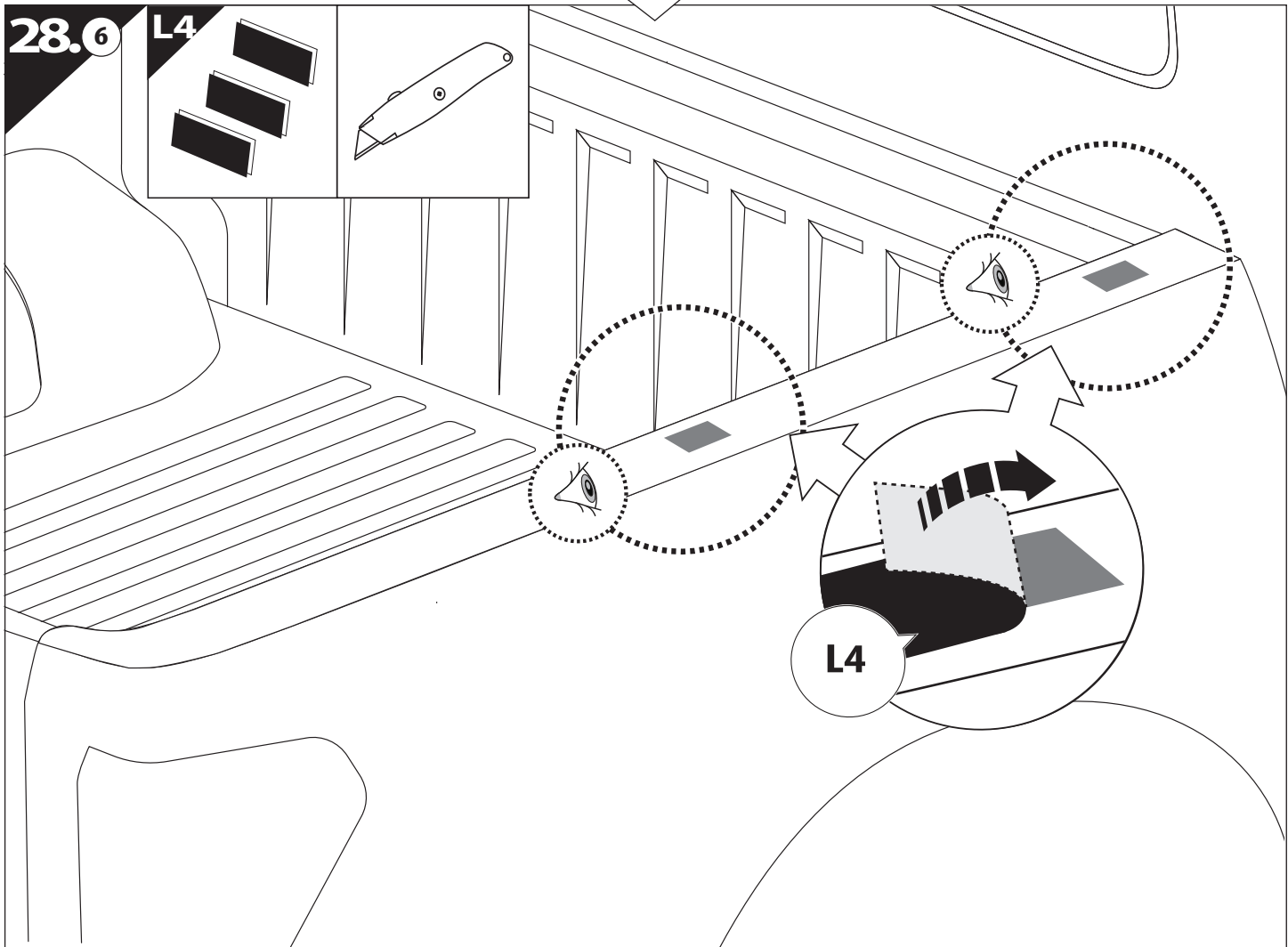
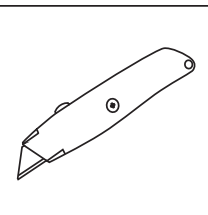
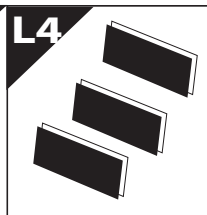


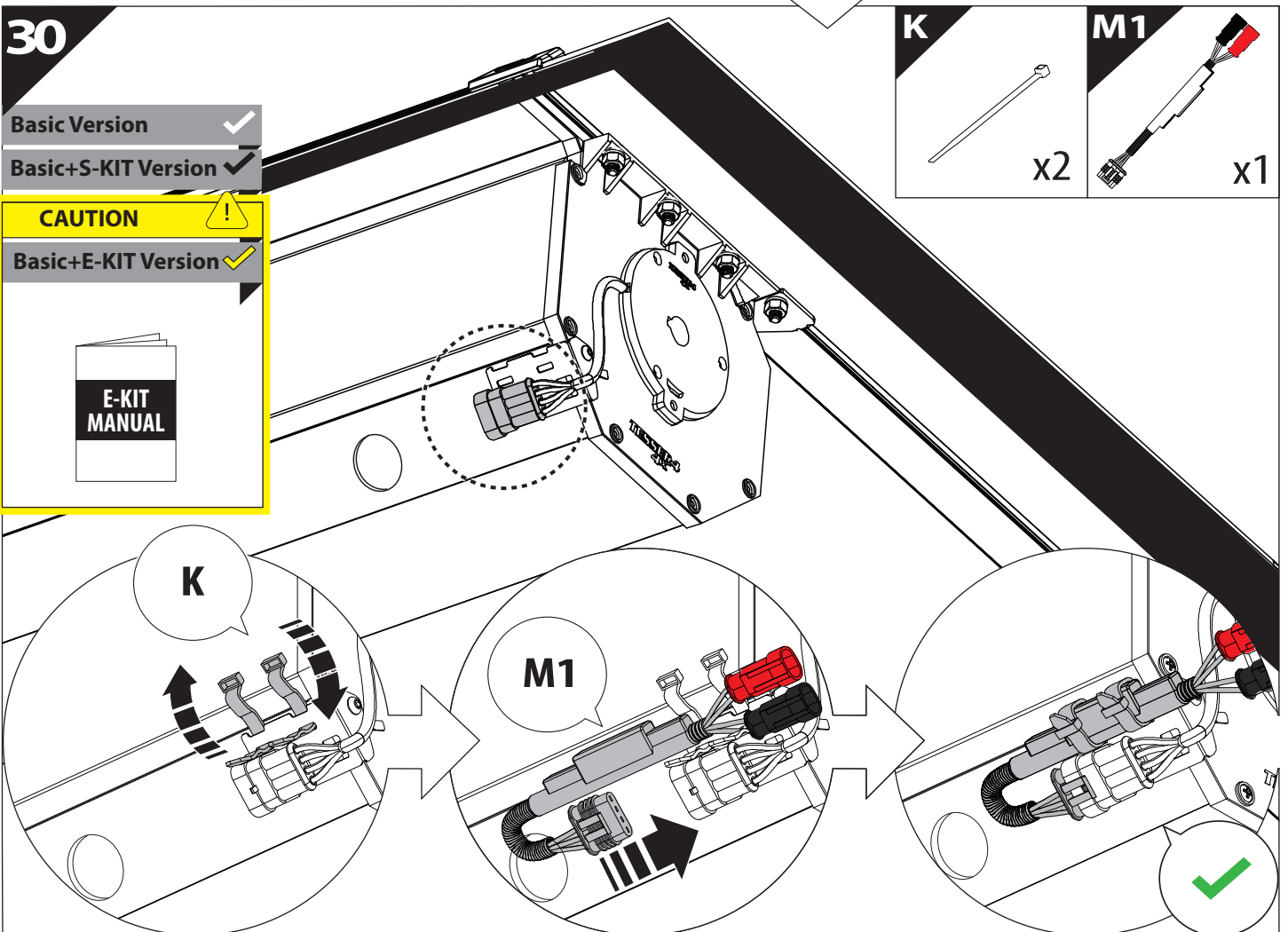
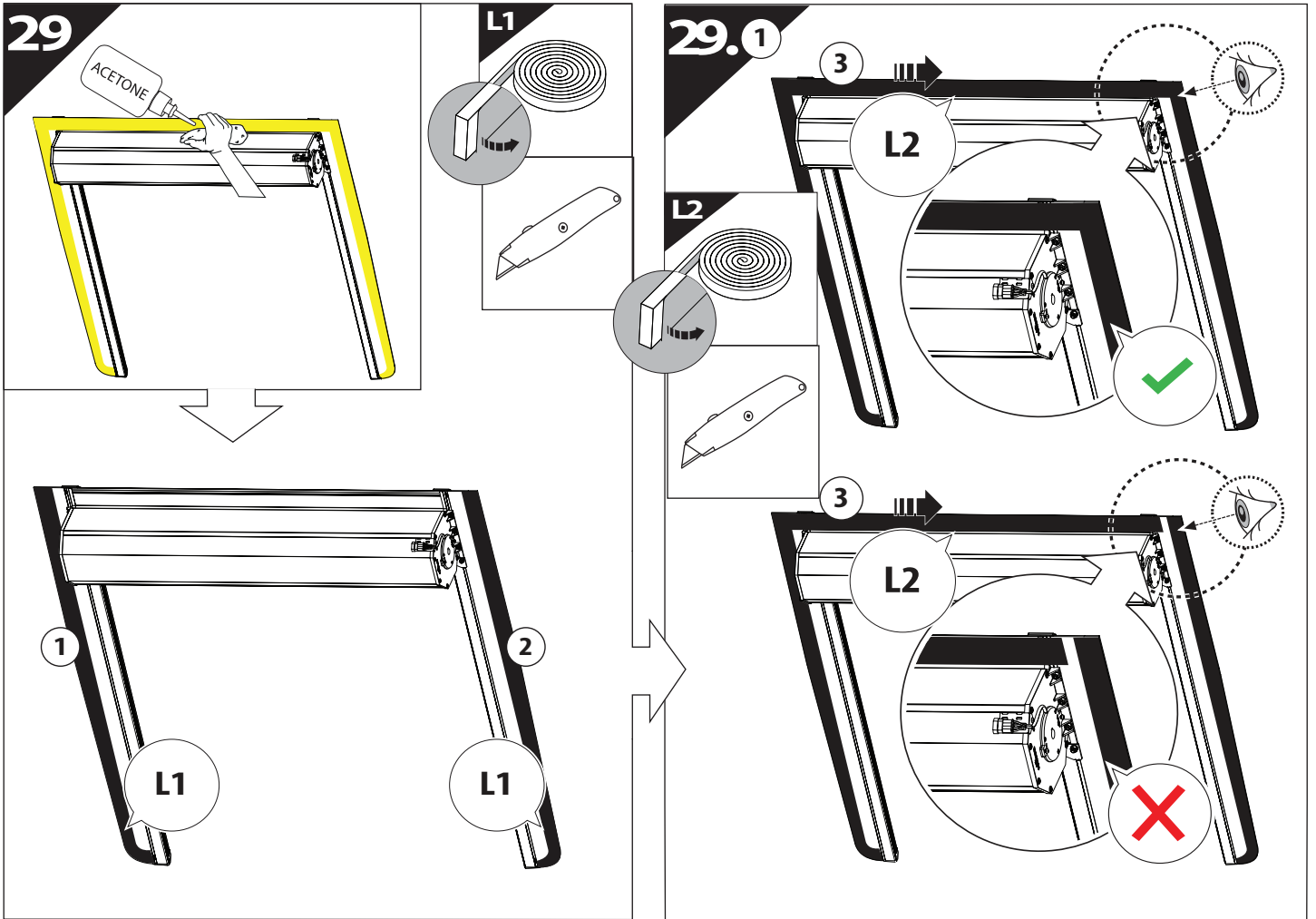


28.5



28.6

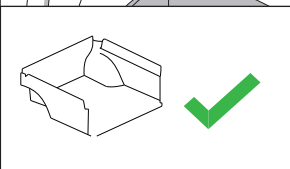
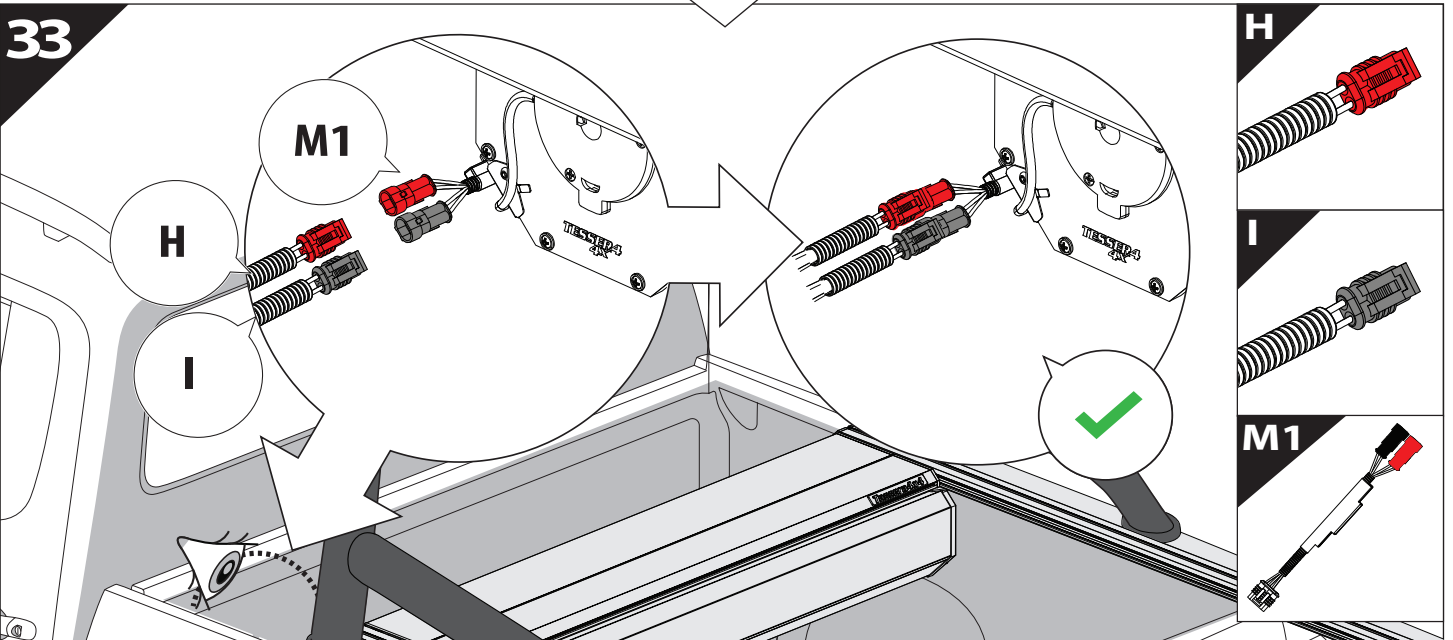
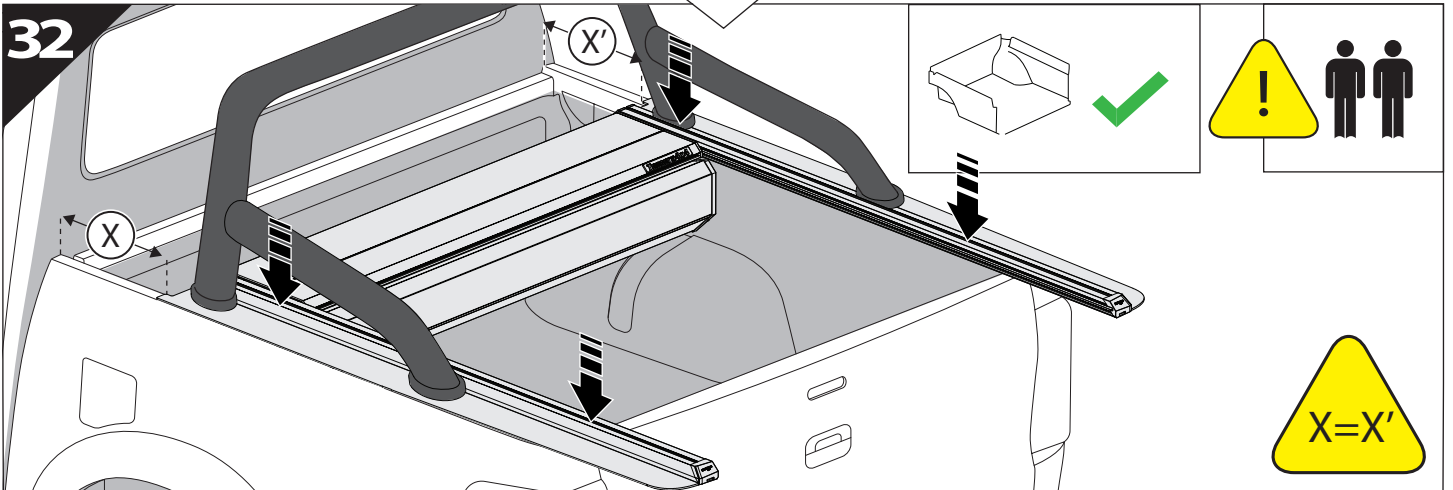
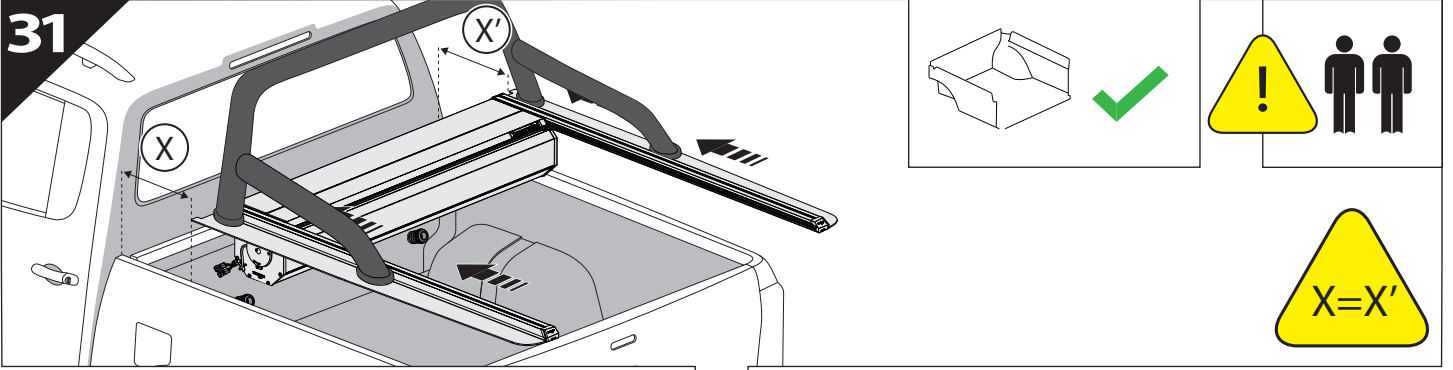




# 30. 1

Basic+S-KIT Version

S-KIT  
MANUAL



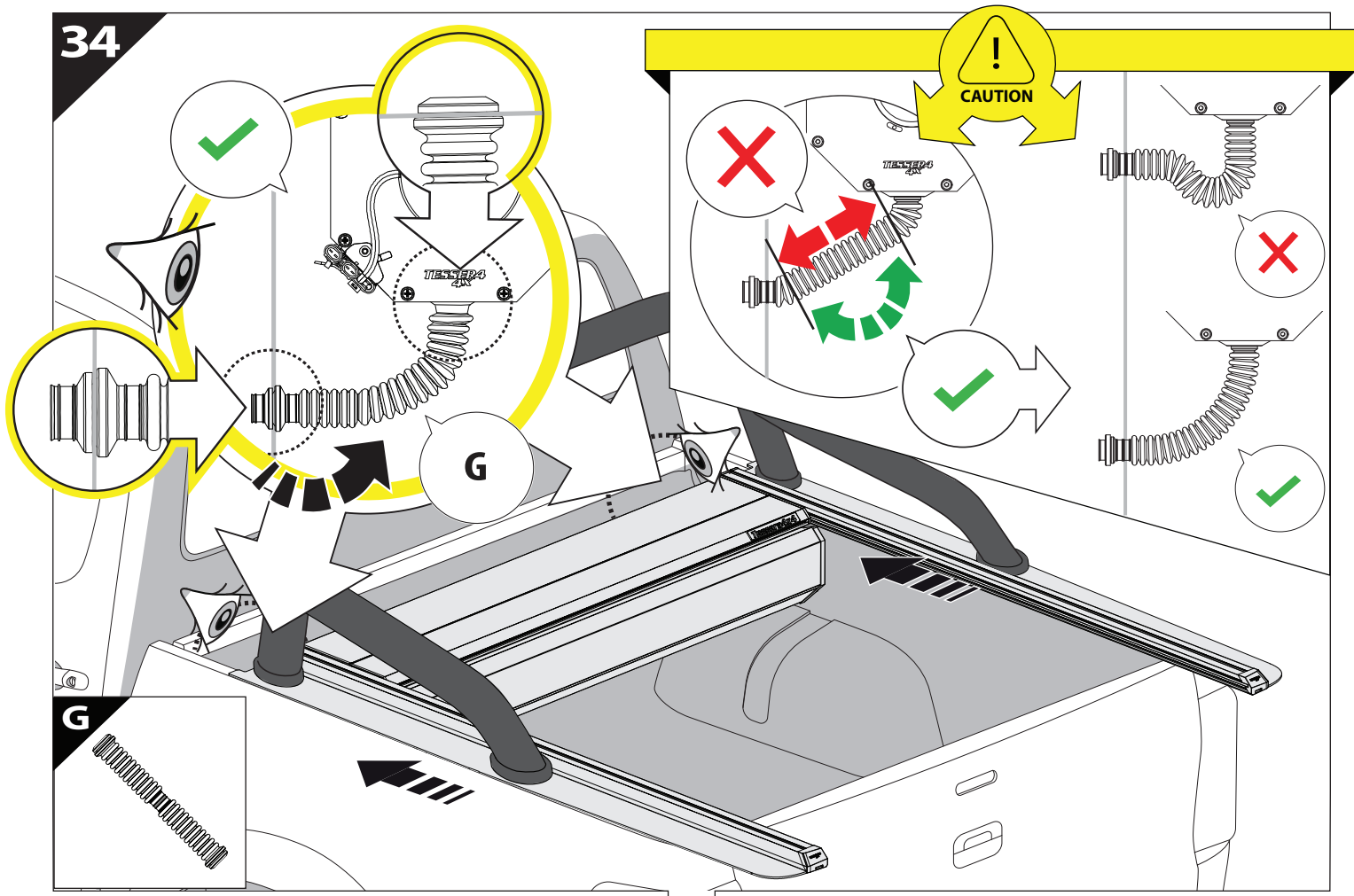
**E-KIT  
MANUAL**

Basic+E-KIT Version

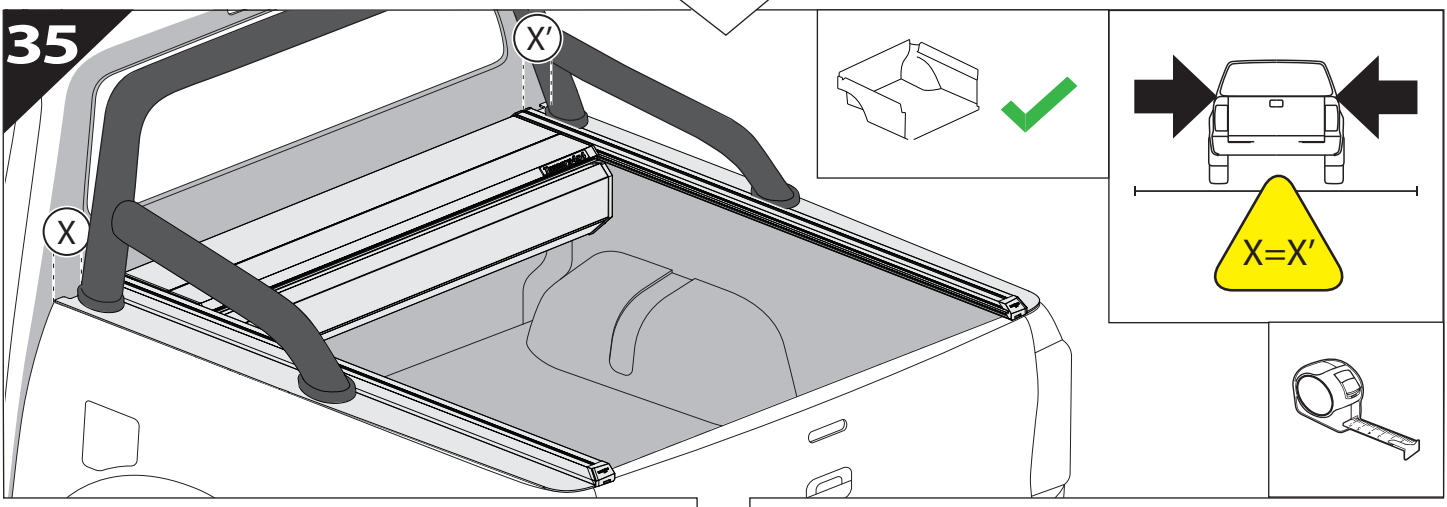
**M2**

**M1**

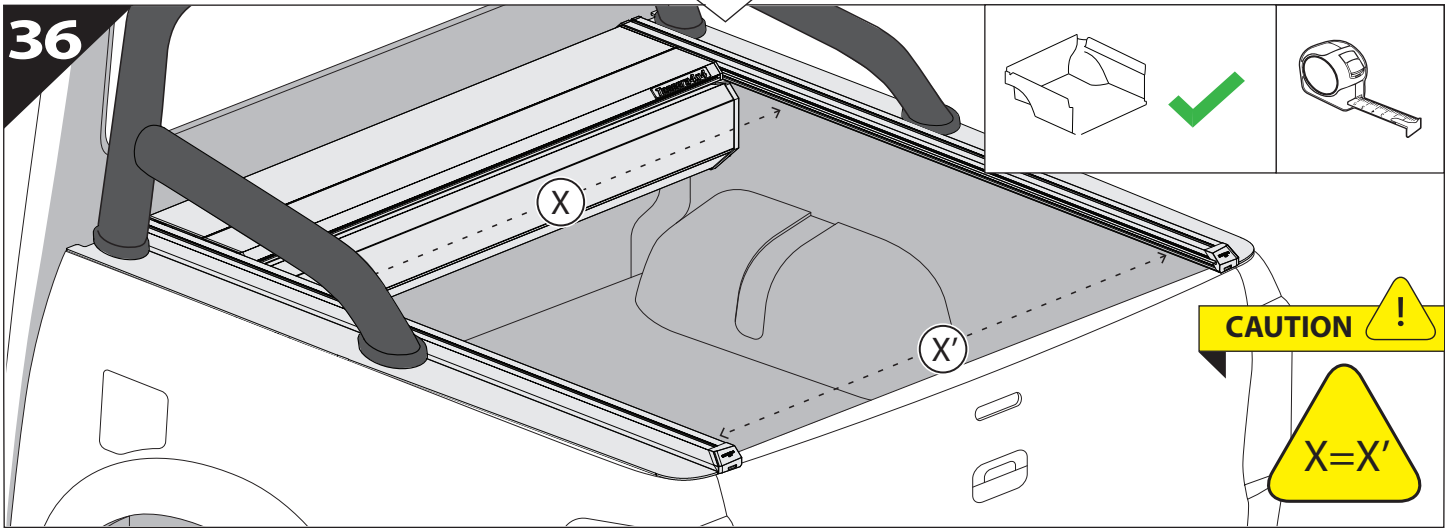
34

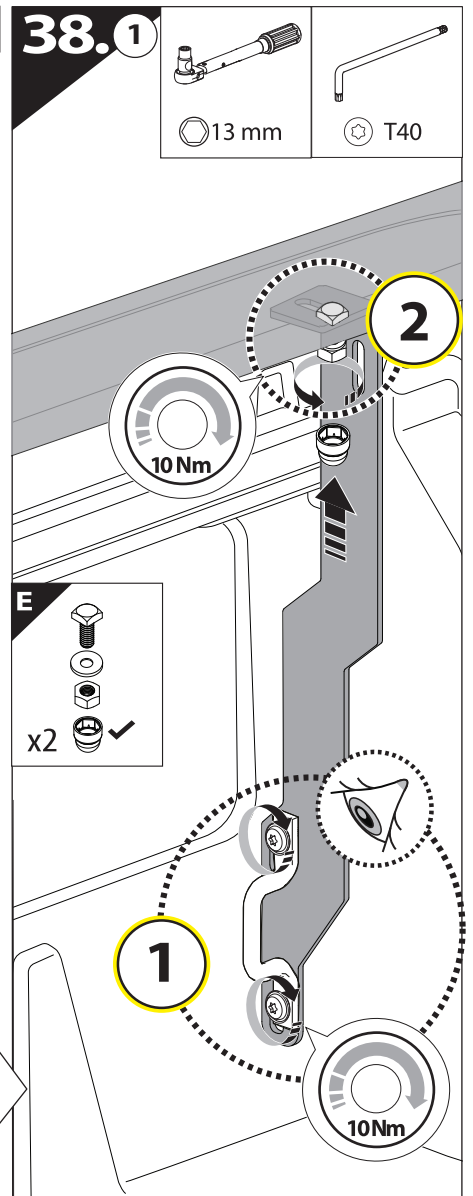
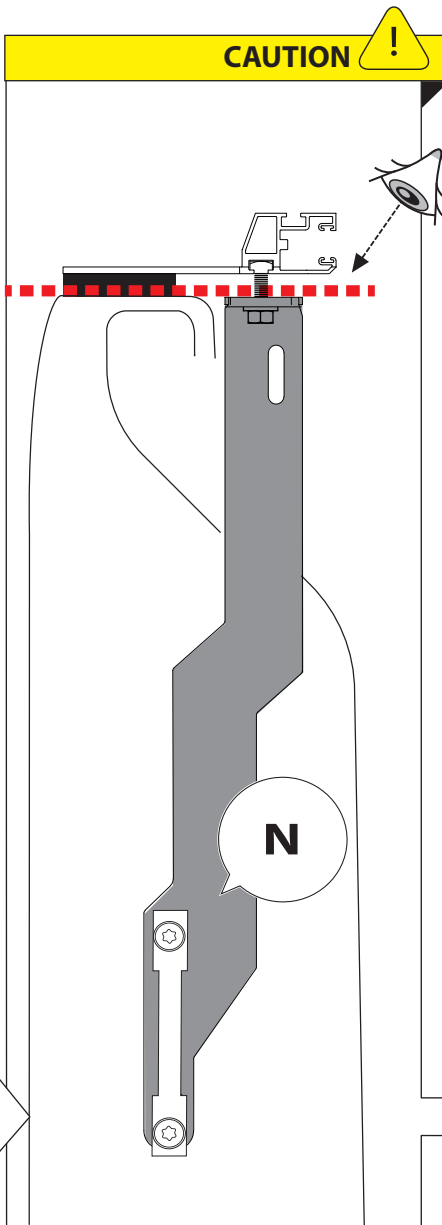
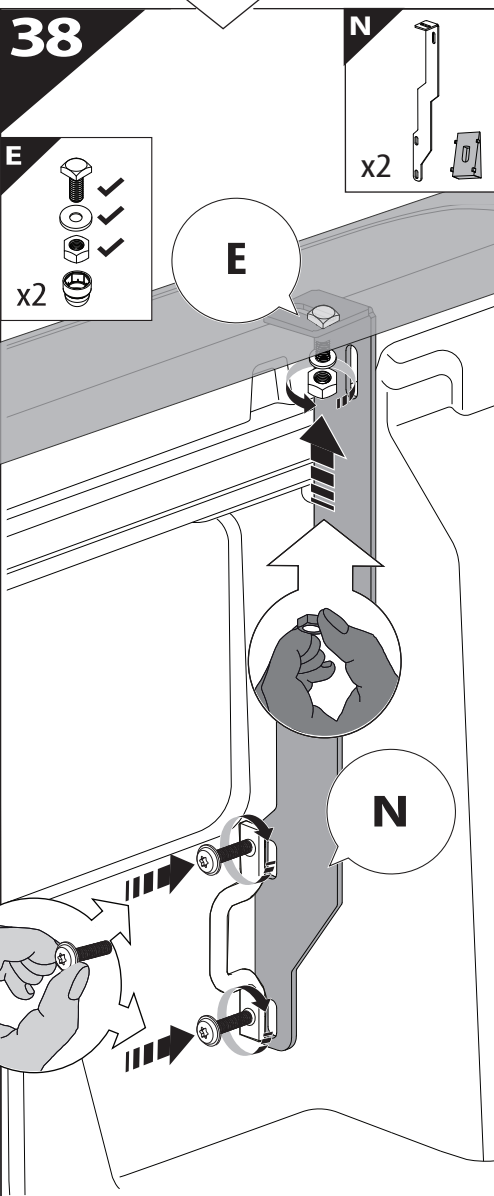
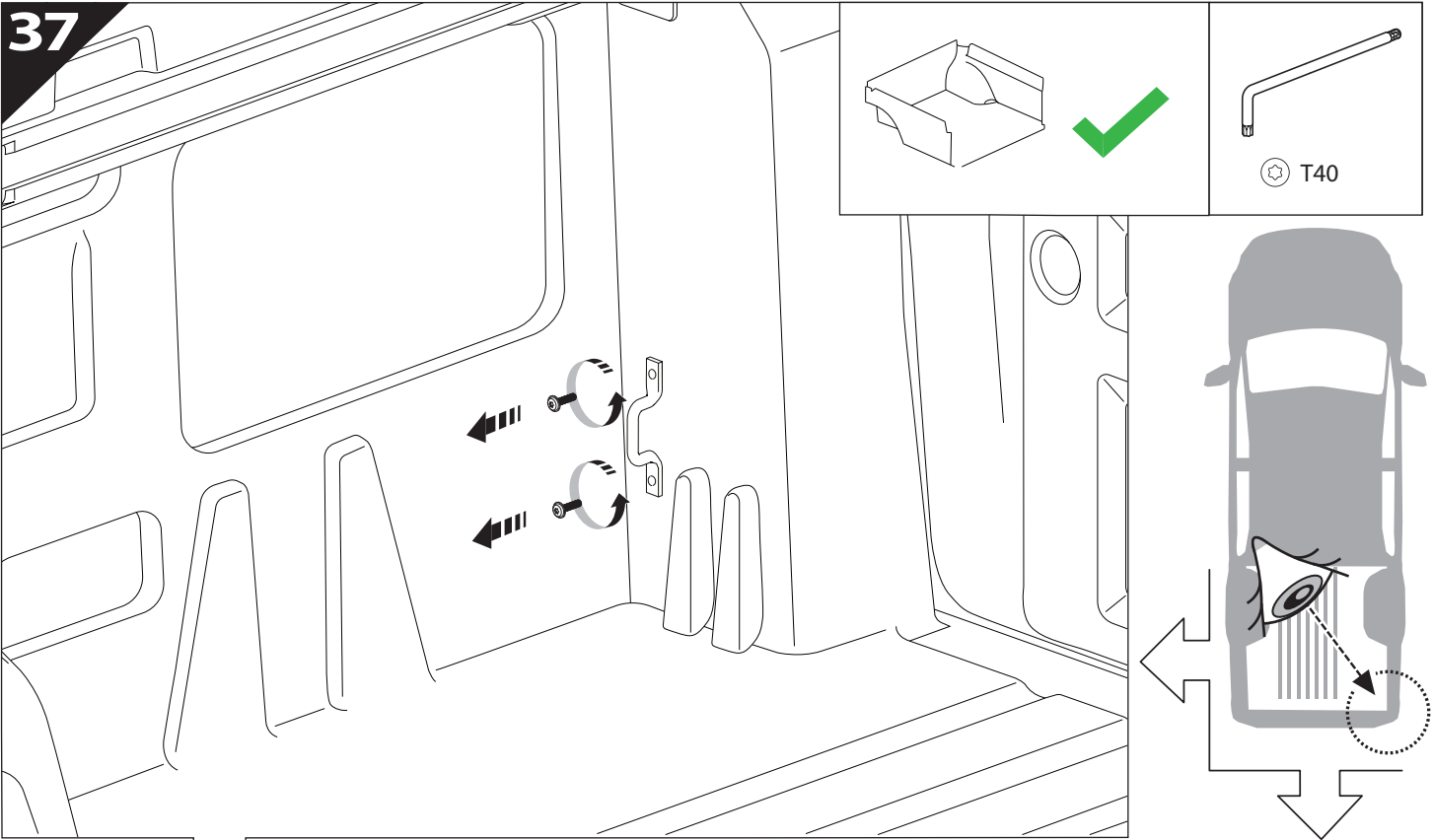


35



36



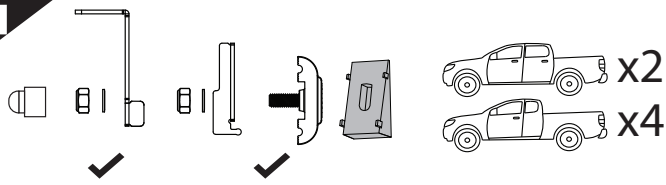


39 A

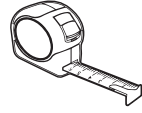
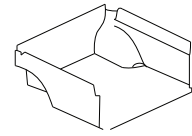
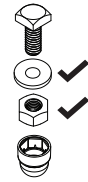


WITHOUT C - CHANNELS

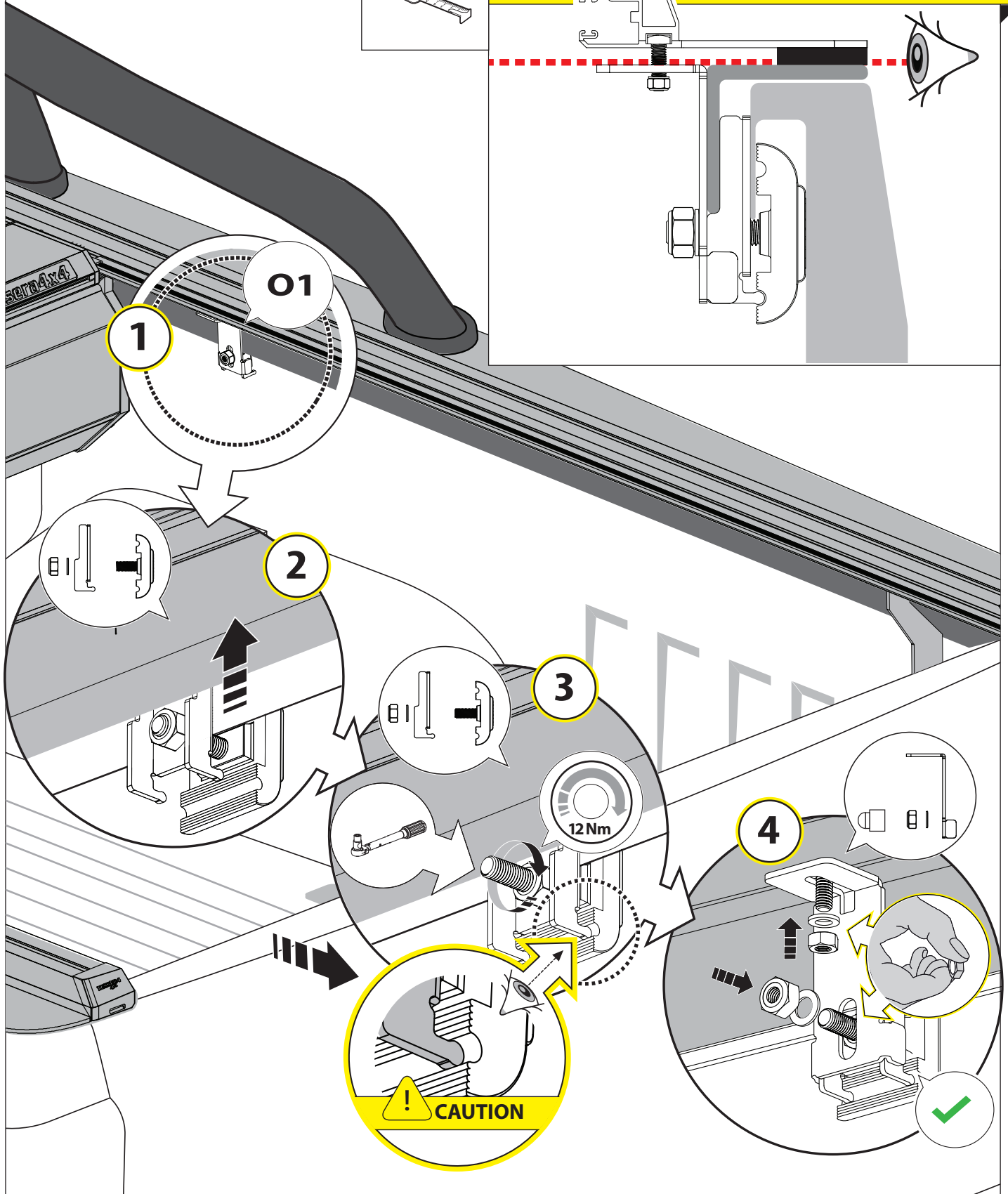
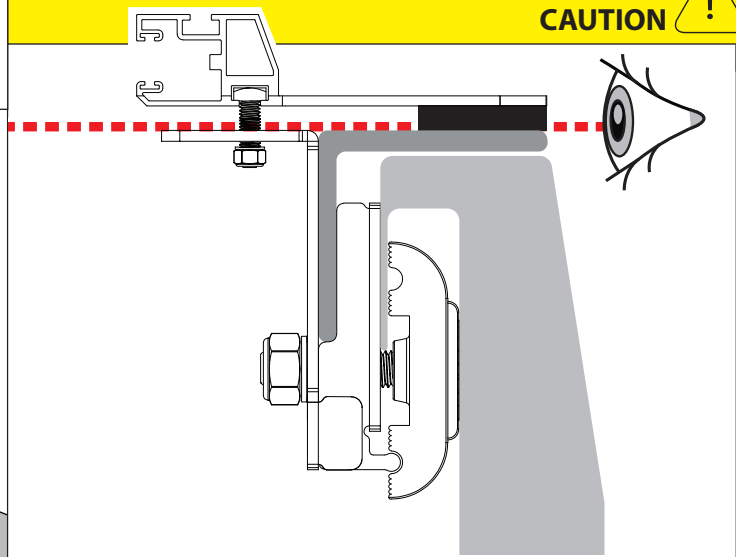
O1

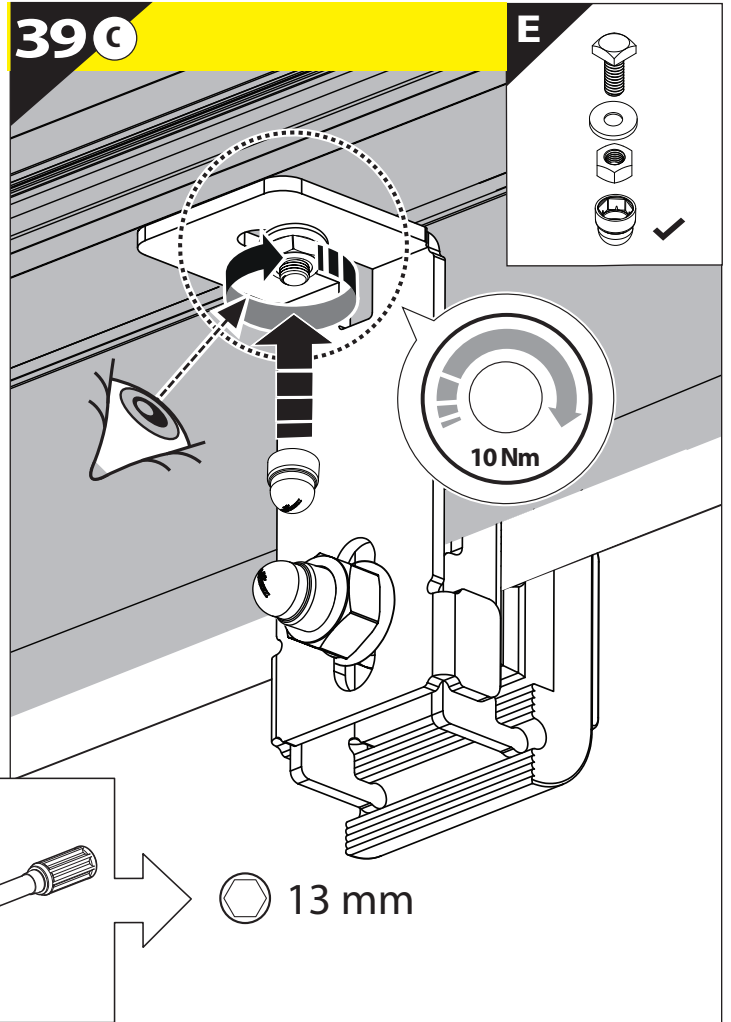
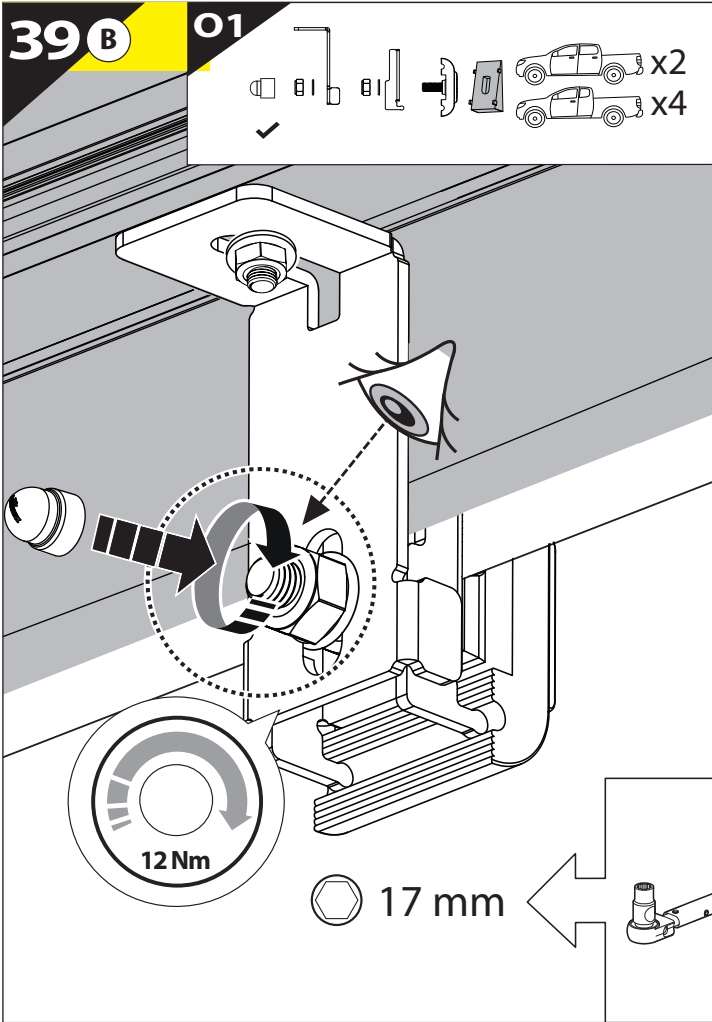


E

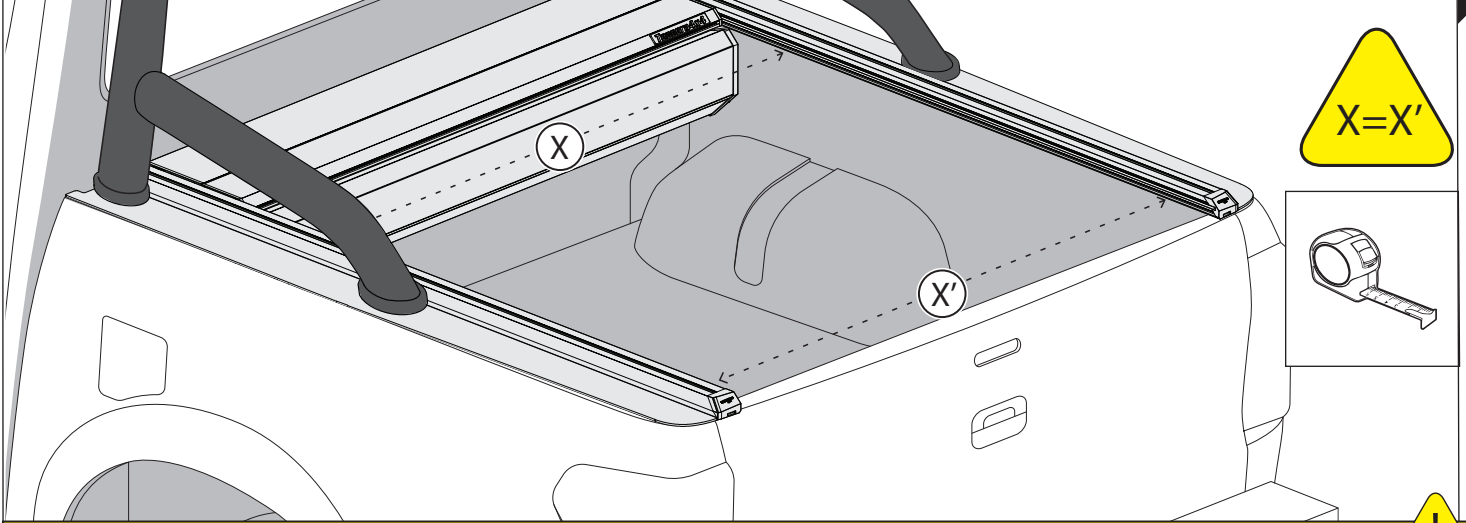


CAUTION

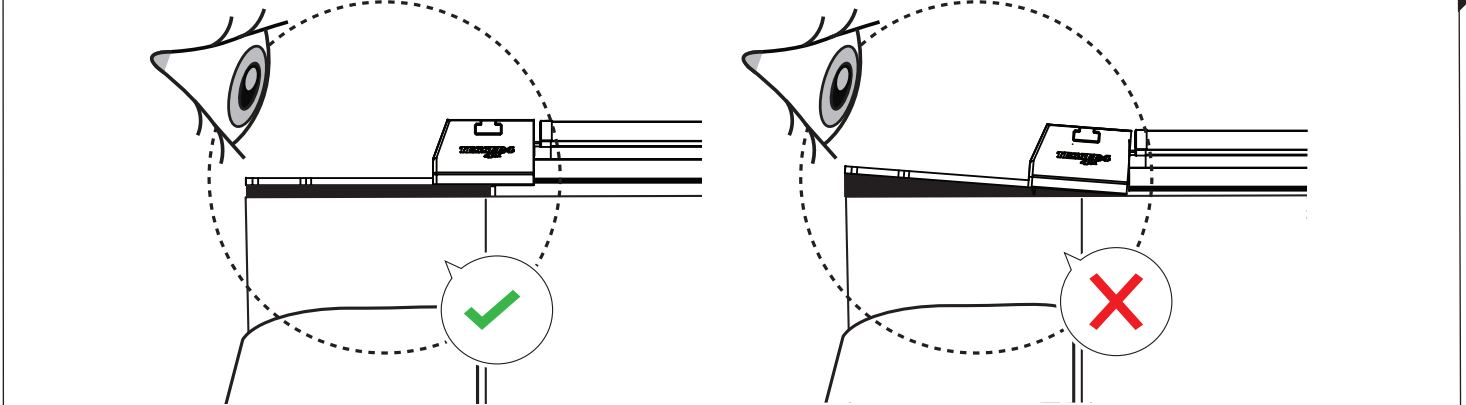




**CAUTION** !



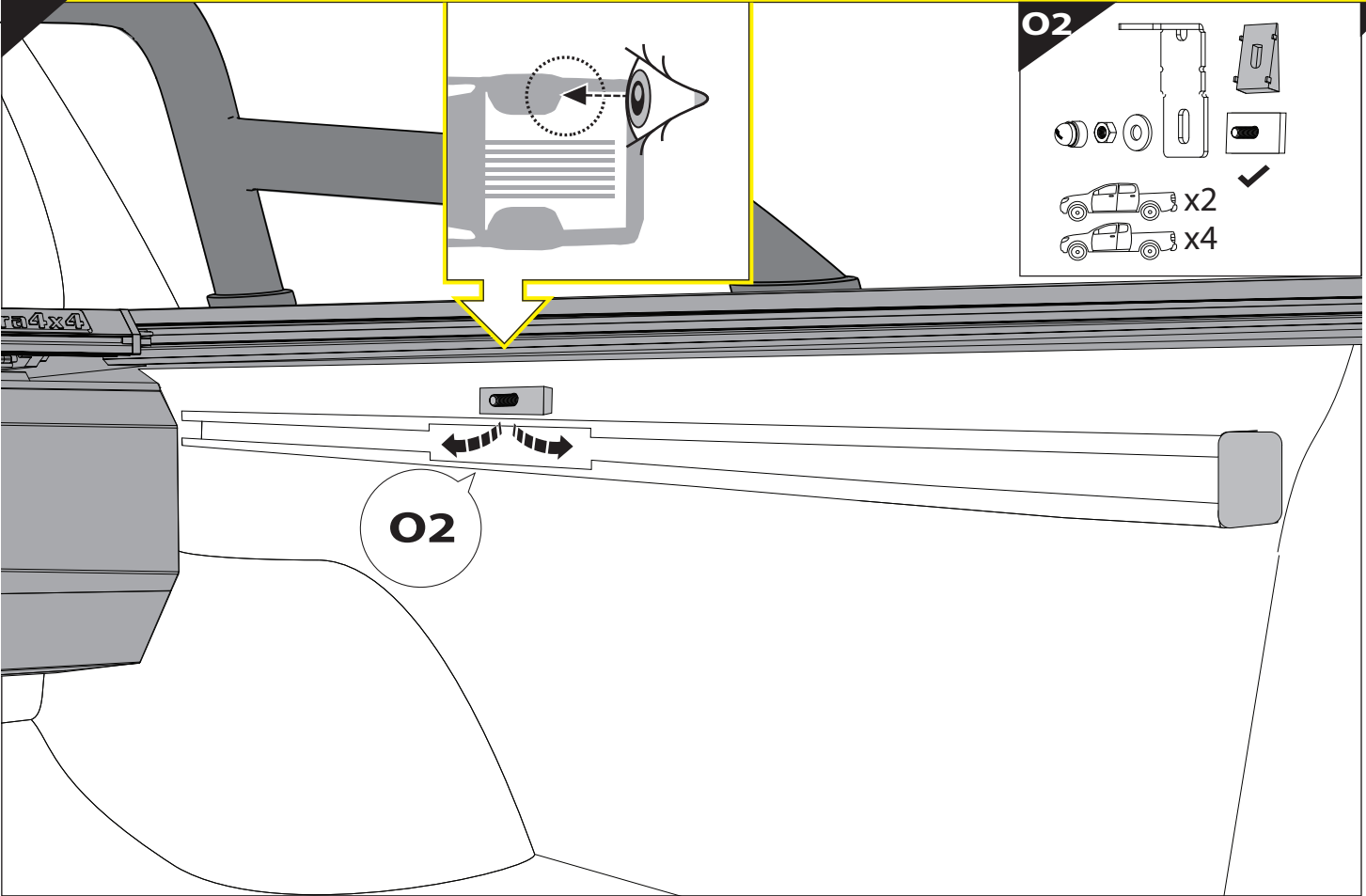
**CAUTION** !



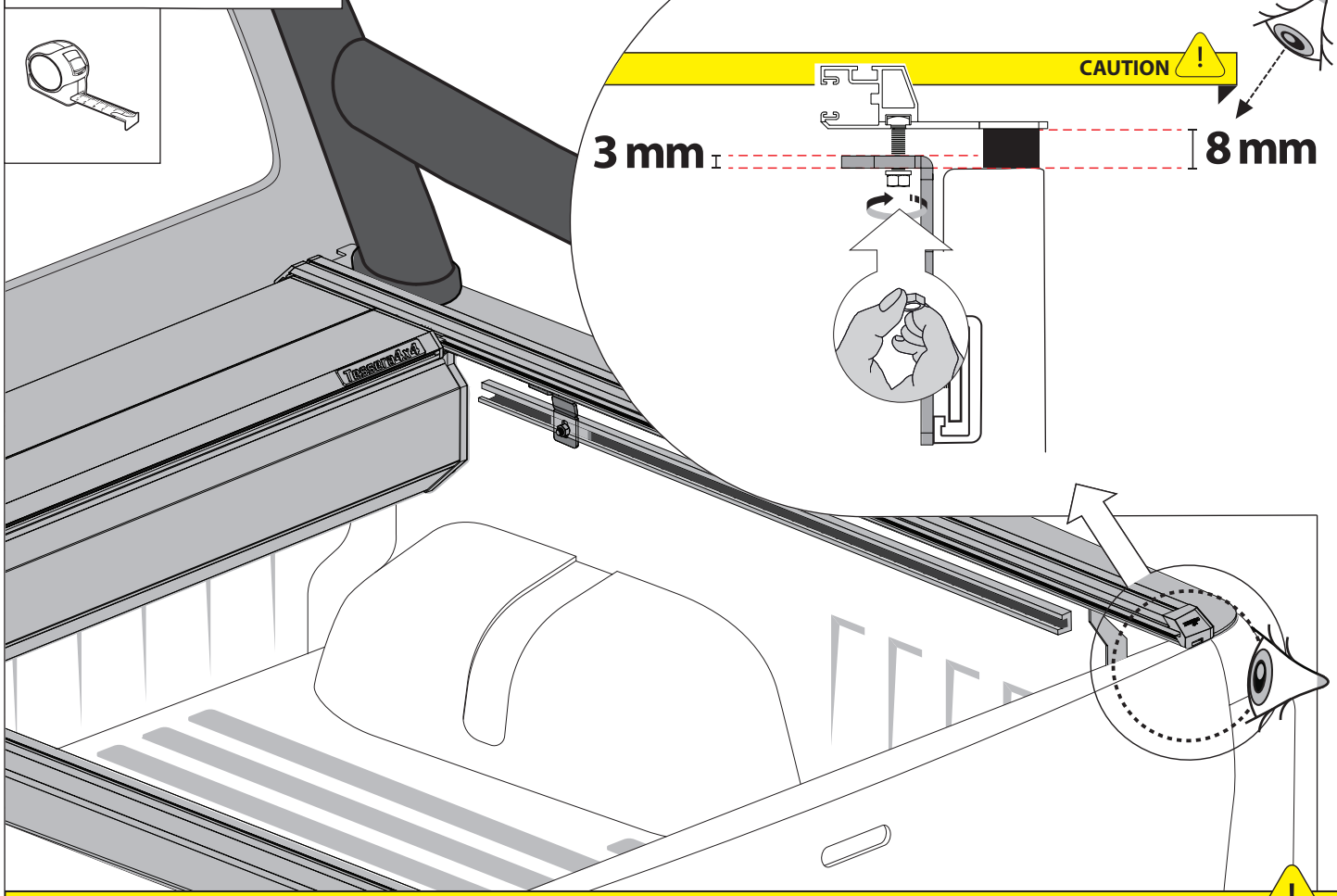
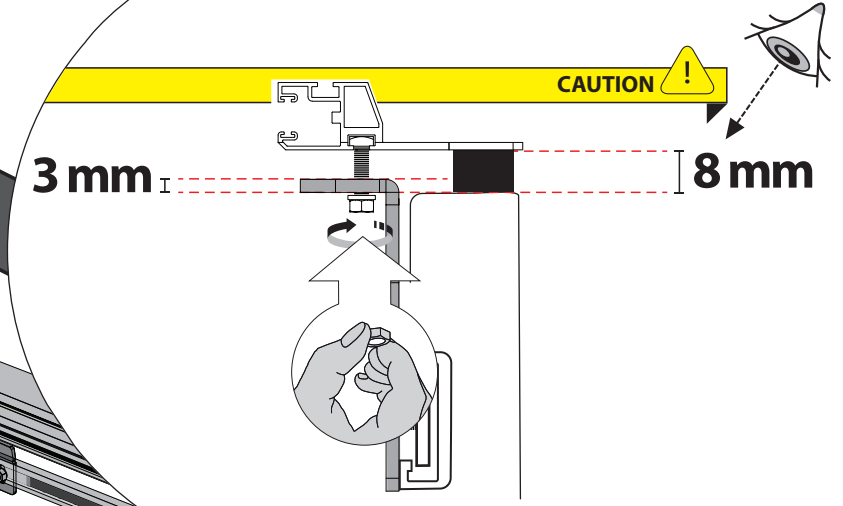
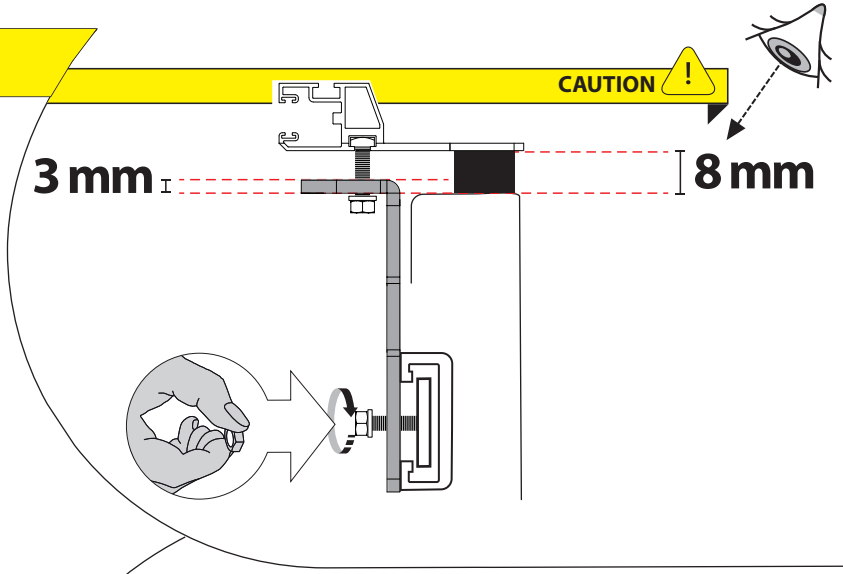
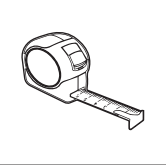
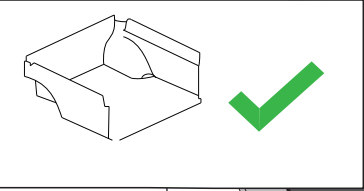
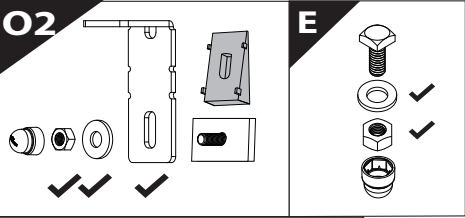
39 A



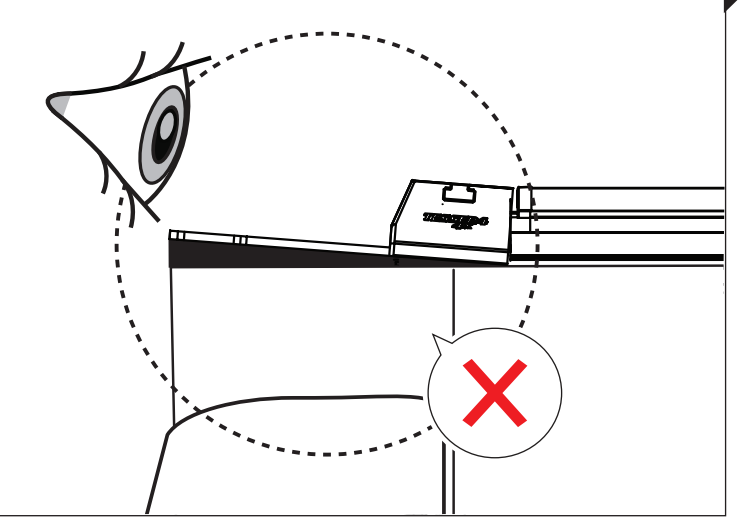
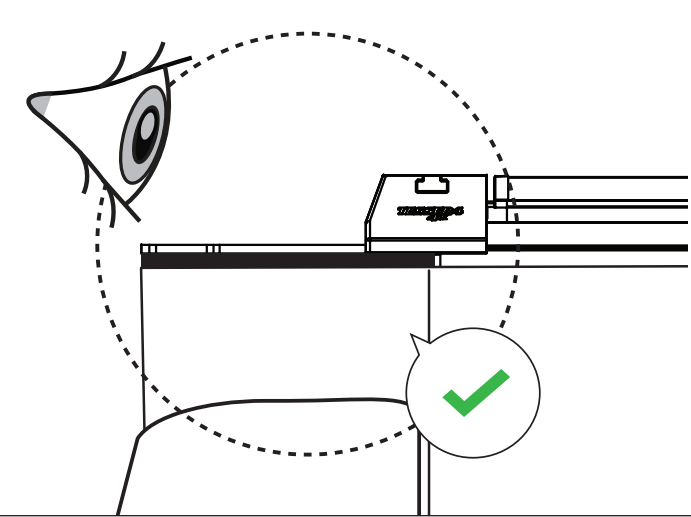
WITH C - CHANNELS

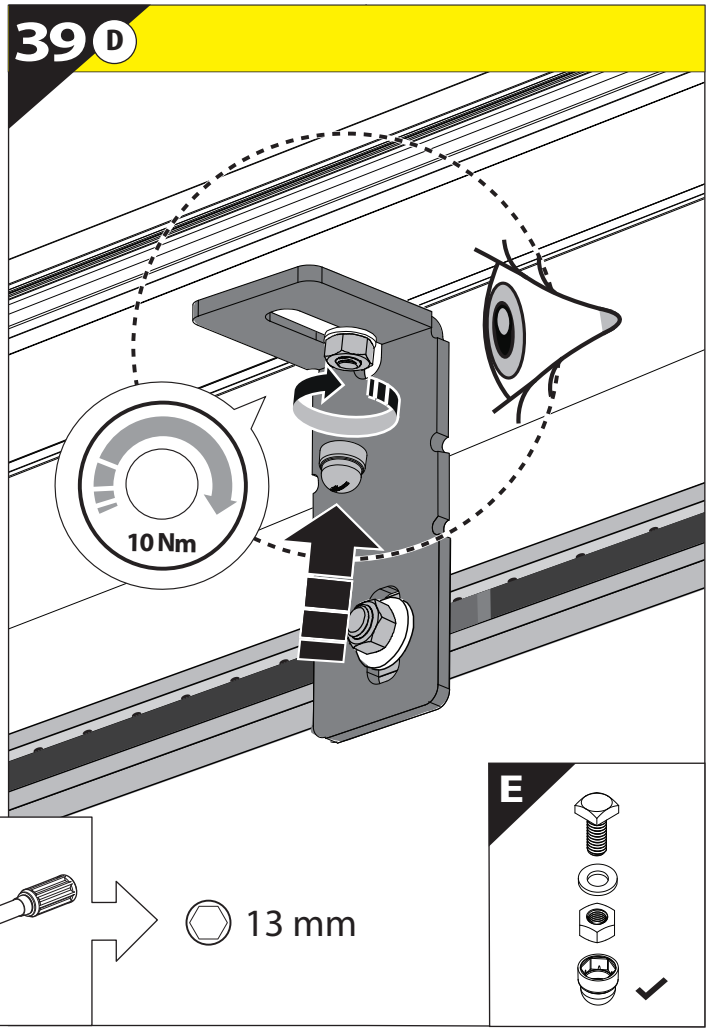
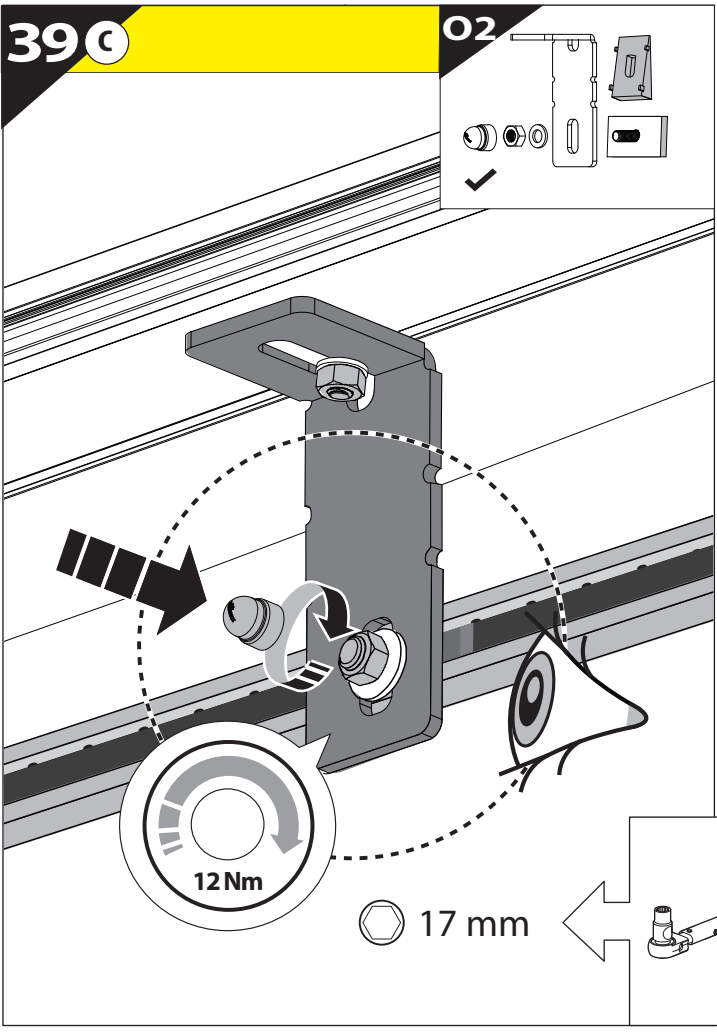


39 B

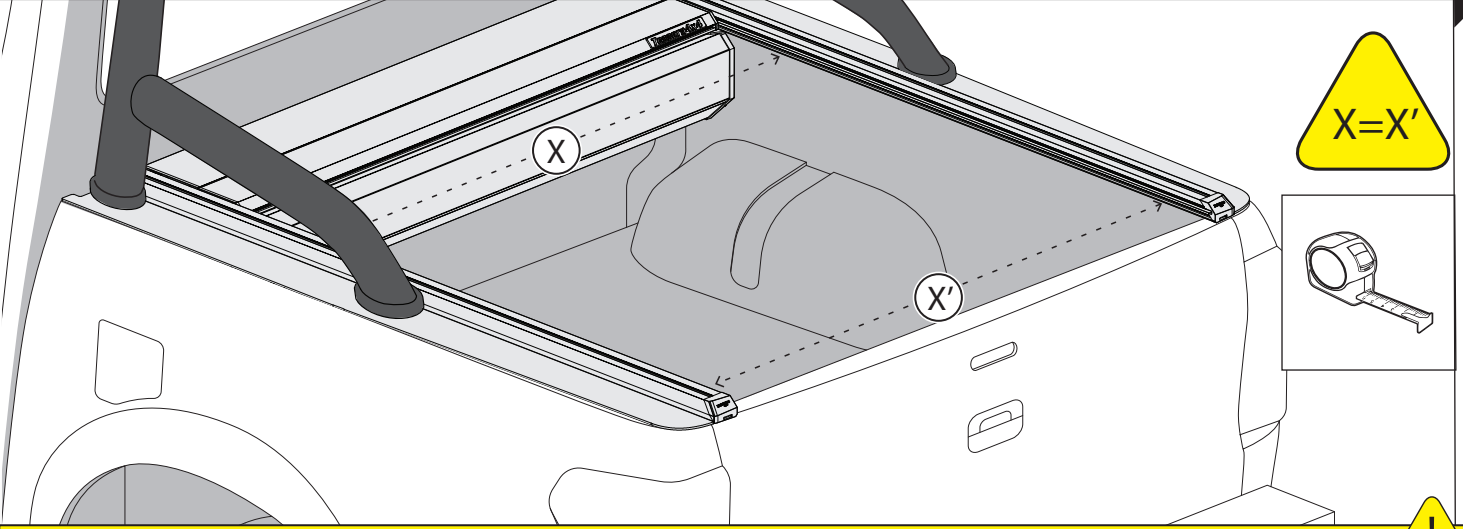


CAUTION !

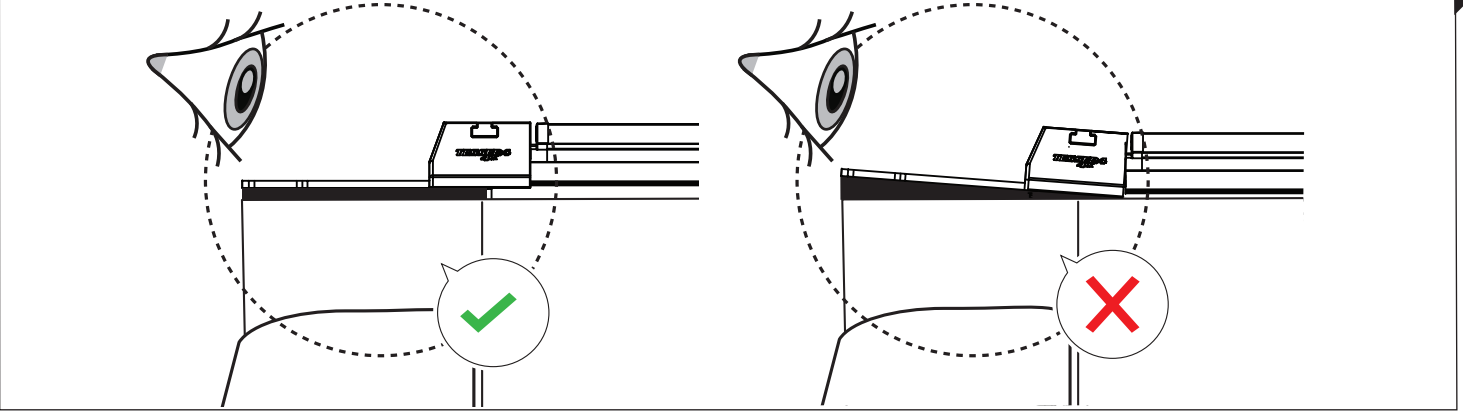




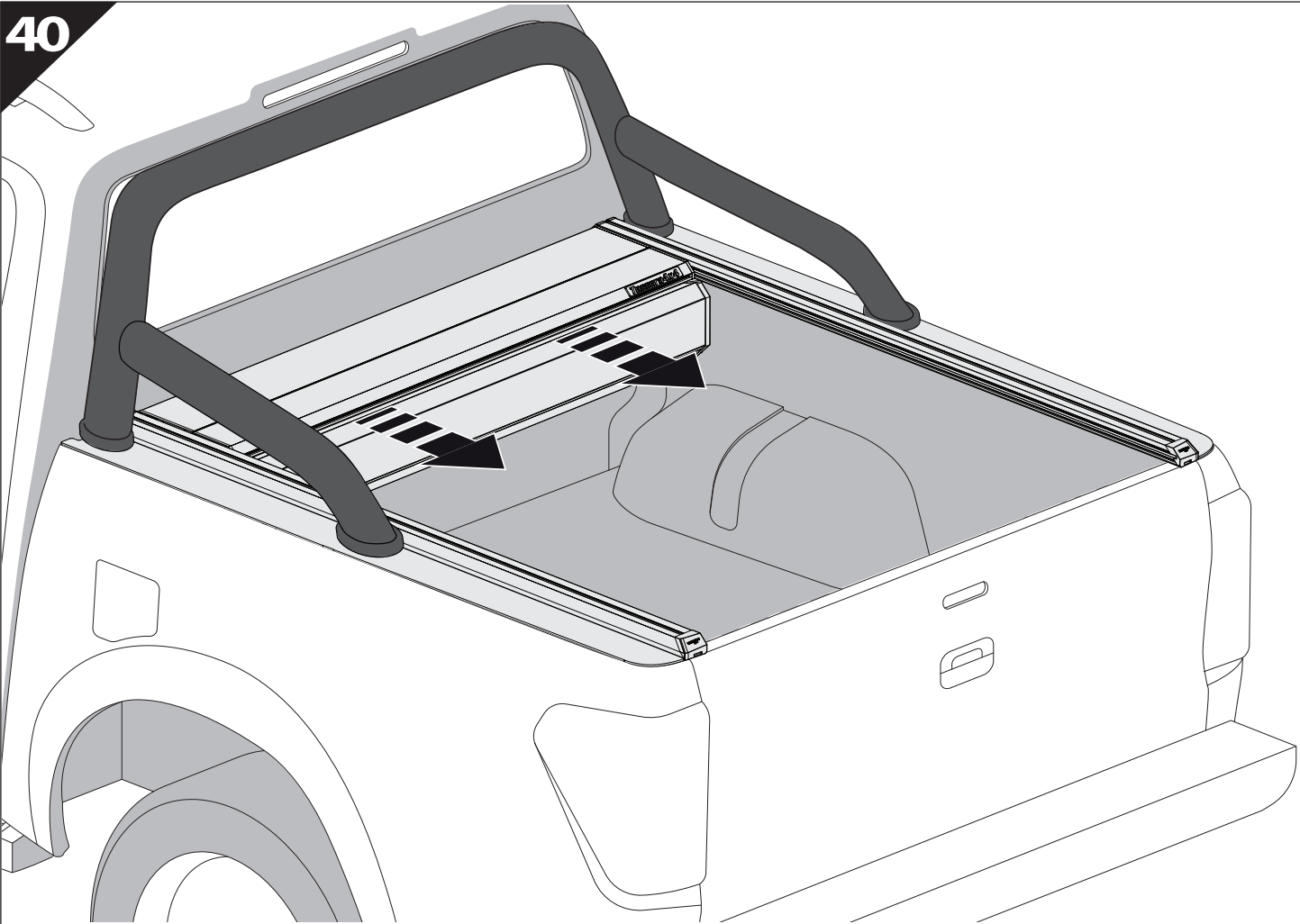
**CAUTION !**



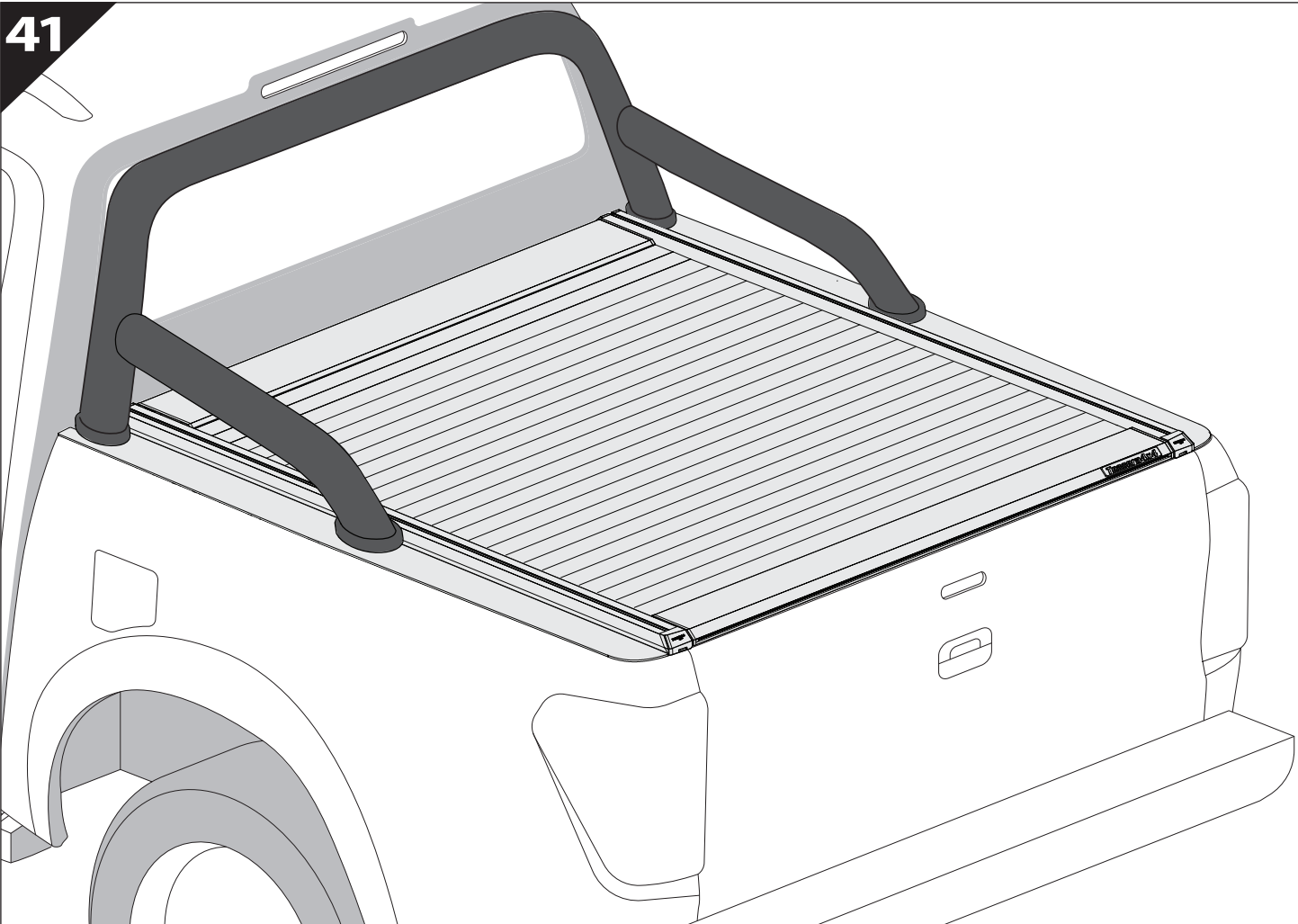
**CAUTION !**



40



41





**GR:** Οδηγίες Εγκατάστασης  
**GB:** Installation manual  
**SF:** Asennusohje  
**F:** Notice de montage  
**PL:** Instrukcja montażu  
**NL:** Installatie-instructies  
**TR:** Montaj Talimatı  
**S:** Monteringsanvisning  
**E:** Instrucciones de montaje

**H:** Szerelési utasítás  
**P:** Instruções de instalação  
**RUS:** Инструкция по установке  
**N:** Monteringsveiledning  
**D:** Einbauanleitung  
**CZ:** Návod k instalaci  
**I:** Istruzioni de montaggio  
**DK:** Monteringsvejledning  
**RO:** Instructiuni de instalare

Customer Service:

+30 (210) 5541161, +30 (210) 5541154 (08:00 - 16:00 EET)

Support department:

[info@gianso.gr](mailto:info@gianso.gr)

Website:

[www.tessera4x4.com](http://www.tessera4x4.com)

Address:

19.5 km of National road Athens-Korinthos (Elefsina) Greece, P.C: 19200