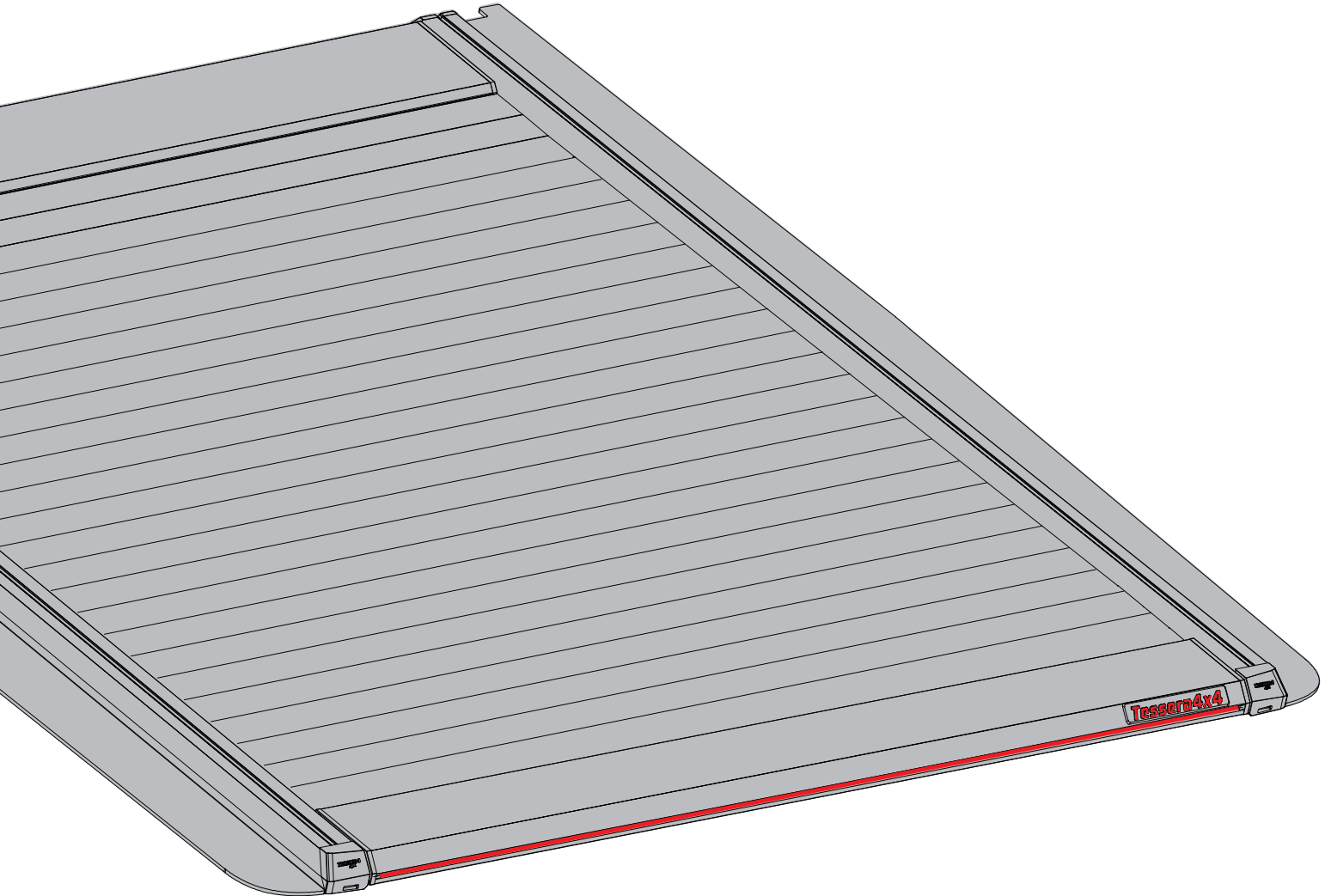


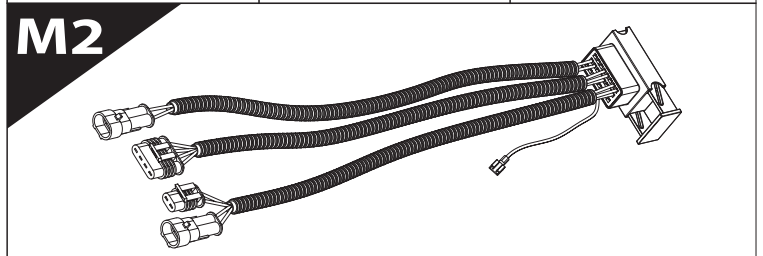
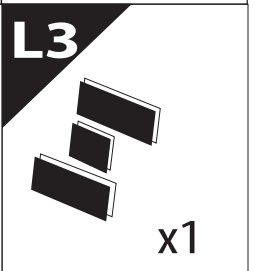
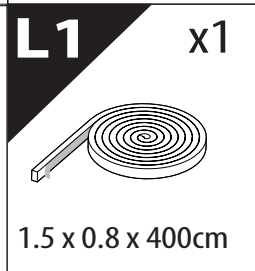
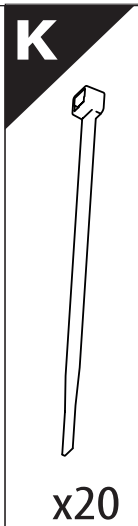
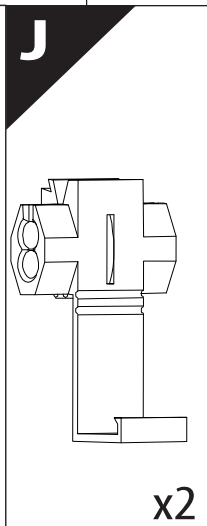
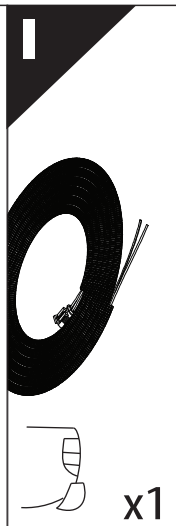
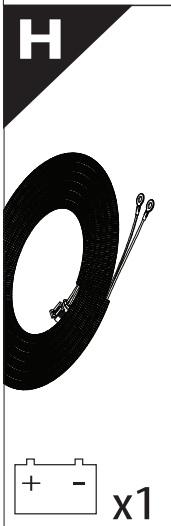
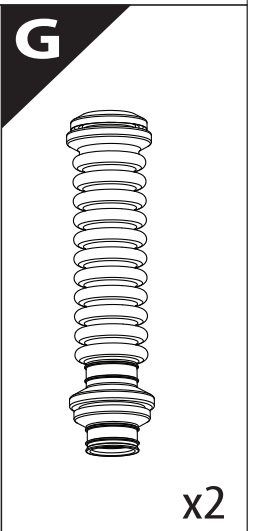
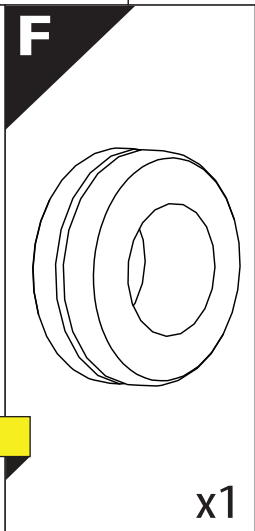
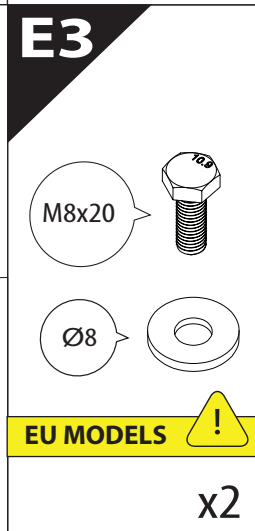
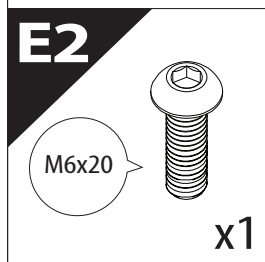
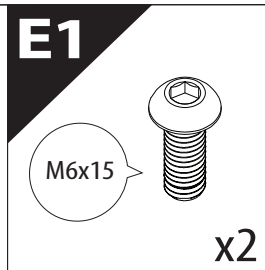
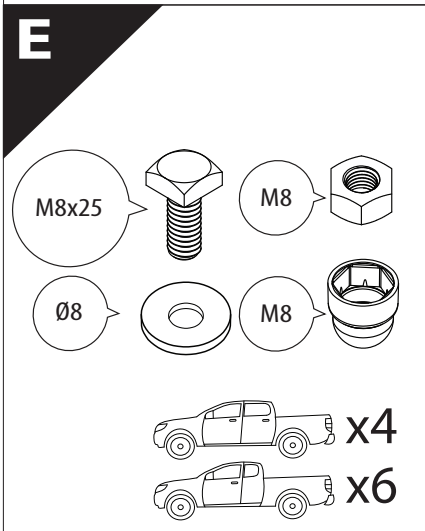
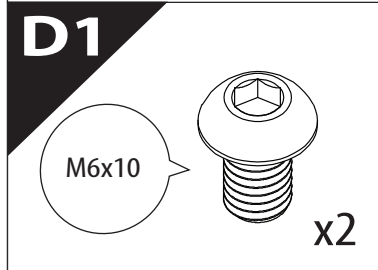
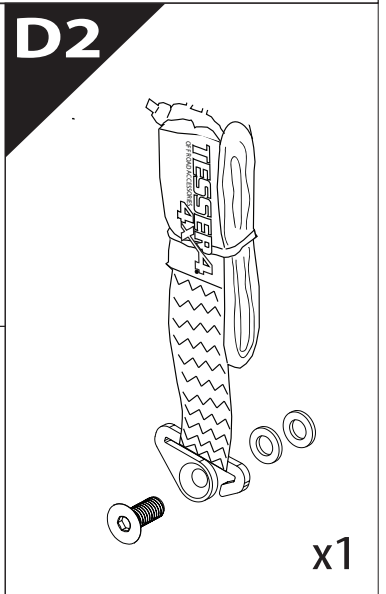
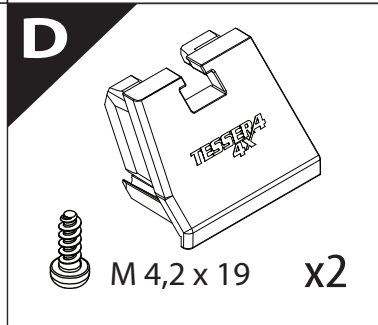
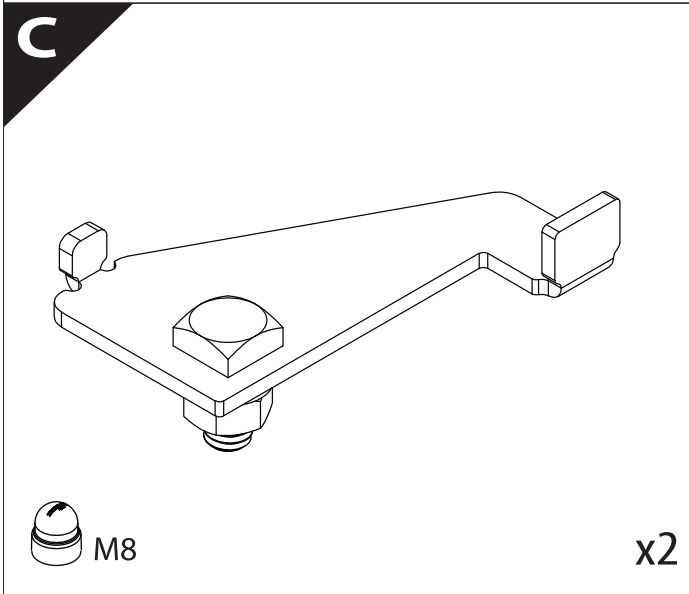
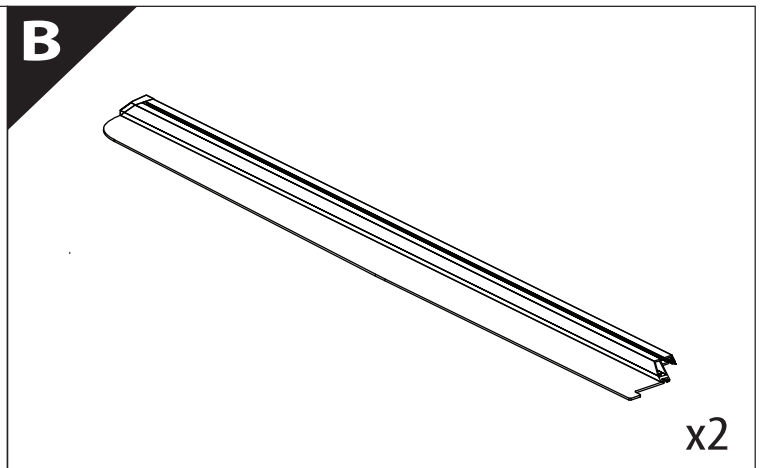
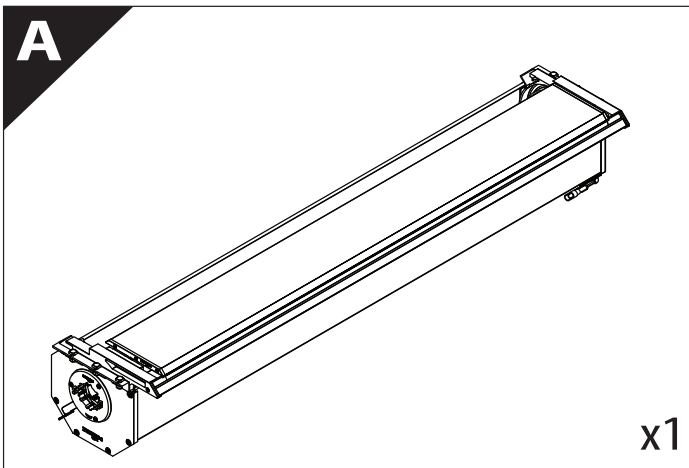
Tessera Roll+

Basic Version + ⚡ E-KIT



Installation Manual

PART NUMBER(S)	Model Year
TESS 14060 ROLL+E-KIT	FORD RANGER 2023+ (P 703) WITH OR WITHOUT C-CHANNELS
TESS 14070 ROLL+E-KIT	
Cab(s)	Installation Time / Weight
Double Cab & Space cab	40-60 minutes / 53-57 kg



N1

Ø10
M10

x2
x4

N2

M10

x2
x4

O

x2

P

x1

Q

x1

R

x1

S

x1

T

US MODELS !

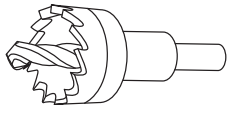
x2

U

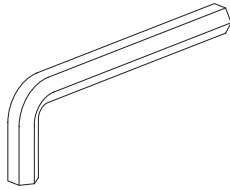
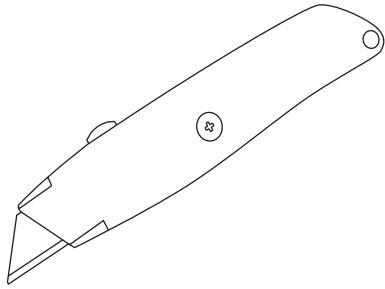
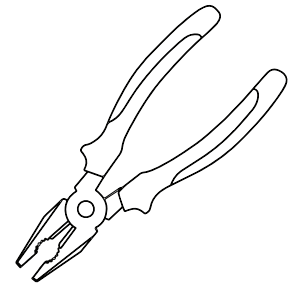
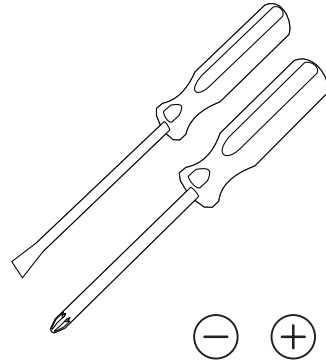
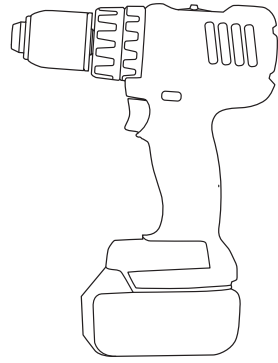
x2

V

x2

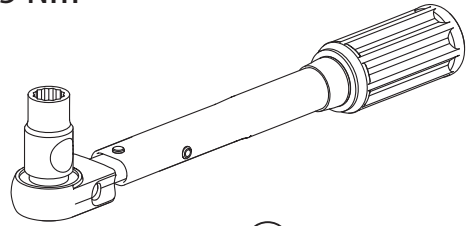


Ø 25 mm



4 mm

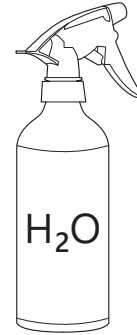
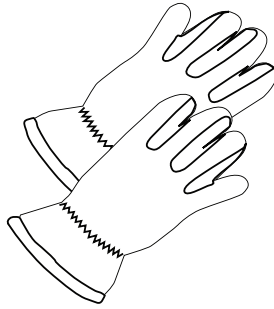
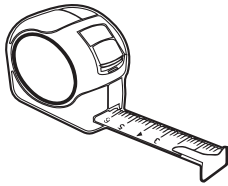
1 - 25 Nm



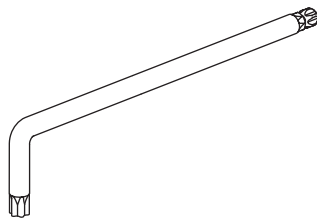
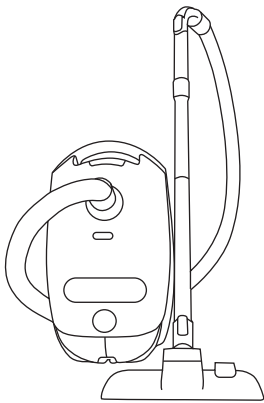
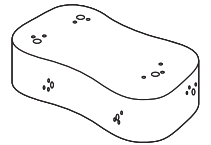
10, 12, 13, 17 mm



ACETONE



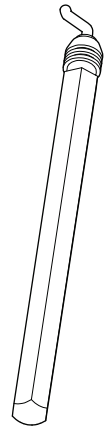
H₂O



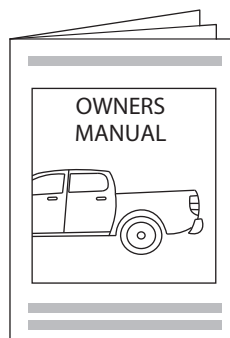
T30, T40



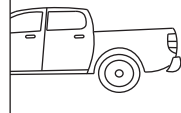
ANTI-RUST



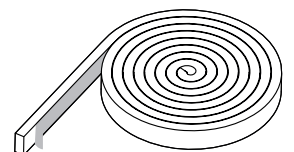
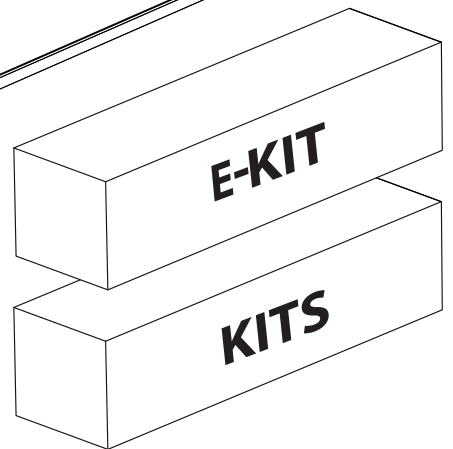
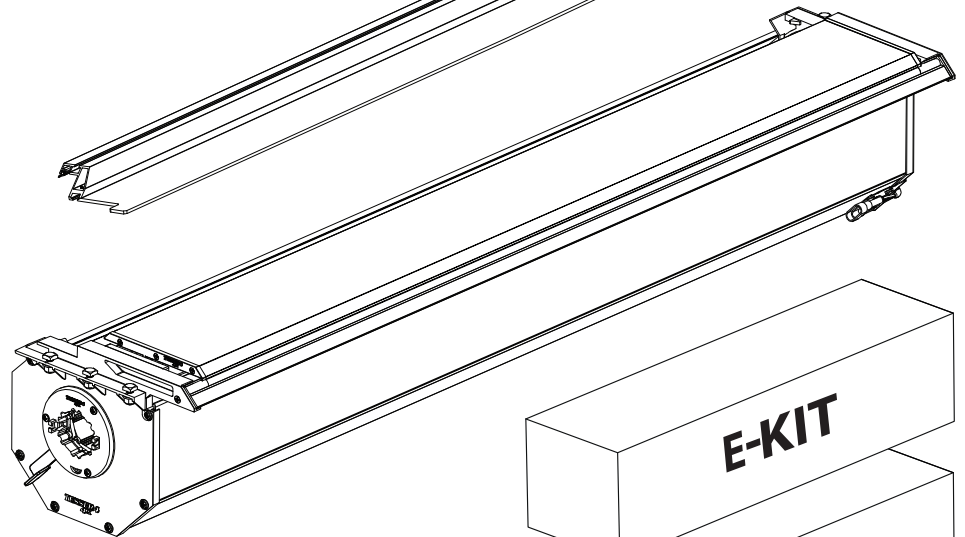
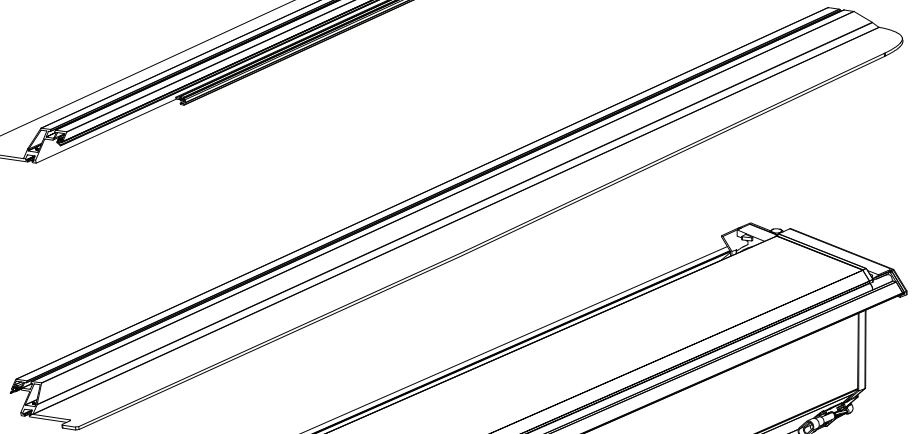
INSTALATION
MANUAL
+E-KIT



OWNERS
MANUAL



x1

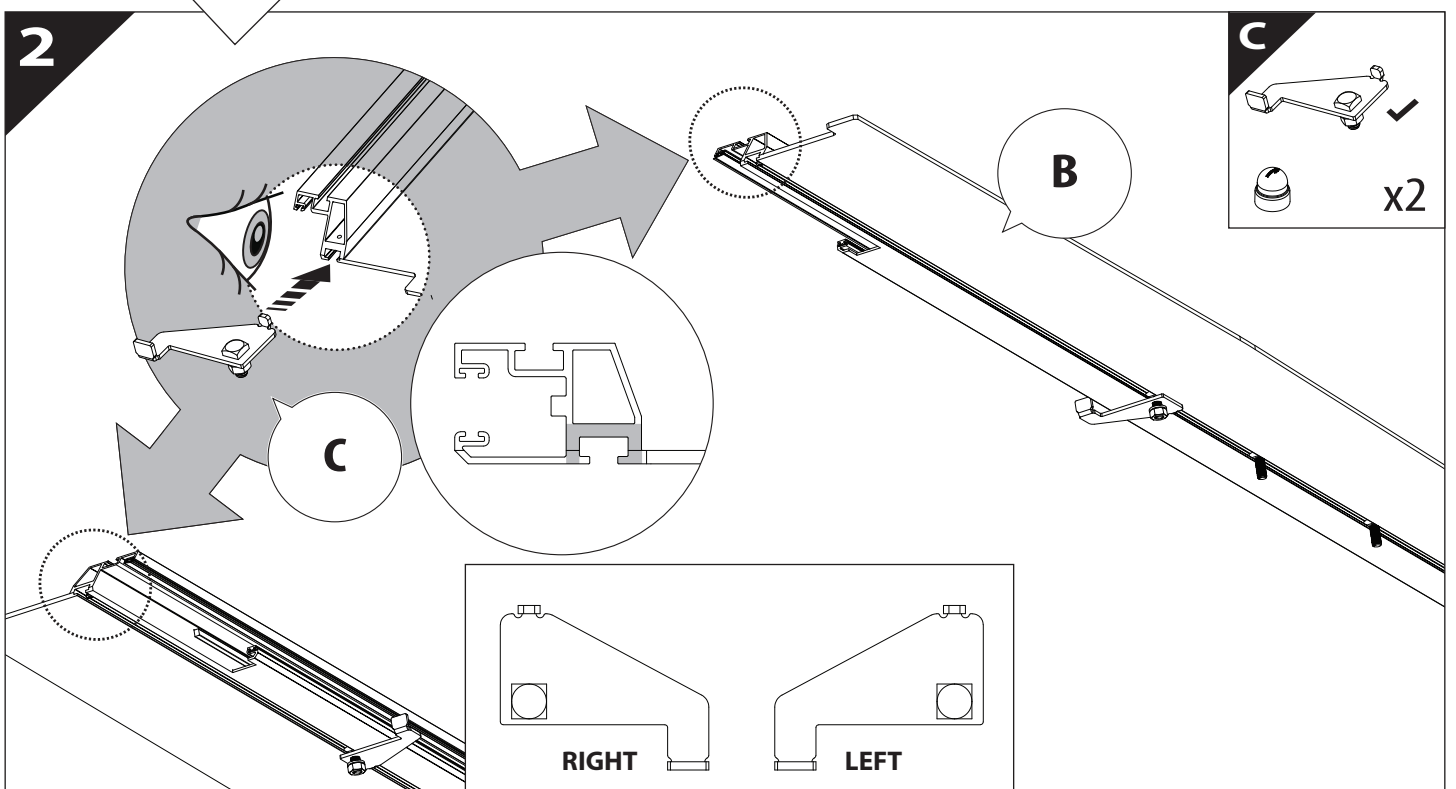
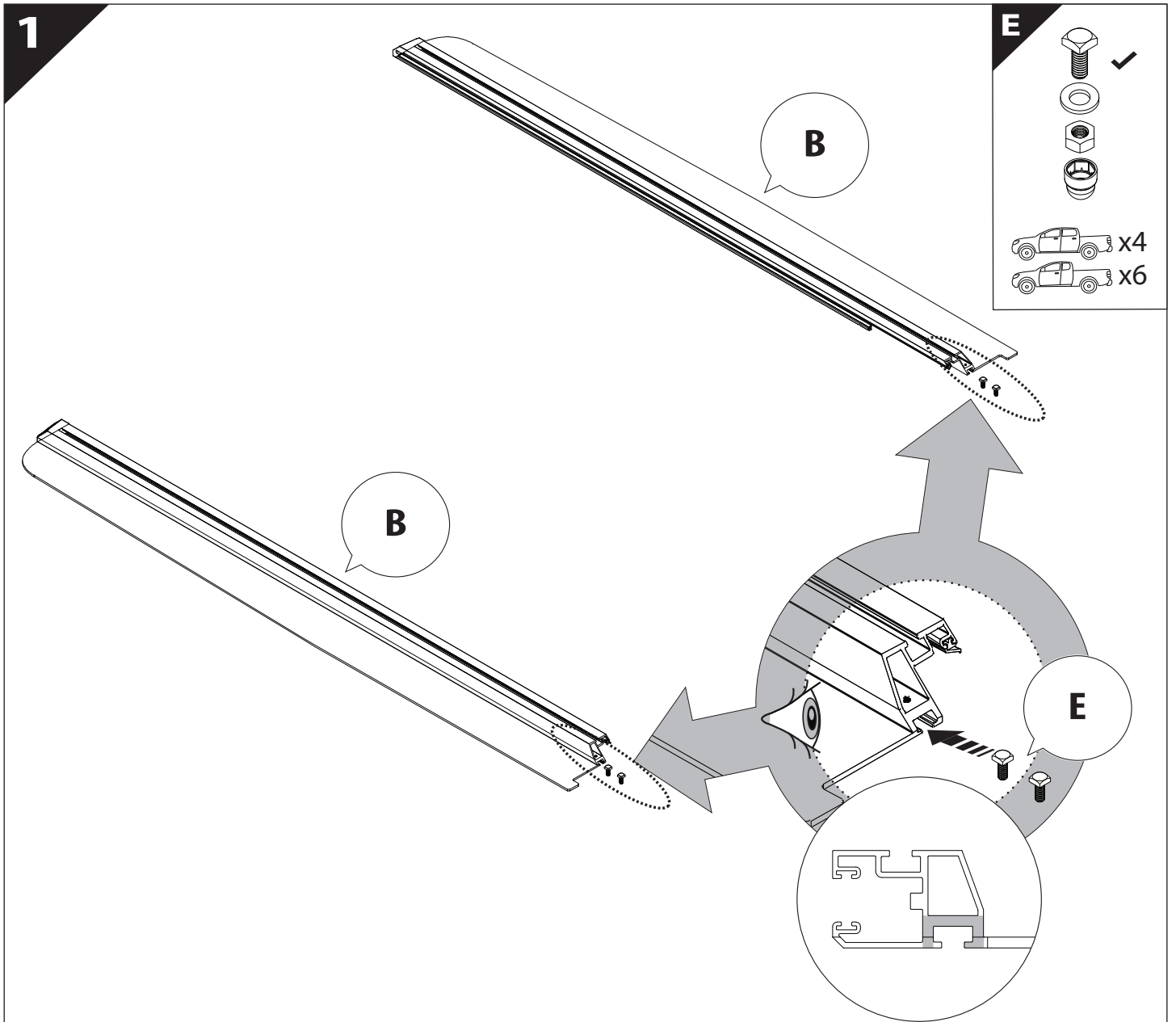


B

A

KITS

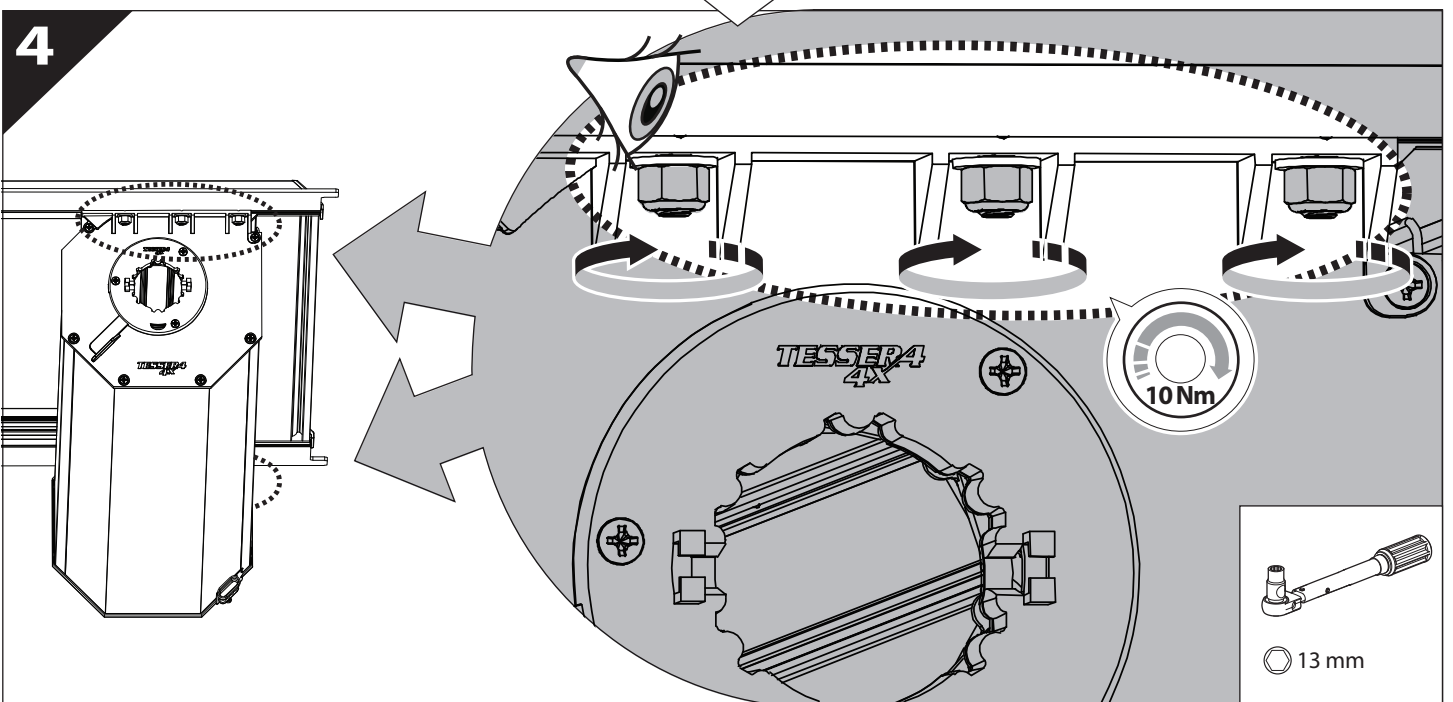
L

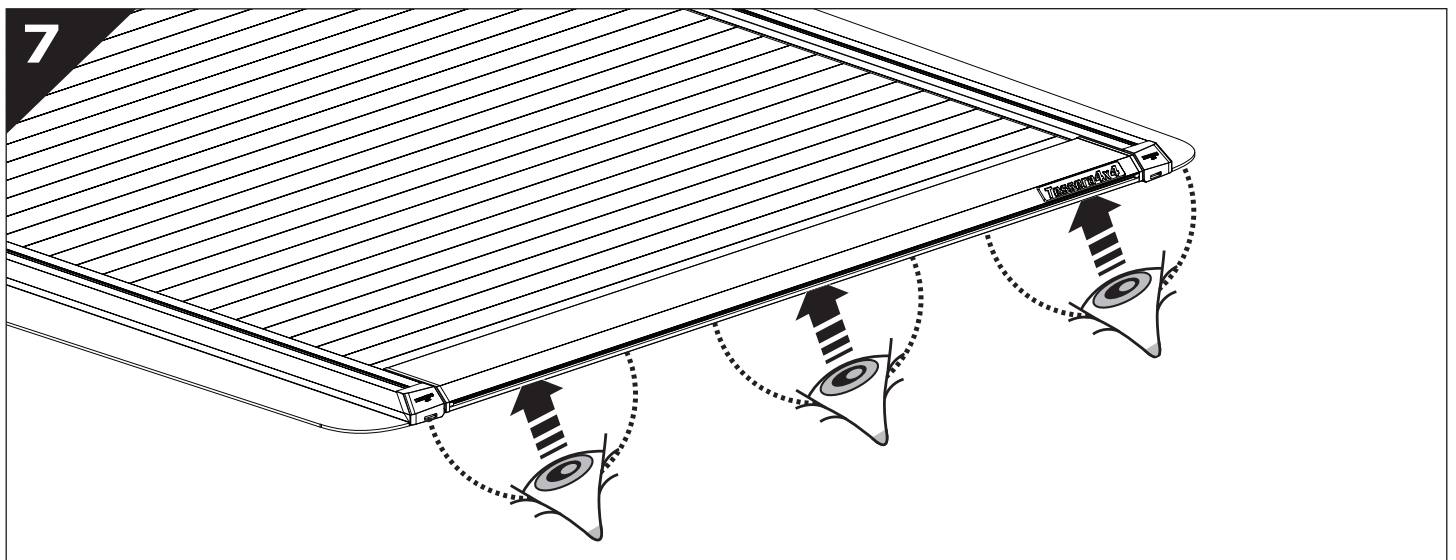
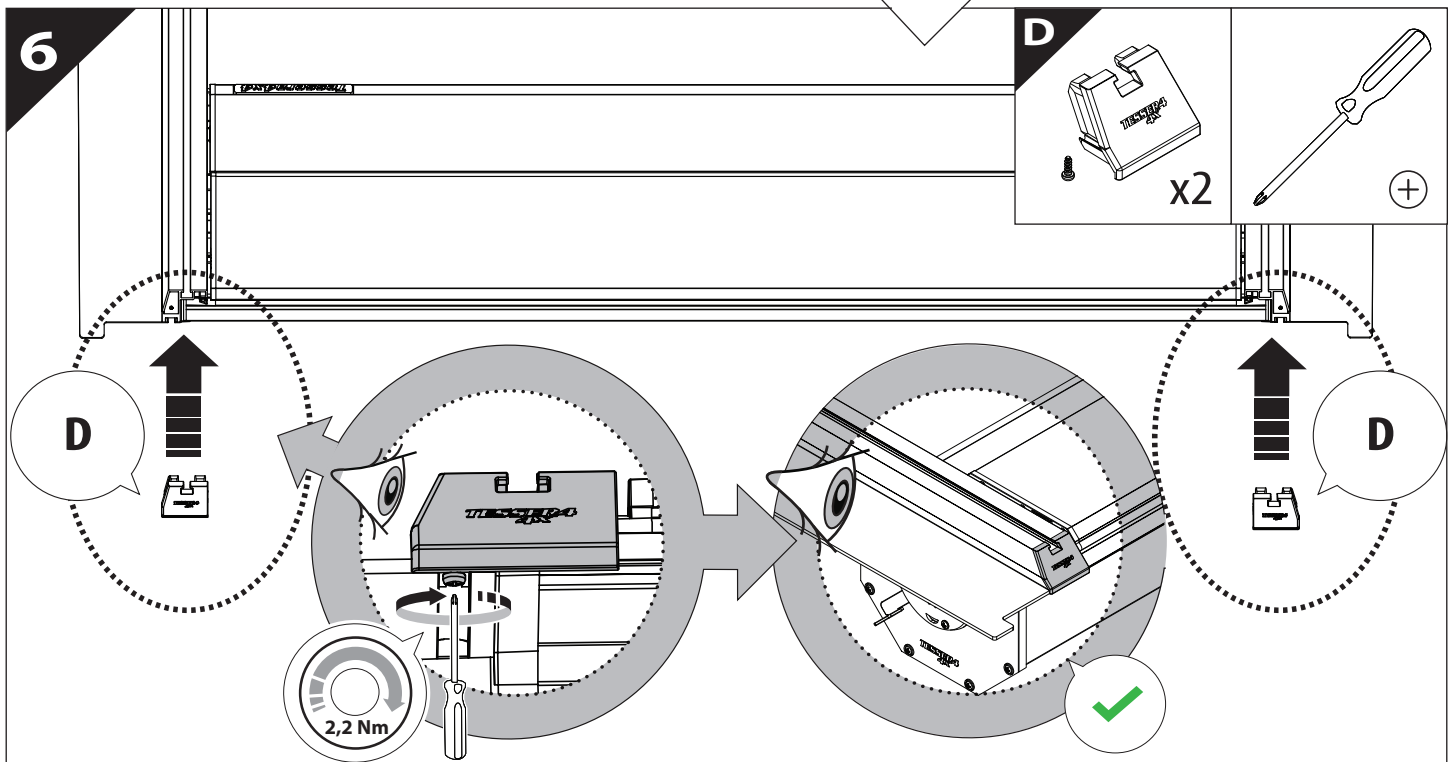
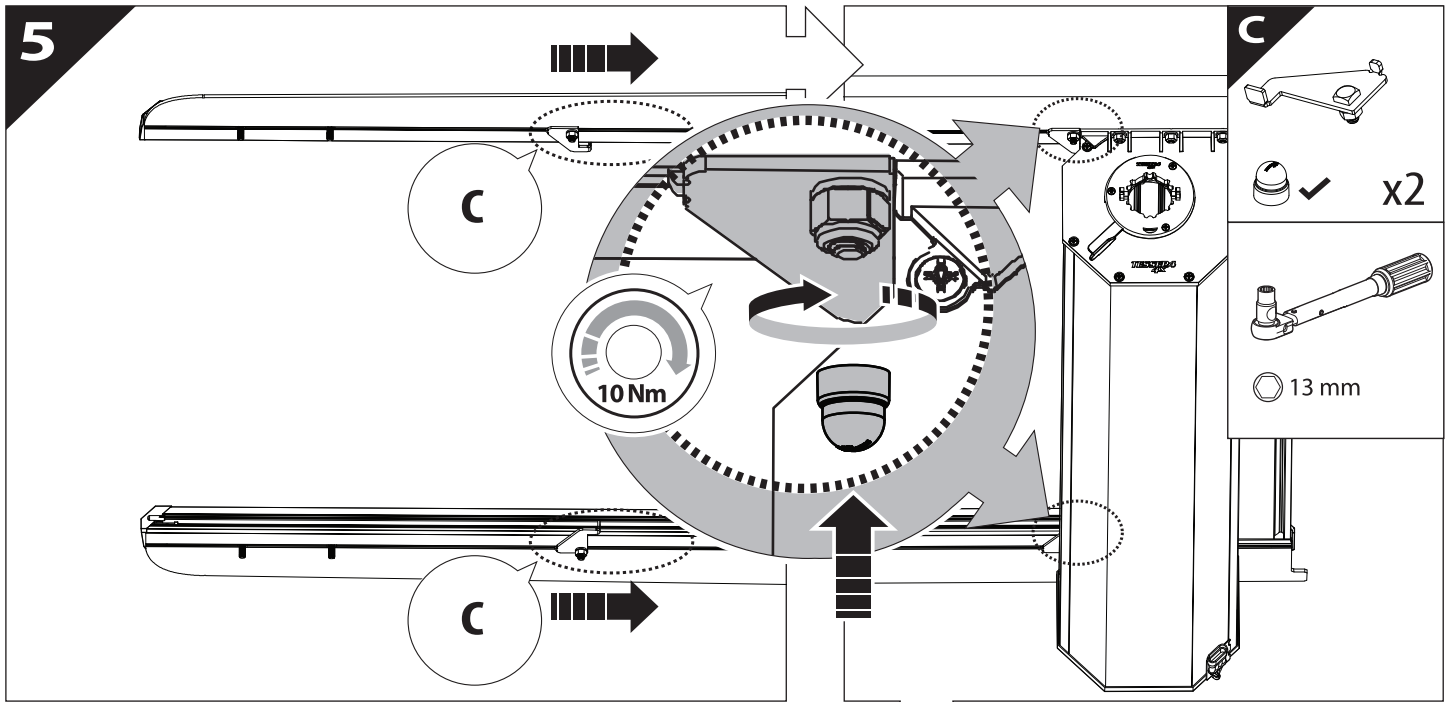


3



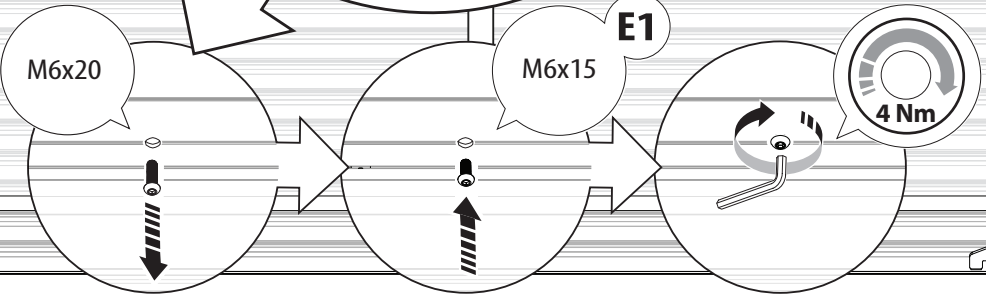
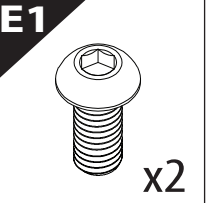
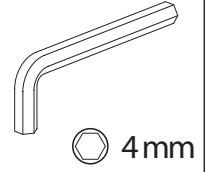
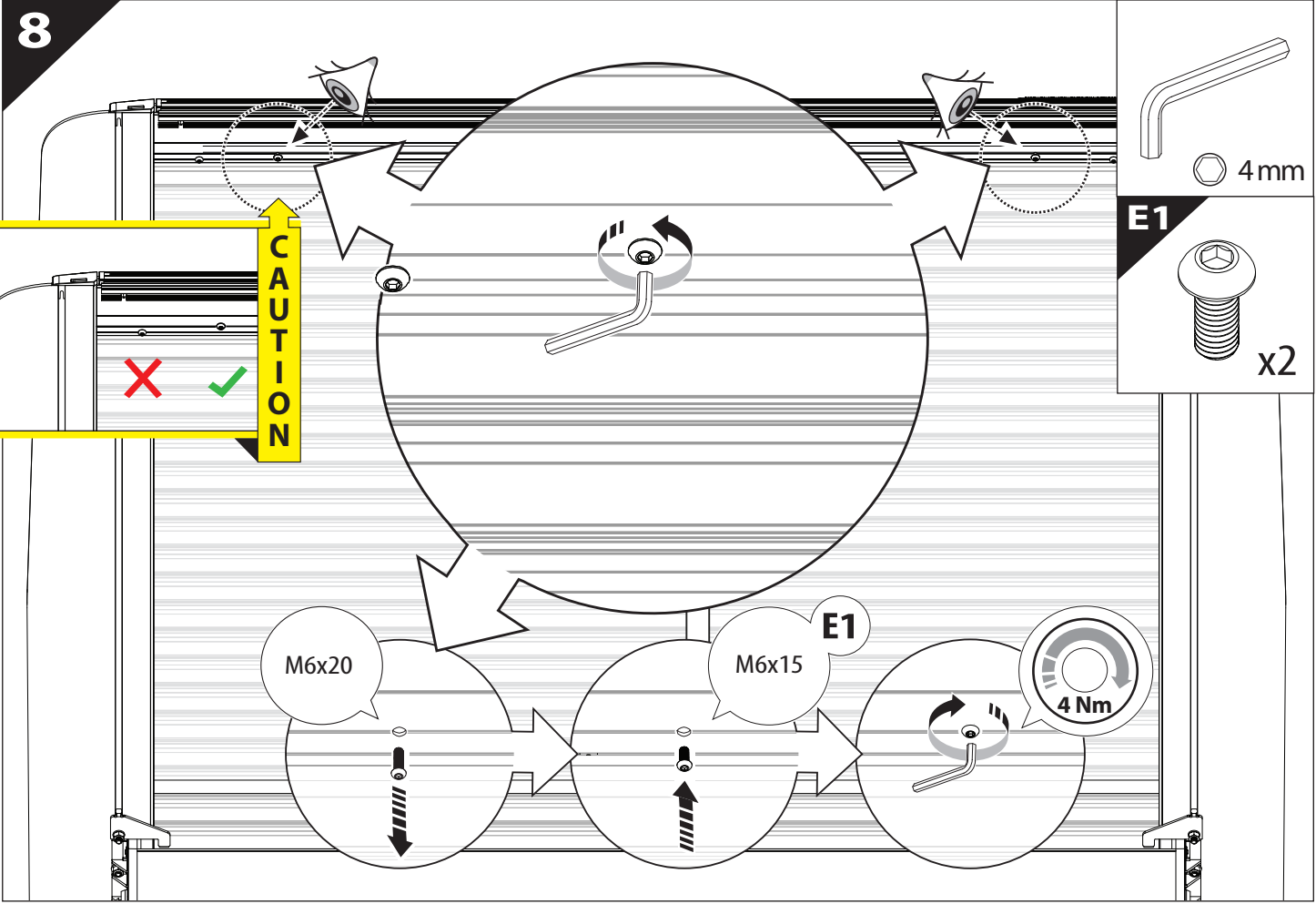
4



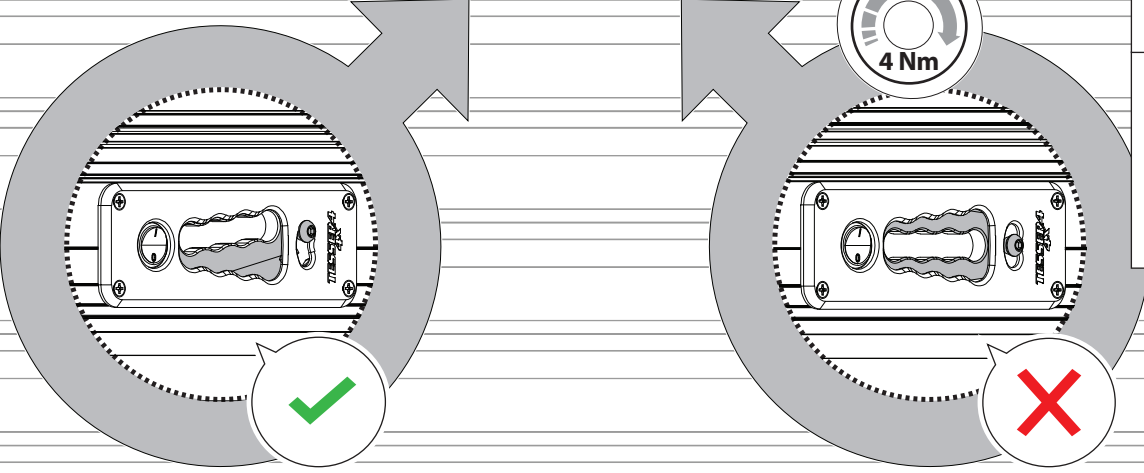
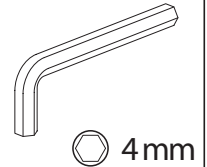
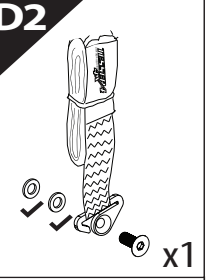
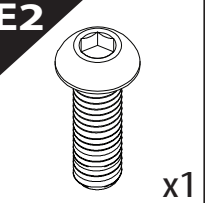
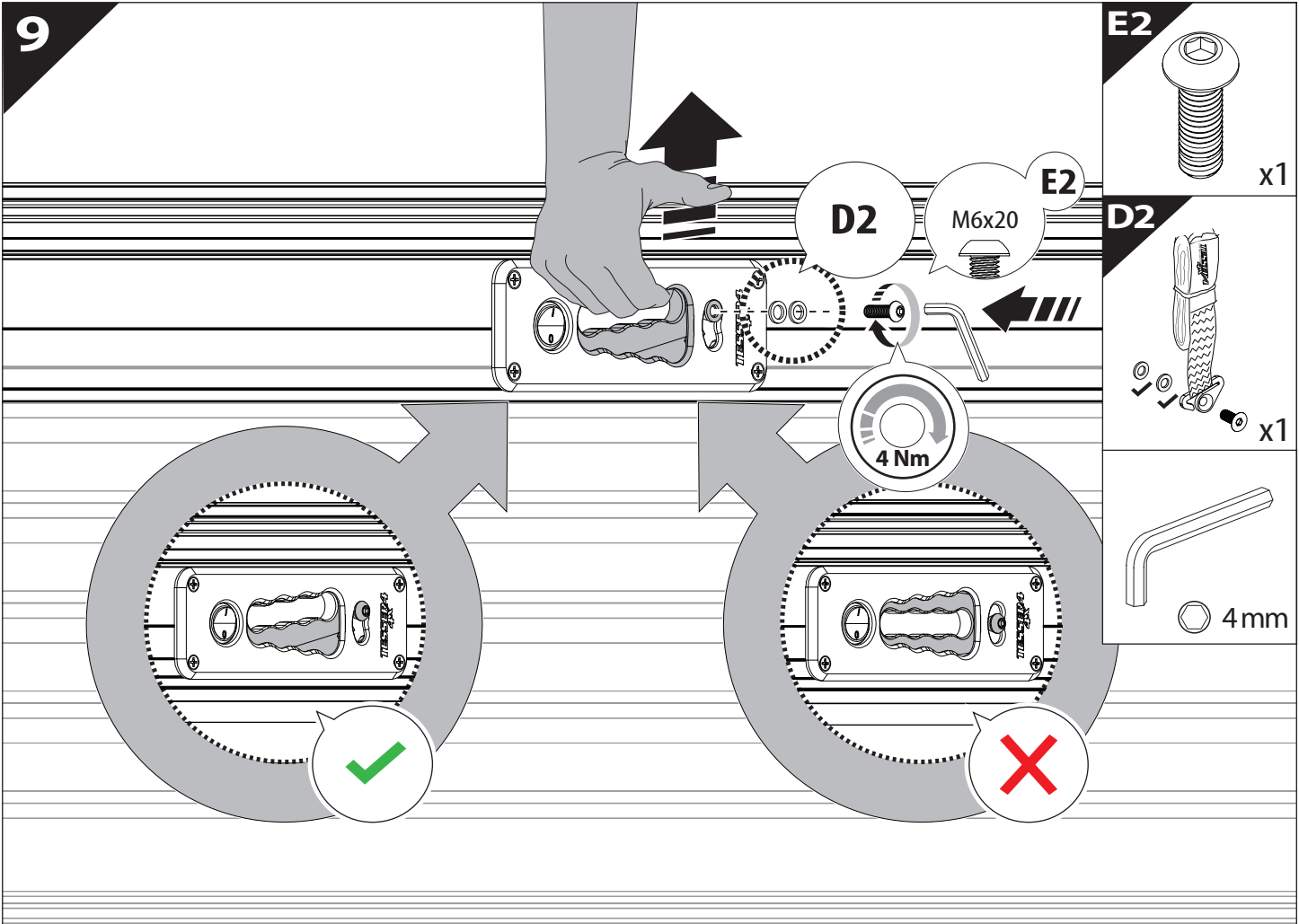


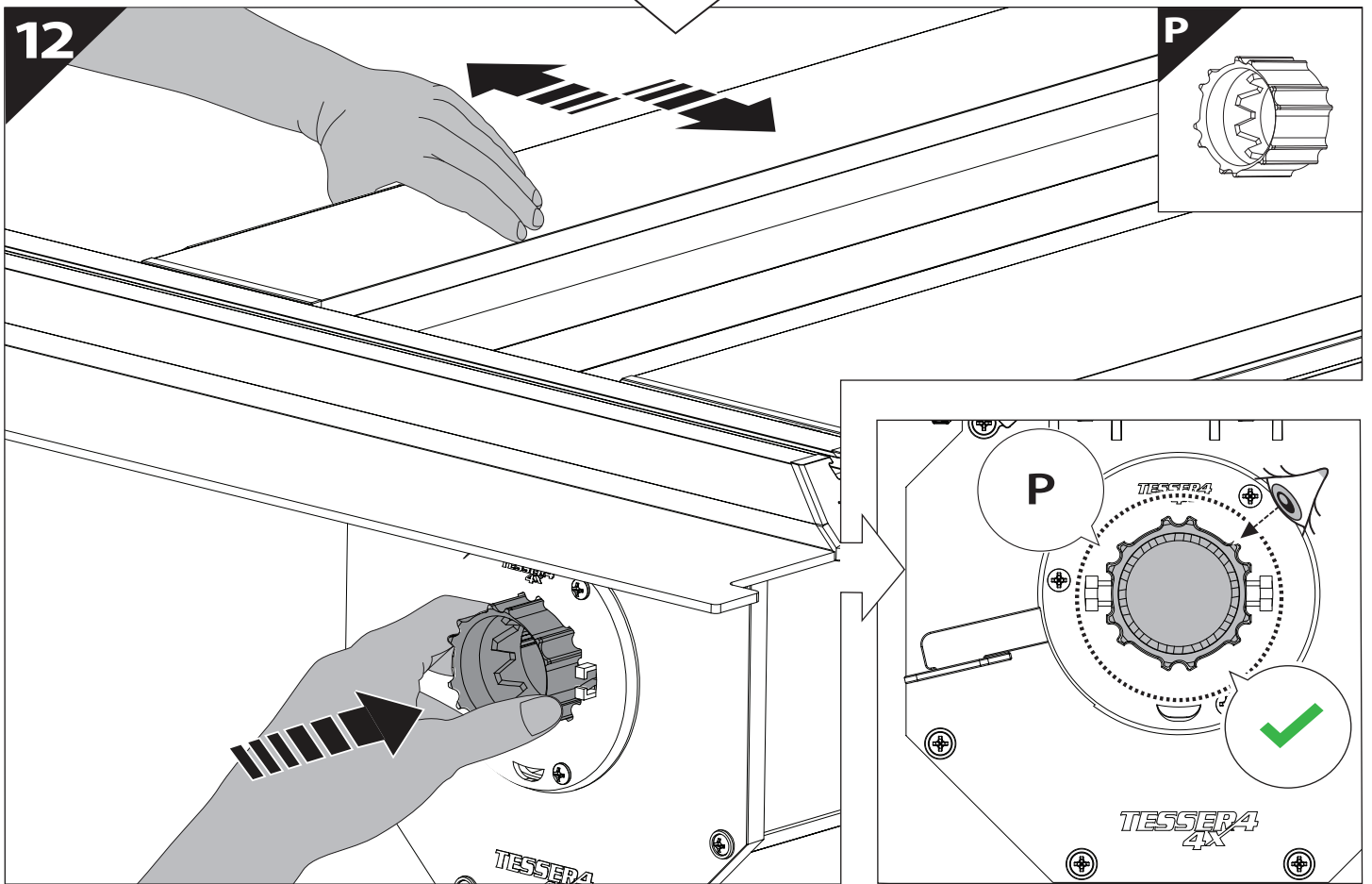
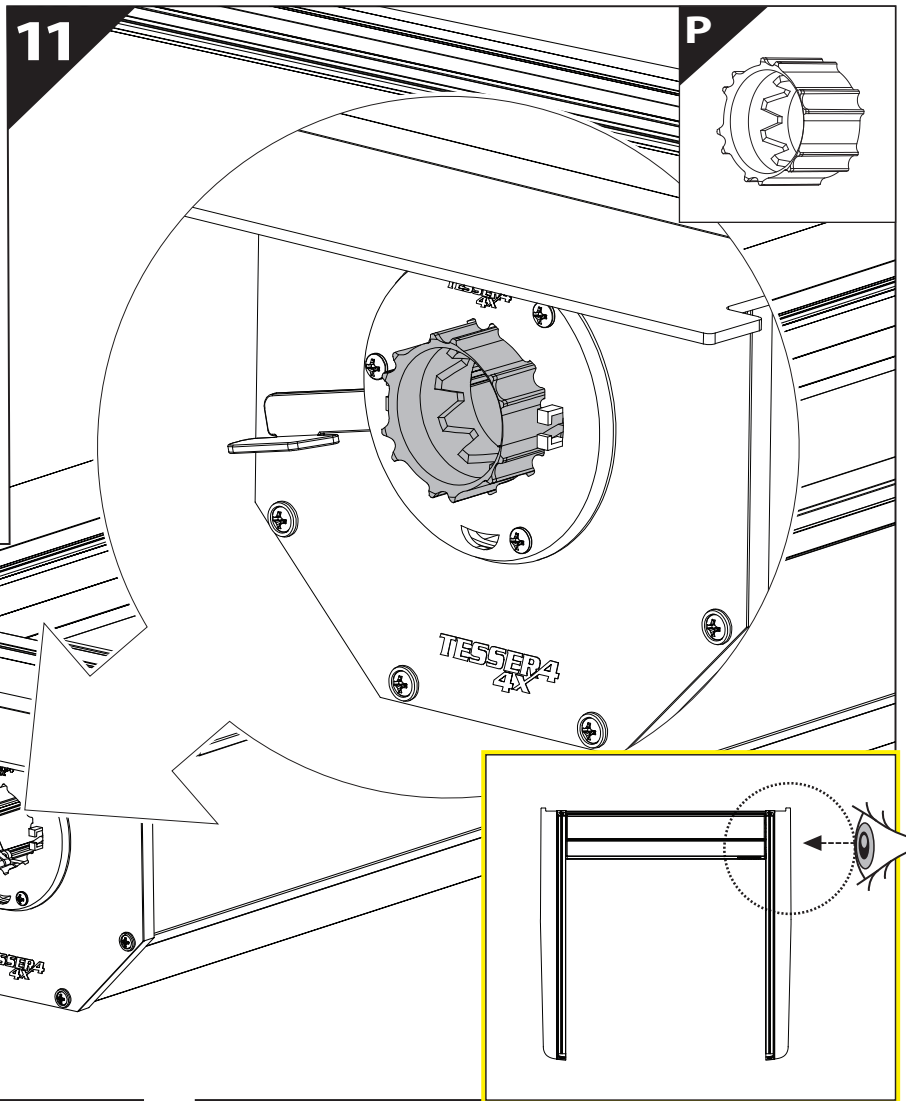
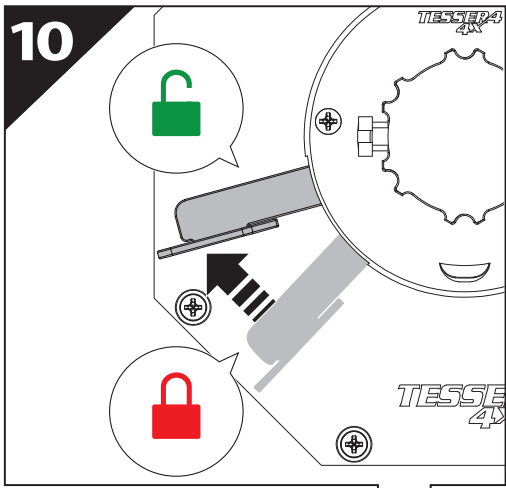
8

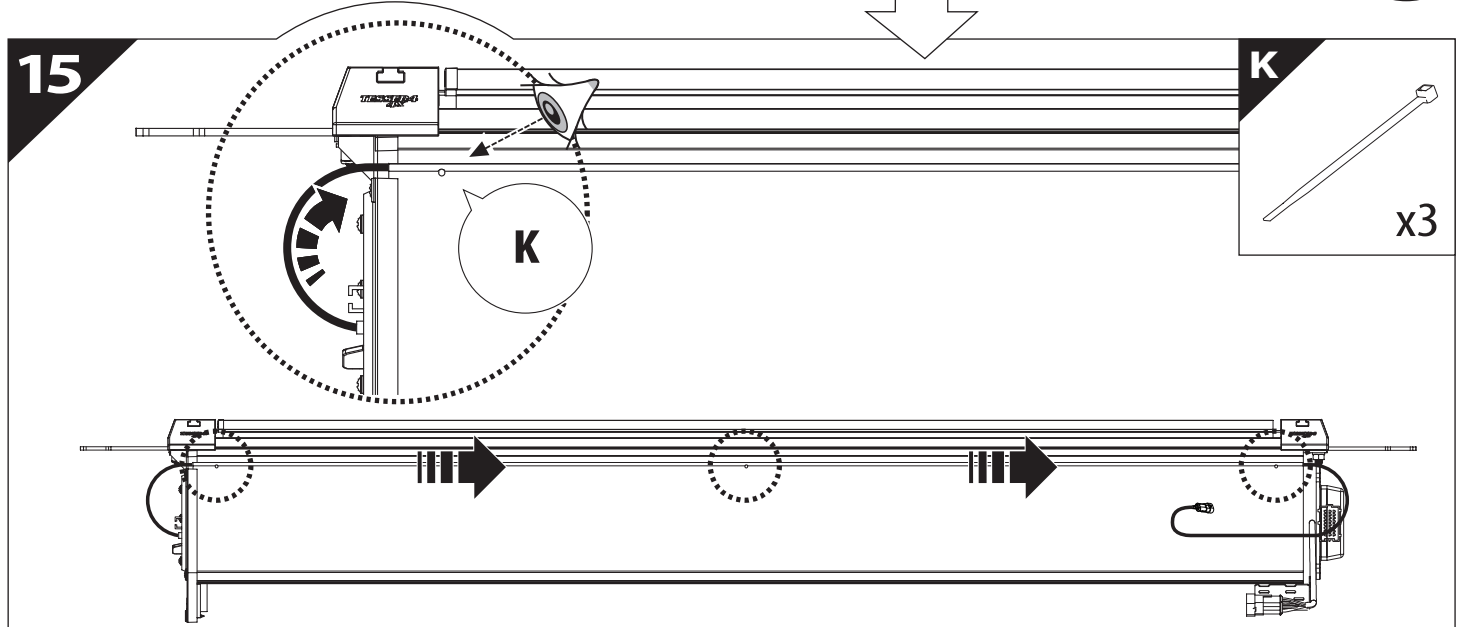
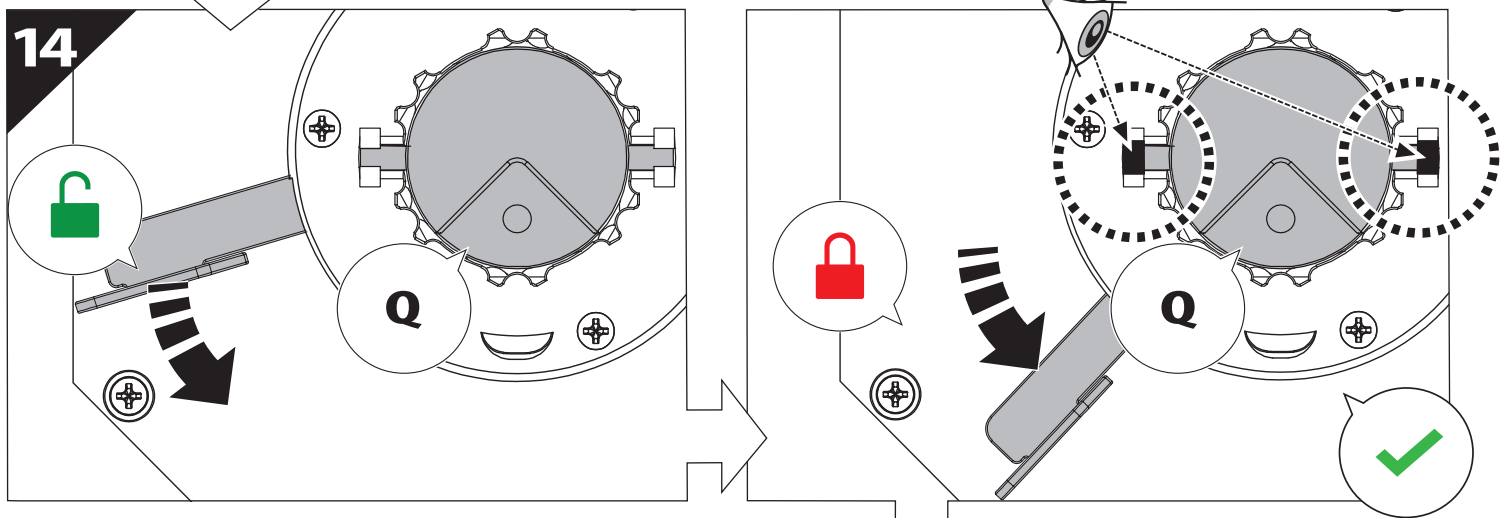
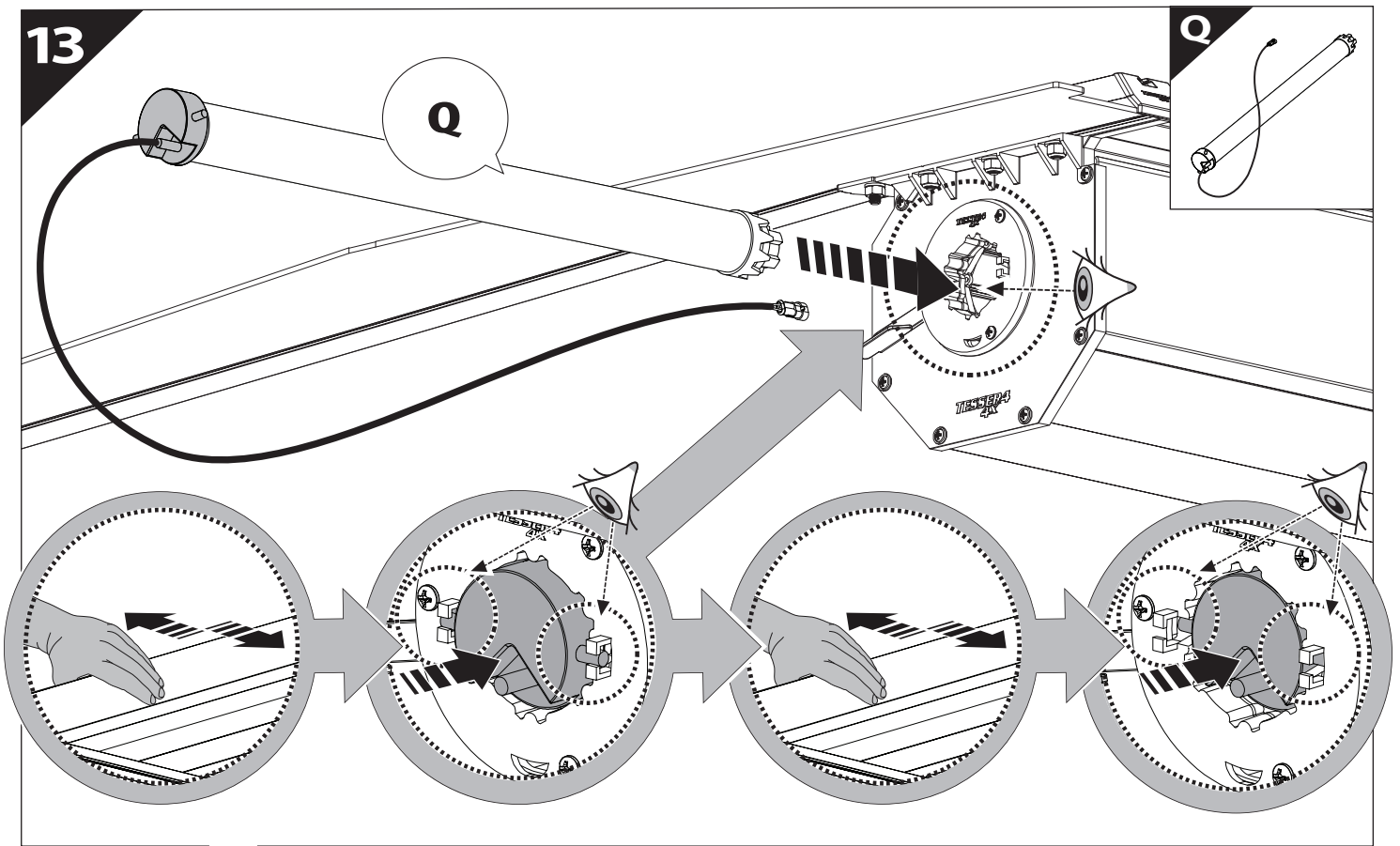
CAUTION



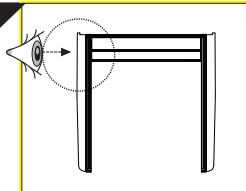
9



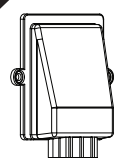




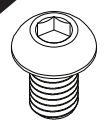
16



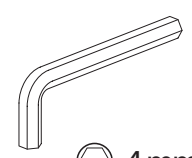
R



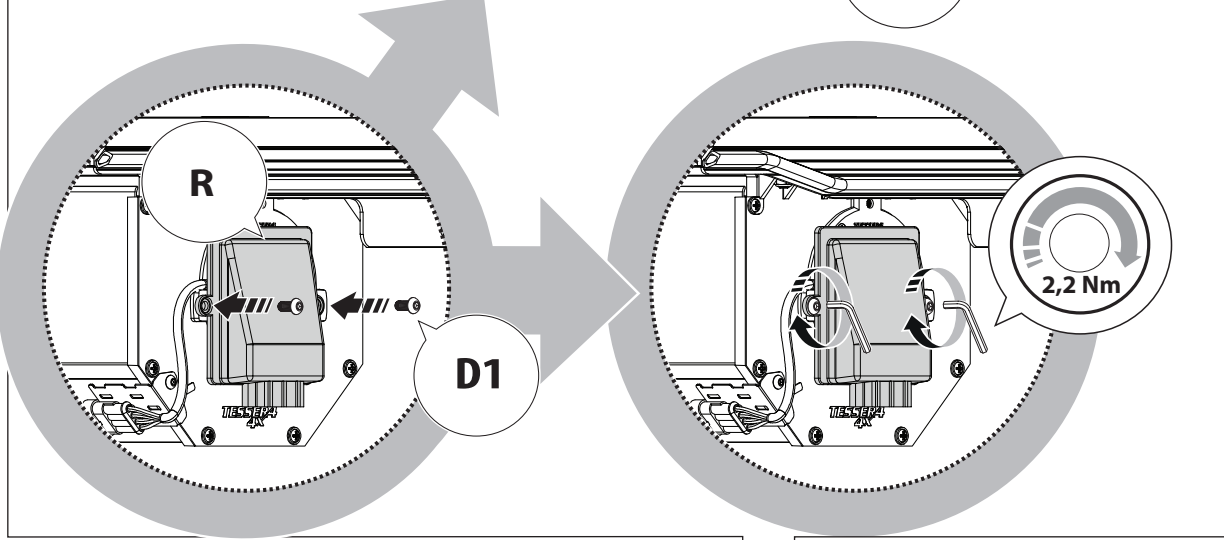
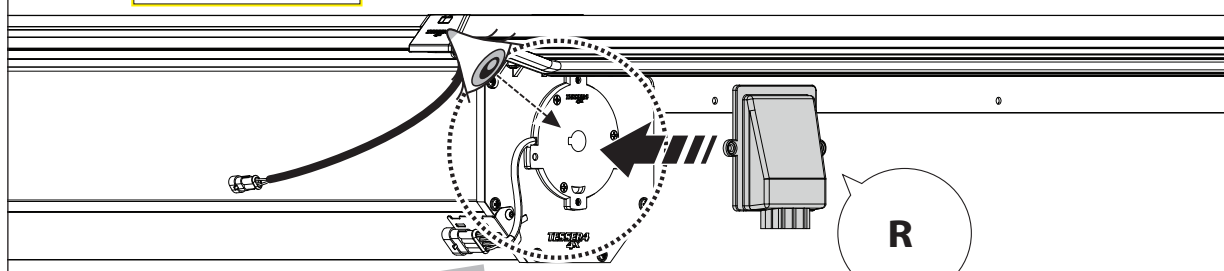
D1



x2



4mm

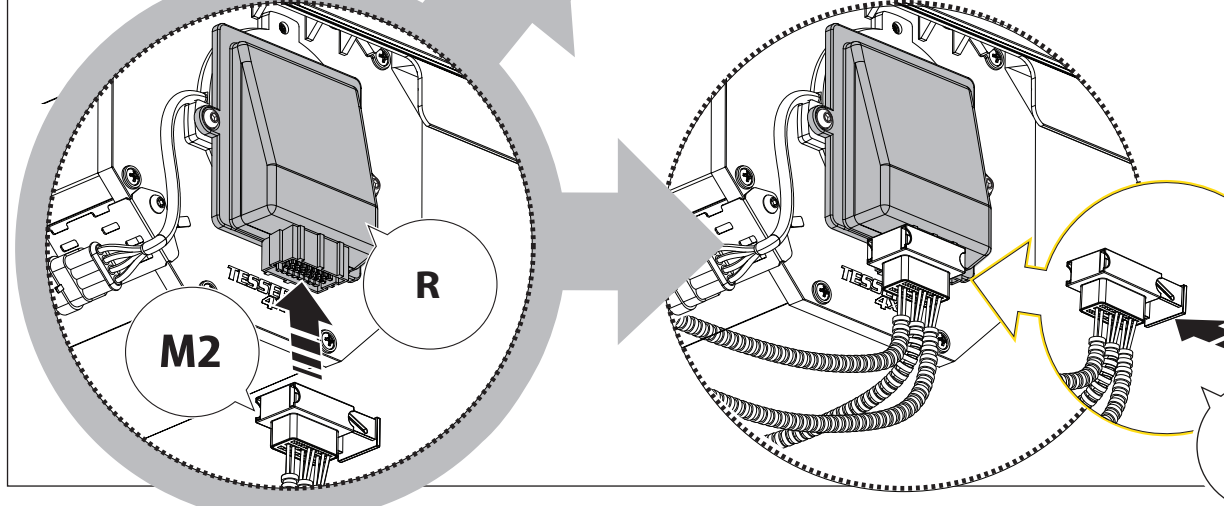
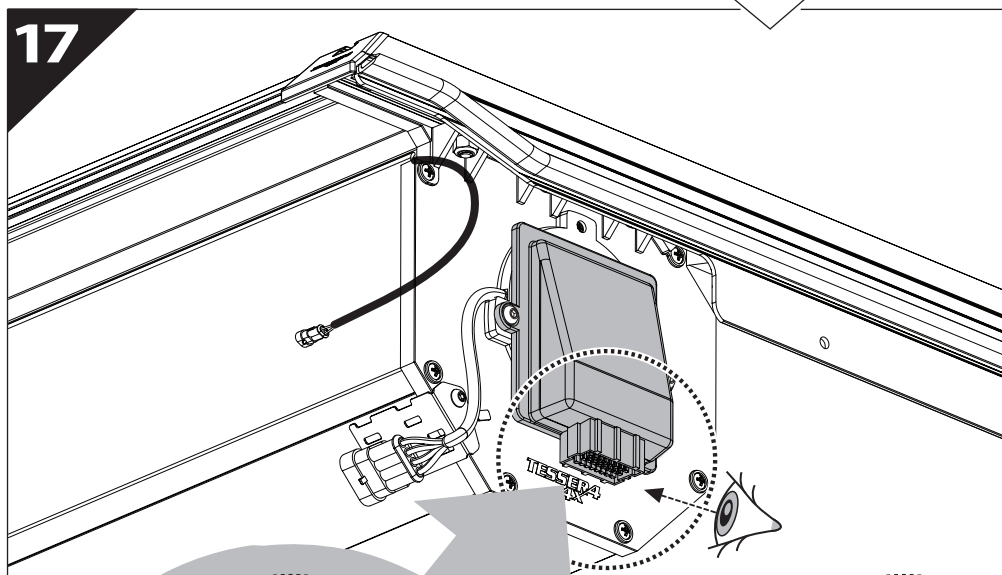
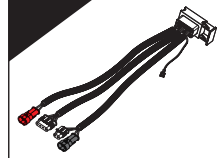


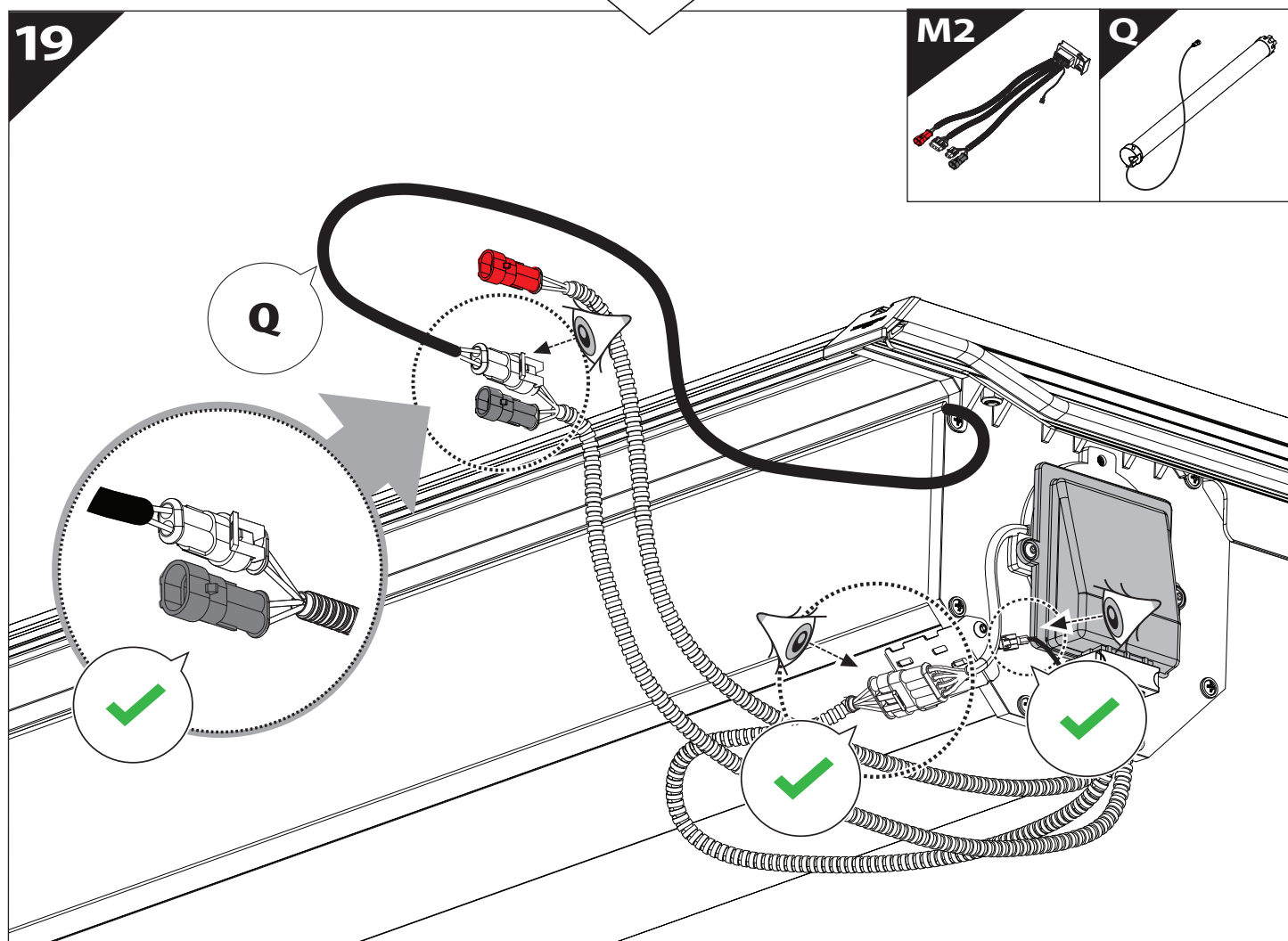
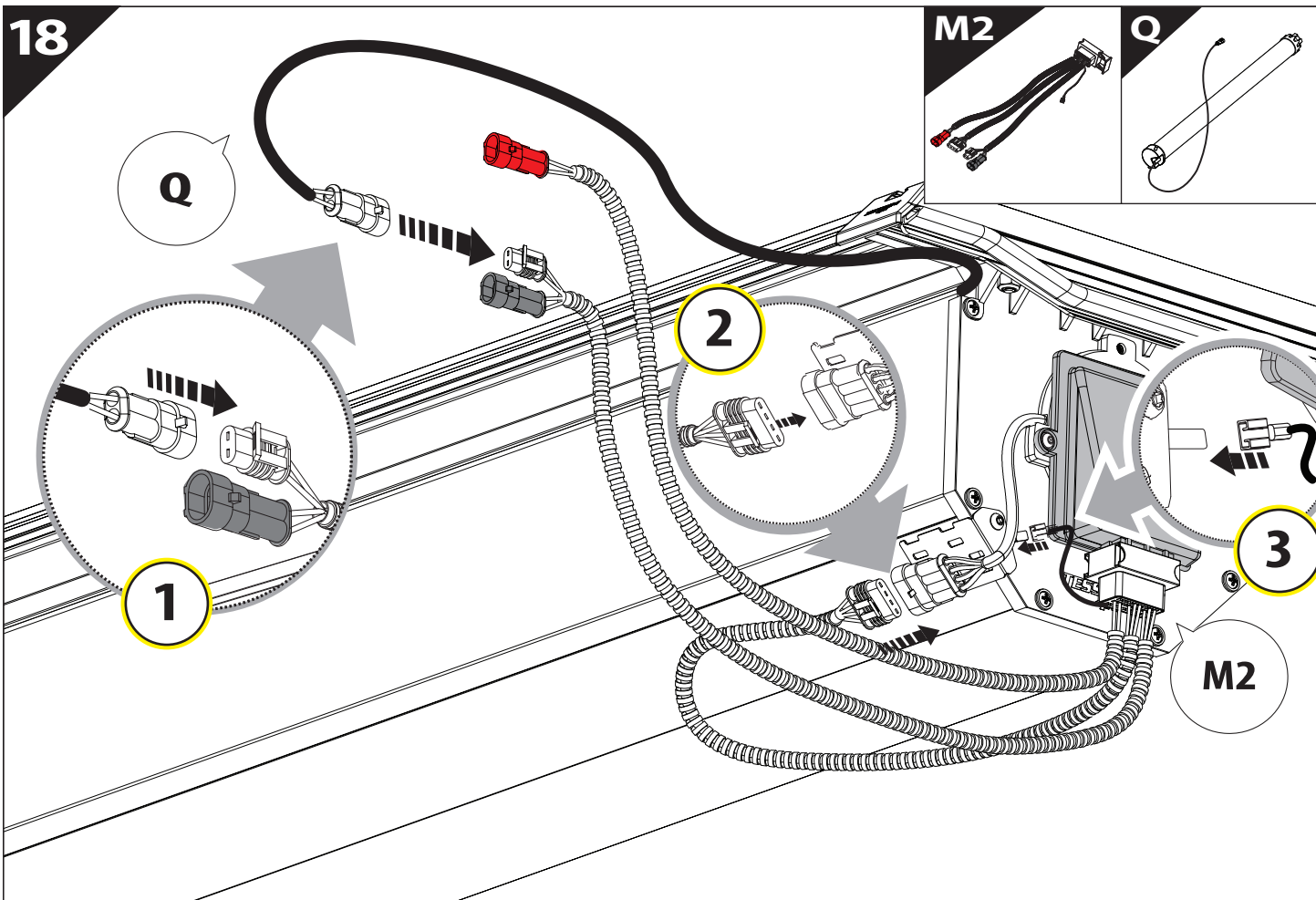
17

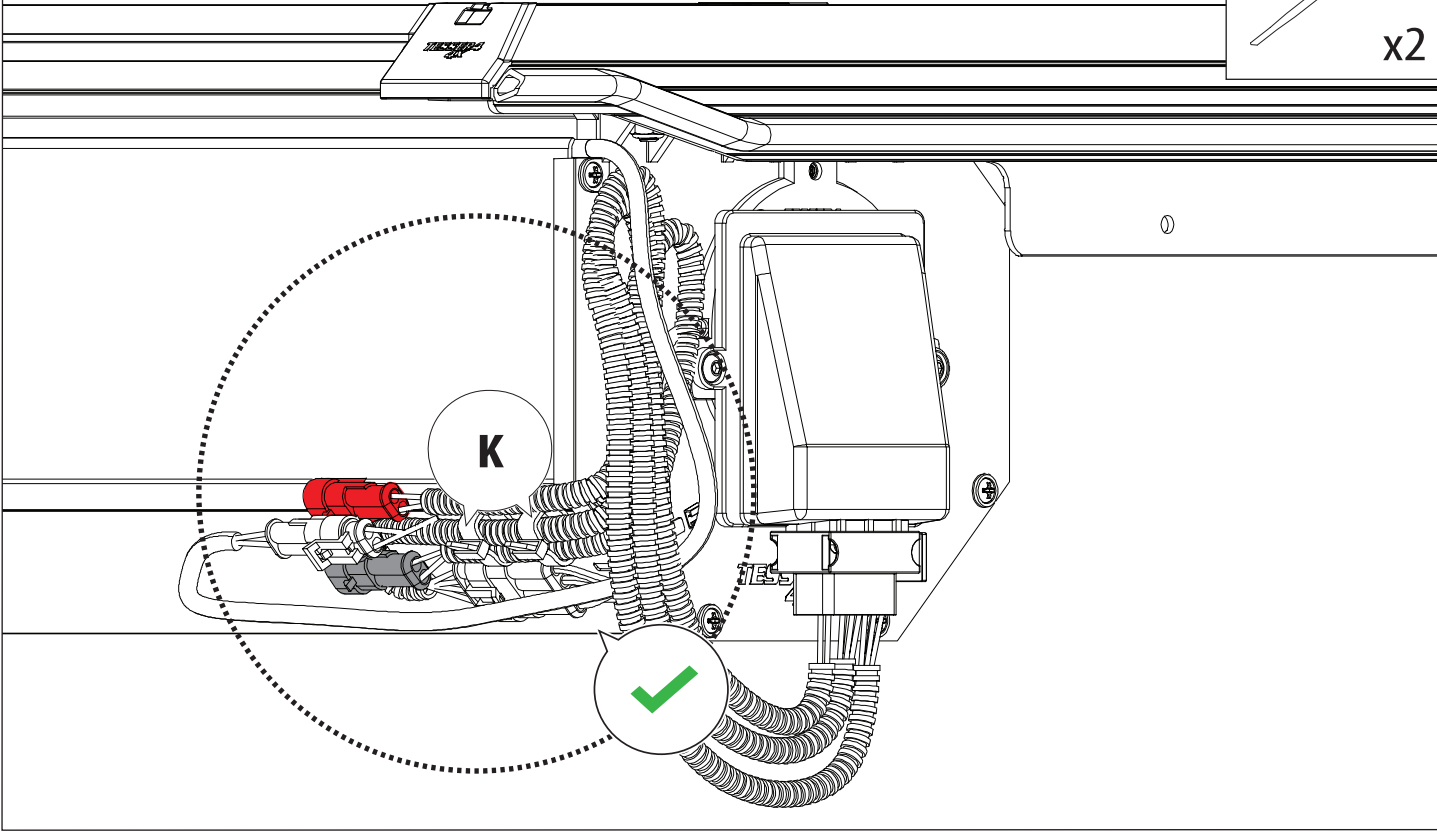
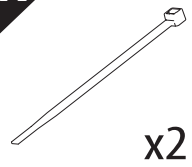
R



M2



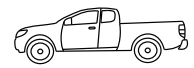




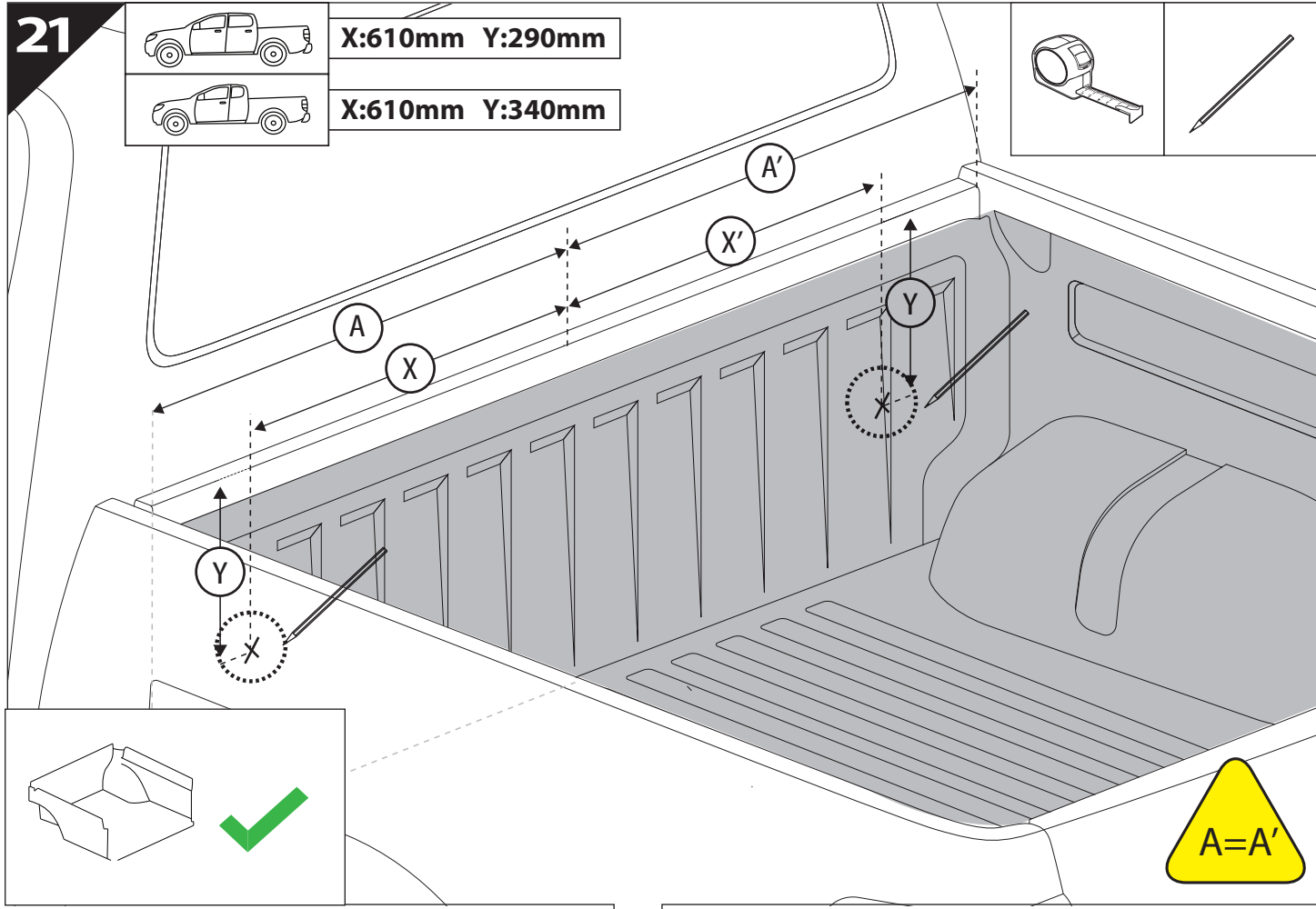
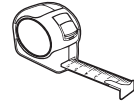
21



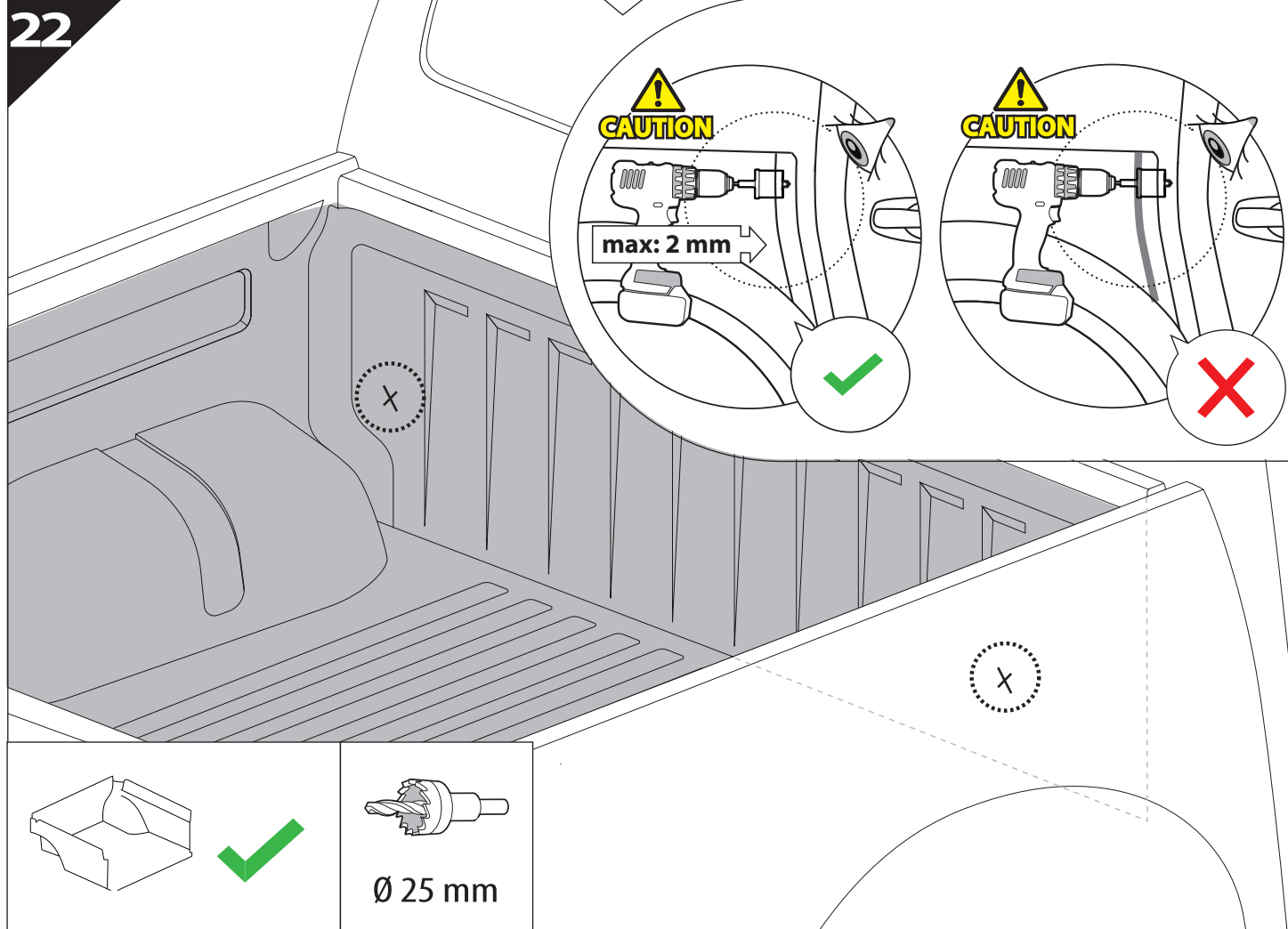
X:610mm Y:290mm



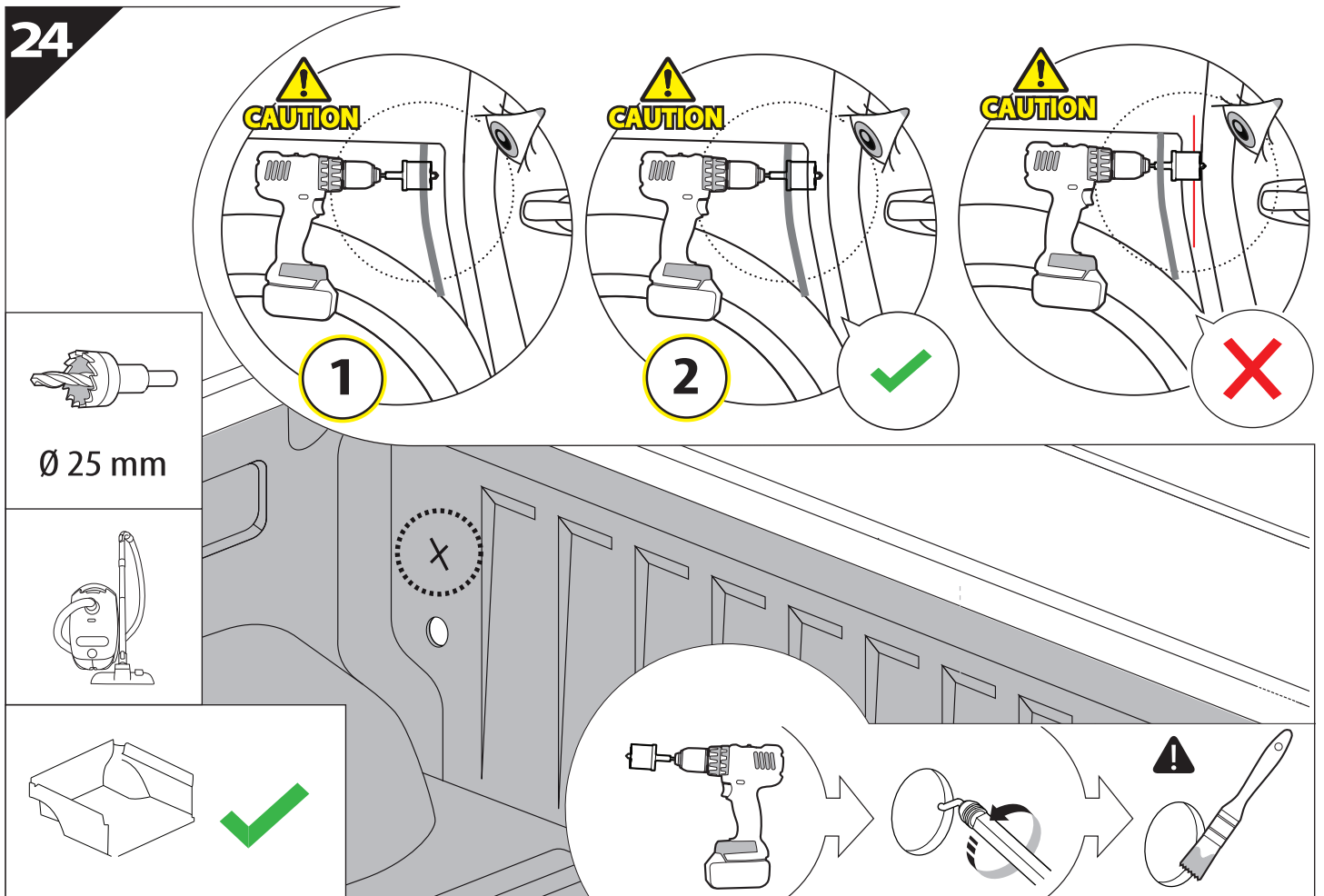
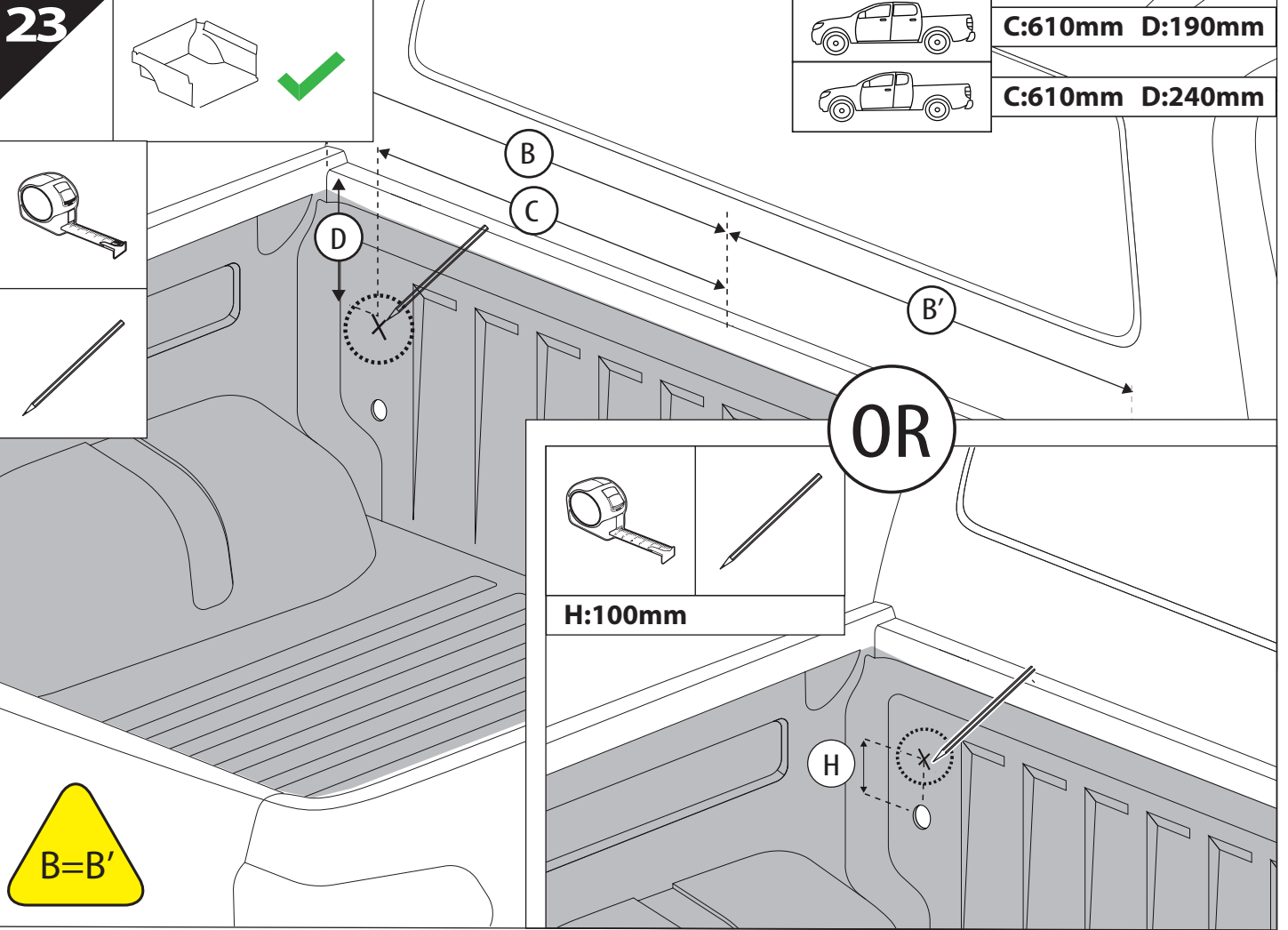
X:610mm Y:340mm



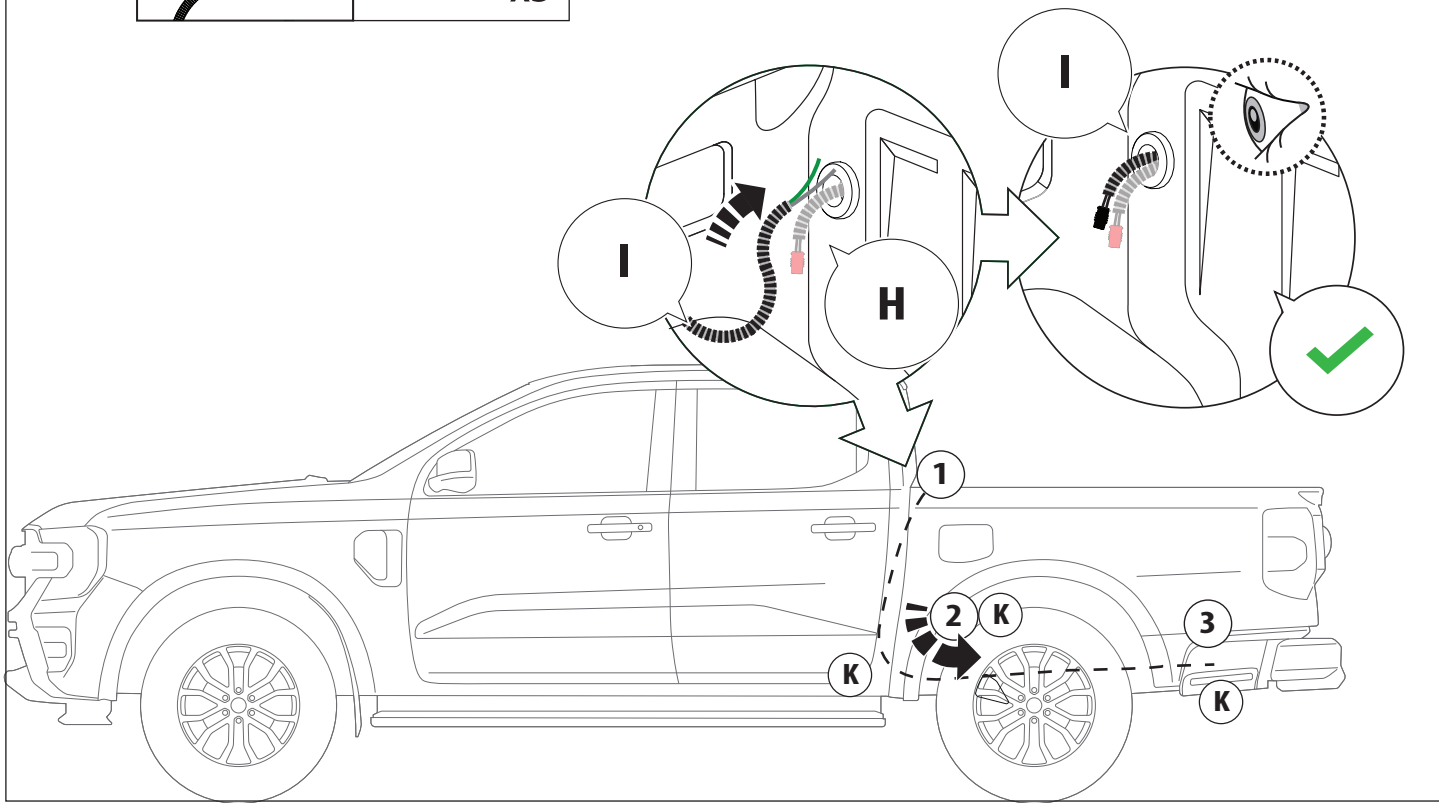
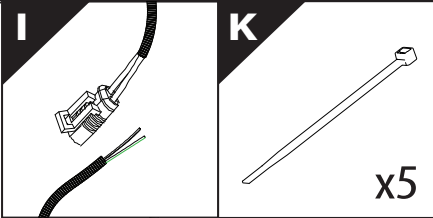
22



Ø 25 mm



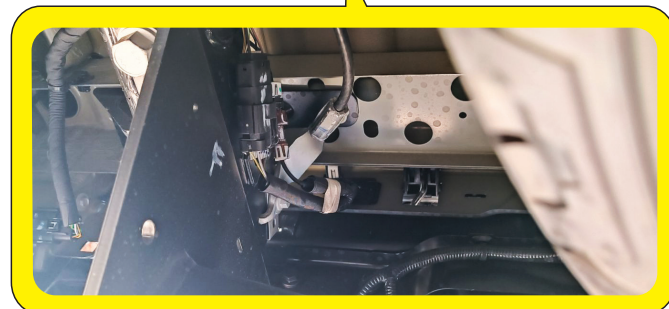
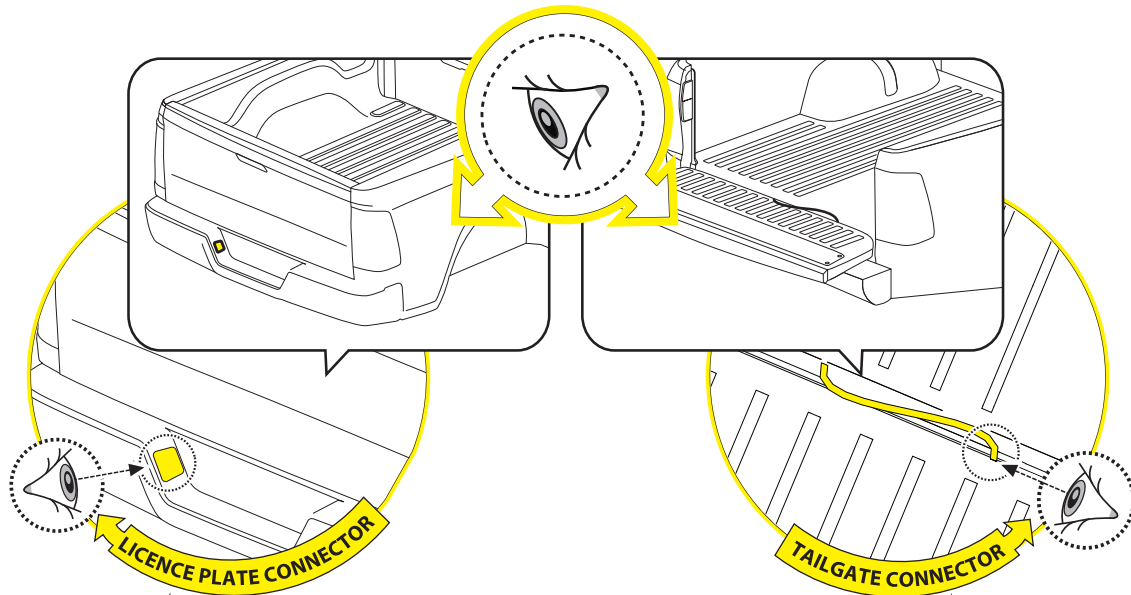
27



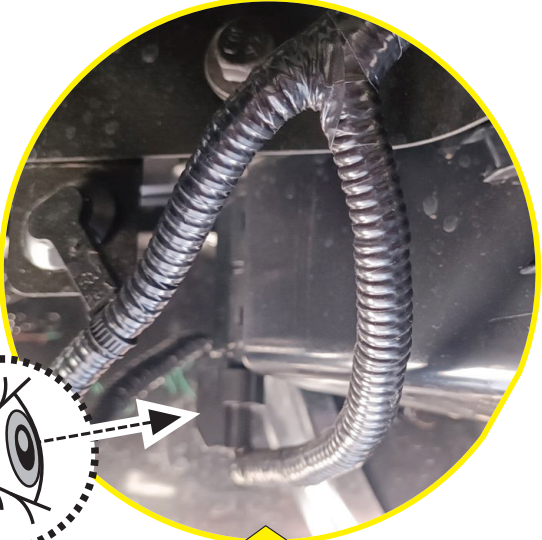
28



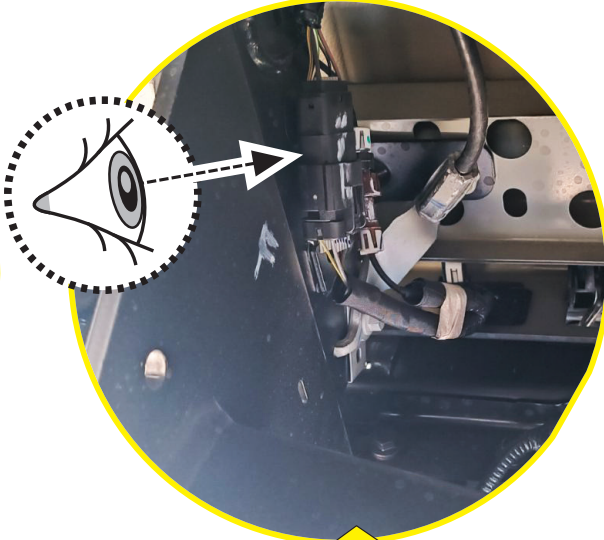
CAUTION: LIMITED, WILDTRAK, WILDTRAK X, PLATINUM



28. 1



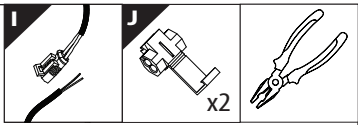
LICENCE PLATE CONNECTOR



TAILGATE CONNECTOR

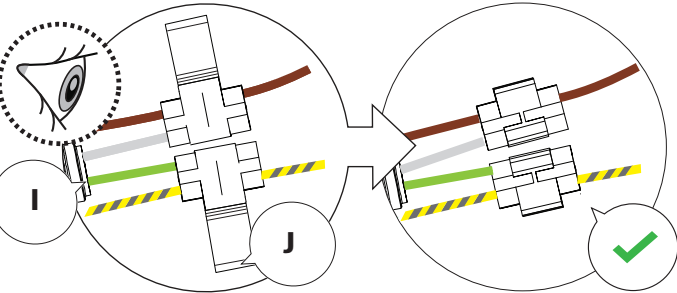
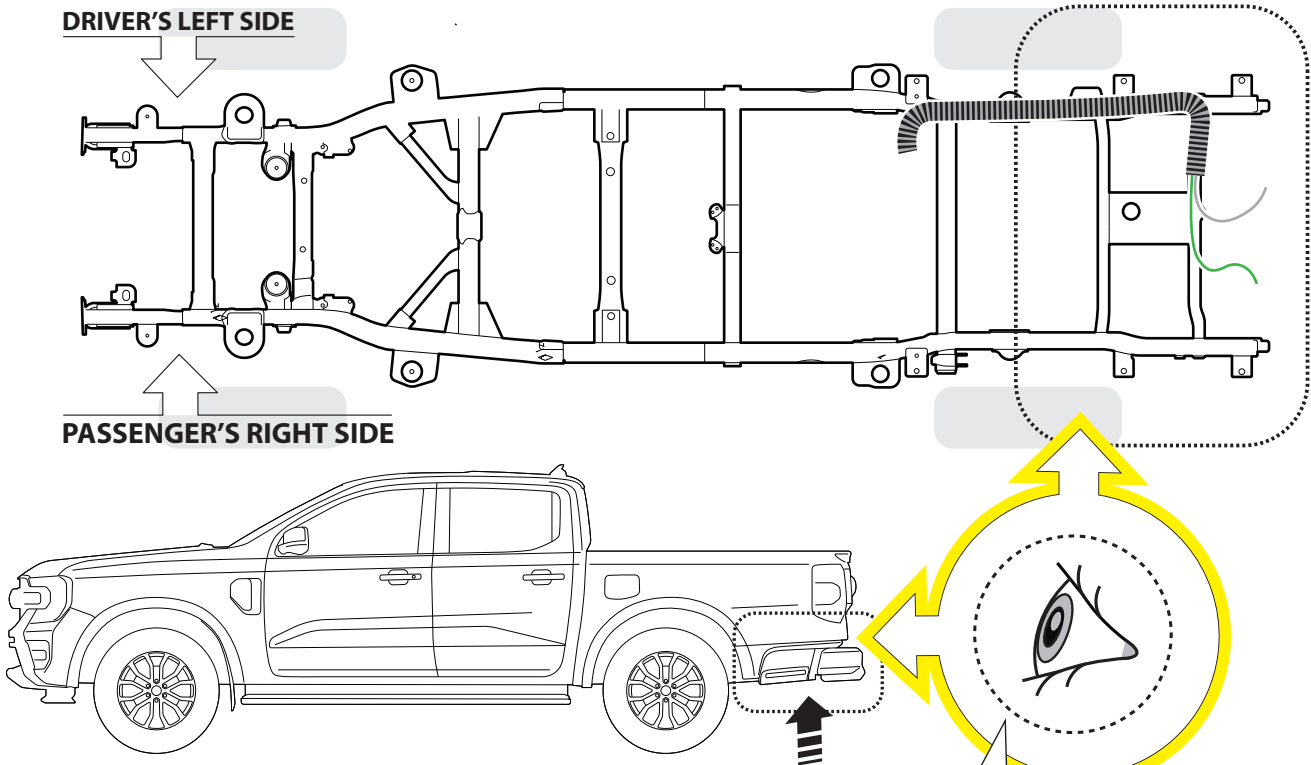
28. 2

BOTTOM VIEW

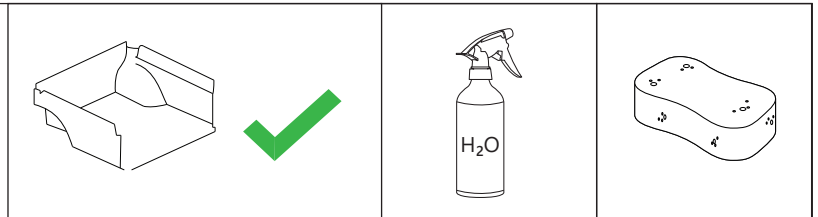
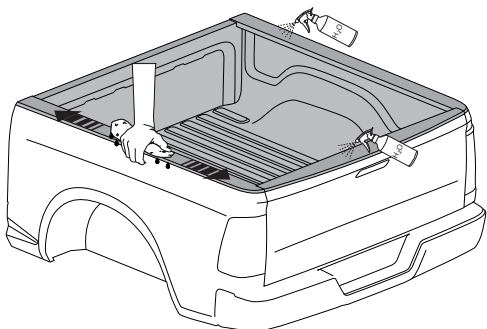
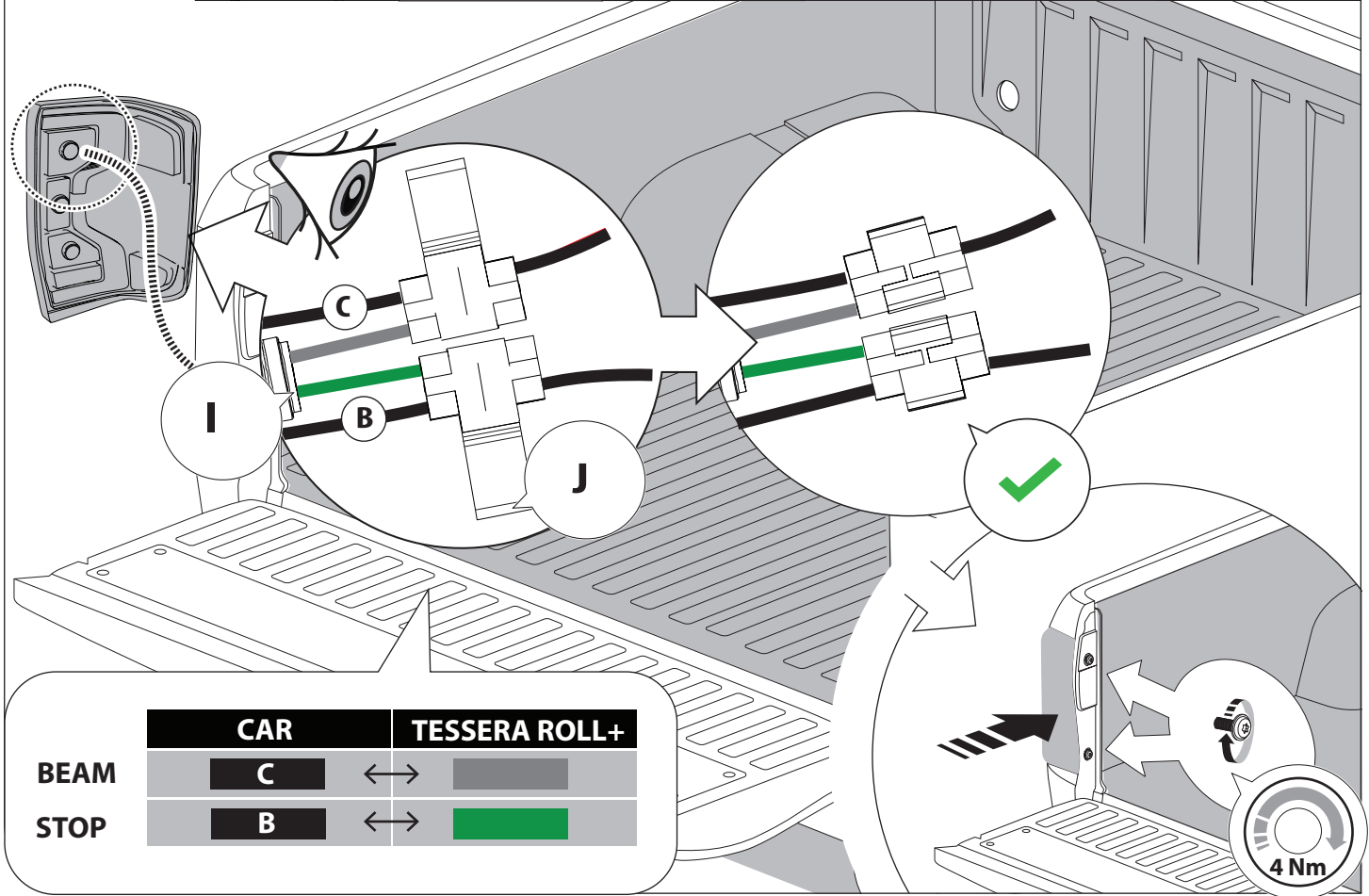
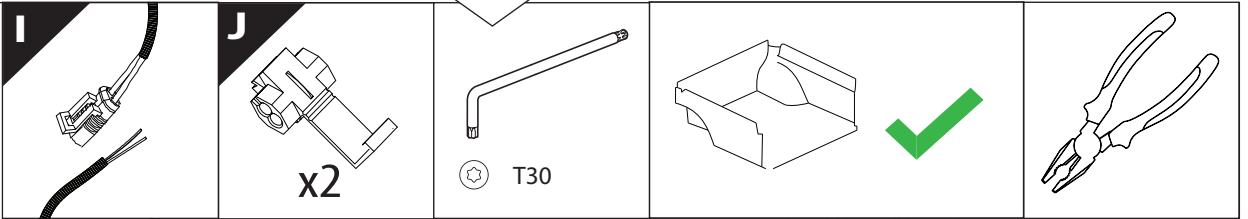
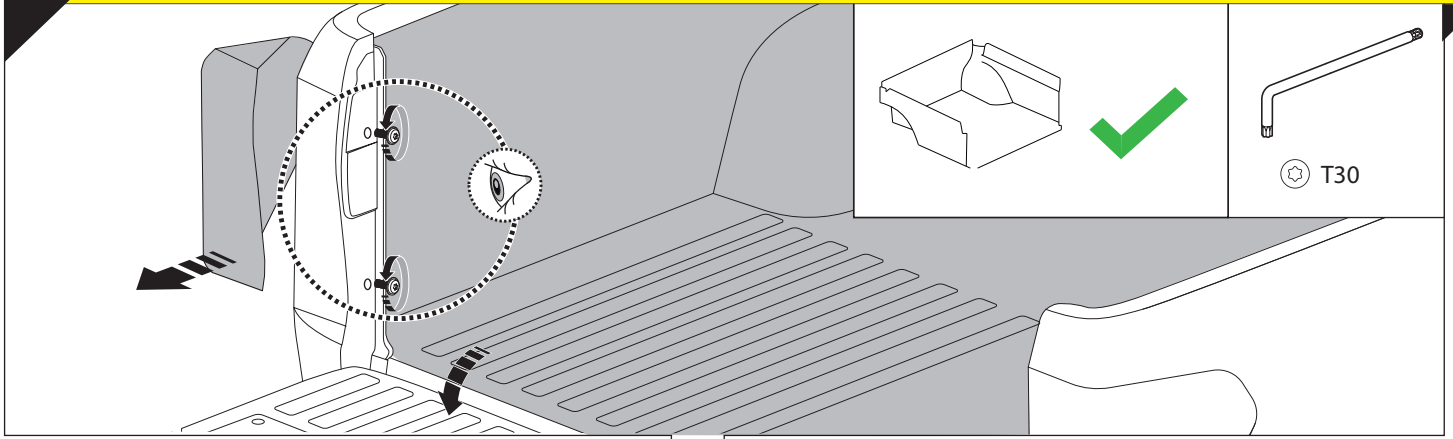


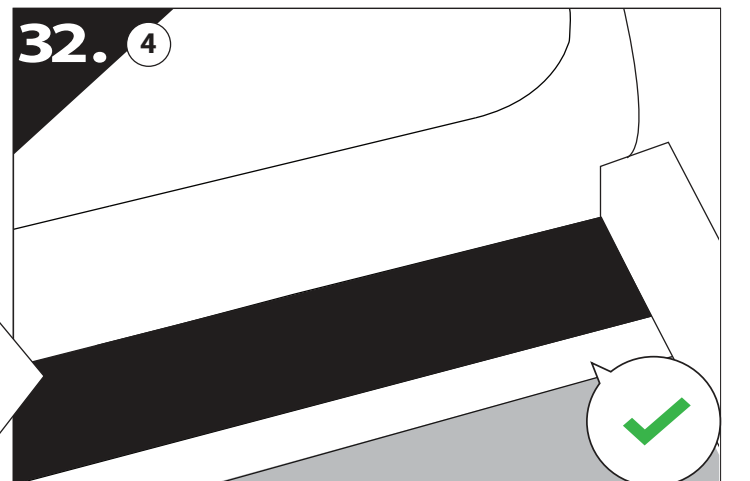
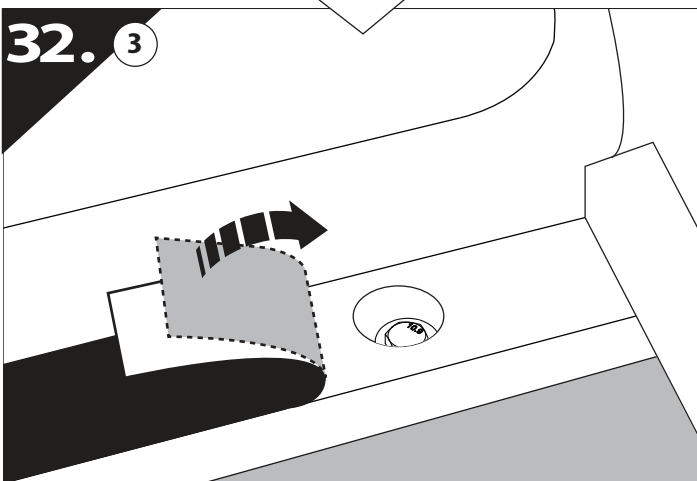
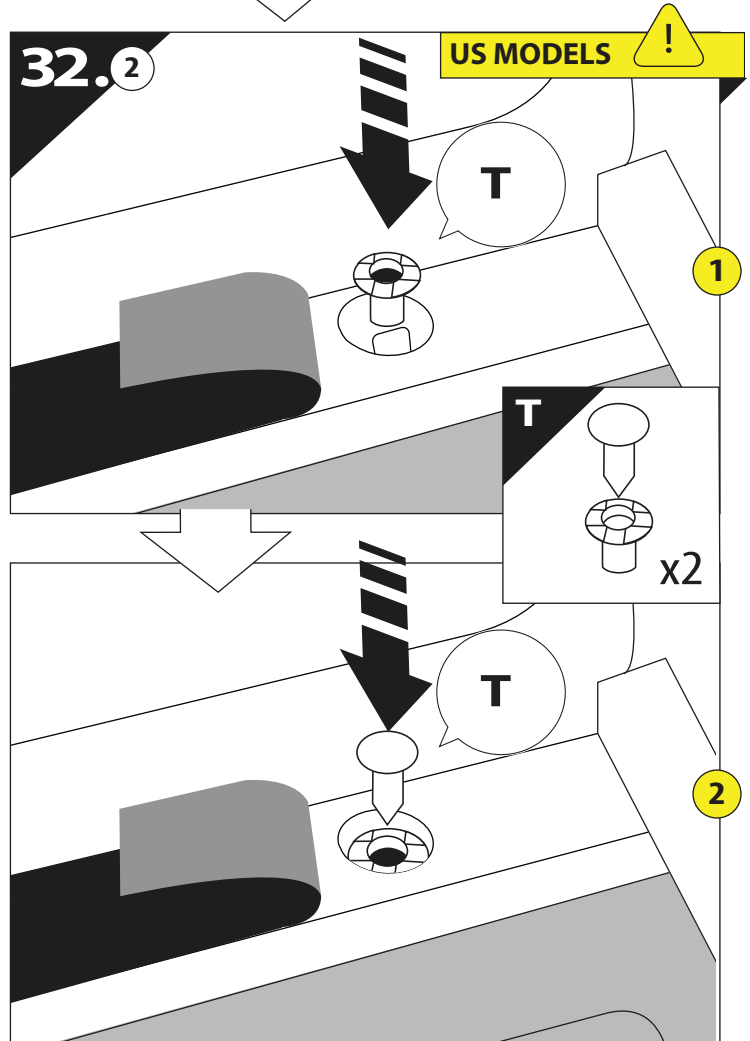
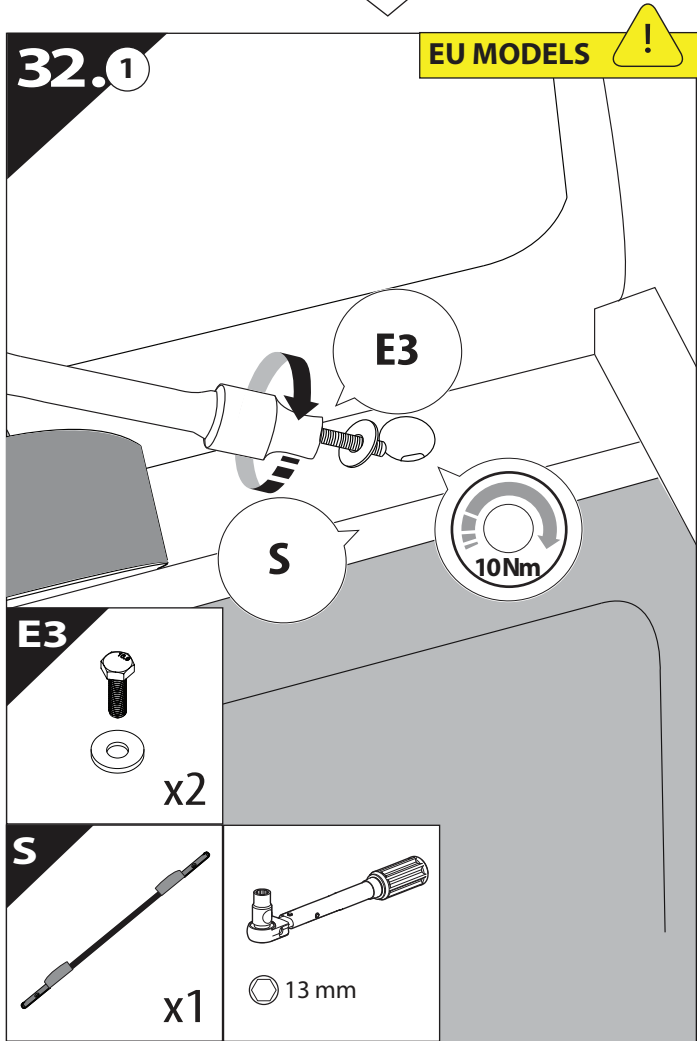
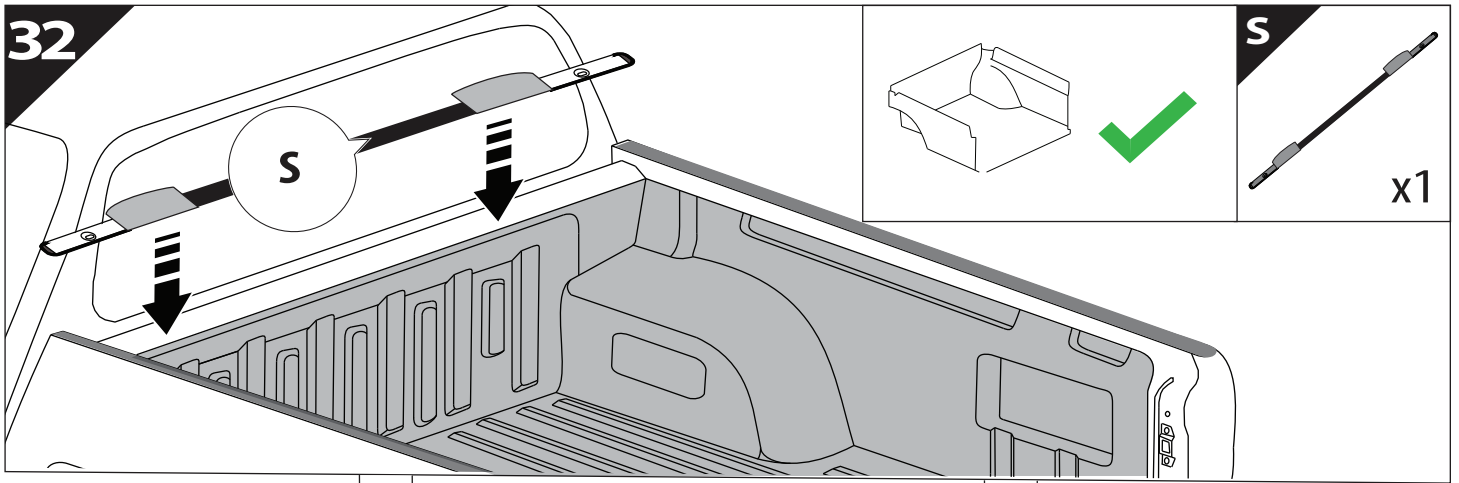
DRIVER'S LEFT SIDE

PASSENGER'S RIGHT SIDE



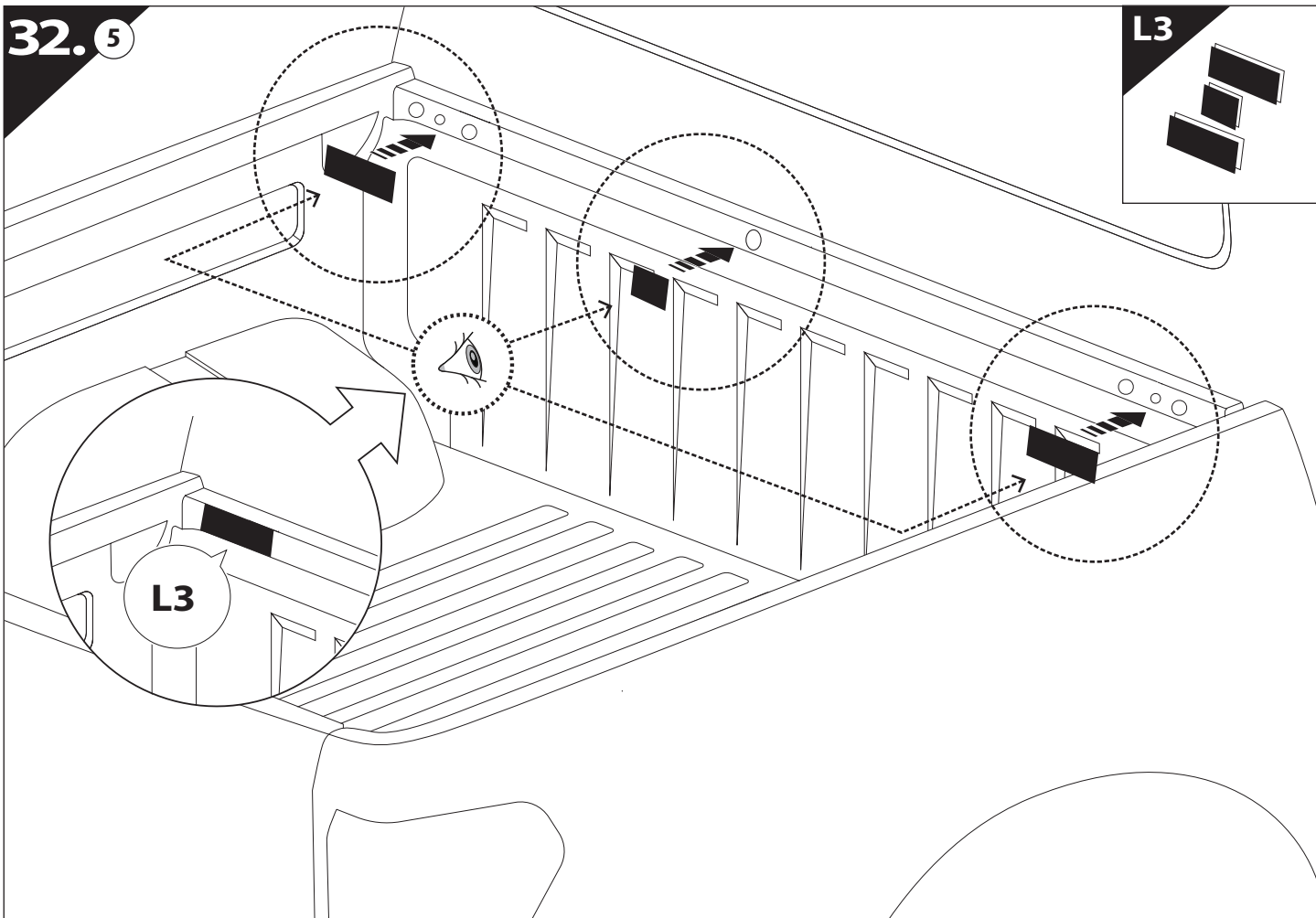
	CAR	TESSERA ROLL+
BEAM		
LICENCE PLATE 2 PIN LIGHT CONNECTOR		
STOP		
TAILGATE CONNECTOR		

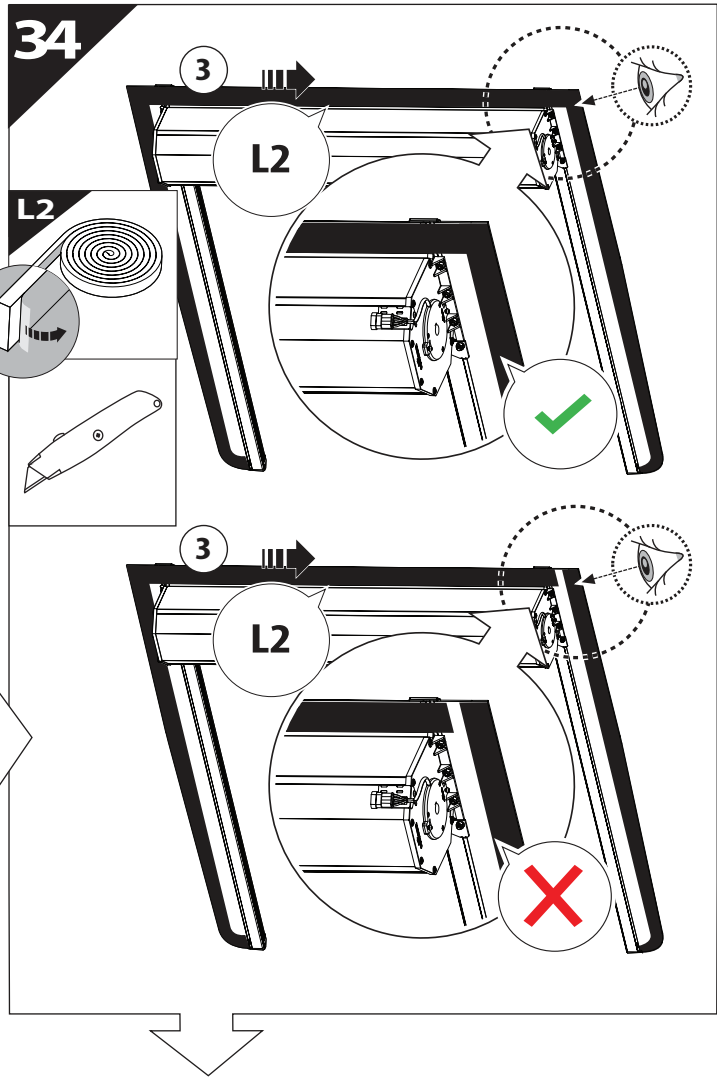
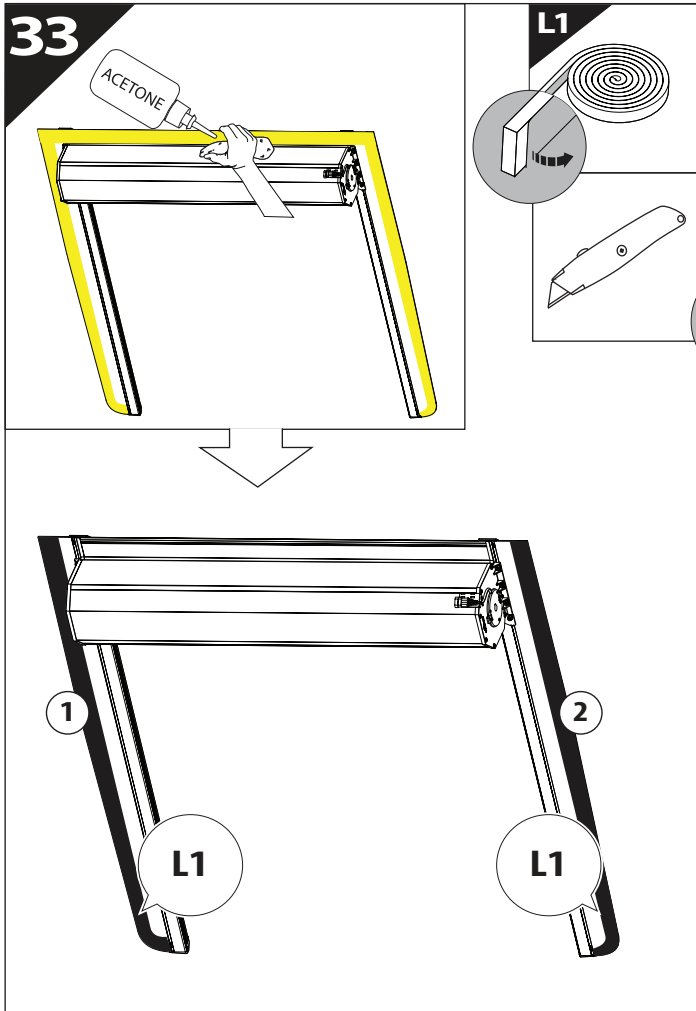


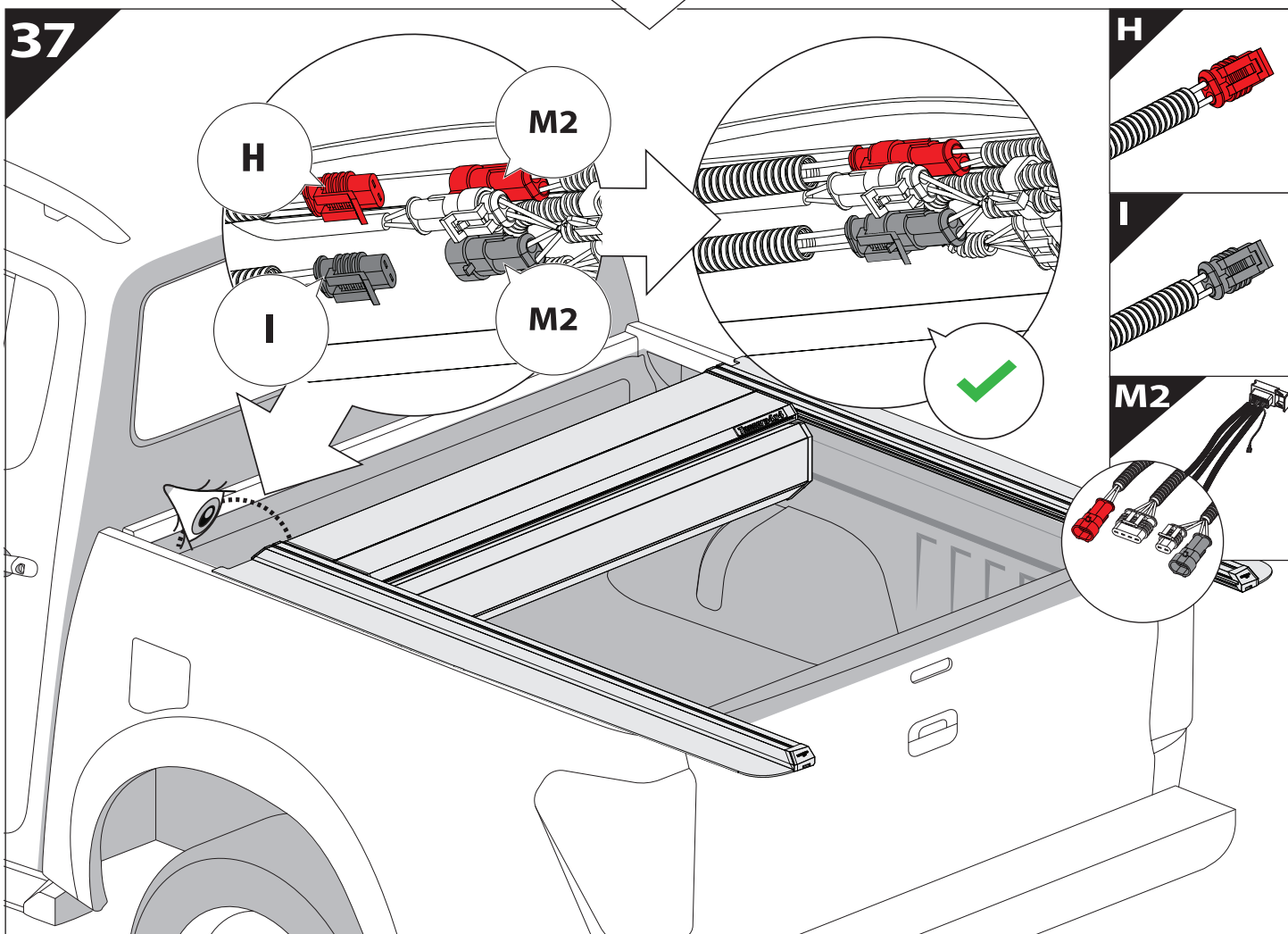
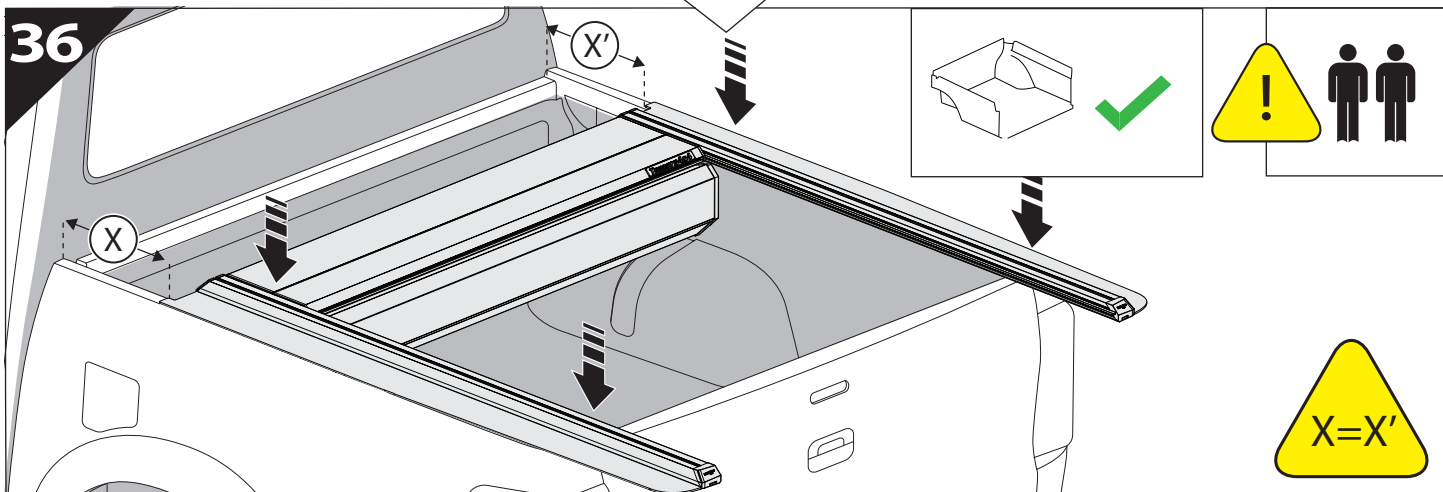
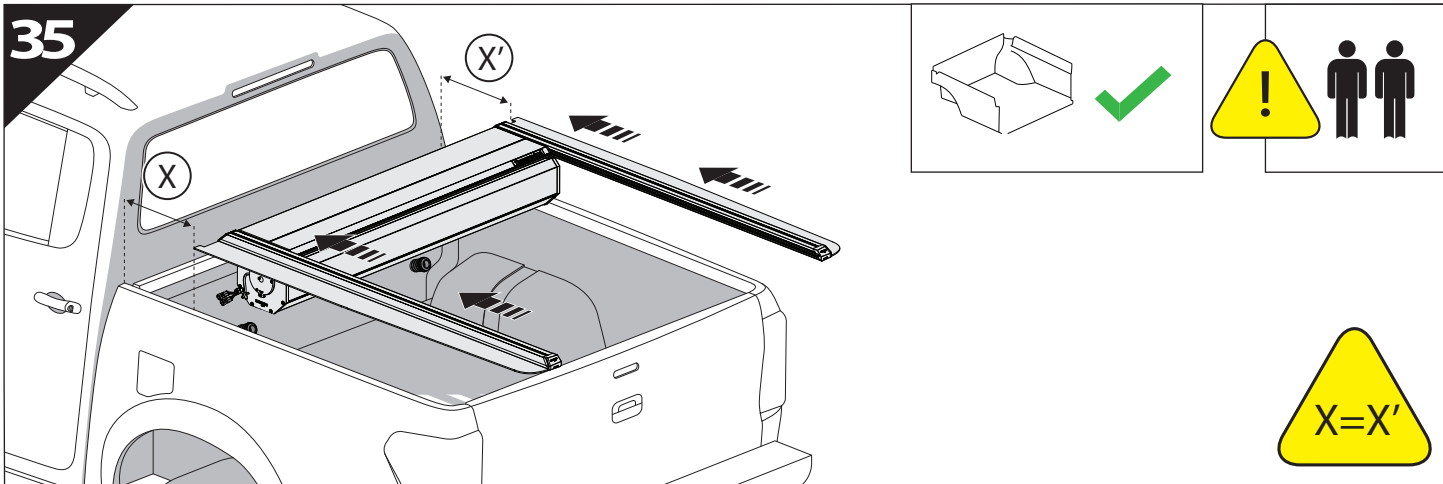


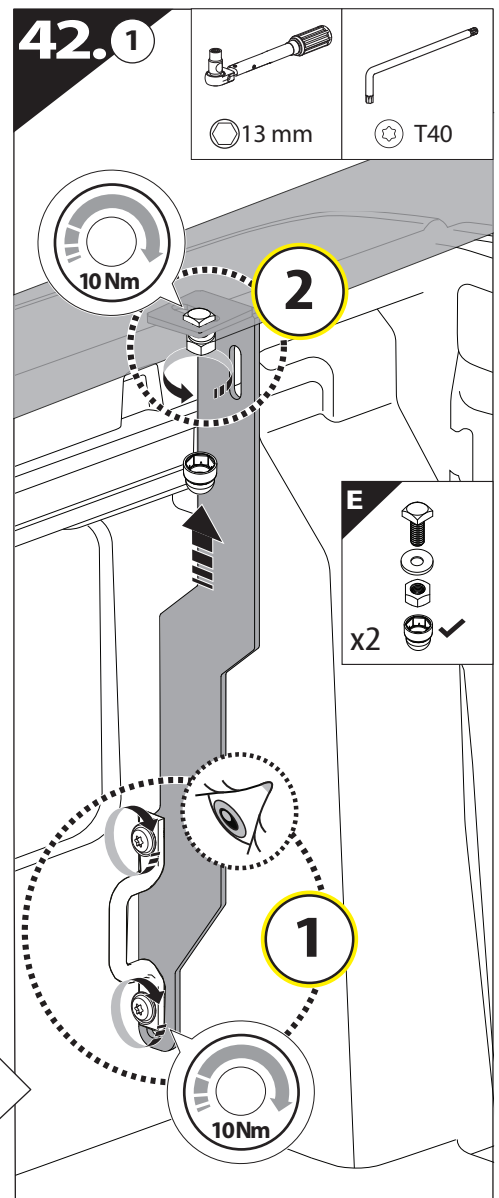
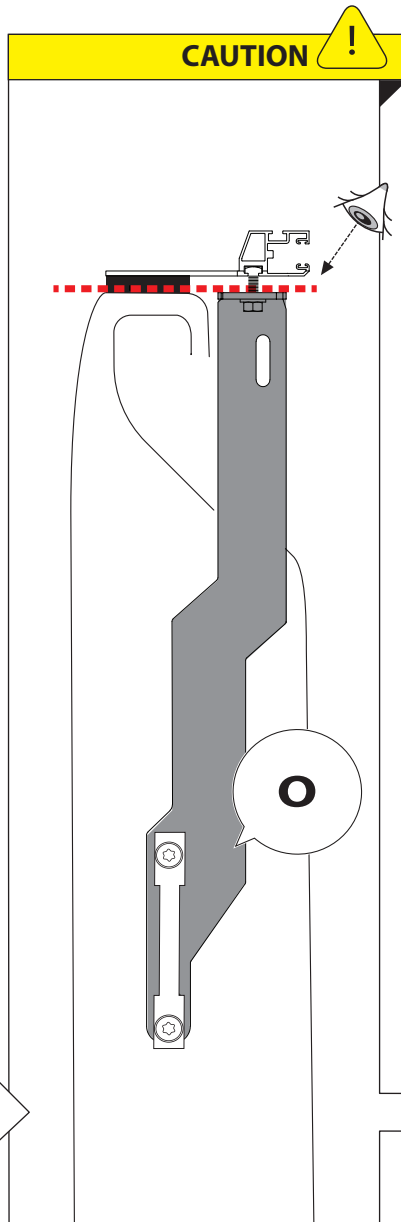
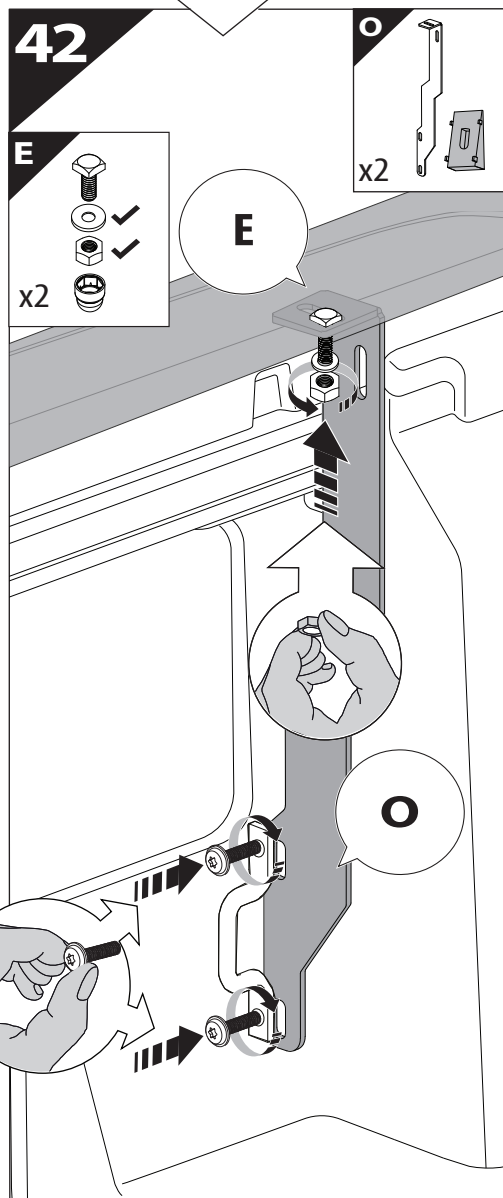
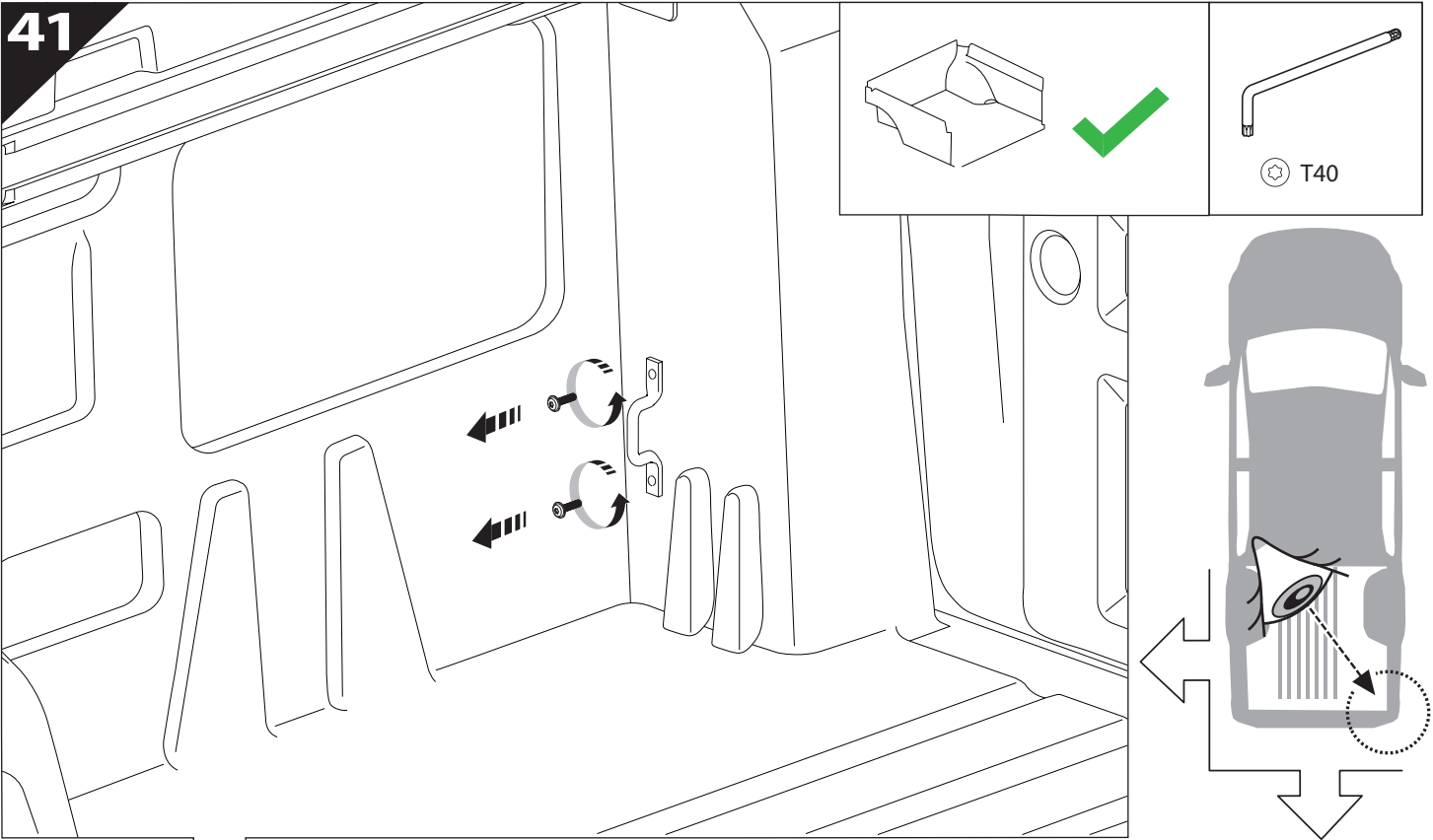
32. ⑤

L3







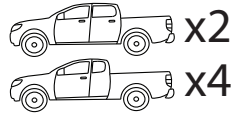
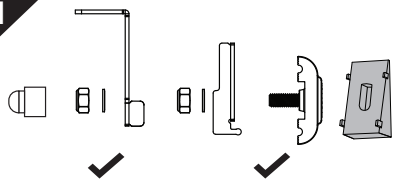


43 A

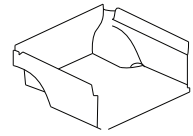
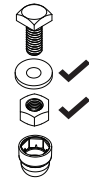


WITHOUT C - CHANNELS

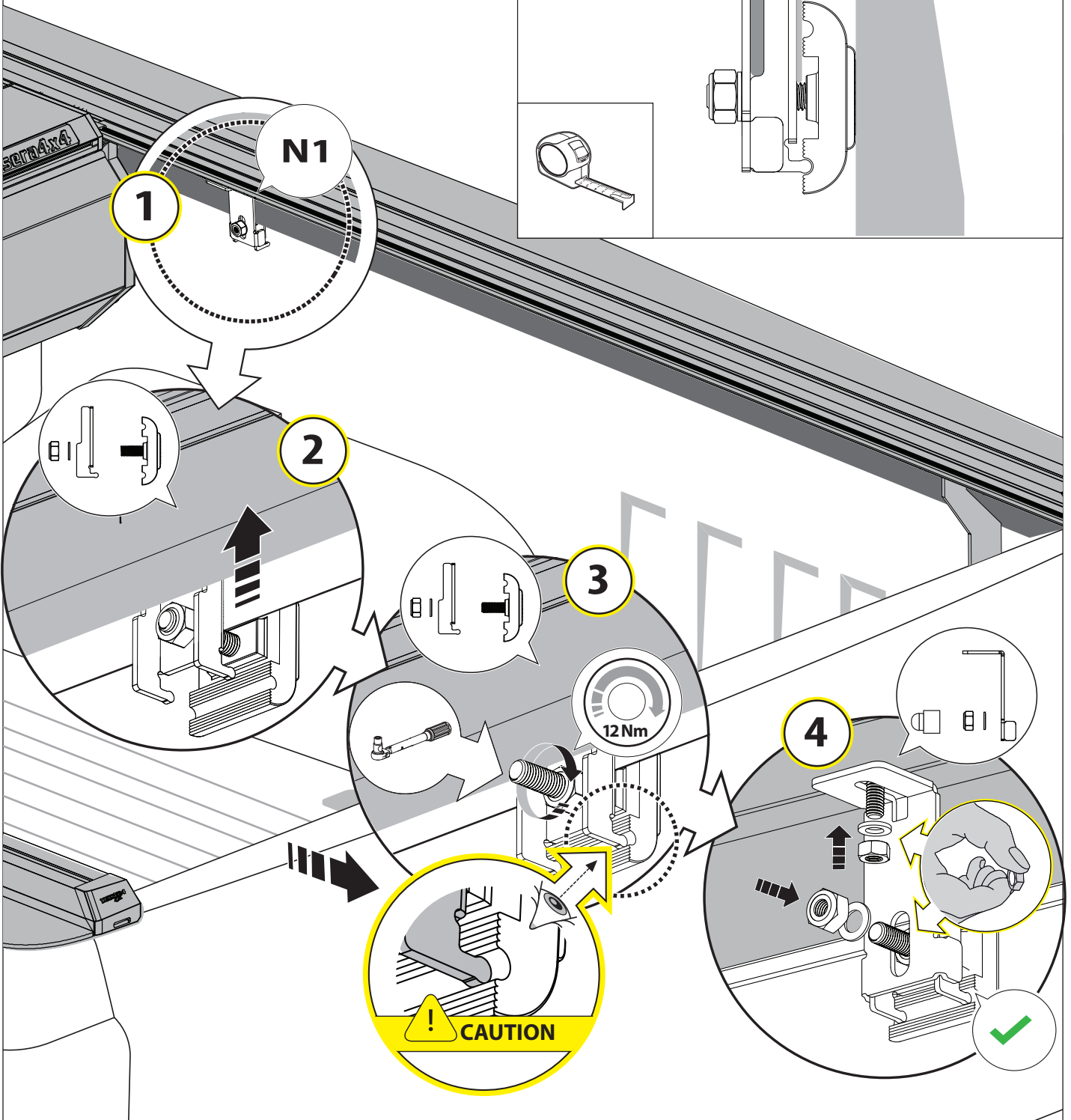
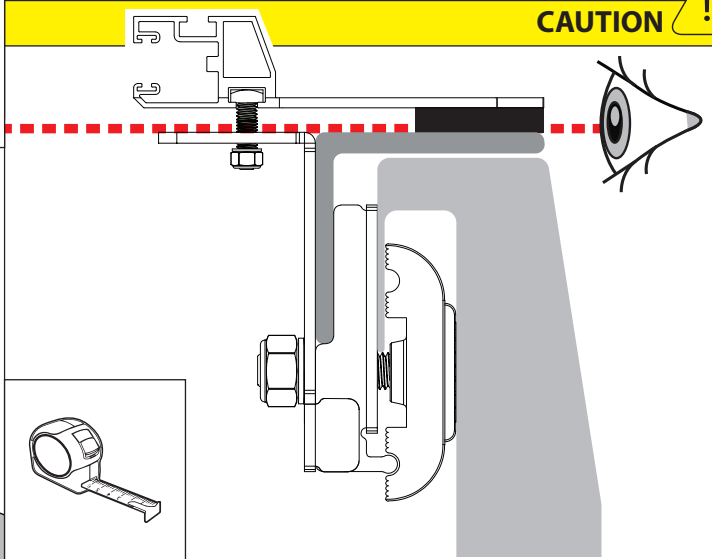
N1

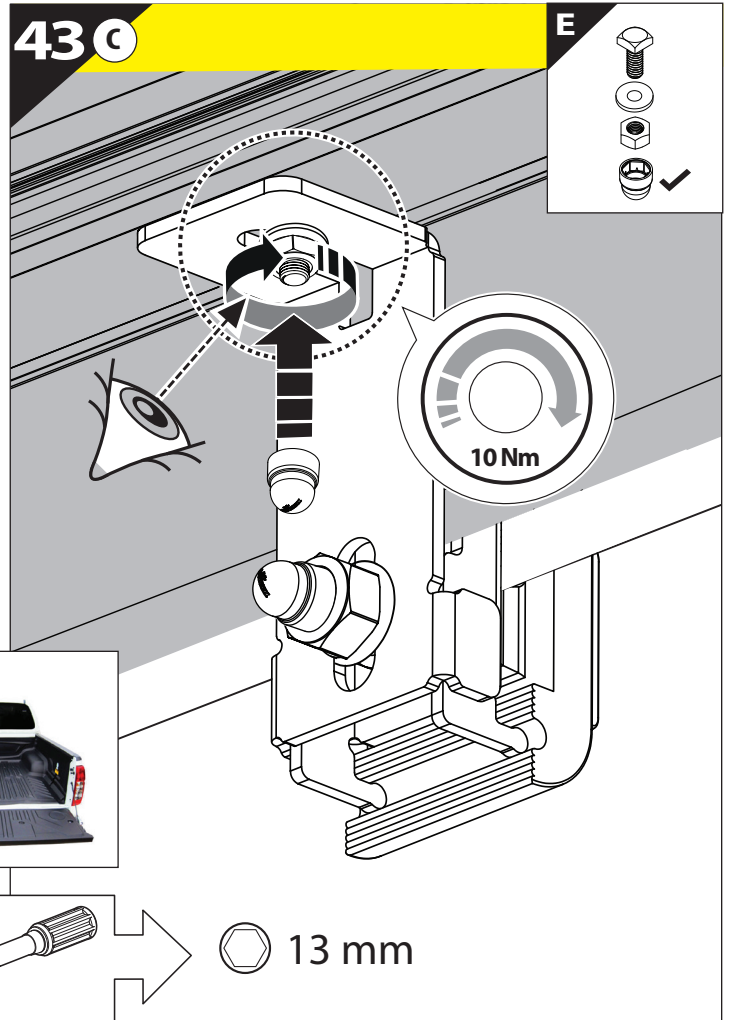
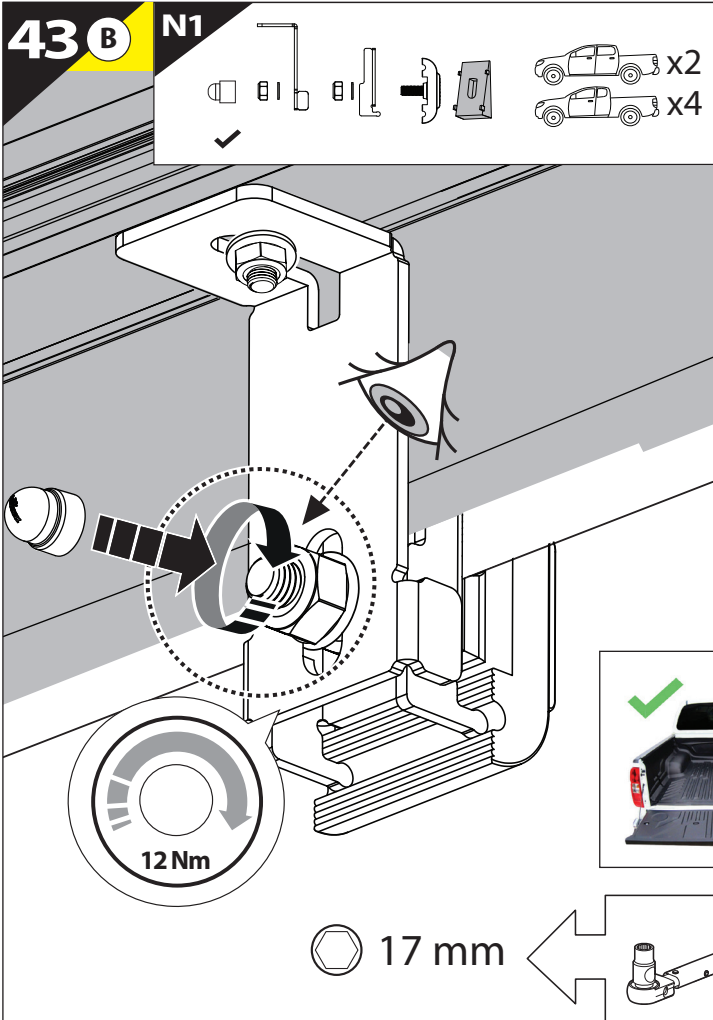


E

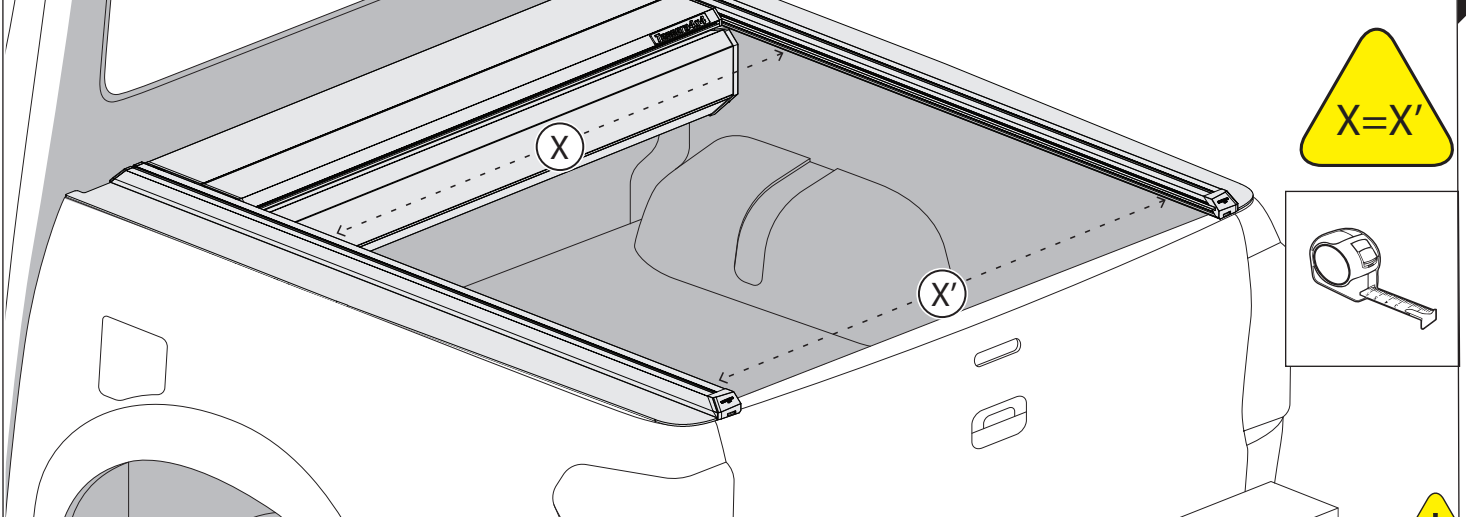


CAUTION

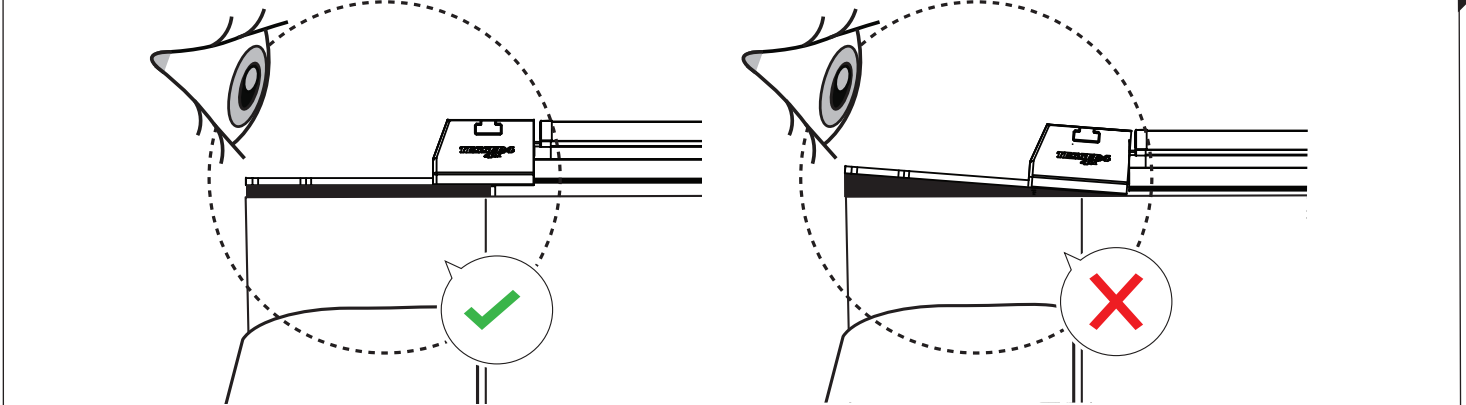




CAUTION !



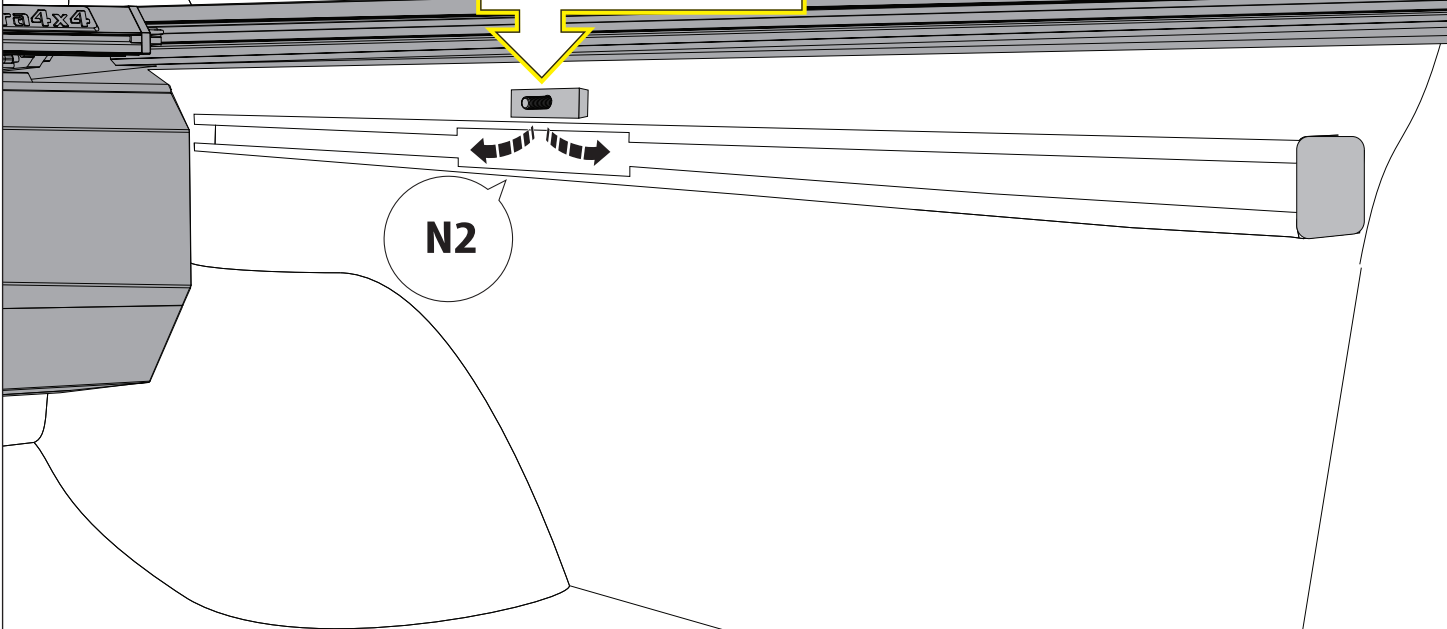
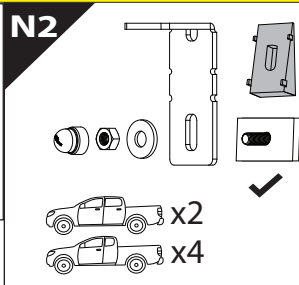
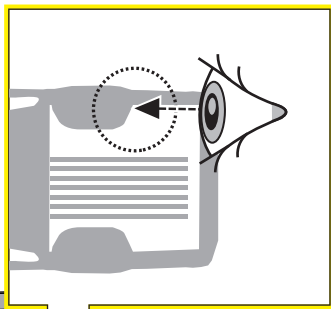
CAUTION !



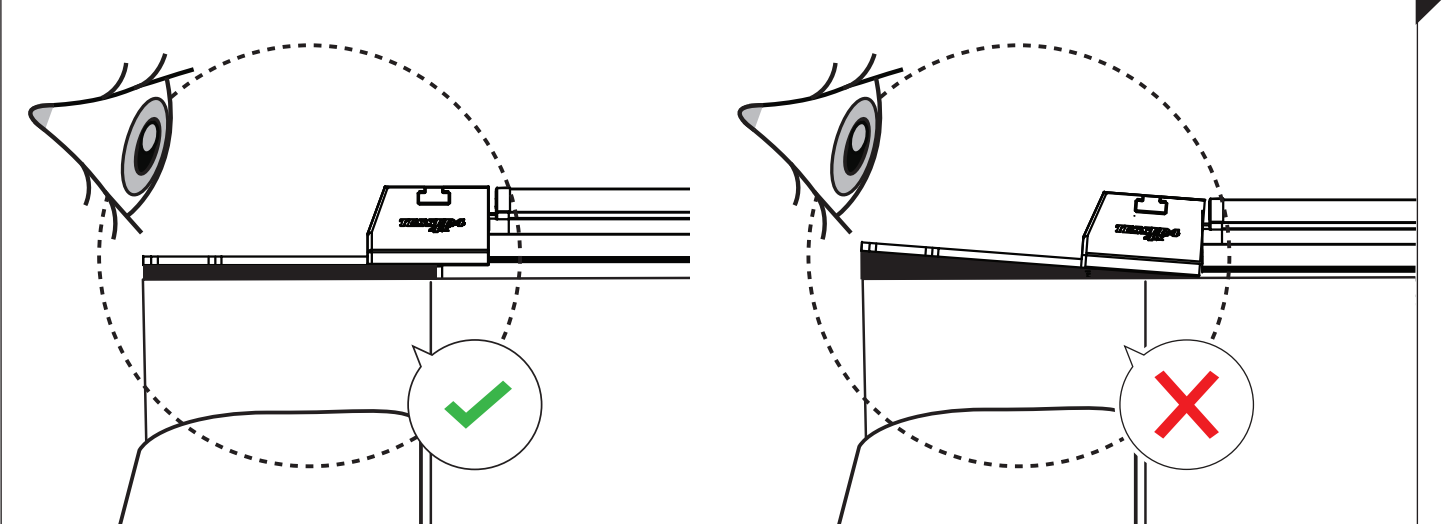
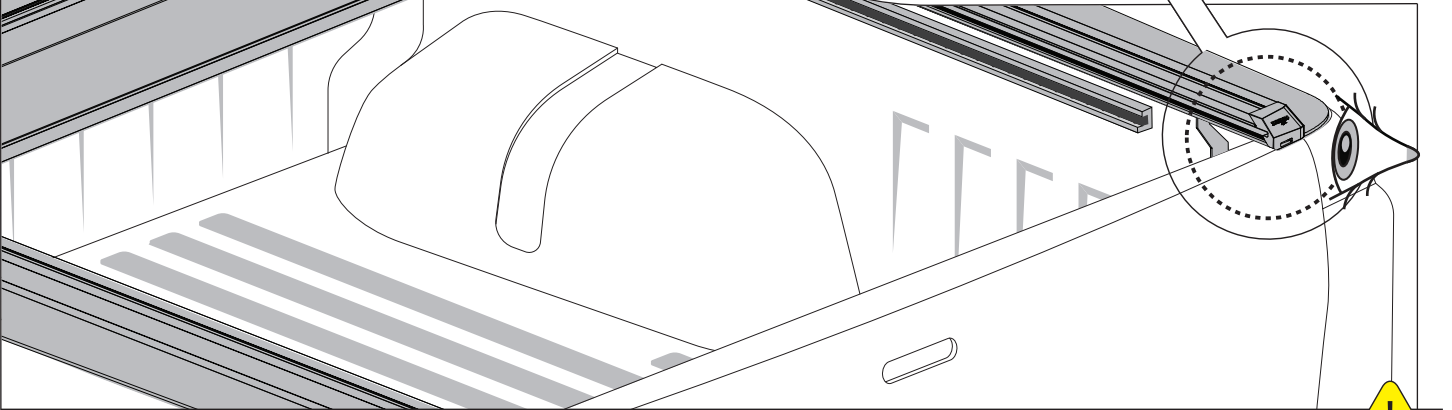
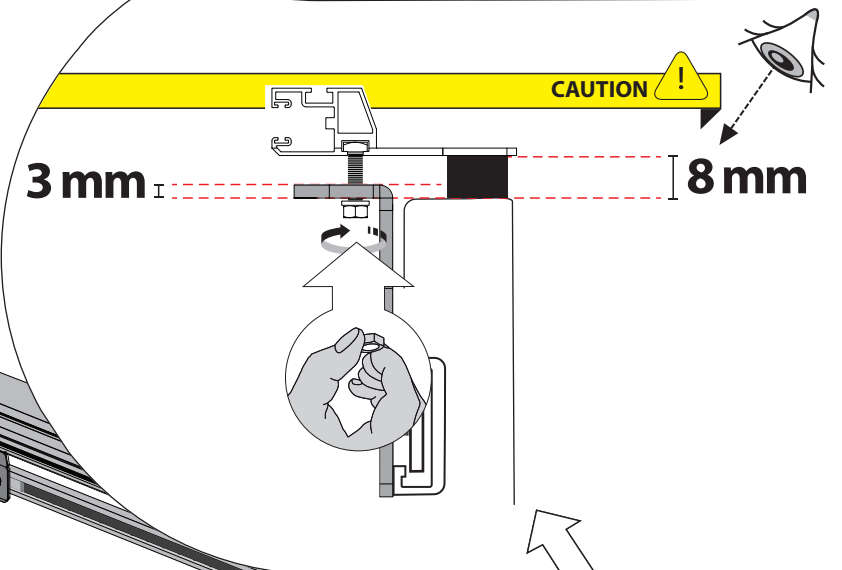
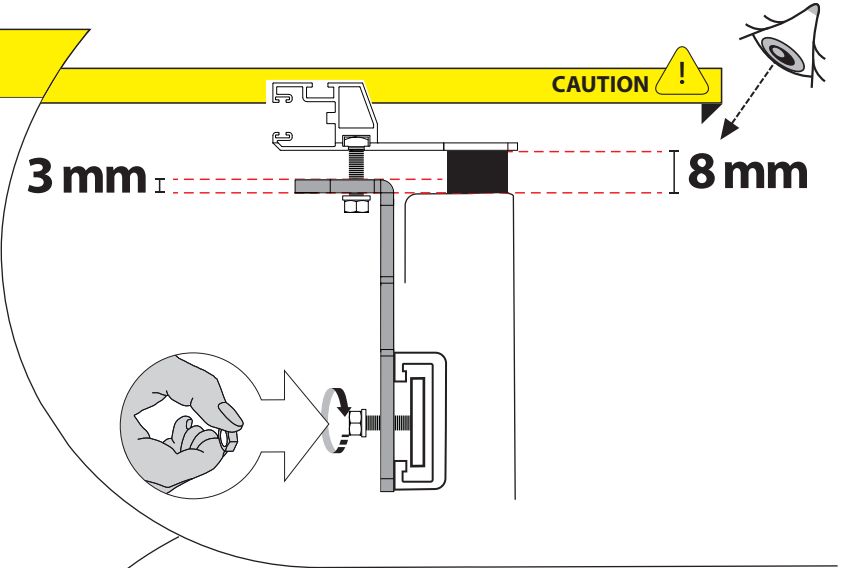
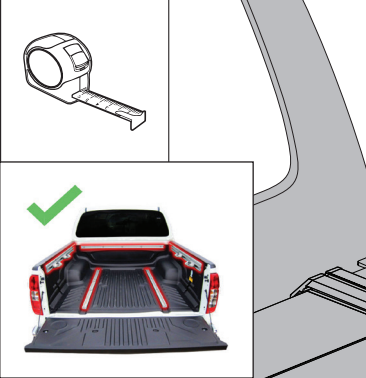
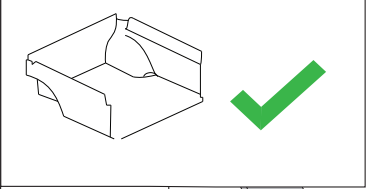
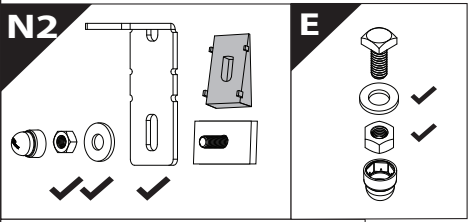
43 A

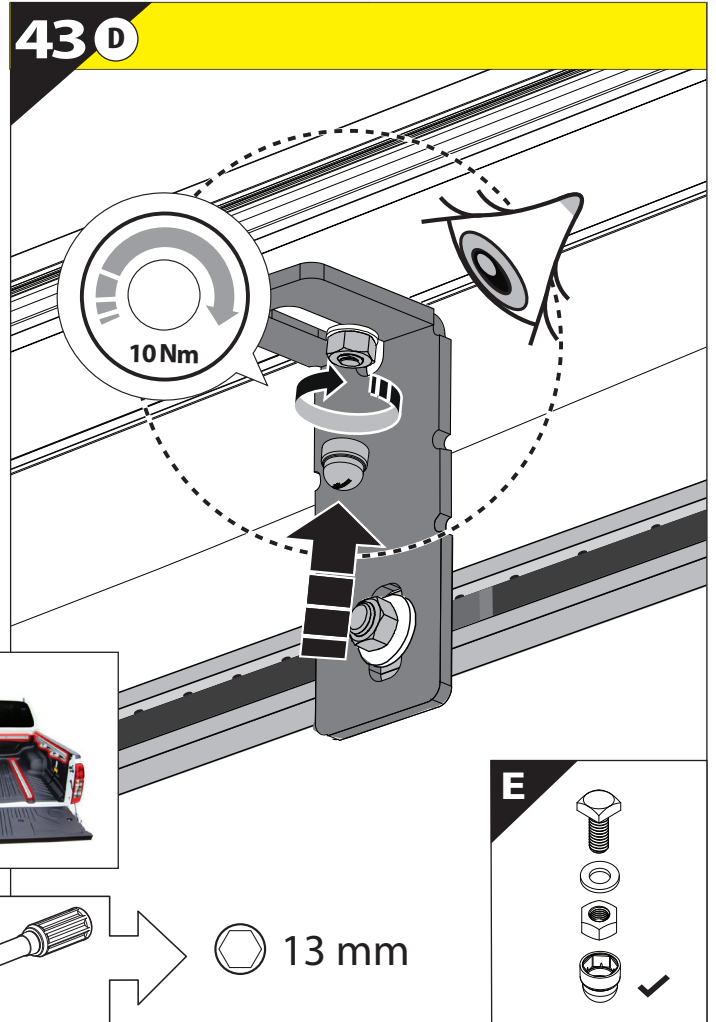
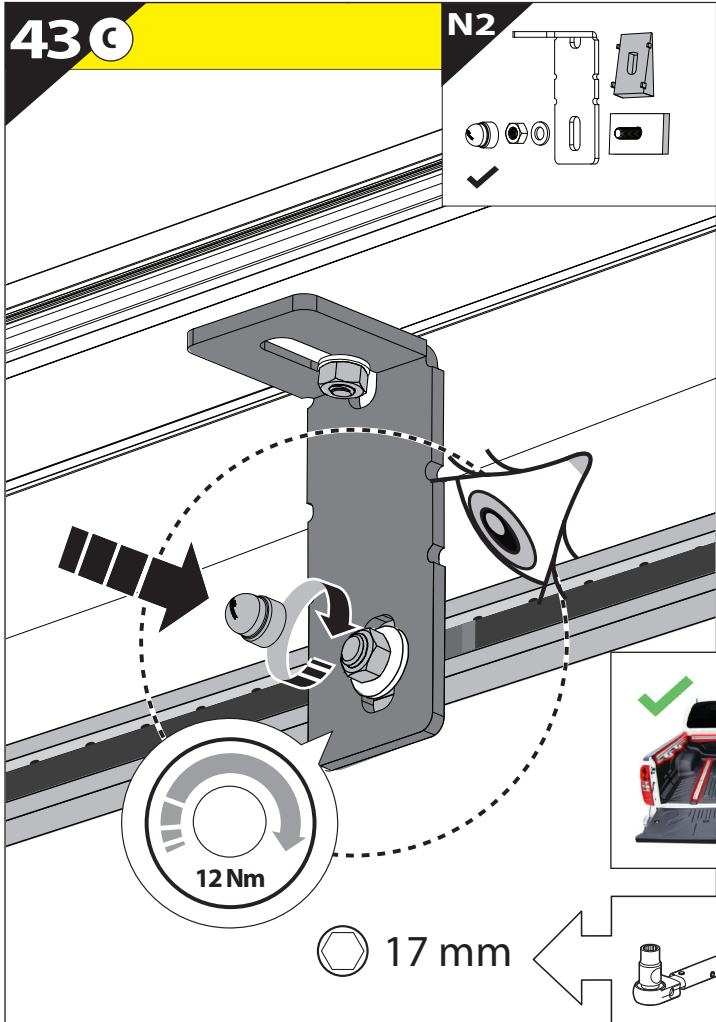


WITH C - CHANNELS

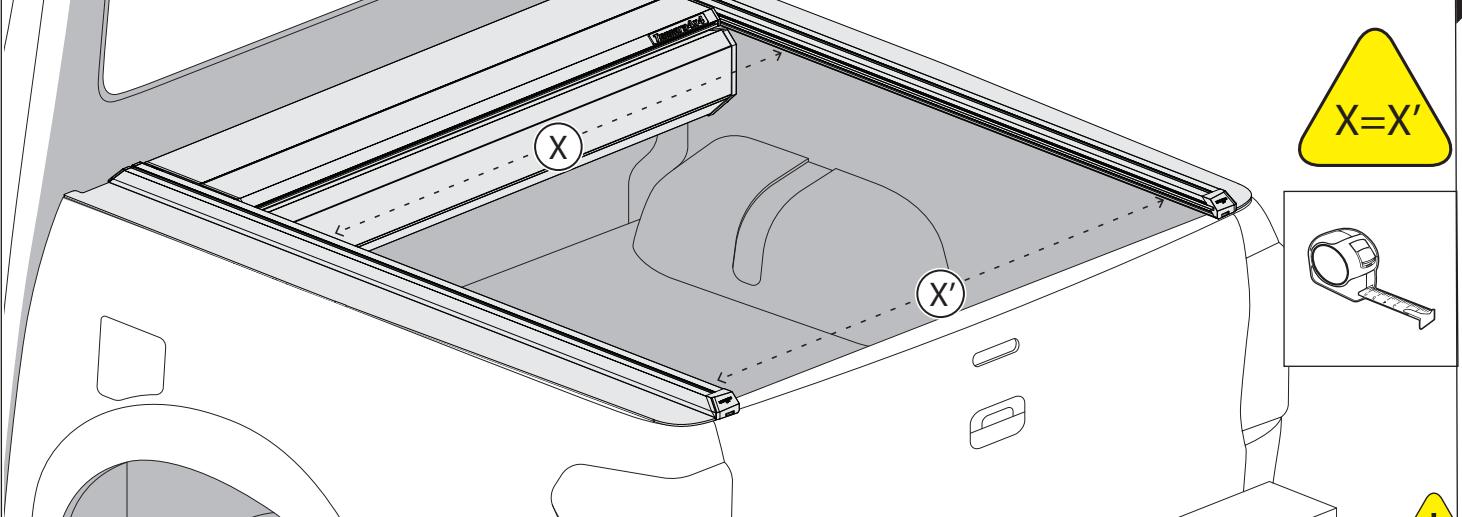


43 B

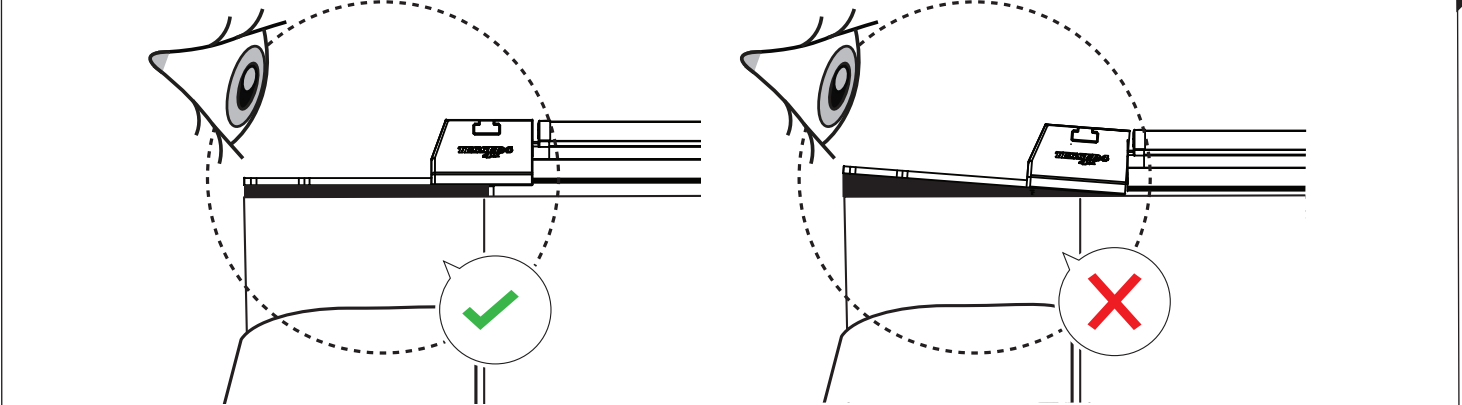


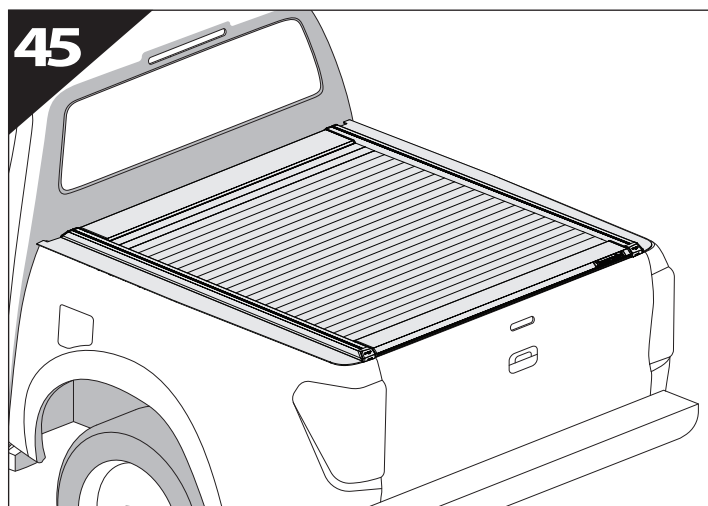
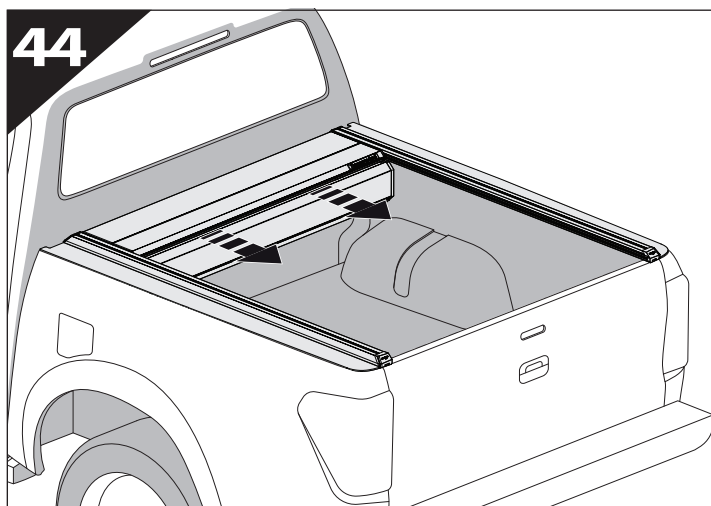


CAUTION !



CAUTION !





GR: Οδηγίες Εγκατάστασης
GB: Installation manual
SF: Asennusohje
F: Notice de montage
PL: Instrukcja montażu
NL: Installatie-instructies
TR: Montaj Talimatı
S: Monteringsanvisning
E: Instrucciones de montaje

H: Szerelési utasítás
P: Instruções de instalação
RUS: Инструкция по установке
N: Monteringsveiledning
D: Einbauanleitung
CZ: Návod k instalaci
I: Istruzioni de montaggio
DK: Monteringsvejledning
RO: Instructiuni de instalare

Customer Service:

+30 (210) 5541161, +30 (210) 5541154 (08:00 - 16:00 EET)

Support department:

info@gianso.gr

Website:

www.tessera4x4.com

Address:

19.5 km of National road Athens-Korinthos (Elefsina) Greece, P.C: 19200