

# Tessera Roll+

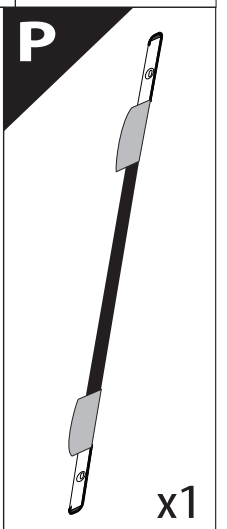
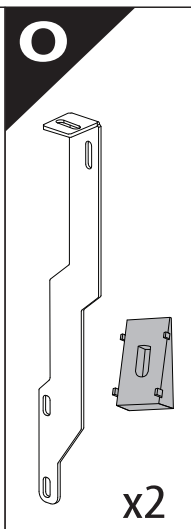
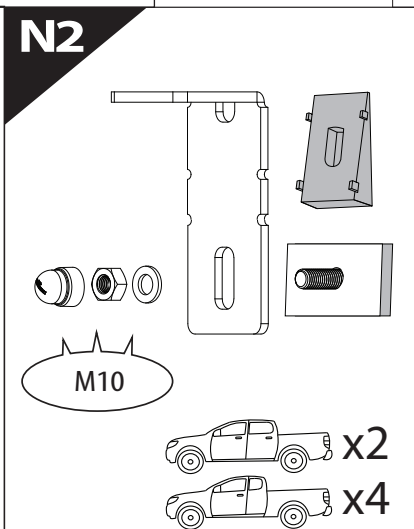
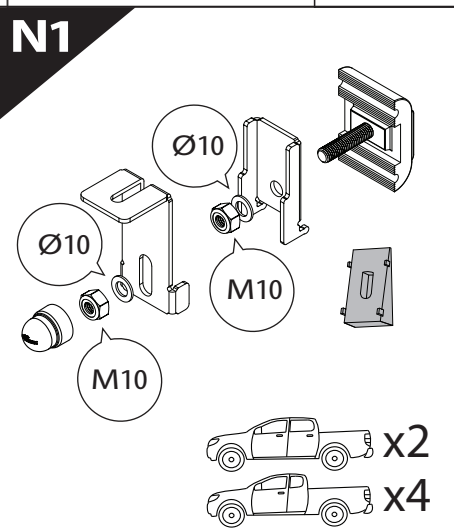
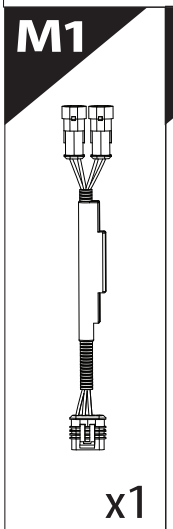
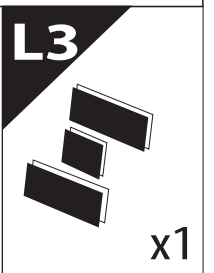
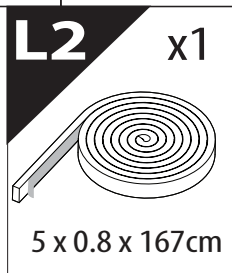
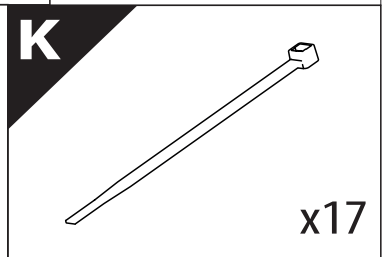
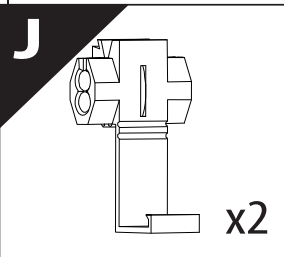
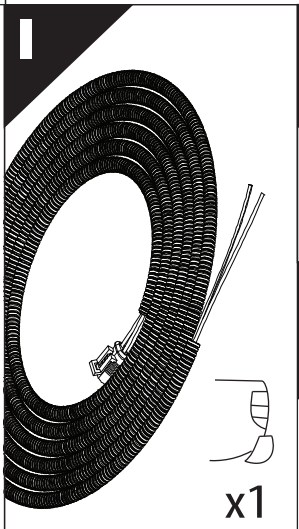
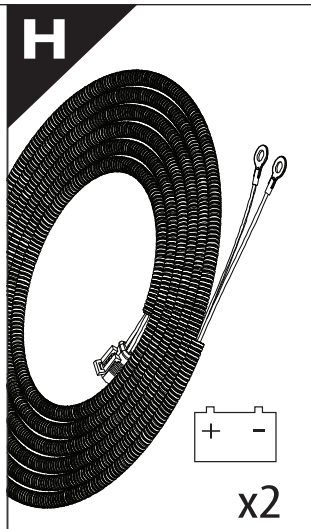
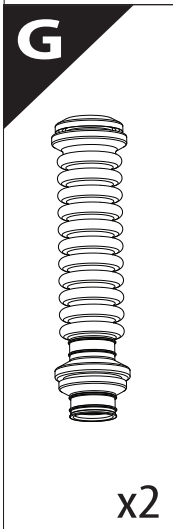
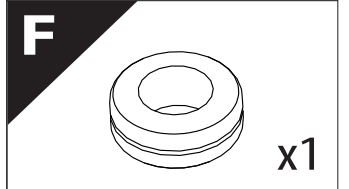
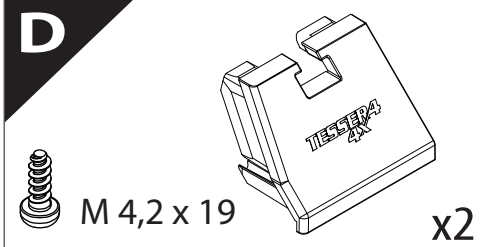
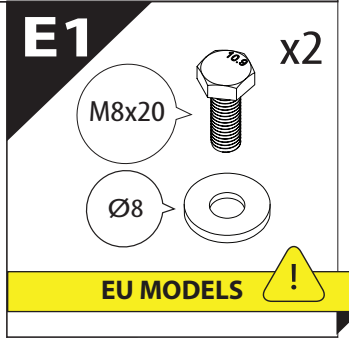
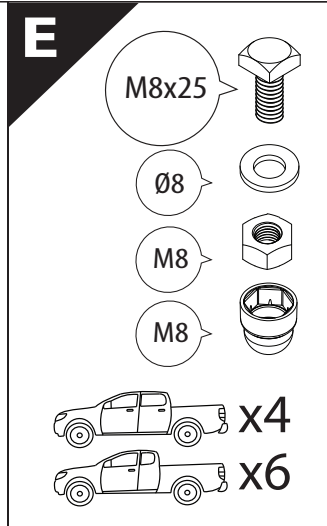
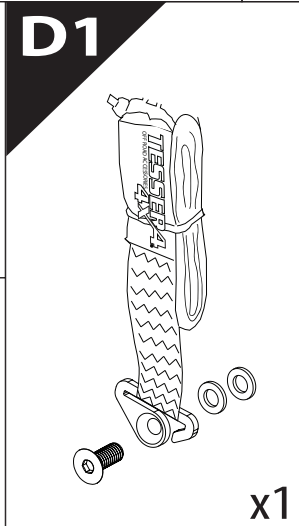
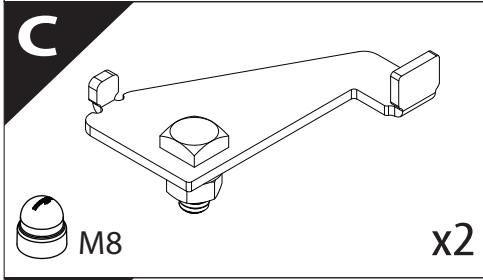
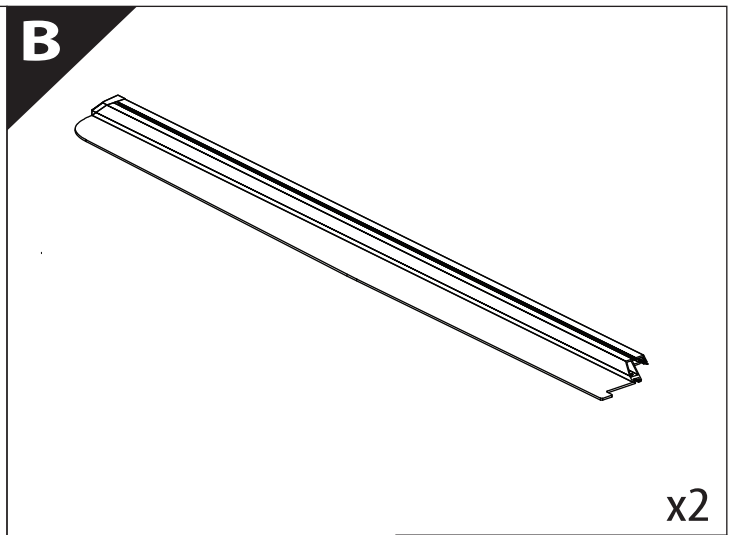
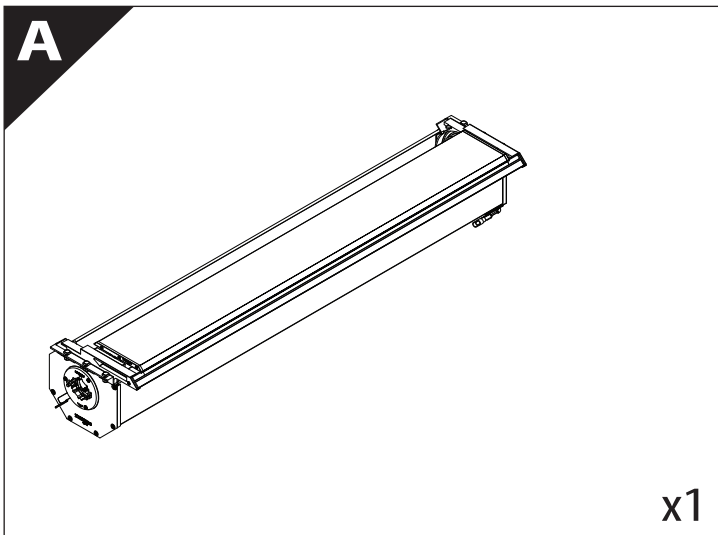
## Basic Version + ⚙️ S-KIT

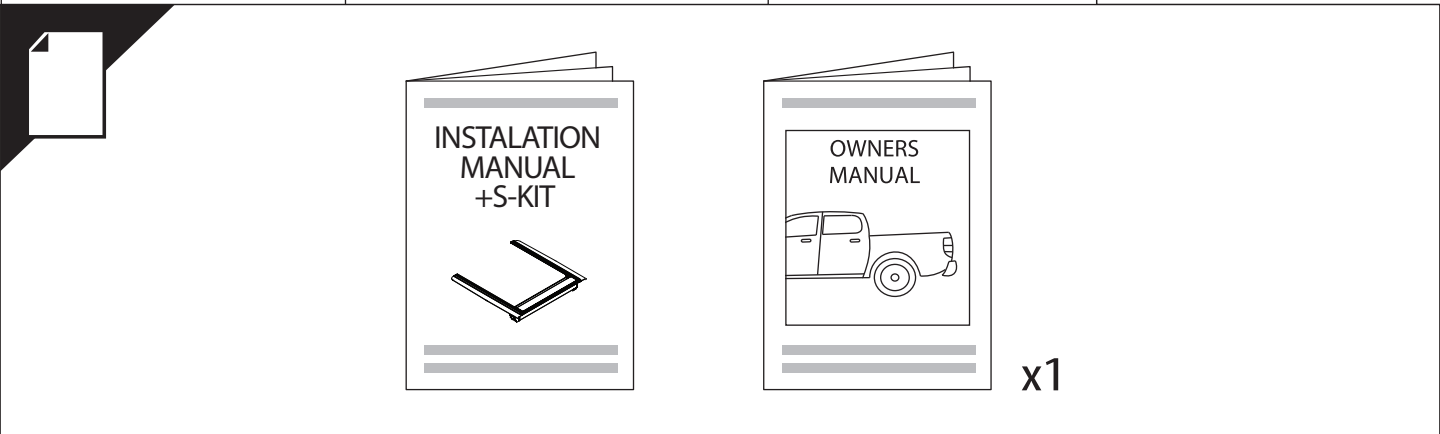
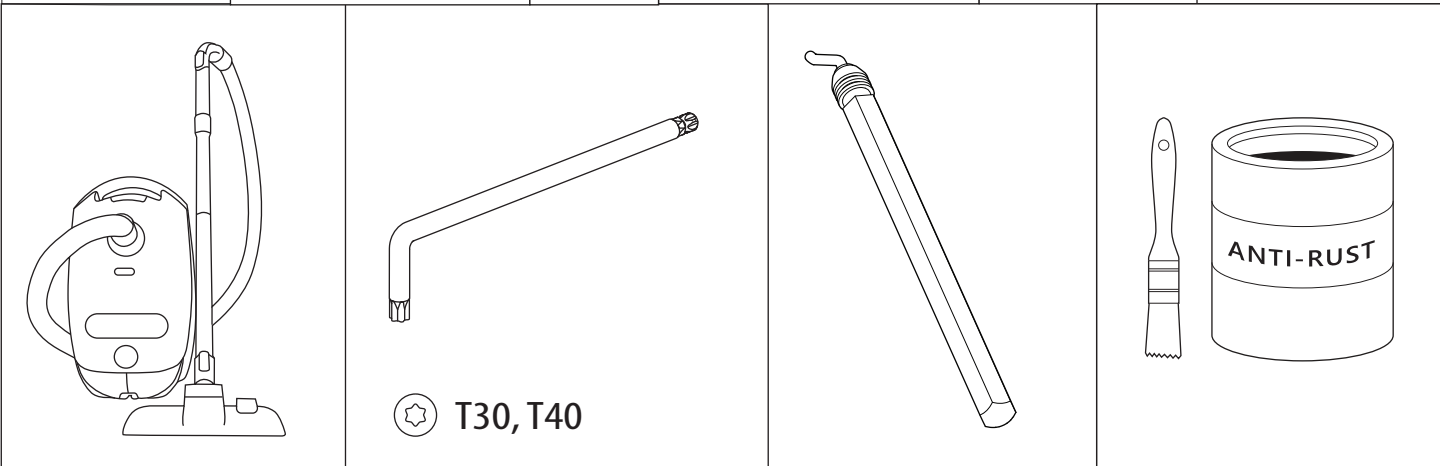
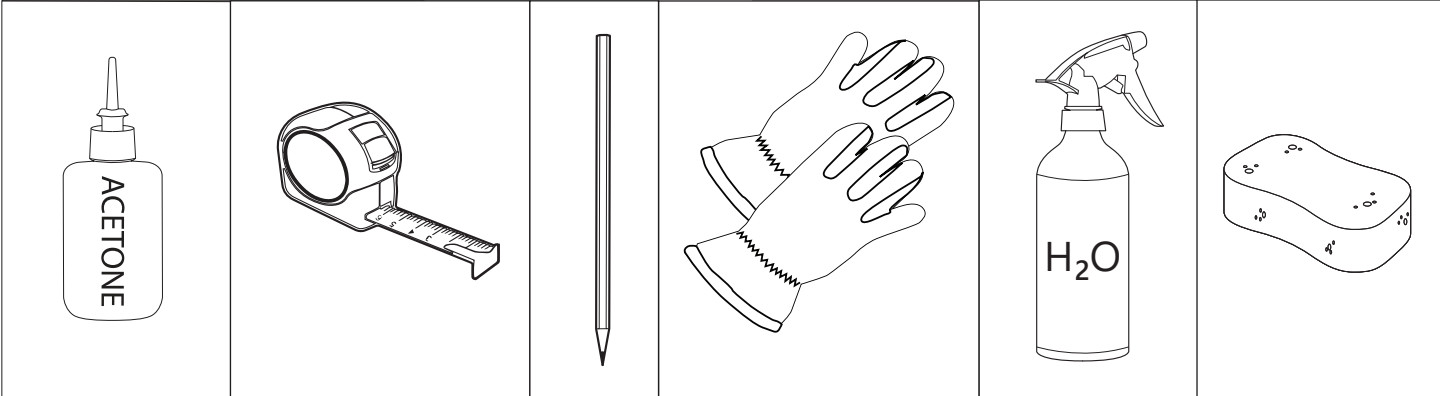
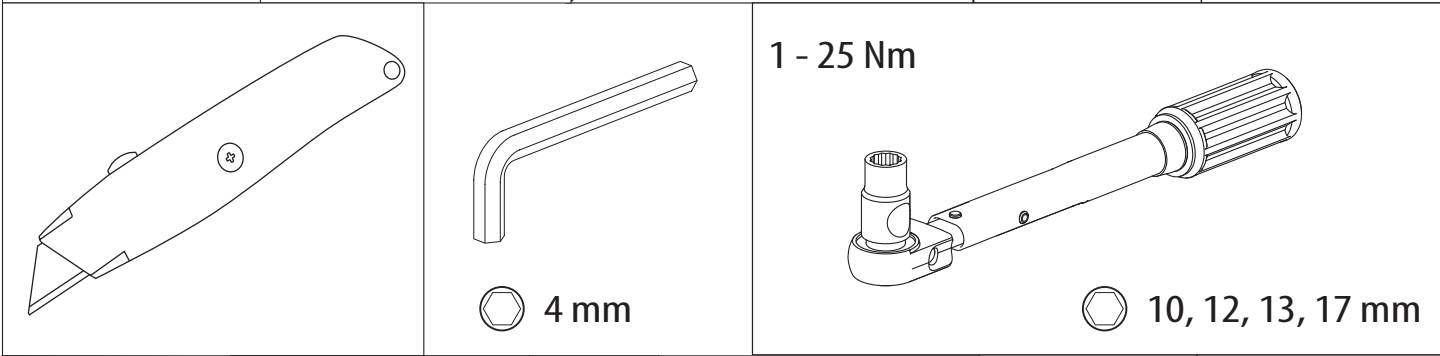
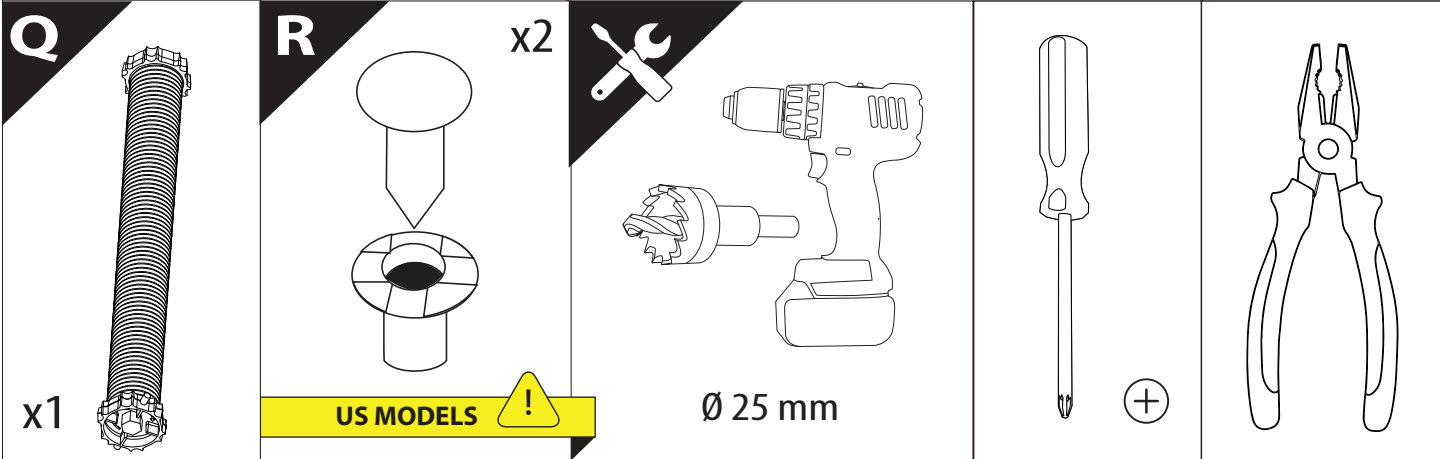


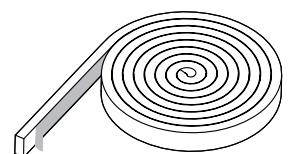
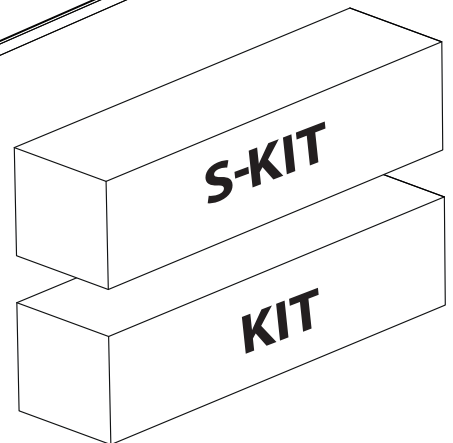
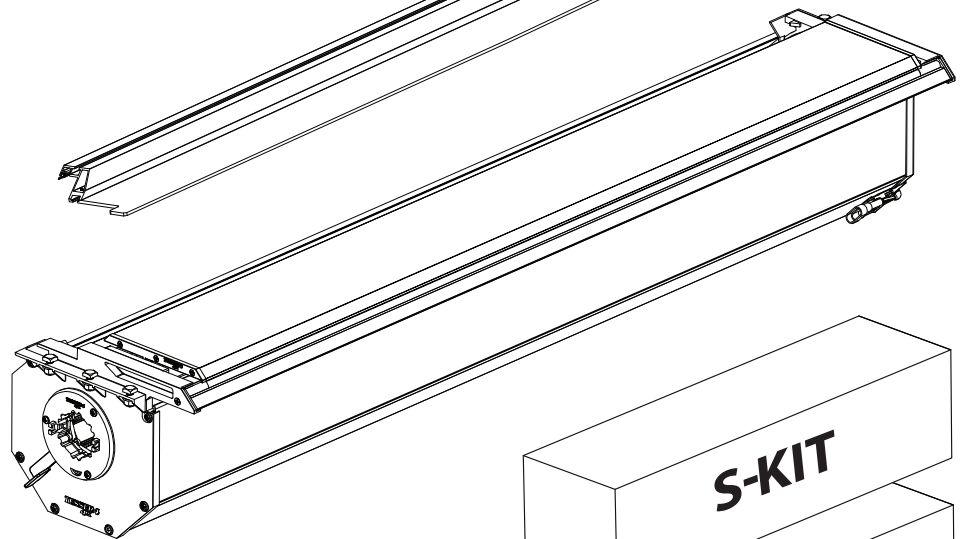
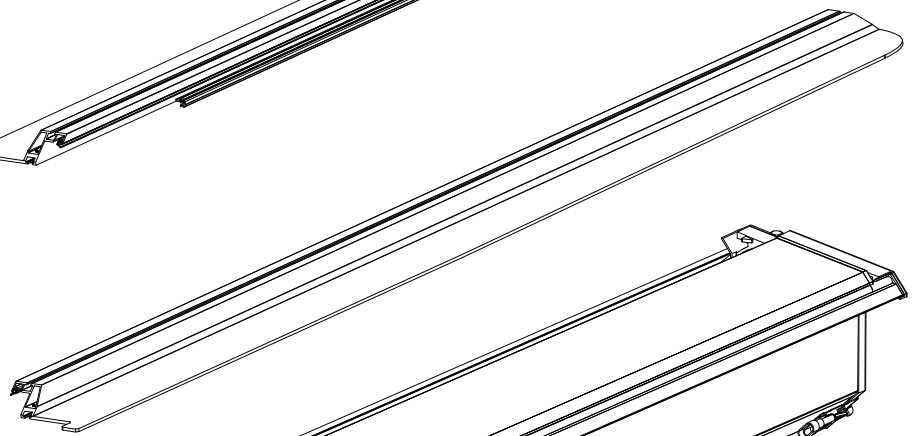
## Installation Manual

PART NUMBER(S)	Model Year
TESS 14060 ROLL+S-KIT	FORD RANGER 2023+ (P 703) WITH OR WITHOUT C-CHANNELS
TESS 14070 ROLL+S-KIT	
Cab(s)	Installation Time / Weight
Double Cab & Space cab	40-60 minutes / 53-57 kg







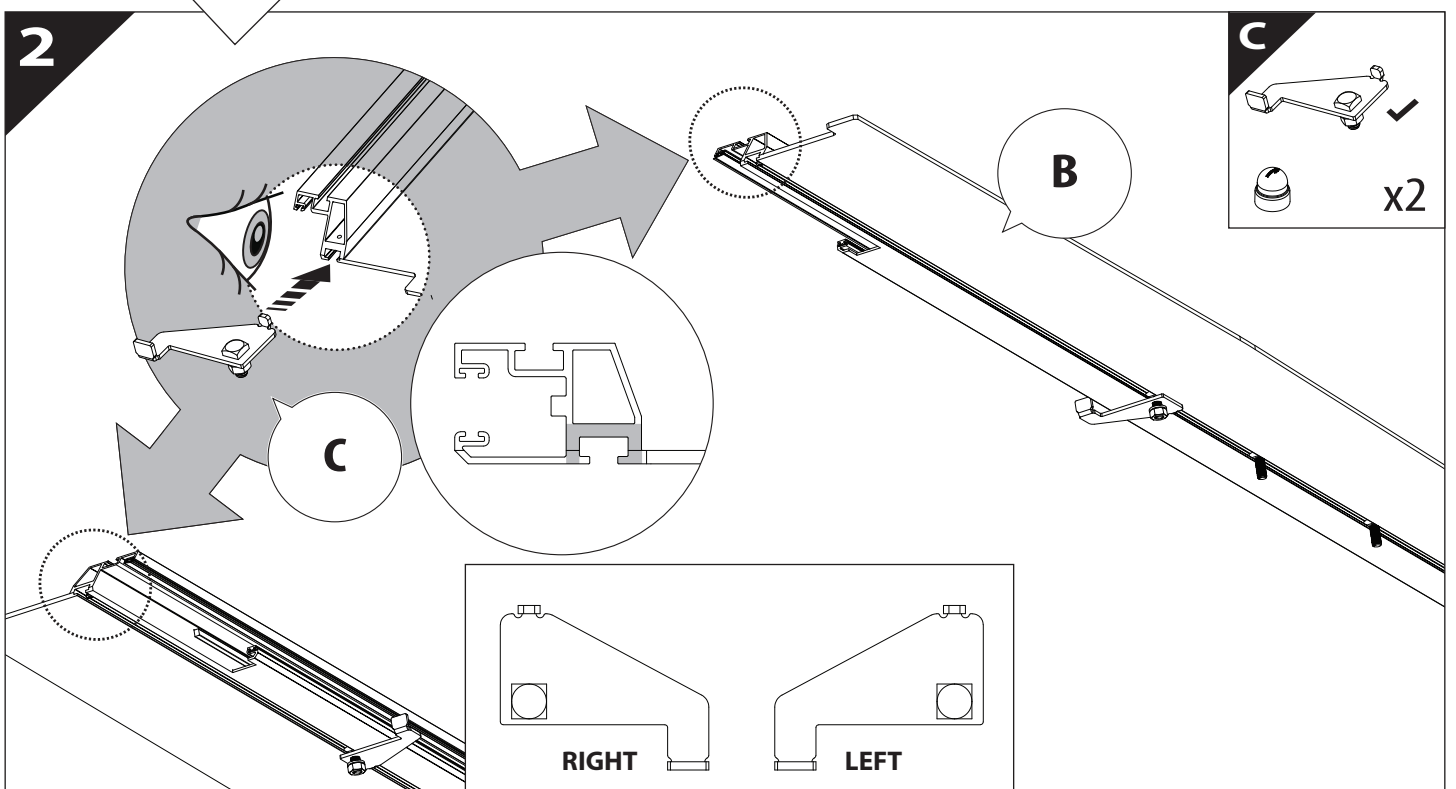
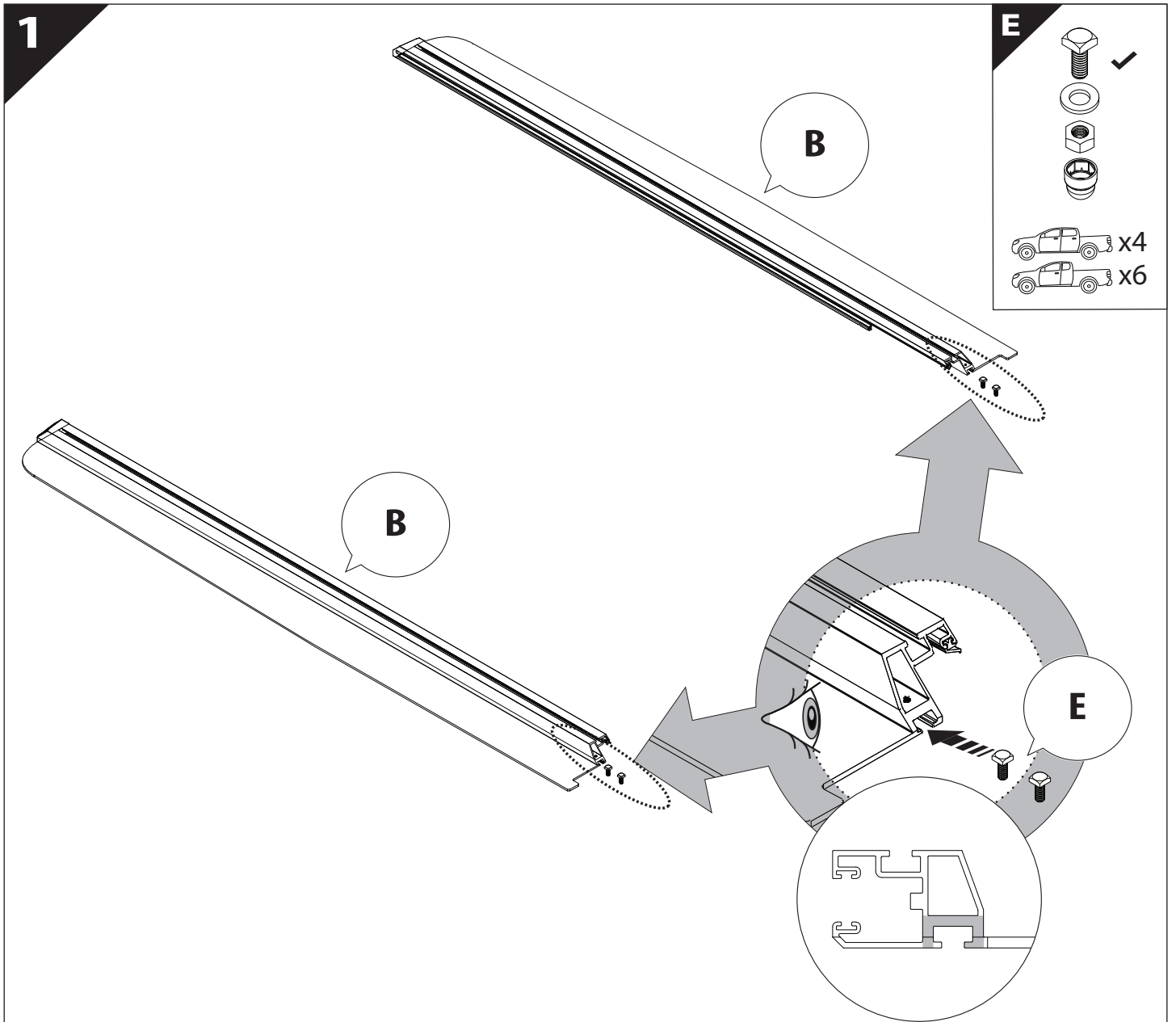


**B**

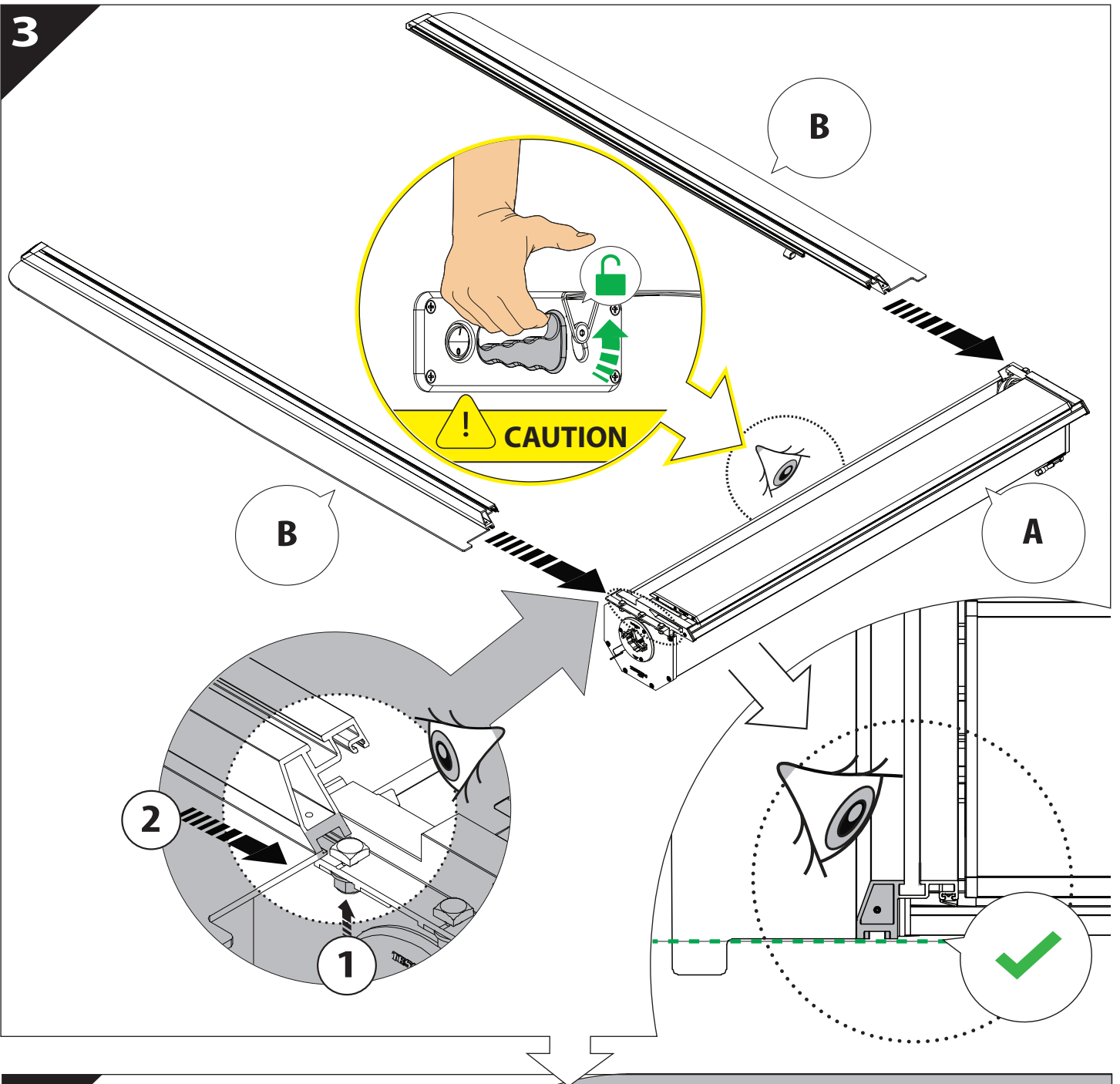
**A**

**KITS**

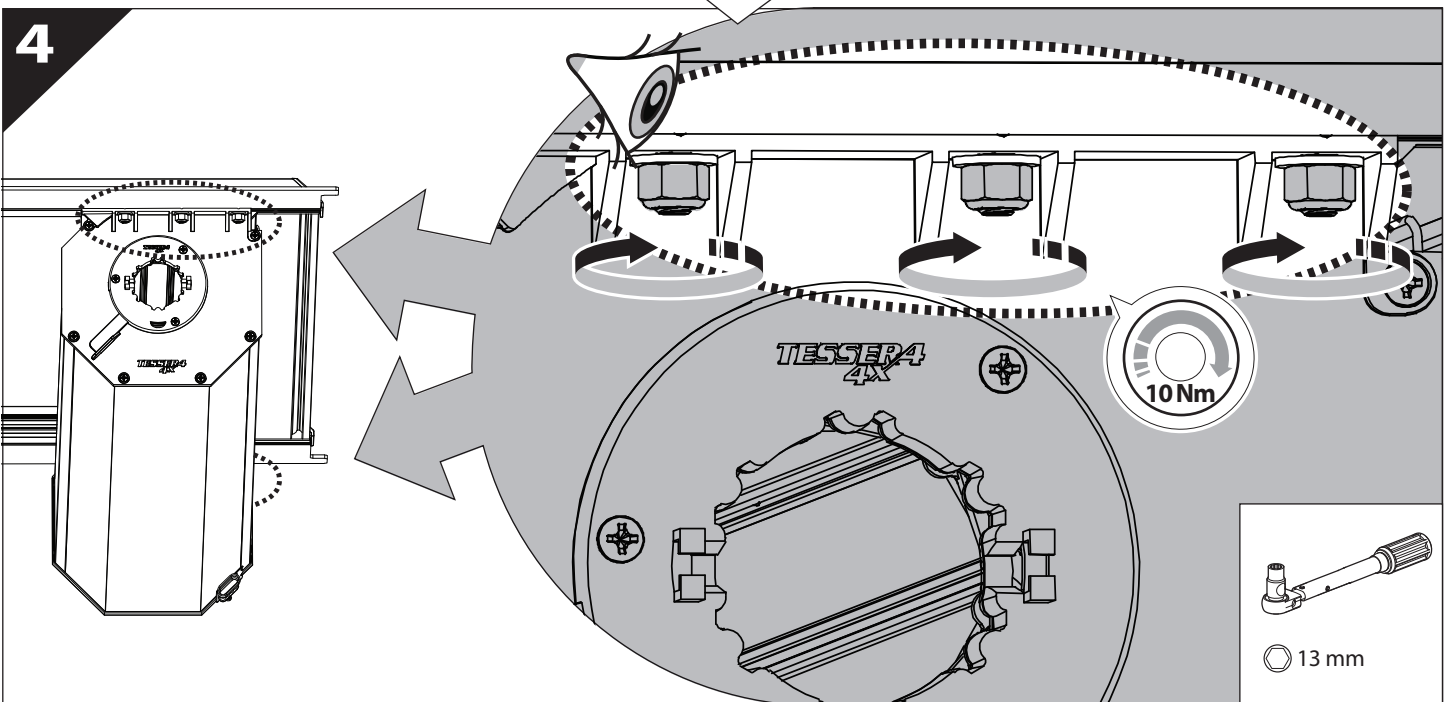
**L**

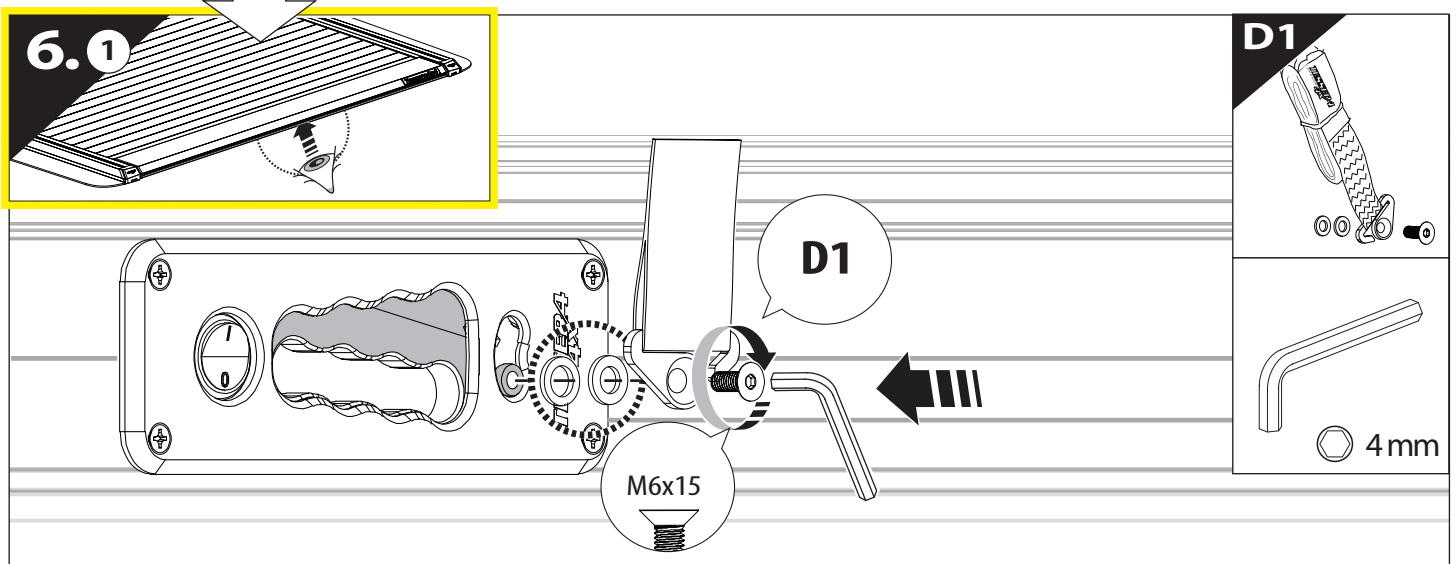
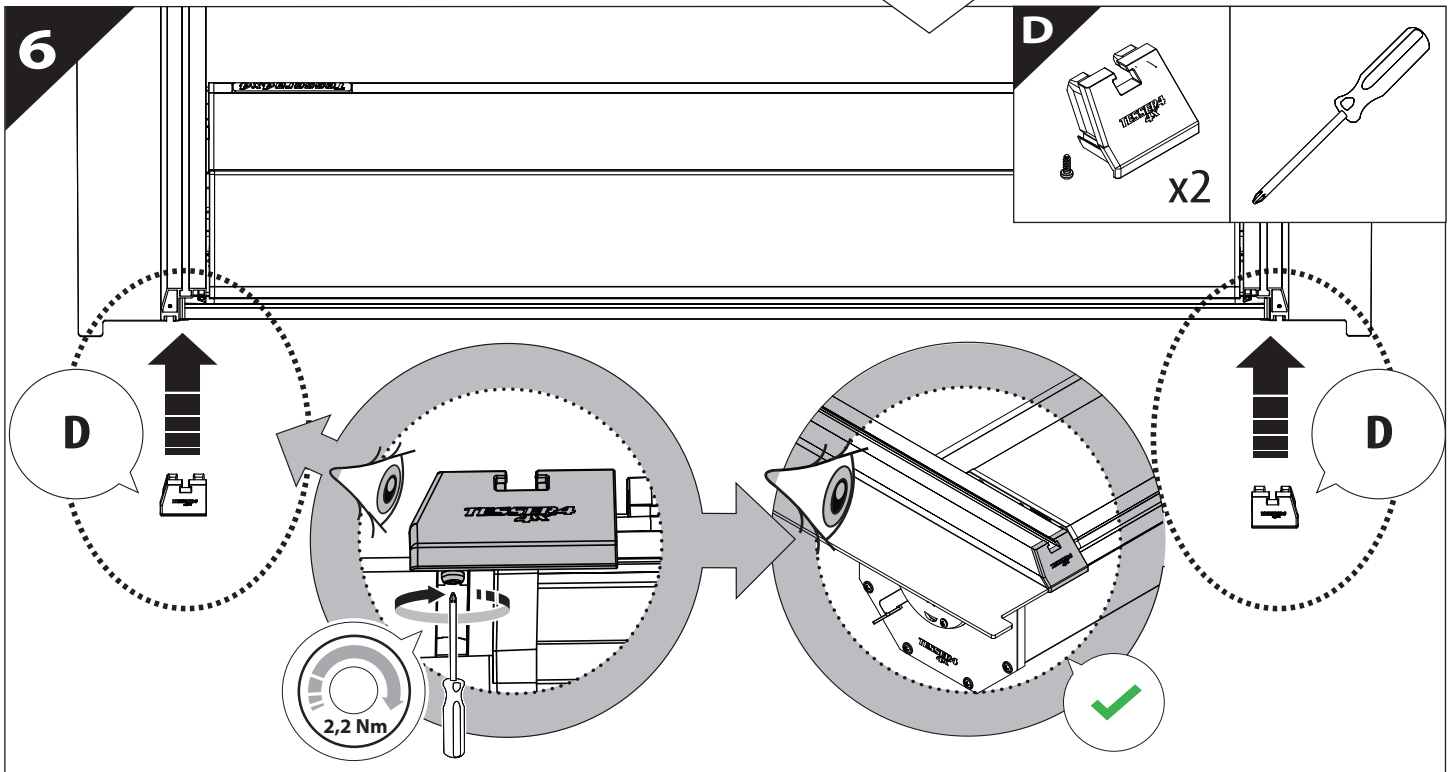
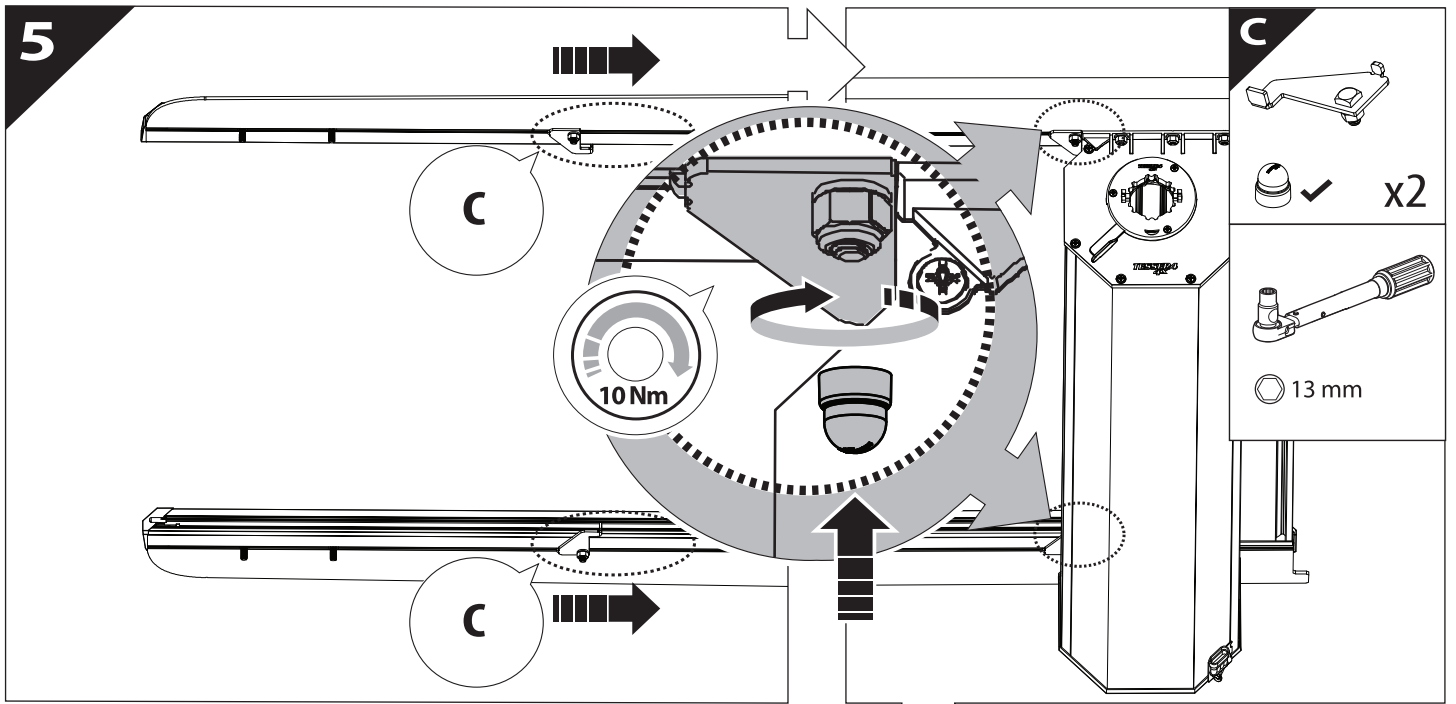


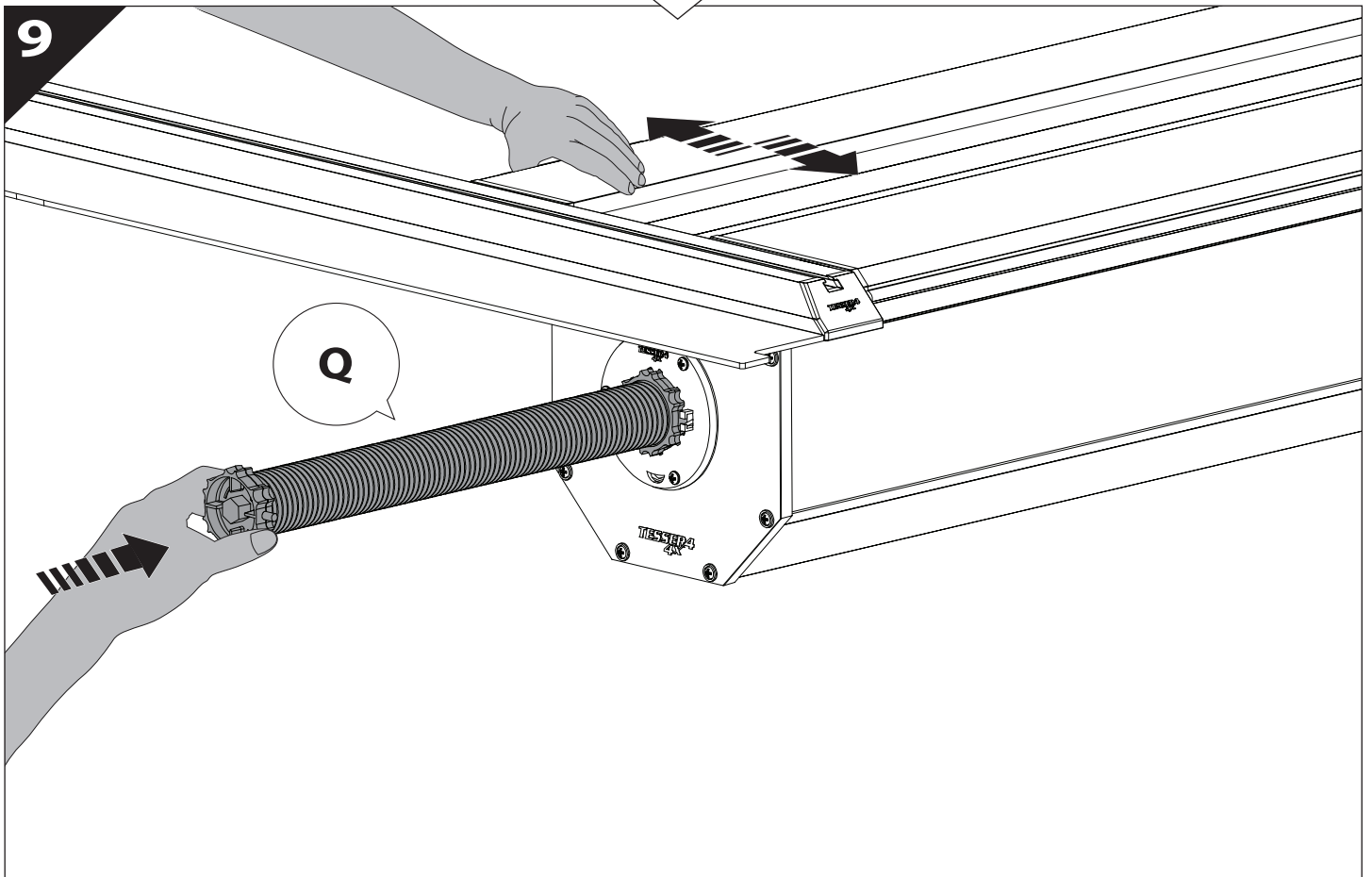
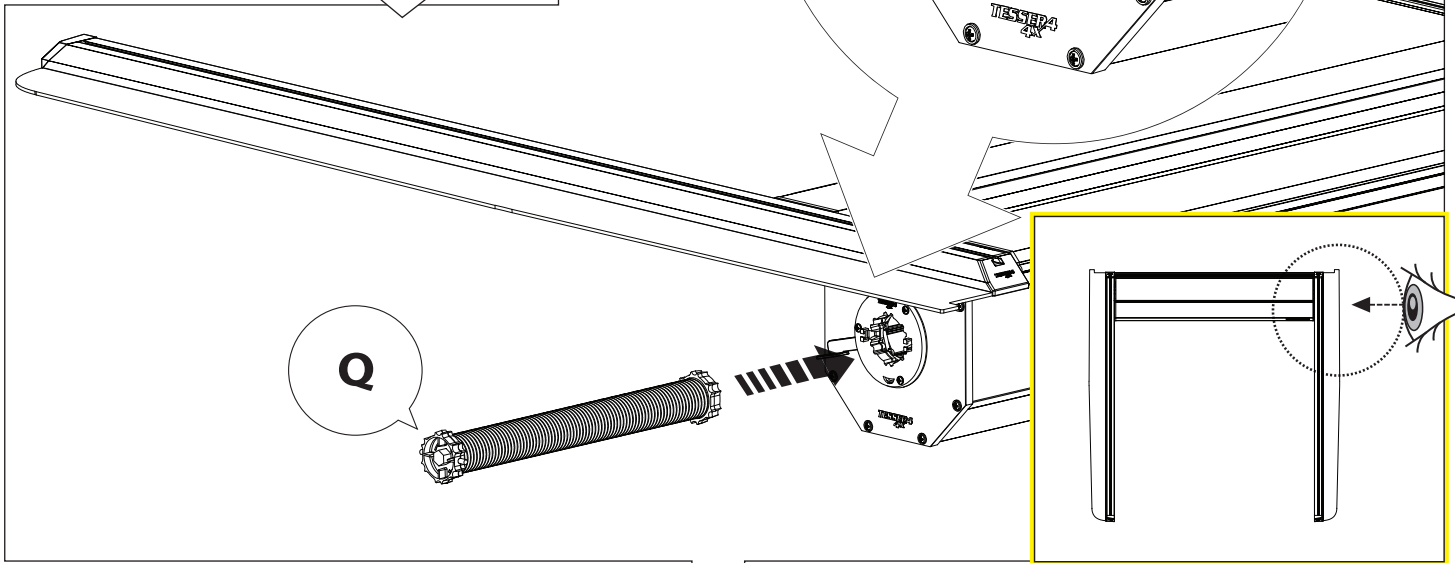
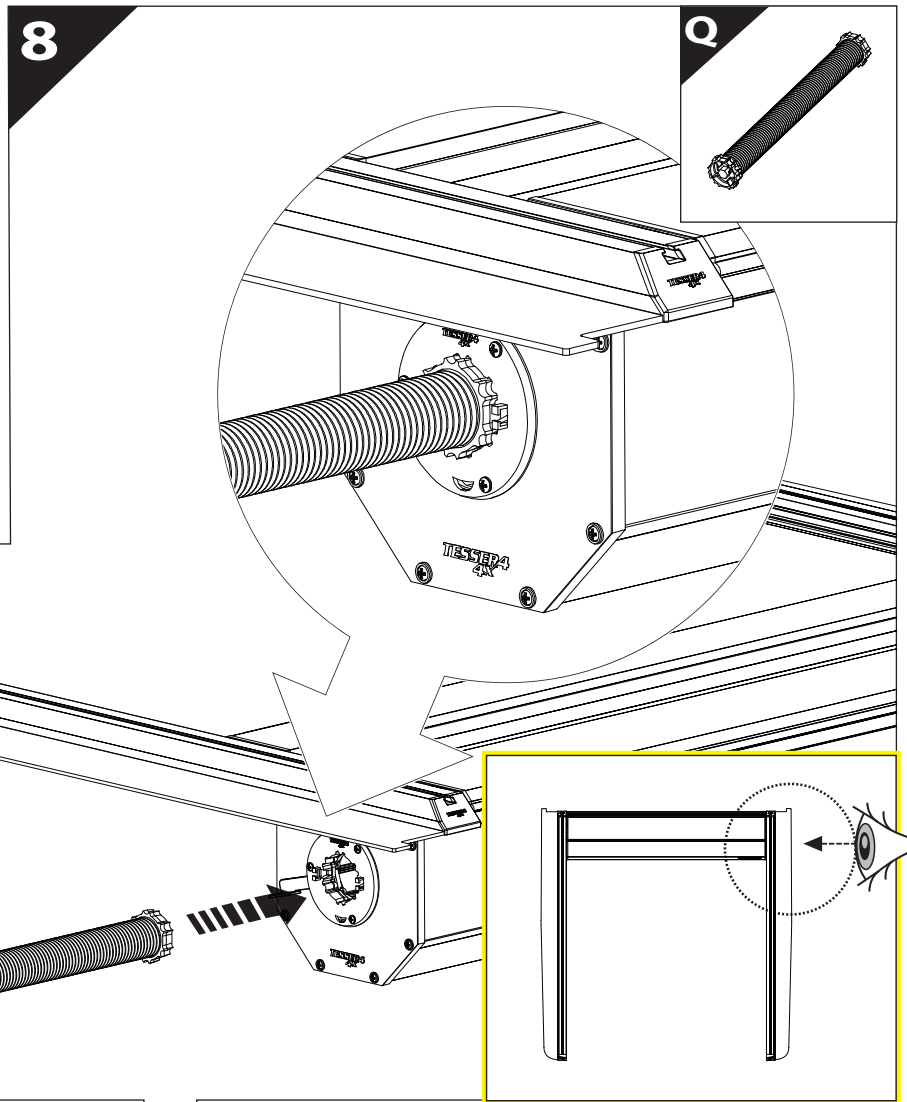
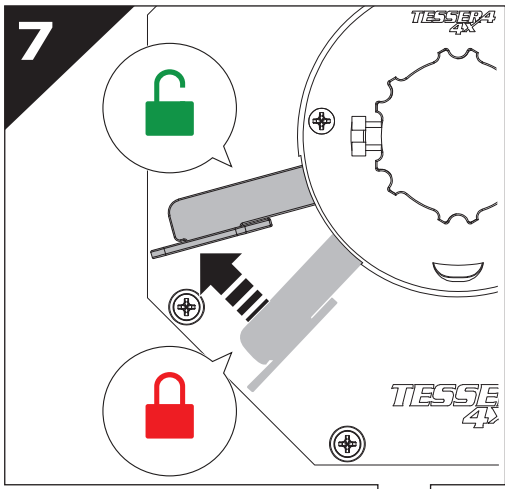
3



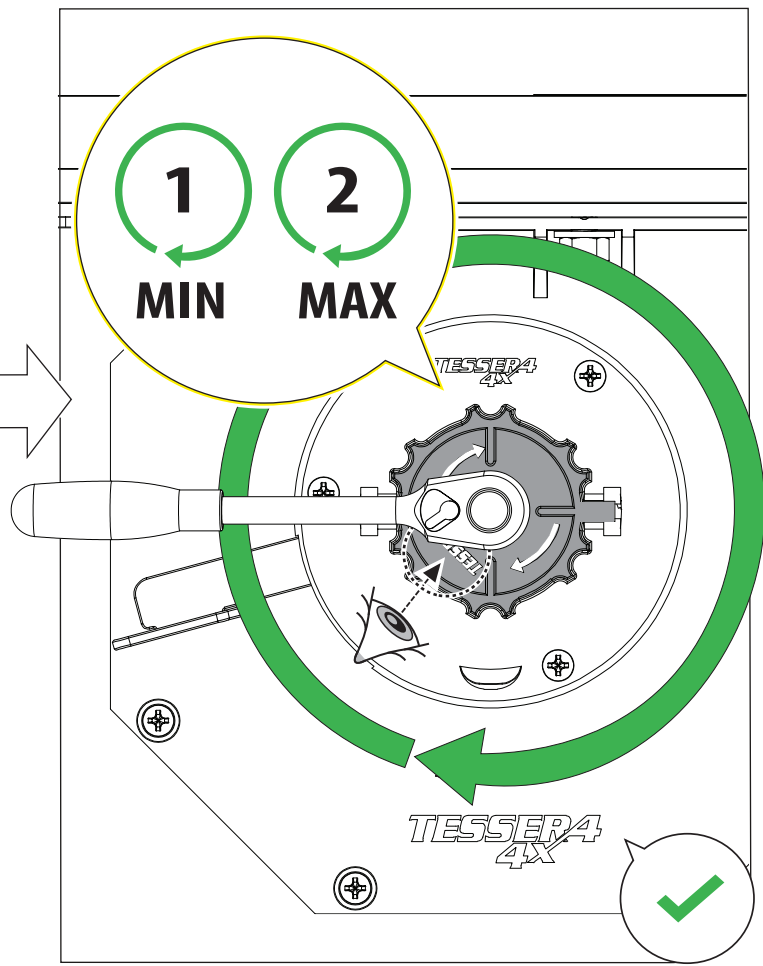
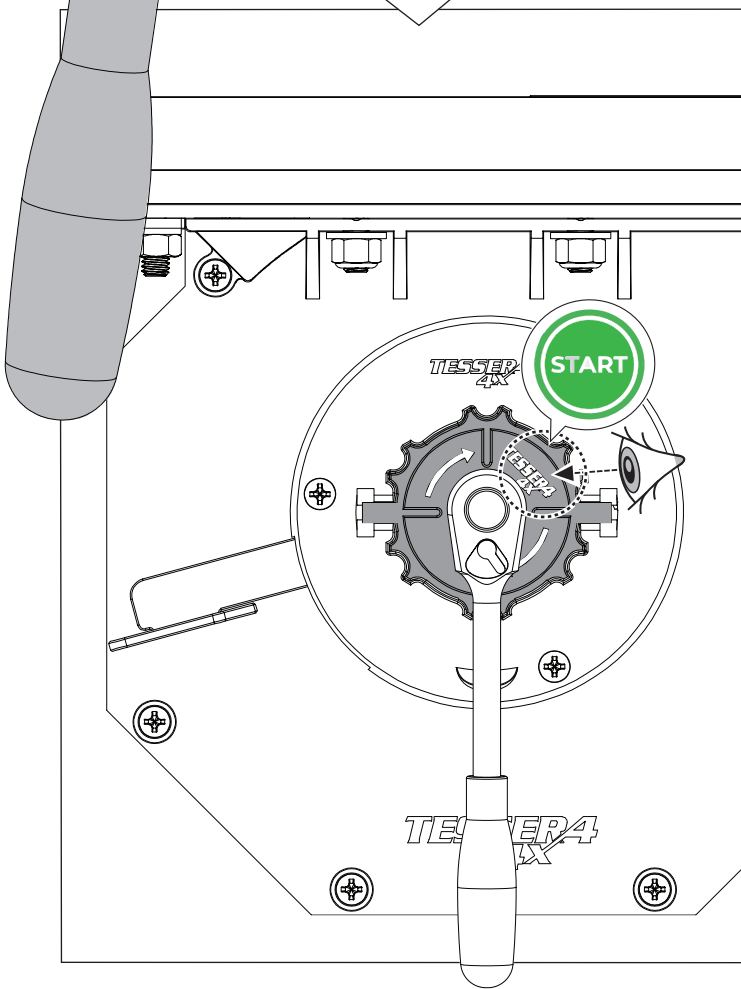
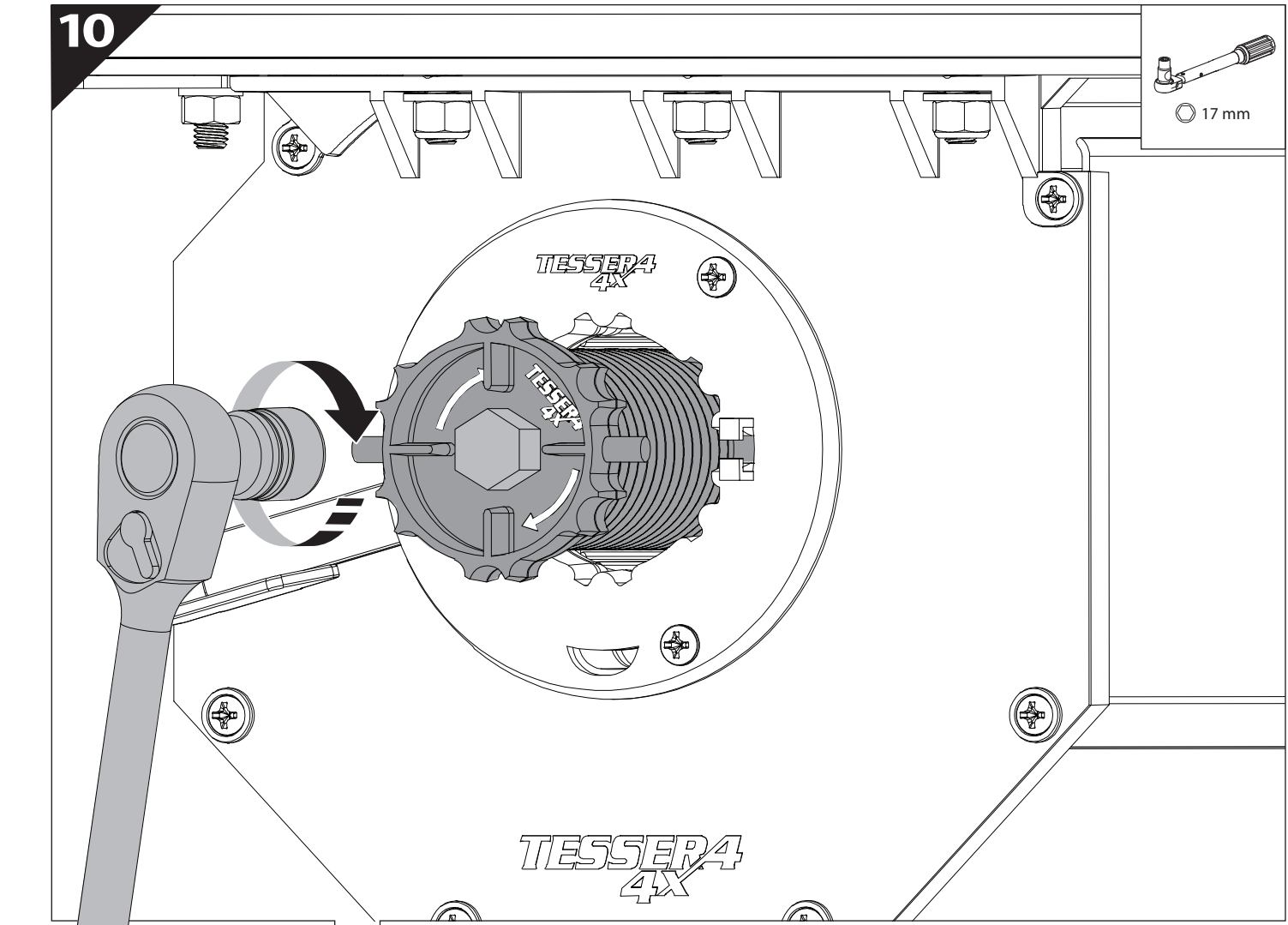
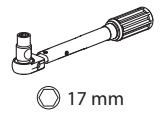
4



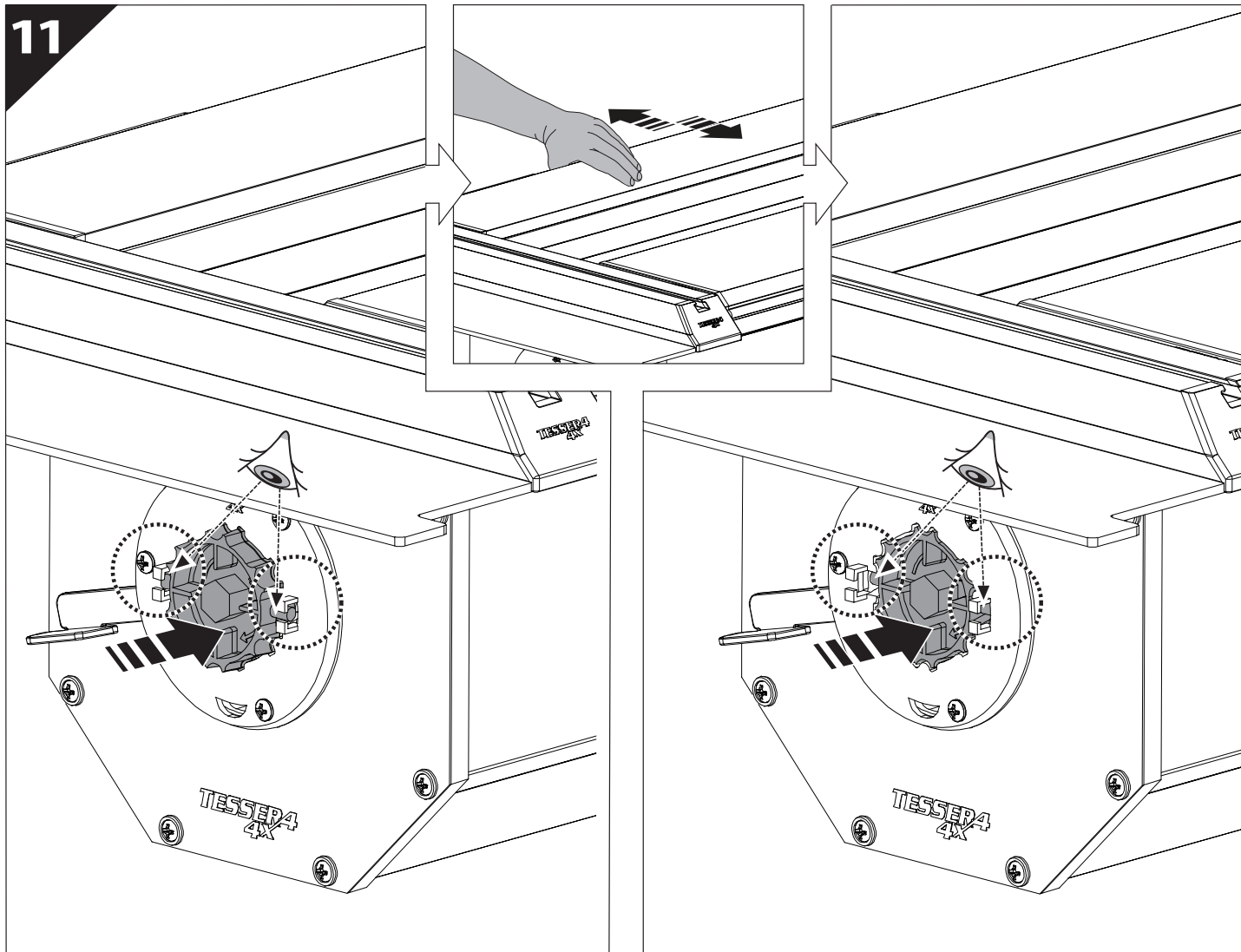




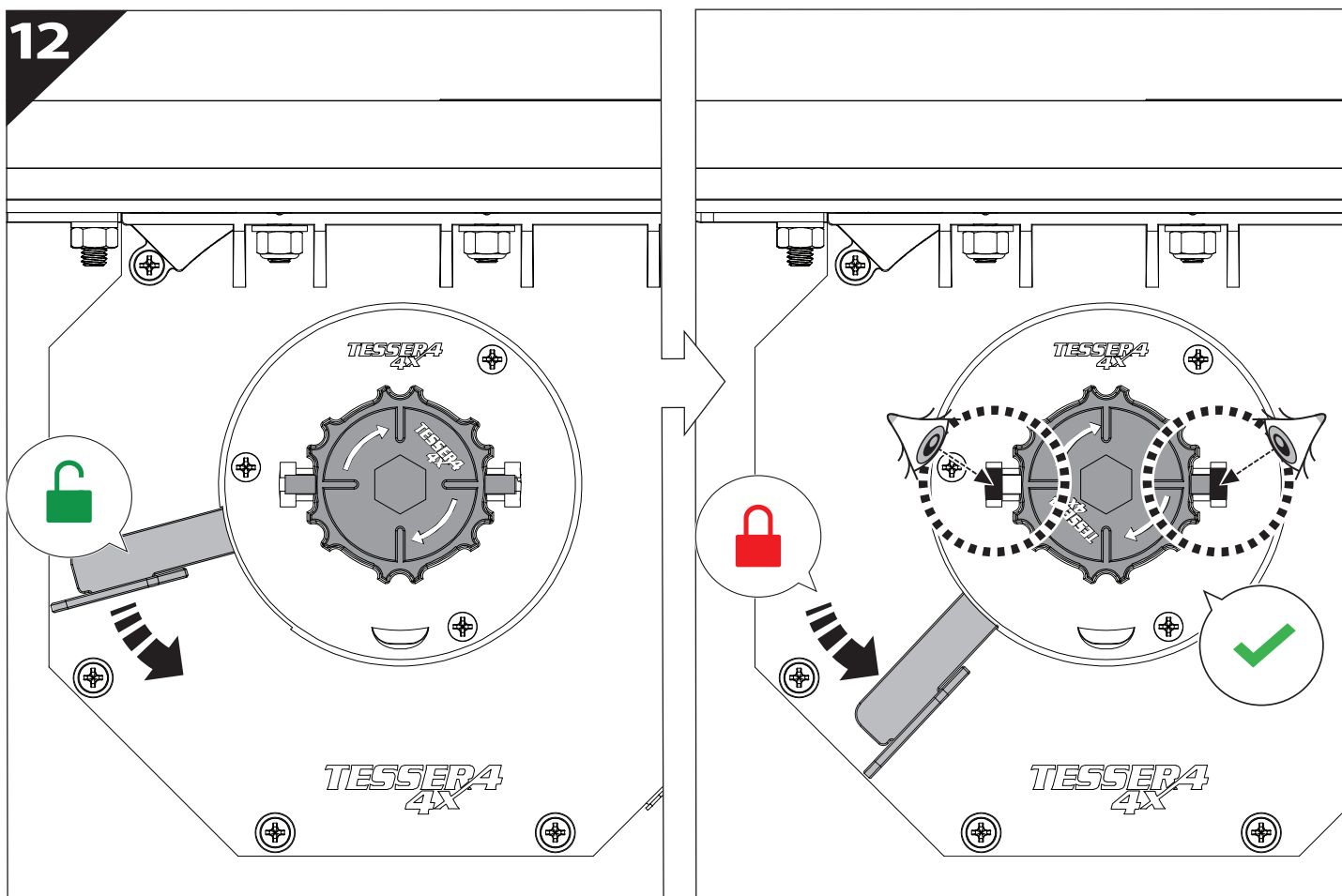
10



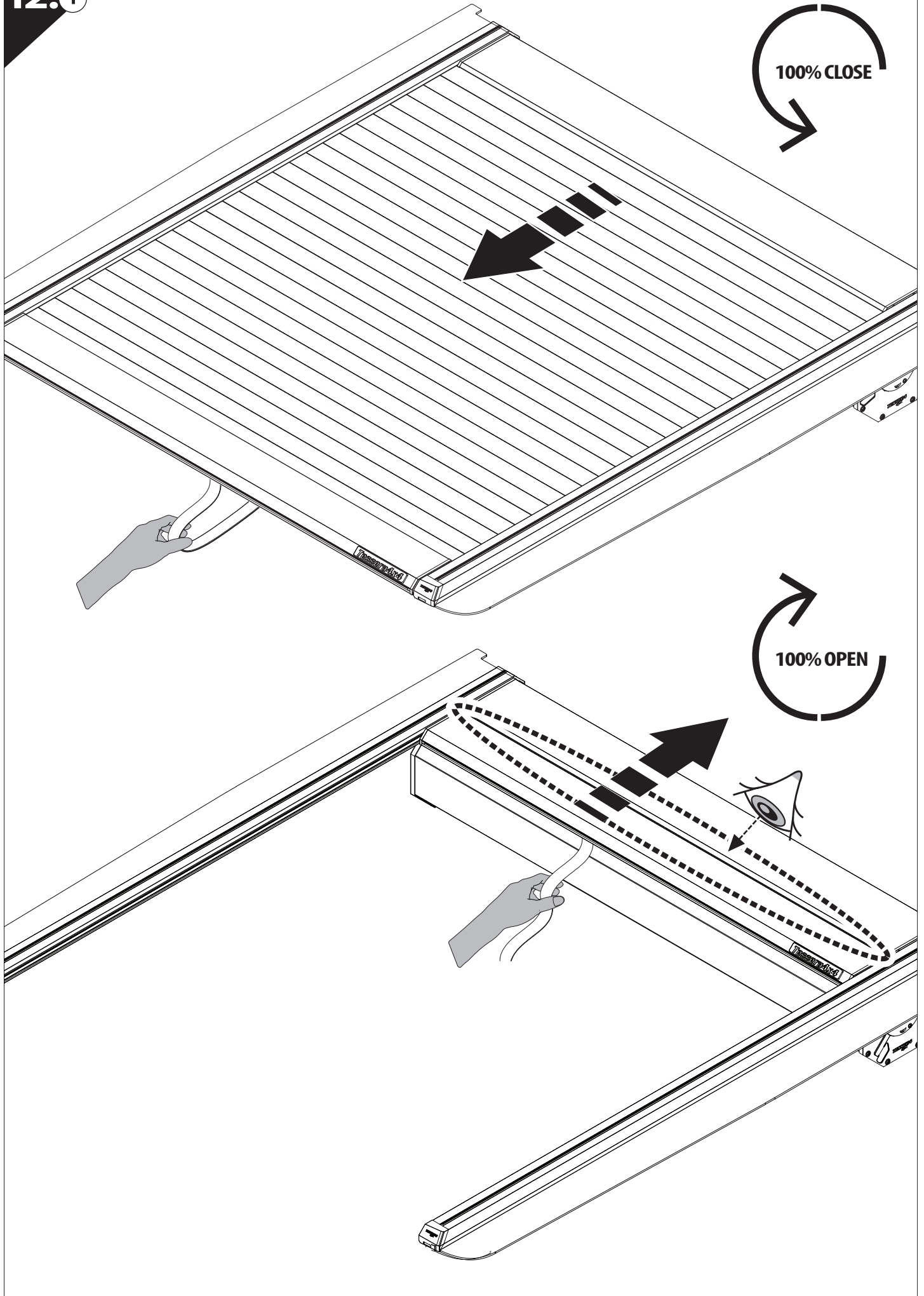
11



12



12.0



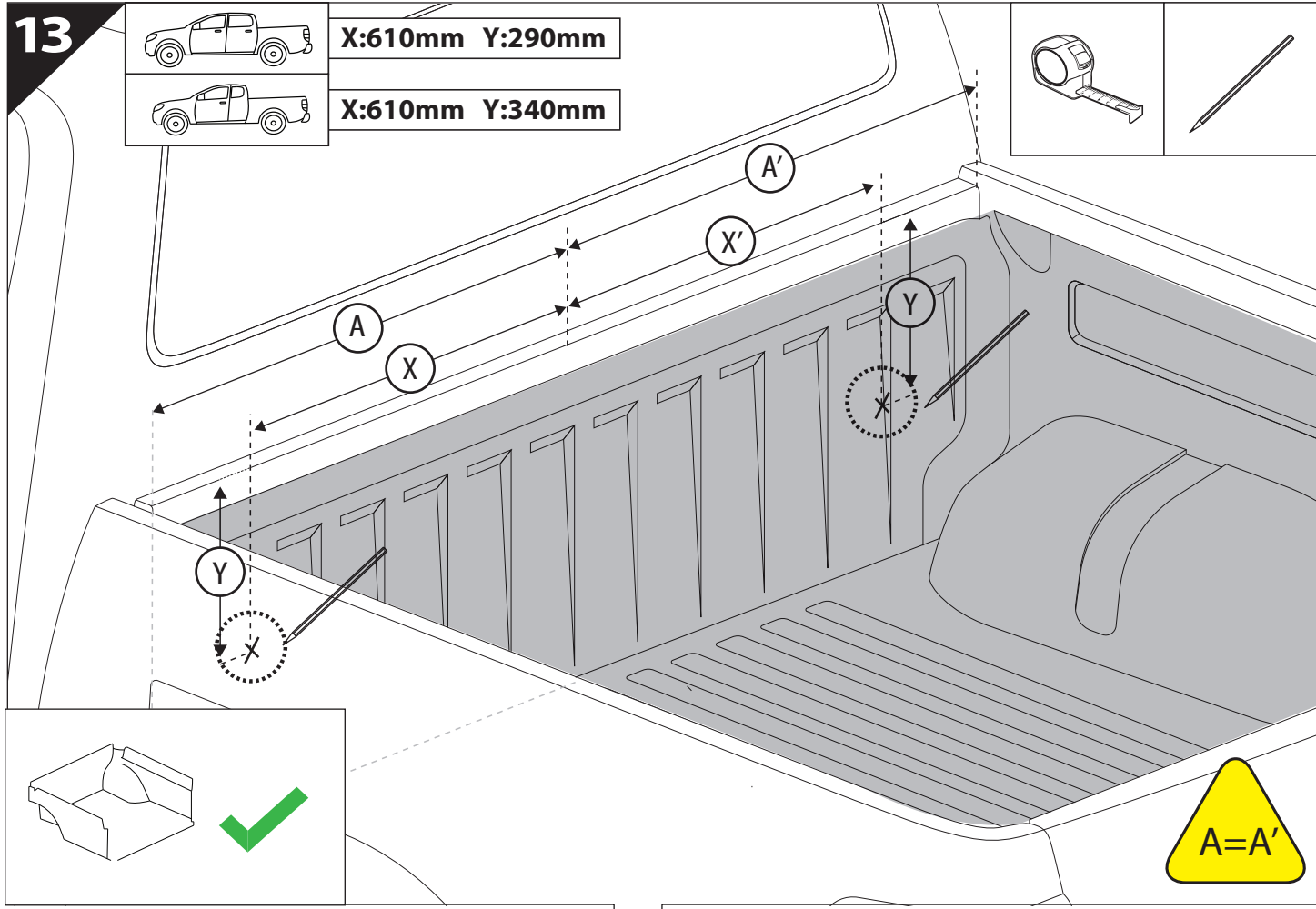
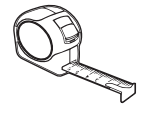
13



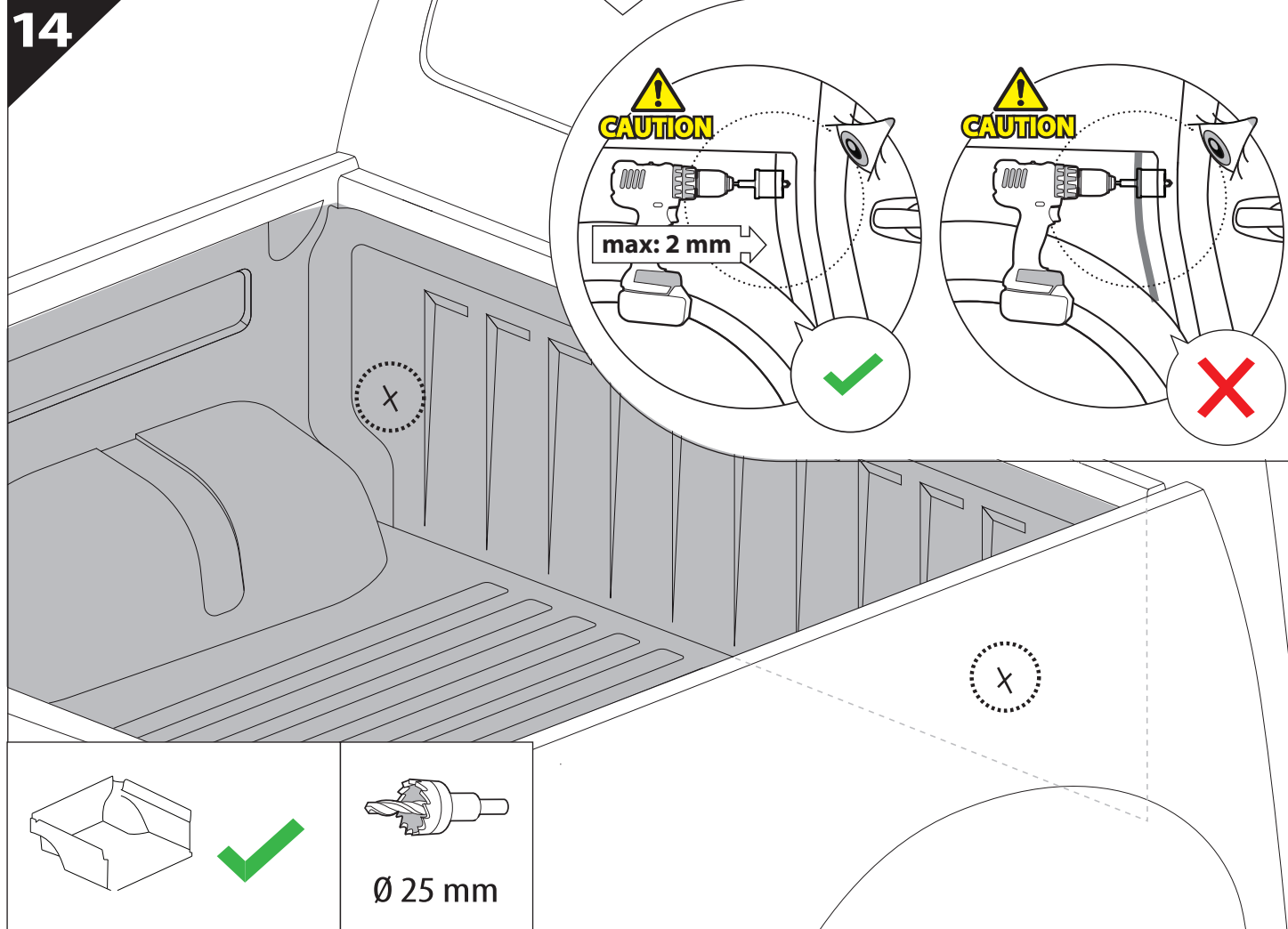
X:610mm Y:290mm

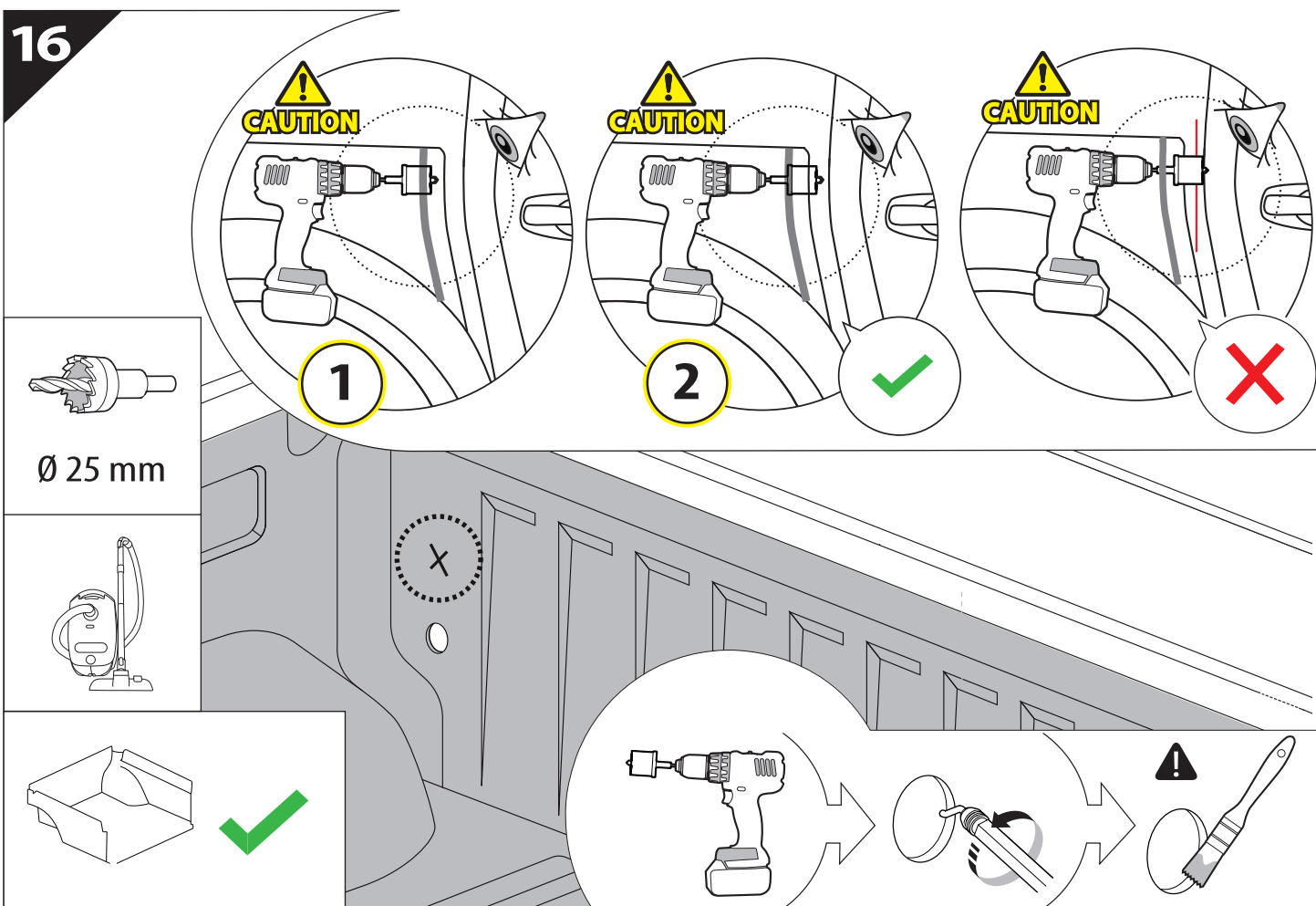
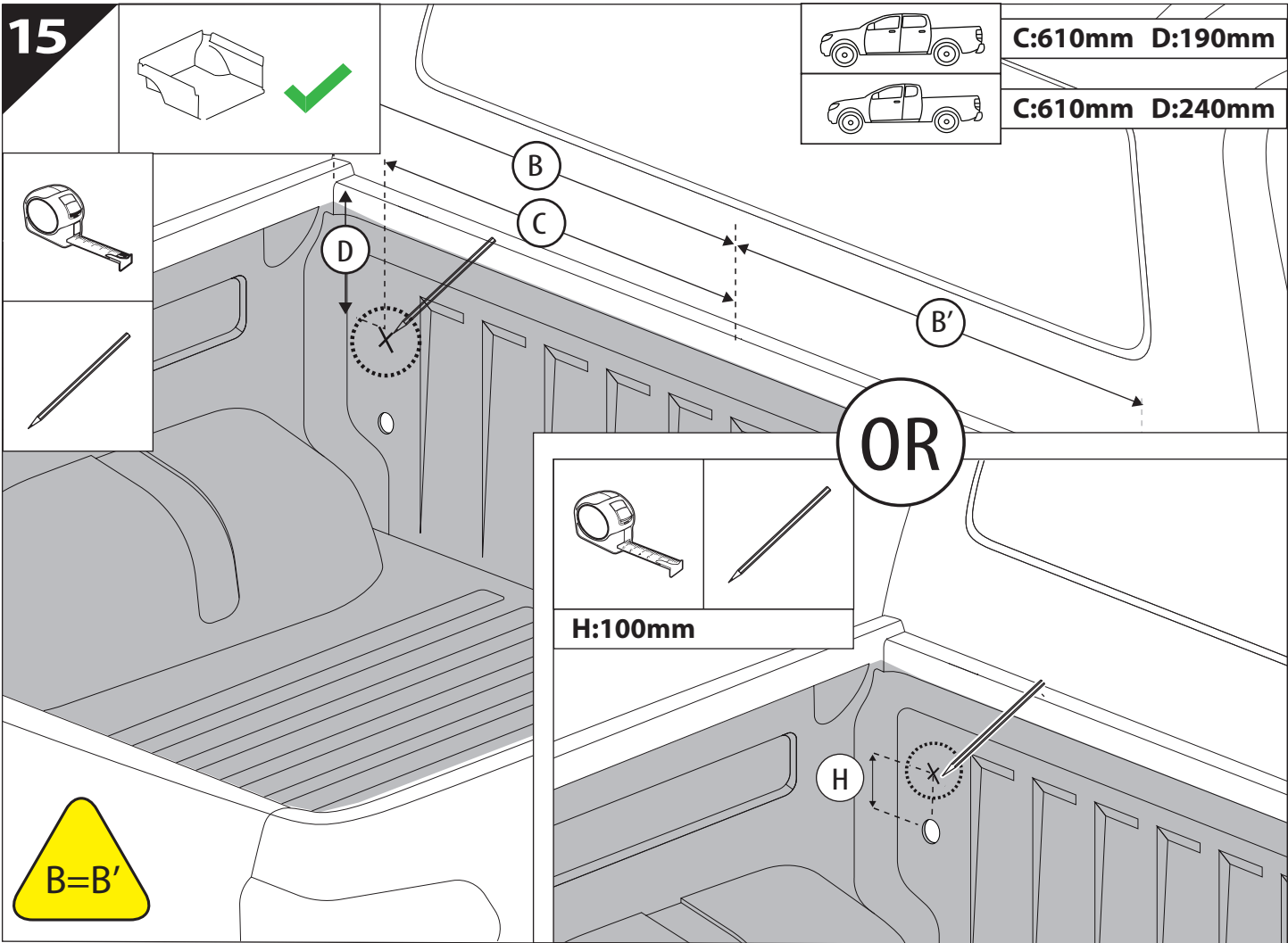


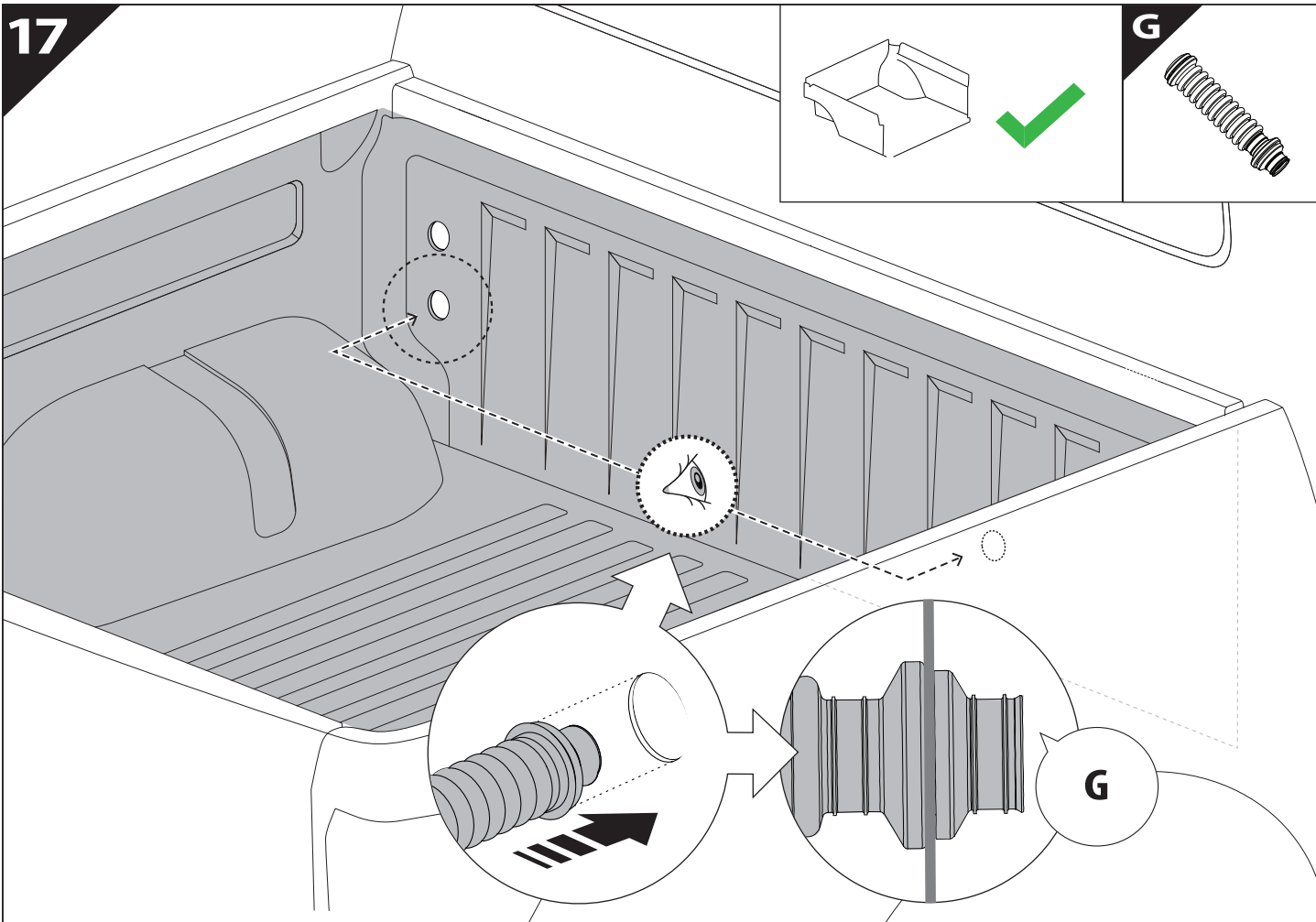
X:610mm Y:340mm



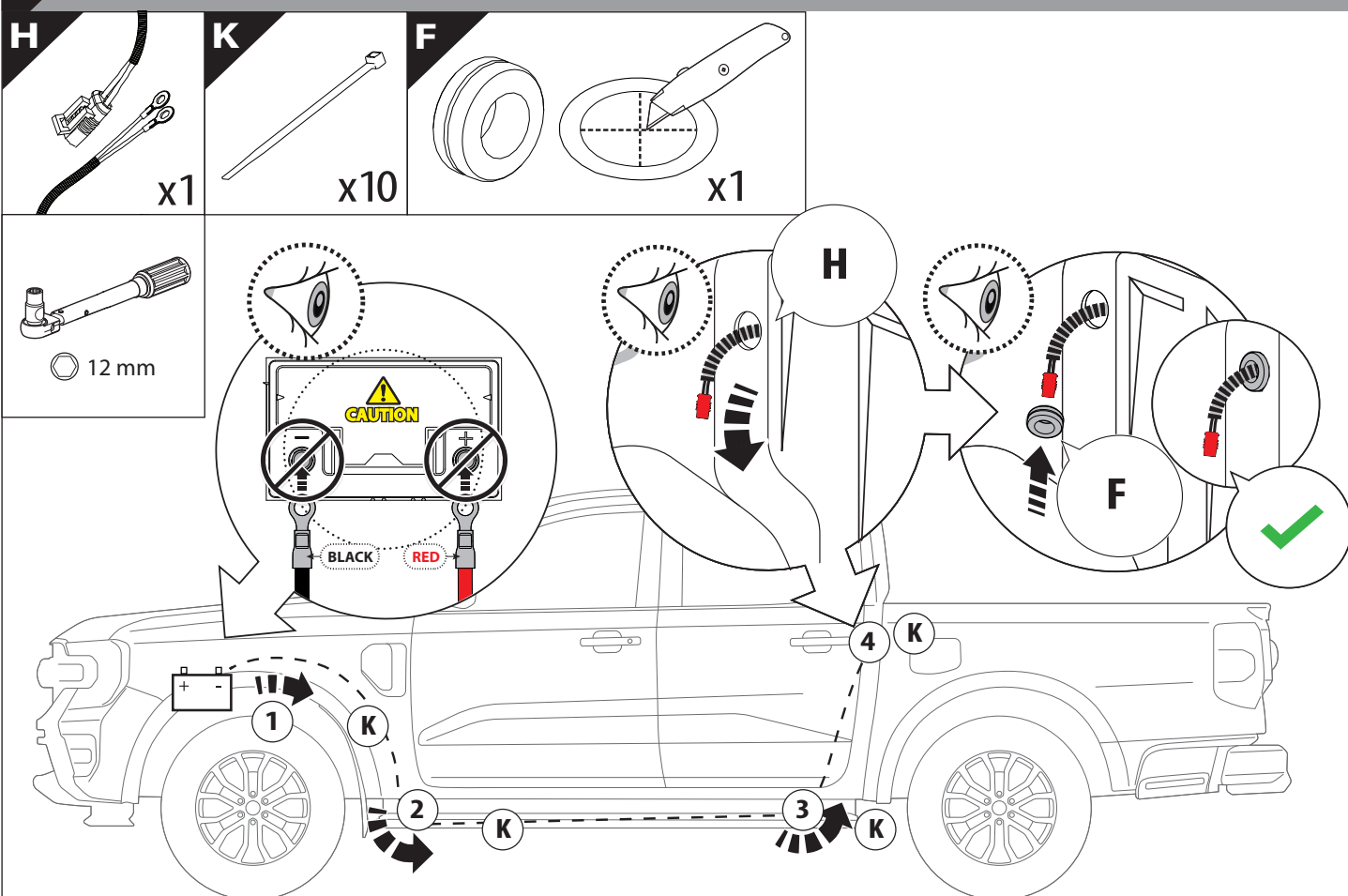
14



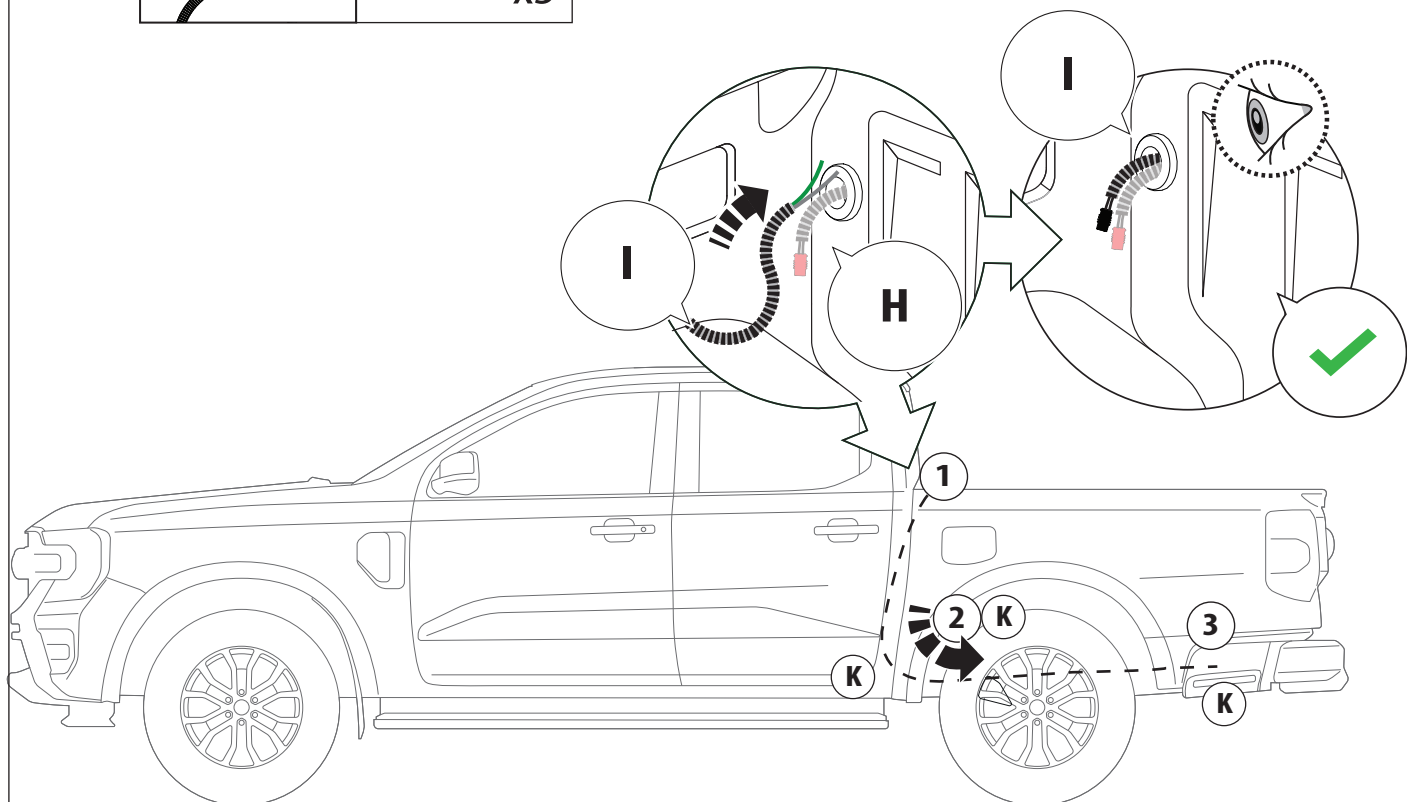
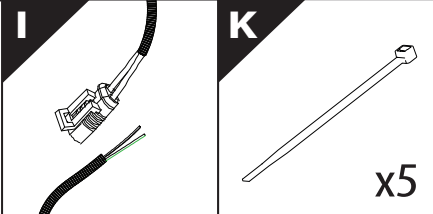




**18** Only to be installed by authorized personnel



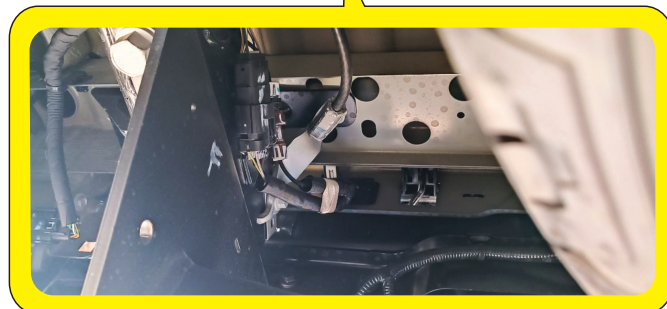
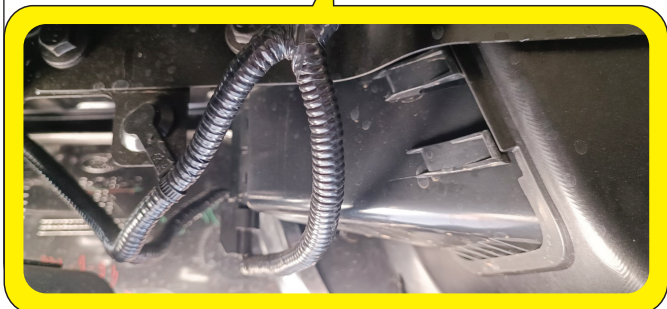
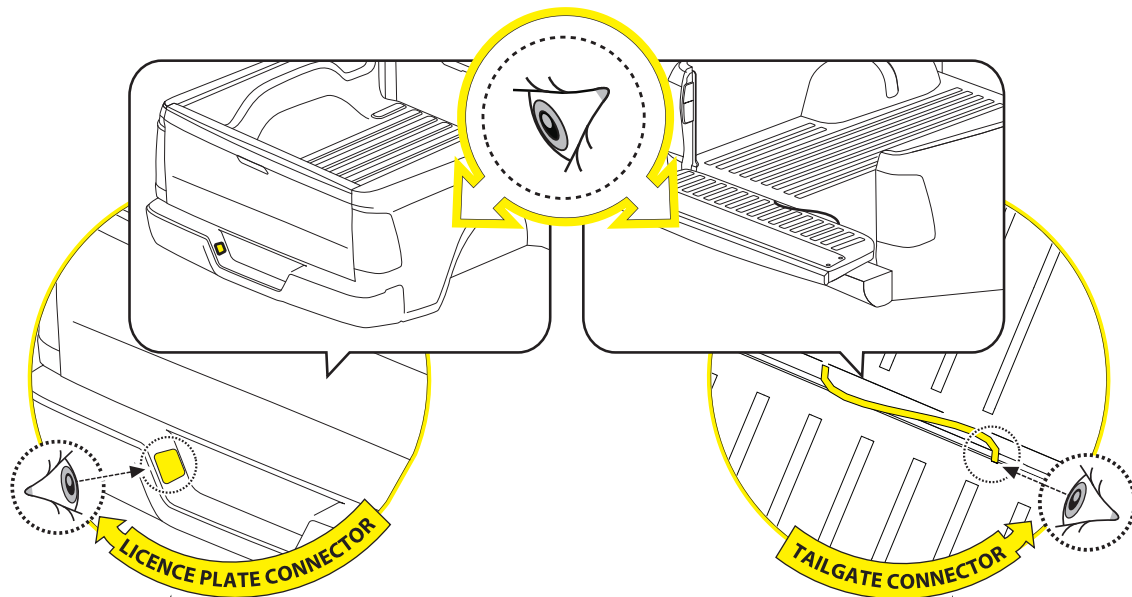
19



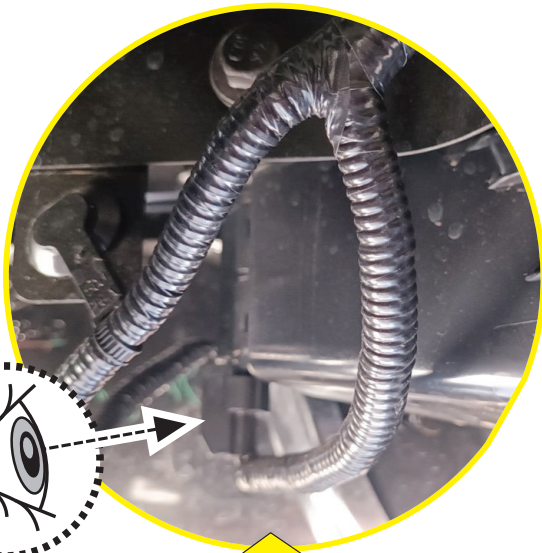
20



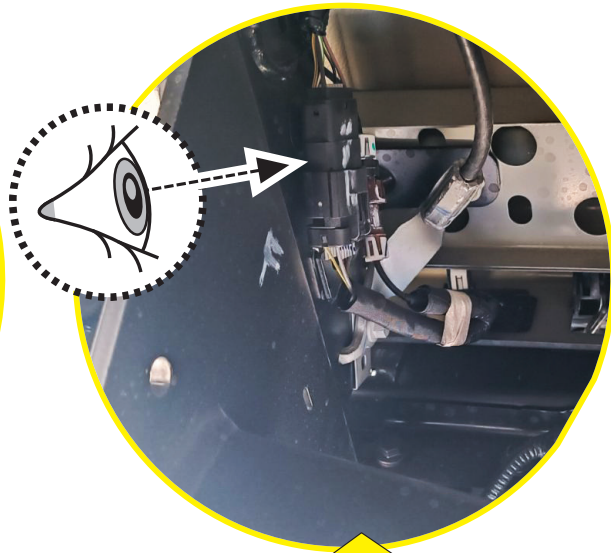
CAUTION: LIMITED, WILDTRAK, WILDTRAK X, PLATINUM



20. 1



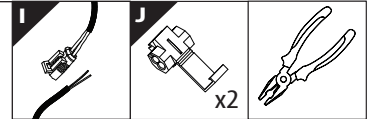
LICENCE PLATE CONNECTOR



TAILGATE CONNECTOR

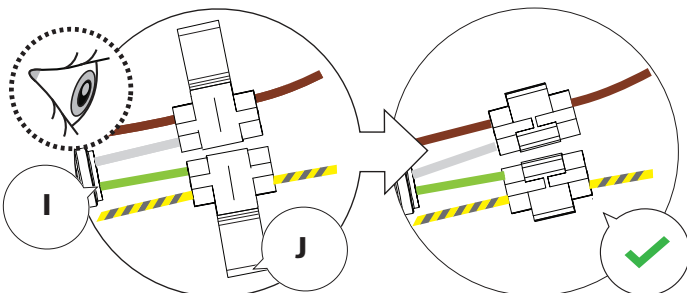
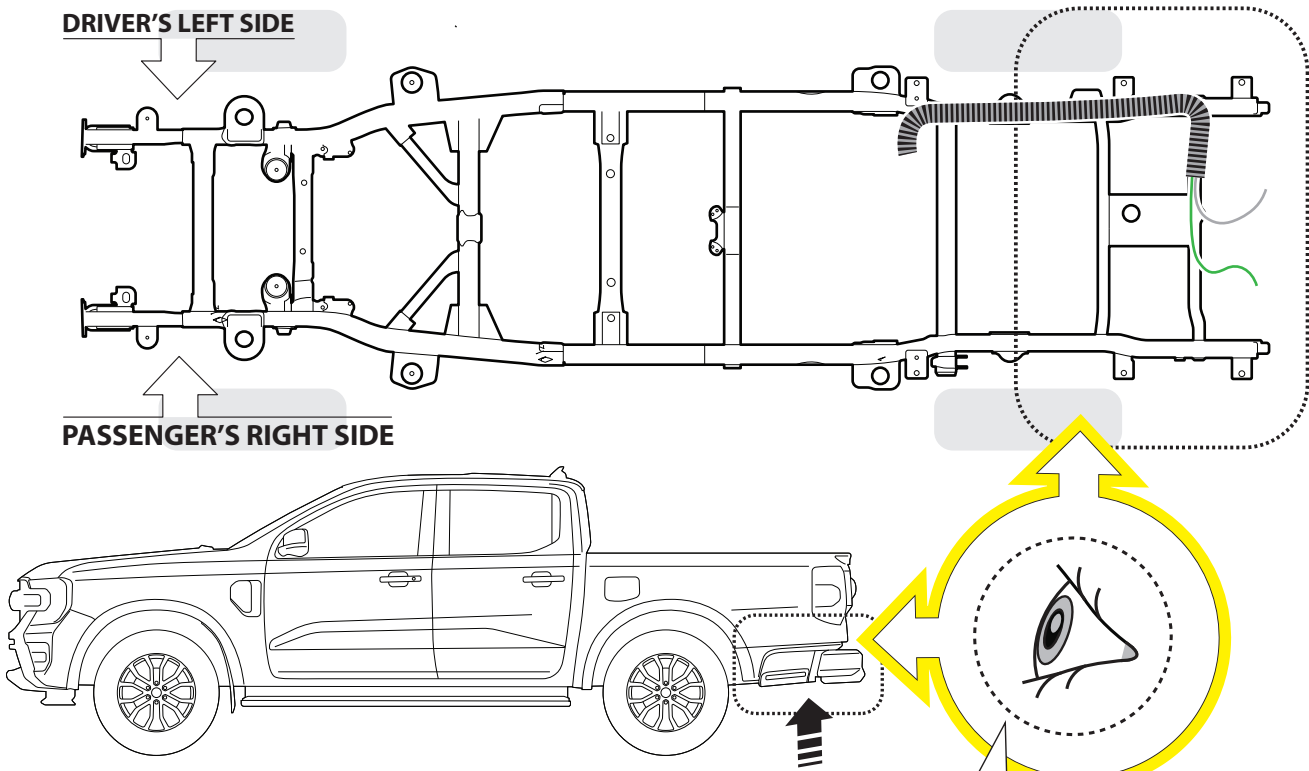
20. 2

BOTTOM VIEW



DRIVER'S LEFT SIDE

PASSENGER'S RIGHT SIDE

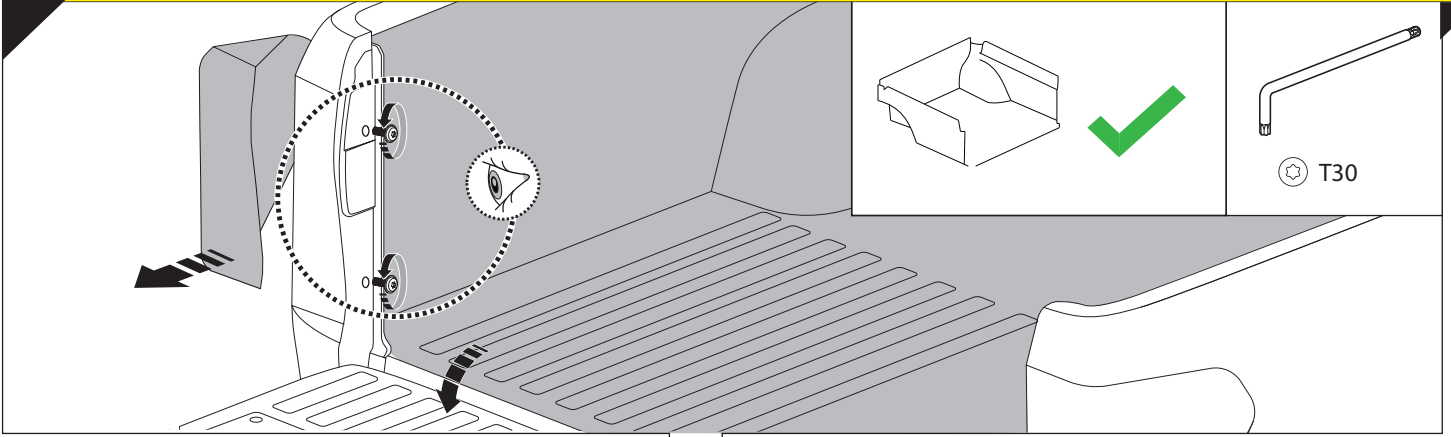


	CAR		TESSERA ROLL+
BEAM		↔	
LICENCE PLATE 2 PIN LIGHT CONNECTOR			
STOP		↔	
TAILGATE CONNECTOR			

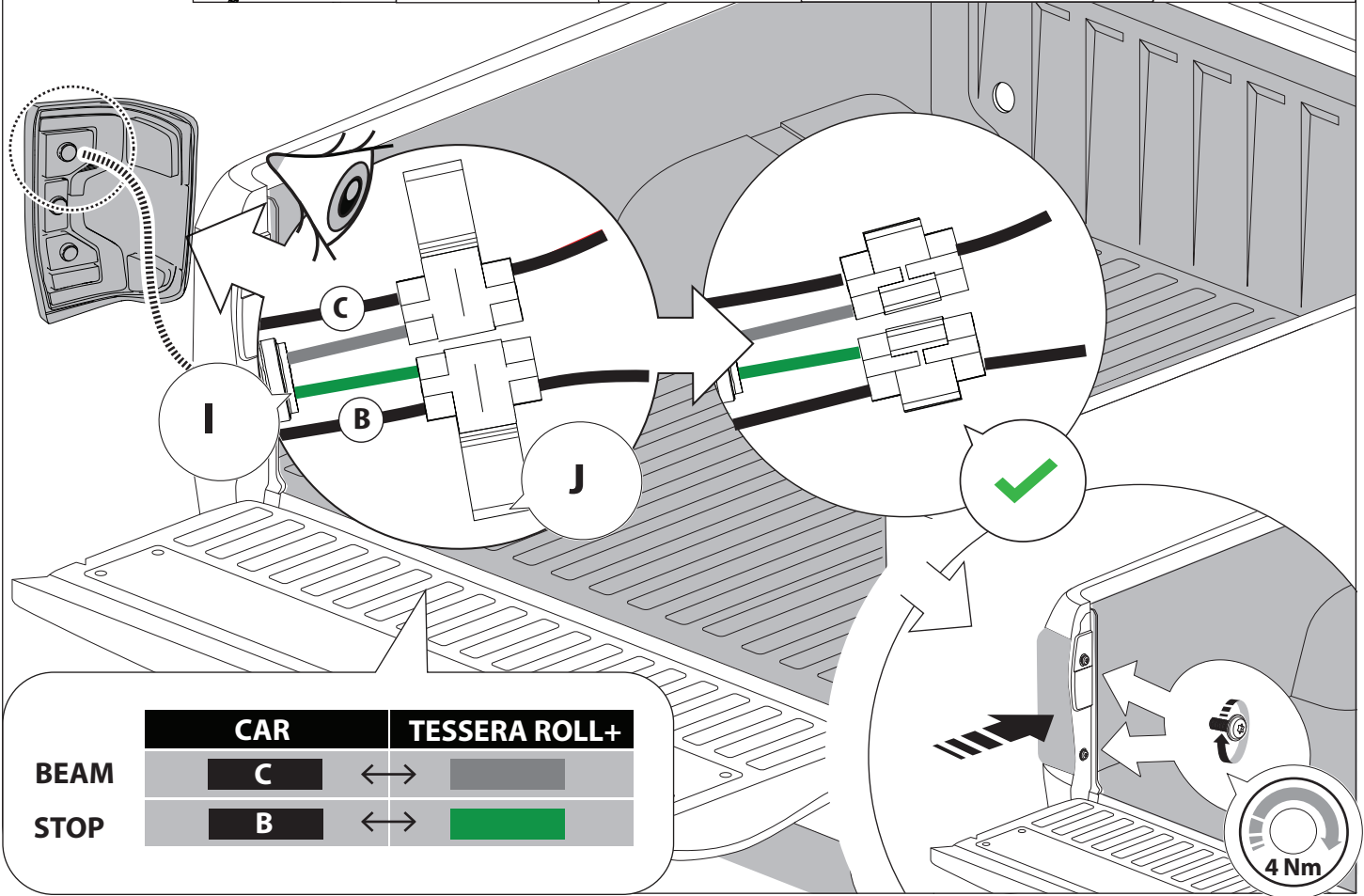
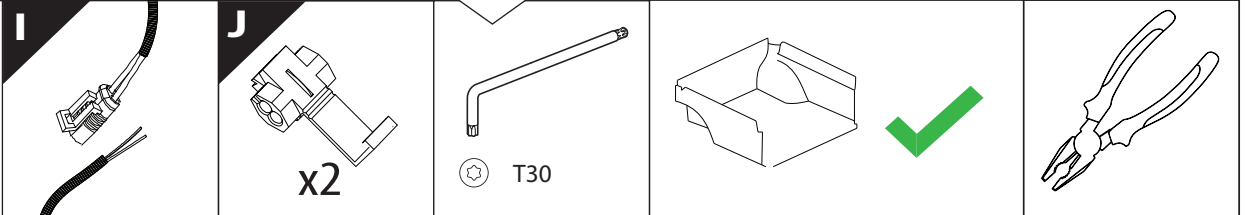
21



CAUTION: XL, XLT, TREMOR

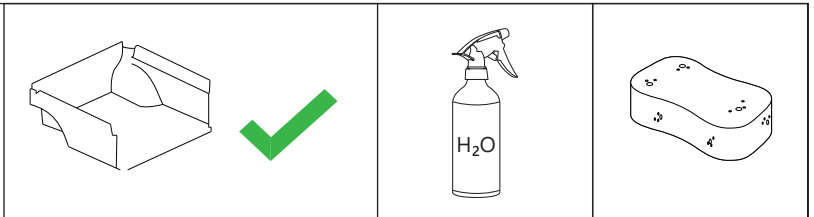
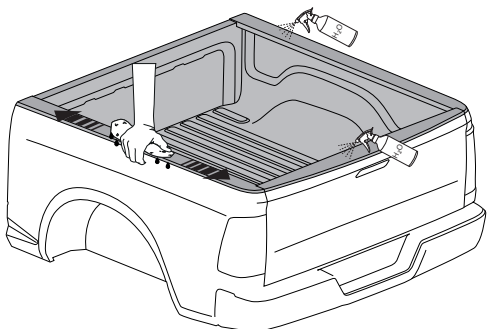


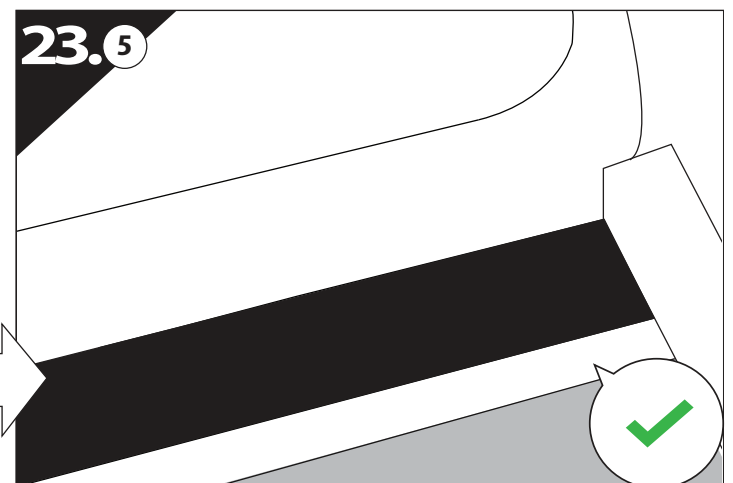
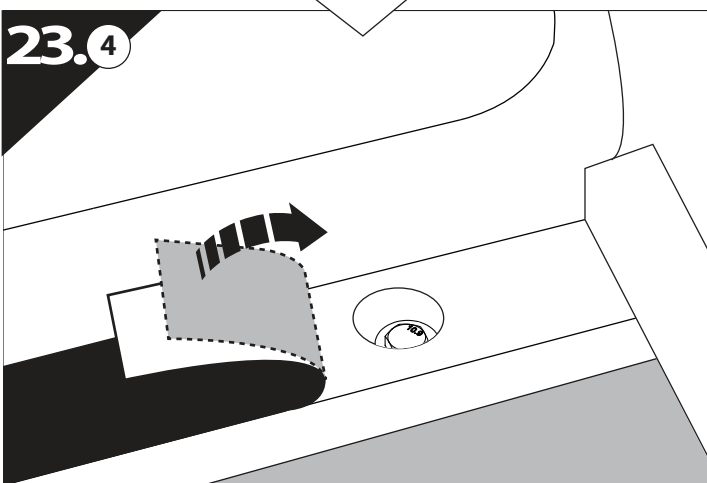
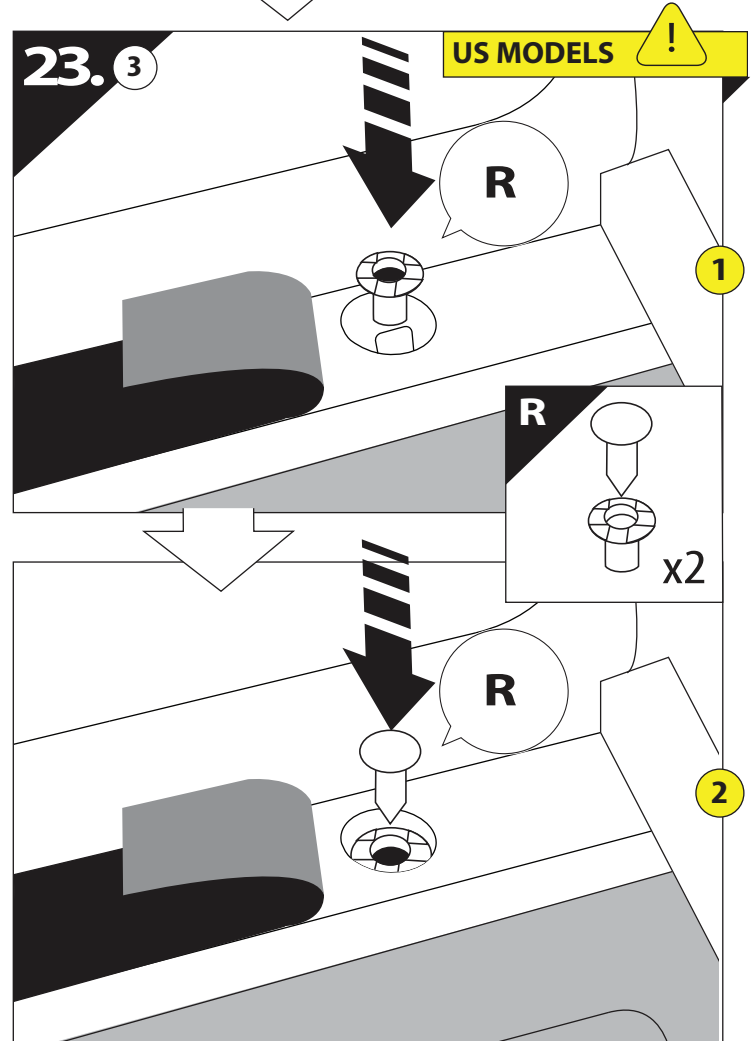
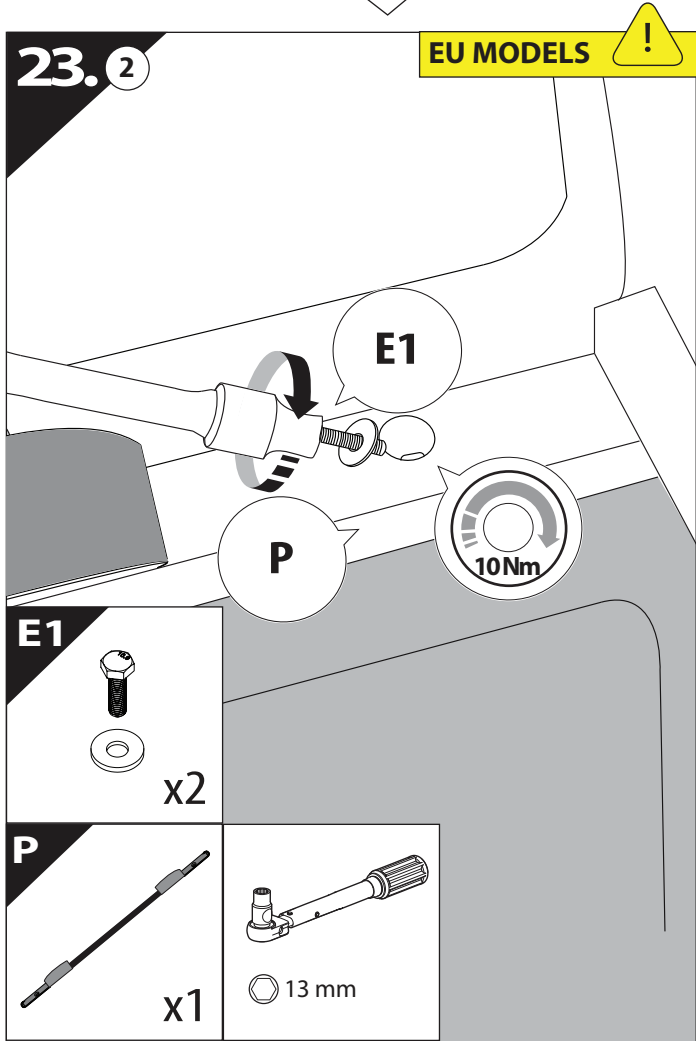
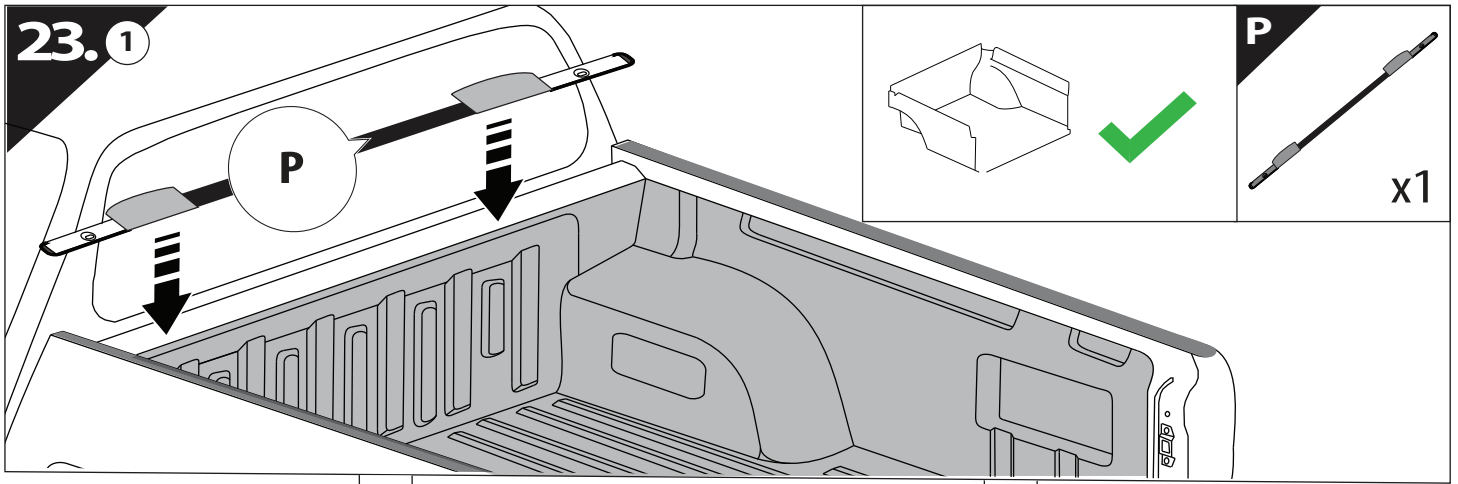
22



	CAR		TESSERA ROLL+
BEAM	C	↔	■
STOP	B	↔	■

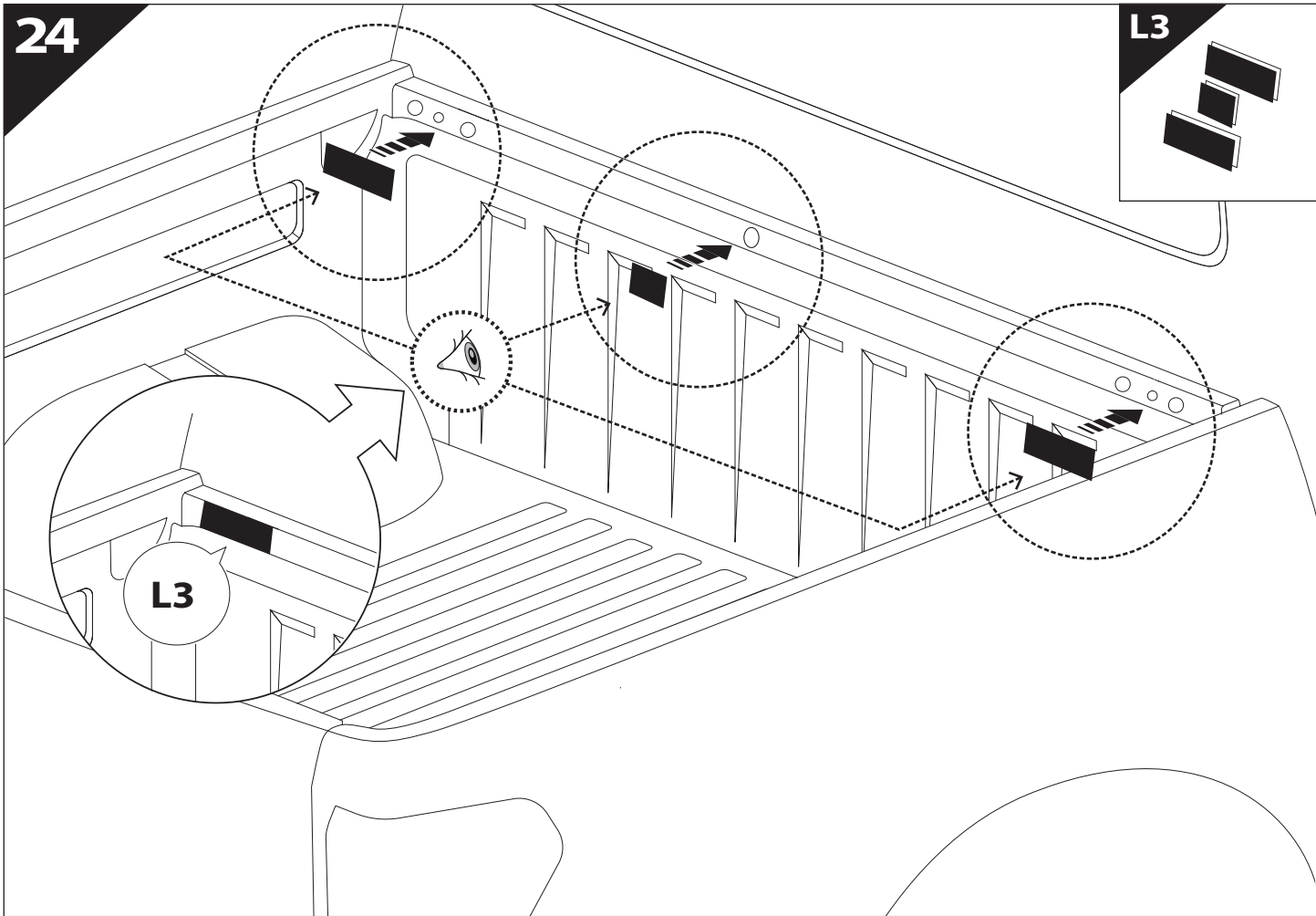
23

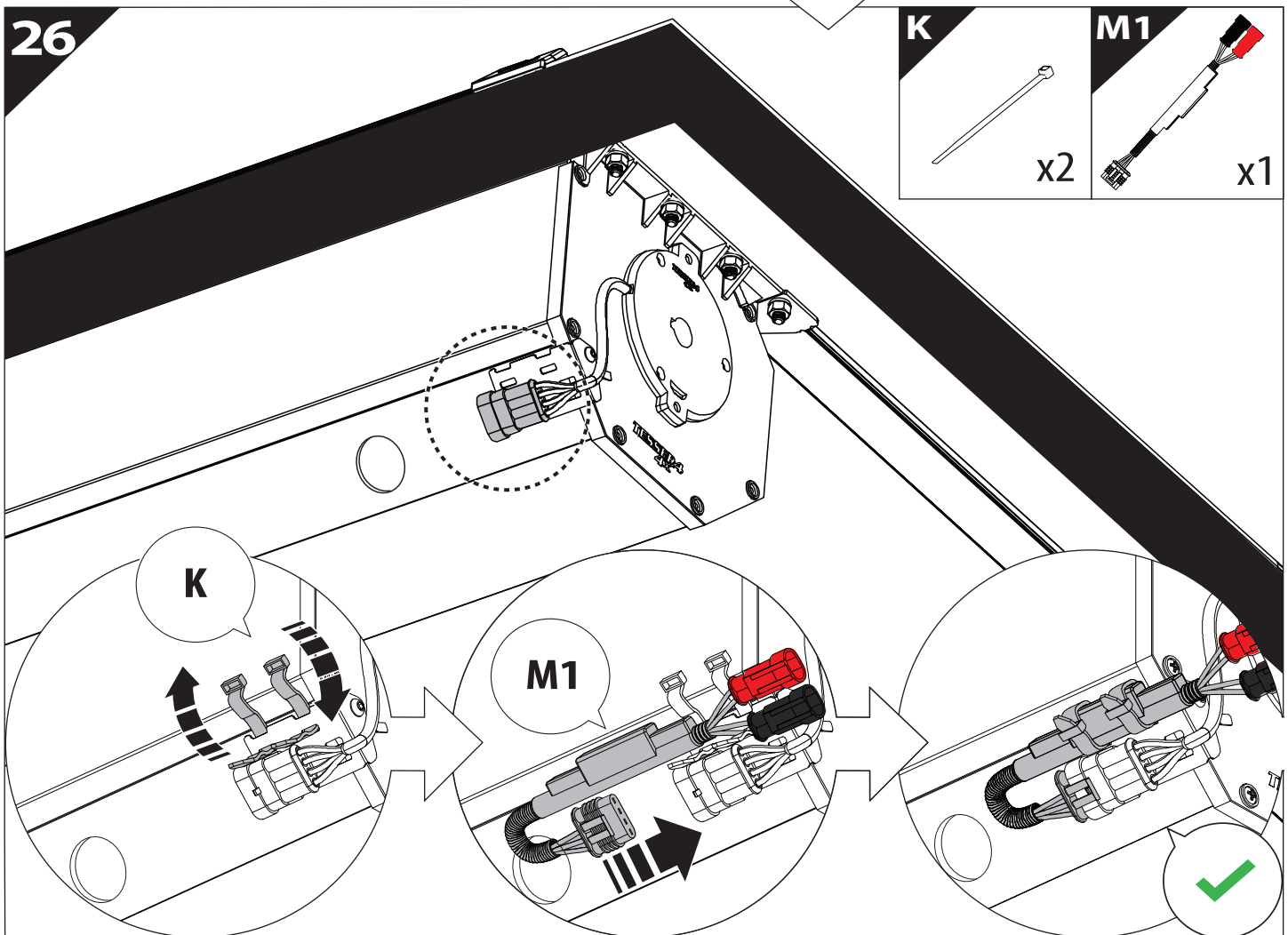
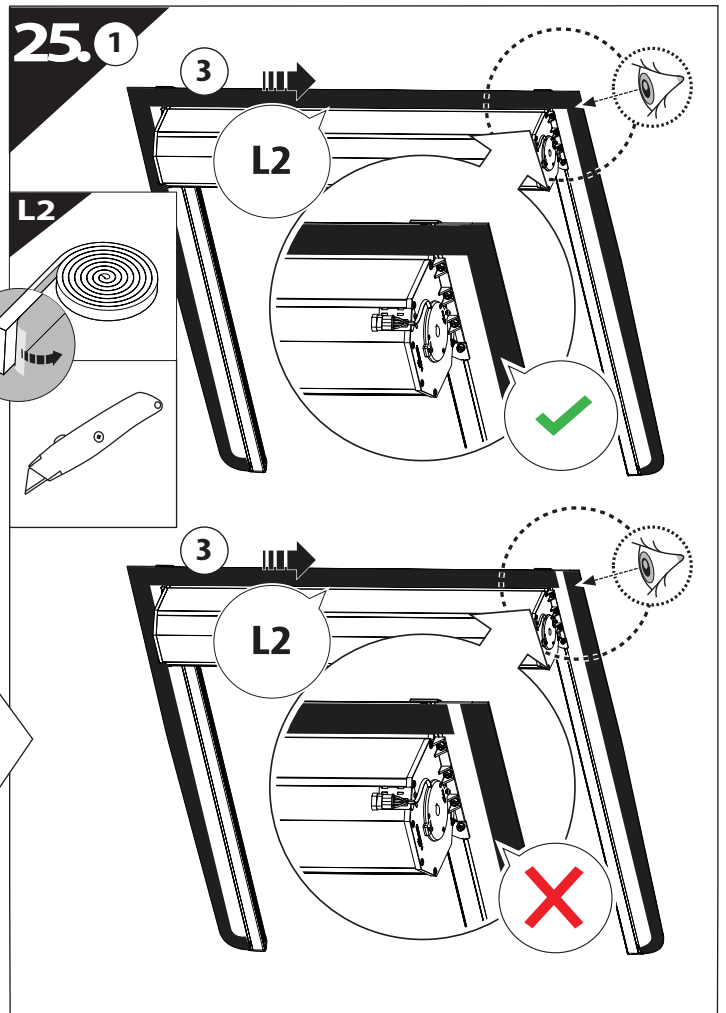
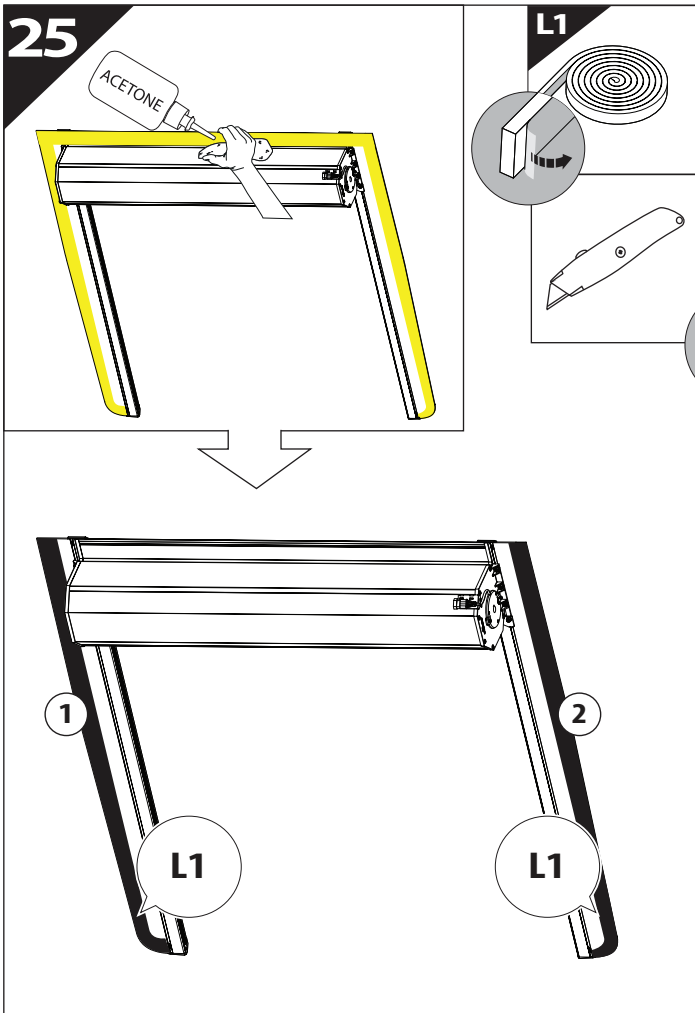


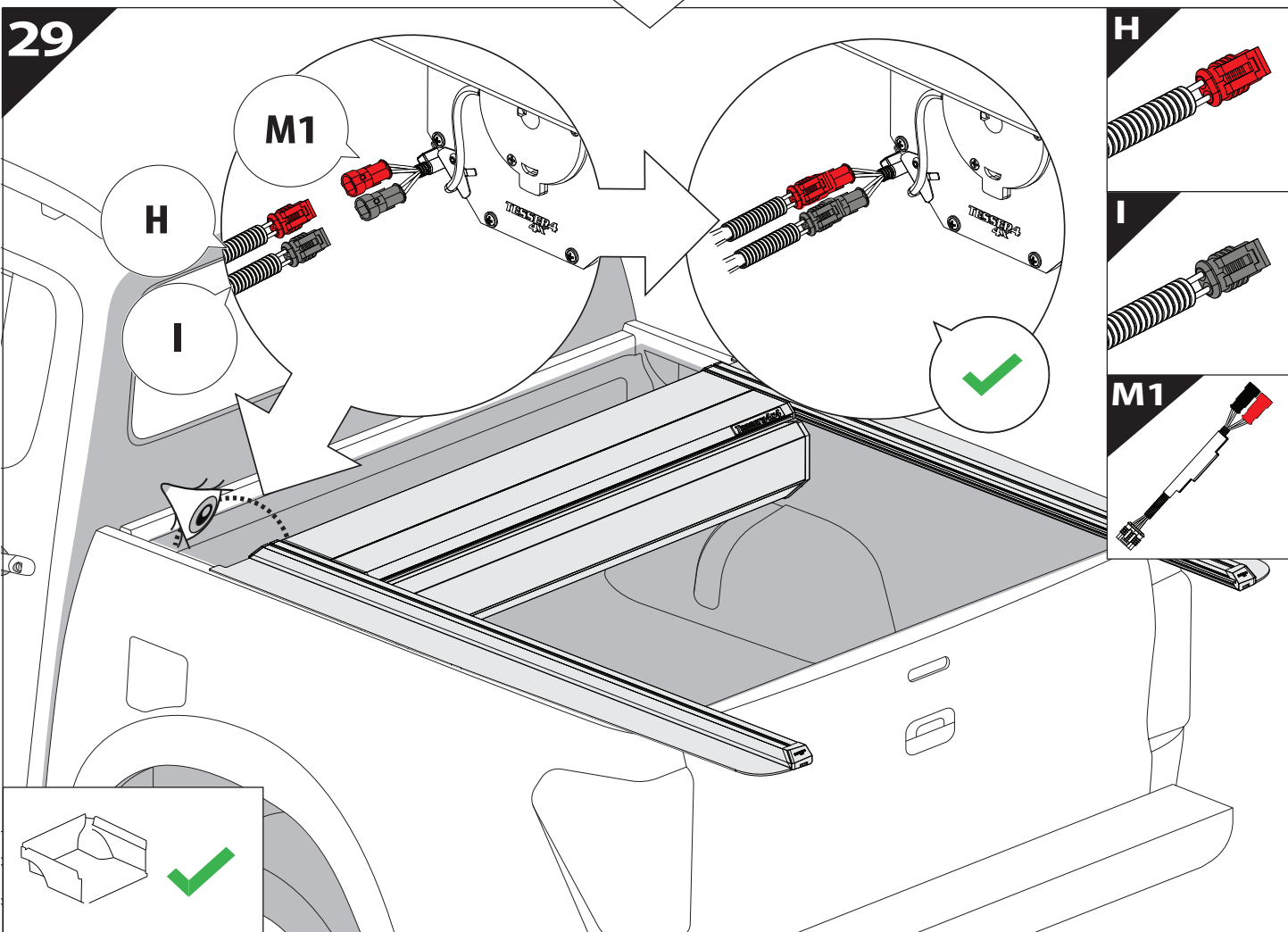
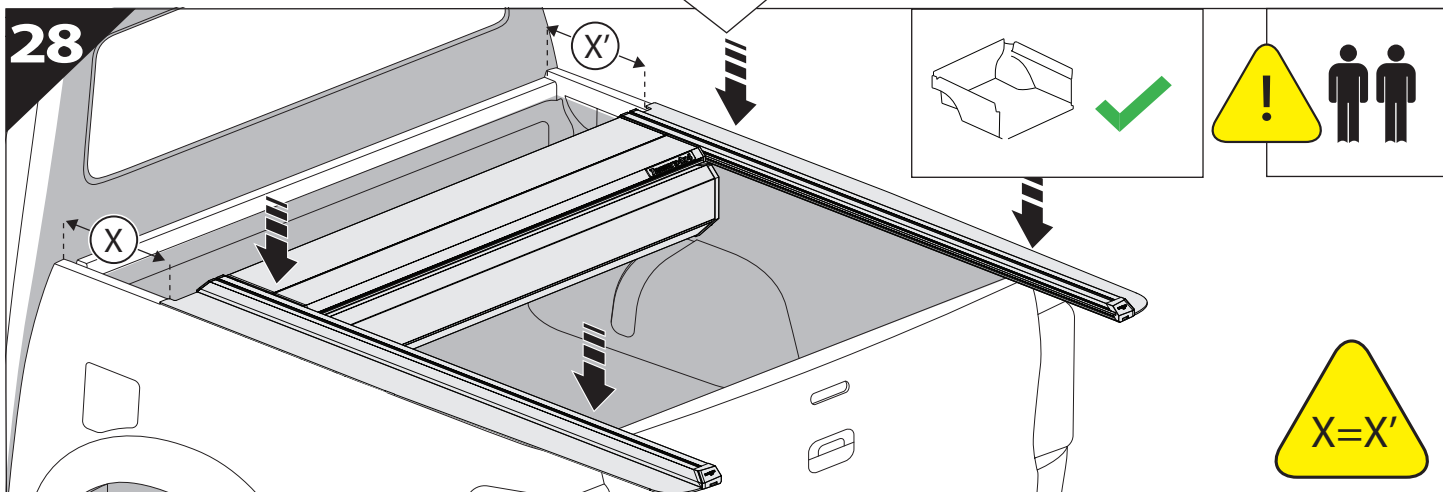
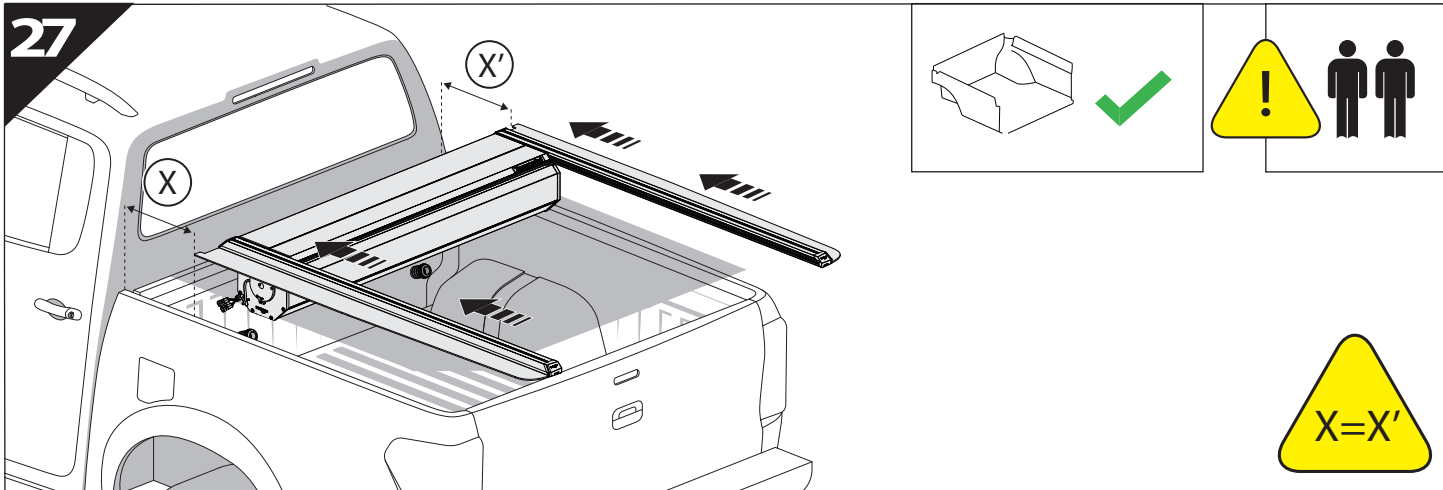


24

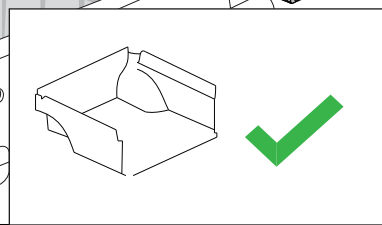
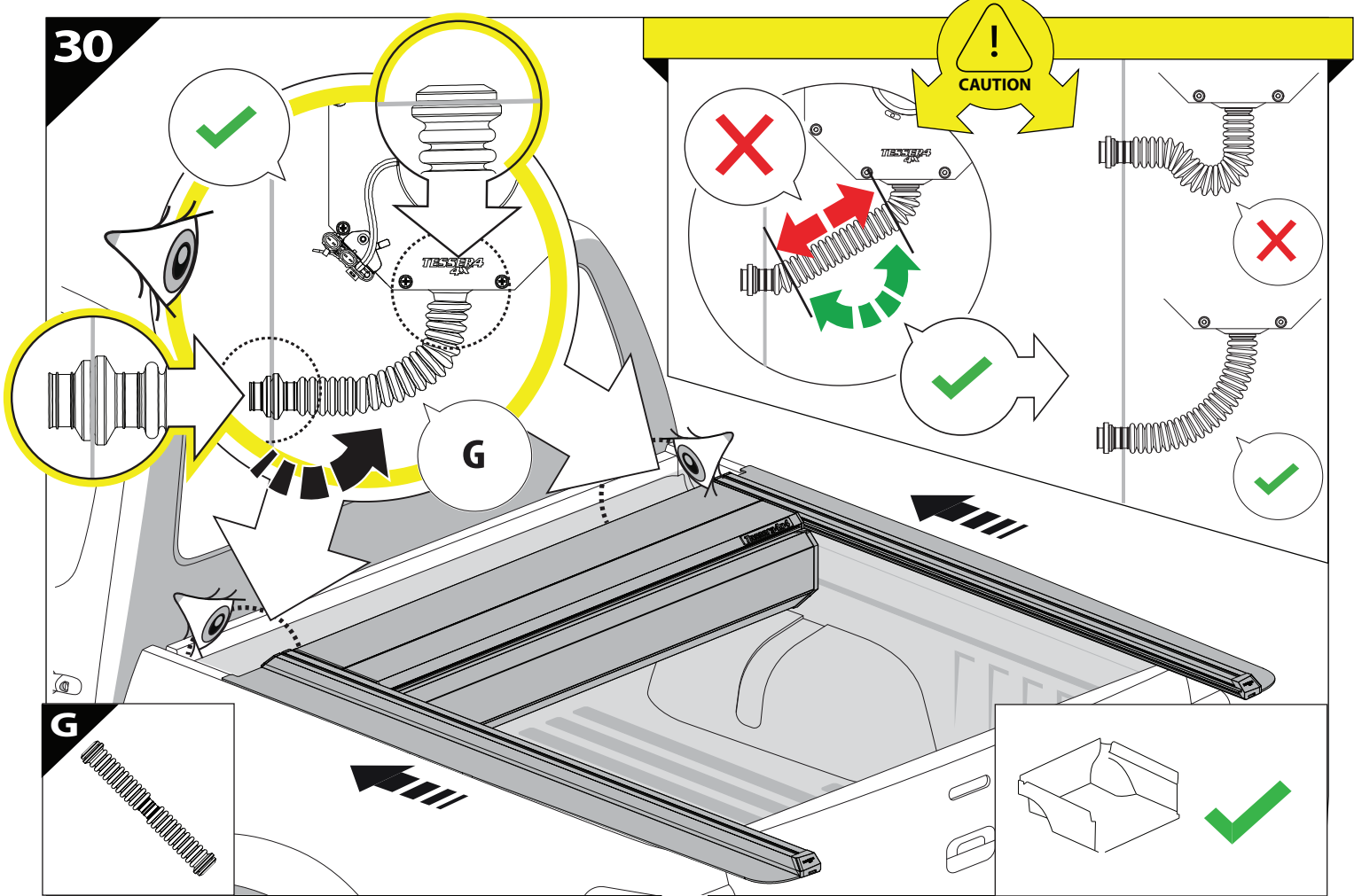
L3



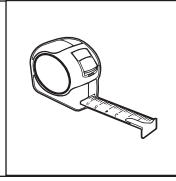
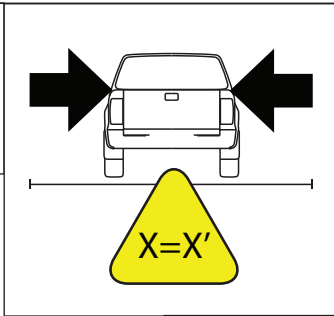
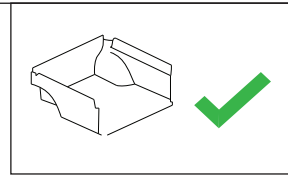
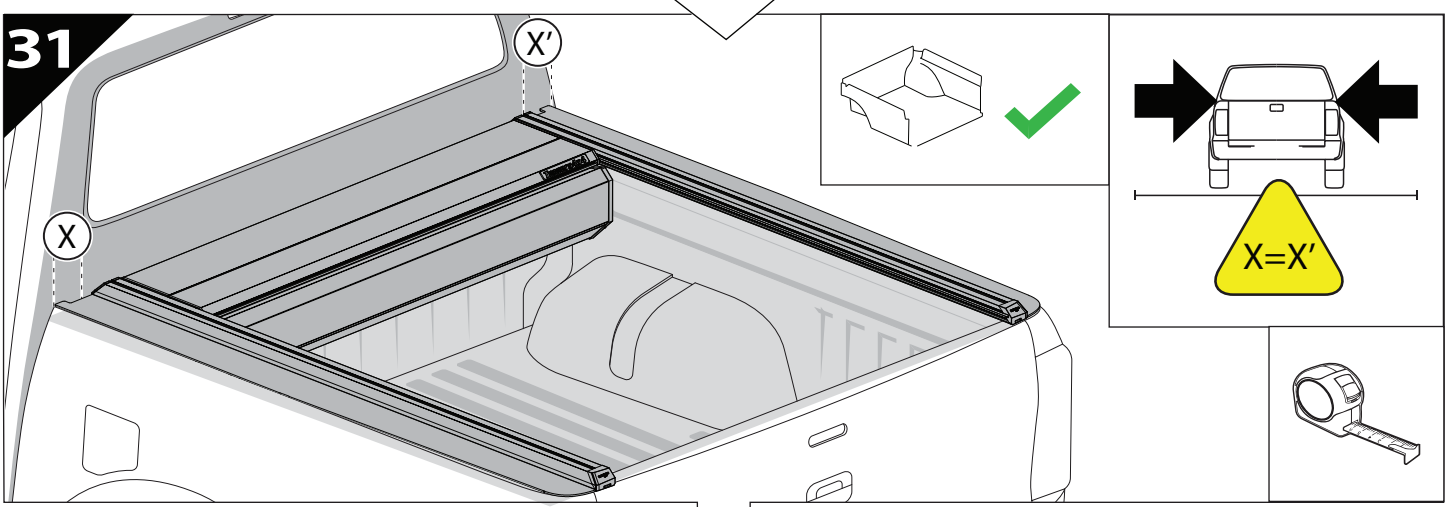




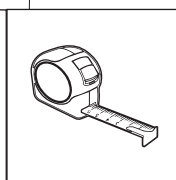
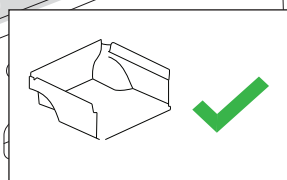
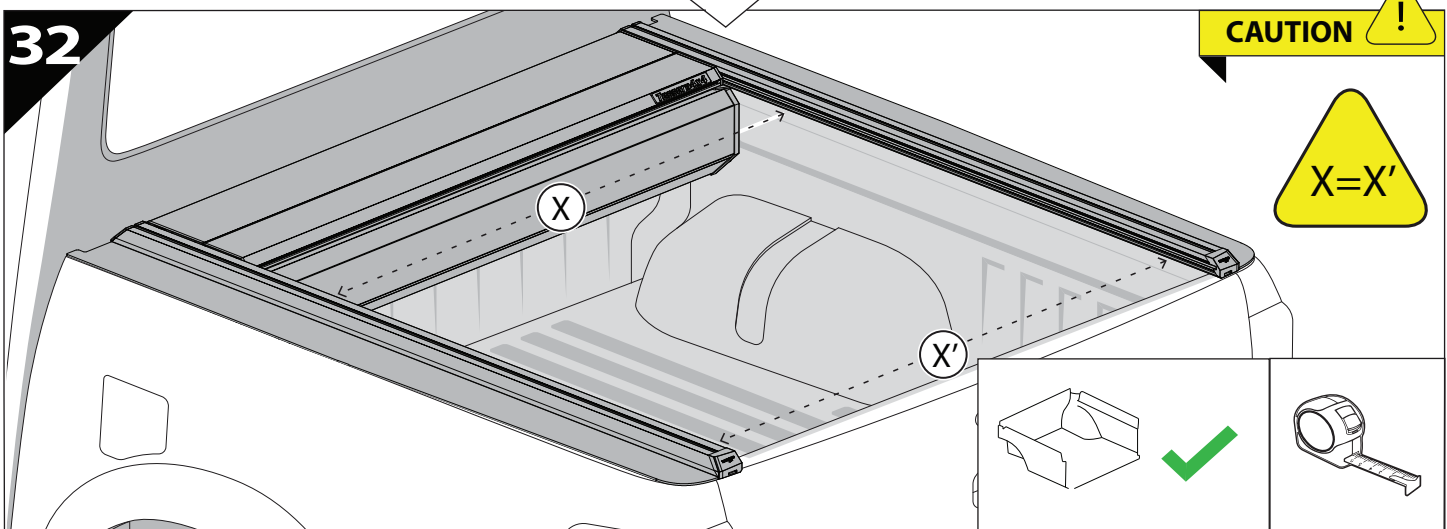
30

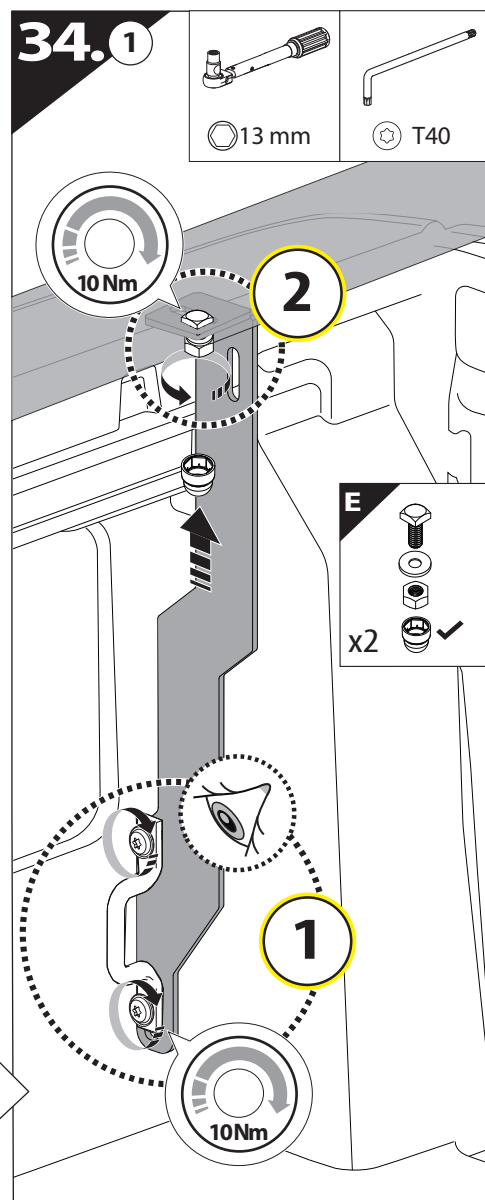
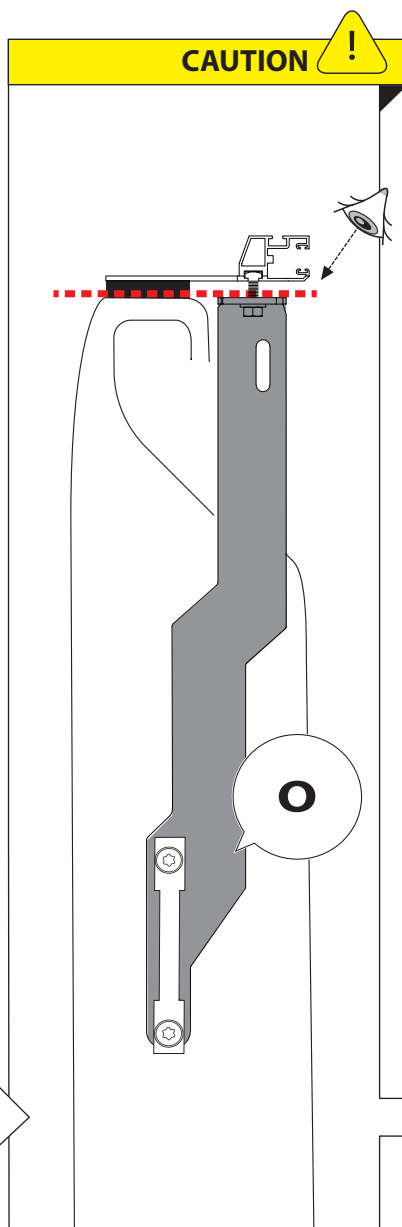
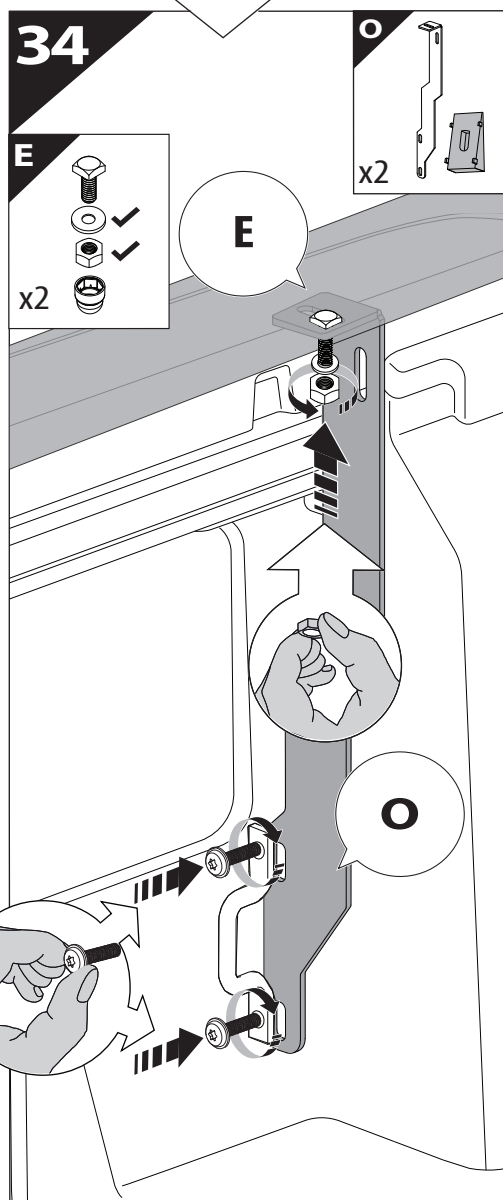
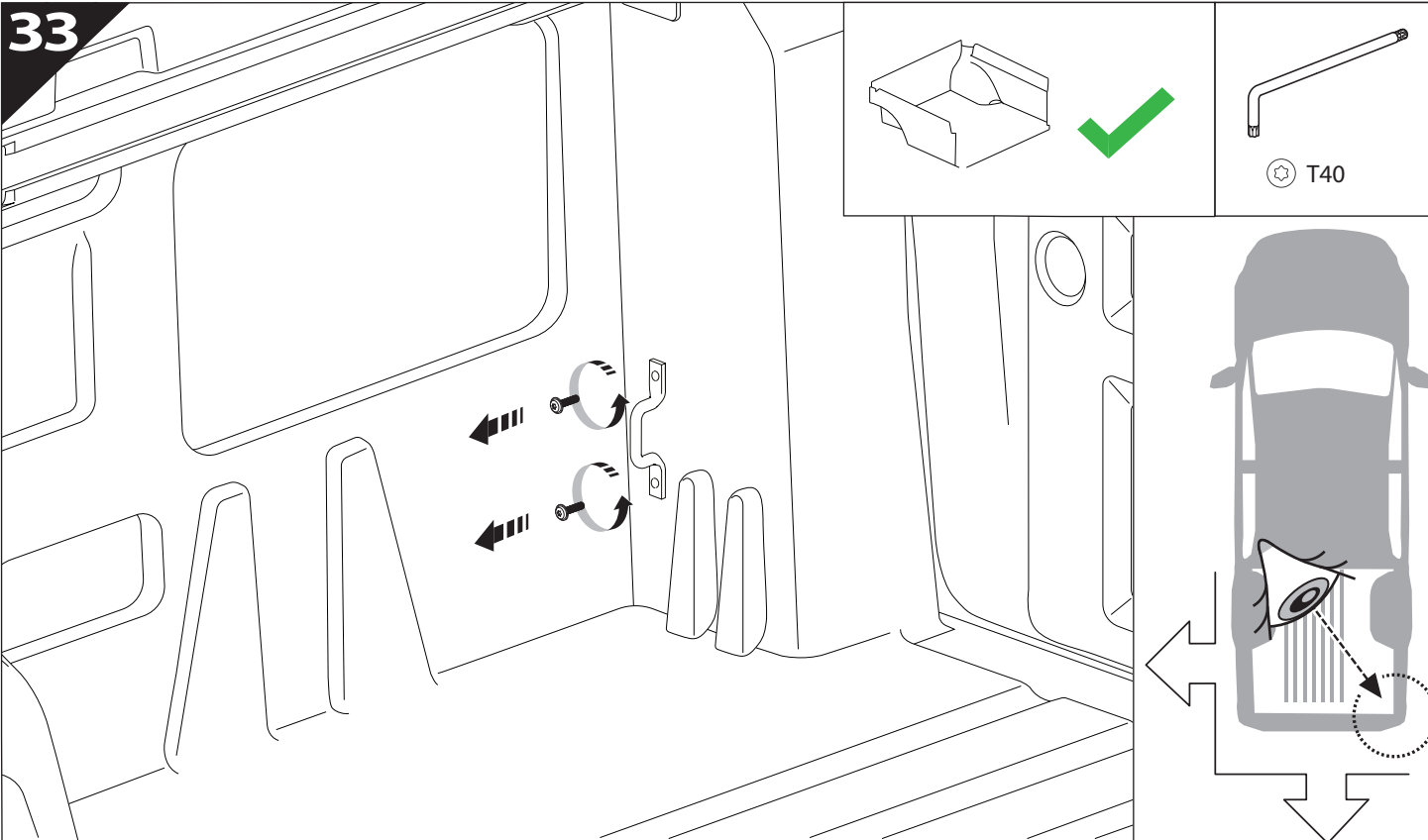


31



32



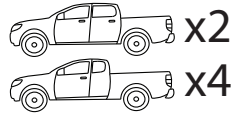
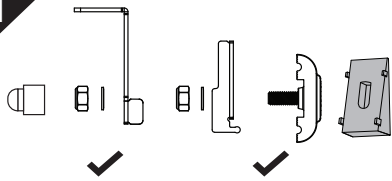


35 A

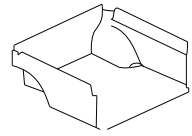
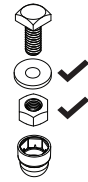


WITHOUT C - CHANNELS

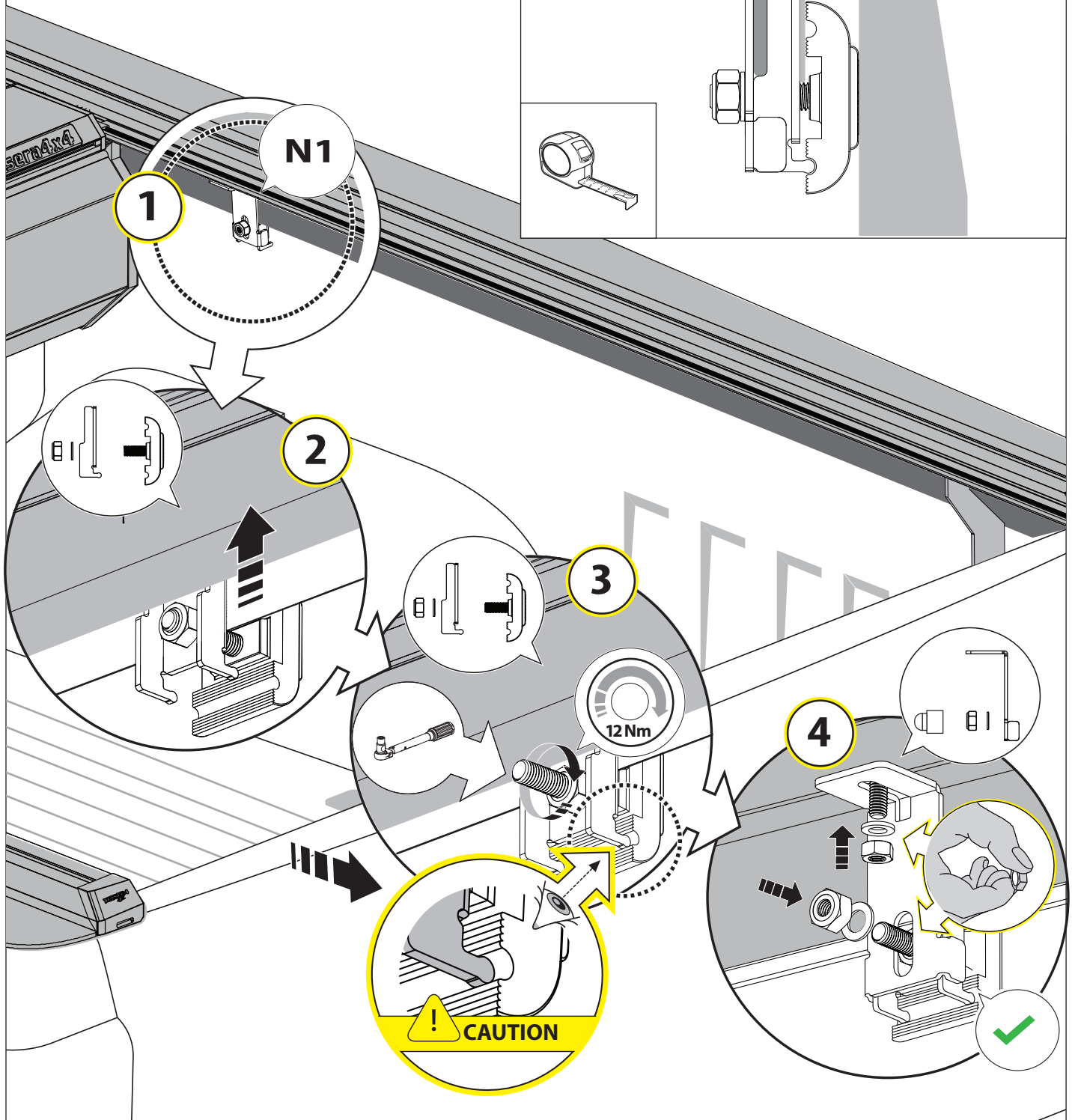
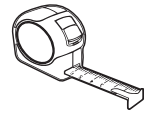
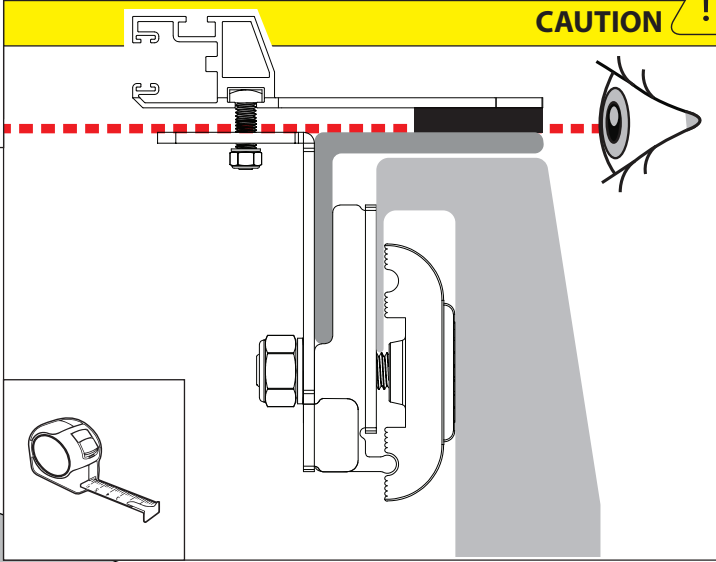
N1

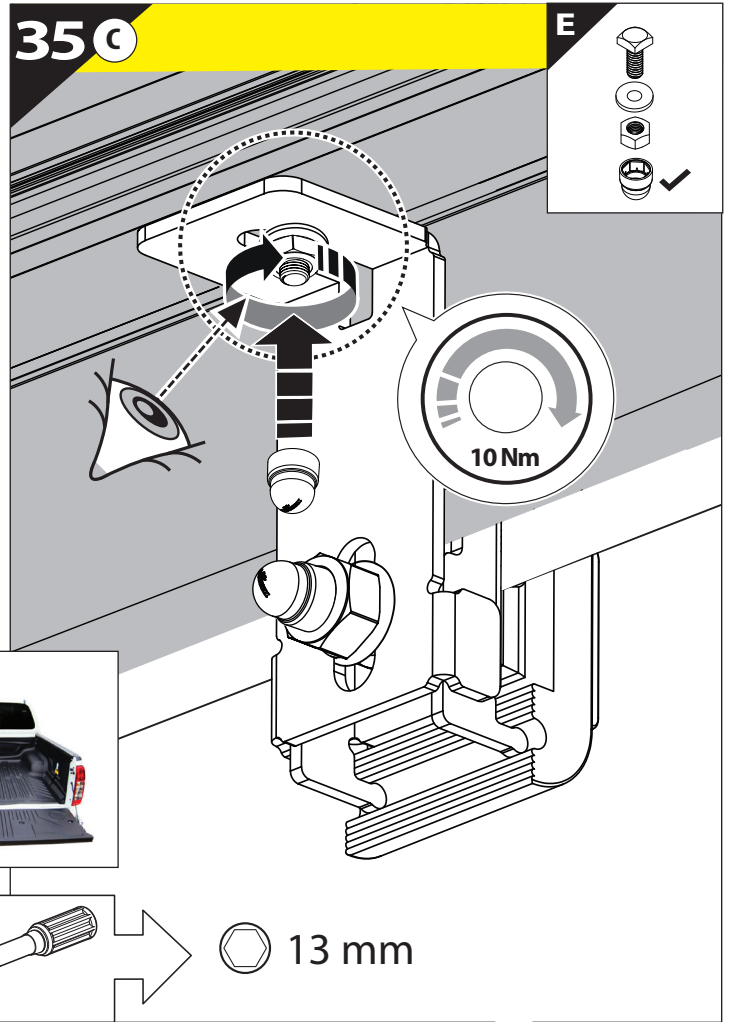
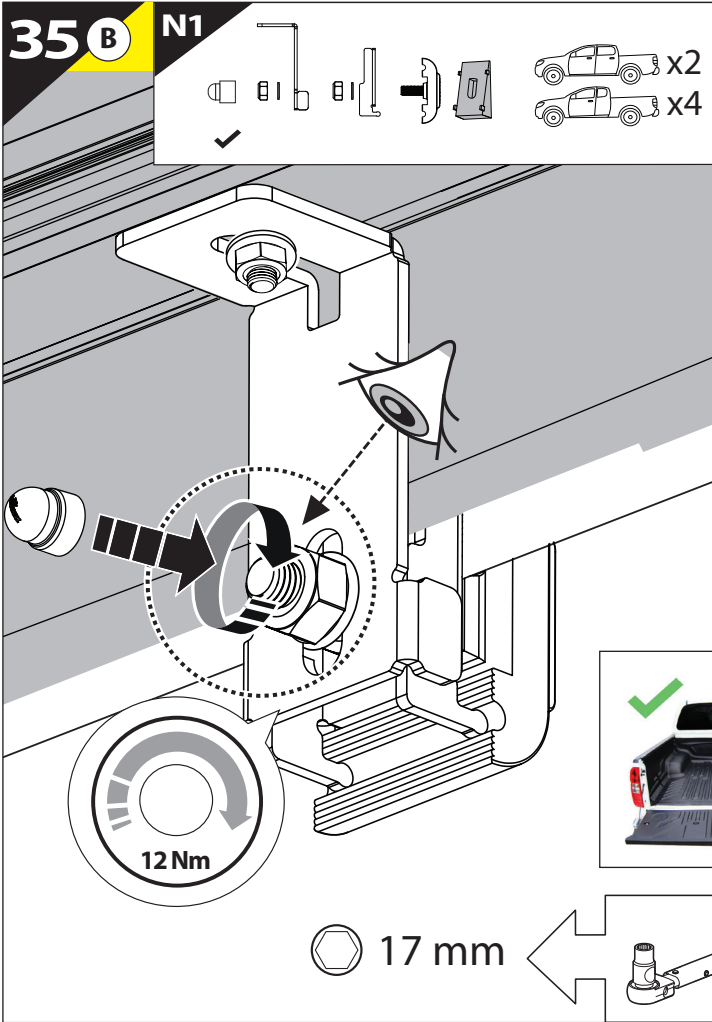


E

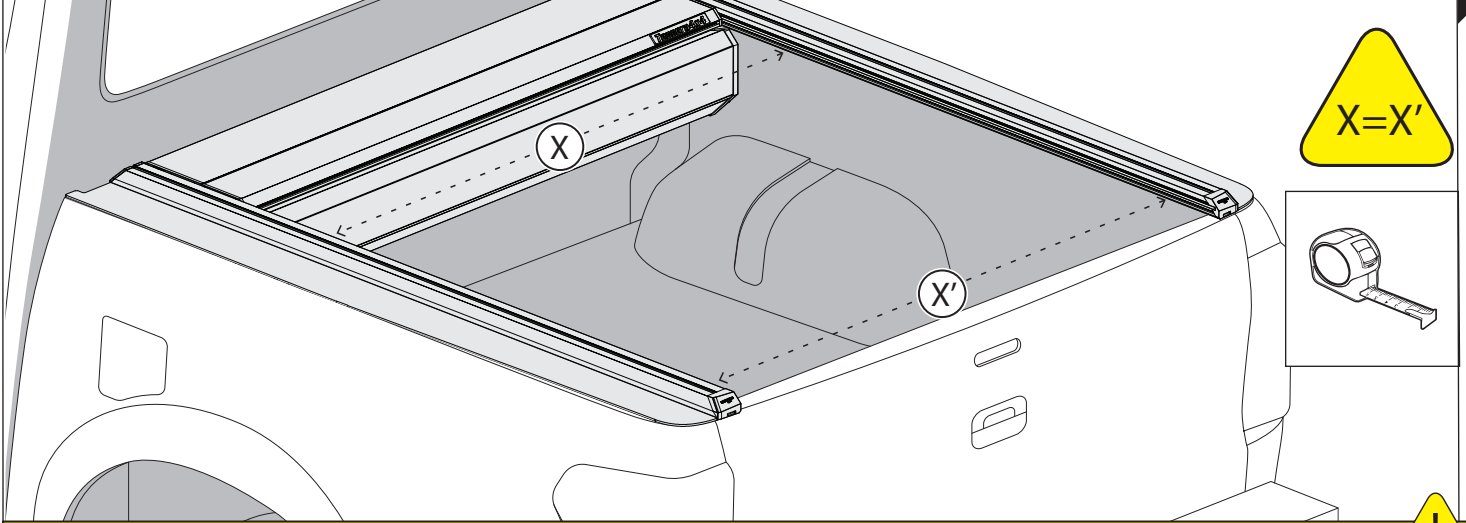


CAUTION

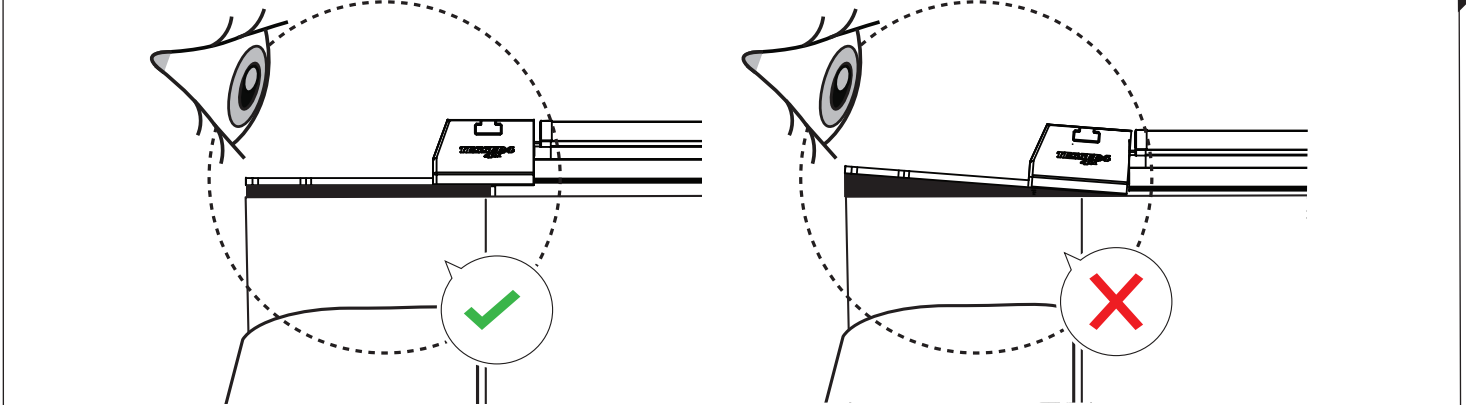




**CAUTION** !



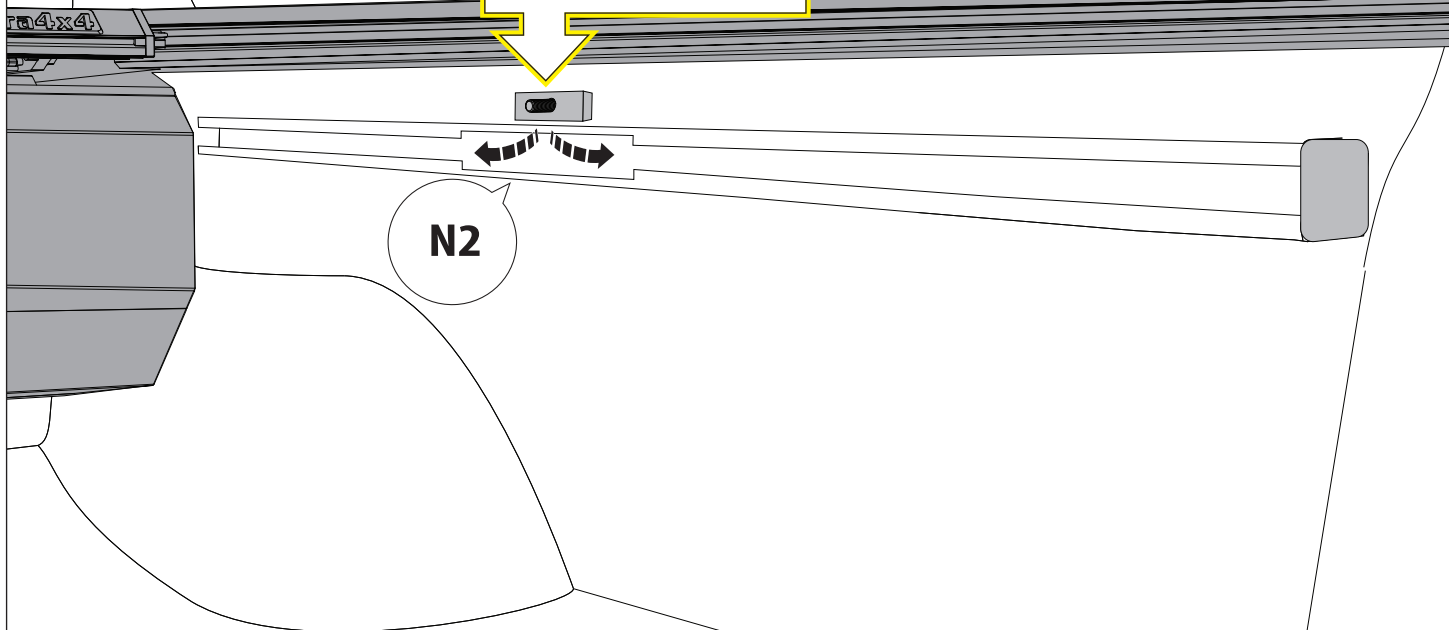
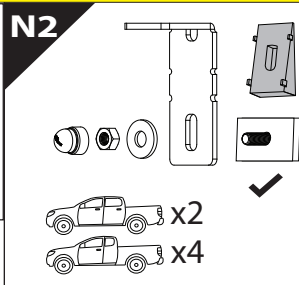
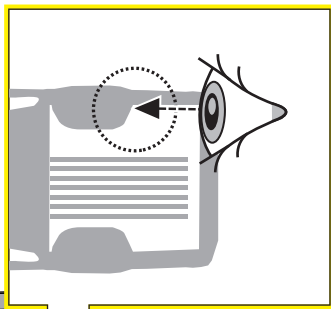
**CAUTION** !



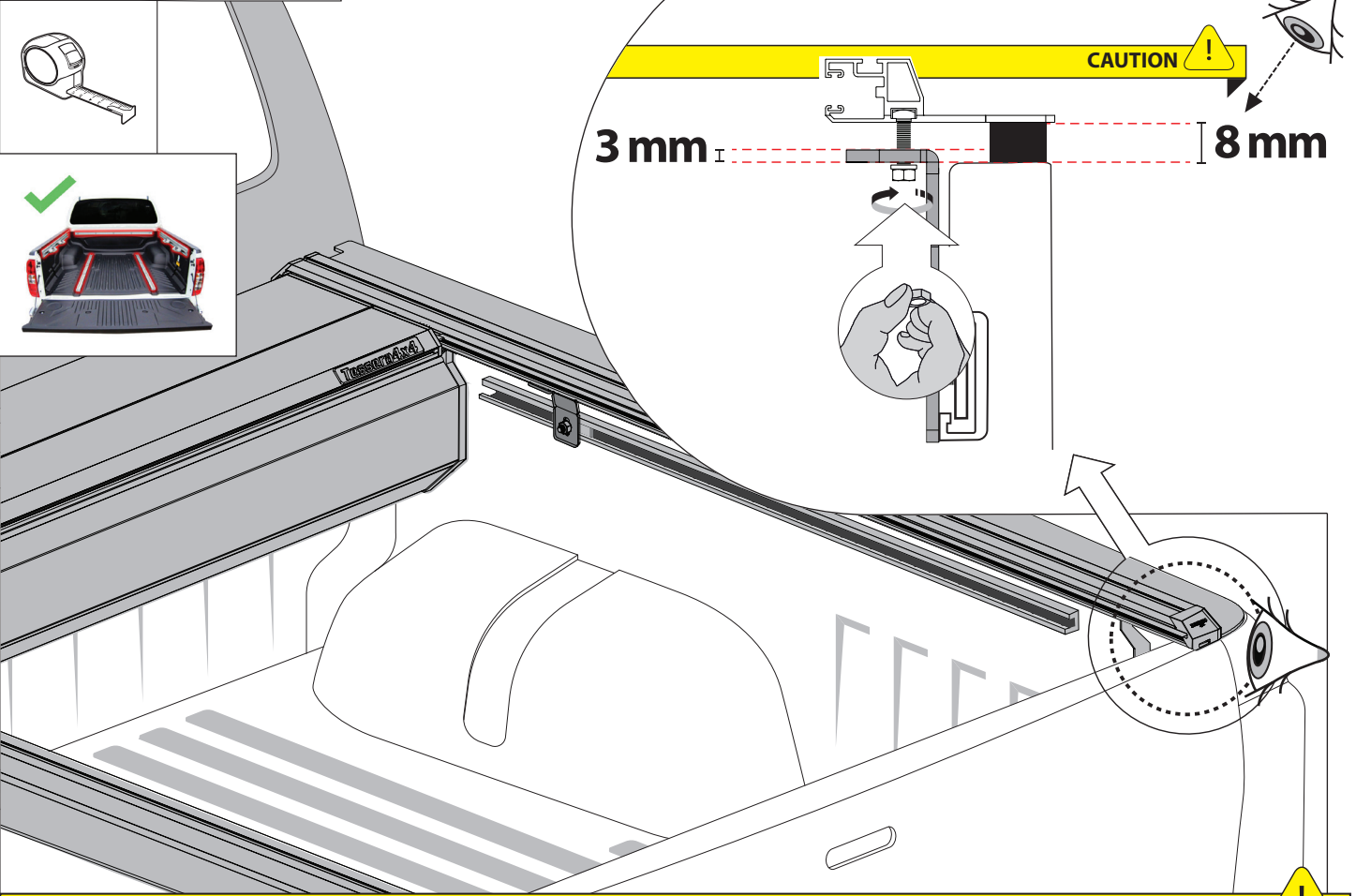
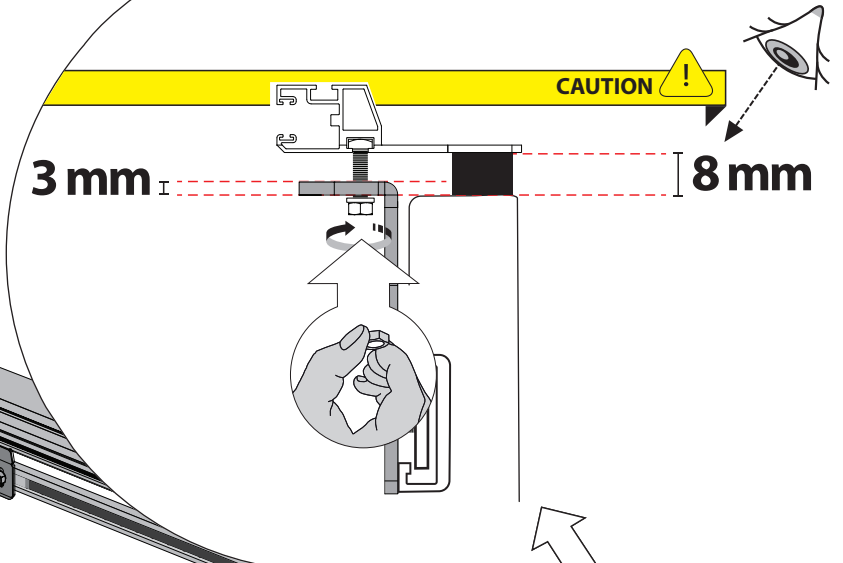
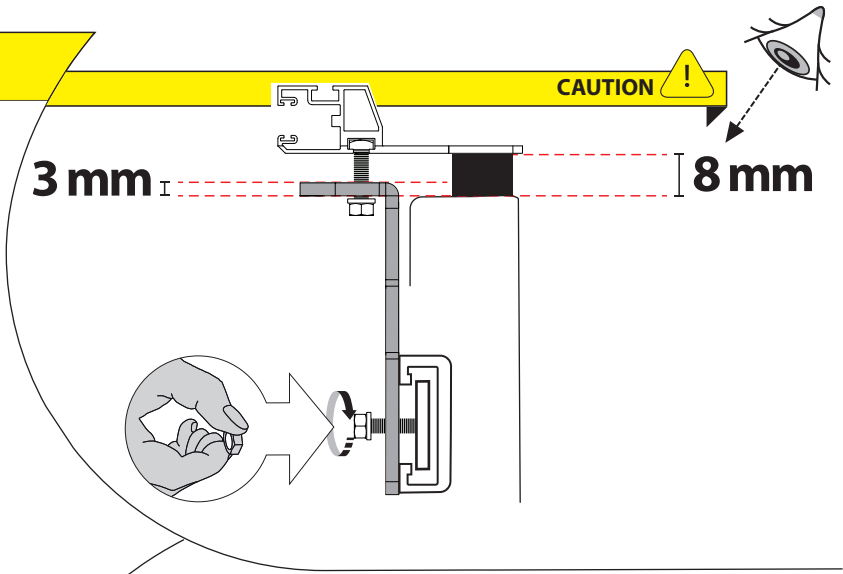
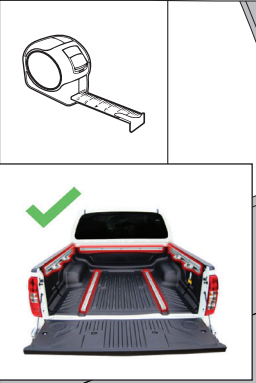
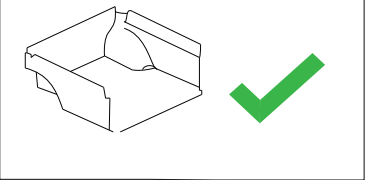
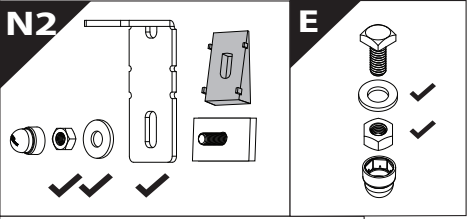
35 A



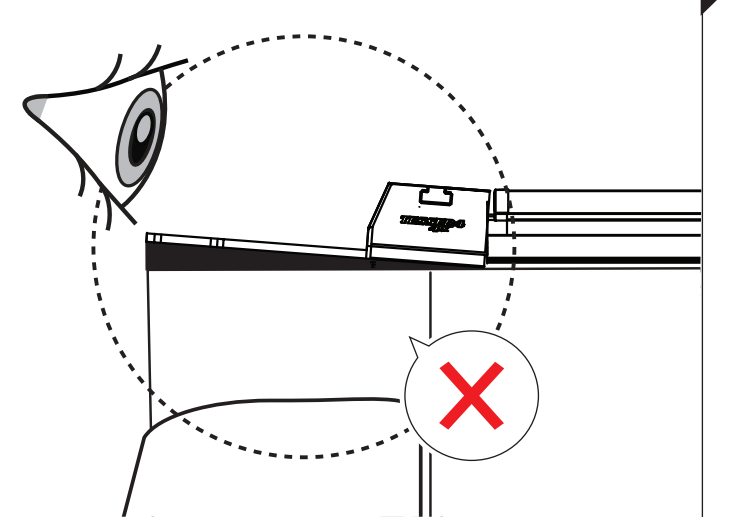
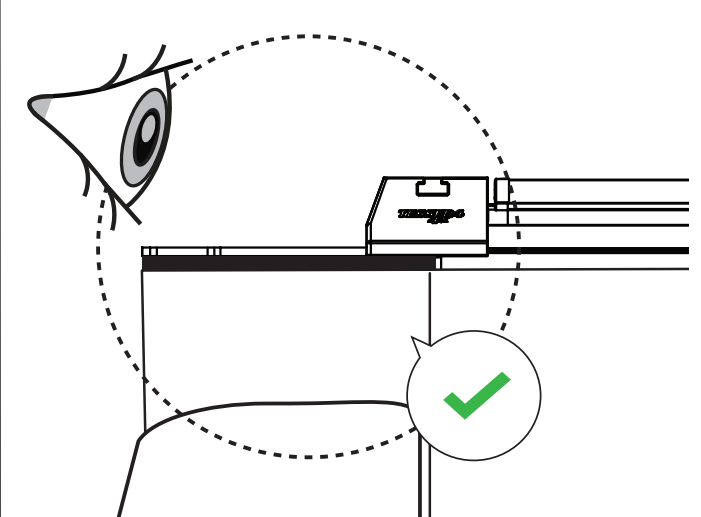
WITH C - CHANNELS

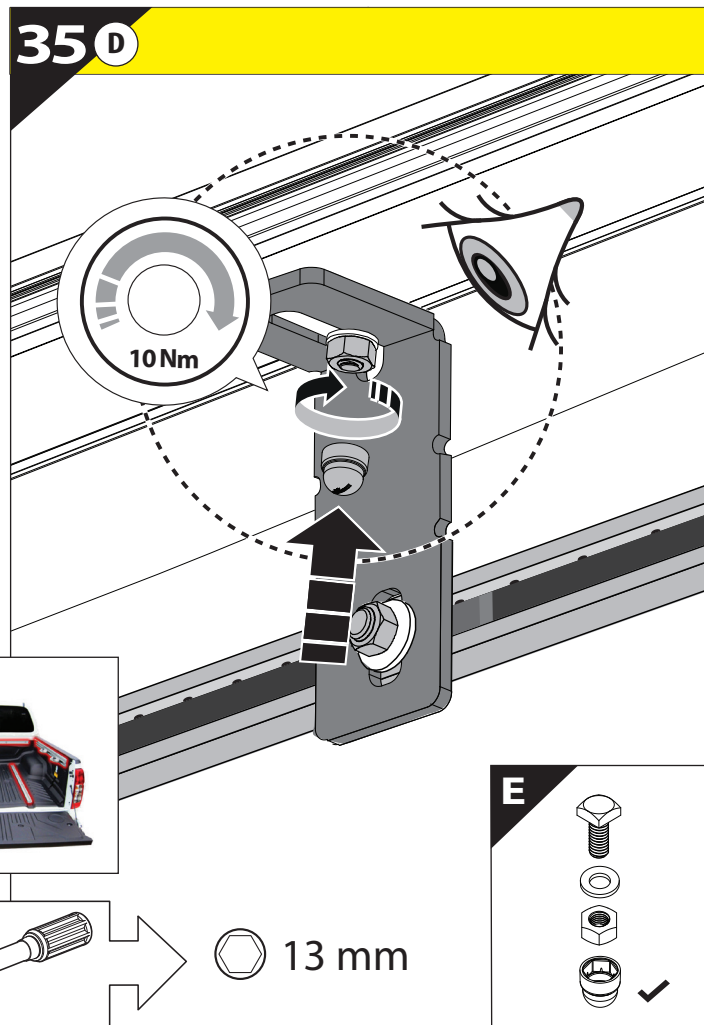
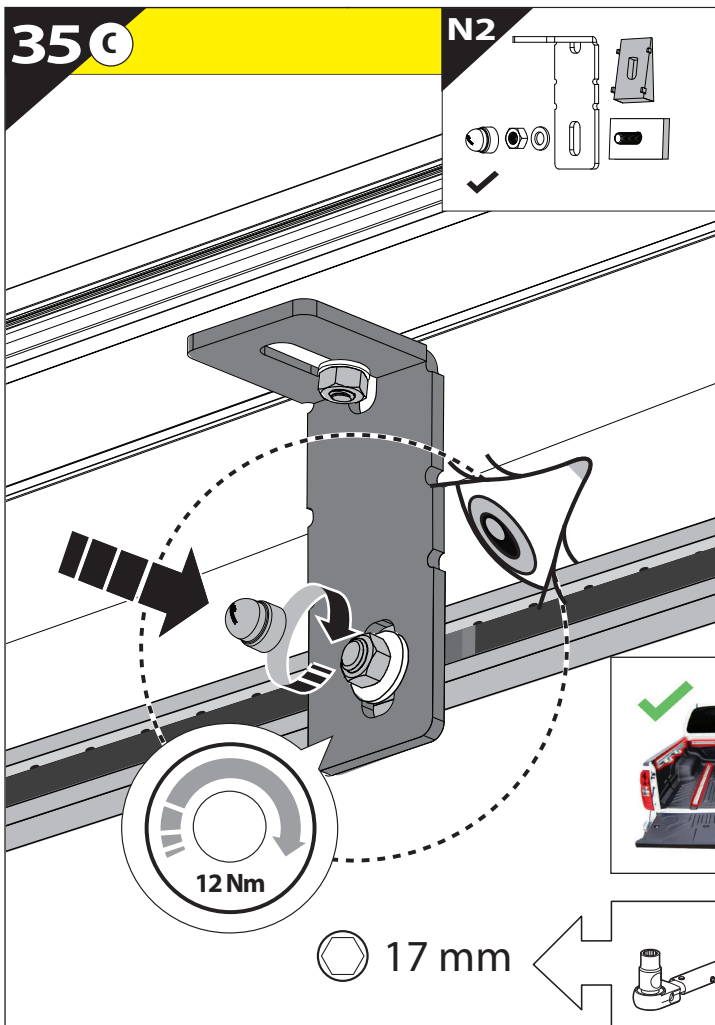


35 B

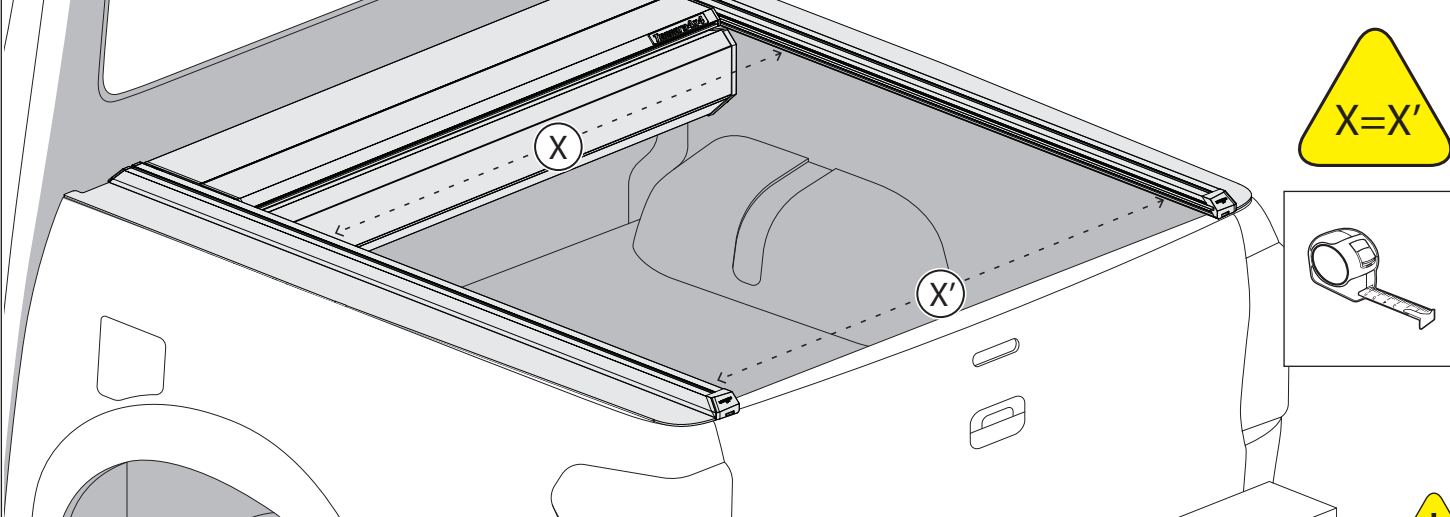


CAUTION !

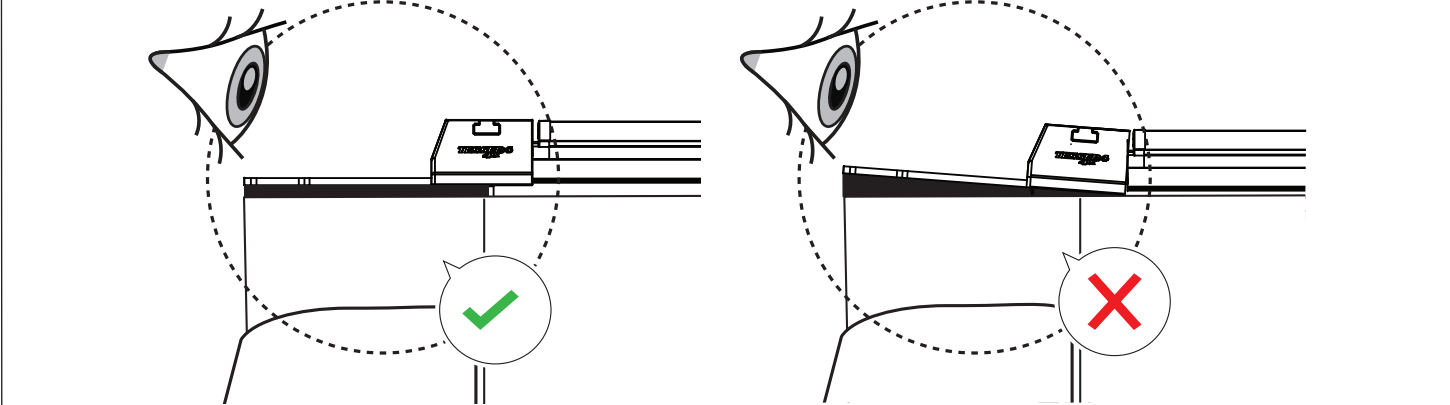




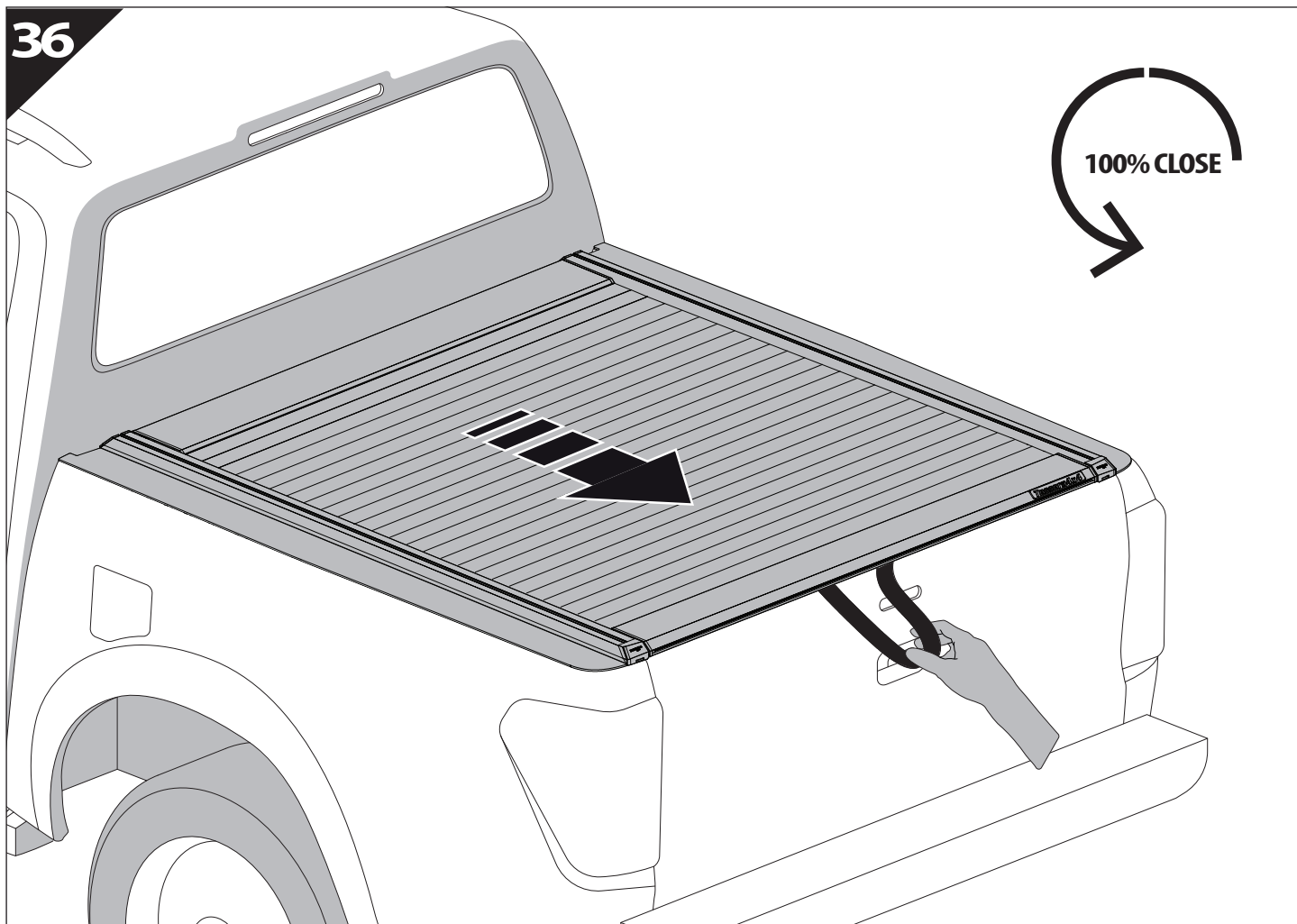
**CAUTION** !



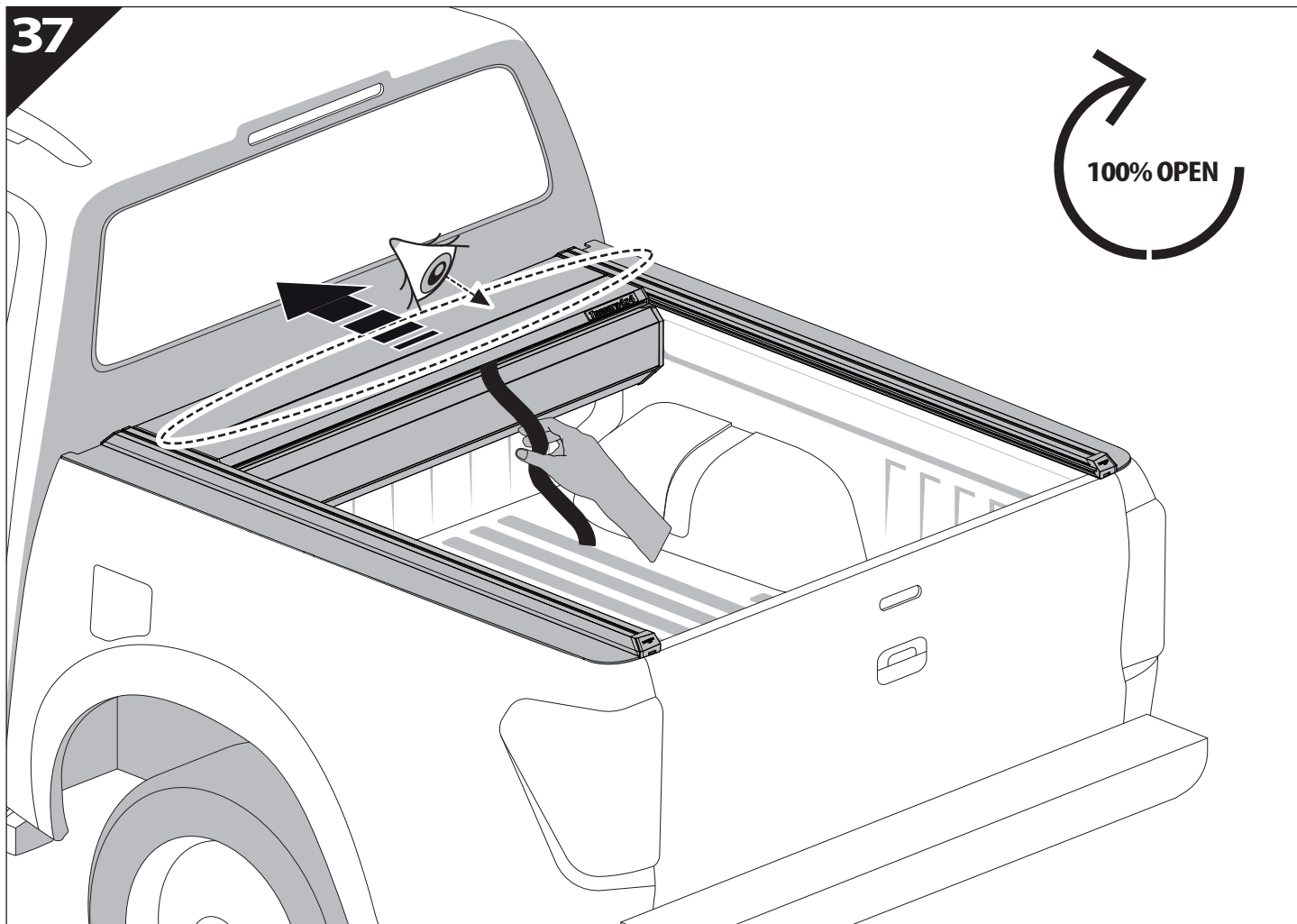
**CAUTION** !



36



37





**GR:** Οδηγίες Εγκατάστασης  
**GB:** Installation manual  
**SF:** Asennusohje  
**F:** Notice de montage  
**PL:** Instrukcja montażu  
**NL:** Installatie-instructies  
**TR:** Montaj Talimatı  
**S:** Monteringsanvisning  
**E:** Instrucciones de montaje

**H:** Szerelési utasítás  
**P:** Instruções de instalação  
**RUS:** Инструкция по установке  
**N:** Monteringsveiledning  
**D:** Einbauanleitung  
**CZ:** Návod k instalaci  
**I:** Istruzioni de montaggio  
**DK:** Monteringsvejledning  
**RO:** Instructiuni de instalare

Customer Service:

+30 (210) 5541161, +30 (210) 5541154 (08:00 - 16:00 EET)

Support department:

[info@gianso.gr](mailto:info@gianso.gr)

Website:

[www.tessera4x4.com](http://www.tessera4x4.com)

Address:

19.5 km of National road Athens-Korinthos (Elefsina) Greece, P.C: 19200