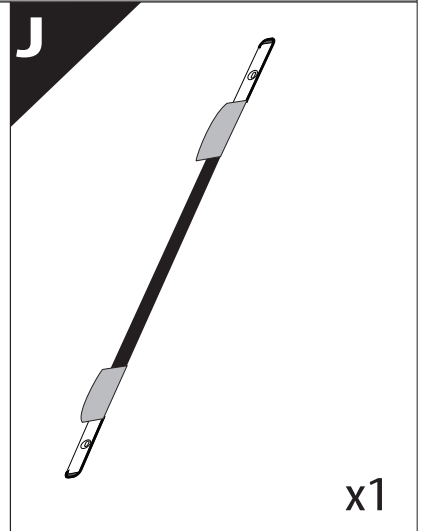
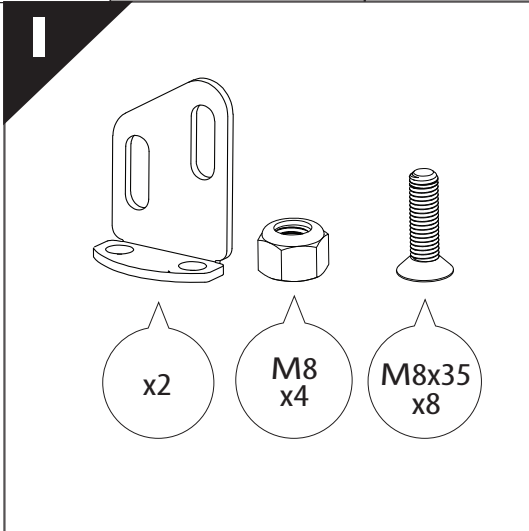
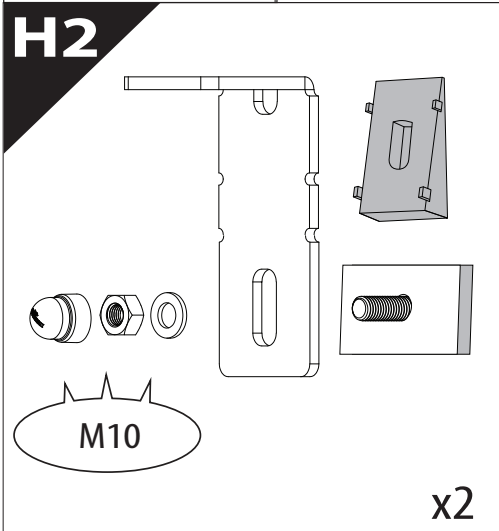
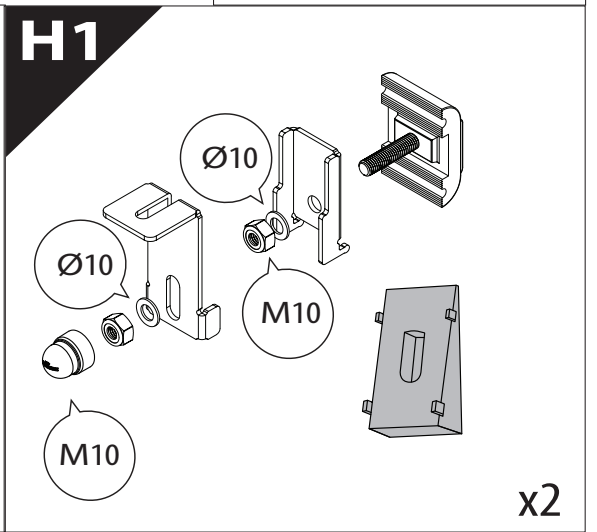
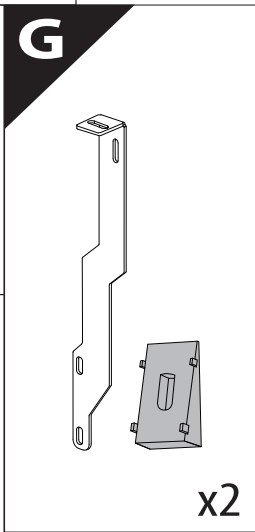
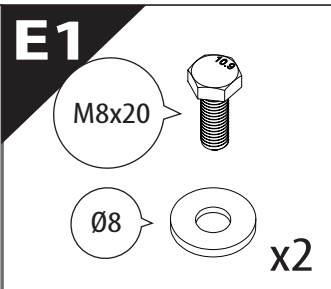
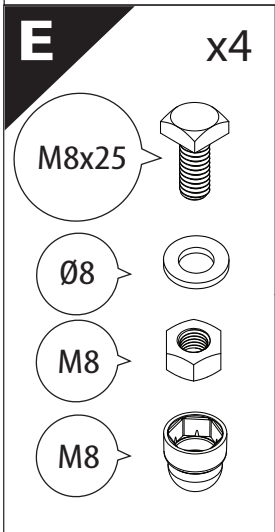
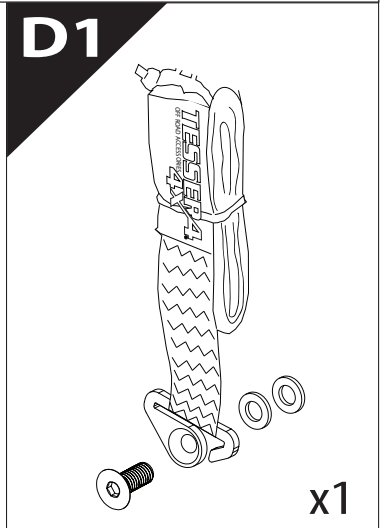
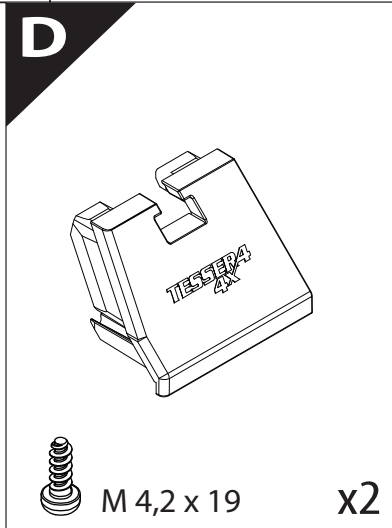
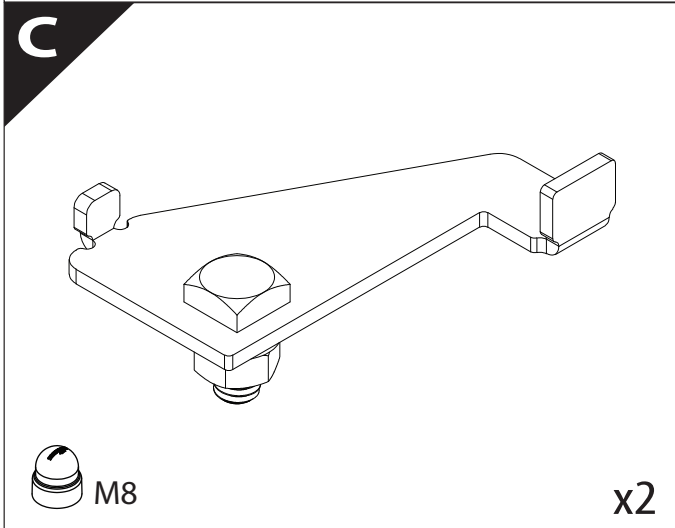
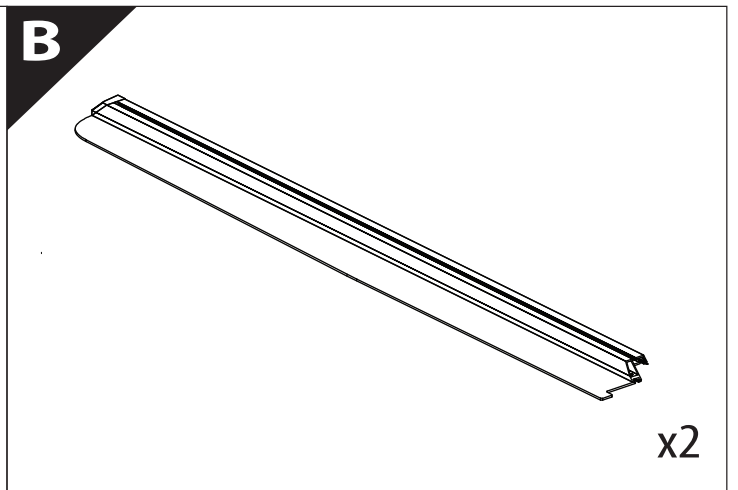
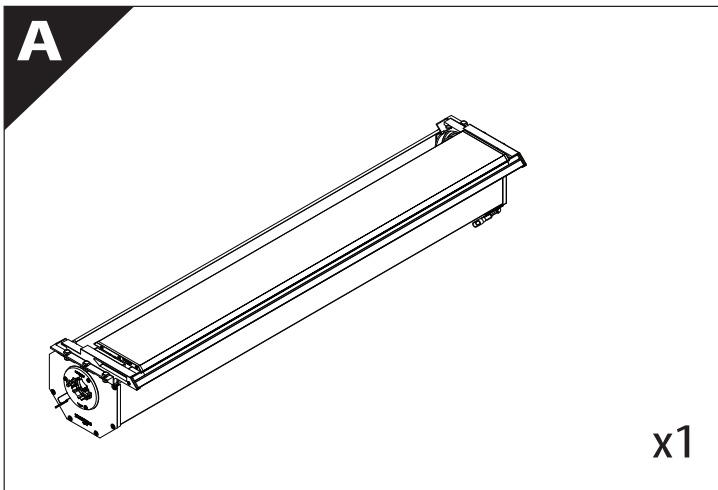
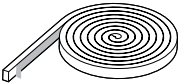
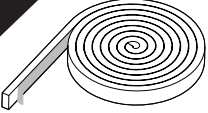

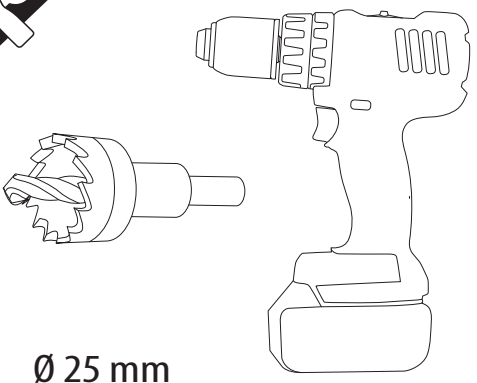

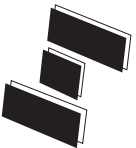
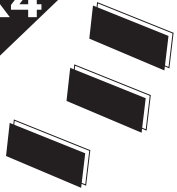
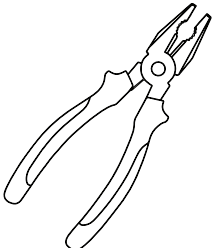
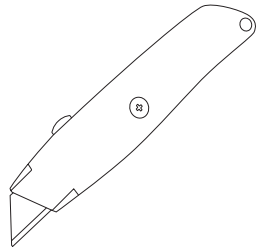
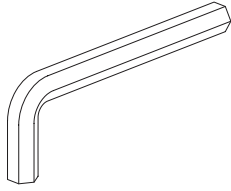
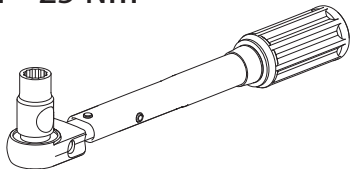


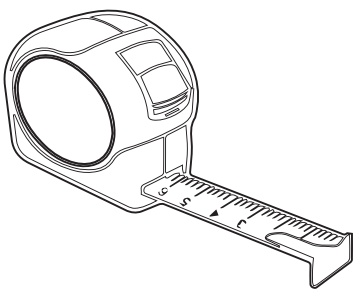
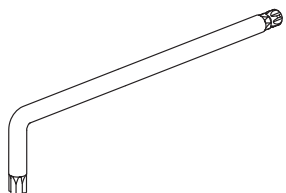
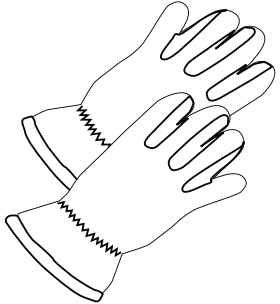
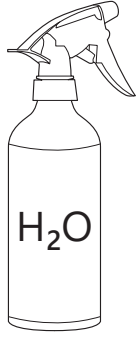
Installation Manual

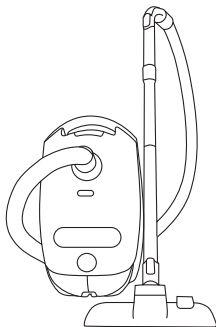


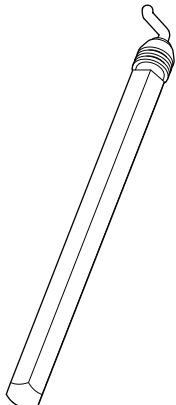
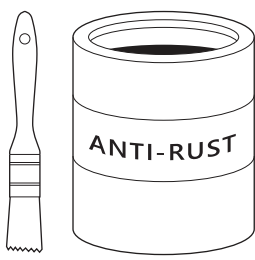
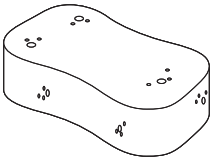
PART NUMBER(S)	Model Year
TESS 15012 SE	VW AMAROK PANAMERICANA 2023+ WITH OR WITHOUT C-CHANNELS
Cab(s)	Installation Time / Weight
Double Cab	40-60 minutes / 53-57 kg


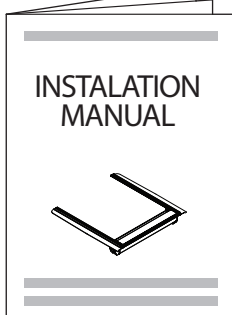
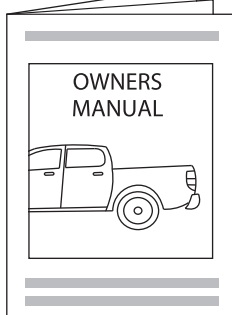


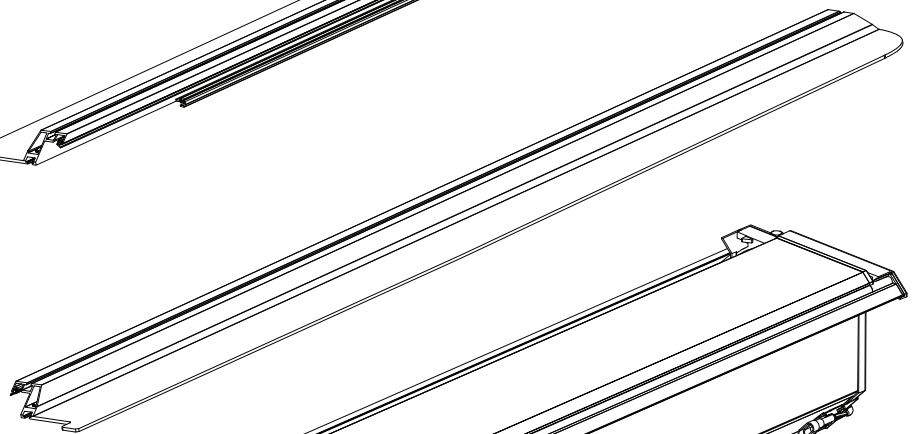
<p>K1 x1</p>  <p>1.5 x 0.8 x 400cm</p>	<p>K2 x1</p>  <p>5 x 0.8 x 167cm</p>	  <p>Ø 25 mm</p>		 <p>+</p>
<p>K3 x1</p> 	<p>K4 x2</p> 			

		 <p>4 mm , 5 mm</p>	<p>1 - 25 Nm</p>  <p>10,12,13, 17 mm</p>
--	---	--	---

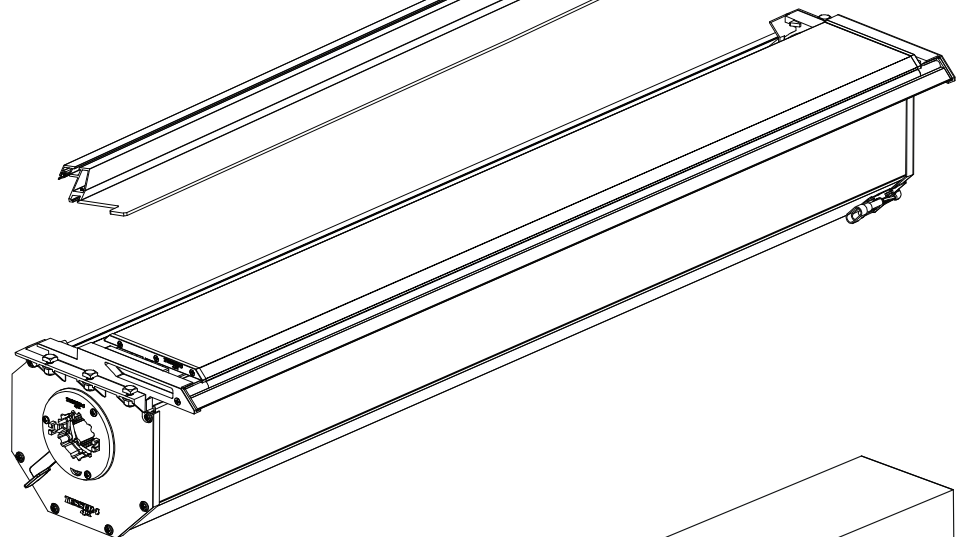
	 <p>T40</p>		 <p>H₂O</p>
--	---	---	--

	 <p>ACETONE</p>			 <p>ANTI-RUST</p>
				

	 <p>INSTALATION MANUAL</p>	 <p>OWNERS MANUAL</p>	<p>x1</p>
---	---	---	-----------

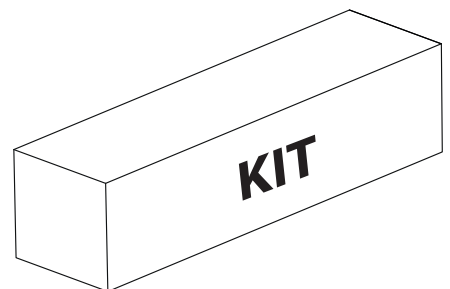


B

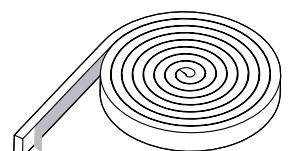


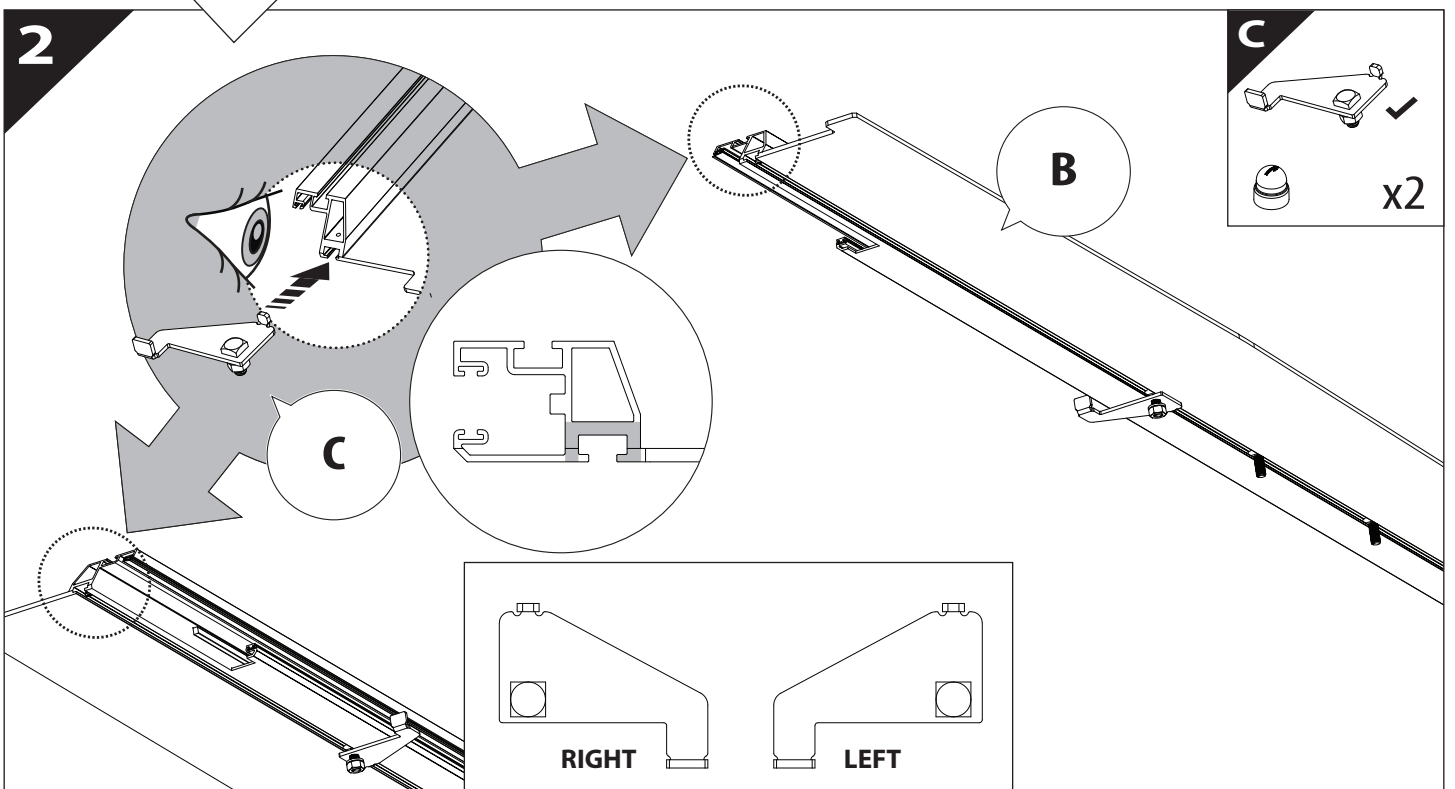
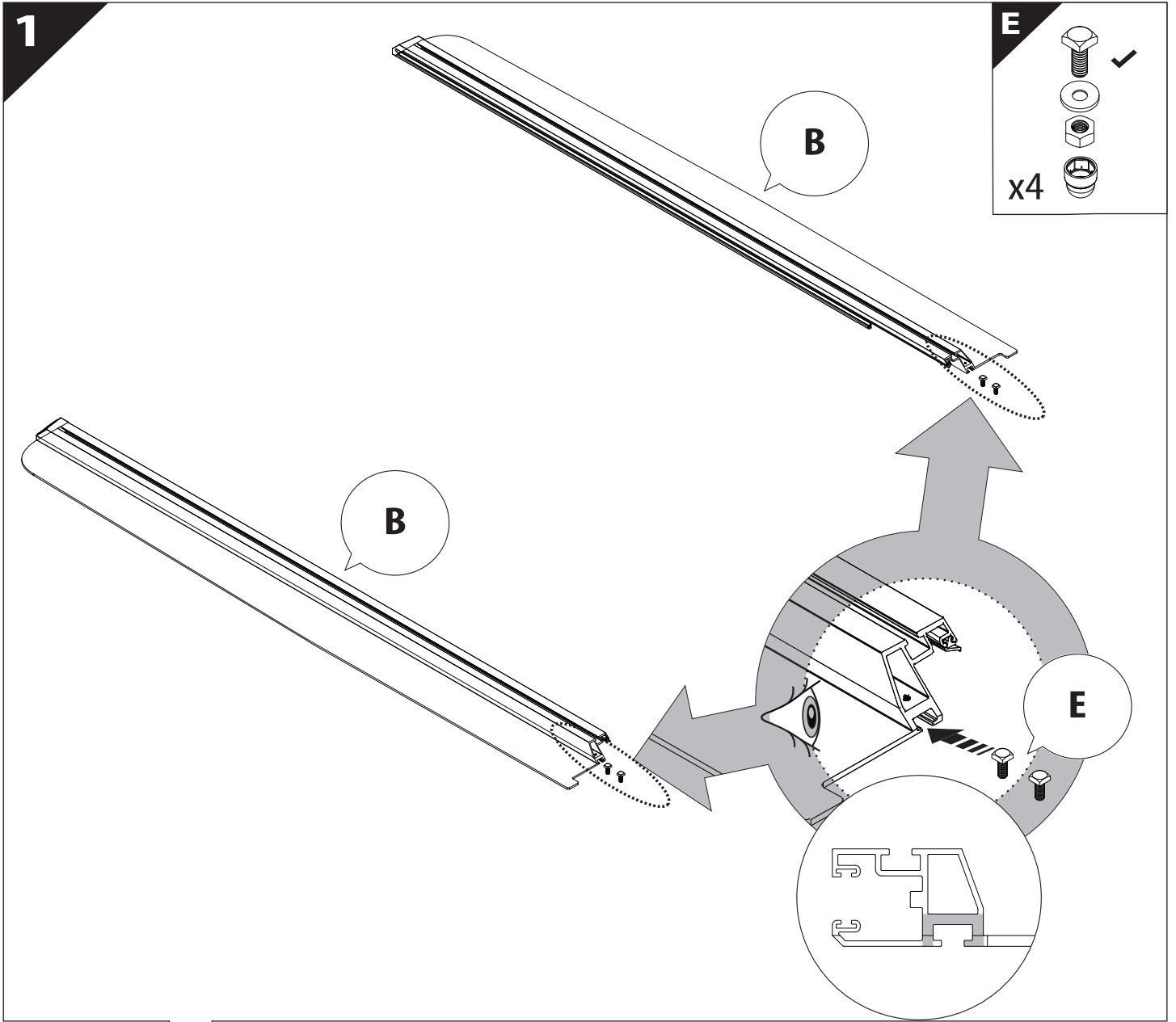
A

KITS

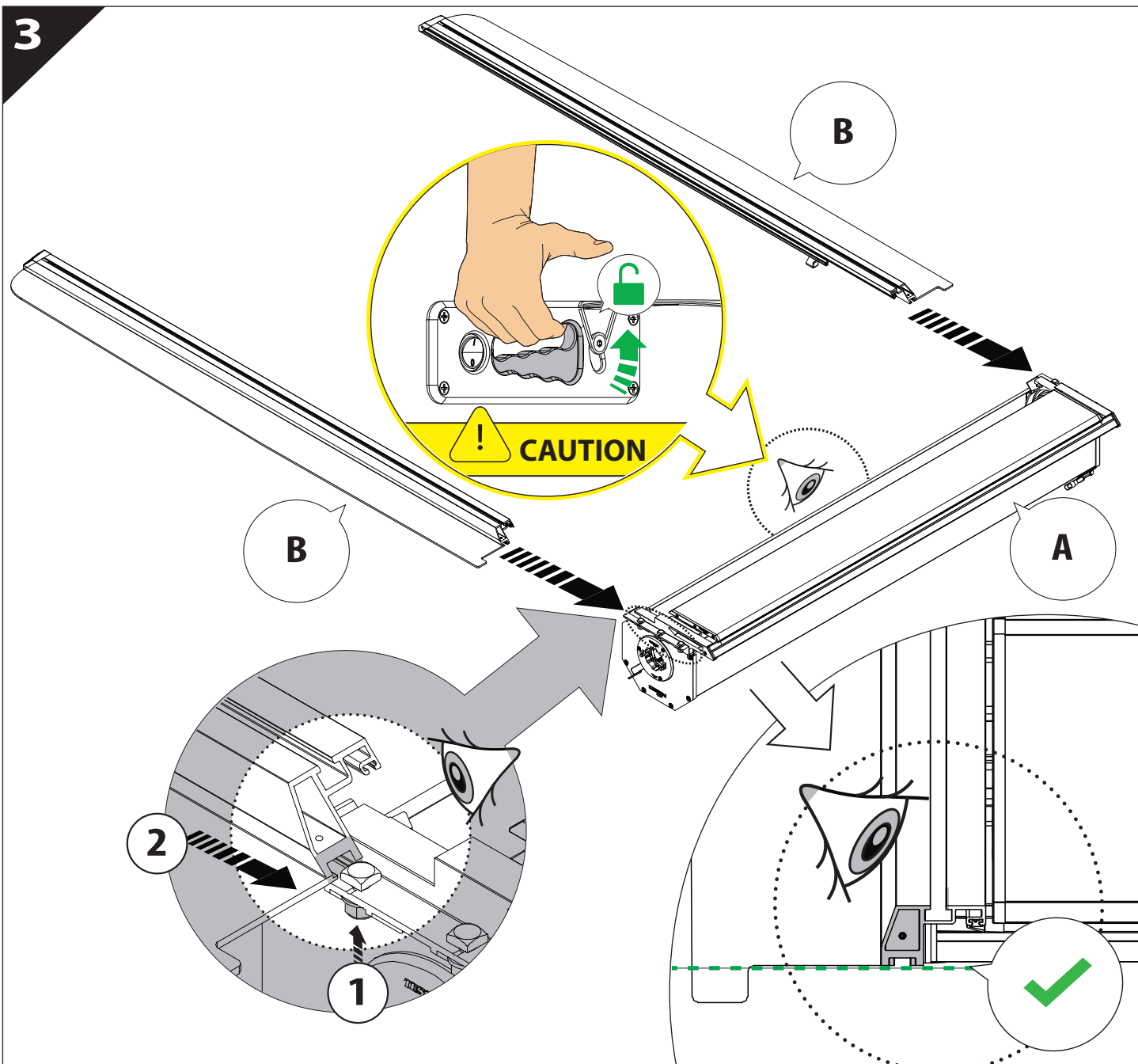


K

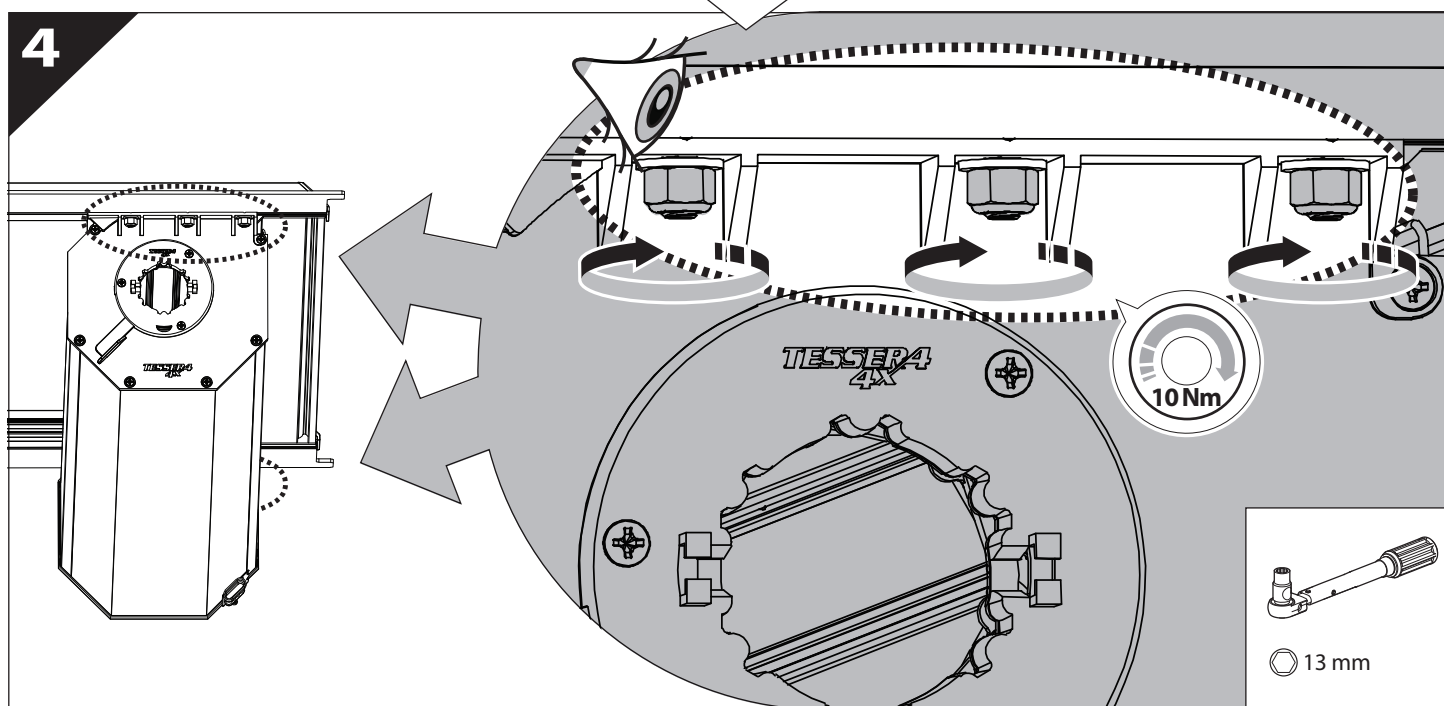


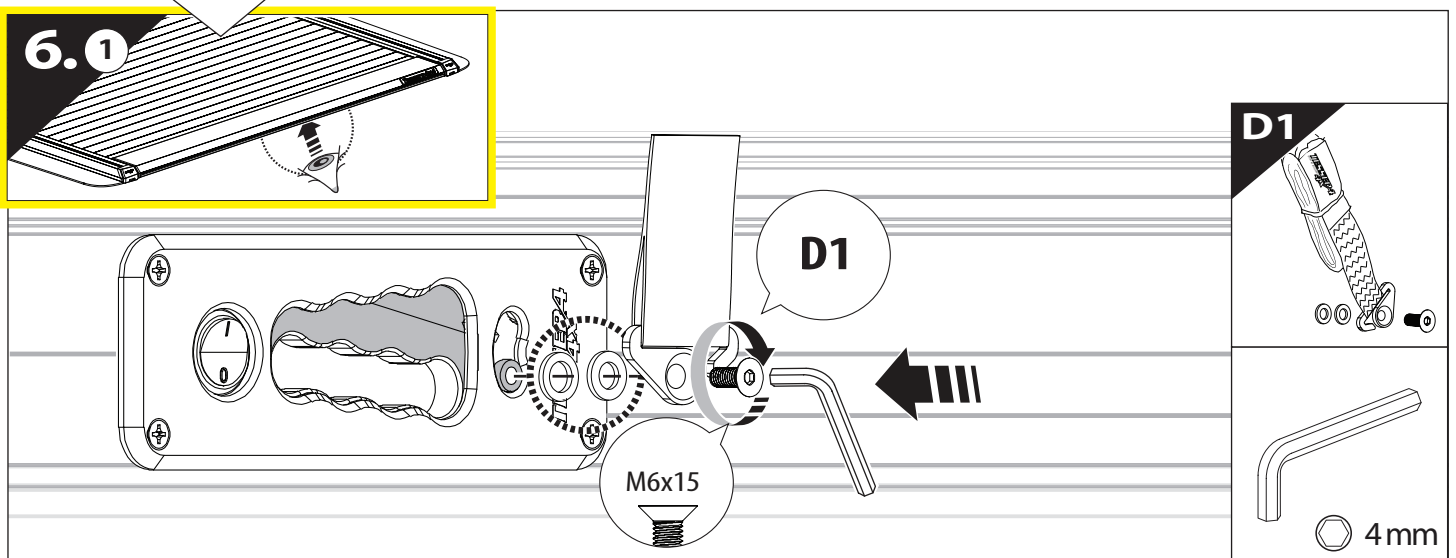
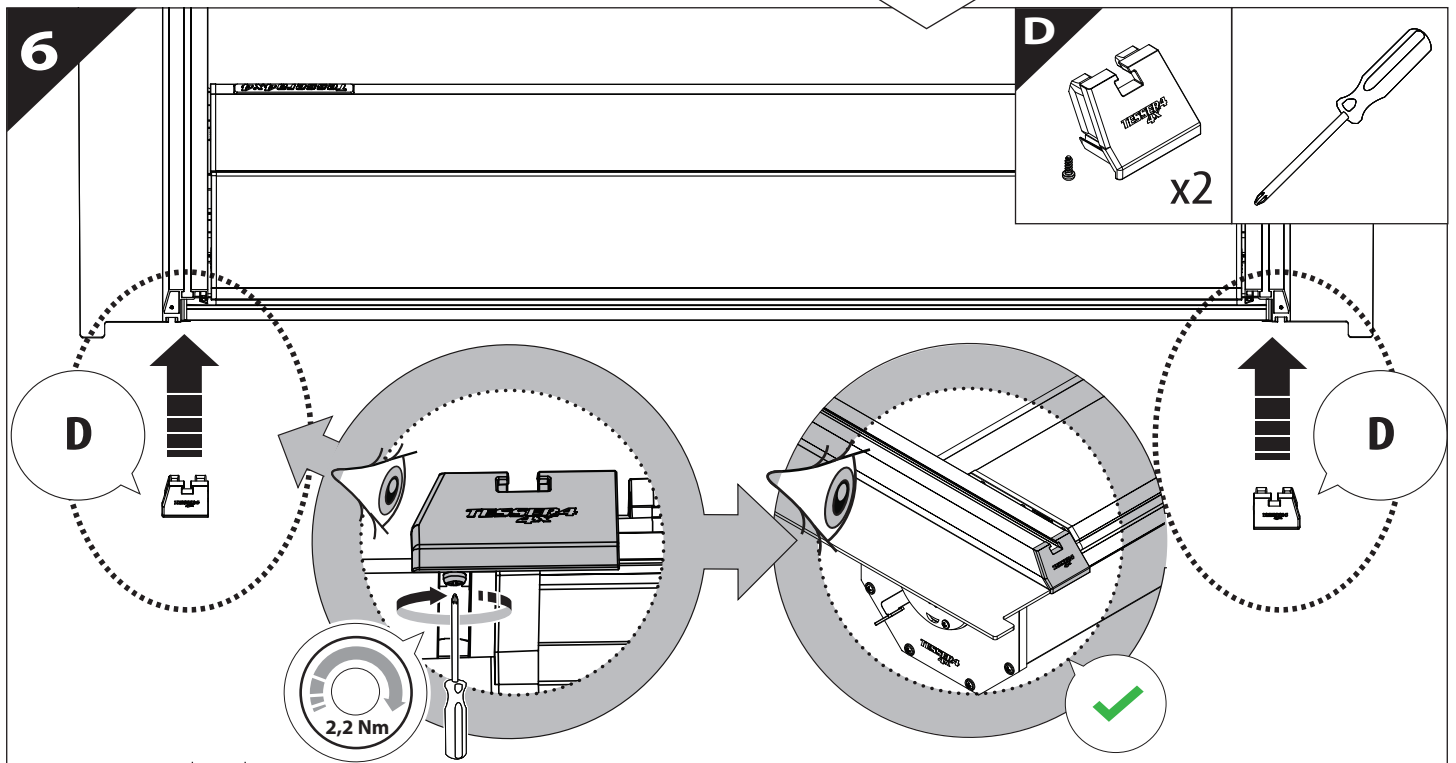
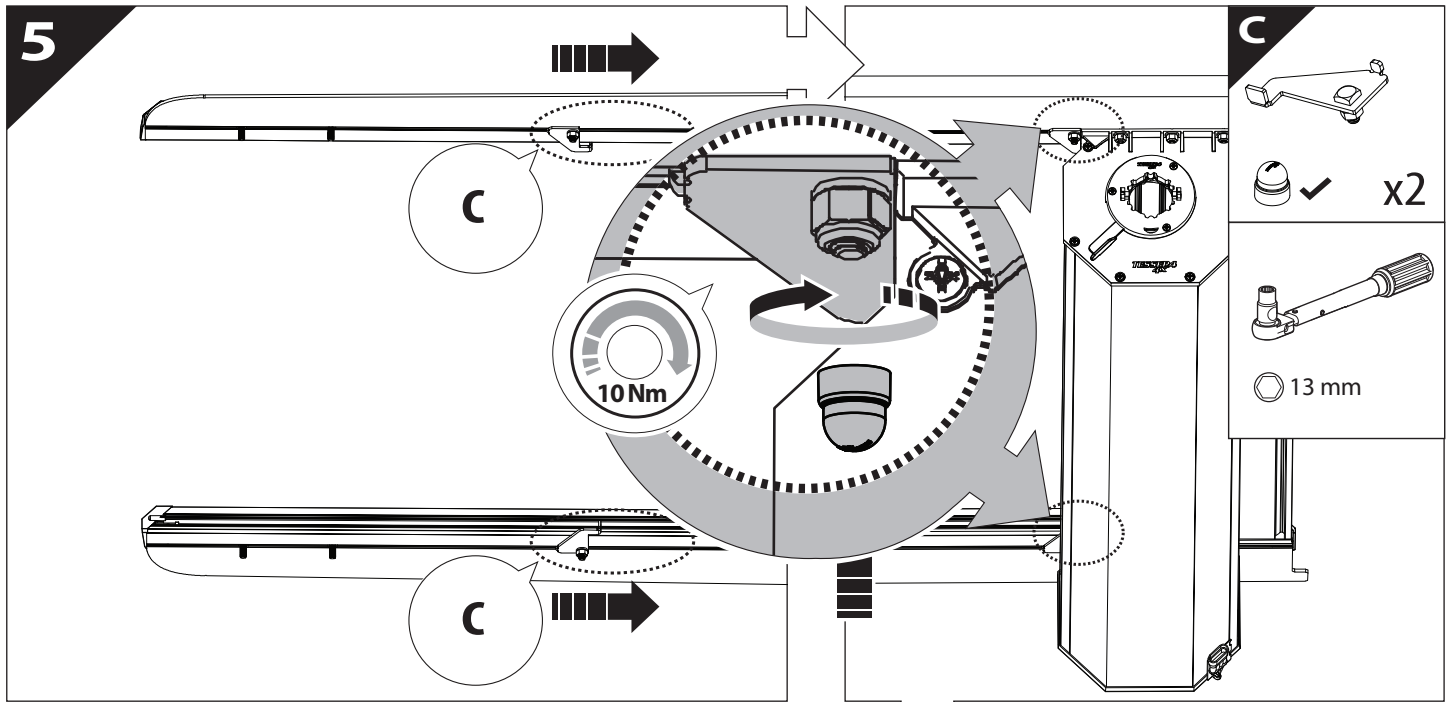


3

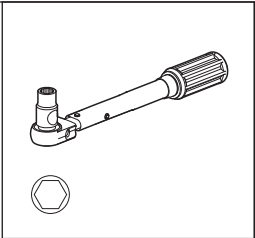


4

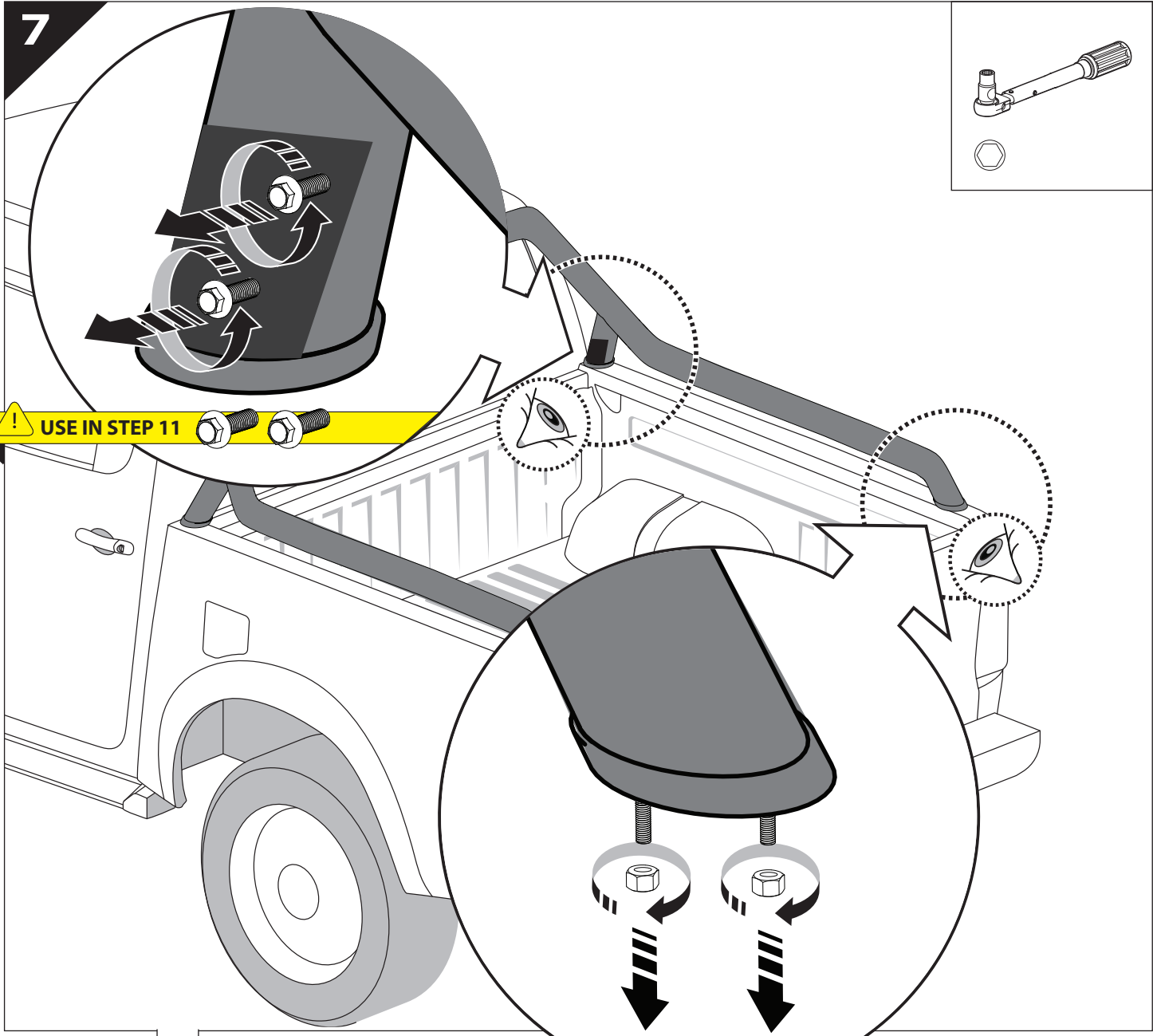




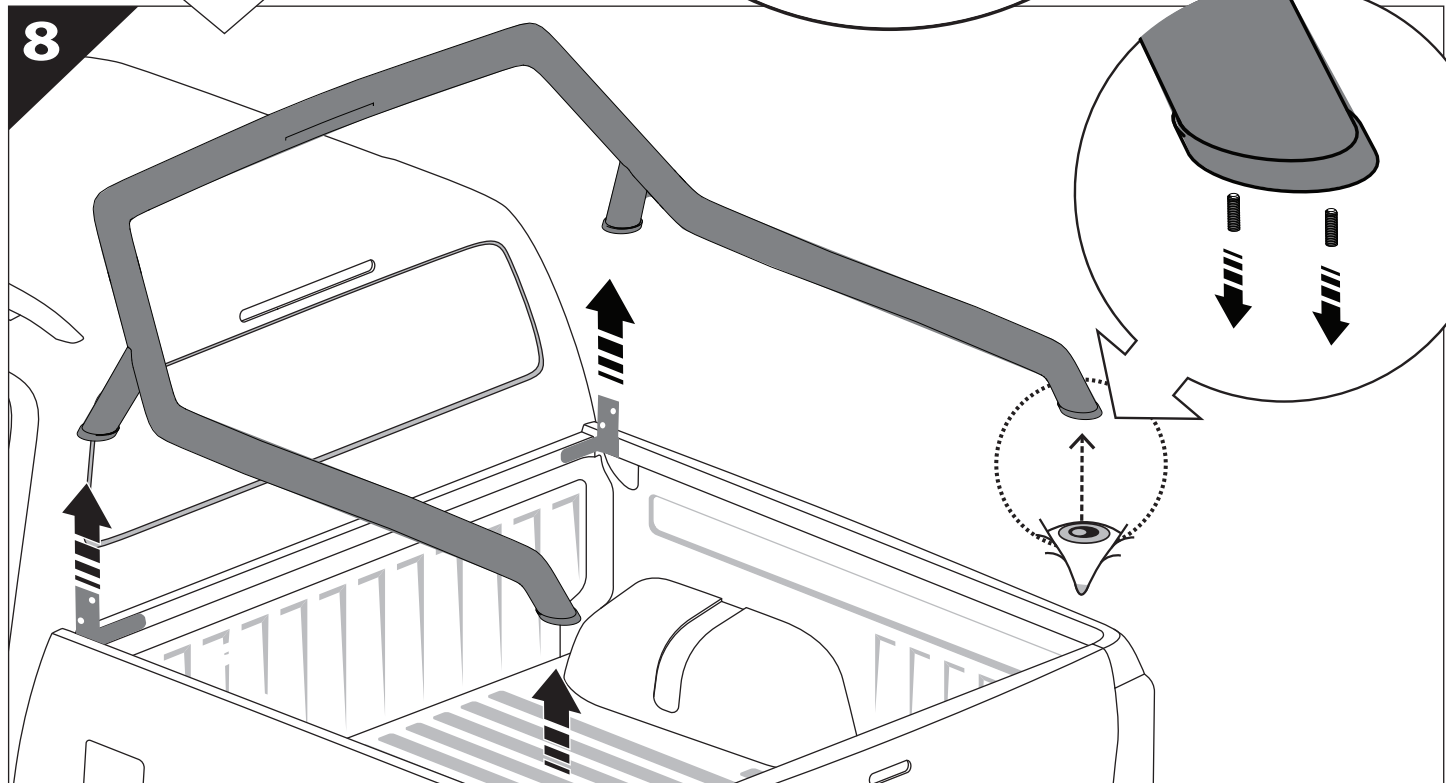
7

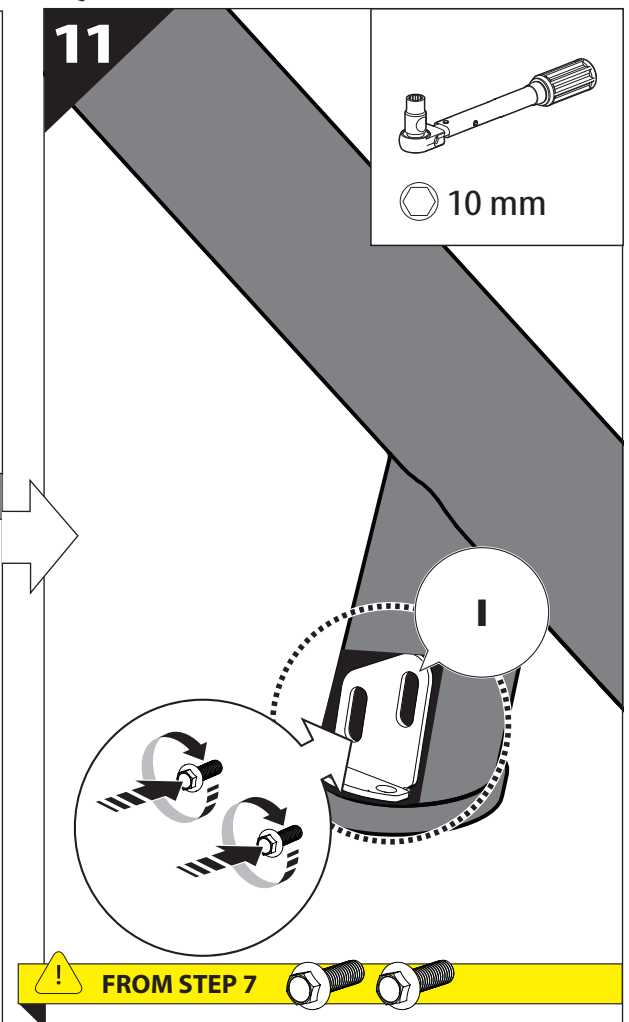
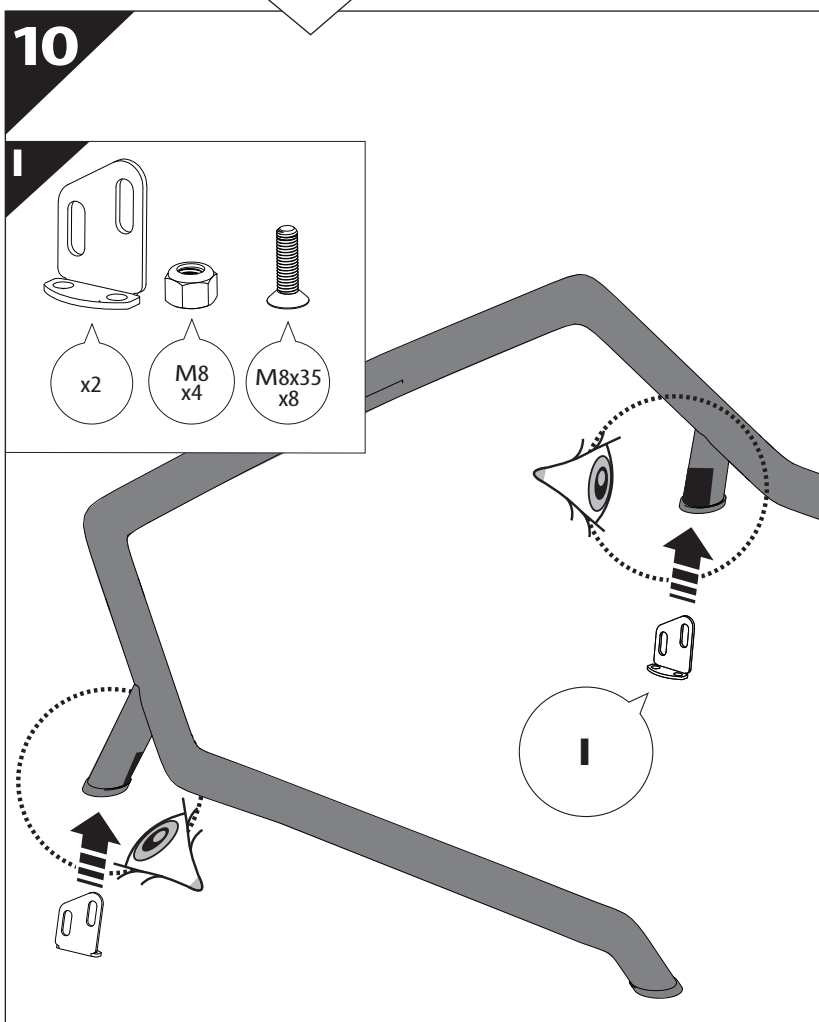
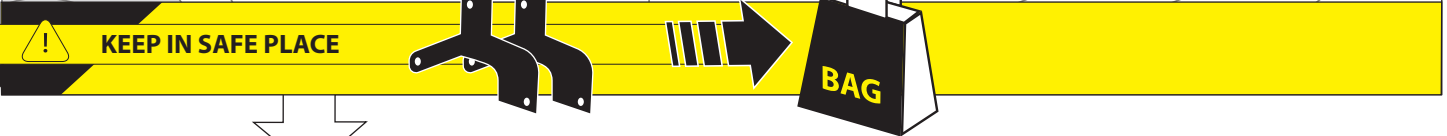
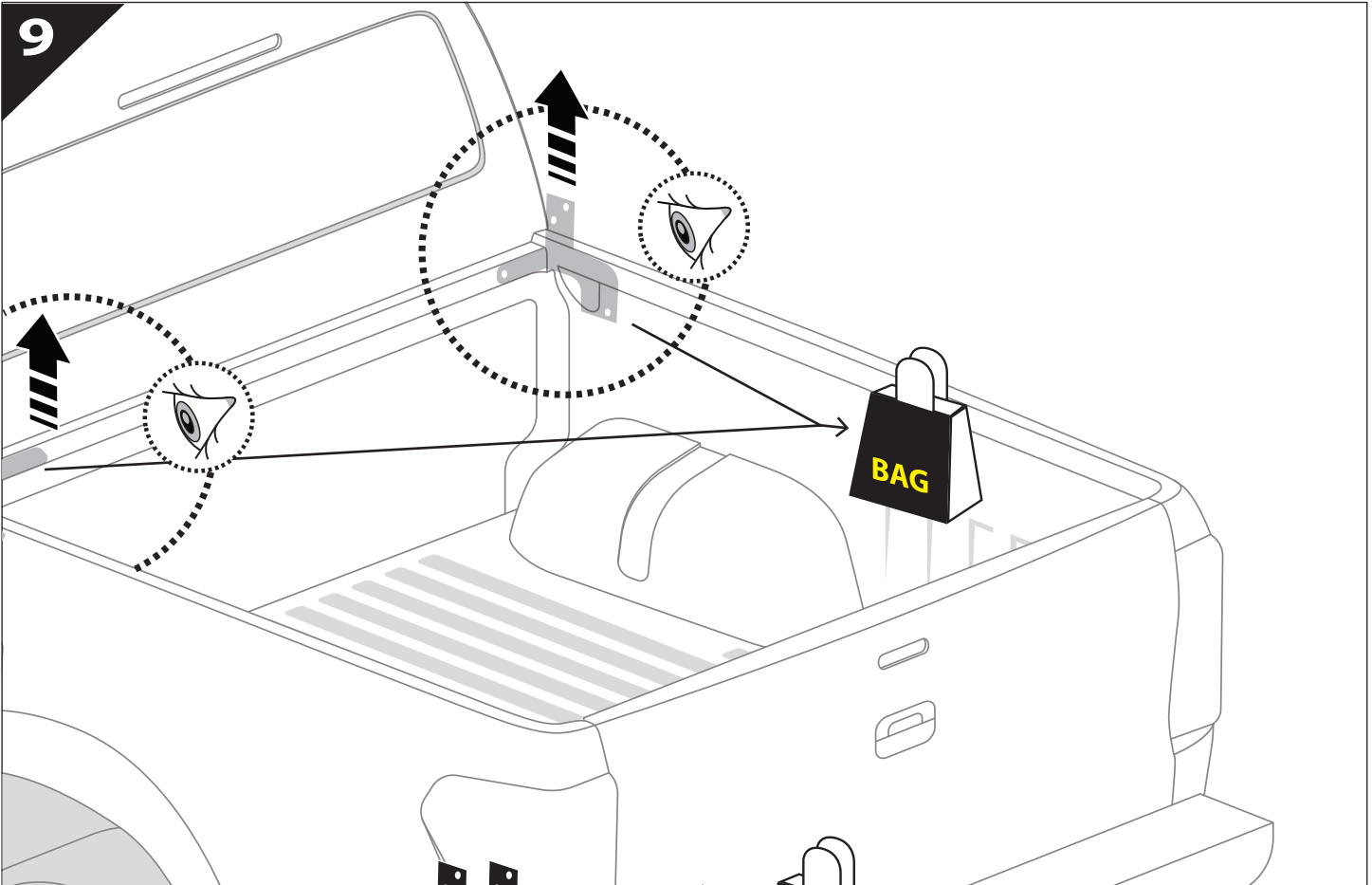


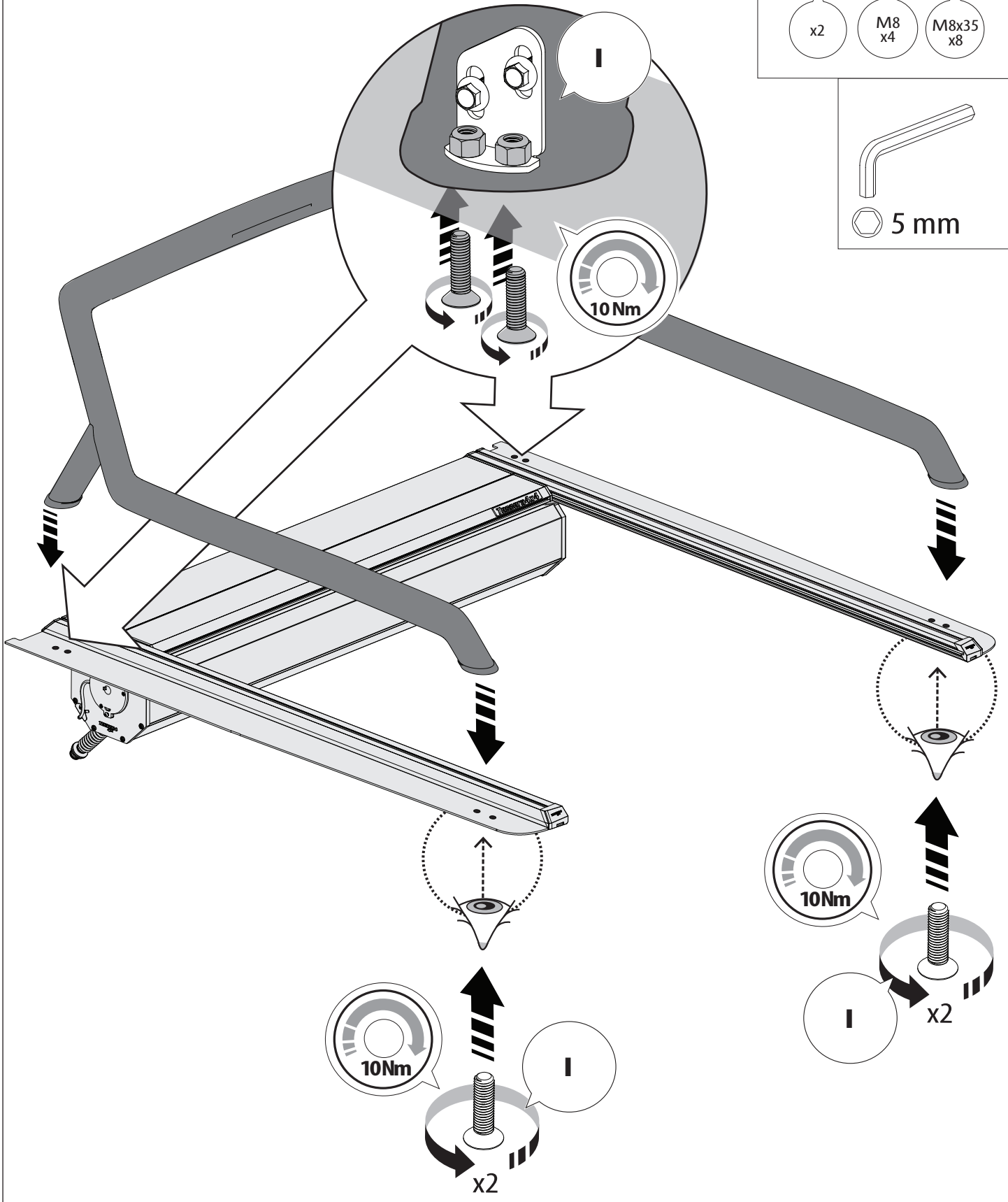
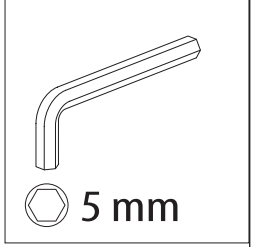
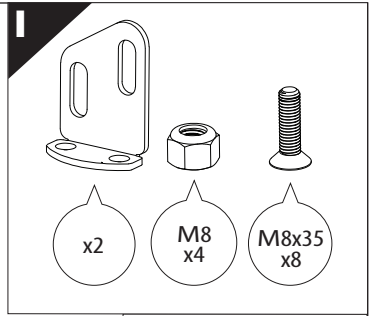
! USE IN STEP 11



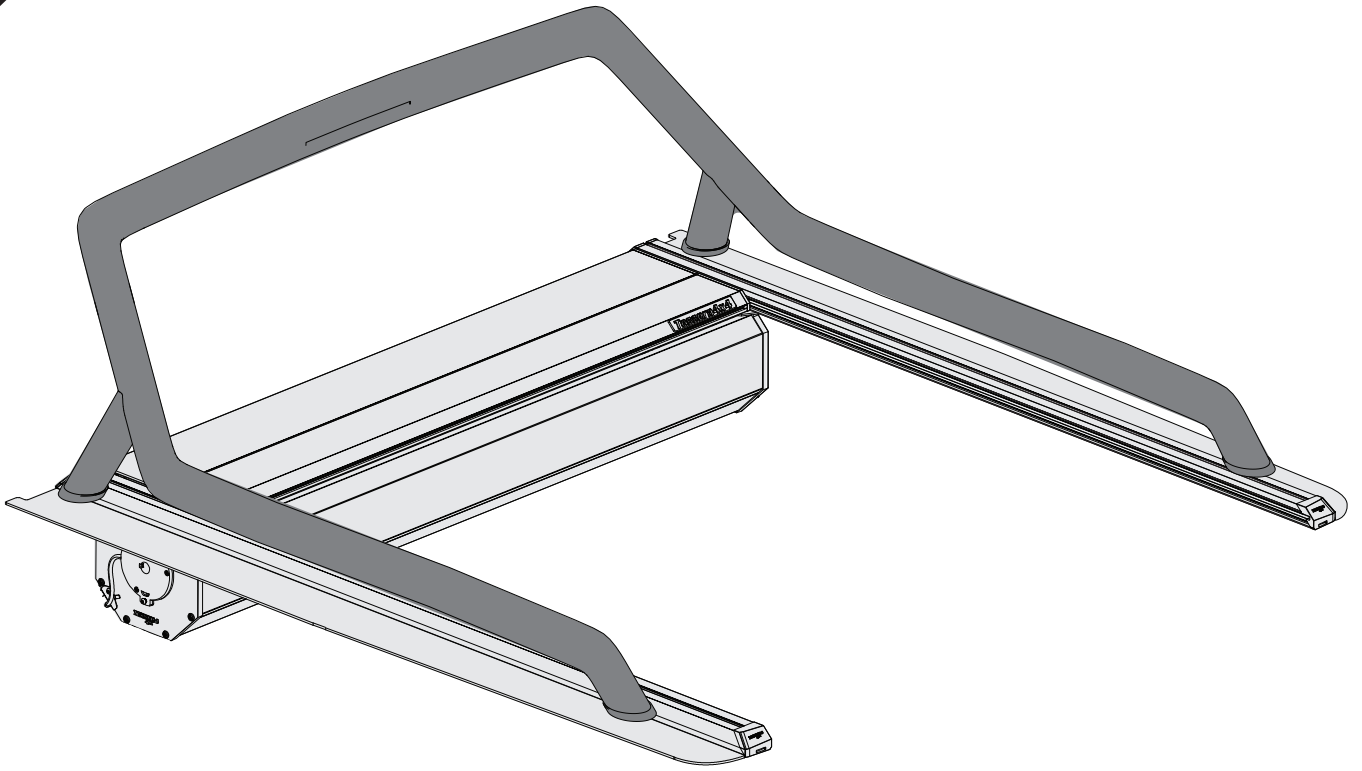
8



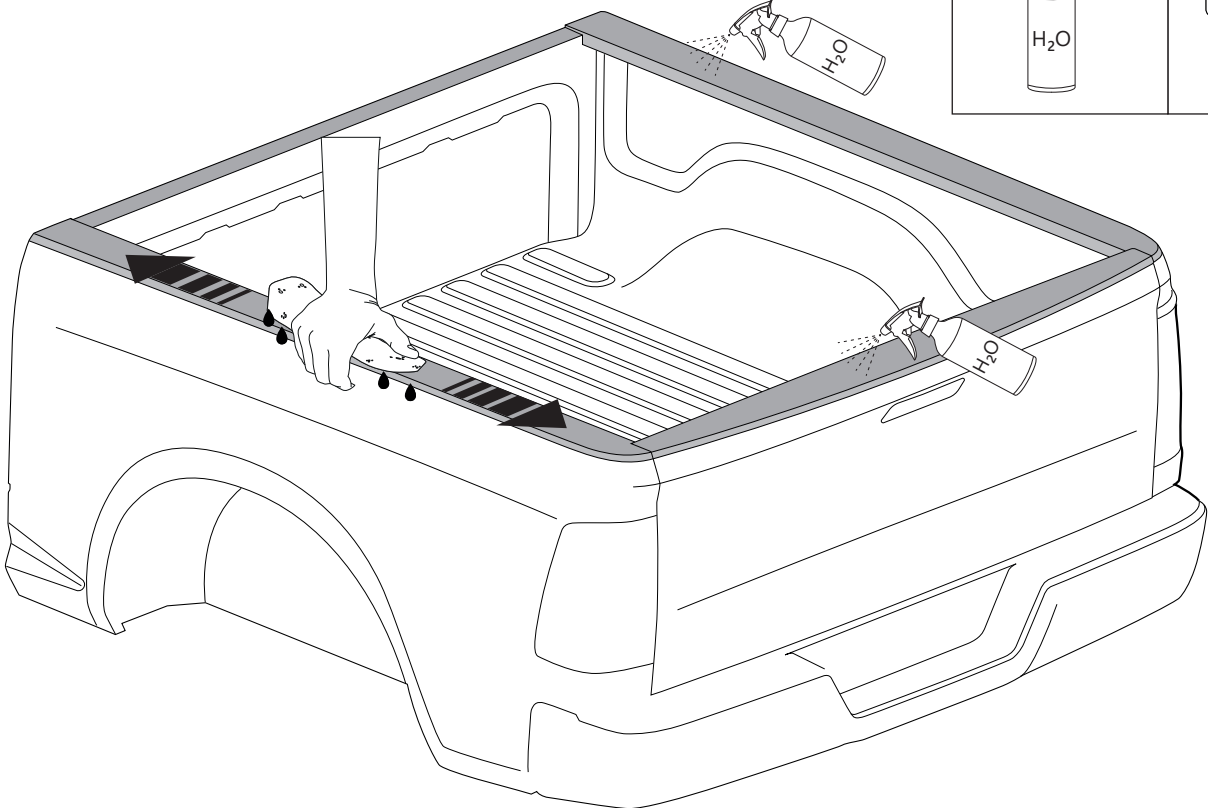




13

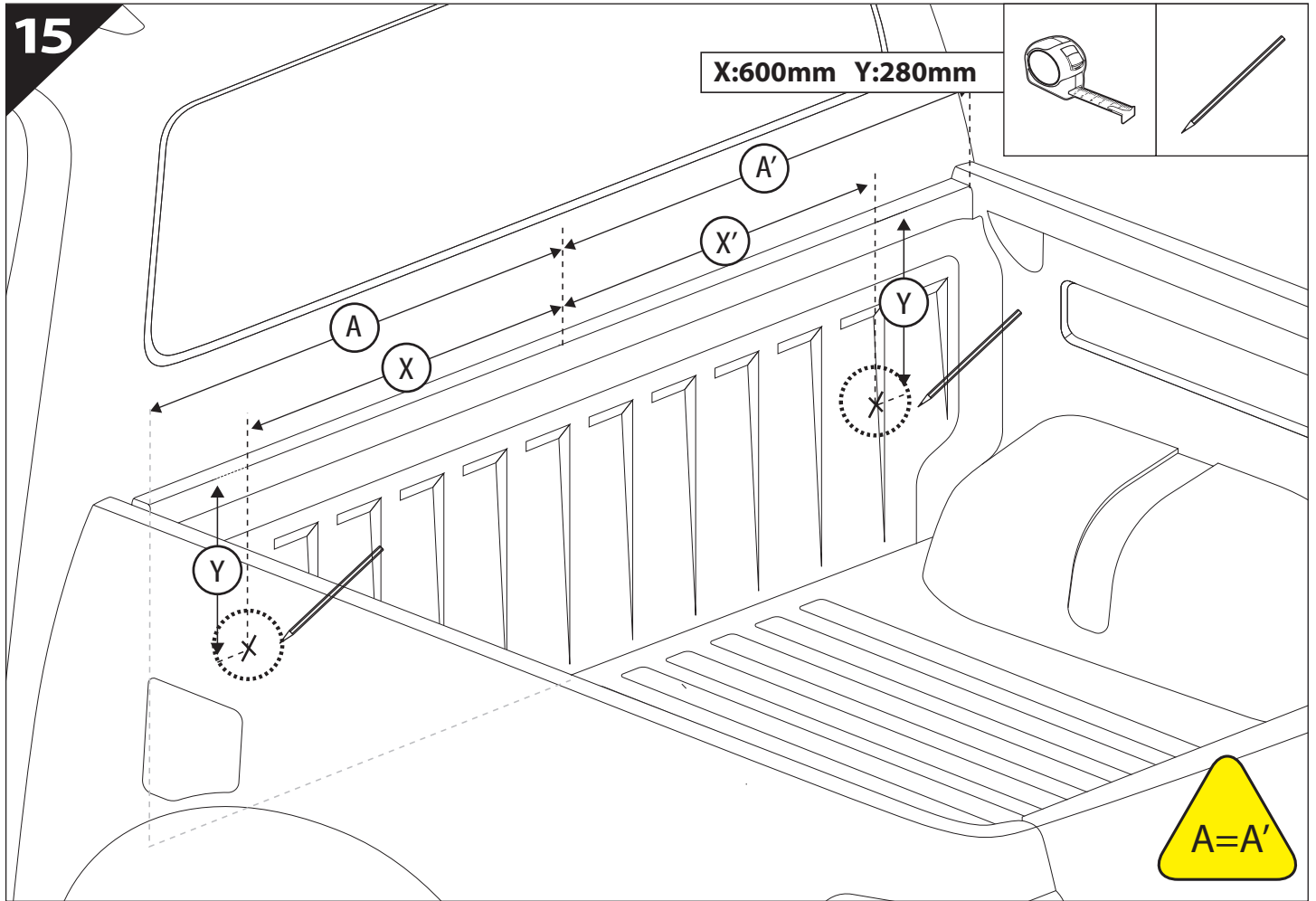
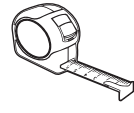


14

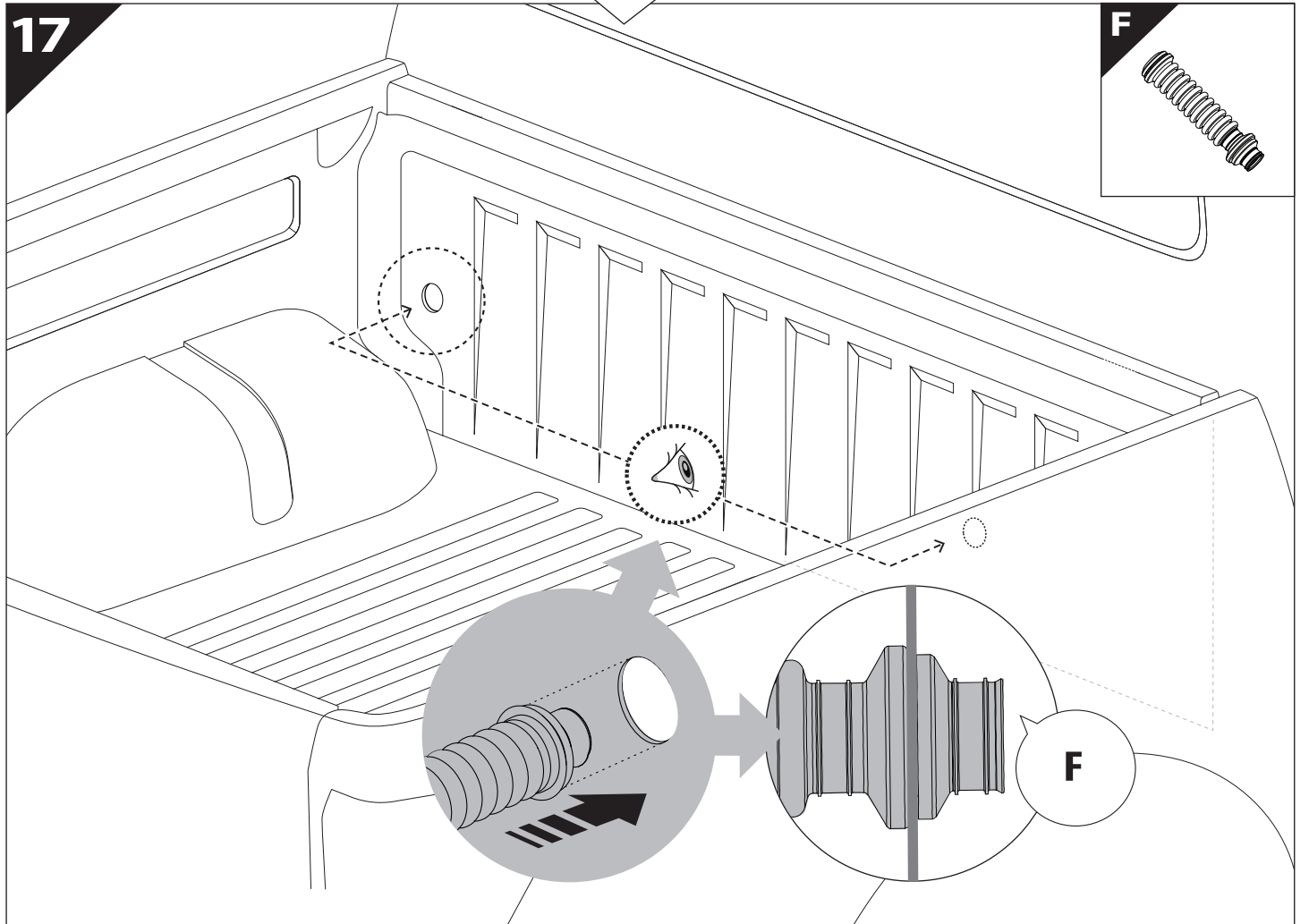
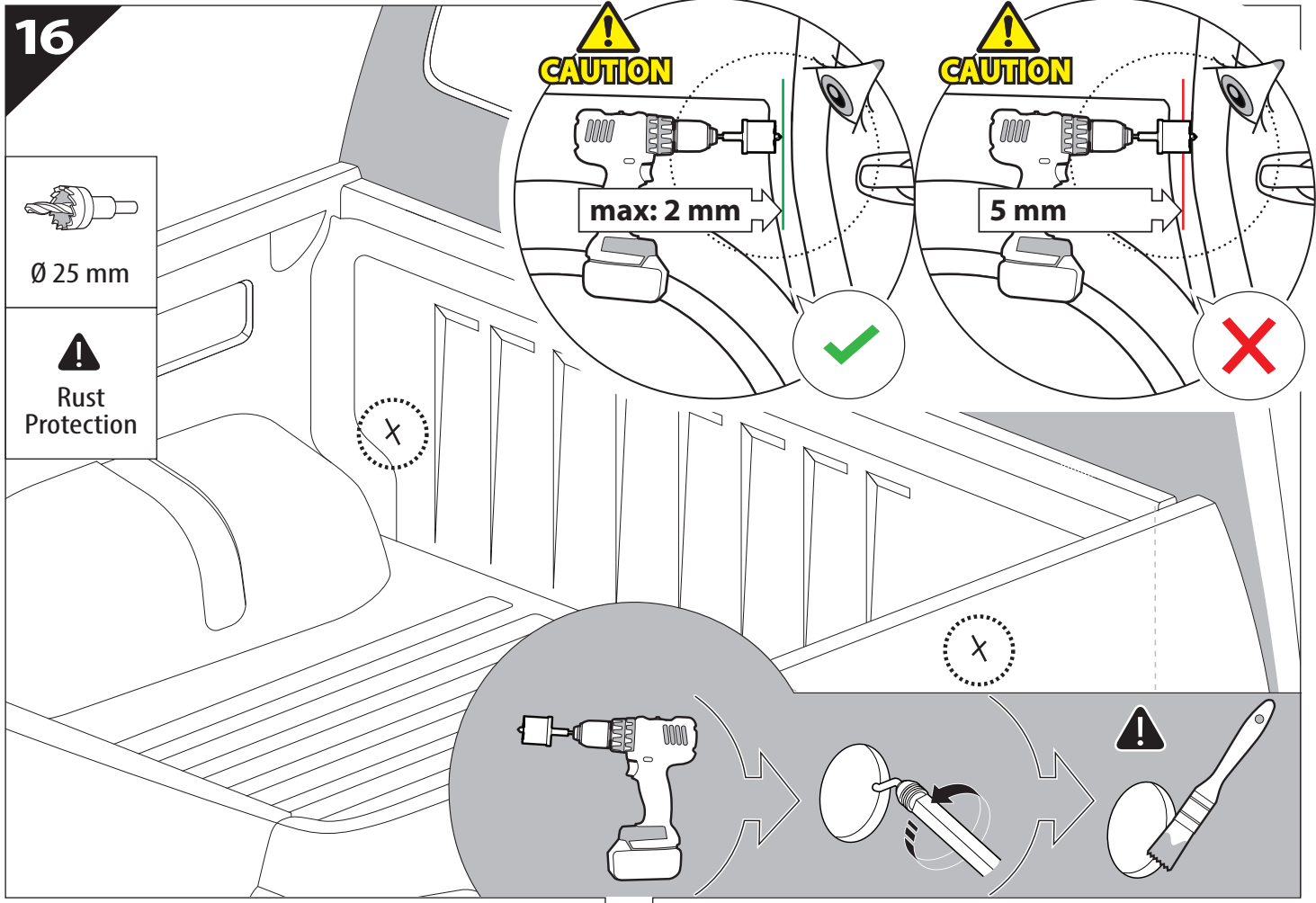


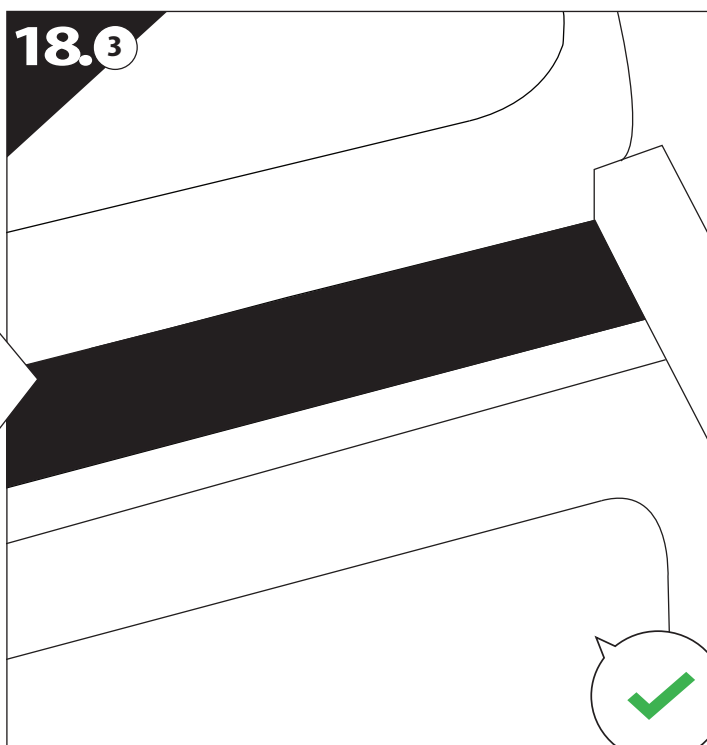
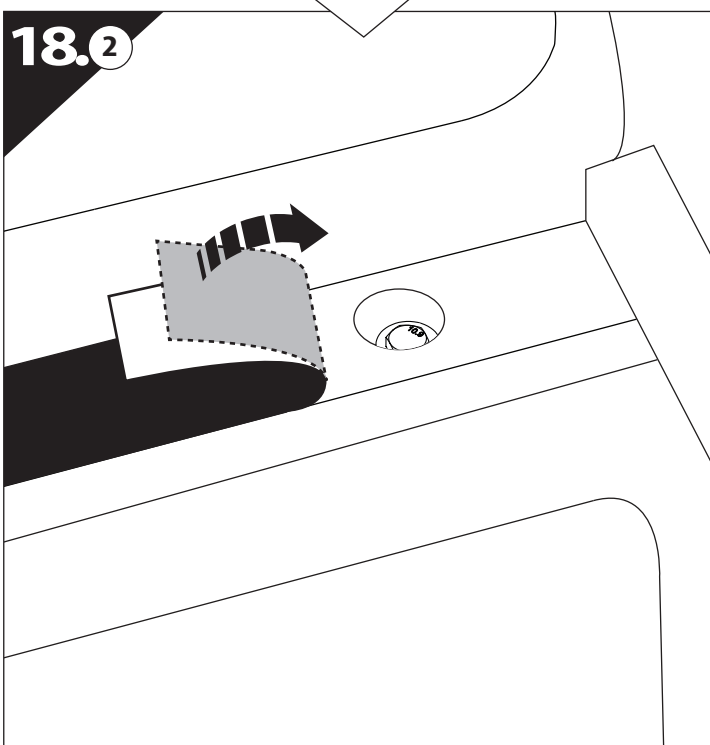
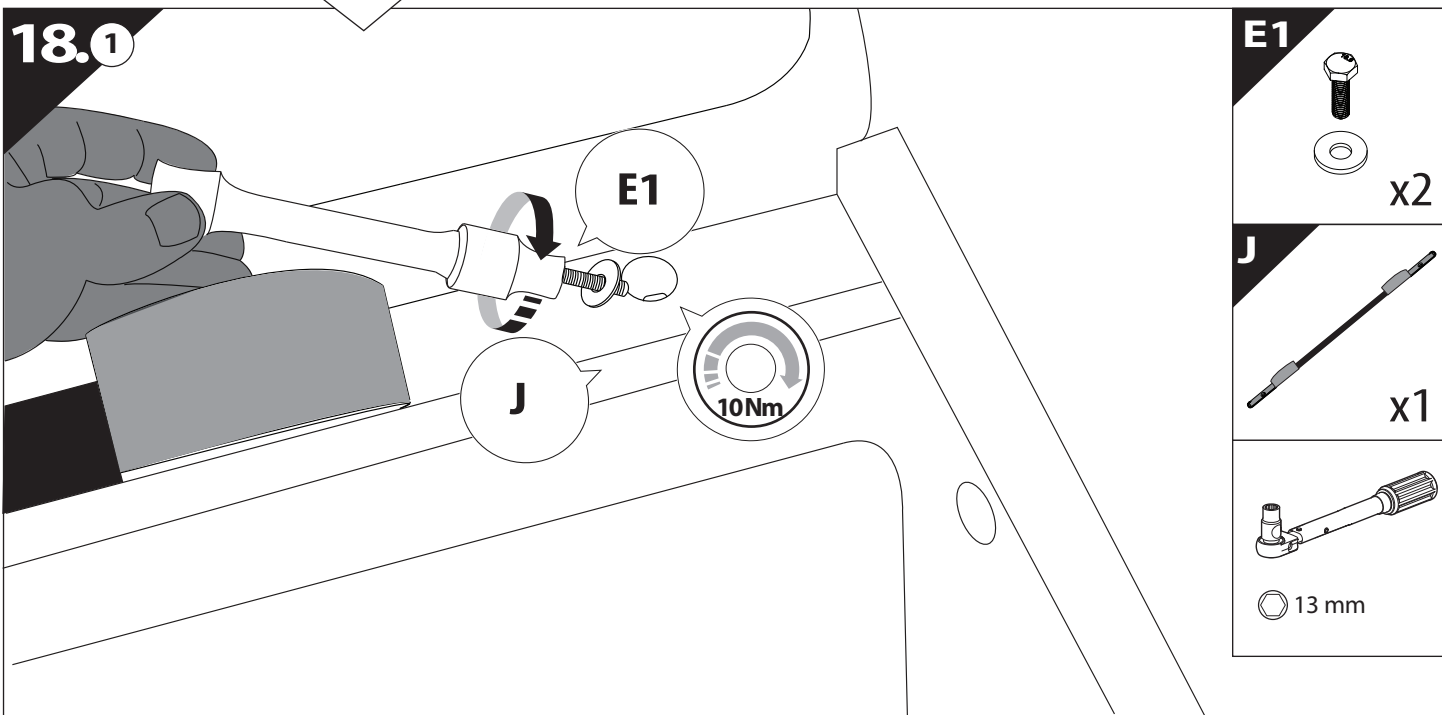
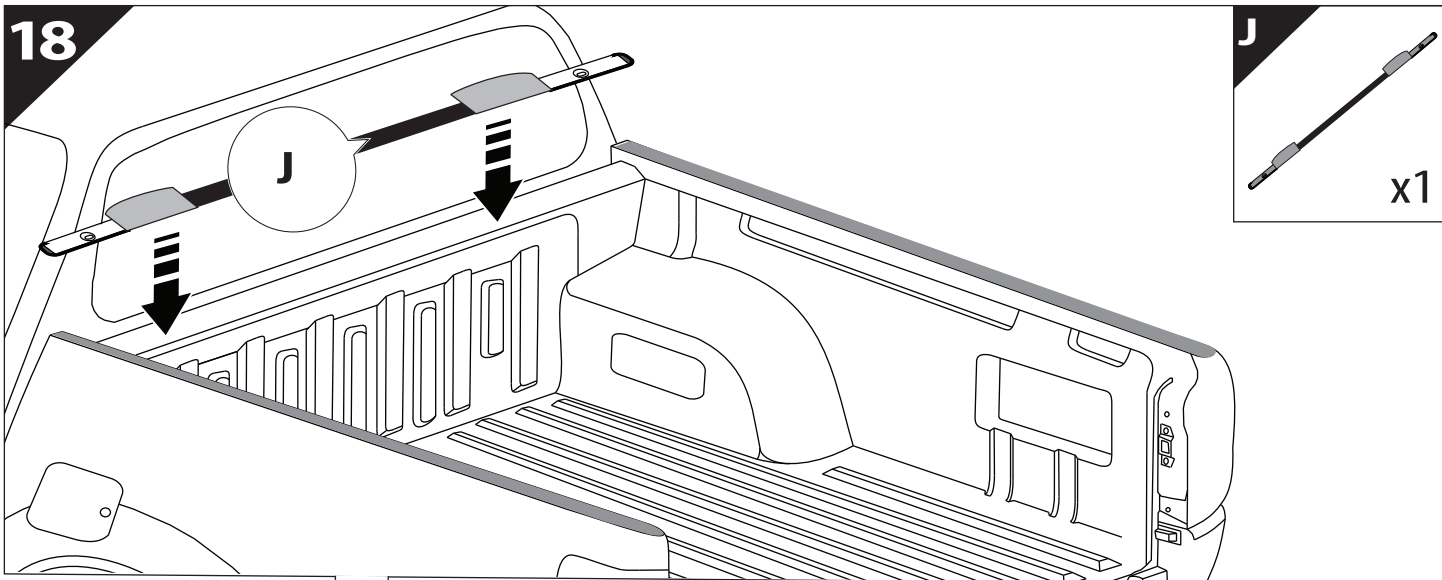
15

X:600mm Y:280mm



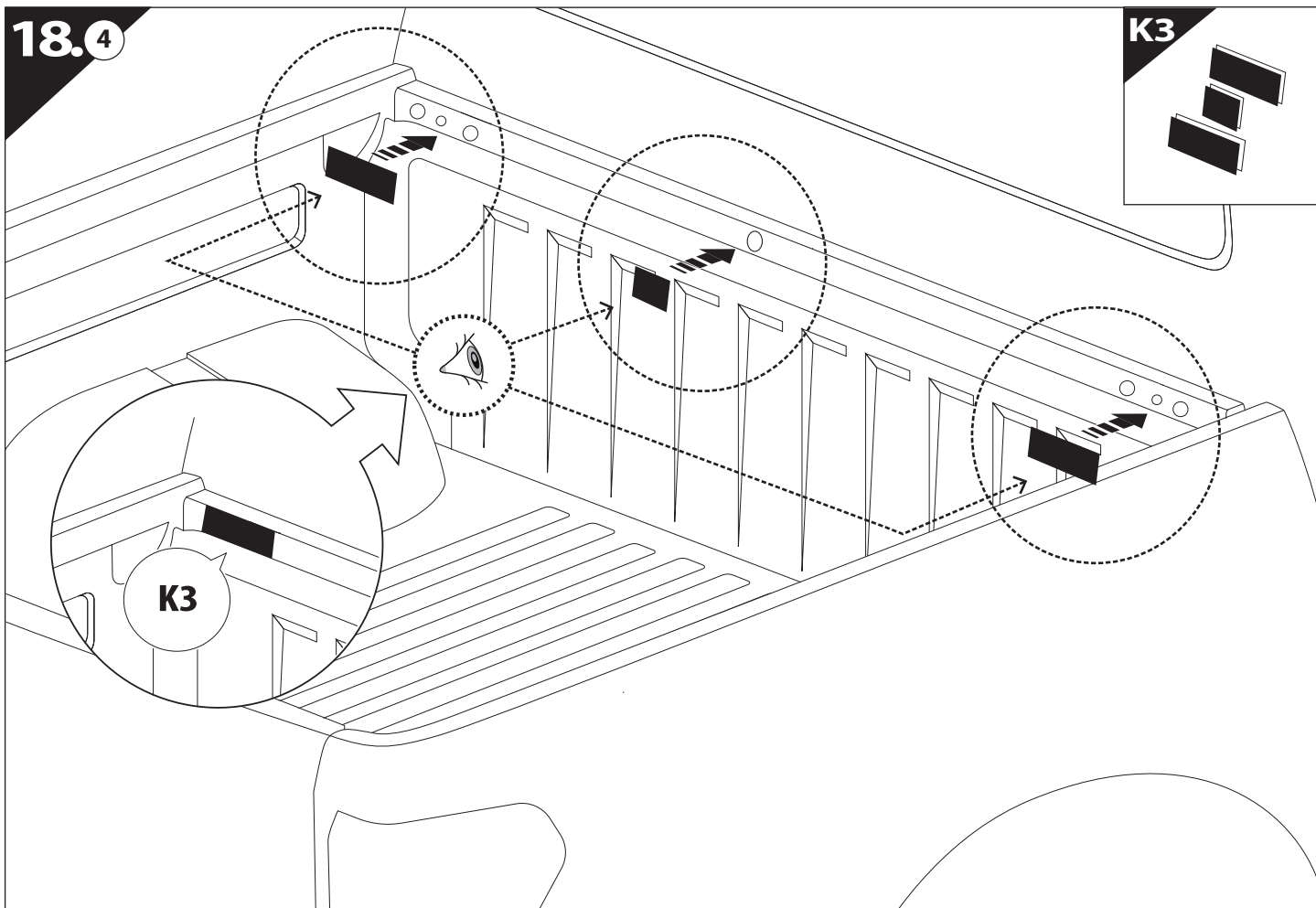
A=A'





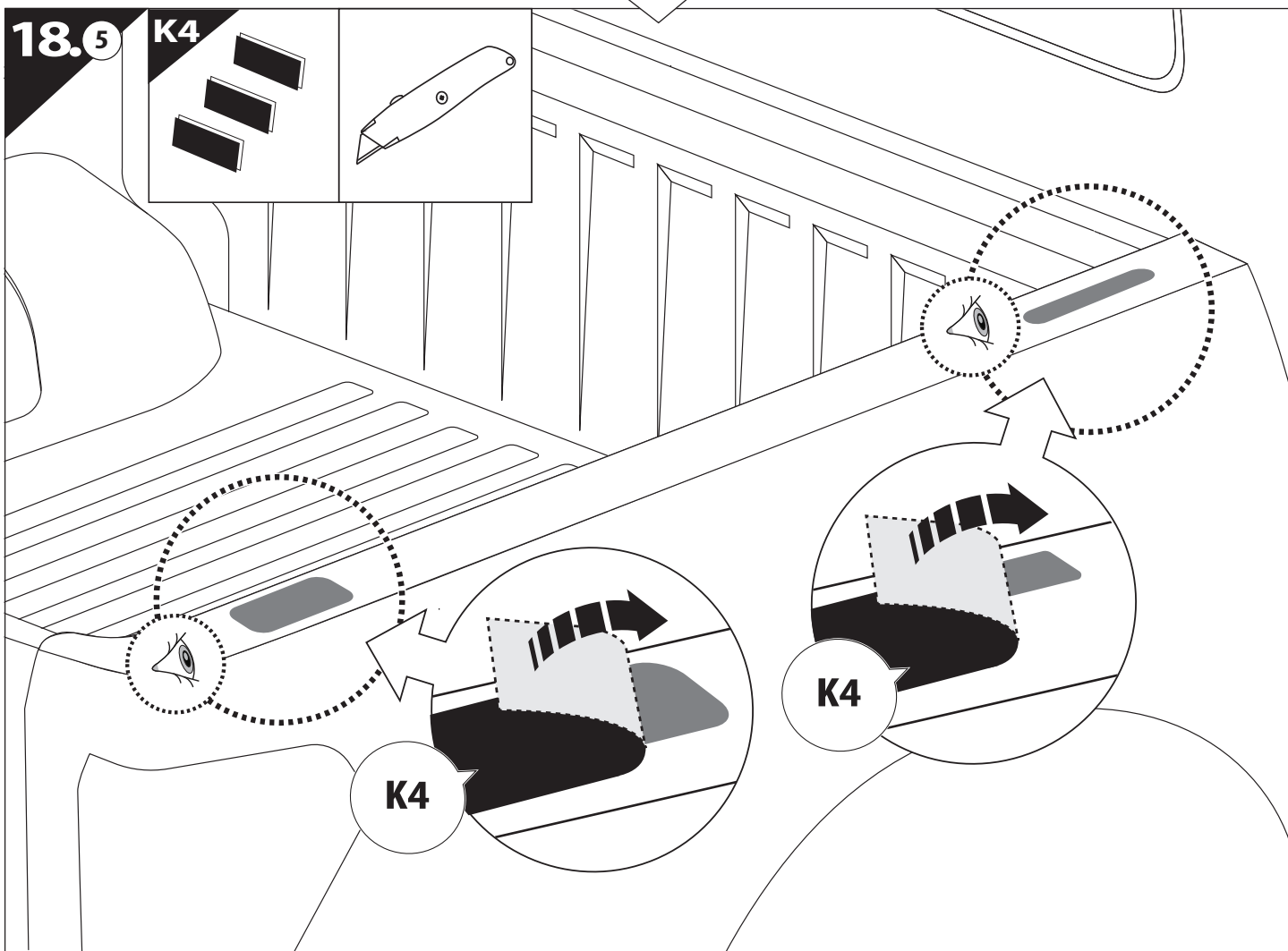
18.4

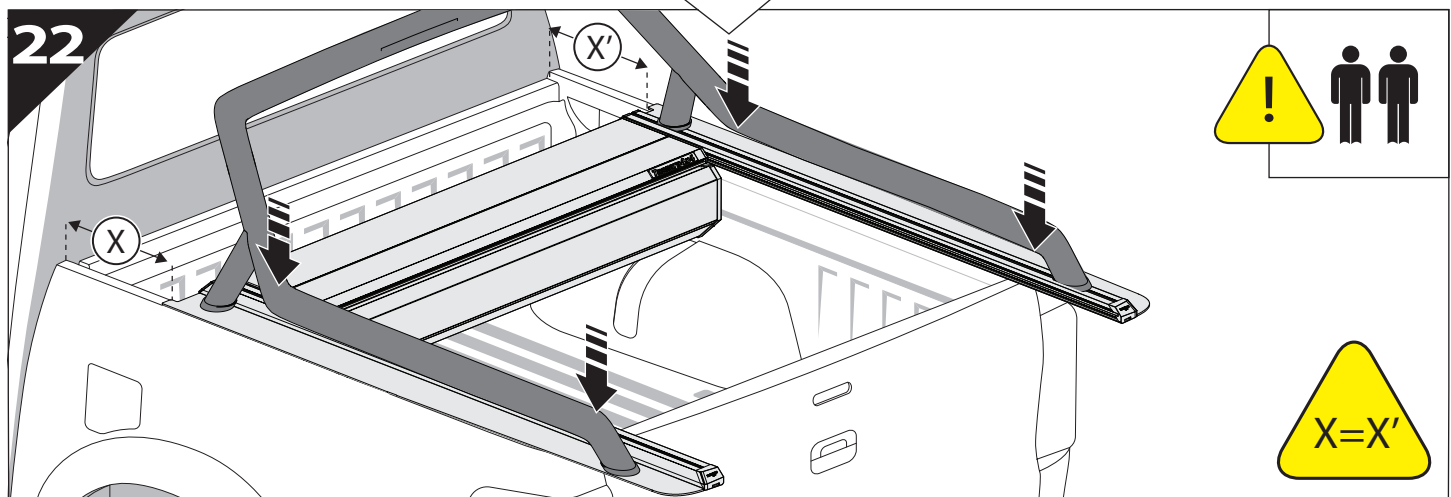
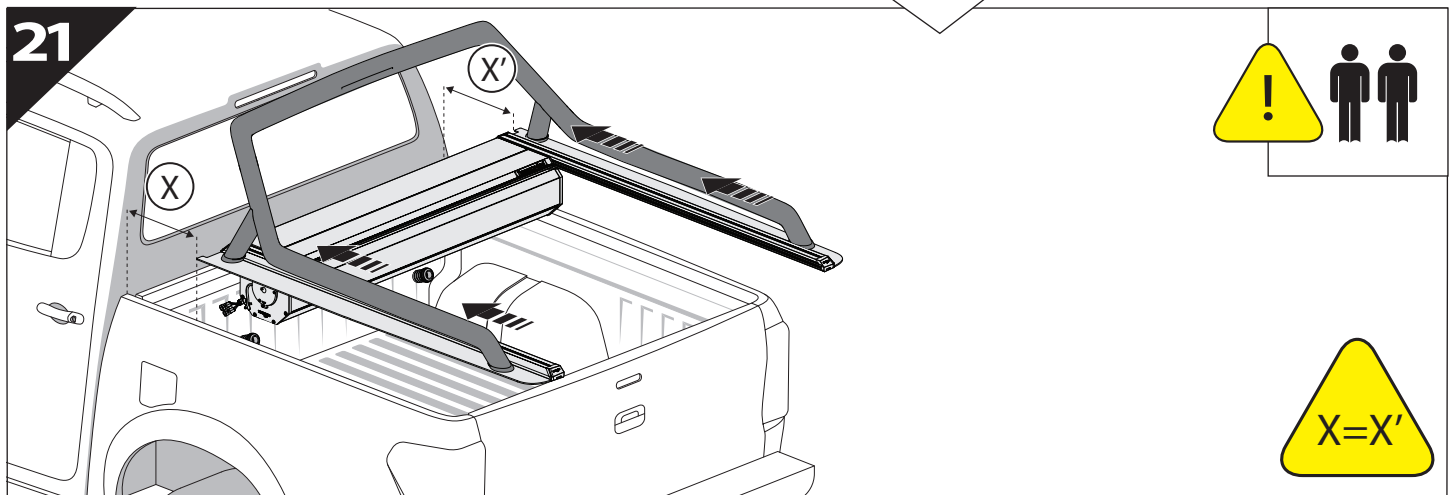
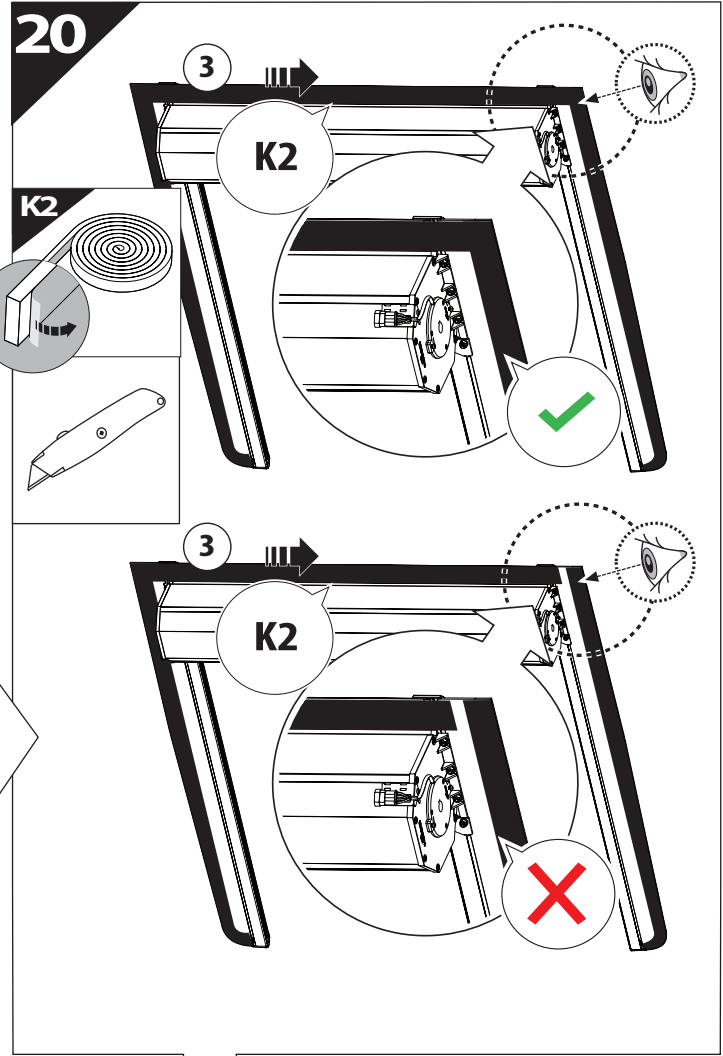
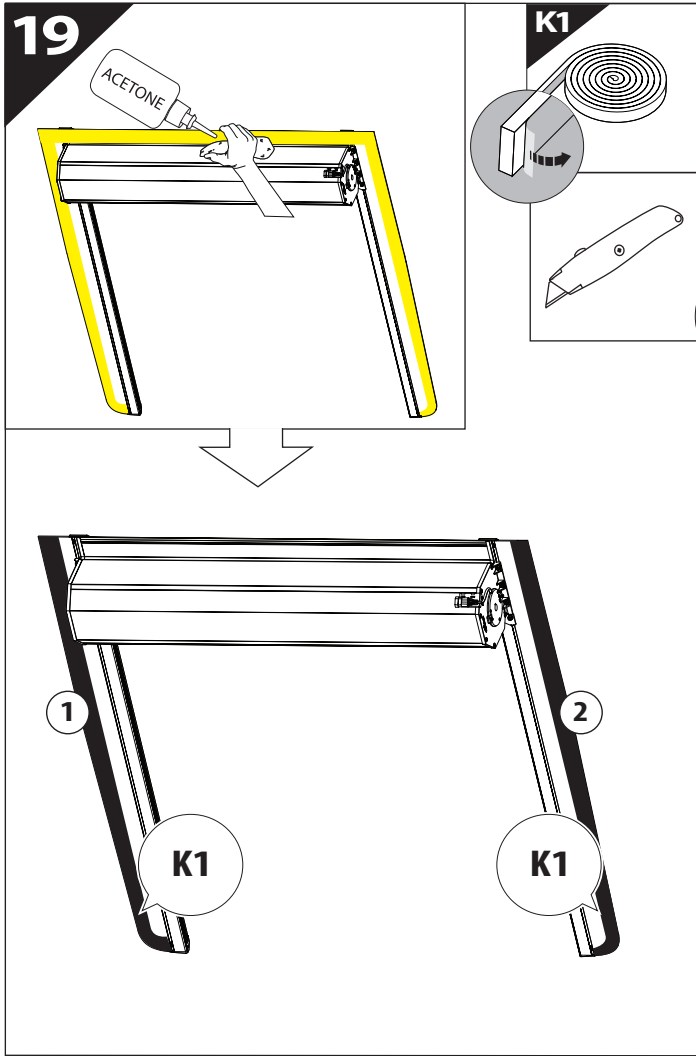
K3



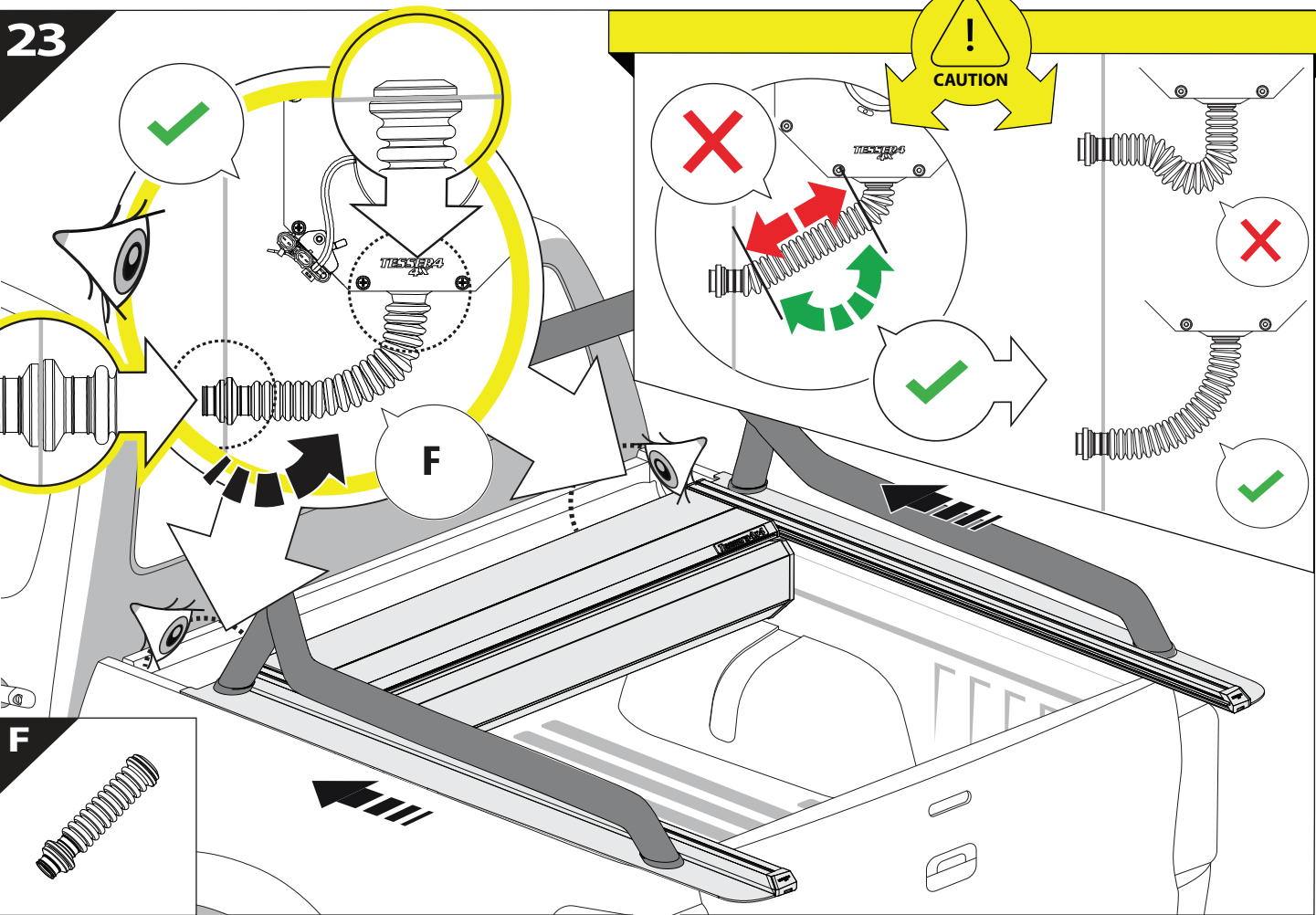
18.5

K4

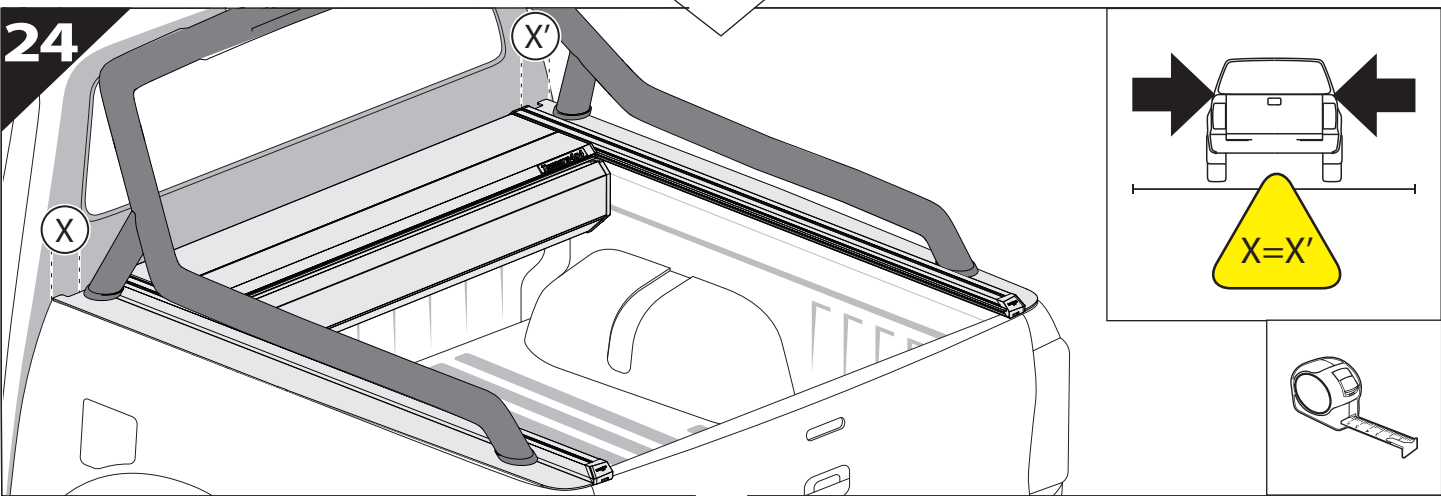




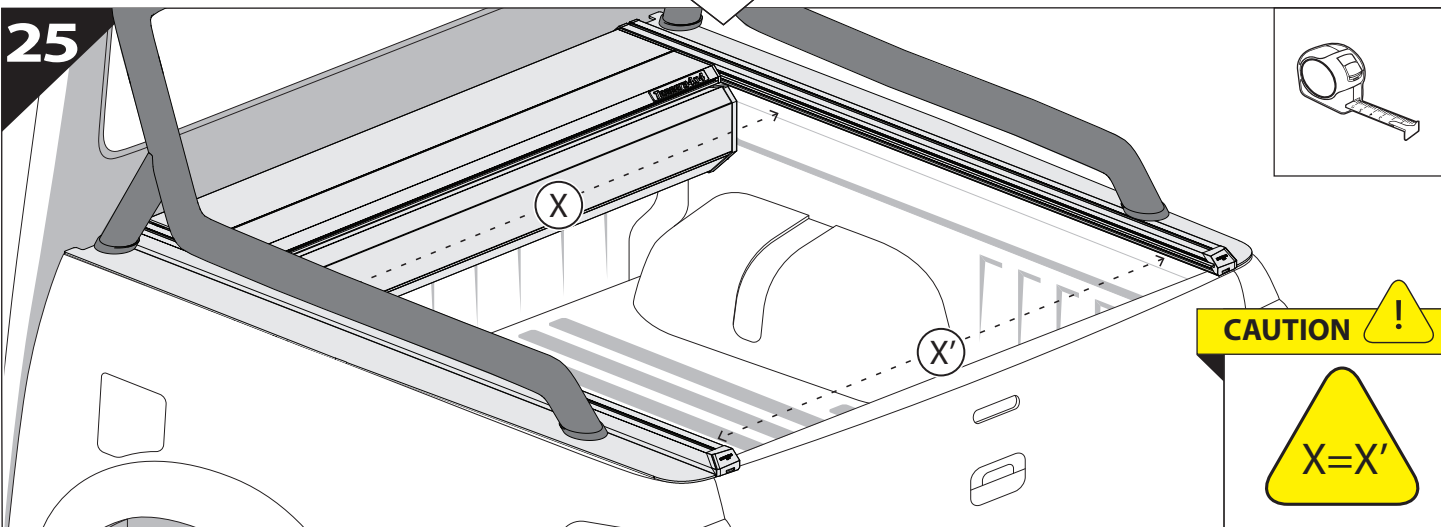
23



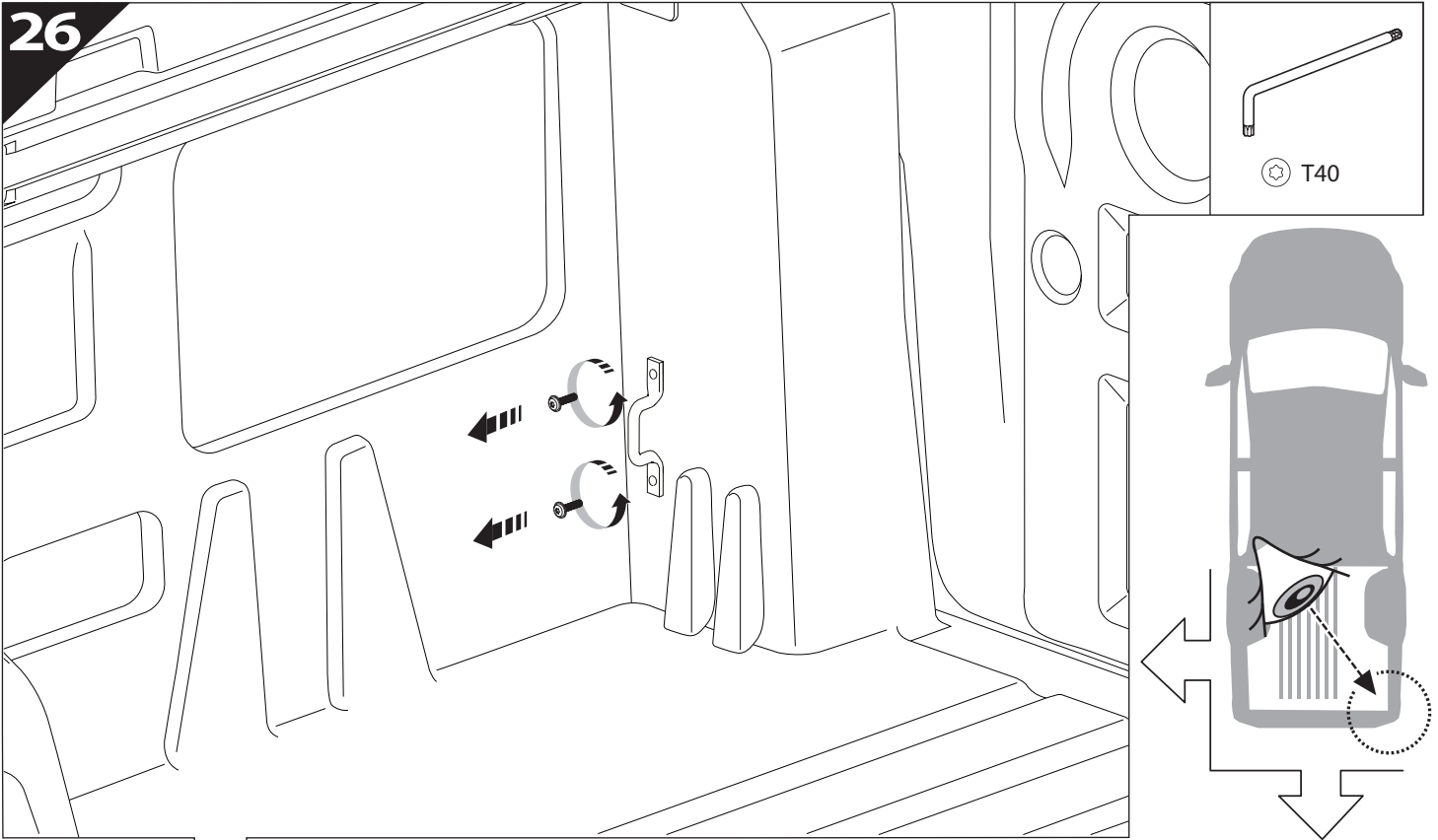
24



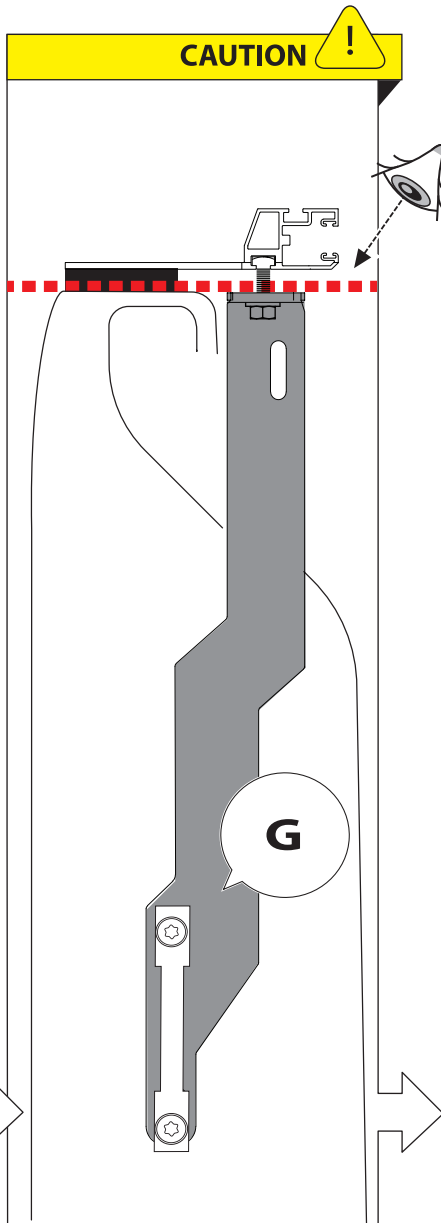
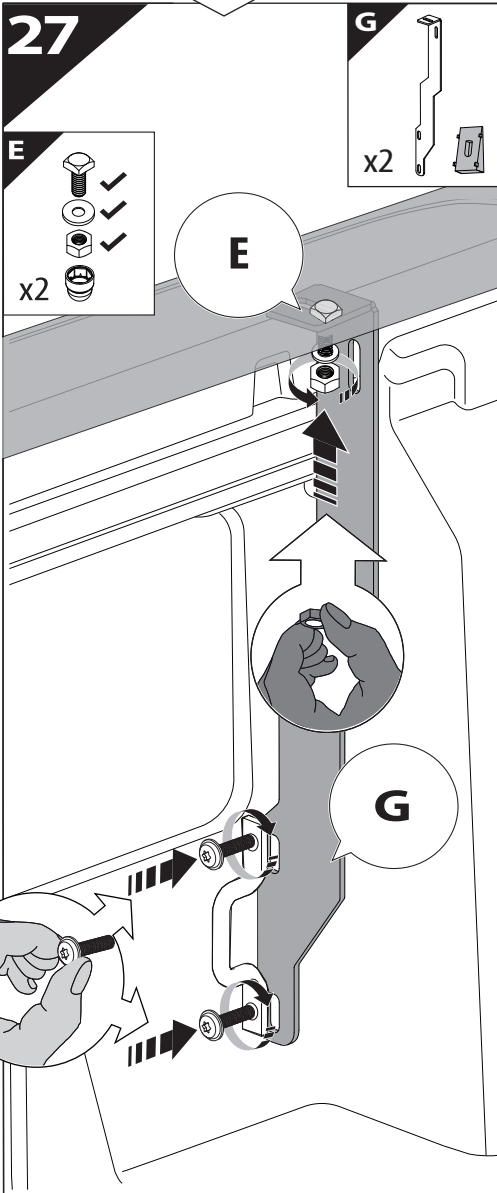
25



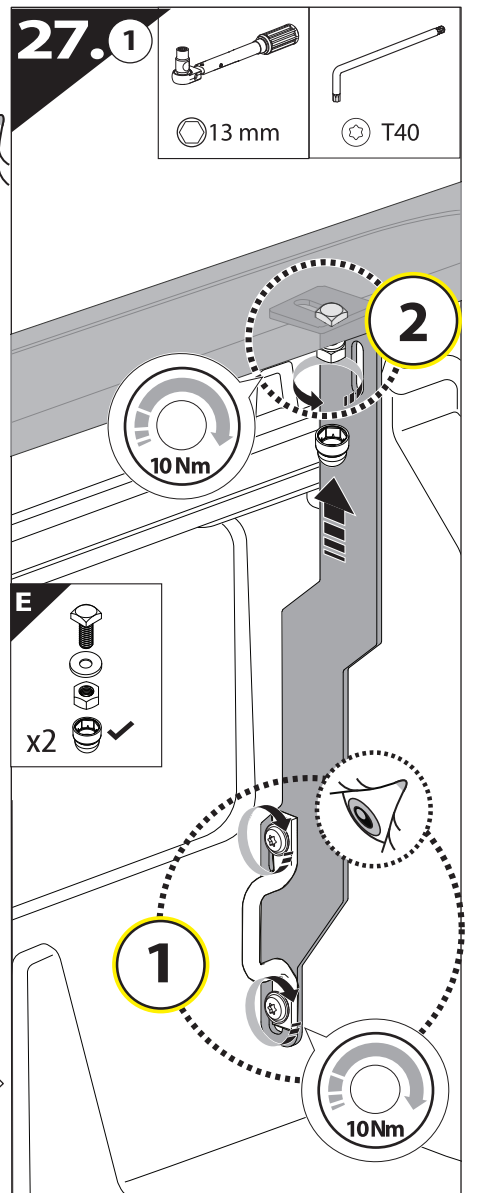
26



27



27.1



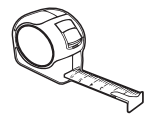
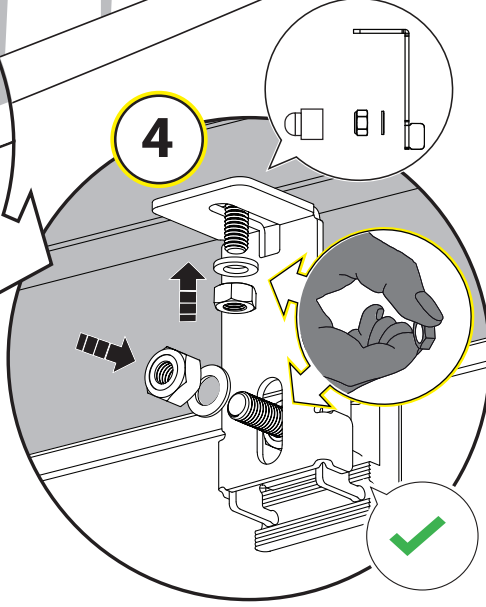
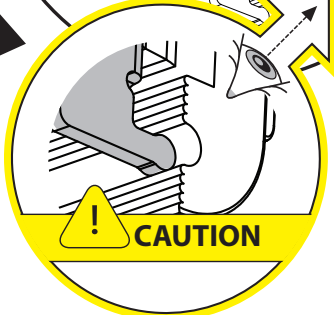
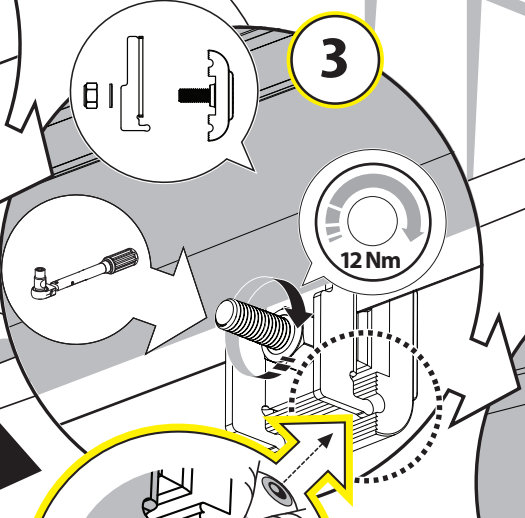
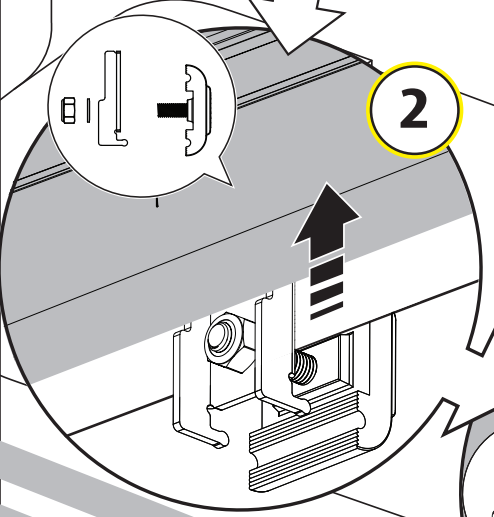
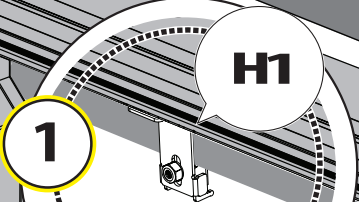
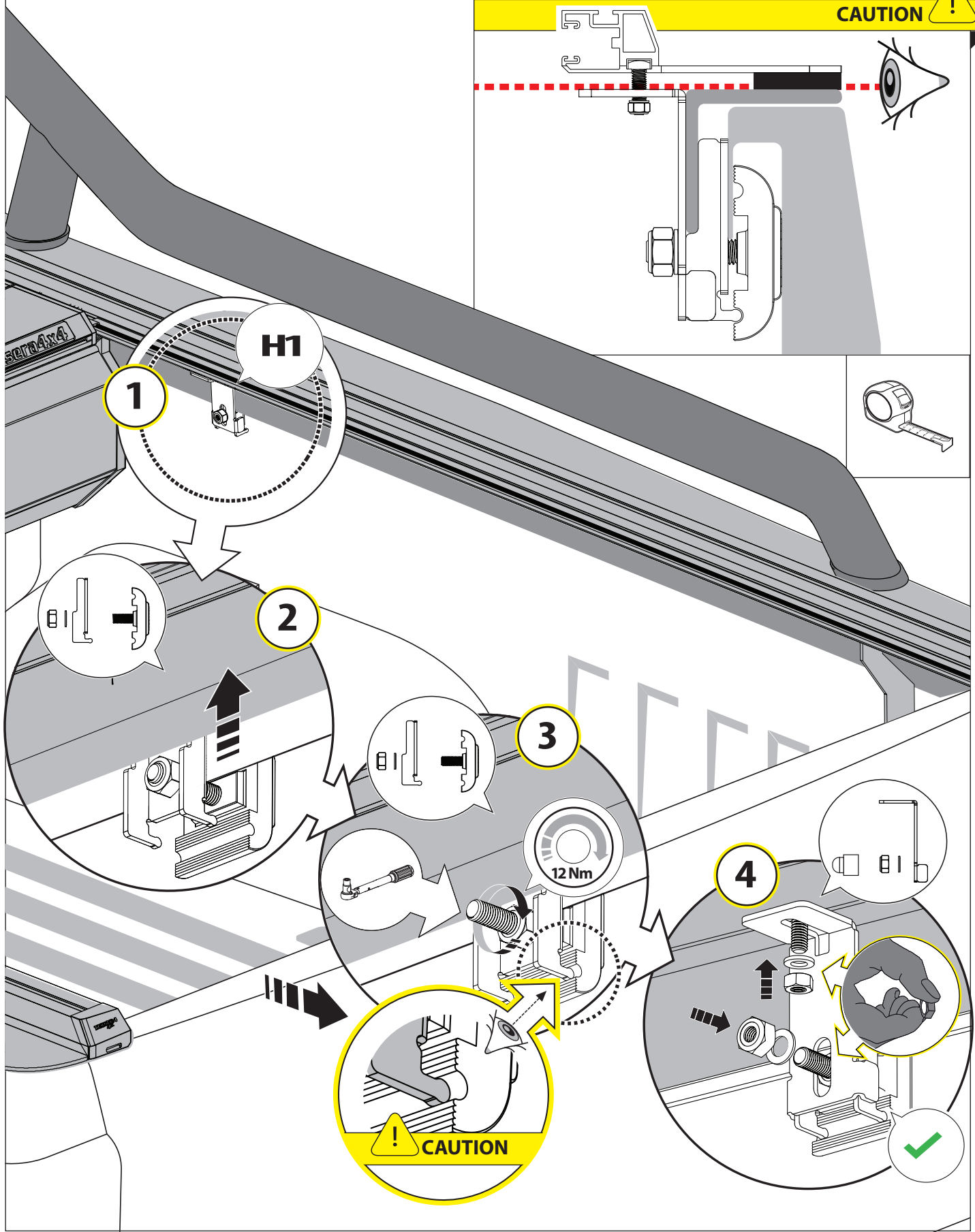
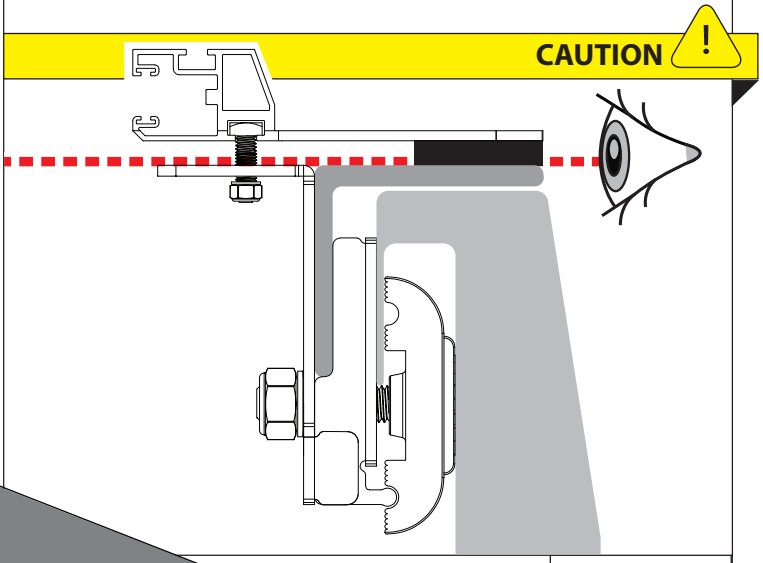
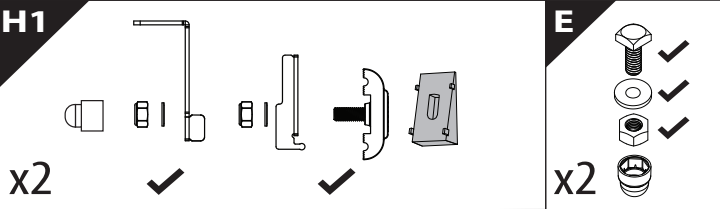
28 A

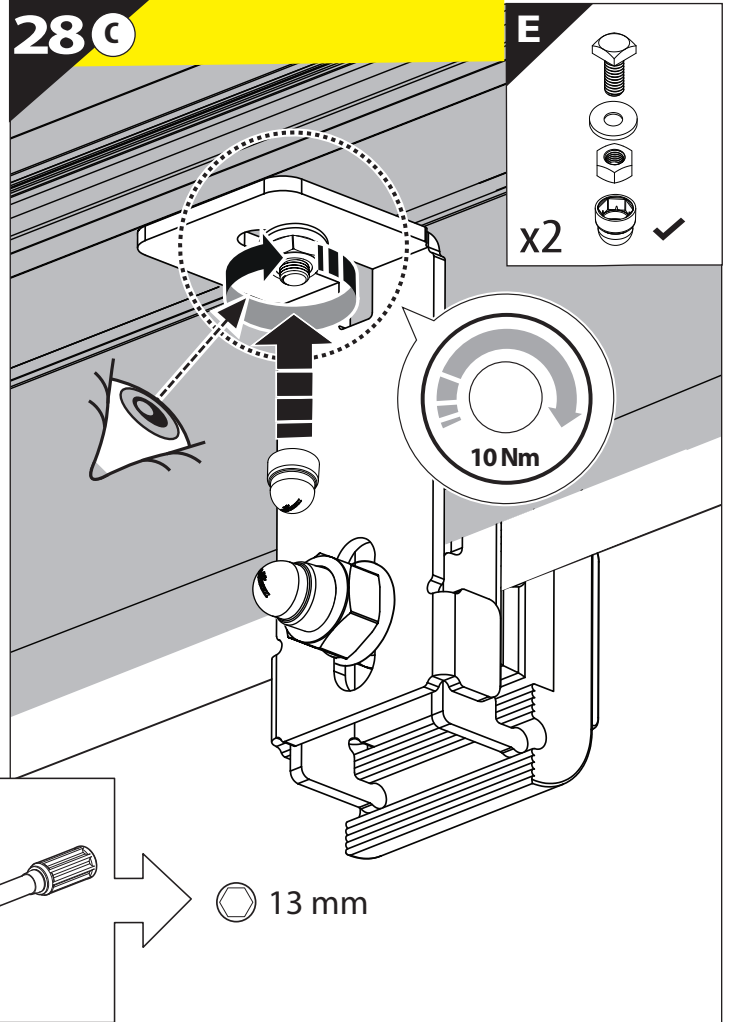
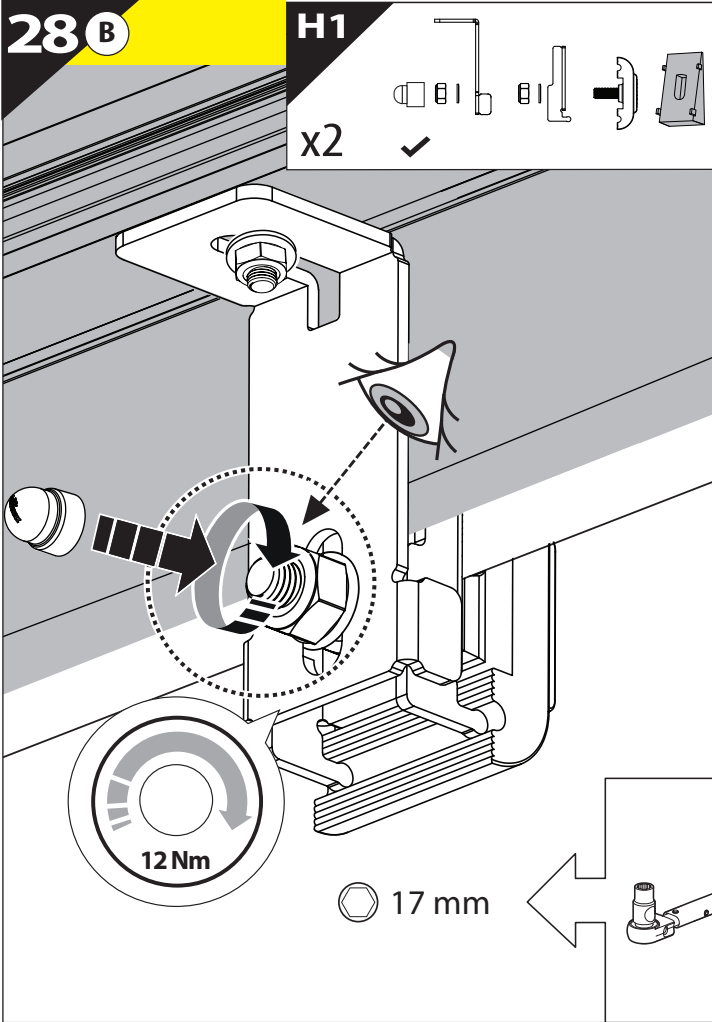


WITHOUT C - CHANNELS

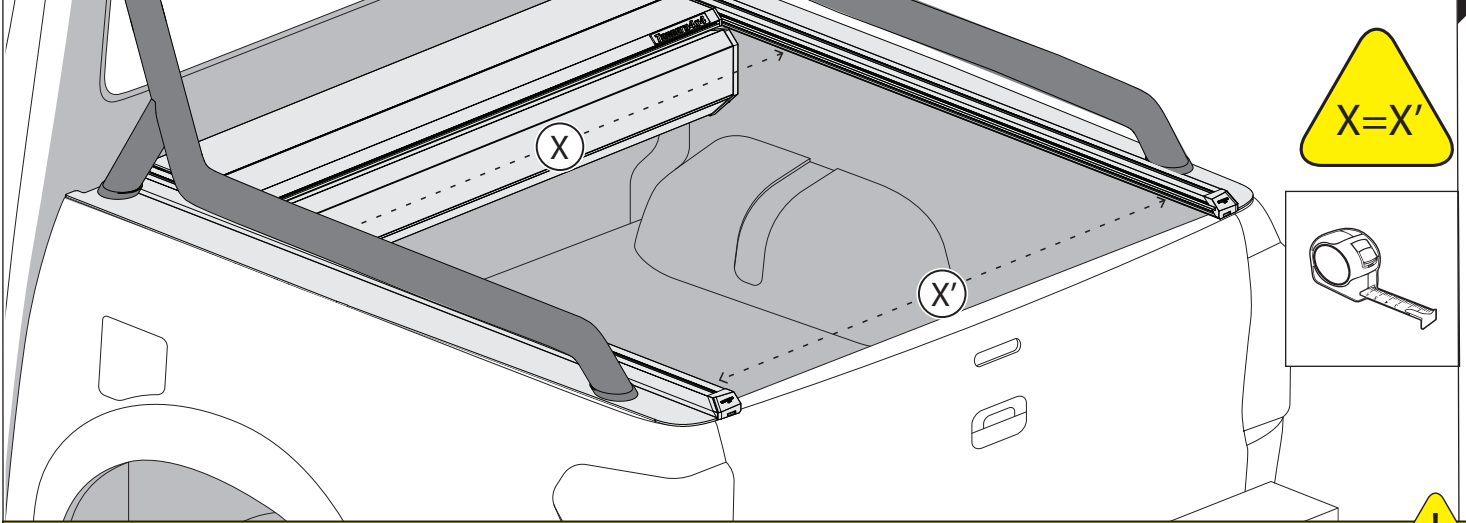
H1

E

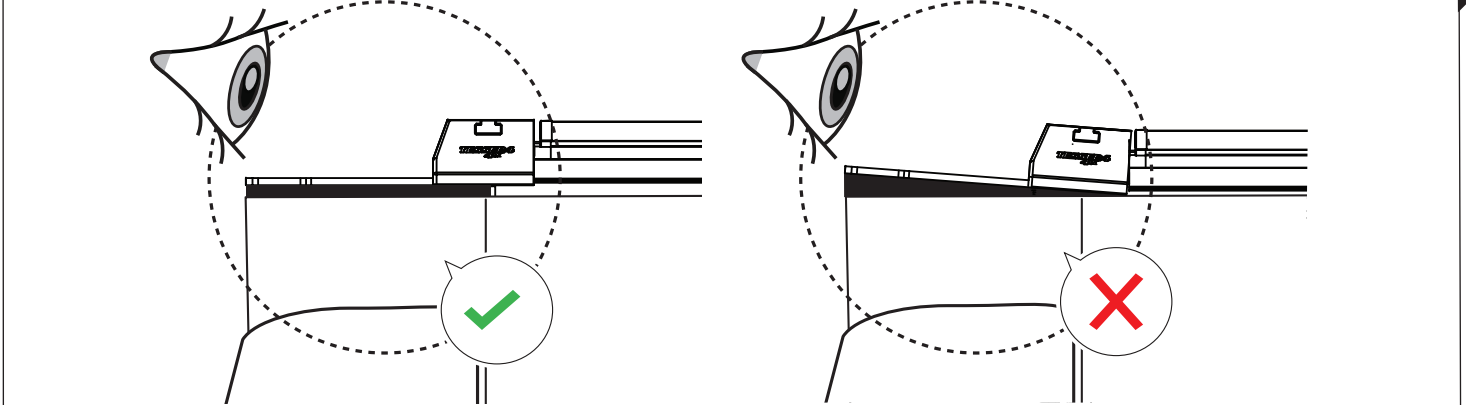




CAUTION !



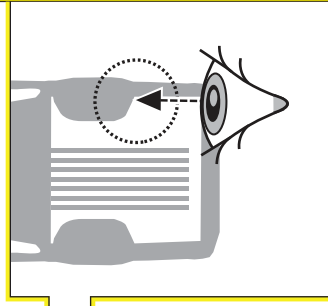
CAUTION !



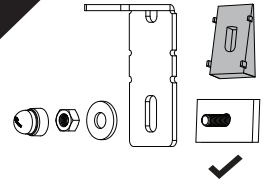
28 A



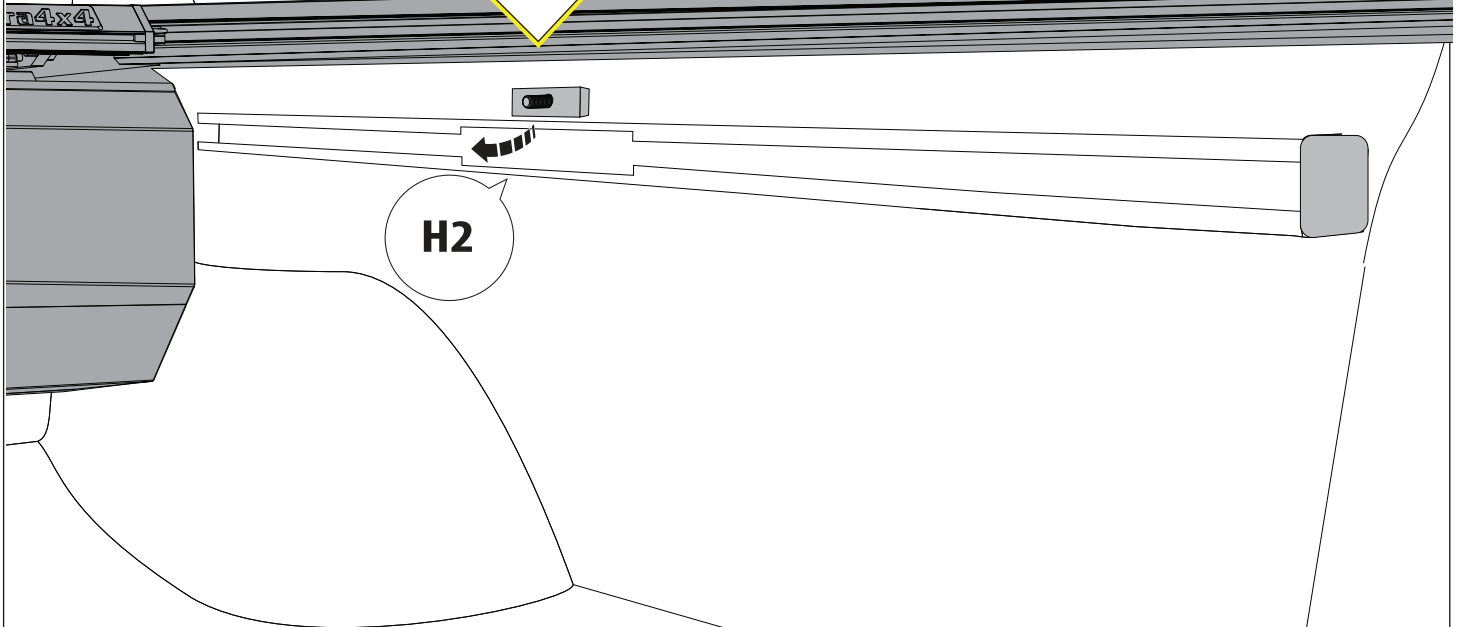
WITH C - CHANNELS



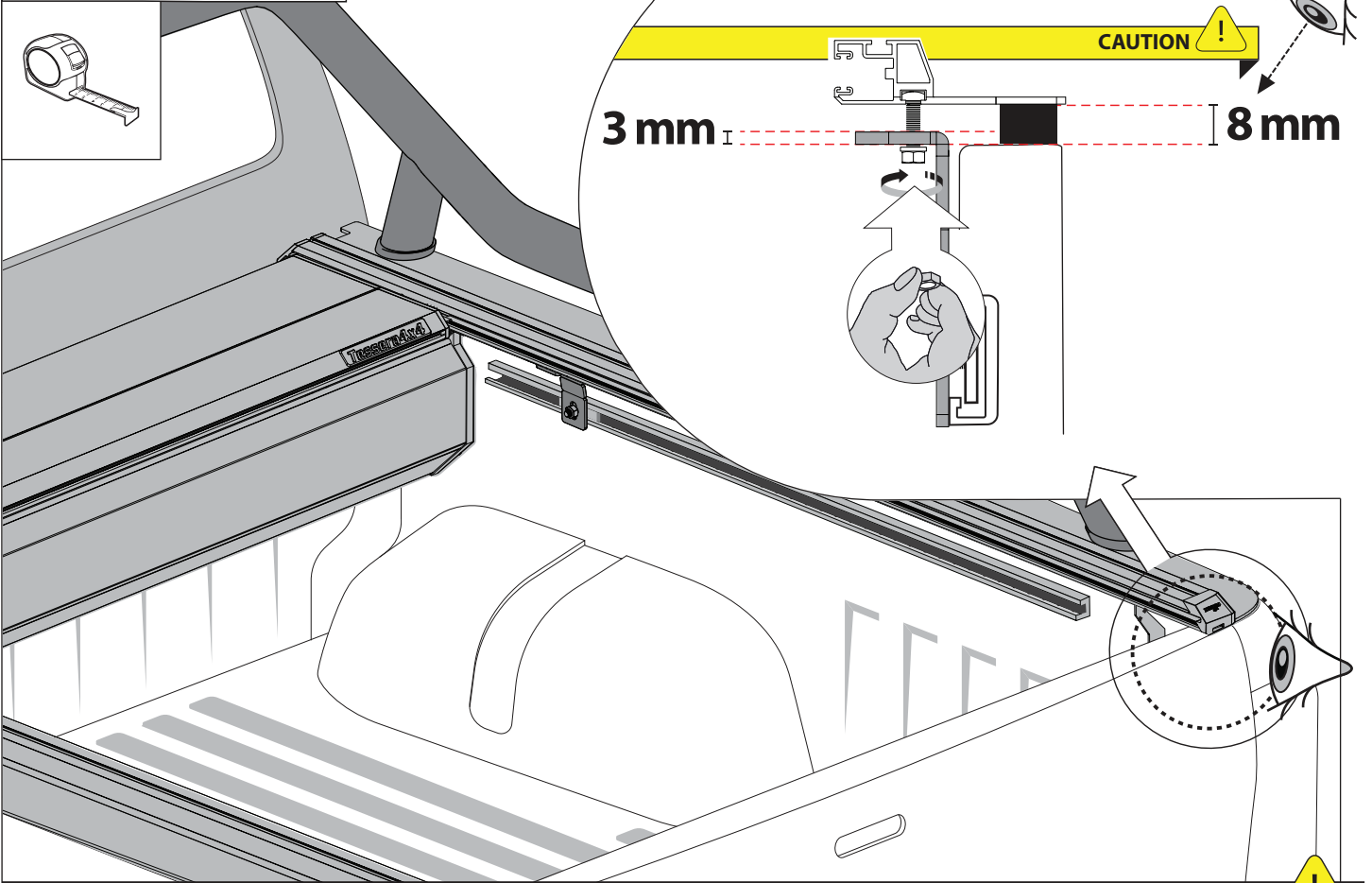
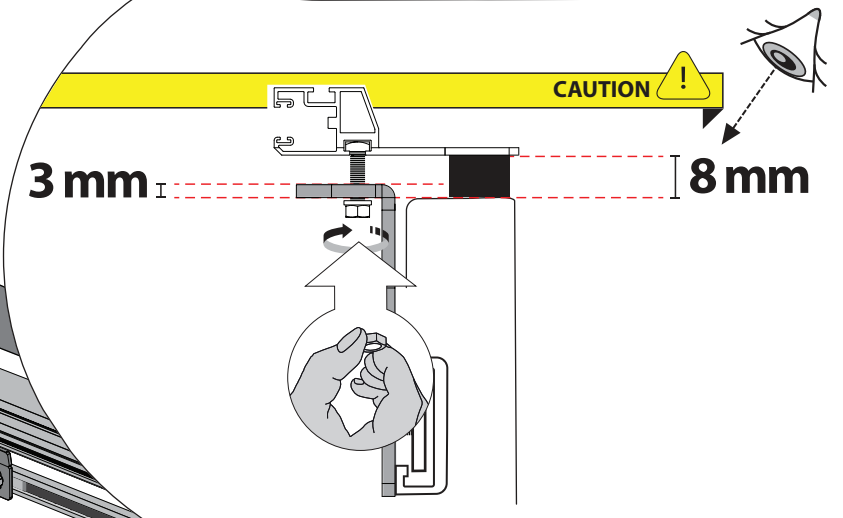
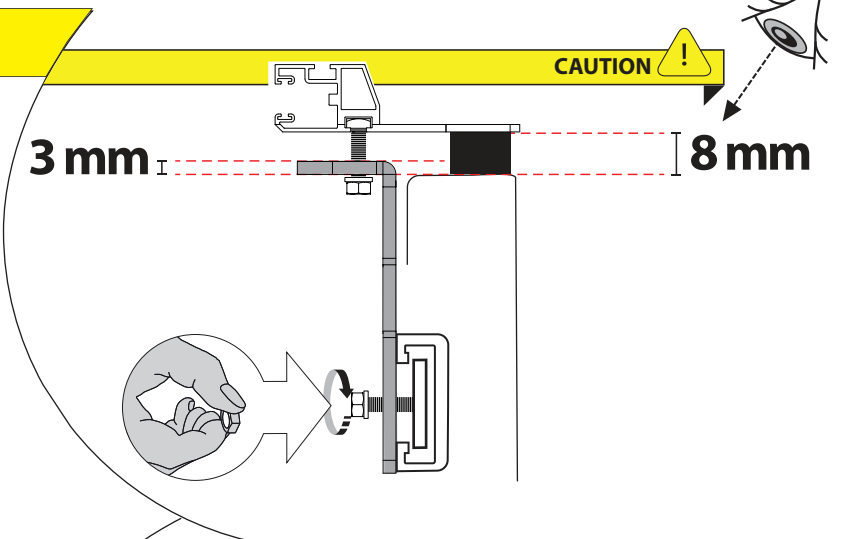
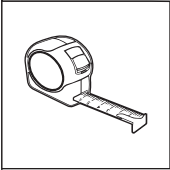
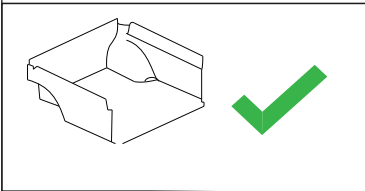
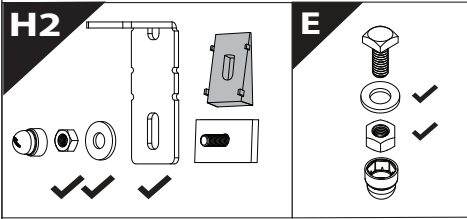
H2



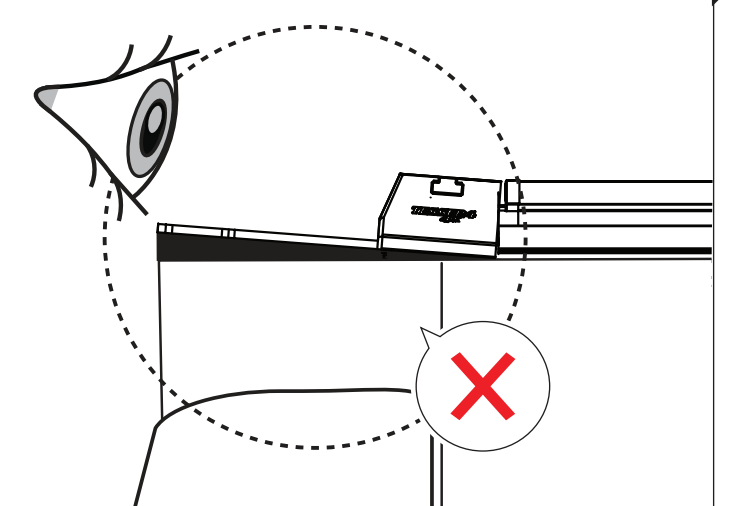
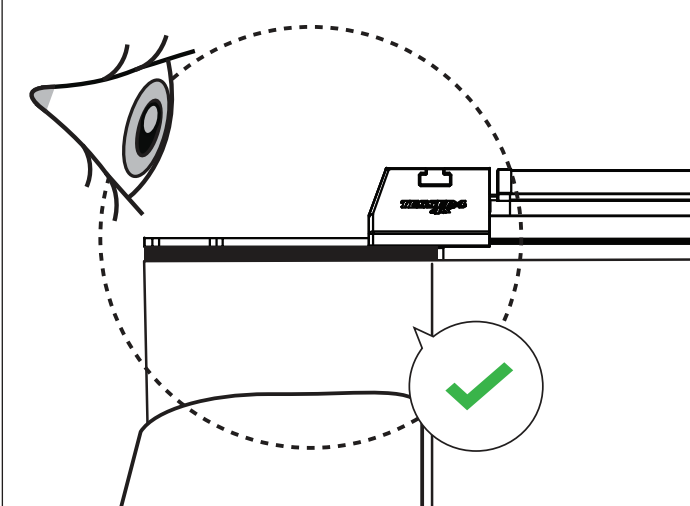
x2



28 B

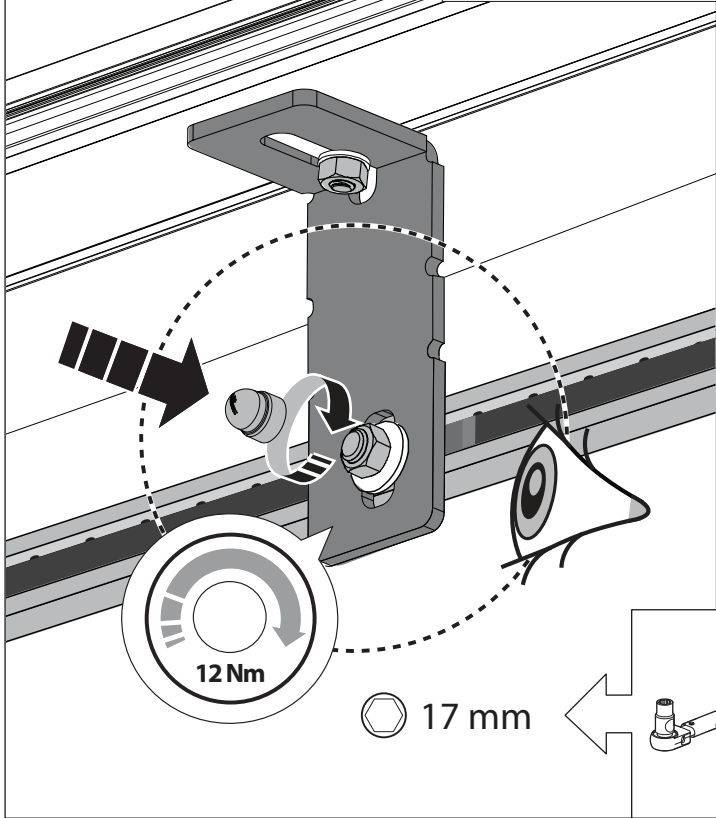
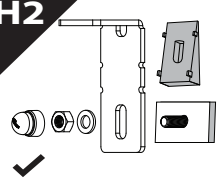


CAUTION !

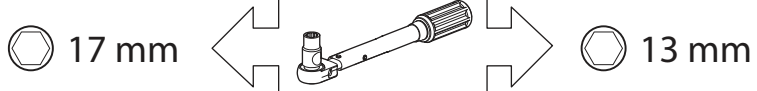
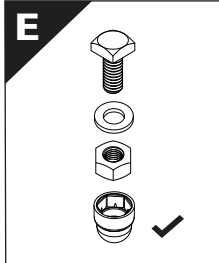
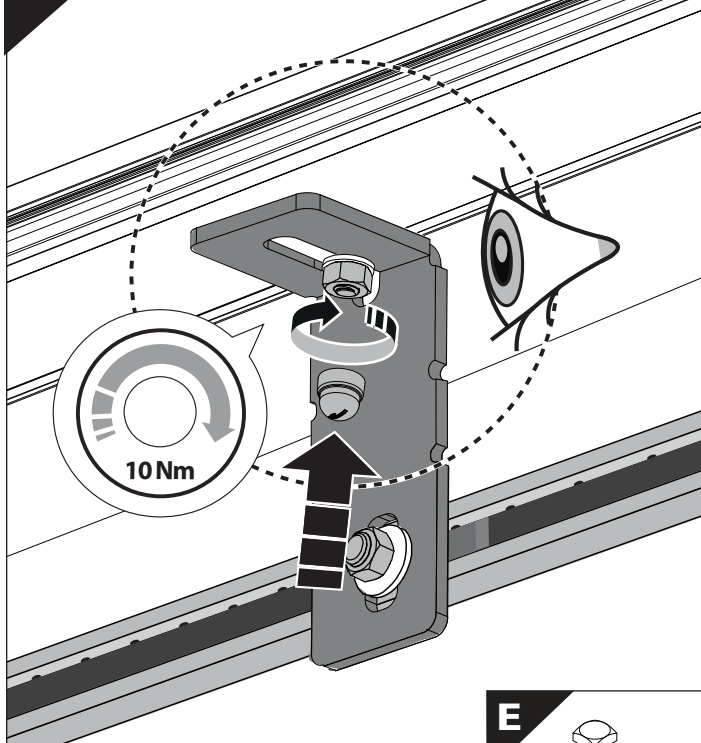


28 C

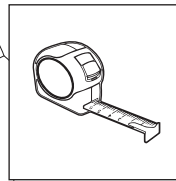
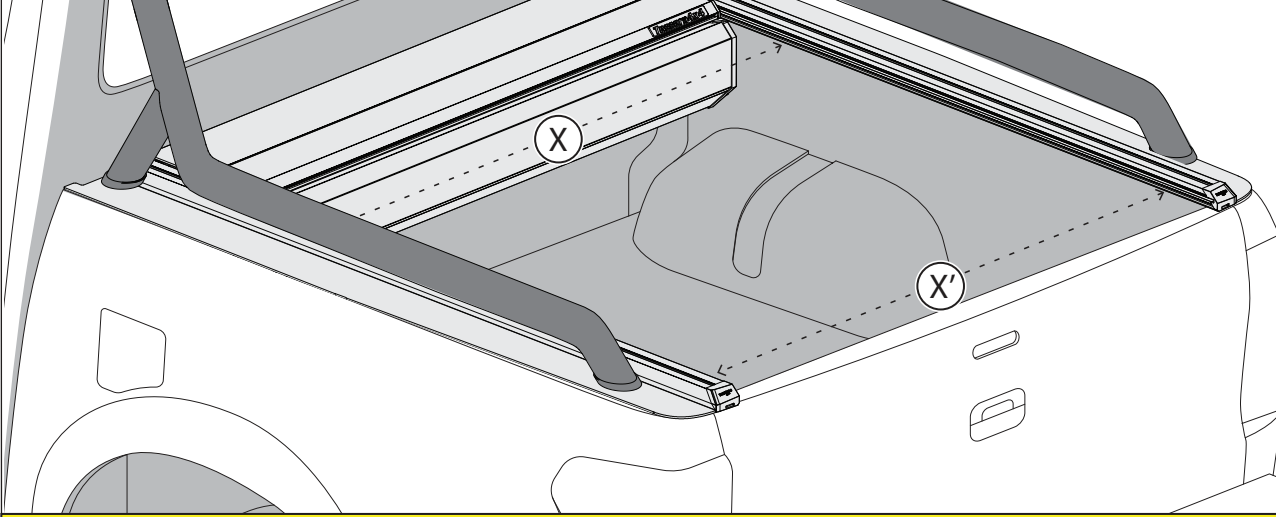
H2



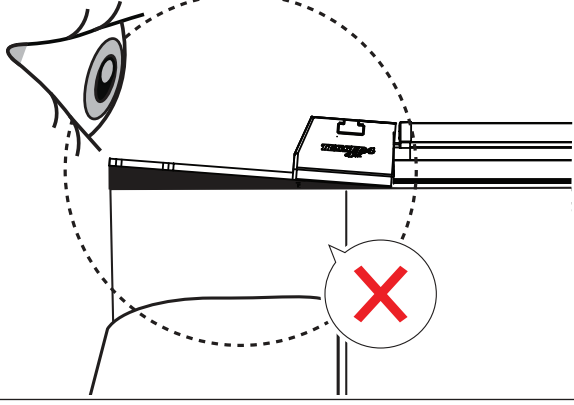
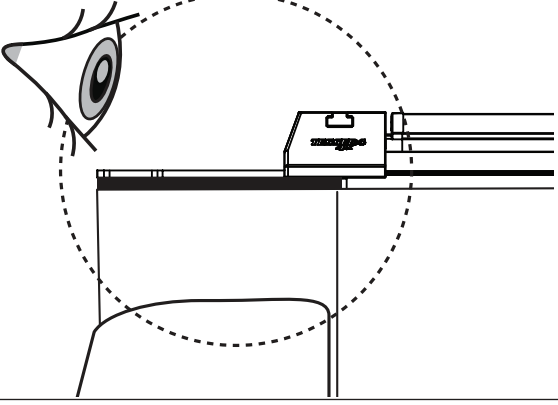
28 D



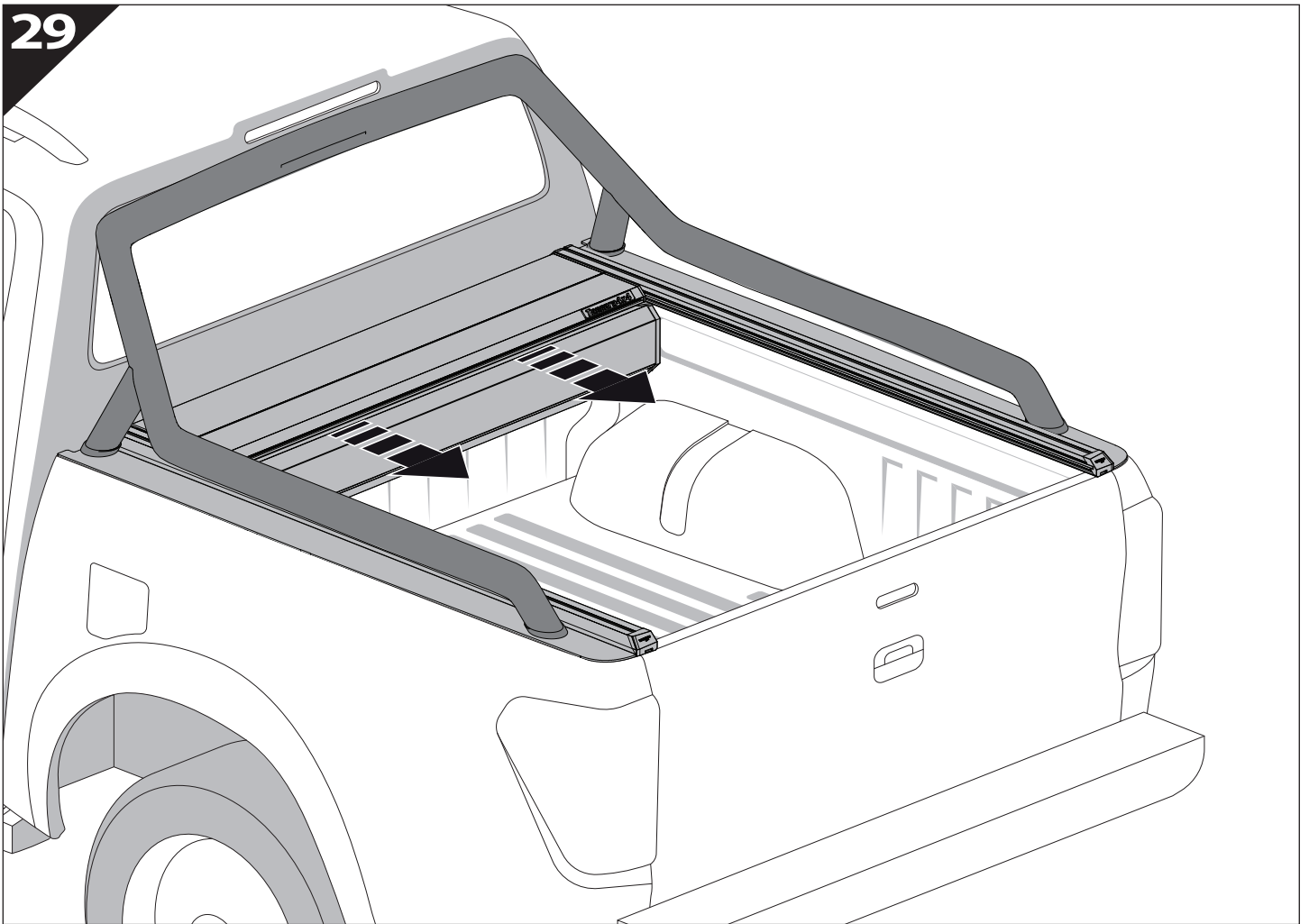
CAUTION !



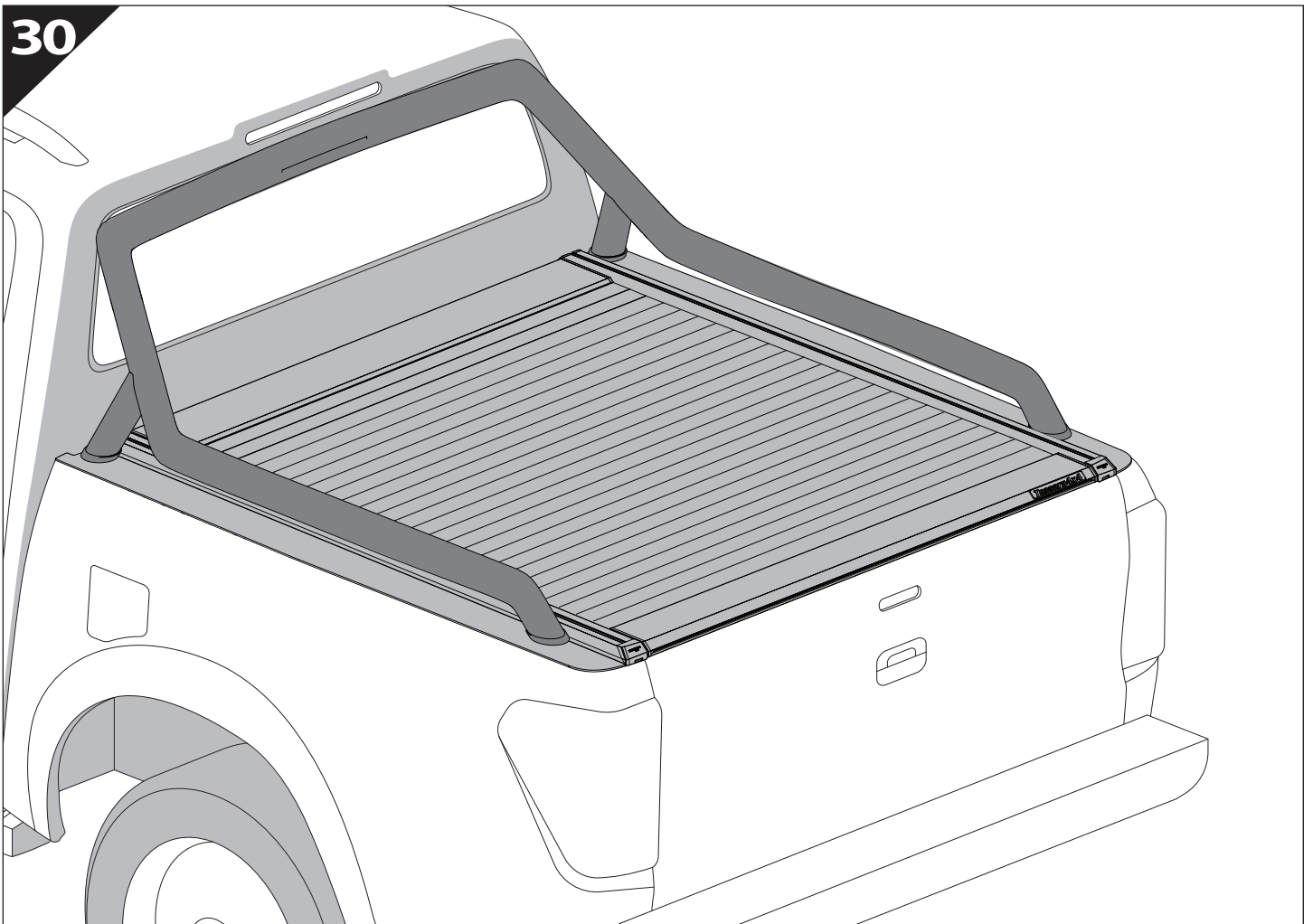
CAUTION !



29



30





GR: Οδηγίες Εγκατάστασης
GB: Installation manual
SF: Asennusohje
F: Notice de montage
PL: Instrukcja montażu
NL: Installatie-instructies
TR: Montaj Talimatı
S: Monteringsanvisning
E: Instrucciones de montaje

H: Szerelési utasítás
P: Instruções de instalação
RUS: Инструкция по установке
N: Monteringsveiledning
D: Einbauanleitung
CZ: Návod k instalaci
I: Istruzioni de montaggio
DK: Monteringsvejledning
RO: Instructiuni de instalare

Customer Service:

+30 (210) 5541161, +30 (210) 5541154 (08:00 - 16:00 EET)

Support department:

info@gianso.gr

Website:

www.tessera4x4.com

Address:

19.5 km of National road Athens-Korinthos (Elefsina) Greece, P.C: 19200