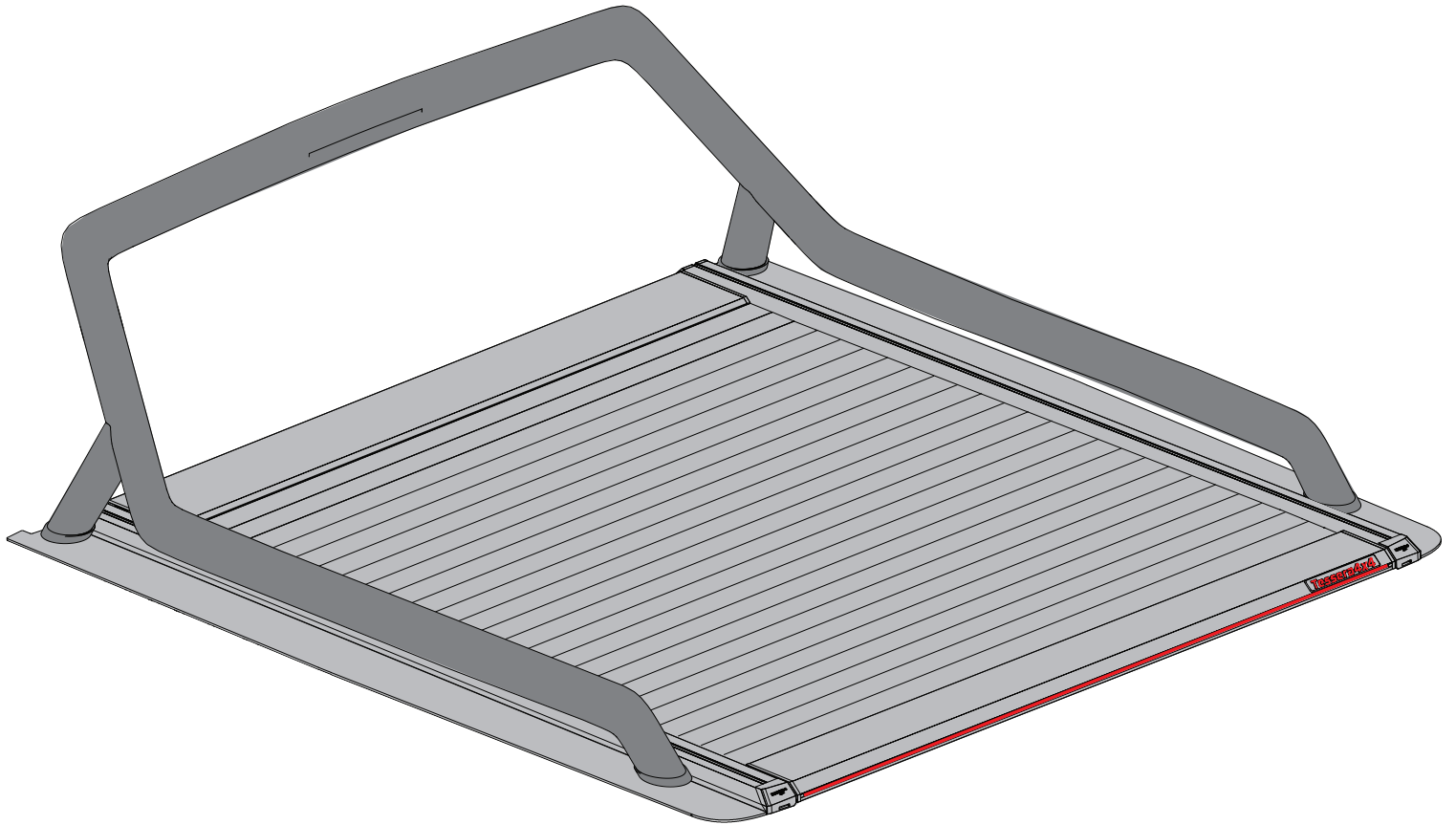


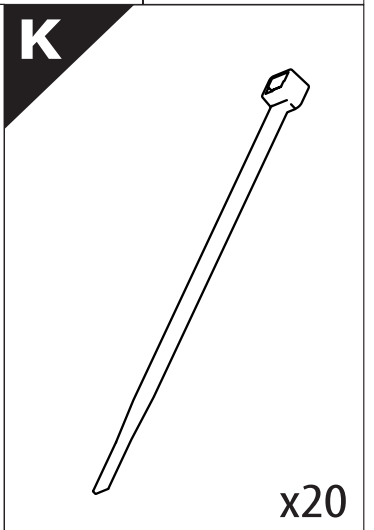
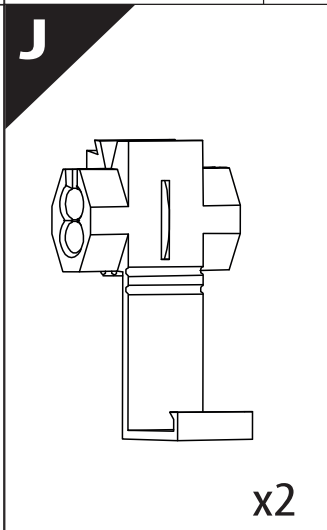
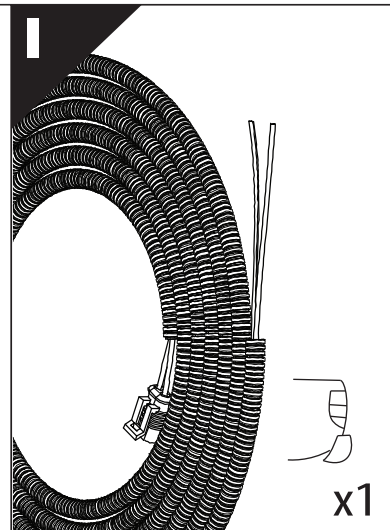
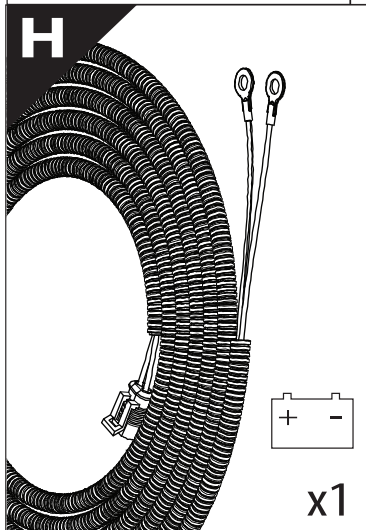
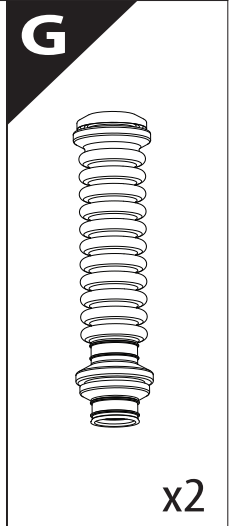
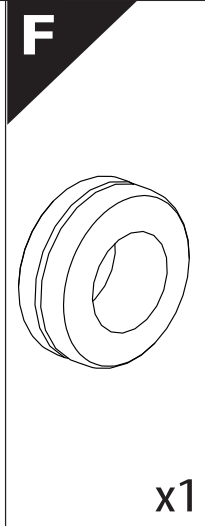
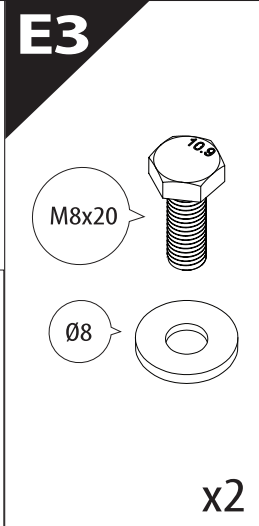
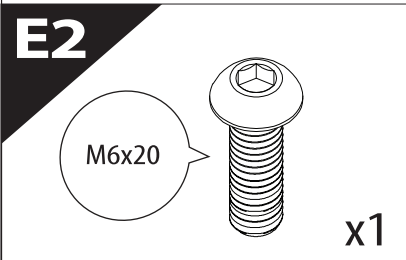
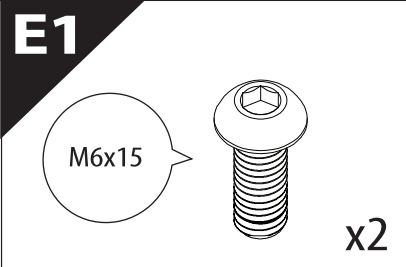
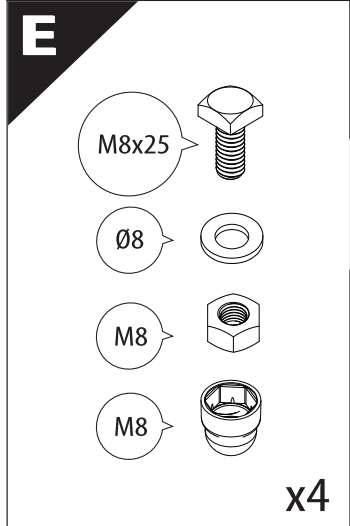
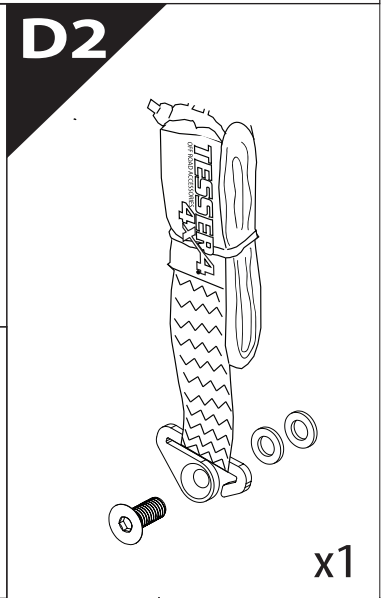
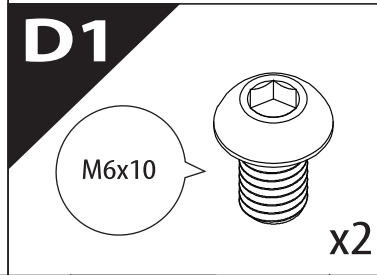
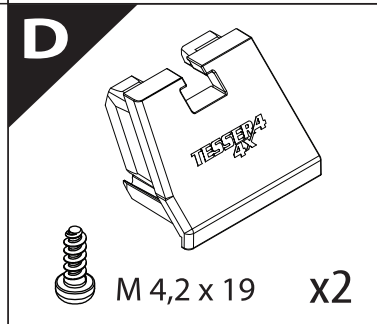
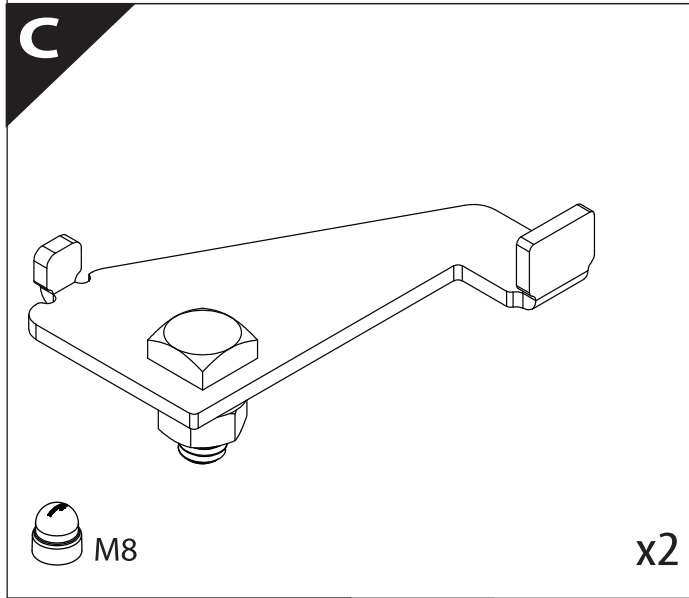
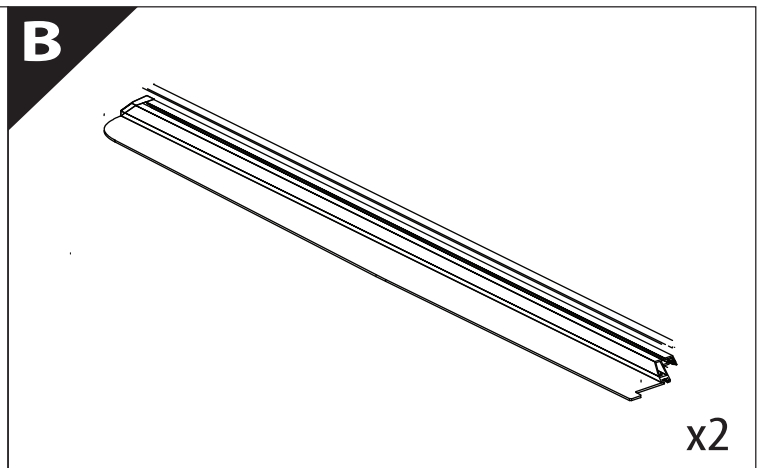
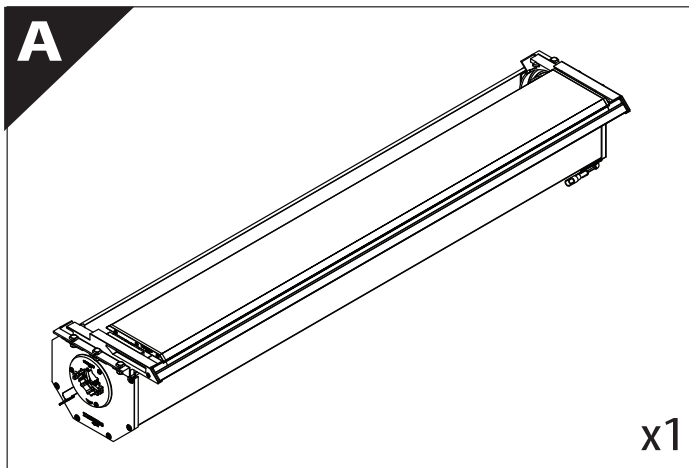
Tessera Roll+

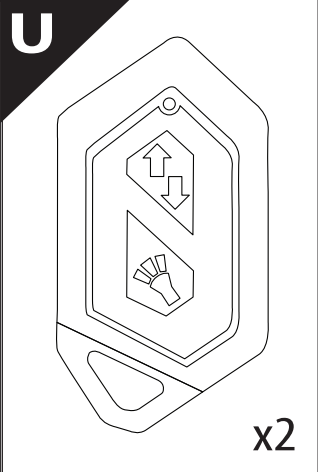
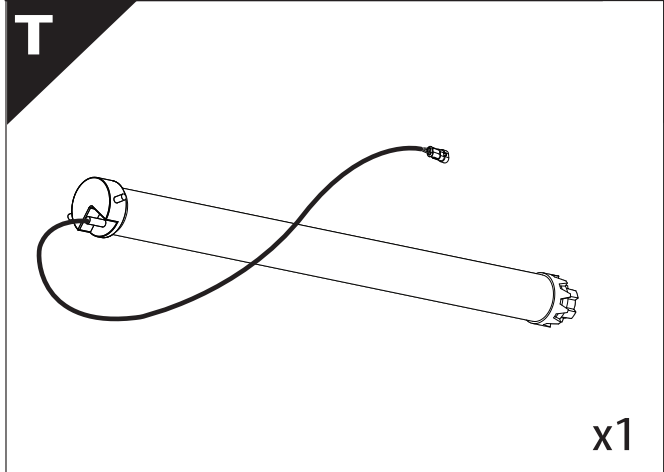
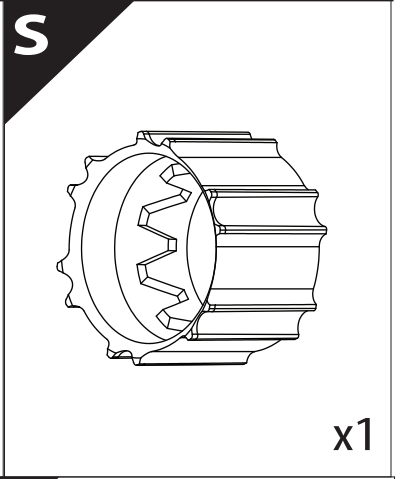
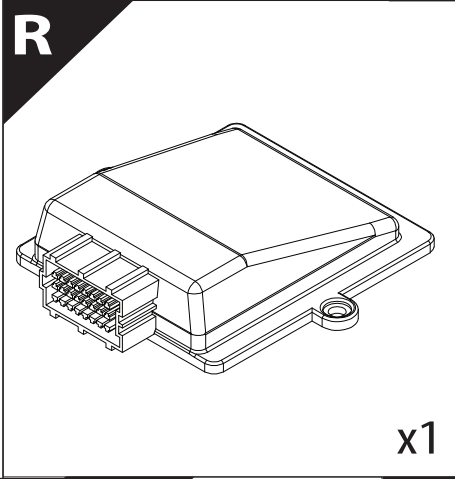
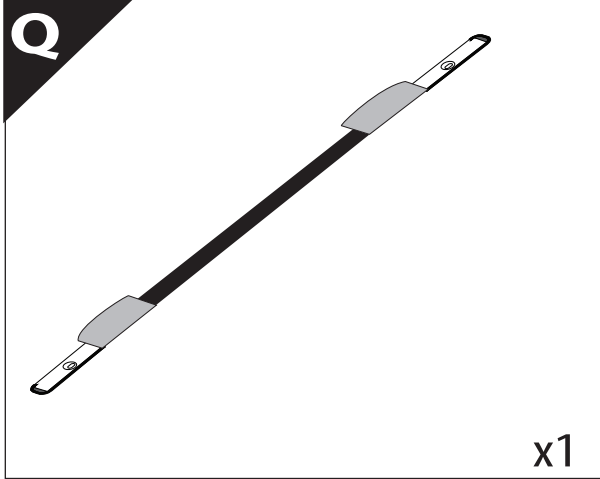
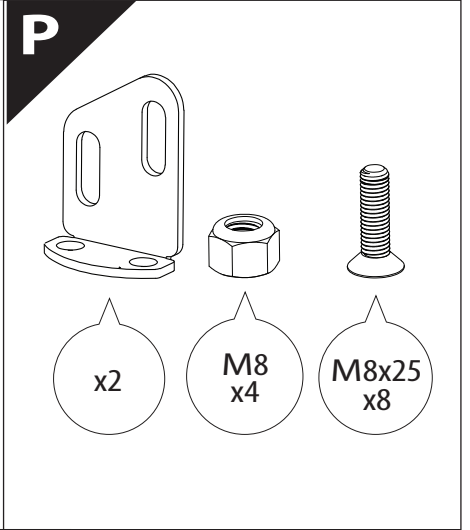
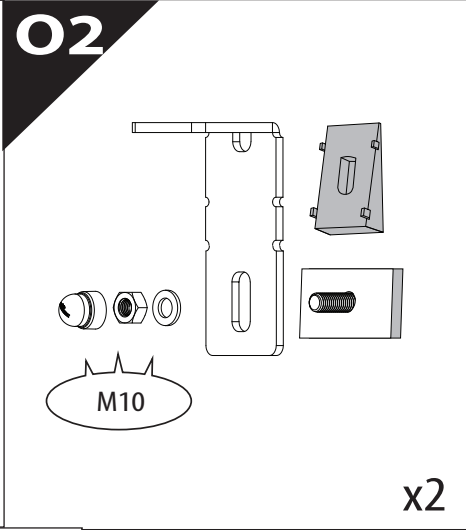
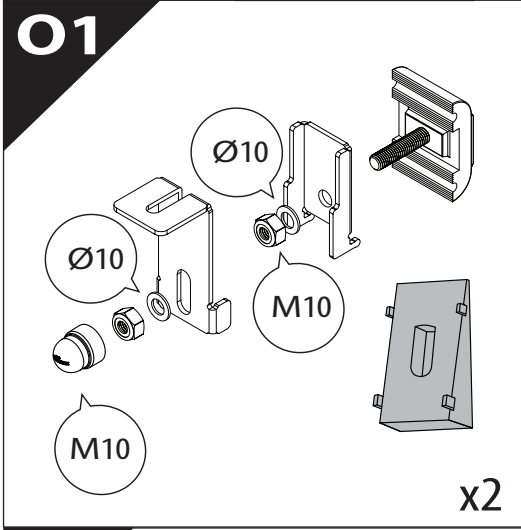
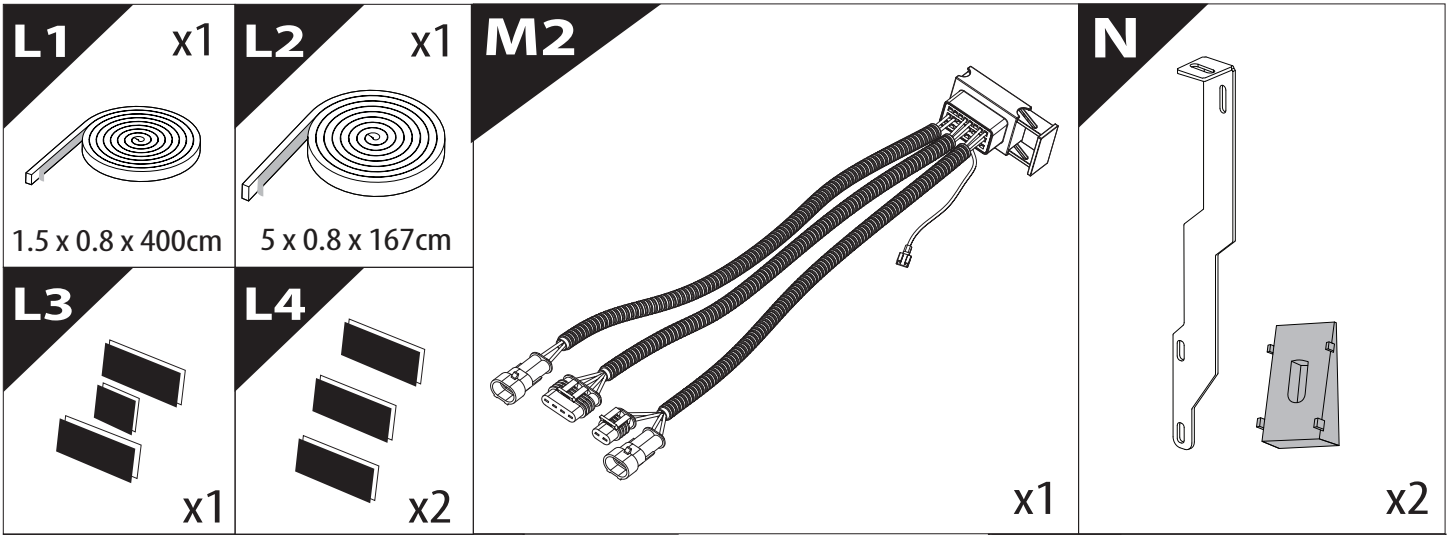
Basic Version + ⚡ E-KIT

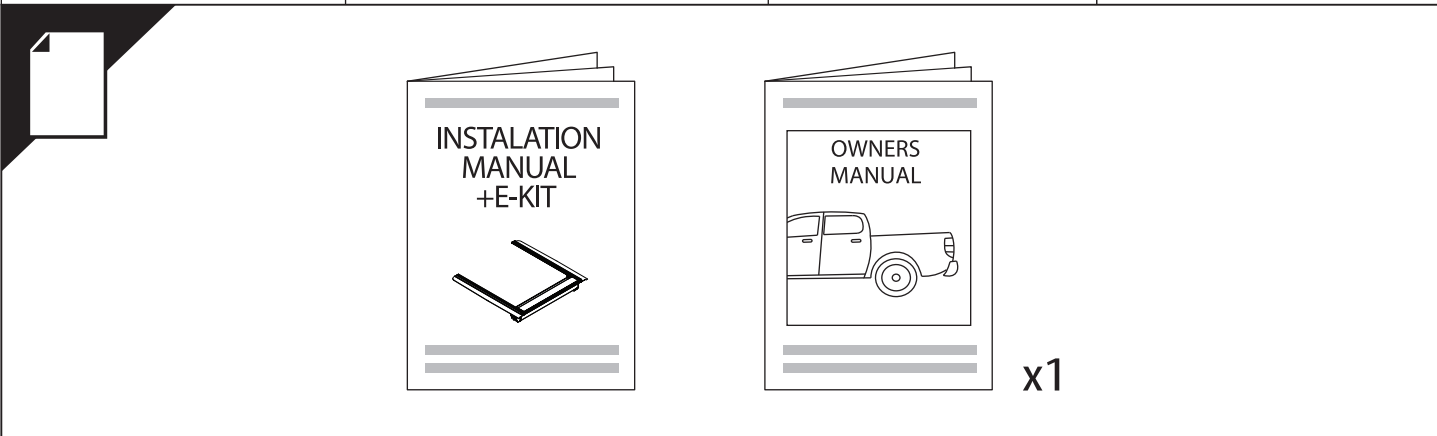
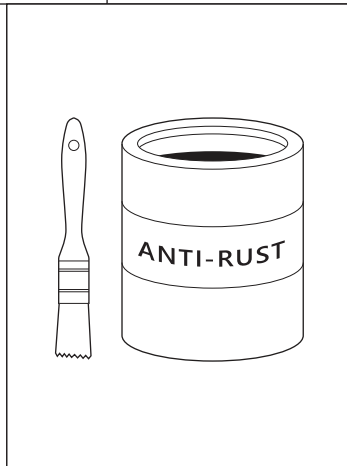
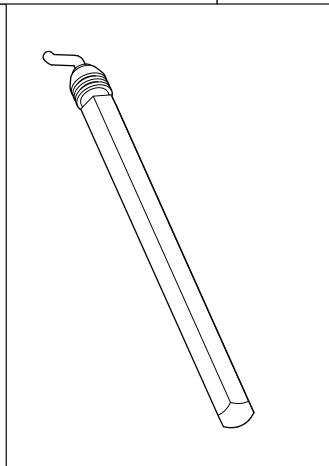
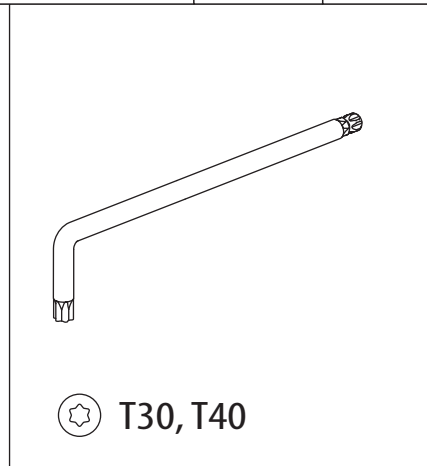
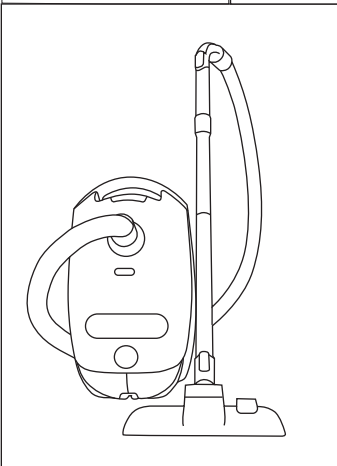
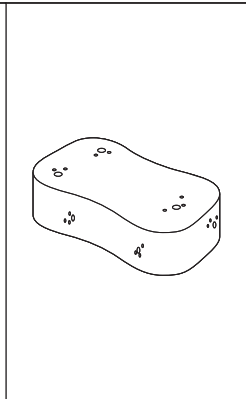
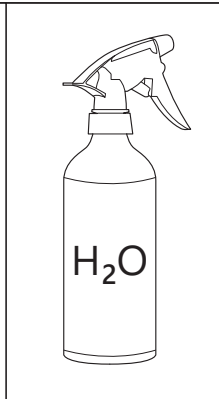
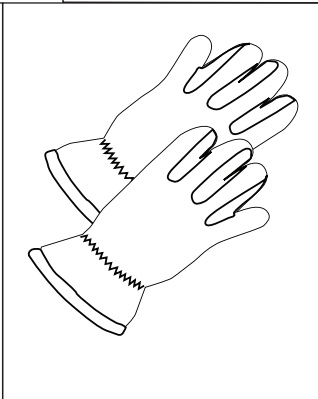
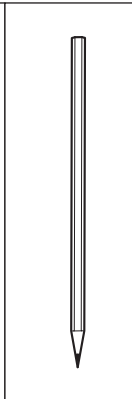
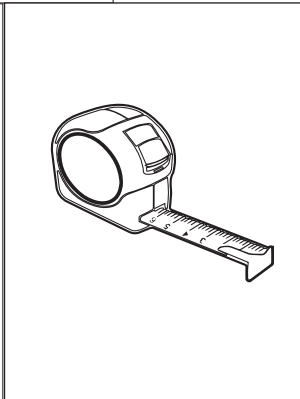
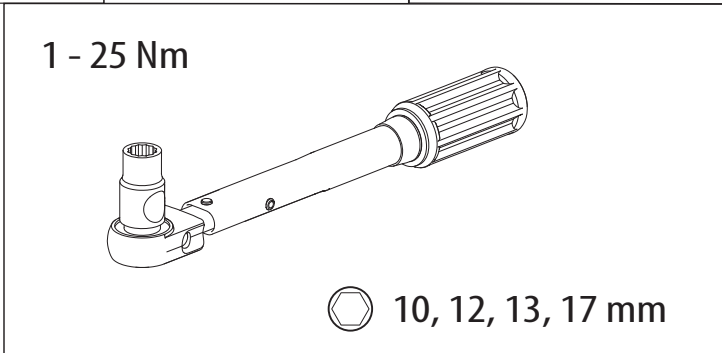
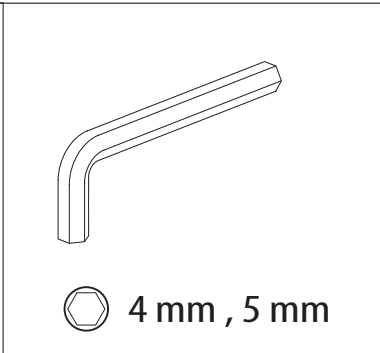
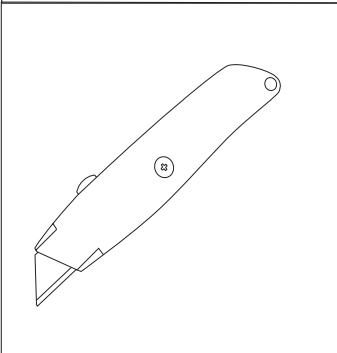
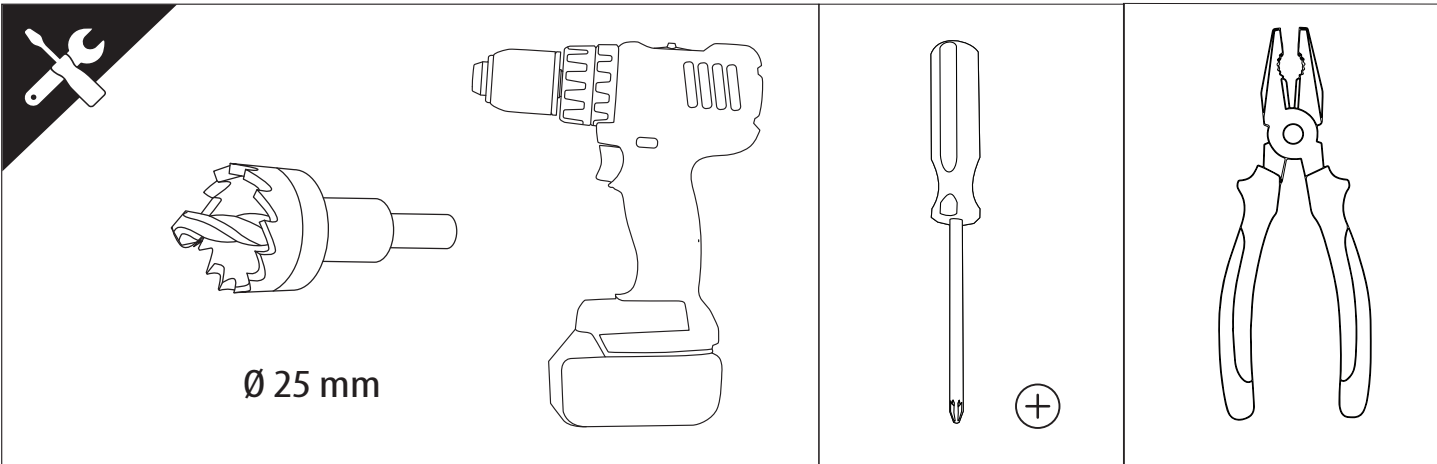


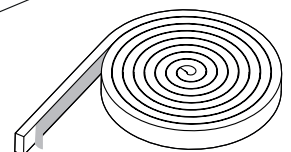
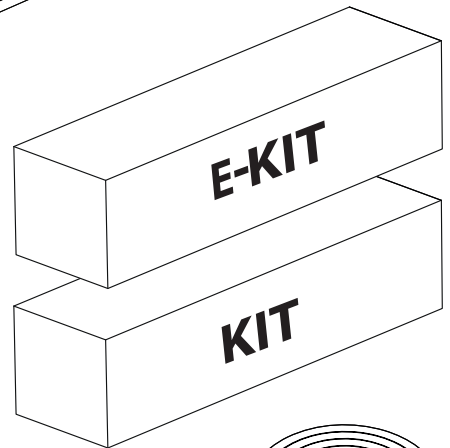
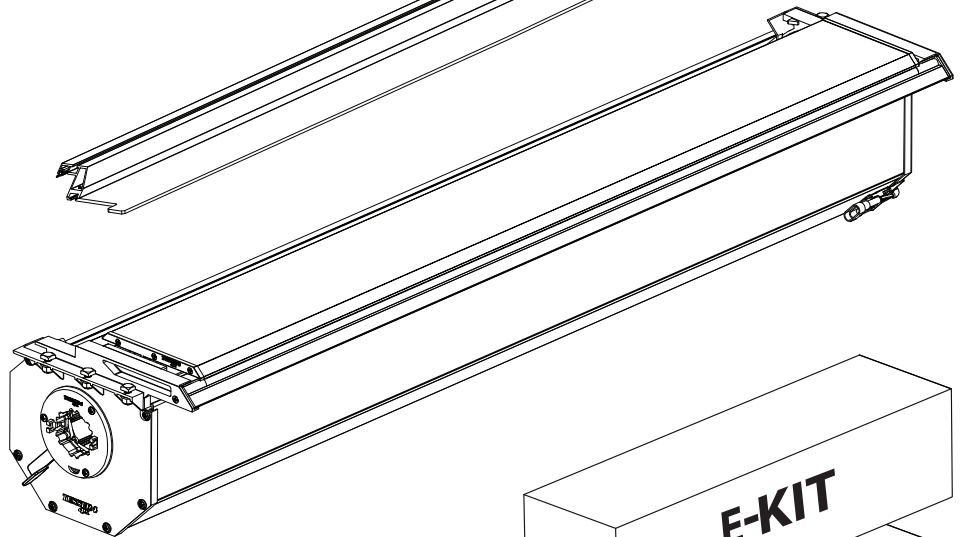
Installation Manual

PART NUMBER(S)	Model Year
TESS 14012 ROLL+E-KIT	VW AMAROK PANAMERICANA 2023+ WITH OR WITHOUT C-CHANNELS
Cab(s)	Installation Time / Weight
Double Cab	40-60 minutes / 53-57 kg







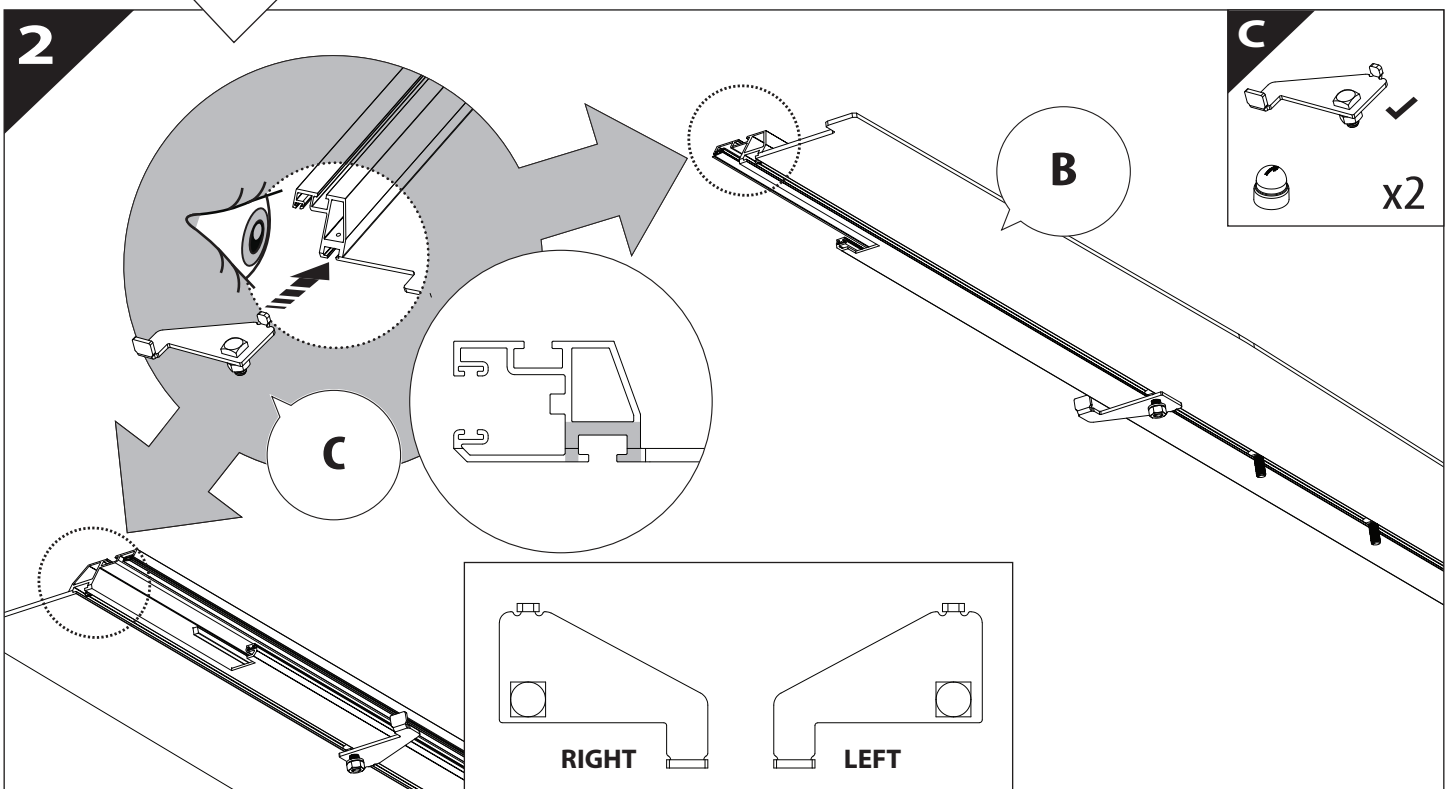
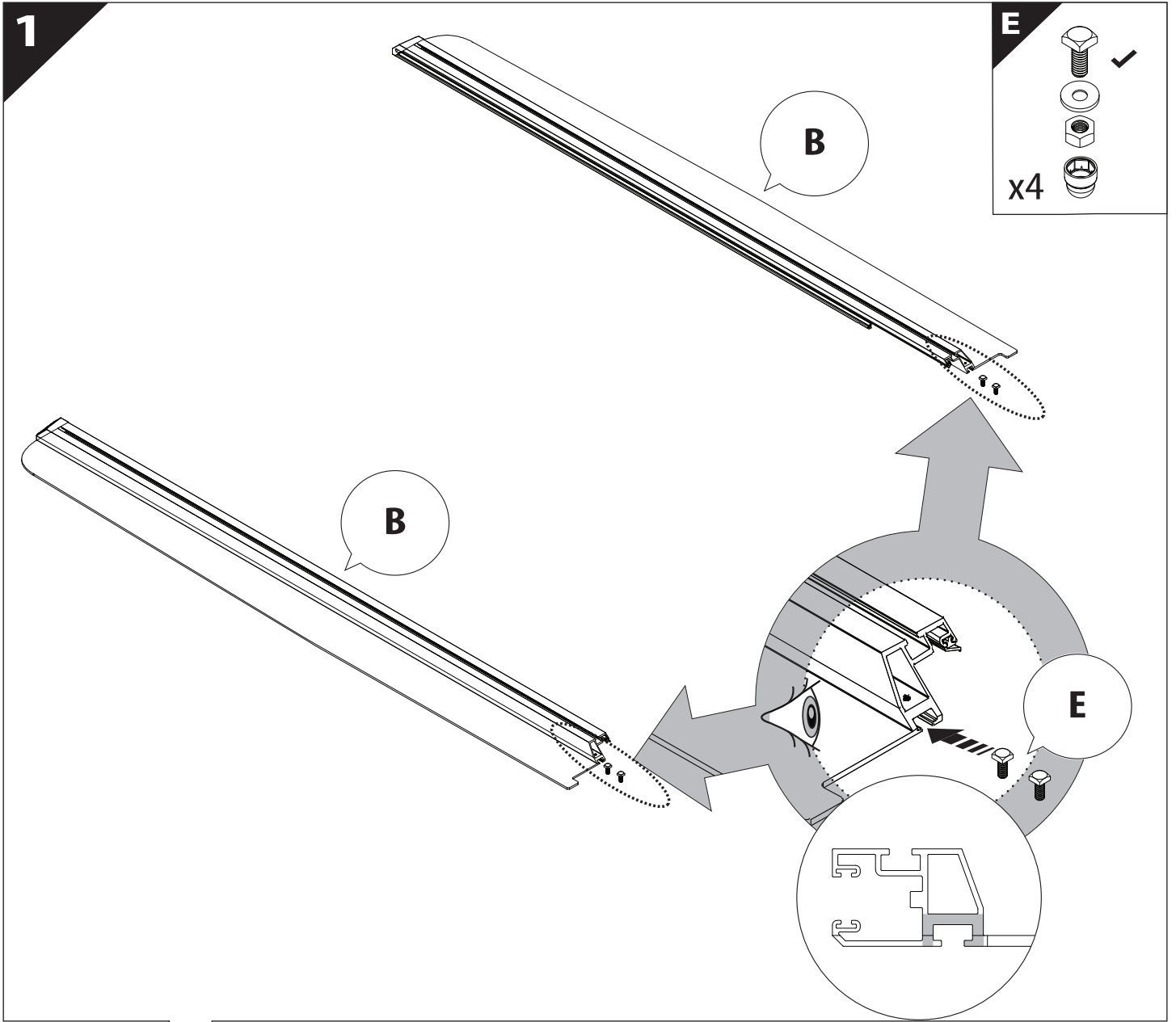


B

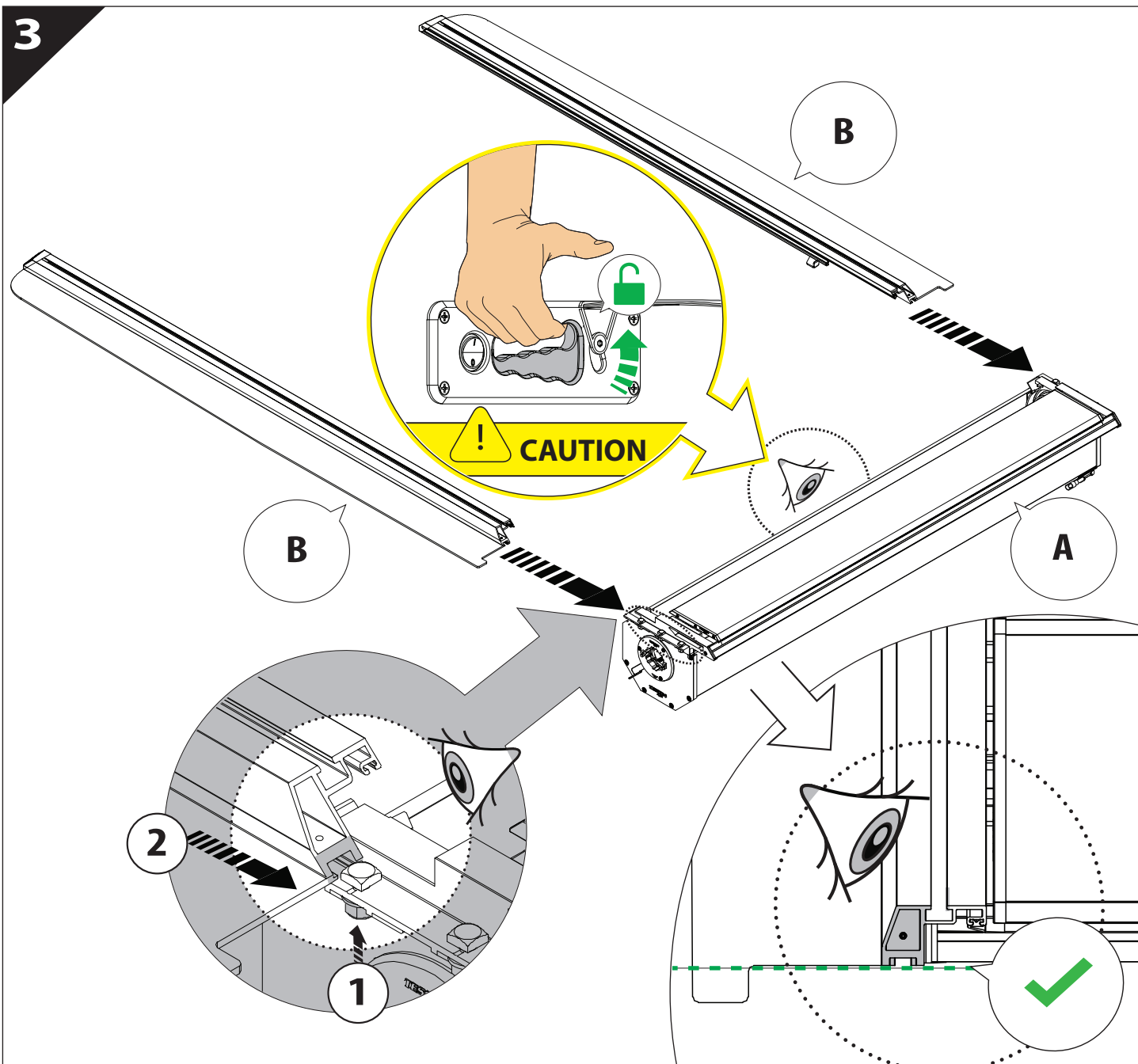
A

KITS

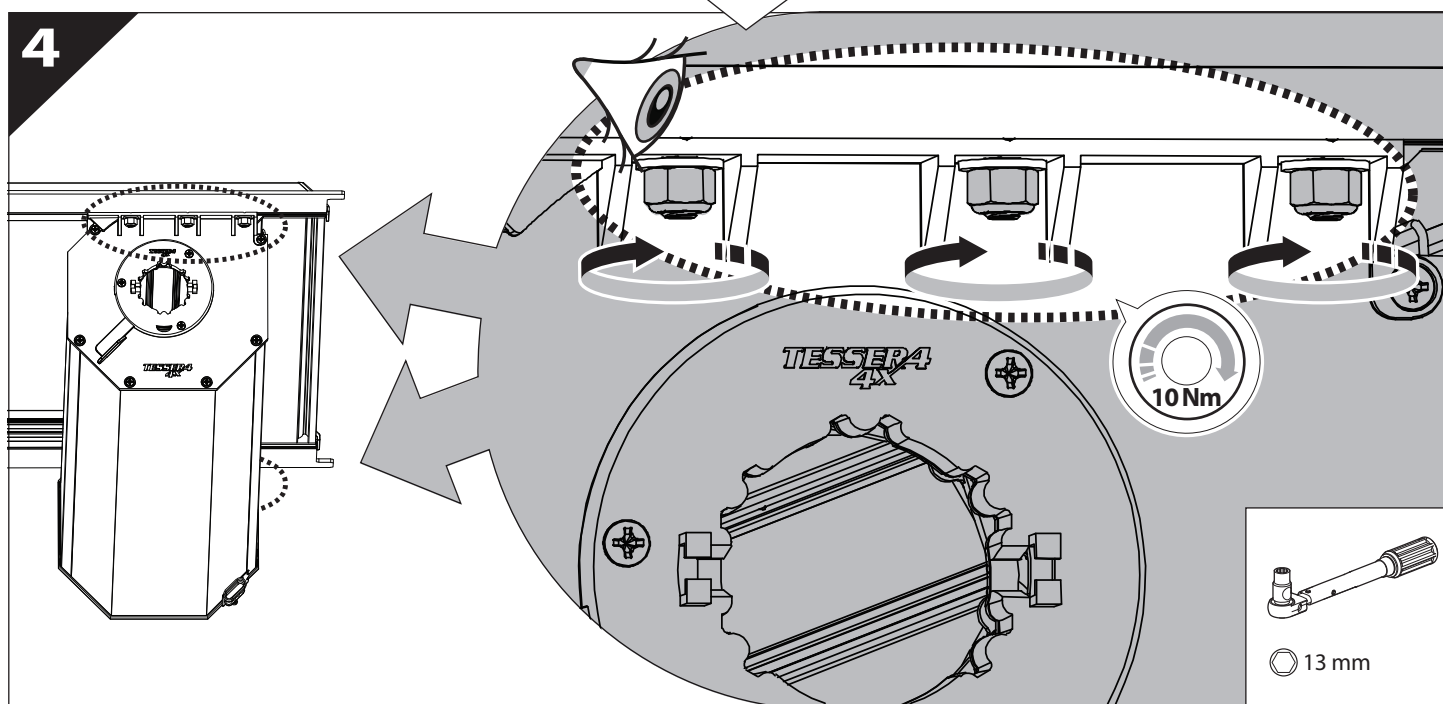
L

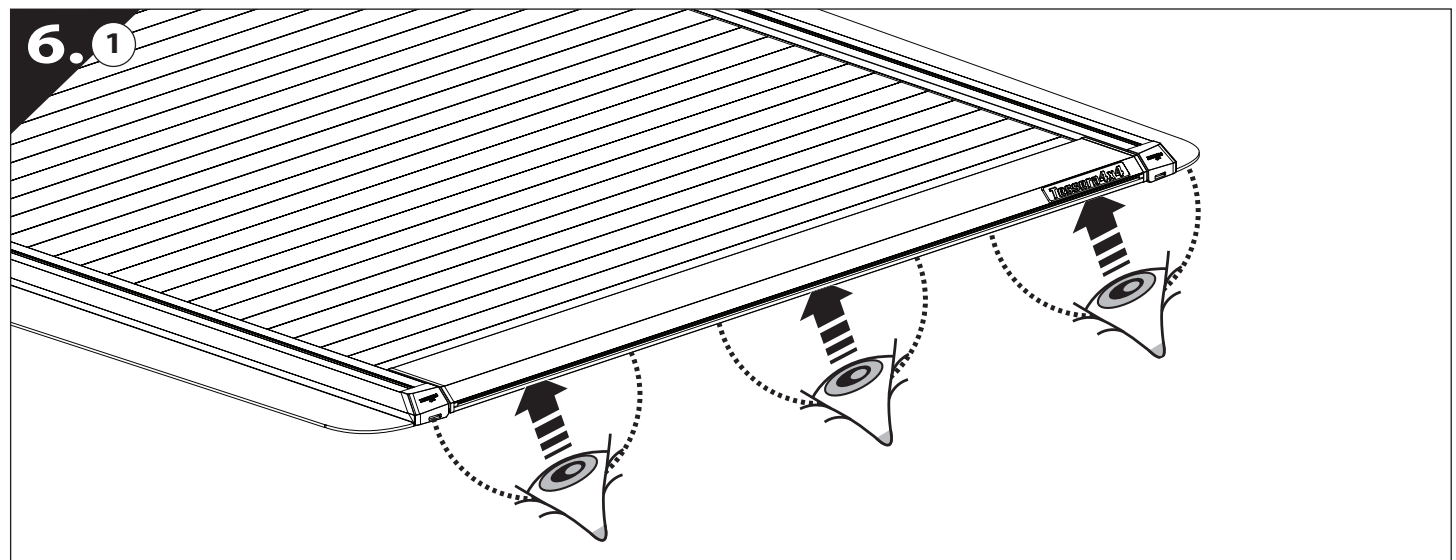
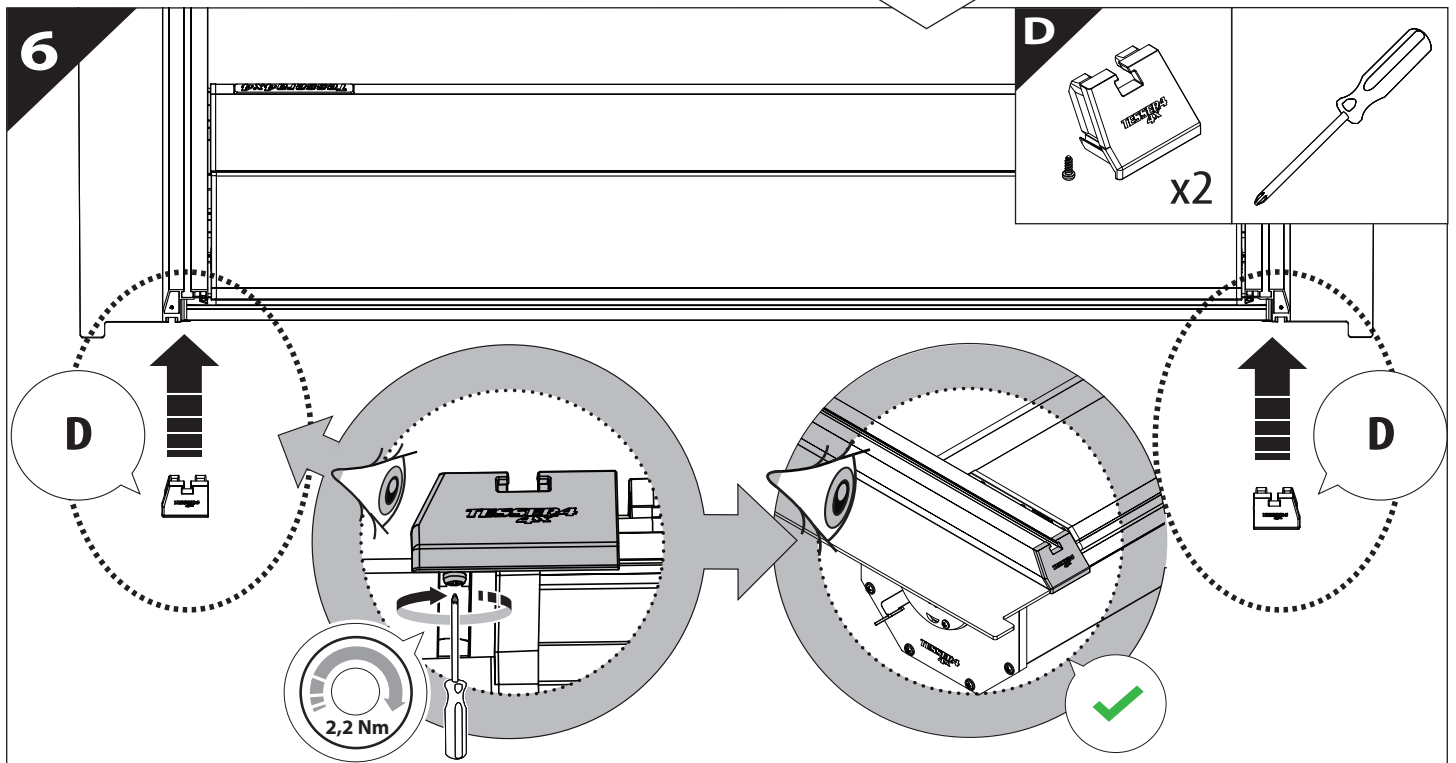
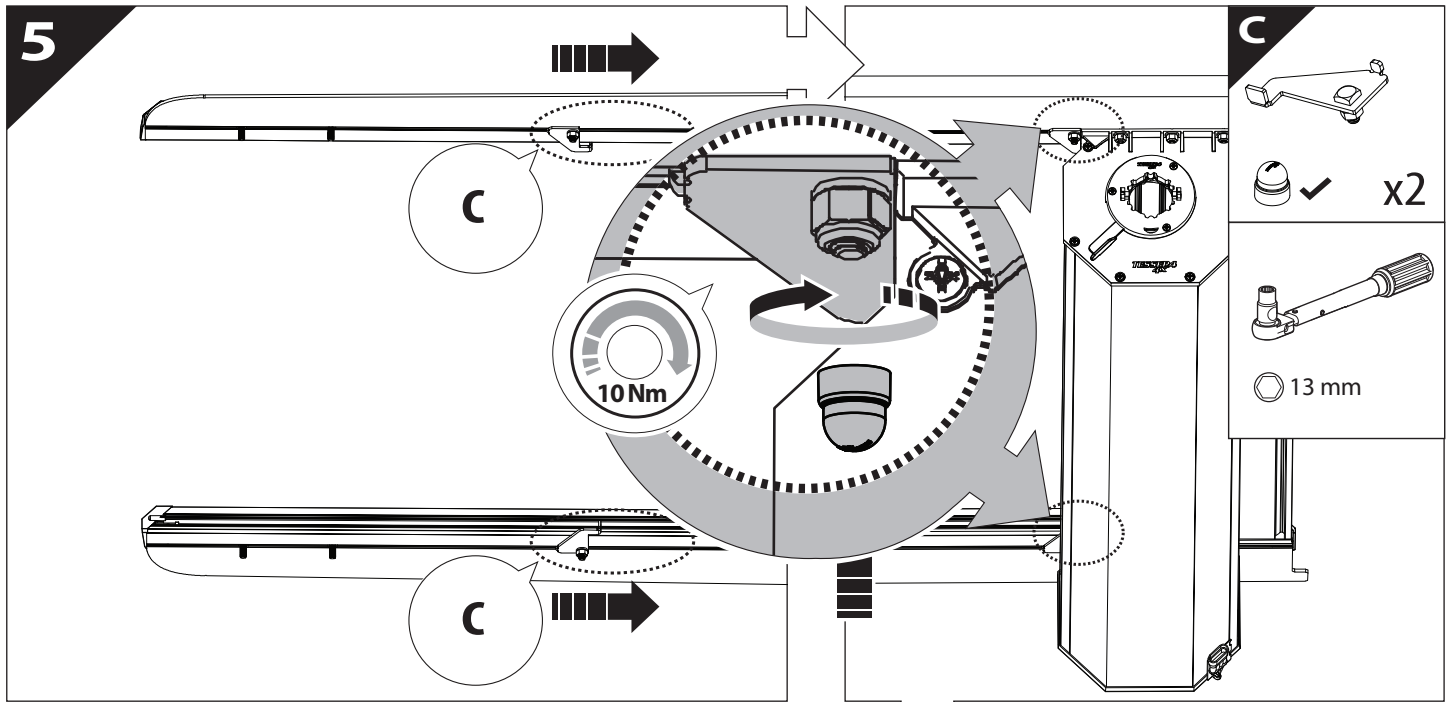


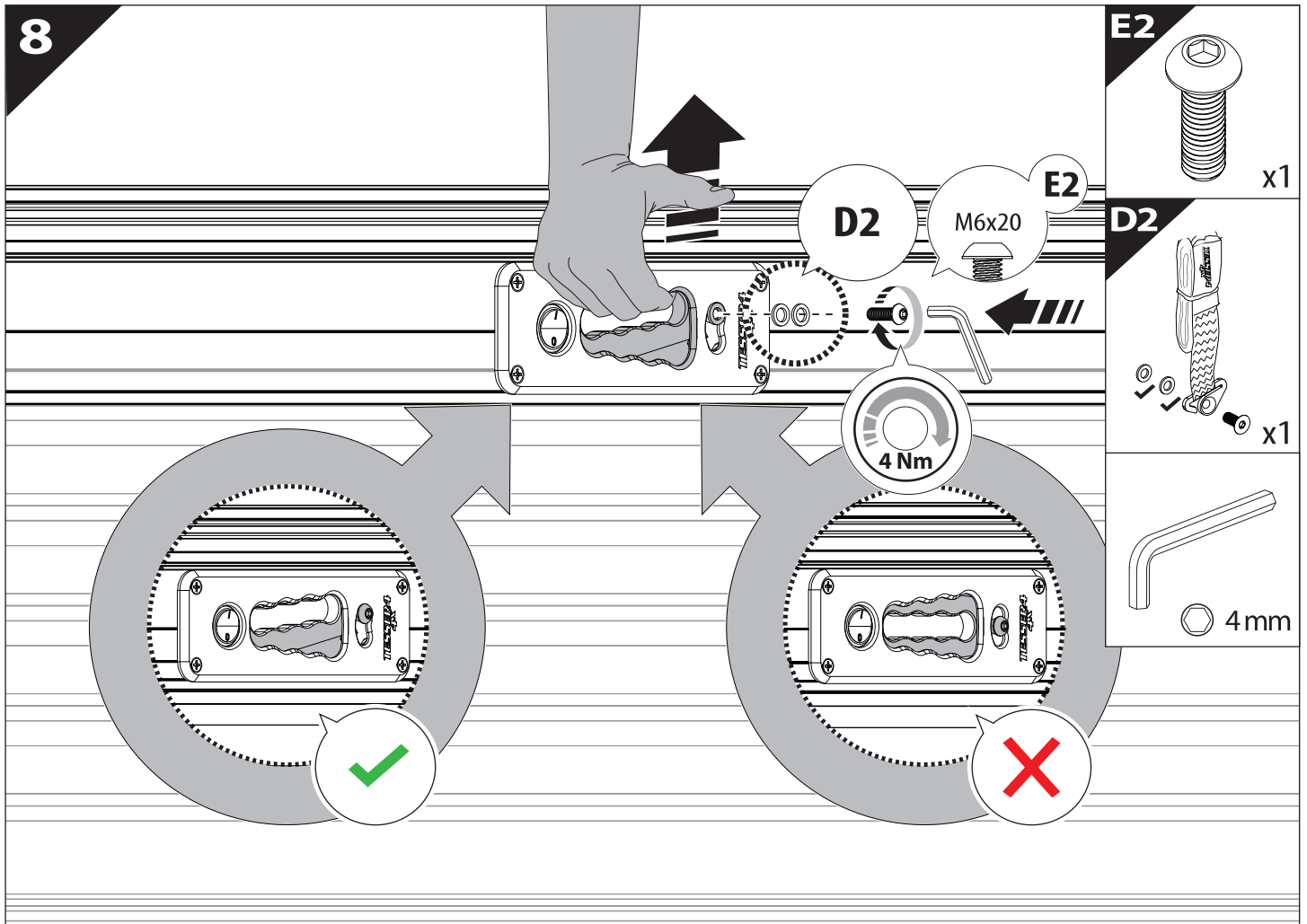
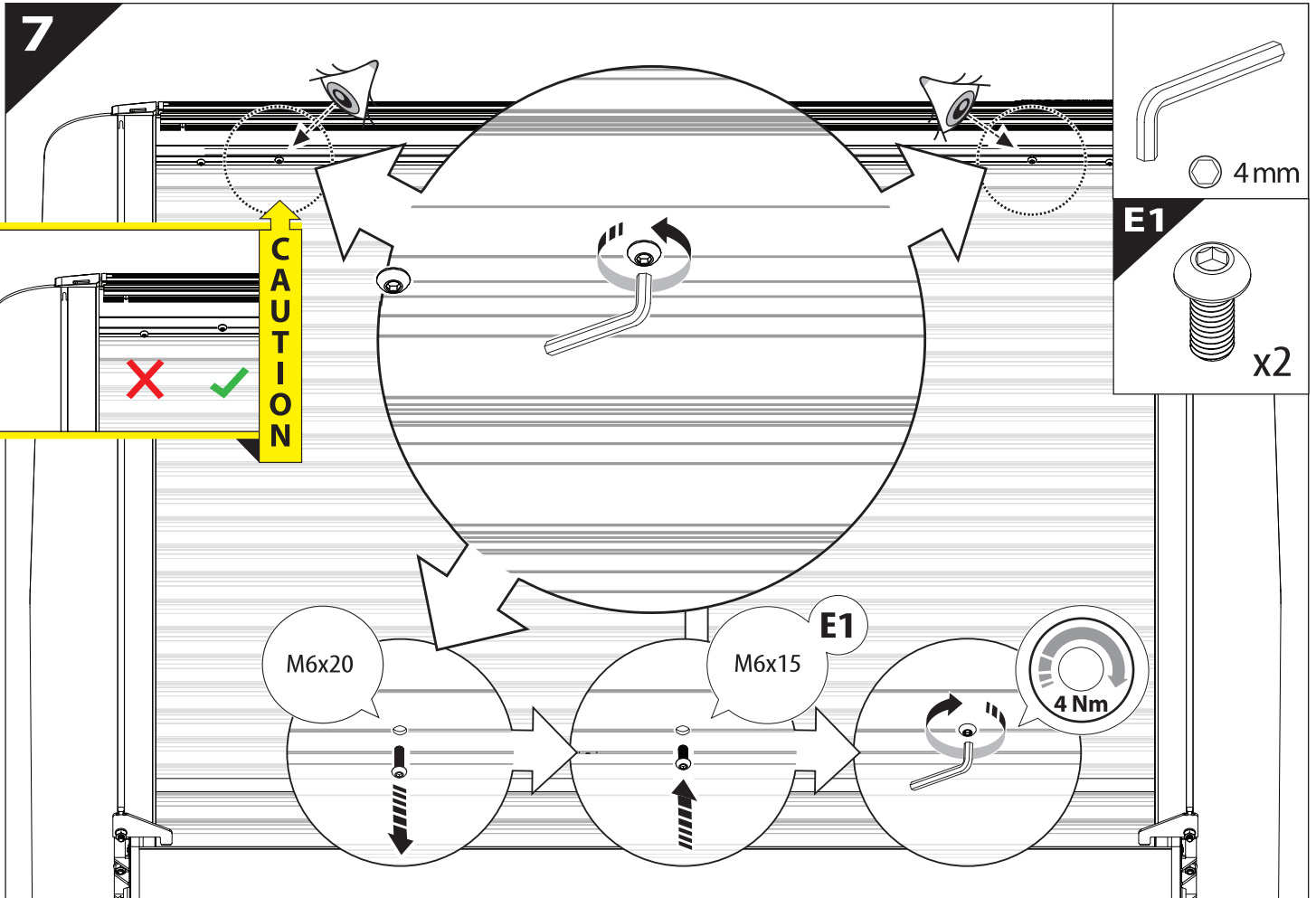
3

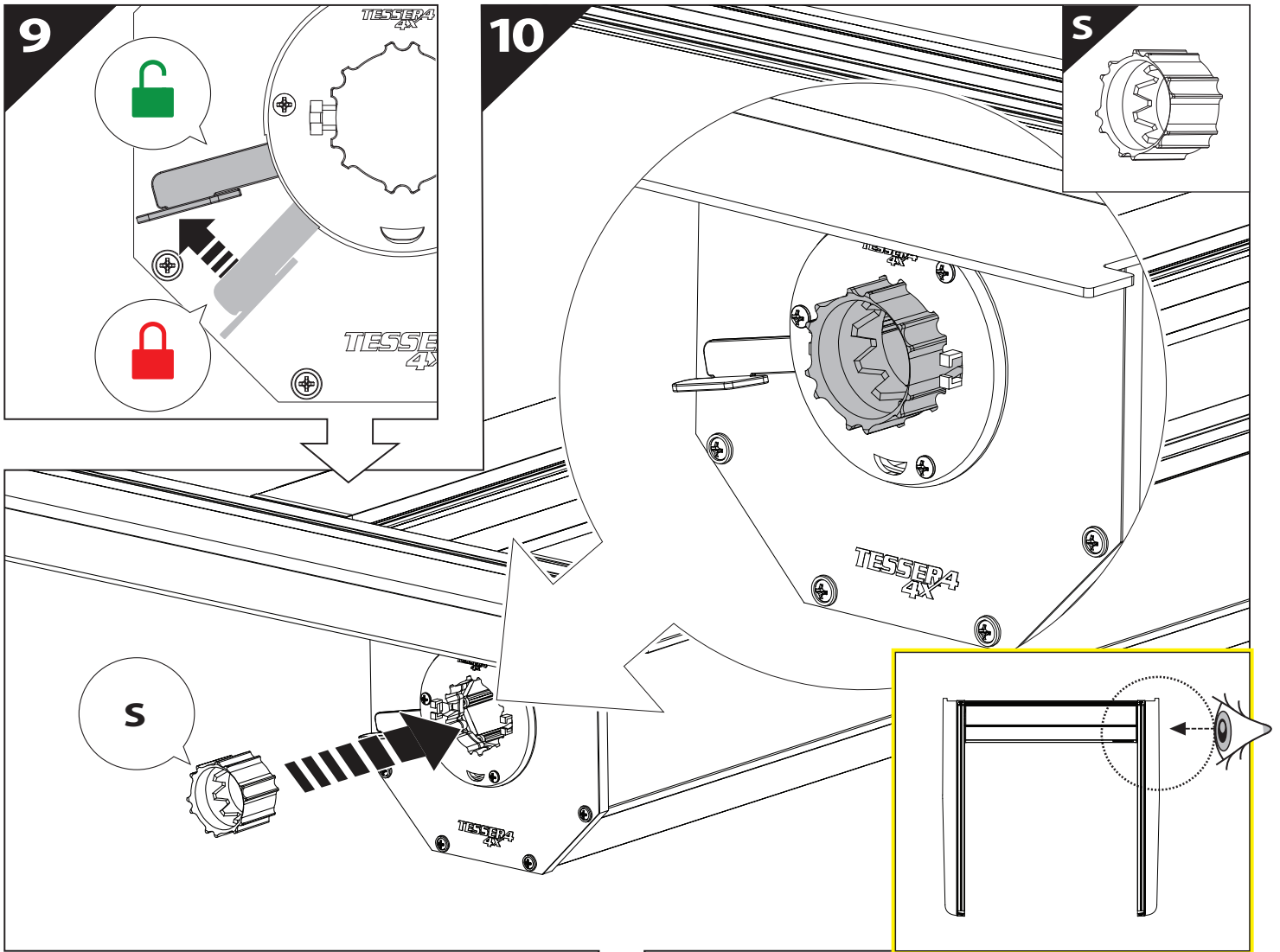


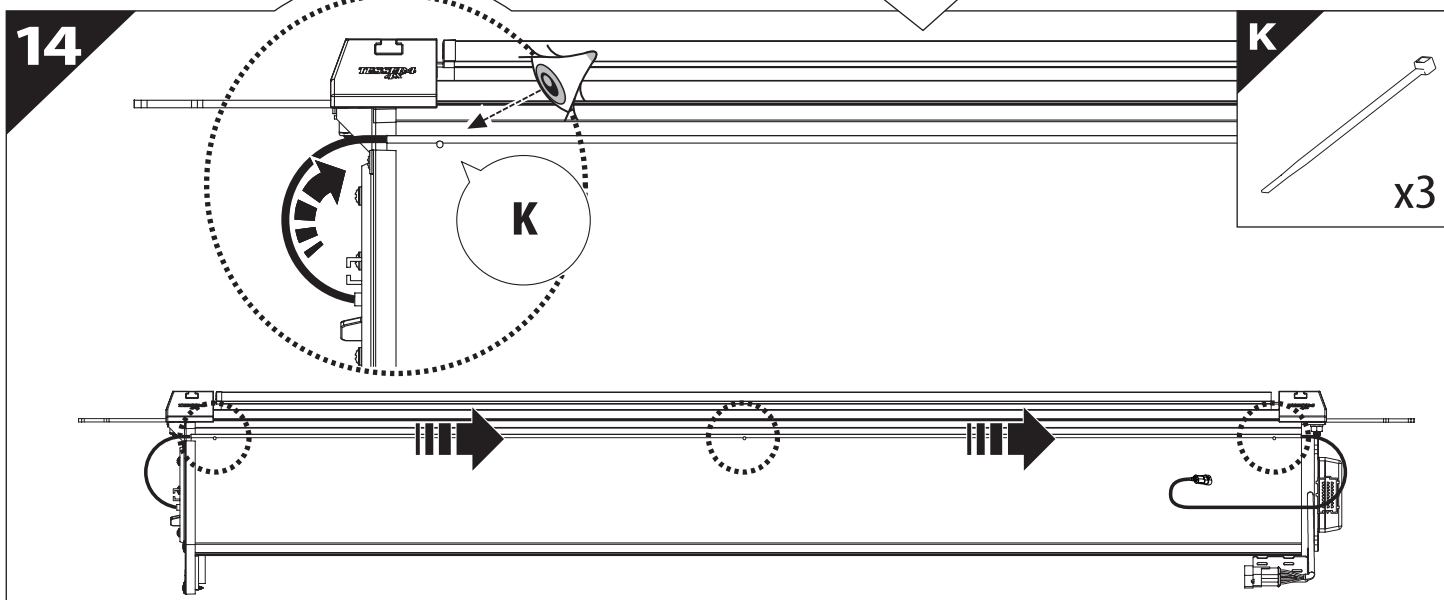
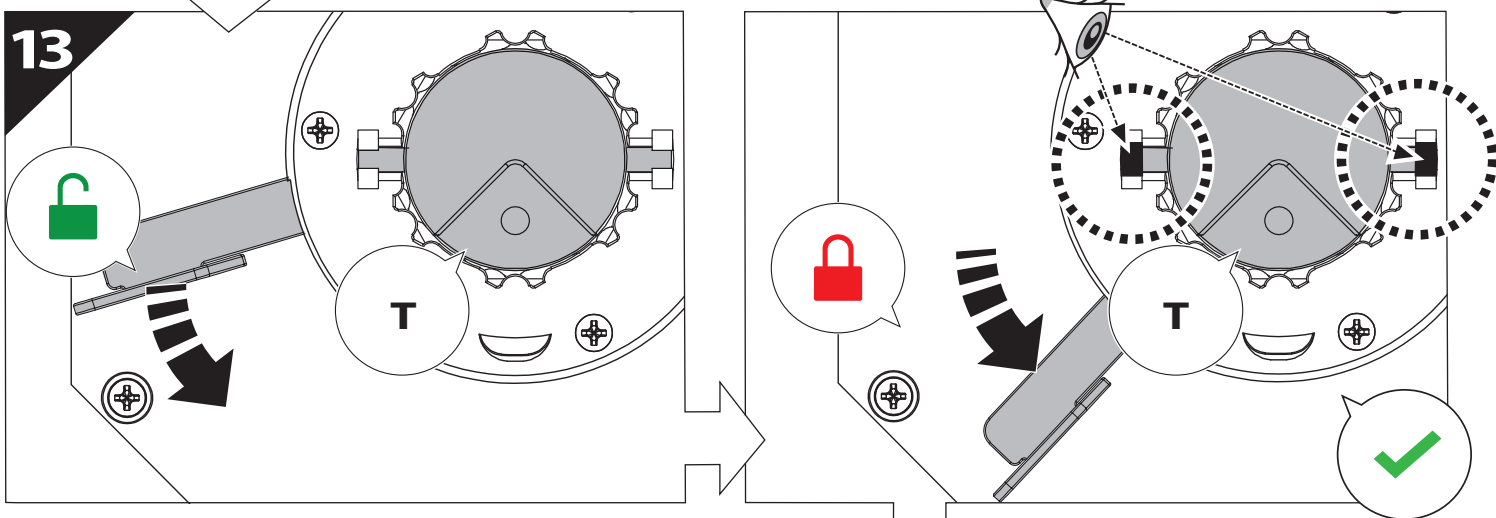
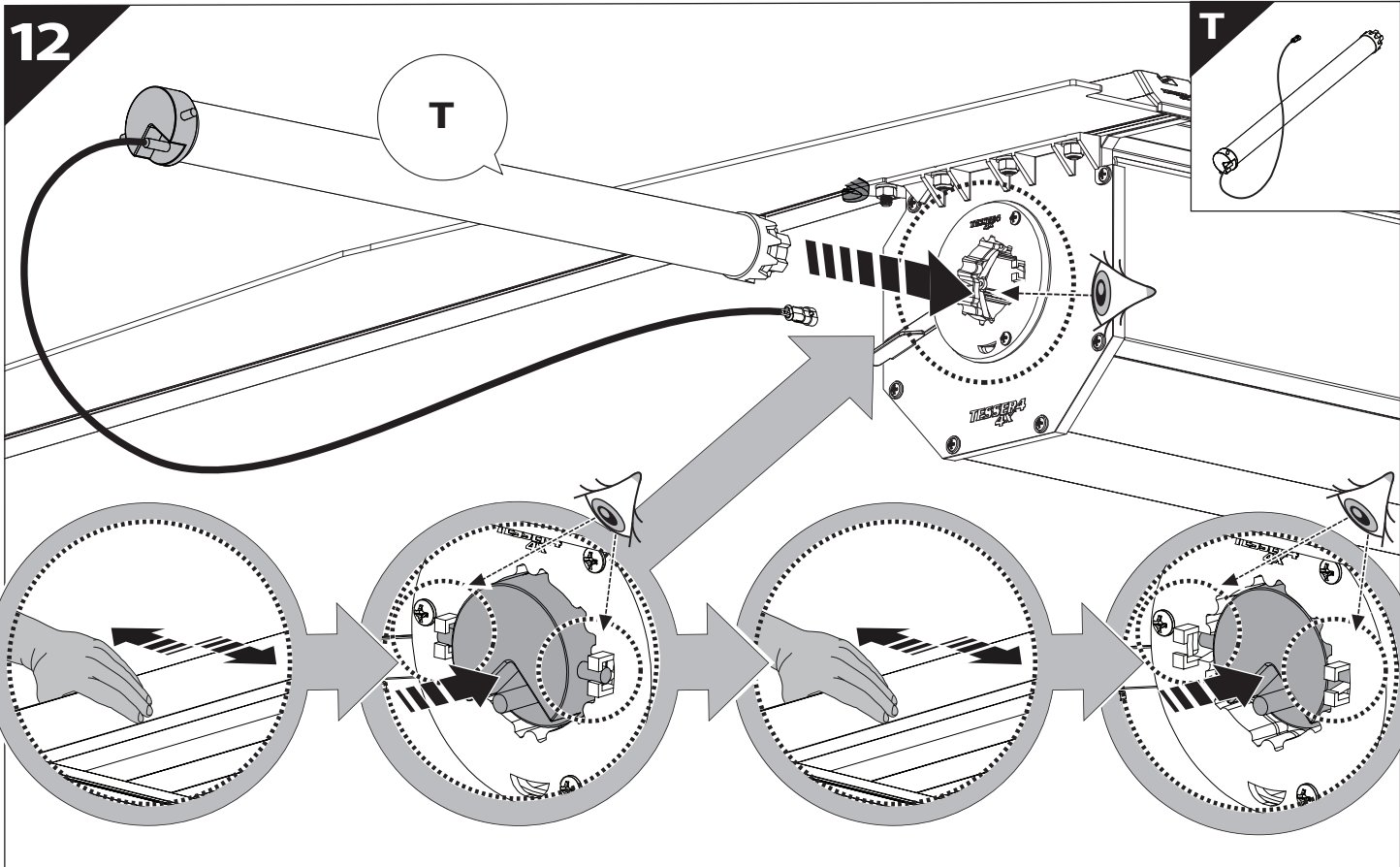
4



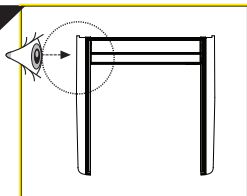




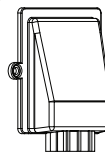




15



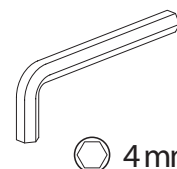
R



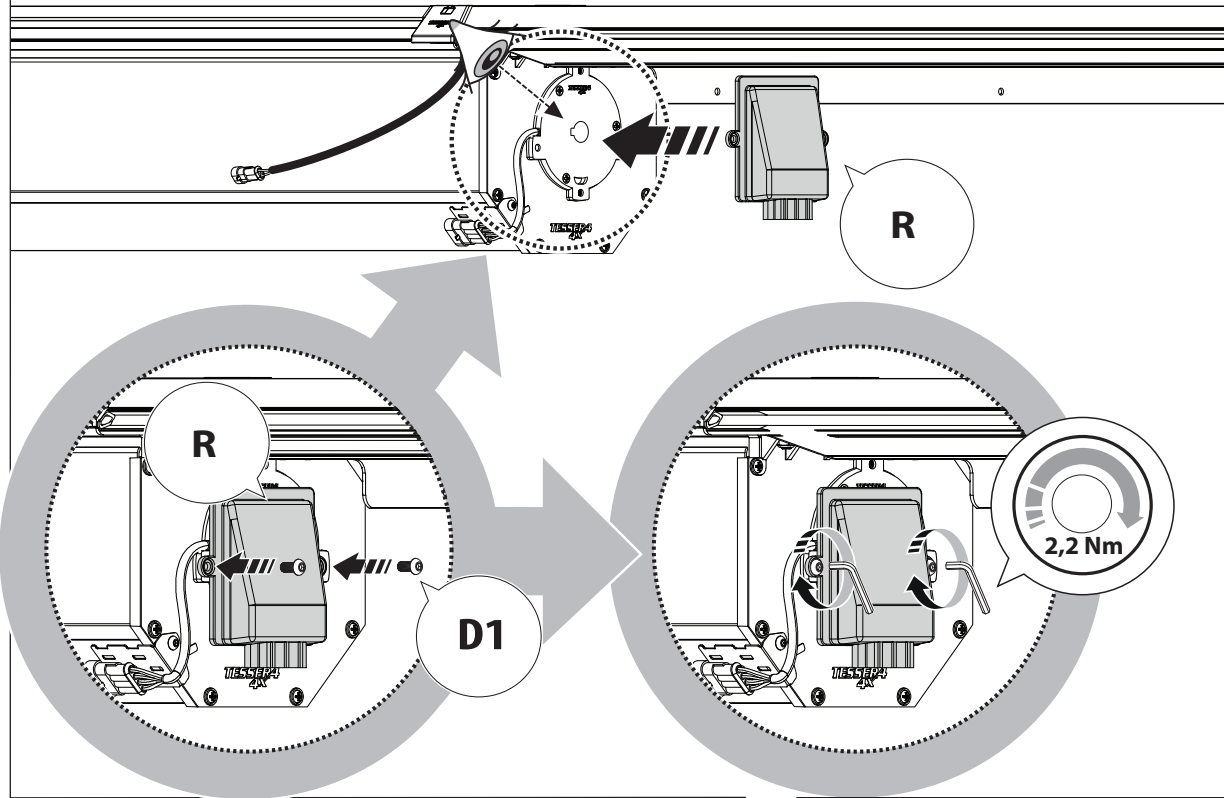
D1



x2

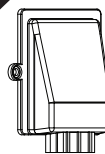


4 mm

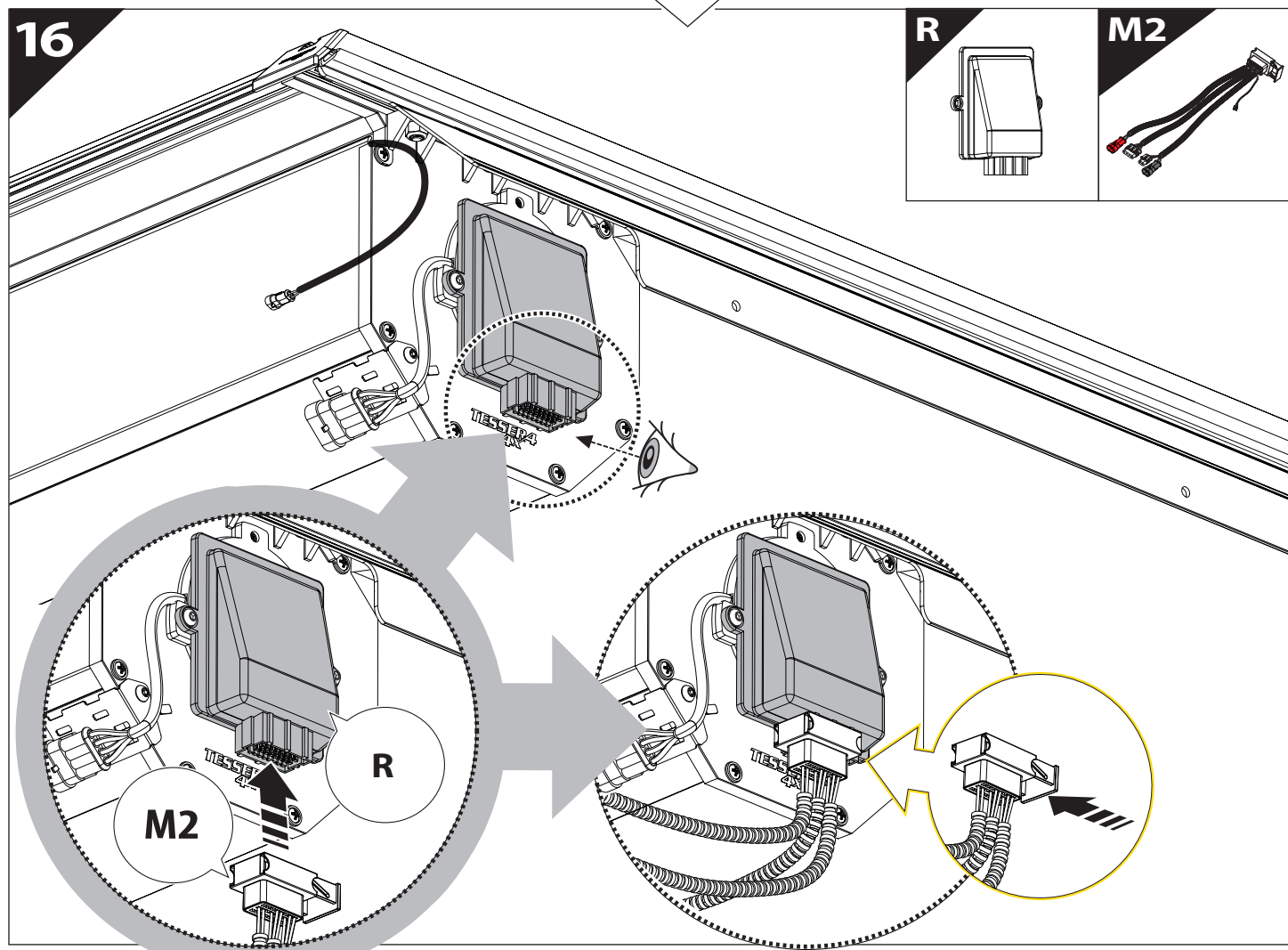


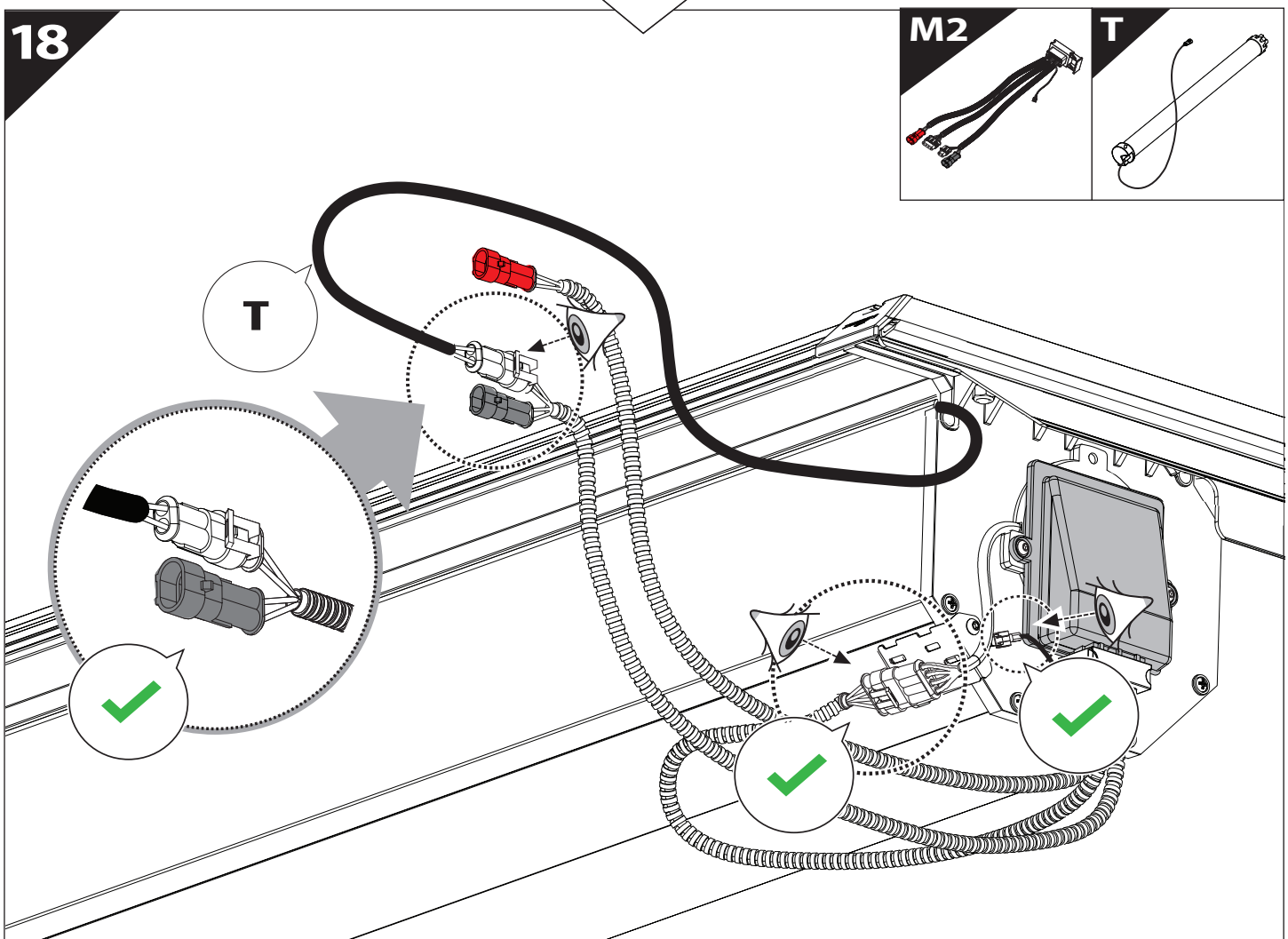
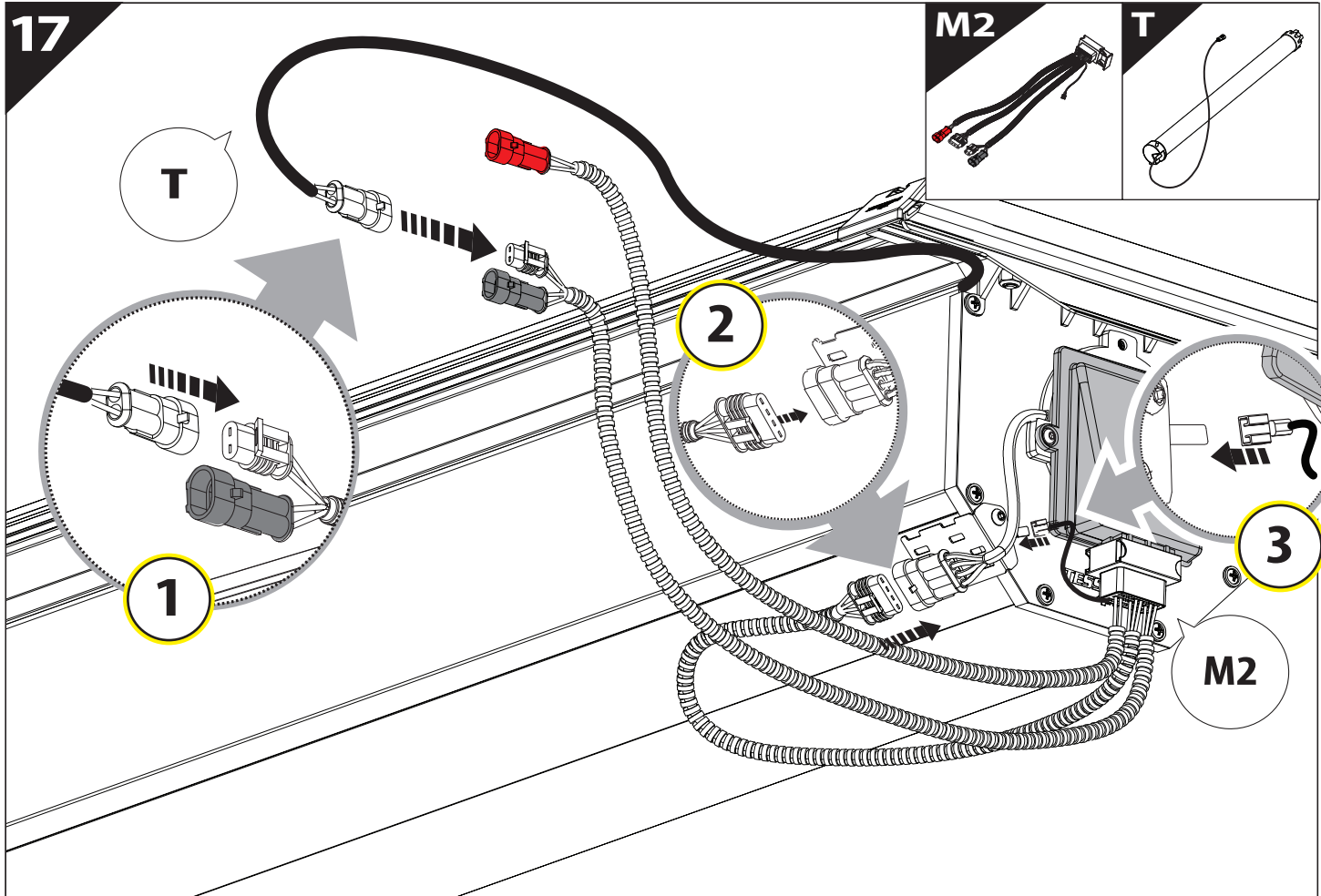
16

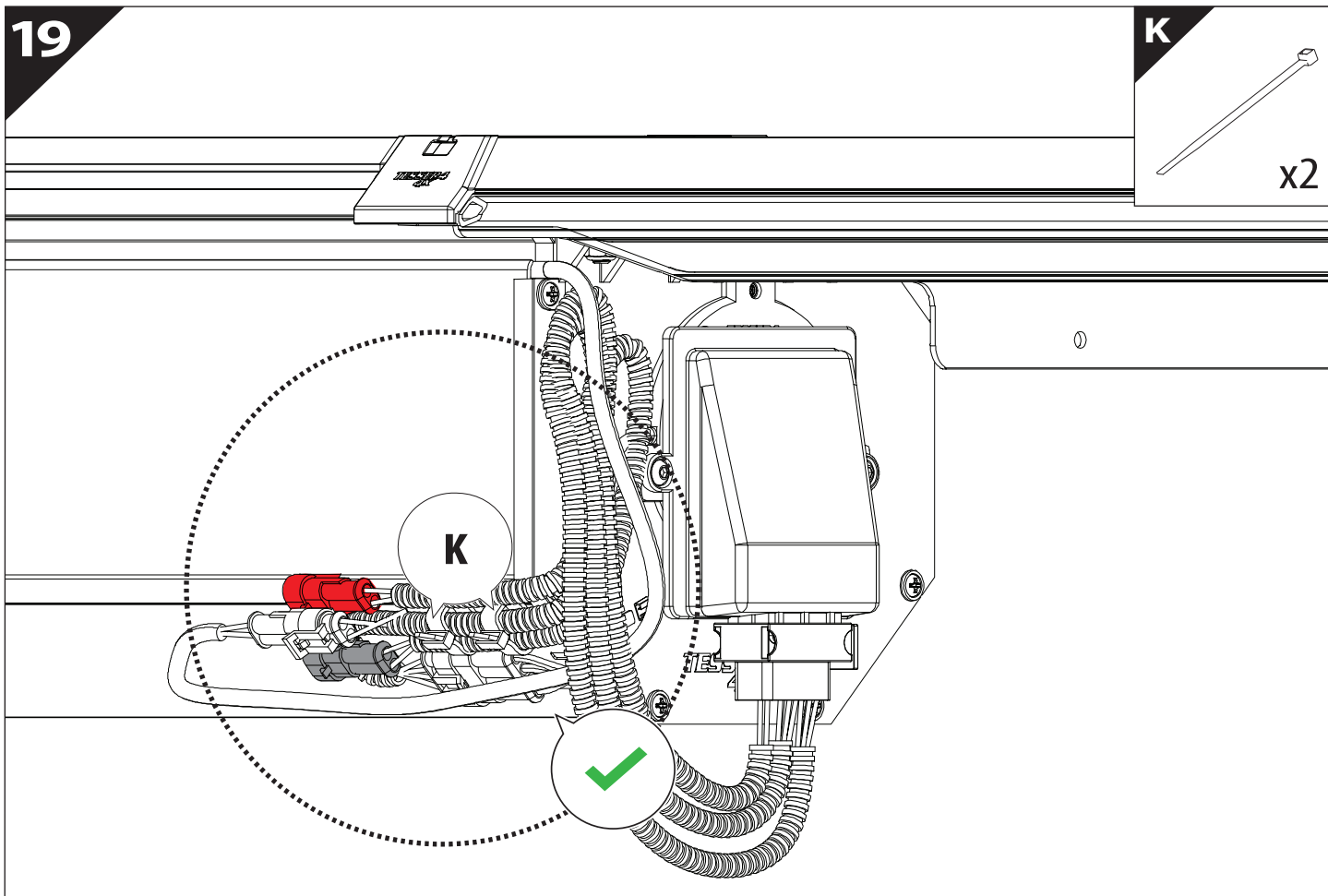
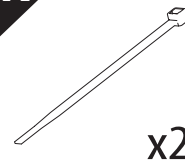
R



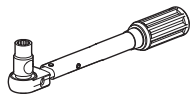
M2





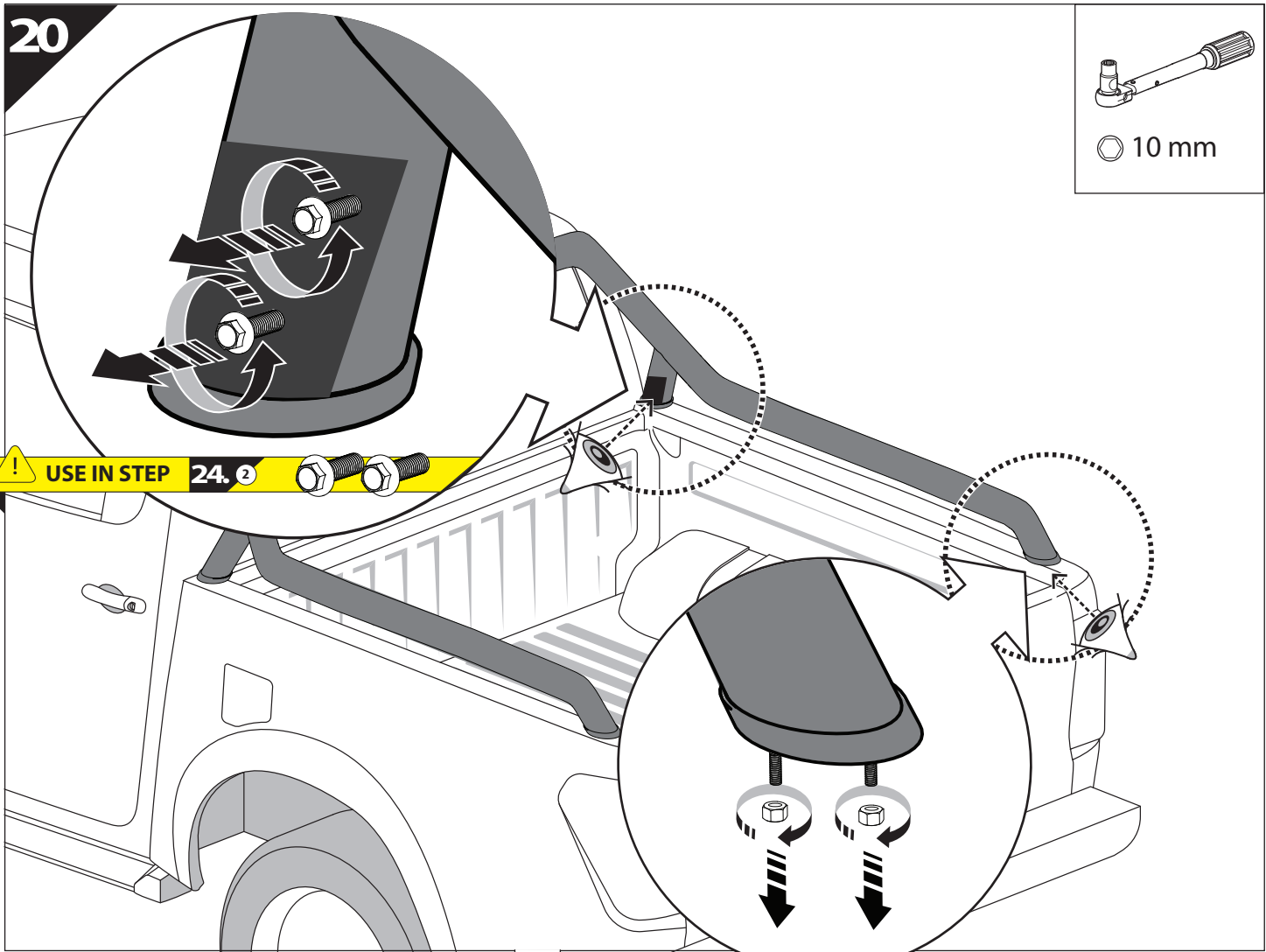


20



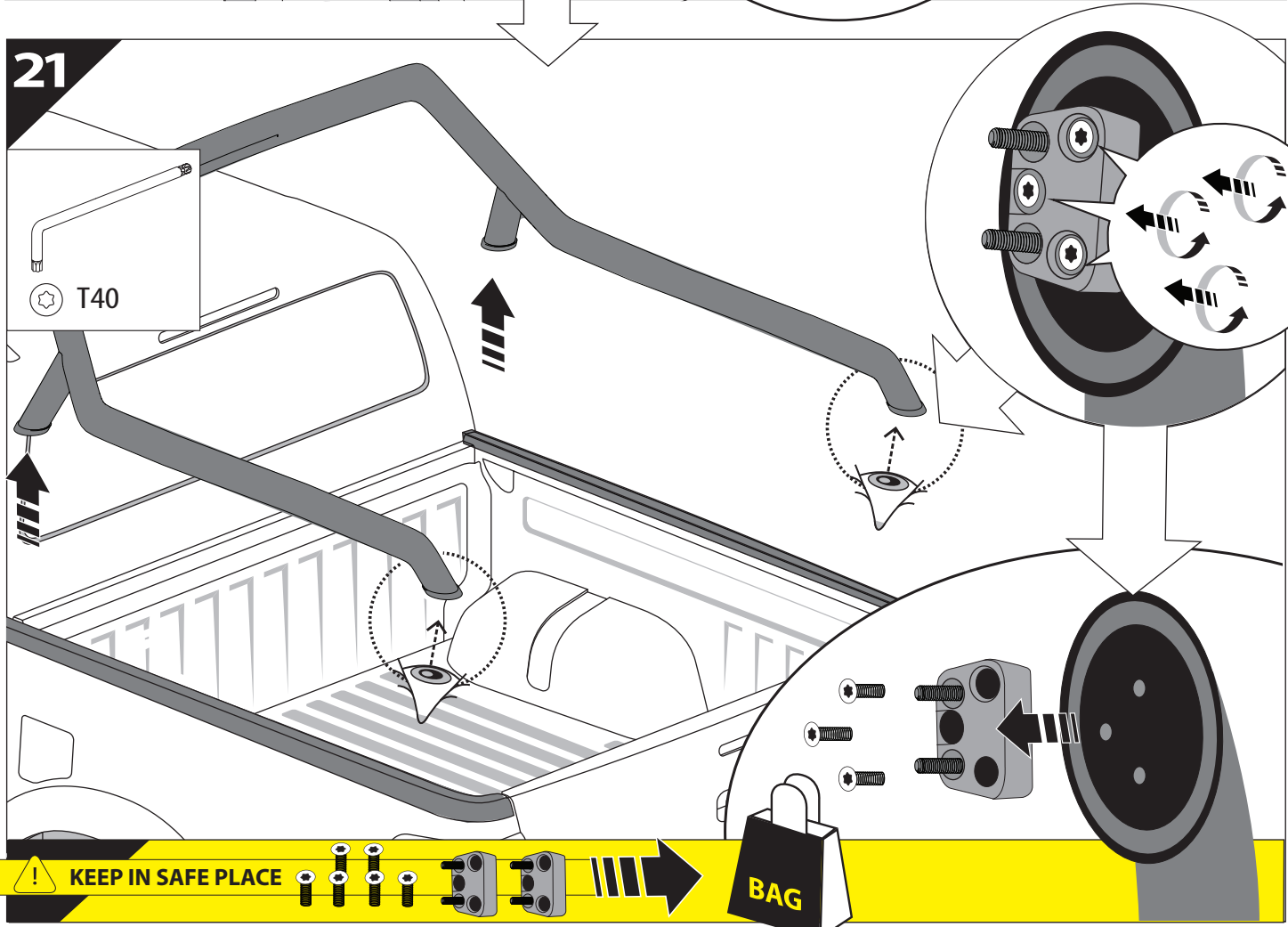
10 mm

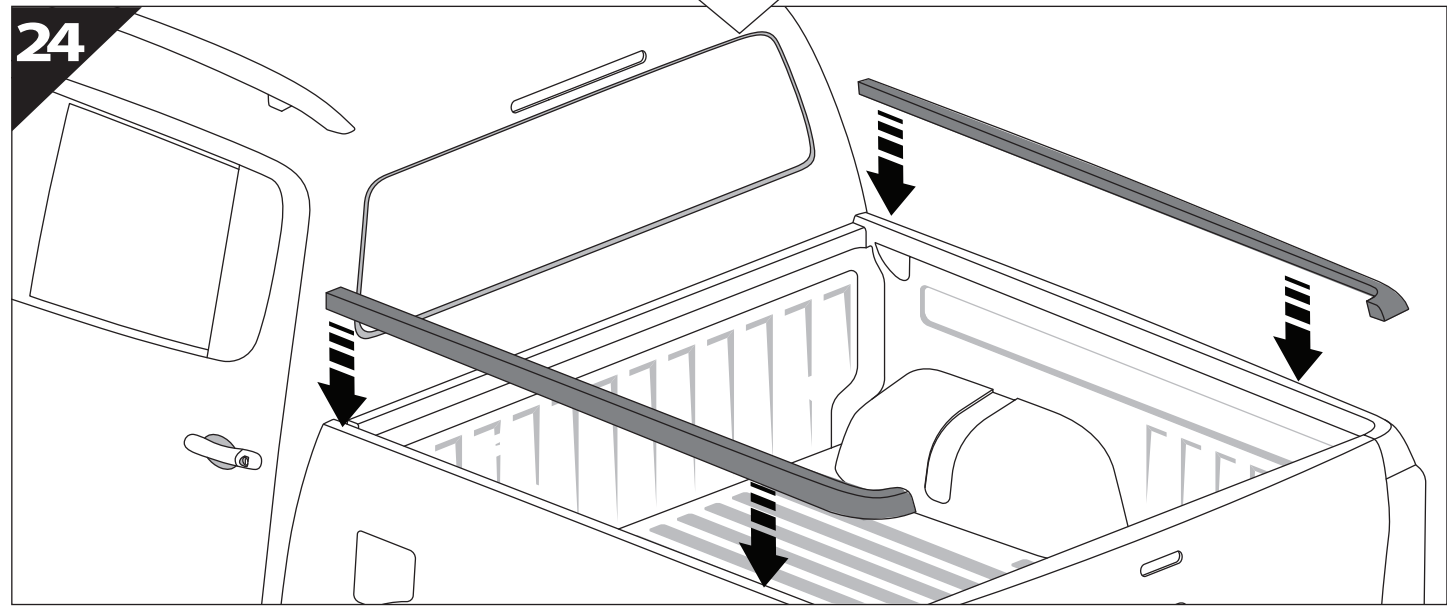
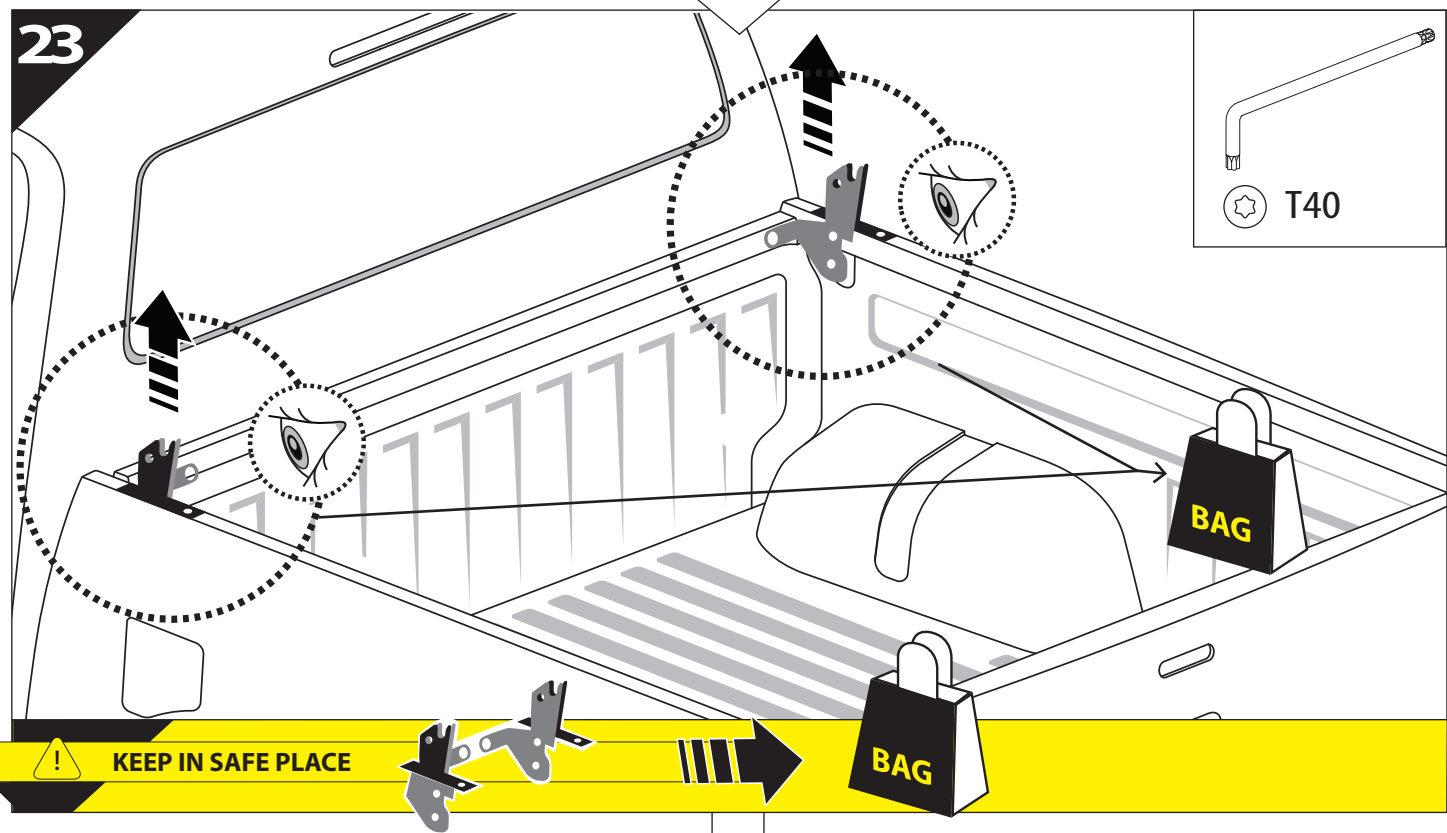
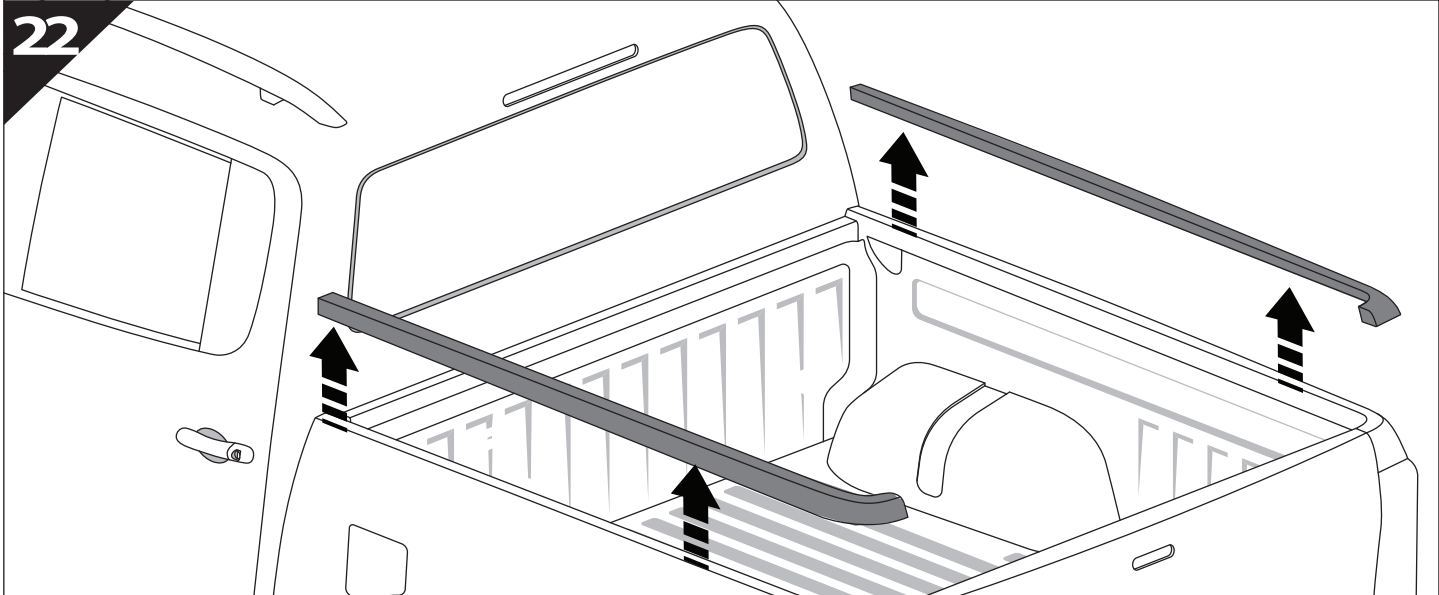
! USE IN STEP 24.



21

T40

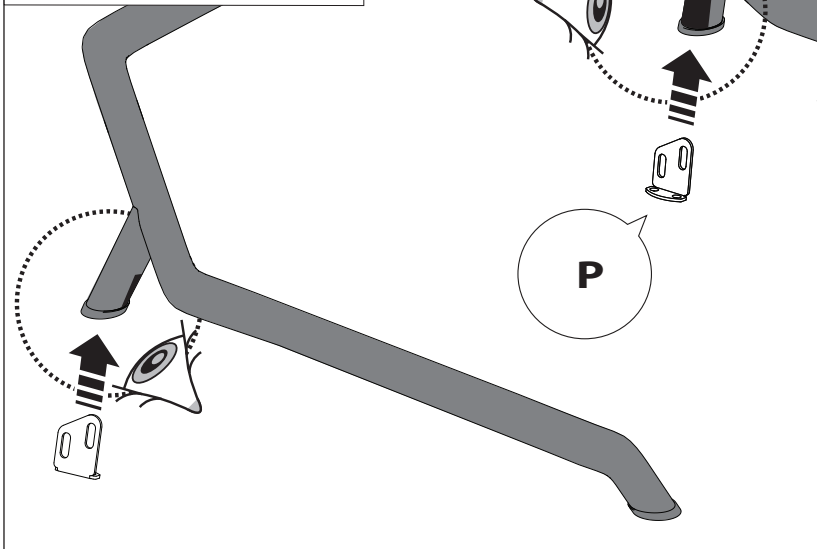




24.1

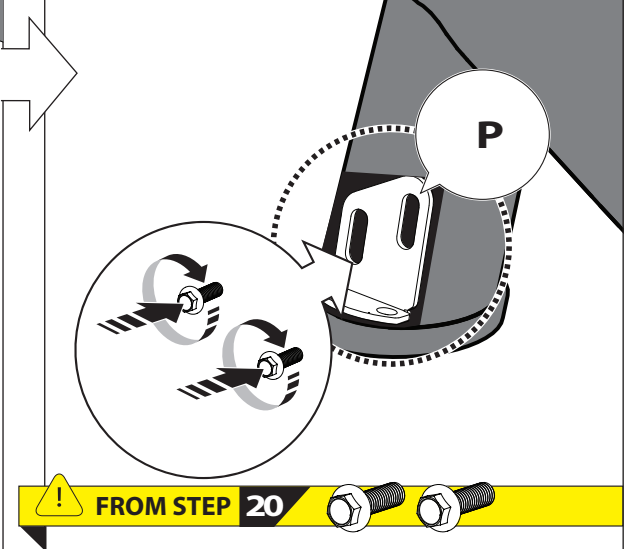
P

- x2
- M8 x4
- M8x25 x8

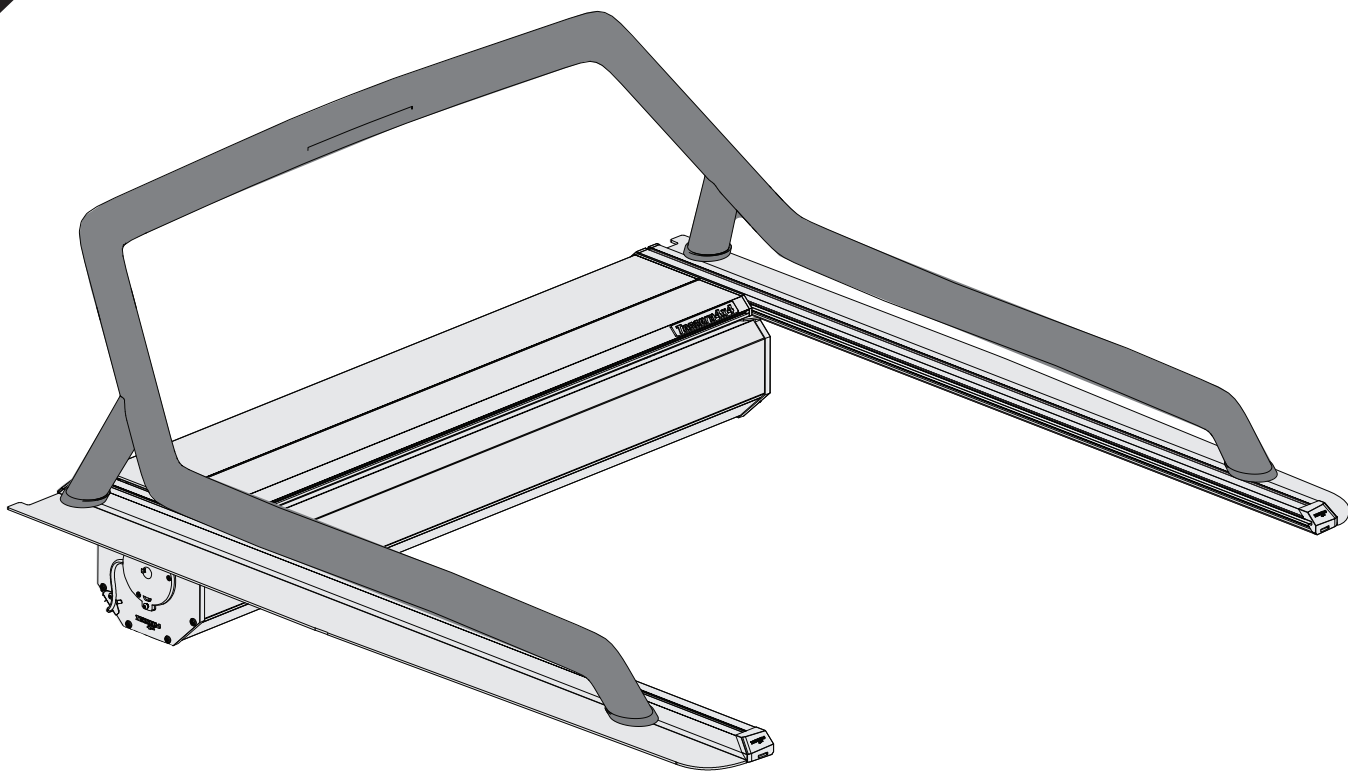


24.2

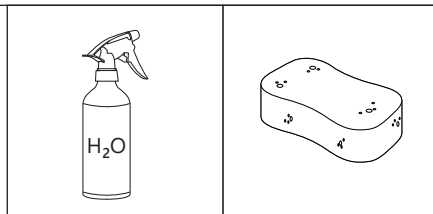
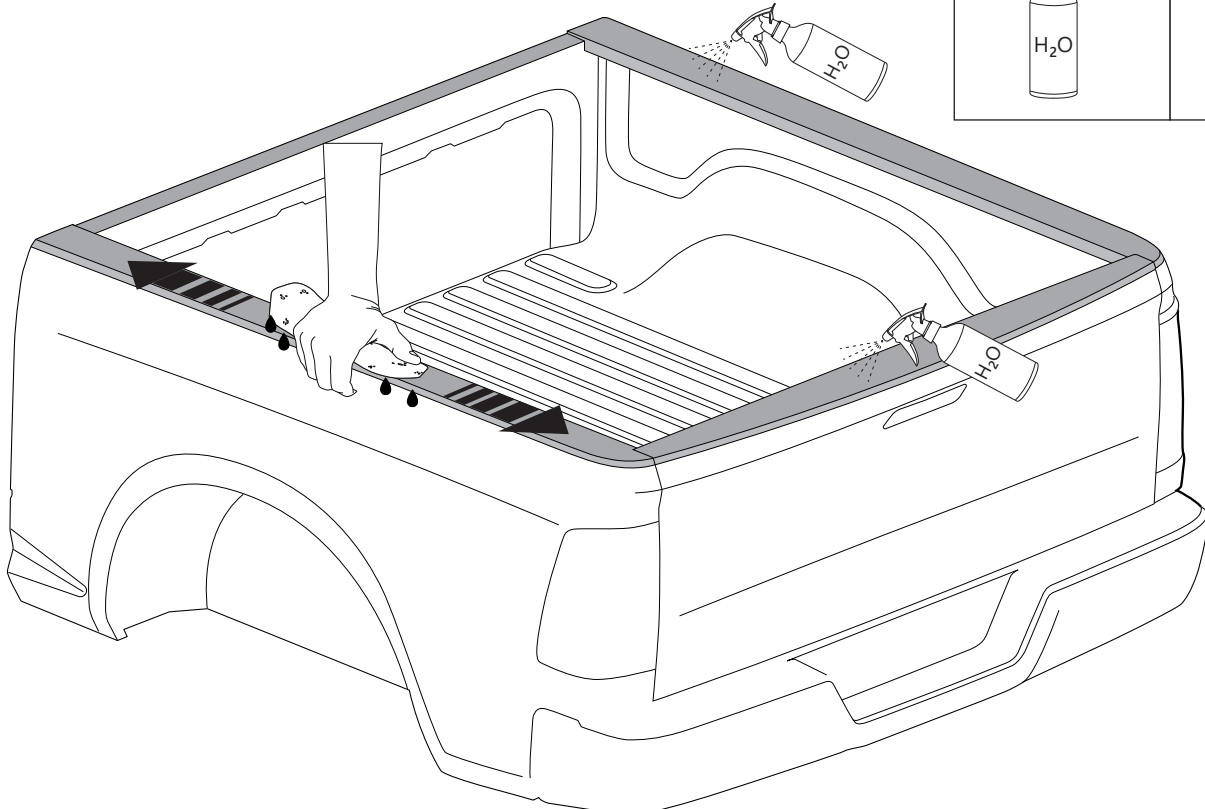
10 mm



26

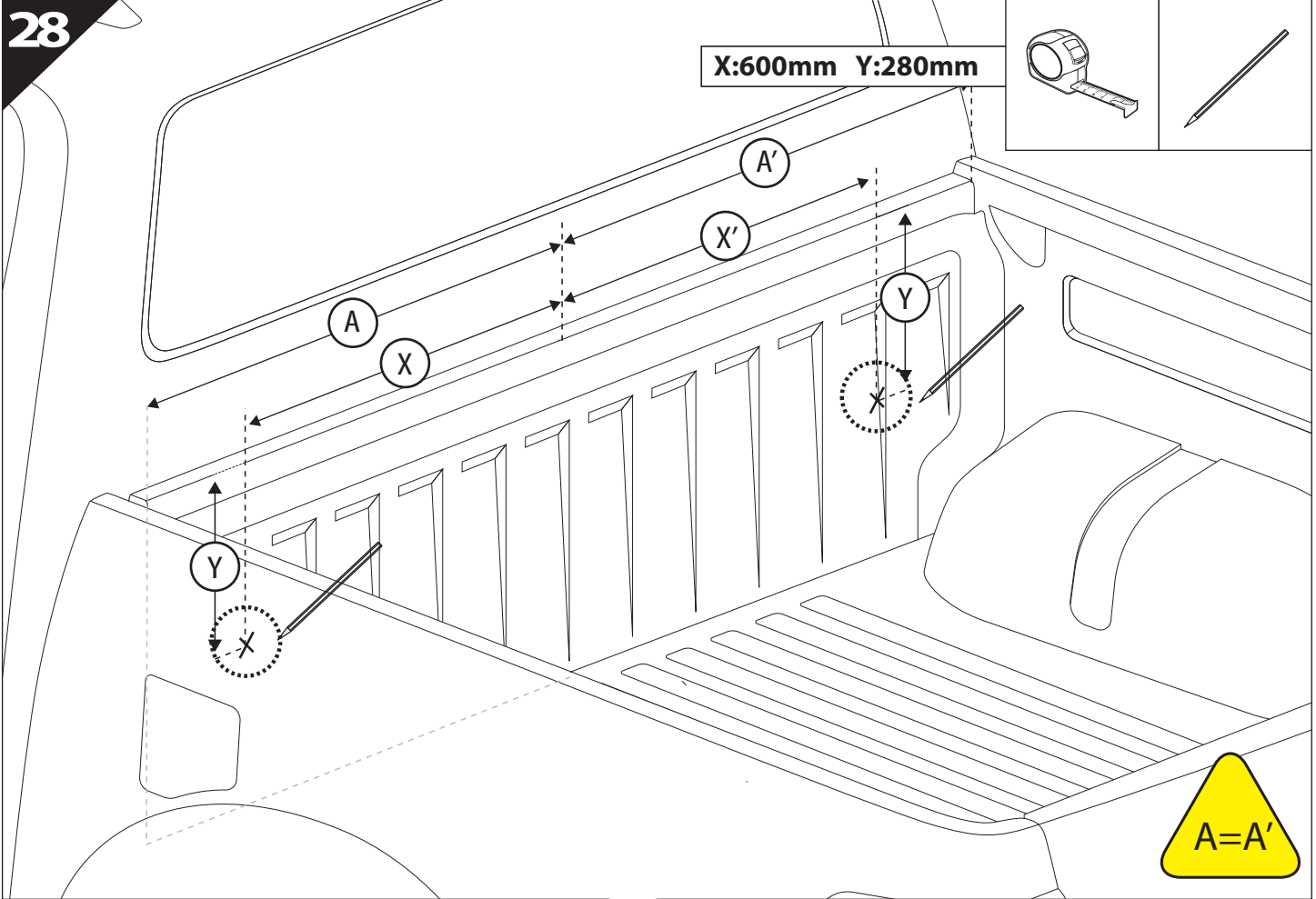
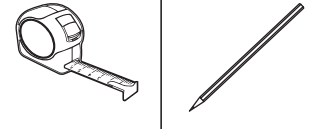


27

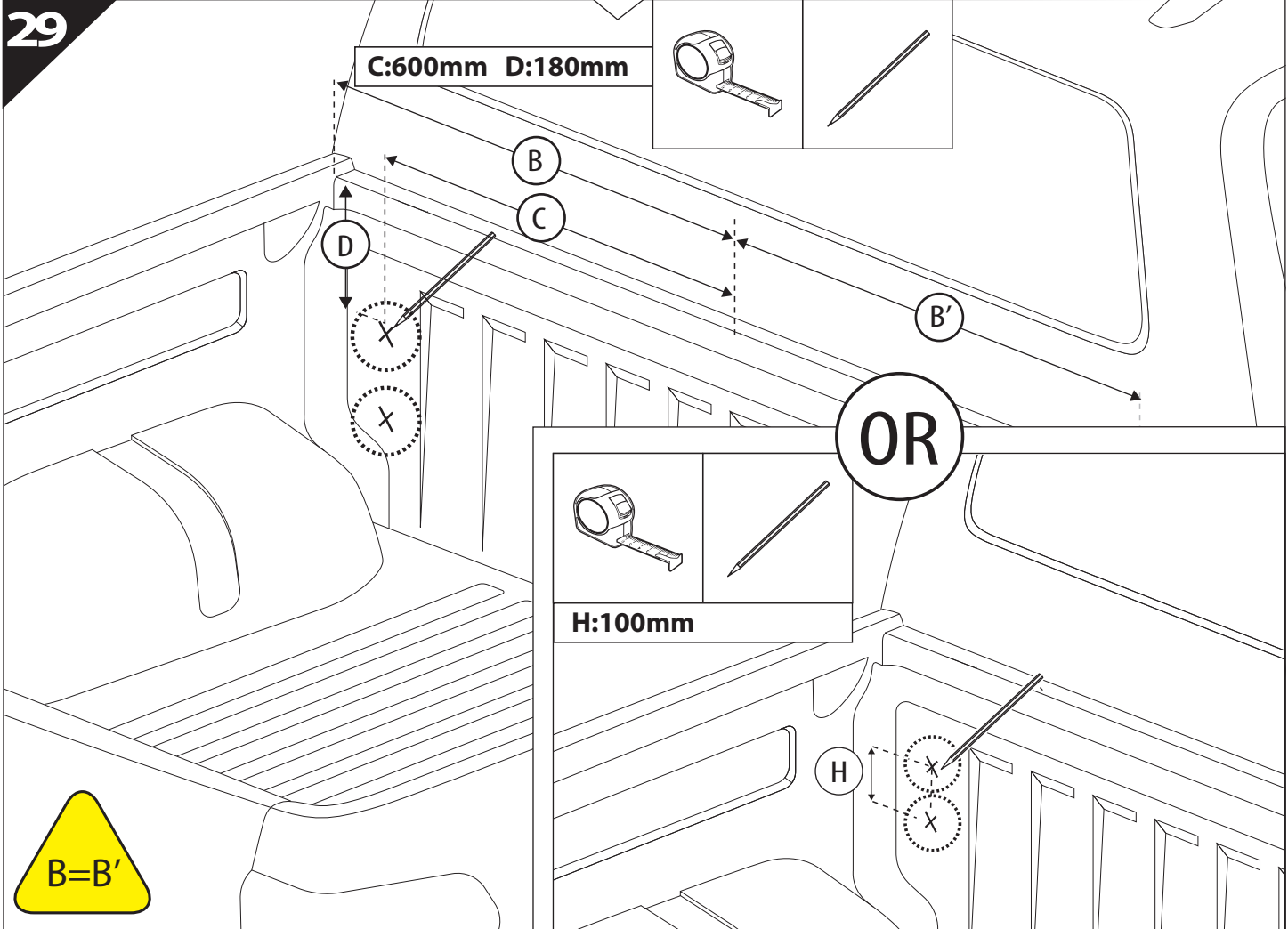
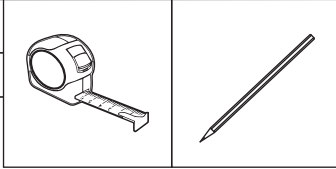


28

X:600mm Y:280mm



C:600mm D:180mm



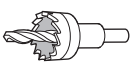
30

CAUTION

CAUTION

max: 2 mm

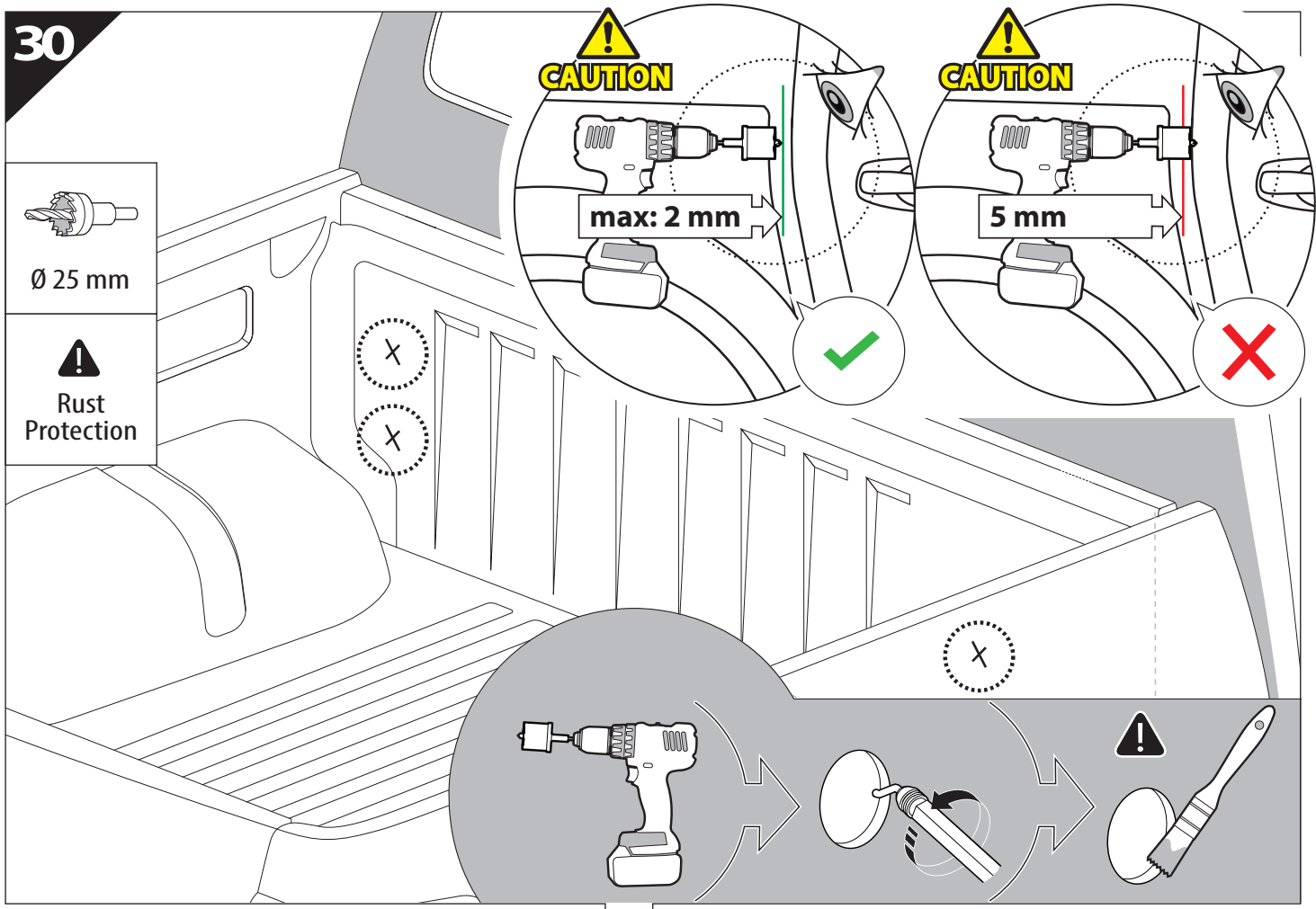
5 mm



Ø 25 mm

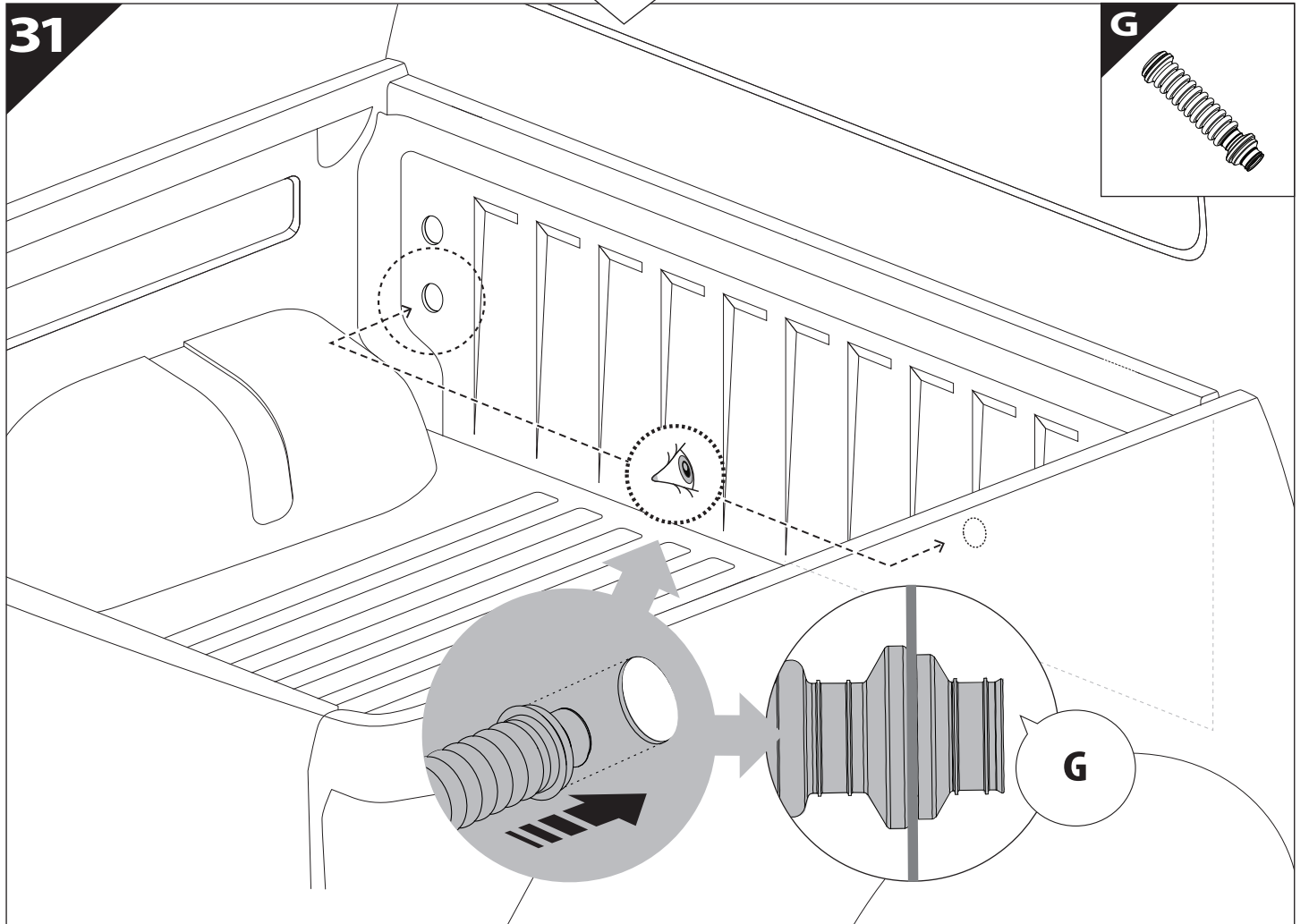


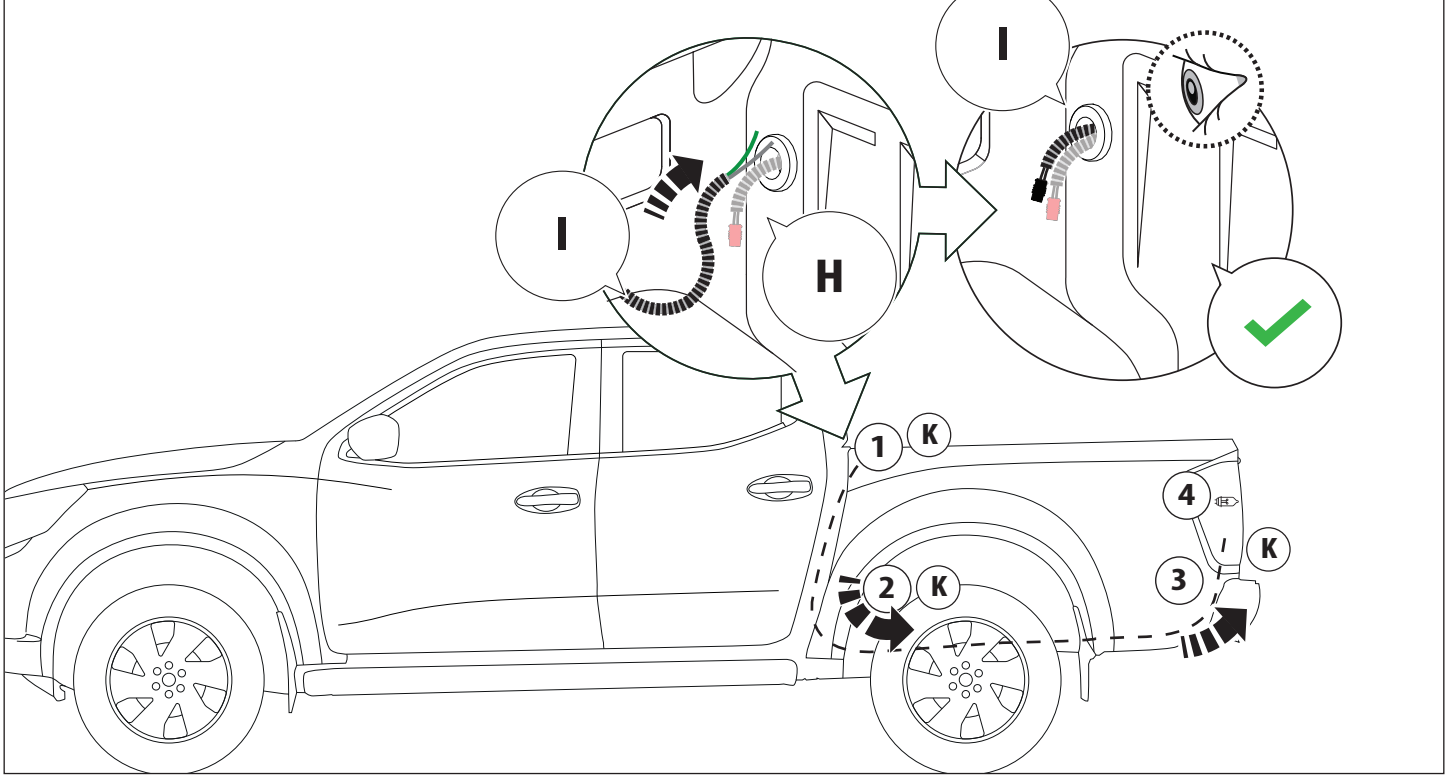
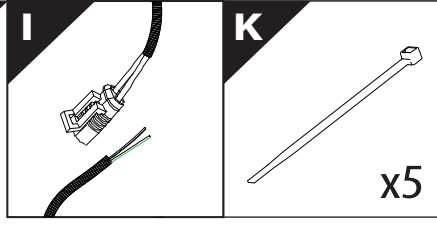
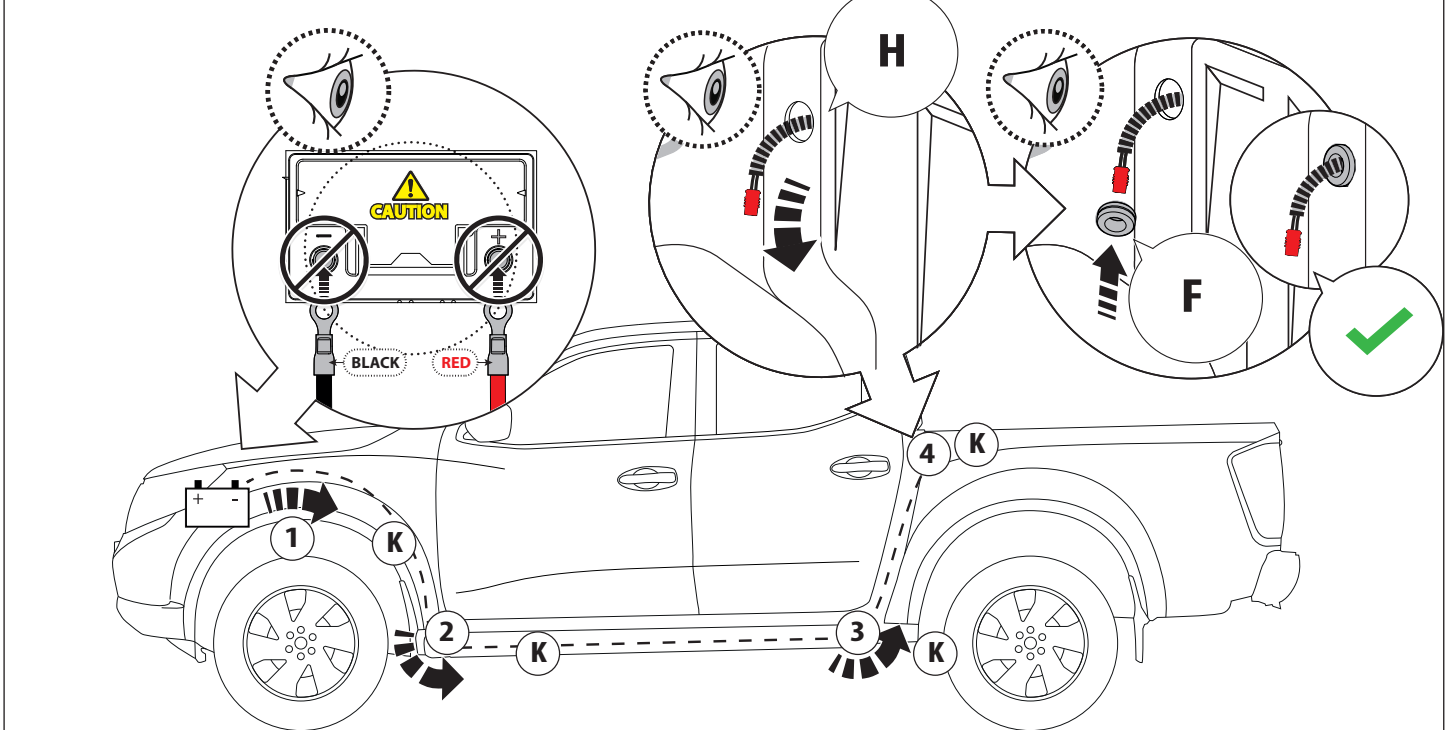
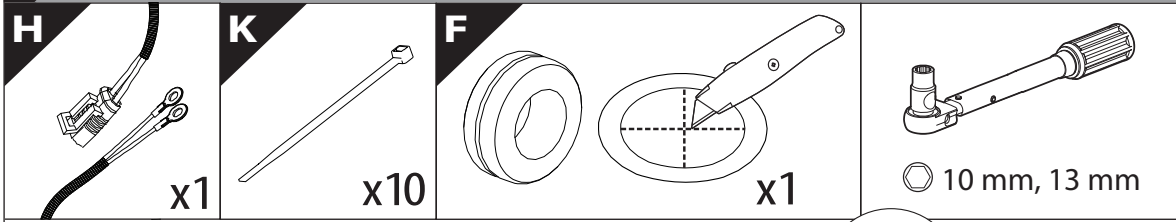
Rust Protection



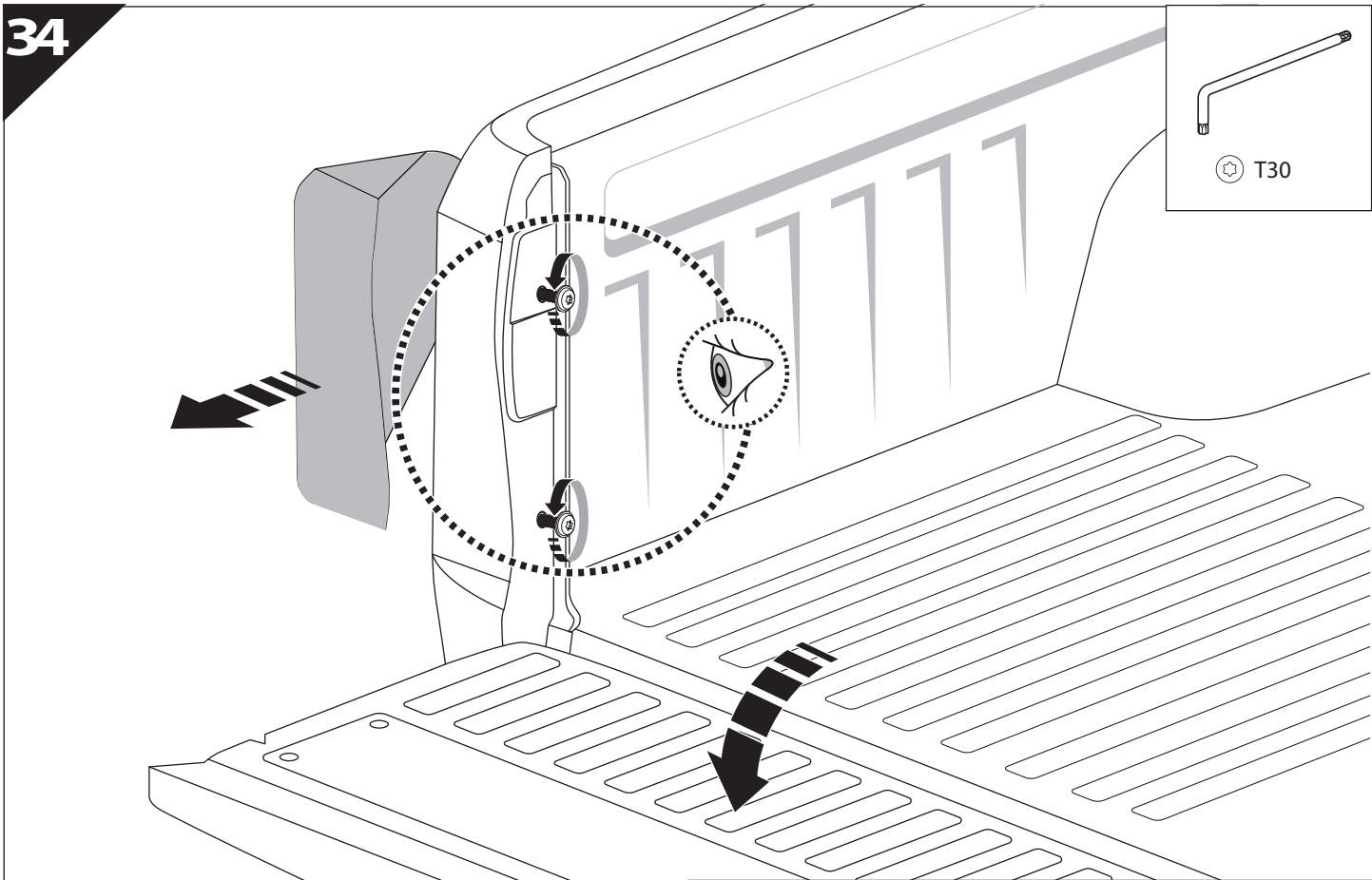
31

G

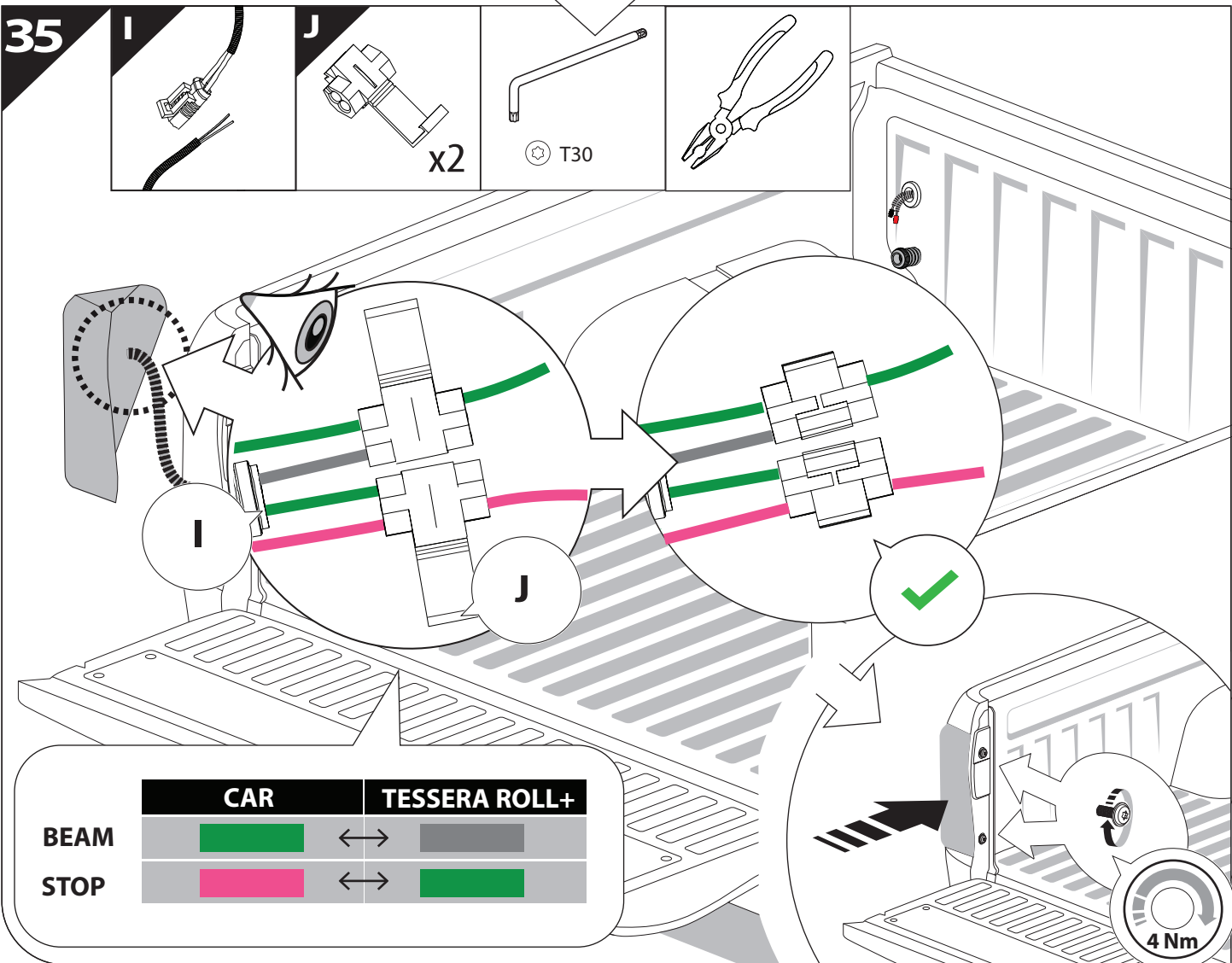
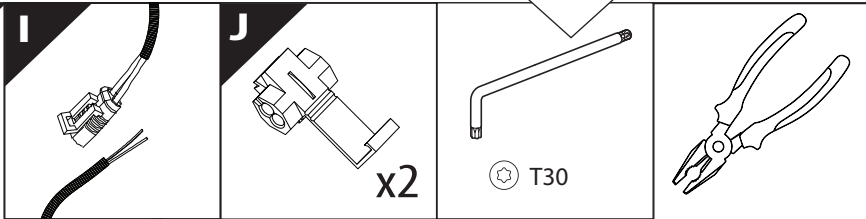








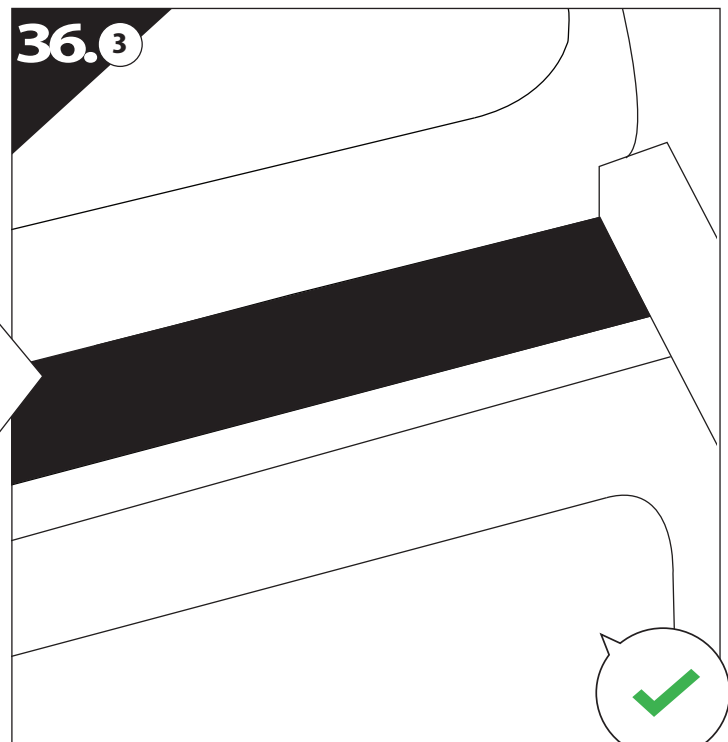
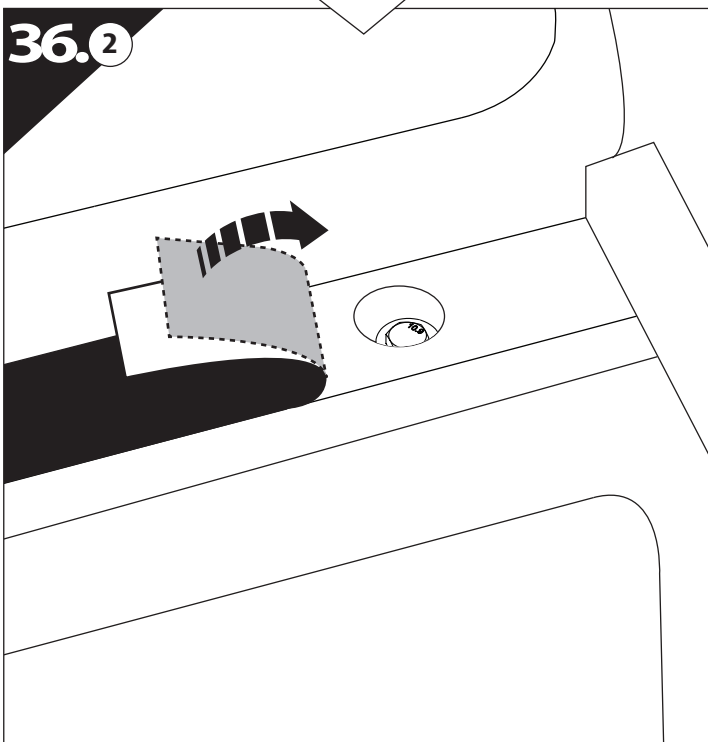
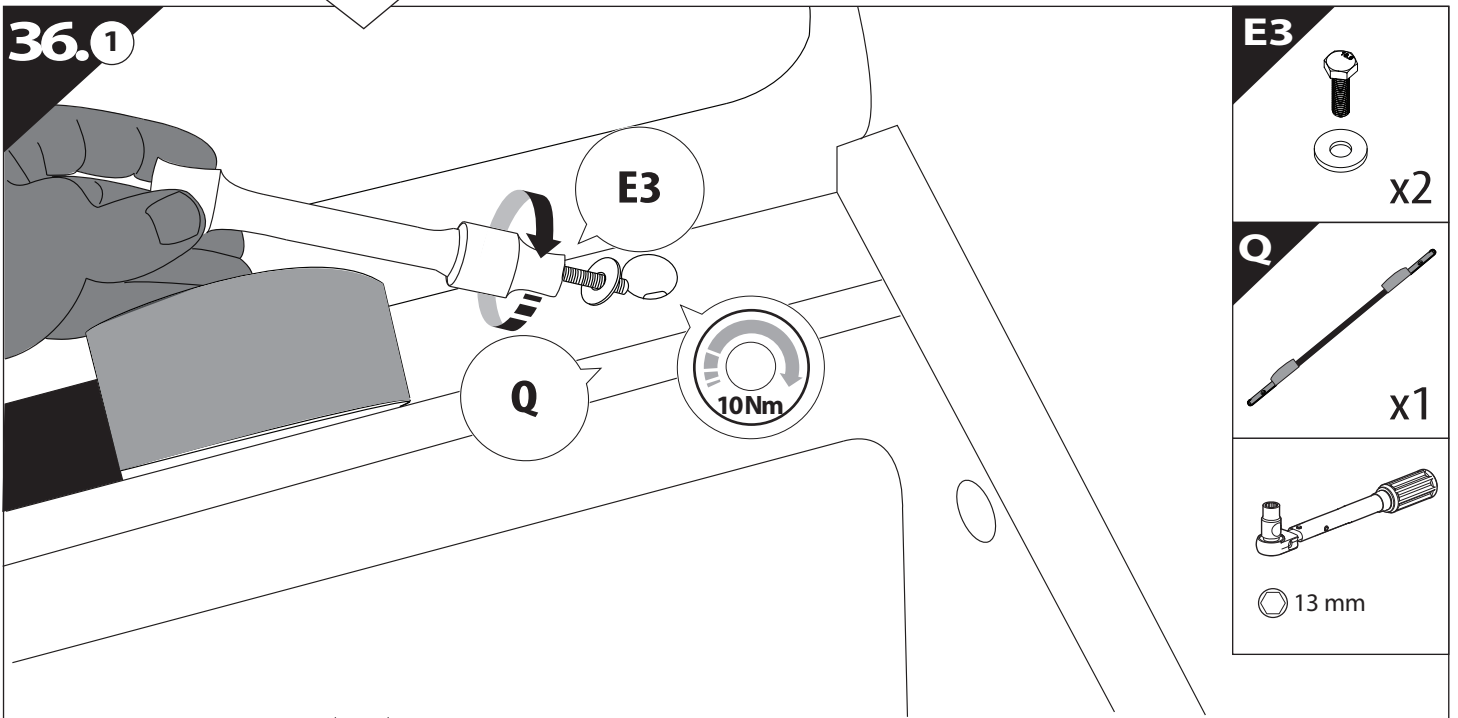
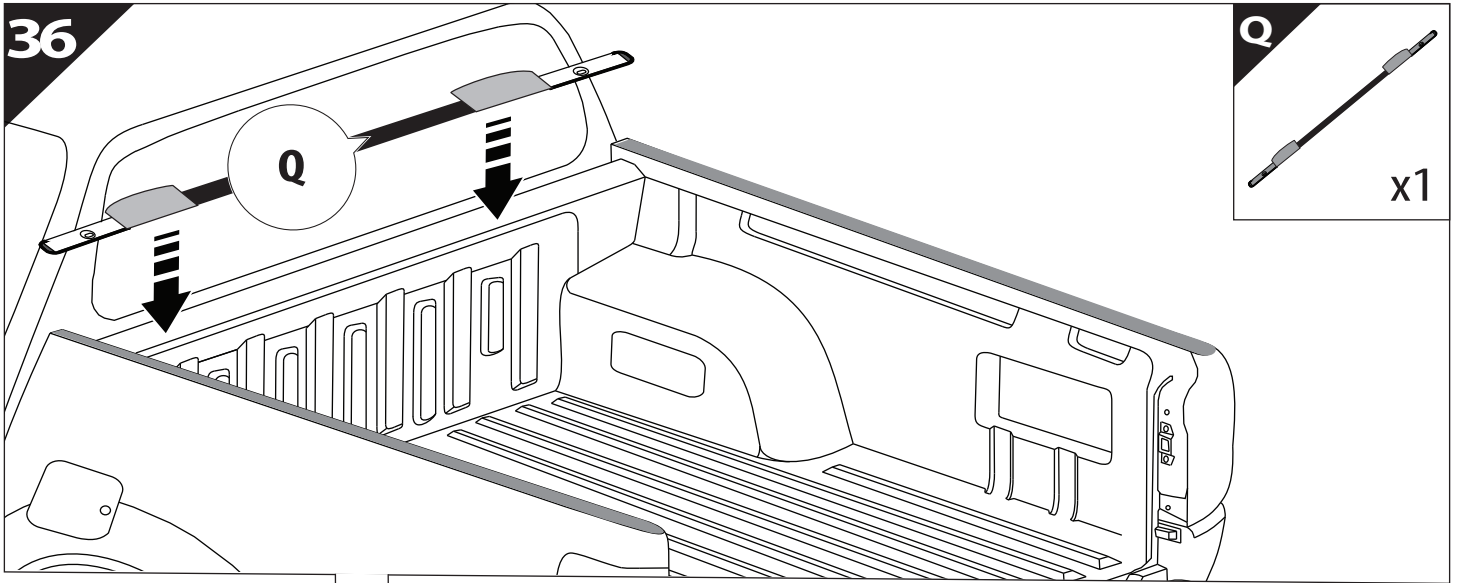
34



35

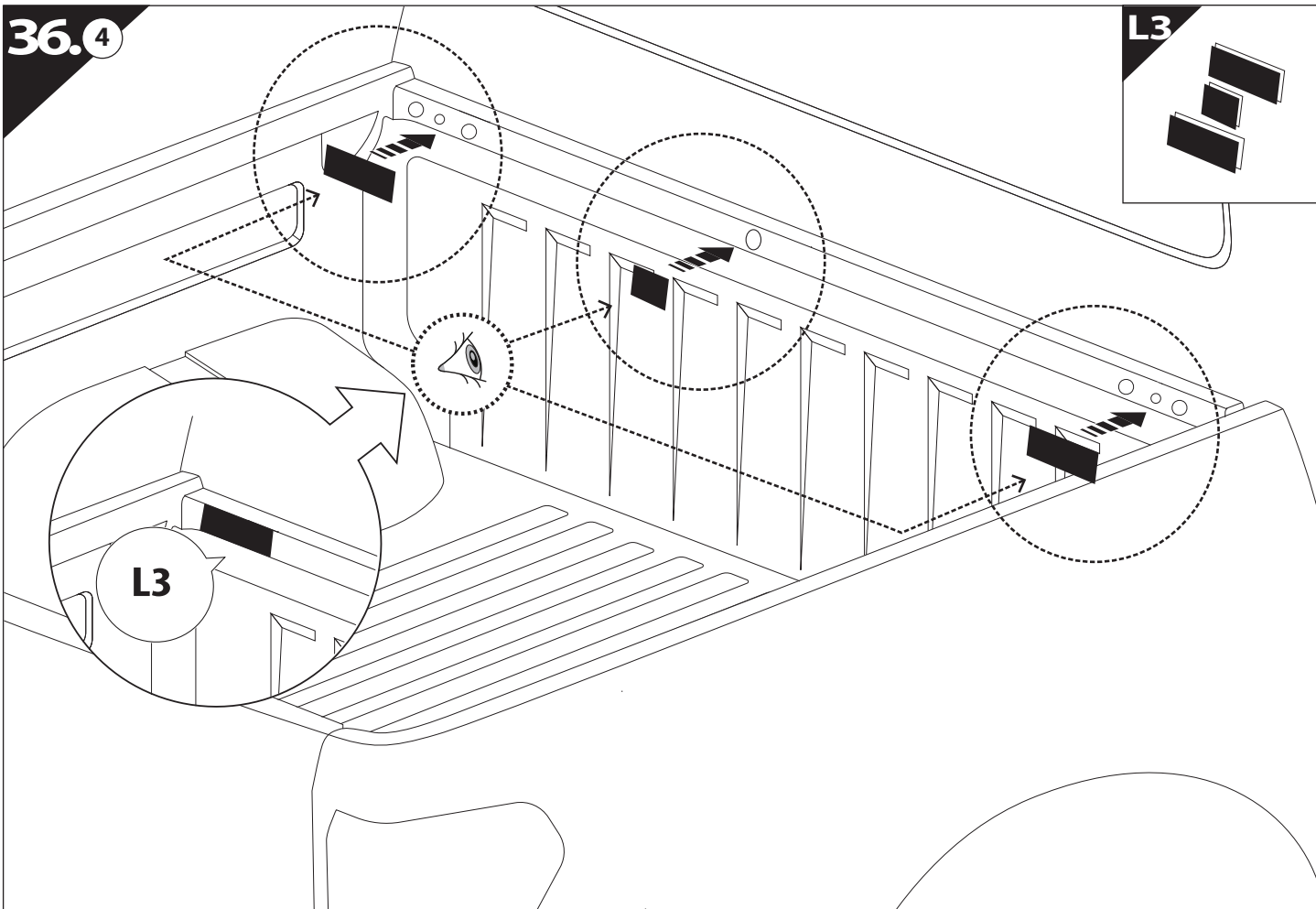


	CAR		TESSERA ROLL+
BEAM		↔	
STOP		↔	



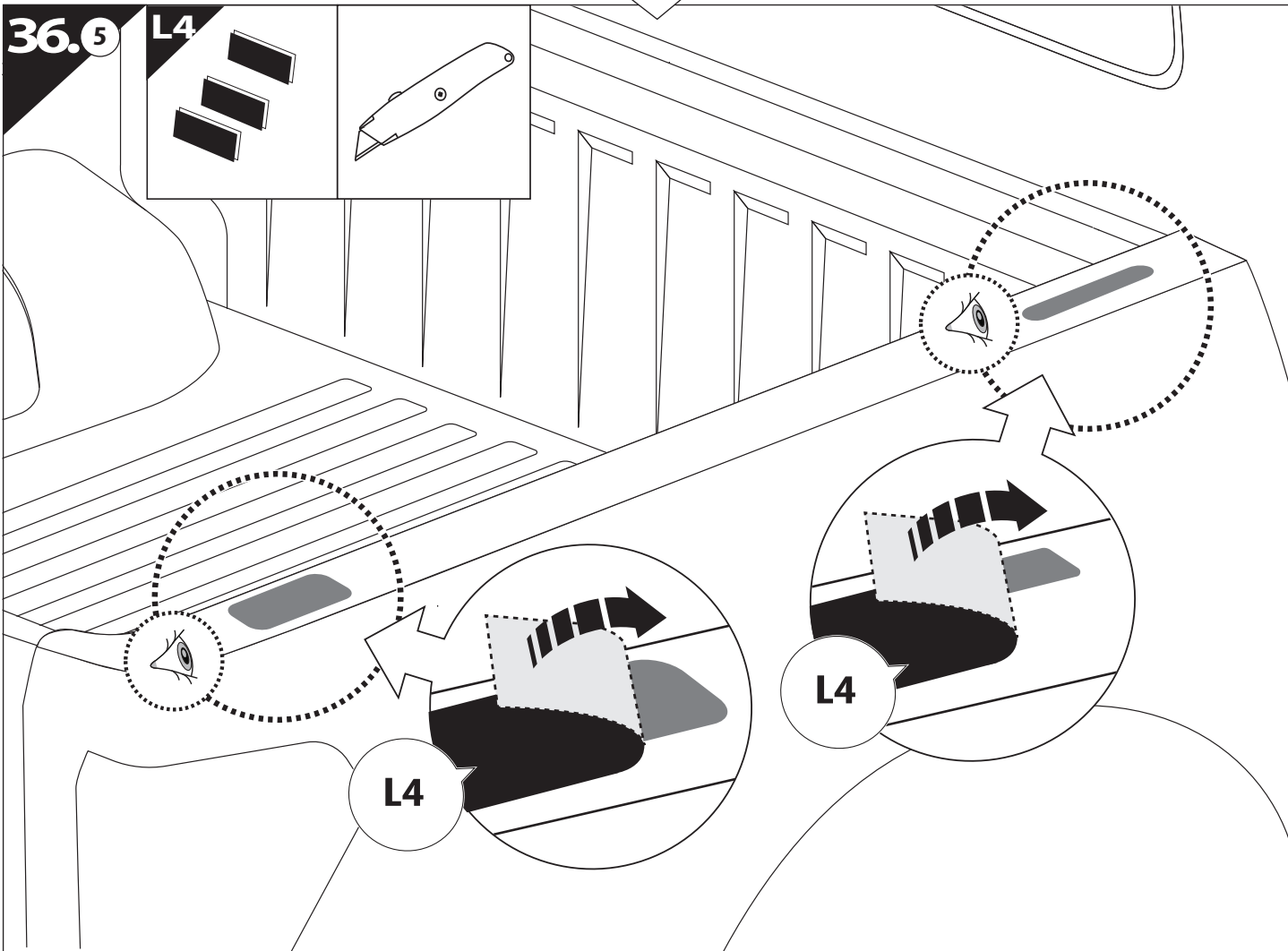
36.4

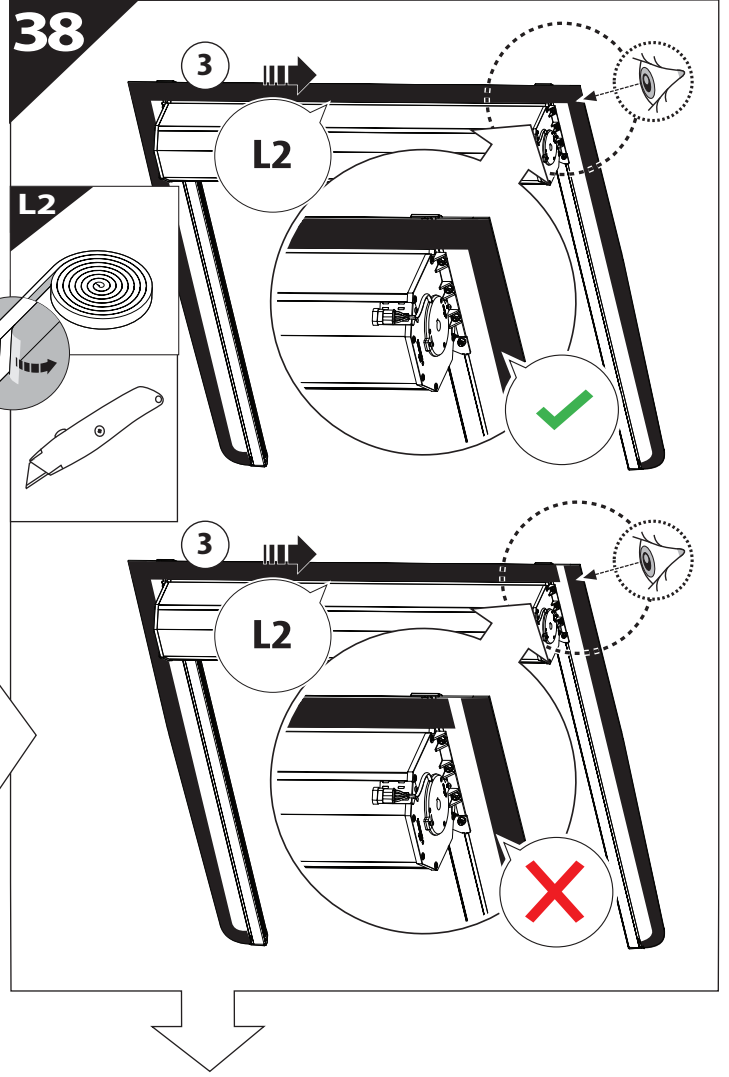
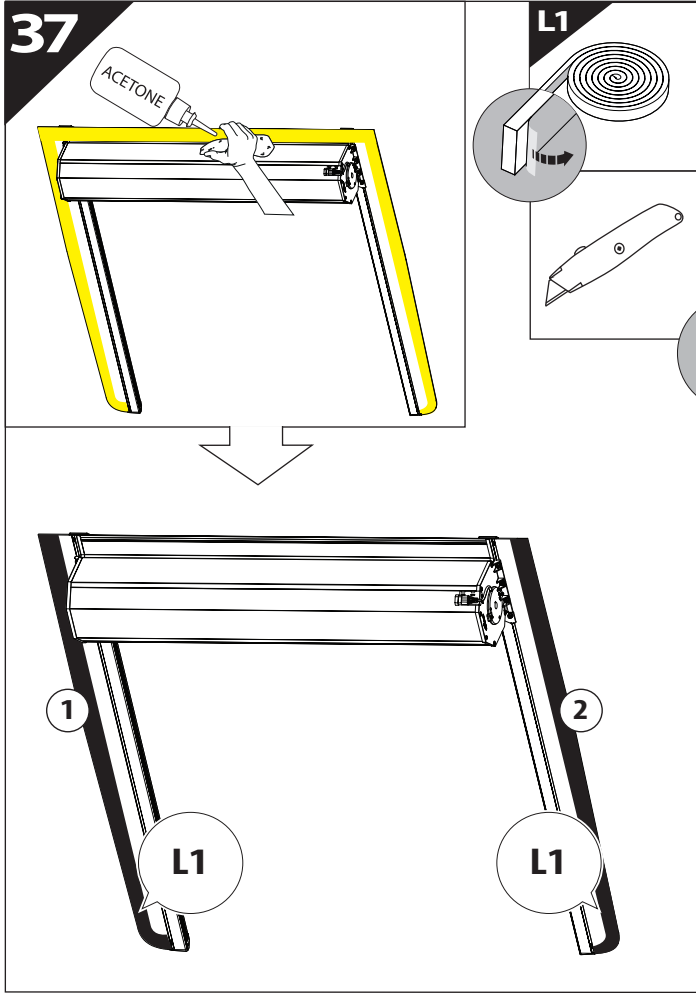
L3

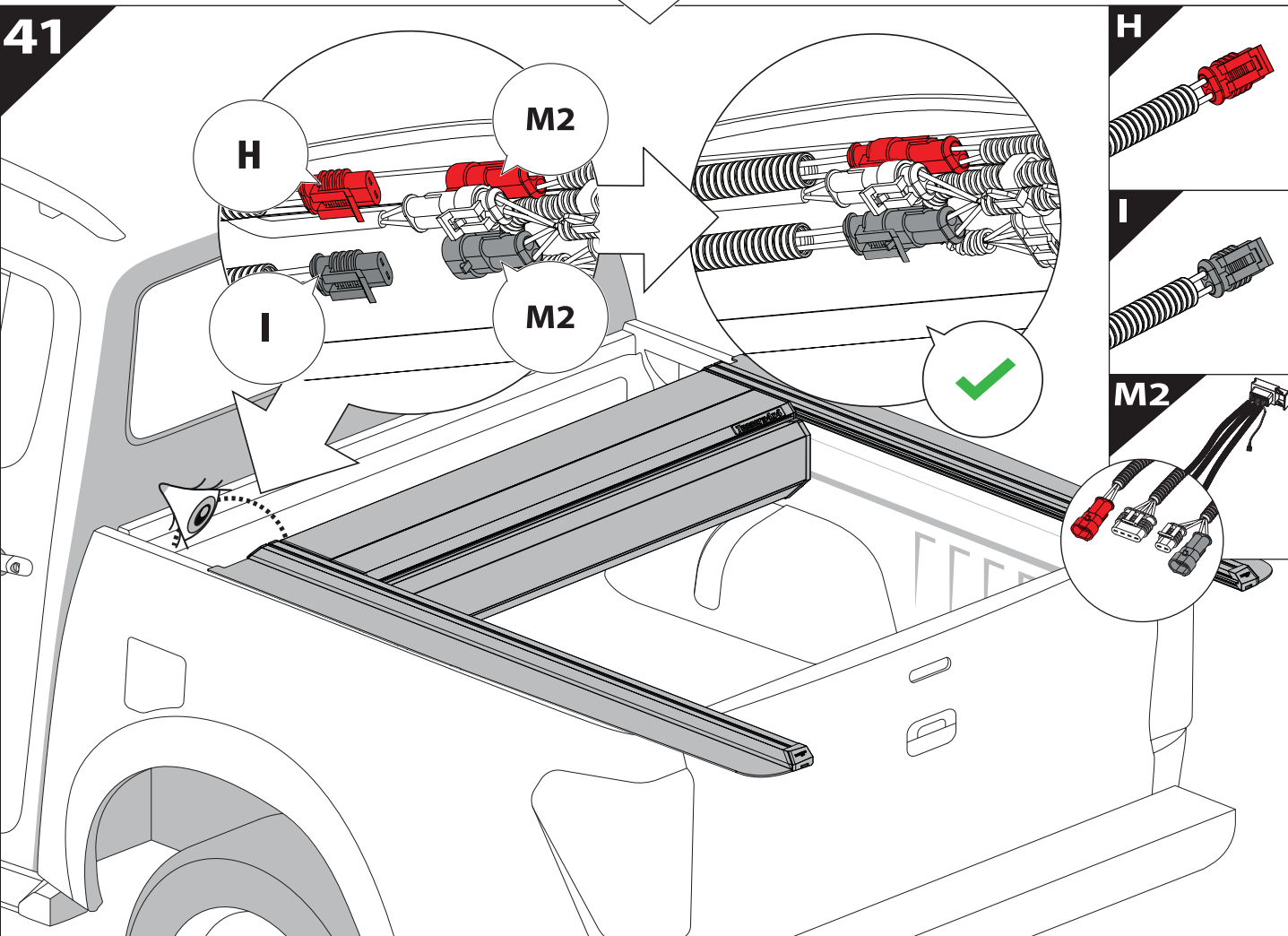
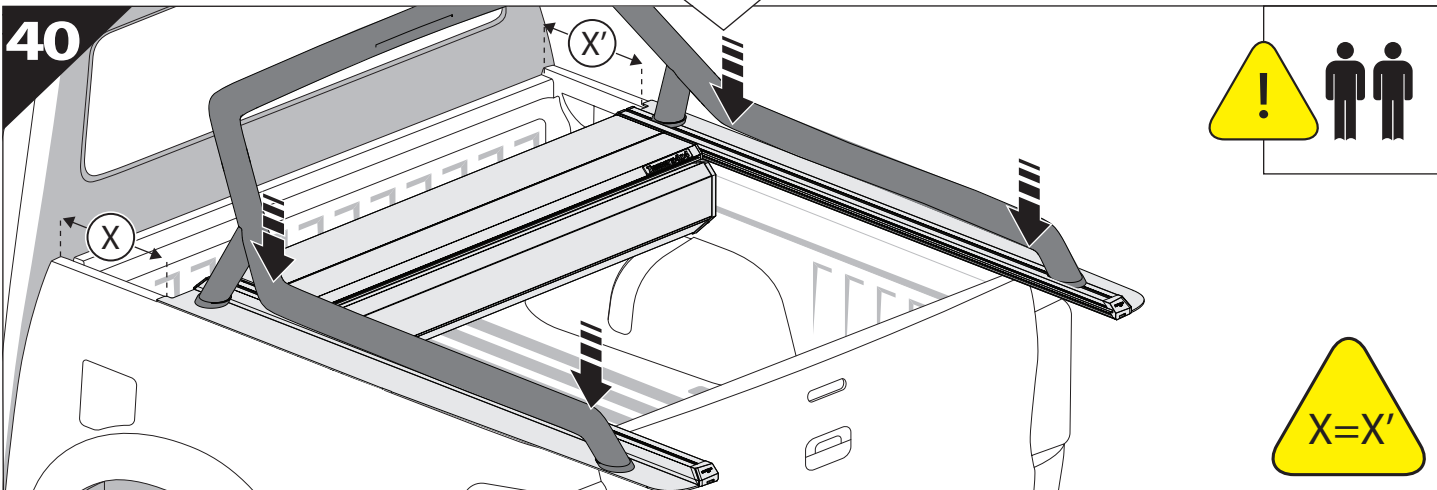
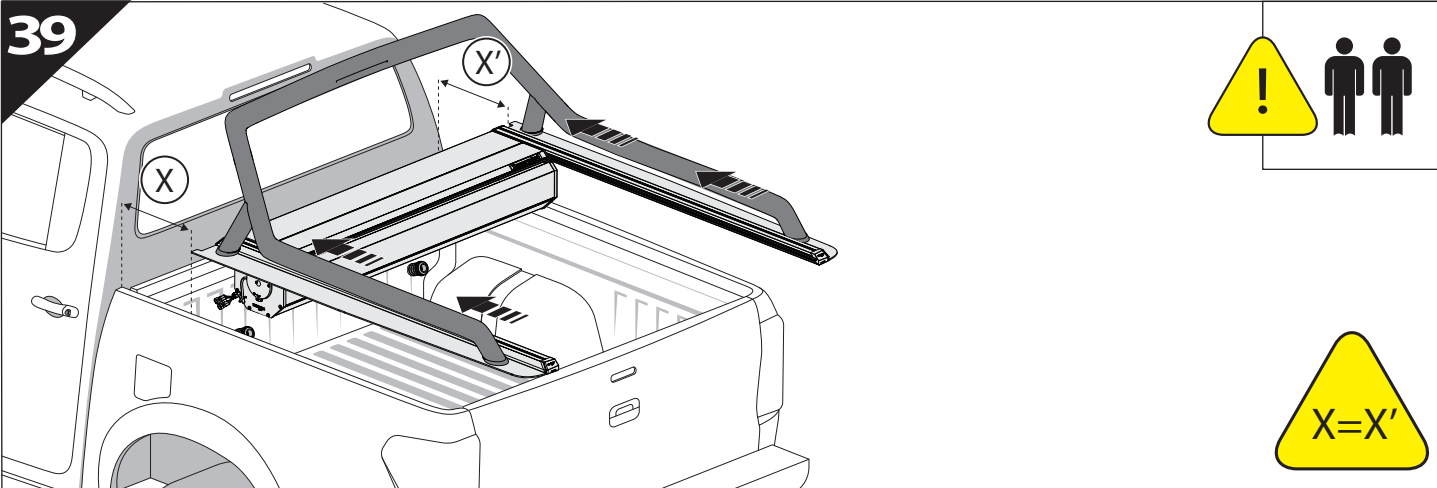


36.5

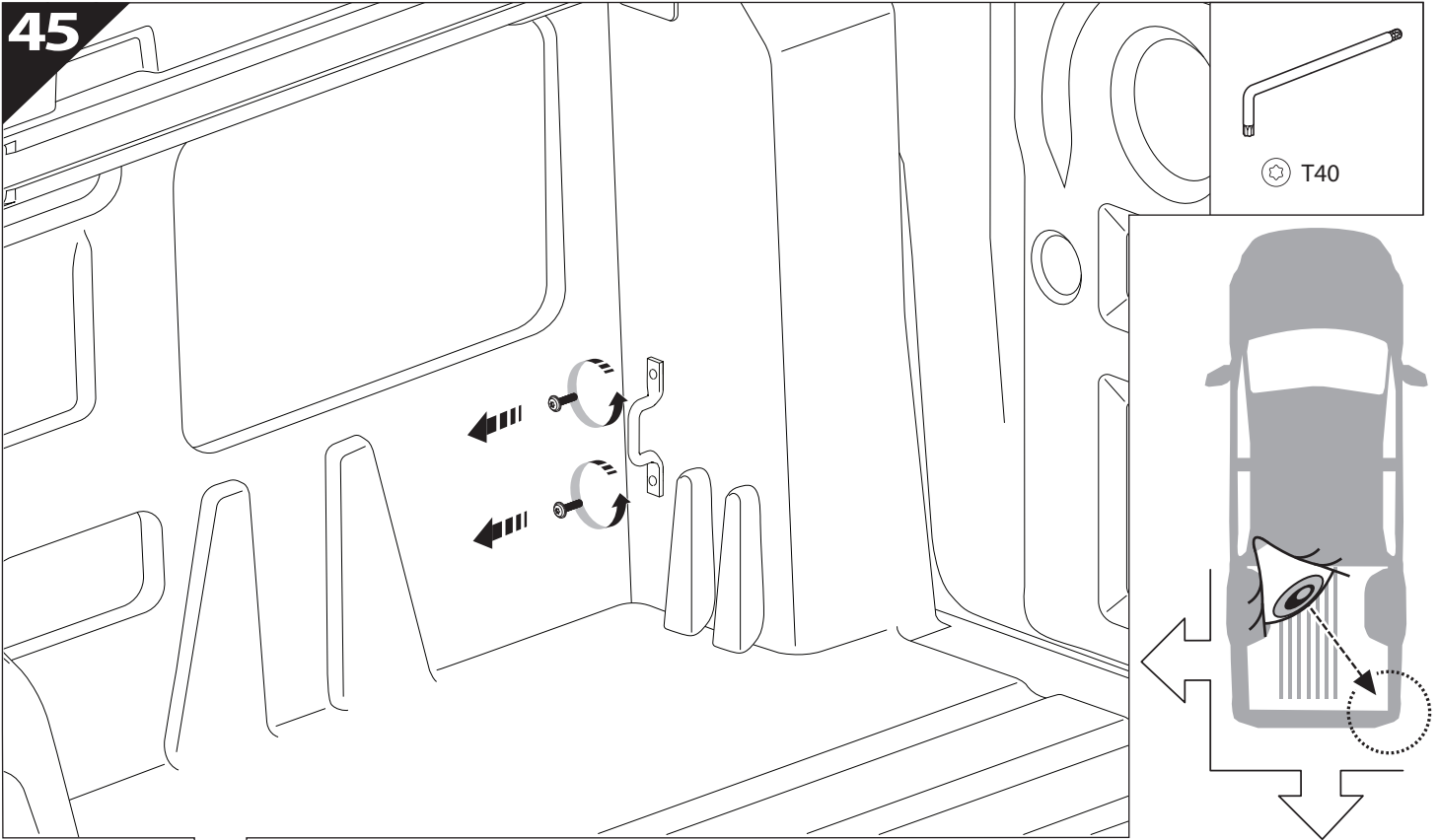
L4



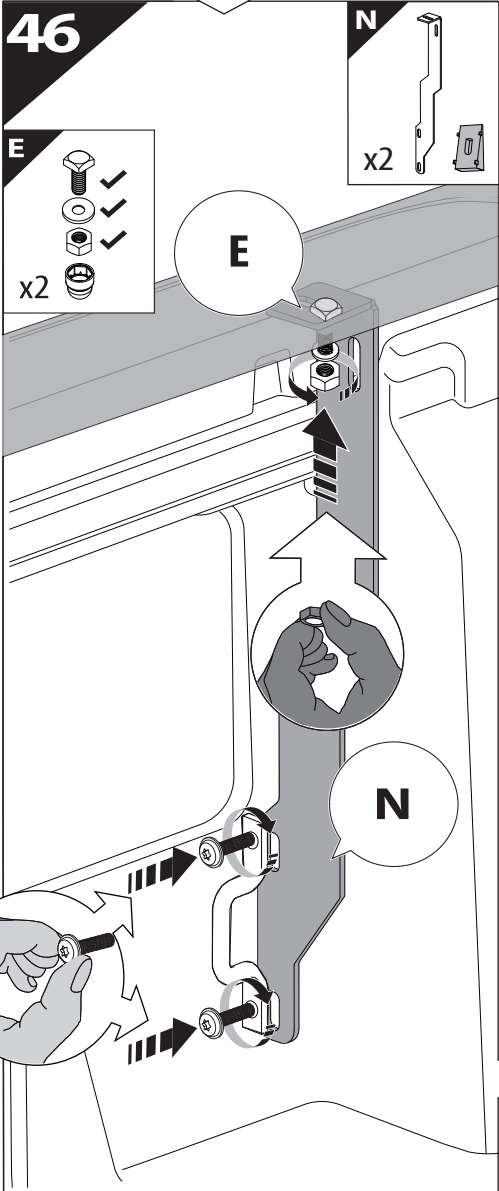




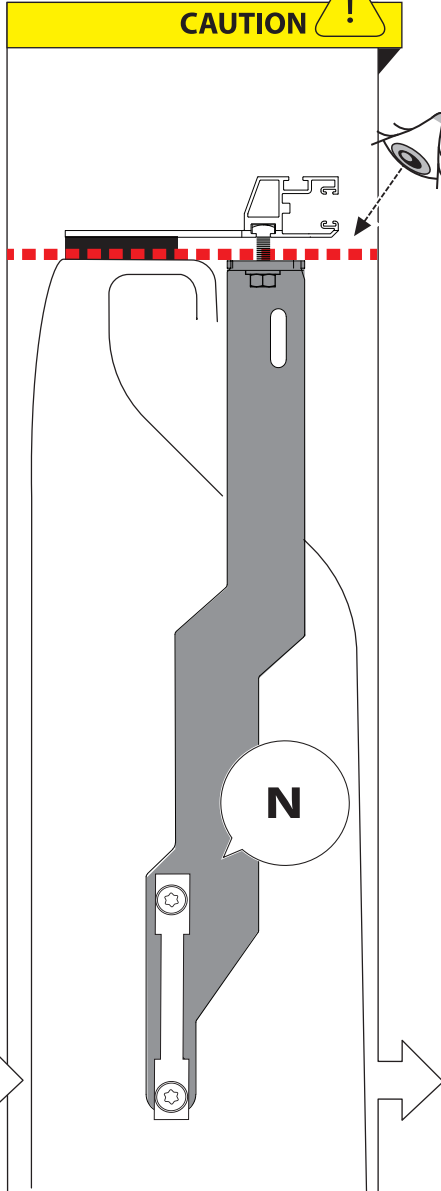
45



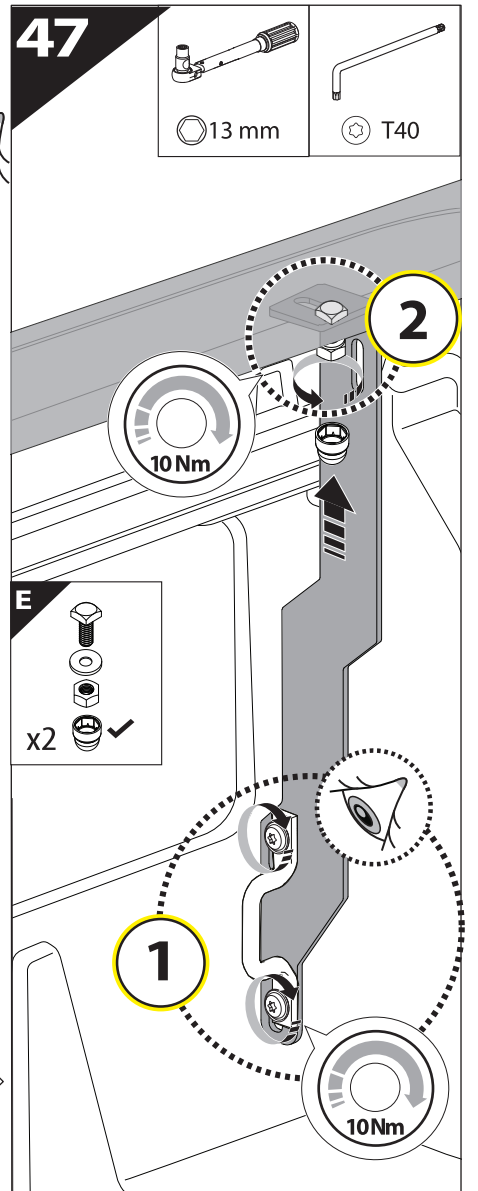
46



CAUTION !



47

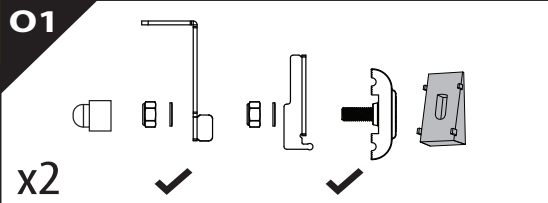


47 A

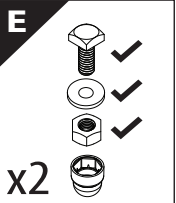


WITHOUT C - CHANNELS

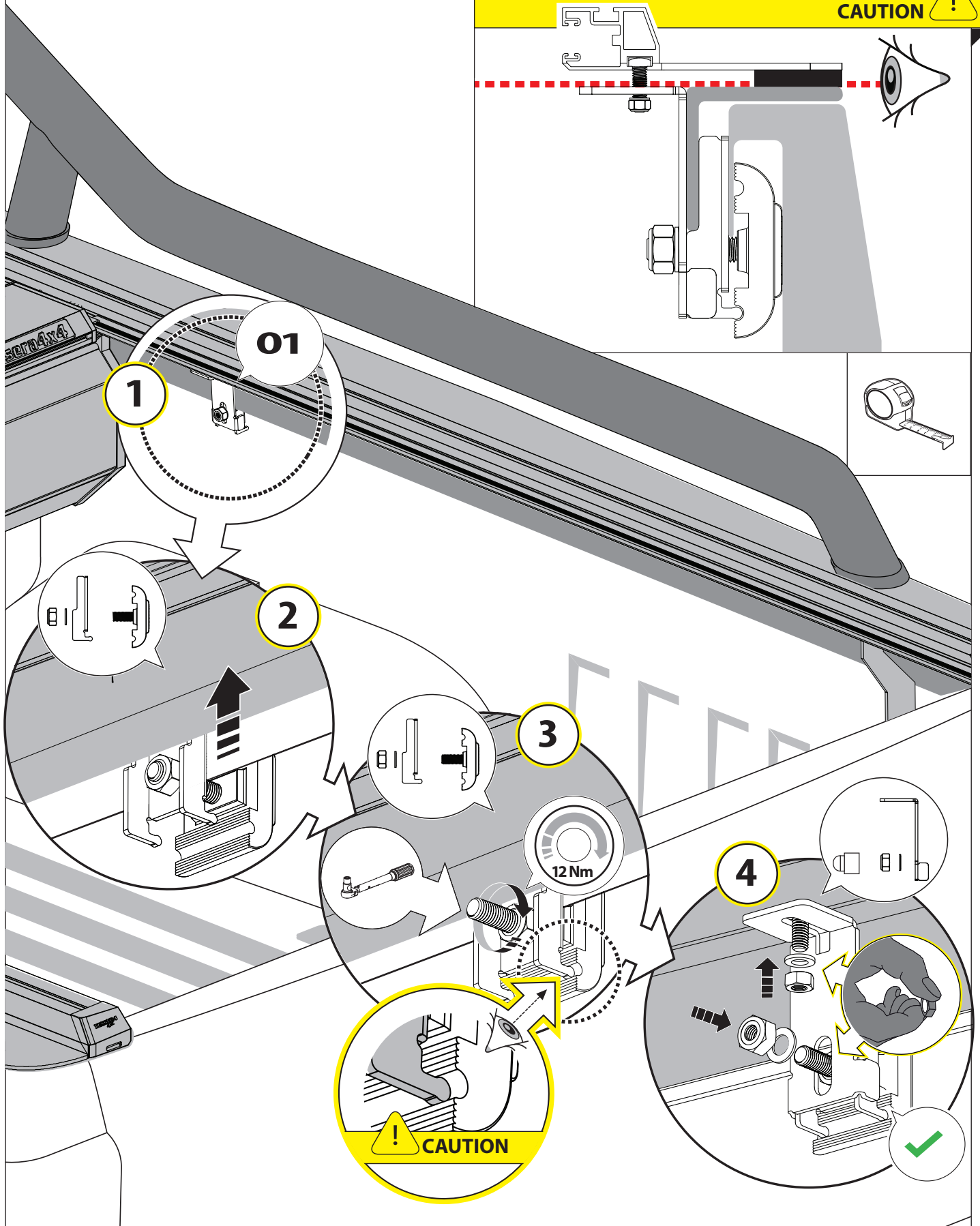
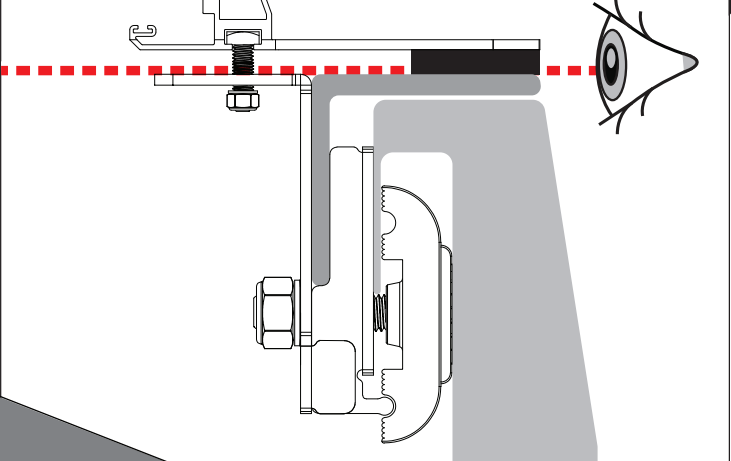
O1

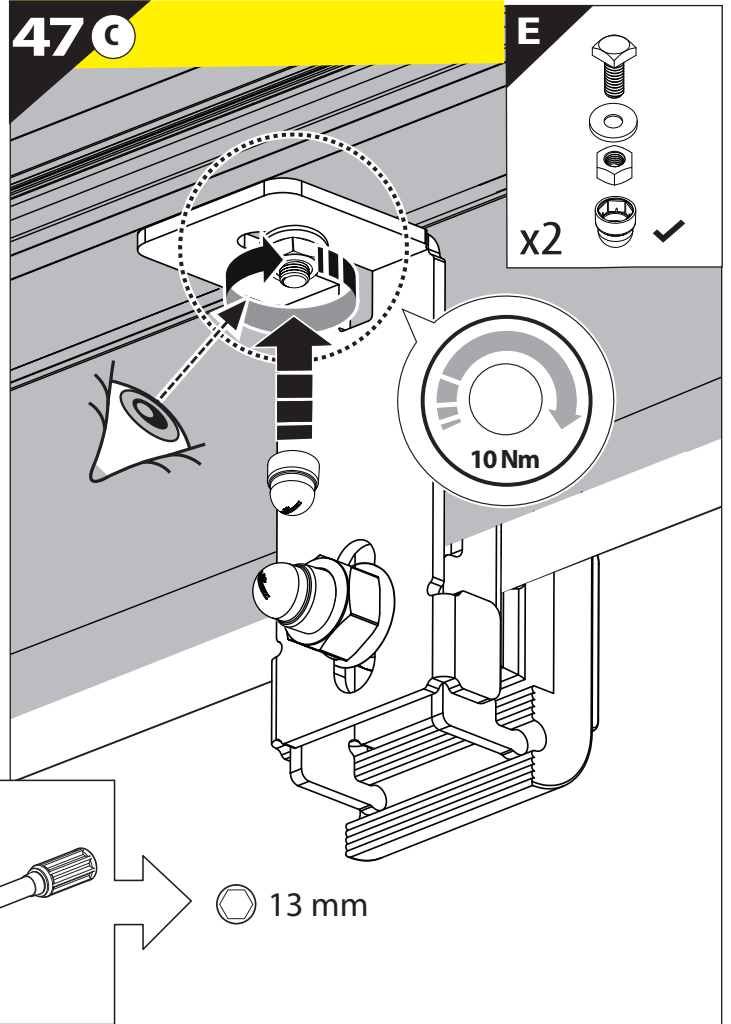
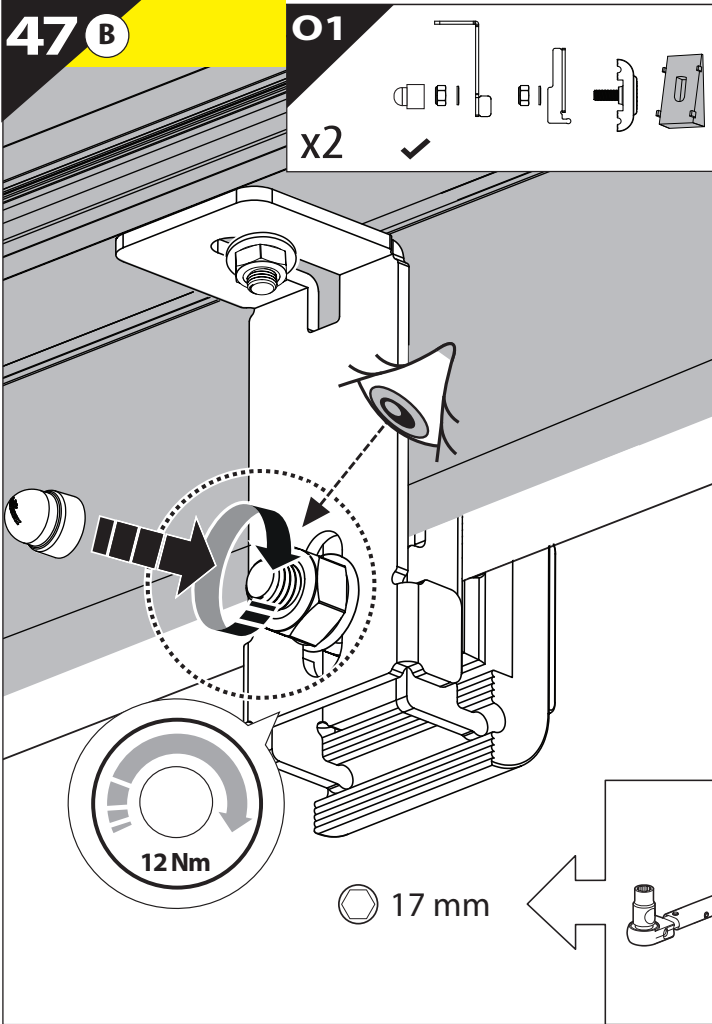


E

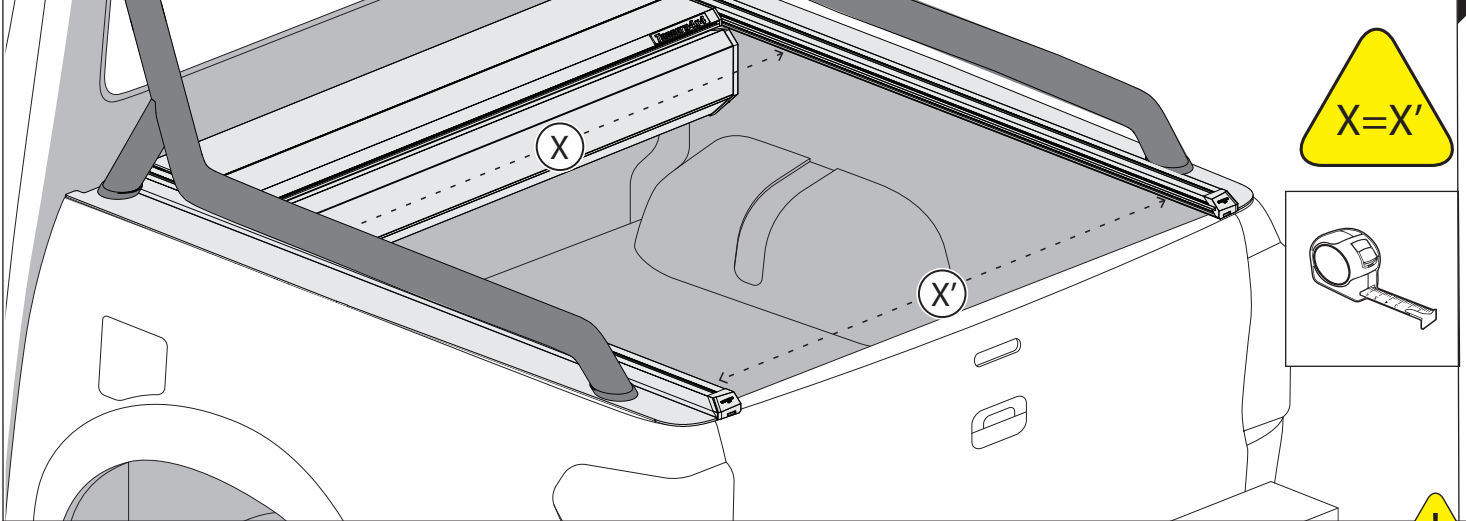


CAUTION

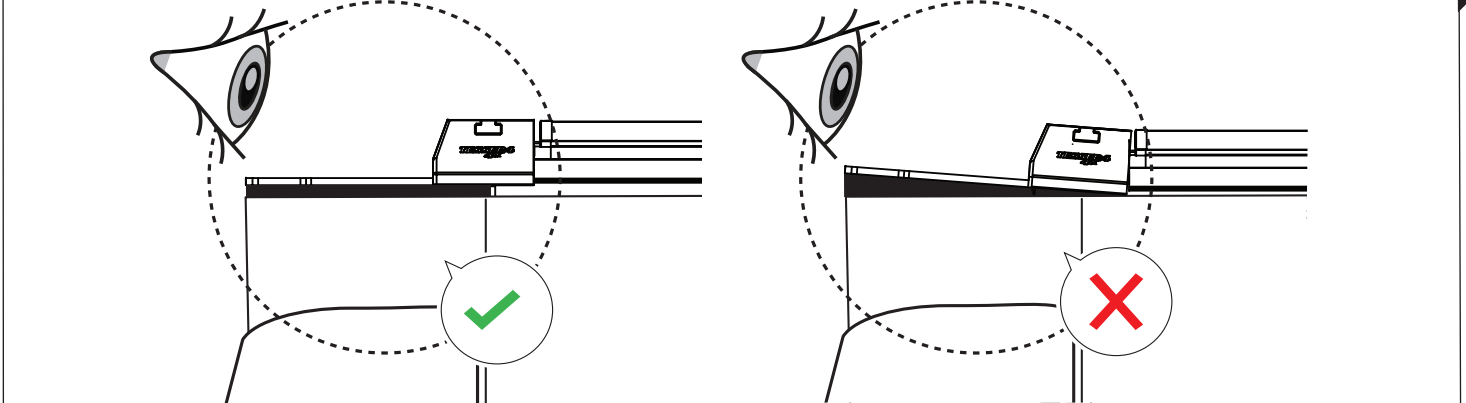




CAUTION !



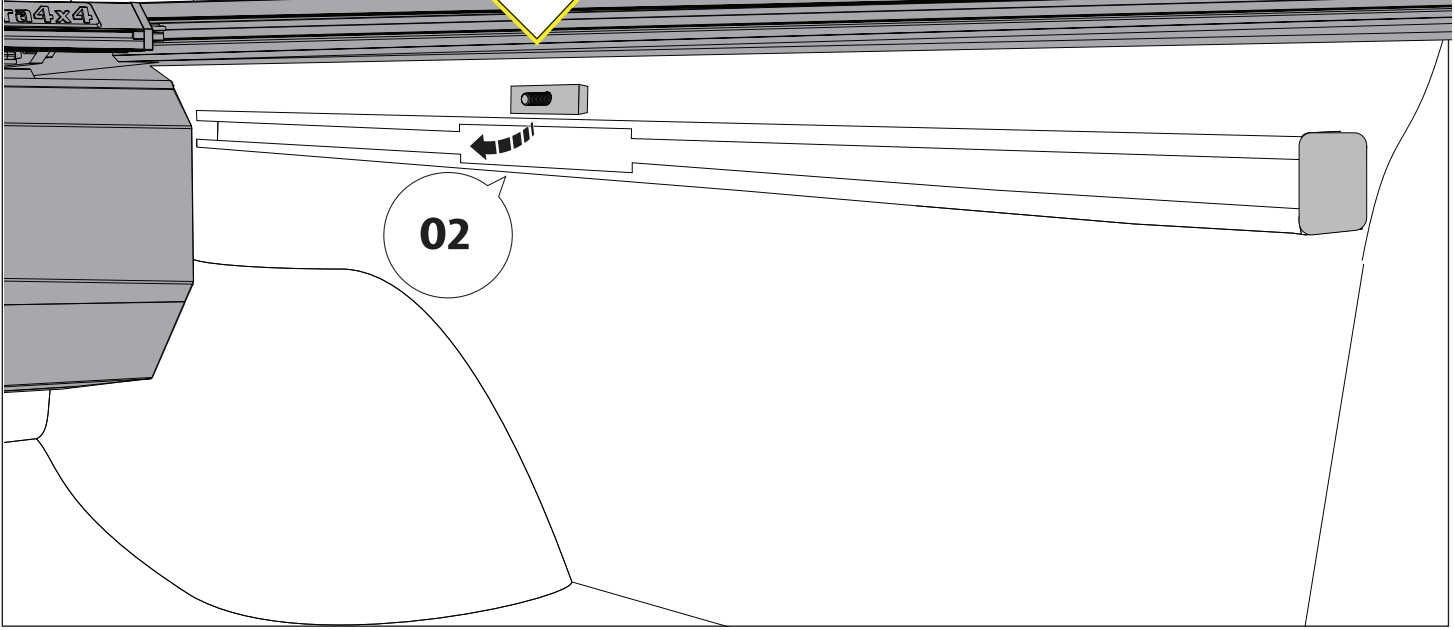
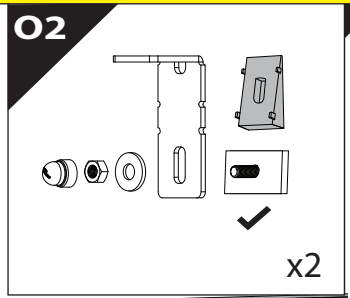
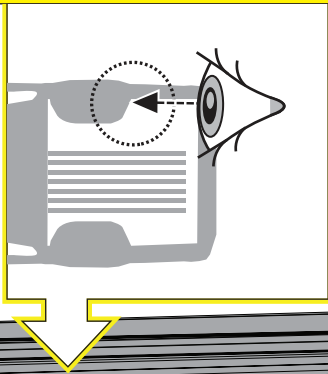
CAUTION !



47 A



WITH C - CHANNELS

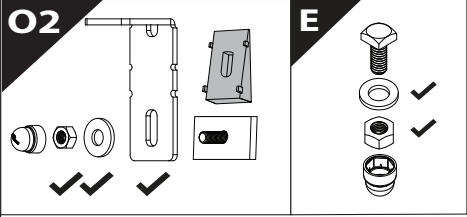


47 B

CAUTION !

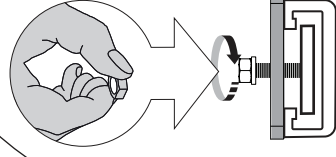
O2

E



3 mm I

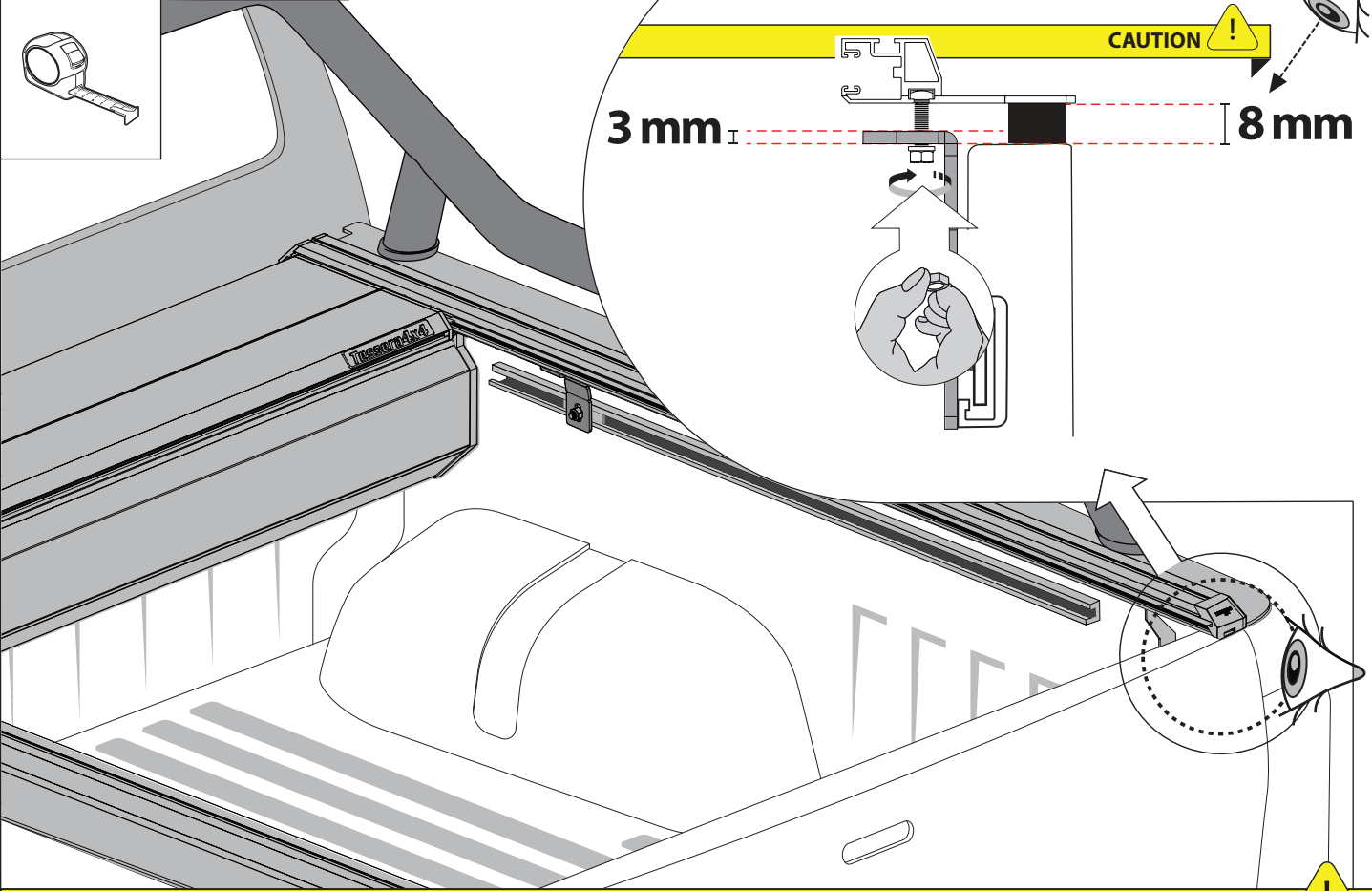
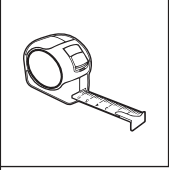
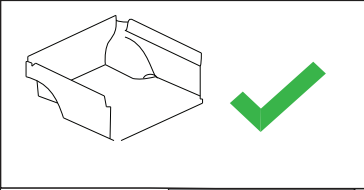
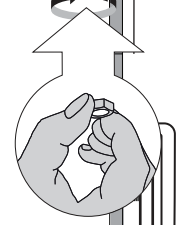
8 mm



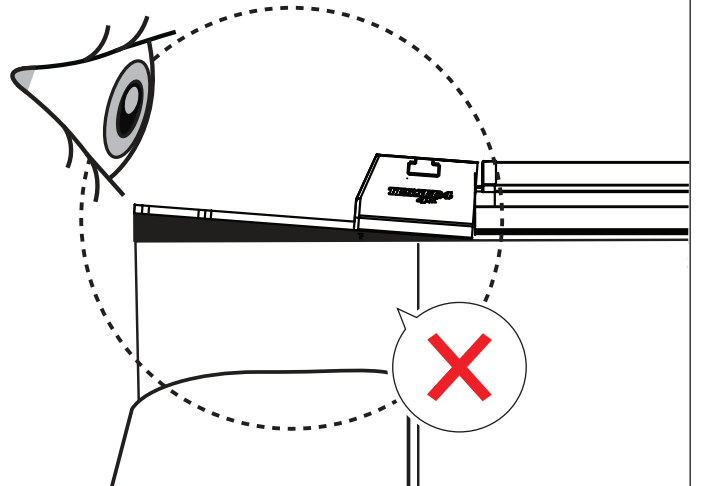
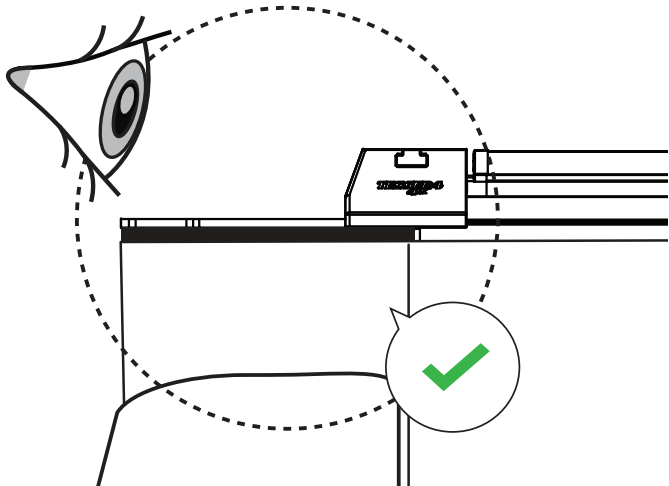
CAUTION !

3 mm I

8 mm

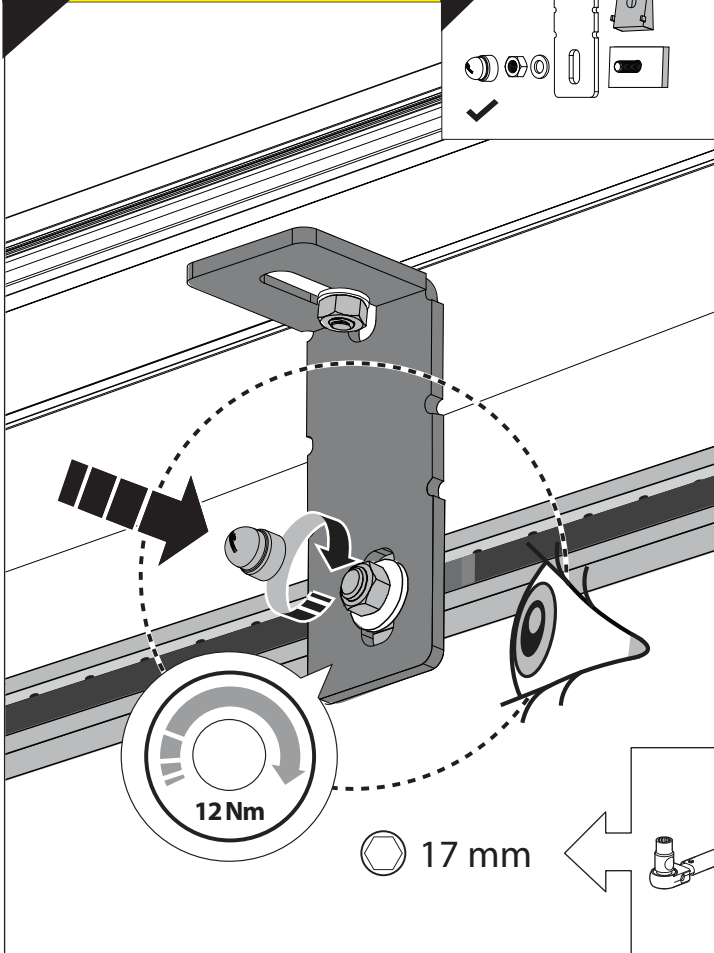
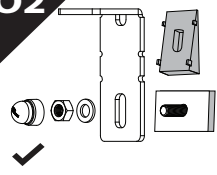


CAUTION !

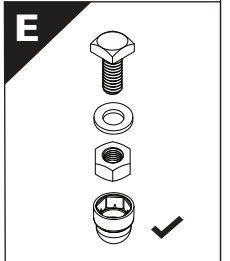
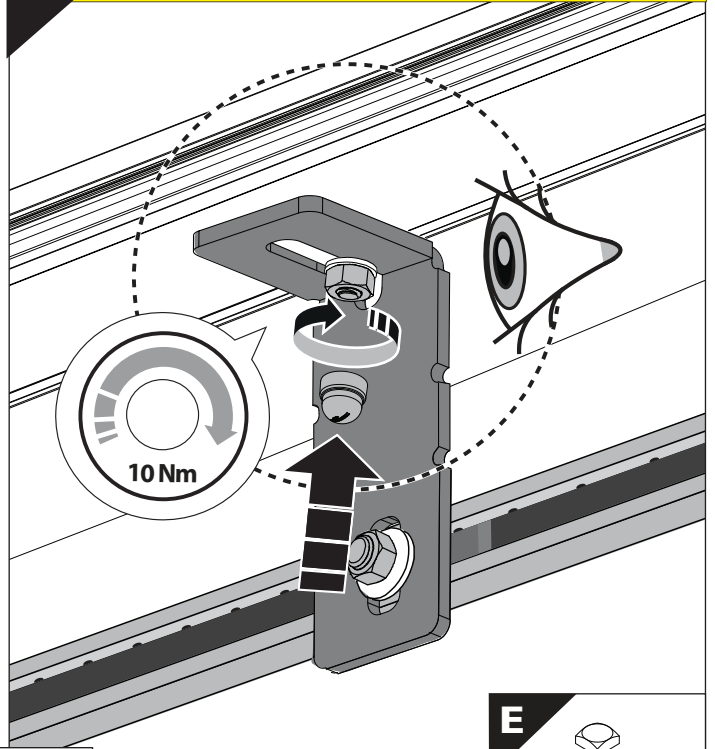


47 C

O2



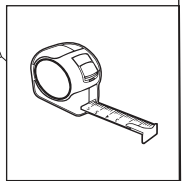
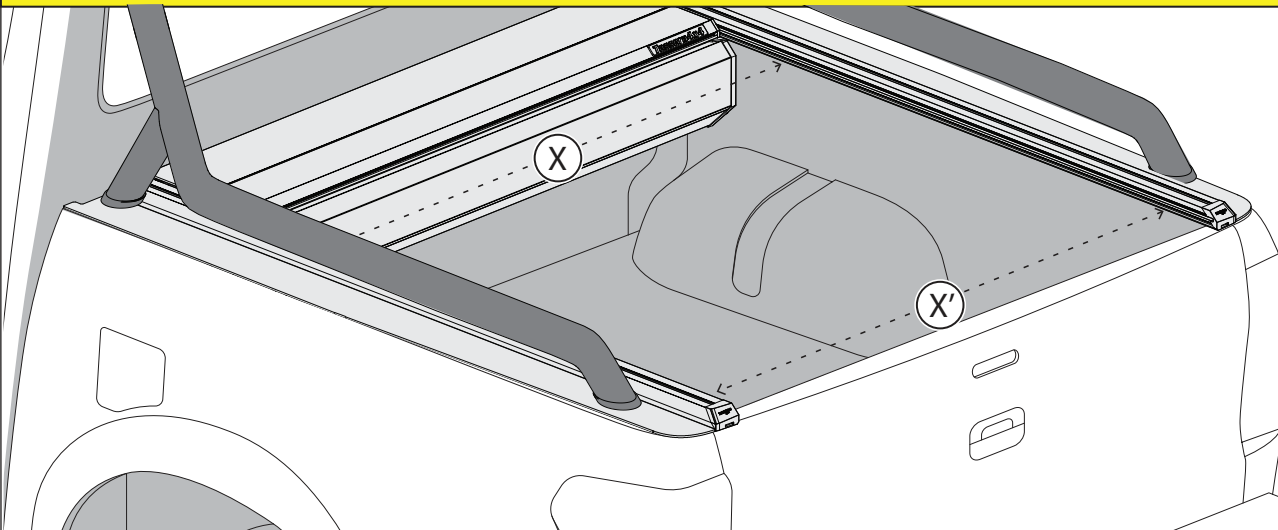
47 D



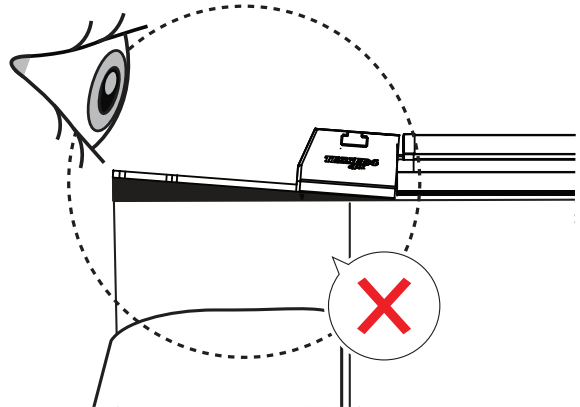
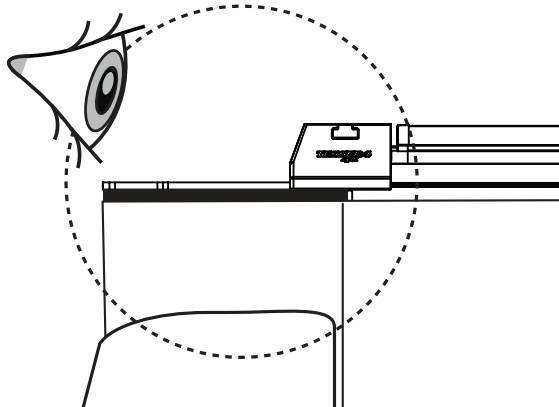
17 mm

13 mm

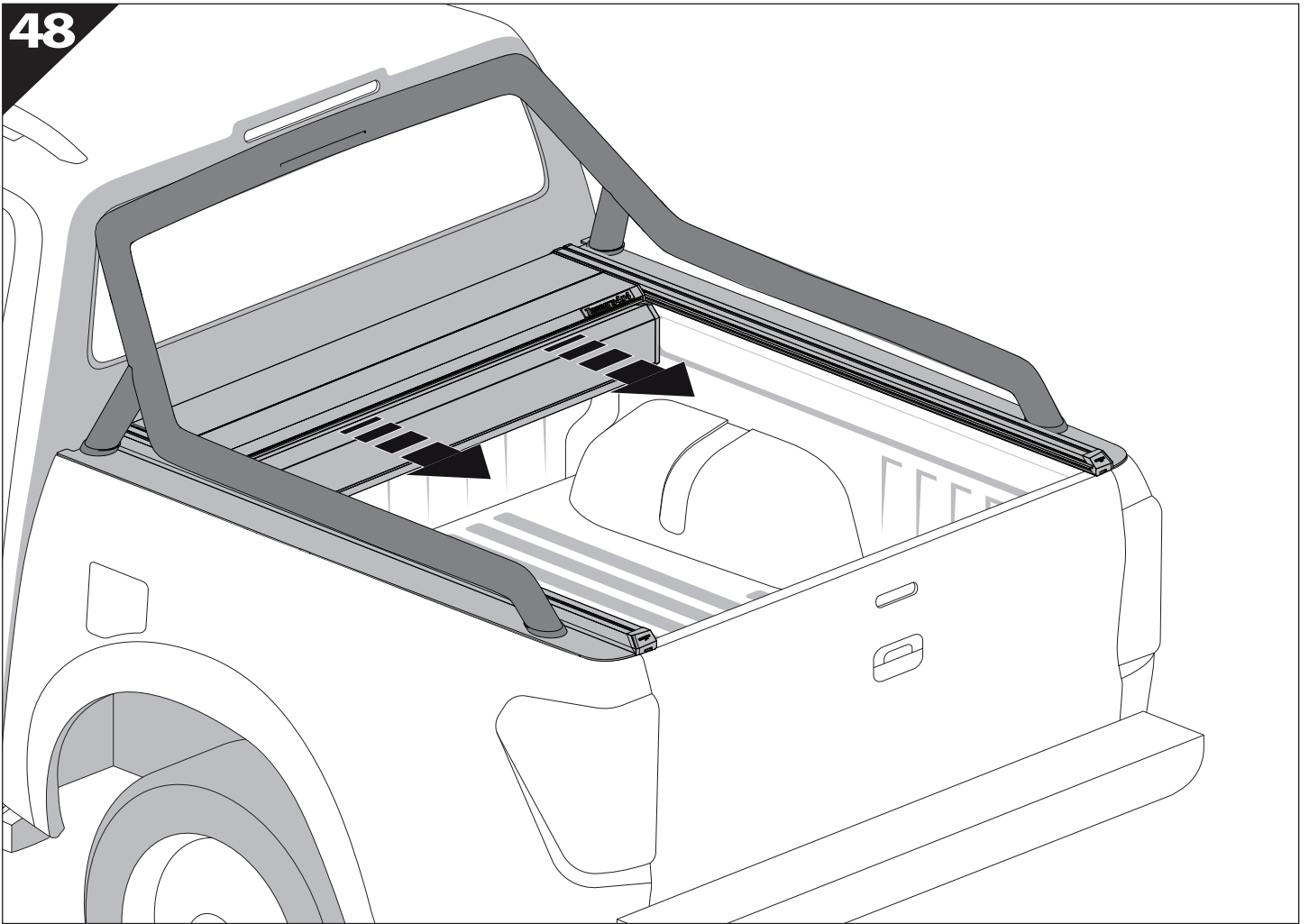
CAUTION !



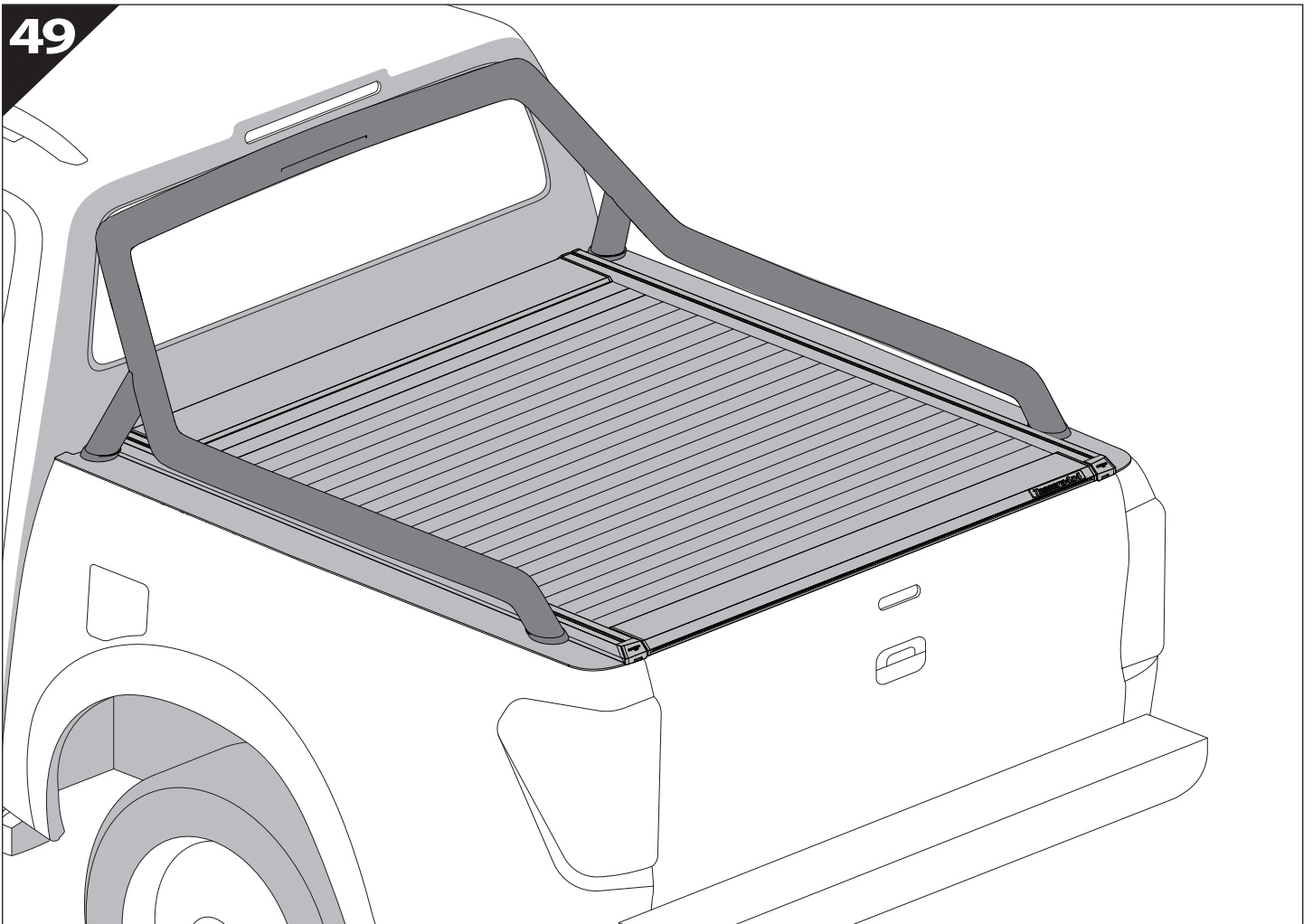
CAUTION !



48



49





GR: Οδηγίες Εγκατάστασης
GB: Installation manual
SF: Asennusohje
F: Notice de montage
PL: Instrukcja montażu
NL: Installatie-instructies
TR: Montaj Talimatı
S: Monteringsanvisning
E: Instrucciones de montaje

H: Szerelési utasítás
P: Instruções de instalação
RUS: Инструкция по установке
N: Monteringsveiledning
D: Einbauanleitung
CZ: Návod k instalaci
I: Istruzioni de montaggio
DK: Monteringsvejledning
RO: Instructiuni de instalare

Customer Service:

+30 (210) 5541161, +30 (210) 5541154 (08:00 - 16:00 EET)

Support department:

info@gianso.gr

Website:

www.tessera4x4.com

Address:

19.5 km of National road Athens-Korinthos (Elefsina) Greece, P.C: 19200

