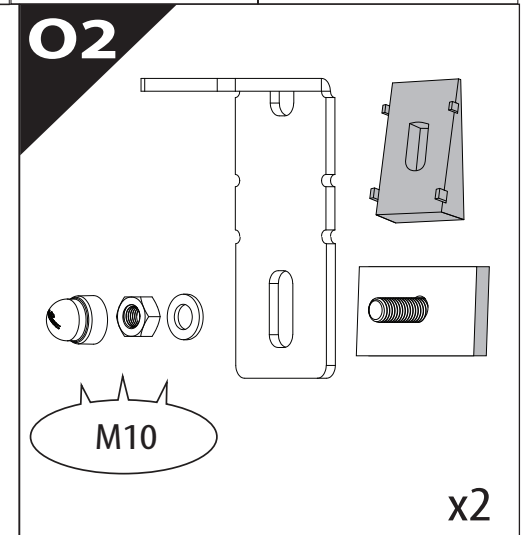
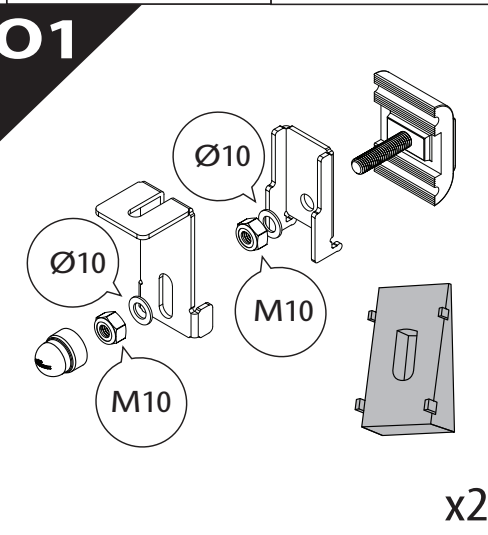
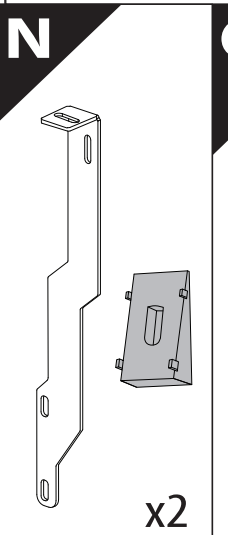
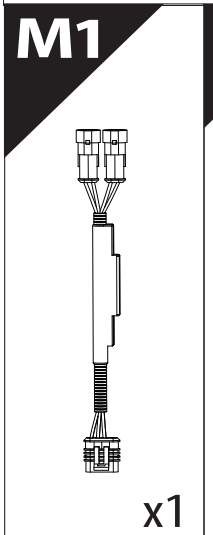
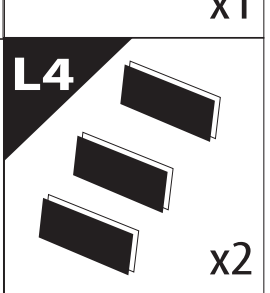
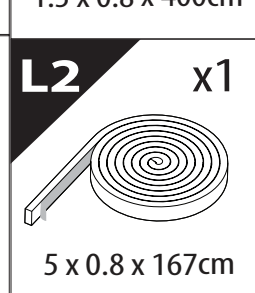
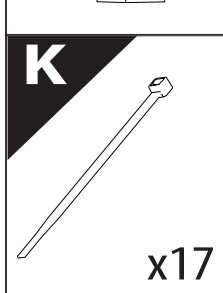
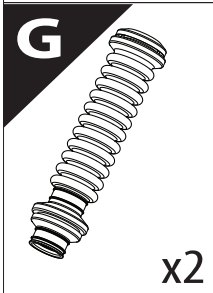
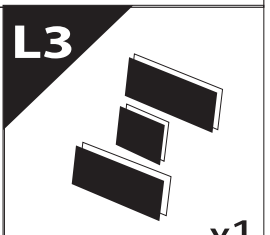
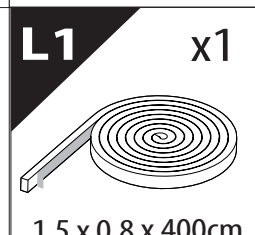
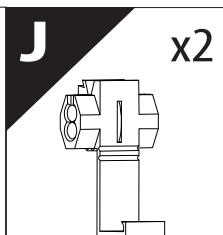
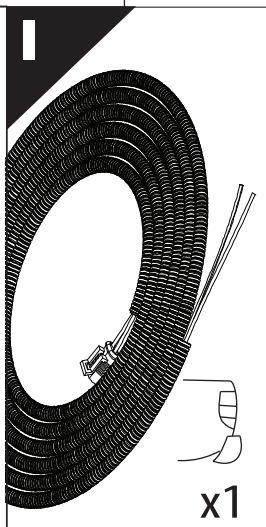
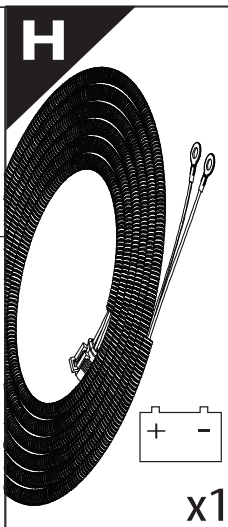
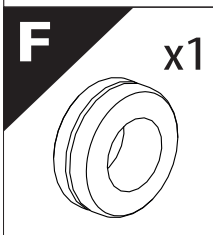
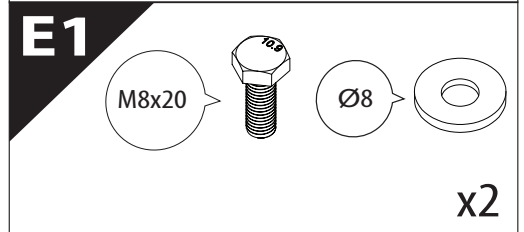
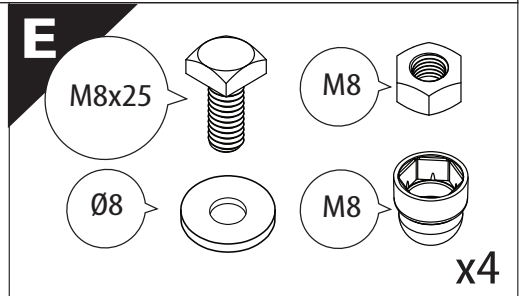
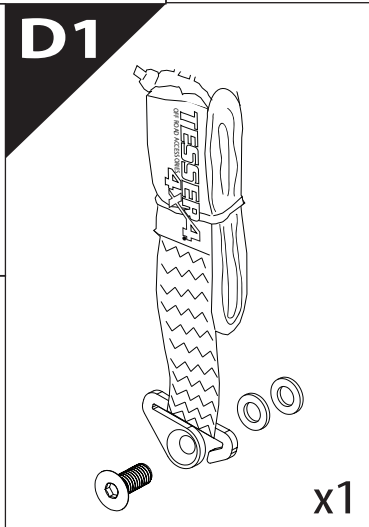
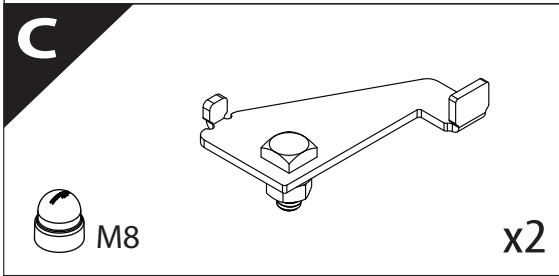
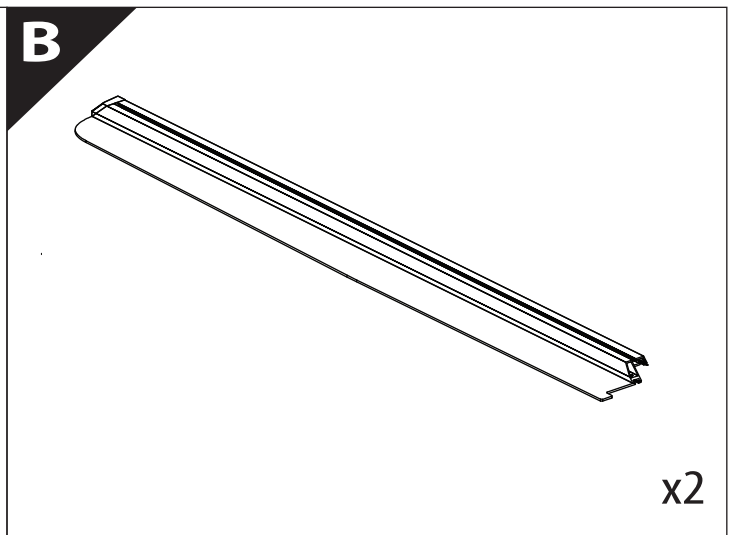
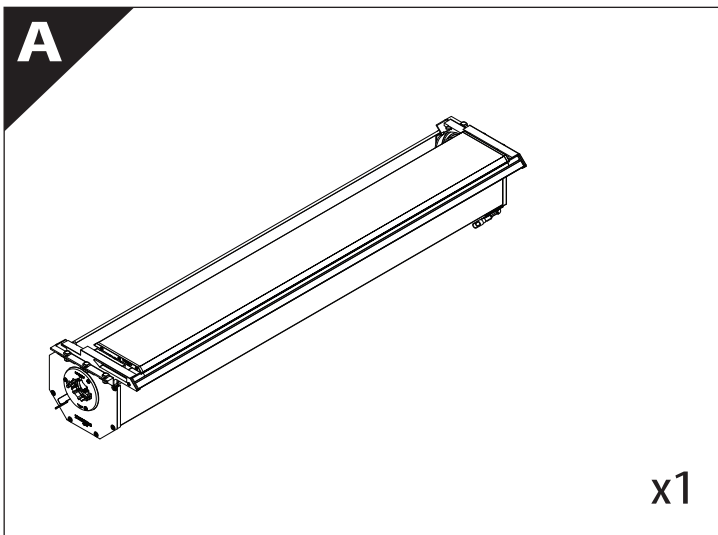
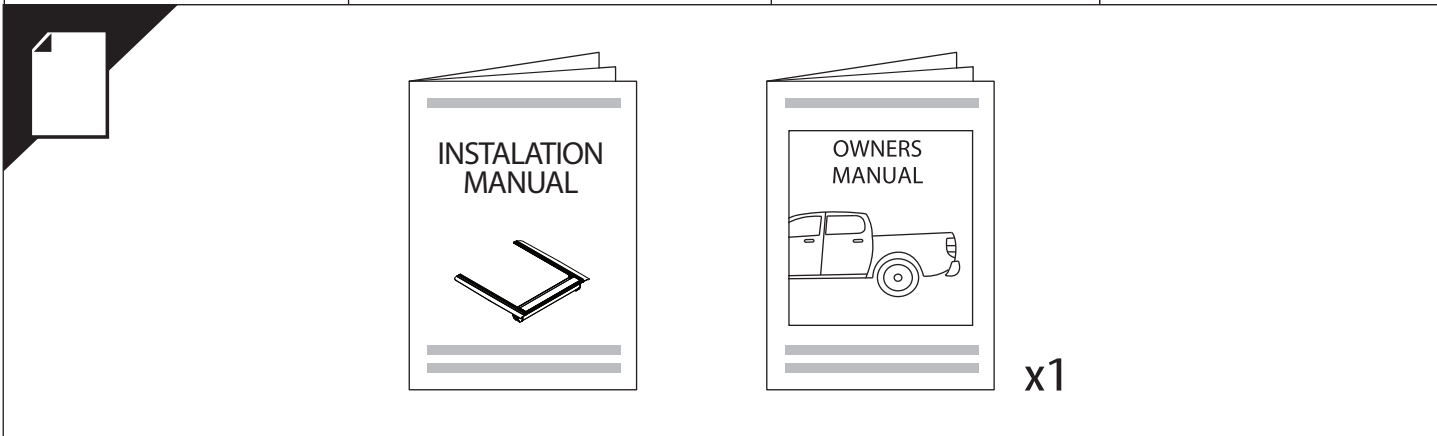
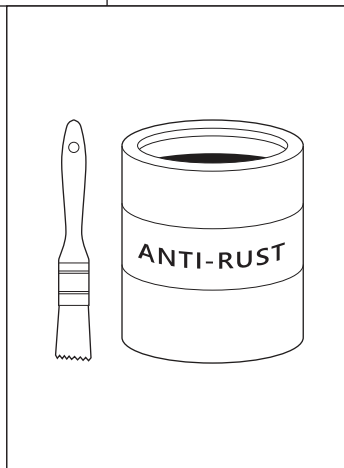
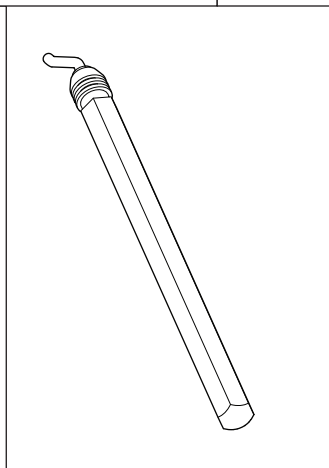
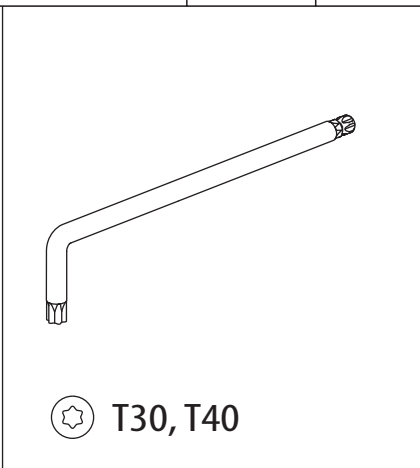
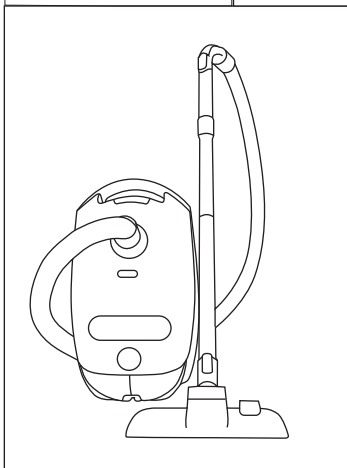
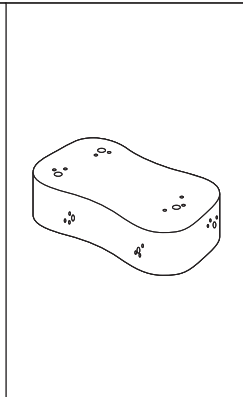
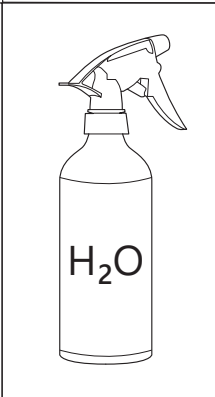
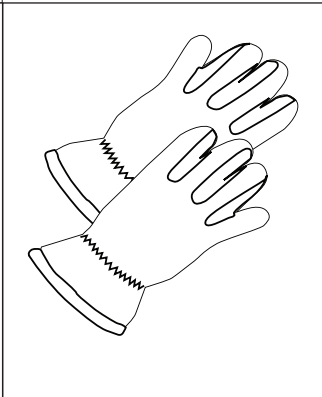
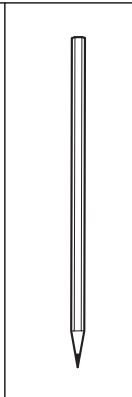
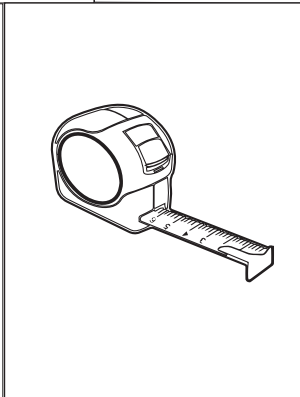
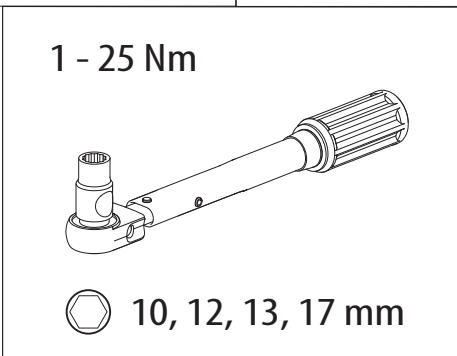
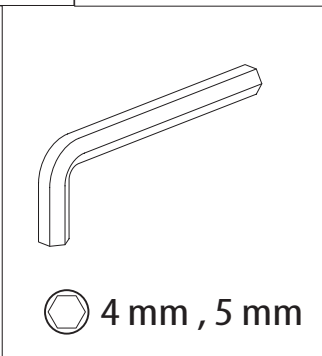
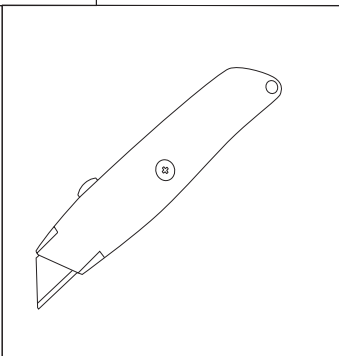
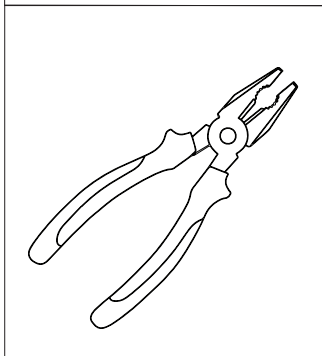
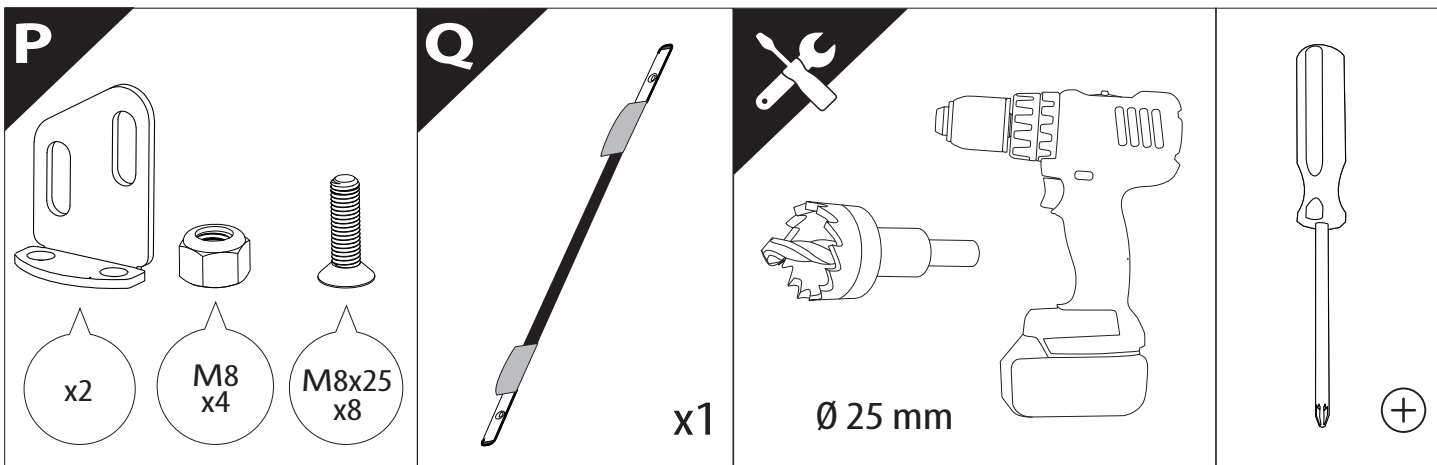


Installation Manual

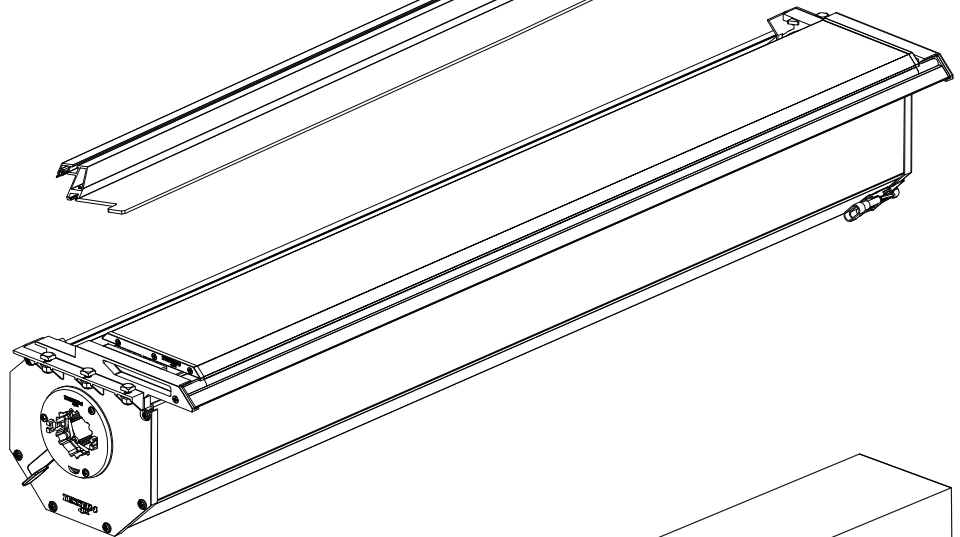
PART NUMBER(S)	Model Year
TESS 14012 ROLL	VW AMAROK PANAMERICANA 2023+ WITH OR WITHOUT C-CHANNELS
Cab(s)	Installation Time / Weight
Double Cab	40-60 minutes / 53-57 kg





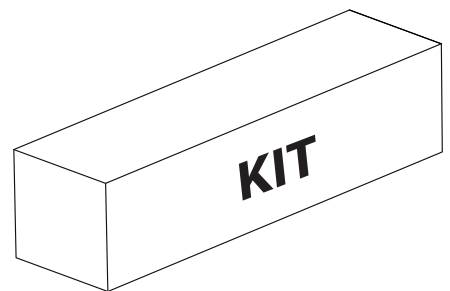


B



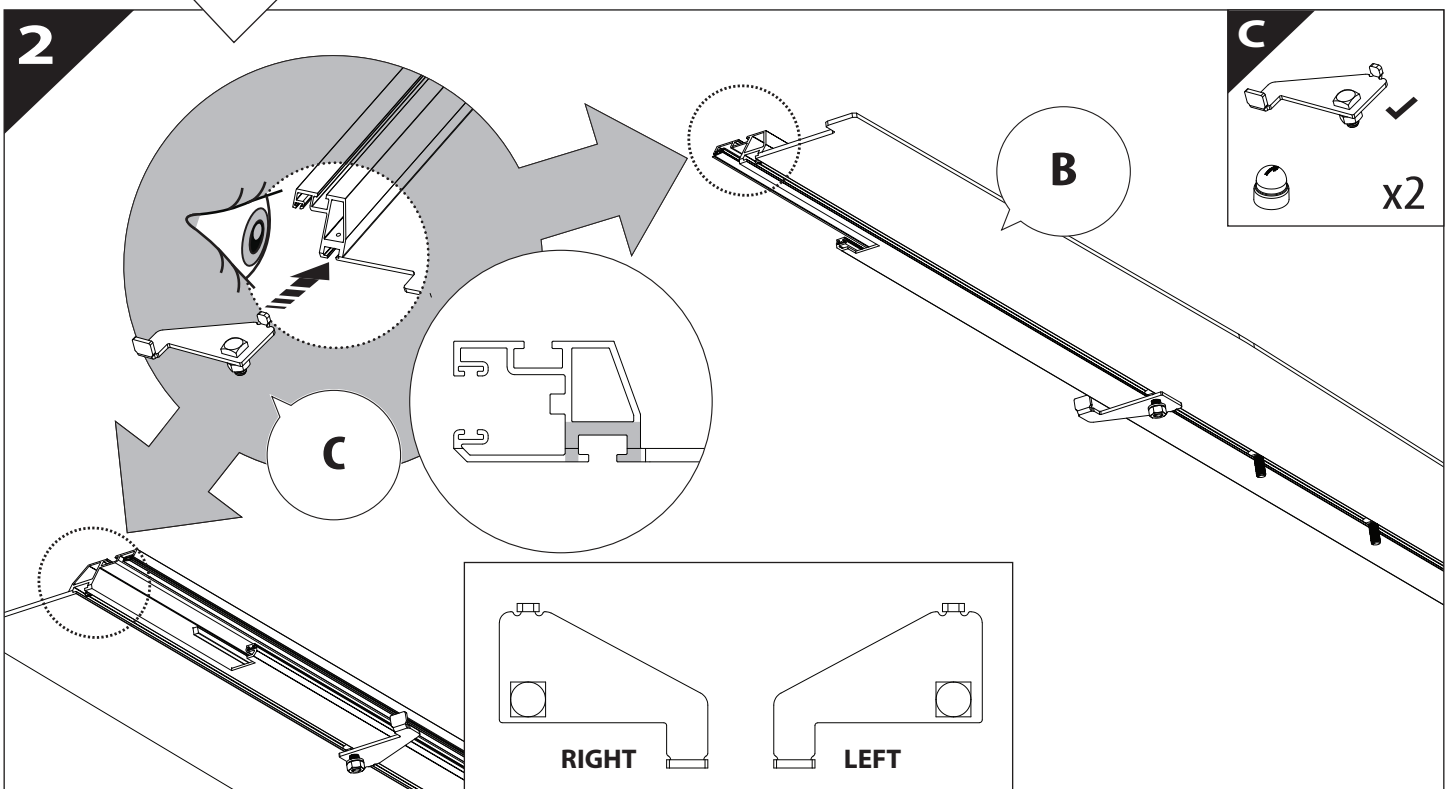
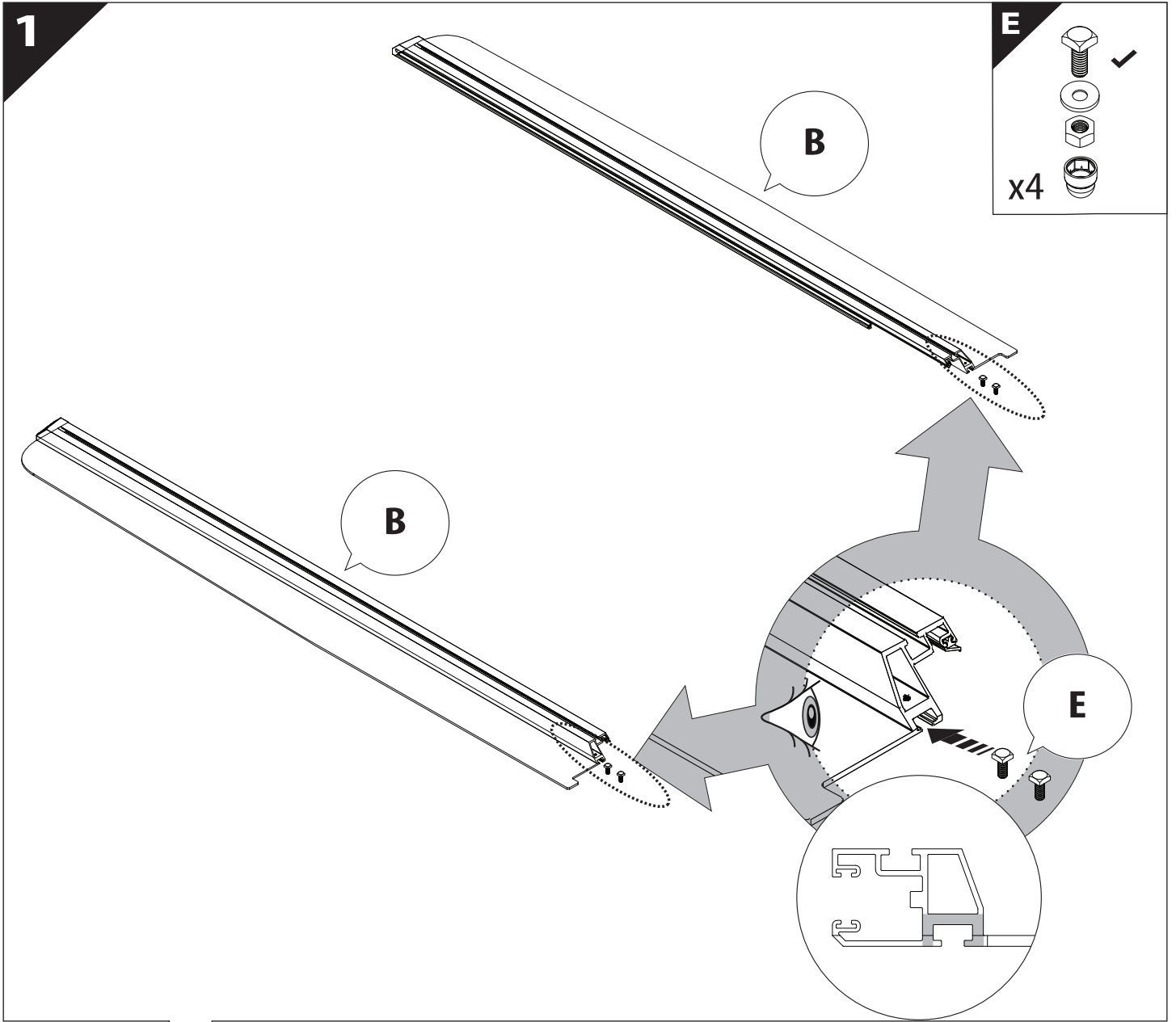
A

KITS

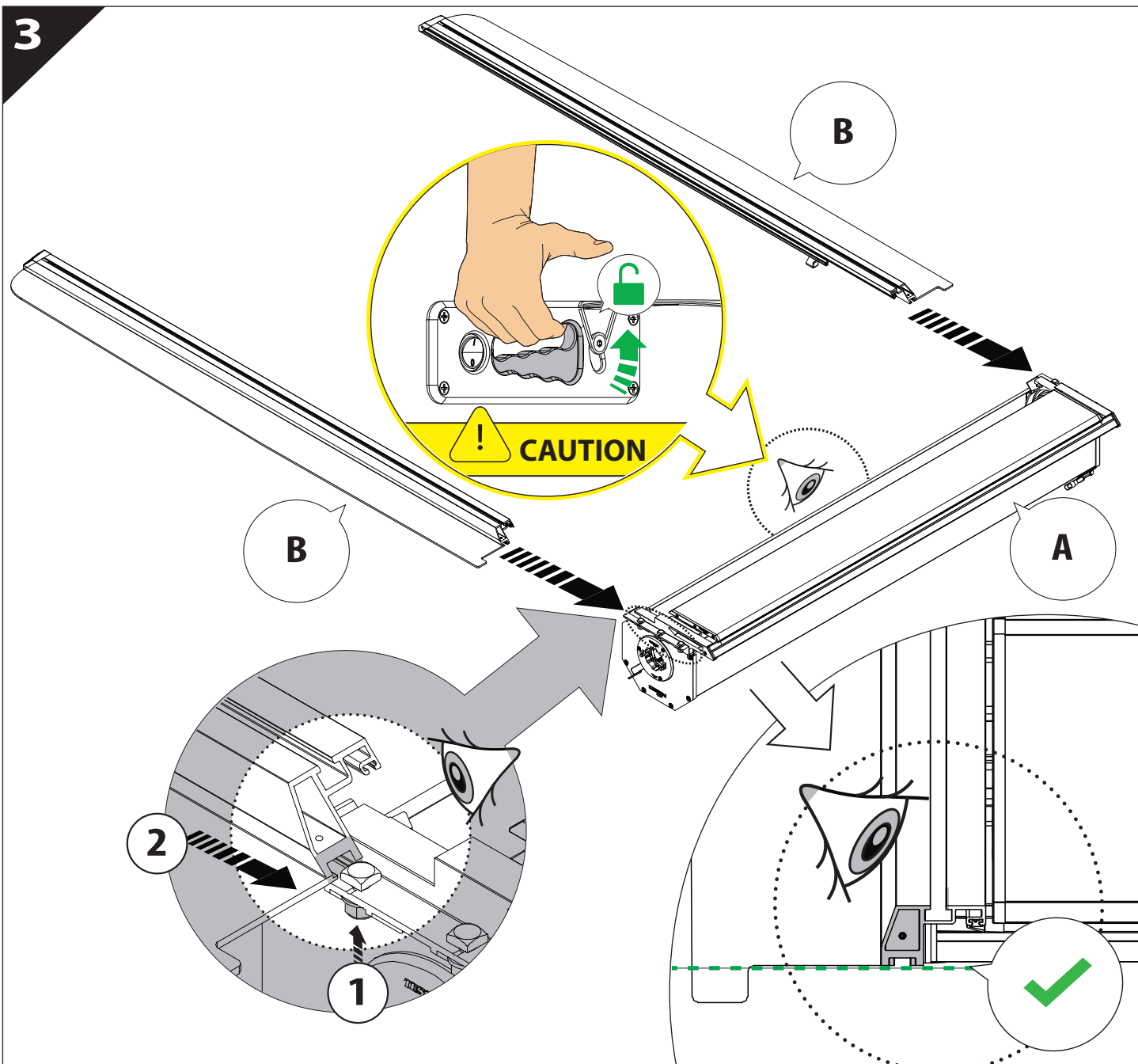


L

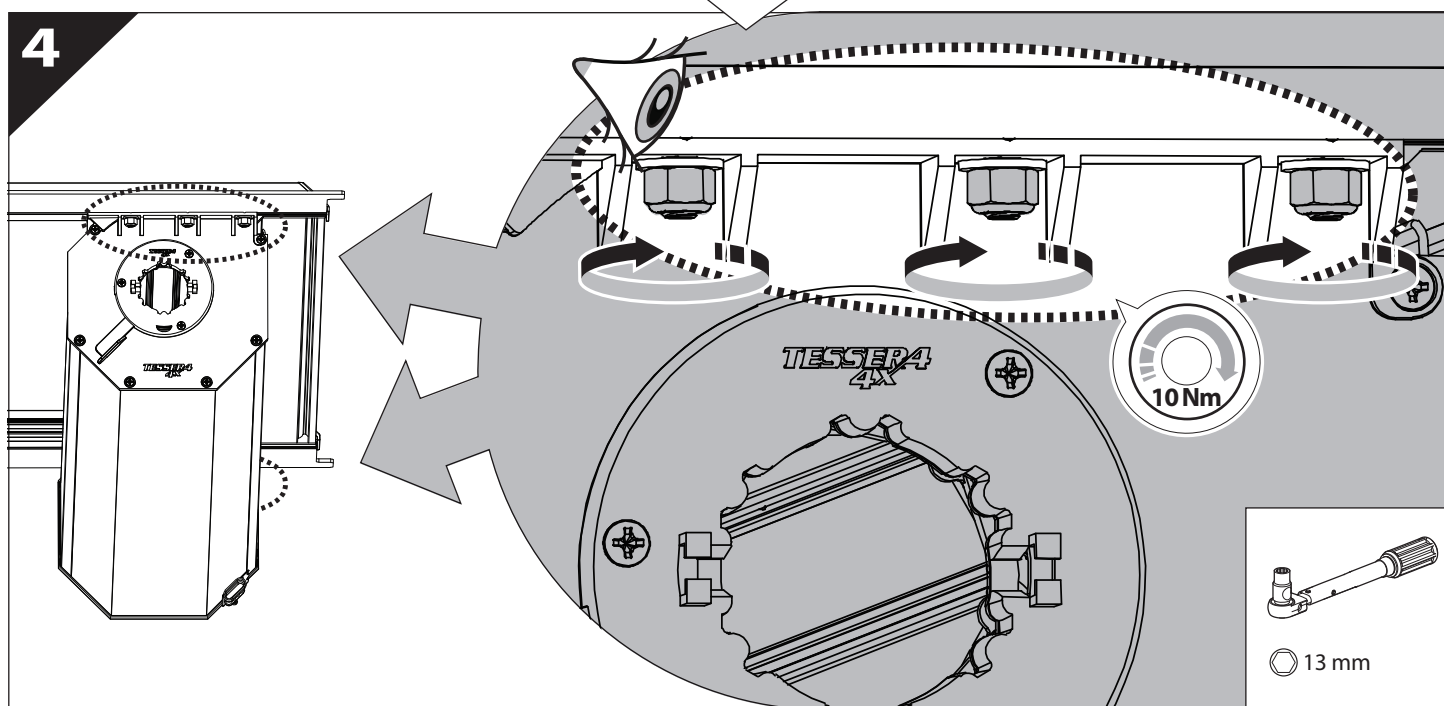


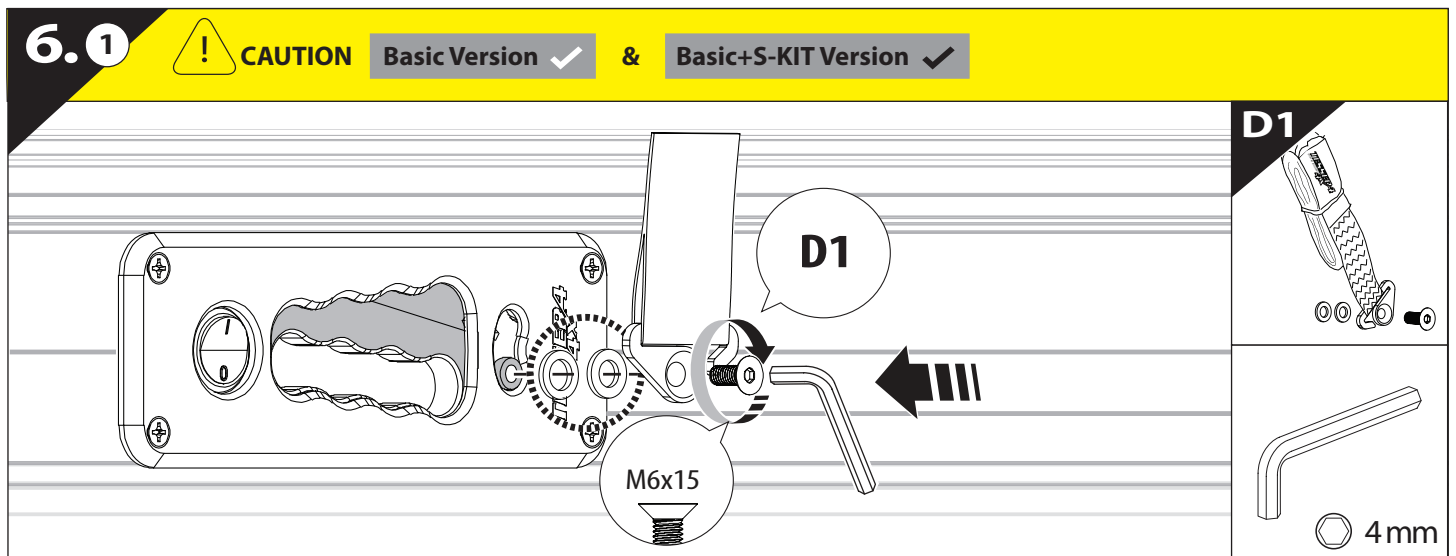
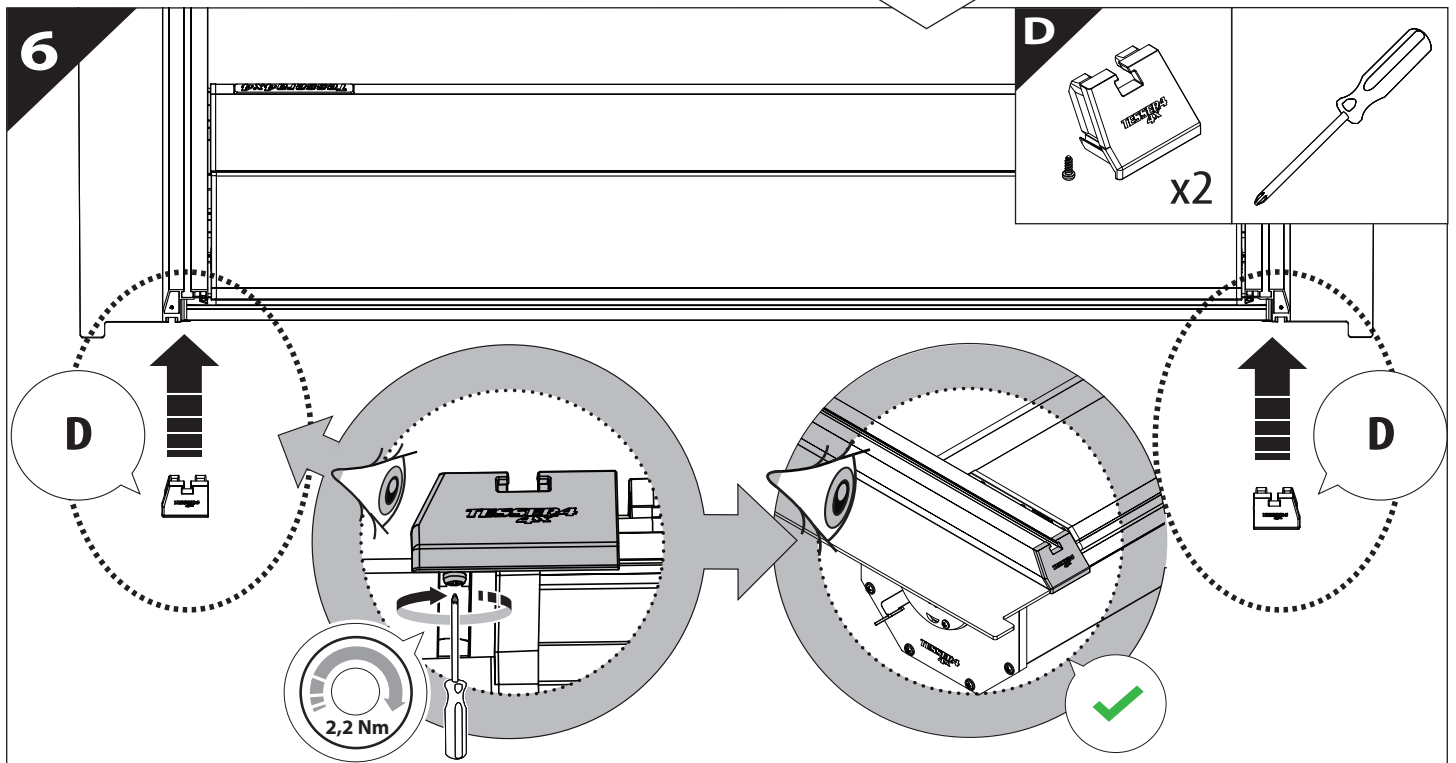
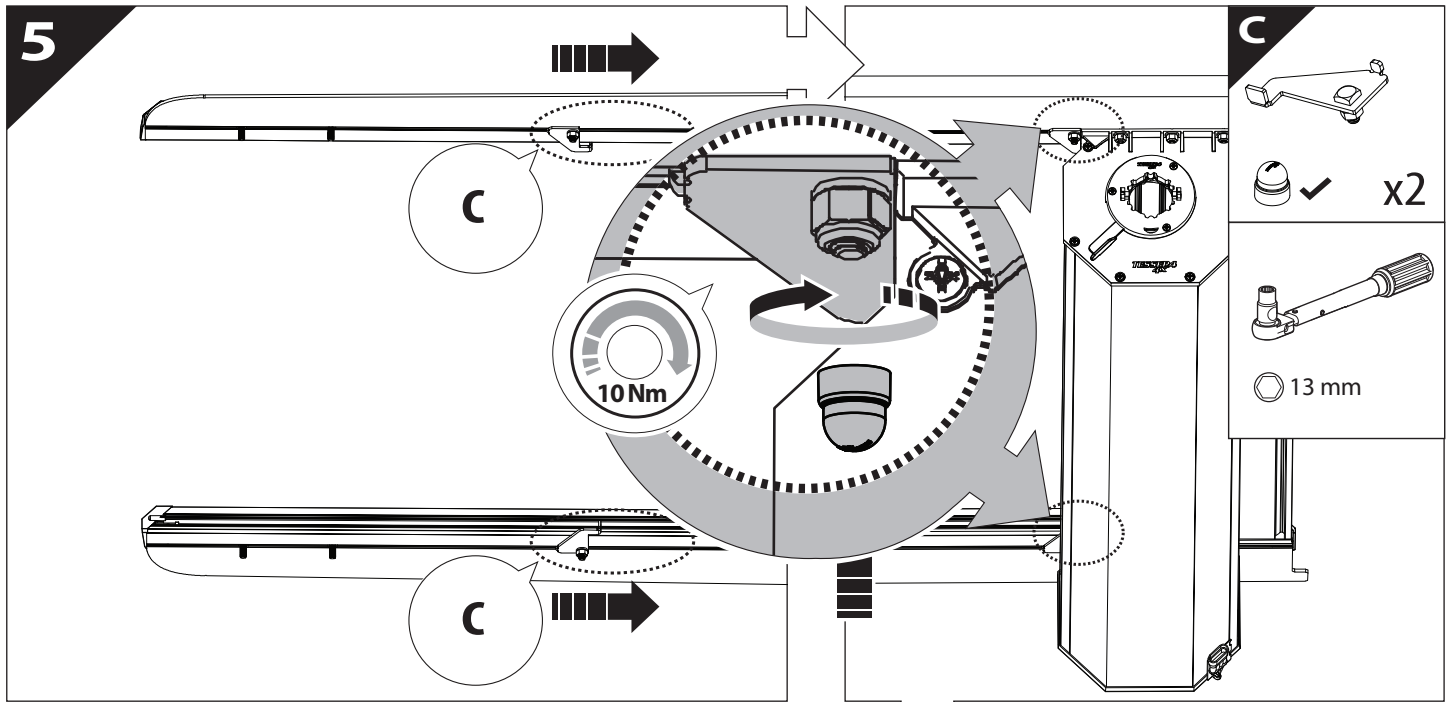


3

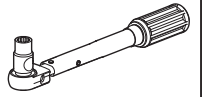


4



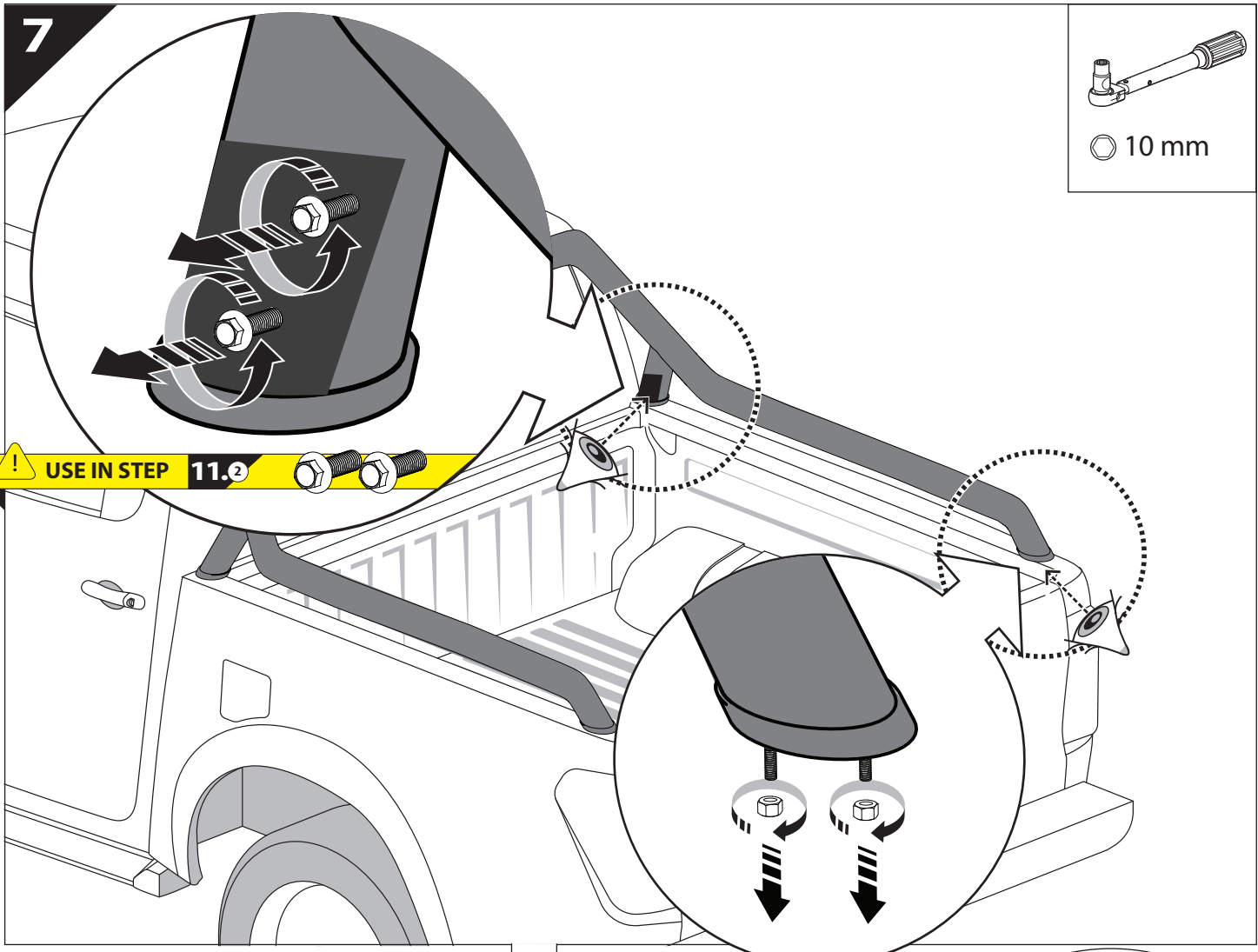
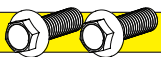


7



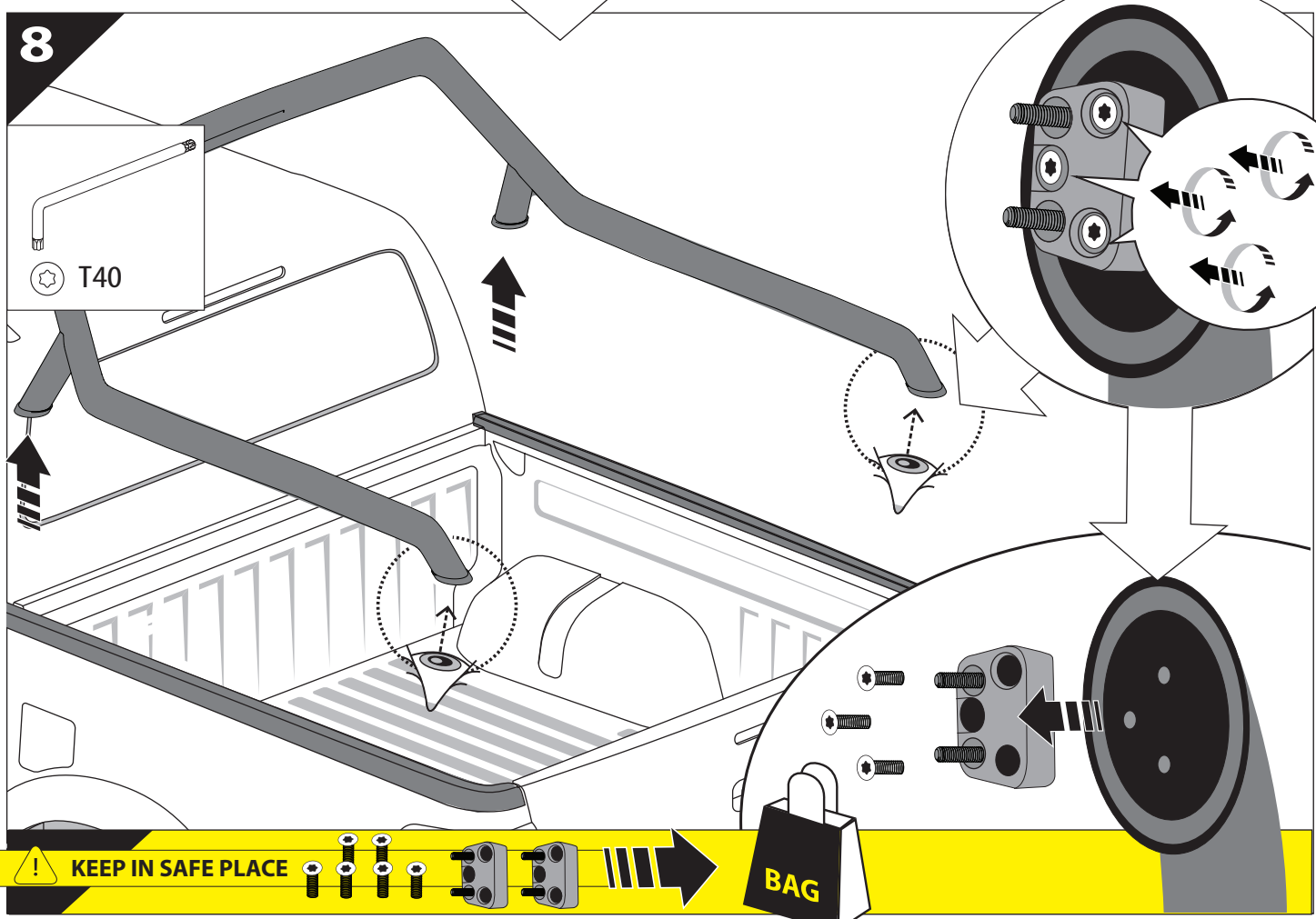
10 mm

! USE IN STEP 11.2

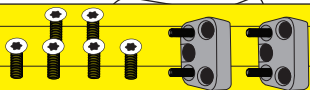


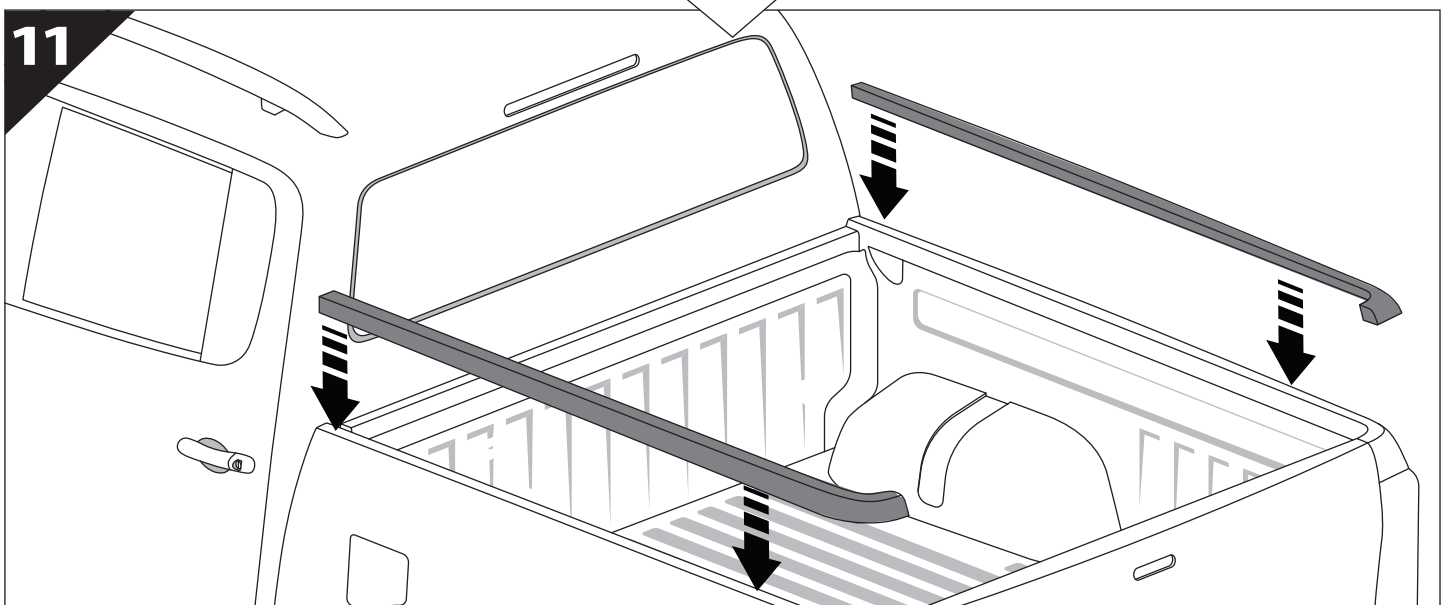
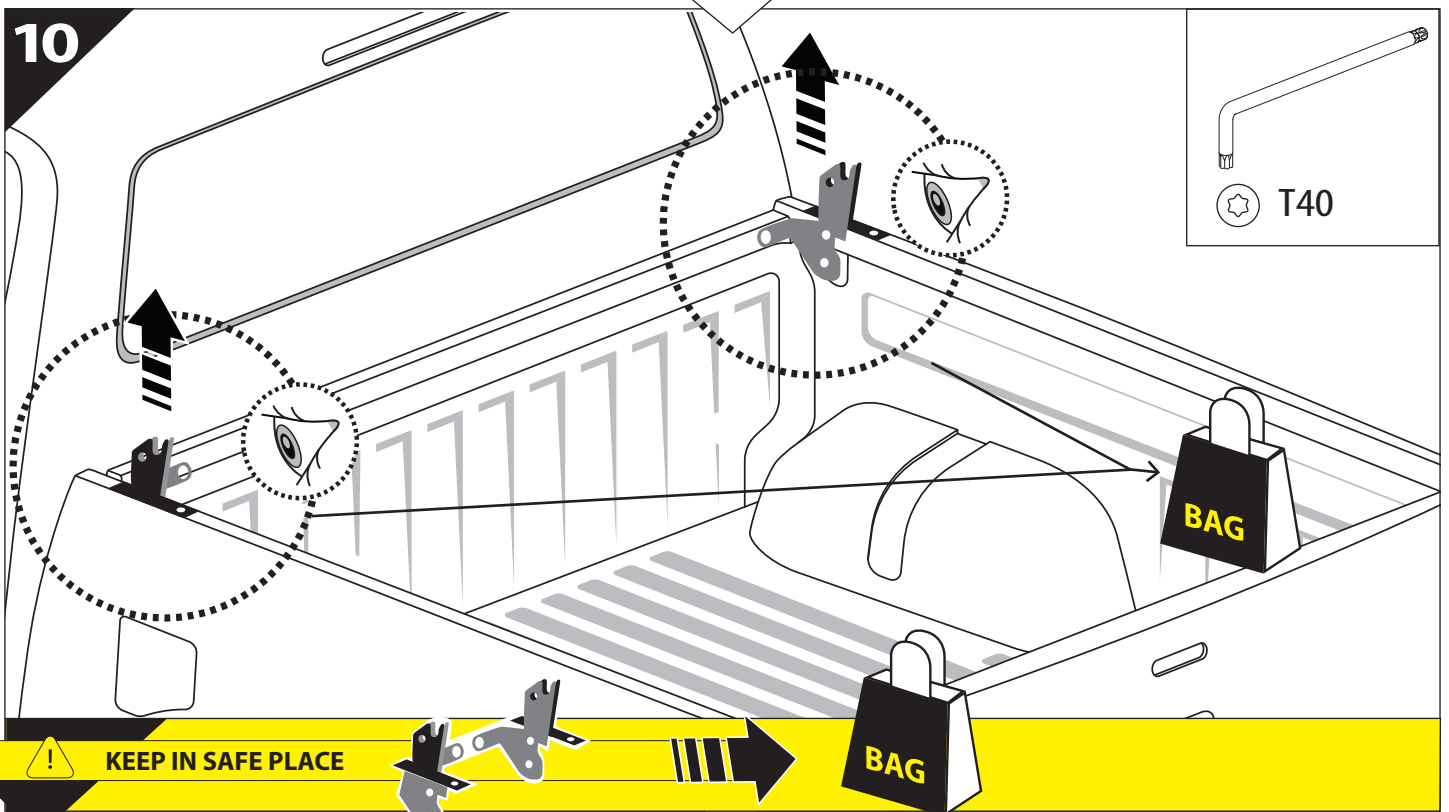
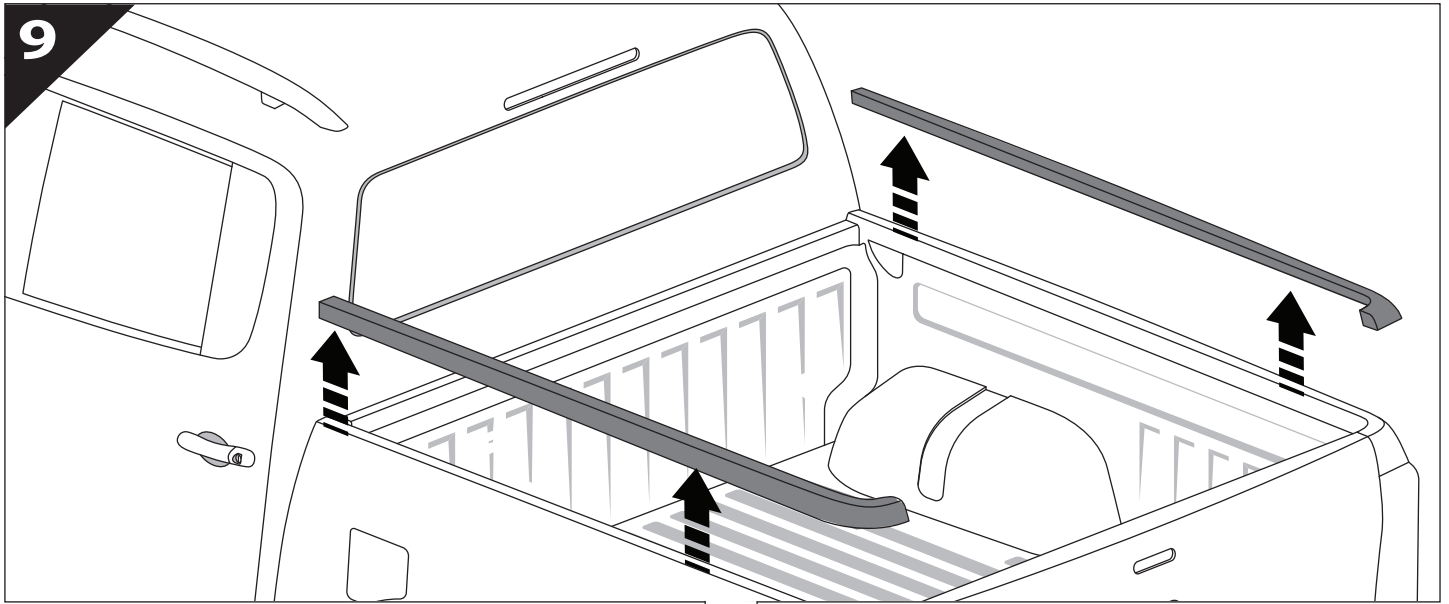
8

T40



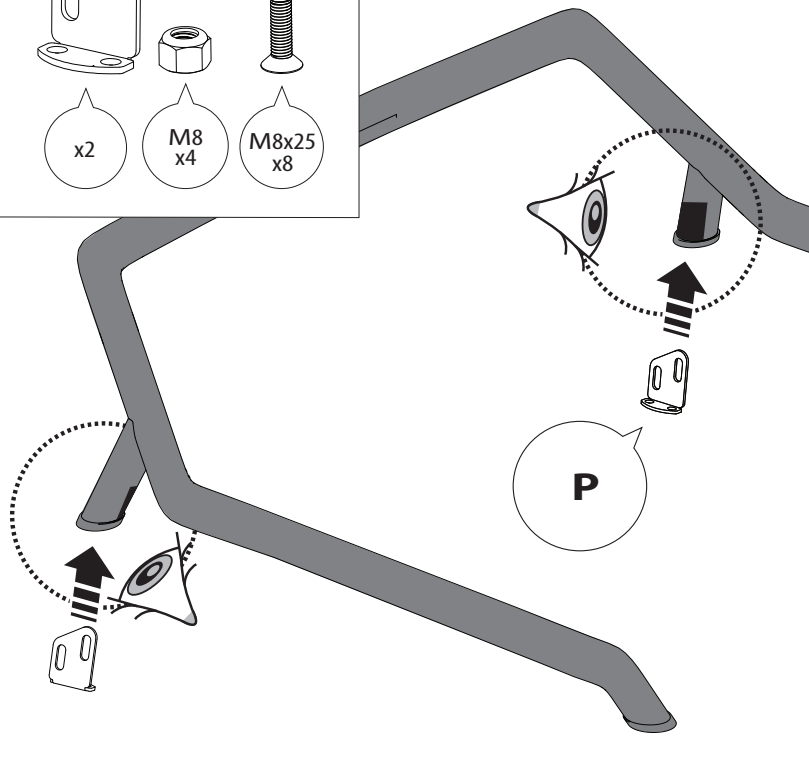
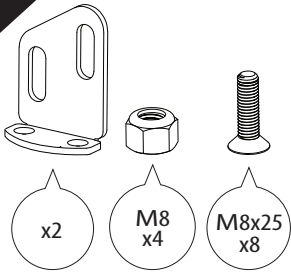
! KEEP IN SAFE PLACE



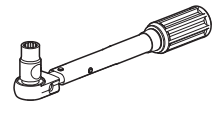


11.0

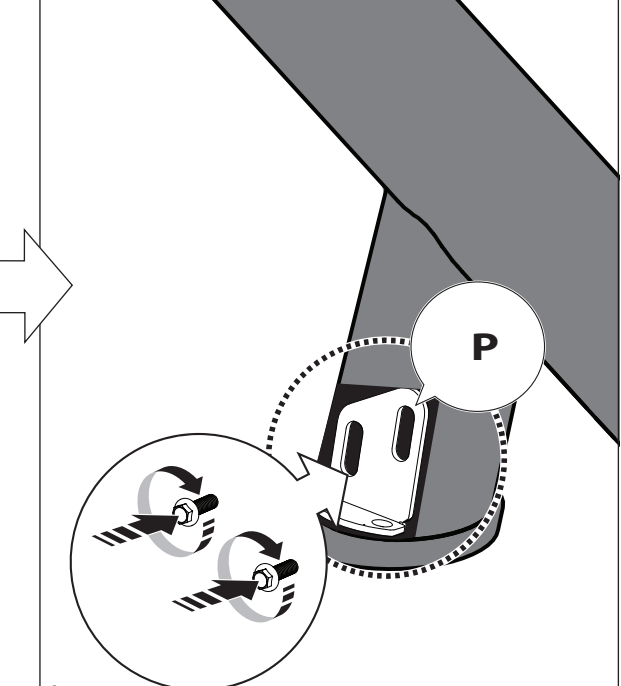
P



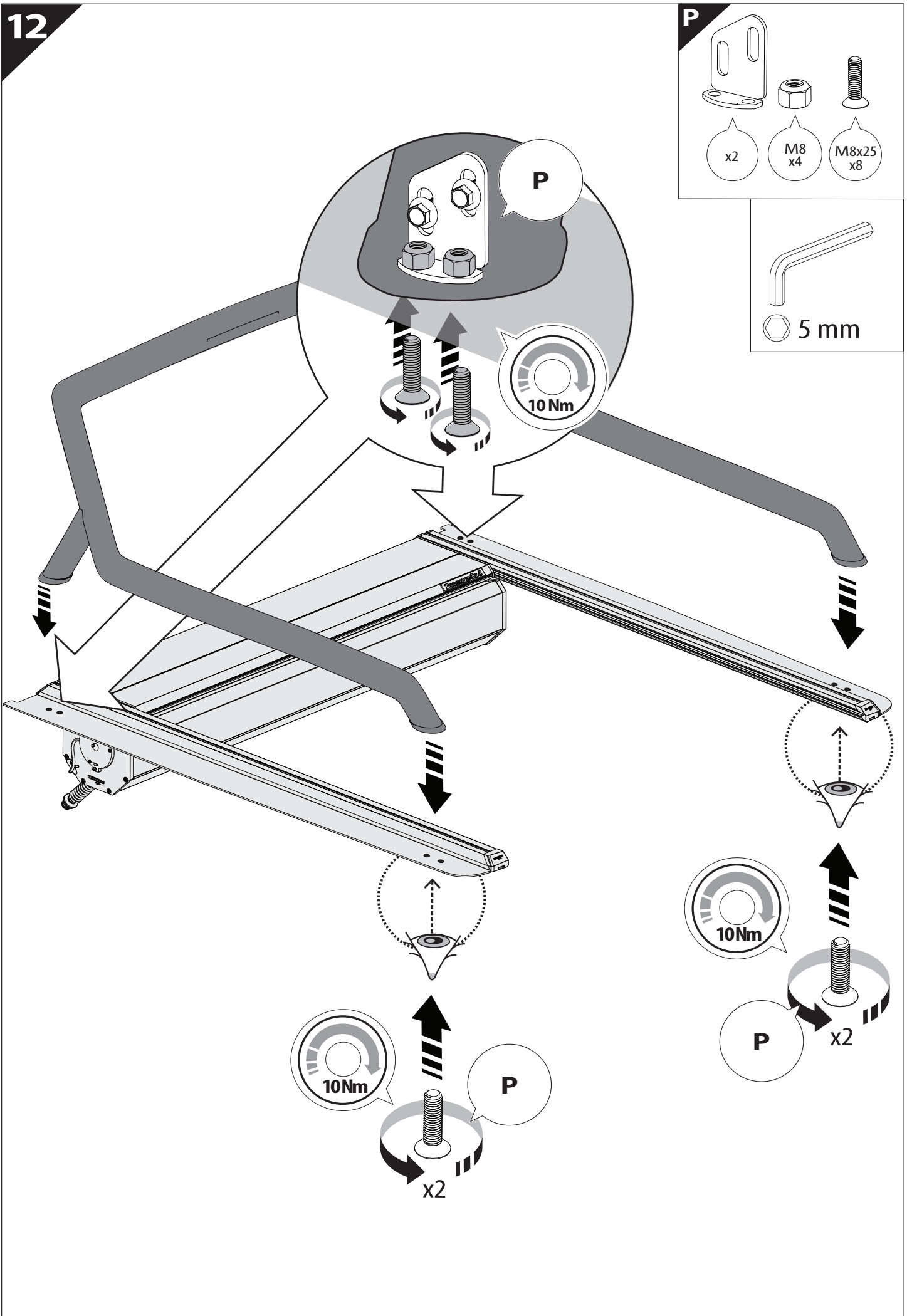
11.2



10 mm



 FROM STEP 7 



P

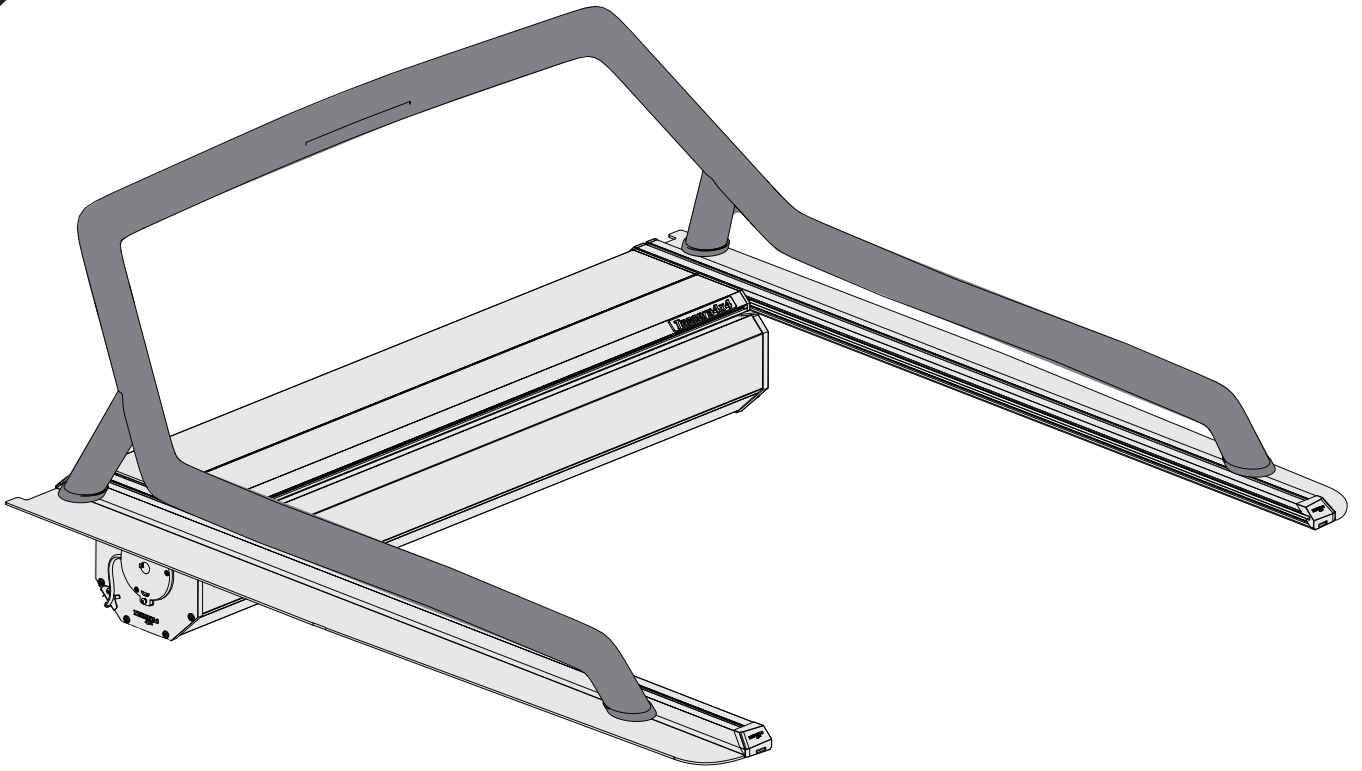
x2 M8 x4 M8x25 x8

This block contains a parts list for step 12. It shows three items: a motor unit (labeled 'P'), a nut (labeled 'M8 x4'), and a screw (labeled 'M8x25 x8'). The quantity 'x2' is shown below the motor unit.

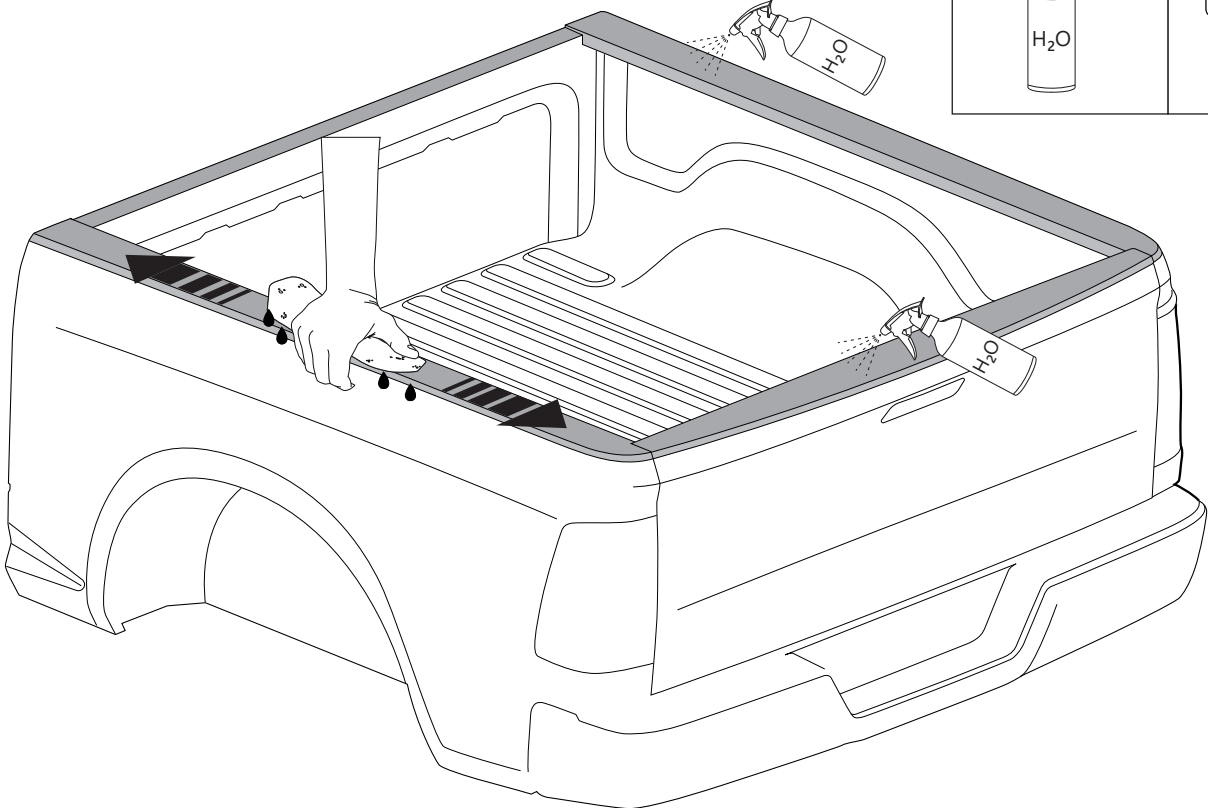
5 mm

This block shows a 5 mm hex key, which is used for tightening the screws in this step.

13

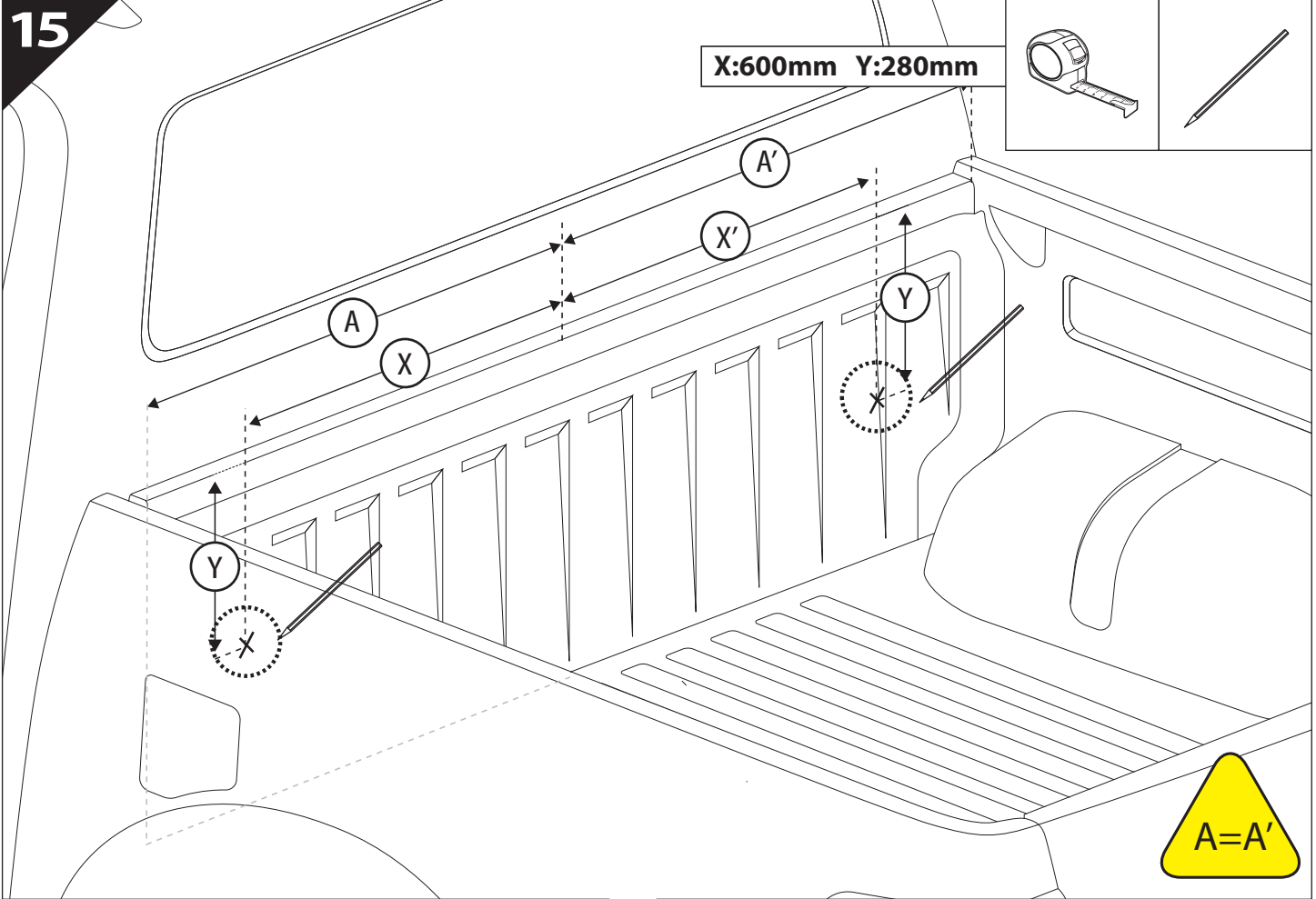
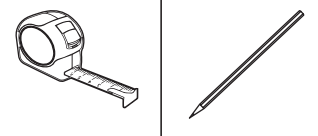


14

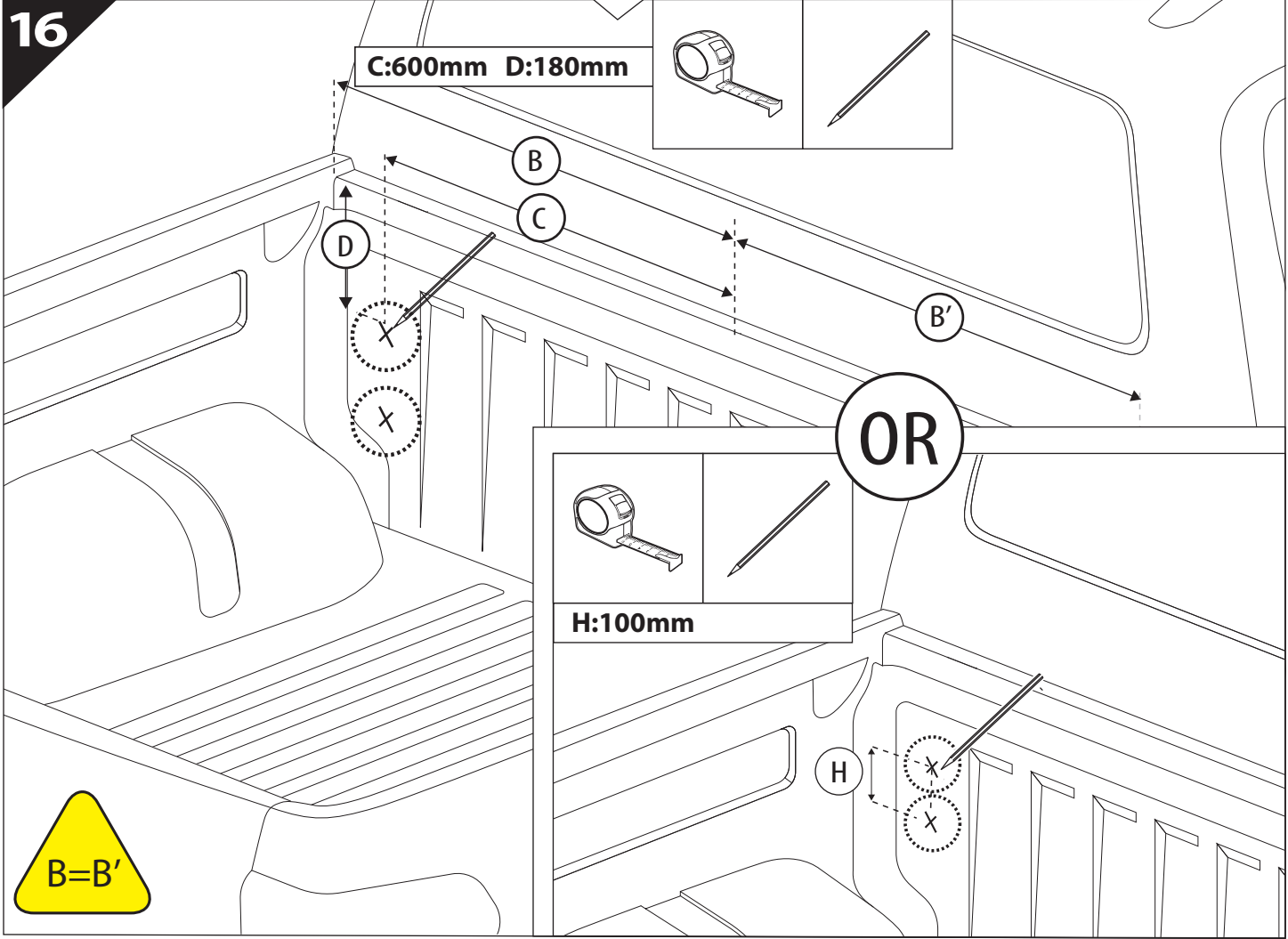
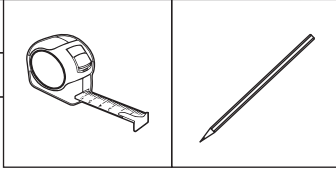


15

X:600mm Y:280mm

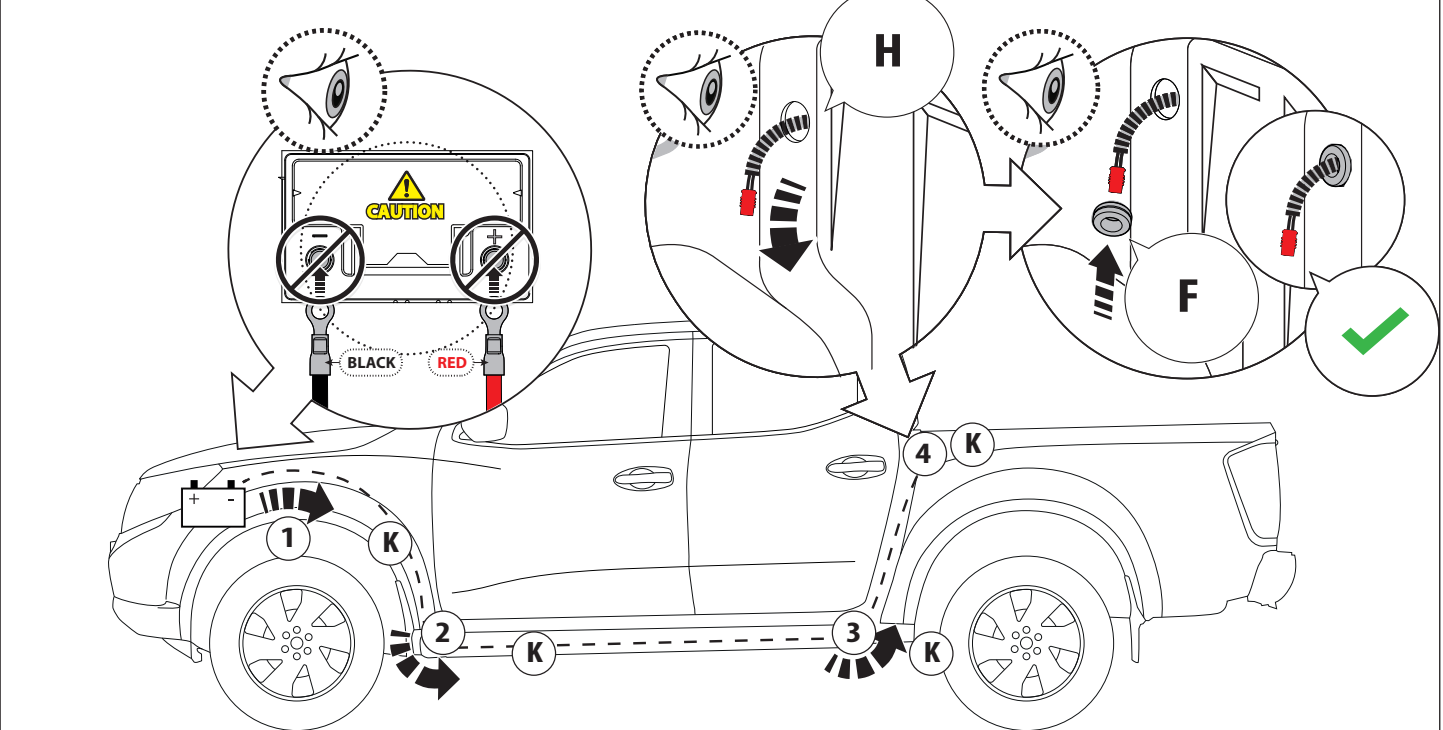
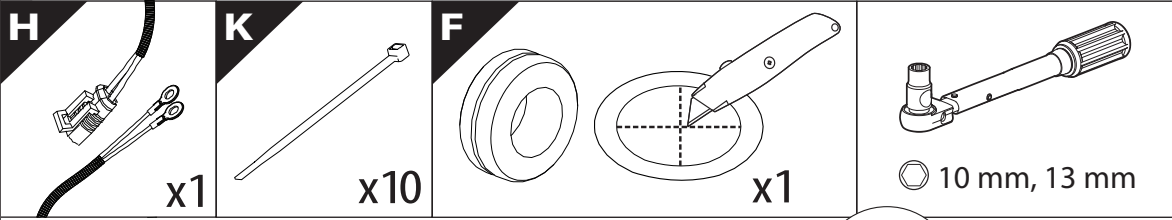


C:600mm D:180mm

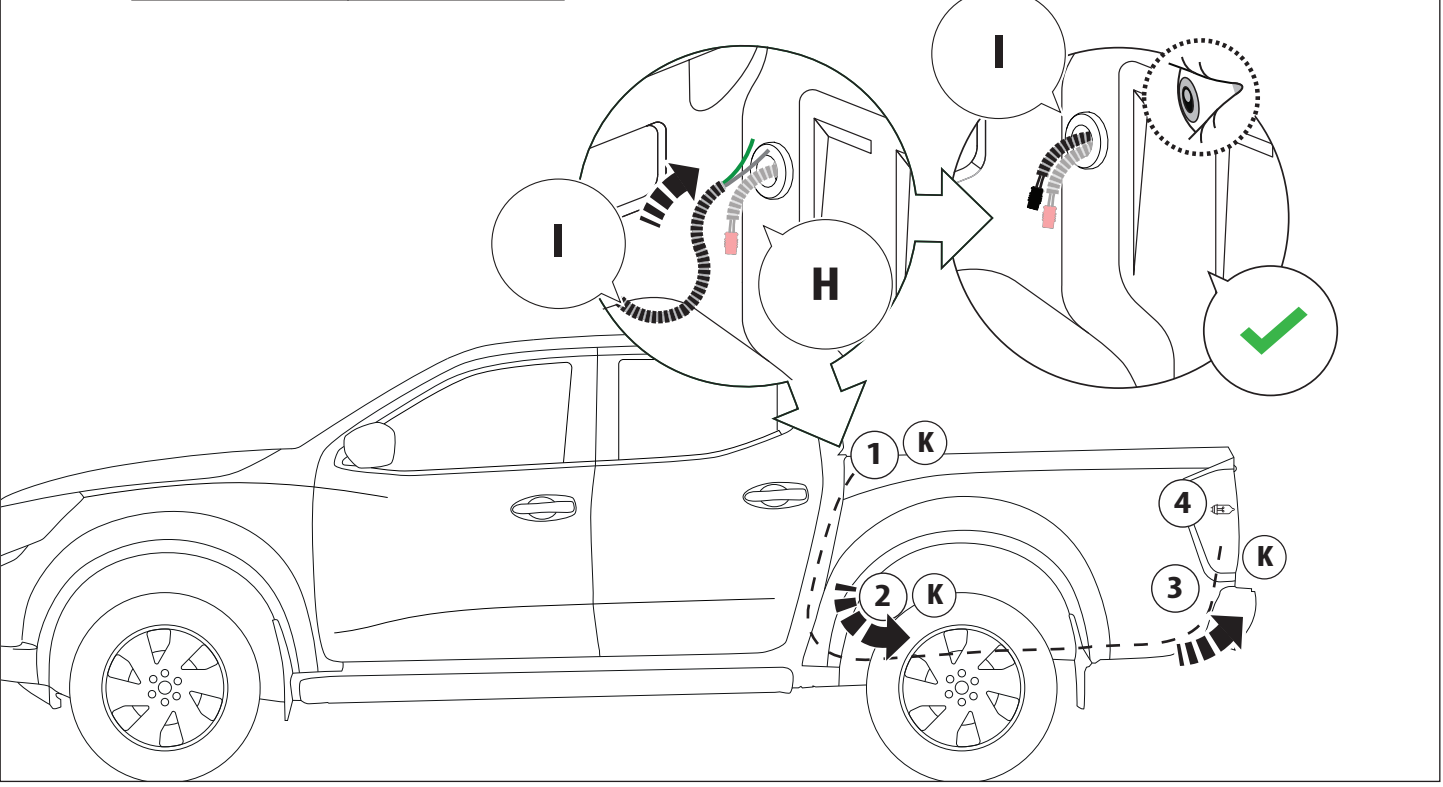
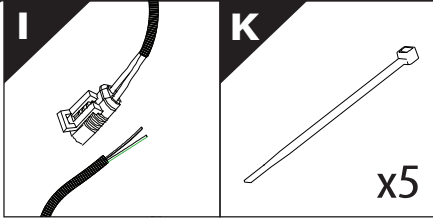


19

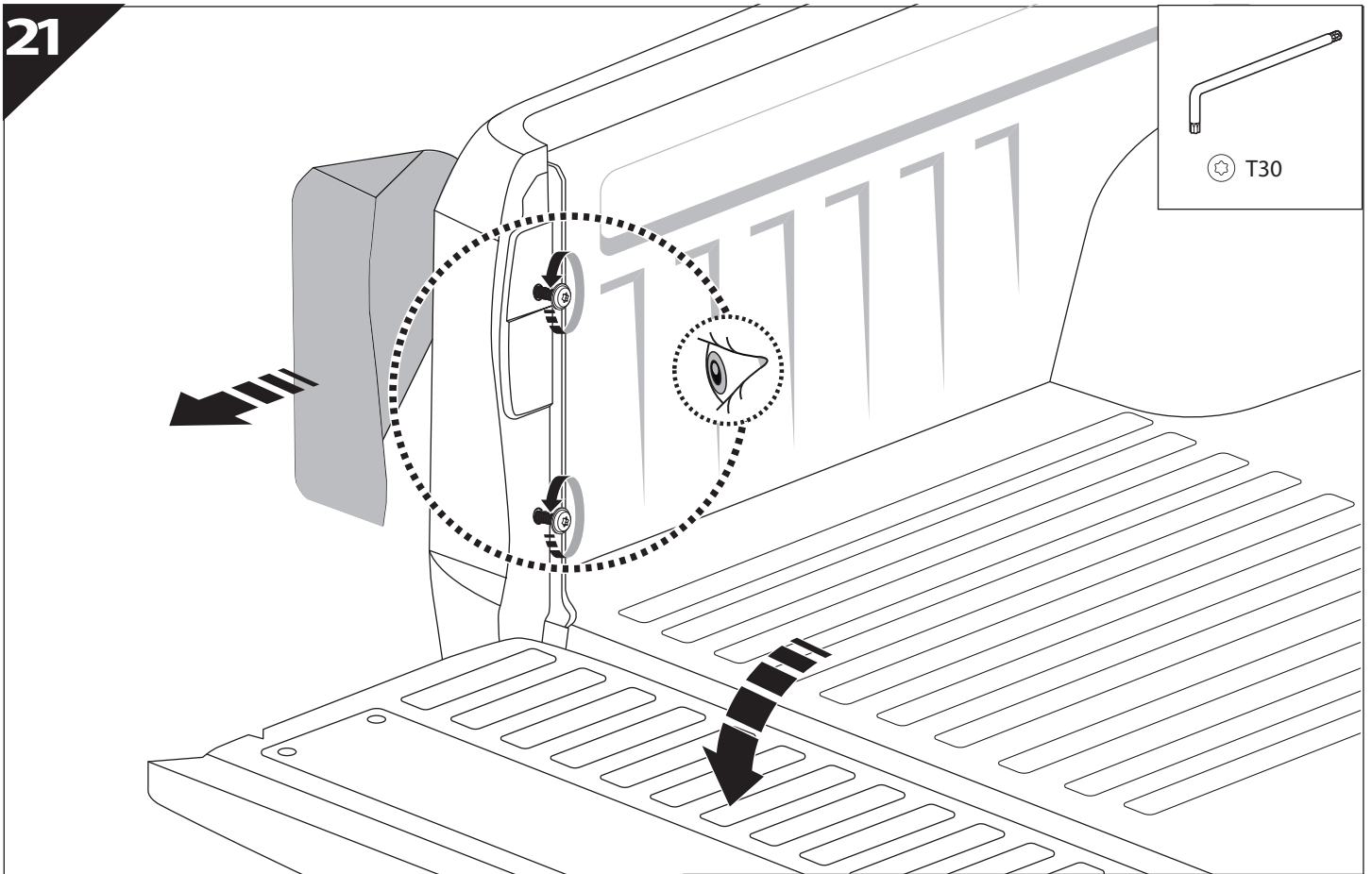
Only to be installed by authorized personnel



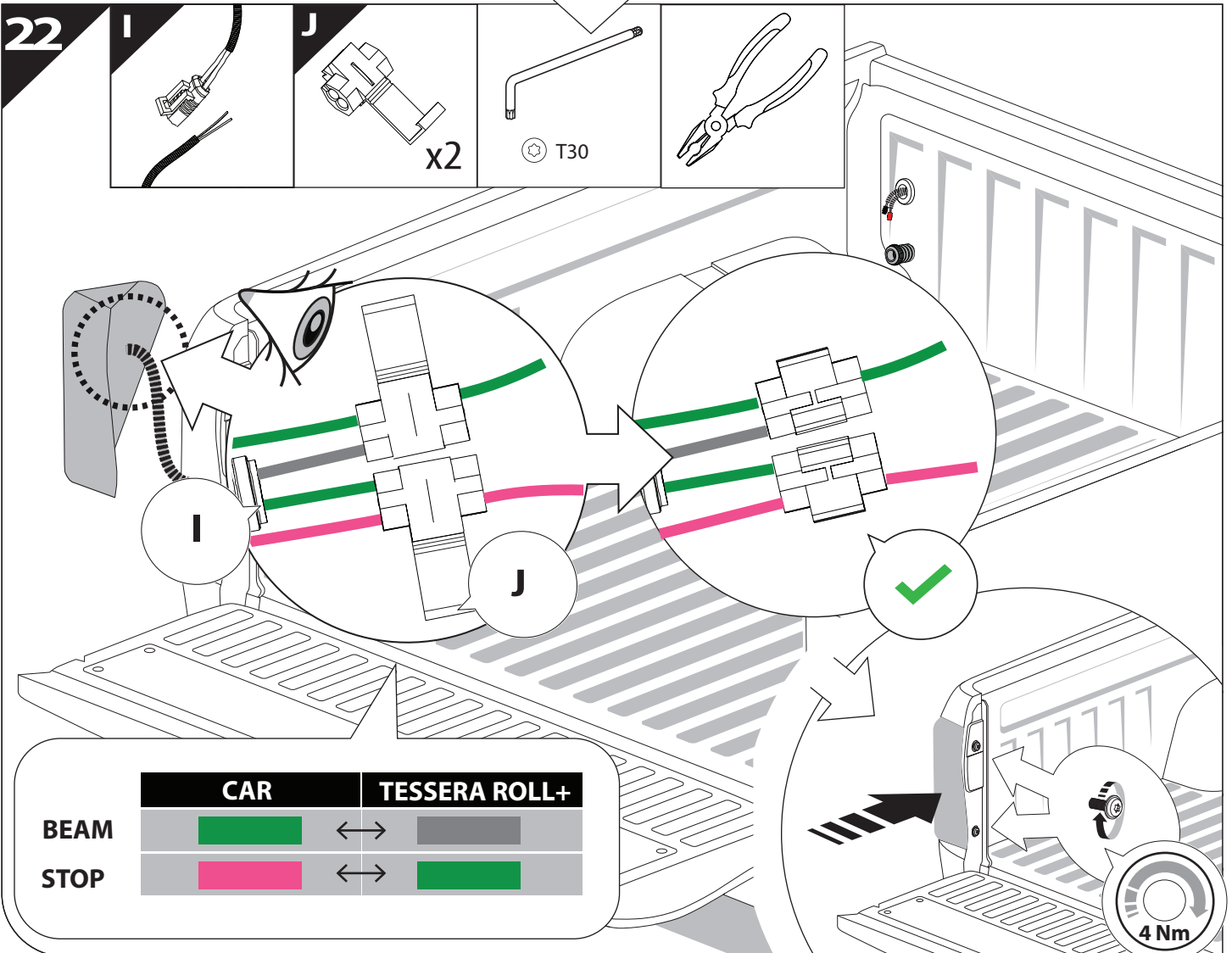
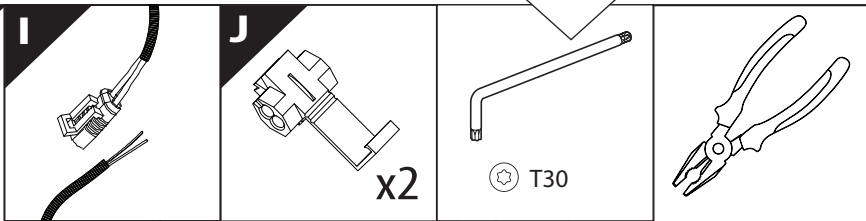
20

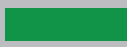





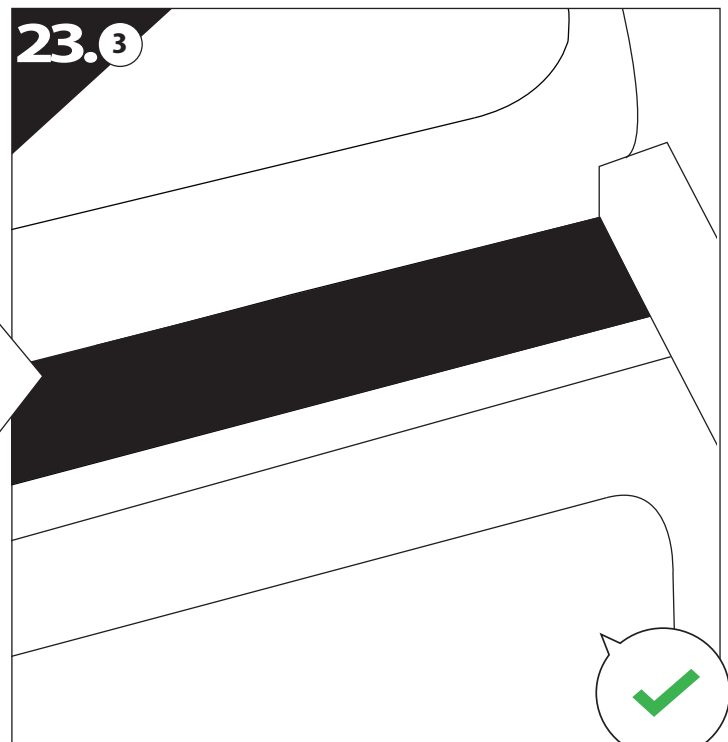
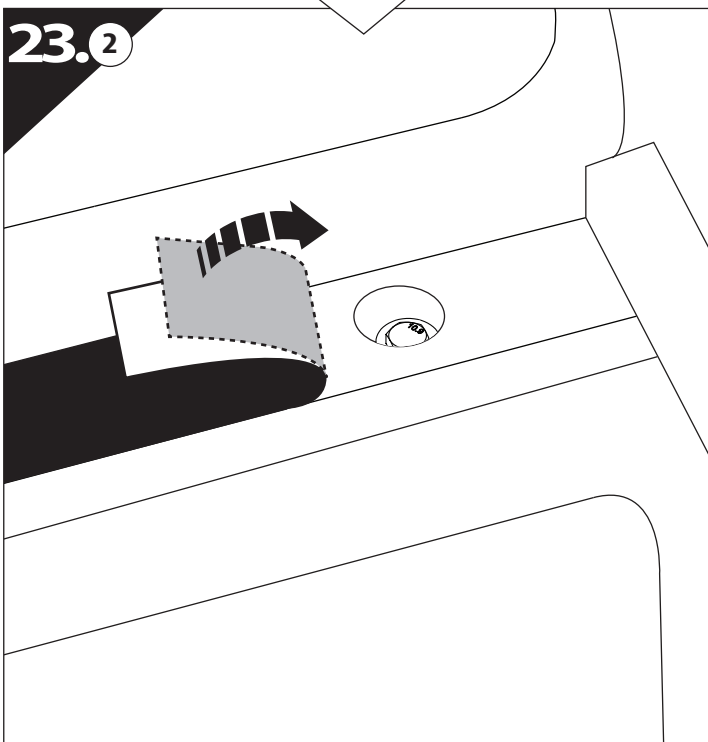
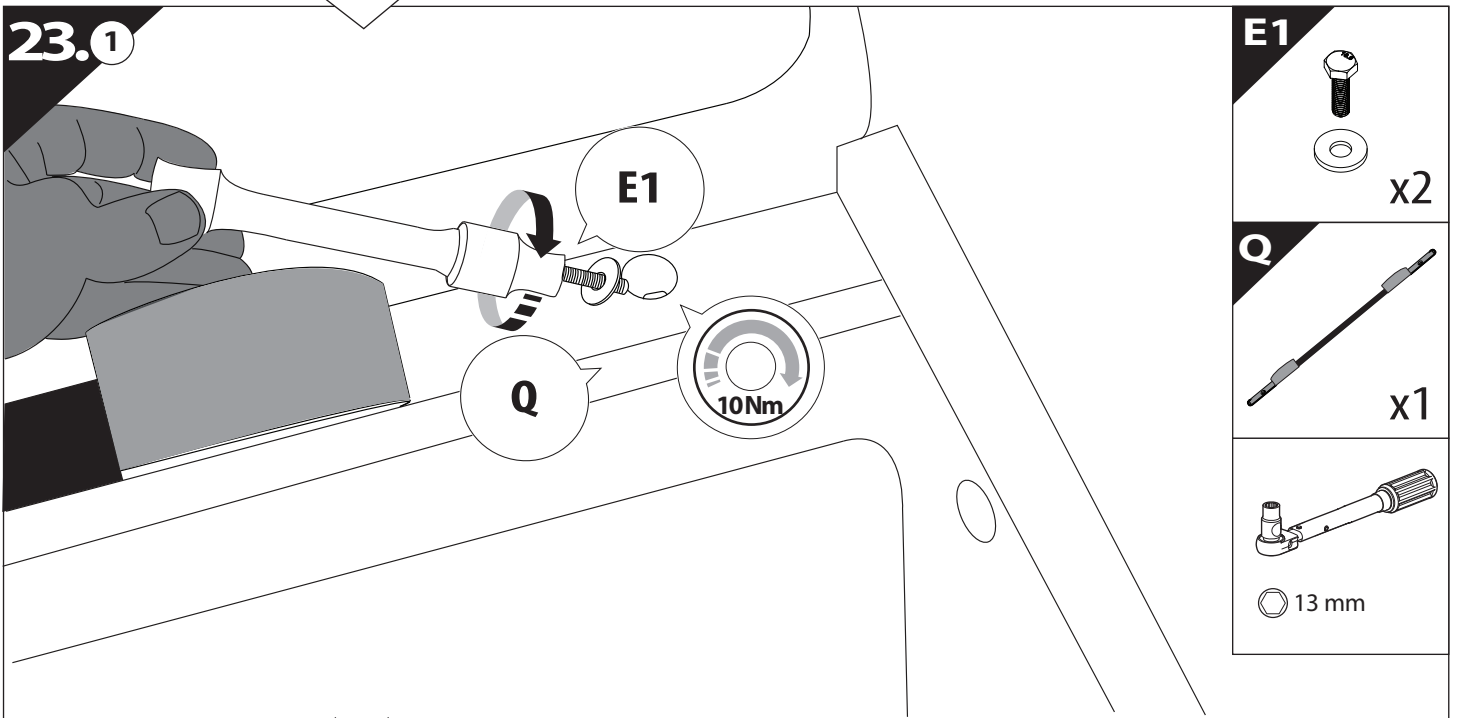
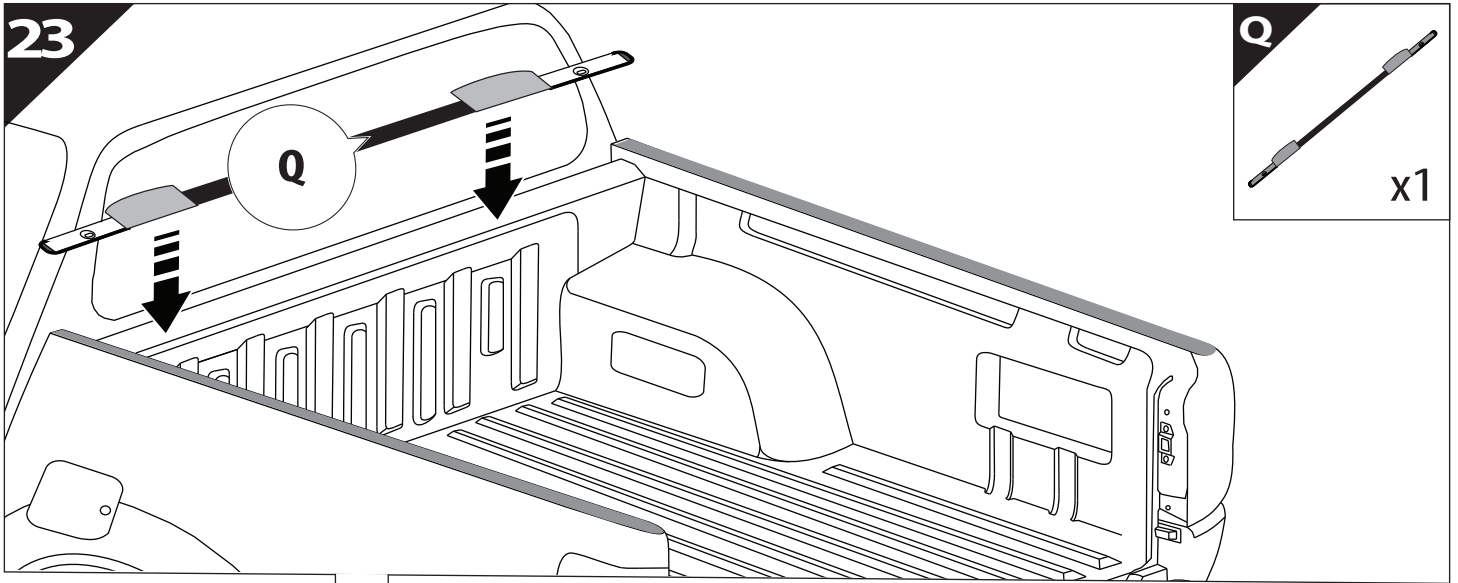
21



22

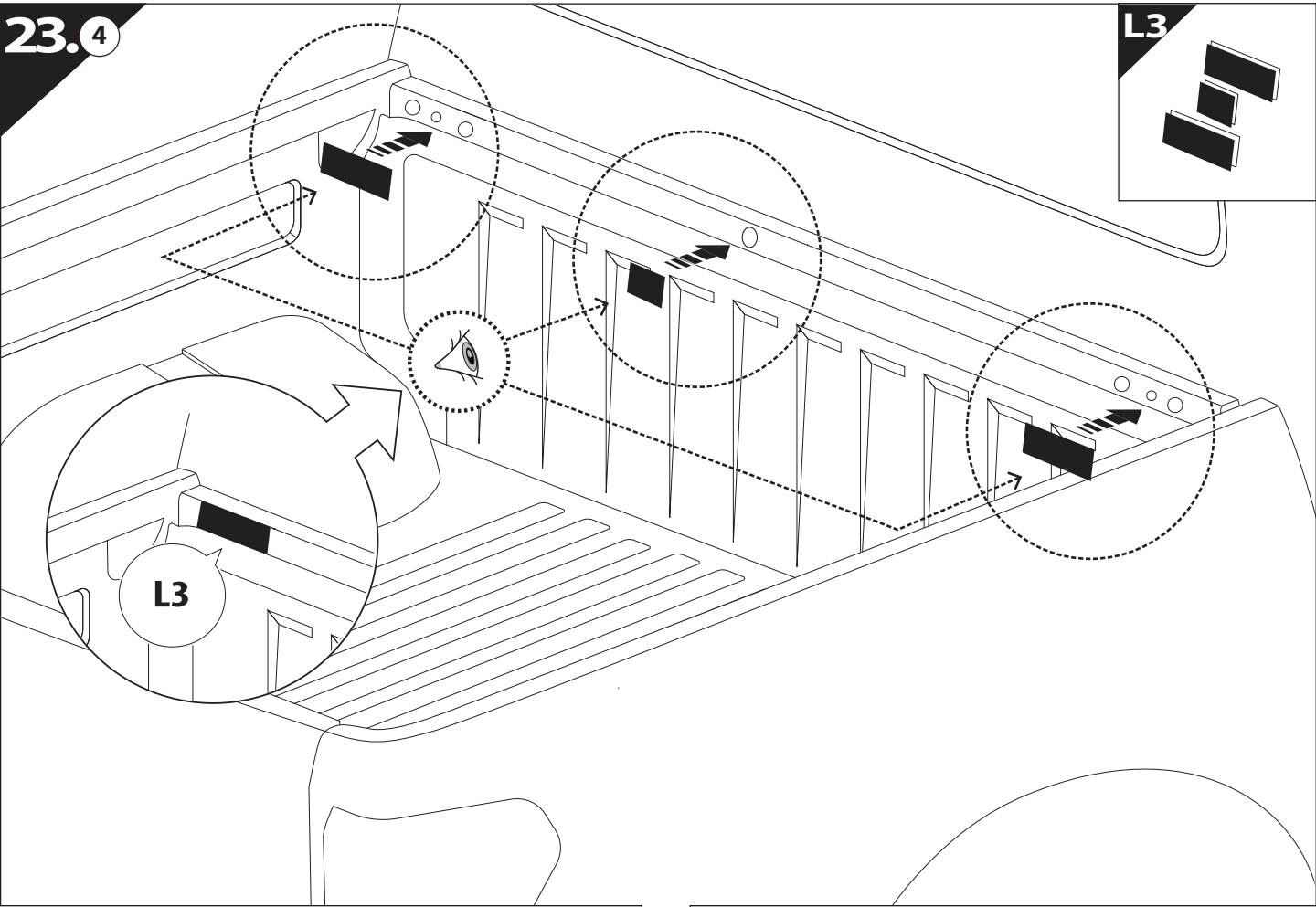


	CAR		TESSERA ROLL+
BEAM		↔	
STOP		↔	



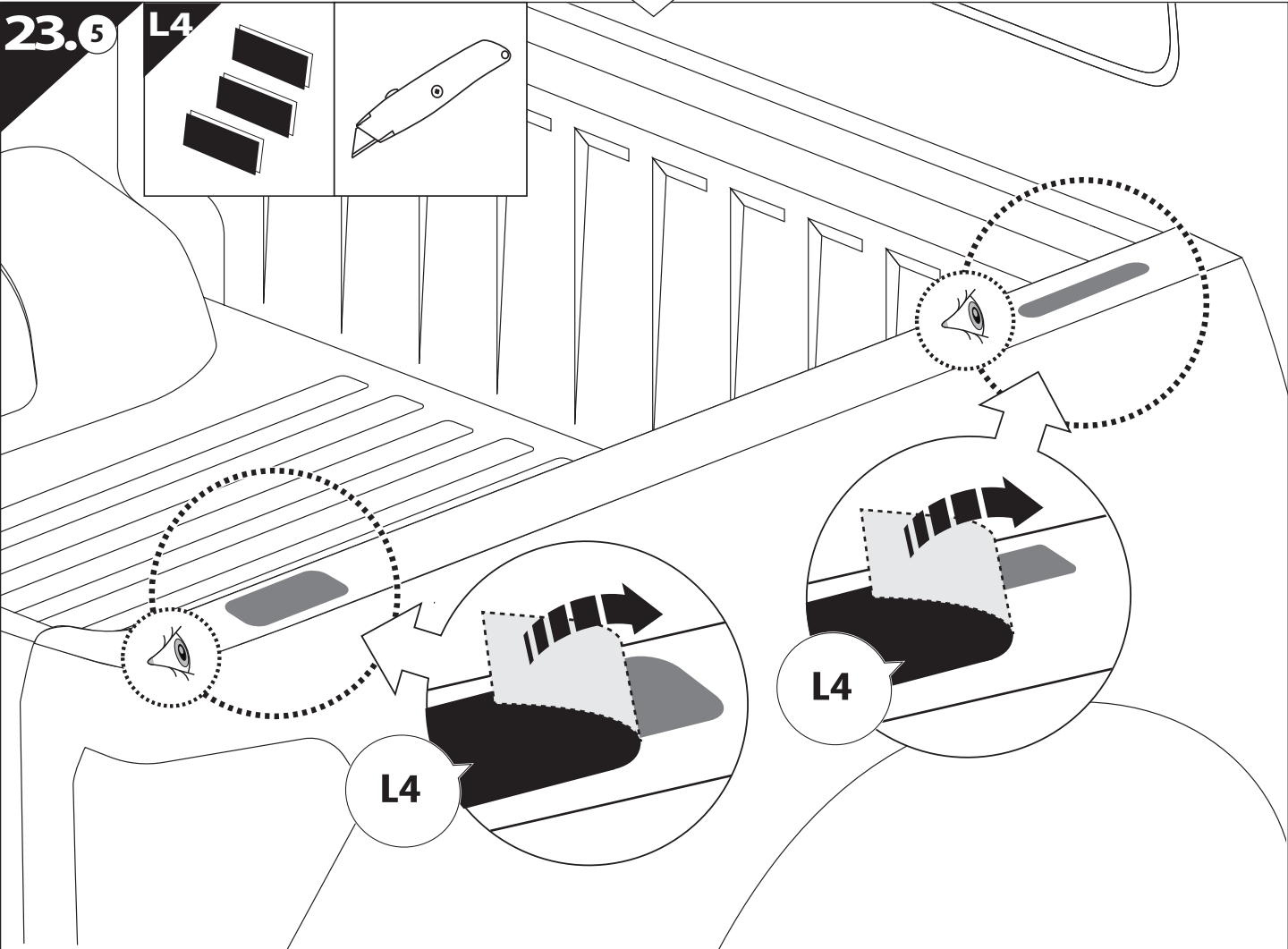
23.4

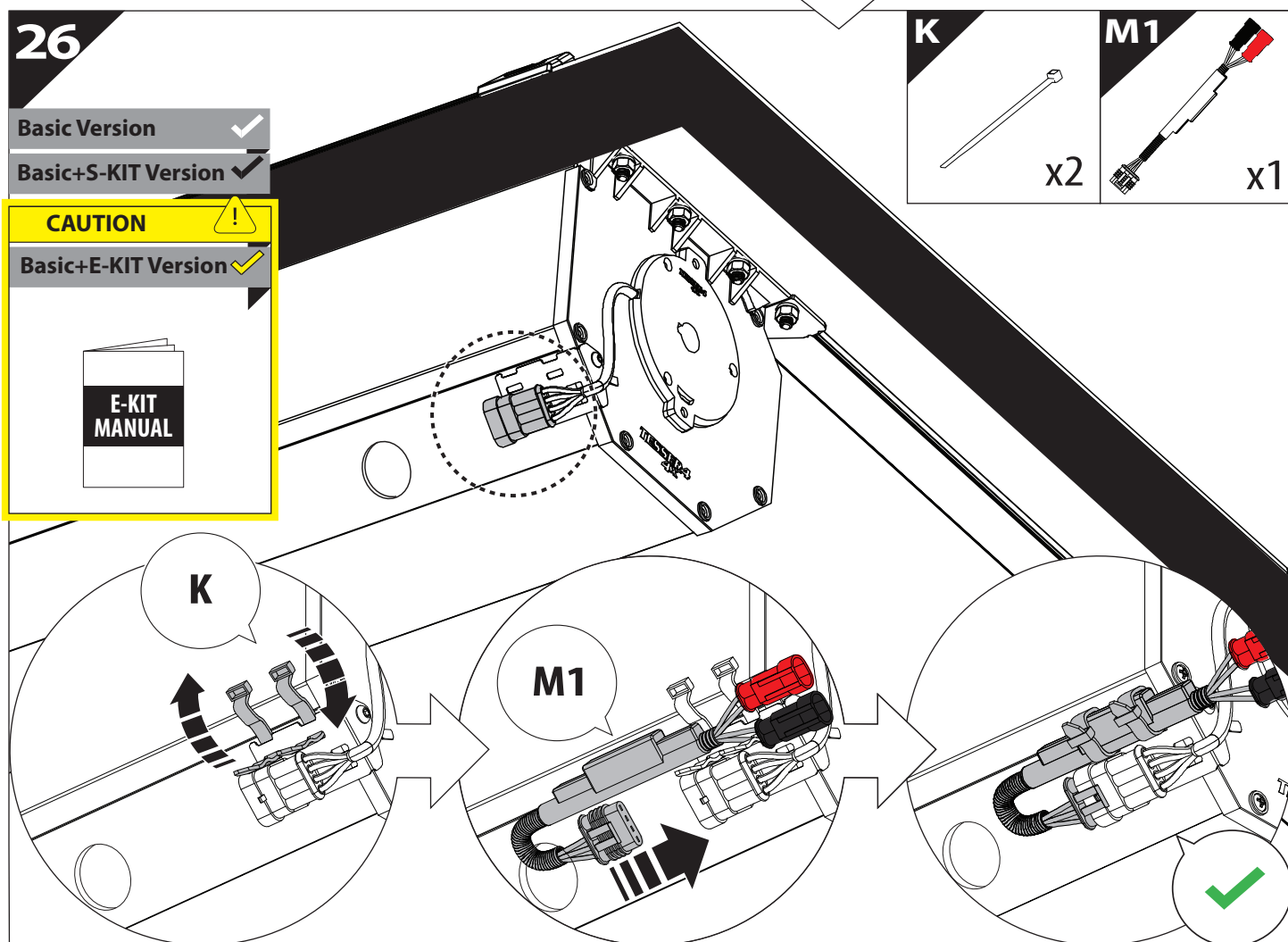
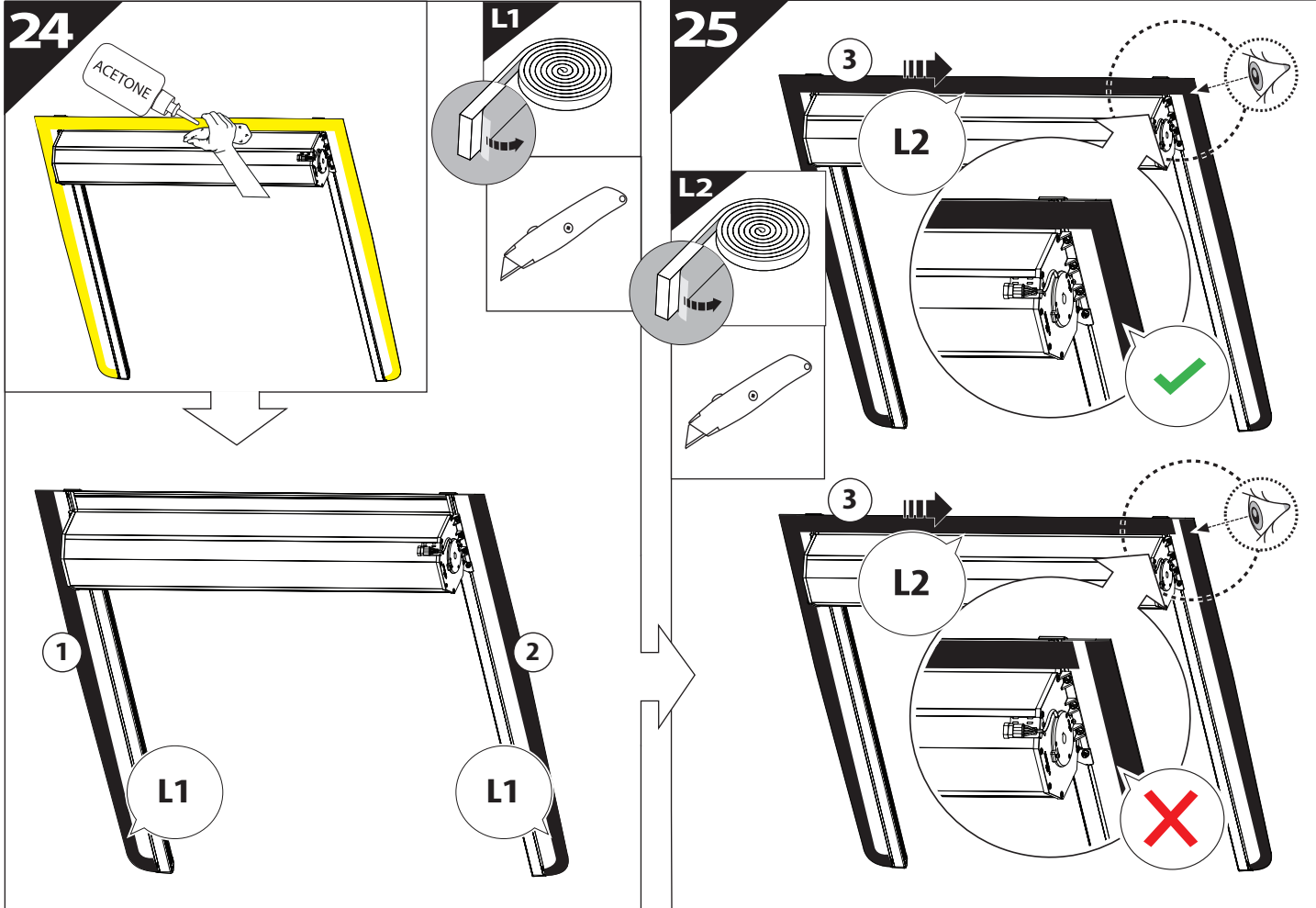
L3

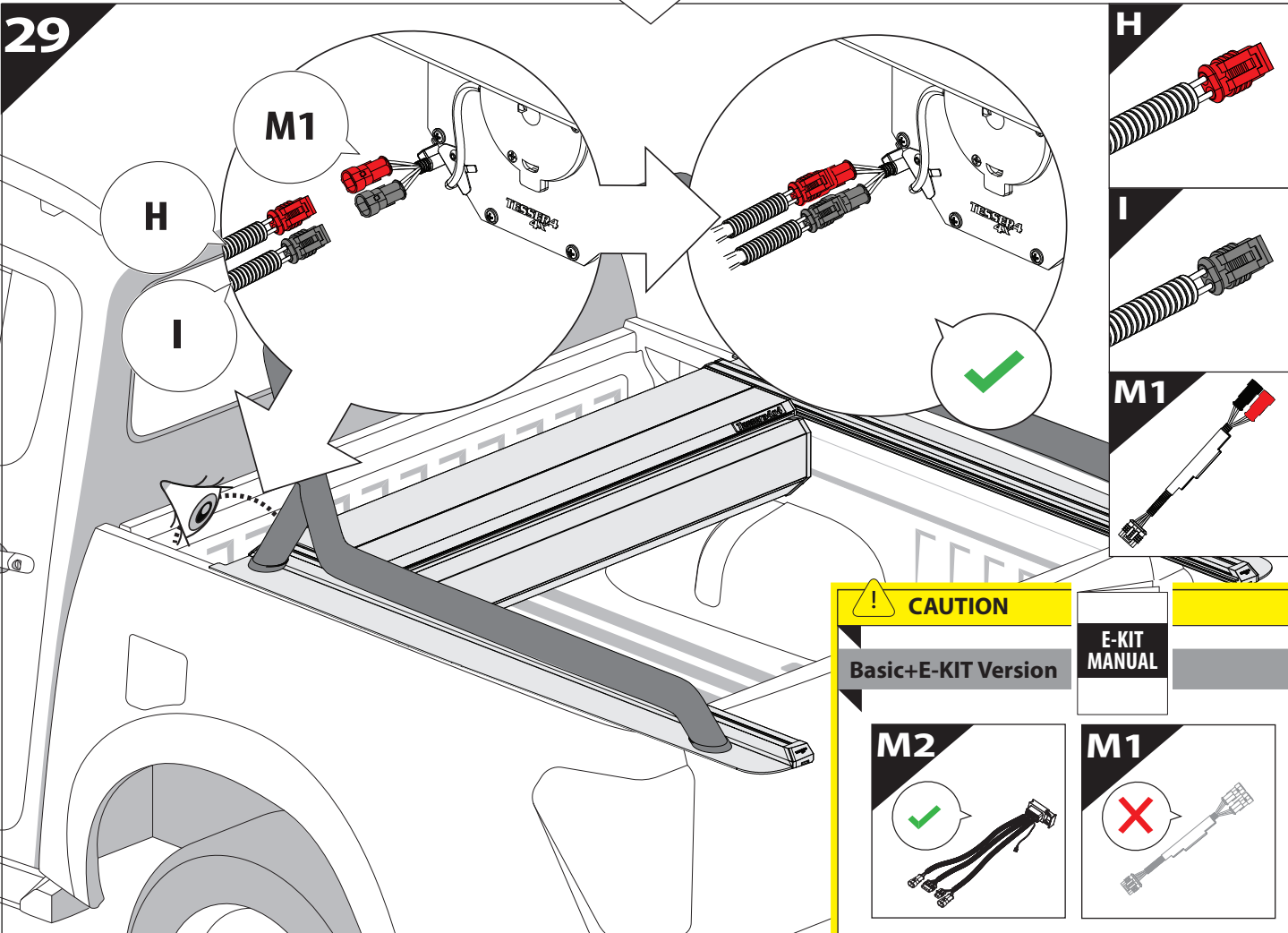
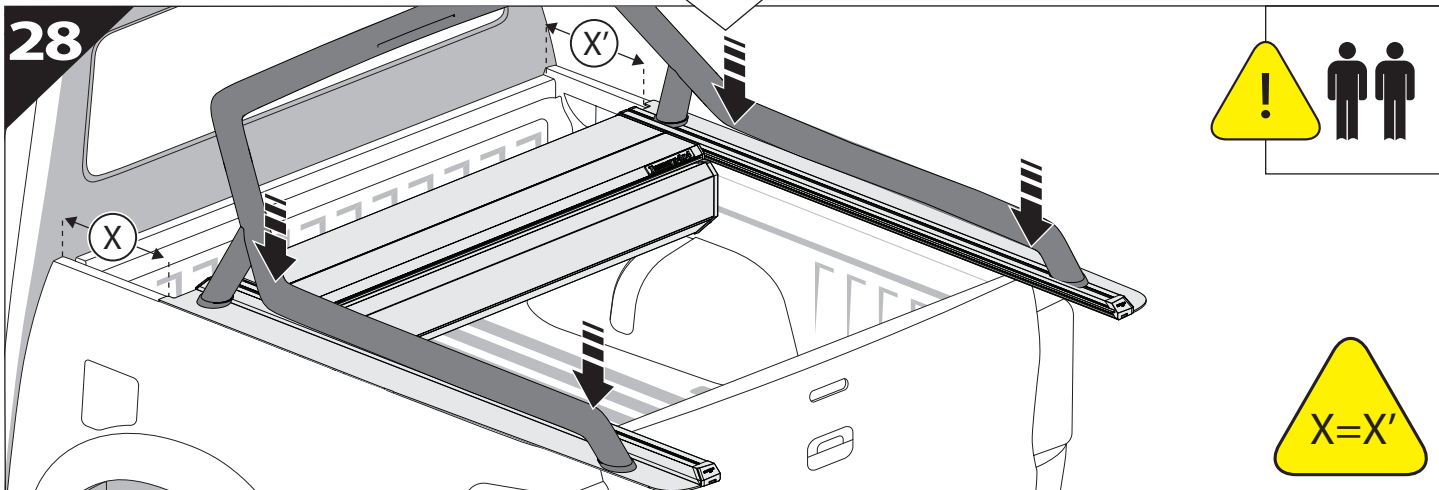
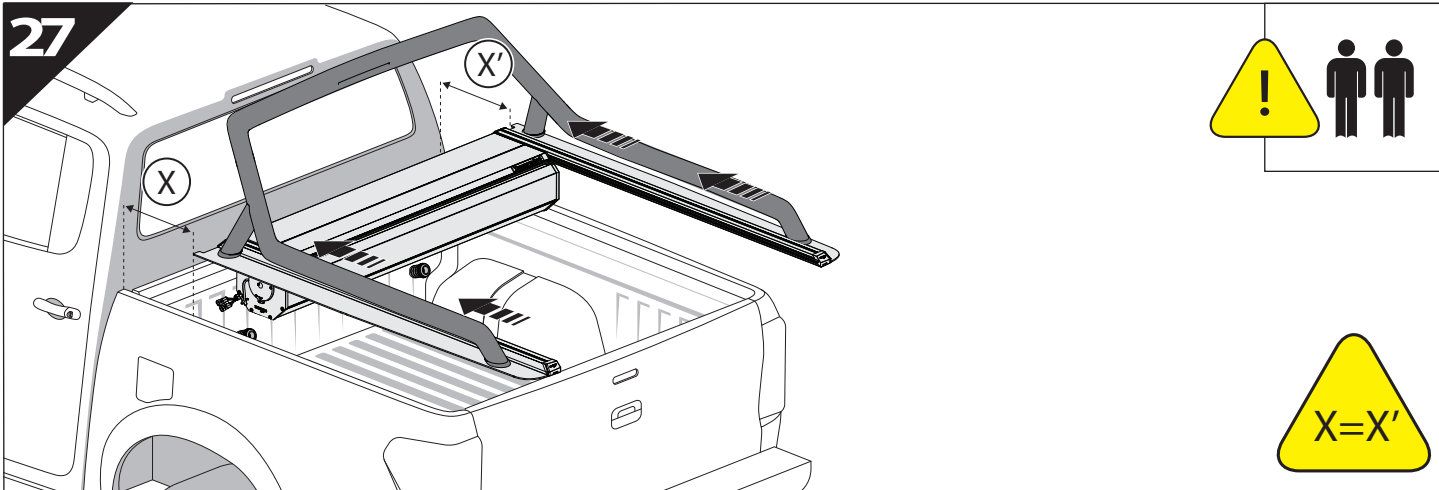


23.5

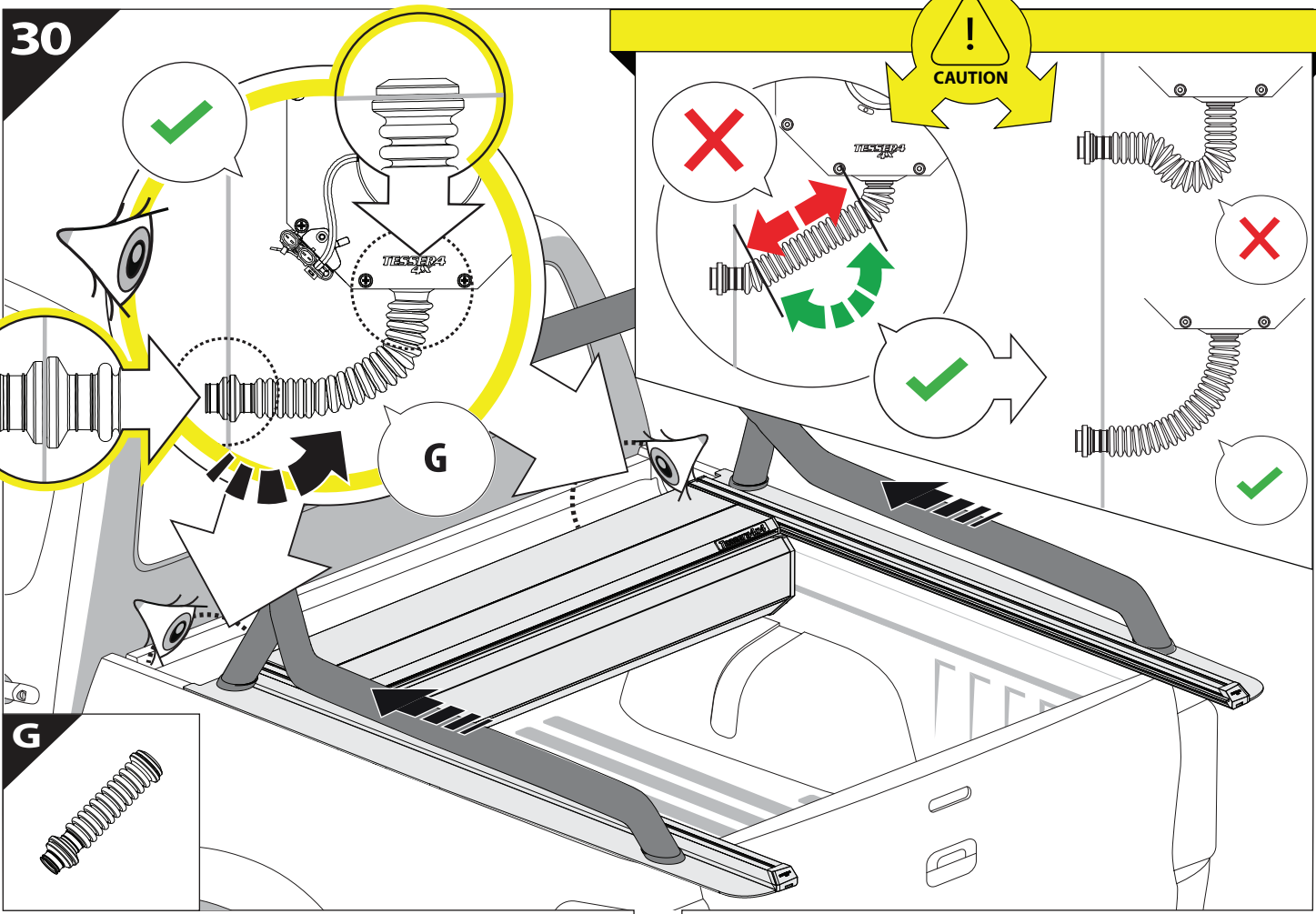
L4



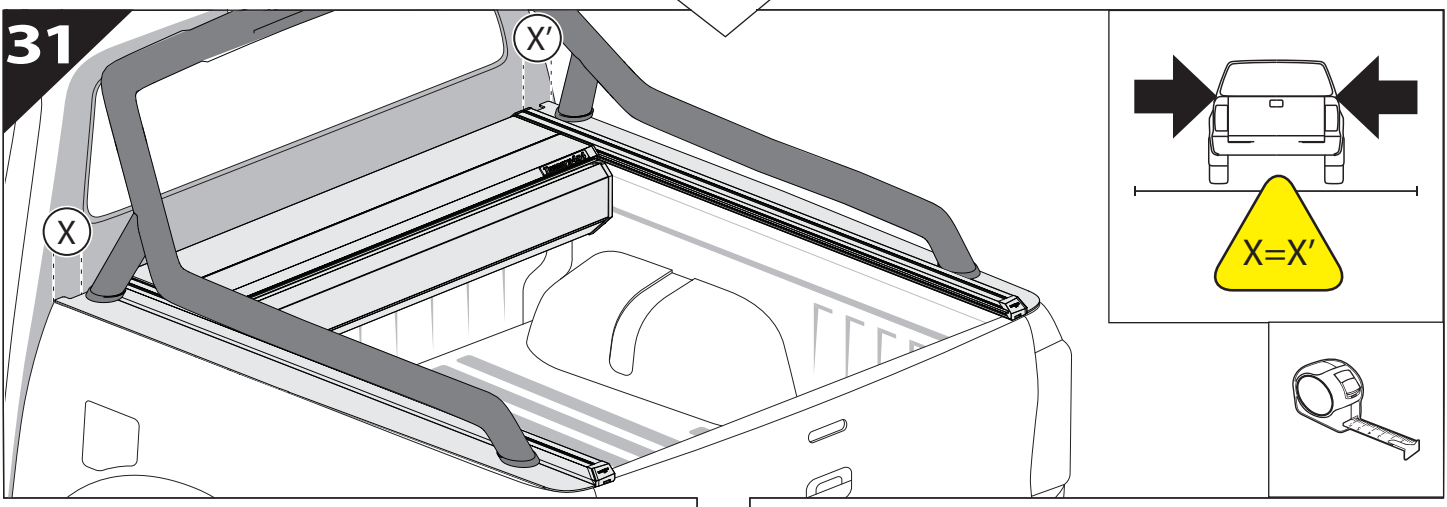




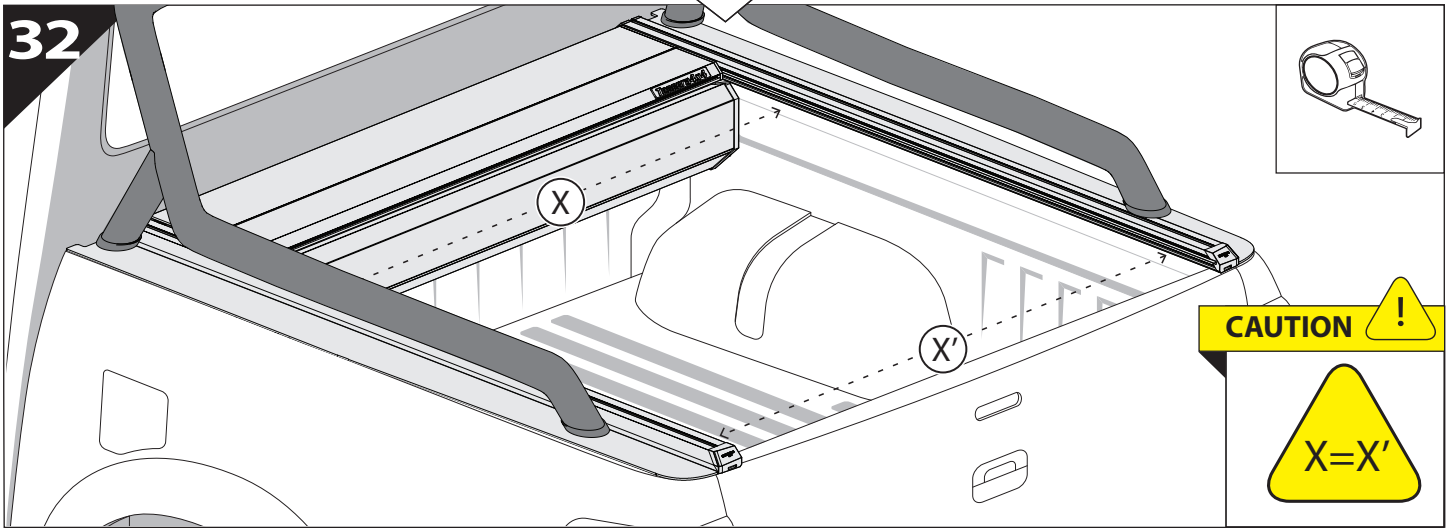
30



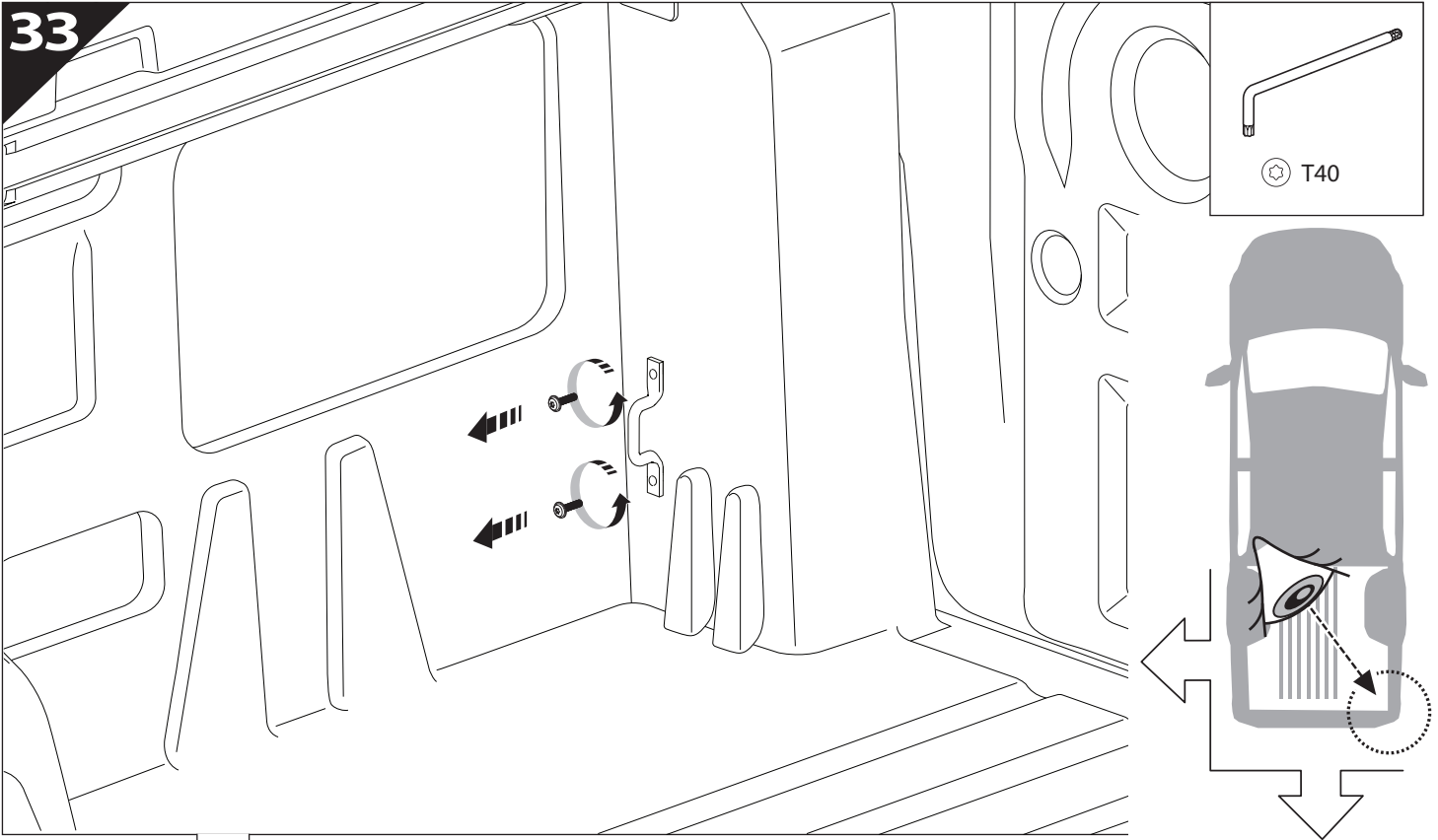
31



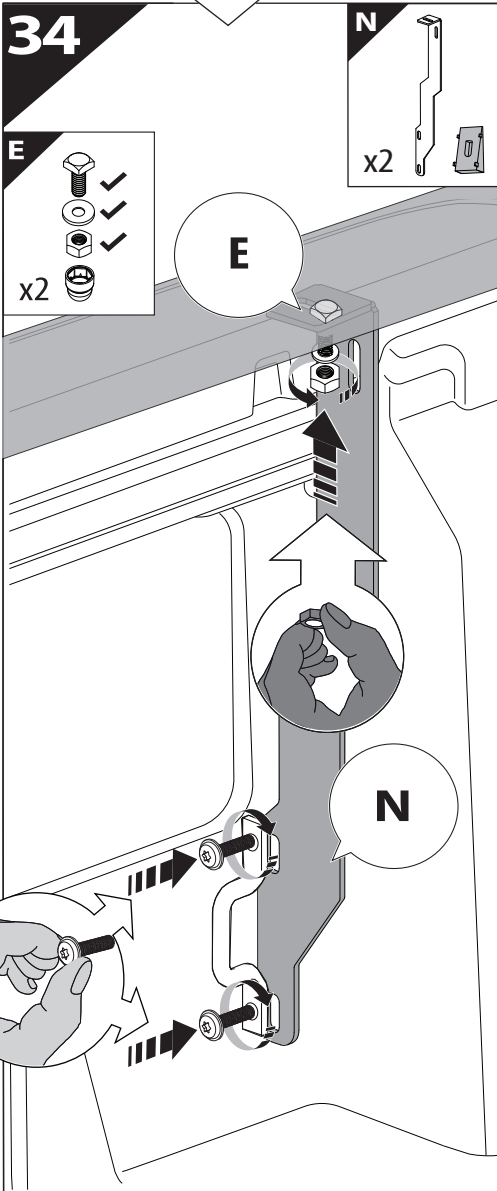
32



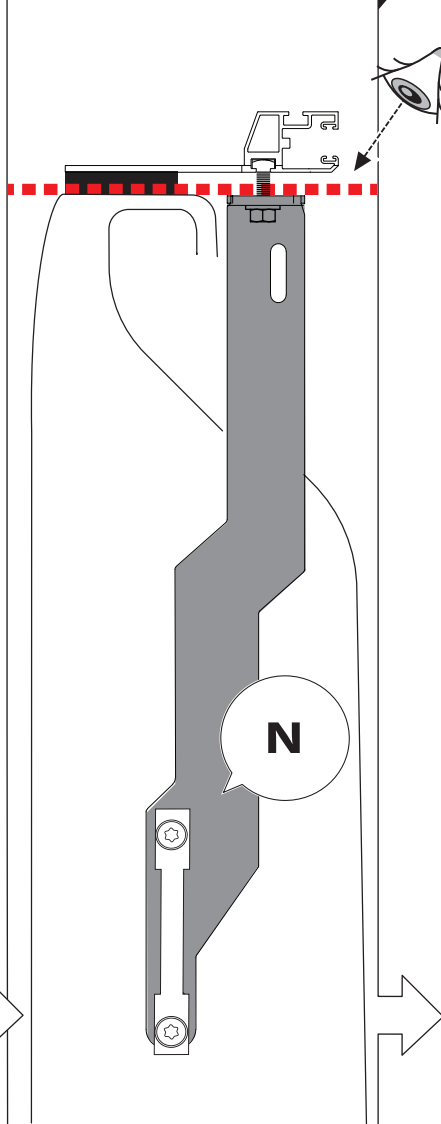
33



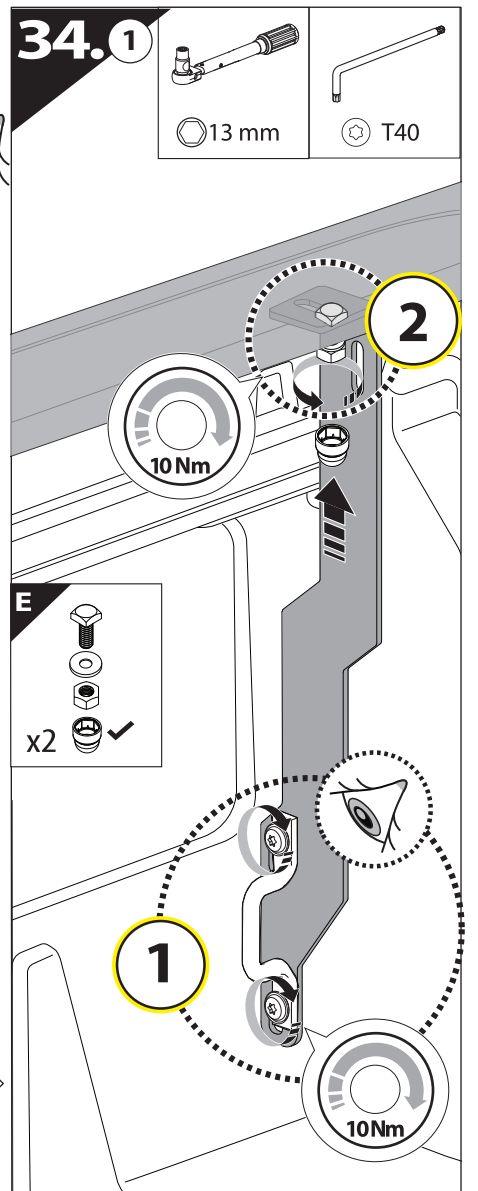
34



CAUTION !



34.1

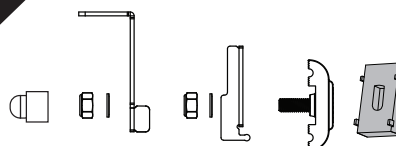


35 A



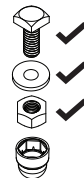
WITHOUT C - CHANNELS

O1



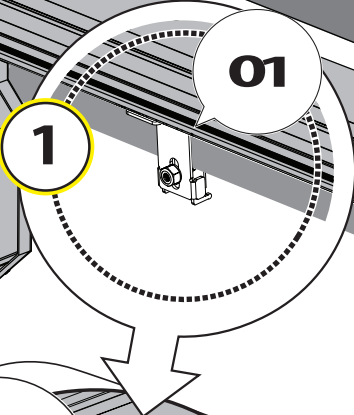
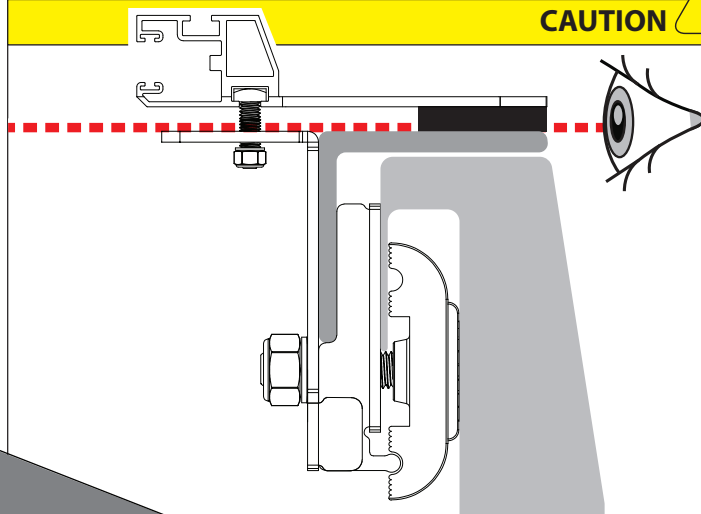
x2

E



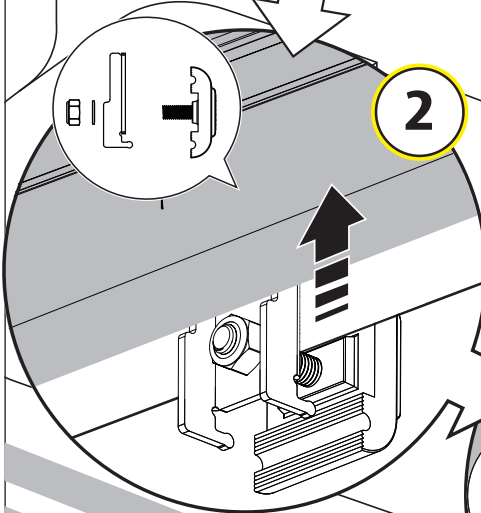
x2

CAUTION

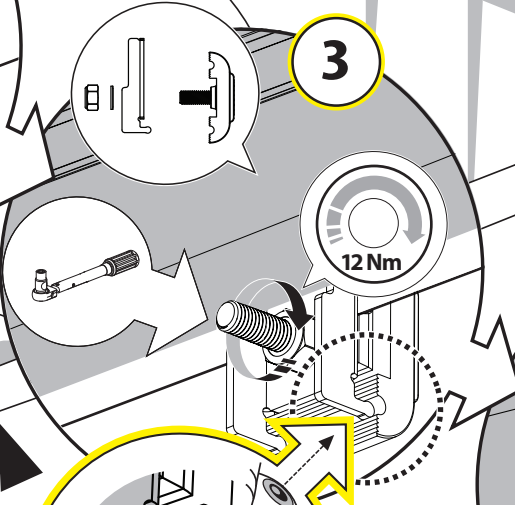


1

2

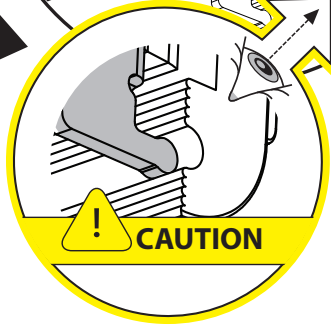


3

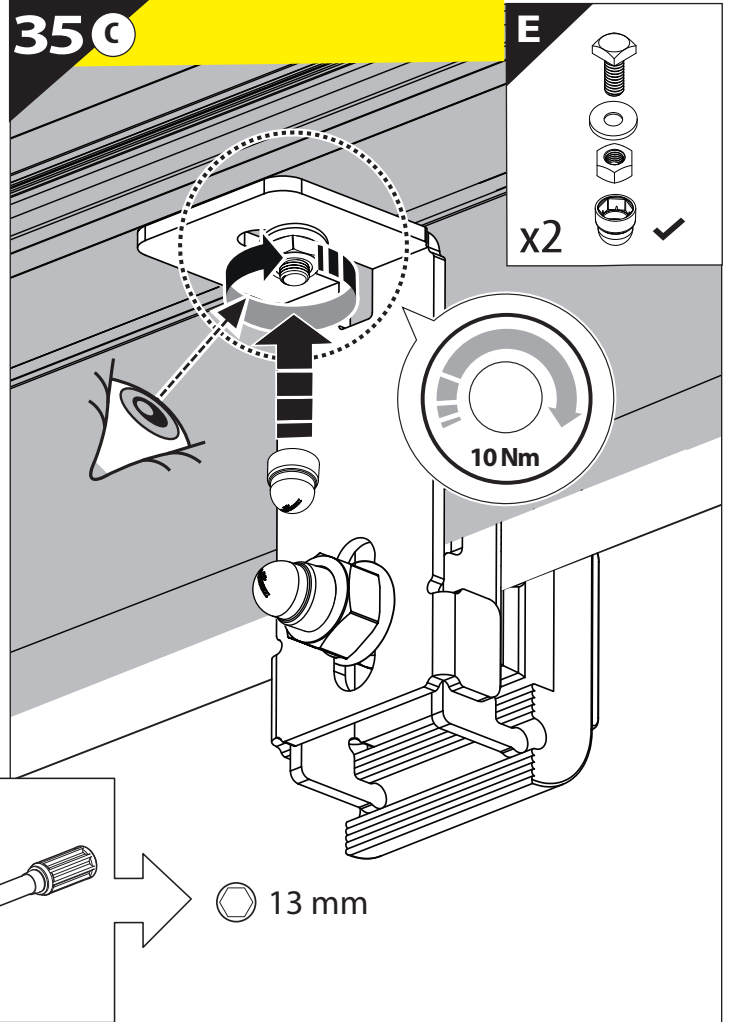
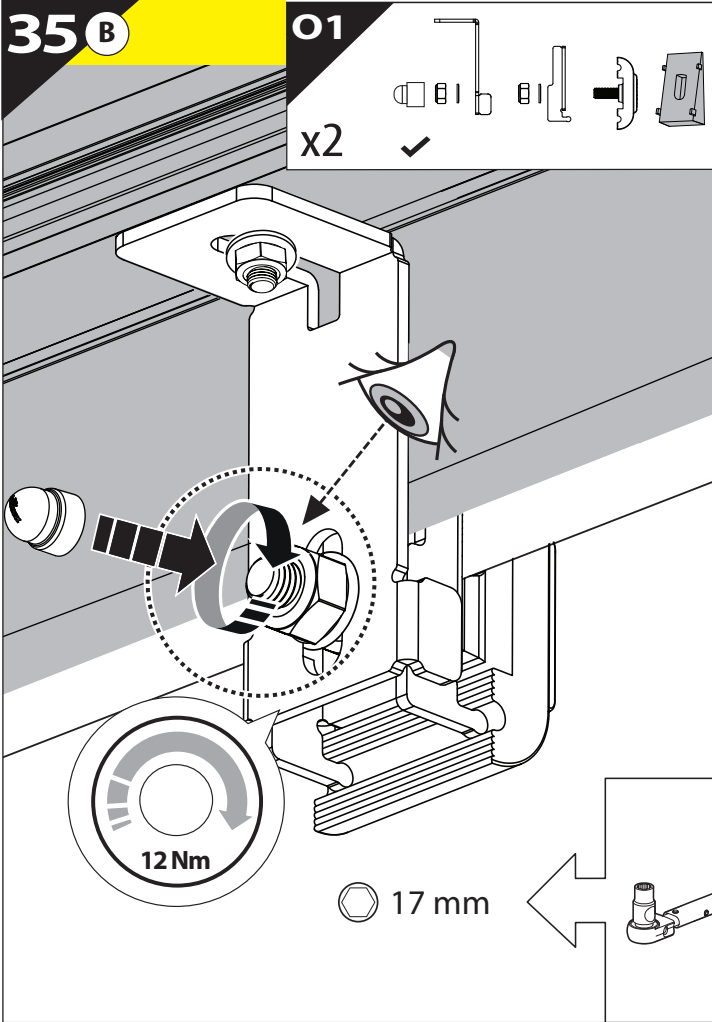


12 Nm

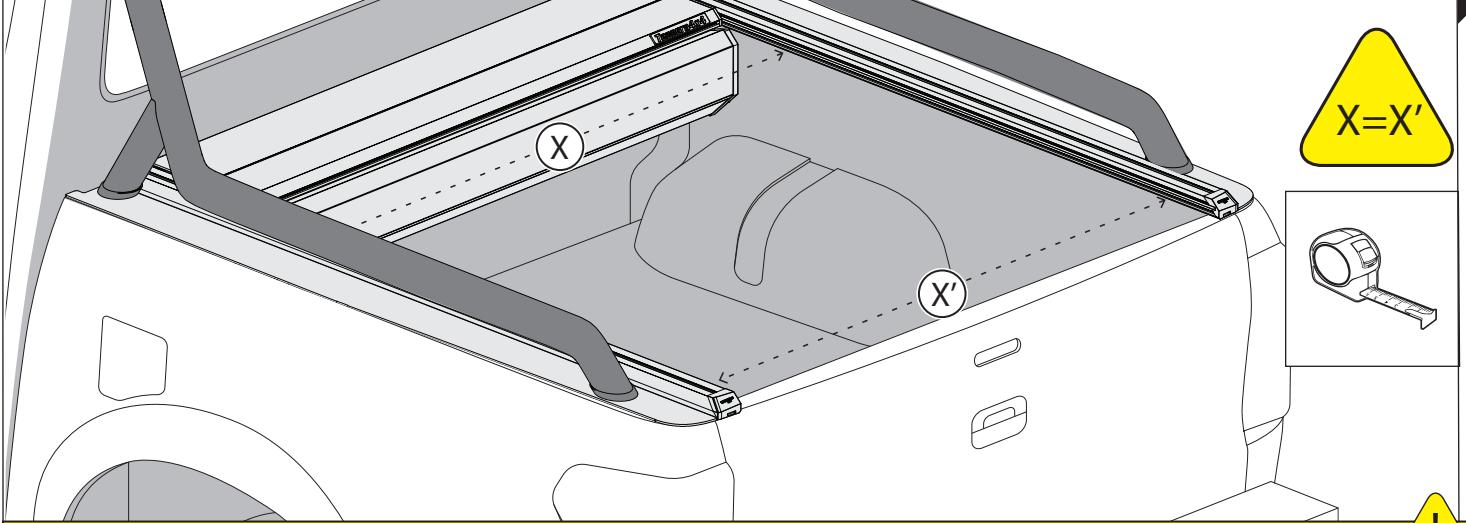
4



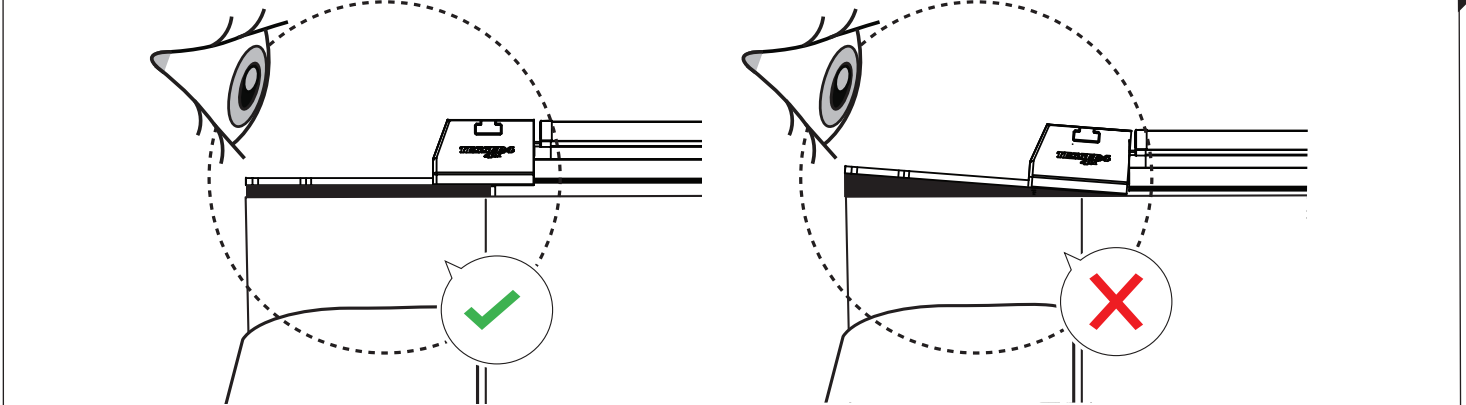
CAUTION



CAUTION !



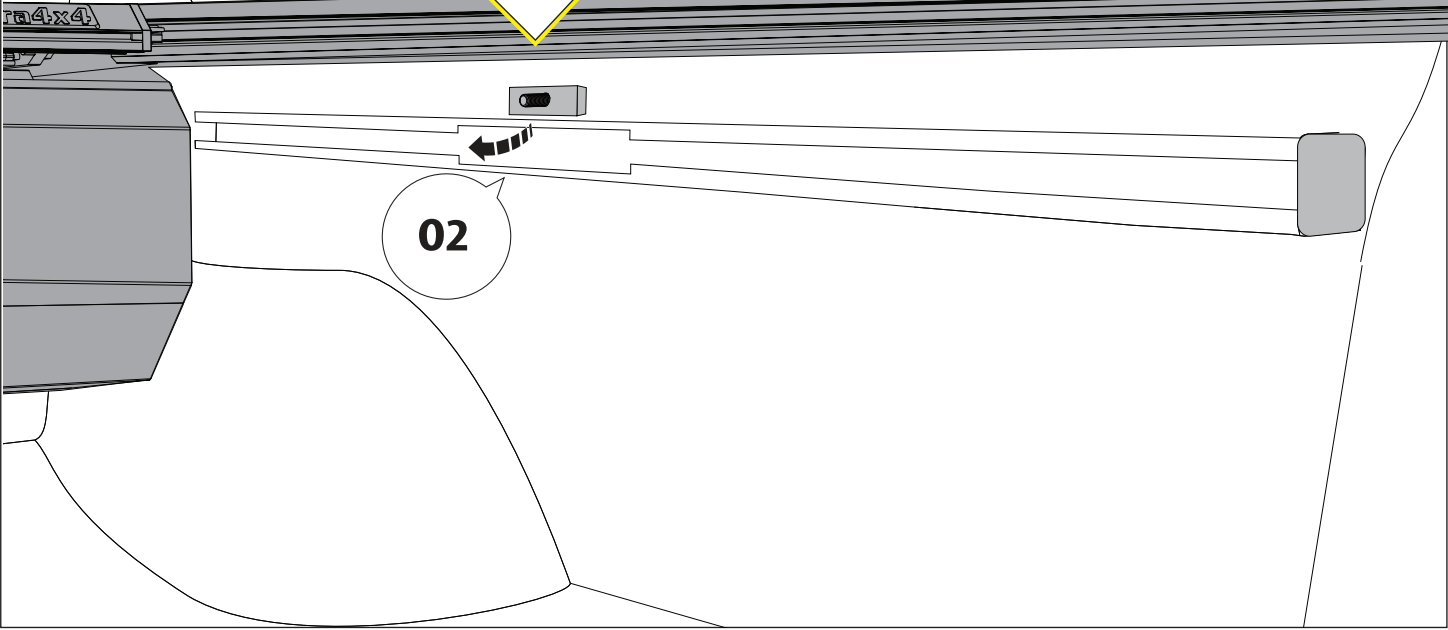
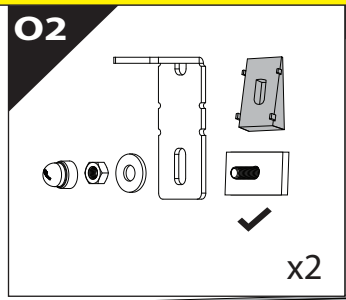
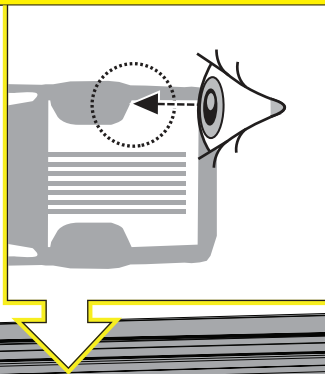
CAUTION !



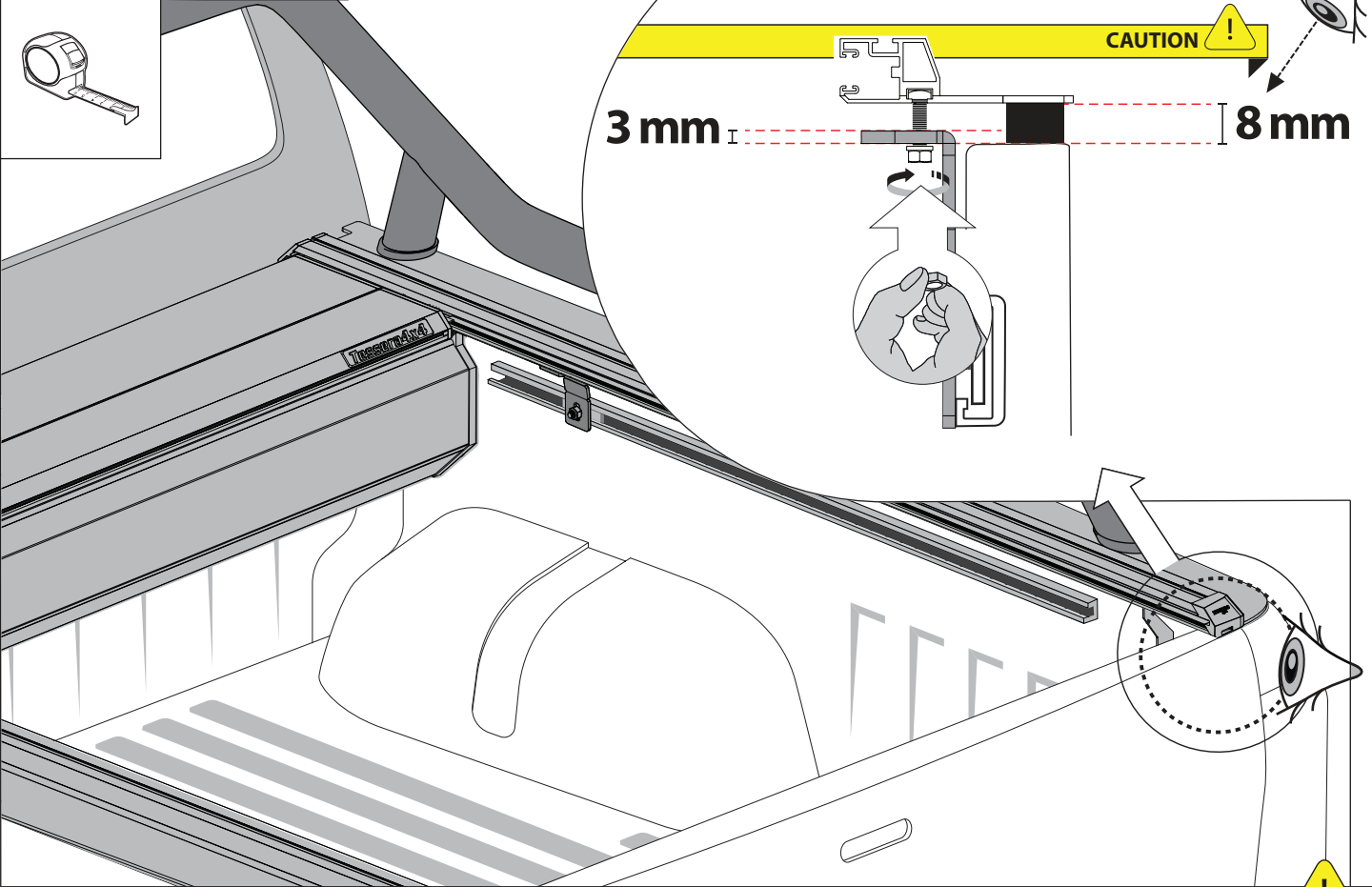
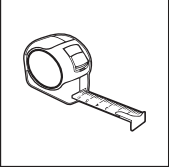
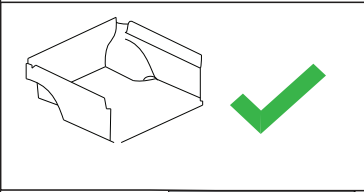
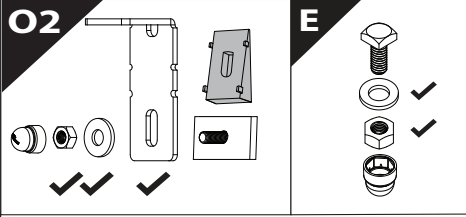
35 A



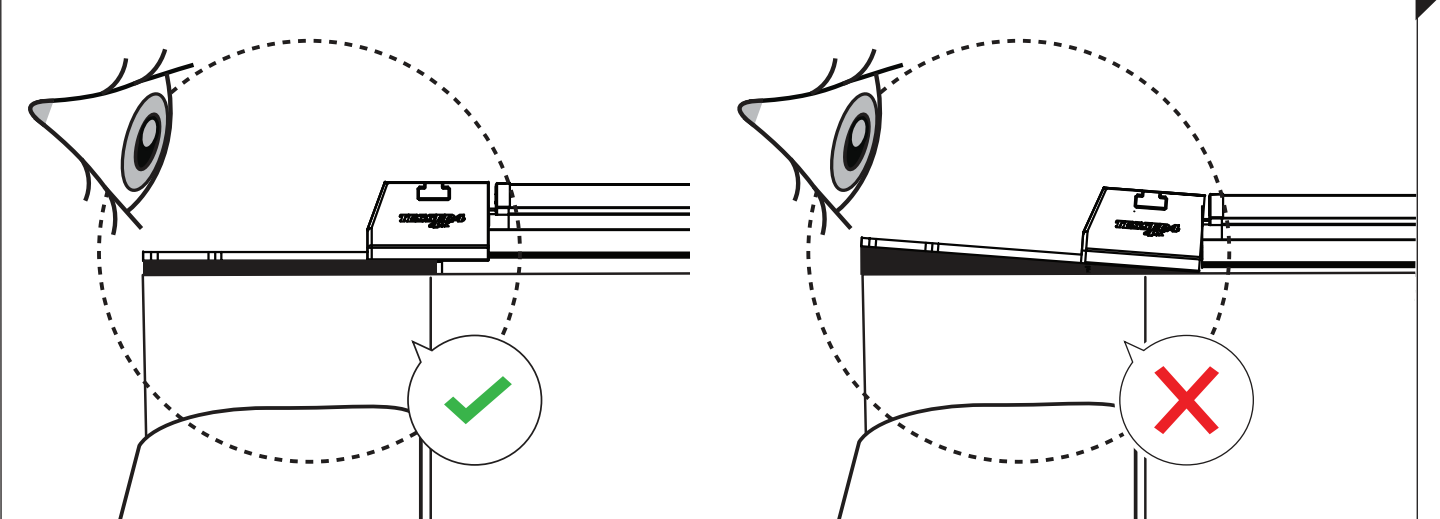
WITH C - CHANNELS



35 B

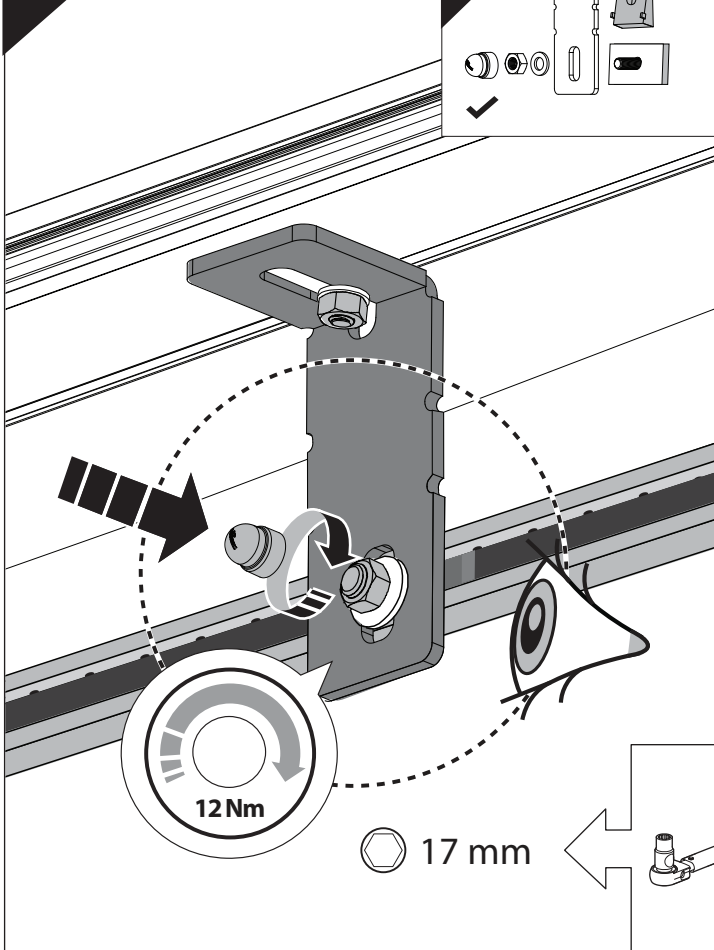
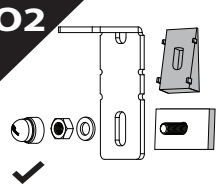


CAUTION !

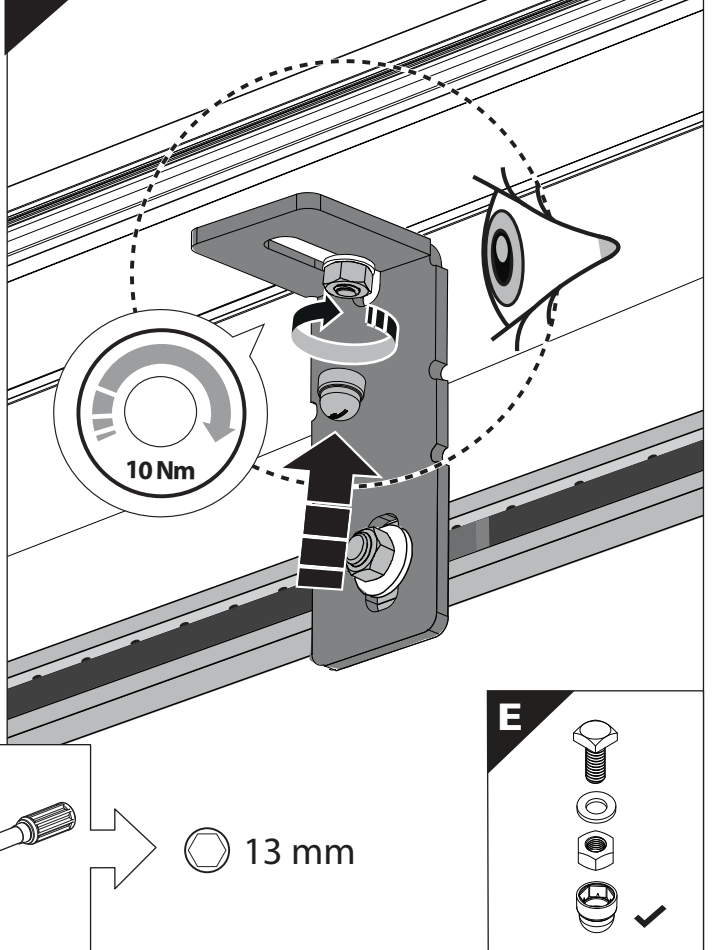


35 C

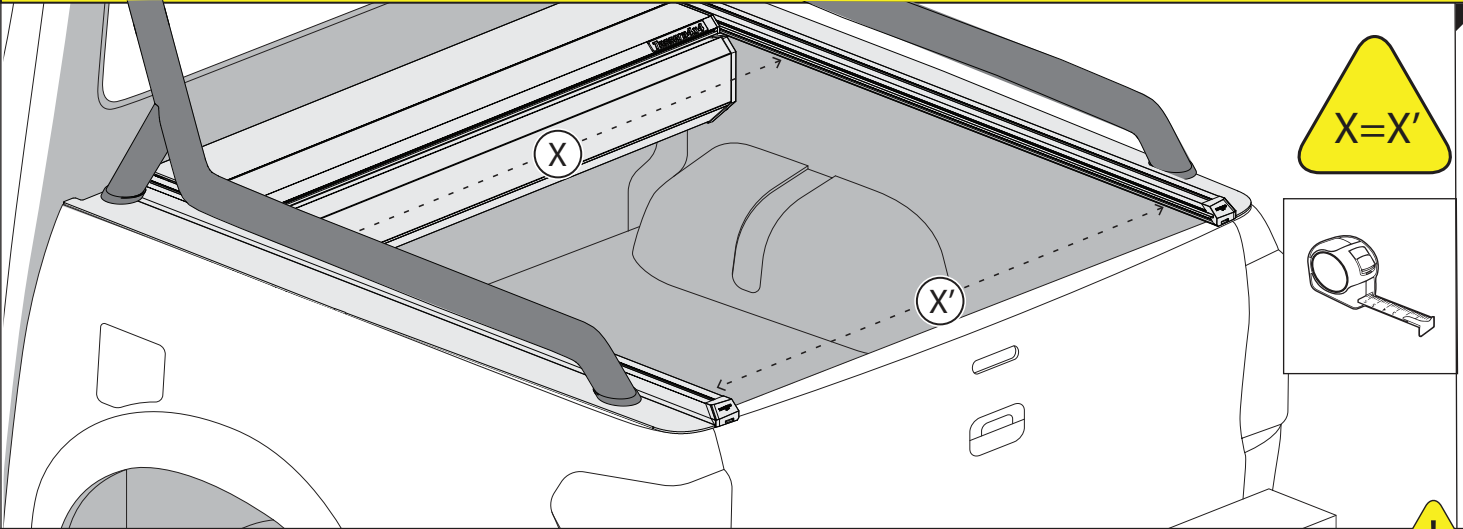
02



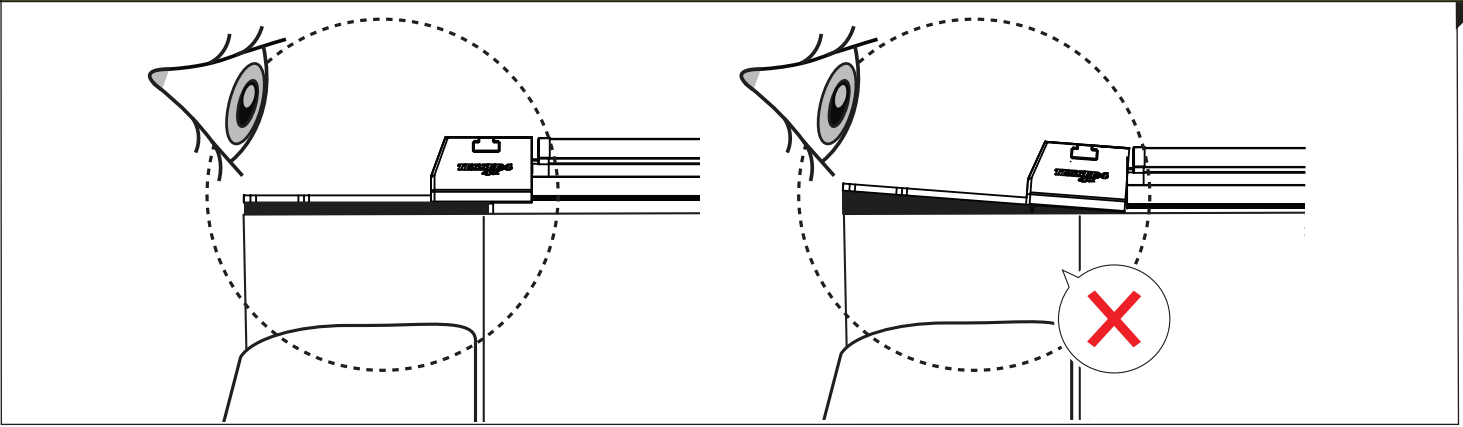
35 D



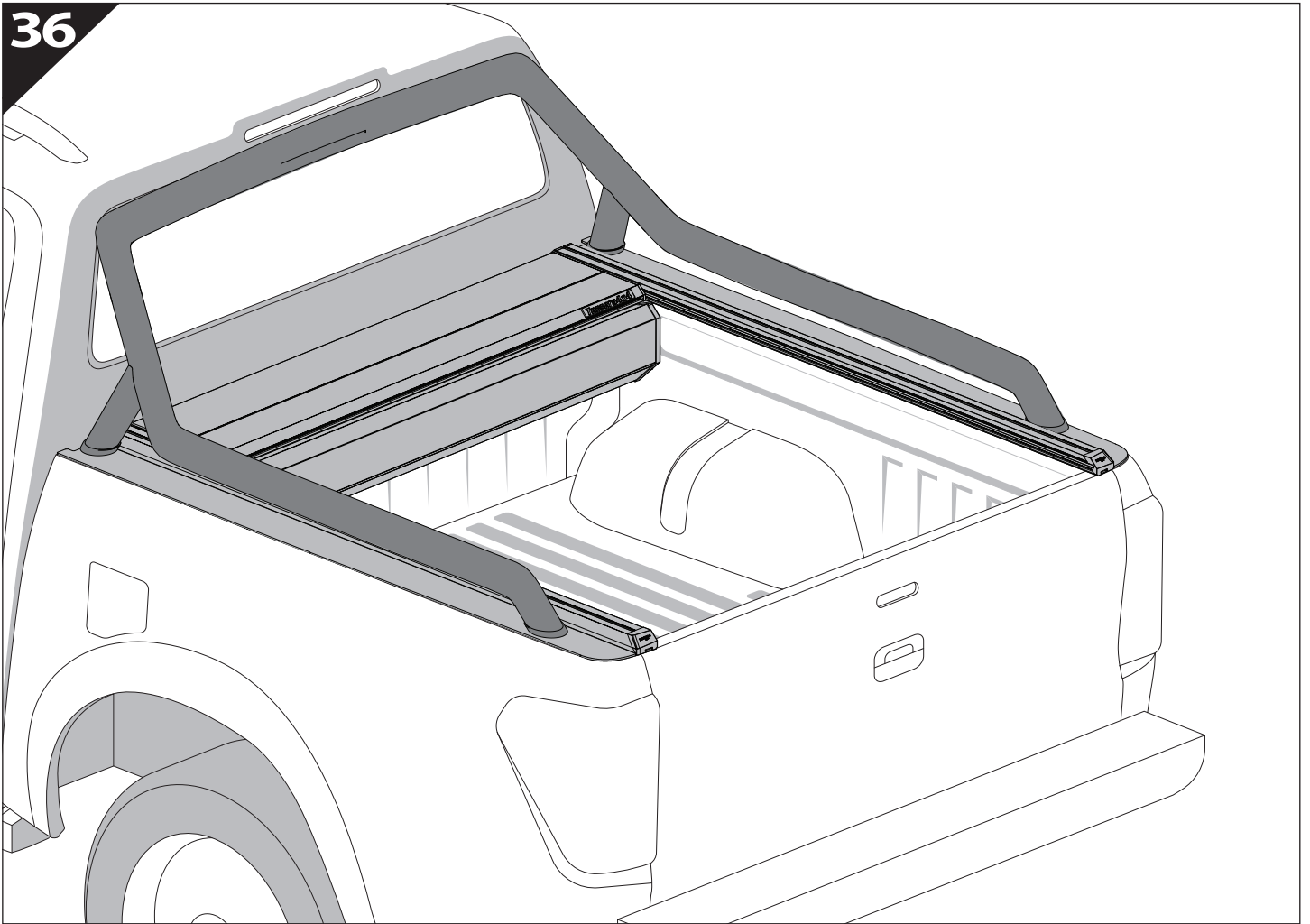
CAUTION !



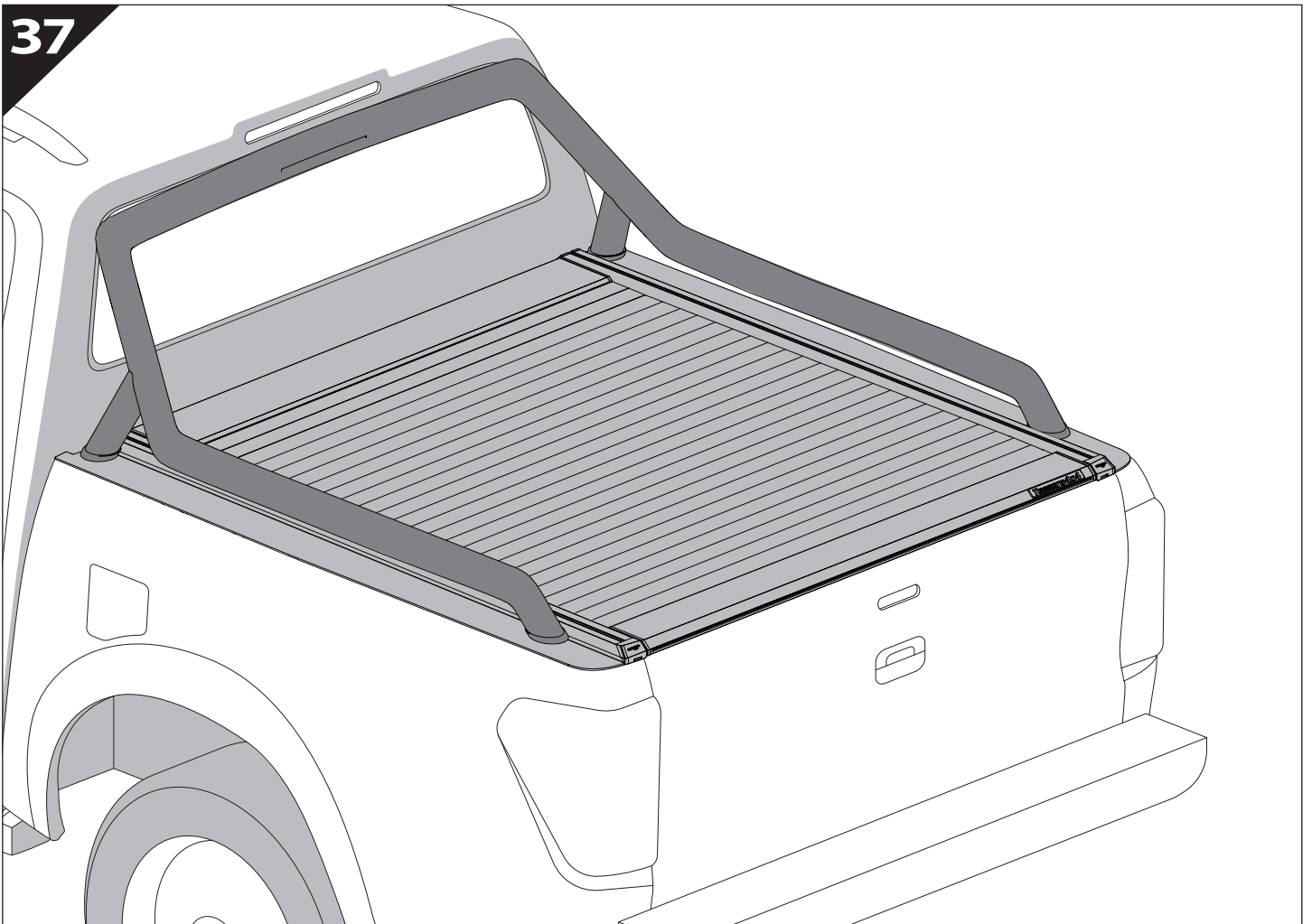
CAUTION !



36



37





GR: Οδηγίες Εγκατάστασης
GB: Installation manual
SF: Asennusohje
F: Notice de montage
PL: Instrukcja montażu
NL: Installatie-instructies
TR: Montaj Talimatı
S: Monteringsanvisning
E: Instrucciones de montaje

H: Szerelési utasítás
P: Instruções de instalação
RUS: Инструкция по установке
N: Monteringsveiledning
D: Einbauanleitung
CZ: Návod k instalaci
I: Istruzioni de montaggio
DK: Monteringsvejledning
RO: Instructiuni de instalare

Customer Service:

+30 (210) 5541161, +30 (210) 5541154 (08:00 - 16:00 EET)

Support department:

info@gianso.gr

Website:

www.tessera4x4.com

Address:

19.5 km of National road Athens-Korinthos (Elefsina) Greece, P.C: 19200