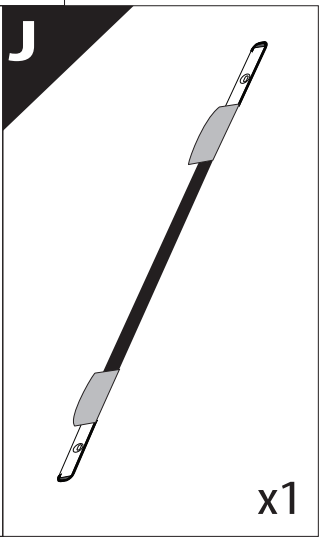
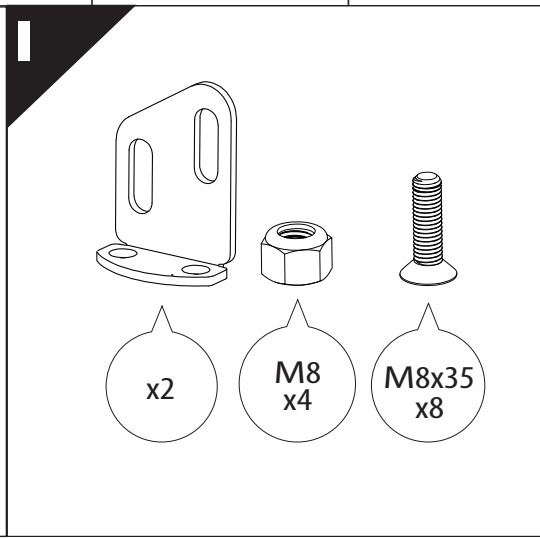
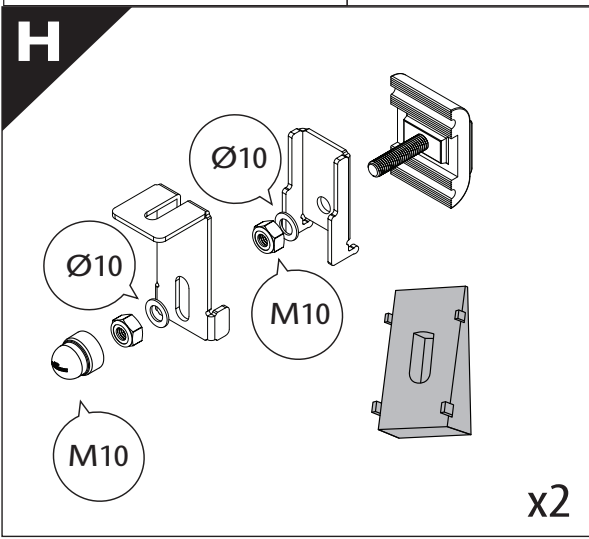
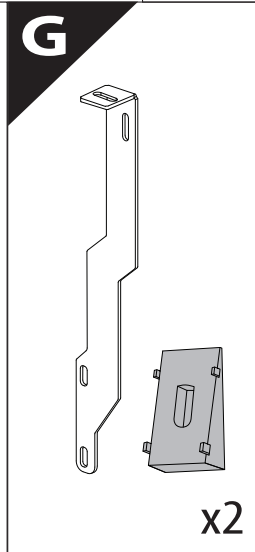
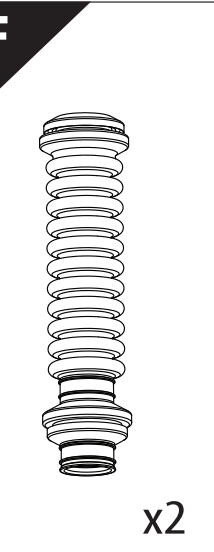
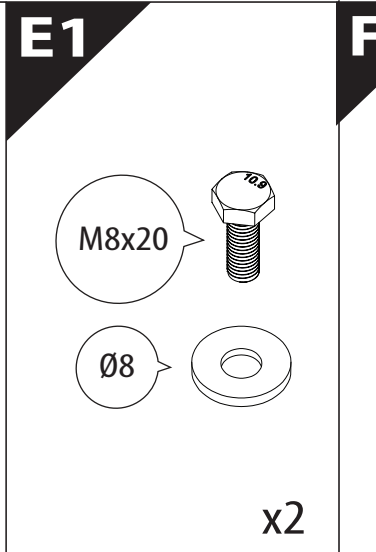
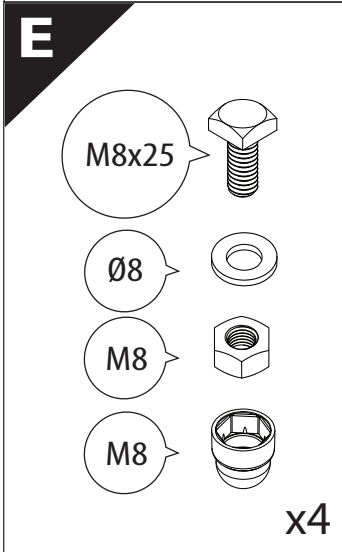
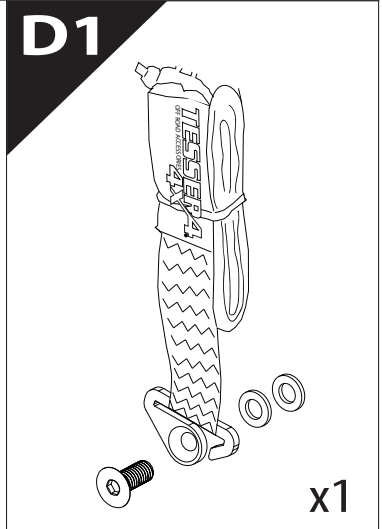
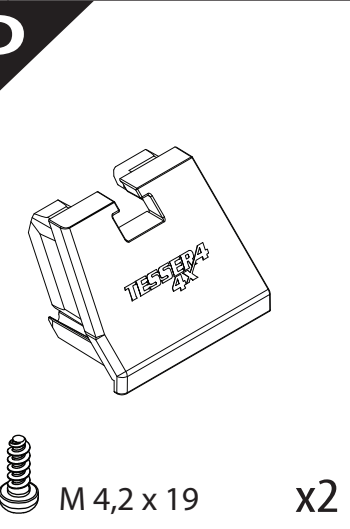
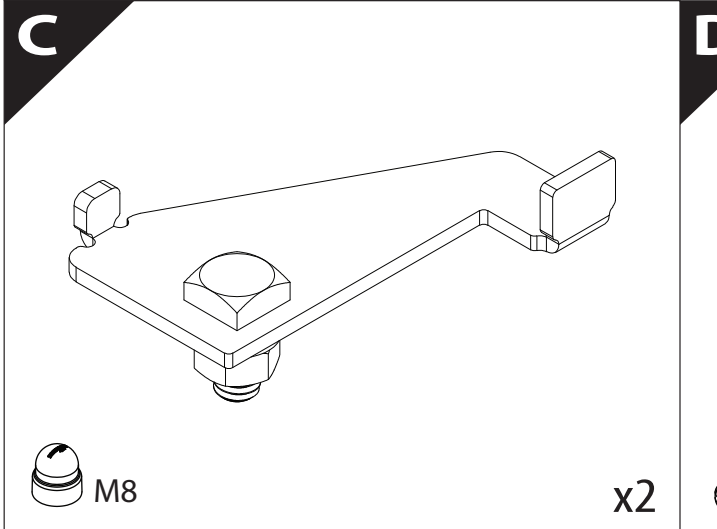
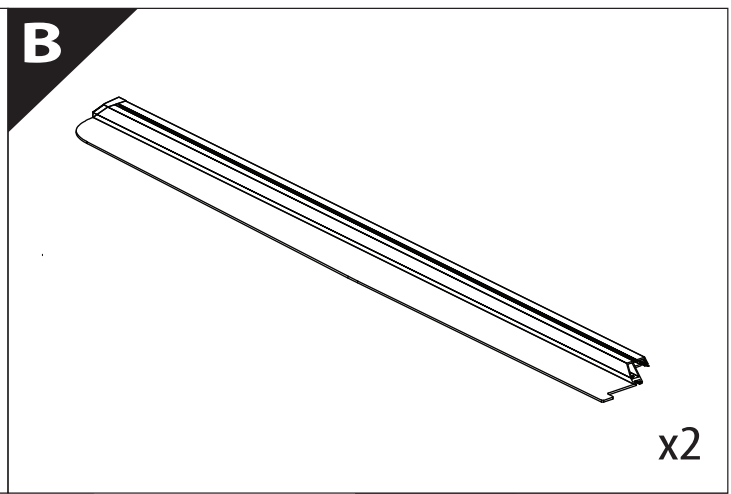
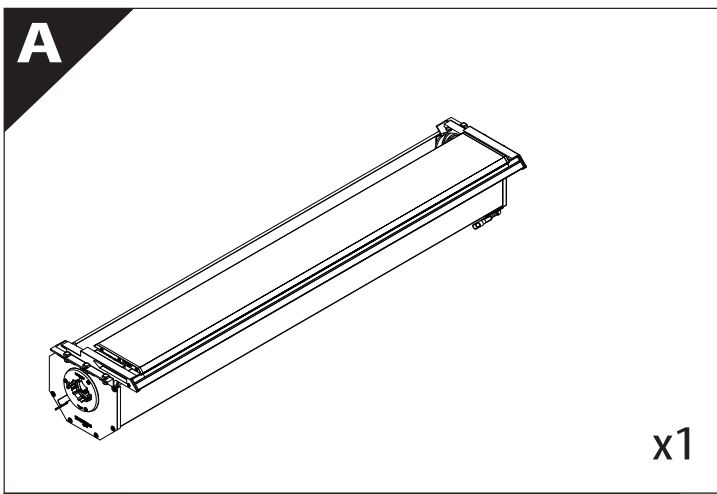
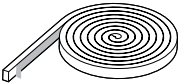
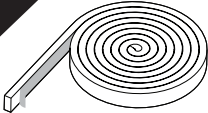

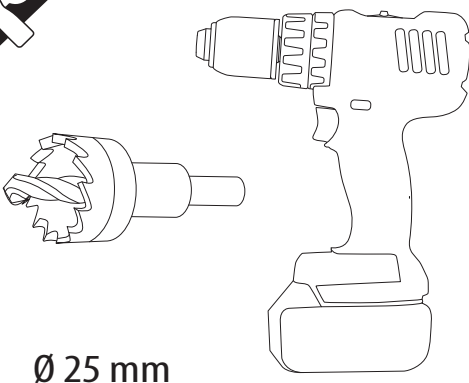

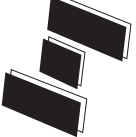



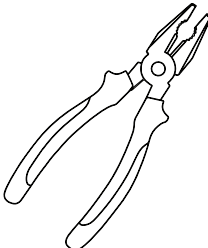
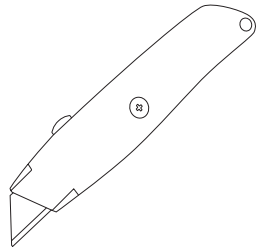
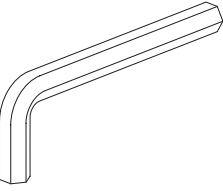
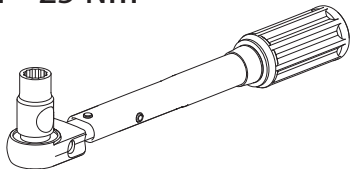
## Installation Manual


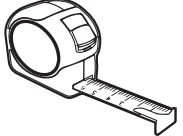
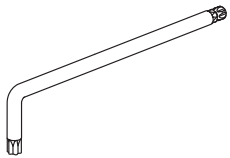
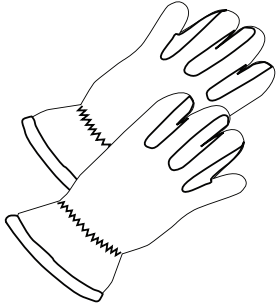
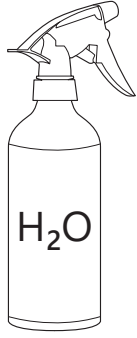
<b>PART NUMBER(S)</b>	<b>Model Year</b>
<b>TESS 15012 SE</b>	<b>VW AMAROK PANAMERICANA 2023+ (no c-channels)</b>
<b>Cab(s)</b>	<b>Installation Time / Weight</b>
<b>Double Cab</b>	<b>40-60 minutes / 53-57 kg</b>

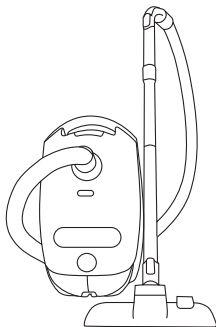
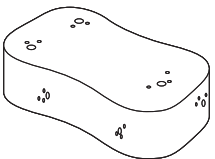


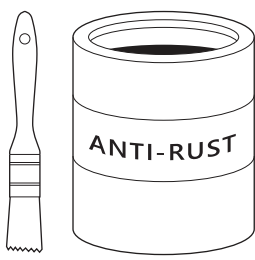




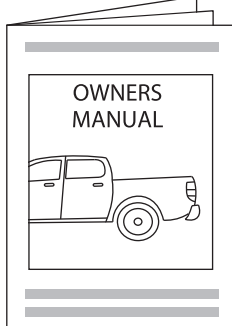


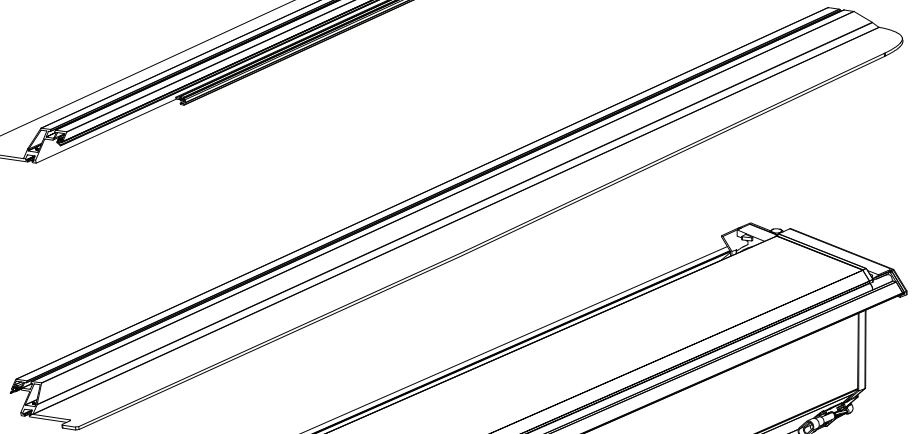
<p><b>K1</b> x1</p>  <p>1.5 x 0.8 x 400cm</p>	<p><b>K2</b> x1</p>  <p>5 x 0.8 x 167cm</p>	  <p>Ø 25 mm</p>		 <p>+</p>
<p><b>K3</b> x1</p> 	<p><b>K4</b> x2</p> 			

		 <p>4 mm , 5 mm</p>	<p>1 - 25 Nm</p>  <p>10,12,13, 17 mm</p>
--	---	--	---

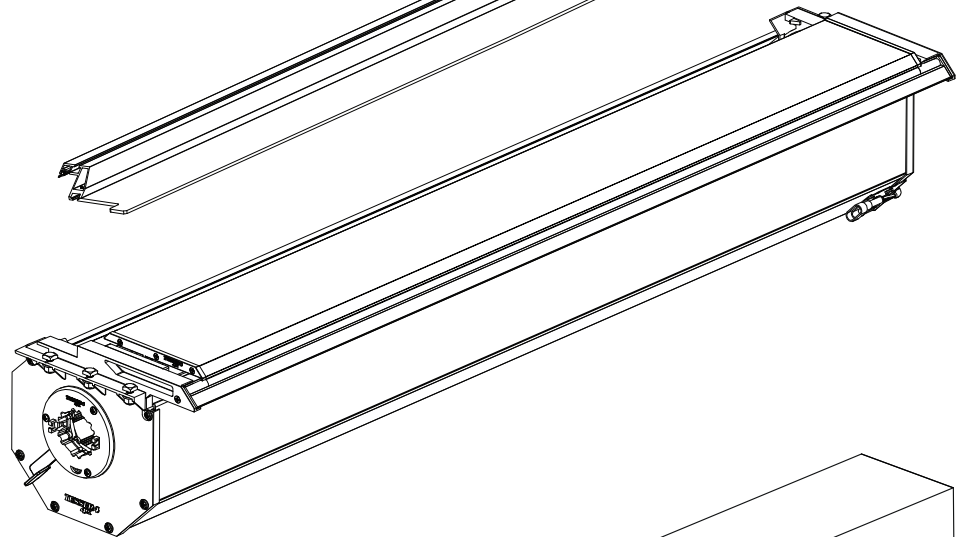
 <p>ACETONE</p>		 <p>T40</p>		 <p>H<sub>2</sub>O</p>
---	--	---	---	--

				 <p>ANTI-RUST</p>
--	---	---	---	--

	 <p>INSTALATION MANUAL</p>	 <p>OWNERS MANUAL</p>	<p>x1</p>
---	---	---	-----------

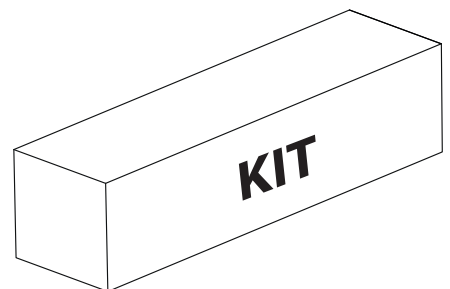


**B**



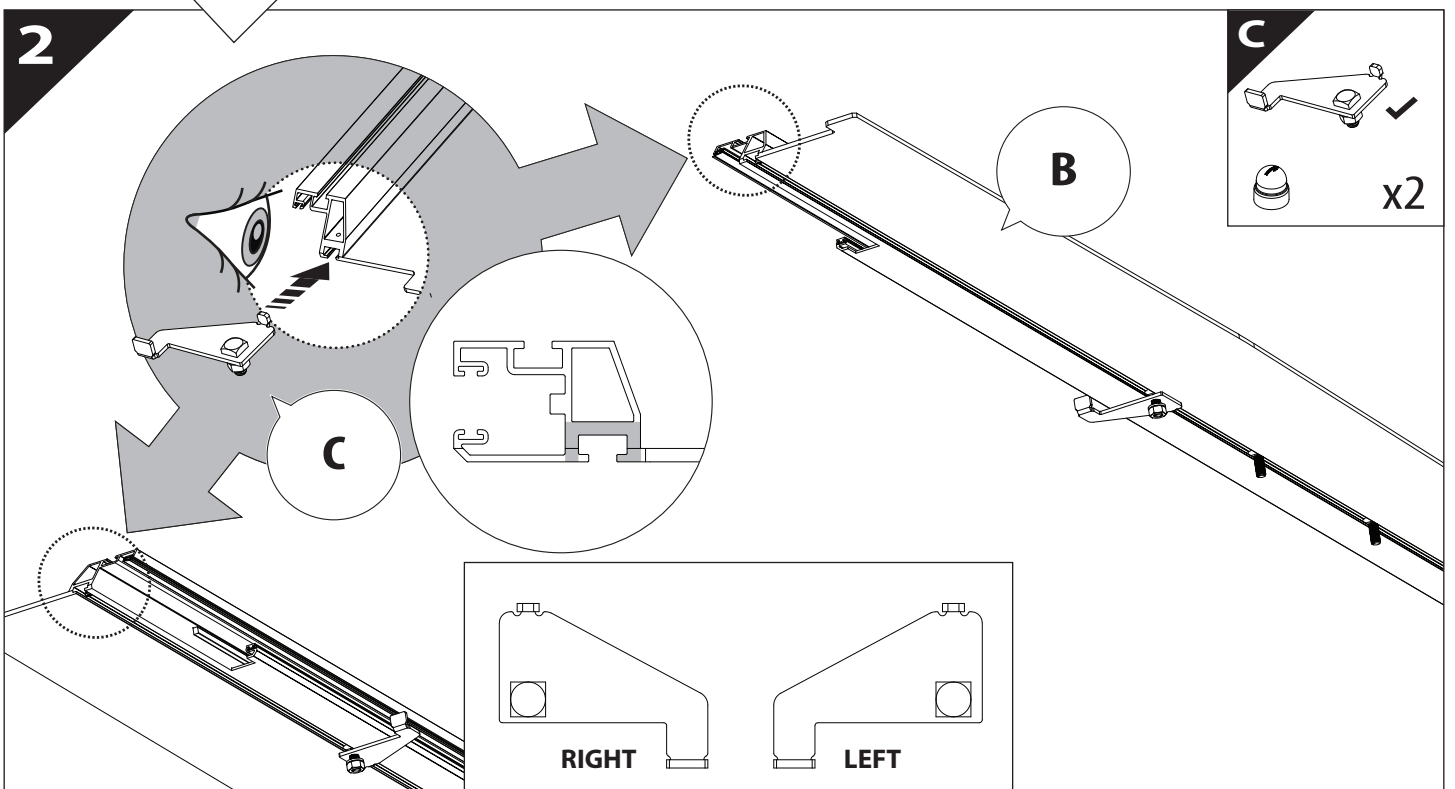
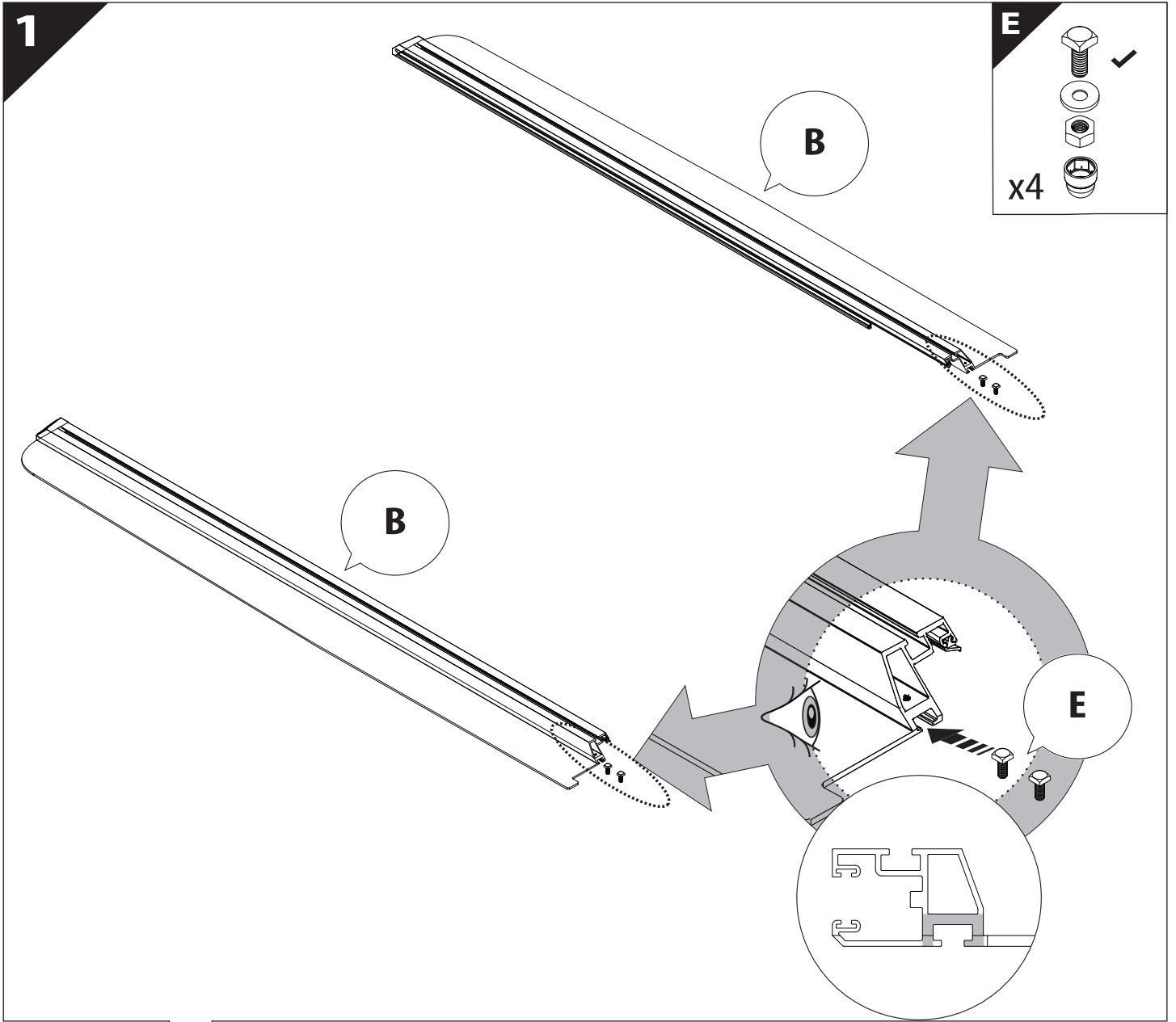
**A**

**KITS**

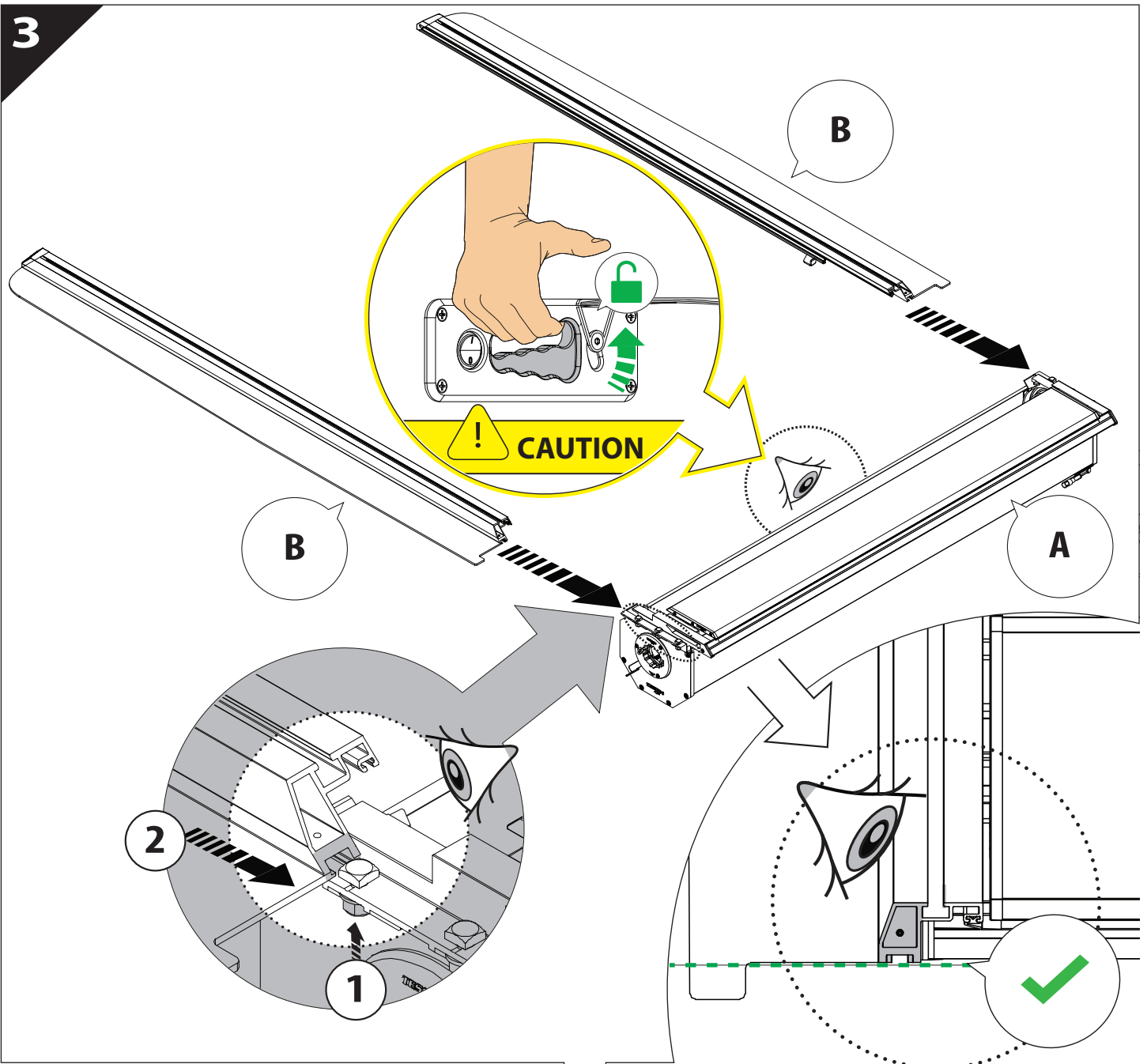


**K**

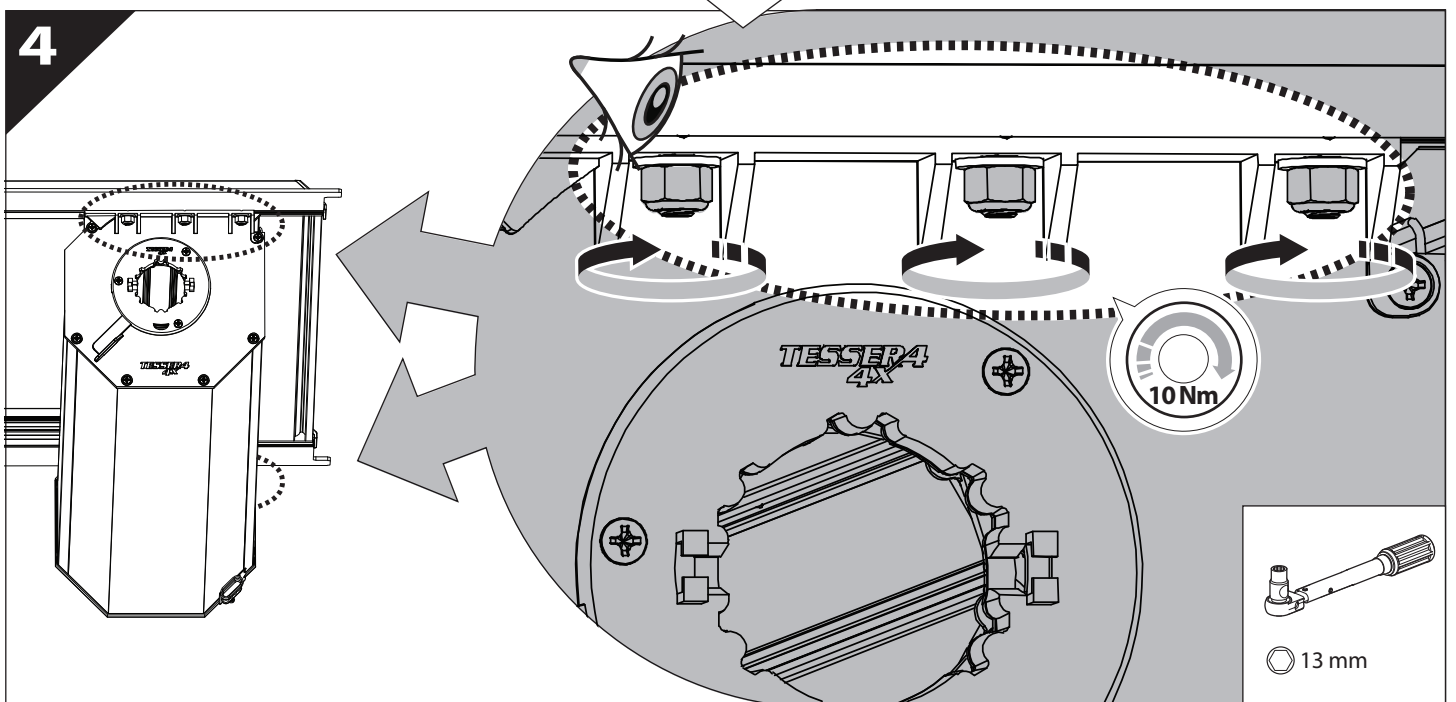


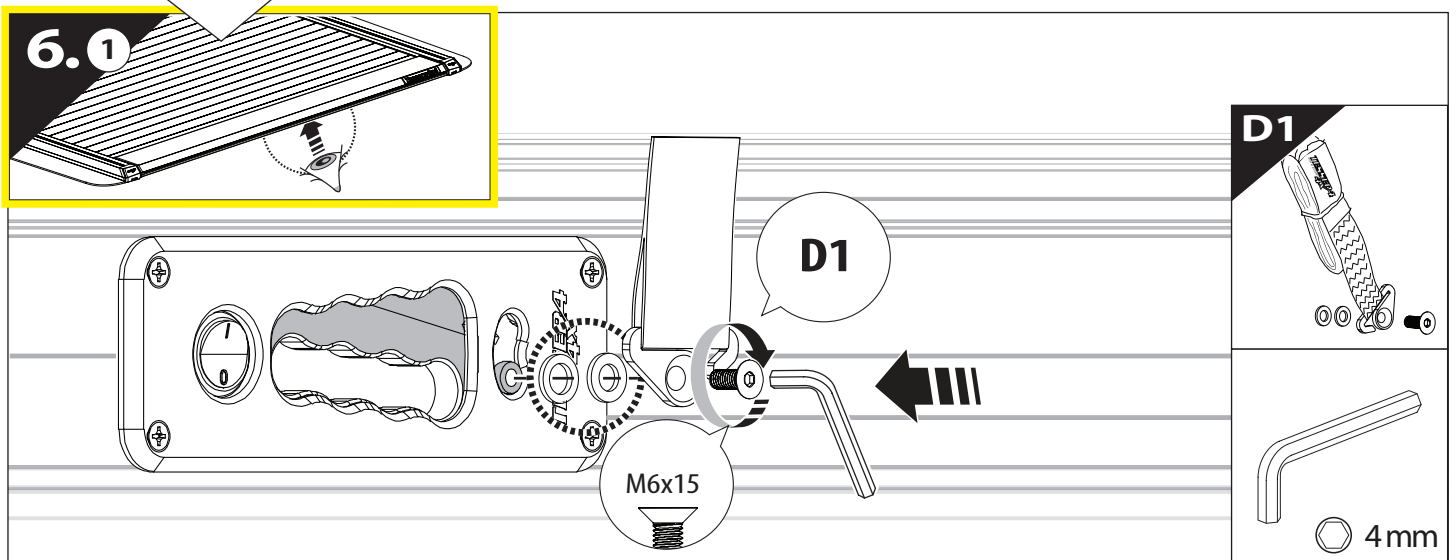
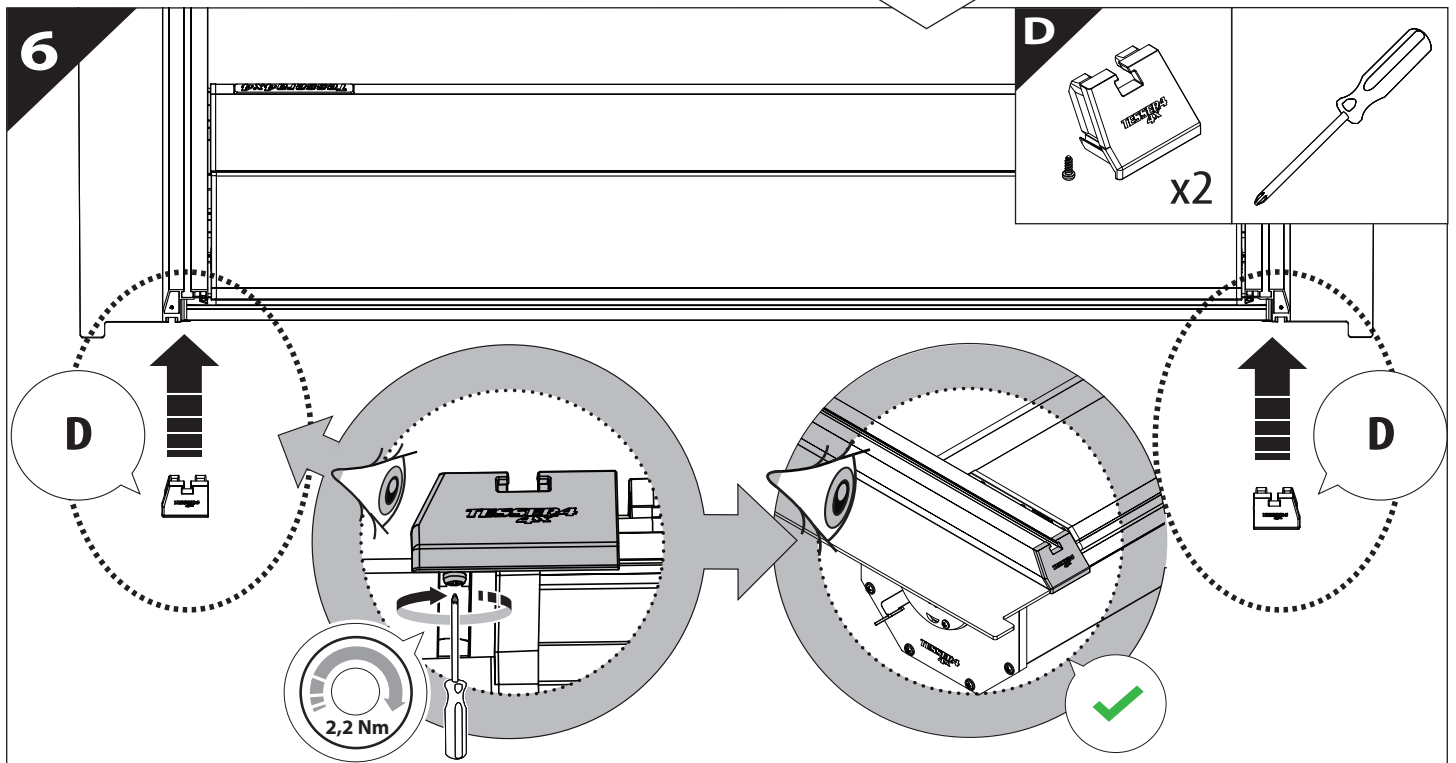
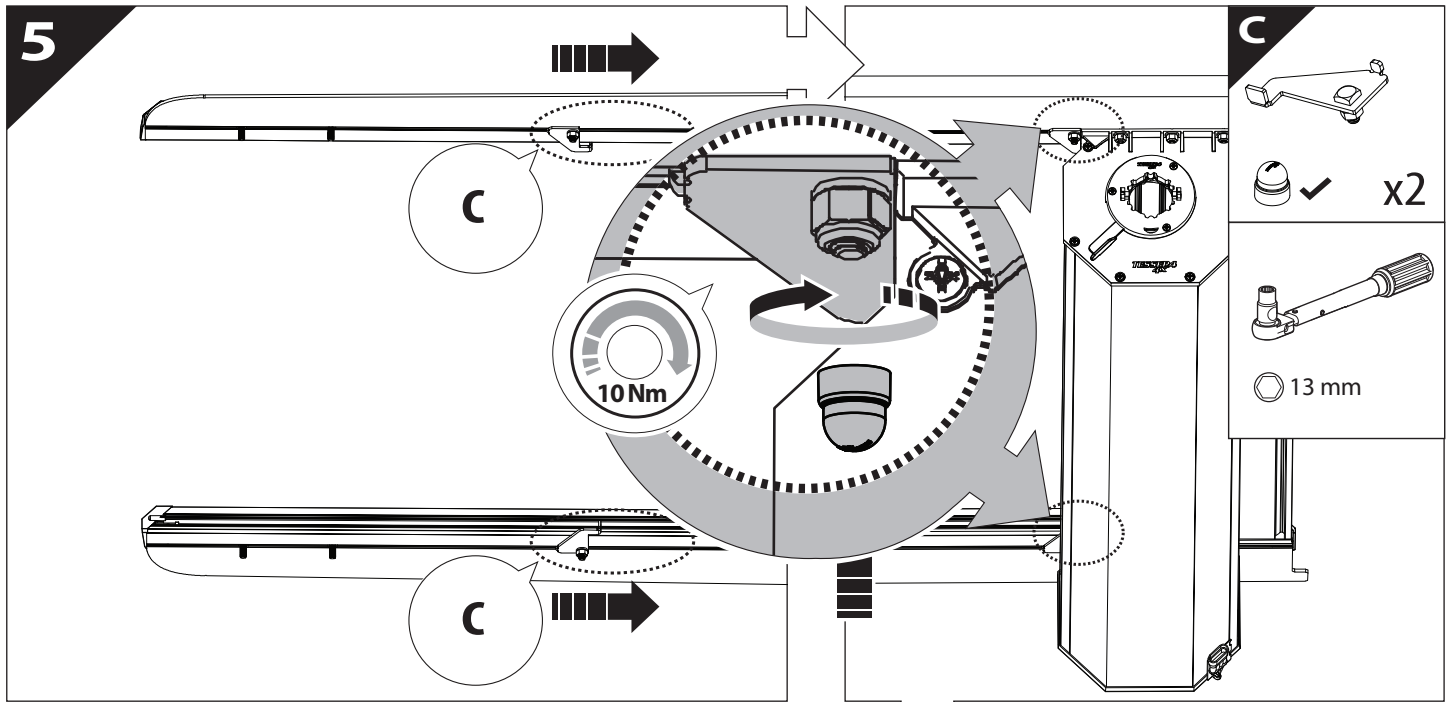


3

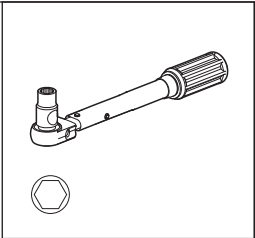


4

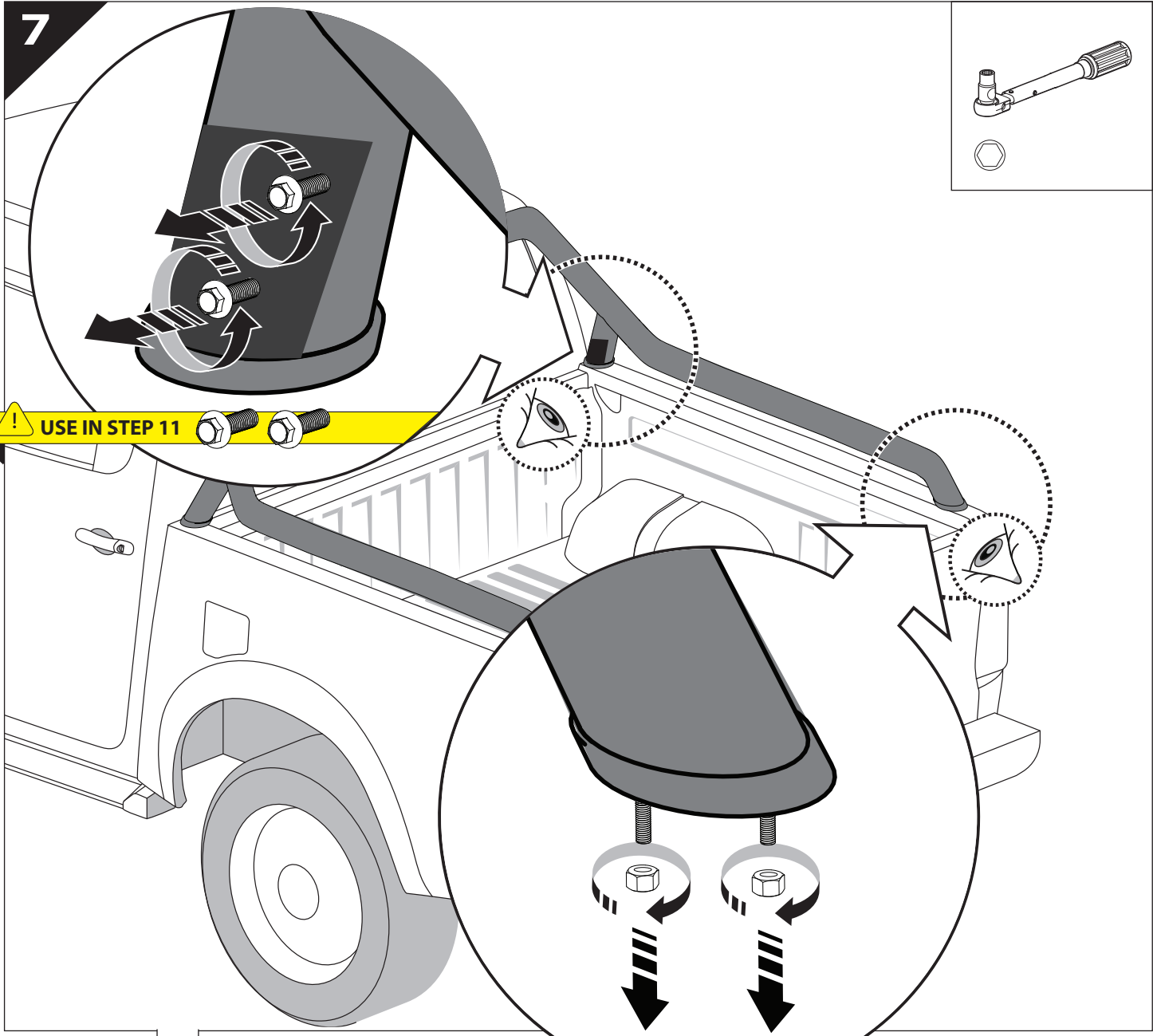




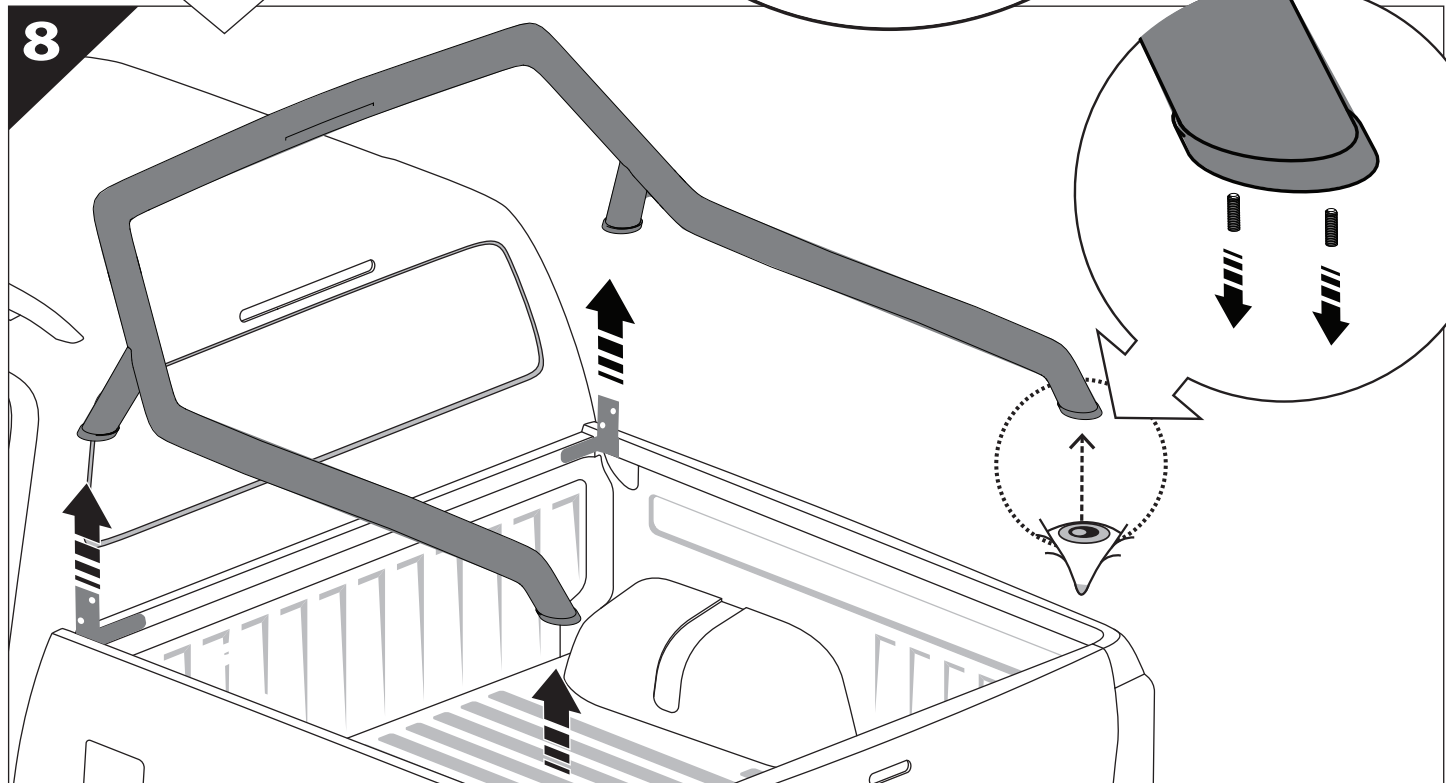
7

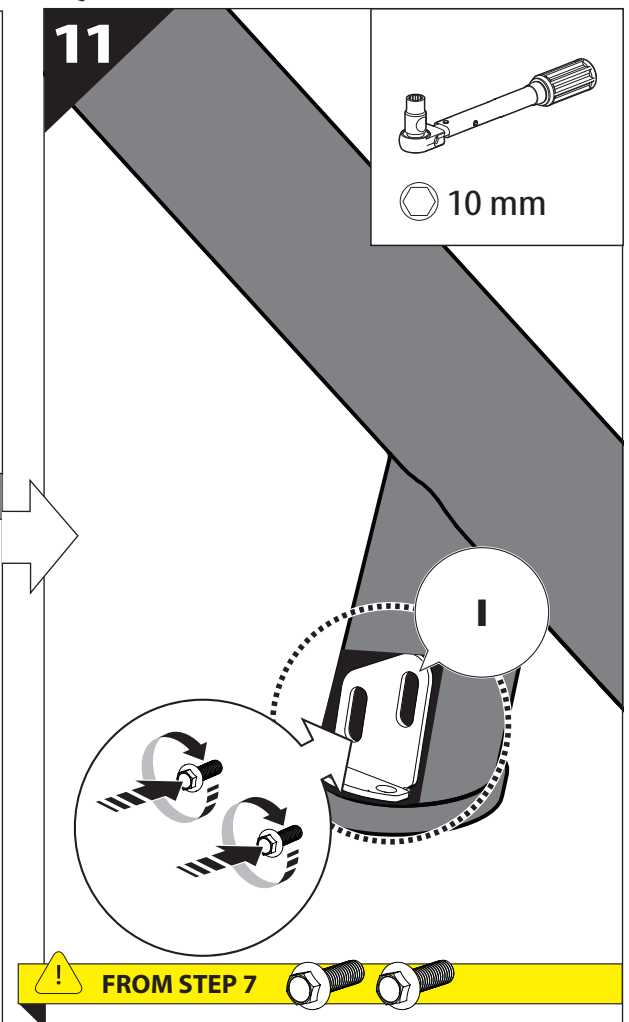
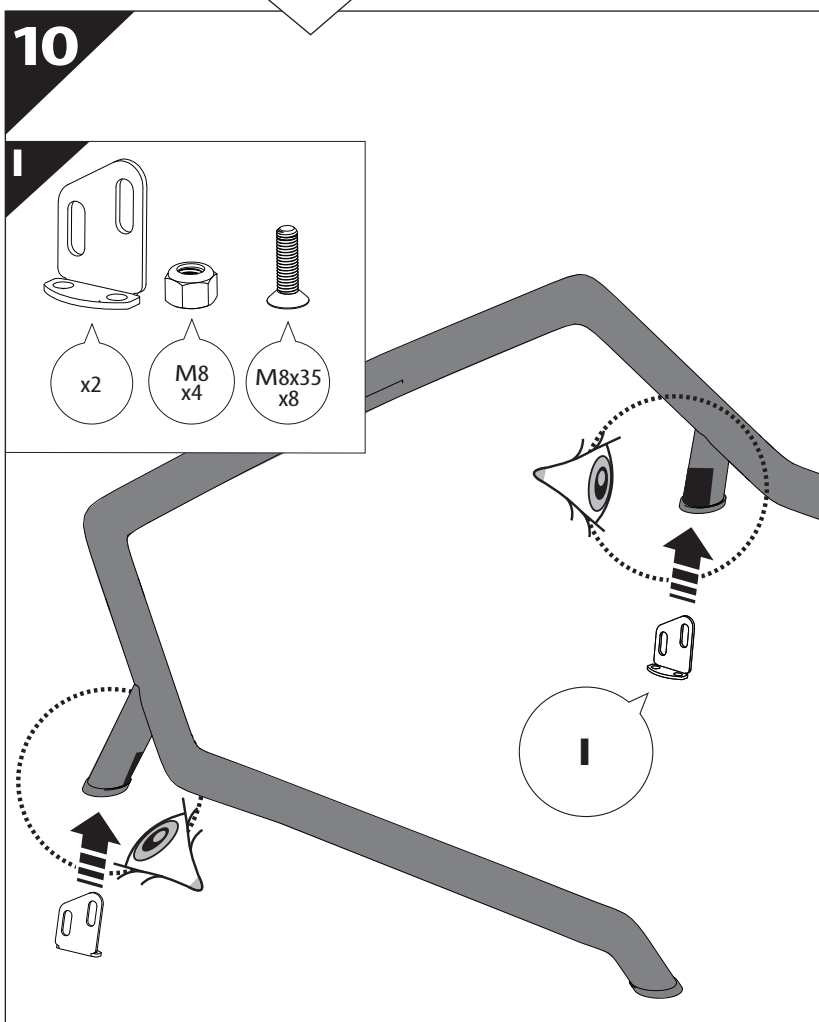
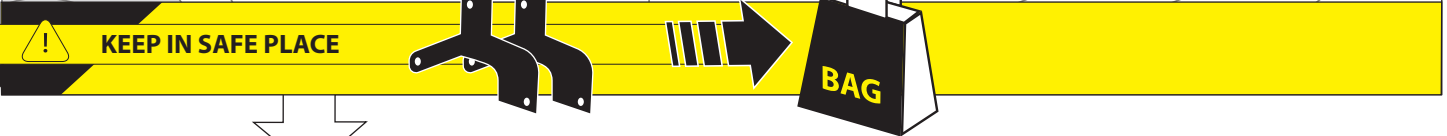
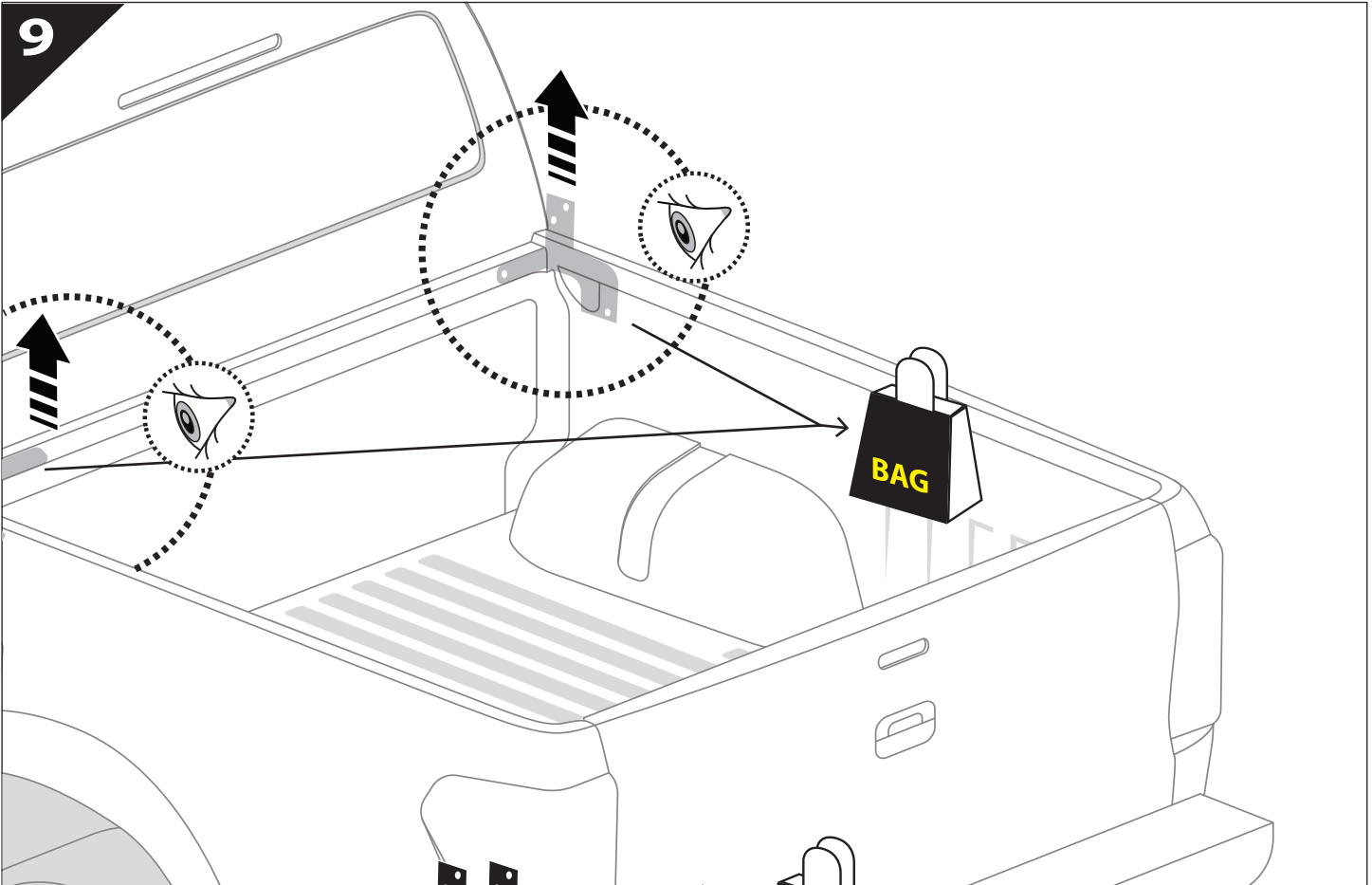


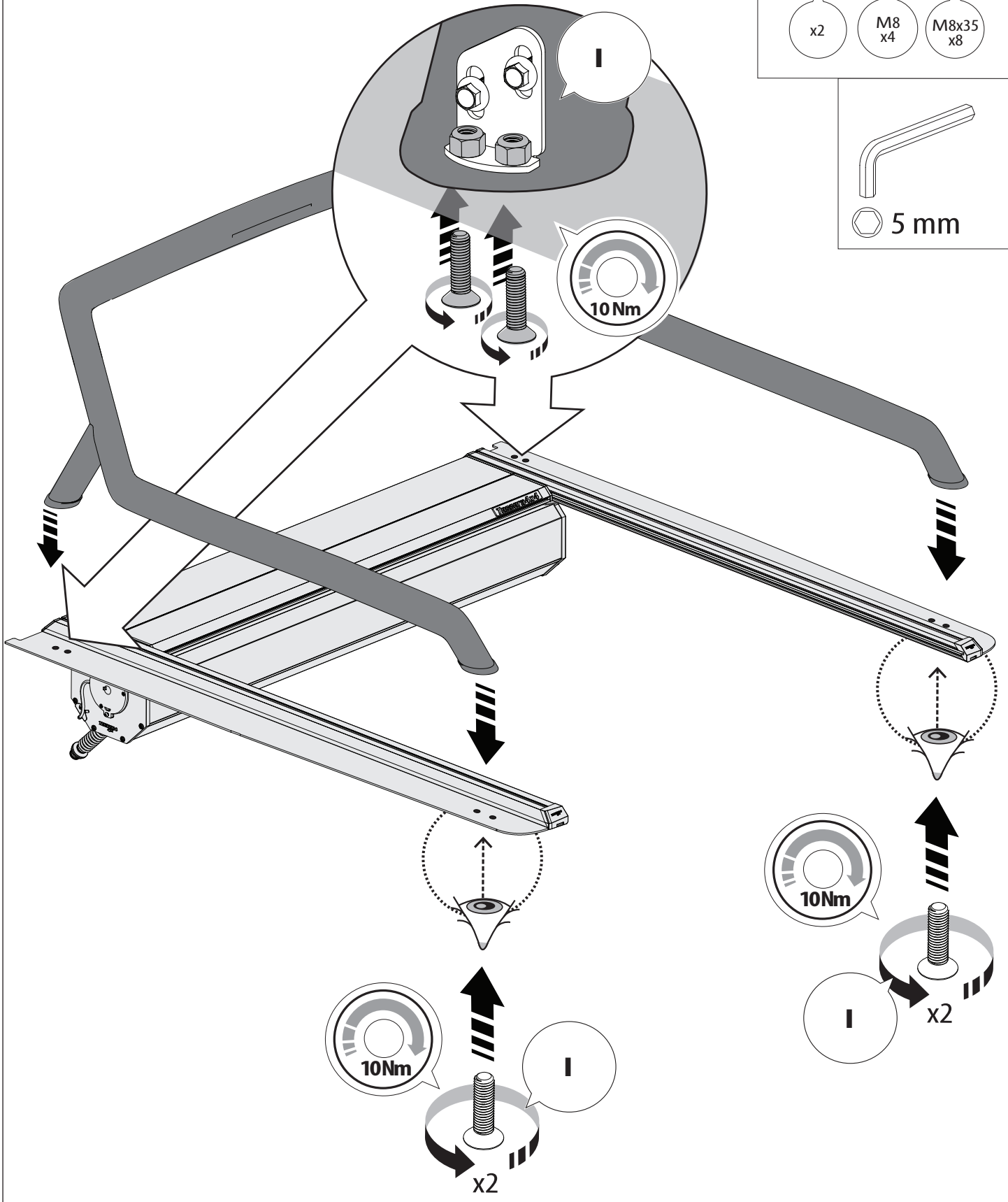
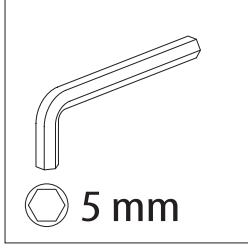
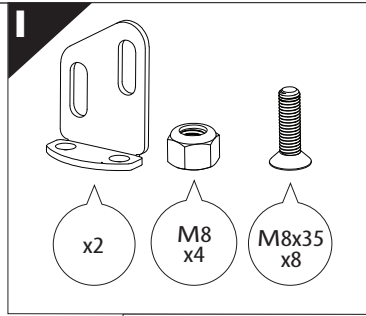
**! USE IN STEP 11**



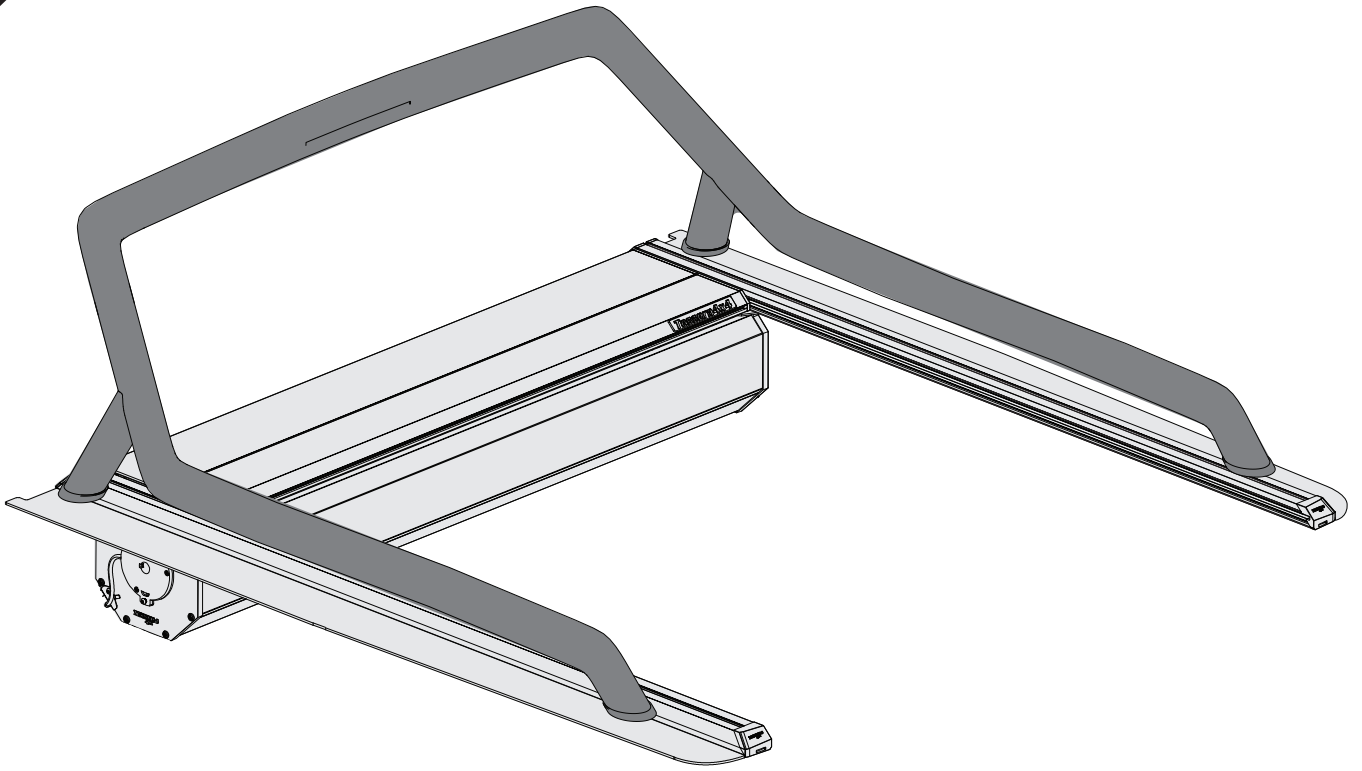
8



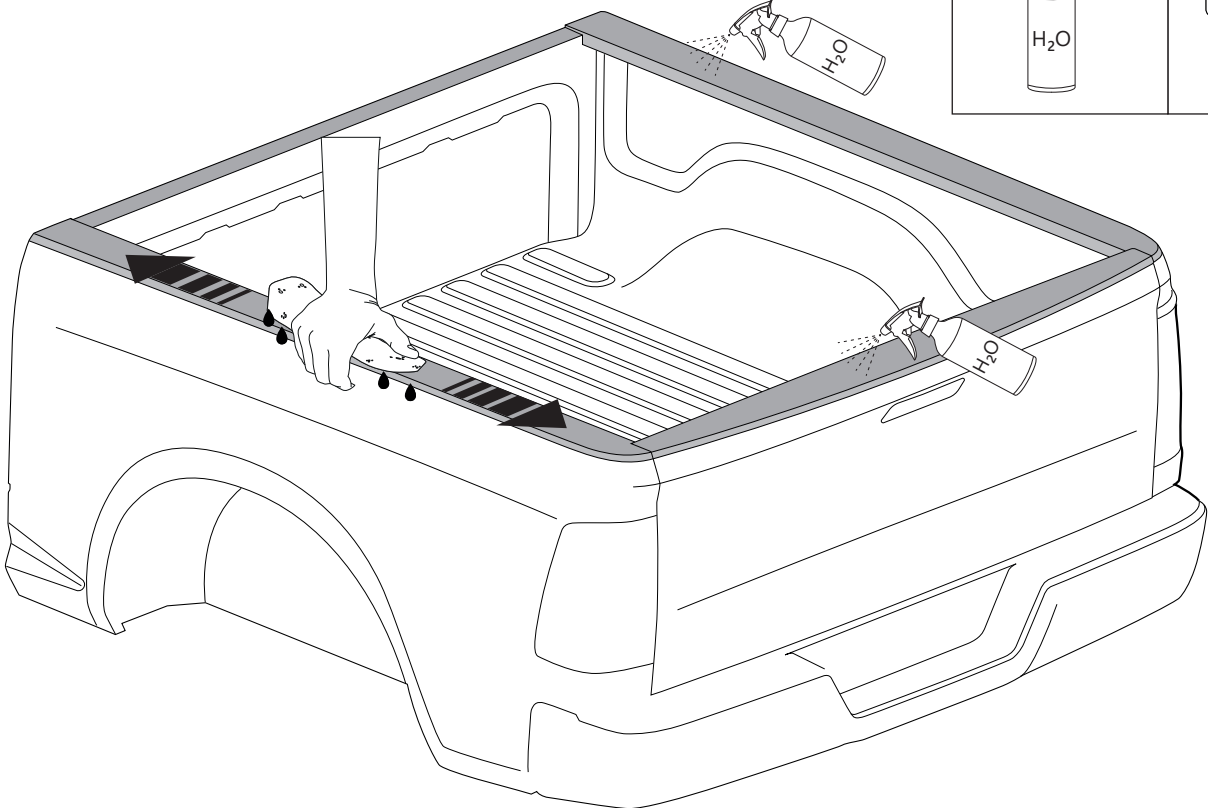




13

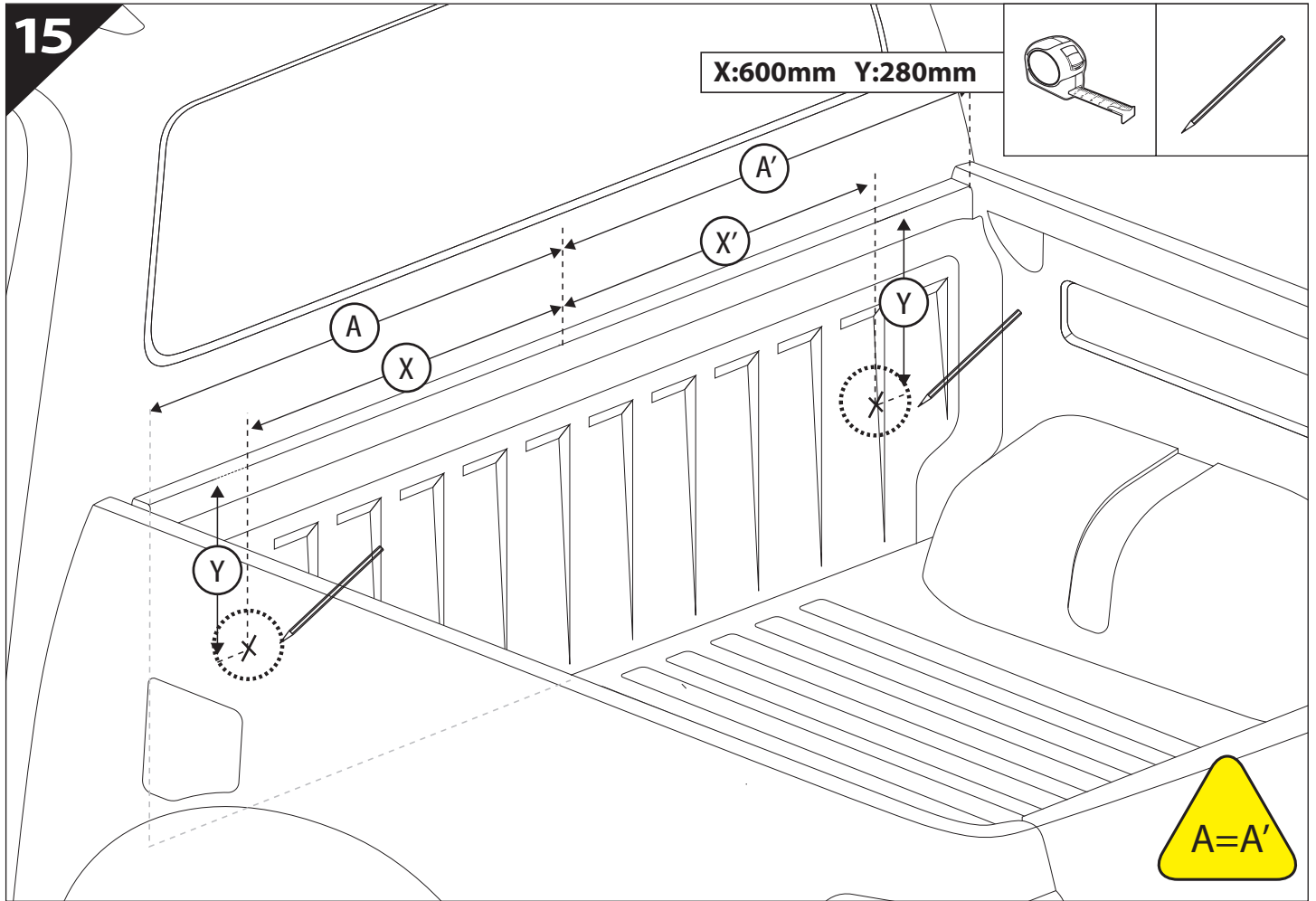
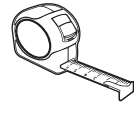


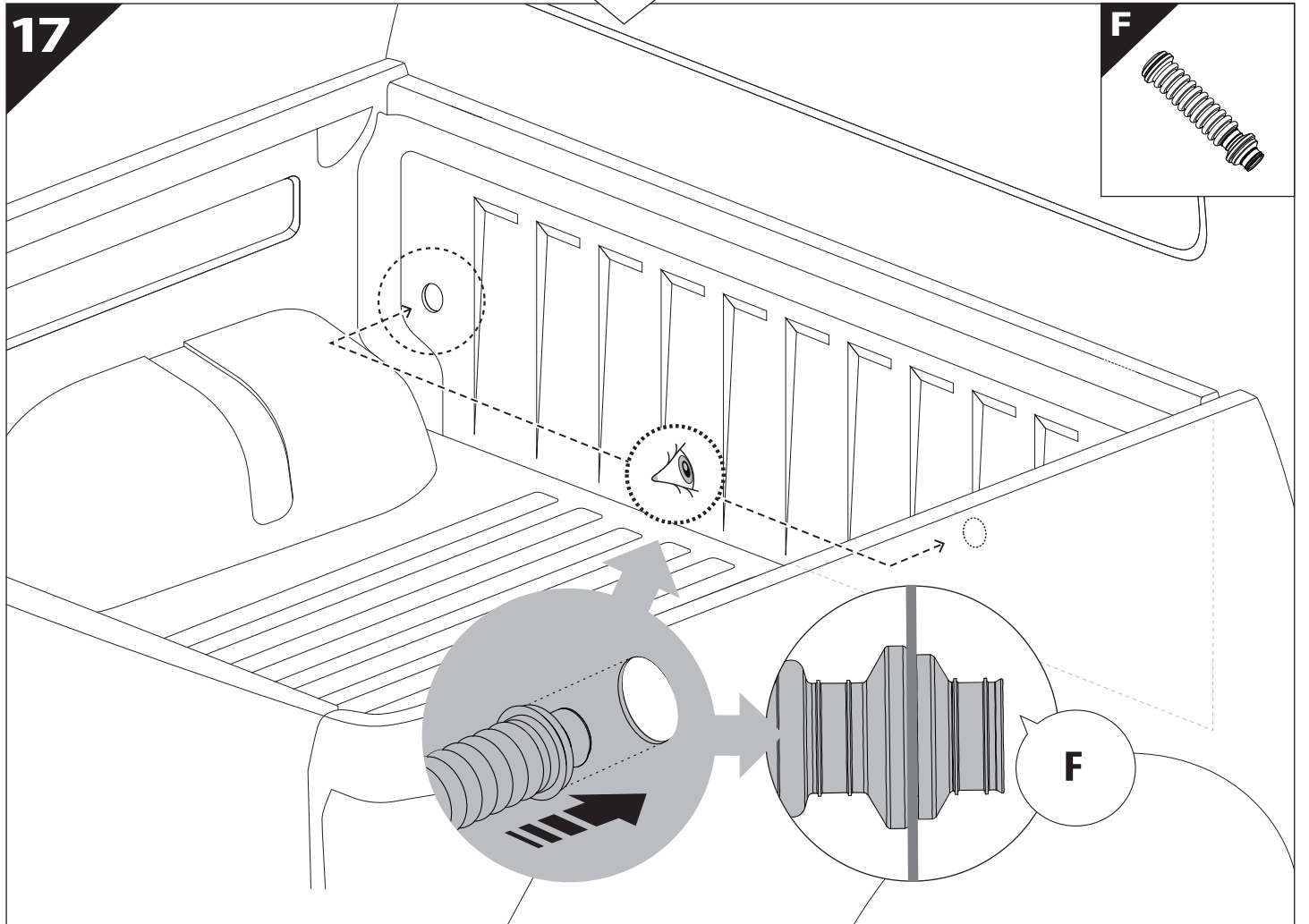
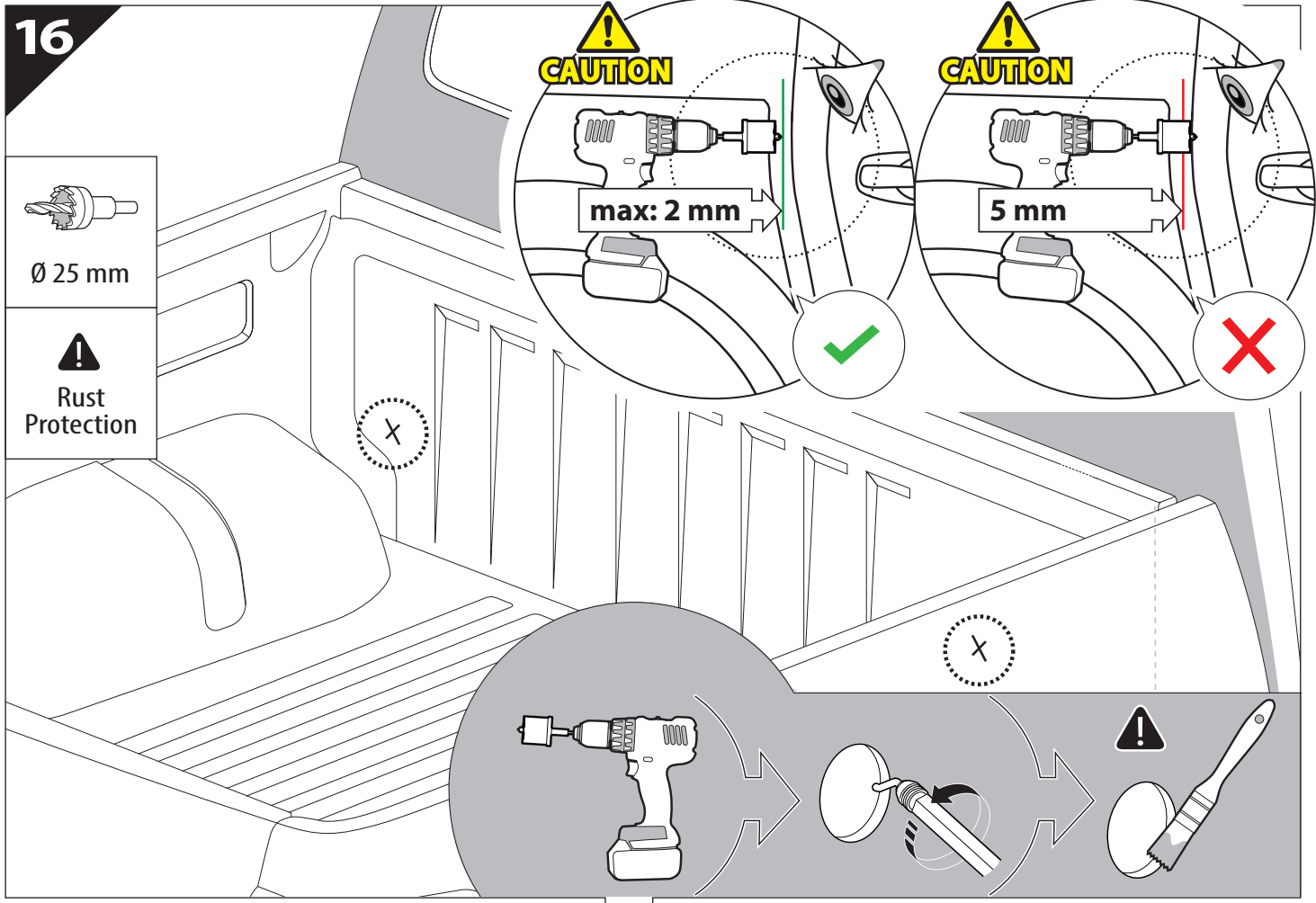
14

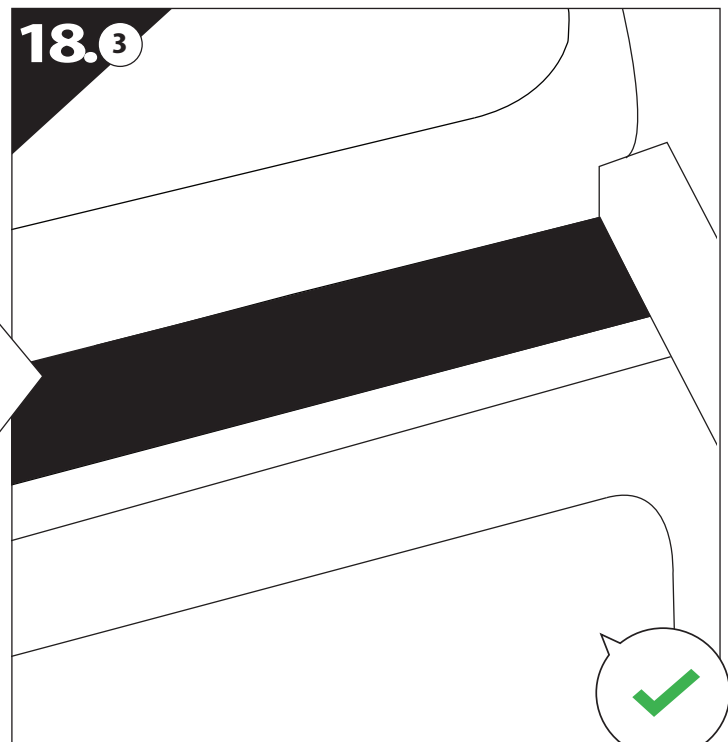
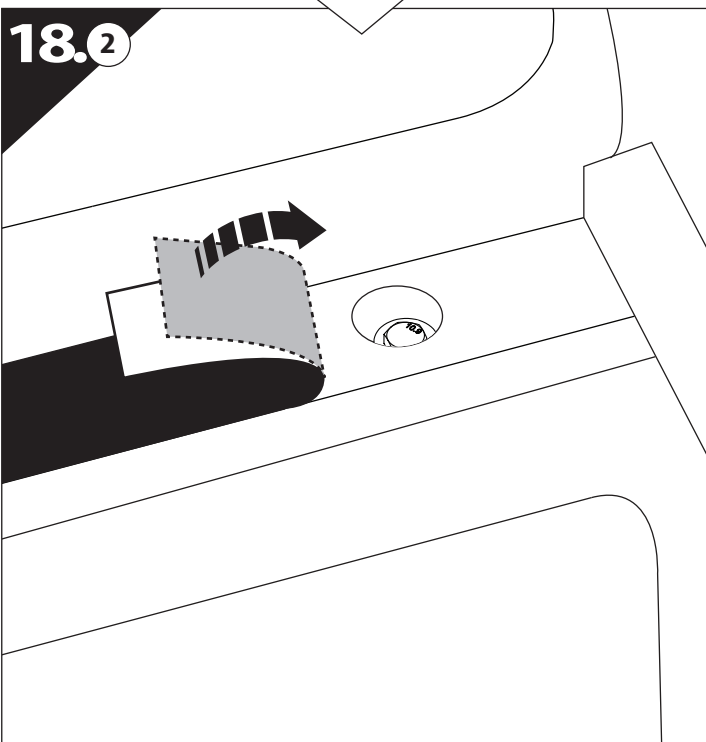
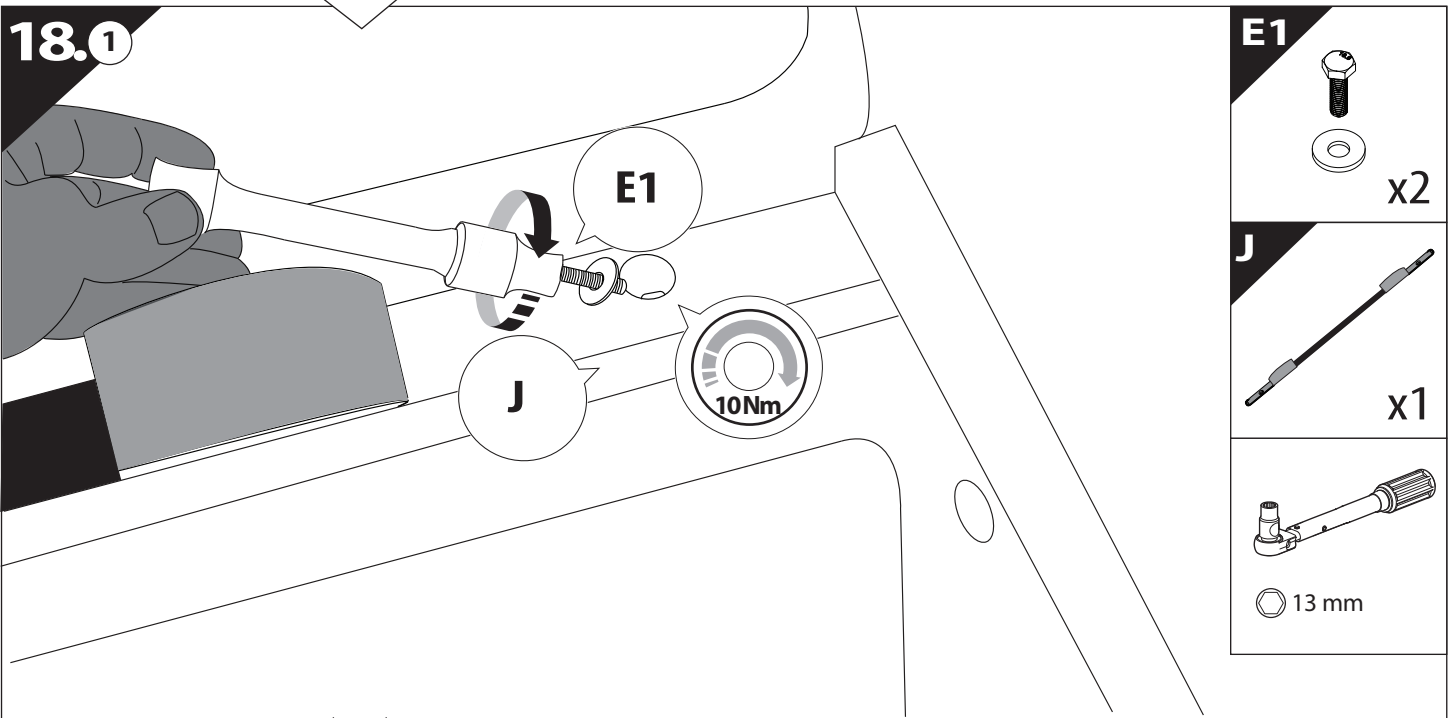
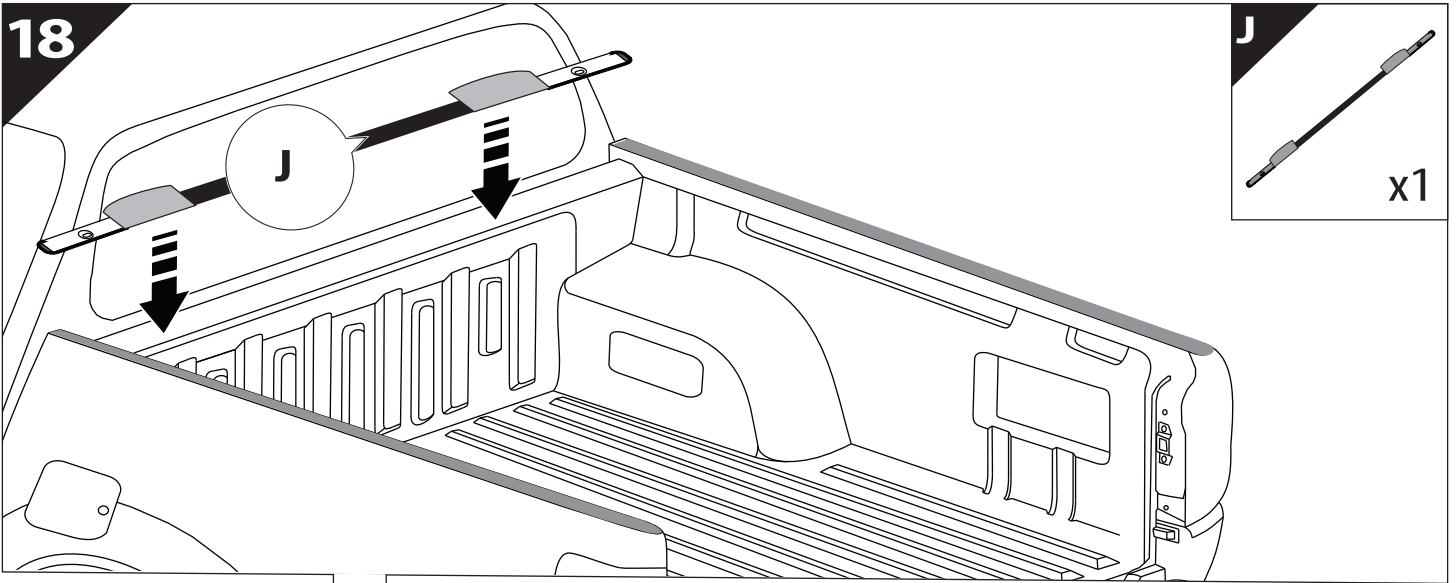


15

X:600mm Y:280mm

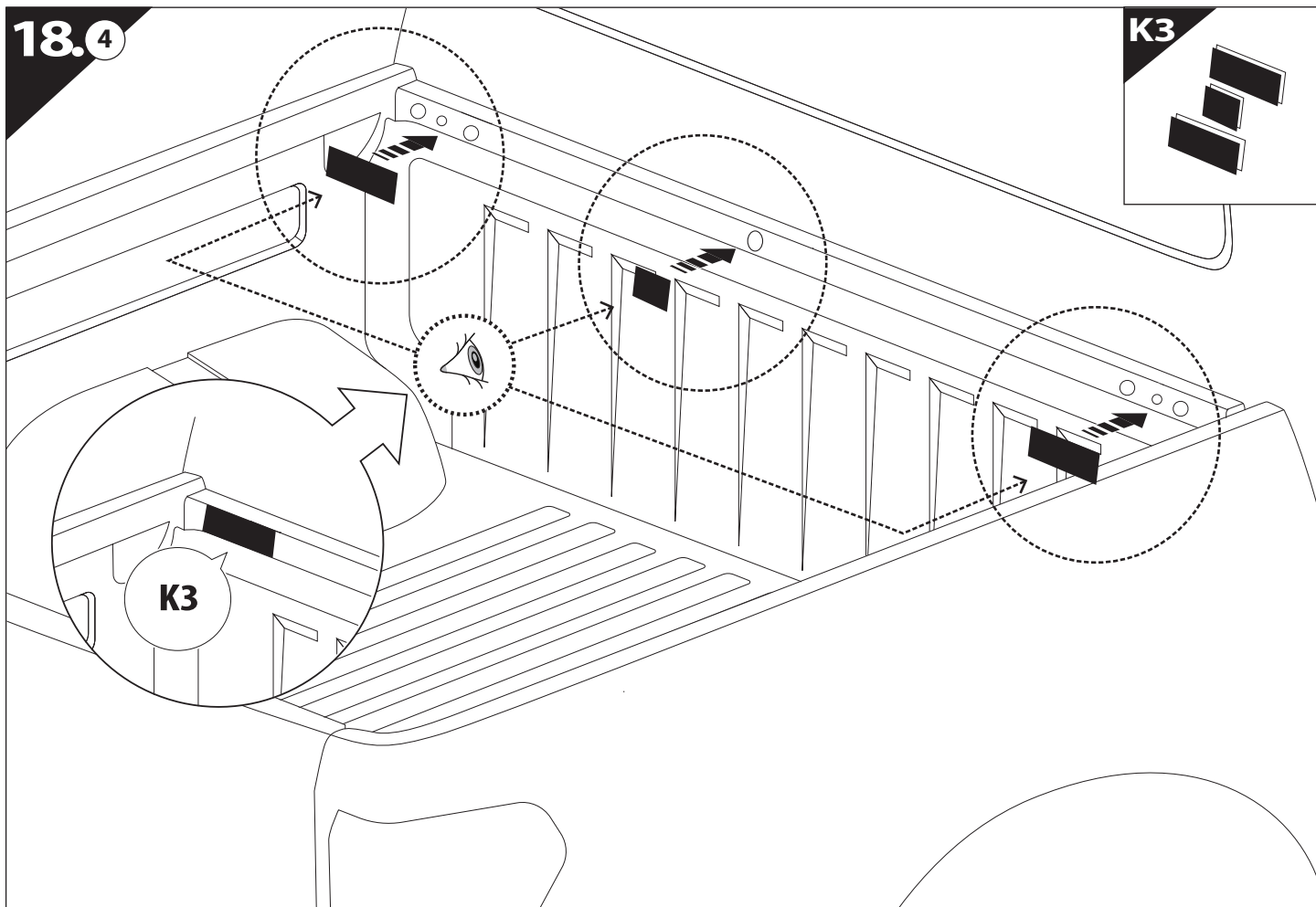






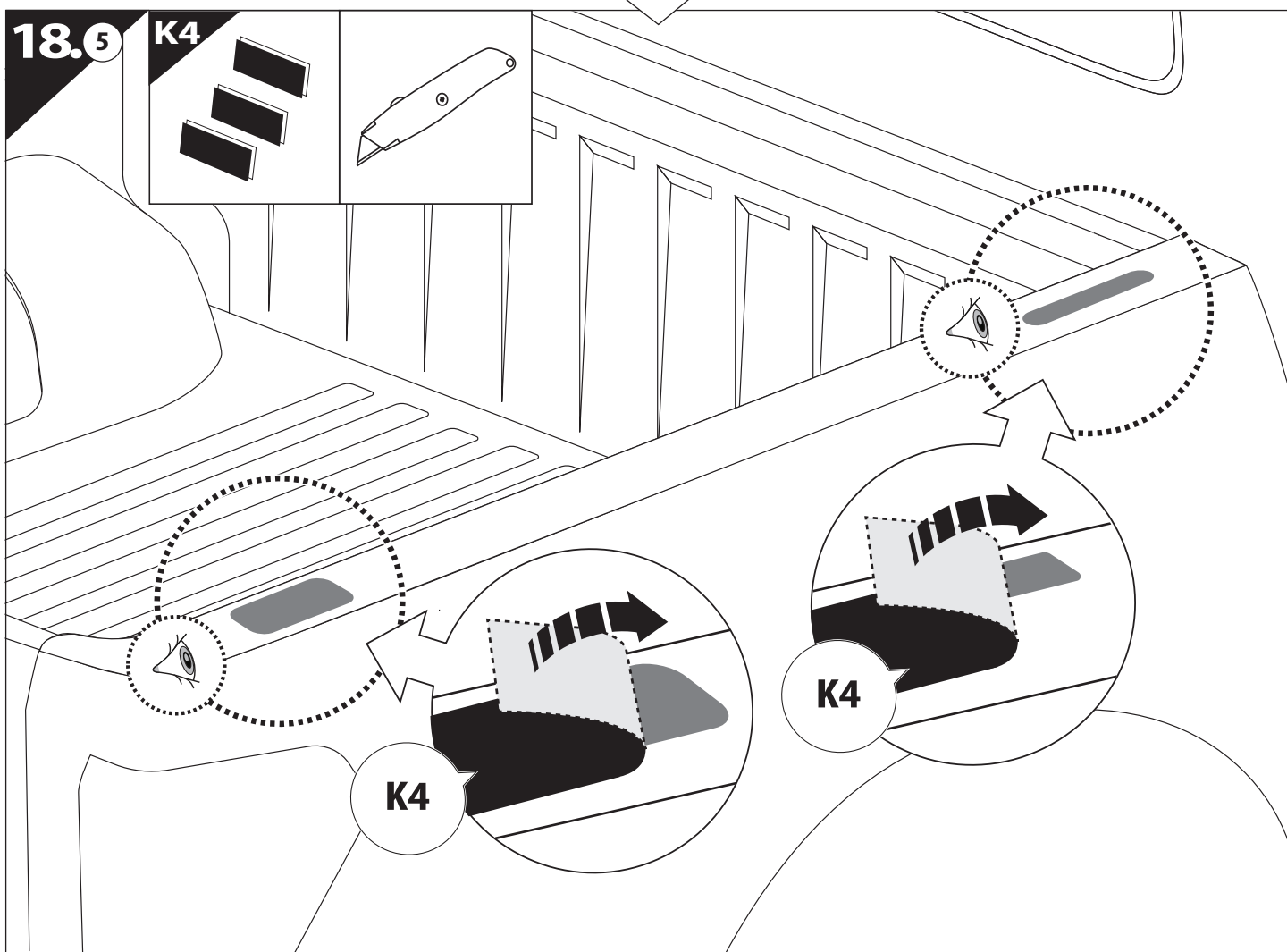
18.4

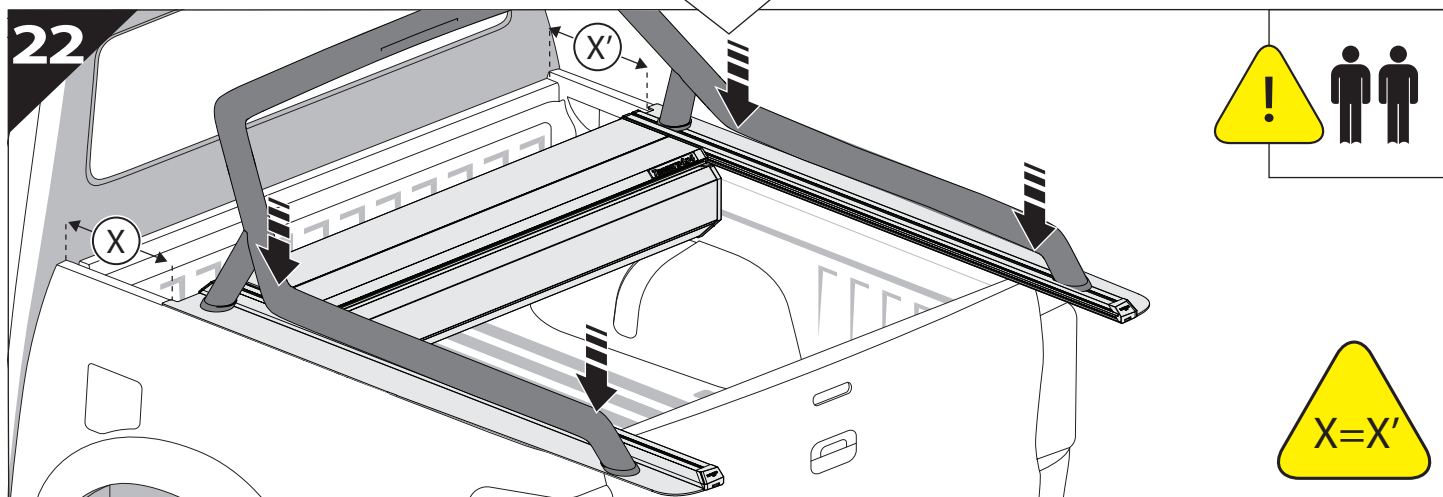
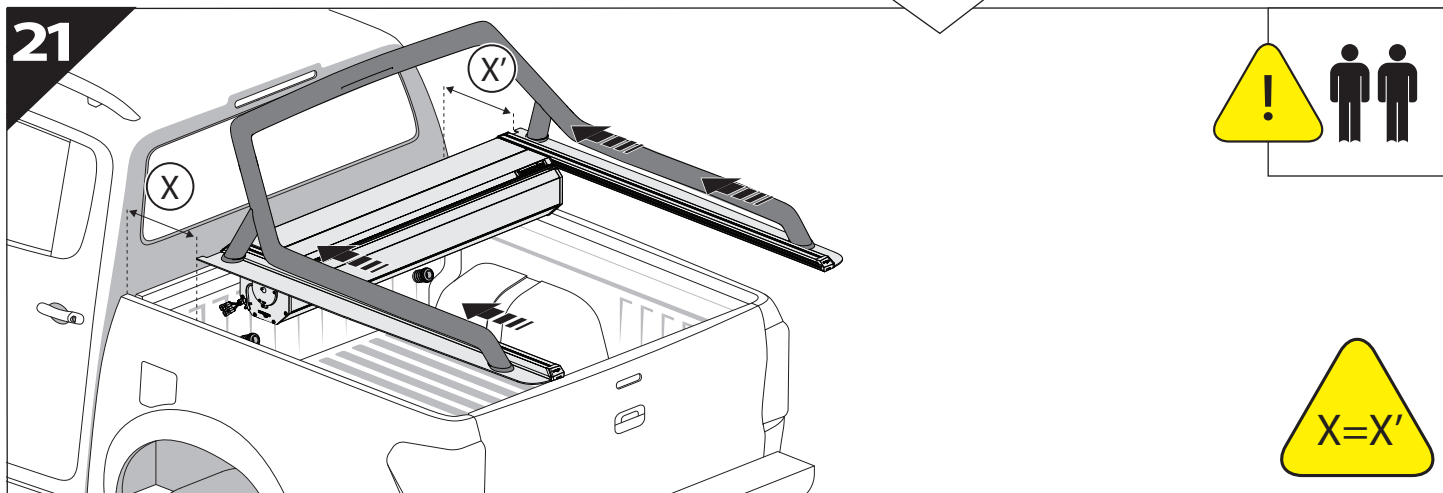
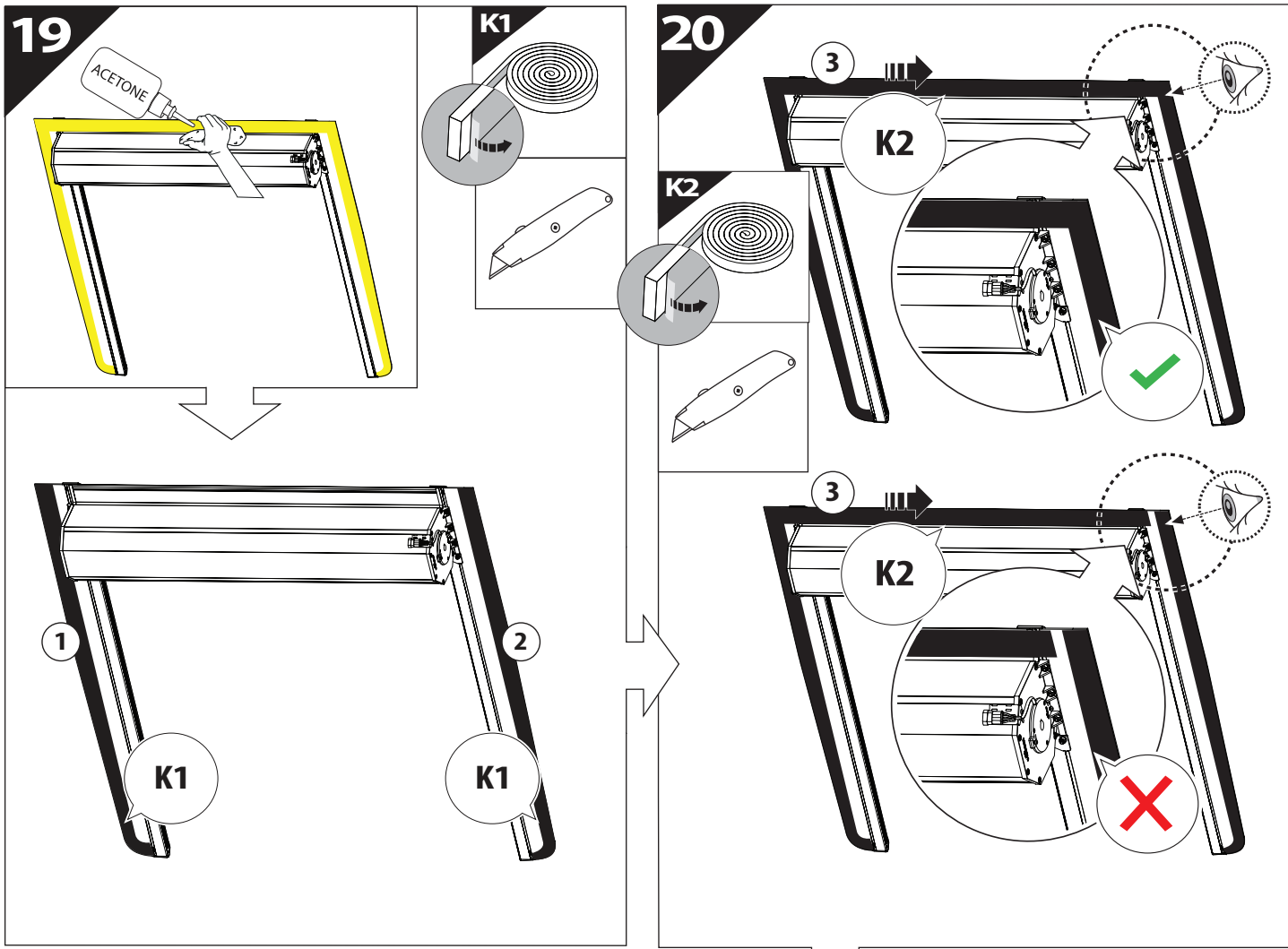
K3



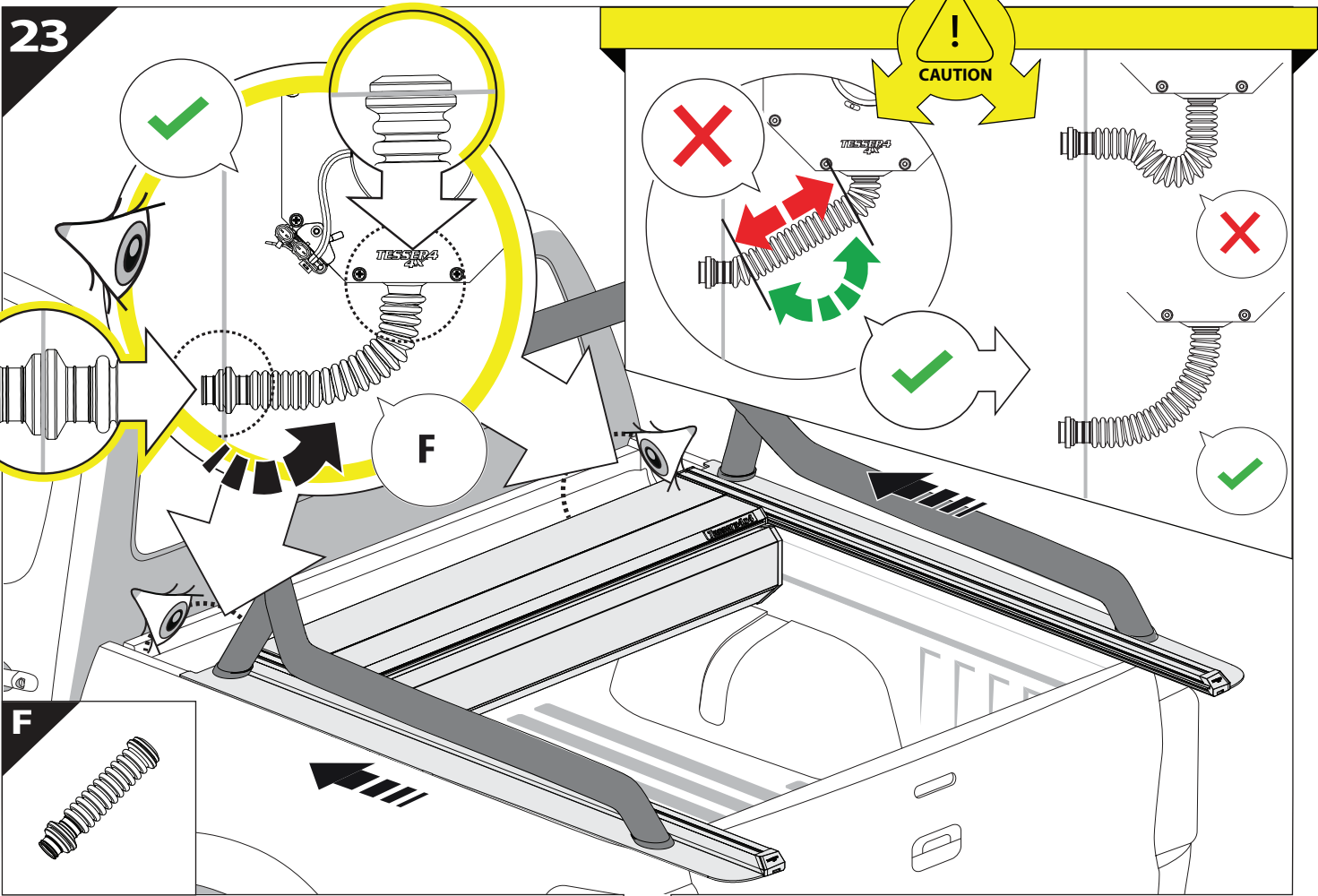
18.5

K4

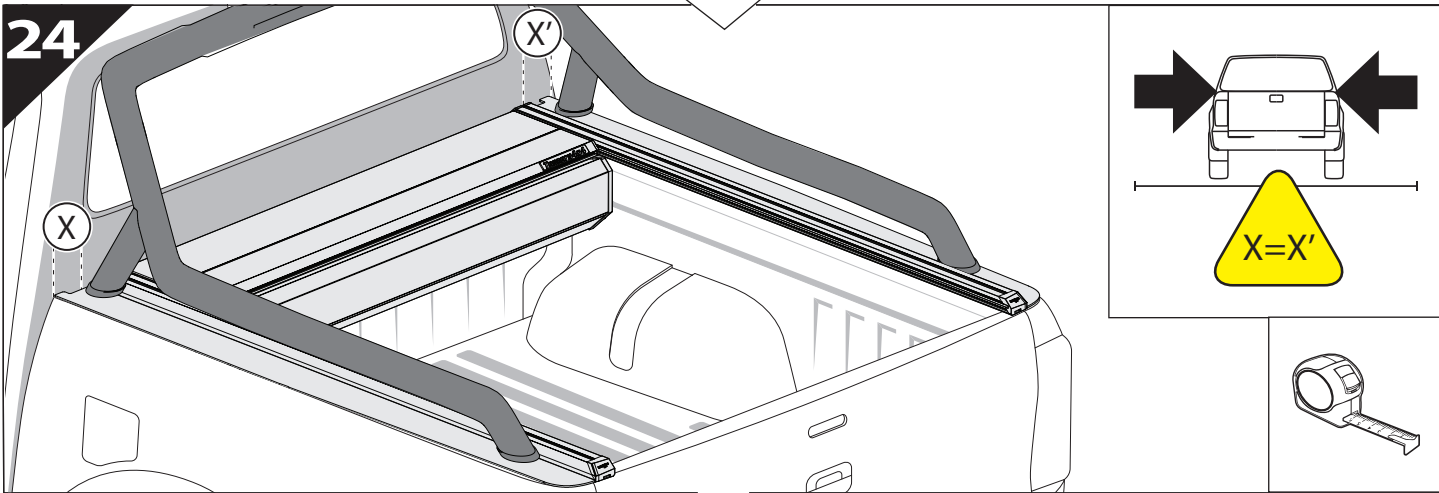




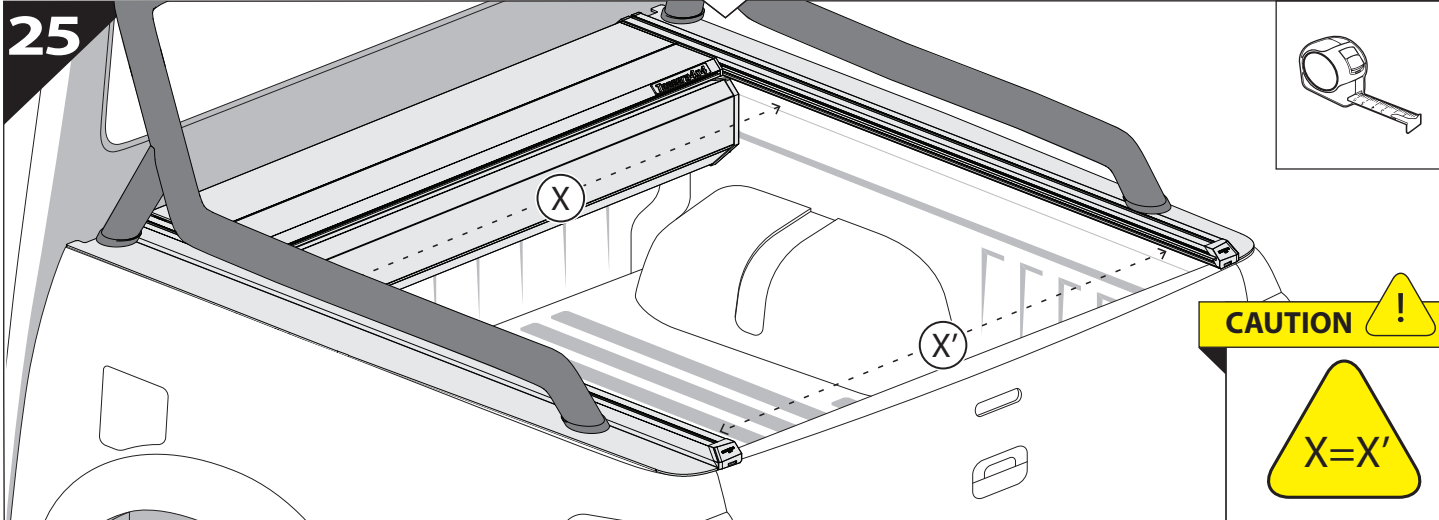
23



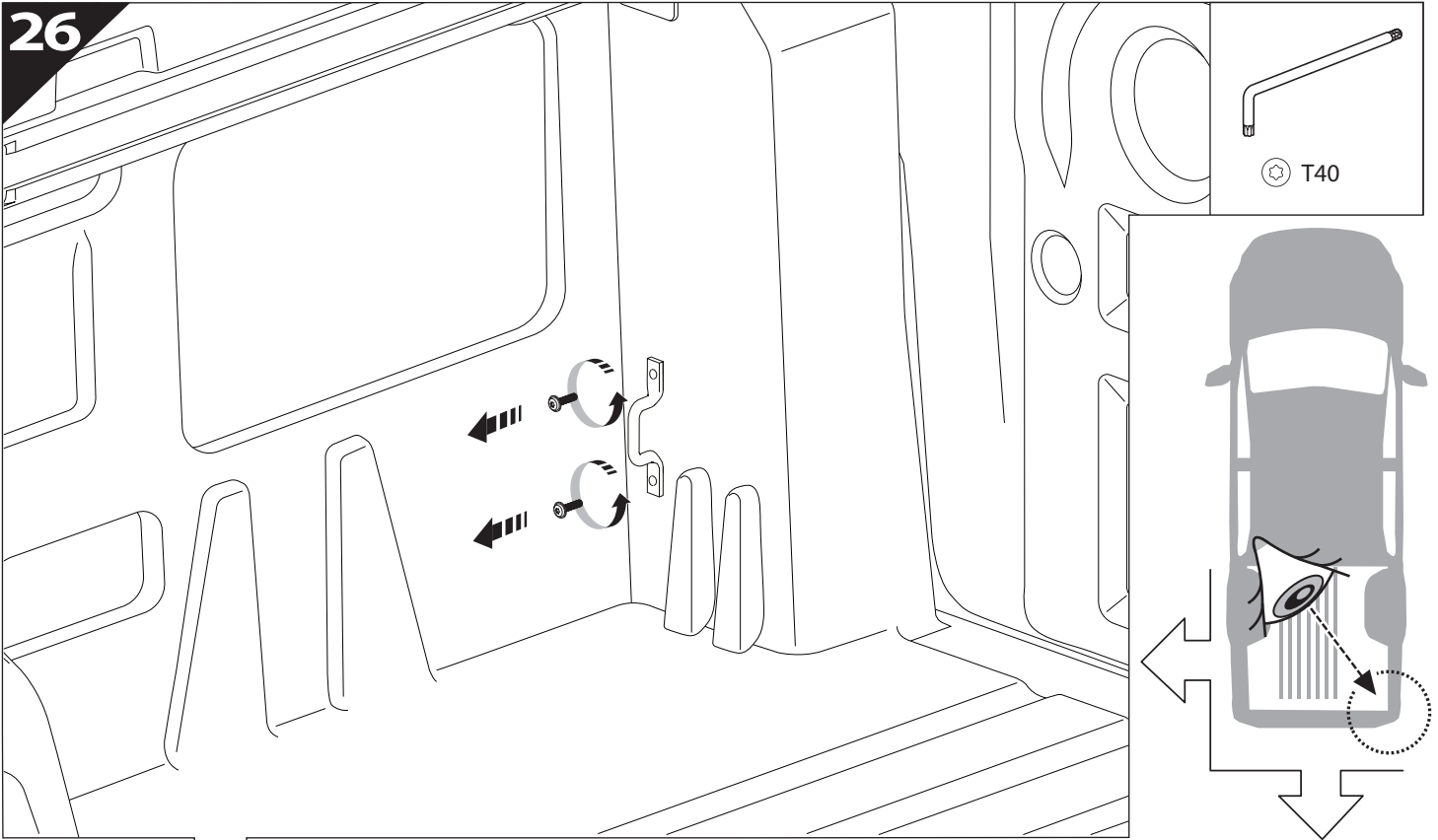
24



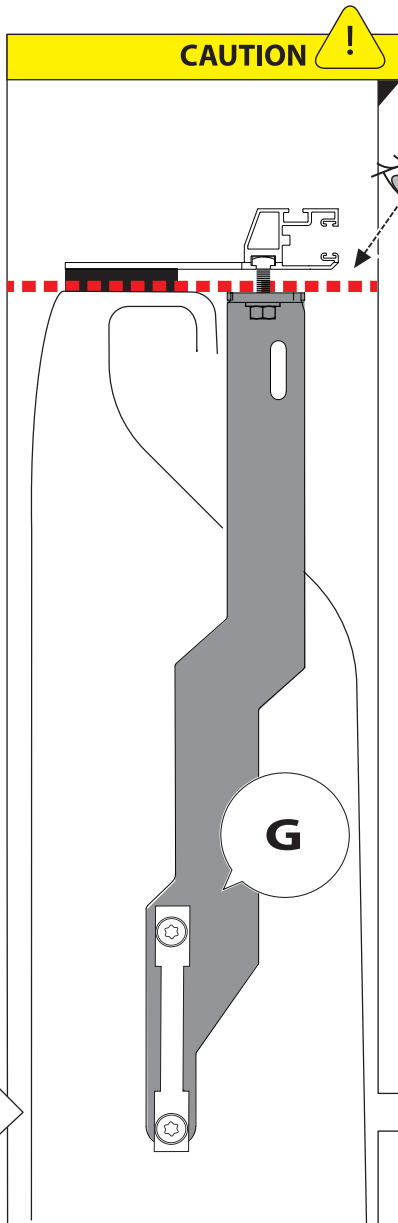
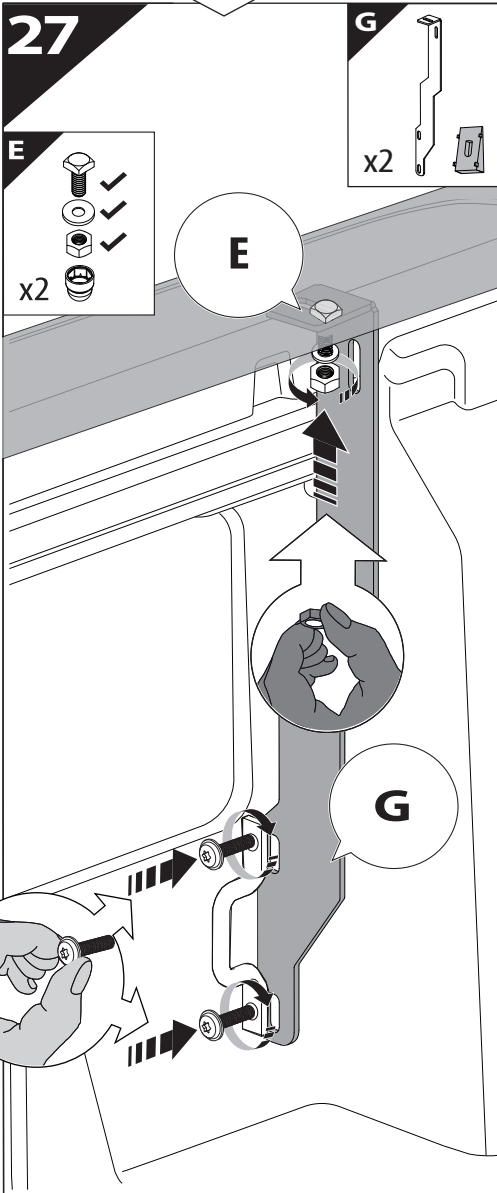
25



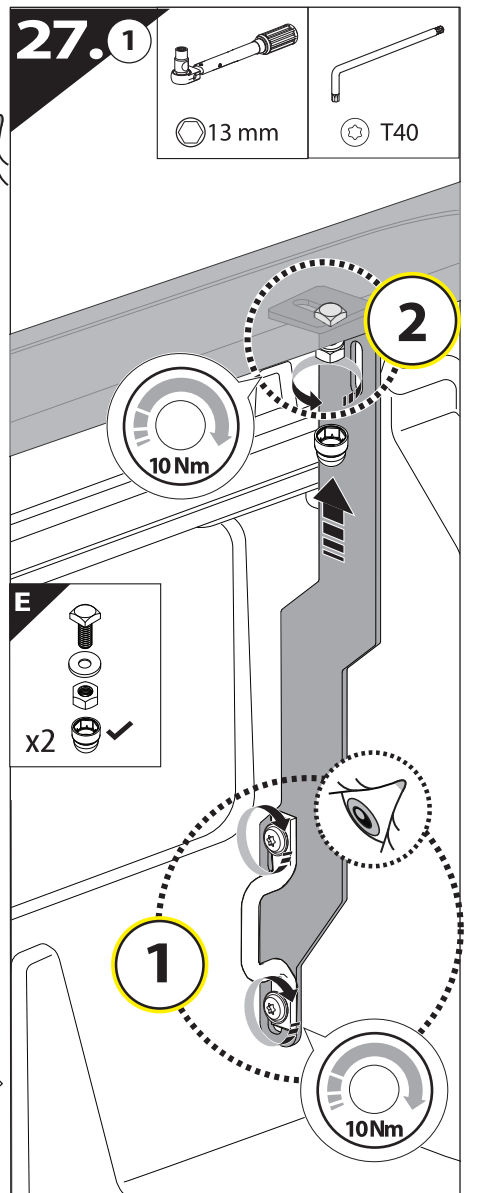
26



27

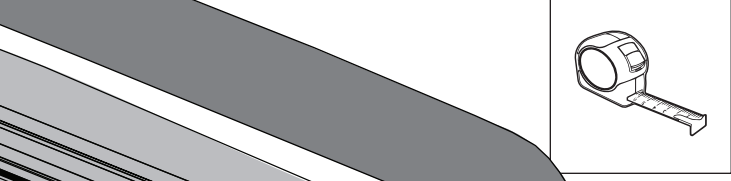


27.1



<b>H</b>		<b>E</b>	
x2	✓	x2	✓

**CAUTION**



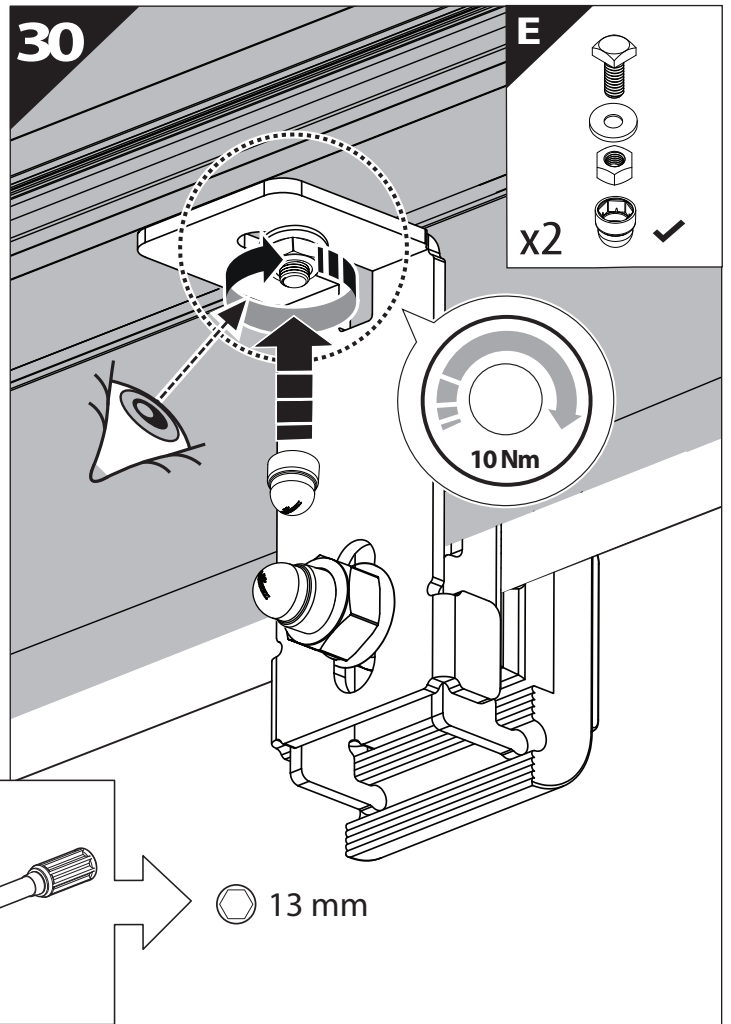
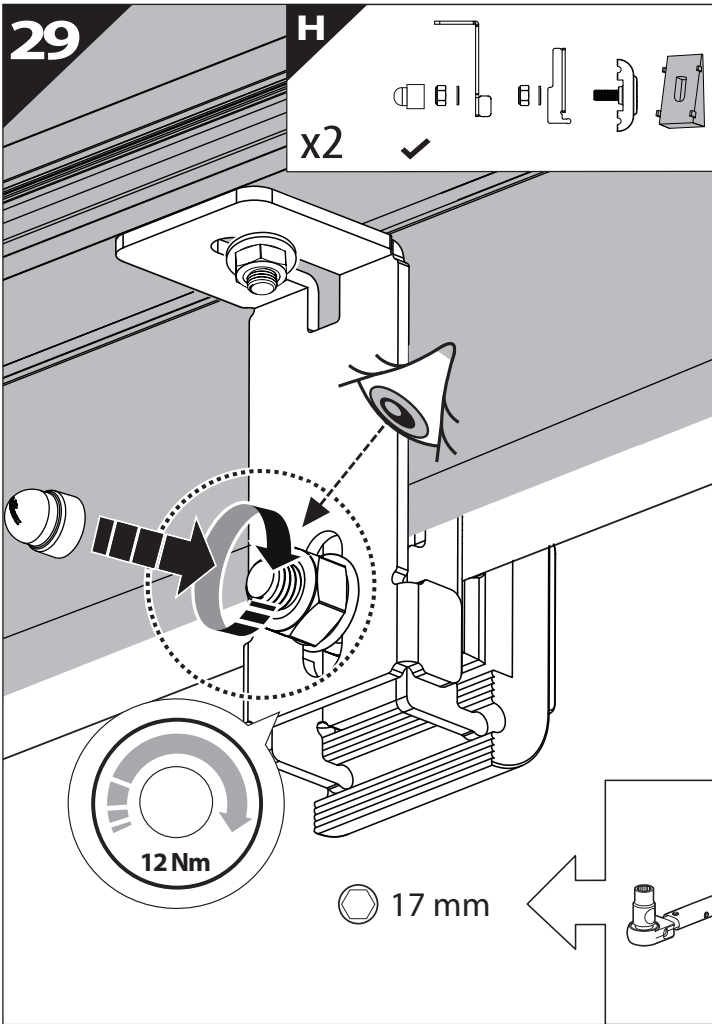
**1**

**2**

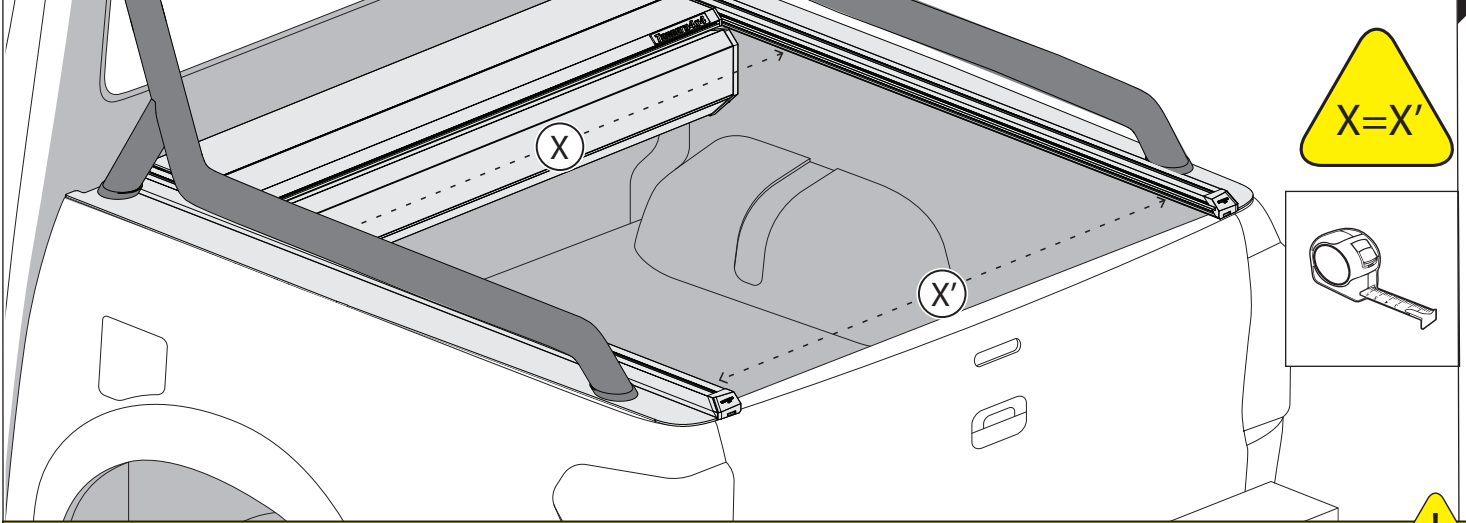
**3**

**4**

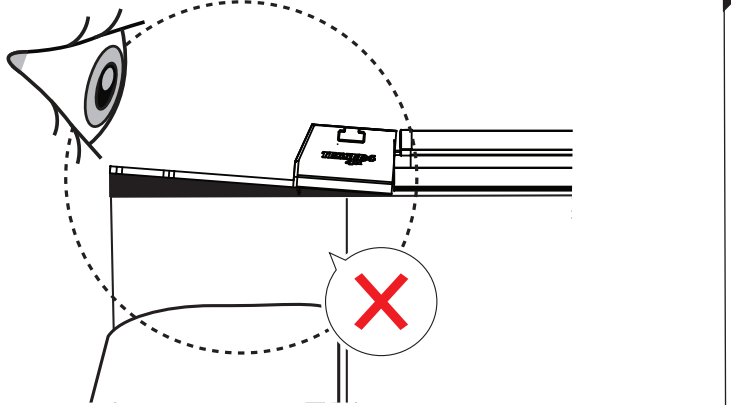
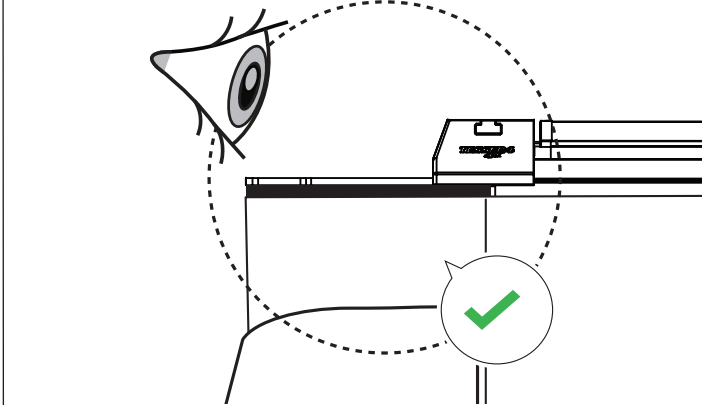
**CAUTION**



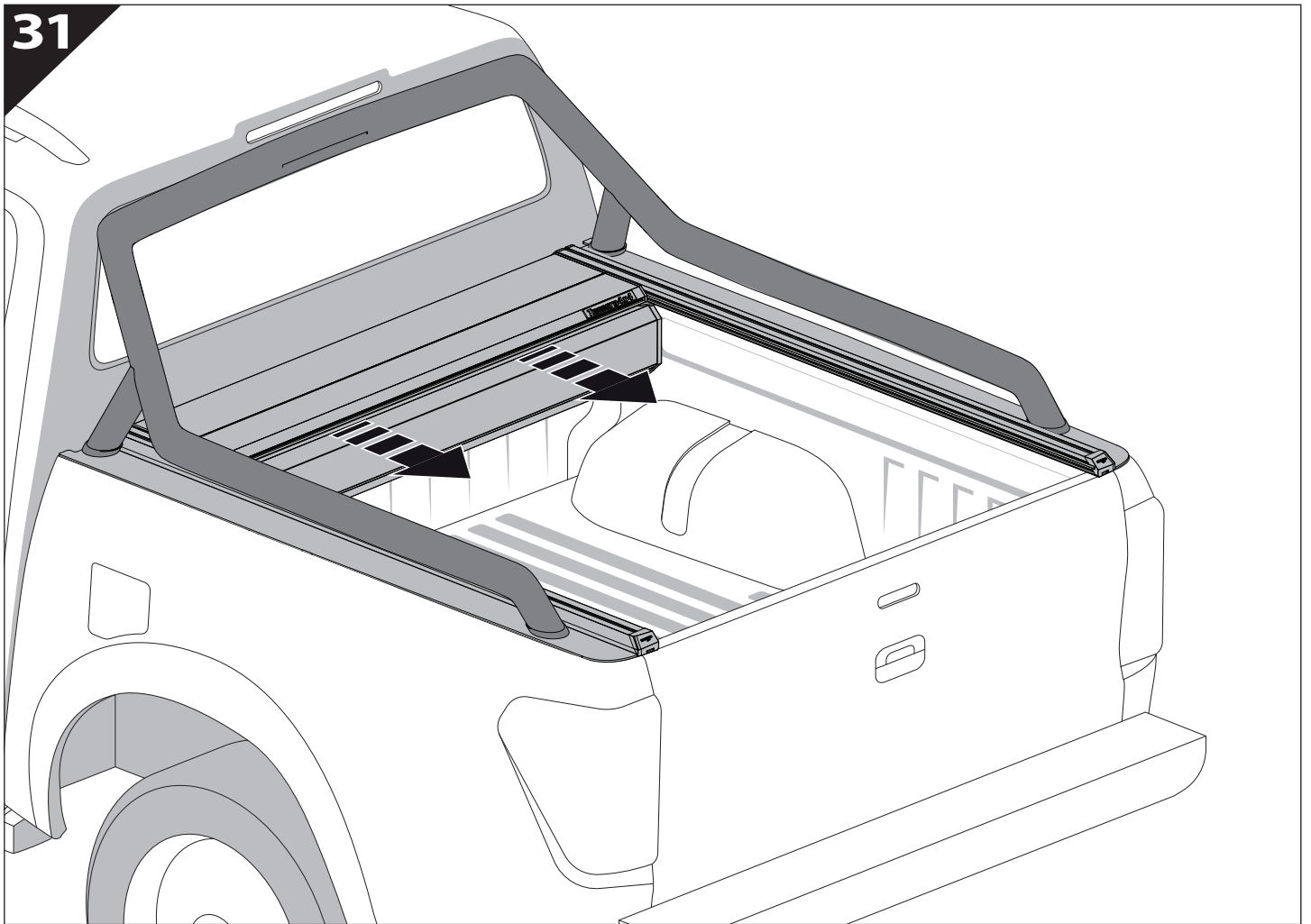
**CAUTION** !



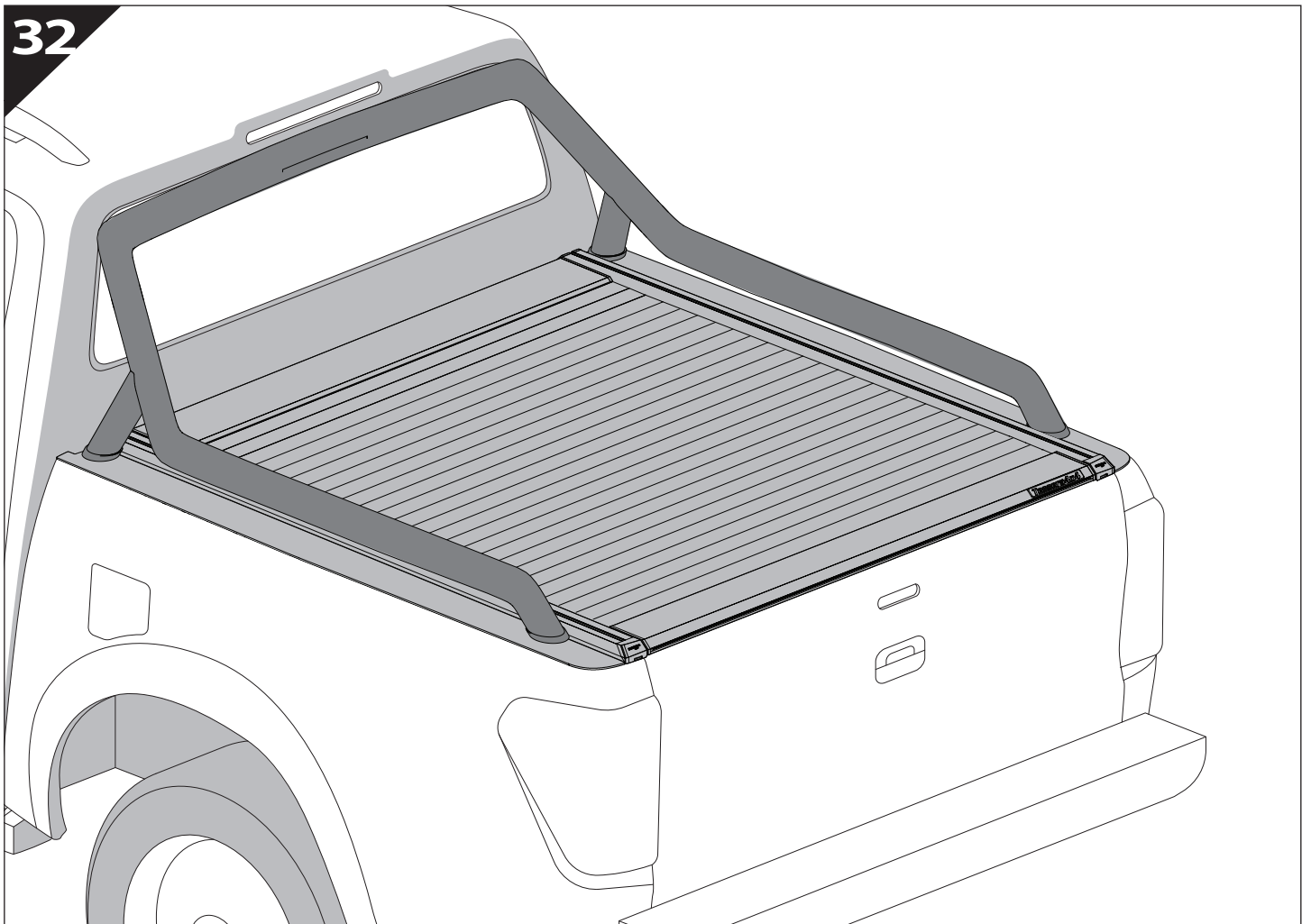
**CAUTION** !



31



32







**GR:** Οδηγίες Εγκατάστασης  
**GB:** Installation manual  
**SF:** Asennusohje  
**F:** Notice de montage  
**PL:** Instrukcja montażu  
**NL:** Installatie-instructies  
**TR:** Montaj Talimatı  
**S:** Monteringsanvisning  
**E:** Instrucciones de montaje

**H:** Szerelési utasítás  
**P:** Instruções de instalação  
**RUS:** Инструкция по установке  
**N:** Monteringsveiledning  
**D:** Einbauanleitung  
**CZ:** Návod k instalaci  
**I:** Istruzioni de montaggio  
**DK:** Monteringsvejledning  
**RO:** Instructiuni de instalare

Customer Service:

+30 (210) 5541161, +30 (210) 5541154 (08:00 - 16:00 EET)

Support department:

[info@gianso.gr](mailto:info@gianso.gr)

Website:

[www.tessera4x4.com](http://www.tessera4x4.com)

Address:

19.5 km of National road Athens-Korinthos (Elefsina) Greece, P.C: 19200