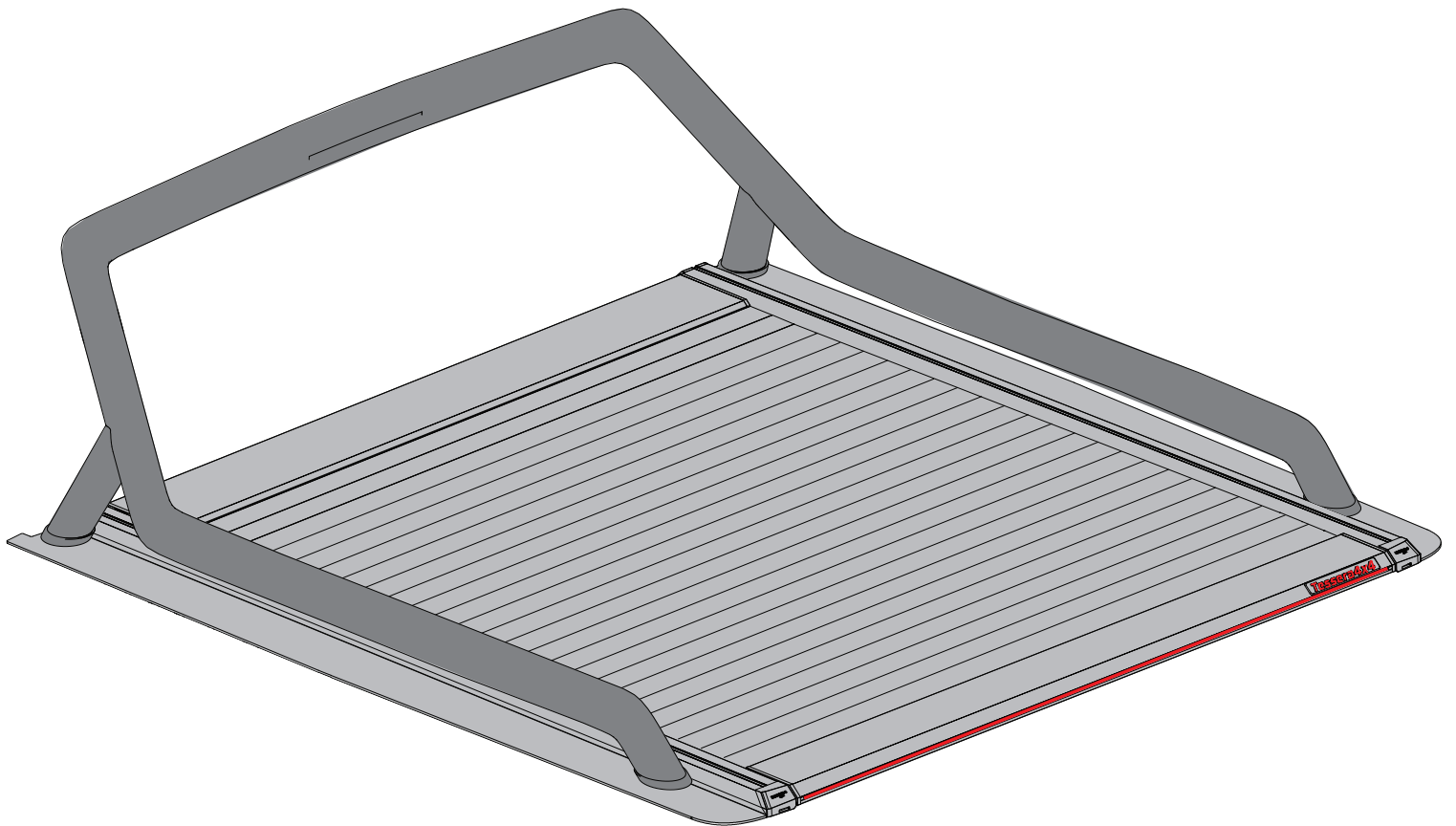


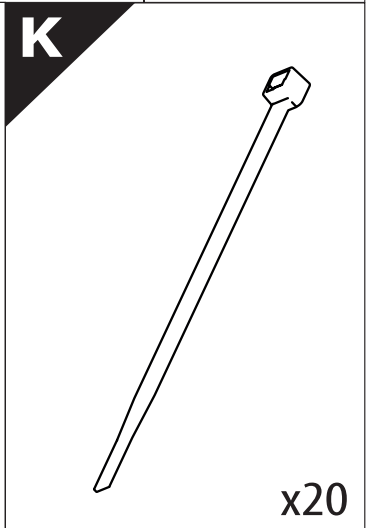
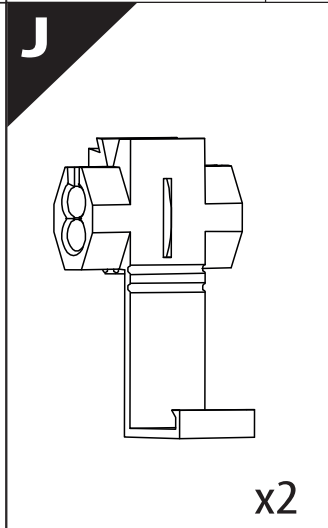
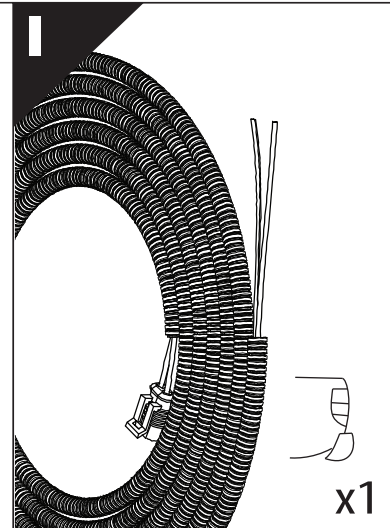
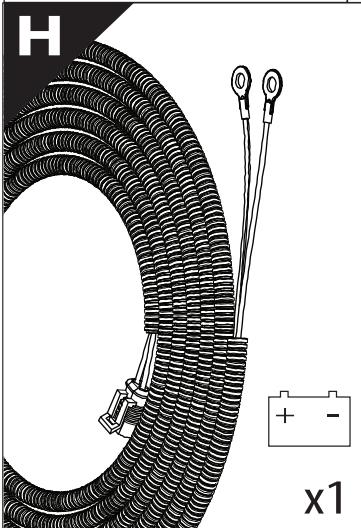
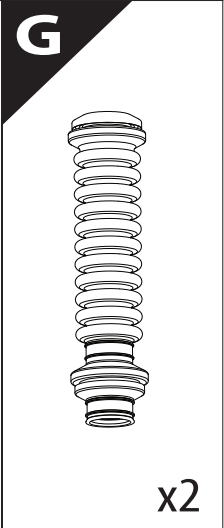
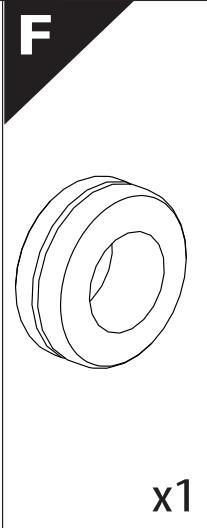
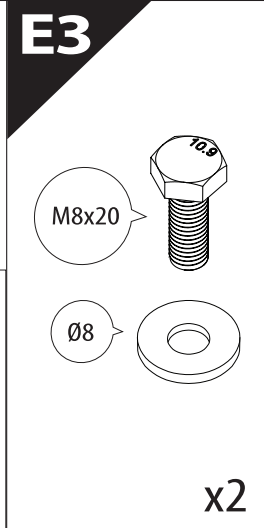
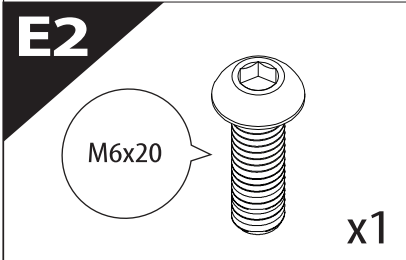
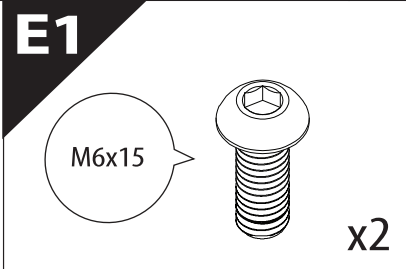
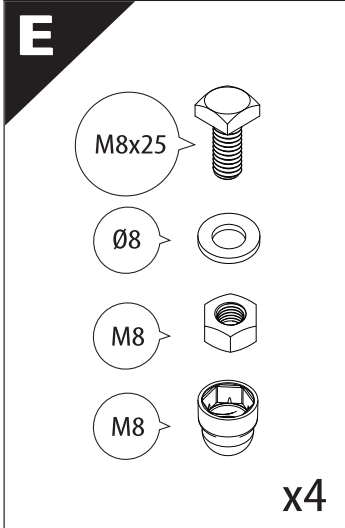
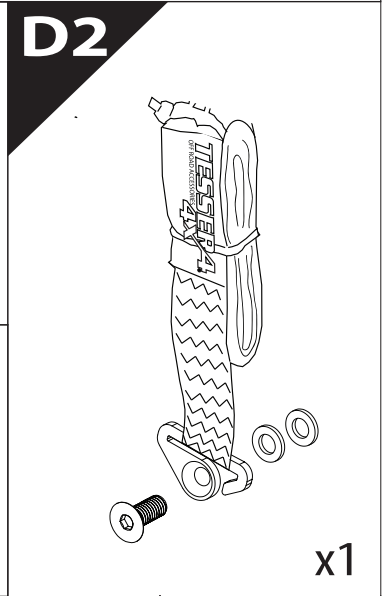
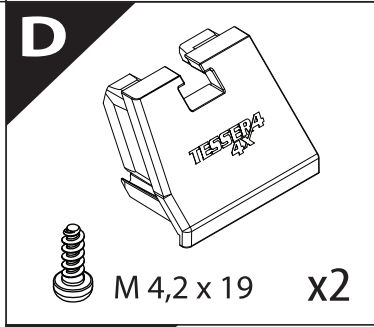
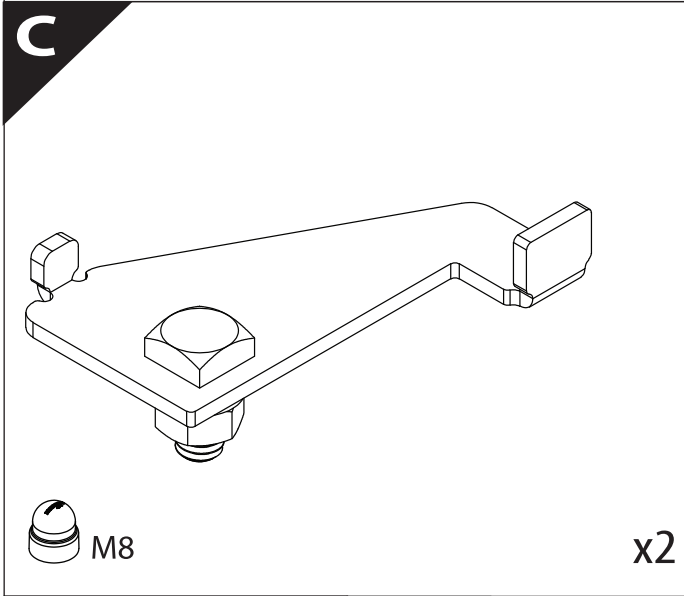
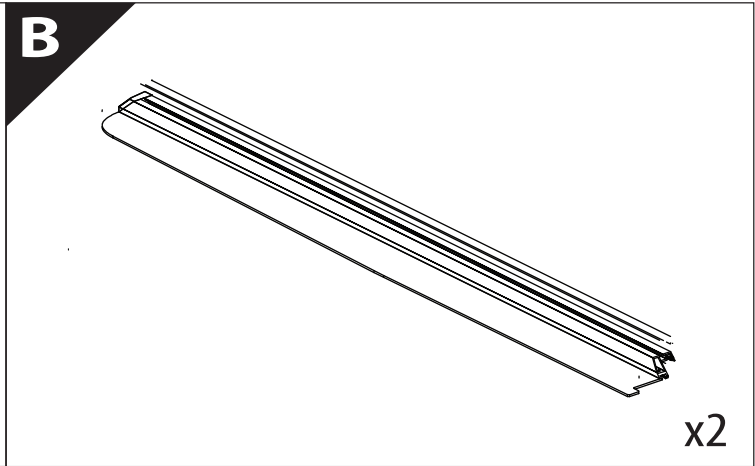
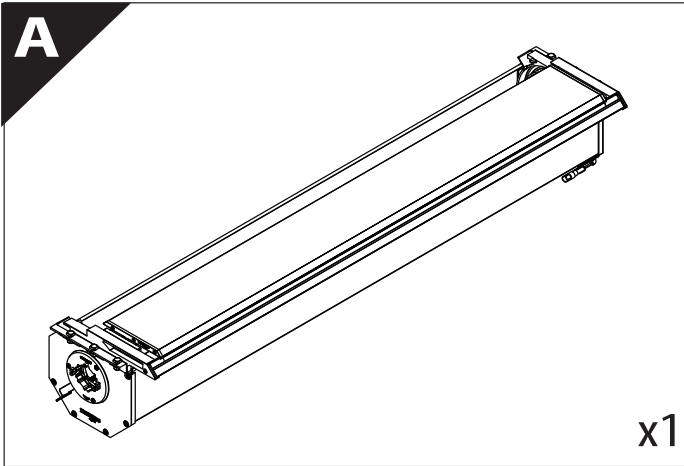
Tessera Roll+

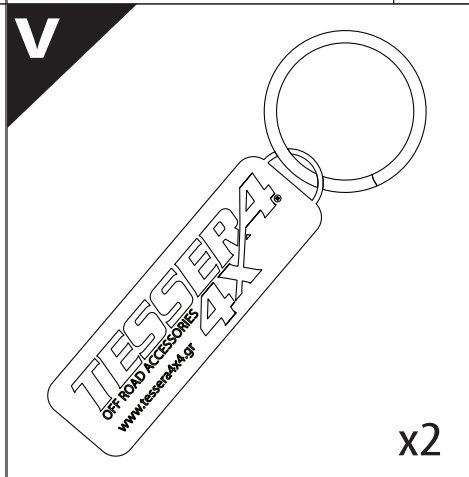
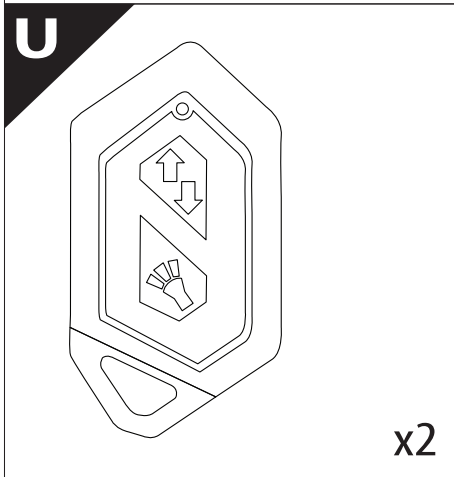
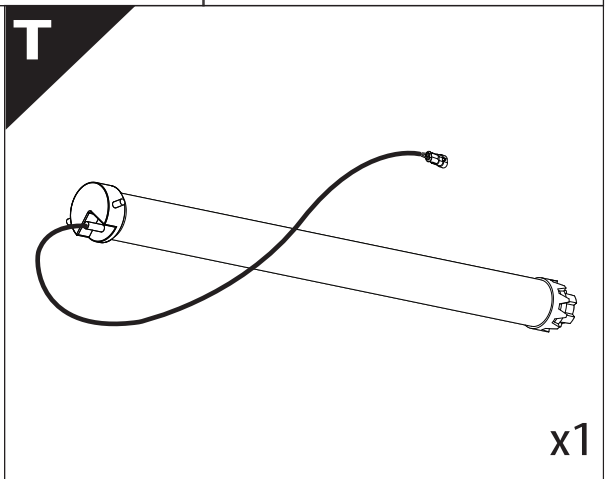
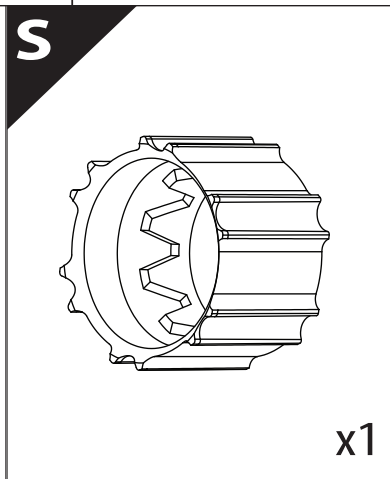
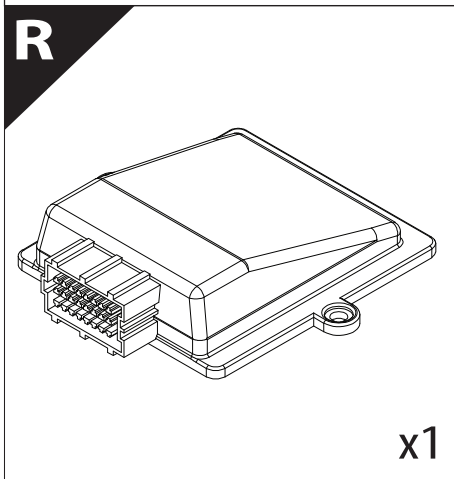
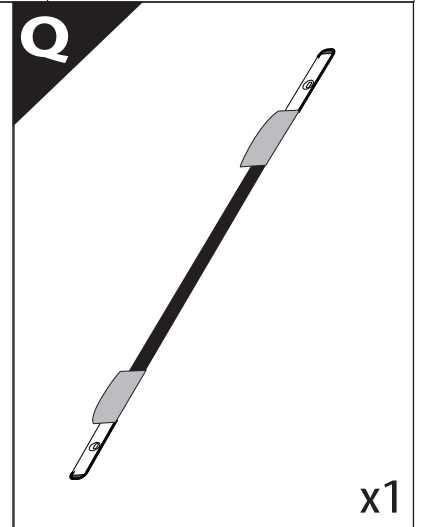
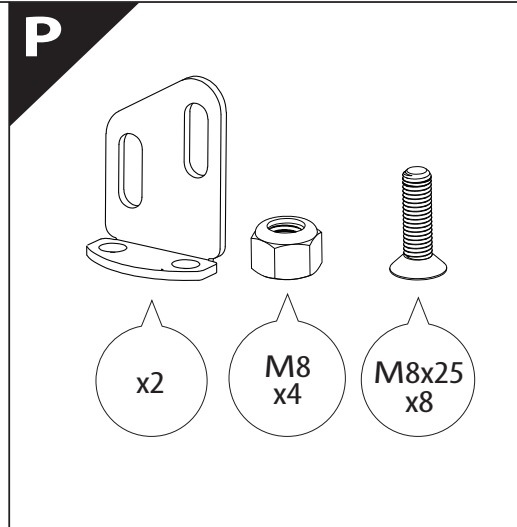
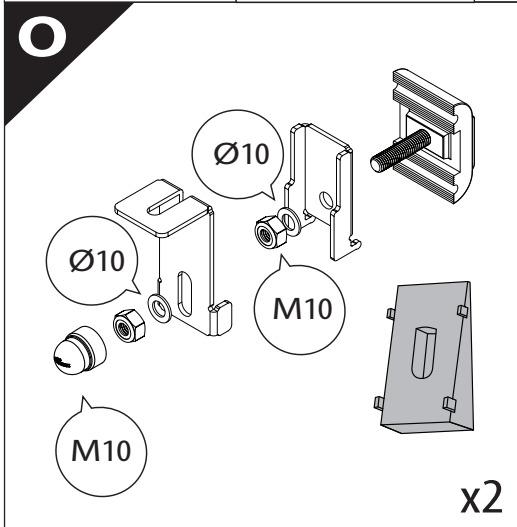
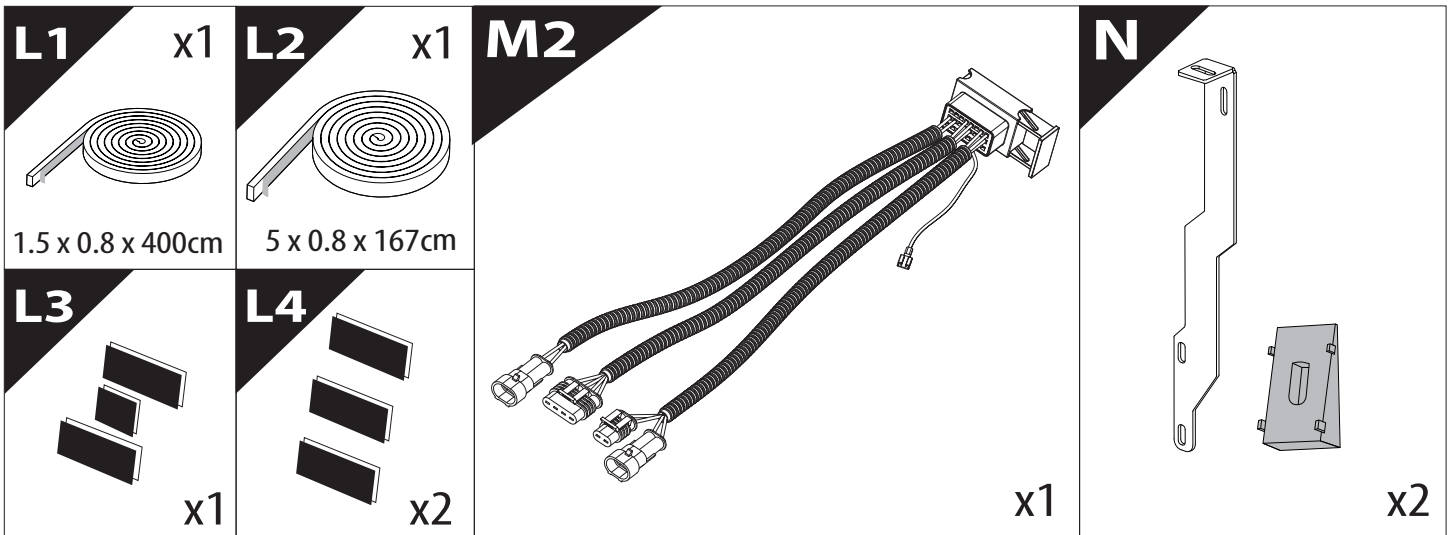
Basic Version + ⚡ E-KIT

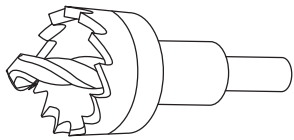


Installation Manual

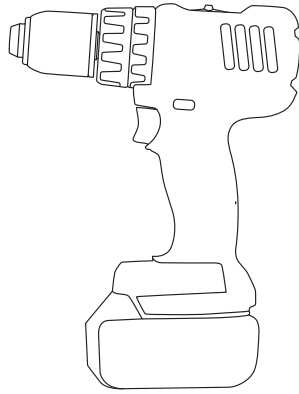
PART NUMBER(S)	Model Year
TESS 14012 ROLL+E-KIT	VW AMAROK PANAMERICANA 2023+ (no c-channels)
Cab(s)	Installation Time / Weight
Double Cab	40-60 minutes / 53-57 kg



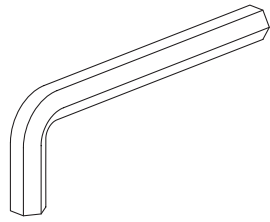
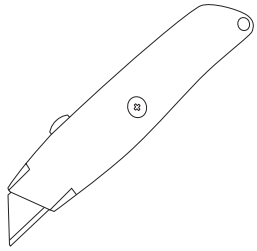
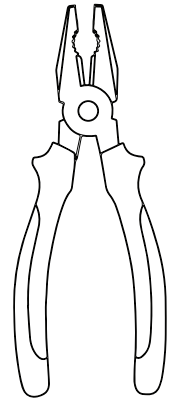




Ø 25 mm

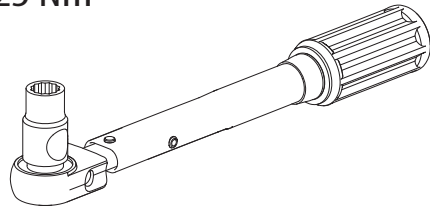


+



4 mm , 5 mm

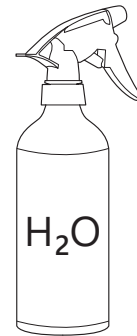
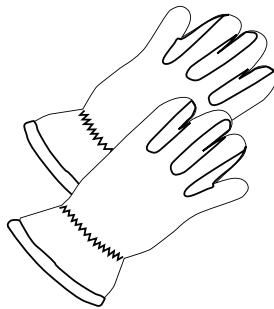
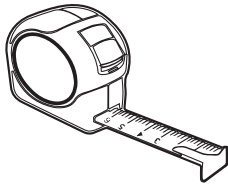
1 - 25 Nm



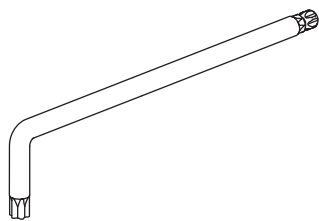
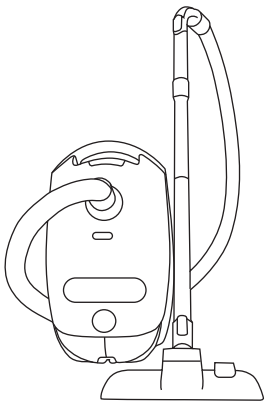
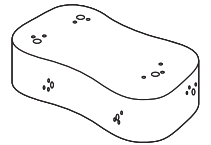
10, 12, 13, 17 mm



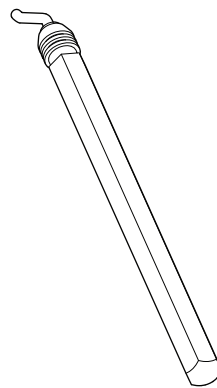
ACETONE



H₂O



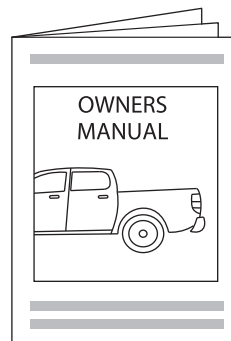
T30, T40



ANTI-RUST

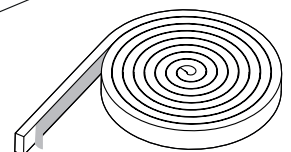
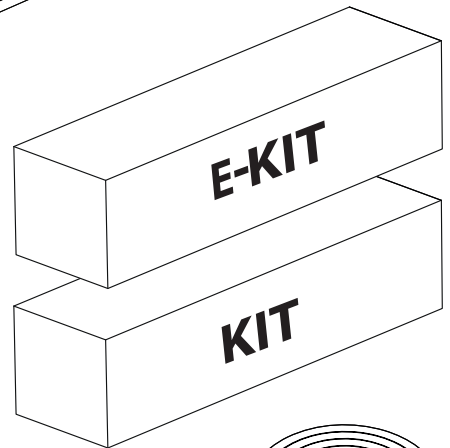
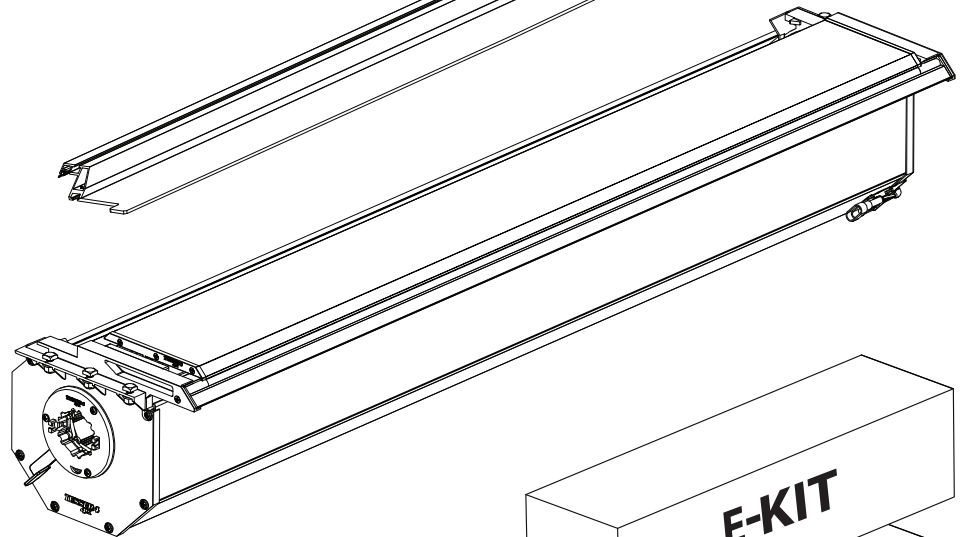
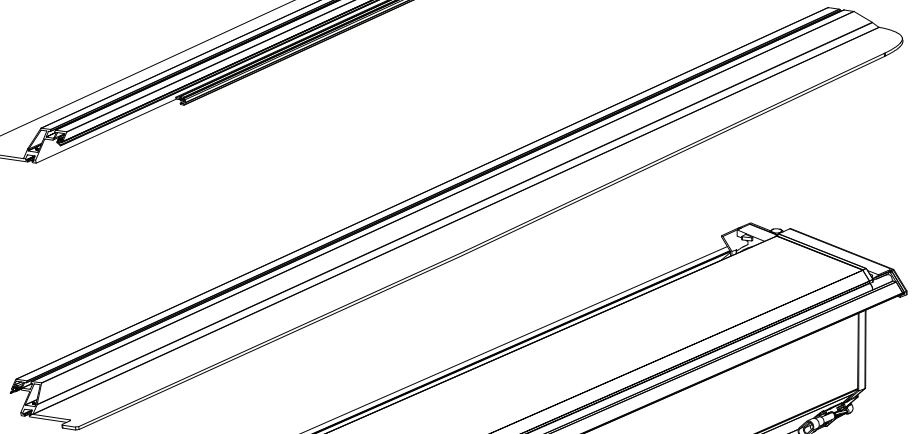


INSTALATION
MANUAL
+E-KIT



OWNERS
MANUAL

x1

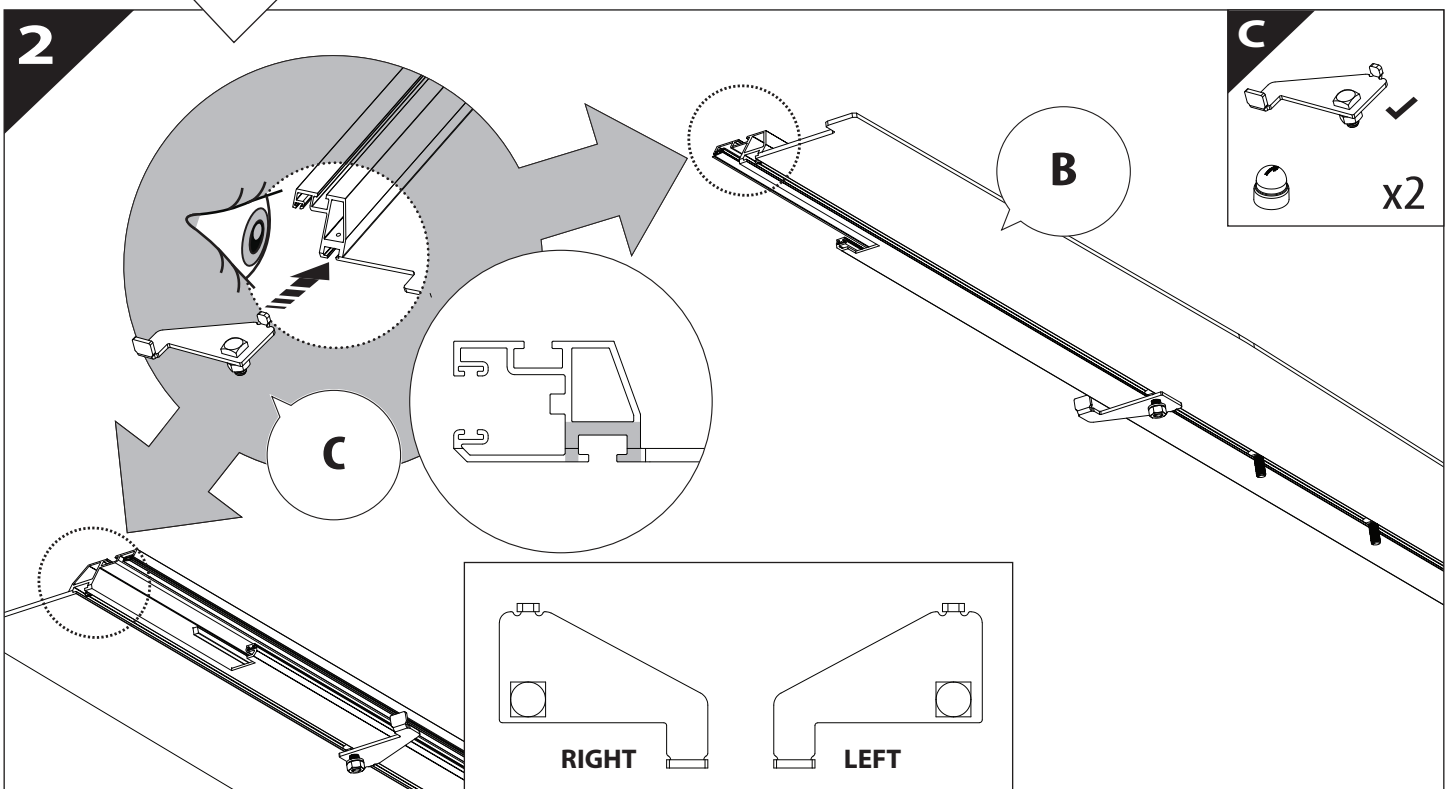
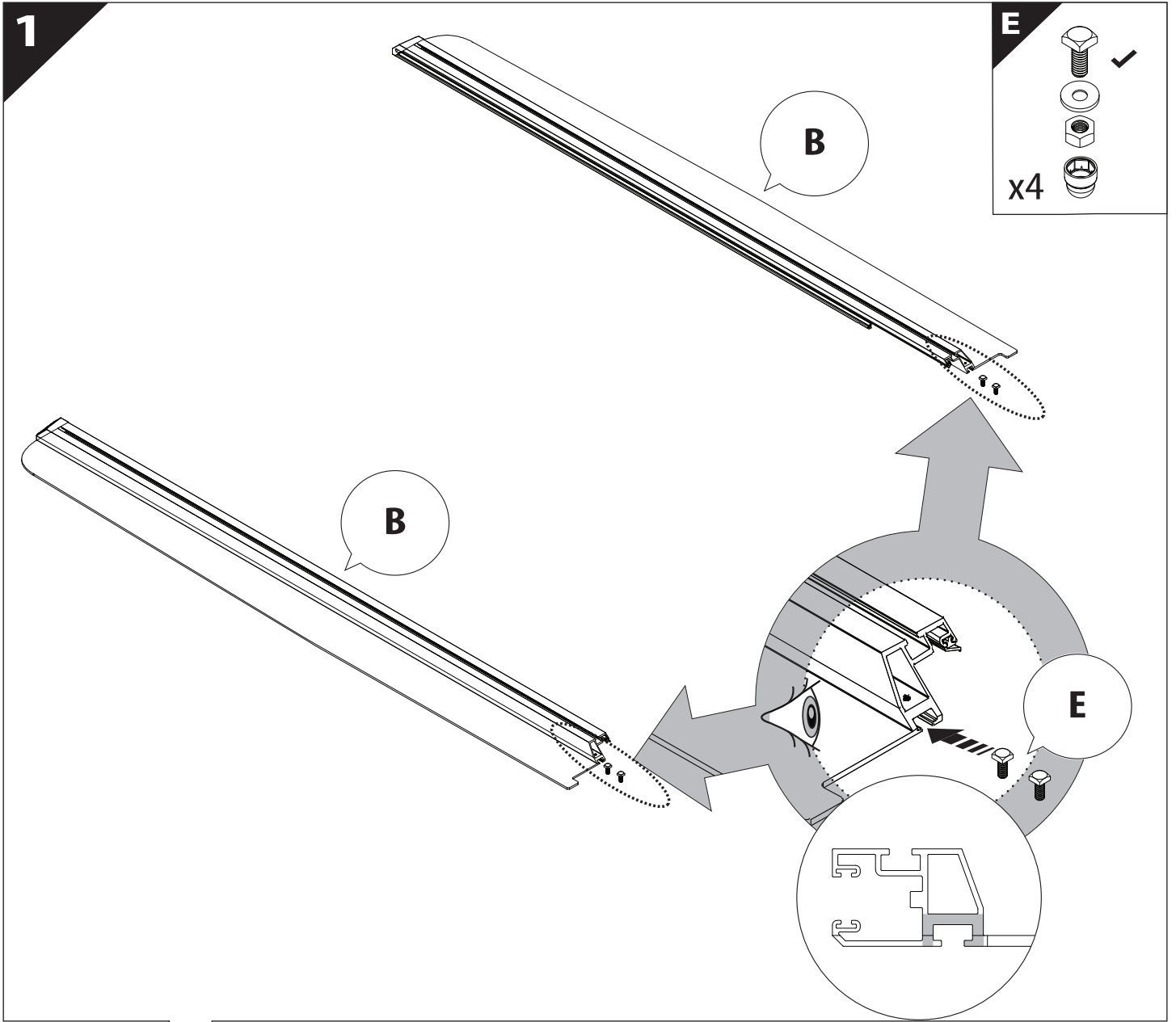


B

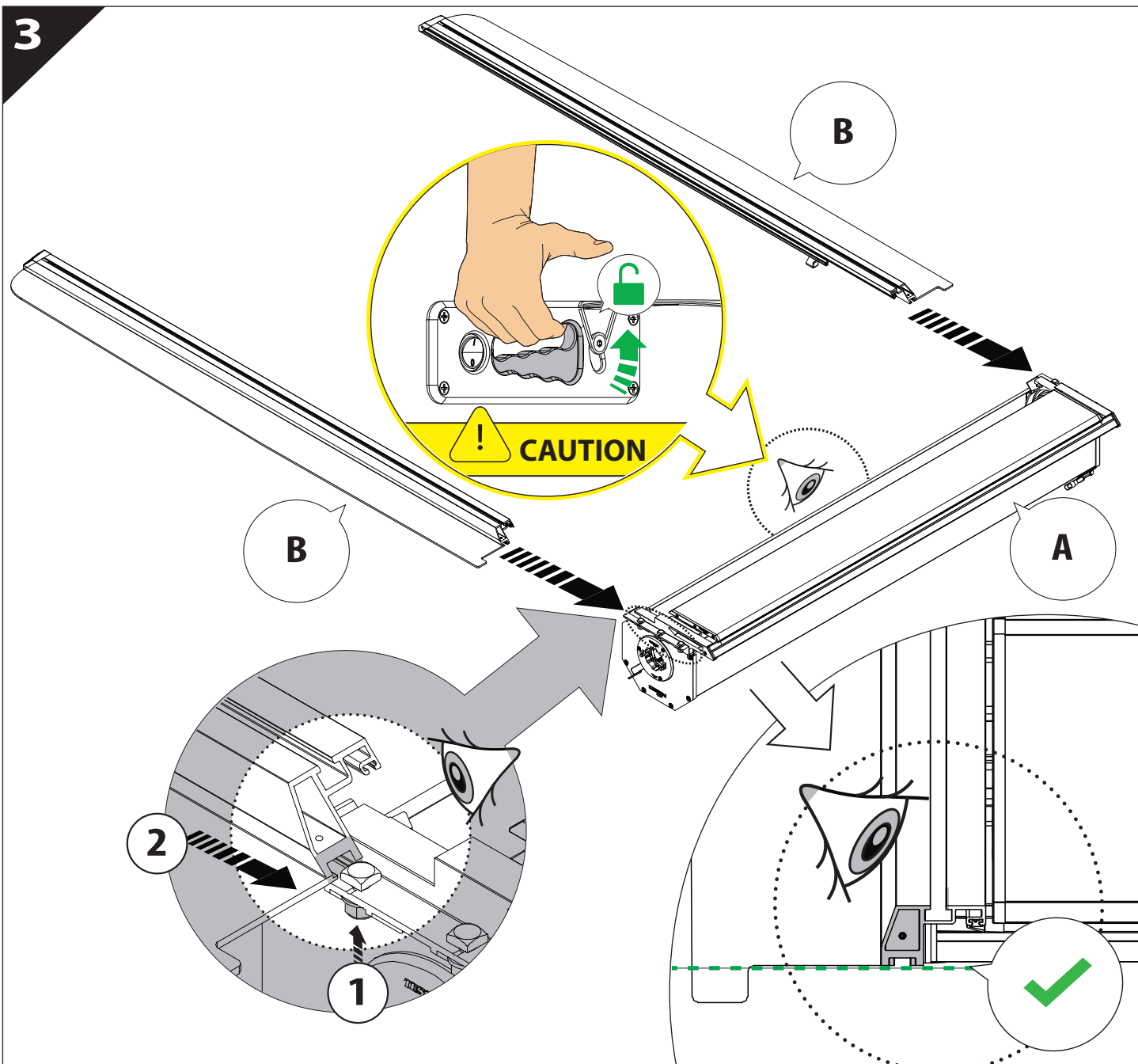
A

KITS

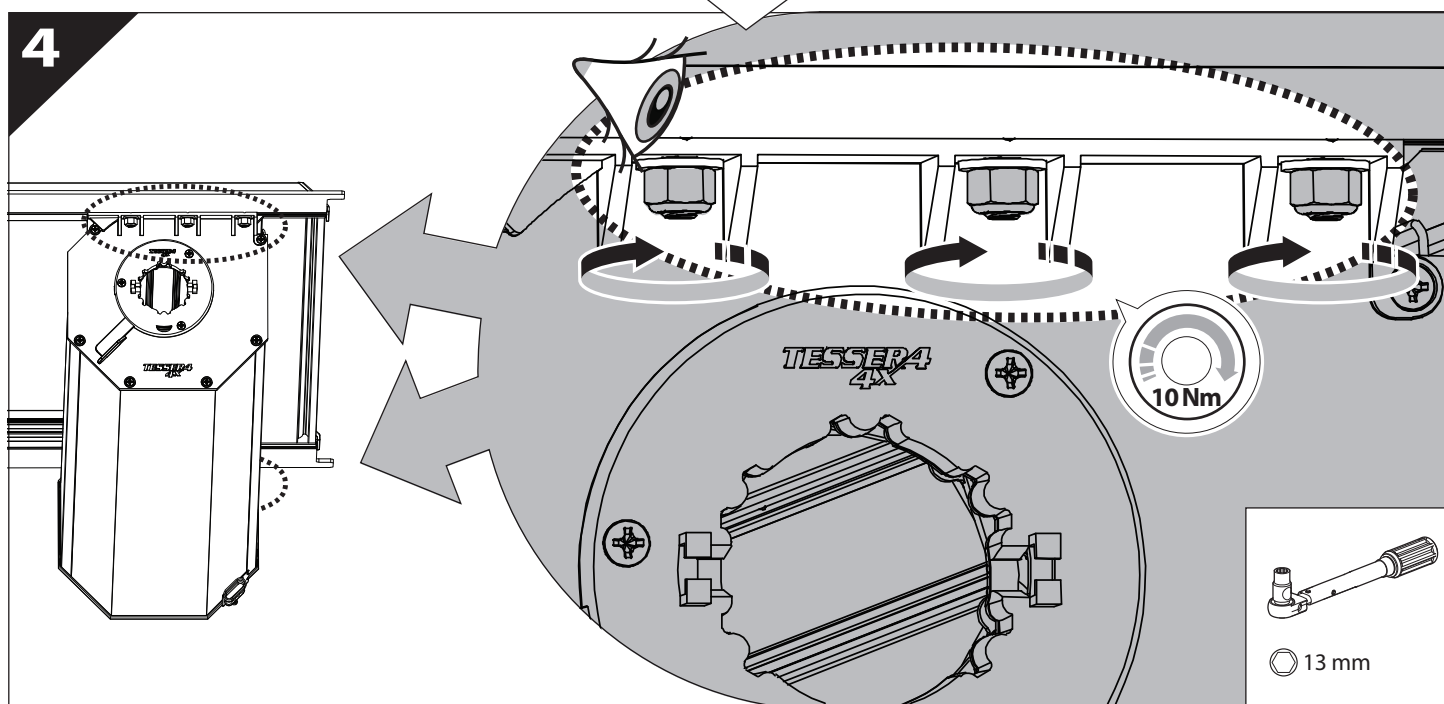
L

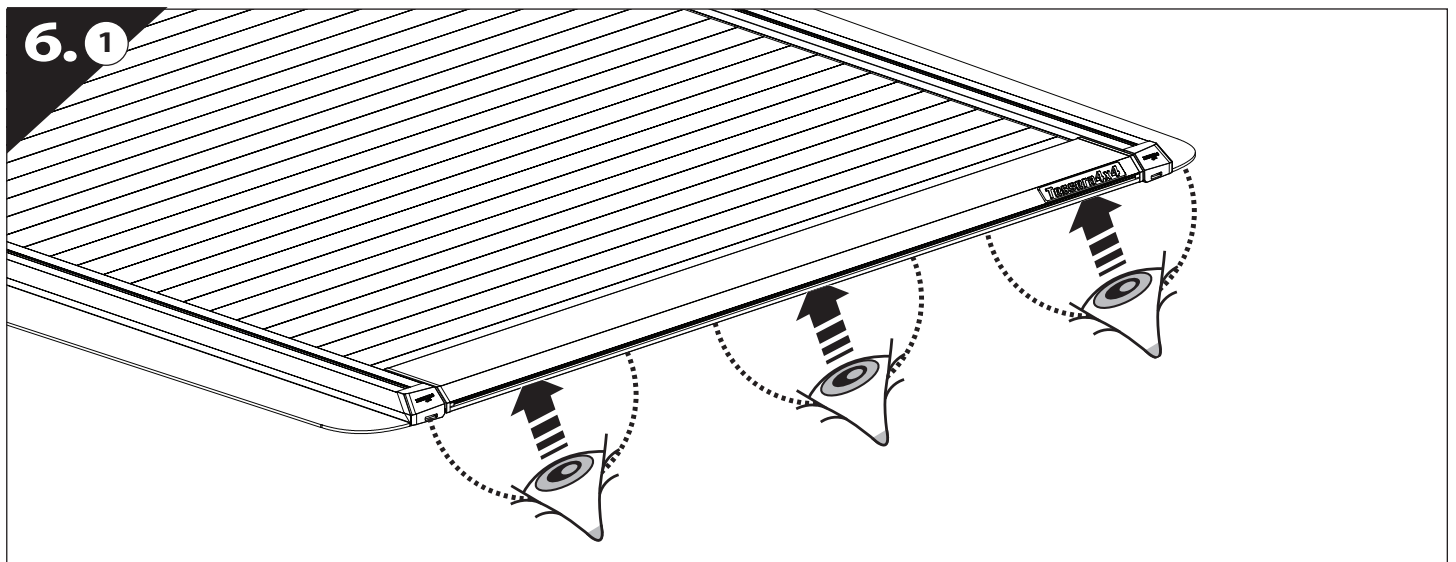
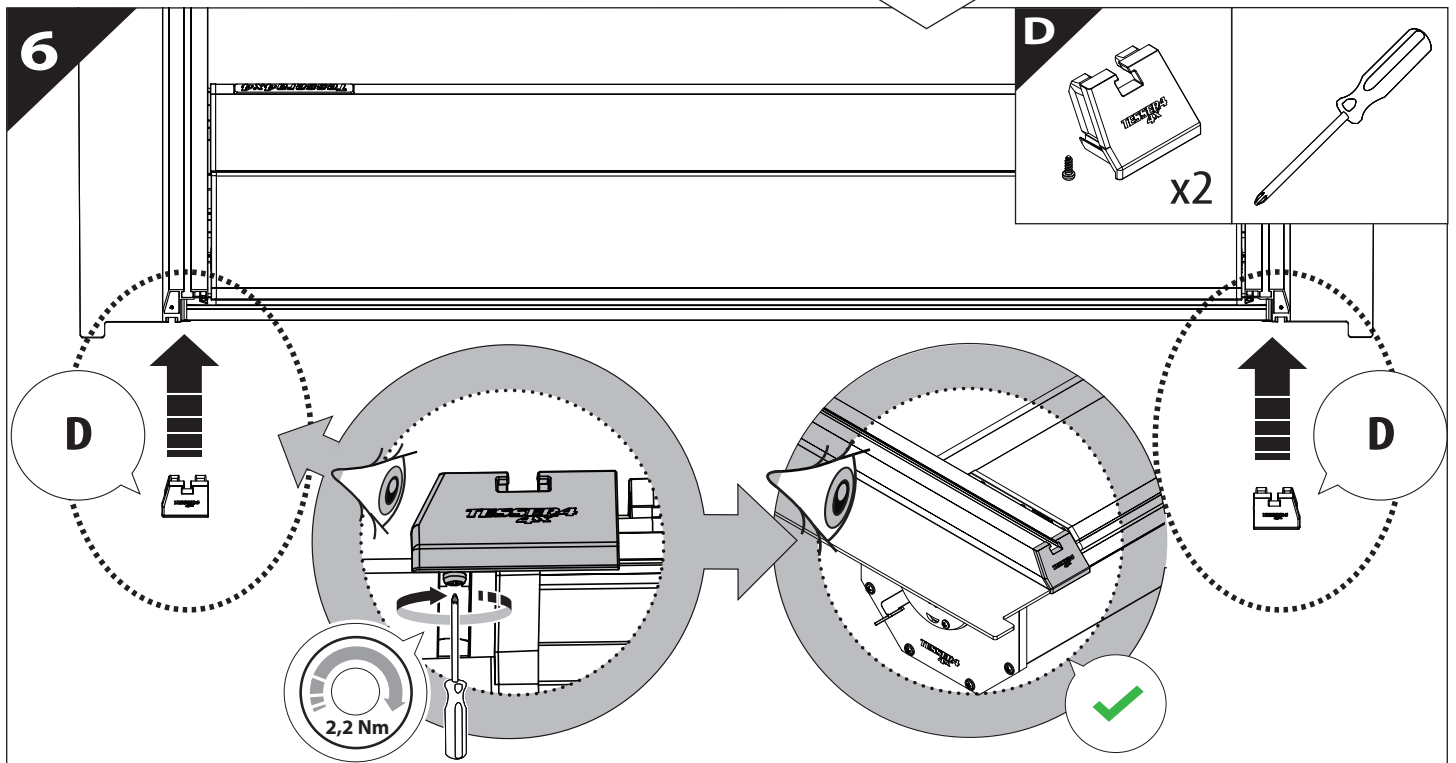
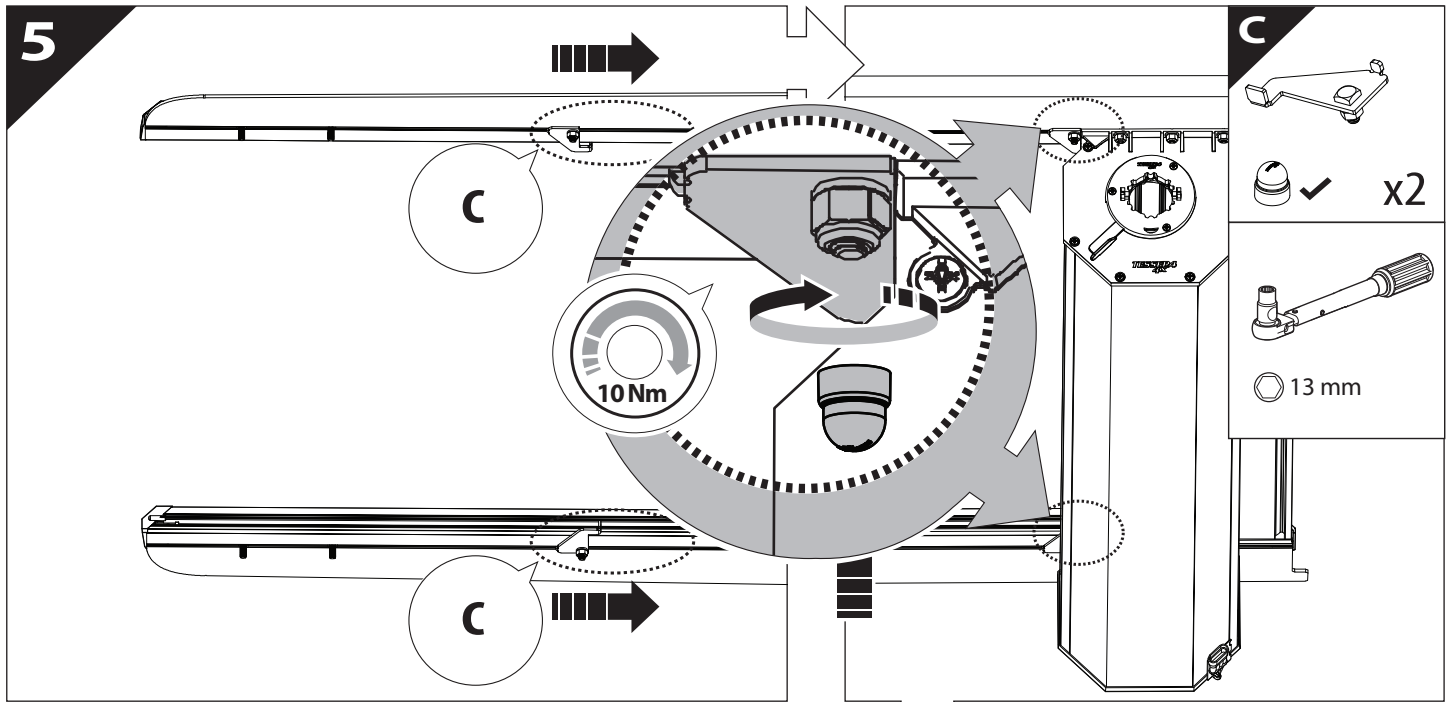


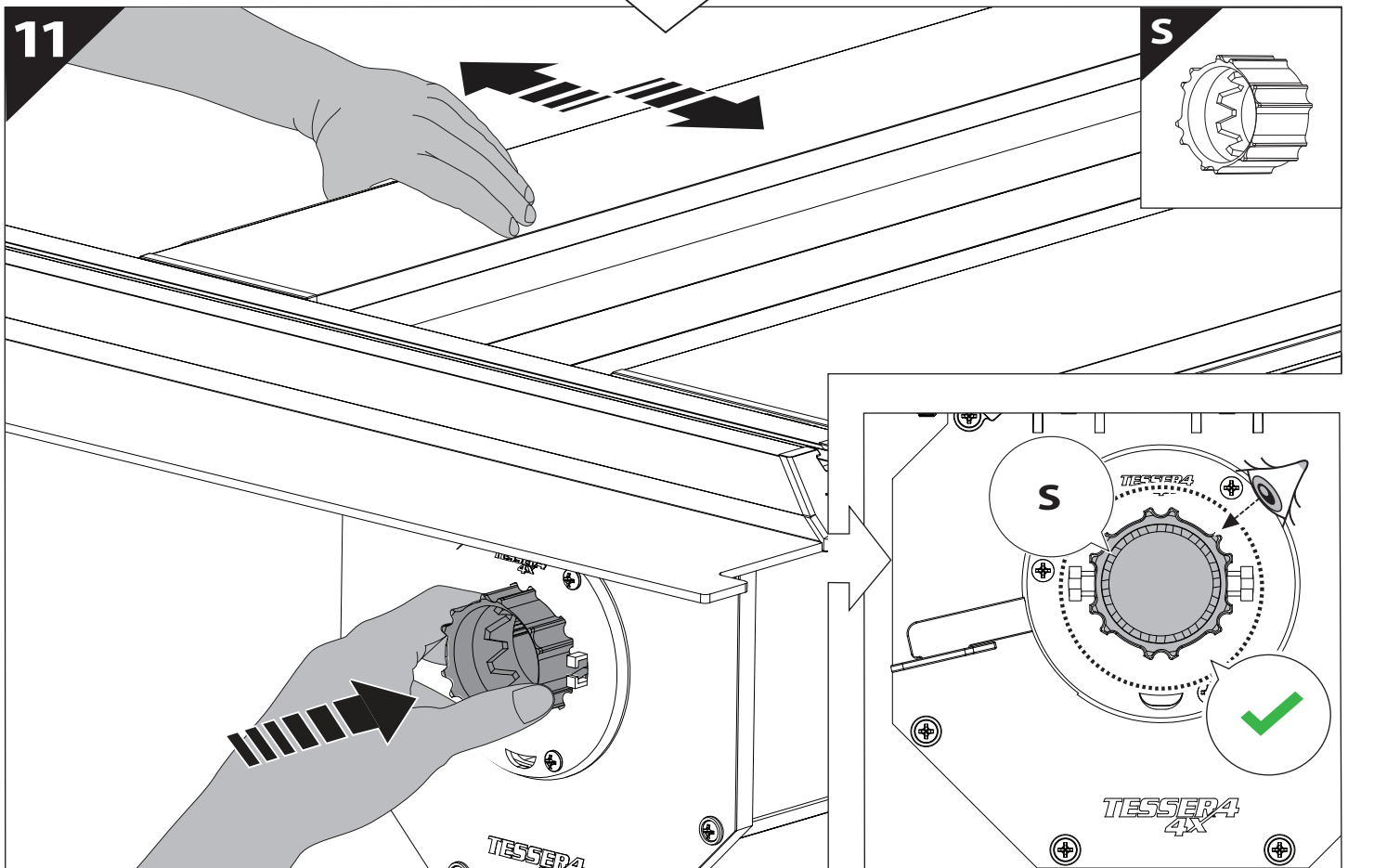
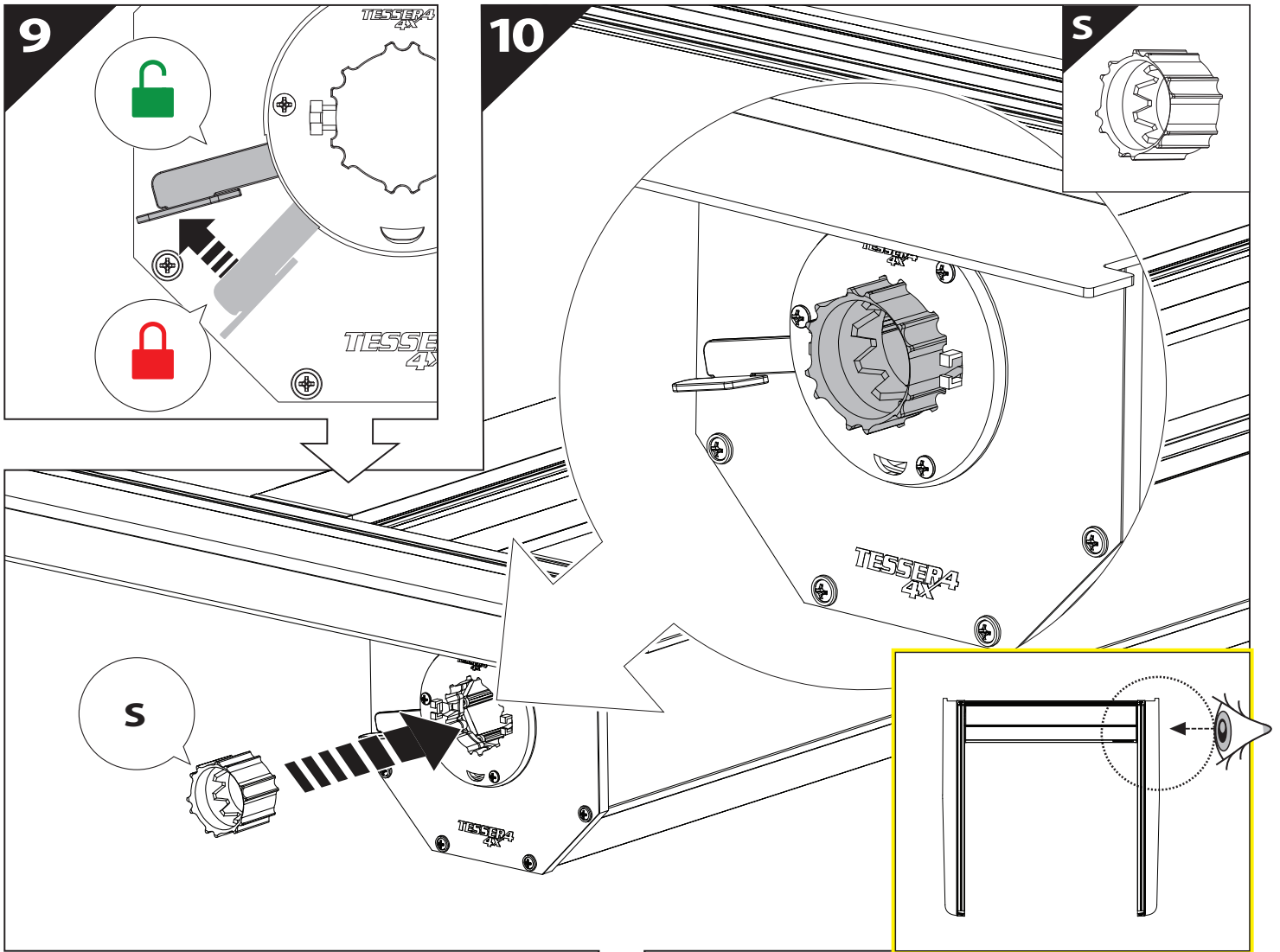
3

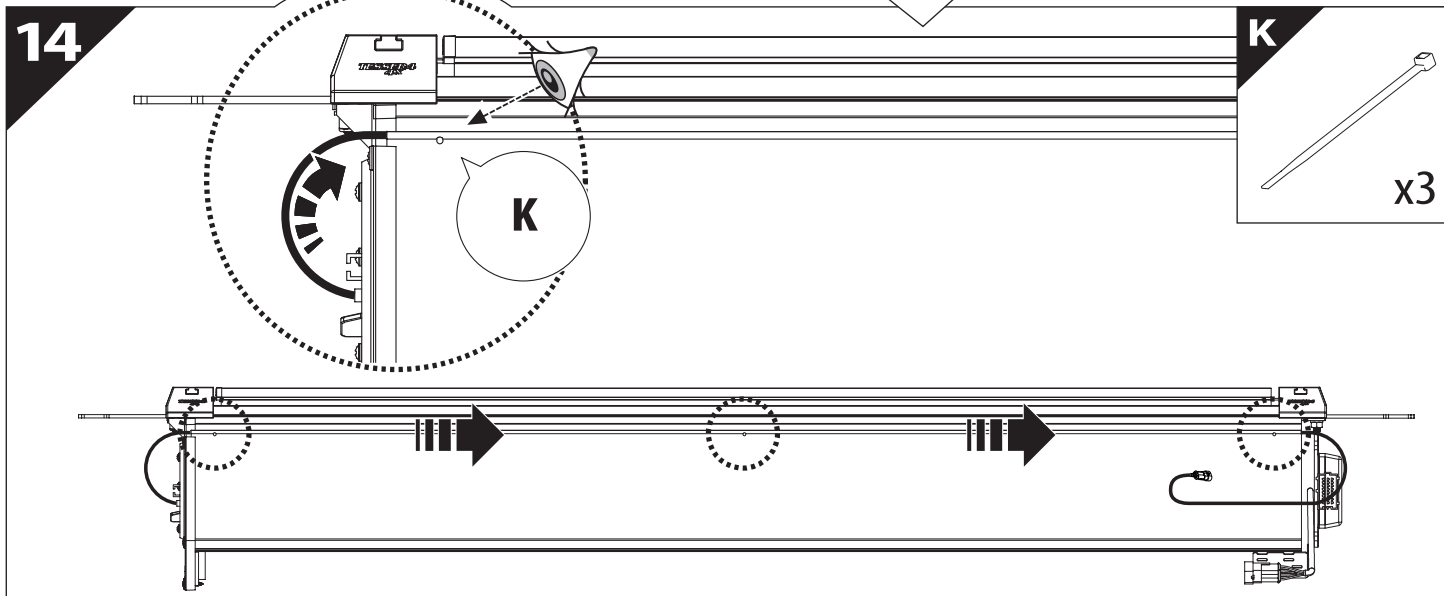
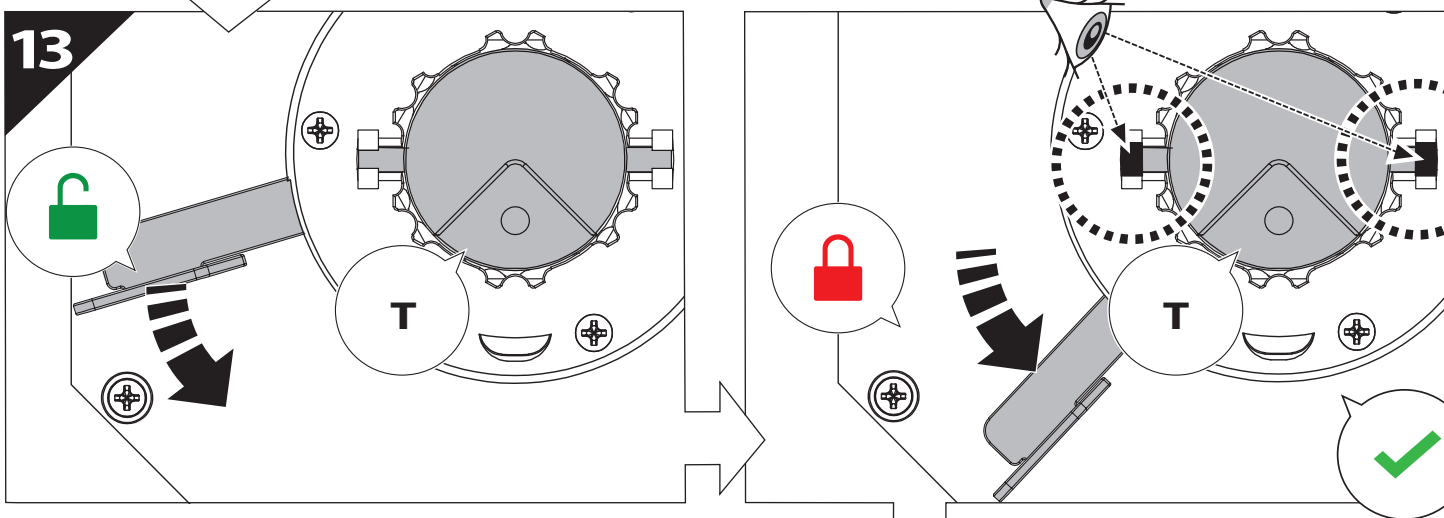
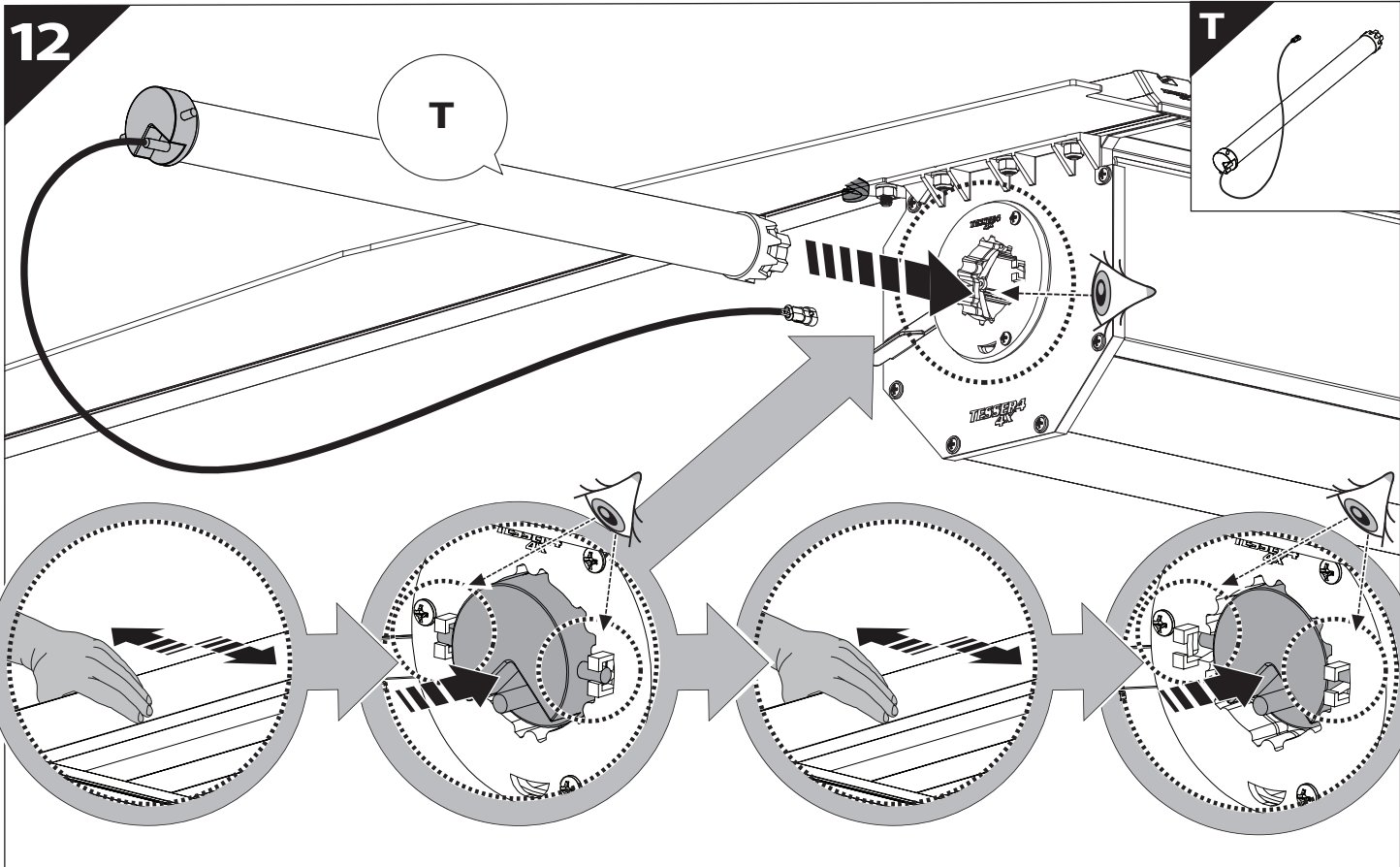


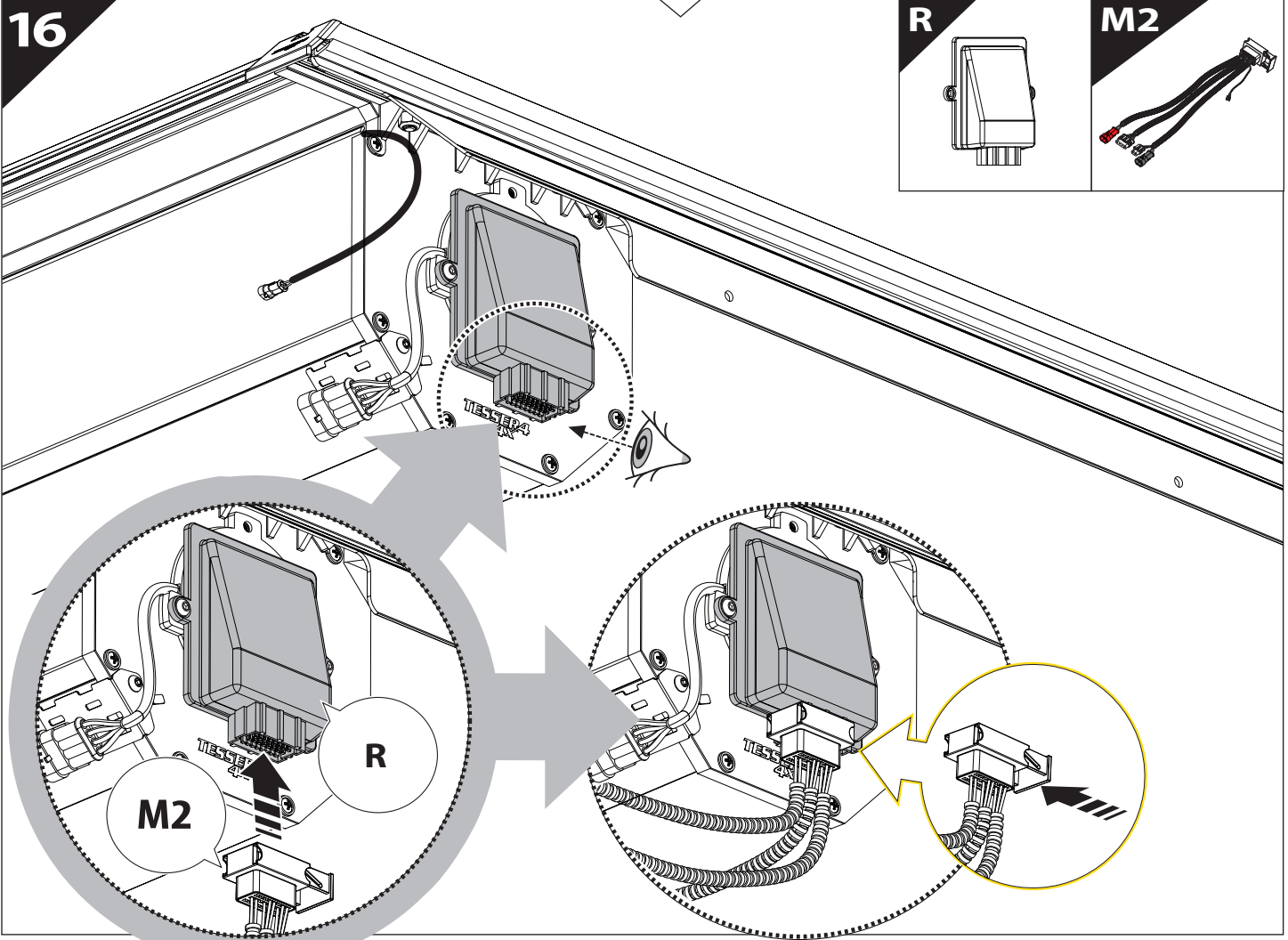
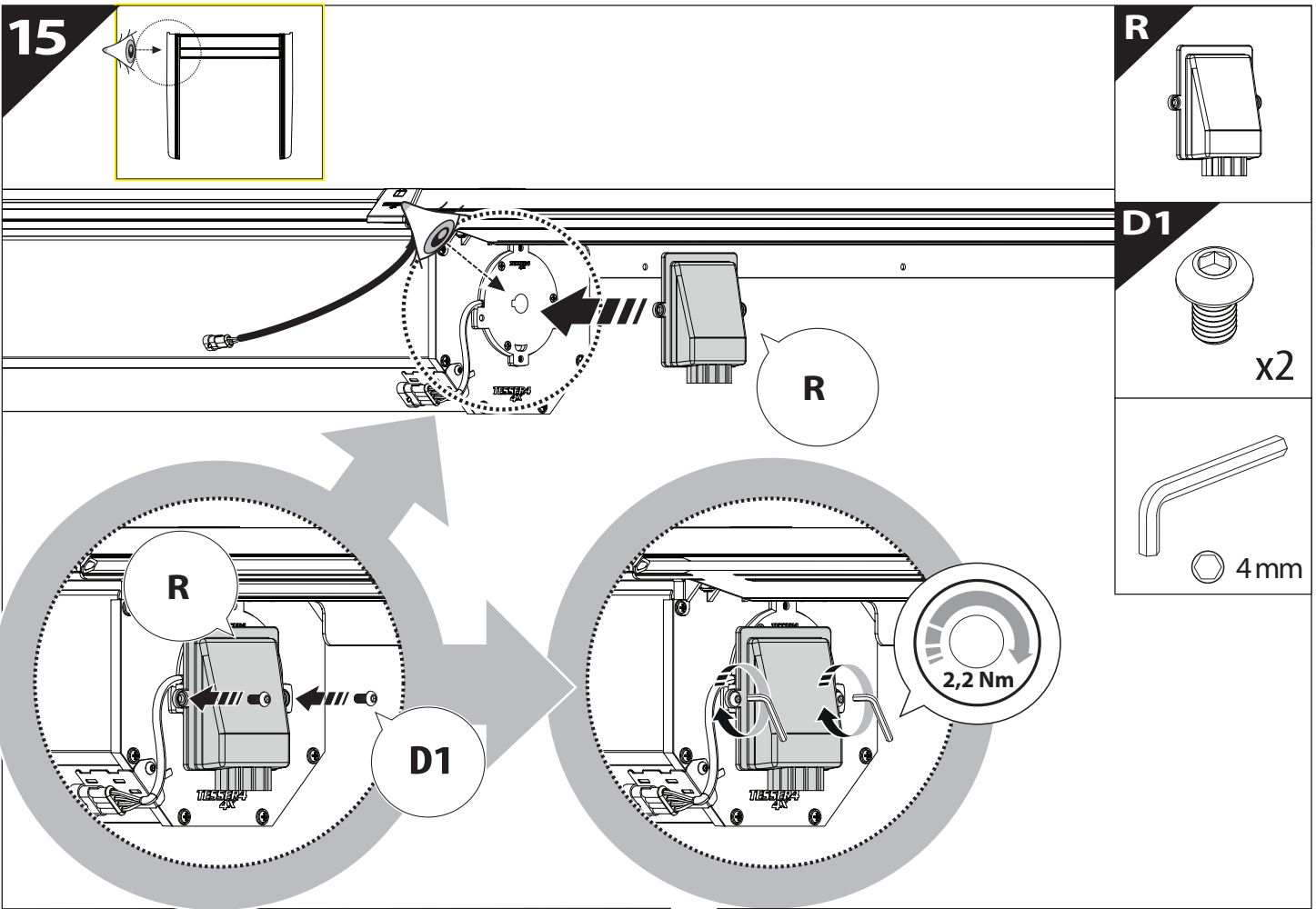
4

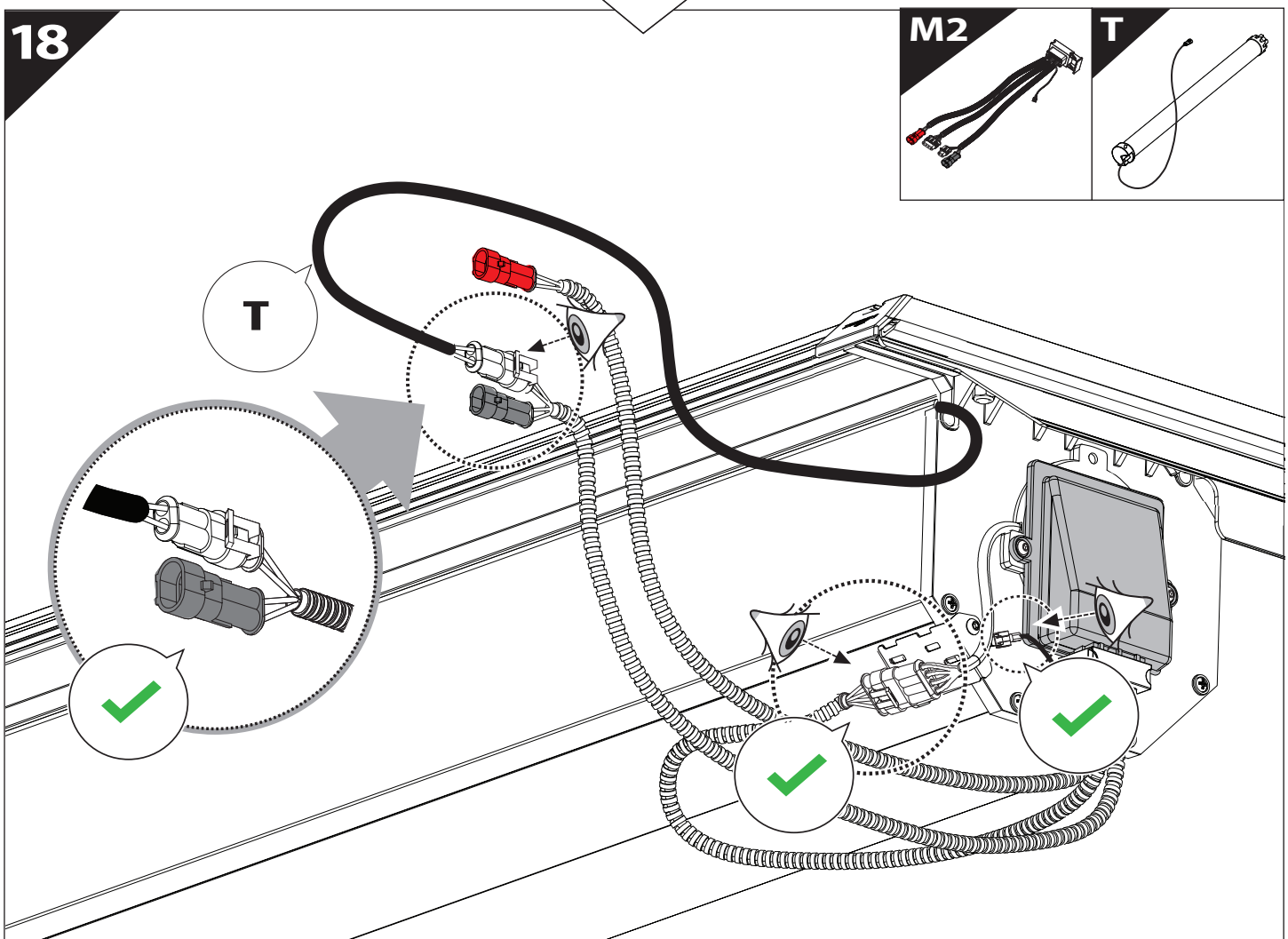
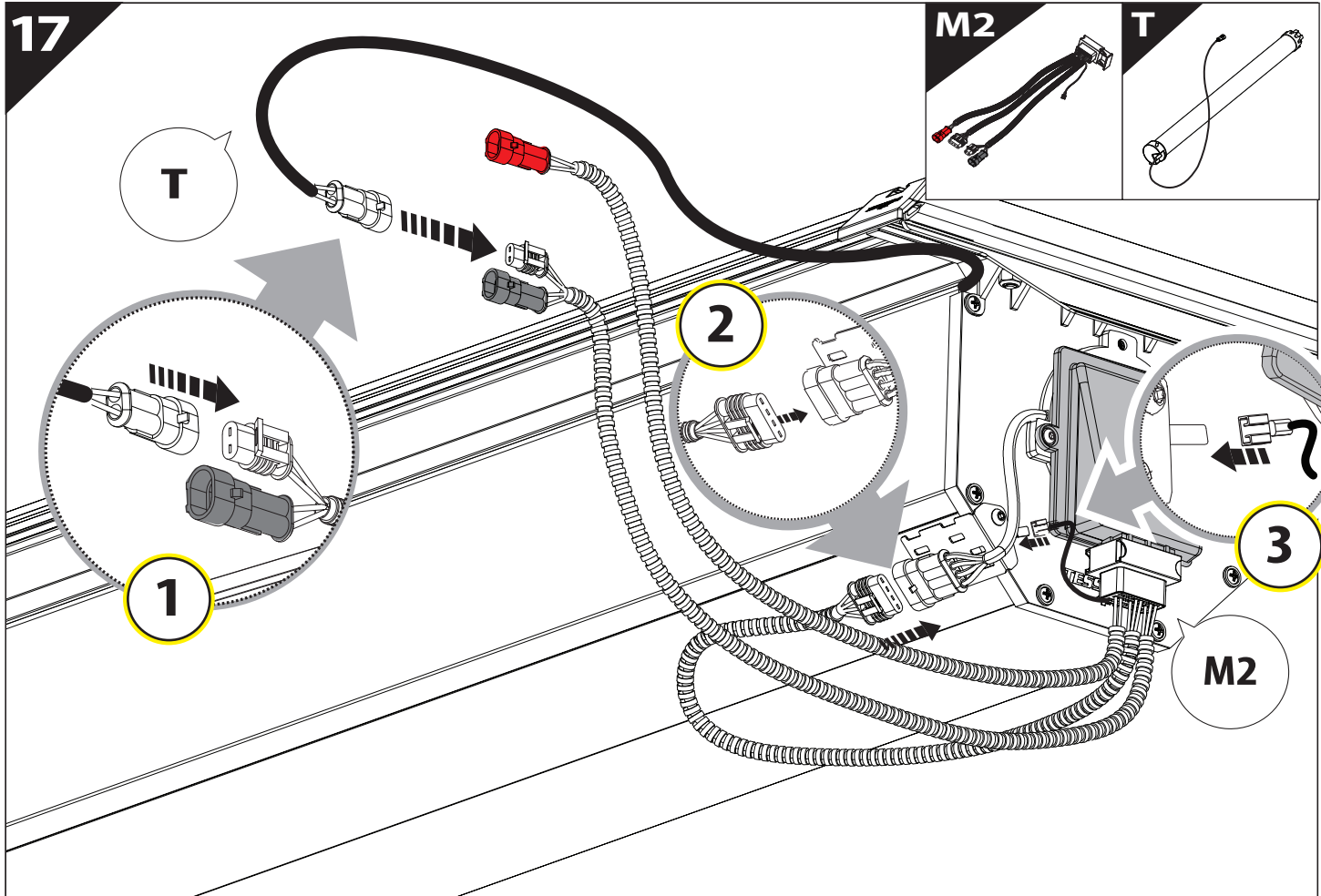


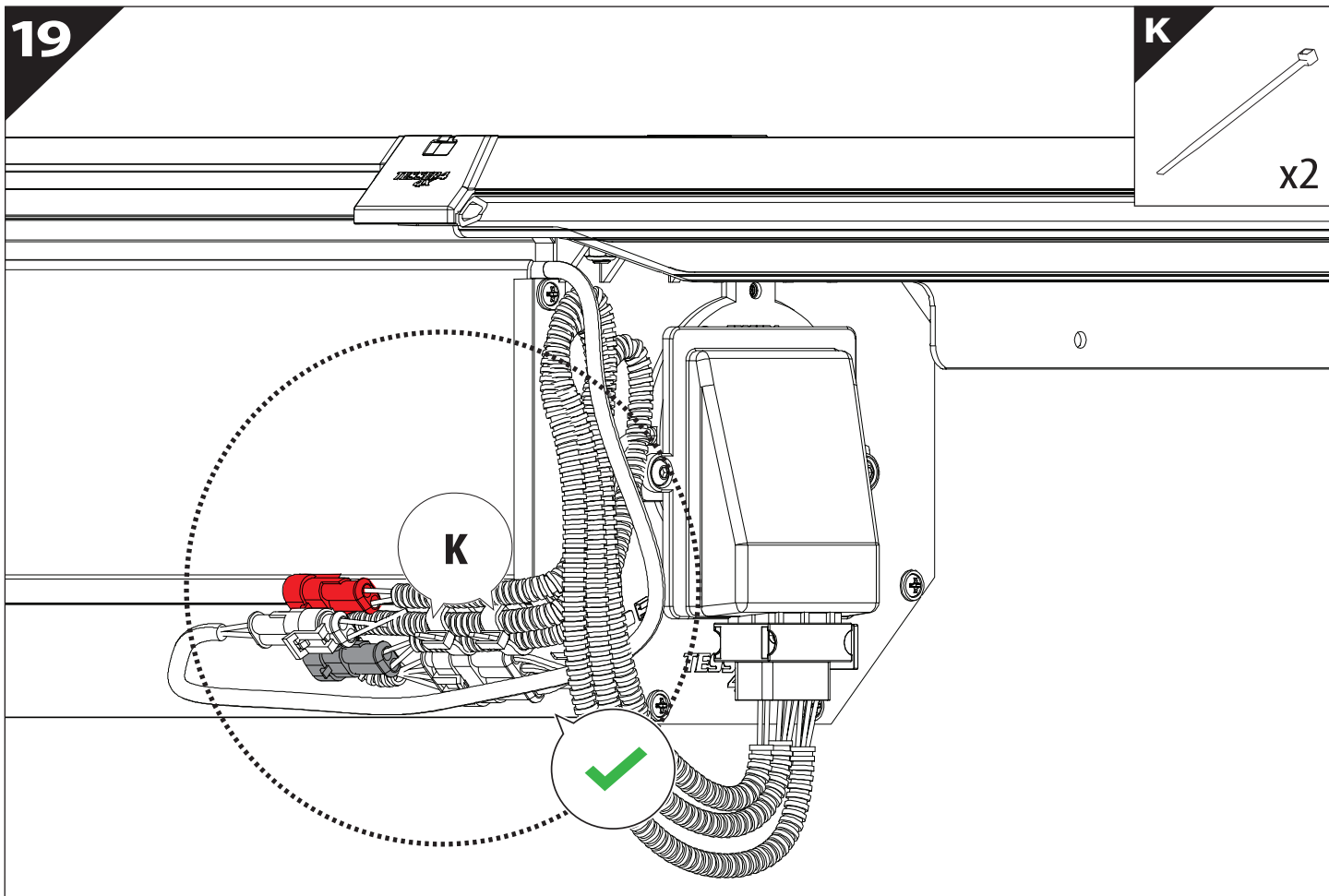
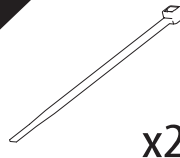




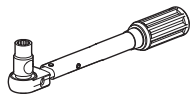






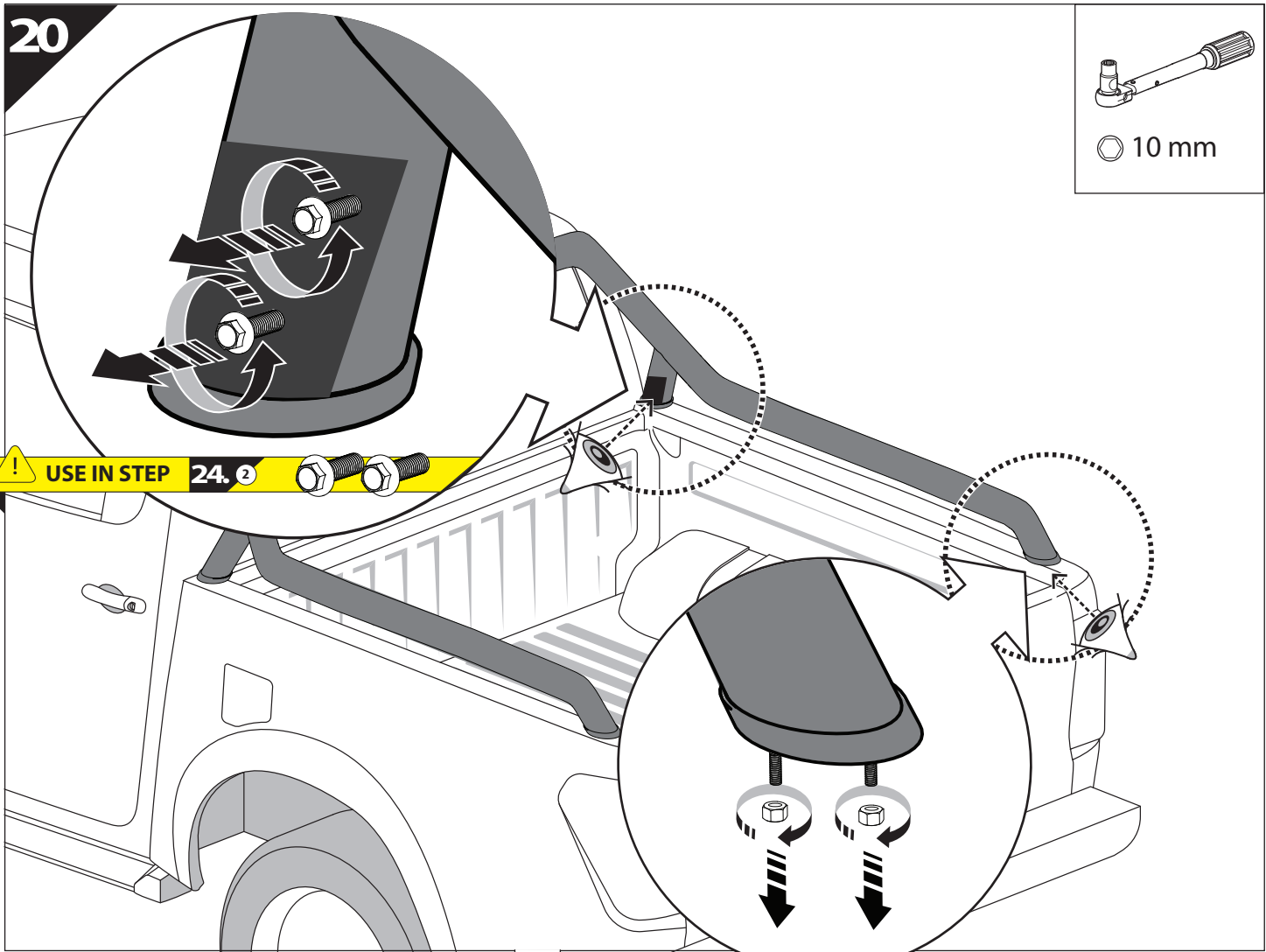


20



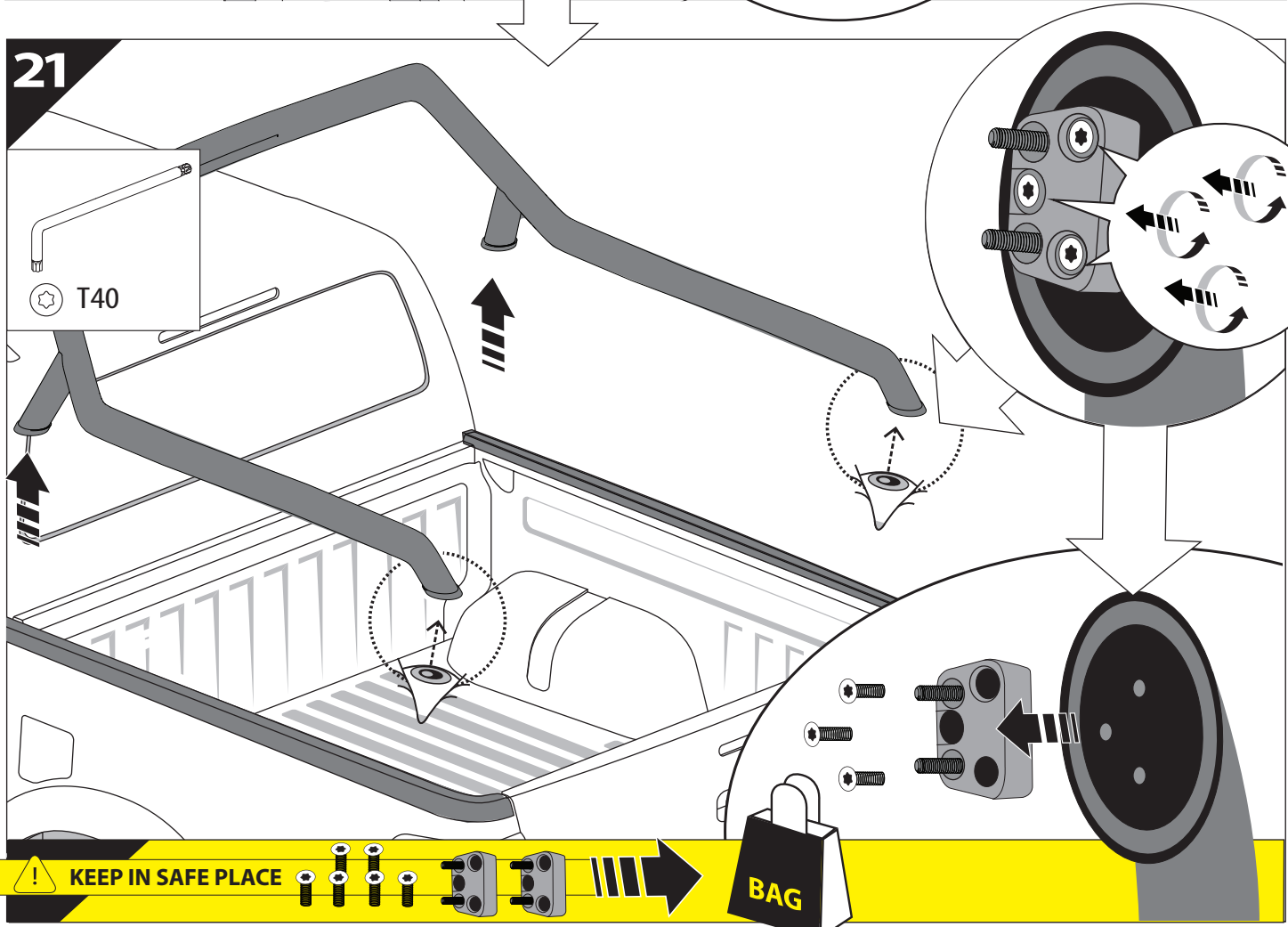
10 mm

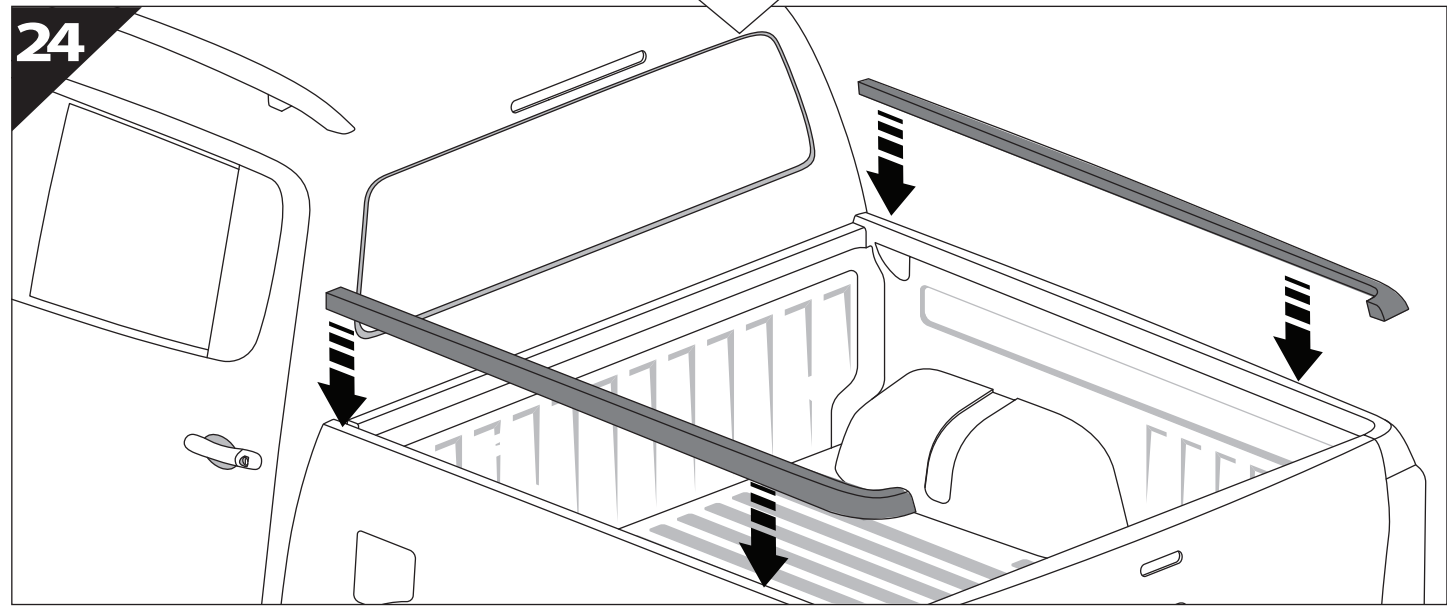
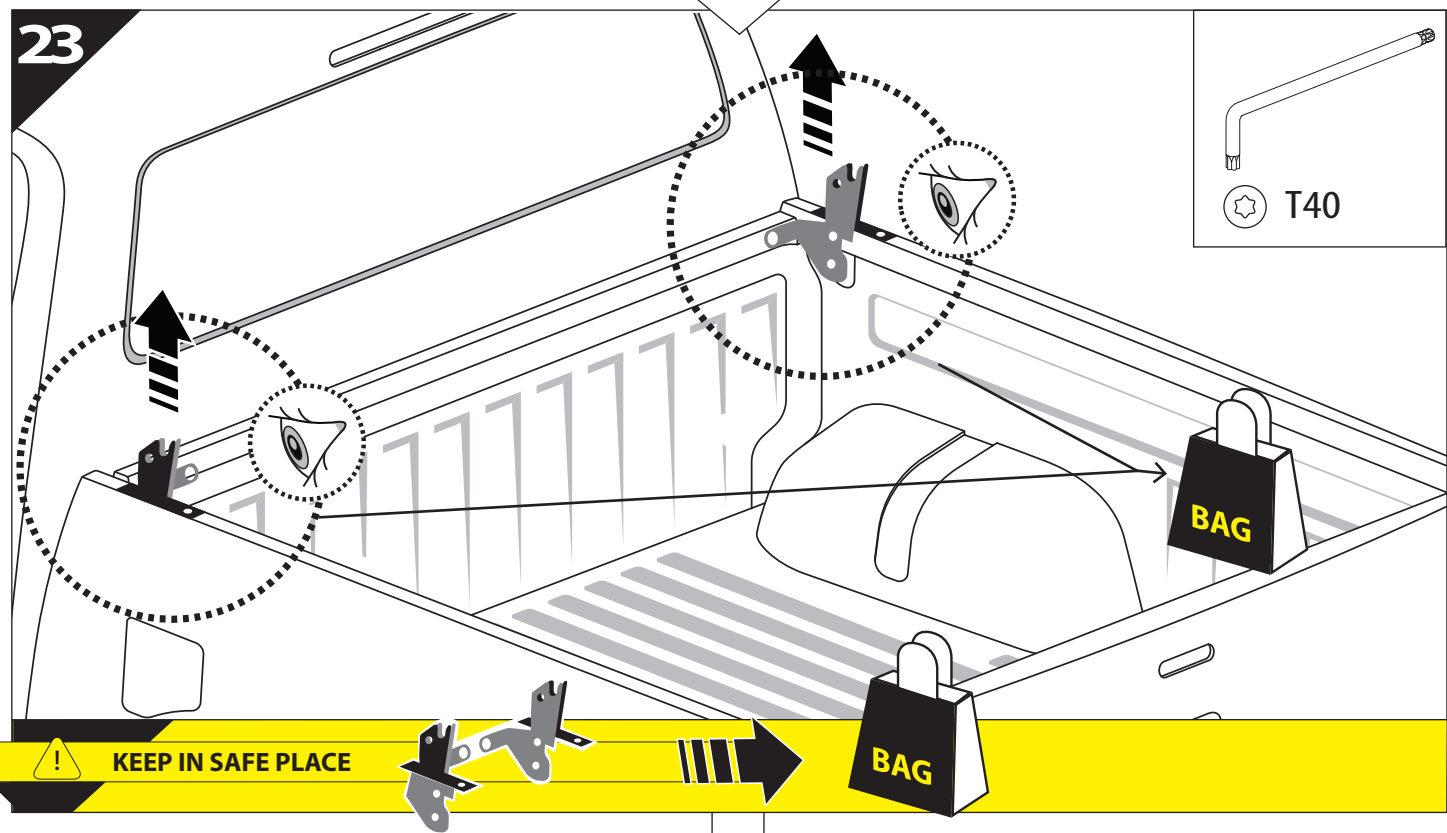
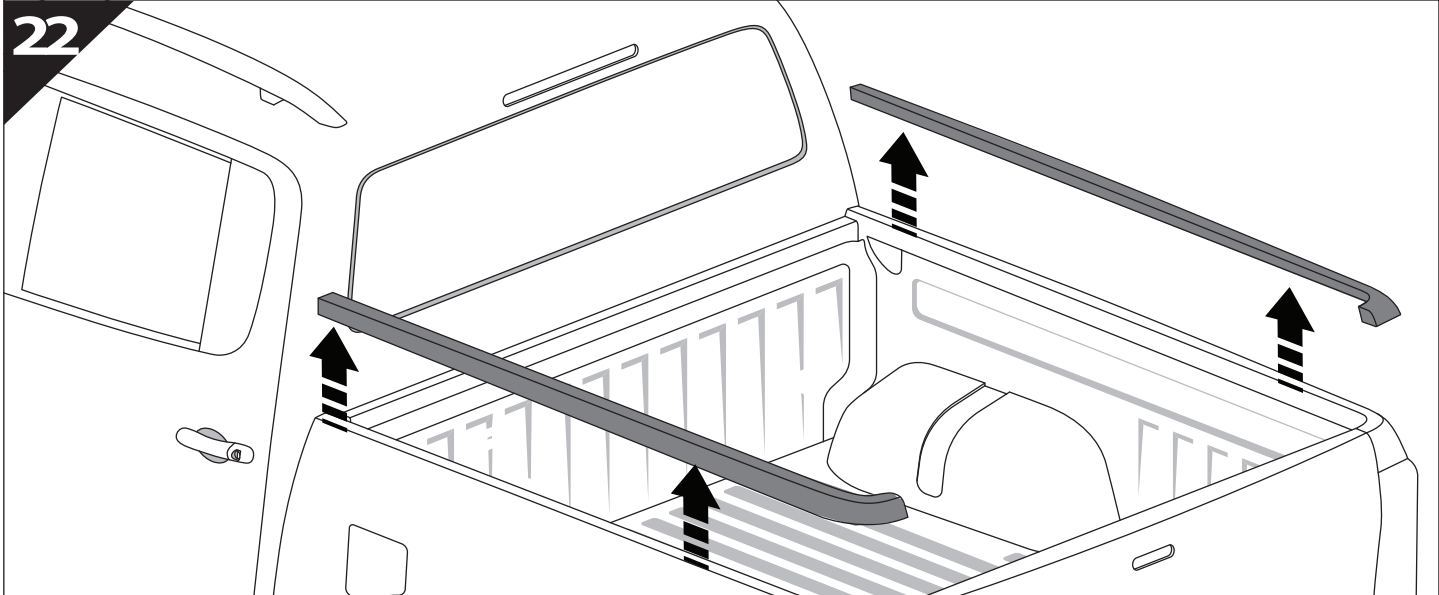
! USE IN STEP 24. 



21

T40

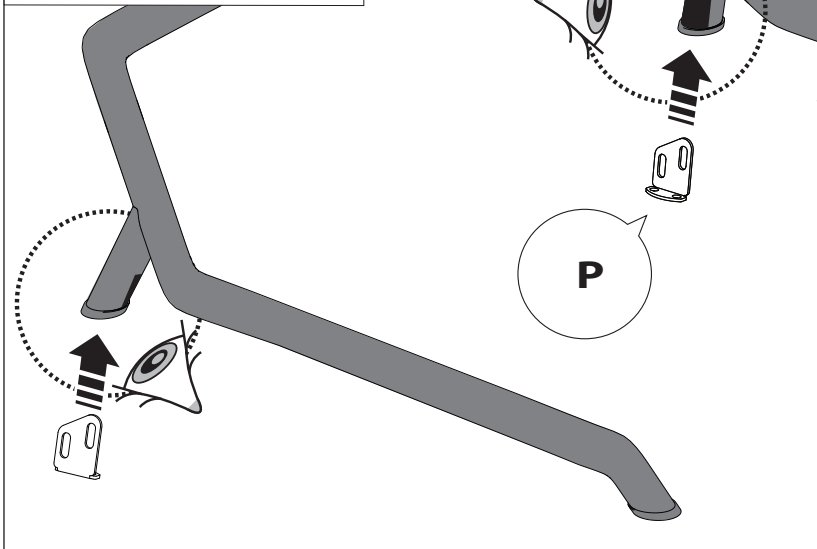




24.1

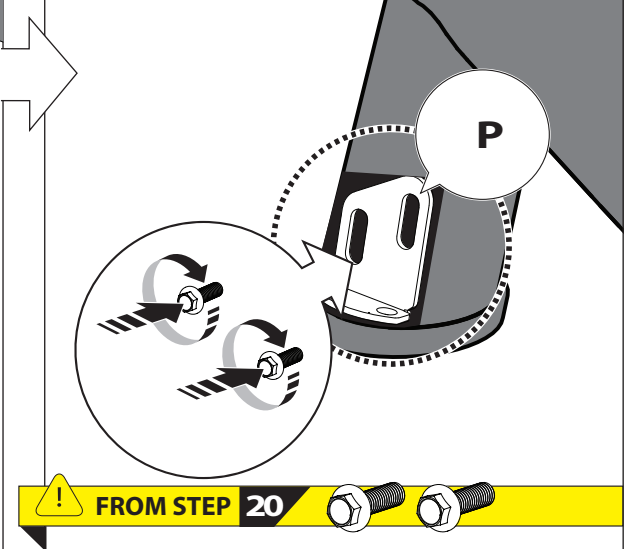
P

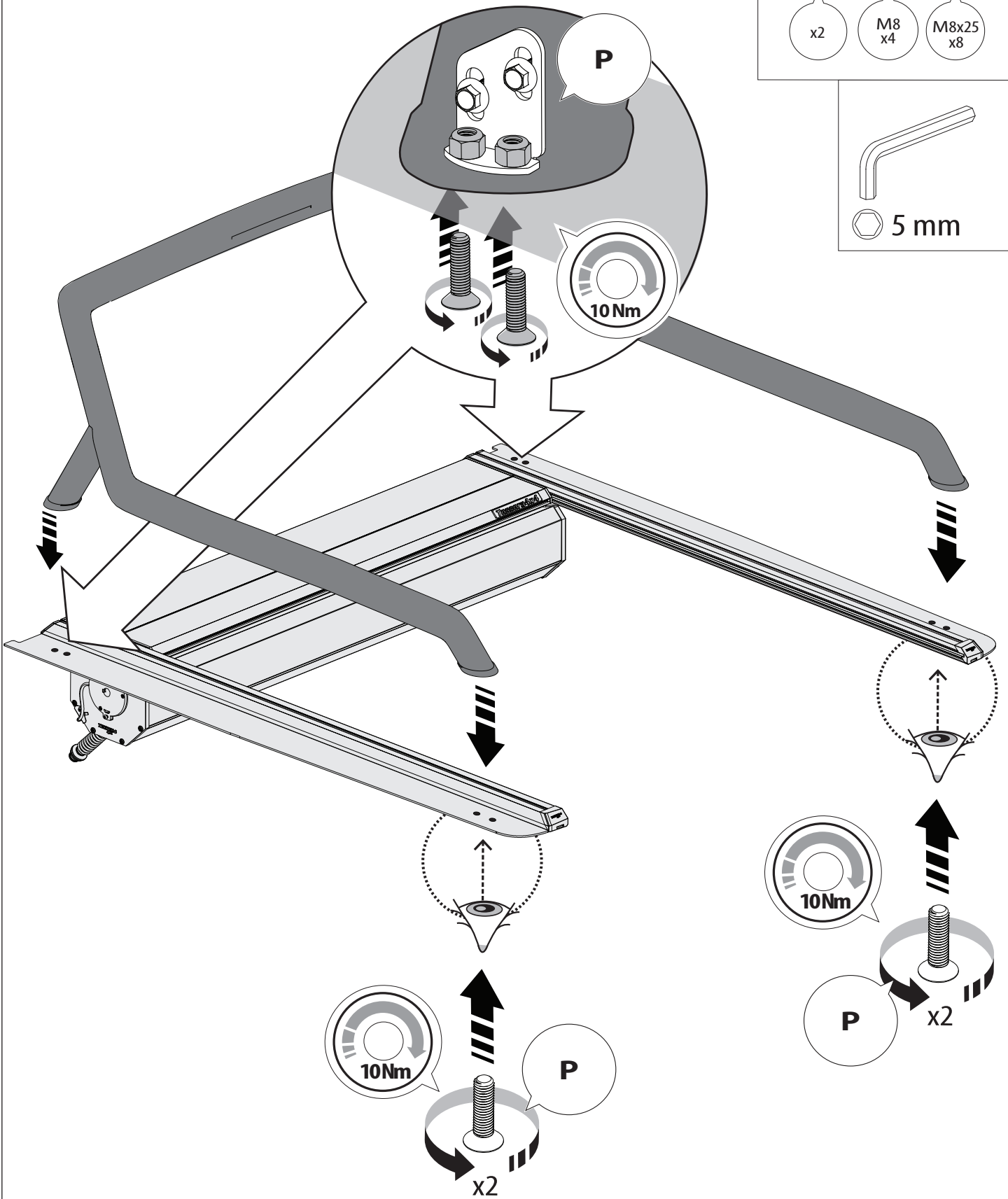
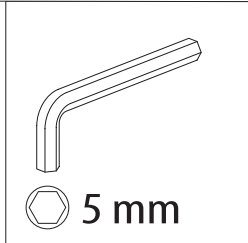
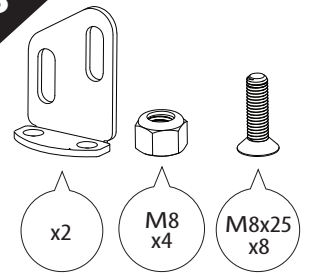
- x2
- M8 x4
- M8x25 x8



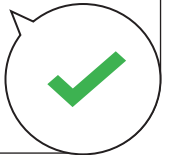
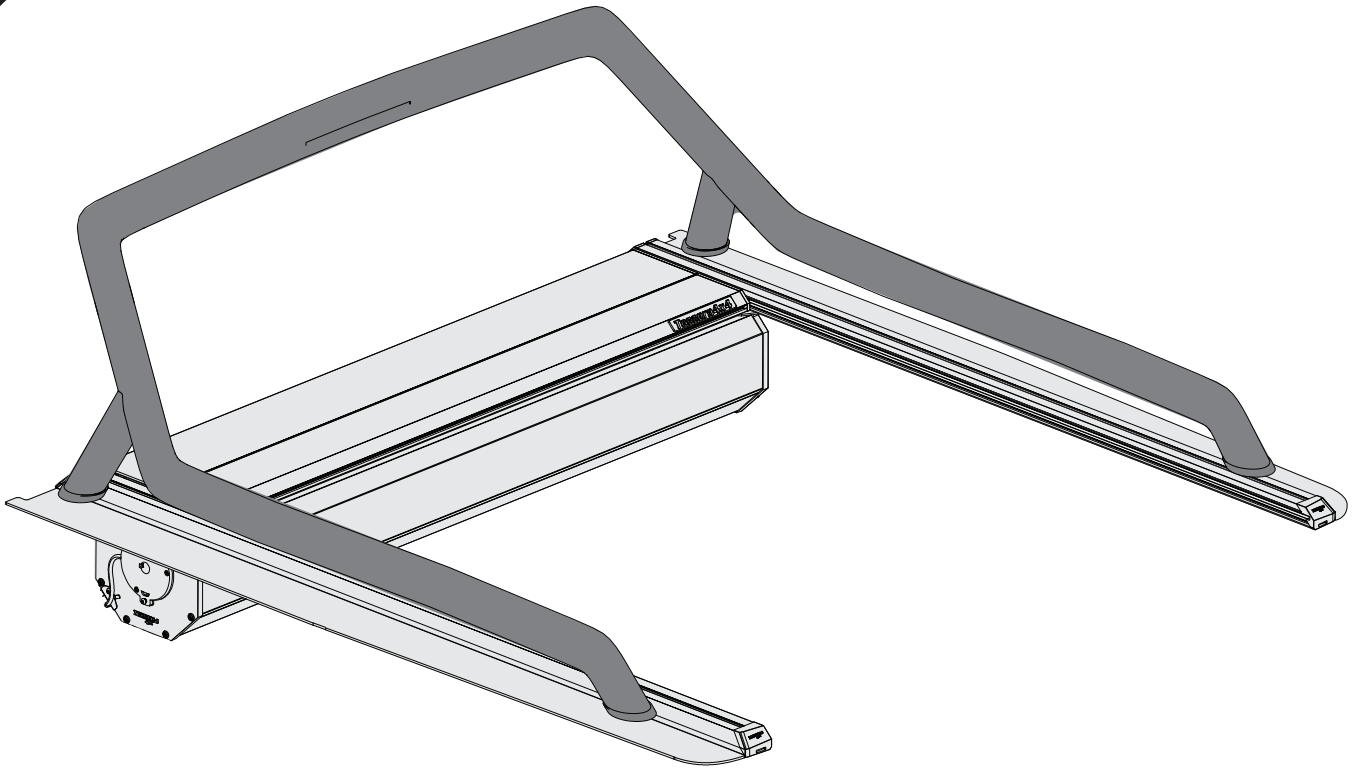
24.2

10 mm

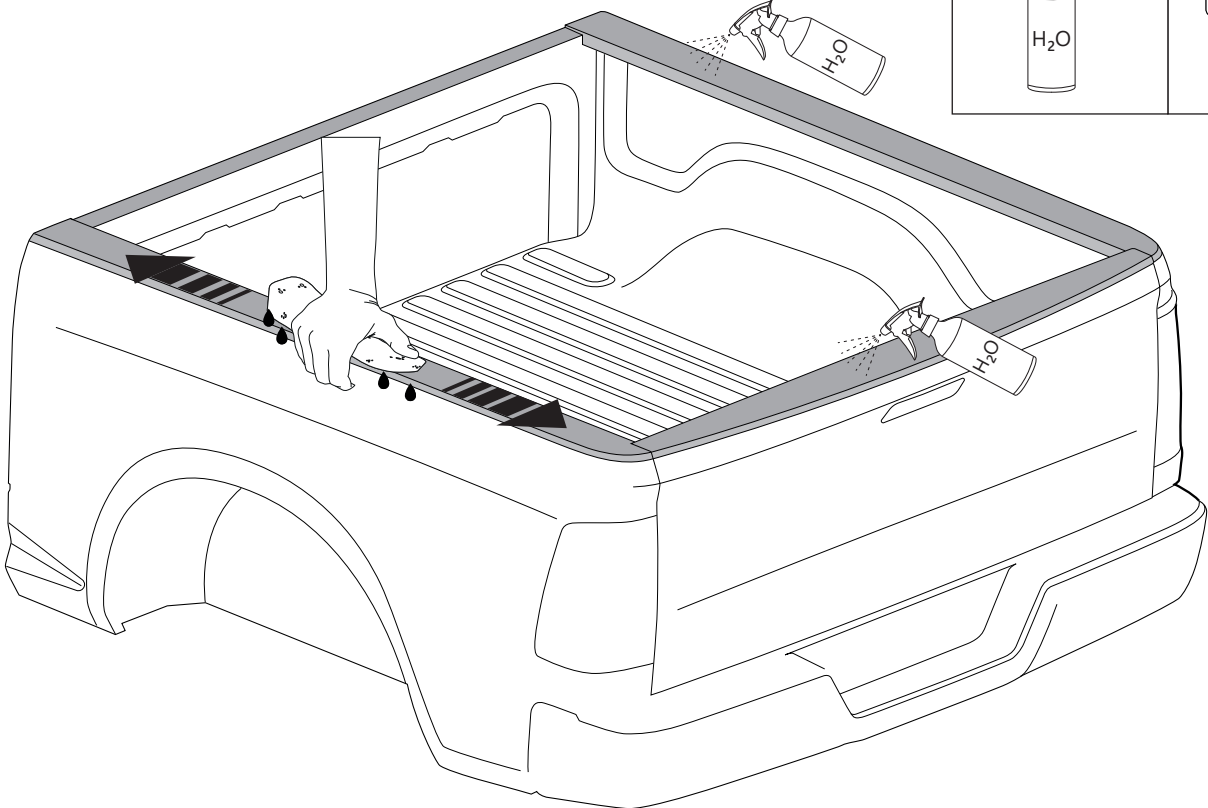




26

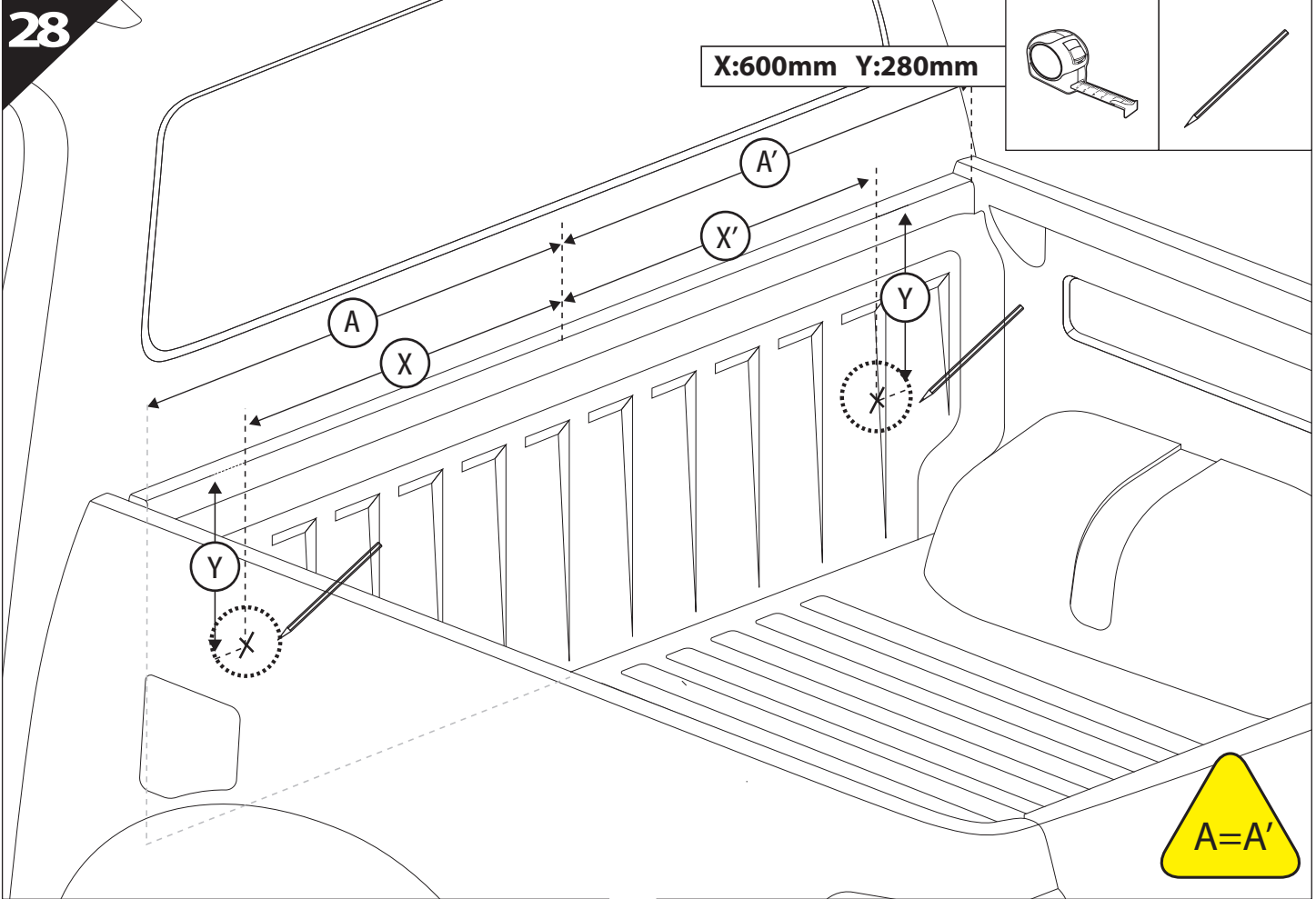
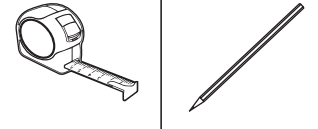


27



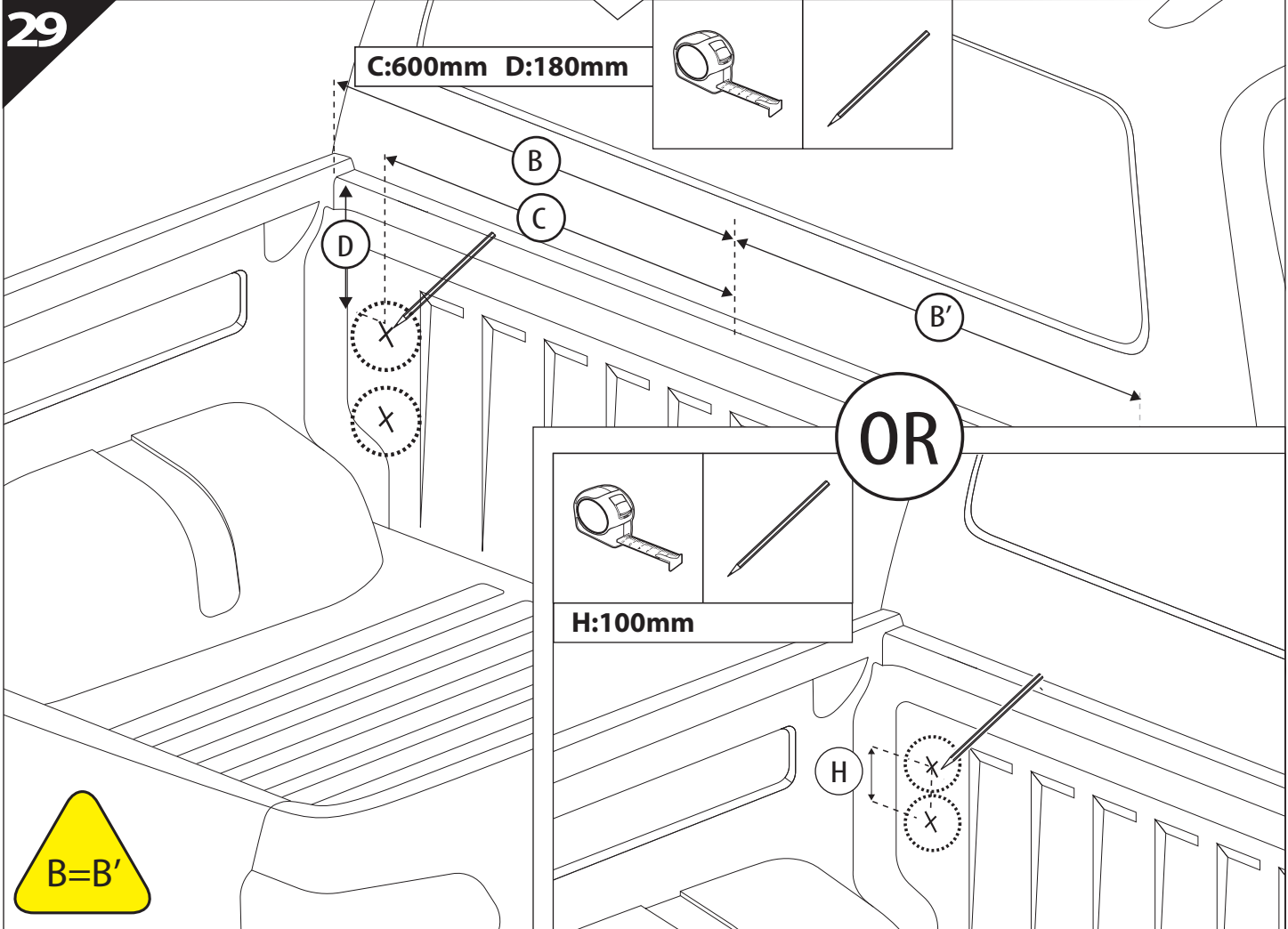
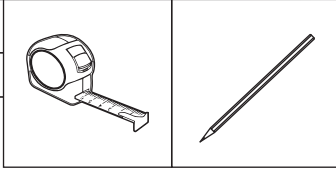
28

X:600mm Y:280mm



29

C:600mm D:180mm



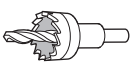
30

CAUTION

CAUTION

max: 2 mm

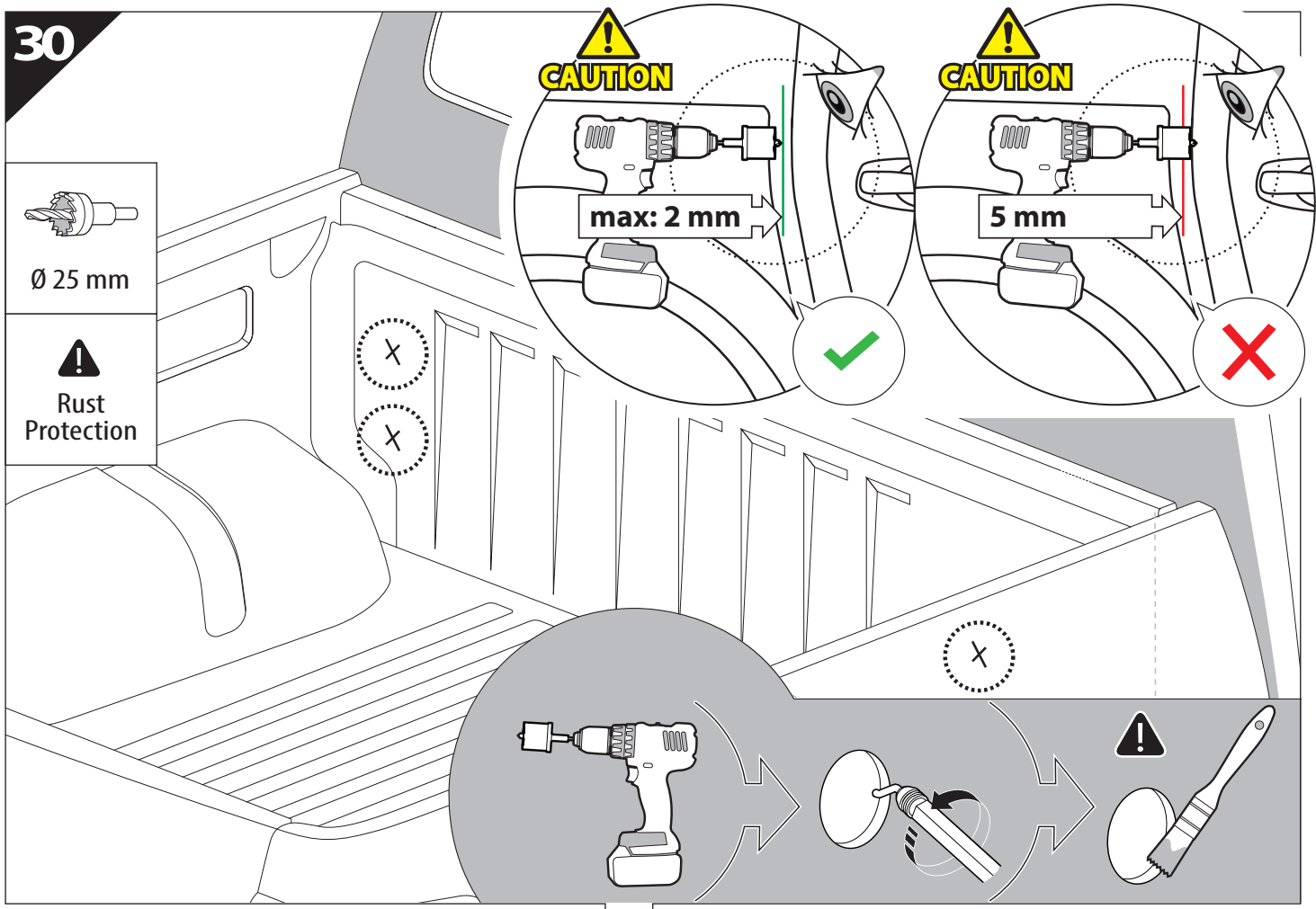
5 mm



Ø 25 mm

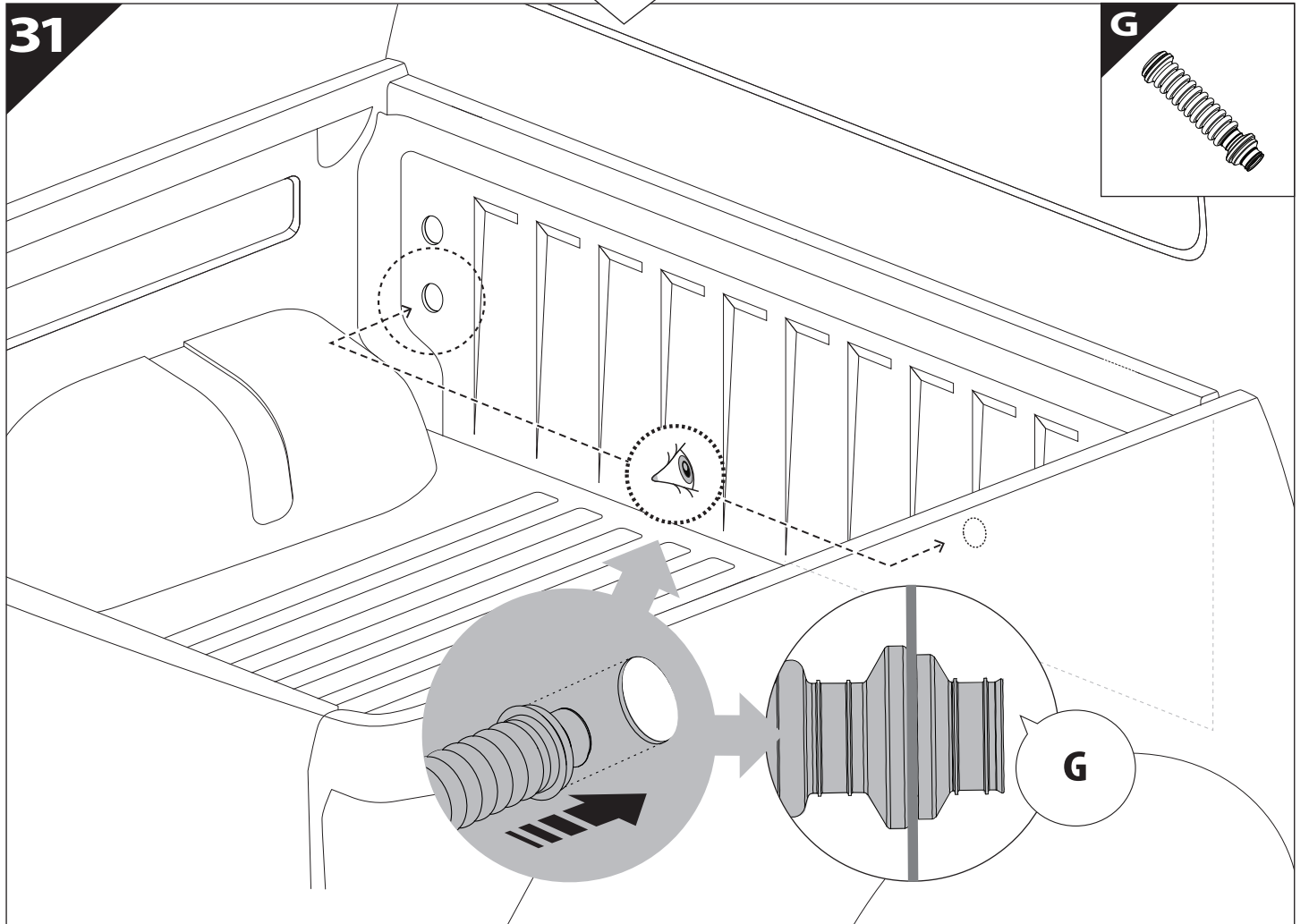


Rust Protection

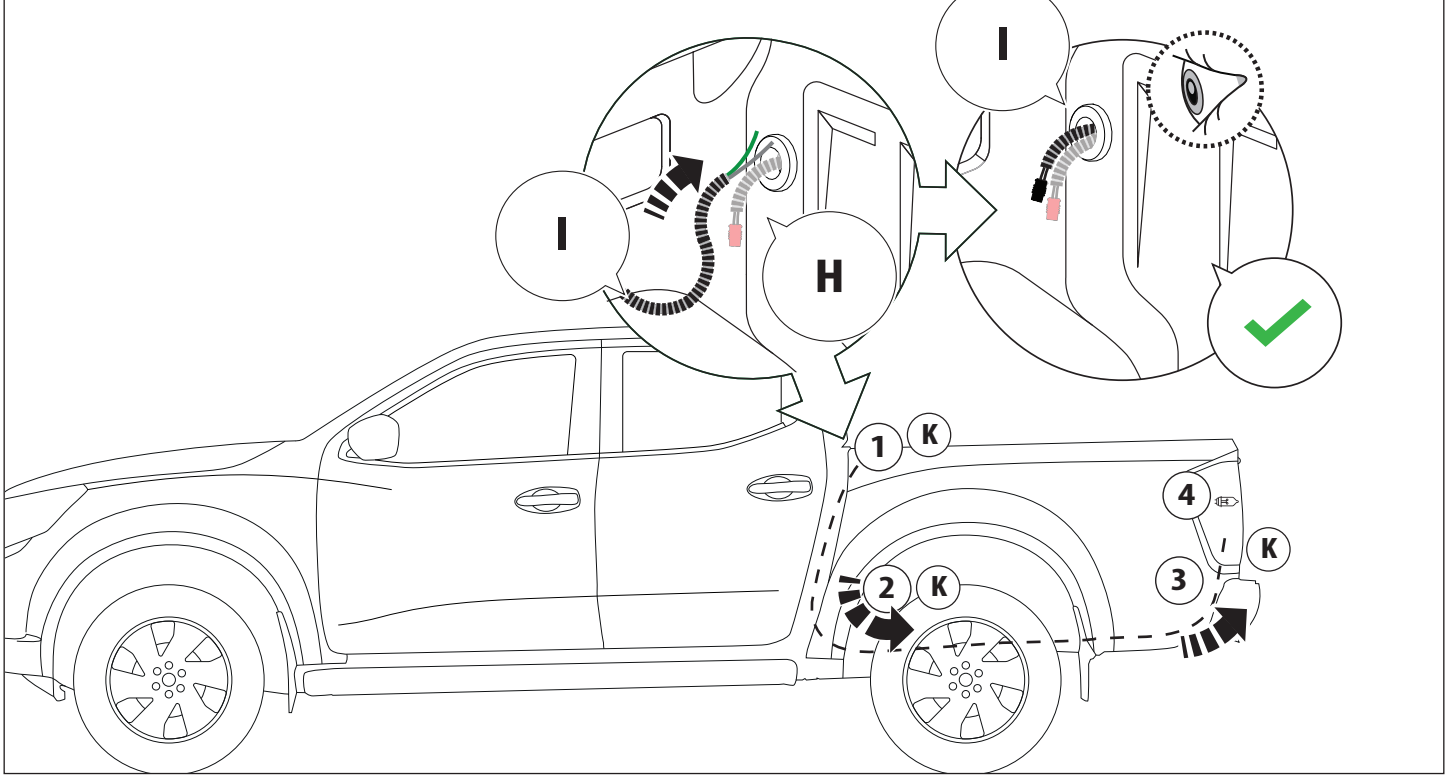
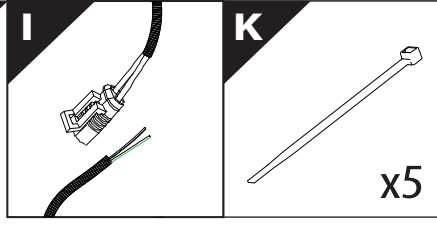
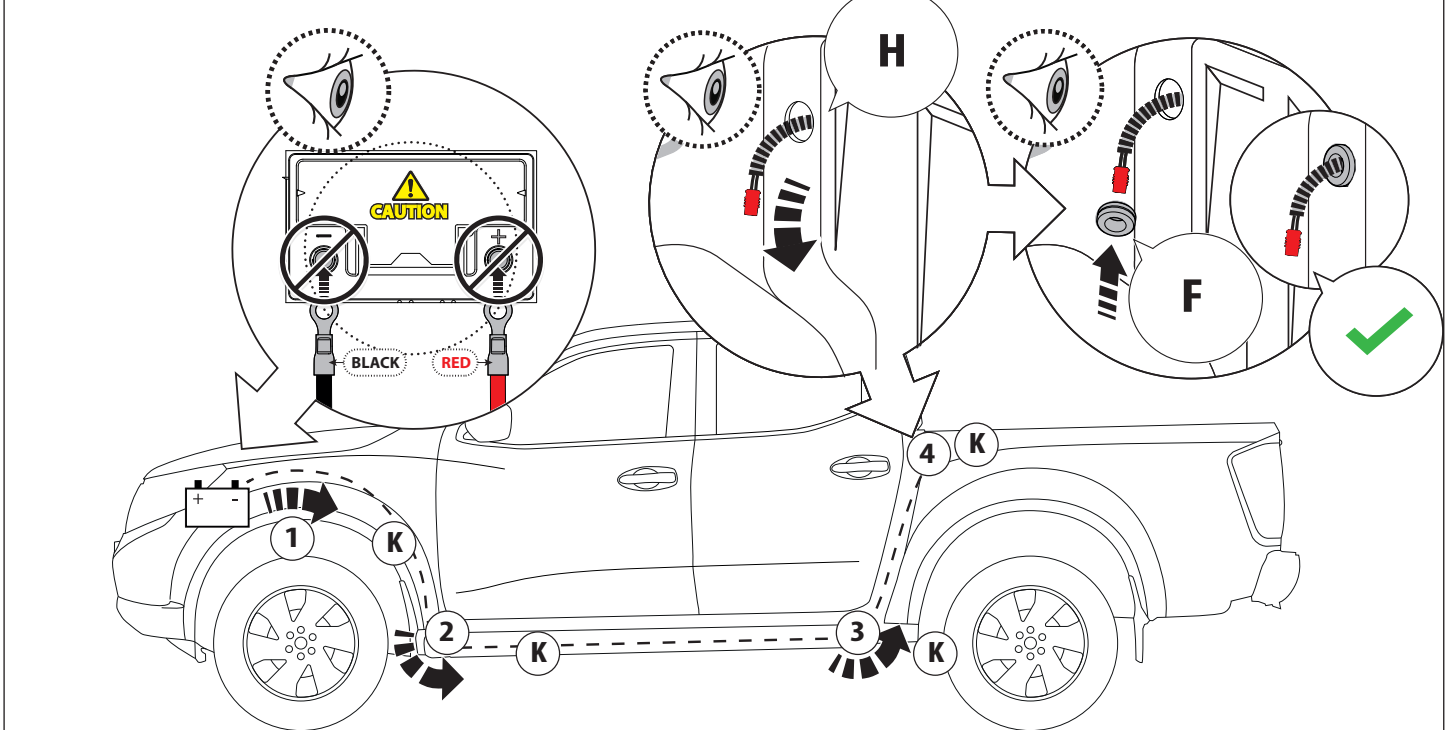
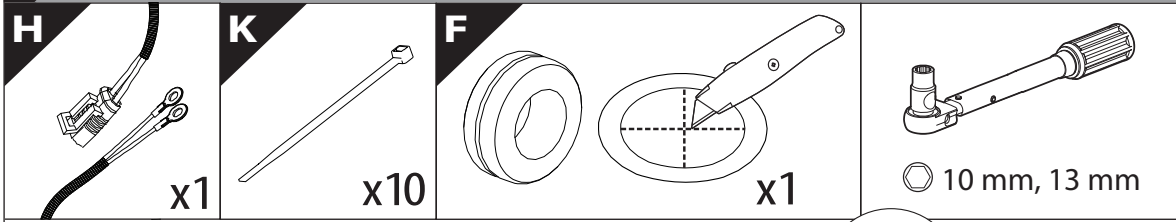


31

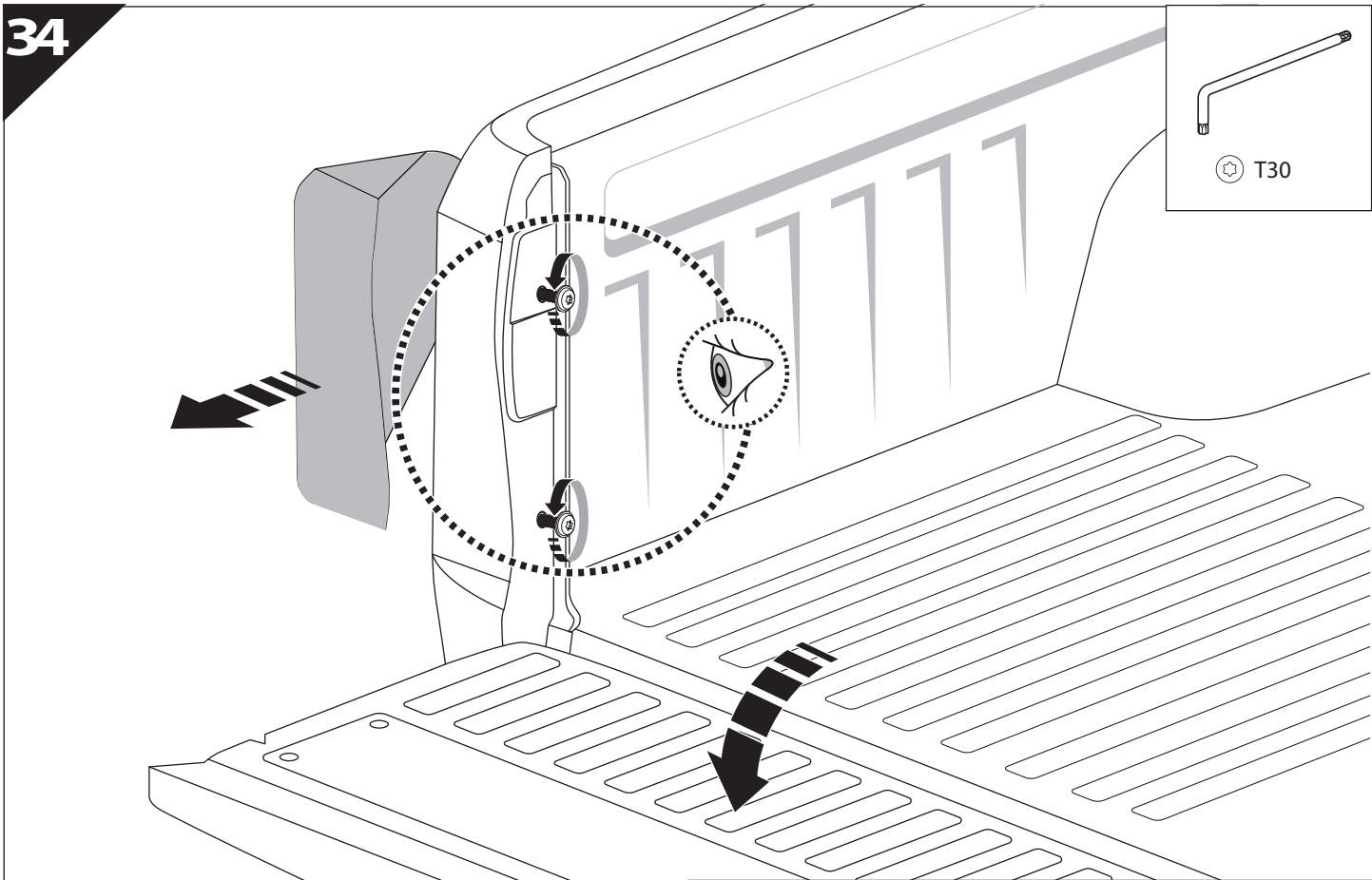
G



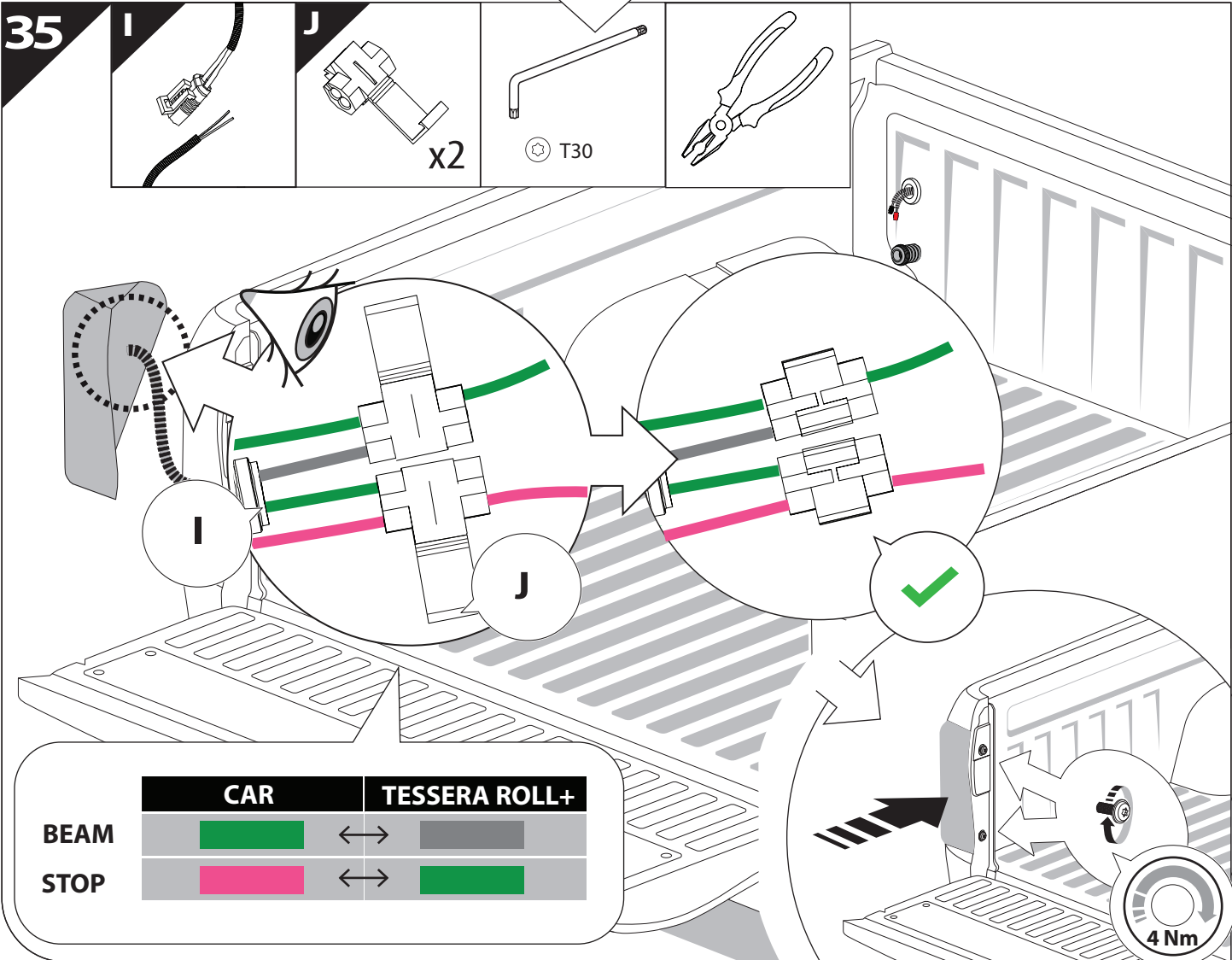
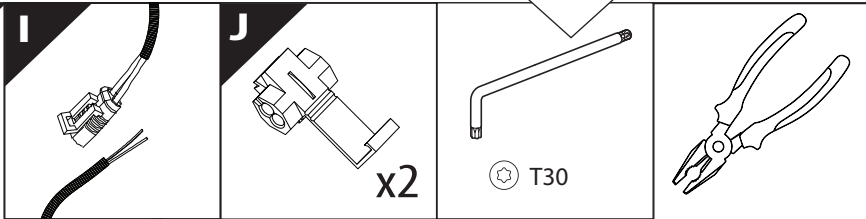
Only to be installed by authorized personnel



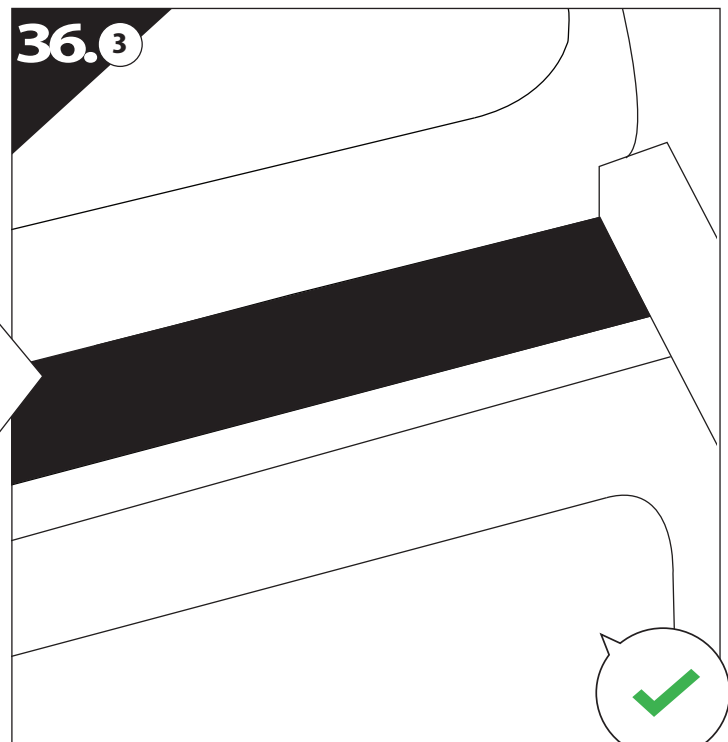
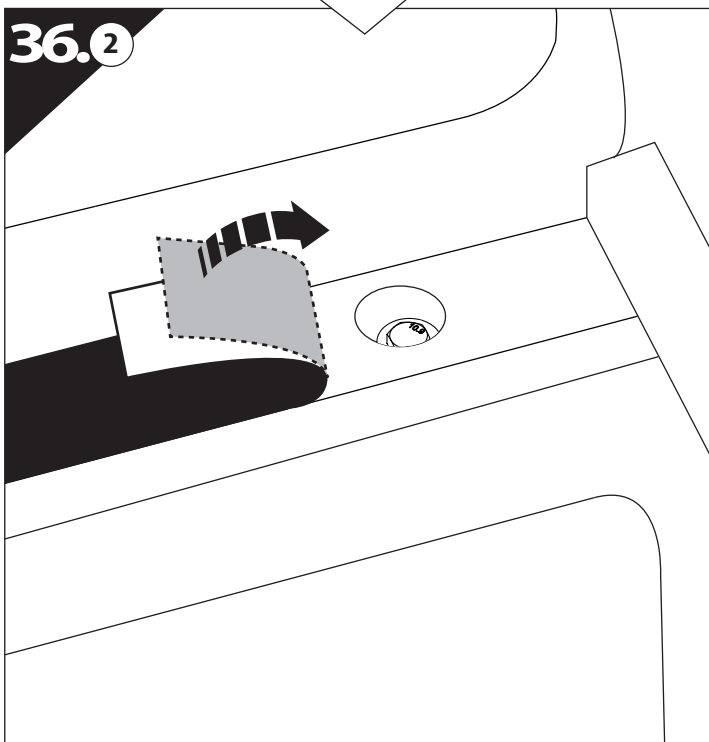
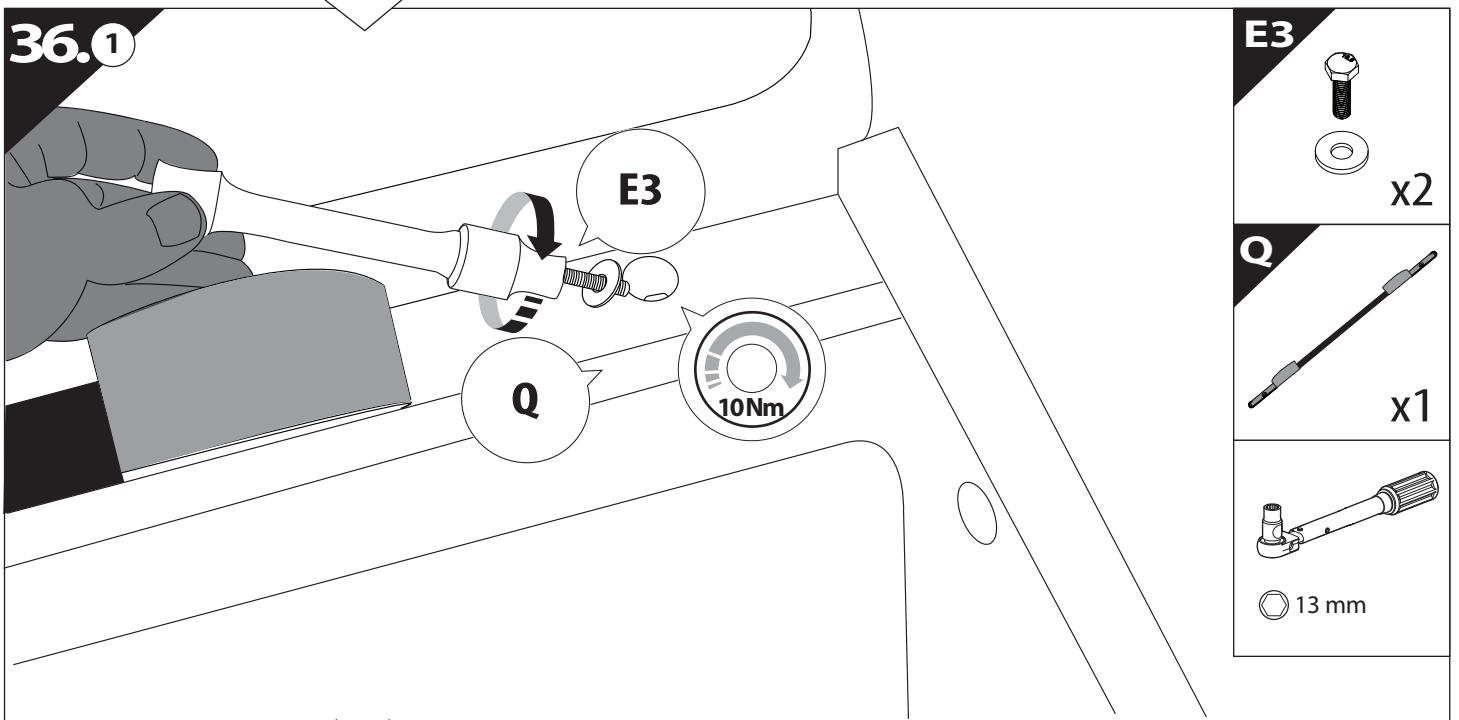
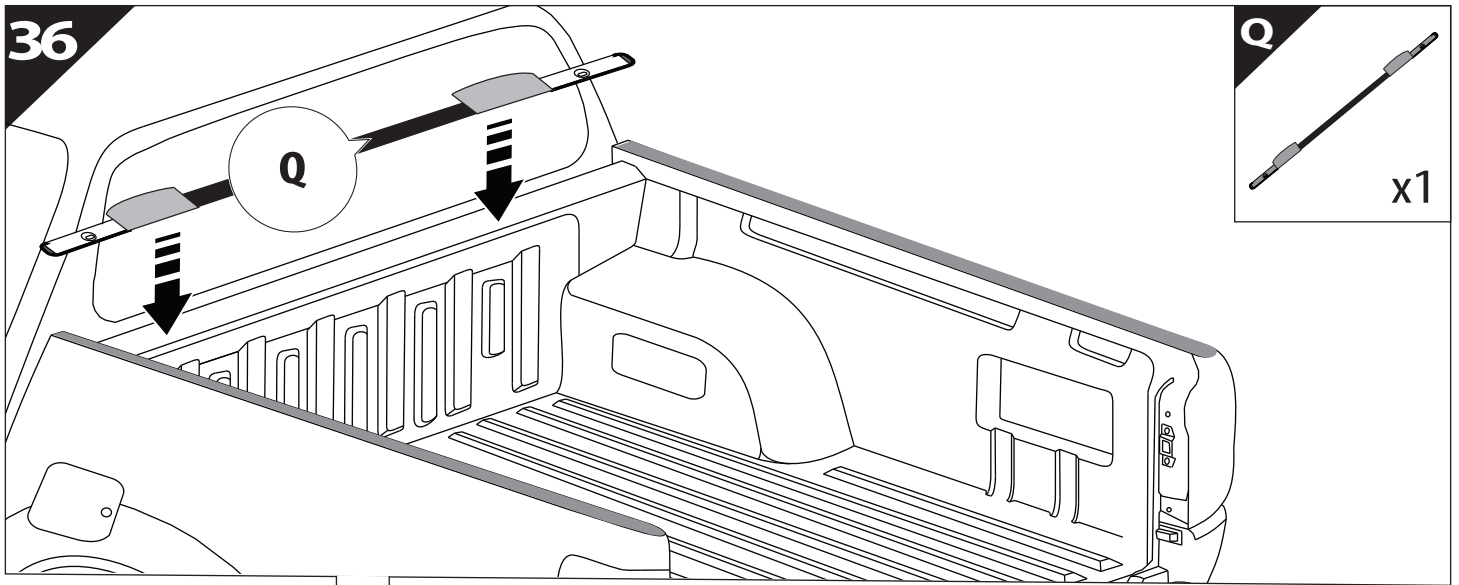
34



35

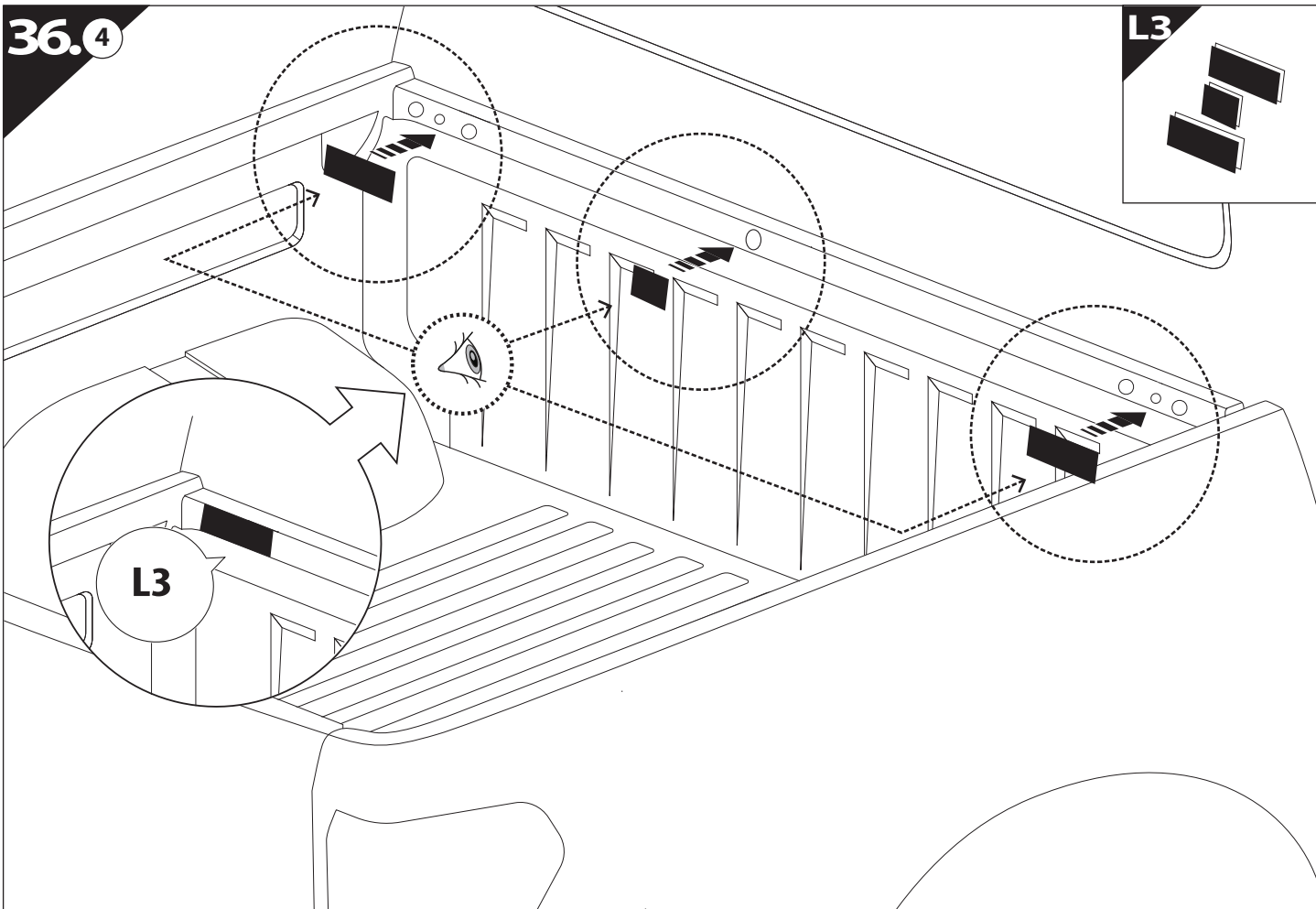


	CAR		TESSERA ROLL+
BEAM		↔	
STOP		↔	



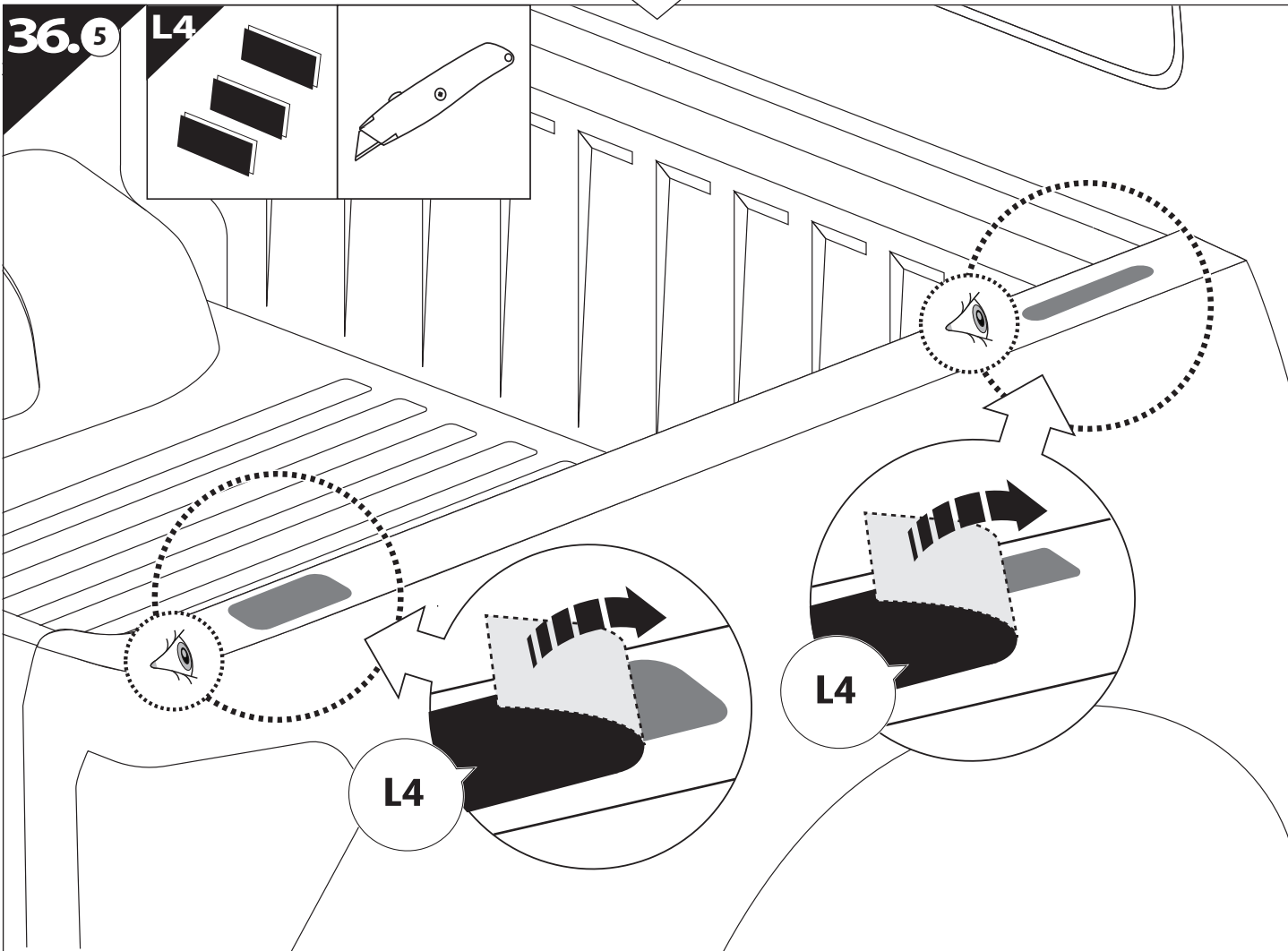
36.4

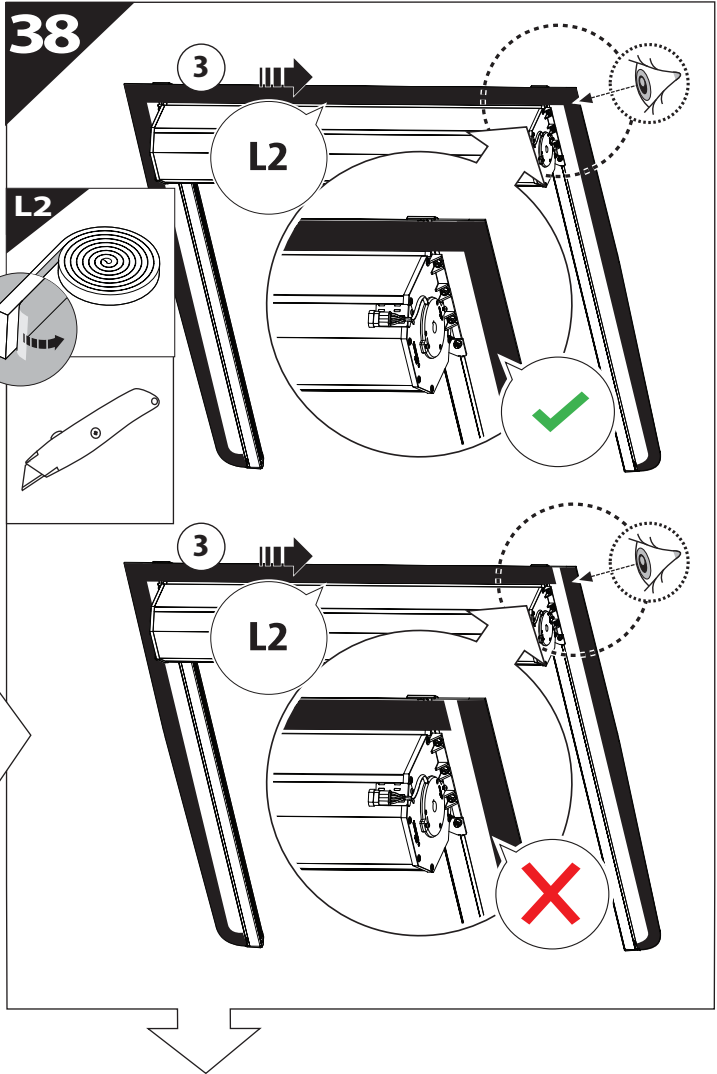
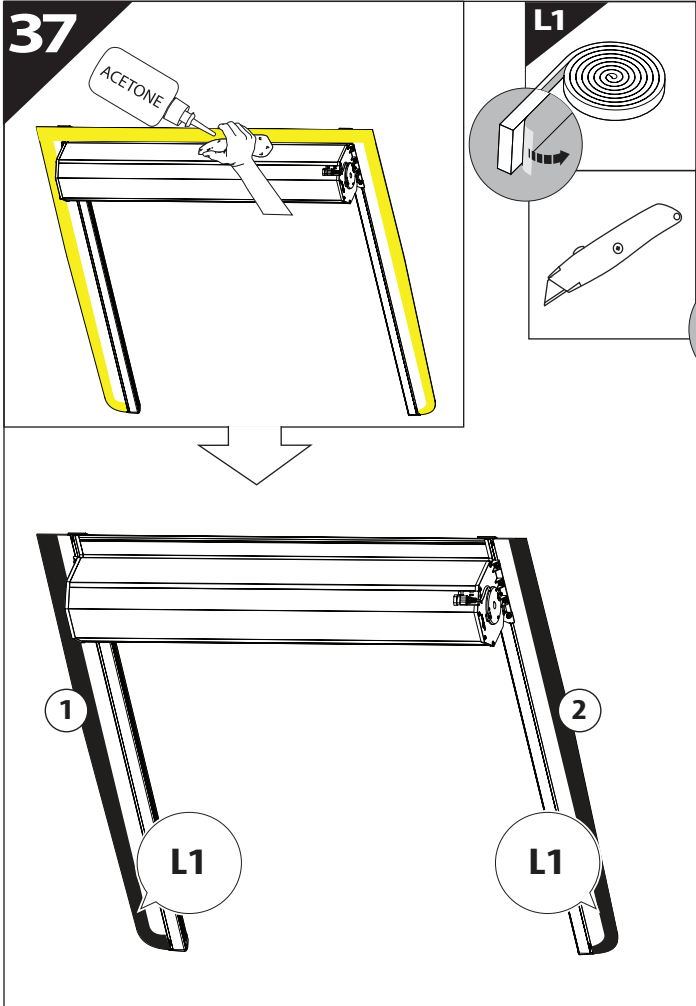
L3

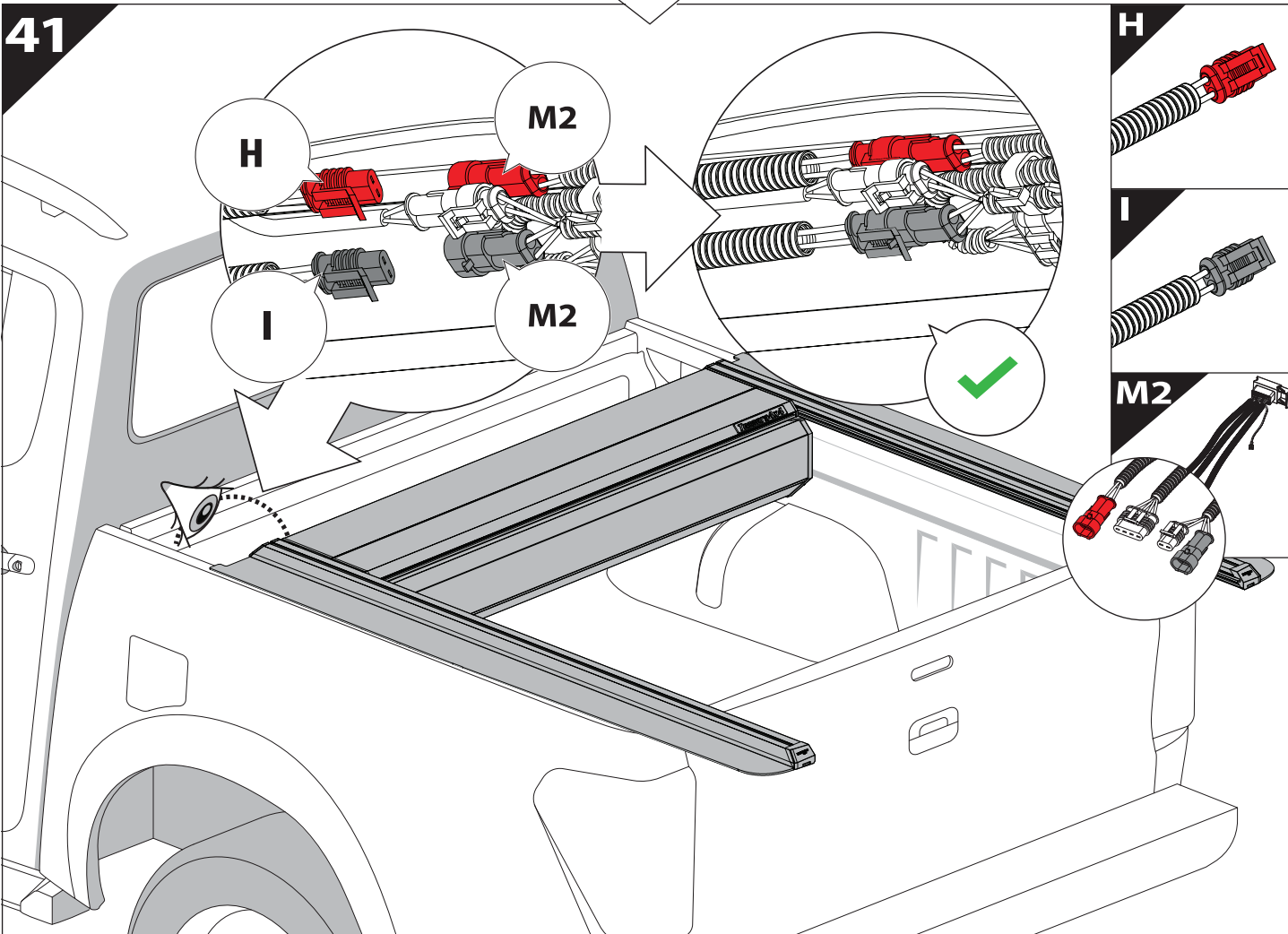
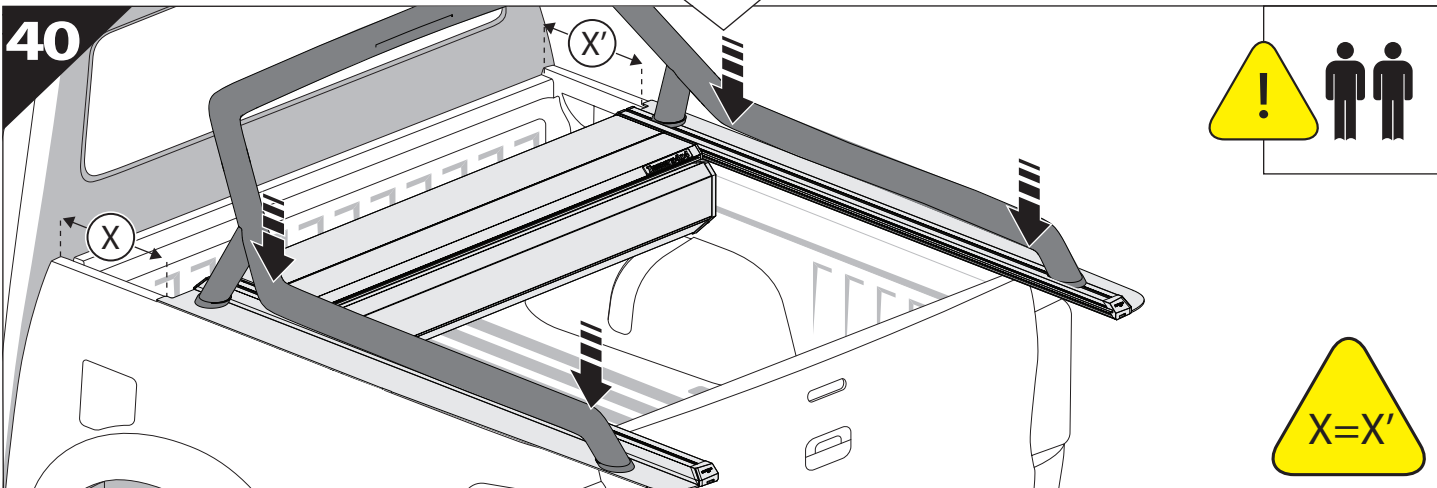
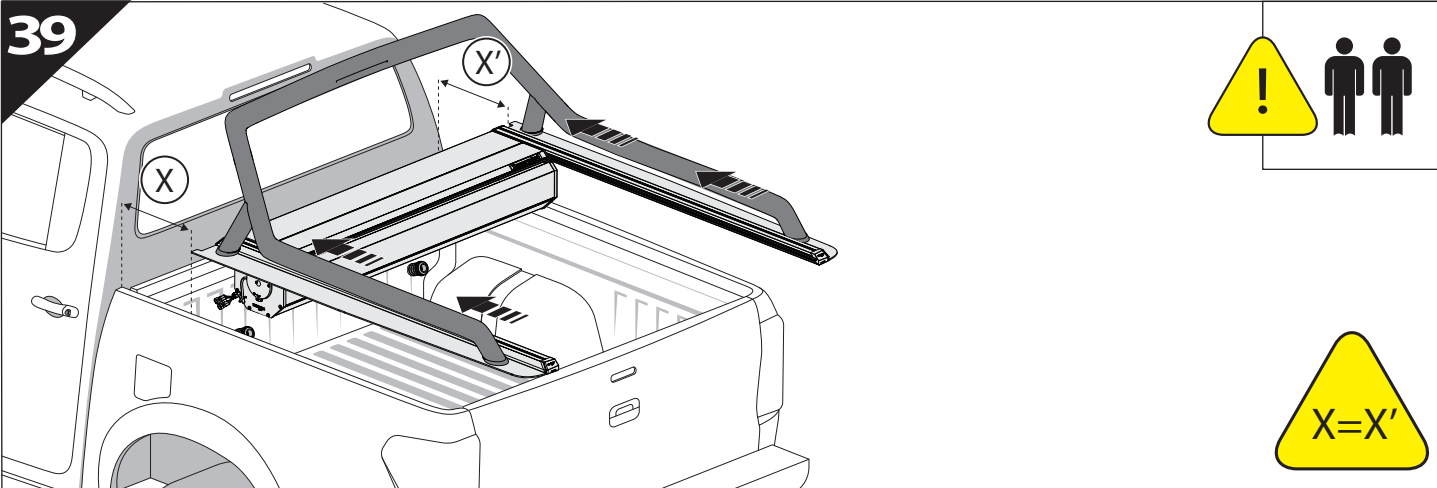


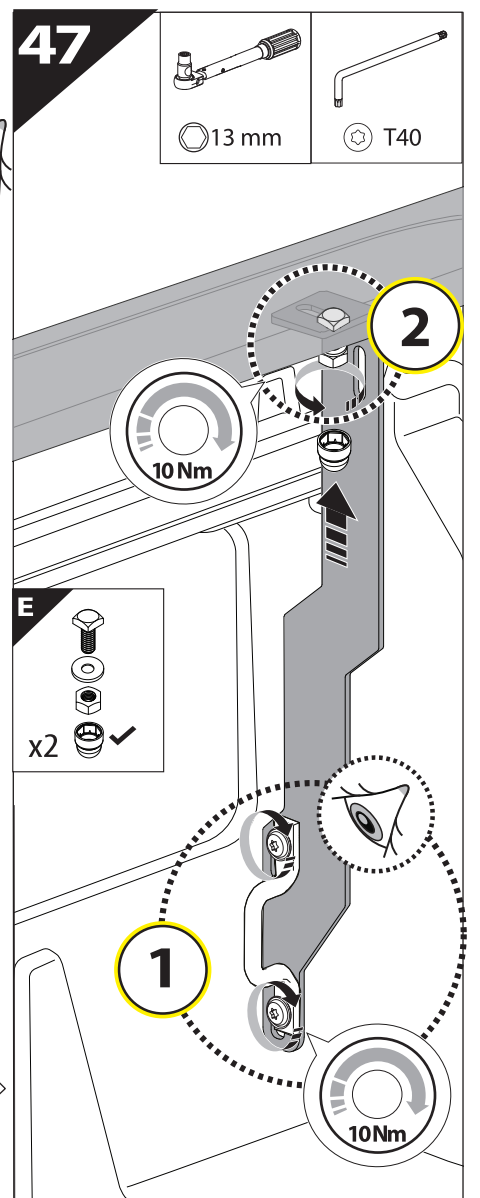
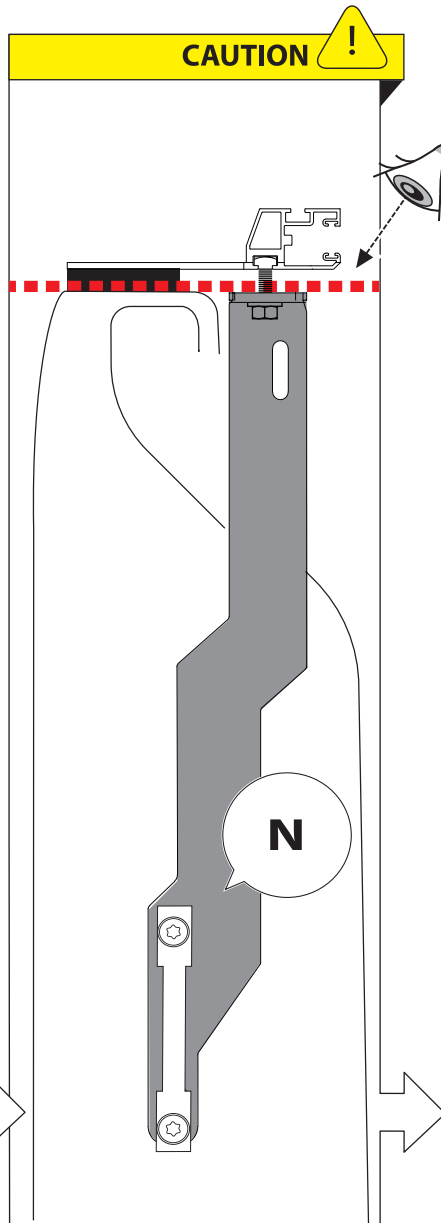
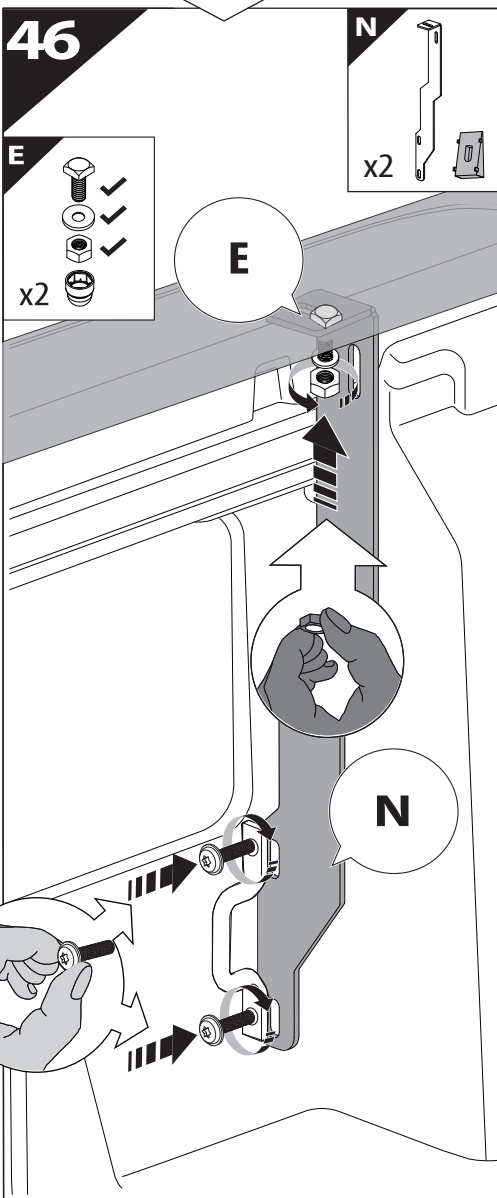
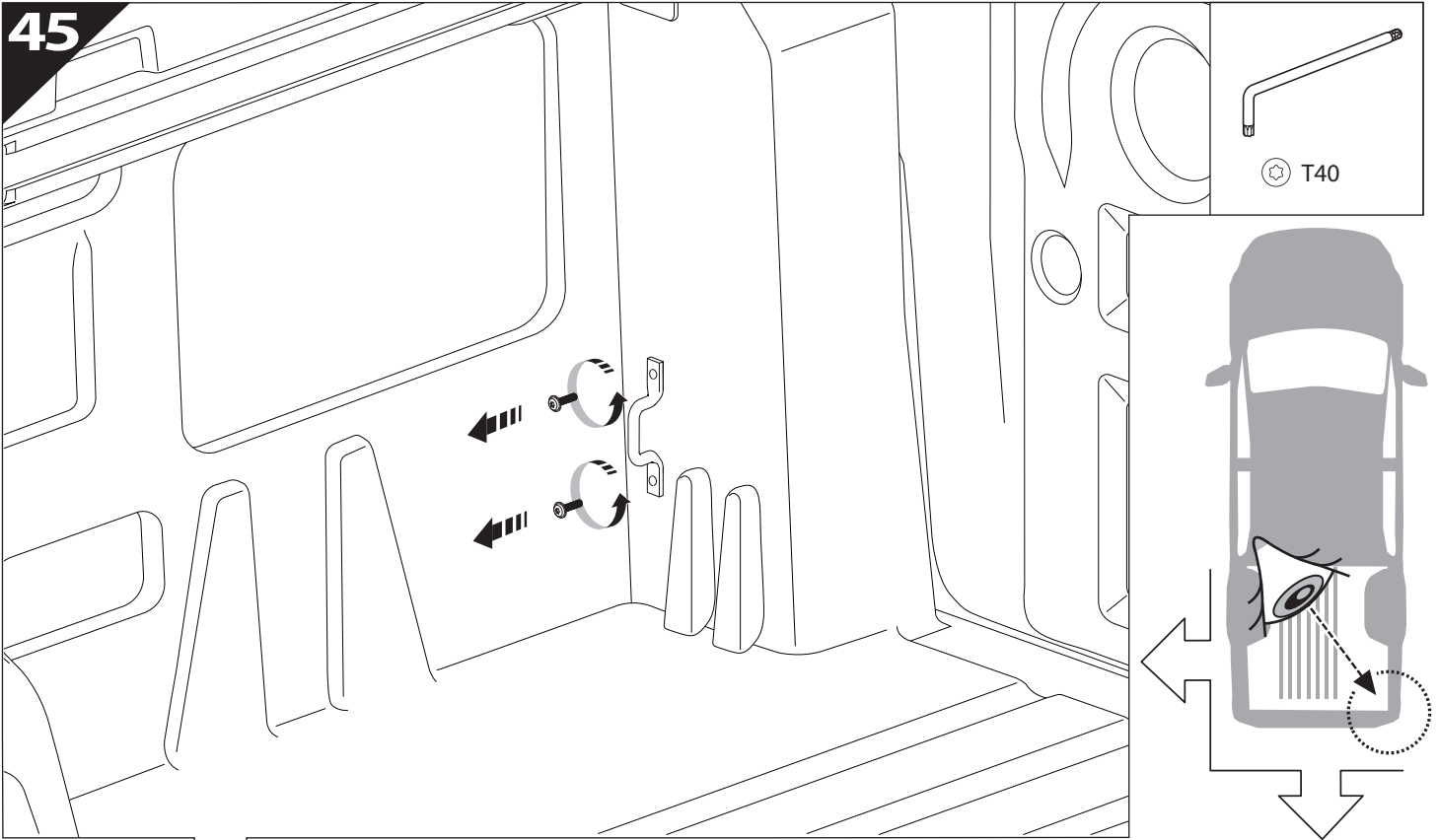
36.5

L4









O		E
x2	✓	x2

CAUTION !

1

2

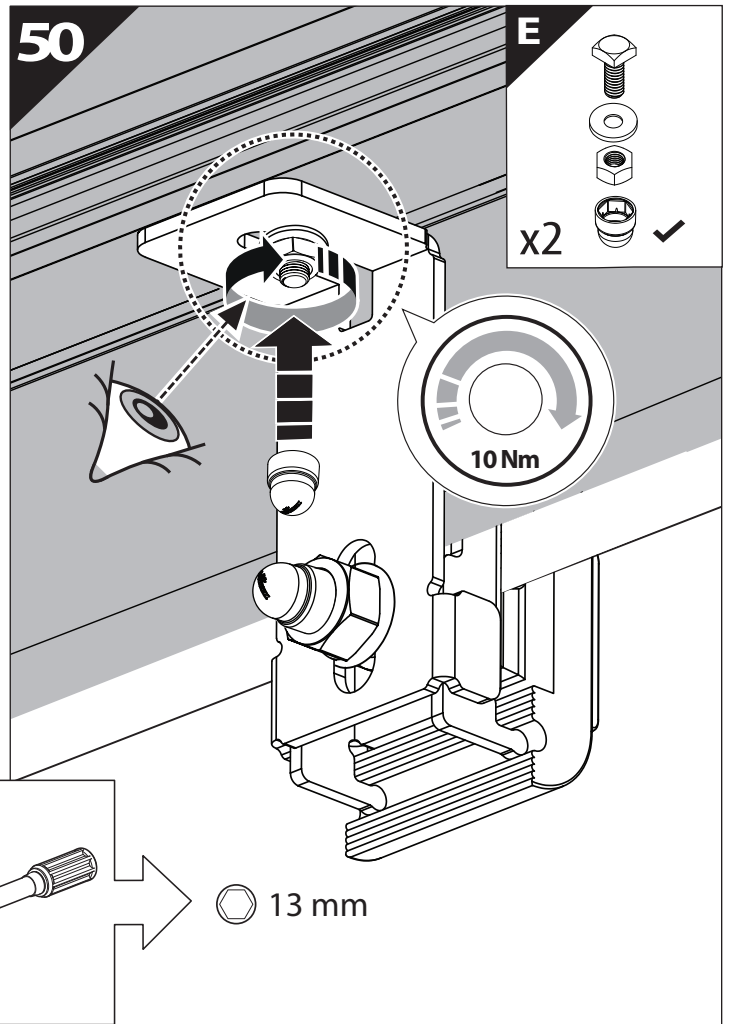
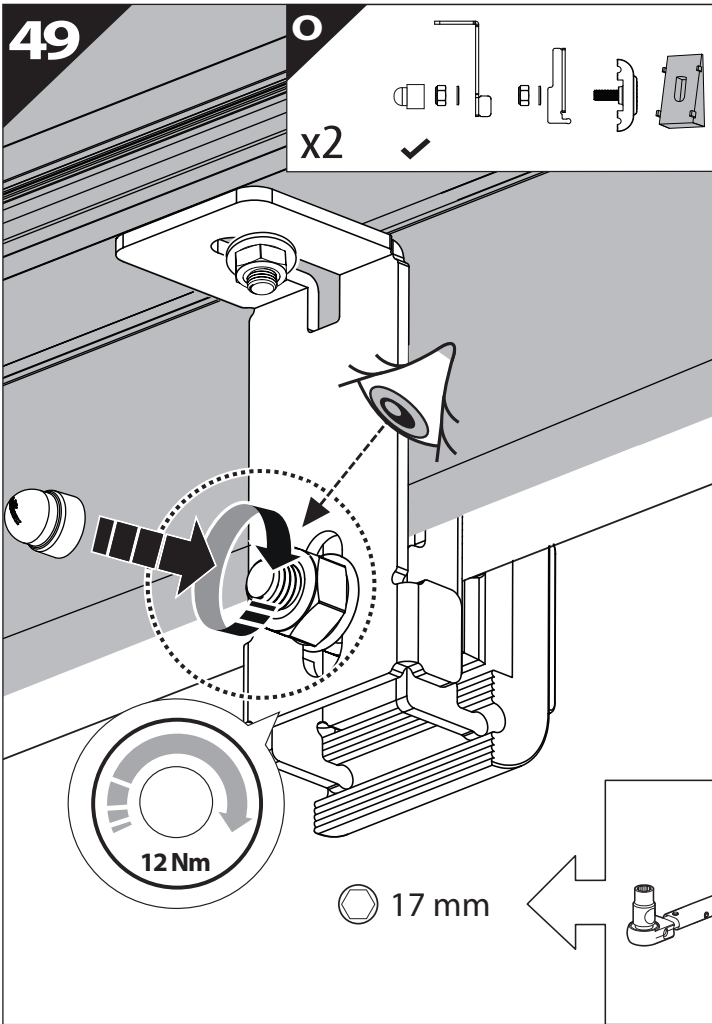
3

4

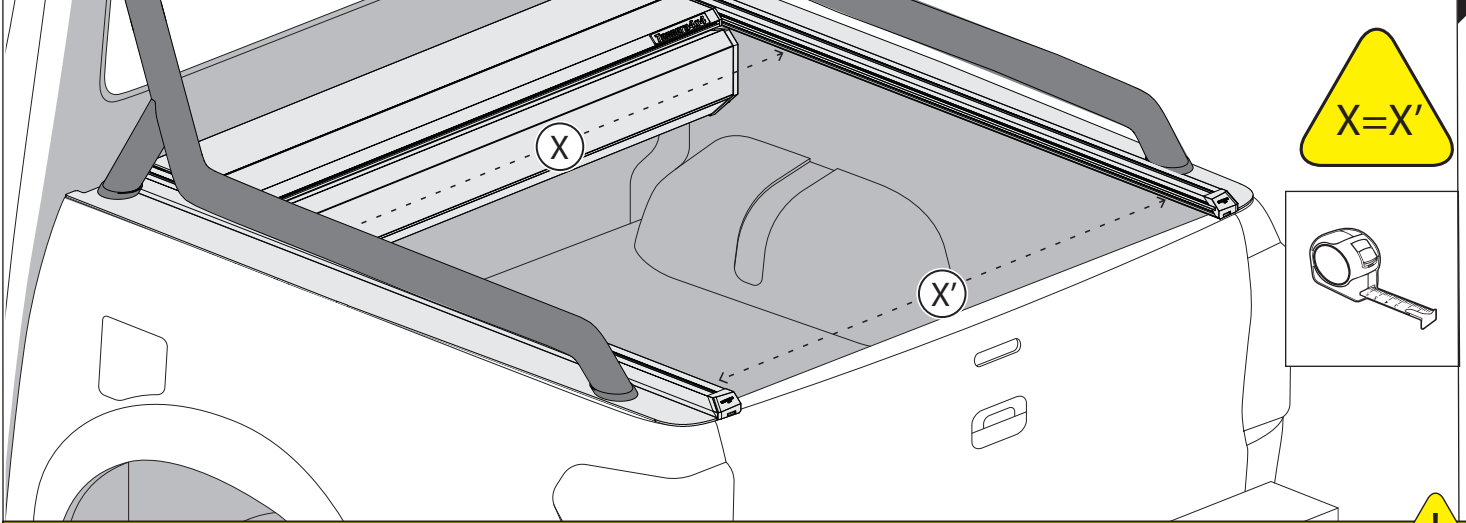
12 Nm

CAUTION !

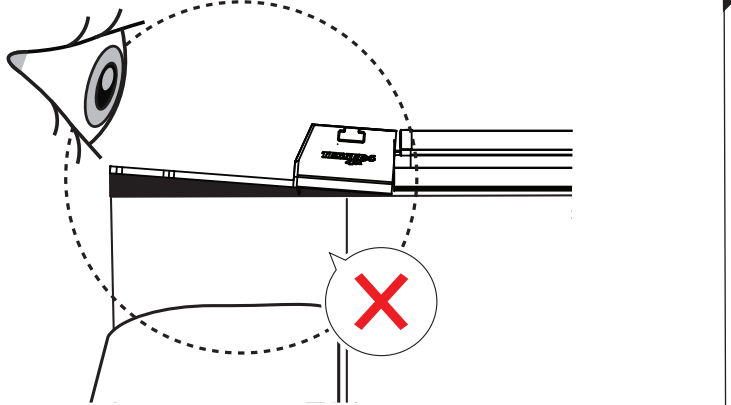
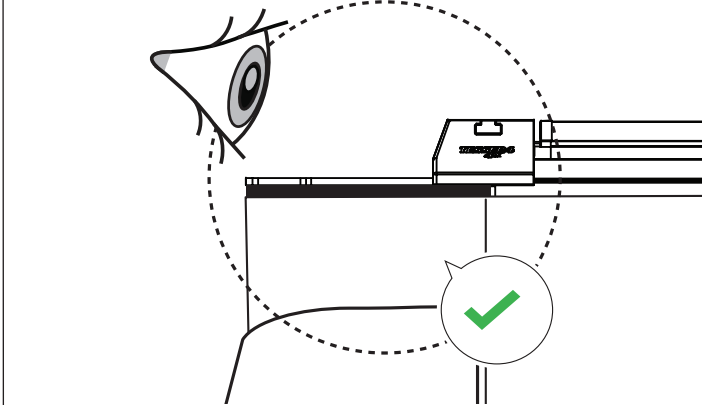
✓

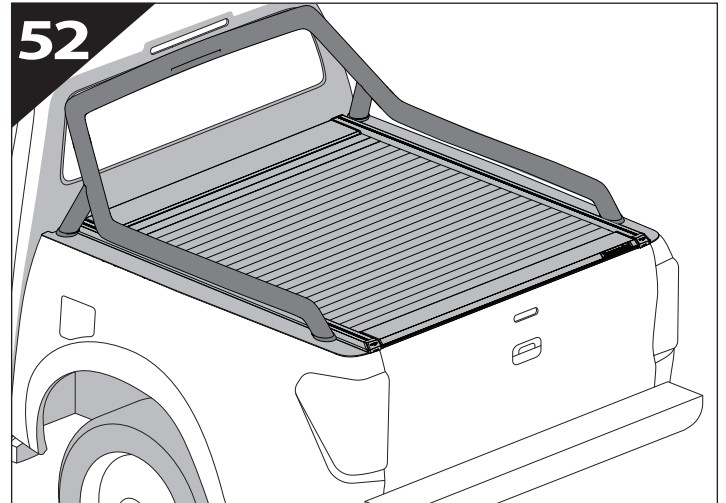
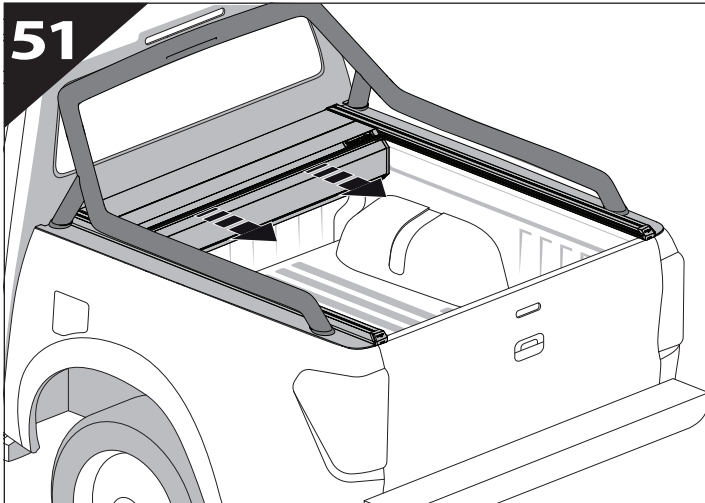


CAUTION !



CAUTION !





GR: Οδηγίες Εγκατάστασης
GB: Installation manual
SF: Asennusohje
F: Notice de montage
PL: Instrukcja montażu
NL: Installatie-instructies
TR: Montaj Talimatı
S: Monteringsanvisning
E: Instrucciones de montaje

H: Szerelési utasítás
P: Instruções de instalação
RUS: Инструкция по установке
N: Monteringsveiledning
D: Einbauanleitung
CZ: Návod k instalaci
I: Istruzioni de montaggio
DK: Monteringsvejledning
RO: Instructiuni de instalare

Customer Service:

+30 (210) 5541161, +30 (210) 5541154 (08:00 - 16:00 EET)

Support department:

info@gianso.gr

Website:

www.tessera4x4.com

Address:

19.5 km of National road Athens-Korinthos (Elefsina) Greece, P.C: 19200