

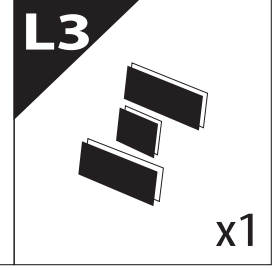
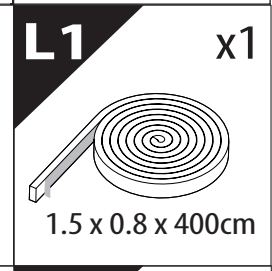
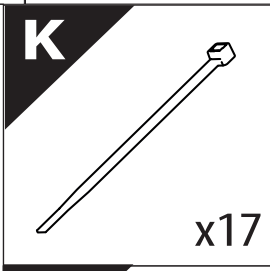
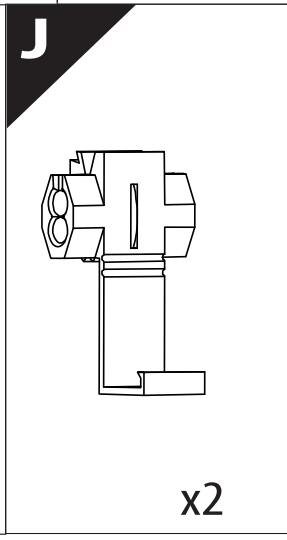
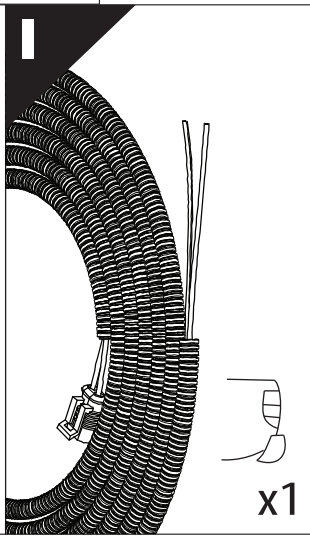
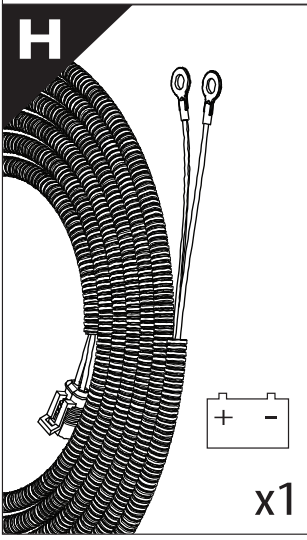
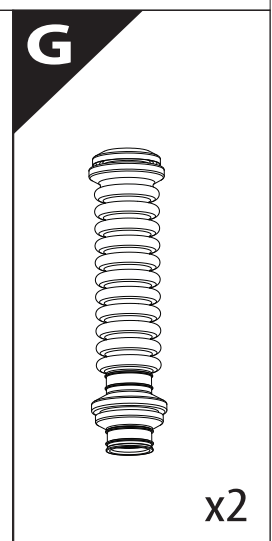
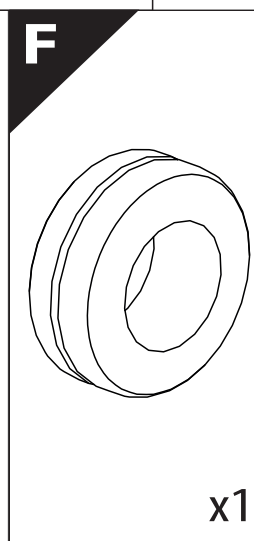
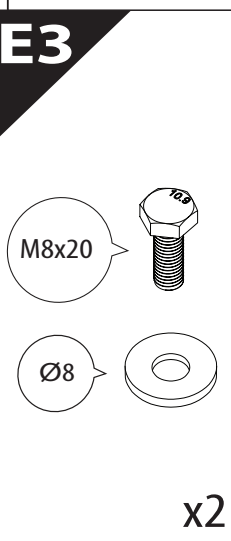
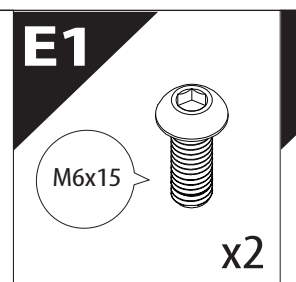
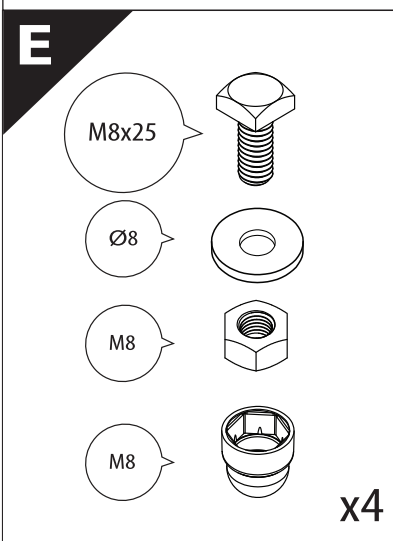
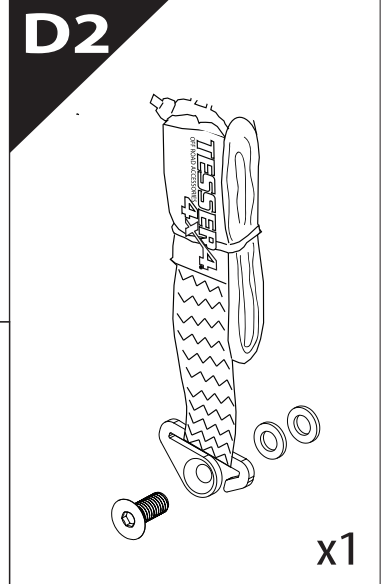
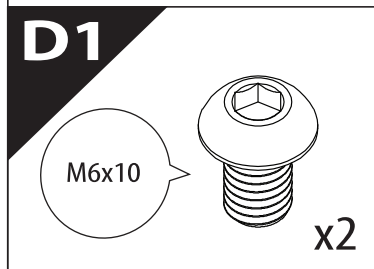
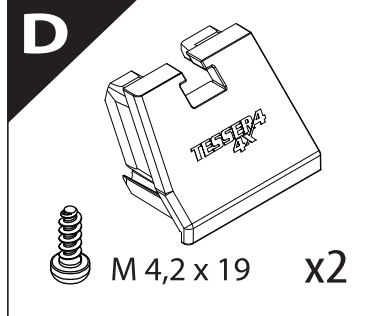
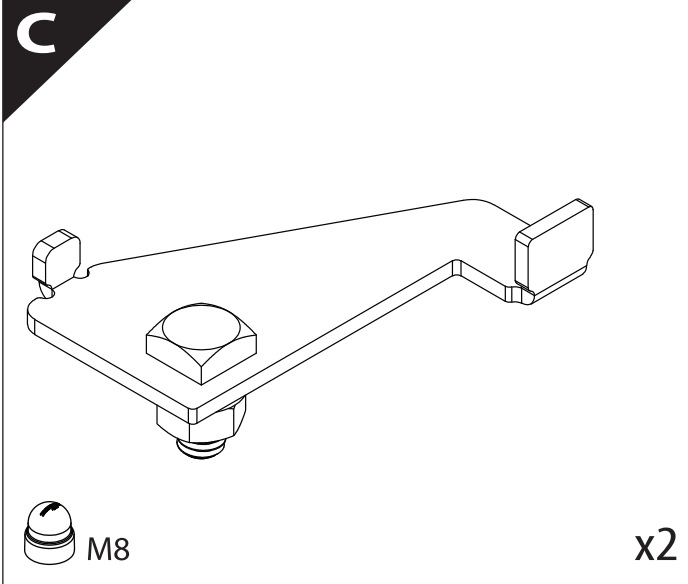
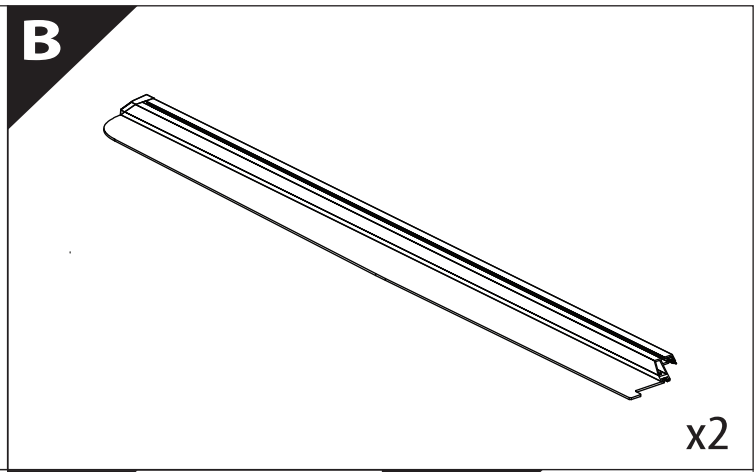
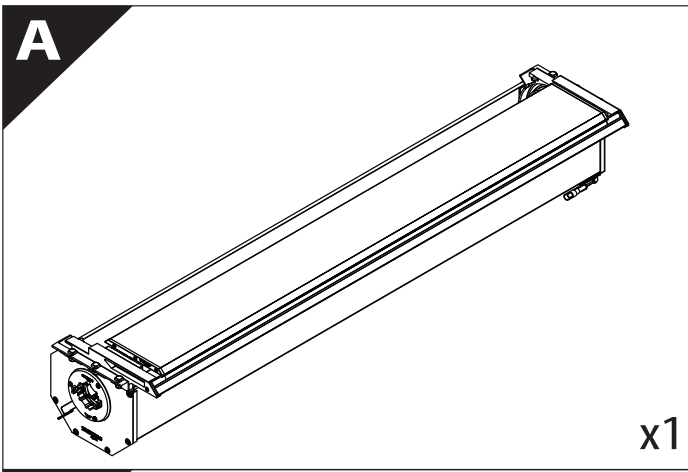
Tessera Roll+

Basic Version + ⚡ E-KIT

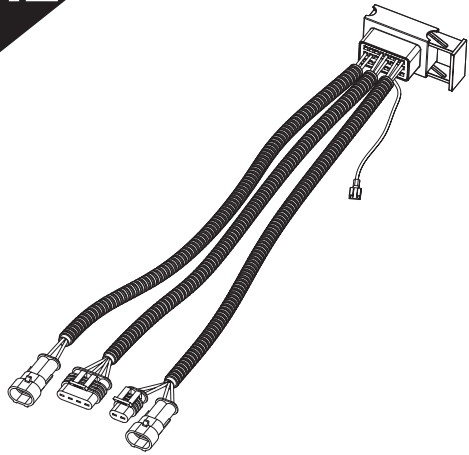


Installation Manual

PART NUMBER(S)	Model Year
TESS 14011 ROLL+E-KIT	VW AMAROK 2023+ WITH OR WITHOUT C-CHANNELS
Cab(s)	Installation Time / Weight
Double Cab	40-60 minutes / 53-57 kg

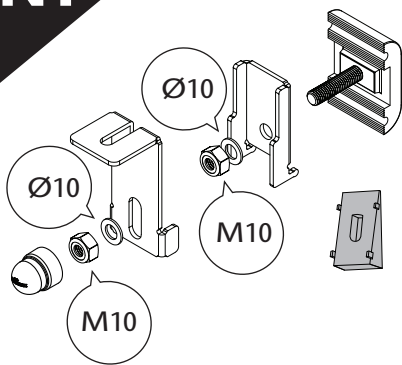


M2



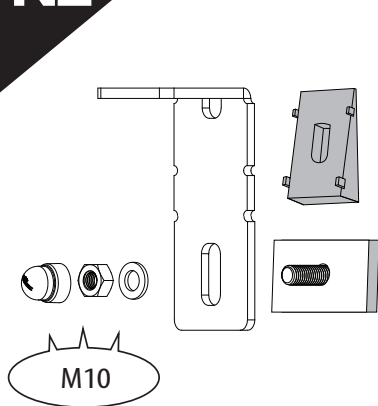
x1

N1



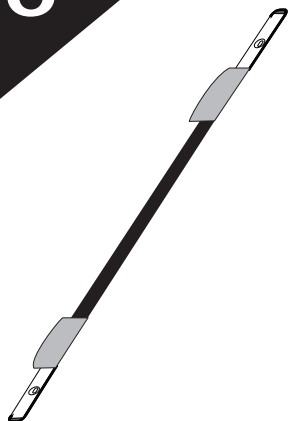
x2

N2



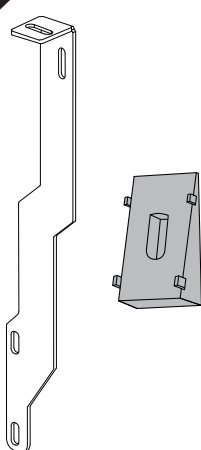
x2

O



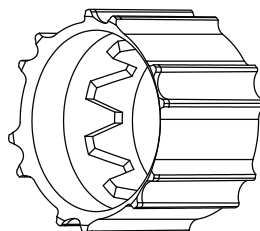
x1

P

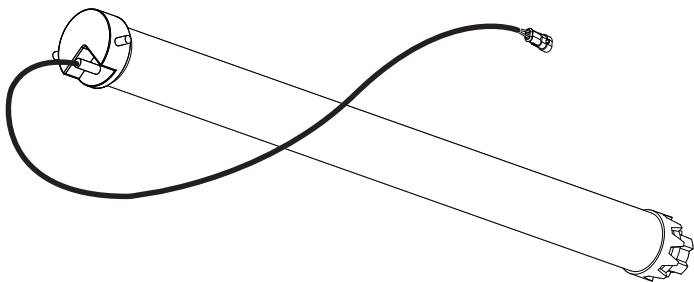


x2

Q

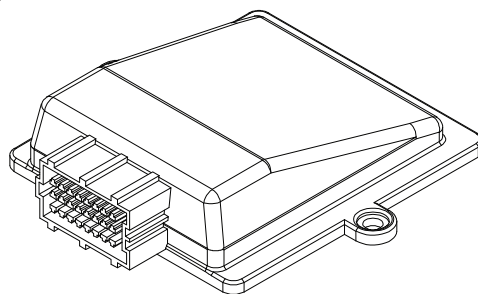


R



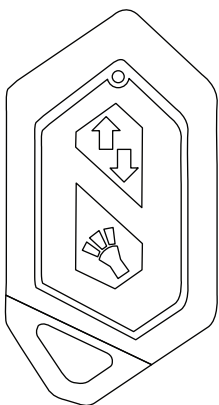
x1

S



x1

T

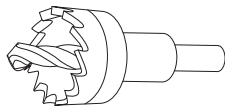


x2

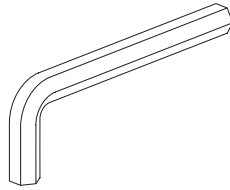
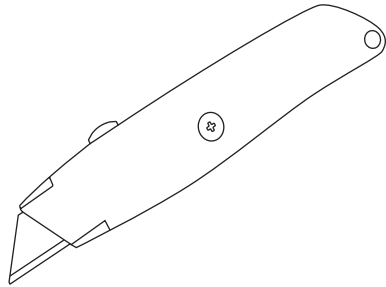
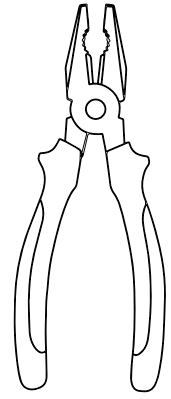
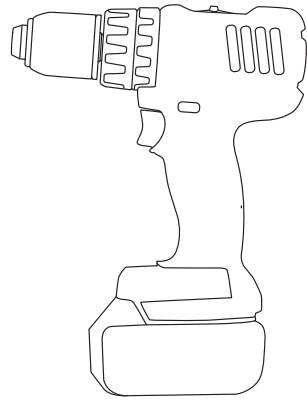
U



x2

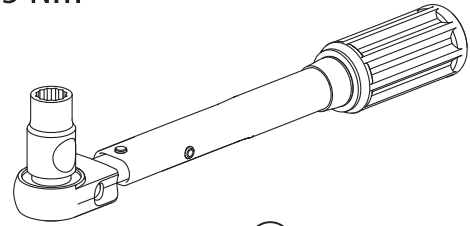


Ø 25 mm



4 mm

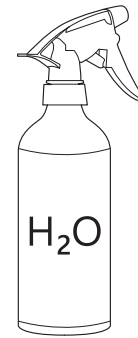
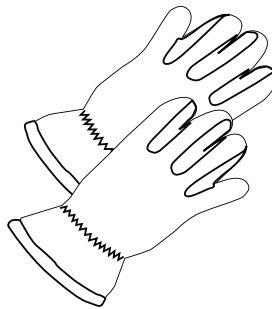
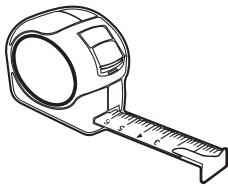
1 - 25 Nm



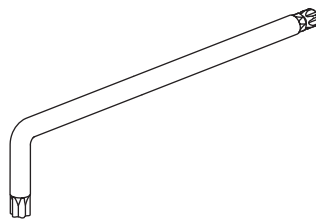
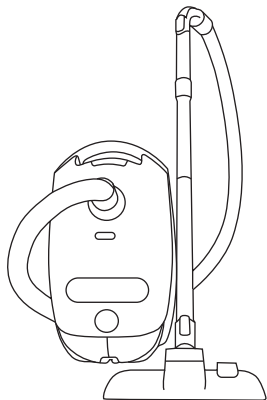
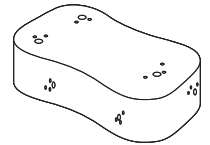
10, 12, 13, 17 mm



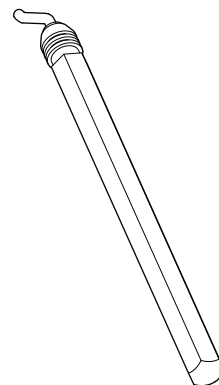
ACETONE



H₂O



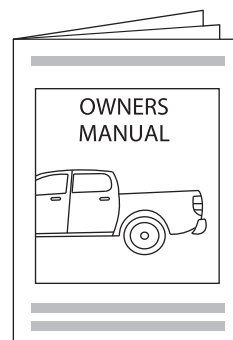
T30, T40



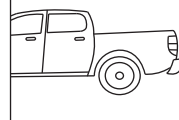
ANTI-RUST



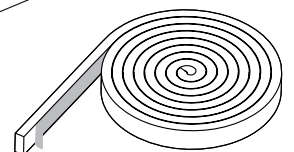
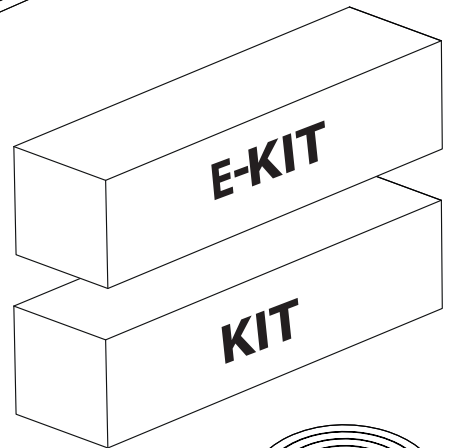
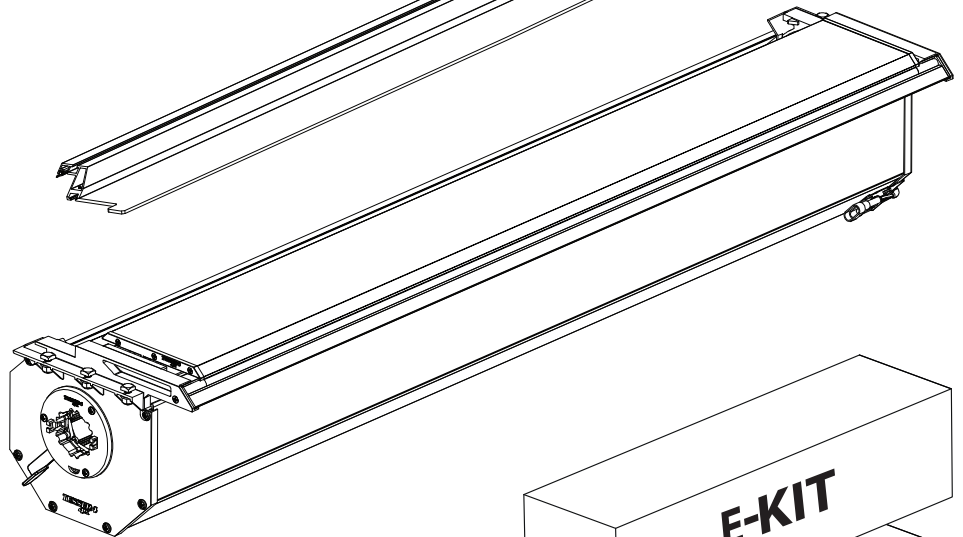
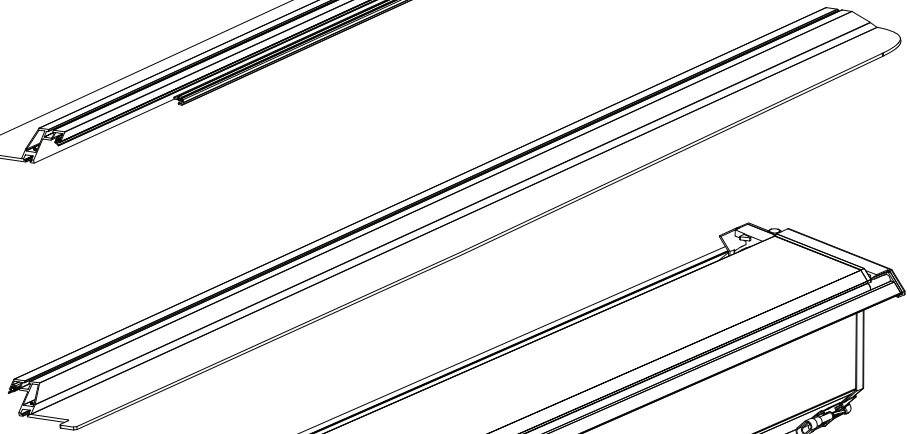
INSTALATION
MANUAL
+E-KIT



OWNERS
MANUAL



x1

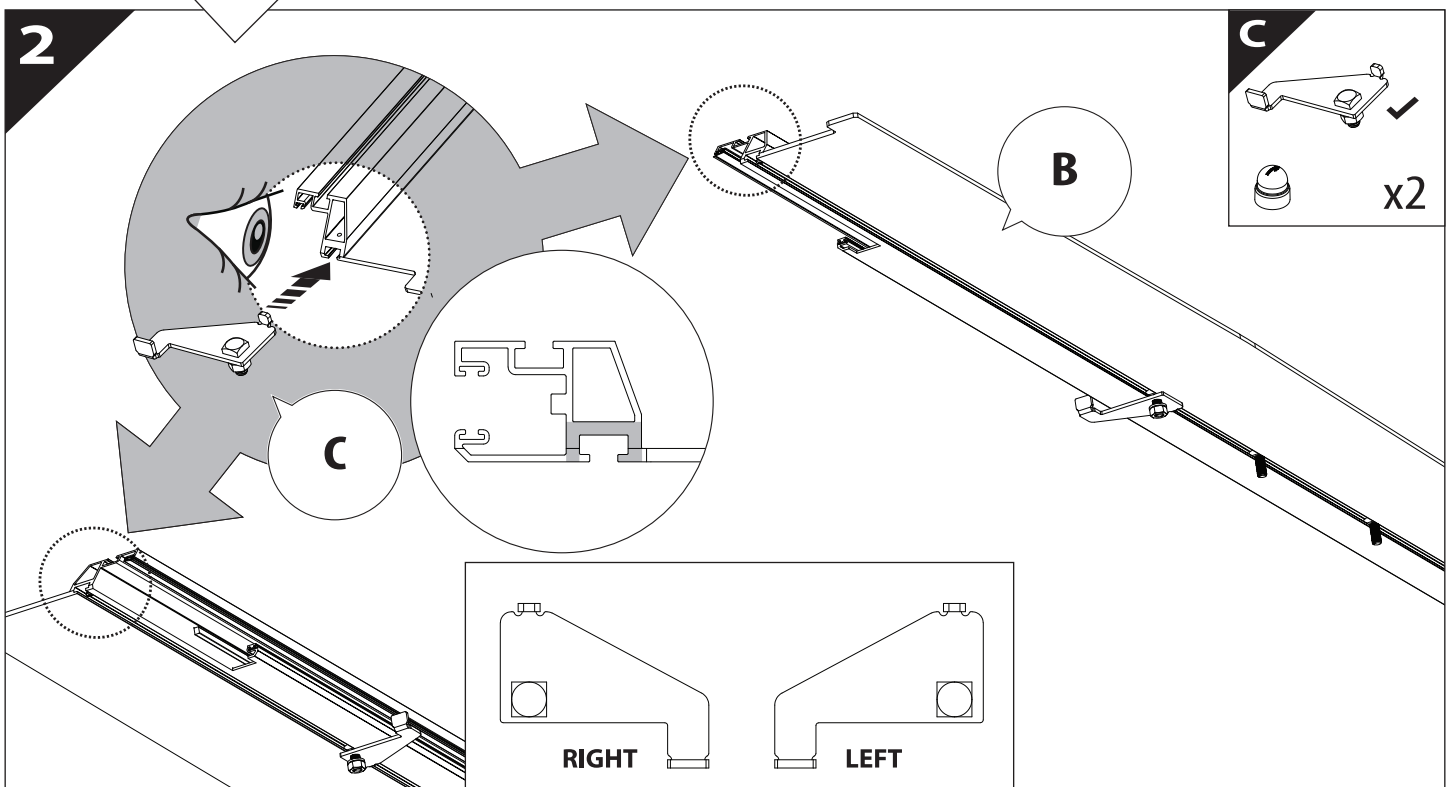
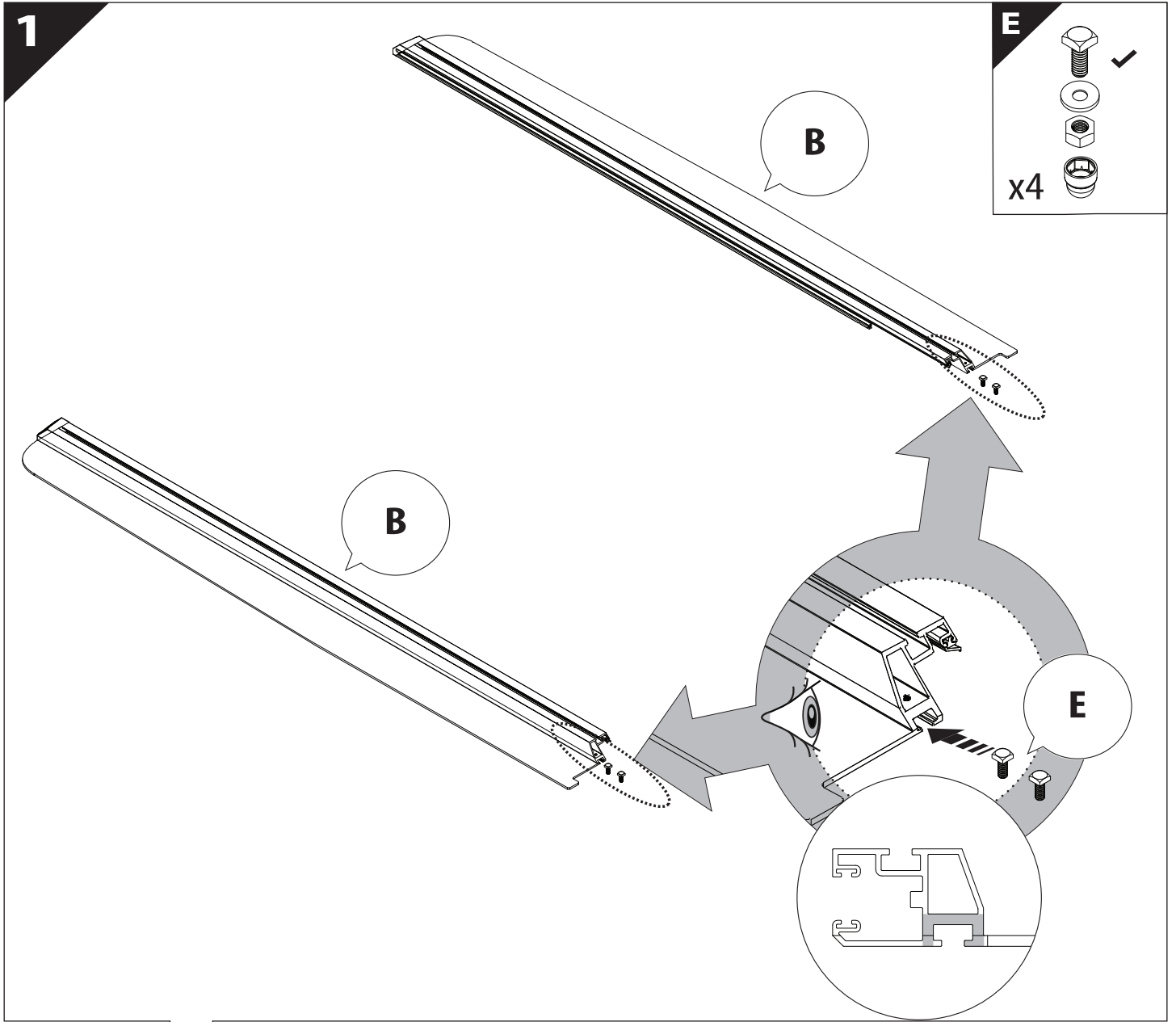


B

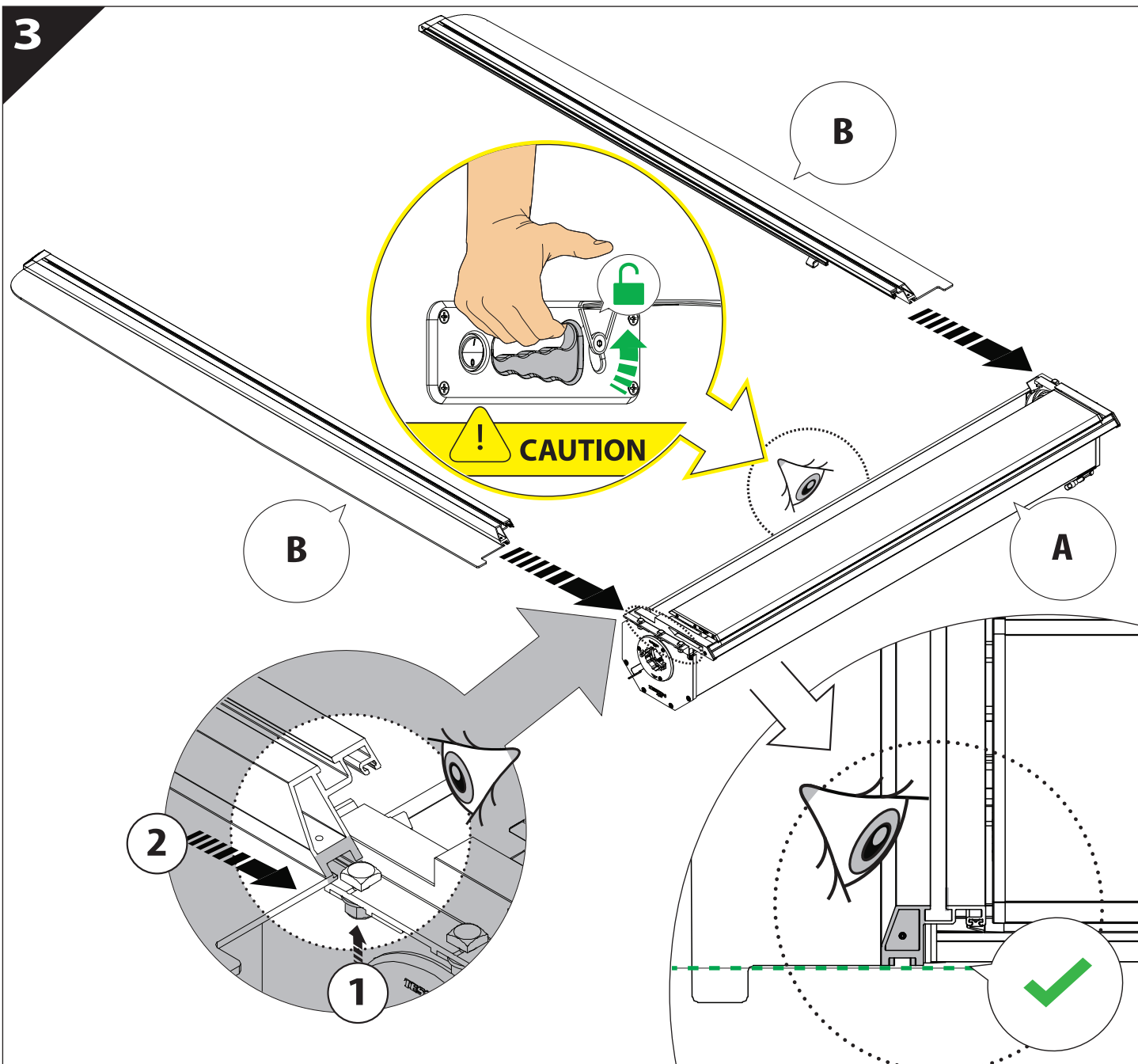
A

KITS

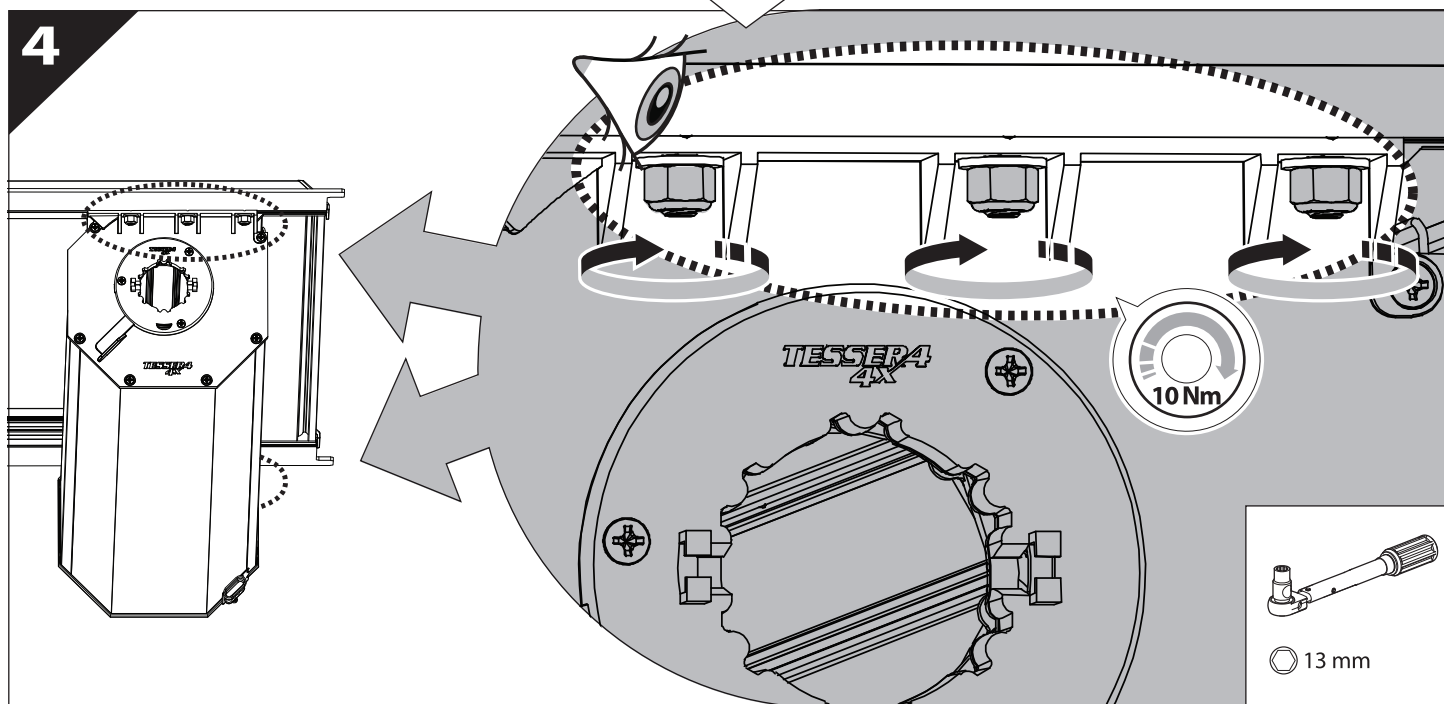
L



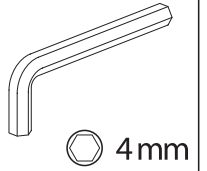
3



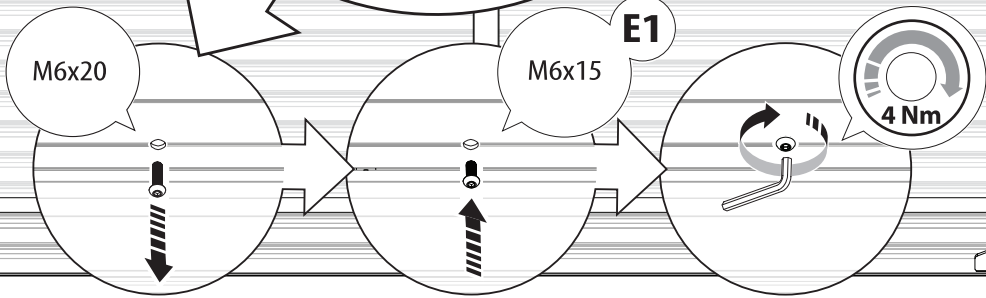
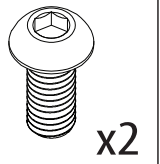
4



8

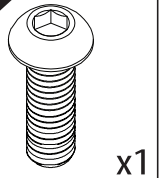


E1

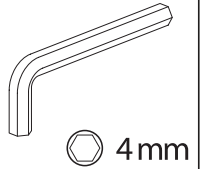
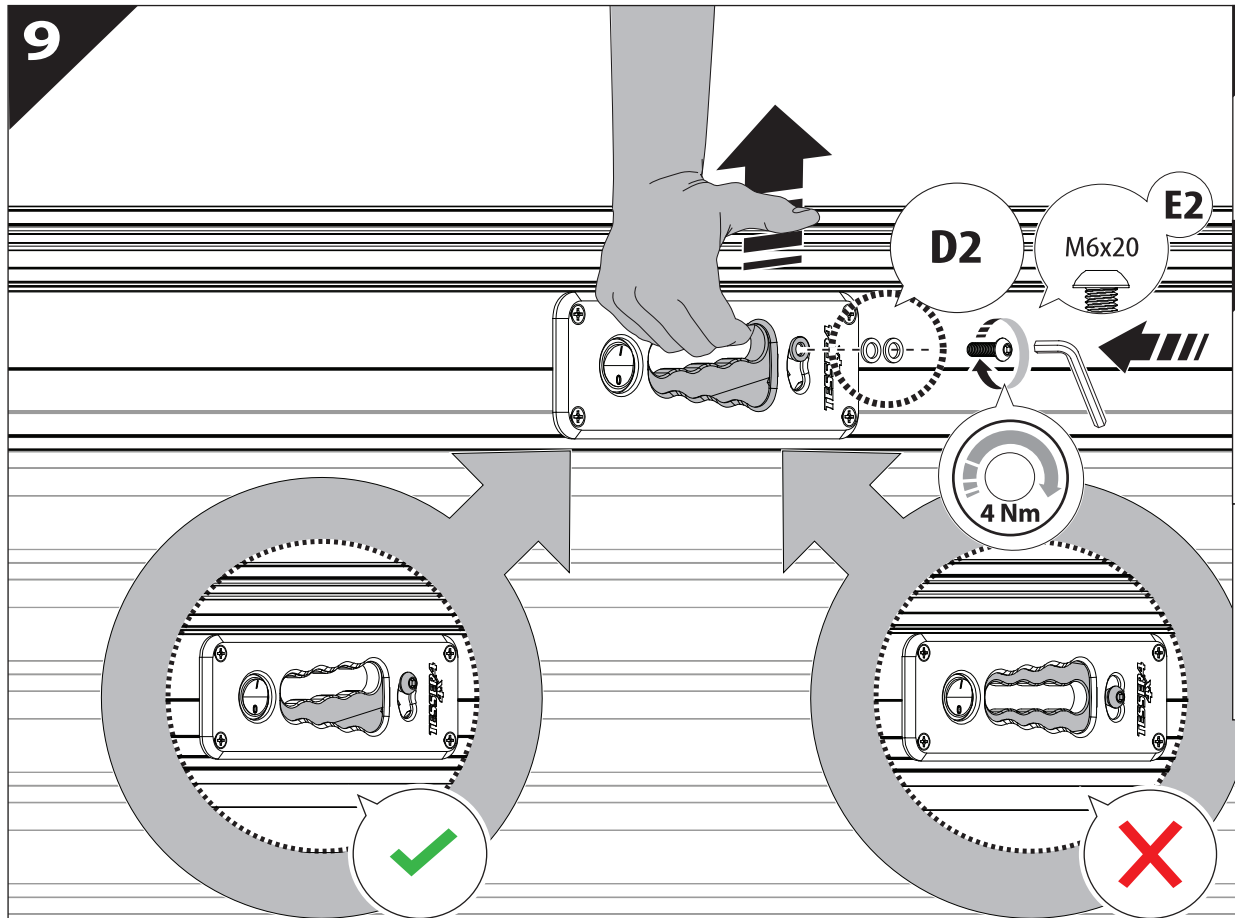
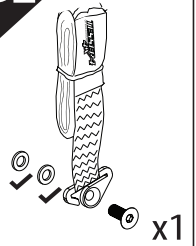


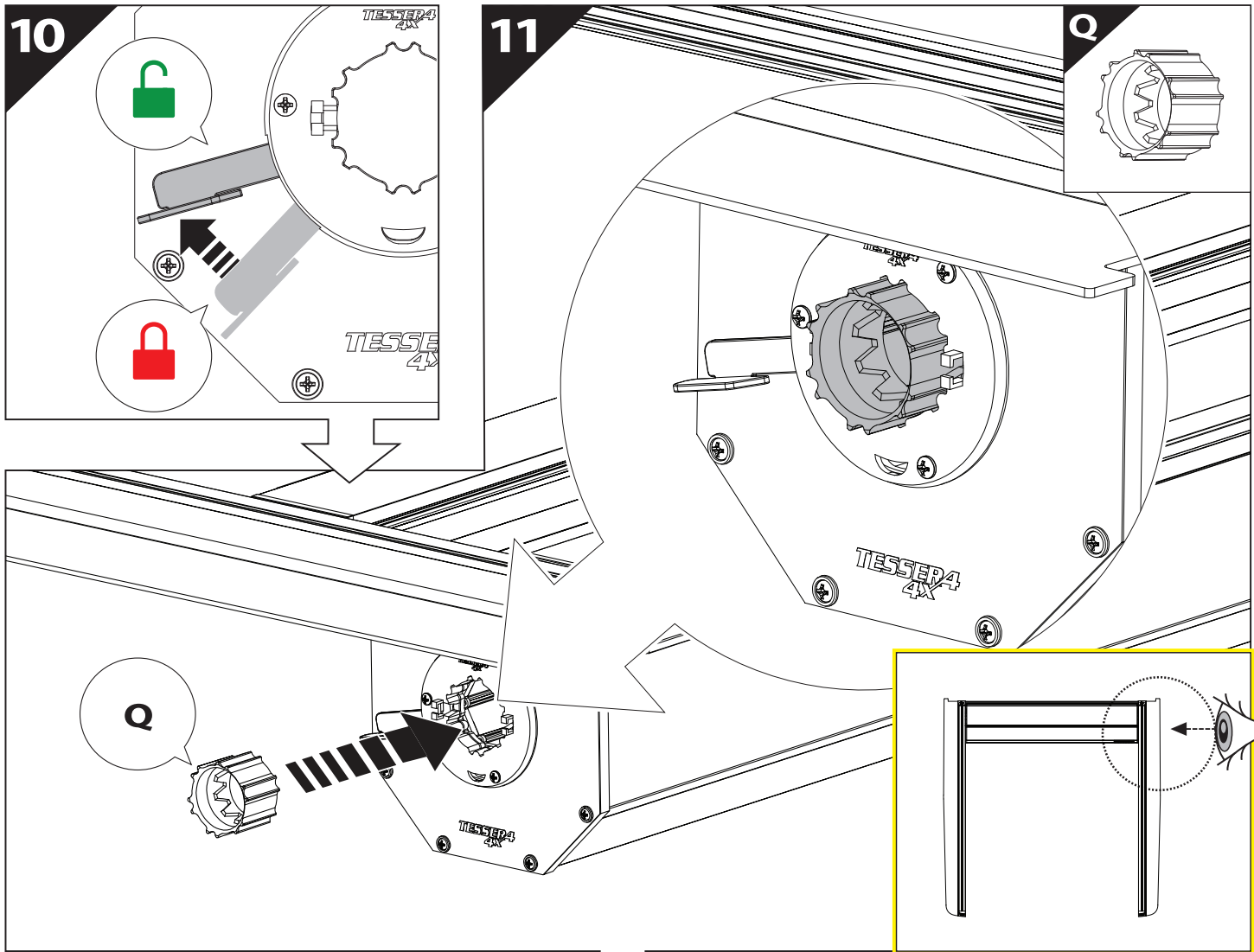
9

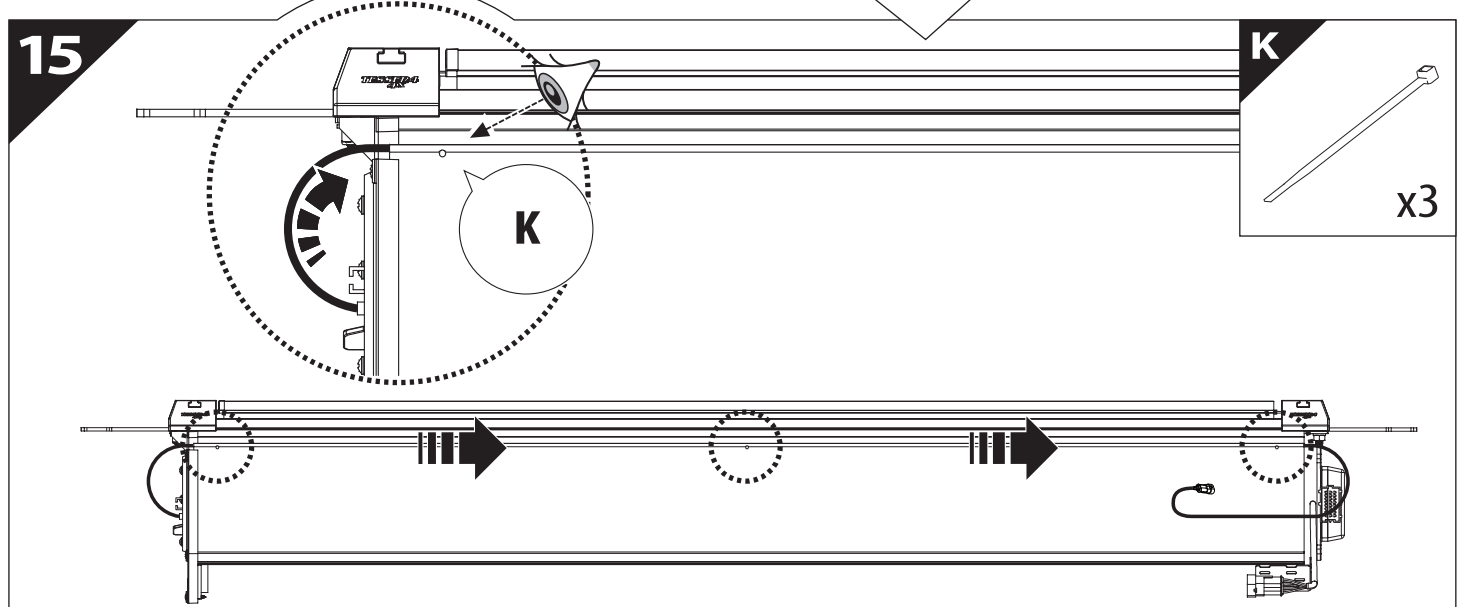
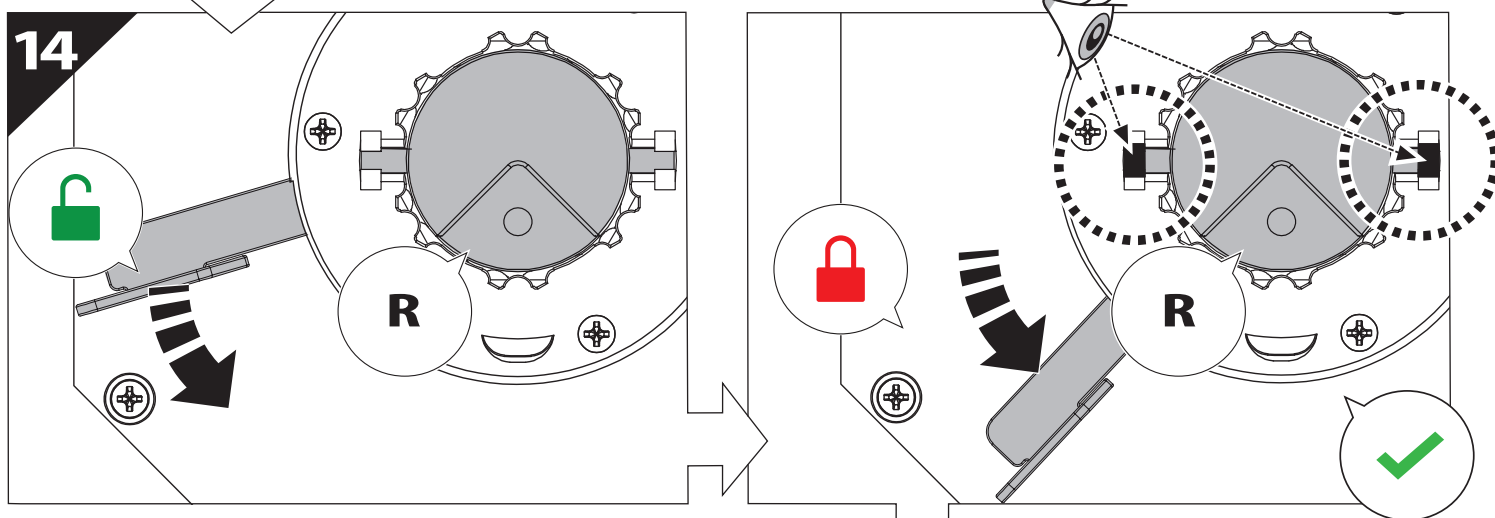
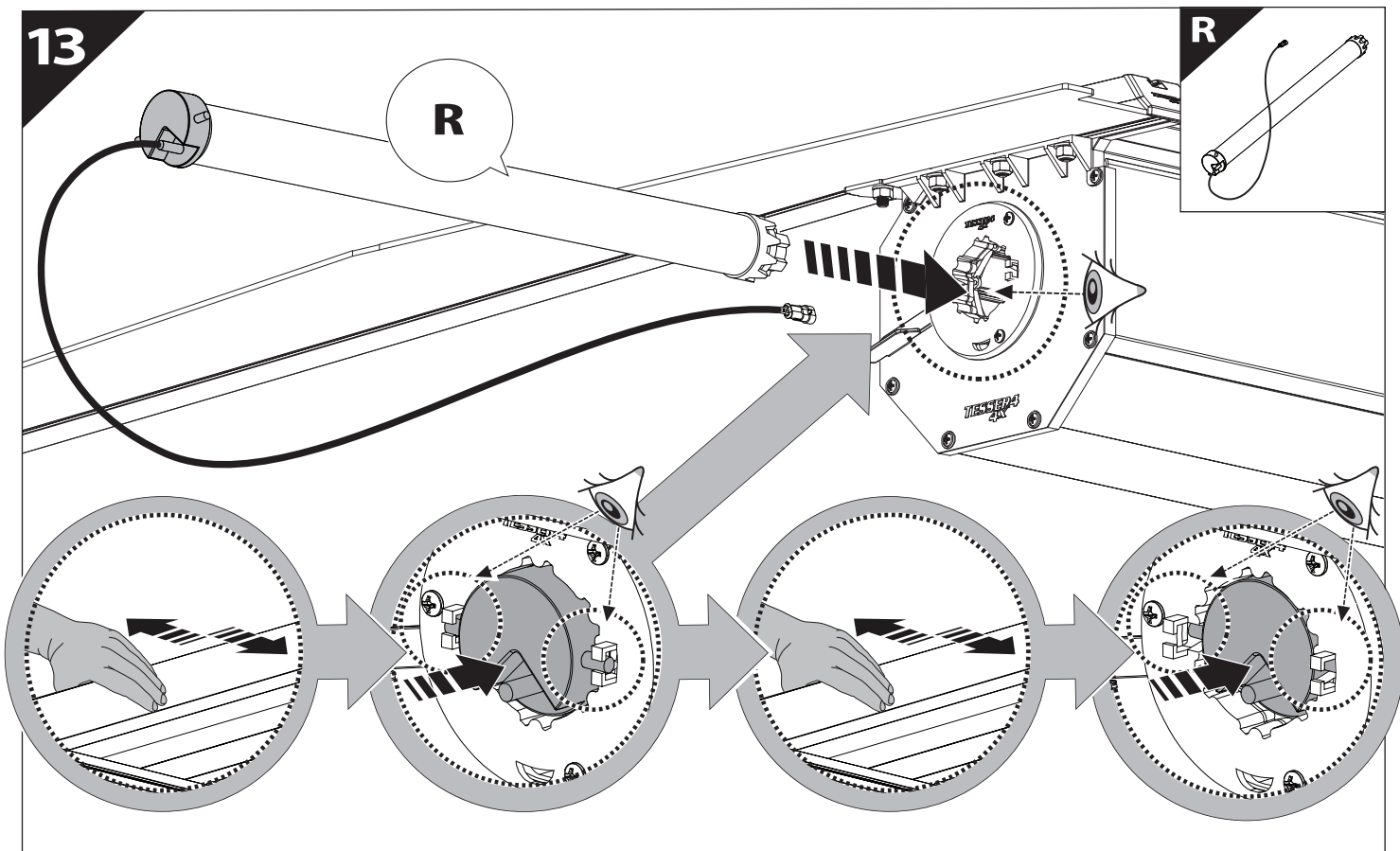
E2



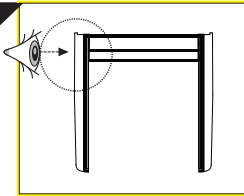
D2



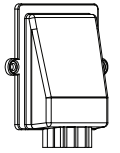




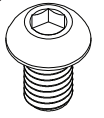
16



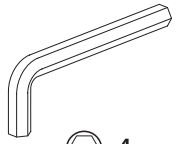
S



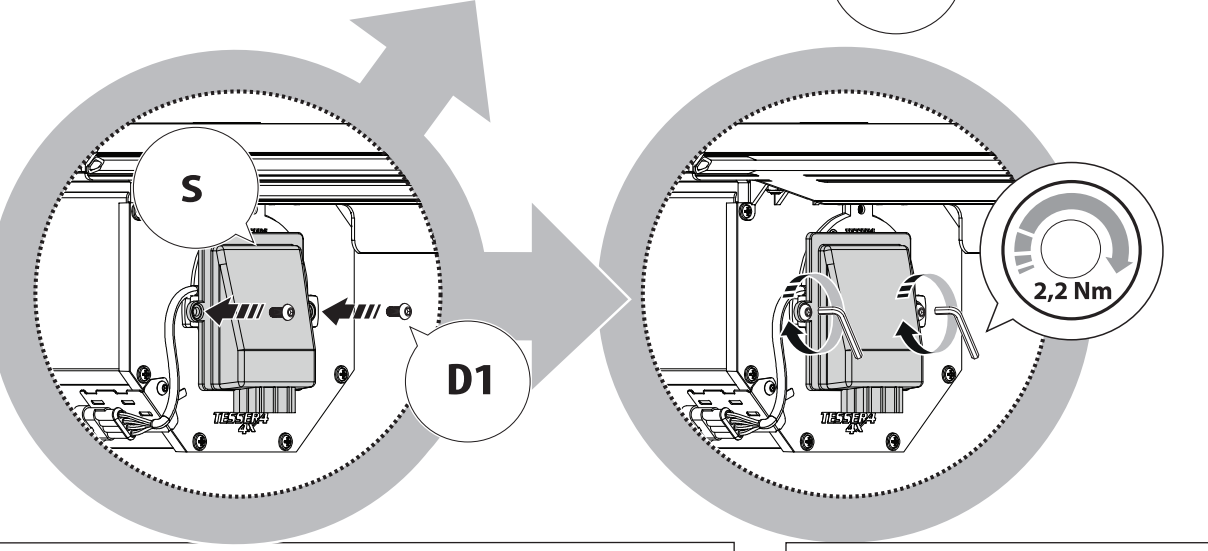
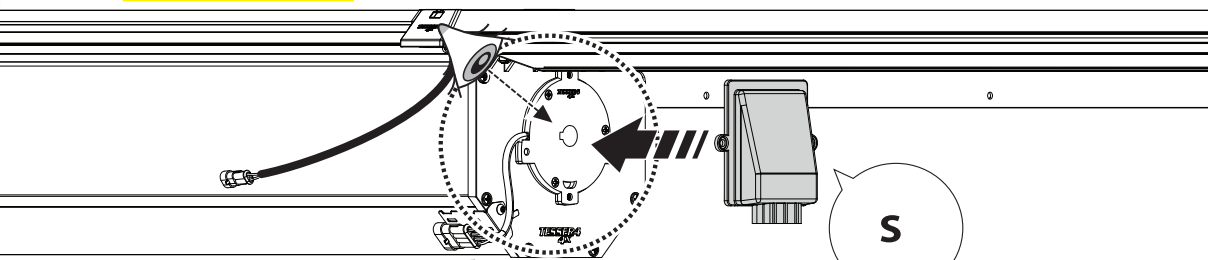
D1



x2



4mm

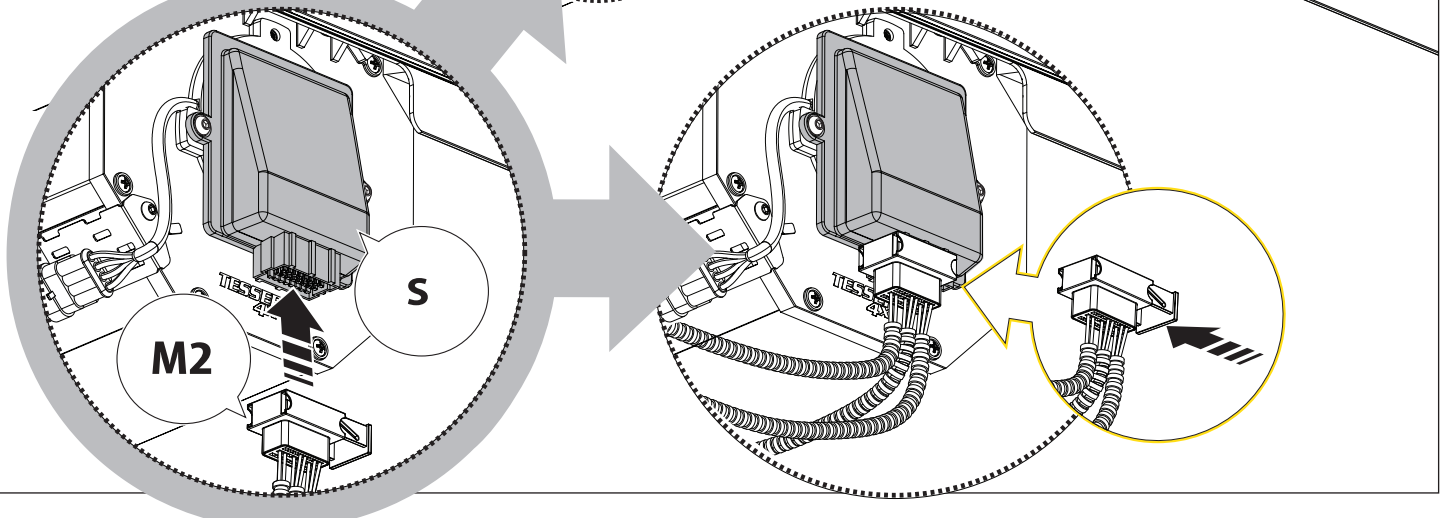
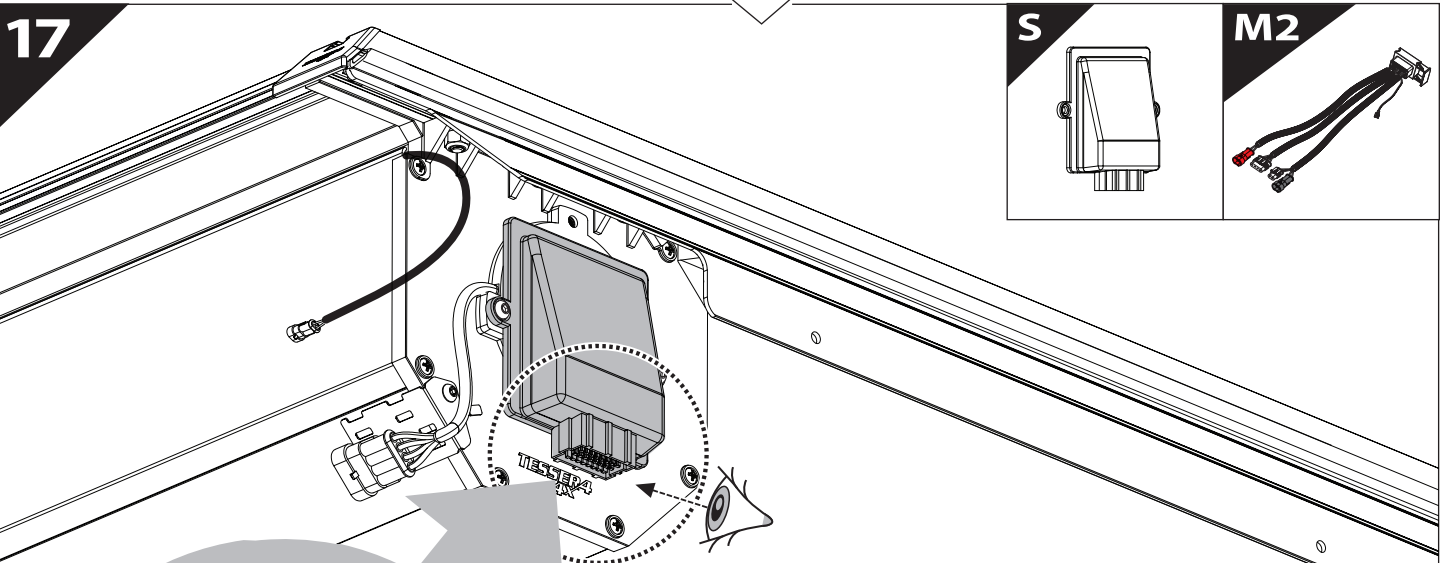


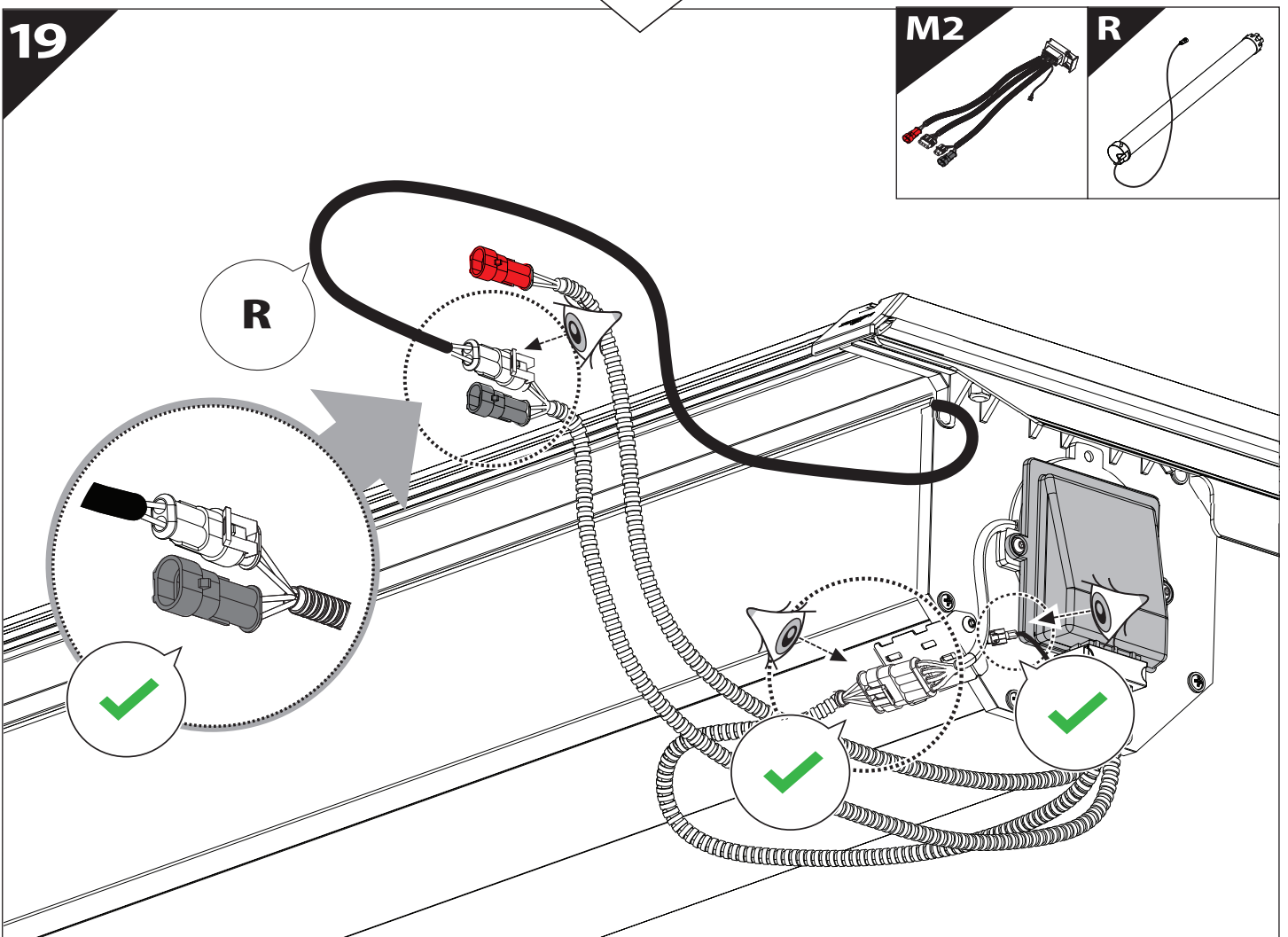
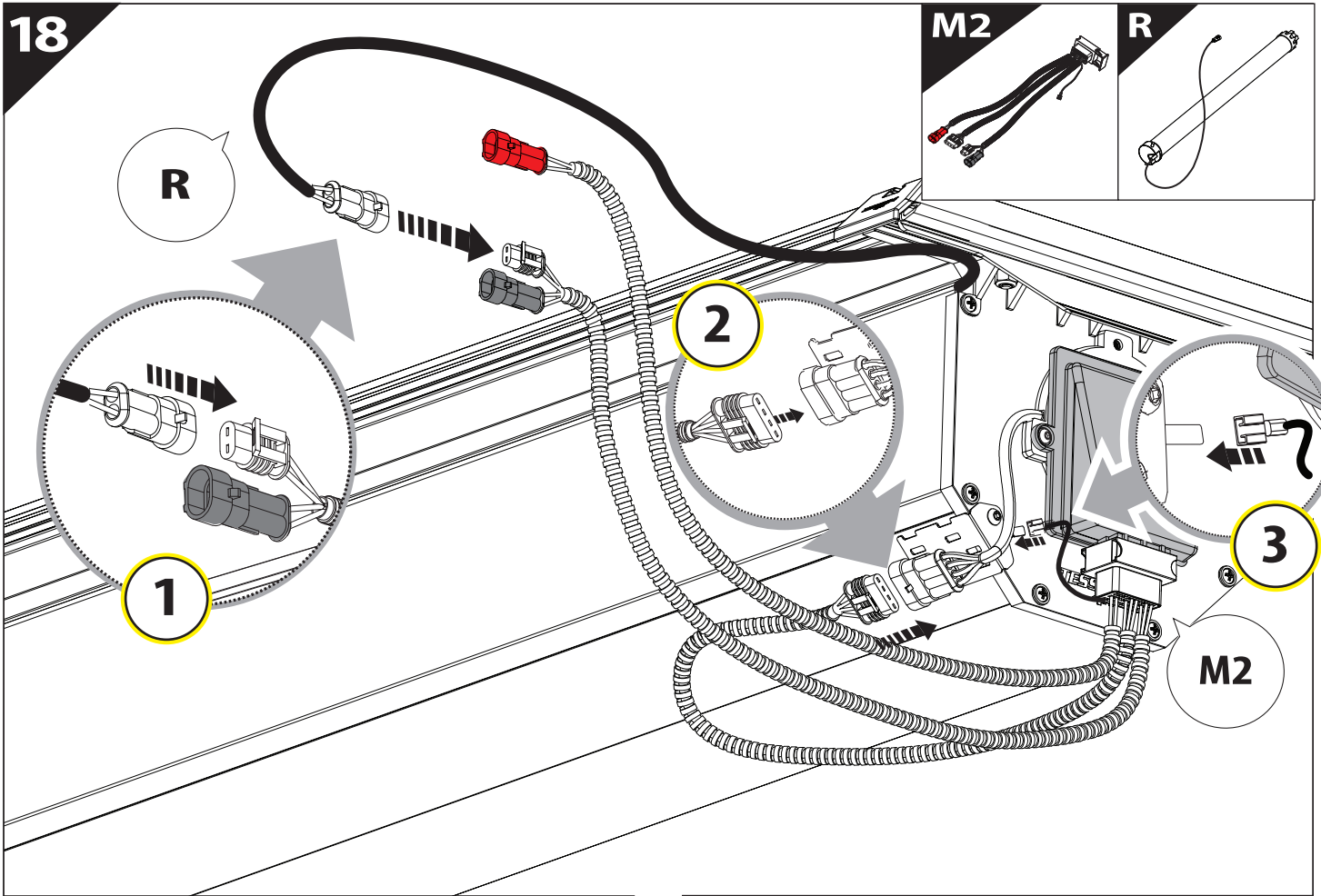
17

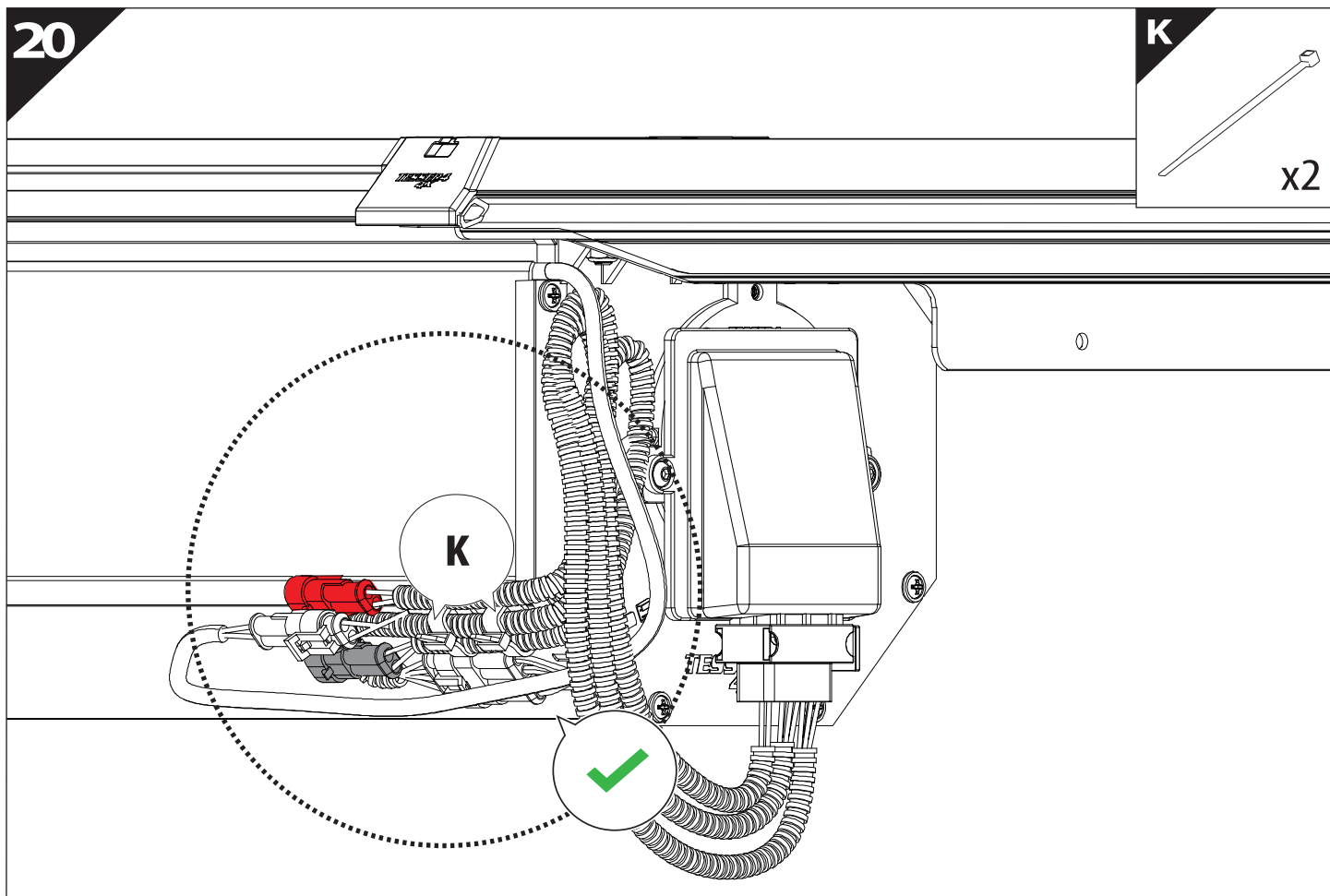
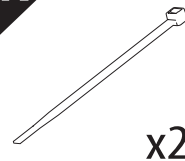
S

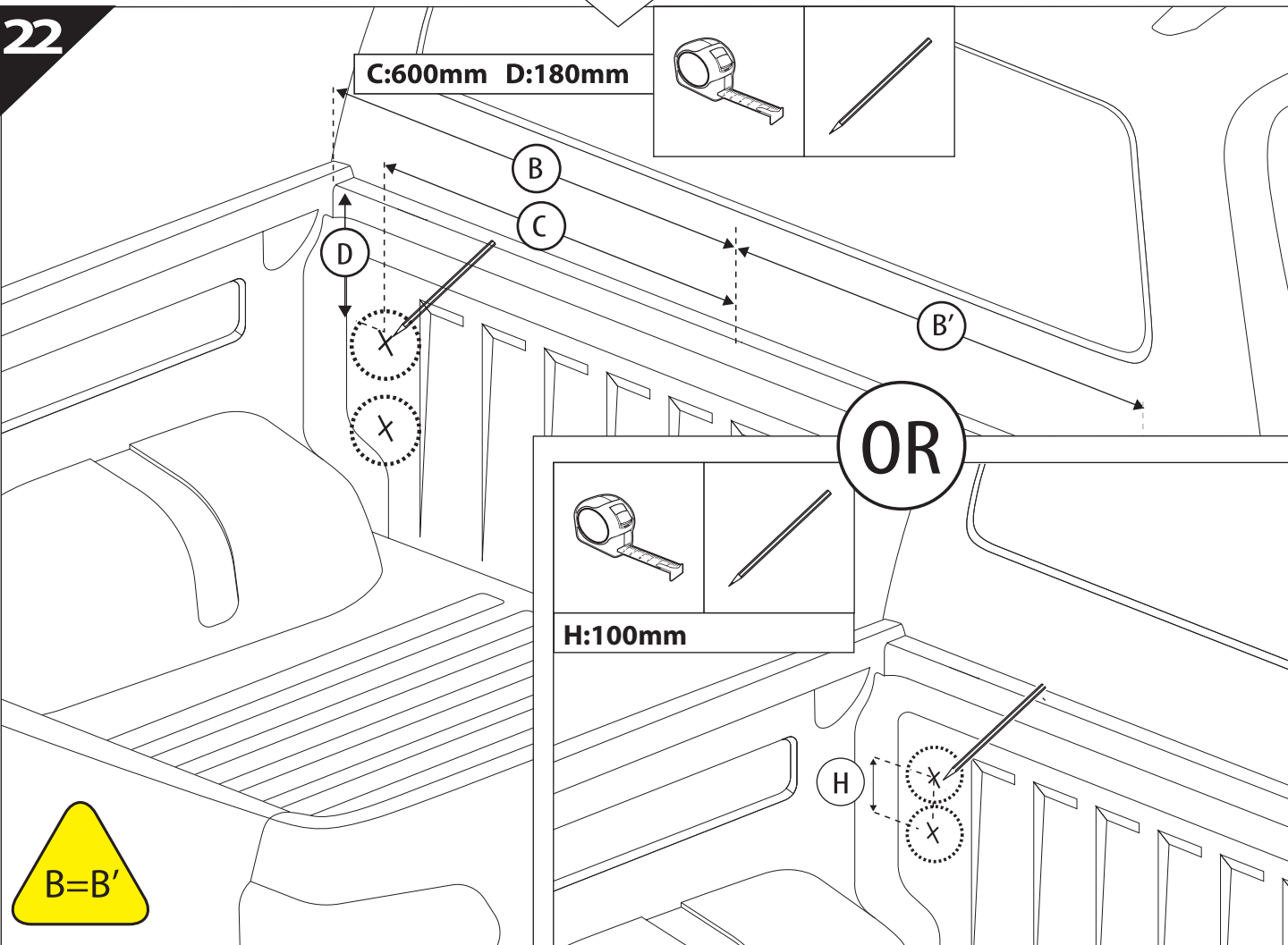
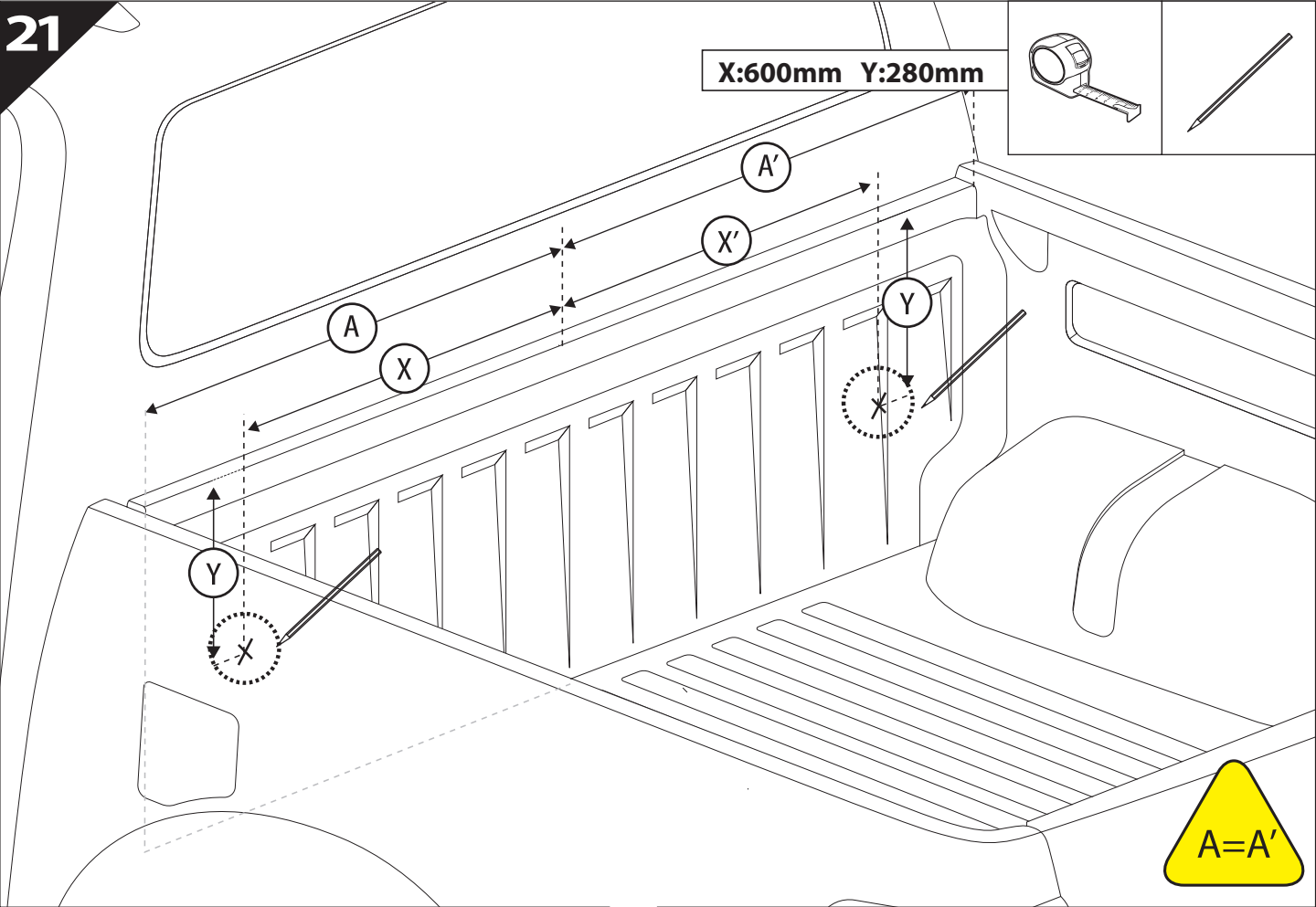


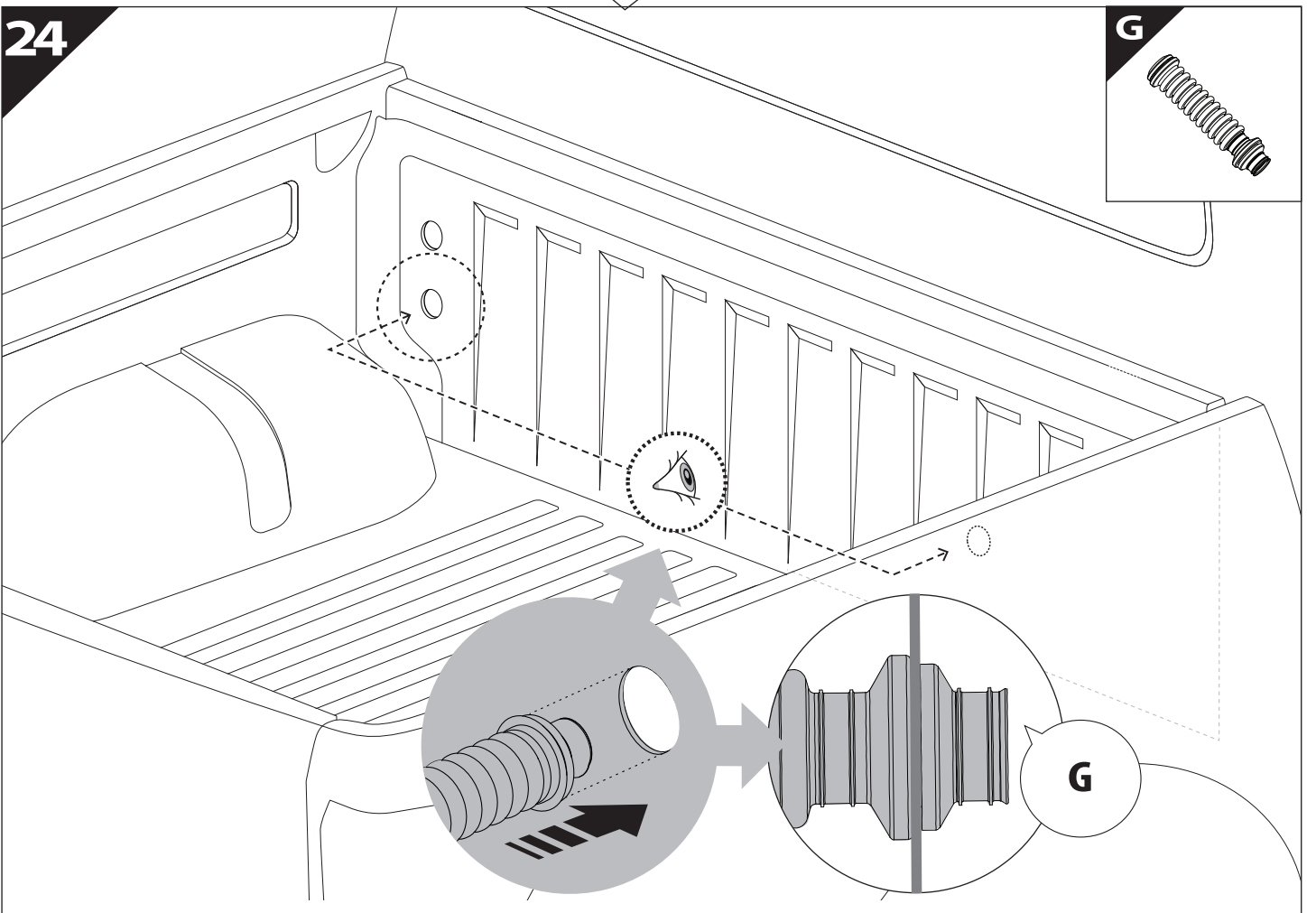
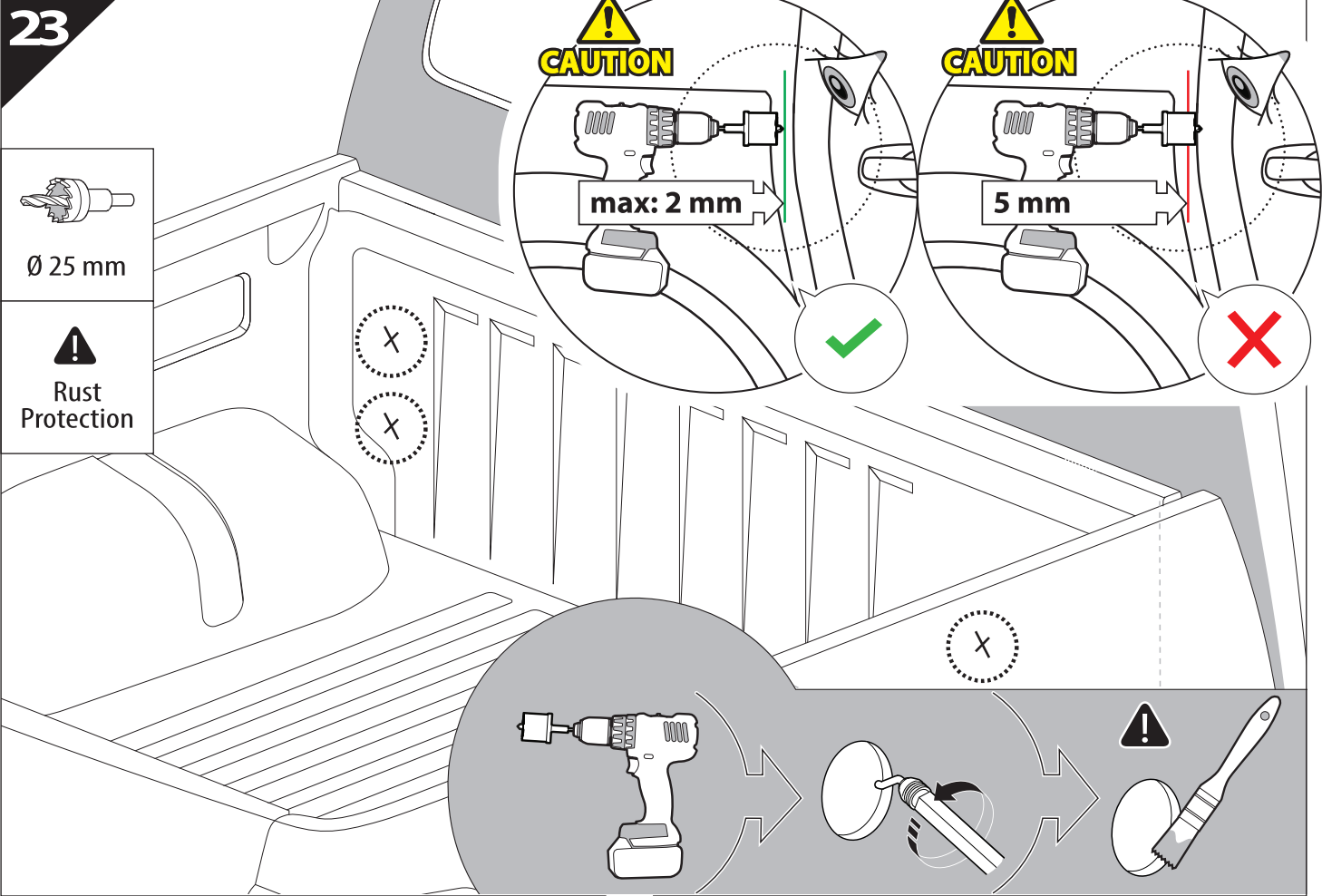
M2

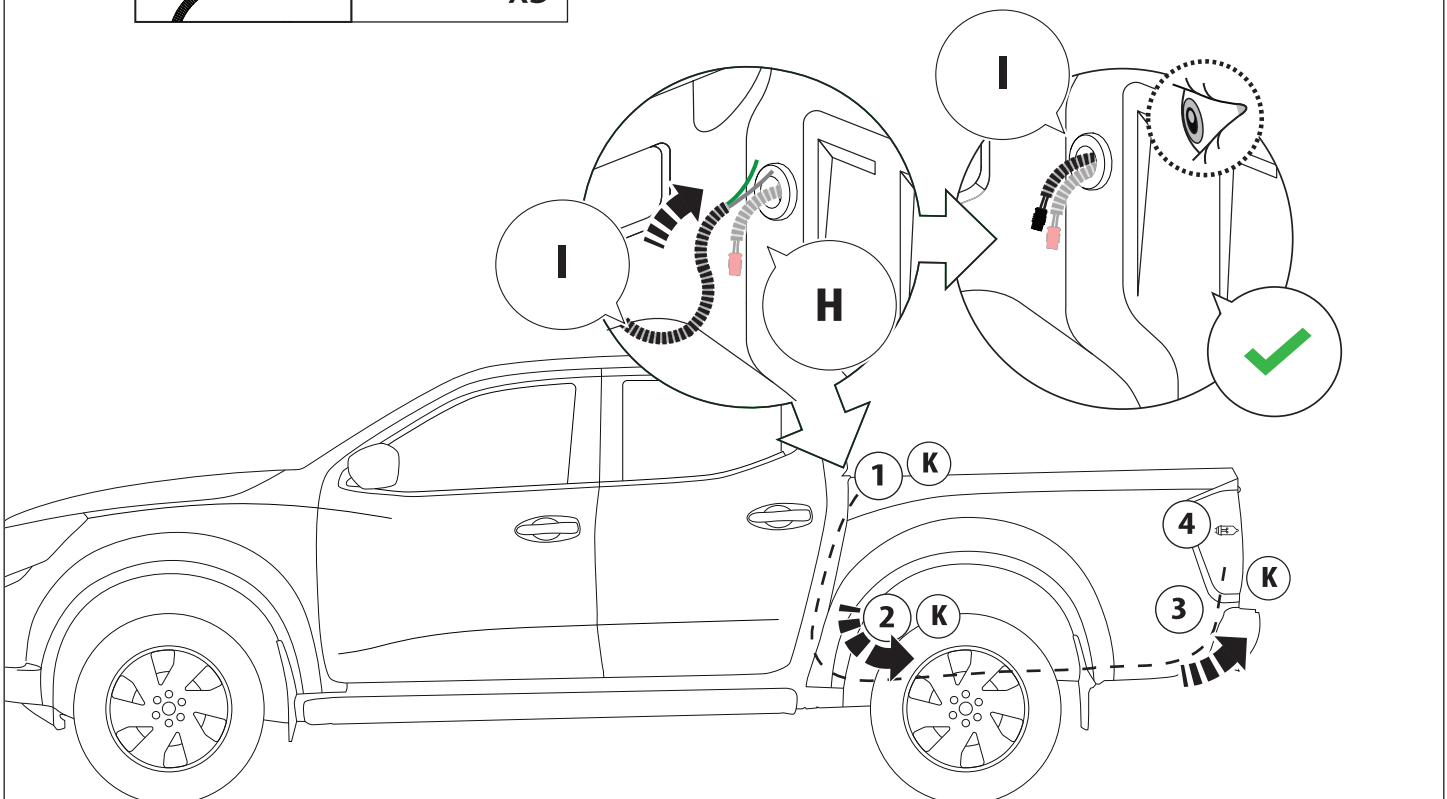
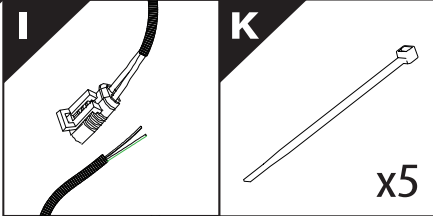
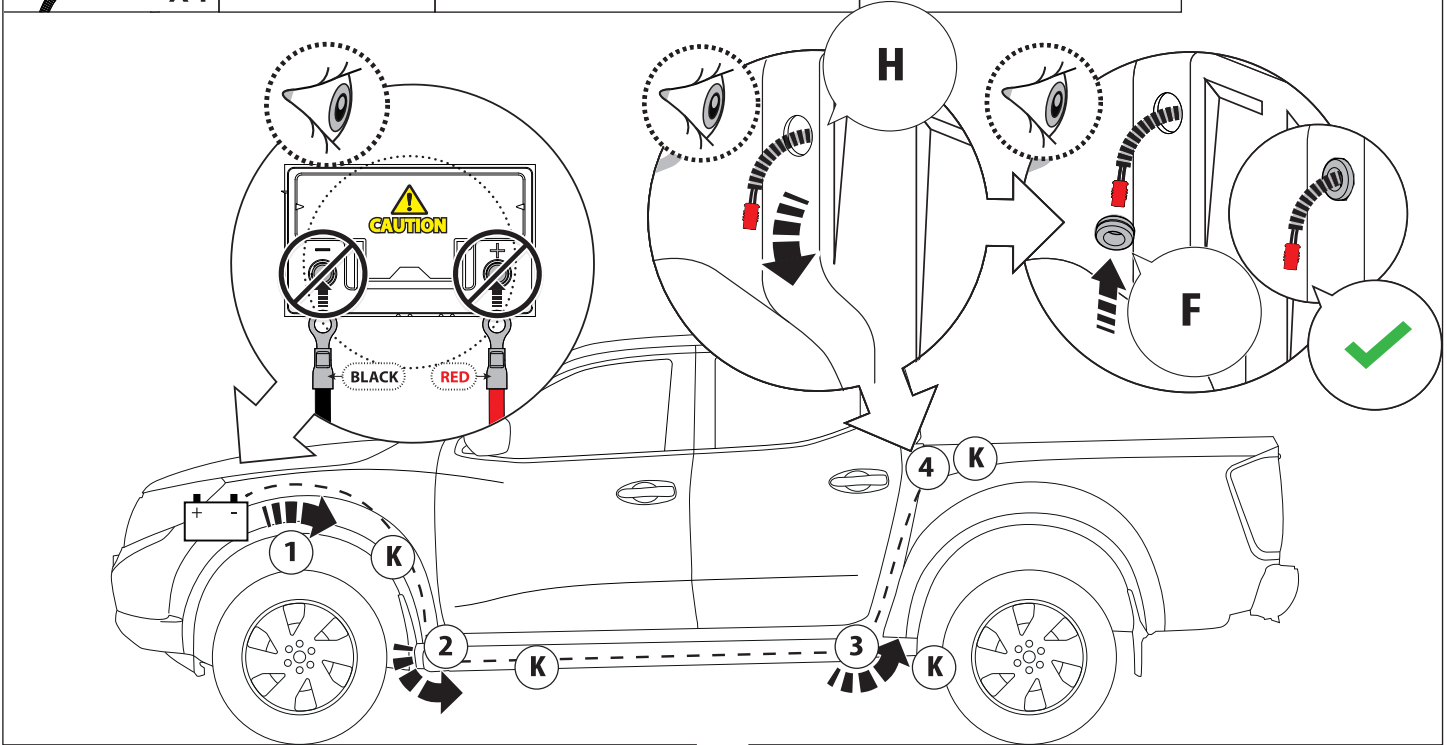
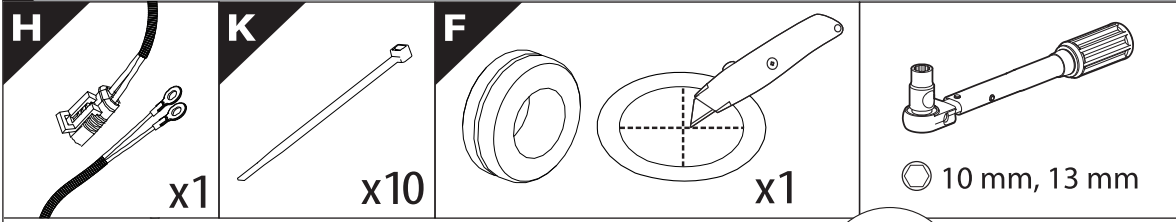




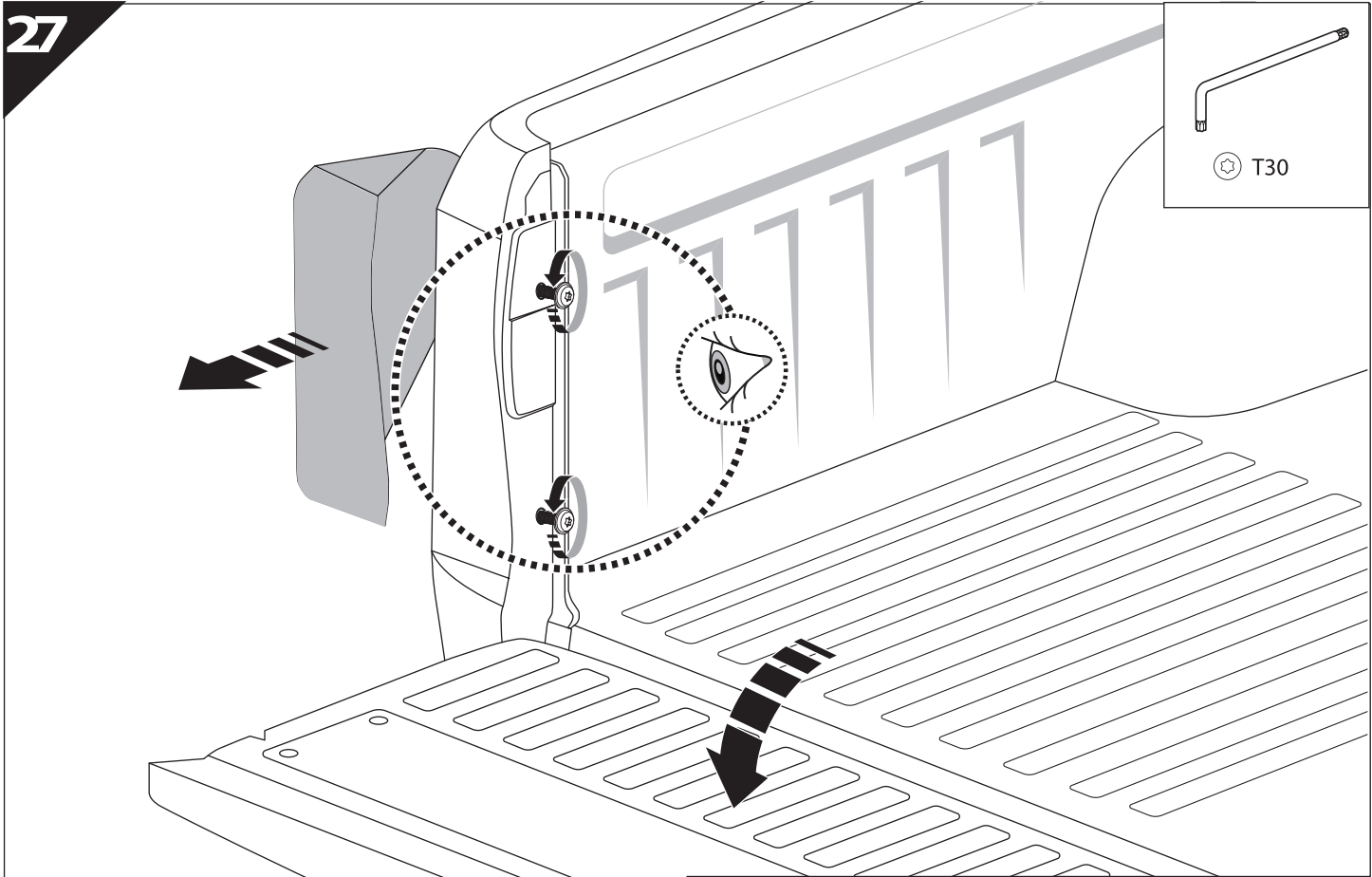




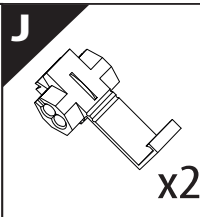
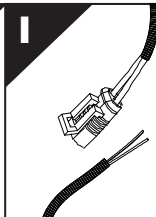




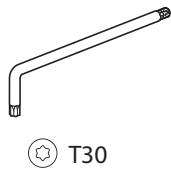
27



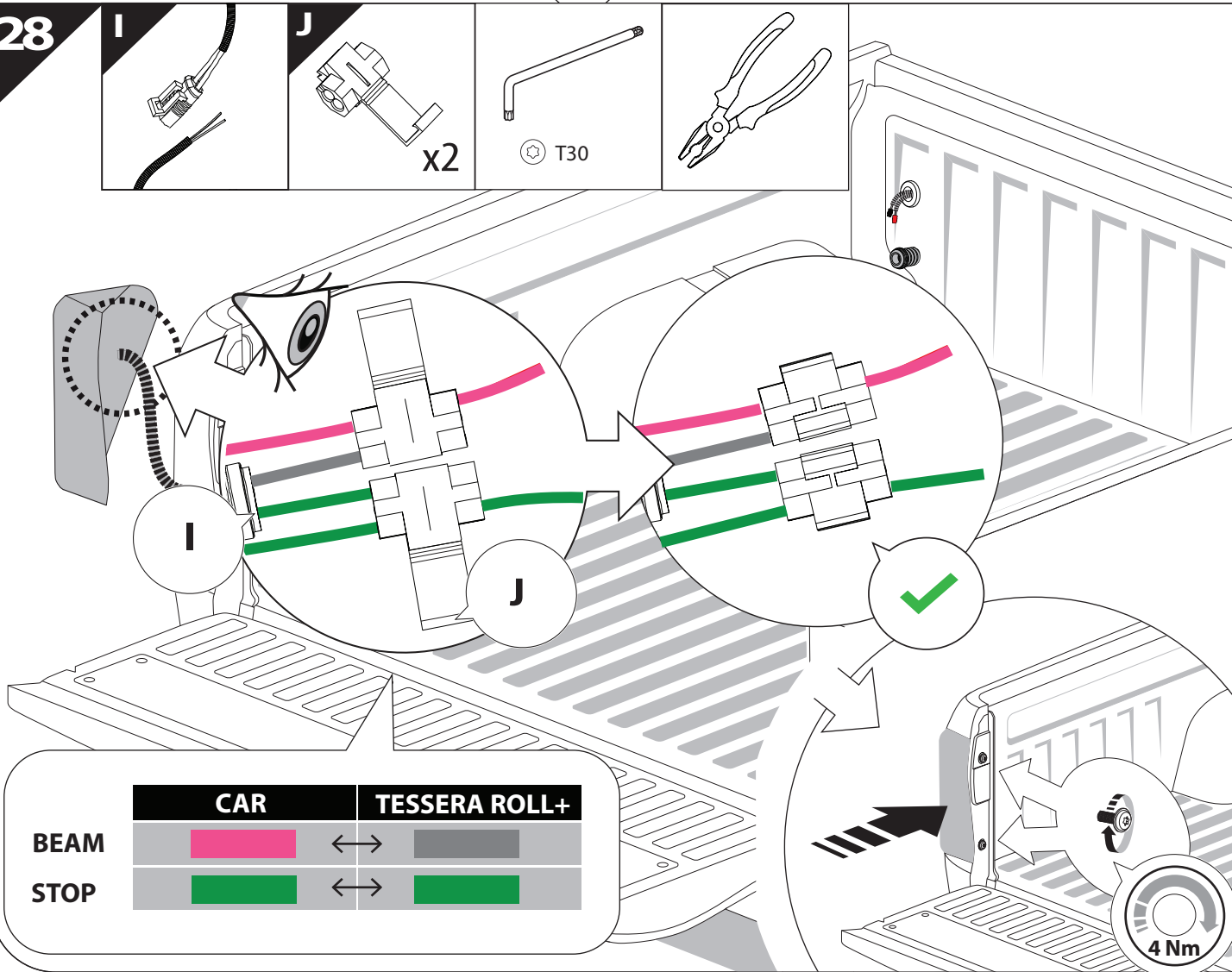
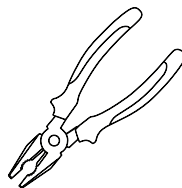
28







x2

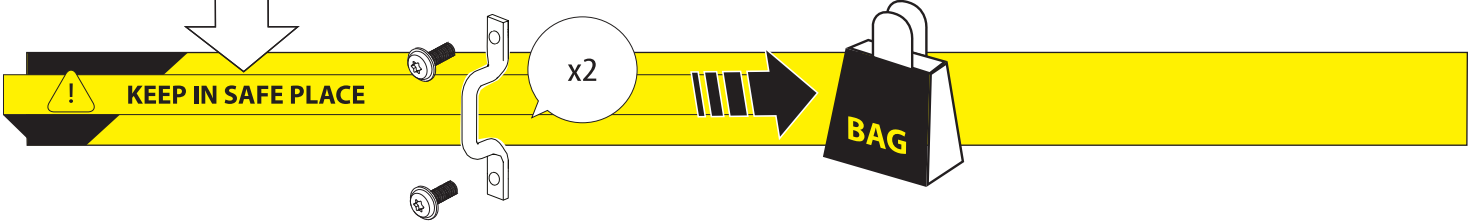
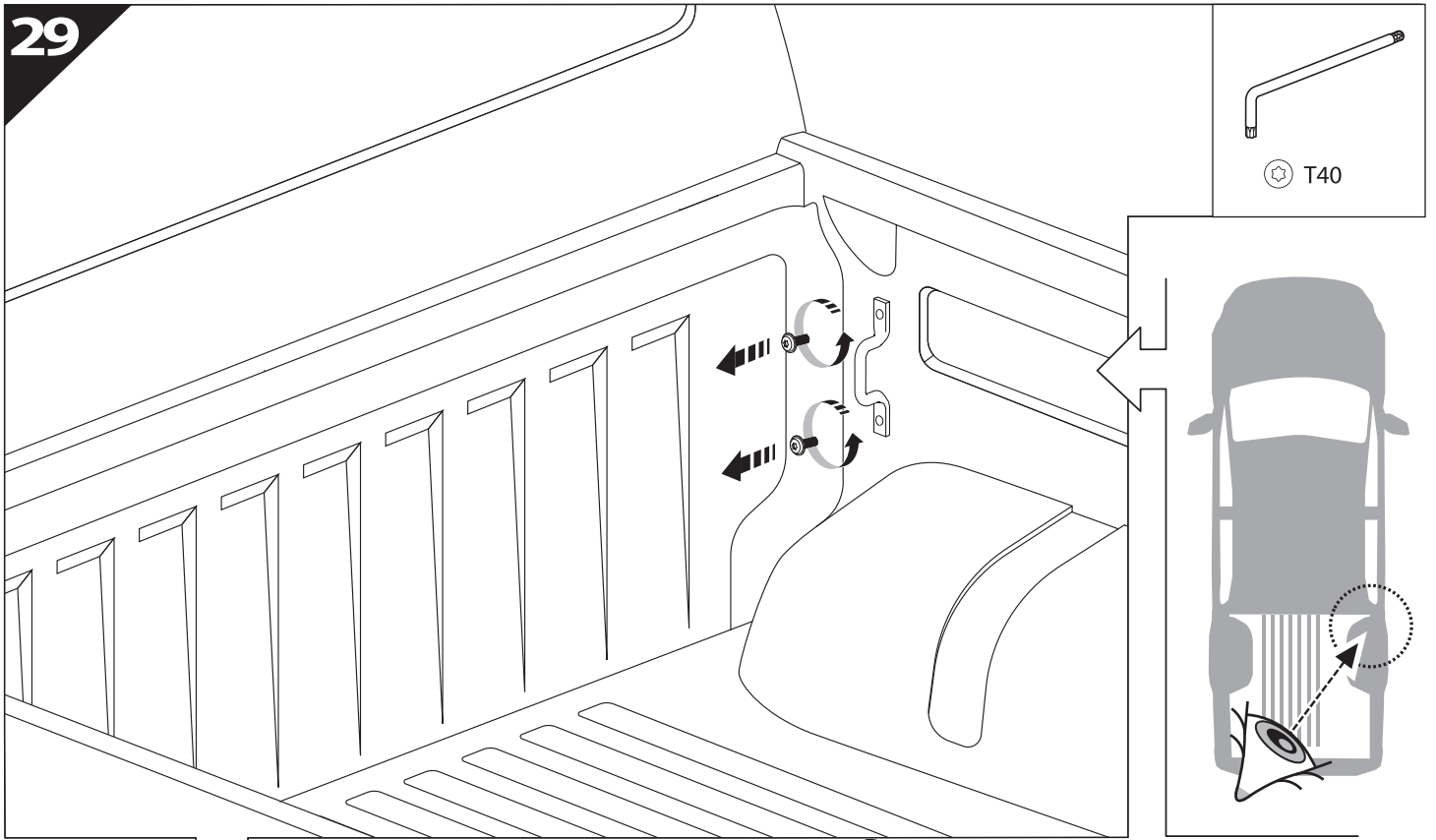


T30

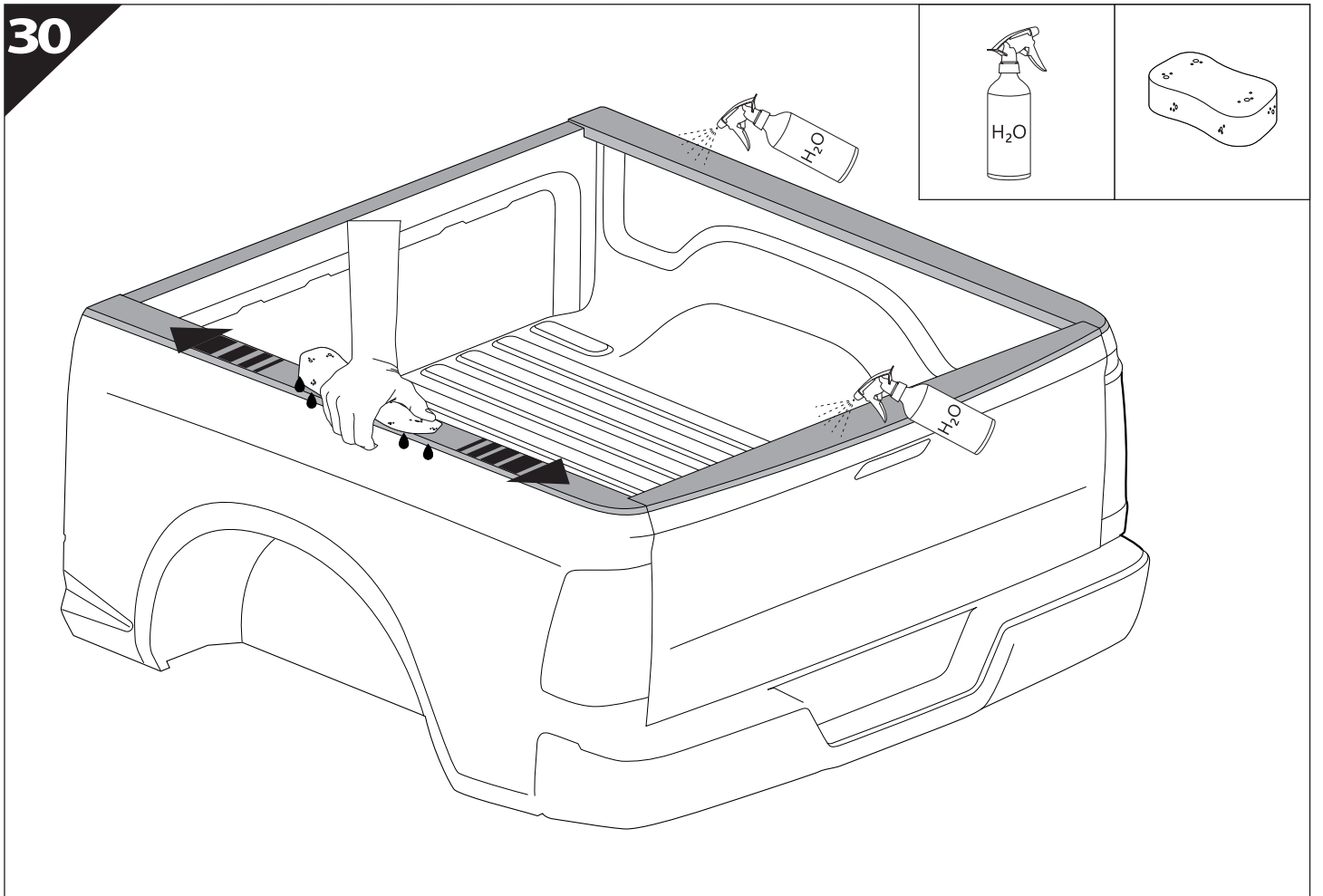


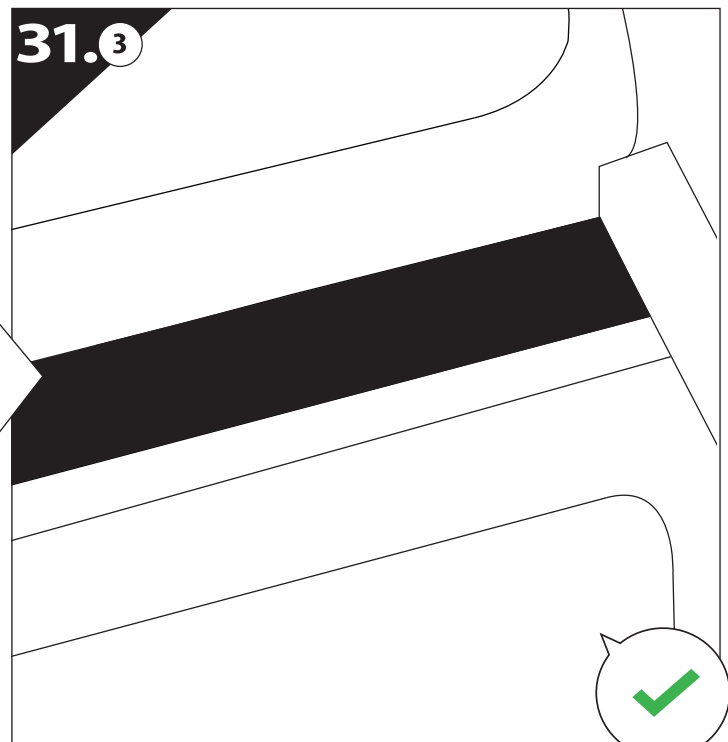
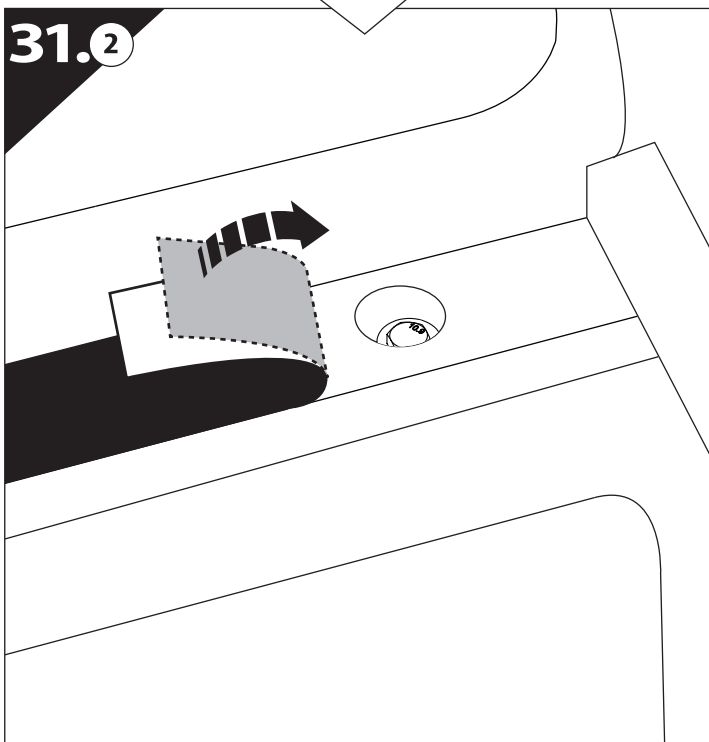
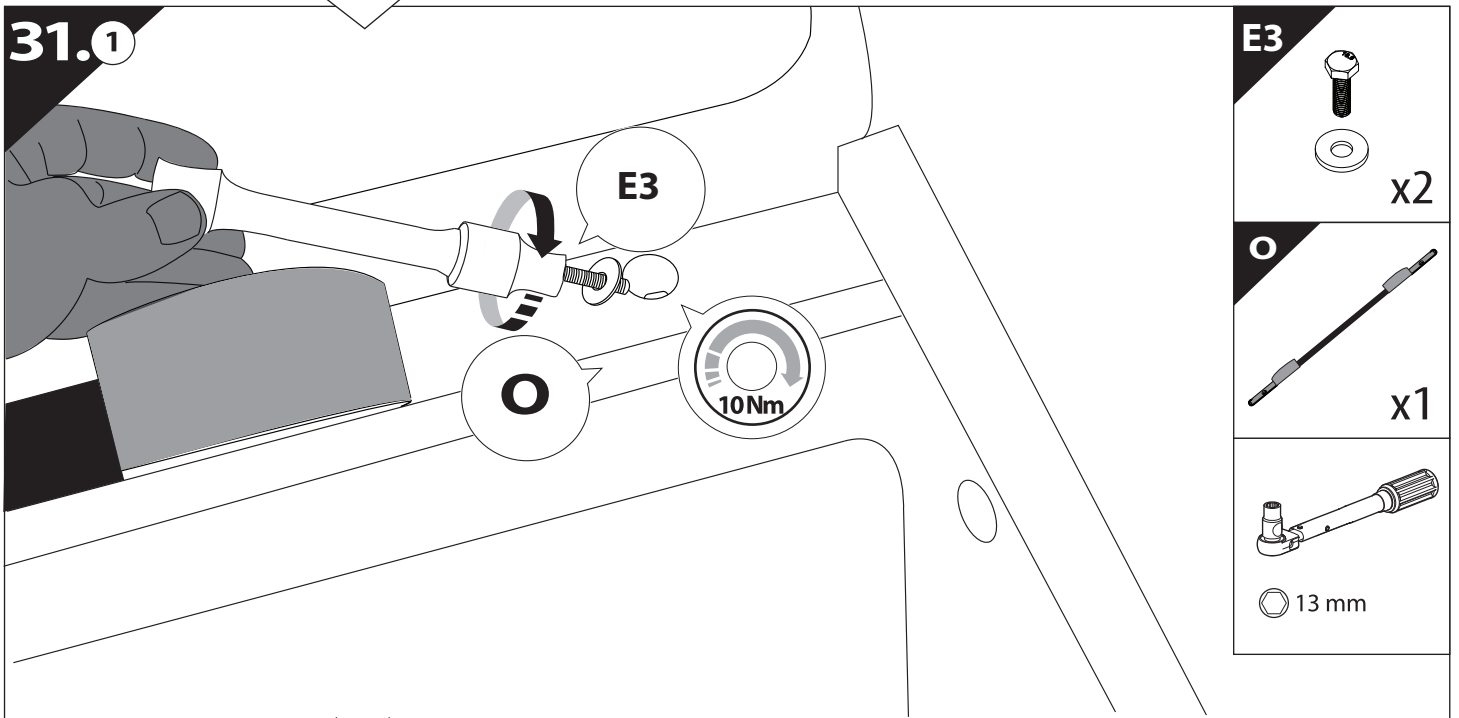
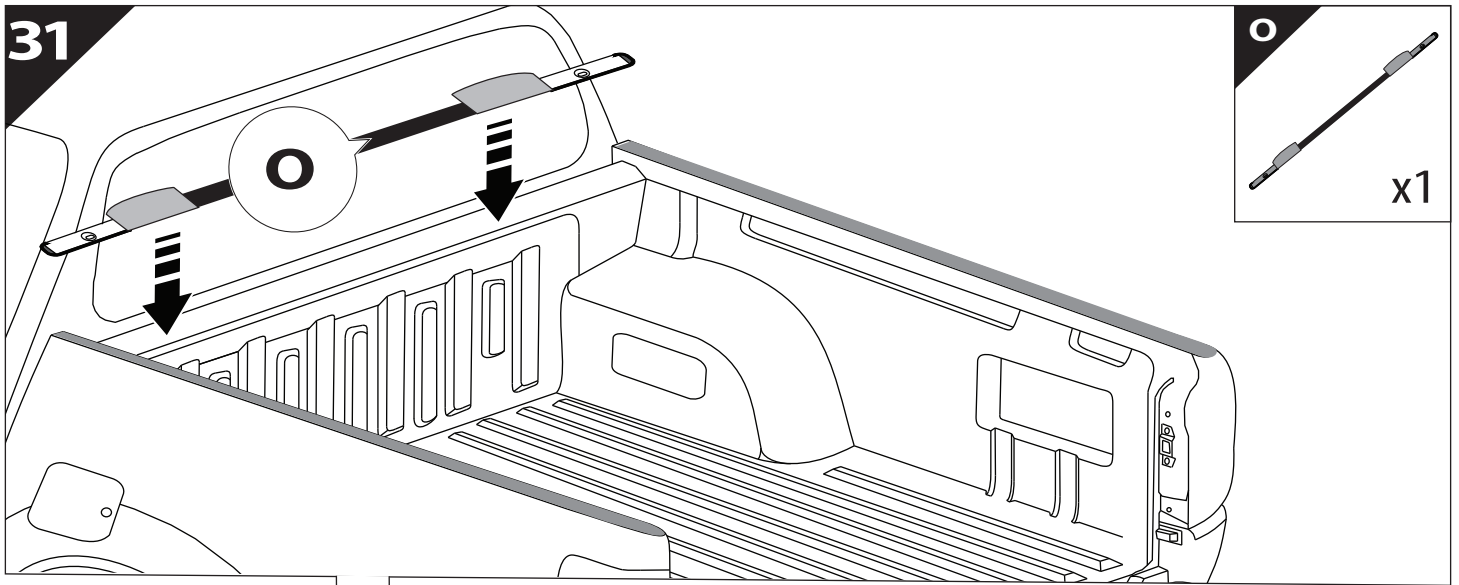
	CAR		TESSERA ROLL+
BEAM		↔	
STOP		↔	

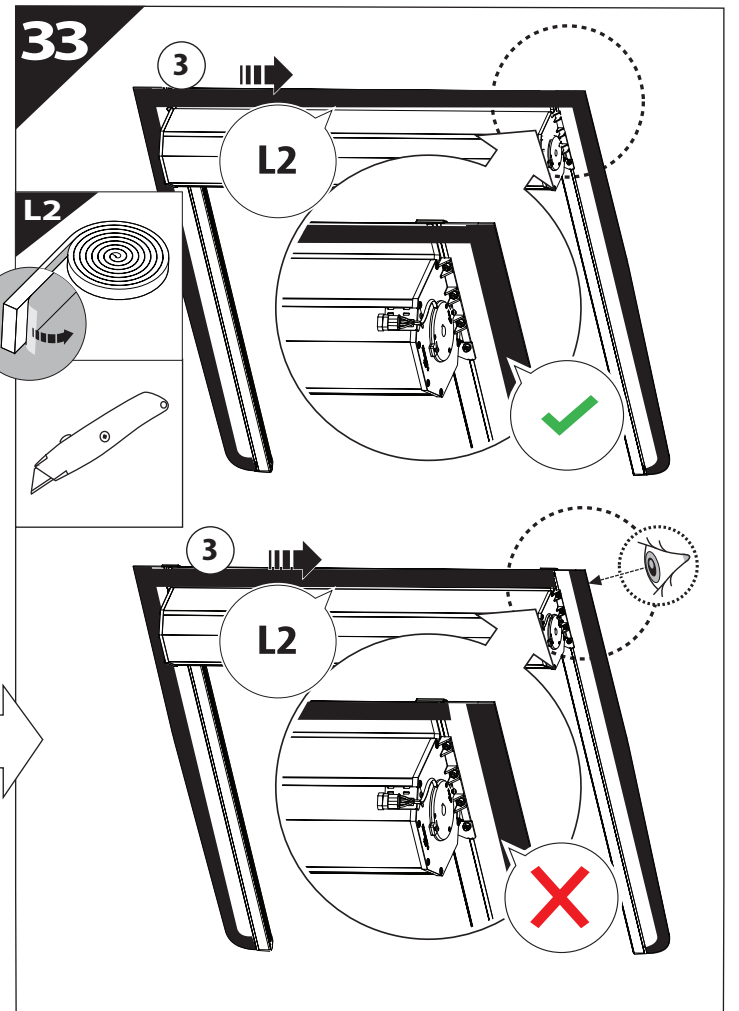
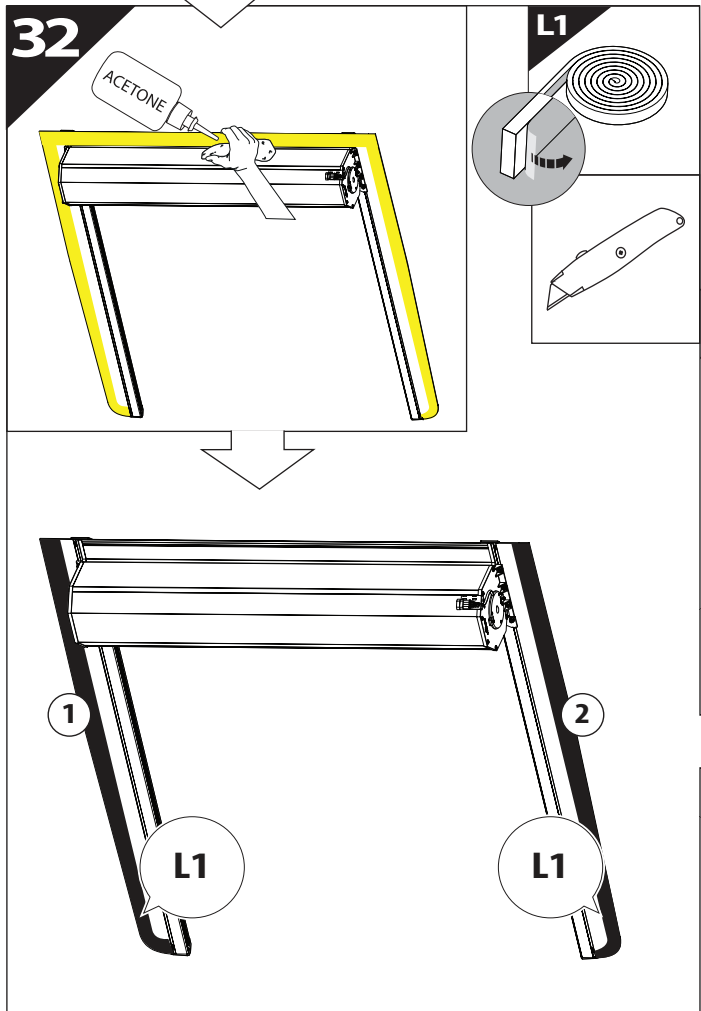
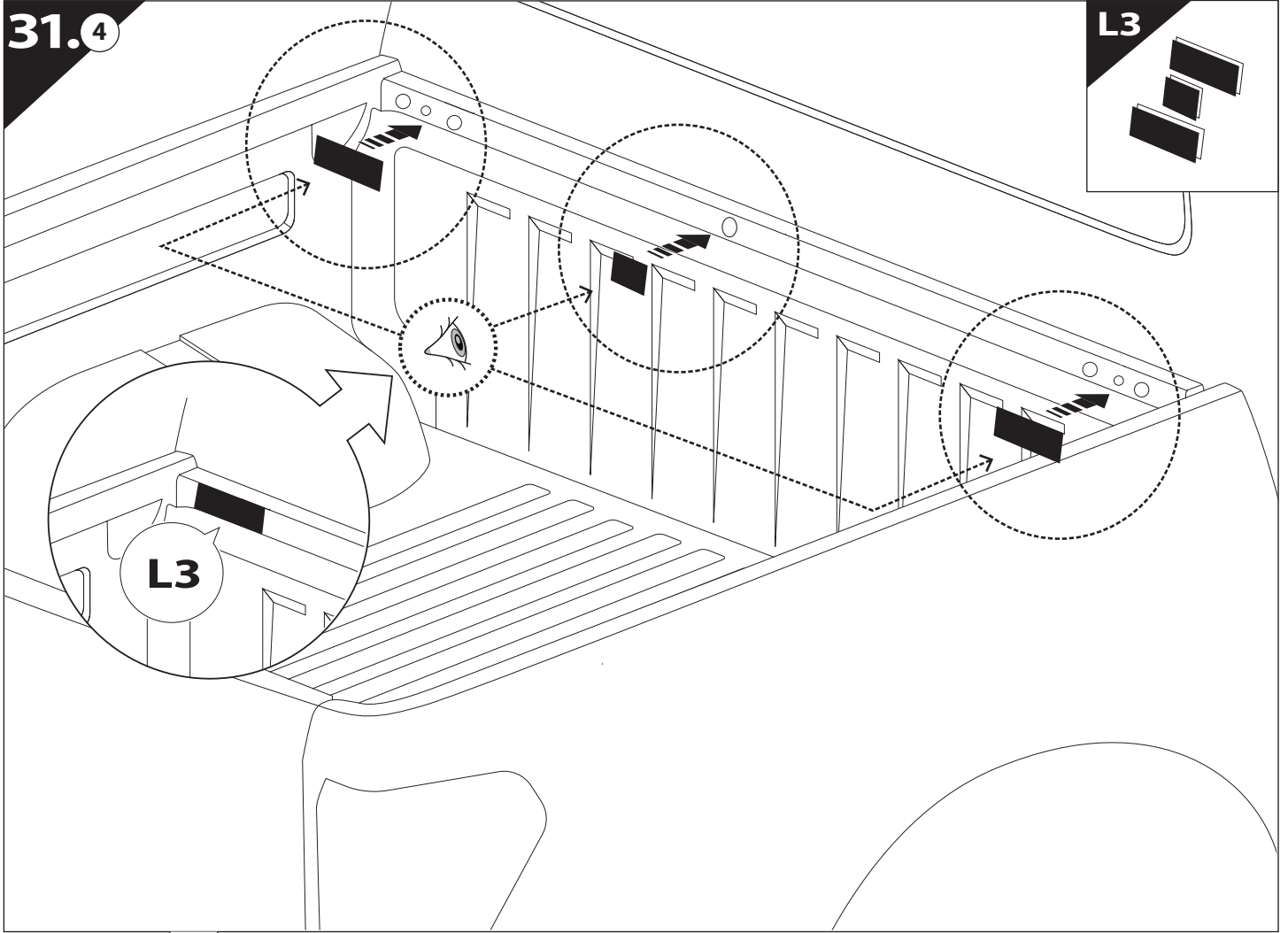
29

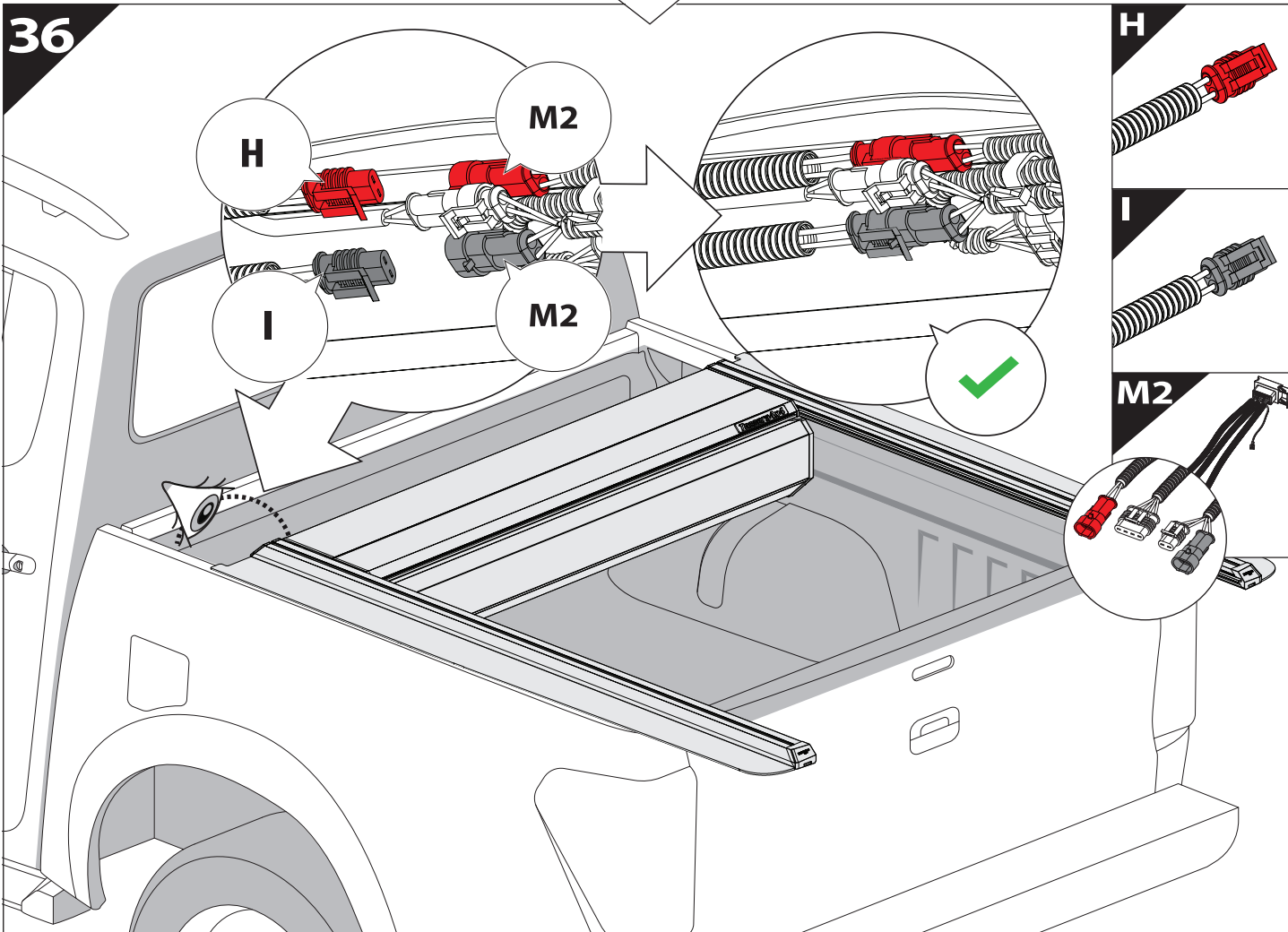
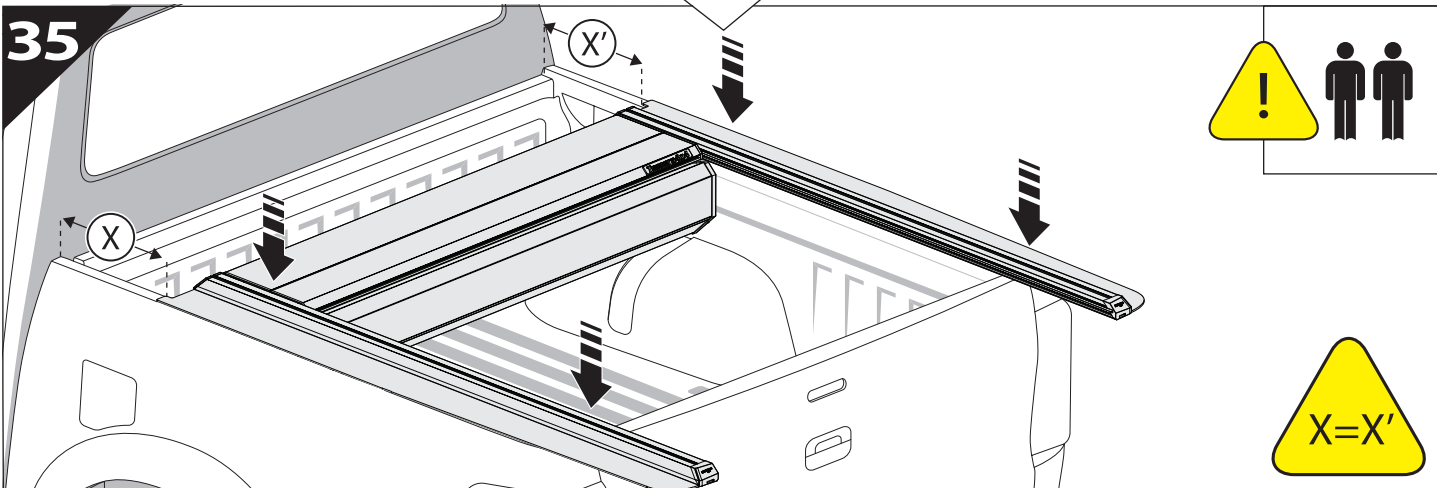
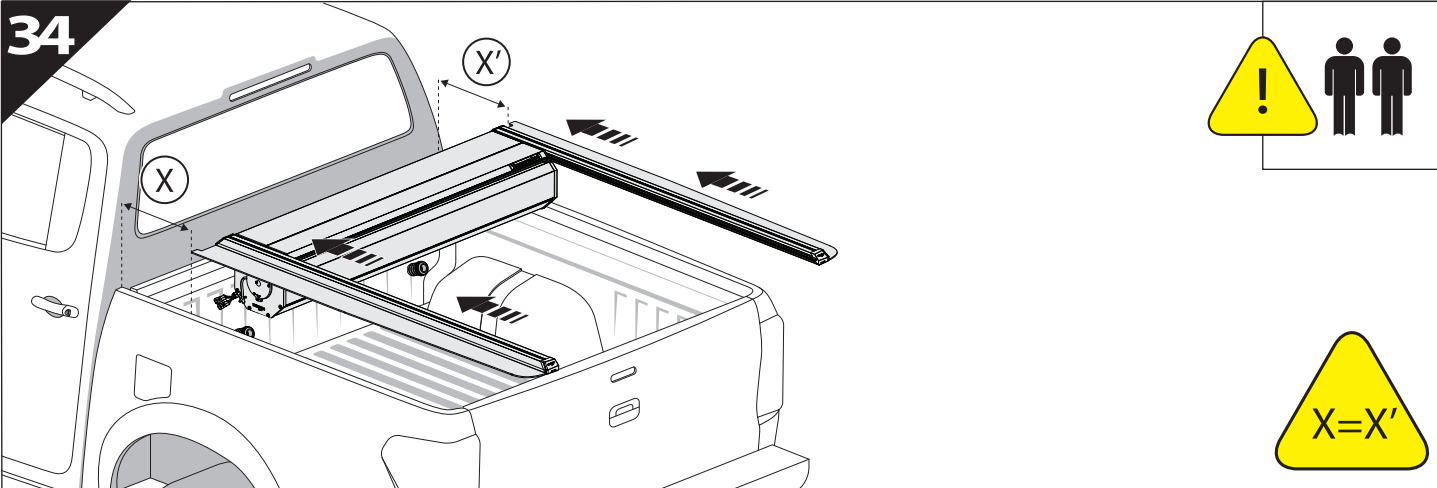


30

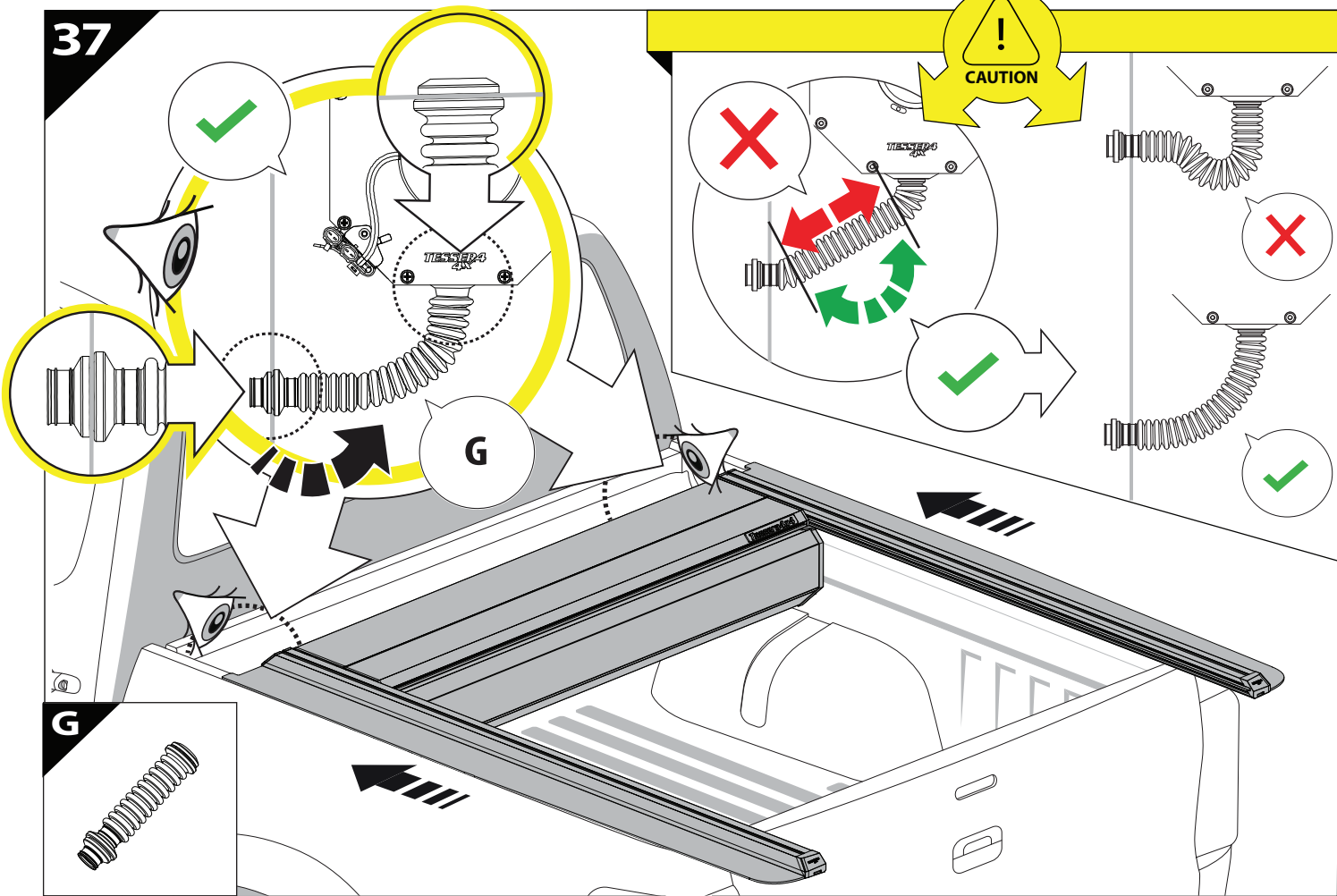




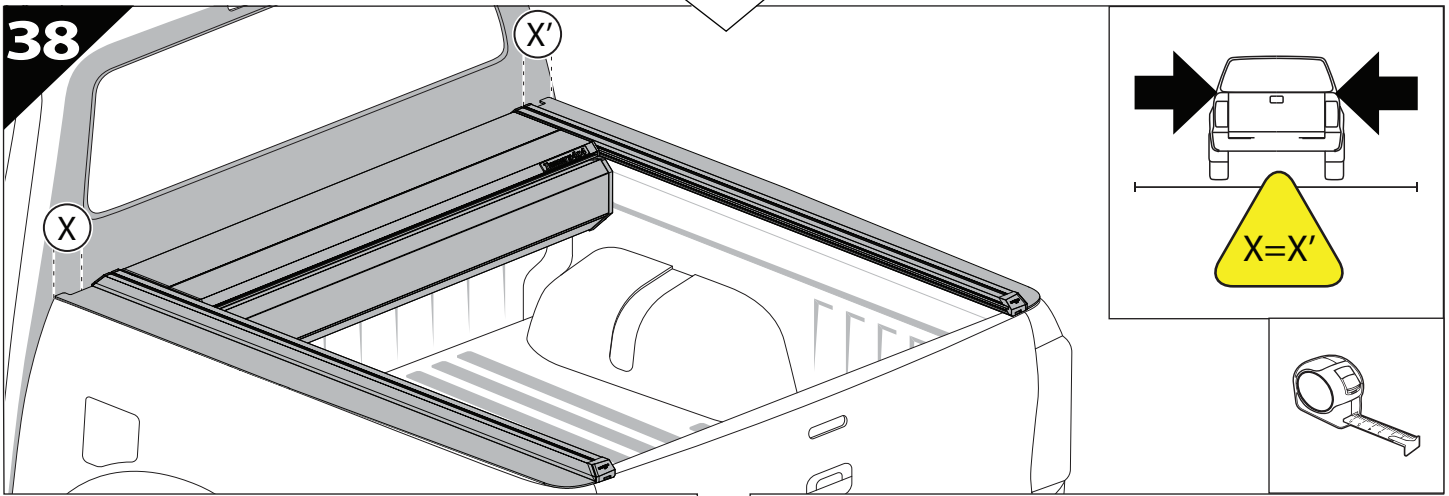




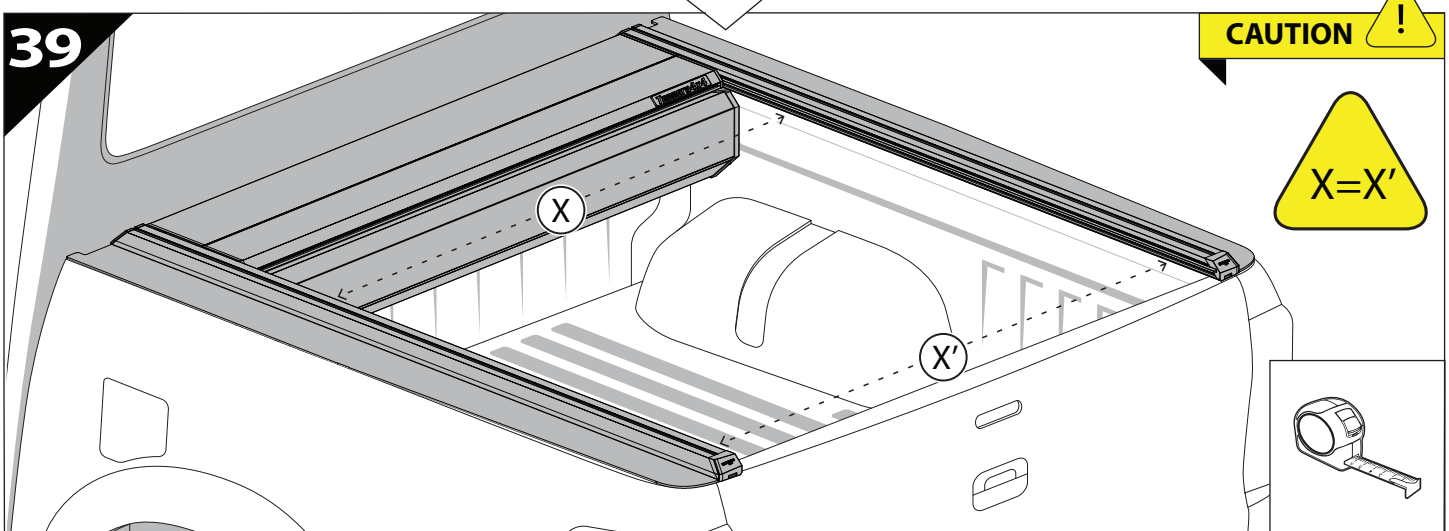
37



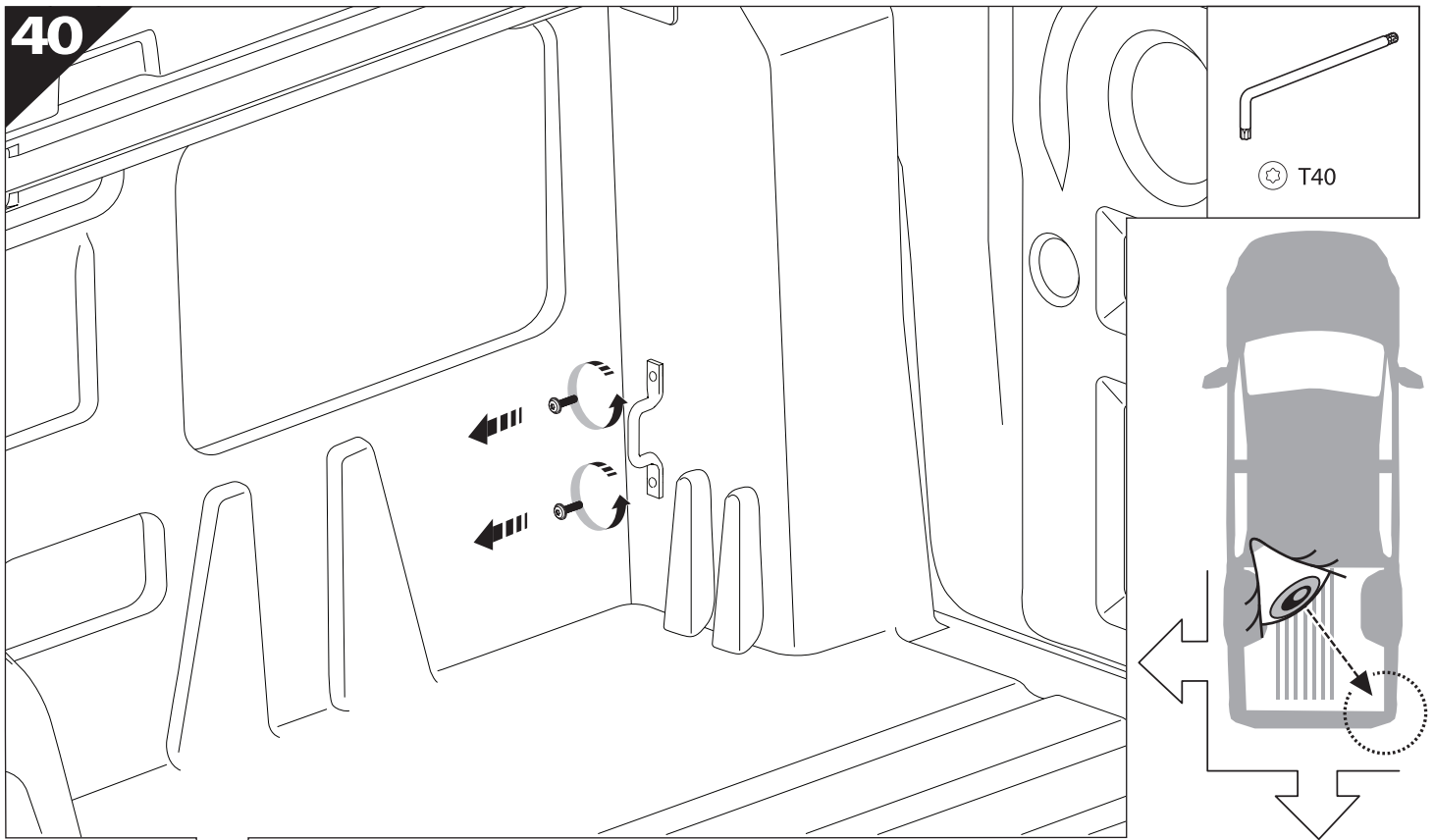
38



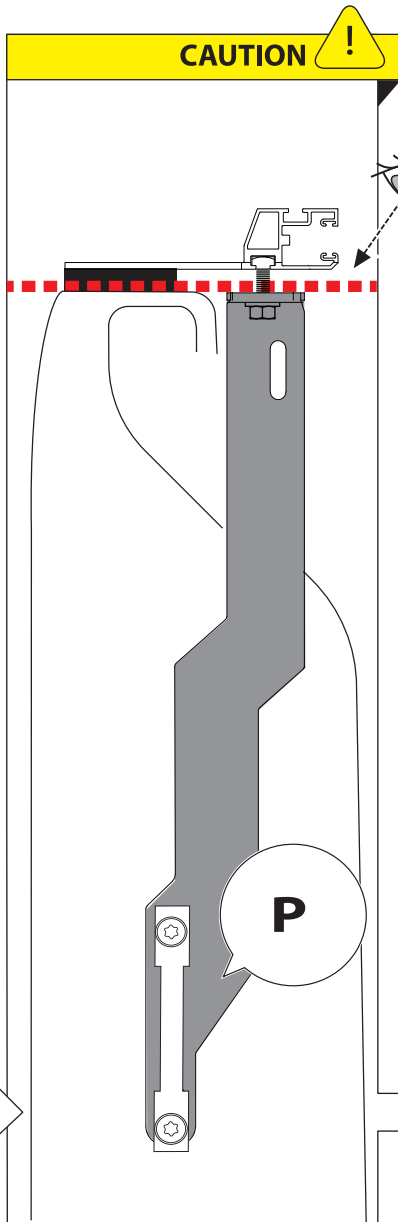
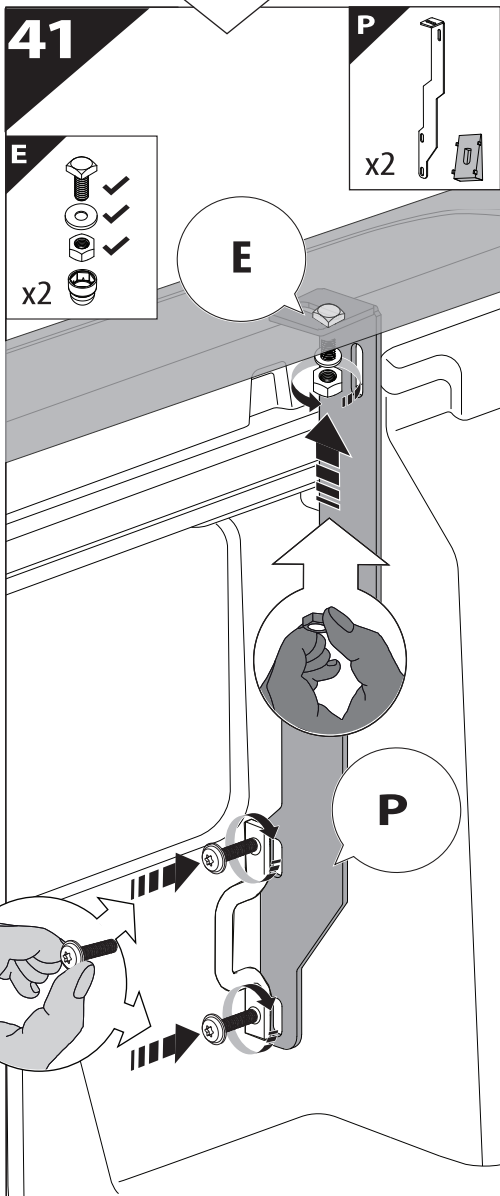
39



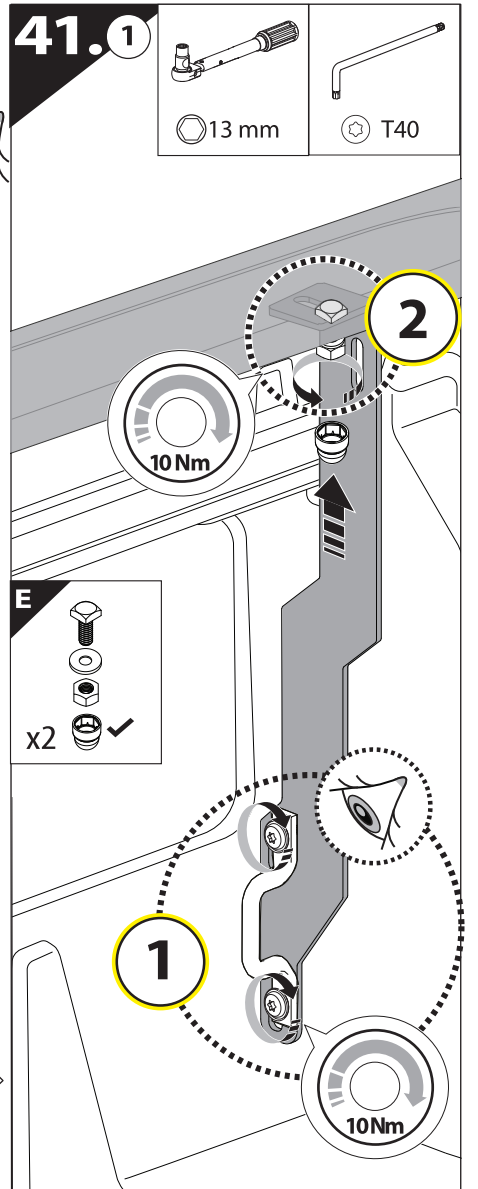
40



41



41.1

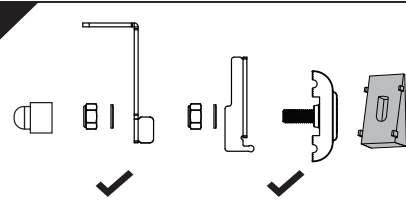


42 A

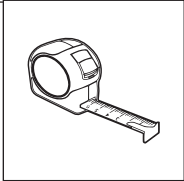
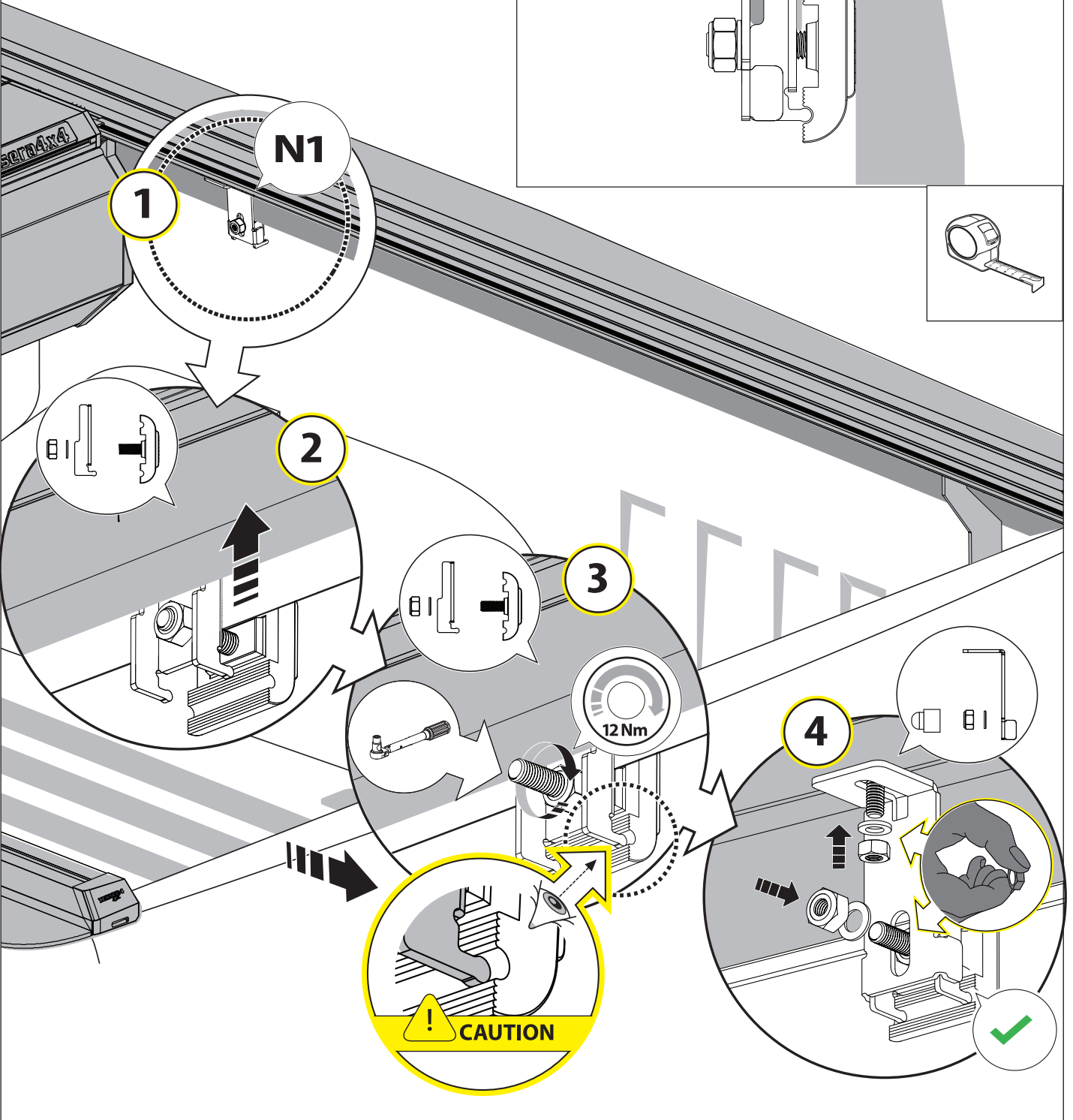
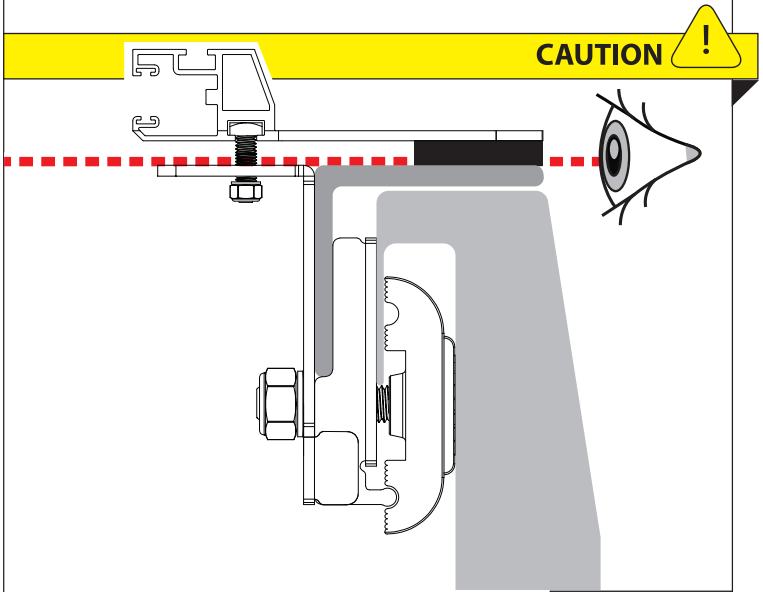
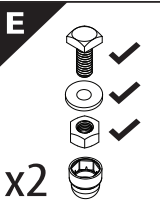


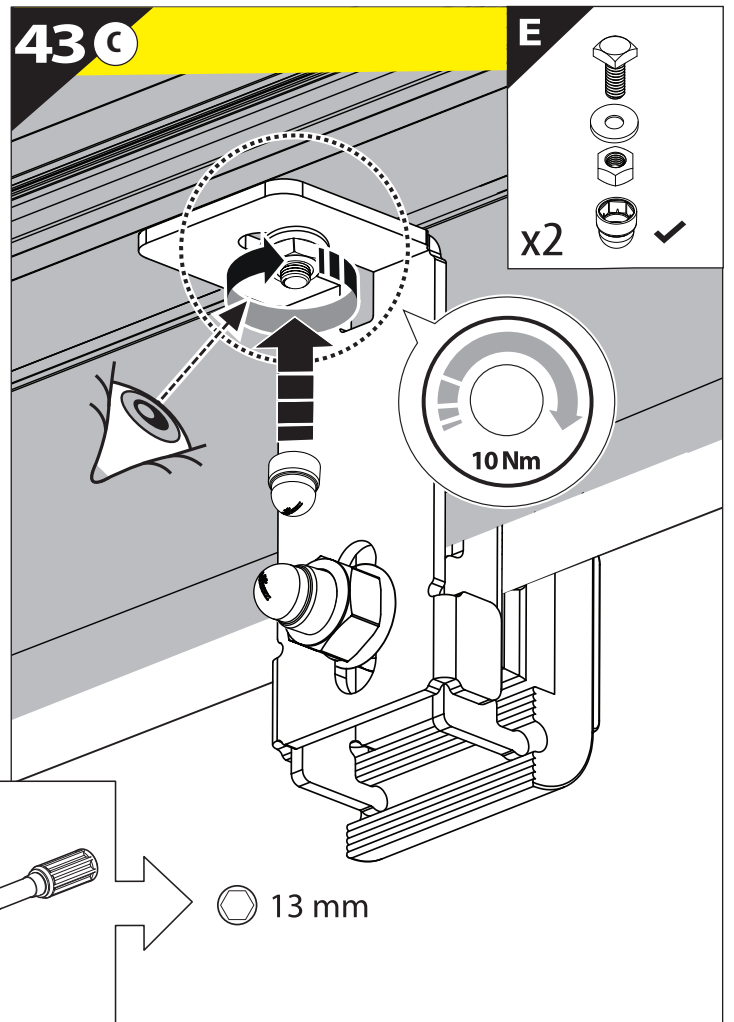
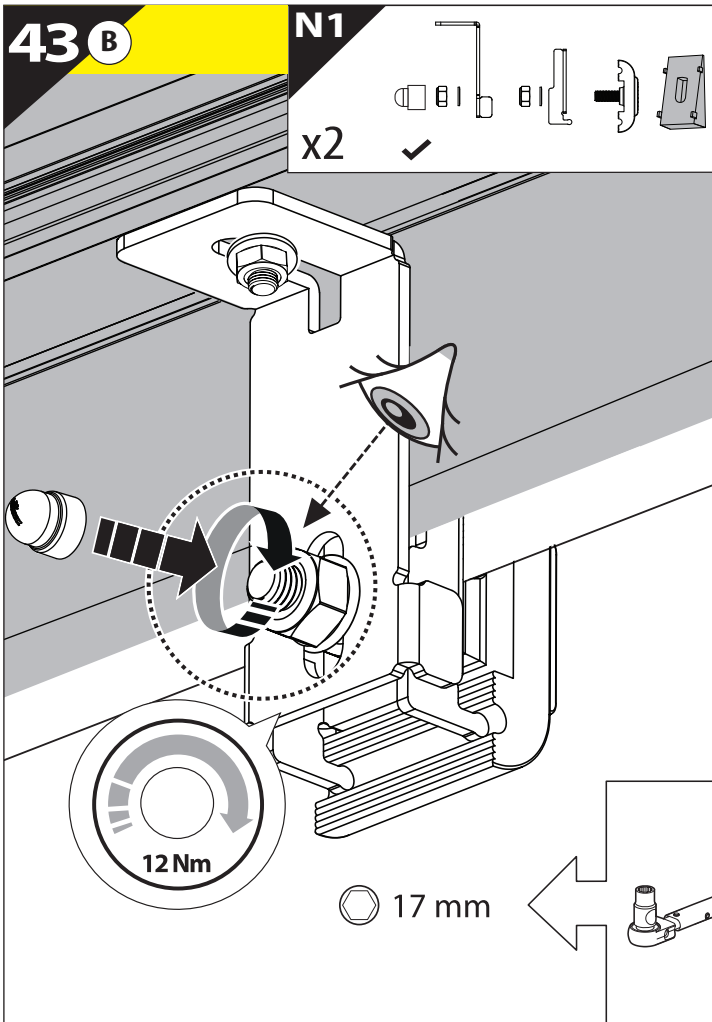
WITHOUT C - CHANNELS

N1

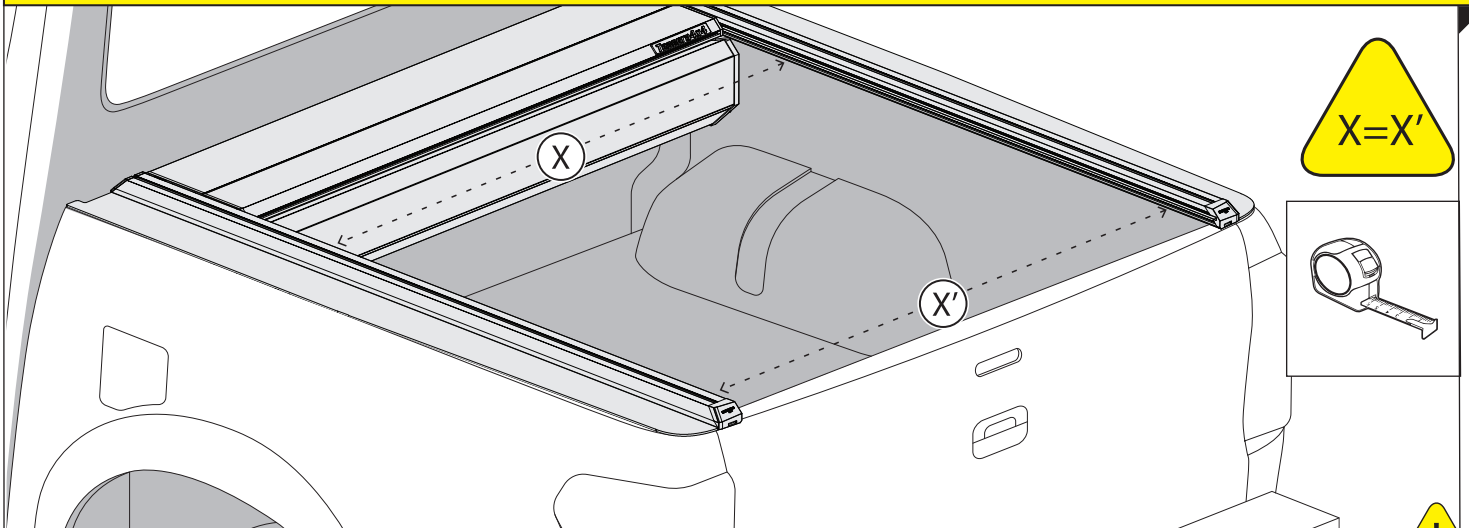


E

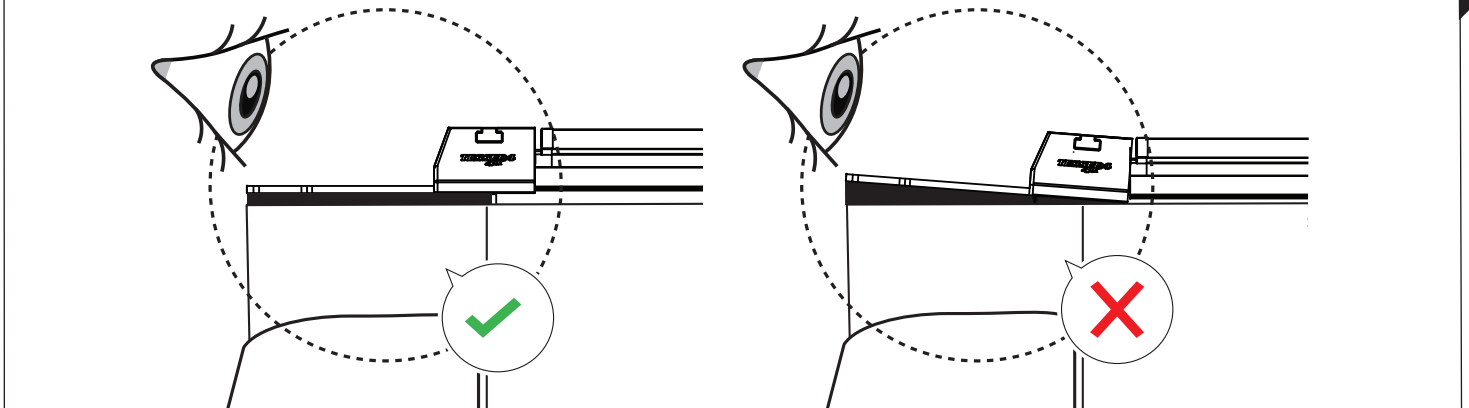




CAUTION !



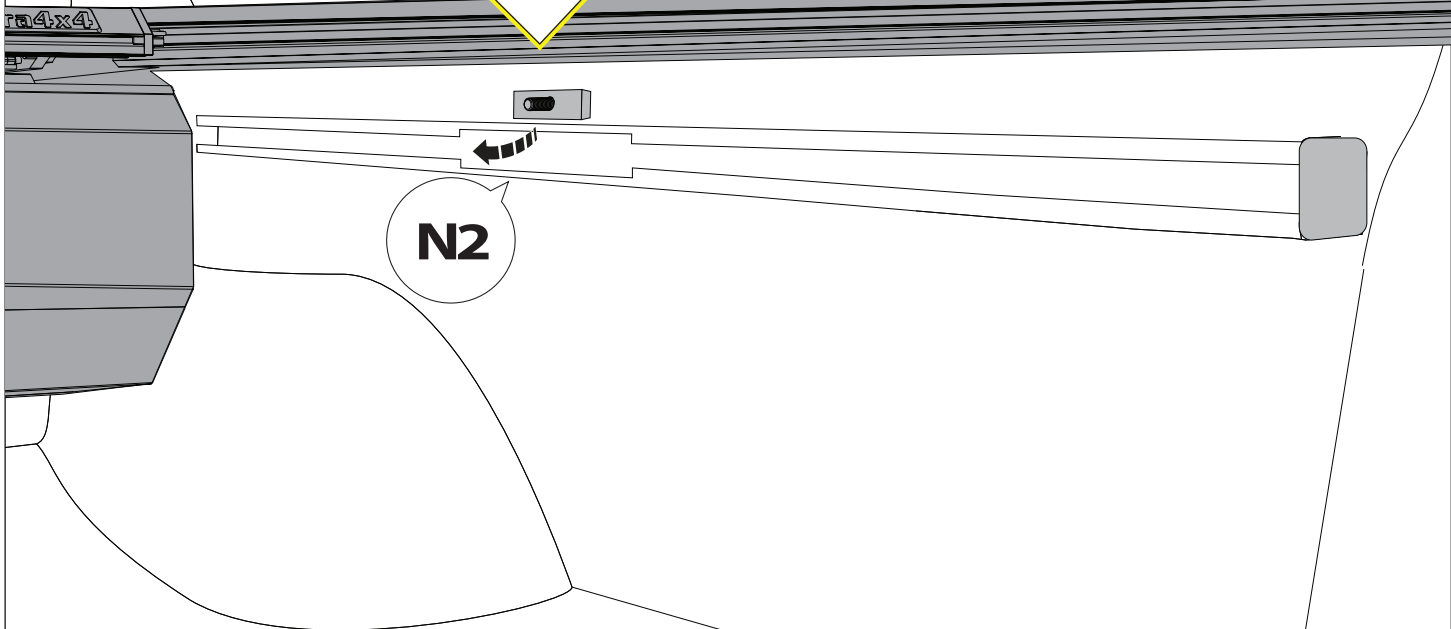
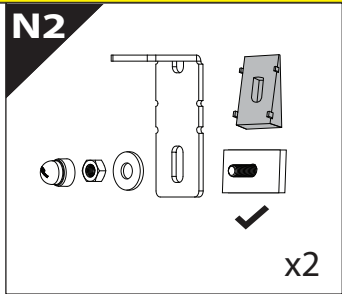
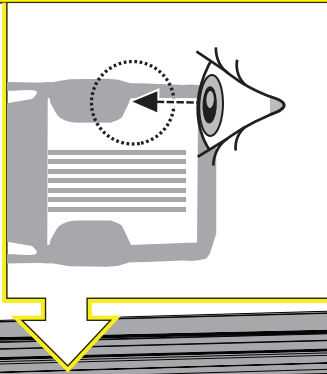
CAUTION !



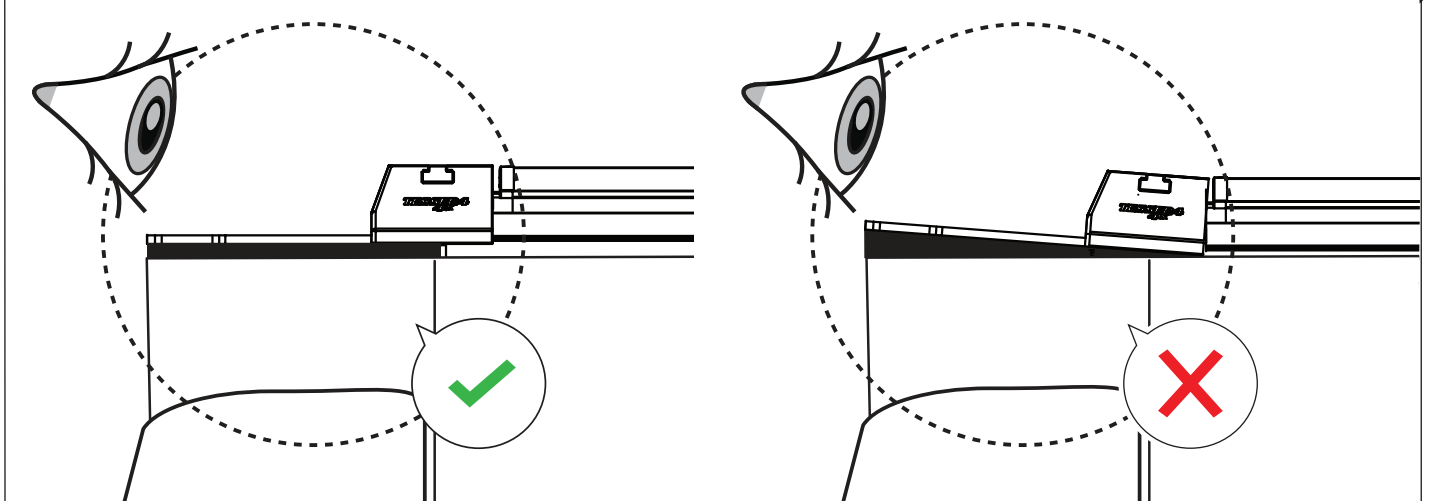
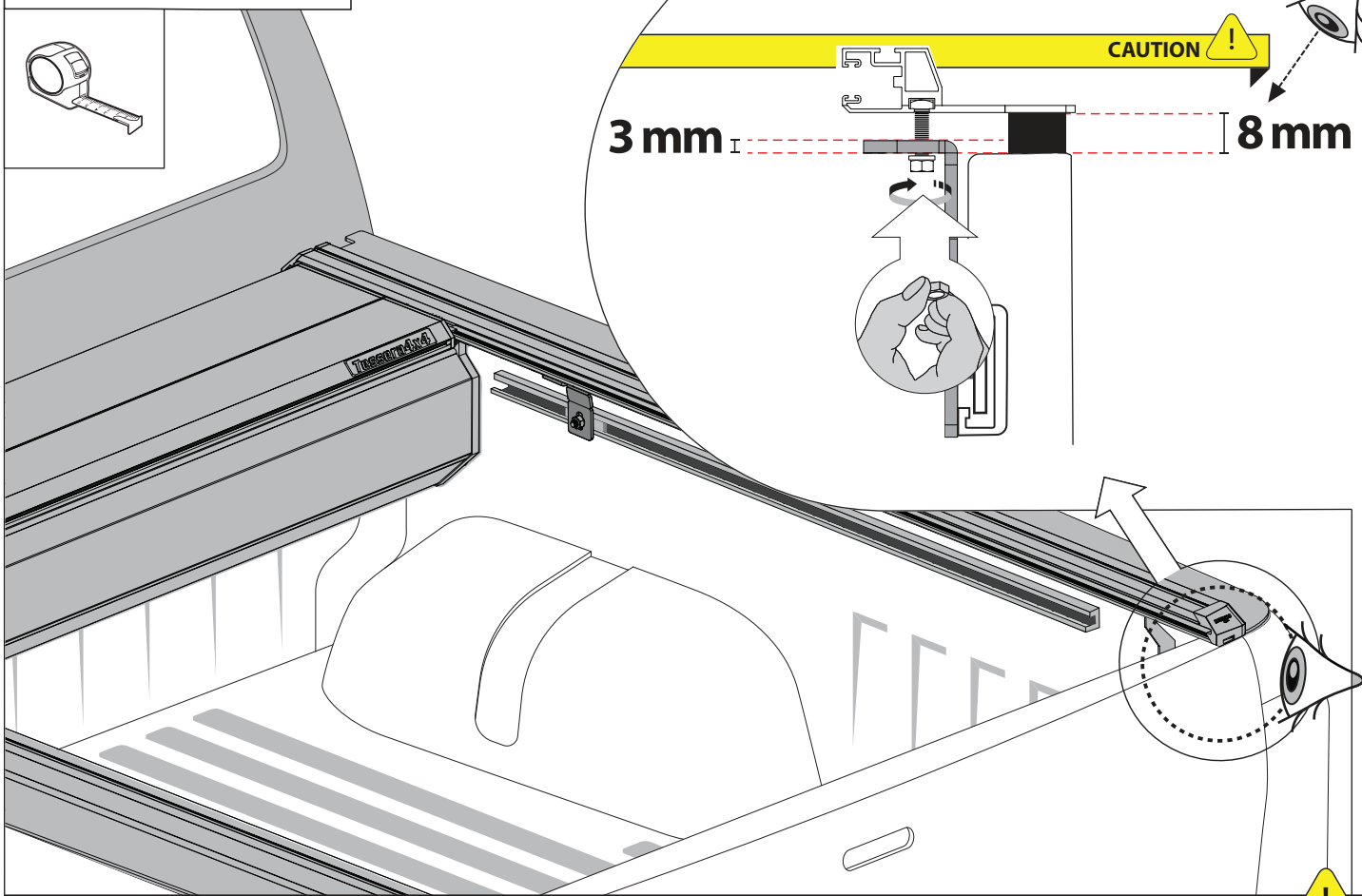
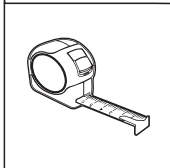
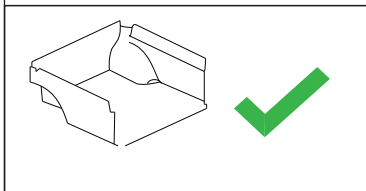
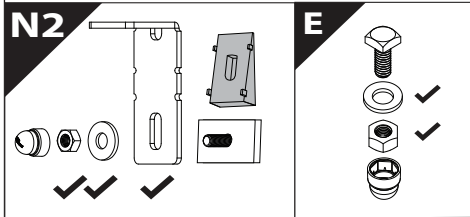
43 A

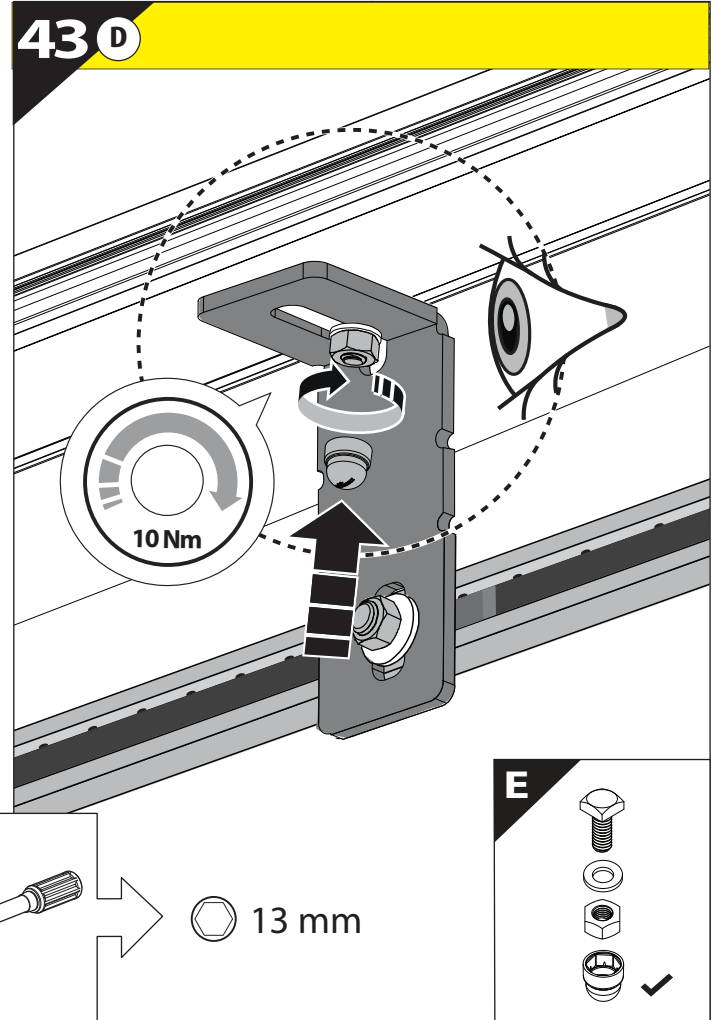
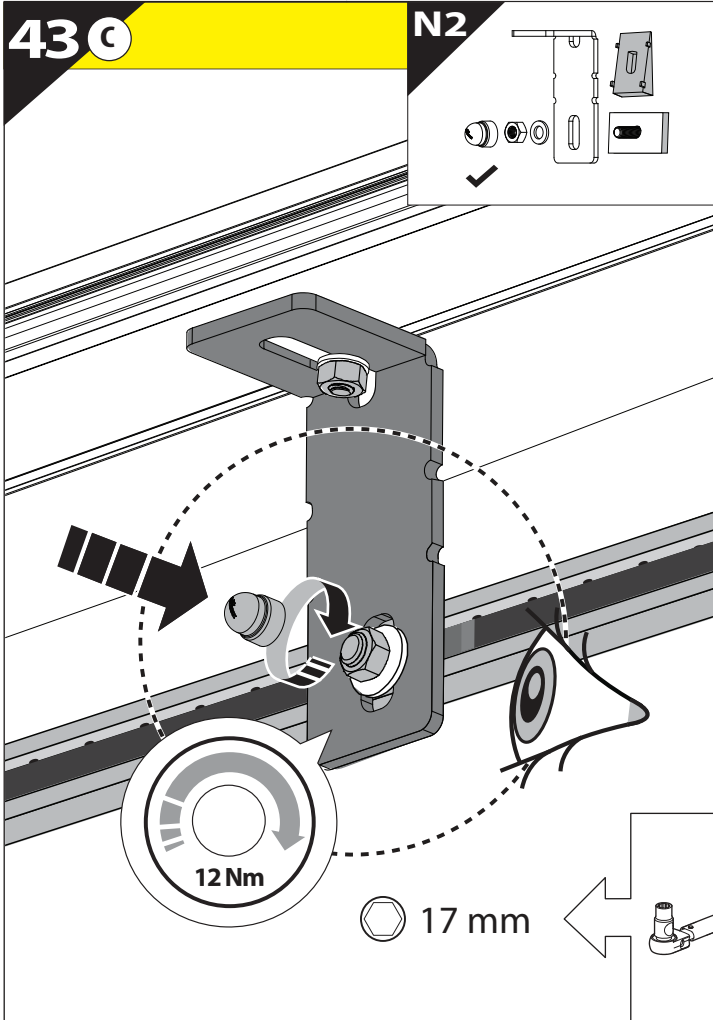


WITH C - CHANNELS

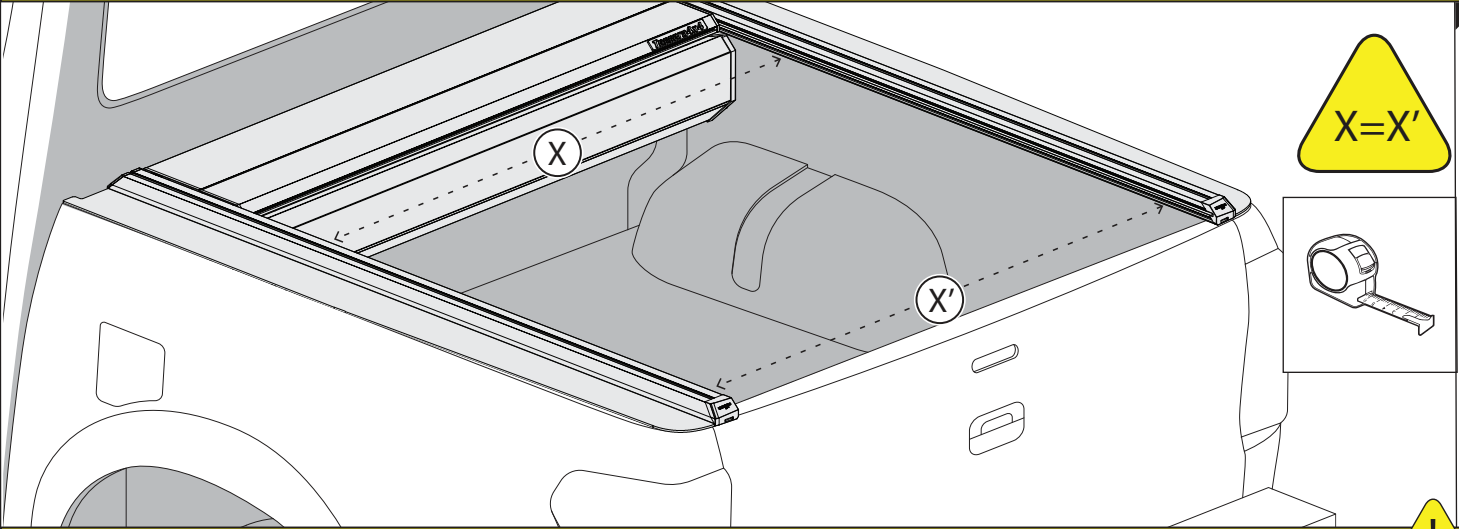


43 B

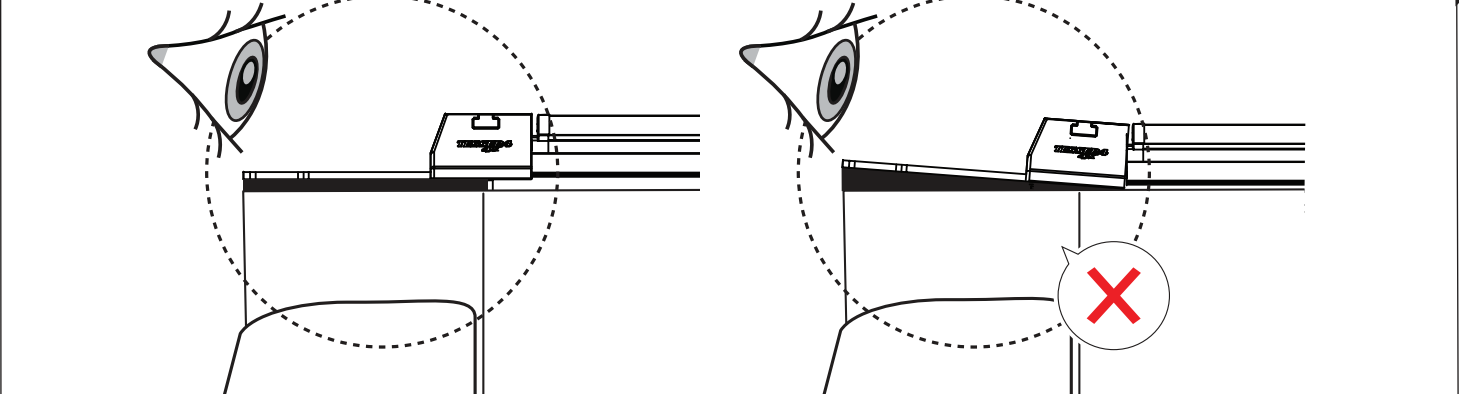




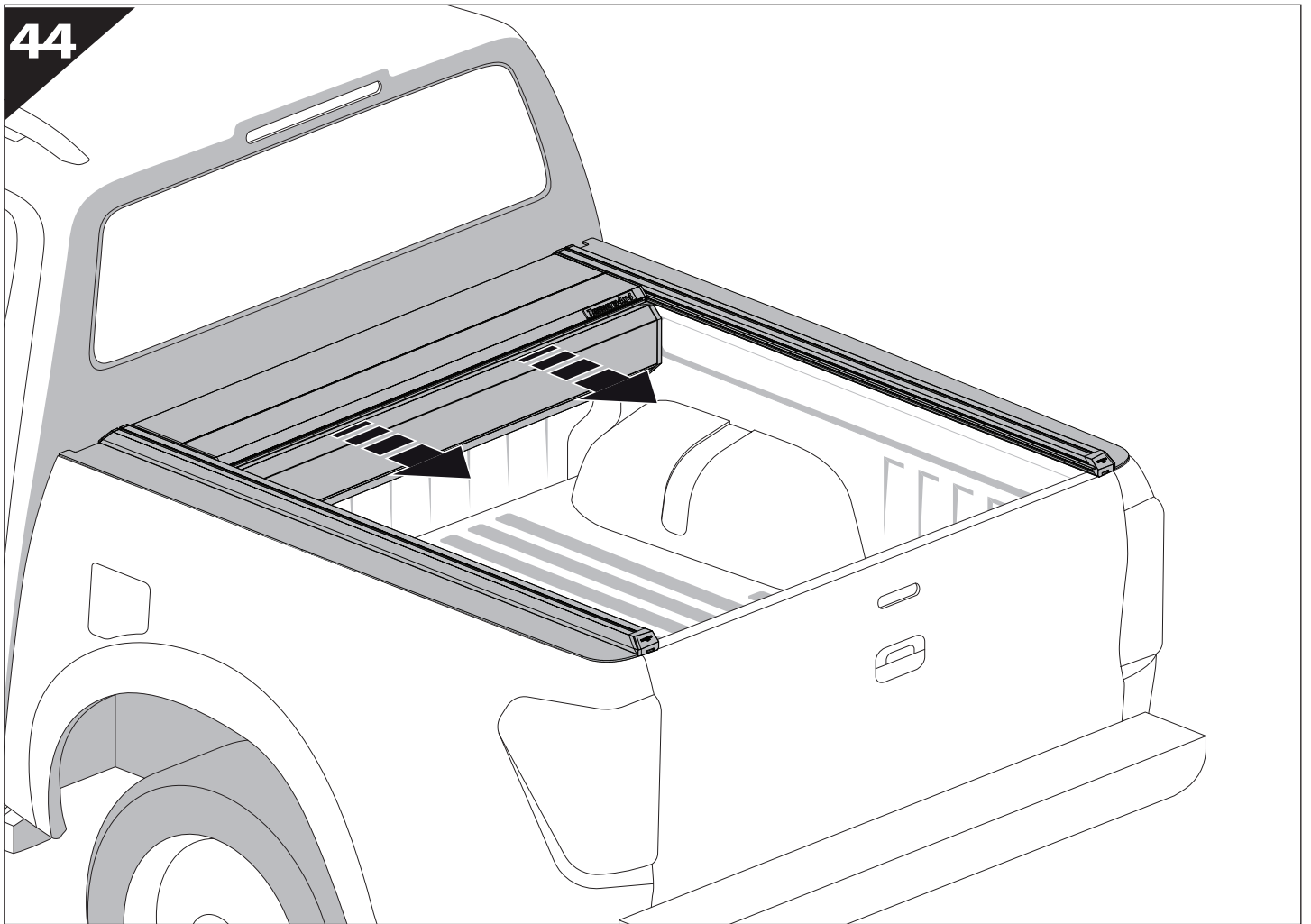
CAUTION !



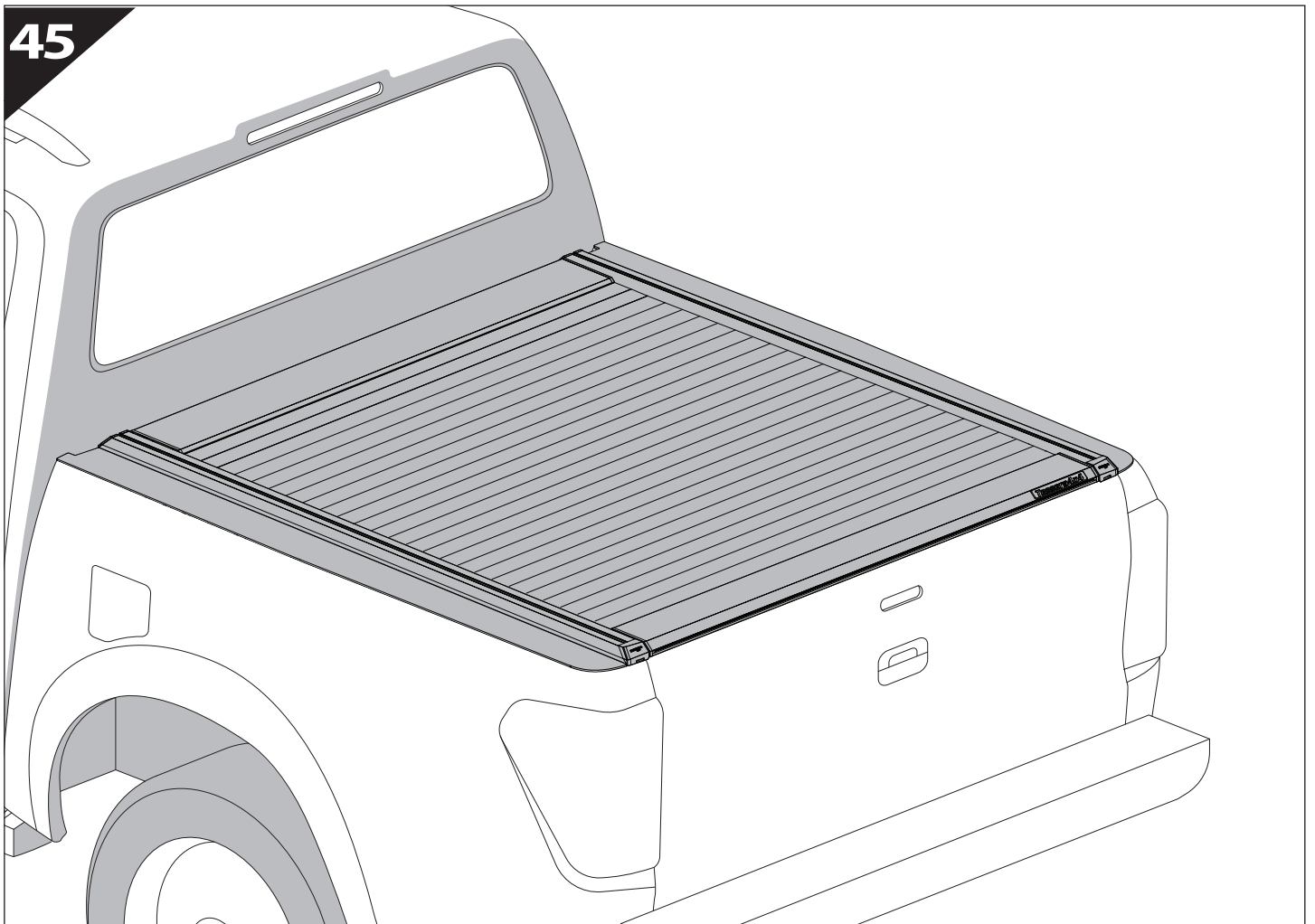
CAUTION !



44



45





GR: Οδηγίες Εγκατάστασης
GB: Installation manual
SF: Asennusohje
F: Notice de montage
PL: Instrukcja montażu
NL: Installatie-instructies
TR: Montaj Talimatı
S: Monteringsanvisning
E: Instrucciones de montaje

H: Szerelési utasítás
P: Instruções de instalação
RUS: Инструкция по установке
N: Monteringsveiledning
D: Einbauanleitung
CZ: Návod k instalaci
I: Istruzioni de montaggio
DK: Monteringsvejledning
RO: Instructiuni de instalare

Customer Service:

+30 (210) 5541161, +30 (210) 5541154 (08:00 - 16:00 EET)

Support department:

info@gianso.gr

Website:

www.tessera4x4.com

Address:

19.5 km of National road Athens-Korinthos (Elefsina) Greece, P.C: 19200