

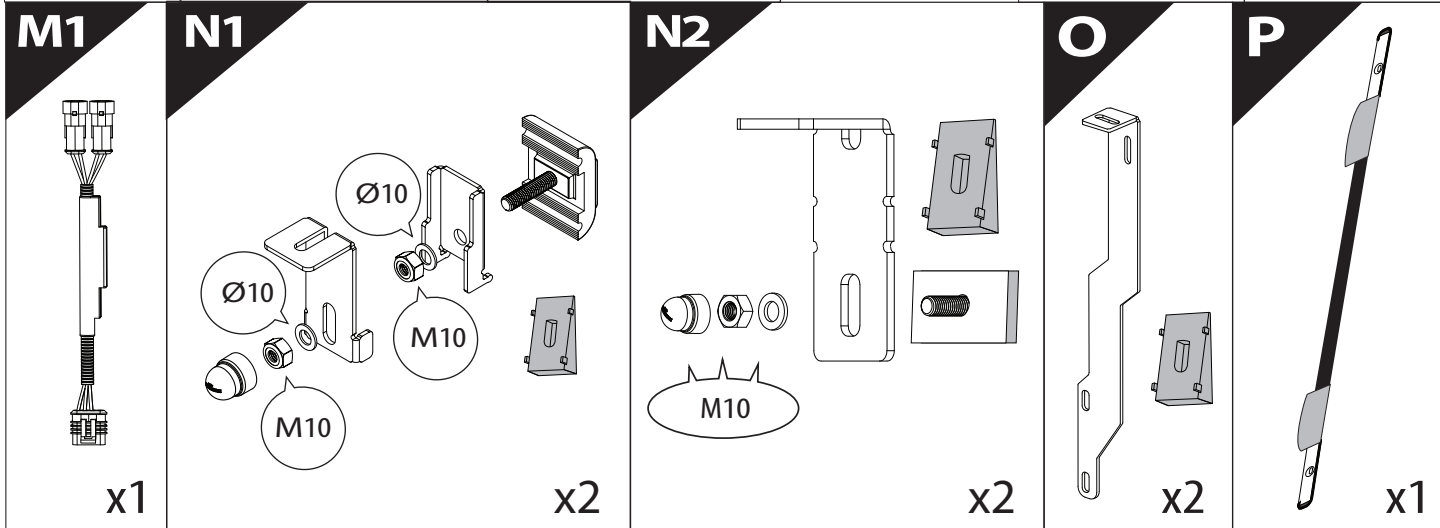
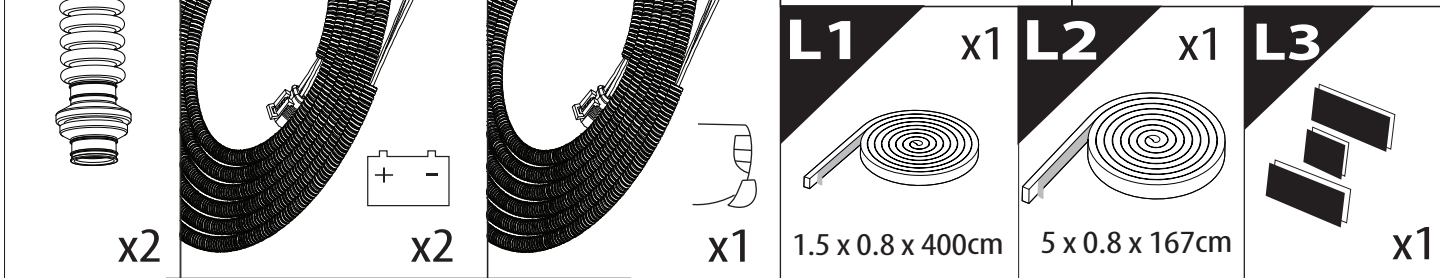
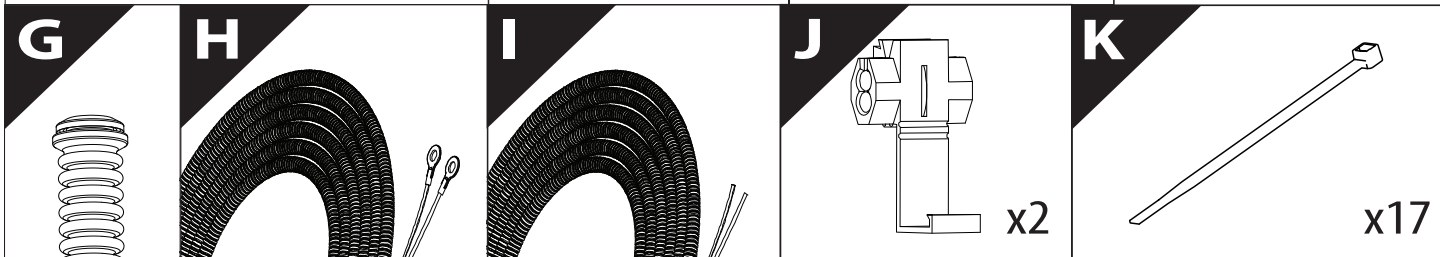
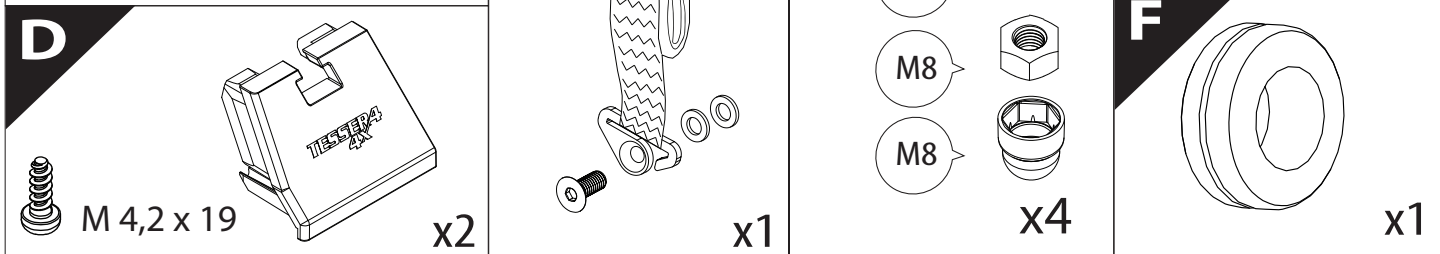
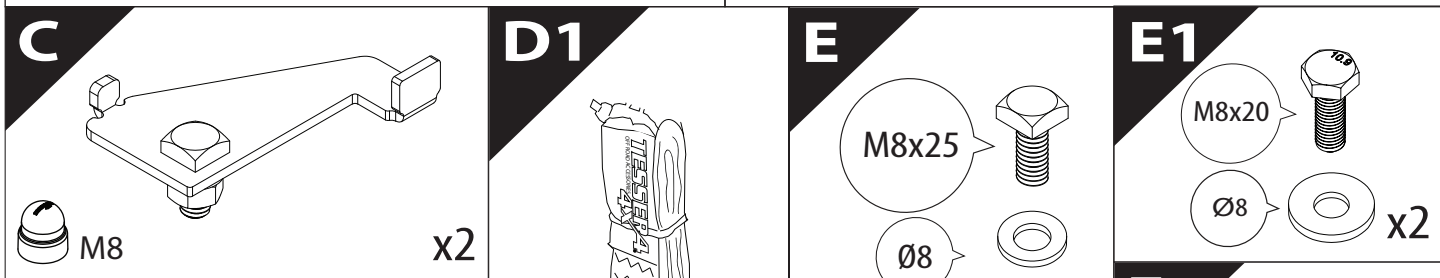
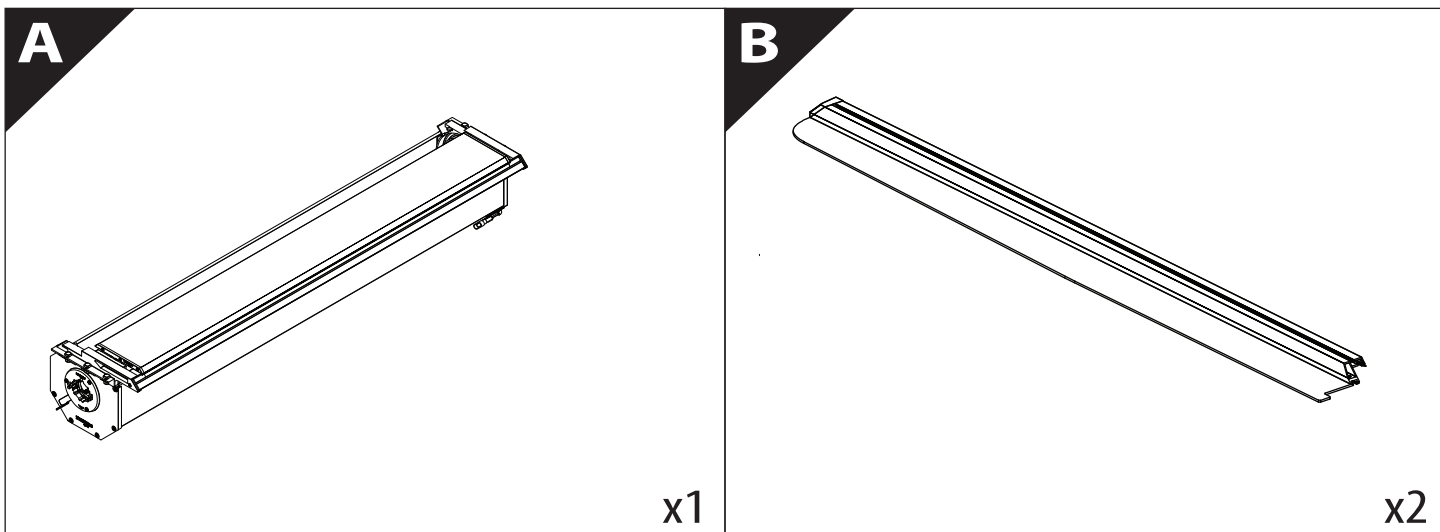
Tessera Roll+

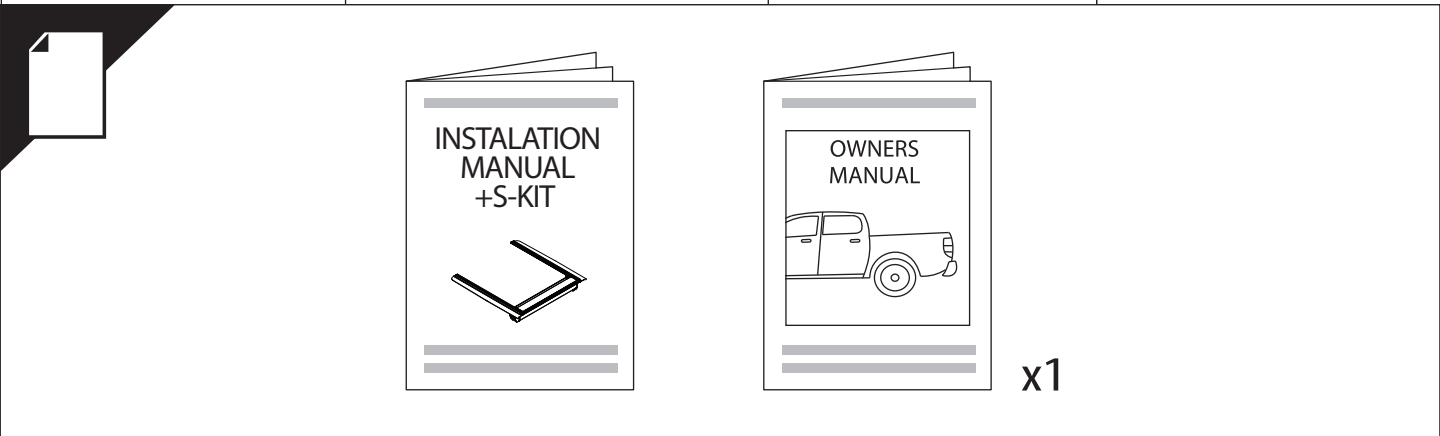
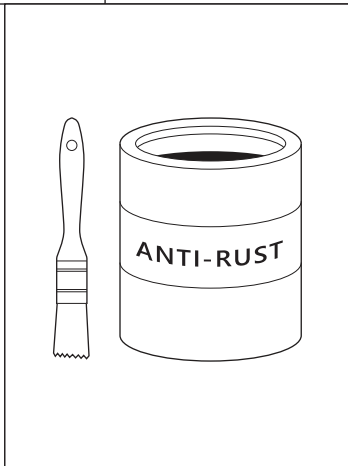
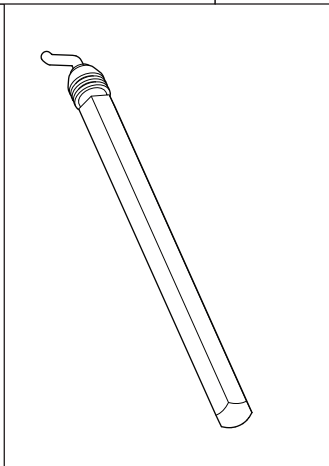
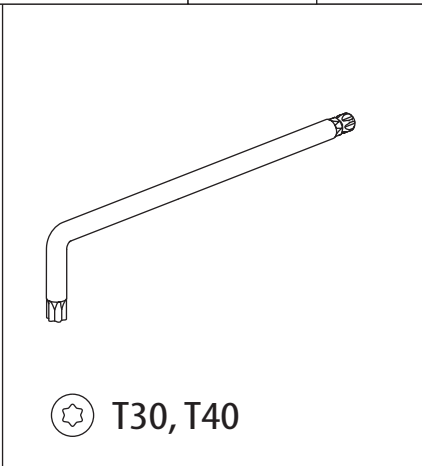
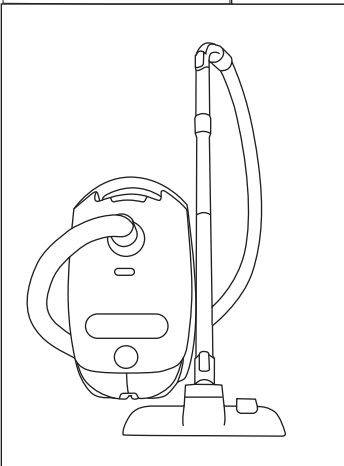
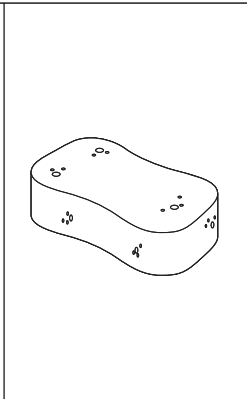
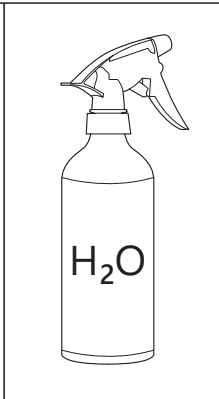
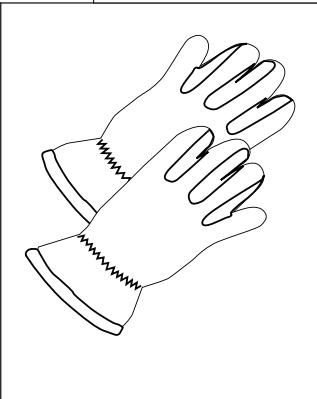
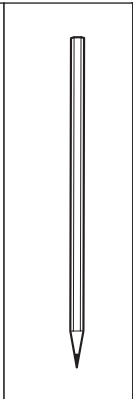
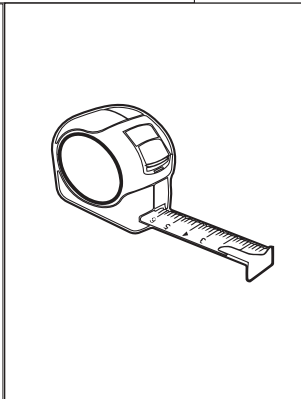
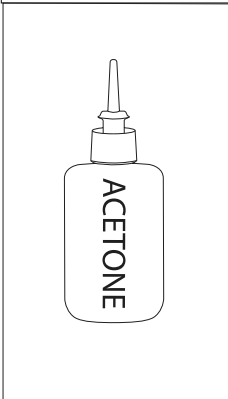
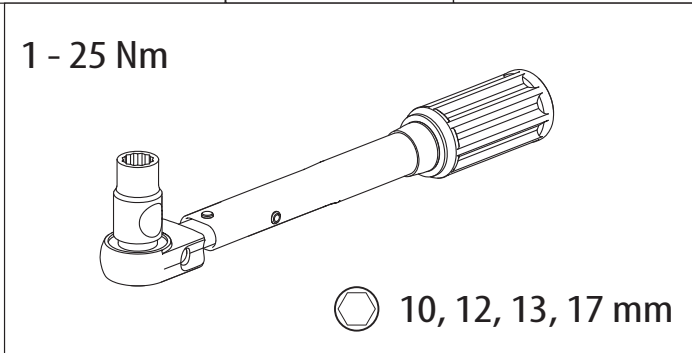
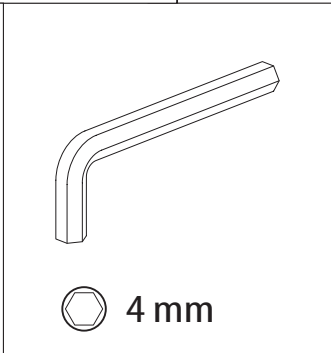
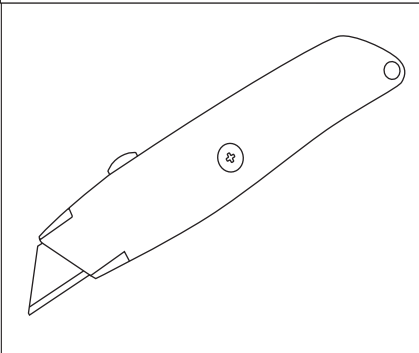
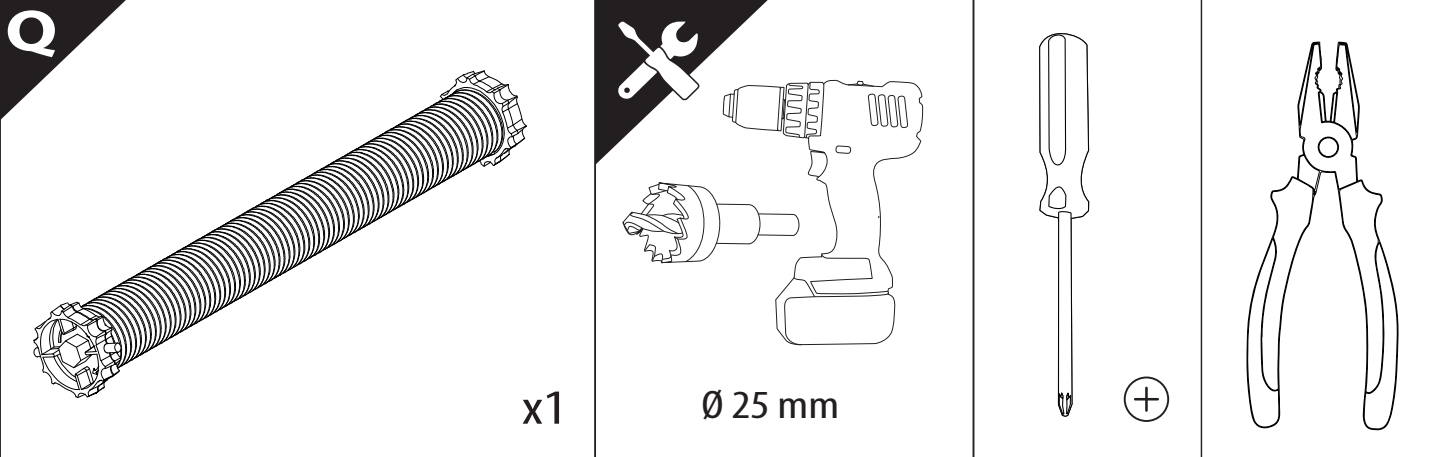
Basic Version + ⚙️ S-KIT

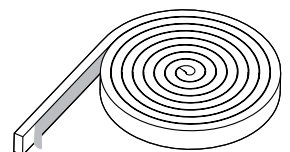
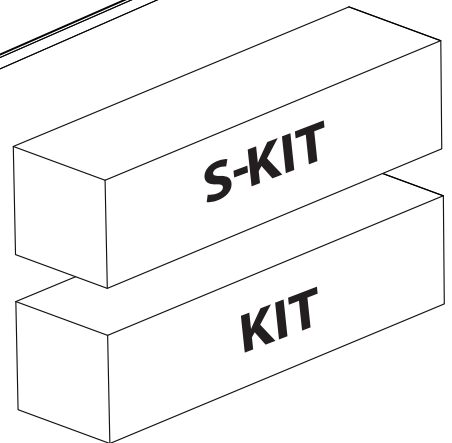
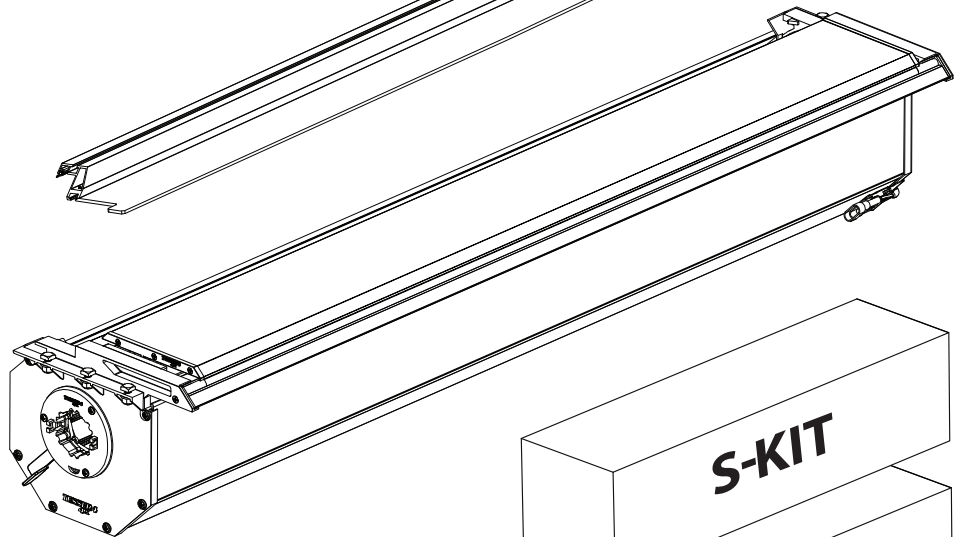


Installation Manual

PART NUMBER(S)	Model Year
TESS 14011 ROLL+S-KIT	VW AMAROK 2023+ WITH OR WITHOUT C-CHANNELS
Cab(s)	Installation Time / Weight
Double Cab	40-60 minutes / 53-57 kg





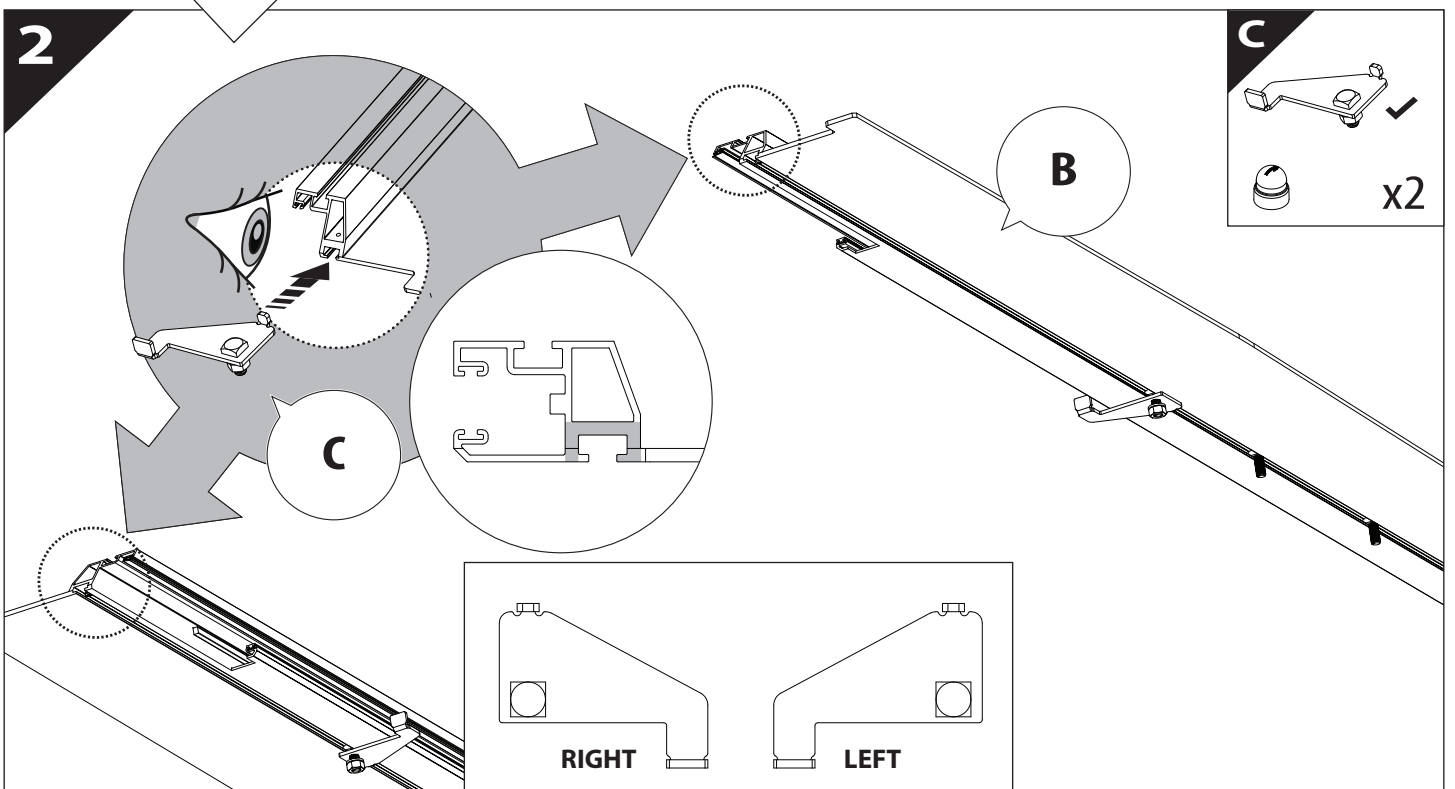
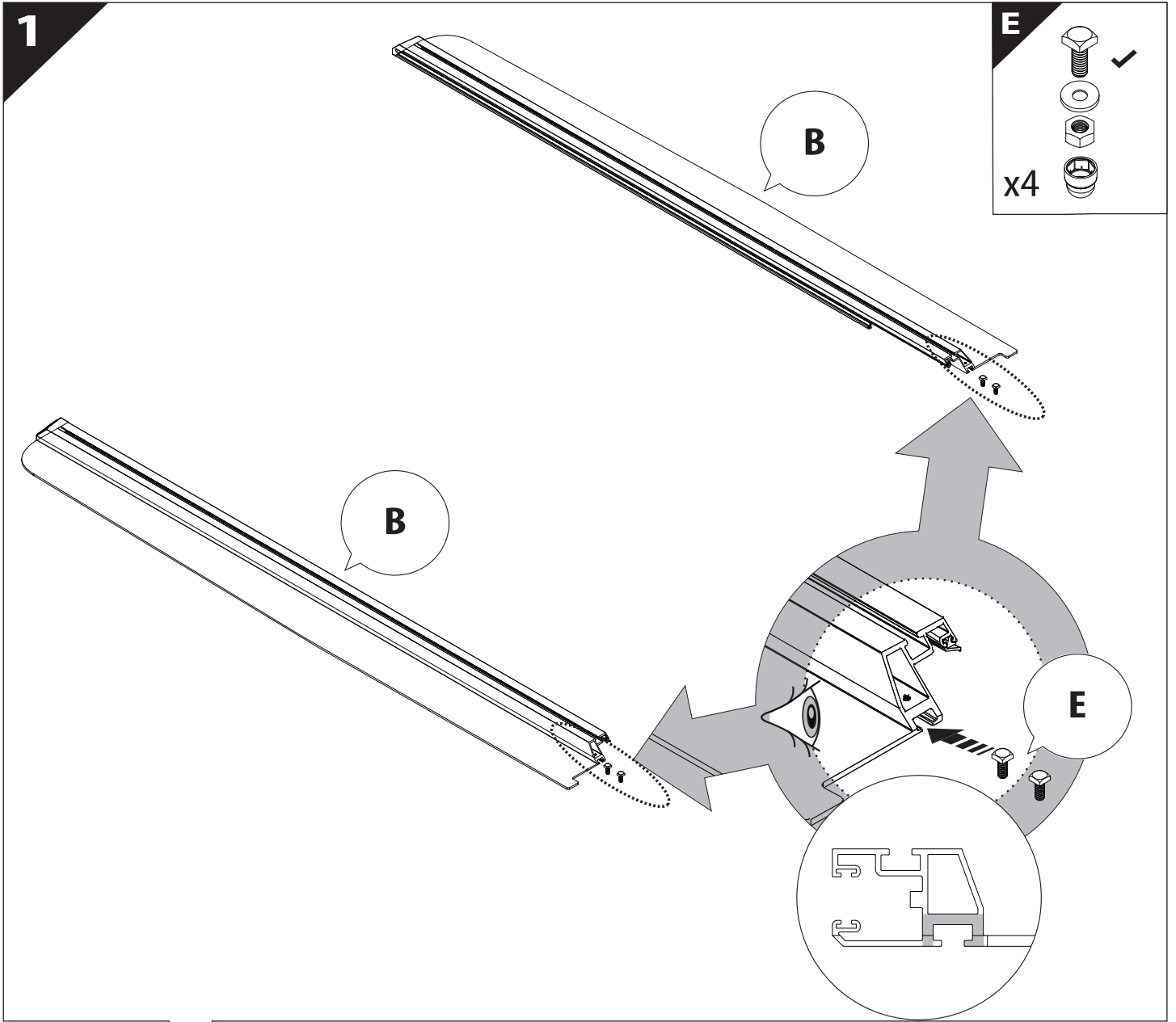


B

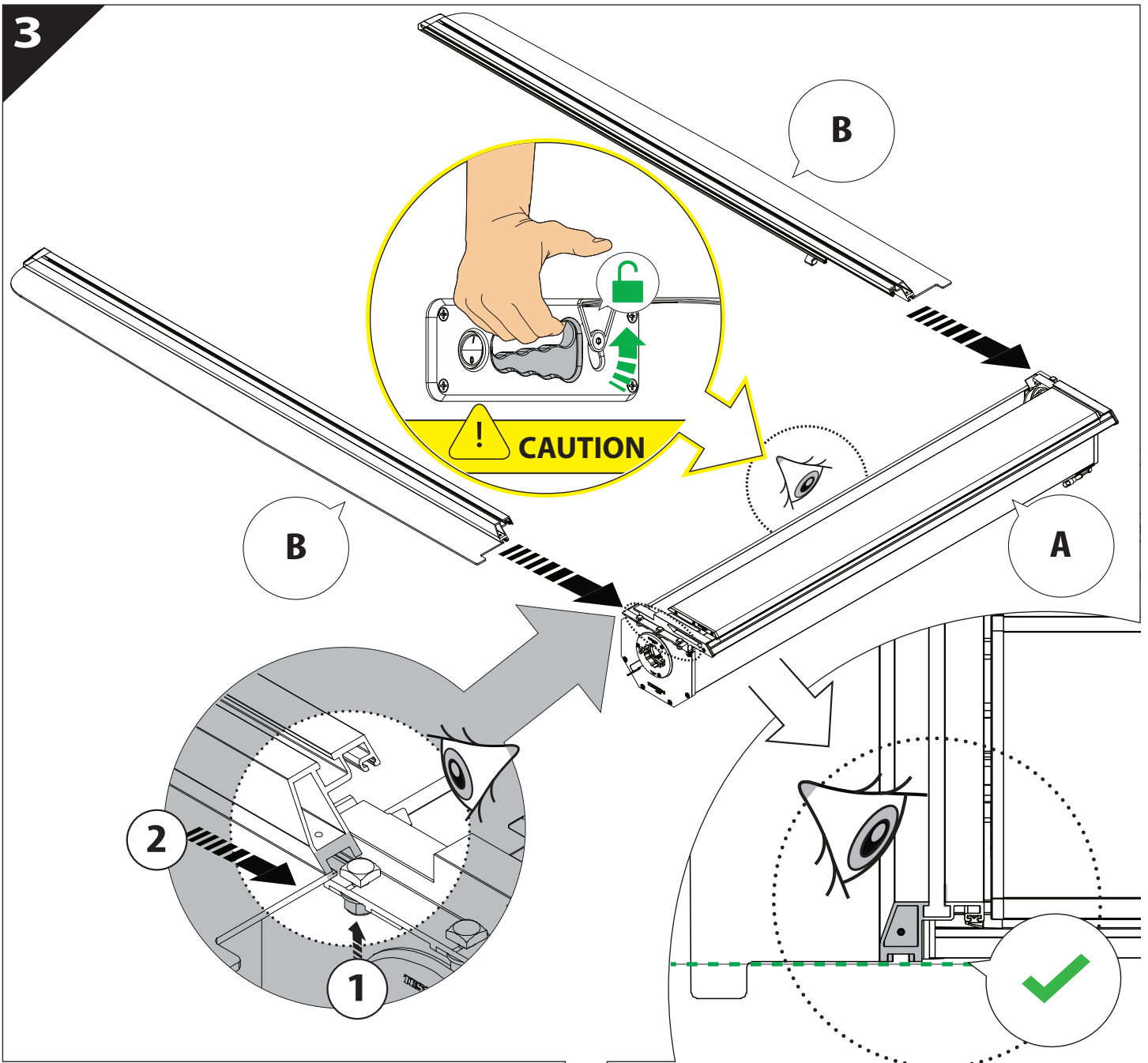
A

KITS

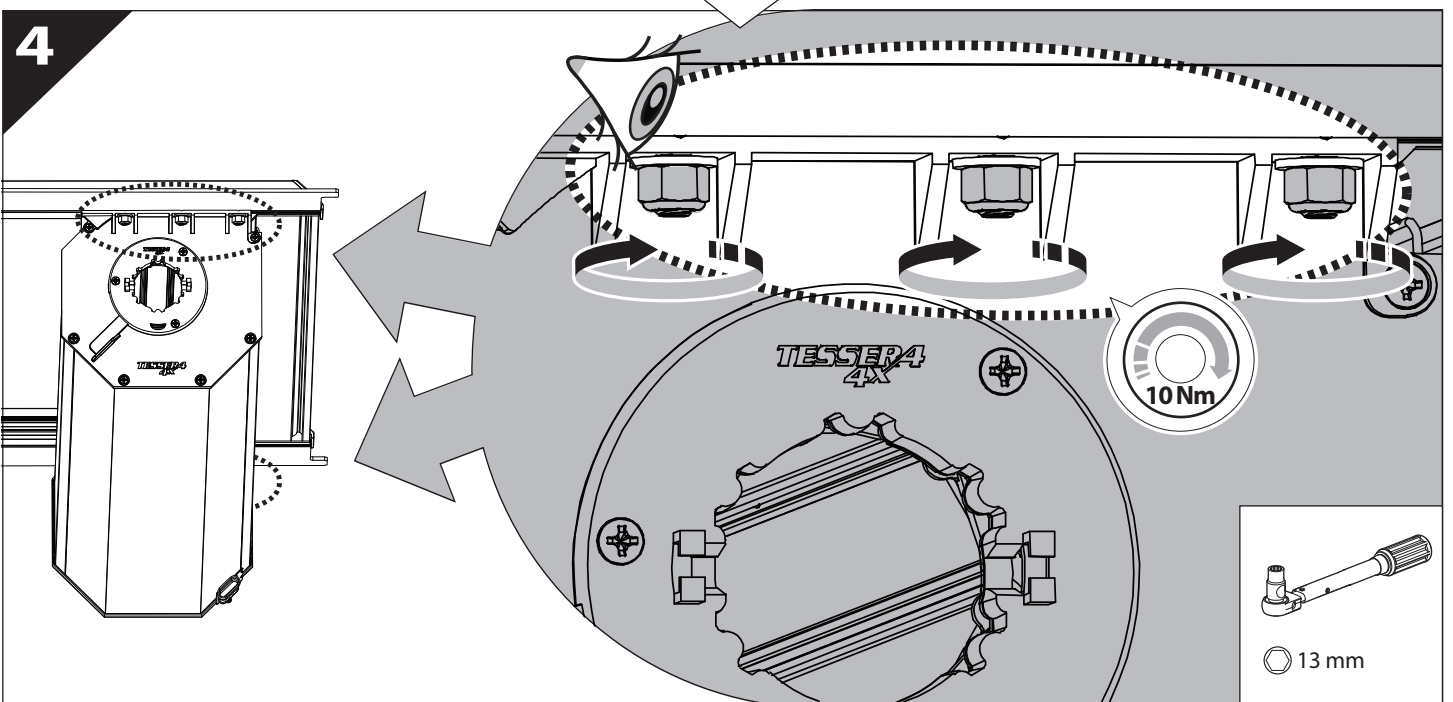
L

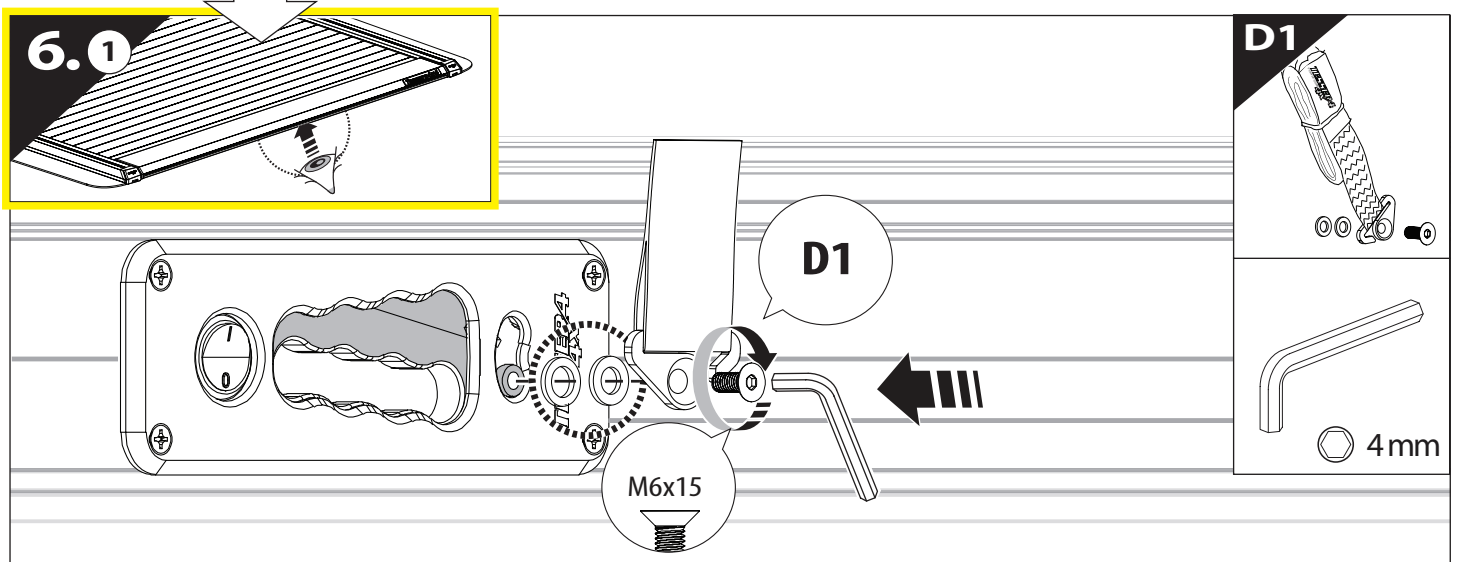
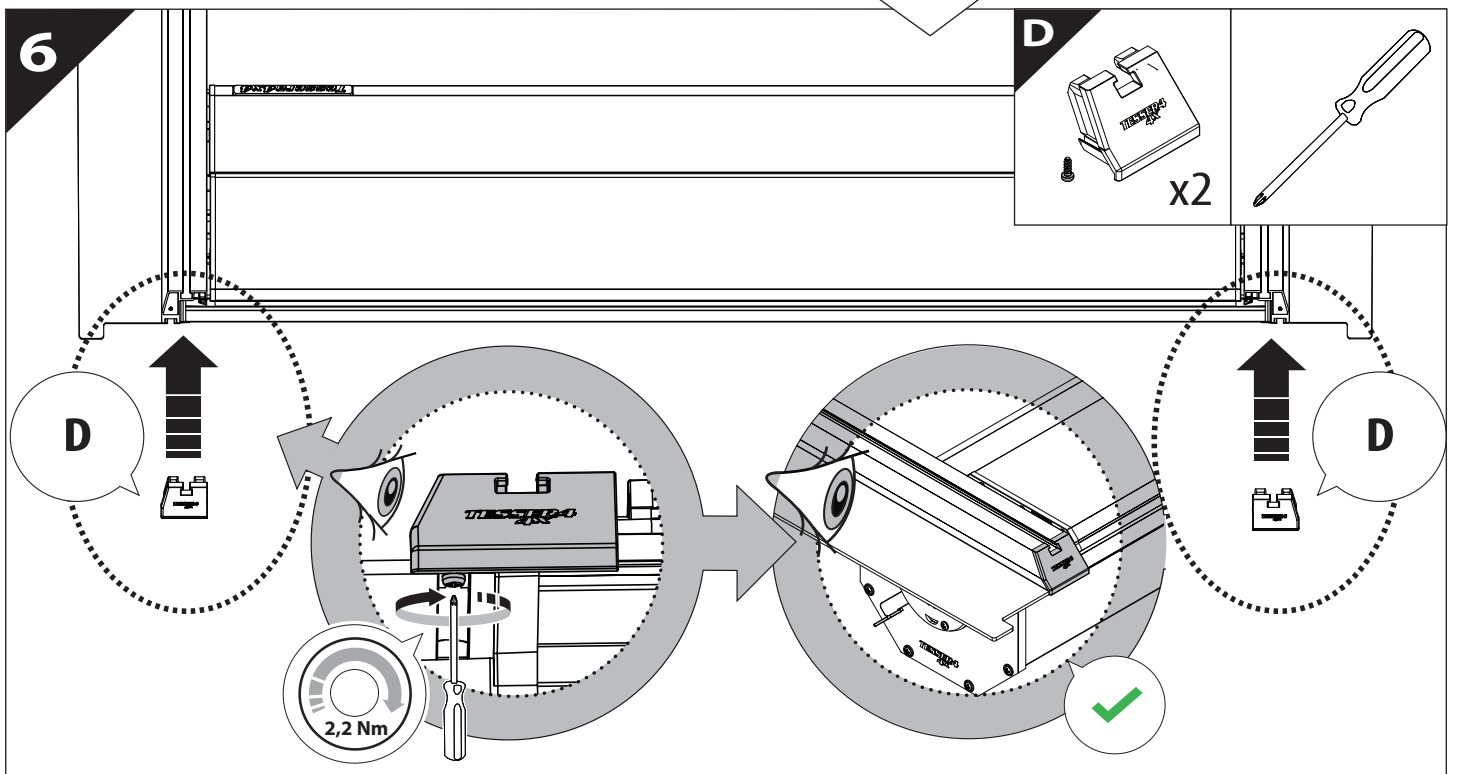
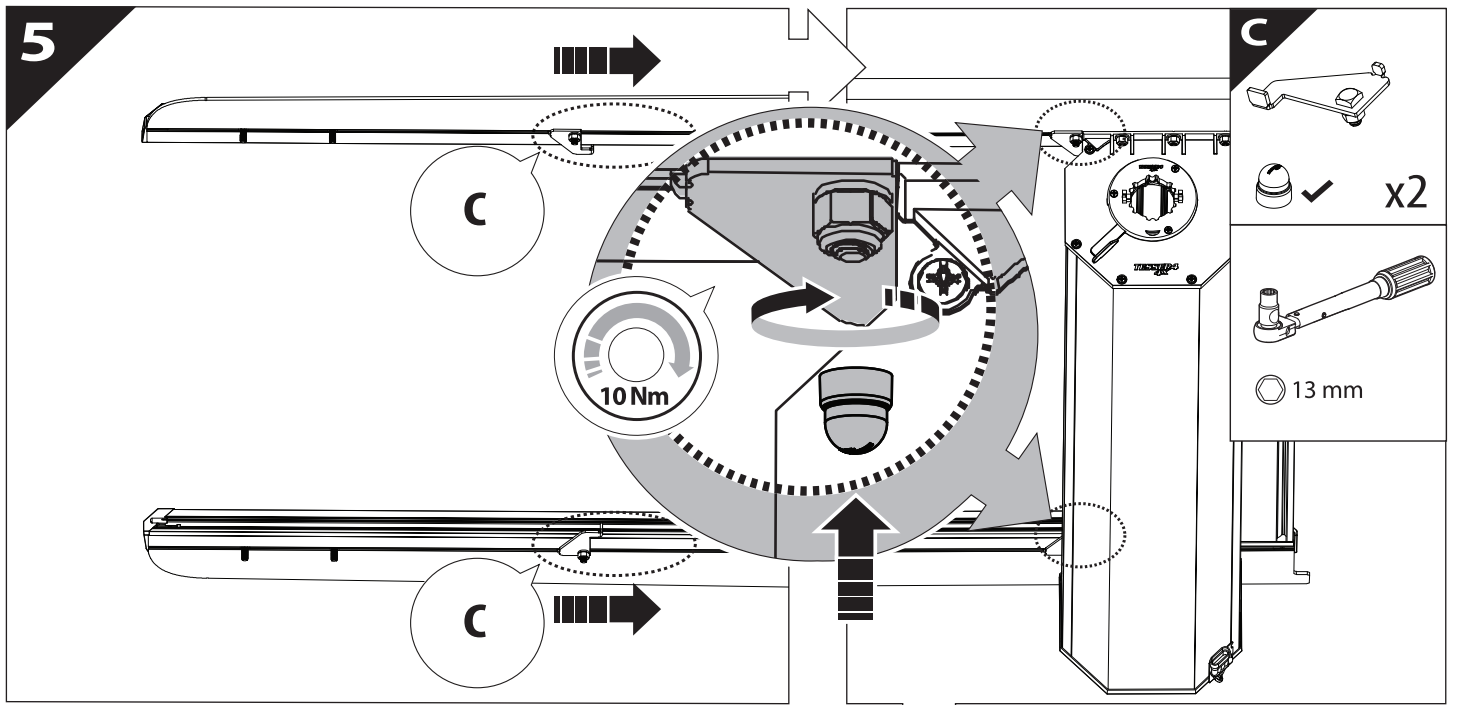


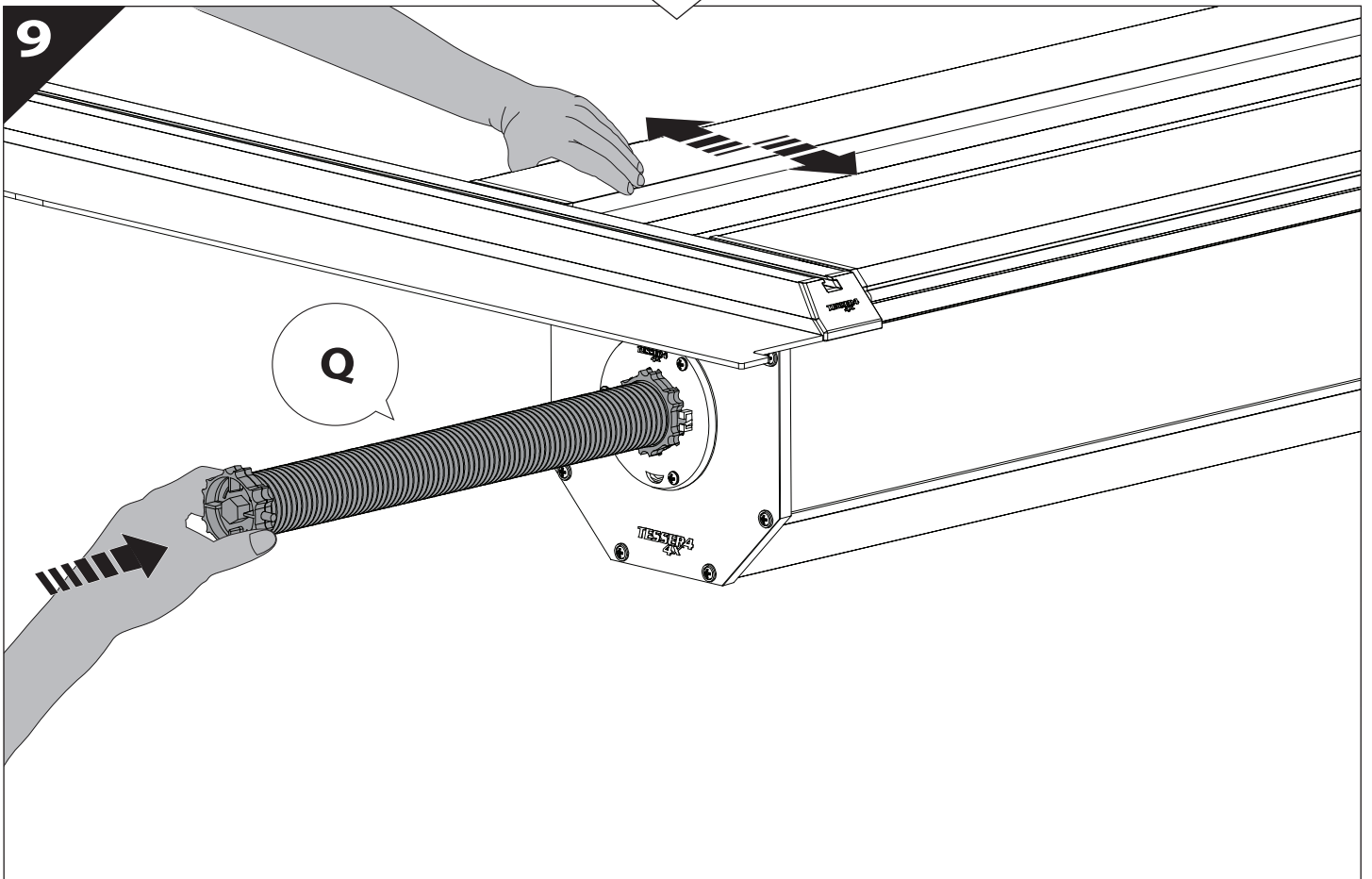
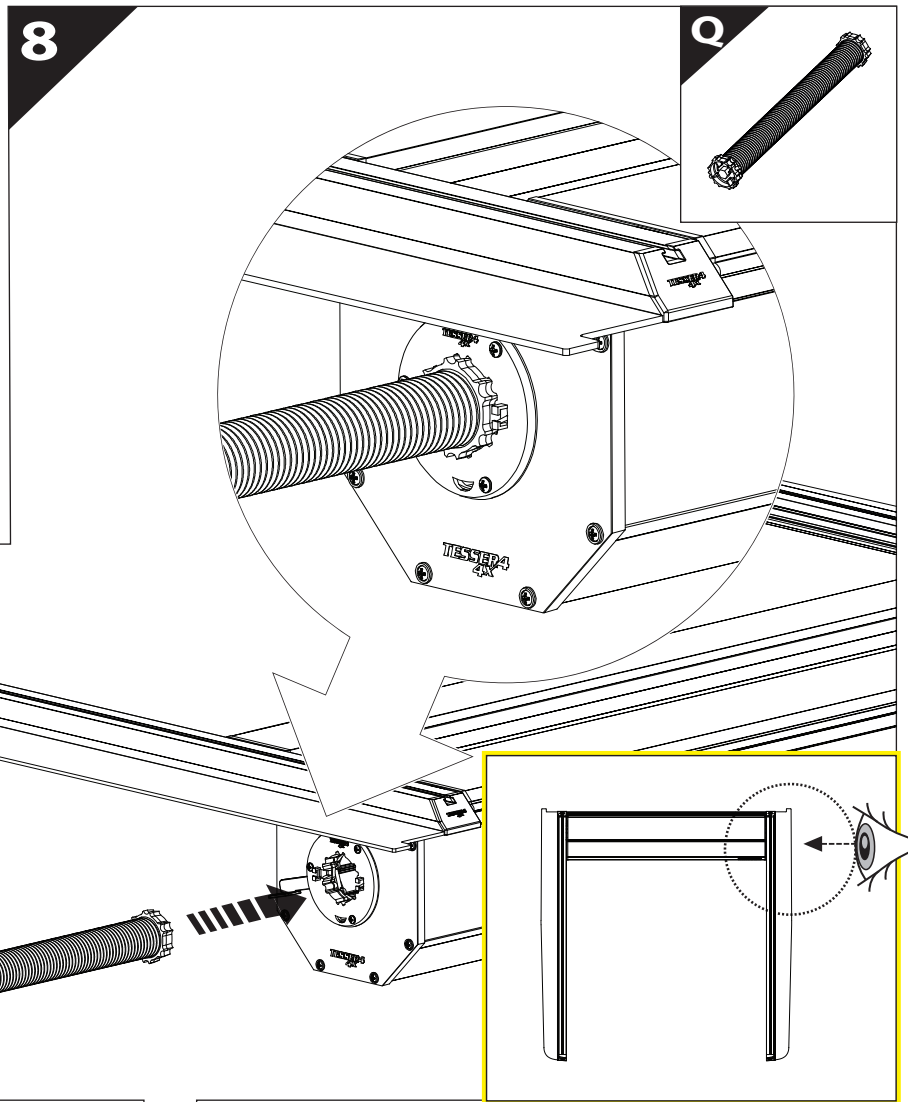
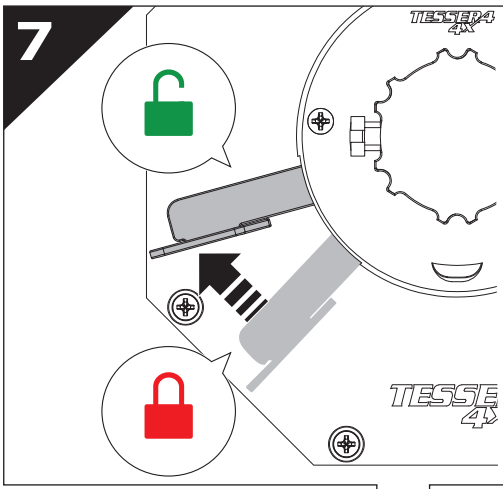
3



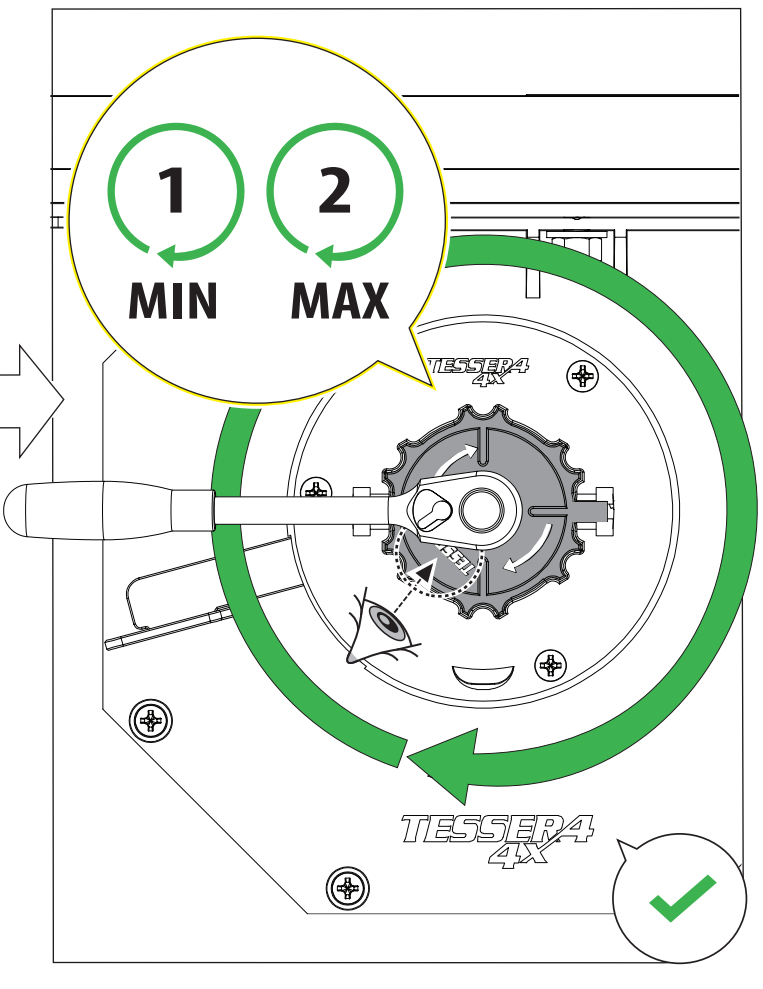
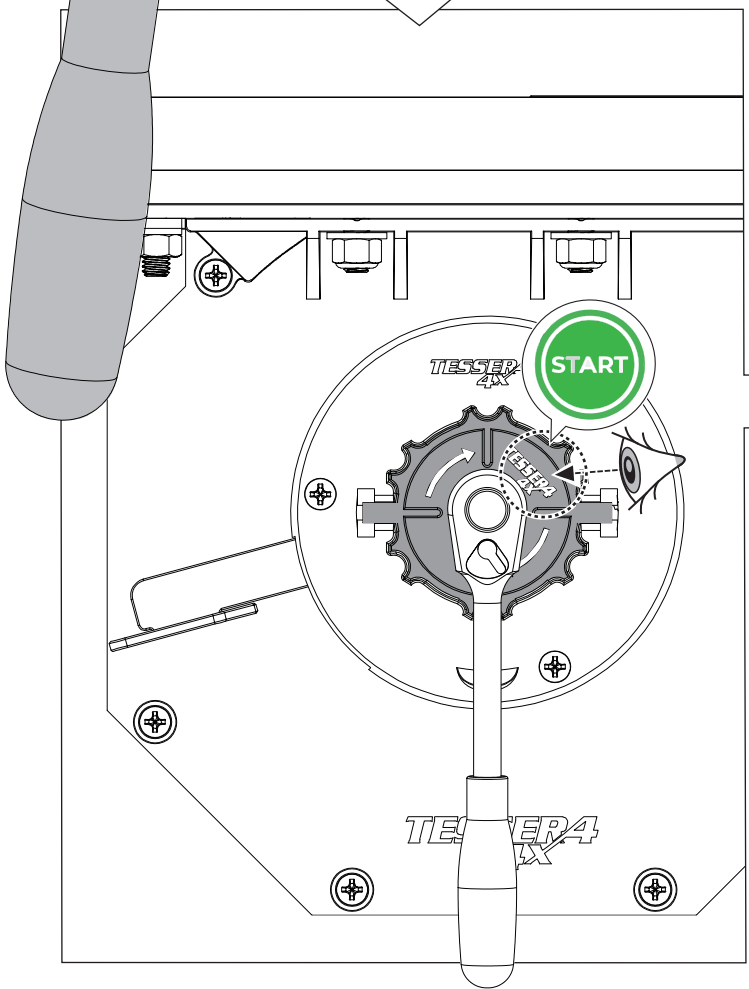
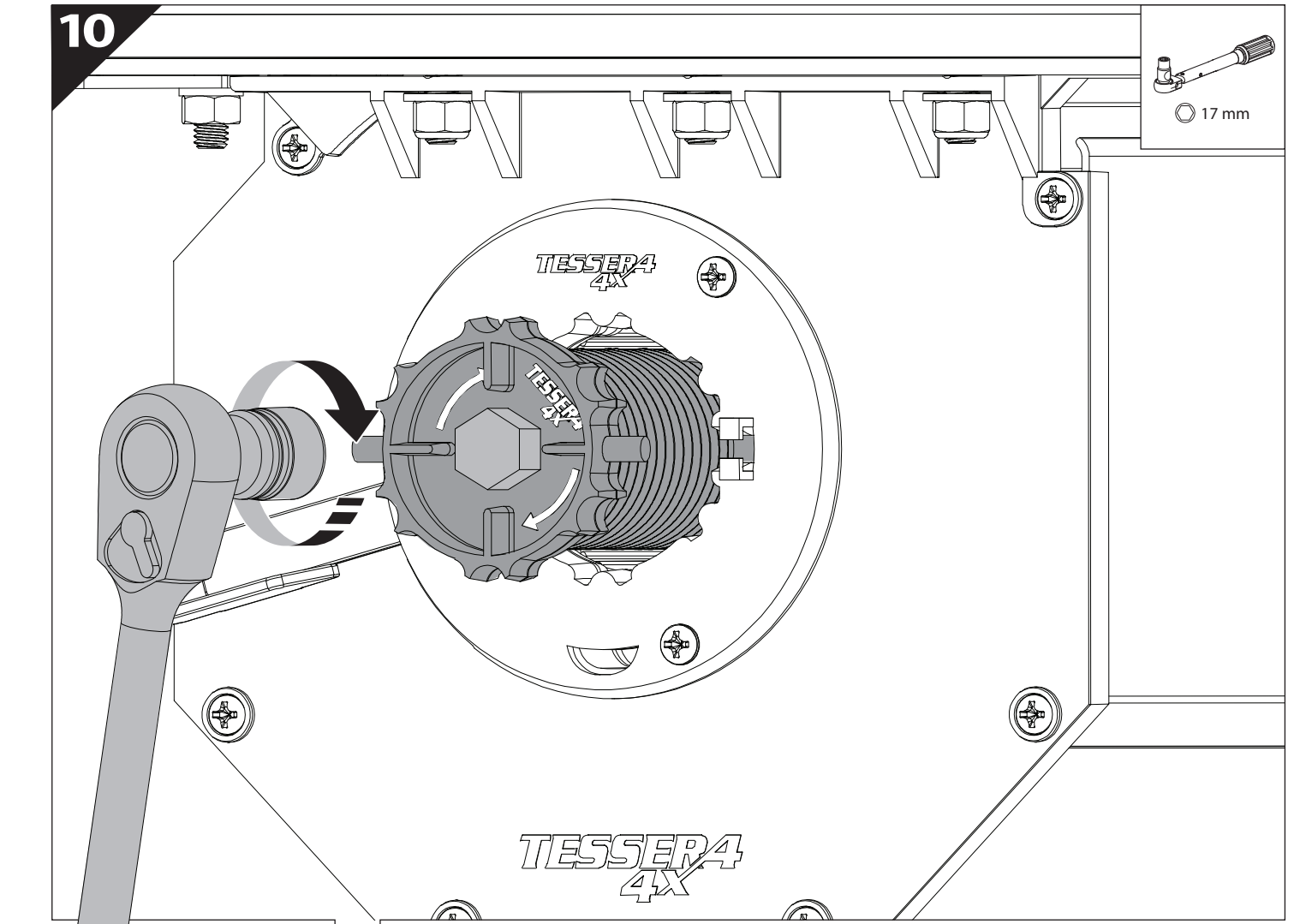
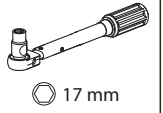
4



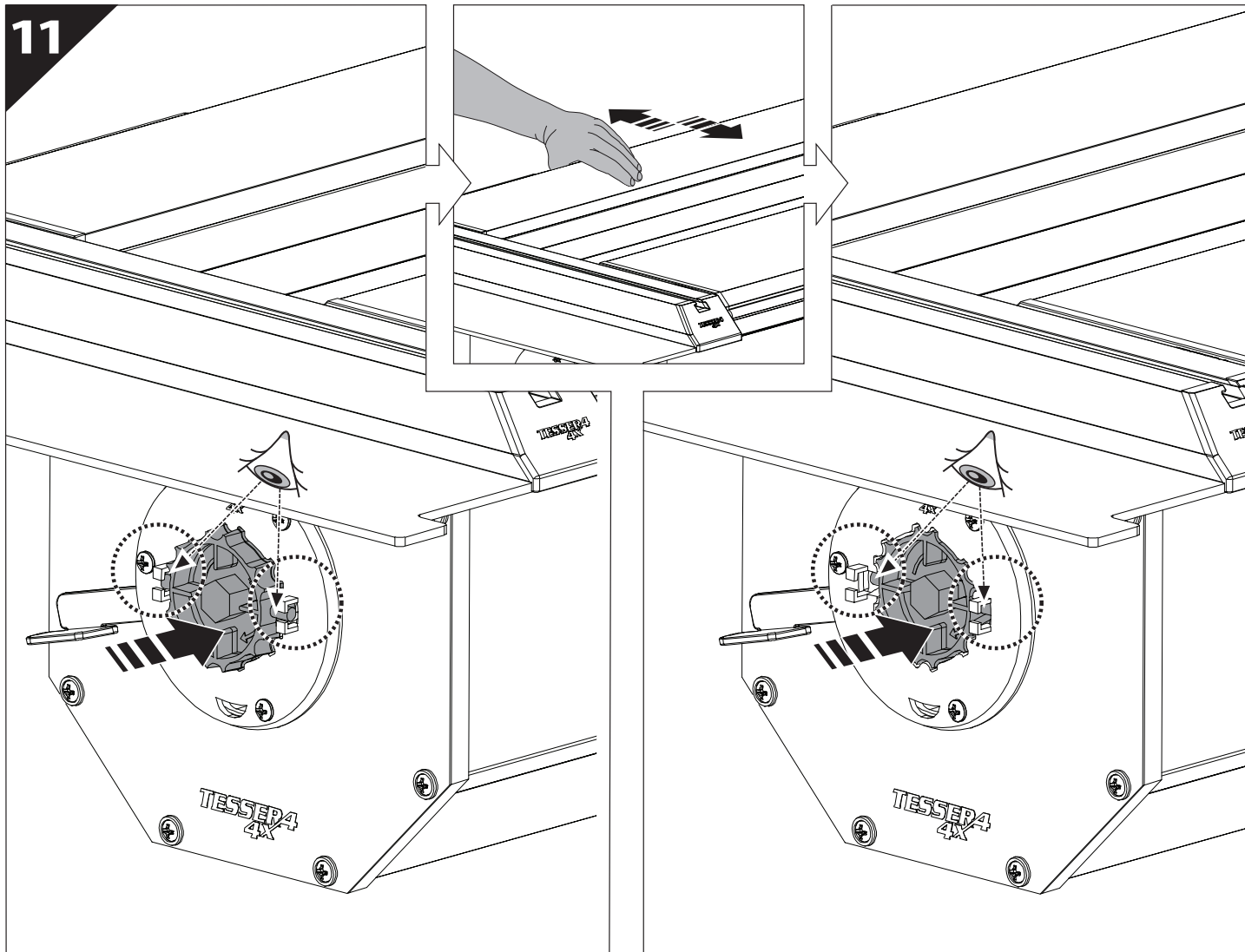




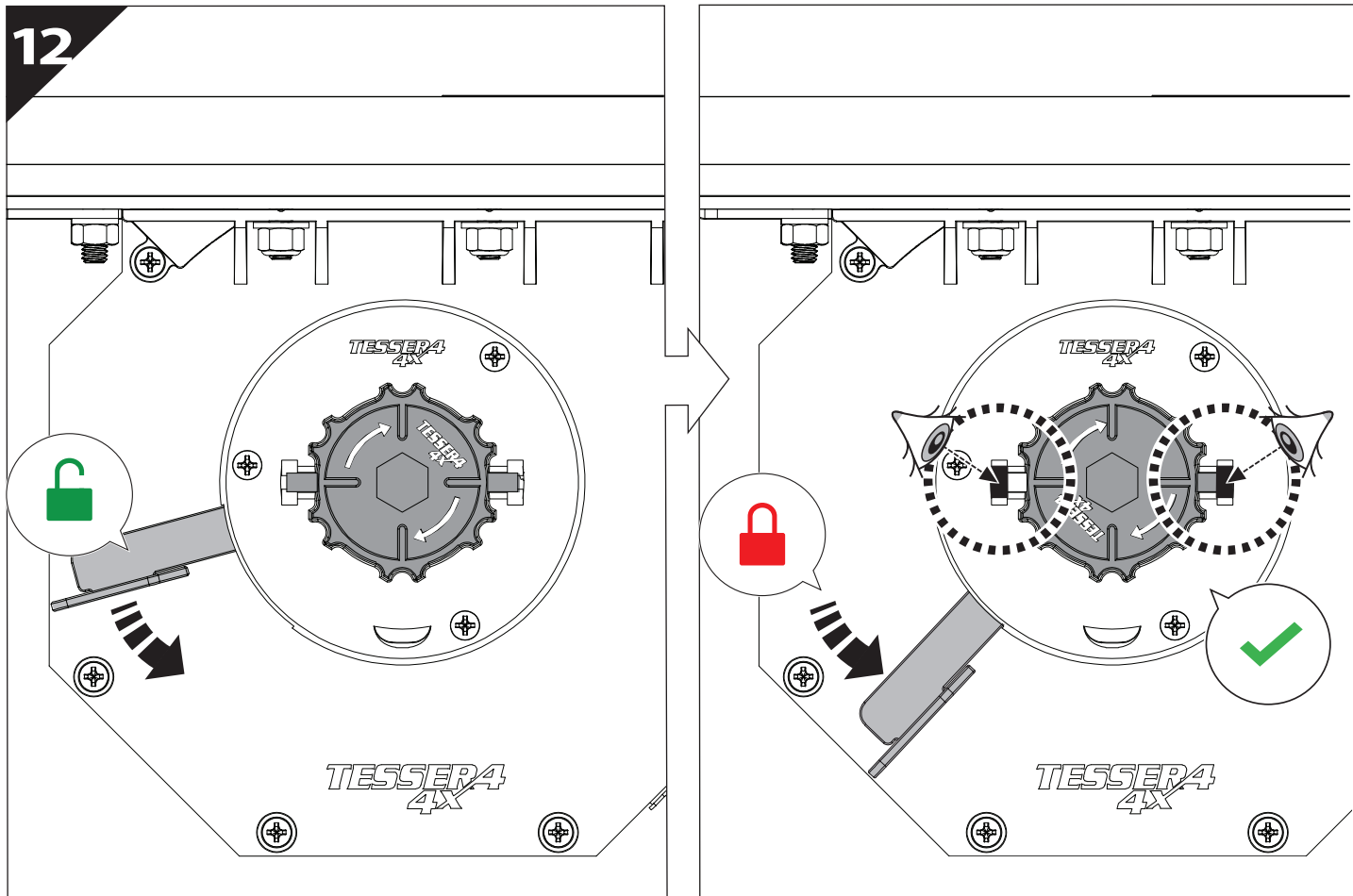
10



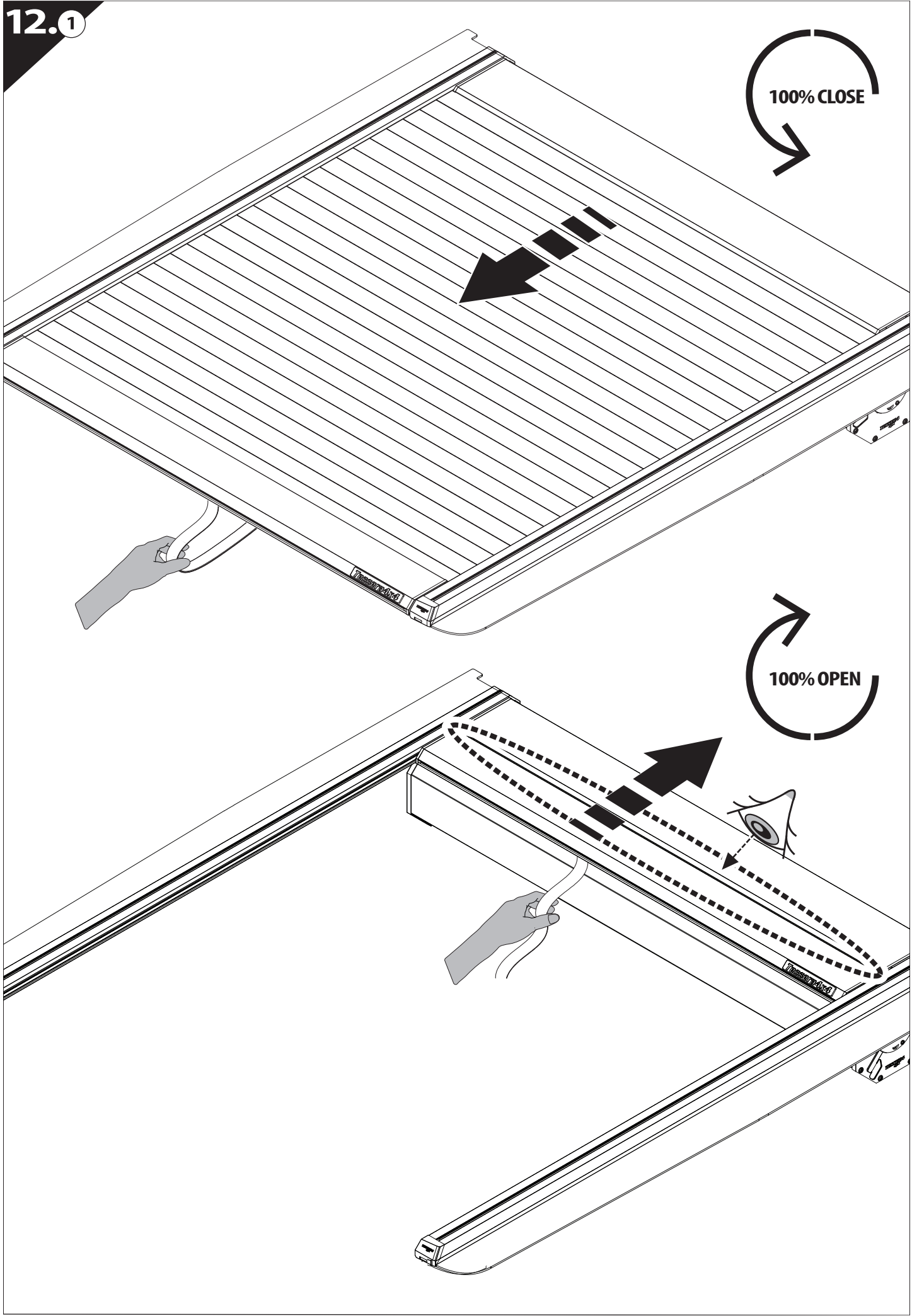
11

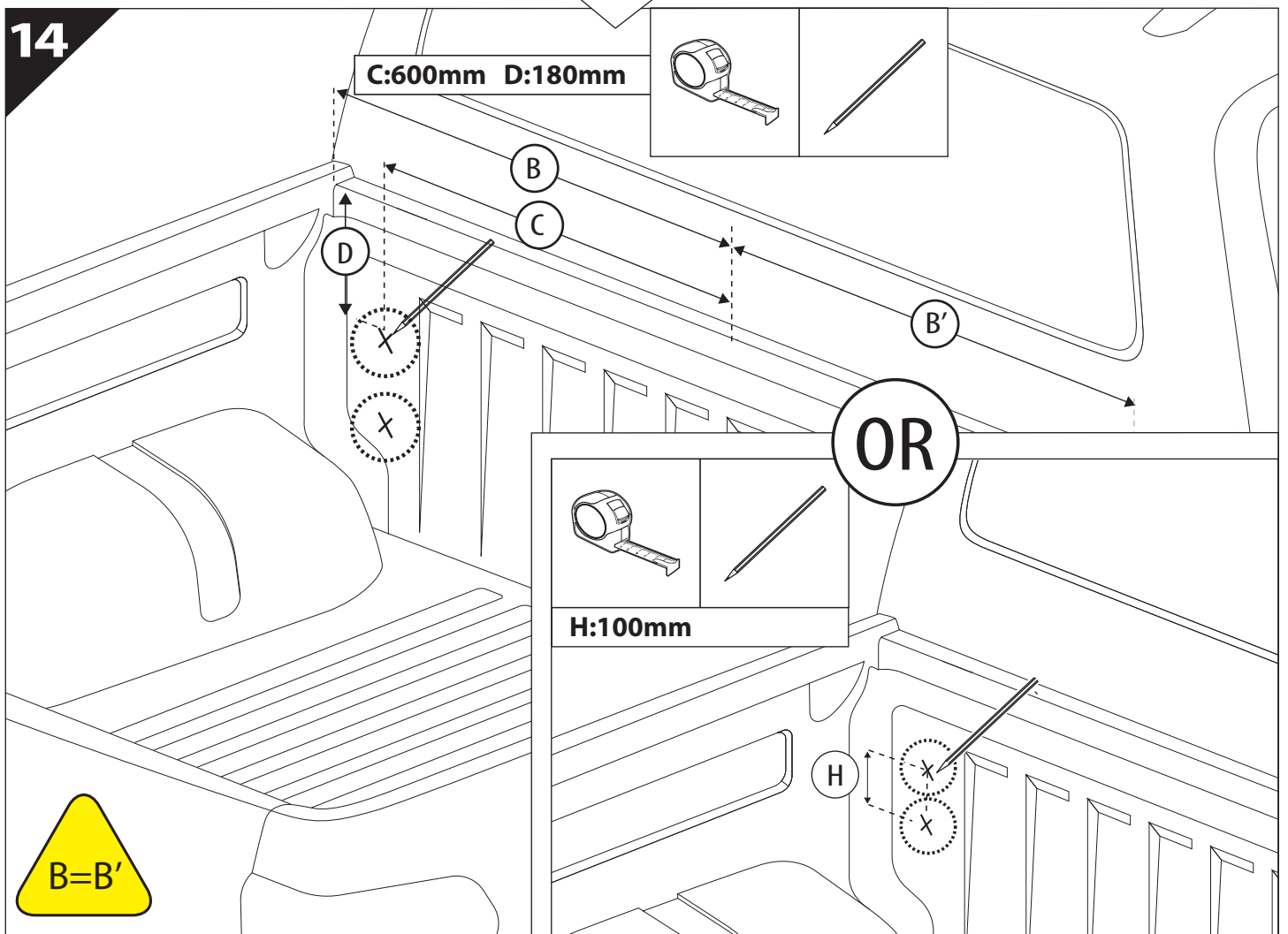
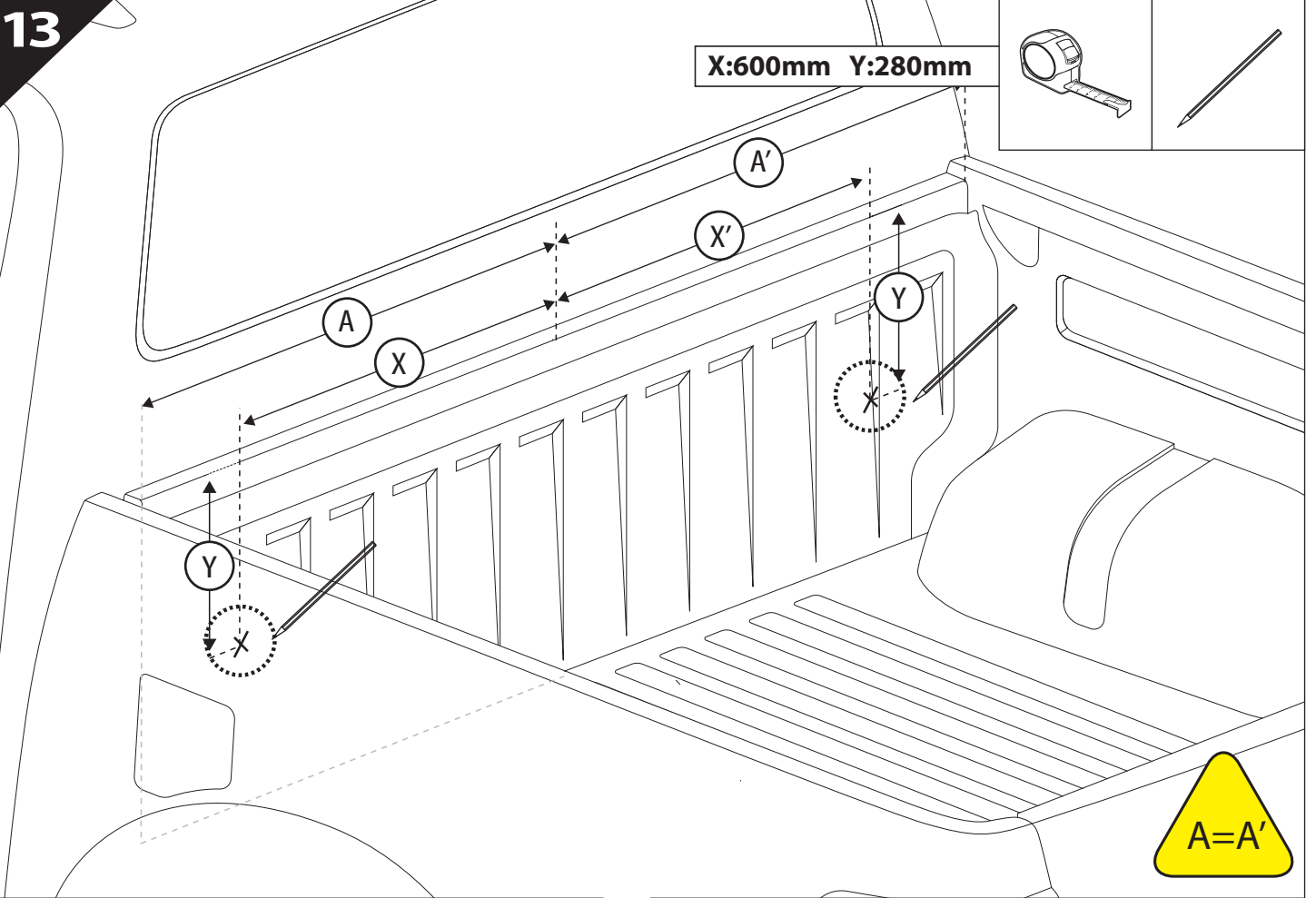


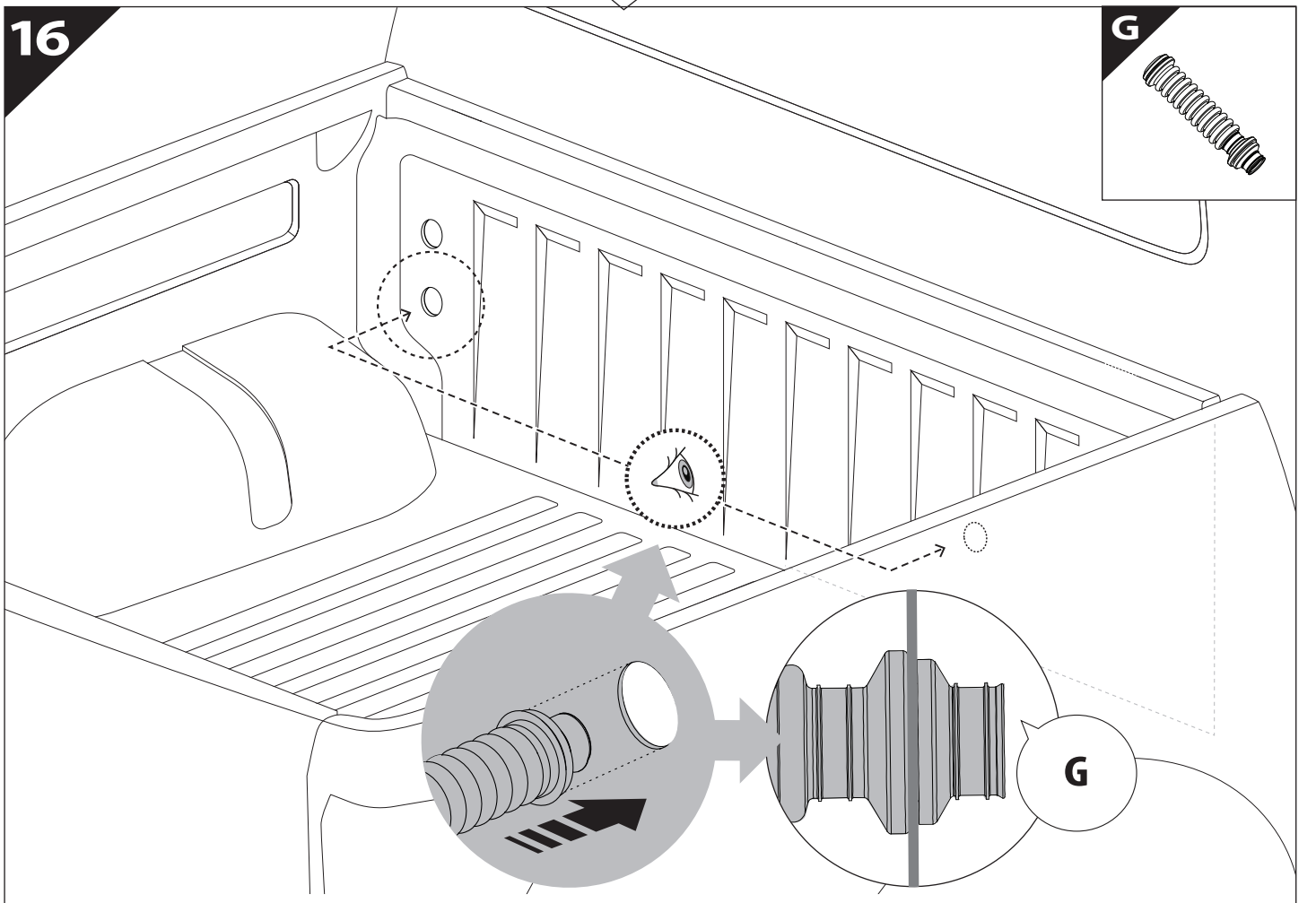
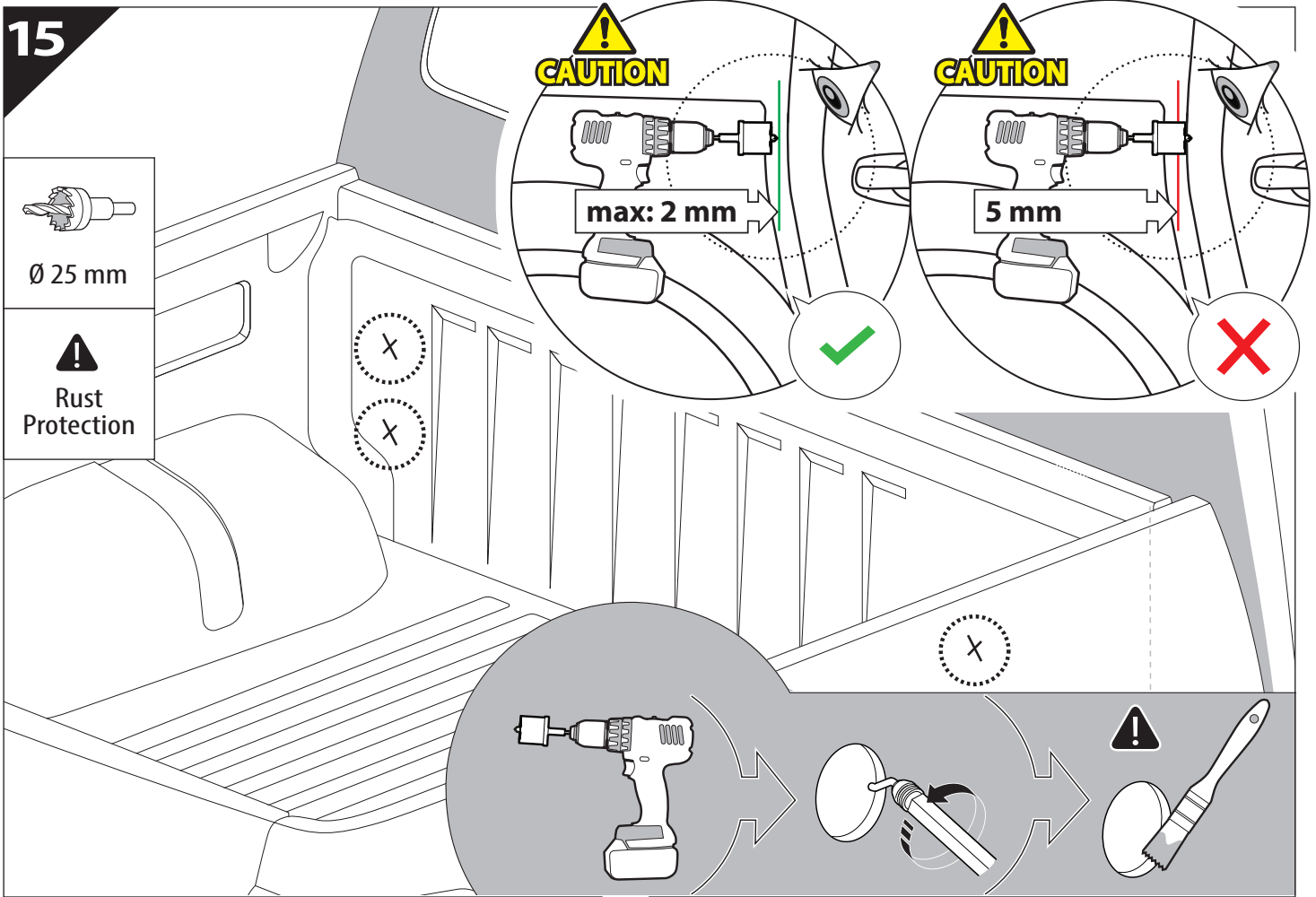
12



12.0

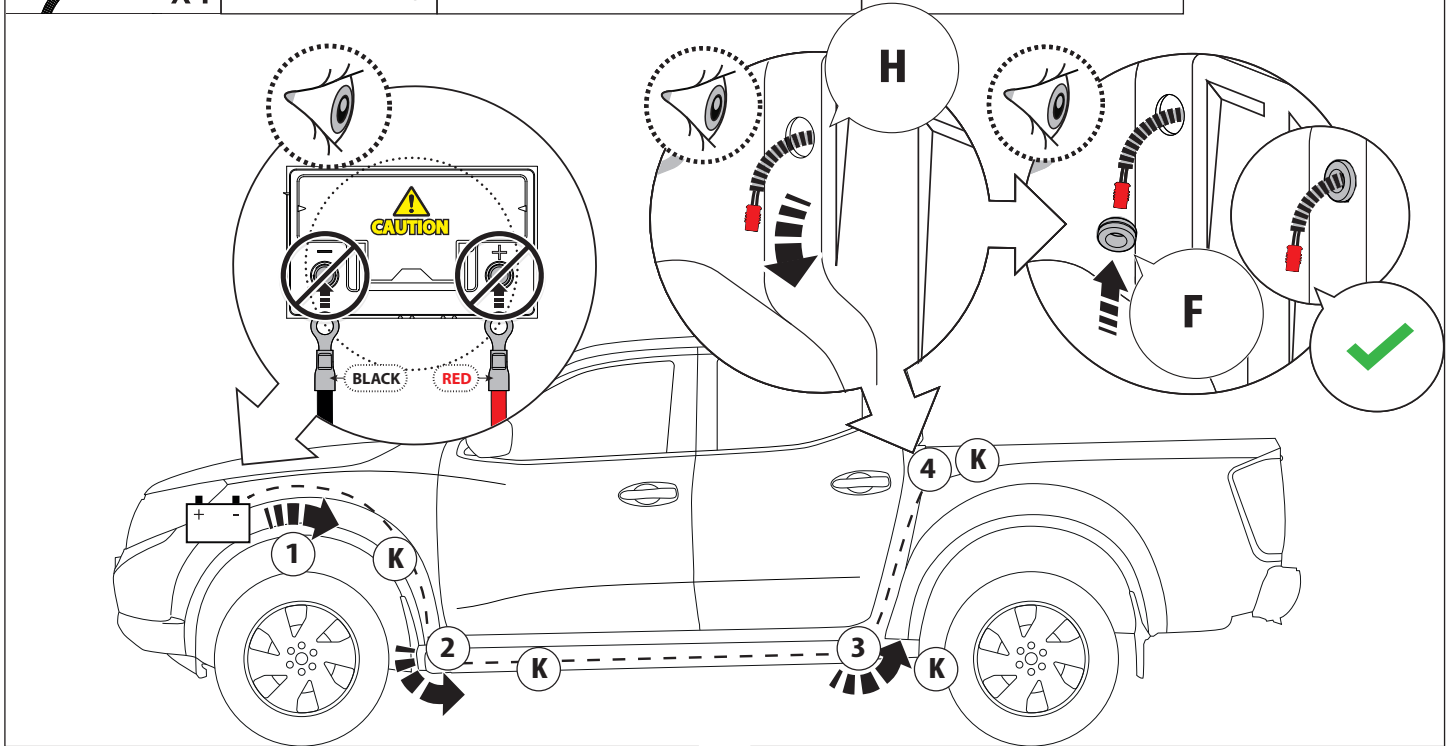
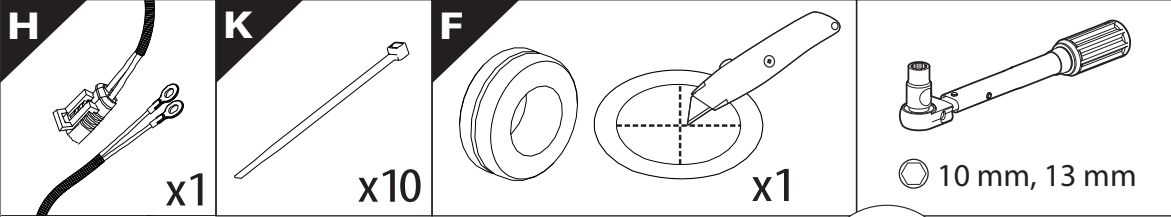




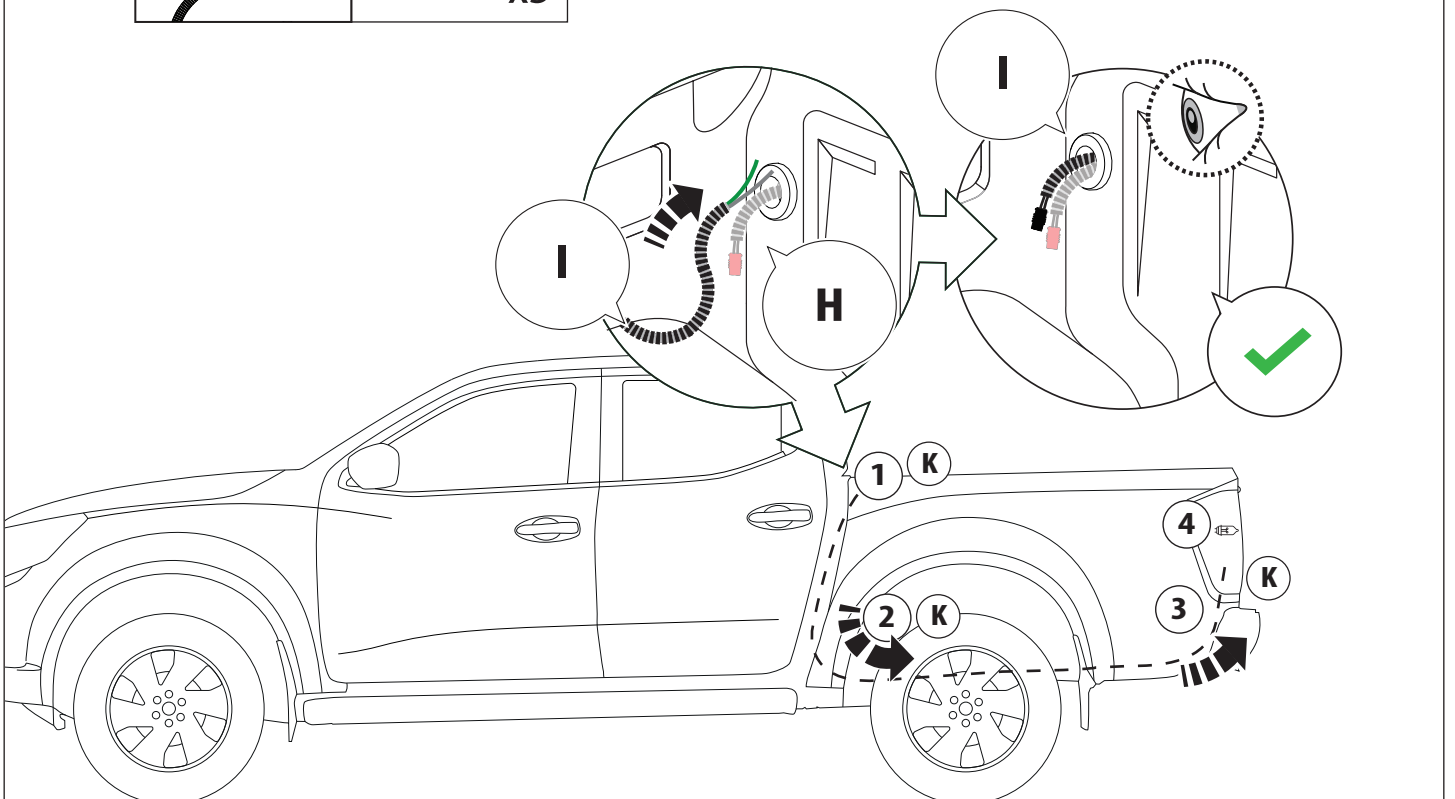
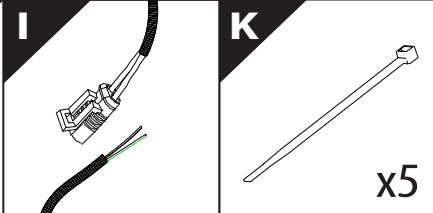


17

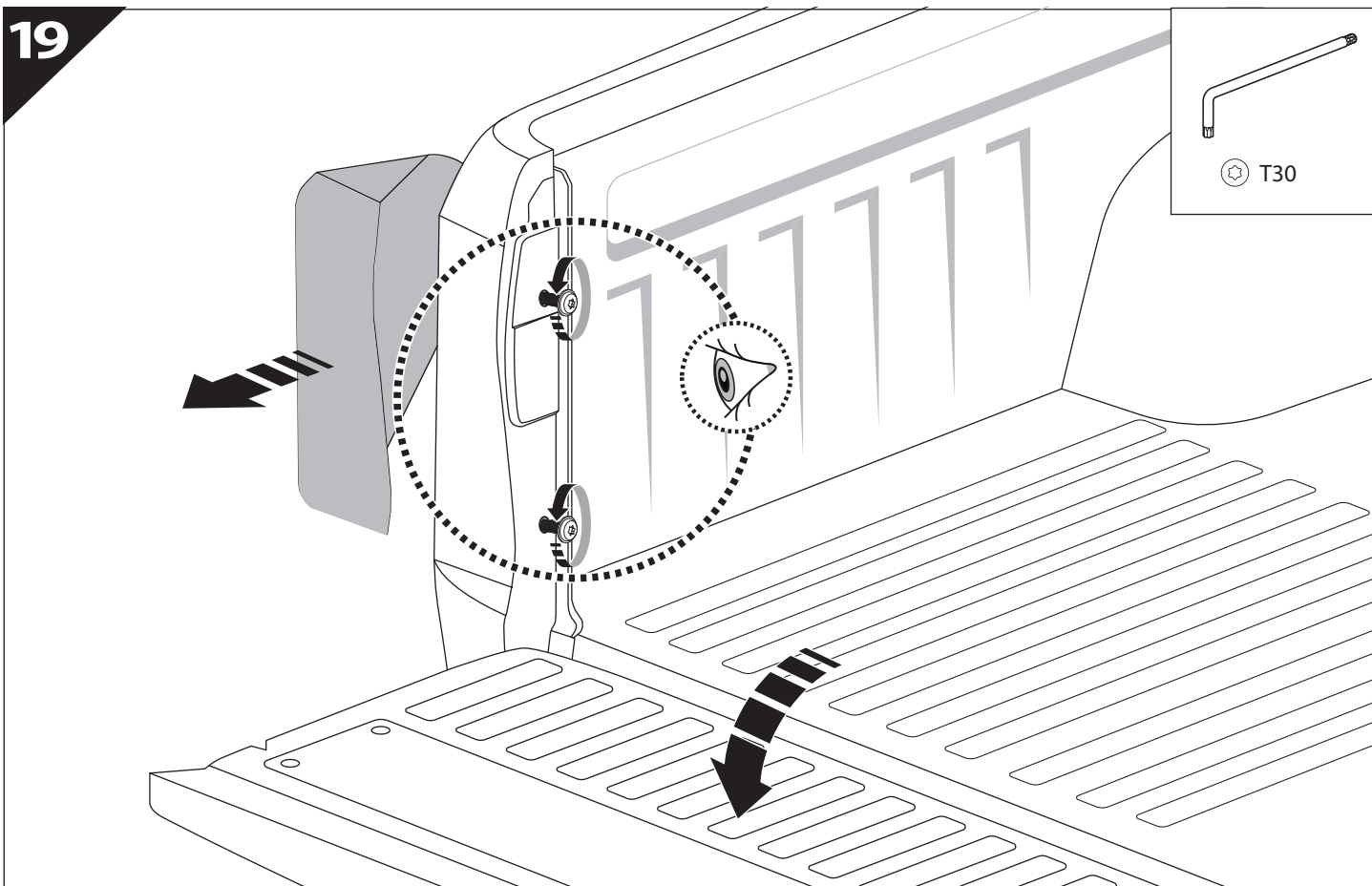
Only to be installed by authorized personnel



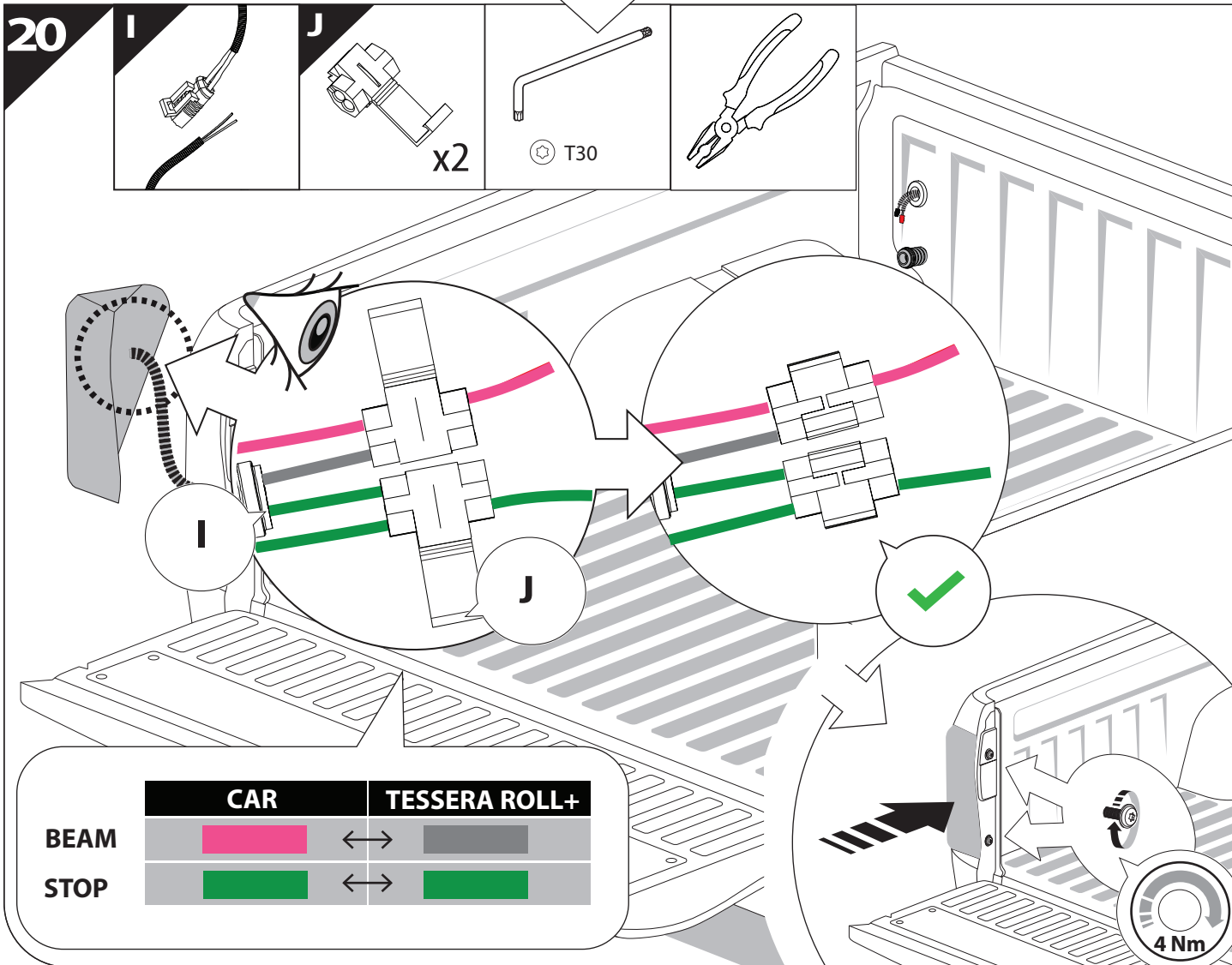
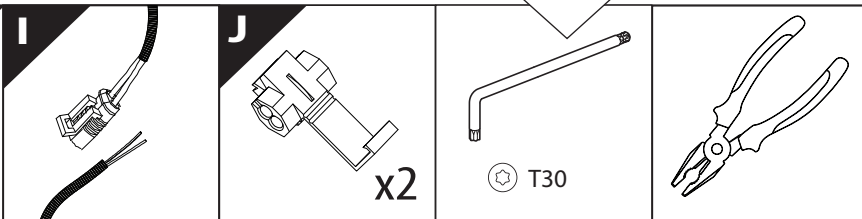
18



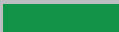
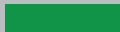


19

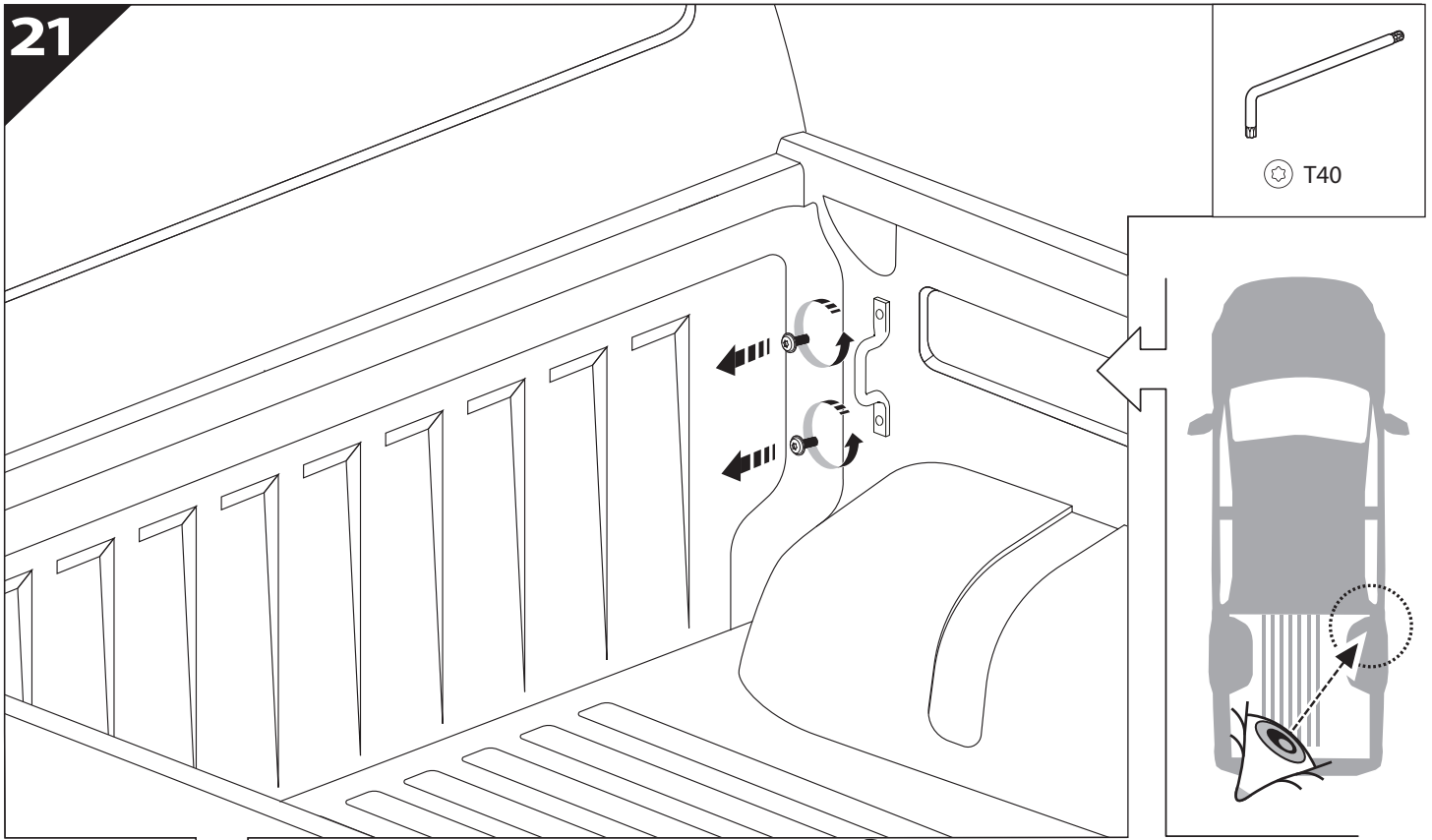


20

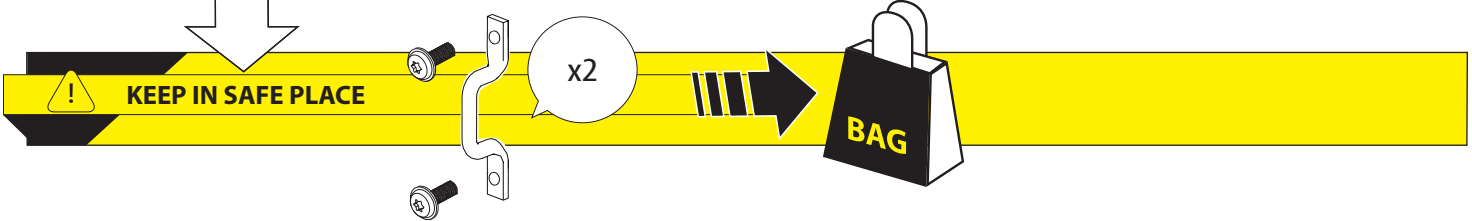


	CAR		TESSERA ROLL+
BEAM		↔	
STOP		↔	

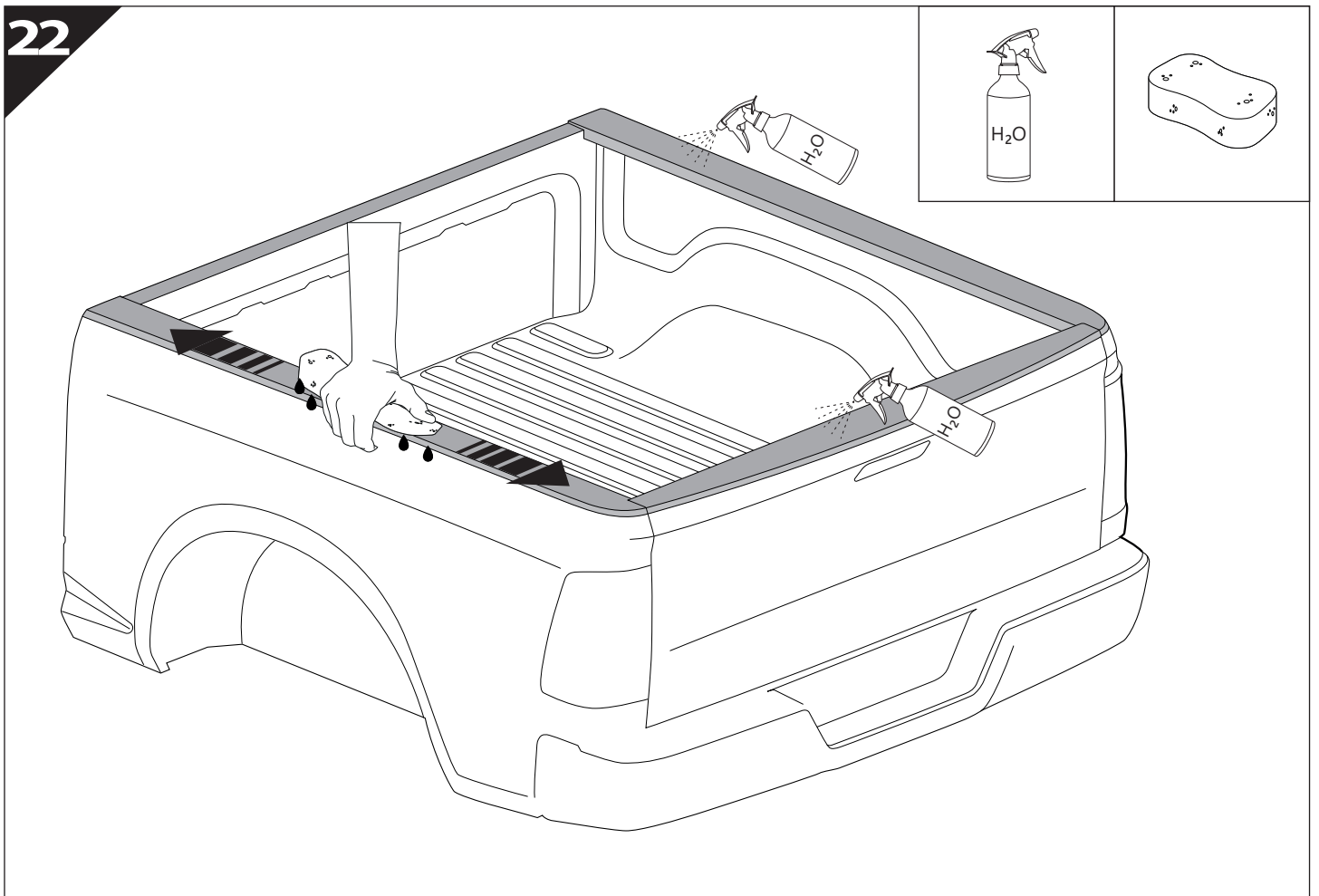
21

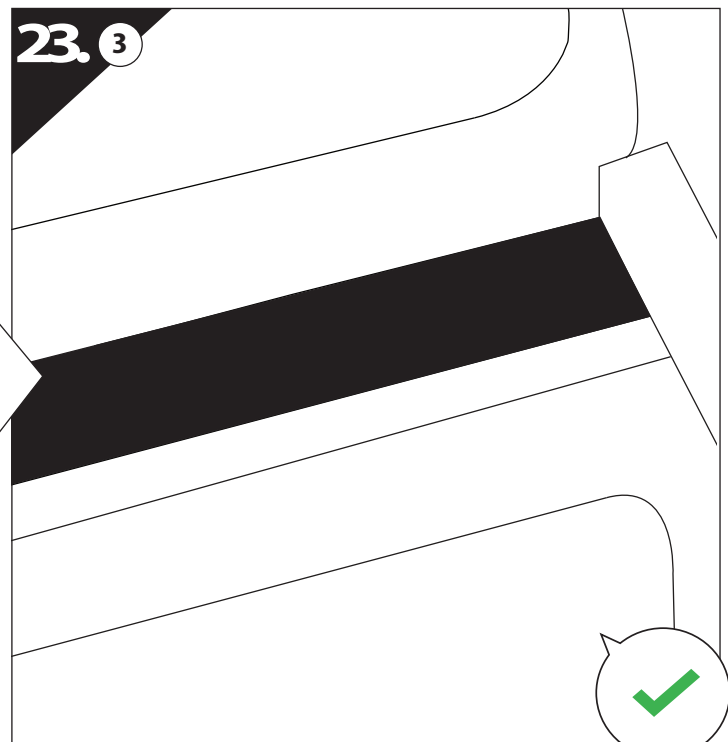
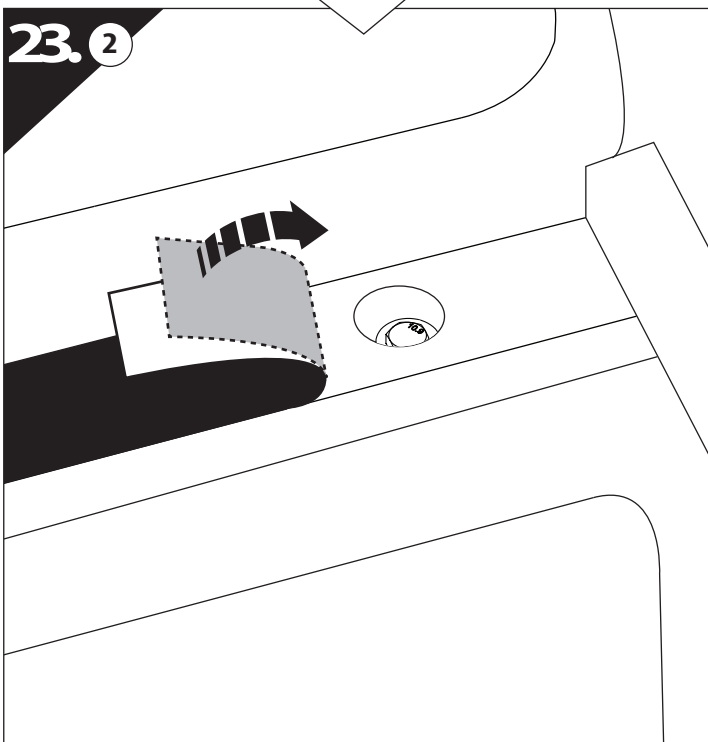
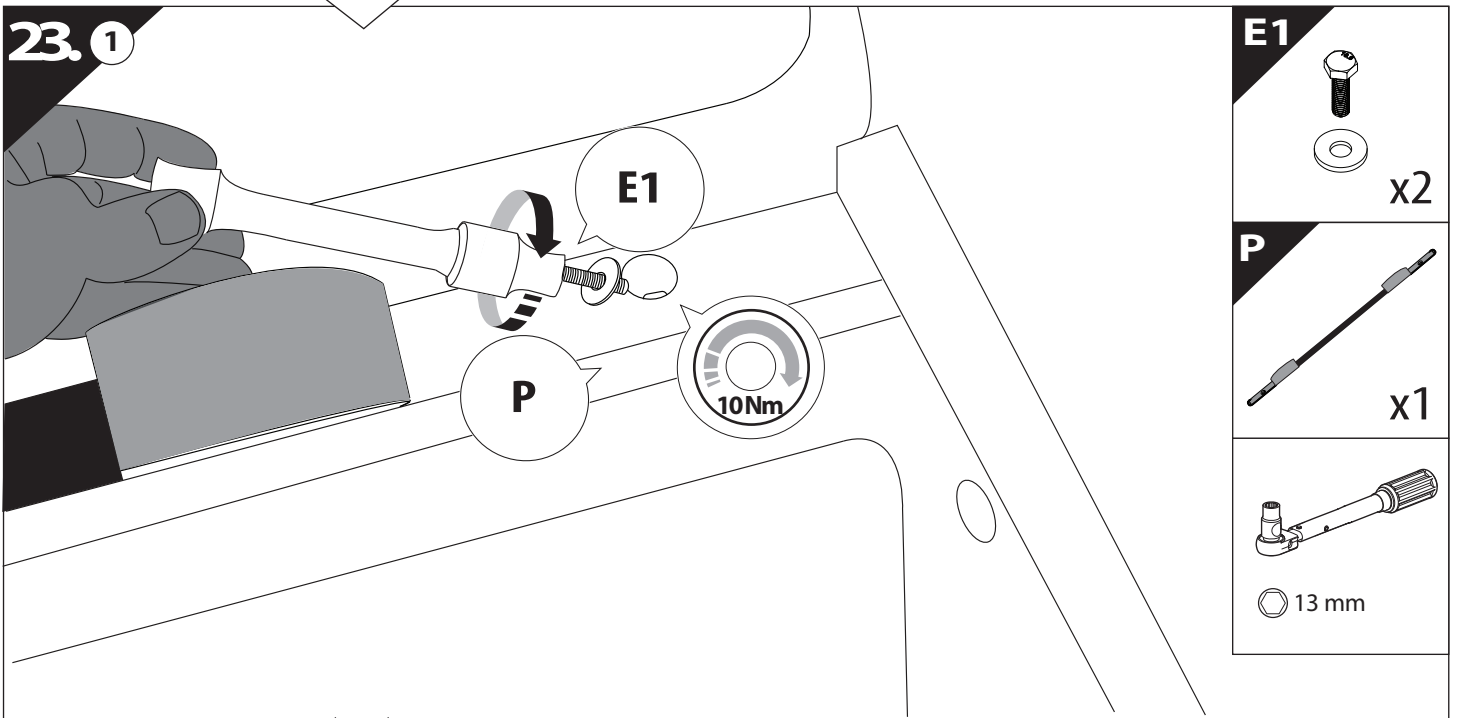
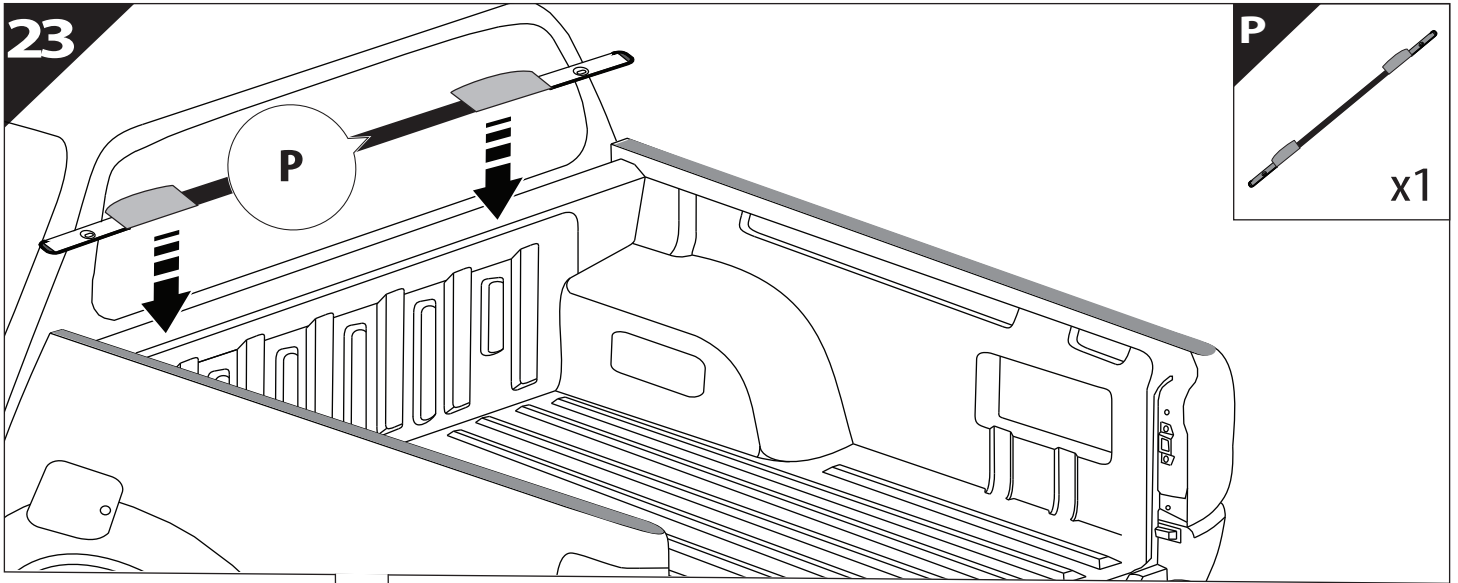


T40



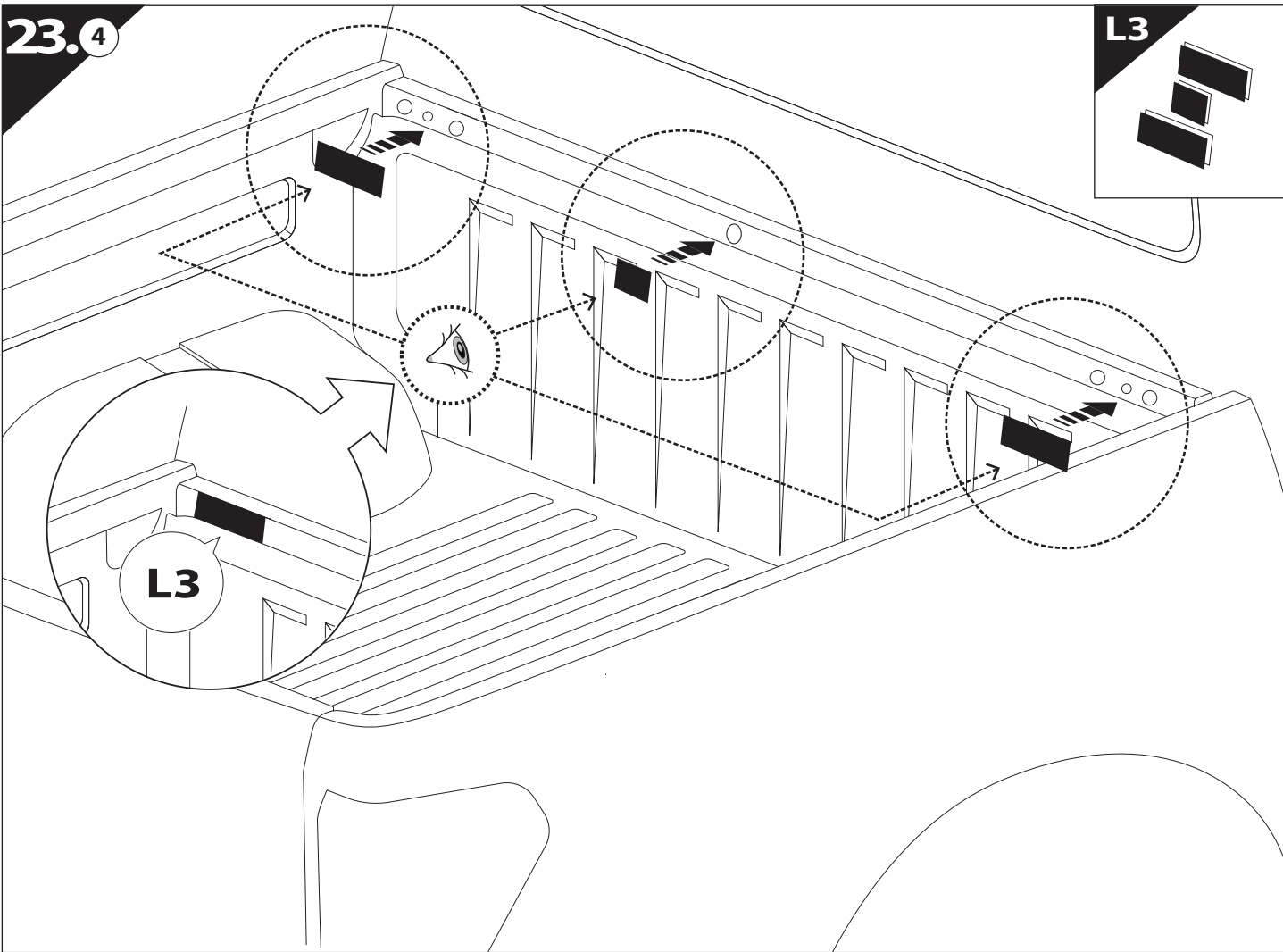
22

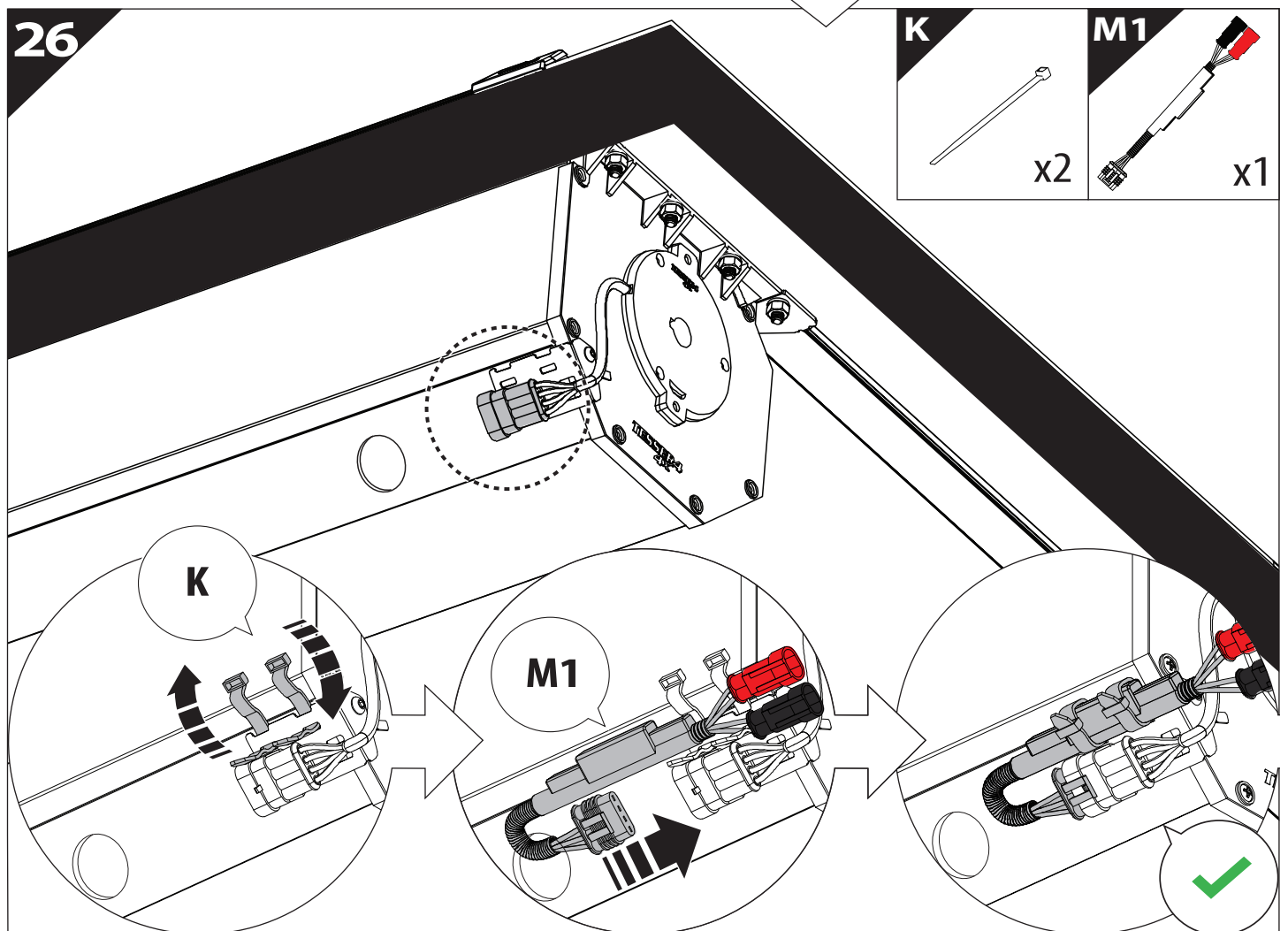
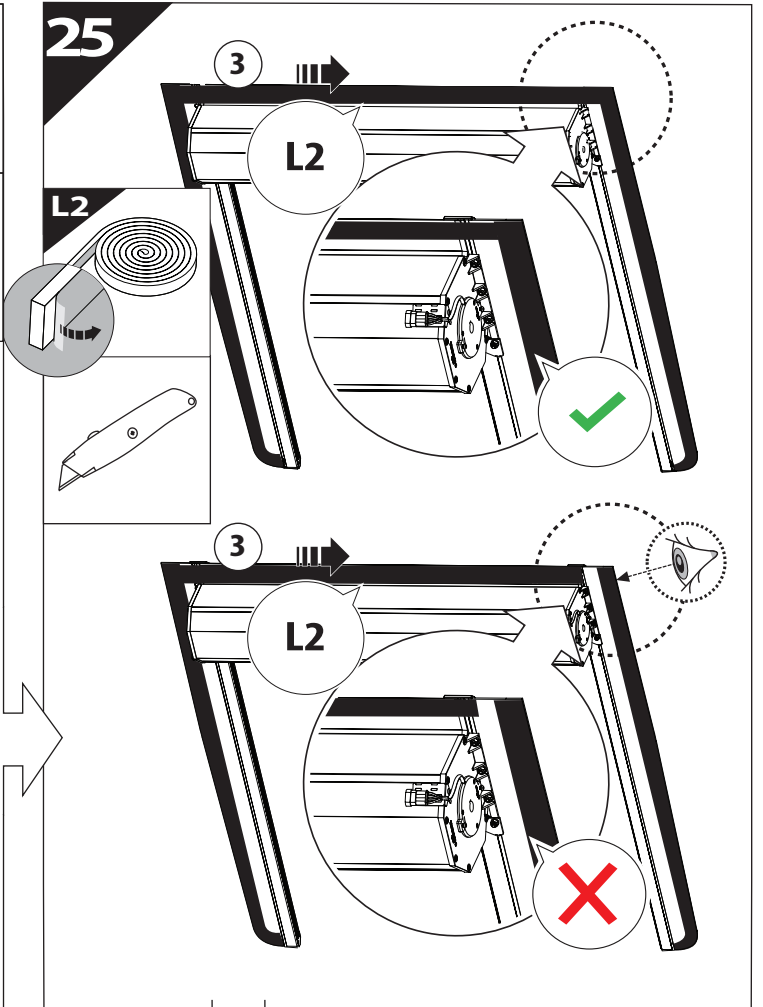
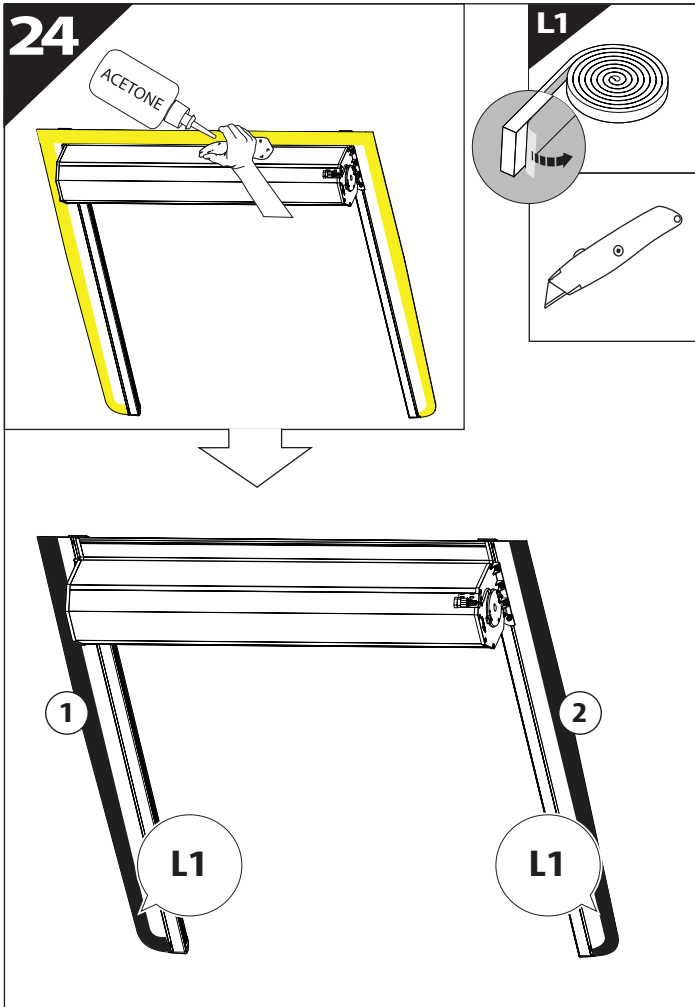


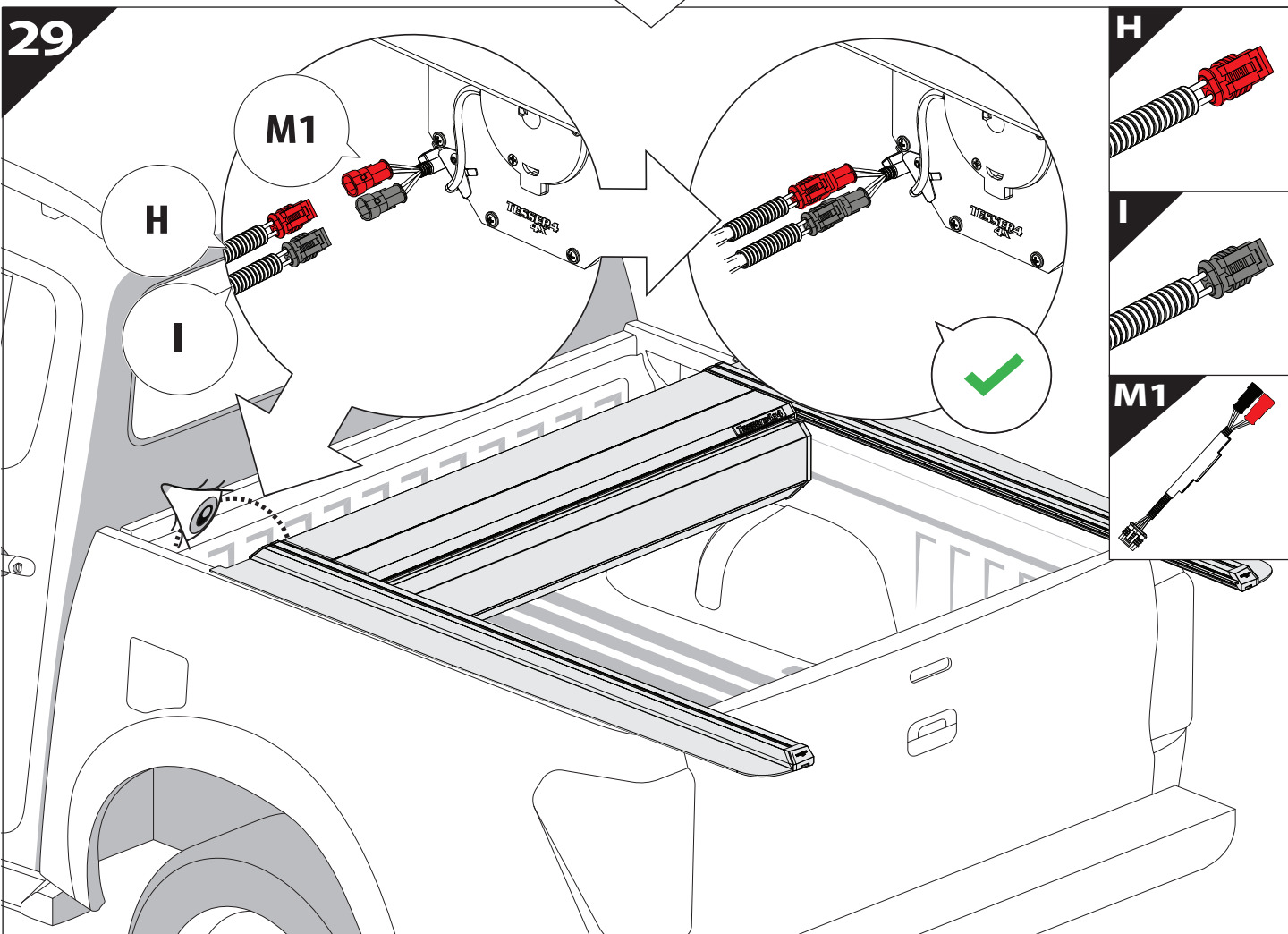
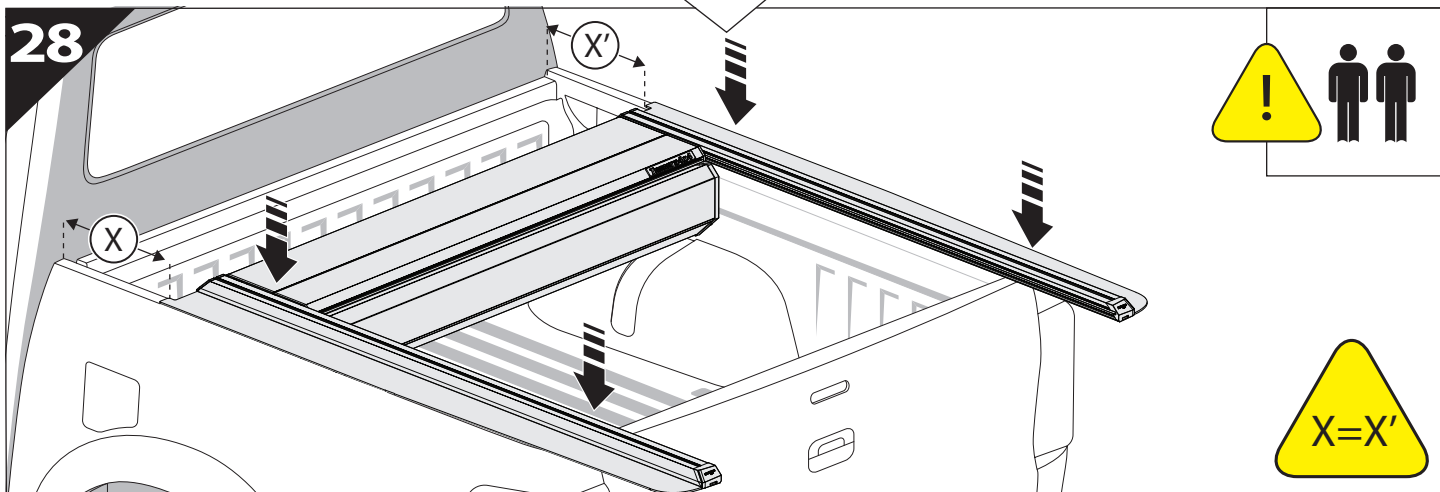
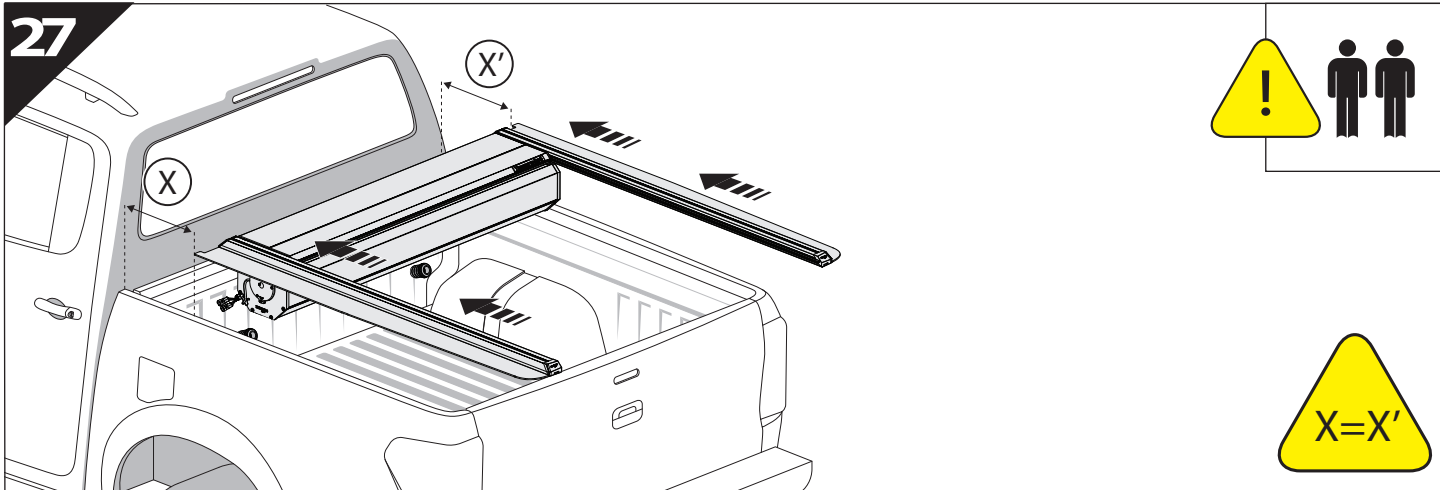


23.4

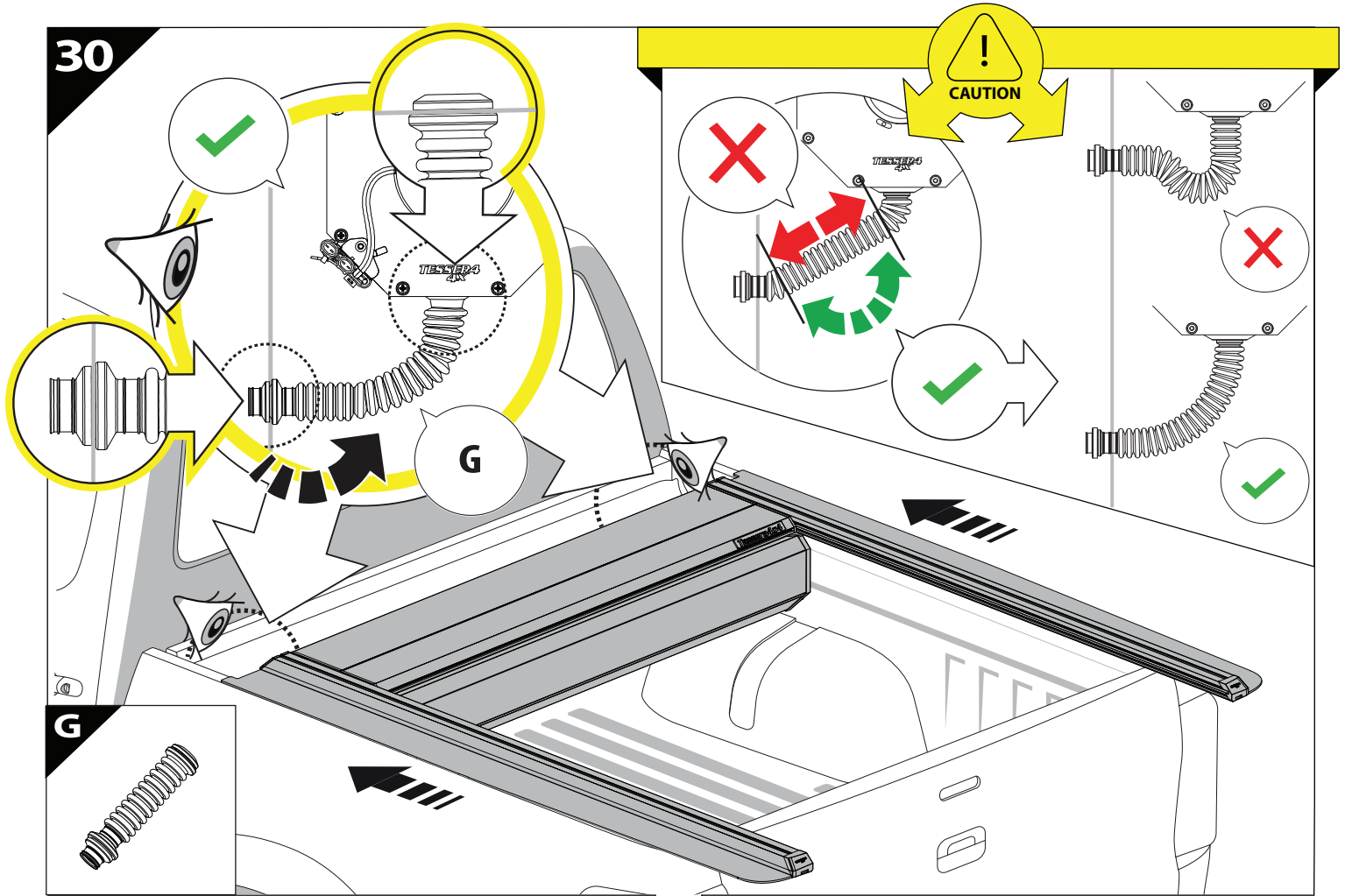
L3



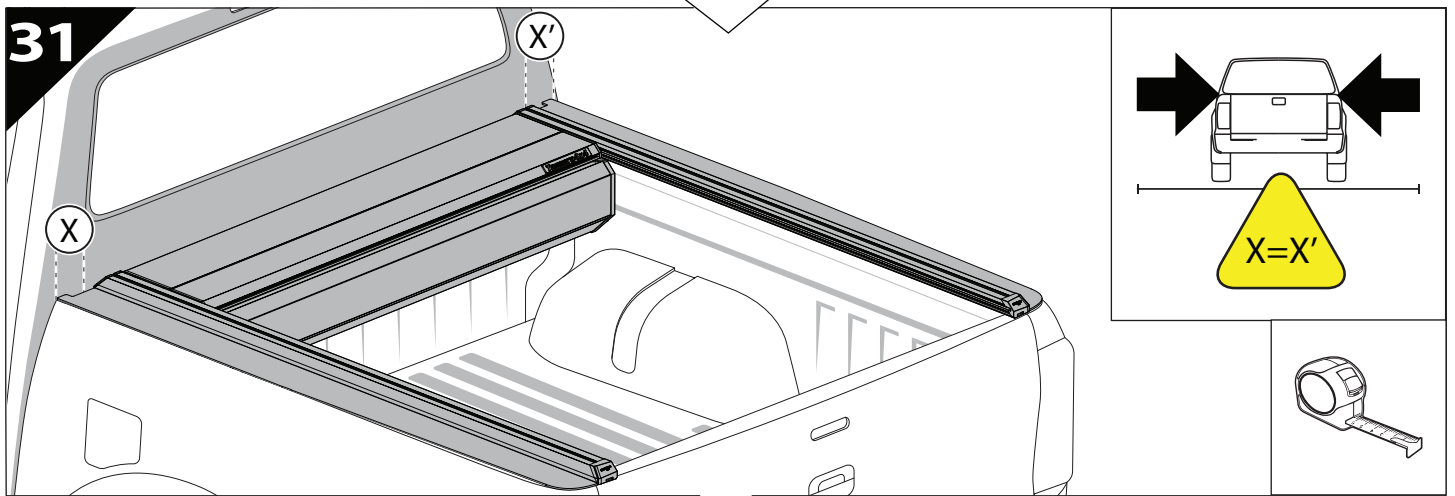




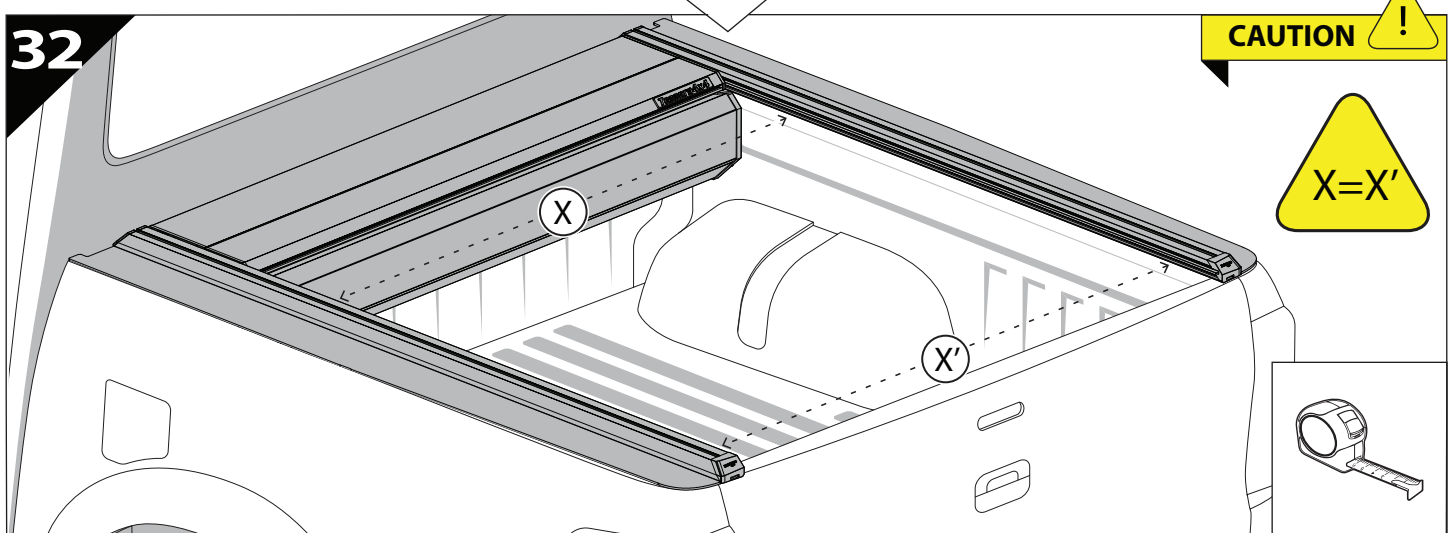
30

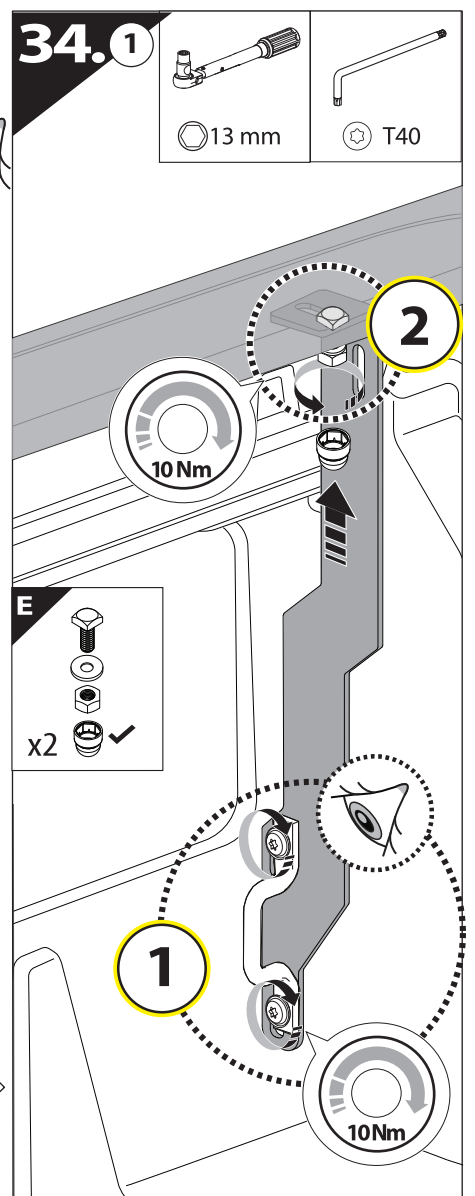
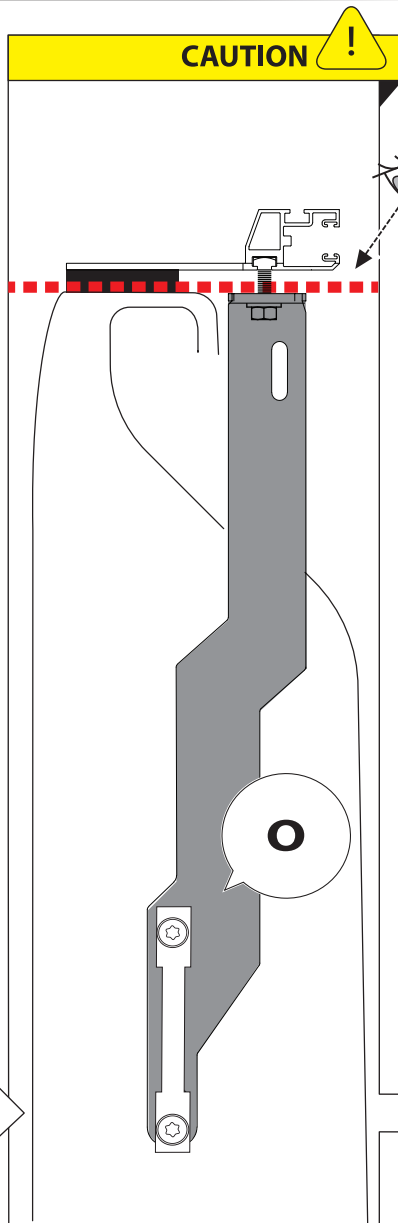
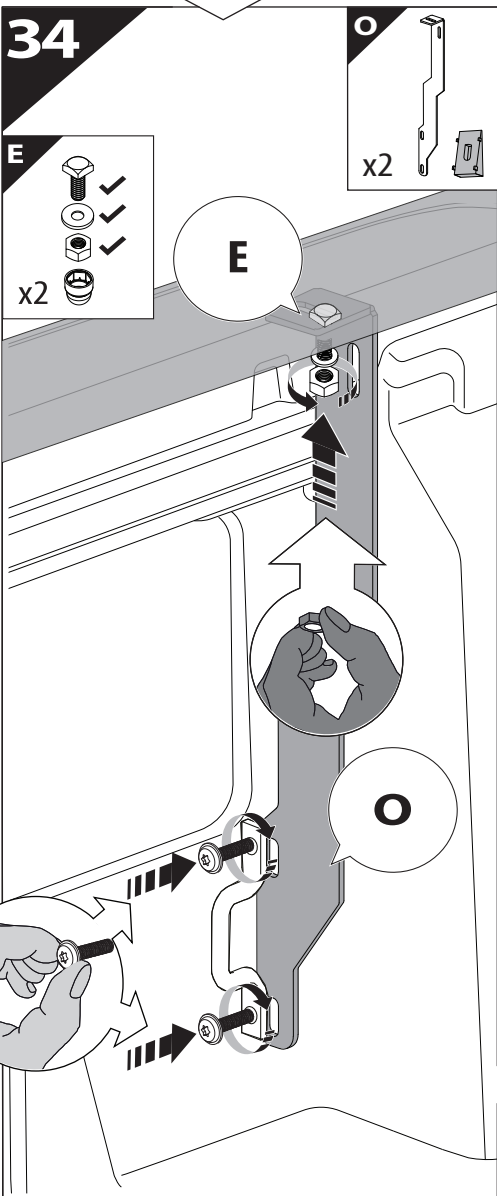
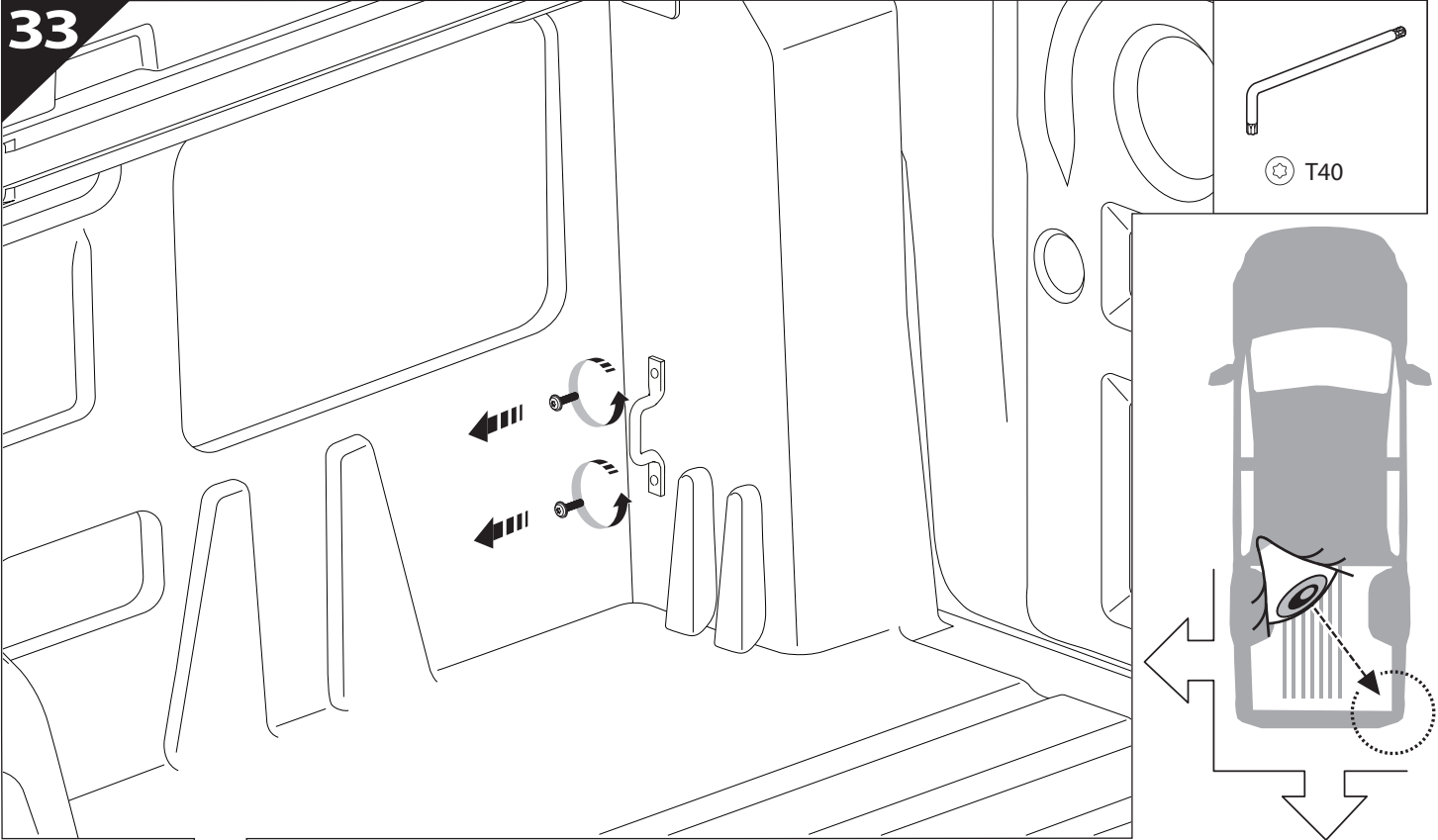


31



32



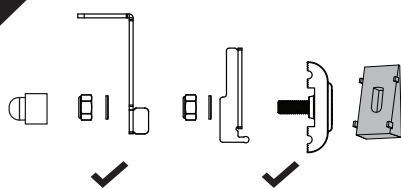


35 A

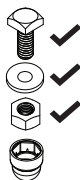


WITHOUT C - CHANNELS

N1

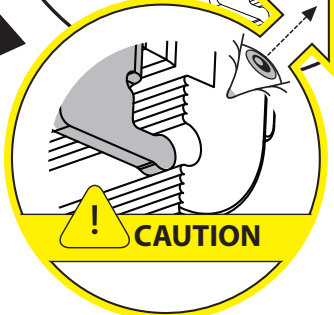
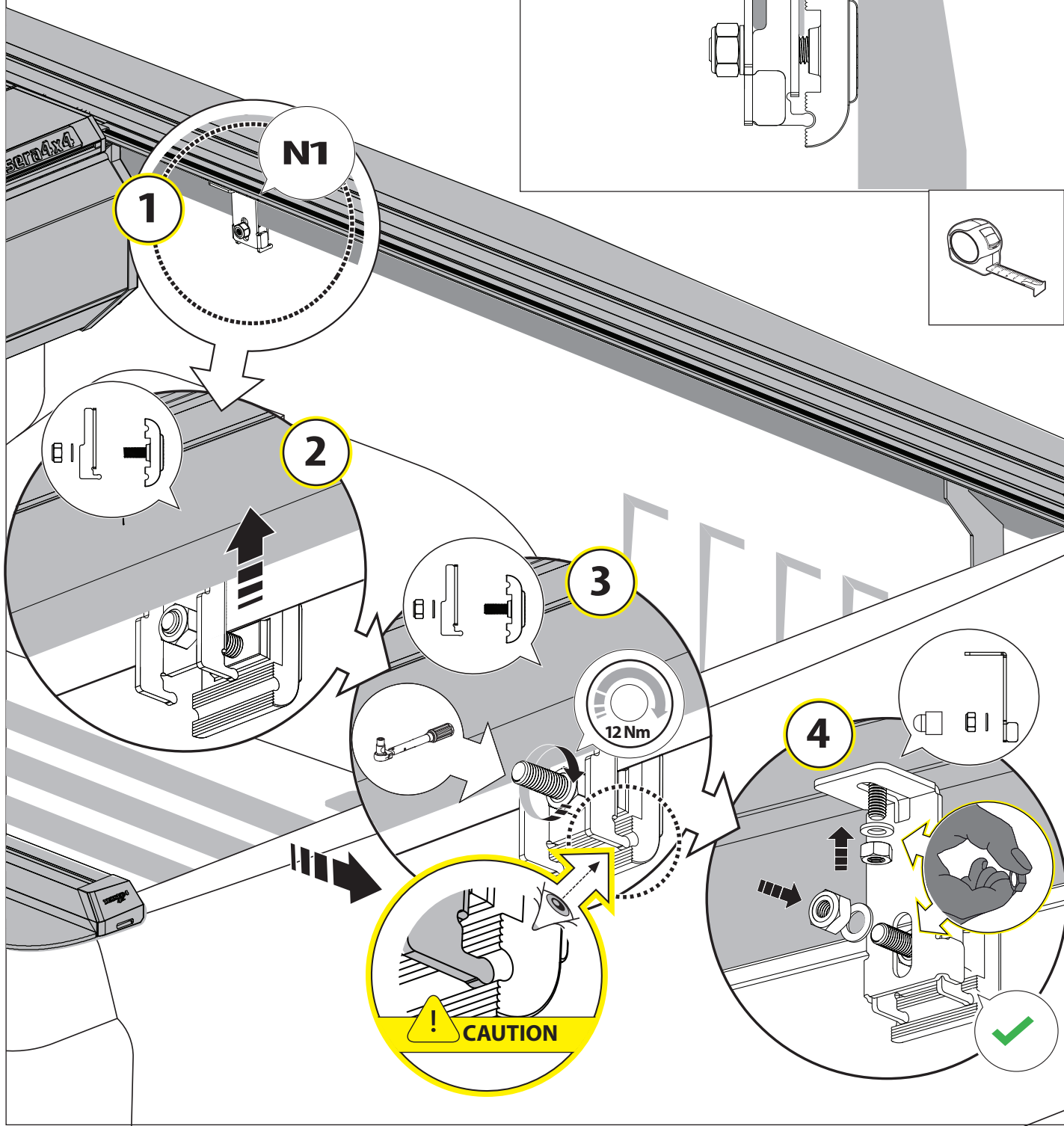
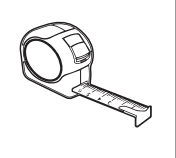
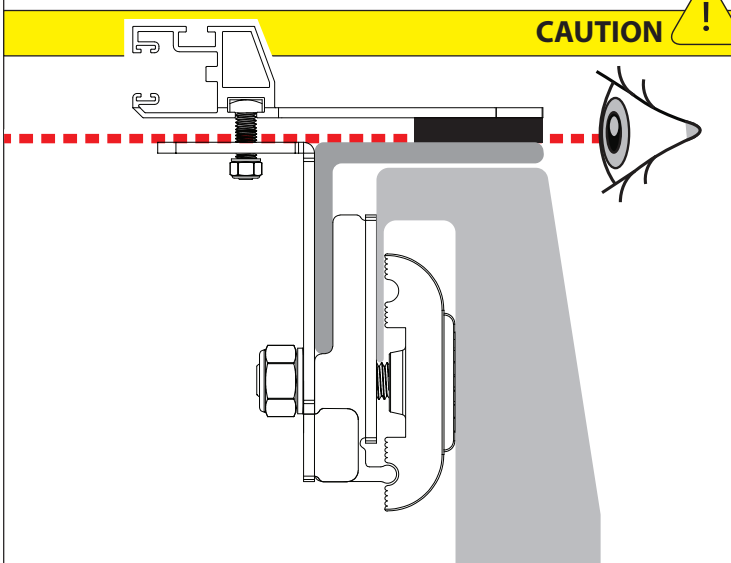


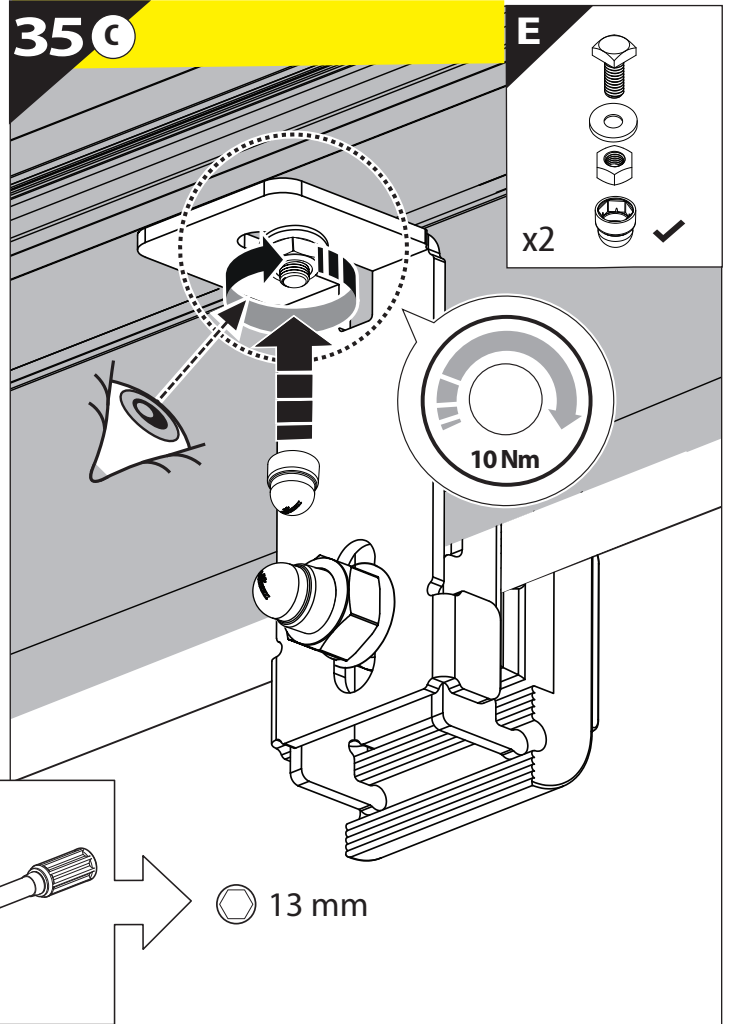
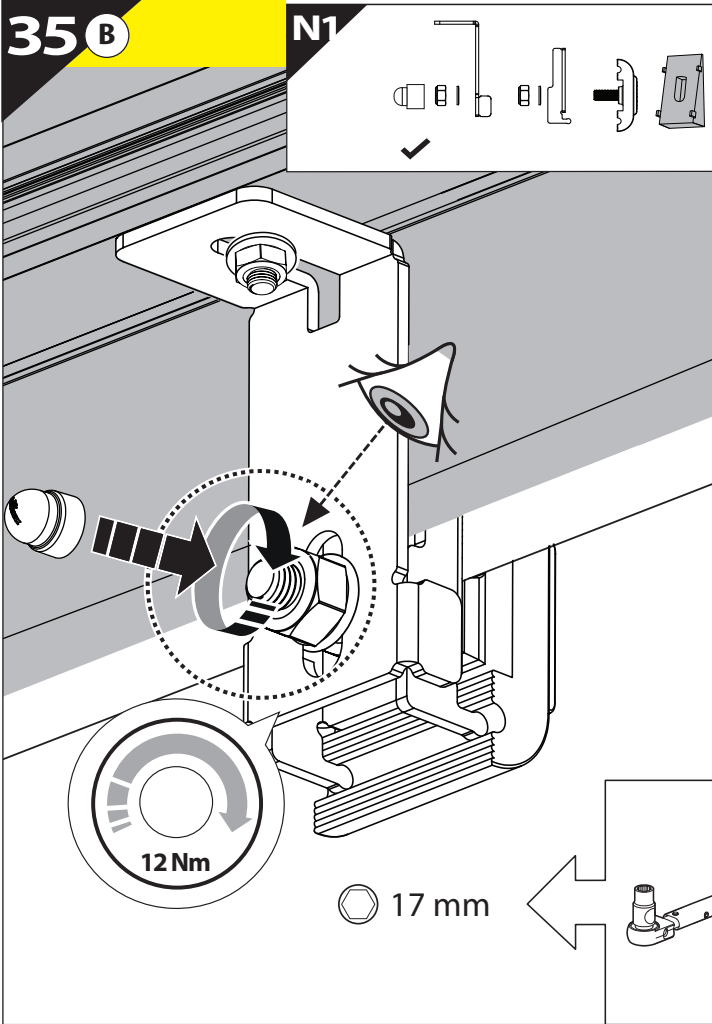
E



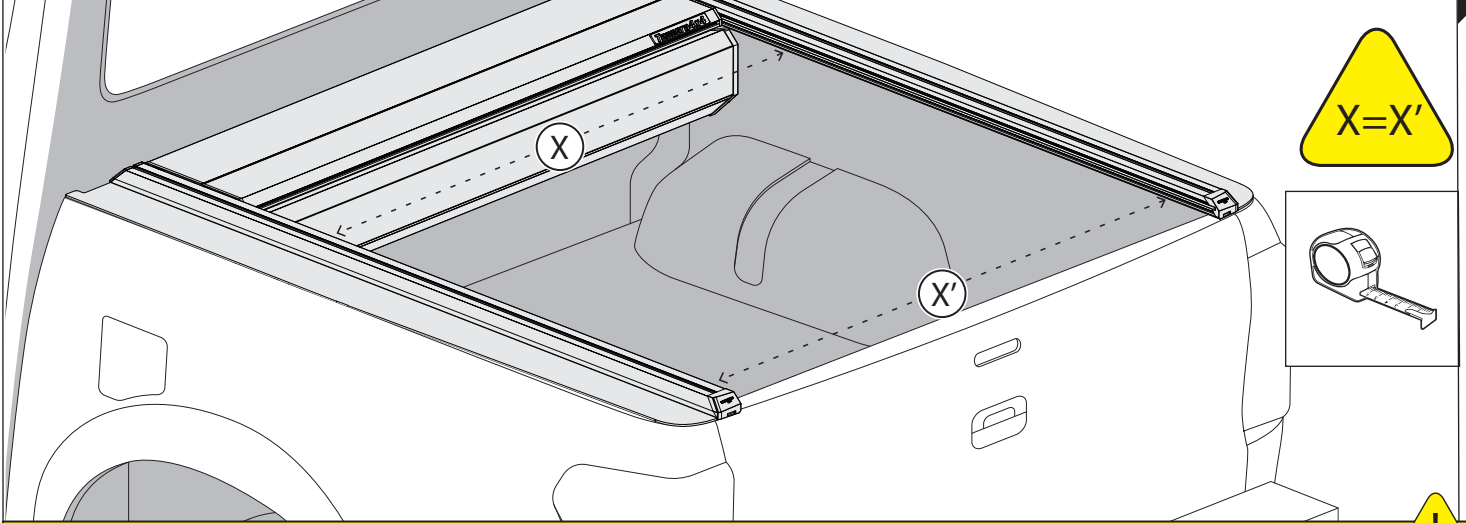
x2

CAUTION

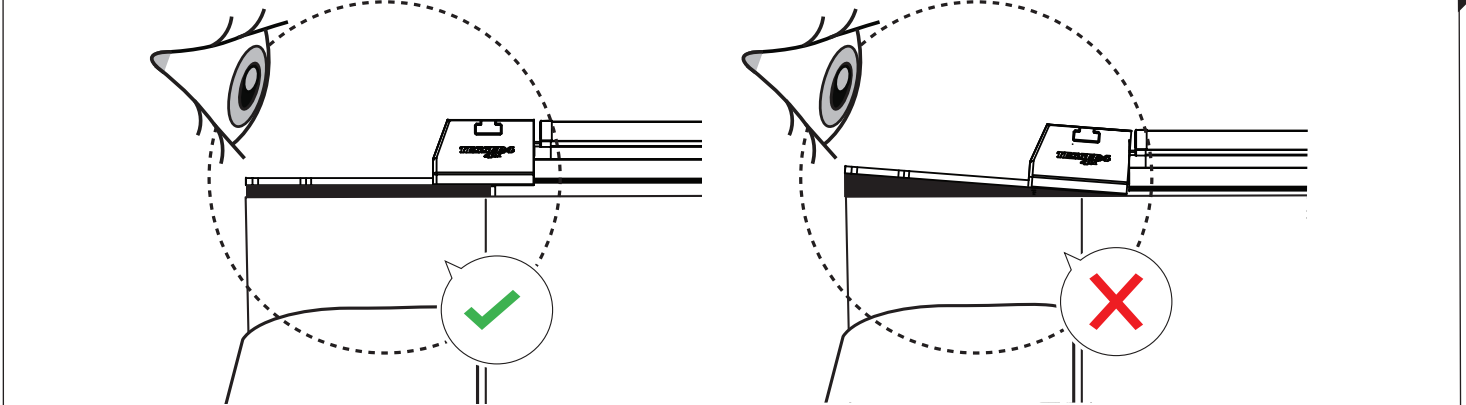




CAUTION !



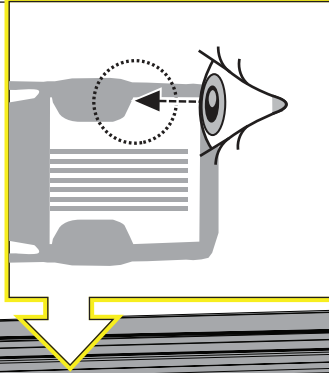
CAUTION !



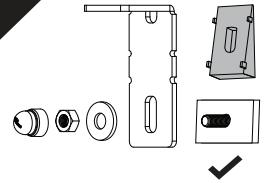
35 A



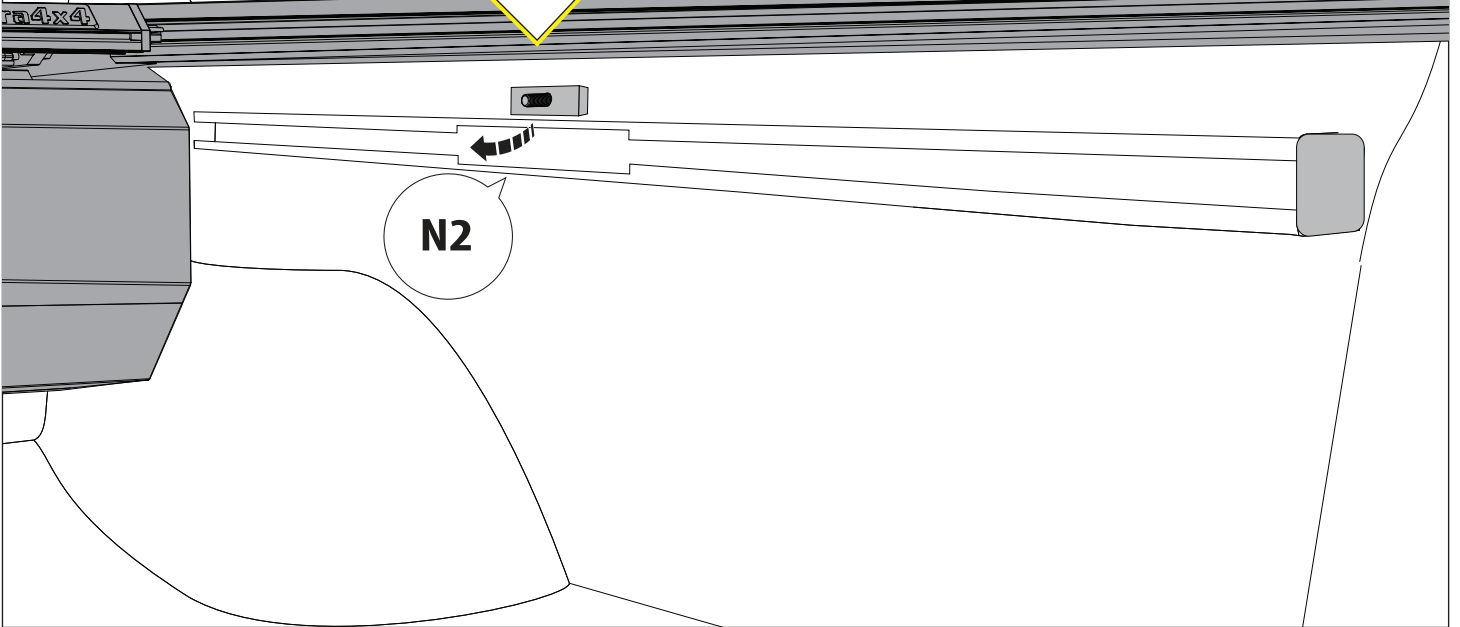
WITH C - CHANNELS



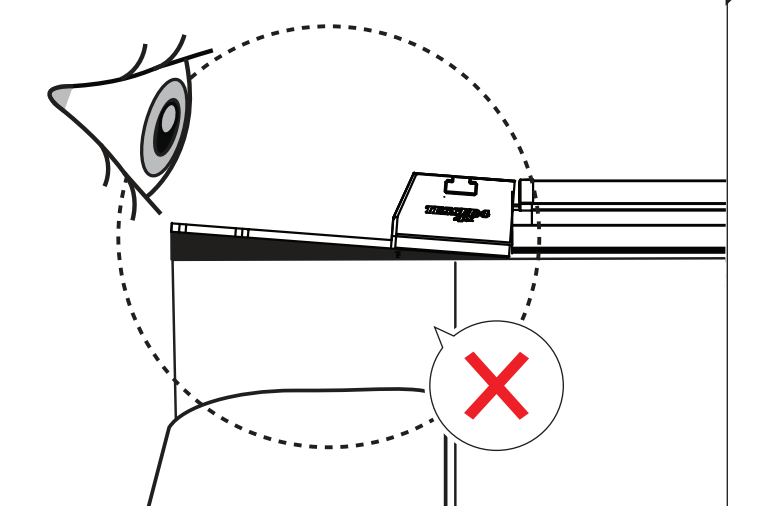
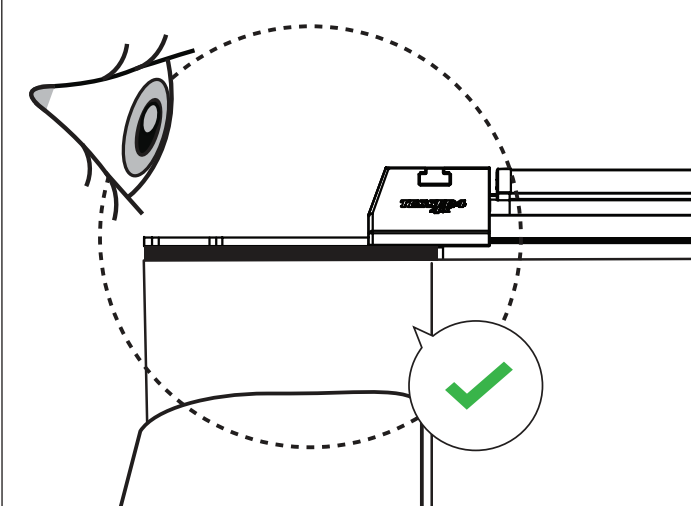
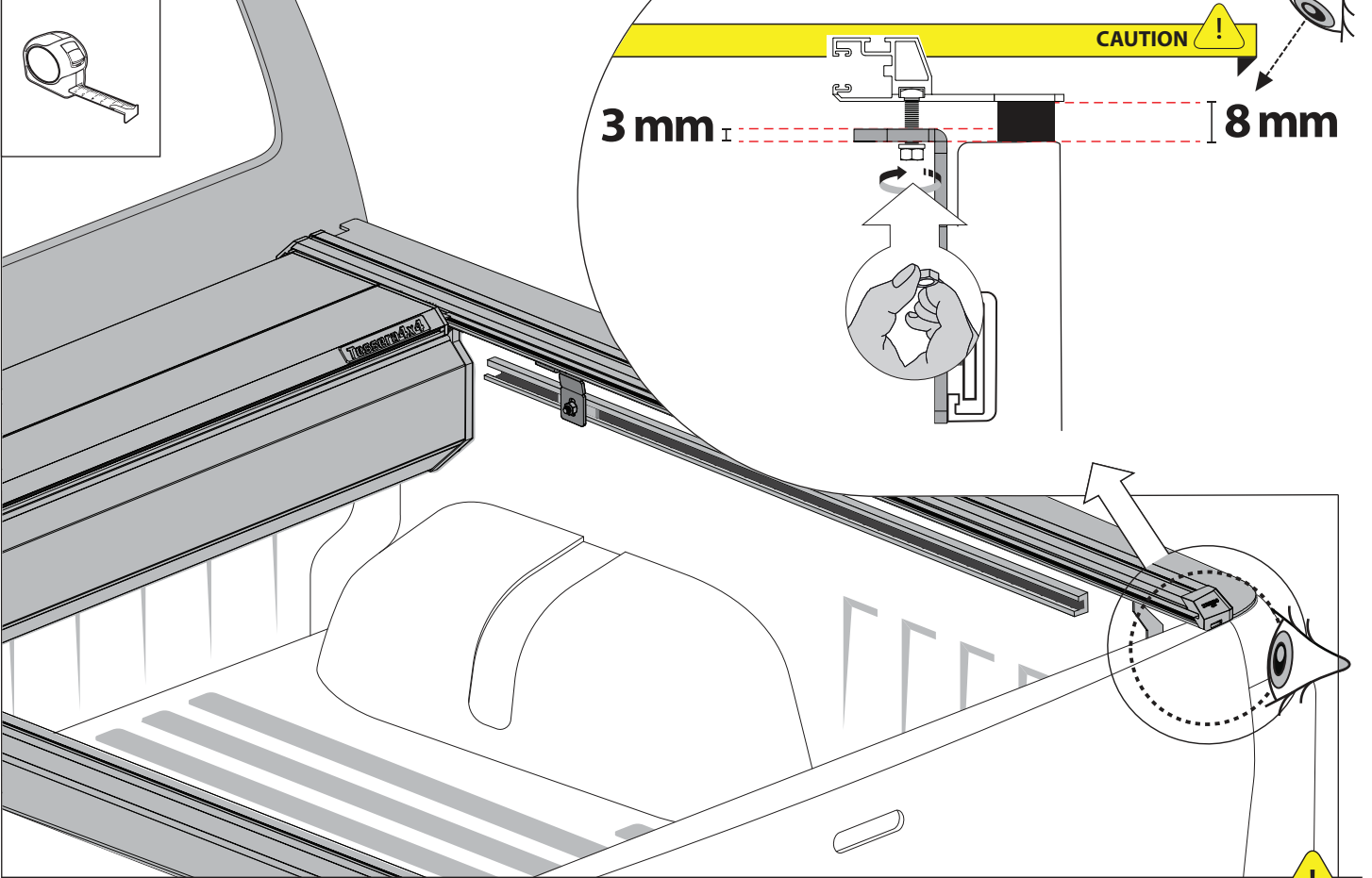
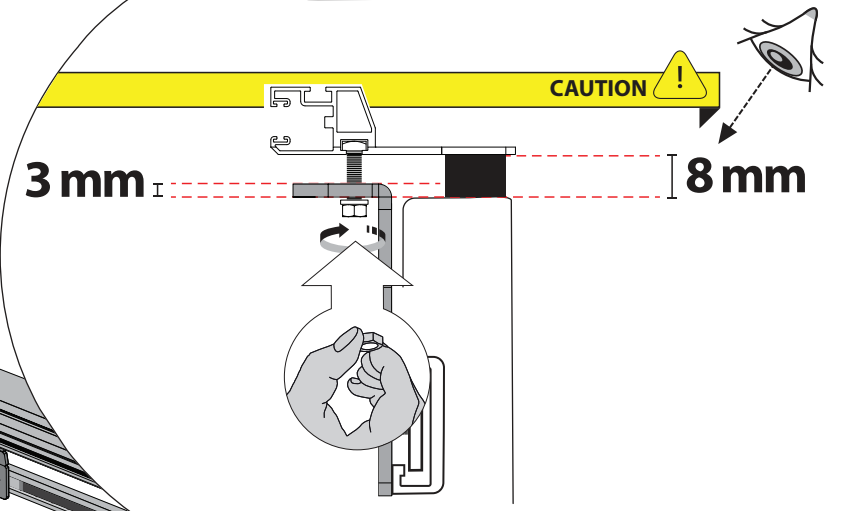
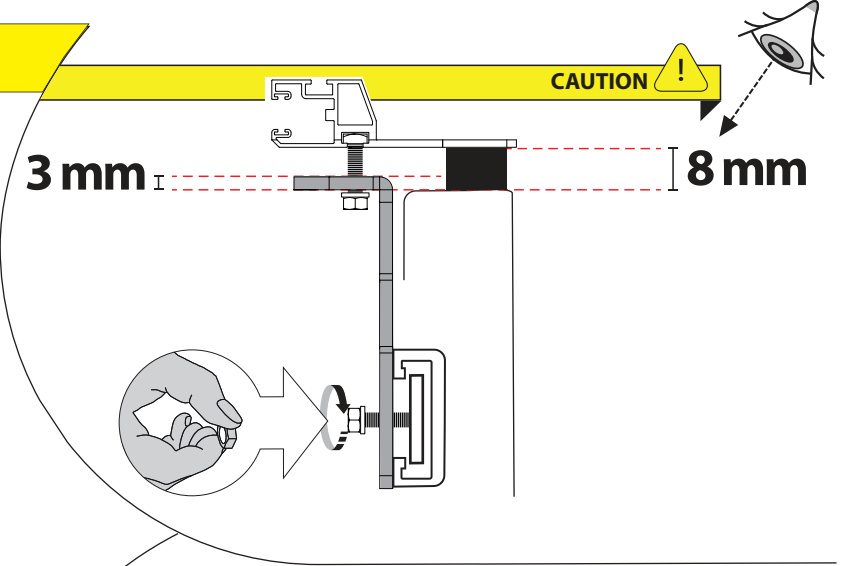
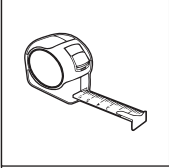
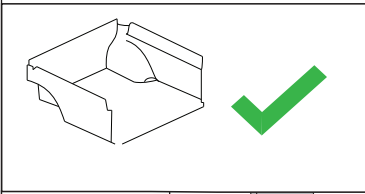
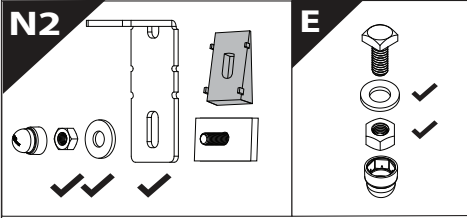
N2

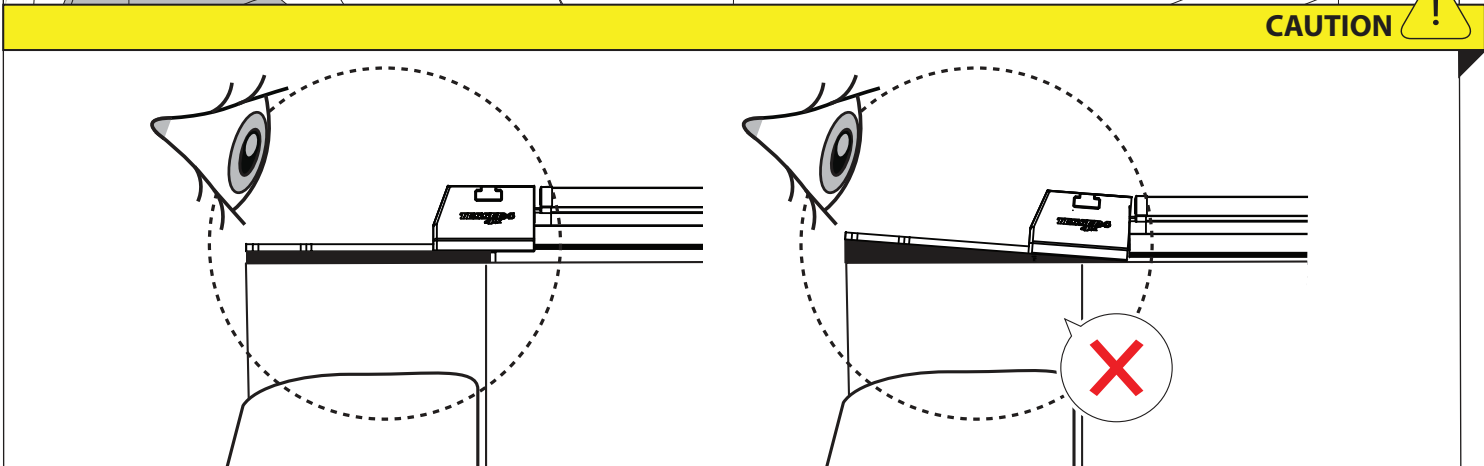
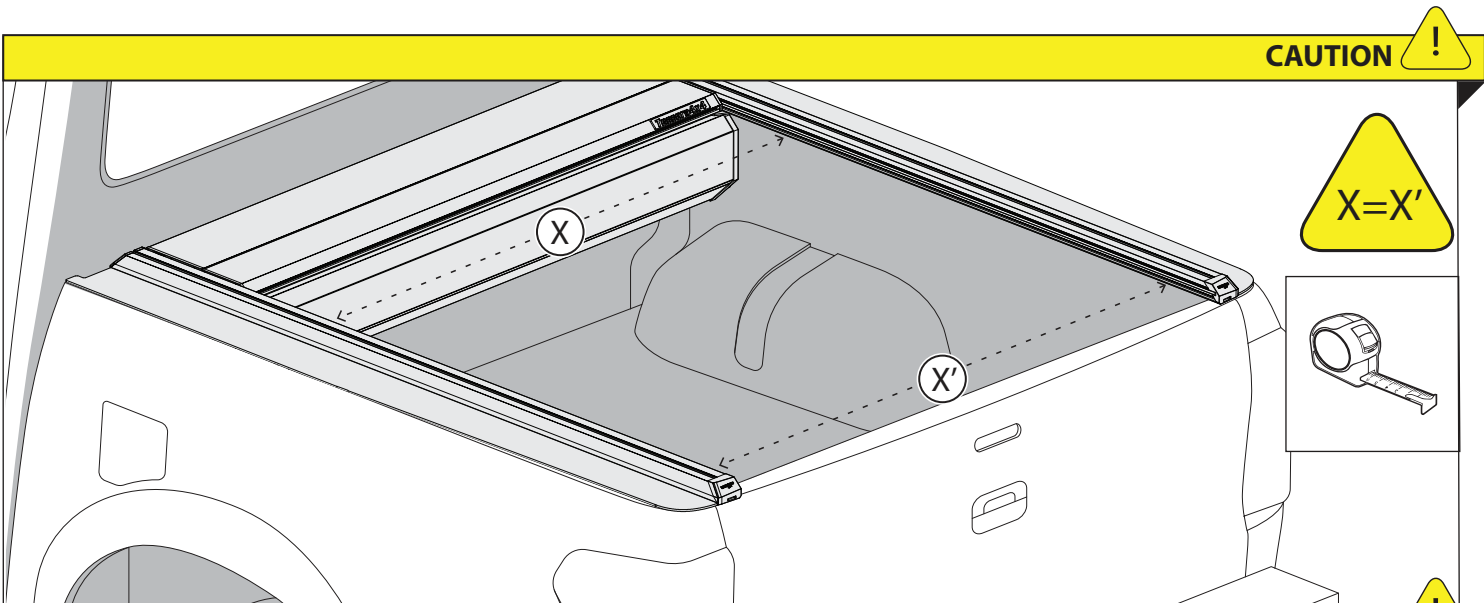
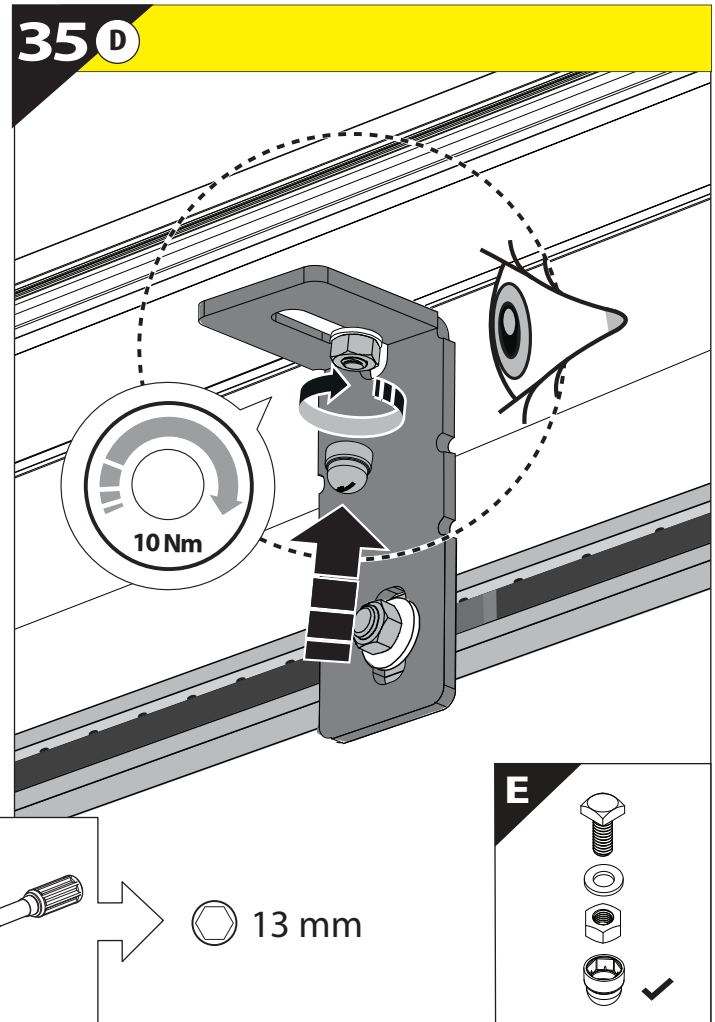
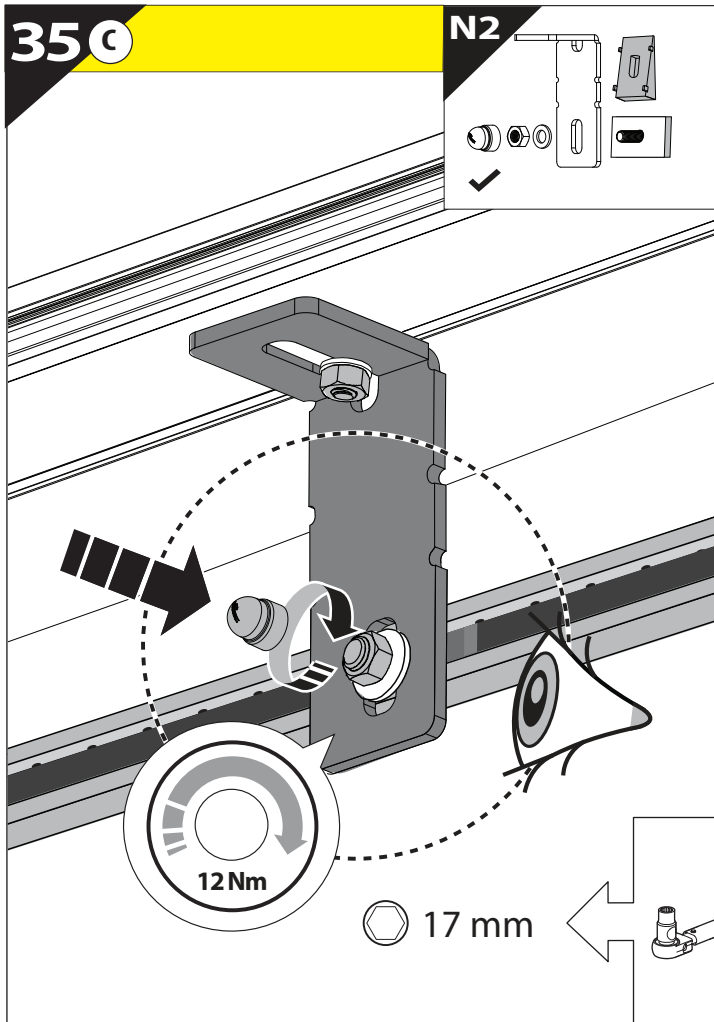


x2

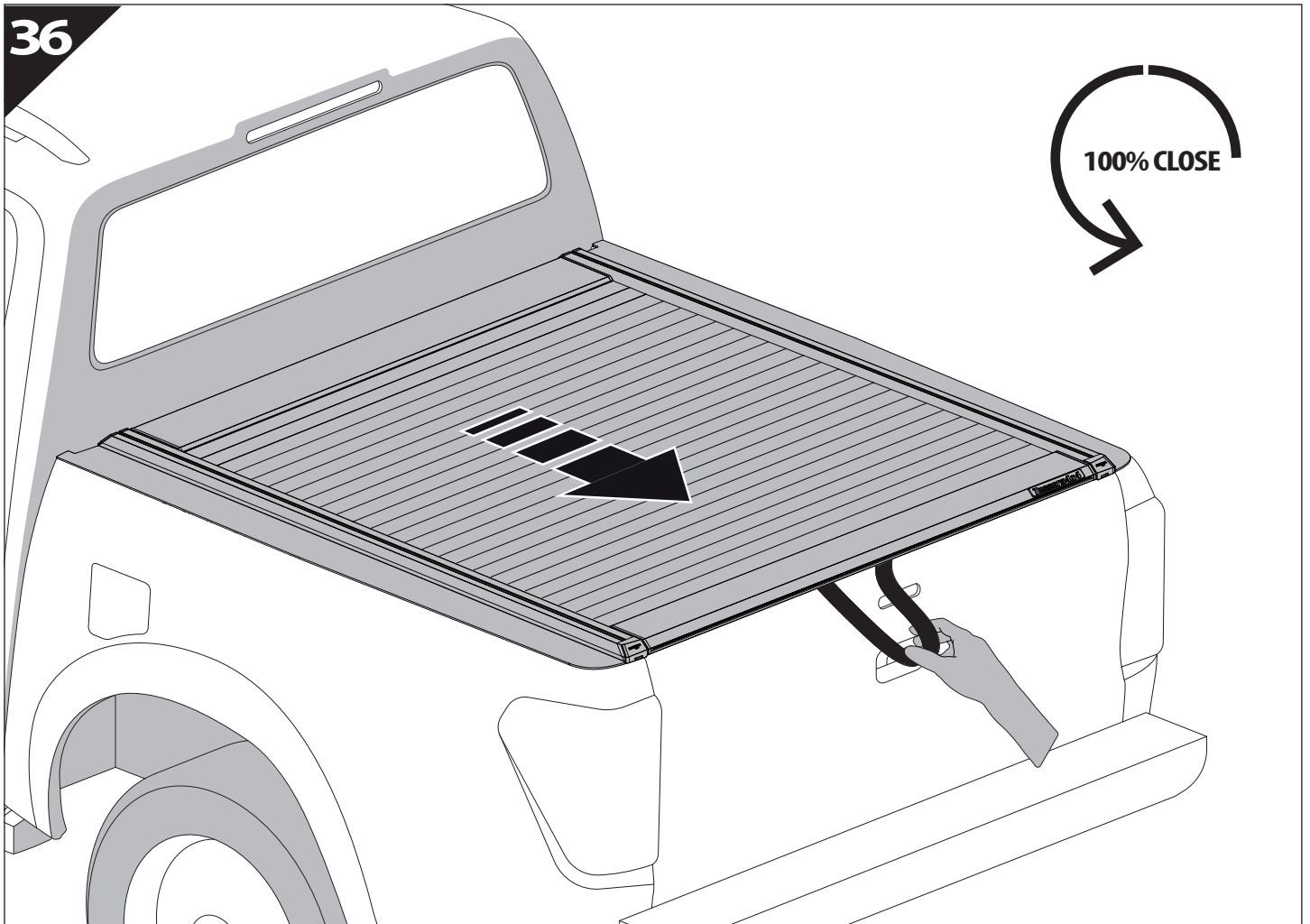


35 B

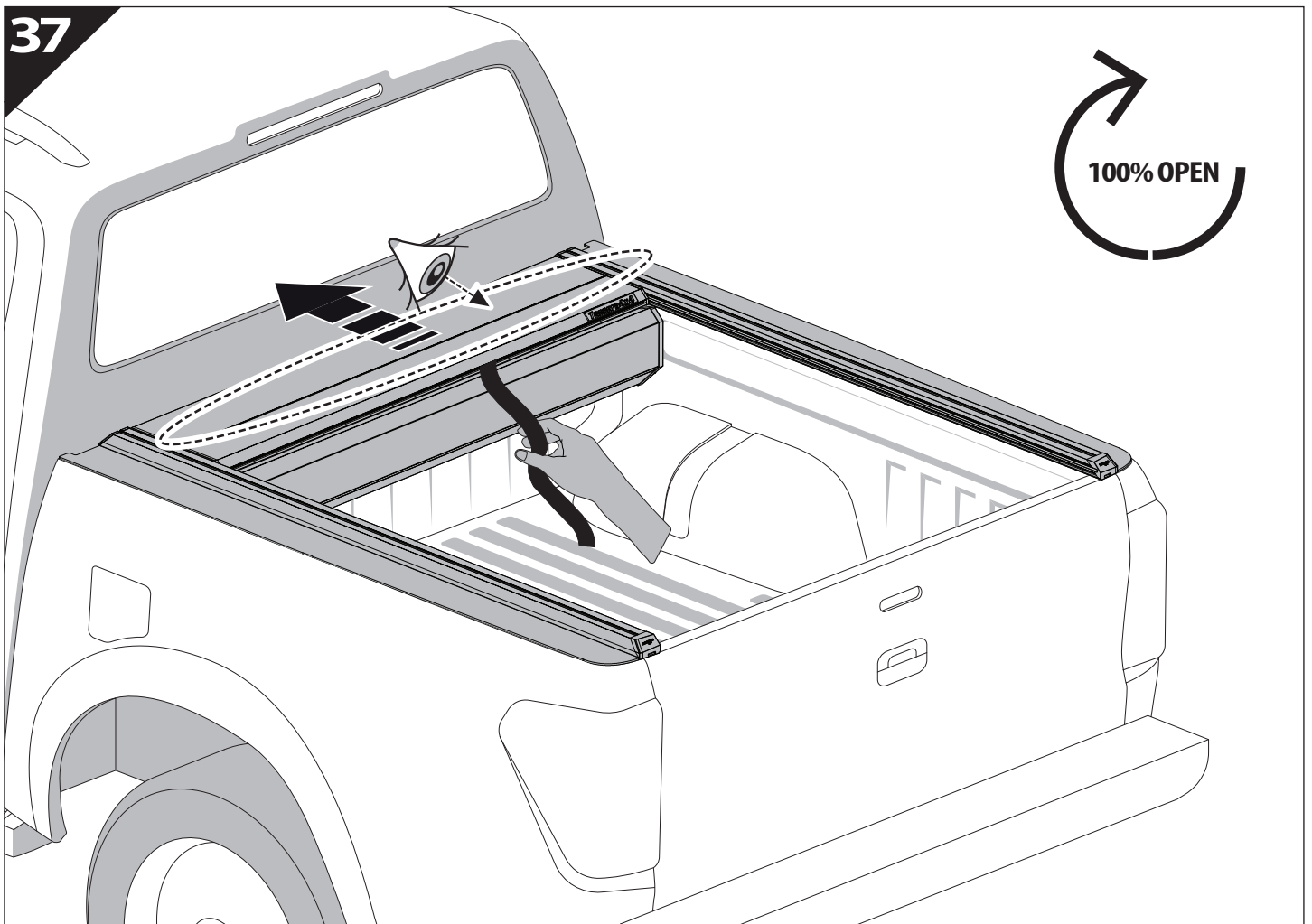




36



37





GR: Οδηγίες Εγκατάστασης
GB: Installation manual
SF: Asennusohje
F: Notice de montage
PL: Instrukcja montażu
NL: Installatie-instructies
TR: Montaj Talimatı
S: Monteringsanvisning
E: Instrucciones de montaje

H: Szerelési utasítás
P: Instruções de instalação
RUS: Инструкция по установке
N: Monteringsveiledning
D: Einbauanleitung
CZ: Návod k instalaci
I: Istruzioni de montaggio
DK: Monteringsvejledning
RO: Instructiuni de instalare

Customer Service:

+30 (210) 5541161, +30 (210) 5541154 (08:00 - 16:00 EET)

Support department:

info@gianso.gr

Website:

www.tessera4x4.com

Address:

19.5 km of National road Athens-Korinthos (Elefsina) Greece, P.C: 19200