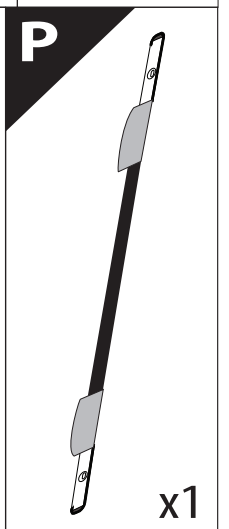
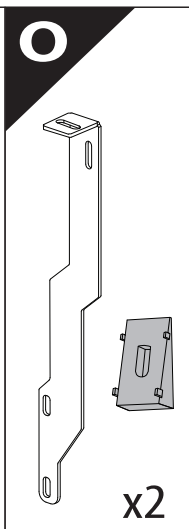
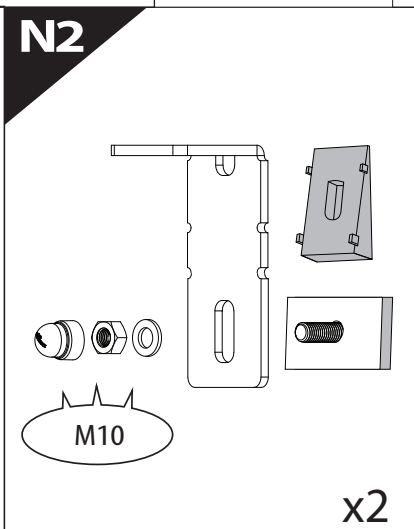
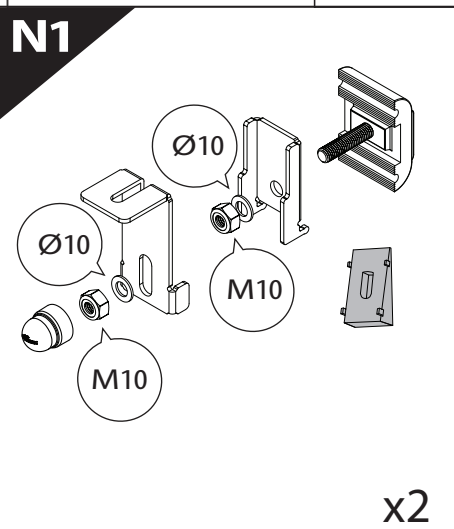
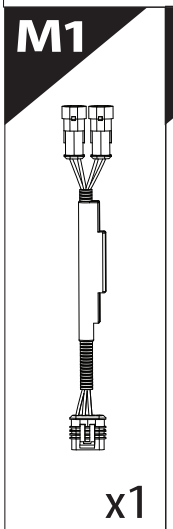
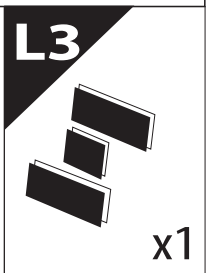
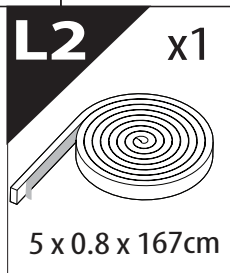
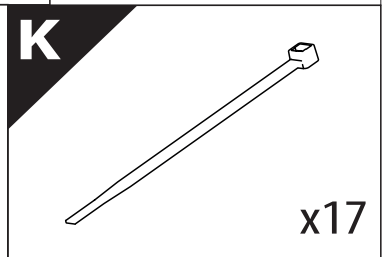
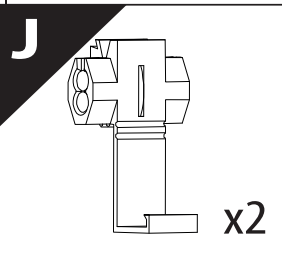
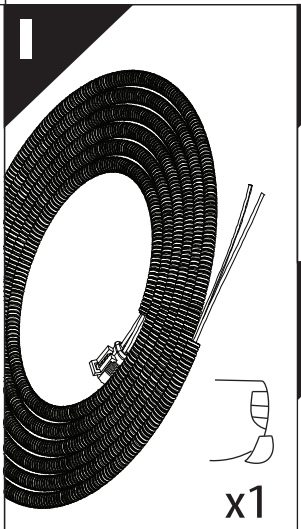
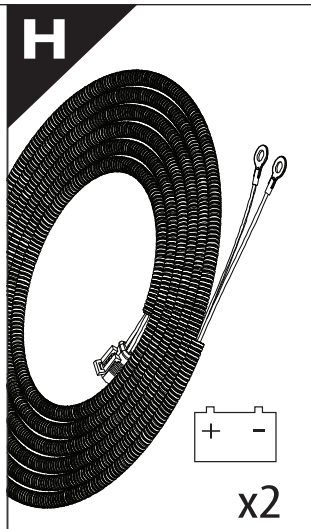
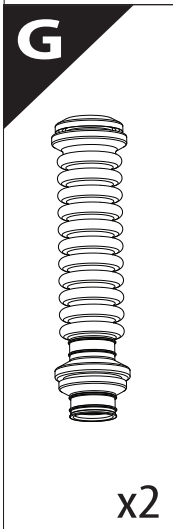
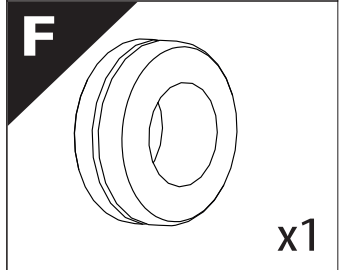
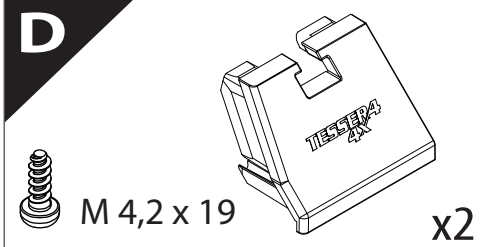
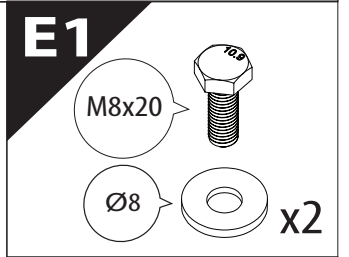
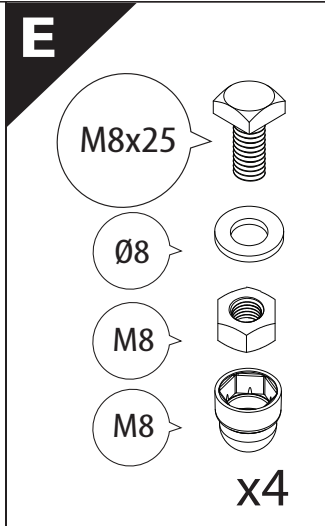
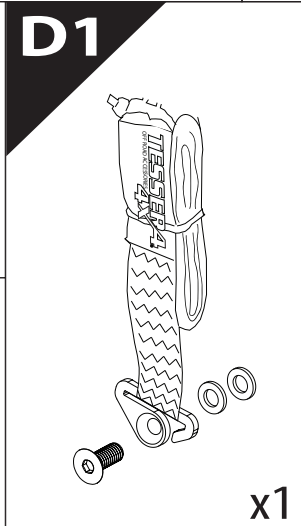
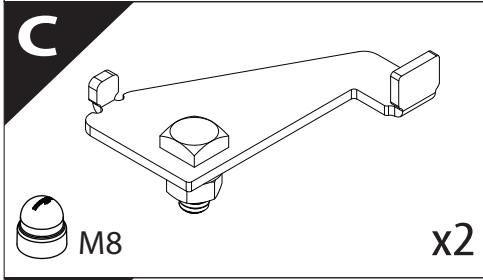
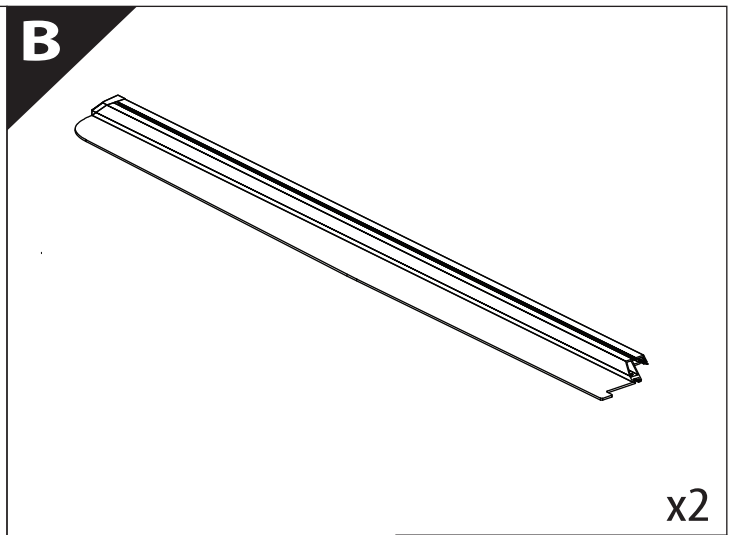
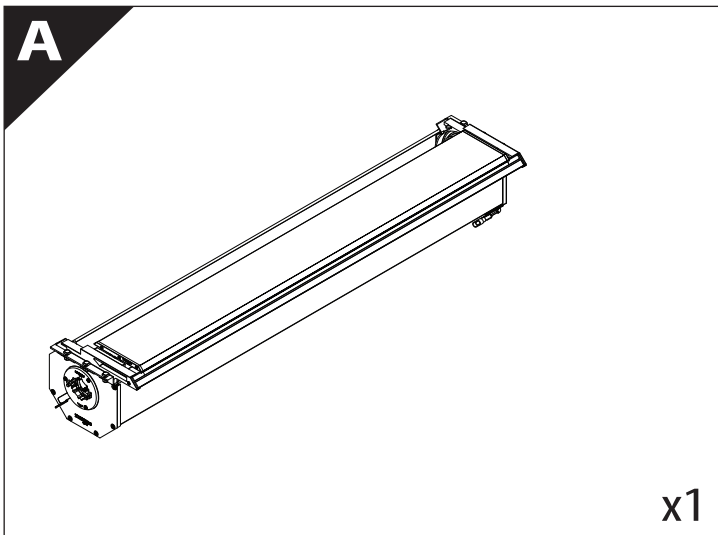
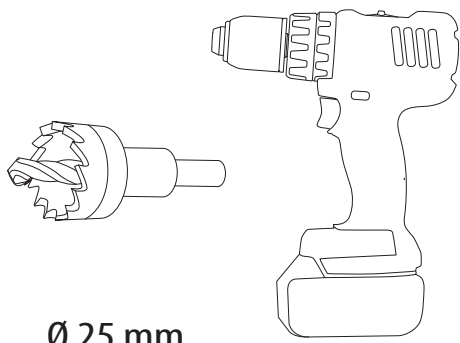




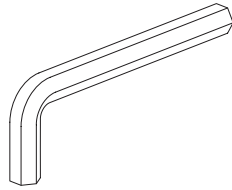
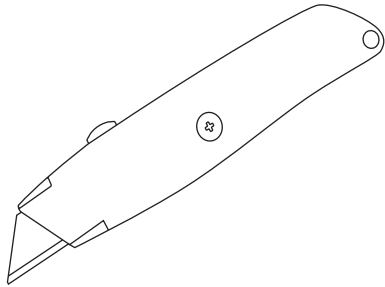
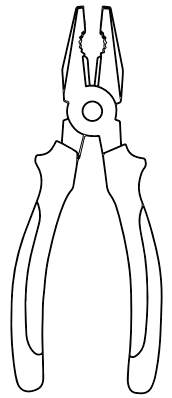
Installation Manual

PART NUMBER(S)	Model Year
TESS 14011 ROLL	VW AMAROK 2023+ WITH OR WITHOUT C-CHANNELS
Cab(s)	Installation Time / Weight
Double Cab	40-60 minutes / 53-57 kg



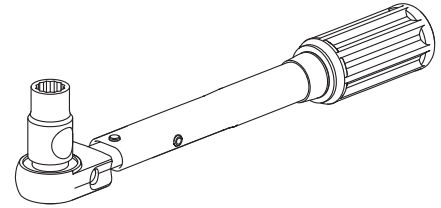


Ø 25 mm



4 mm

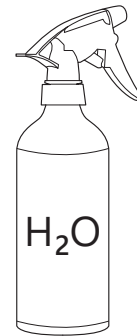
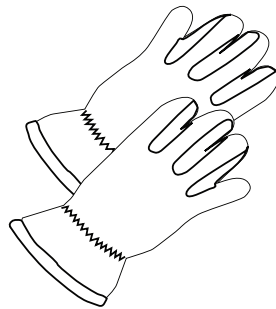
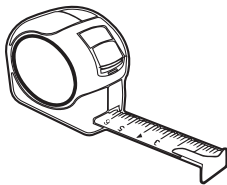
1 - 25 Nm



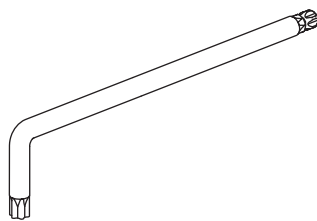
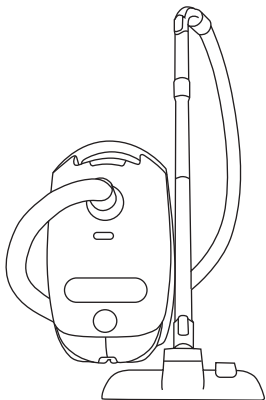
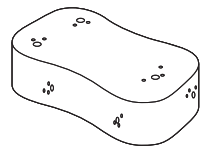
10, 12, 13, 17 mm



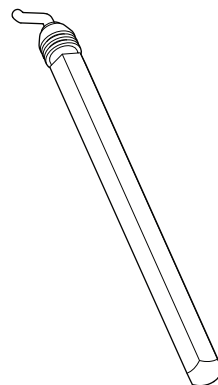
ACETONE



H₂O



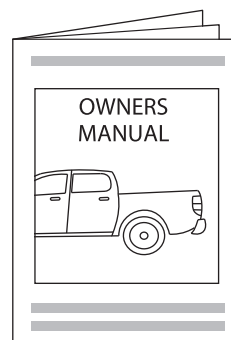
T30, T40



ANTI-RUST



INSTALLATION
MANUAL



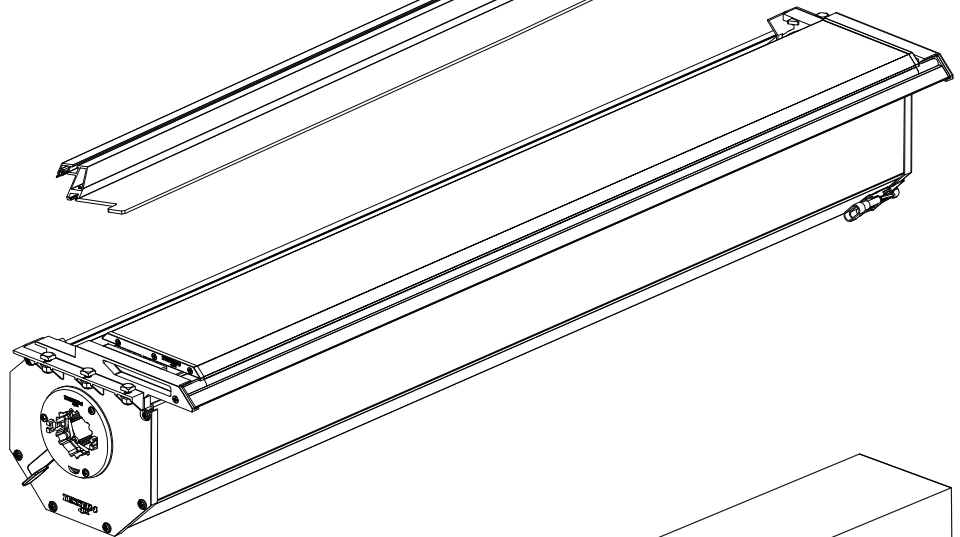
OWNERS
MANUAL



x1

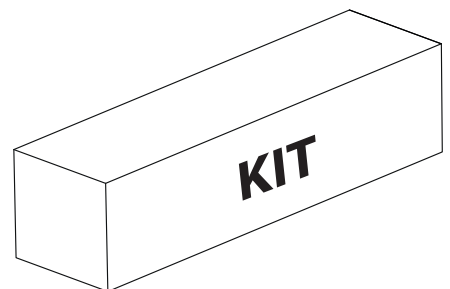


B



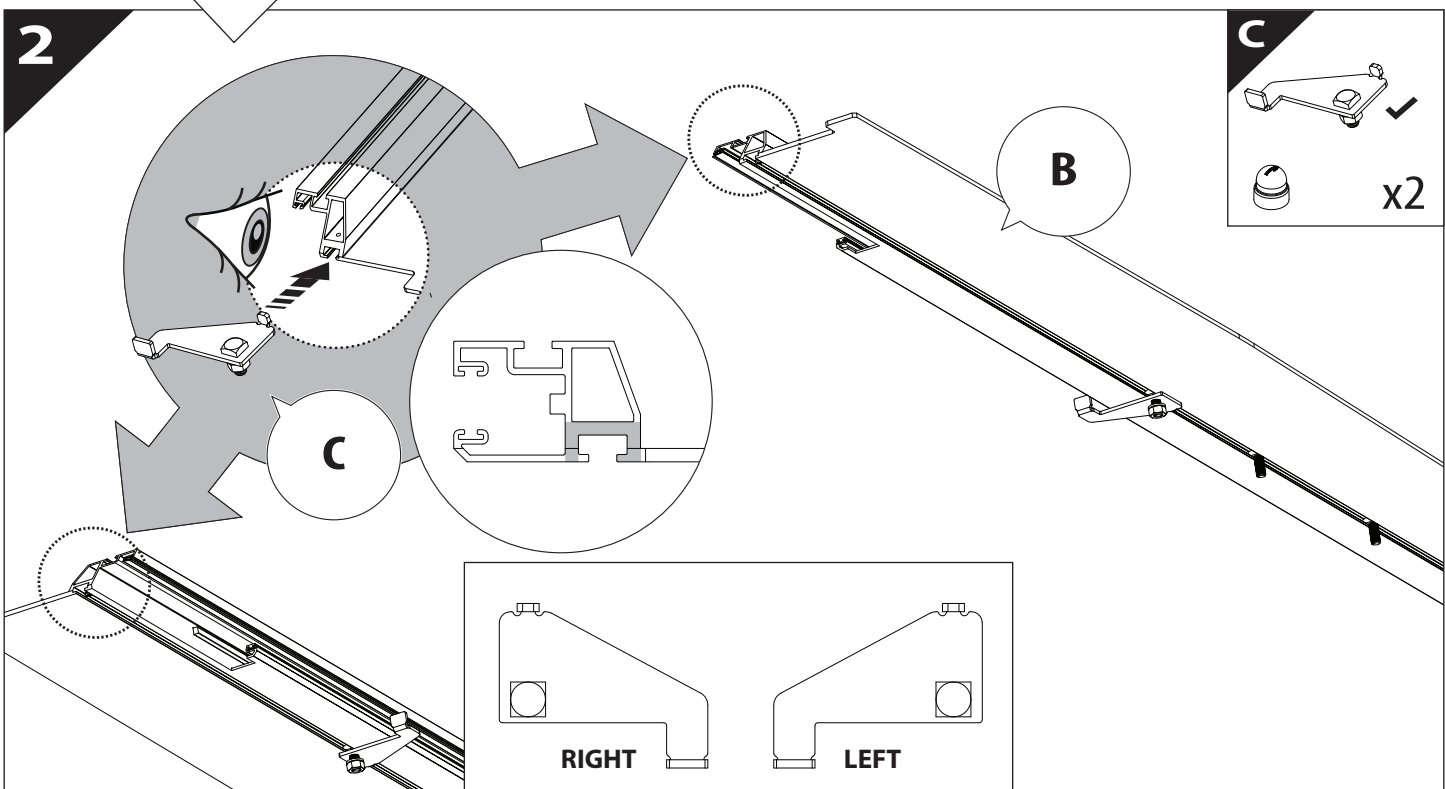
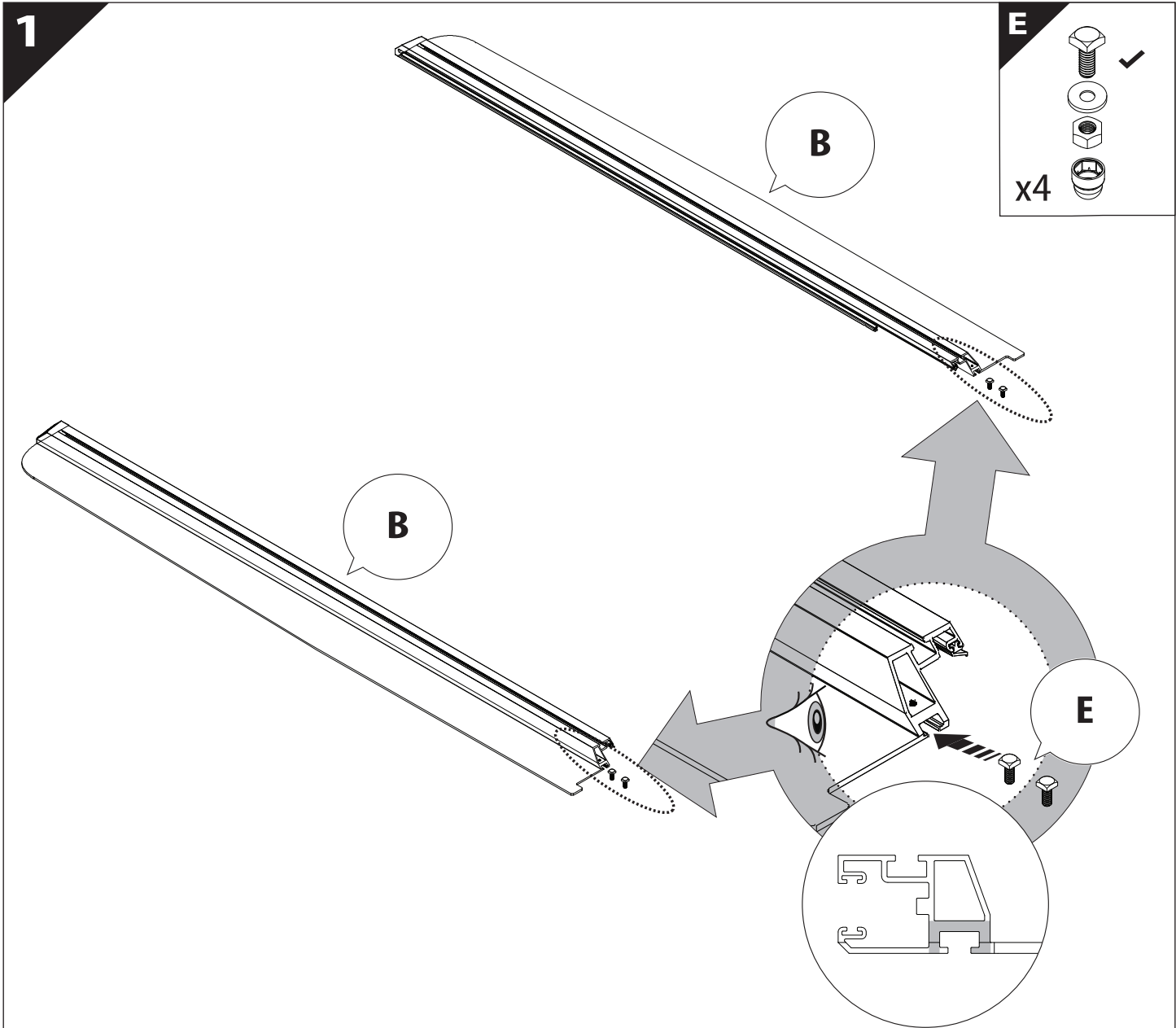
A

KITS

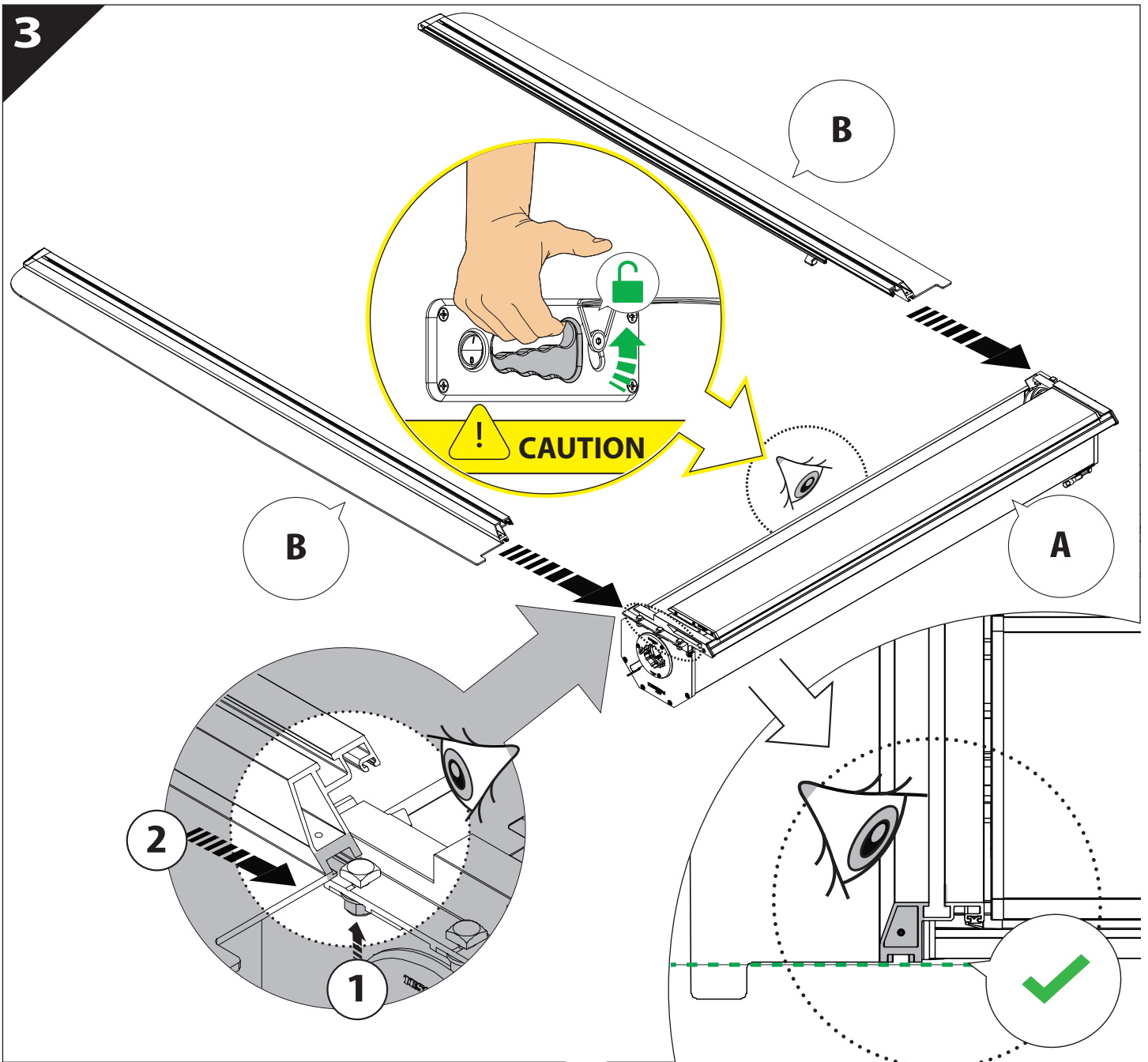


L

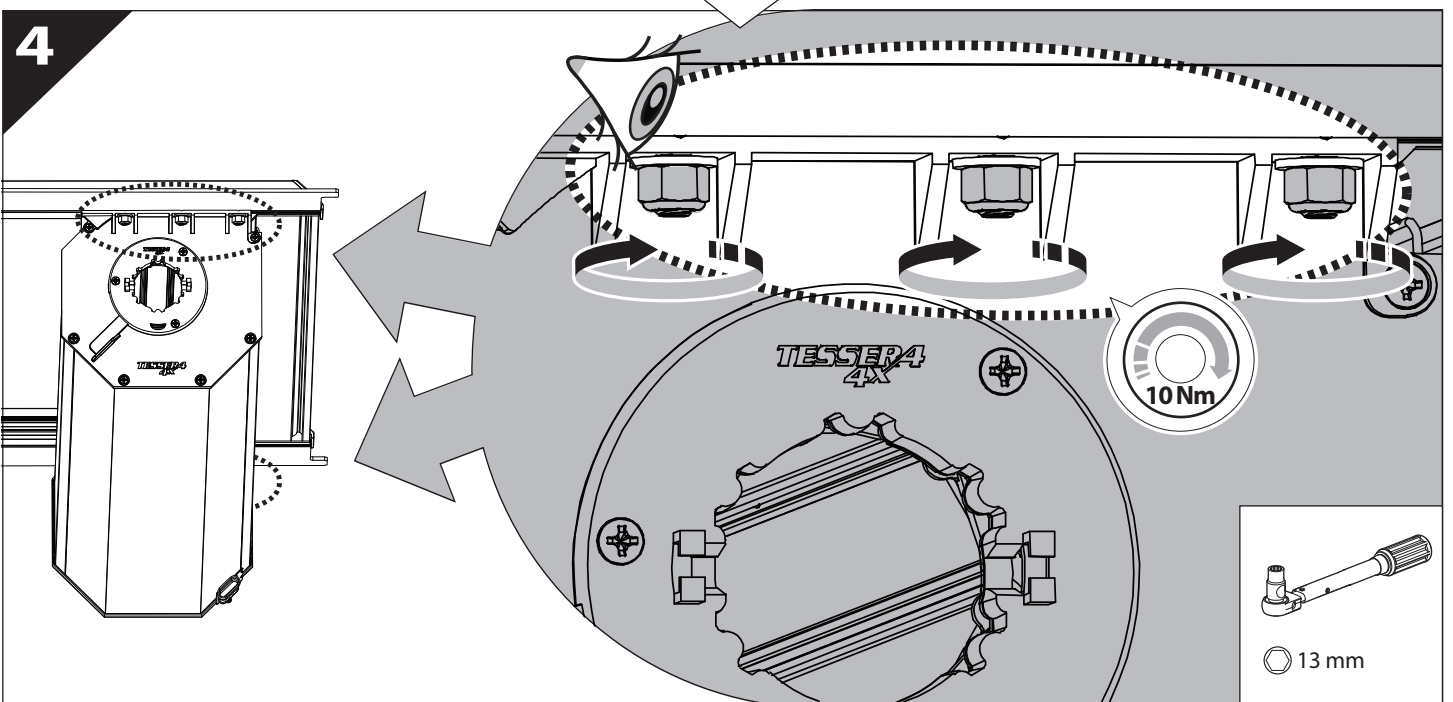


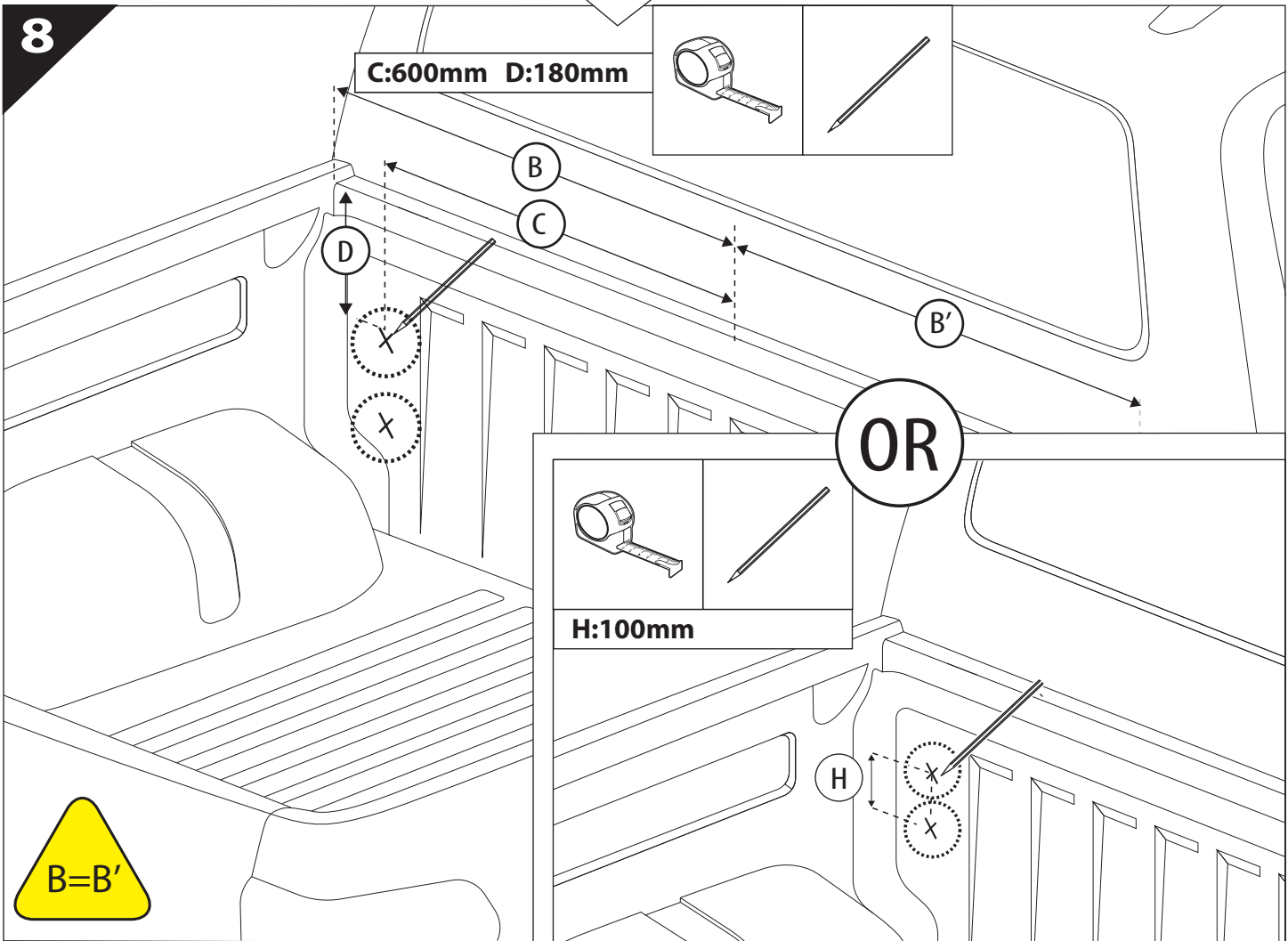
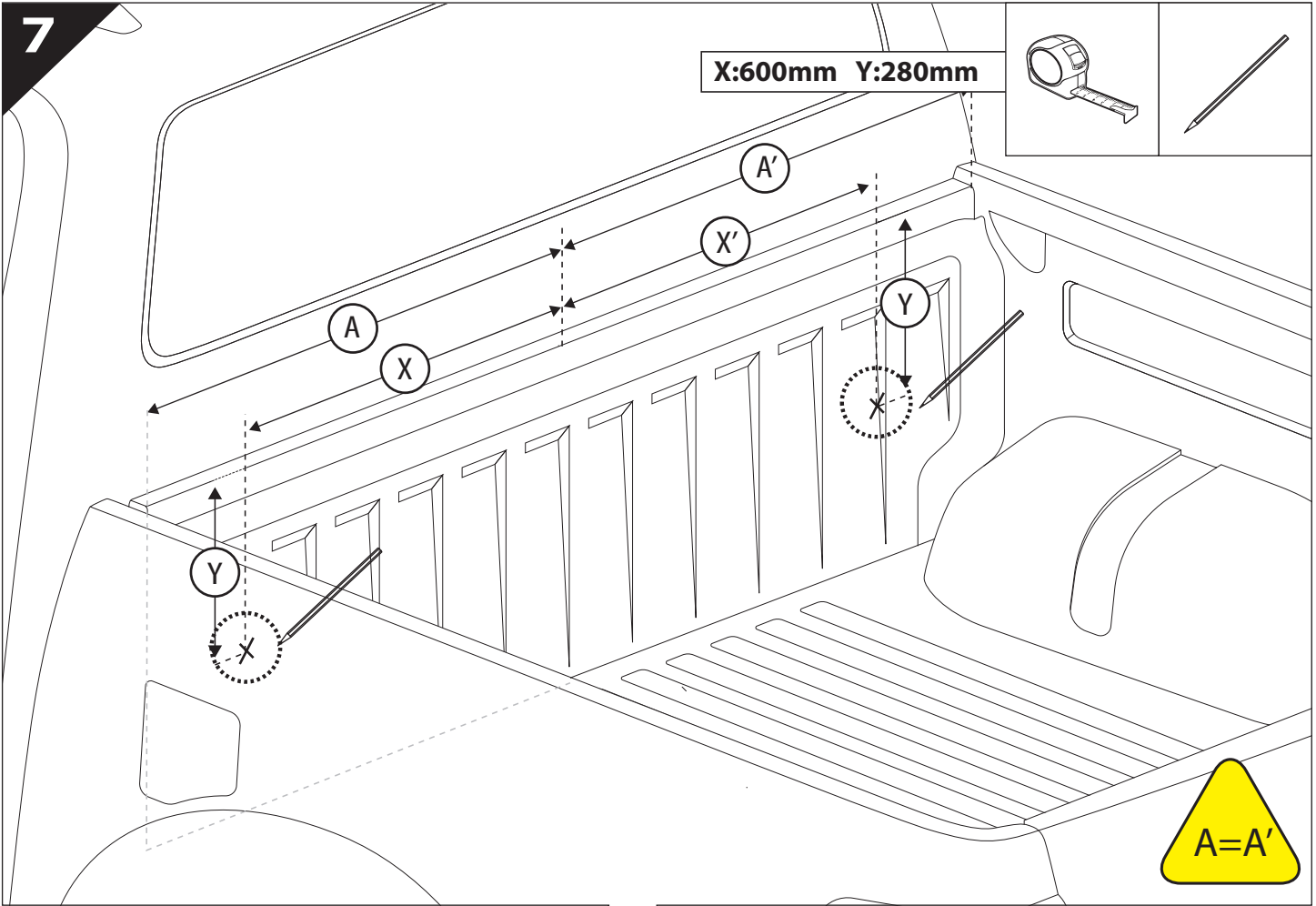


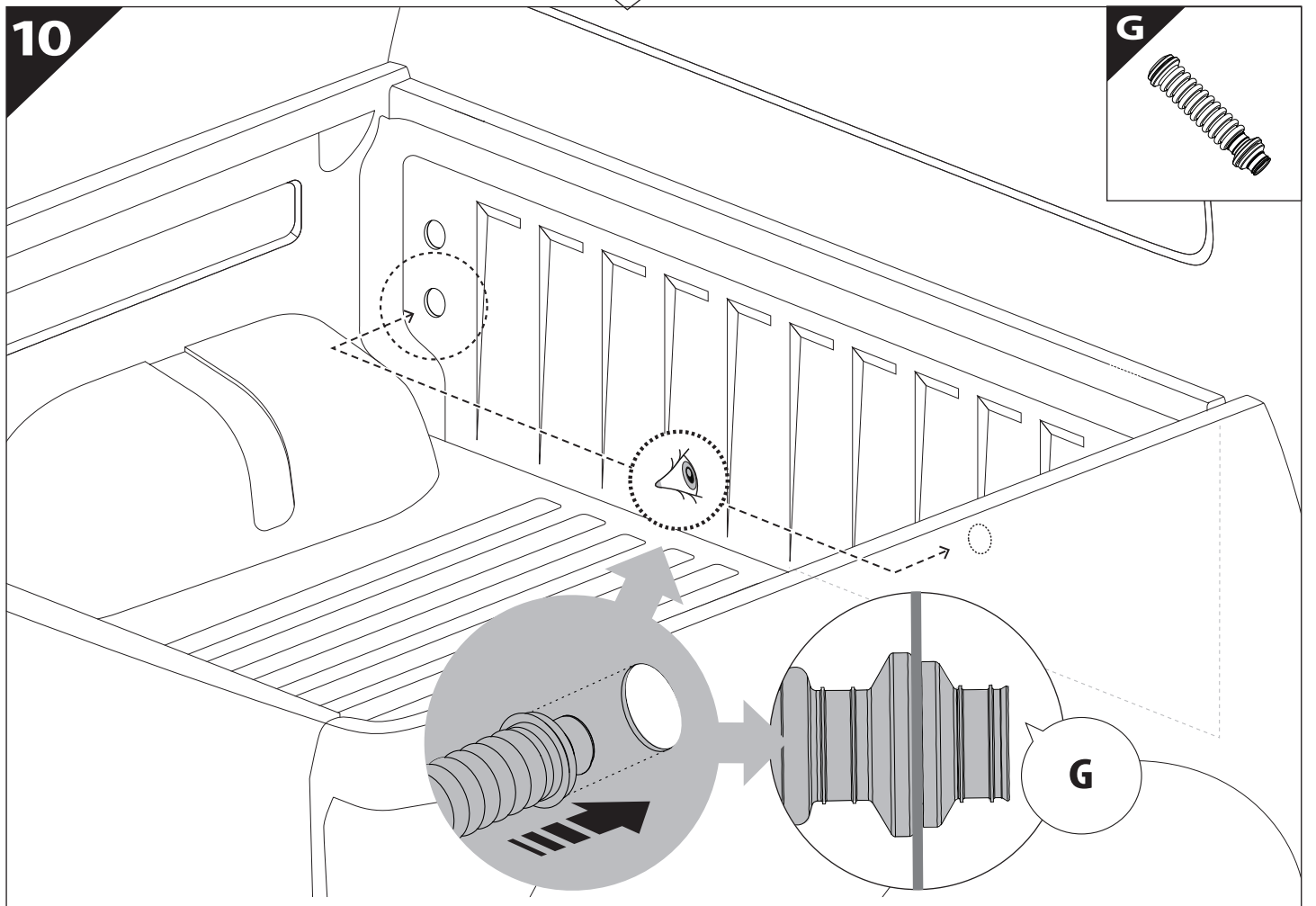
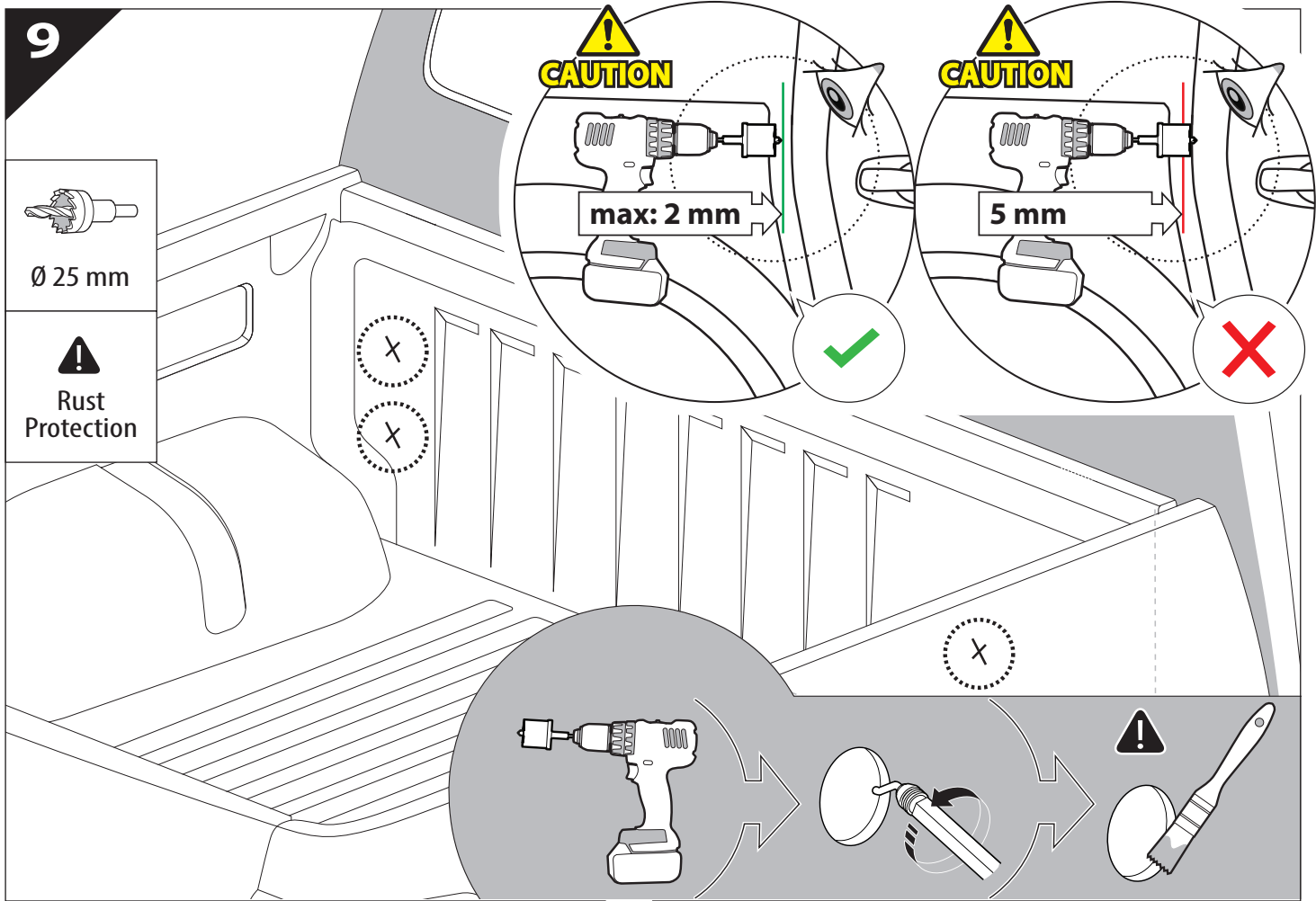
3



4

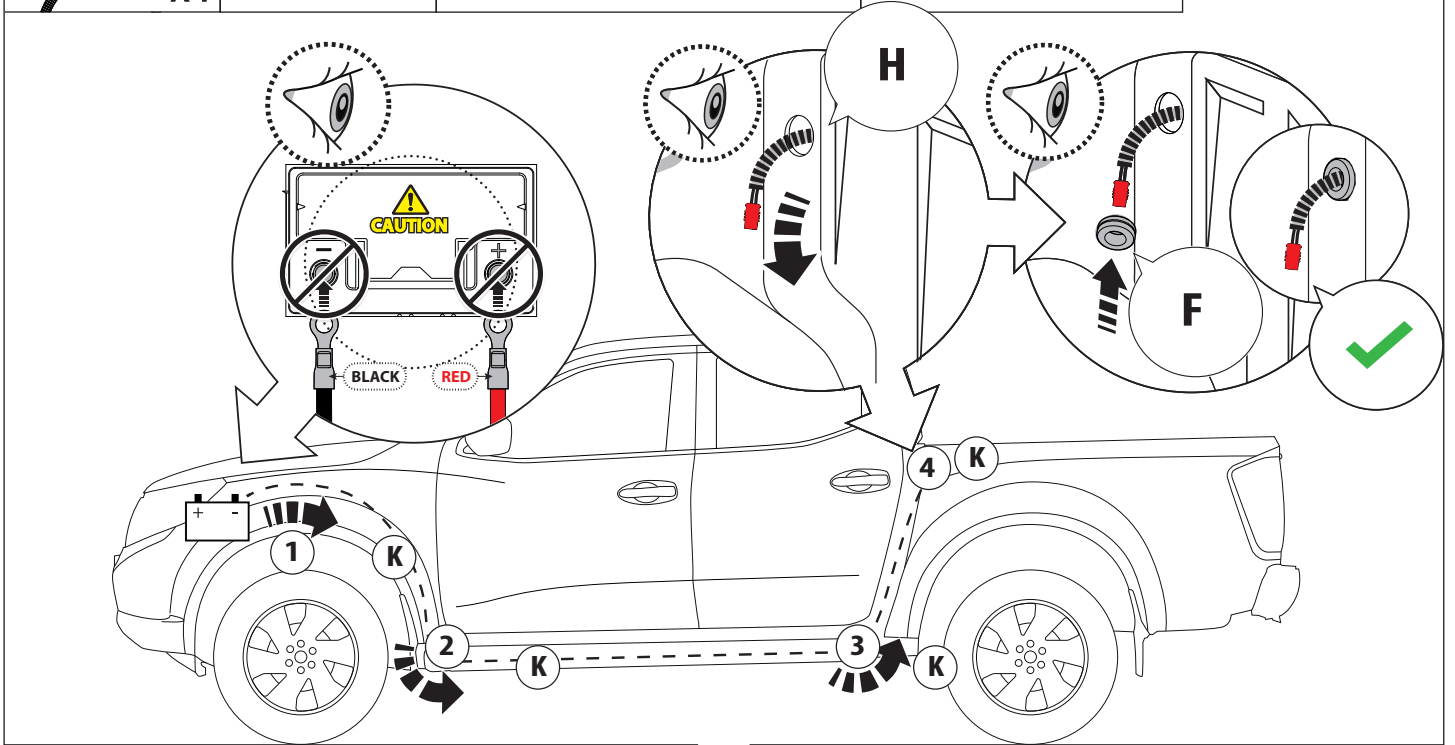
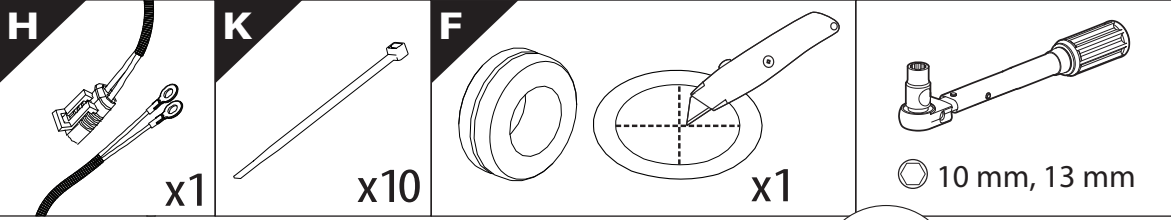




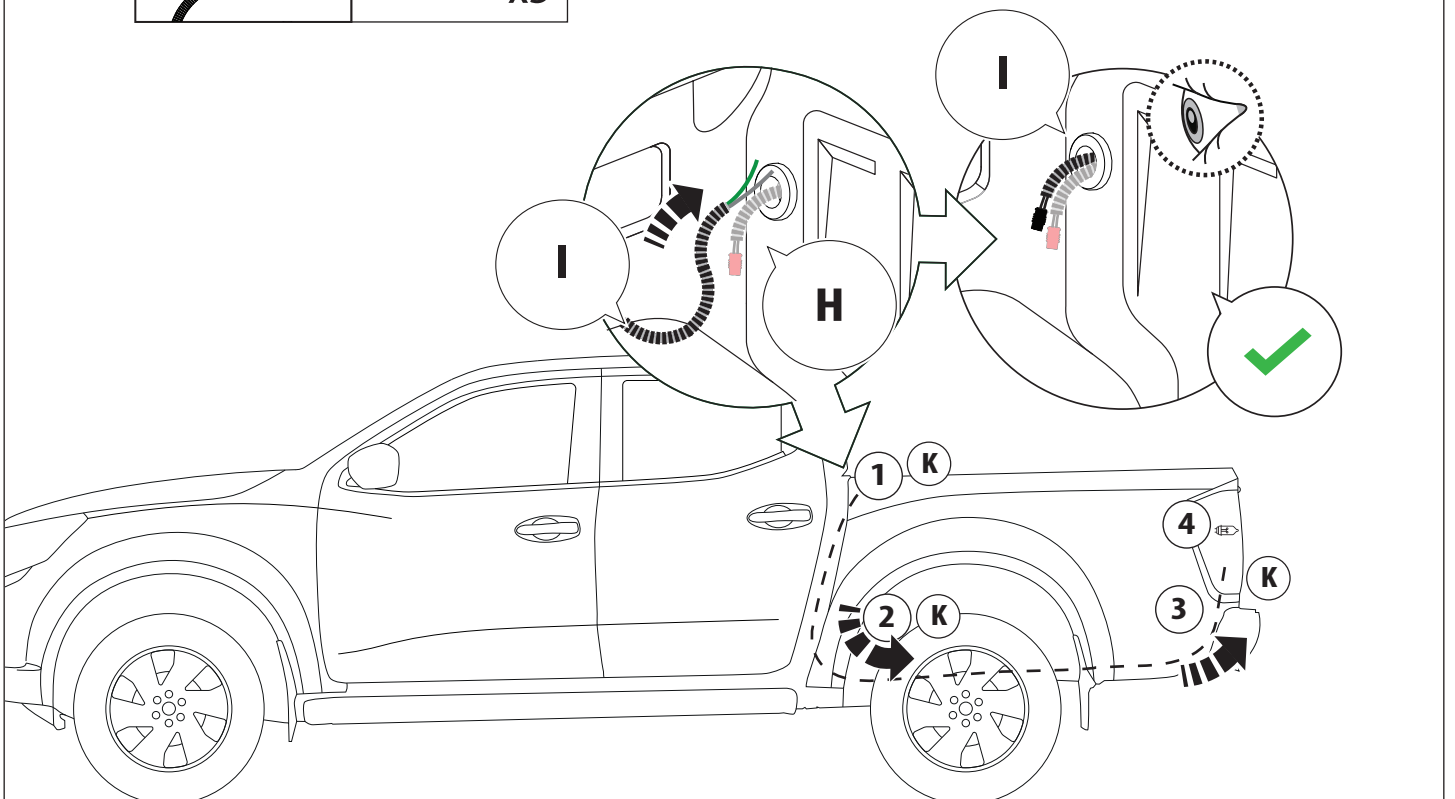
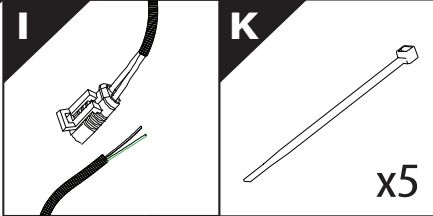


11

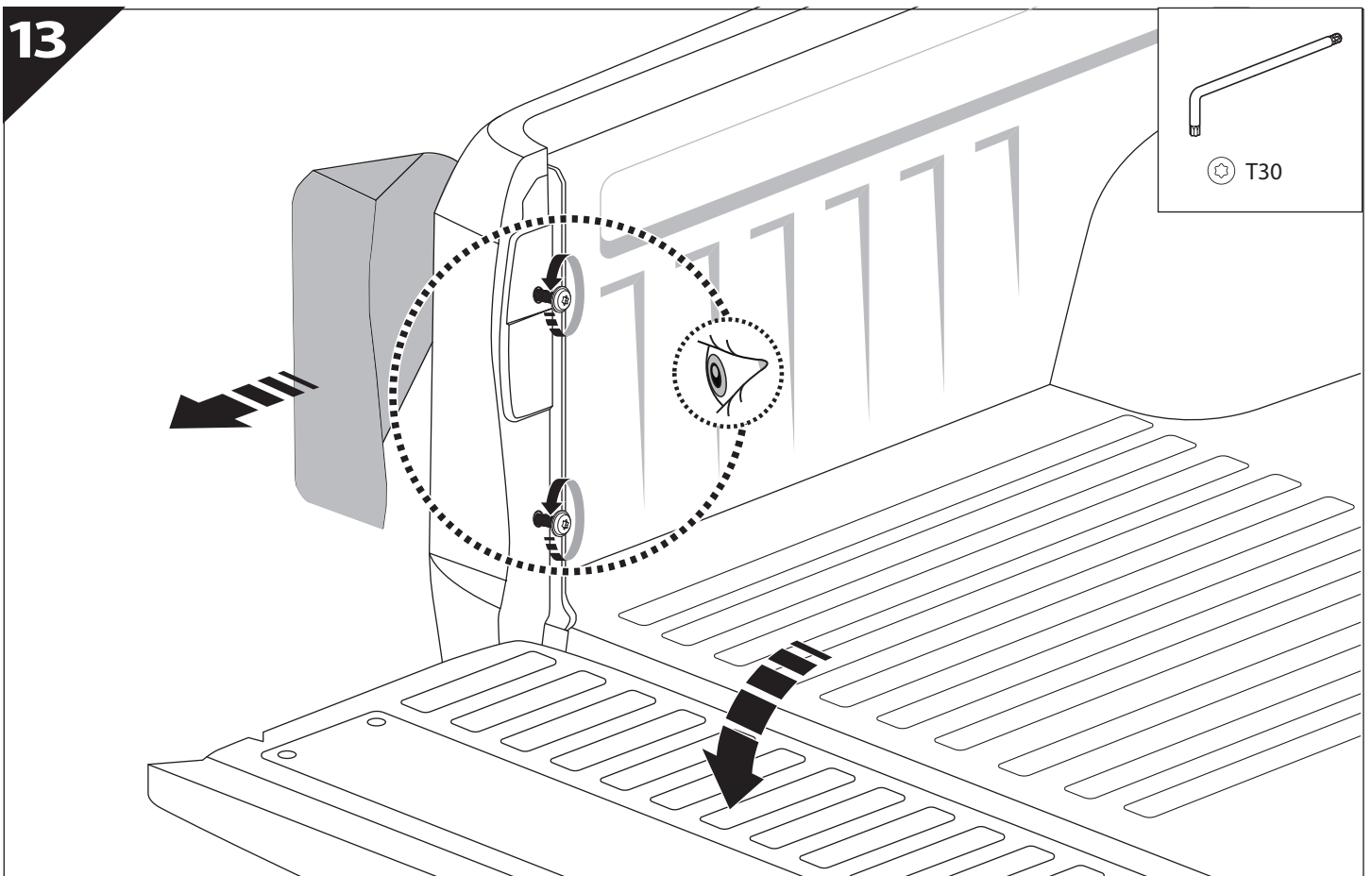
Only to be installed by authorized personnel



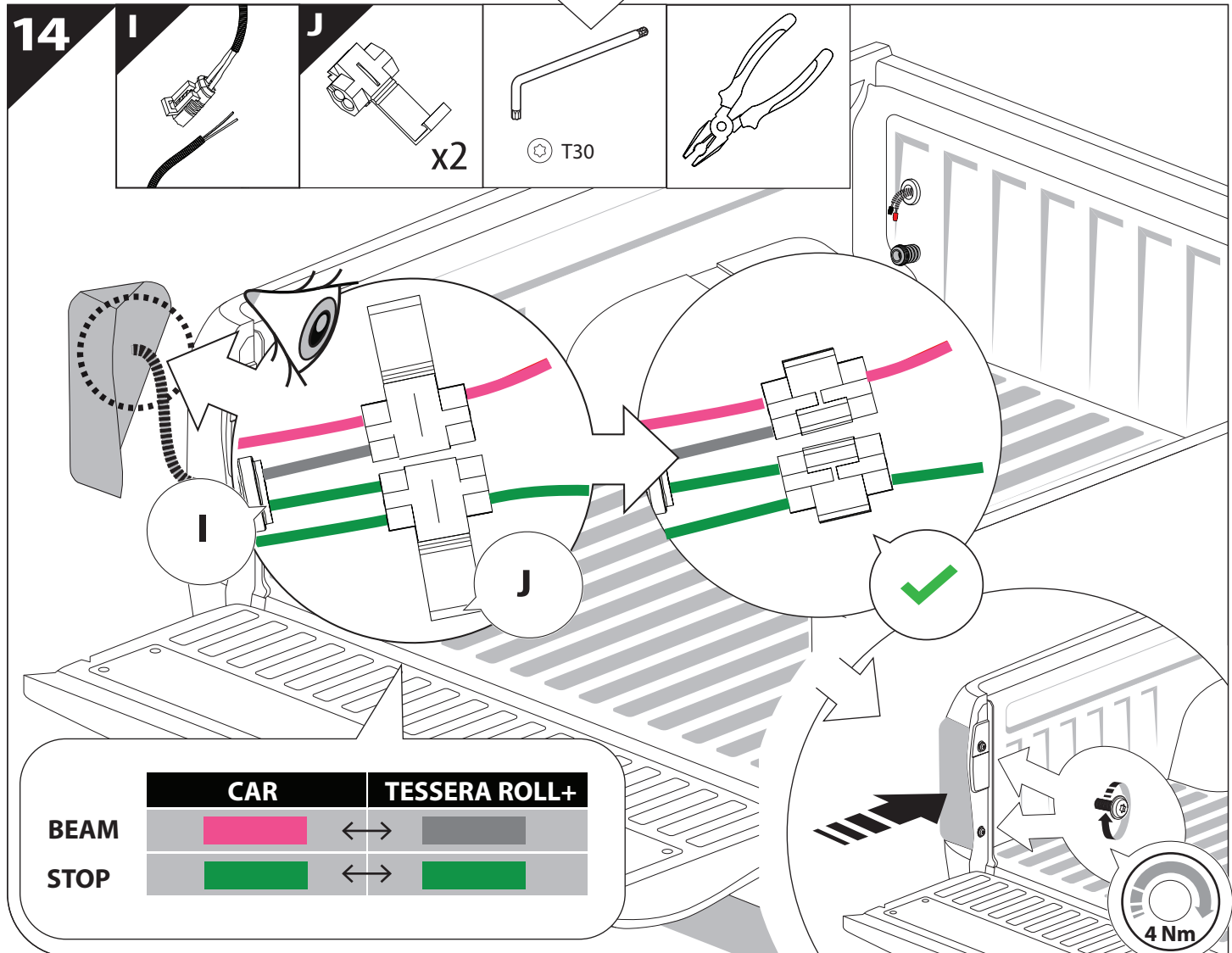
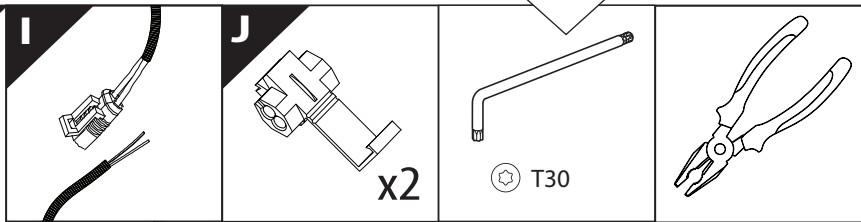
12

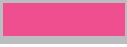





13

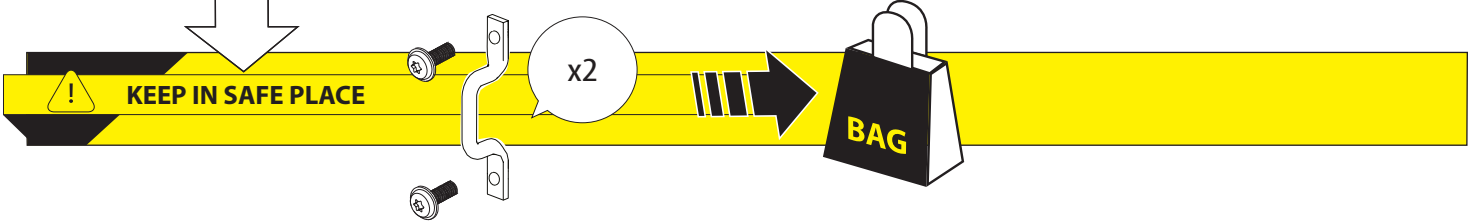
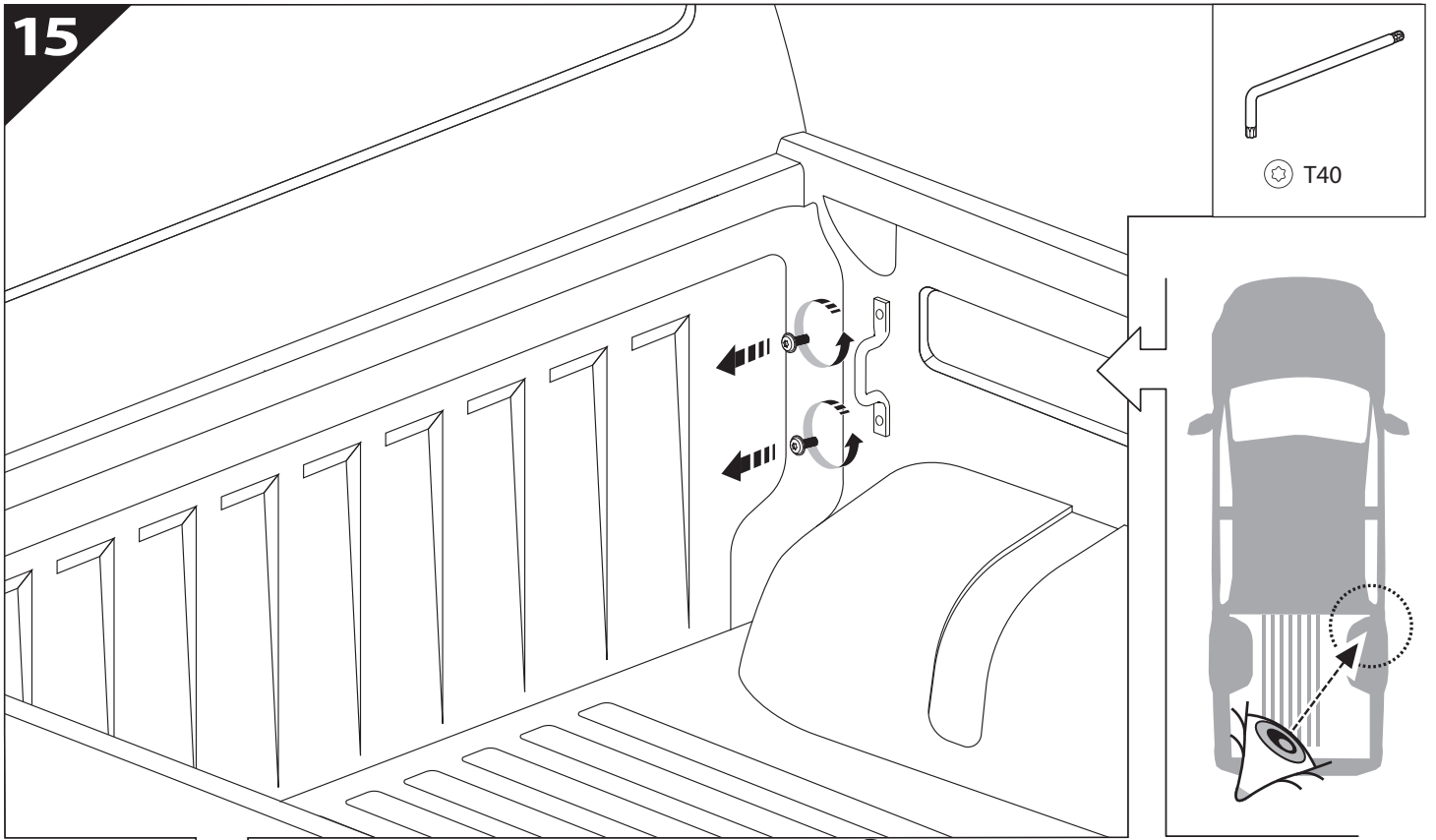


14

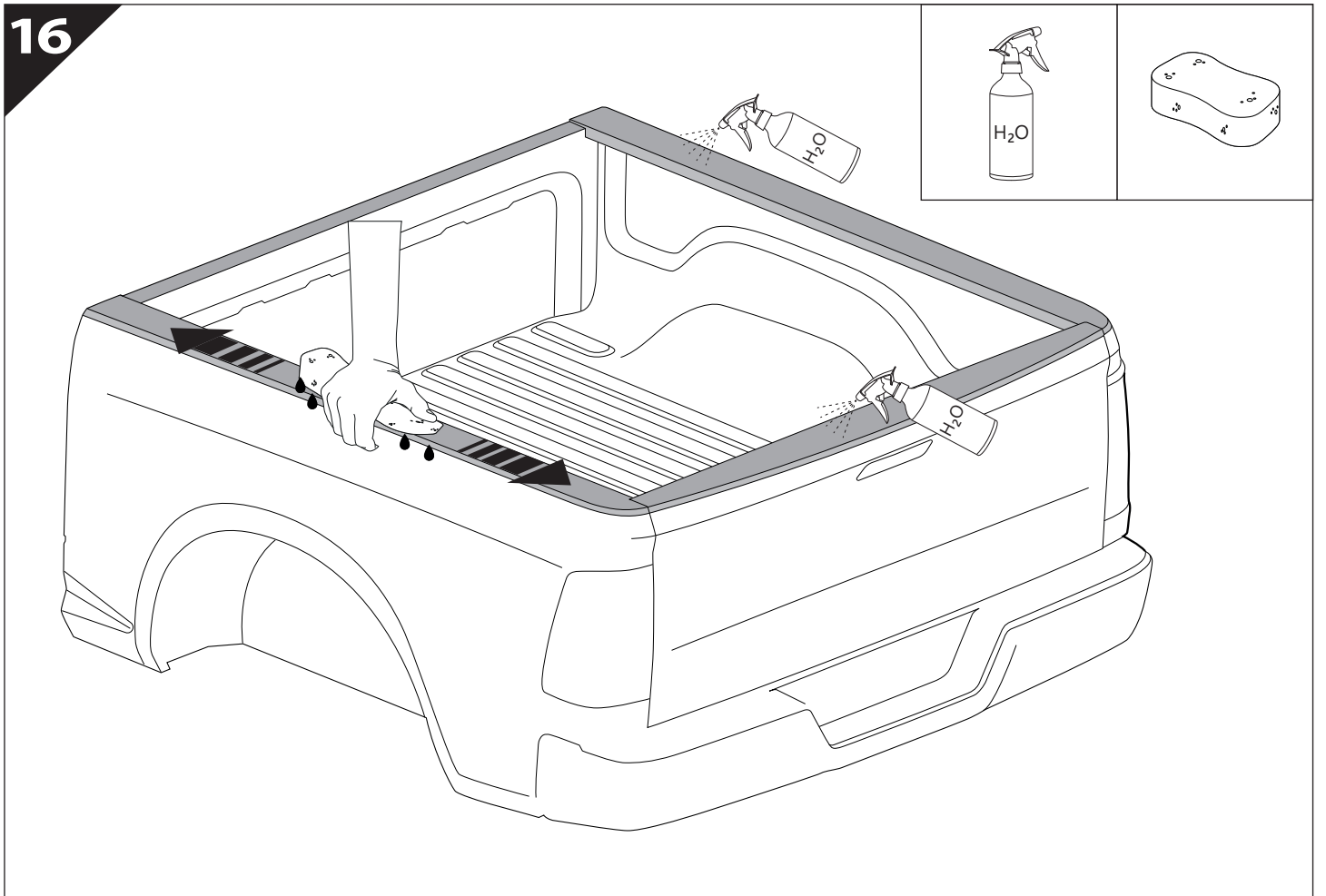


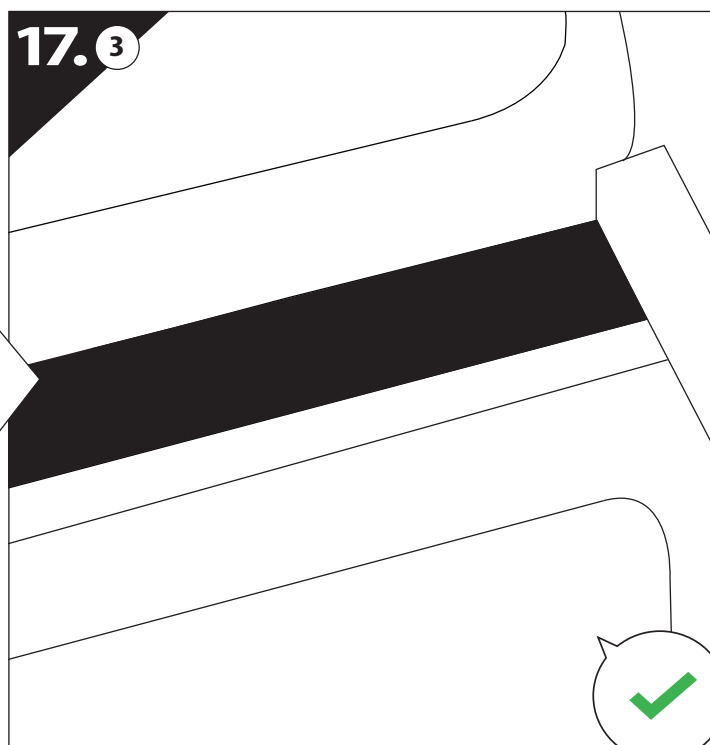
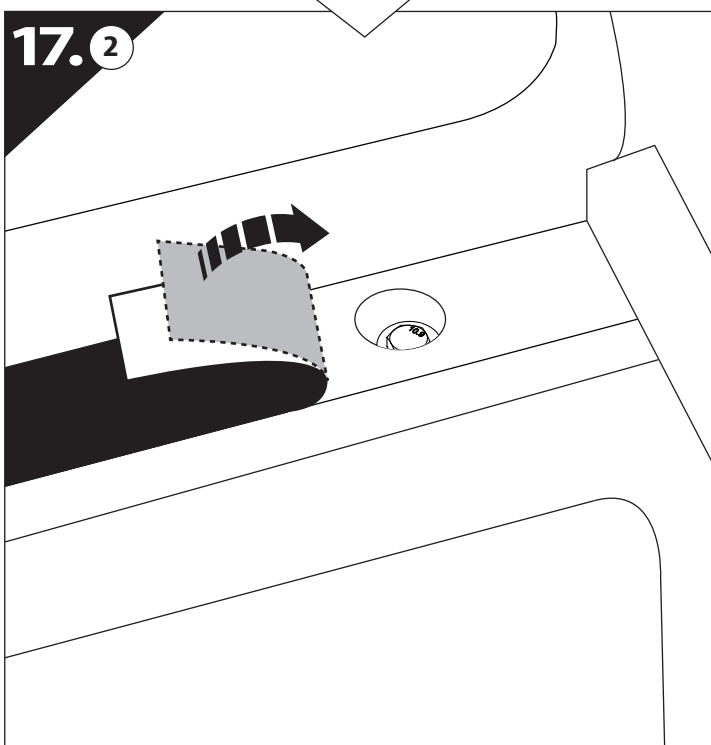
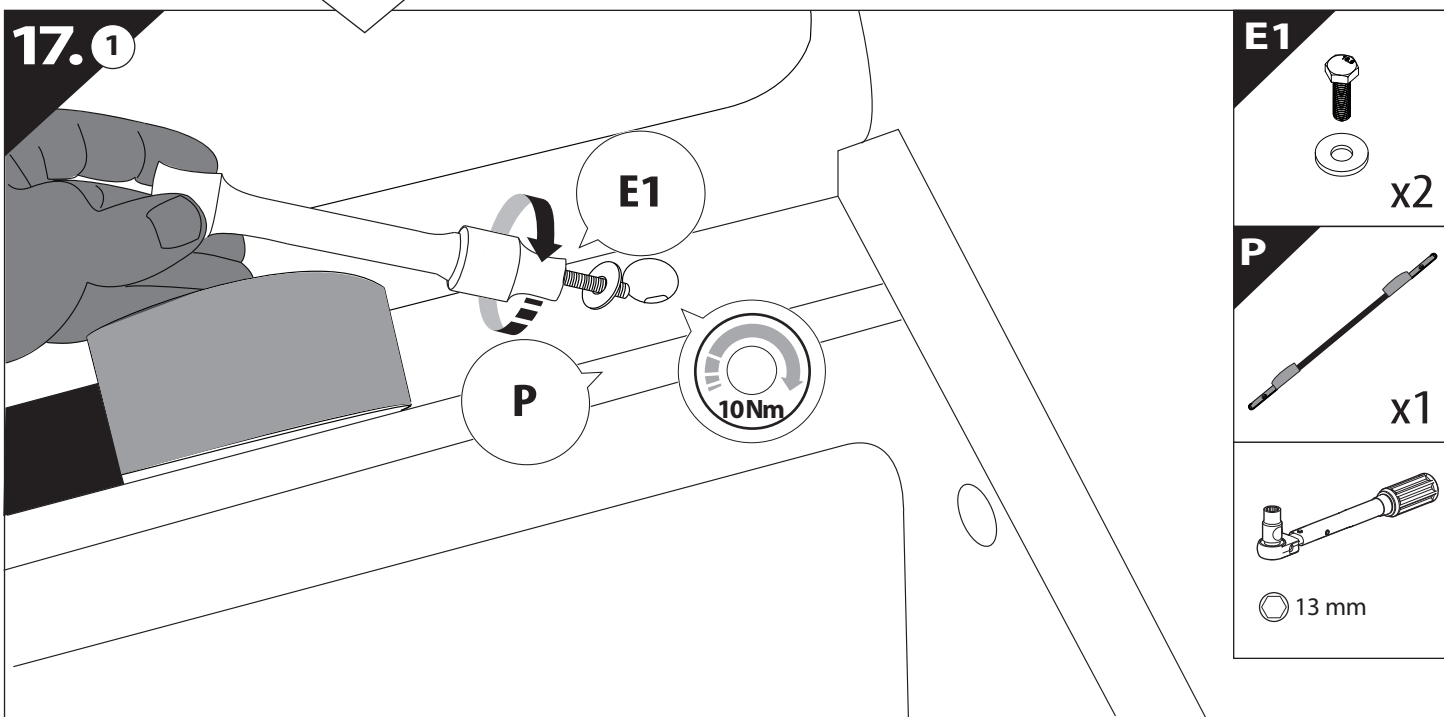
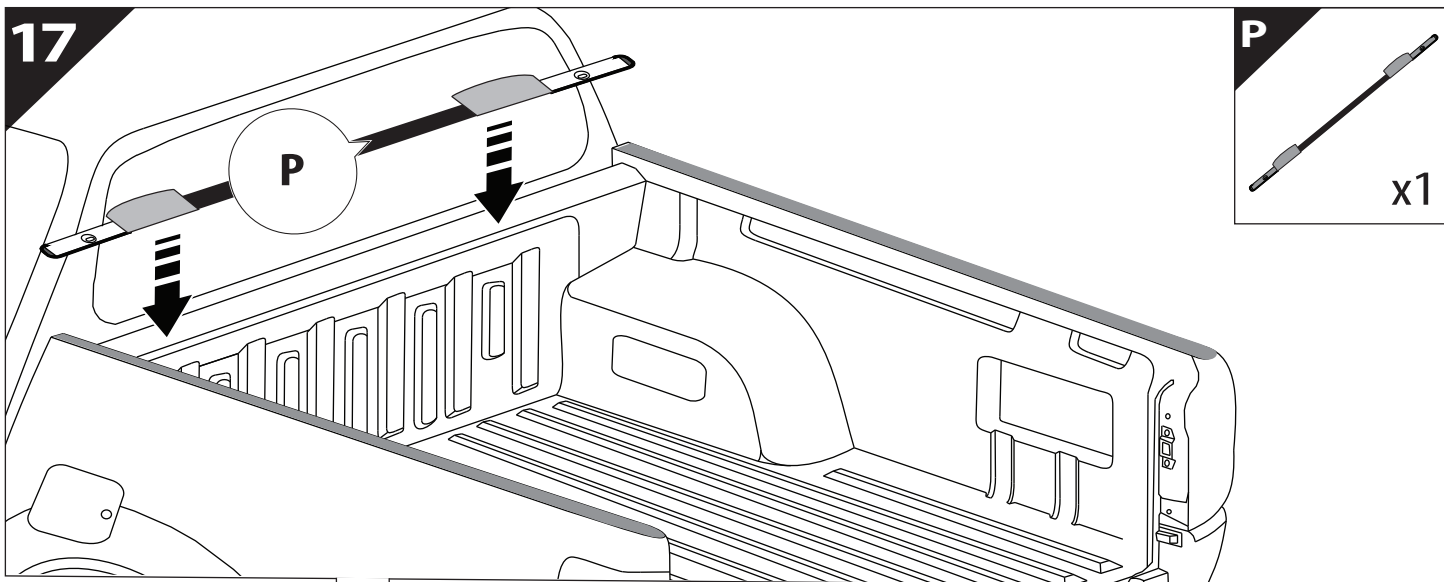
	CAR		TESSERA ROLL+
BEAM		↔	
STOP		↔	

15



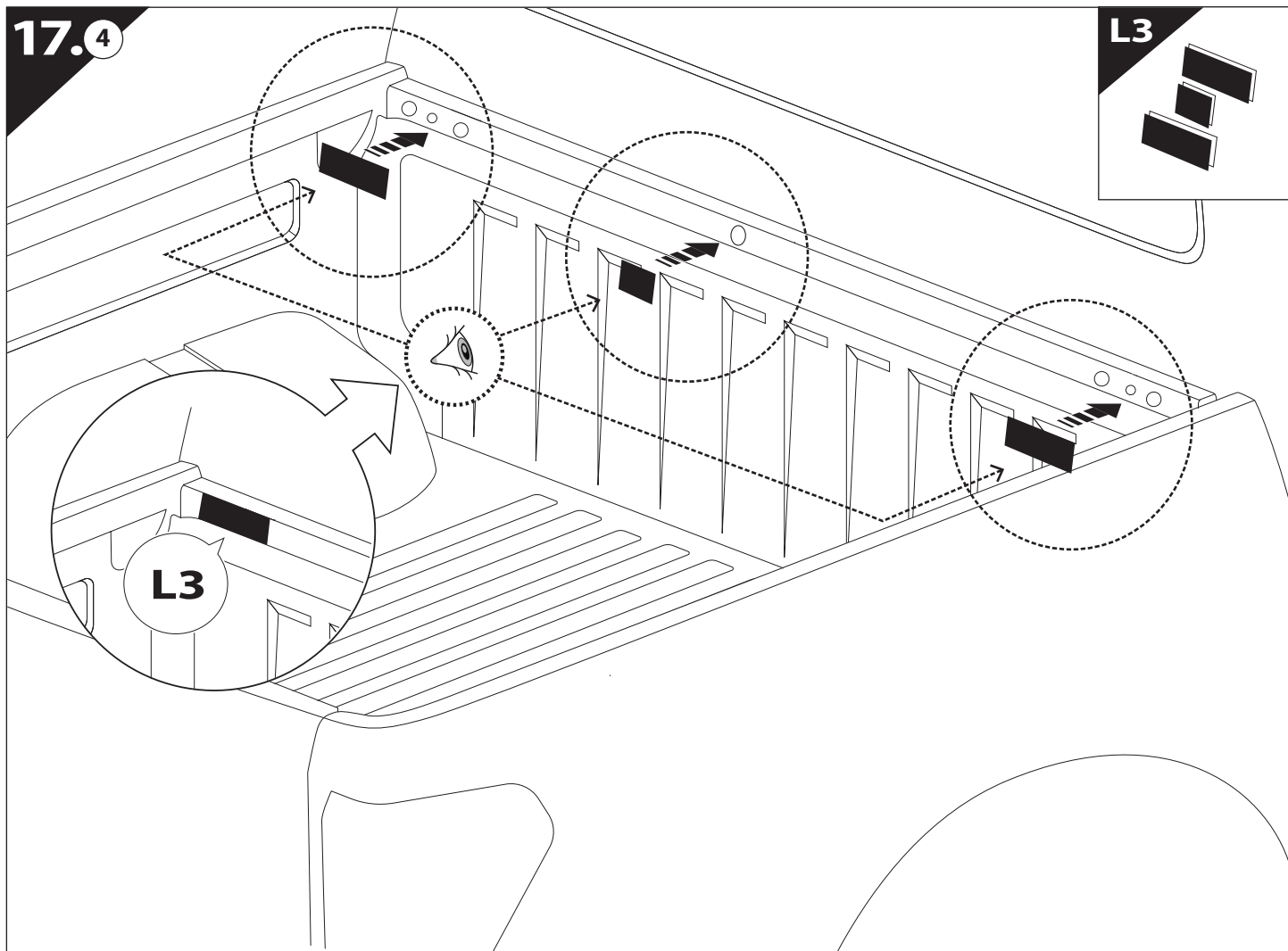
16

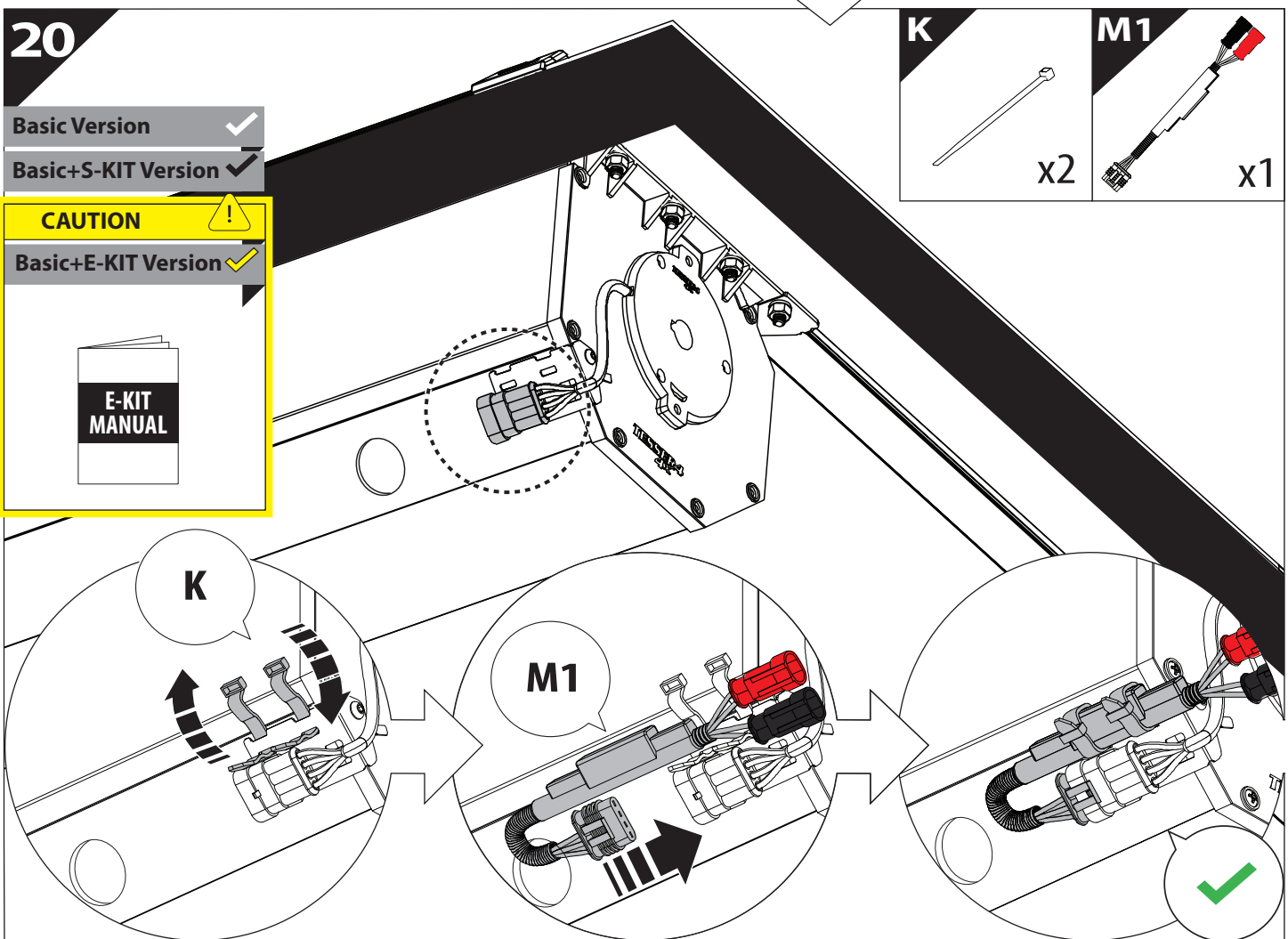
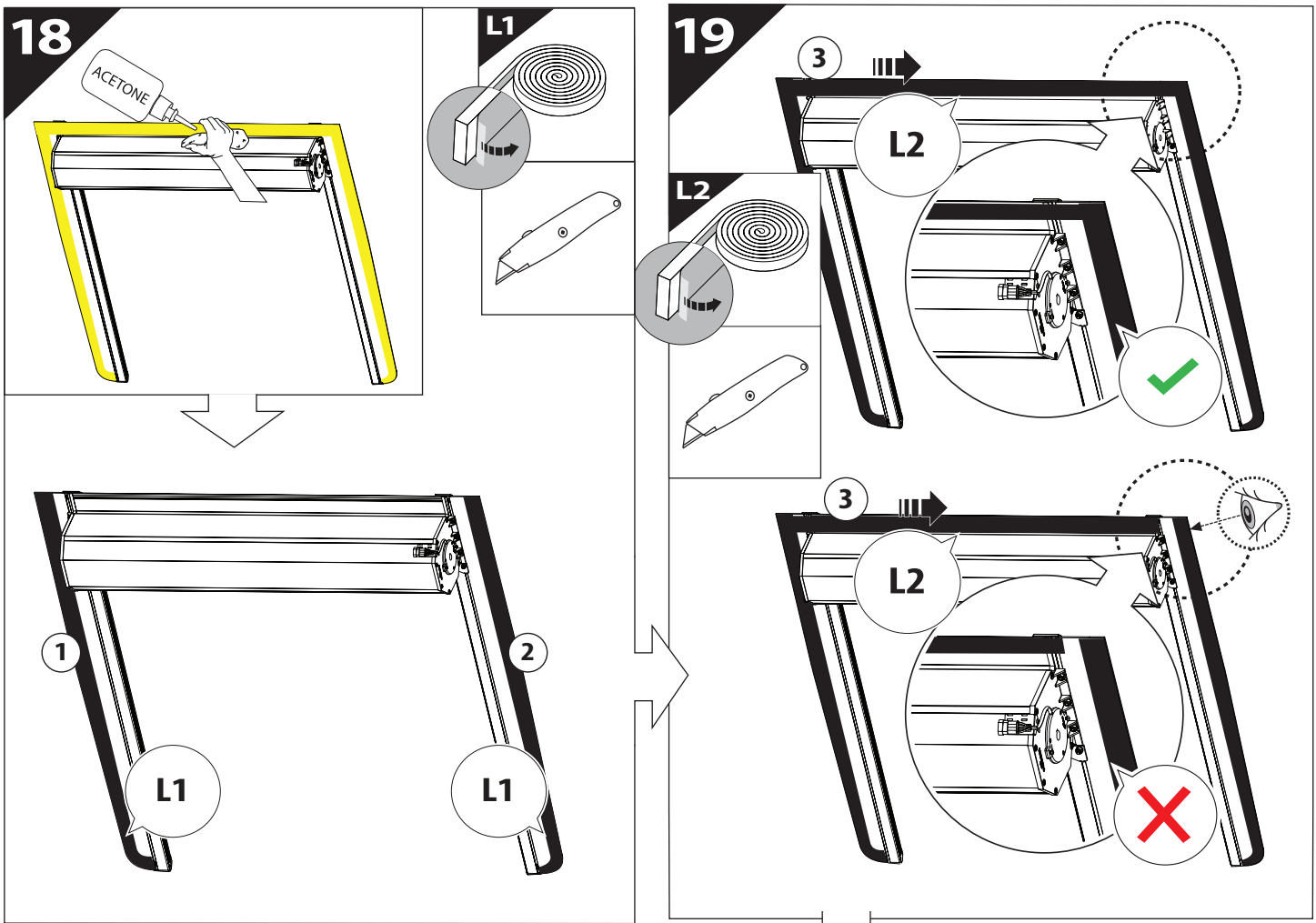


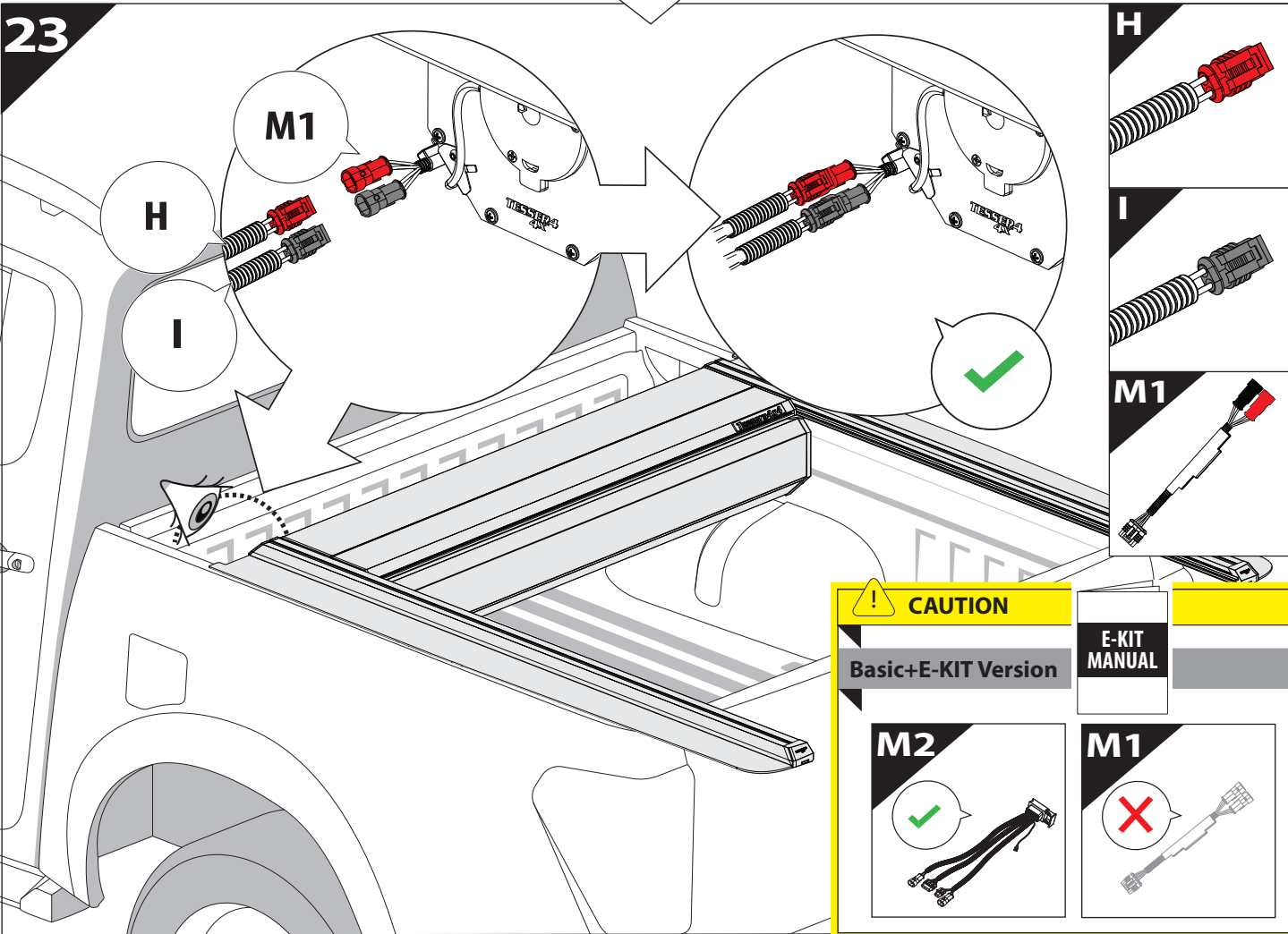
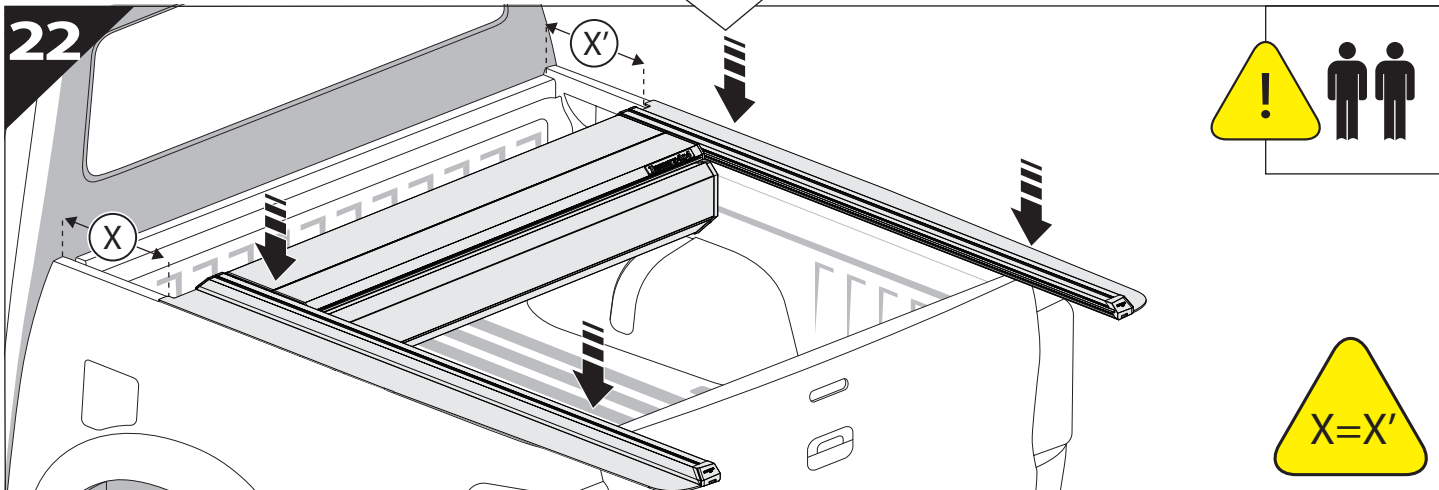
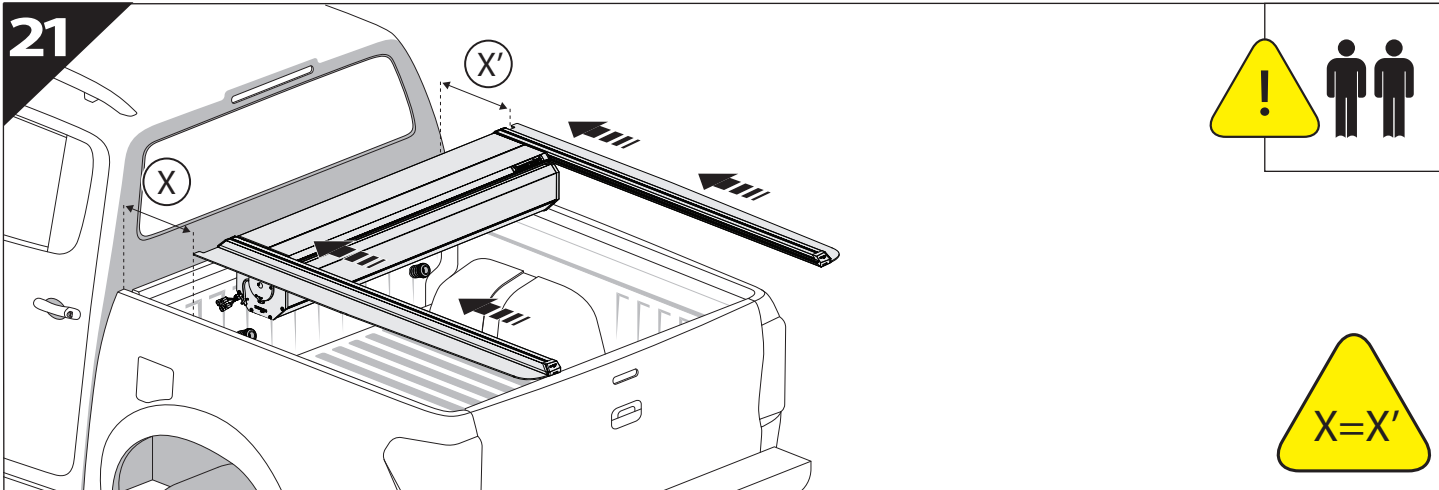


17.4

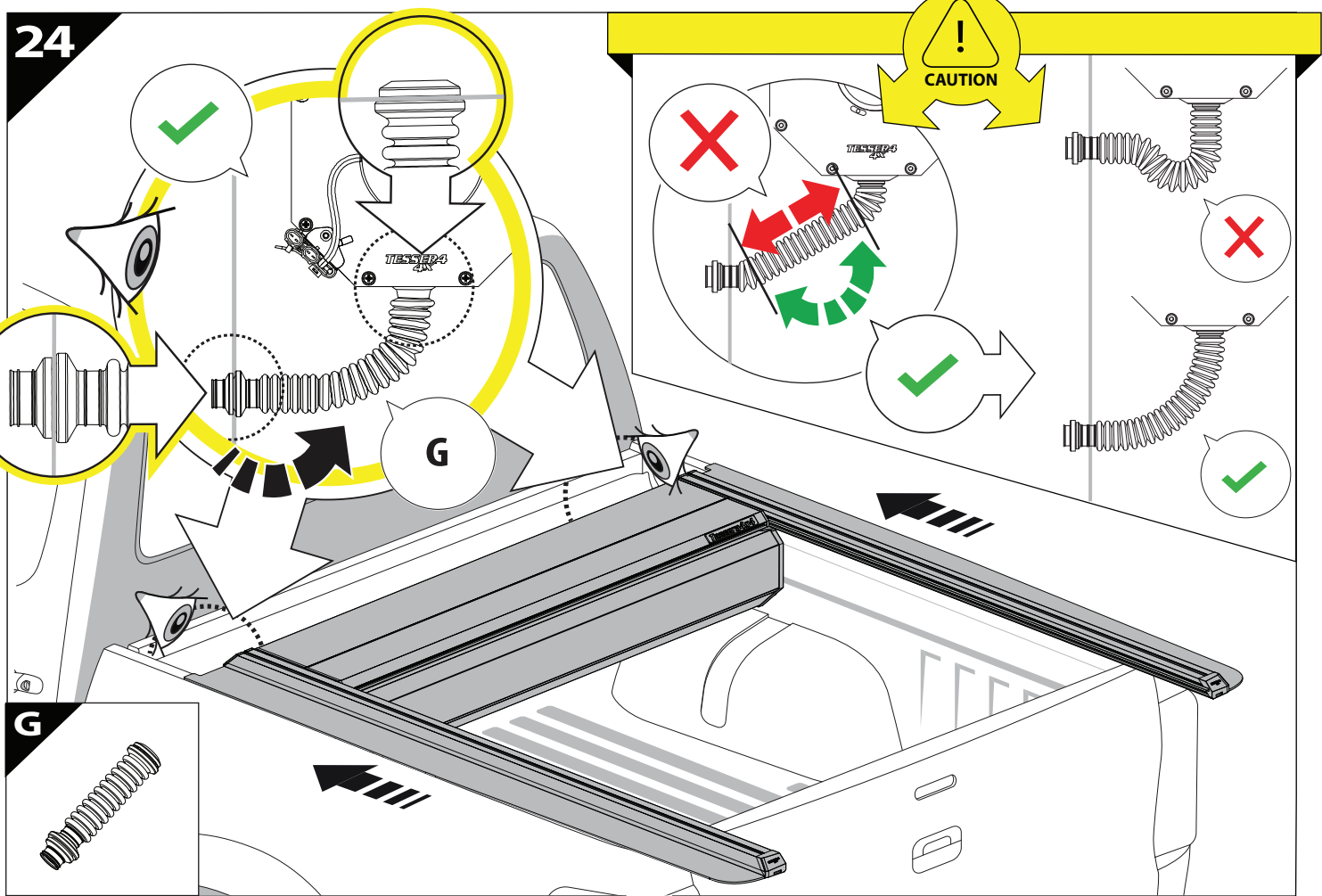
L3



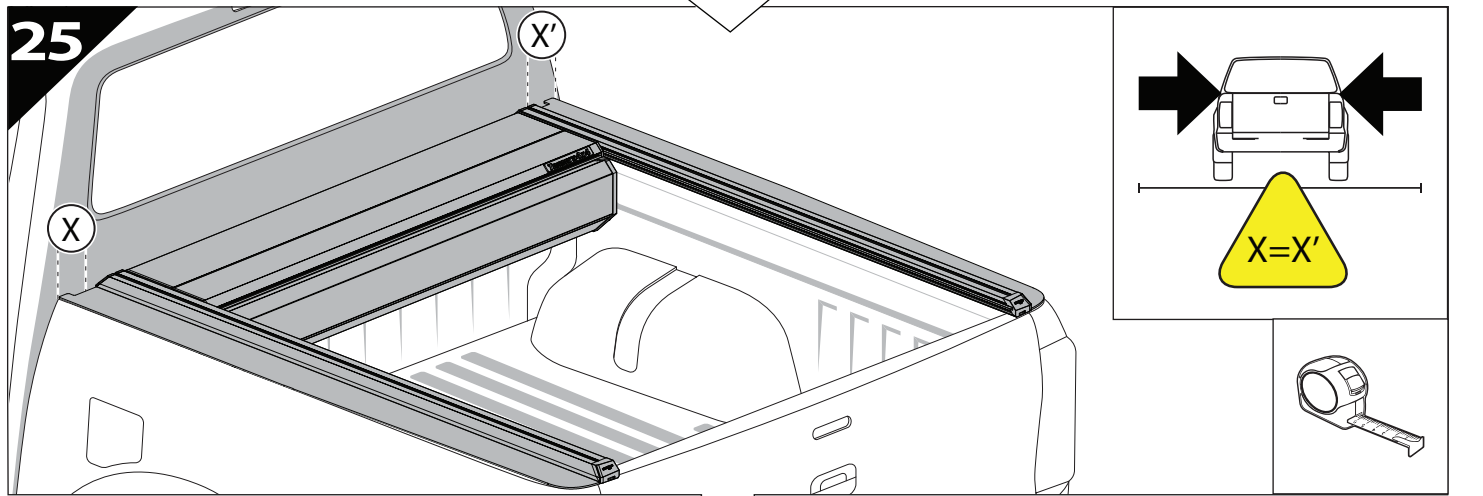




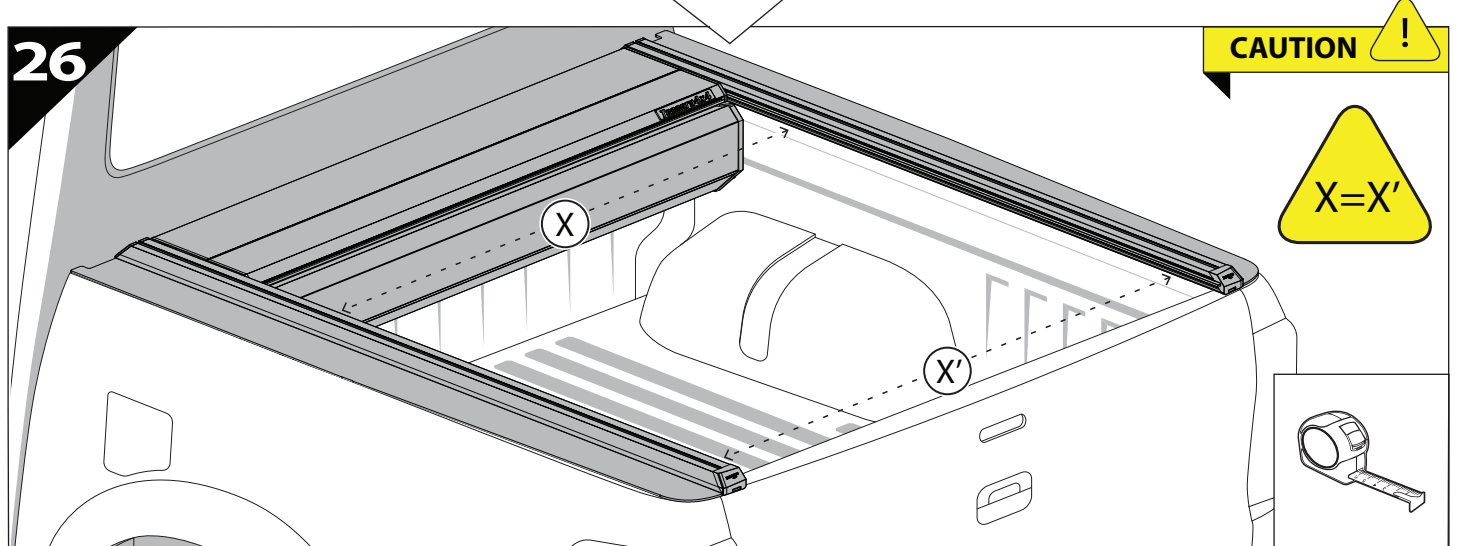
24

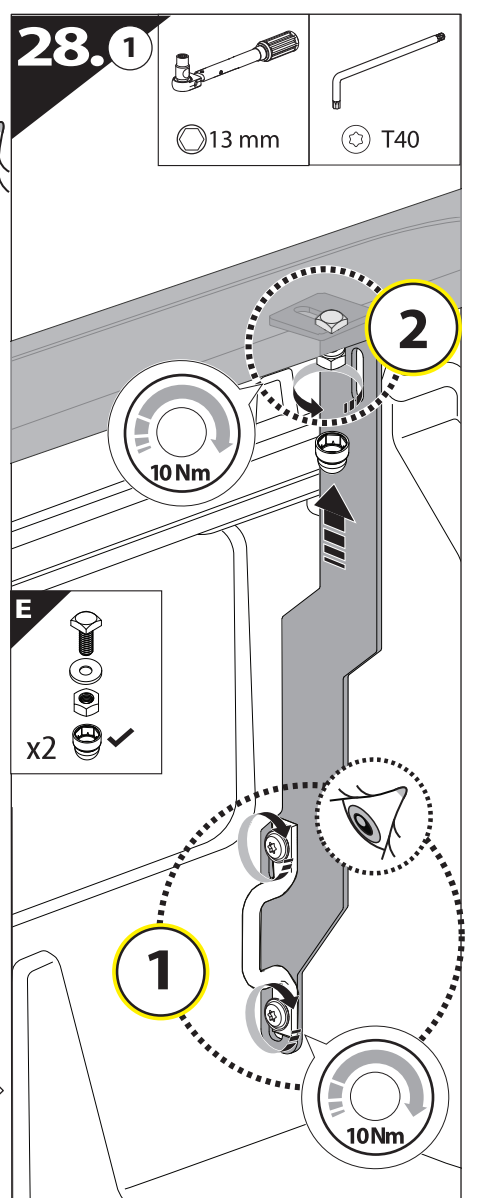
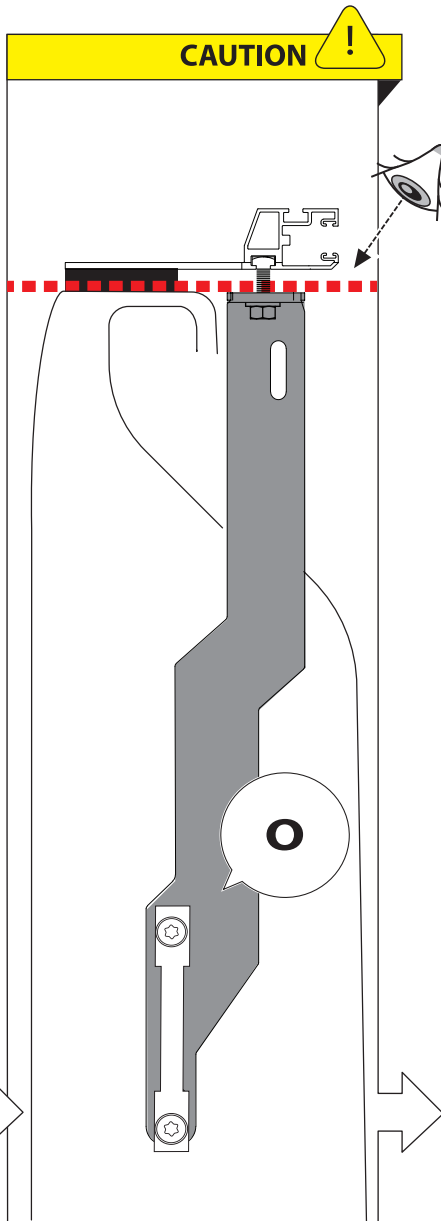
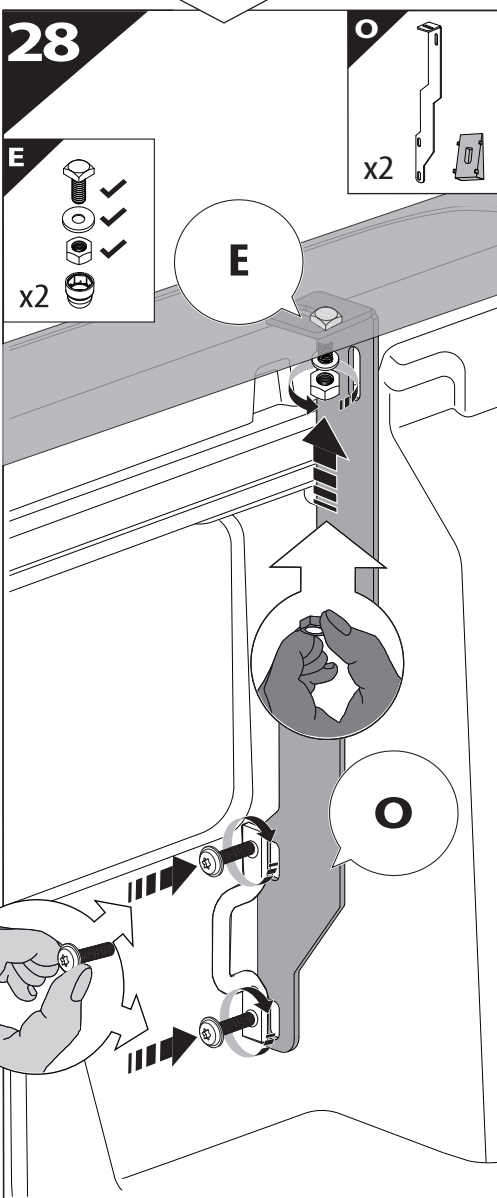
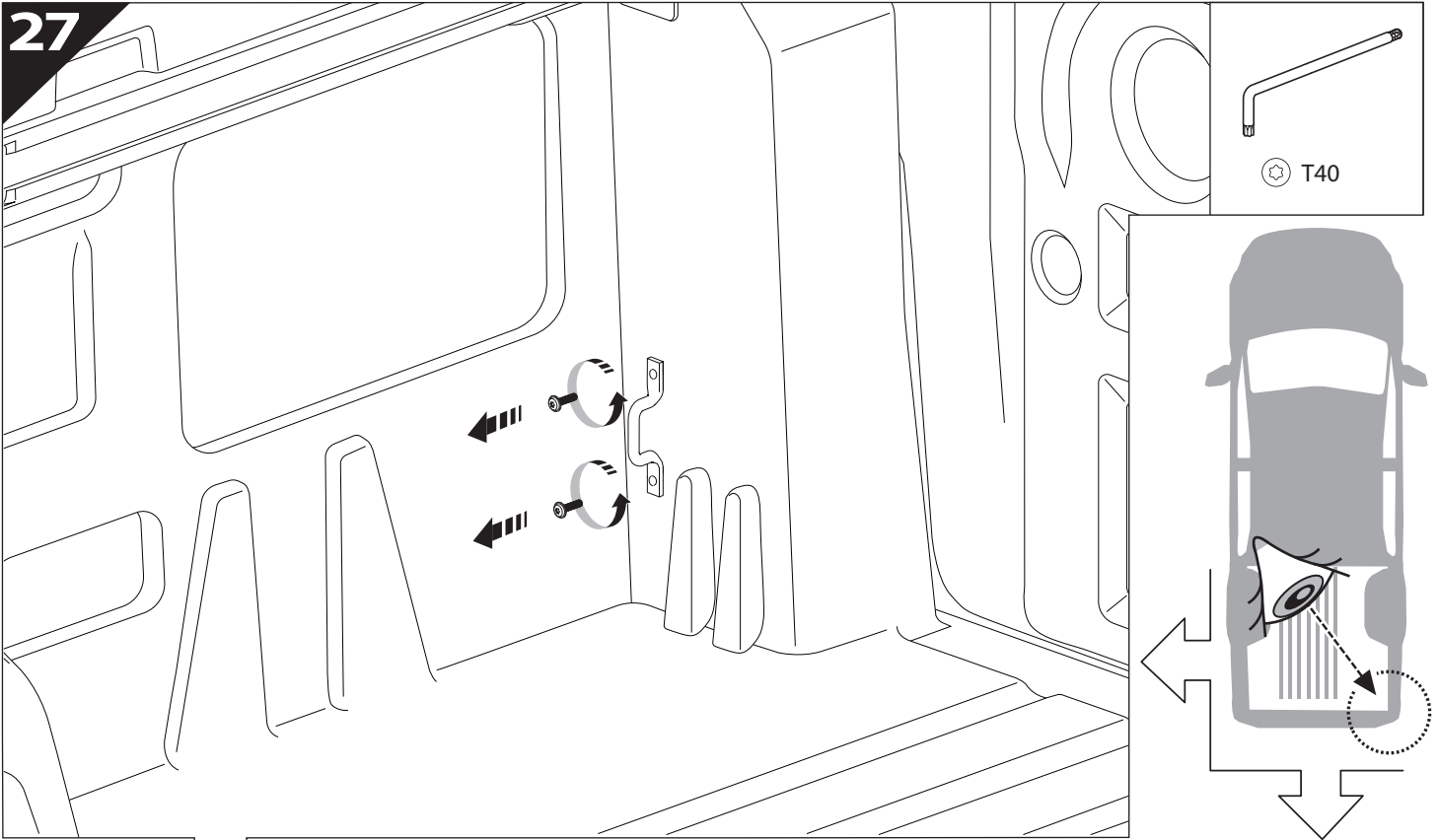


25



26



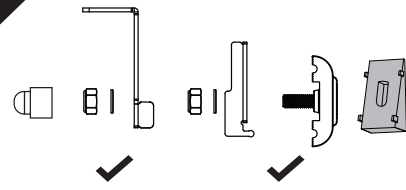


29 A

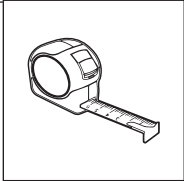
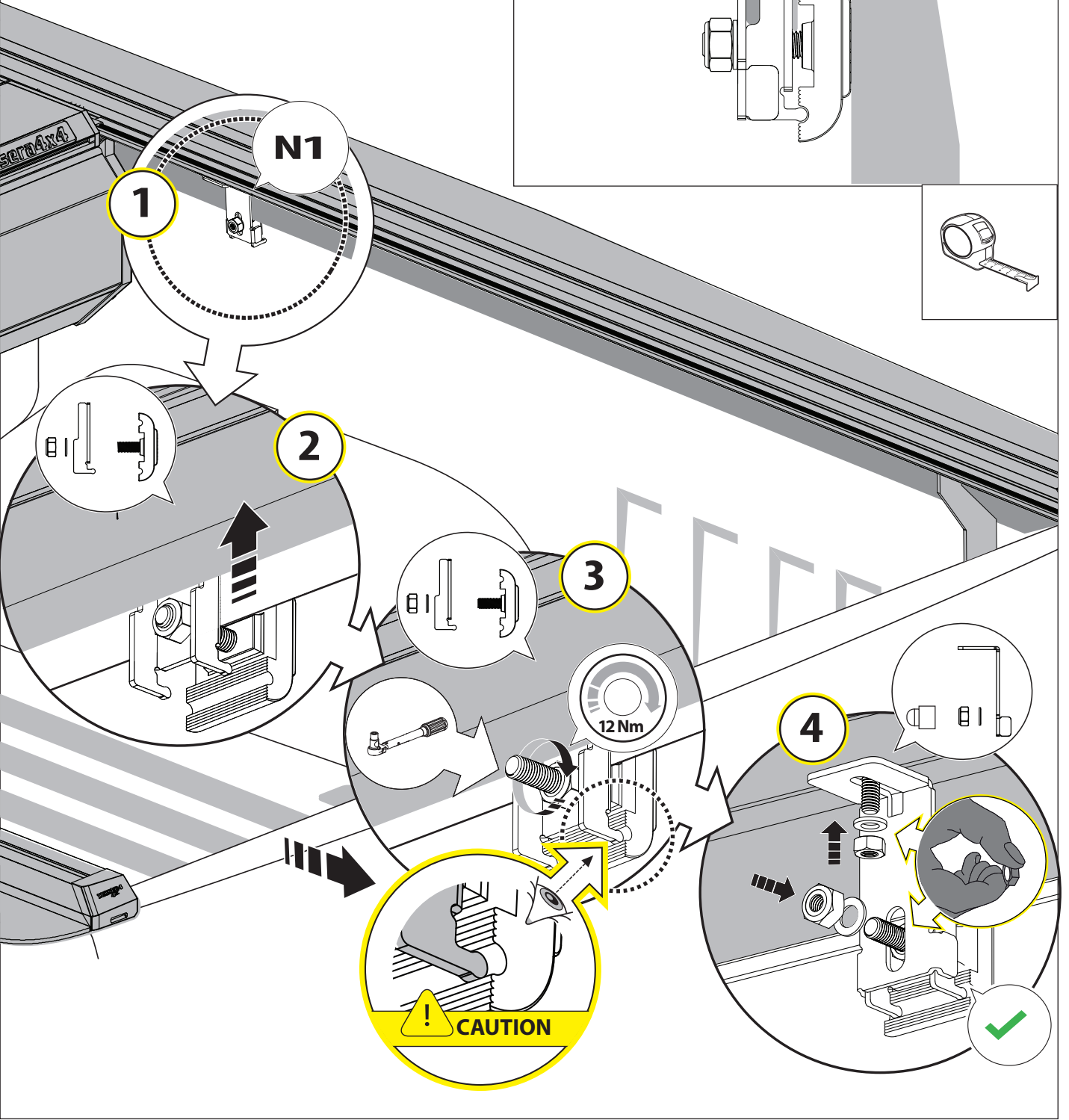
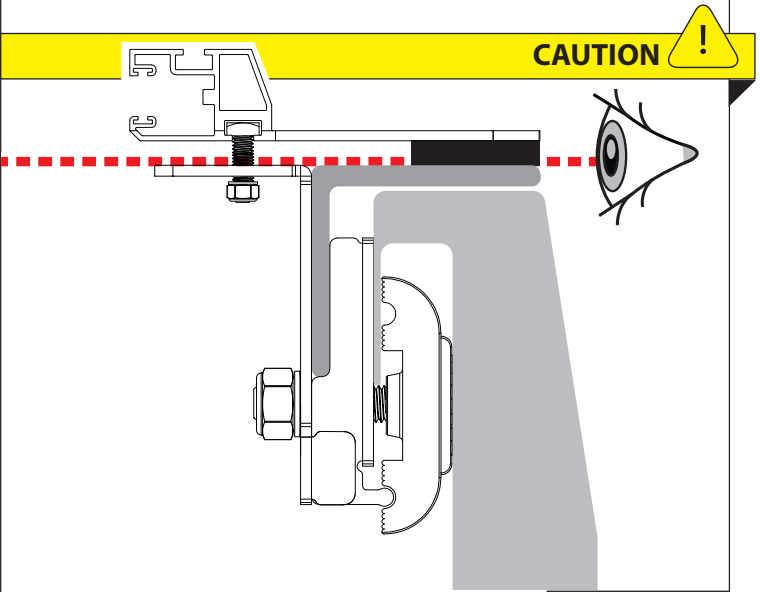
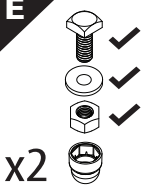


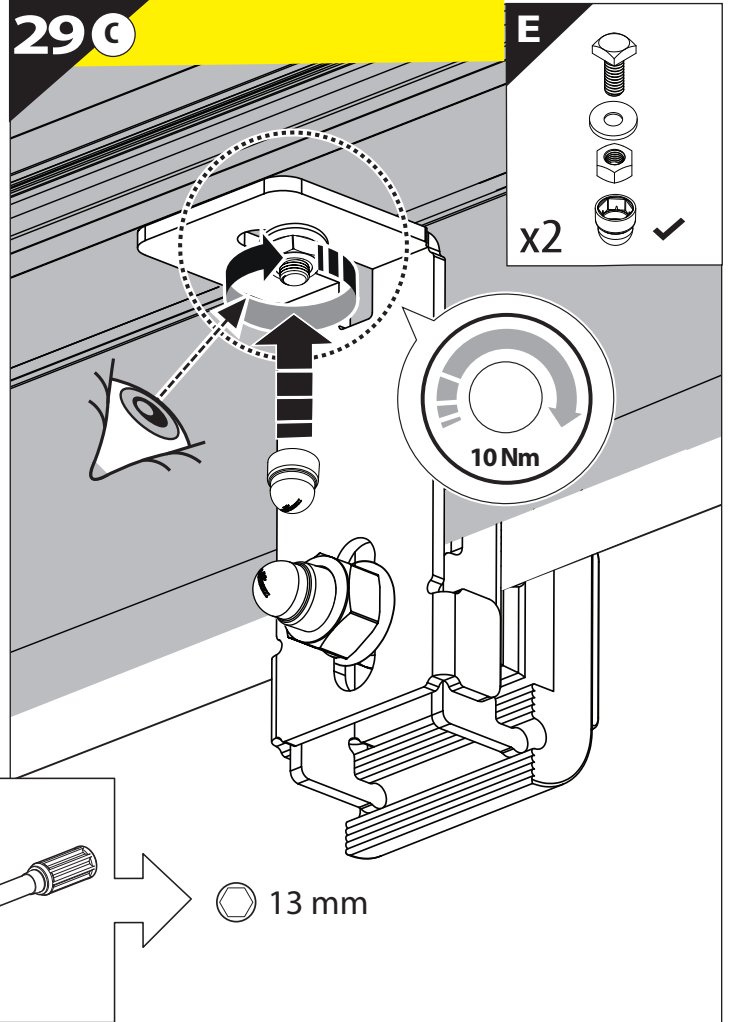
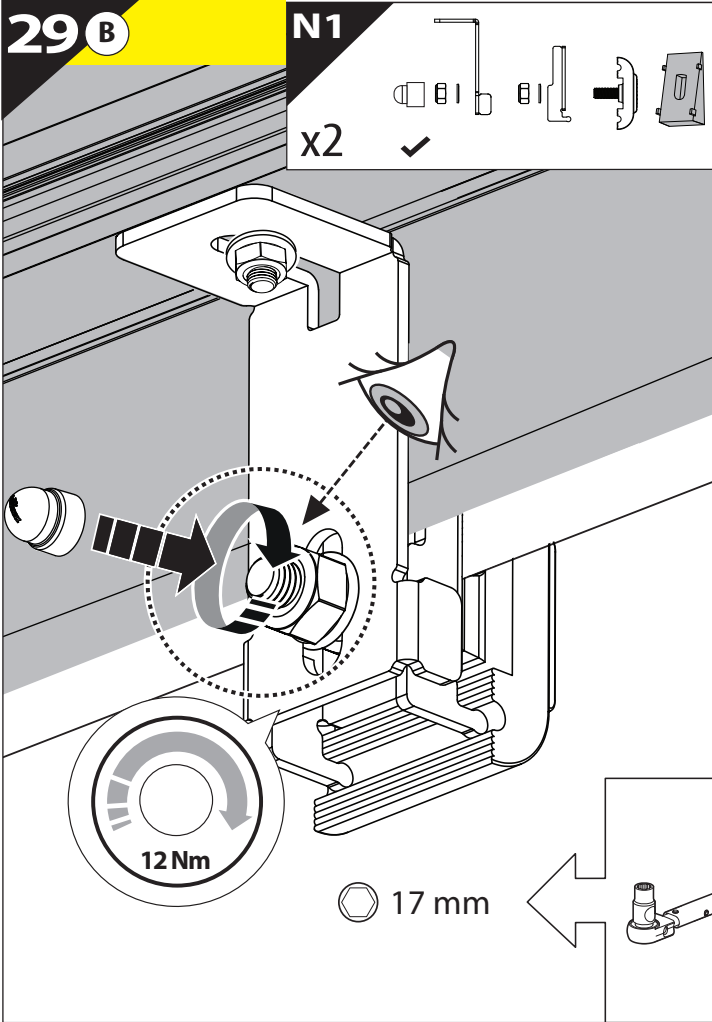
WITHOUT C - CHANNELS

N1

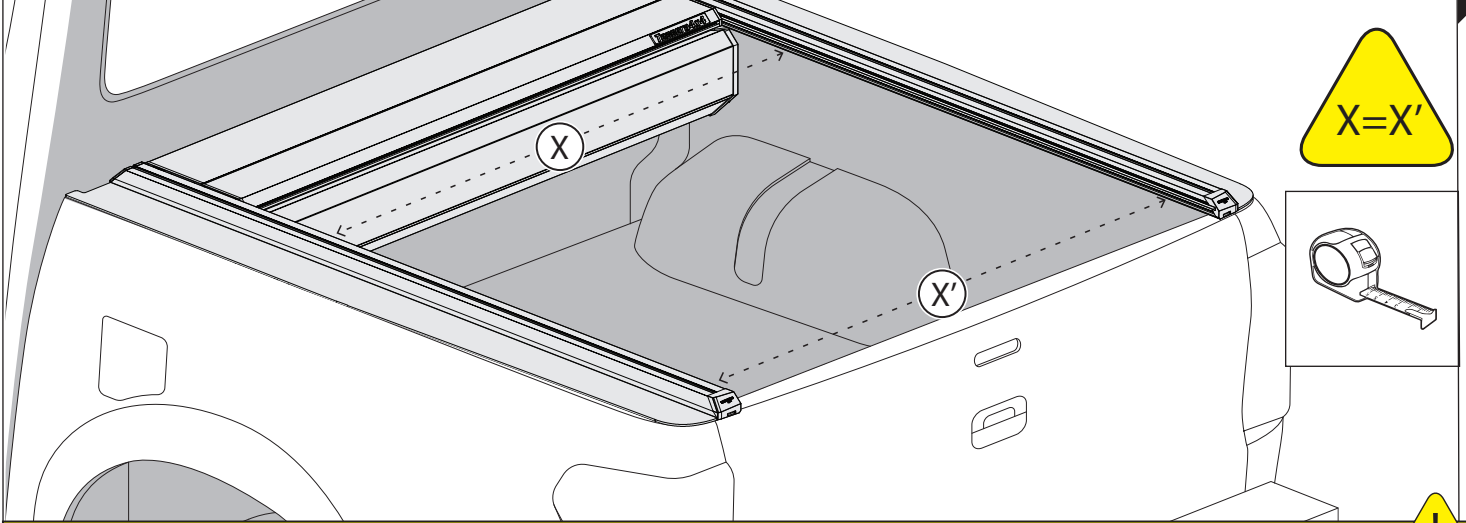


E

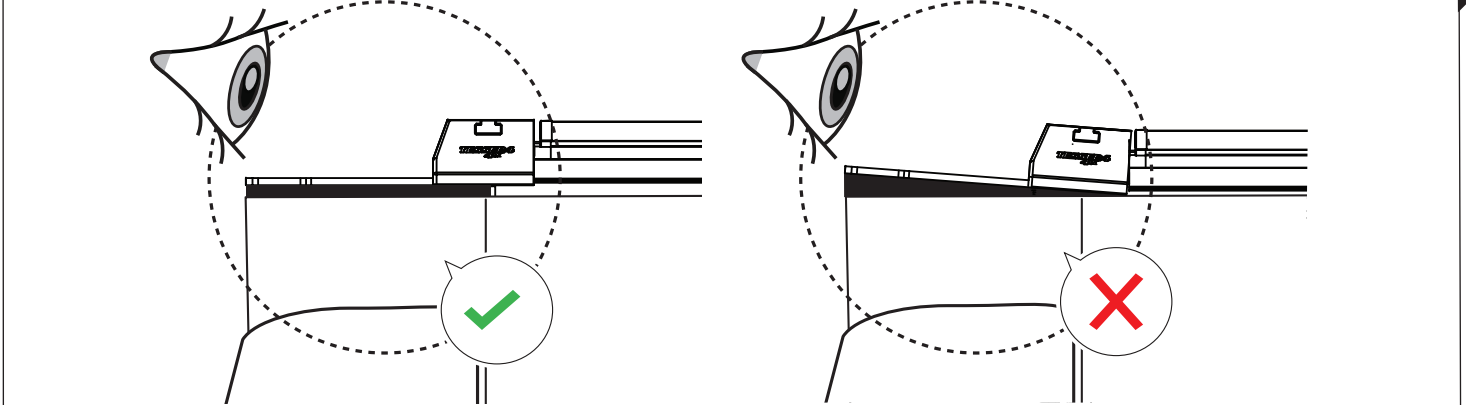




CAUTION !



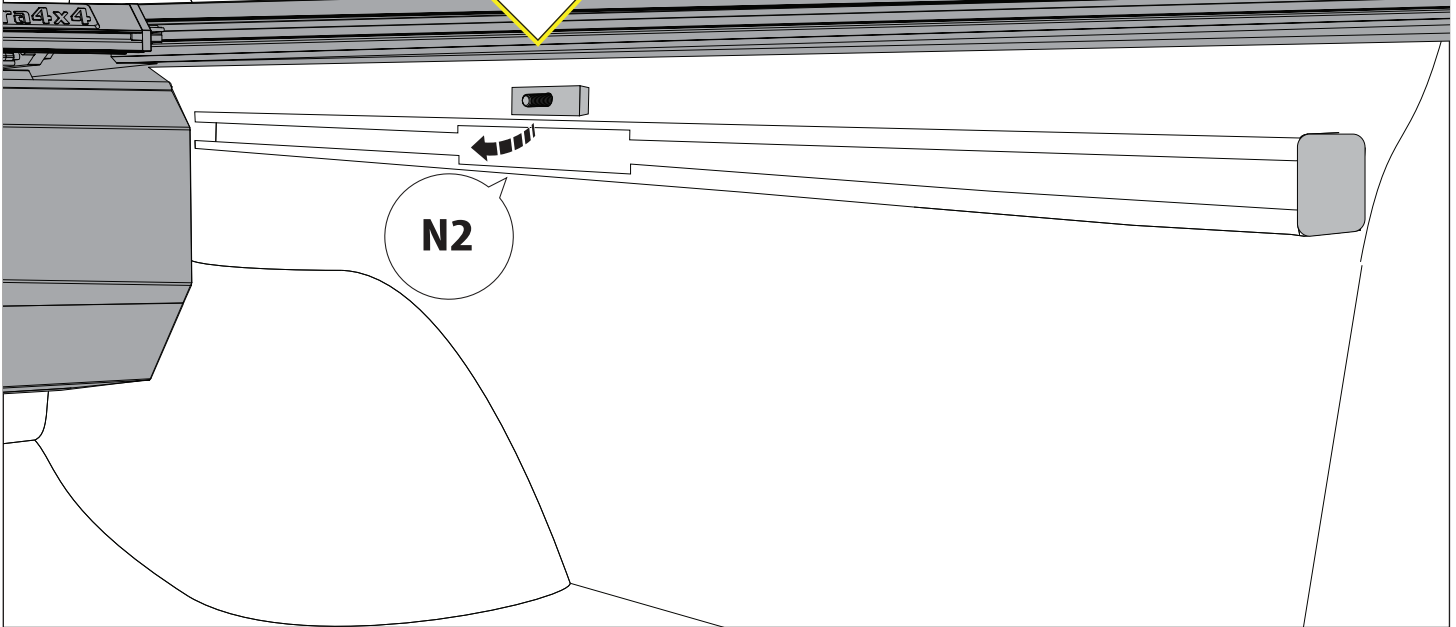
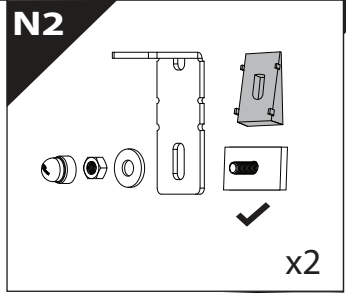
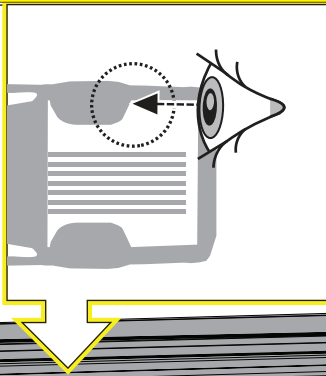
CAUTION !



29 A



WITH C - CHANNELS

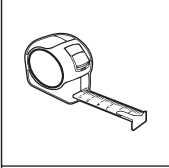
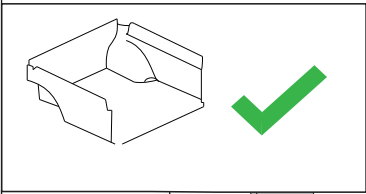
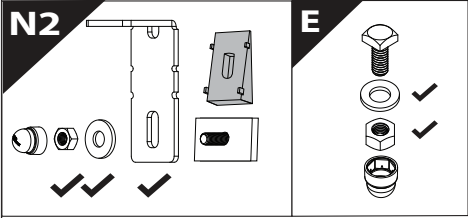


29 B

CAUTION !

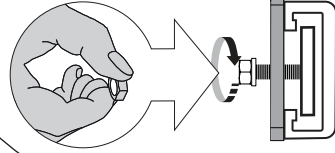
N2

E



3 mm

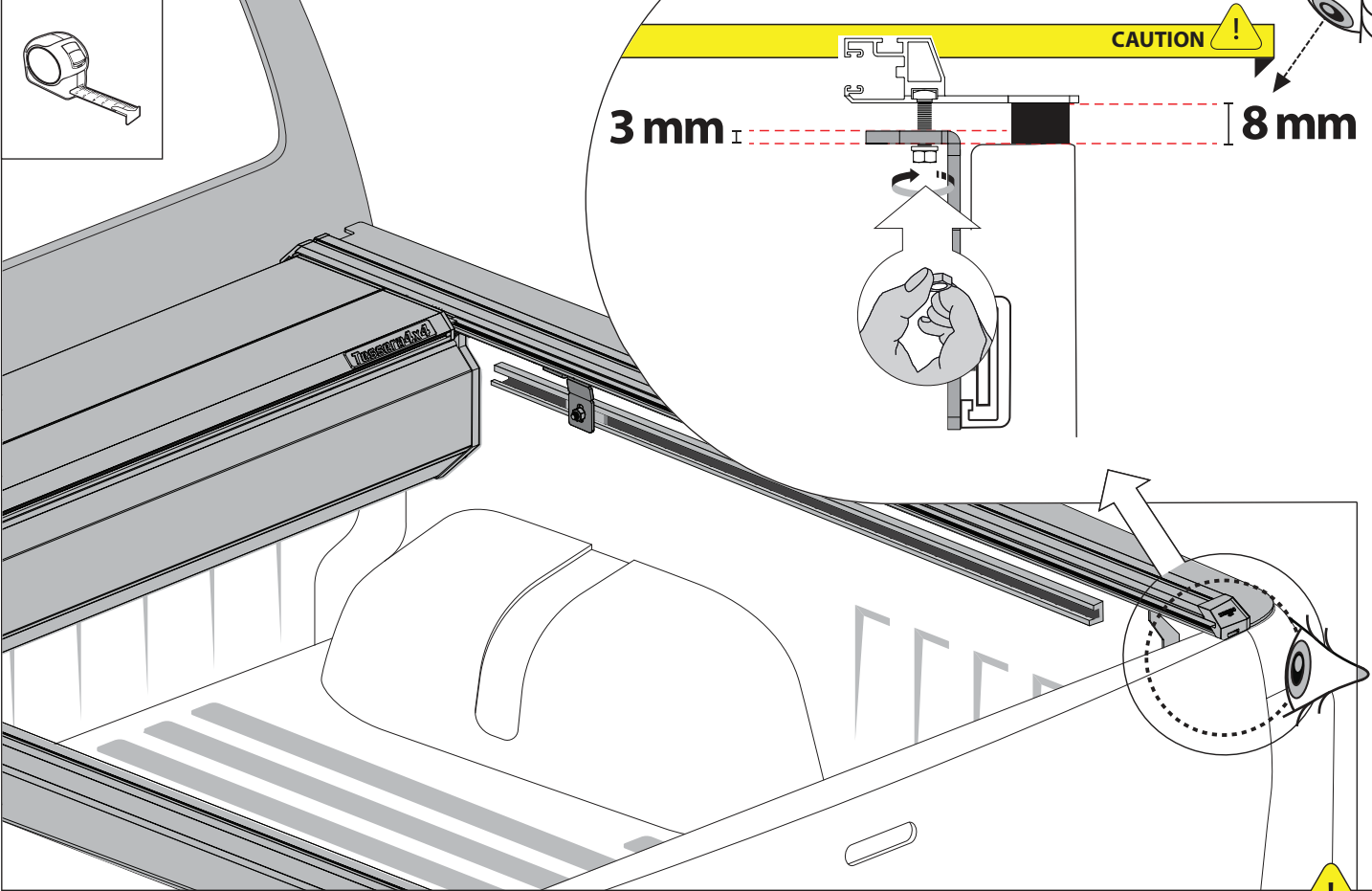
8 mm



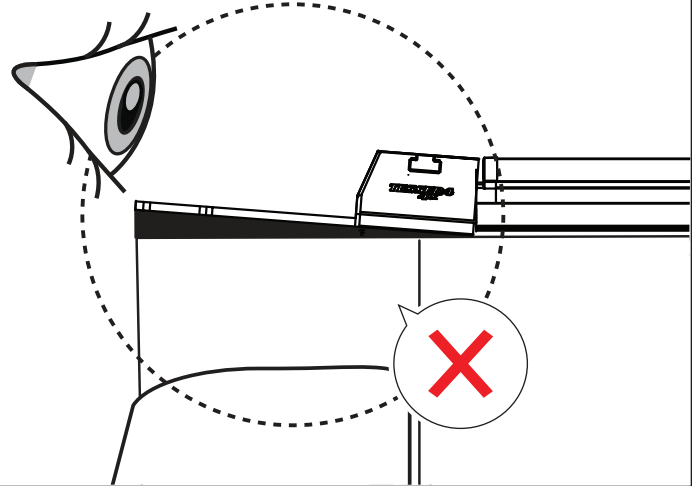
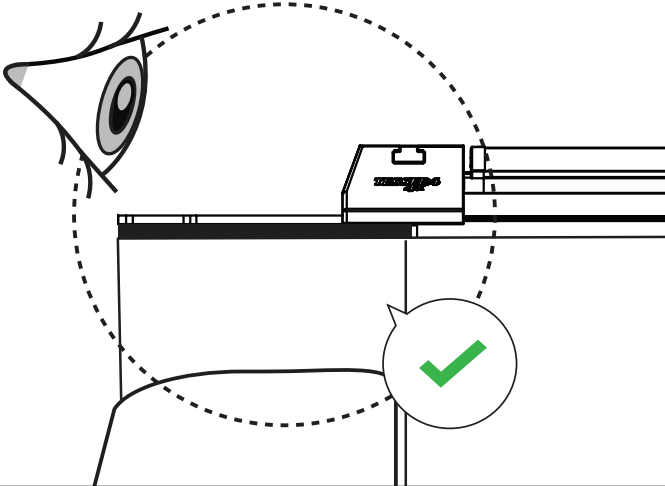
CAUTION !

3 mm

8 mm

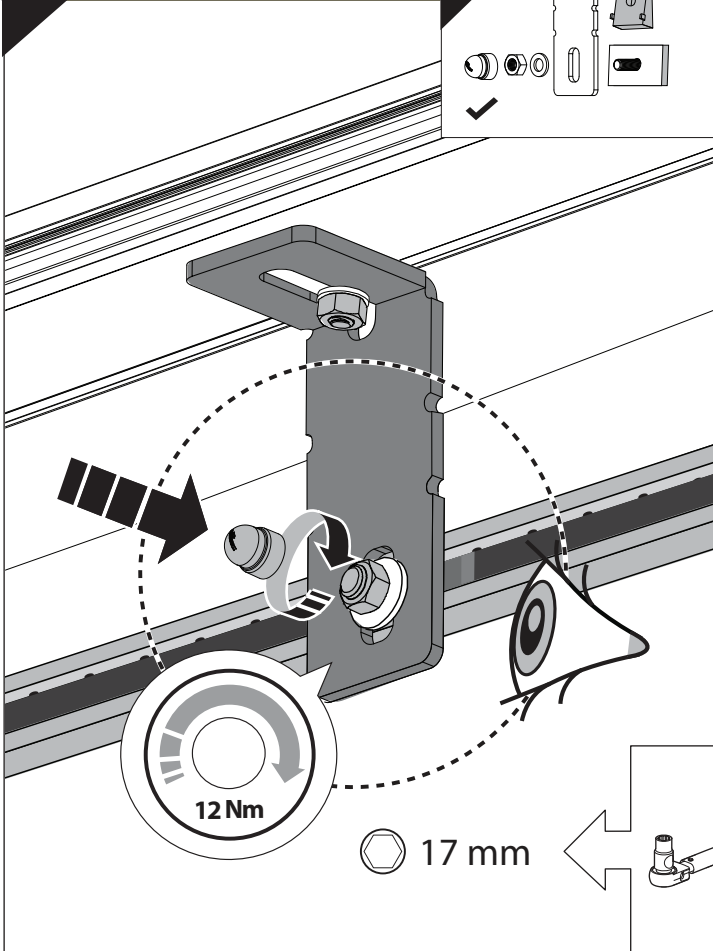
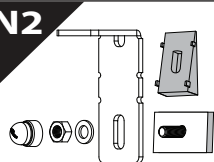


CAUTION !

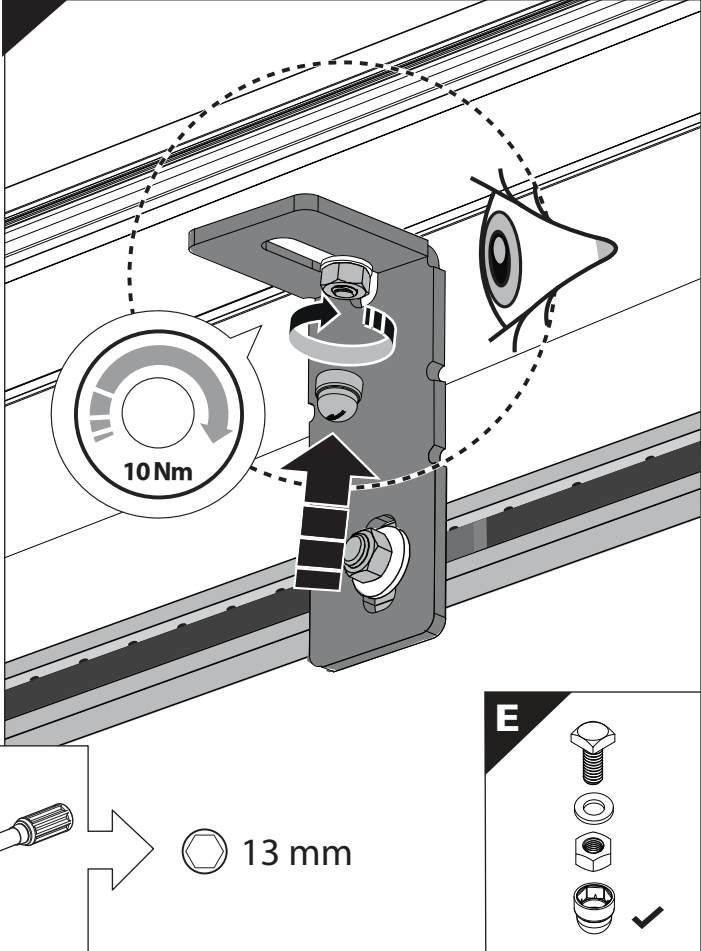


29 C

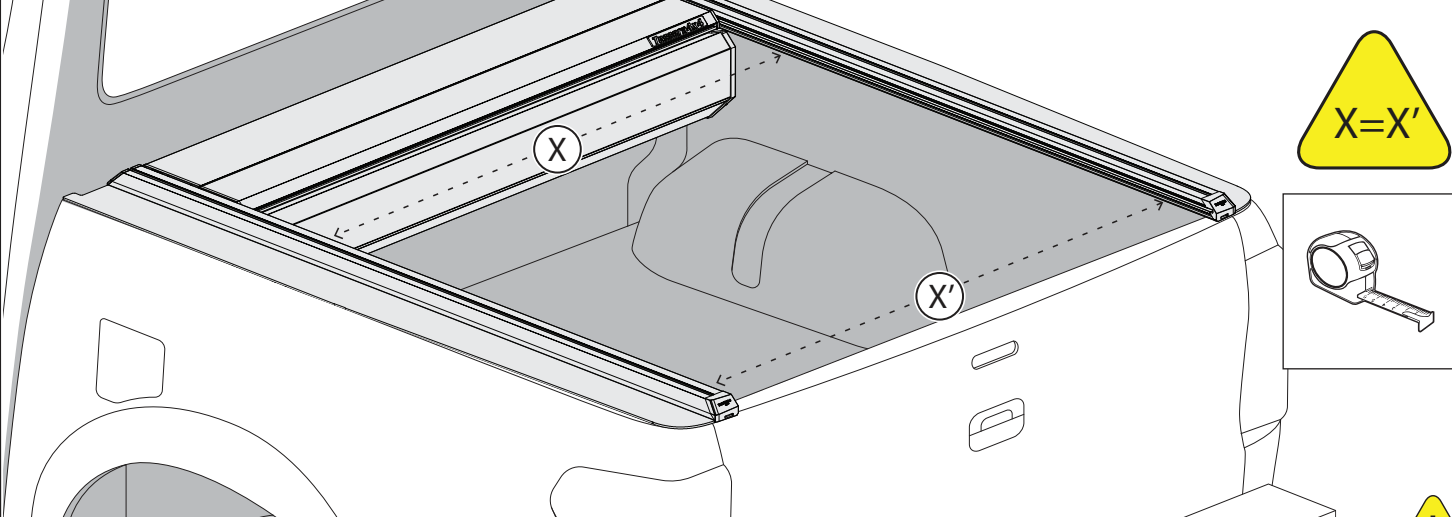
N2



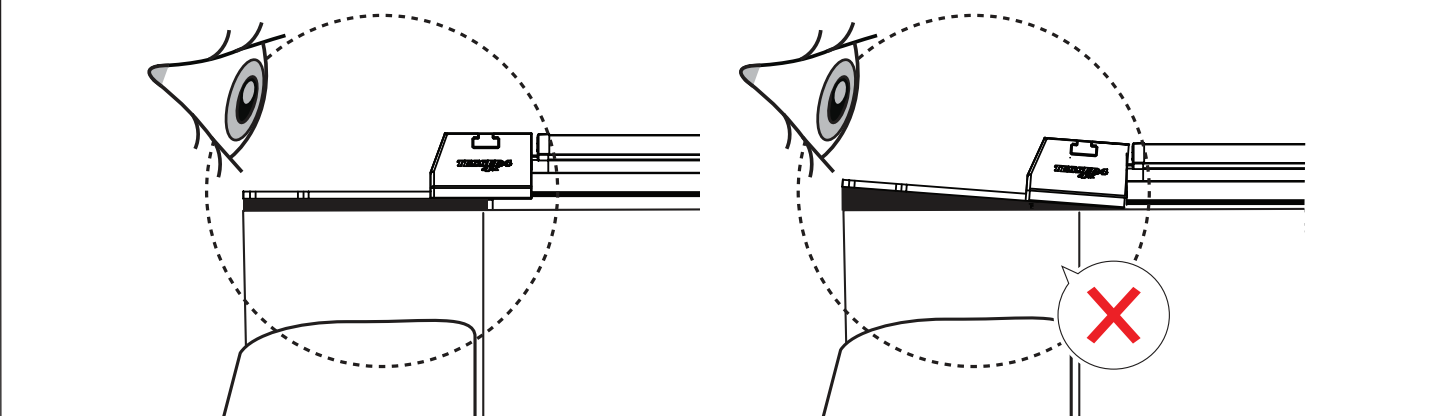
29 D



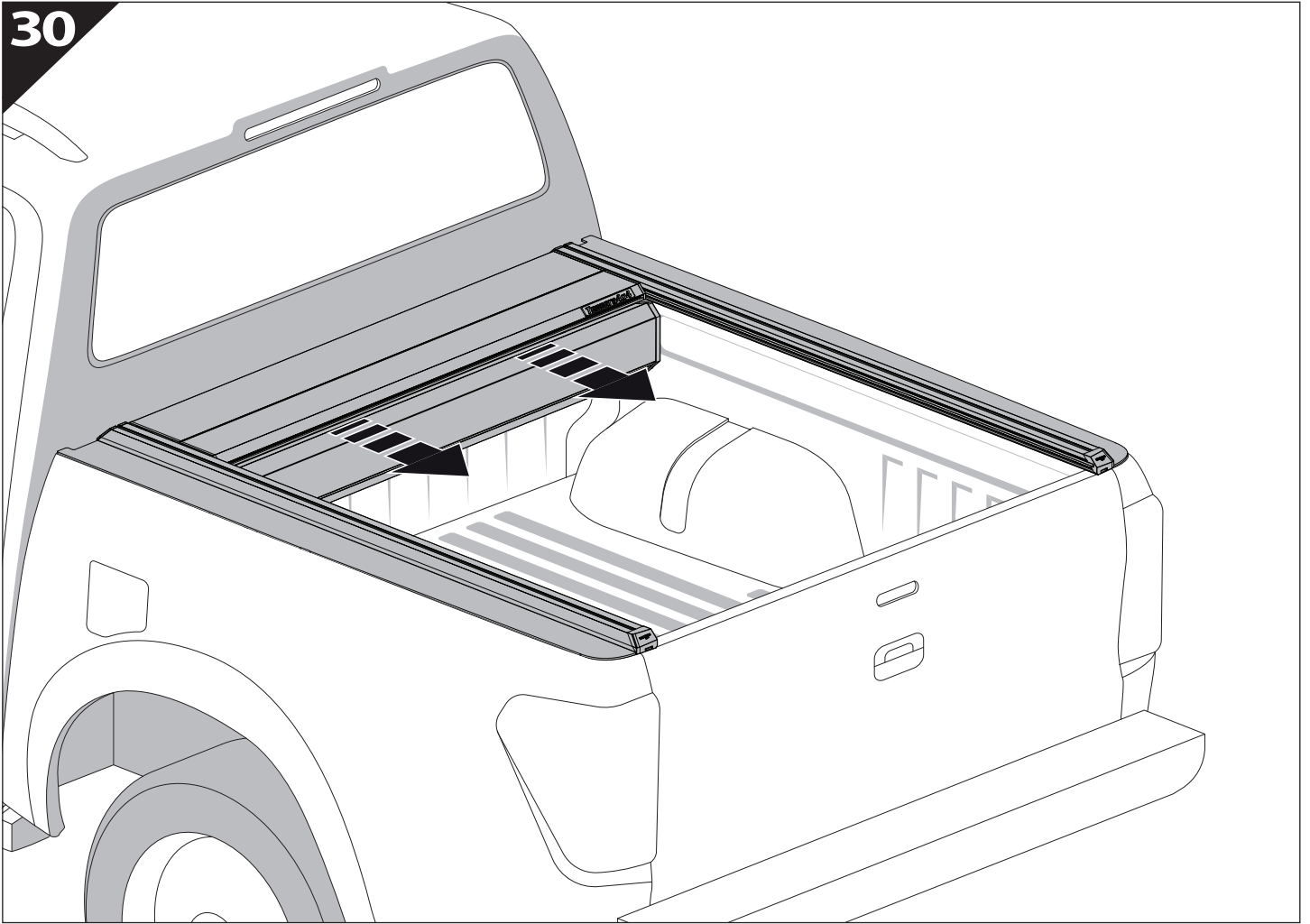
CAUTION !



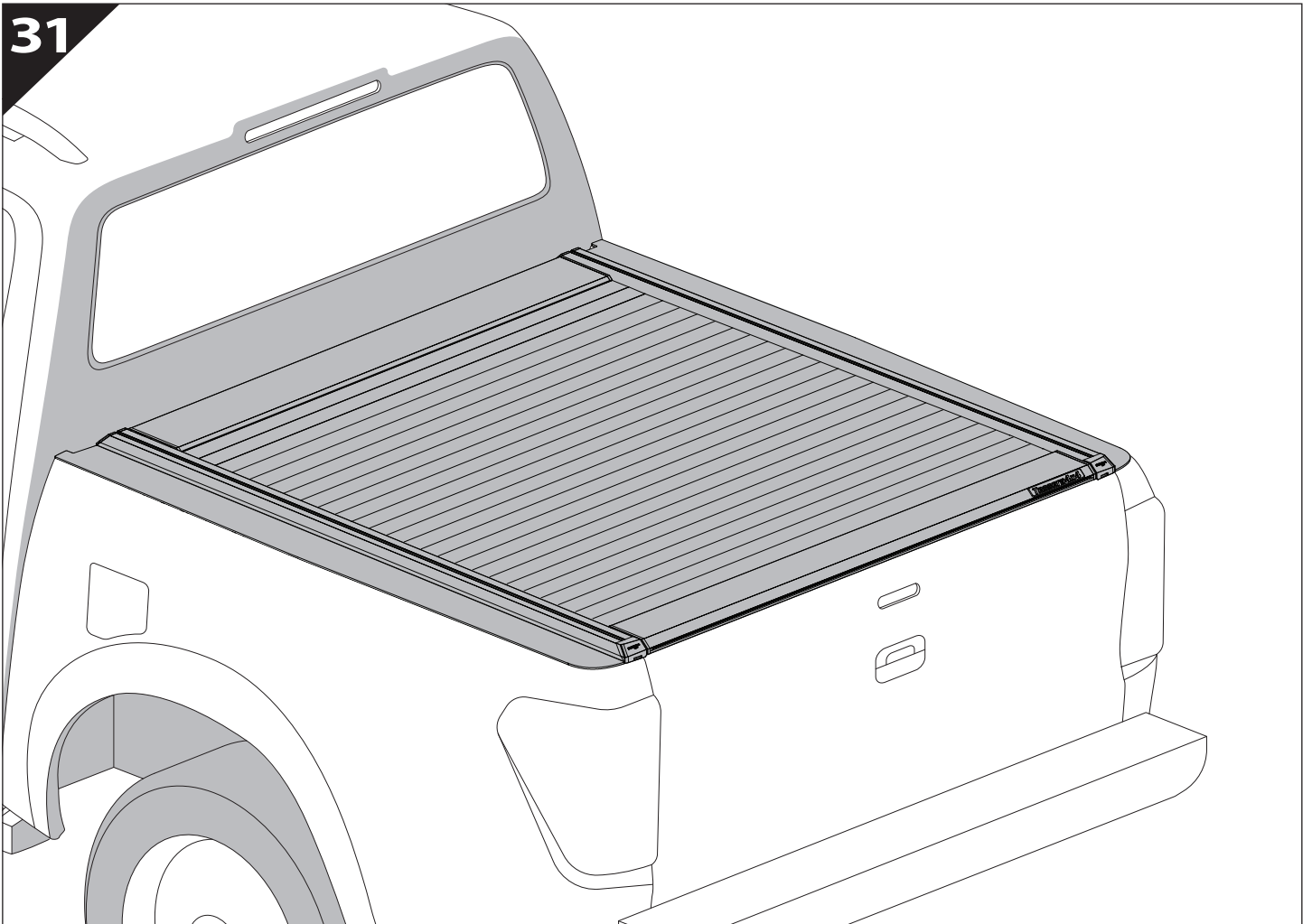
CAUTION !



30



31





GR: Οδηγίες Εγκατάστασης
GB: Installation manual
SF: Asennusohje
F: Notice de montage
PL: Instrukcja montażu
NL: Installatie-instructies
TR: Montaj Talimatı
S: Monteringsanvisning
E: Instrucciones de montaje

H: Szerelési utasítás
P: Instruções de instalação
RUS: Инструкция по установке
N: Monteringsveiledning
D: Einbauanleitung
CZ: Návod k instalaci
I: Istruzioni de montaggio
DK: Monteringsvejledning
RO: Instructiuni de instalare

Customer Service:

+30 (210) 5541161, +30 (210) 5541154 (08:00 - 16:00 EET)

Support department:

info@gianso.gr

Website:

www.tessera4x4.com

Address:

19.5 km of National road Athens-Korinthos (Elefsina) Greece, P.C: 19200