

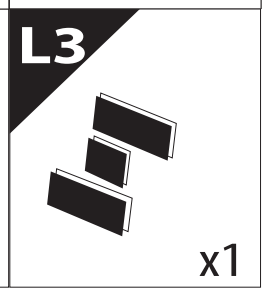
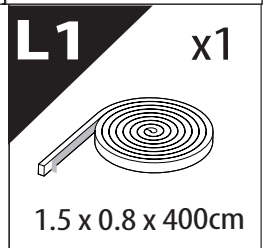
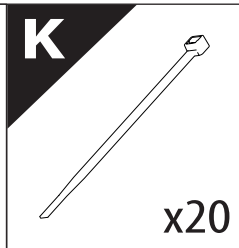
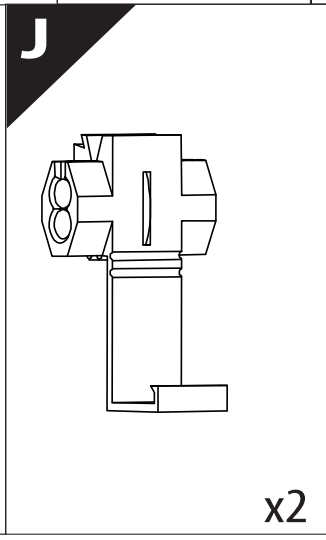
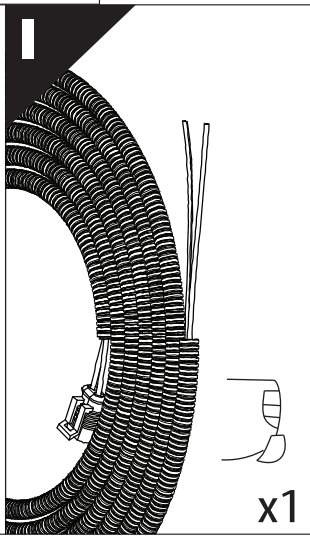
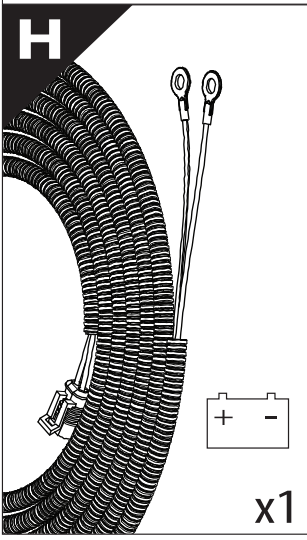
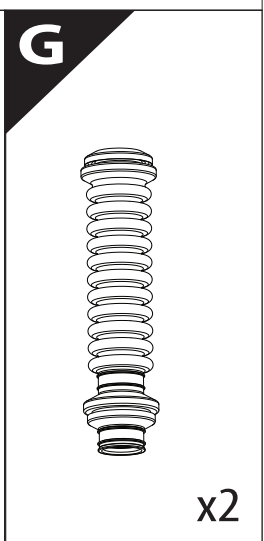
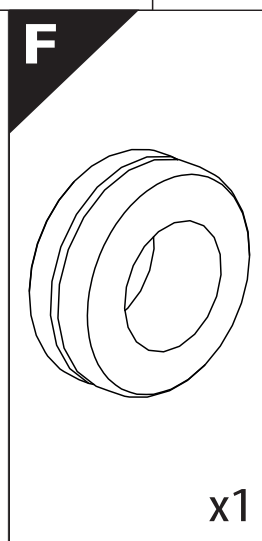
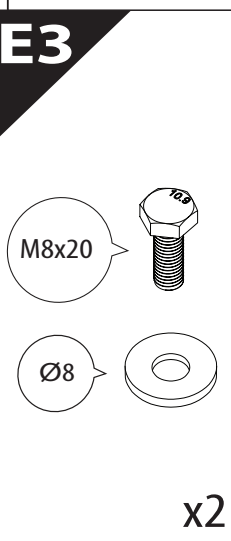
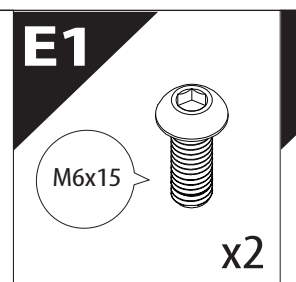
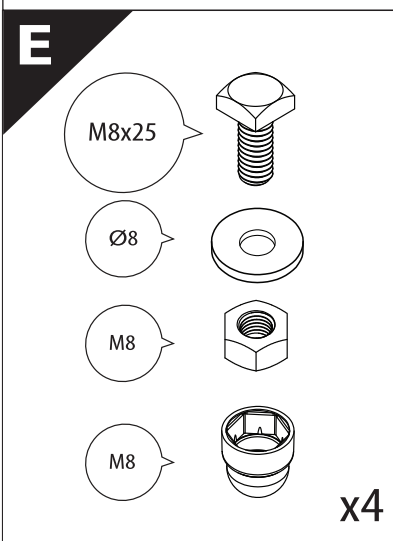
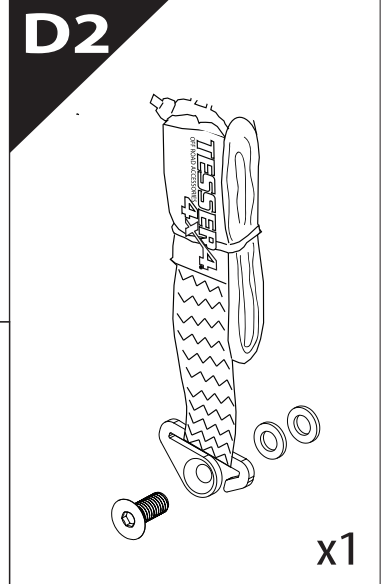
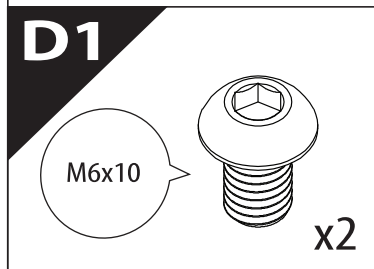
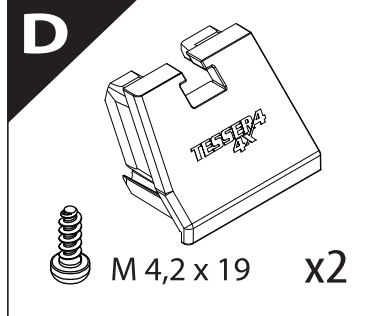
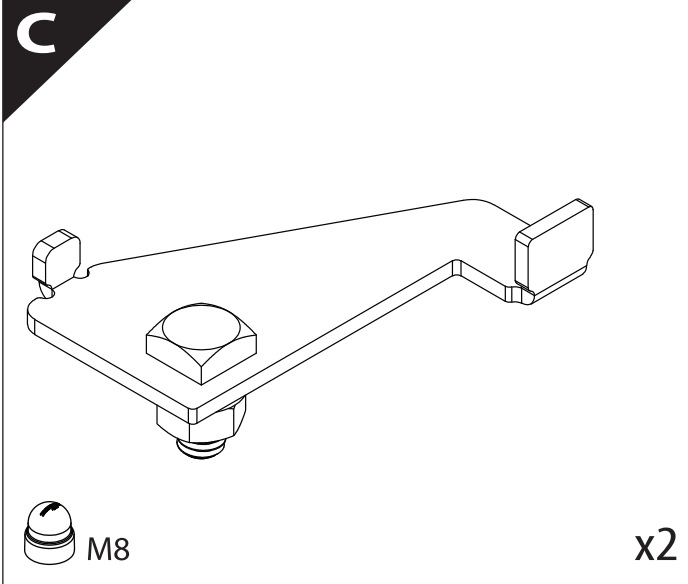
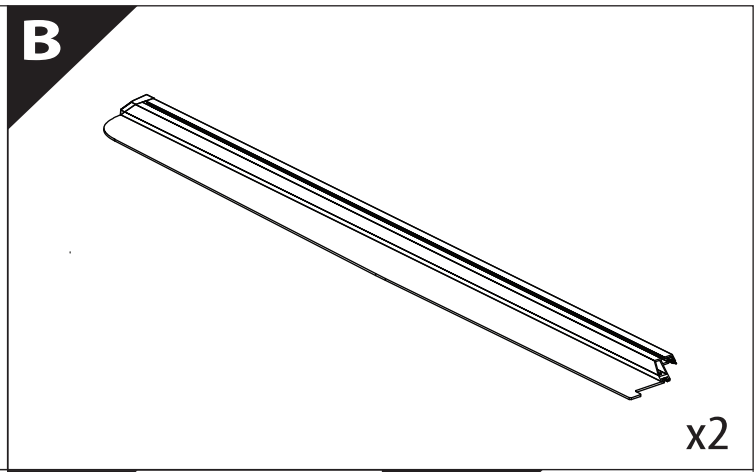
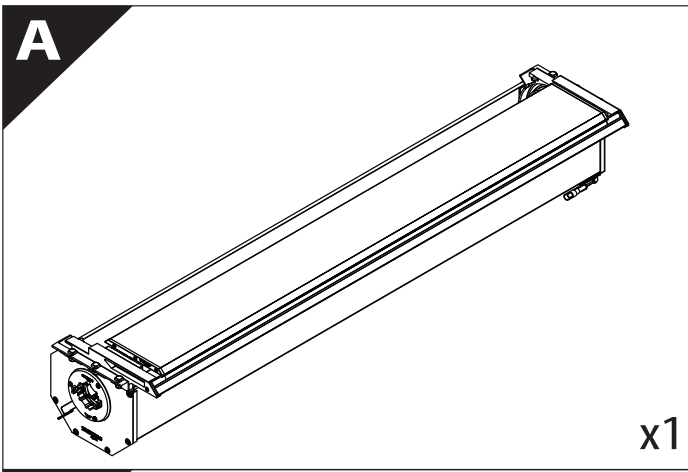
# Tessera Roll+

## Basic Version + ⚡ E-KIT

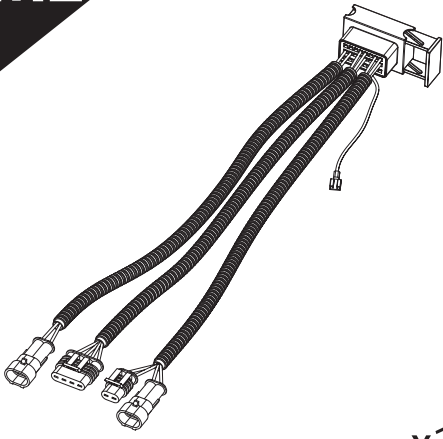


## Installation Manual

PART NUMBER(S)	Model Year
TESS 14011 ROLL+E-KIT	VW AMAROK 2023+ (no c-channels)
Cab(s)	Installation Time / Weight
Double Cab	40-60 minutes / 53-57 kg

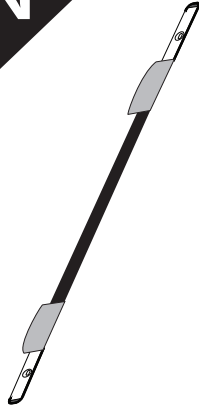


**M2**



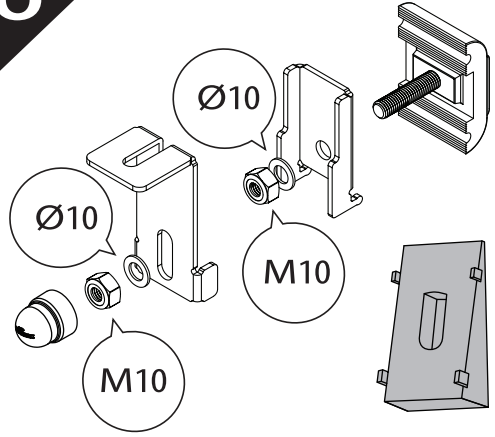
x1

**N**



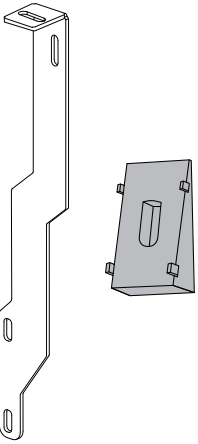
x1

**O**



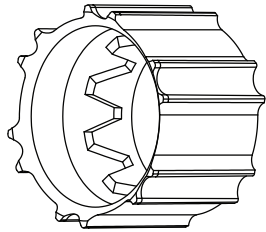
x2

**P**



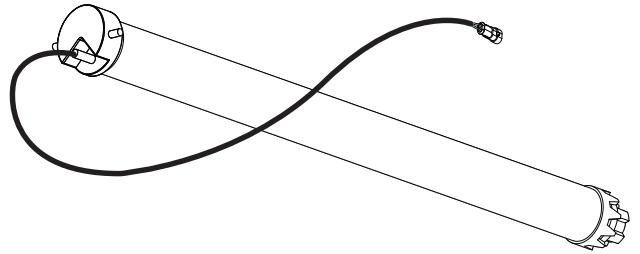
x2

**Q**



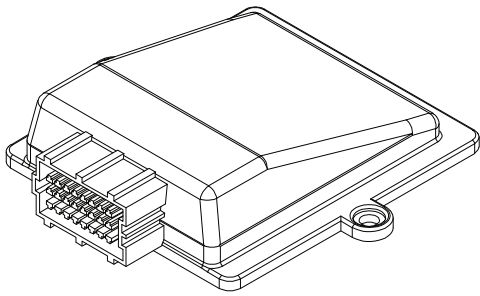
x1

**R**



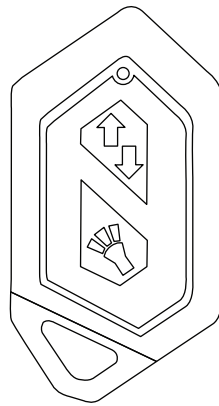
x1

**S**



x1

**T**

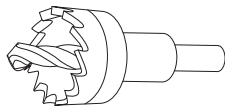


x2

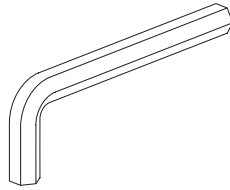
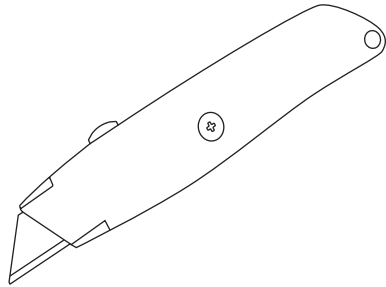
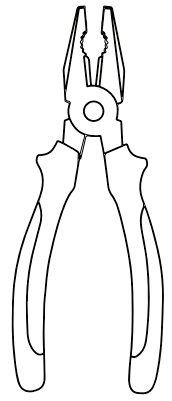
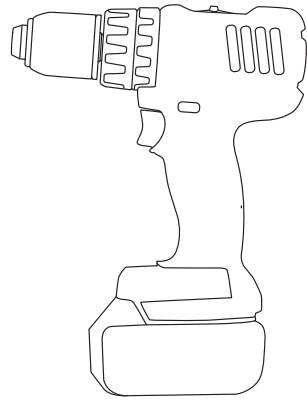
**U**



x2

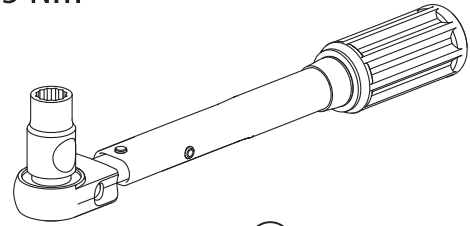


Ø 25 mm



4 mm

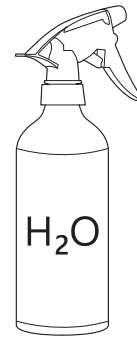
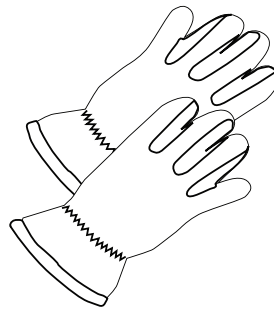
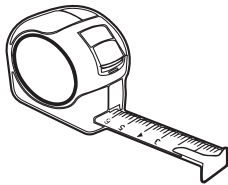
1 - 25 Nm



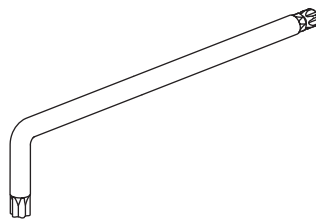
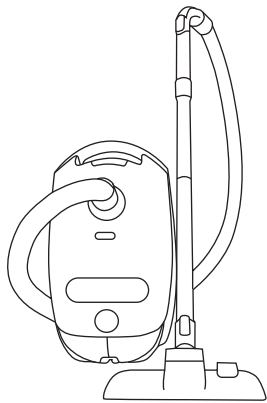
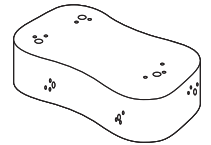
10, 12, 13, 17 mm



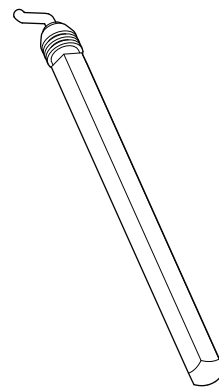
ACETONE



H<sub>2</sub>O



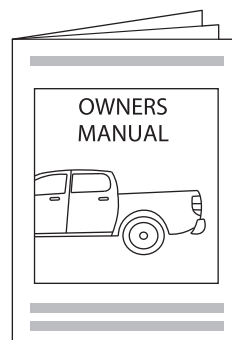
T30, T40



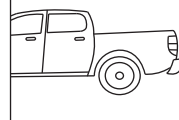
ANTI-RUST



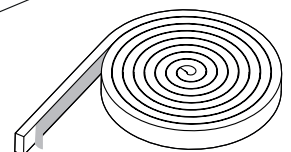
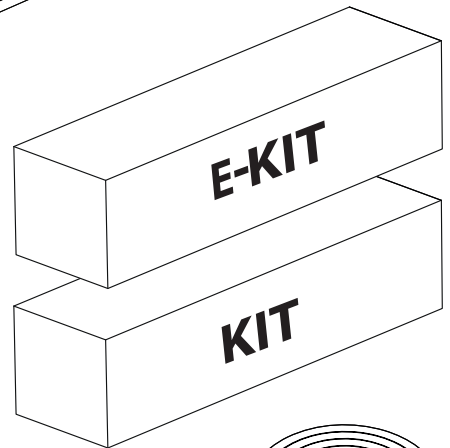
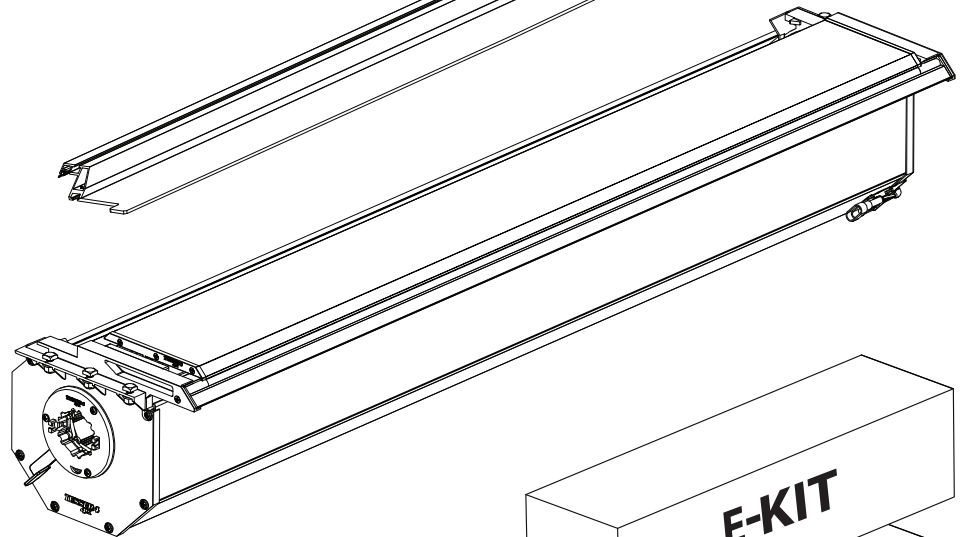
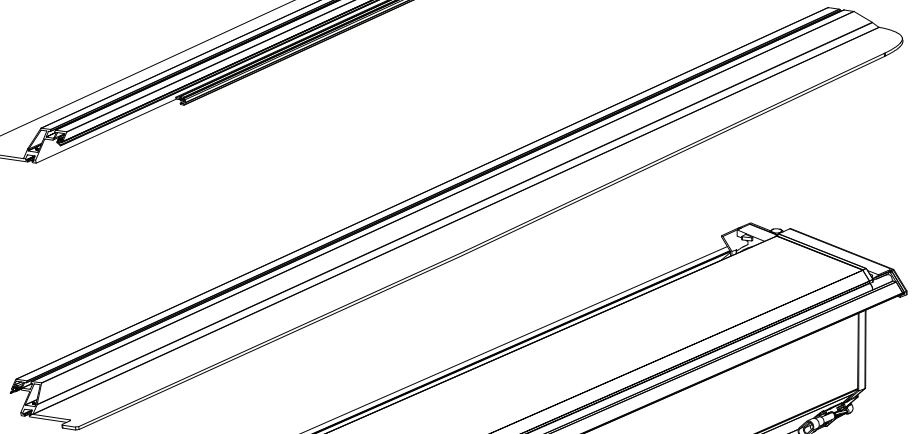
INSTALATION  
MANUAL  
+E-KIT



OWNERS  
MANUAL



x1

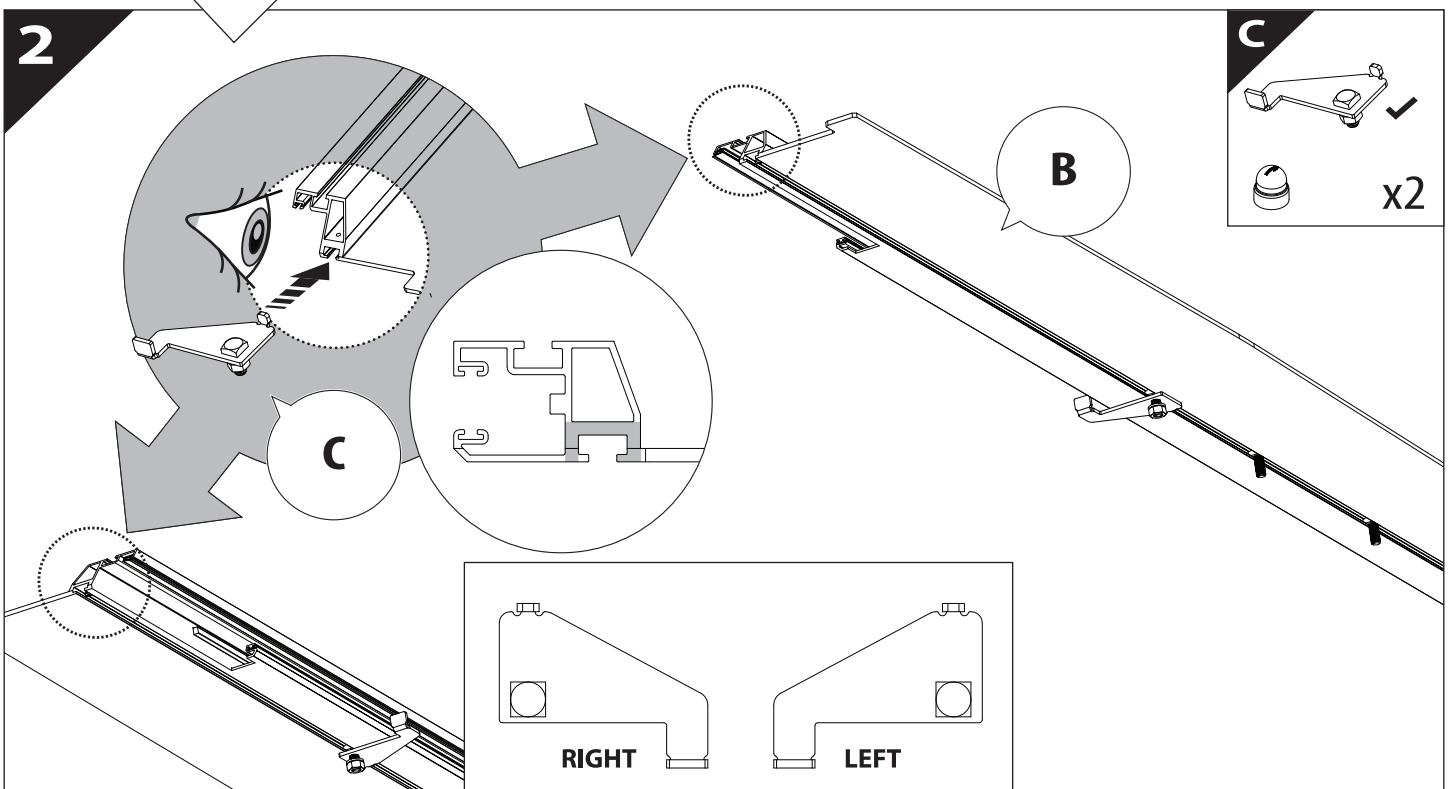
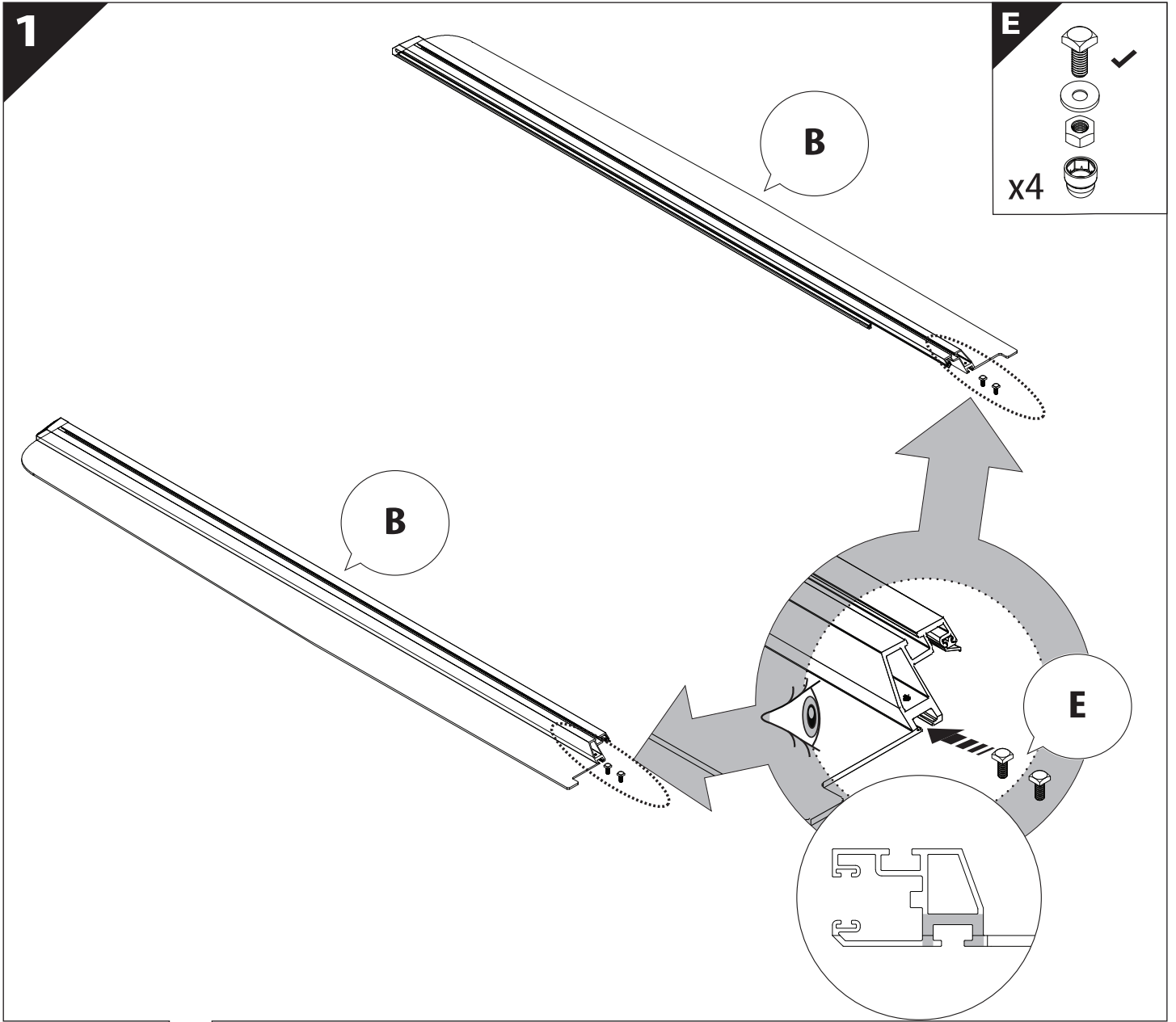


**B**

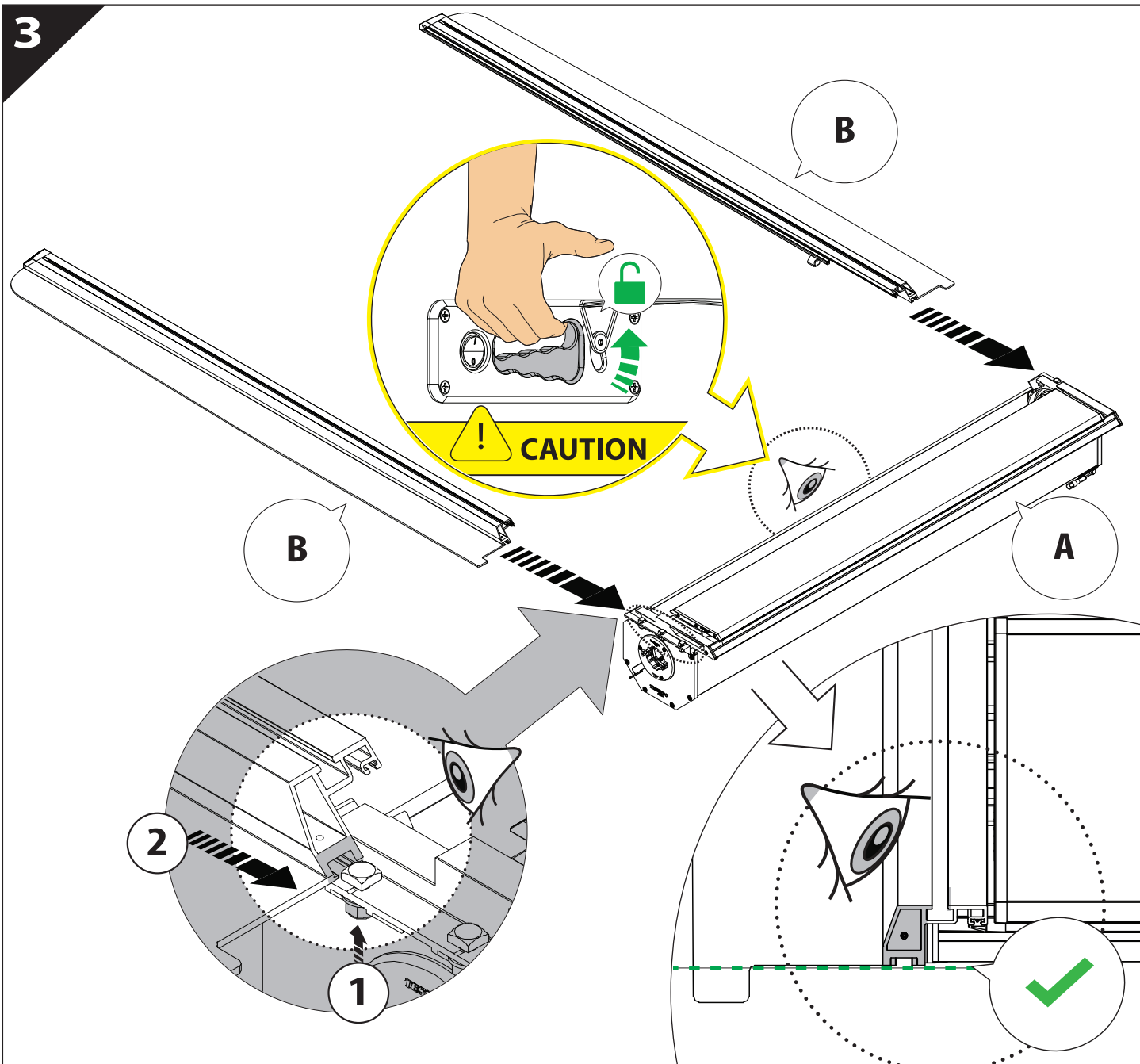
**A**

**KITS**

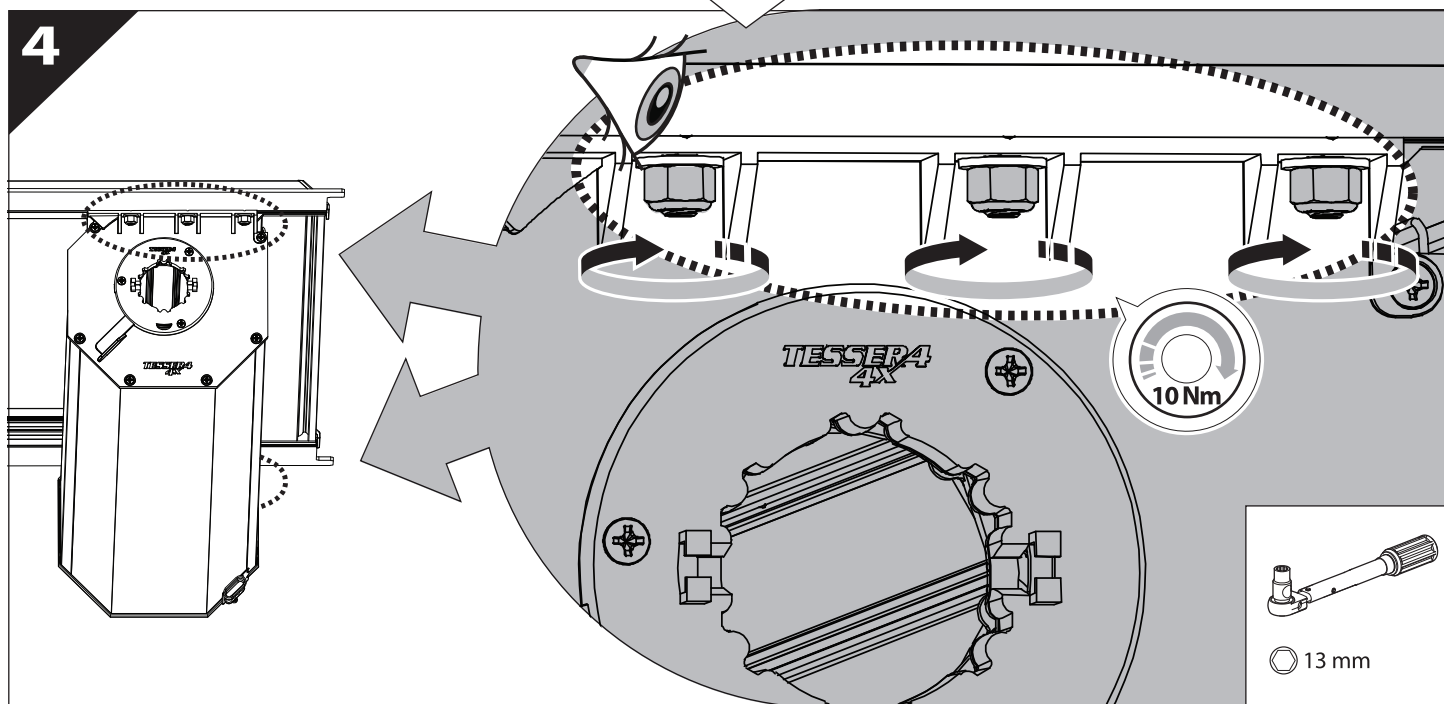
**L**

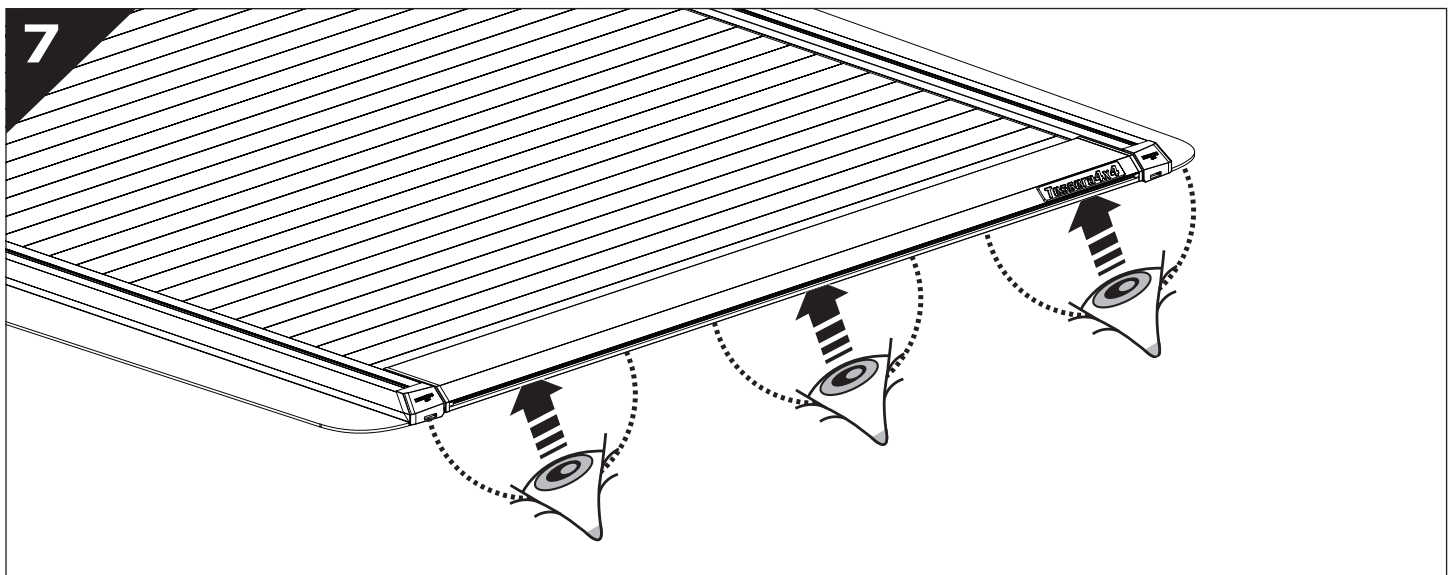
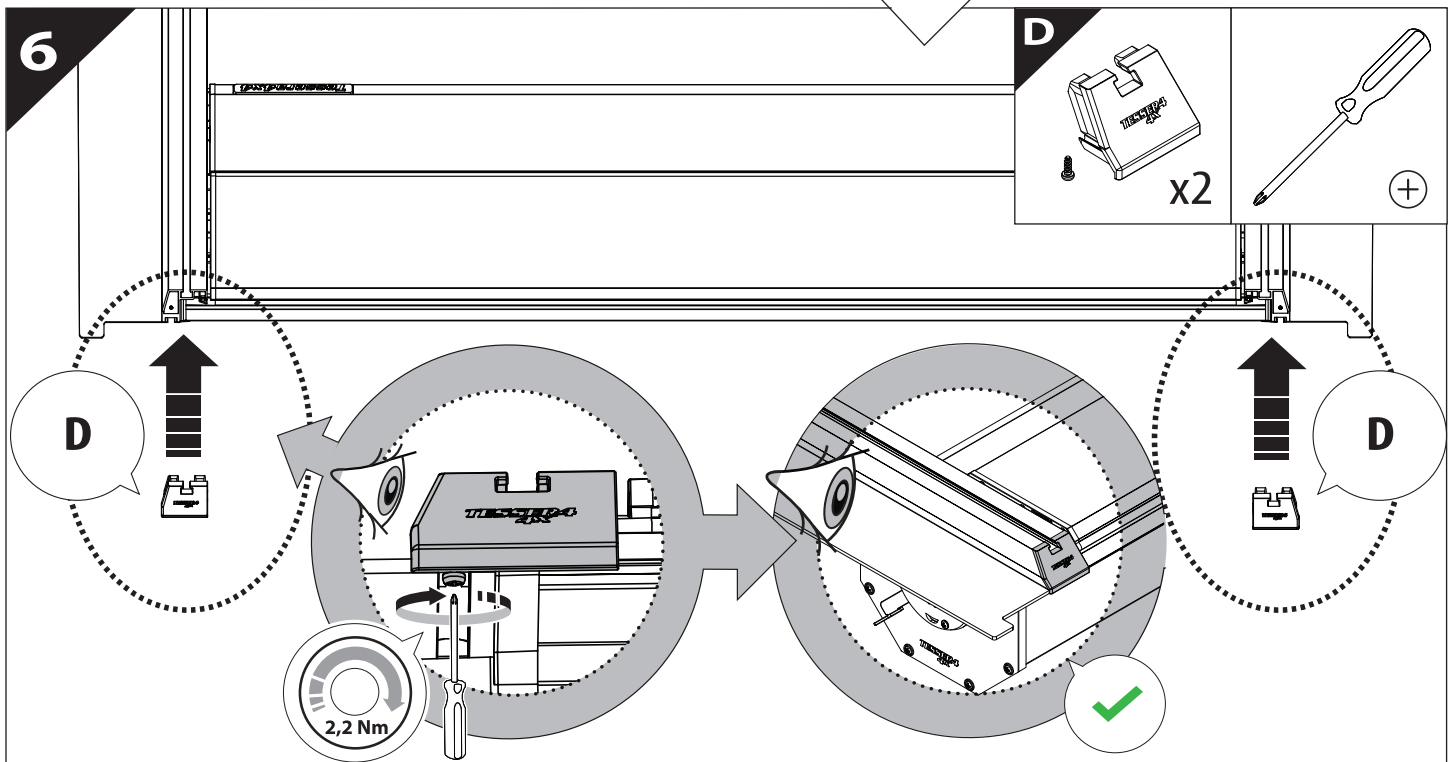
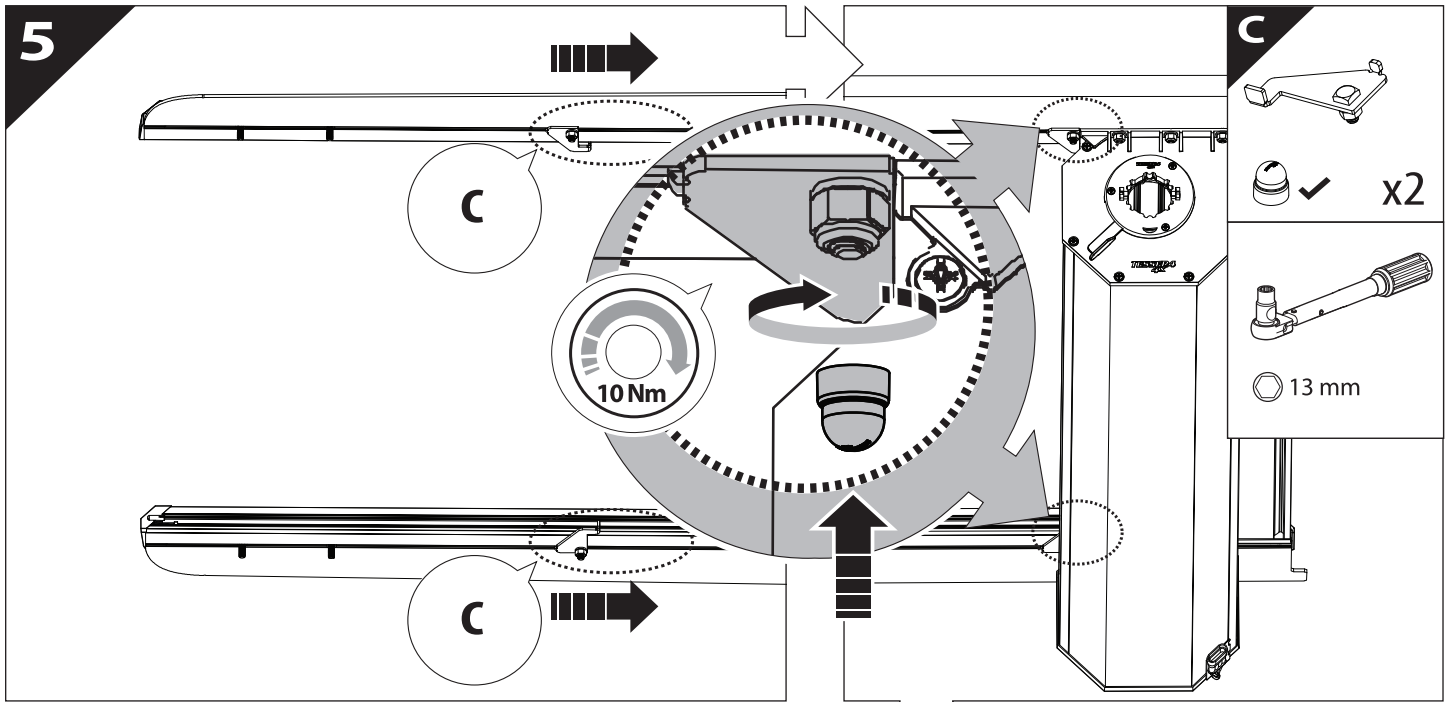


3

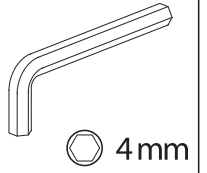


4

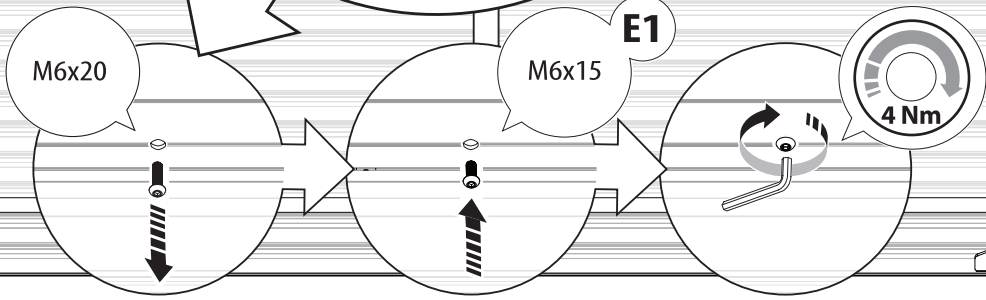
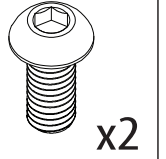




8

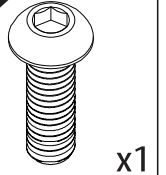


E1

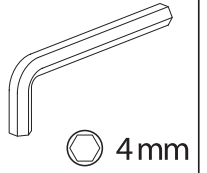
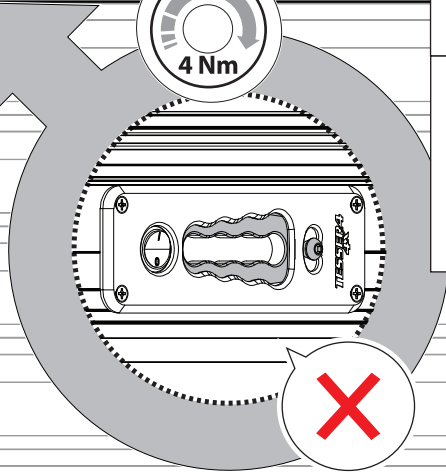
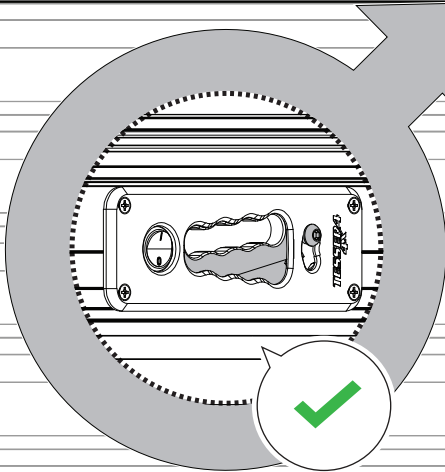
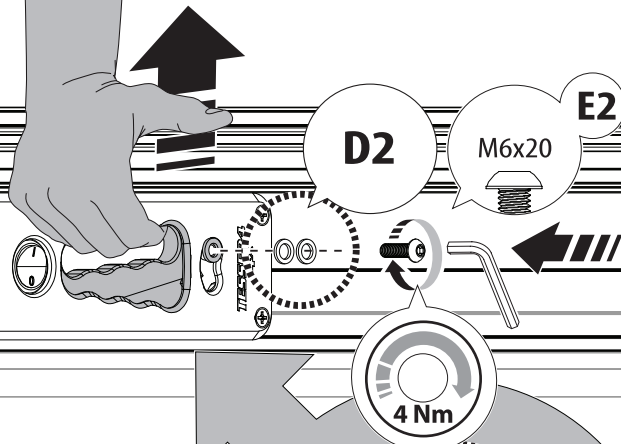
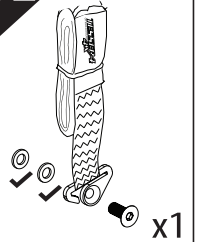


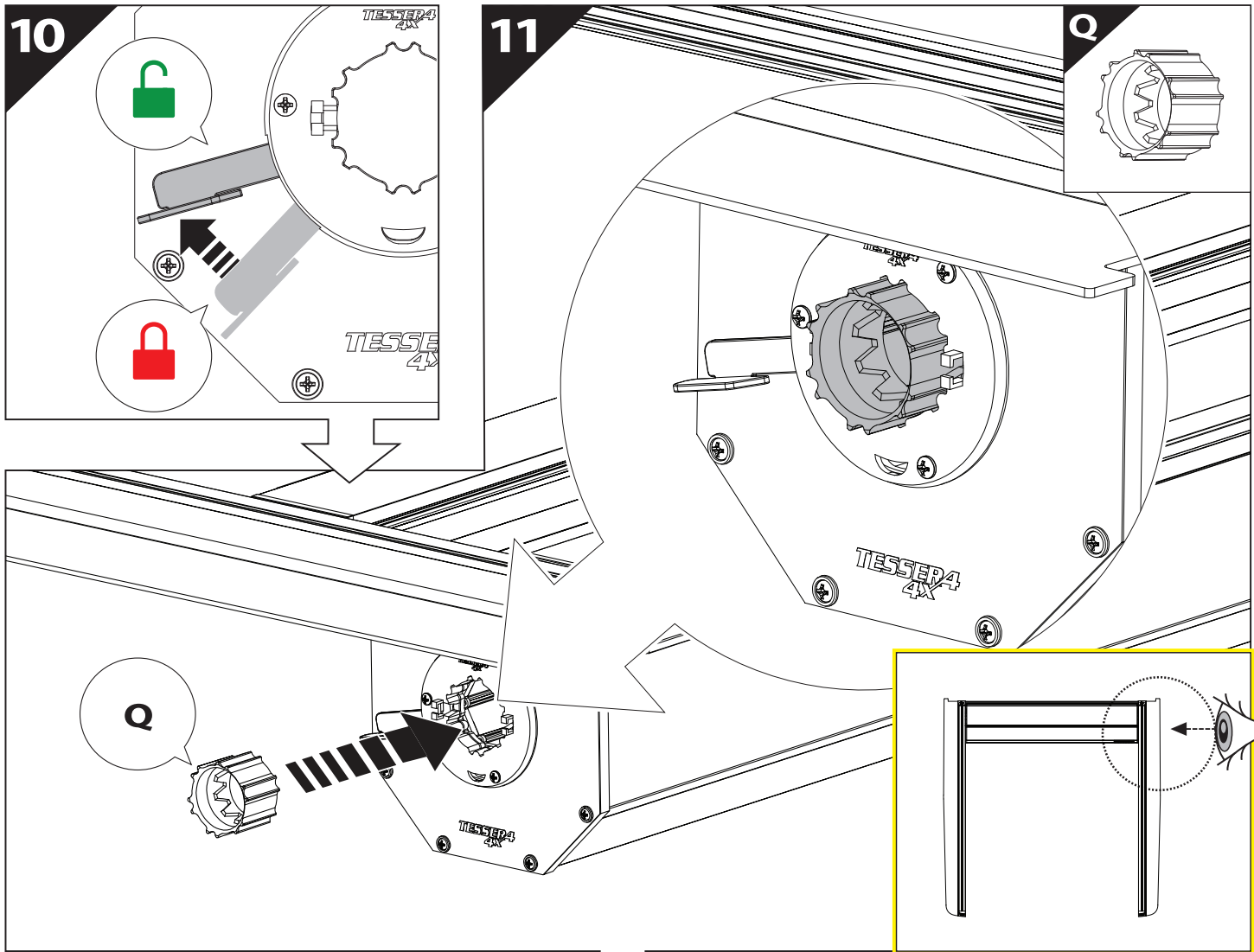
9

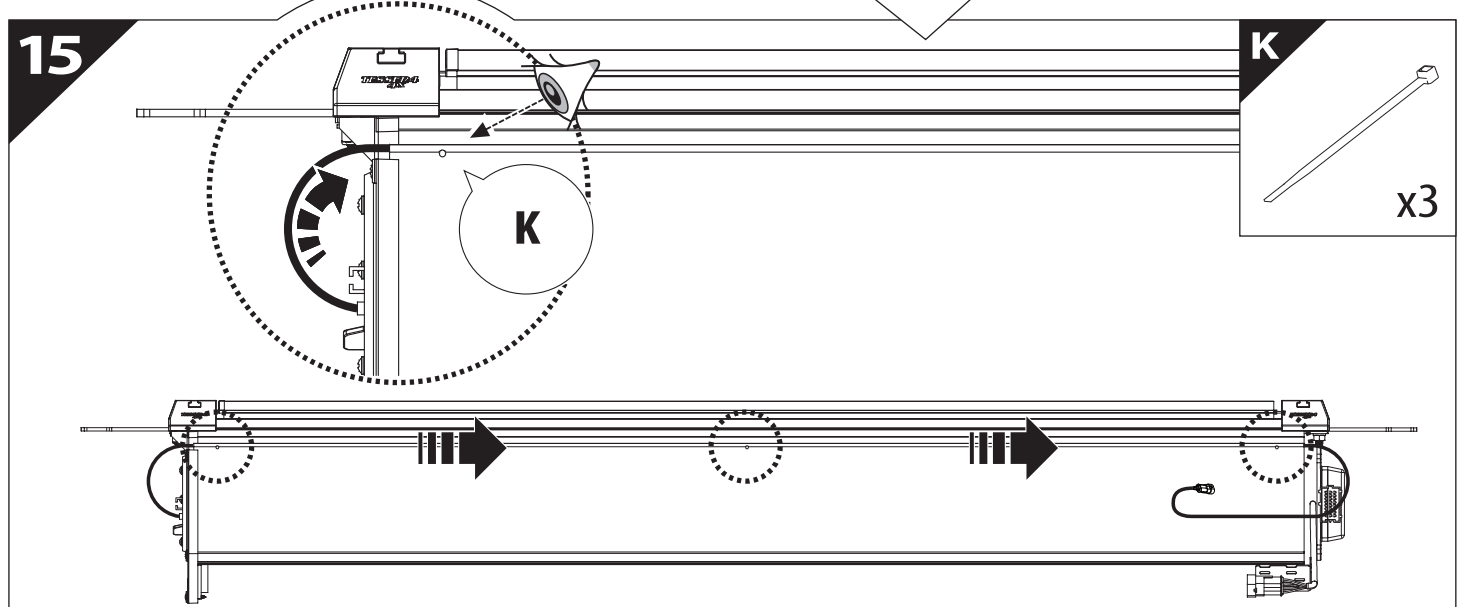
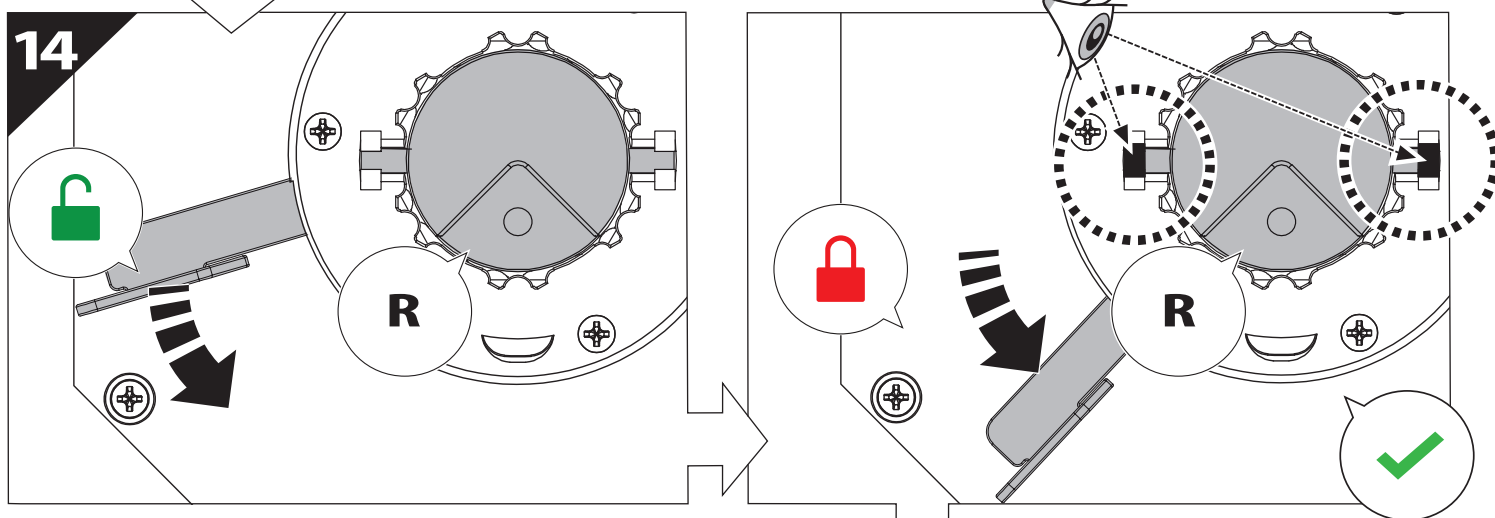
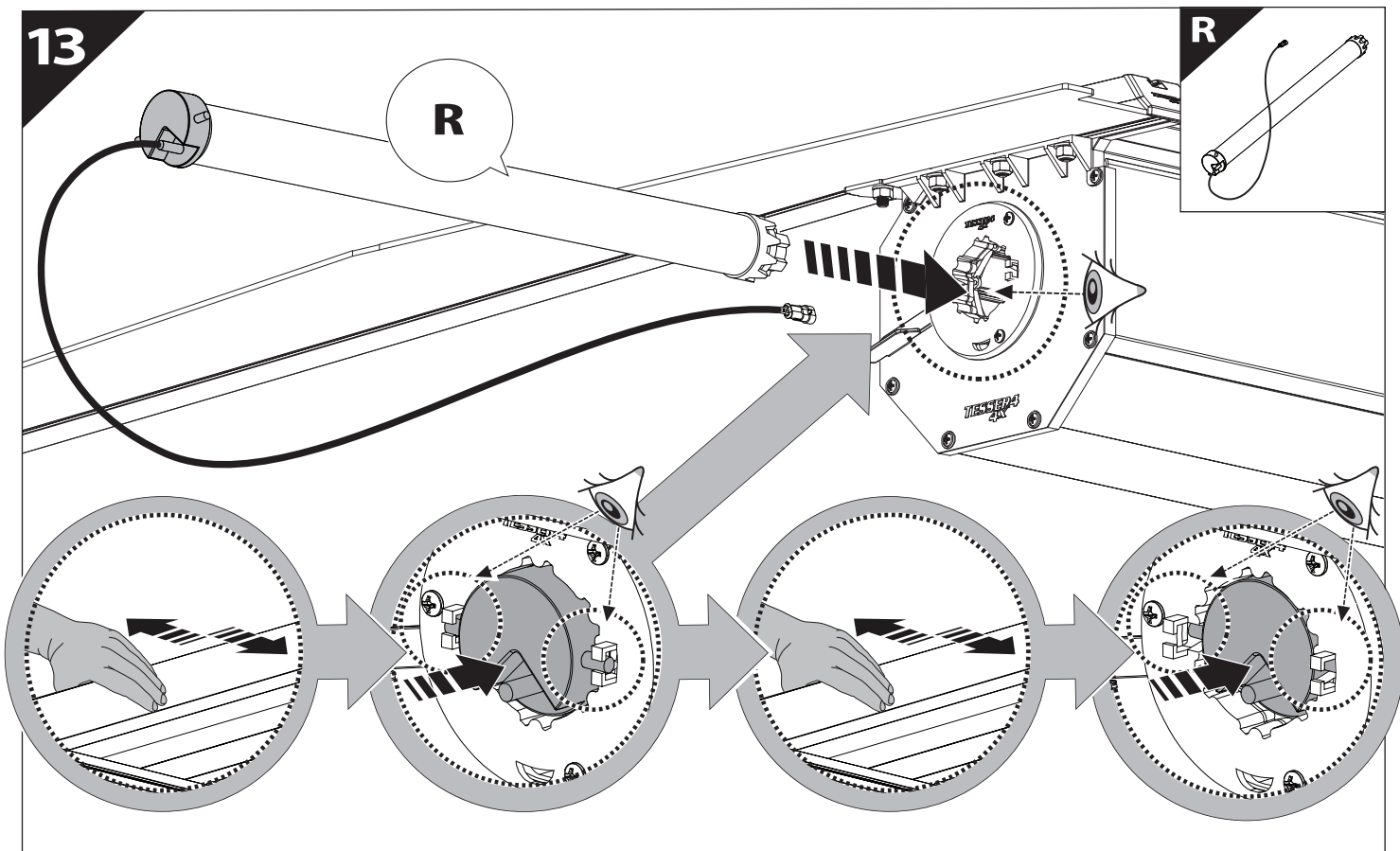
E2



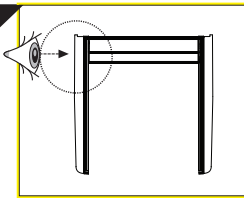
D2



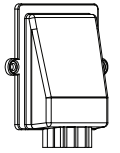




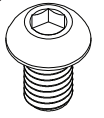
16



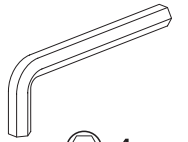
S



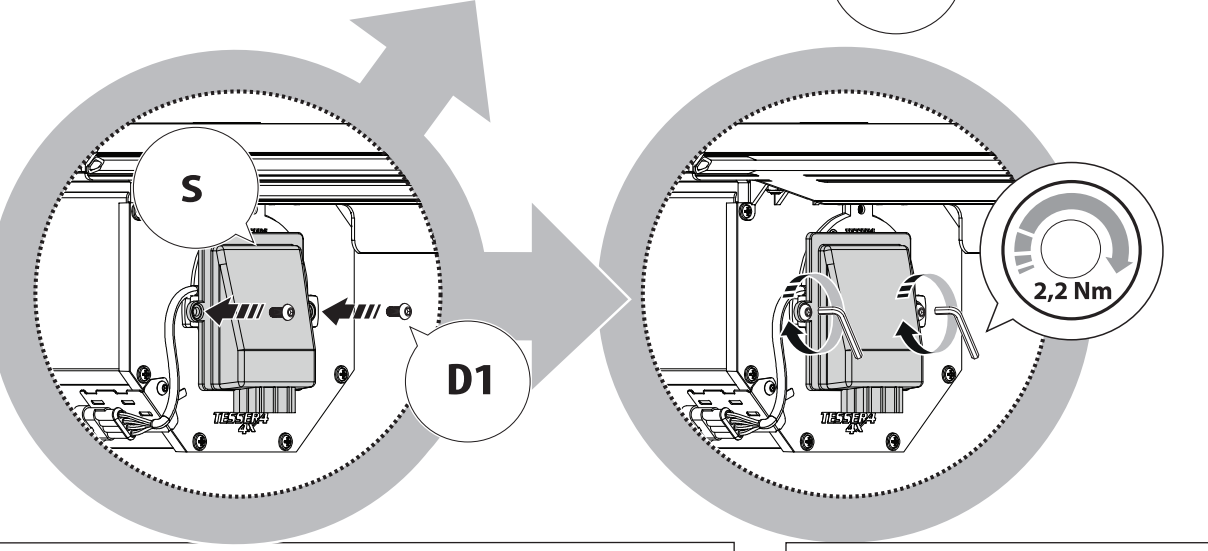
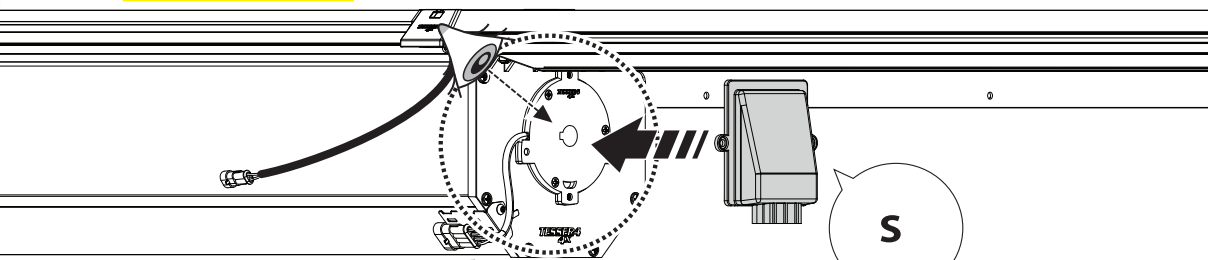
D1



x2



4mm

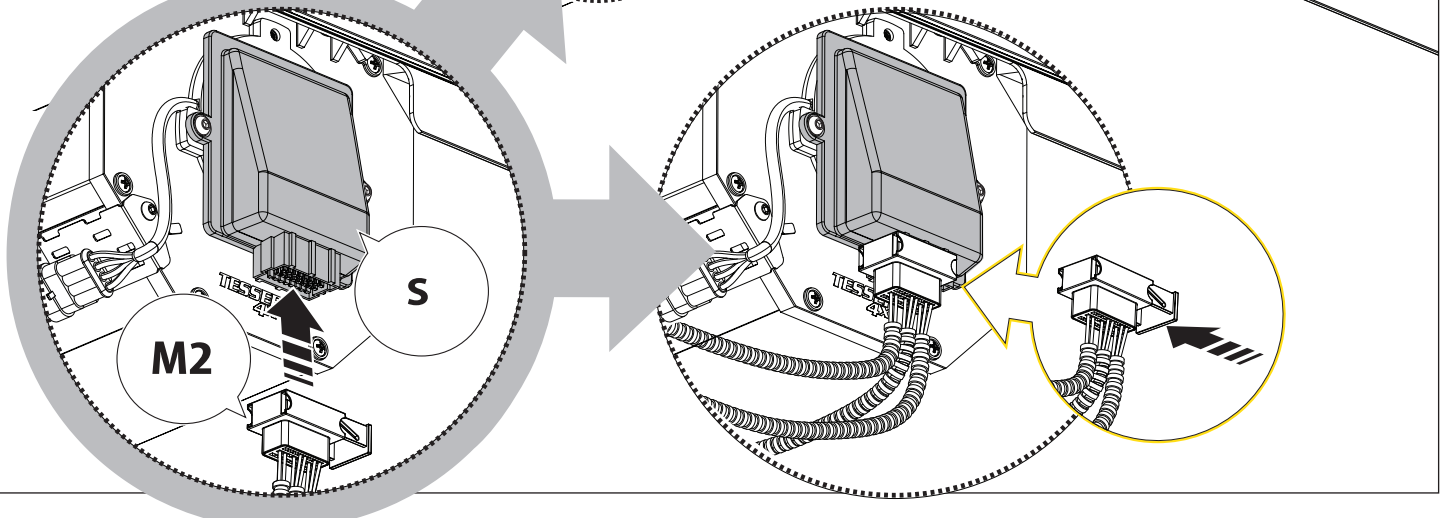
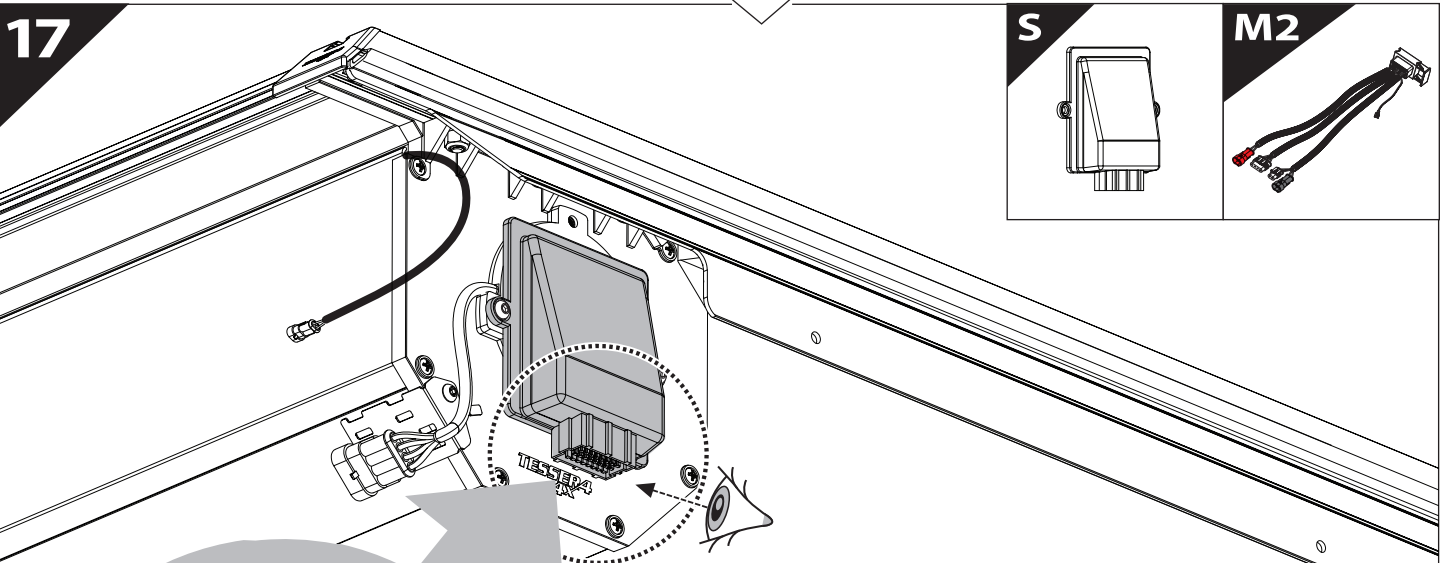


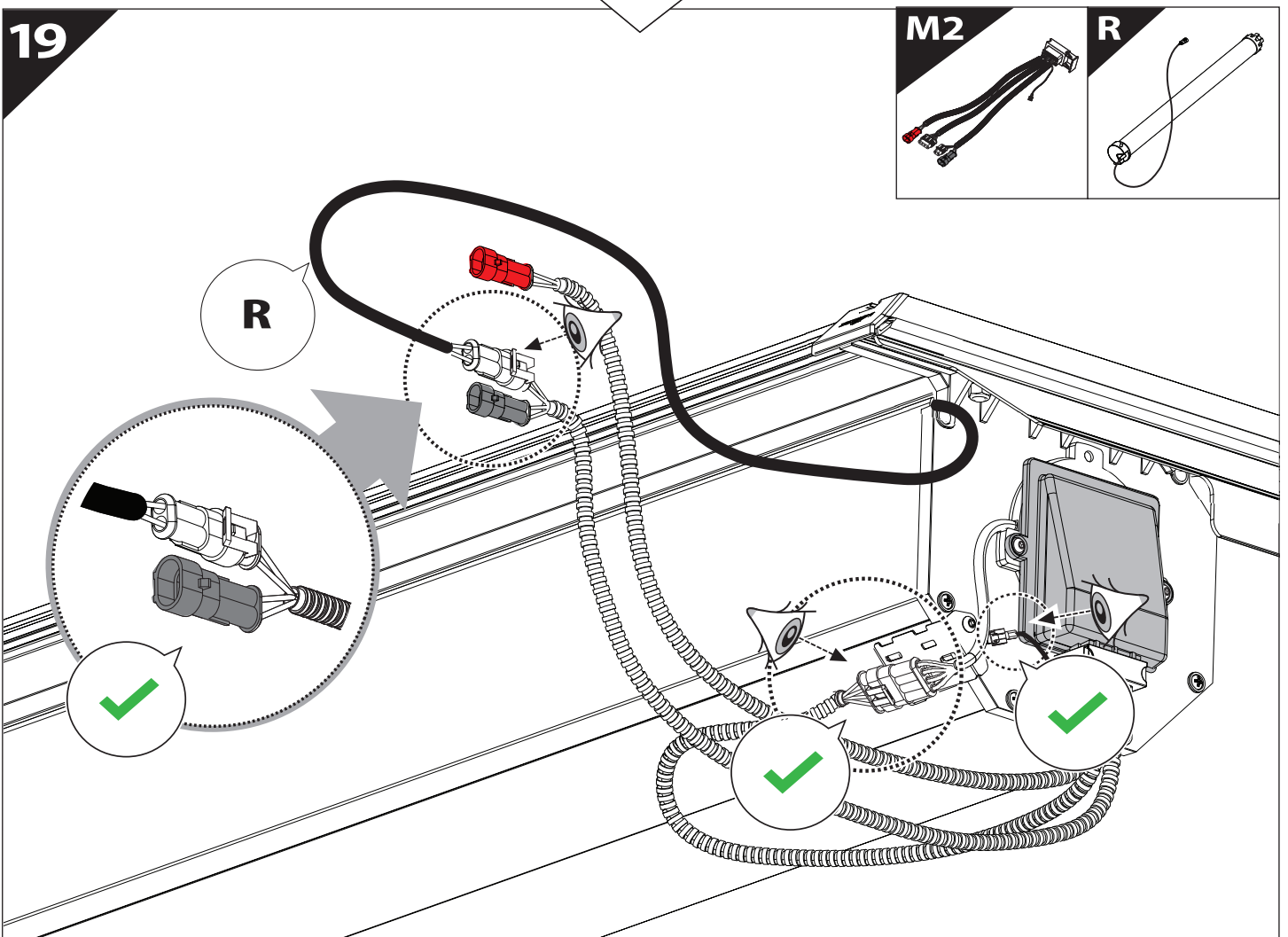
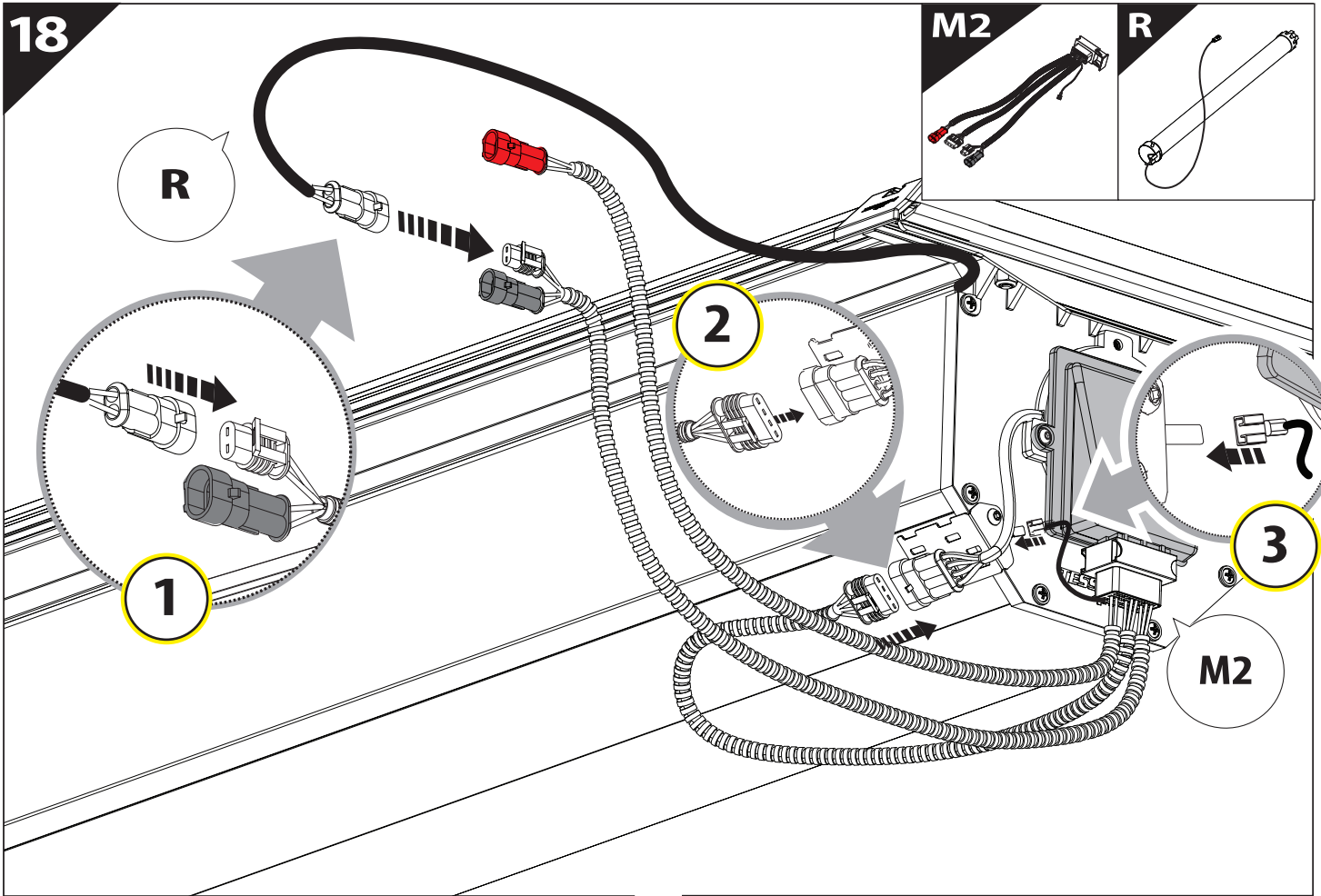
17

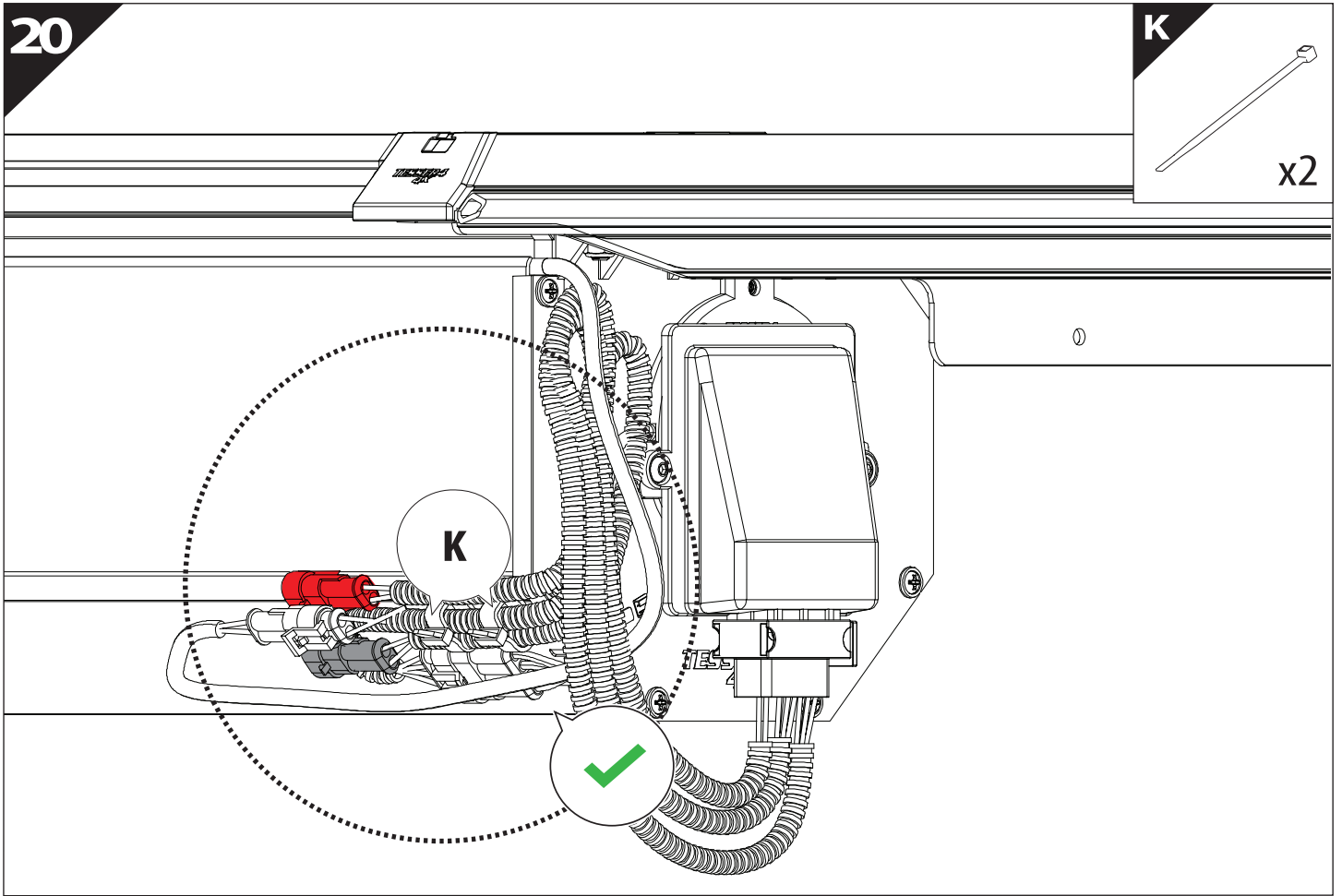
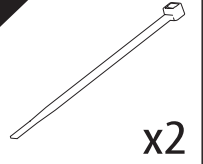
S

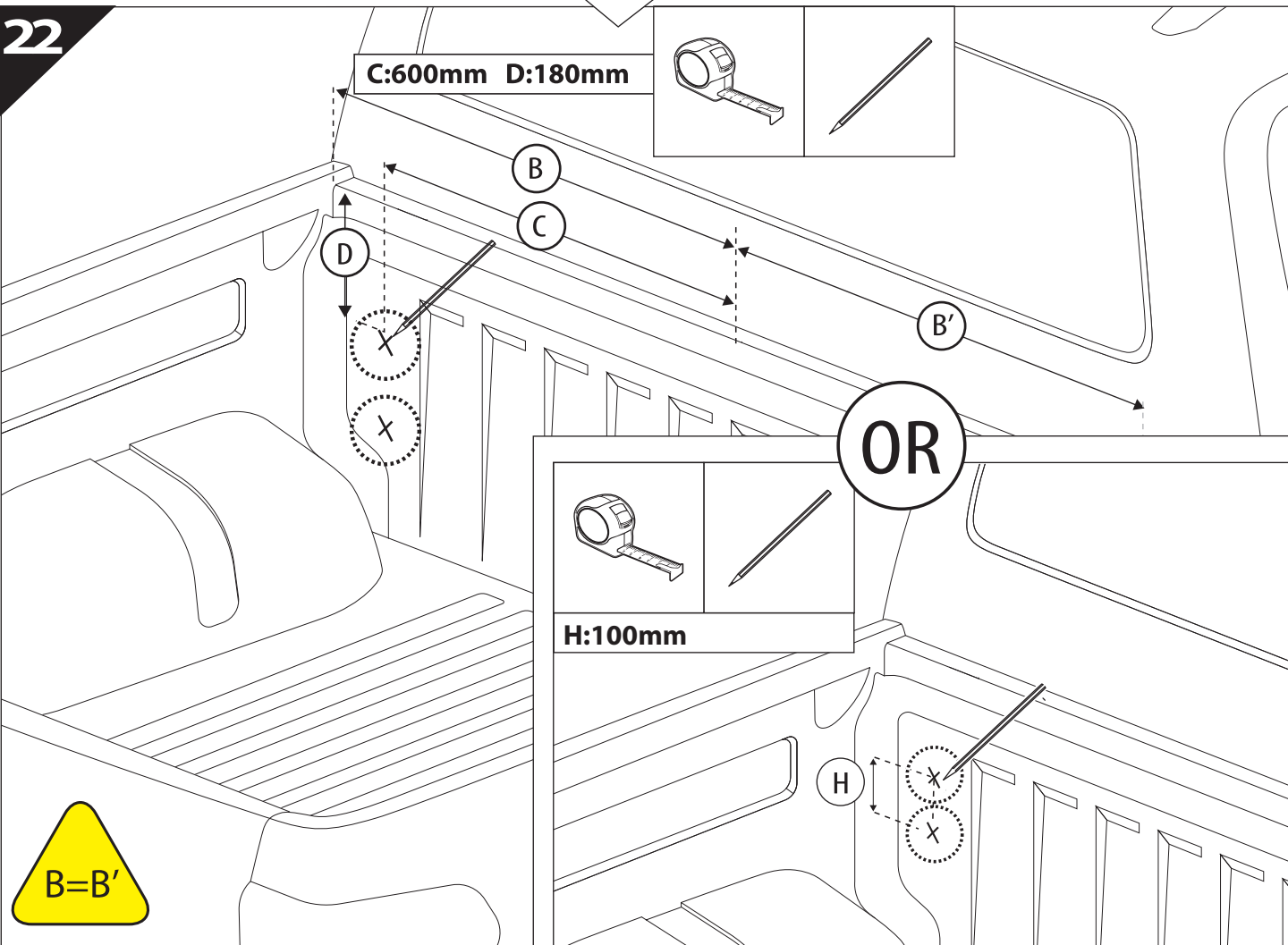
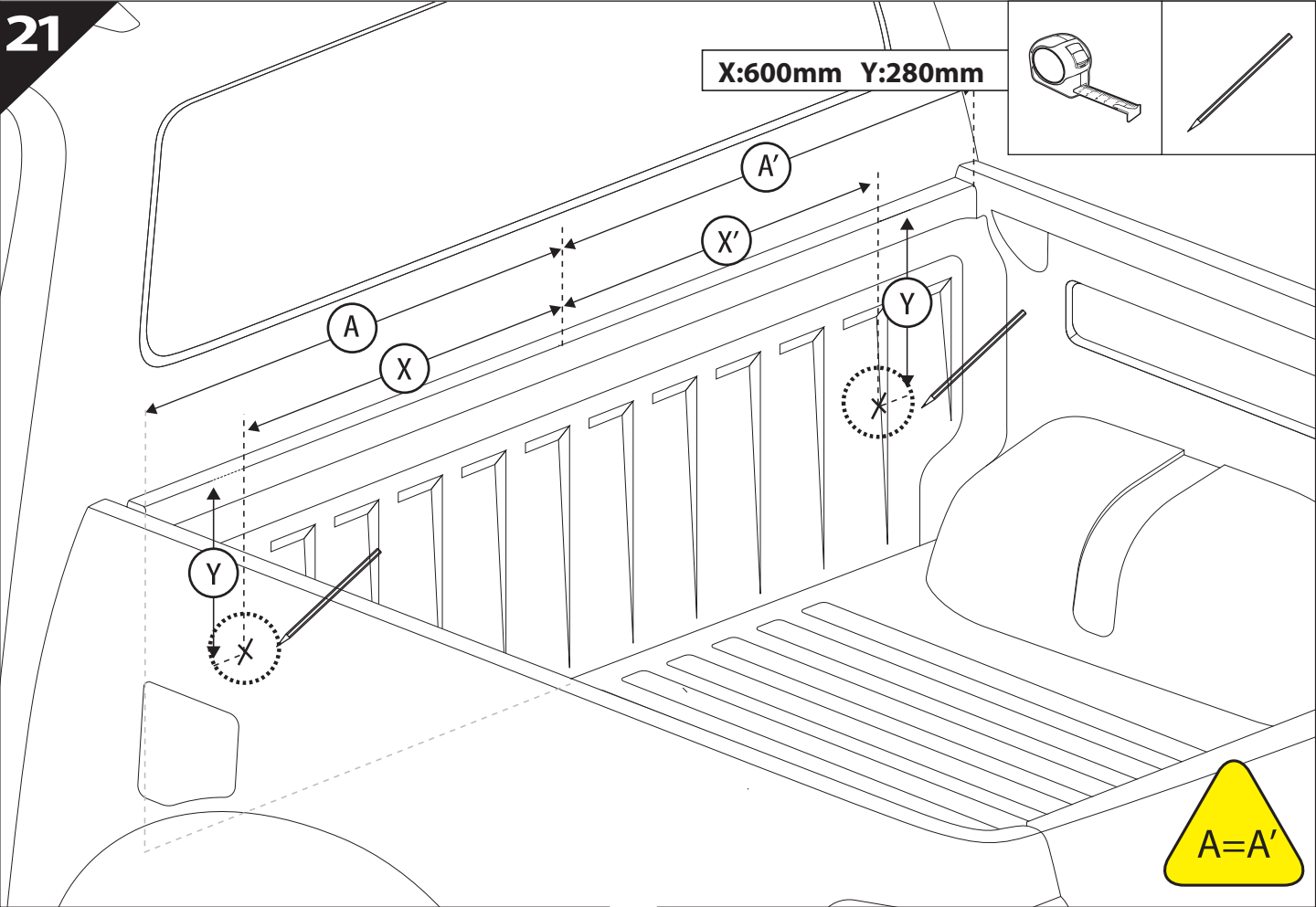


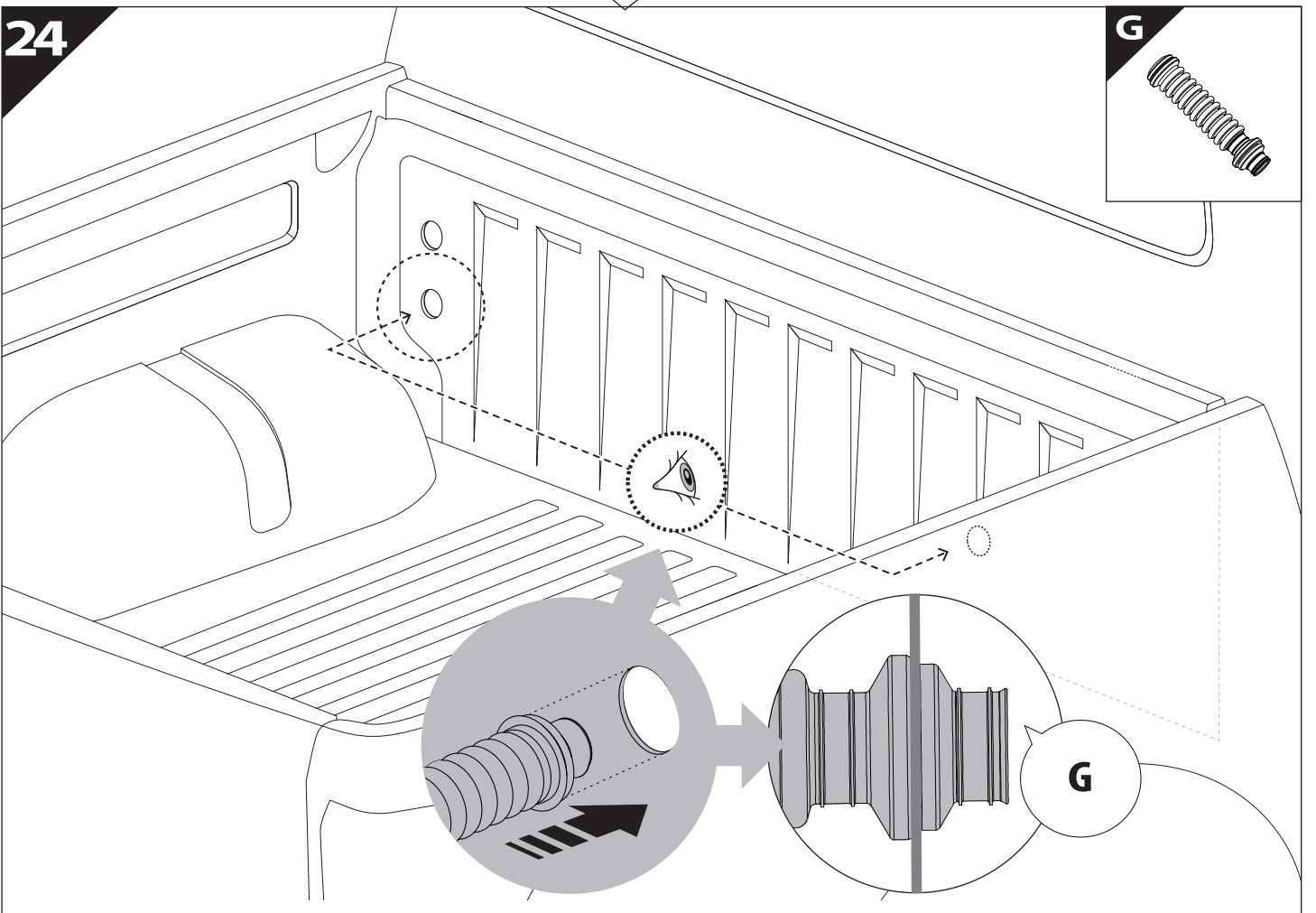
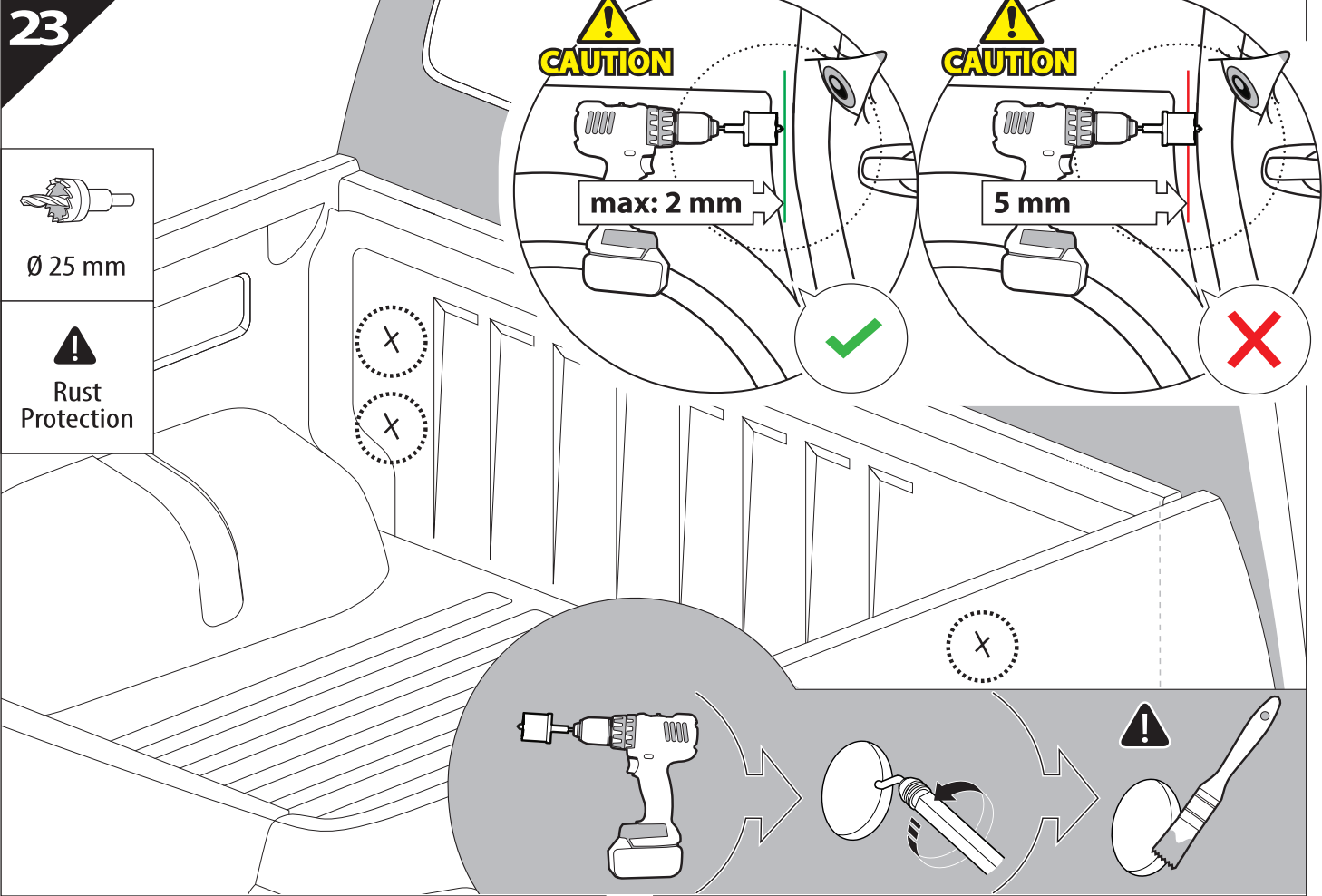
M2

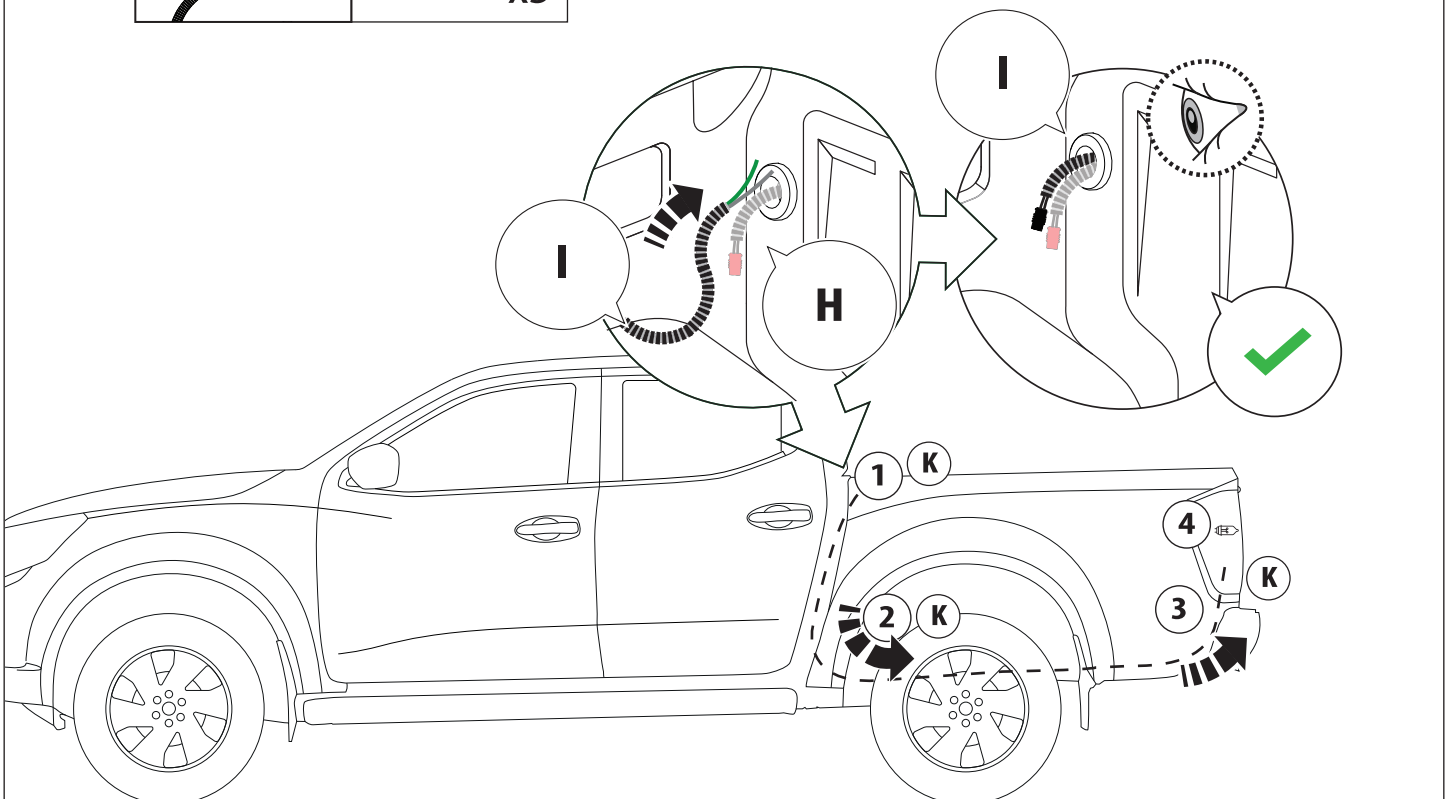
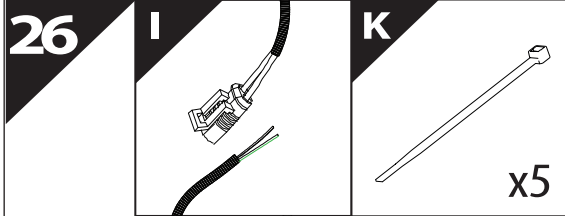
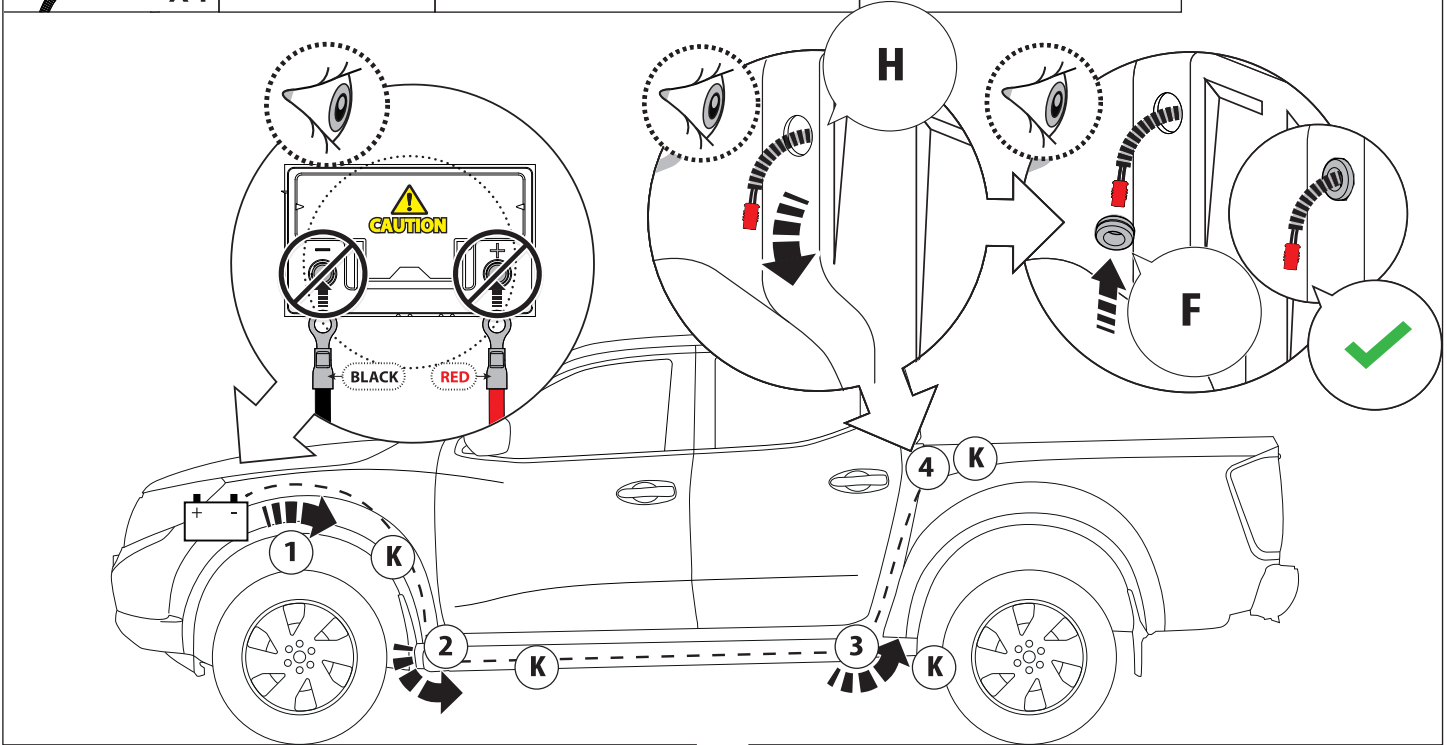
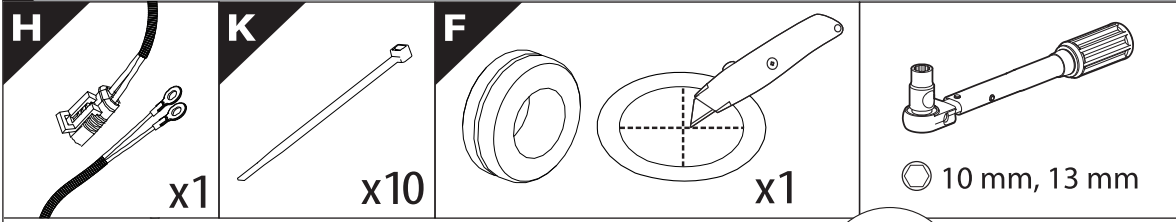




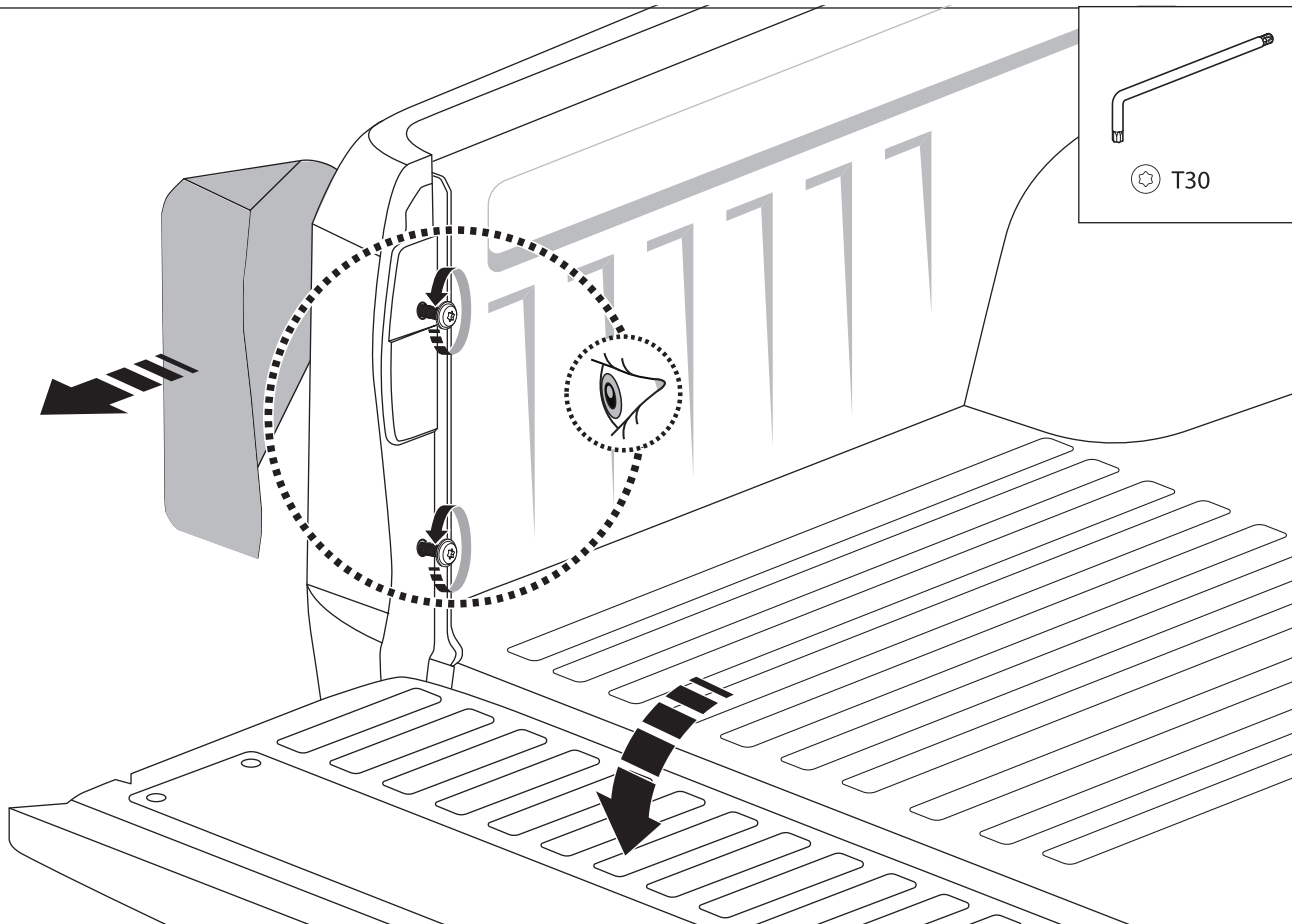




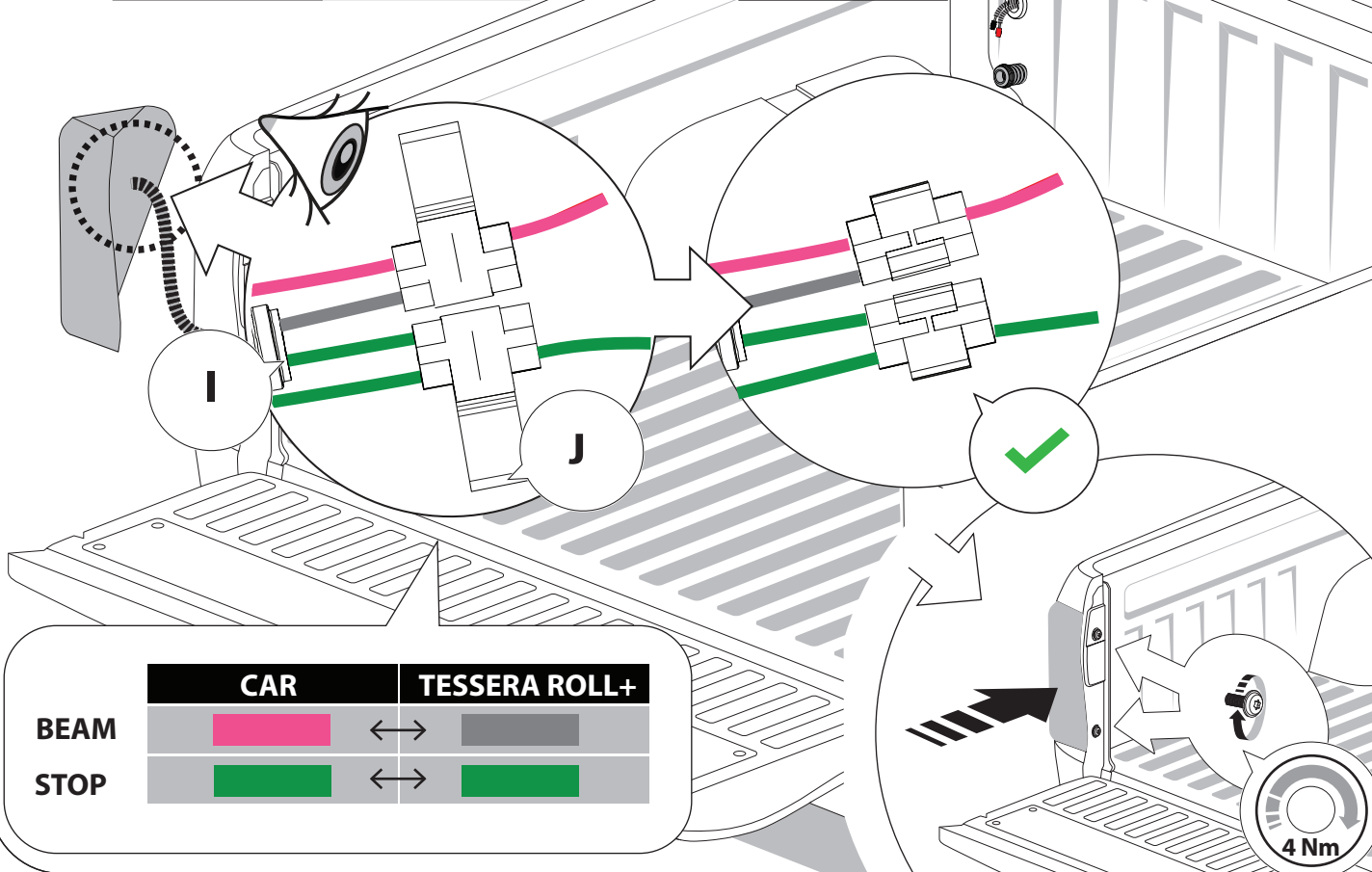
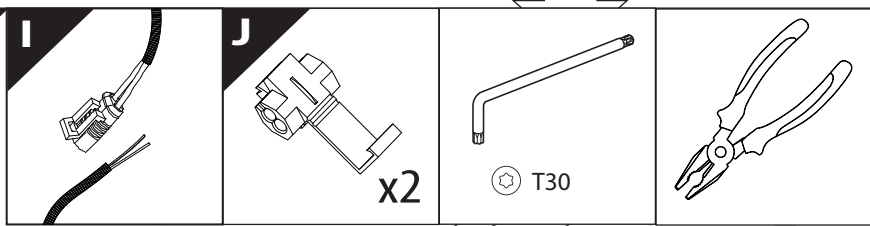








27

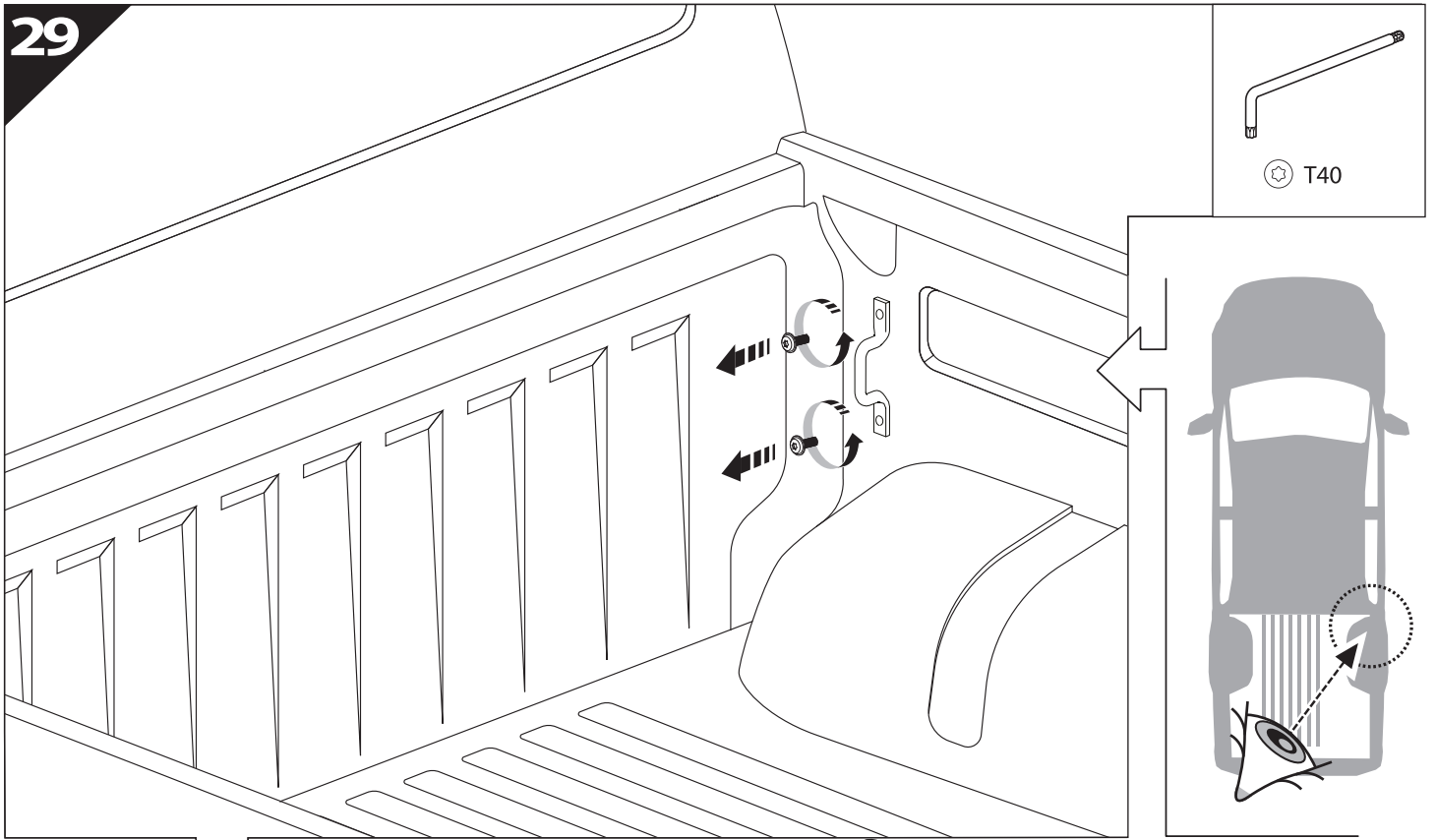



28

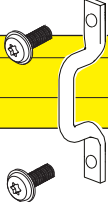



	CAR		TESSERA ROLL+
BEAM		↔	
STOP		↔	


29



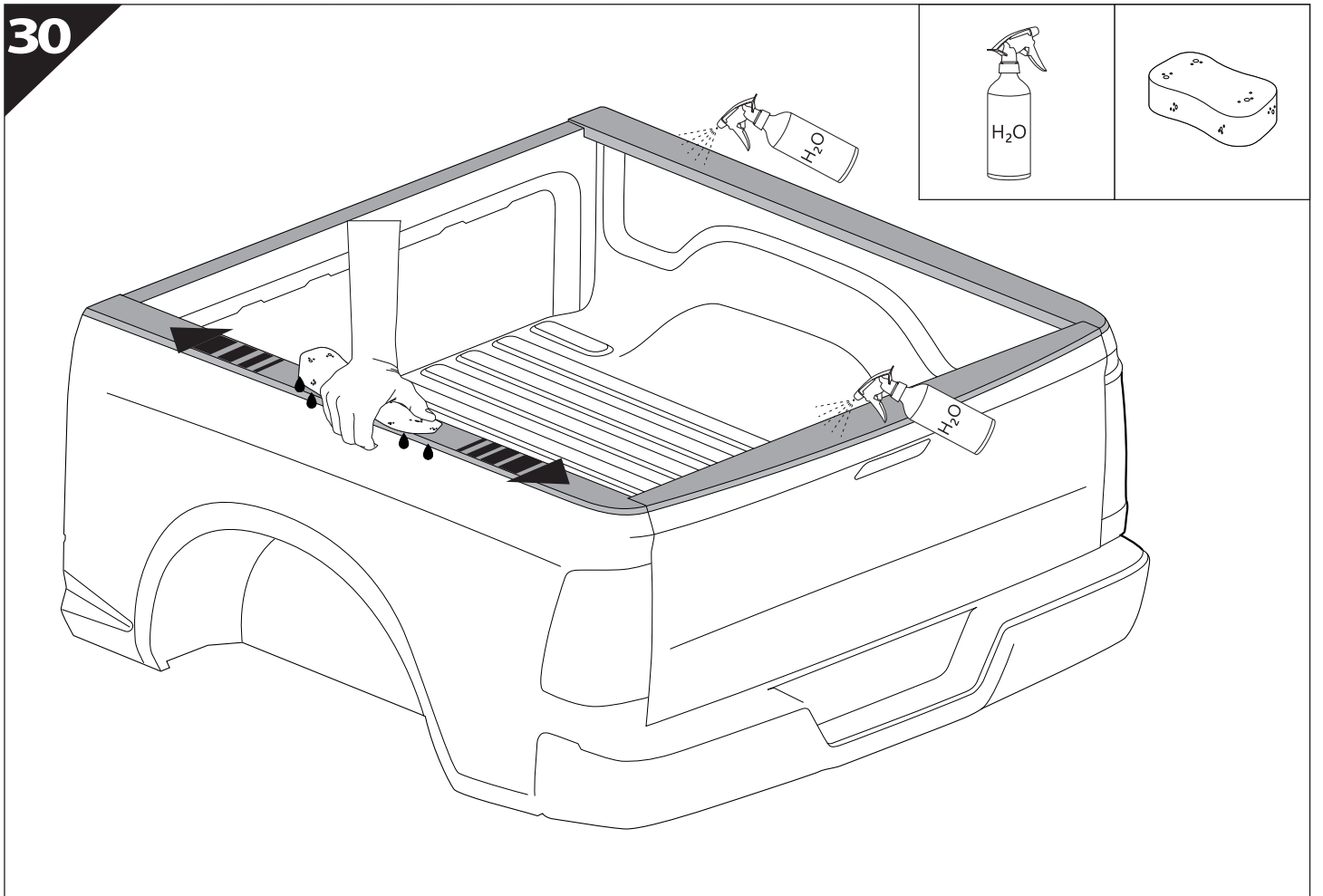
 **KEEP IN SAFE PLACE**

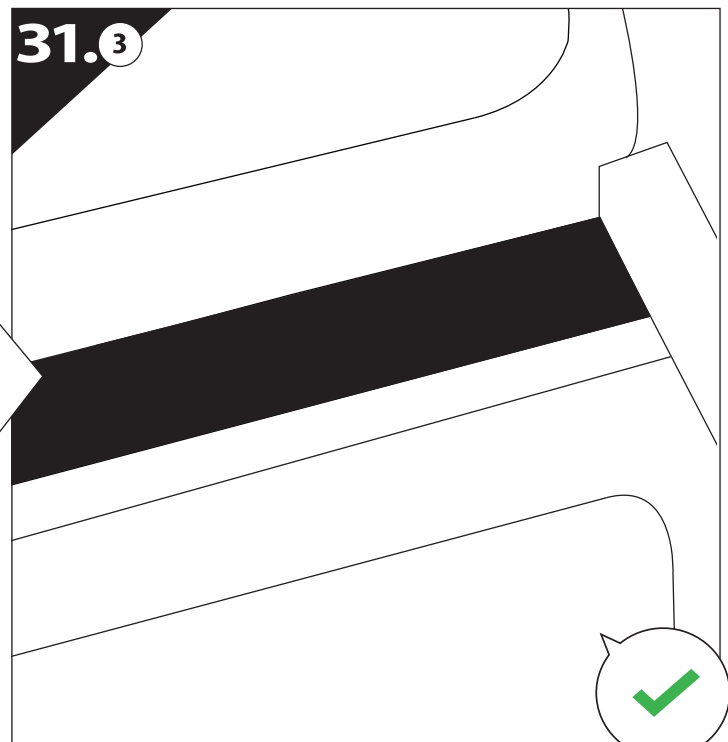
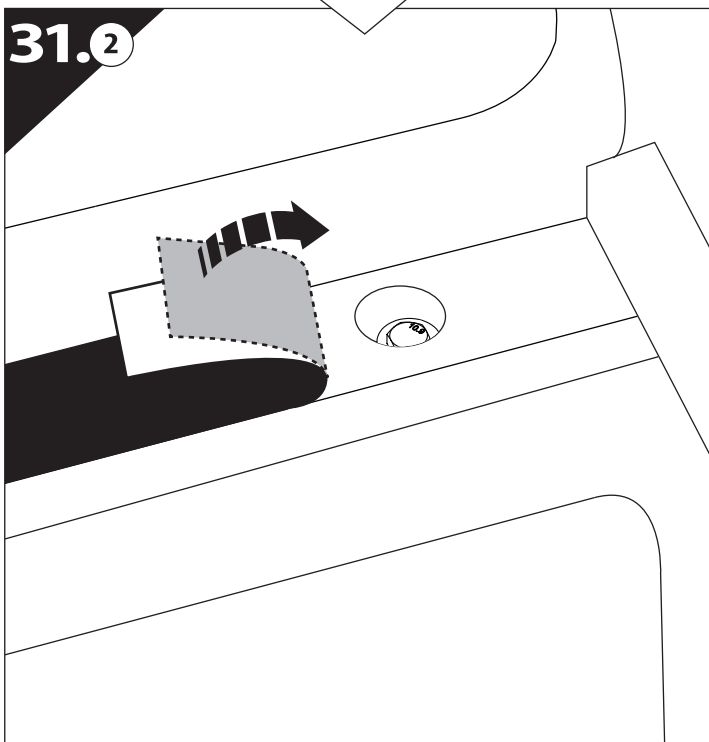
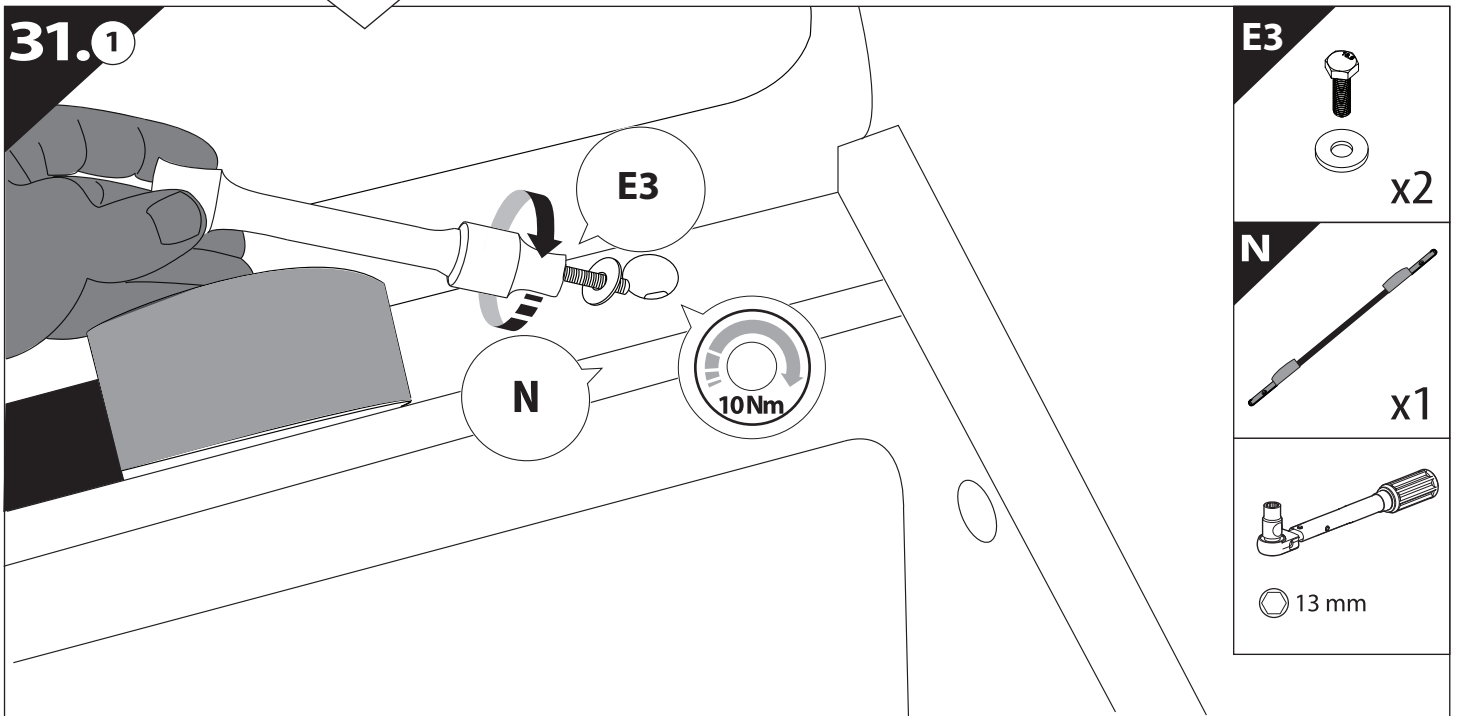
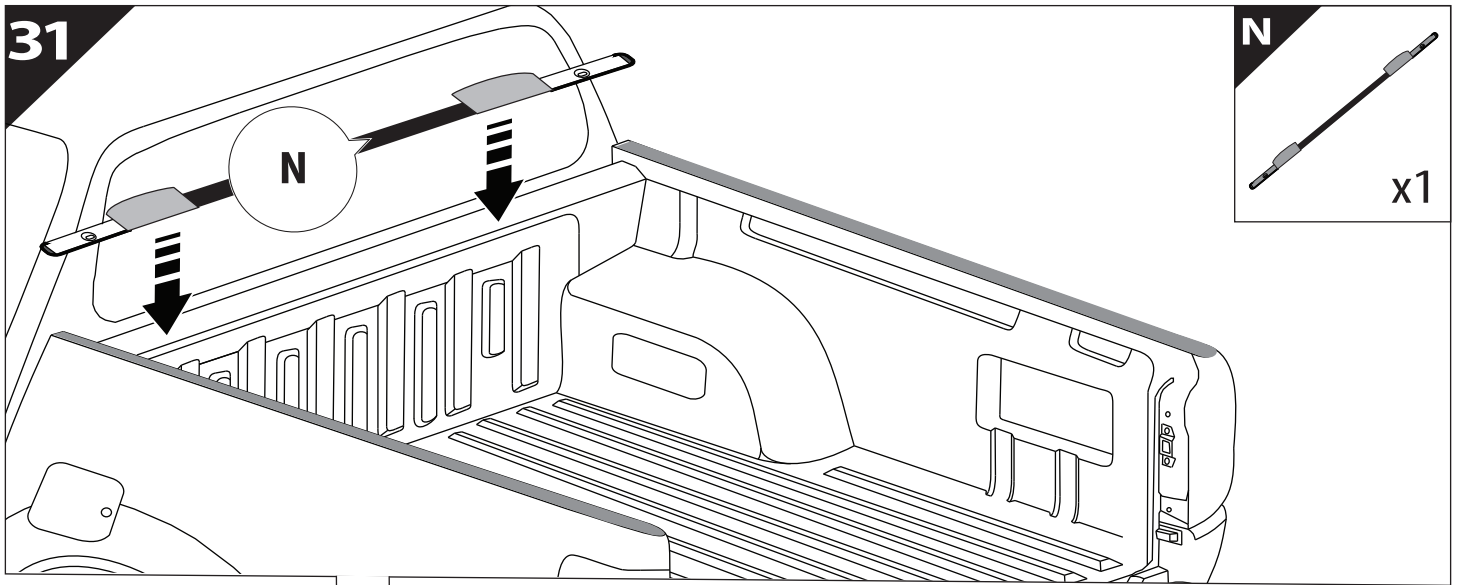
 x2

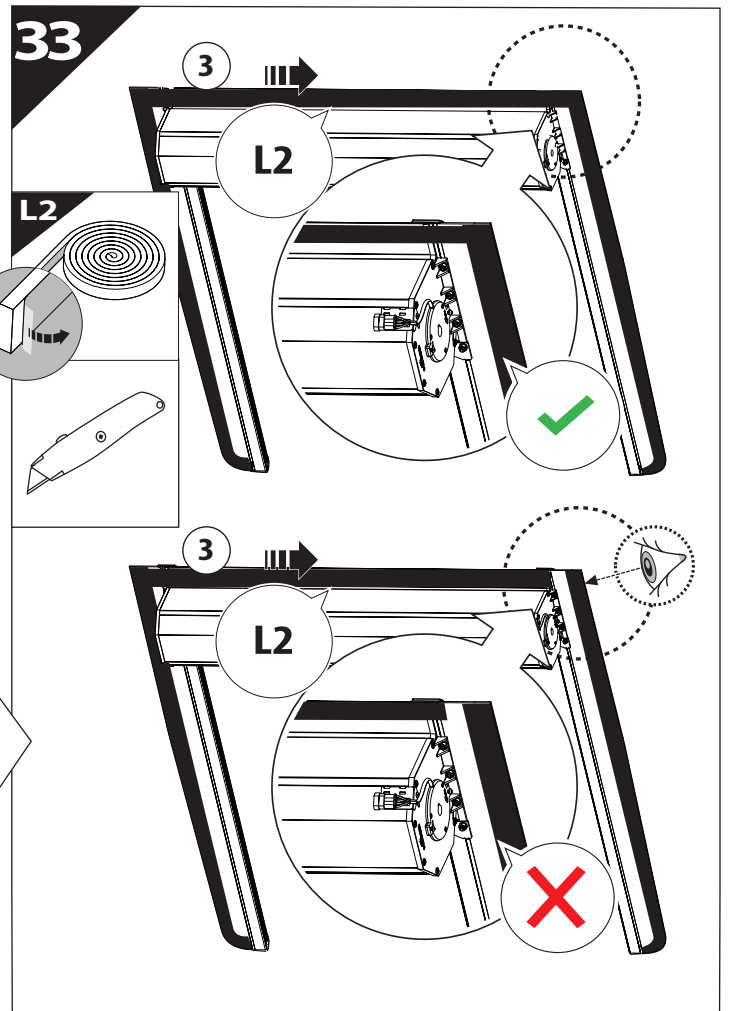
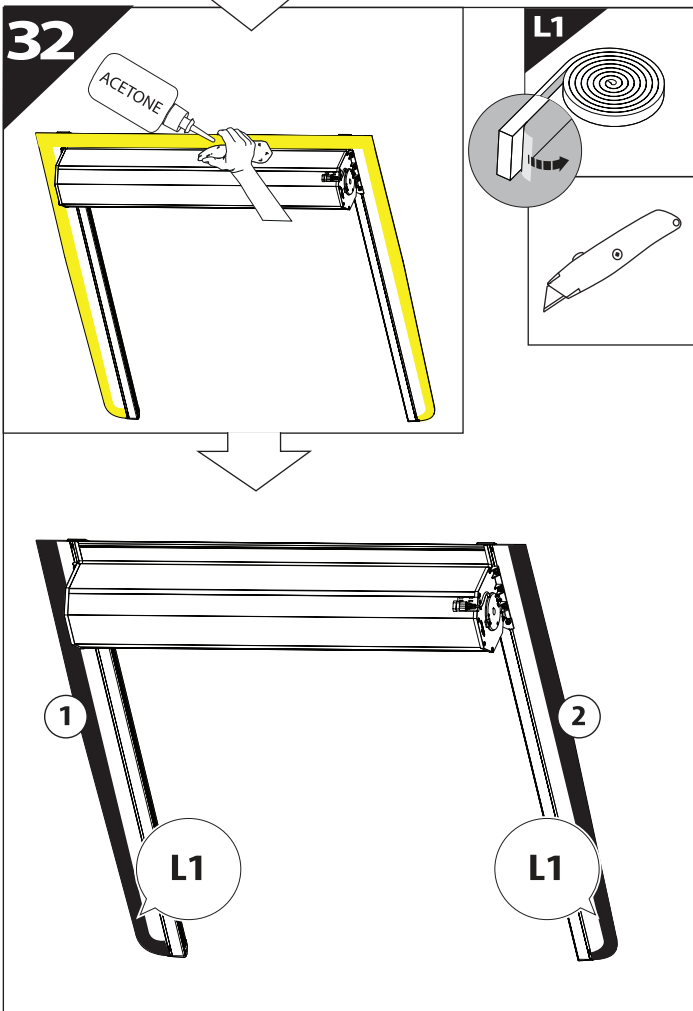
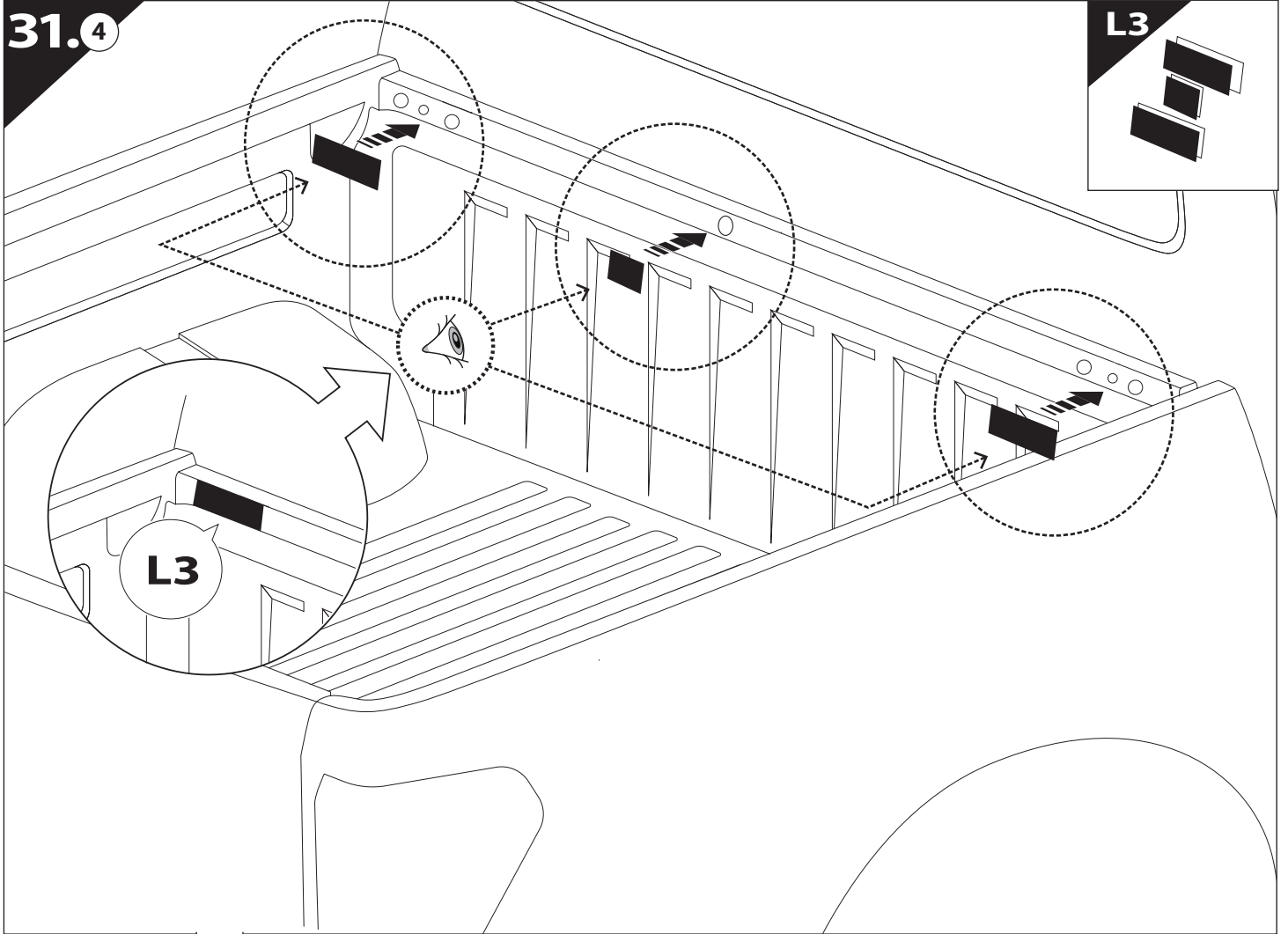


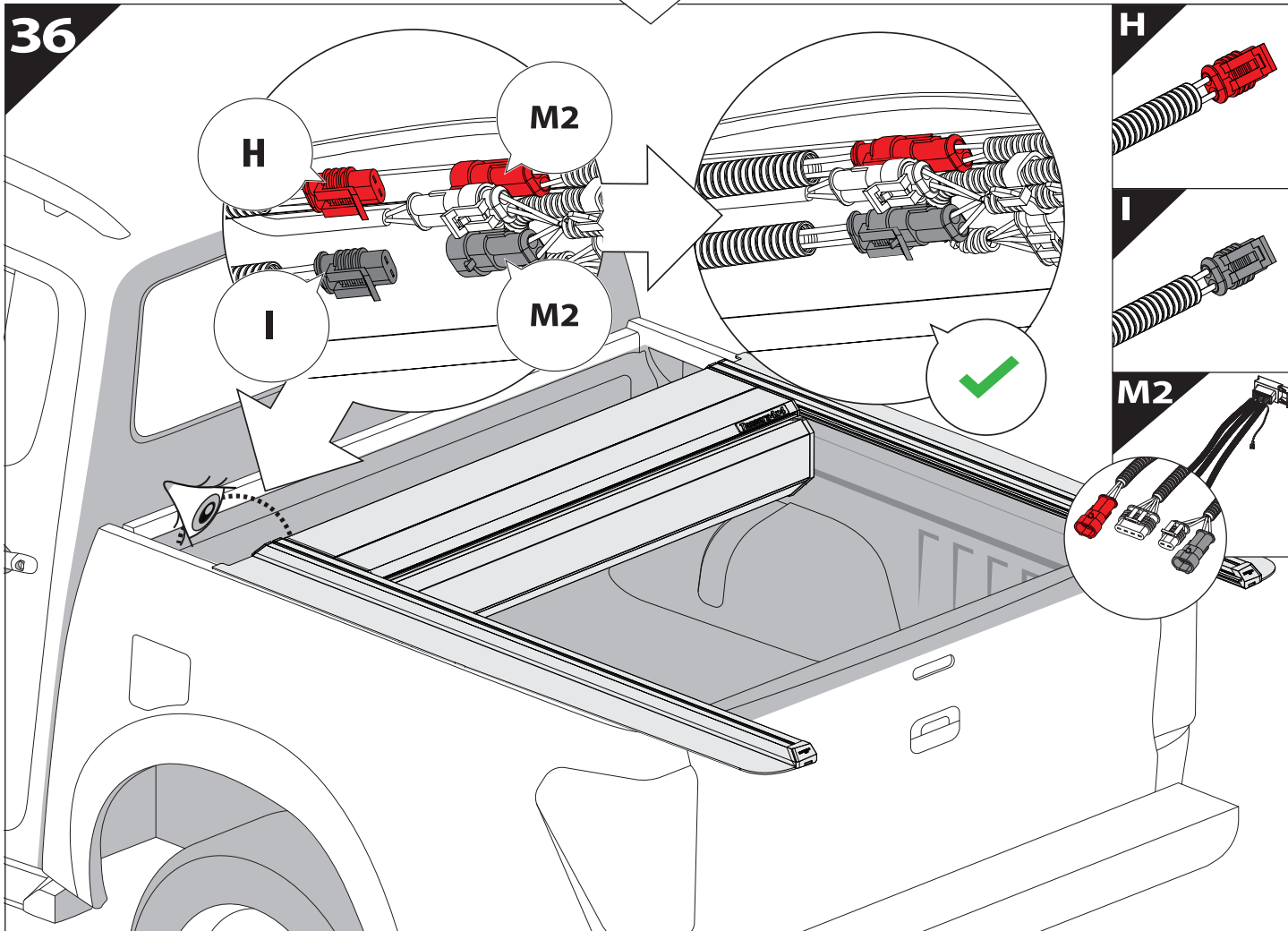
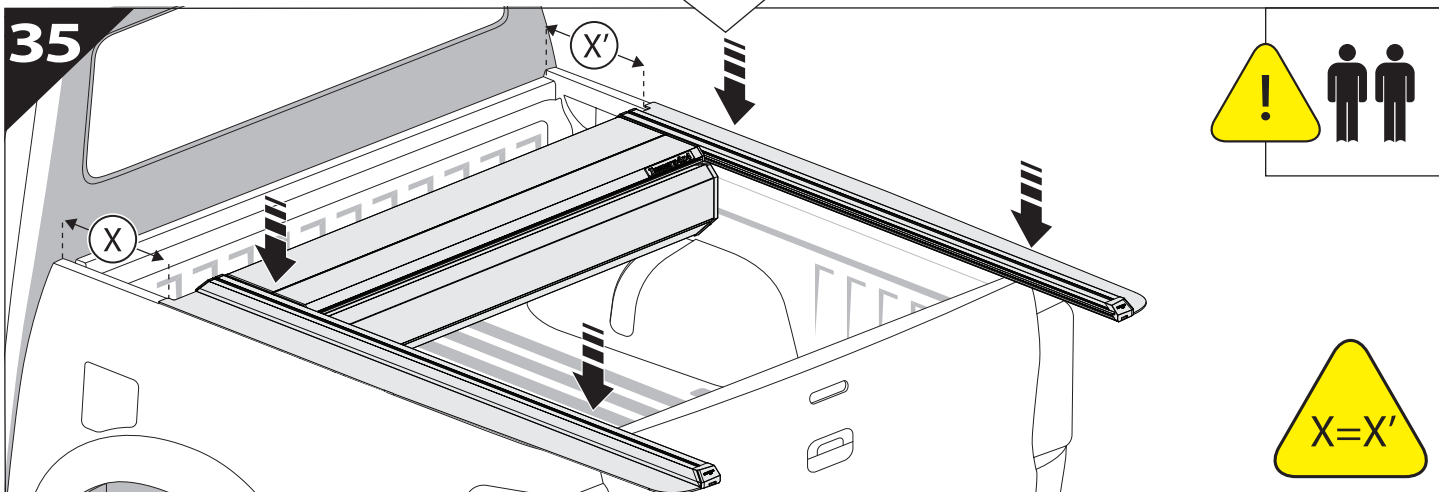
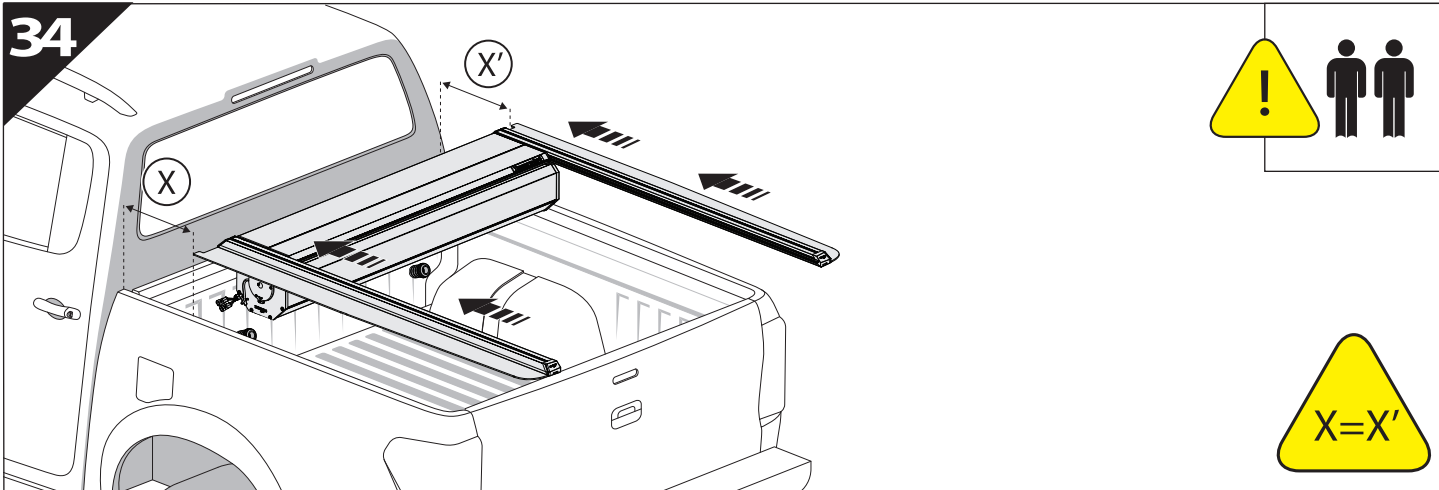


30

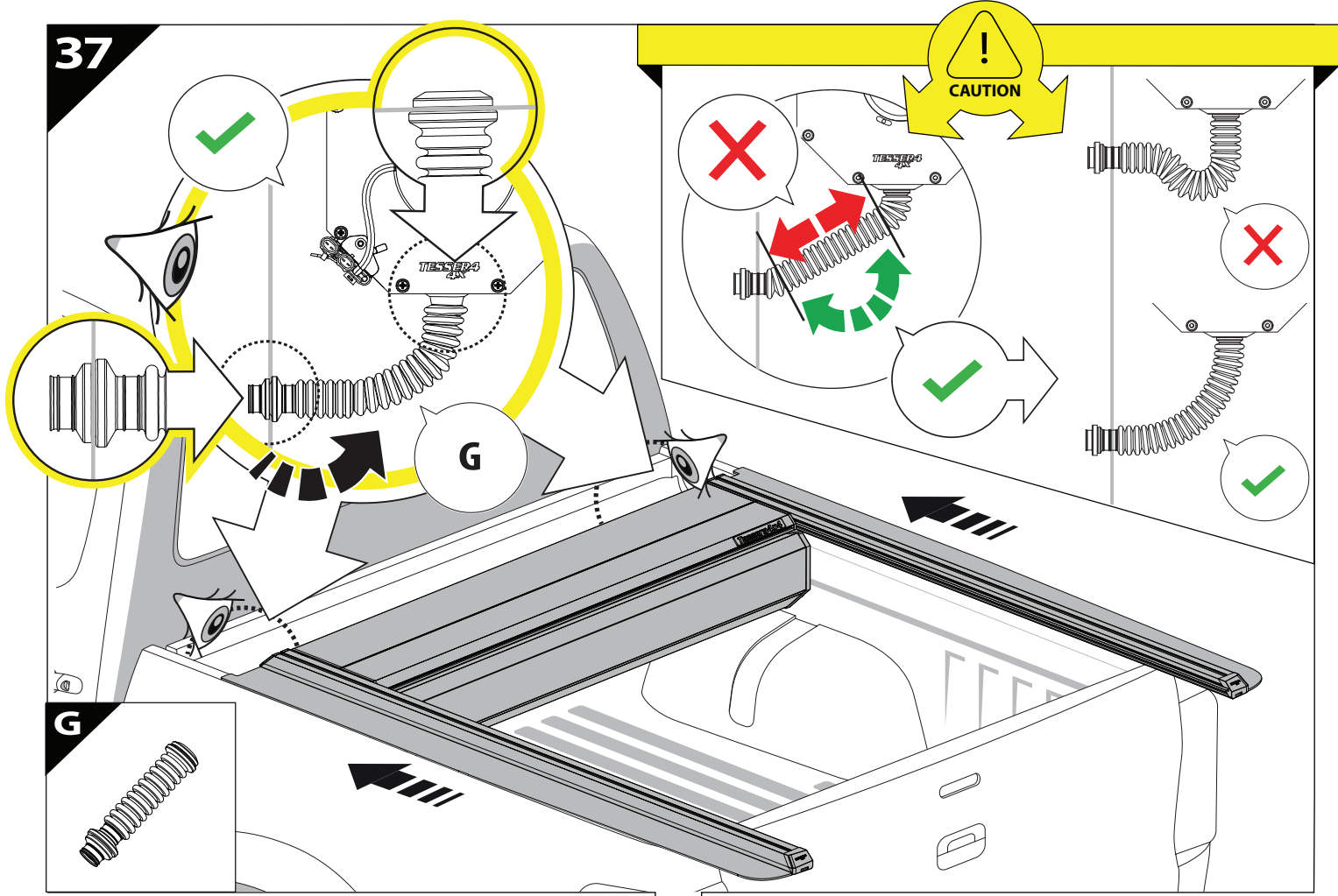




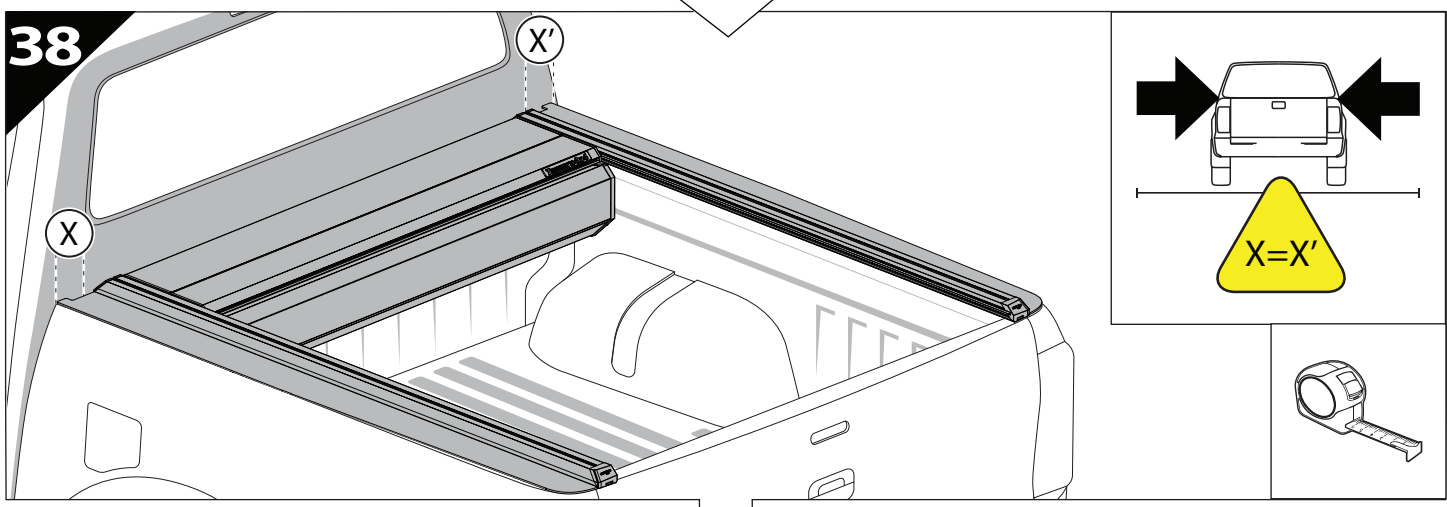




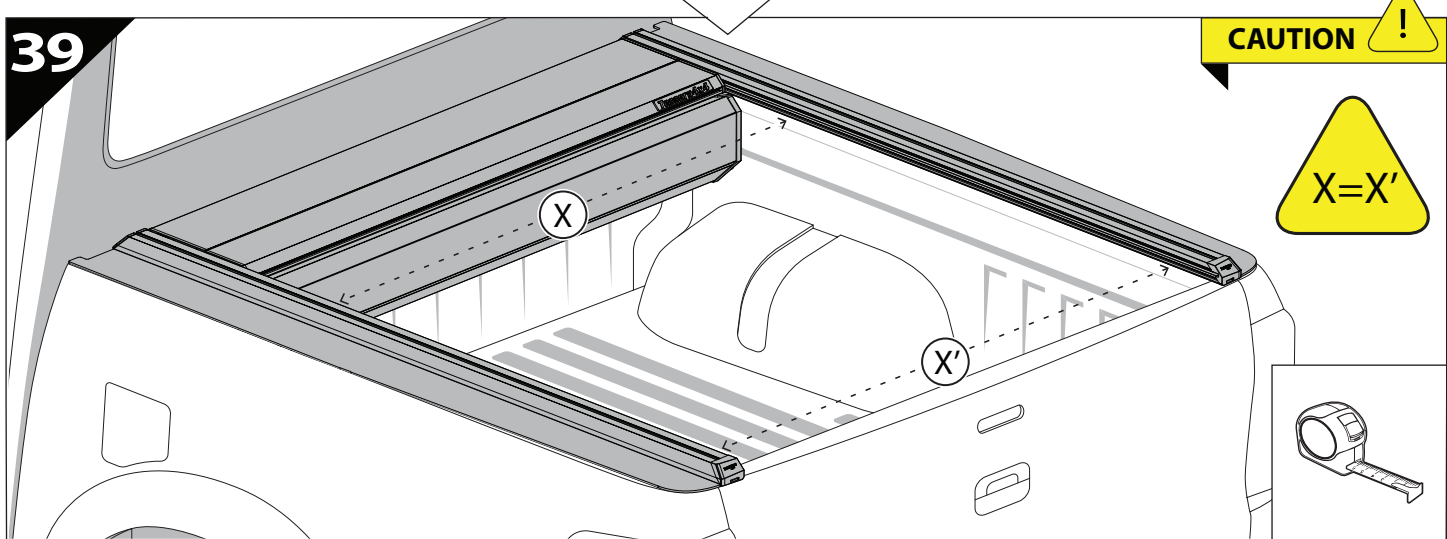
37



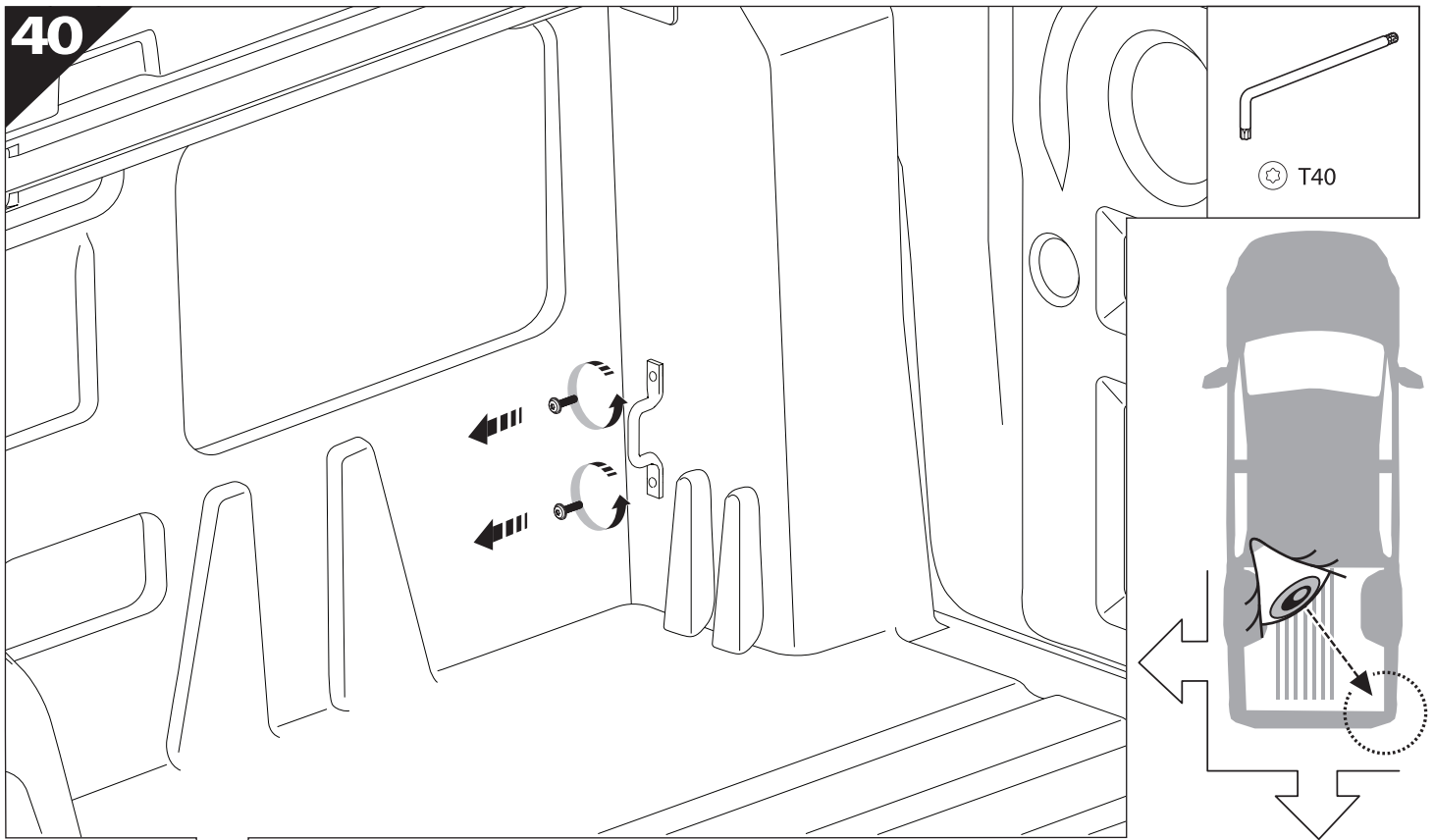
38



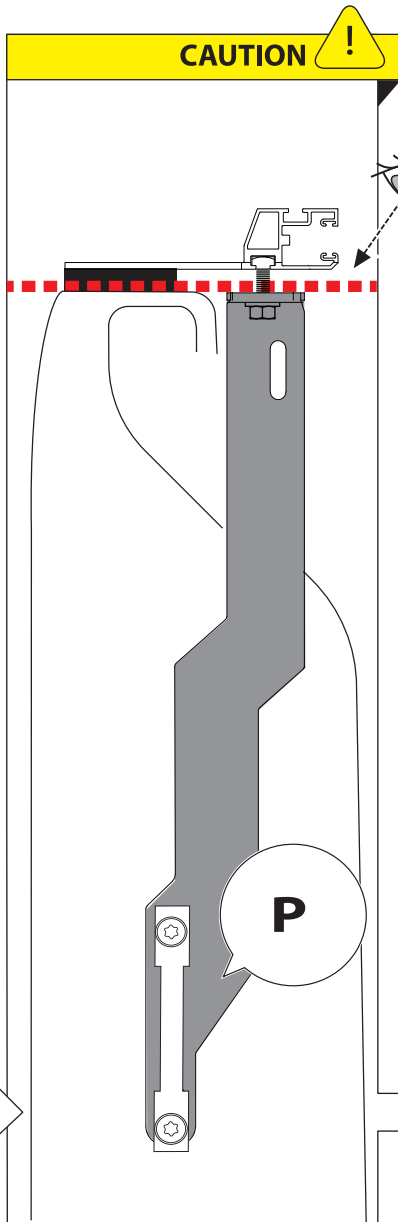
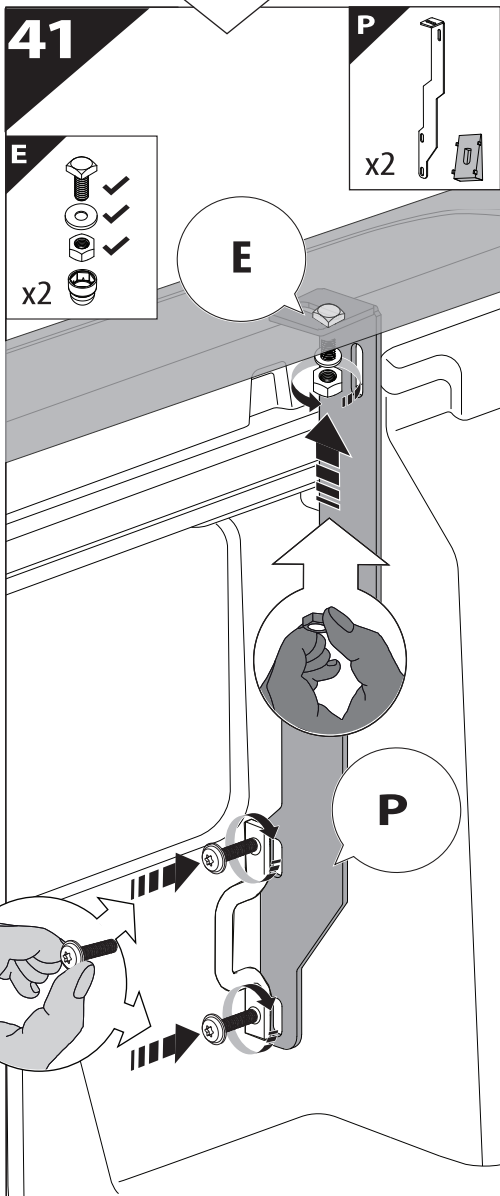
39



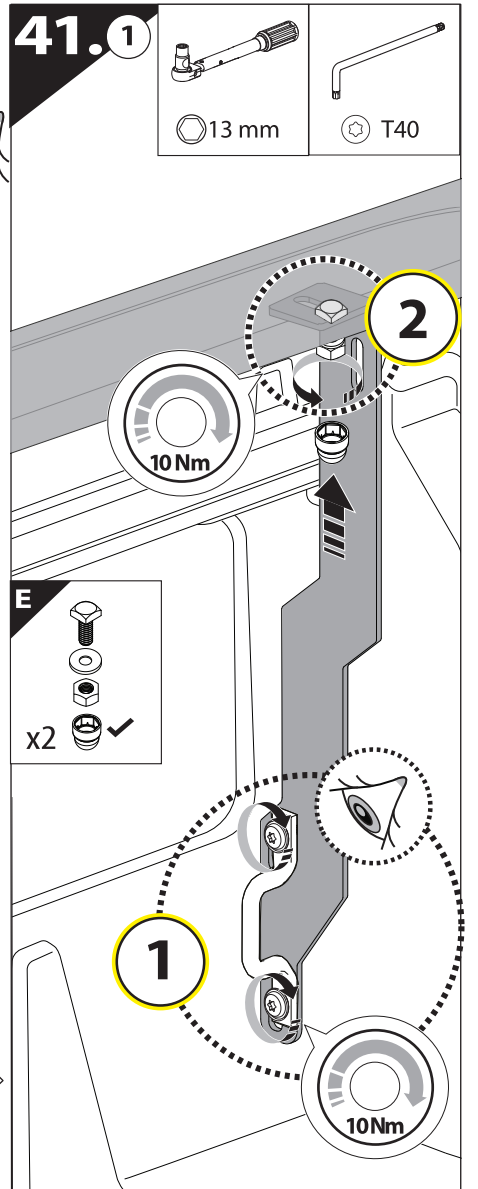
40



41



41.1



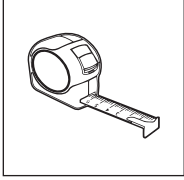
**O**

x2 ✓

**E**

x2 ✓

**CAUTION** !



**1**

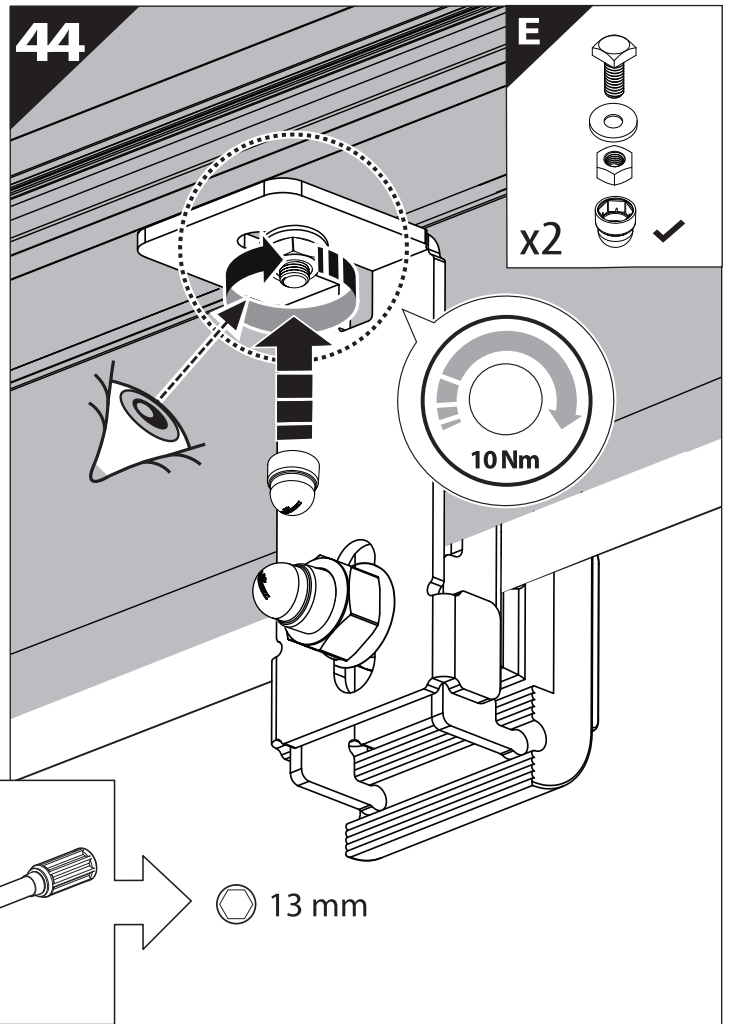
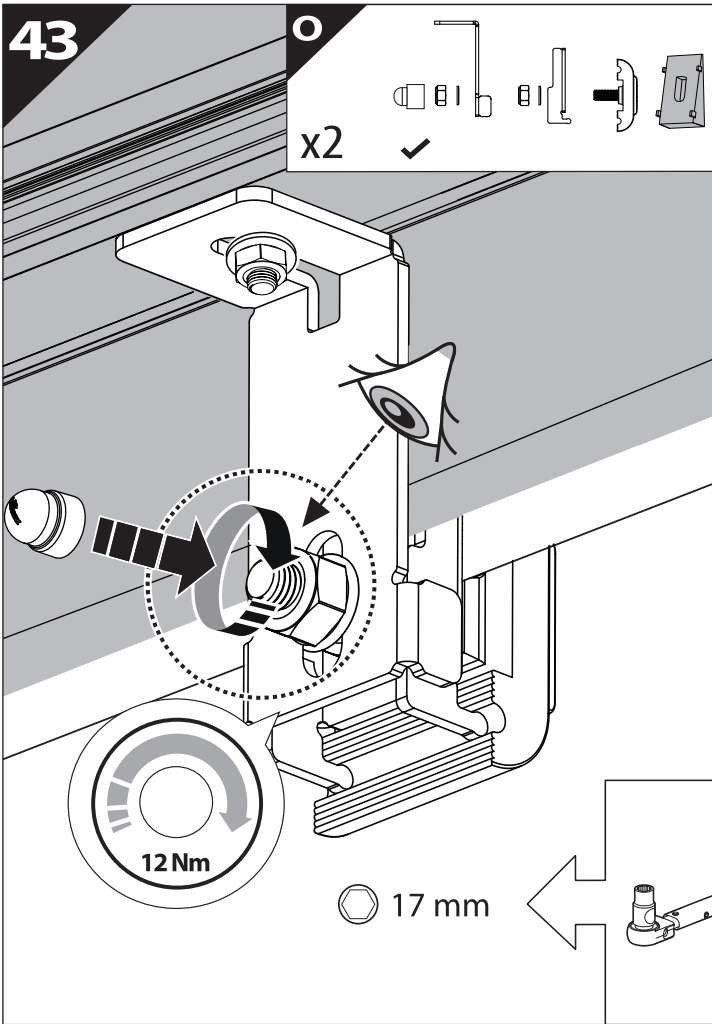
**2**

**3**

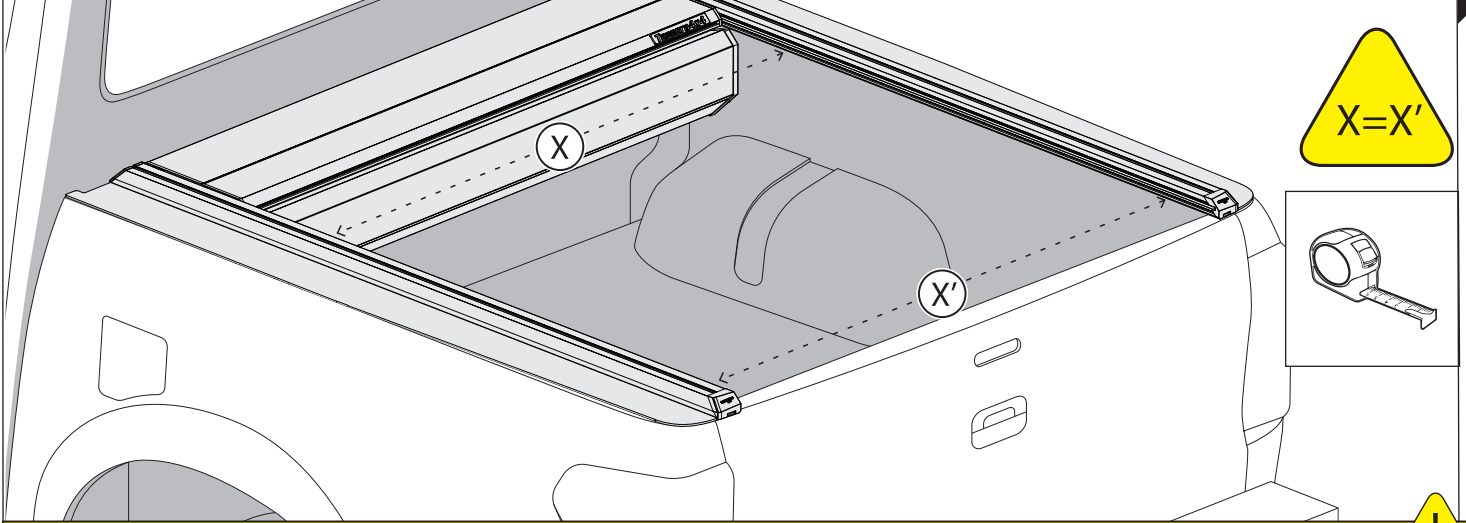
**4**

12 Nm

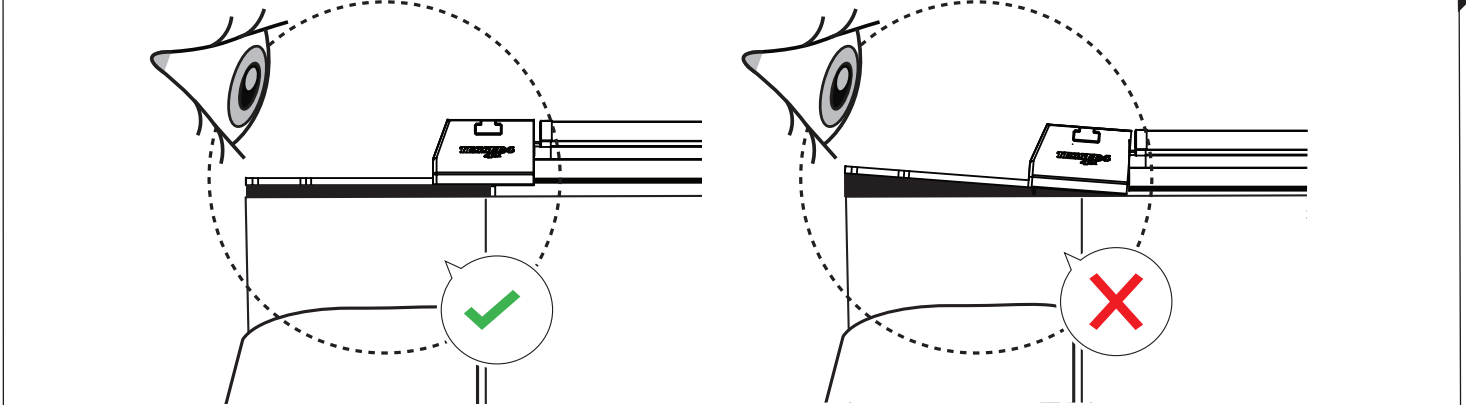
**CAUTION** !



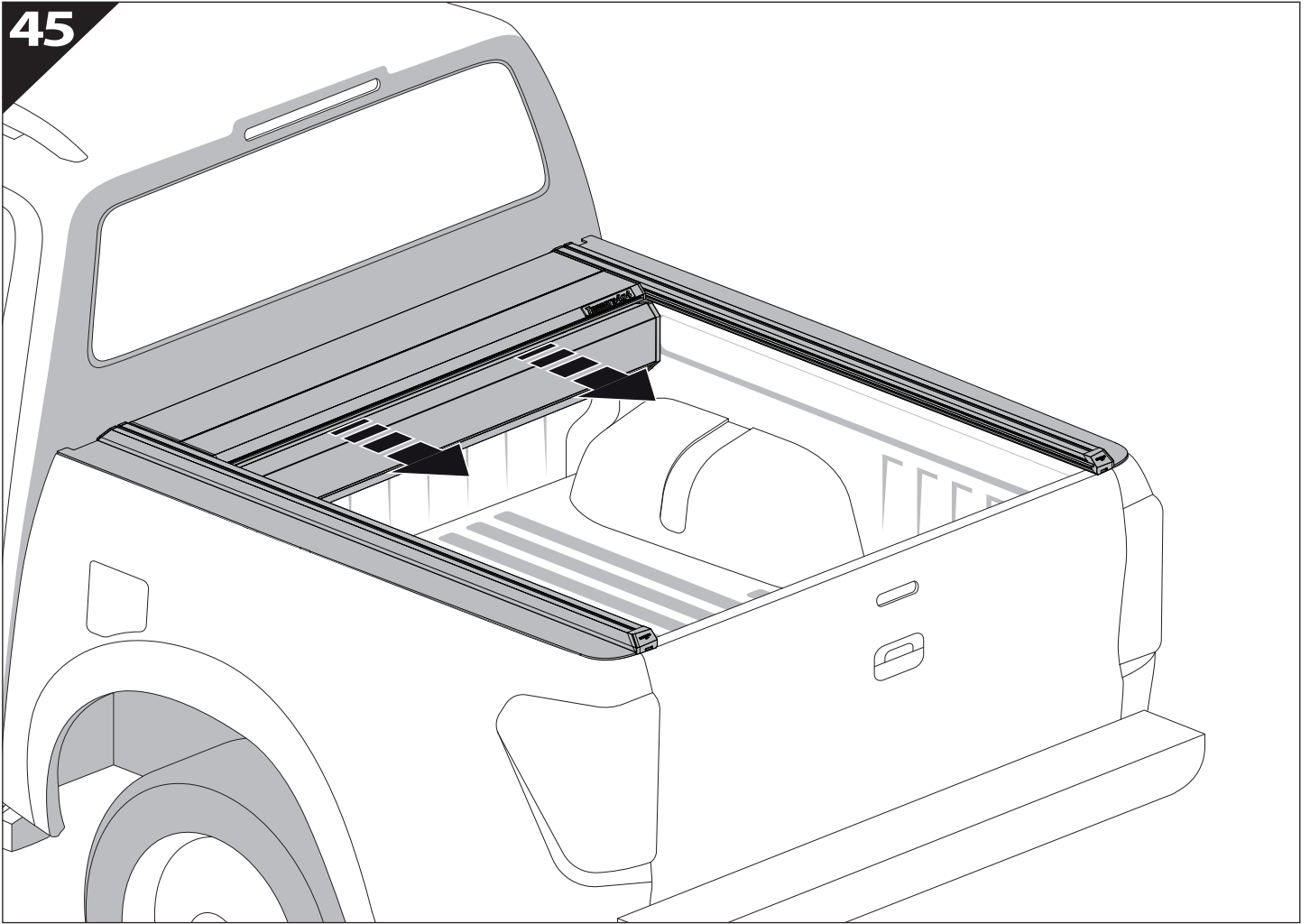
**CAUTION !**



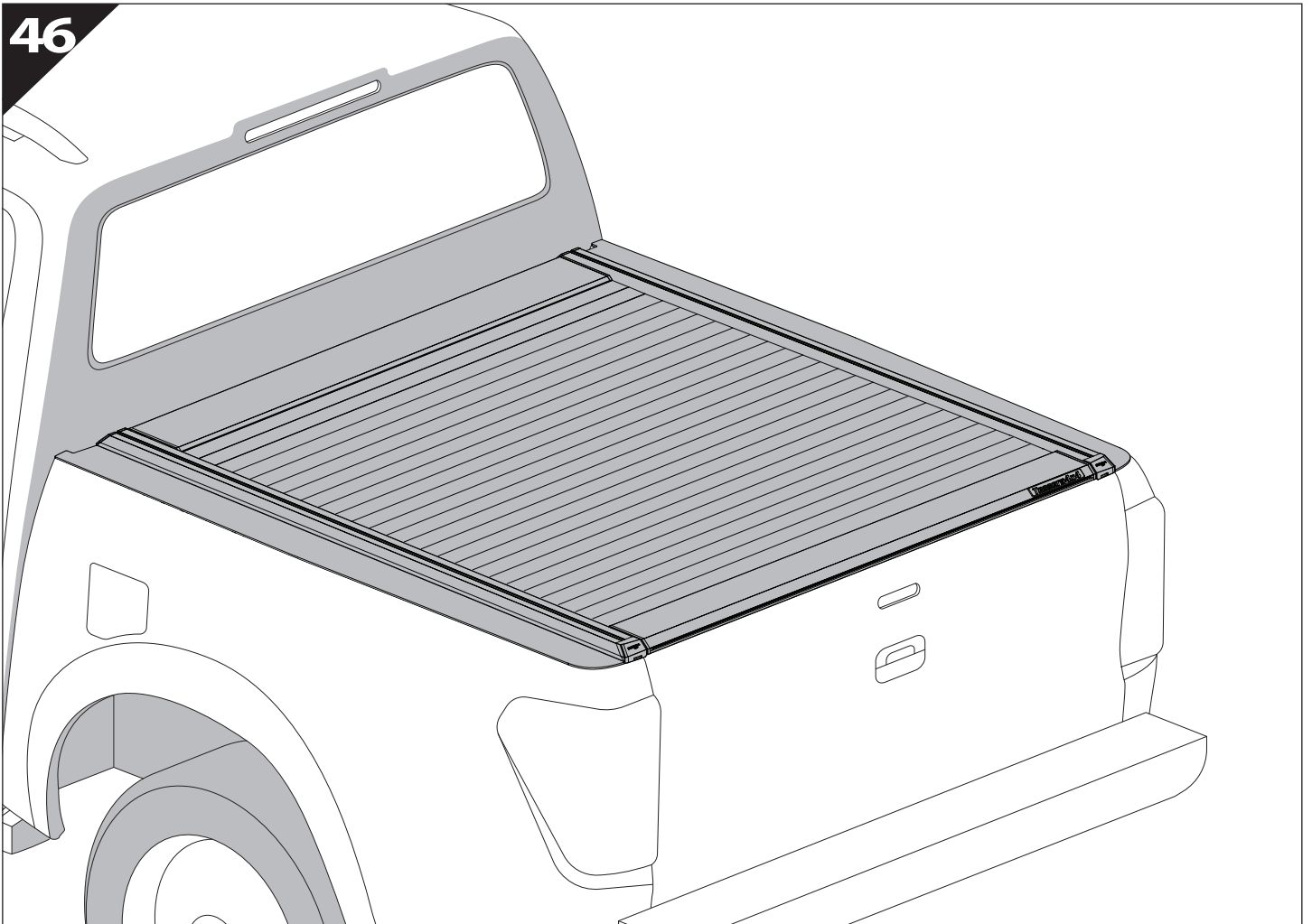
**CAUTION !**



45



46





**GR:** Οδηγίες Εγκατάστασης  
**GB:** Installation manual  
**SF:** Asennusohje  
**F:** Notice de montage  
**PL:** Instrukcja montażu  
**NL:** Installatie-instructies  
**TR:** Montaj Talimatı  
**S:** Monteringsanvisning  
**E:** Instrucciones de montaje

**H:** Szerelési utasítás  
**P:** Instruções de instalação  
**RUS:** Инструкция по установке  
**N:** Monteringsveiledning  
**D:** Einbauanleitung  
**CZ:** Návod k instalaci  
**I:** Istruzioni de montaggio  
**DK:** Monteringsvejledning  
**RO:** Instructiuni de instalare

Customer Service:

+30 (210) 5541161, +30 (210) 5541154 (08:00 - 16:00 EET)

Support department:

[info@gianso.gr](mailto:info@gianso.gr)

Website:

[www.tessera4x4.com](http://www.tessera4x4.com)

Address:

19.5 km of National road Athens-Korinthos (Elefsina) Greece, P.C: 19200