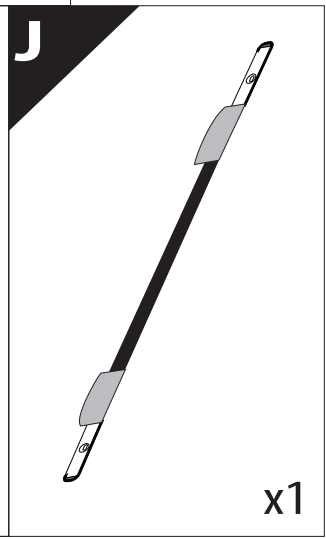
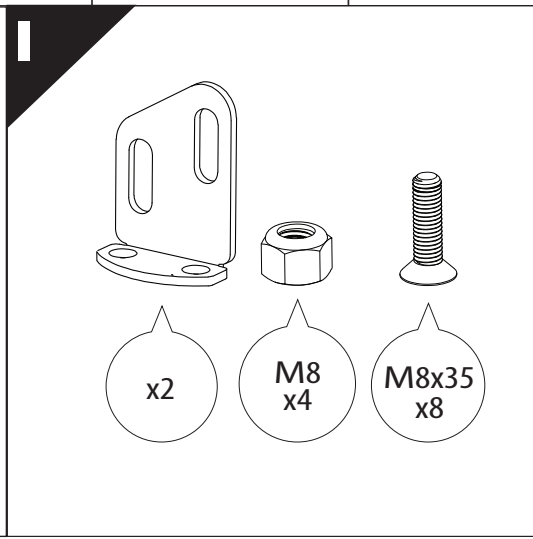
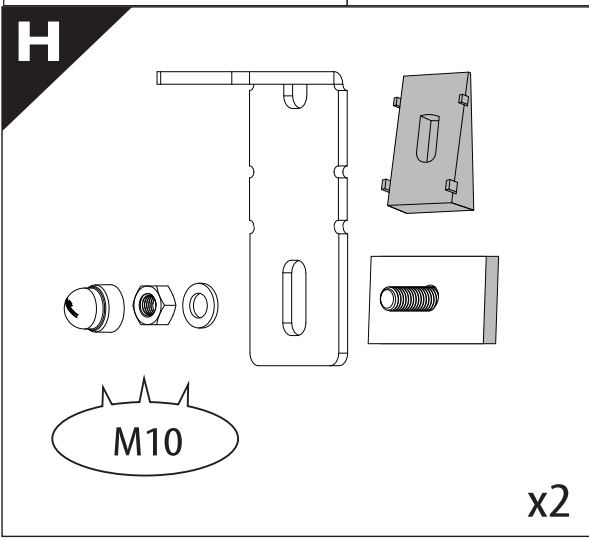
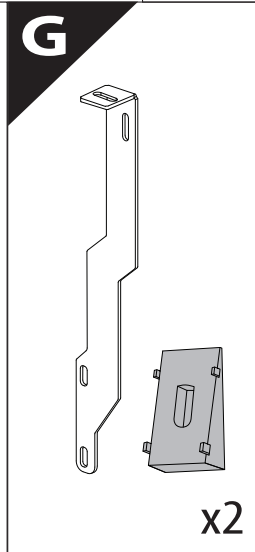
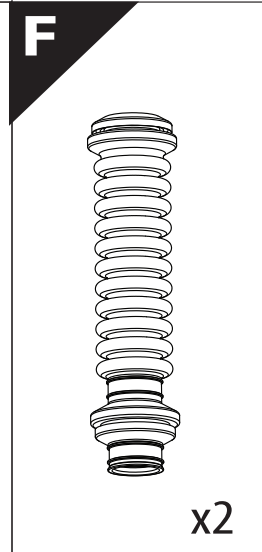
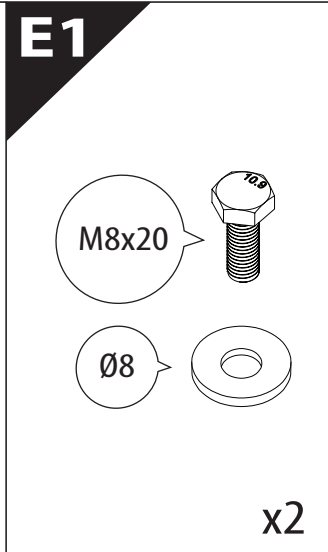
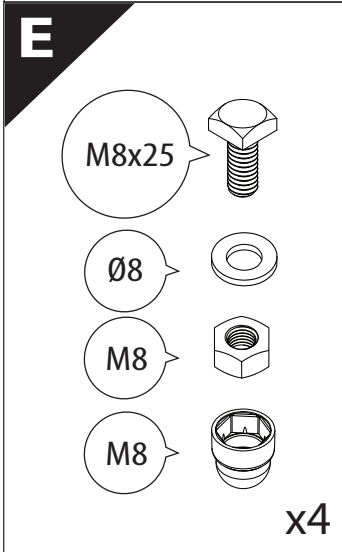
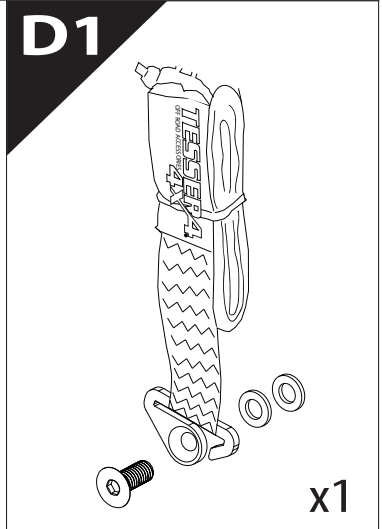
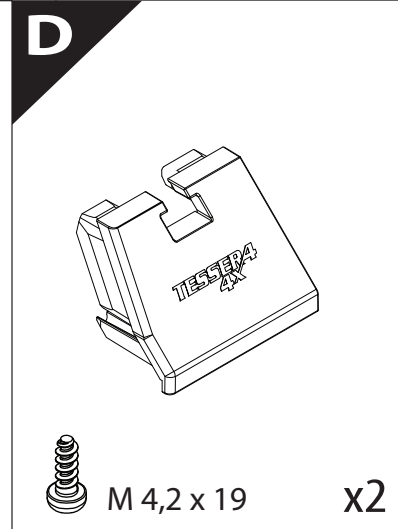
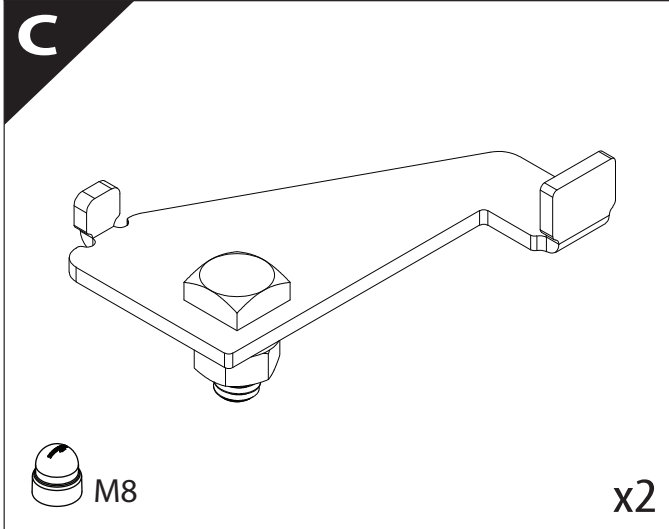
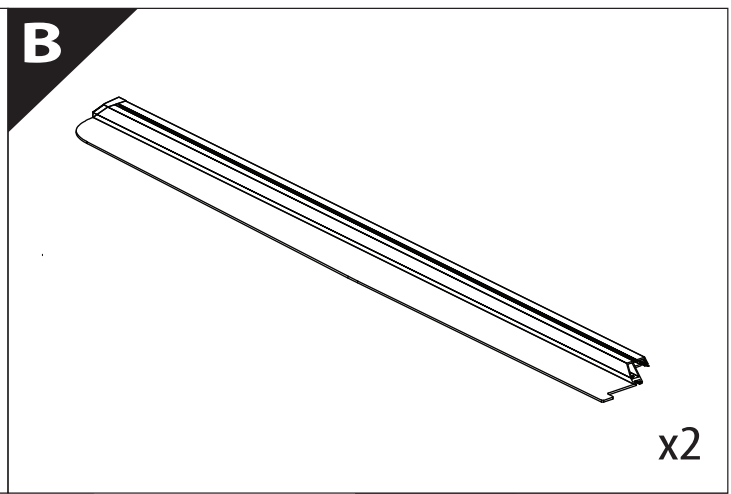
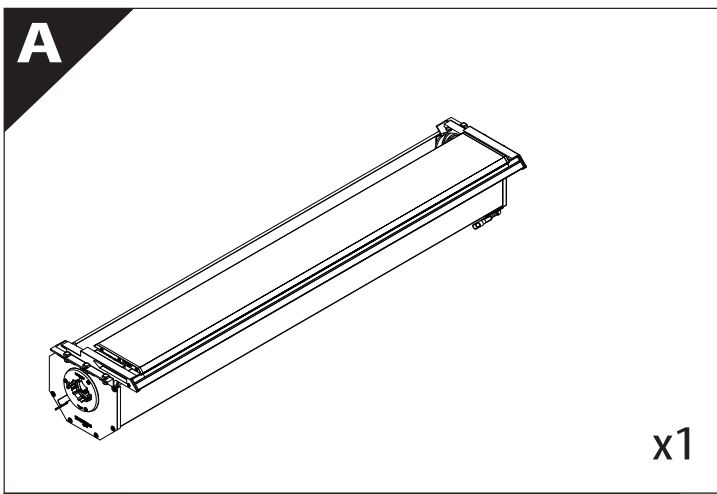
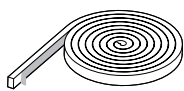
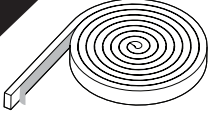

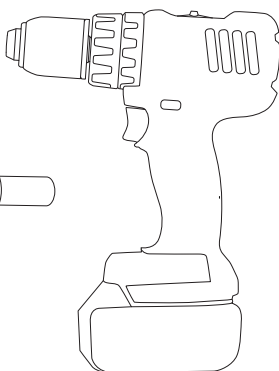
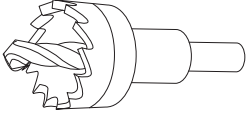
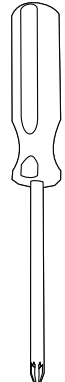
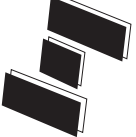

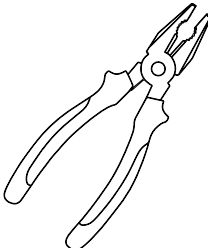
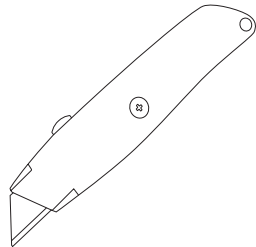
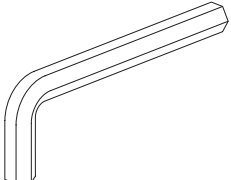
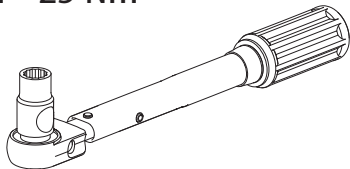


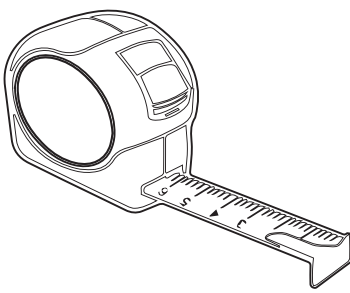
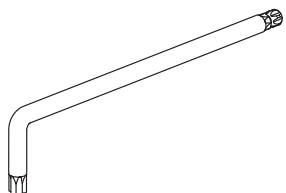
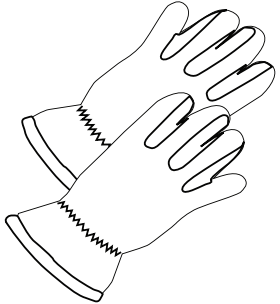
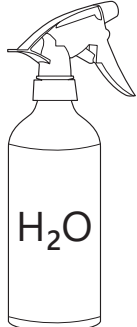
Installation Manual

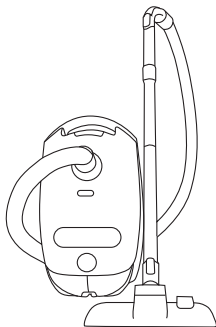
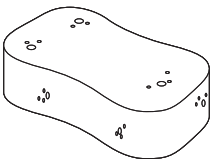




PART NUMBER(S)	Model Year
TESS 15012 SE	VW AMAROK PANAMERICANA 2023+ (with c-channels)
Cab(s)	Installation Time / Weight
Double Cab	40-60 minutes / 53-57 kg


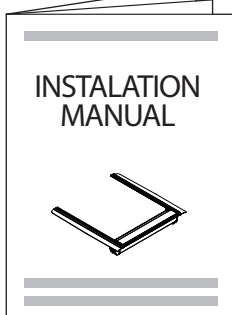
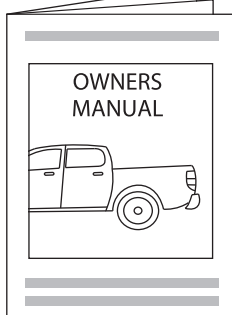


K1 x1  1.5 x 0.8 x 400cm	K2 x1  5 x 0.8 x 167cm	   Ø 25 mm		 (+)
K3 x1 	K4 x2 			

		 4 mm , 5 mm	1 - 25 Nm  10,12,13, 17 mm
--	---	--	---

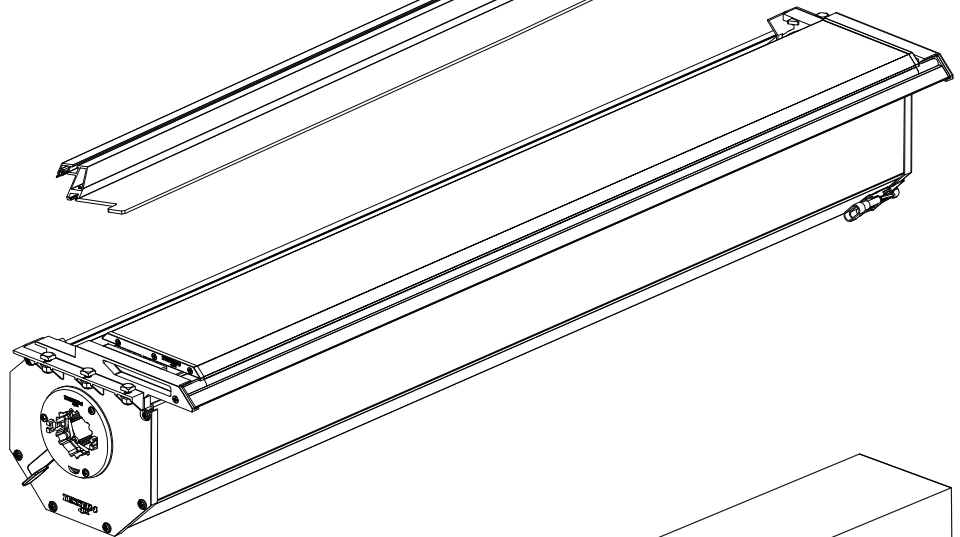
	 T40		 H ₂ O
--	---	---	--

		 ACETONE			 ANTI-RUST
--	---	--	---	---	--

	 INSTALATION MANUAL	 OWNERS MANUAL	x1
---	---	---	----

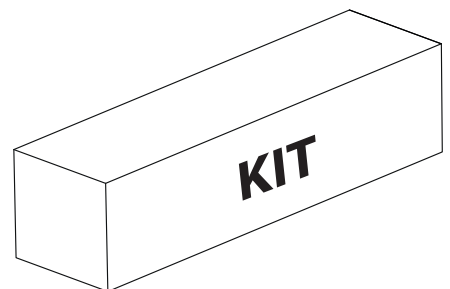


B



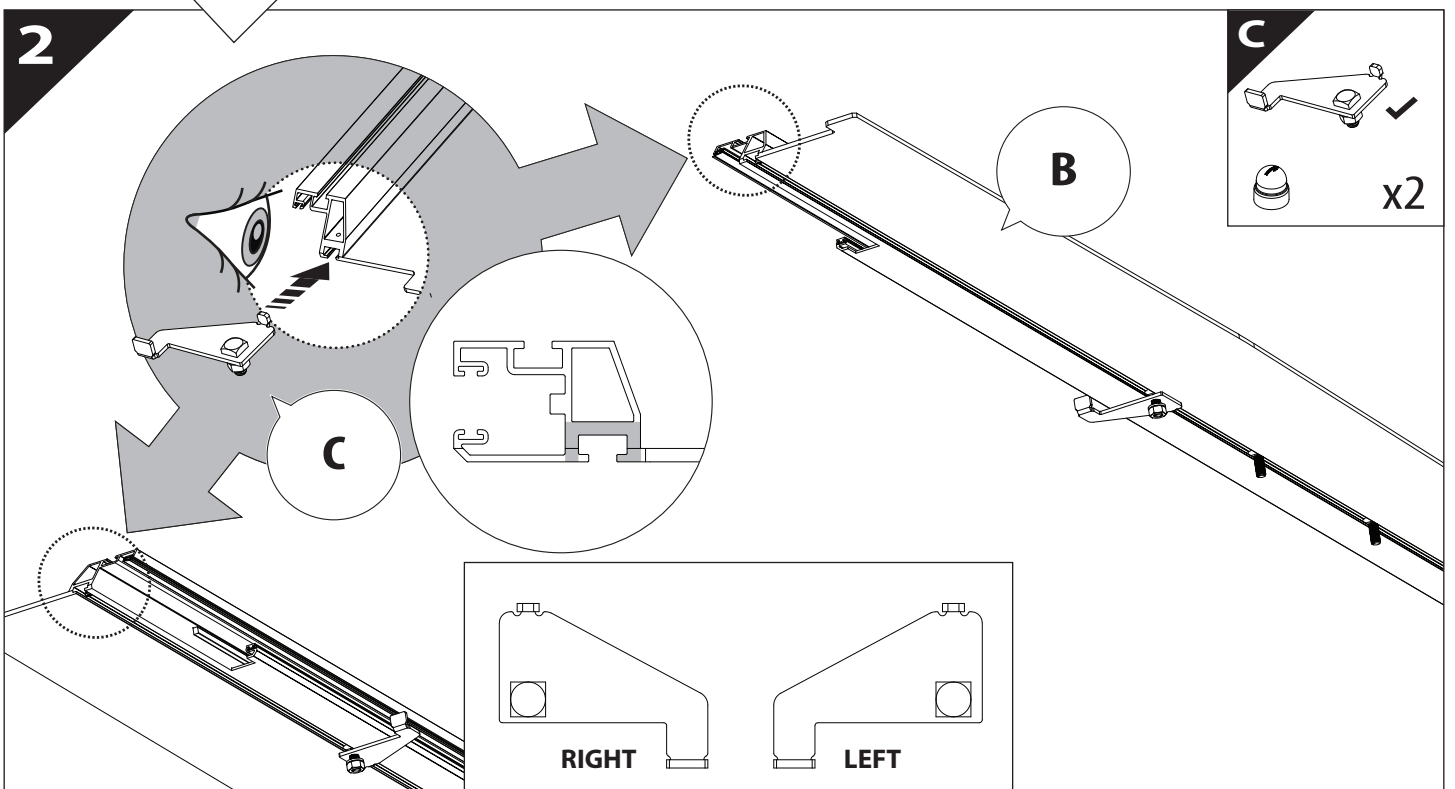
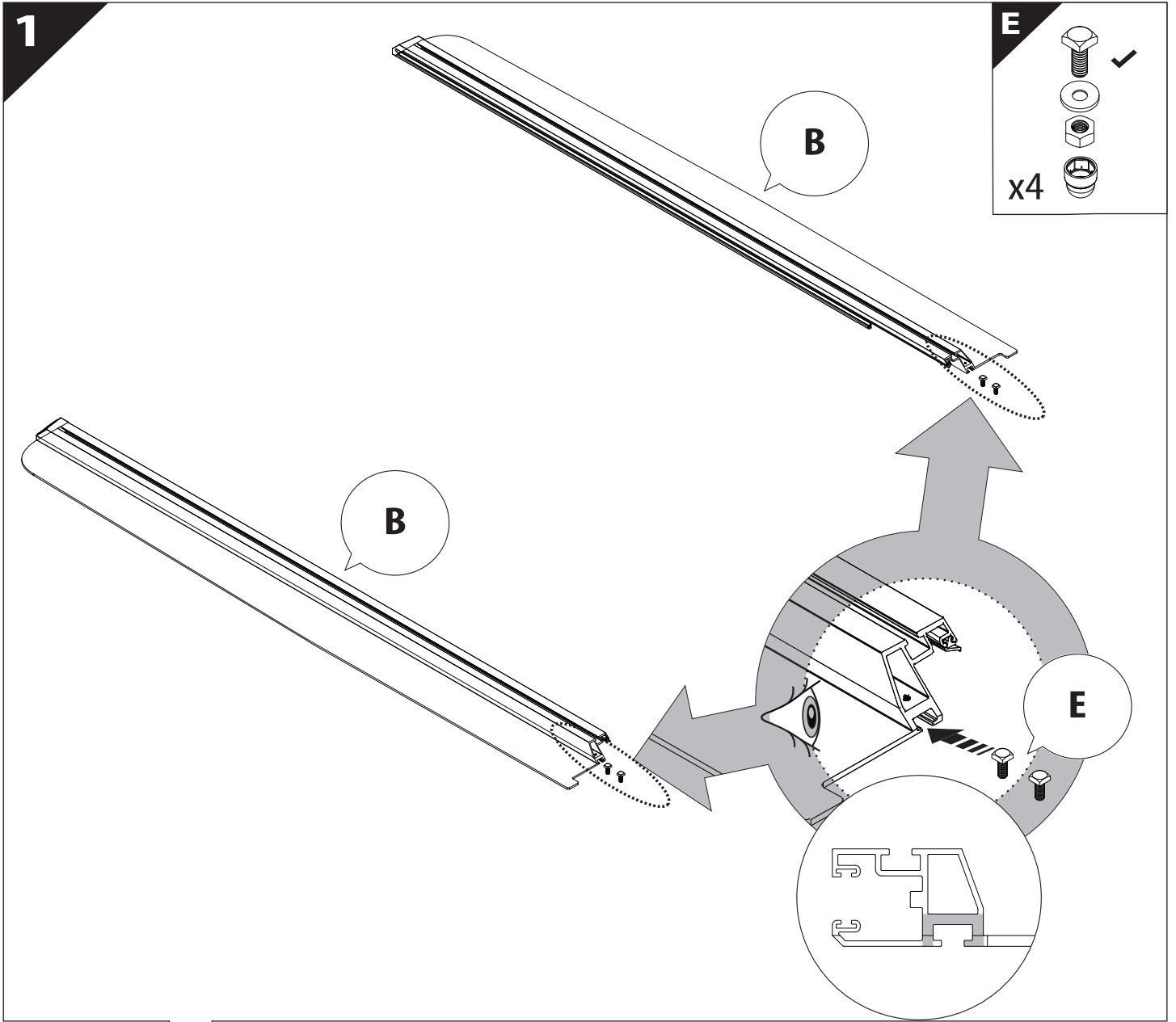
A

KITS

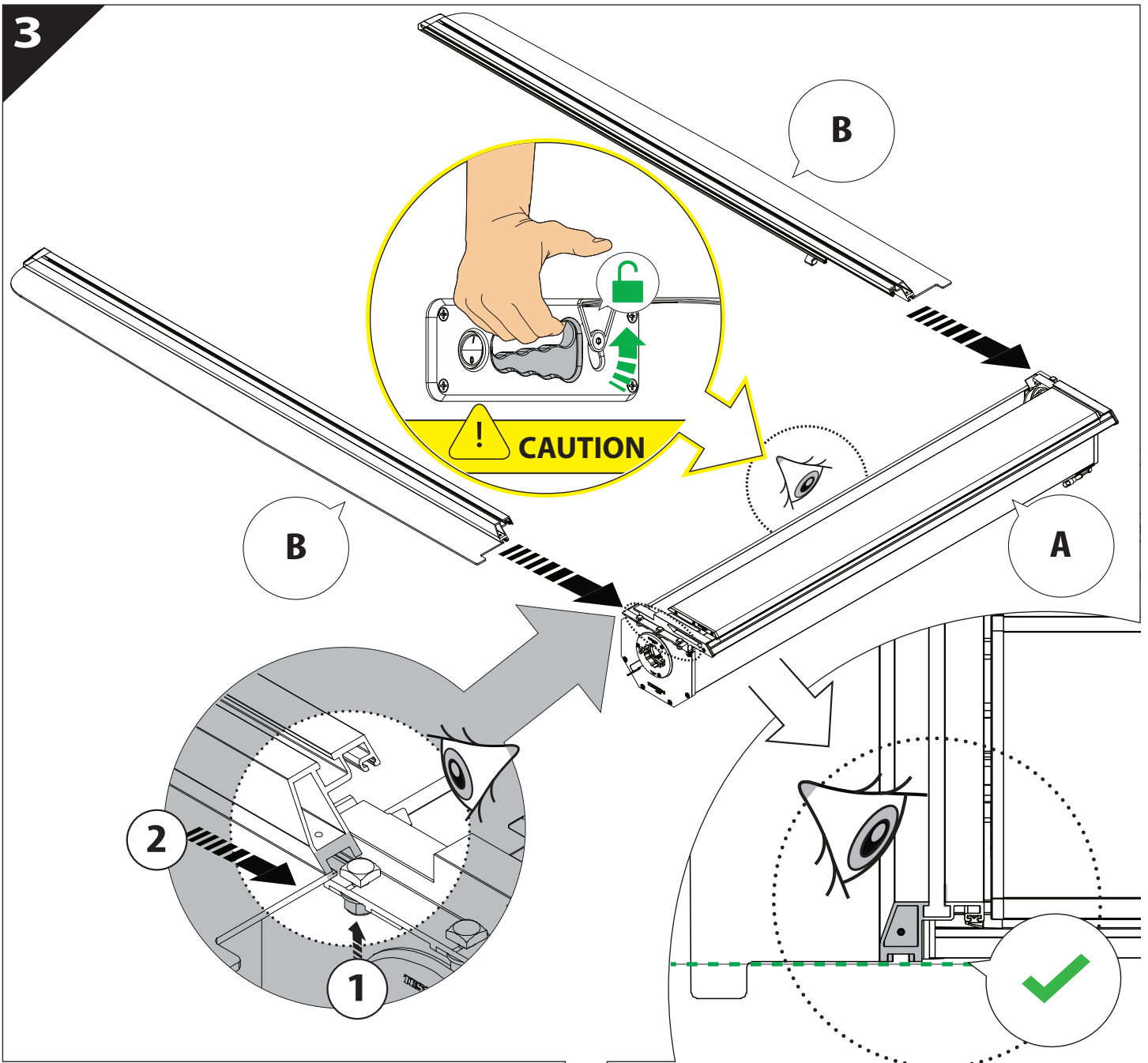


K

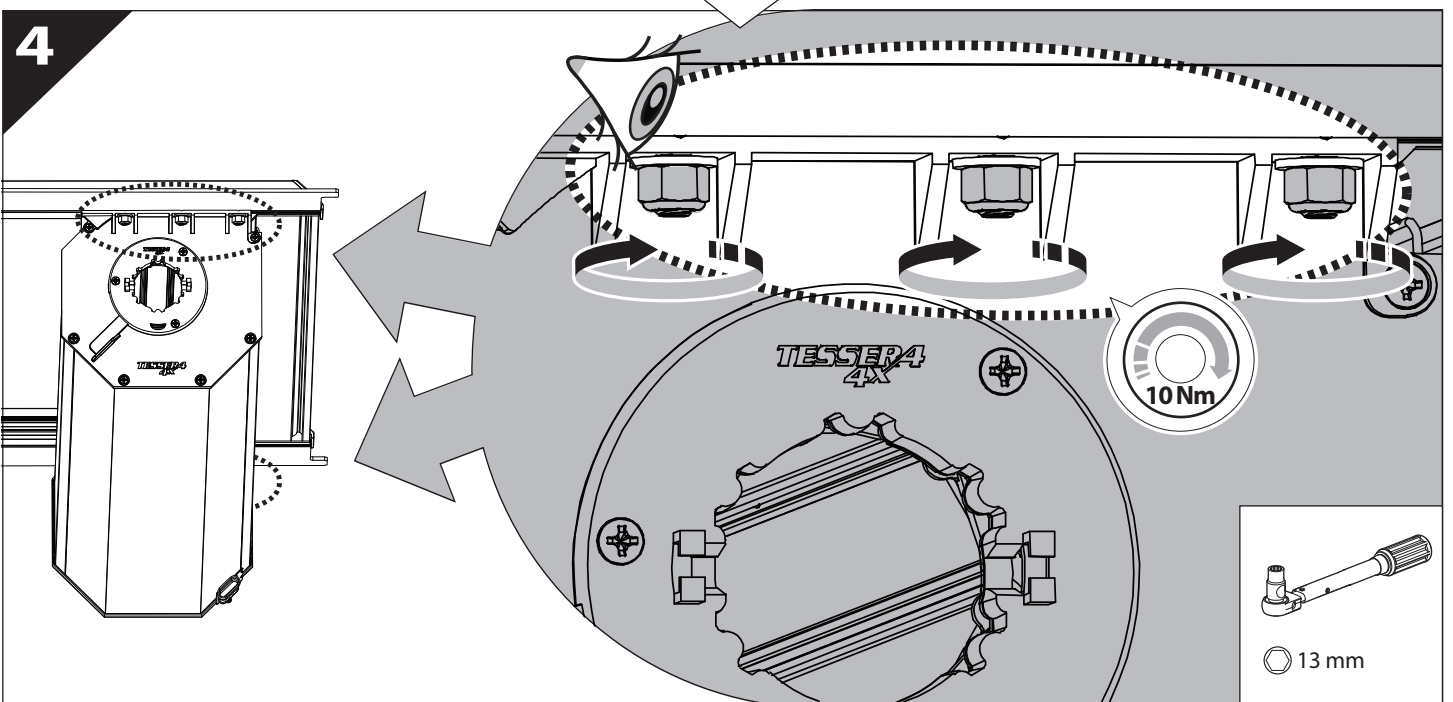


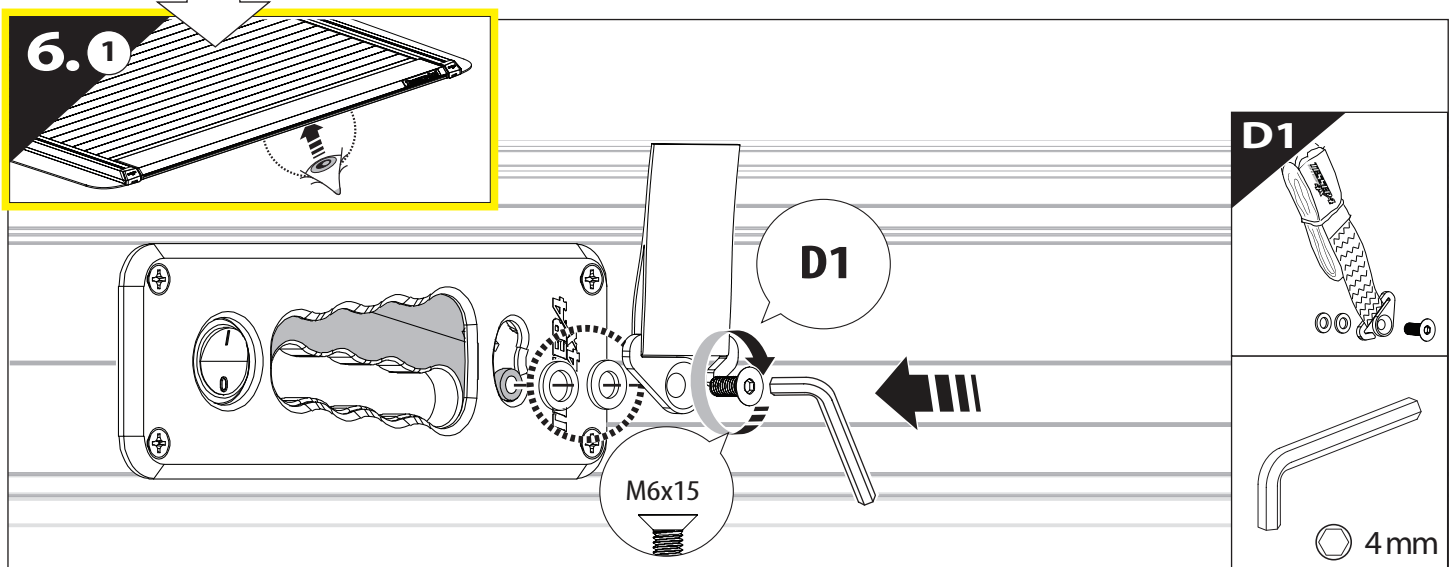
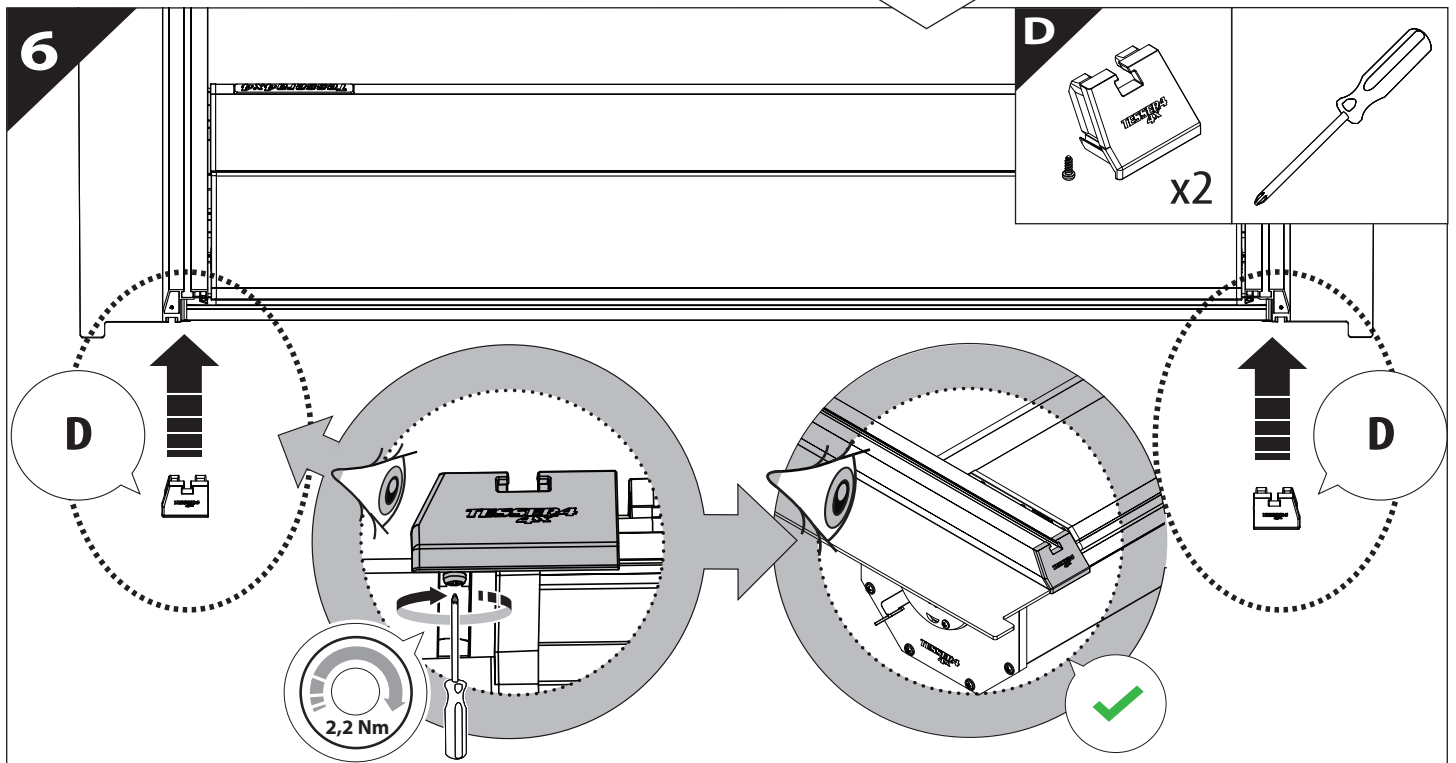
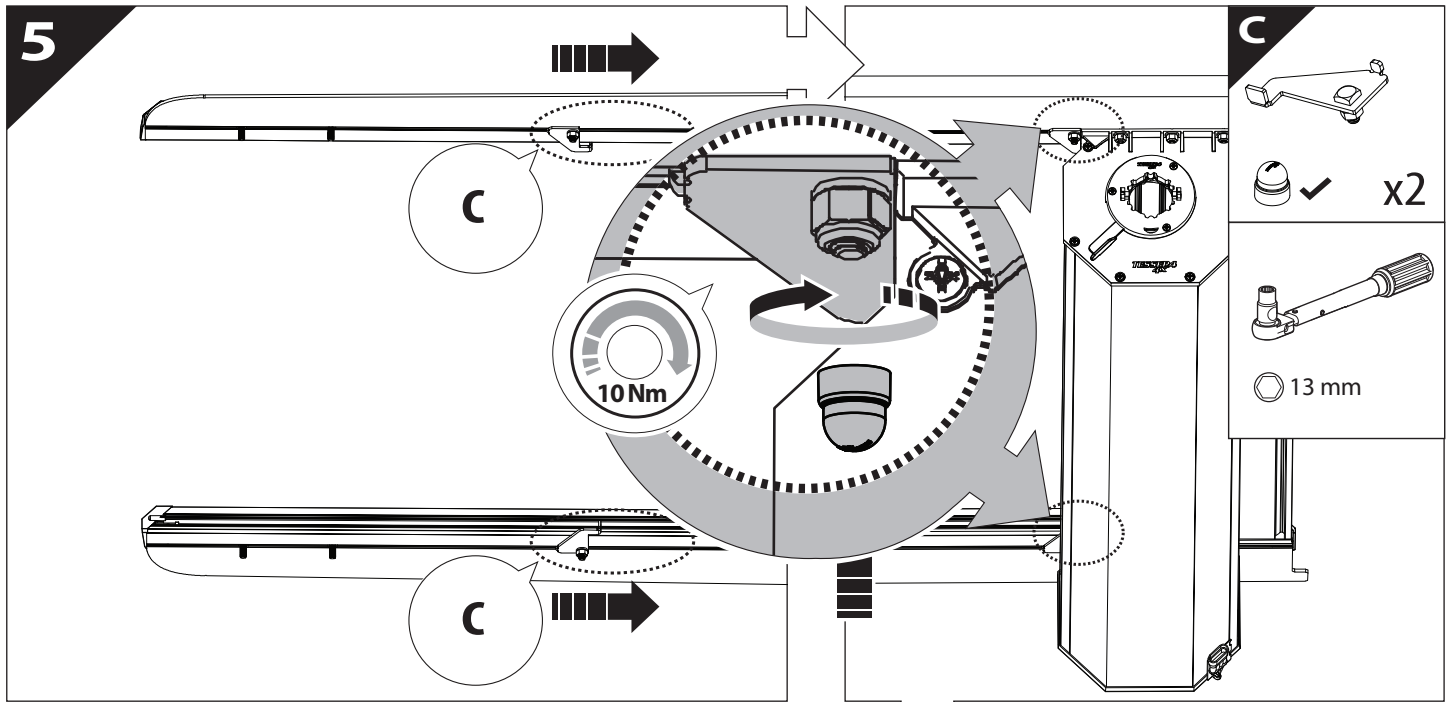


3

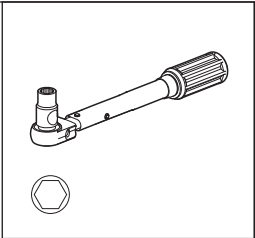


4

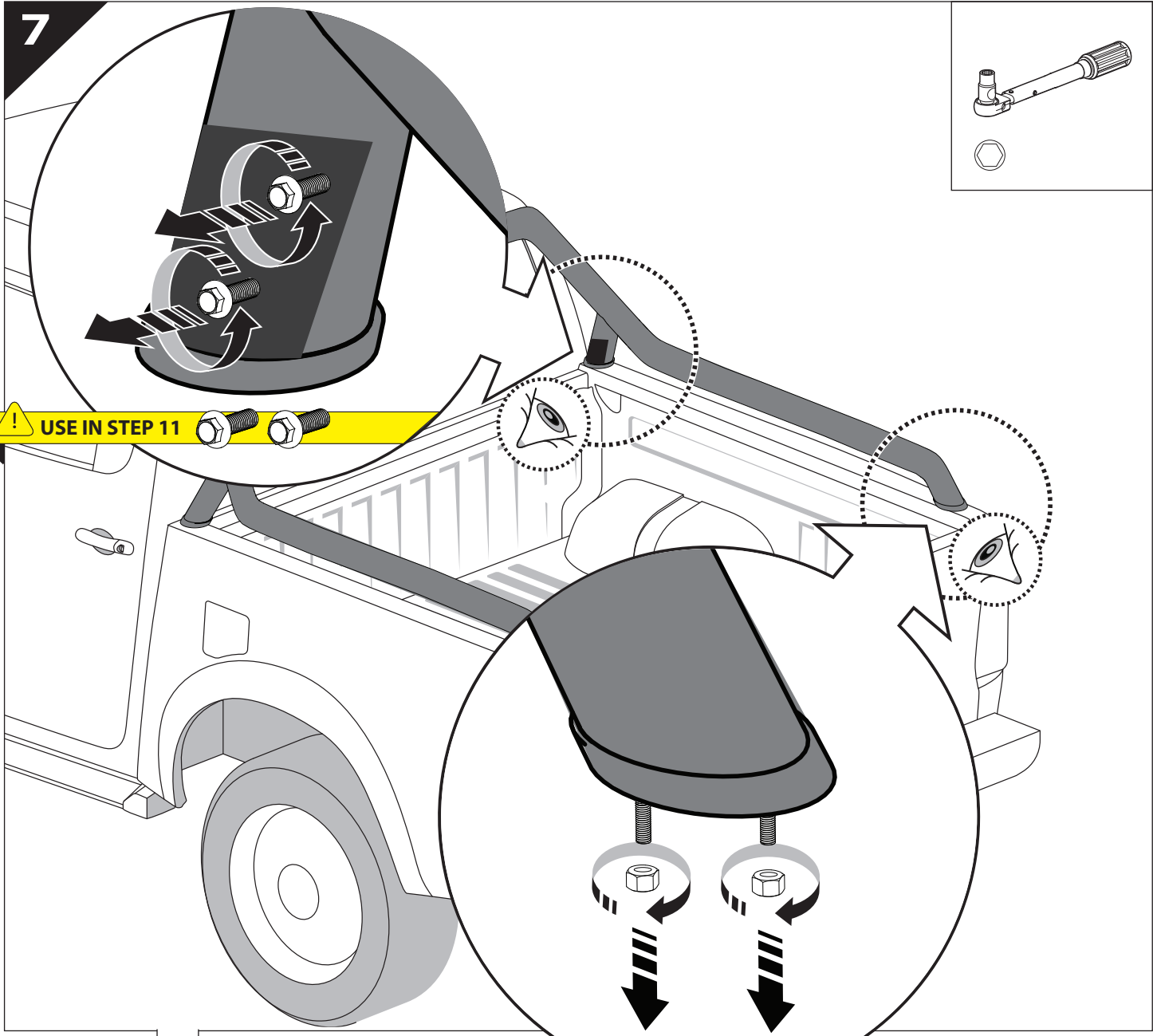




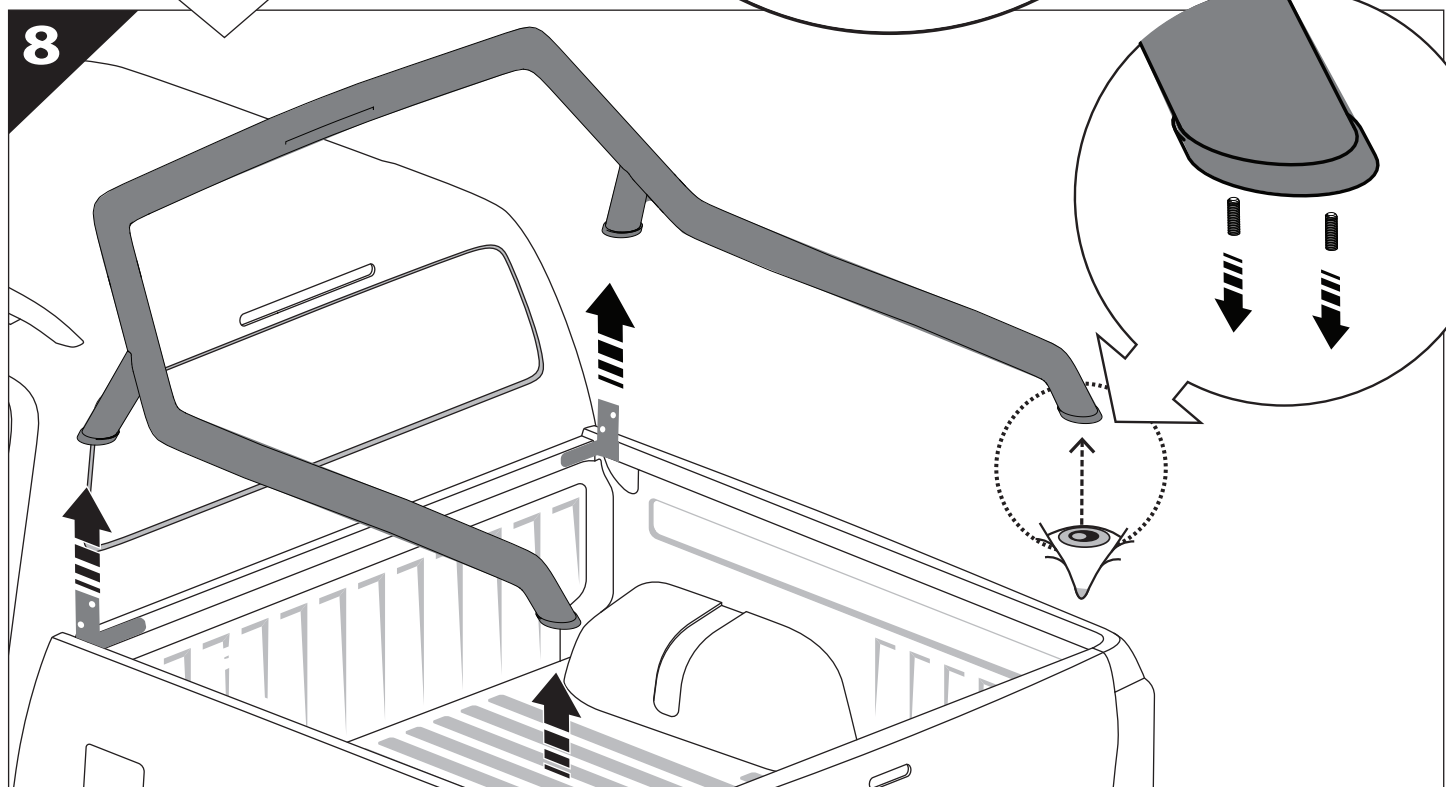
7

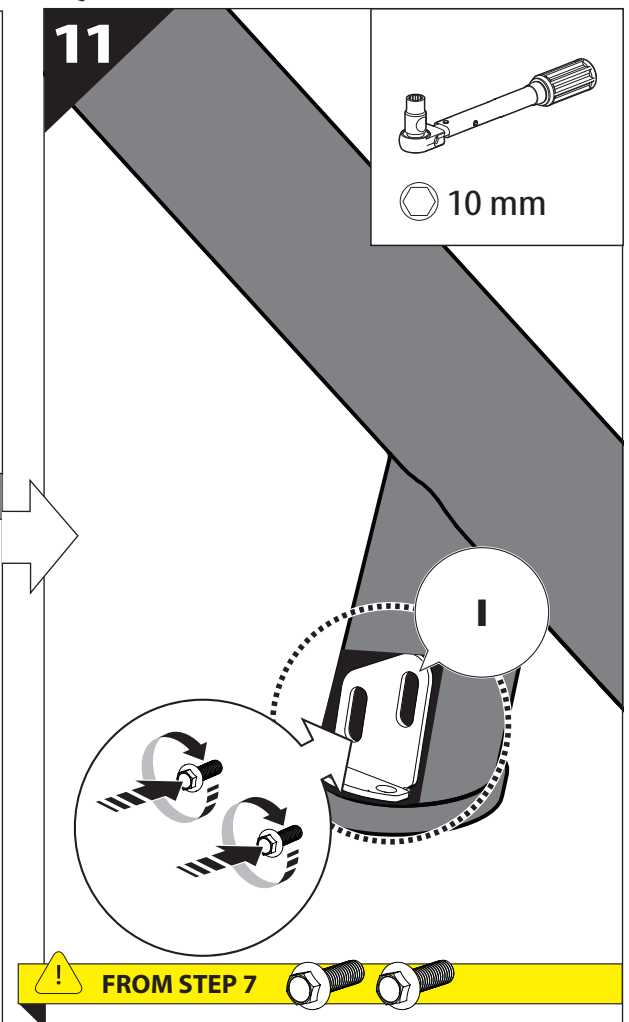
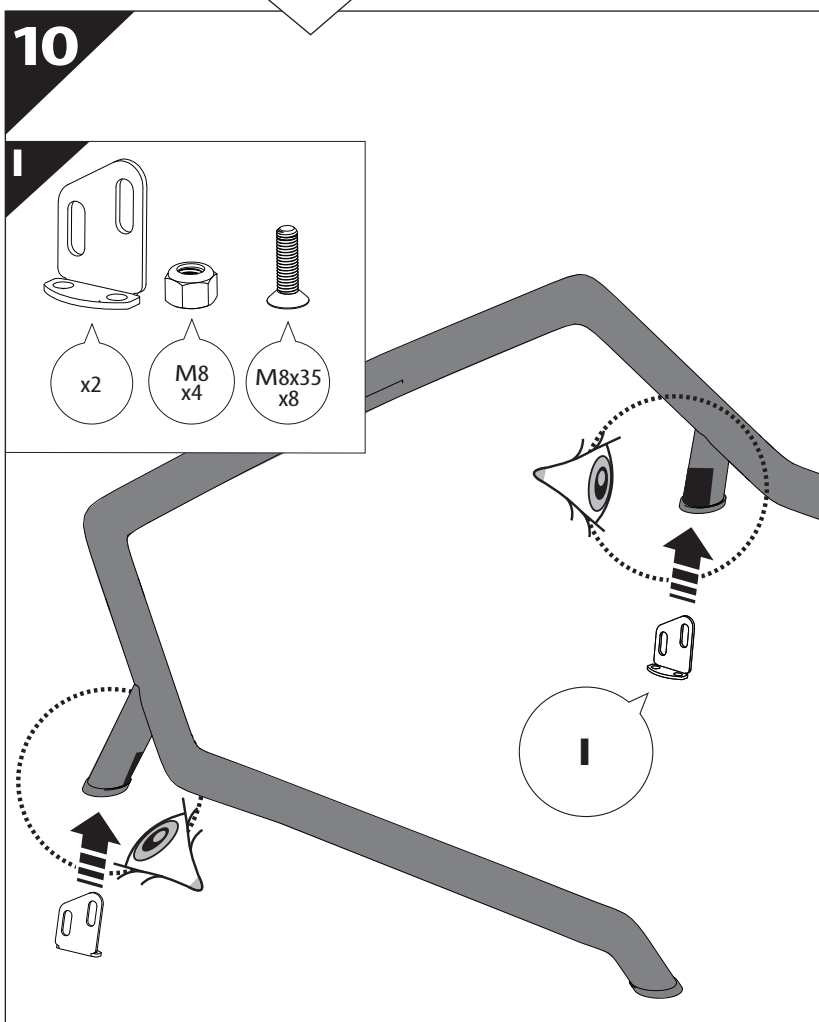
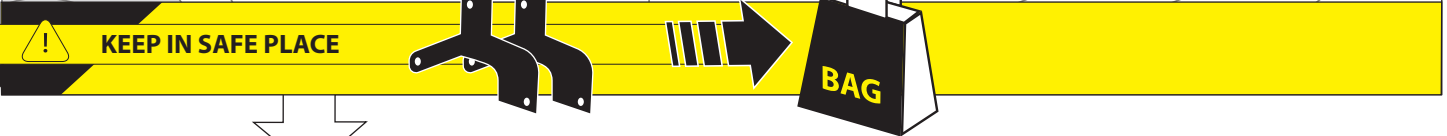
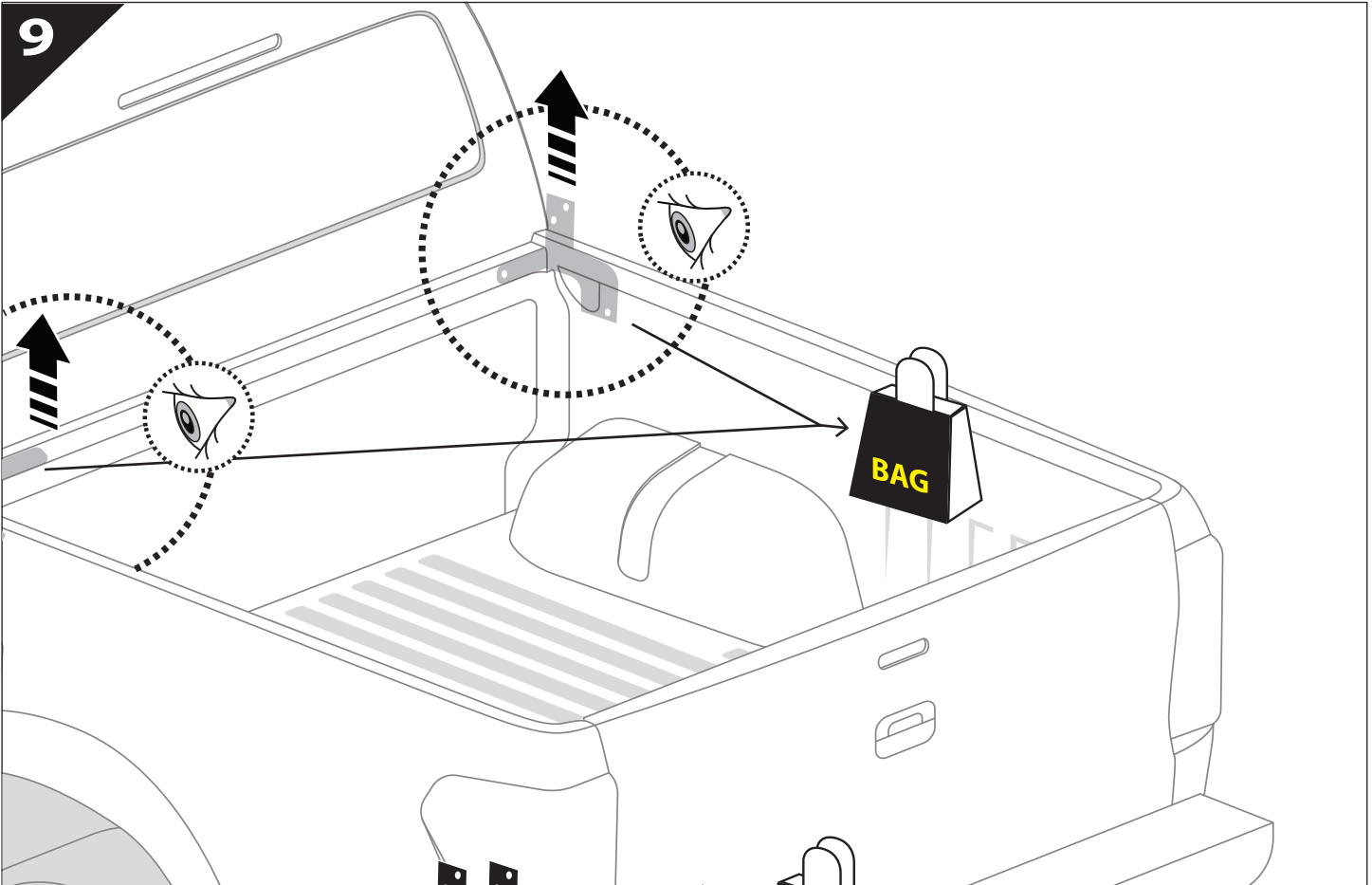


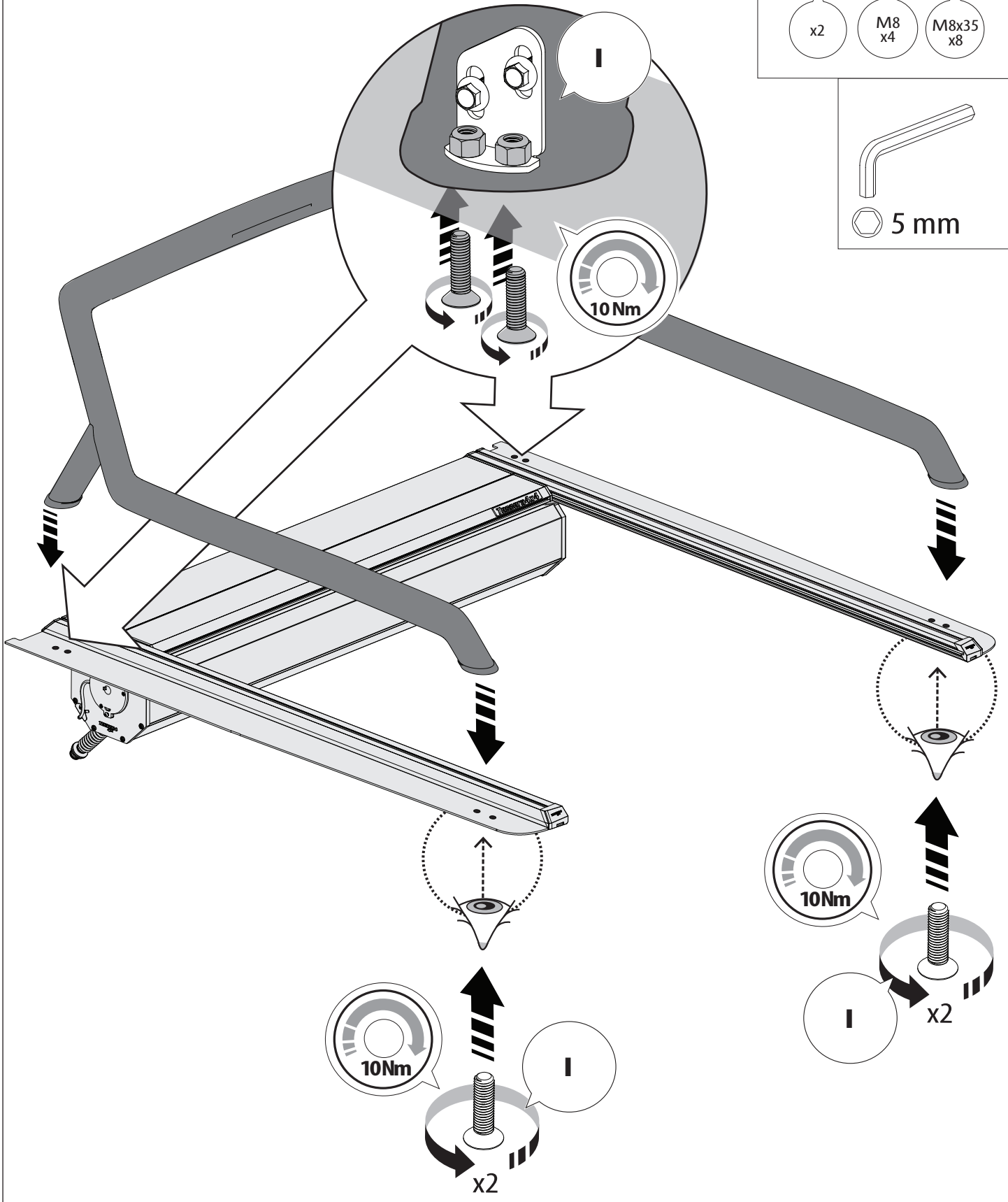
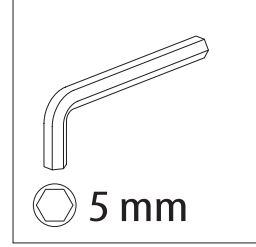
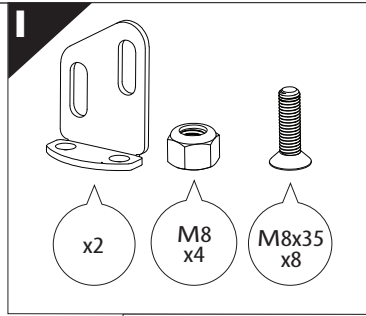
! USE IN STEP 11



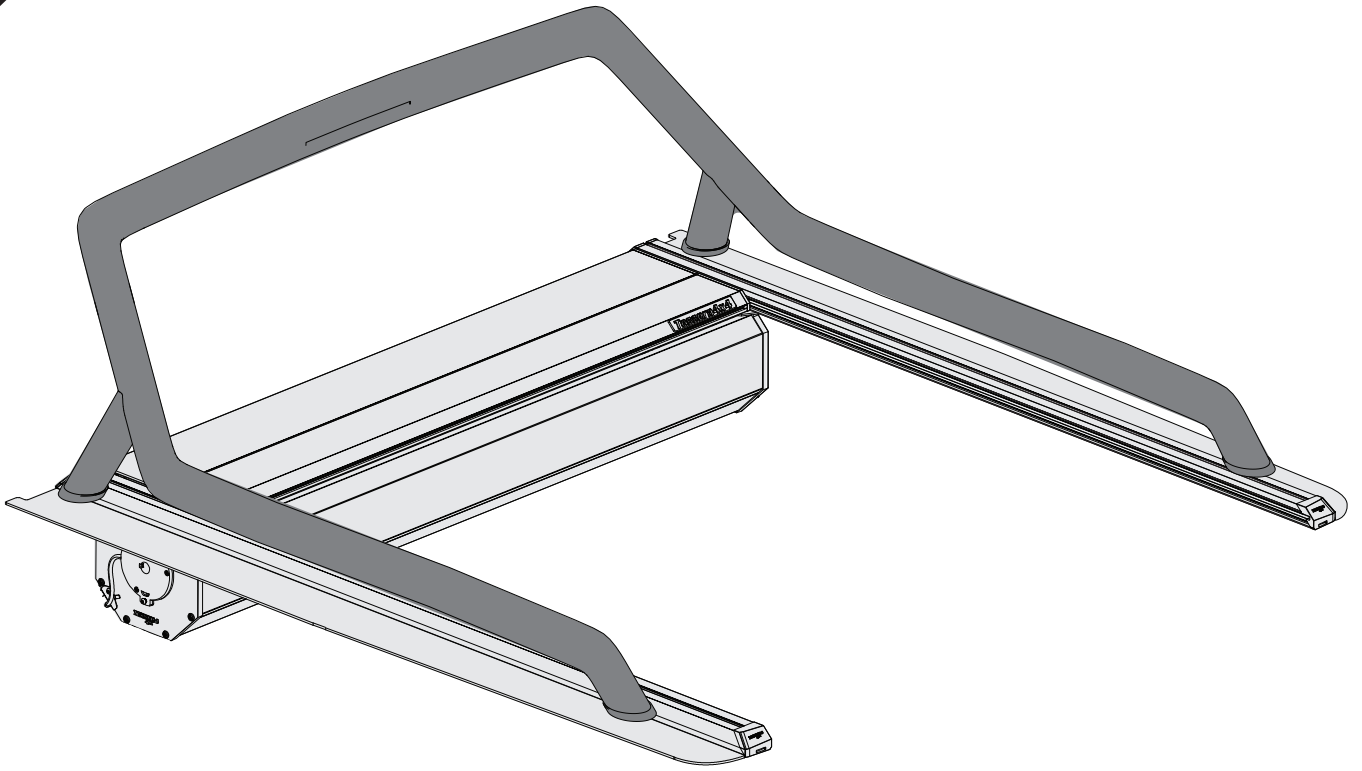
8



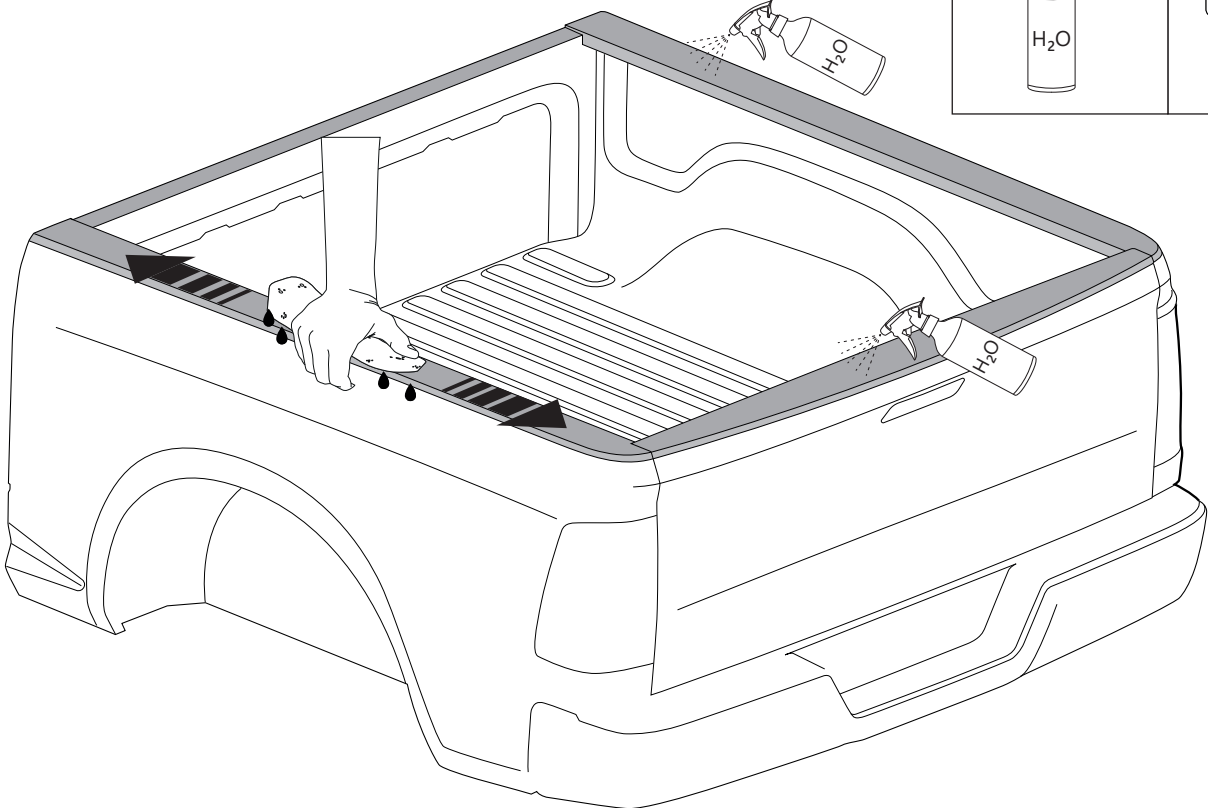




13

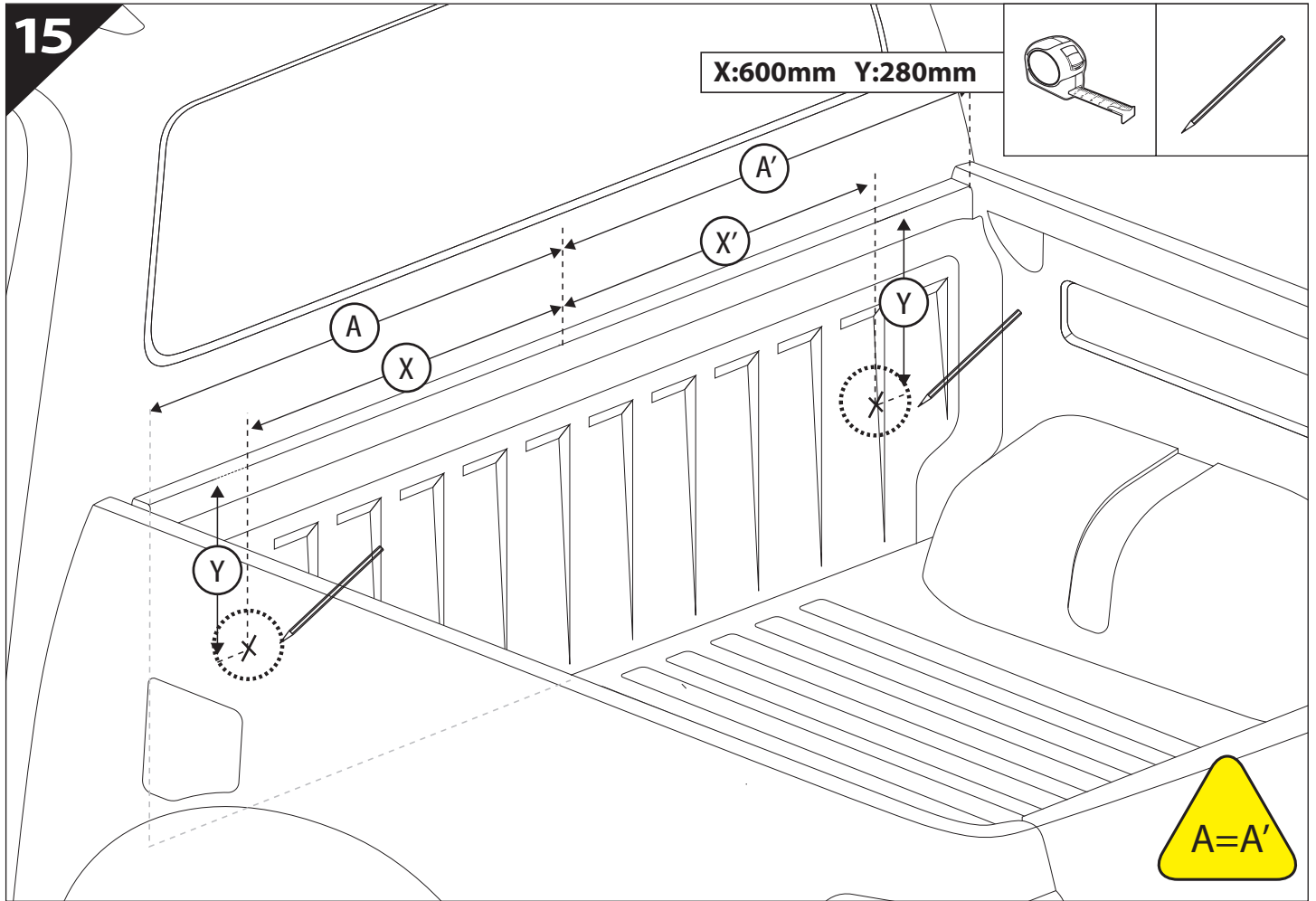
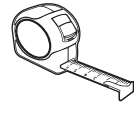


14

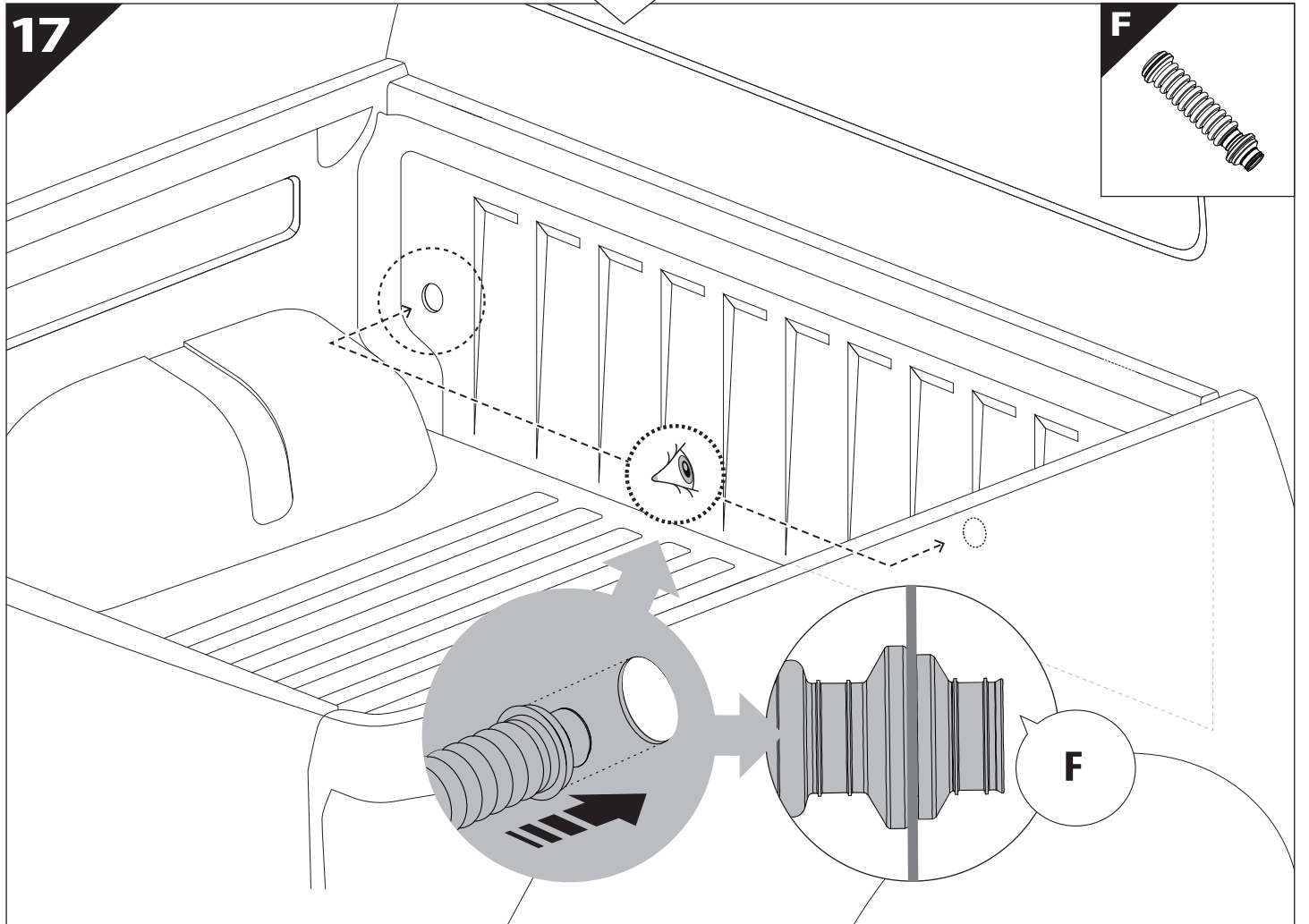
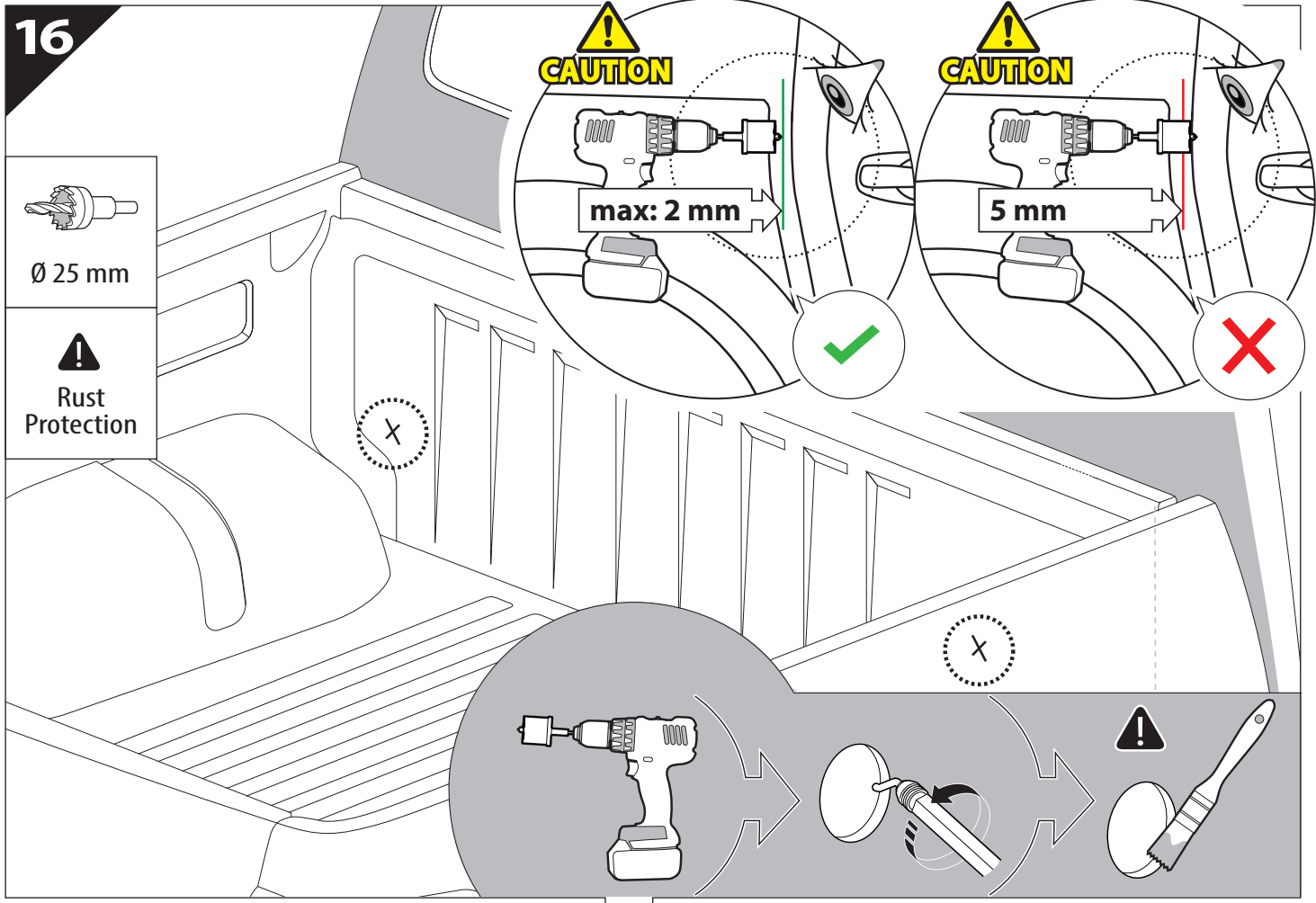


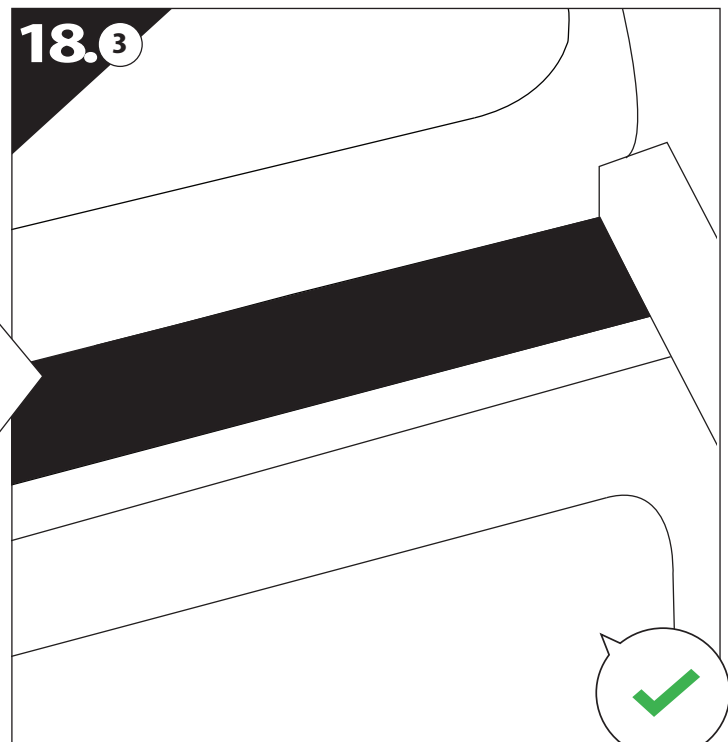
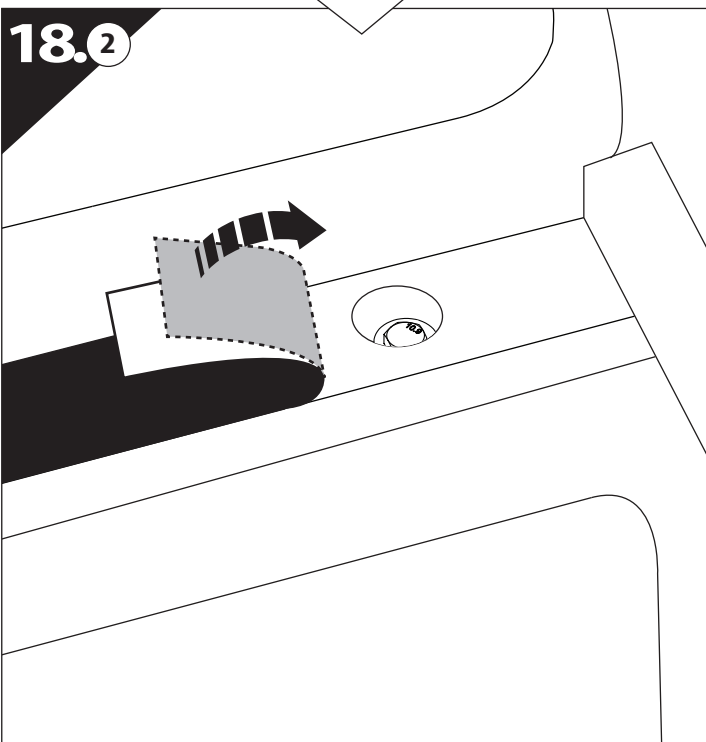
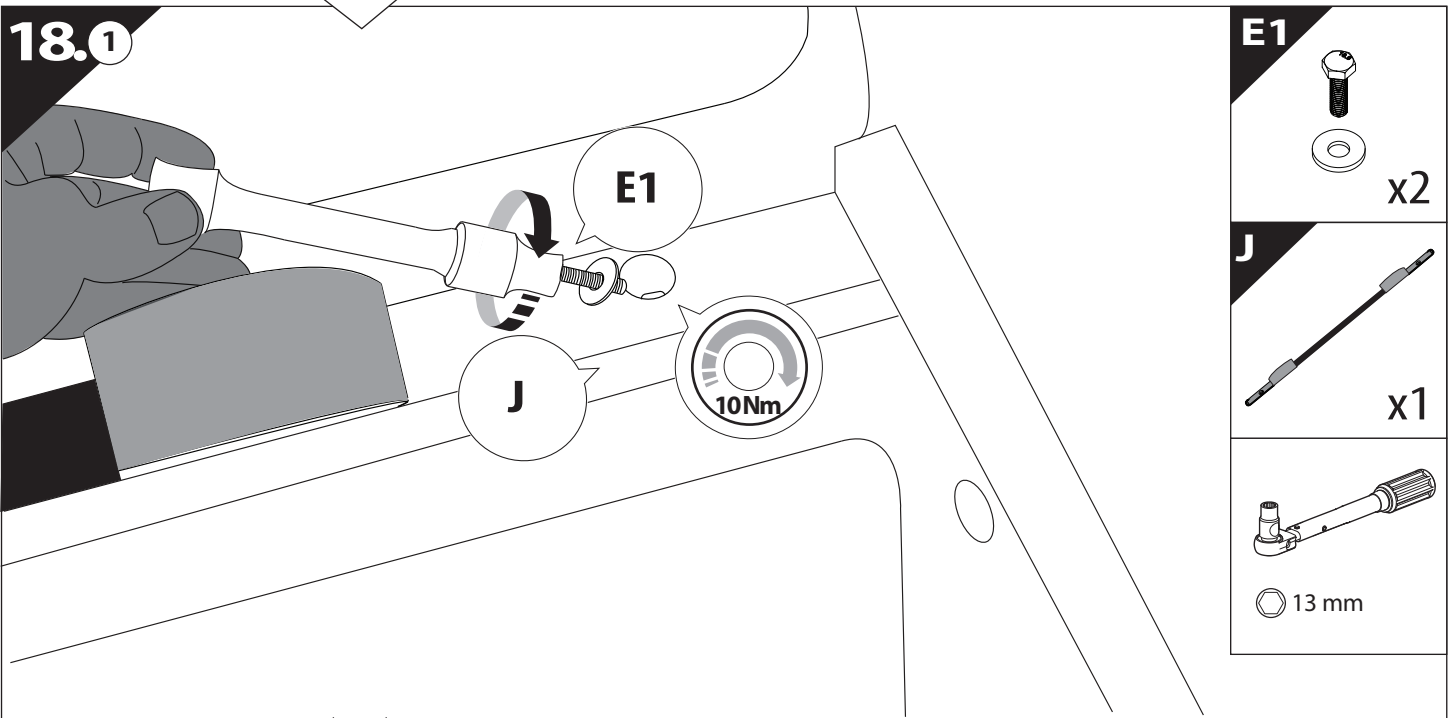
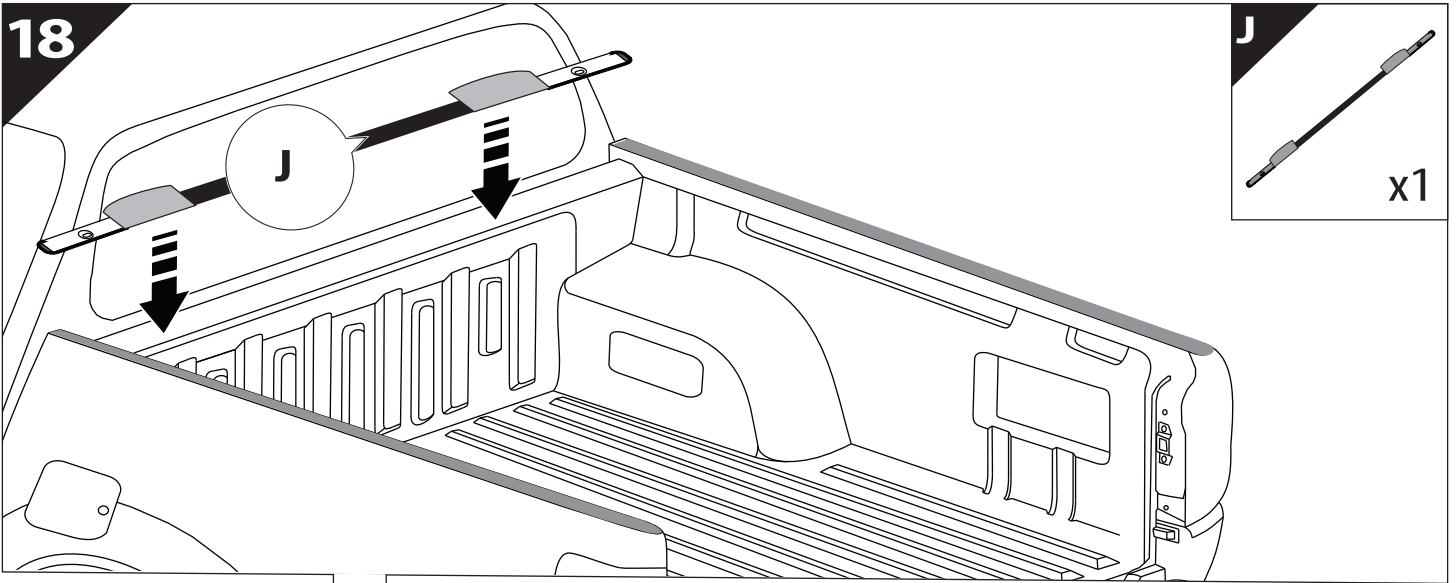
15

X:600mm Y:280mm



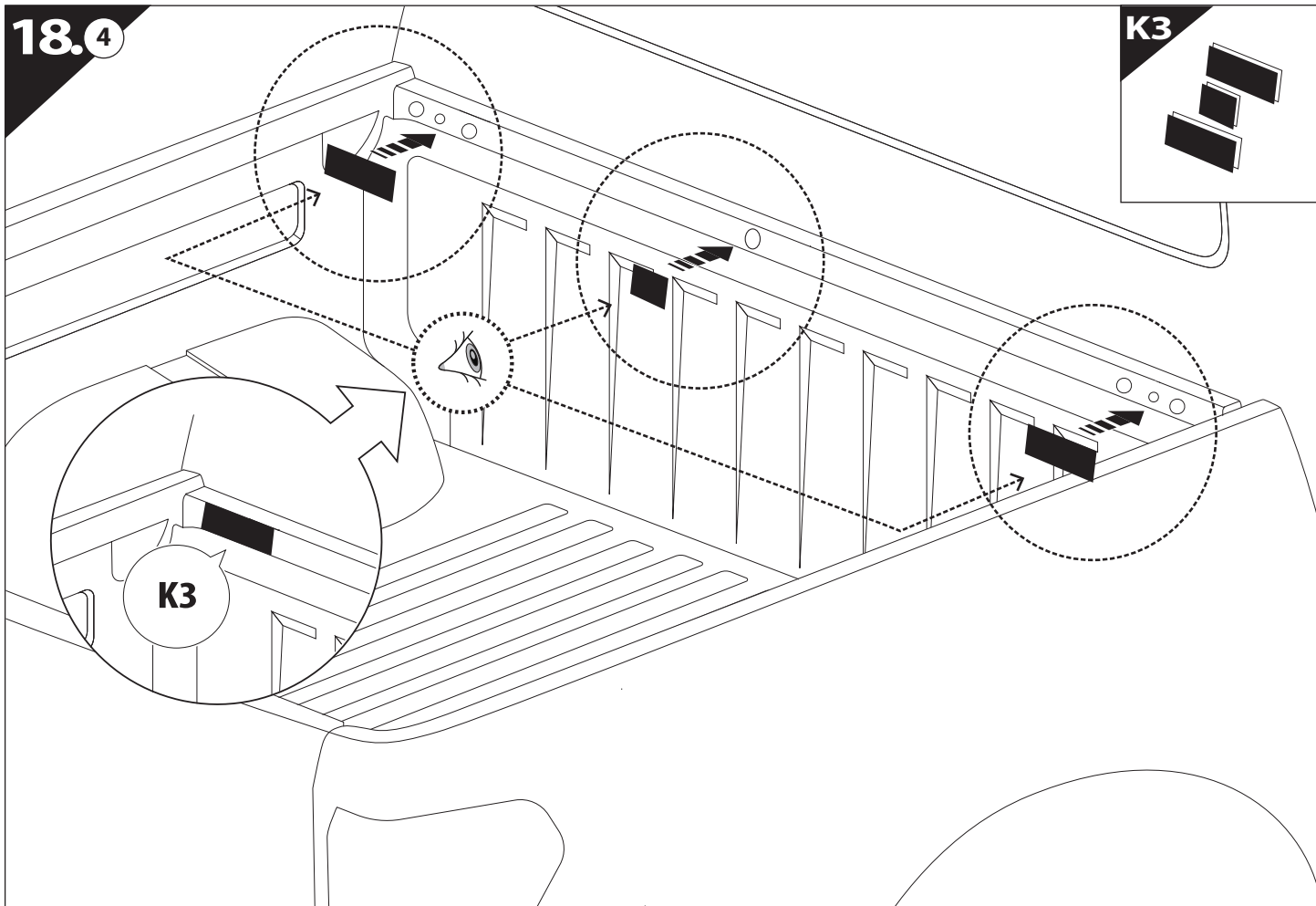
$A=A'$





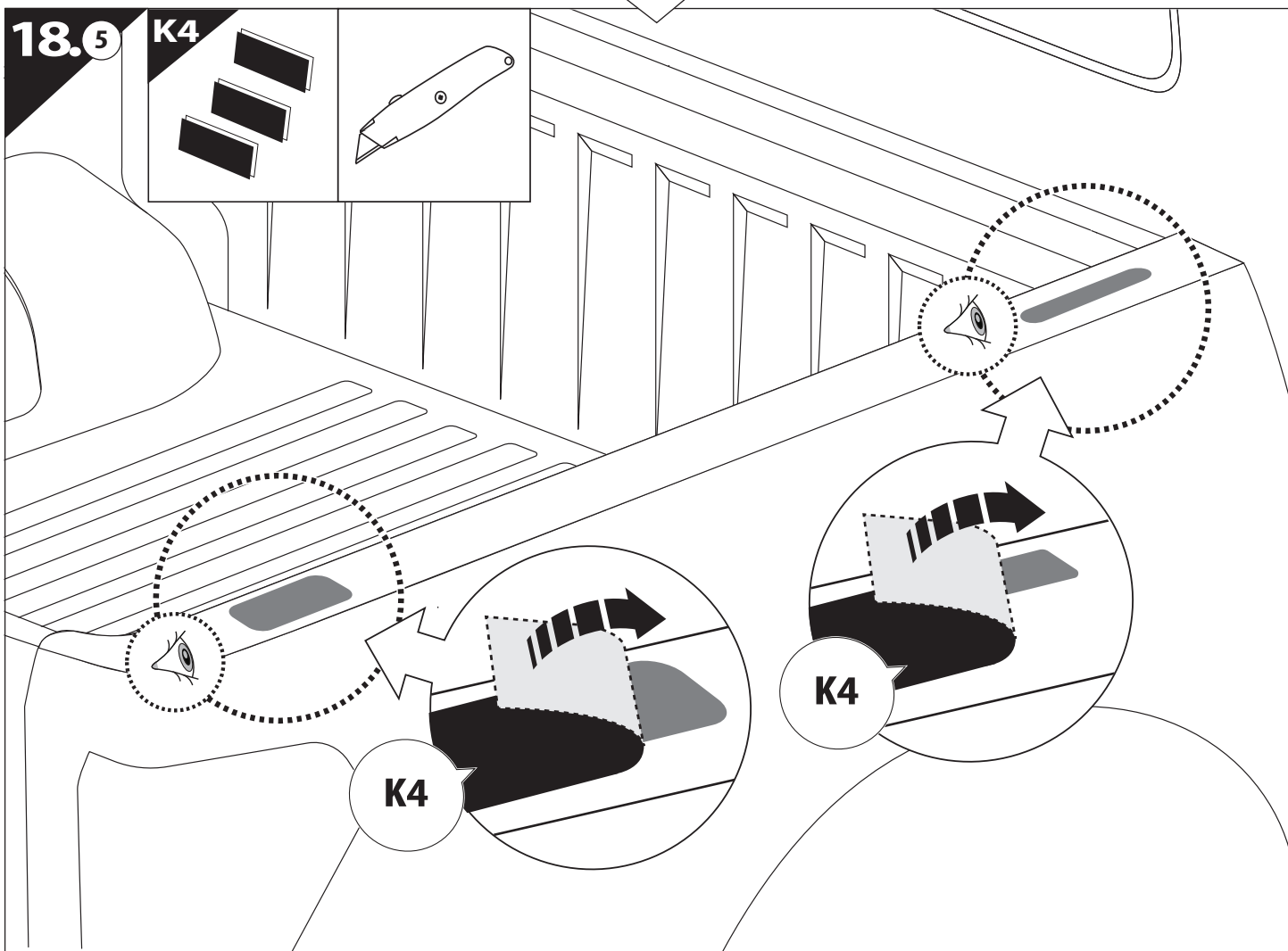
18.4

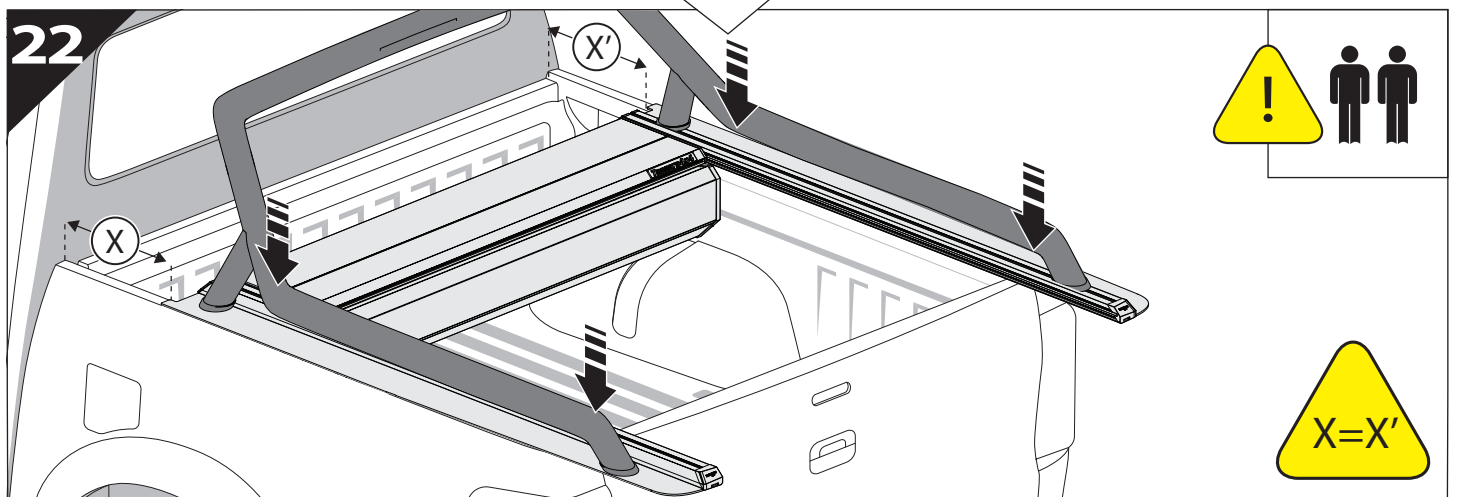
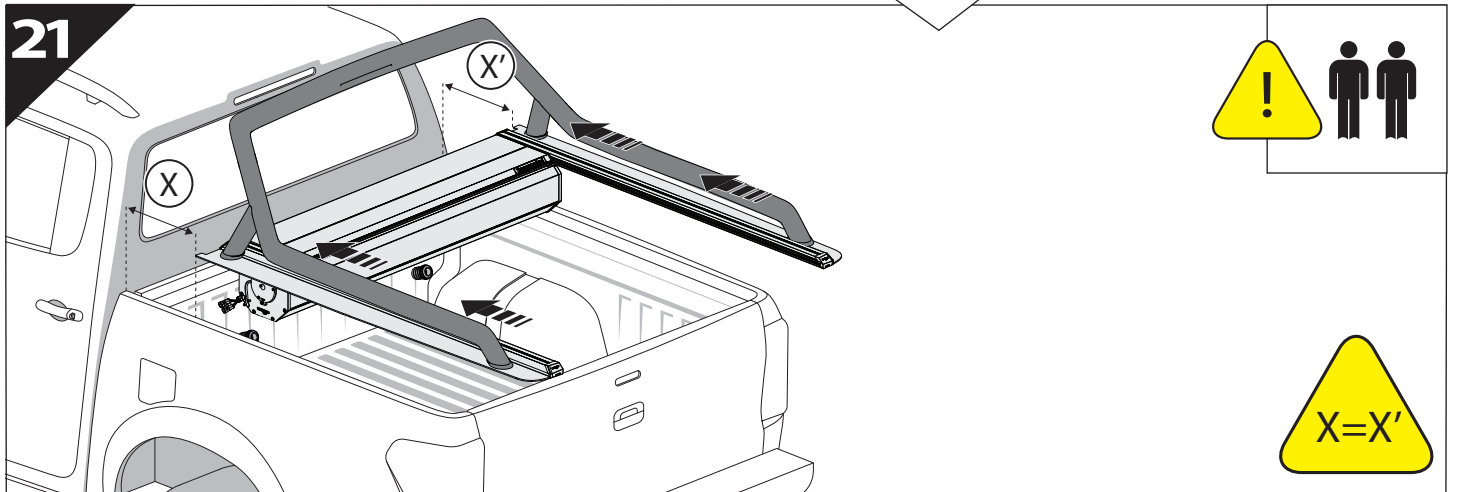
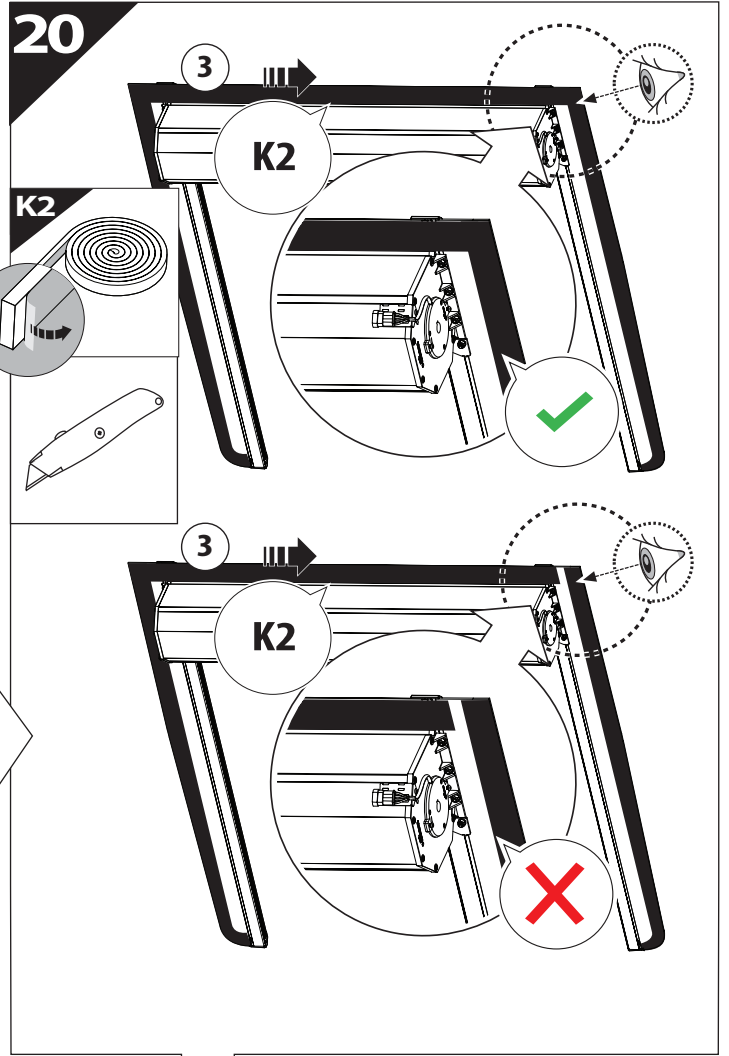
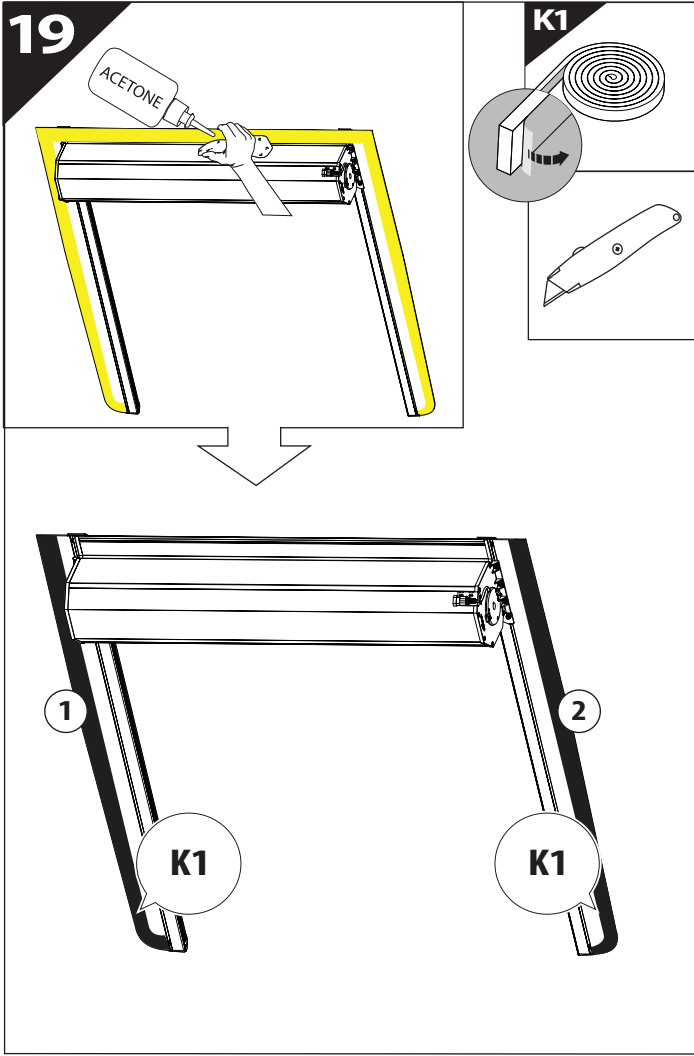
K3



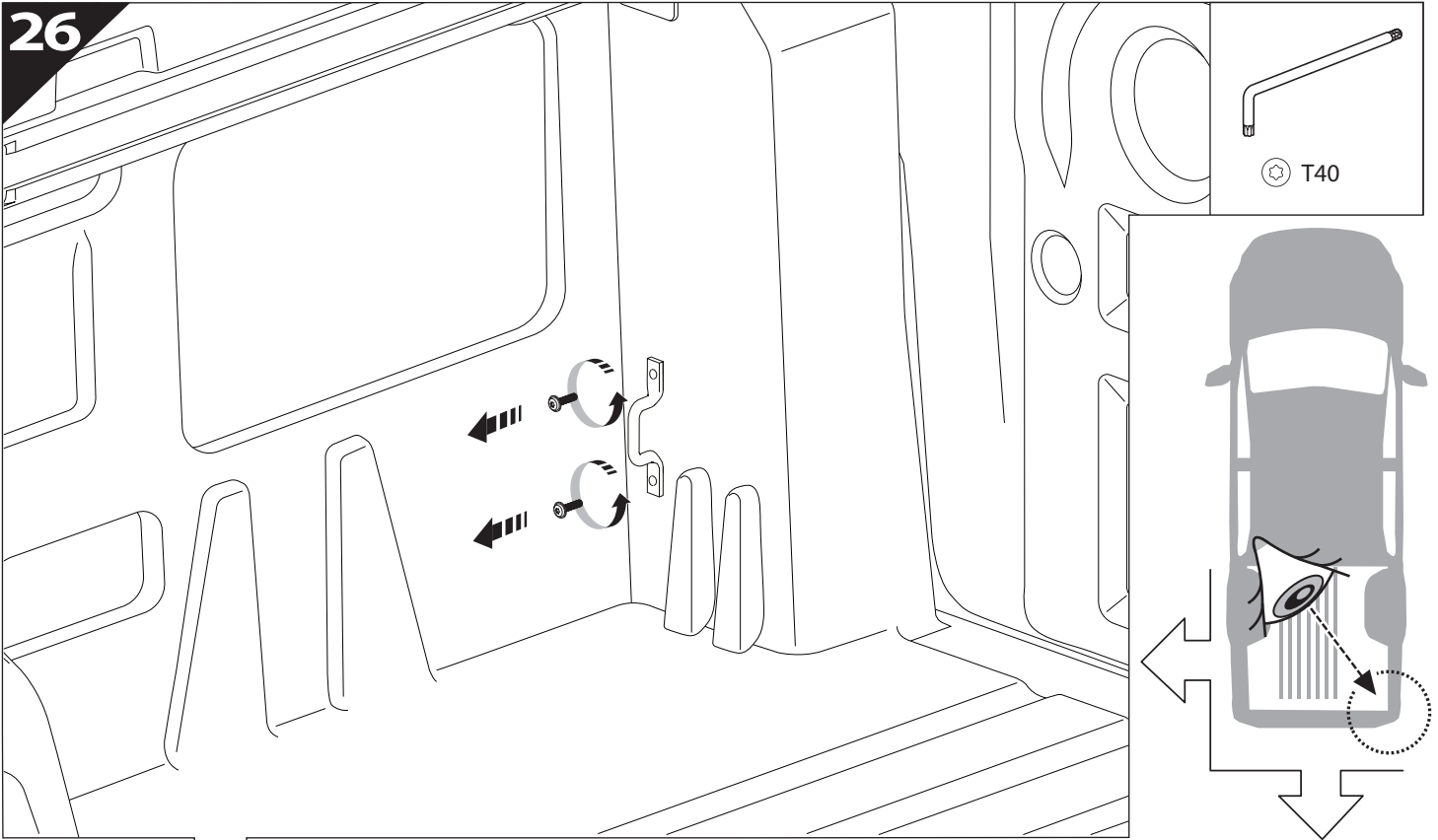
18.5

K4

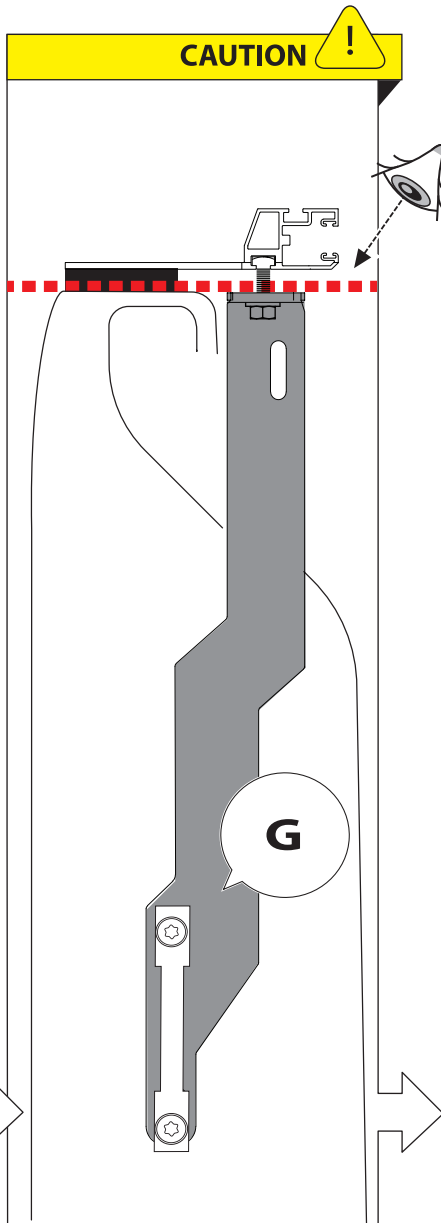
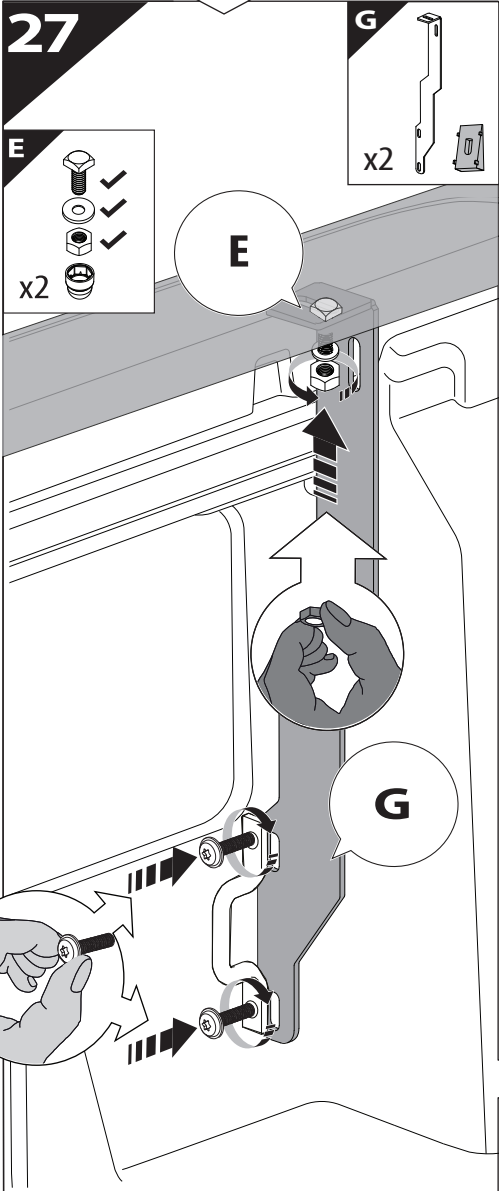




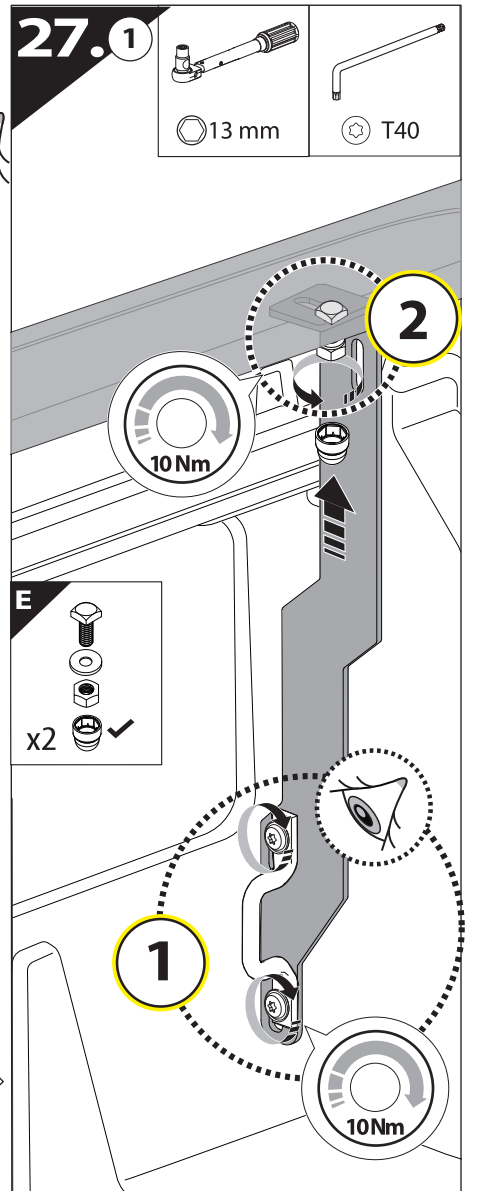
26



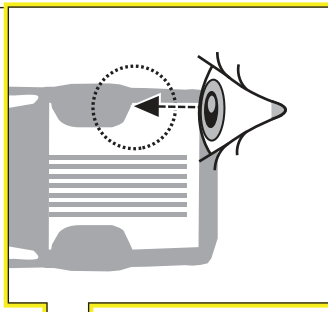
27



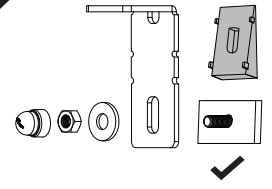
27.1



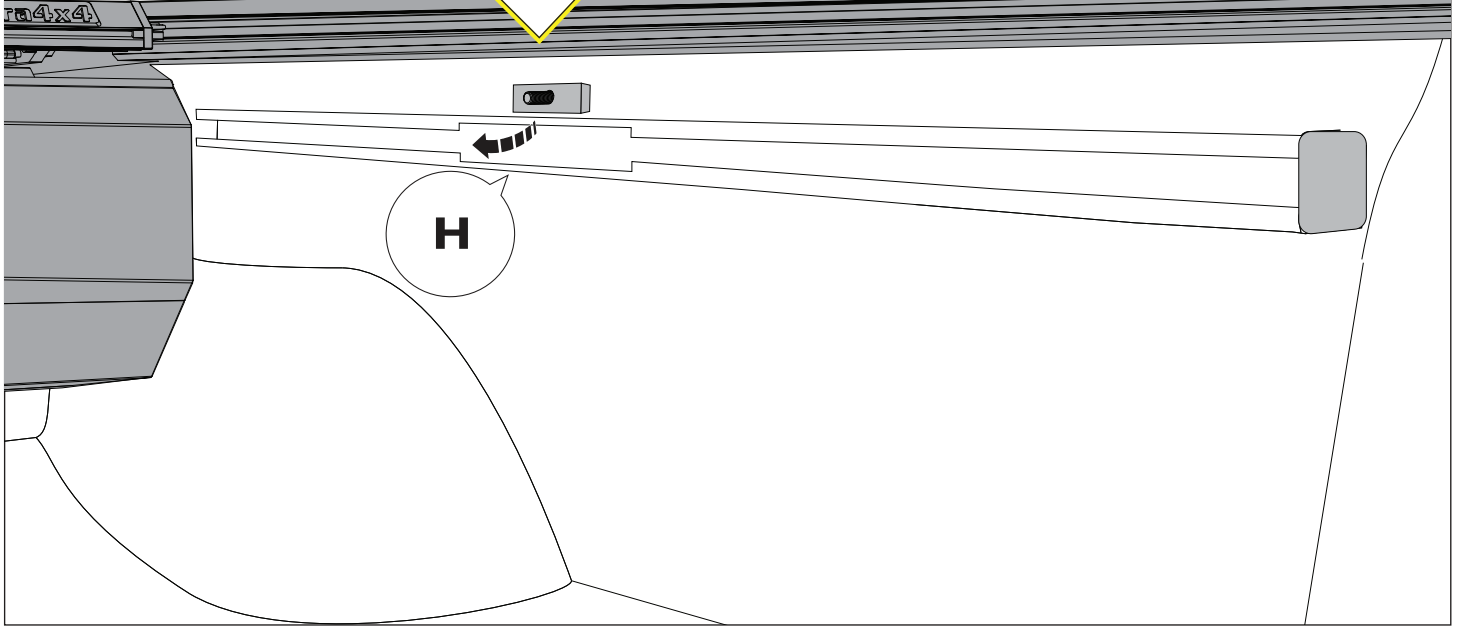
28



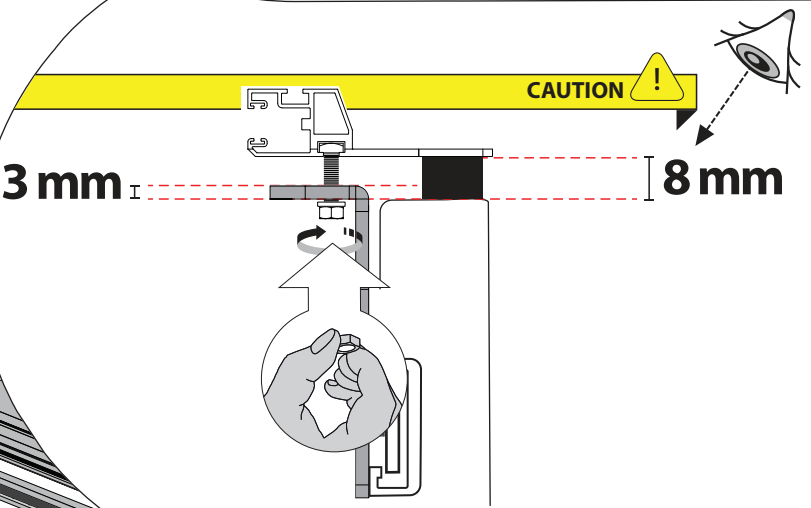
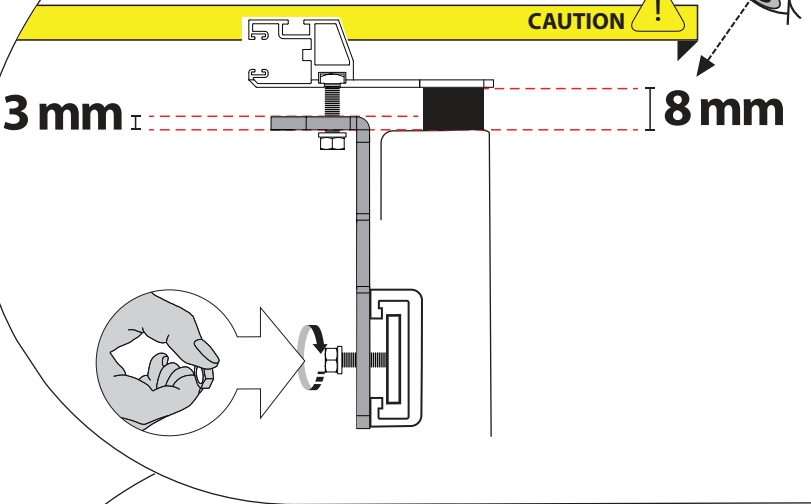
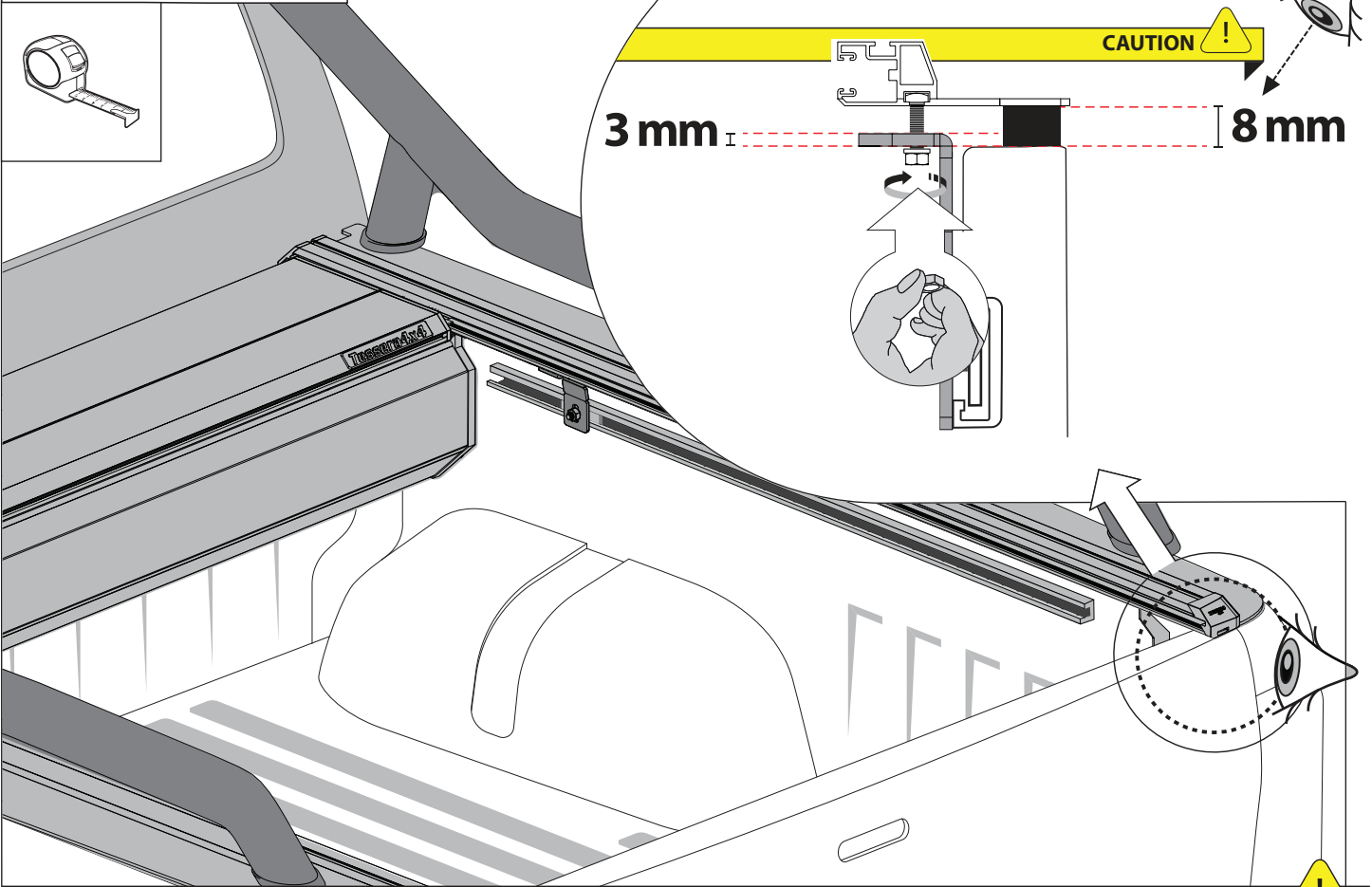
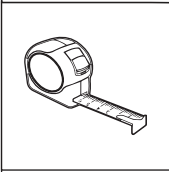
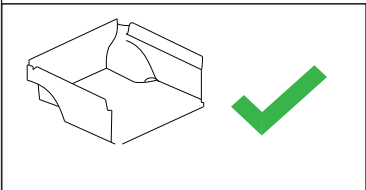
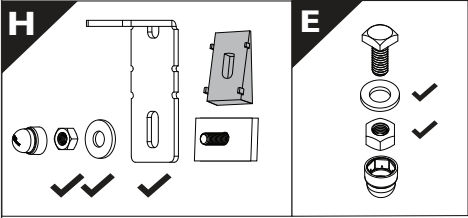
H



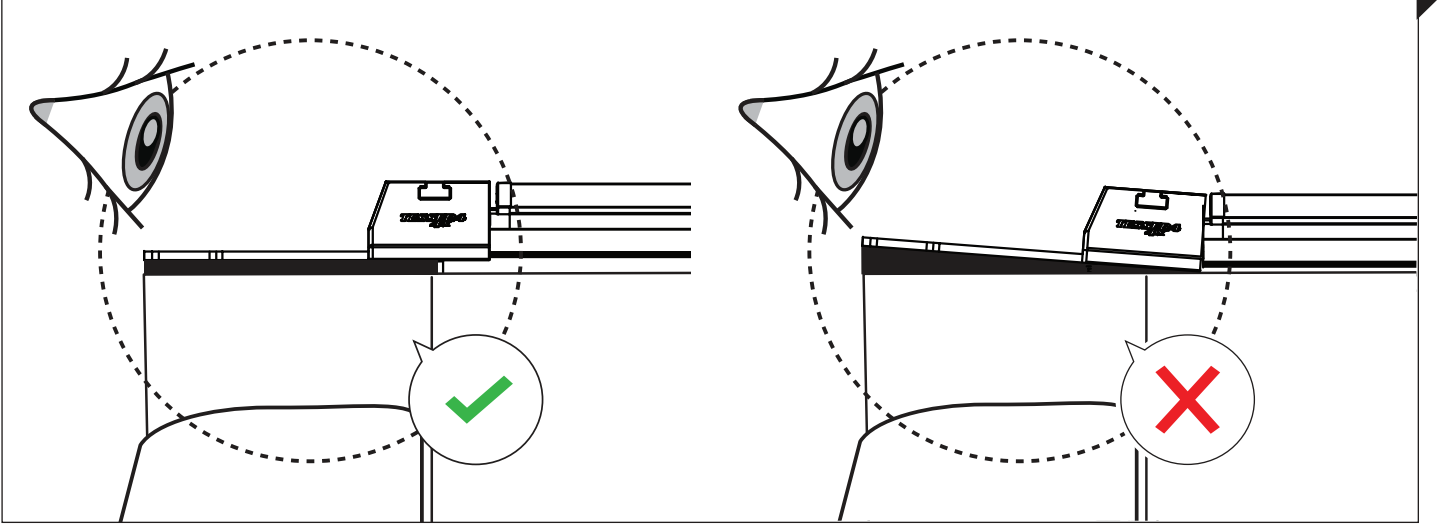
x2

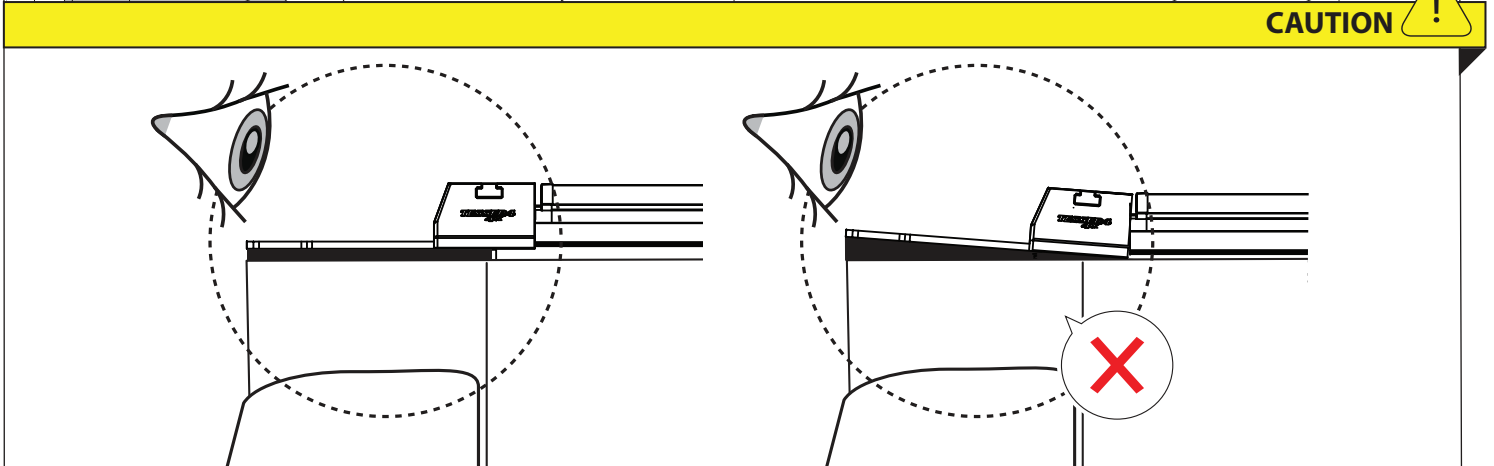
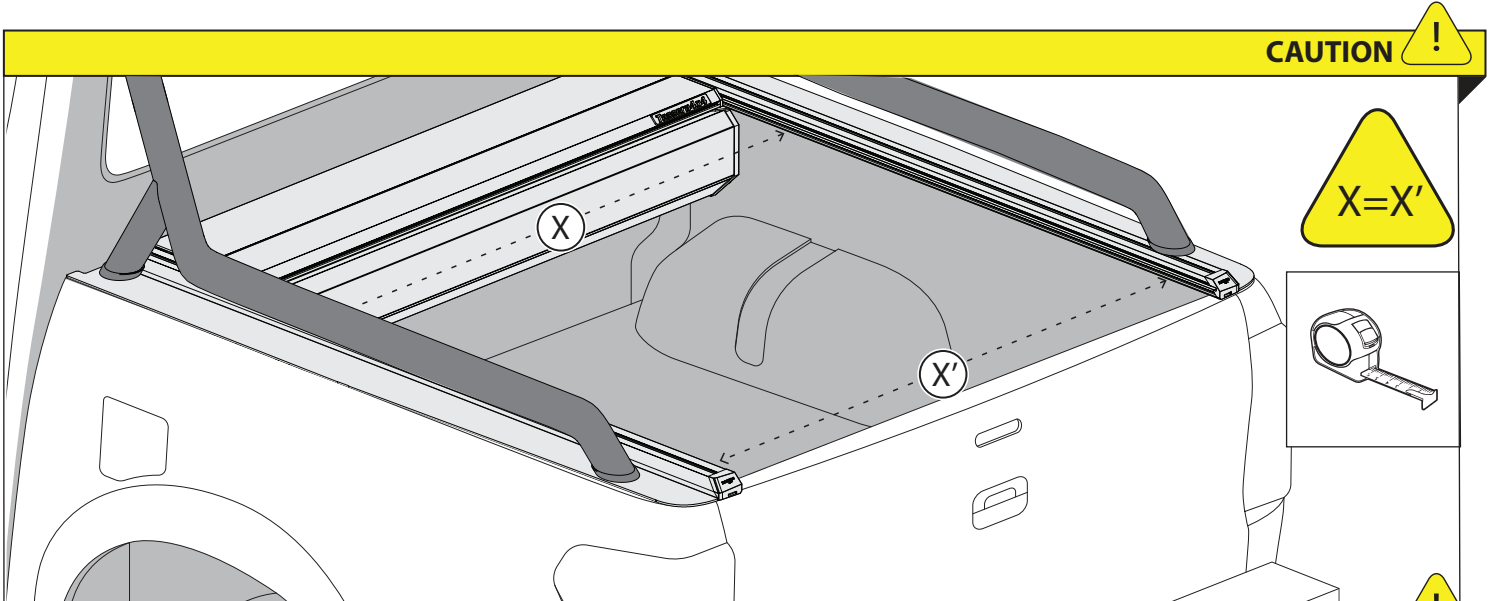
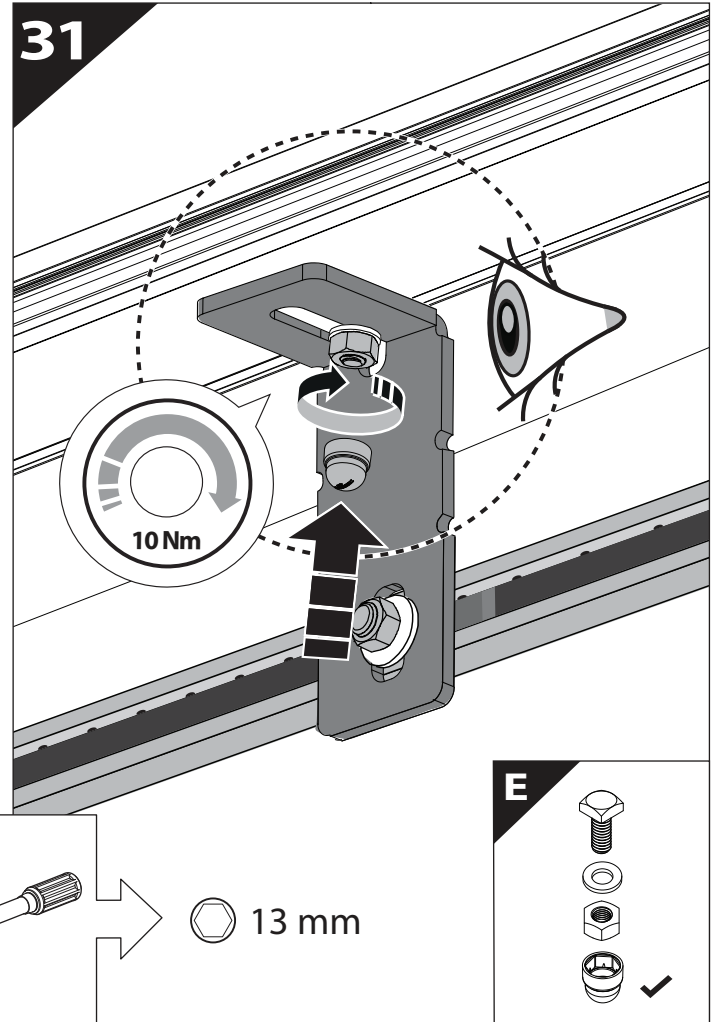
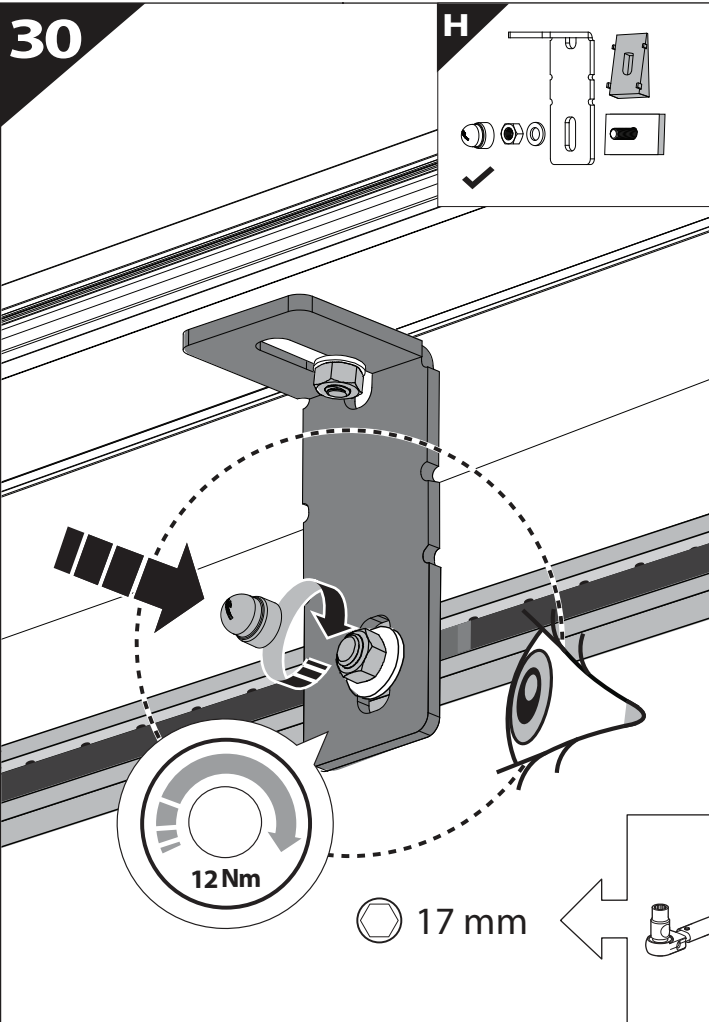


29

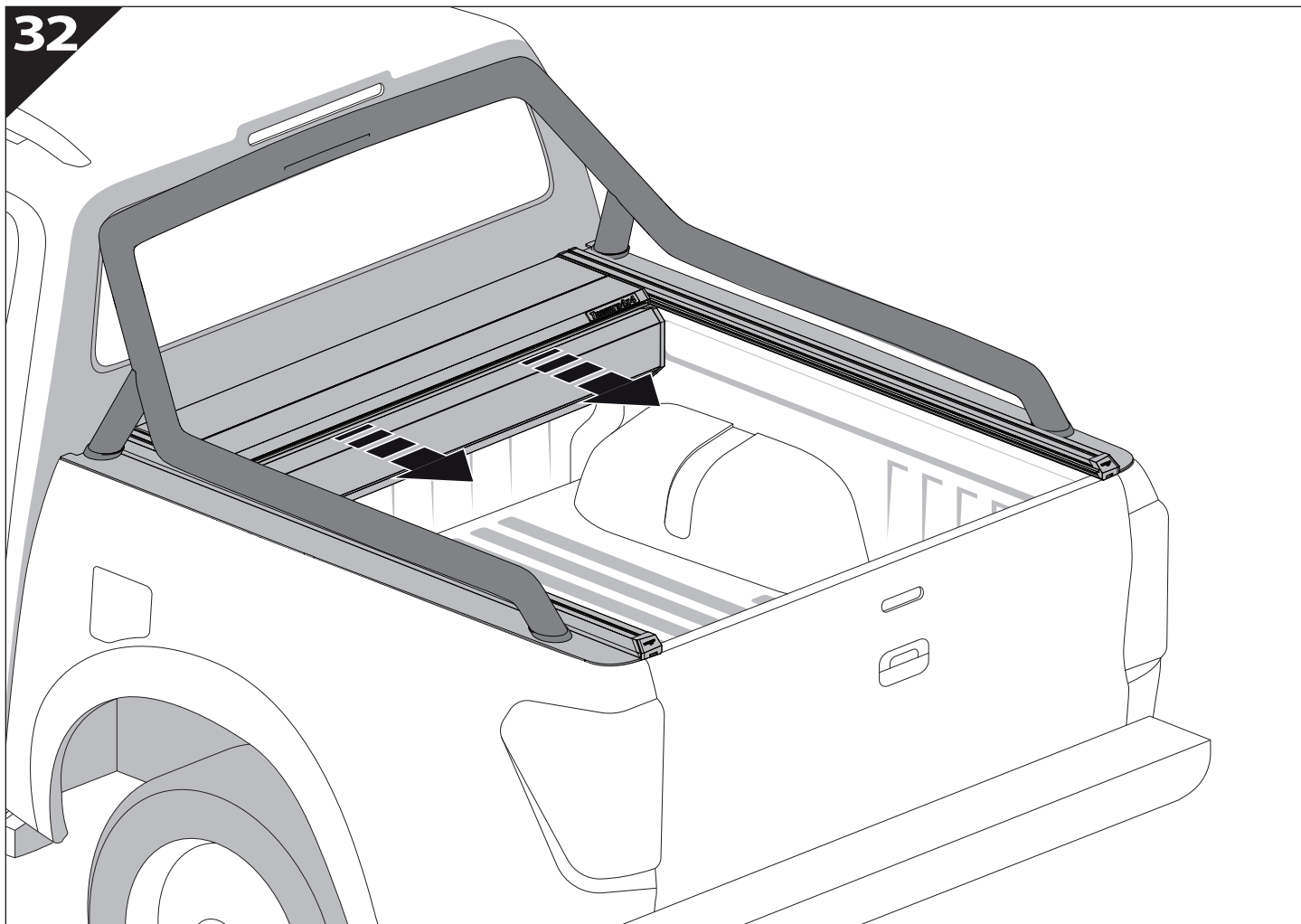


CAUTION !

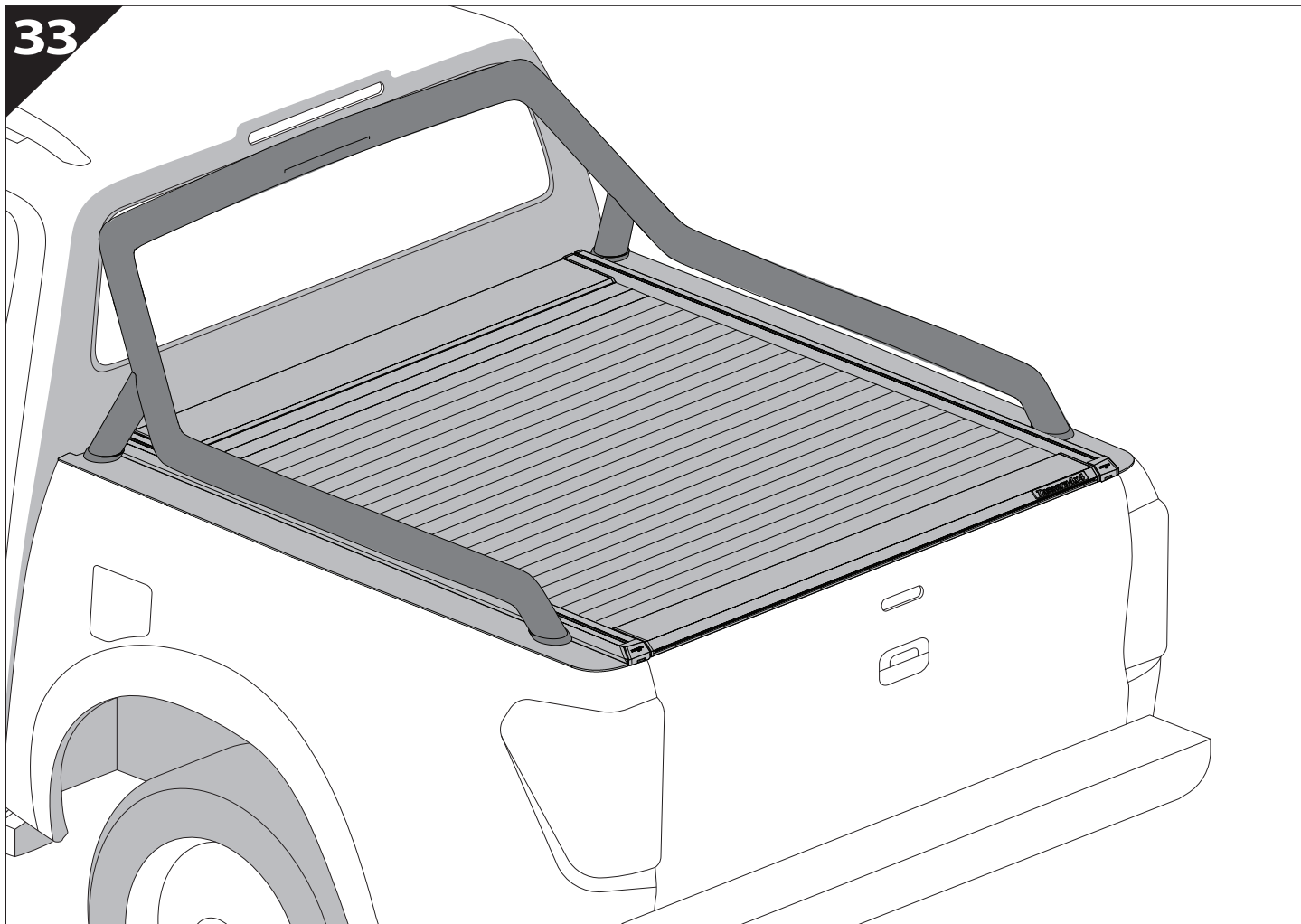




32



33





GR: Οδηγίες Εγκατάστασης
GB: Installation manual
SF: Asennusohje
F: Notice de montage
PL: Instrukcja montażu
NL: Installatie-instructies
TR: Montaj Talimatı
S: Monteringsanvisning
E: Instrucciones de montaje

H: Szerelési utasítás
P: Instruções de instalação
RUS: Инструкция по установке
N: Monteringsveiledning
D: Einbauanleitung
CZ: Návod k instalaci
I: Istruzioni de montaggio
DK: Monteringsvejledning
RO: Instructiuni de instalare

Customer Service:

+30 (210) 5541161, +30 (210) 5541154 (08:00 - 16:00 EET)

Support department:

info@gianso.gr

Website:

www.tessera4x4.com

Address:

19.5 km of National road Athens-Korinthos (Elefsina) Greece, P.C: 19200