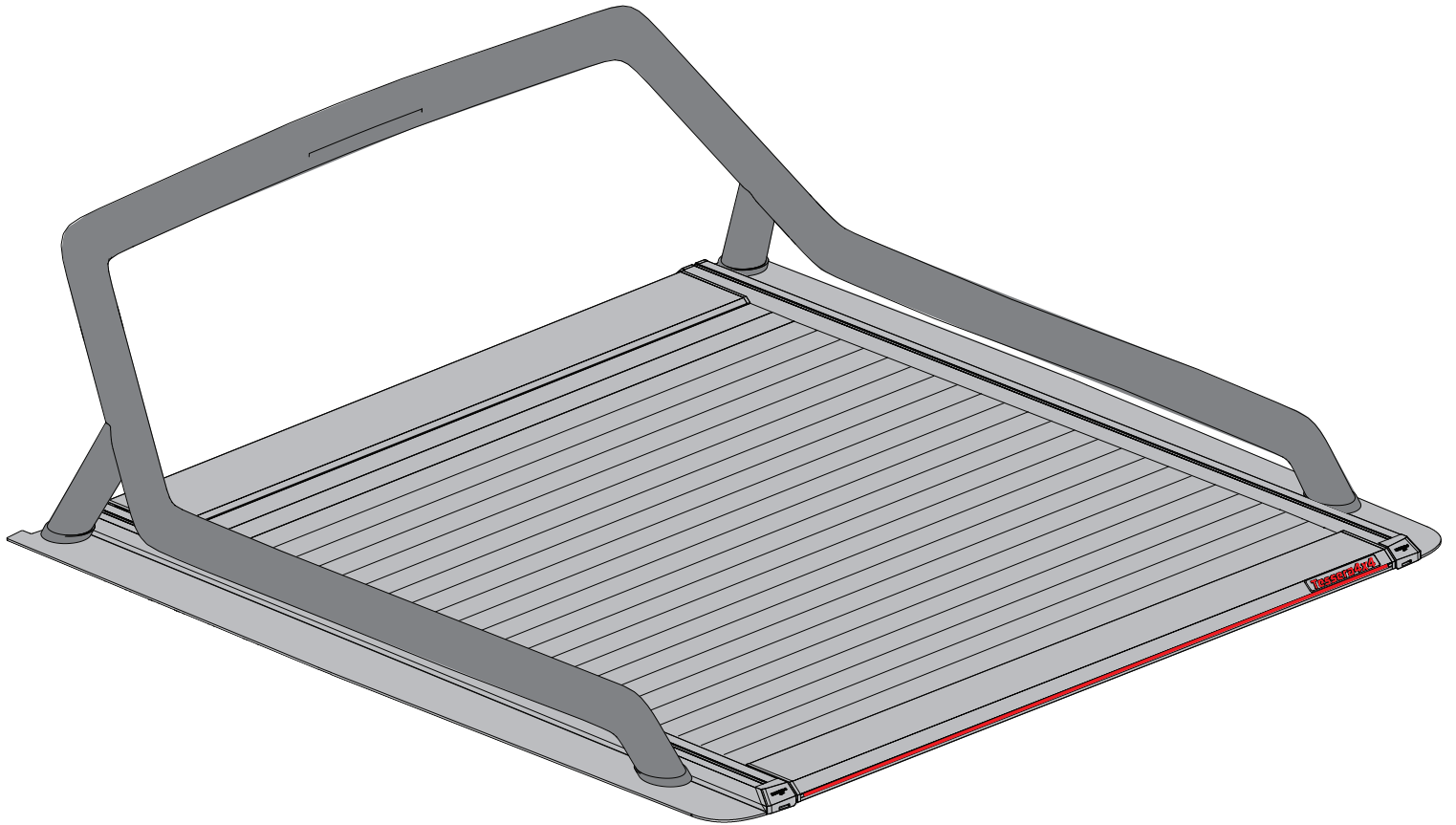


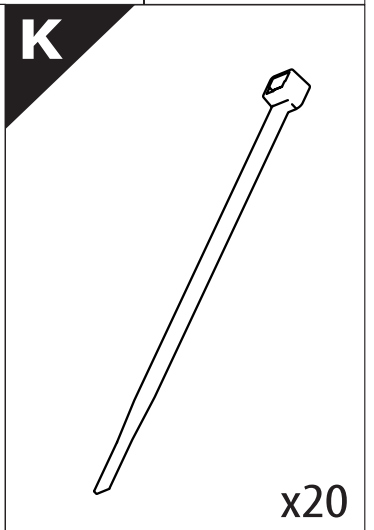
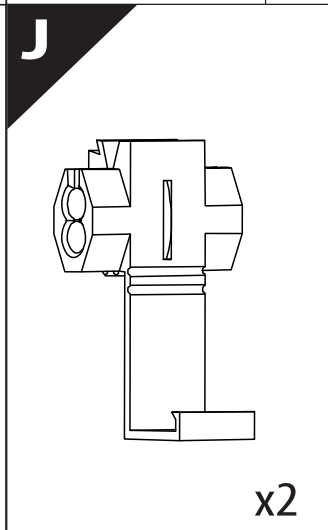
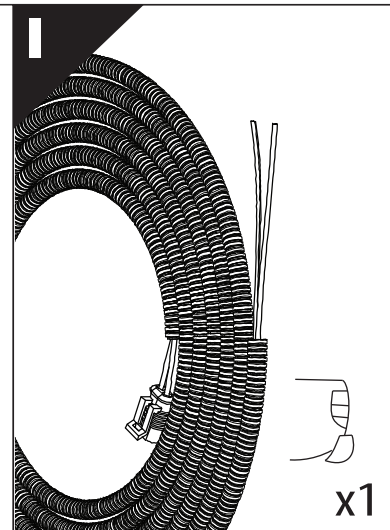
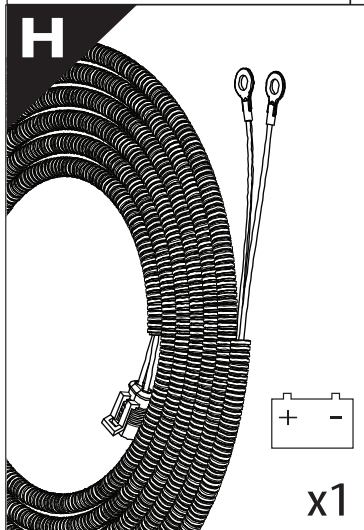
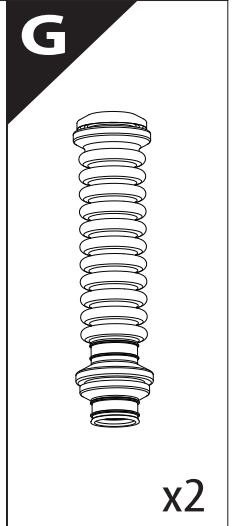
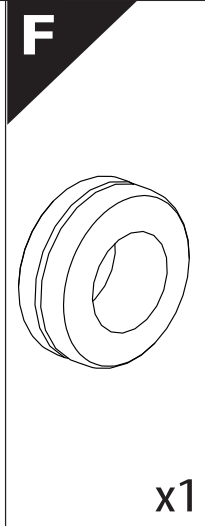
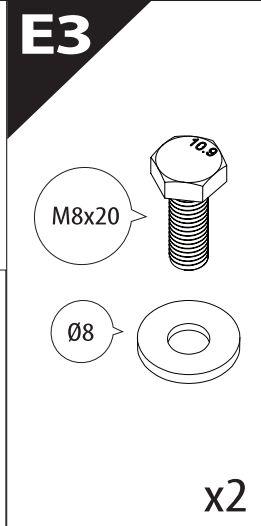
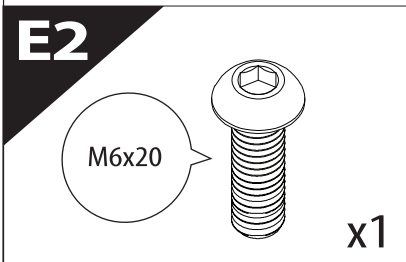
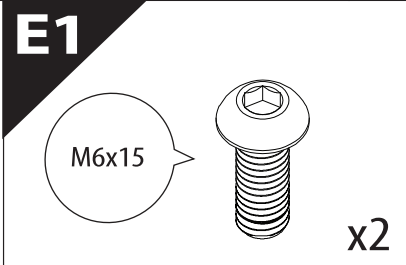
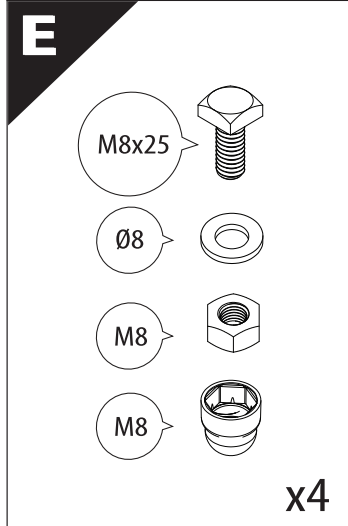
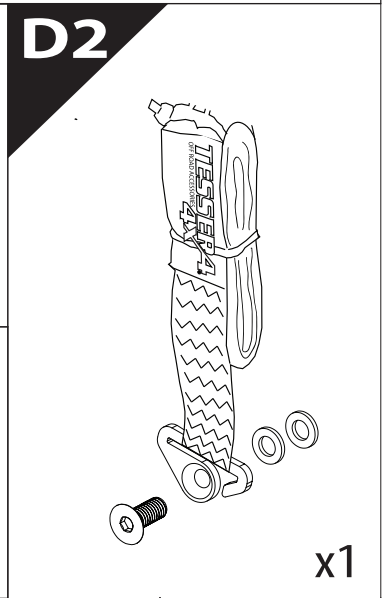
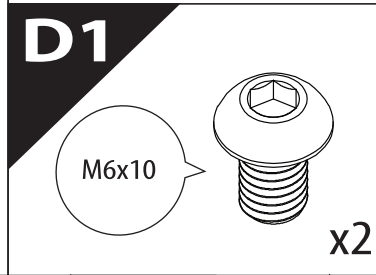
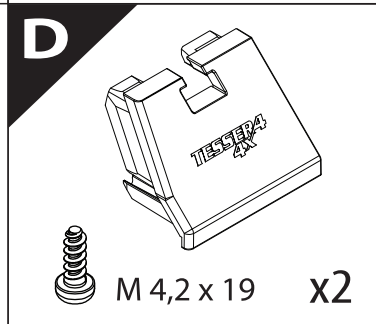
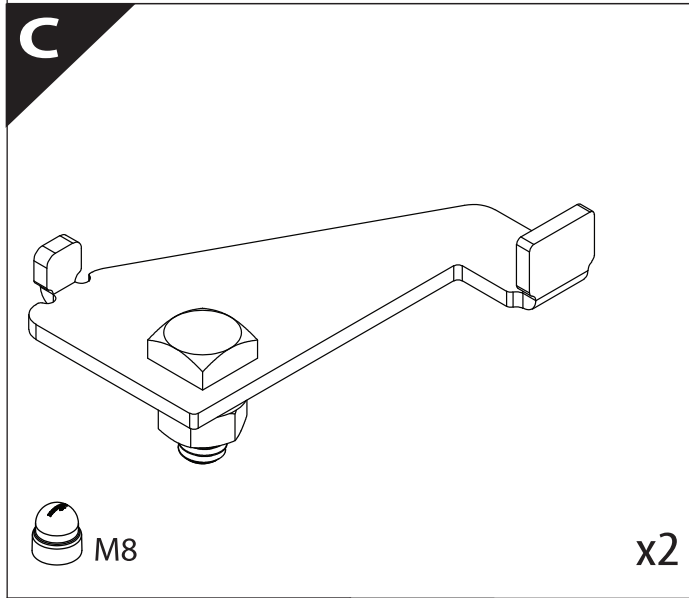
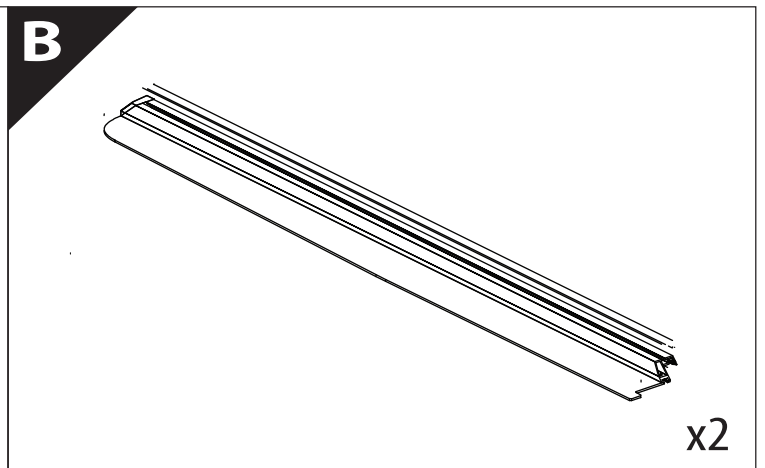
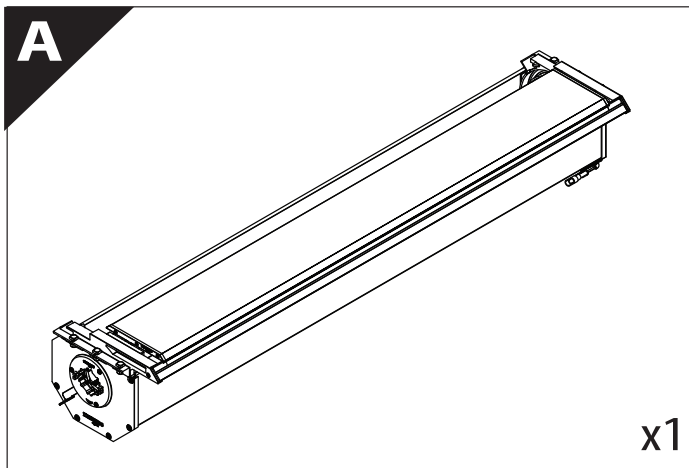
# Tessera Roll+

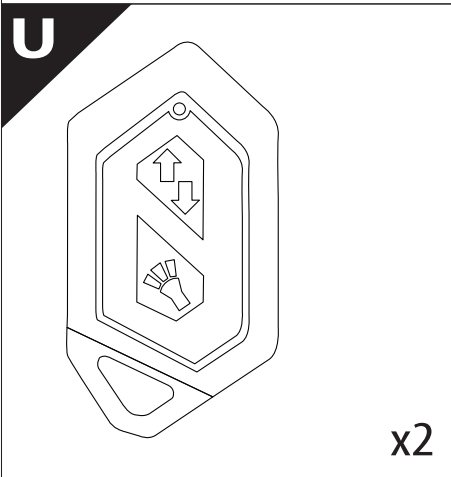
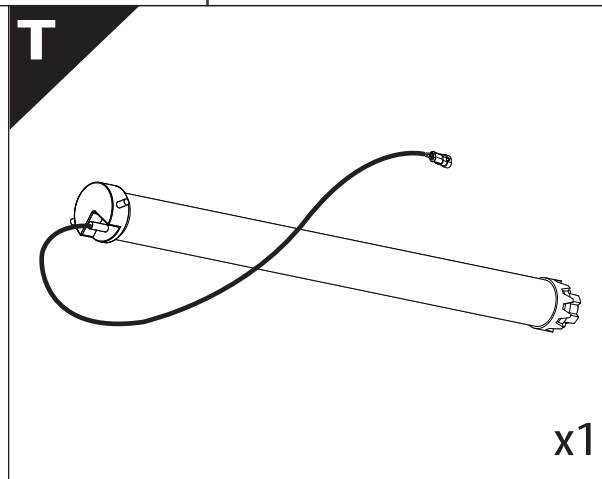
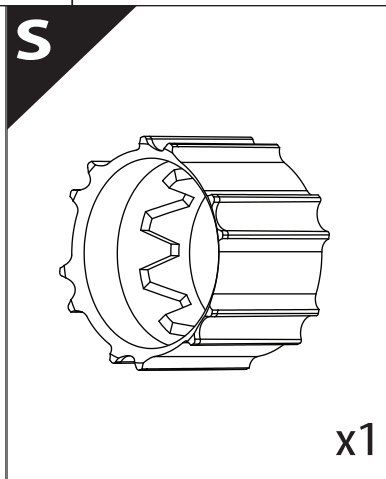
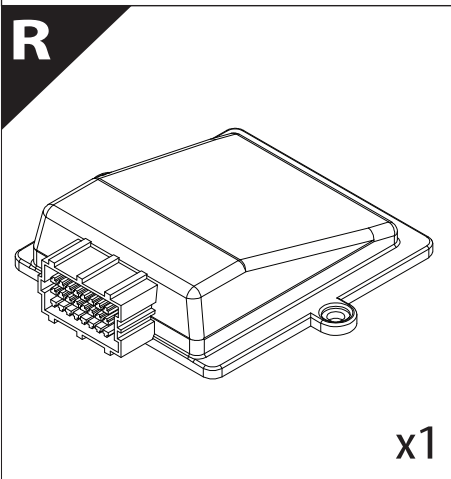
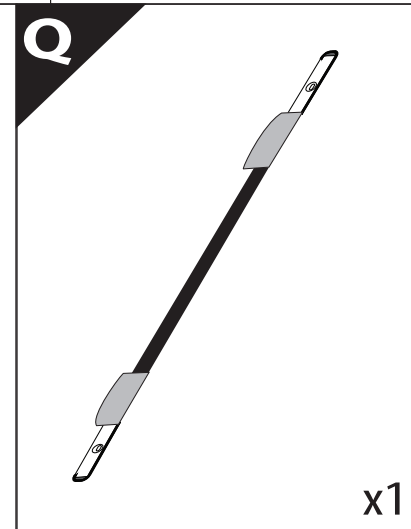
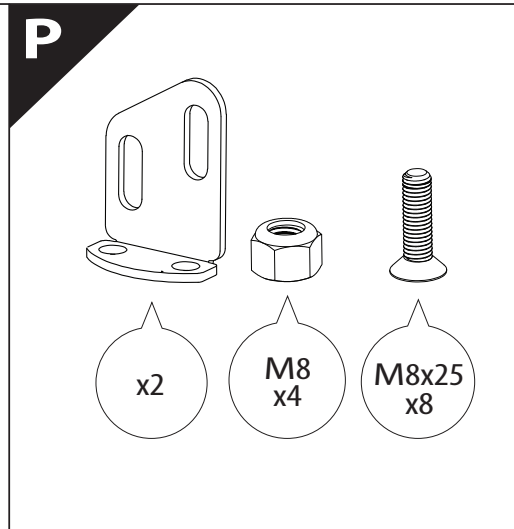
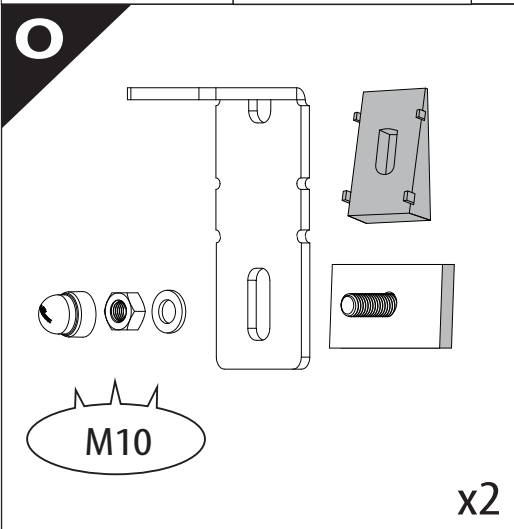
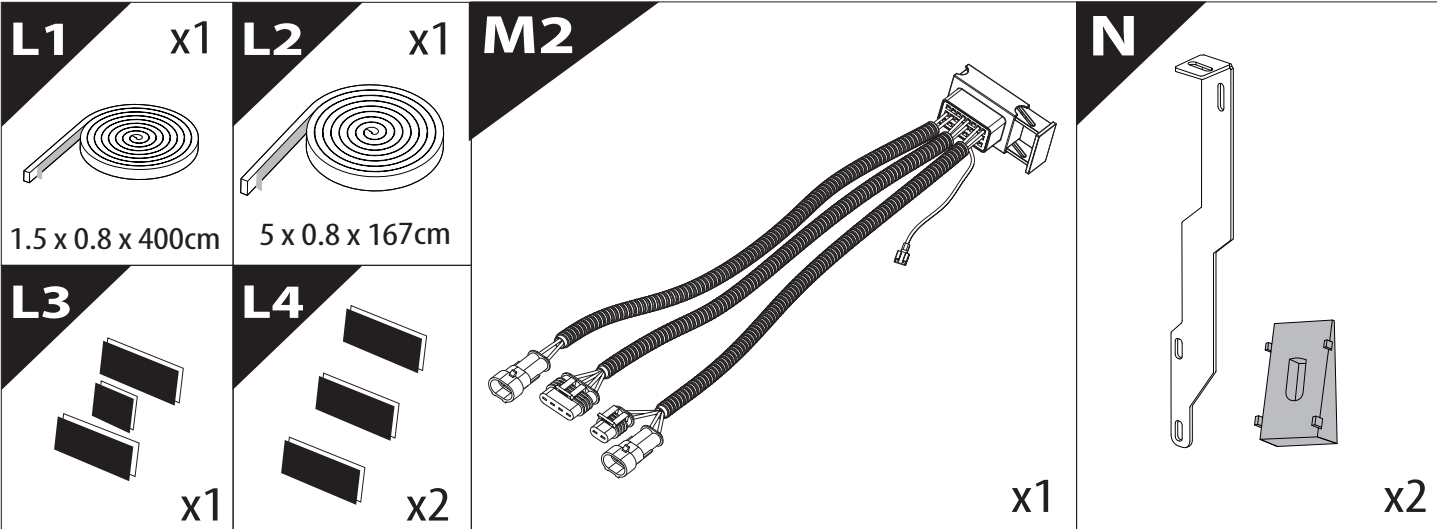
## Basic Version + ⚡ E-KIT

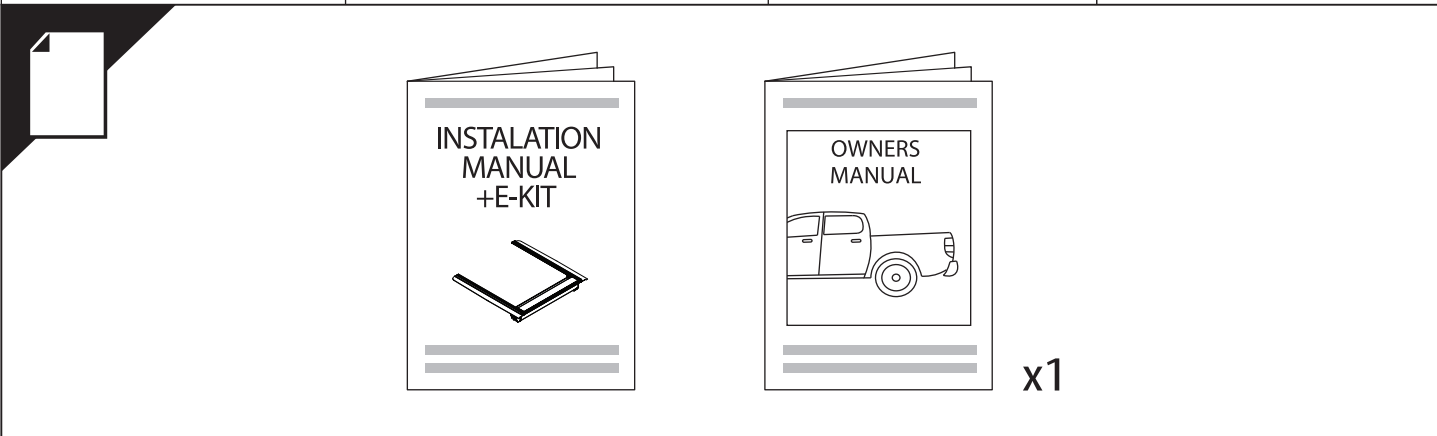
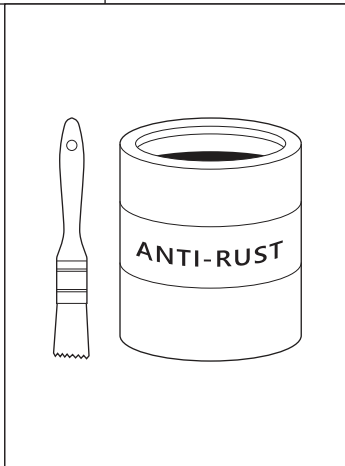
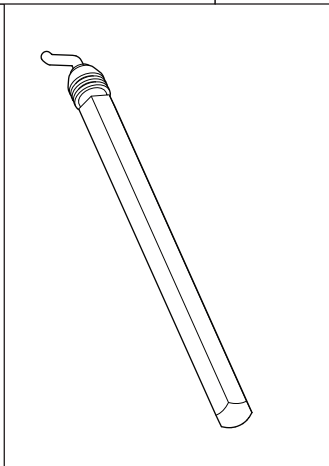
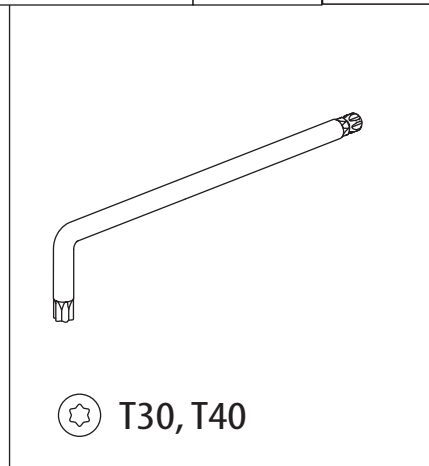
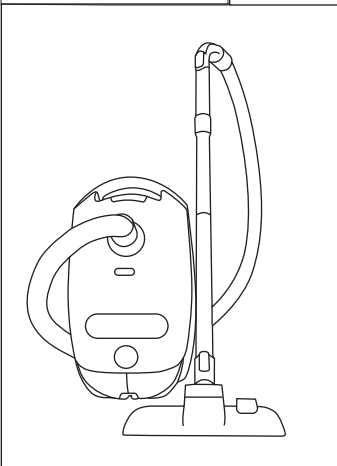
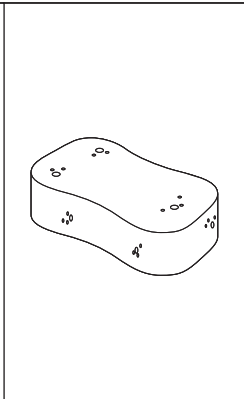
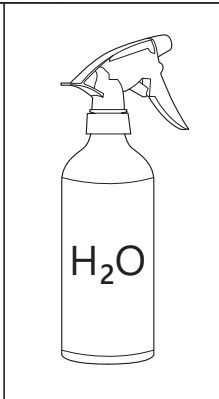
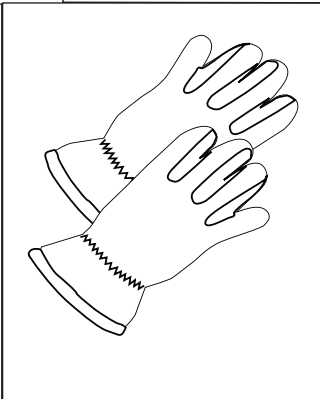
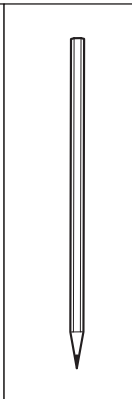
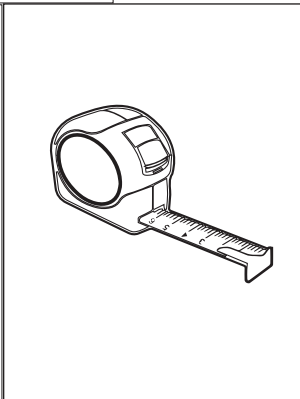
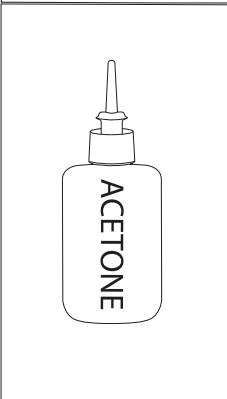
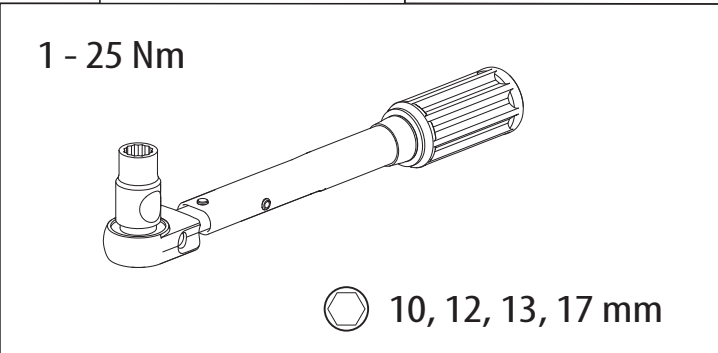
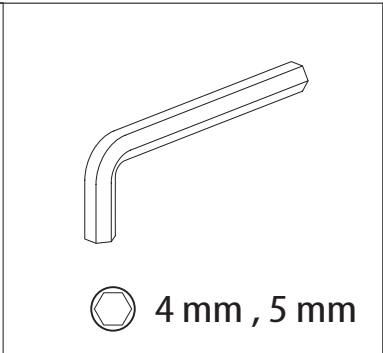
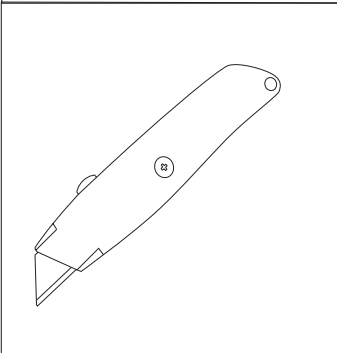
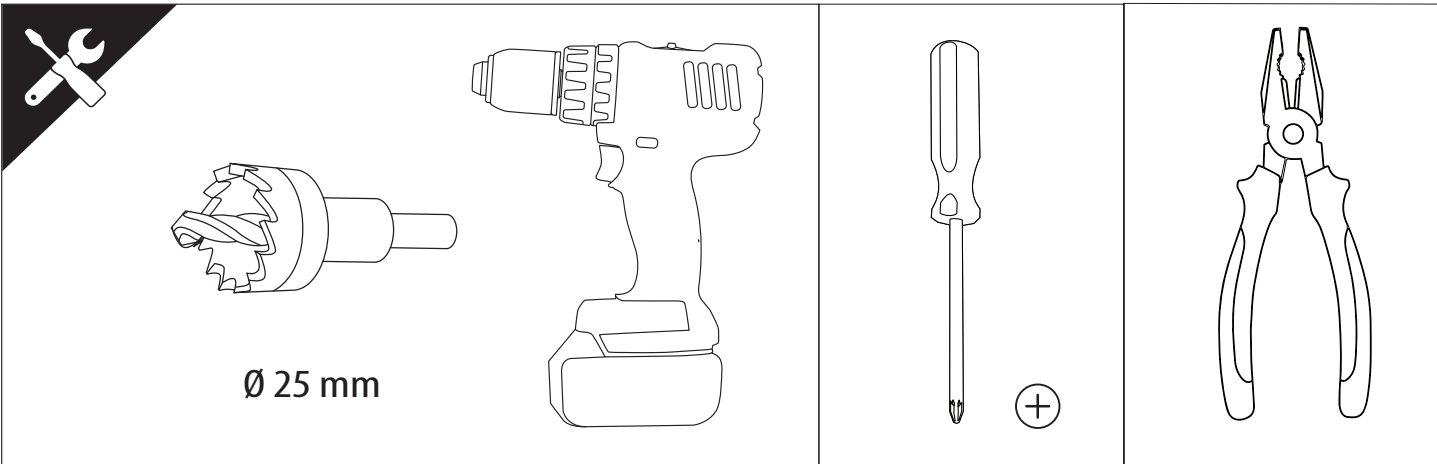


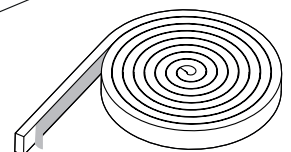
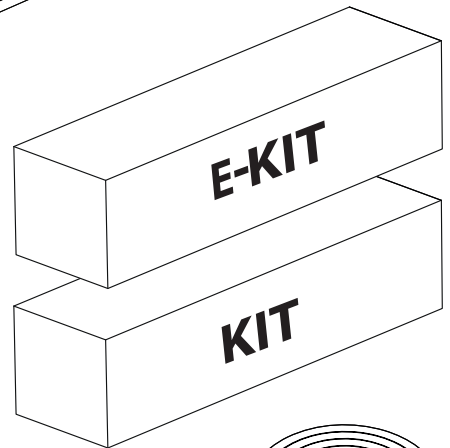
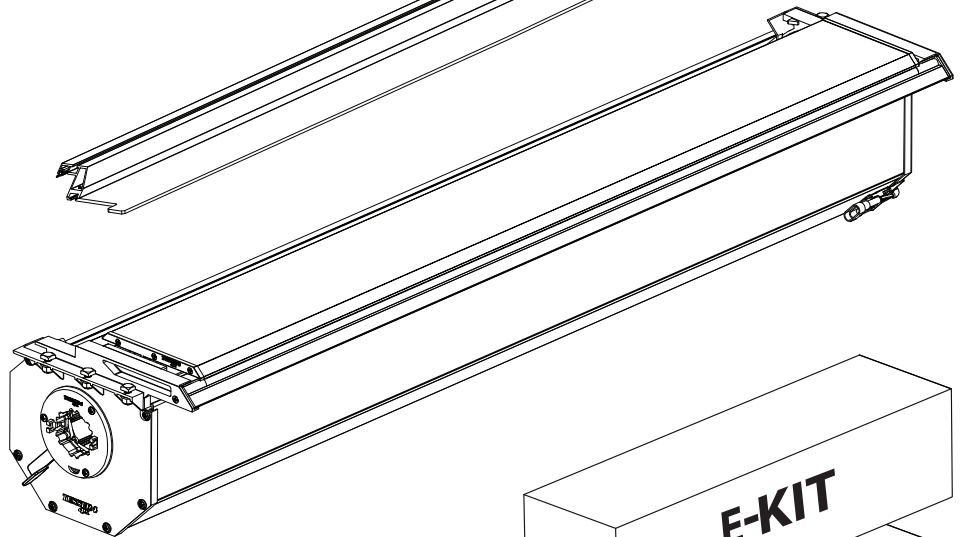
## Installation Manual

PART NUMBER(S)	Model Year
TESS 14012 ROLL+E-KIT	VW AMAROK PANAMERICANA 2023+ (with c-channels)
Cab(s)	Installation Time / Weight
Double Cab	40-60 minutes / 53-57 kg







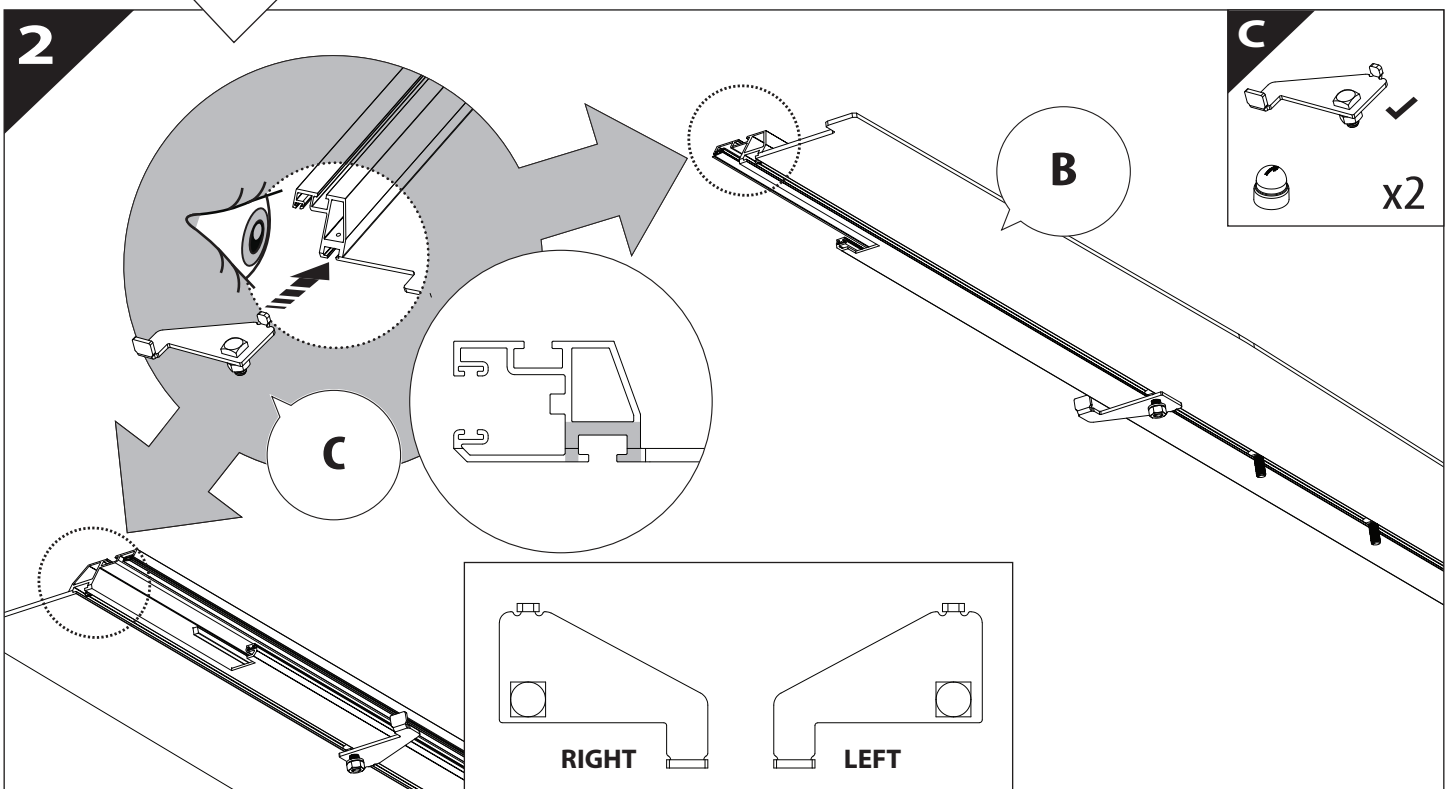
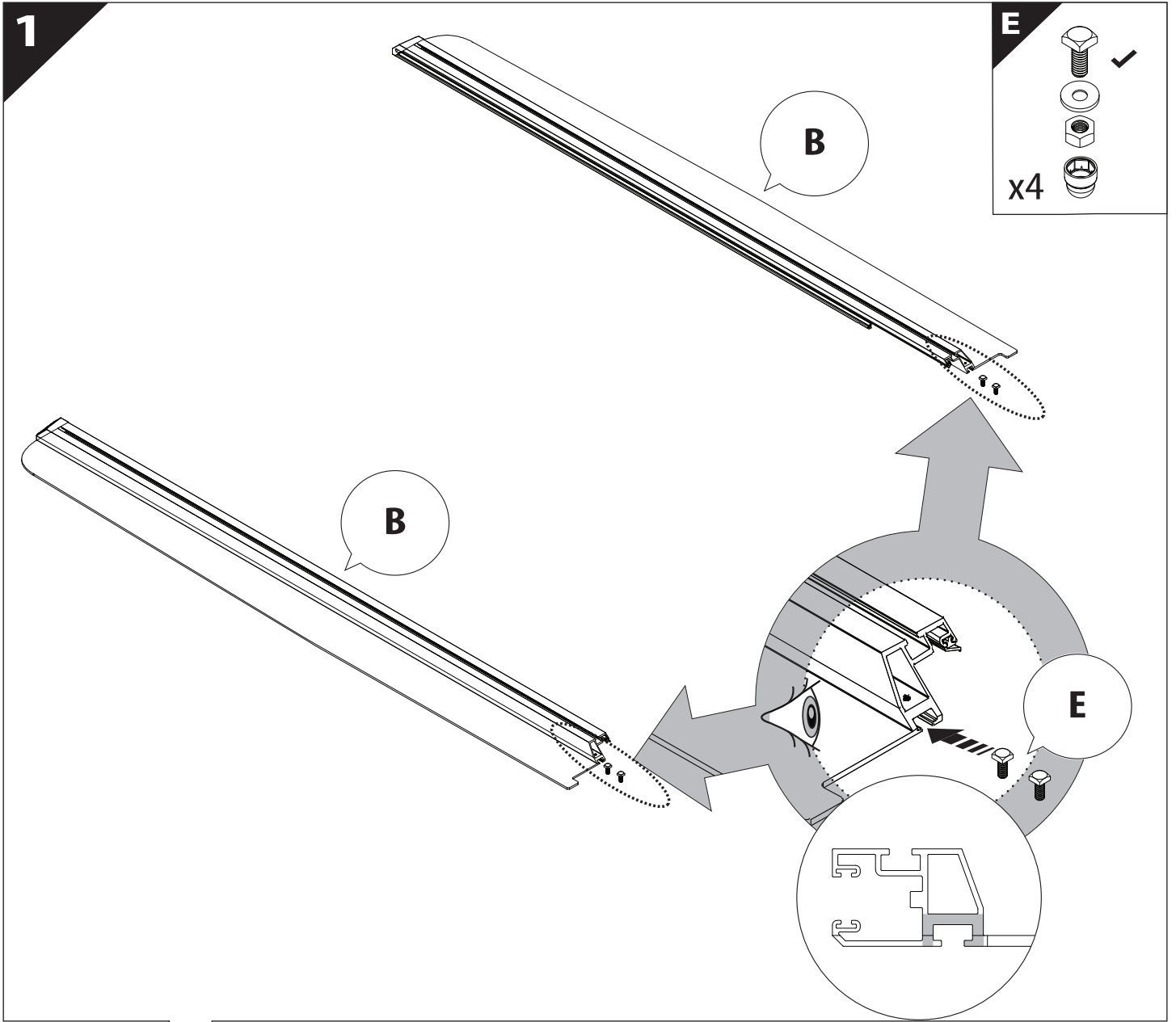


**B**

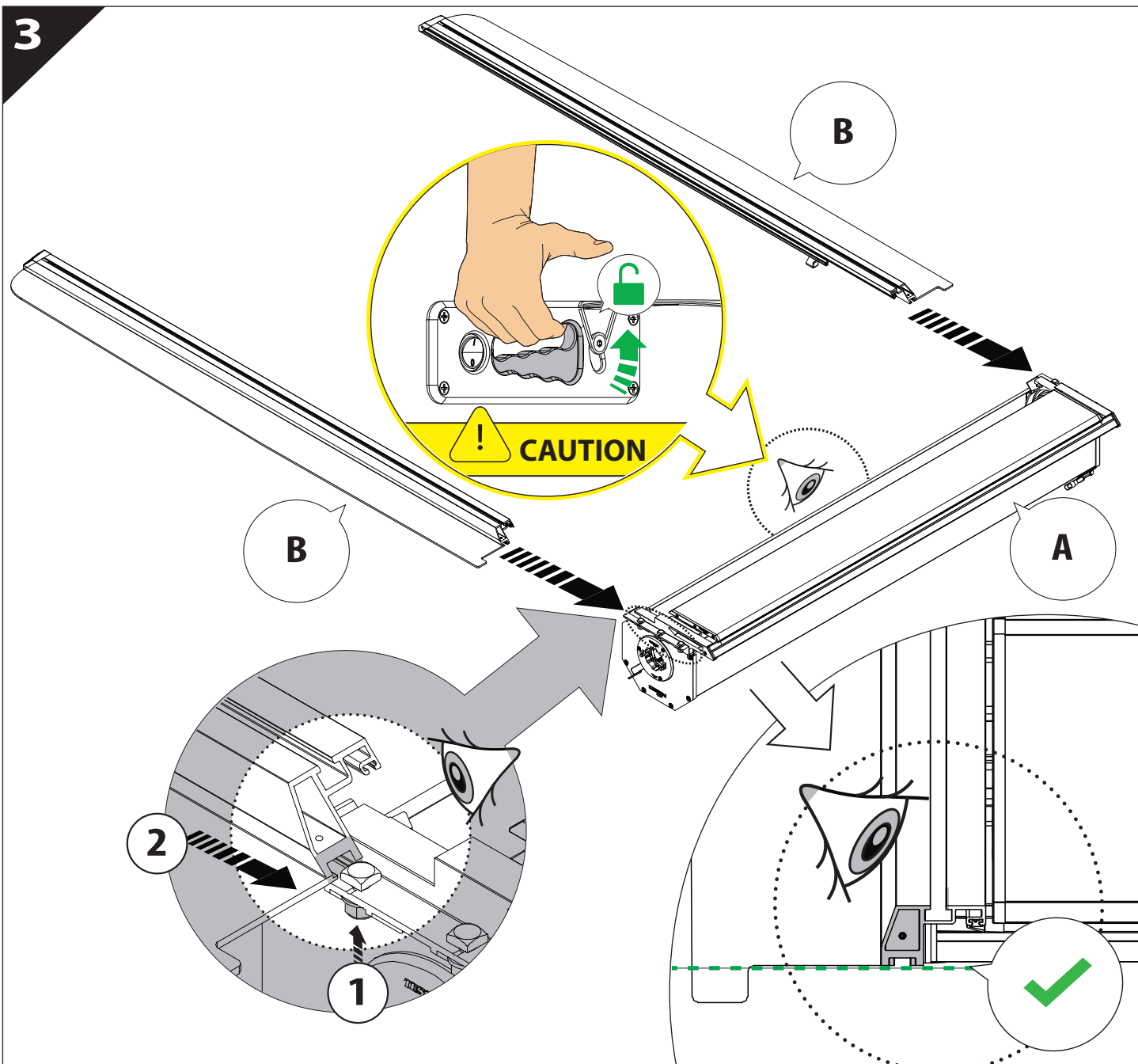
**A**

**KITS**

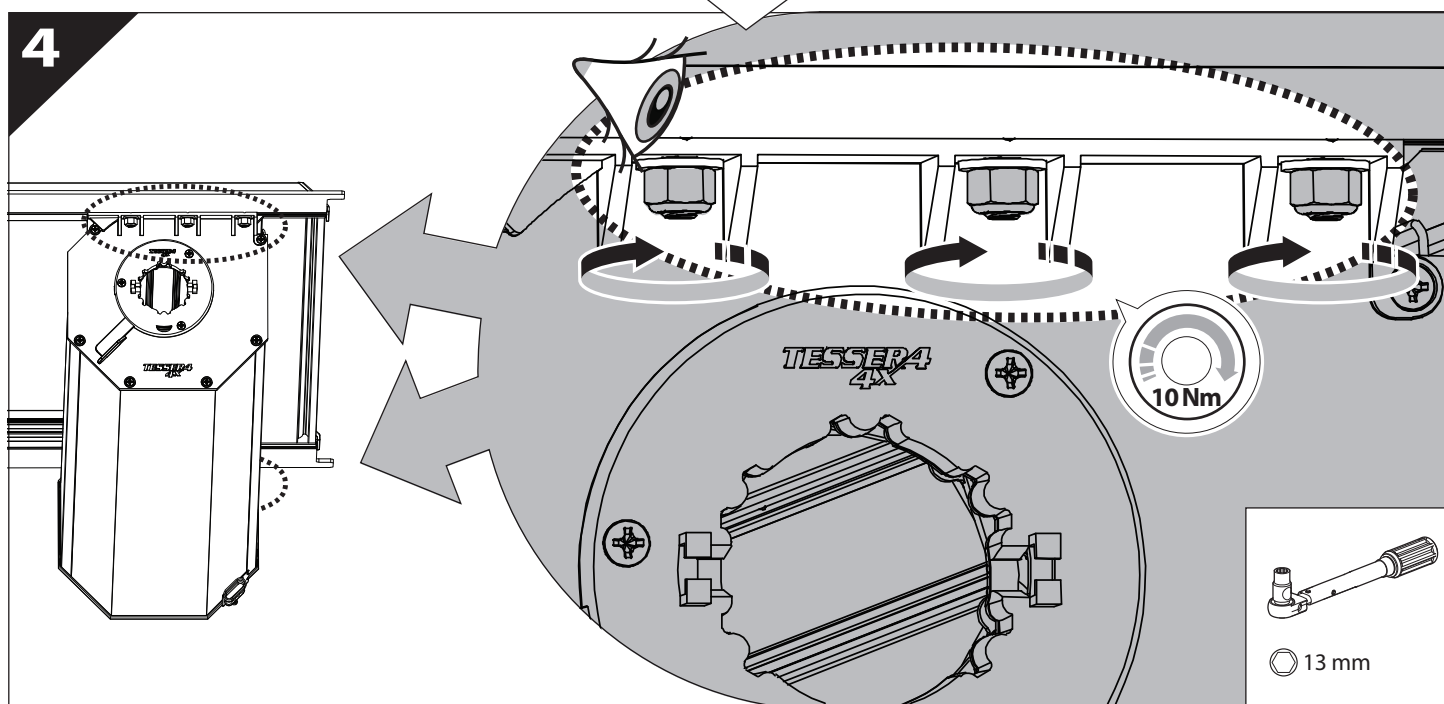
**L**

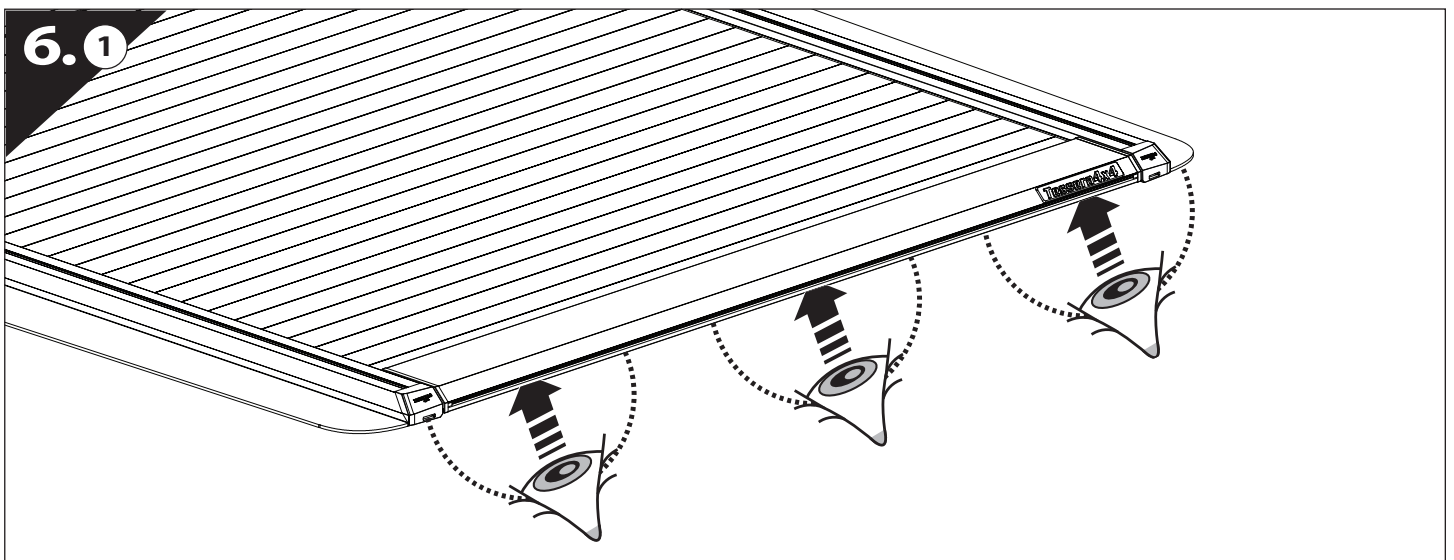
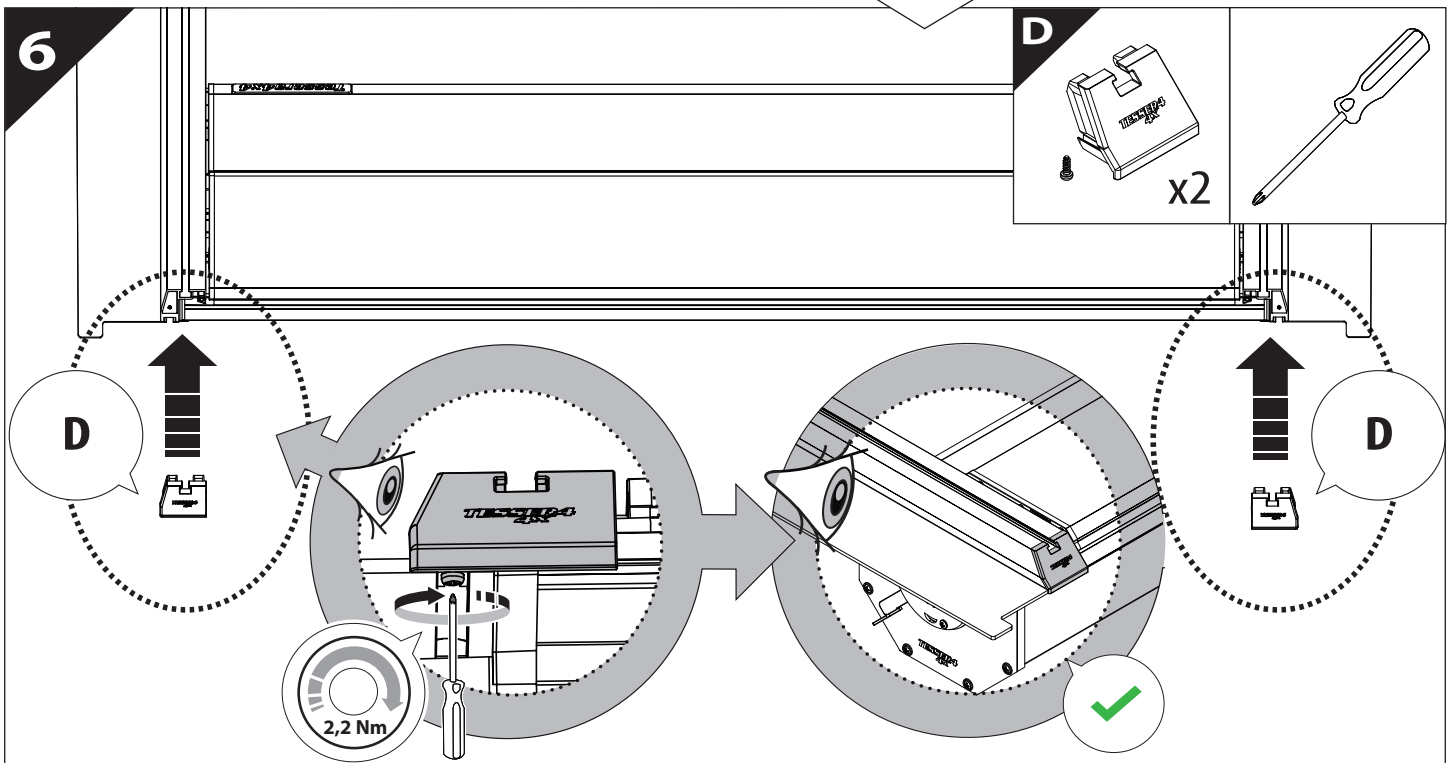
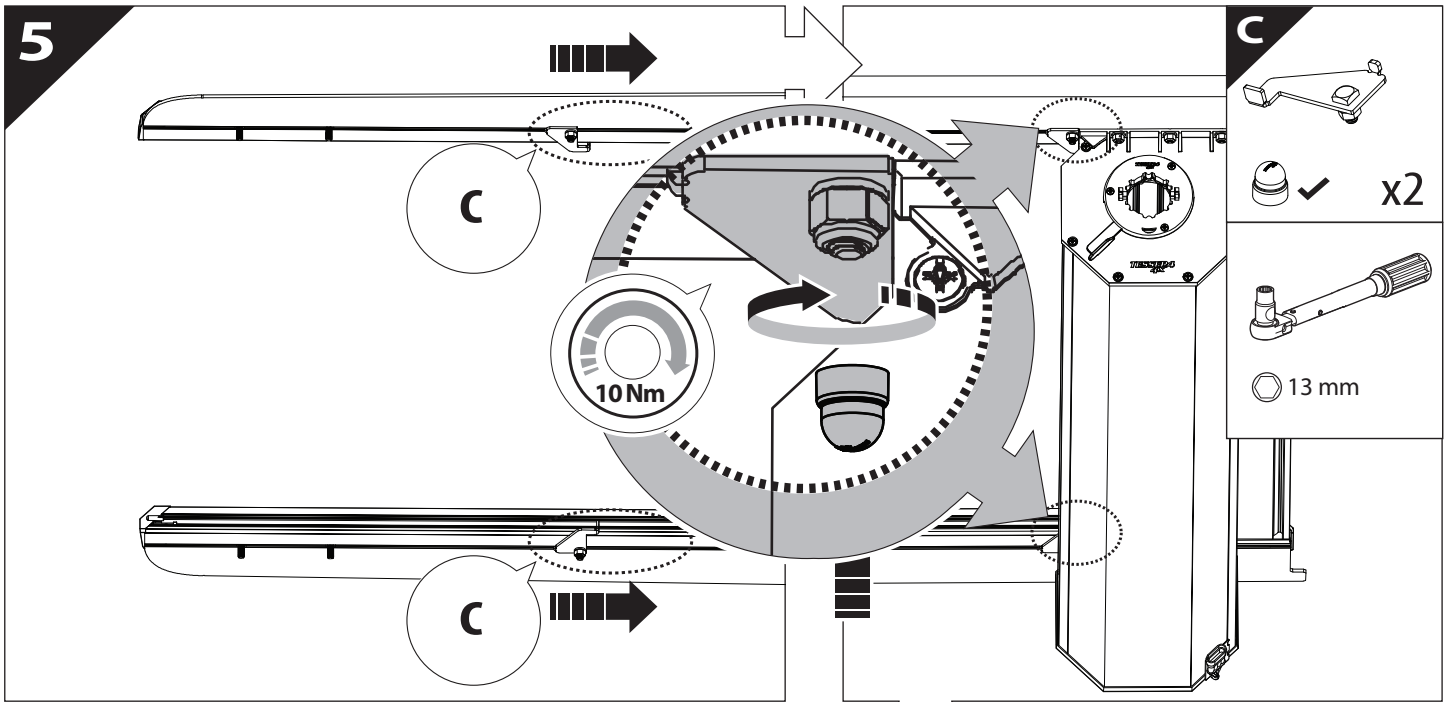


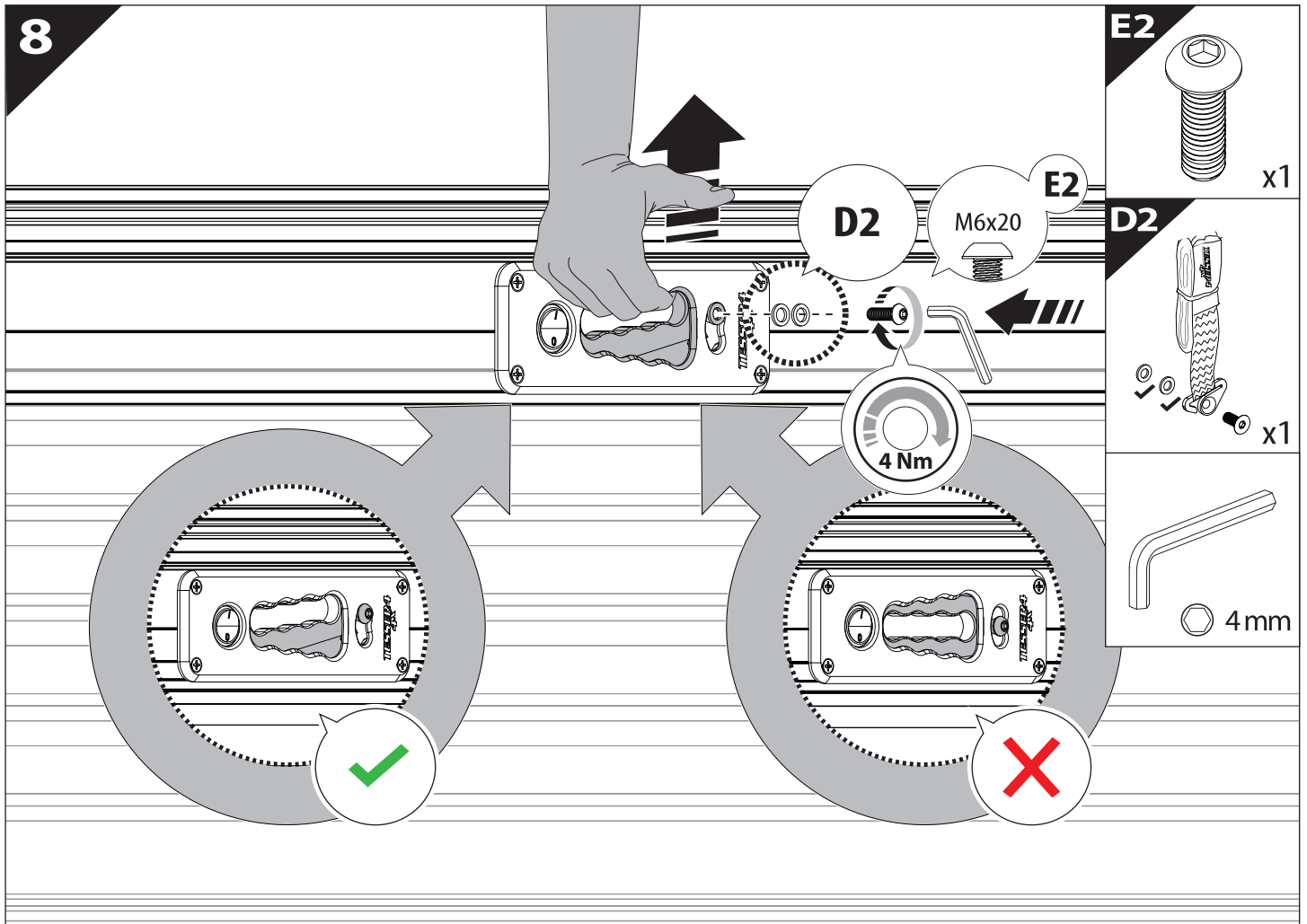
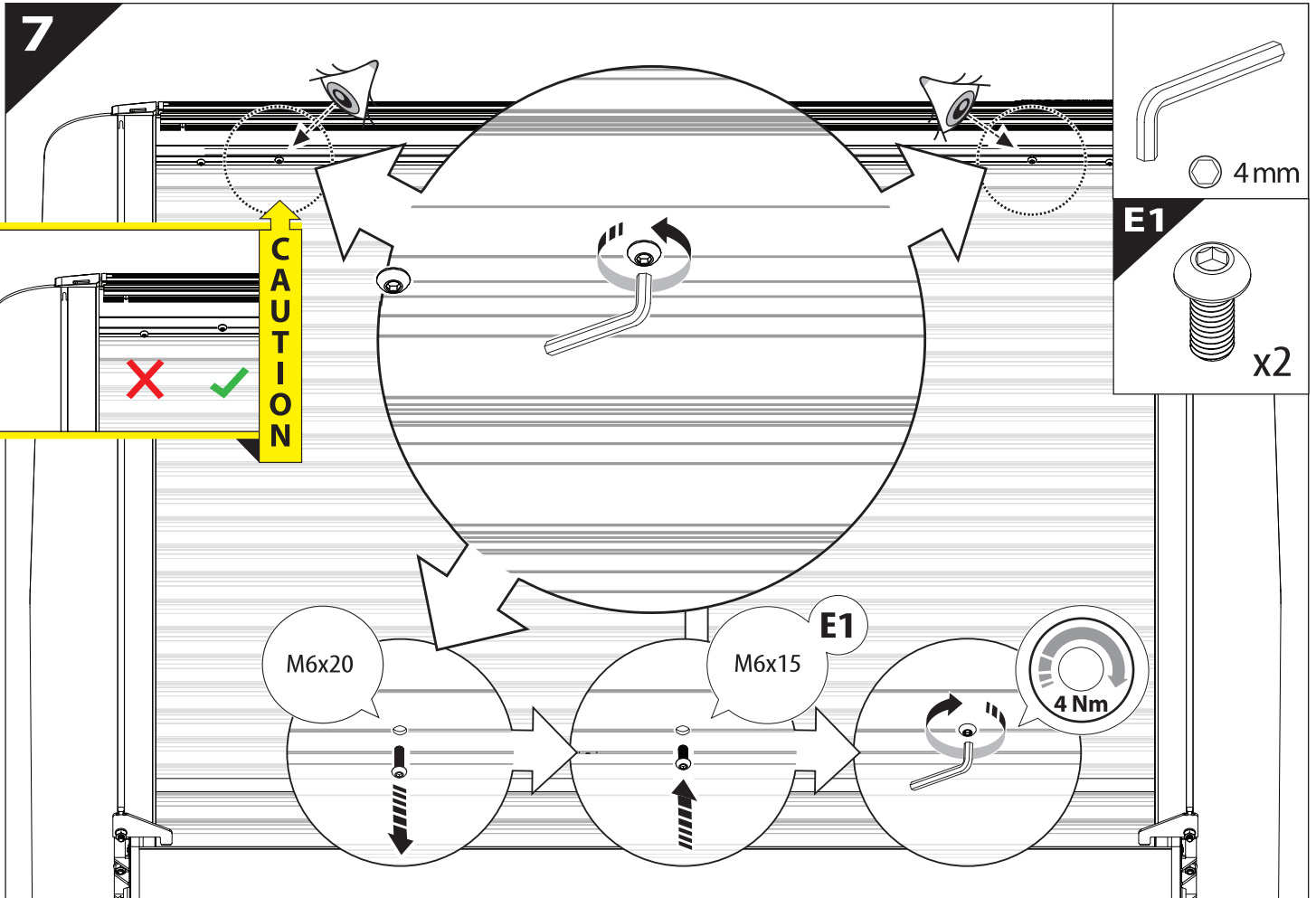
3

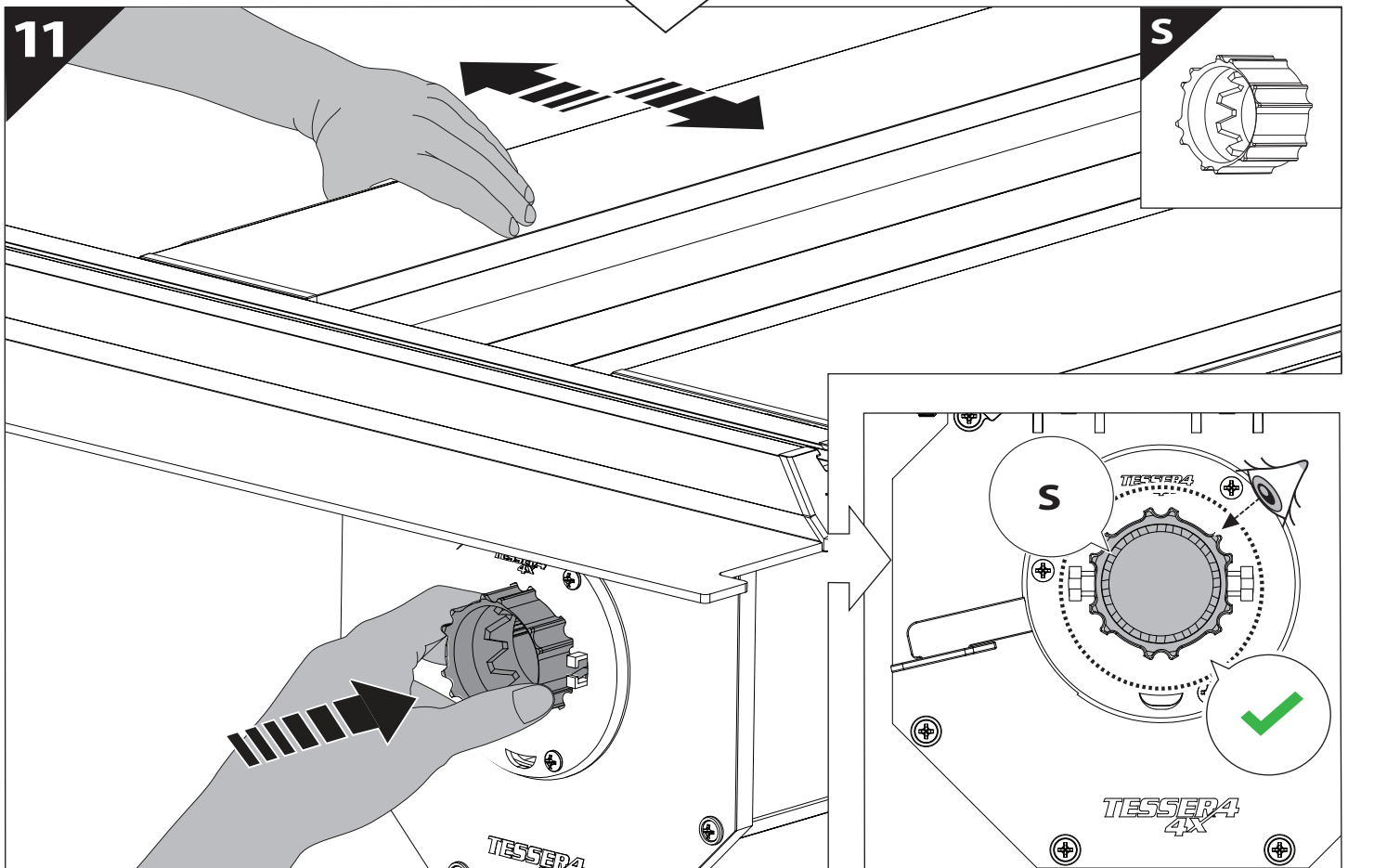
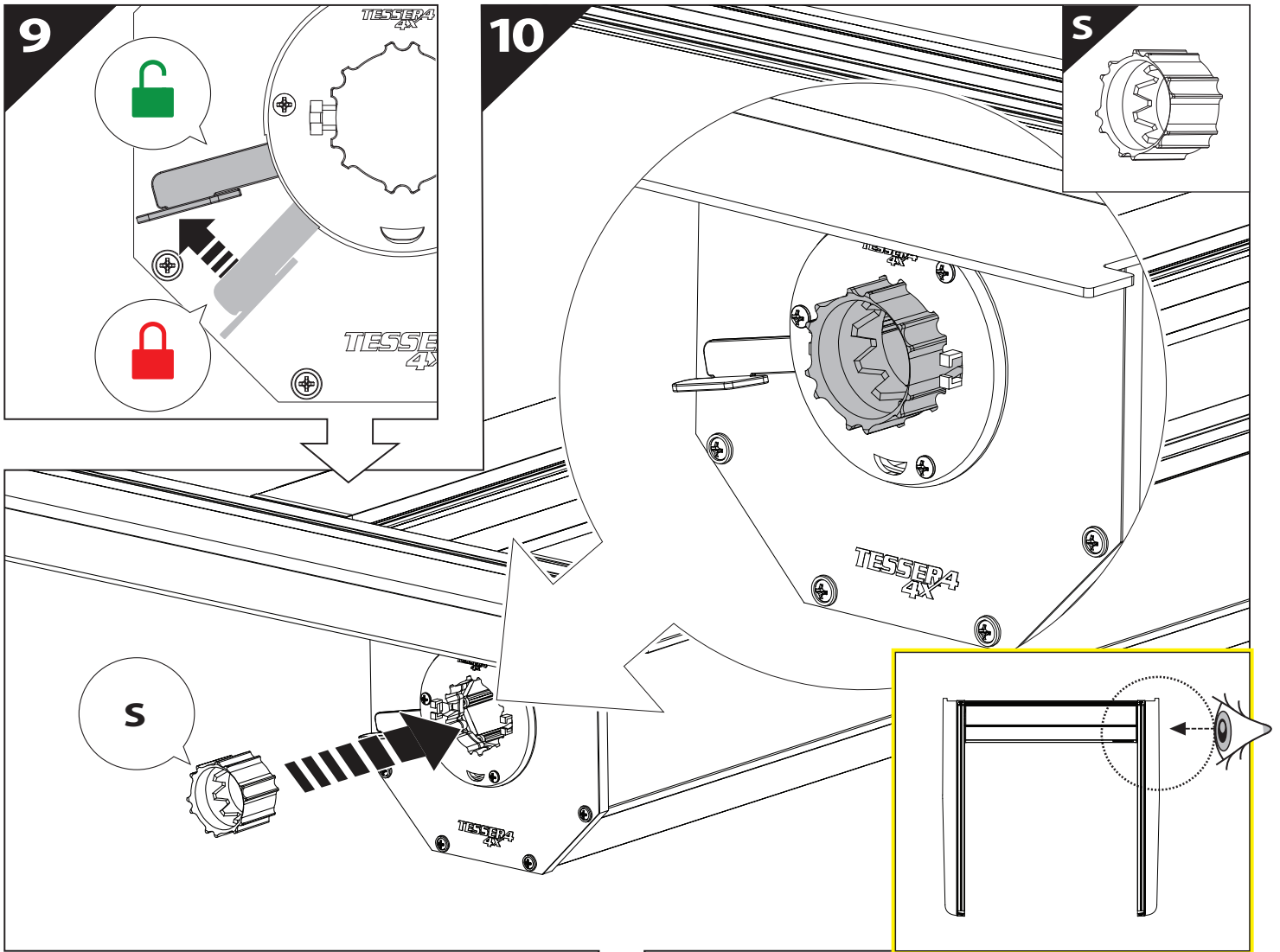


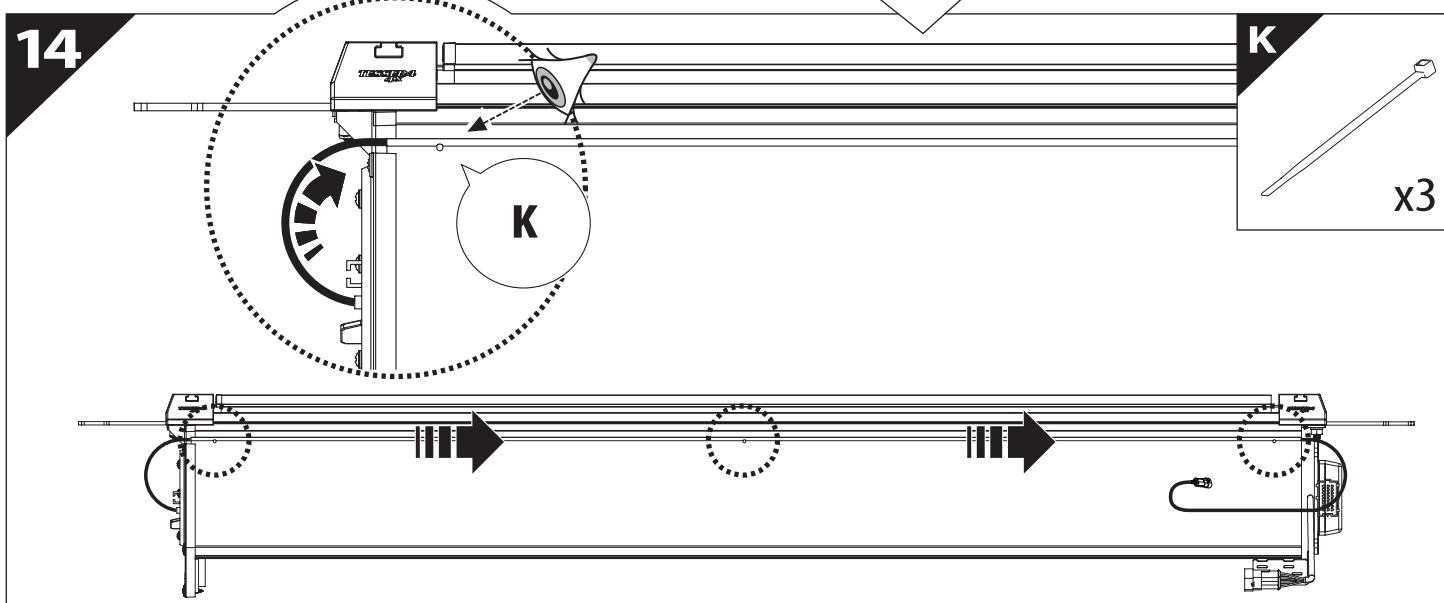
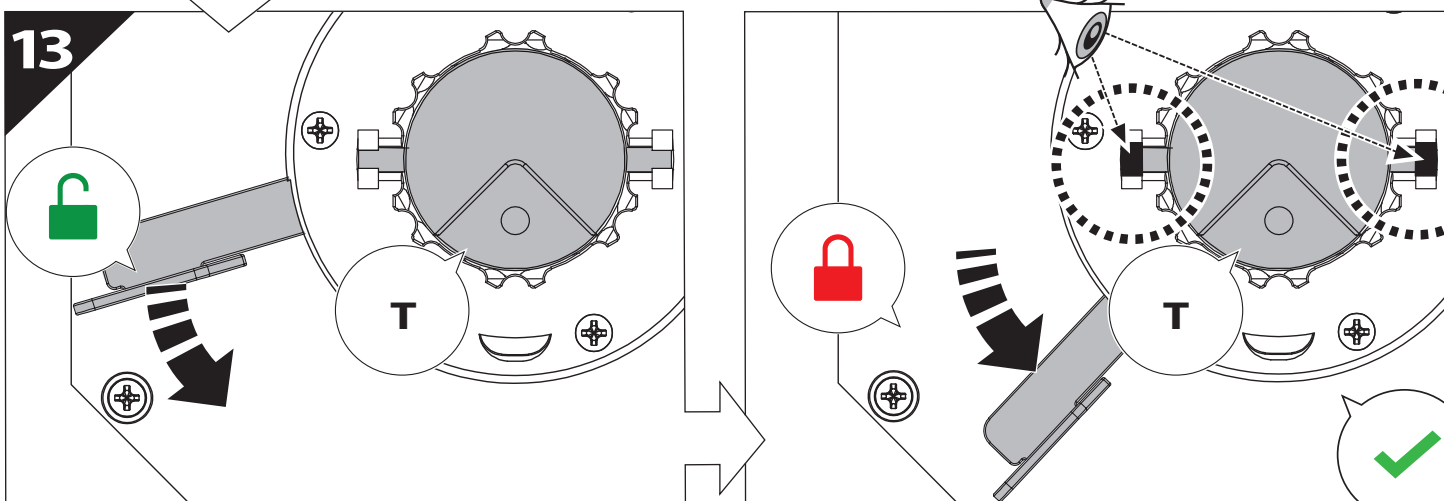
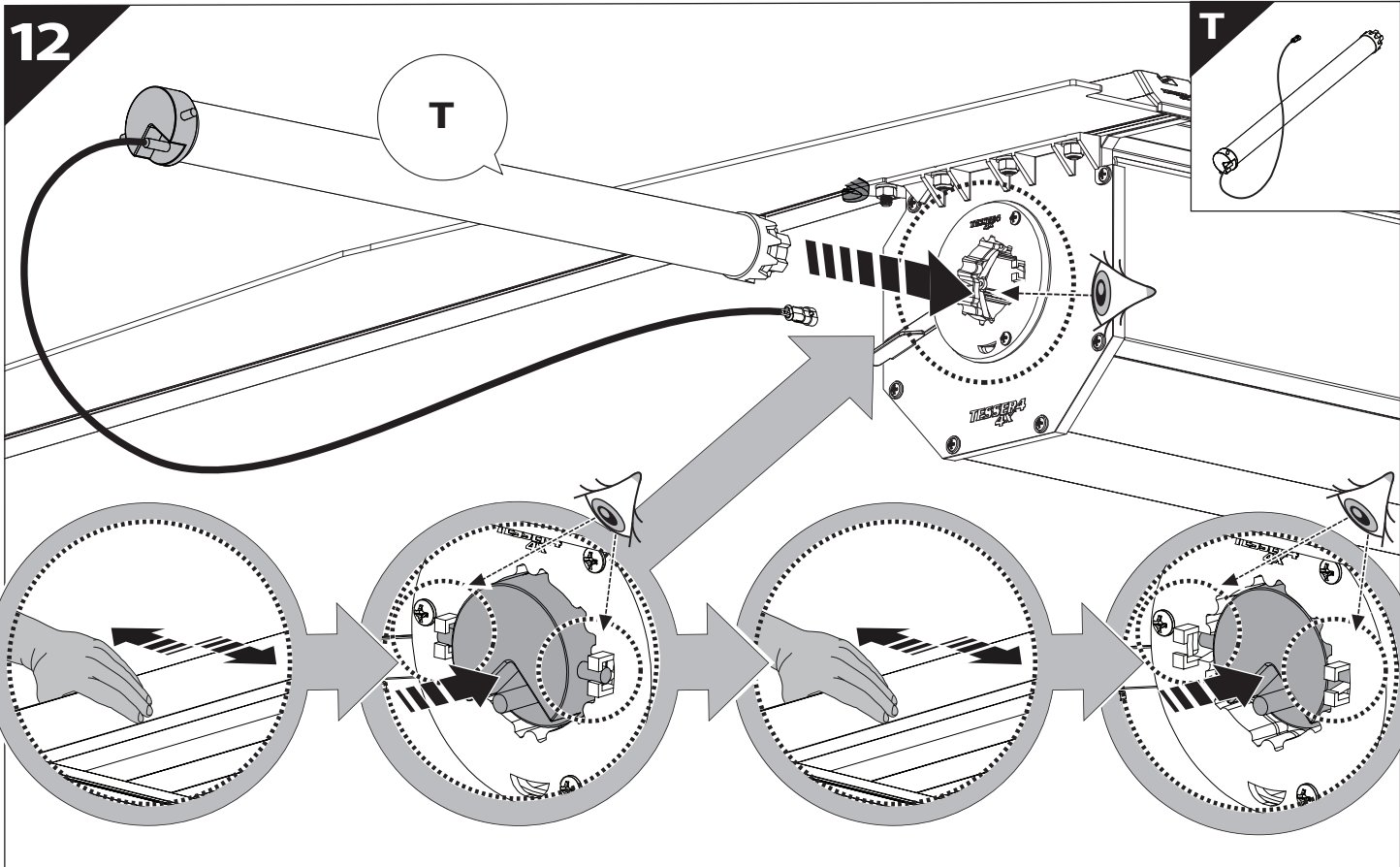
4



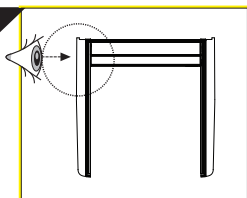




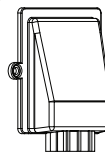




15



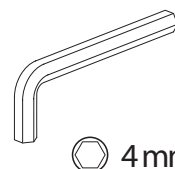
R



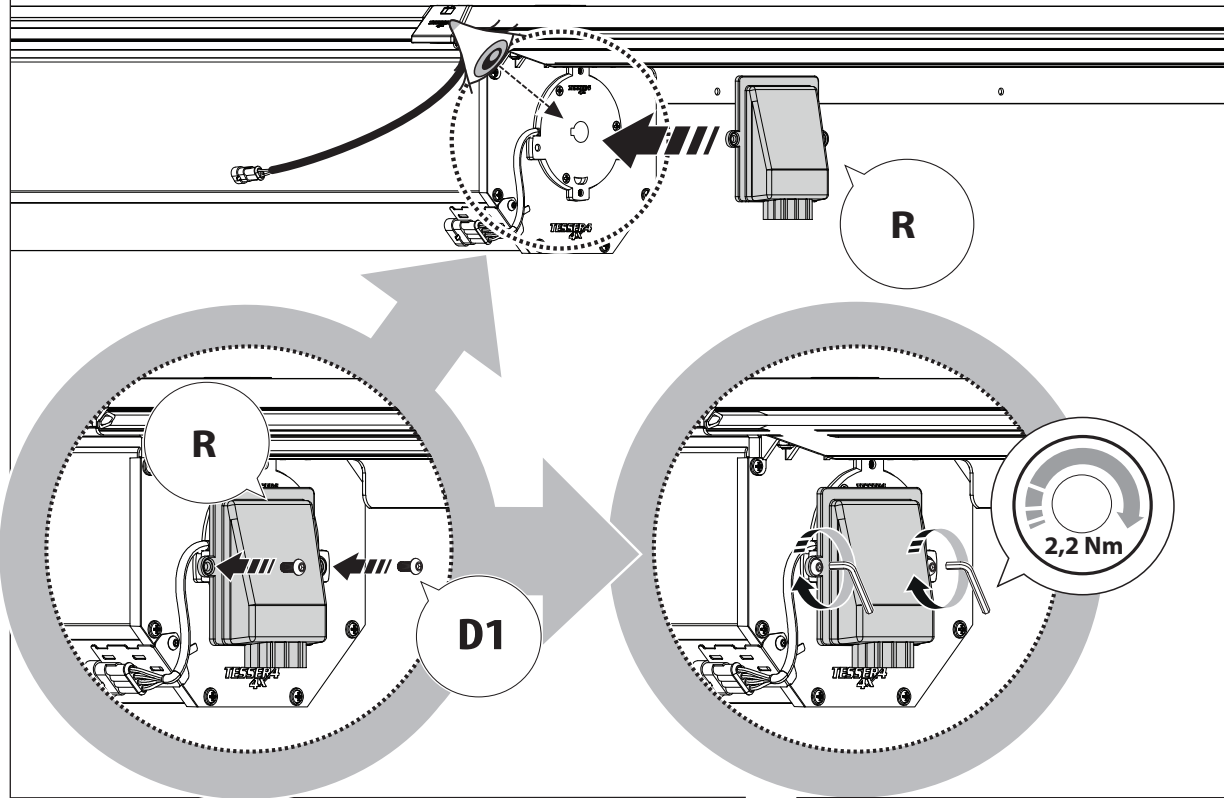
D1



x2

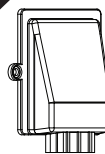


4 mm

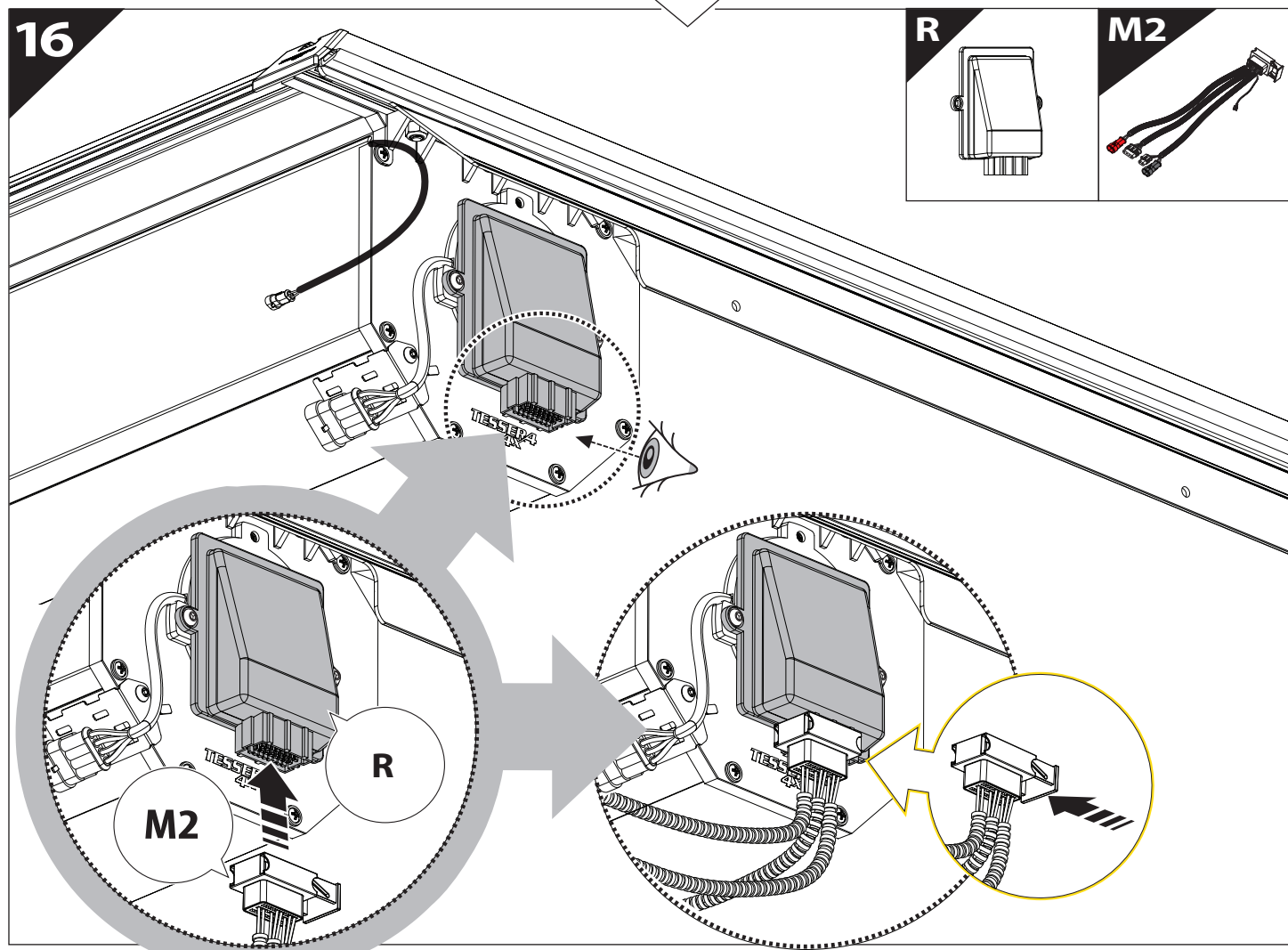


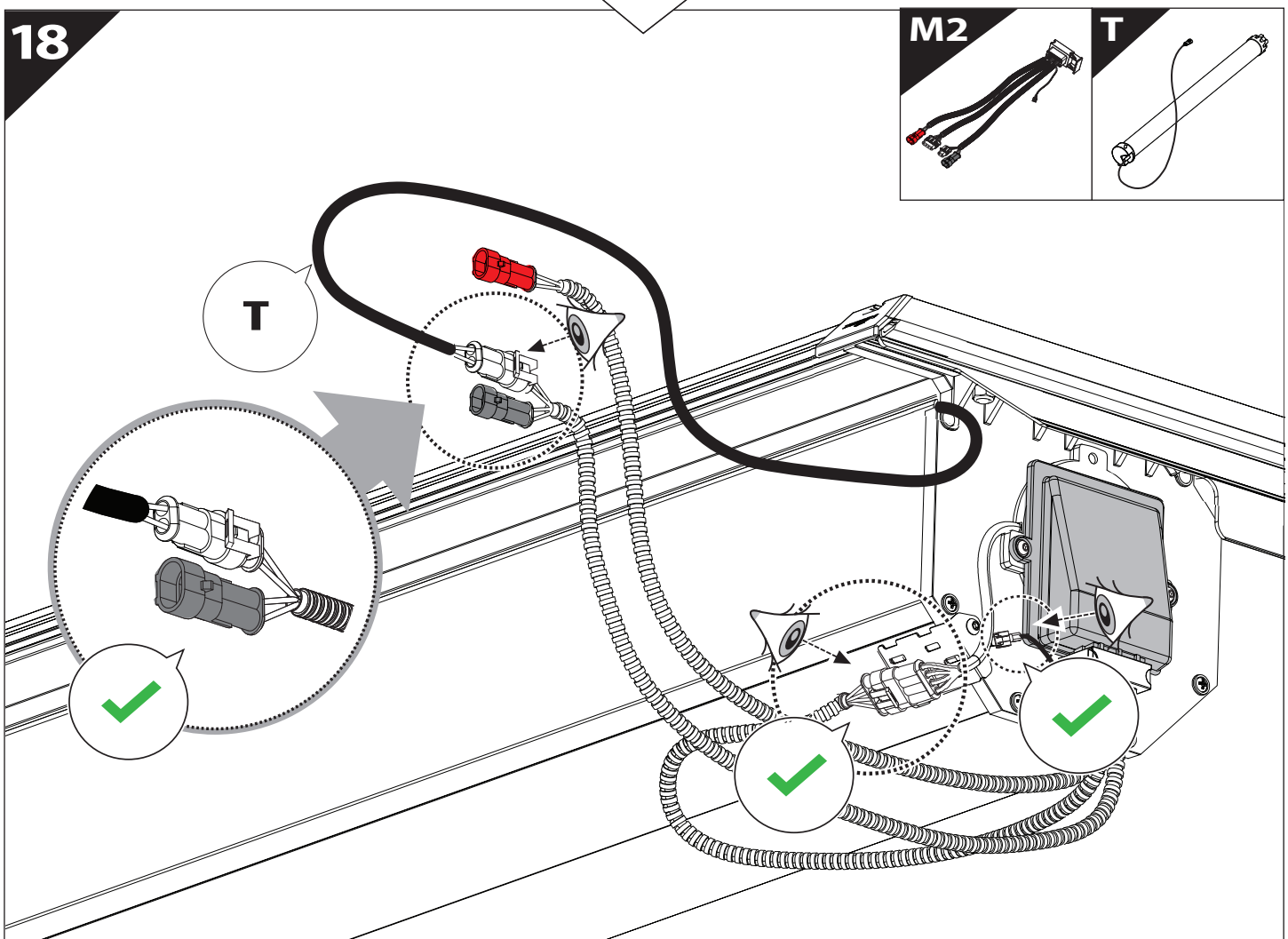
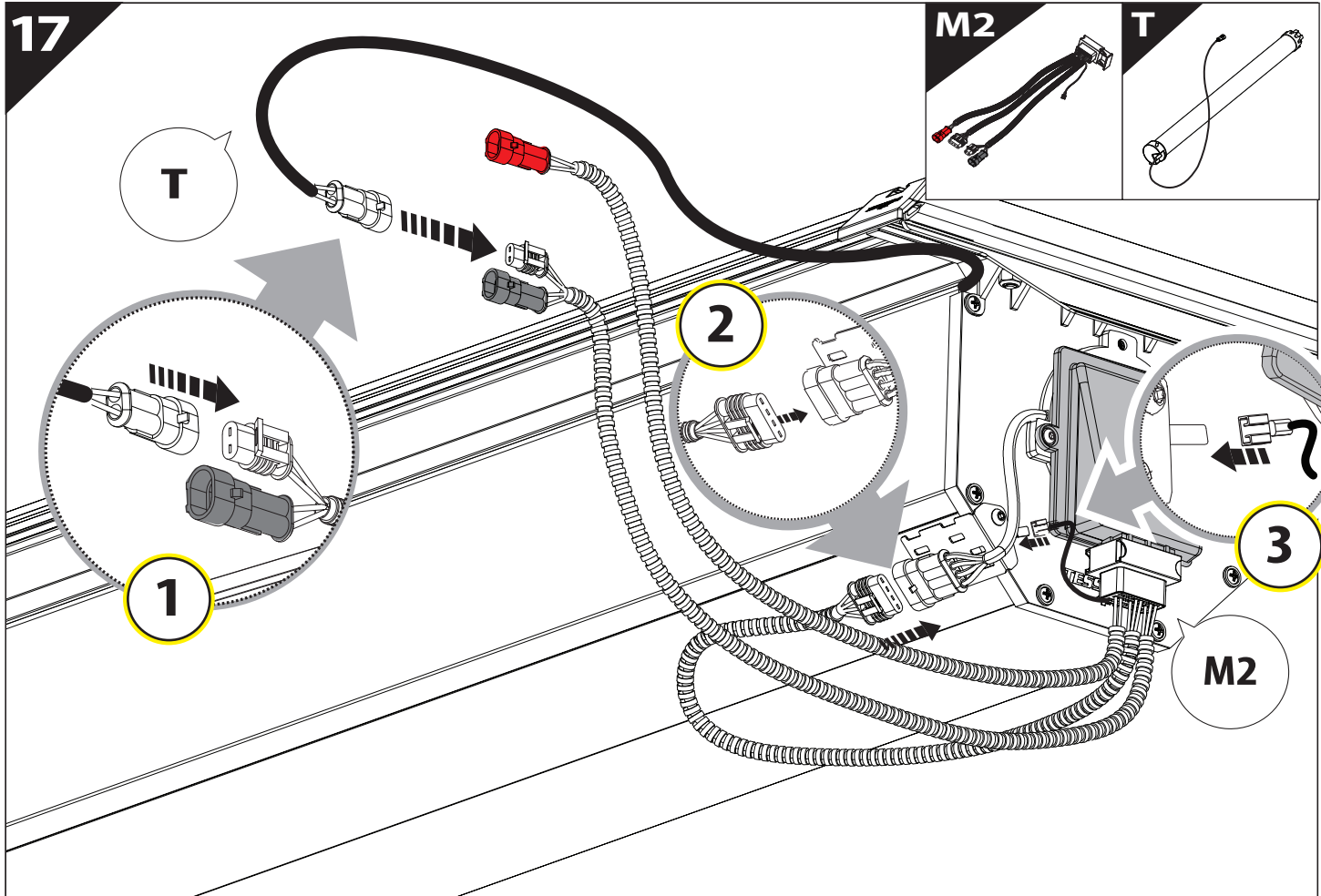
16

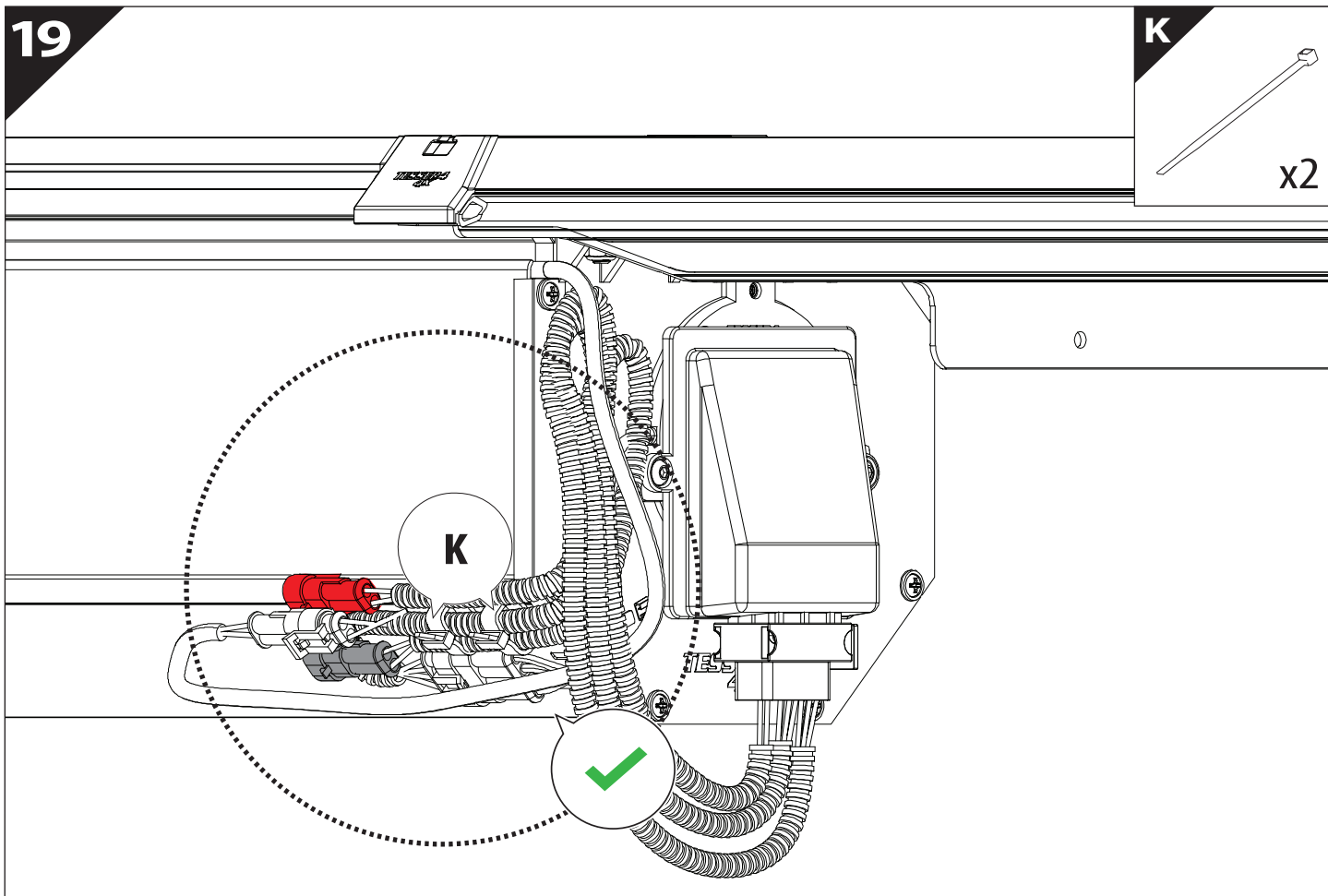
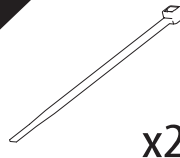
R



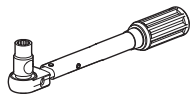
M2





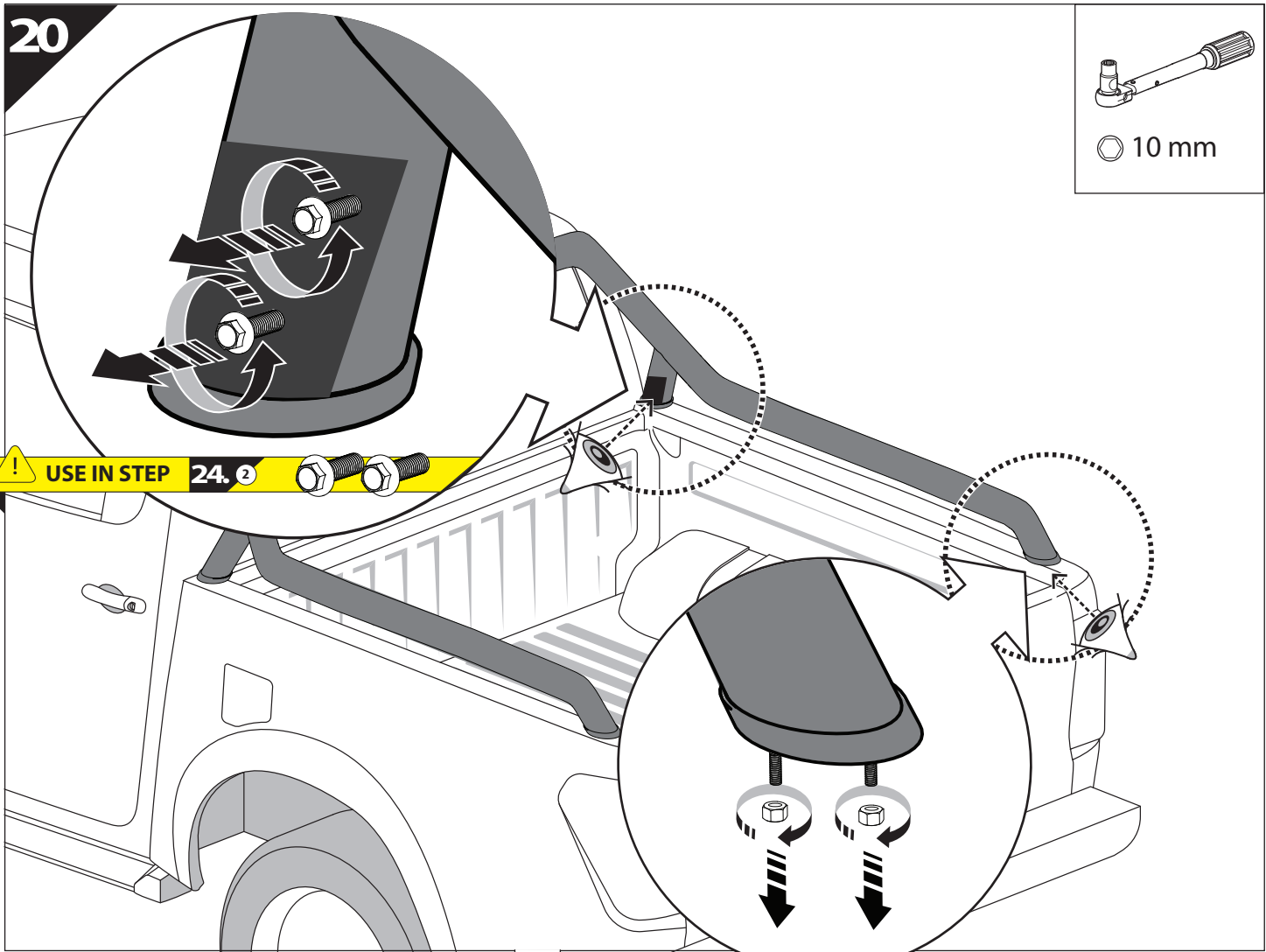


20



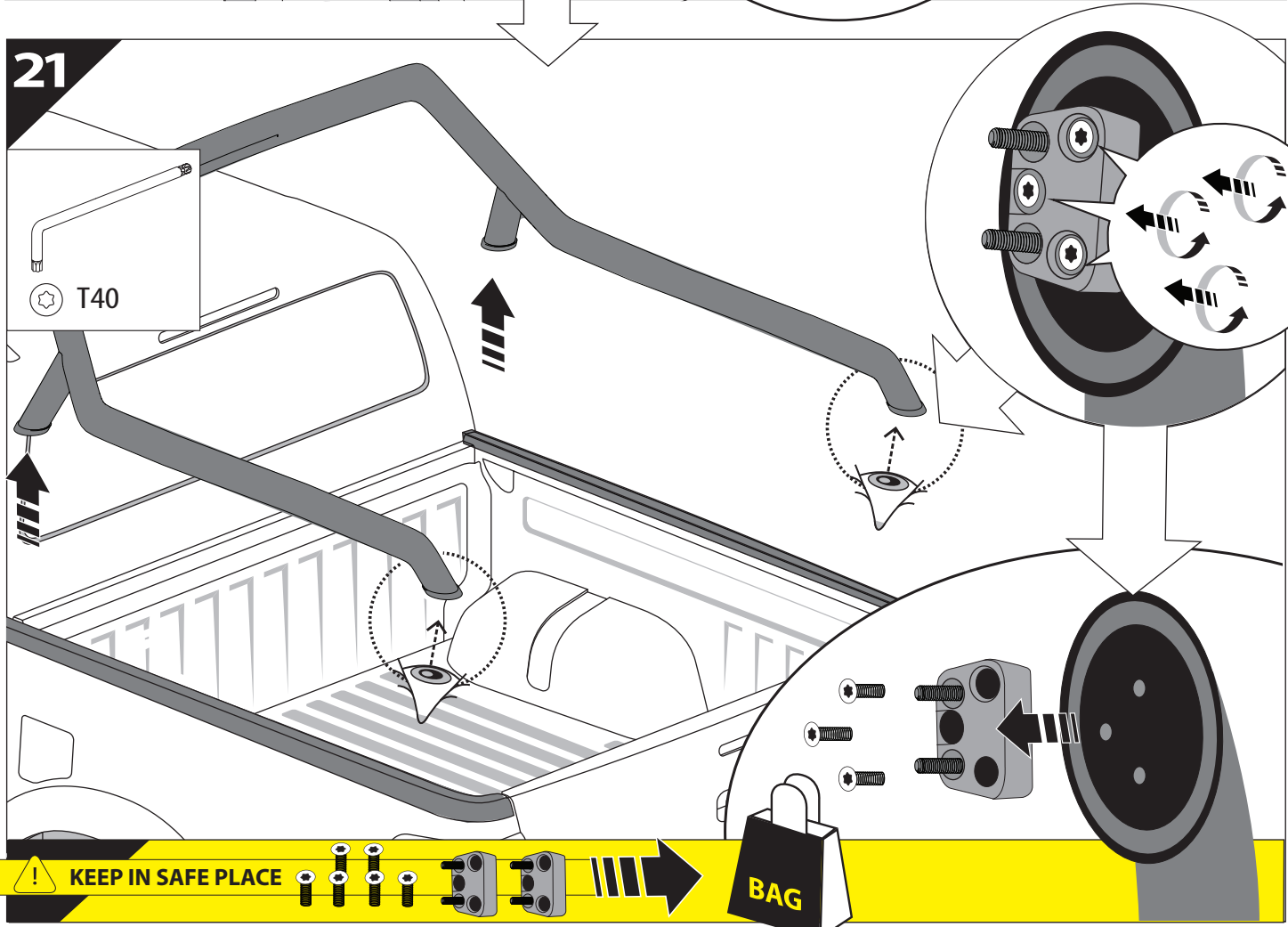
10 mm

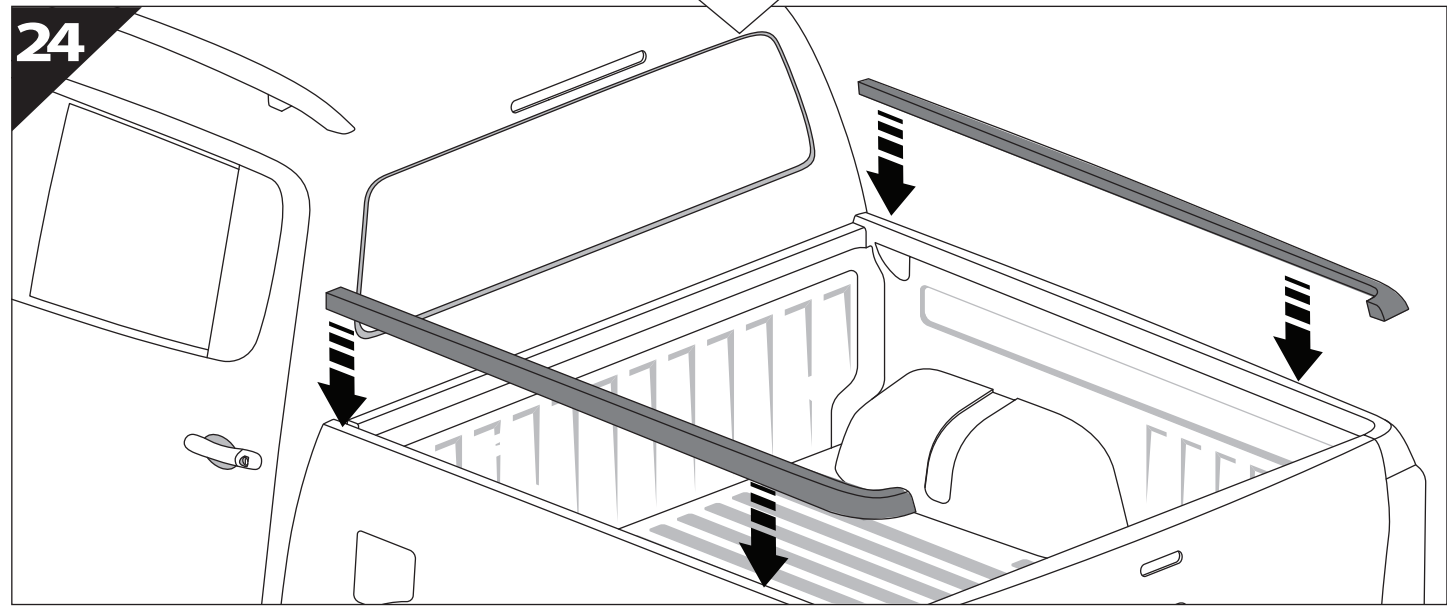
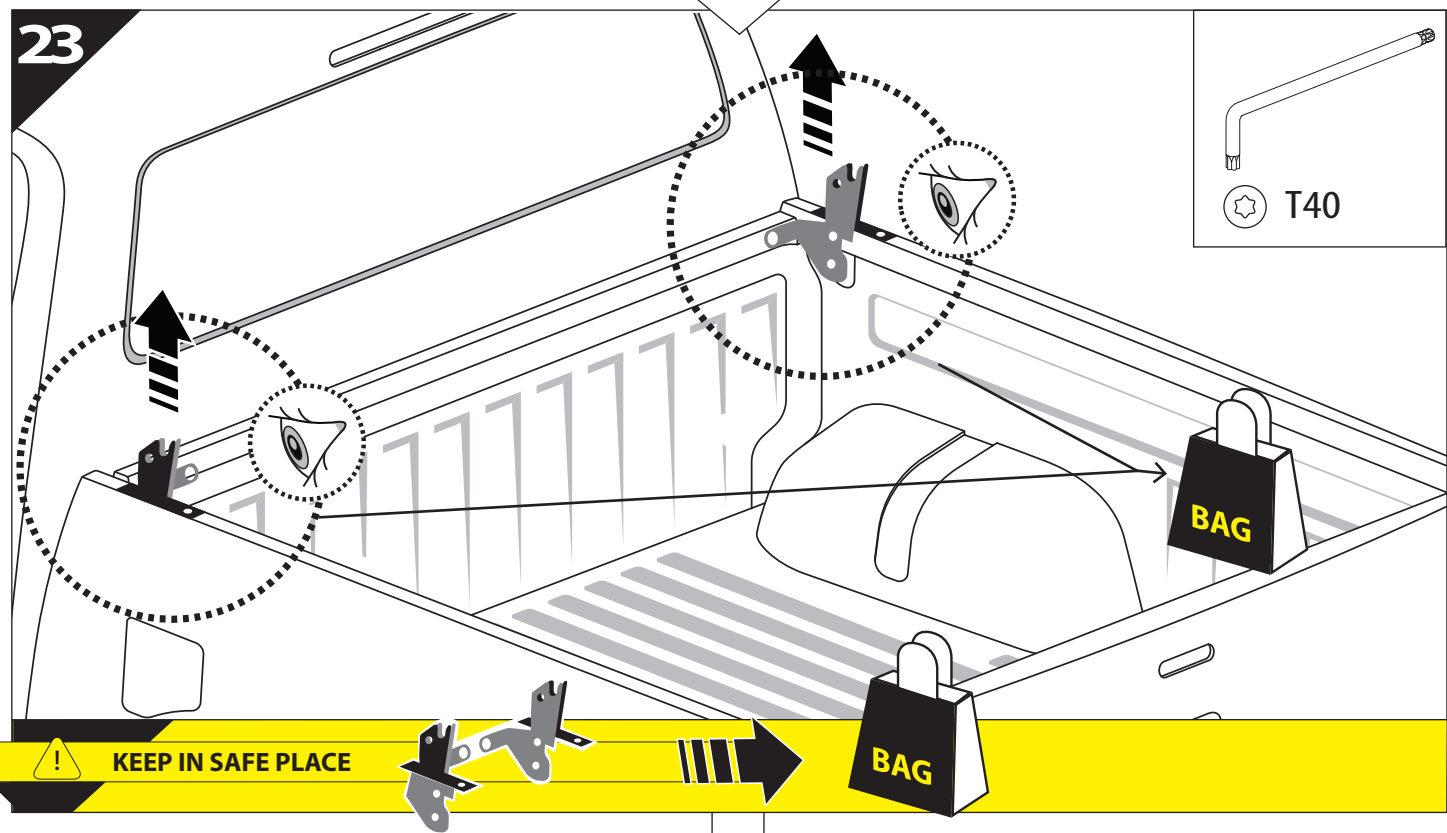
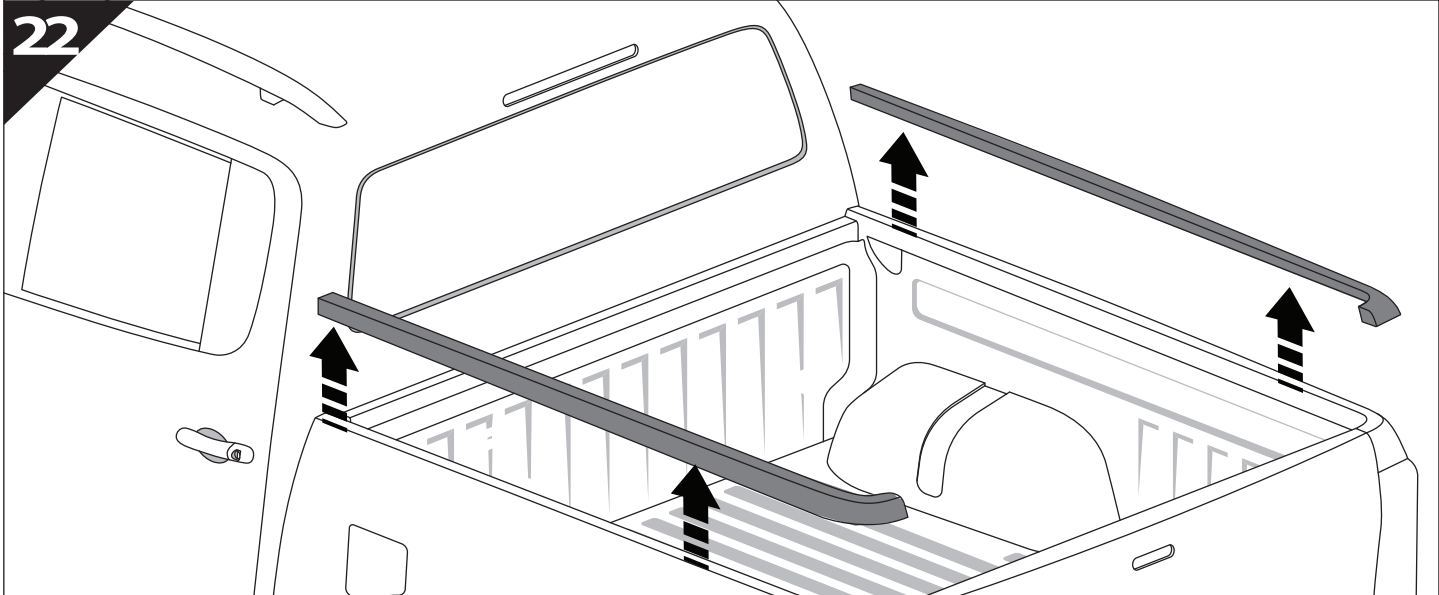
**!** USE IN STEP 24. 



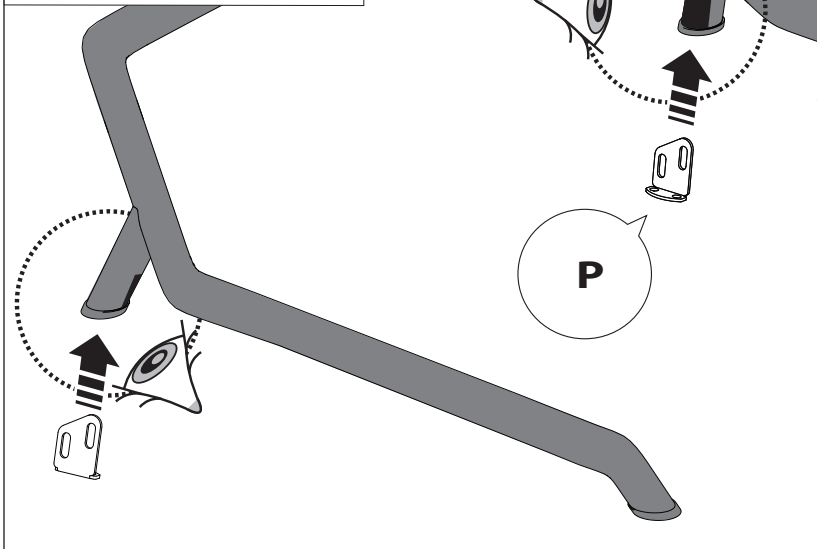
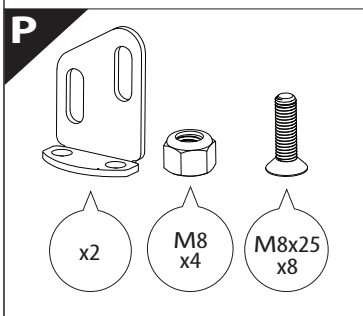
21

T40

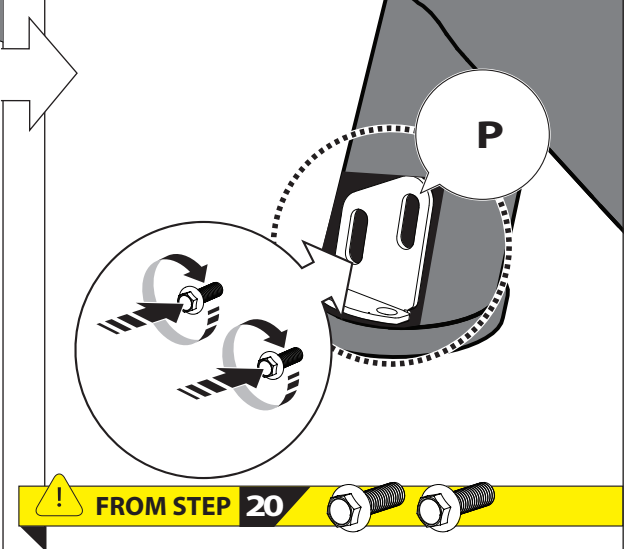
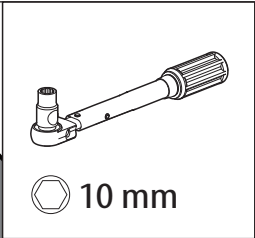


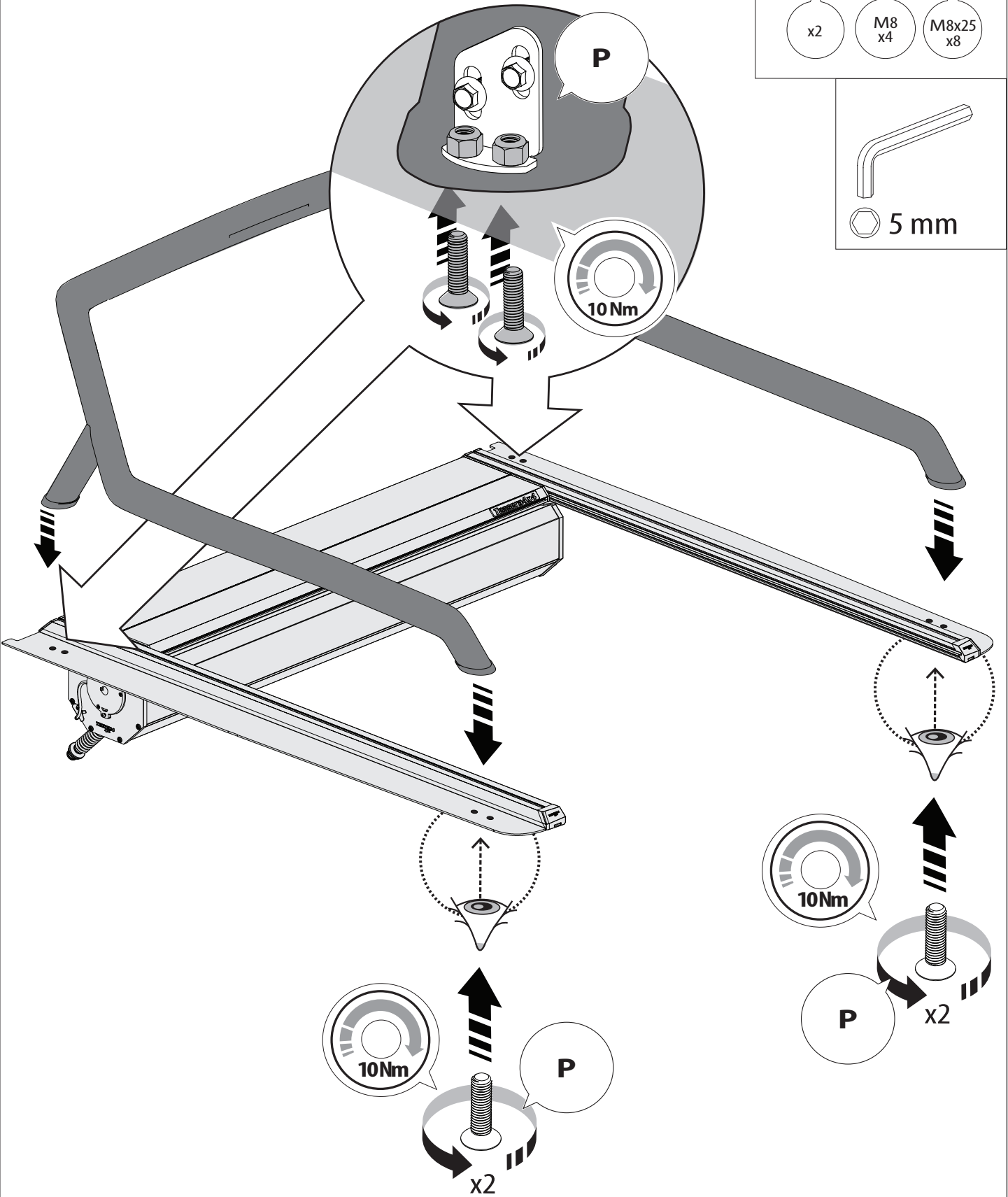
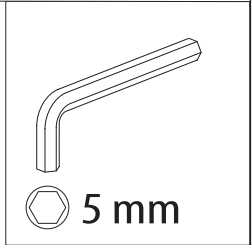
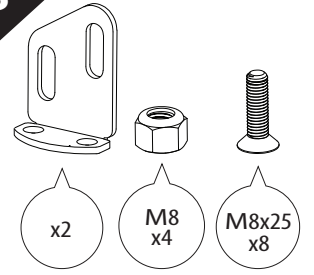


# 24.1

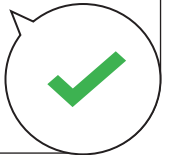
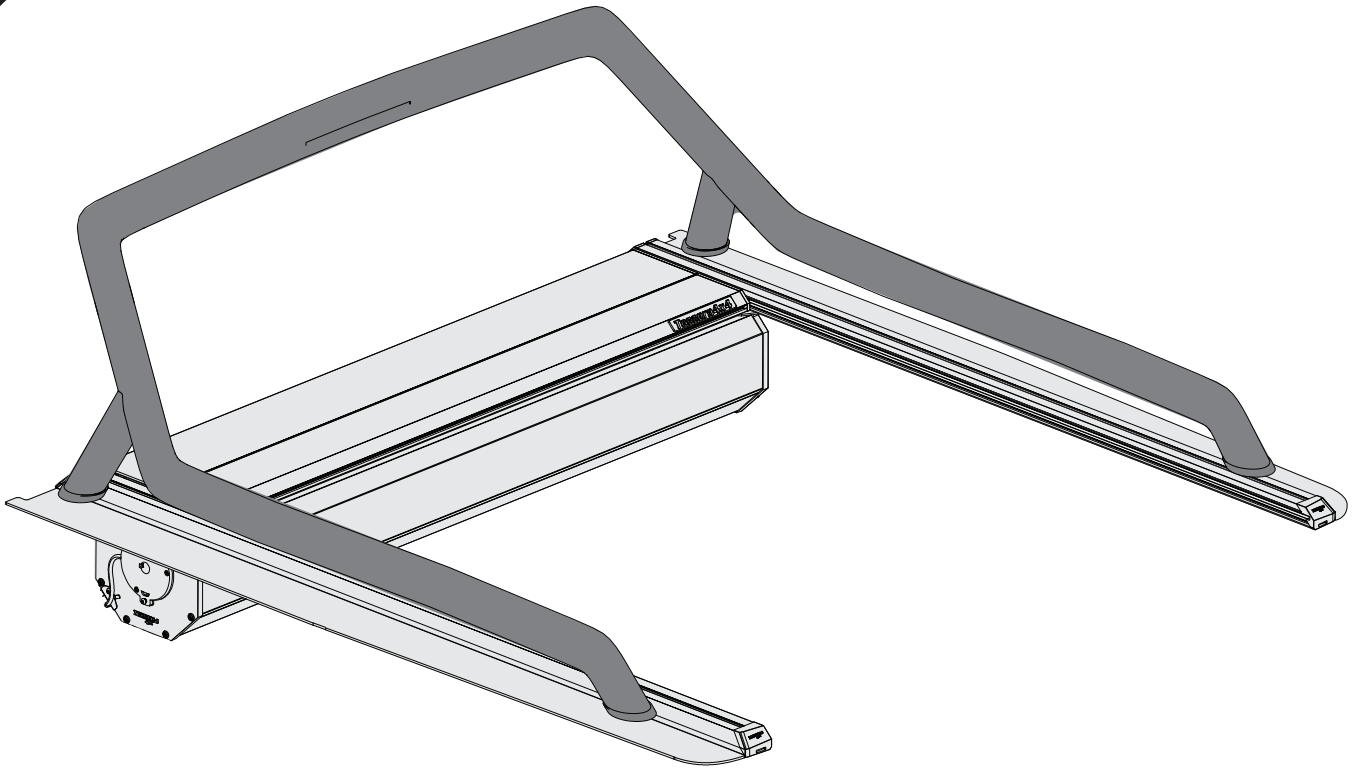


# 24.2

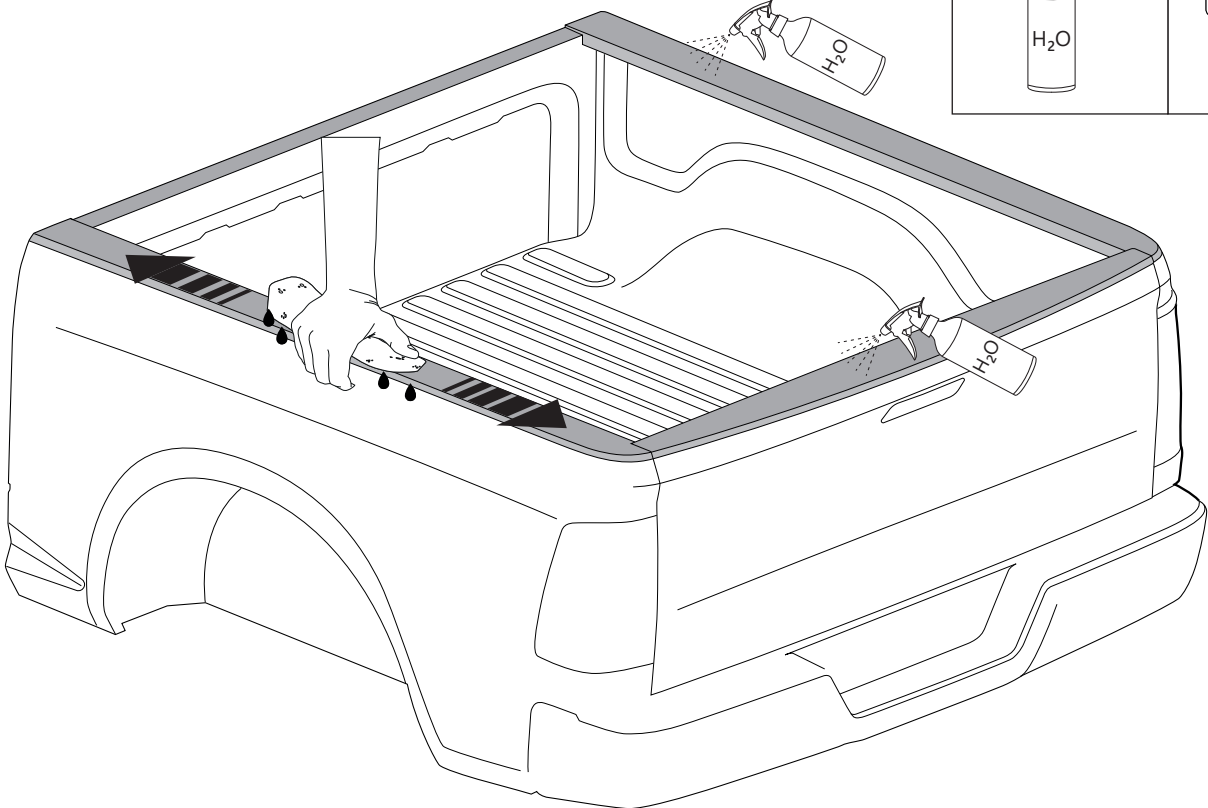




26

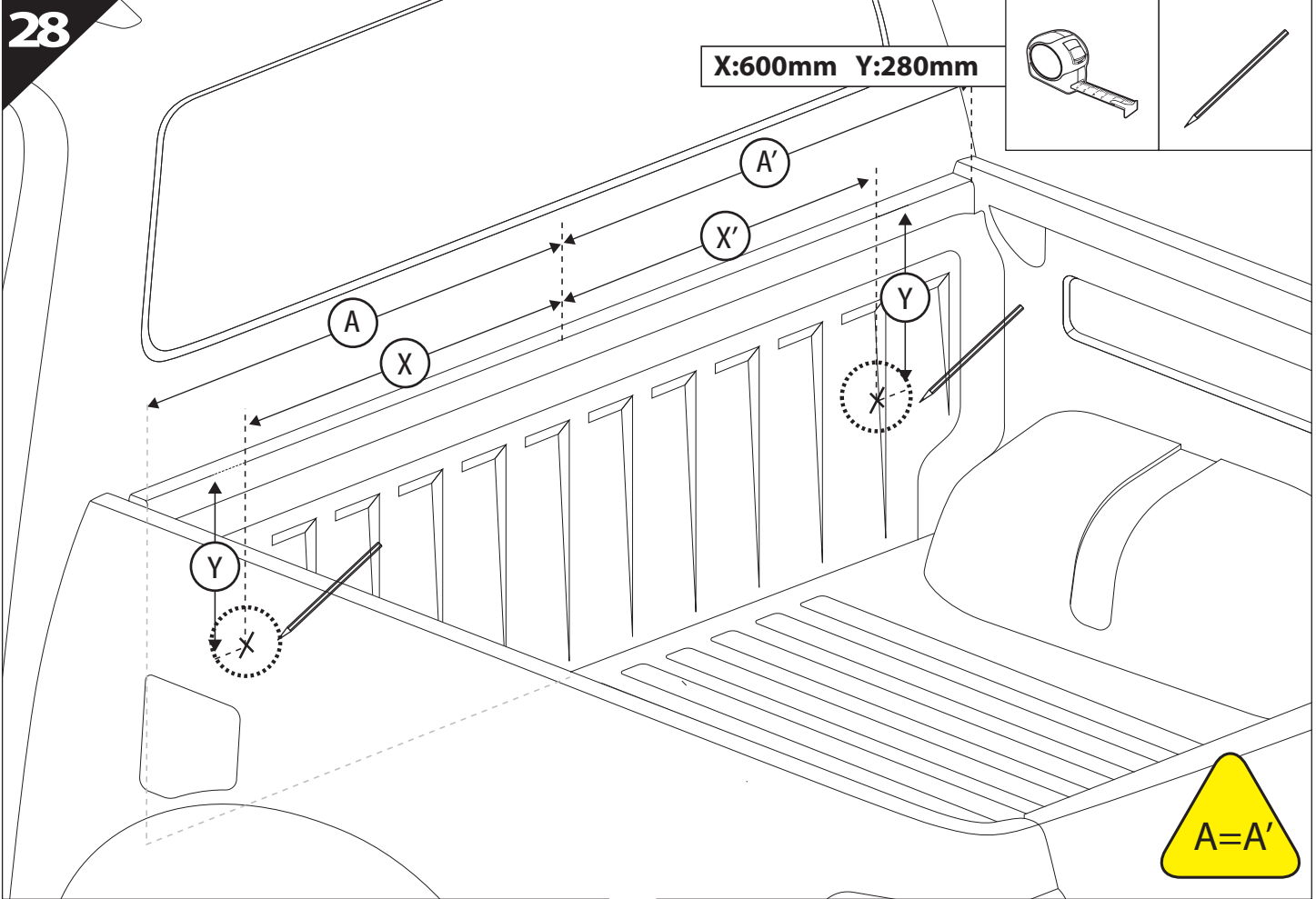
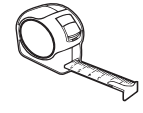


27



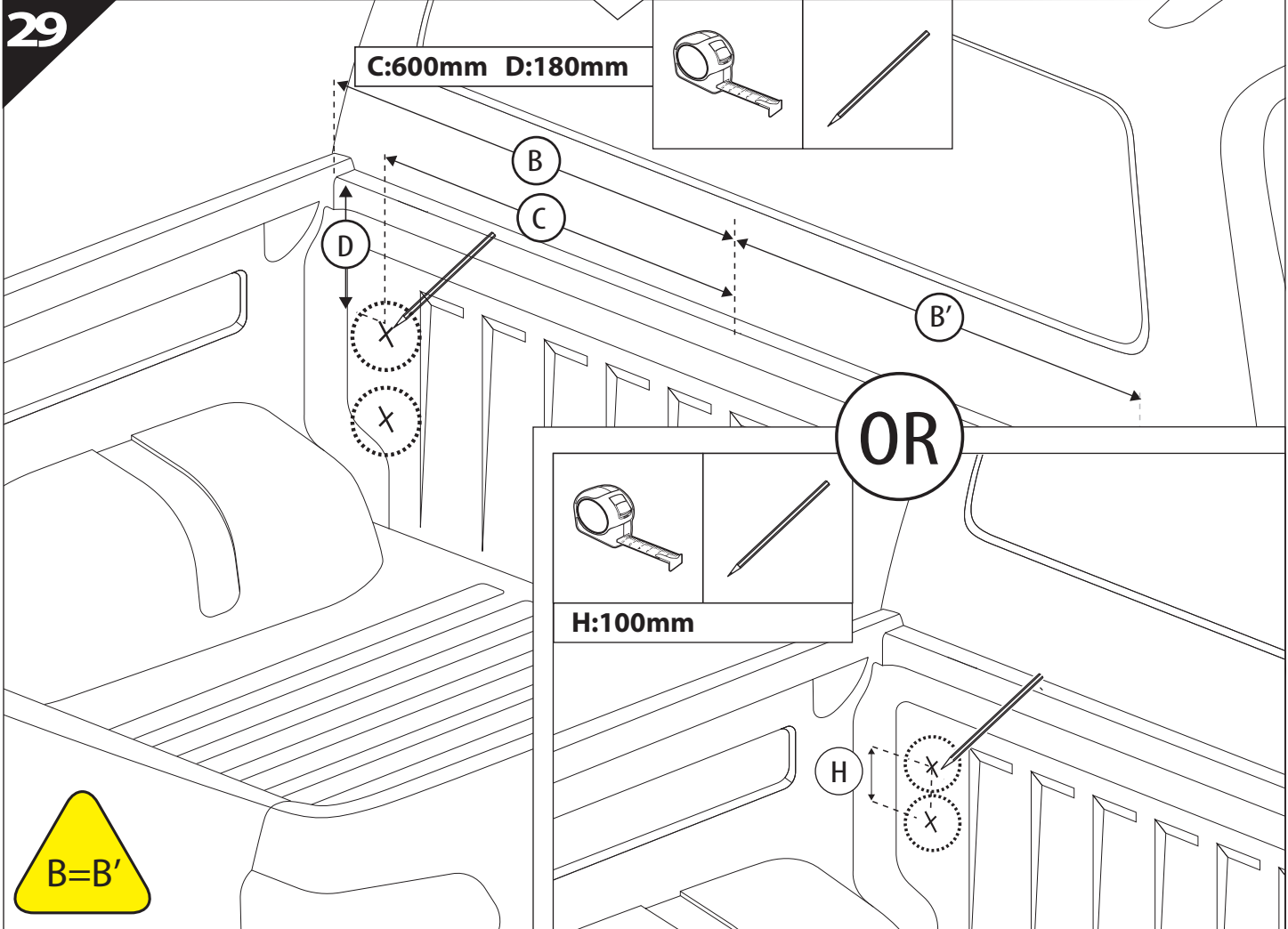
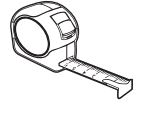
28

X:600mm Y:280mm



29

C:600mm D:180mm



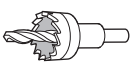
30

**CAUTION**

**CAUTION**

max: 2 mm

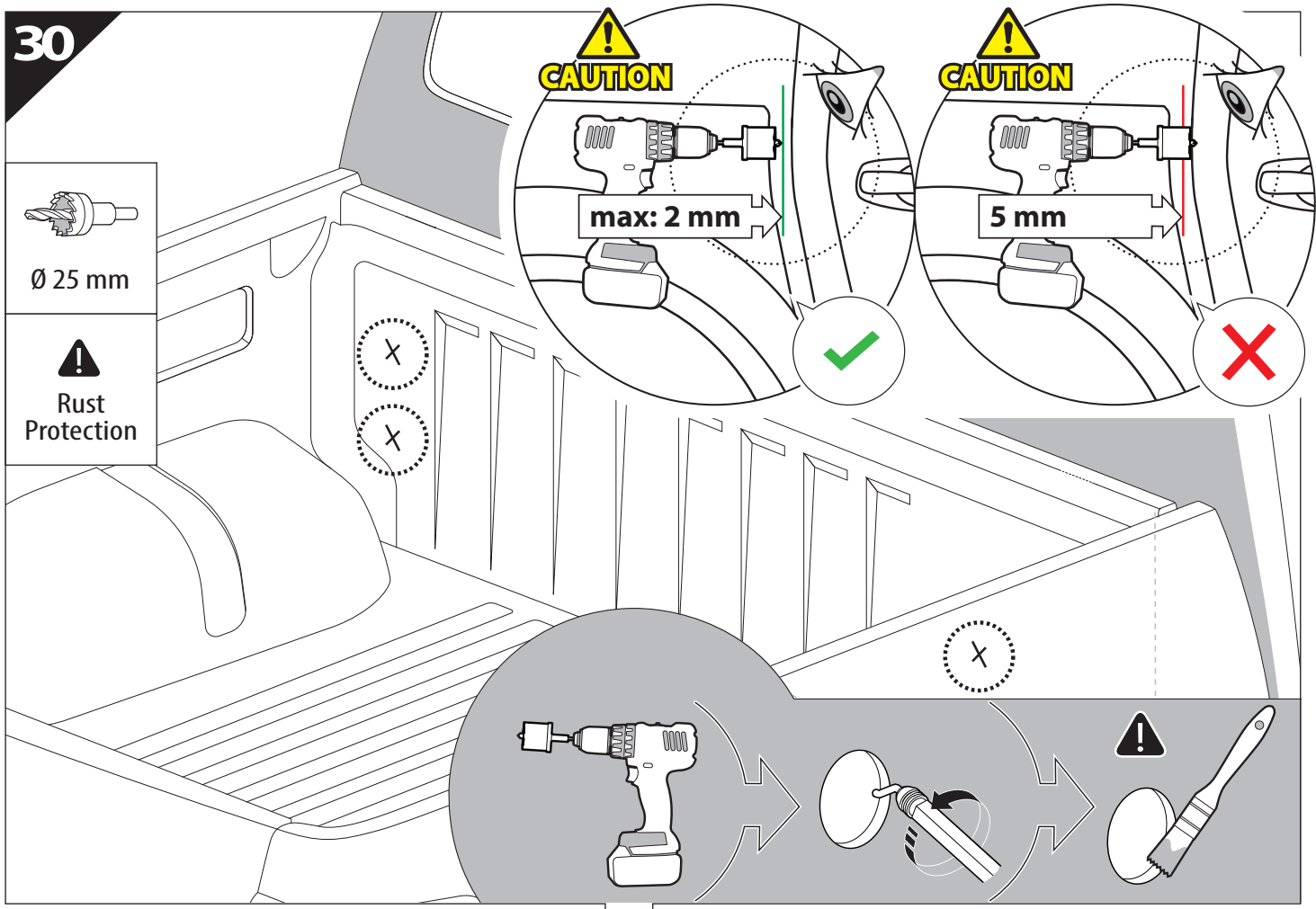
5 mm



Ø 25 mm

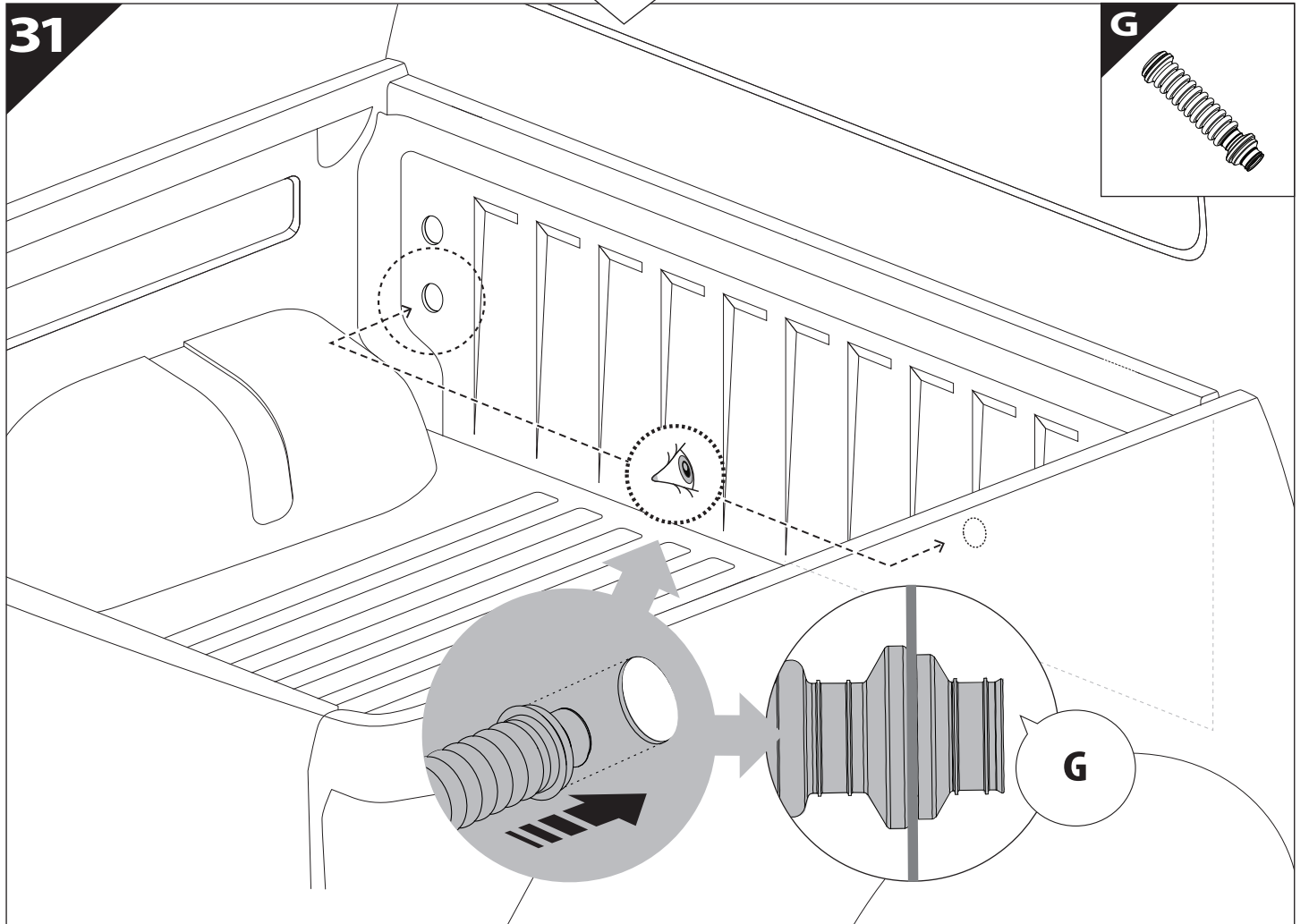


Rust Protection

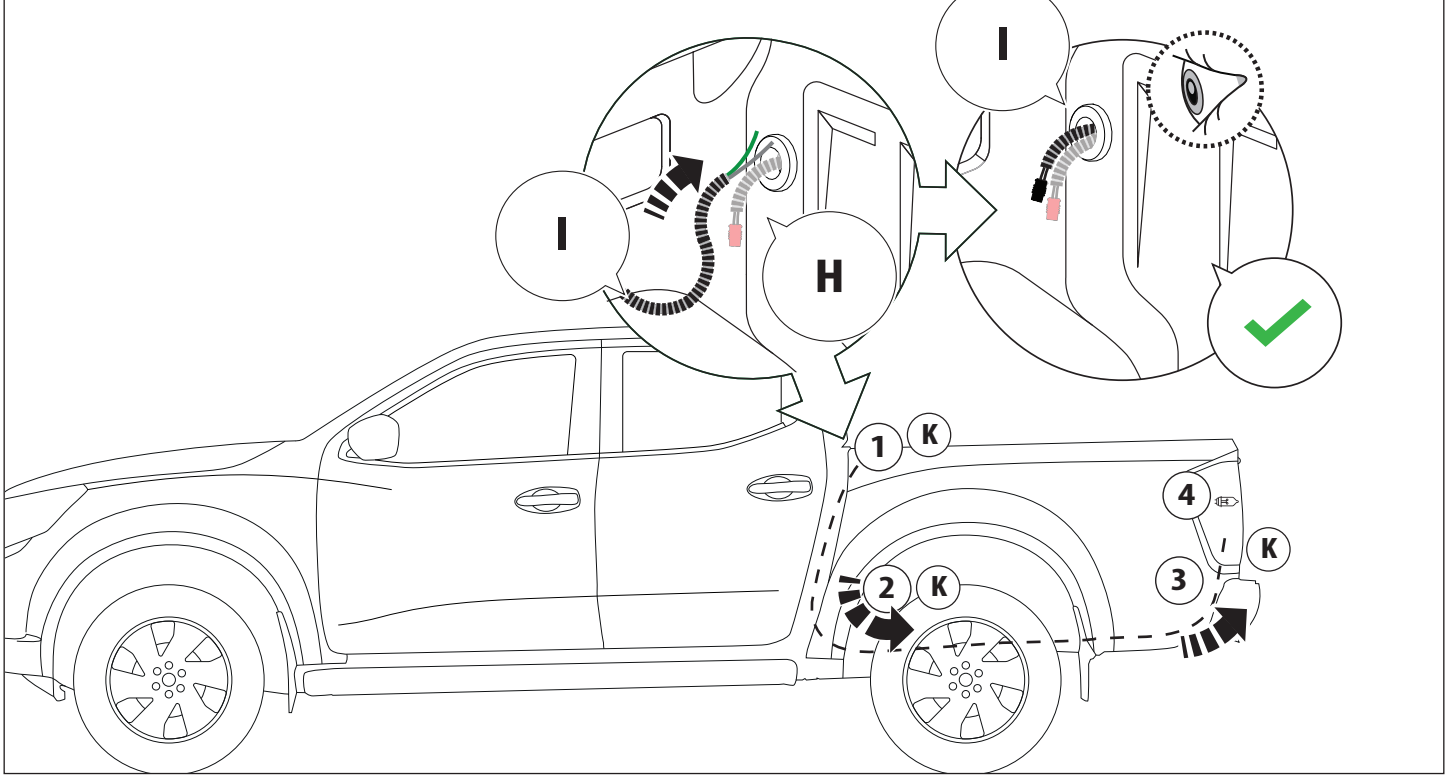
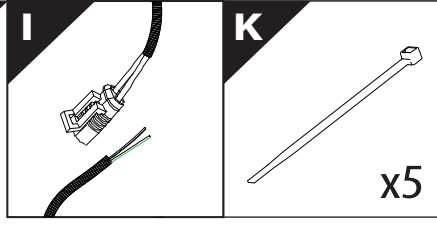
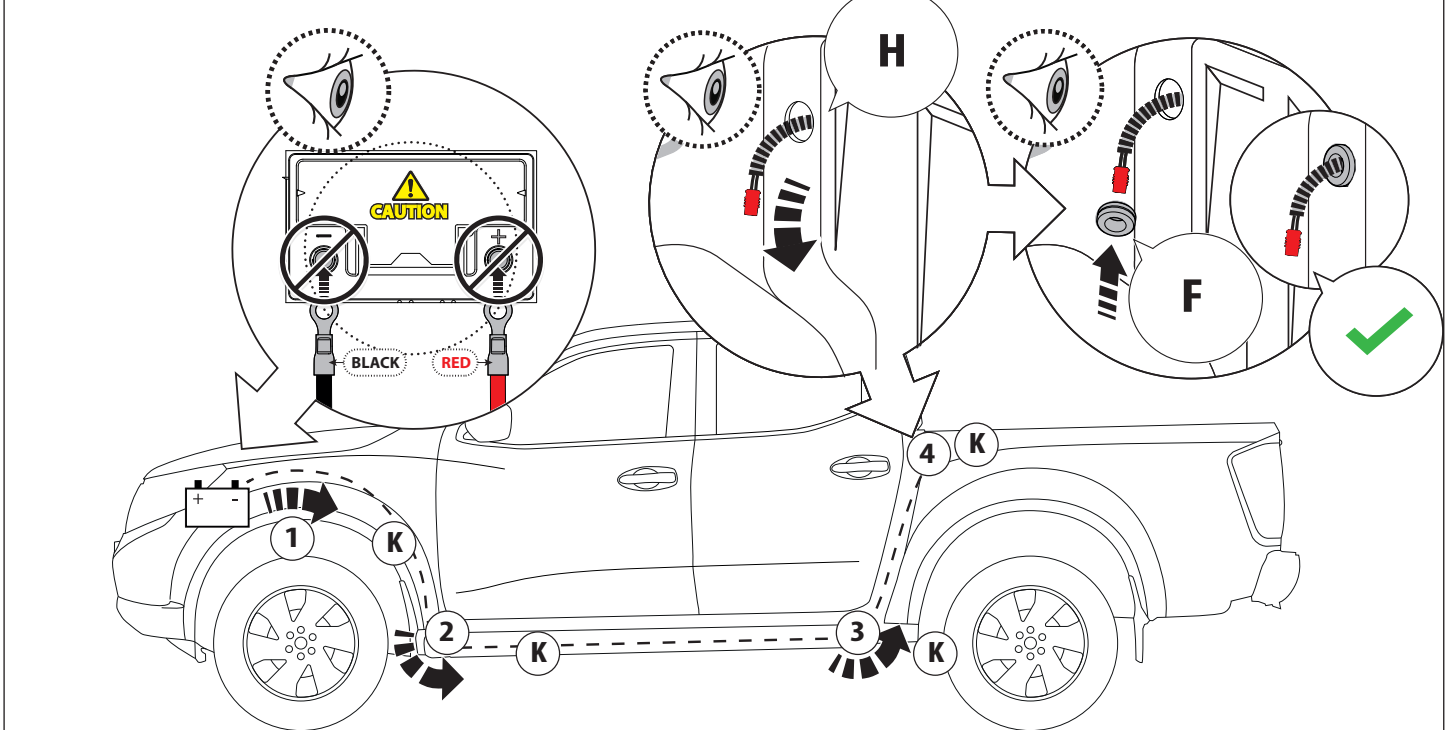
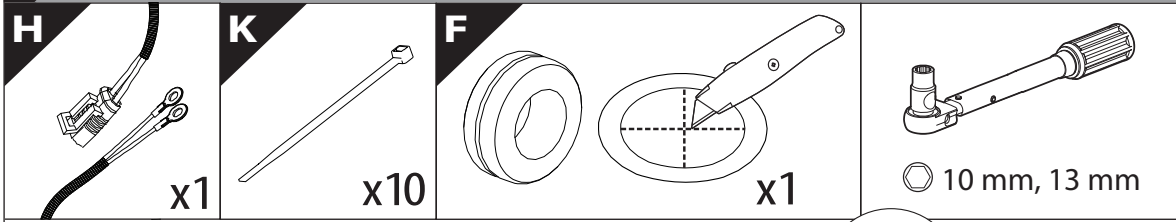


31

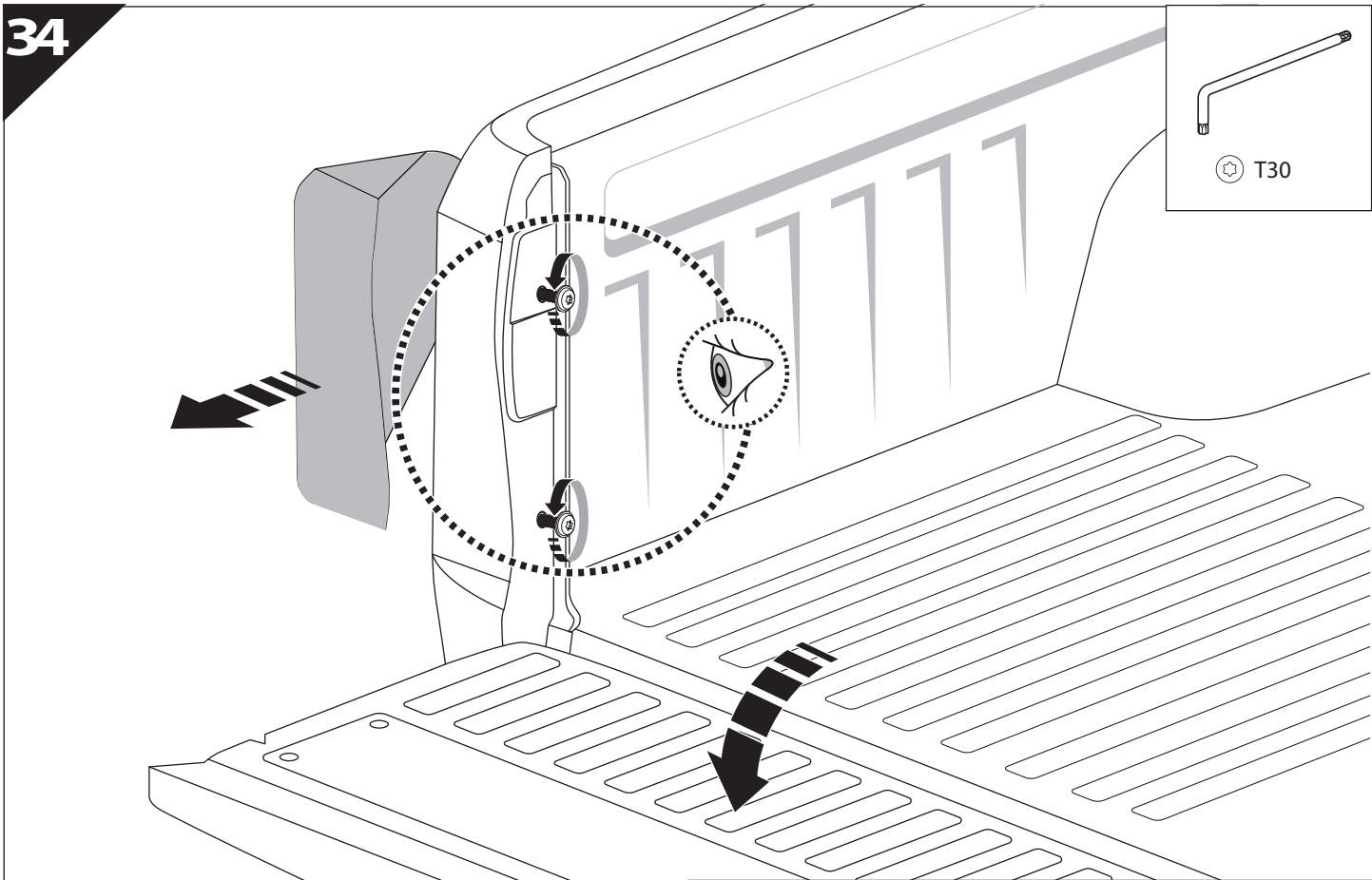
**G**



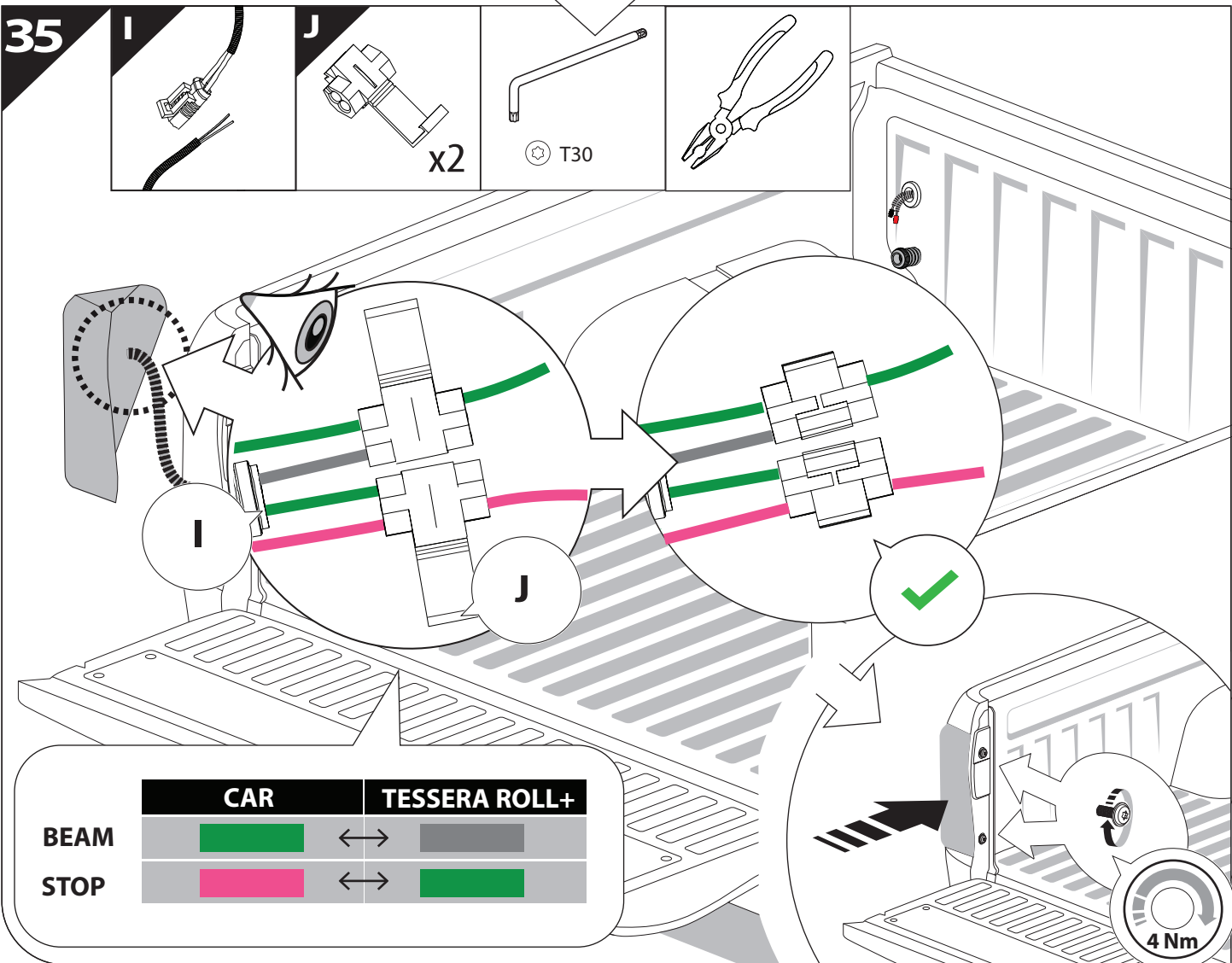
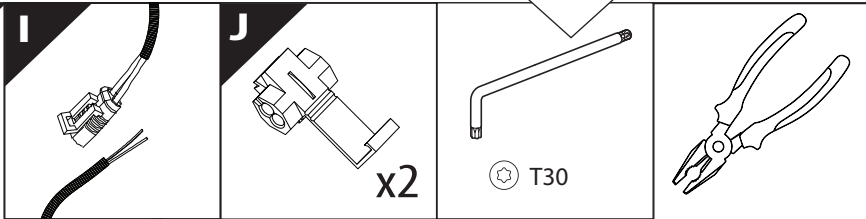
Only to be installed by authorized personnel







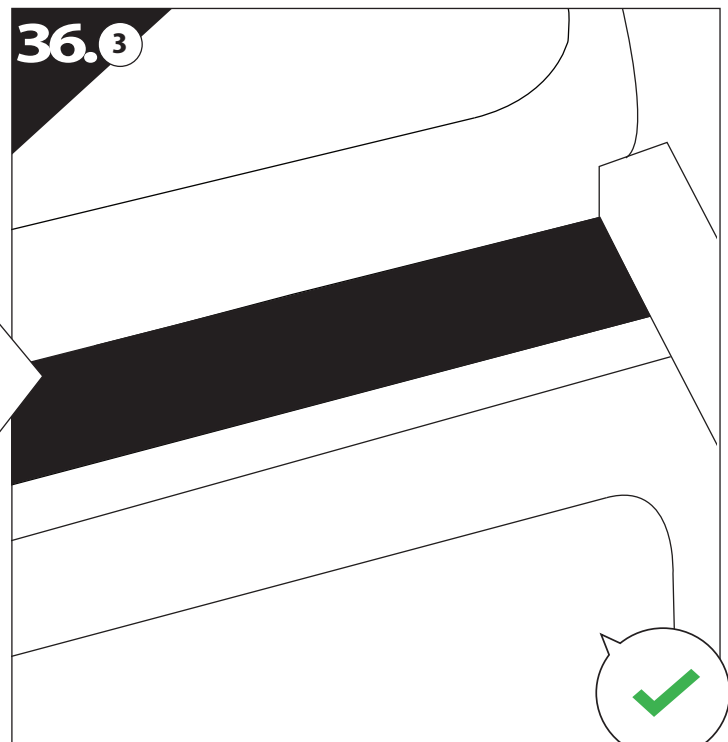
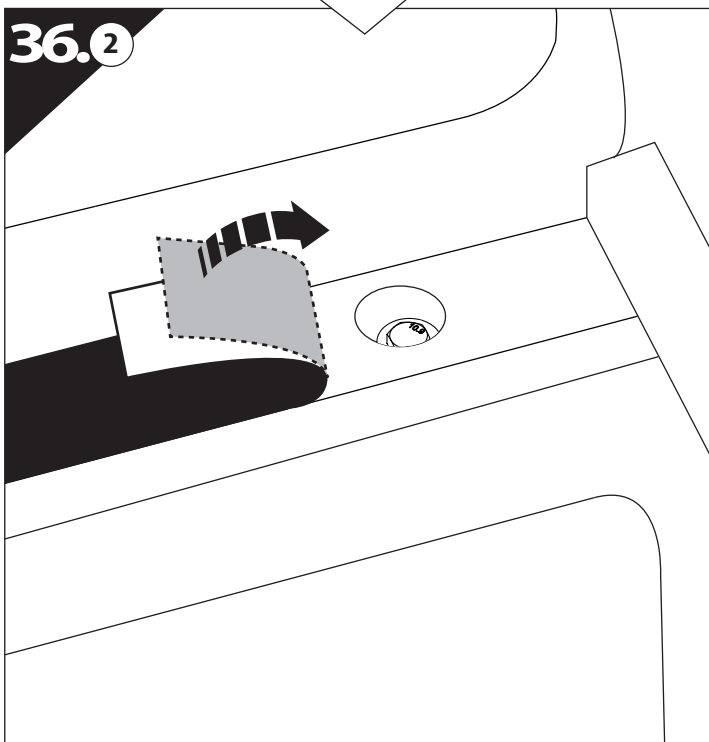
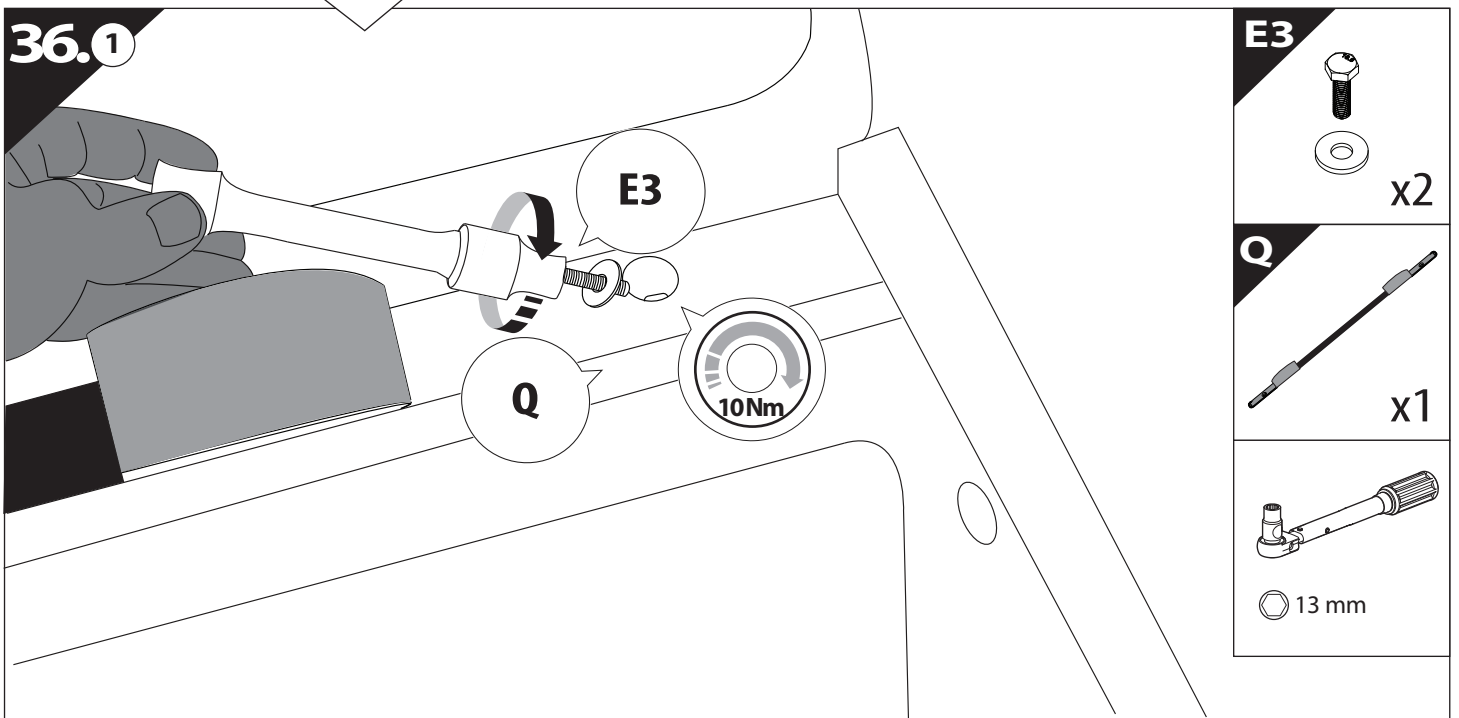
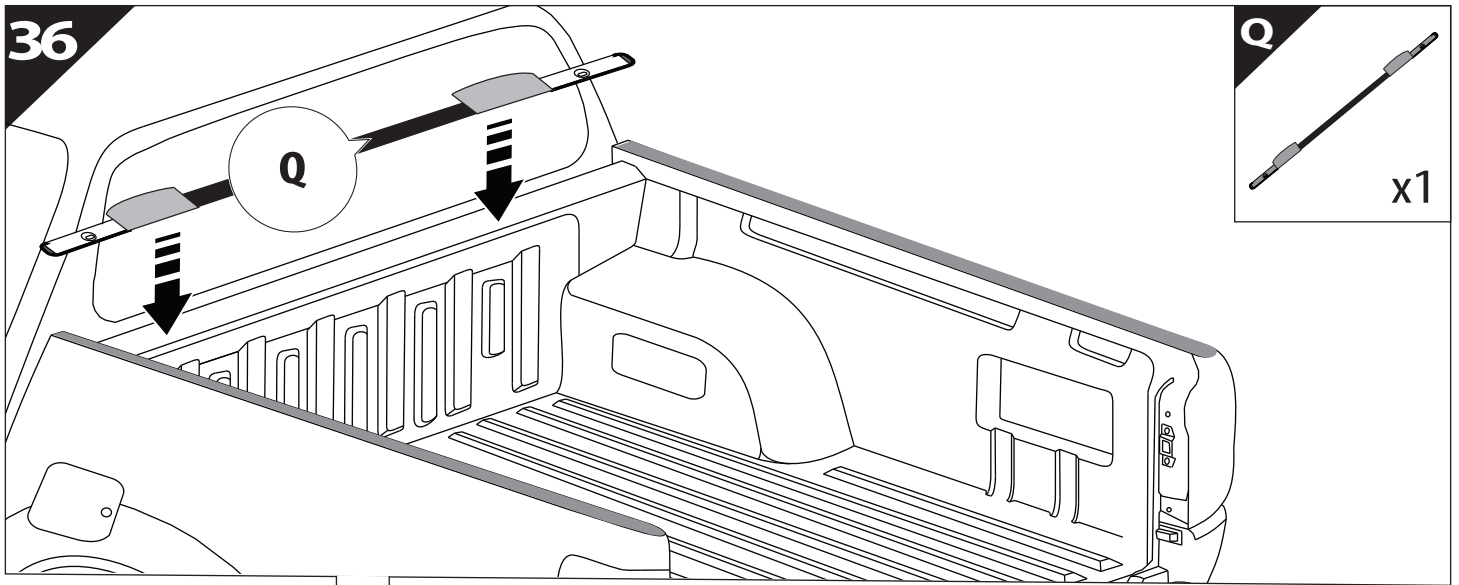
34



35

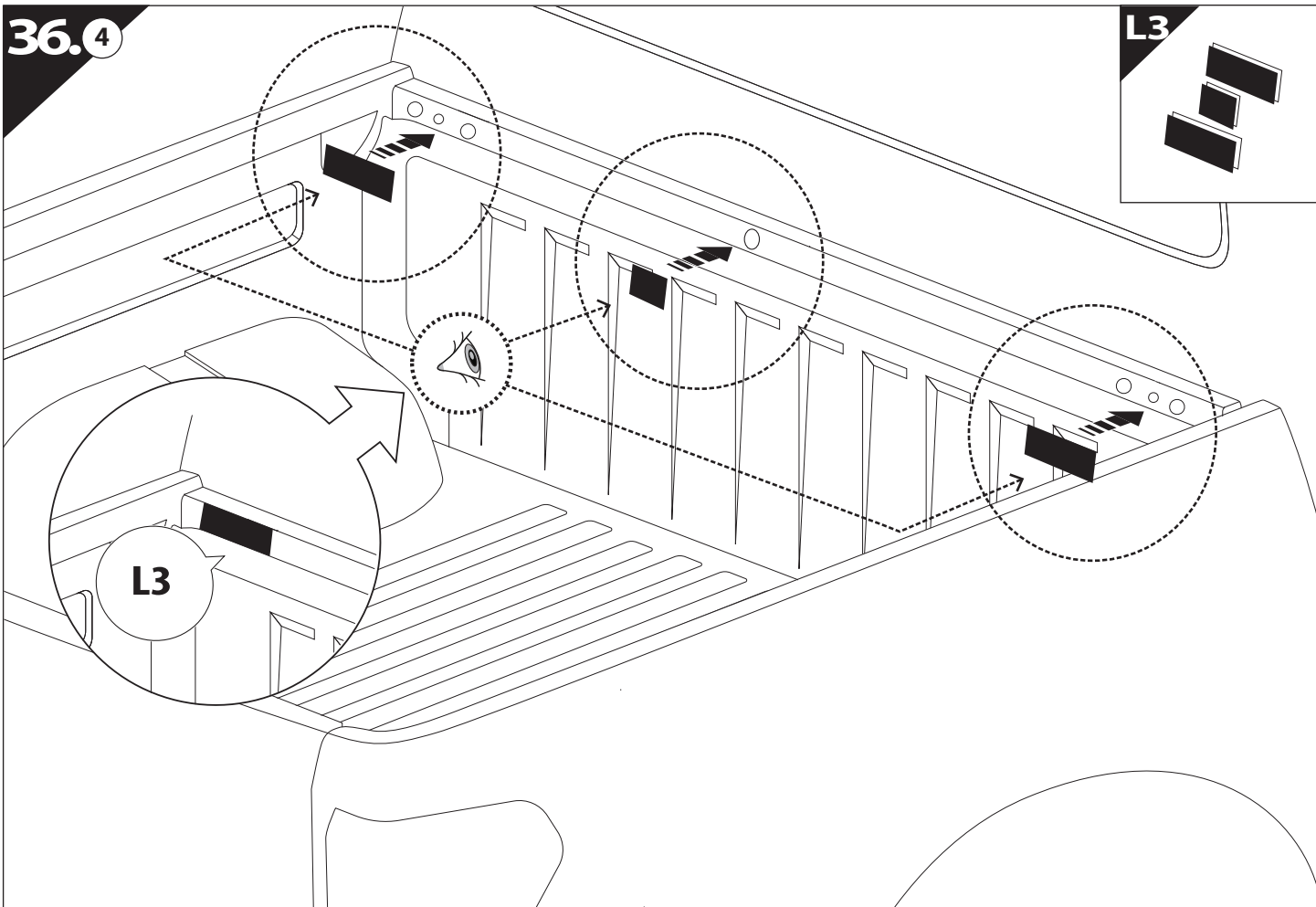


	CAR		TESSERA ROLL+
BEAM		↔	
STOP		↔	



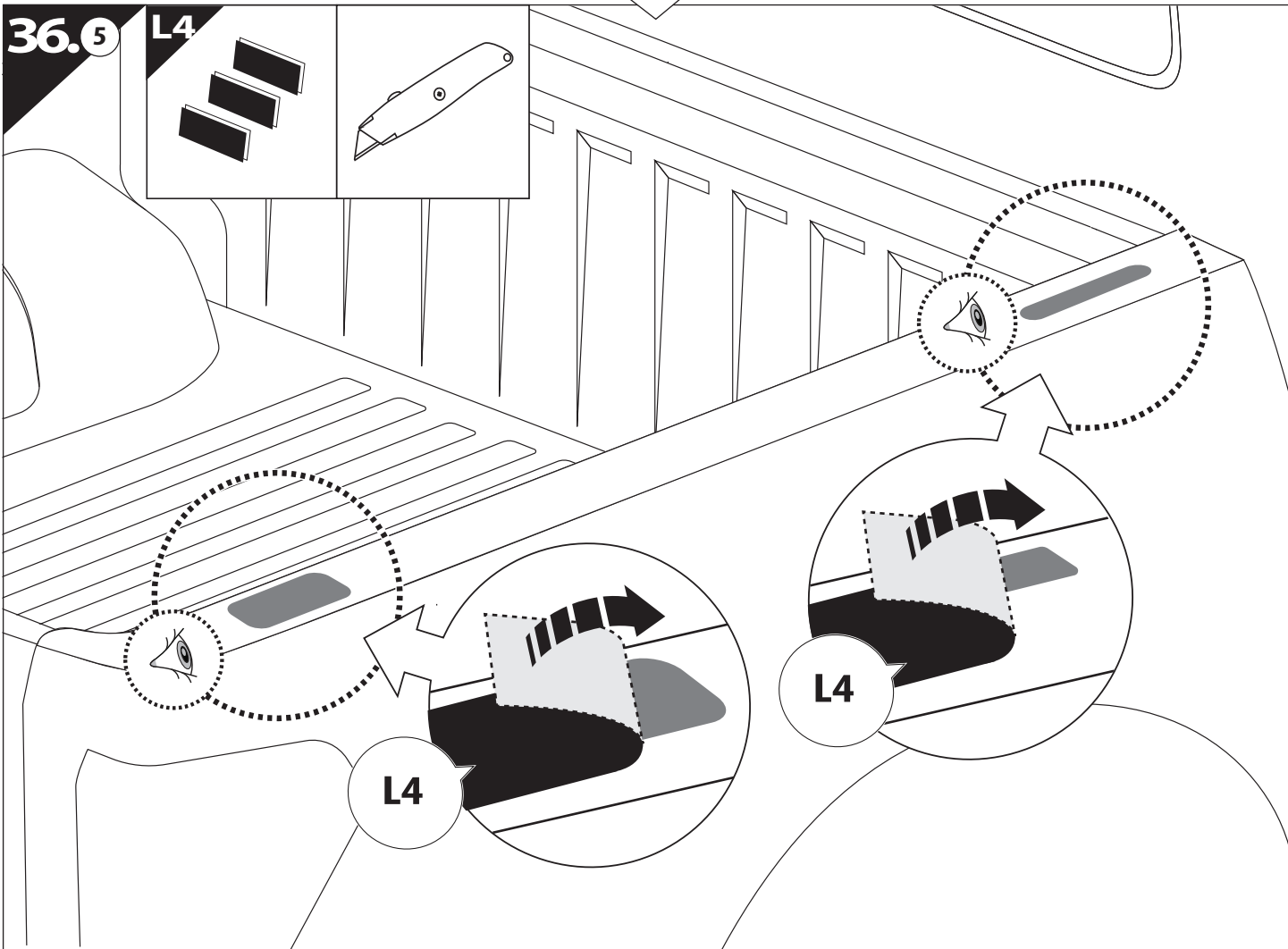
36.4

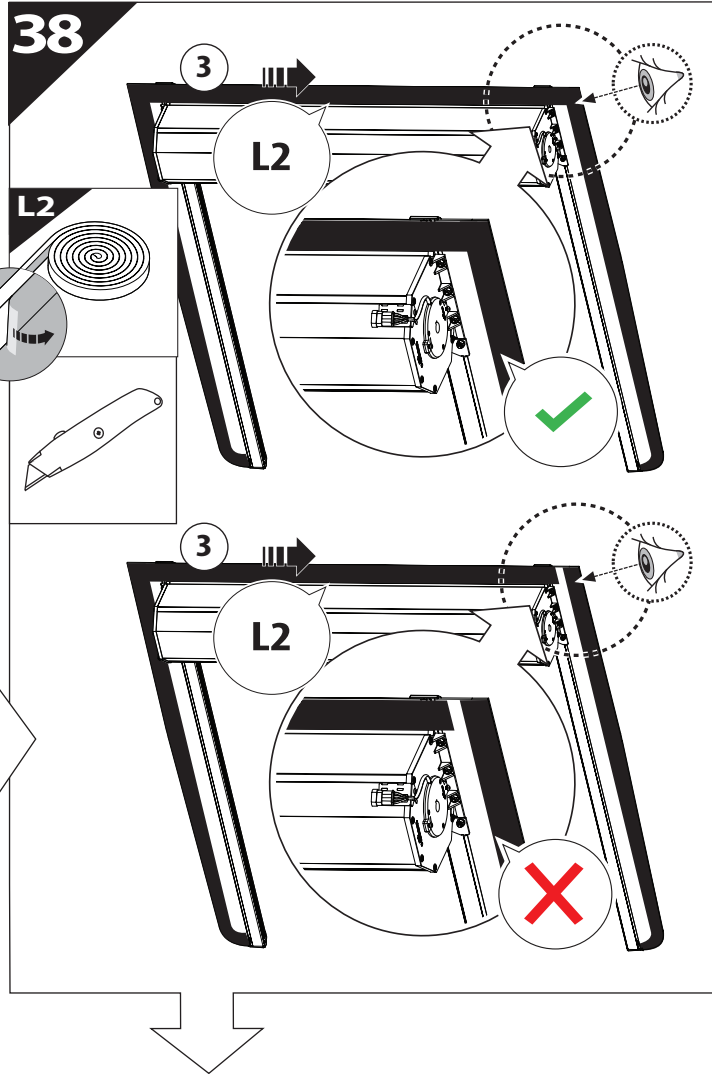
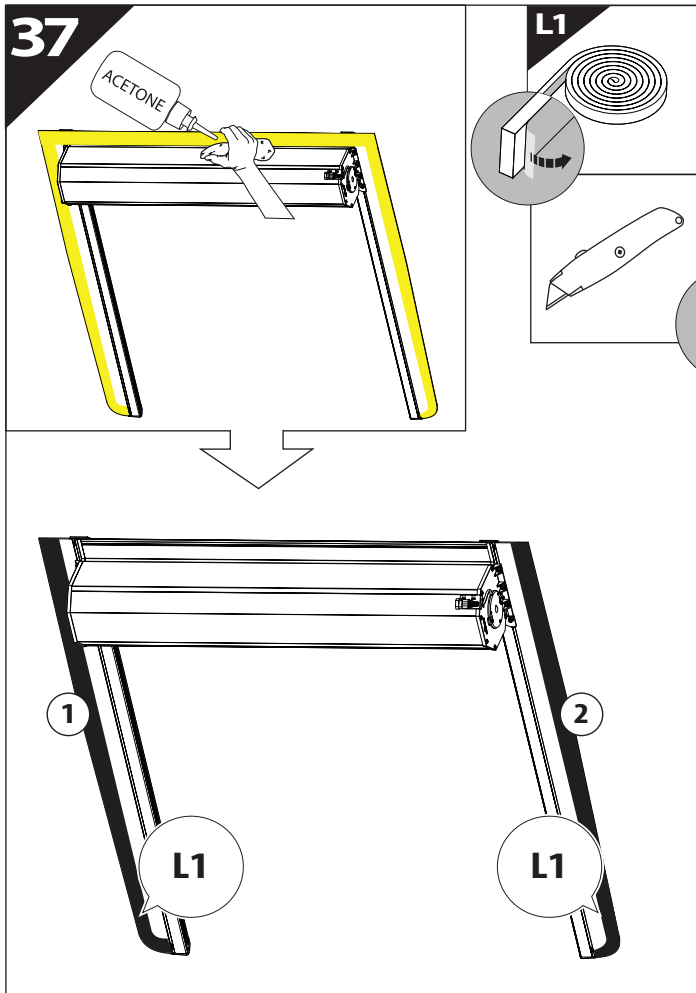
L3



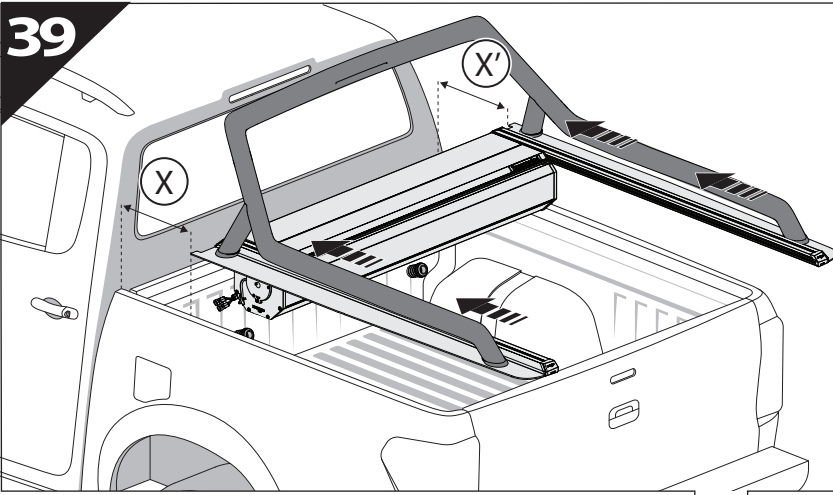
36.5

L4

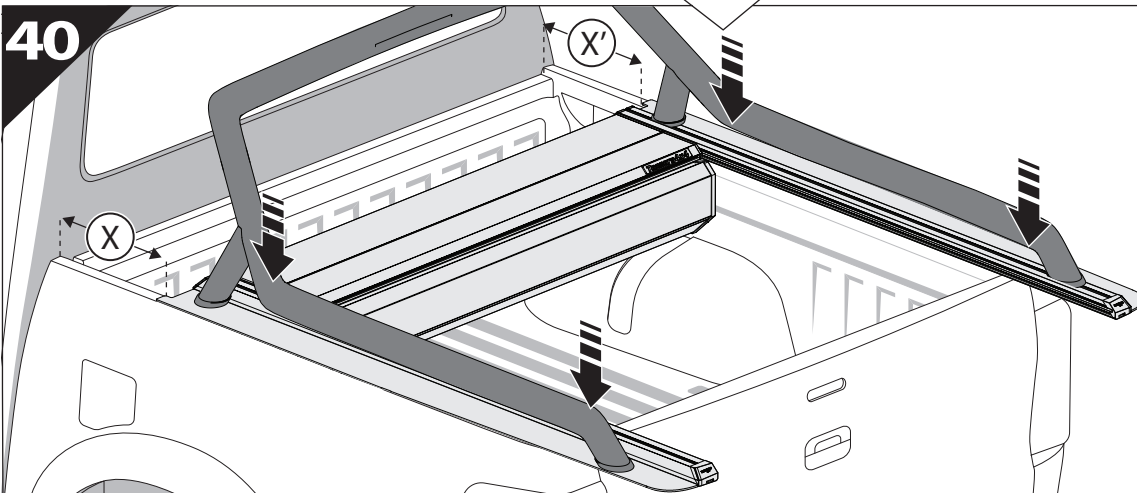




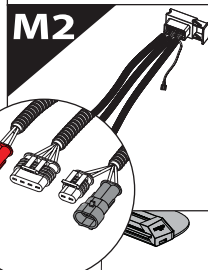
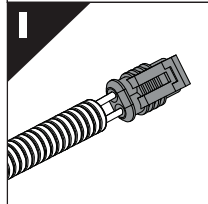
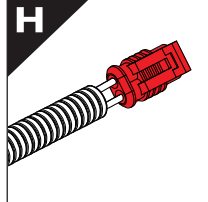
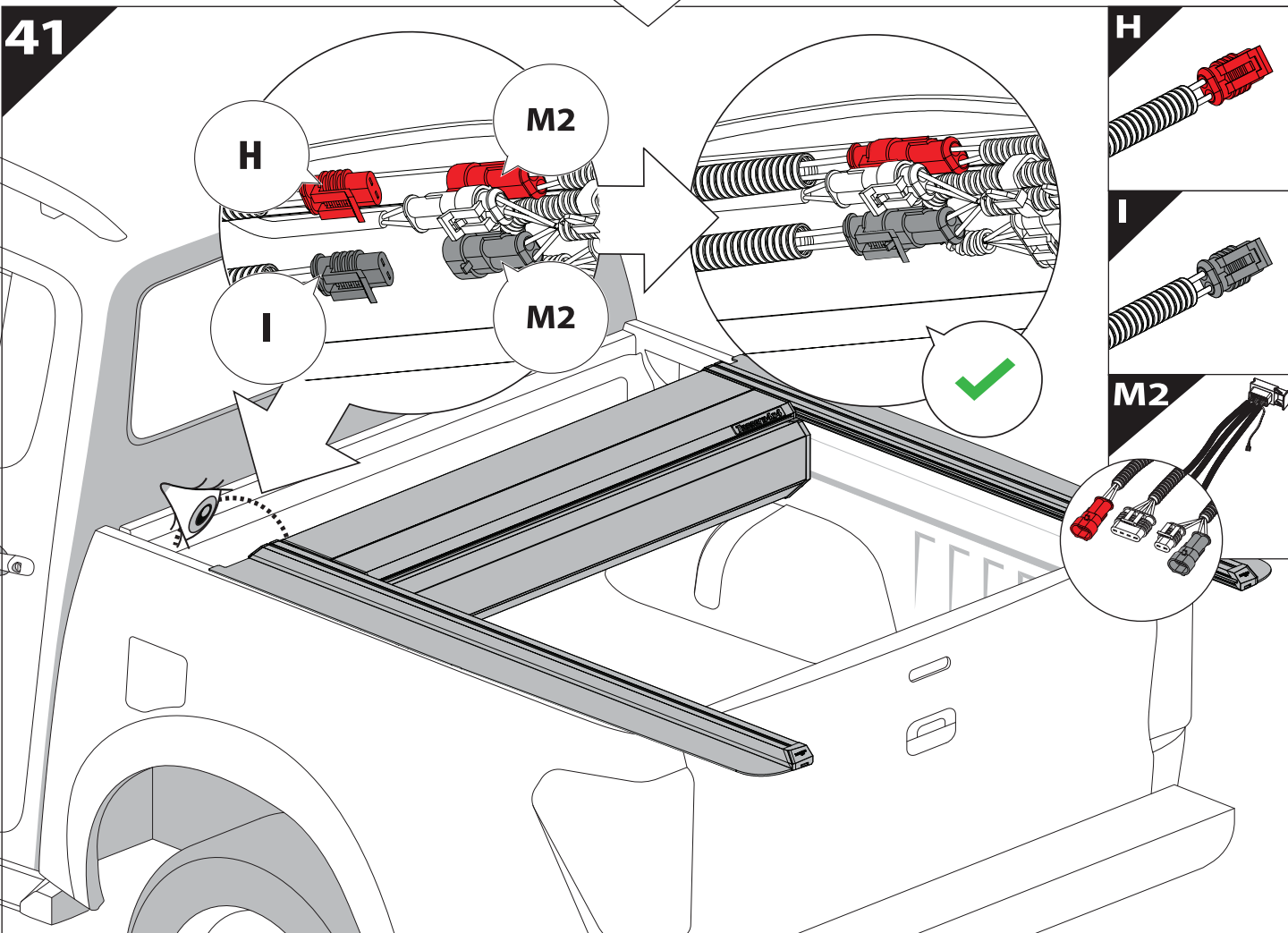
39

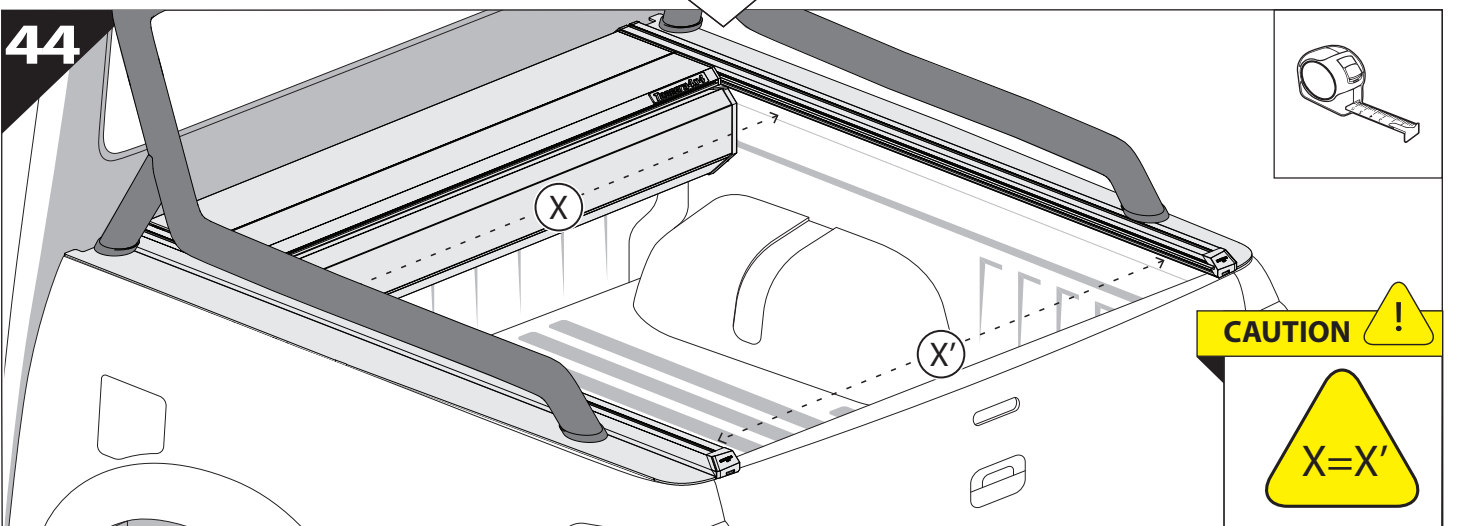
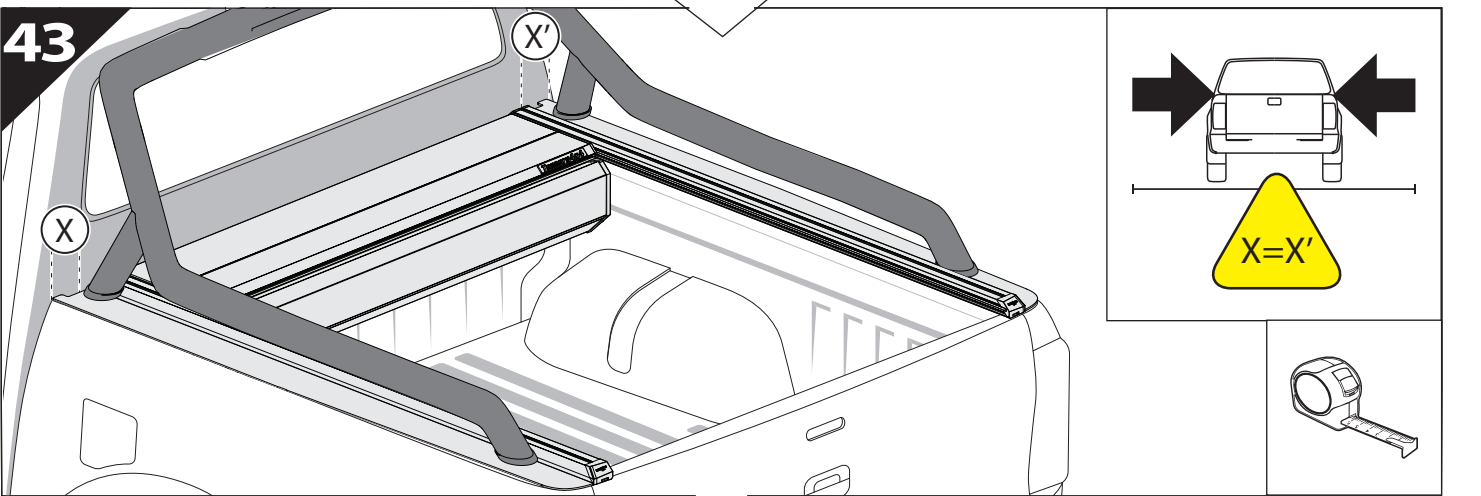
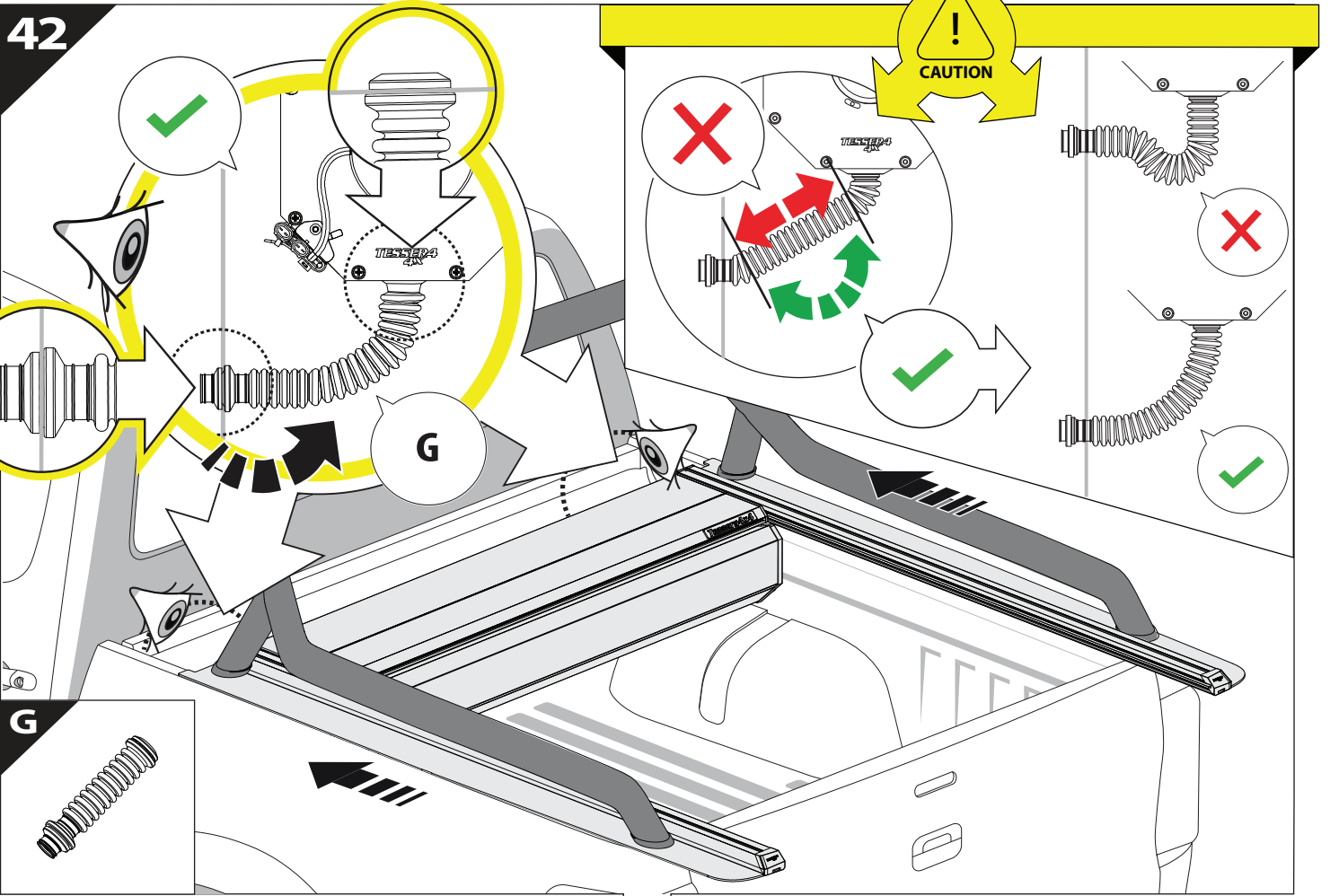


40

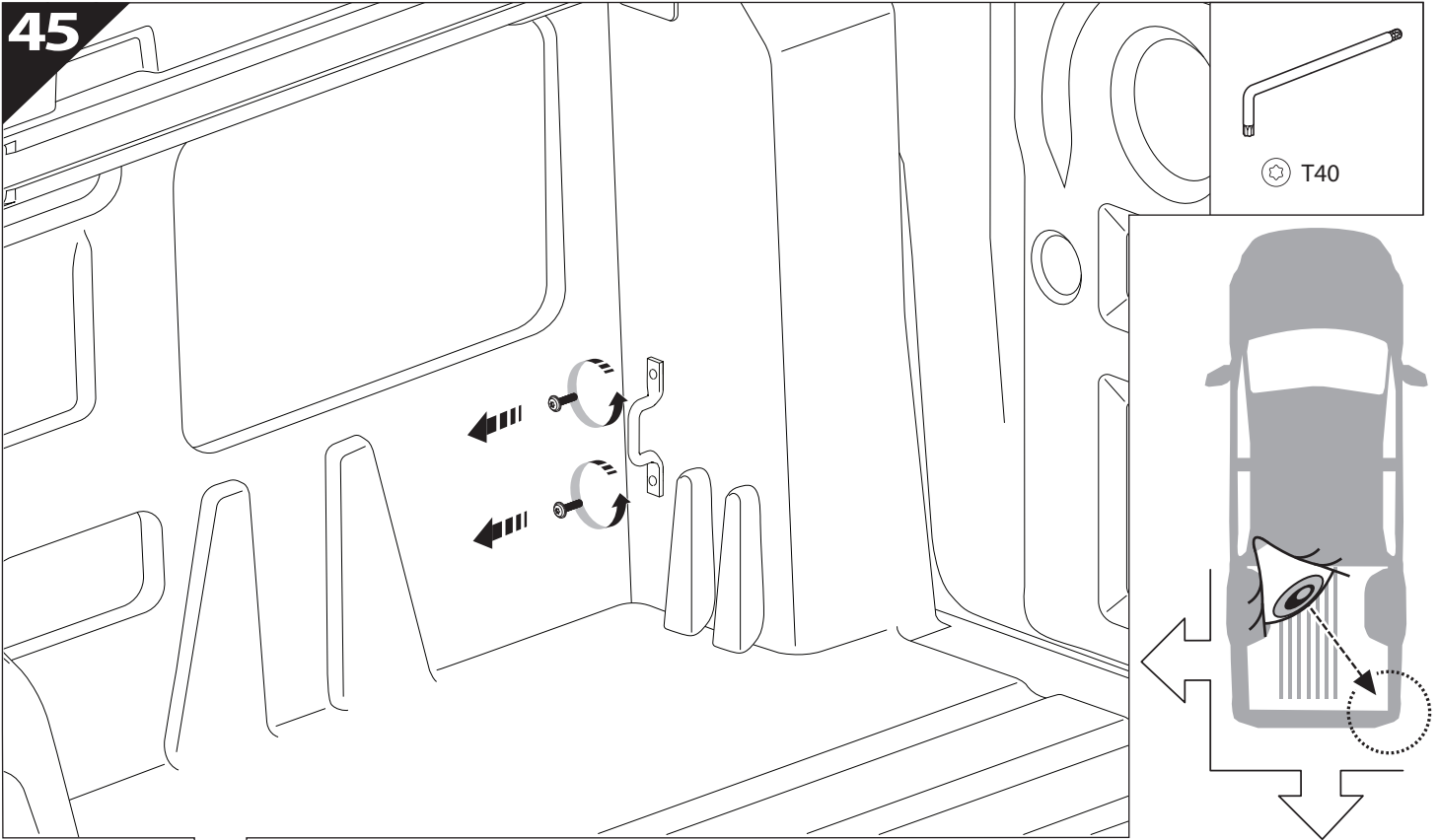


41

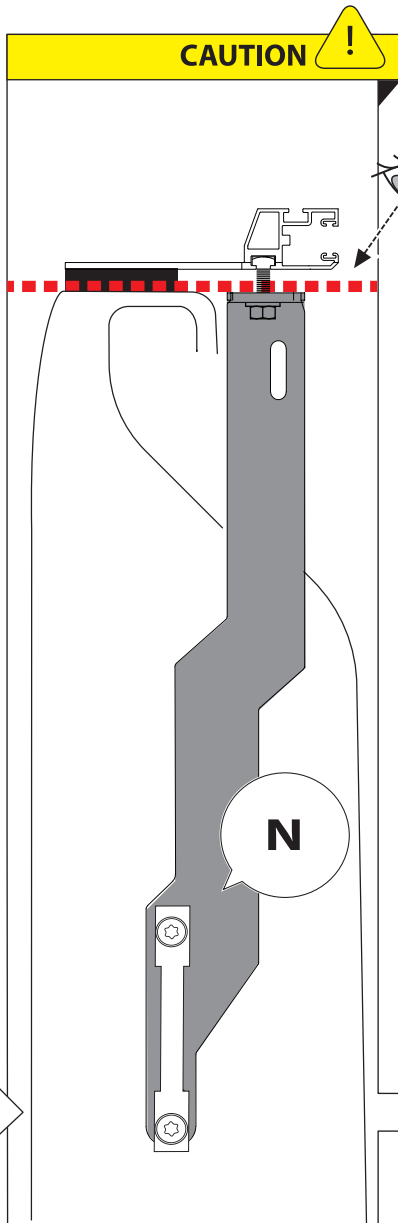
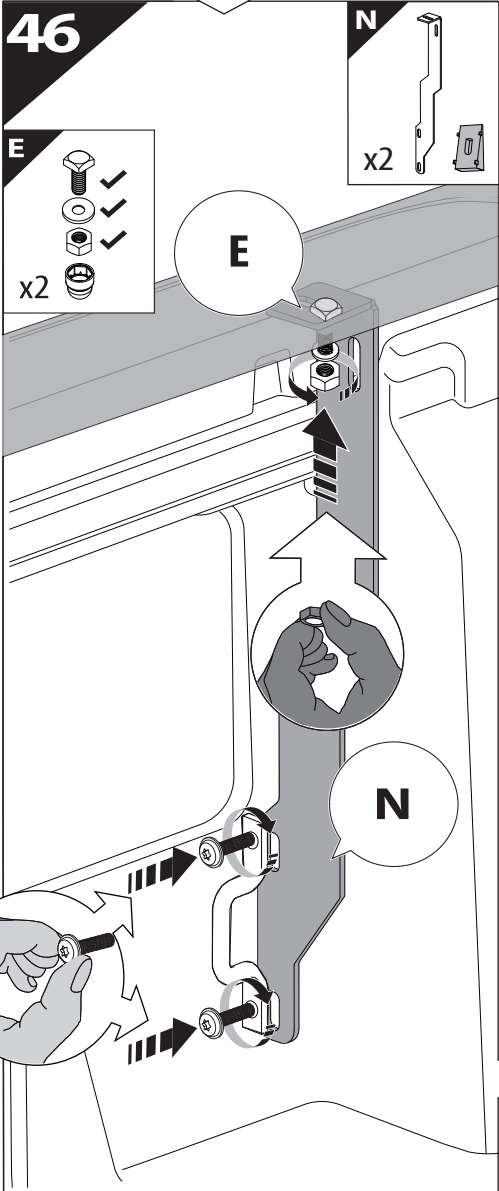




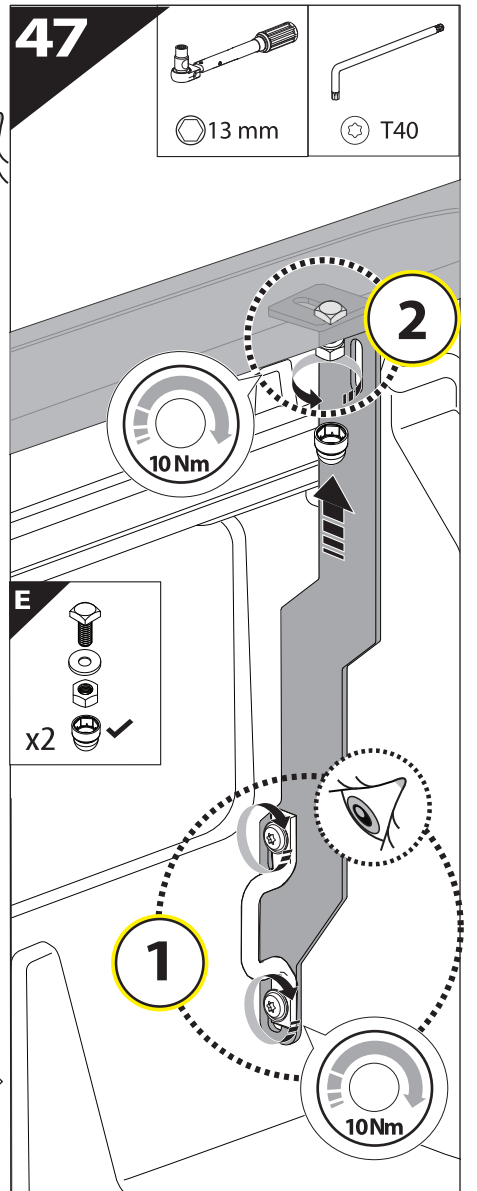
45



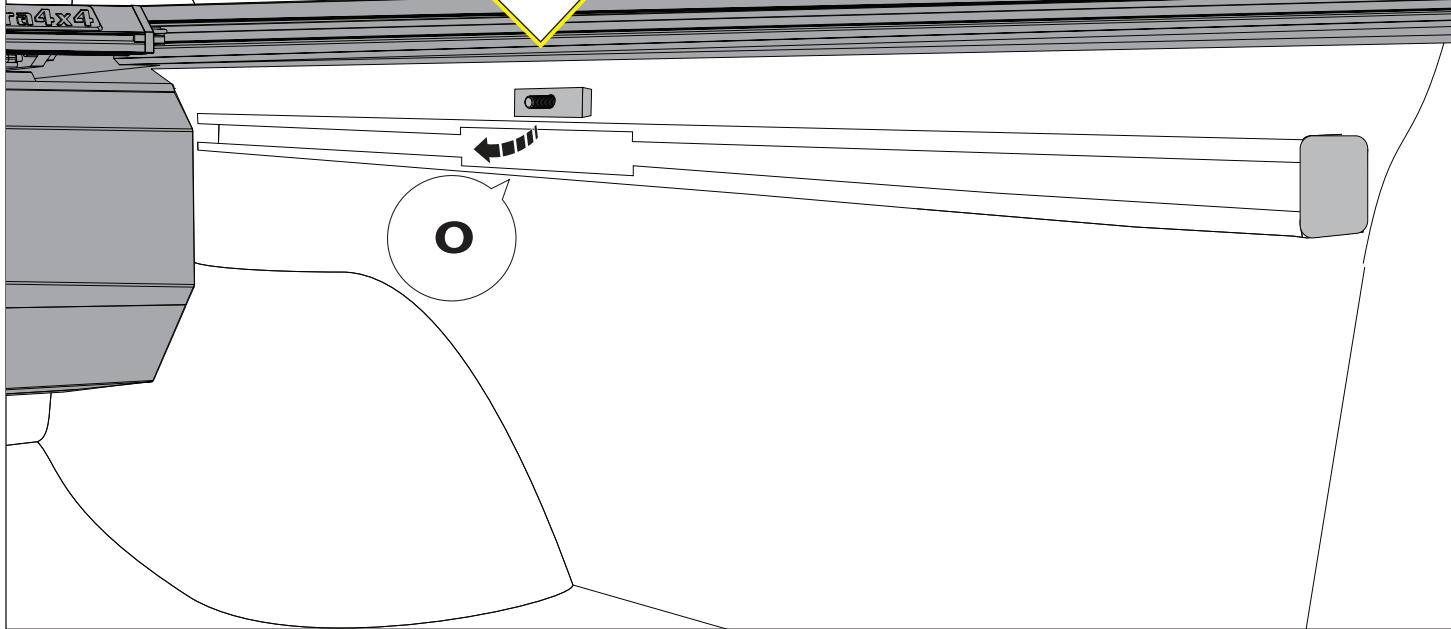
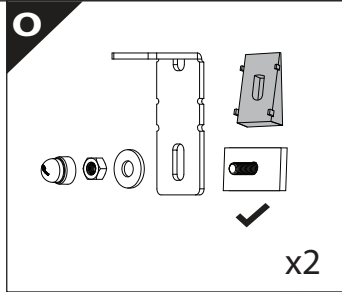
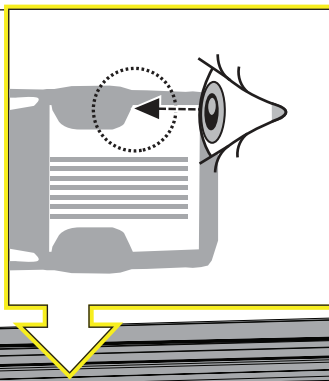
46



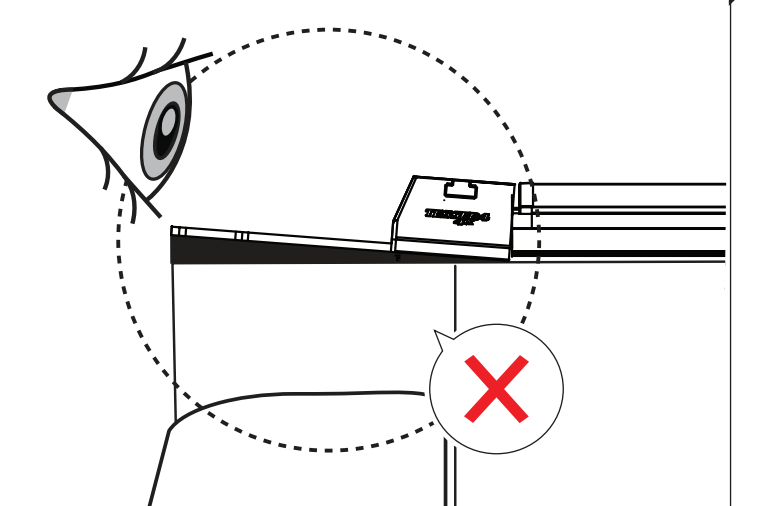
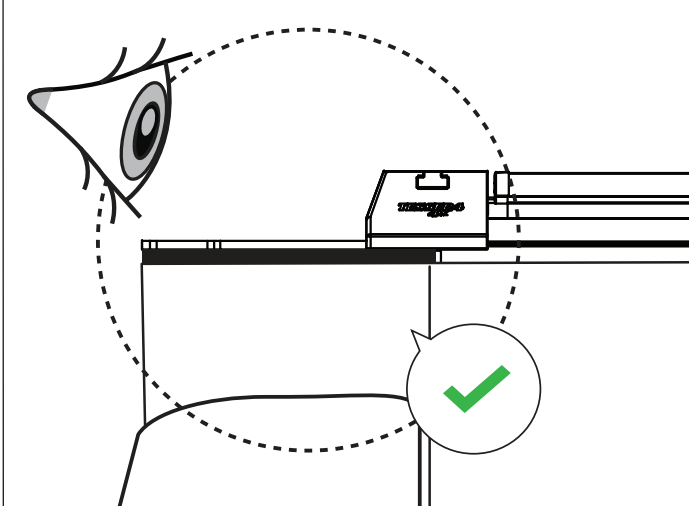
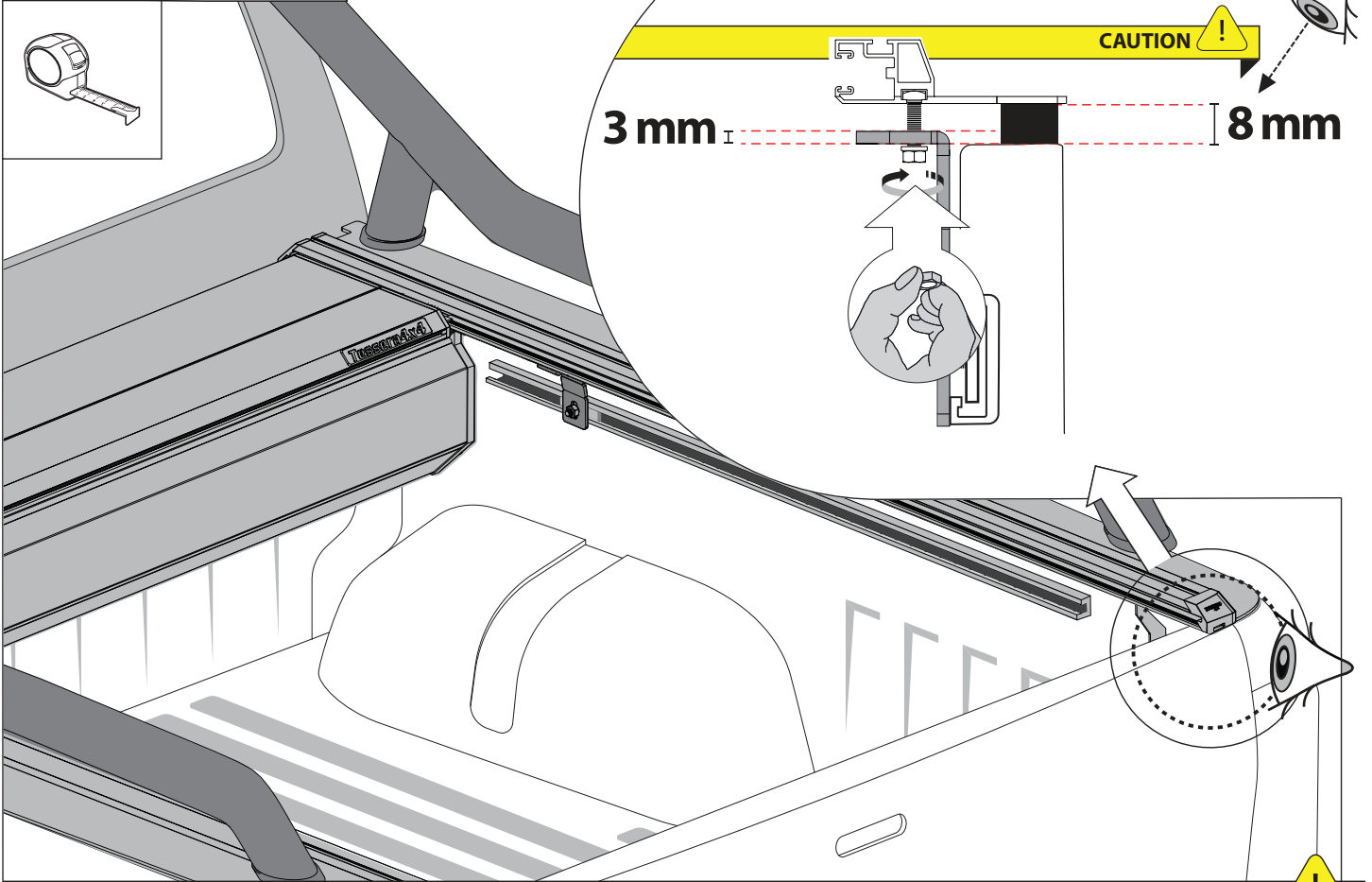
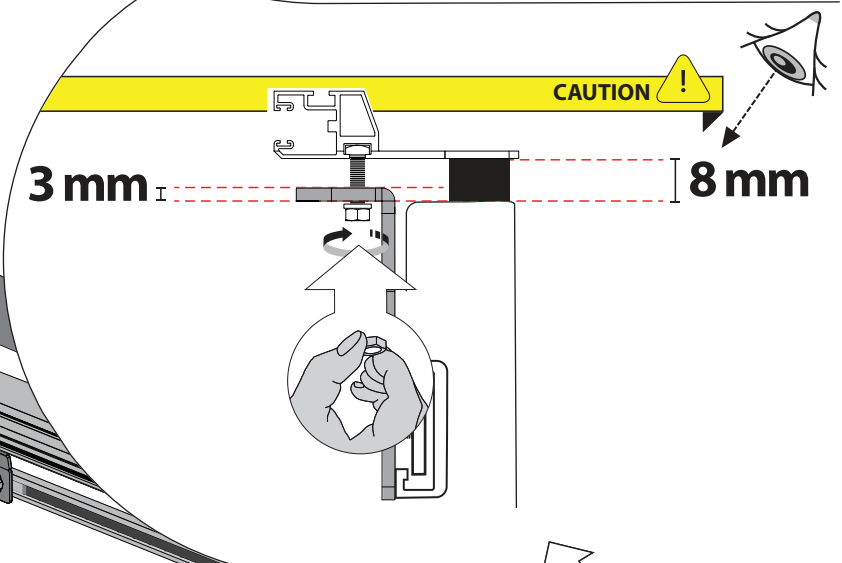
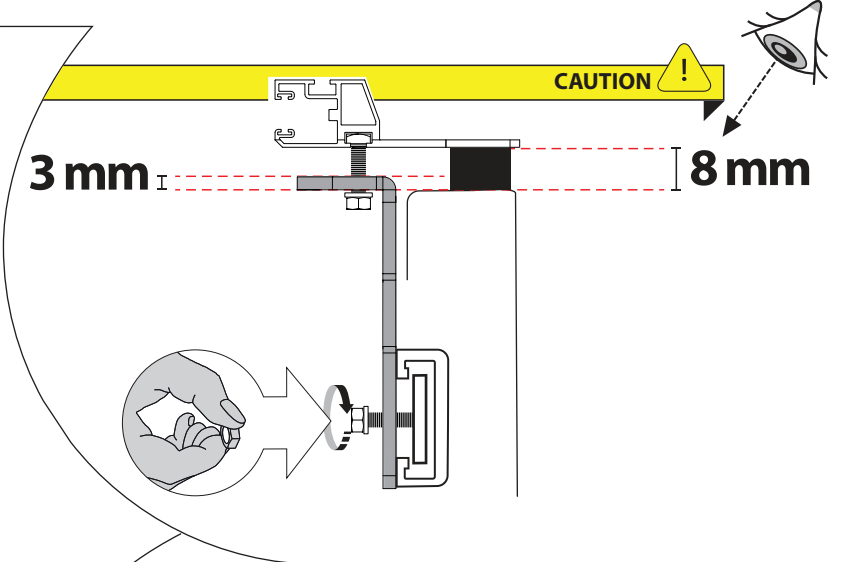
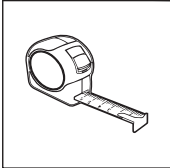
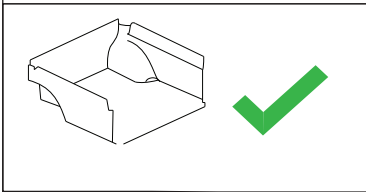
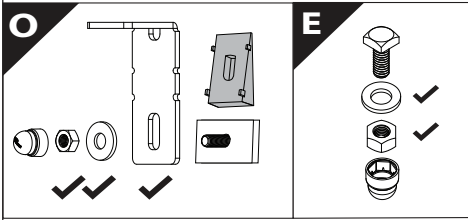
47

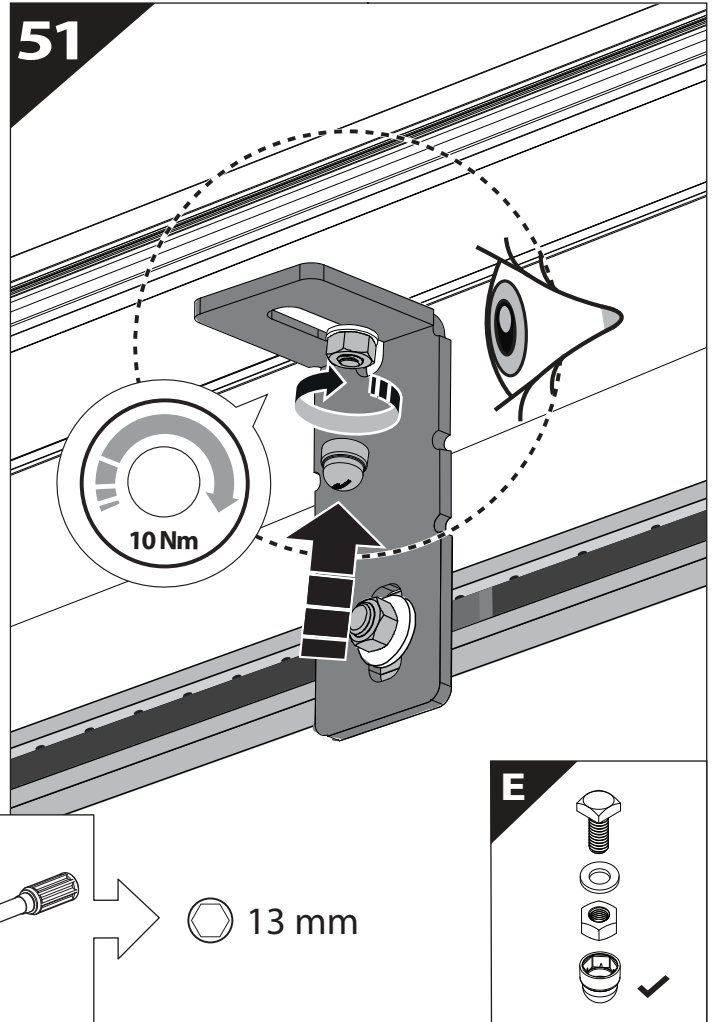
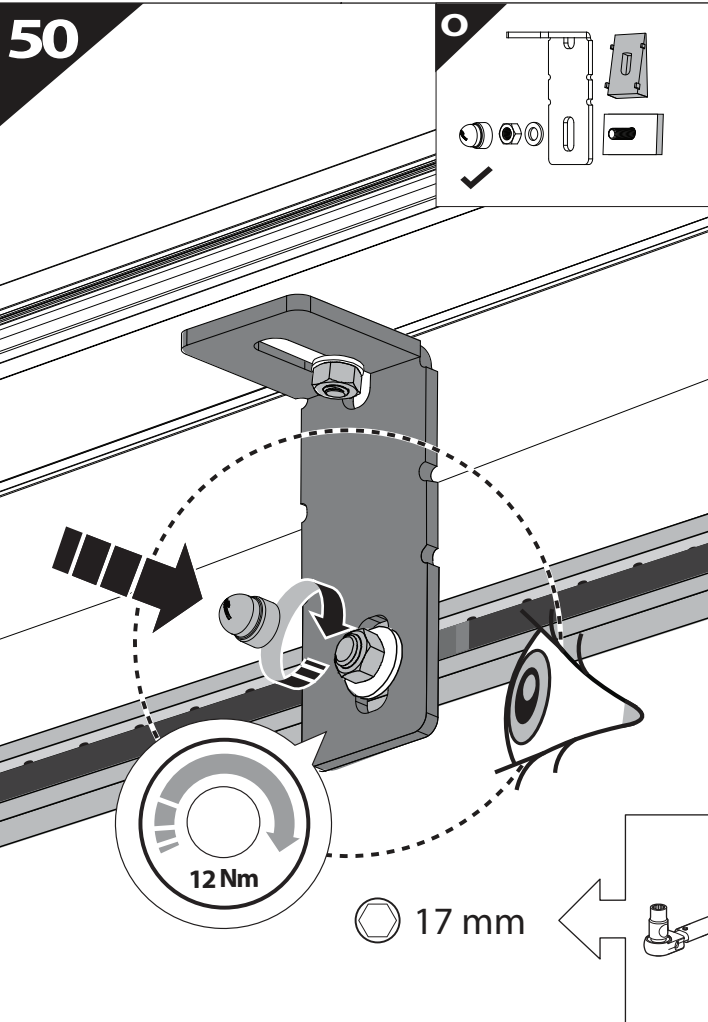


48

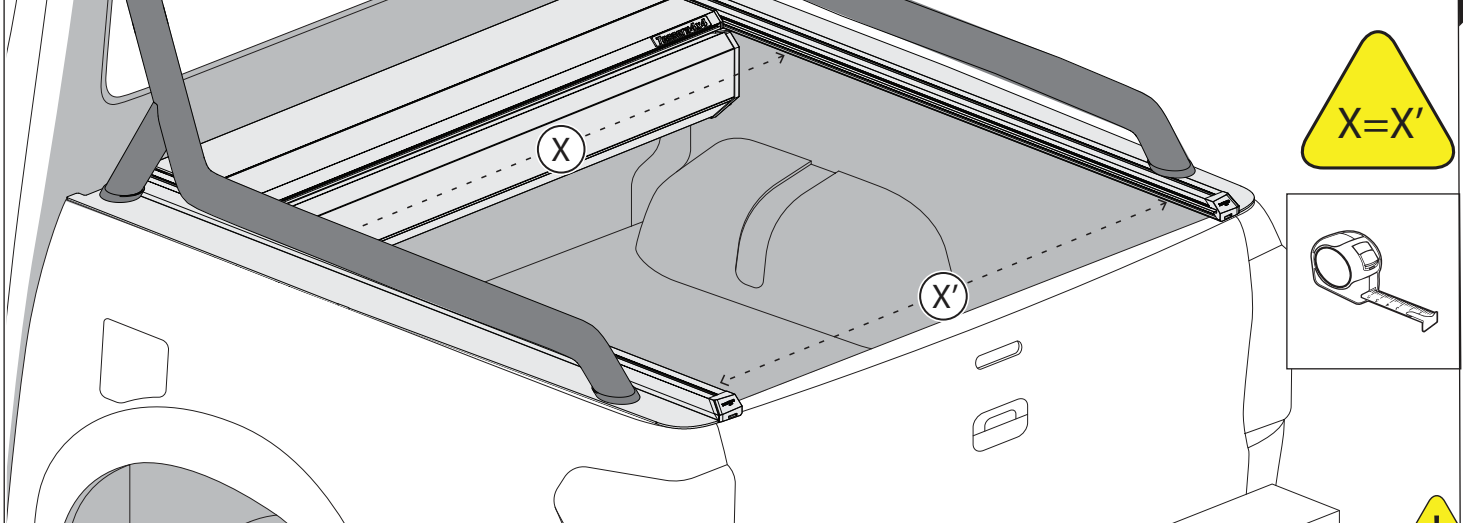


49

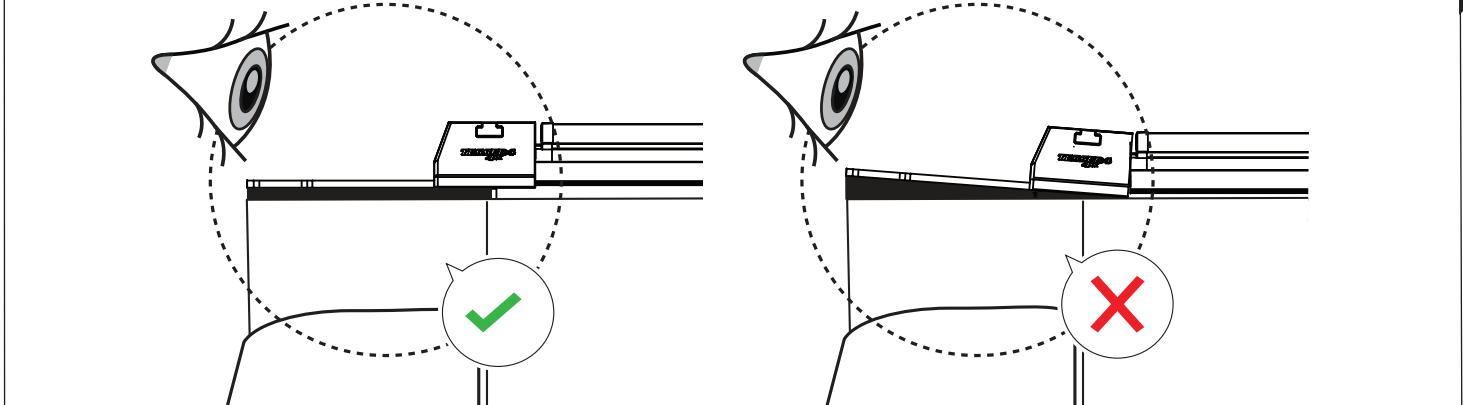




**CAUTION !**



**CAUTION !**











**GR:** Οδηγίες Εγκατάστασης  
**GB:** Installation manual  
**SF:** Asennusohje  
**F:** Notice de montage  
**PL:** Instrukcja montażu  
**NL:** Installatie-instructies  
**TR:** Montaj Talimatı  
**S:** Monteringsanvisning  
**E:** Instrucciones de montaje

**H:** Szerelési utasítás  
**P:** Instruções de instalação  
**RUS:** Инструкция по установке  
**N:** Monteringsveiledning  
**D:** Einbauanleitung  
**CZ:** Návod k instalaci  
**I:** Istruzioni de montaggio  
**DK:** Monteringsvejledning  
**RO:** Instructiuni de instalare

Customer Service:

+30 (210) 5541161, +30 (210) 5541154 (08:00 - 16:00 EET)

Support department:

[info@gianso.gr](mailto:info@gianso.gr)

Website:

[www.tessera4x4.com](http://www.tessera4x4.com)

Address:

19.5 km of National road Athens-Korinthos (Elefsina) Greece, P.C: 19200