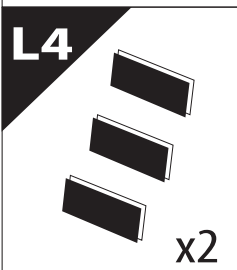
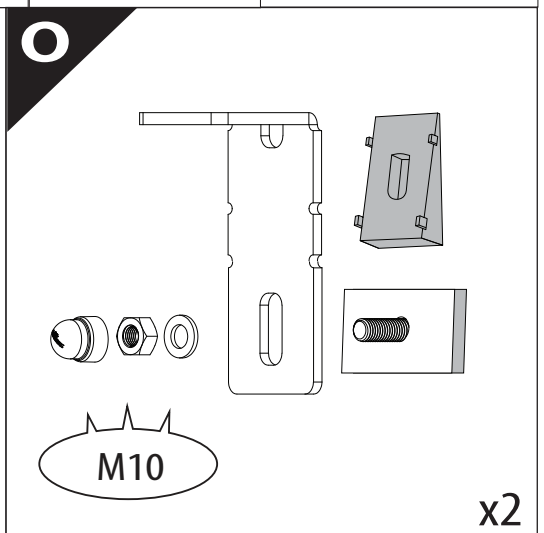
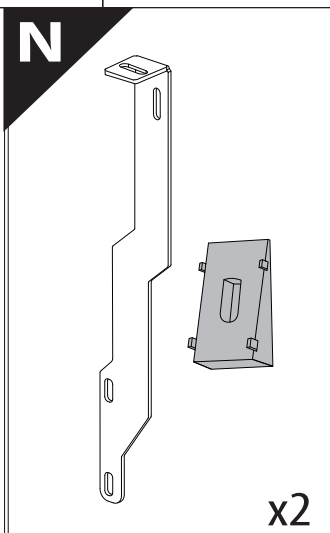
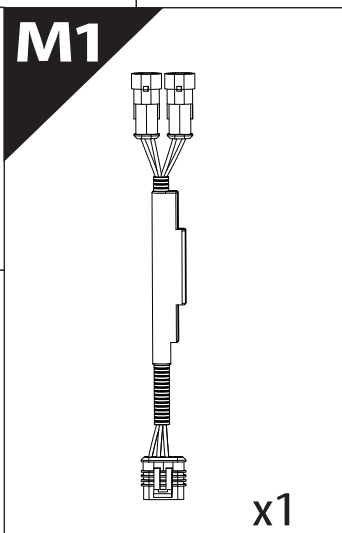
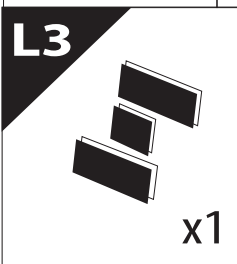
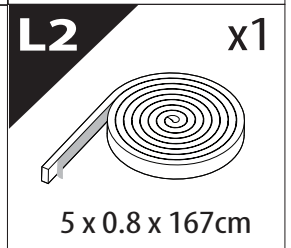
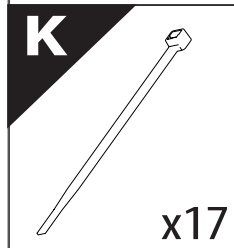
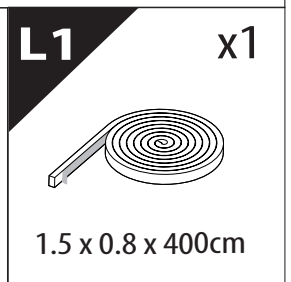
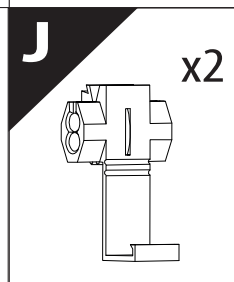
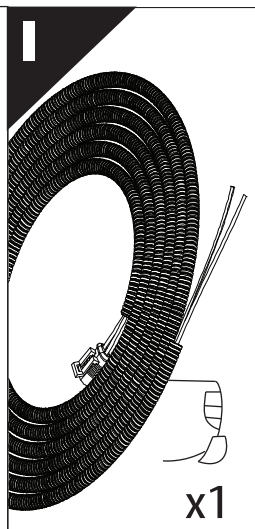
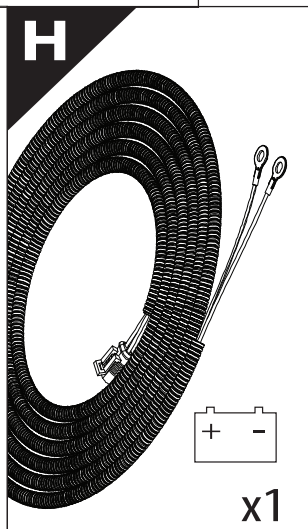
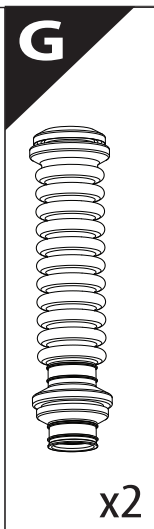
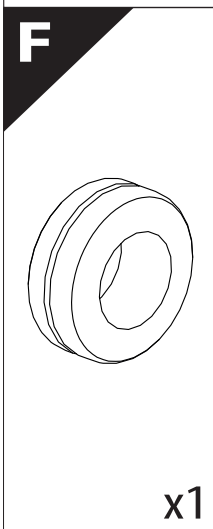
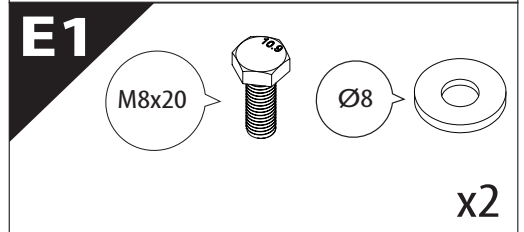
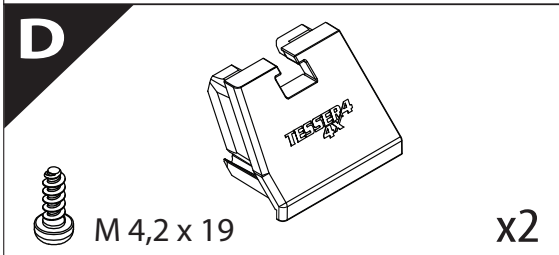
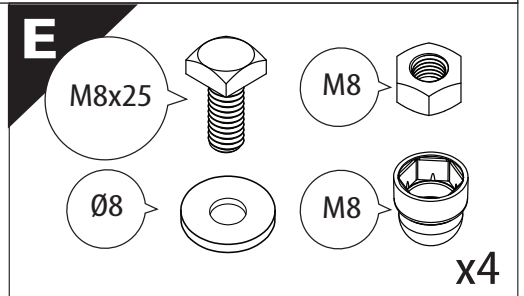
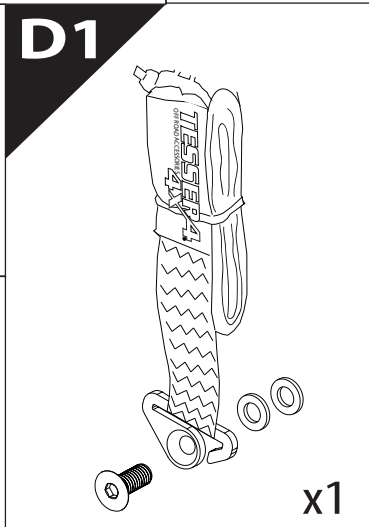
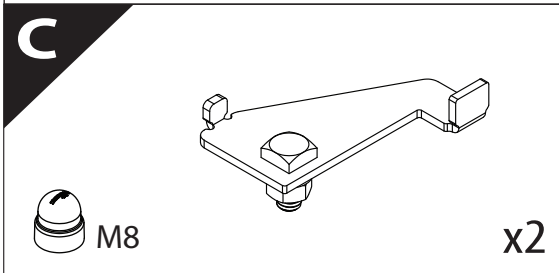
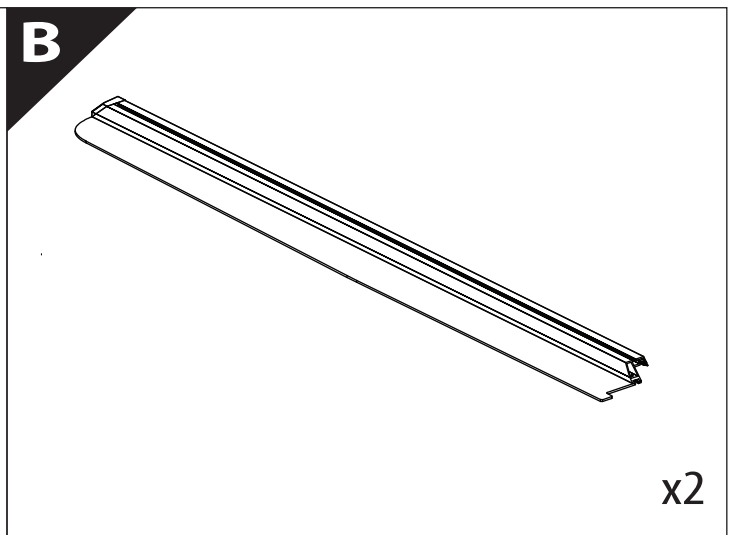
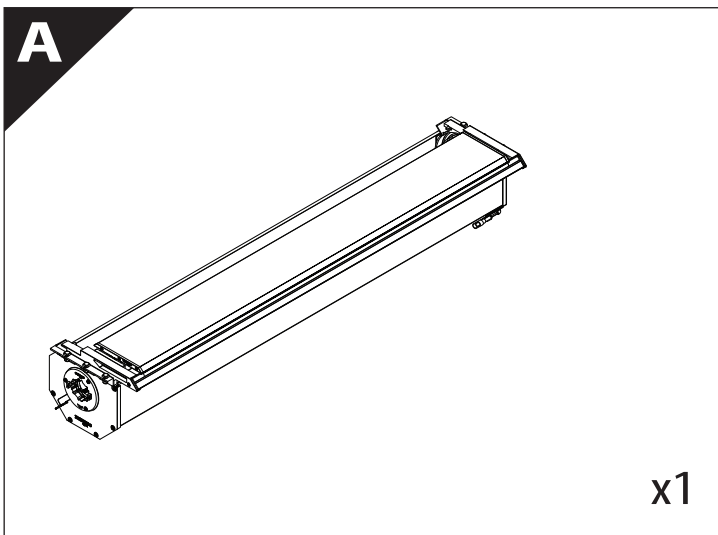
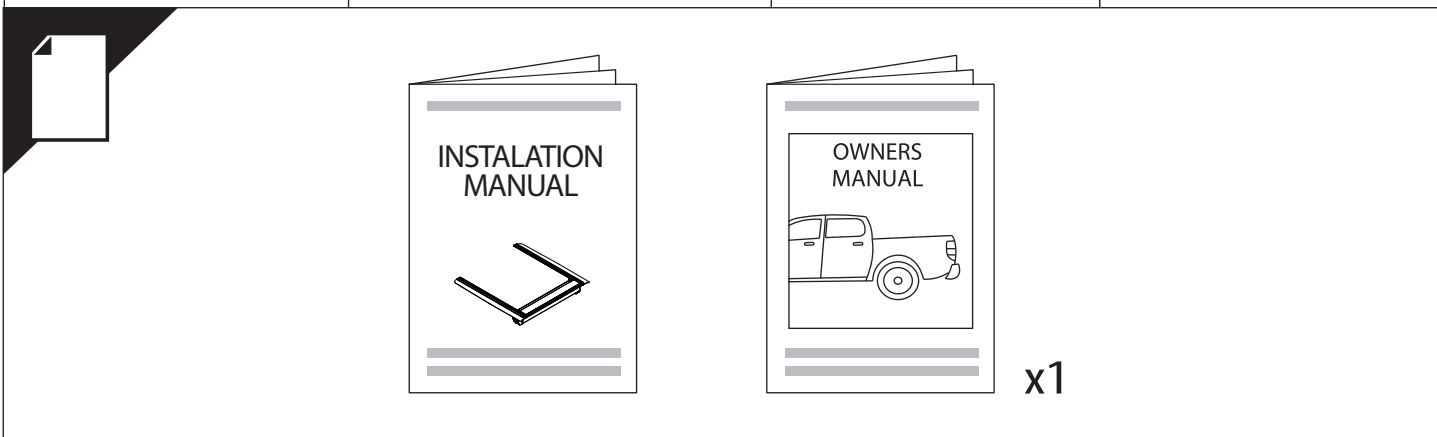
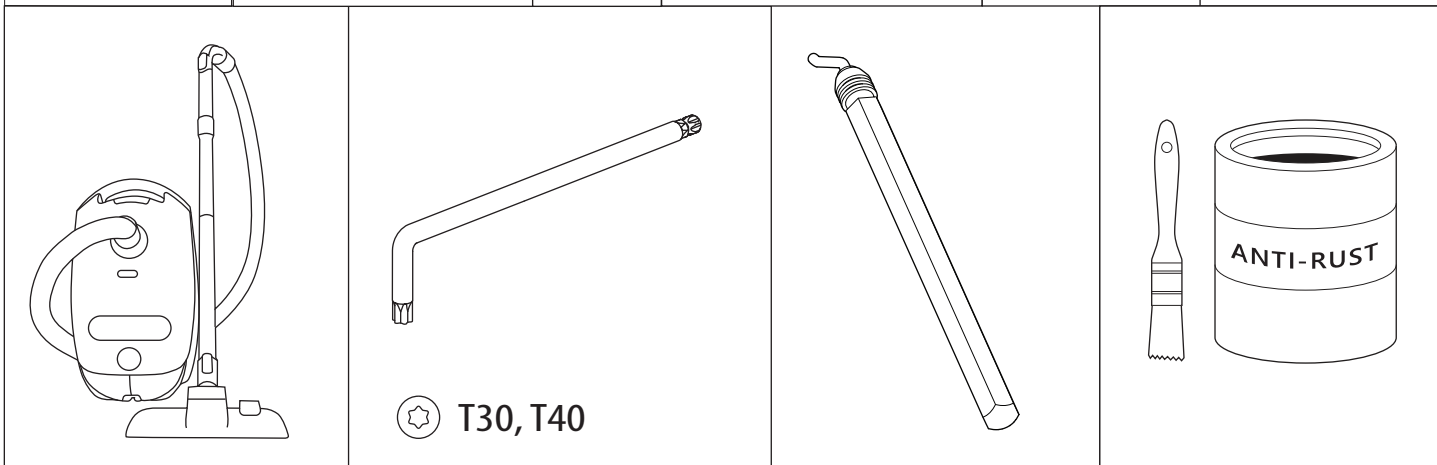
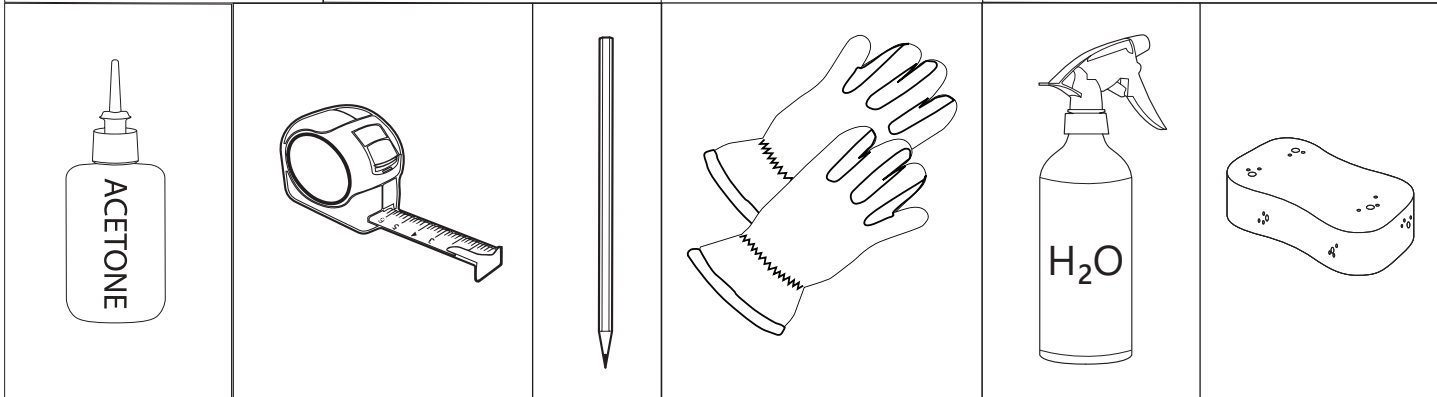
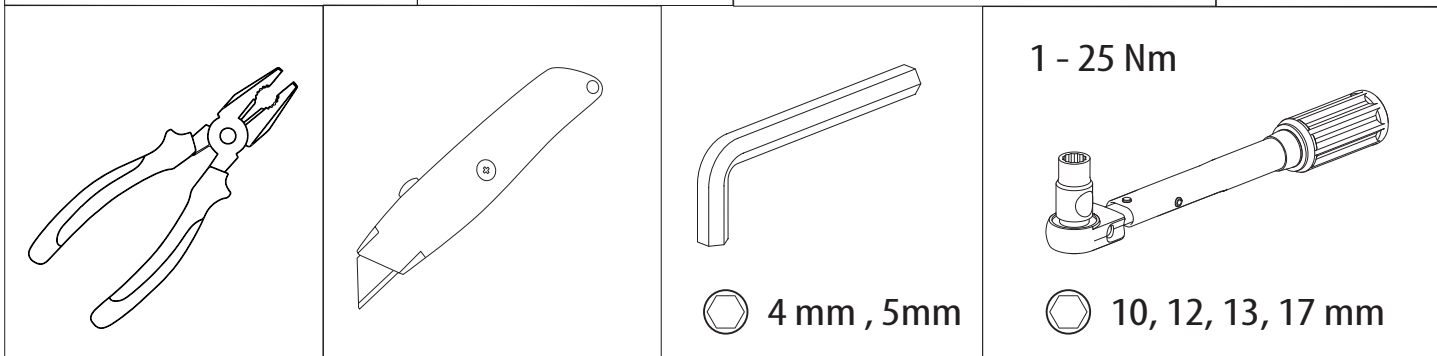
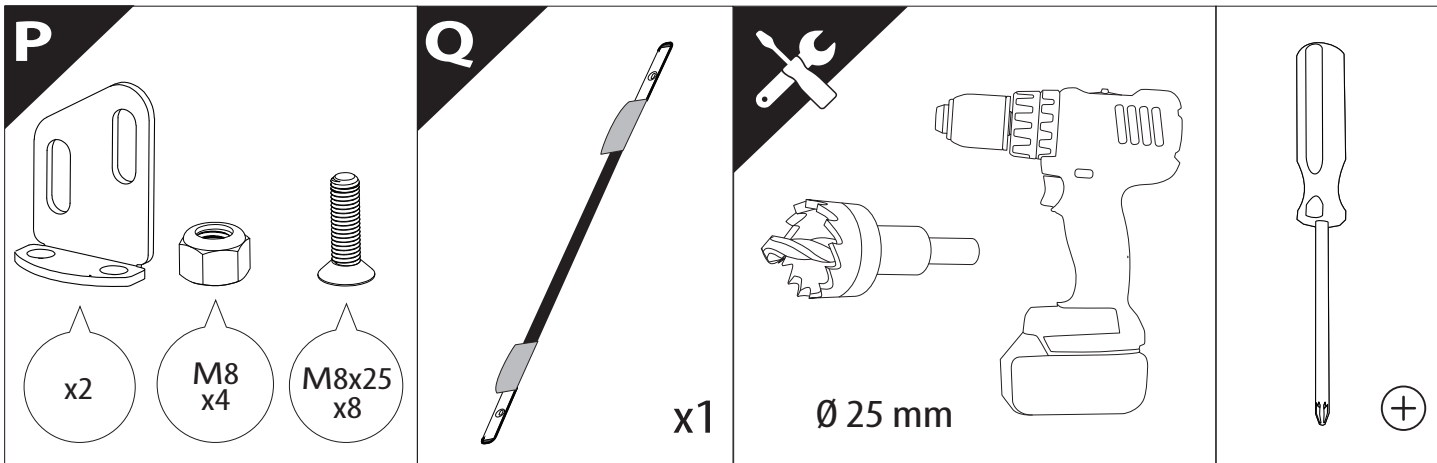


Installation Manual

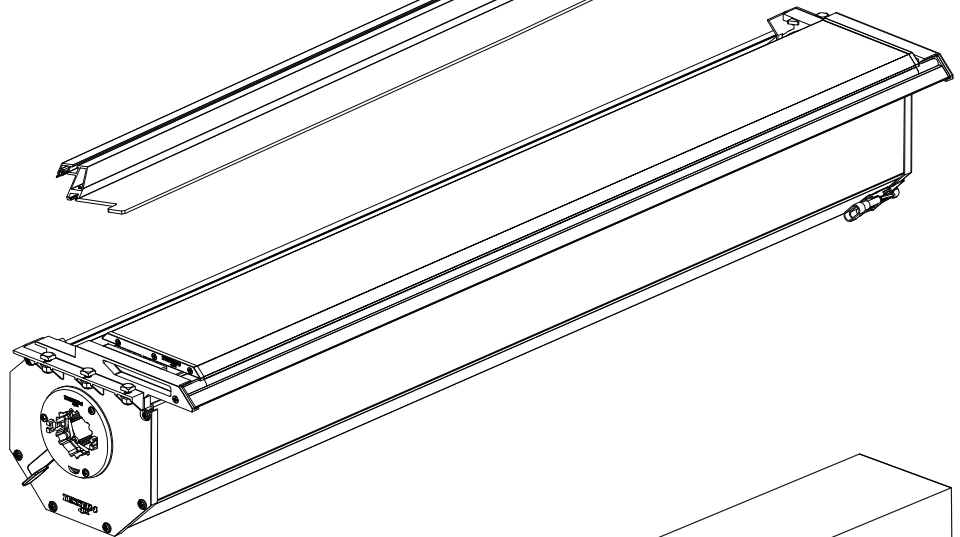
| PART NUMBER(S) | Model Year |
|------------------------|---|
| TESS 14012 ROLL | VW AMAROK PANAMERICANA 2023+ (with c-channels) |
| Cab(s) | Installation Time / Weight |
| Double Cab | 40-60 minutes / 53-57 kg |





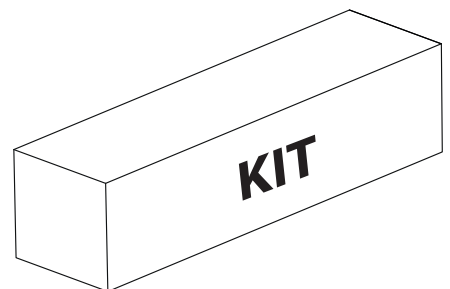


B



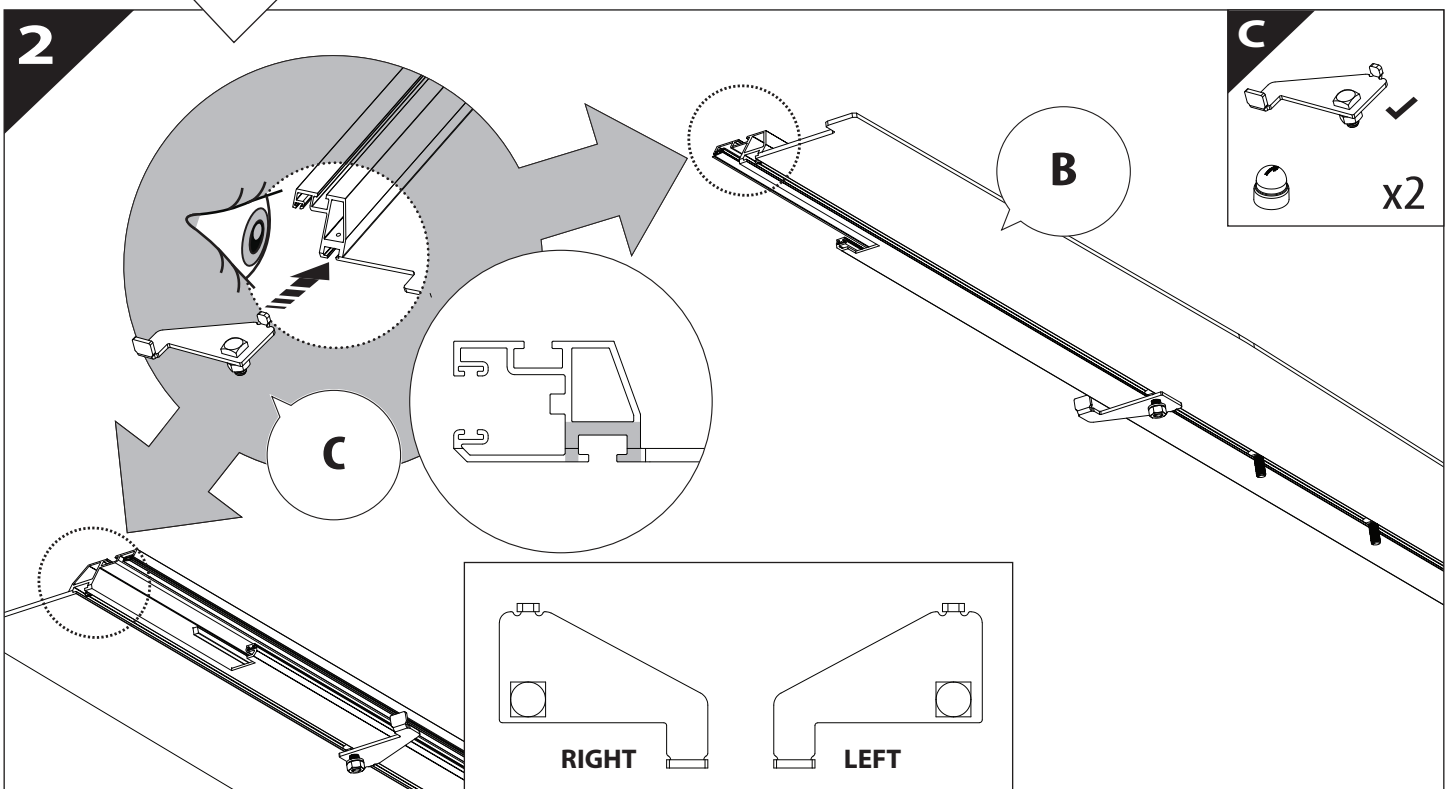
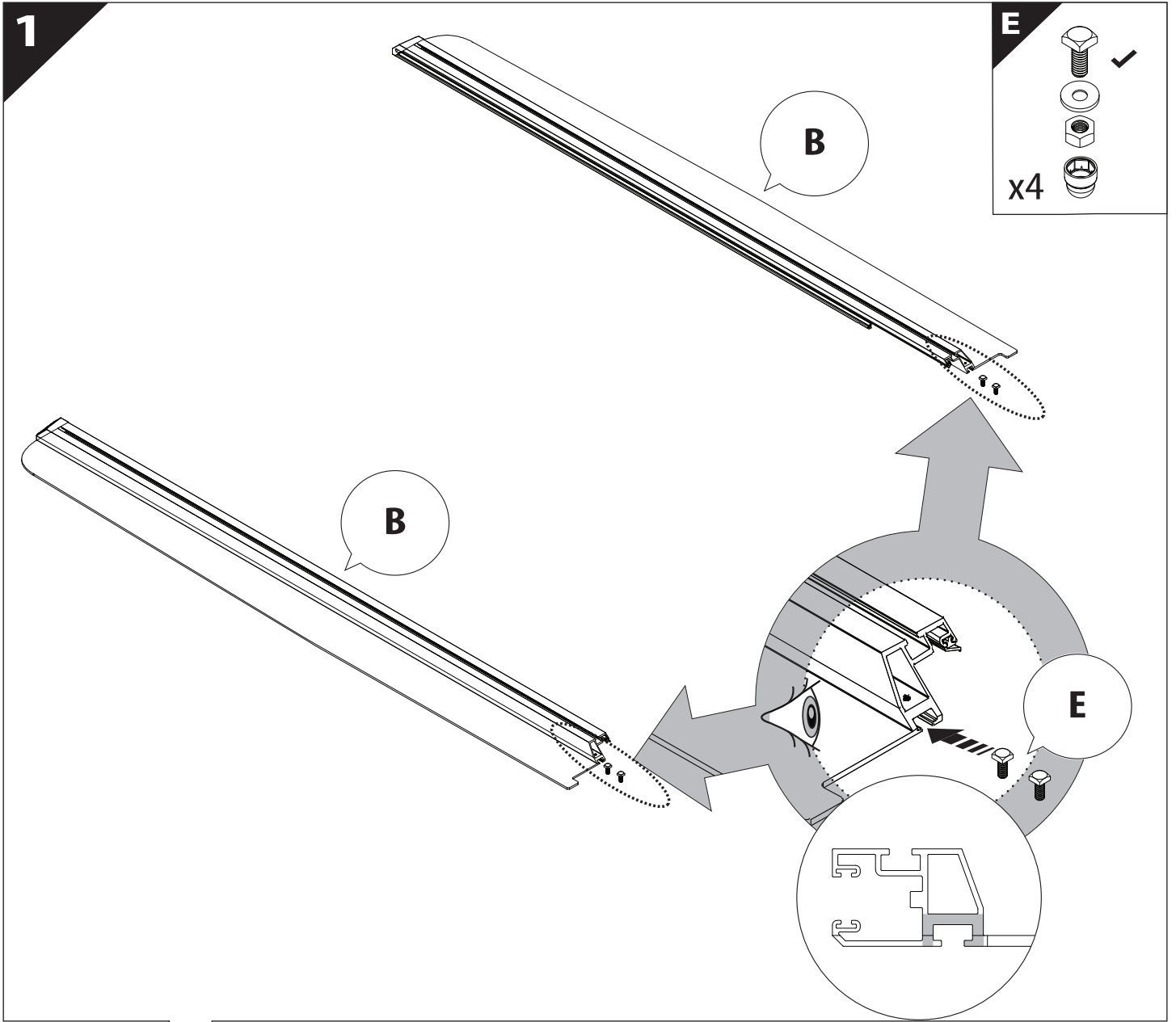
A

KITS

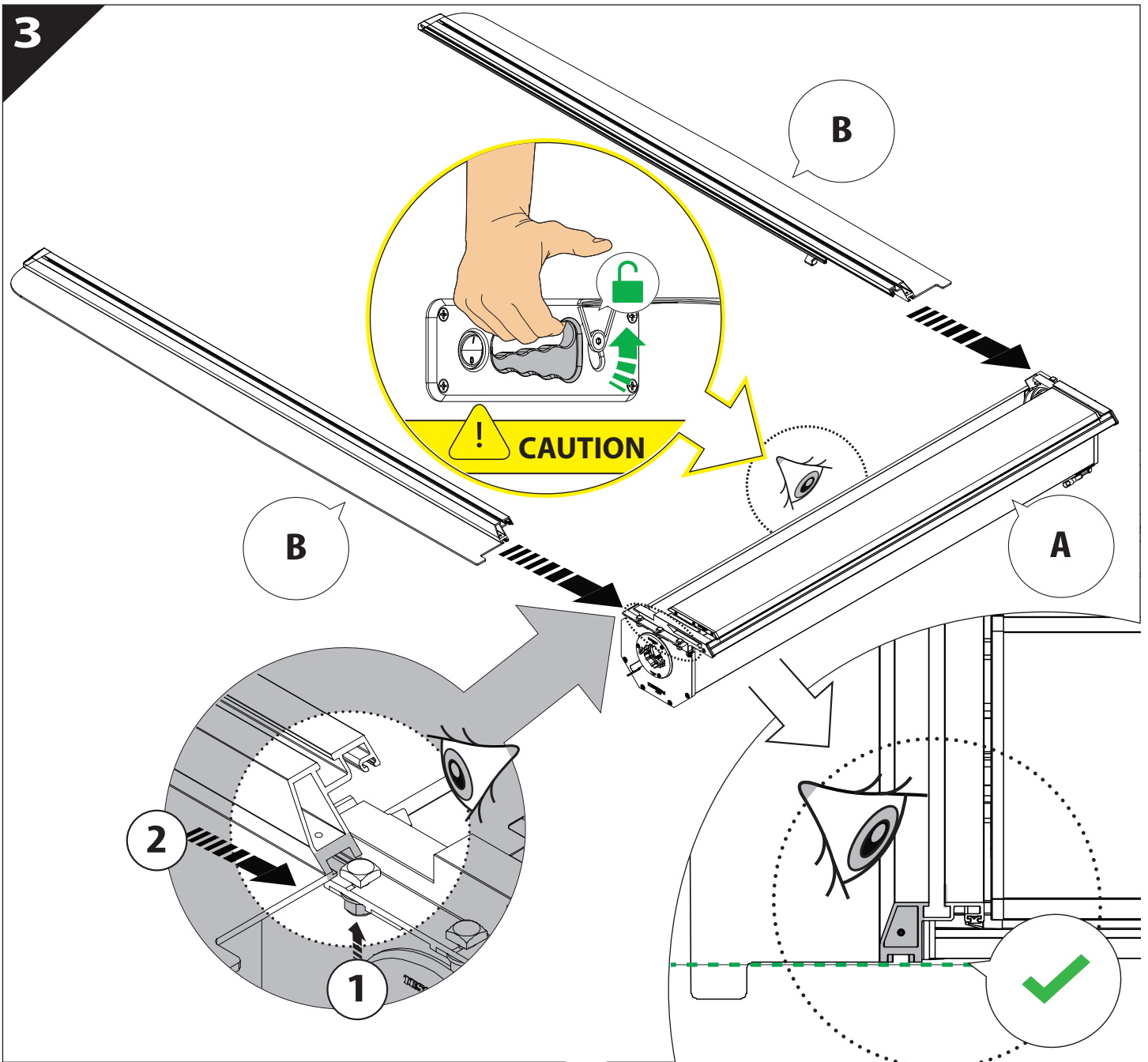


L

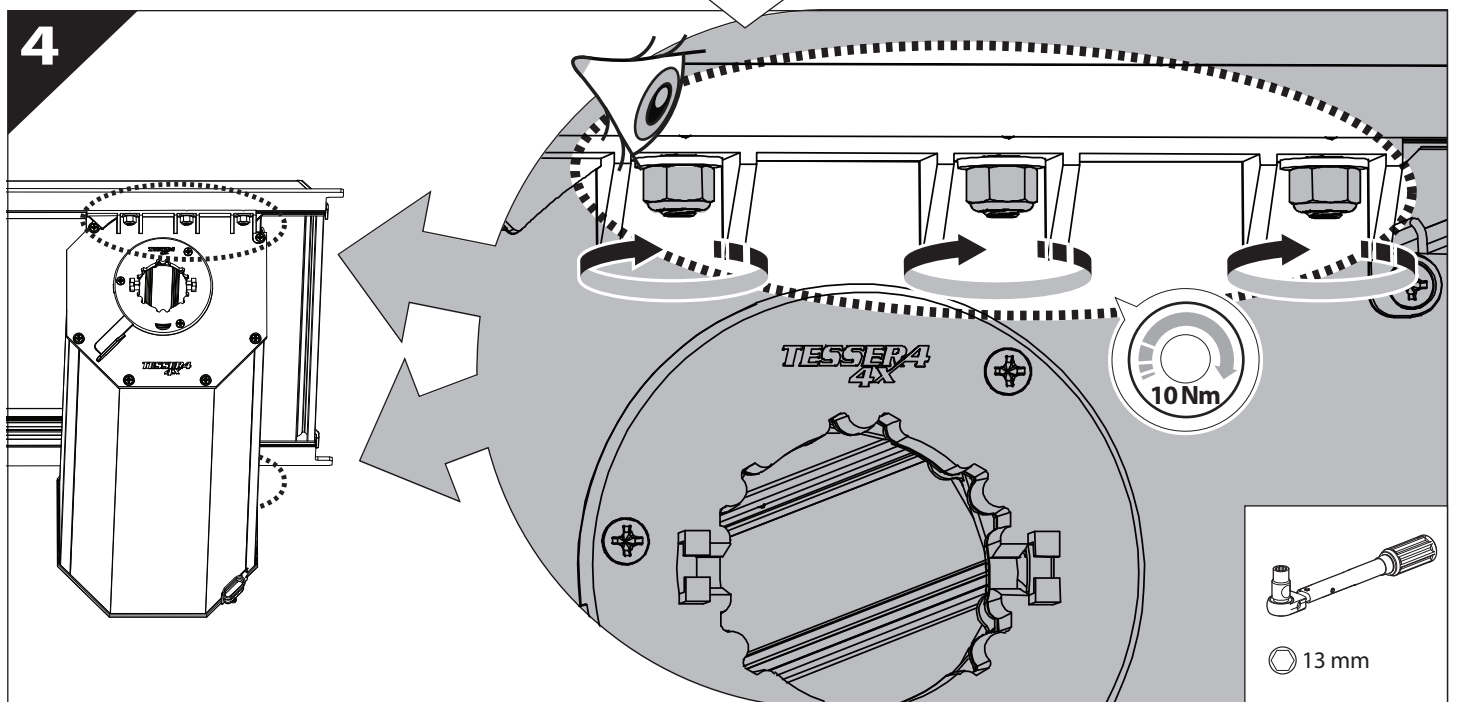


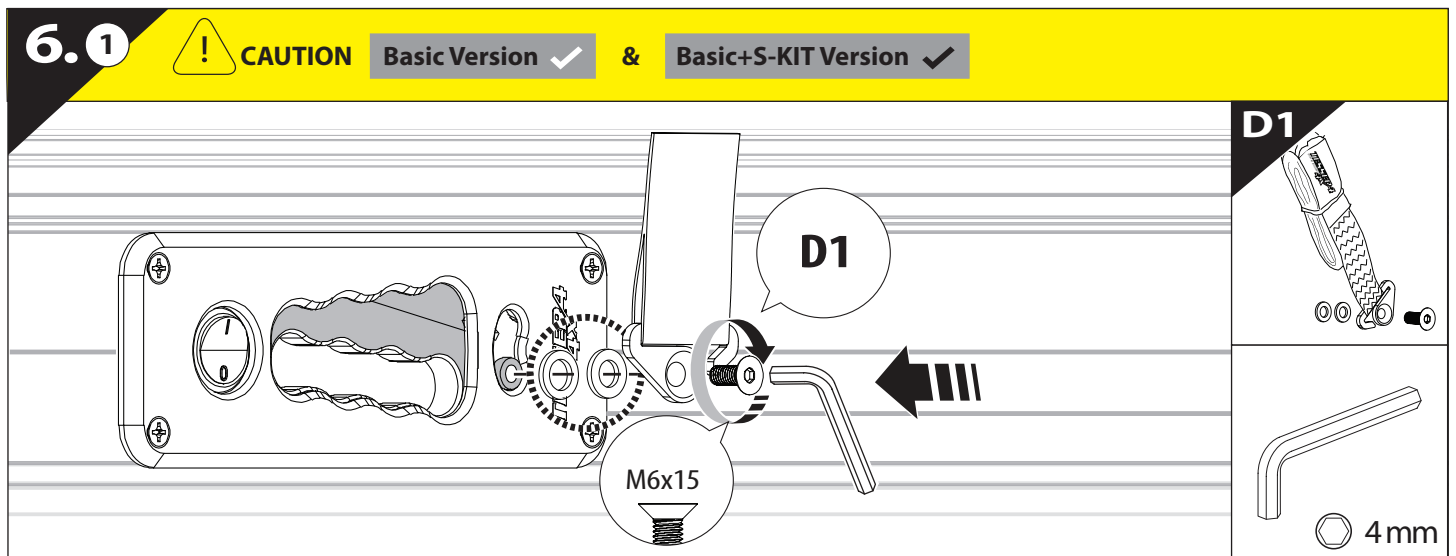
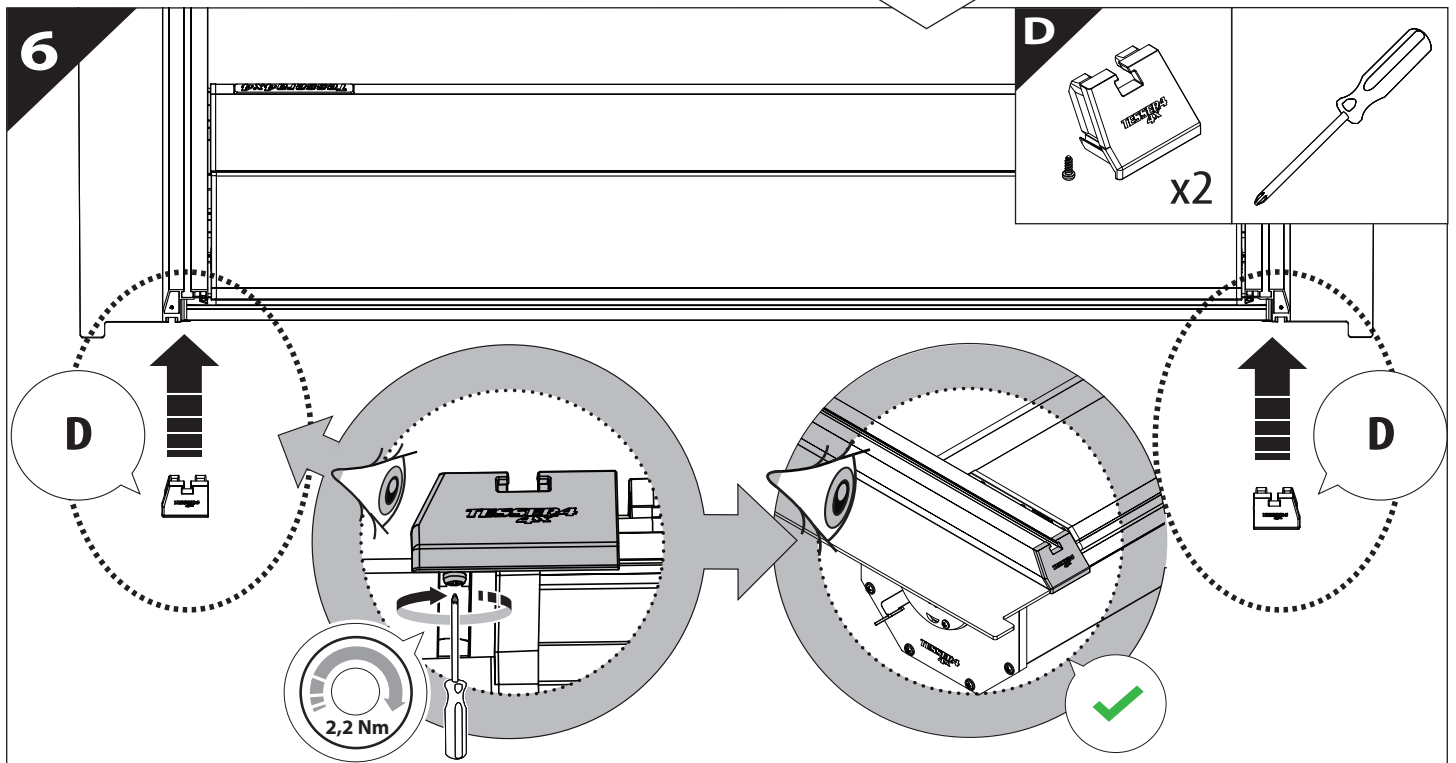
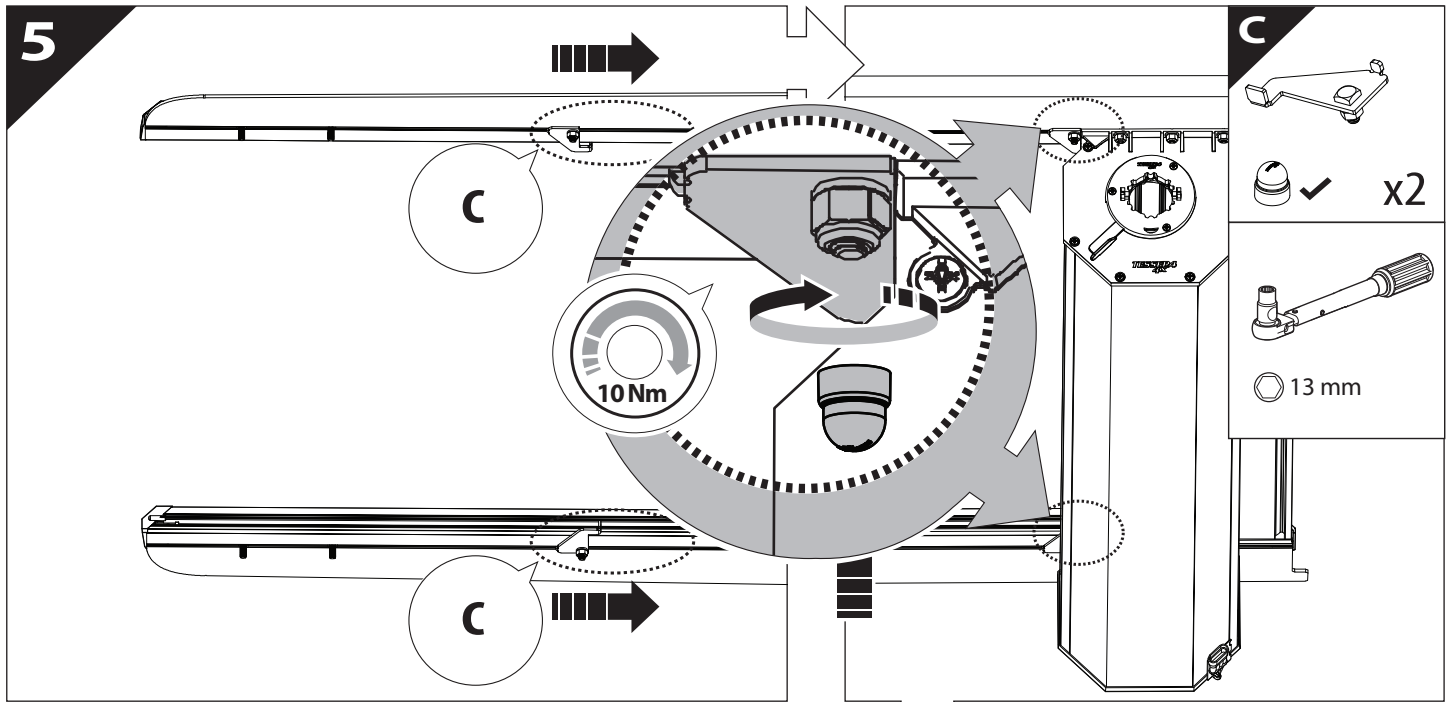


3

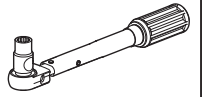


4



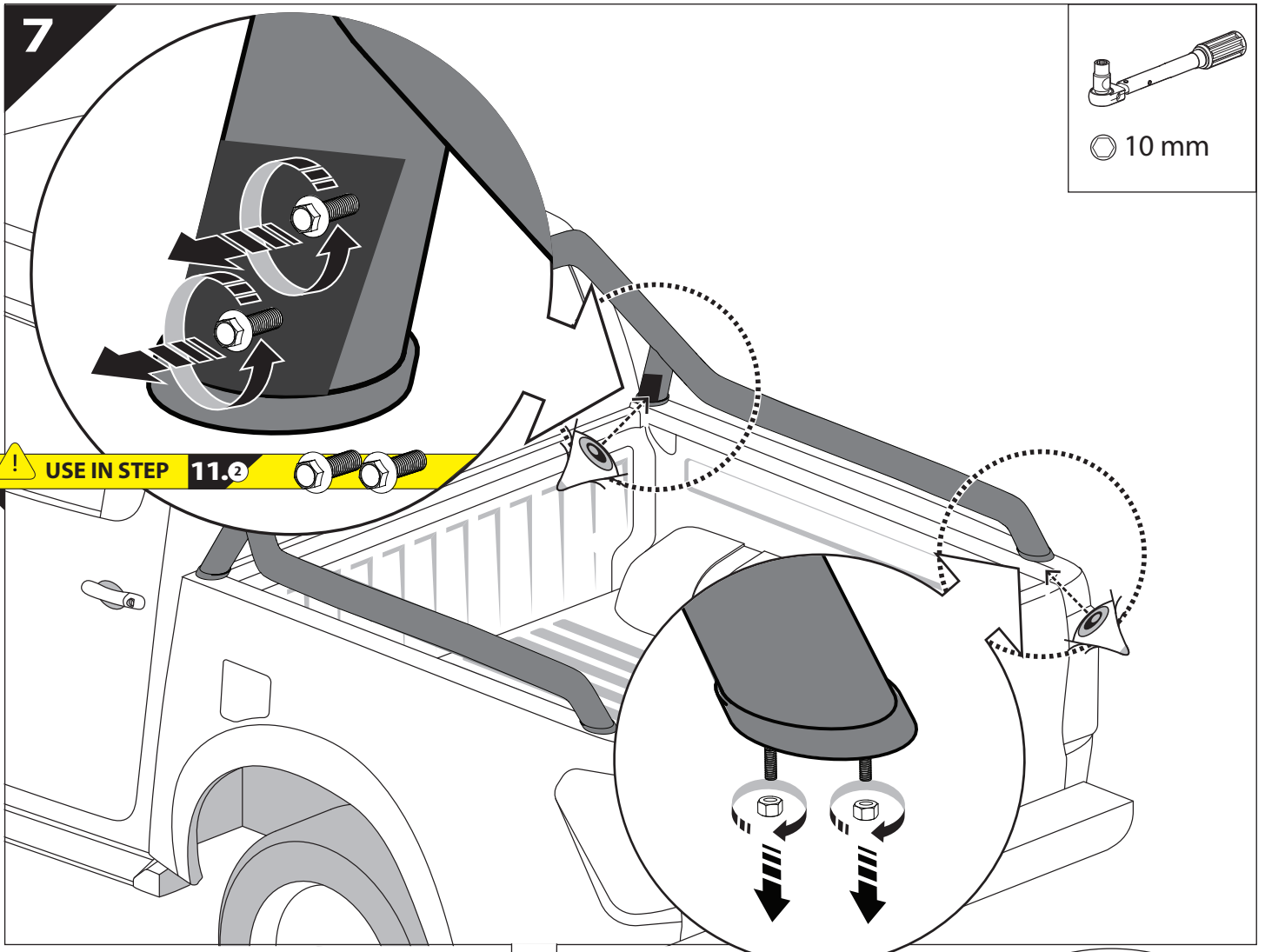
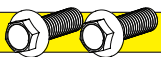


7



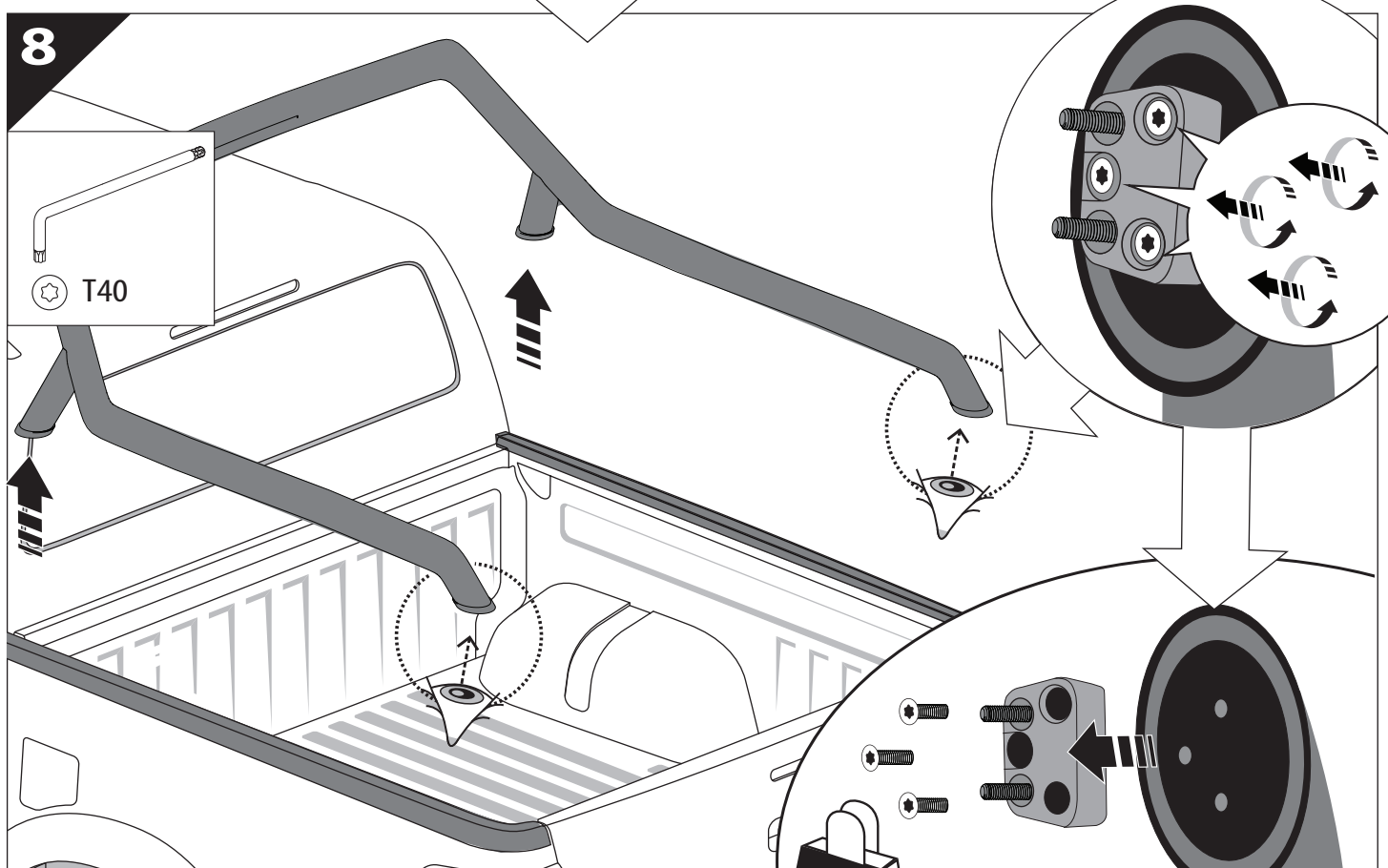
10 mm

! USE IN STEP 11.2

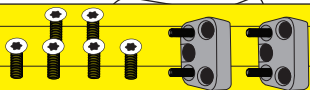


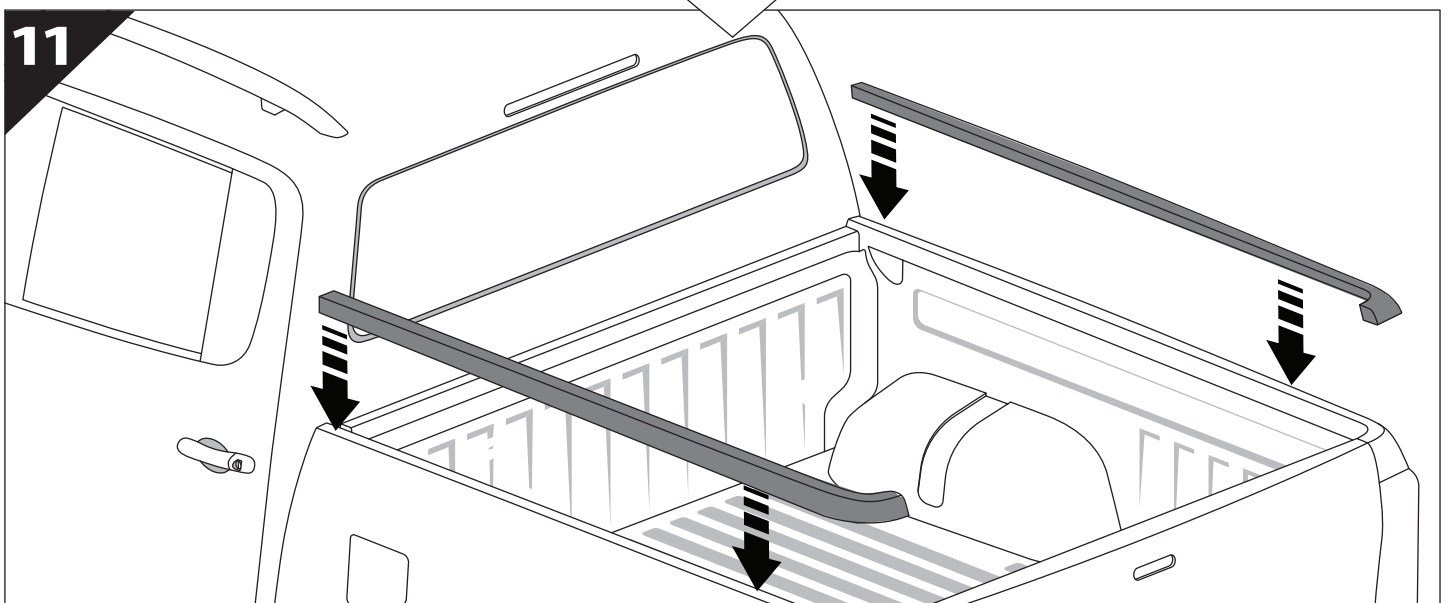
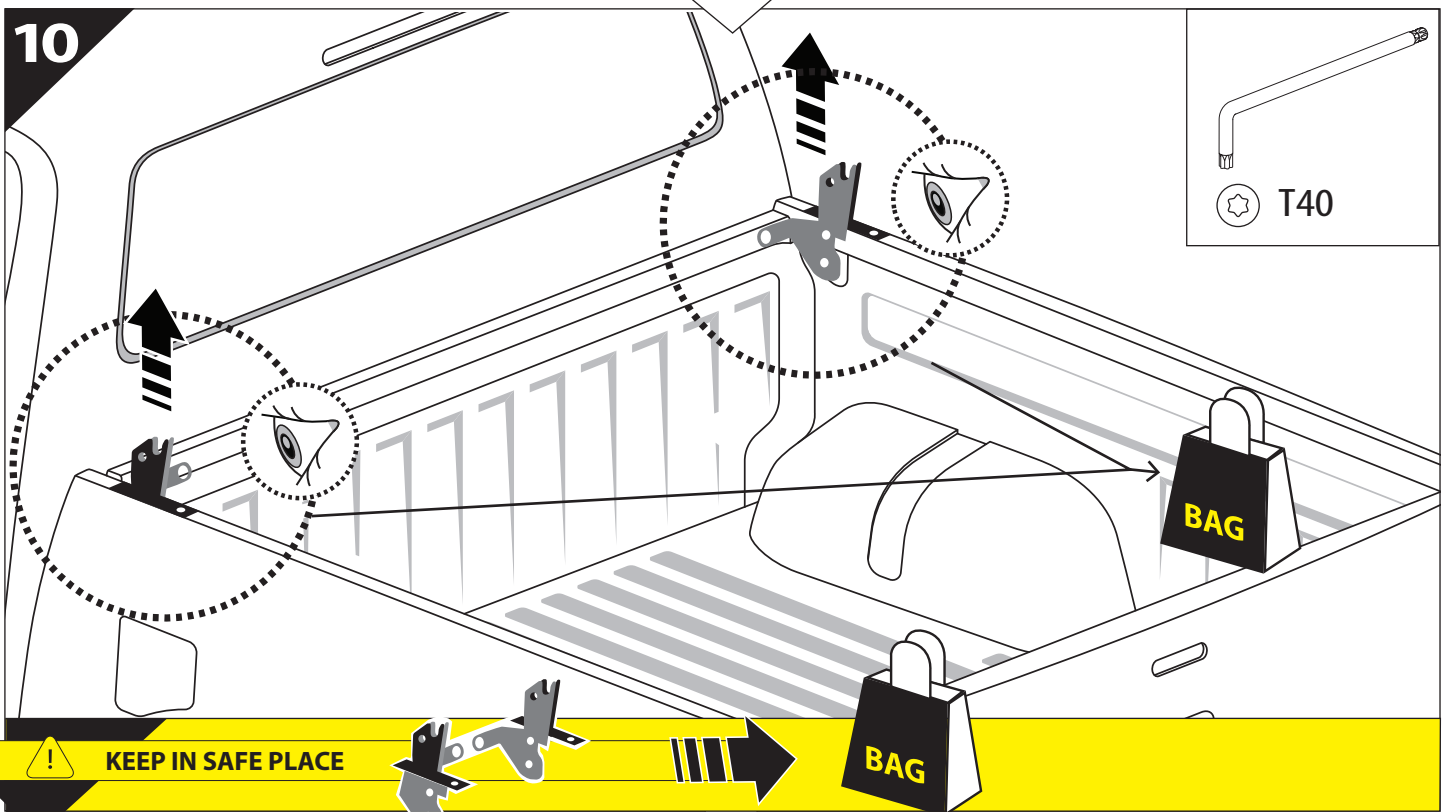
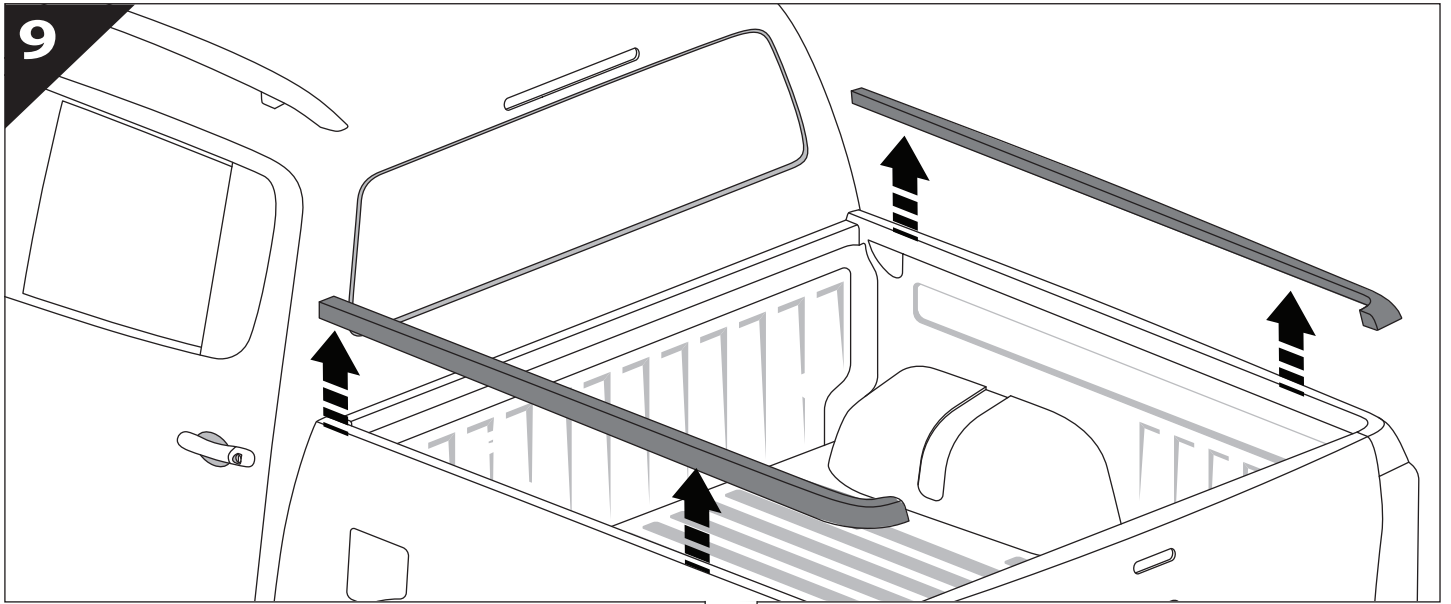
8

T40



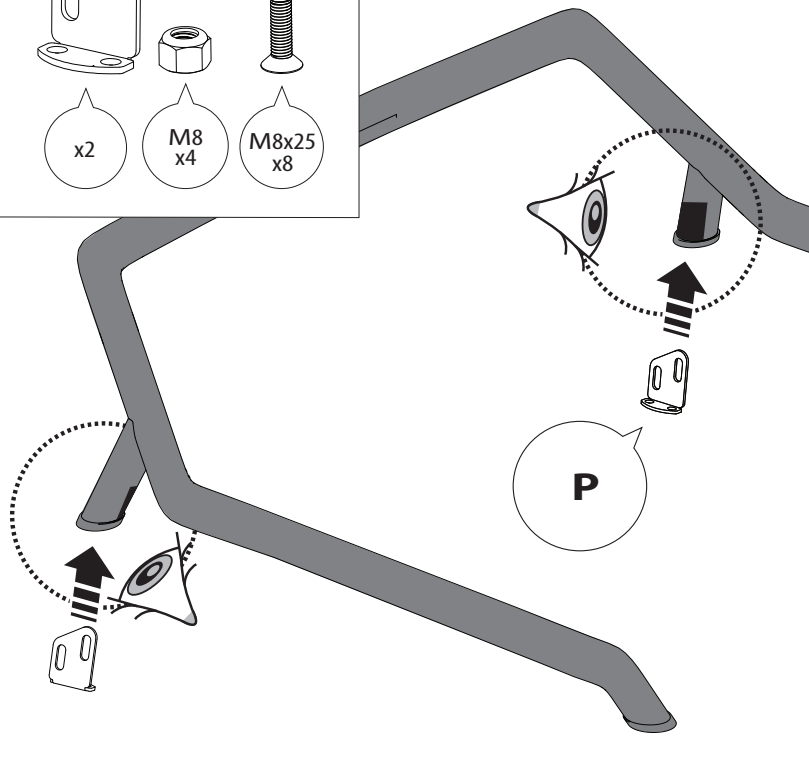
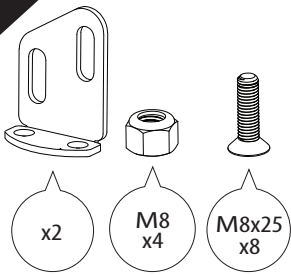
! KEEP IN SAFE PLACE



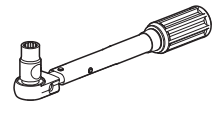


11.0

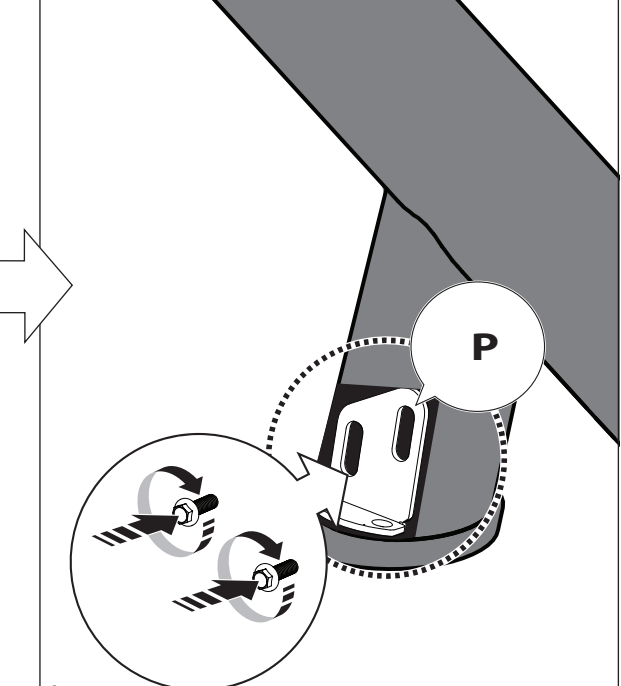
P



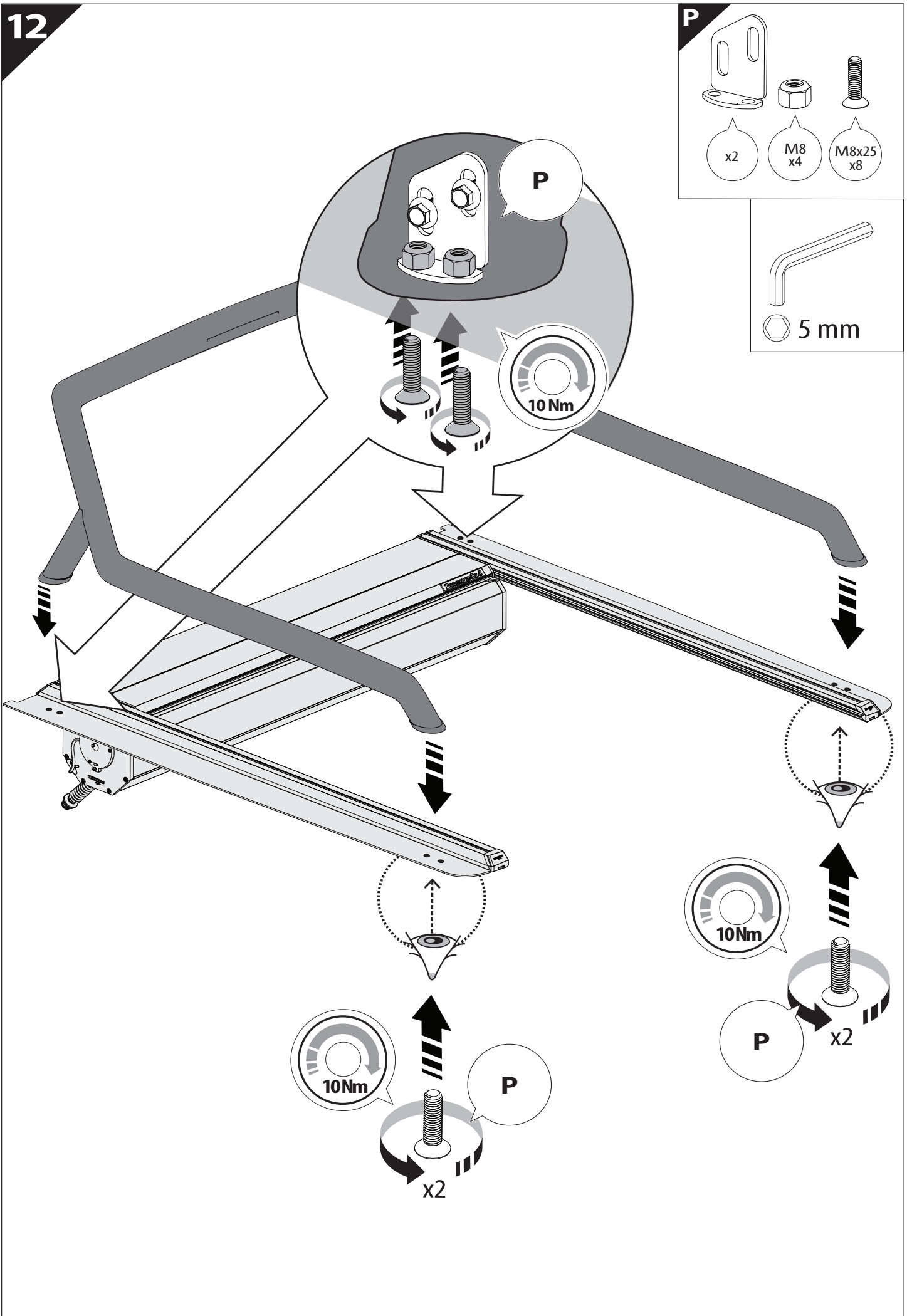
11.2



10 mm



 FROM STEP 7 



P

x2 M8 x4 M8x25 x8

This block contains a parts list for step 12. It shows three items: a motor unit (labeled 'P'), a nut (labeled 'M8 x4'), and a screw (labeled 'M8x25 x8'). The quantities are listed as 'x2' for the motor unit, 'M8 x4' for the nut, and 'M8x25 x8' for the screw.

5 mm

This block shows a 5 mm hex key. The hex key is shown in a perspective view, with the text '5 mm' below it.

10 Nm

P x2

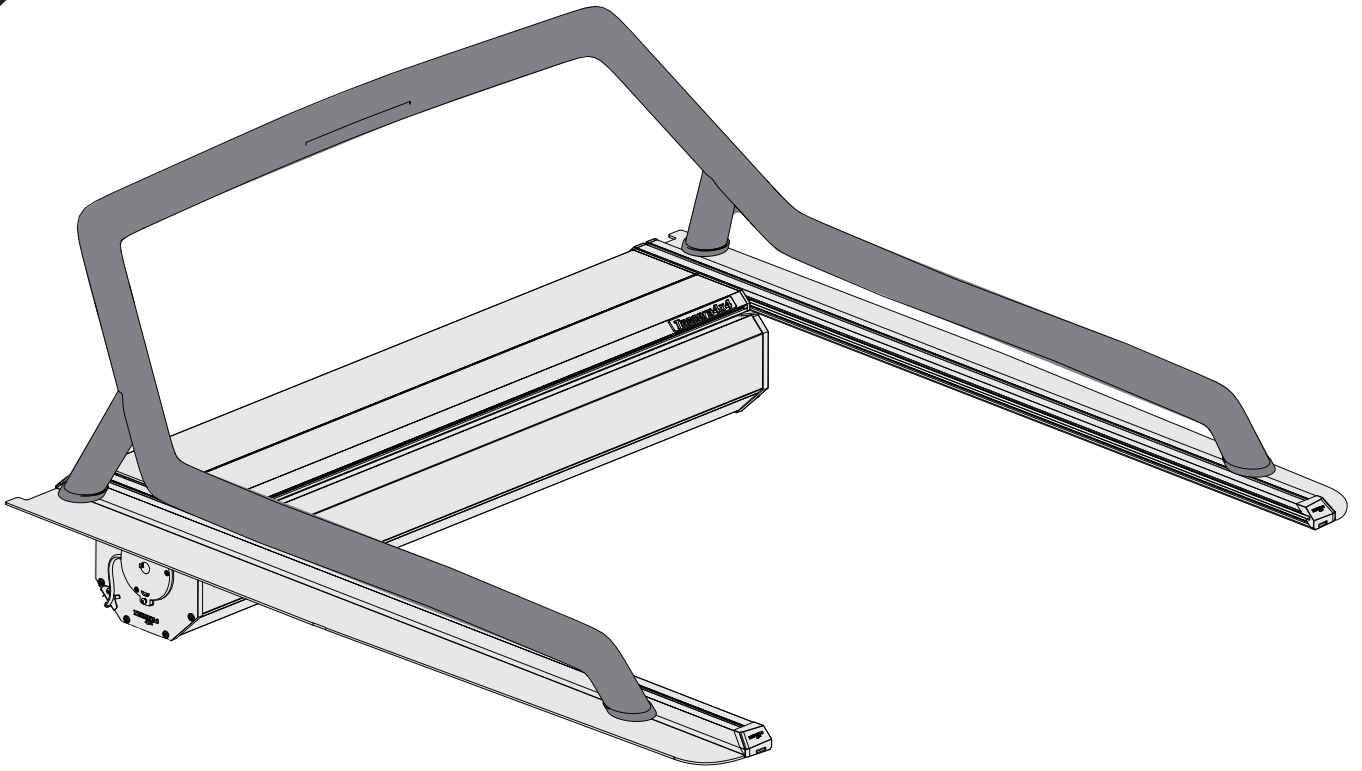
This block shows a screw being tightened. A circular callout with '10 Nm' and a curved arrow indicates the required torque. A circular callout with 'P' and 'x2' indicates the quantity of parts.

10 Nm

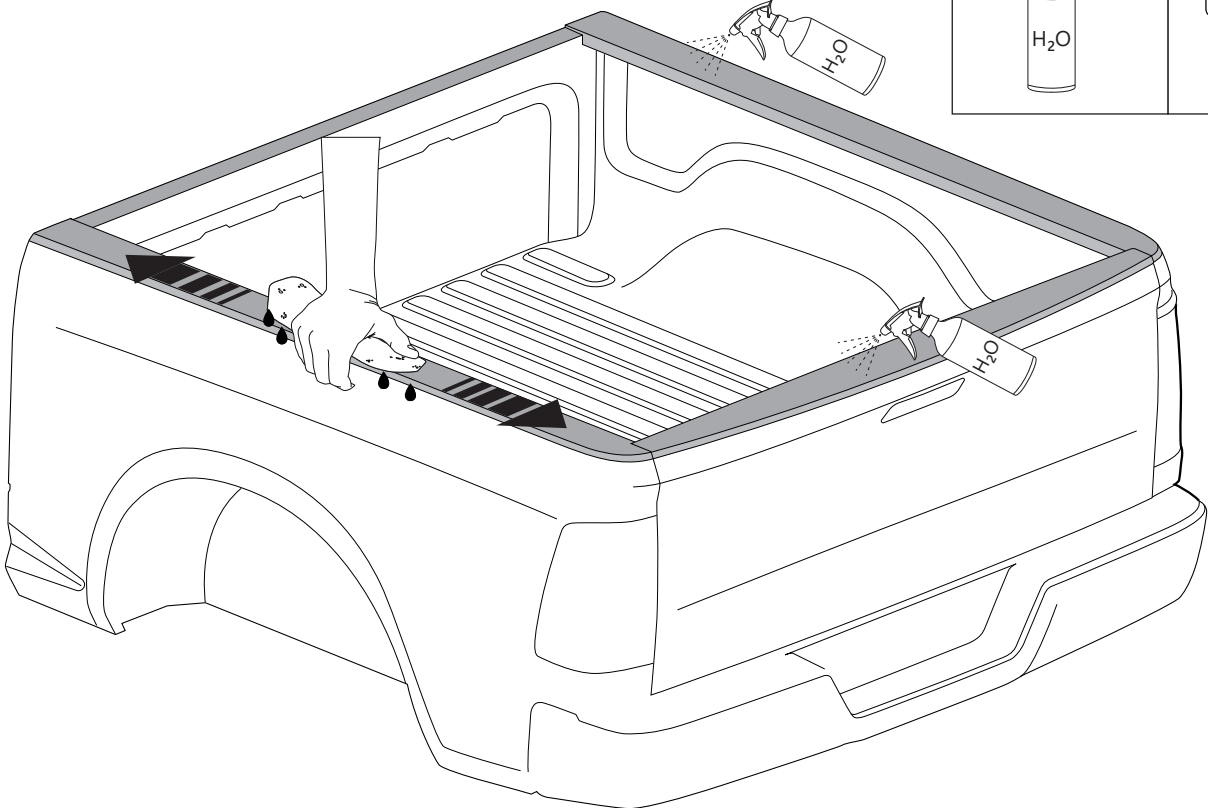
P x2

This block shows a screw being tightened. A circular callout with '10 Nm' and a curved arrow indicates the required torque. A circular callout with 'P' and 'x2' indicates the quantity of parts.

13

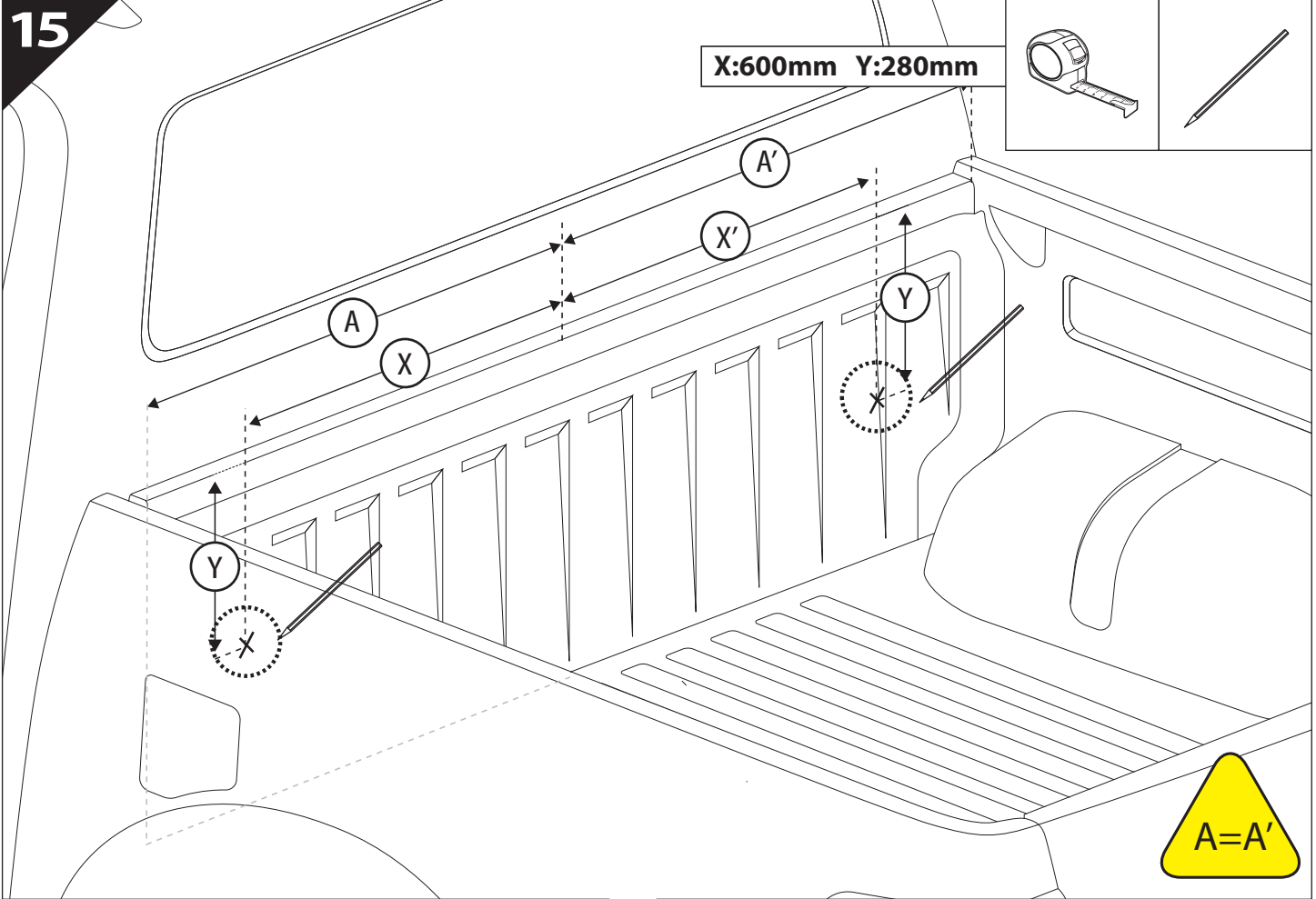
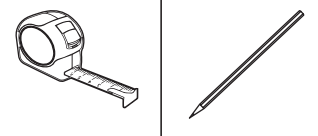


14

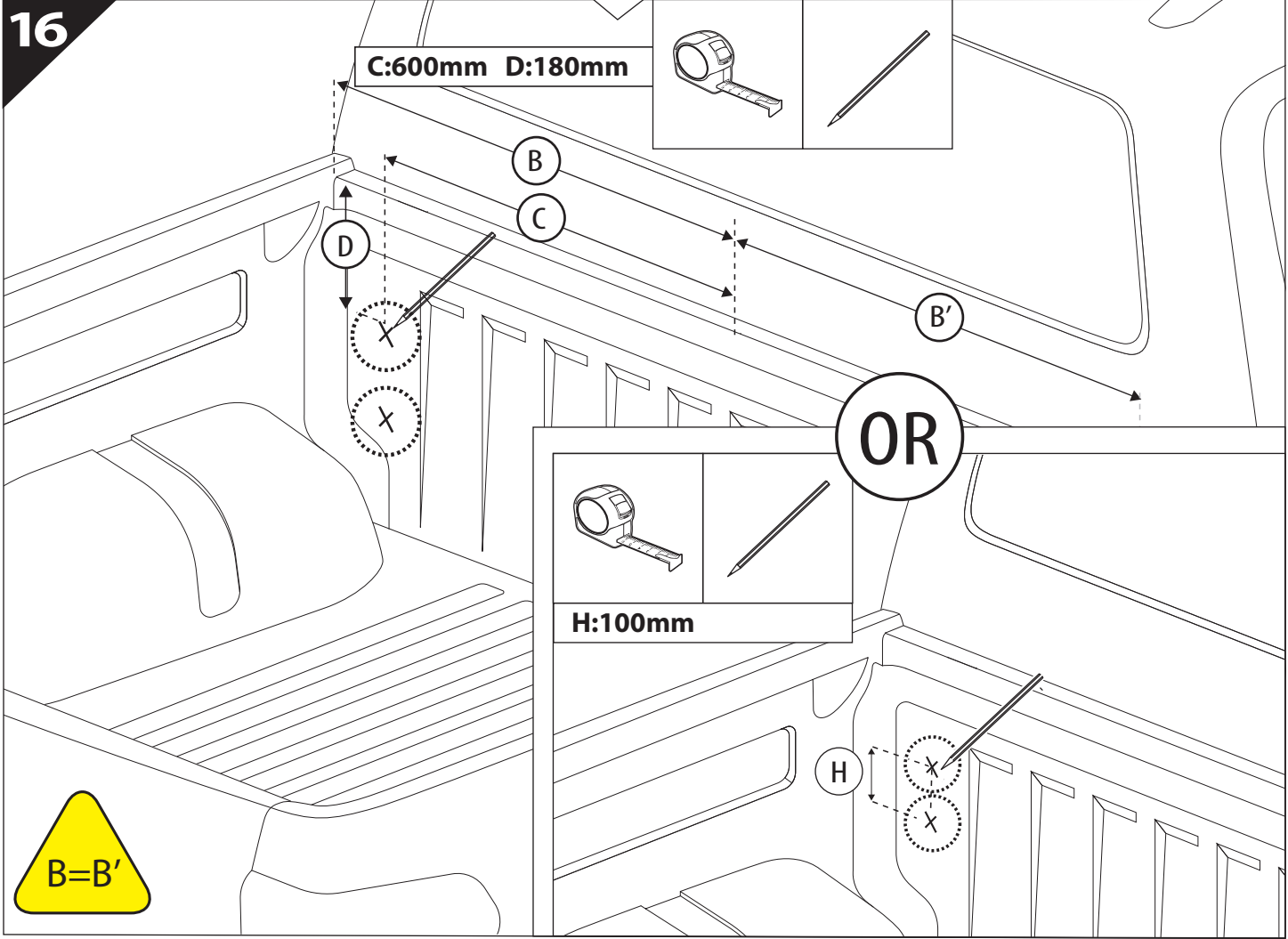
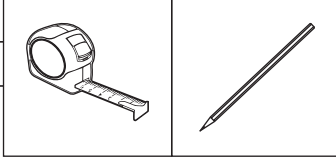


15

X:600mm Y:280mm



C:600mm D:180mm



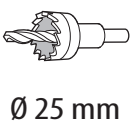
17

CAUTION

CAUTION

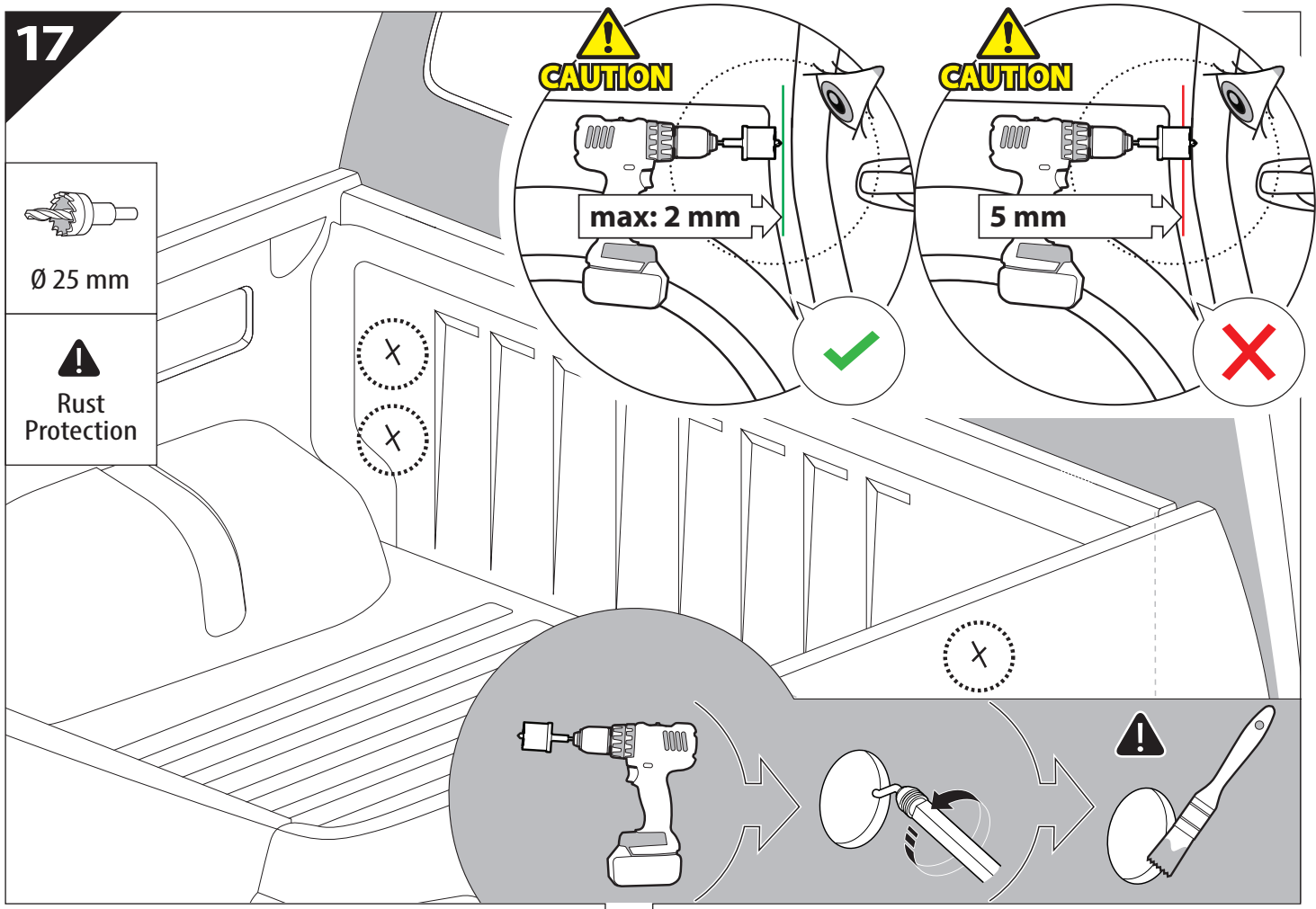
max: 2 mm

5 mm



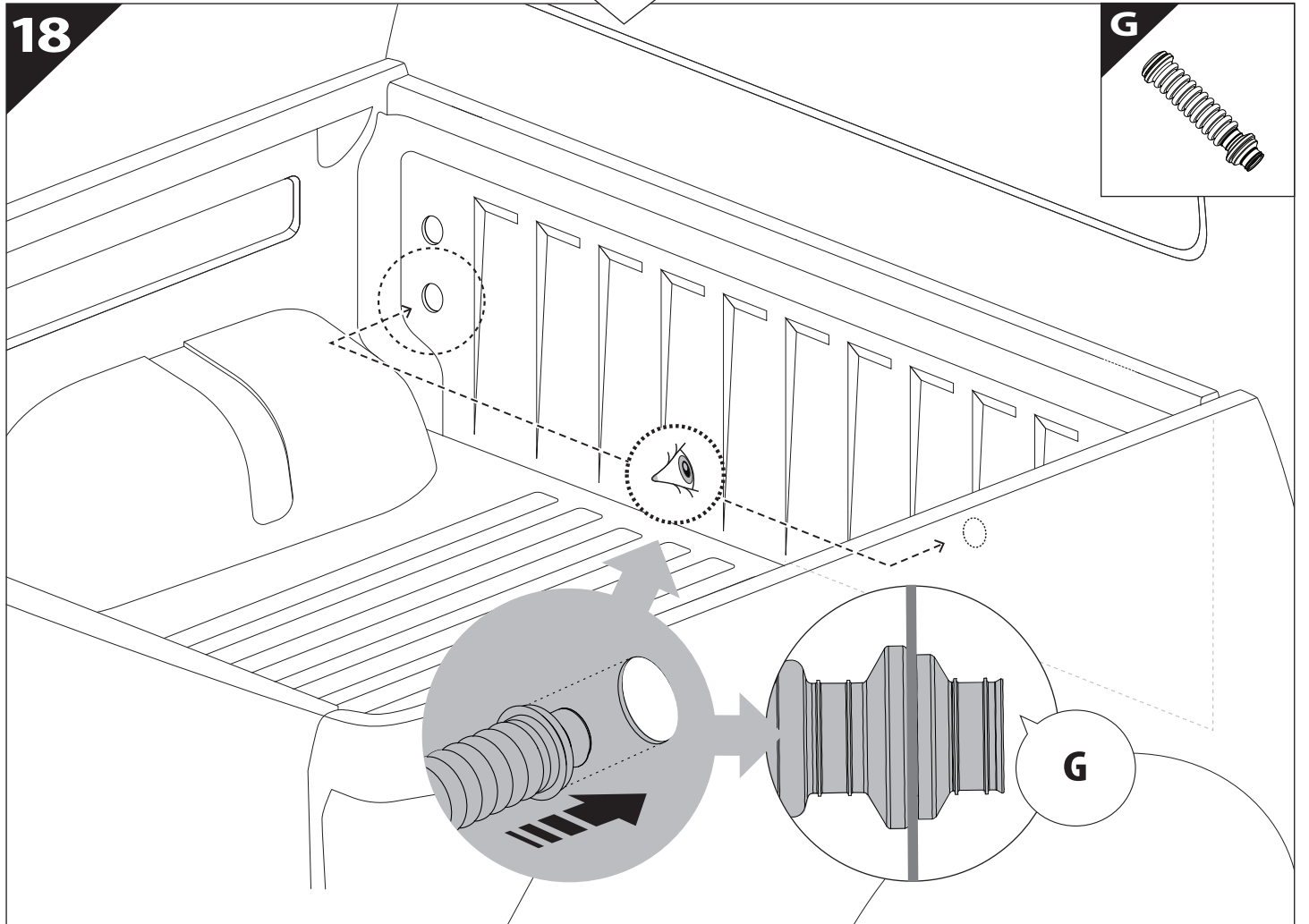
Ø 25 mm

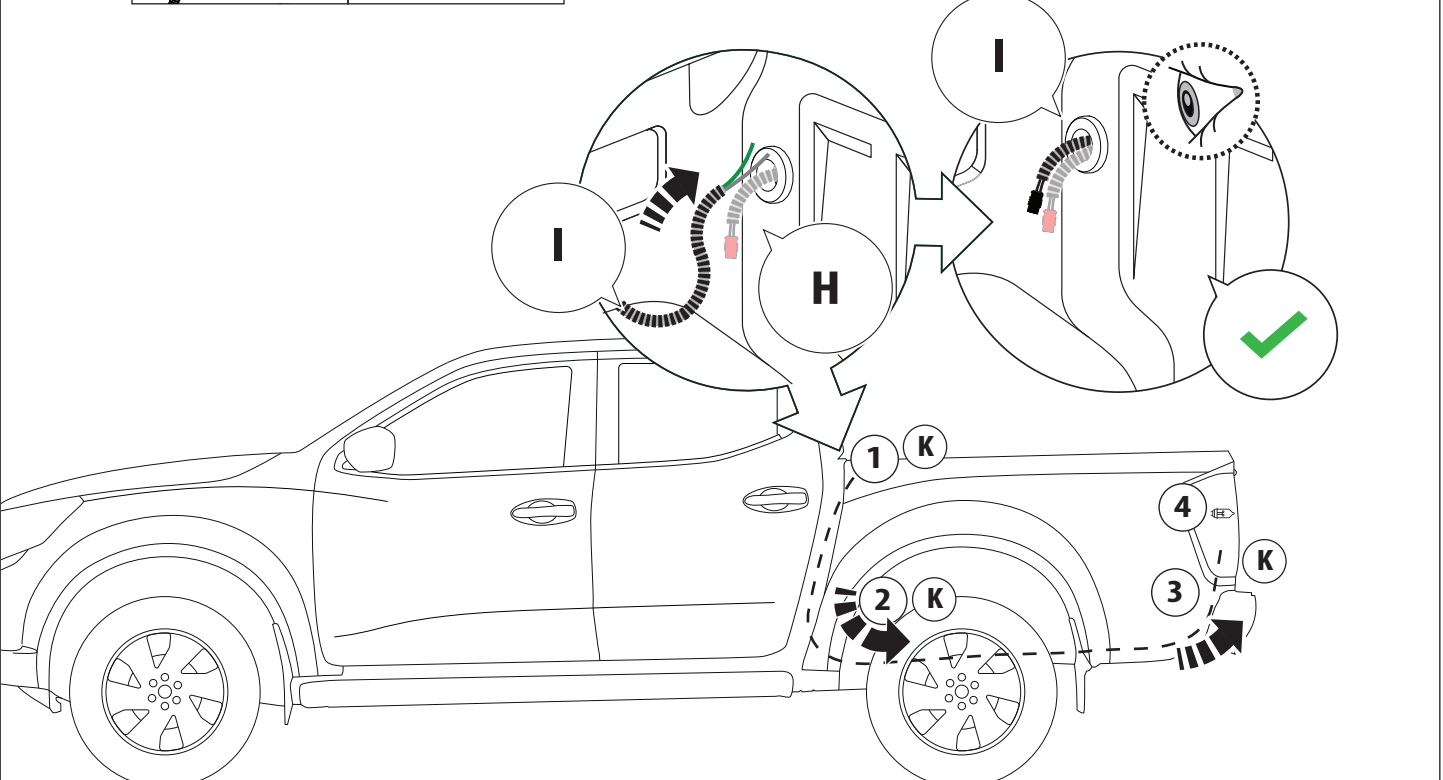
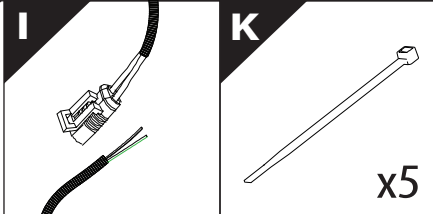
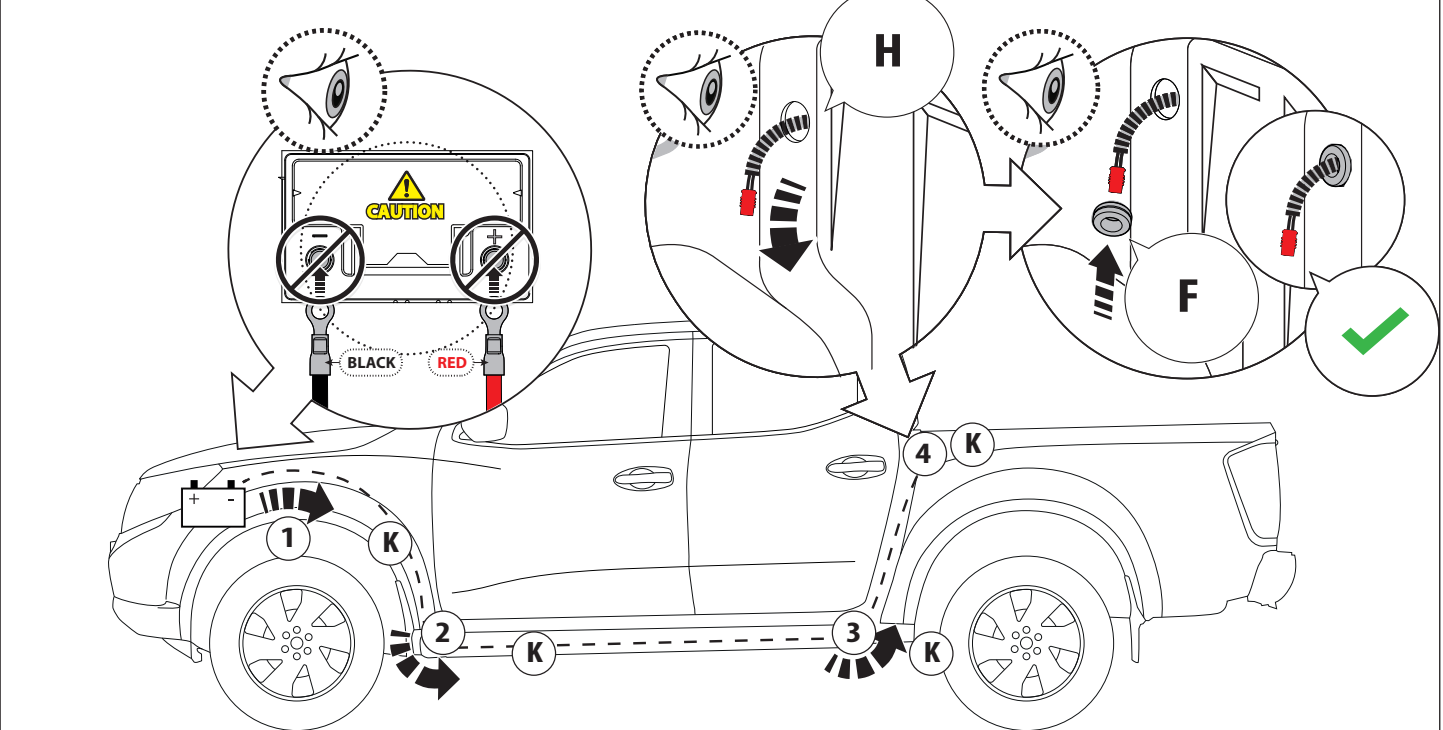
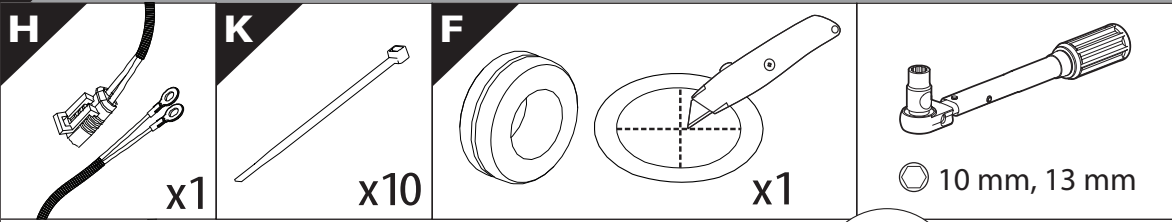
!
Rust Protection



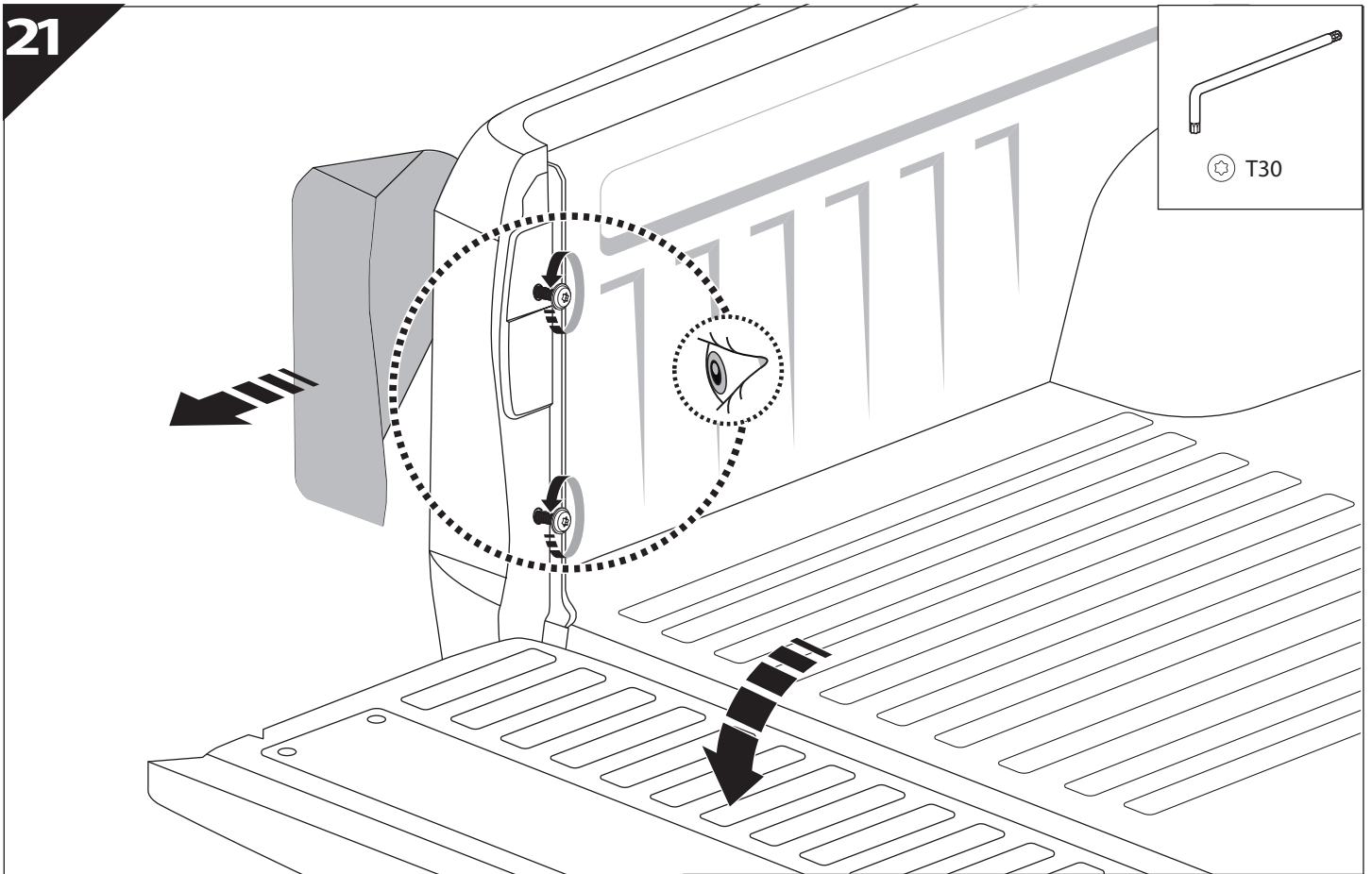
18

G

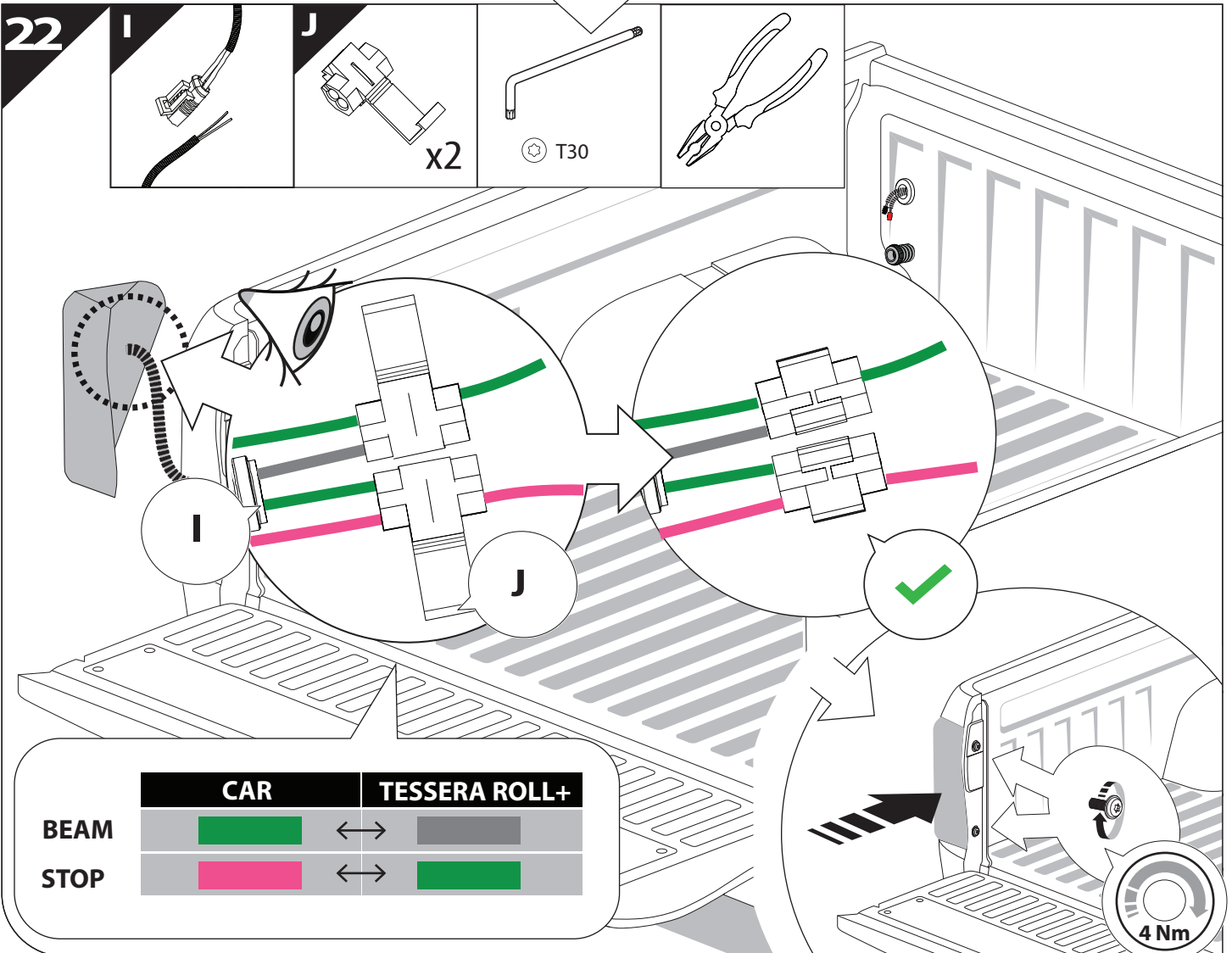
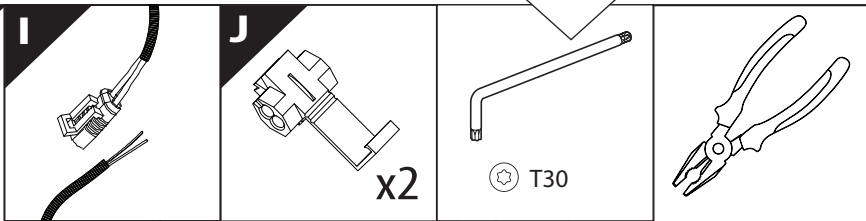




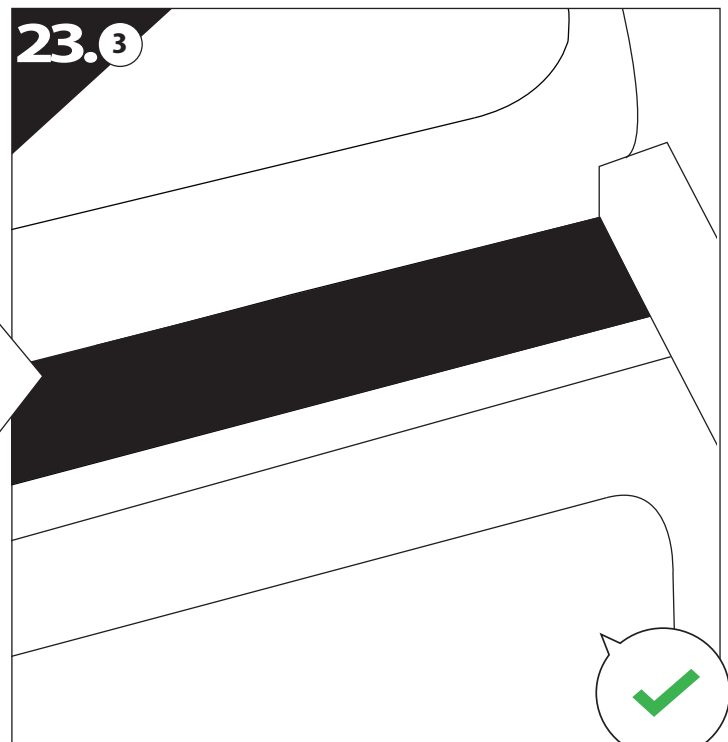
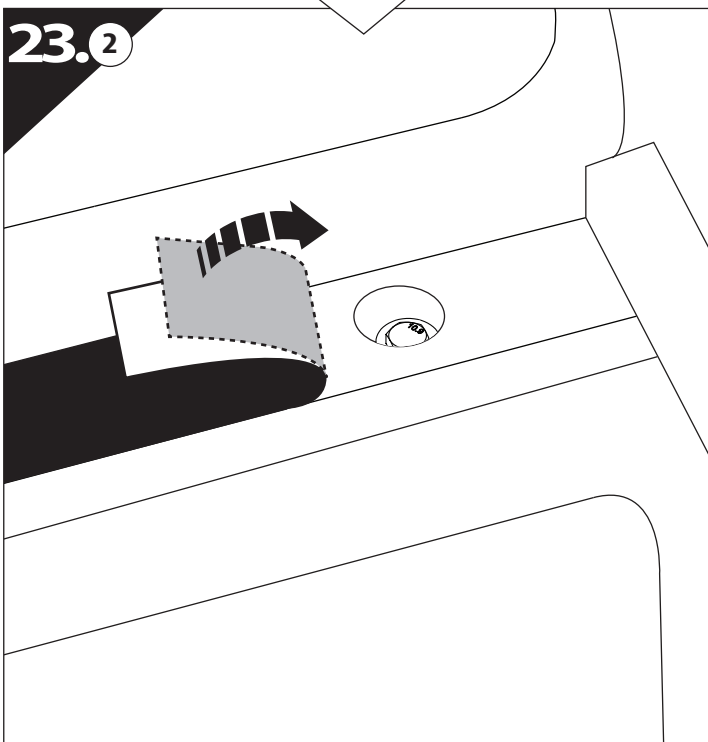
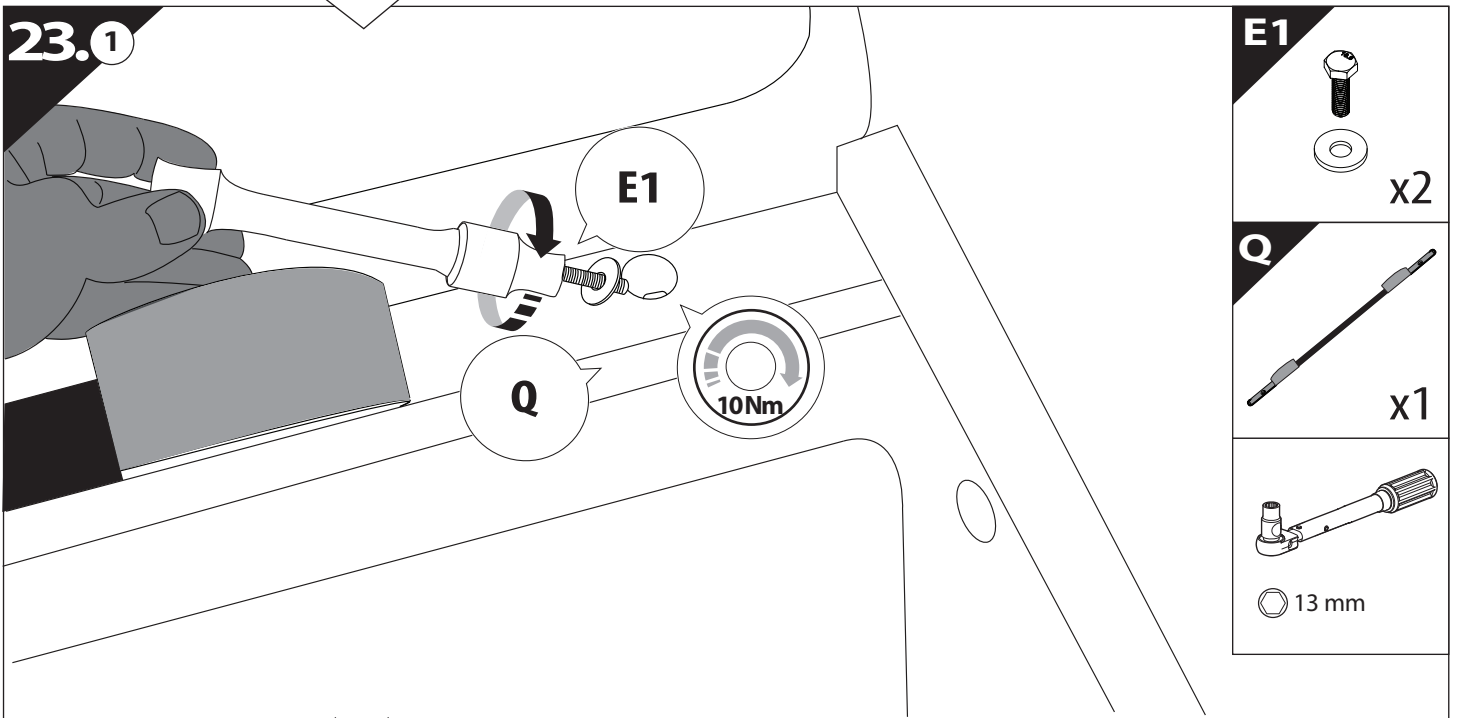
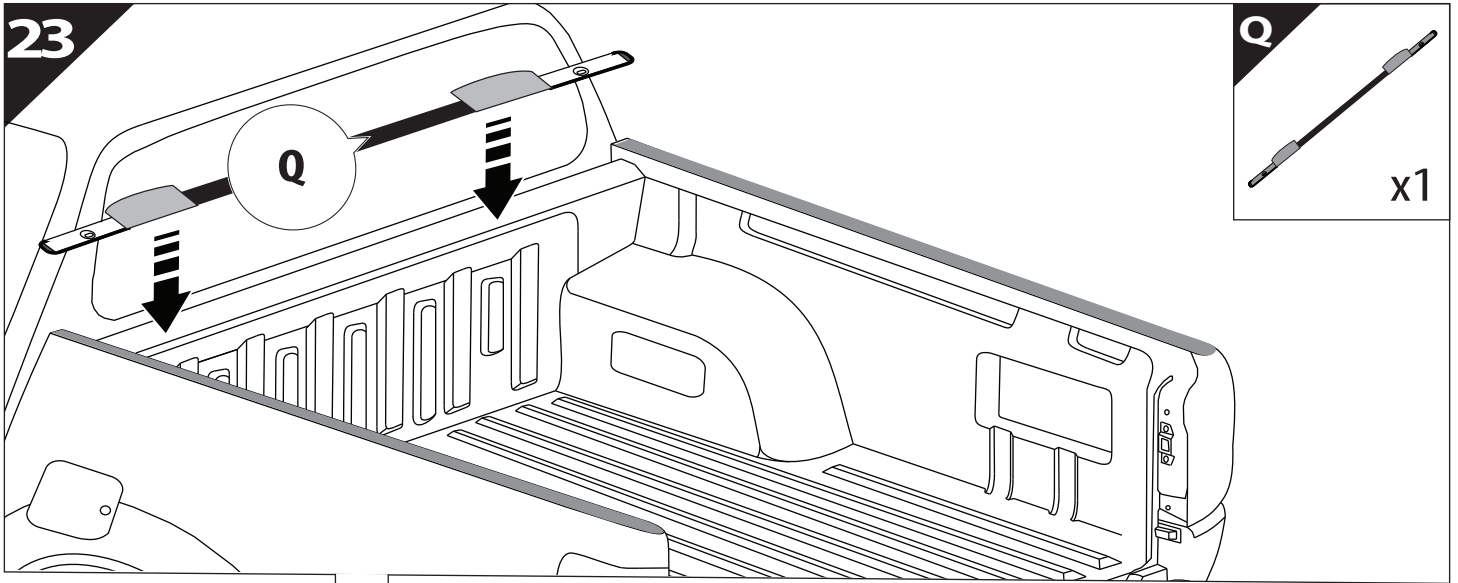
21



22

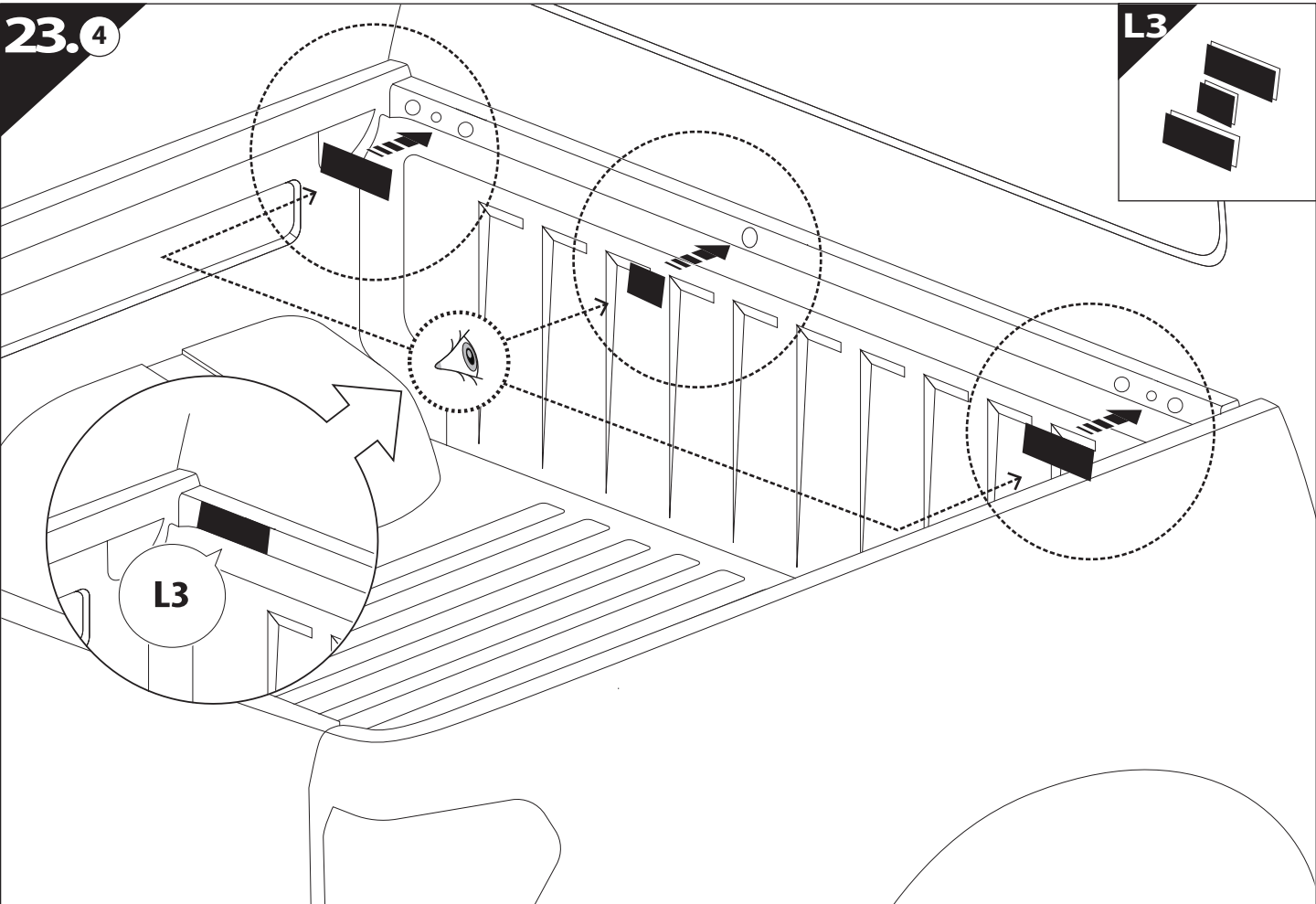


| | CAR | | TESSERA ROLL+ |
|------|-----|---|---------------|
| BEAM | | ↔ | |
| STOP | | ↔ | |



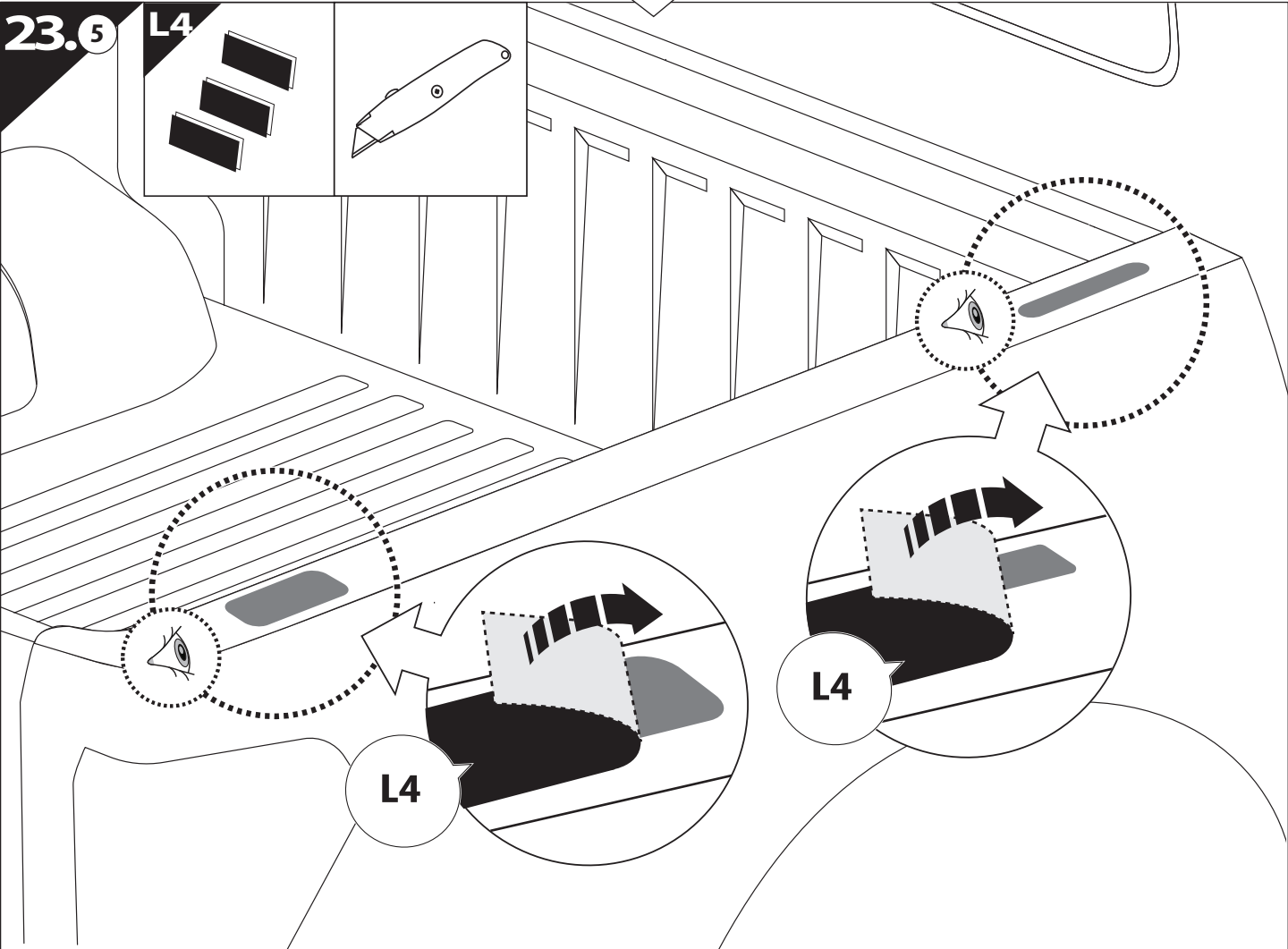
23.4

L3

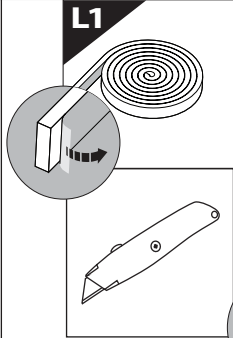
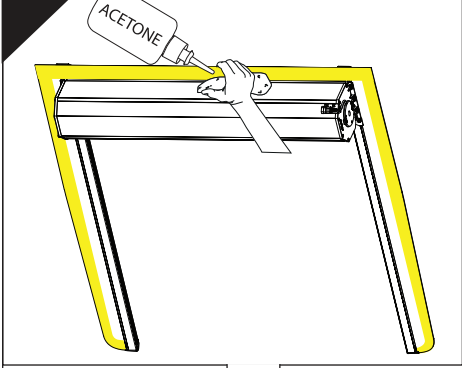


23.5

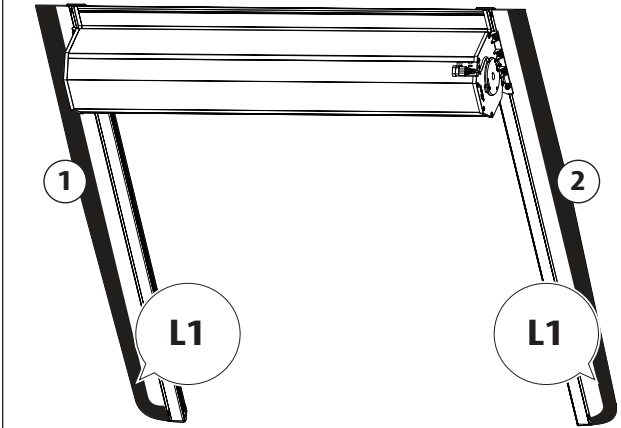
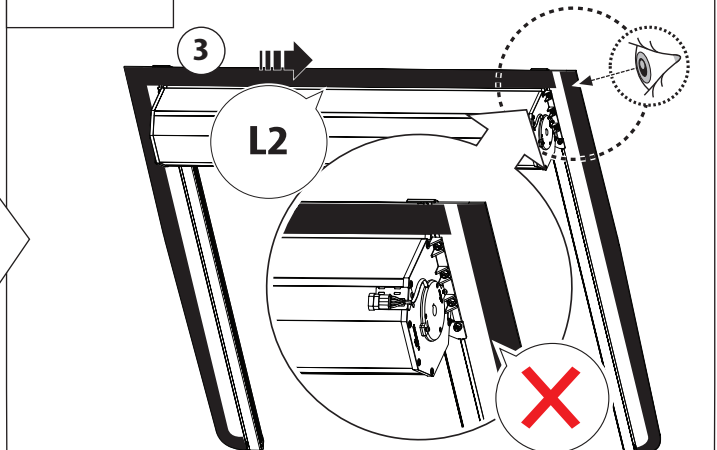
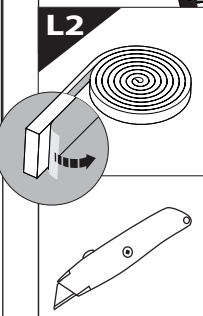
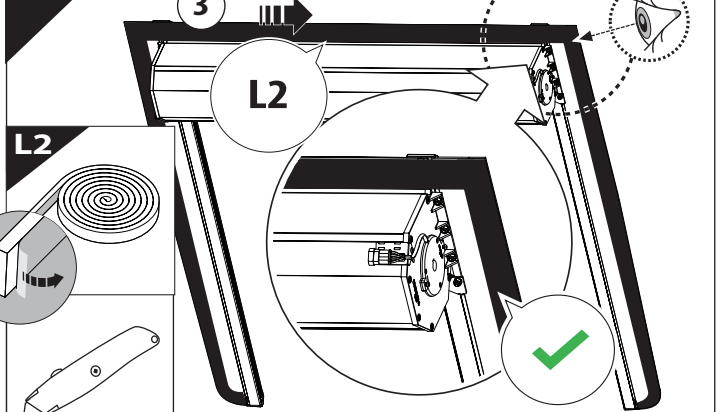
L4



24



25



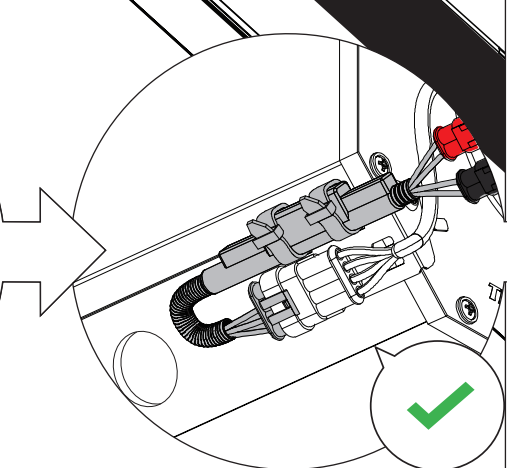
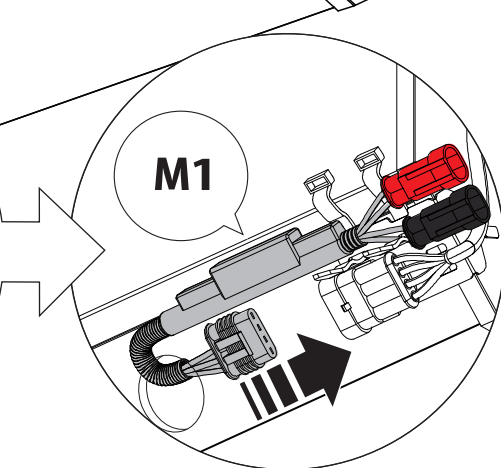
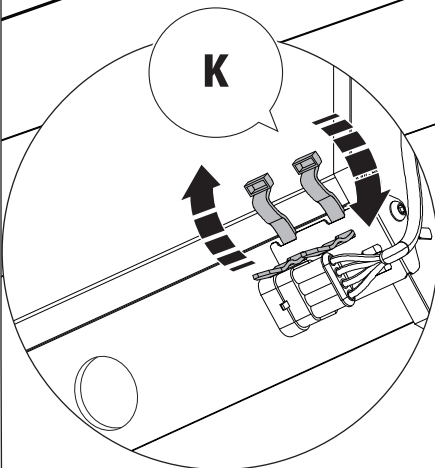
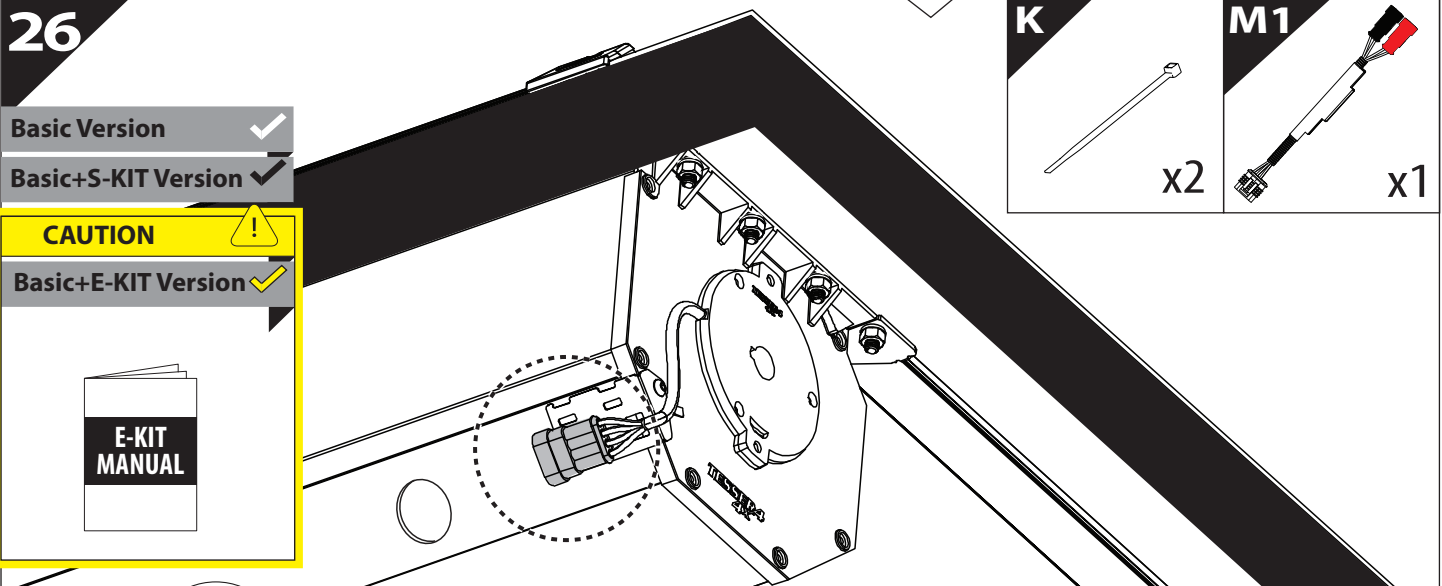
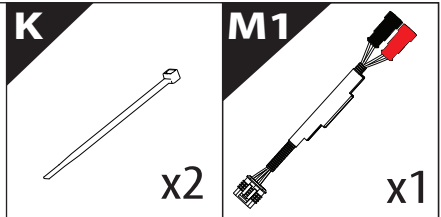
26

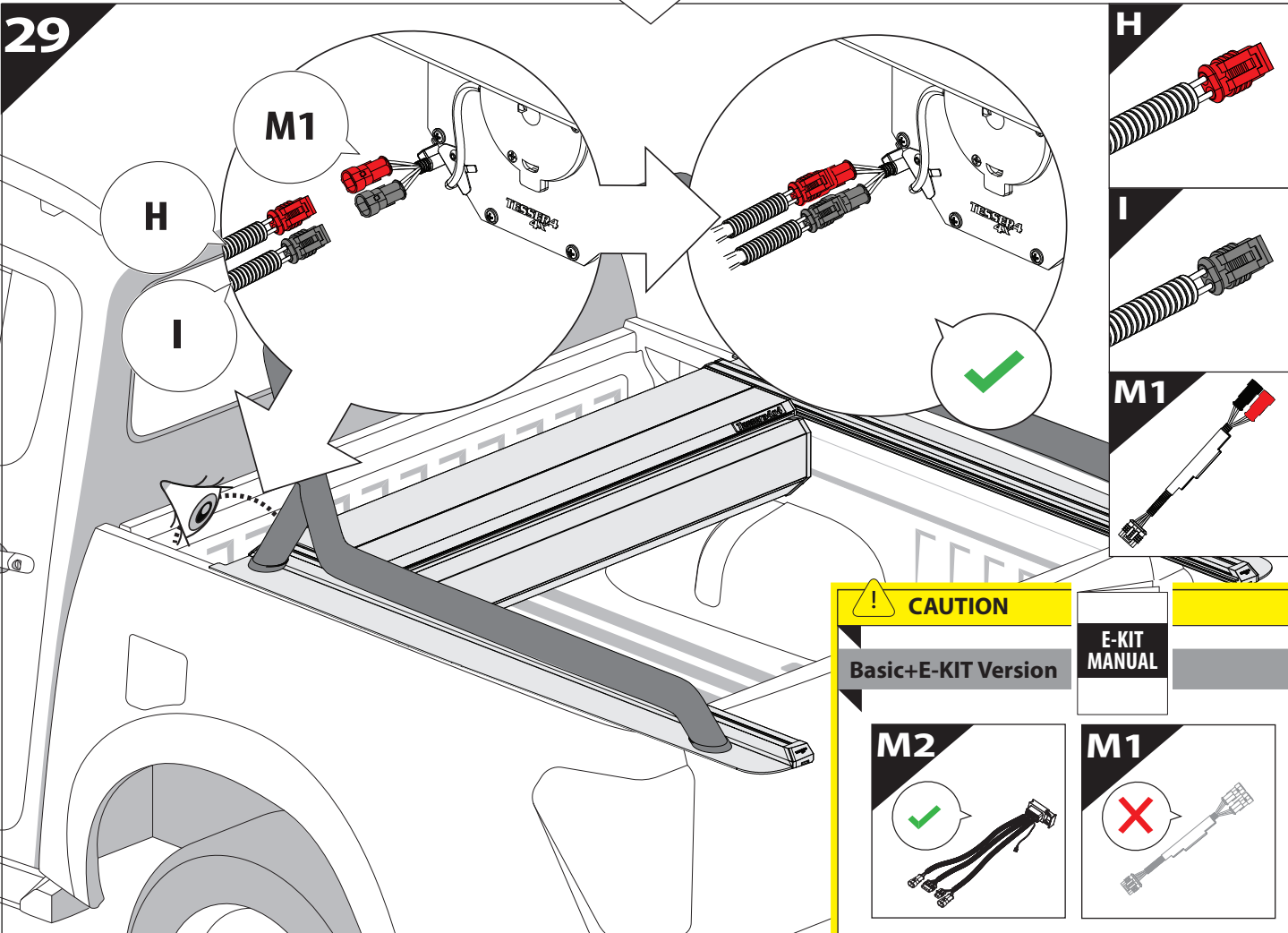
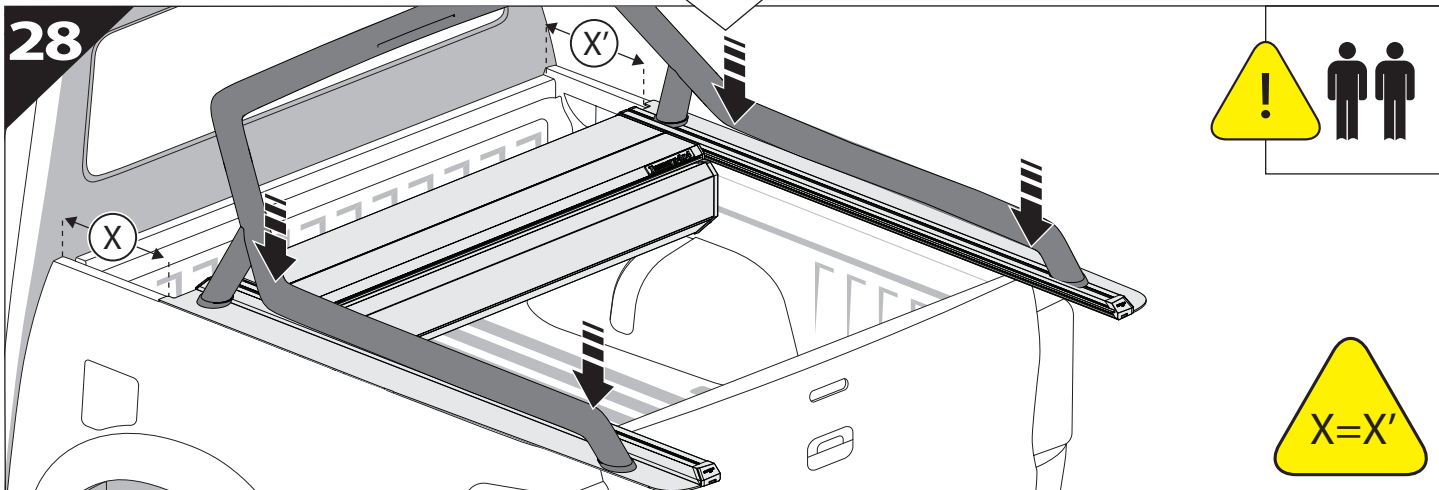
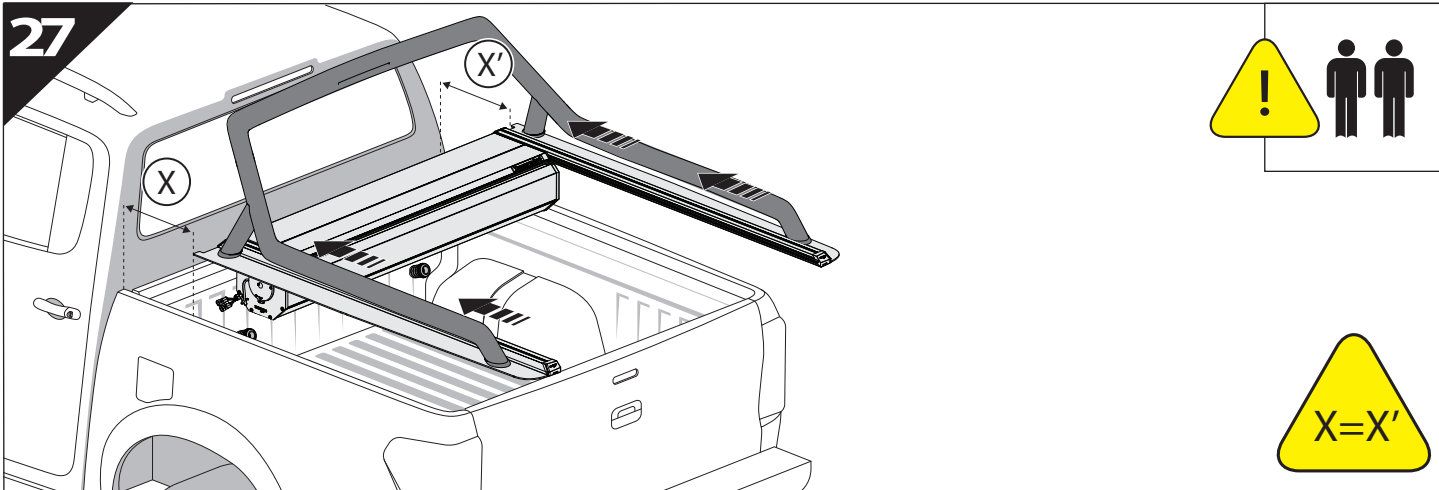
Basic Version ✓

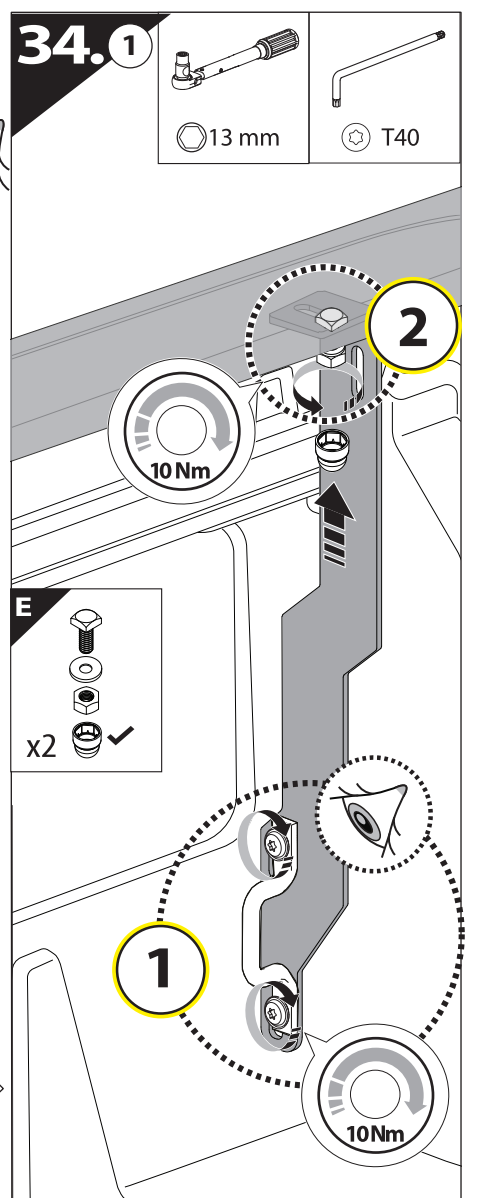
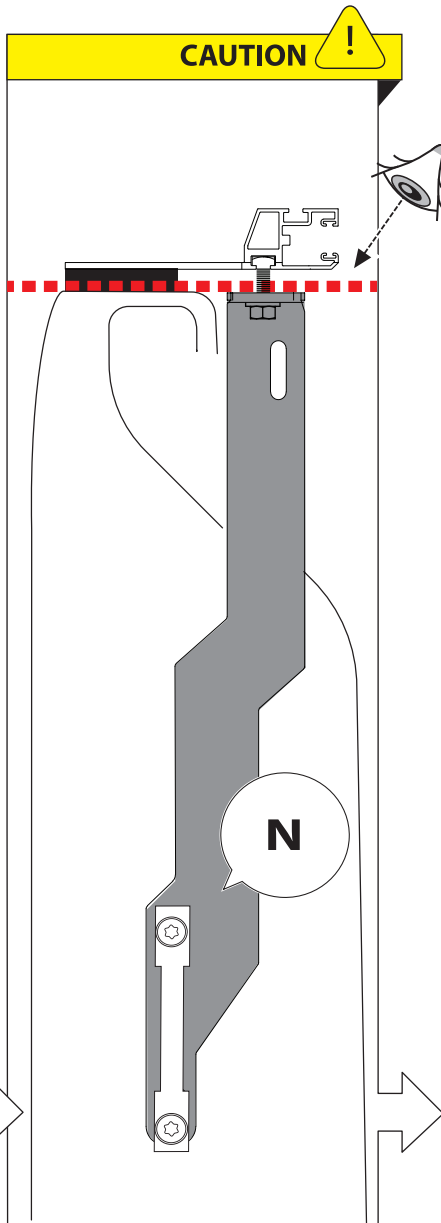
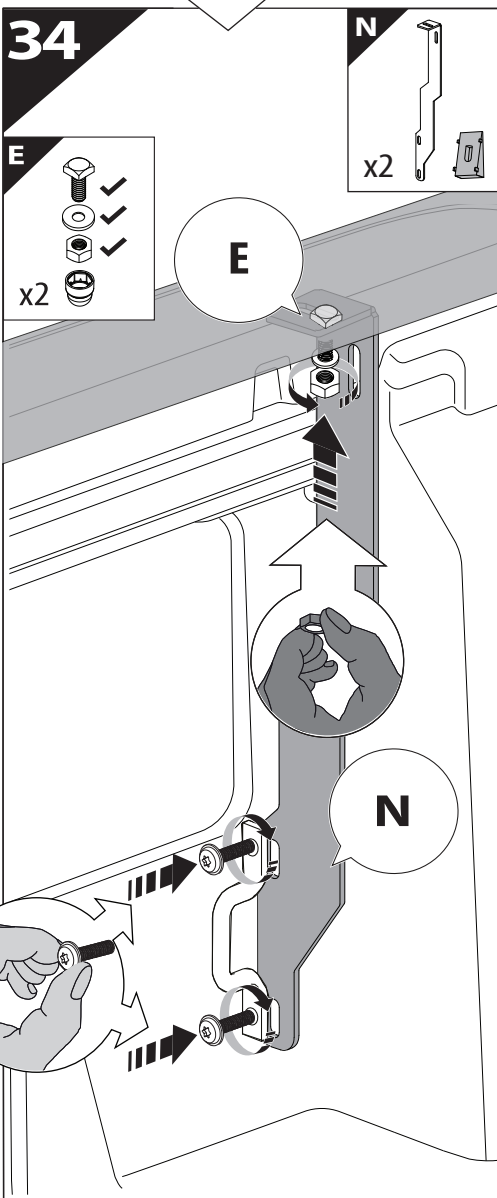
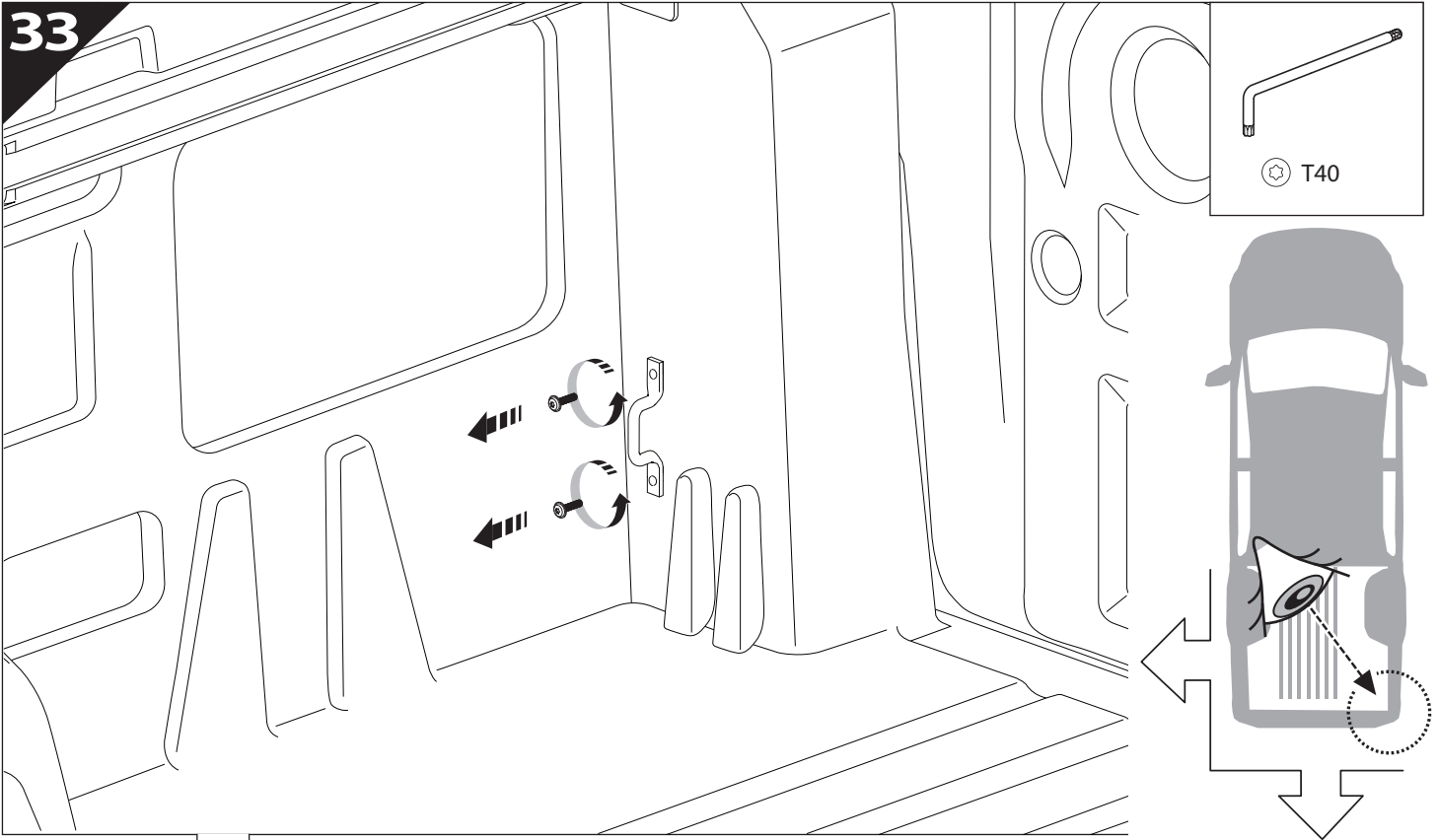
Basic+S-KIT Version ✓

CAUTION ⚠

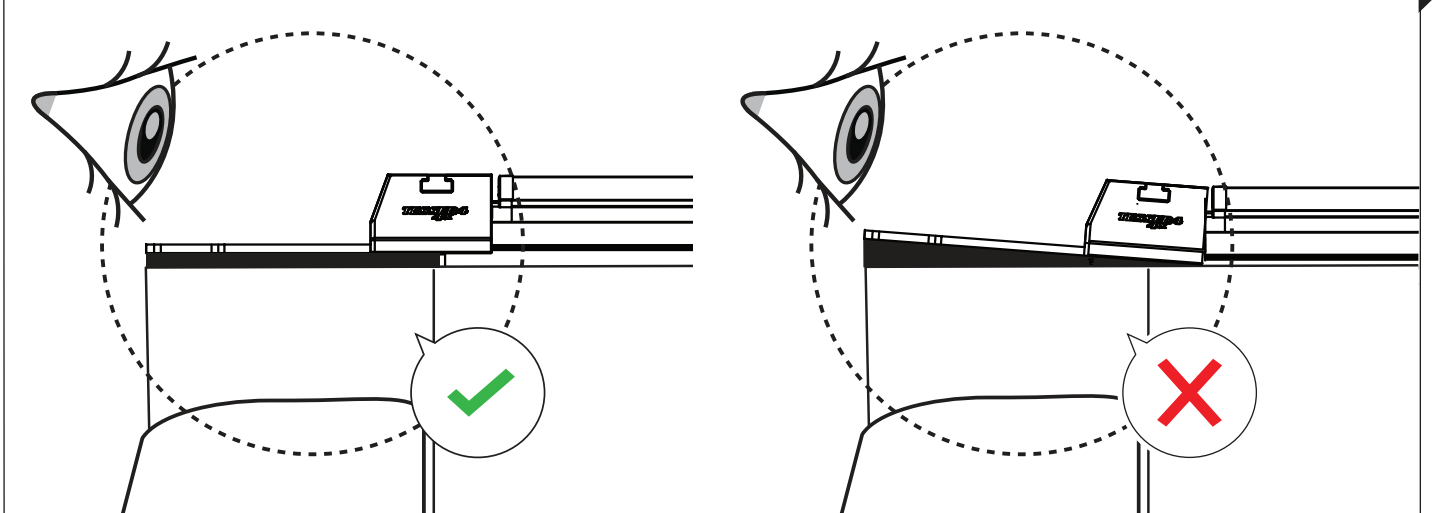
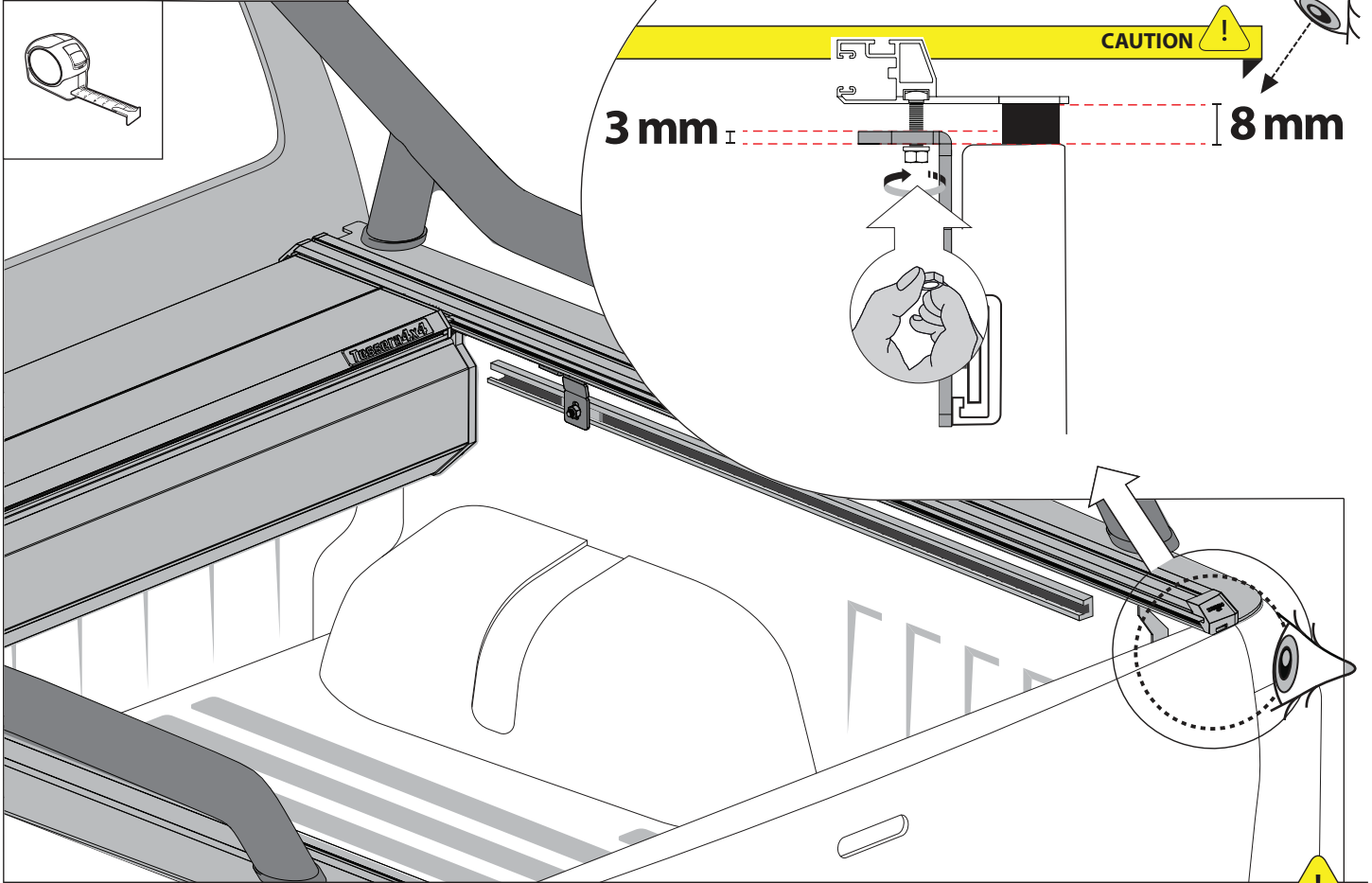
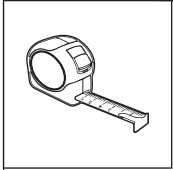
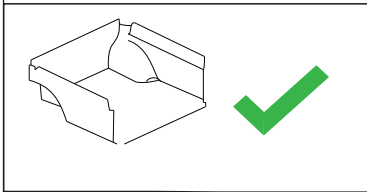
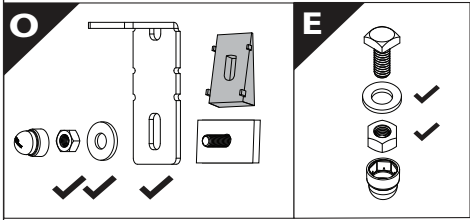
Basic+E-KIT Version ✓

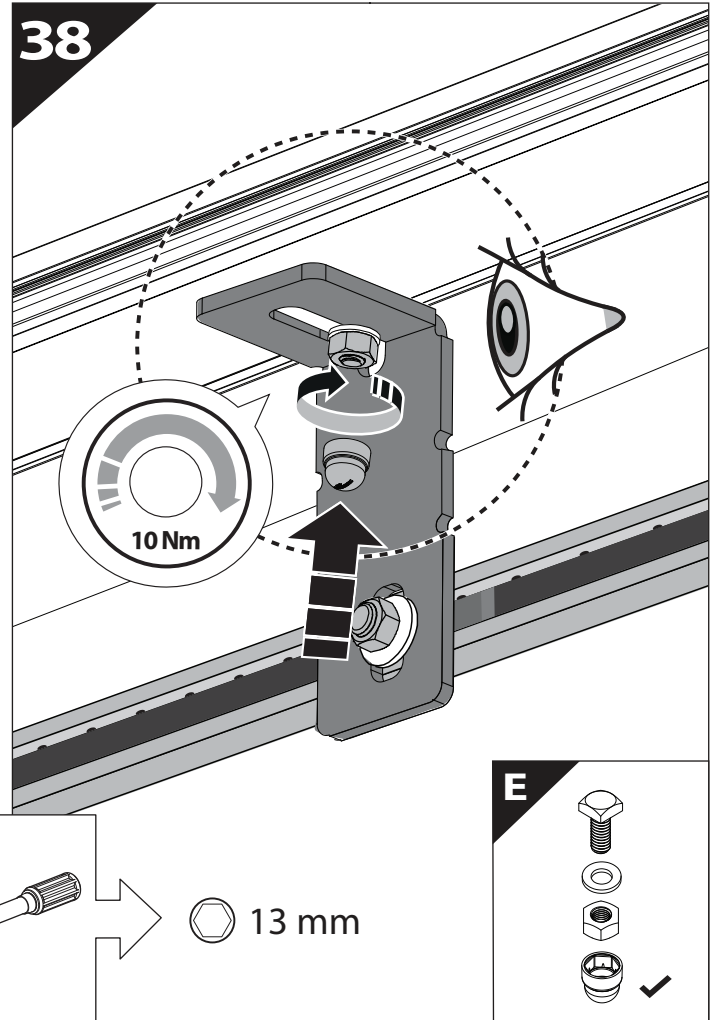
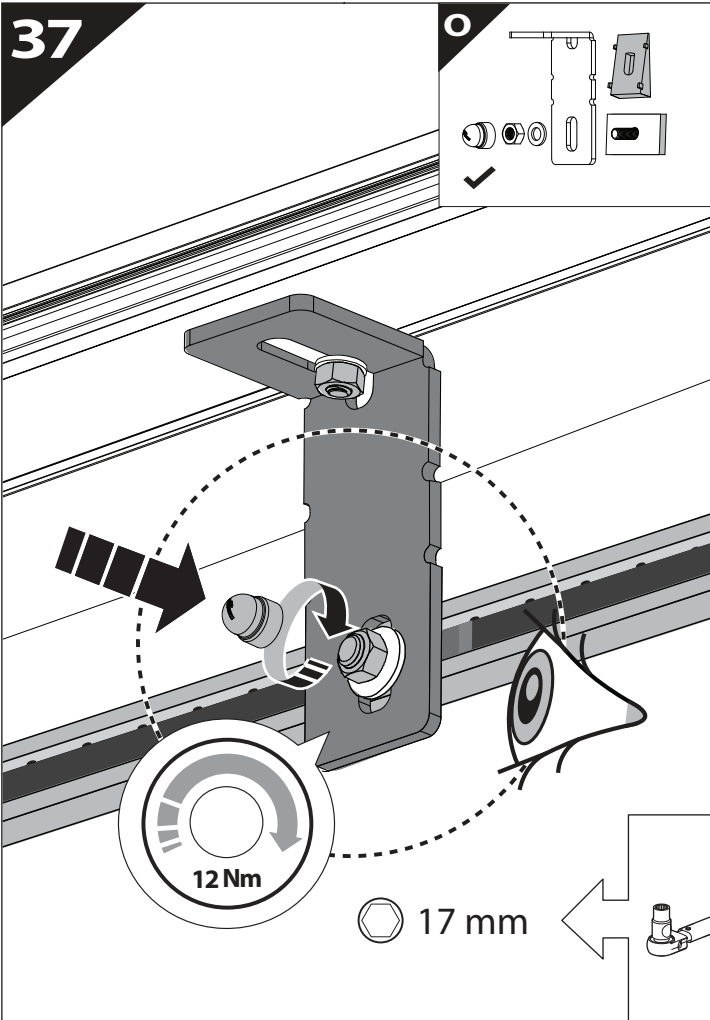




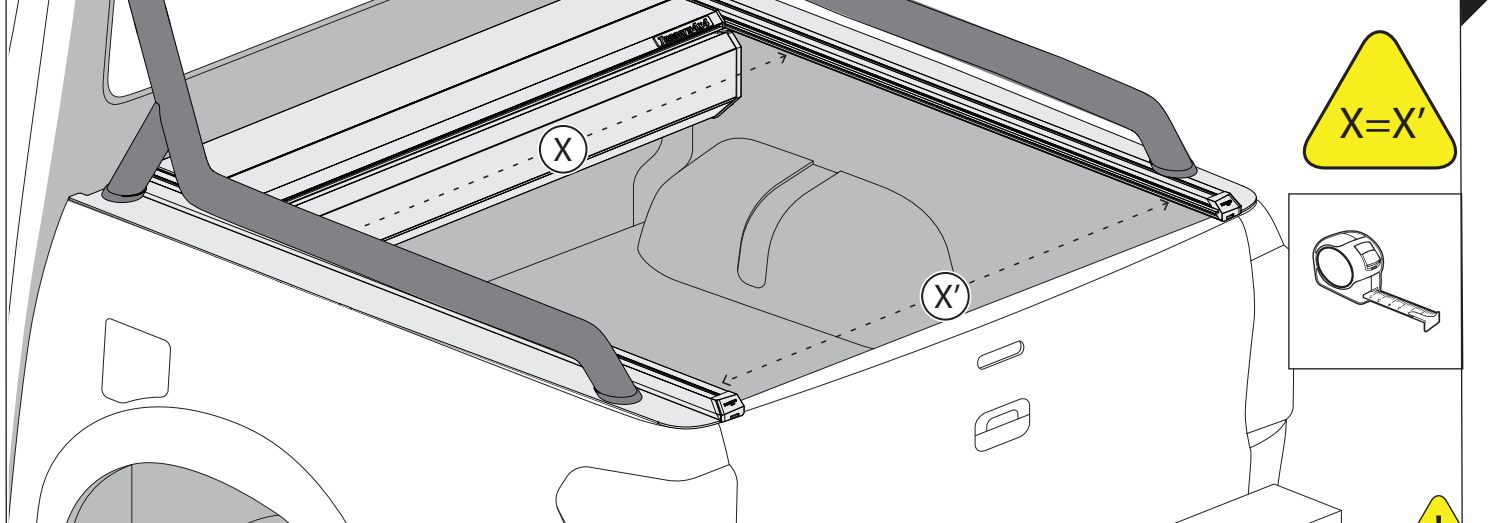


36

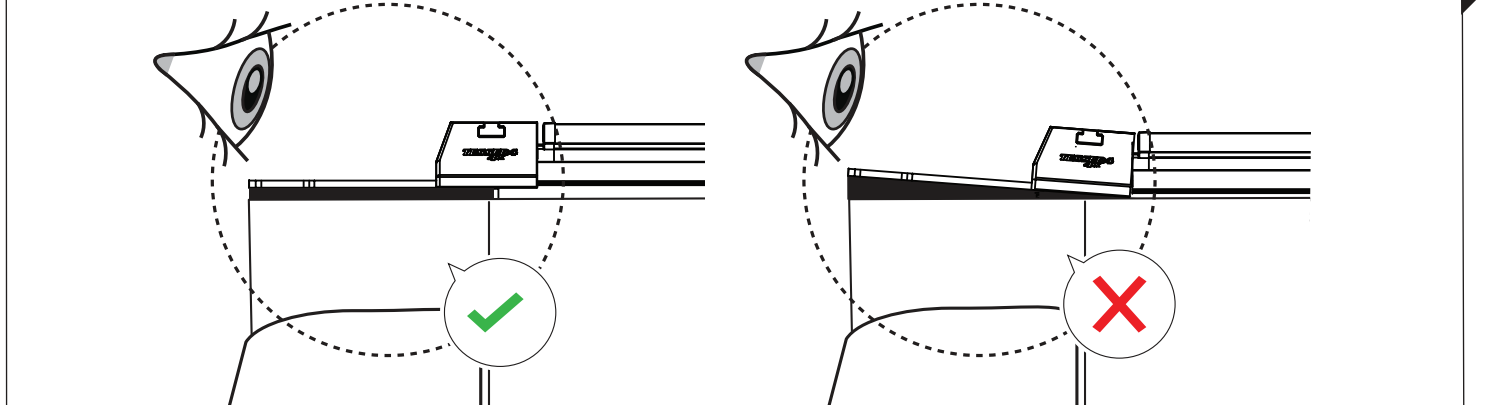




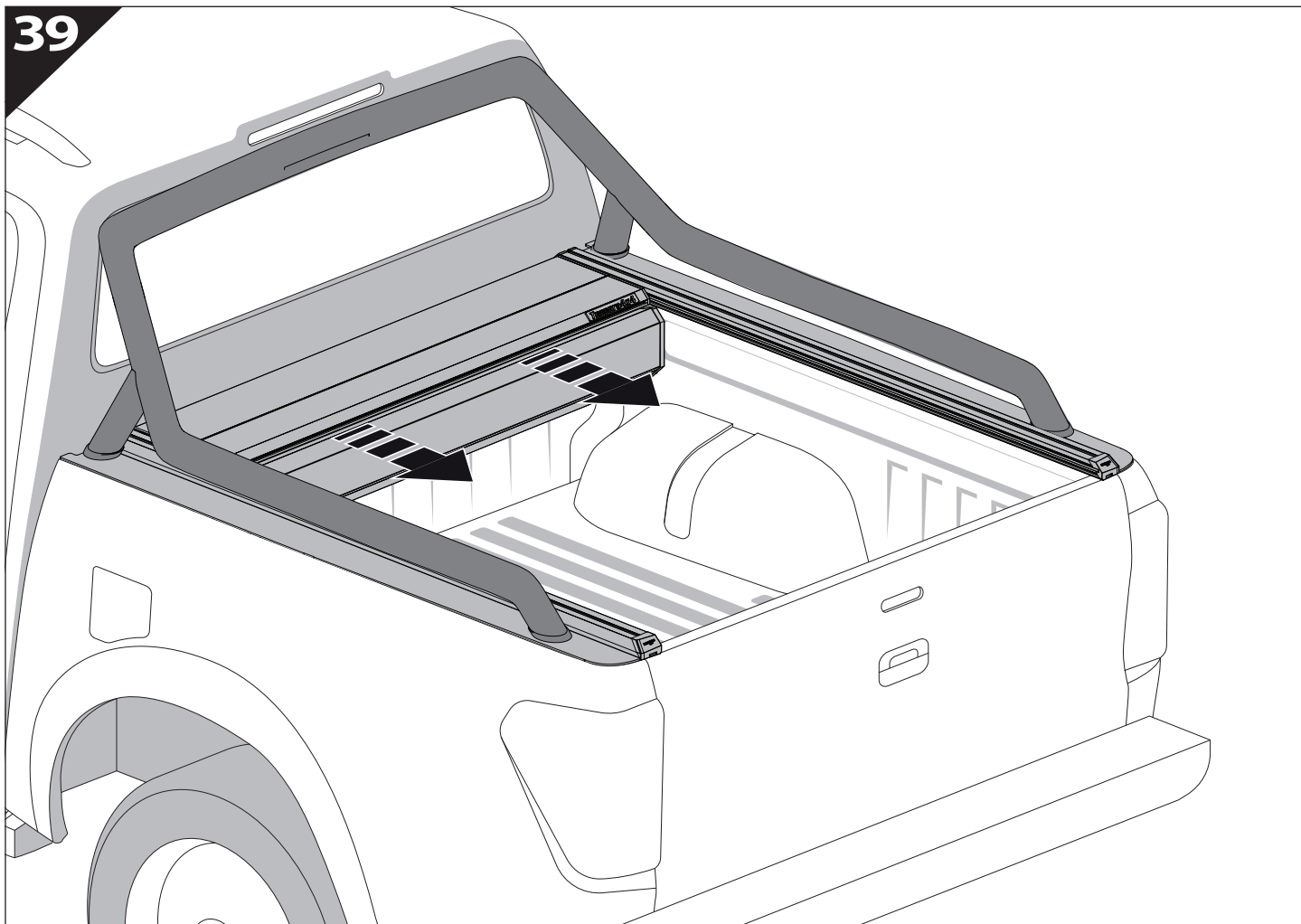
CAUTION !



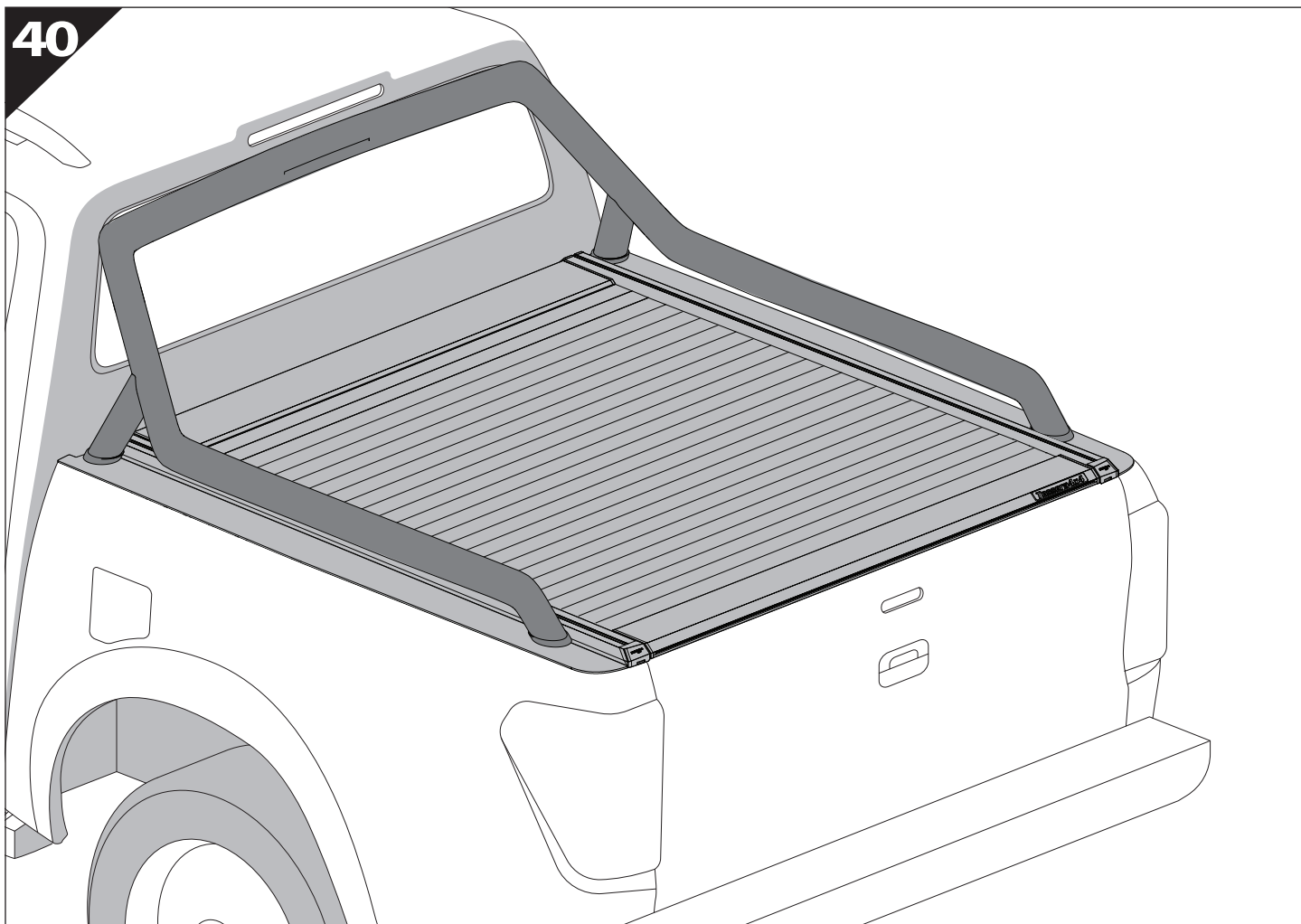
CAUTION !



39



40





GR: Οδηγίες Εγκατάστασης
GB: Installation manual
SF: Asennusohje
F: Notice de montage
PL: Instrukcja montażu
NL: Installatie-instructies
TR: Montaj Talimatı
S: Monteringsanvisning
E: Instrucciones de montaje

H: Szerelési utasítás
P: Instruções de instalação
RUS: Инструкция по установке
N: Monteringsveiledning
D: Einbauanleitung
CZ: Návod k instalaci
I: Istruzioni de montaggio
DK: Monteringsvejledning
RO: Instructiuni de instalare

Customer Service:

+30 (210) 5541161, +30 (210) 5541154 (08:00 - 16:00 EET)

Support department:

info@gianso.gr

Website:

www.tessera4x4.com

Address:

19.5 km of National road Athens-Korinthos (Elefsina) Greece, P.C: 19200