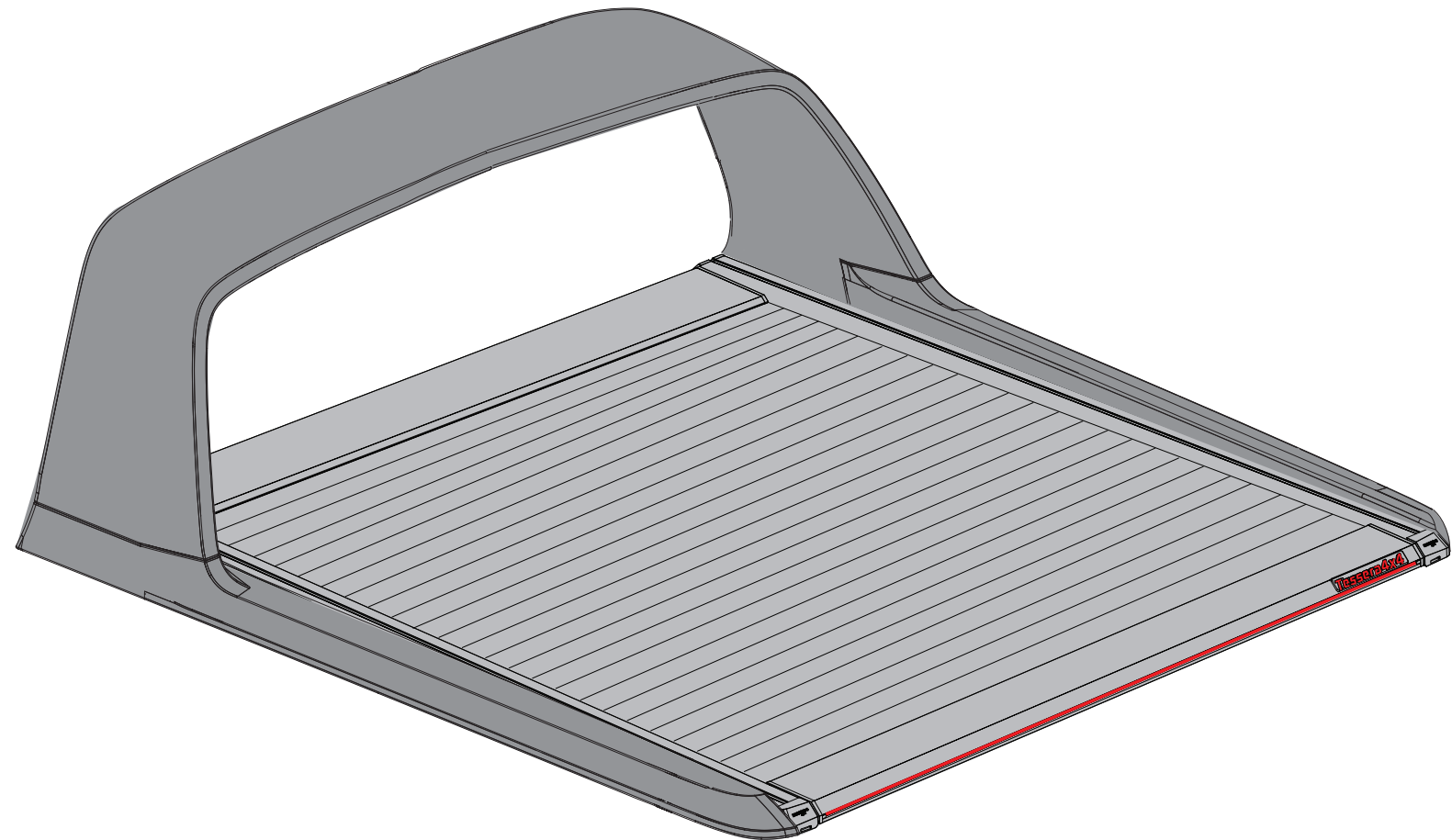


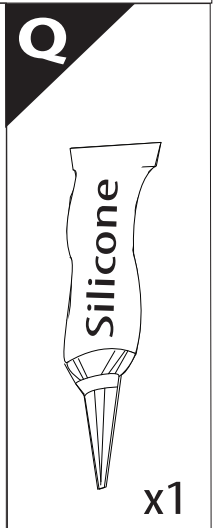
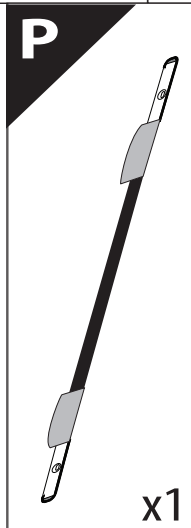
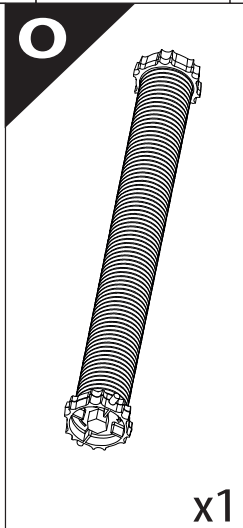
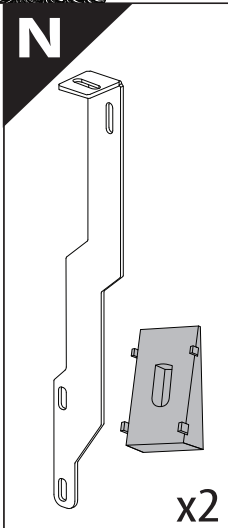
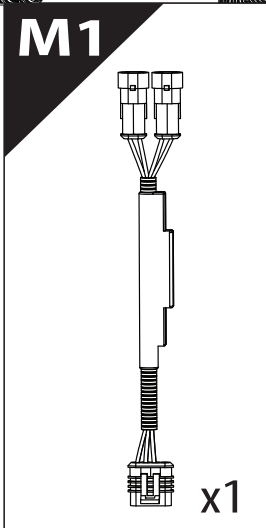
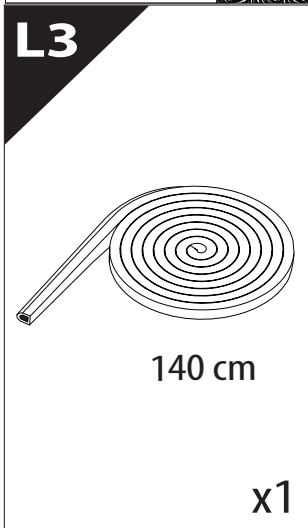
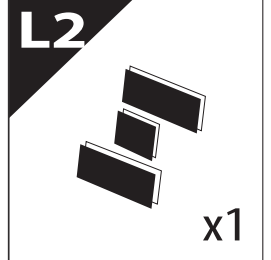
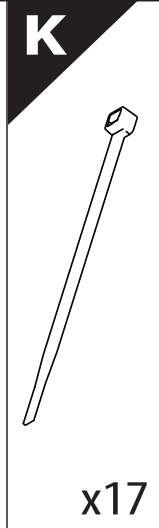
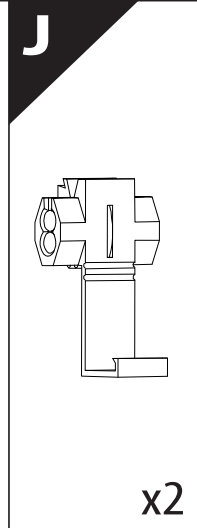
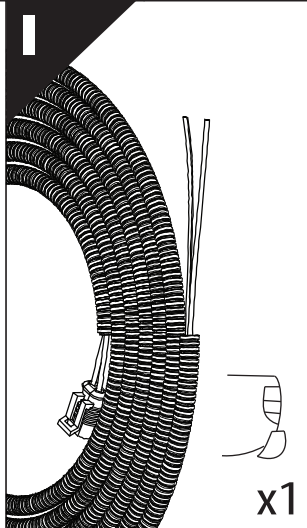
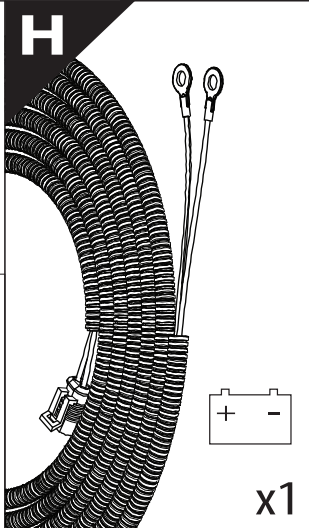
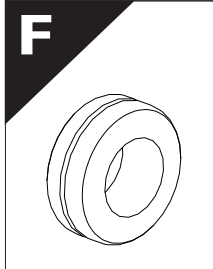
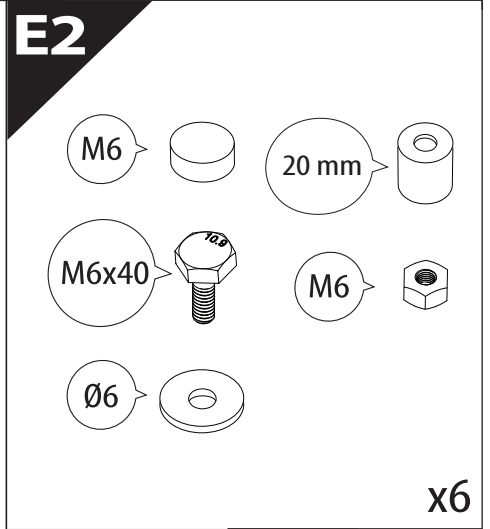
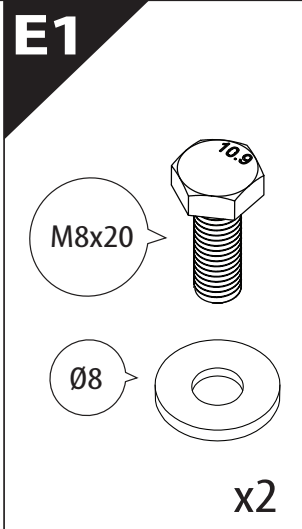
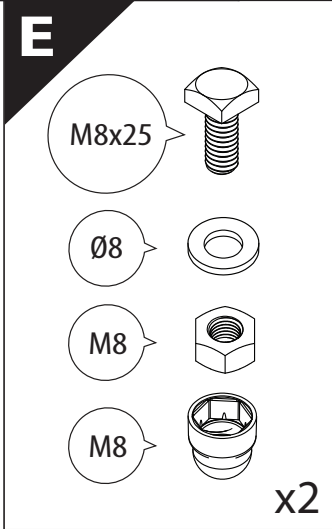
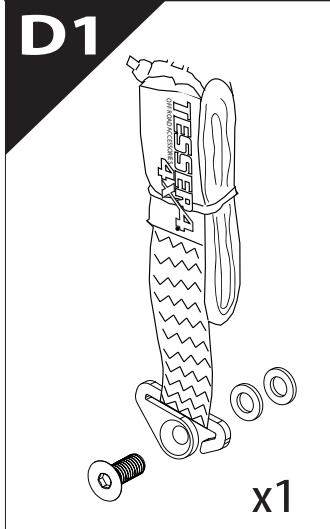
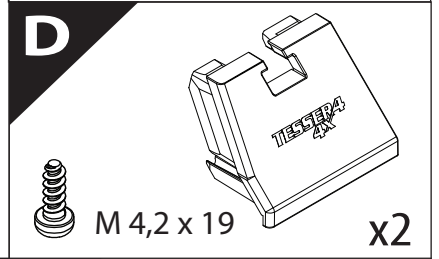
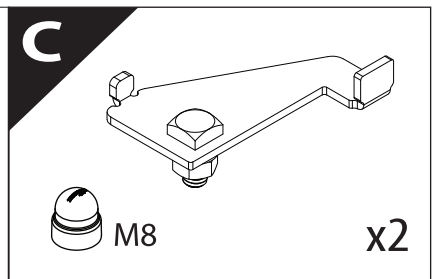
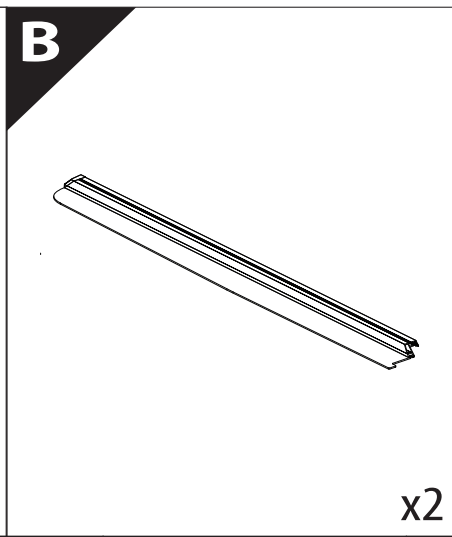
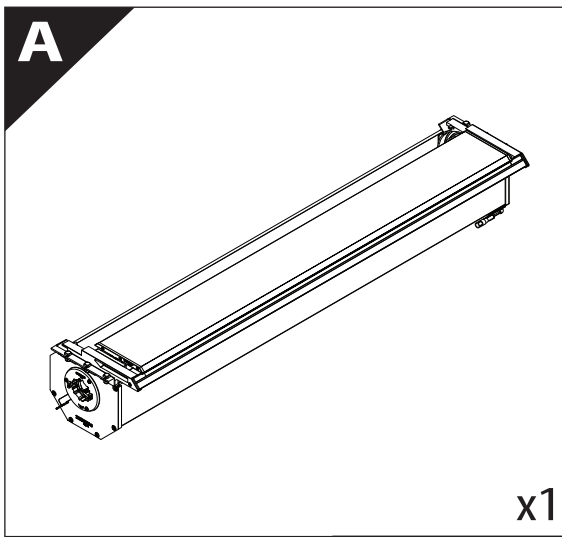
Tessera Roll+

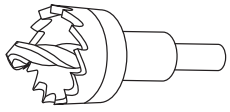
Basic Version + ⚙️ S-KIT



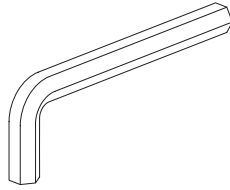
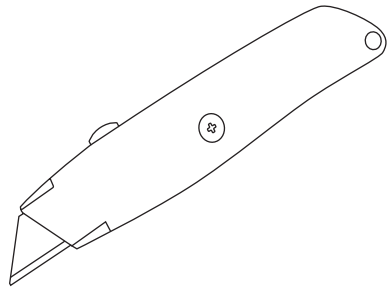
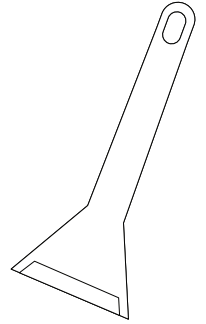
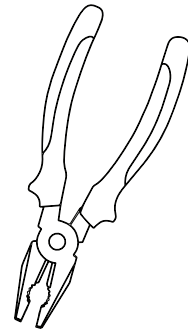
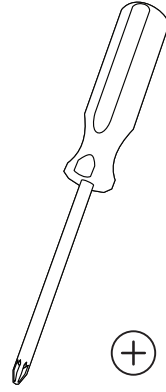
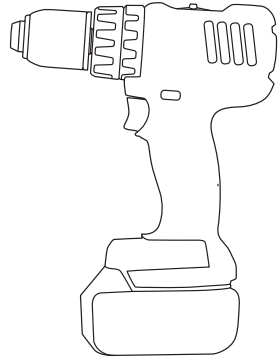
Installation Manual

PART NUMBER(S)	Model Year
TESS 14180 ROLL+S-KIT	VW AMAROK AVENTURA 2023+
Cab(s)	Installation Time / Weight
Double Cab	40-60 minutes / 53-57 kg



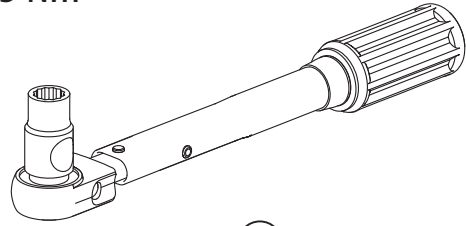


Ø 25 mm

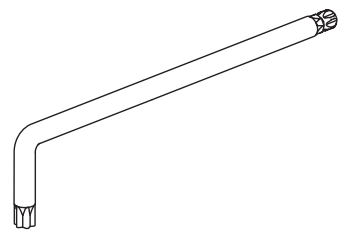
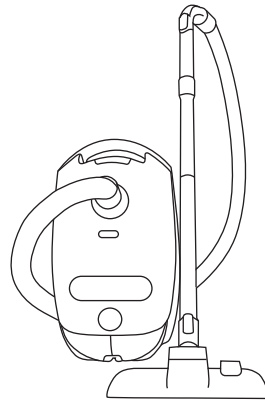
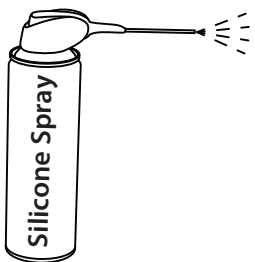
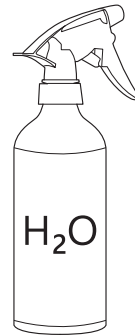
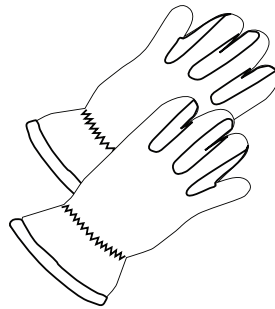
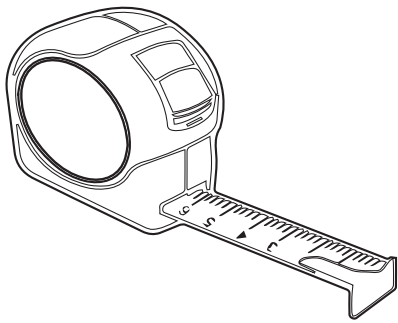


4 mm

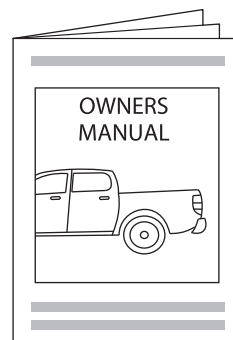
1 - 25 Nm



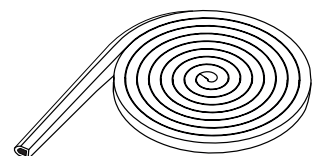
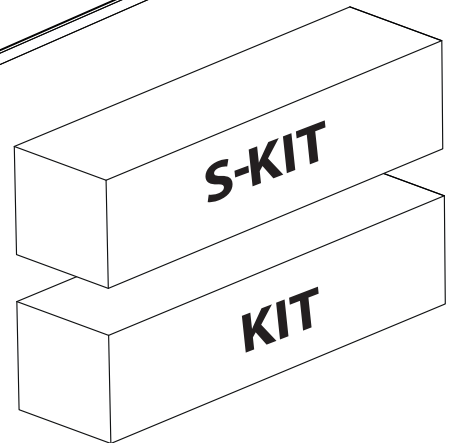
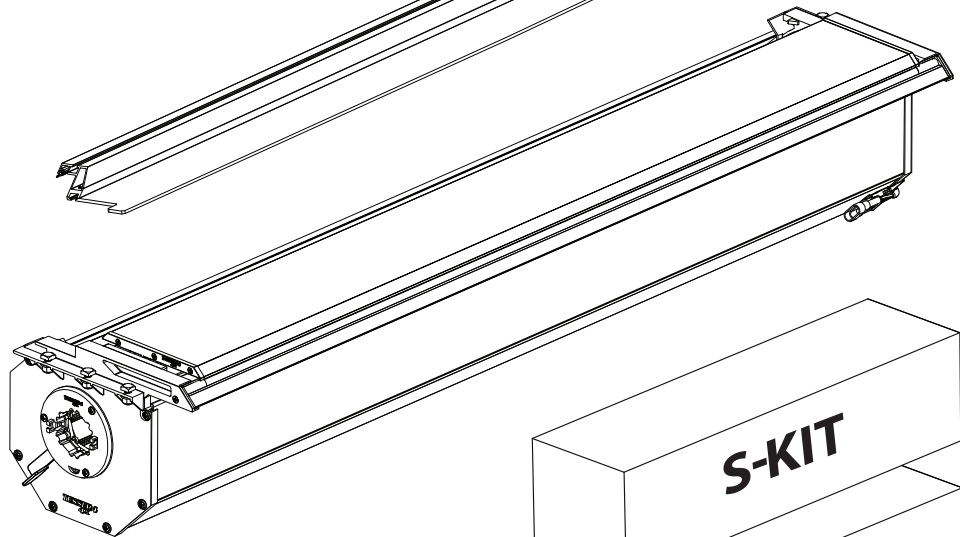
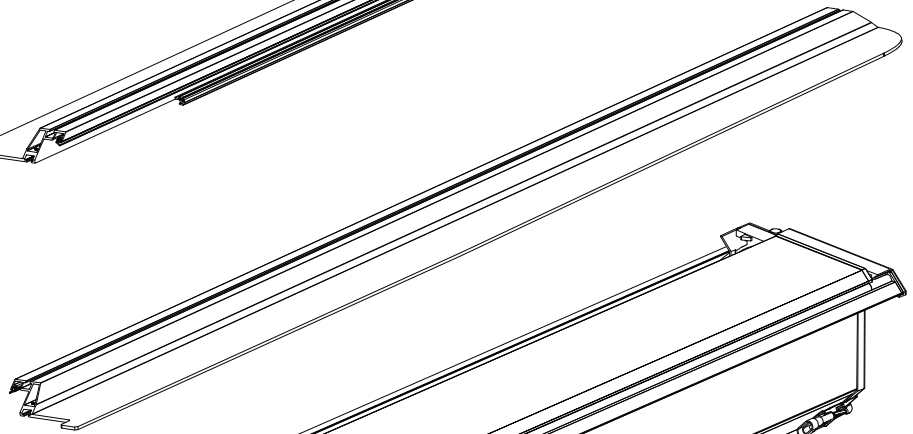
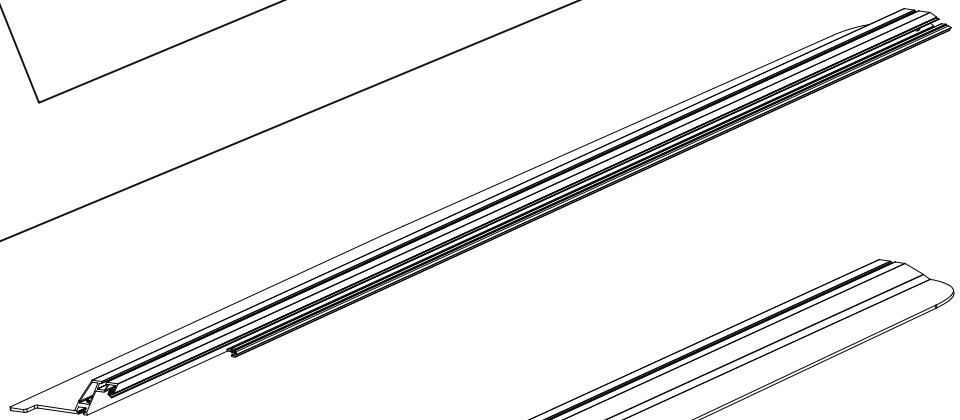
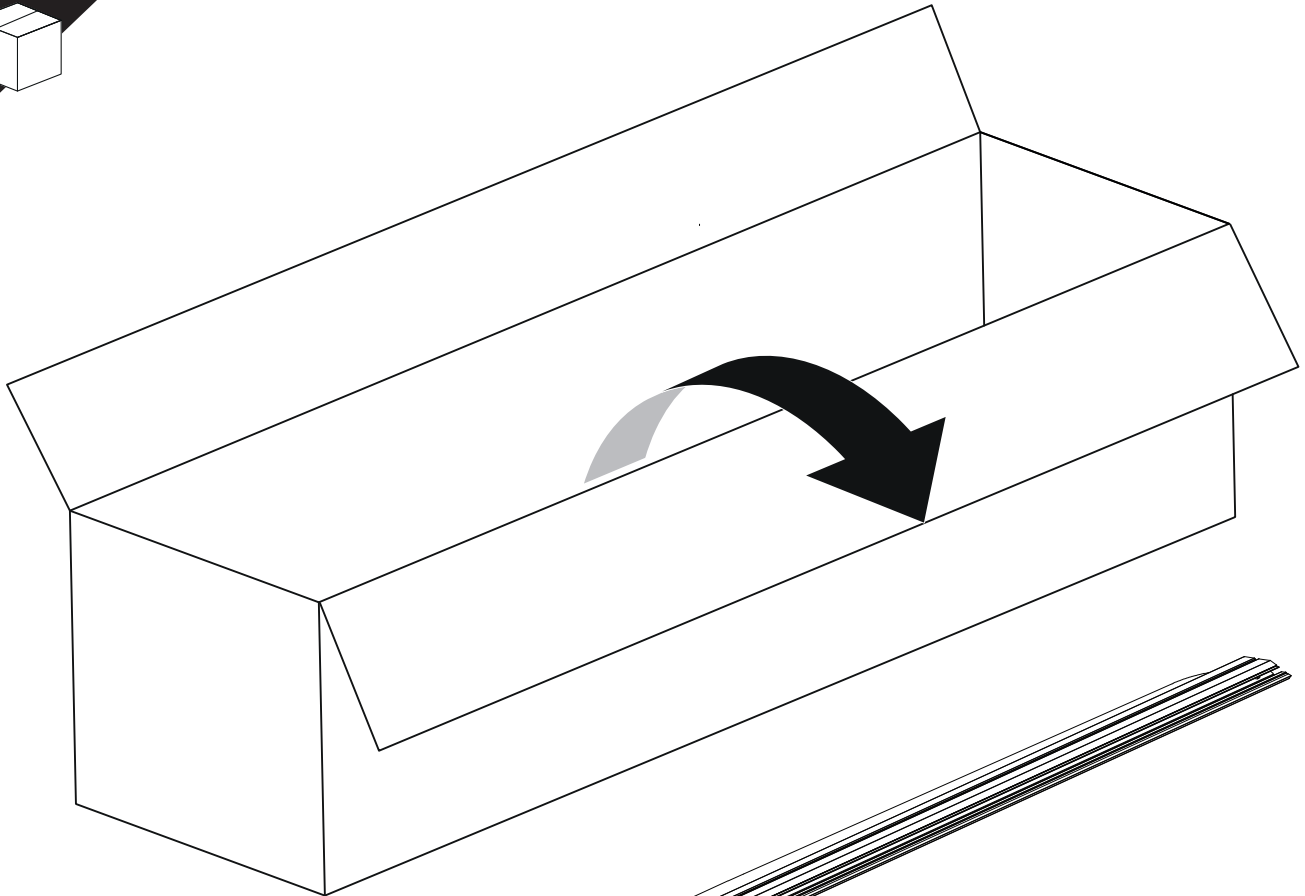
10, 12, 13, 17 mm



T30, T40



x1



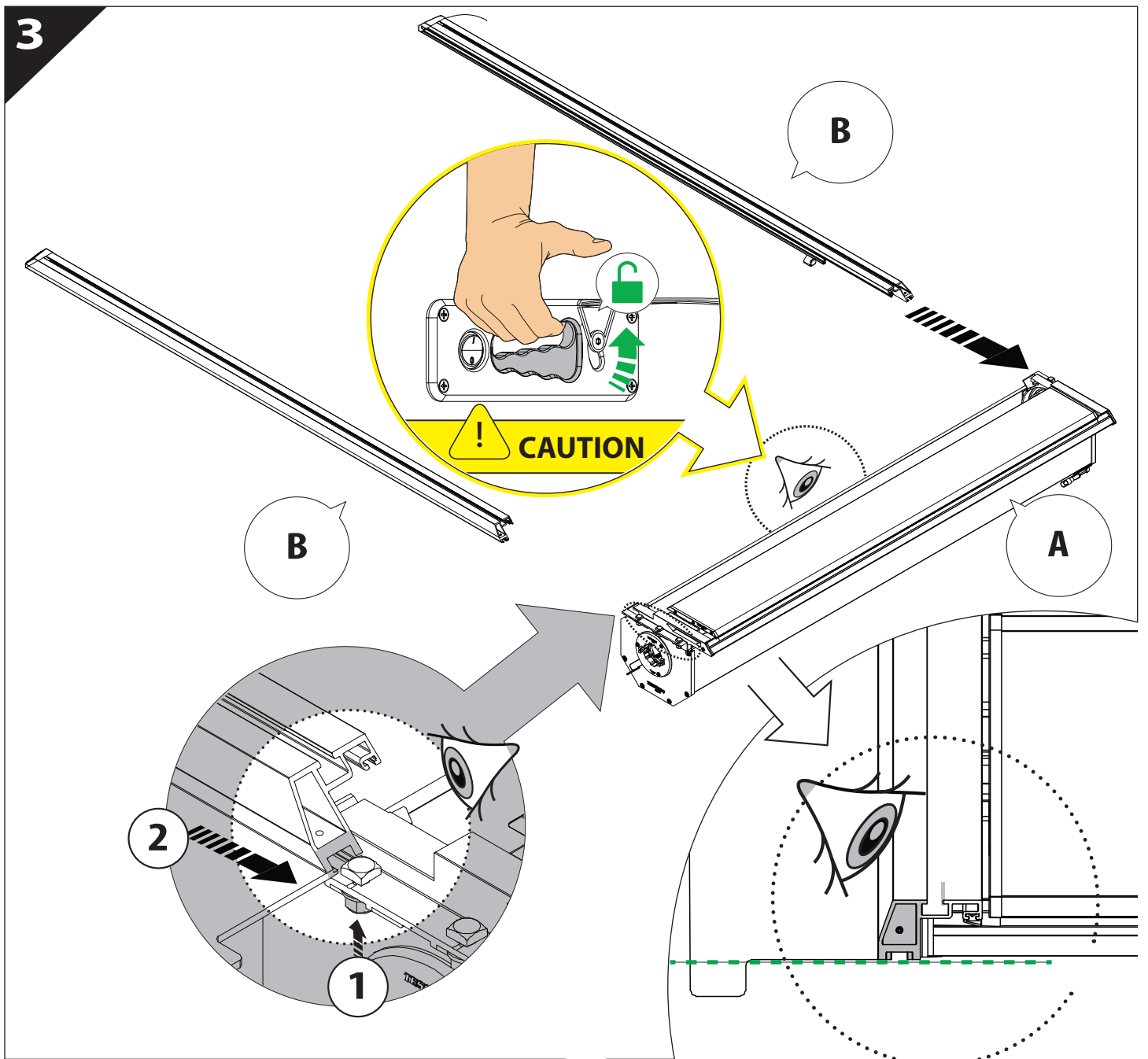
B

A

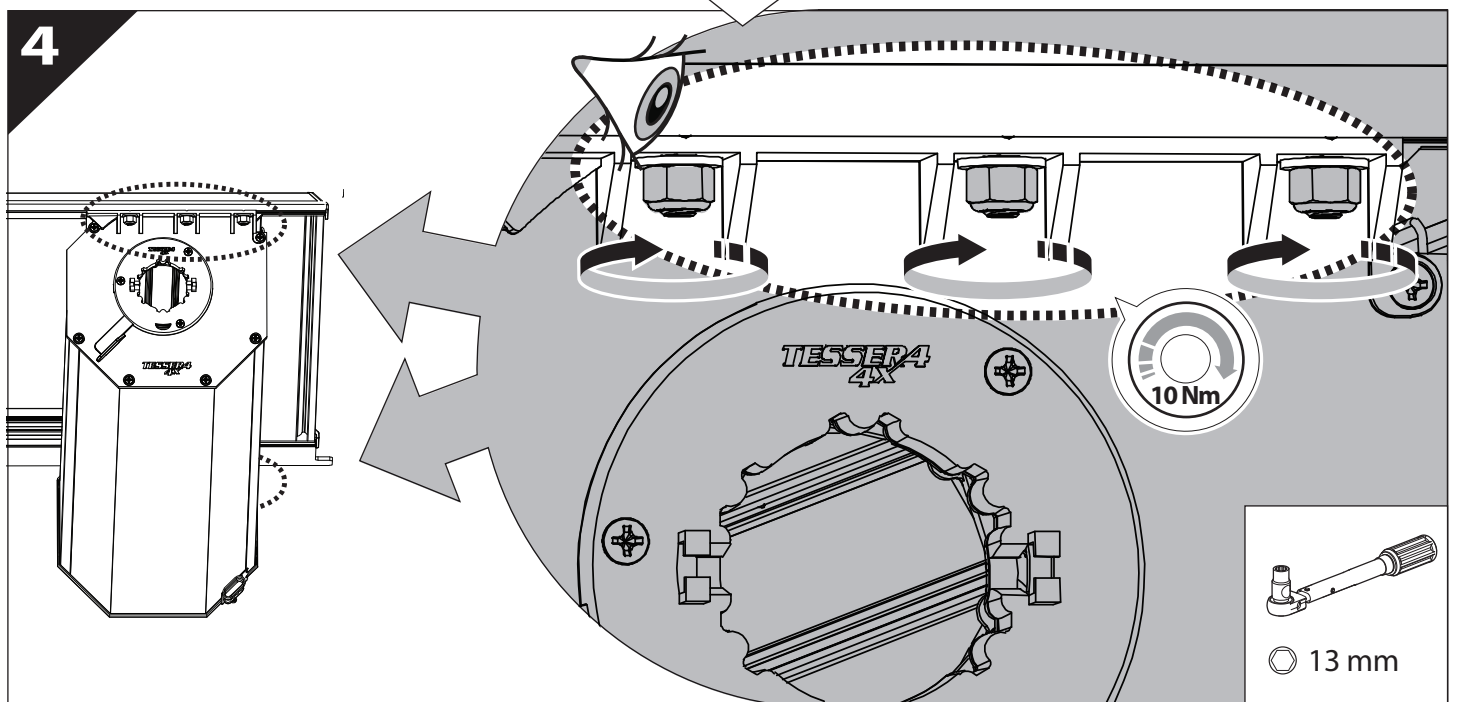
KITS

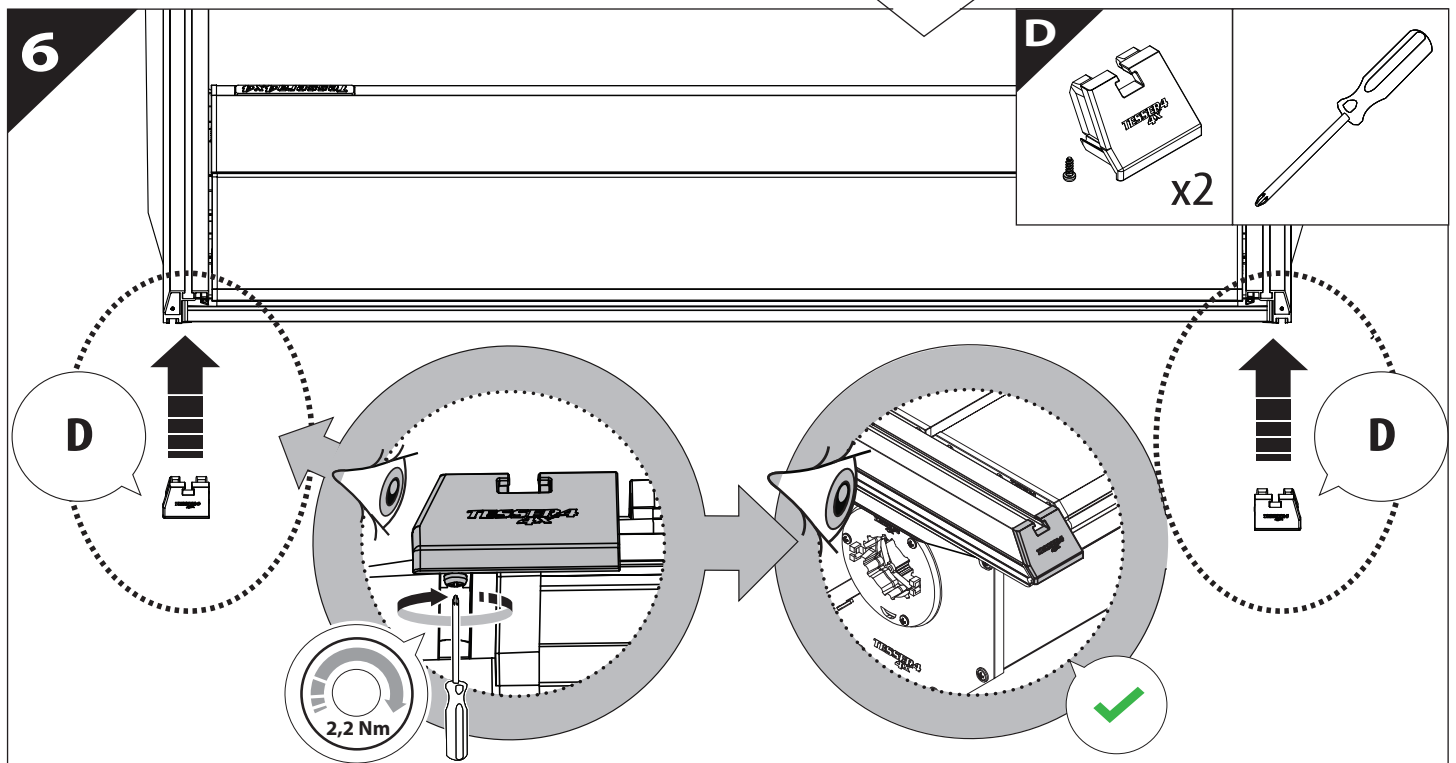
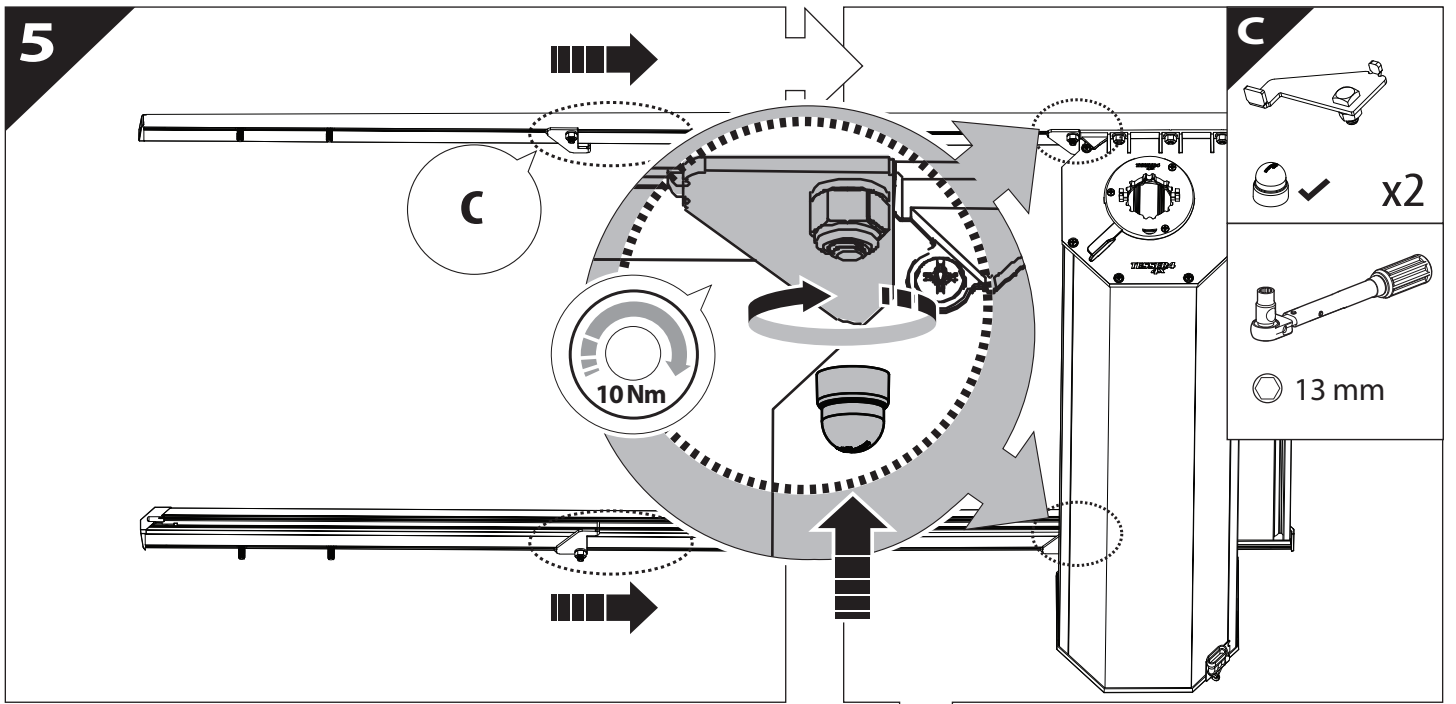
L

3

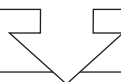
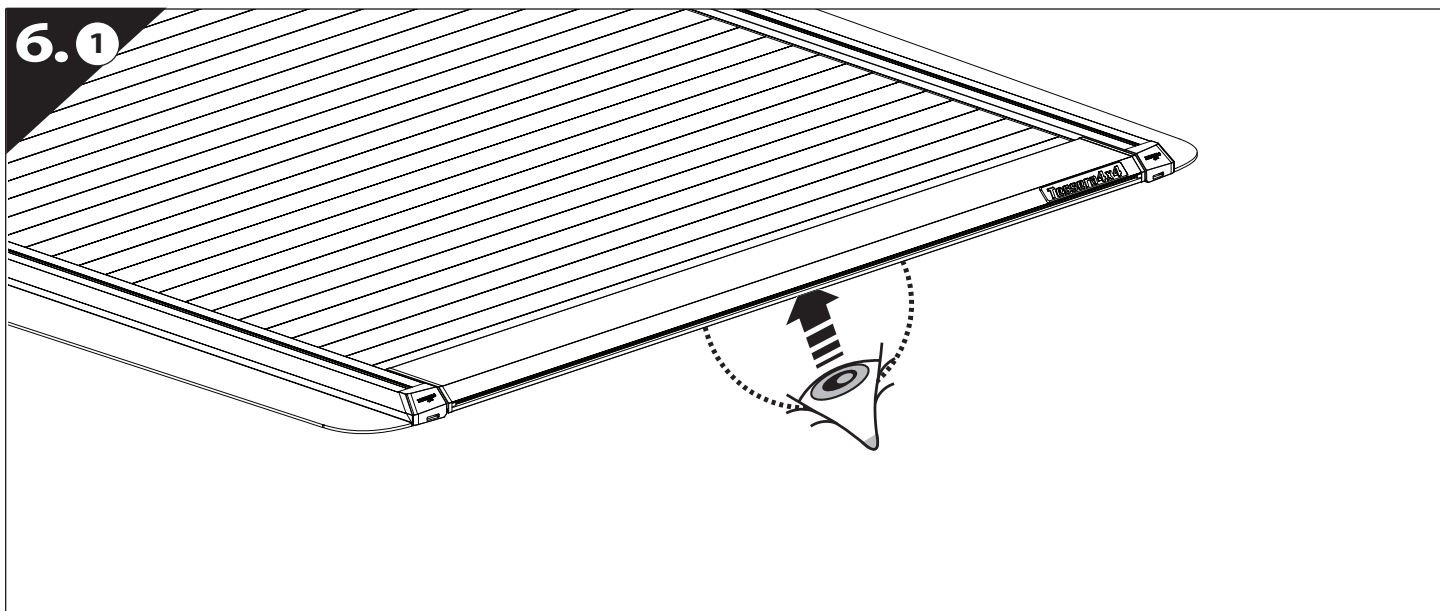


4

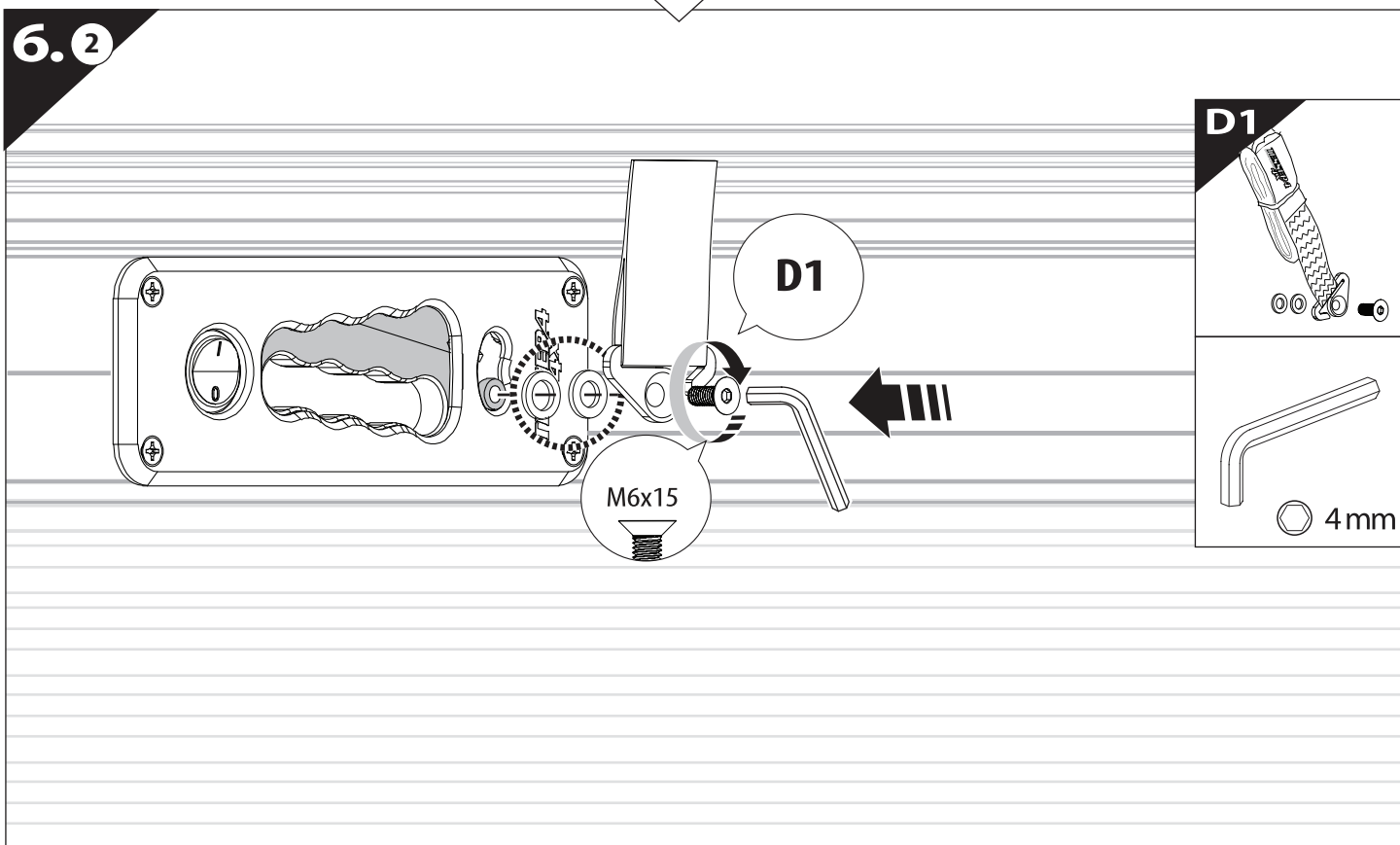


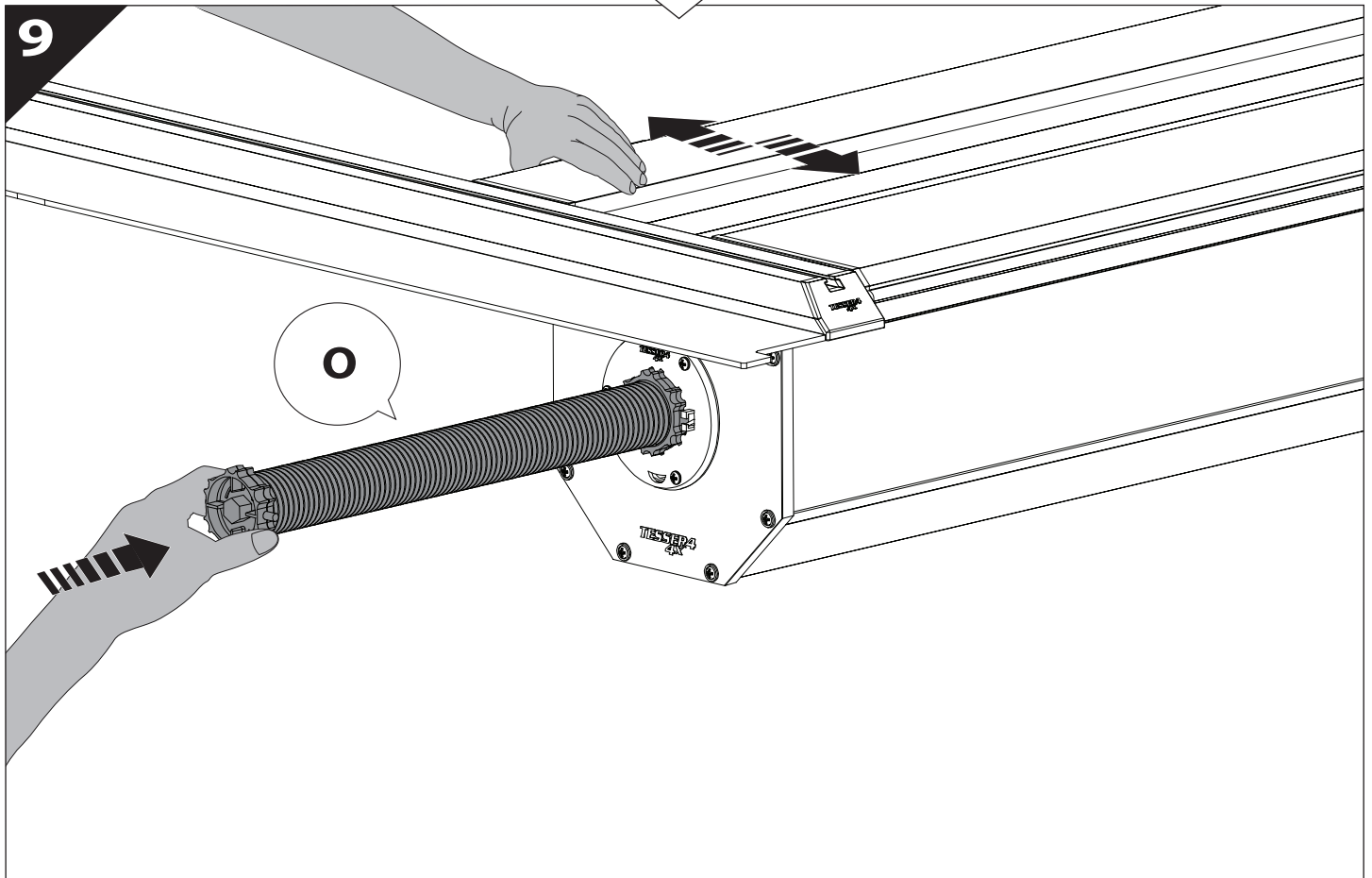
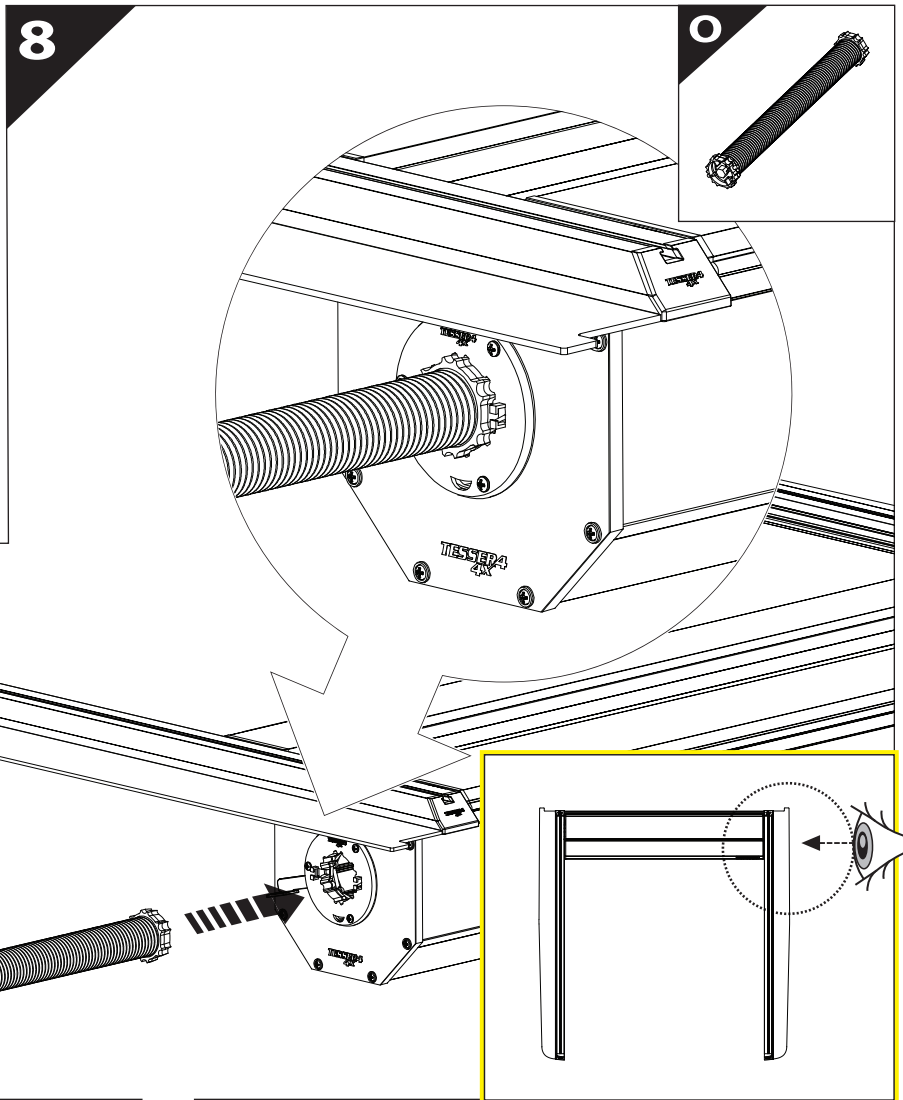
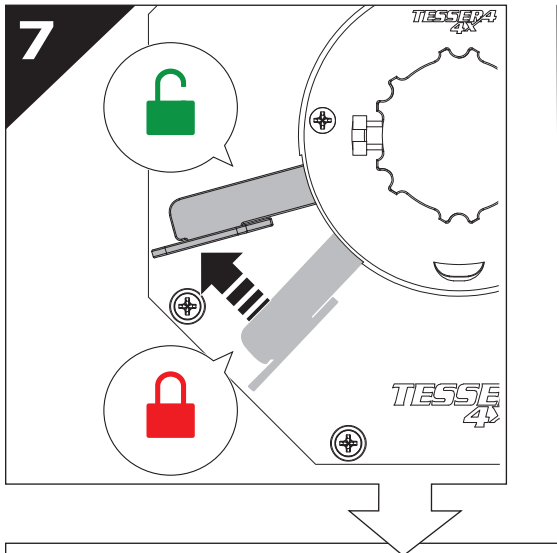


6.1

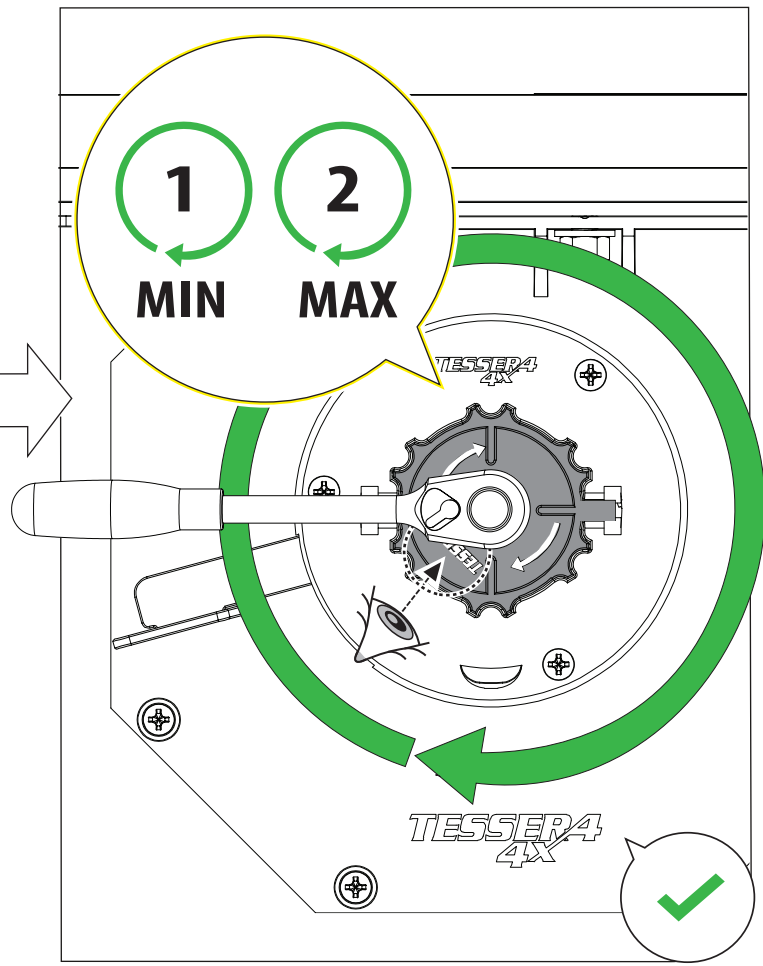
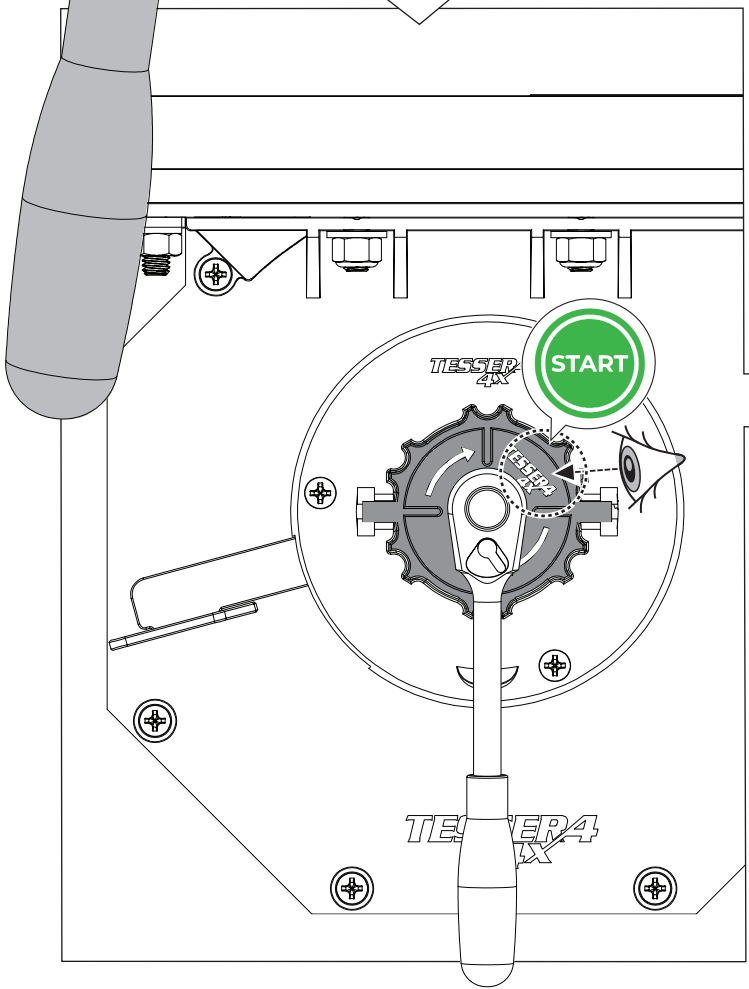
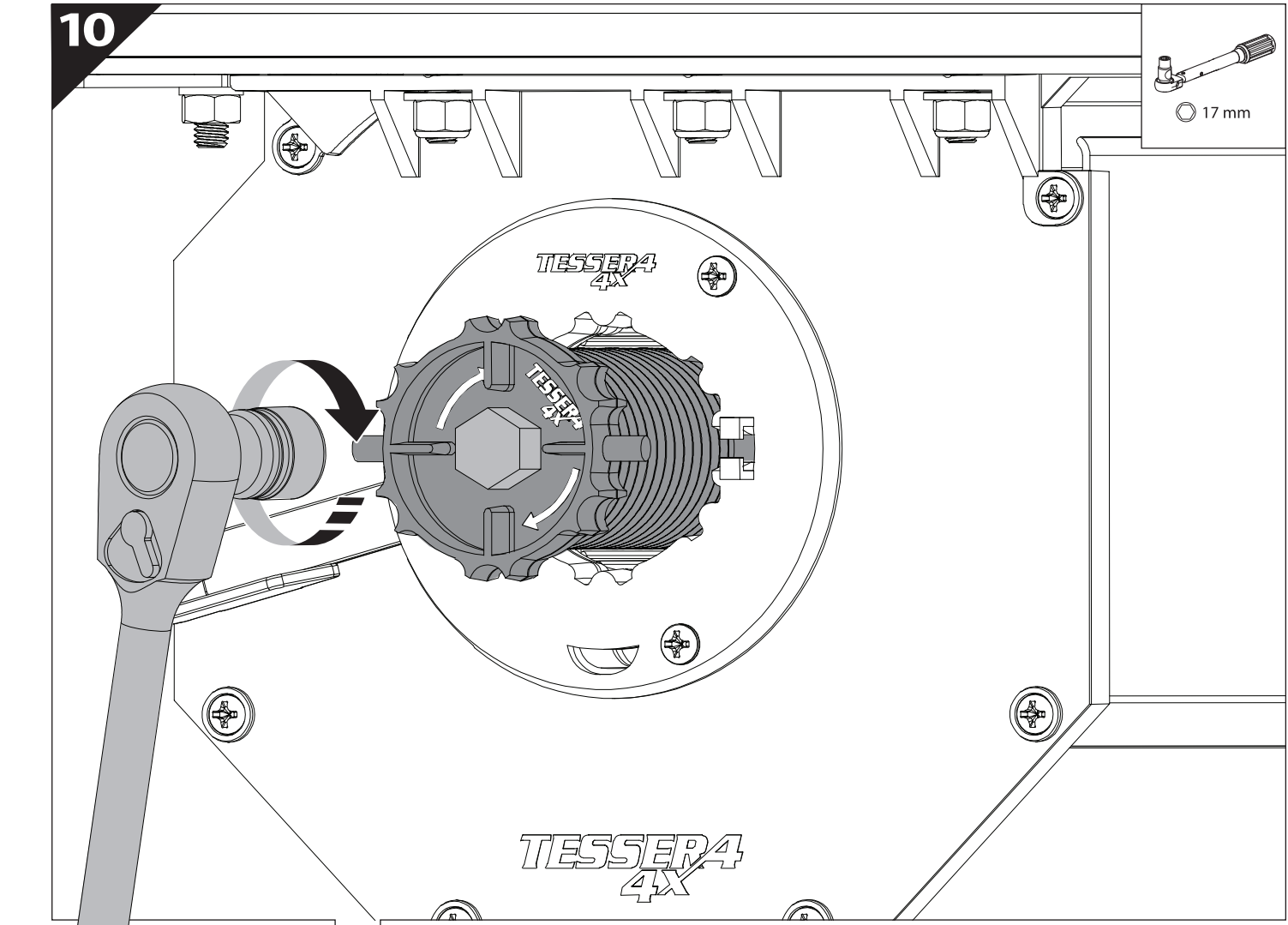
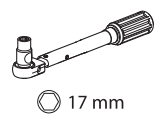


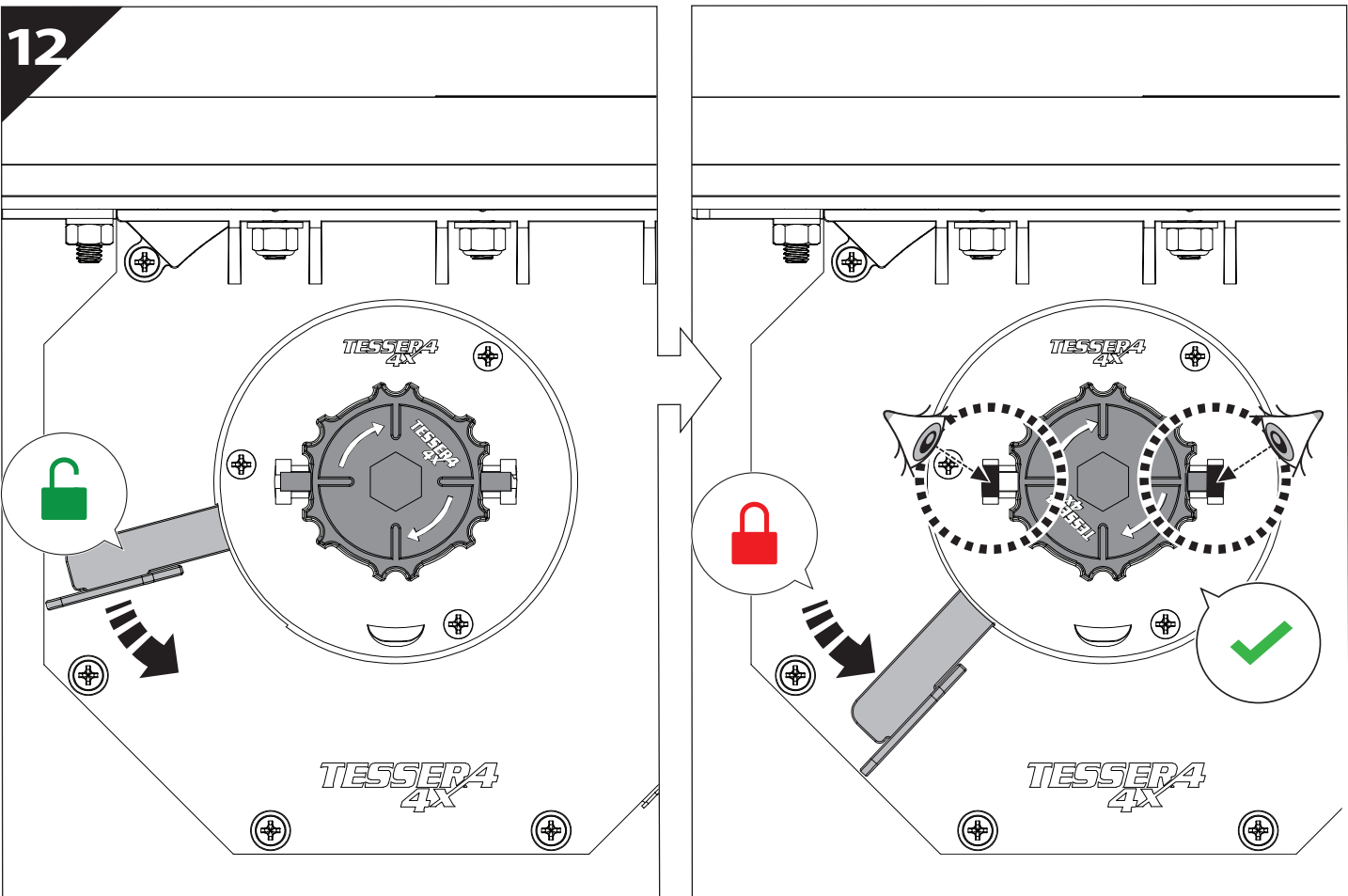
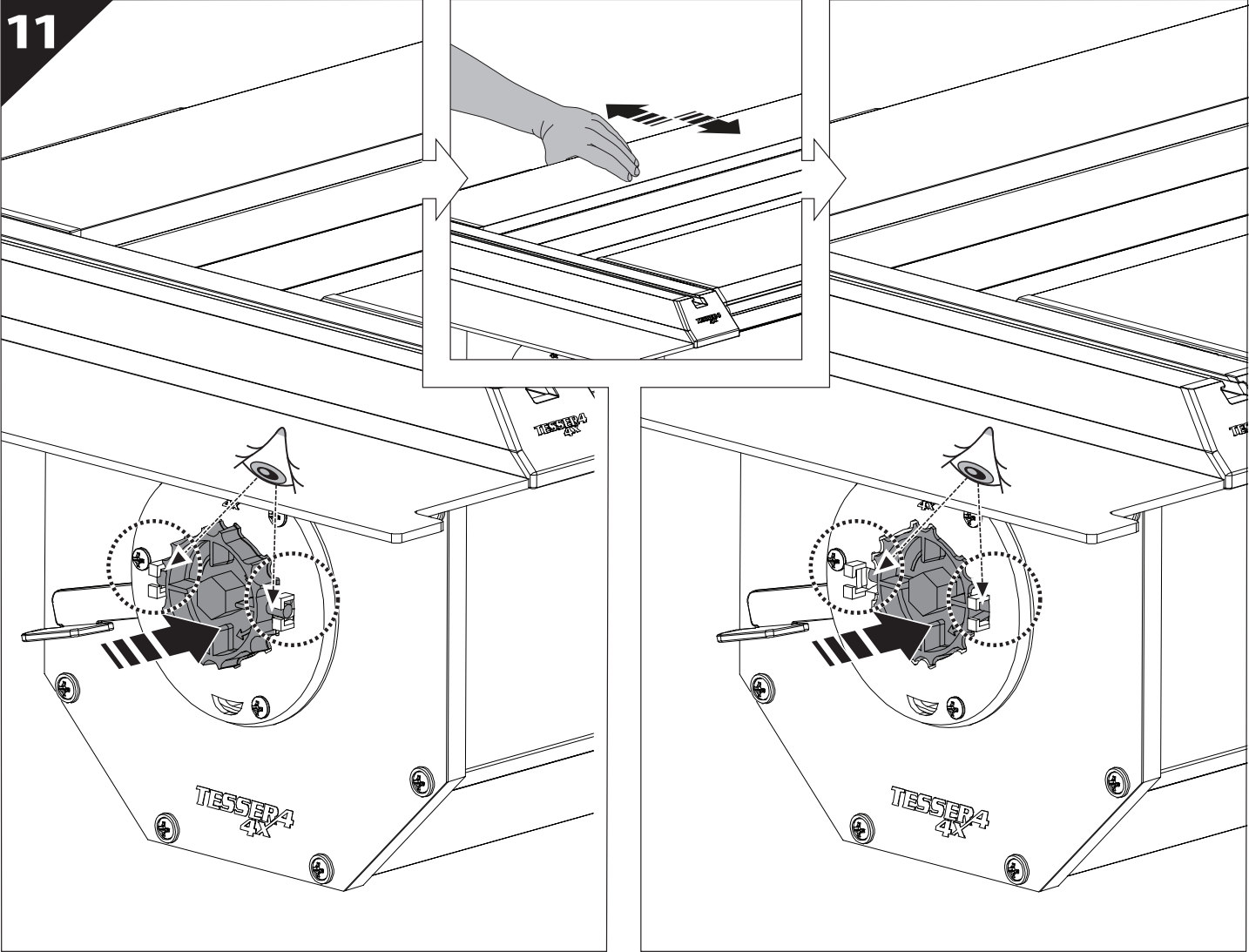
6.2



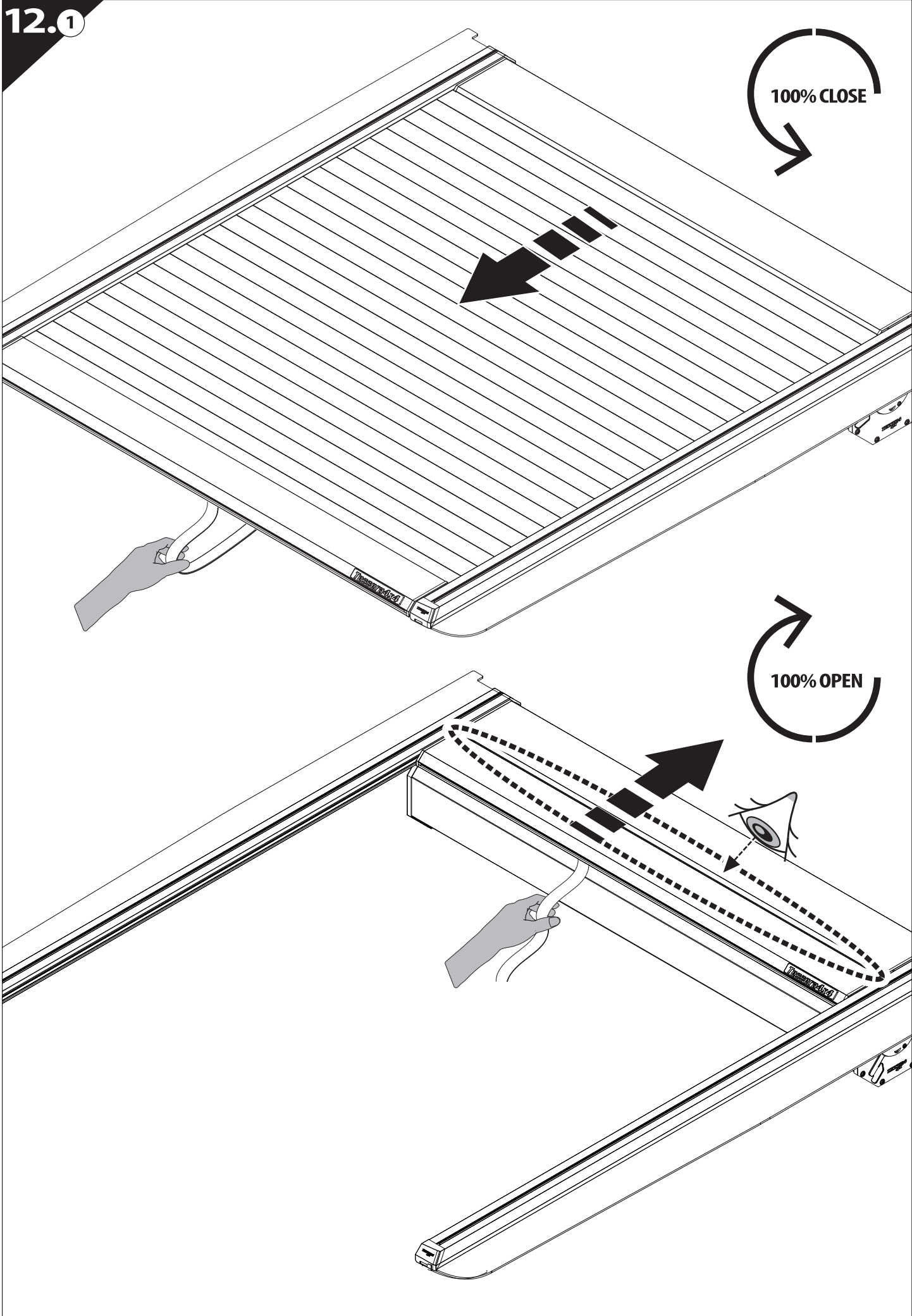


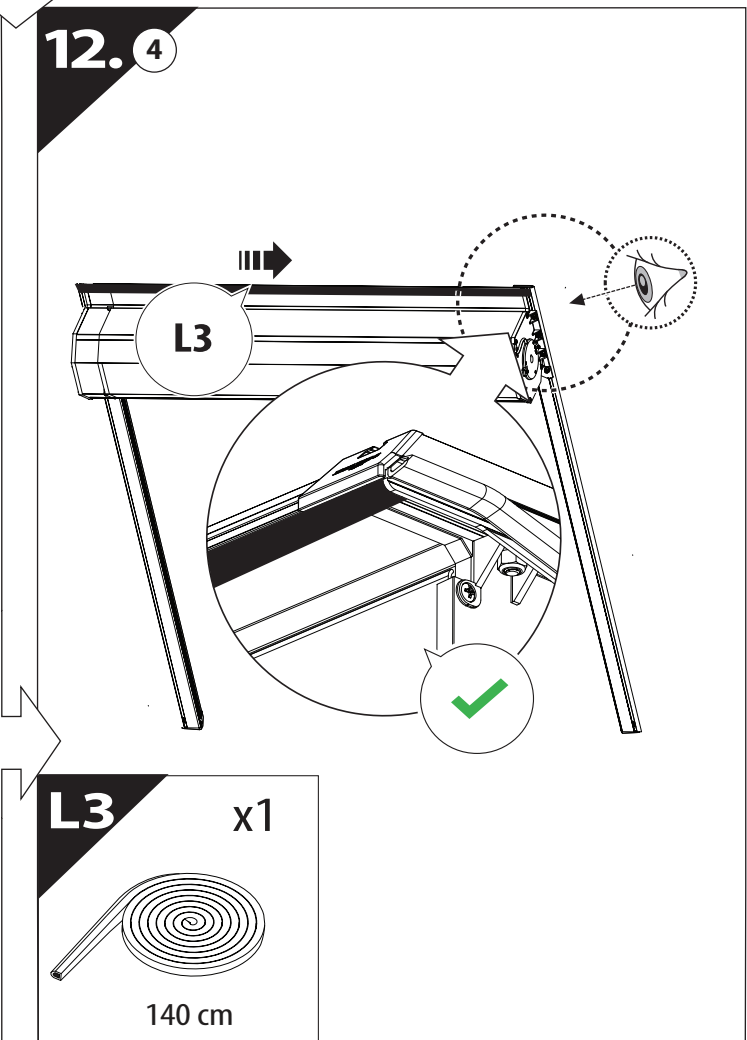
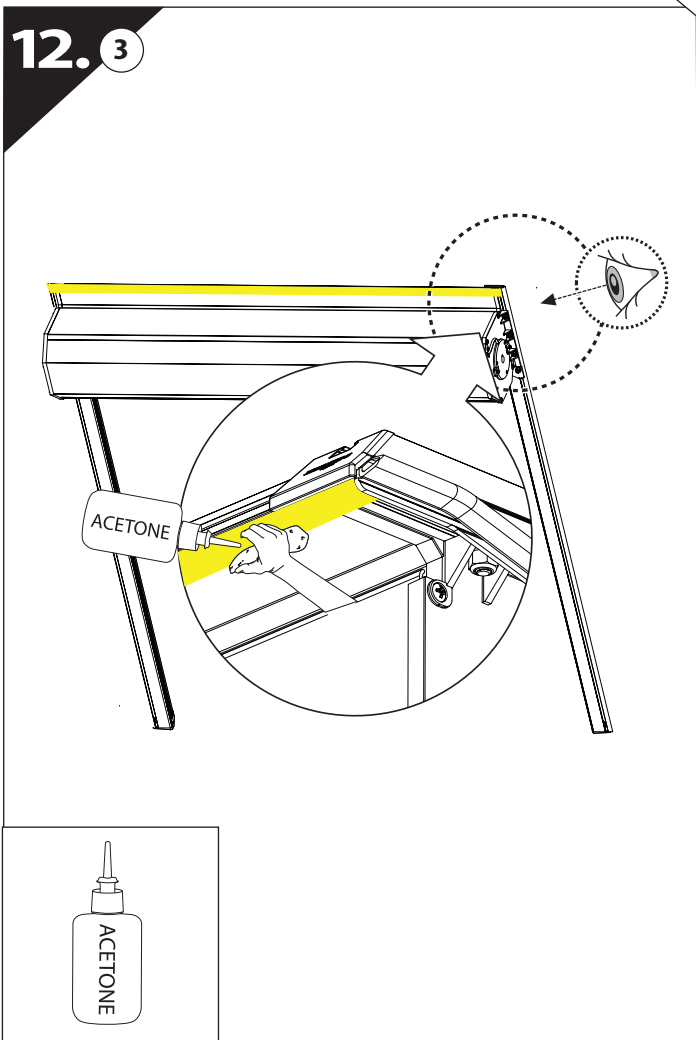
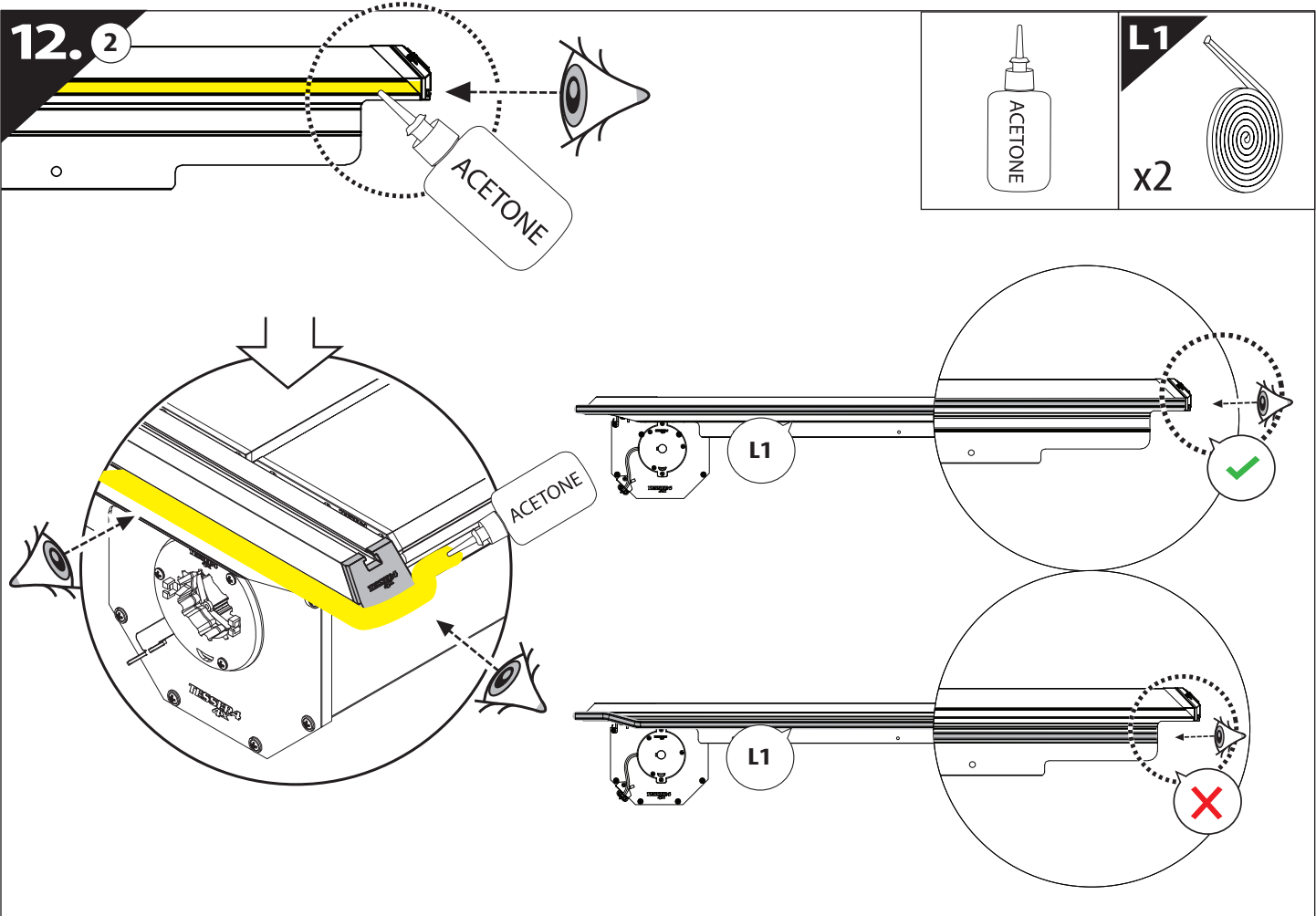
10





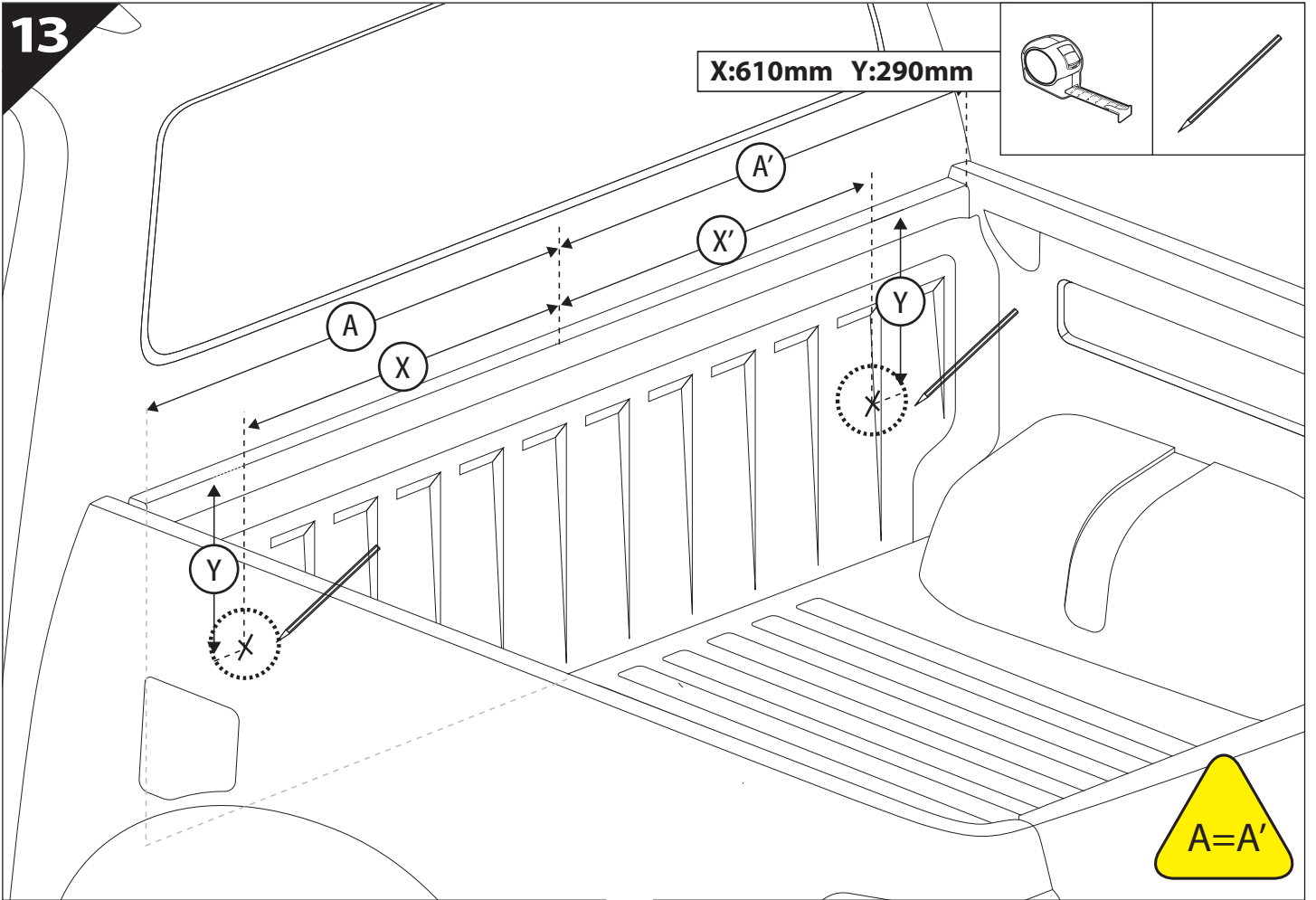
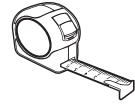
12.01





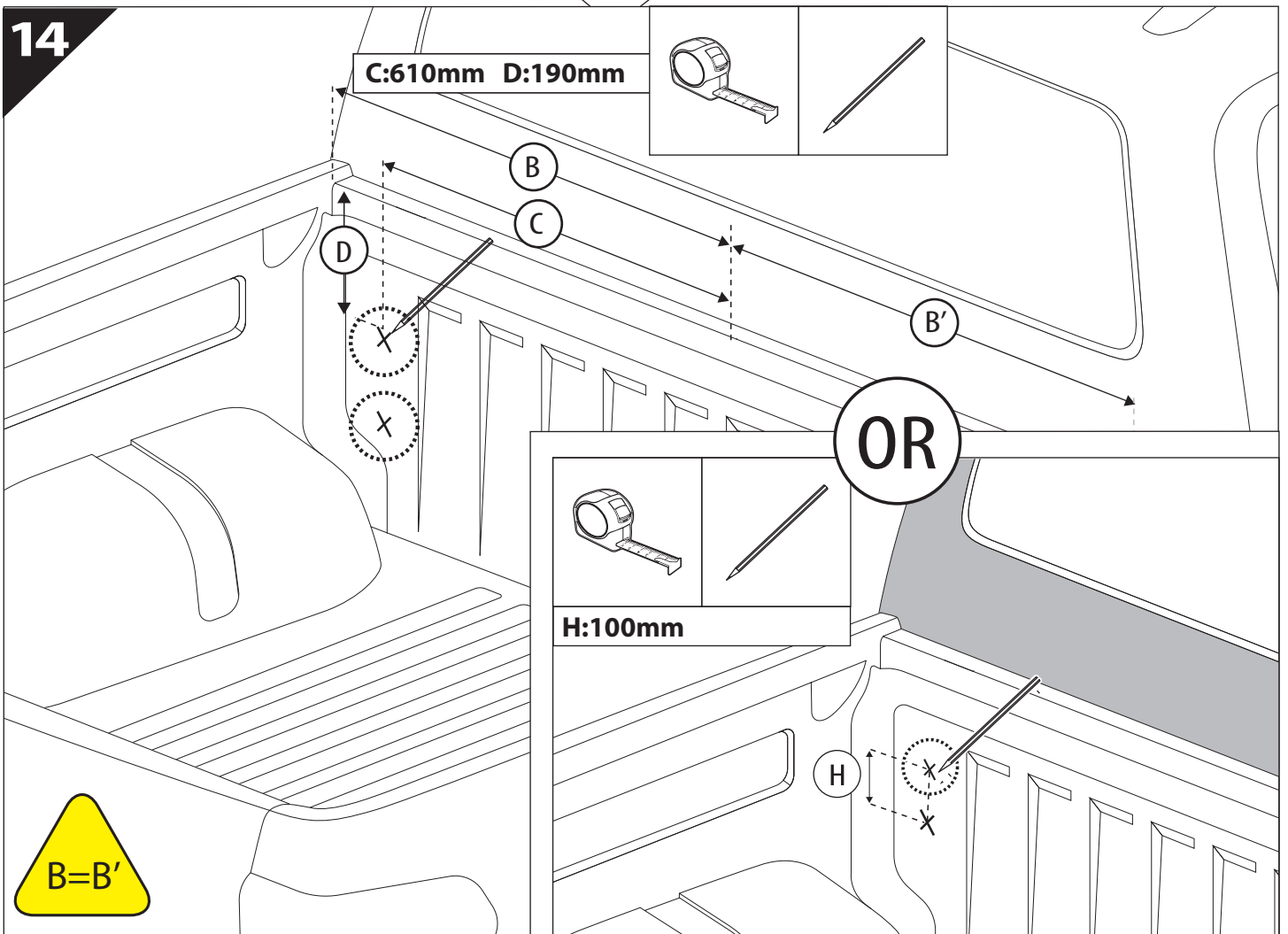
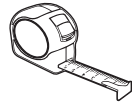
13

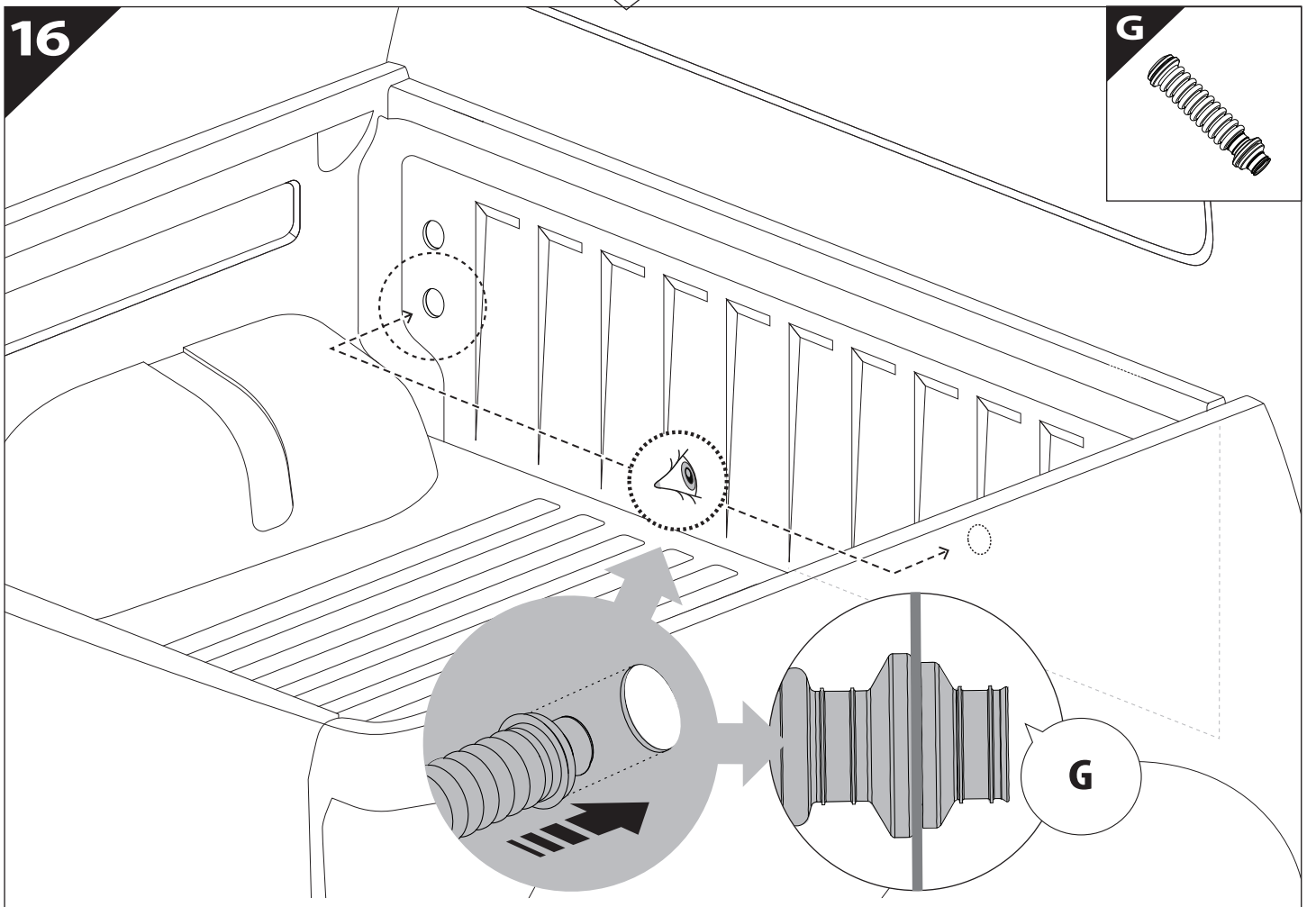
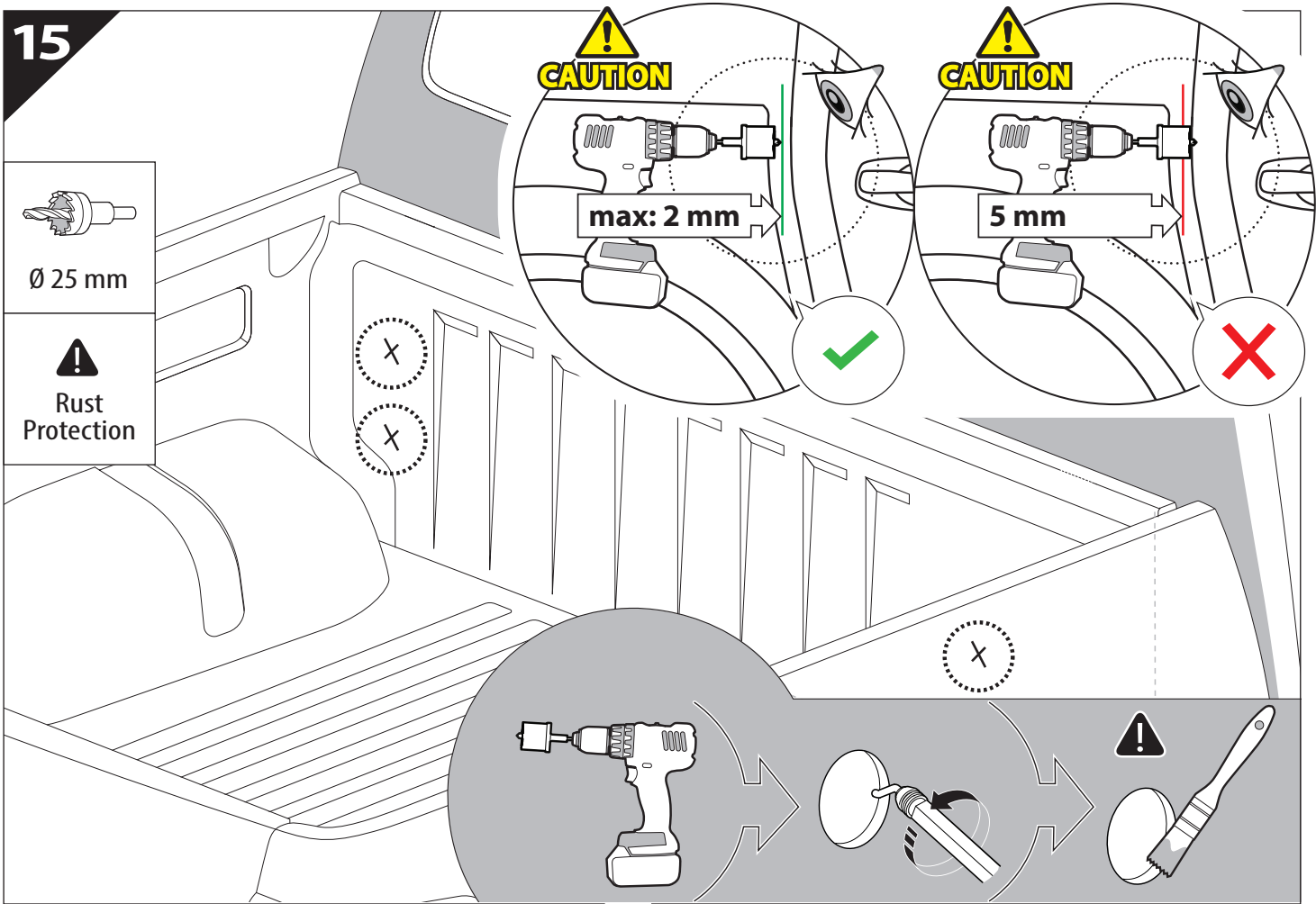
X:610mm Y:290mm



14

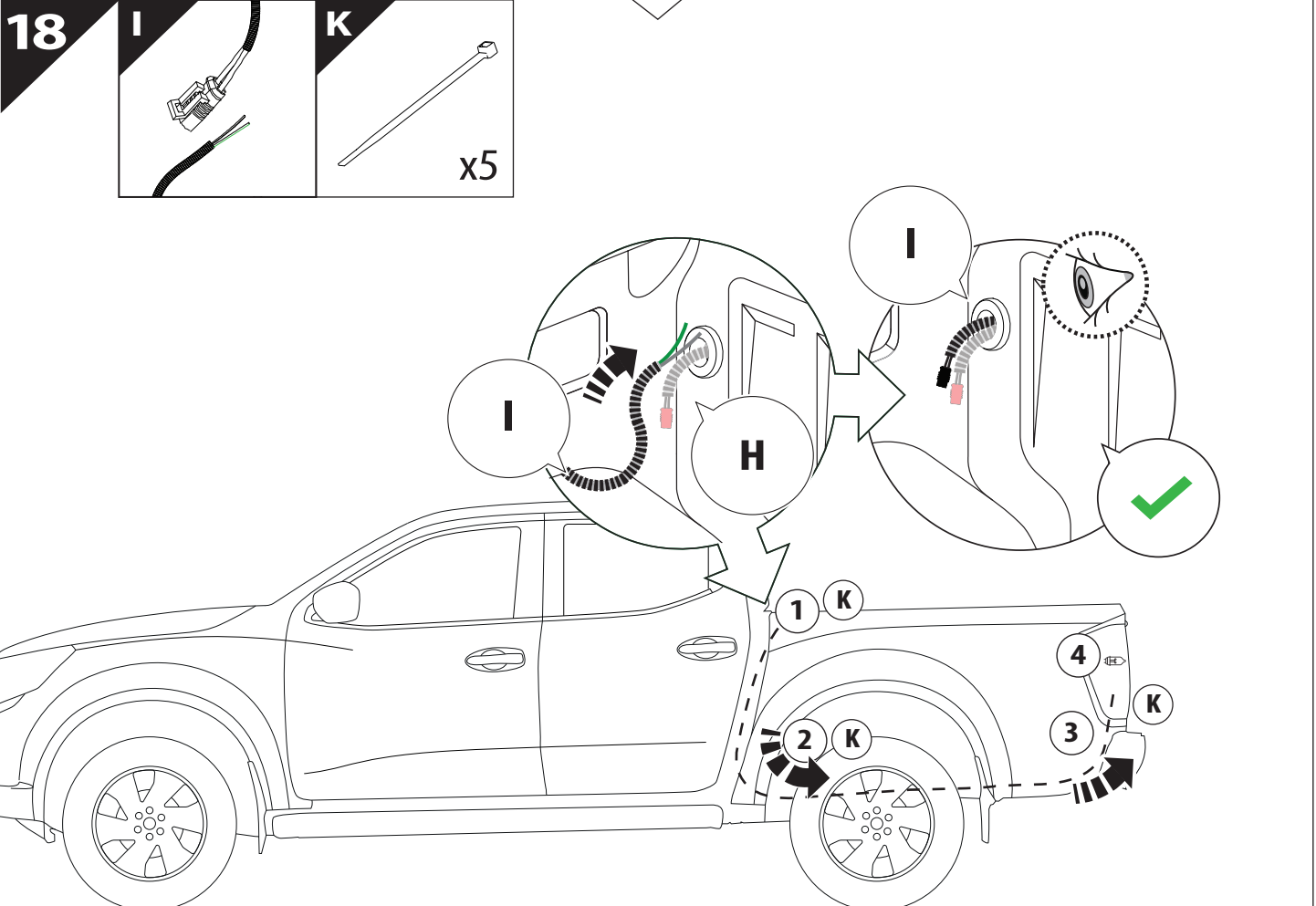
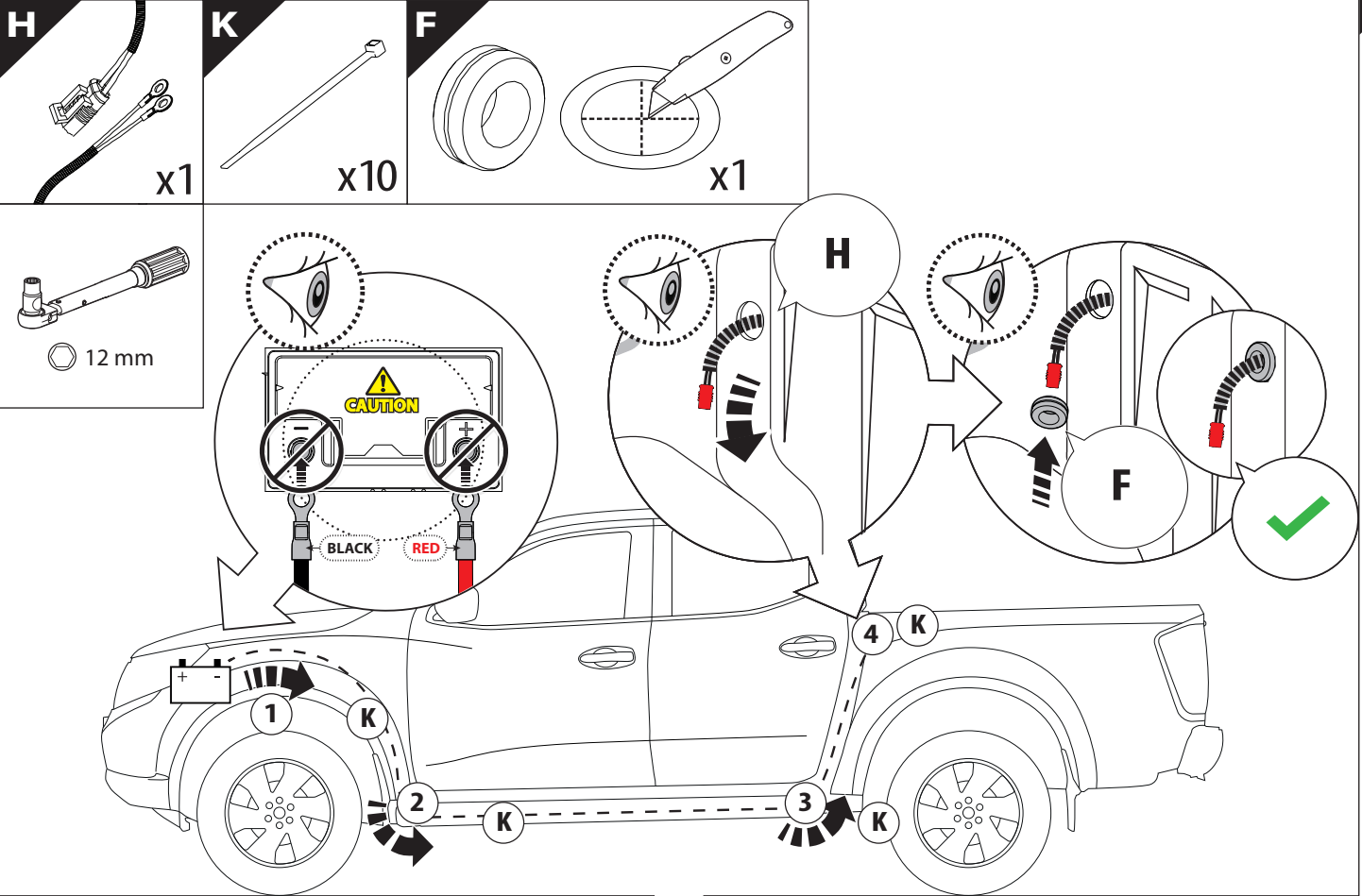
C:610mm D:190mm



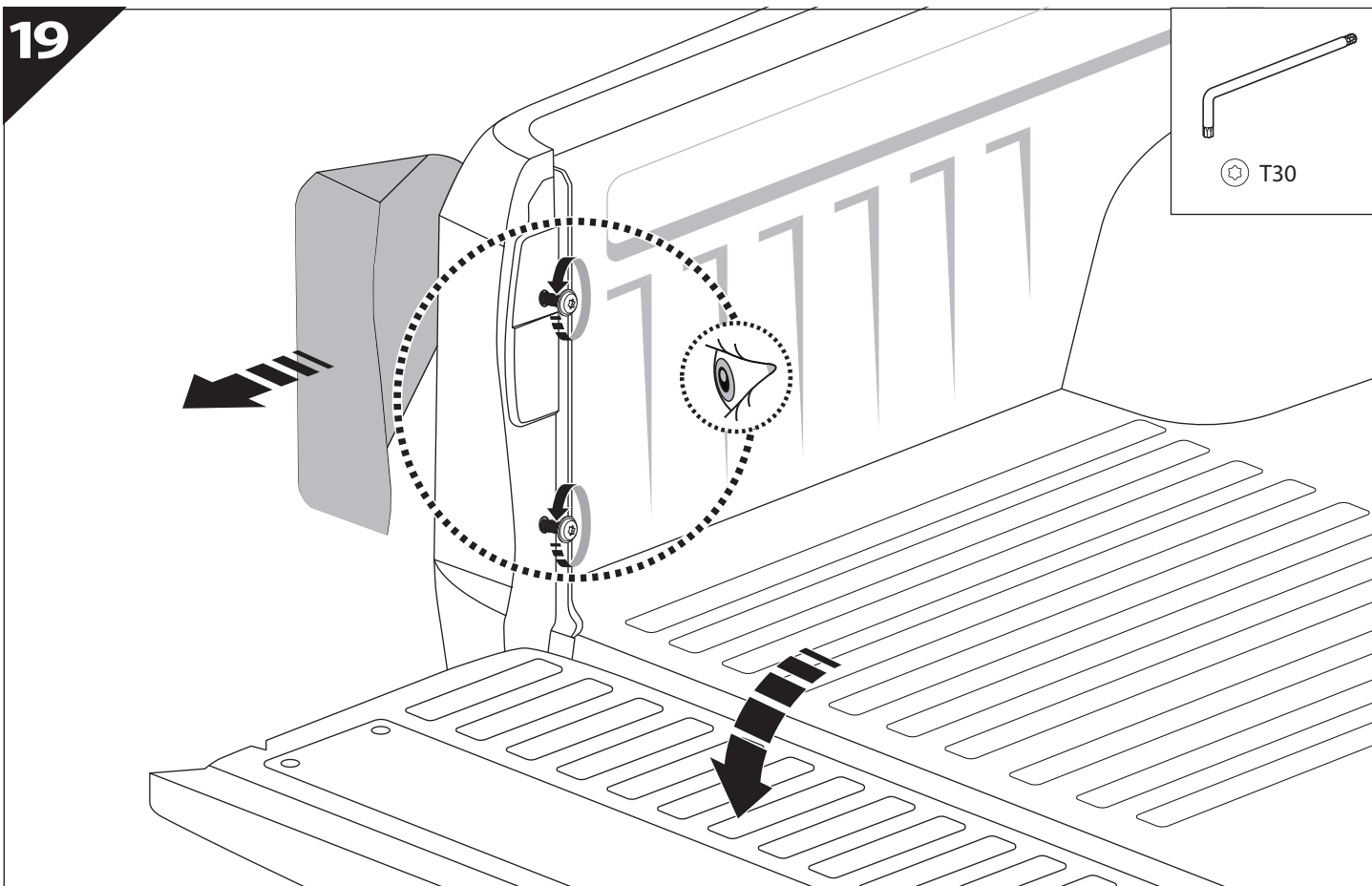


17

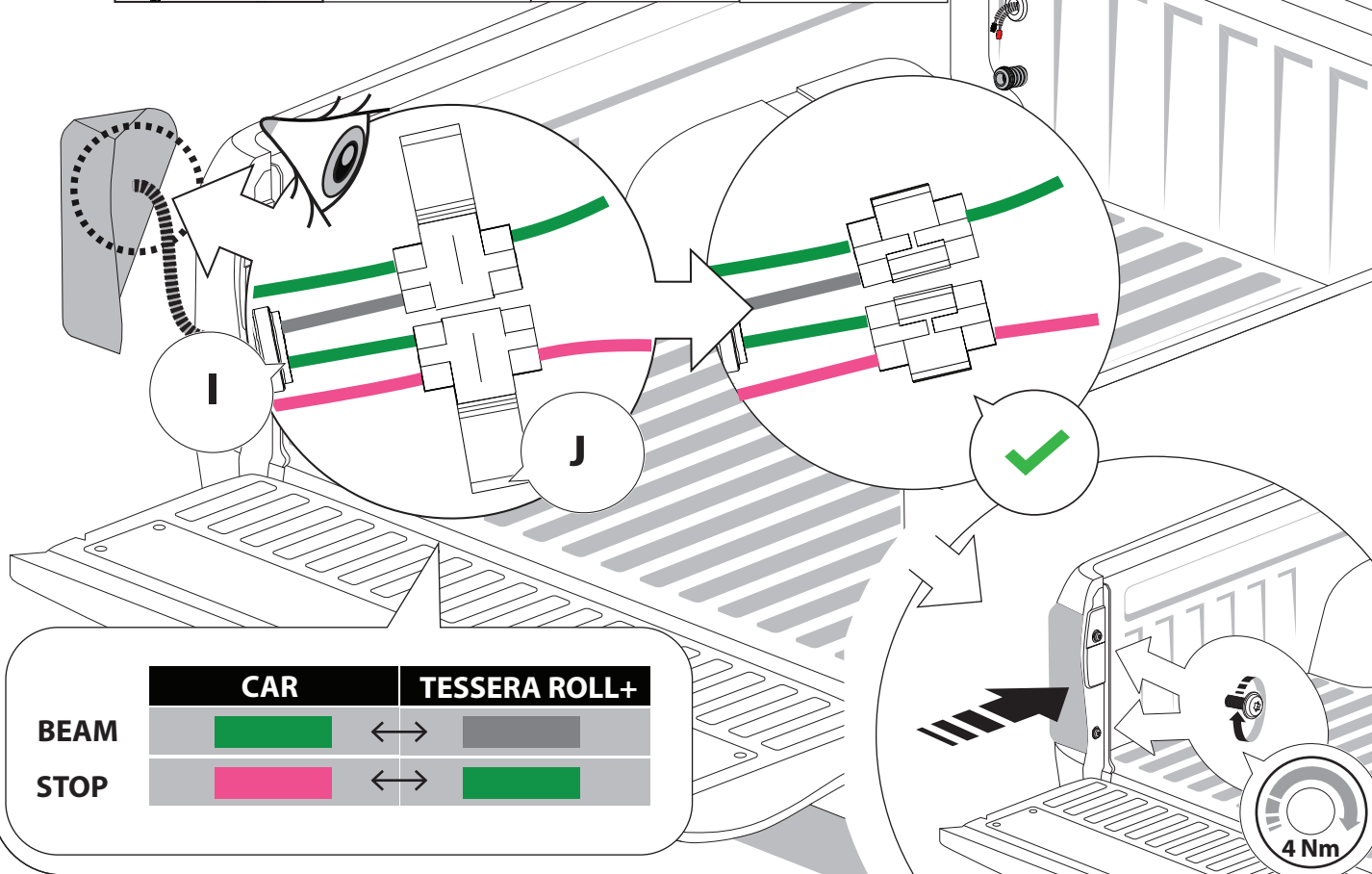
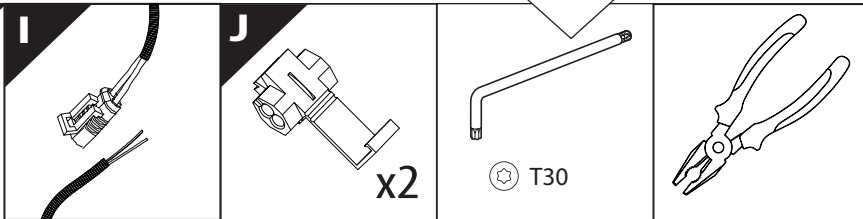
Only to be installed by authorized personnel

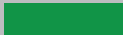





19

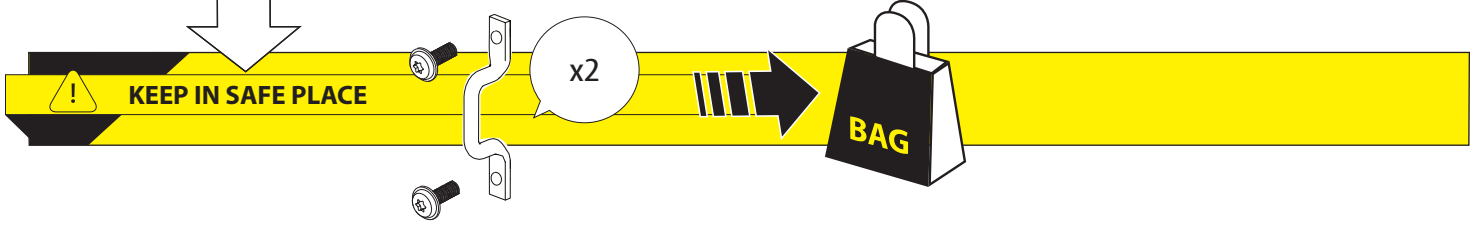
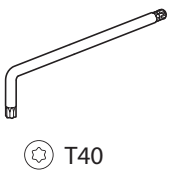
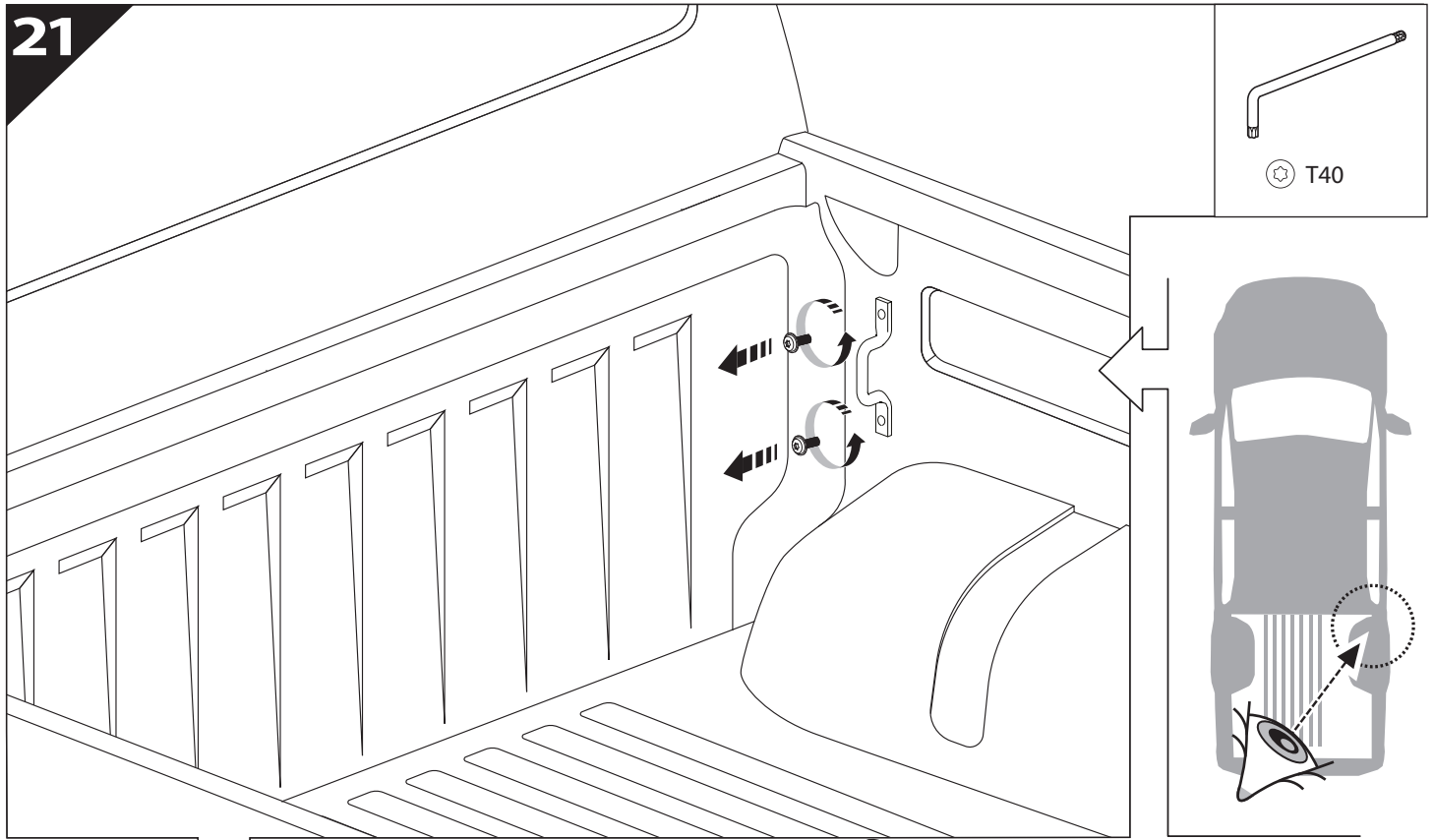


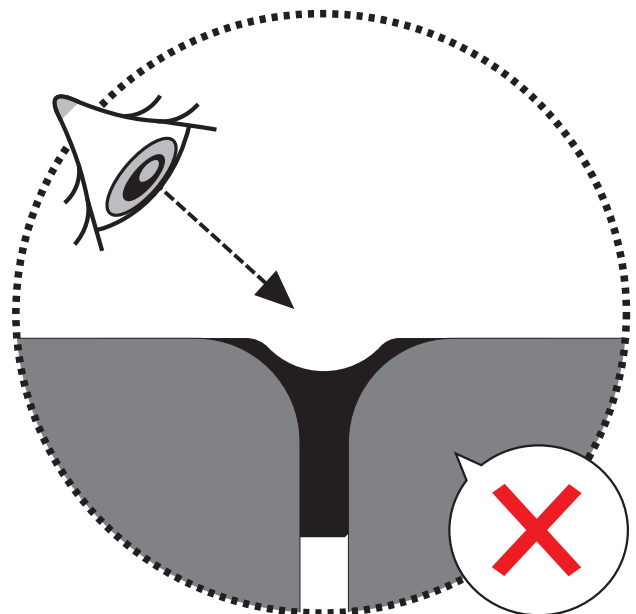
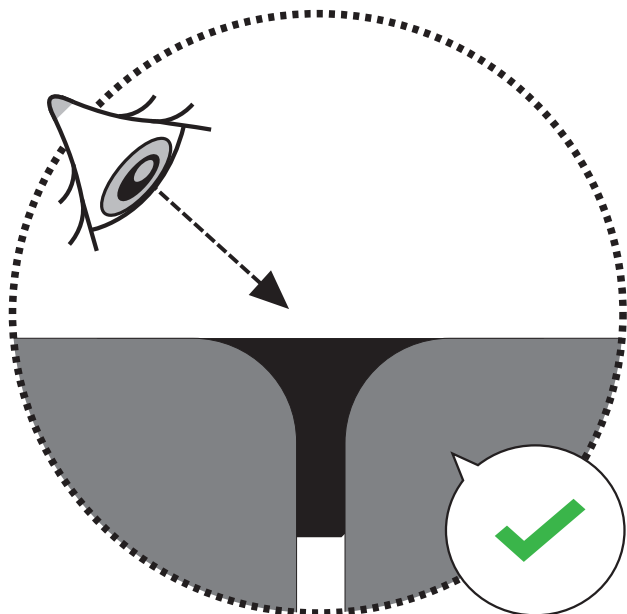
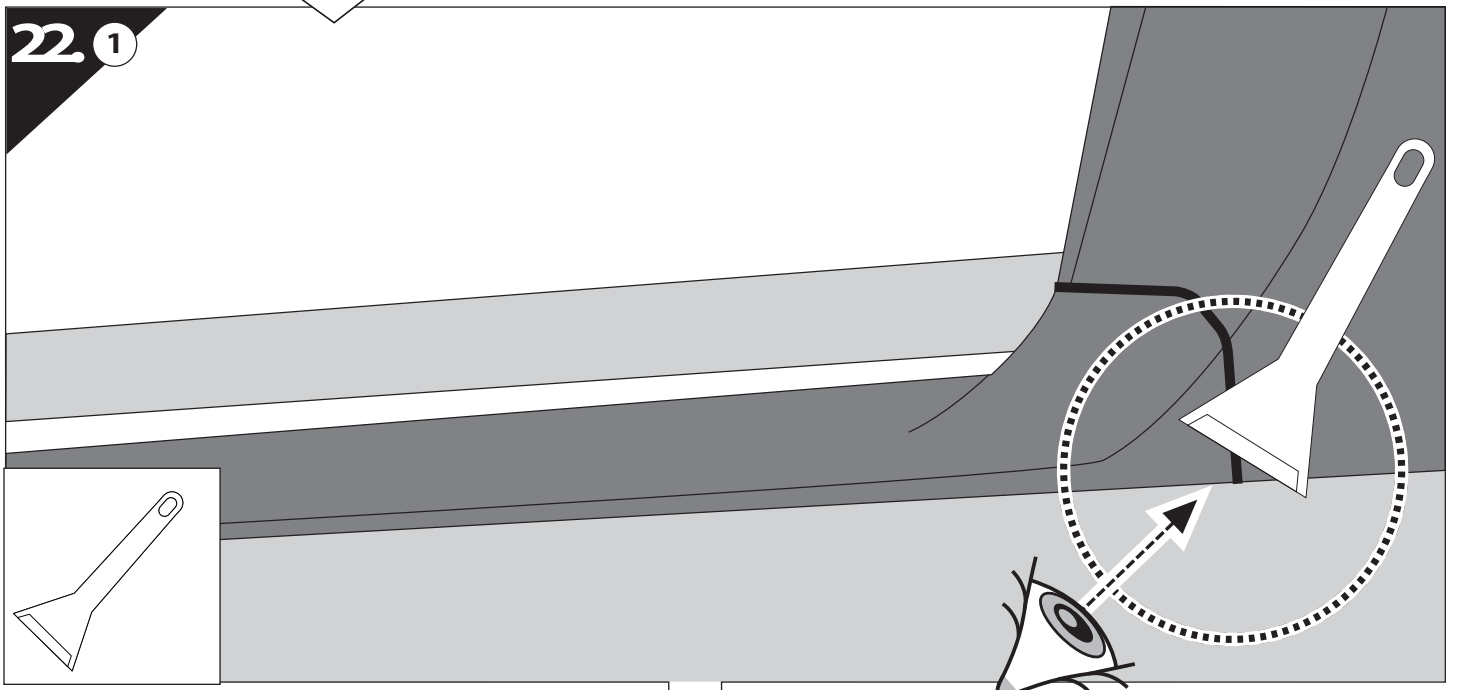
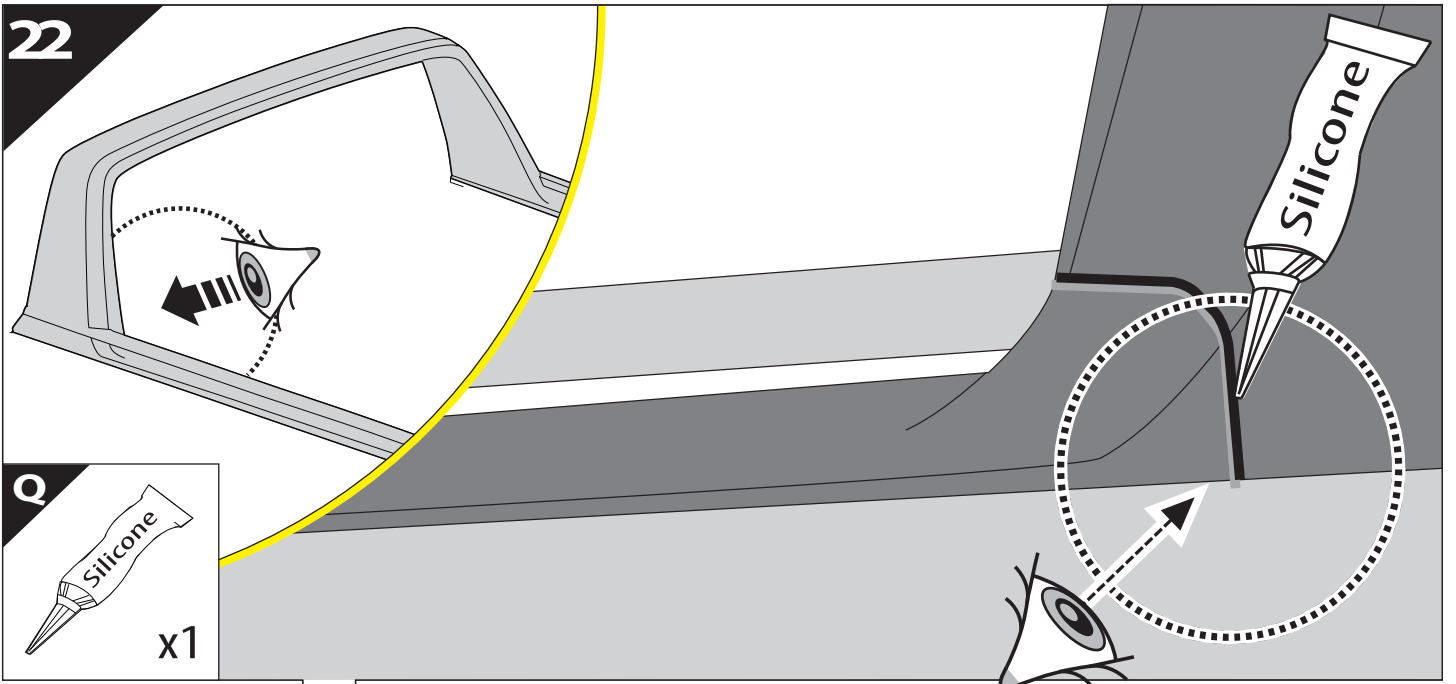
20

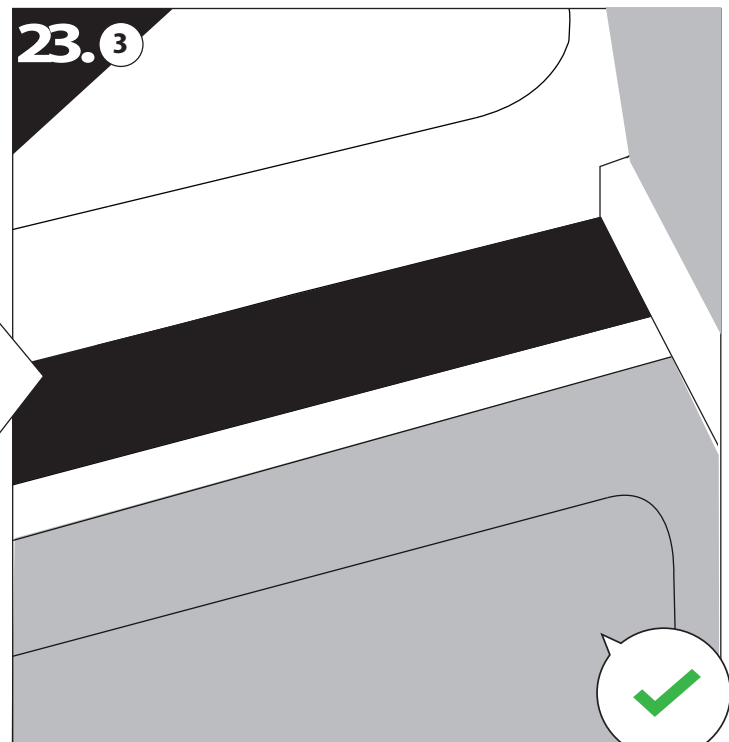
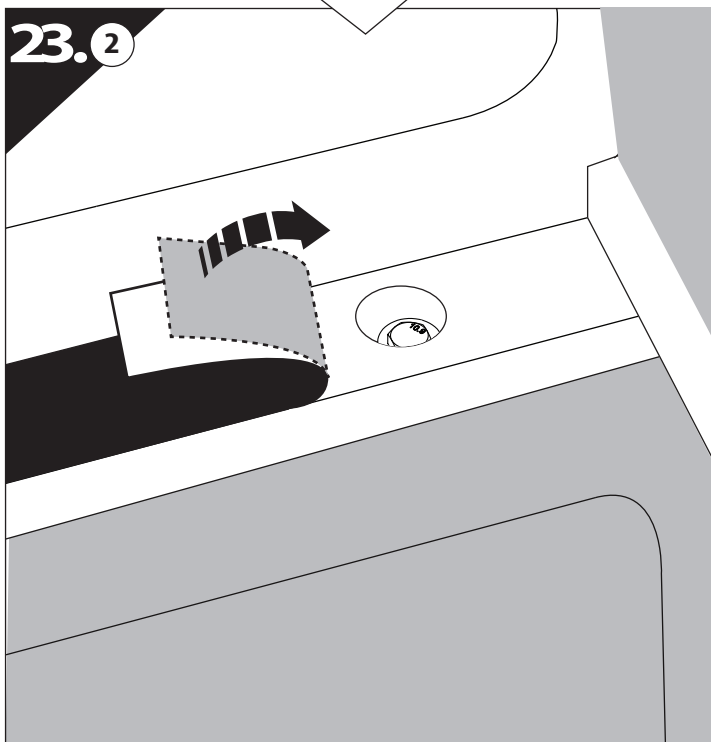
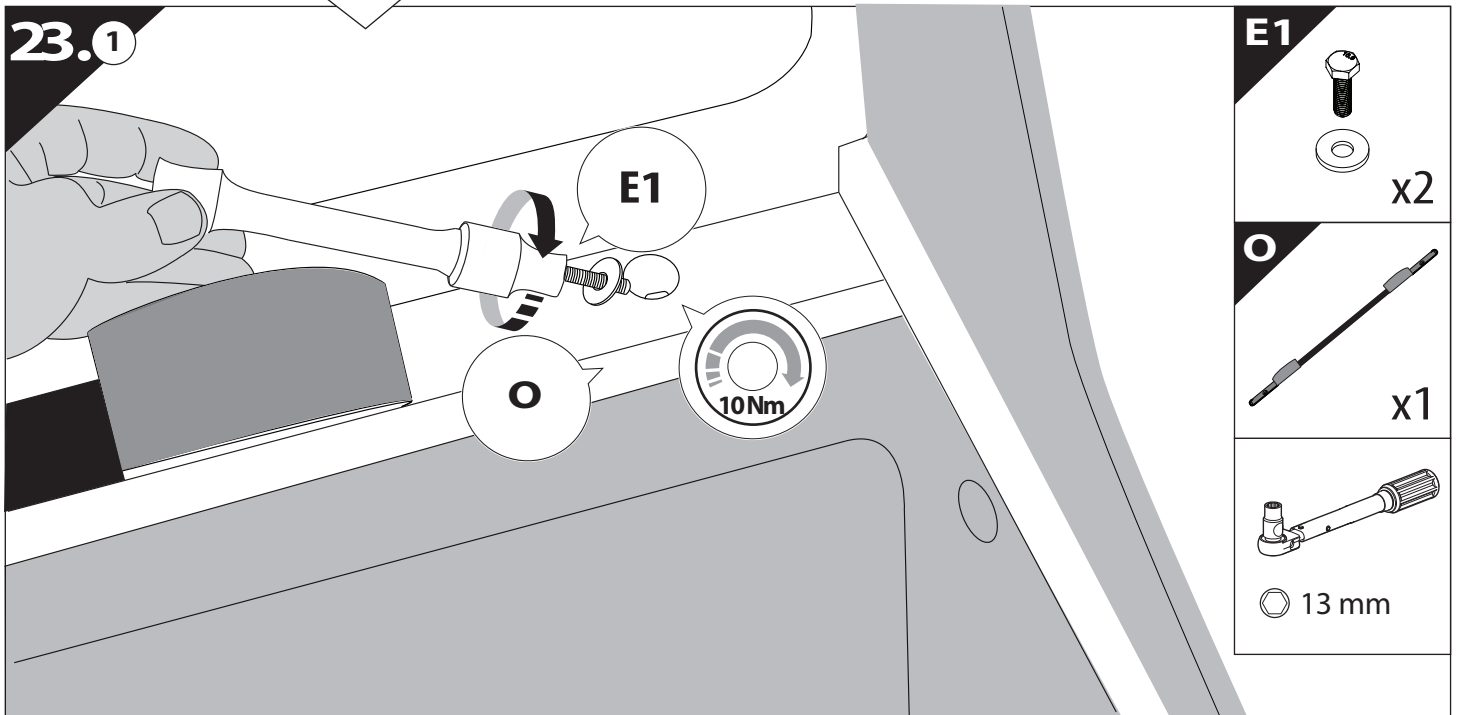
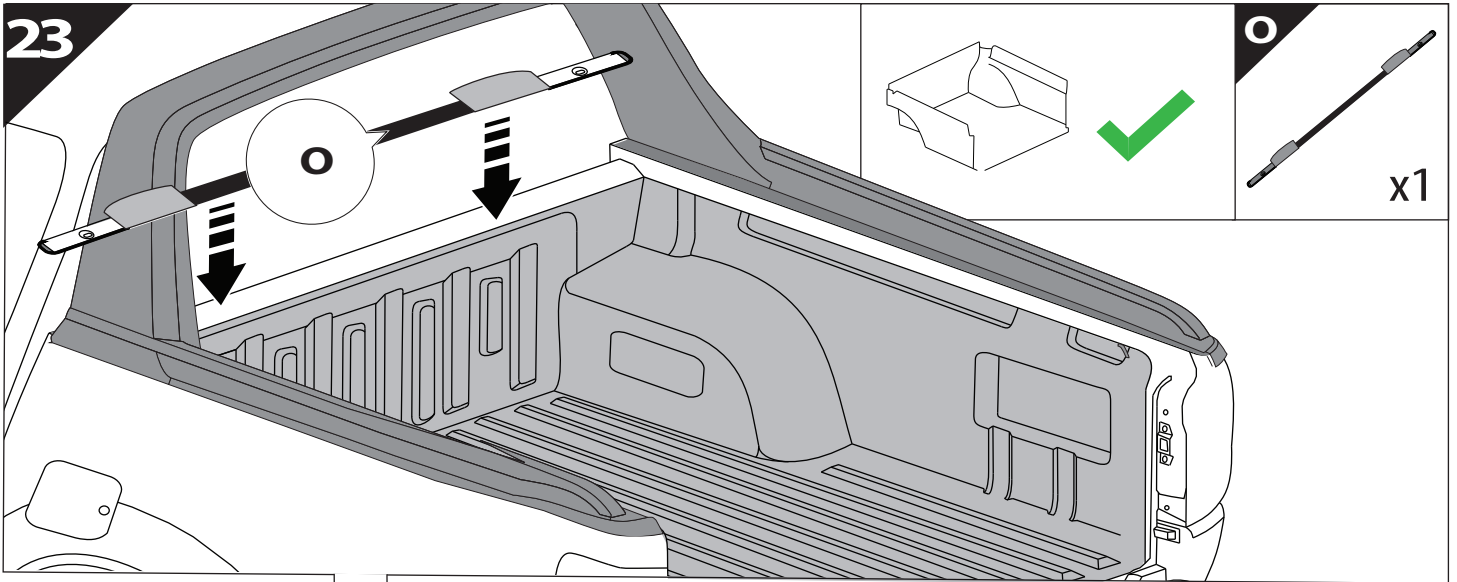


	CAR		TESSERA ROLL+
BEAM		↔	
STOP		↔	

21

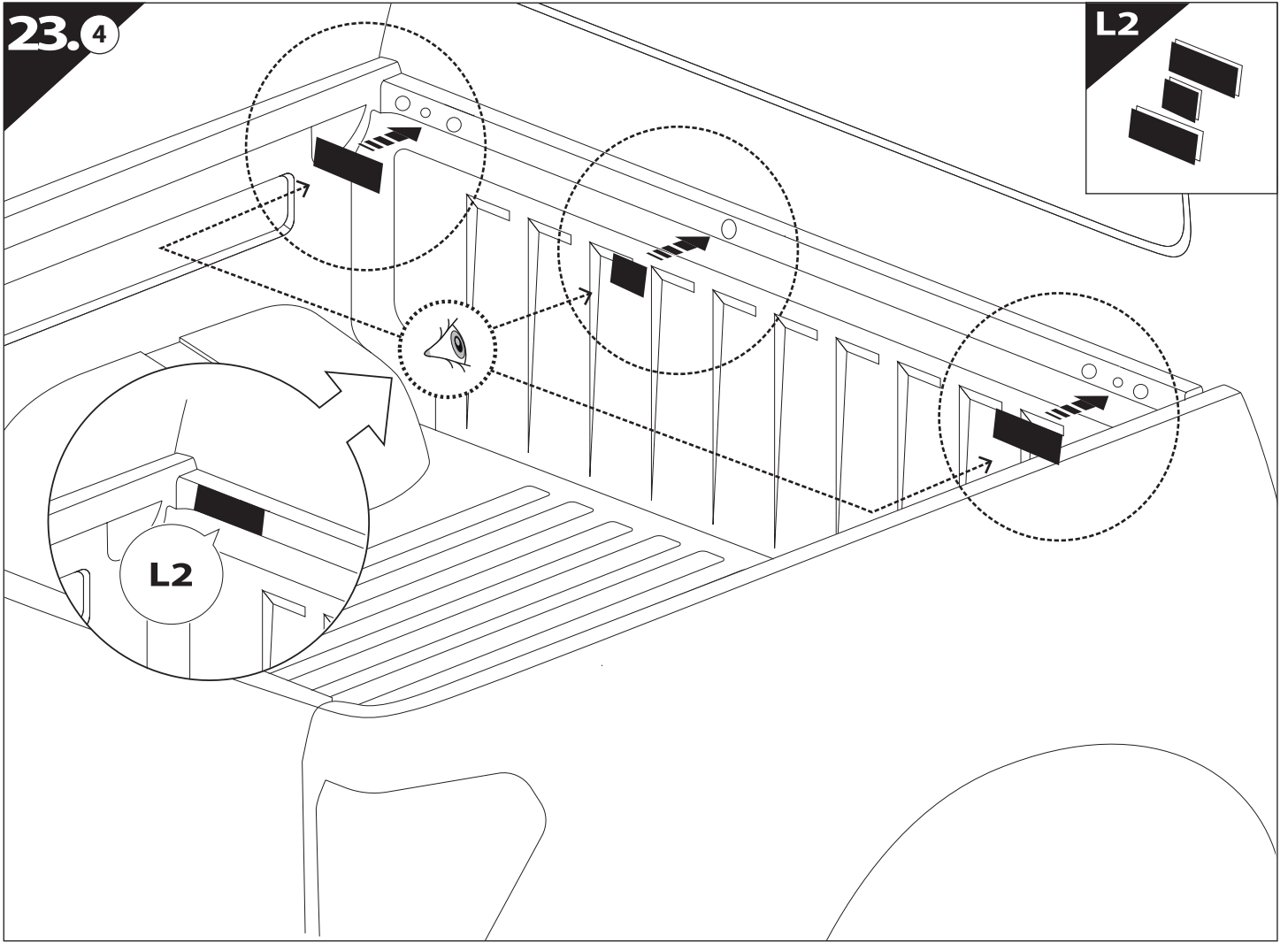


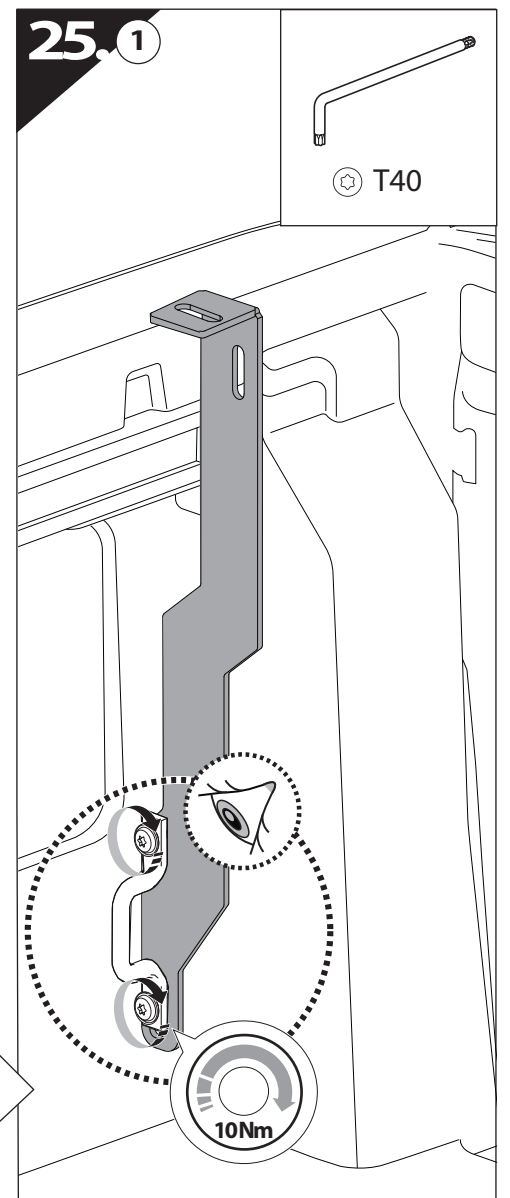
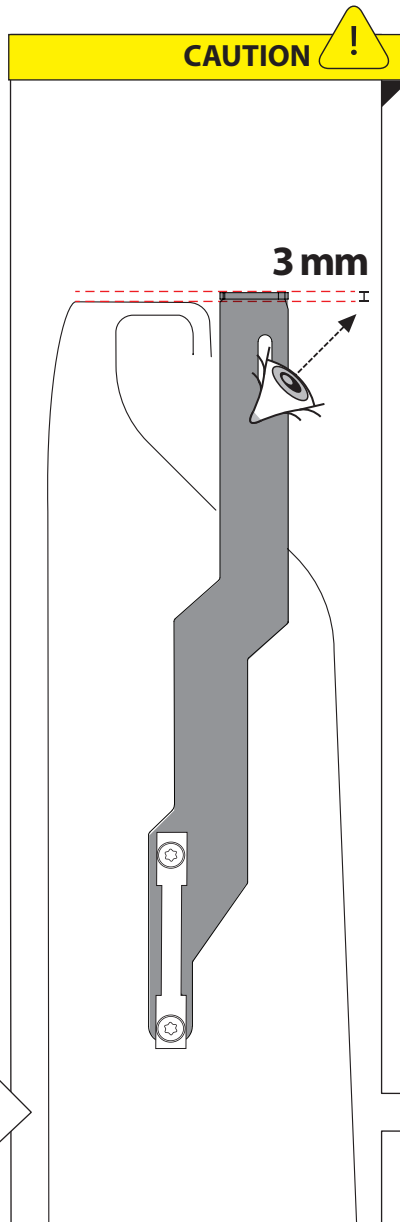
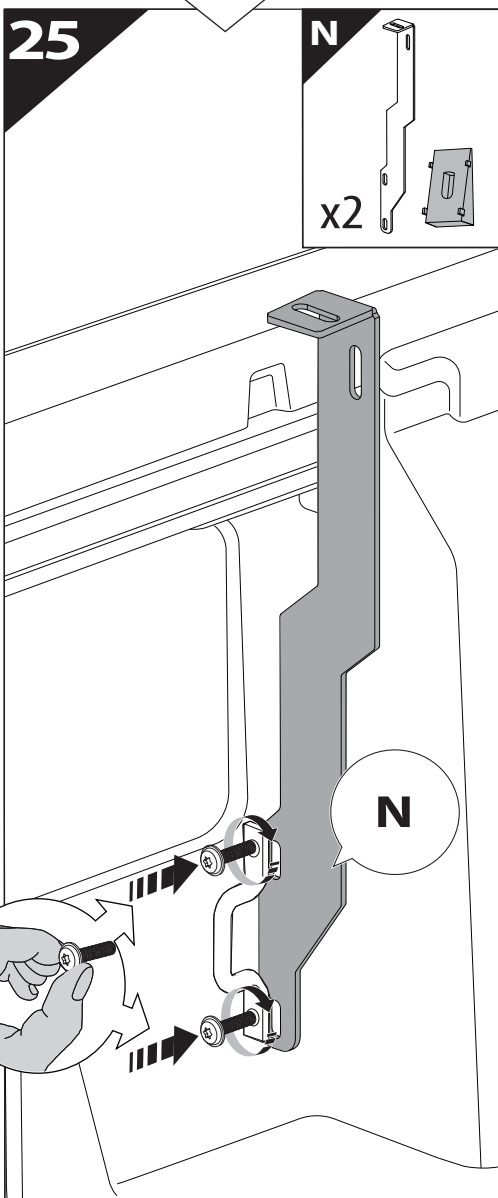
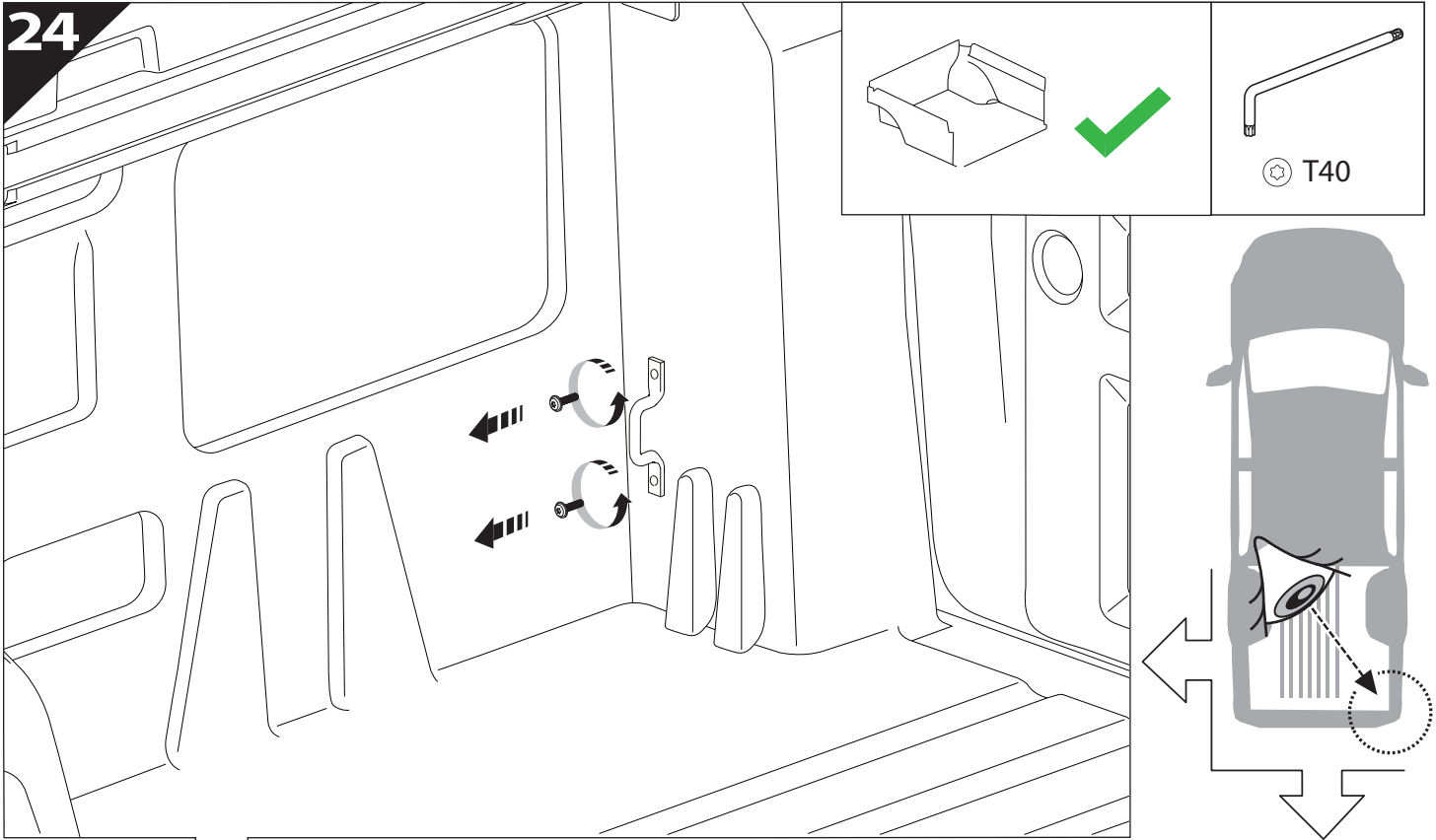




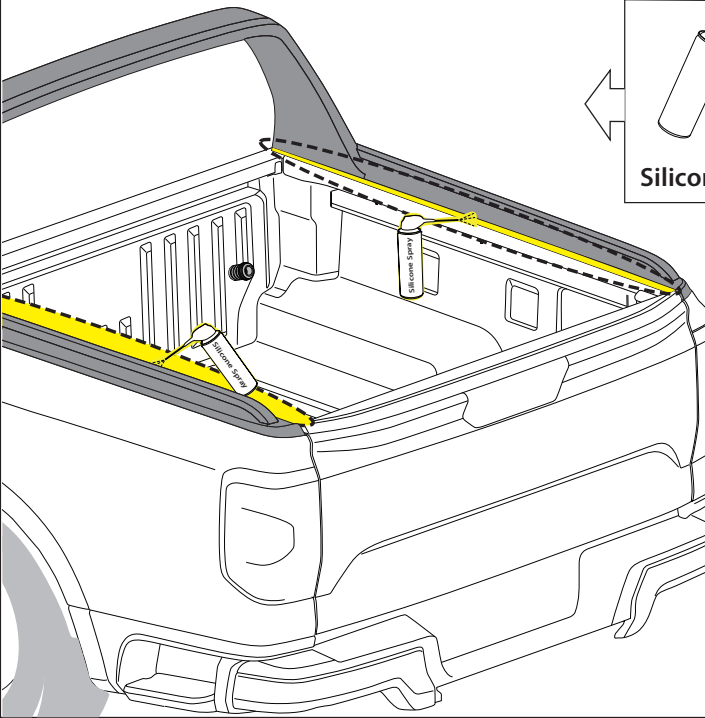
23.4

L2

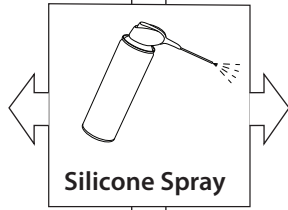




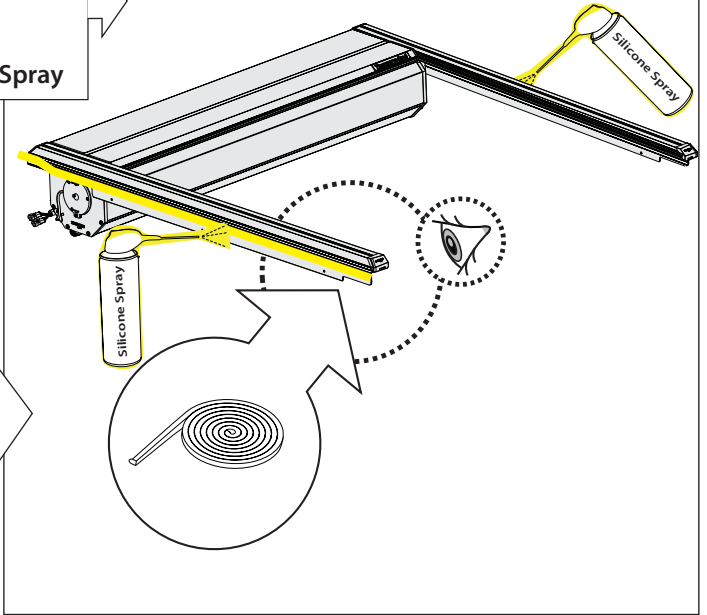
26



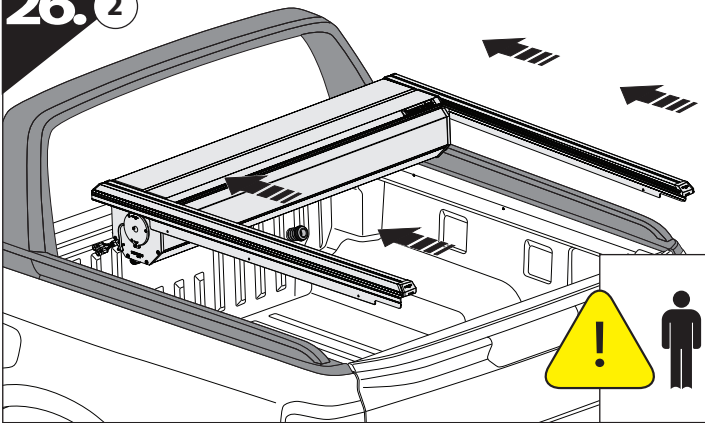
26.1



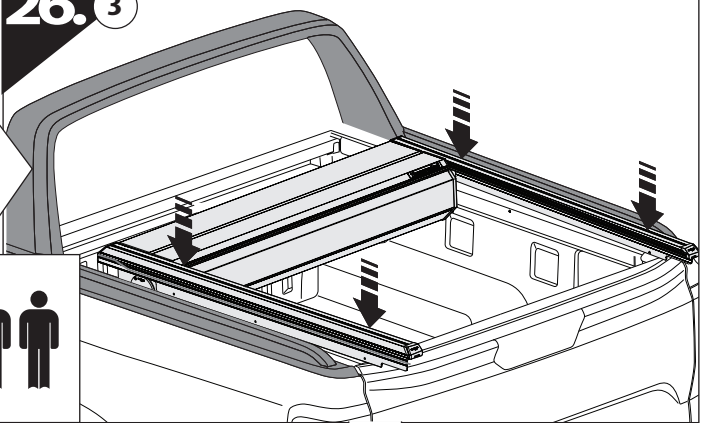
Silicone Spray



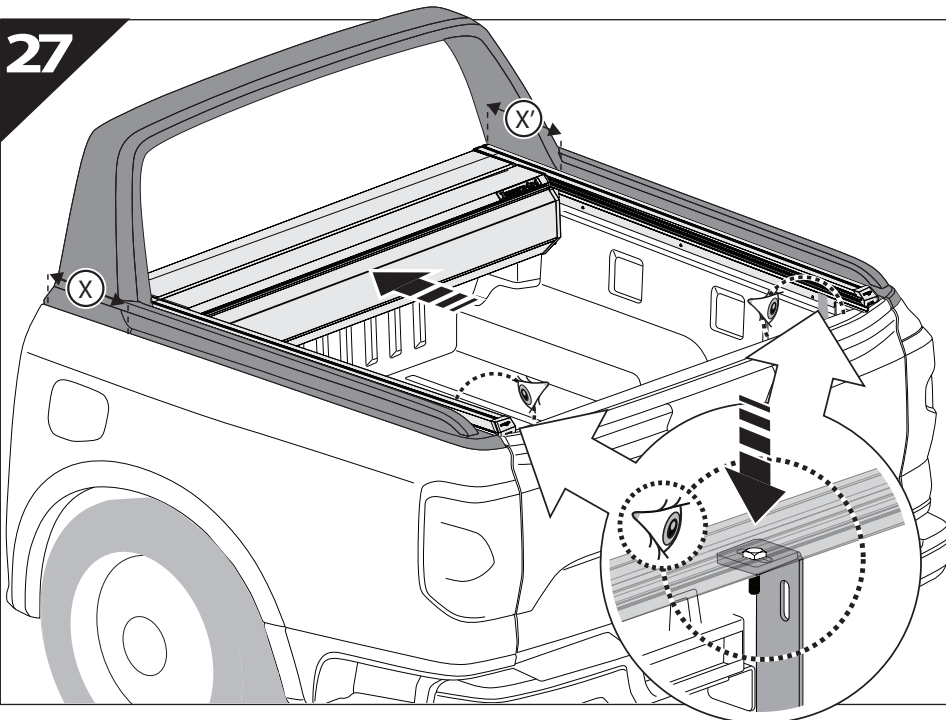
26.2

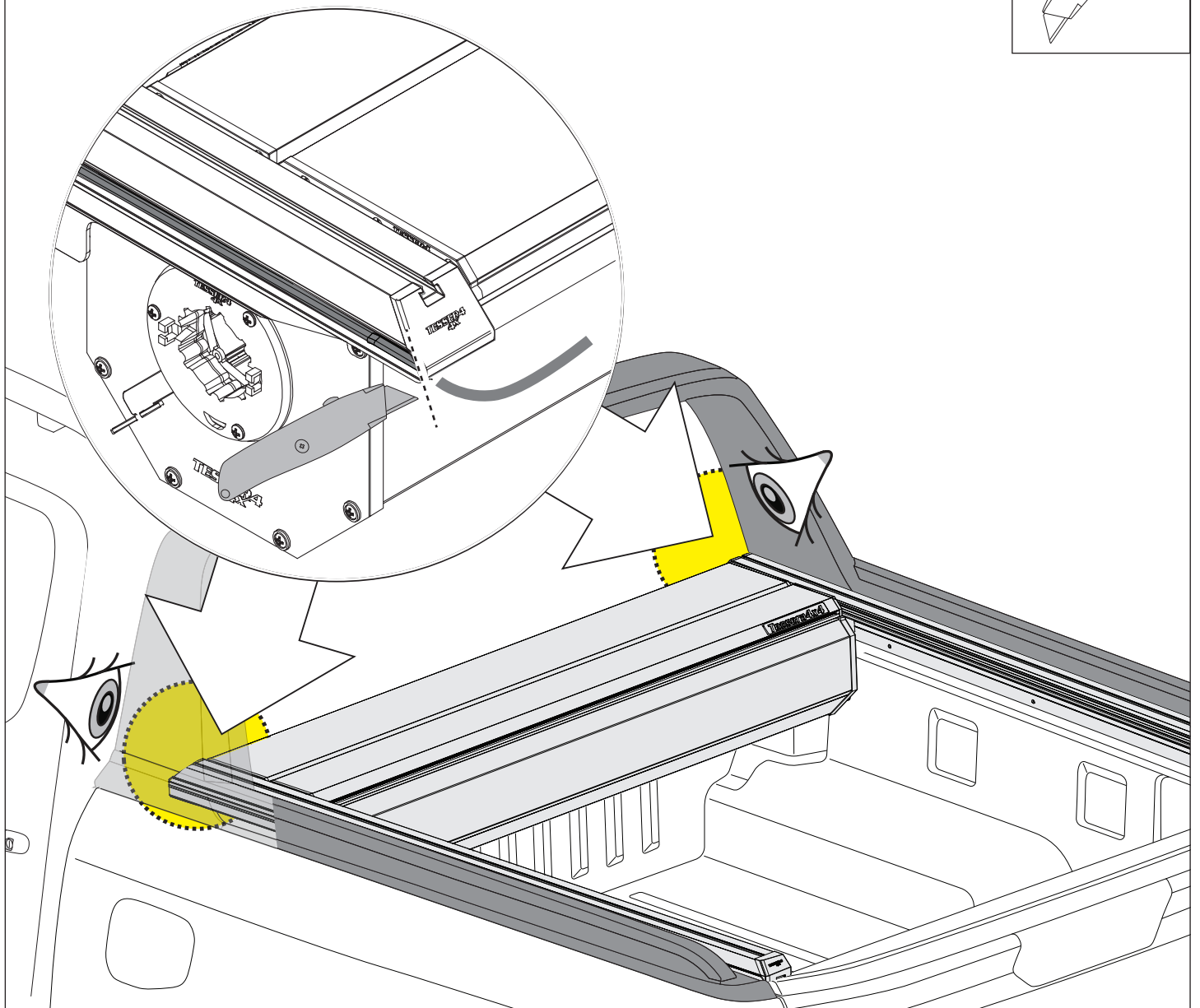
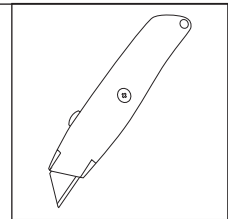


26.3

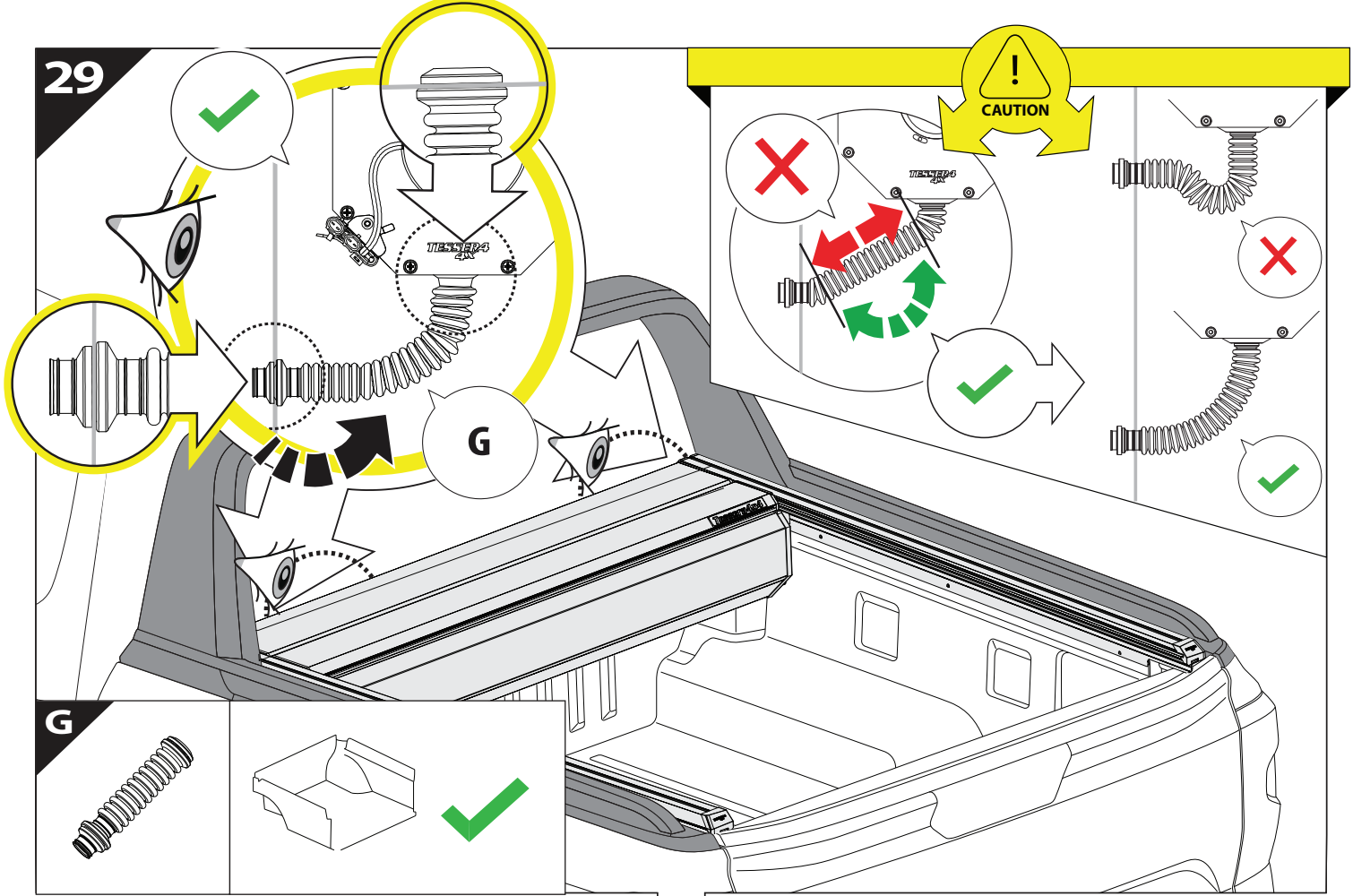


27

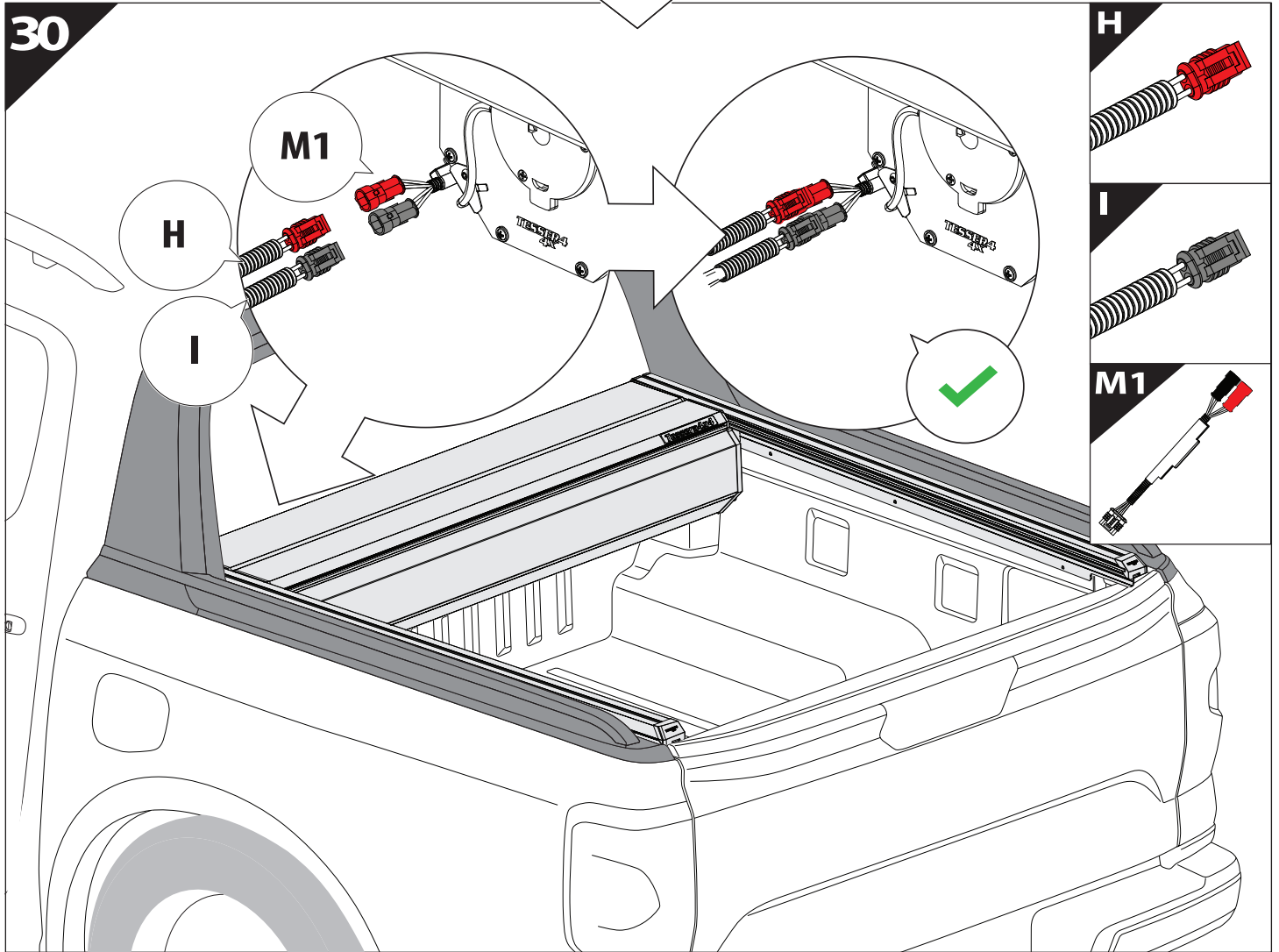




29

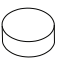
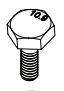
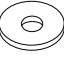
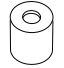



30

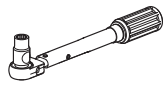


31

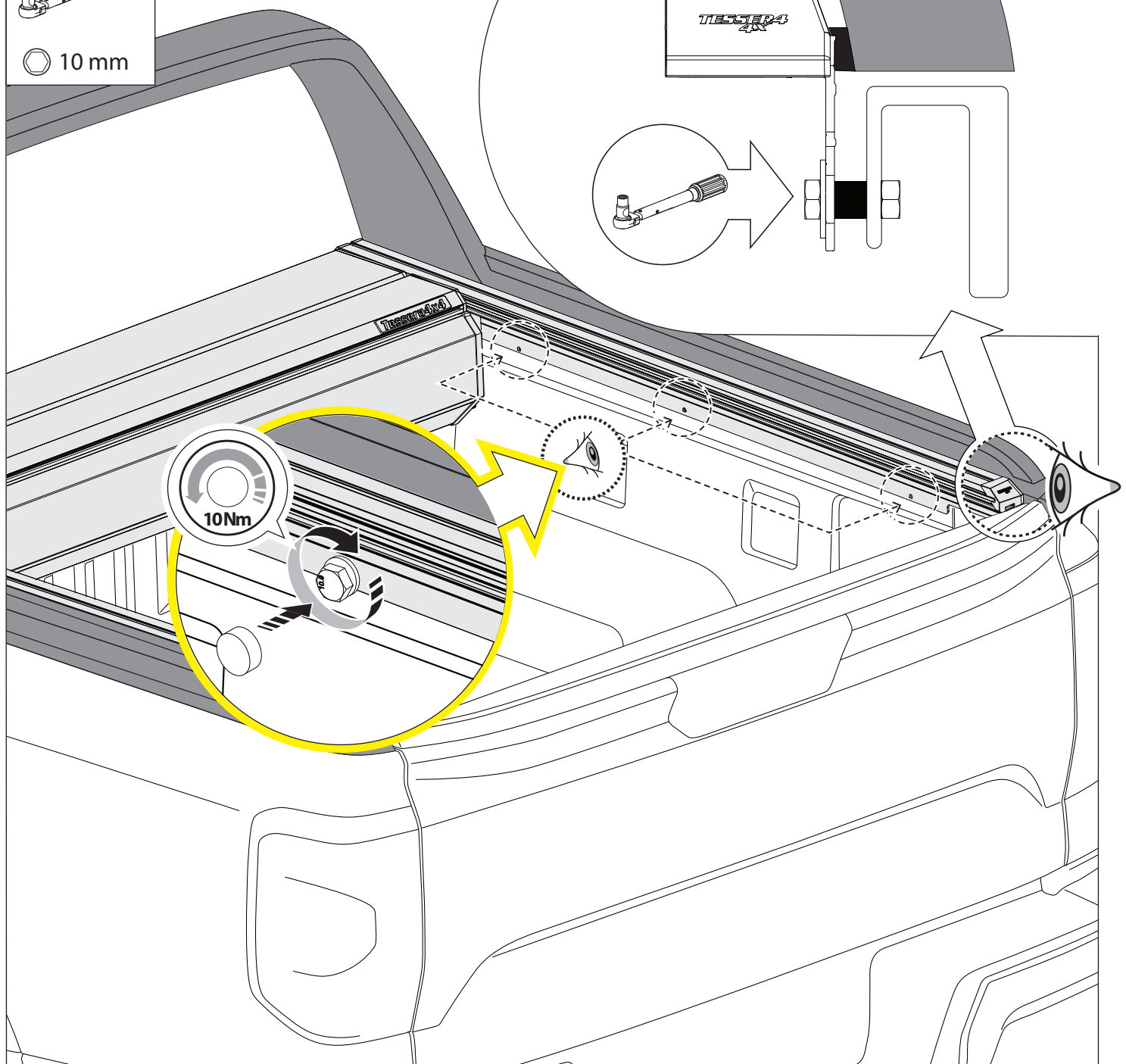
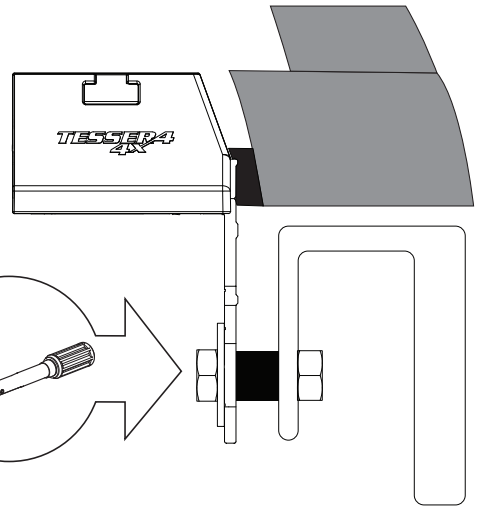
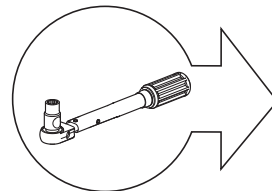
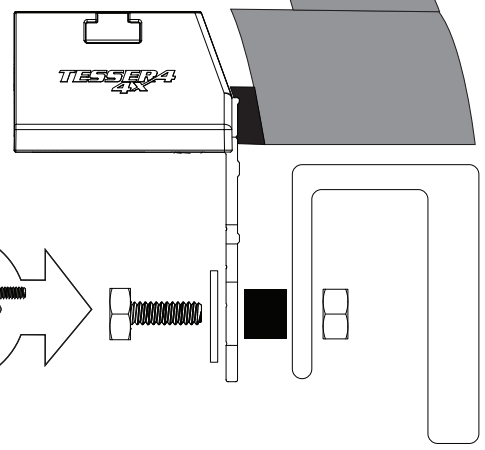
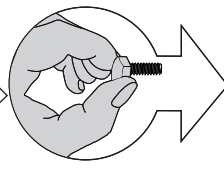
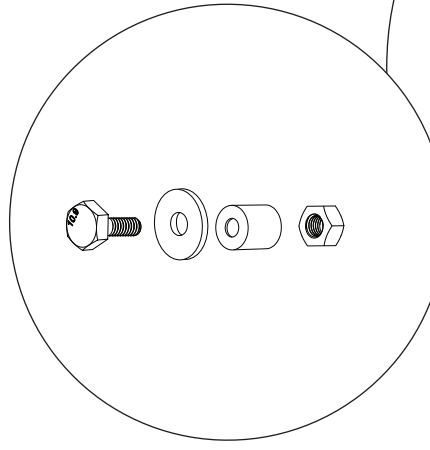
E2

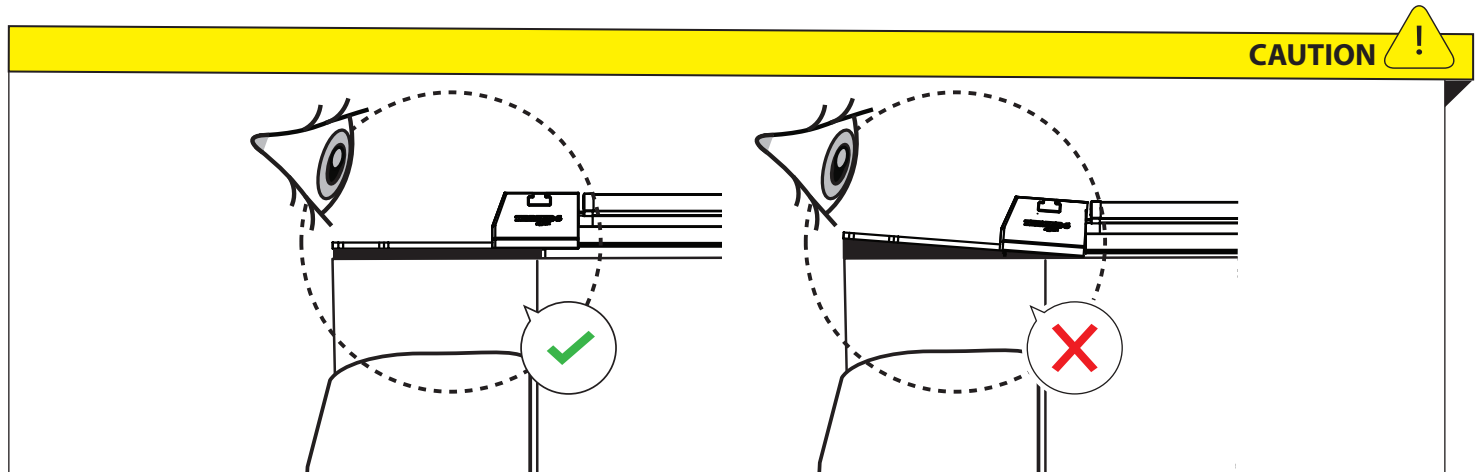
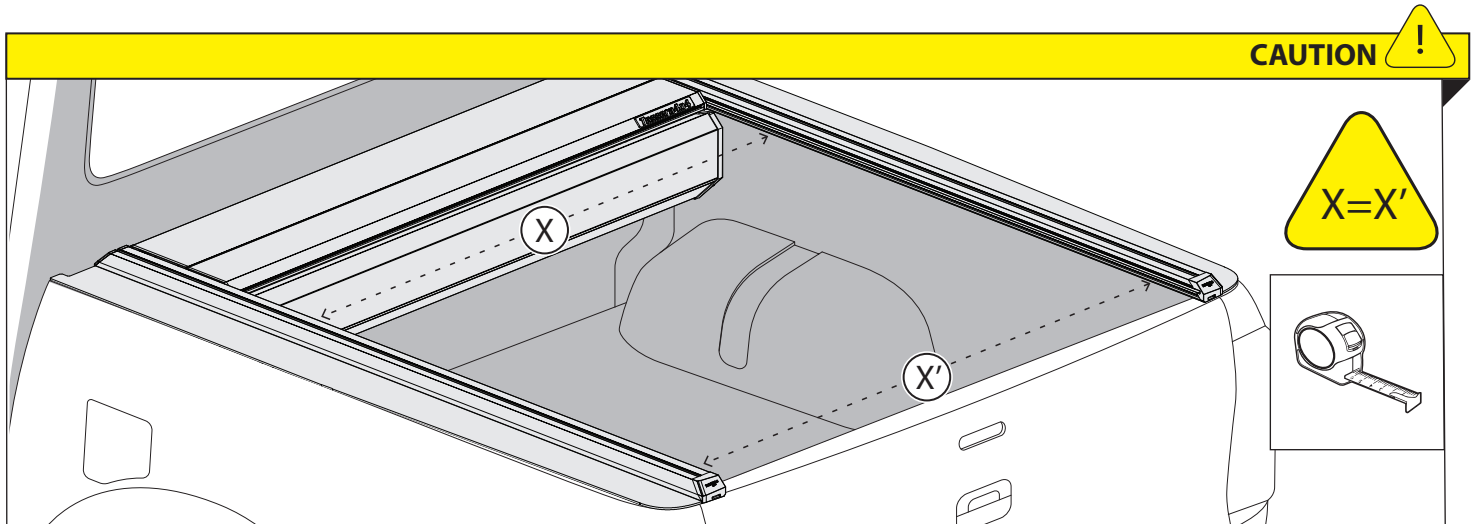
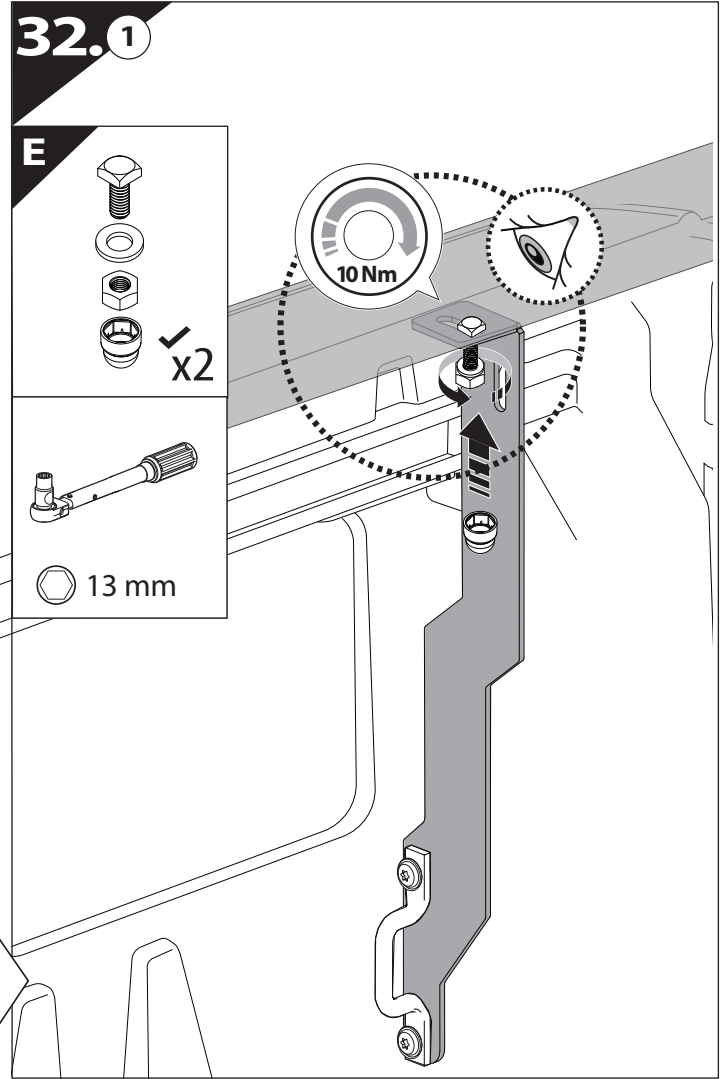
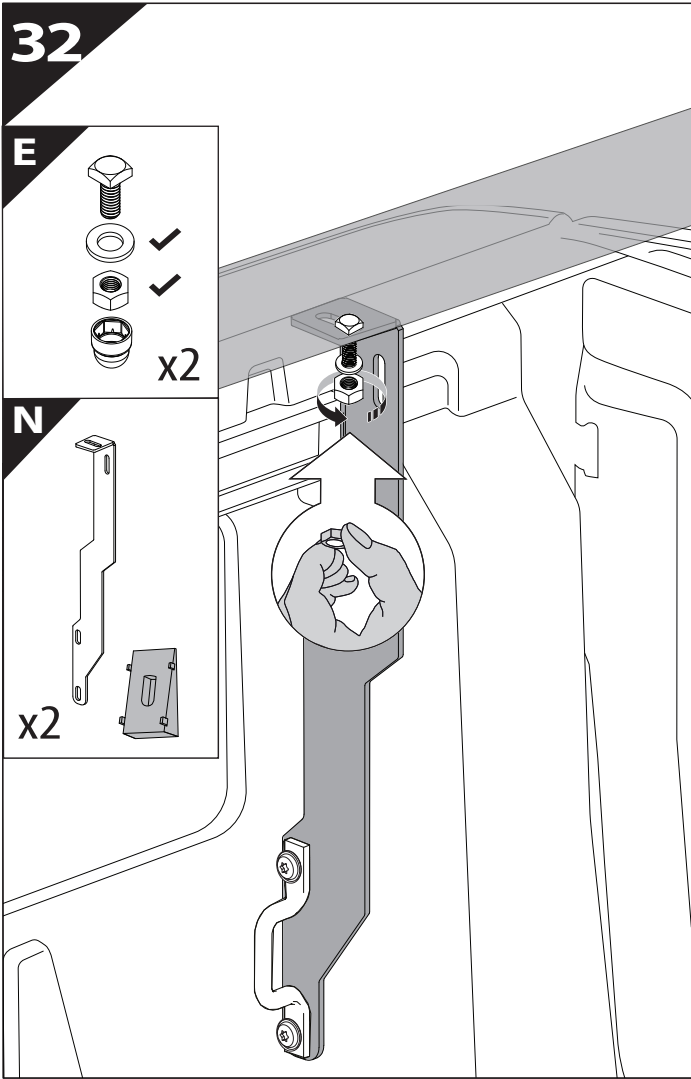
-  ✓
-  ✓
-  ✓
-  ✓
-  ✓

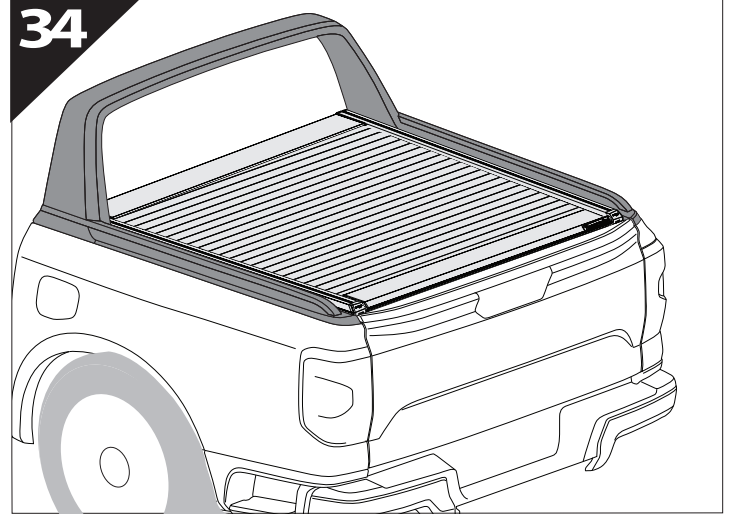
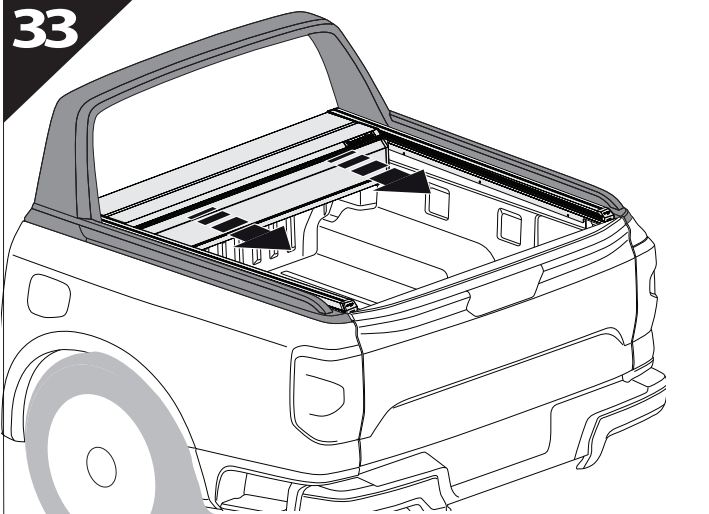
x6



10 mm







GR: Οδηγίες Εγκατάστασης
GB: Installation manual
SF: Asennusohje
F: Notice de montage
PL: Instrukcja montażu
NL: Installatie-instructies
TR: Montaj Talimatı
S: Monteringsanvisning
E: Instrucciones de montaje

H: Szerelési utasítás
P: Instruções de instalação
RUS: Инструкция по установке
N: Monteringsveiledning
D: Einbauanleitung
CZ: Návod k instalaci
I: Istruzioni de montaggio
DK: Monteringsvejledning
RO: Instructiuni de instalare

Customer Service:

+30 (210) 5541161, +30 (210) 5541154 (08:00 - 16:00 EET)

Support department:

info@gianso.gr

Website:

www.tessera4x4.com

Address:

19.5 km of National road Athens-Korinthos (Elefsina) Greece, P.C: 19200