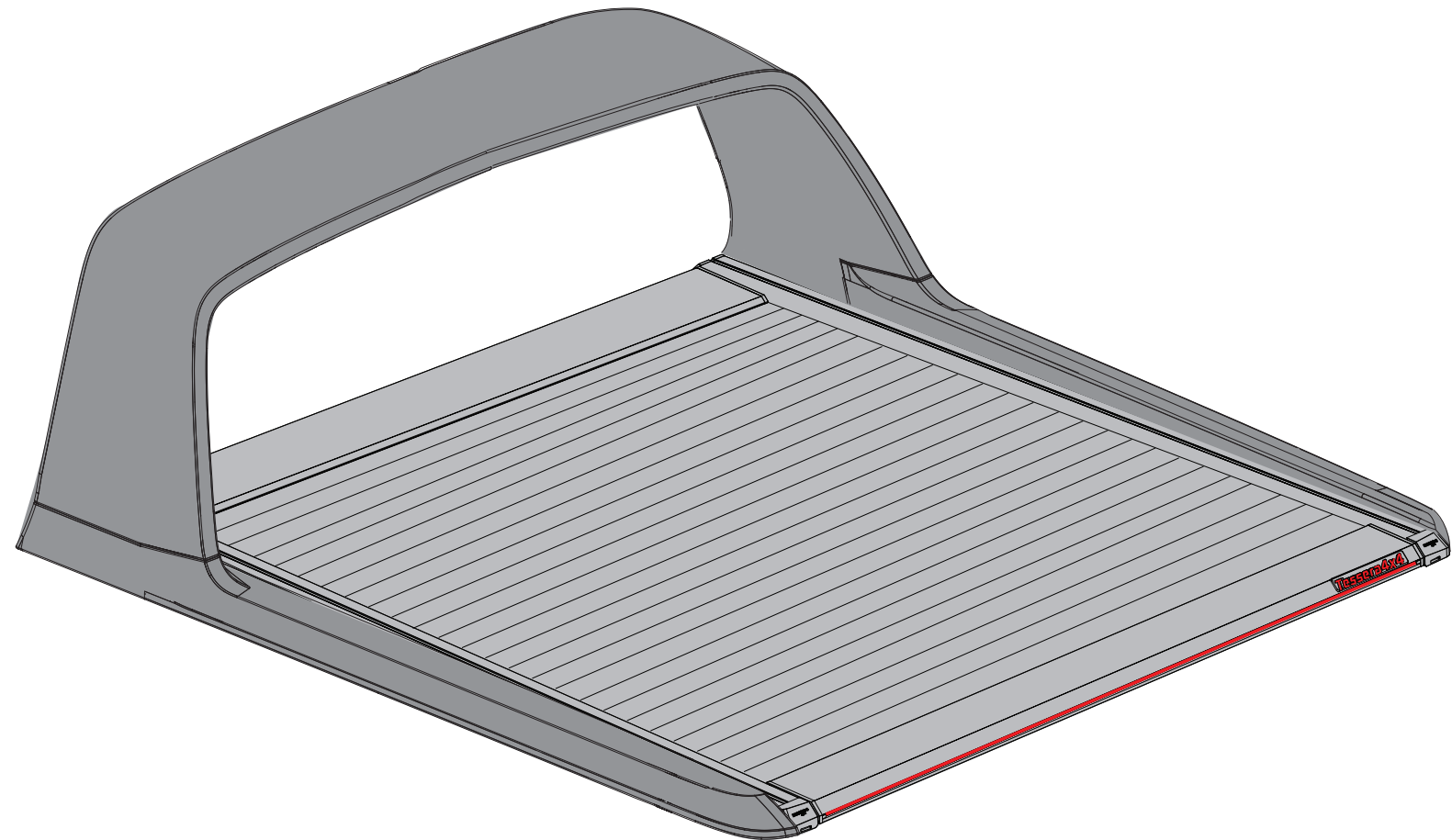


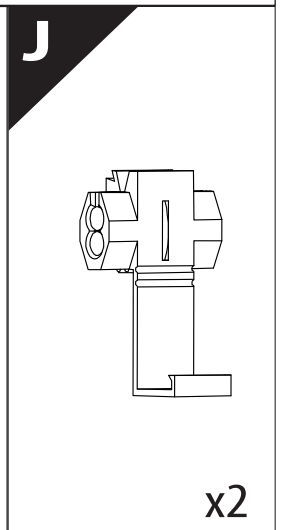
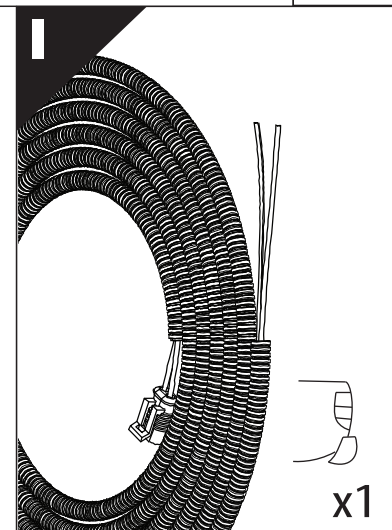
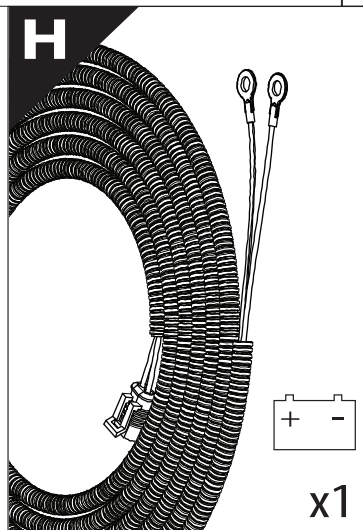
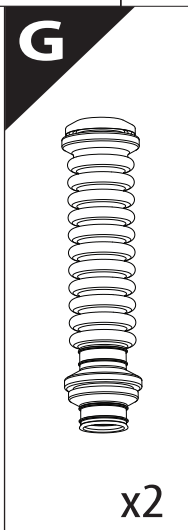
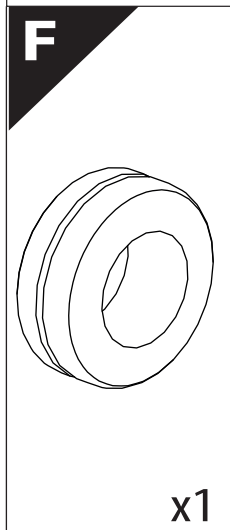
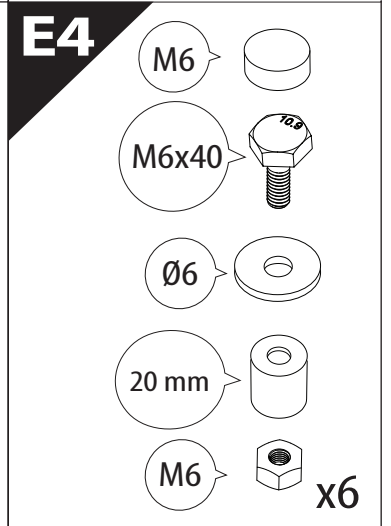
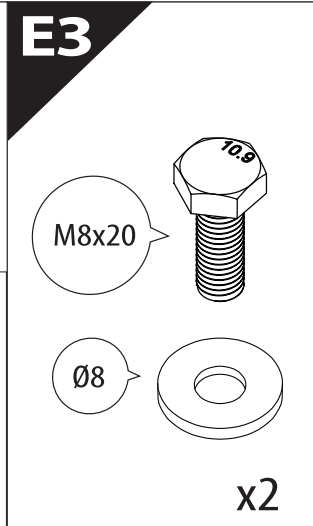
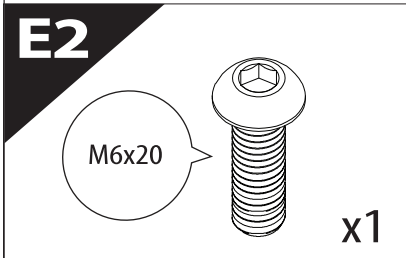
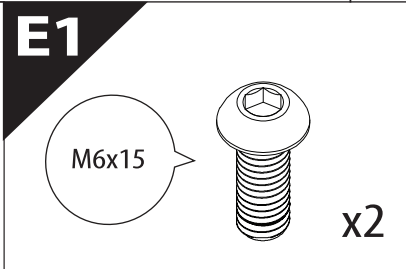
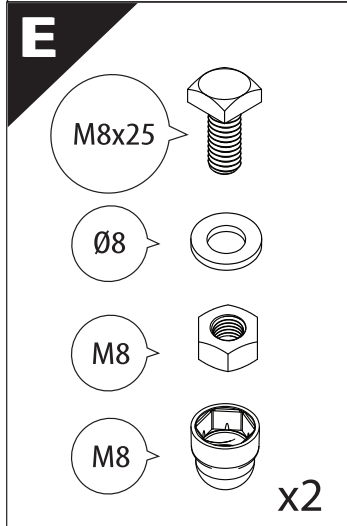
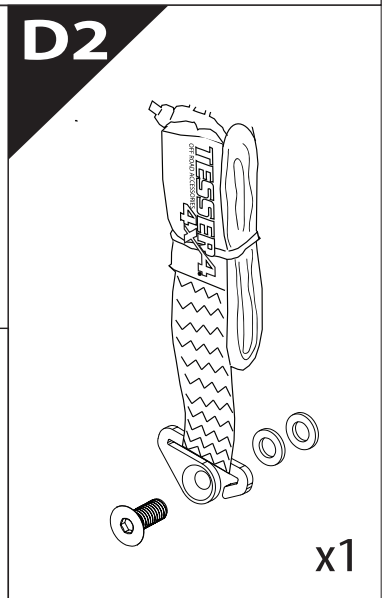
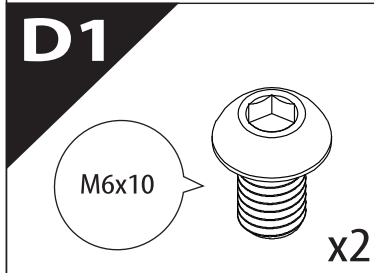
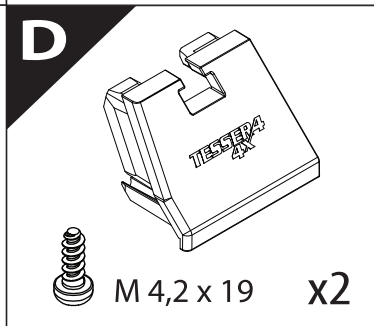
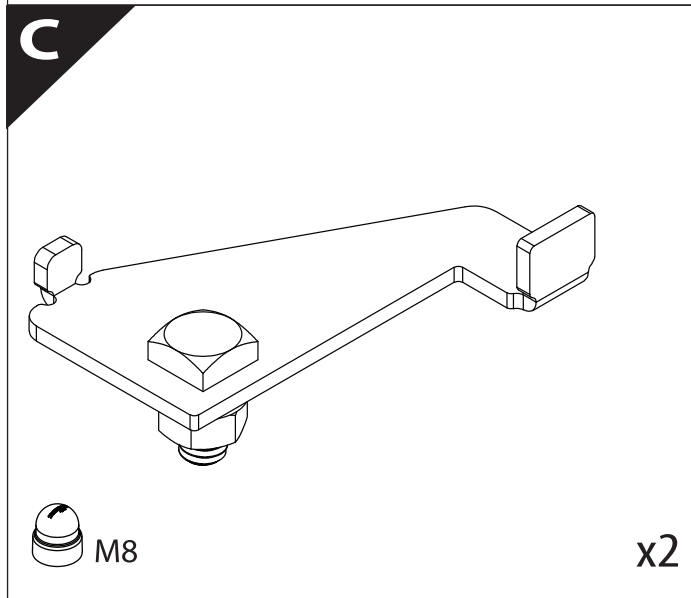
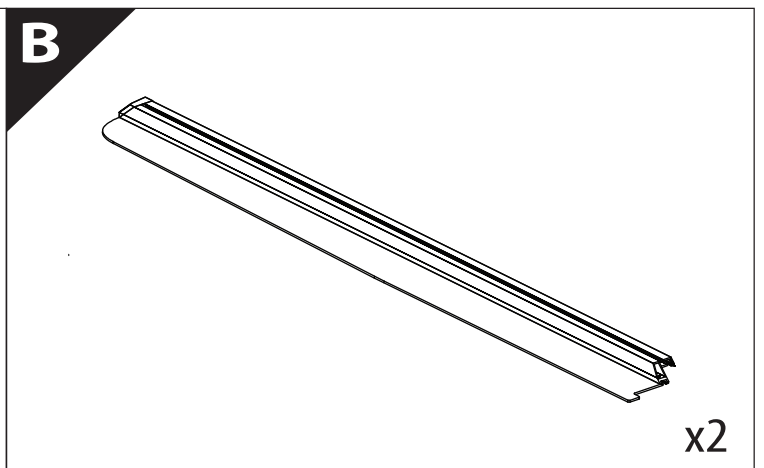
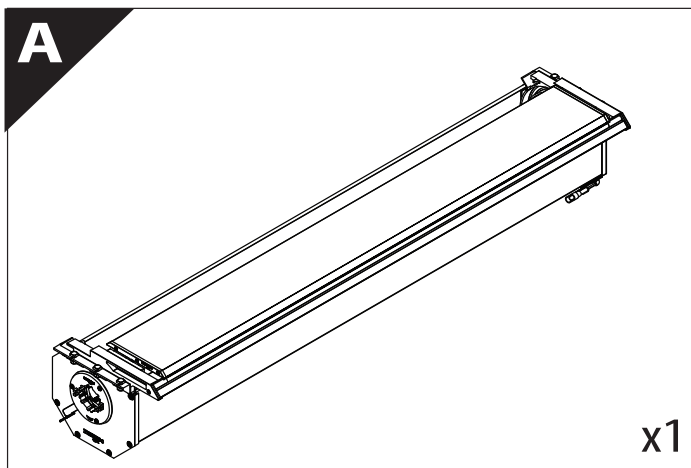
Tessera Roll+

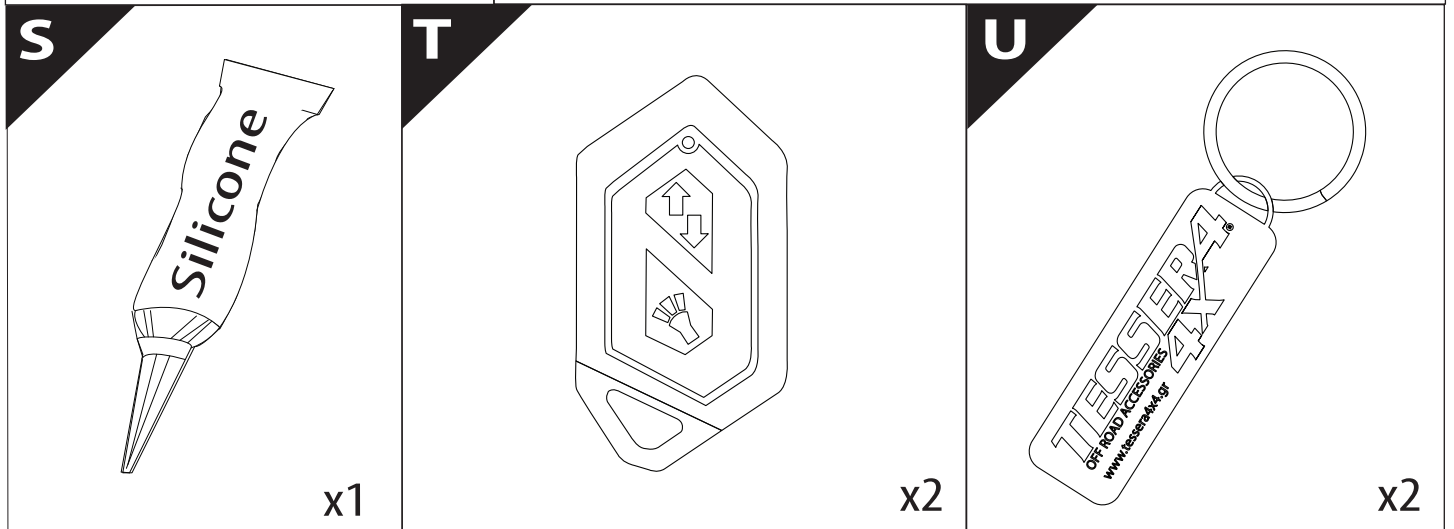
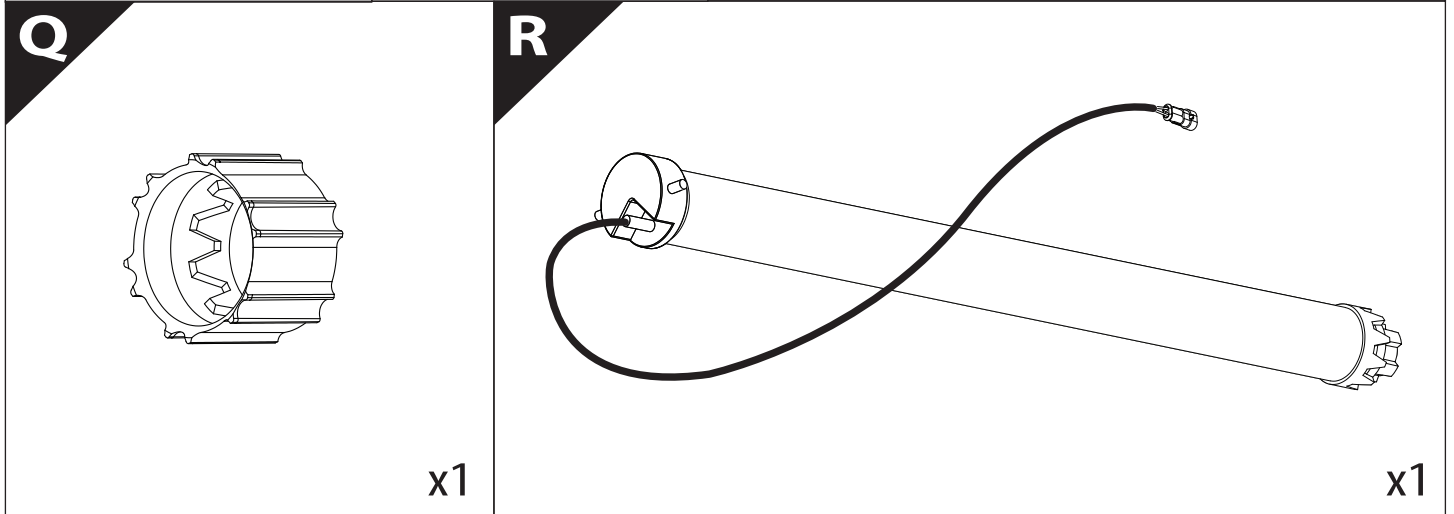
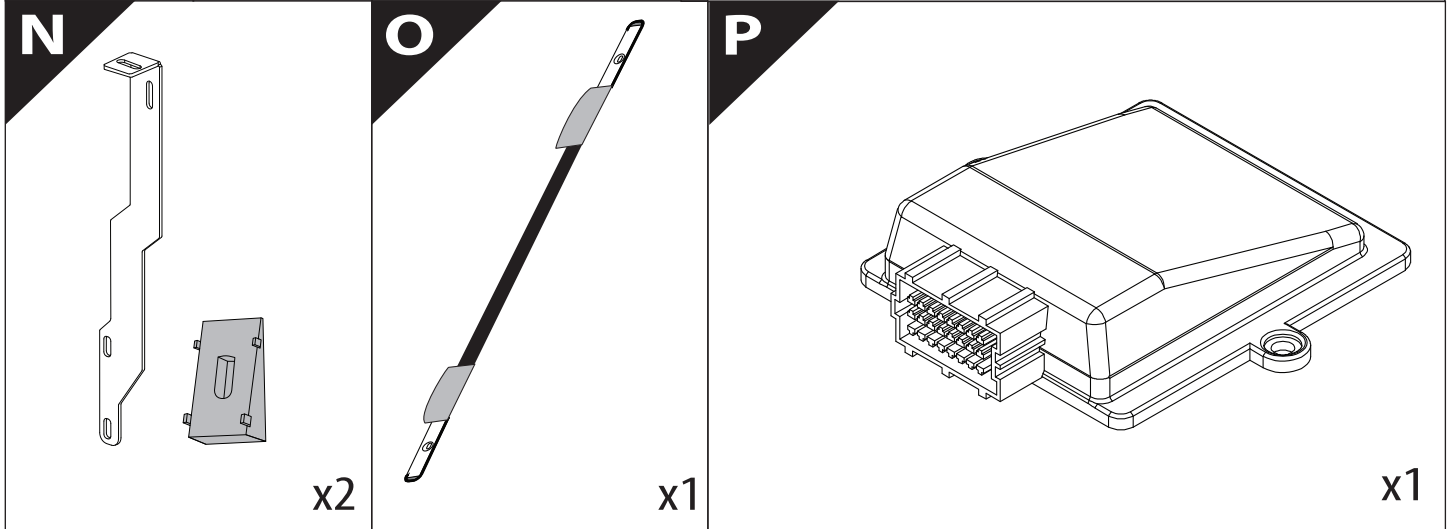
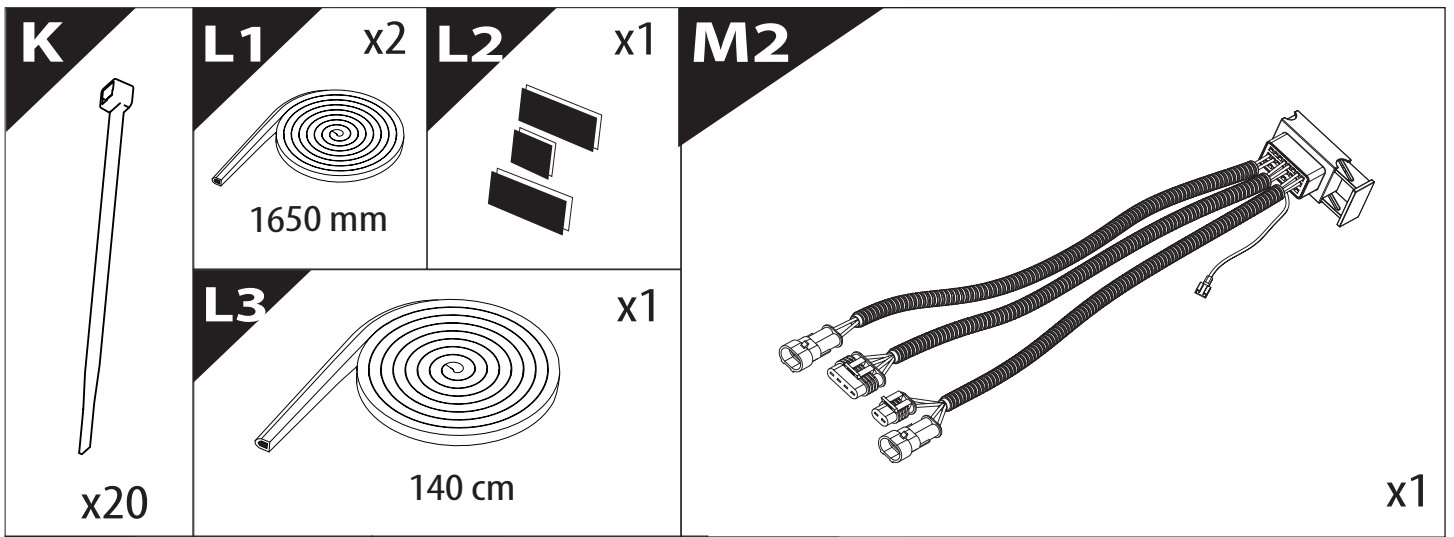
Basic Version + ⚡ E-KIT

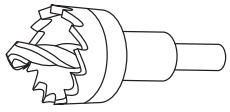


Installation Manual

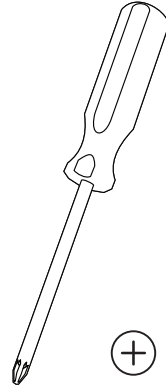
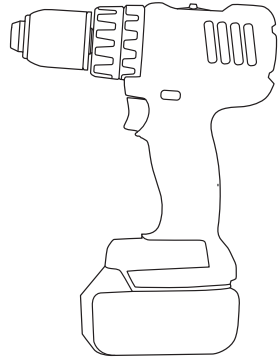
PART NUMBER(S)	Model Year
TESS 14180 ROLL+E-KIT	VW AMAROK AVENTURA 2023+
Cab(s)	Installation Time / Weight
Double Cab	40-60 minutes / 53-57 kg



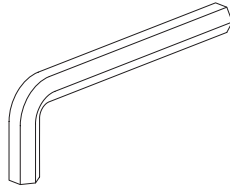
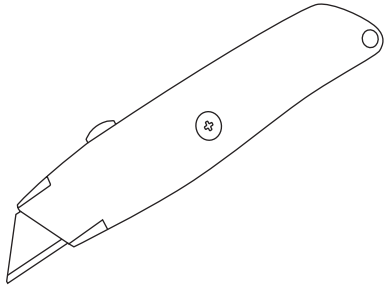
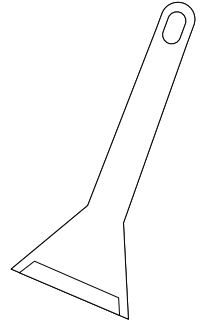
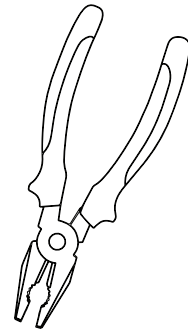




Ø 25 mm

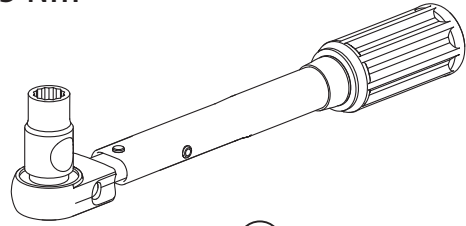


+

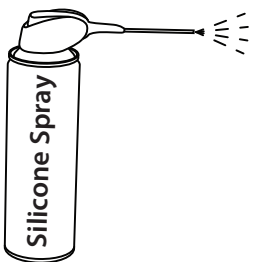
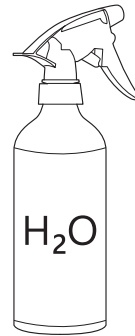
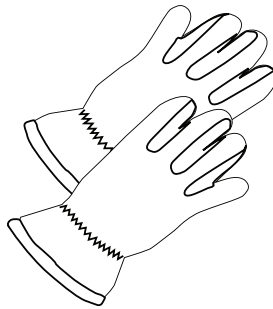
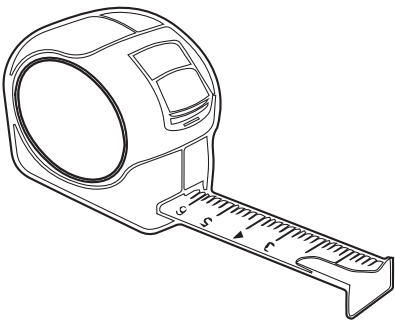


4 mm

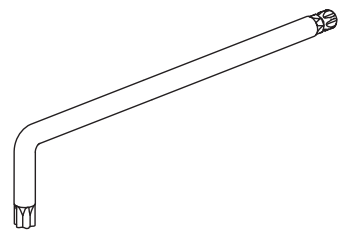
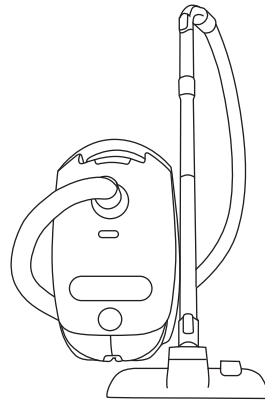
1 - 25 Nm



10,12, 13, 17 mm



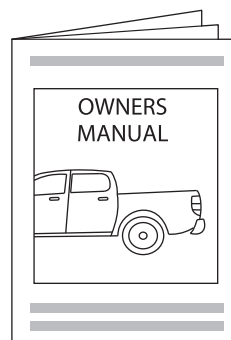
ANTI-RUST



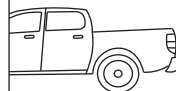
T30, T40



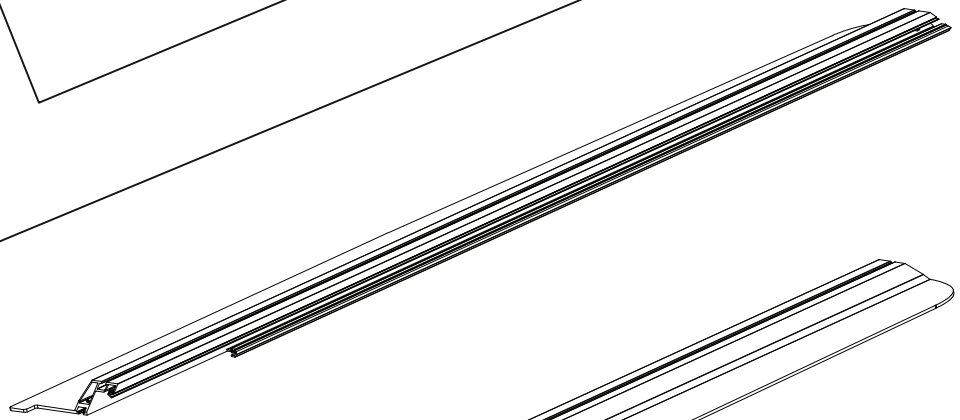
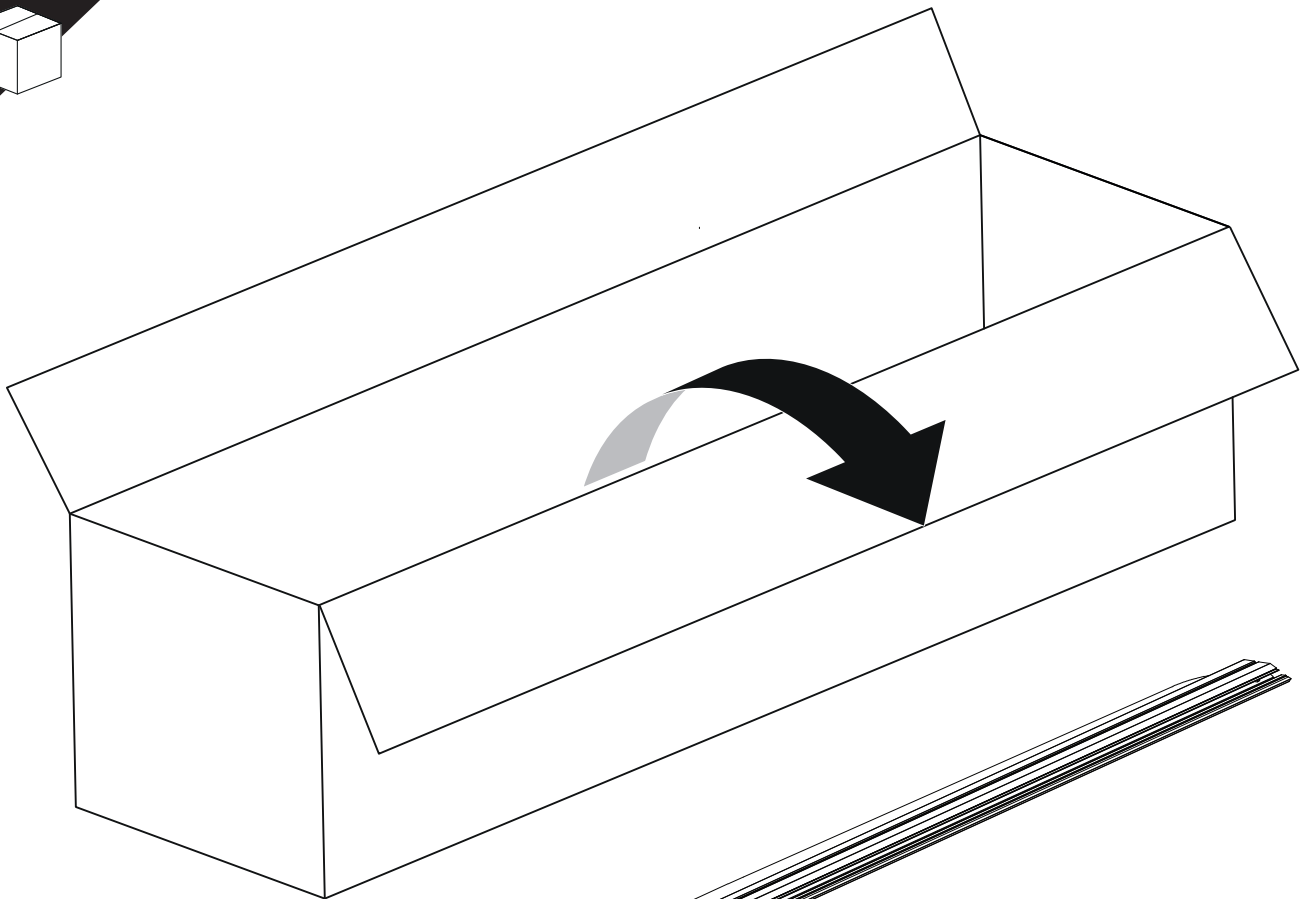
INSTALLATION
MANUAL
+E-KIT



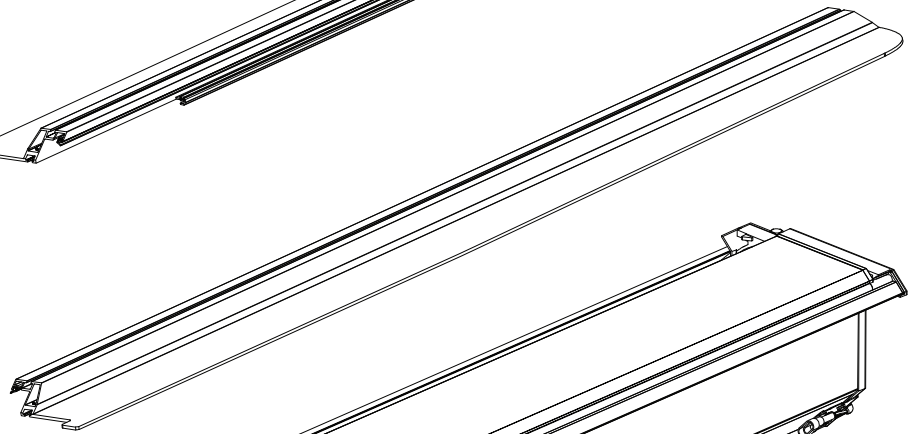
OWNERS
MANUAL



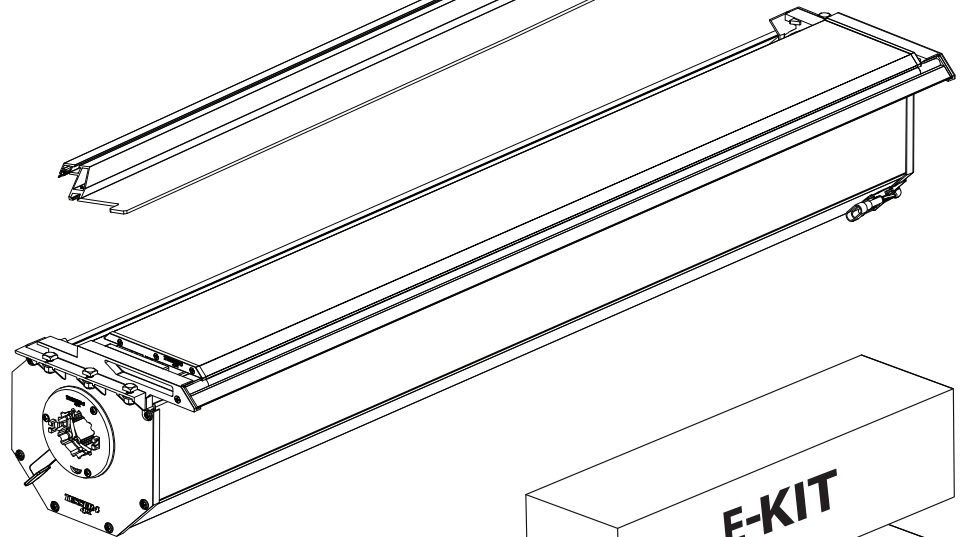
x1



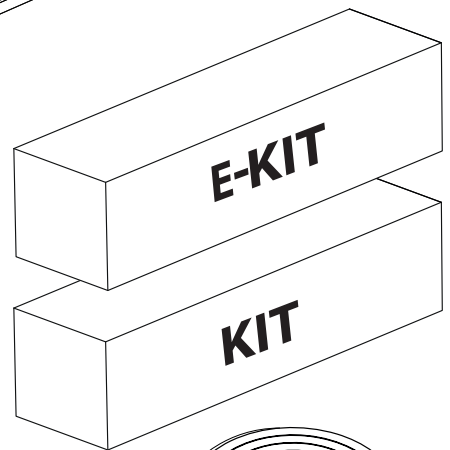
B



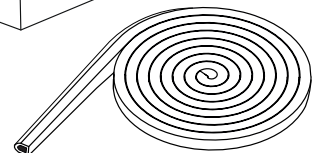
A

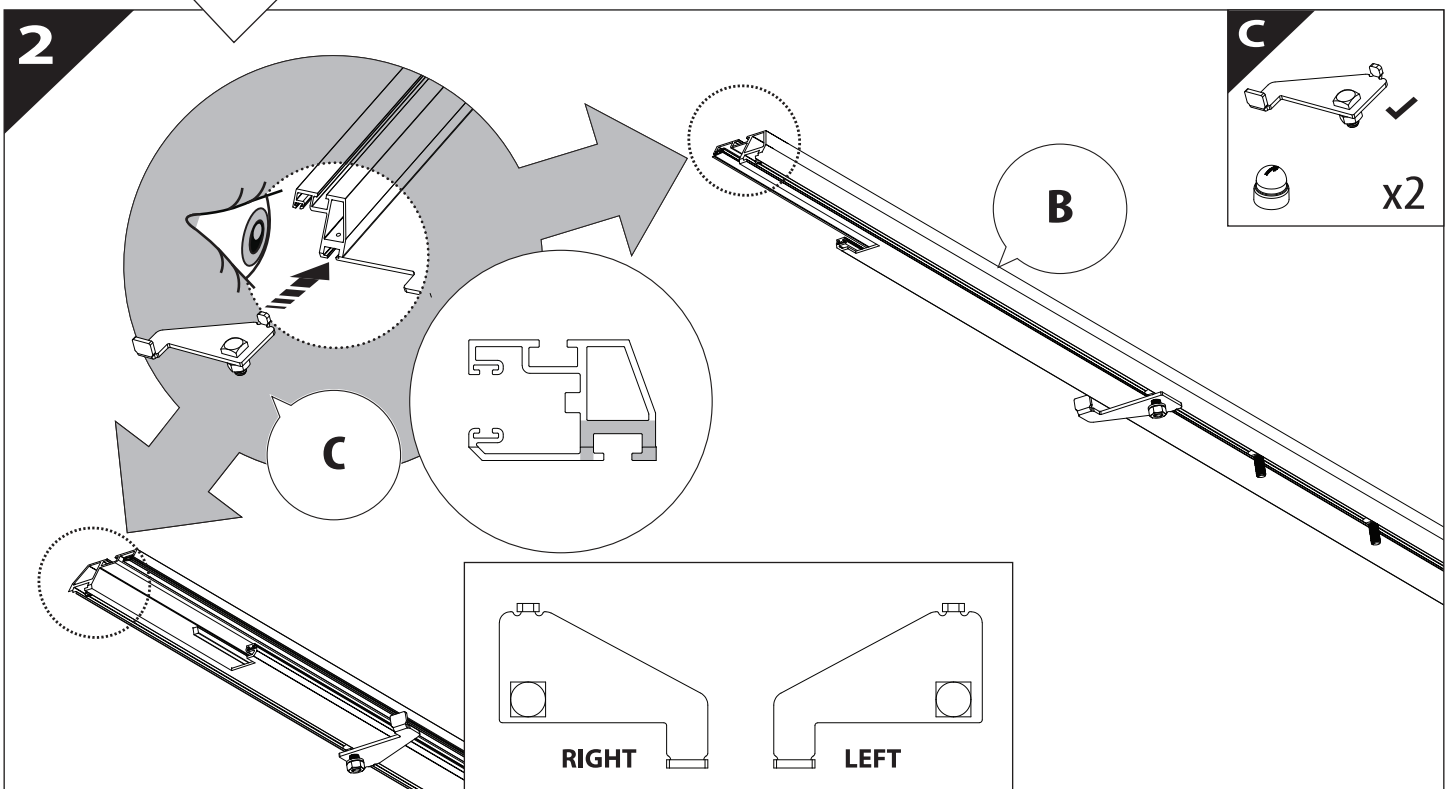
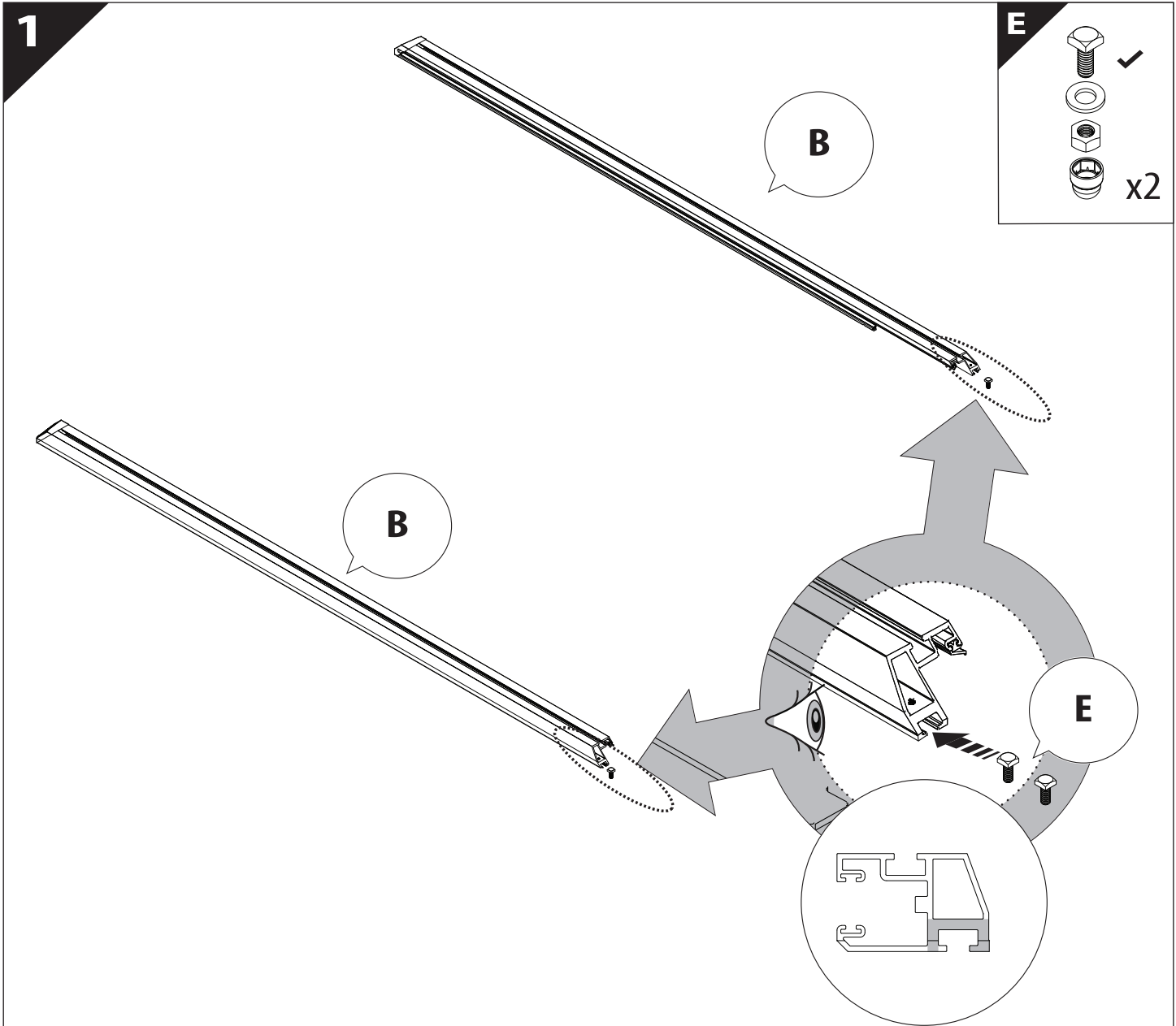


KITS

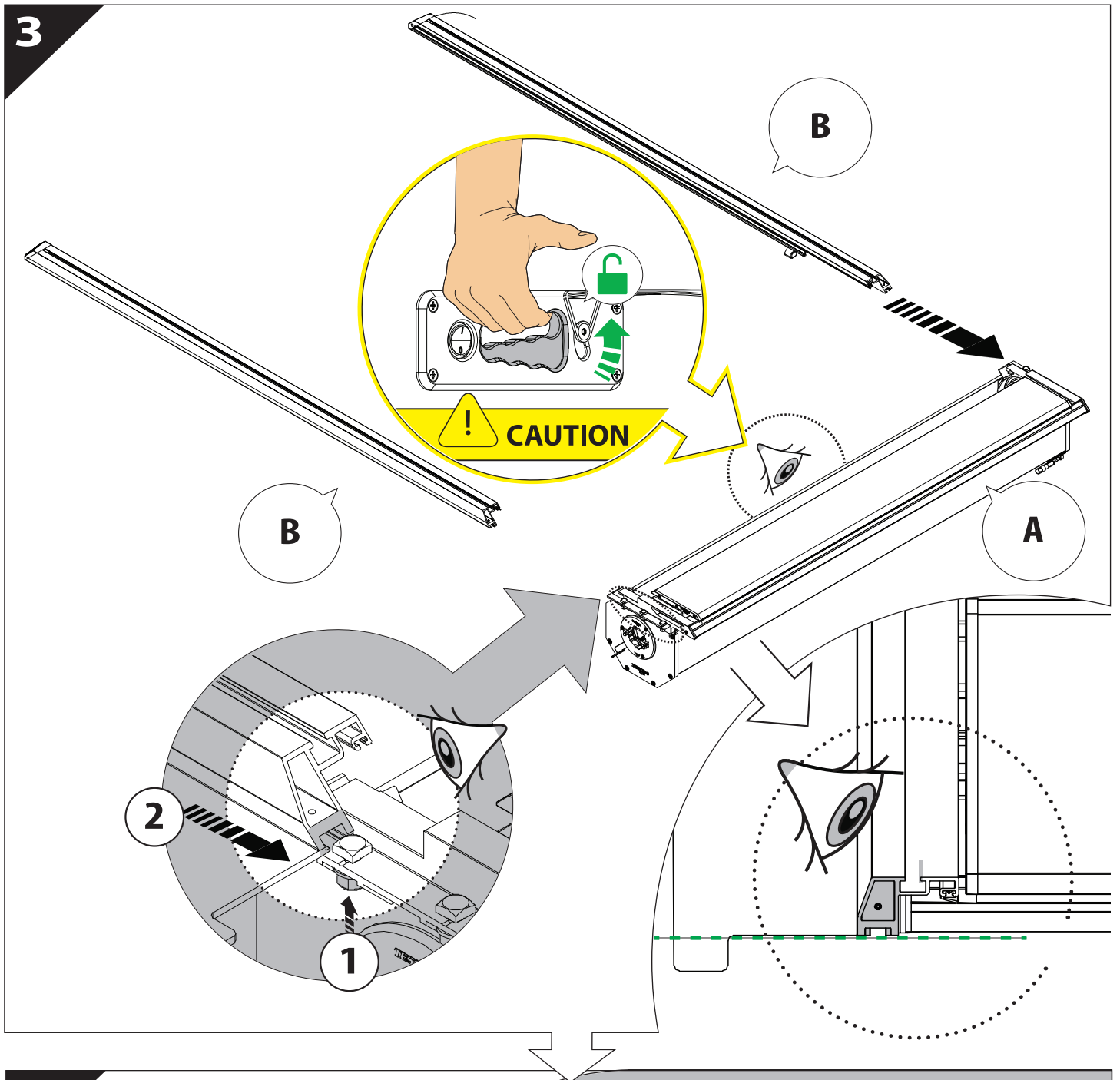


L

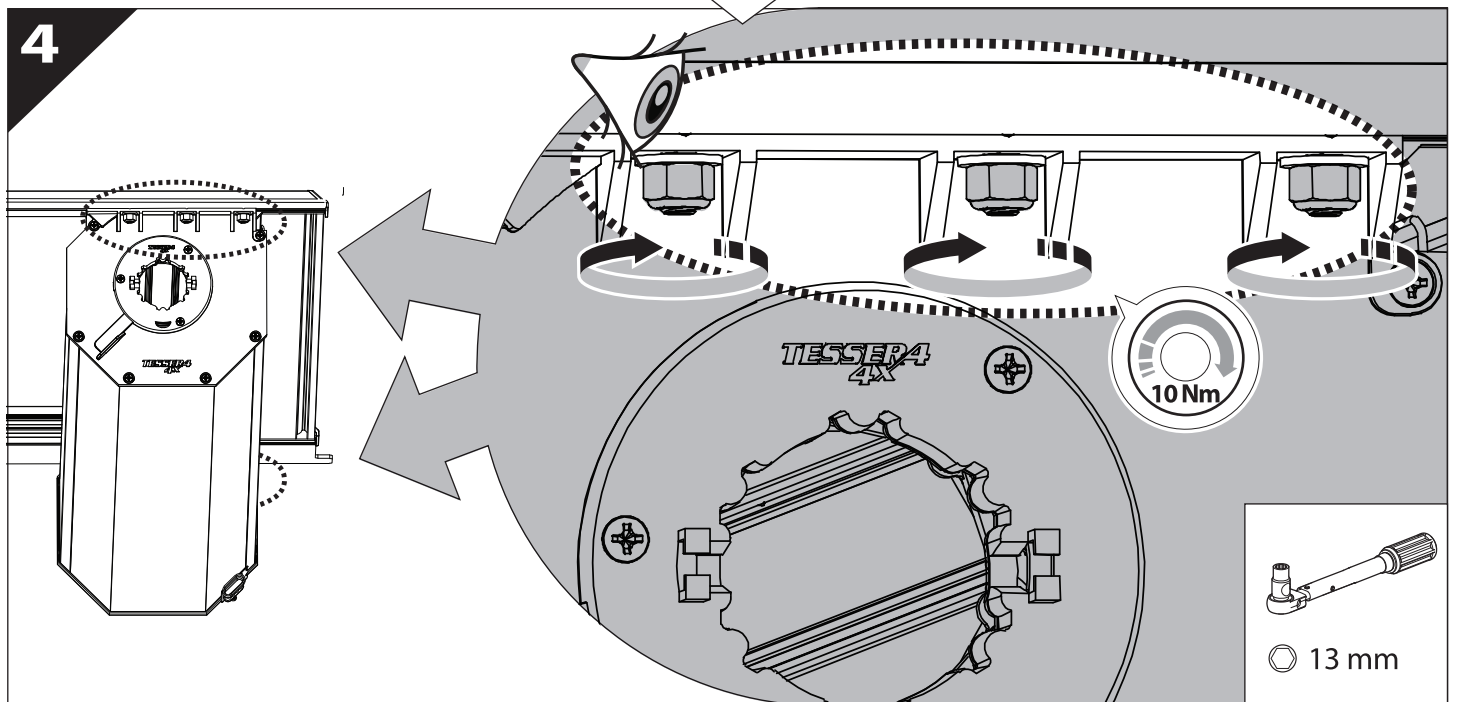


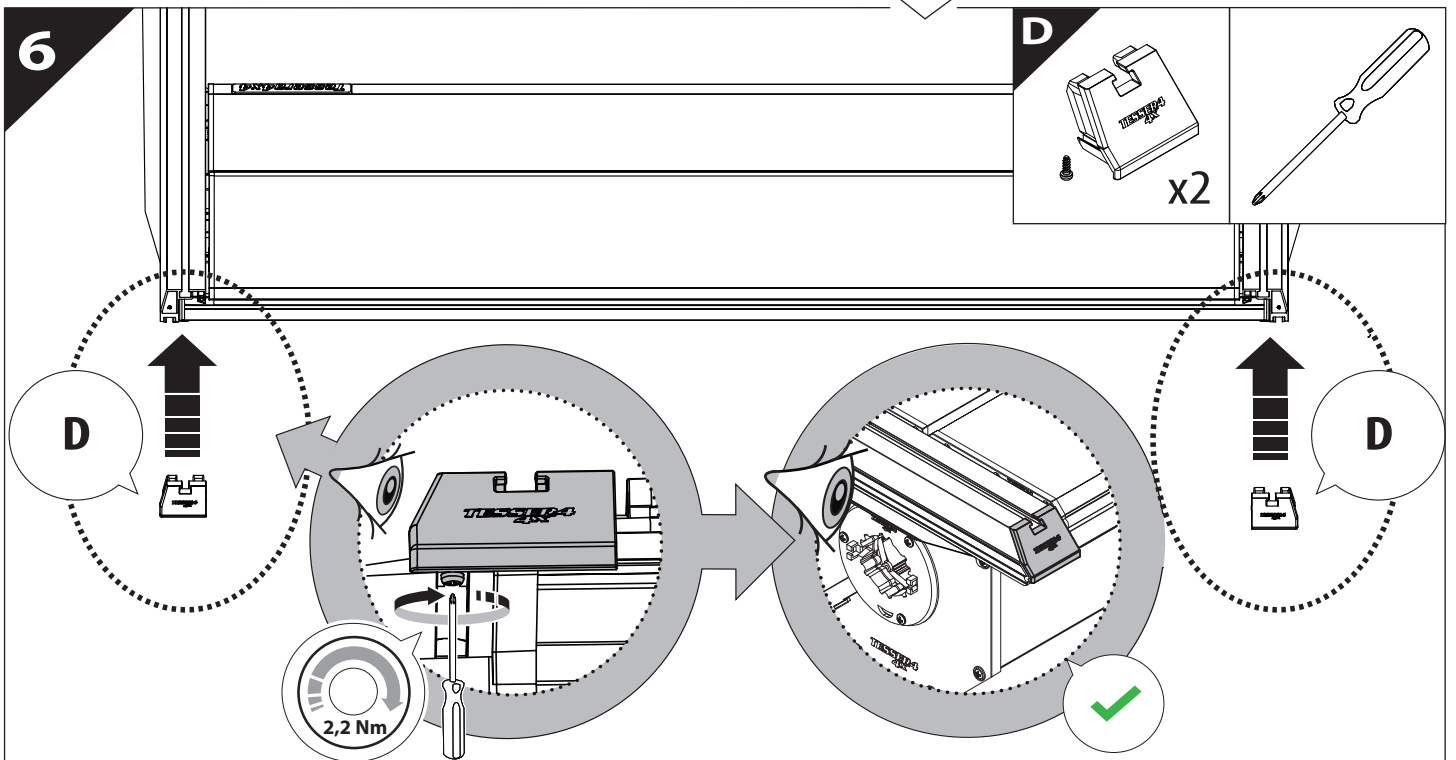
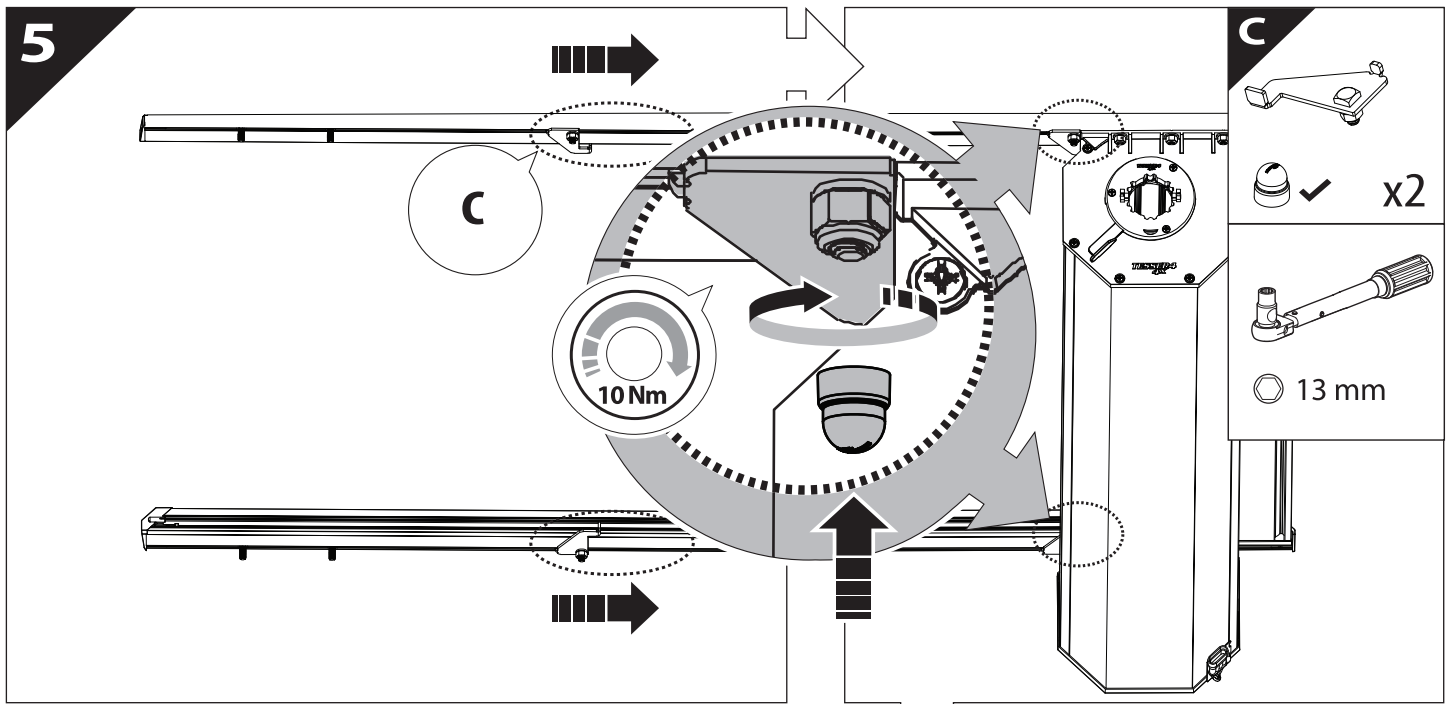


3

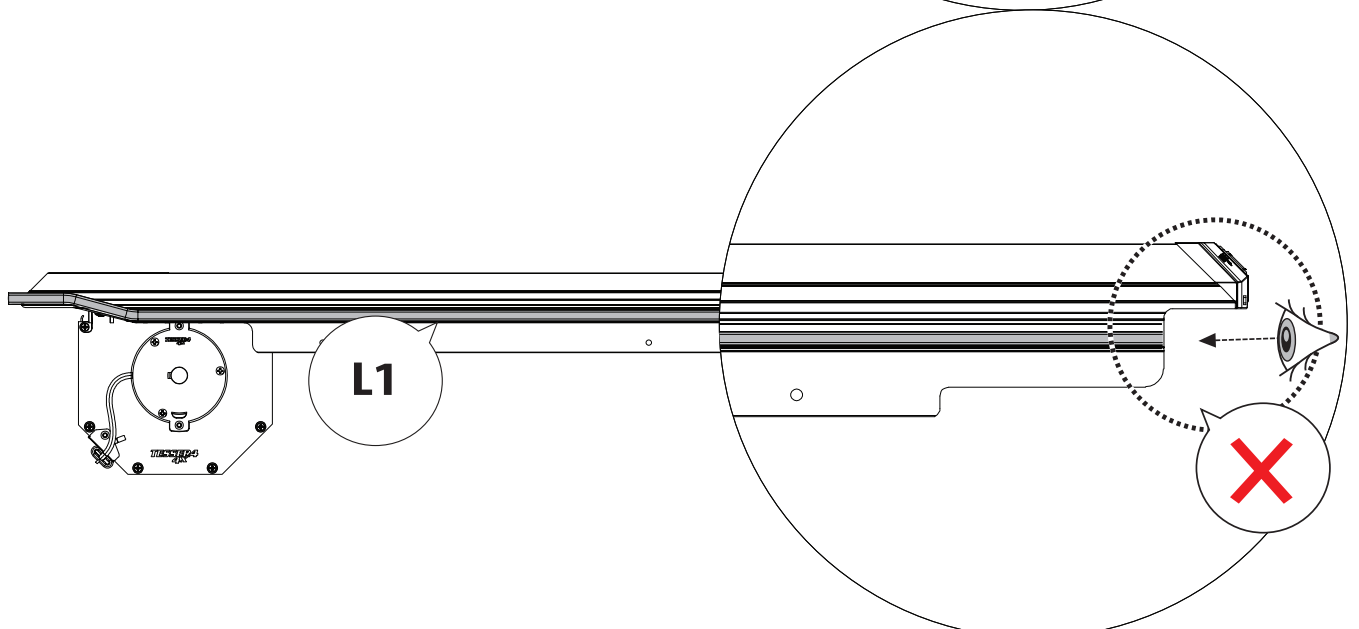
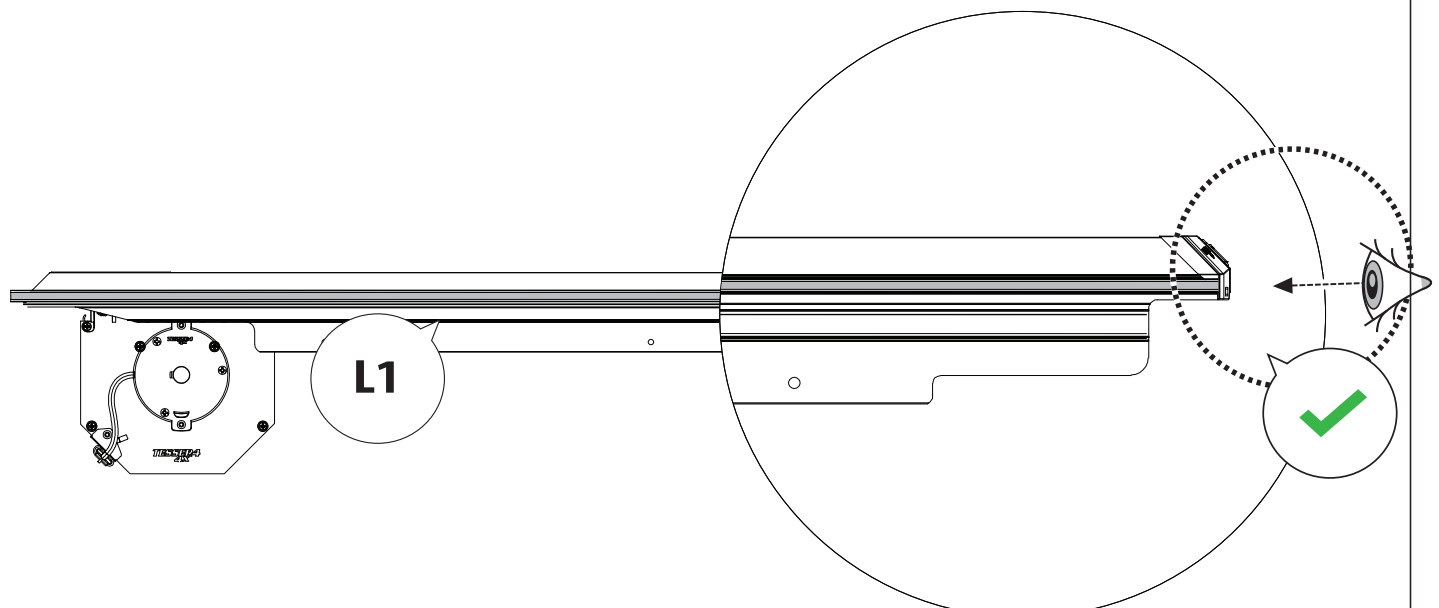
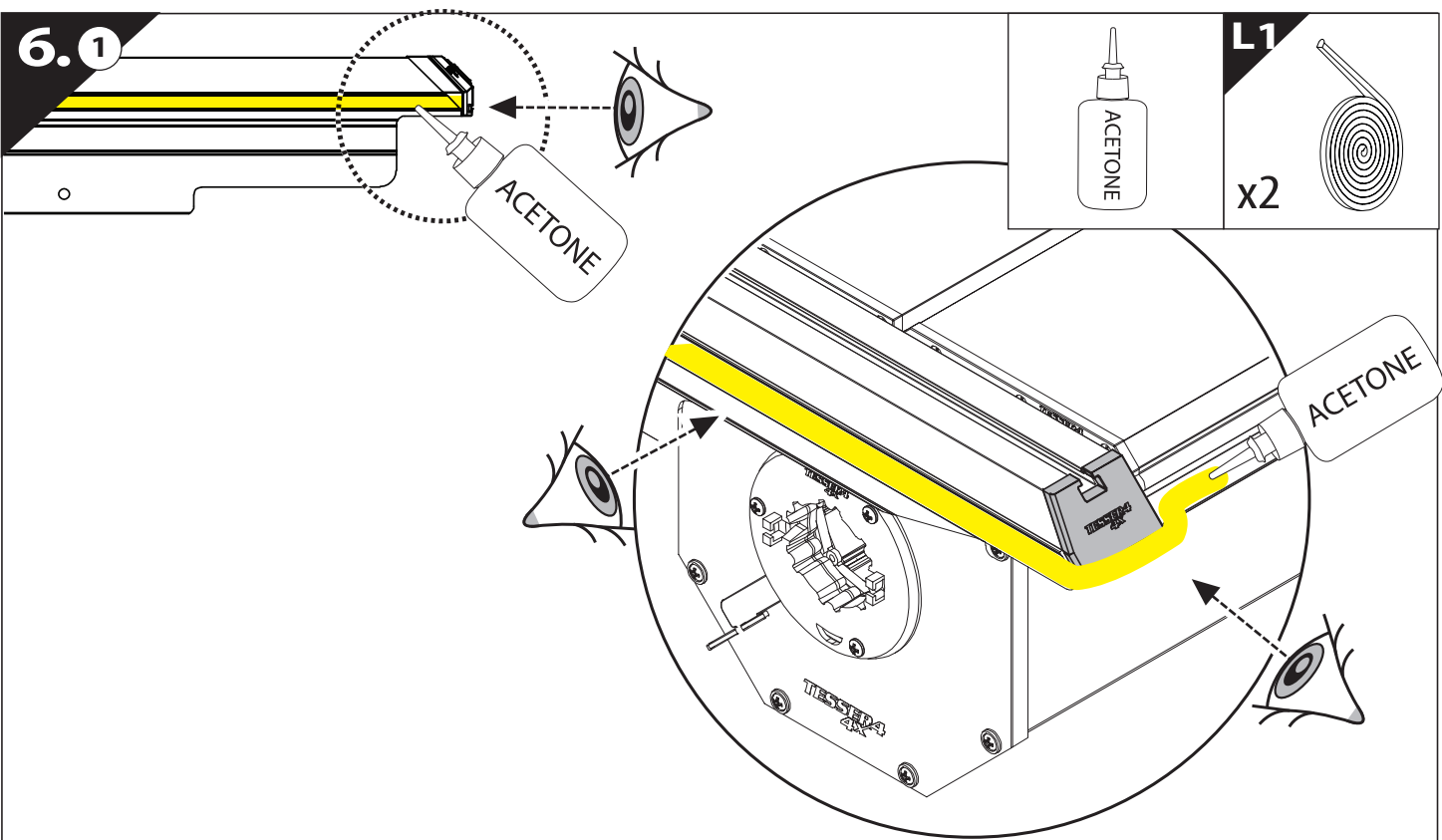


4

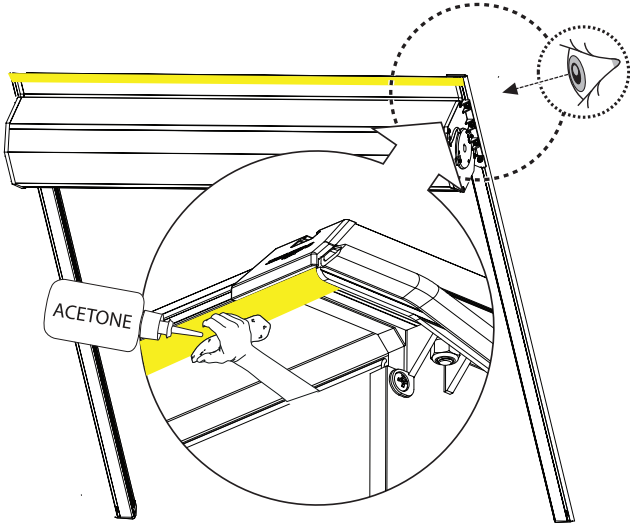




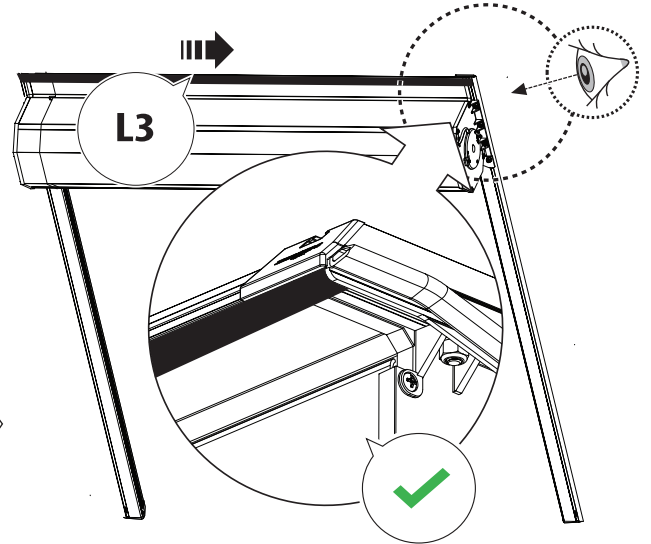
6.1



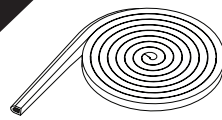
6.2



6.3

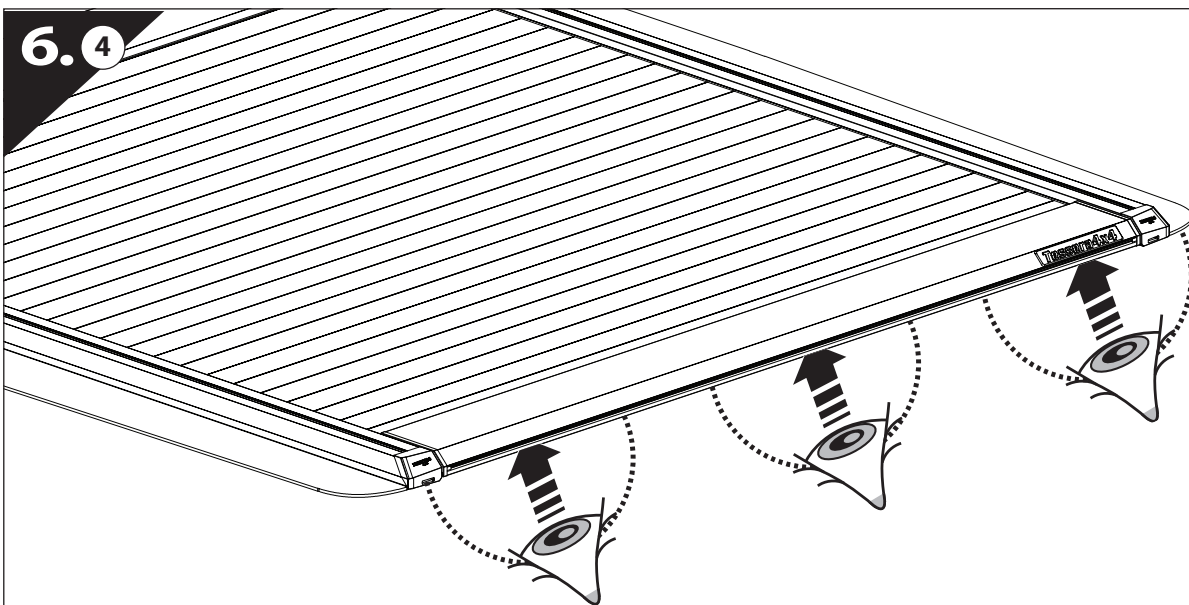


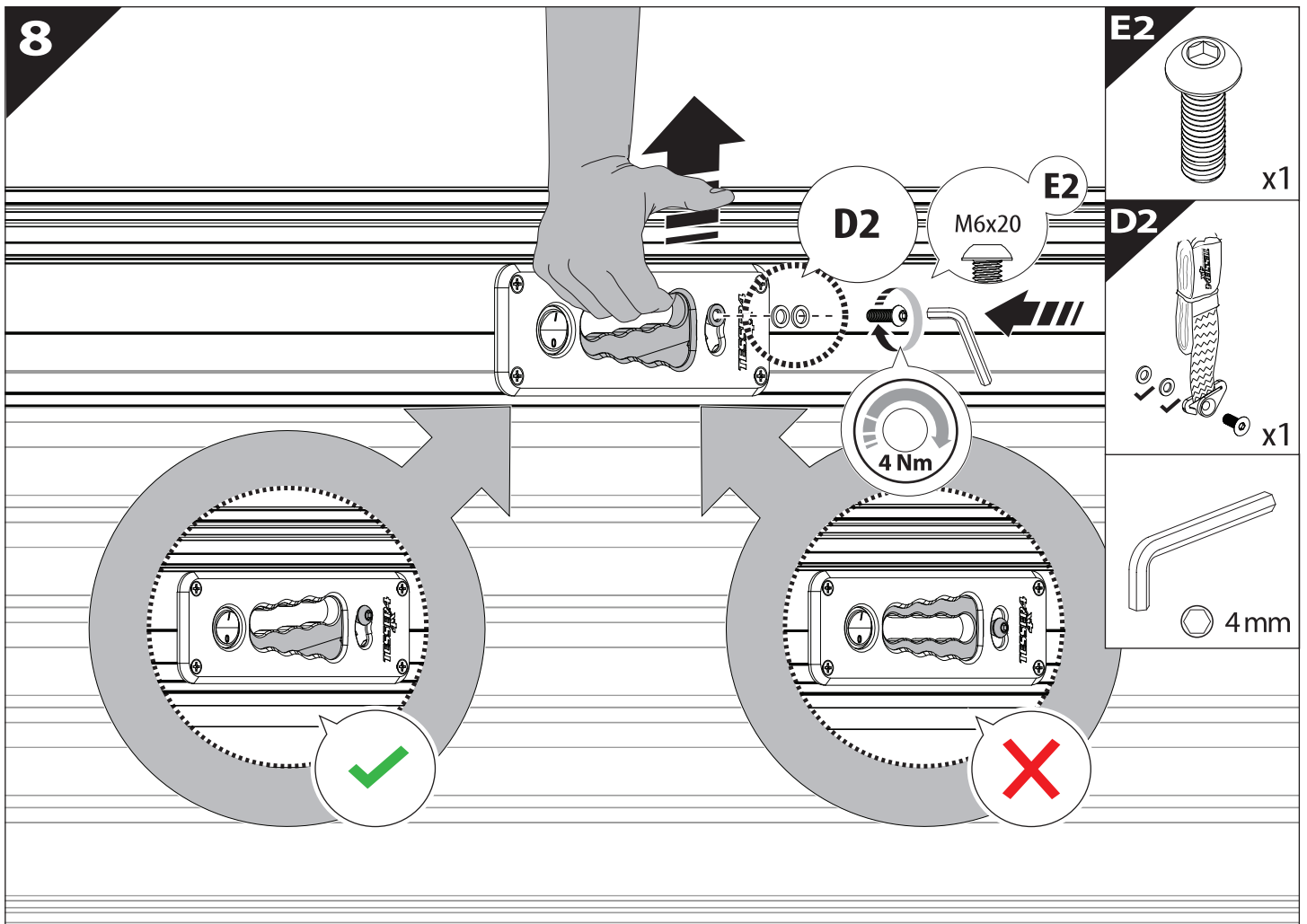
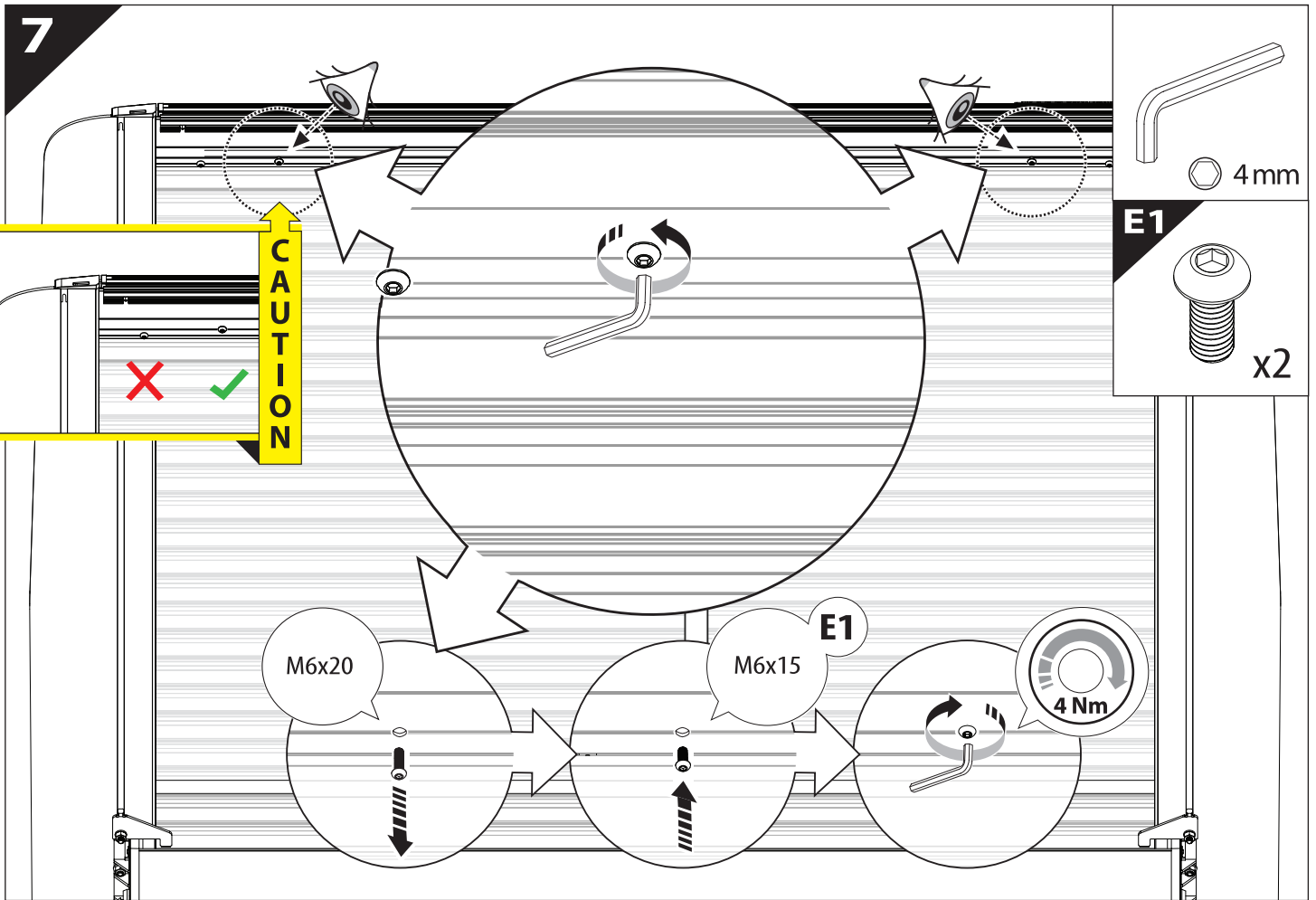
L3 x1

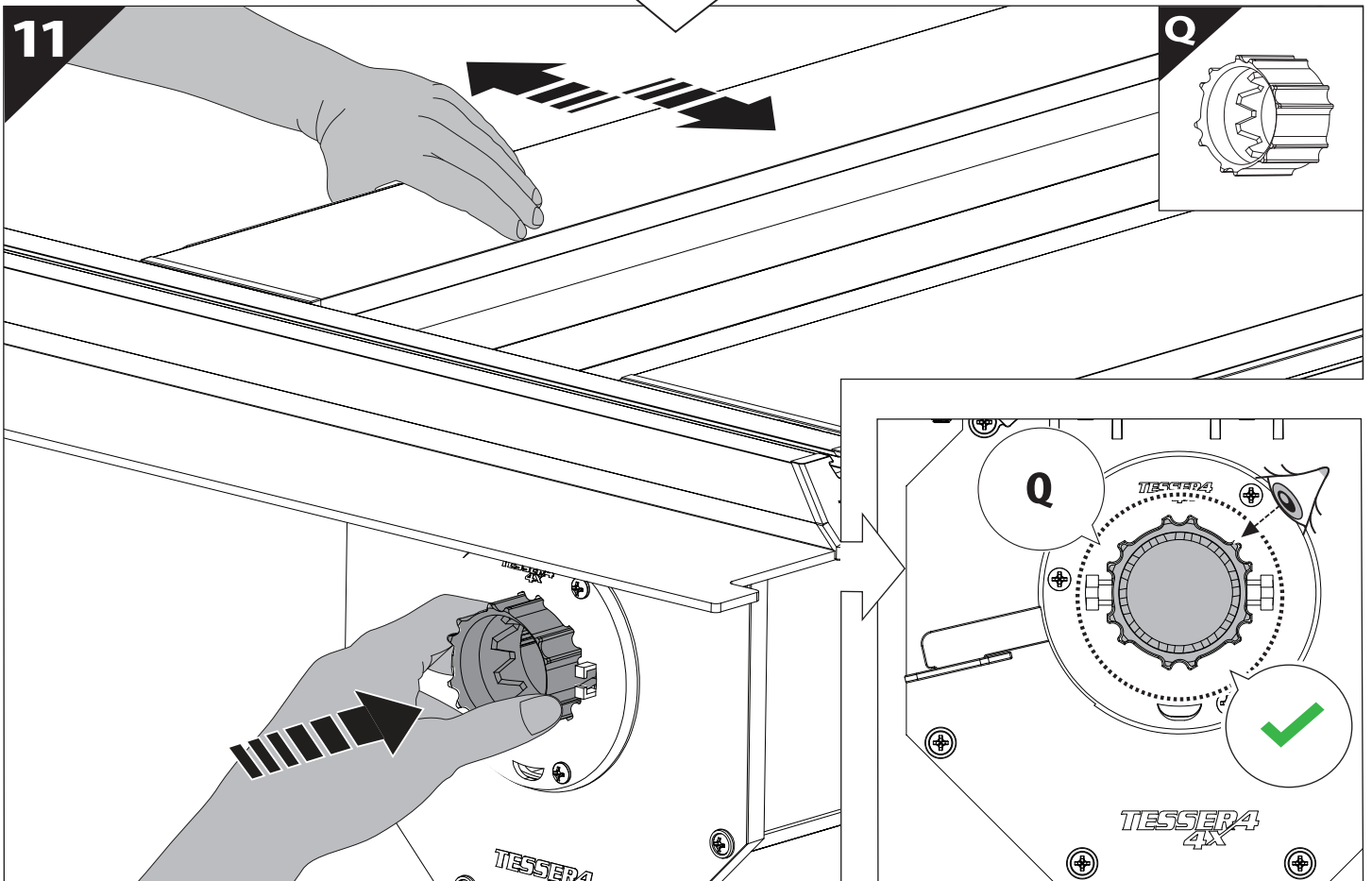
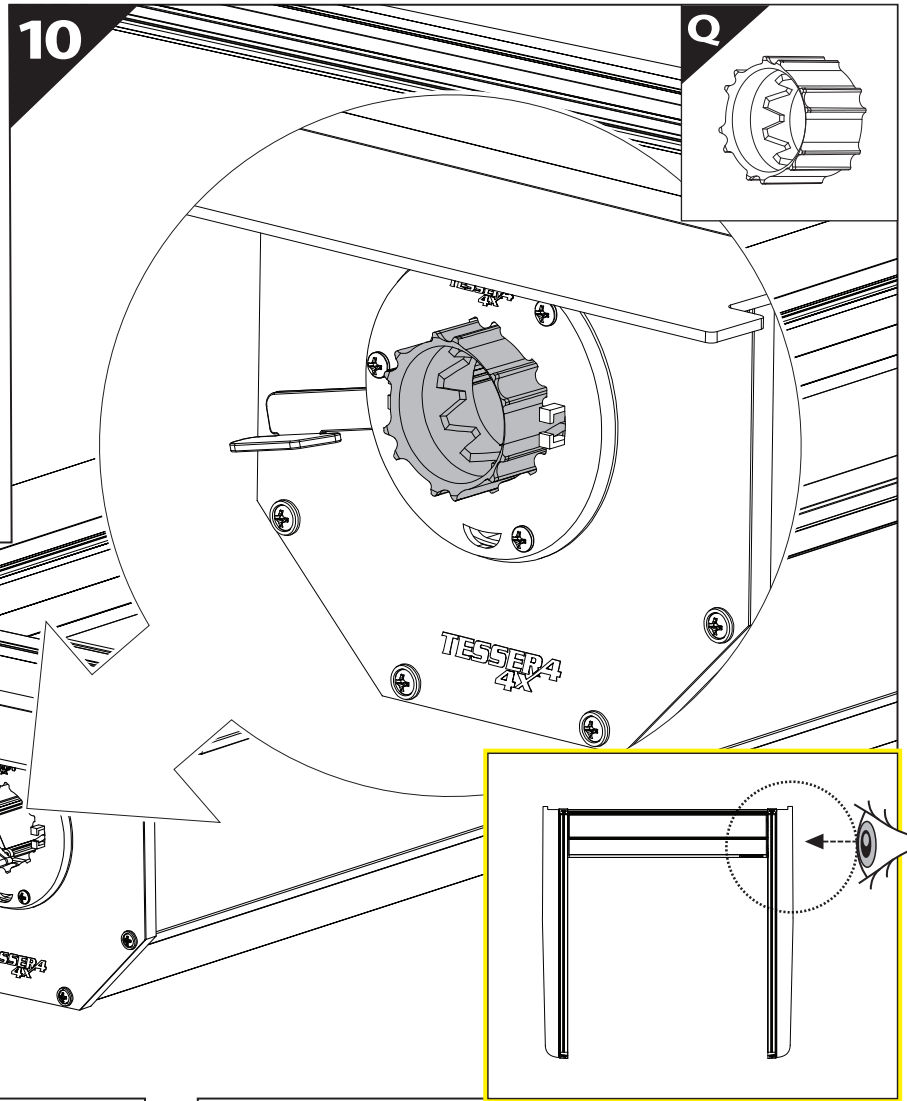
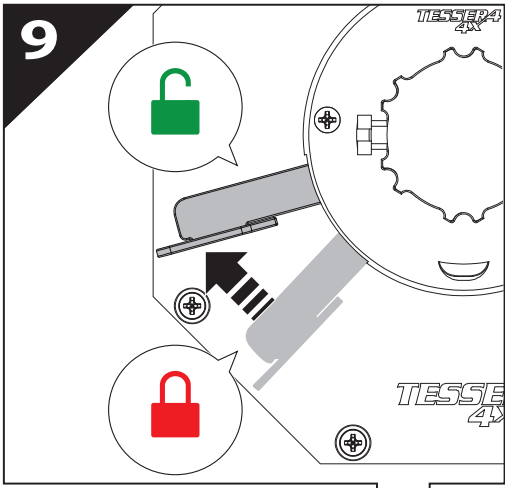


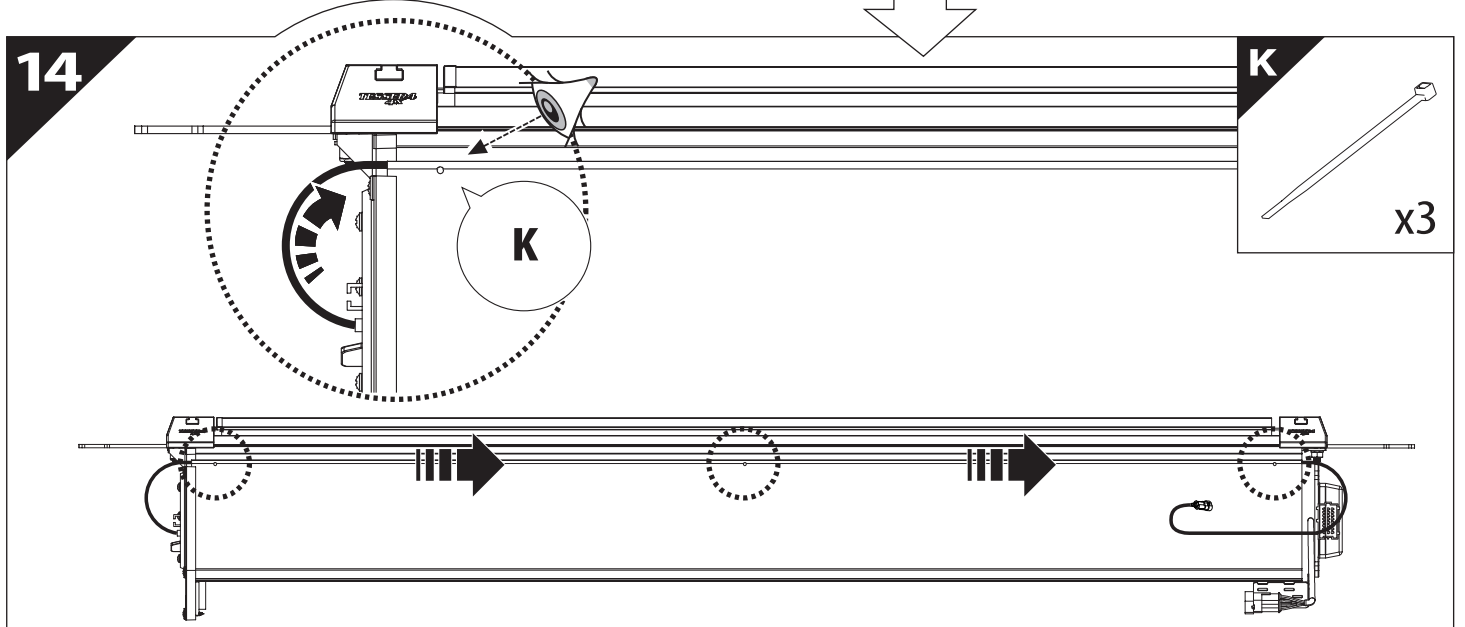
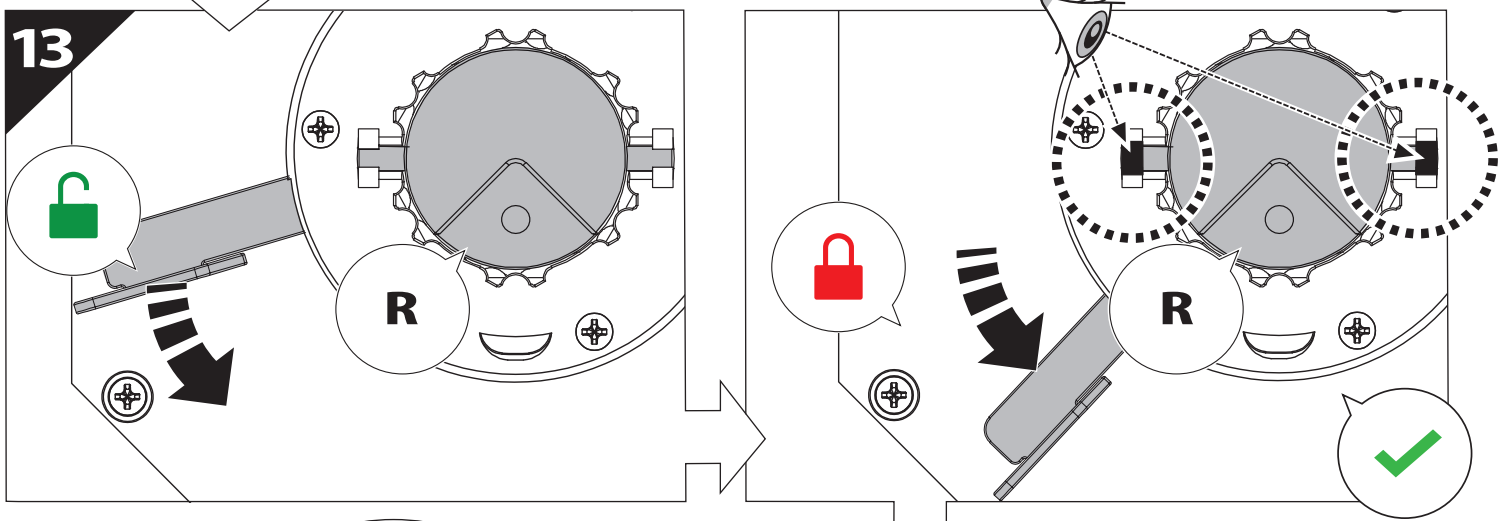
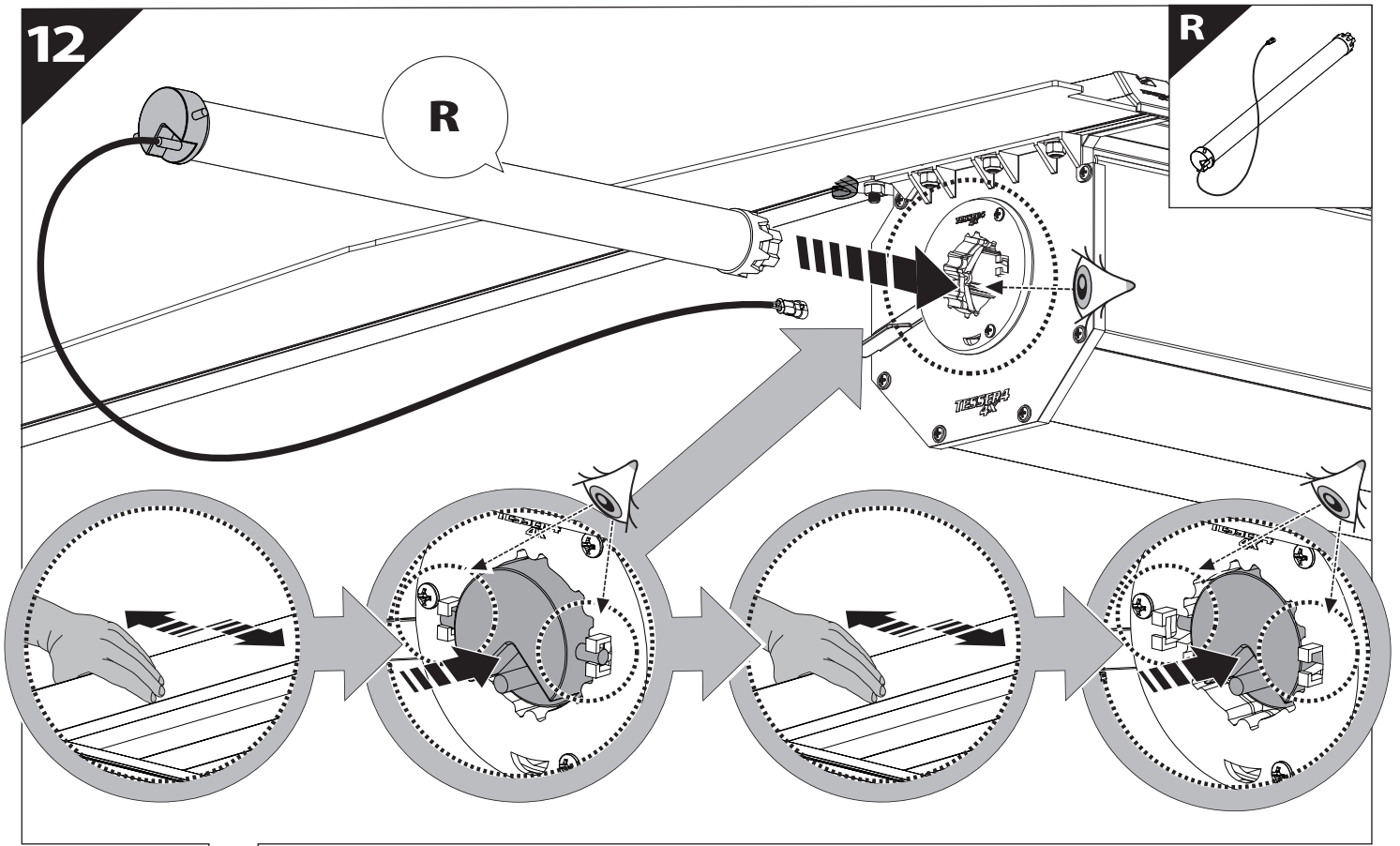
140 cm

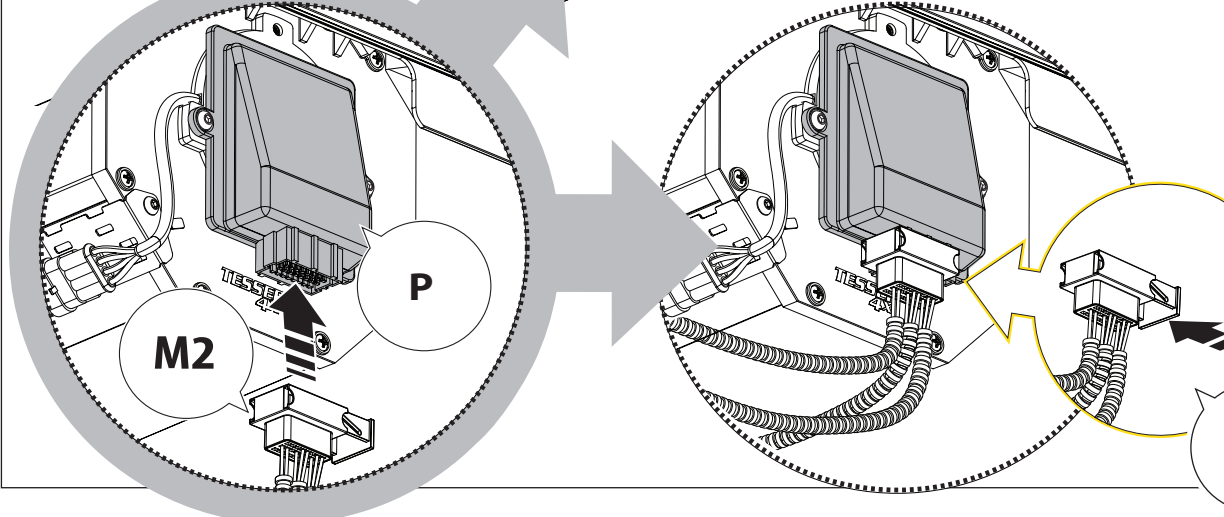
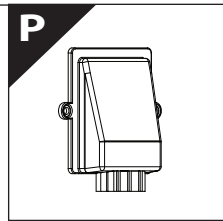
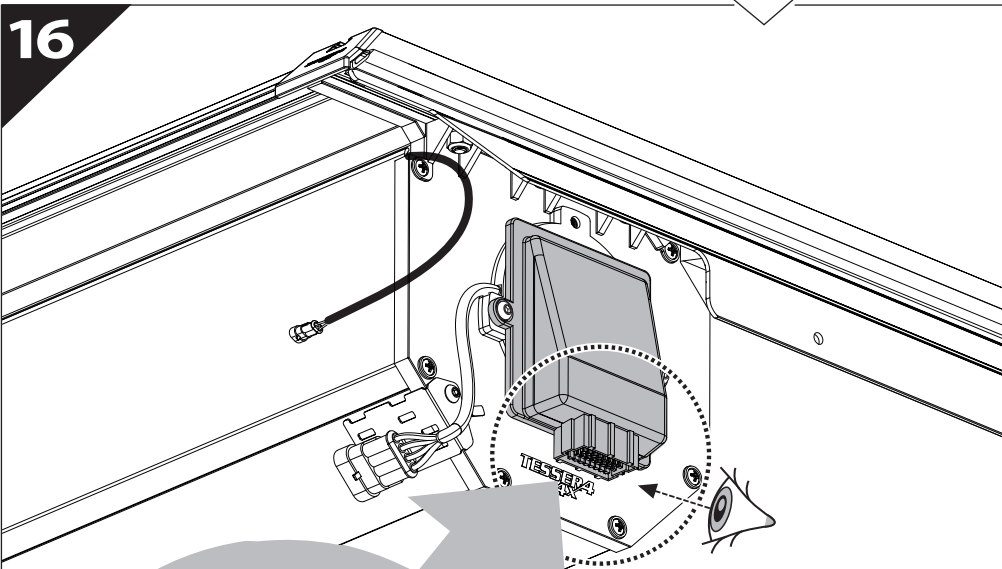
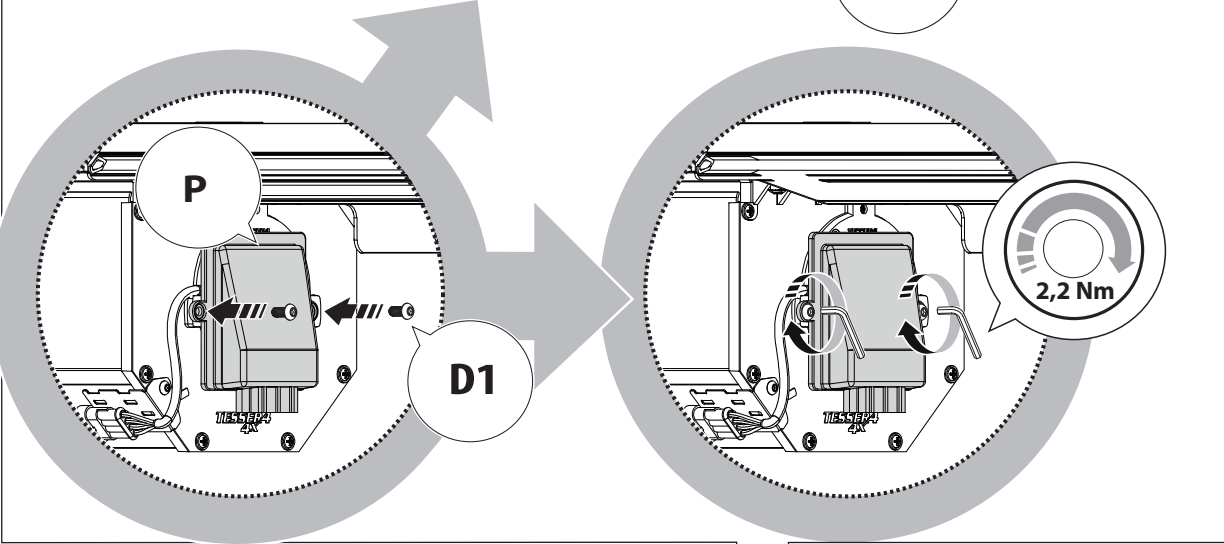
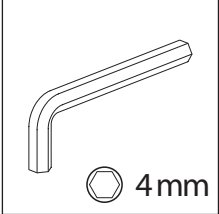
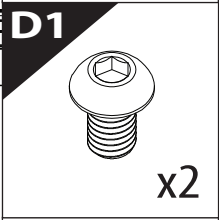
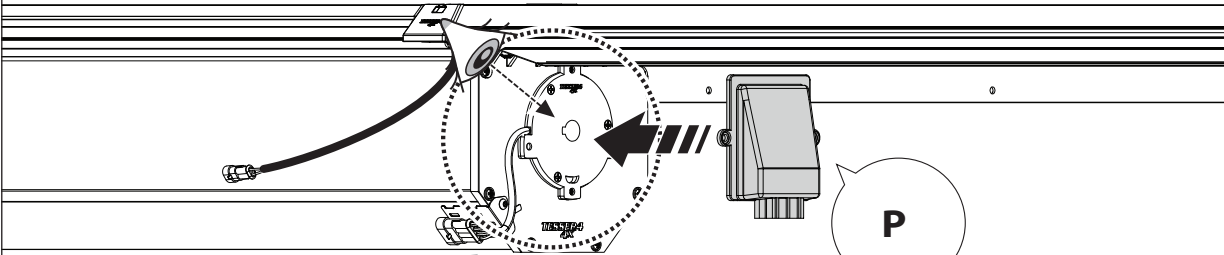
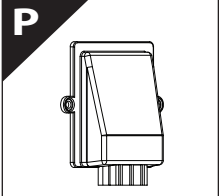
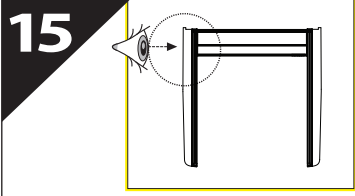
6.4

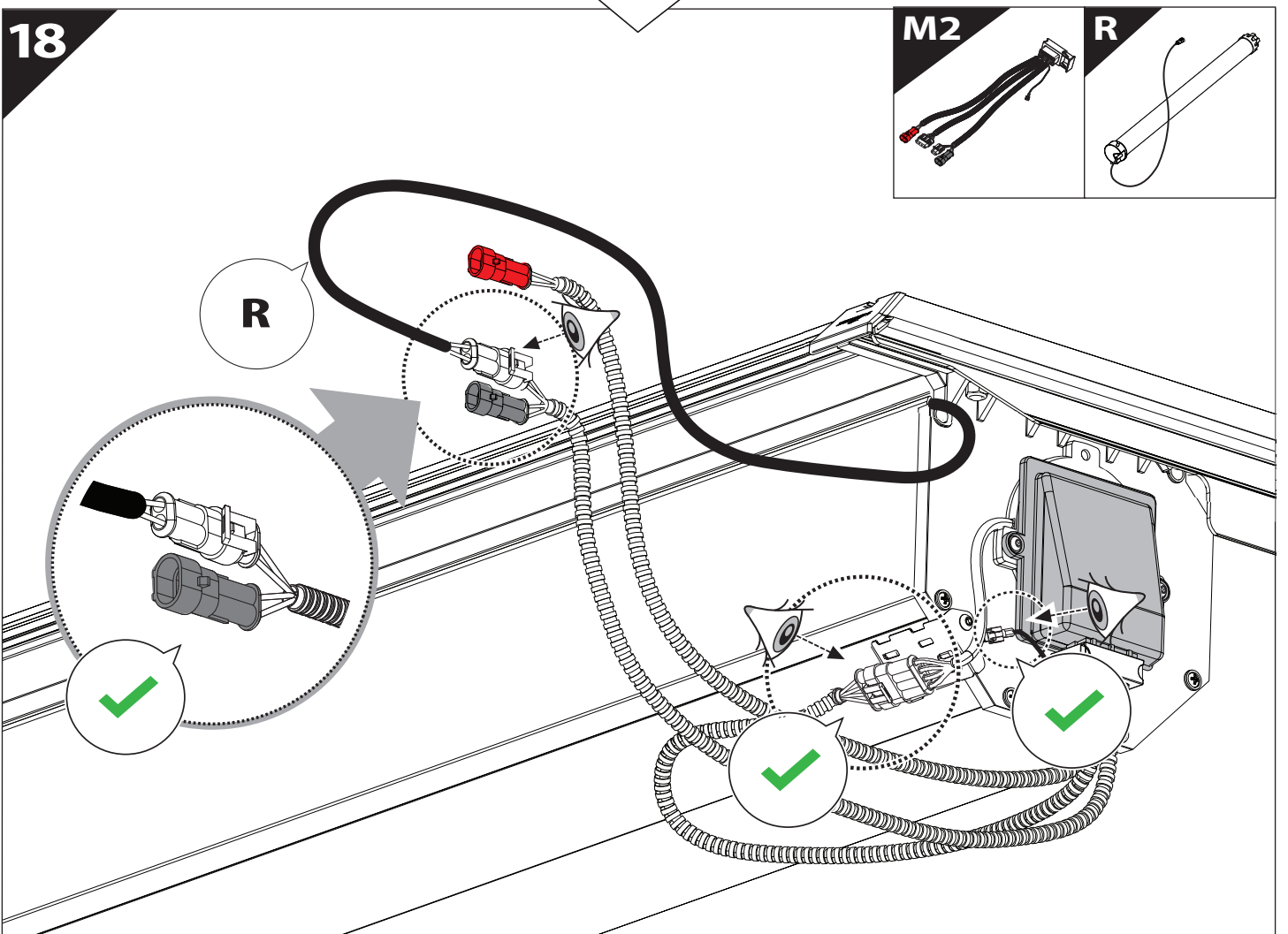
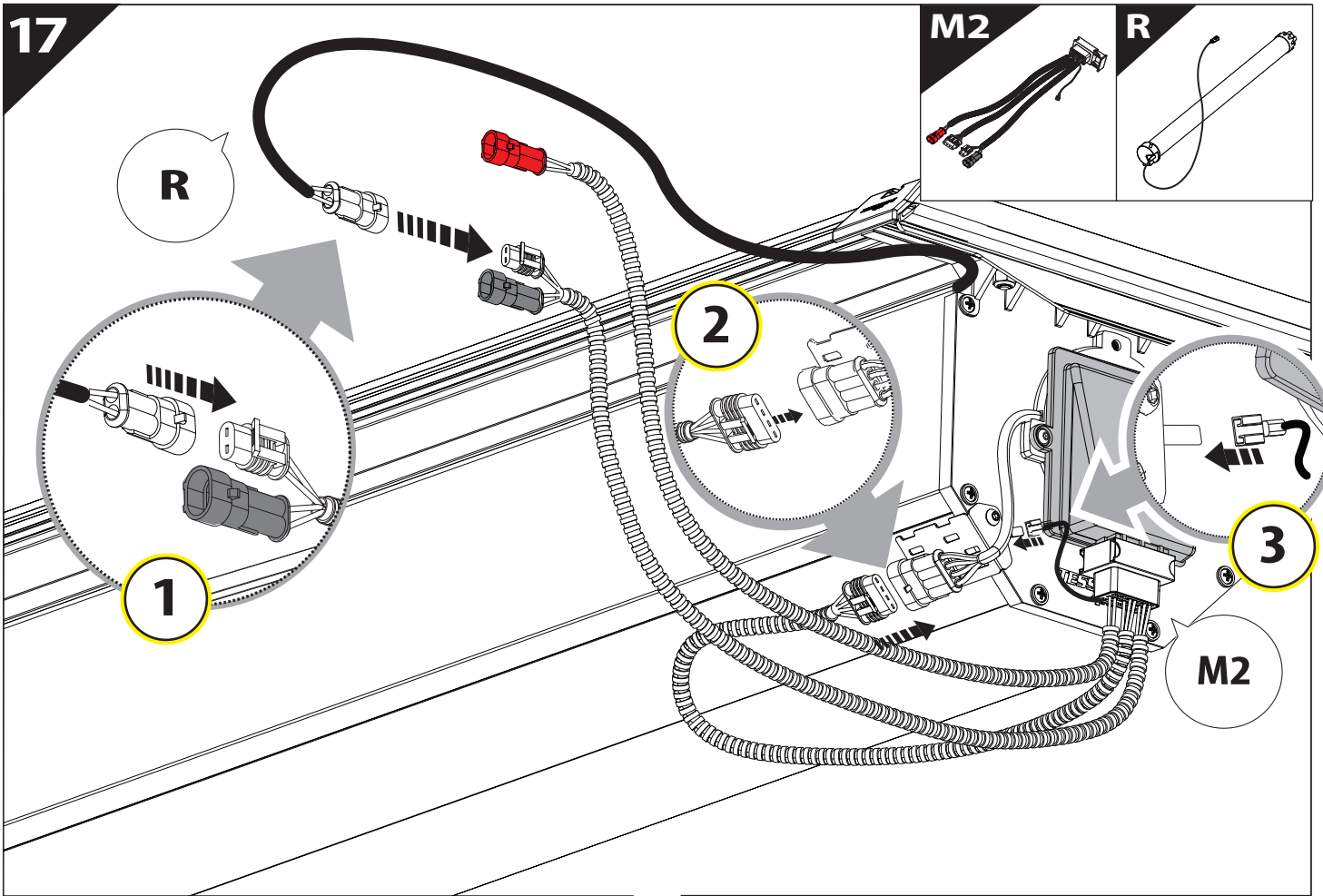






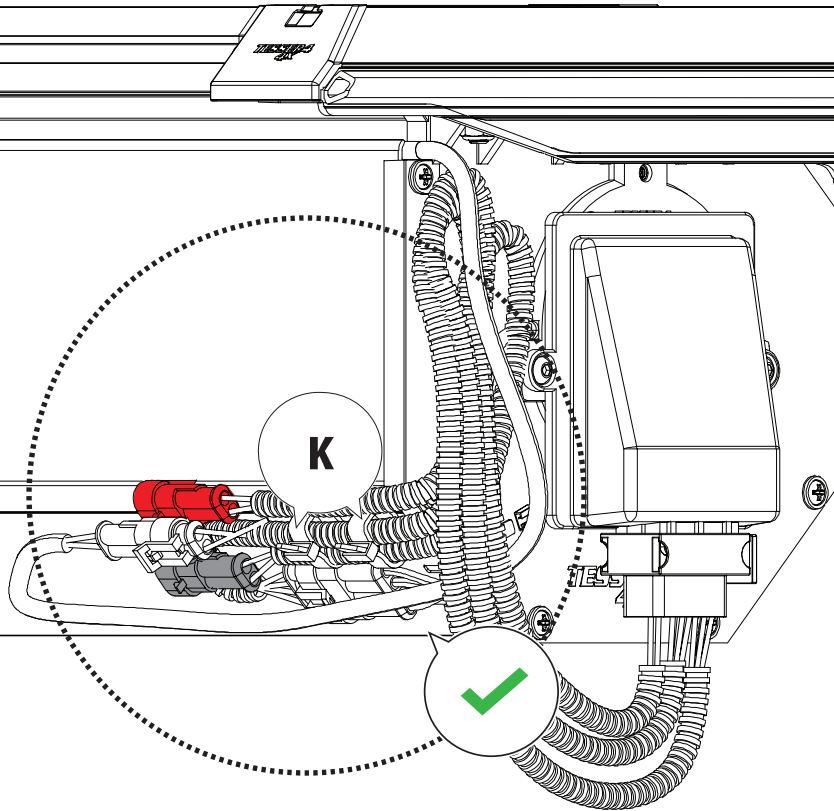
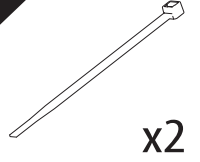


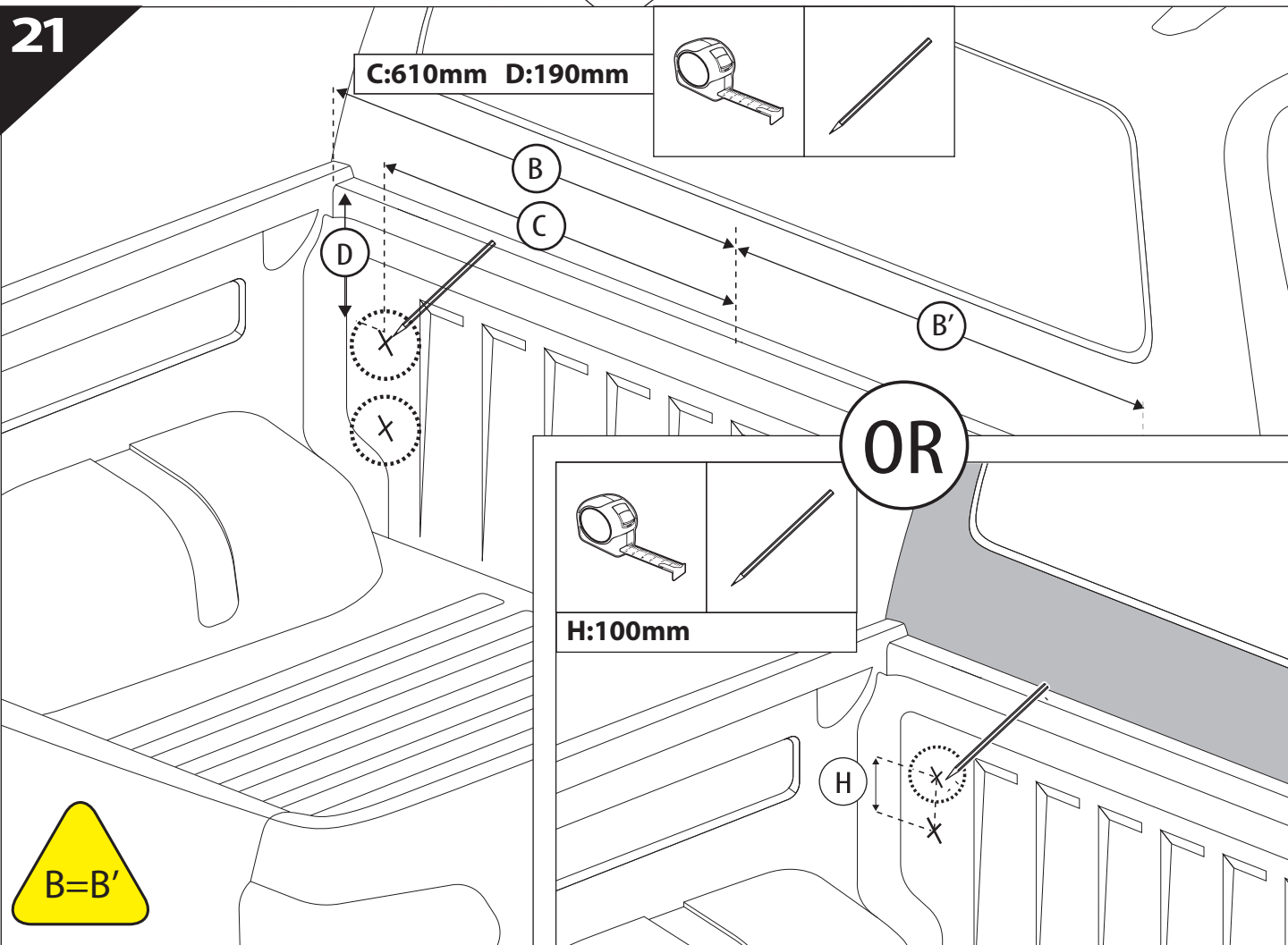
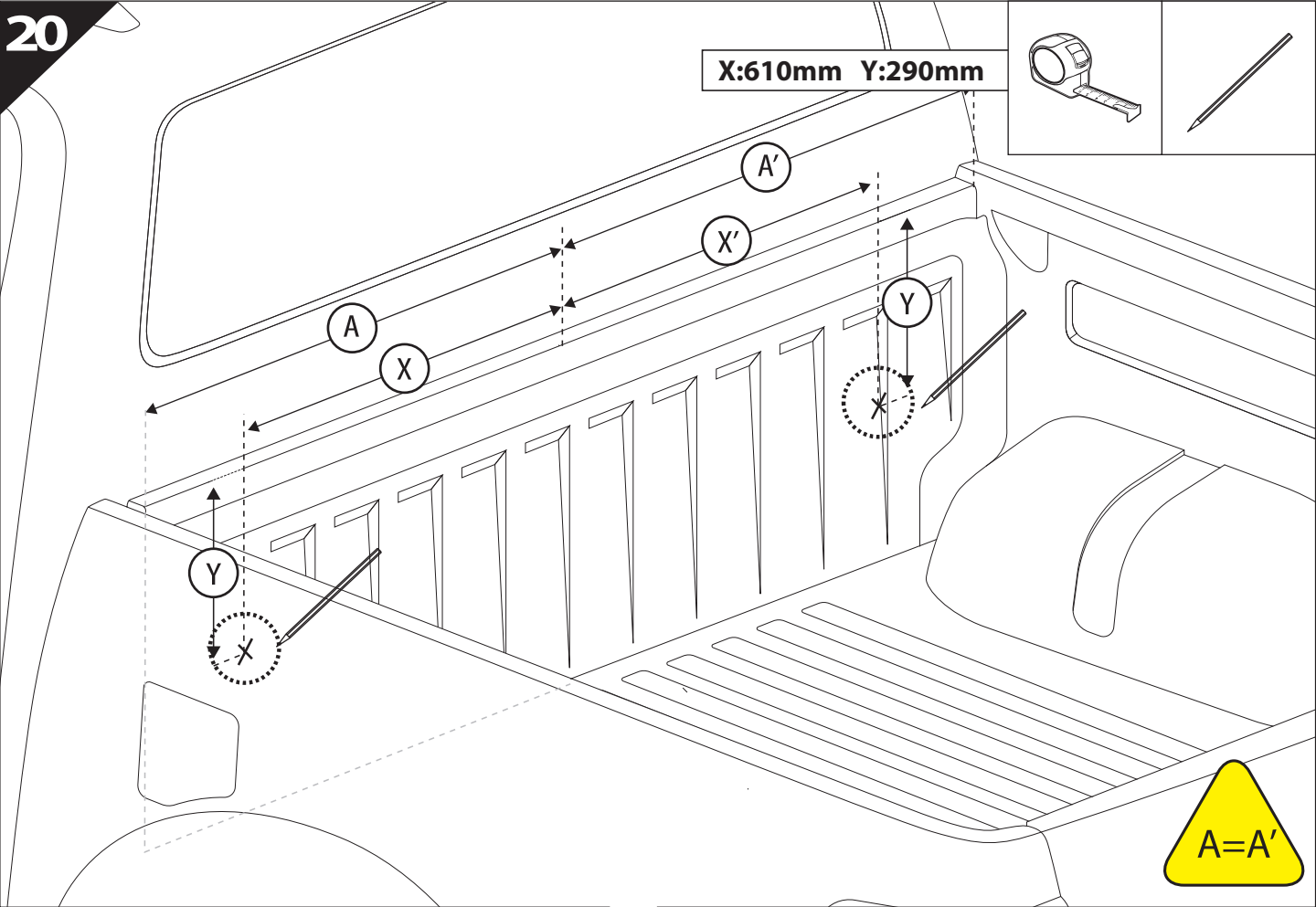




19

K





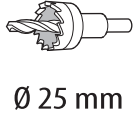
22

CAUTION

CAUTION

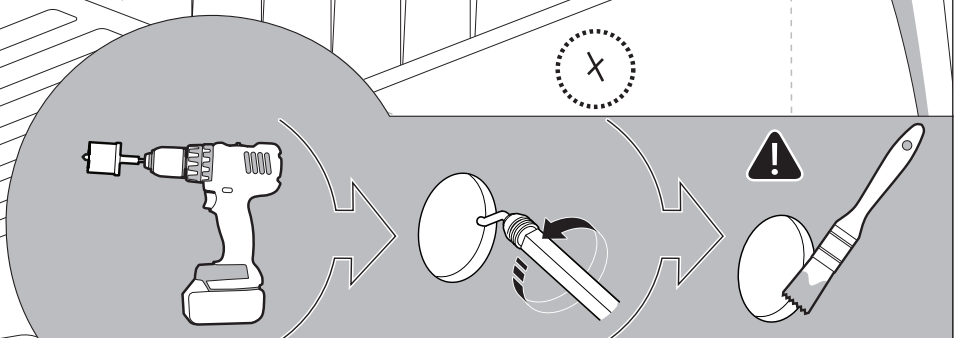
max: 2 mm

5 mm



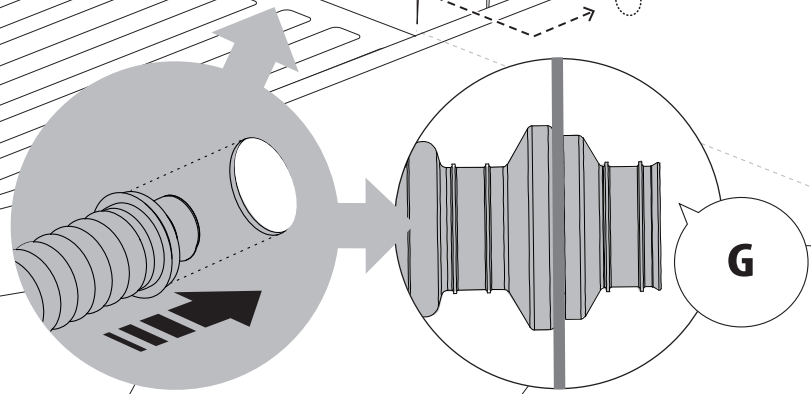
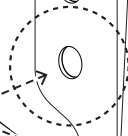
Ø 25 mm

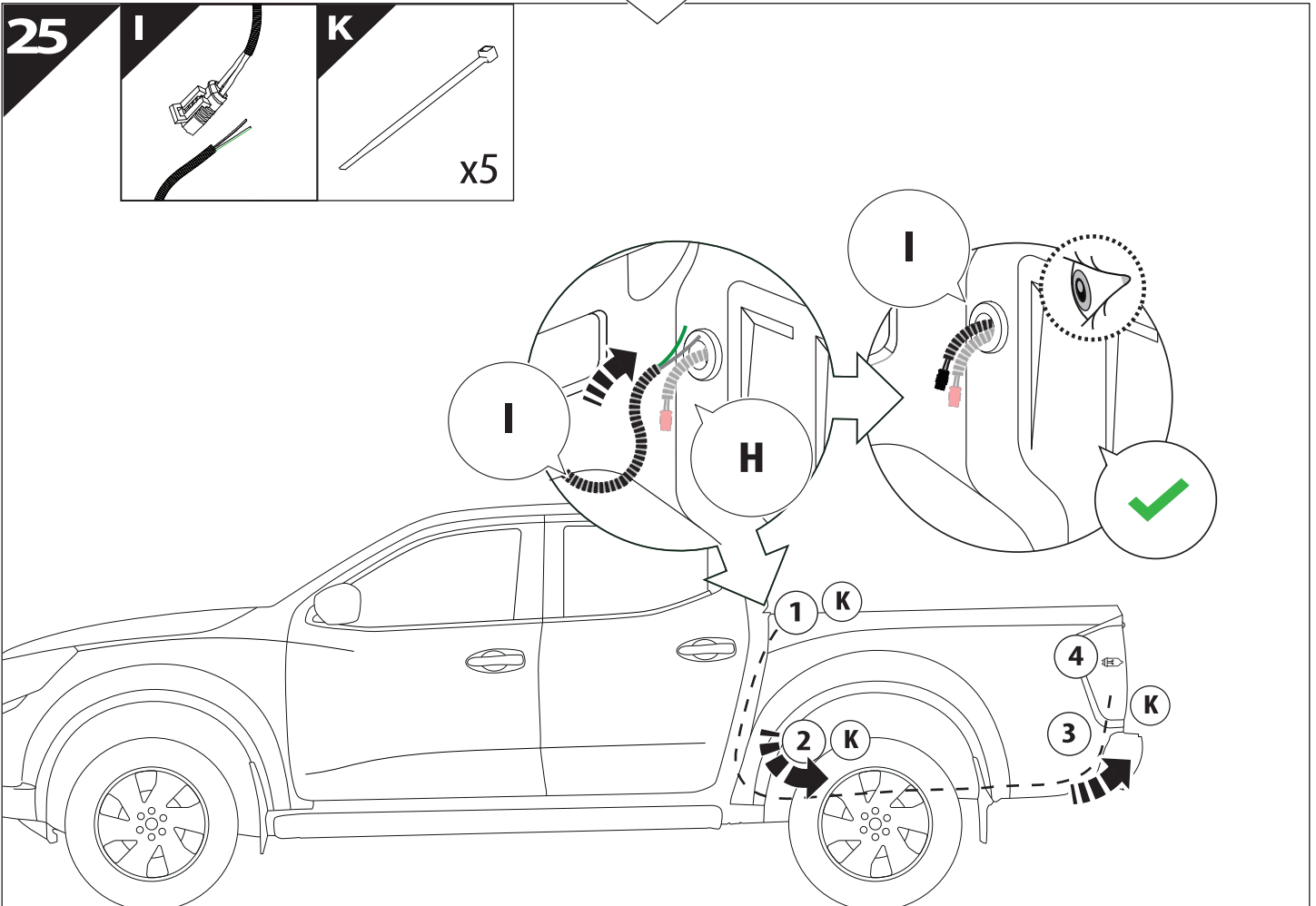
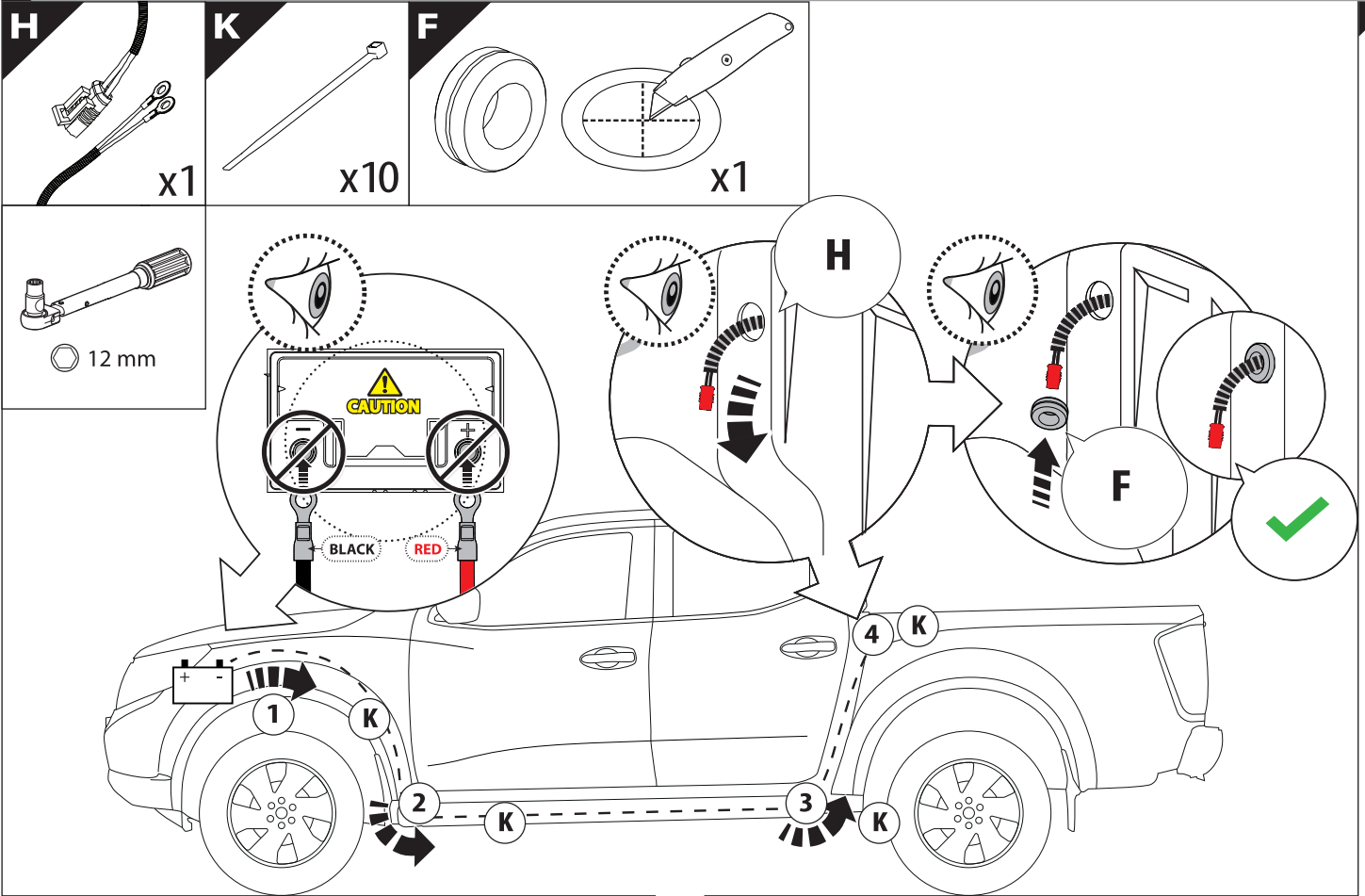
!
Rust
Protection



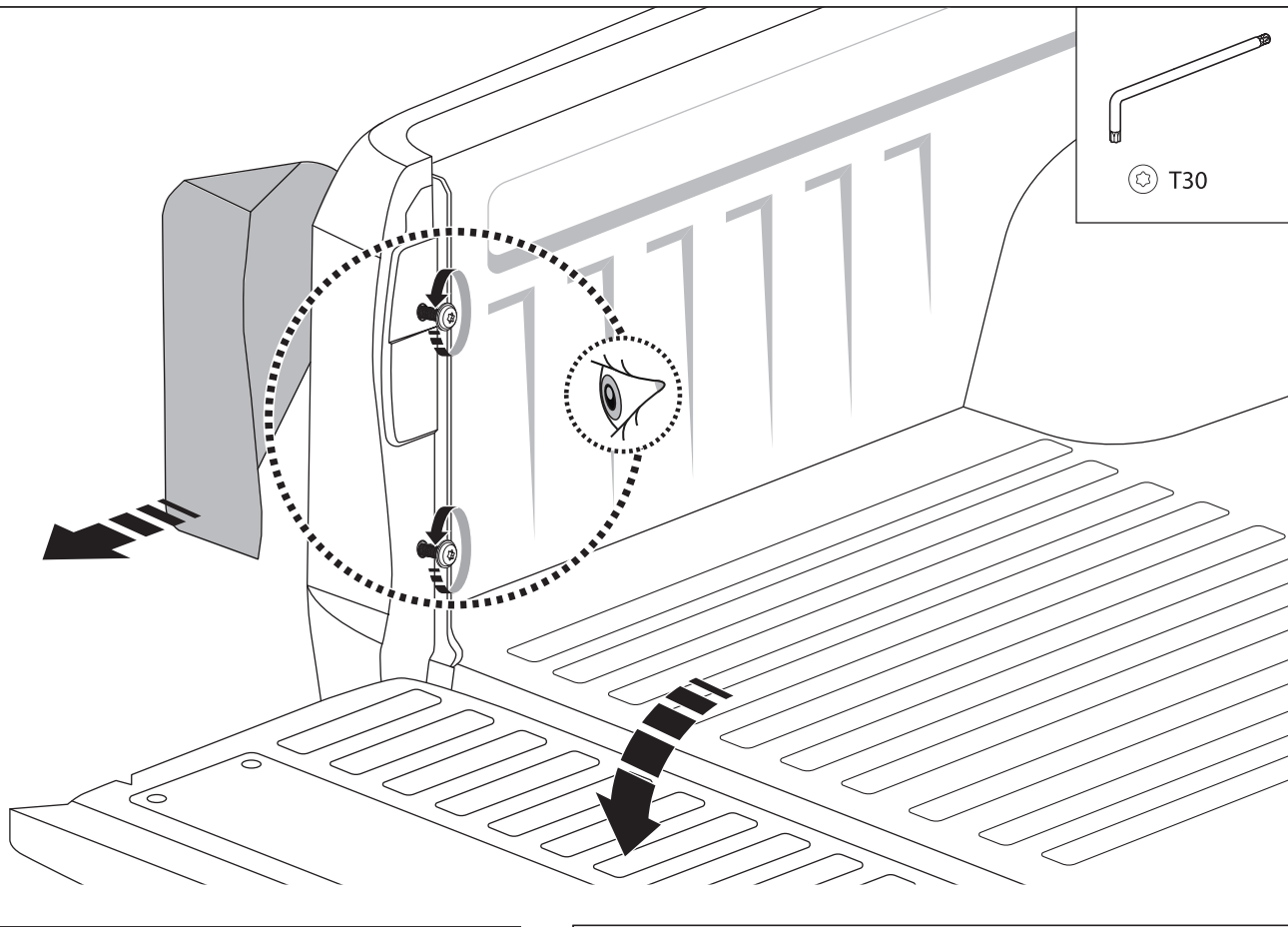
23

G

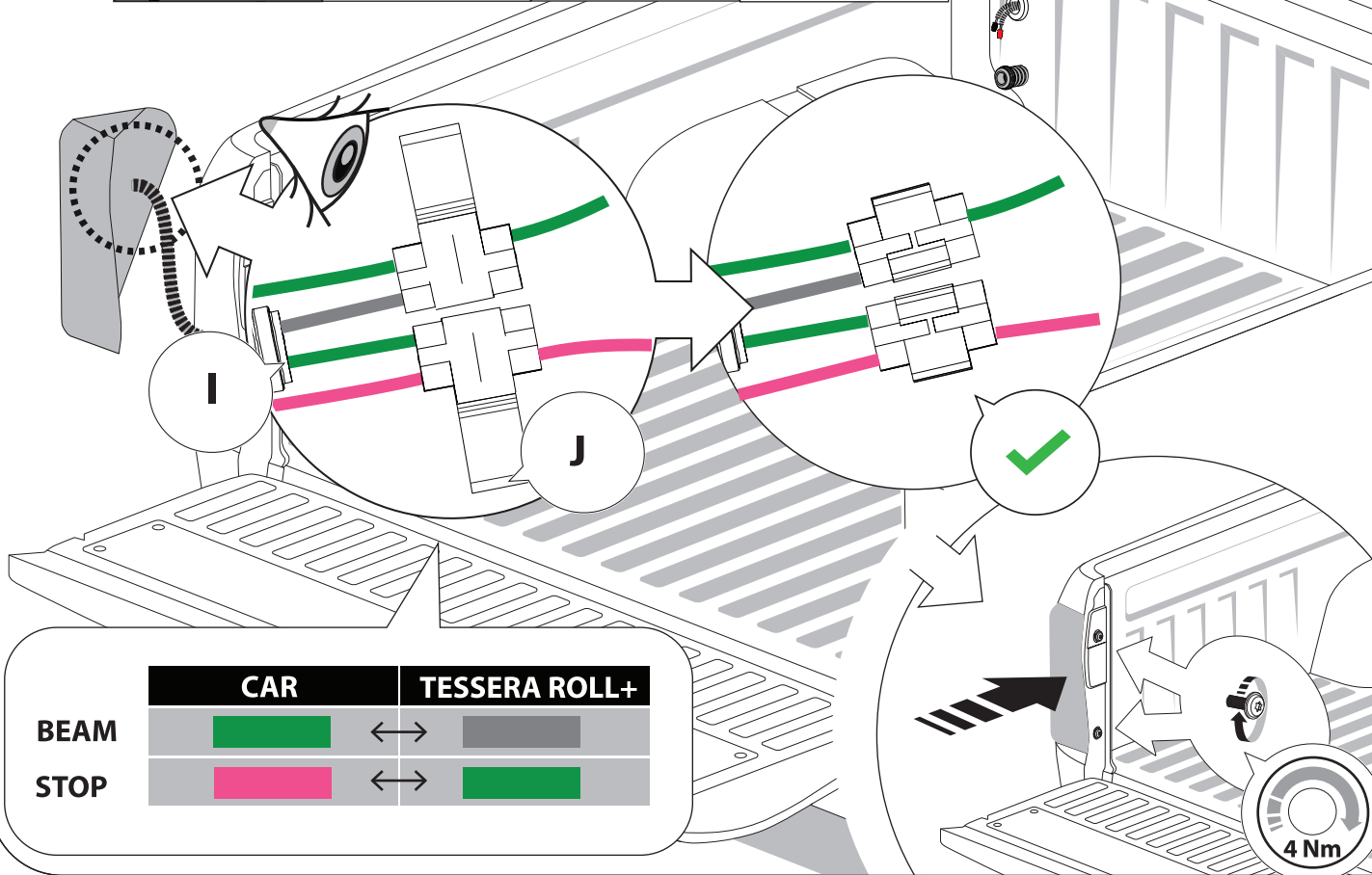
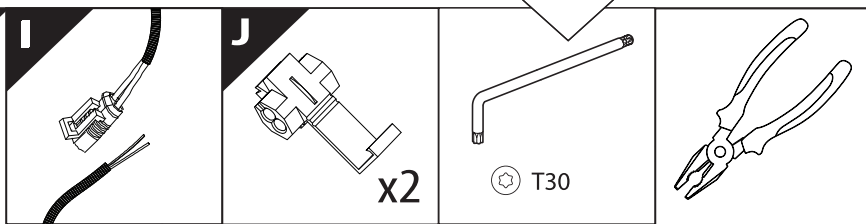




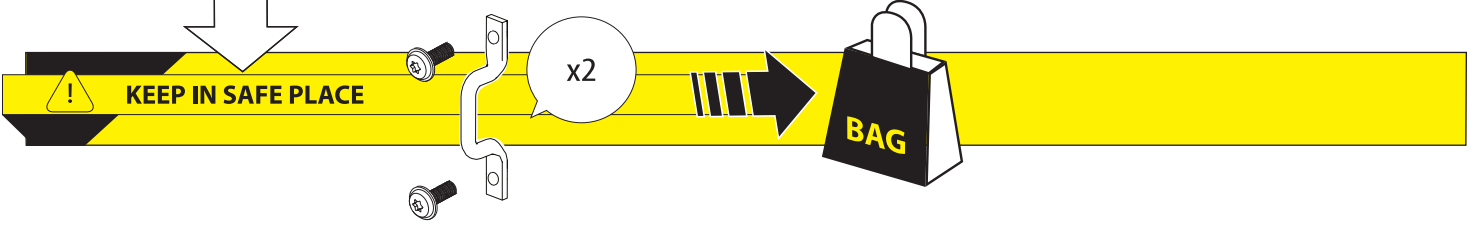
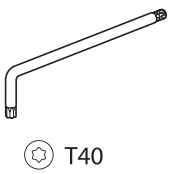
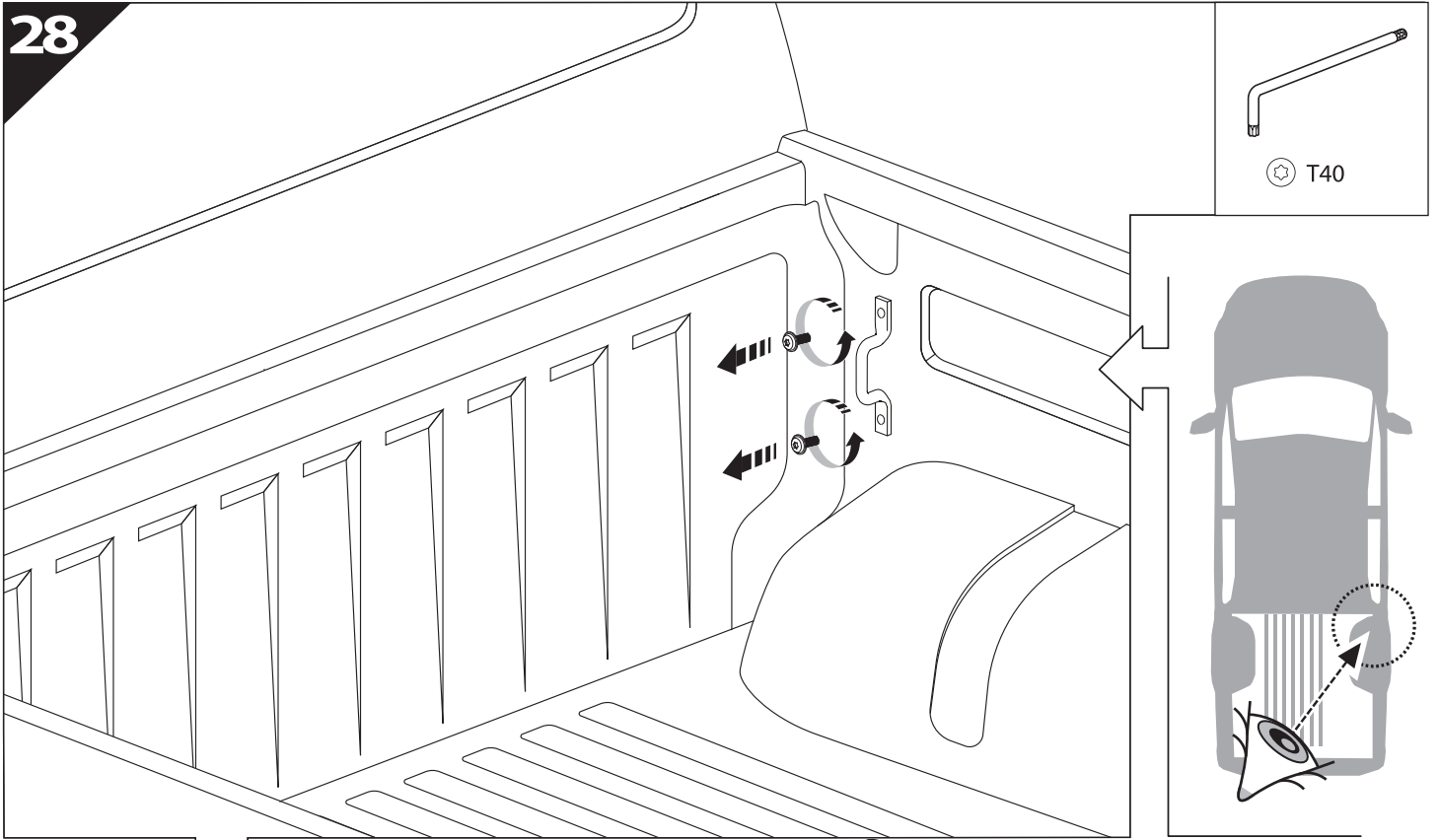
26

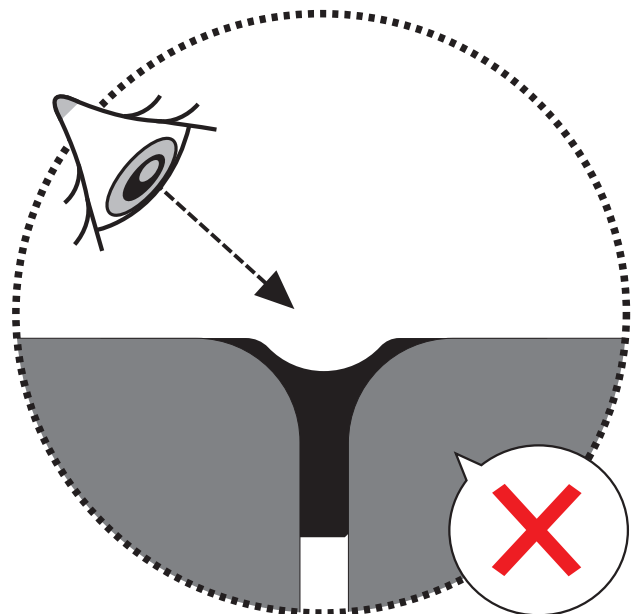
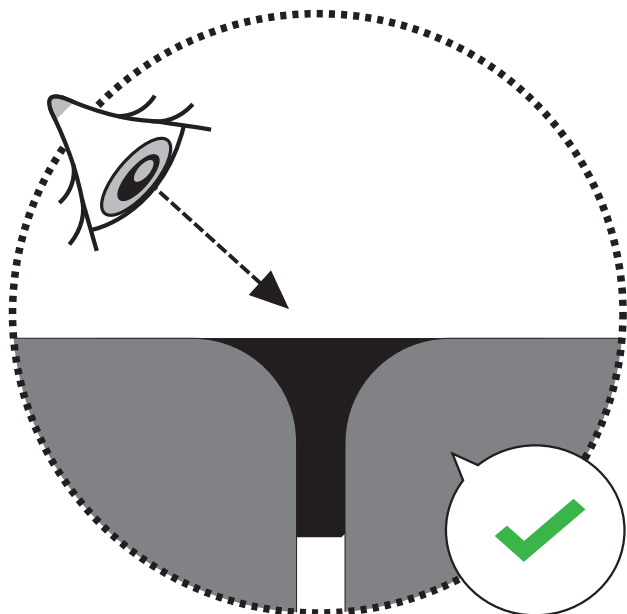
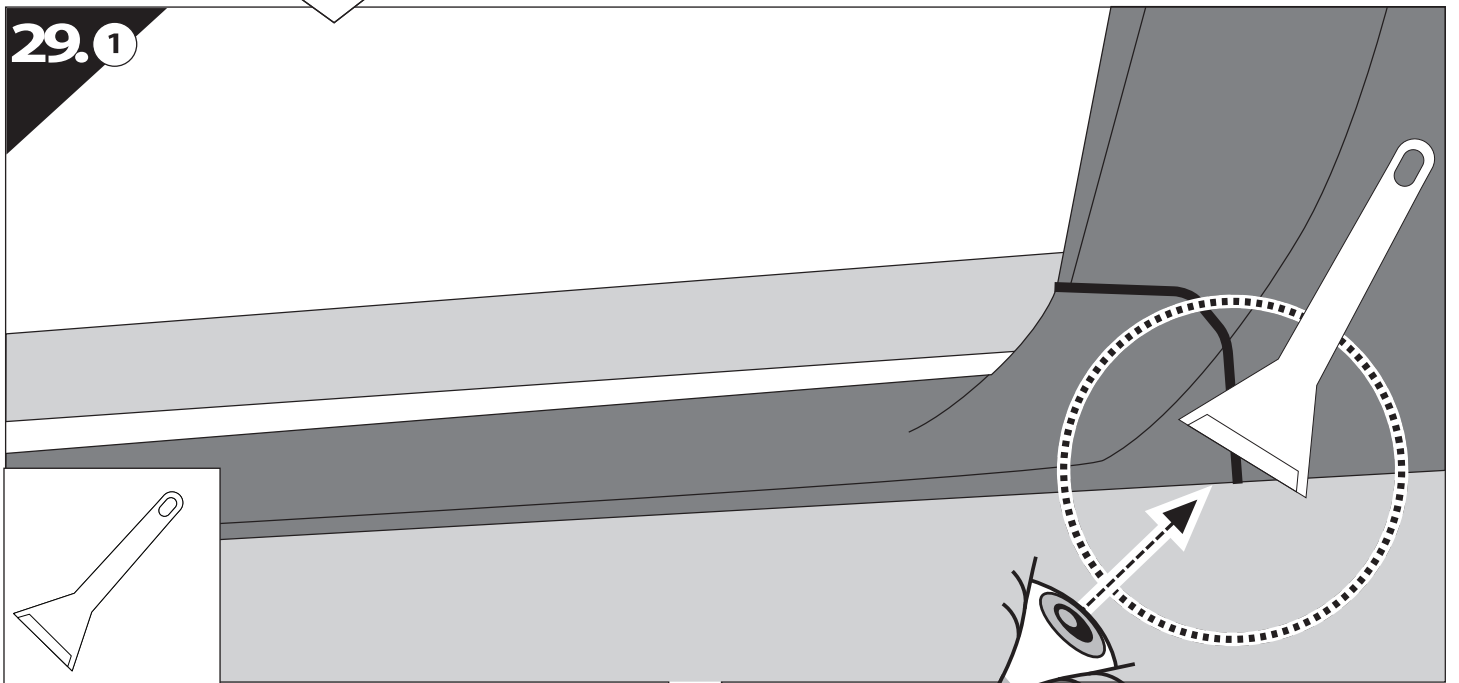
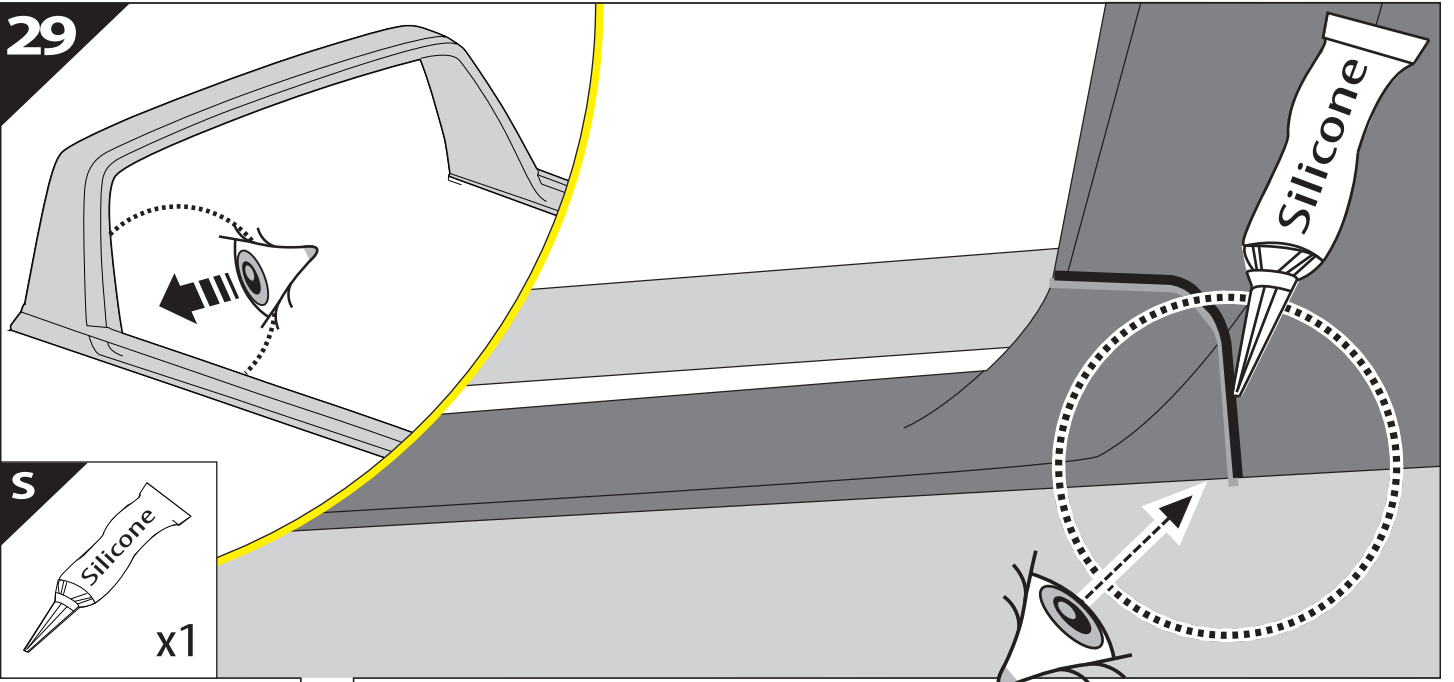


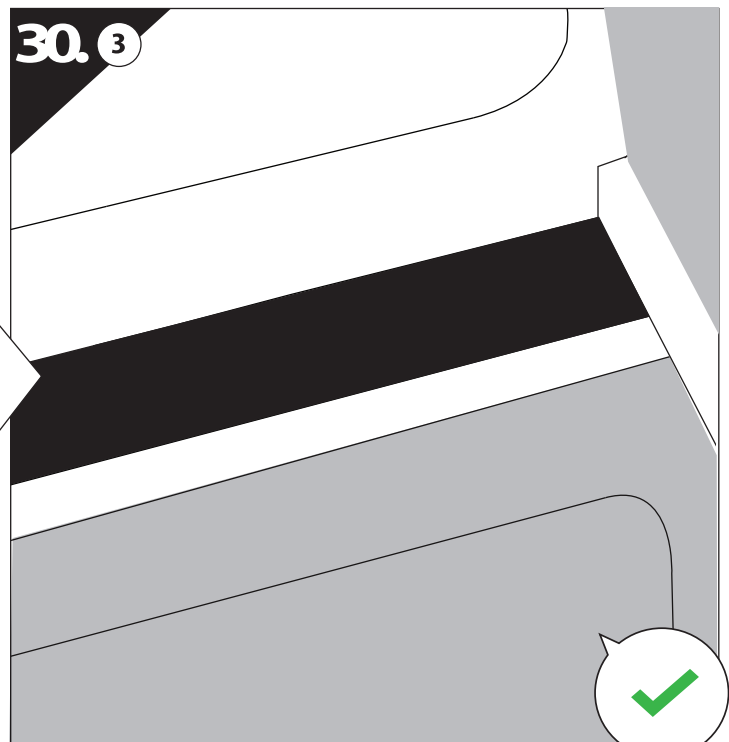
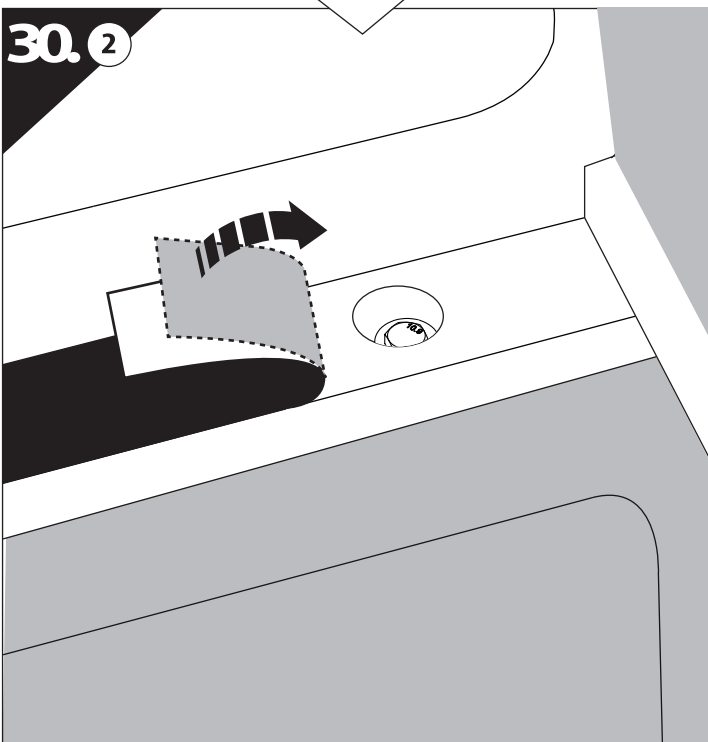
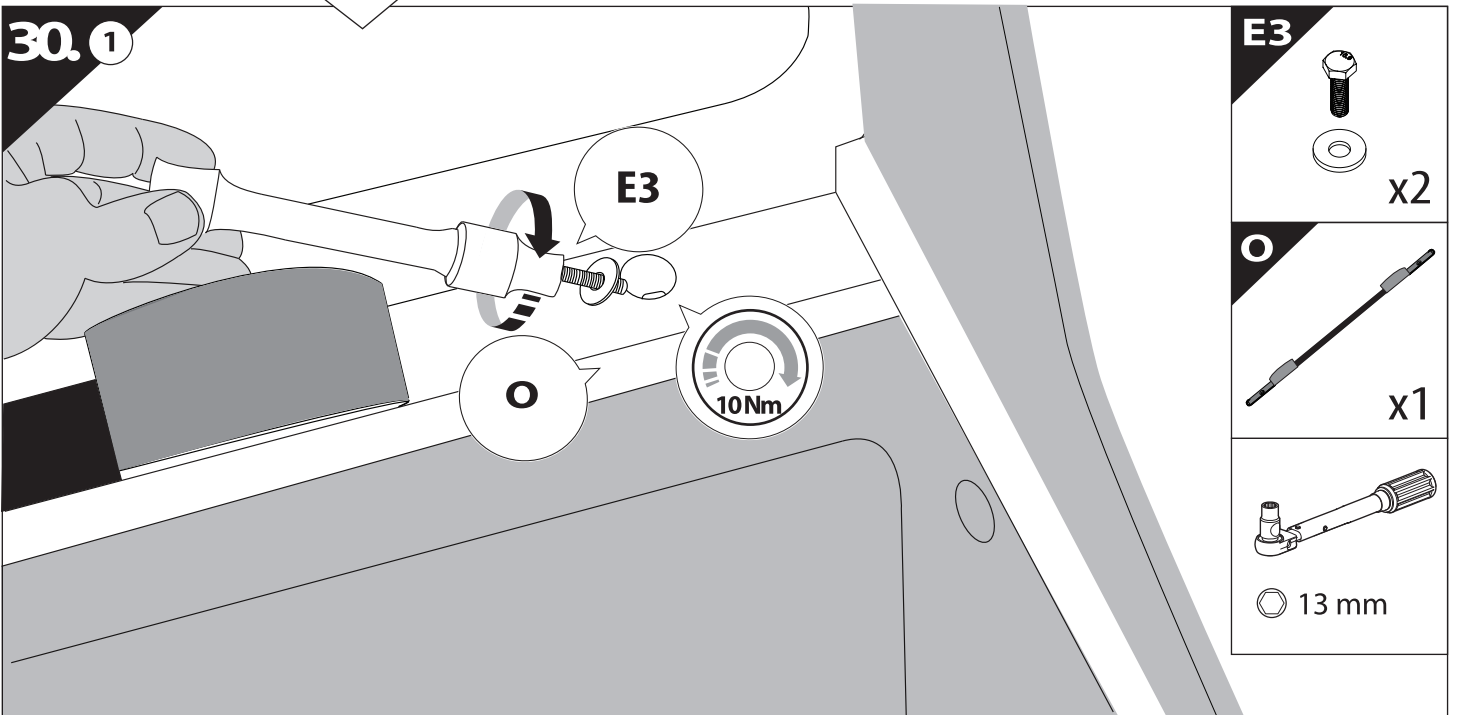
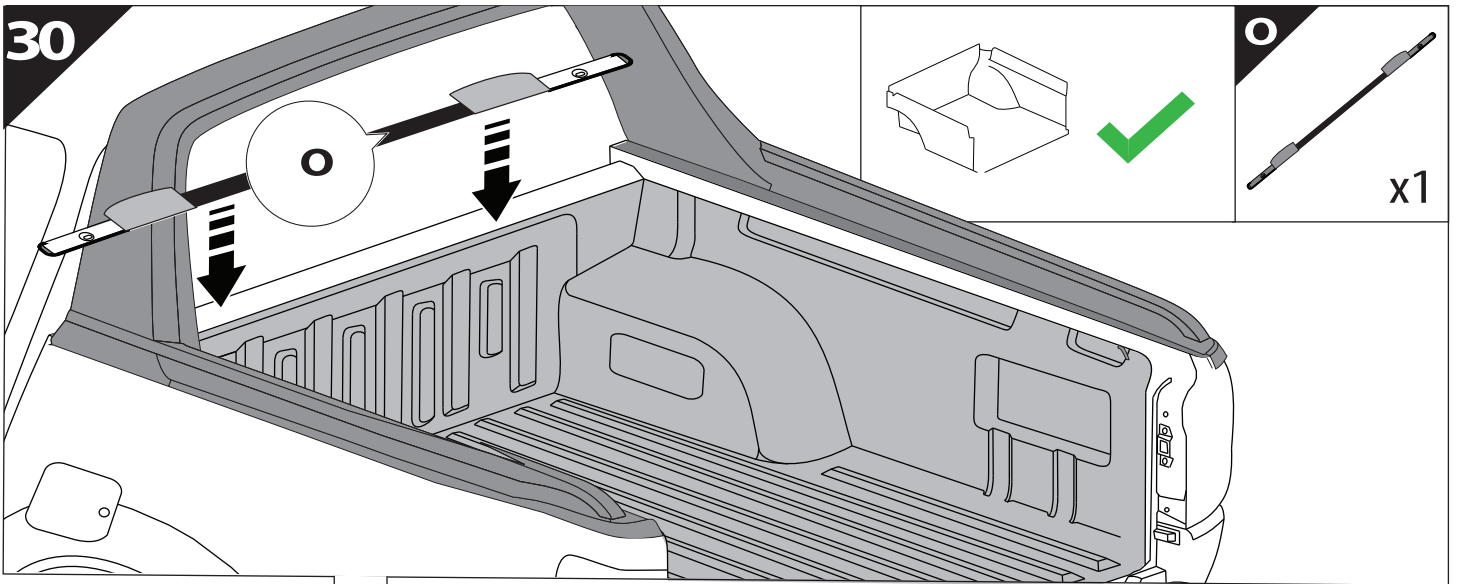
27



	CAR		TESSERA ROLL+
BEAM		↔	
STOP		↔	

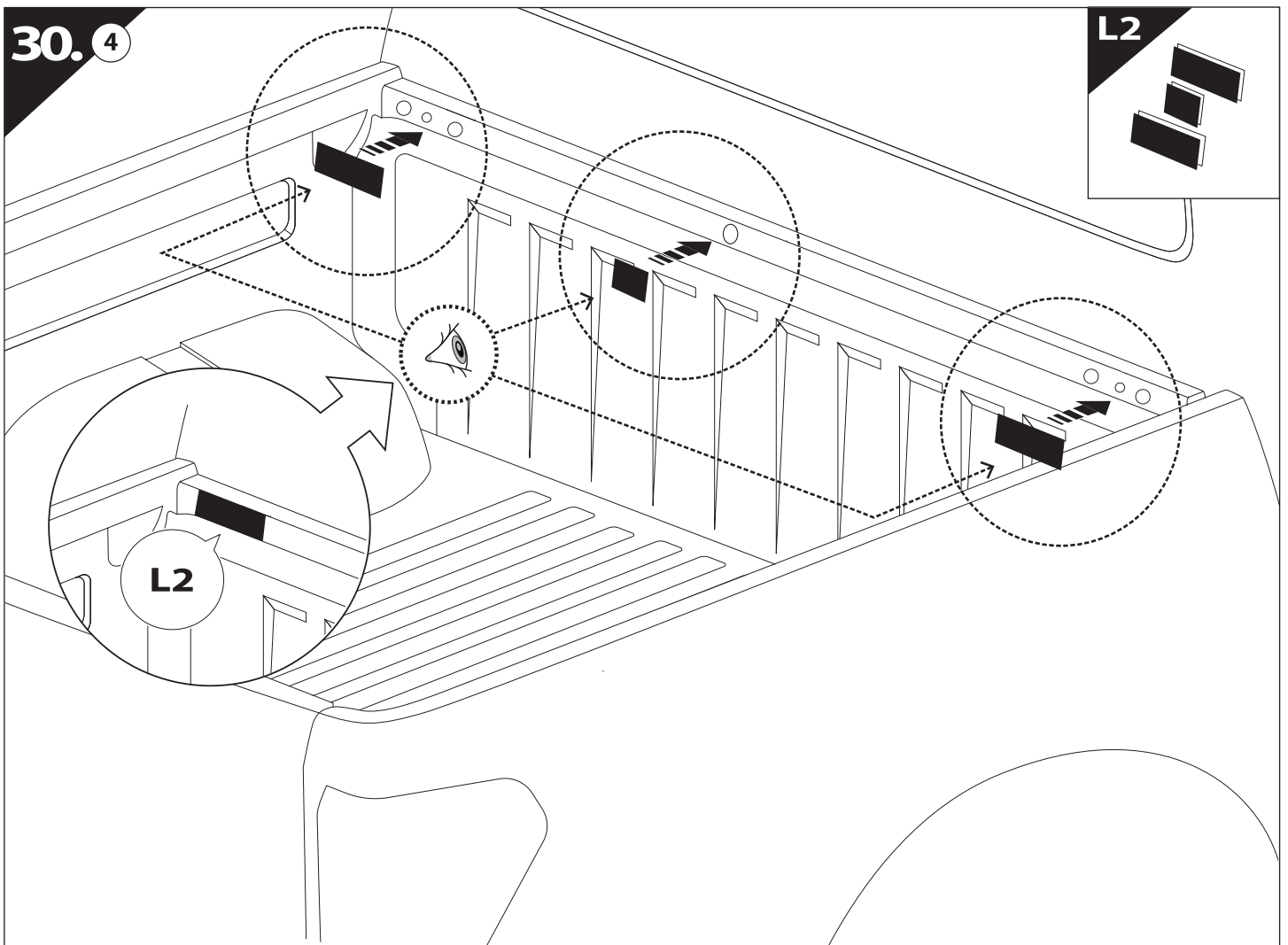


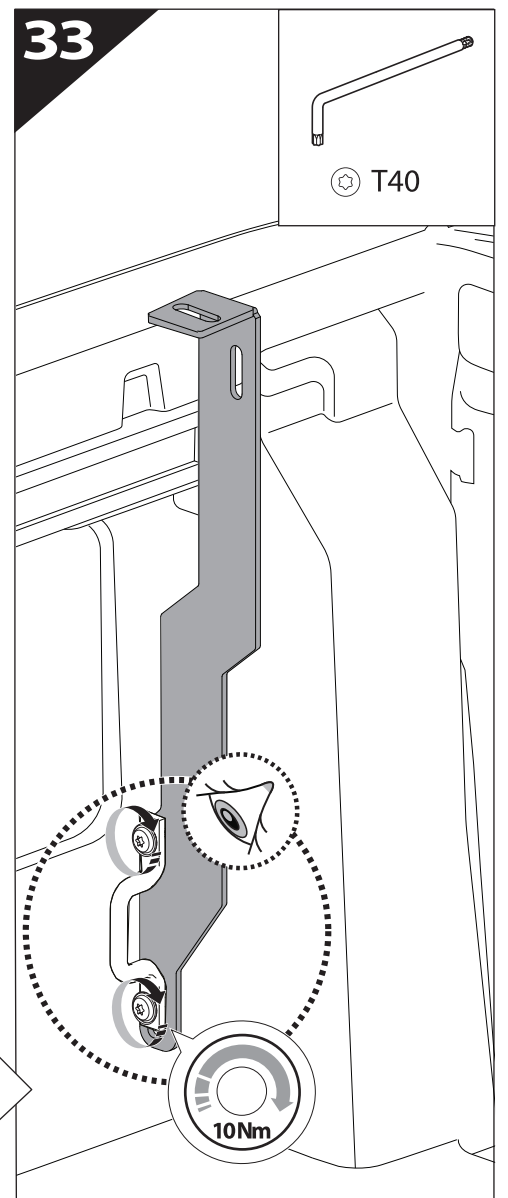
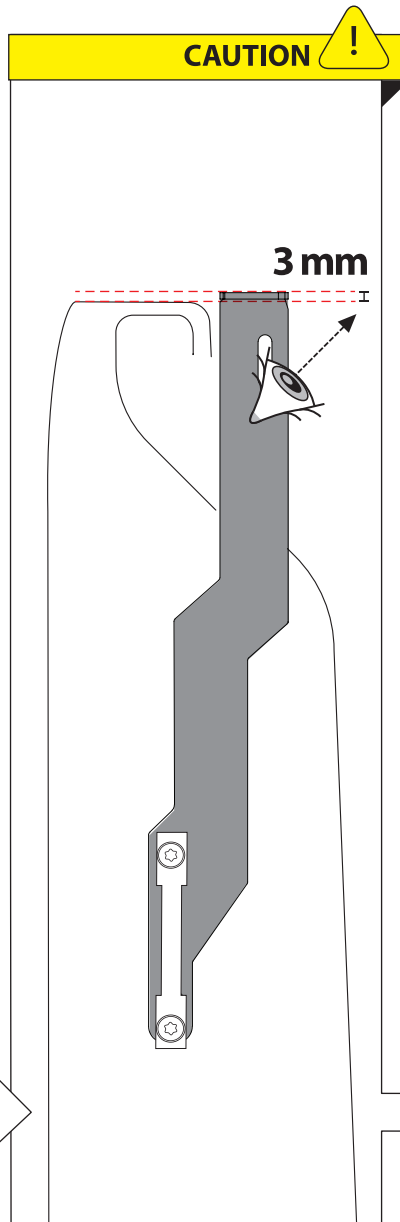
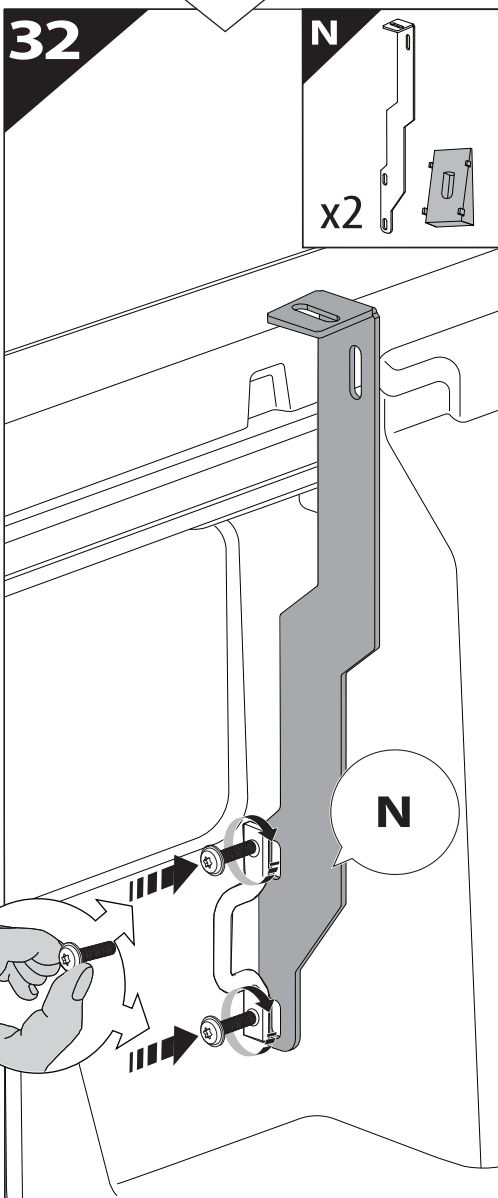
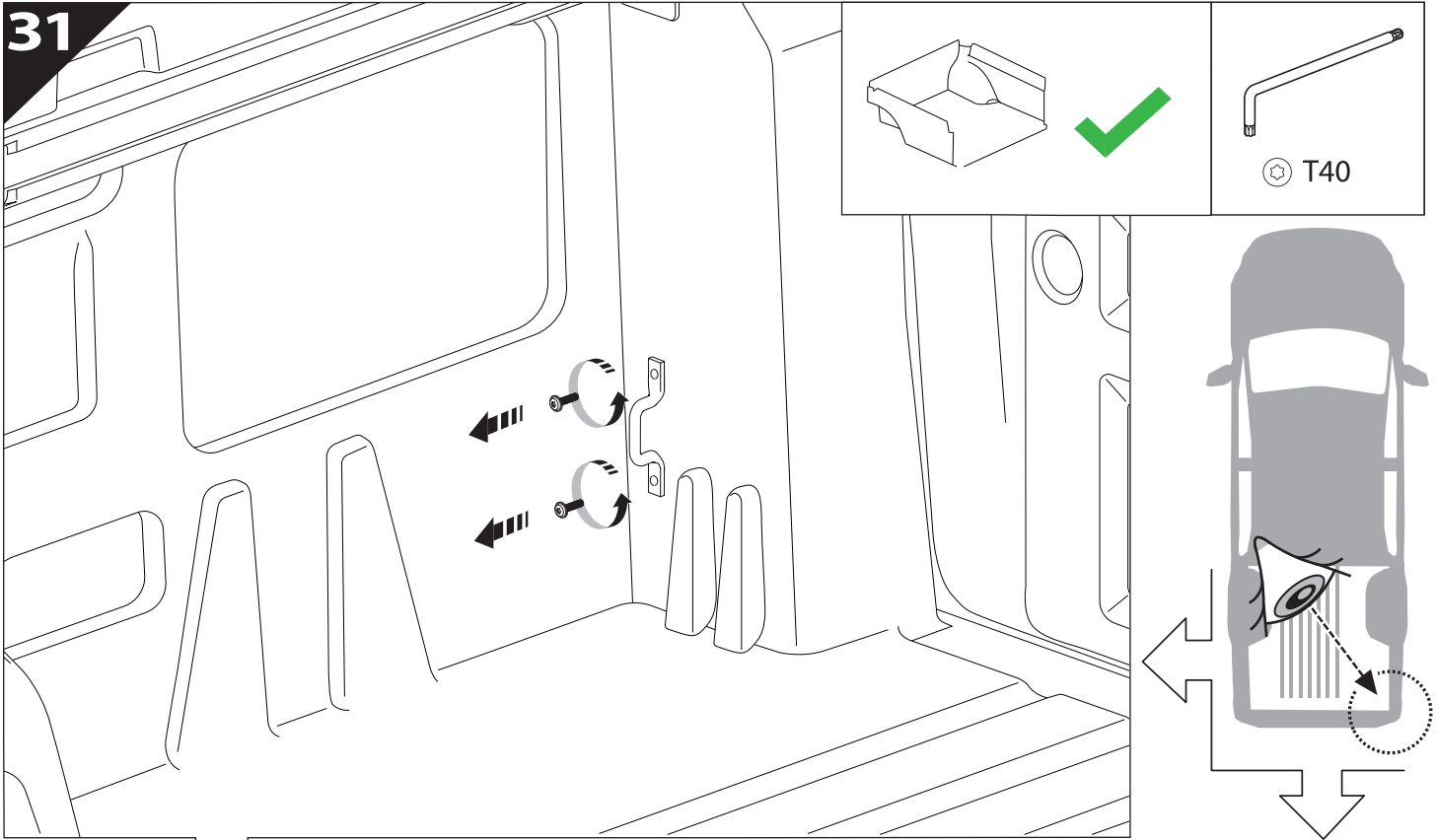




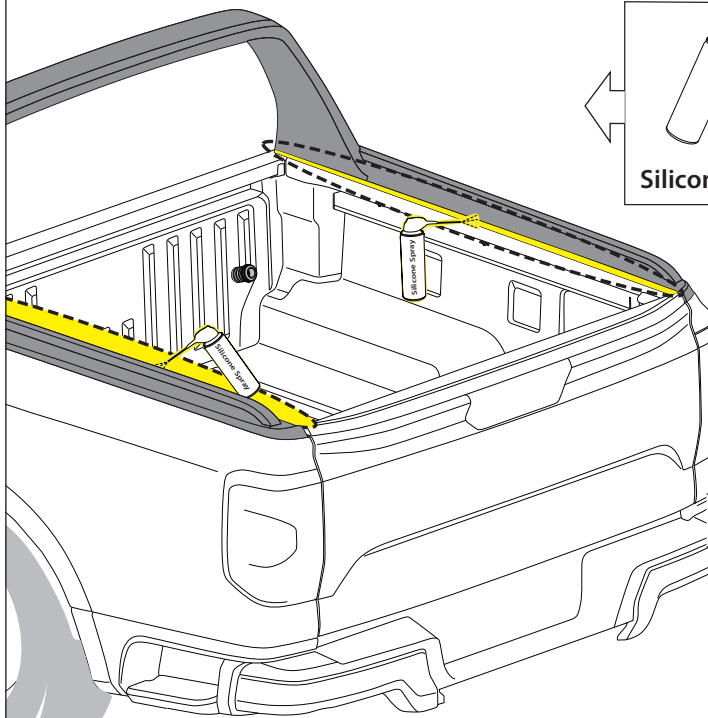
30. 4

L2

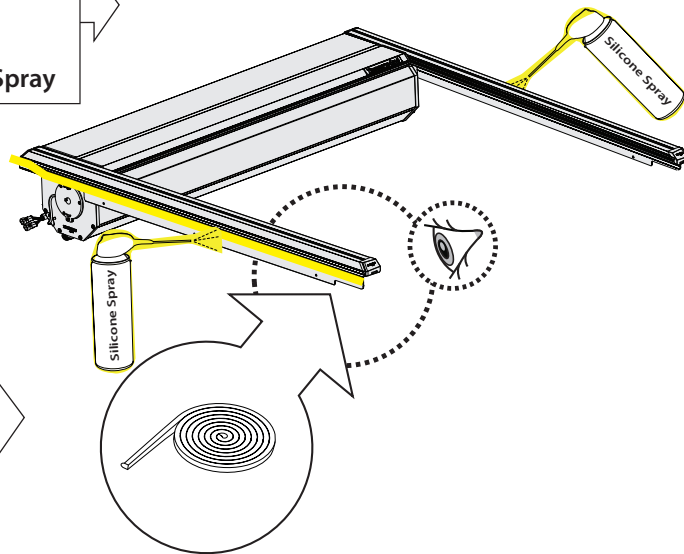




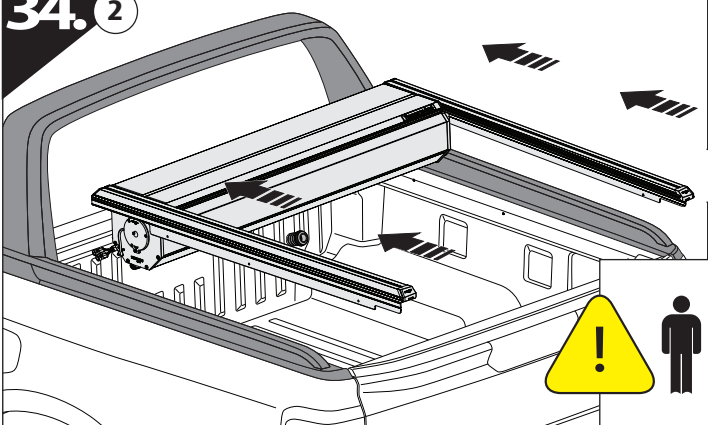
34



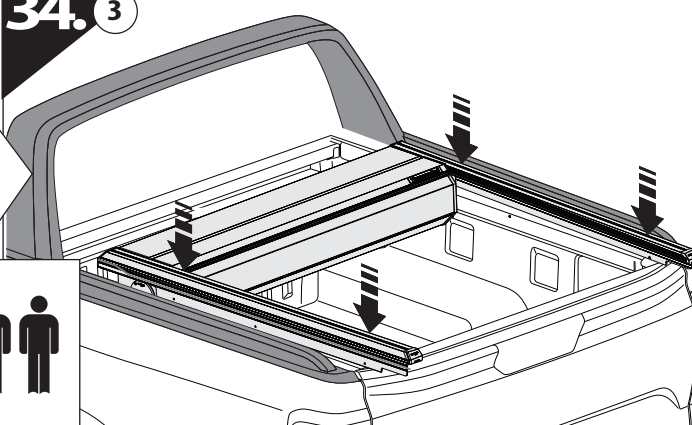
34.1



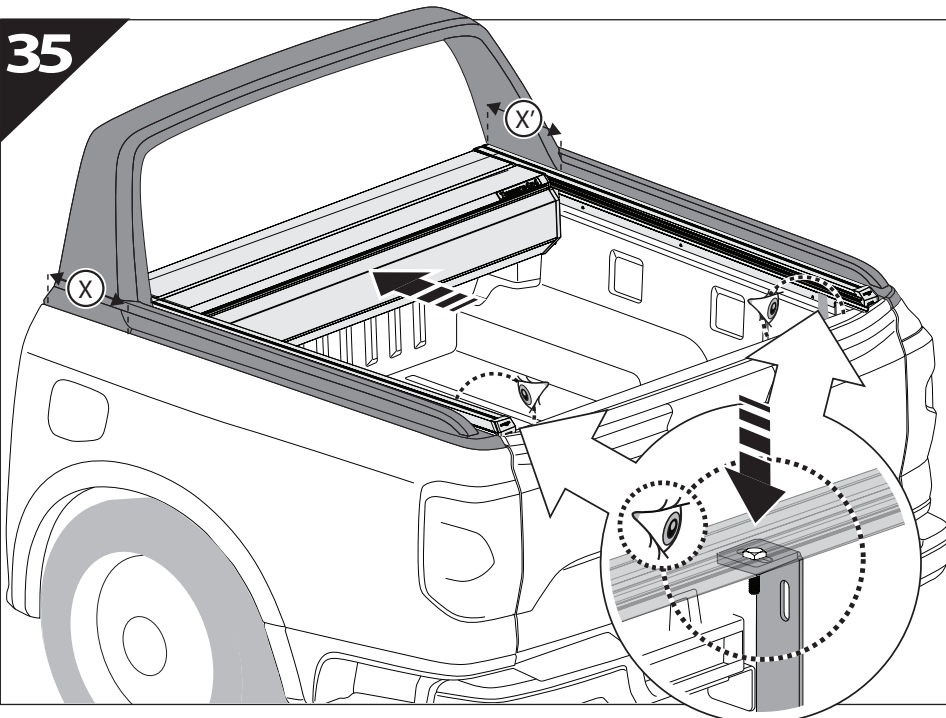
34.2



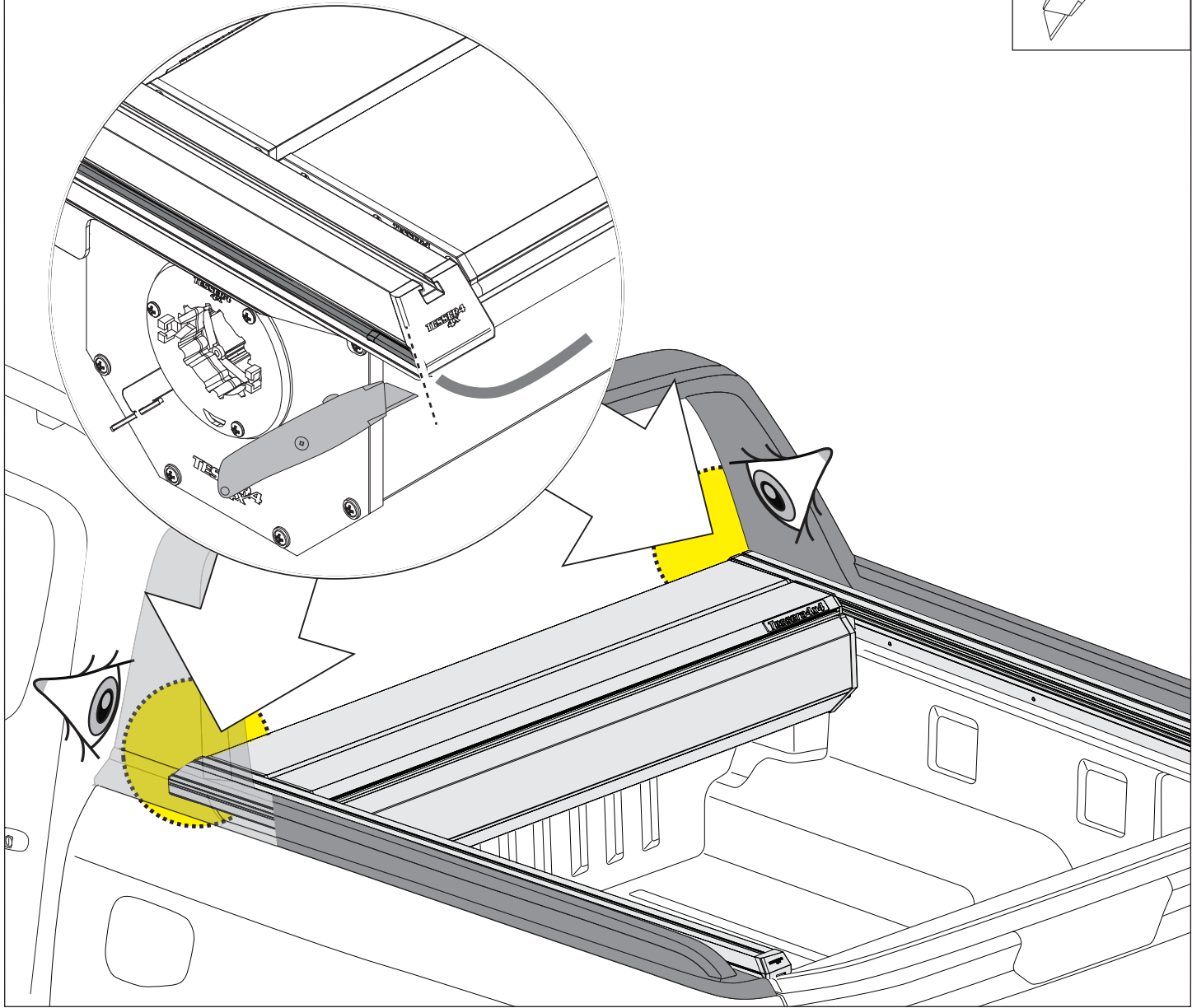
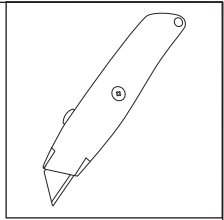
34.3

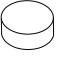


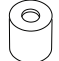


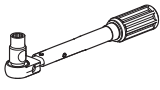



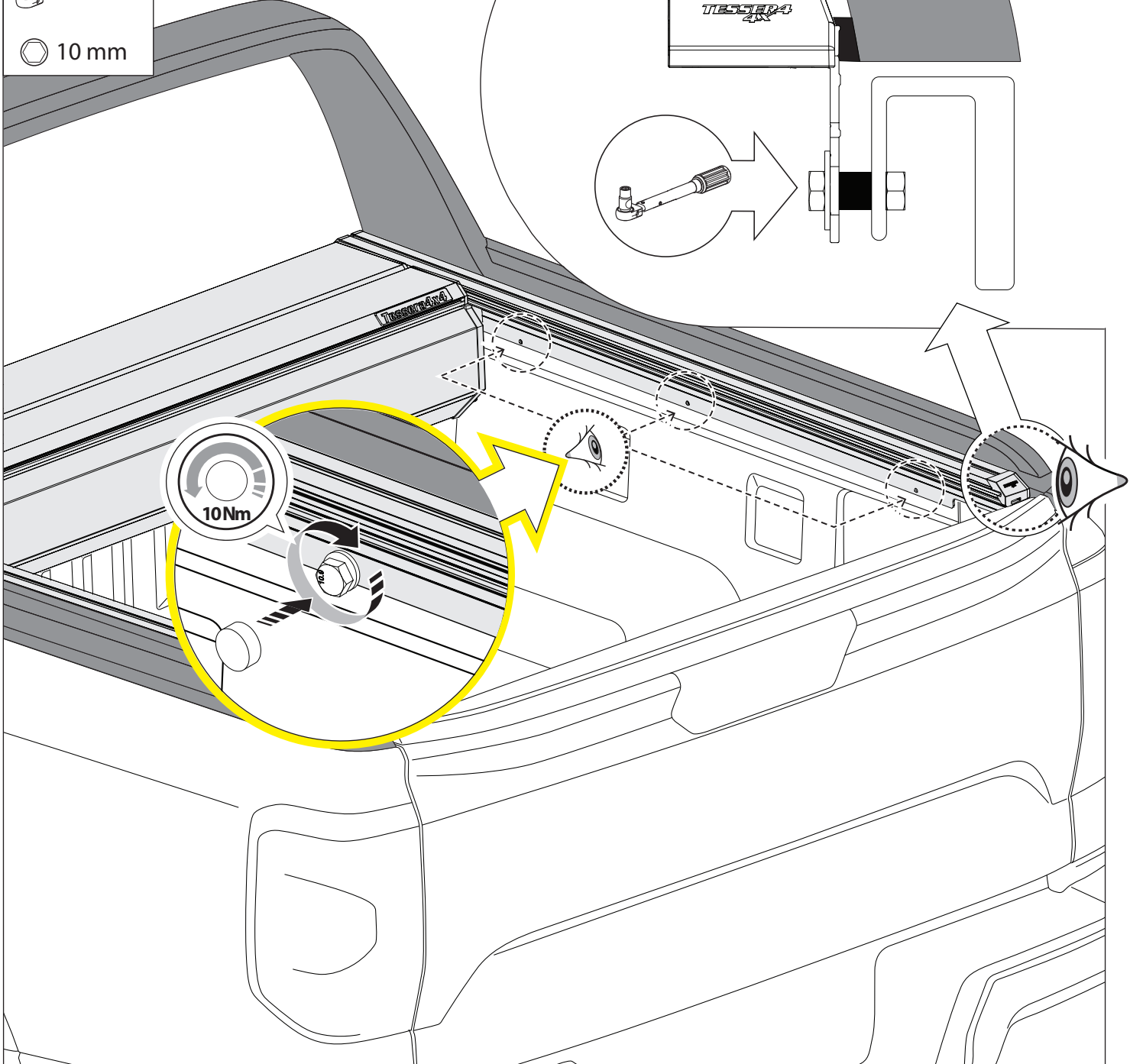
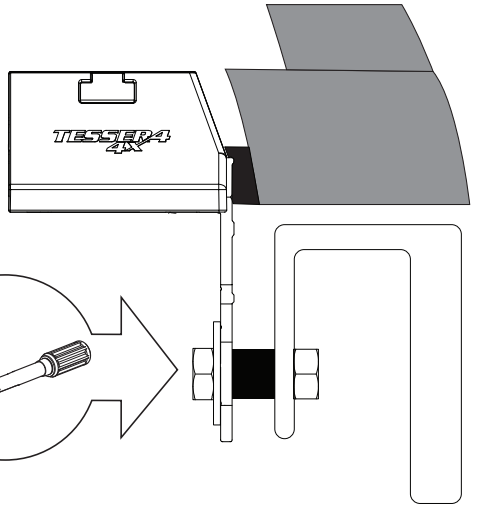
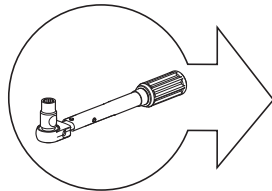
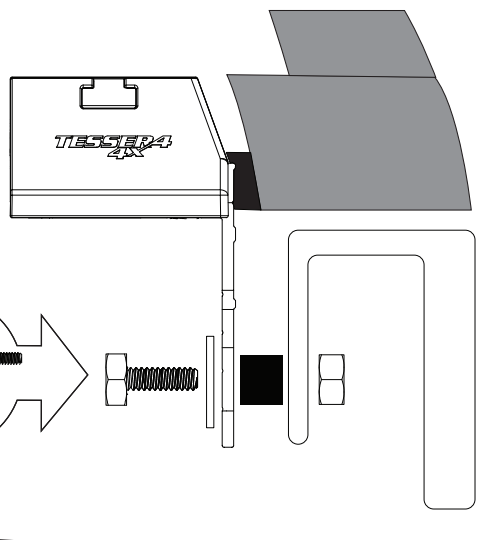
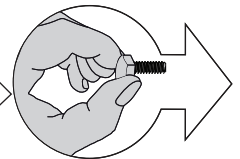
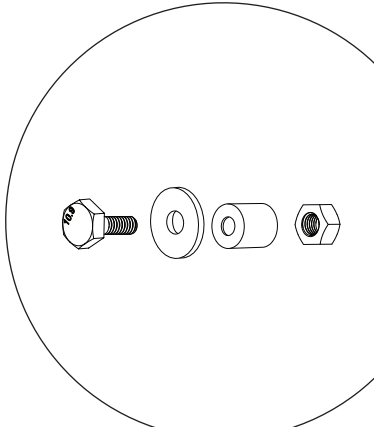
35

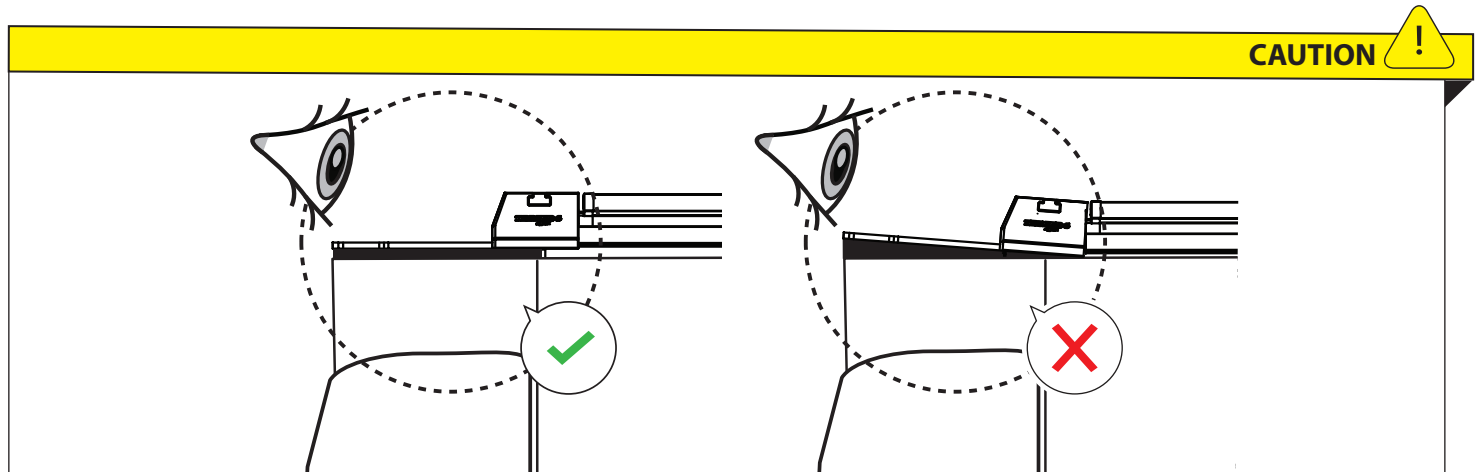
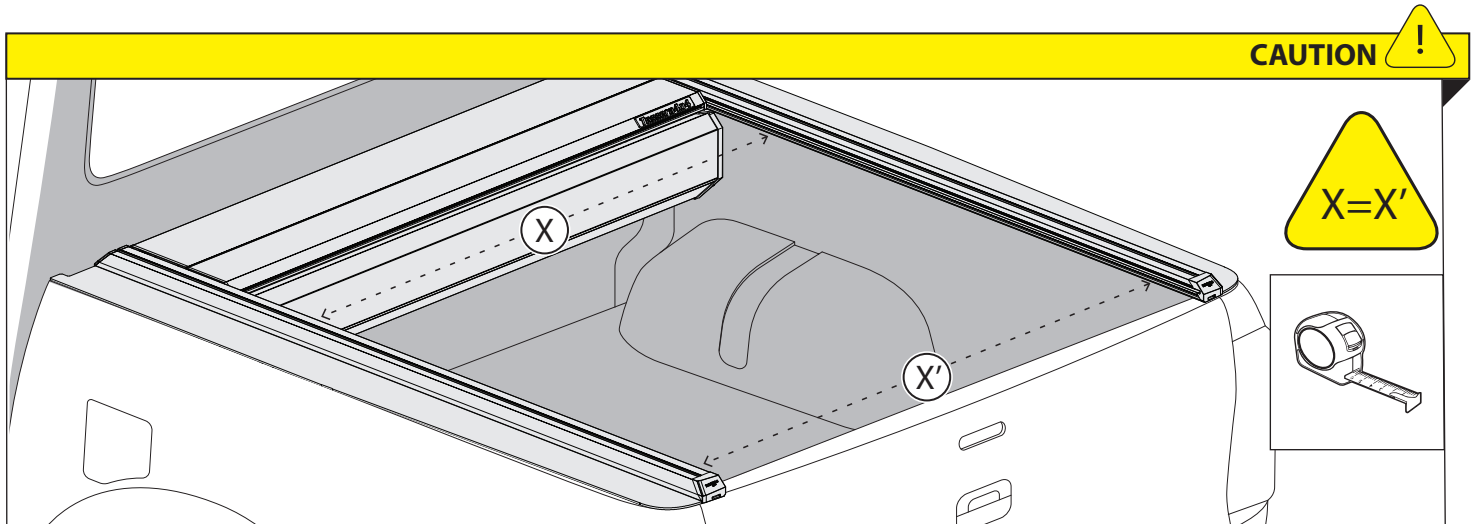
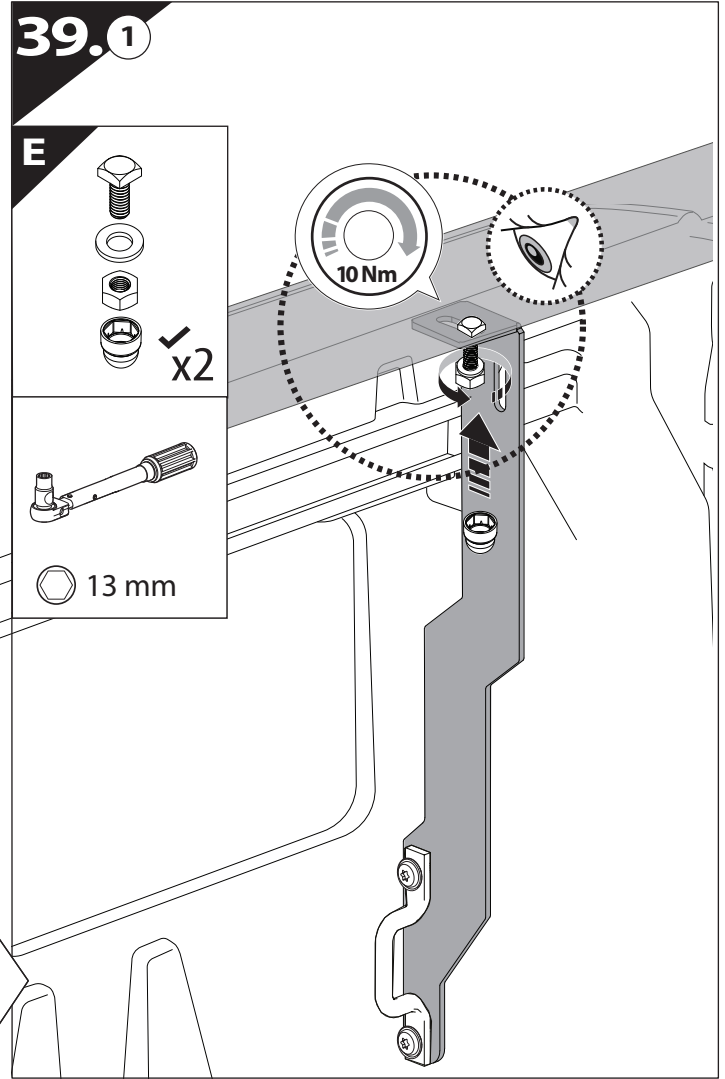
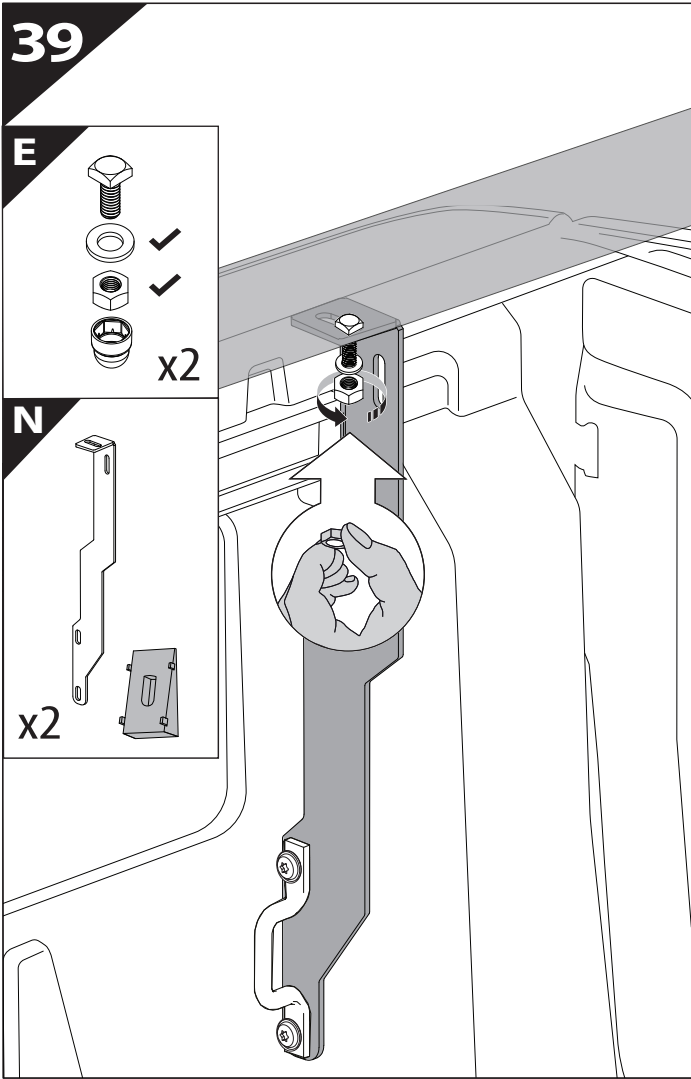


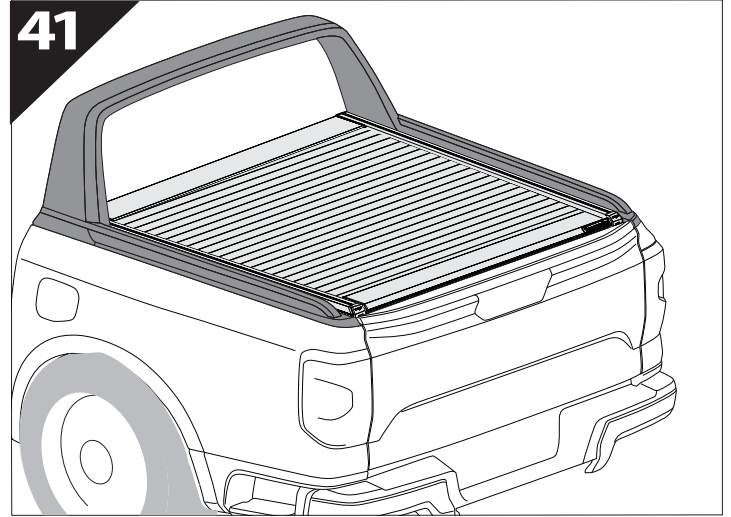
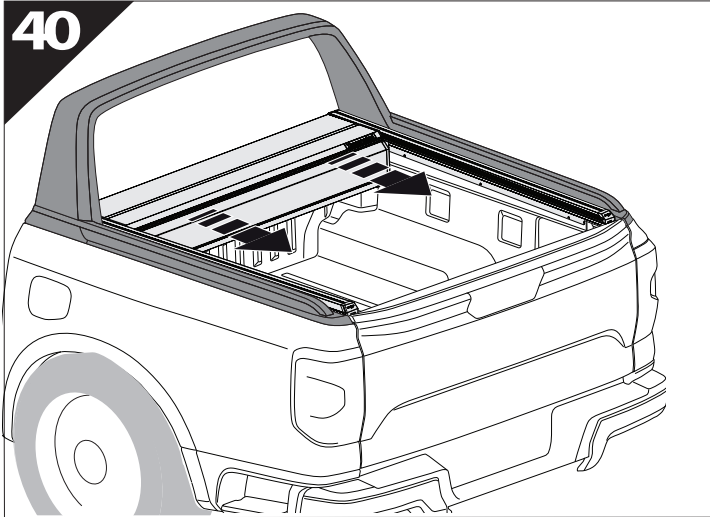
35.1



- E4**
-  ✓
 -  ✓
 -  ✓
 -  ✓
 -  ✓
 -  ✓
- x6**
- 
 -  10 mm







GR: Οδηγίες Εγκατάστασης
GB: Installation manual
SF: Asennusohje
F: Notice de montage
PL: Instrukcja montażu
NL: Installatie-instructies
TR: Montaj Talimatı
S: Monteringsanvisning
E: Instrucciones de montaje

H: Szerelési utasítás
P: Instruções de instalação
RUS: Инструкция по установке
N: Monteringsveiledning
D: Einbauanleitung
CZ: Návod k instalaci
I: Istruzioni de montaggio
DK: Monteringsvejledning
RO: Instructiuni de instalare

Customer Service:

+30 (210) 5541161, +30 (210) 5541154 (08:00 - 16:00 EET)

Support department:

info@gianso.gr

Website:

www.tessera4x4.com

Address:

19.5 km of National road Athens-Korinthos (Elefsina) Greece, P.C: 19200