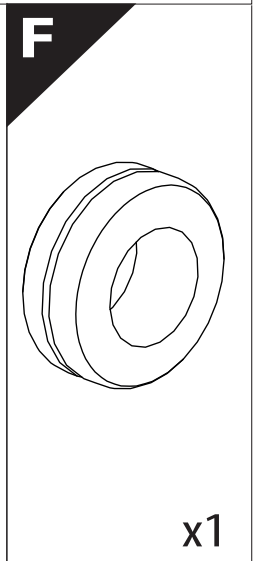
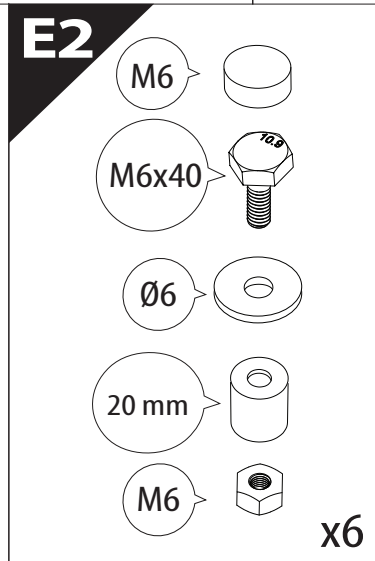
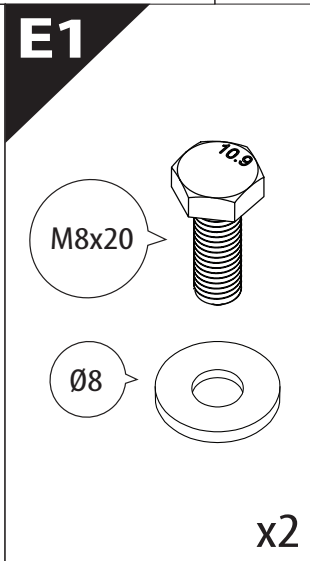
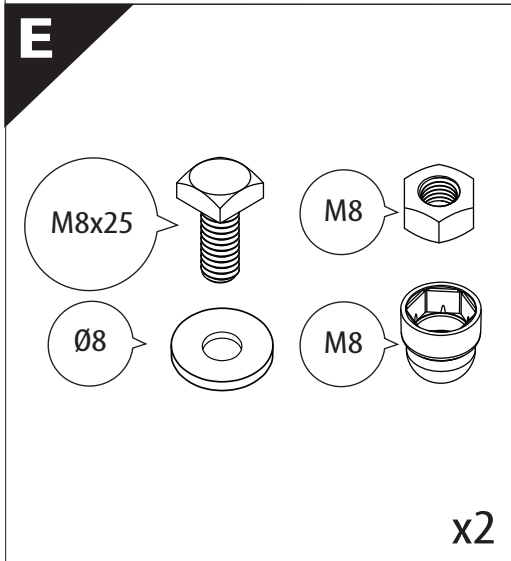
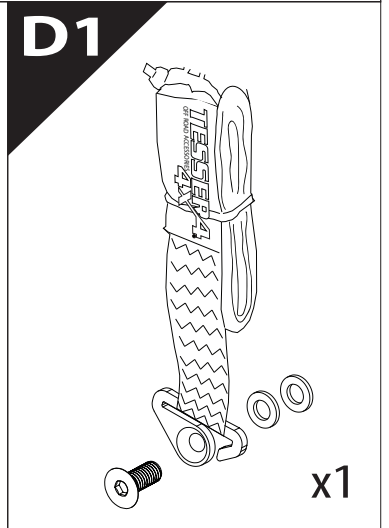
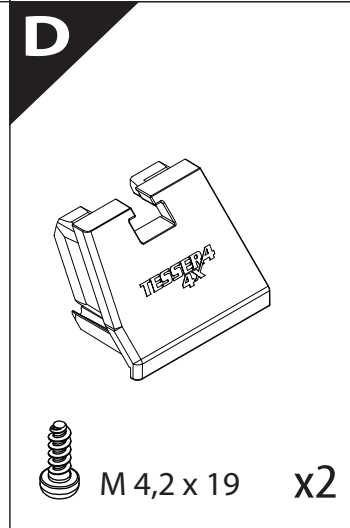
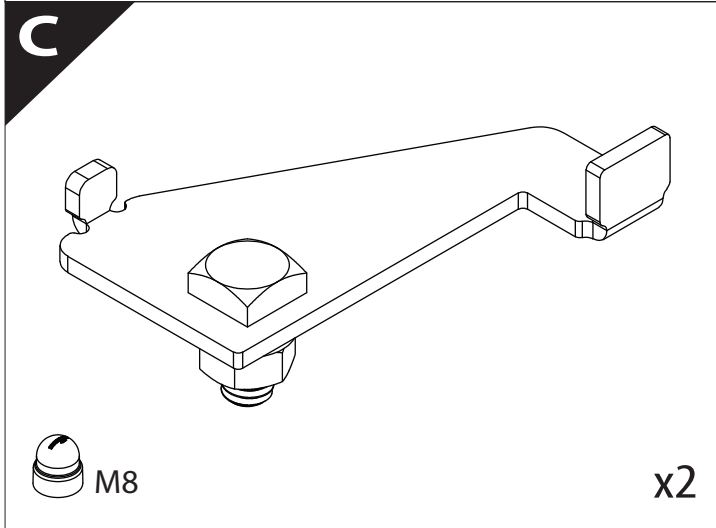
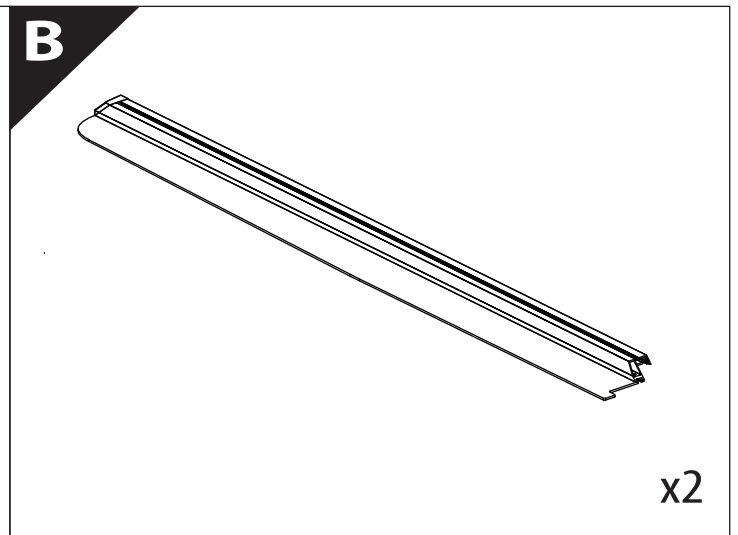
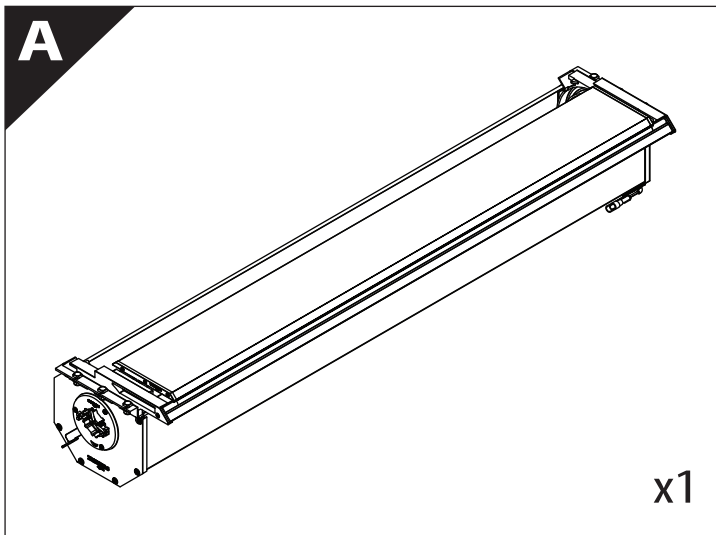
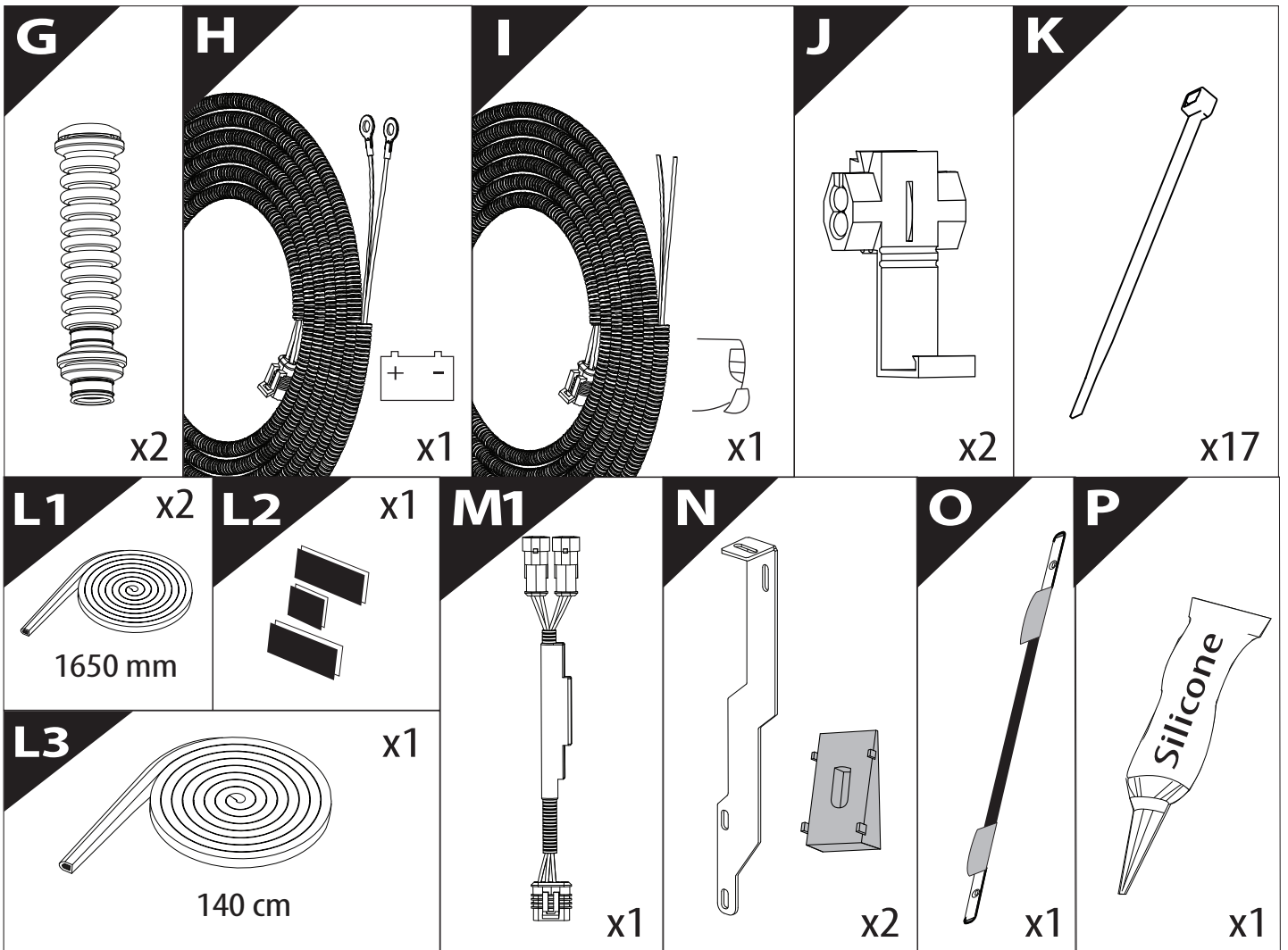
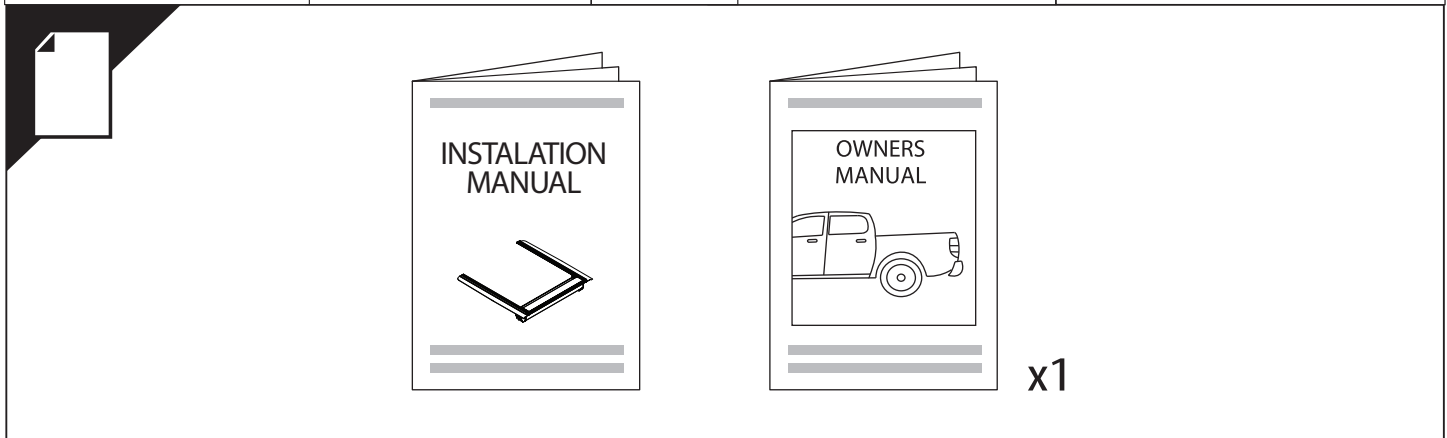
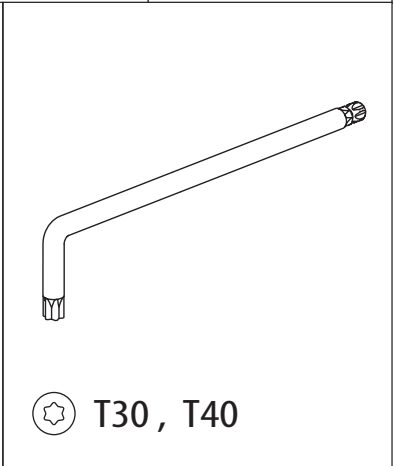
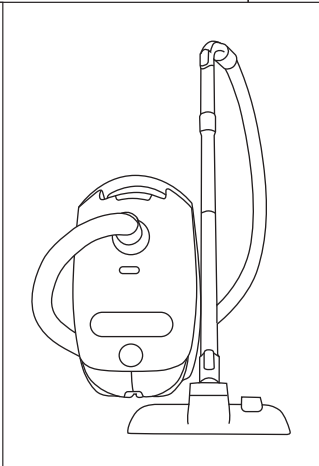
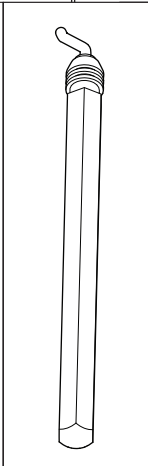
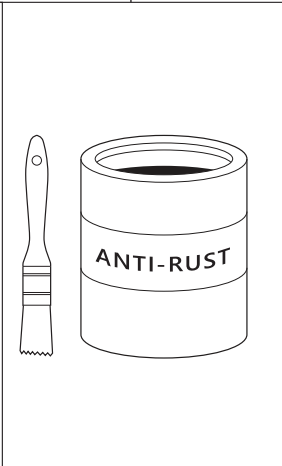
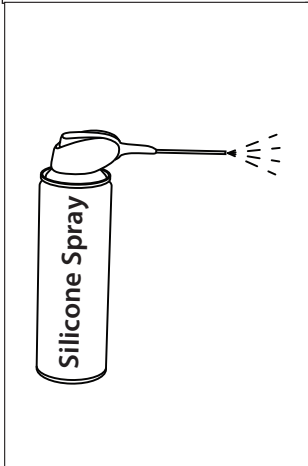
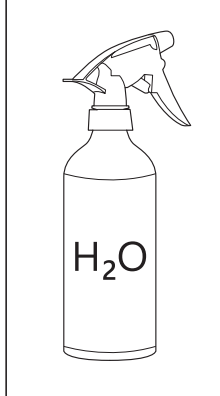
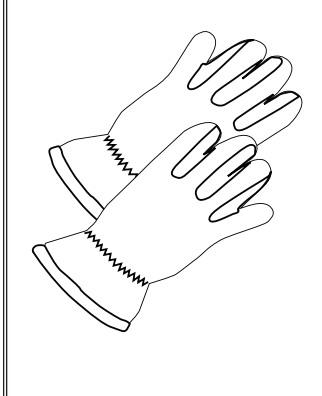
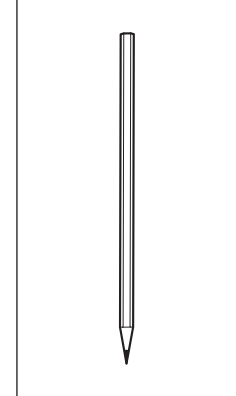
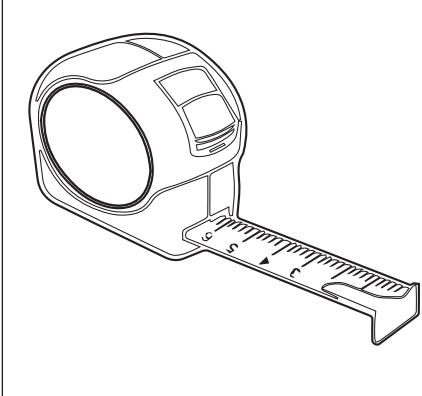
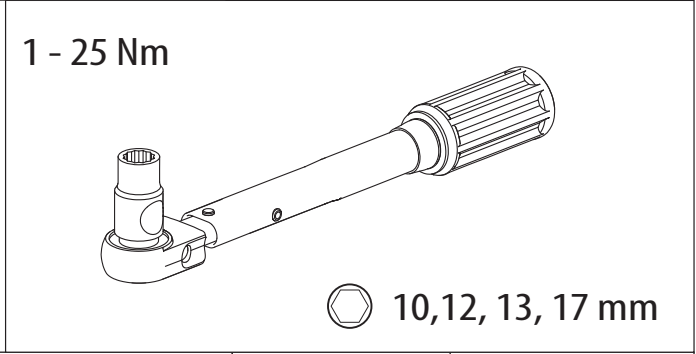
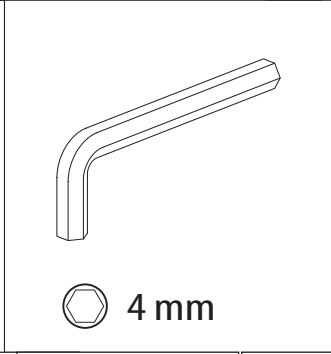
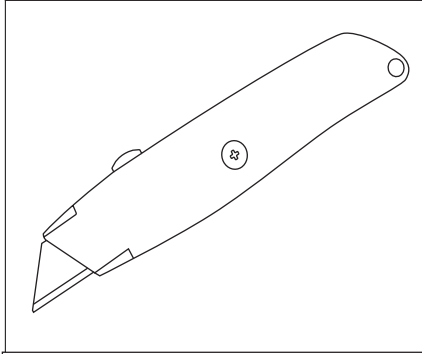
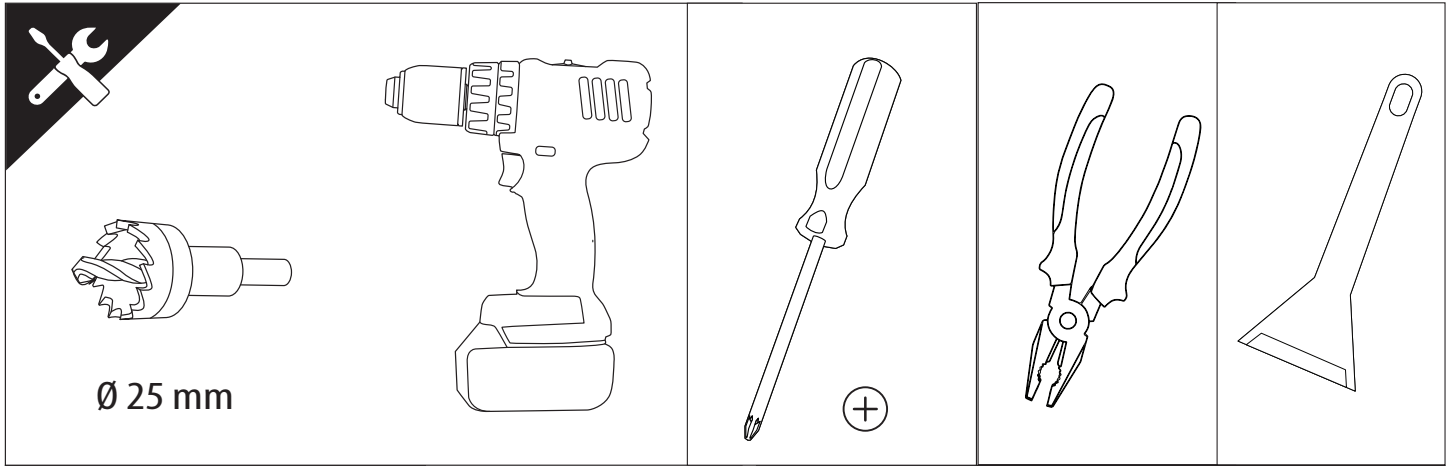


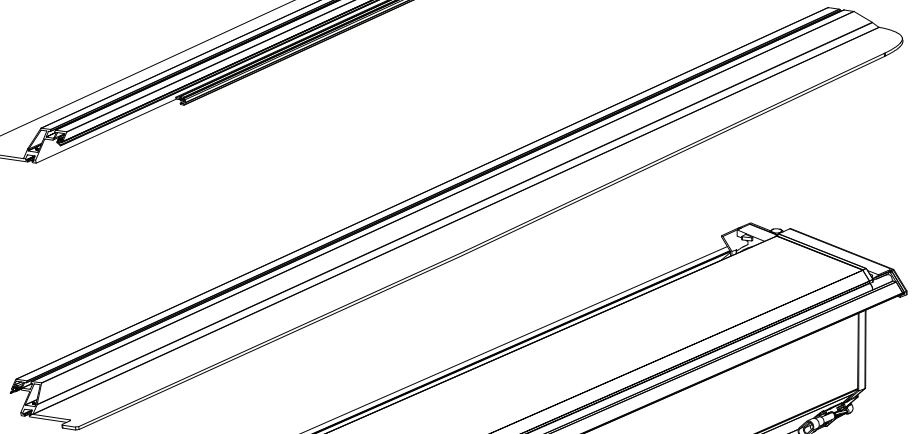
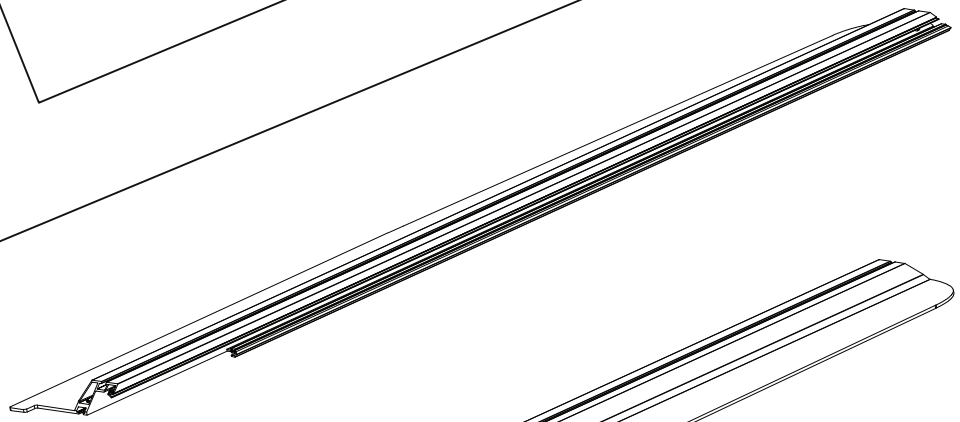
## Installation Manual

<b>PART NUMBER(S)</b>	<b>Model Year</b>
<b>TESS 14180 ROLL</b>	<b>VW AMAROK AVENTURA 2023+</b>
<b>Cab(s)</b>	<b>Installation Time / Weight</b>
<b>Double Cab</b>	<b>40-60 minutes / 53-57 kg</b>

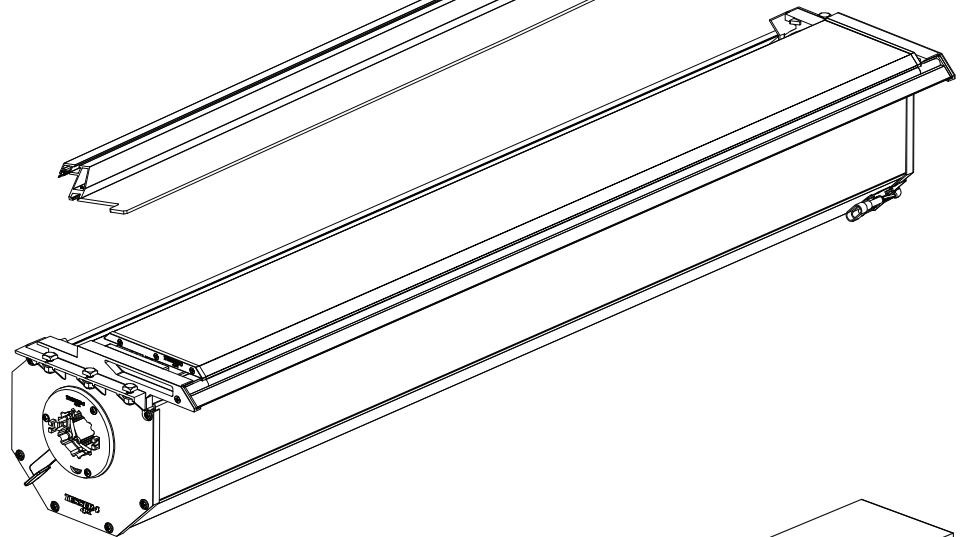






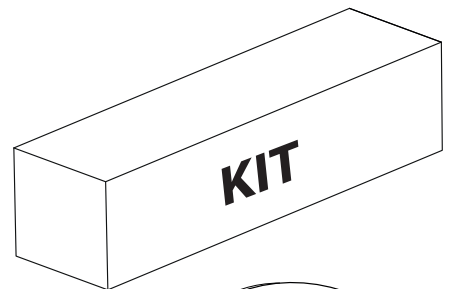


**B**

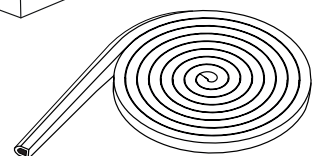


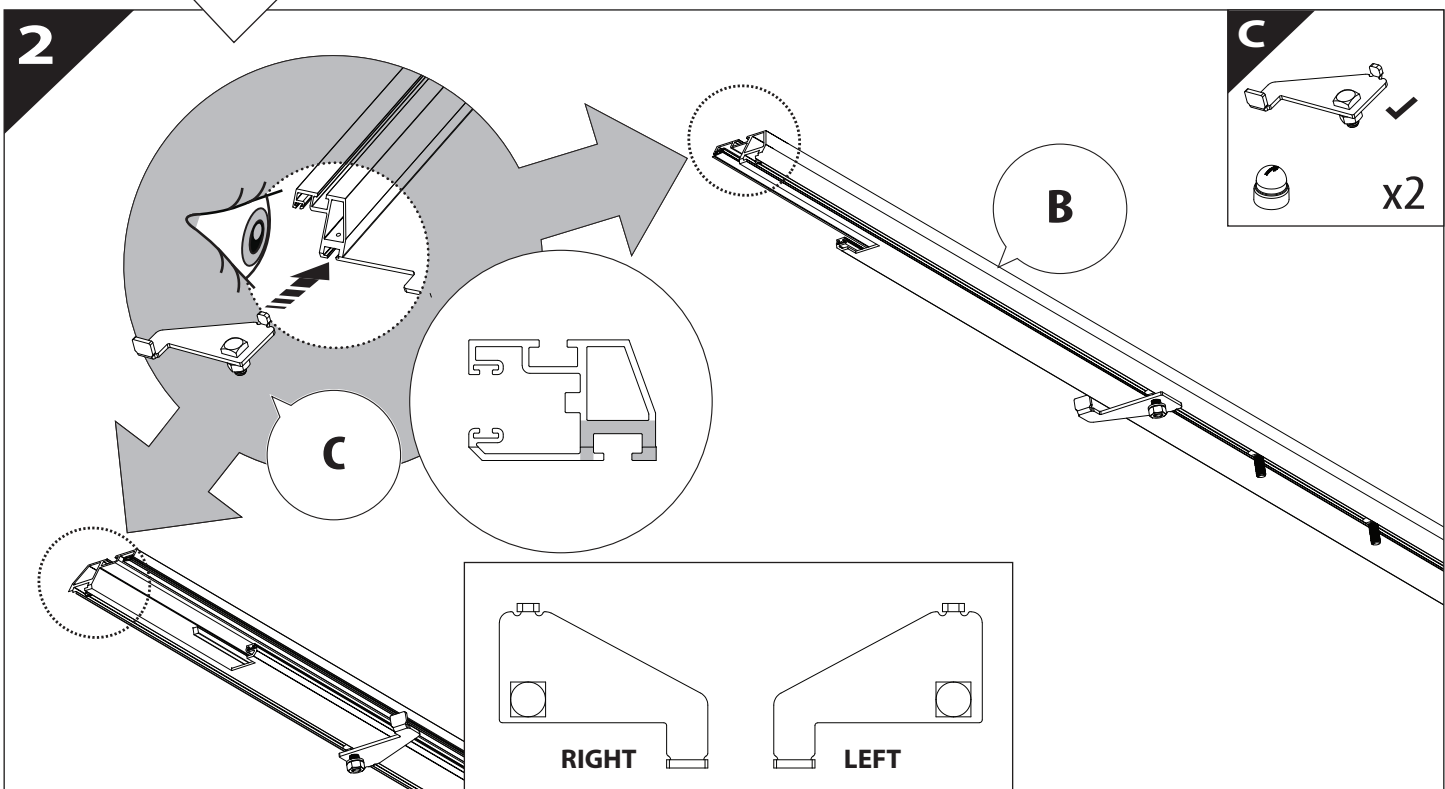
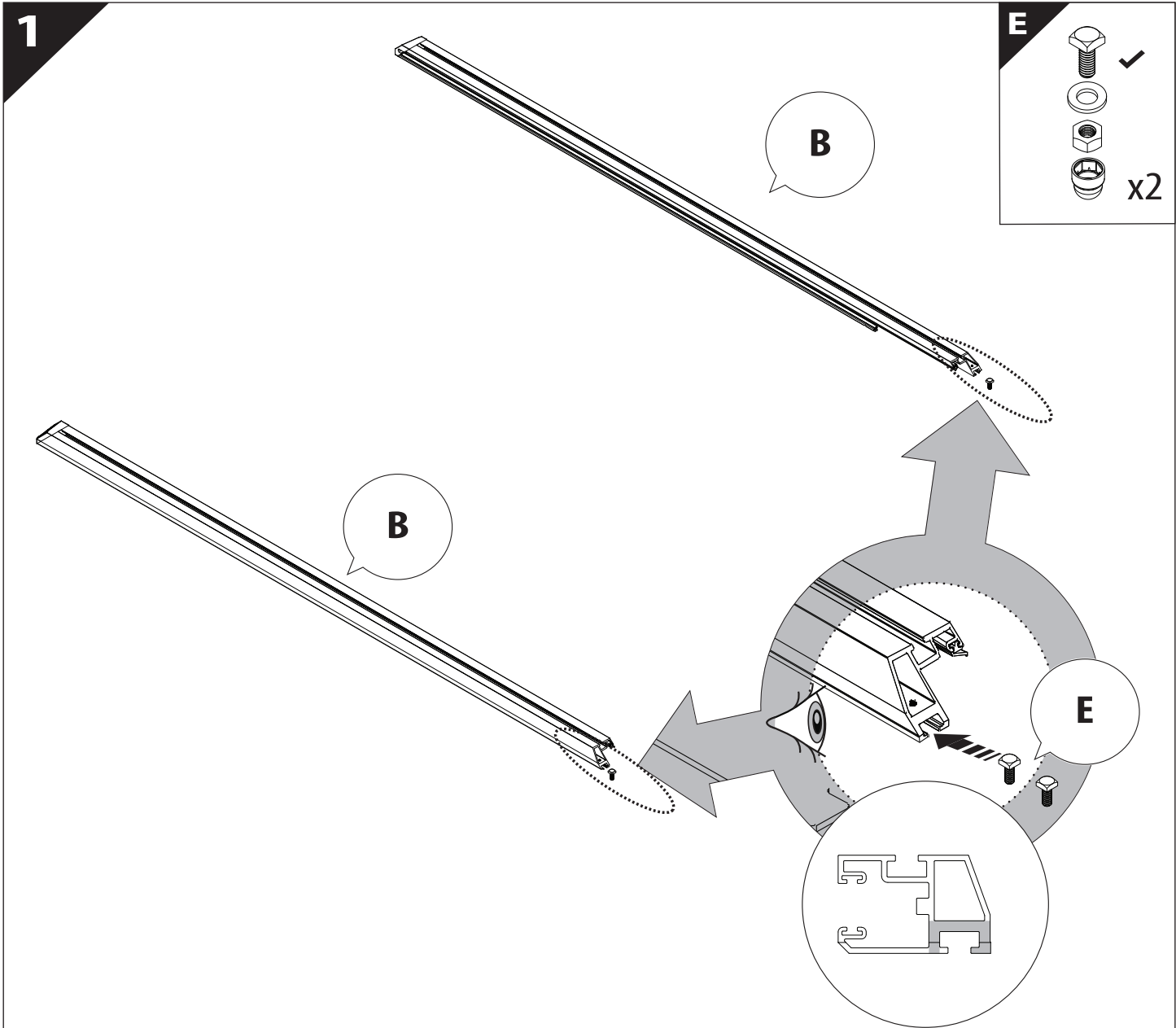
**A**

**KITS**

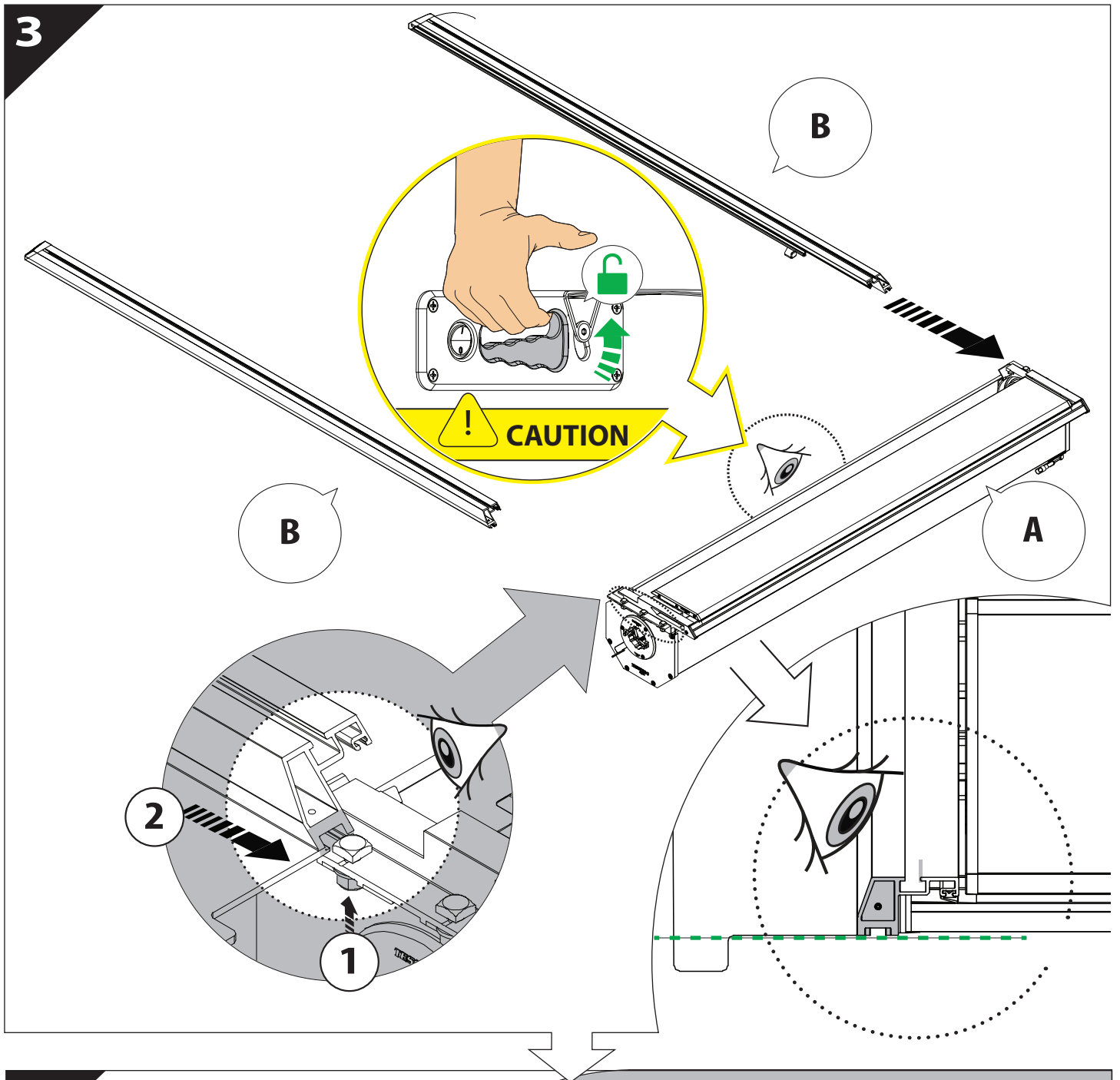


**L**

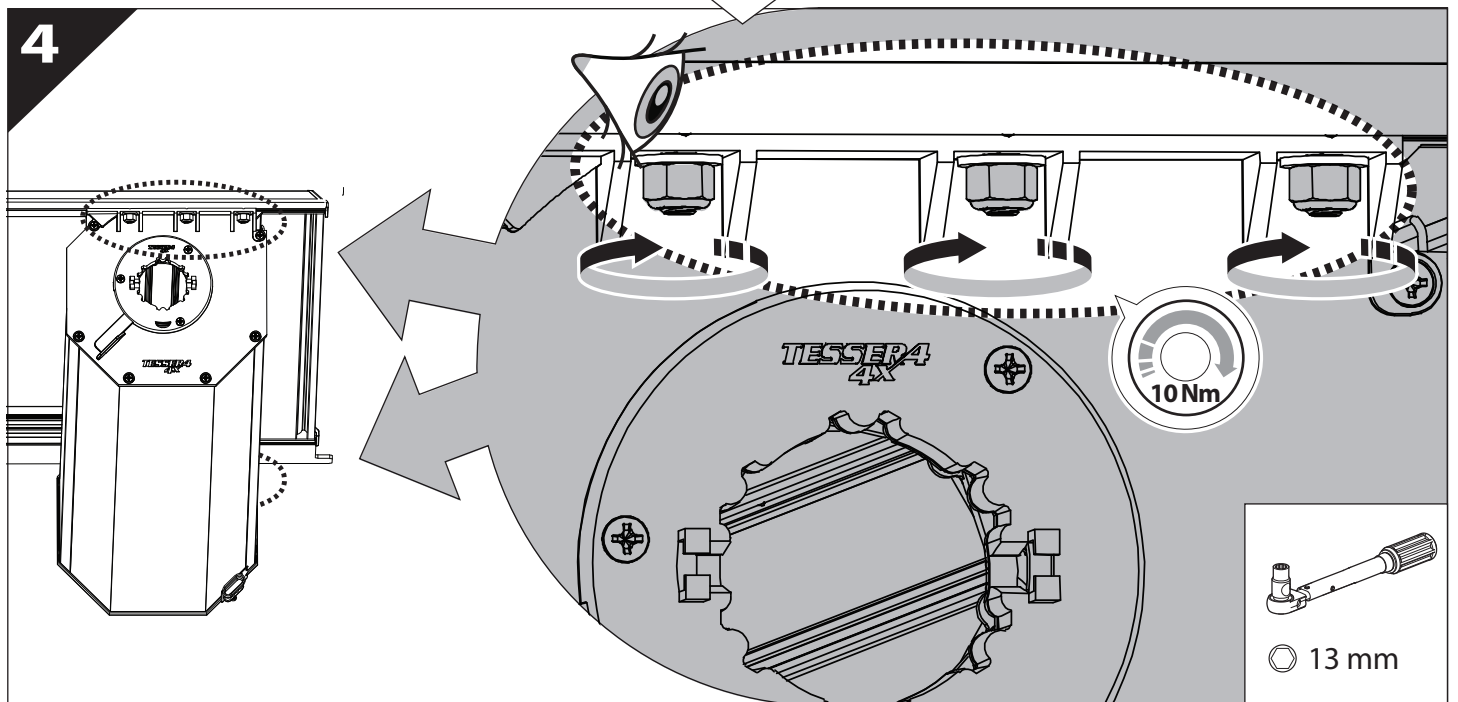


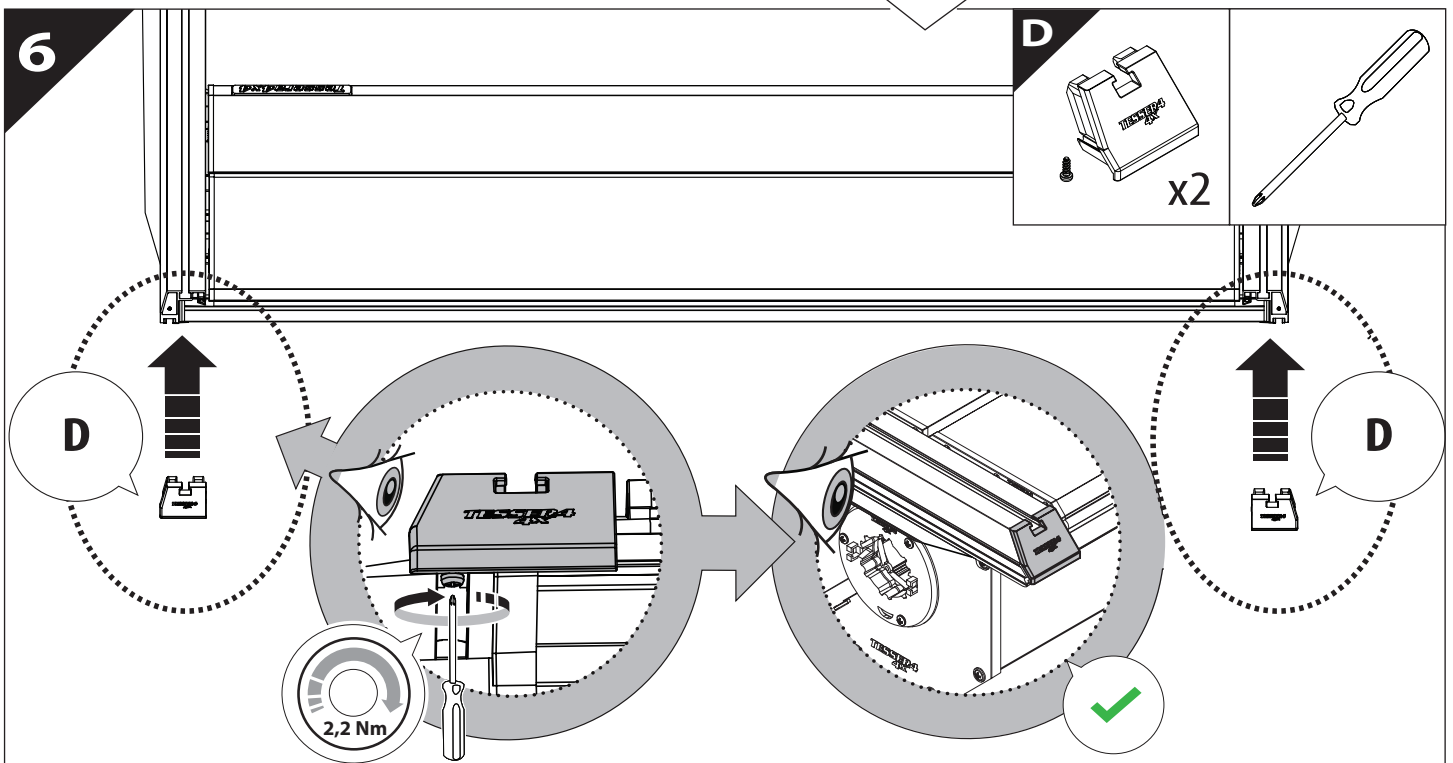
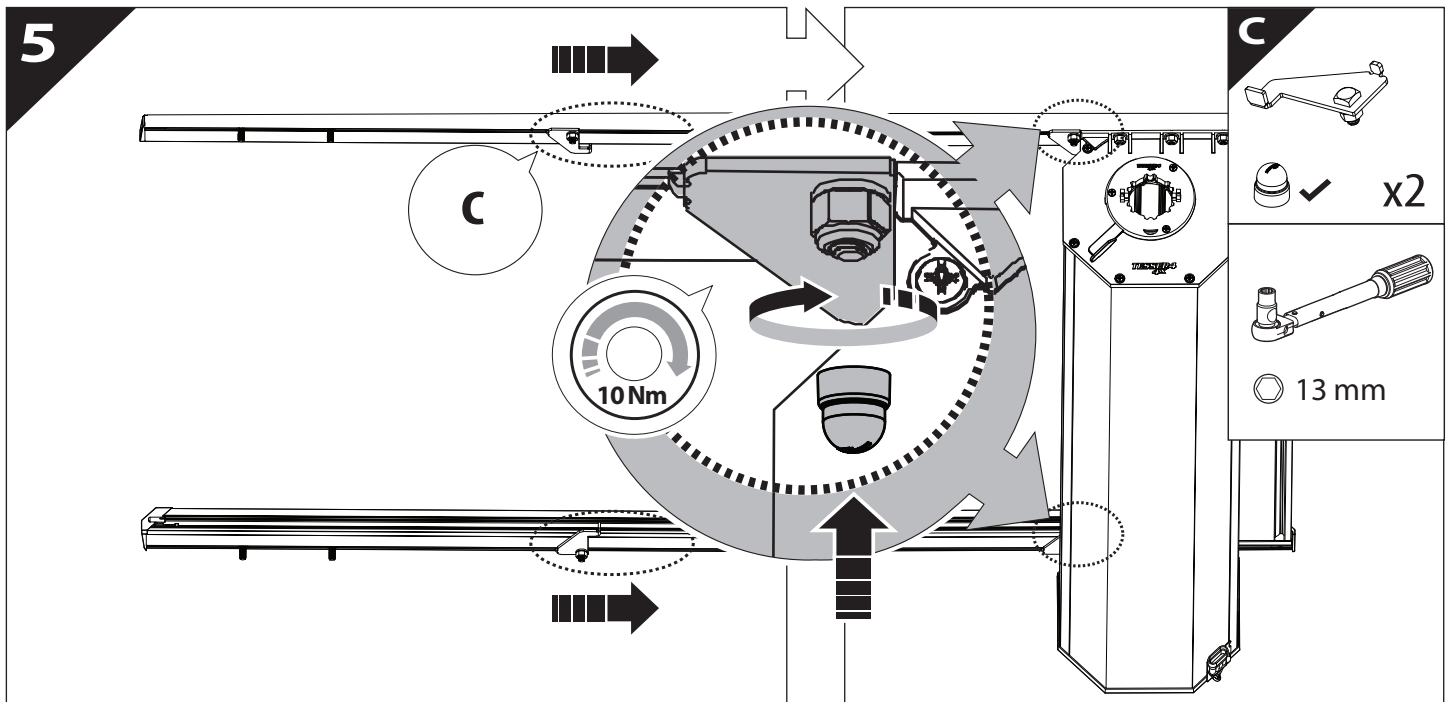


3

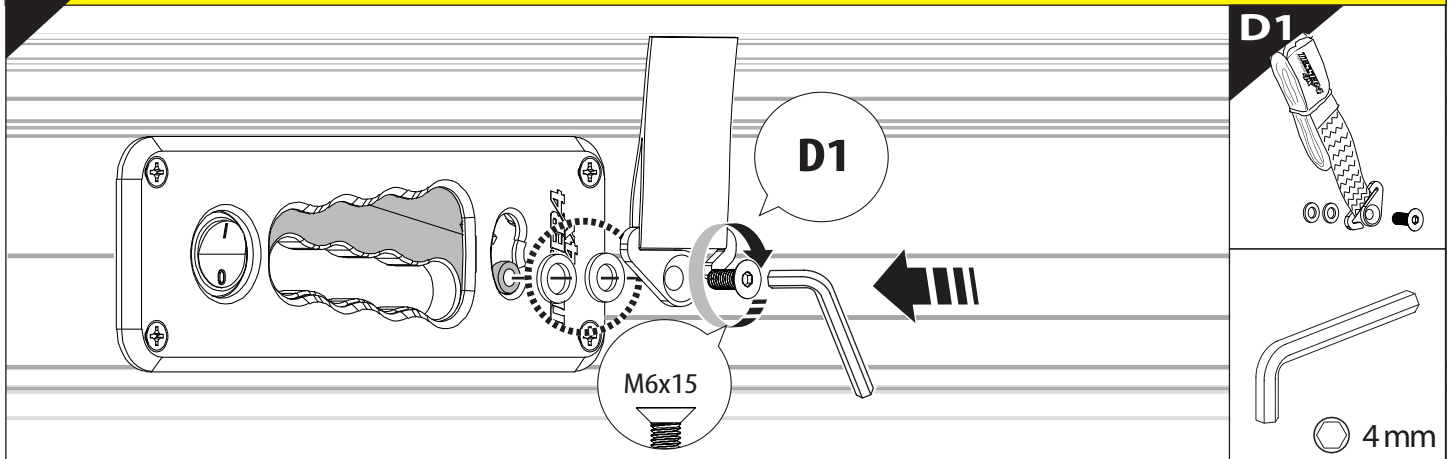


4

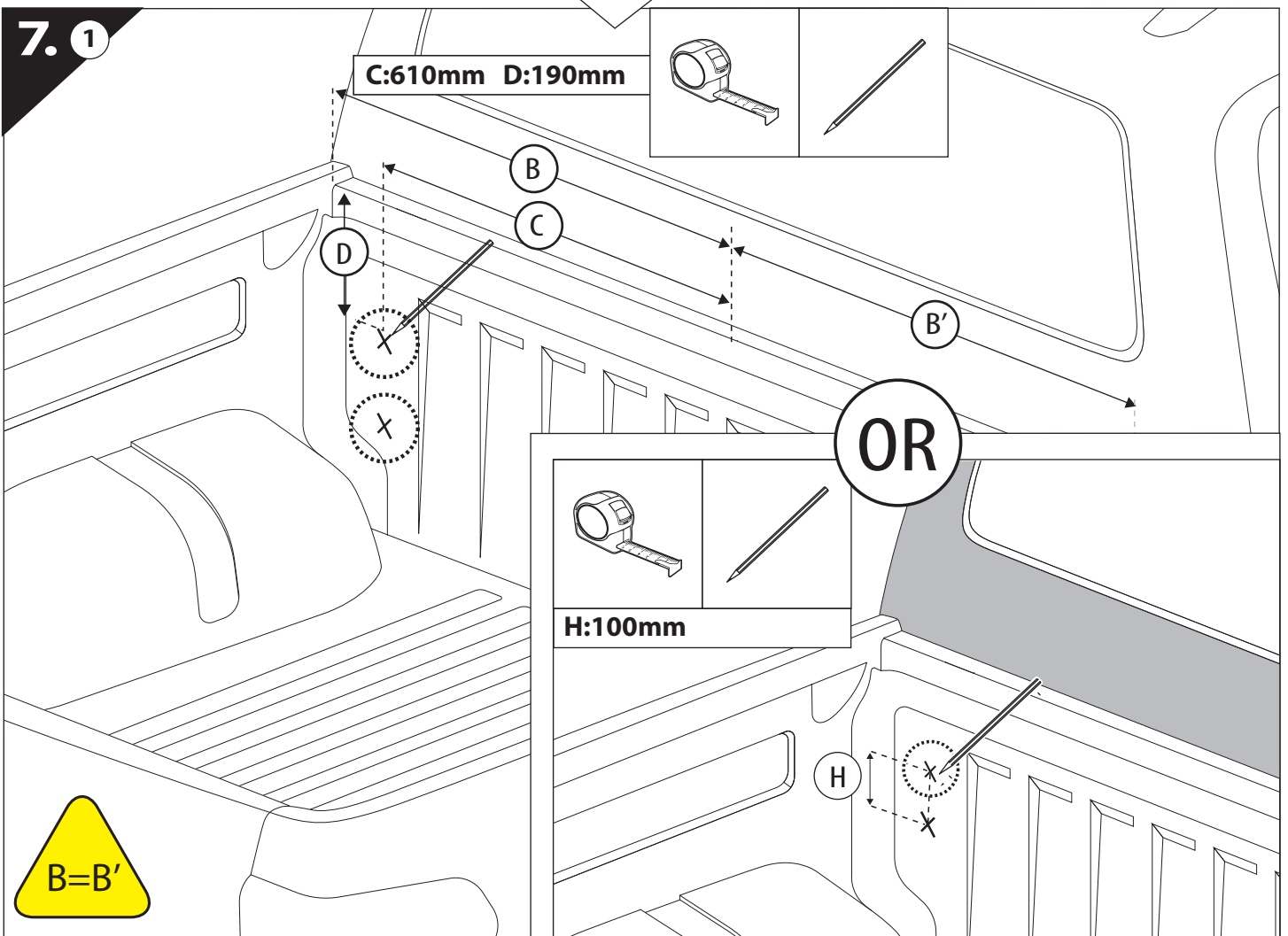
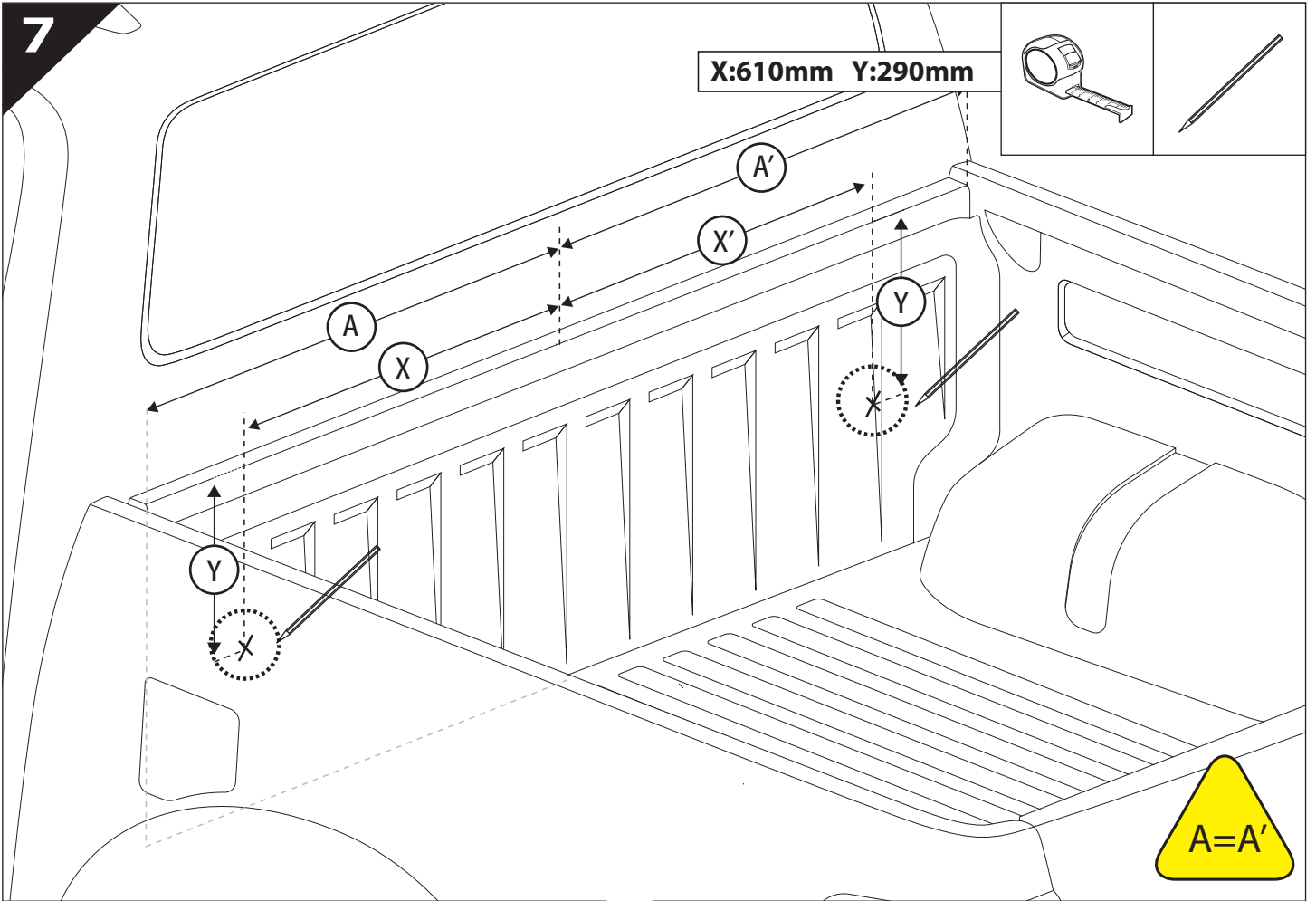


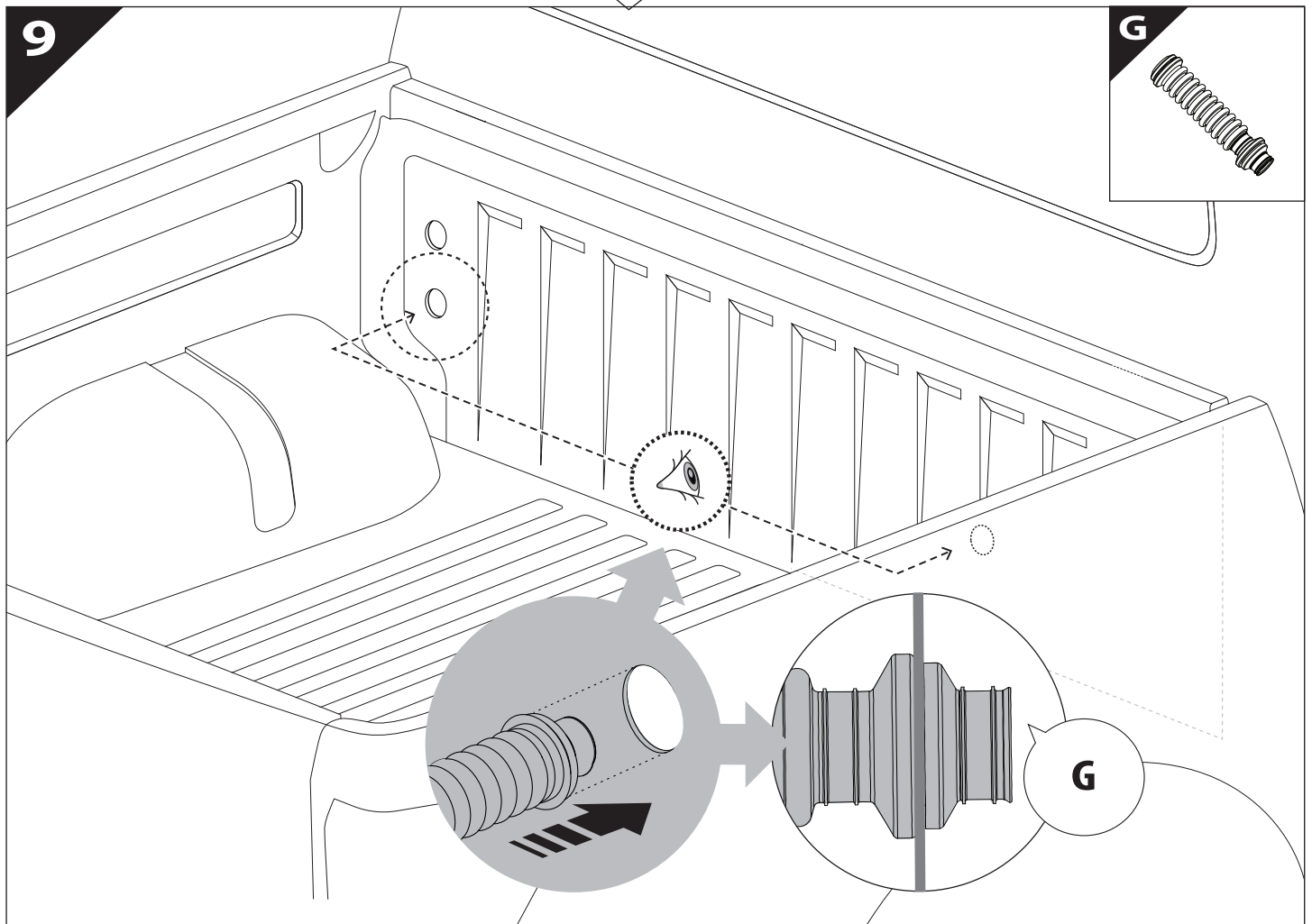
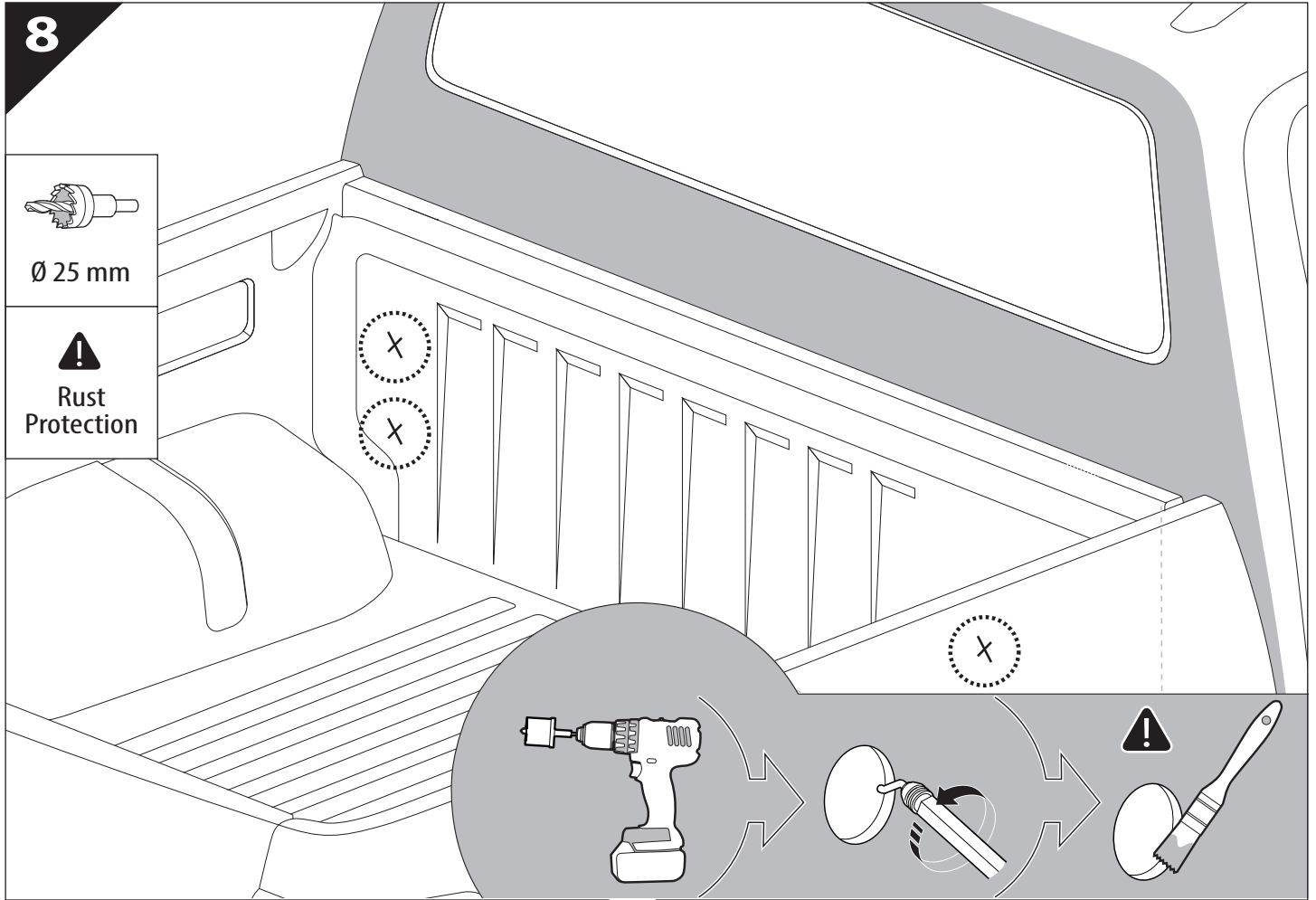


**6.1** **CAUTION** Basic Version ✓ & Basic+S-KIT Version ✓



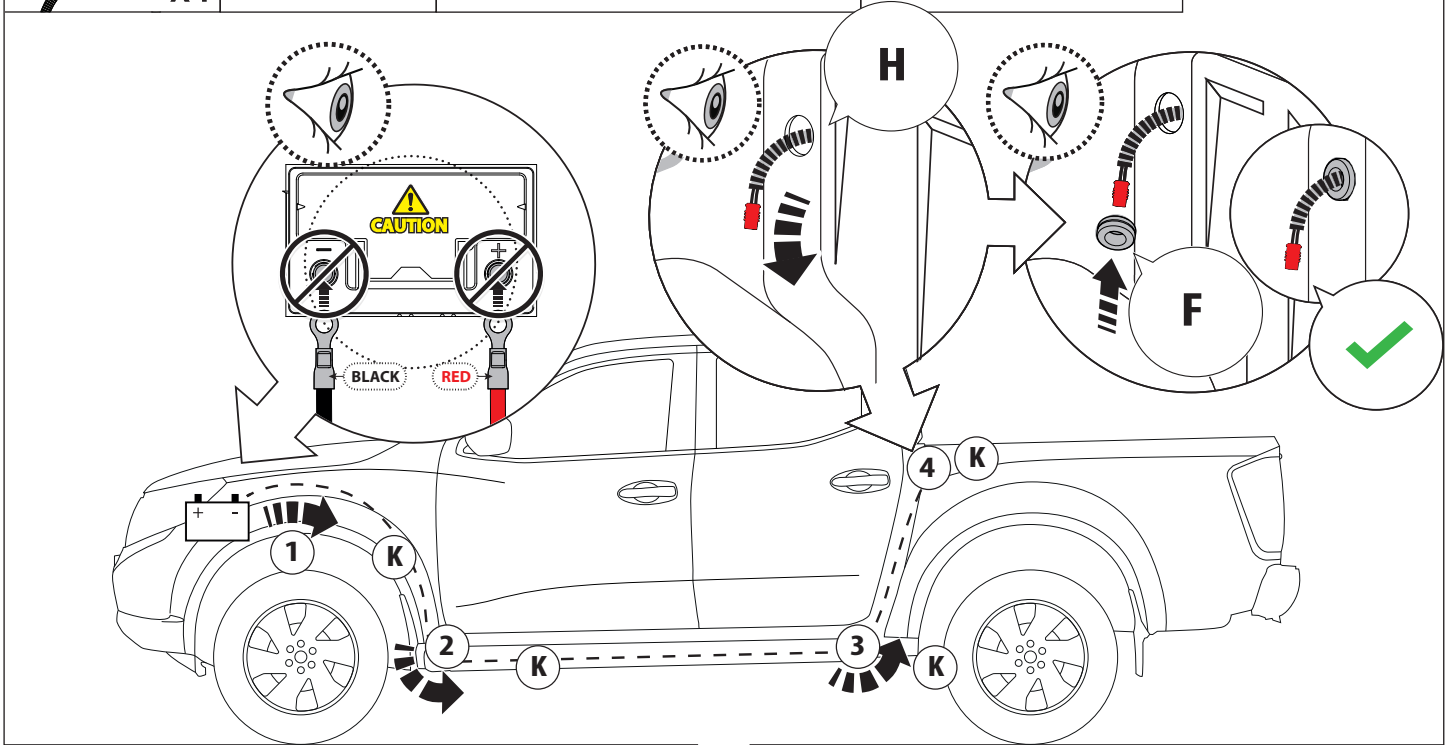
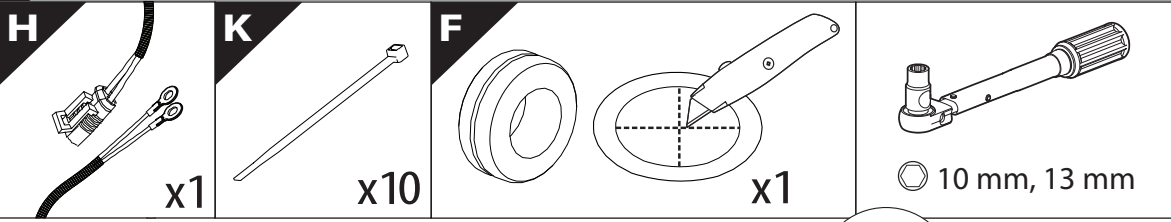




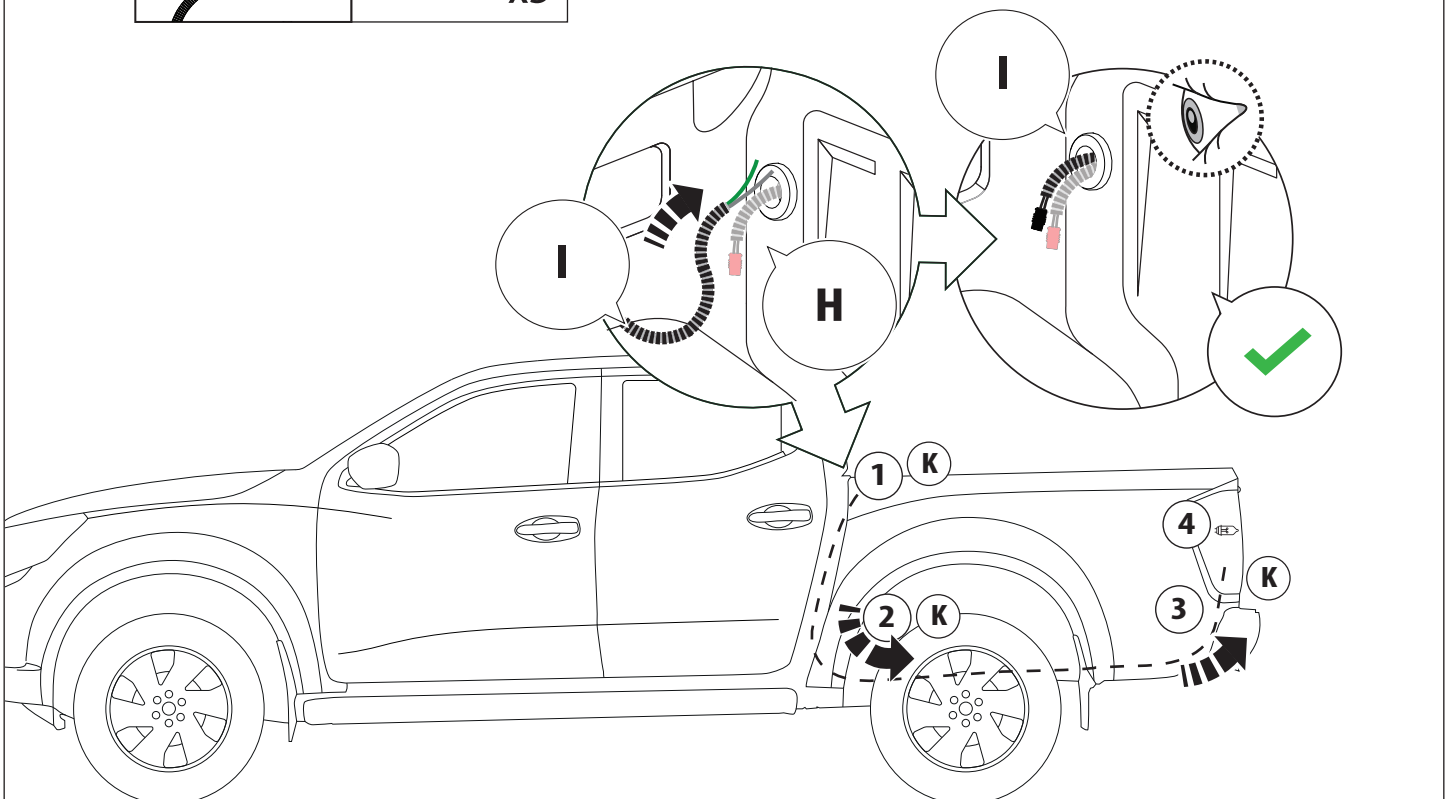
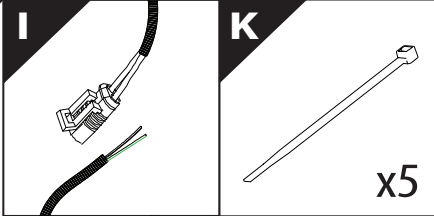


# 10

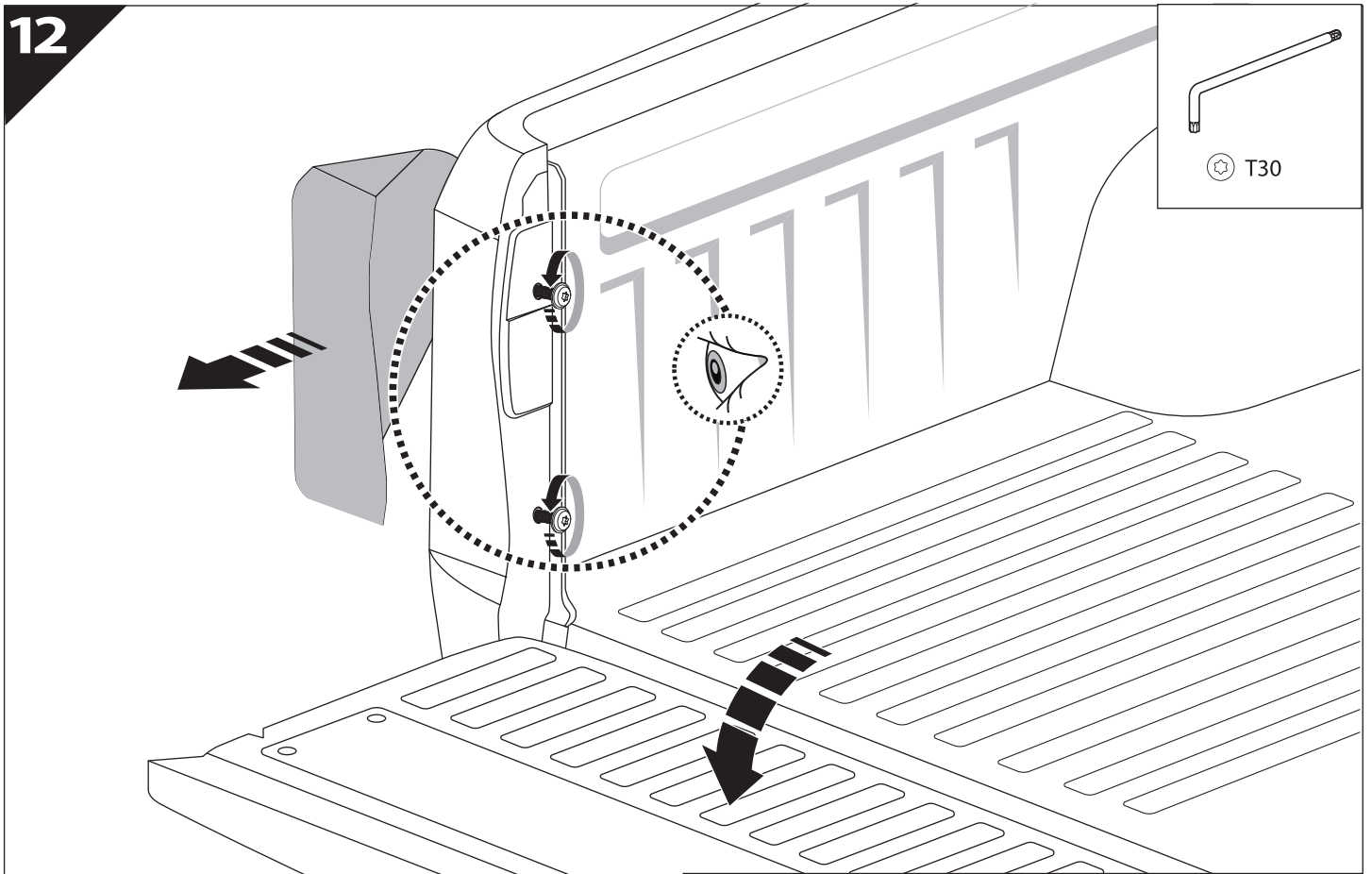
Only to be installed by authorized personnel



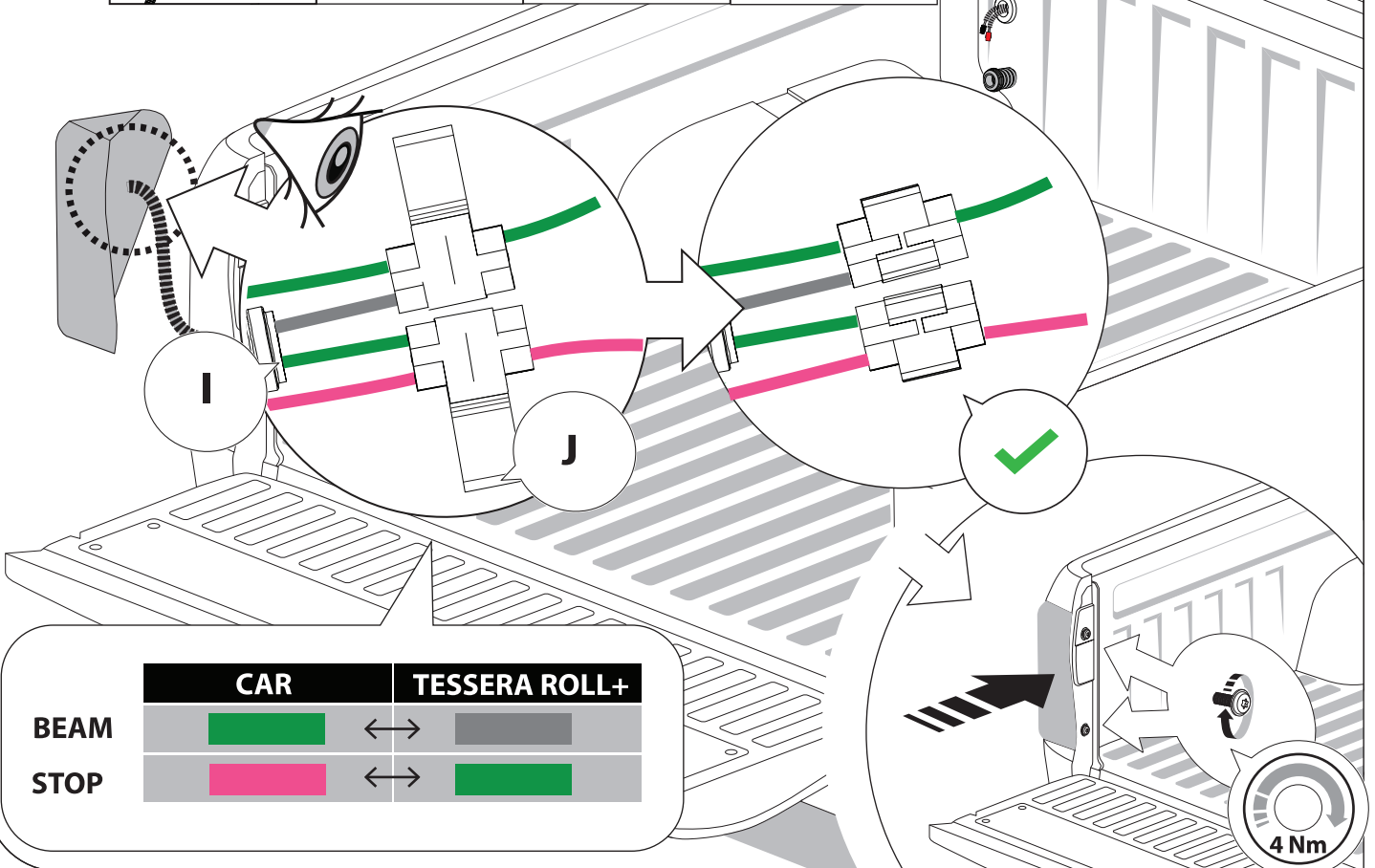
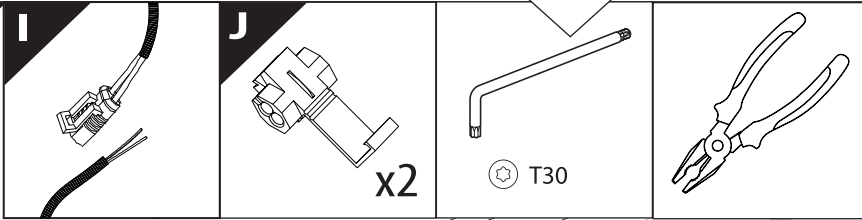
# 11



12

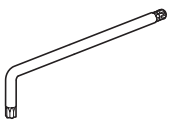
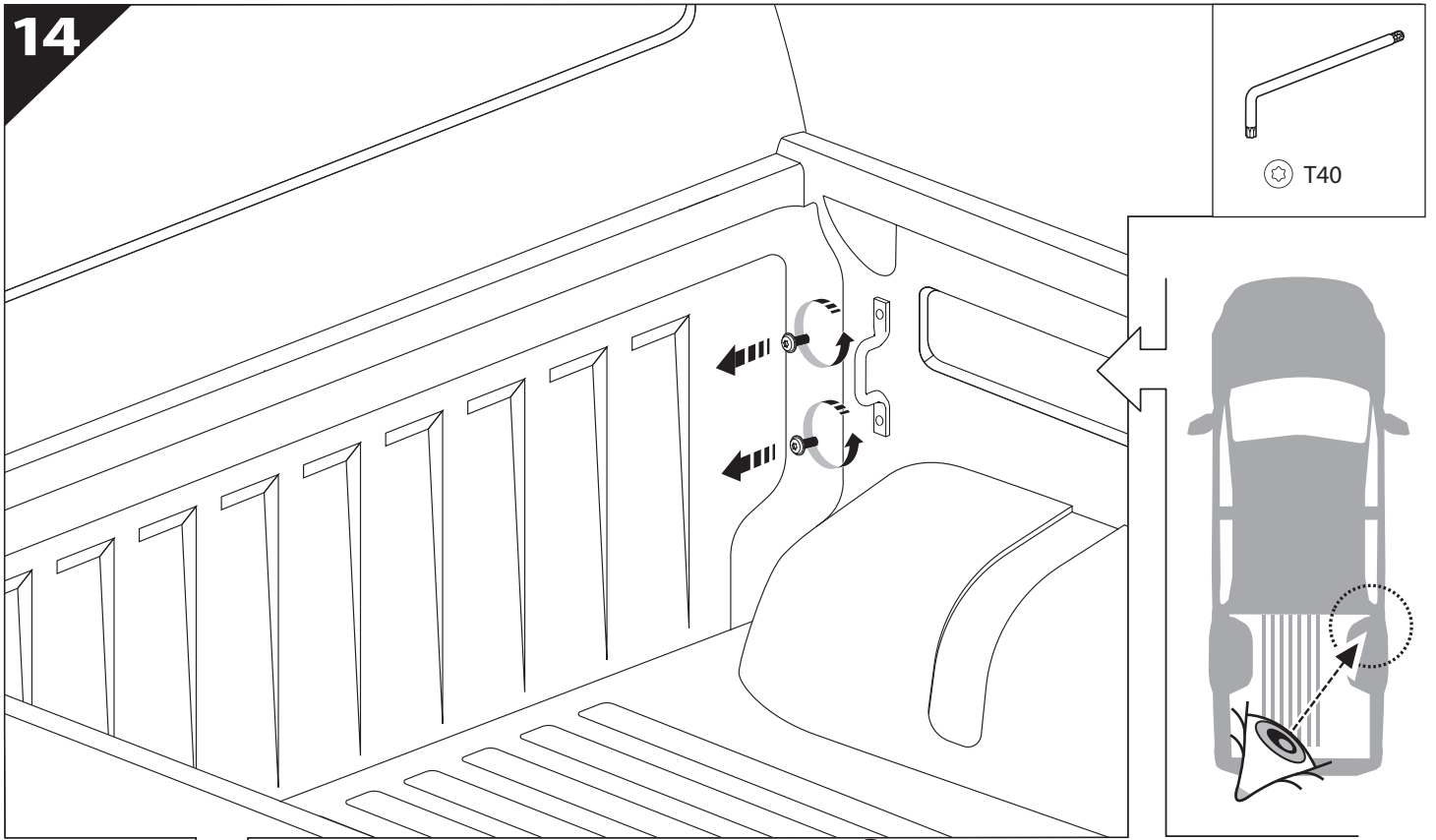


13

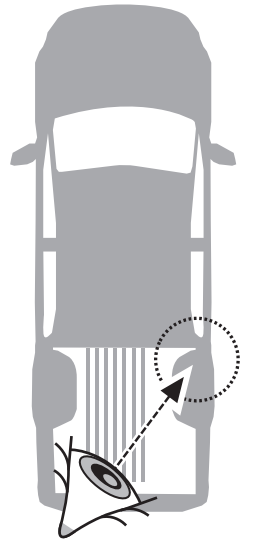



	CAR		TESSERA ROLL+
BEAM		↔	
STOP		↔	


14





T40

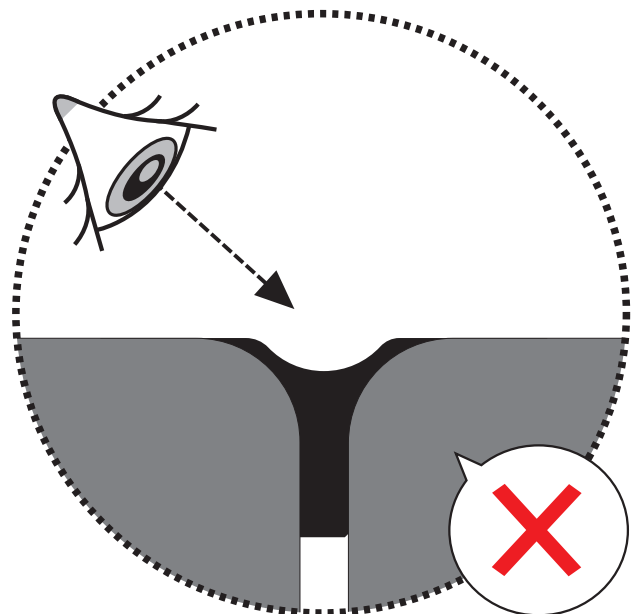
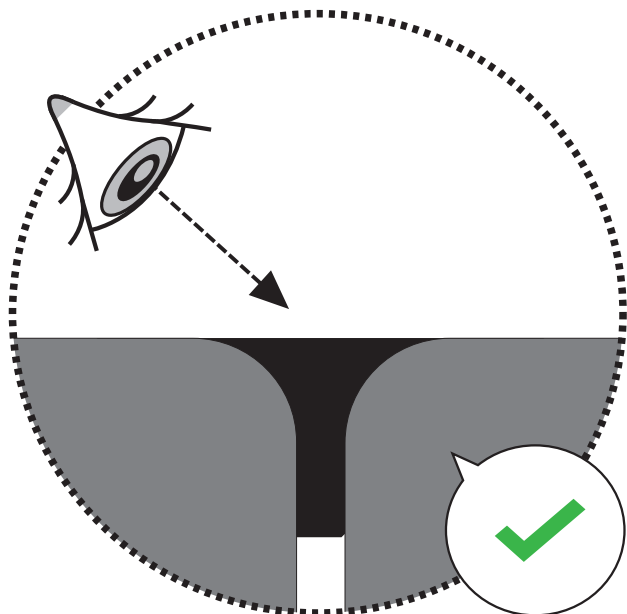
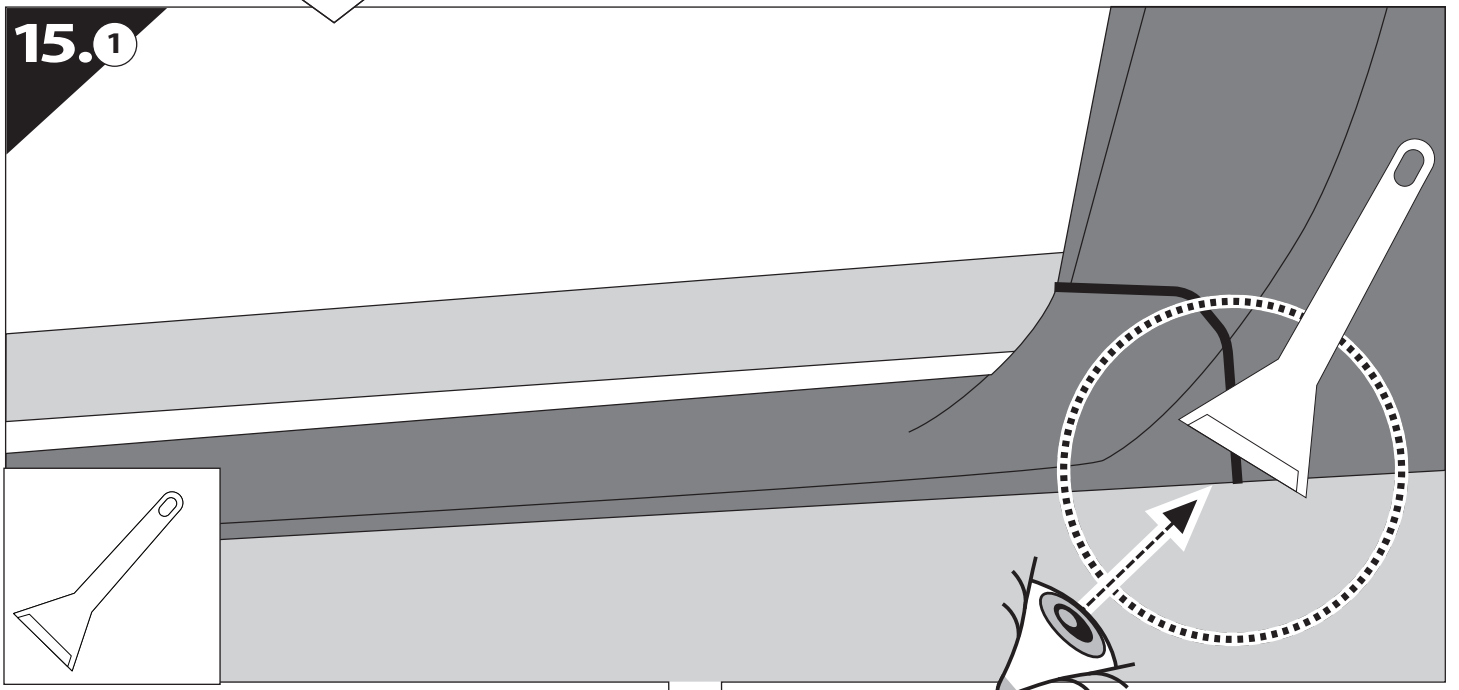
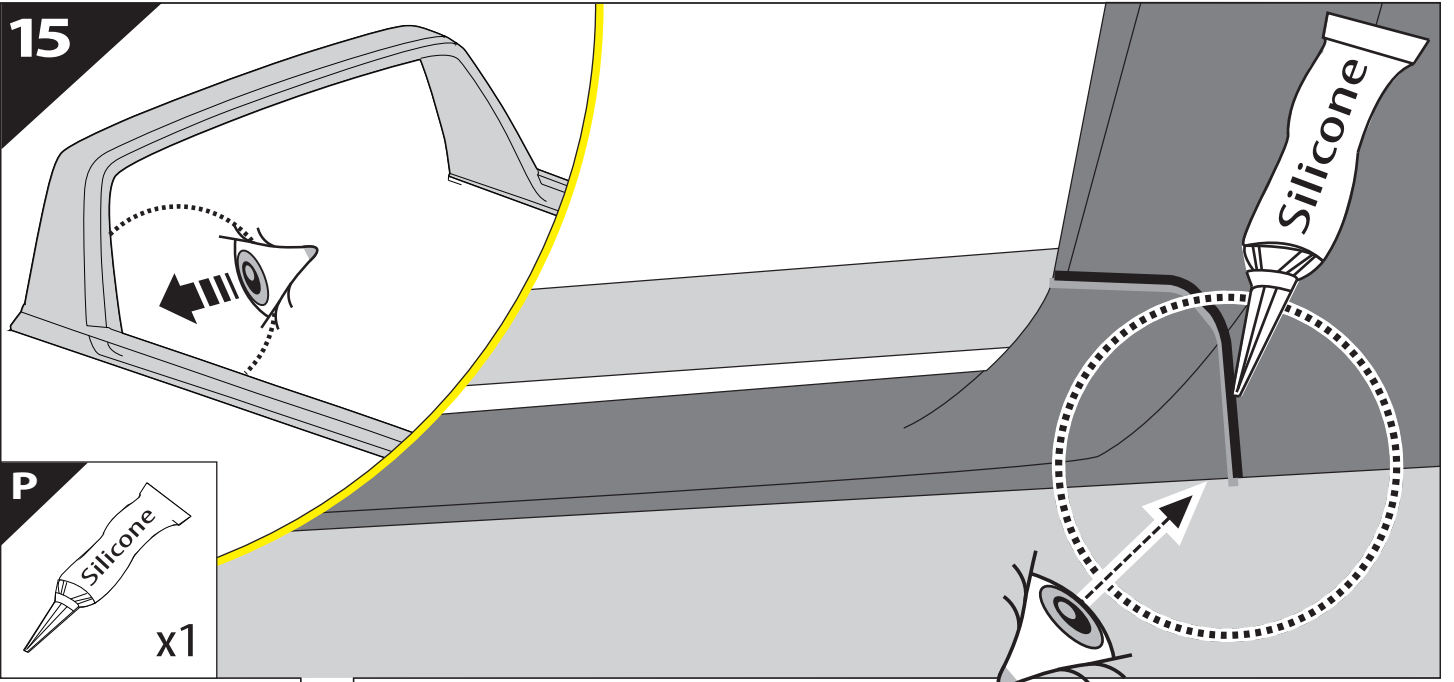


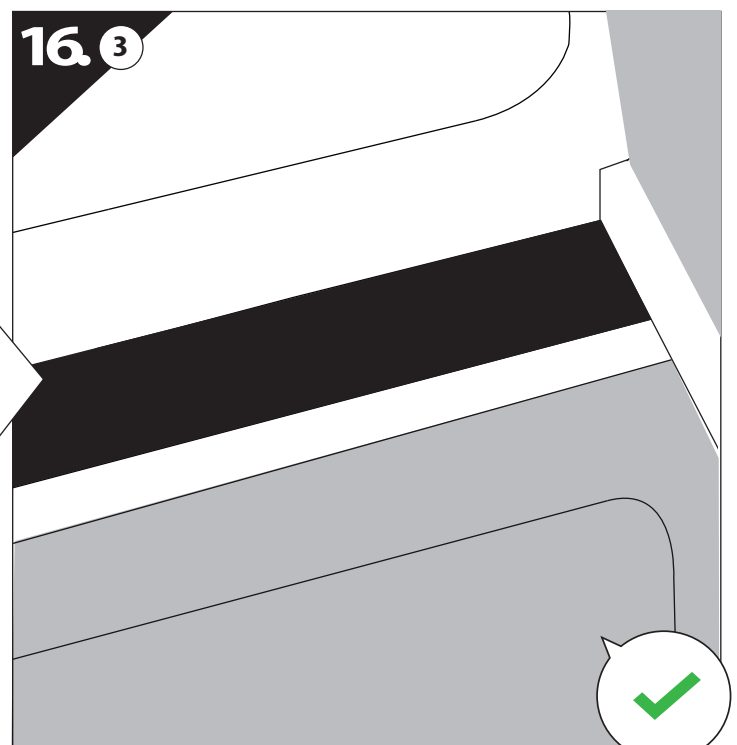
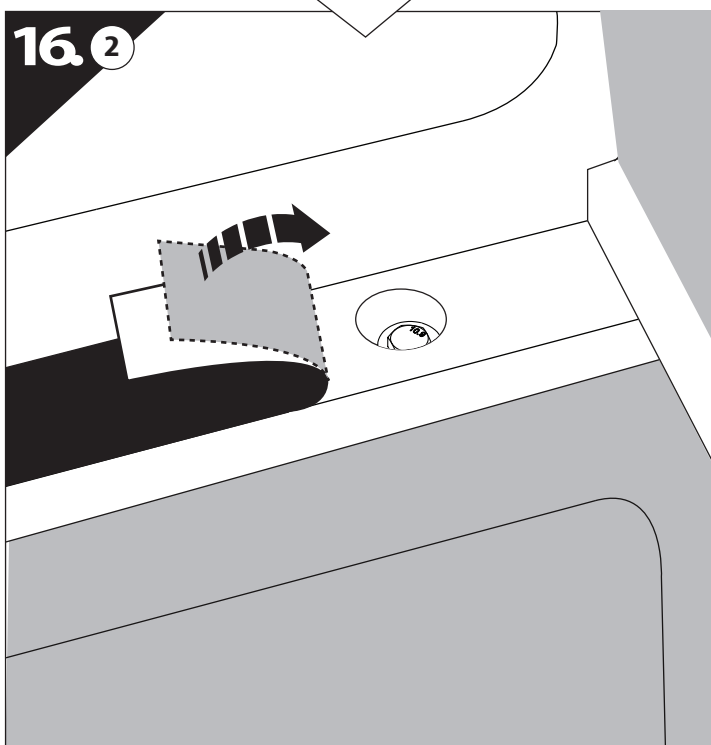
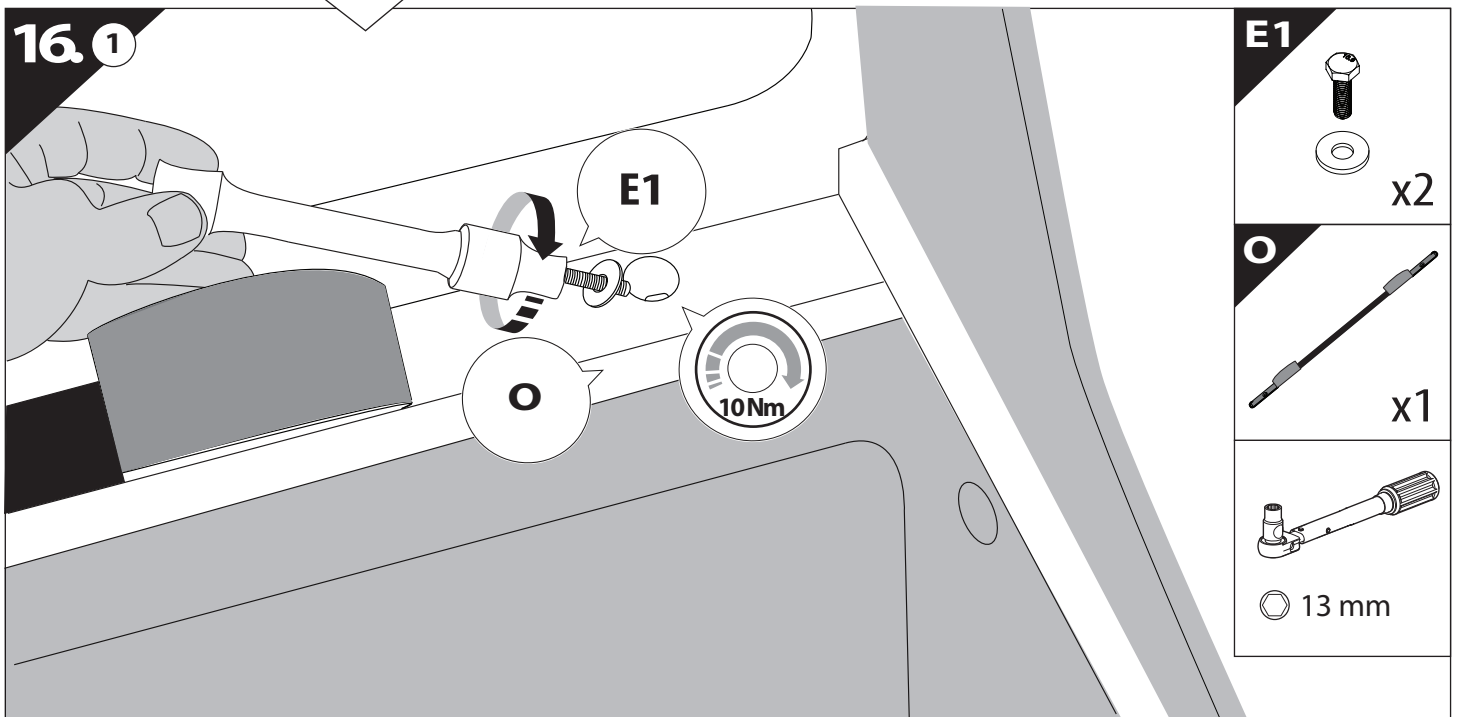
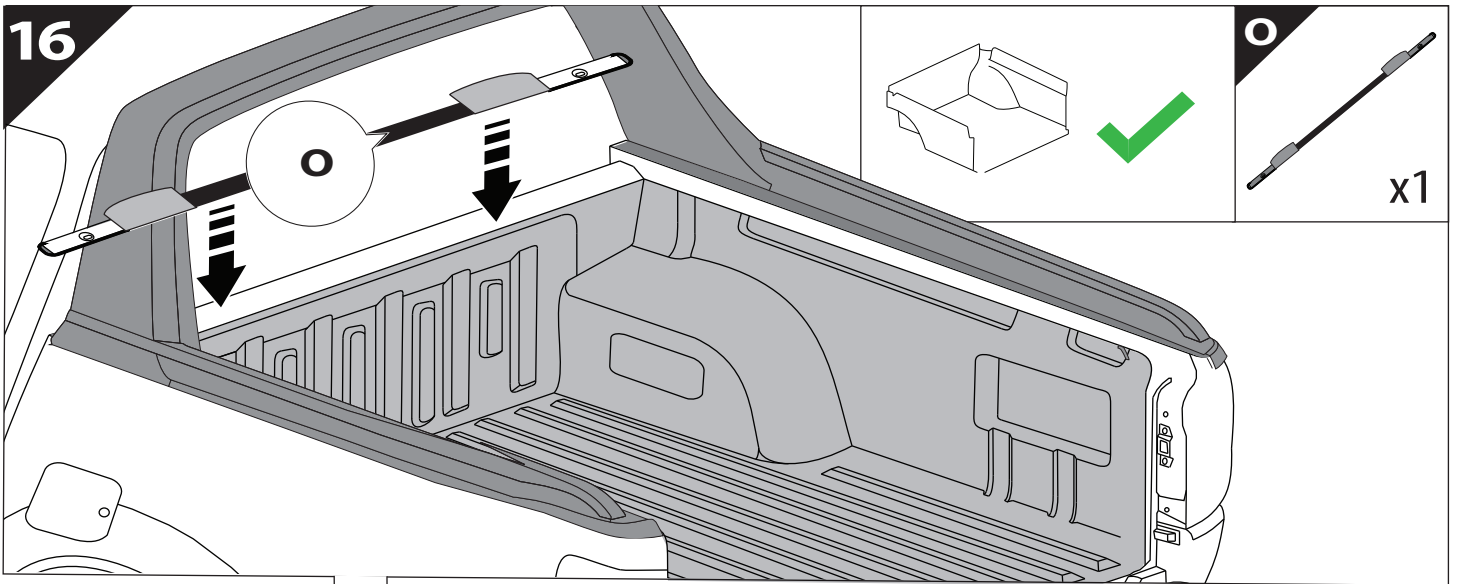
 **KEEP IN SAFE PLACE**

 x2



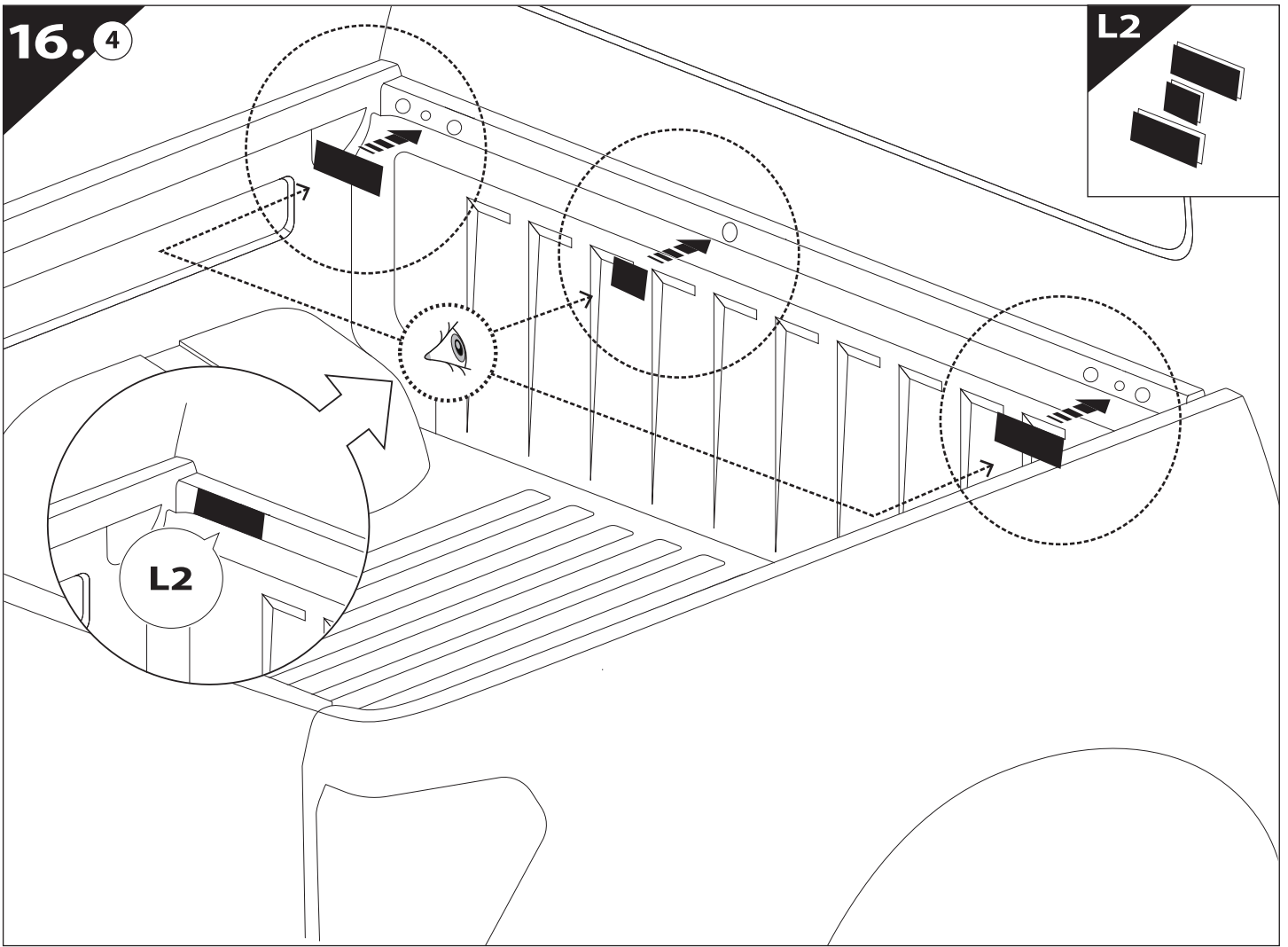
 **BAG**



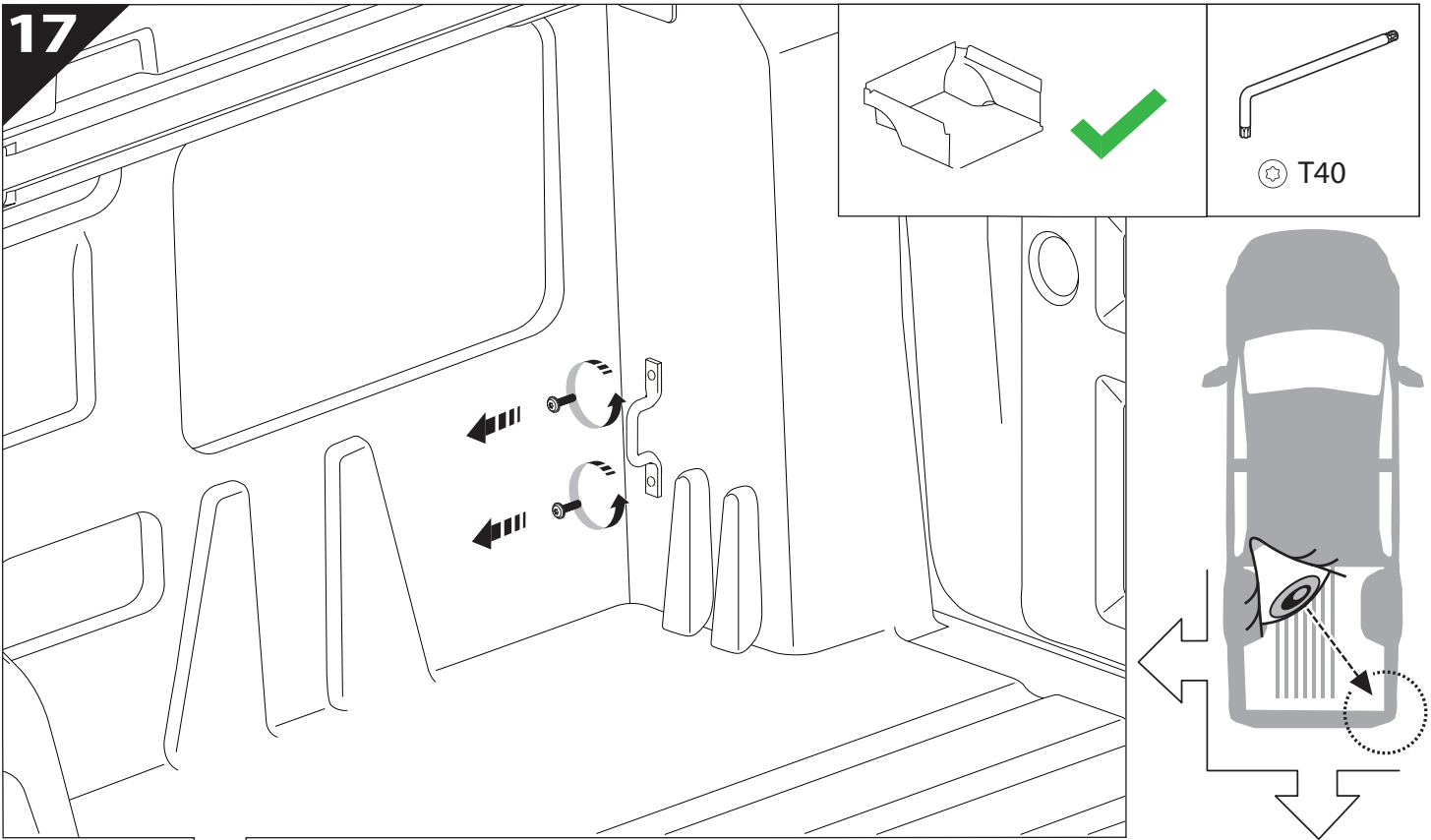


16.4

L2



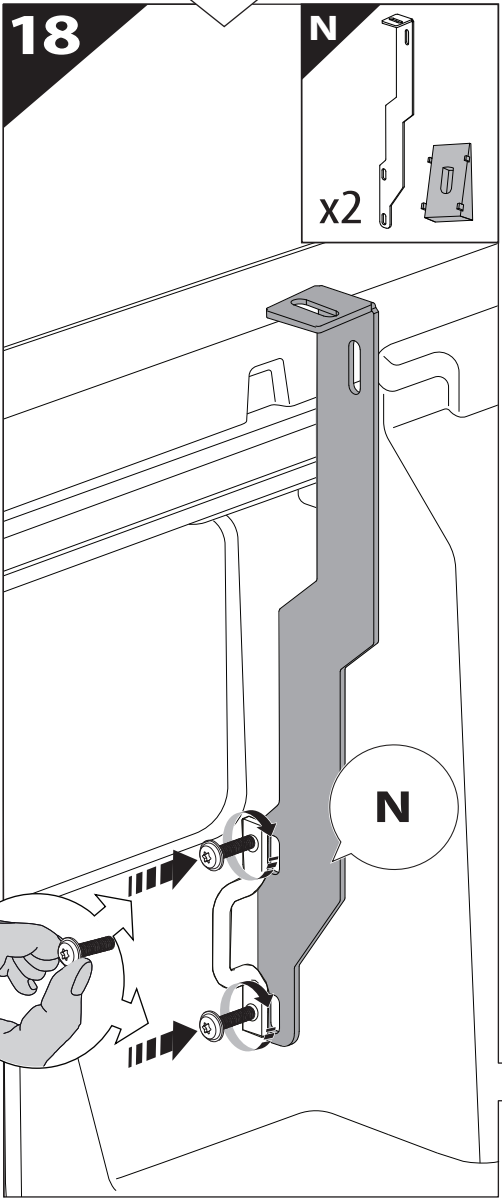
17



18

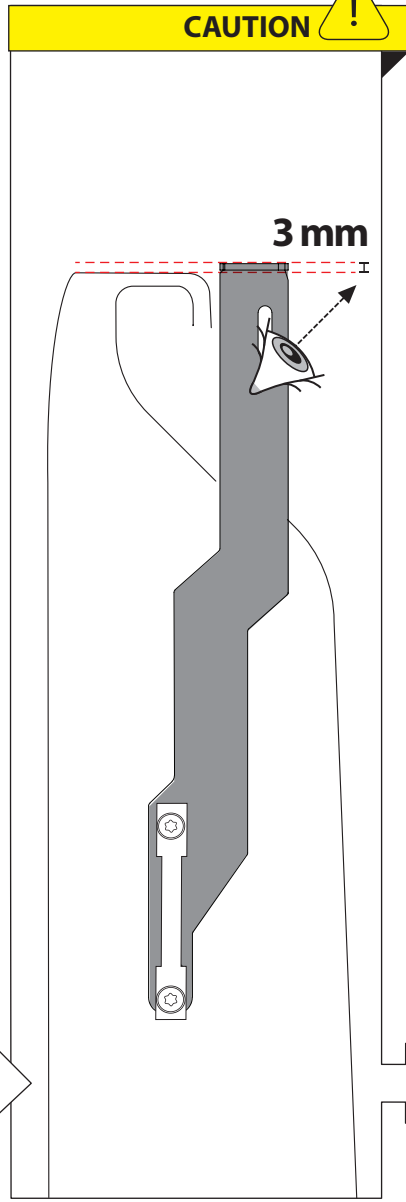
N

x2



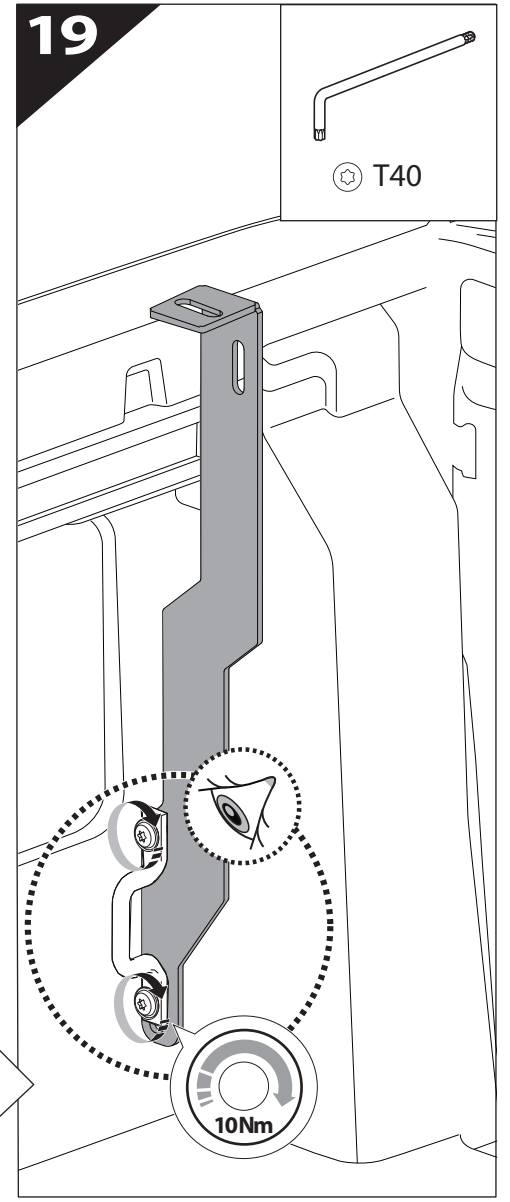
CAUTION !

3 mm



19

T40



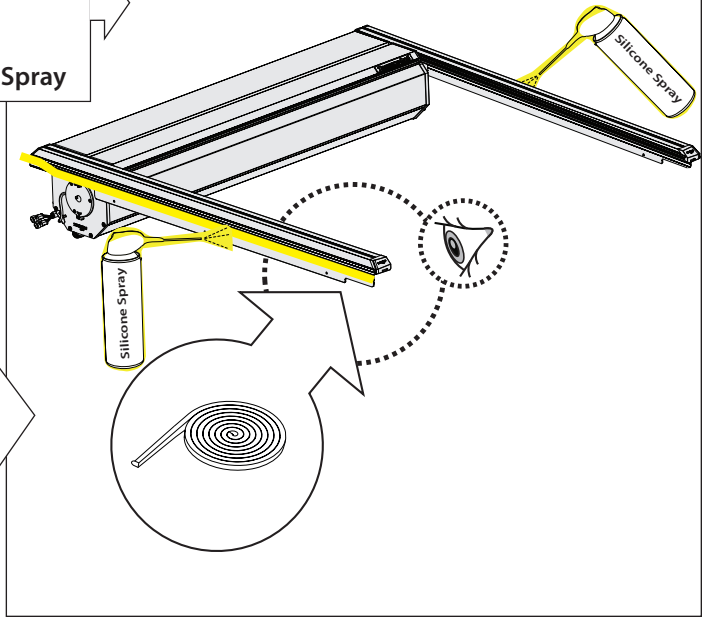
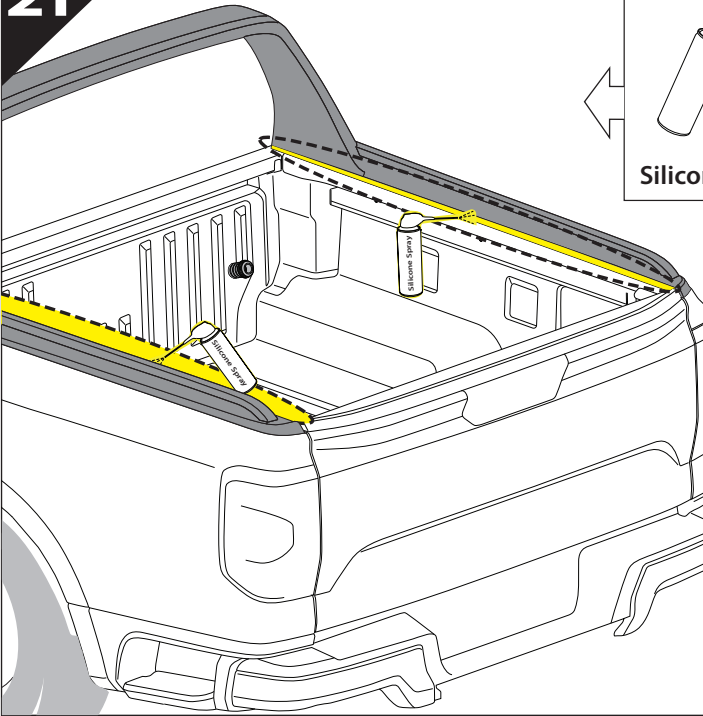
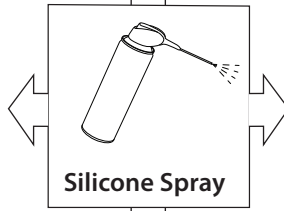
20

Basic+S-KIT Version

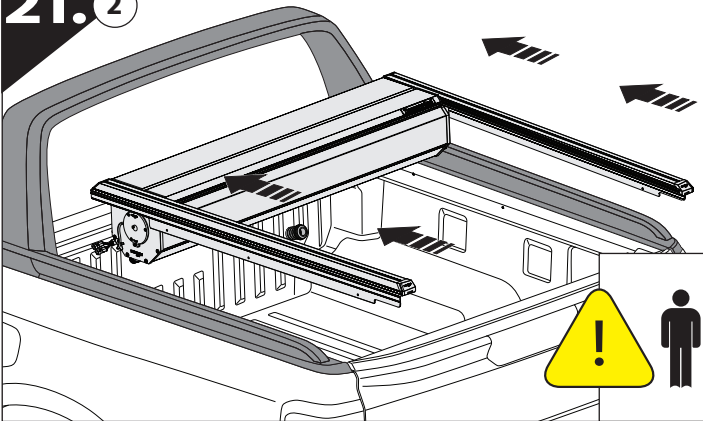
S-KIT  
MANUAL

21.1

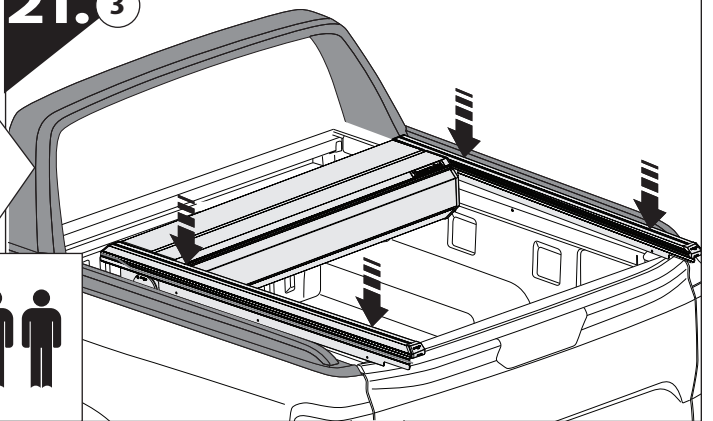
21



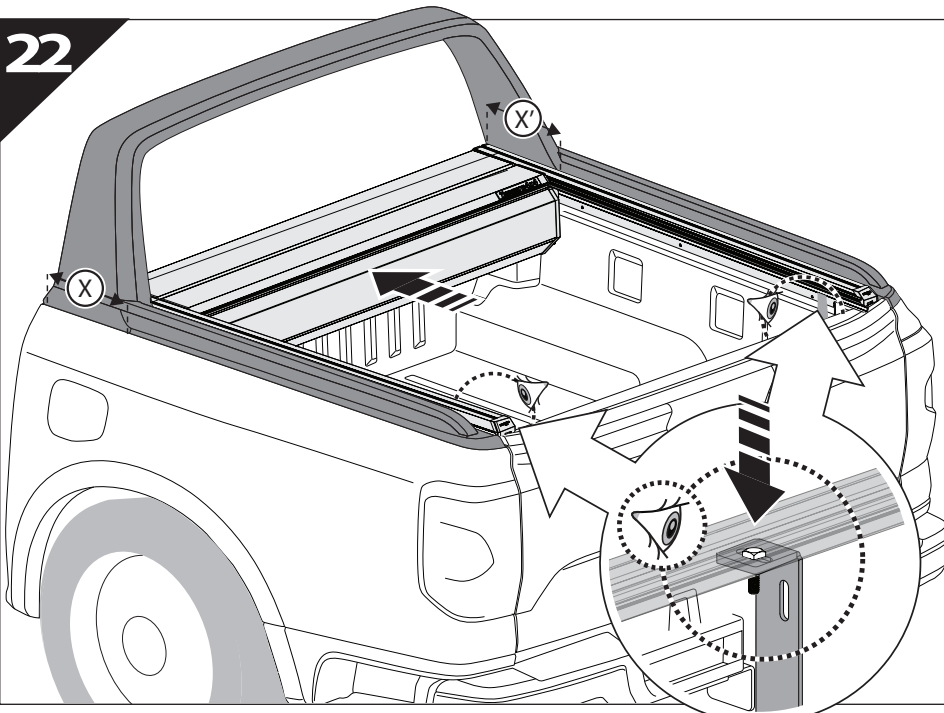
21.2

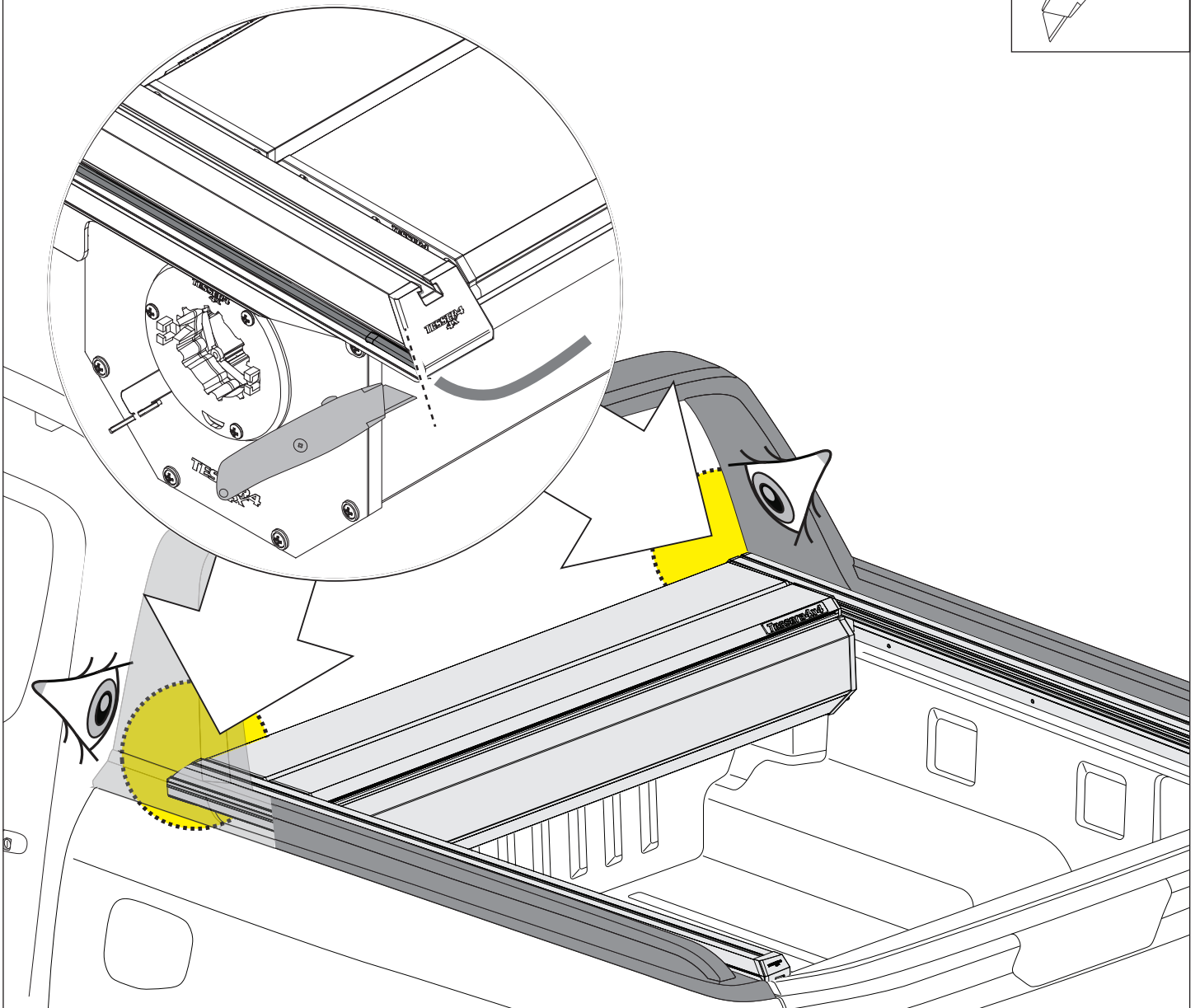
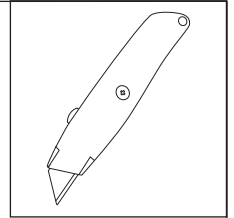


21.3

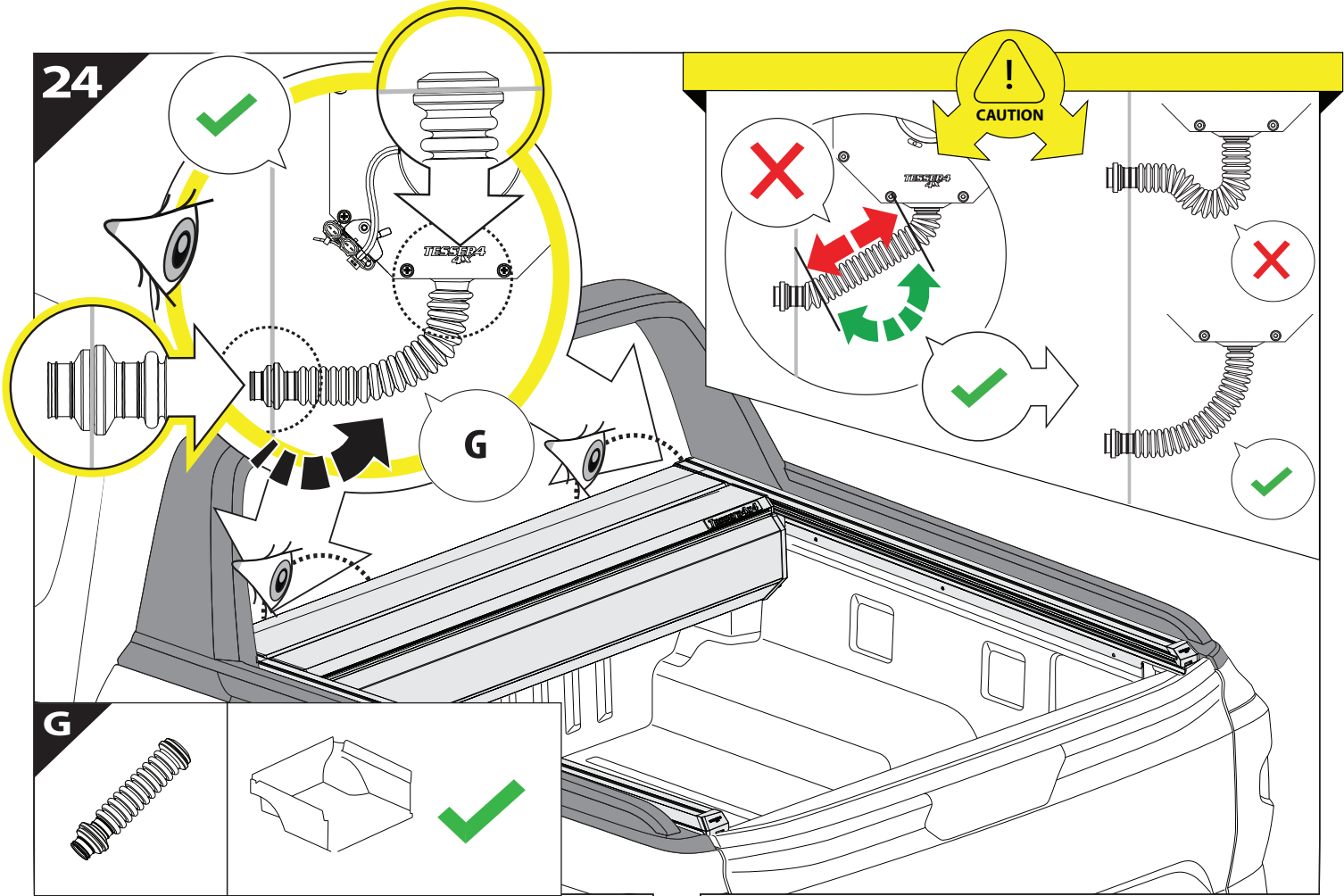


22

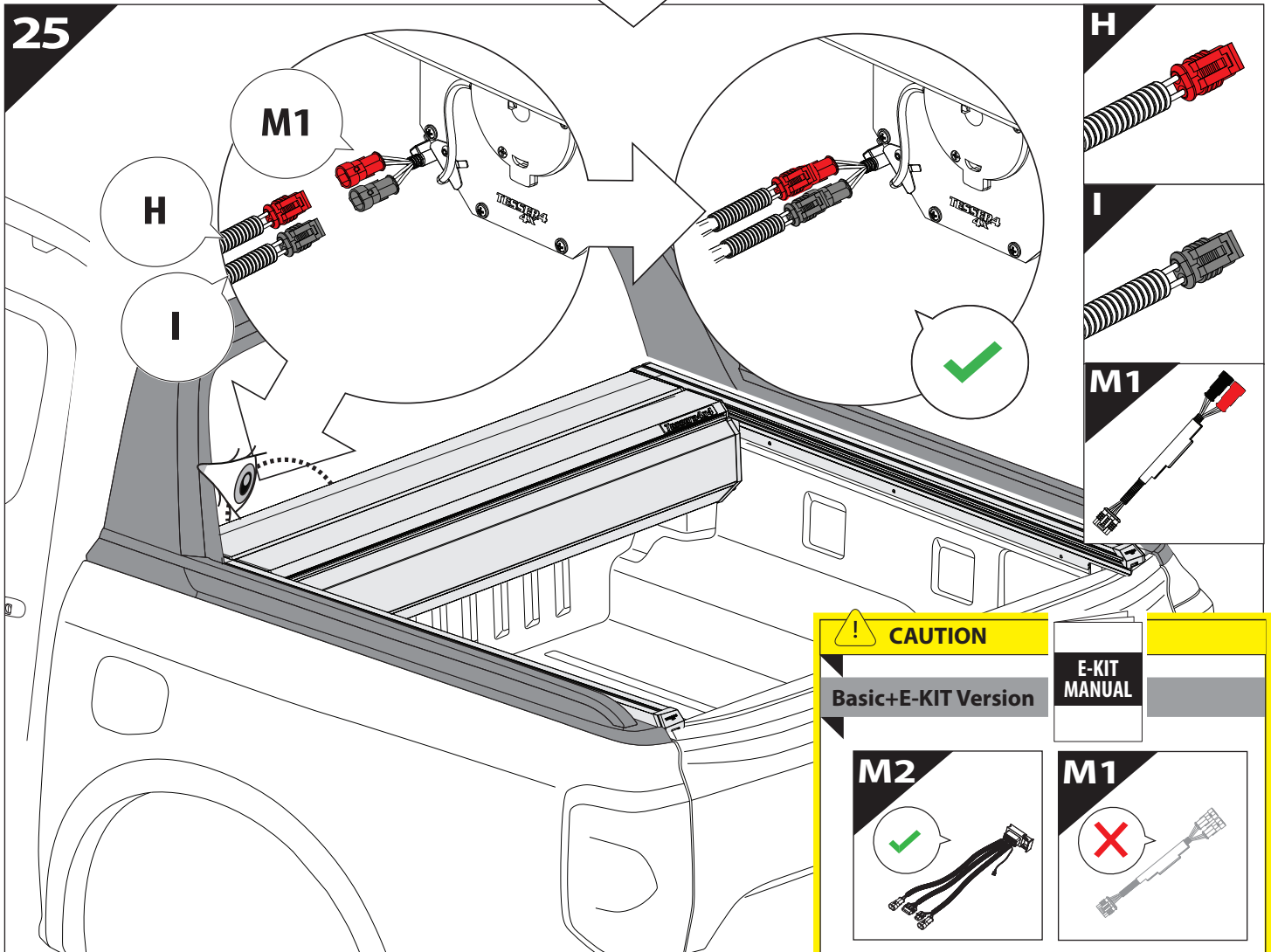




24



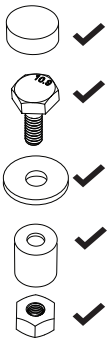
25



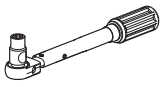
<b>CAUTION</b>	
Basic+E-KIT Version	E-KIT MANUAL
<b>M2</b> ✓ 	<b>M1</b> ✗ 

26

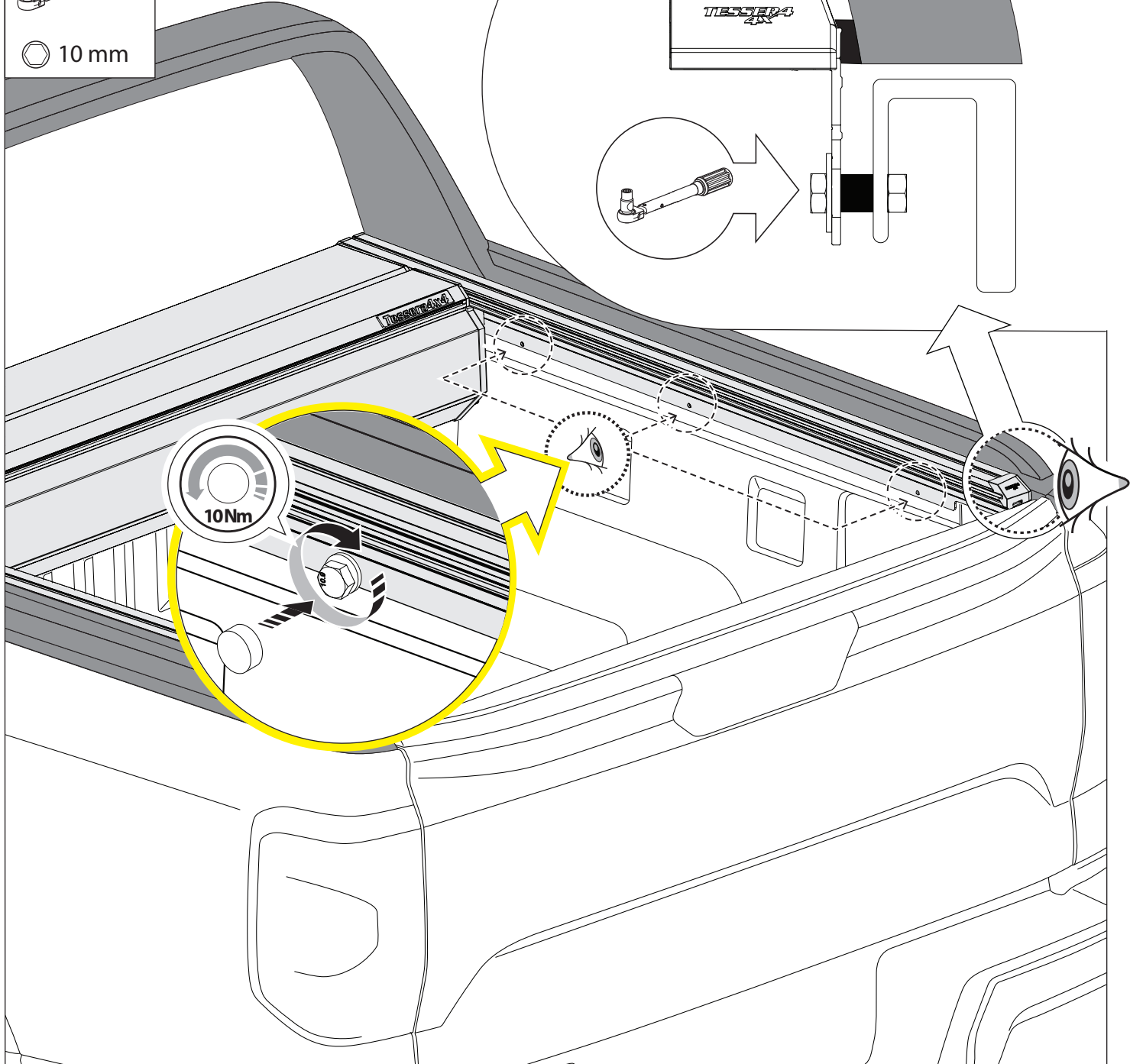
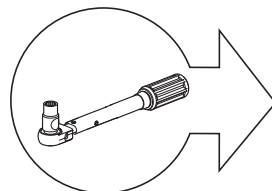
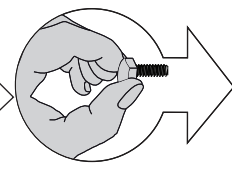
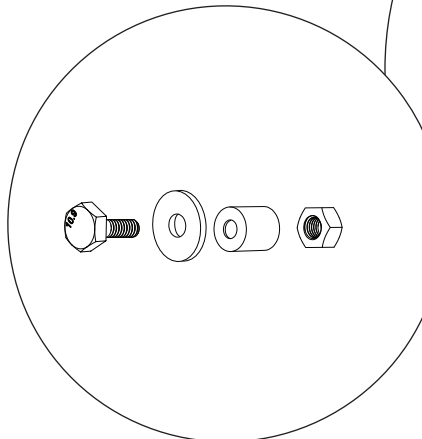
E2

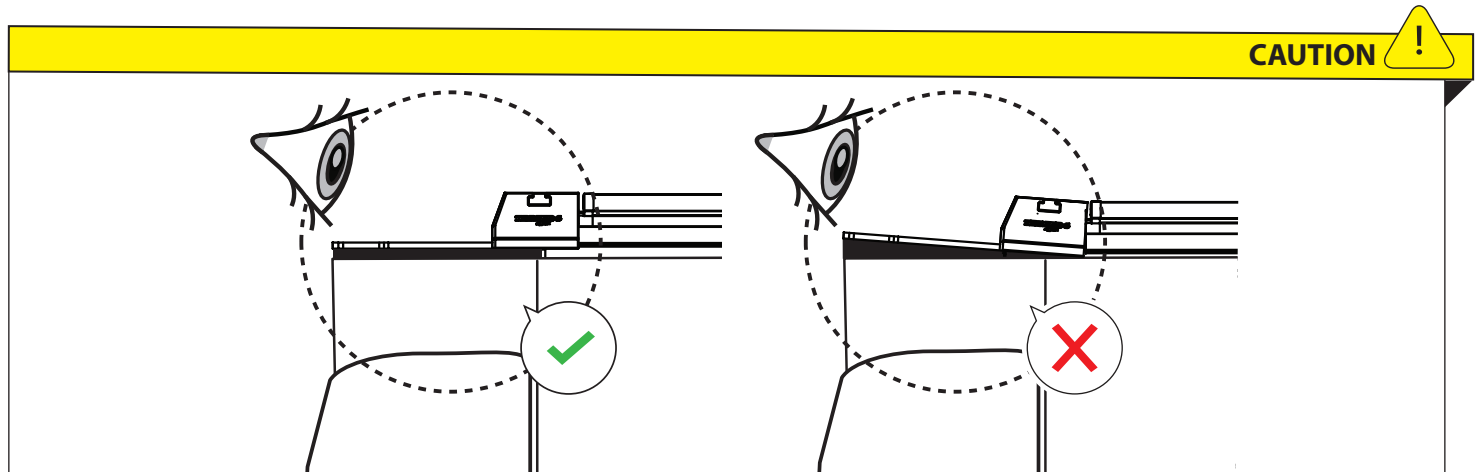
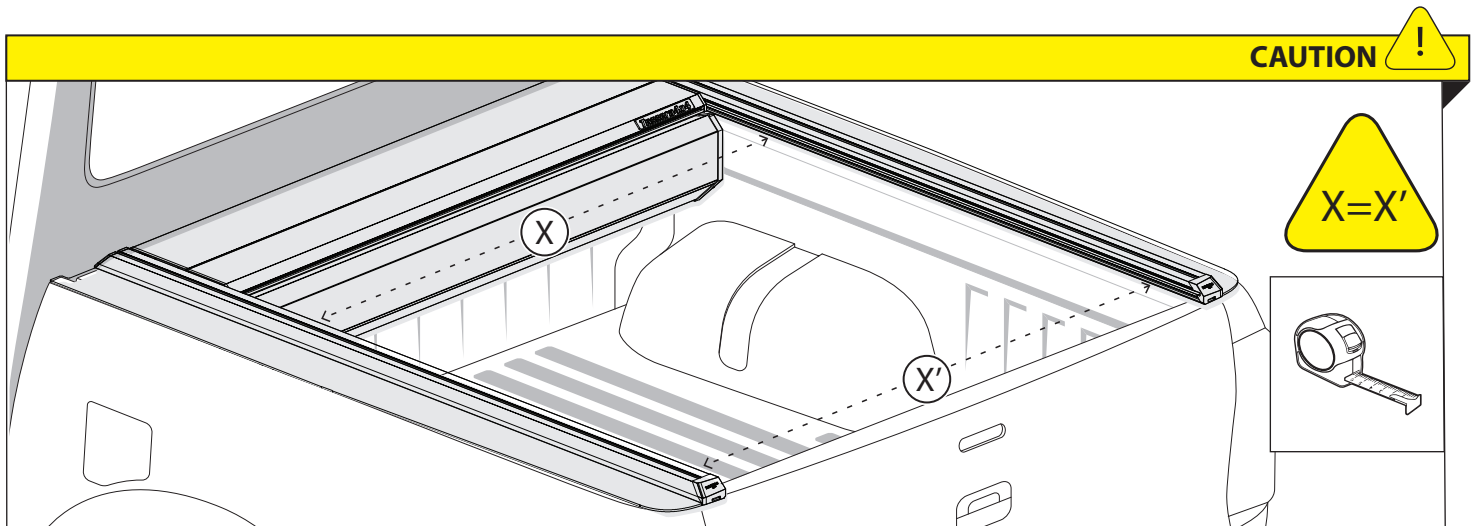
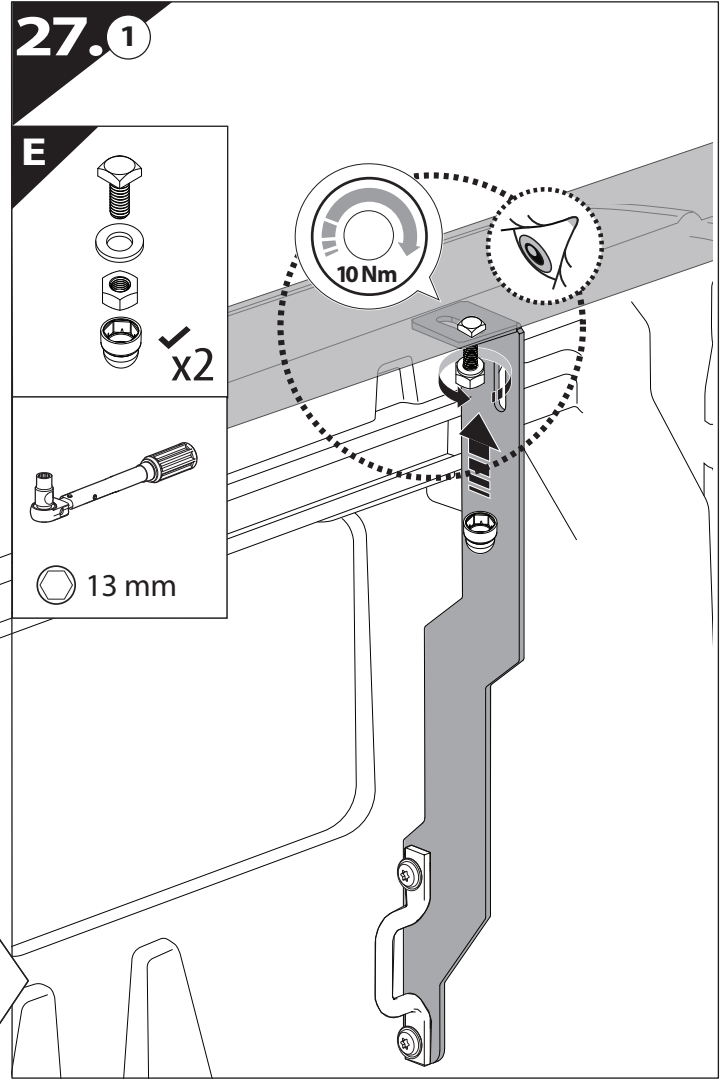
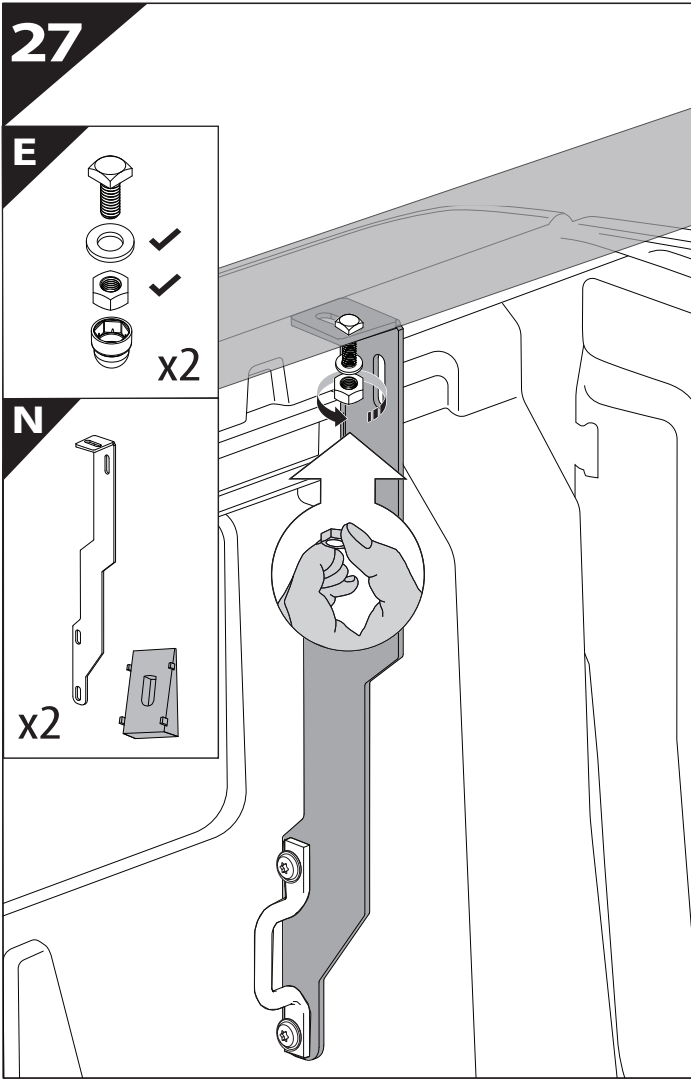


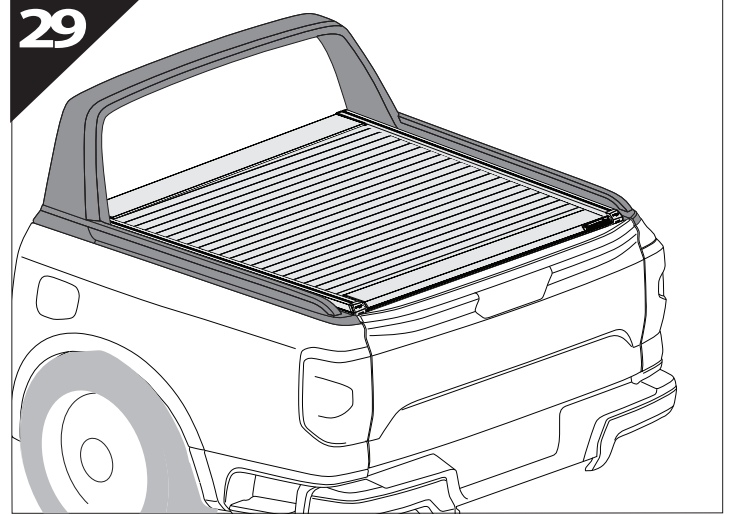
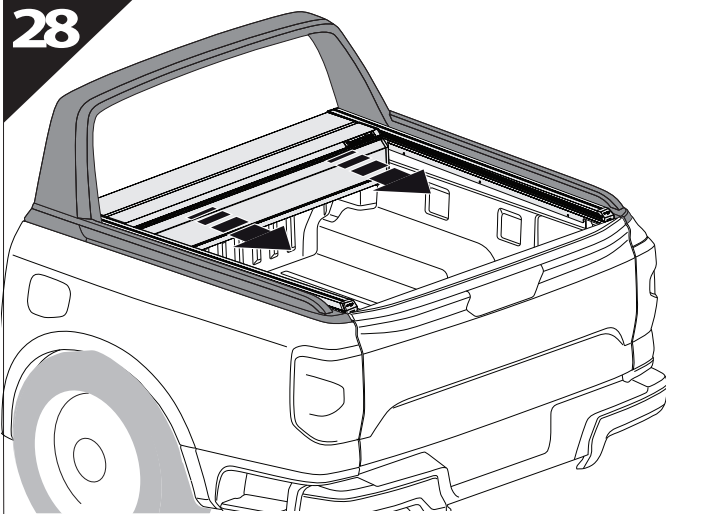
x6



10 mm







**GR:** Οδηγίες Εγκατάστασης  
**GB:** Installation manual  
**SF:** Asennusohje  
**F:** Notice de montage  
**PL:** Instrukcja montażu  
**NL:** Installatie-instructies  
**TR:** Montaj Talimatı  
**S:** Monteringsanvisning  
**E:** Instrucciones de montaje

**H:** Szerelési utasítás  
**P:** Instruções de instalação  
**RUS:** Инструкция по установке  
**N:** Monteringsveiledning  
**D:** Einbauanleitung  
**CZ:** Návod k instalaci  
**I:** Istruzioni de montaggio  
**DK:** Monteringsvejledning  
**RO:** Instructiuni de instalare

Customer Service:

+30 (210) 5541161, +30 (210) 5541154 (08:00 - 16:00 EET)

Support department:

[info@gianso.gr](mailto:info@gianso.gr)

Website:

[www.tessera4x4.com](http://www.tessera4x4.com)

Address:

19.5 km of National road Athens-Korinthos (Elefsina) Greece, P.C: 19200