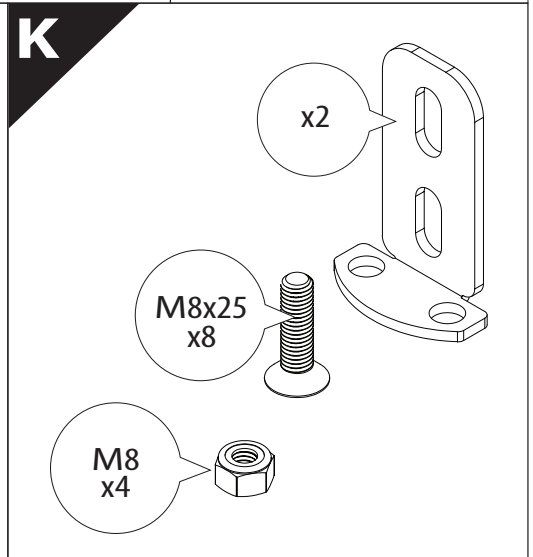
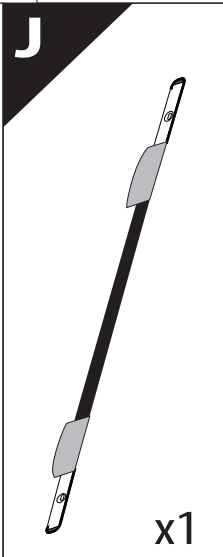
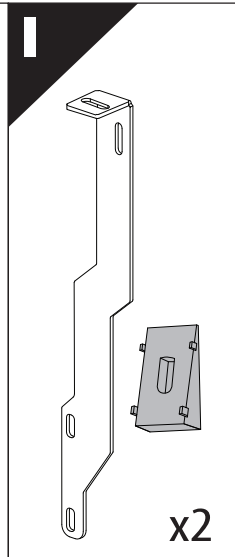
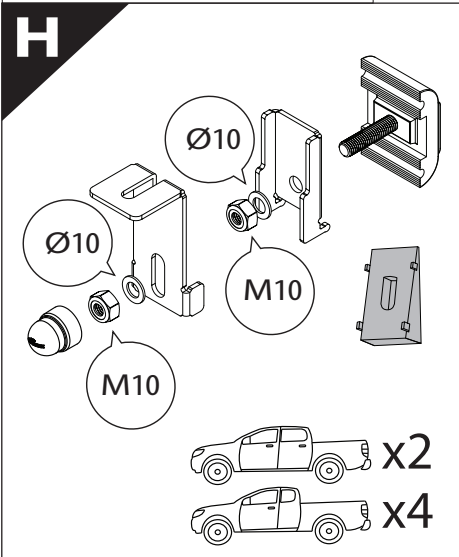
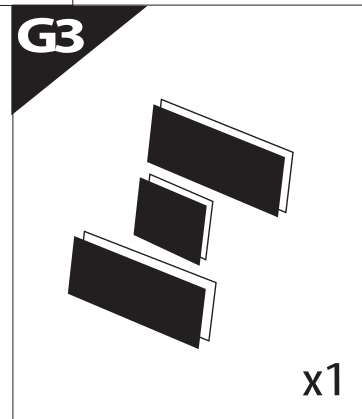
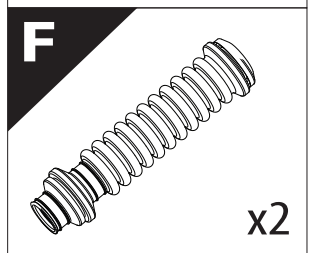
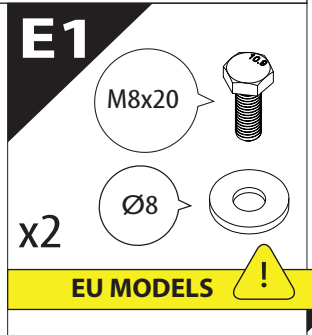
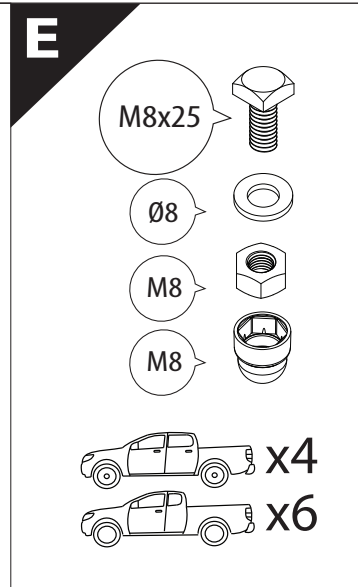
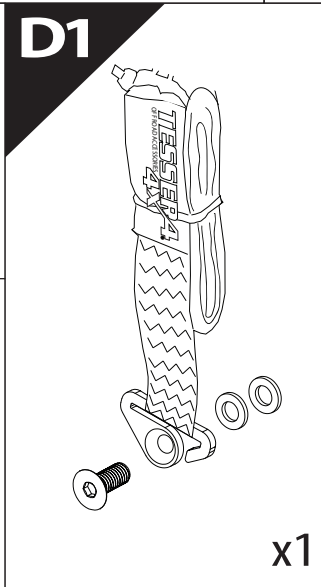
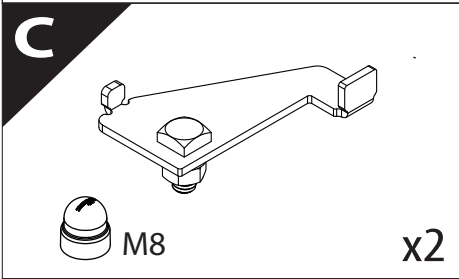
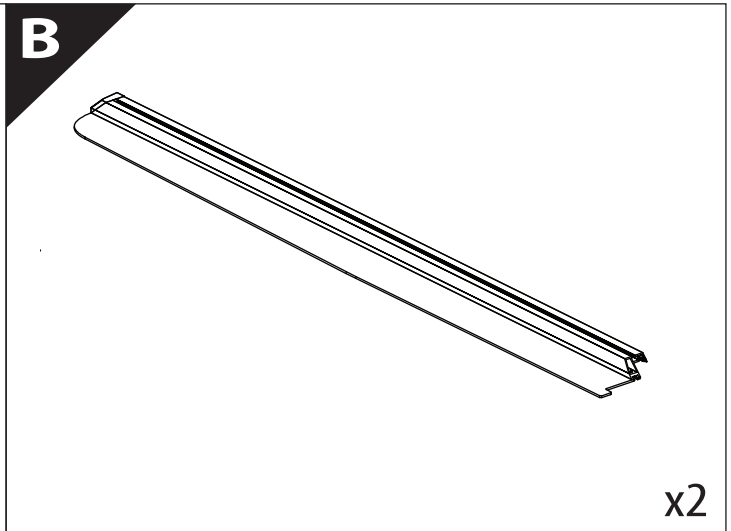
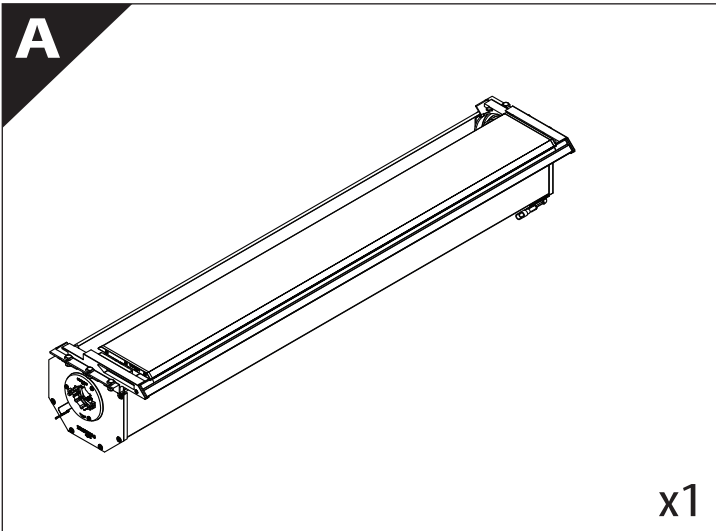

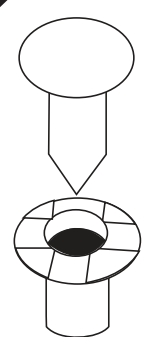



Installation Manual

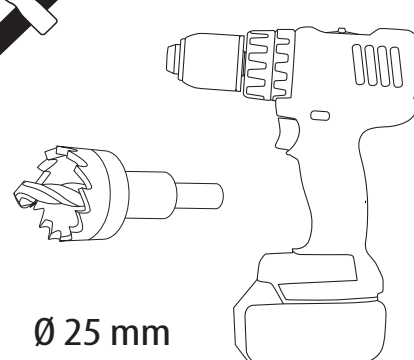
PART NUMBER(S)	Model Year
TESS 15060 SE +ADAPT 008	FORD RANGER 2023+ SPORT WITH OEM ROLLBAR (no c-channels)
TESS 15070 SE +ADAPT 008	
Cab(s)	Installation Time / Weight
Double Cab & Space cab	40-60 minutes / 53-57 kg

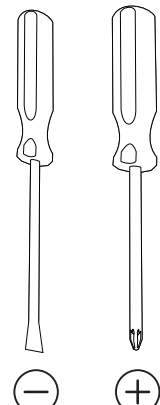
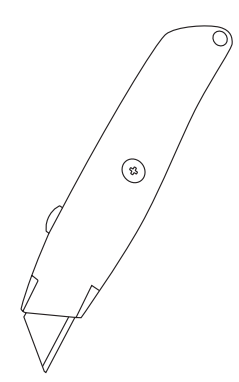
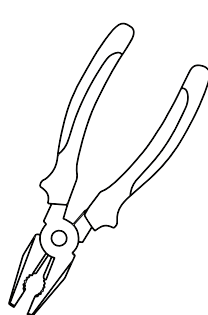
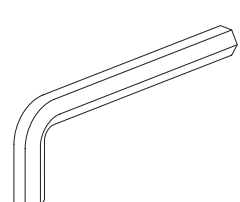


L **x2** 



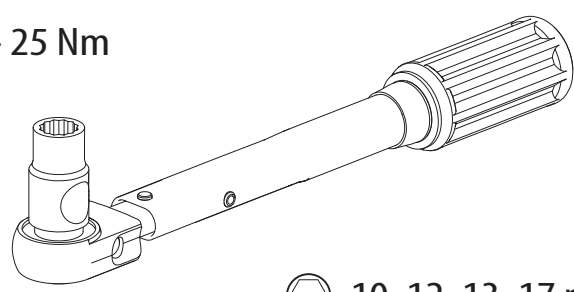
US MODELS 

Ø 25 mm 


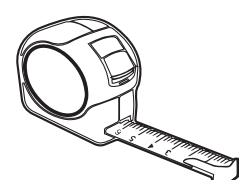

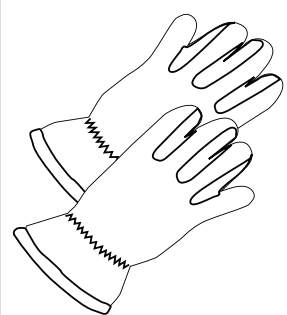

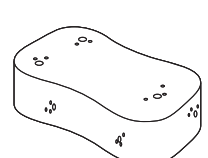
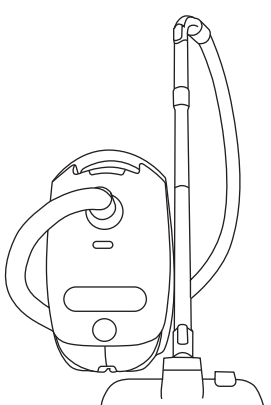
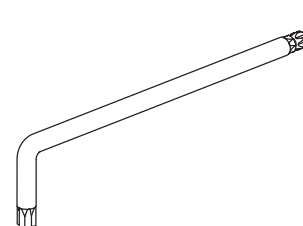





4 mm

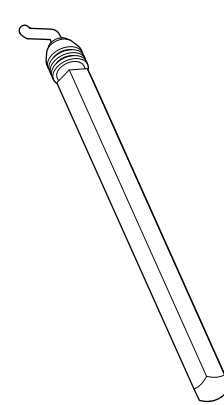

1 - 25 Nm




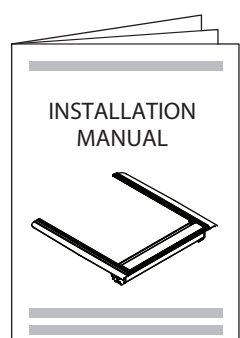
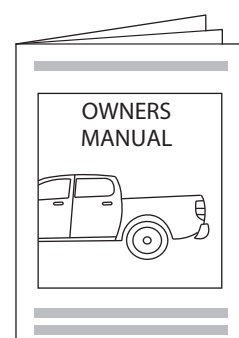
10, 12, 13, 17 mm

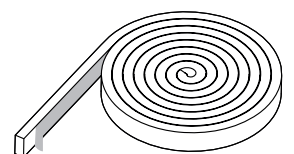
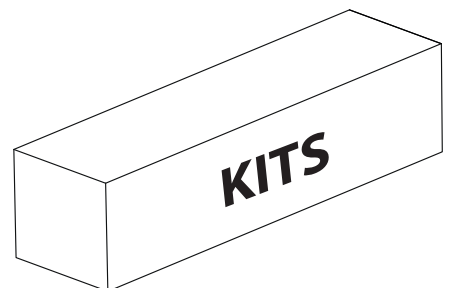
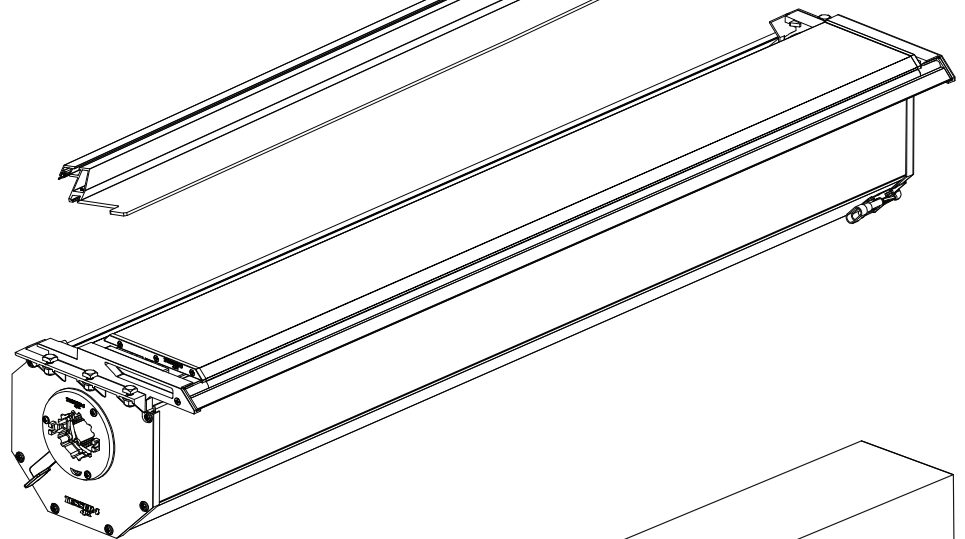
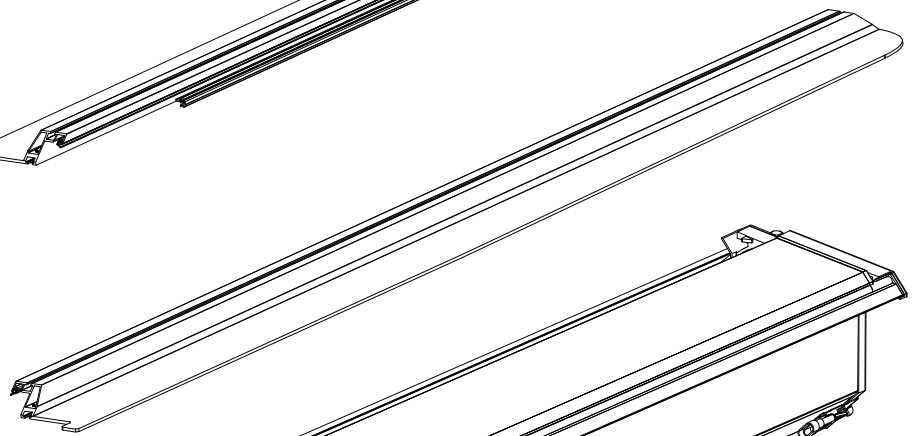
T30, T40

ANTI-RUST

x1

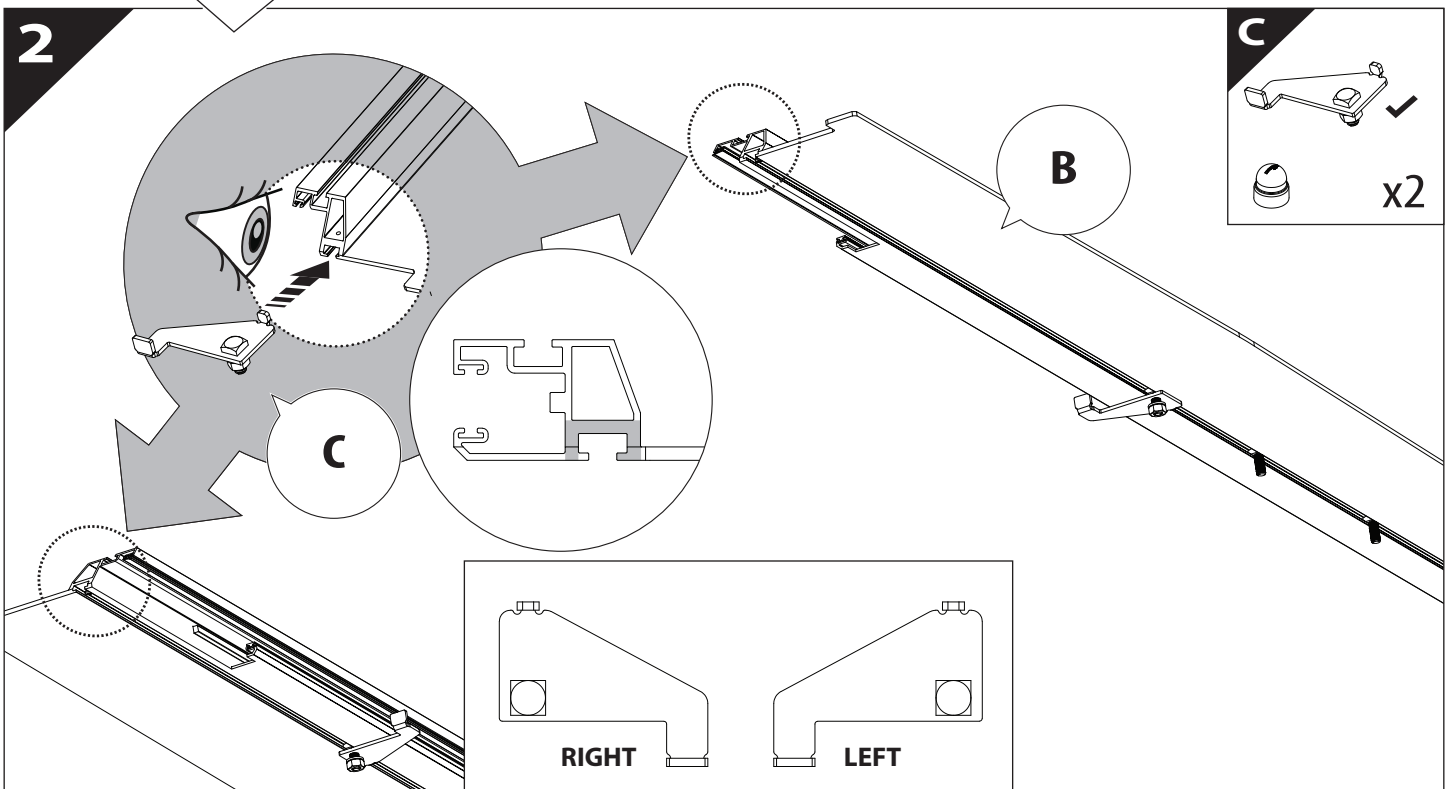
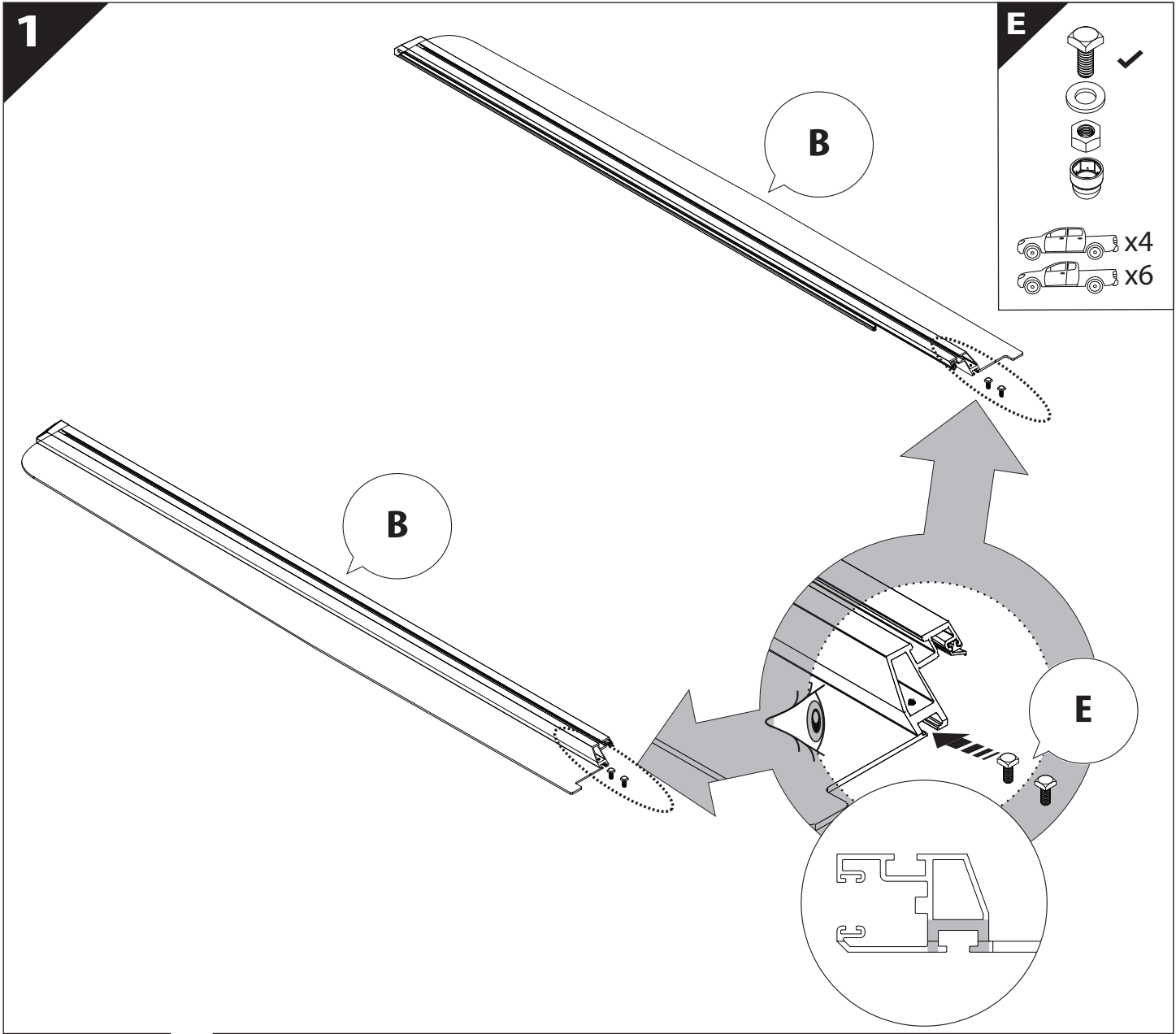


B

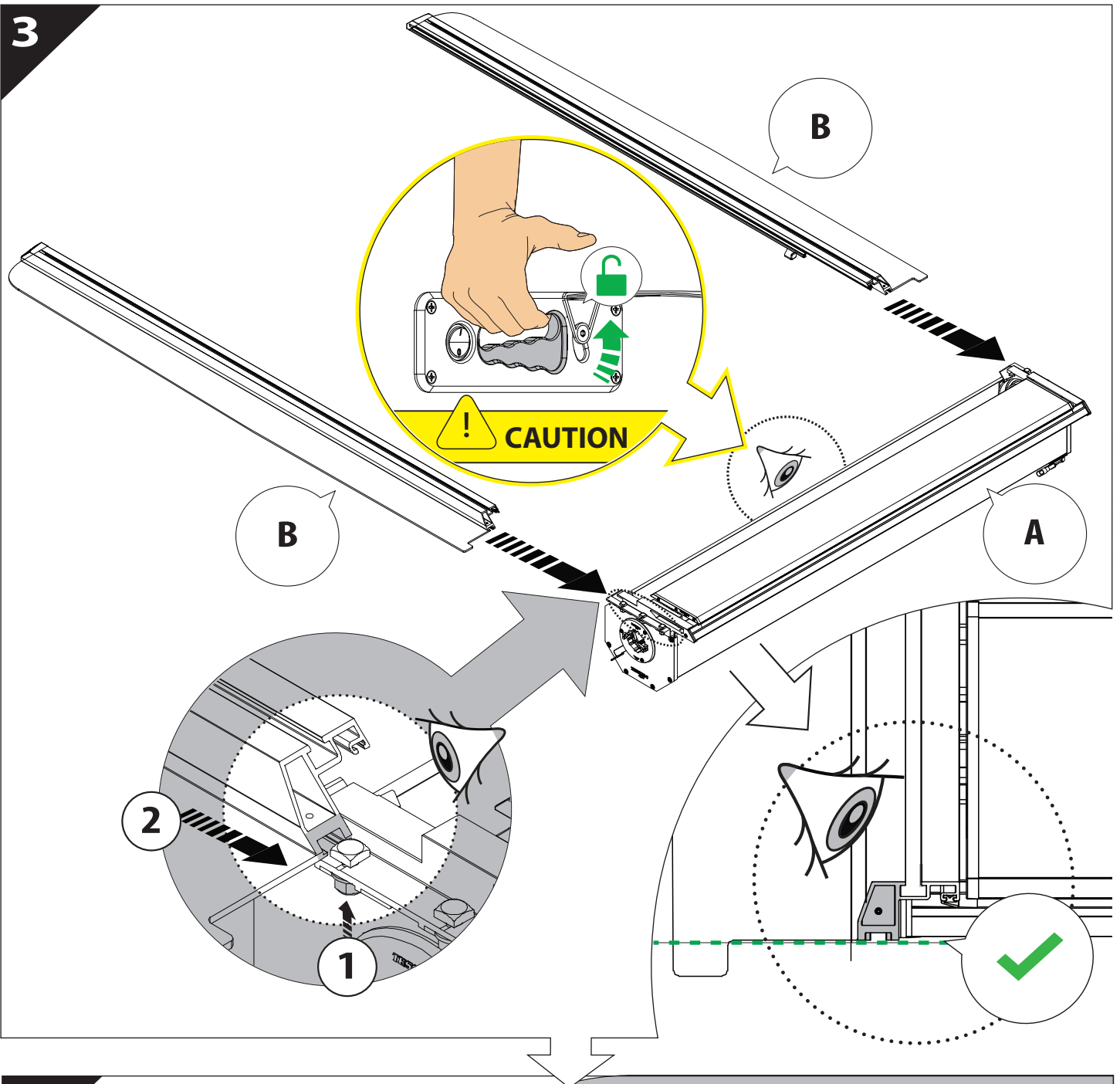
A

KITS

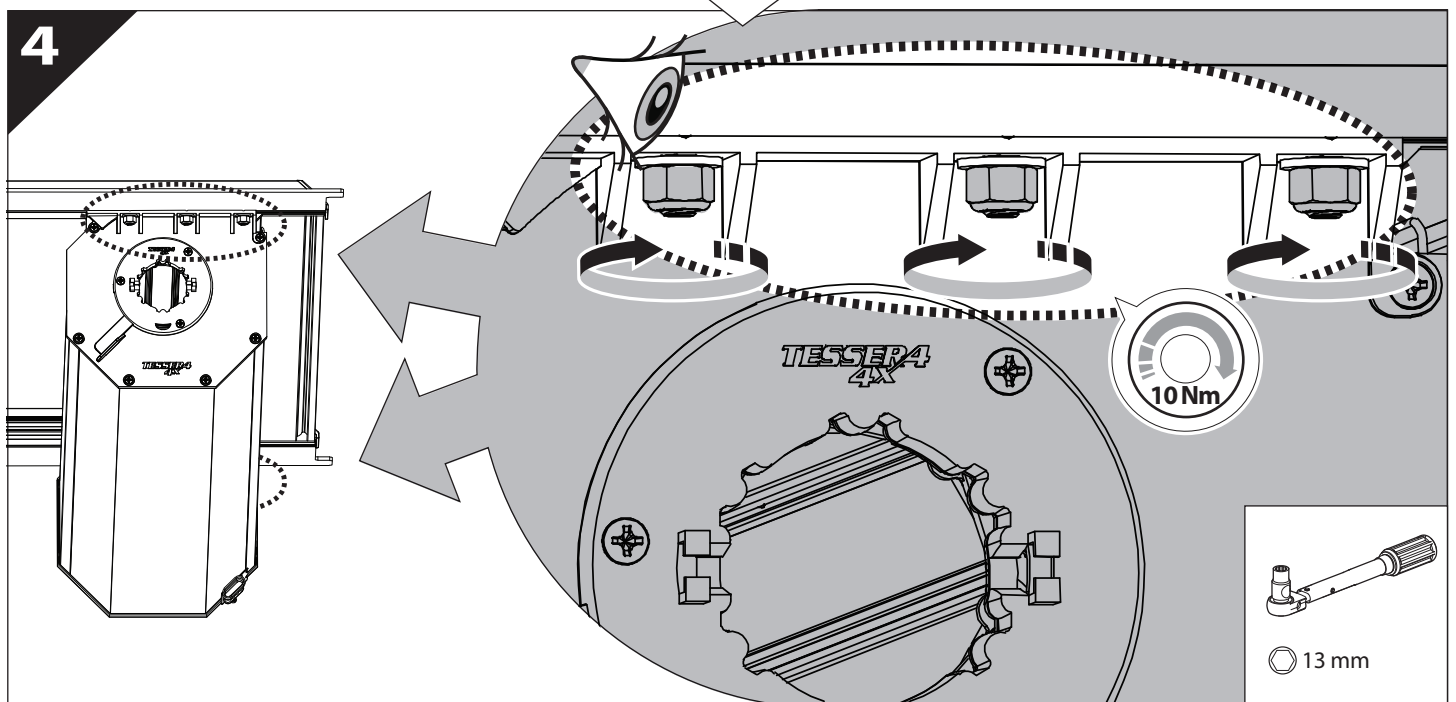
G

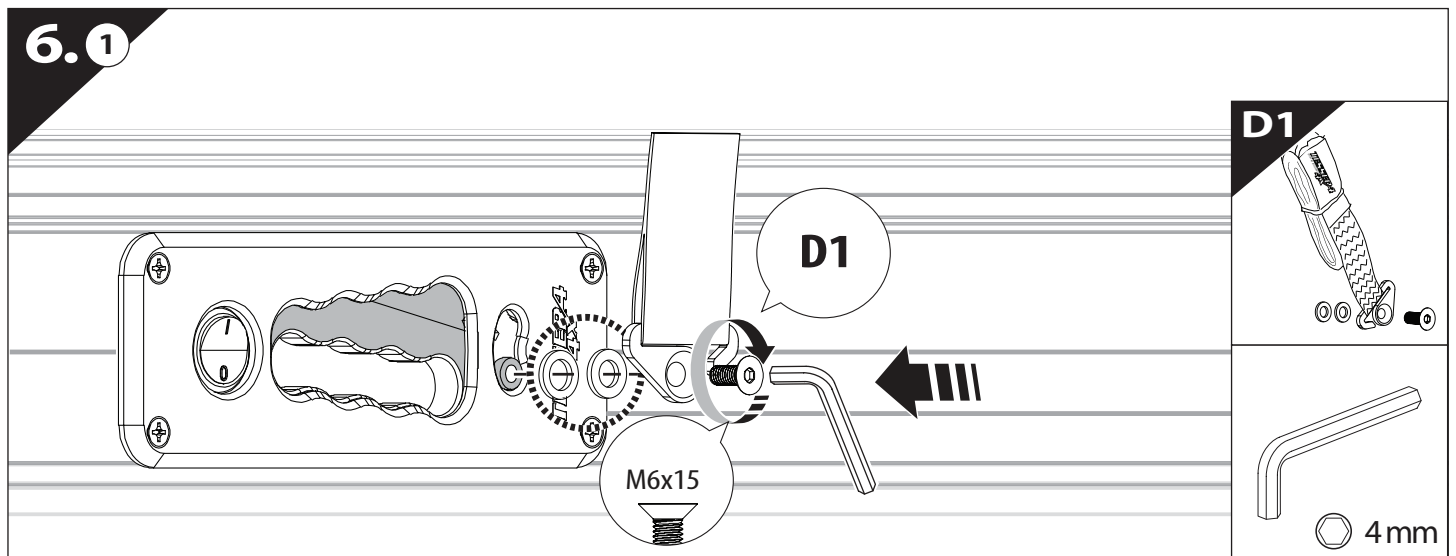
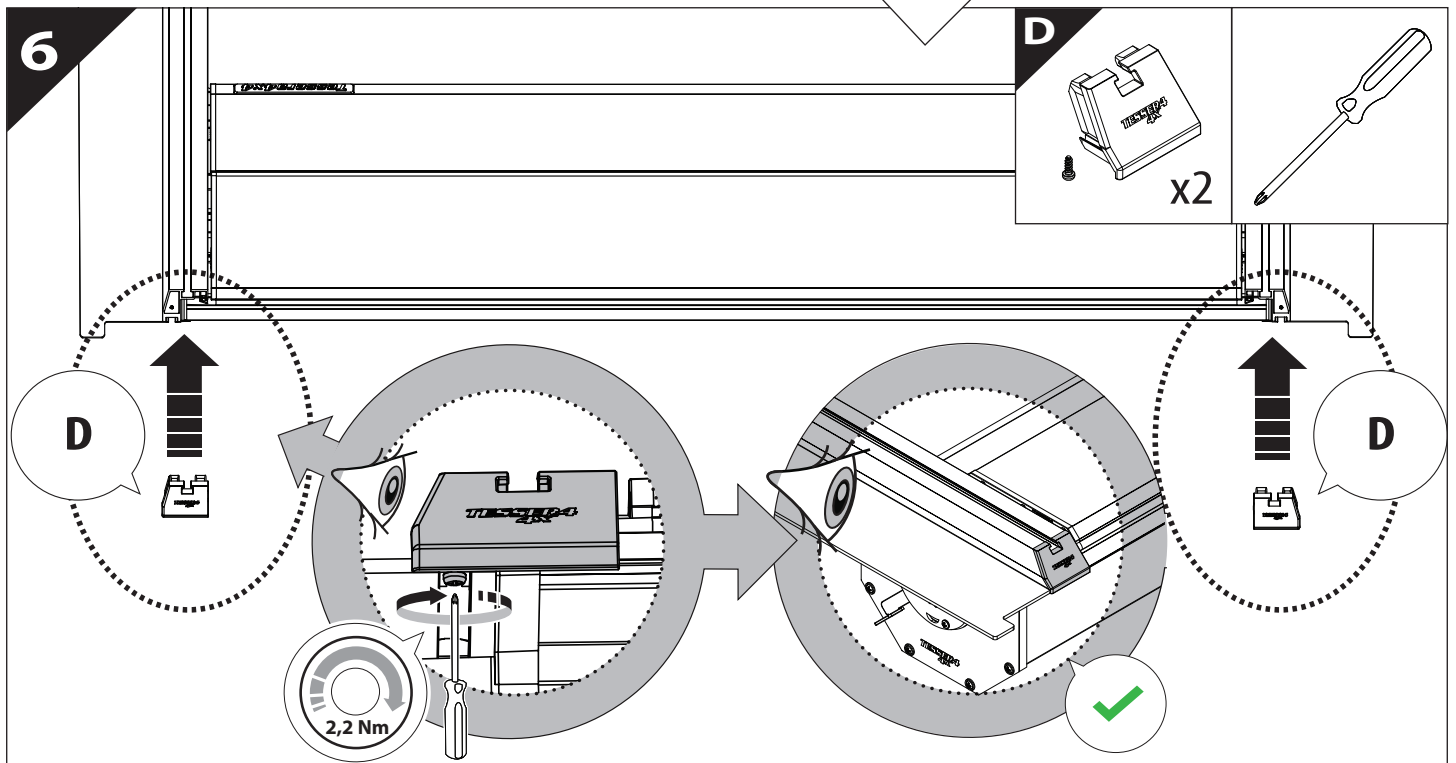
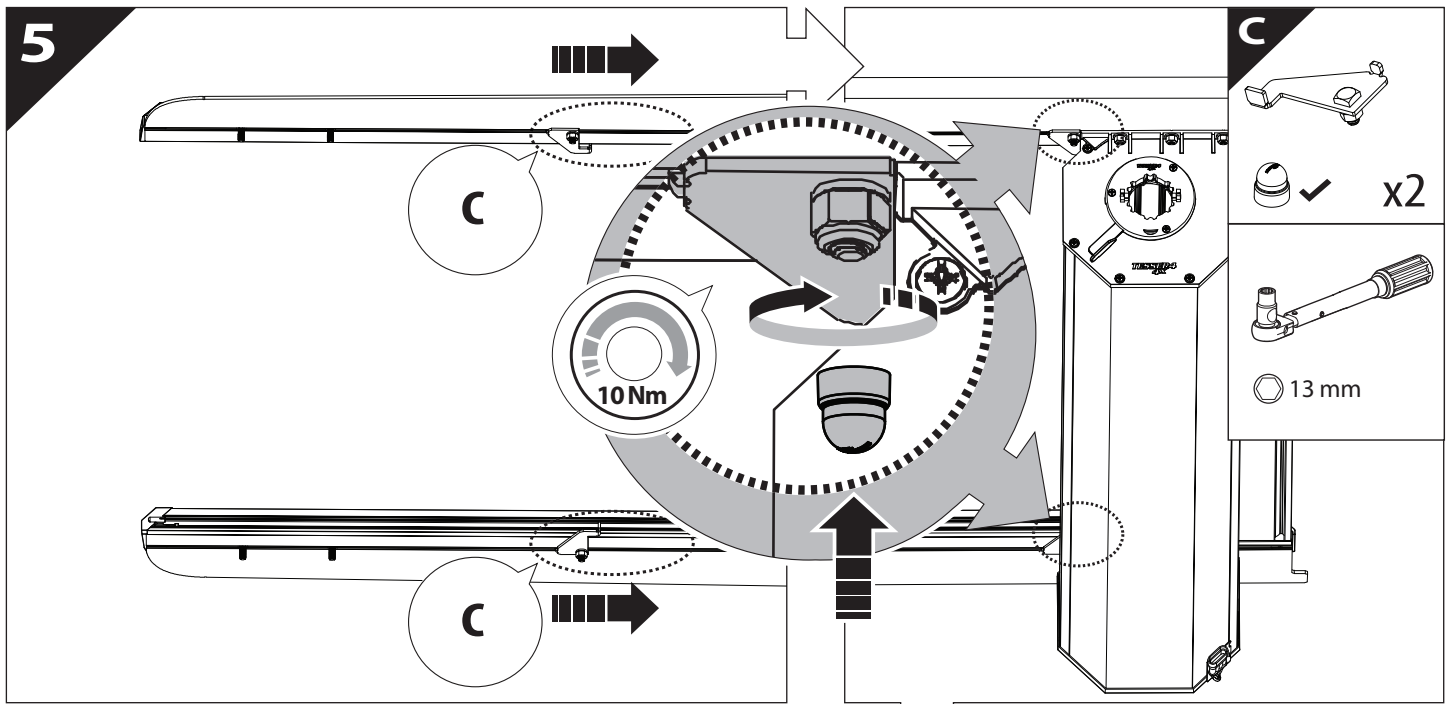


3

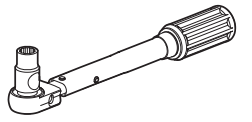


4



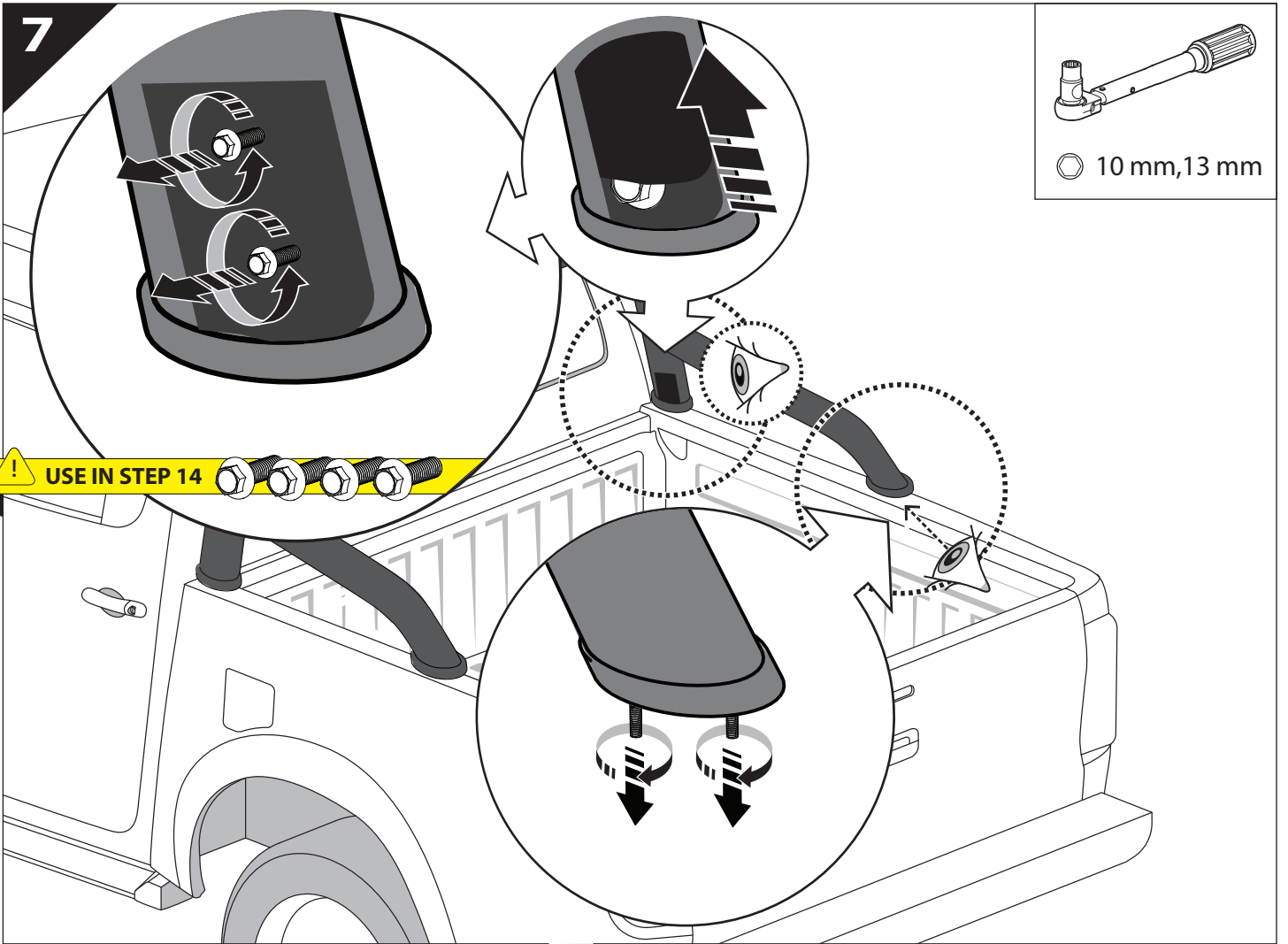


7



10 mm, 13 mm

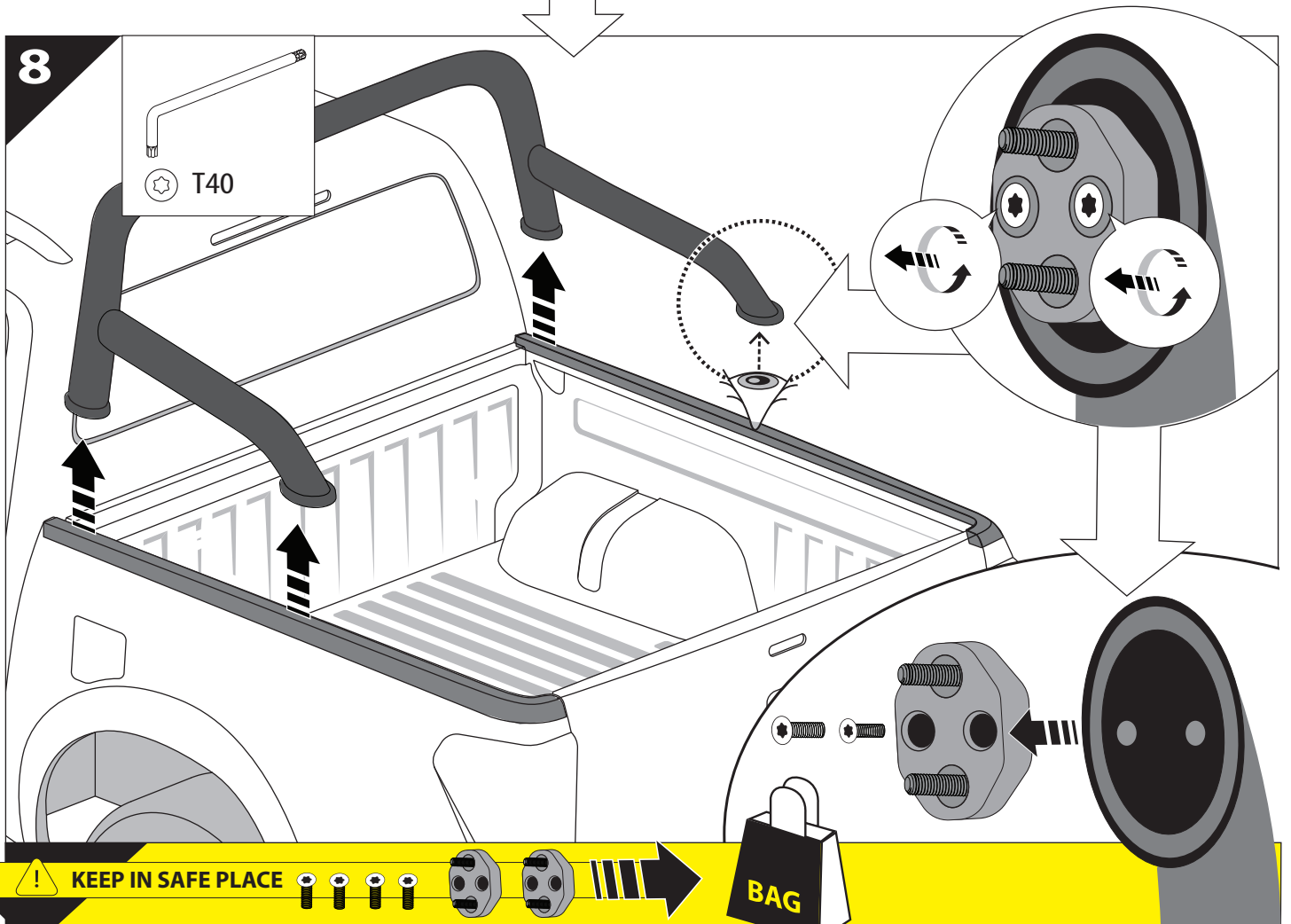
! USE IN STEP 14

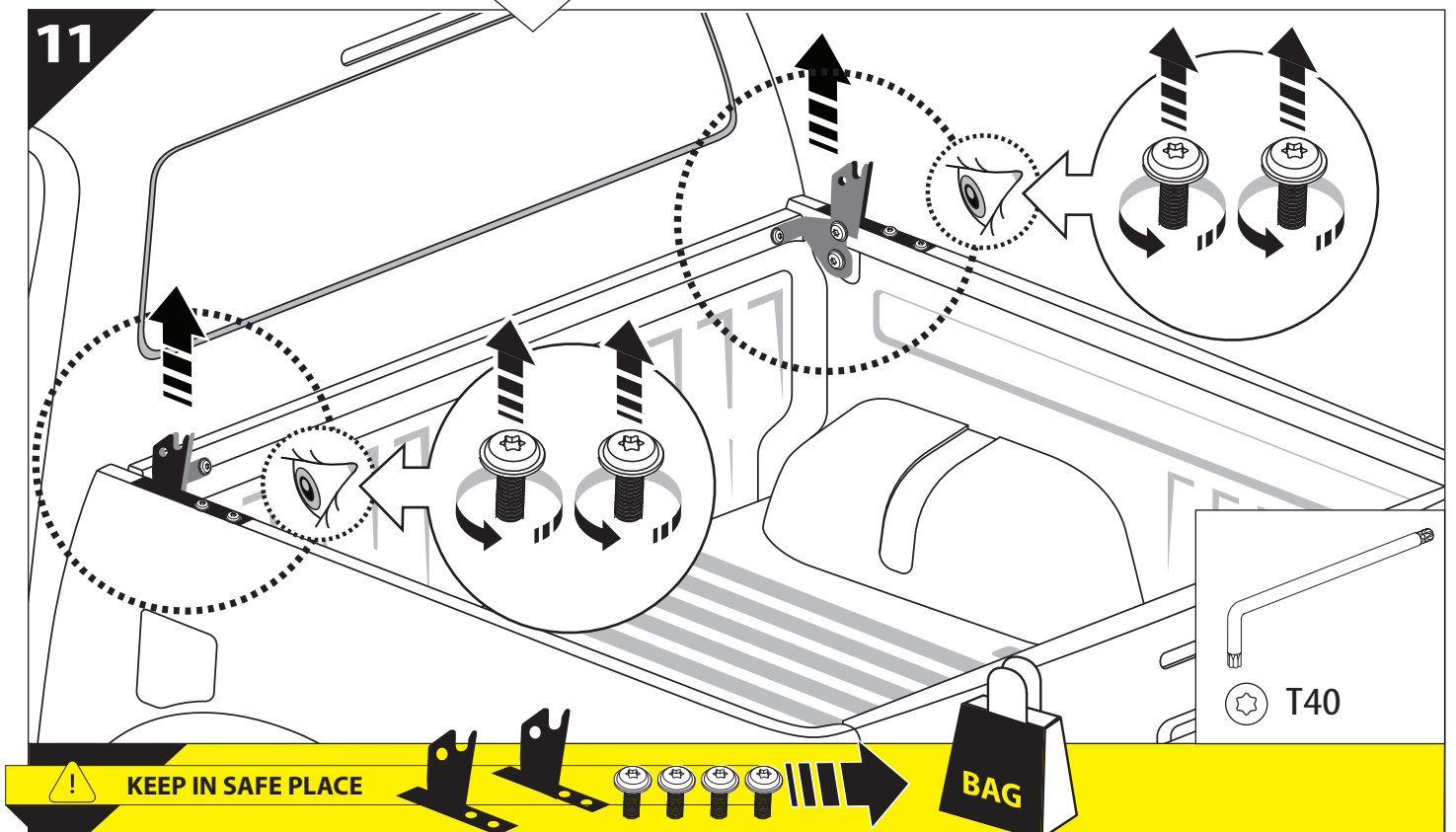
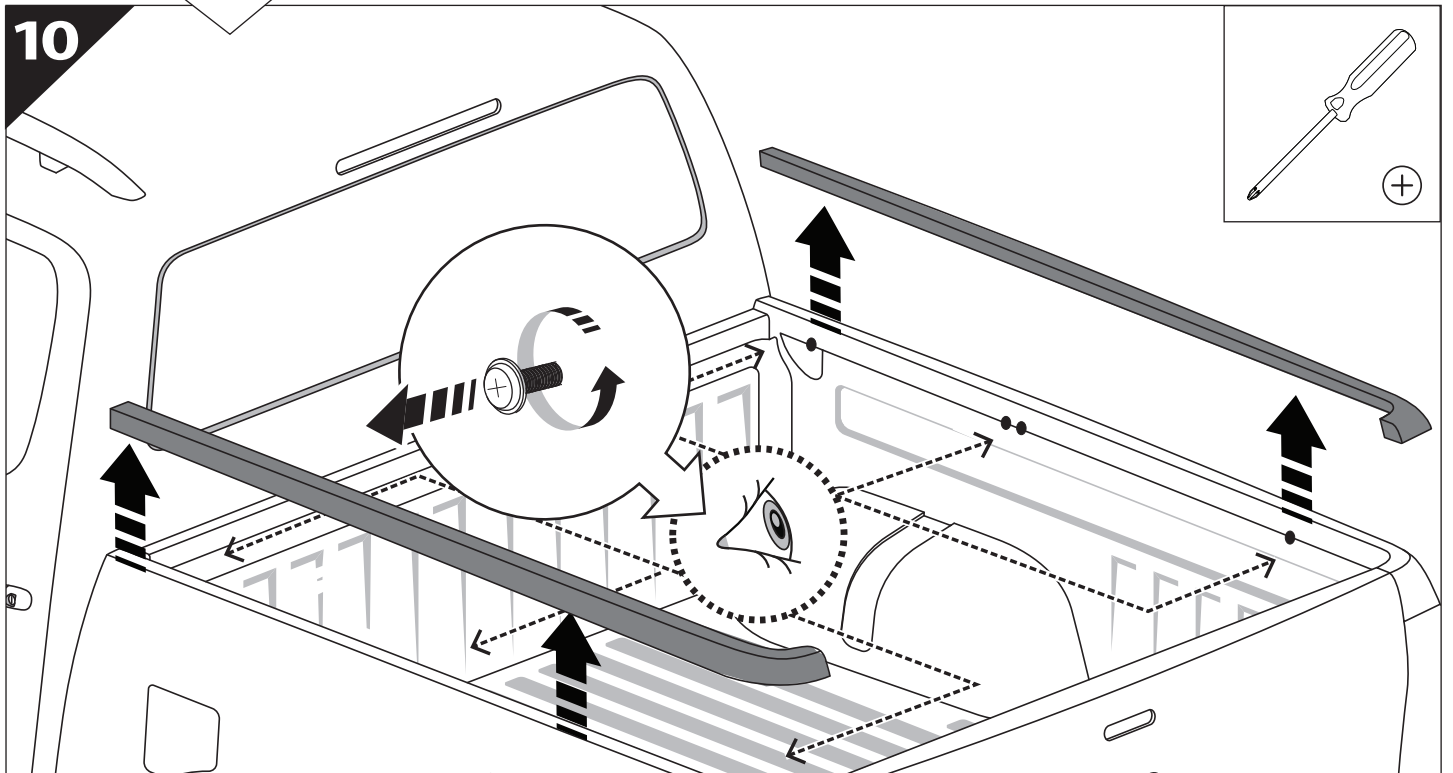
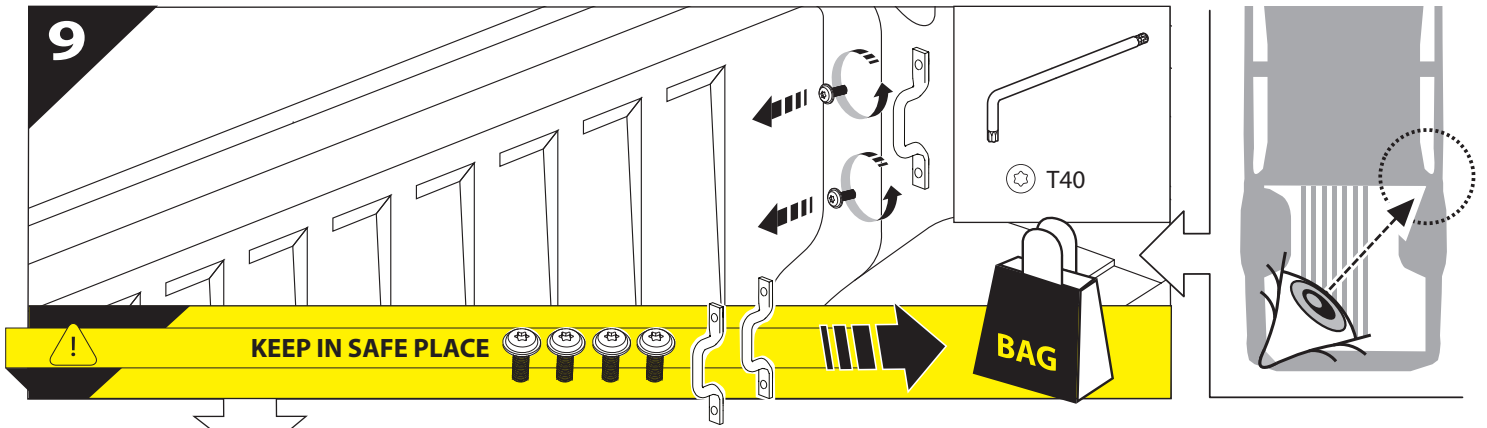


8

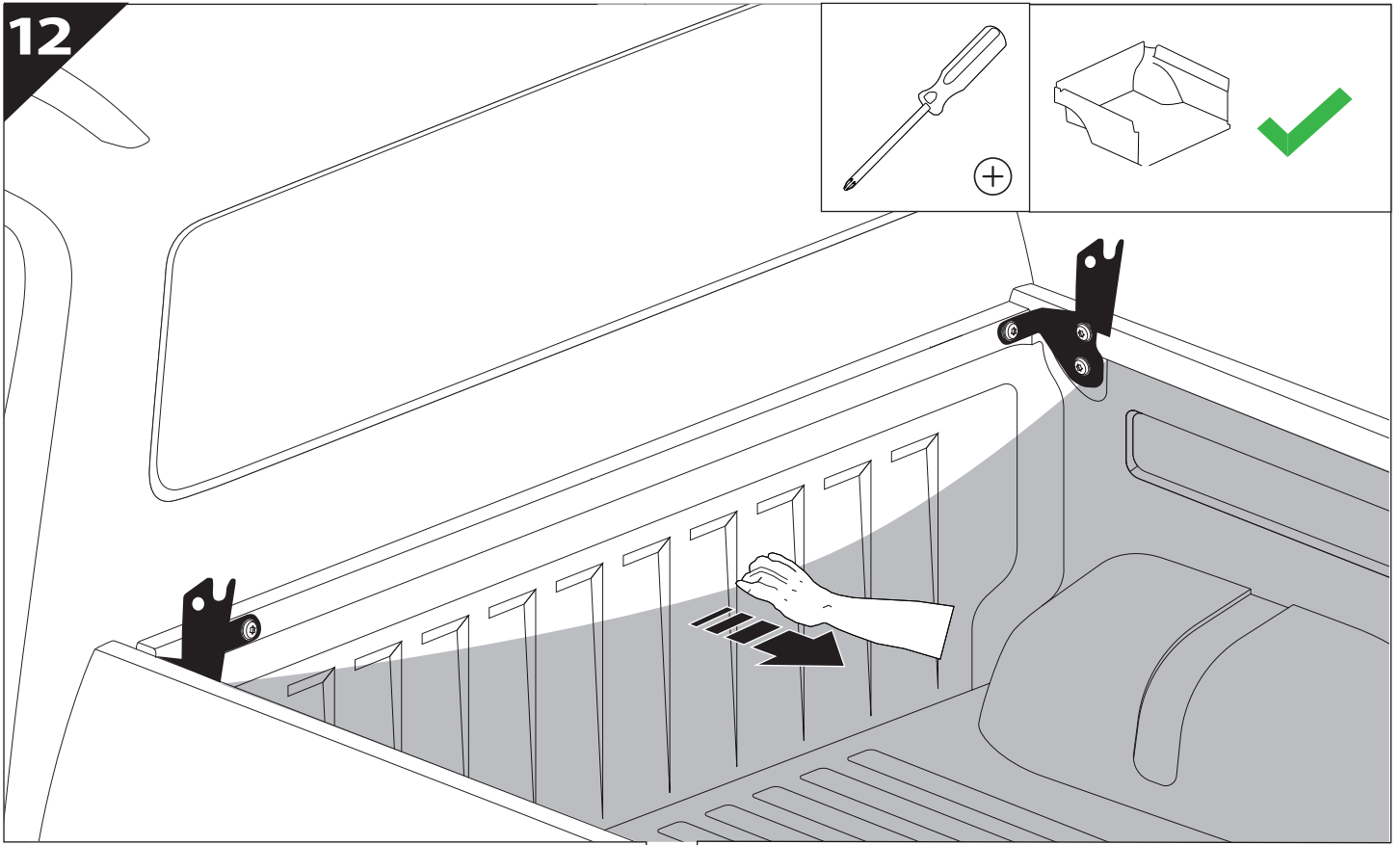


T40

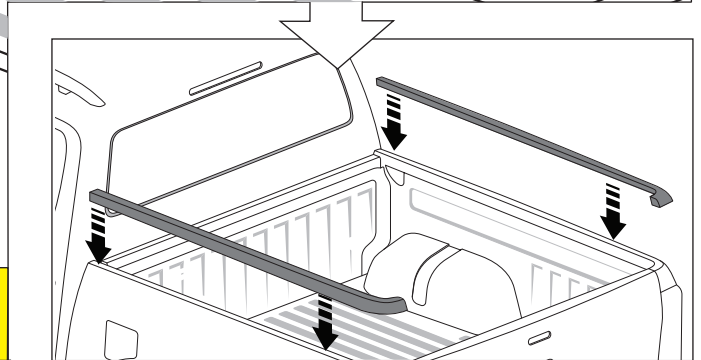
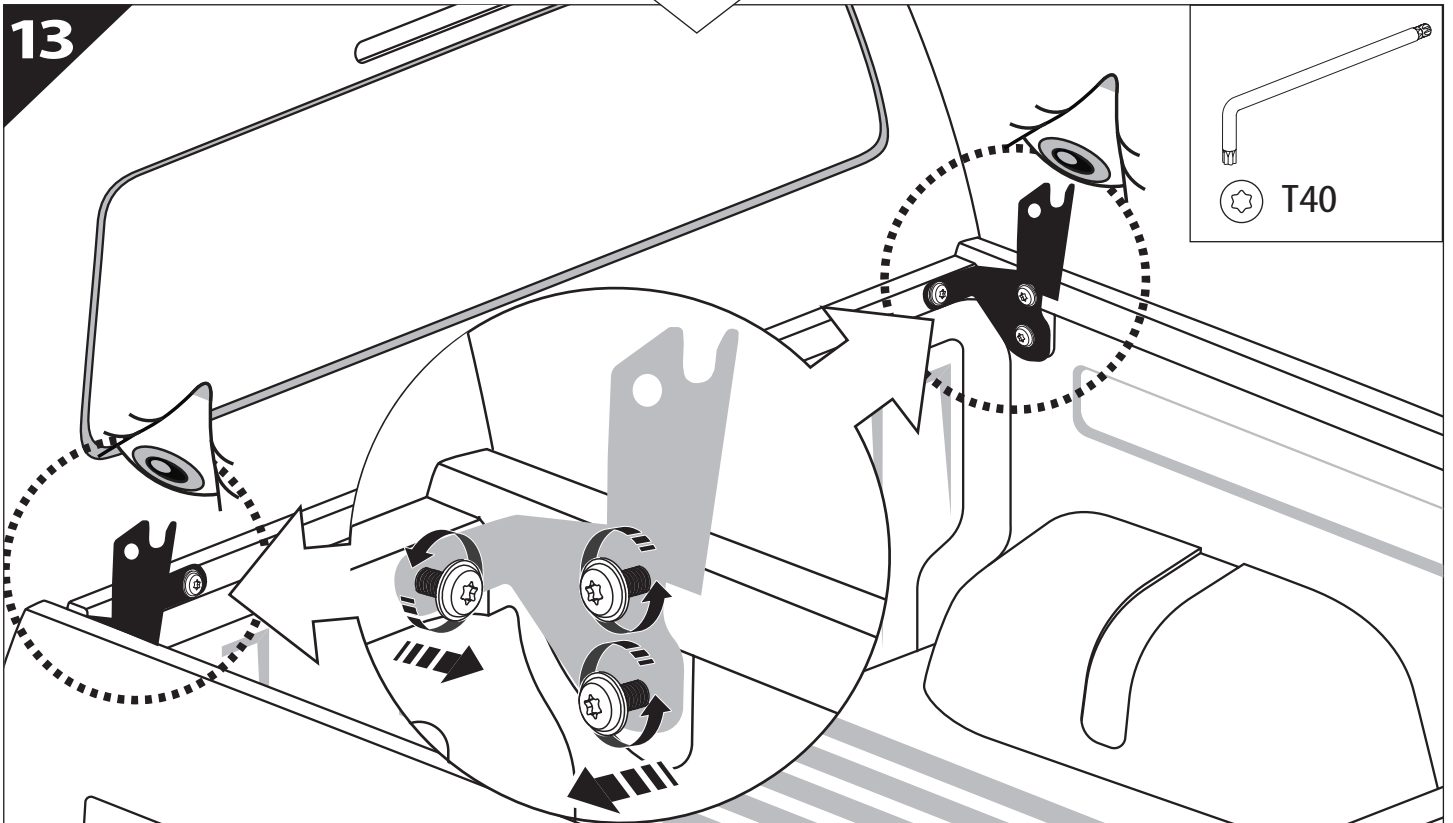




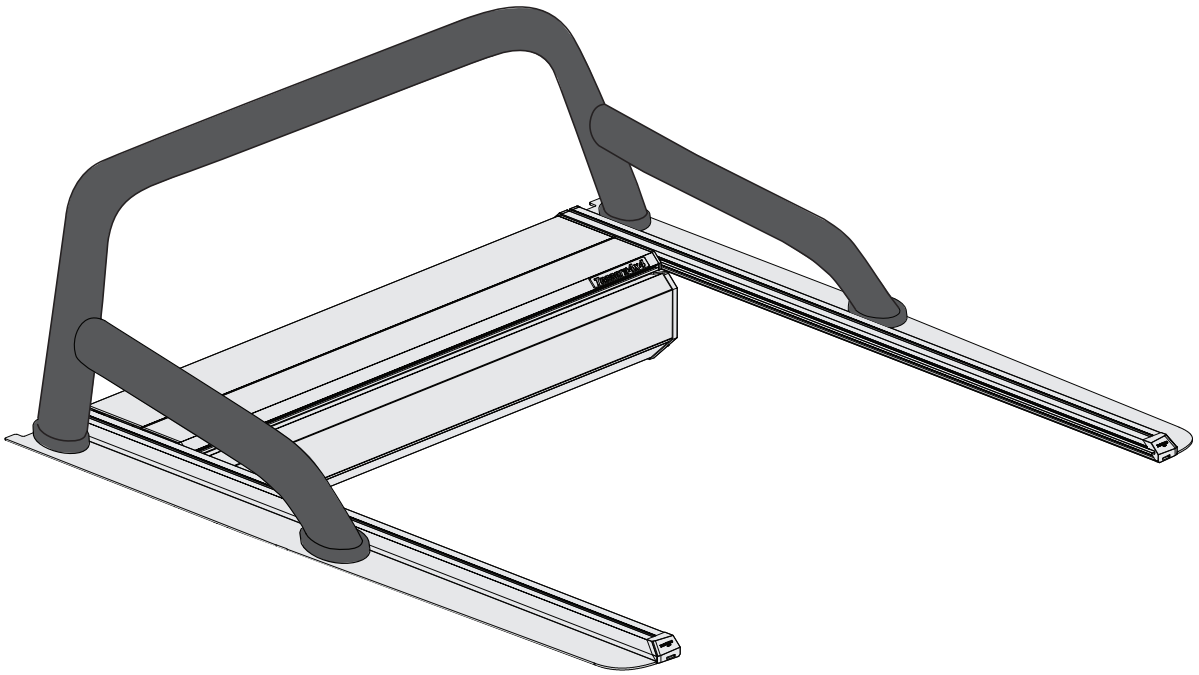
12



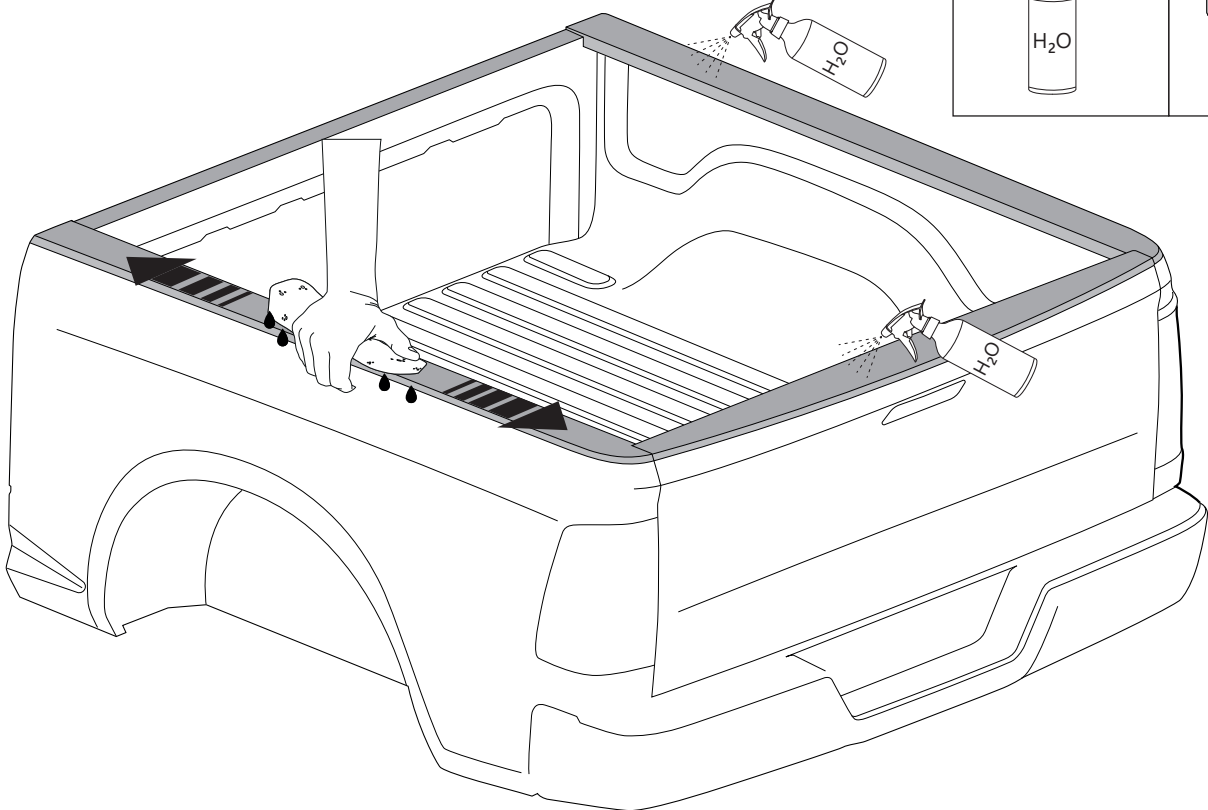
13



15



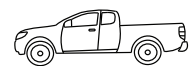
16



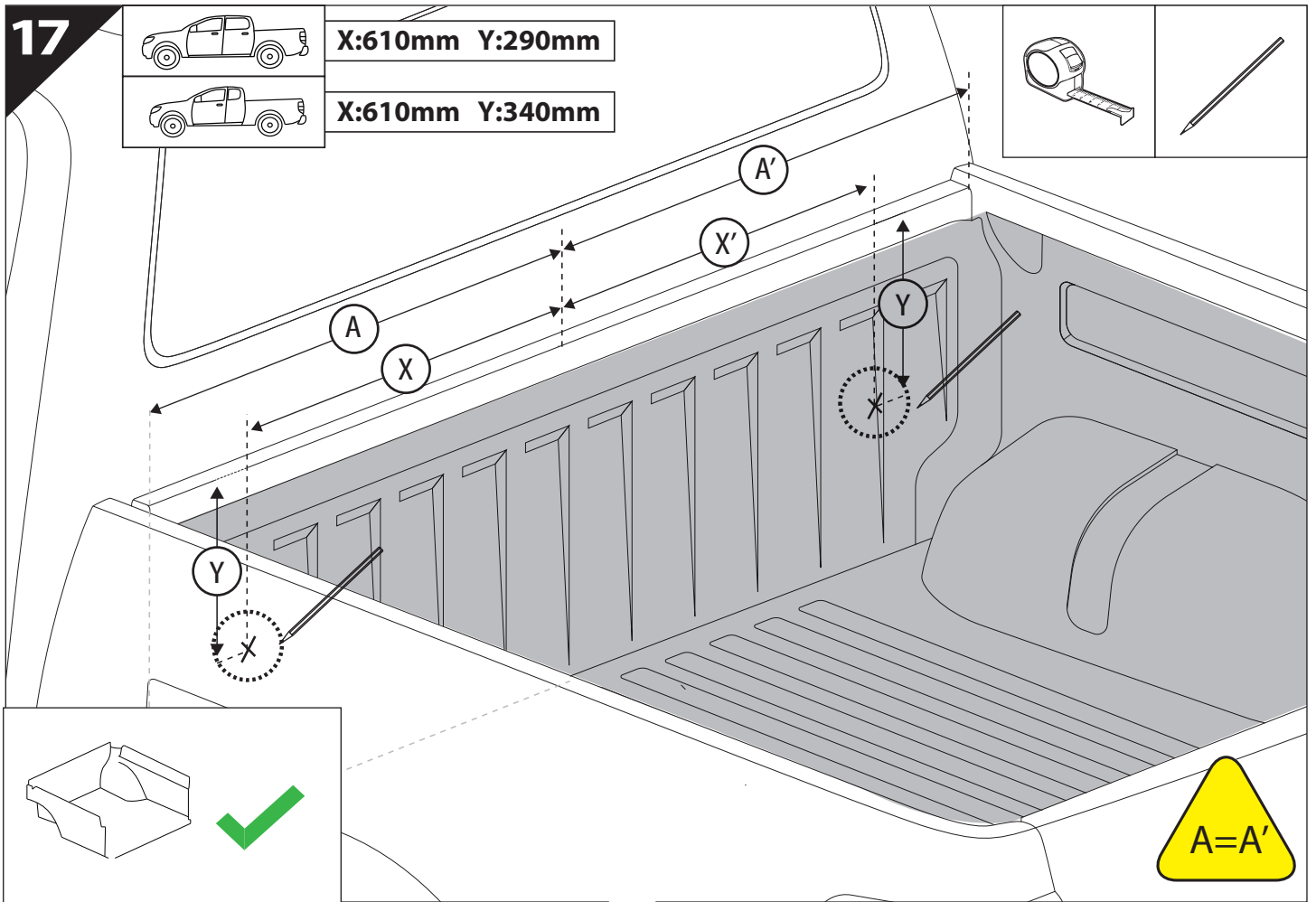
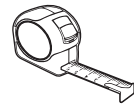
17



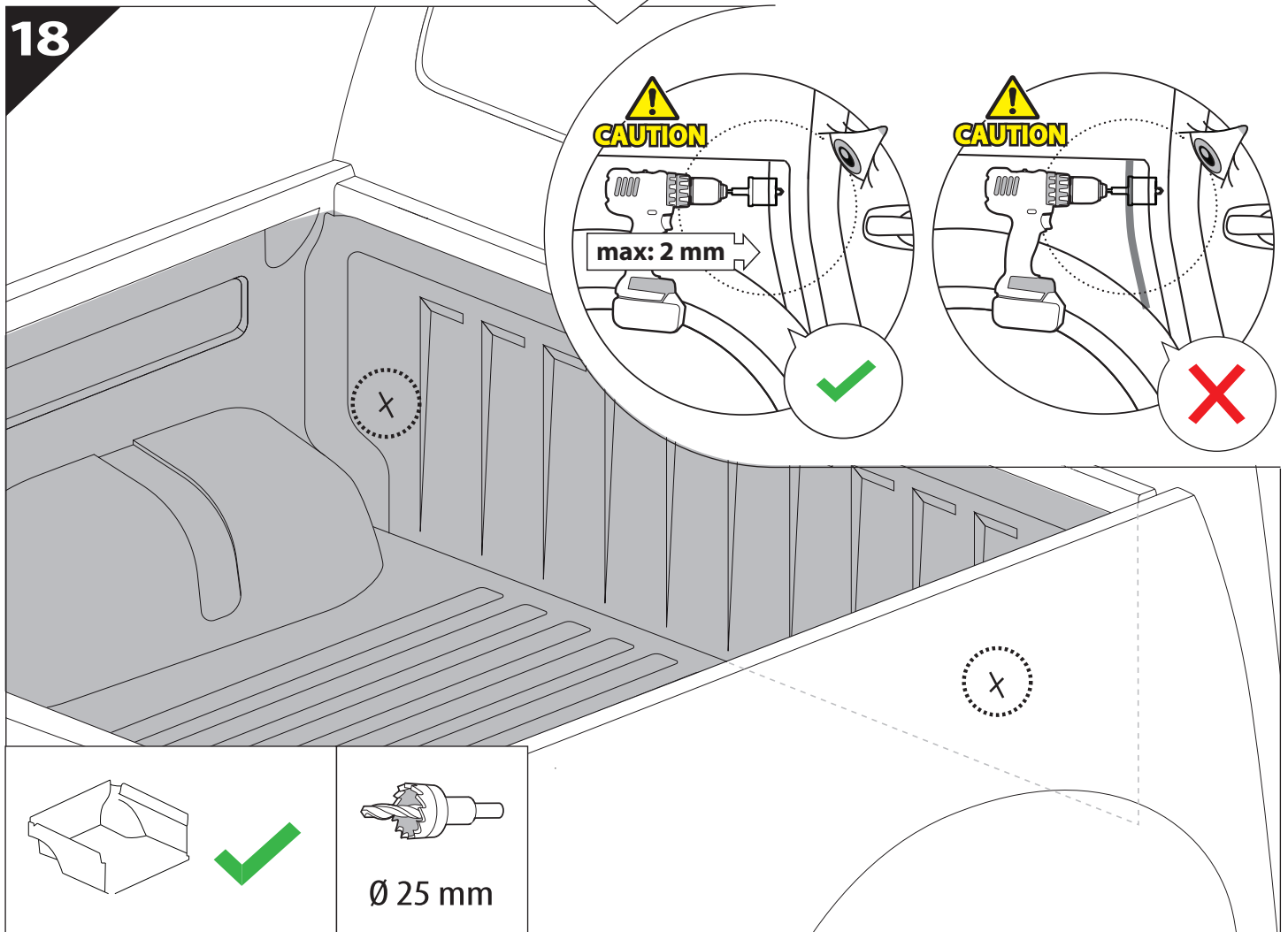
X:610mm Y:290mm

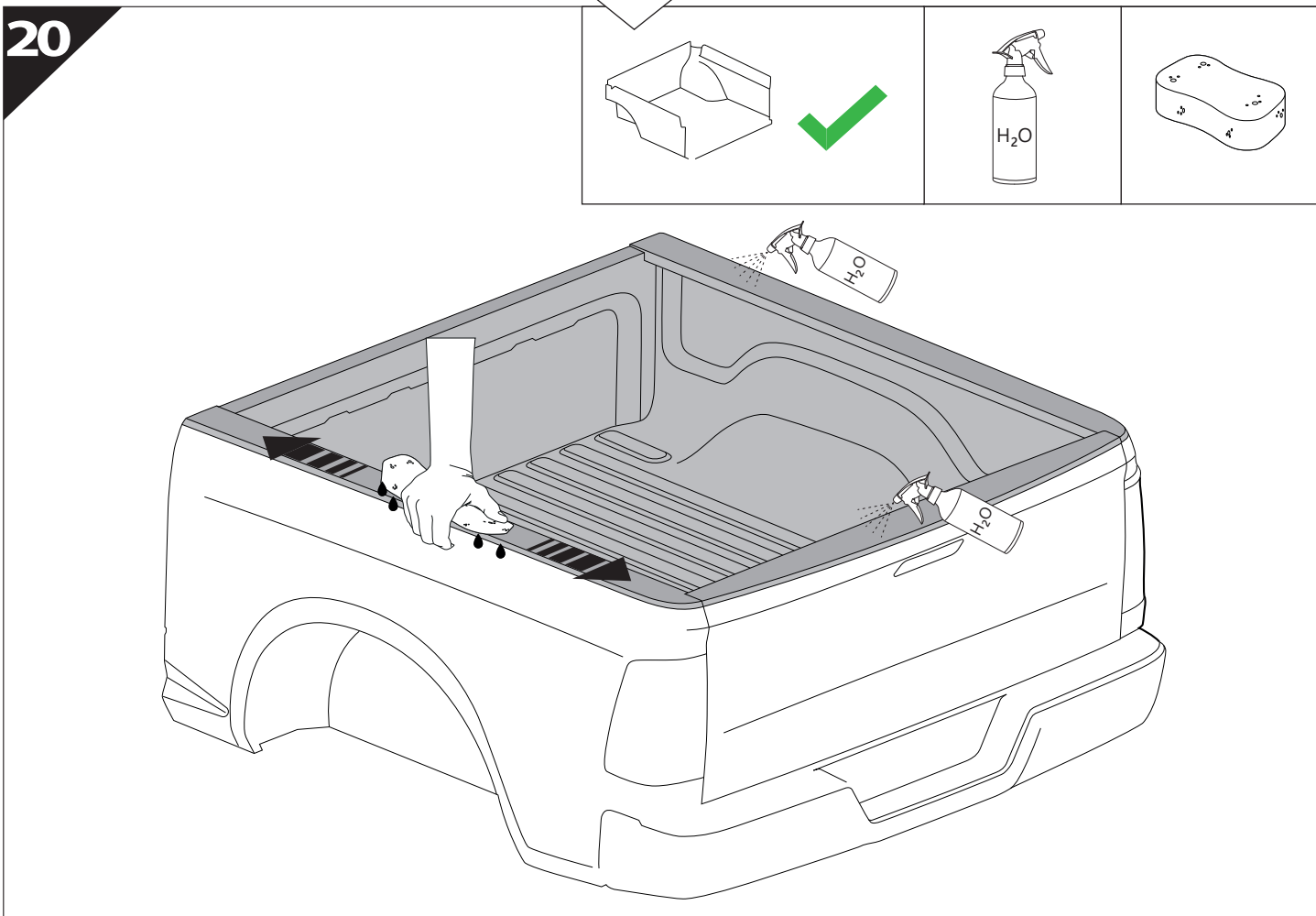
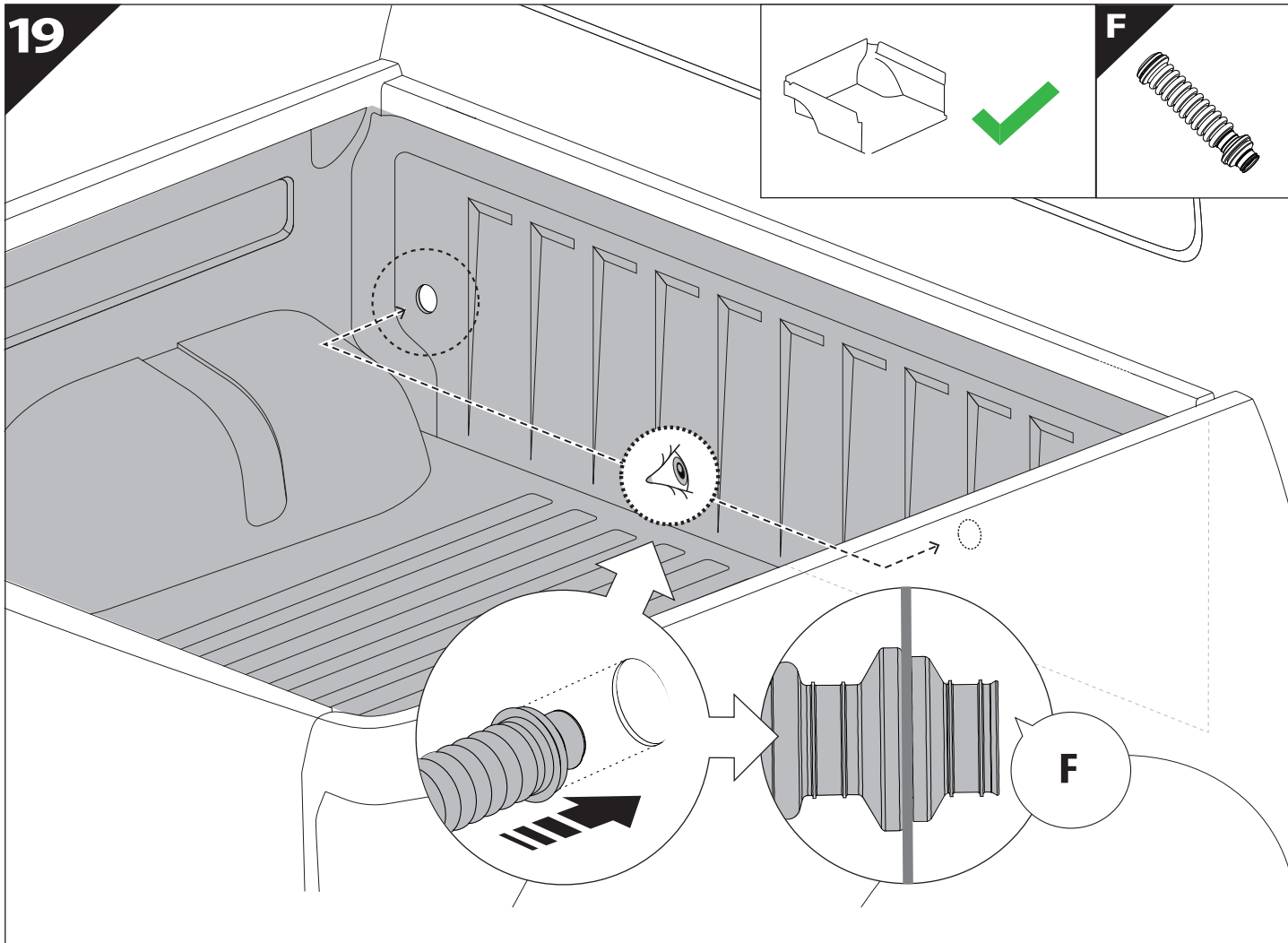


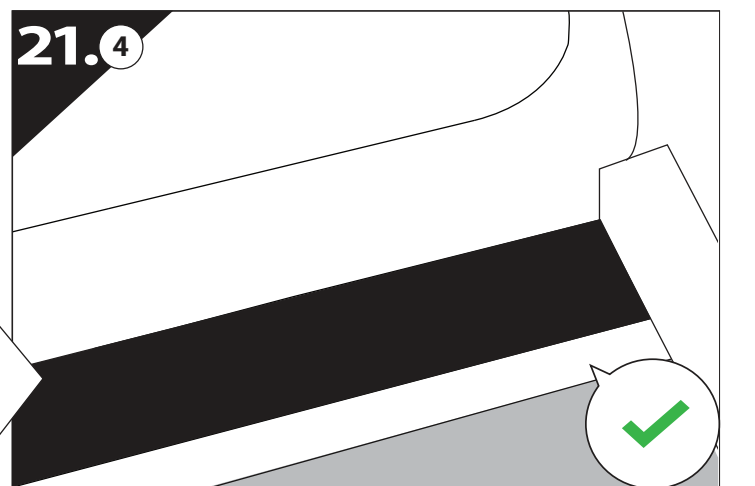
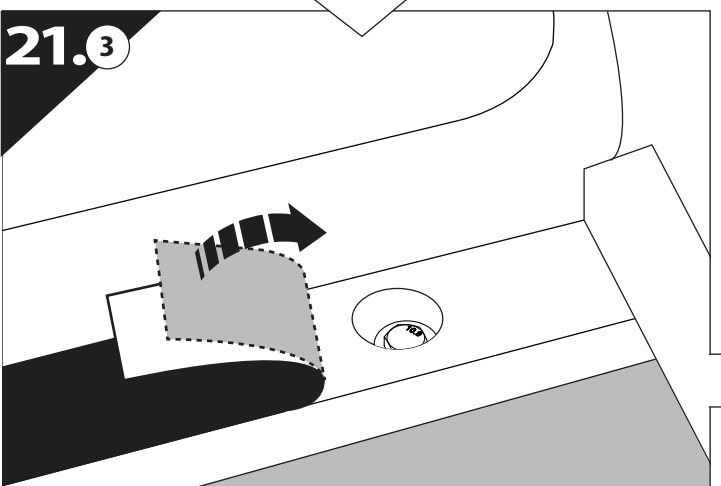
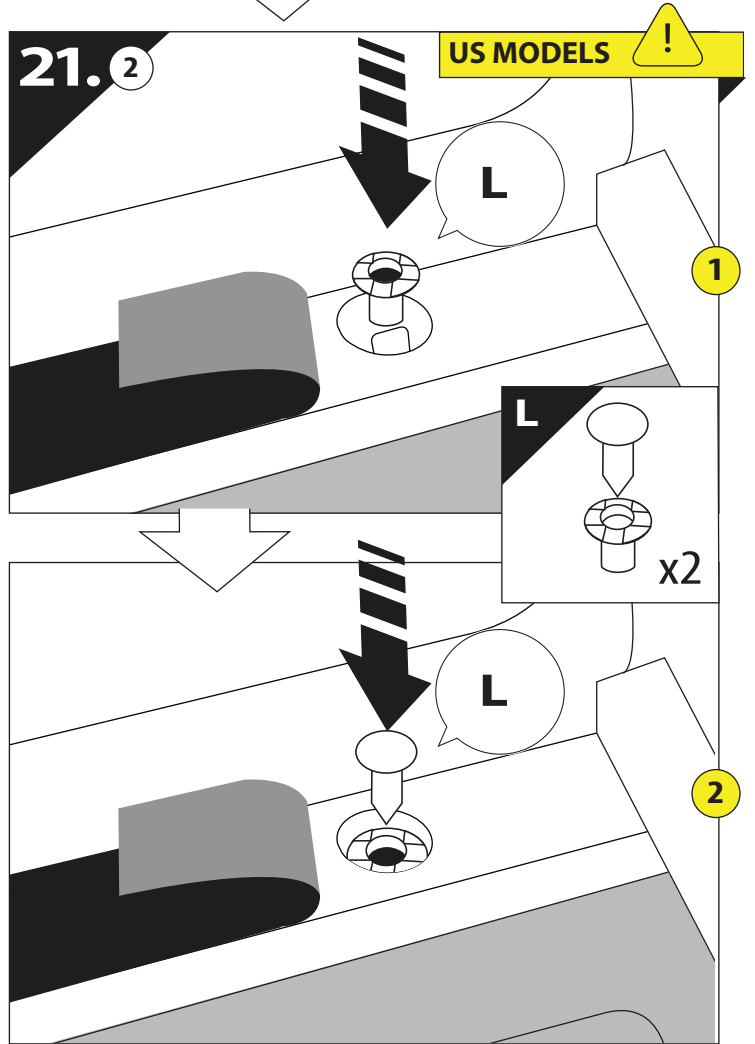
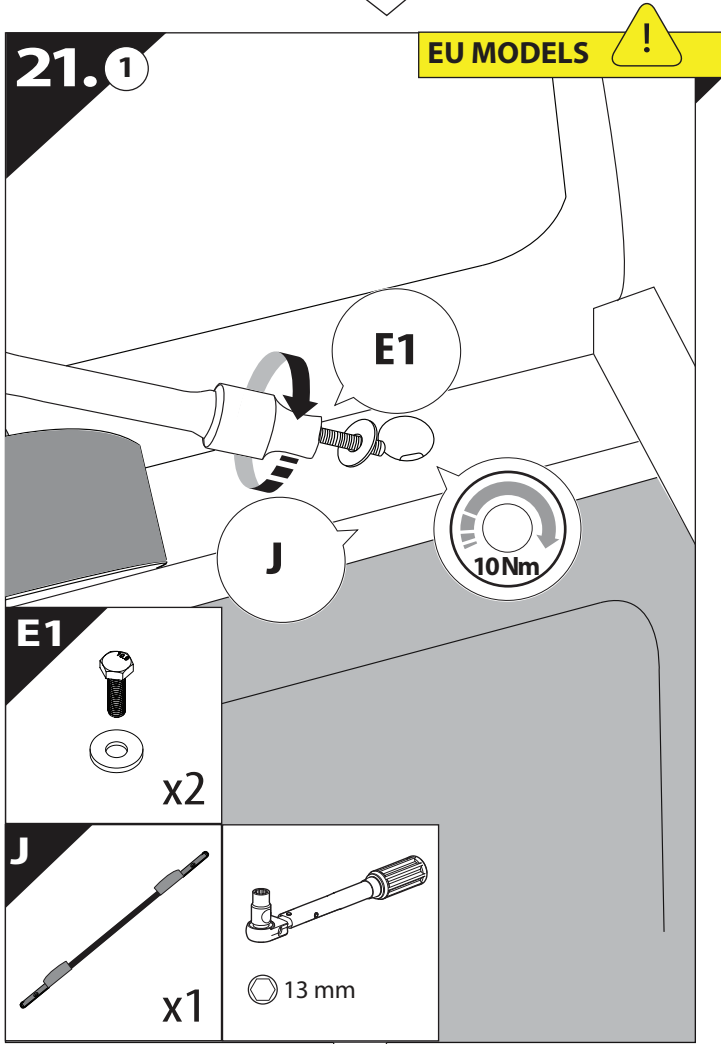
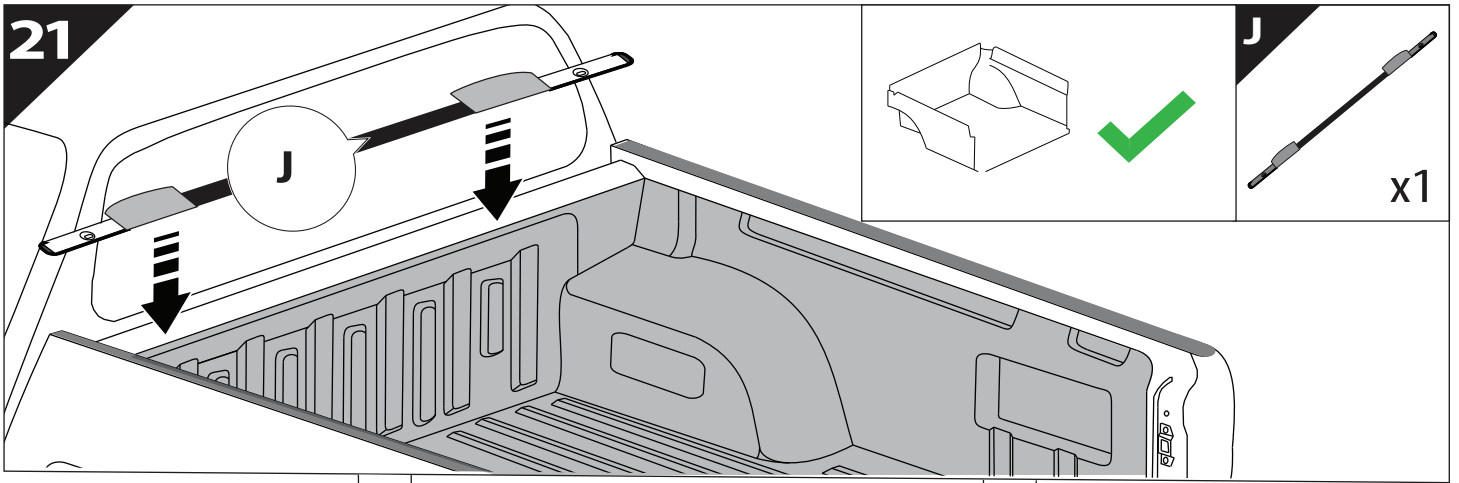
X:610mm Y:340mm



18

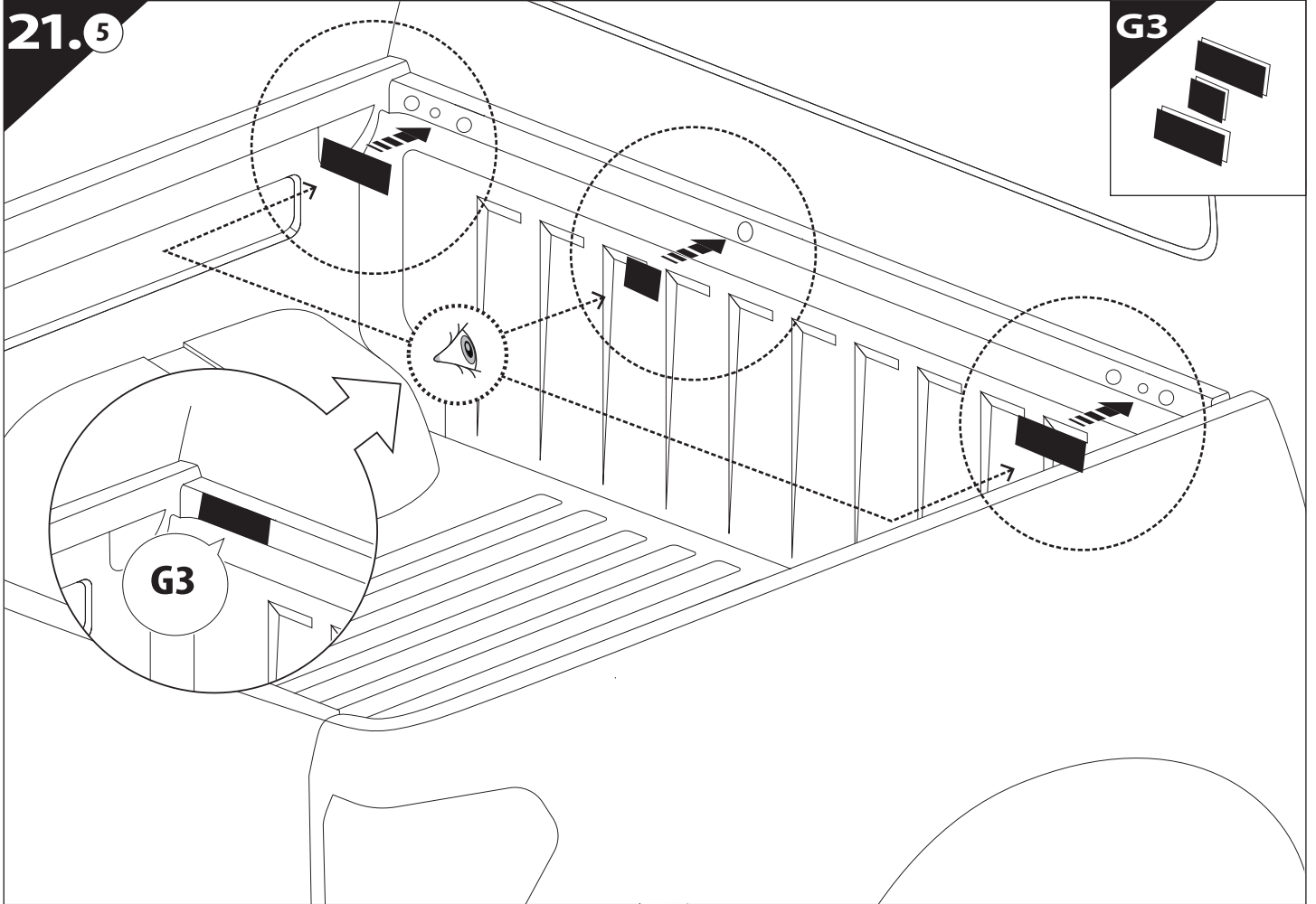






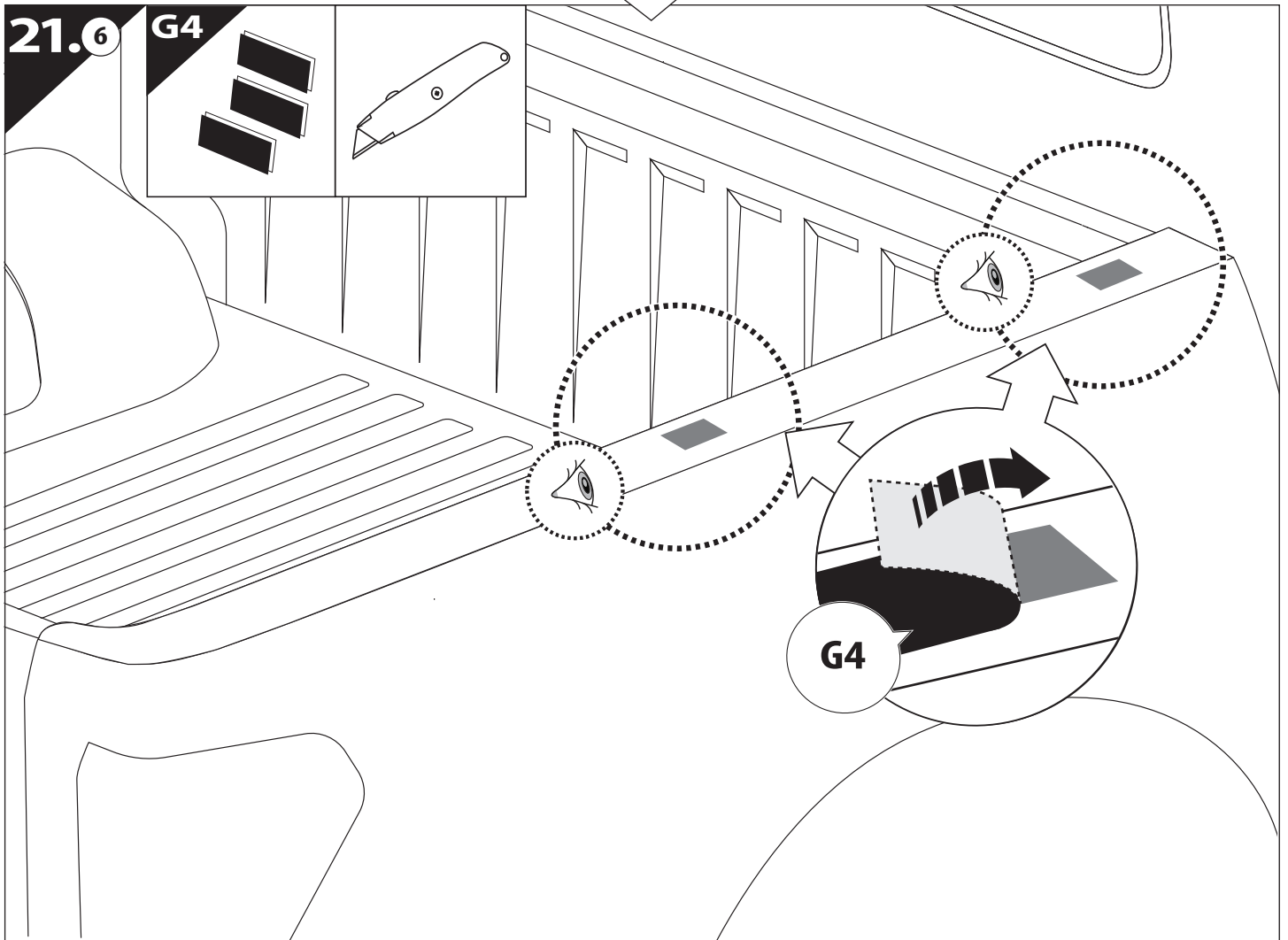
21.5

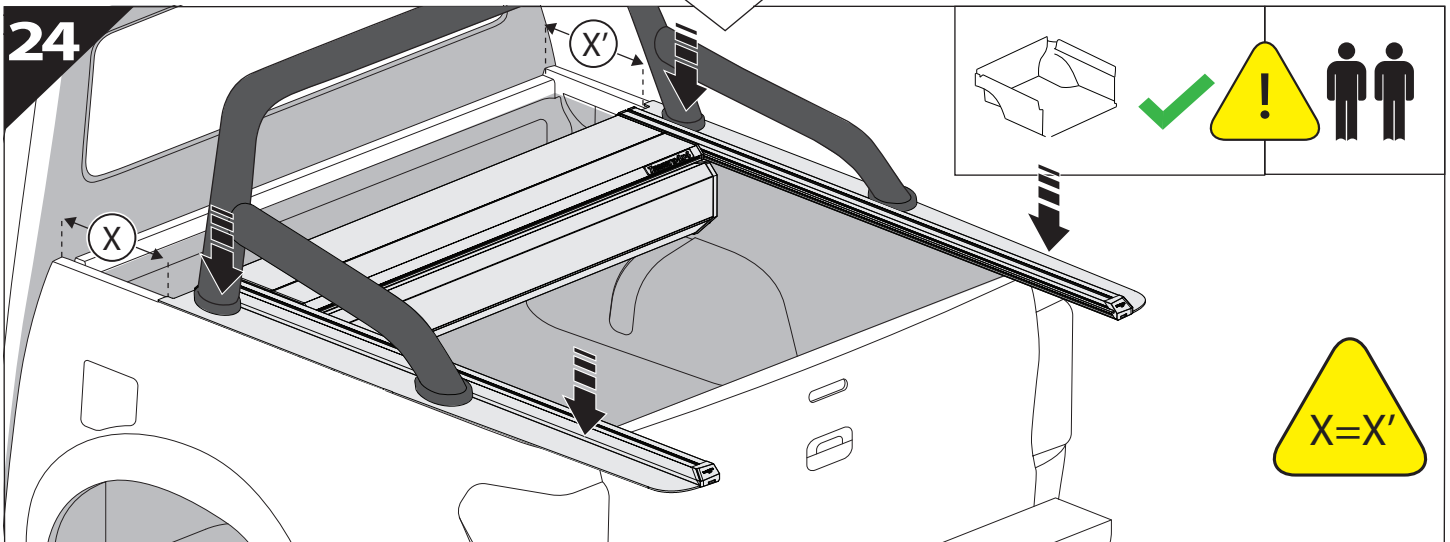
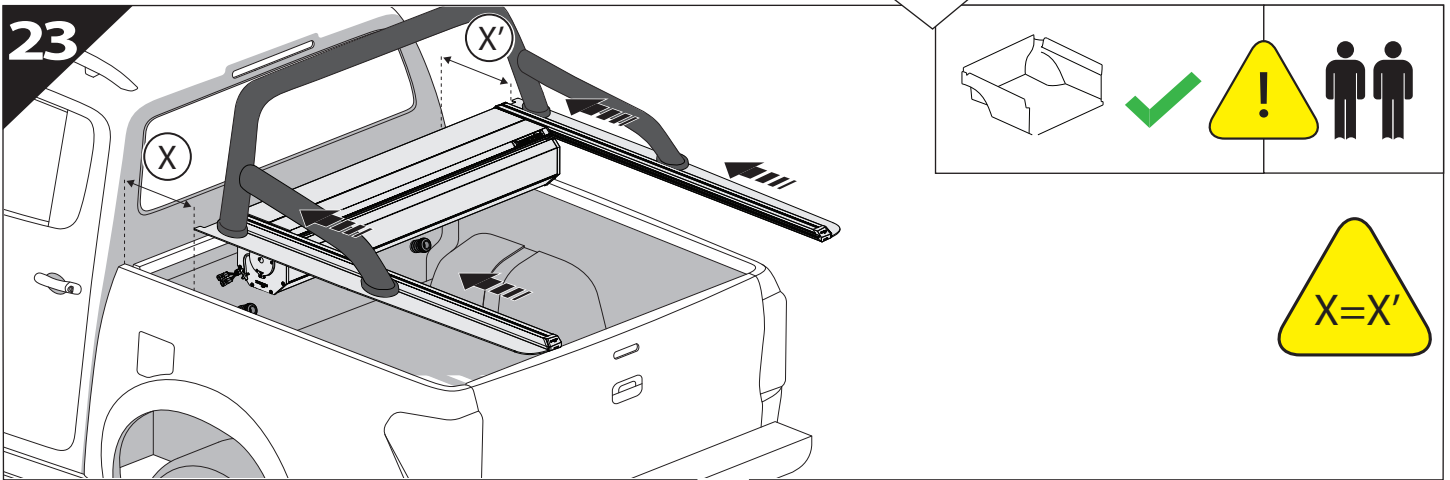
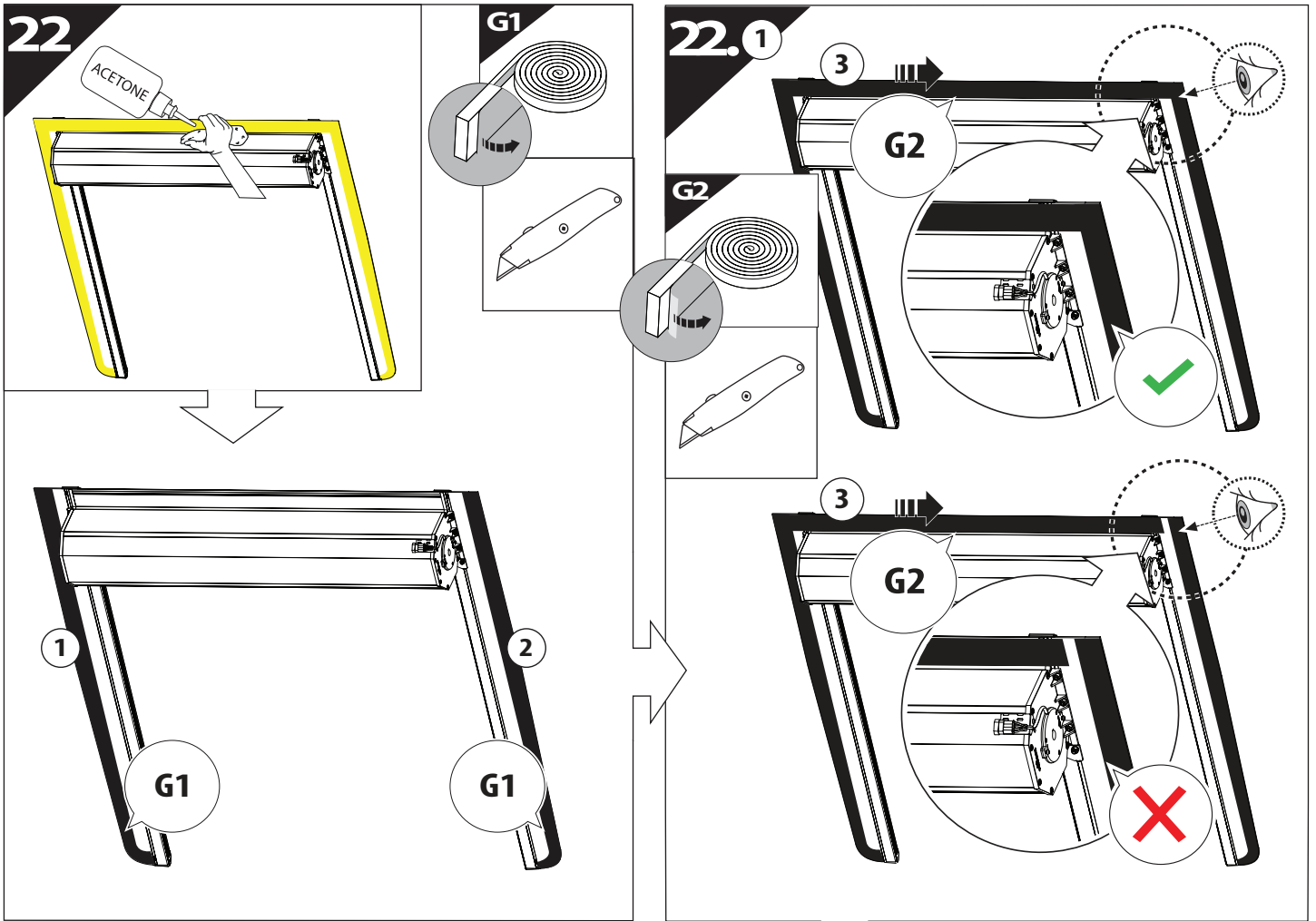
G3

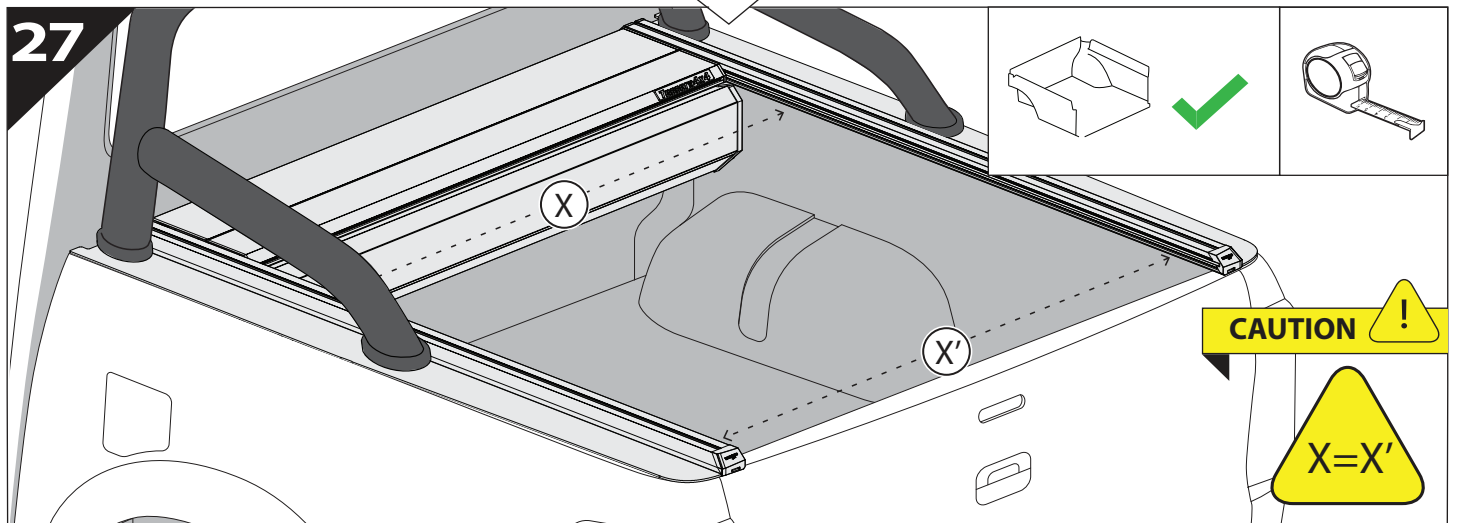
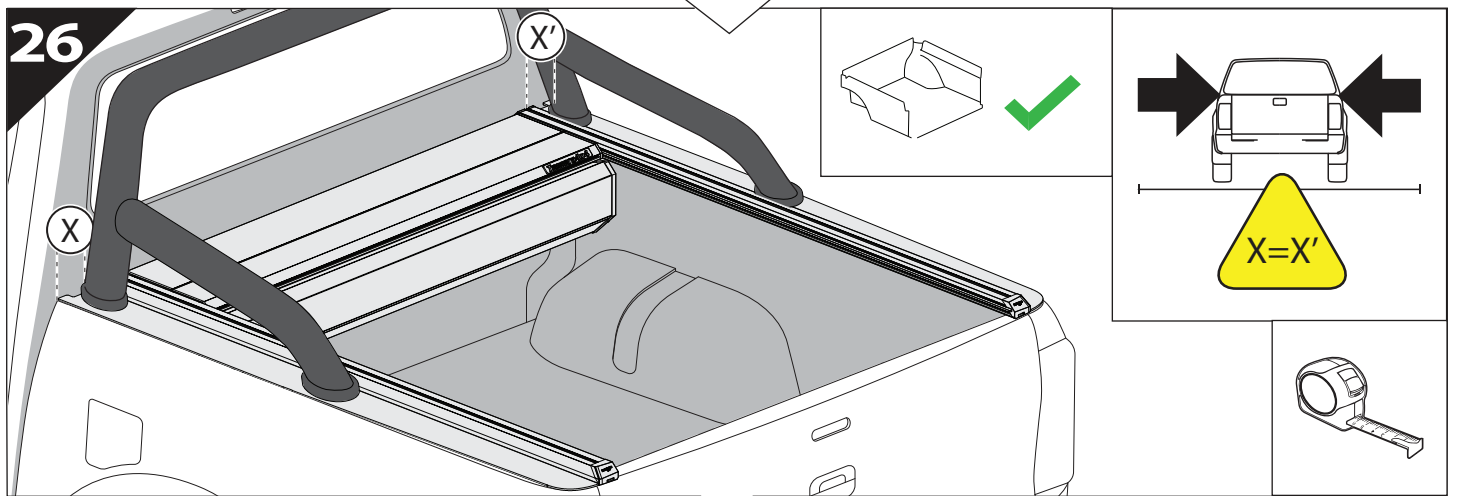
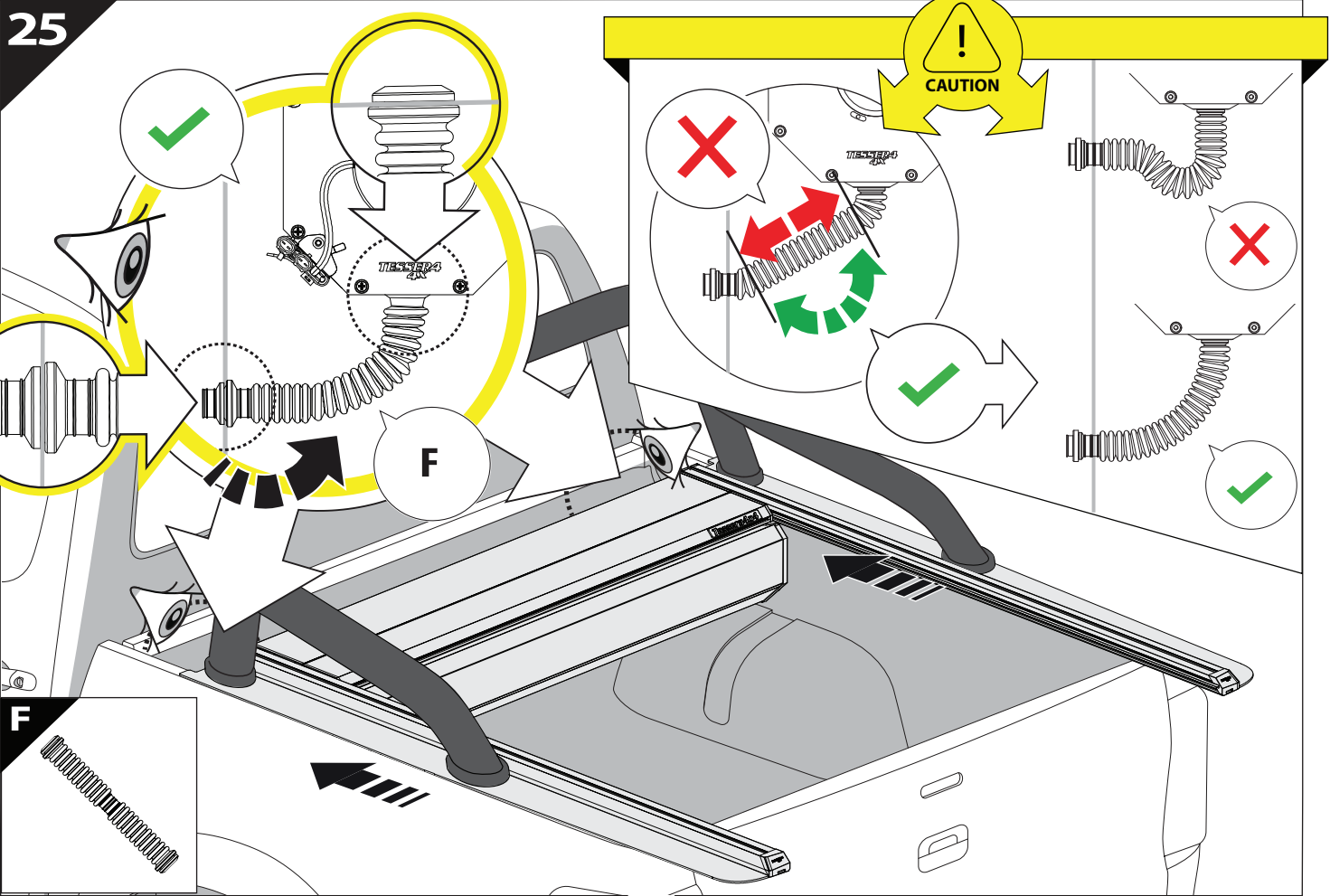


21.6

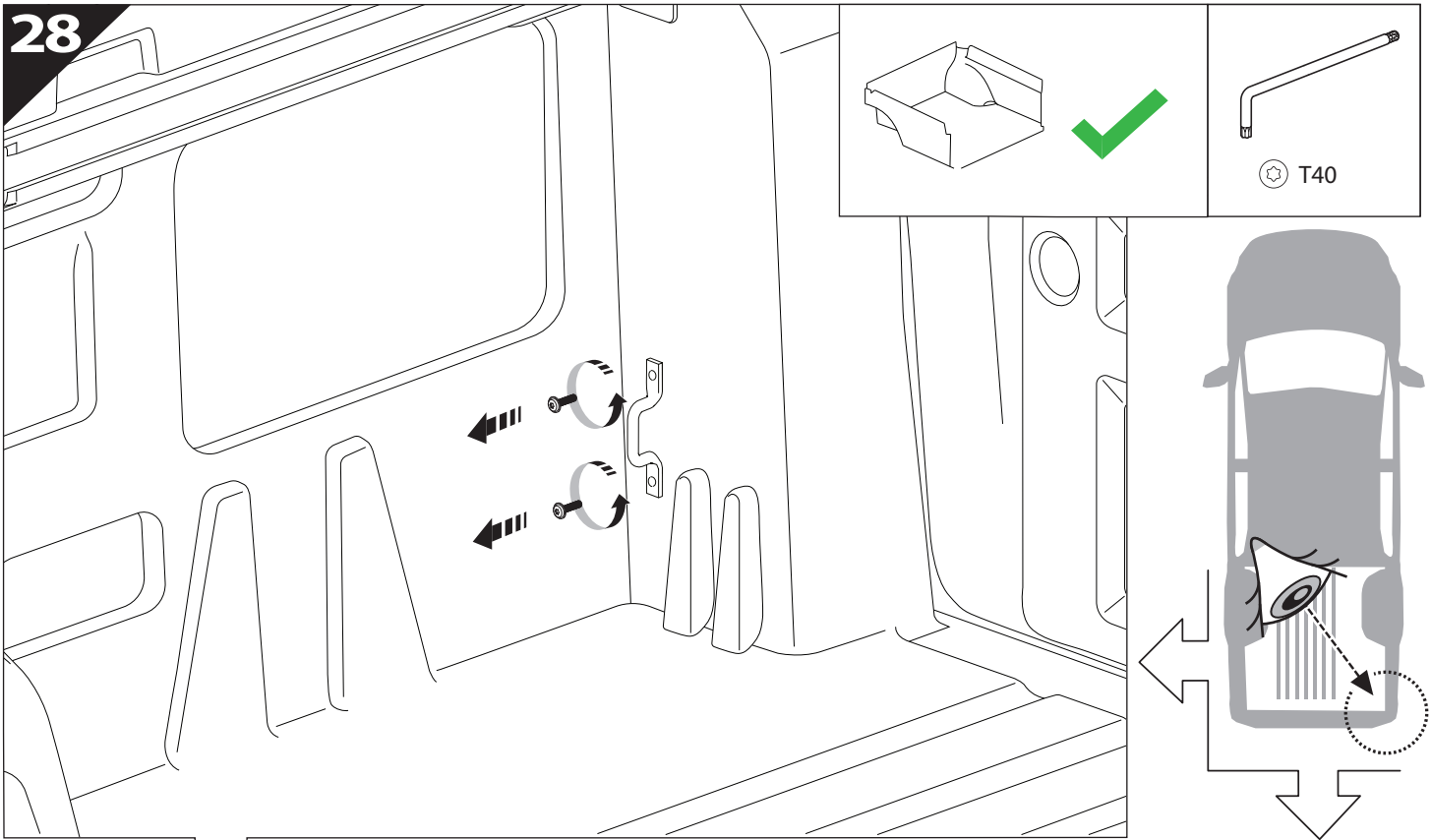
G4



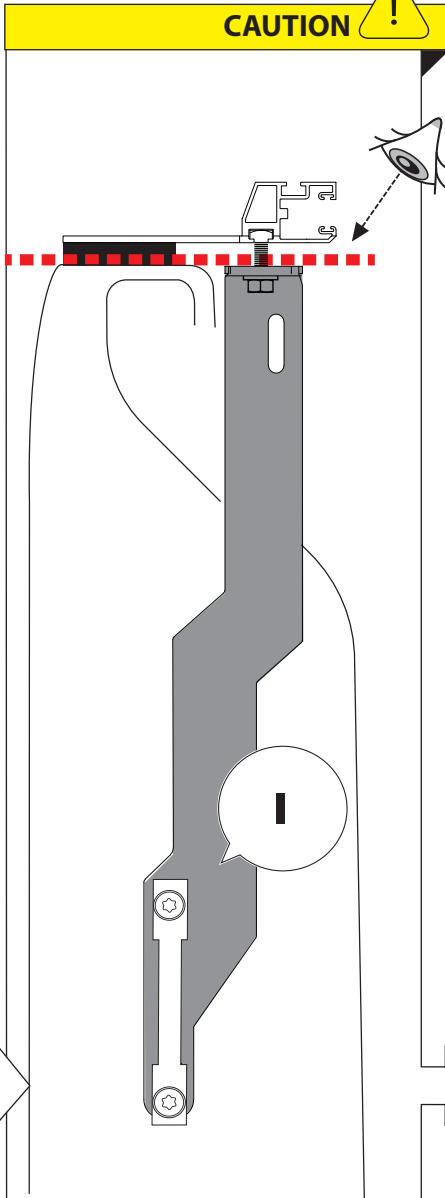
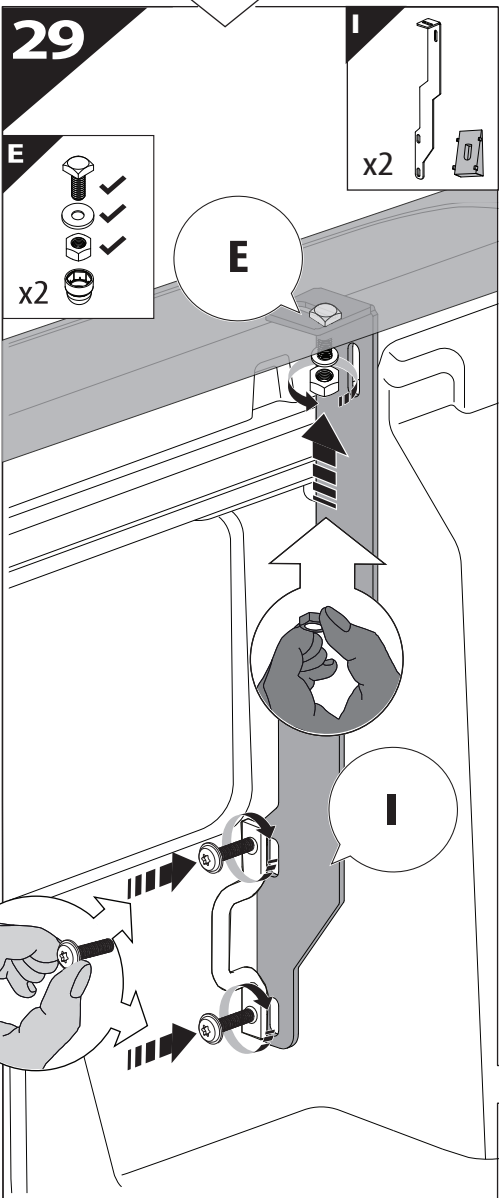




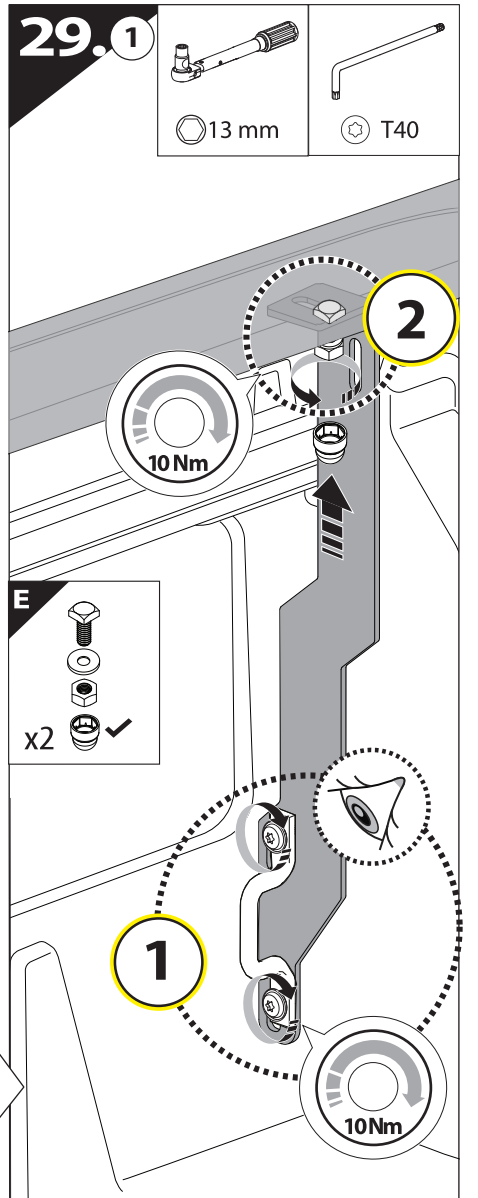
28



29

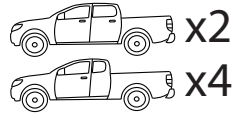
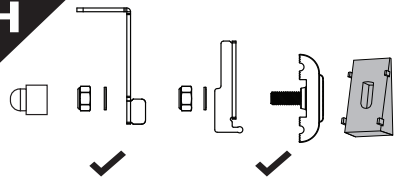


29.1

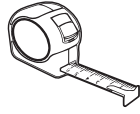
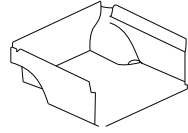
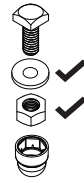


30

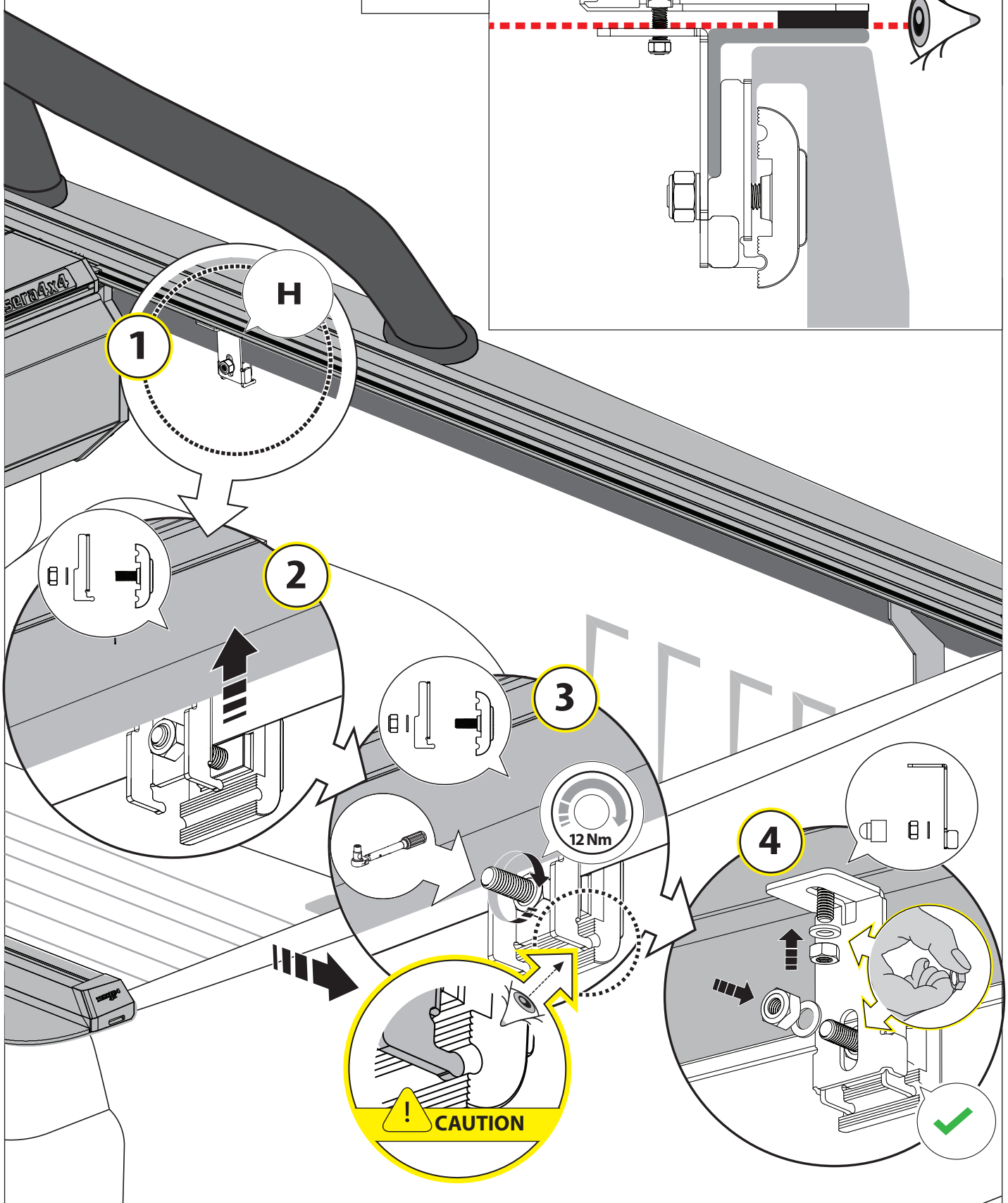
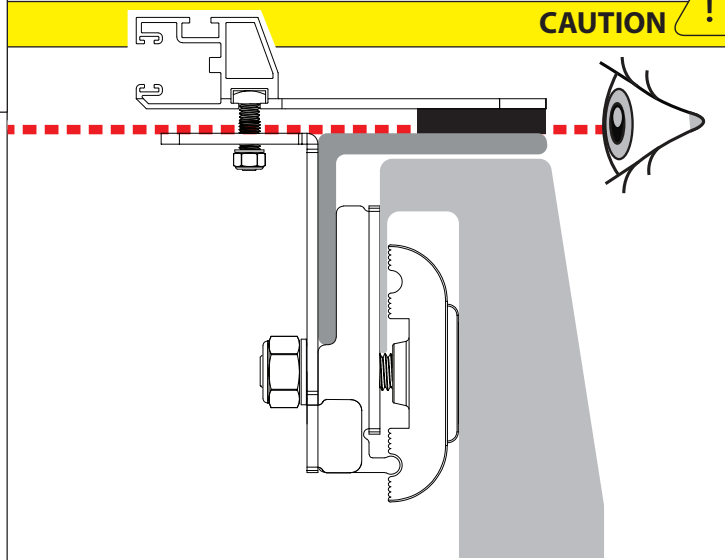
H

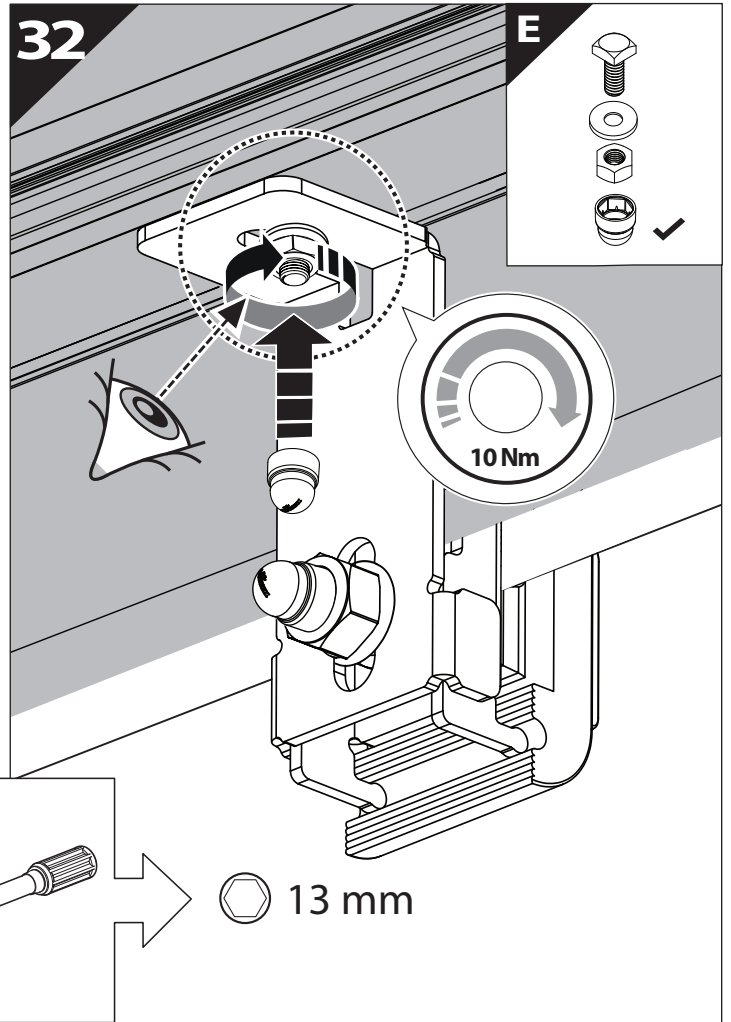
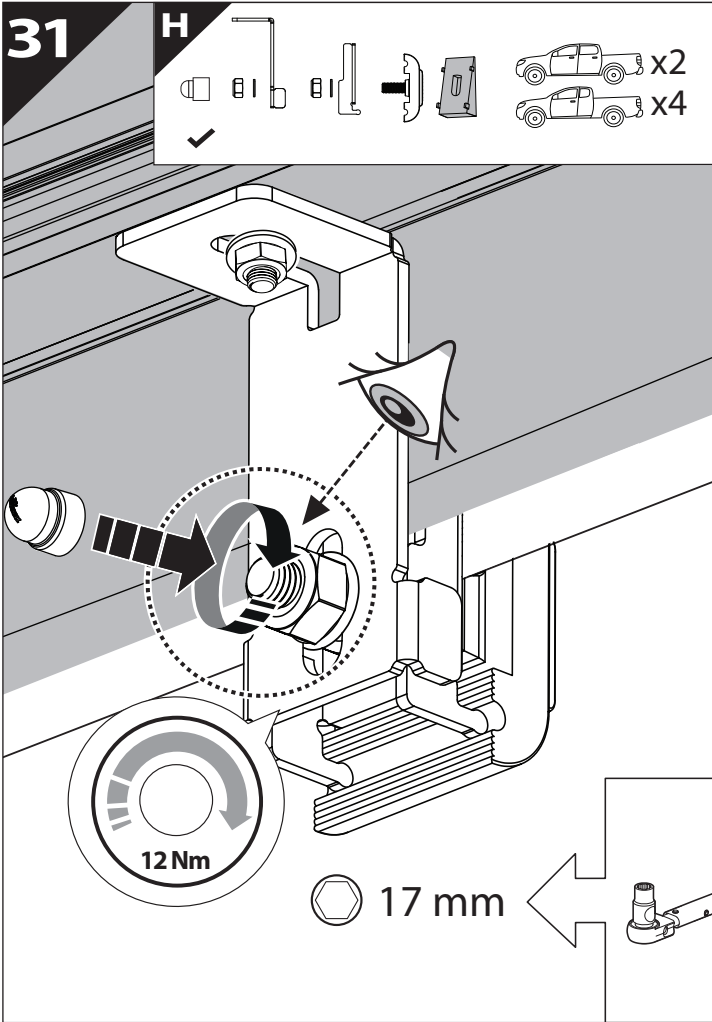


E

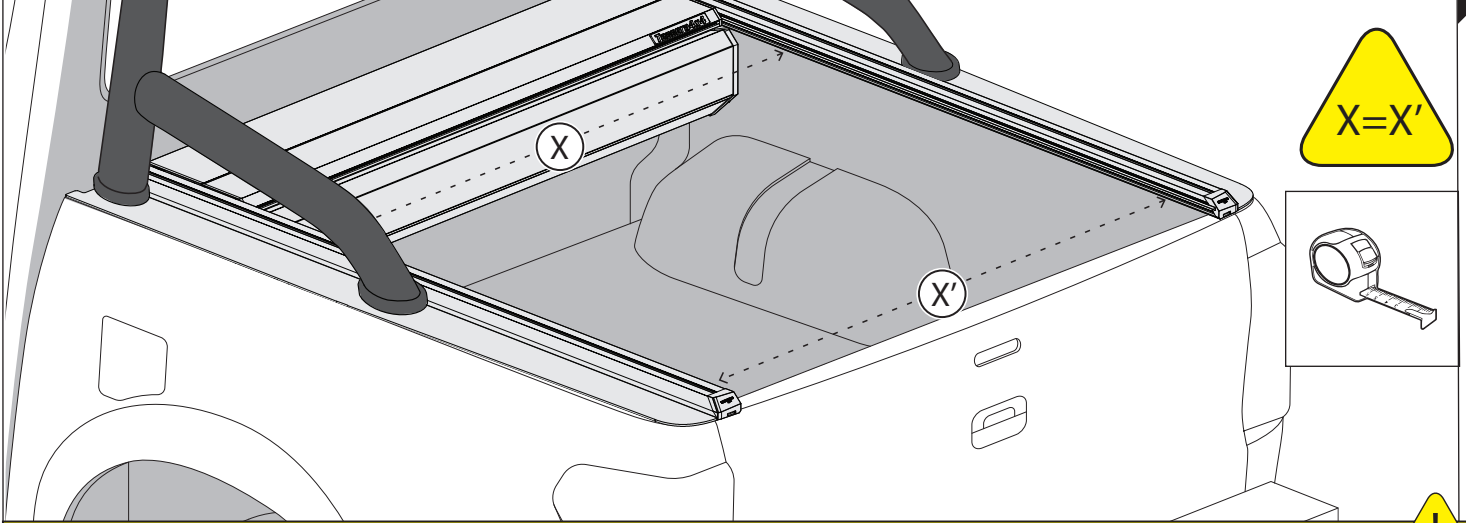


CAUTION

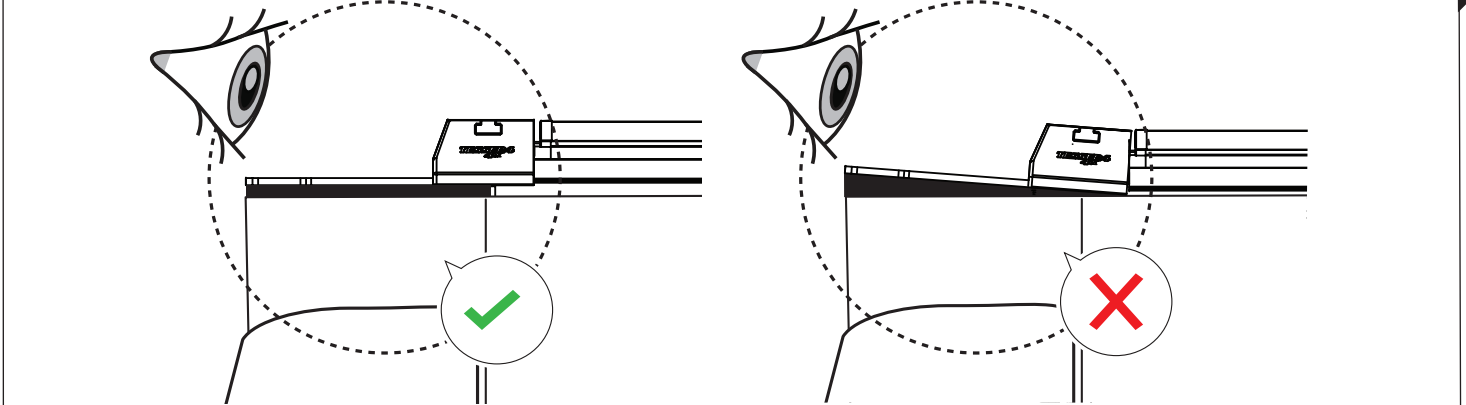




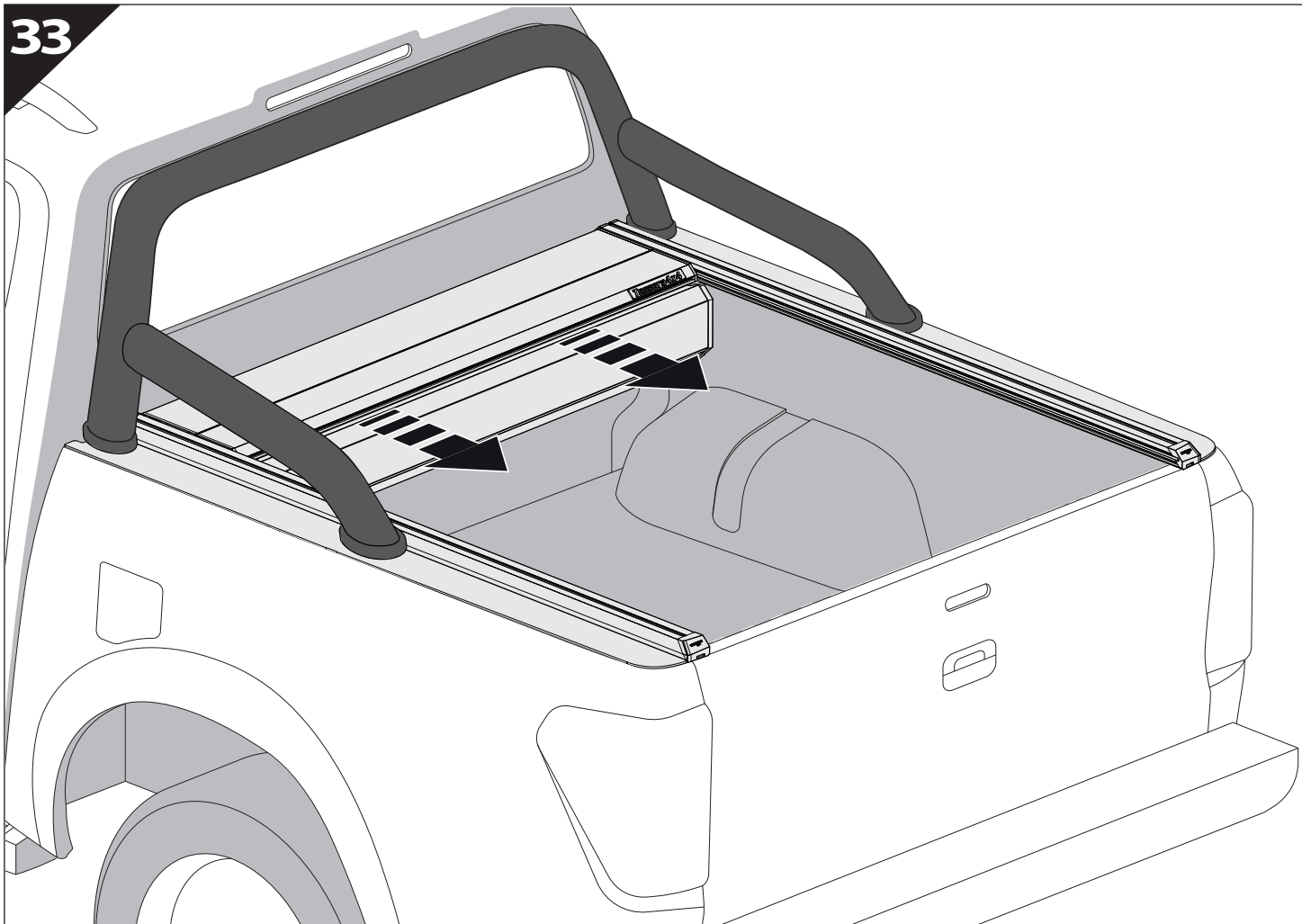
CAUTION !



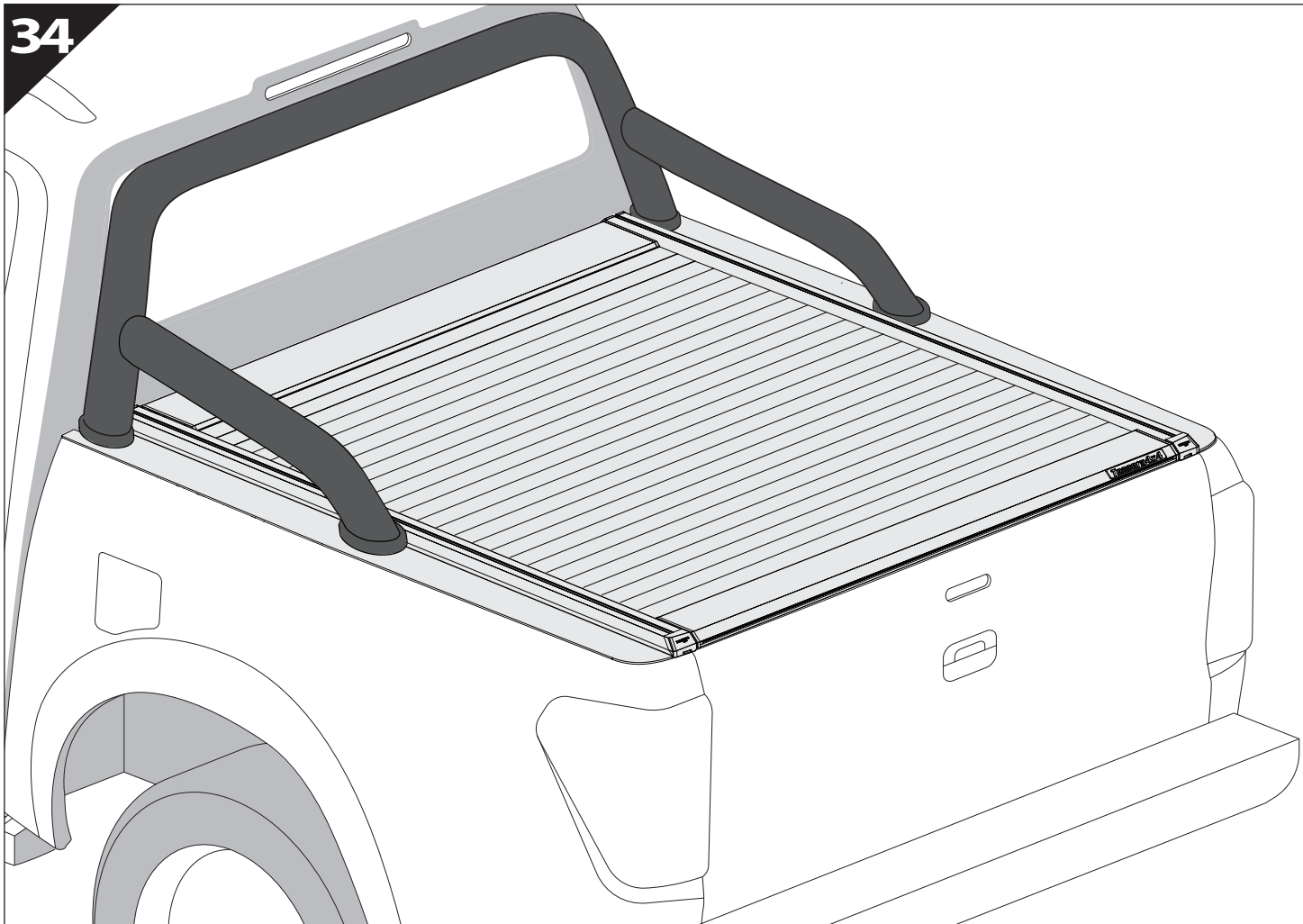
CAUTION !



33



34



GR: Οδηγίες Εγκατάστασης
GB: Installation manual
SF: Asennusohje
F: Notice de montage
PL: Instrukcja montażu
NL: Installatie-instructies
TR: Montaj Talimatı
S: Monteringsanvisning
E: Instrucciones de montaje

H: Szerelési utasítás
P: Instruções de instalação
RUS: Инструкция по установке
N: Monteringsveiledning
D: Einbauanleitung
CZ: Návod k instalaci
I: Istruzioni de montaggio
DK: Monteringsvejledning
RO: Instructiuni de instalare

Customer Service:

+30 (210) 5541161, +30 (210) 5541154 (08:00 - 16:00 EET)

Support department:

info@gianso.gr

Website:

www.tessera4x4.com

Address:

19.5 km of National road Athens-Korinthos (Elefsina) Greece, P.C: 19200