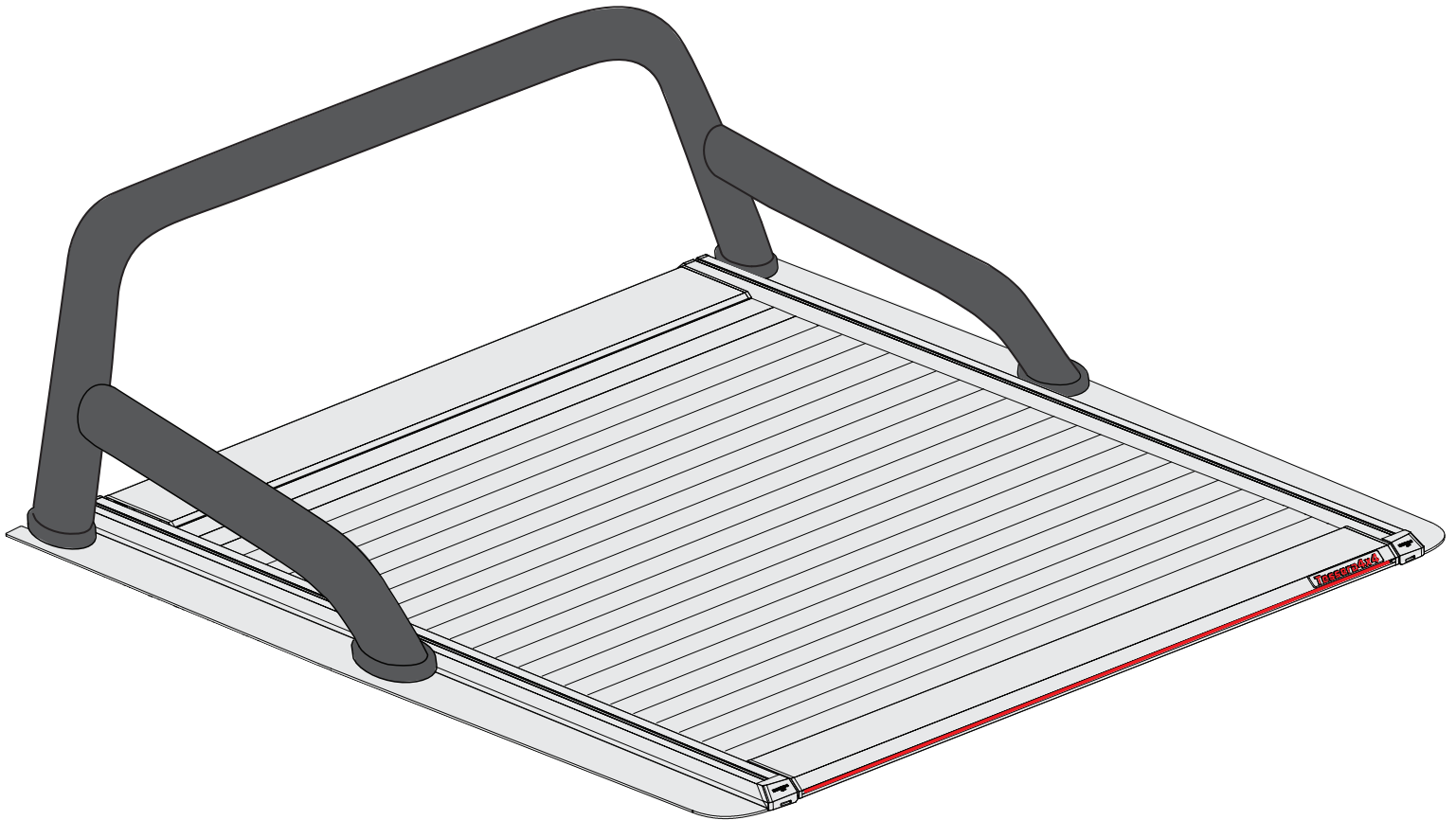


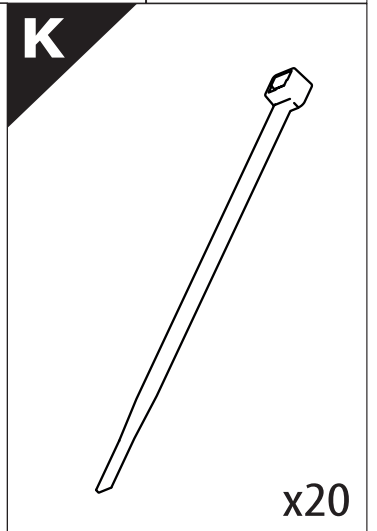
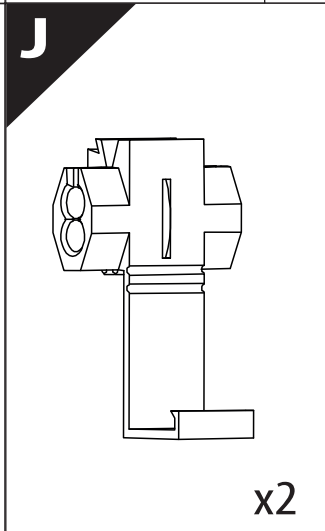
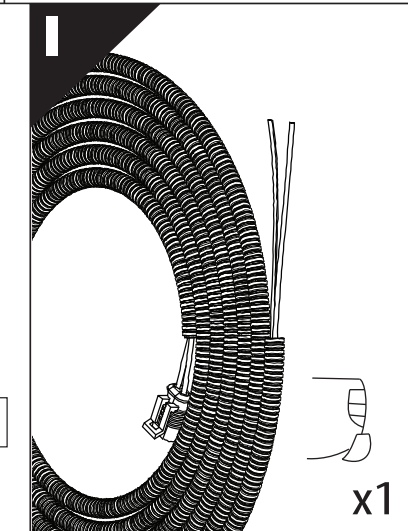
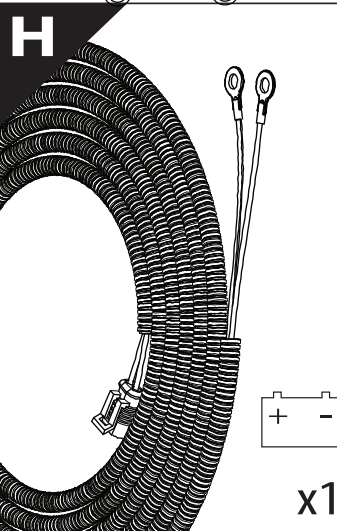
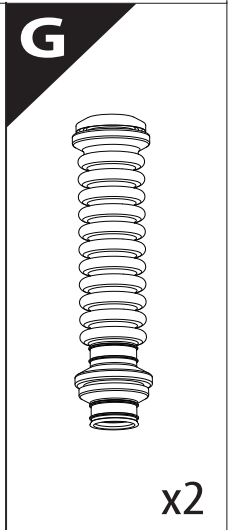
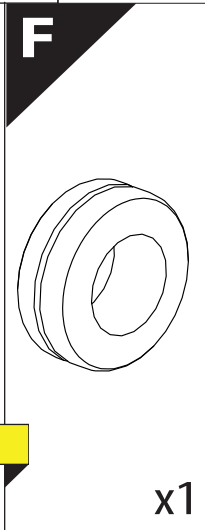
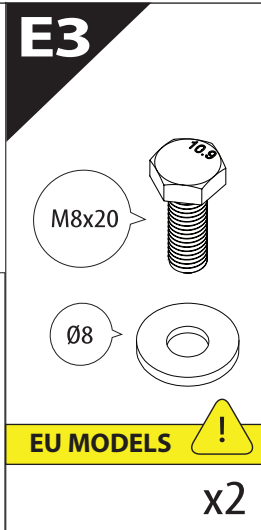
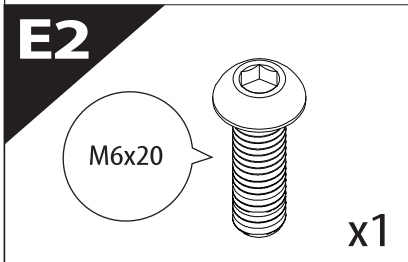
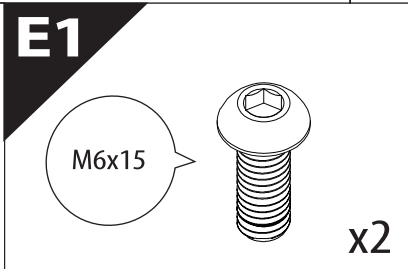
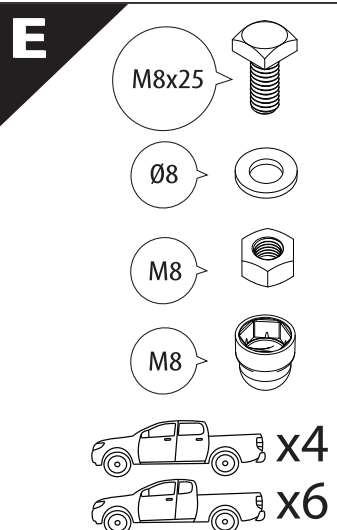
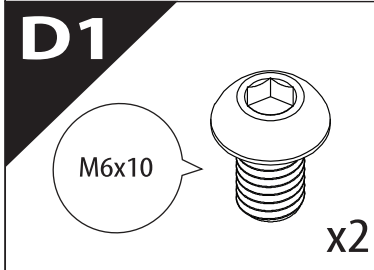
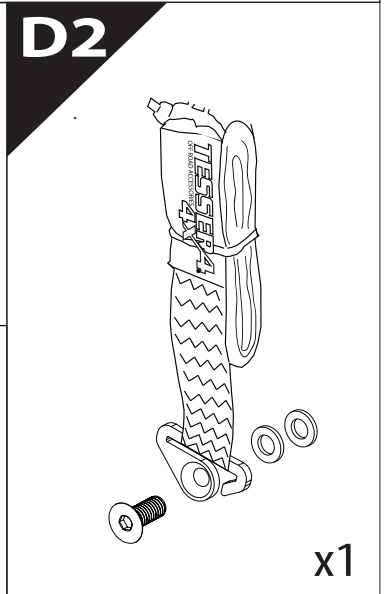
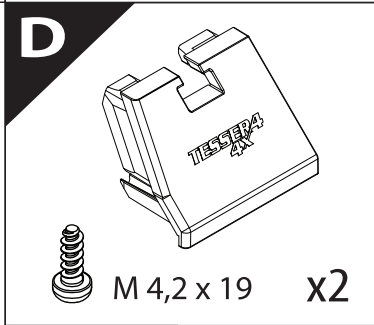
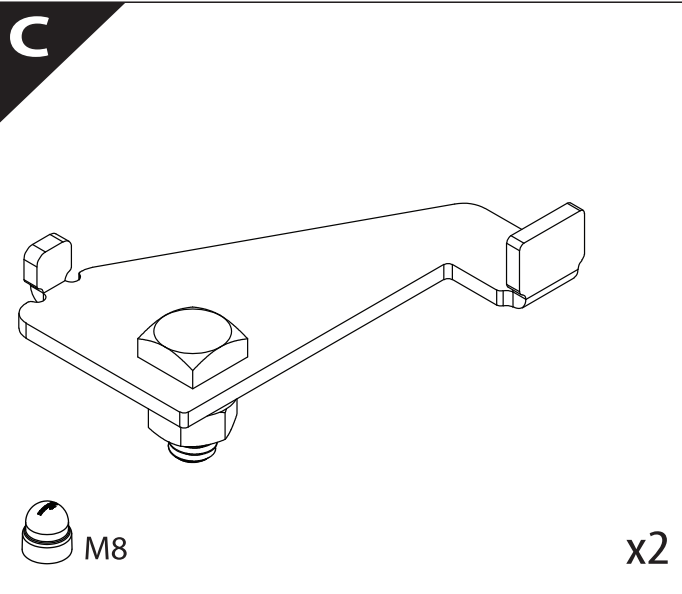
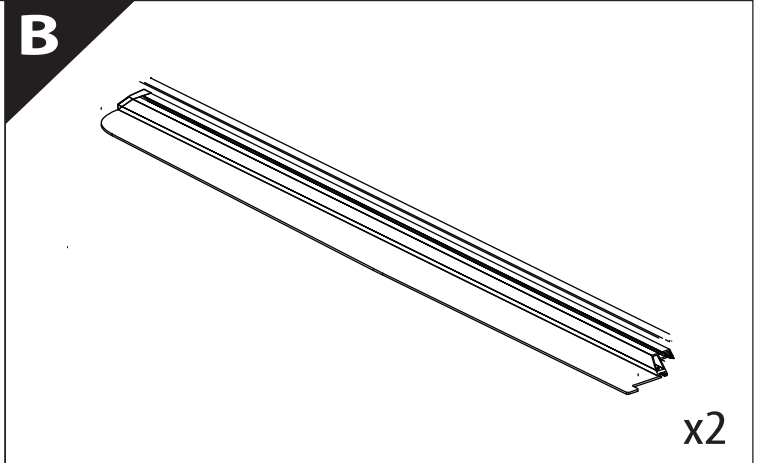
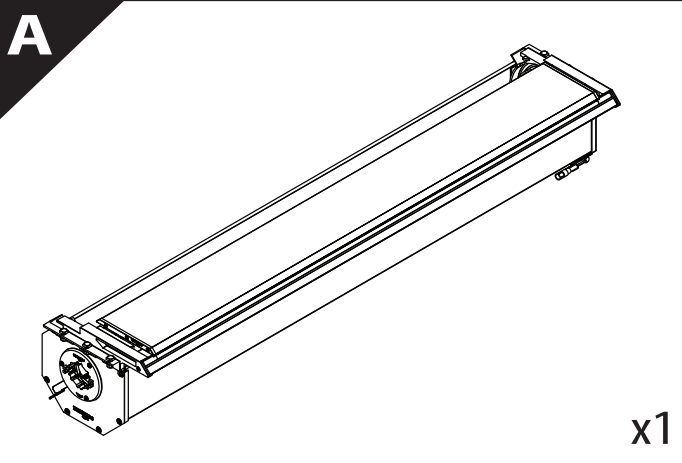
# Tessera Roll+

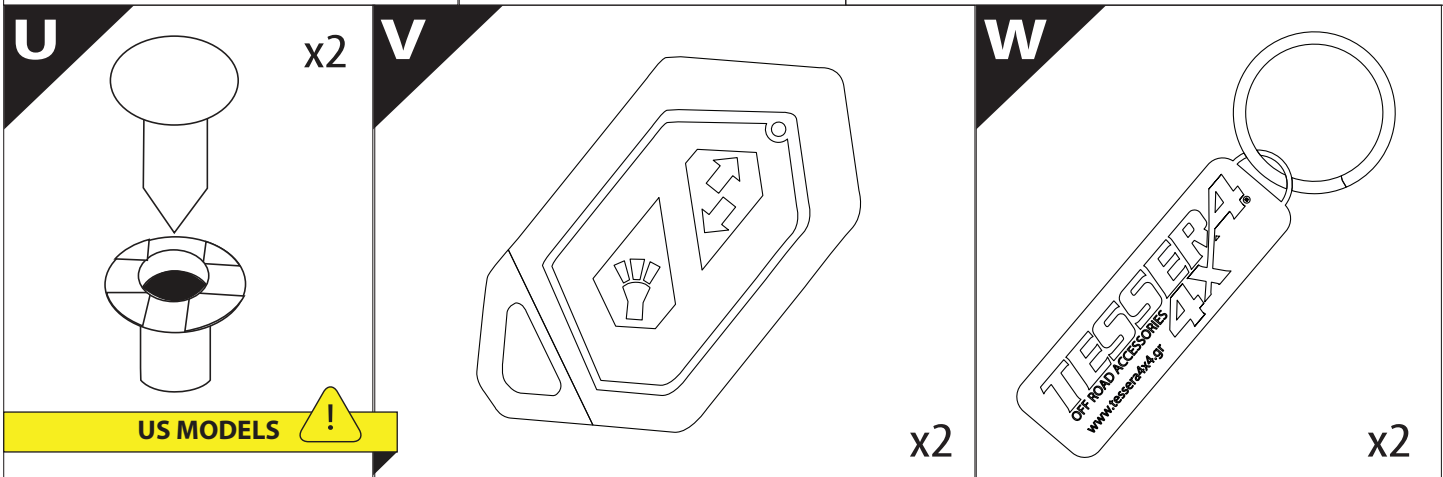
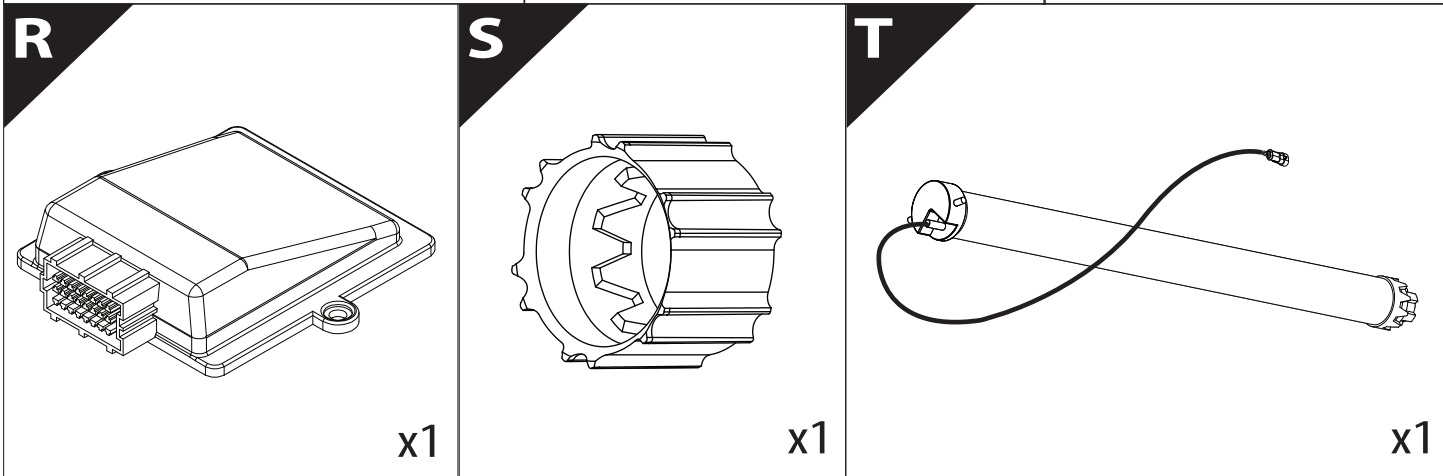
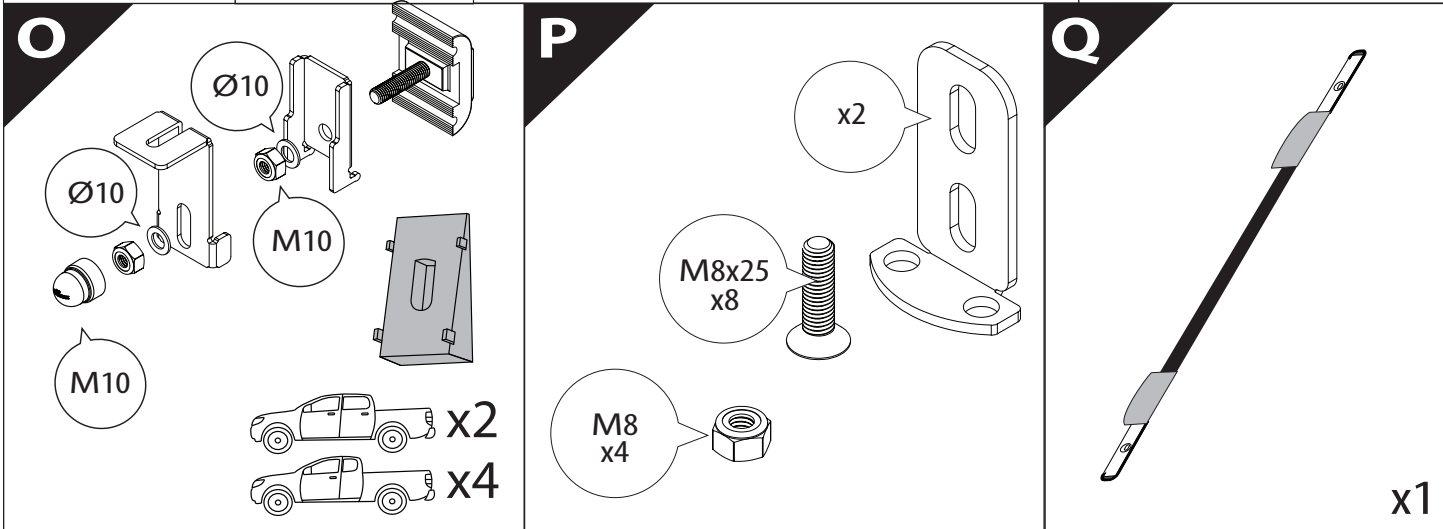
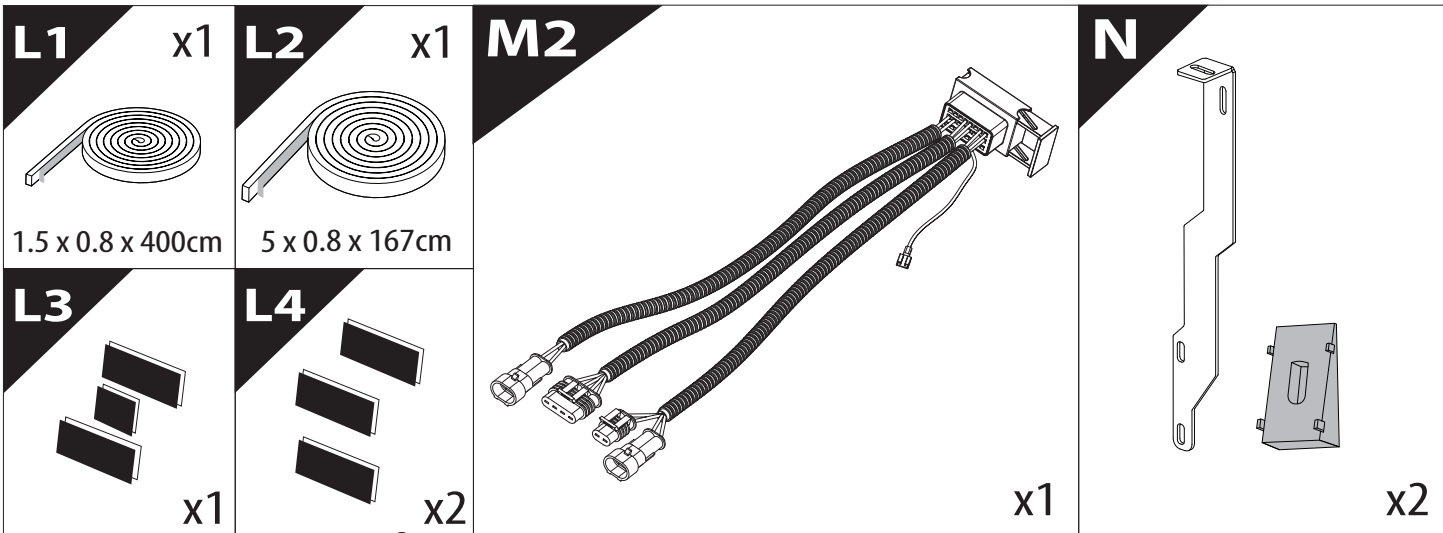
## Basic Version + ⚡ E-KIT

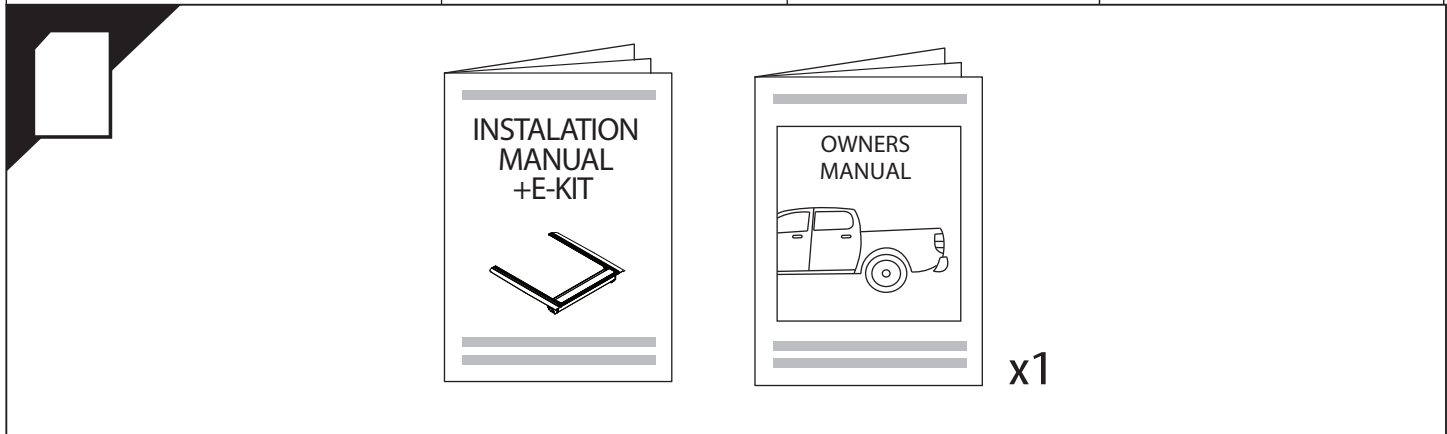
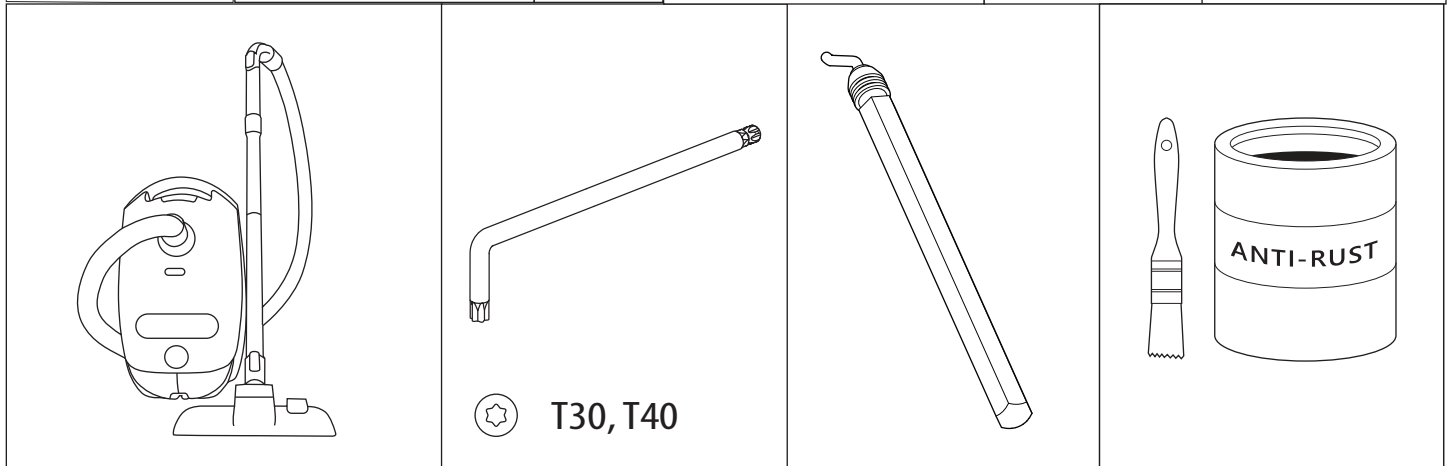
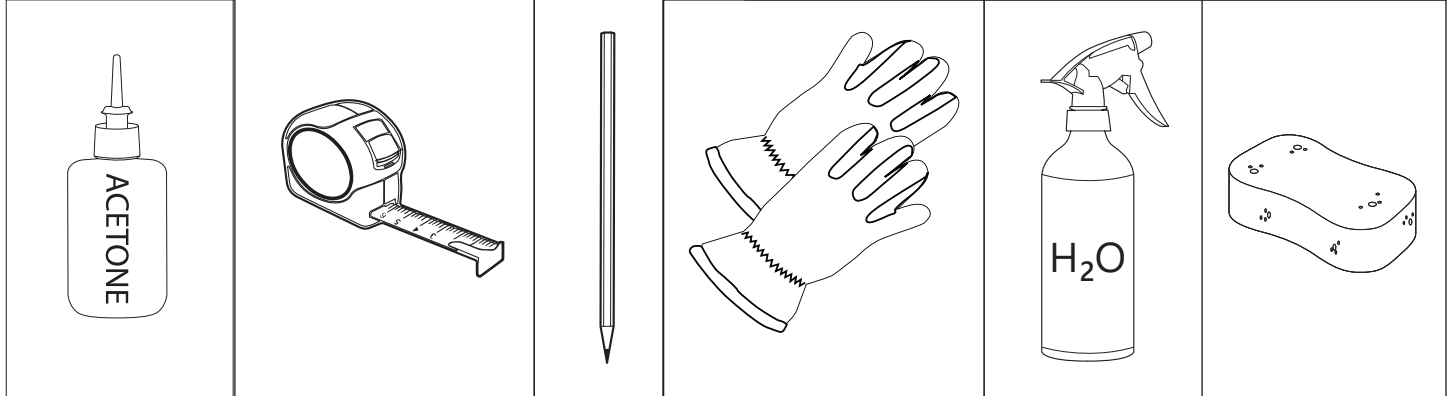
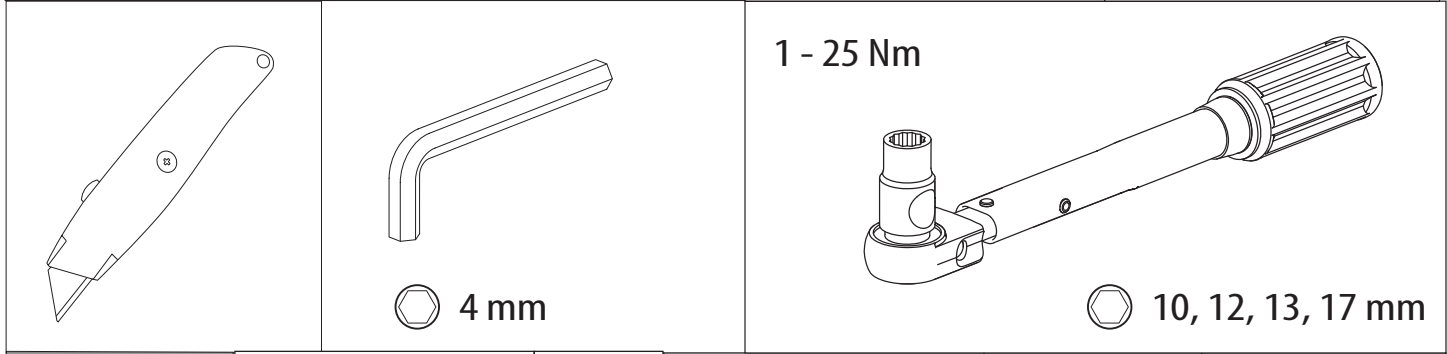
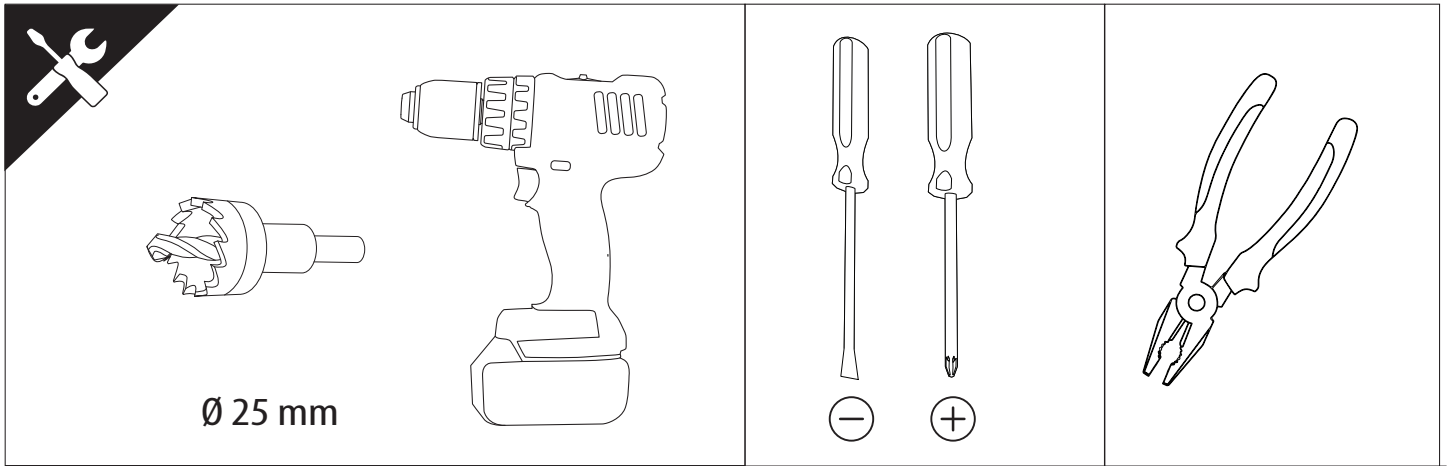


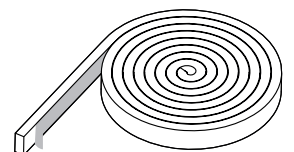
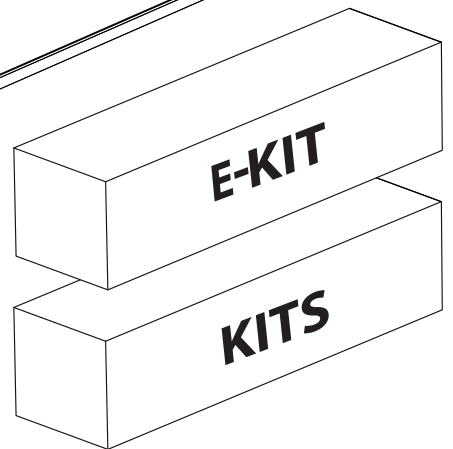
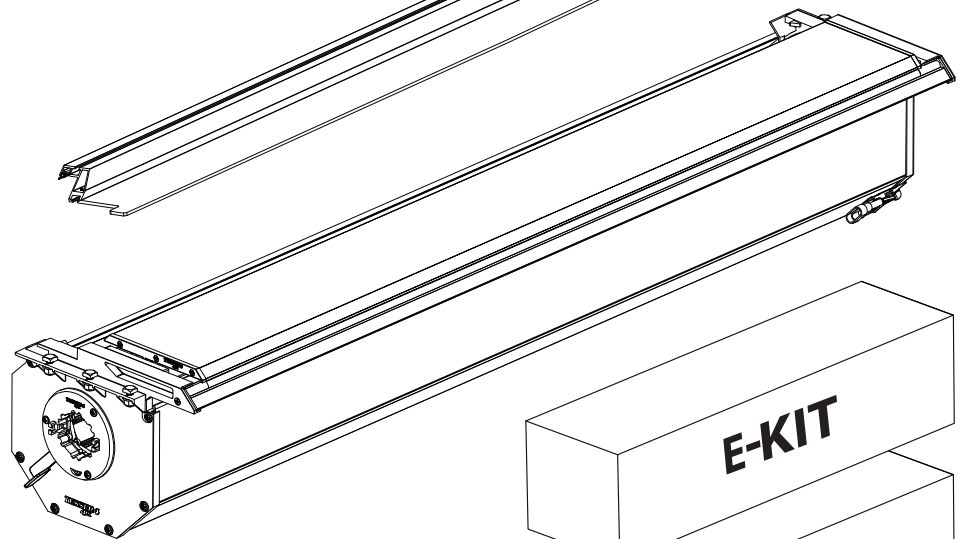
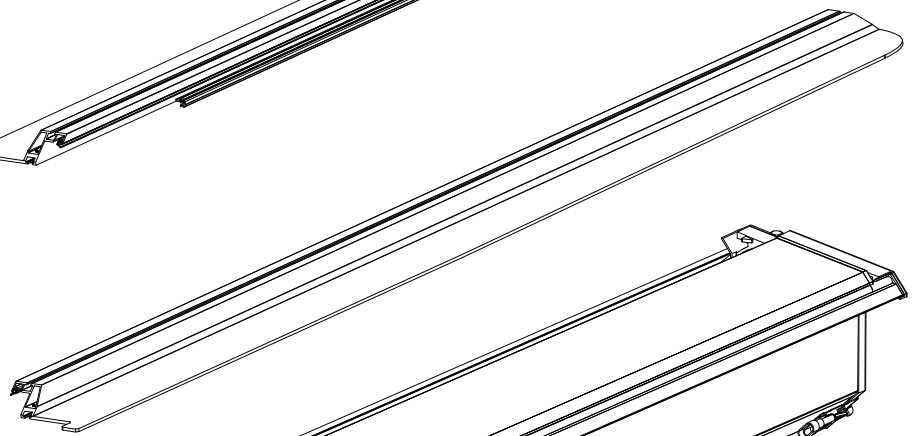
## Installation Manual

PART NUMBER(S)	Model Year
TESS 14060 ROLL+ ADAPT 008 +E-KIT	FORD RANGER 2023+ SPORT WITH OEM ROLLBAR (no c-channels)
TESS 14070 ROLL+ ADAPT 008 +E-KIT	
Cab(s)	Installation Time / Weight
Double Cab & Space Cab	40-60 minutes / 53-57 kg







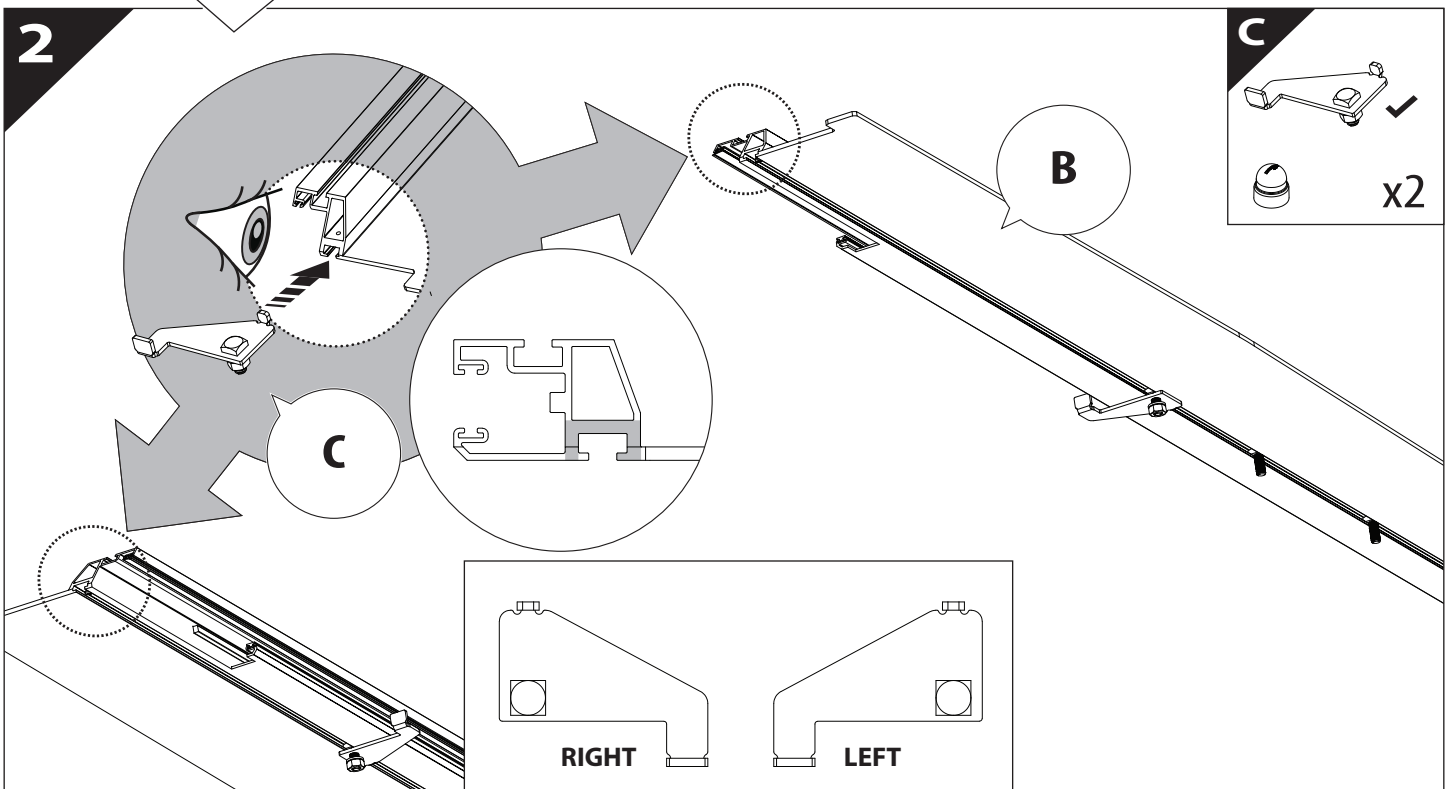
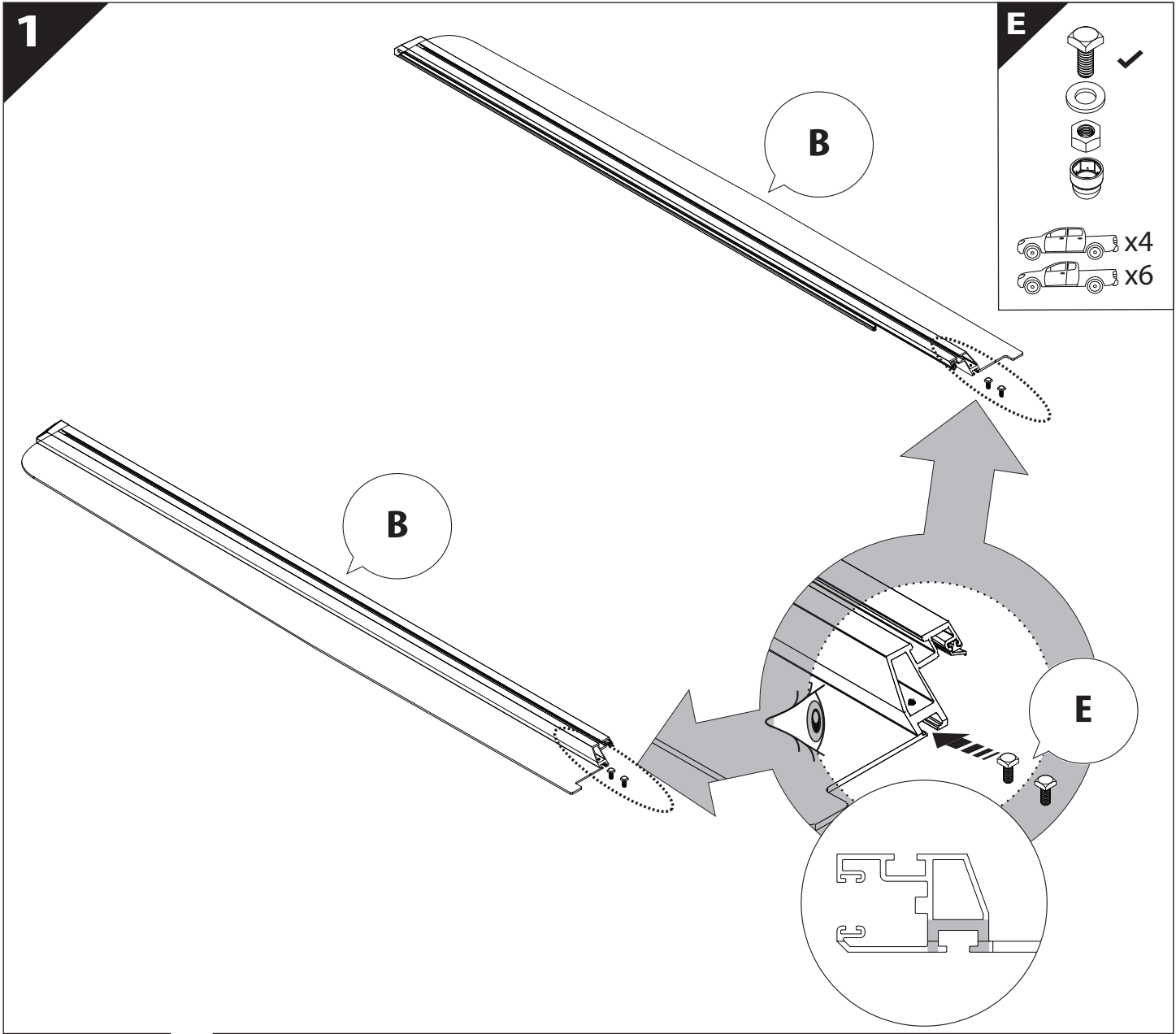


**B**

**A**

**KITS**

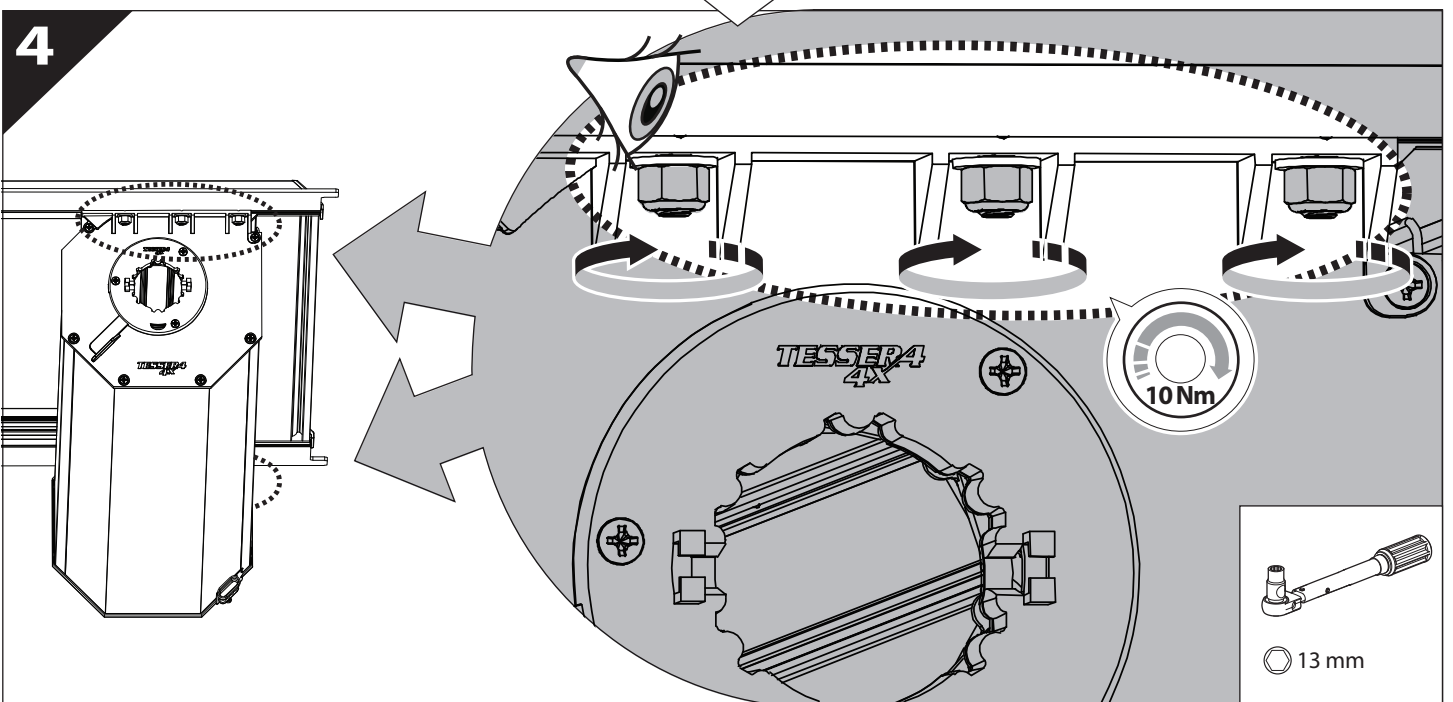
**L**

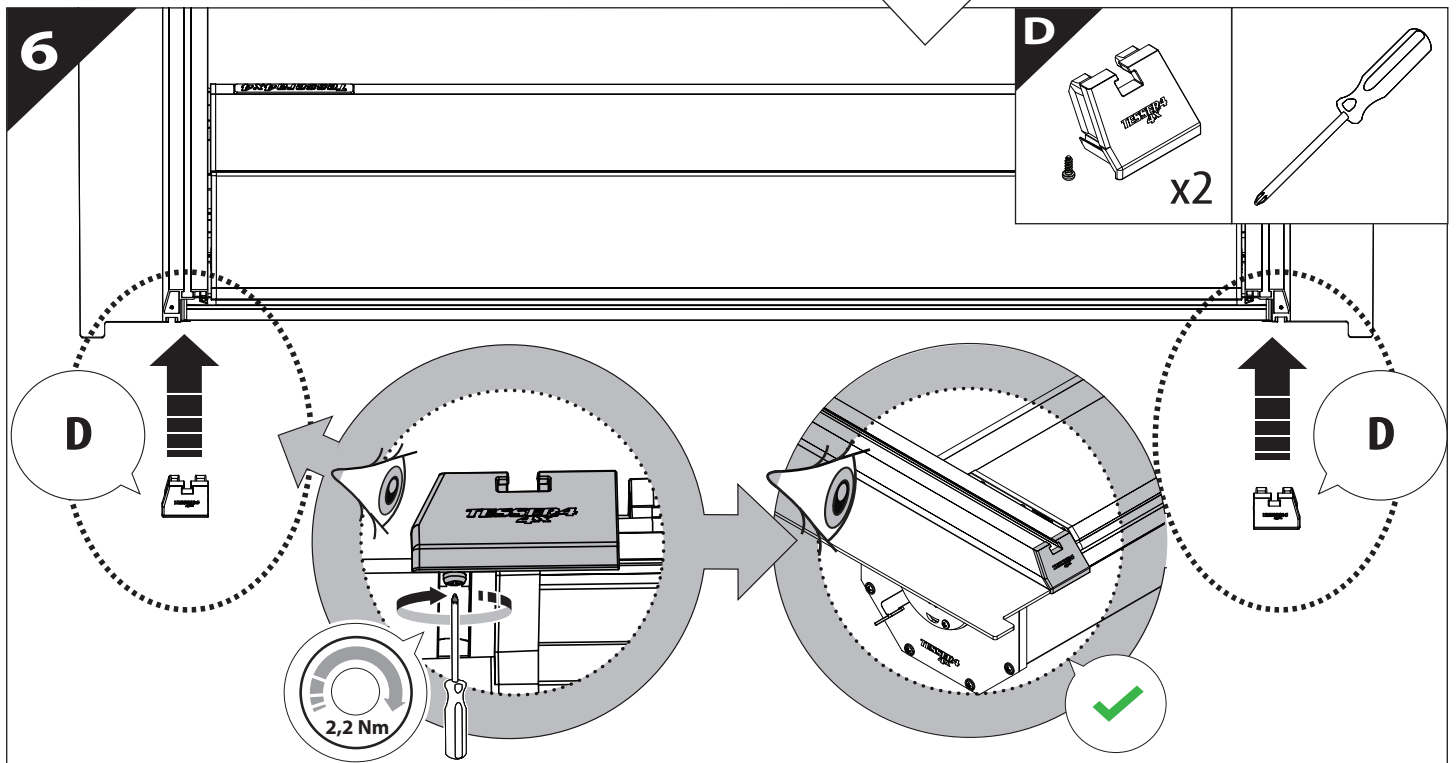
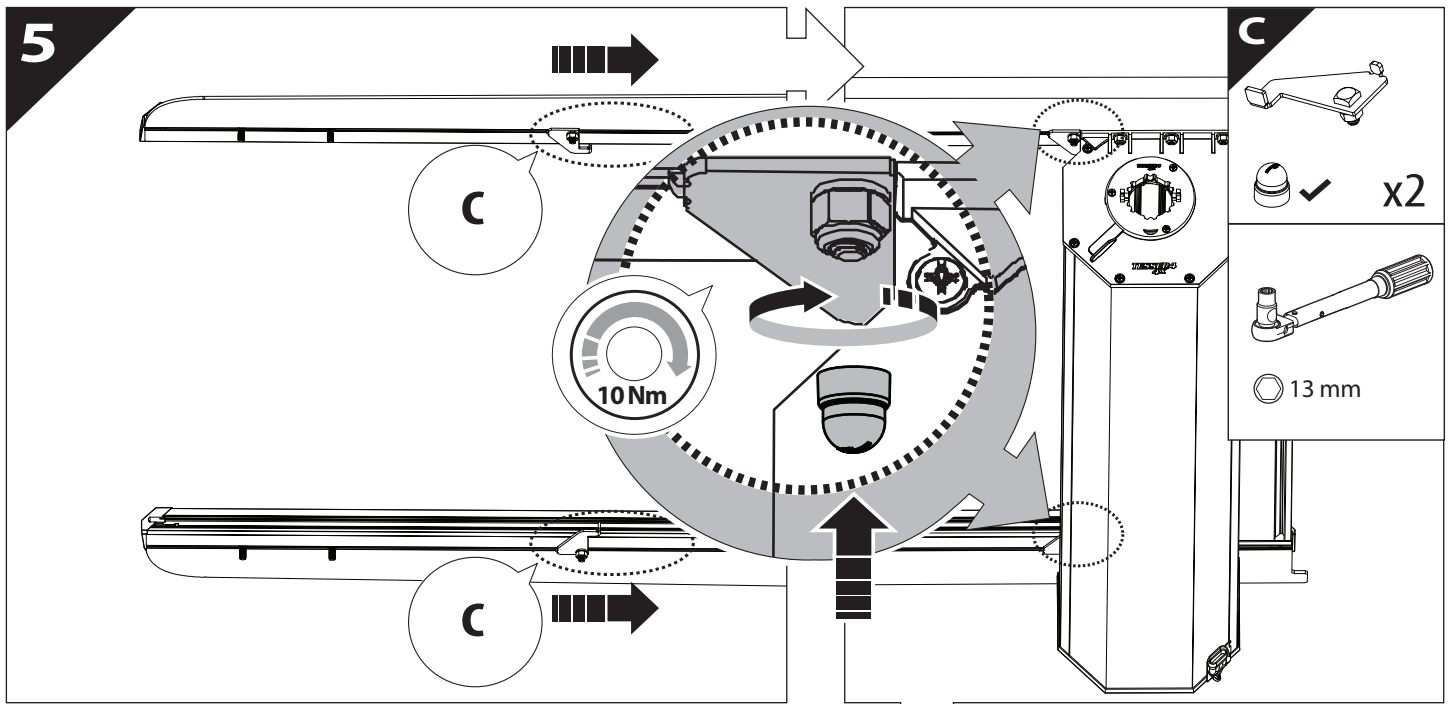


3

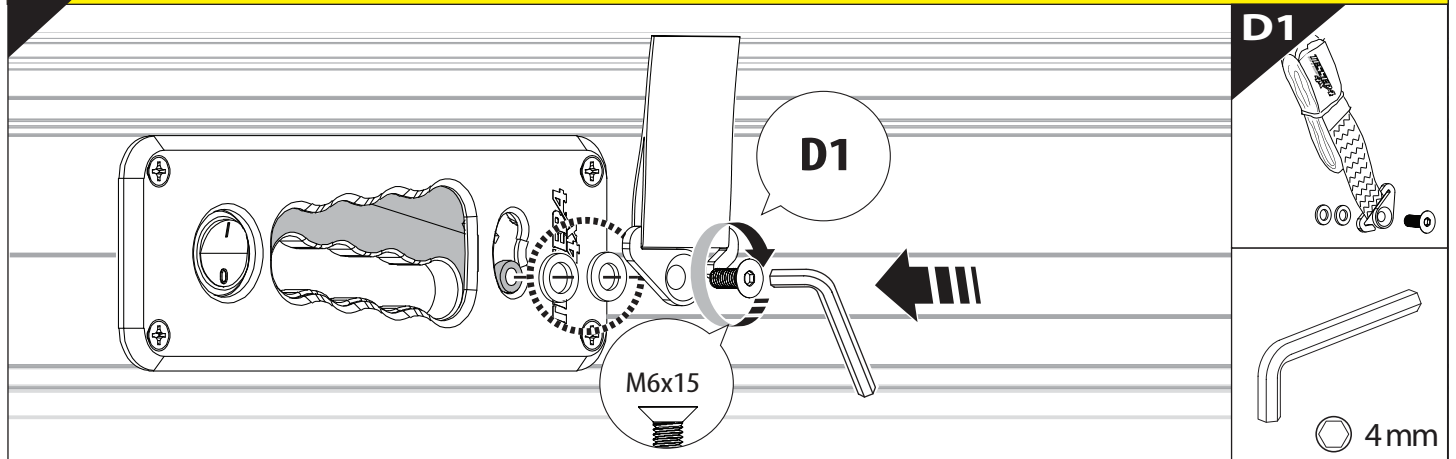


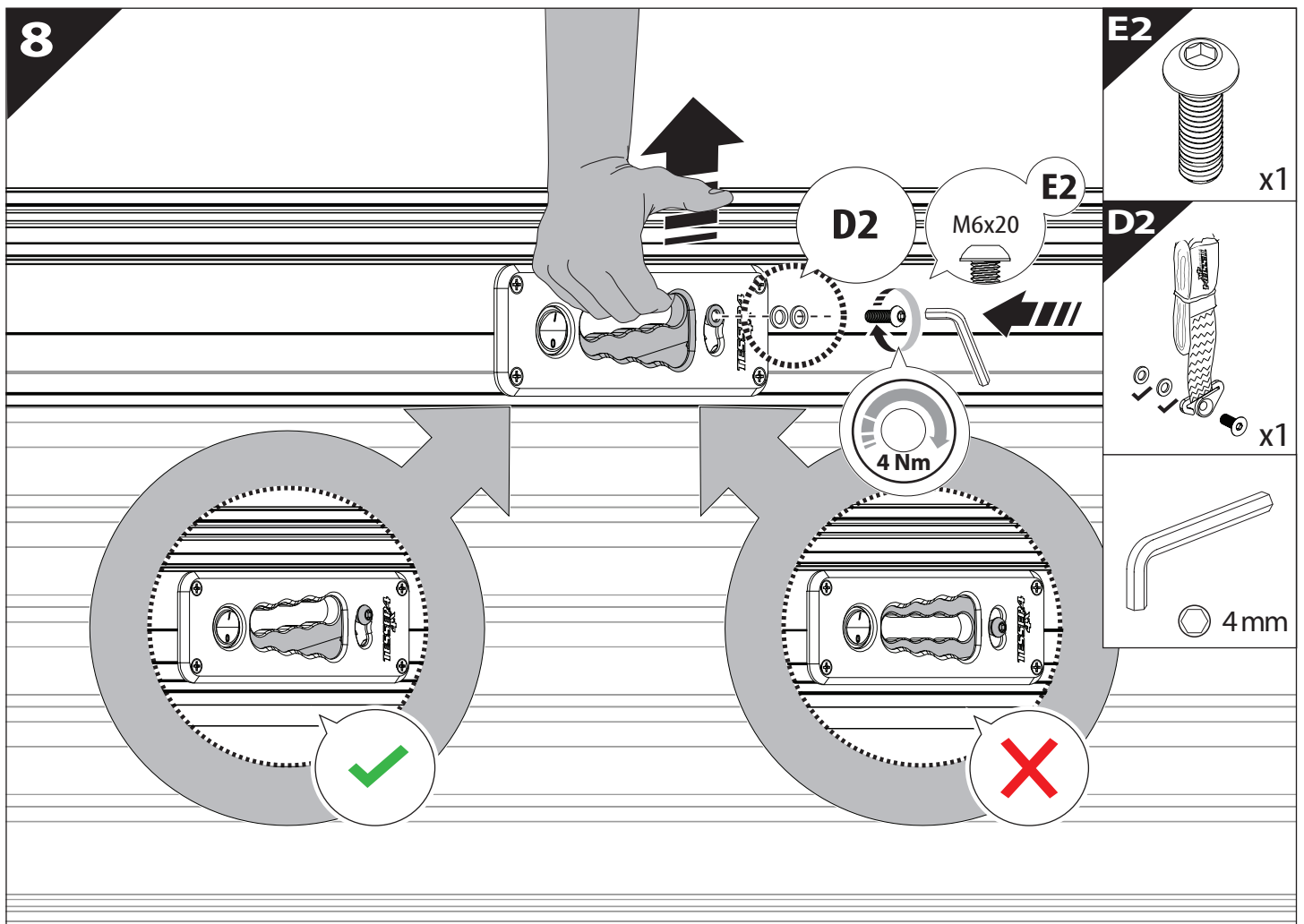
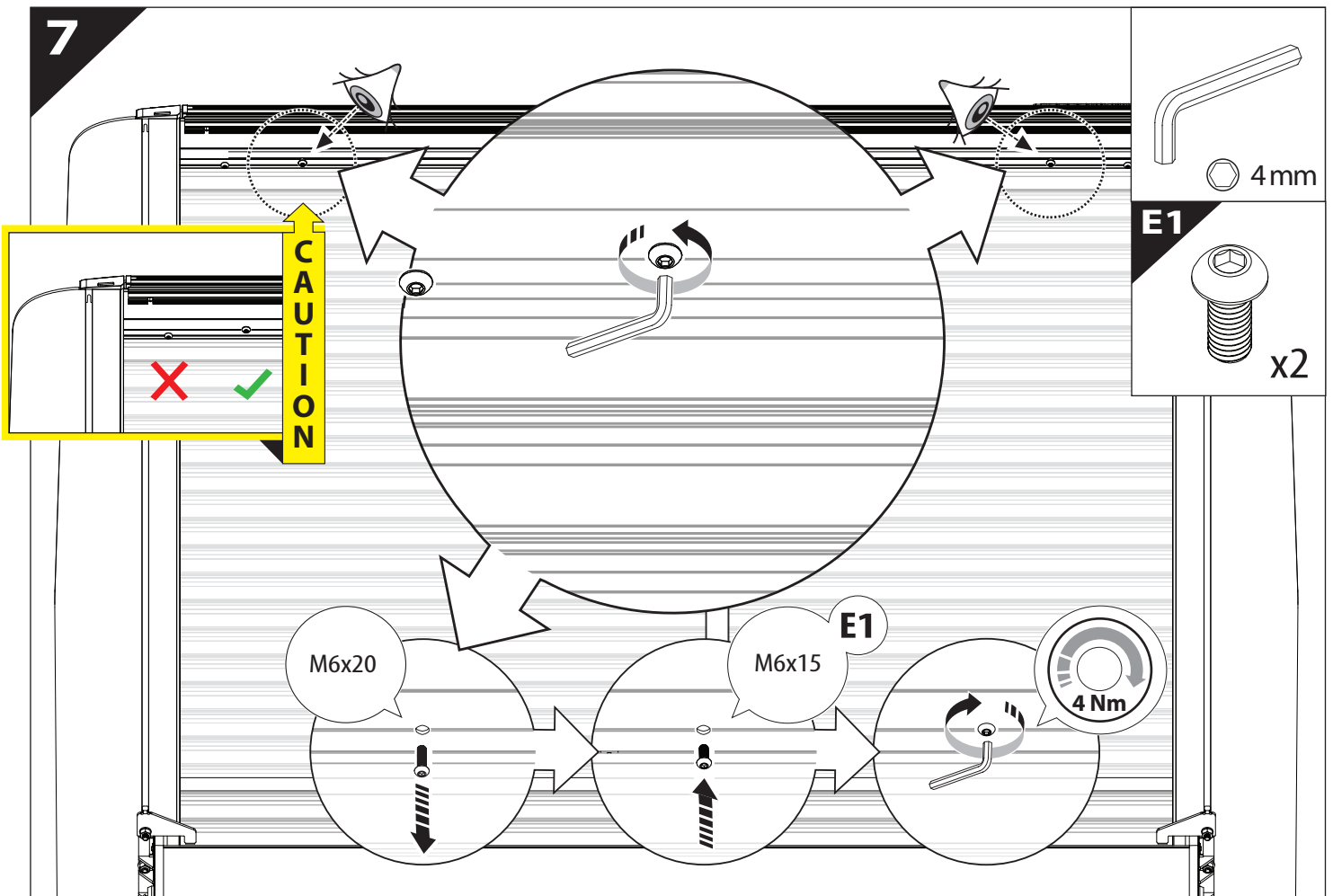
4



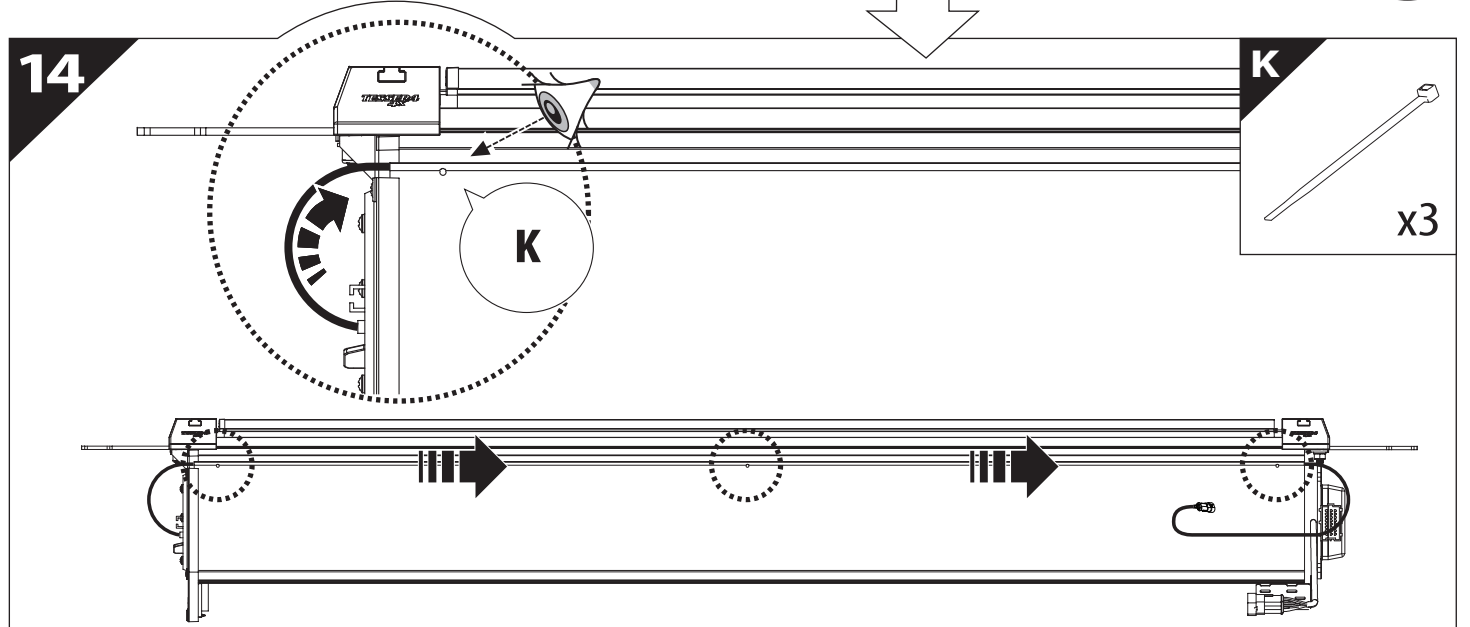
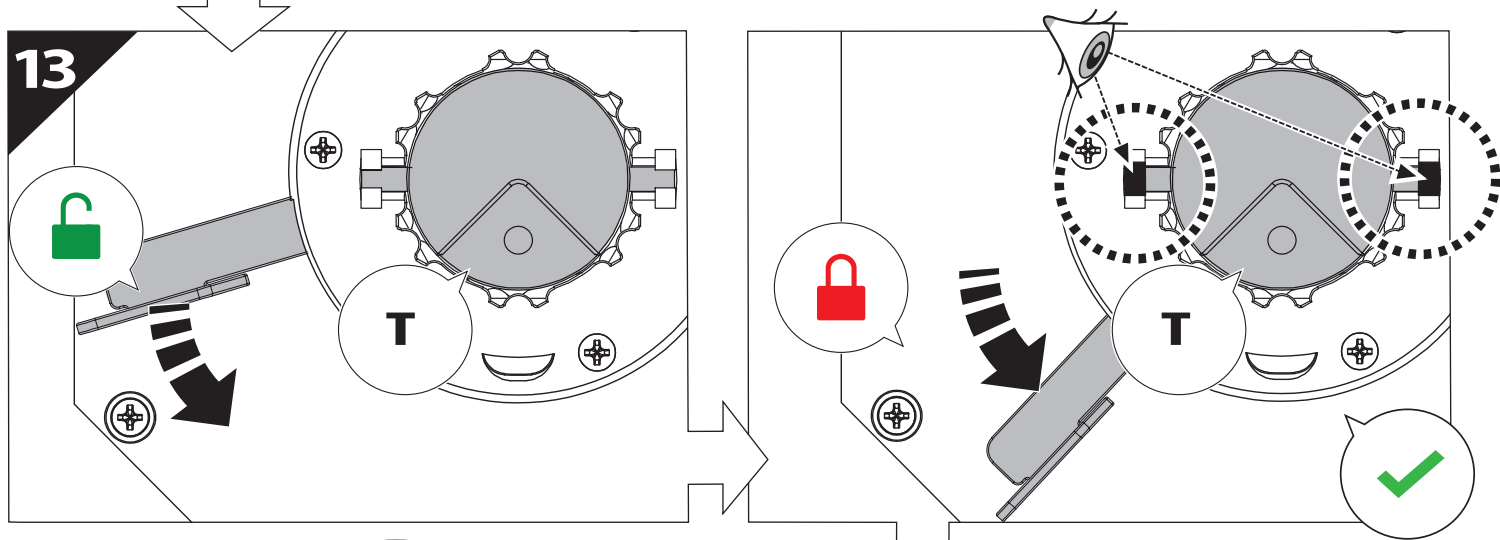
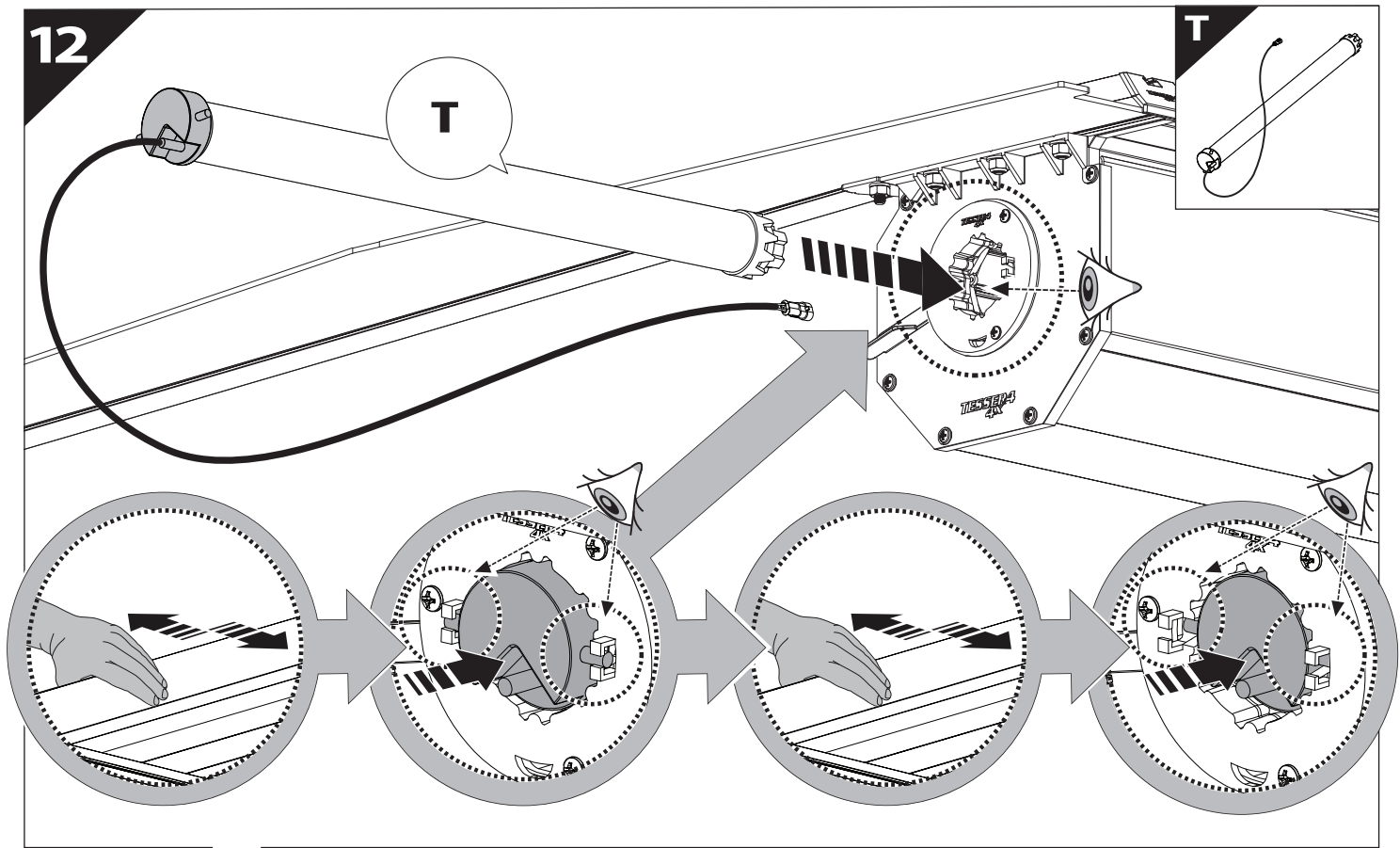


**6.1** **CAUTION** Basic Version ✓ & Basic+S-KIT Version ✓

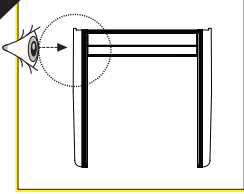




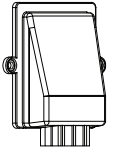




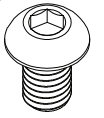
15



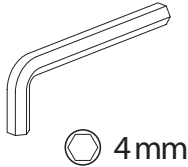
R



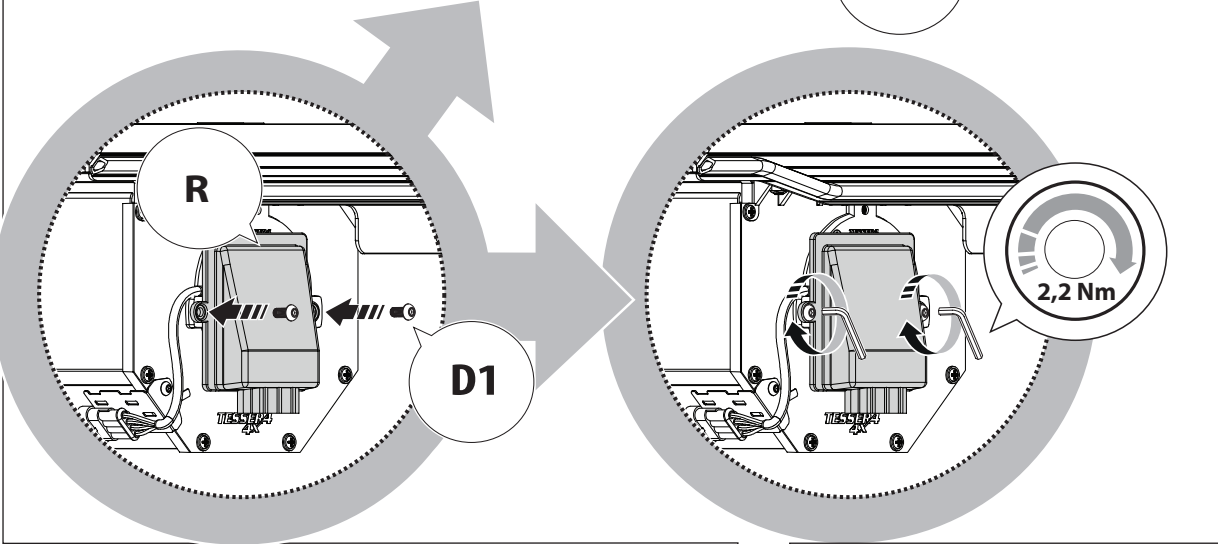
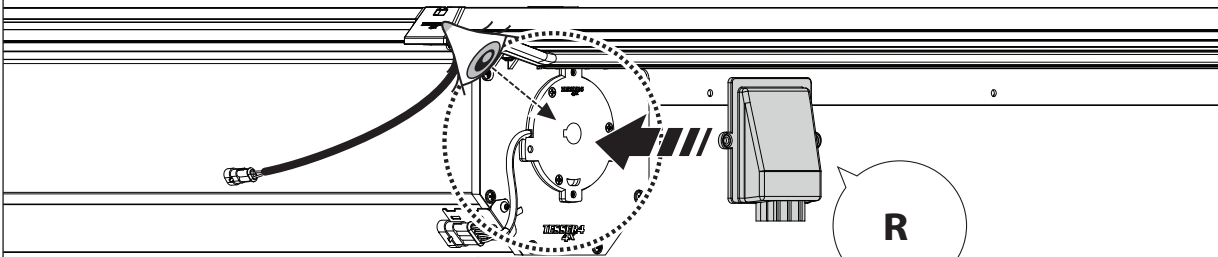
D1



x2



4mm

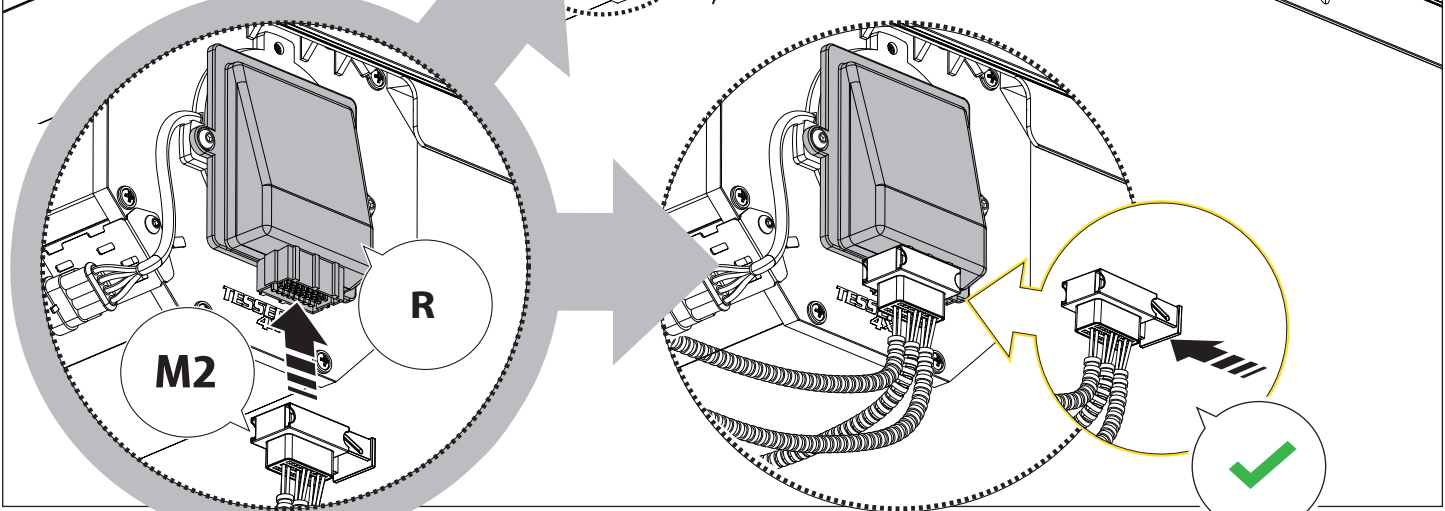
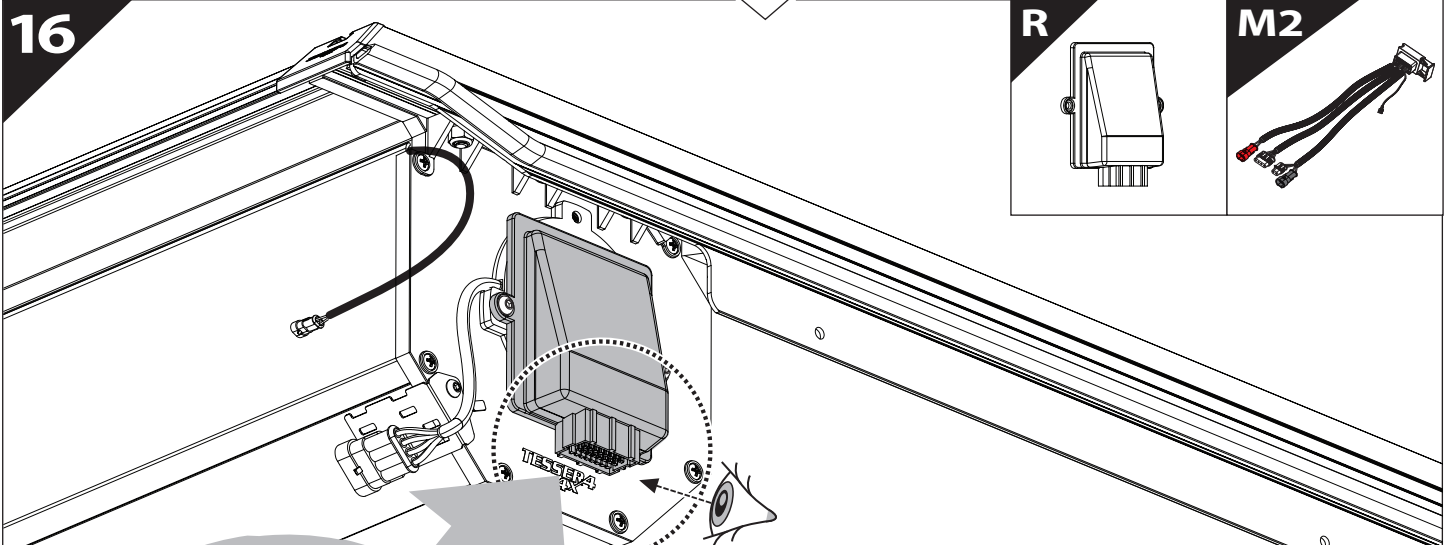


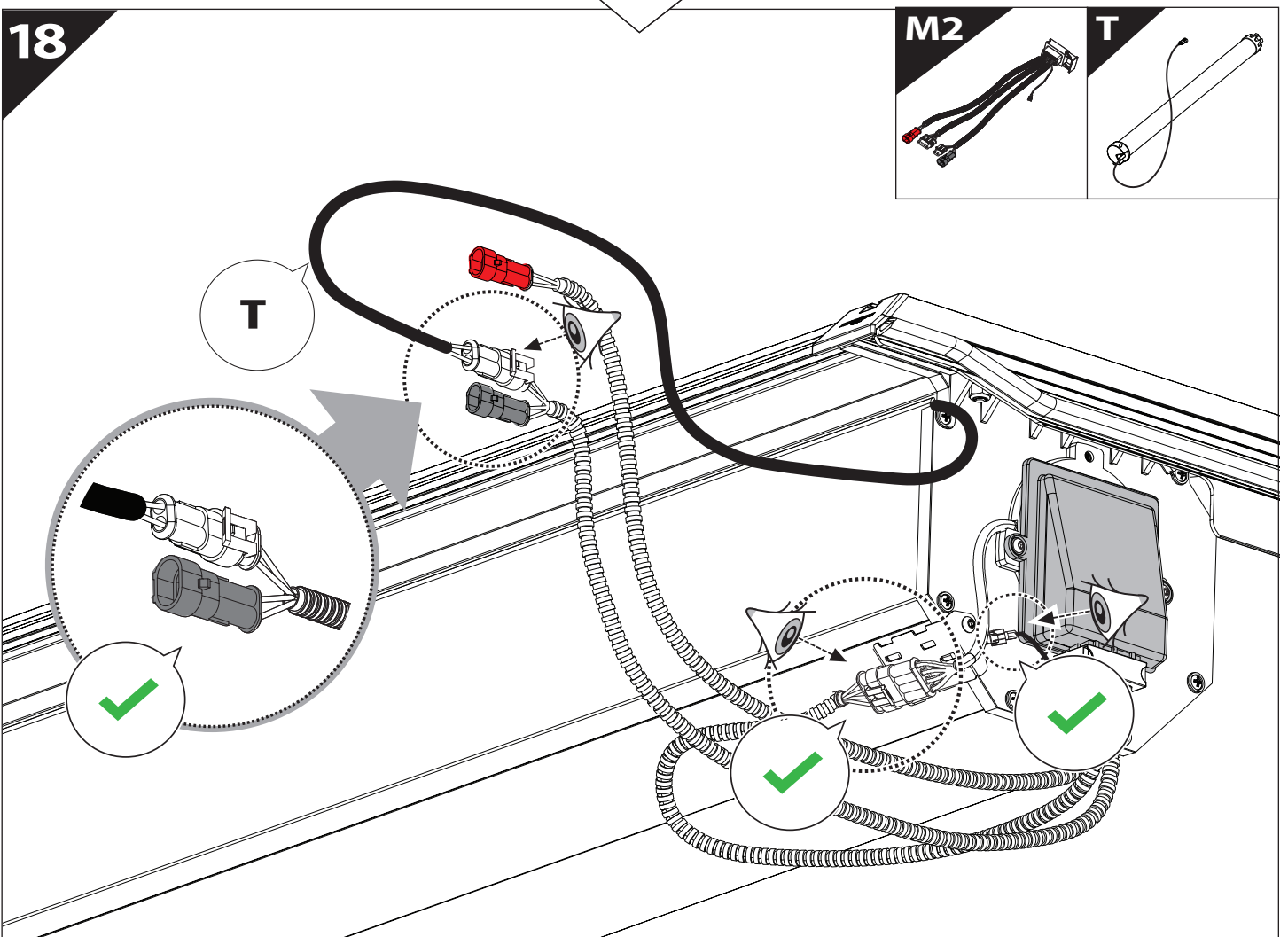
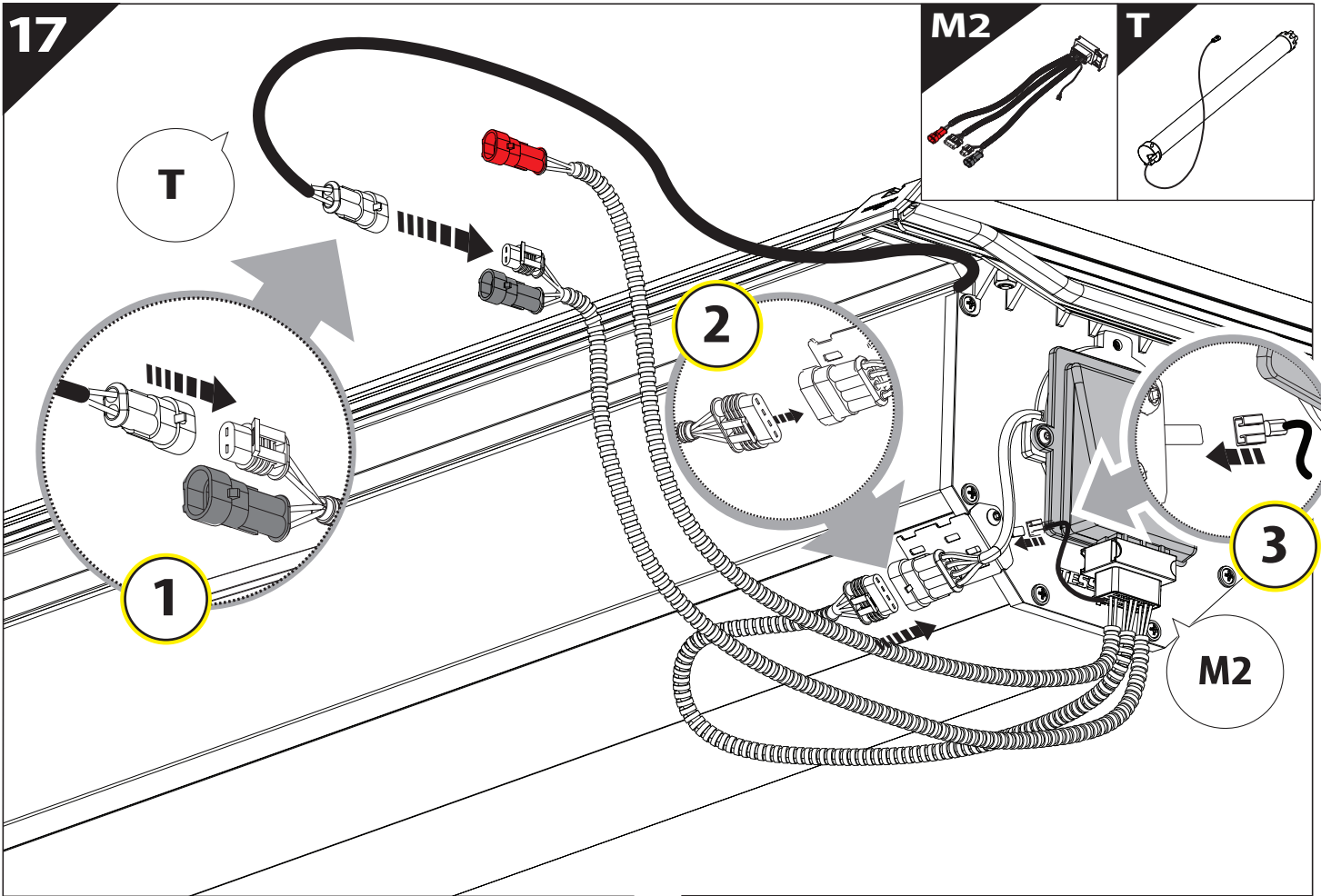
16

R



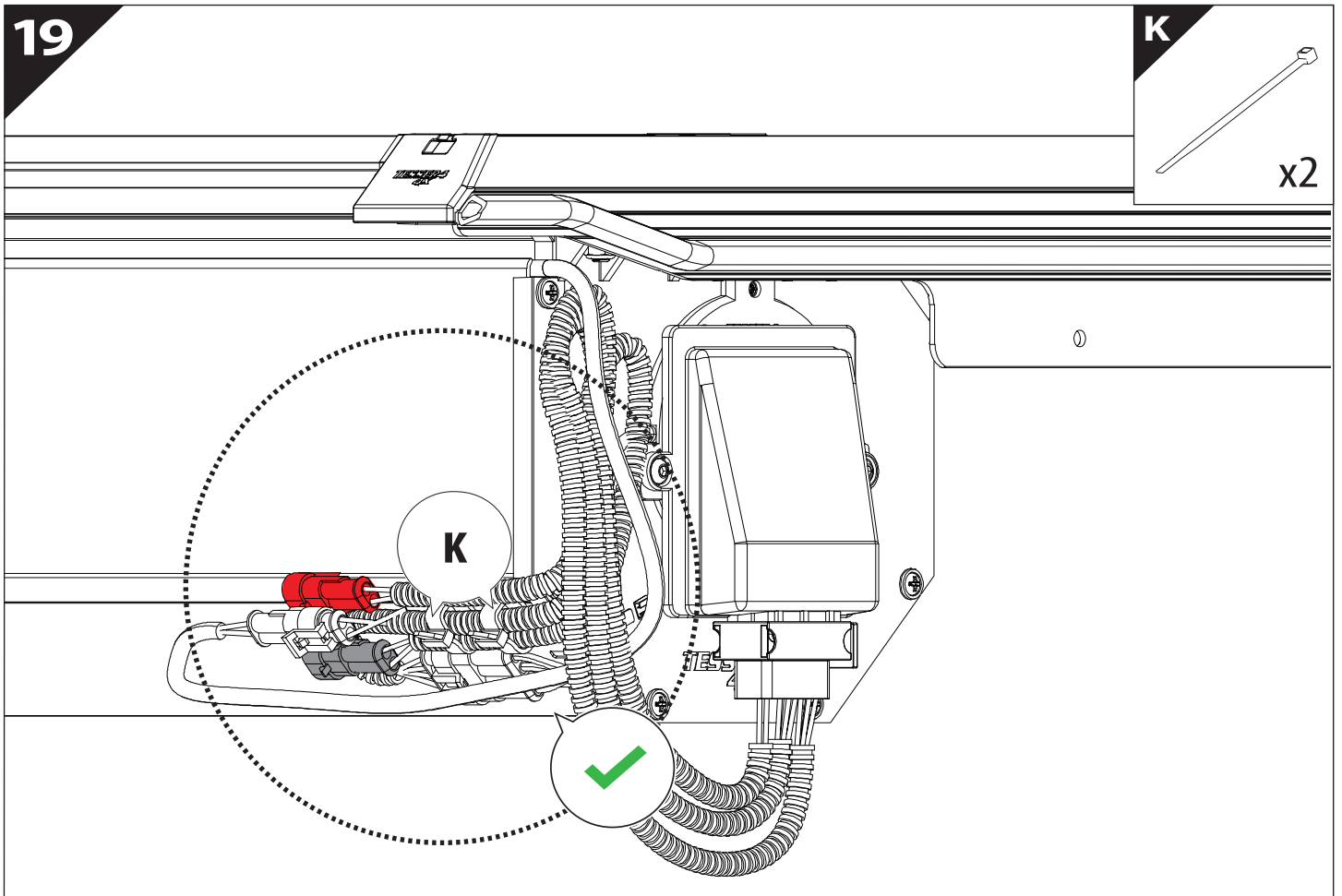
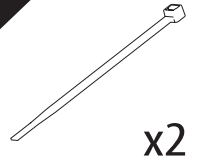
M2



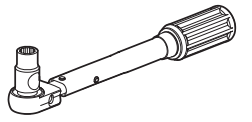


19

K

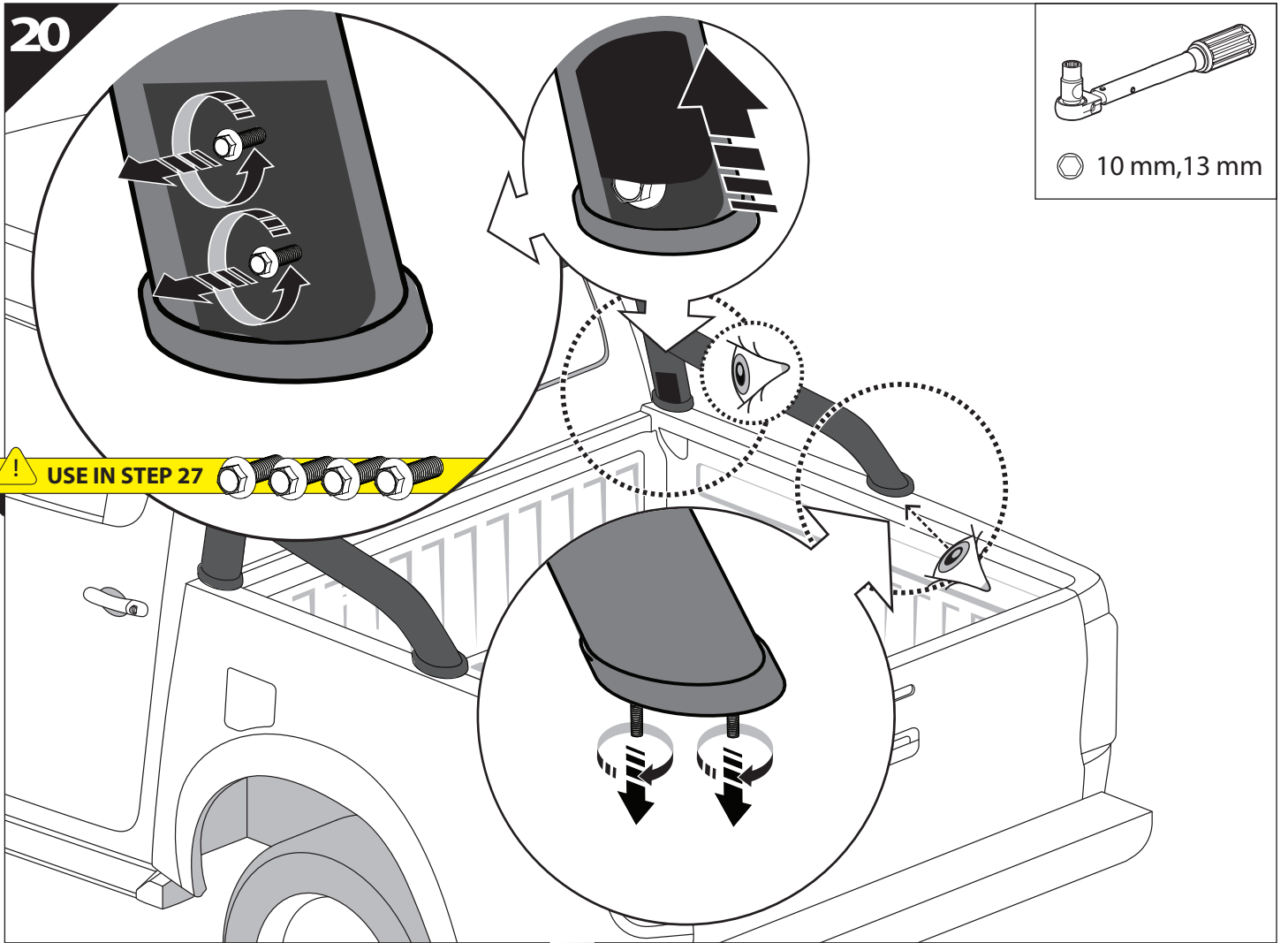


20



10 mm, 13 mm

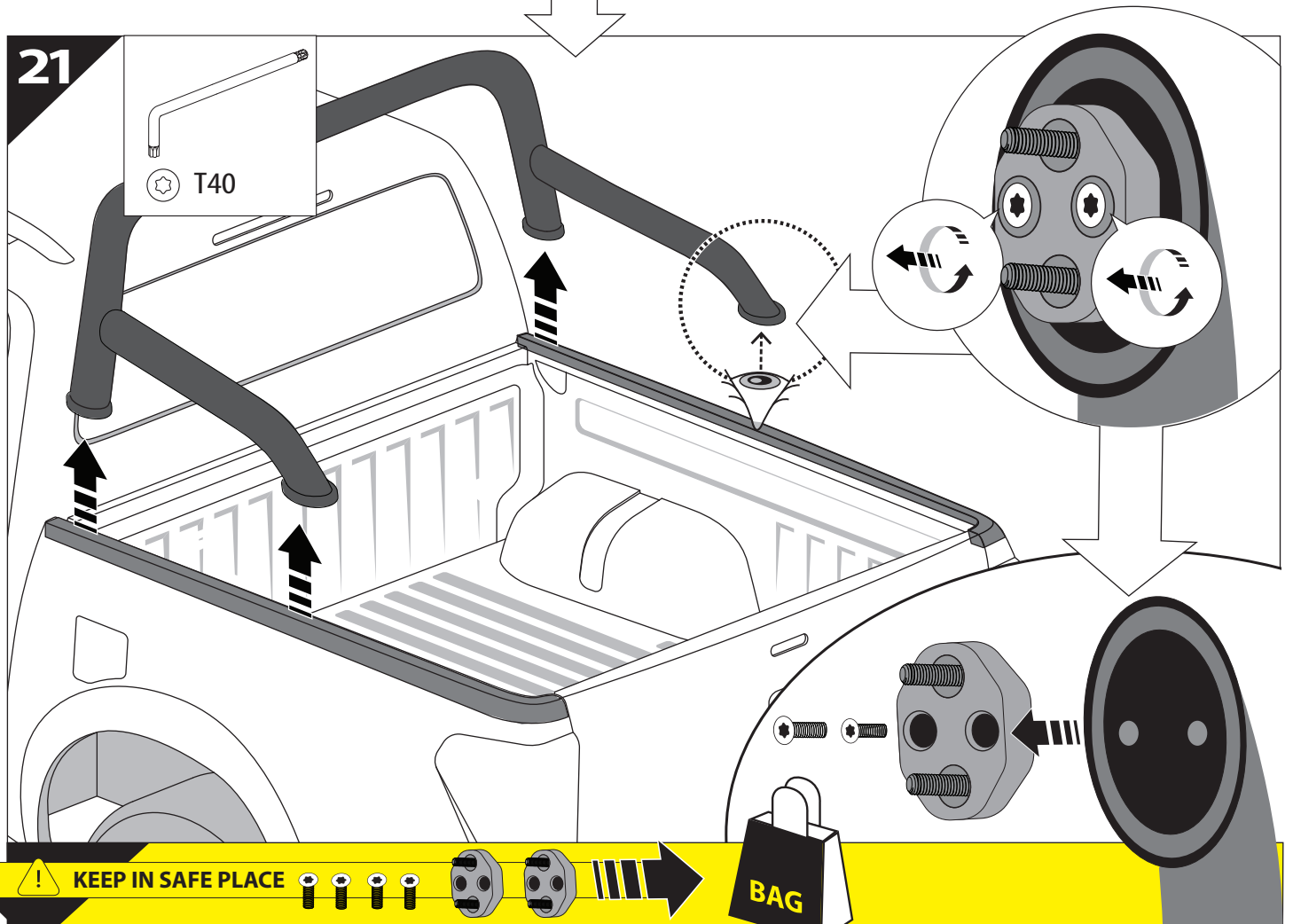
! USE IN STEP 27



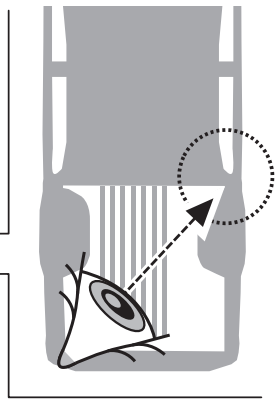
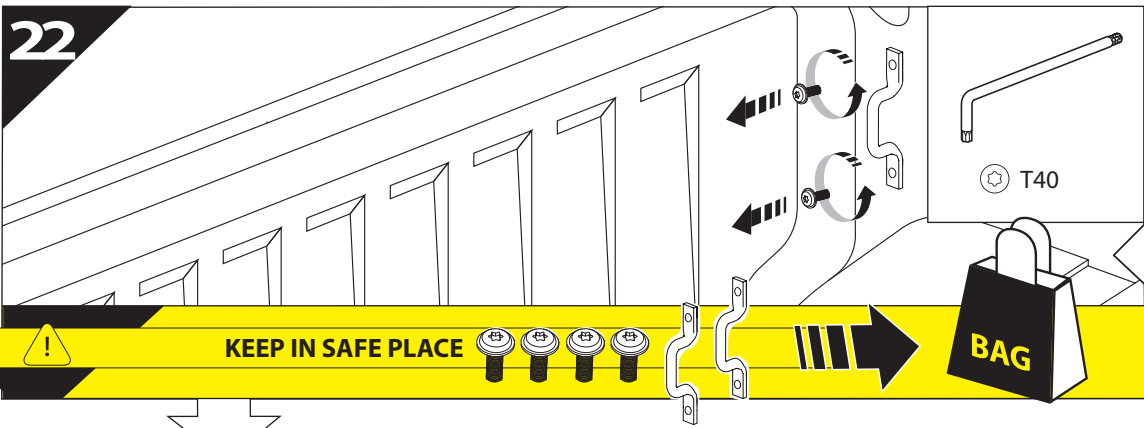
21



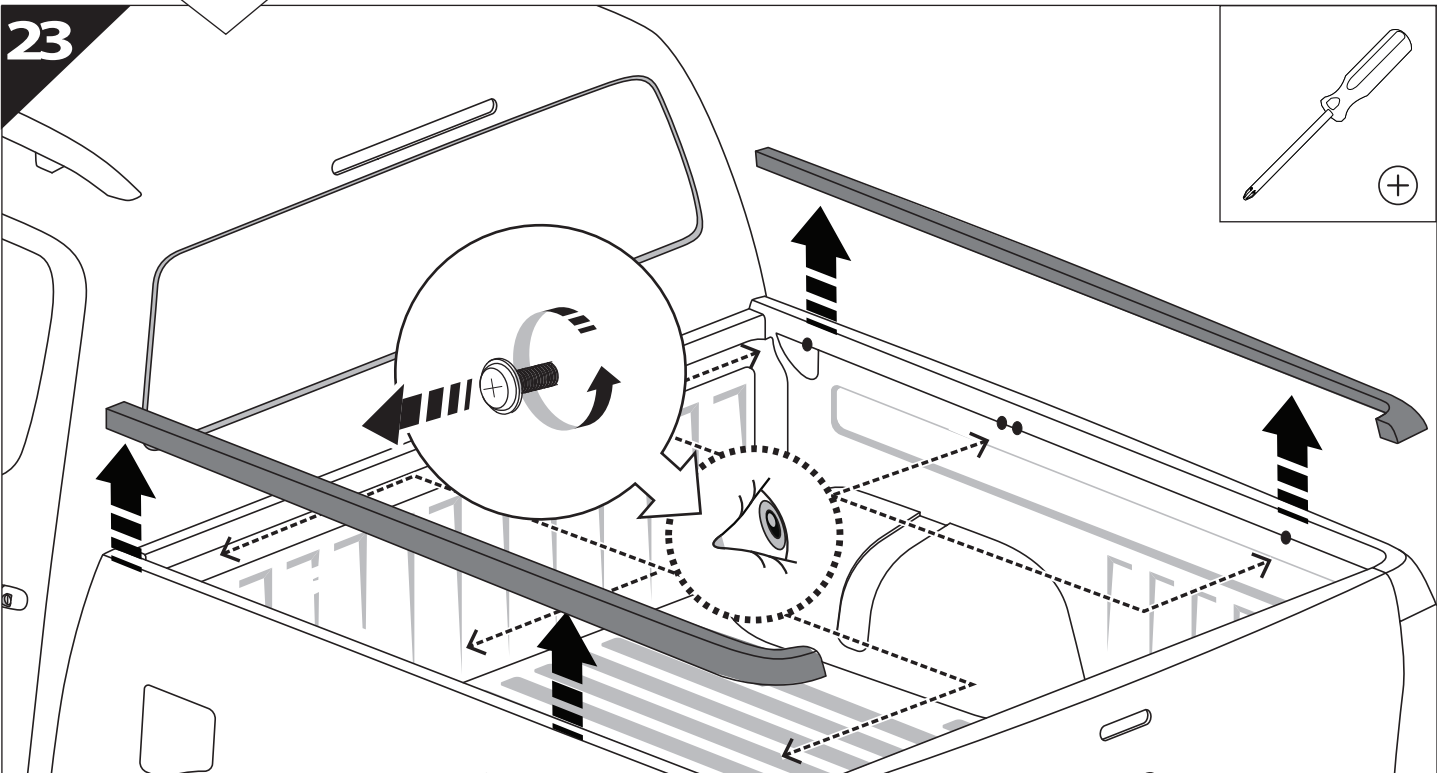
T40



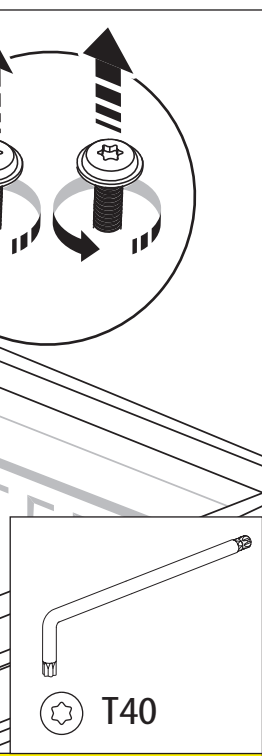
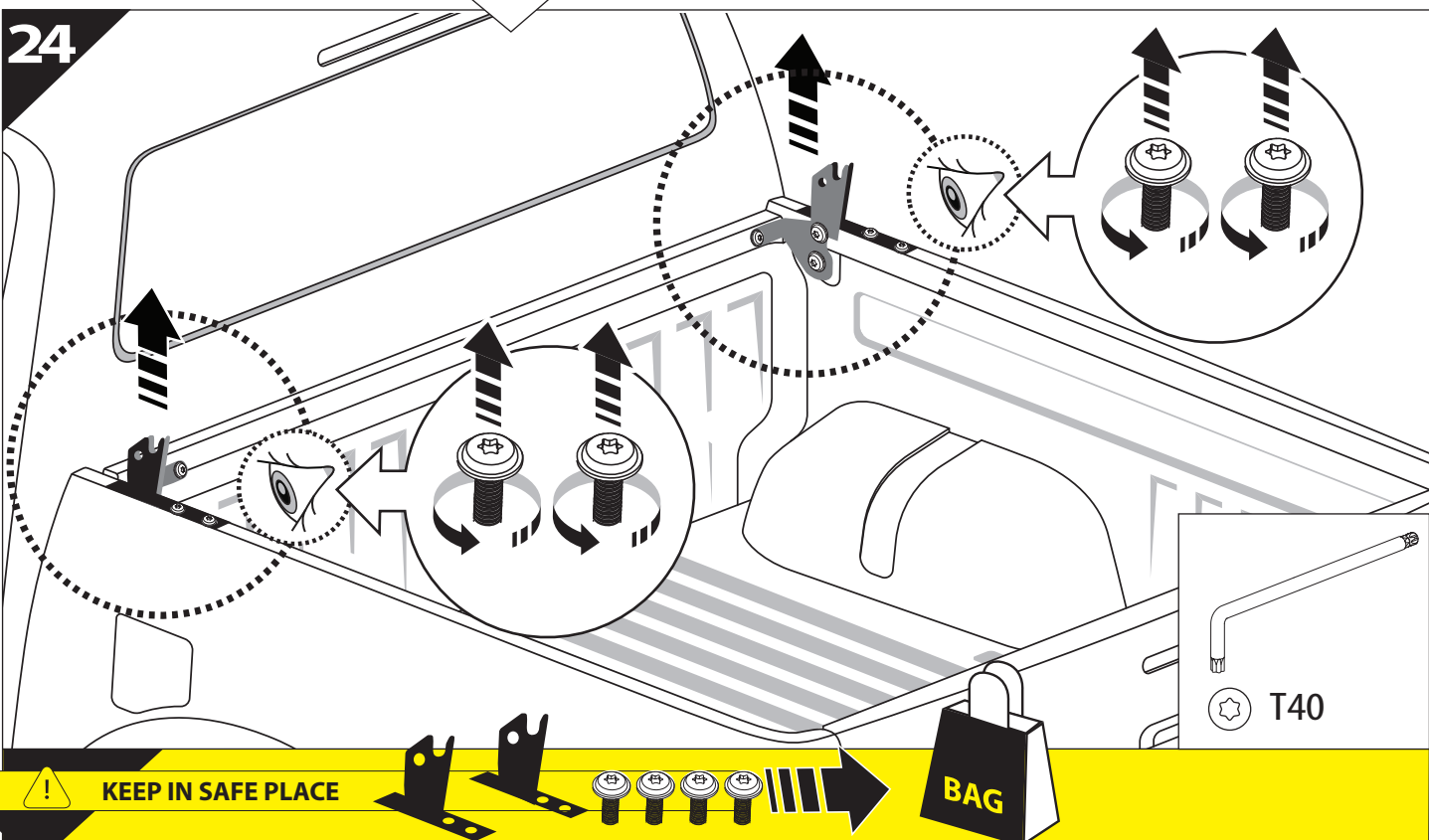
22



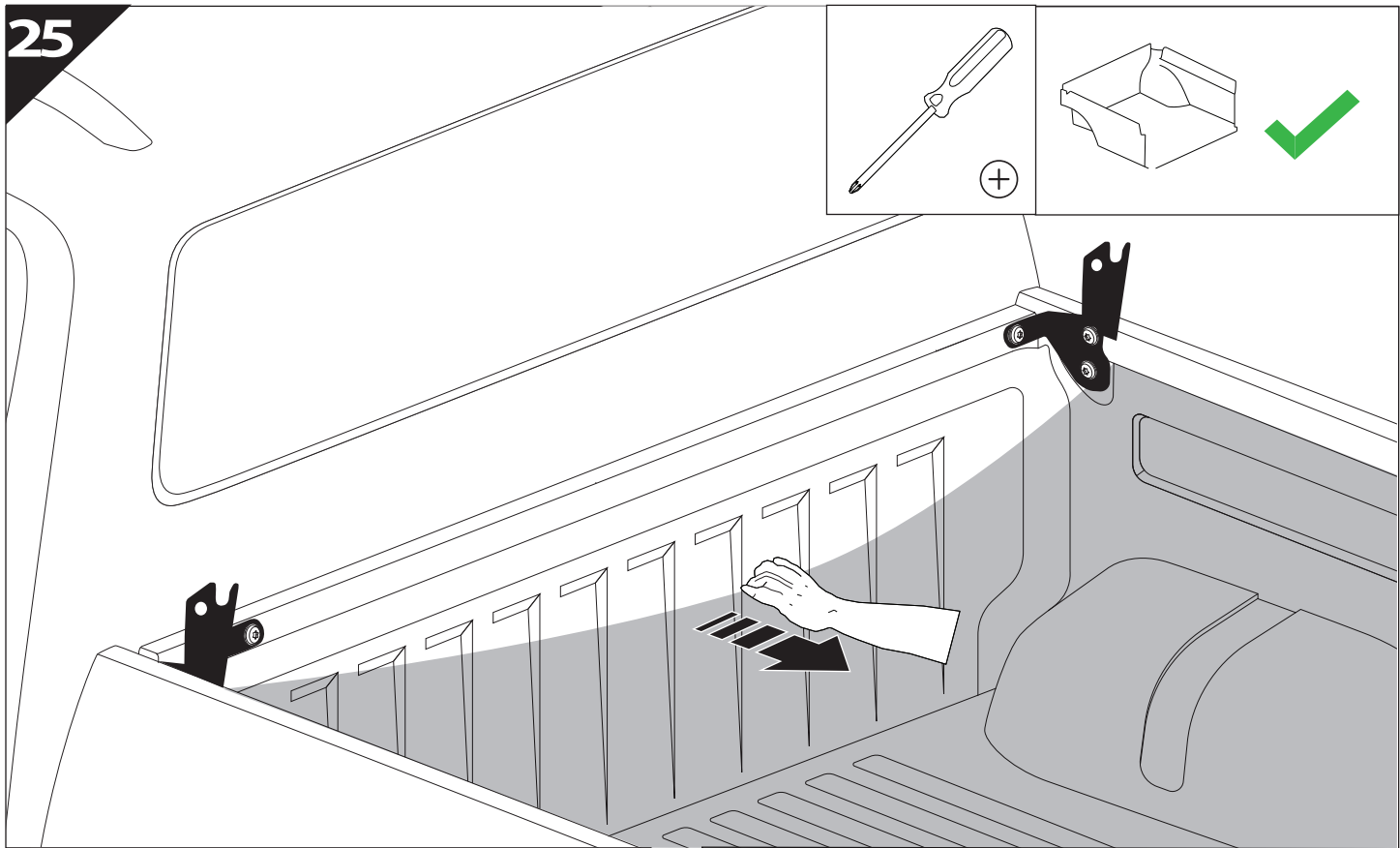
23



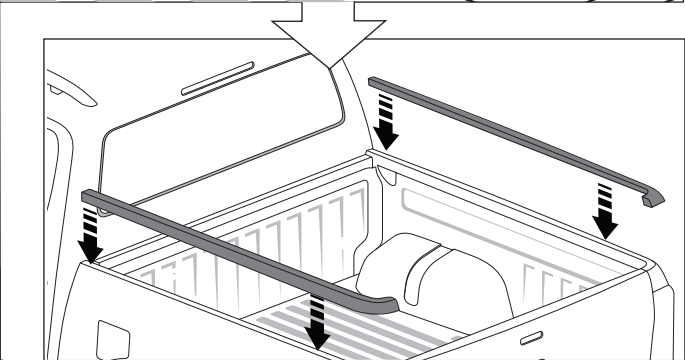
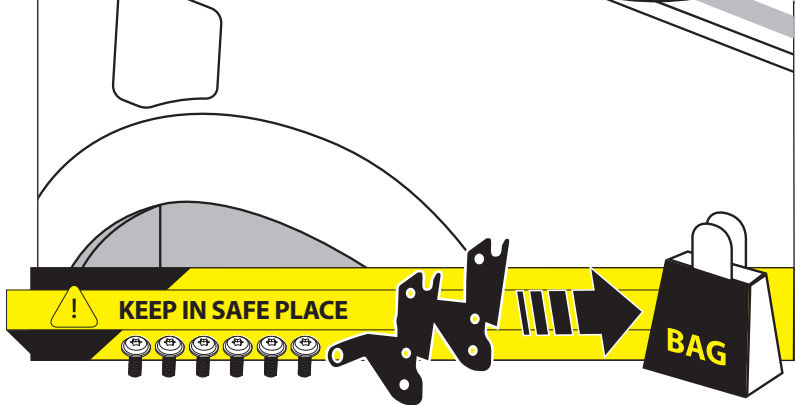
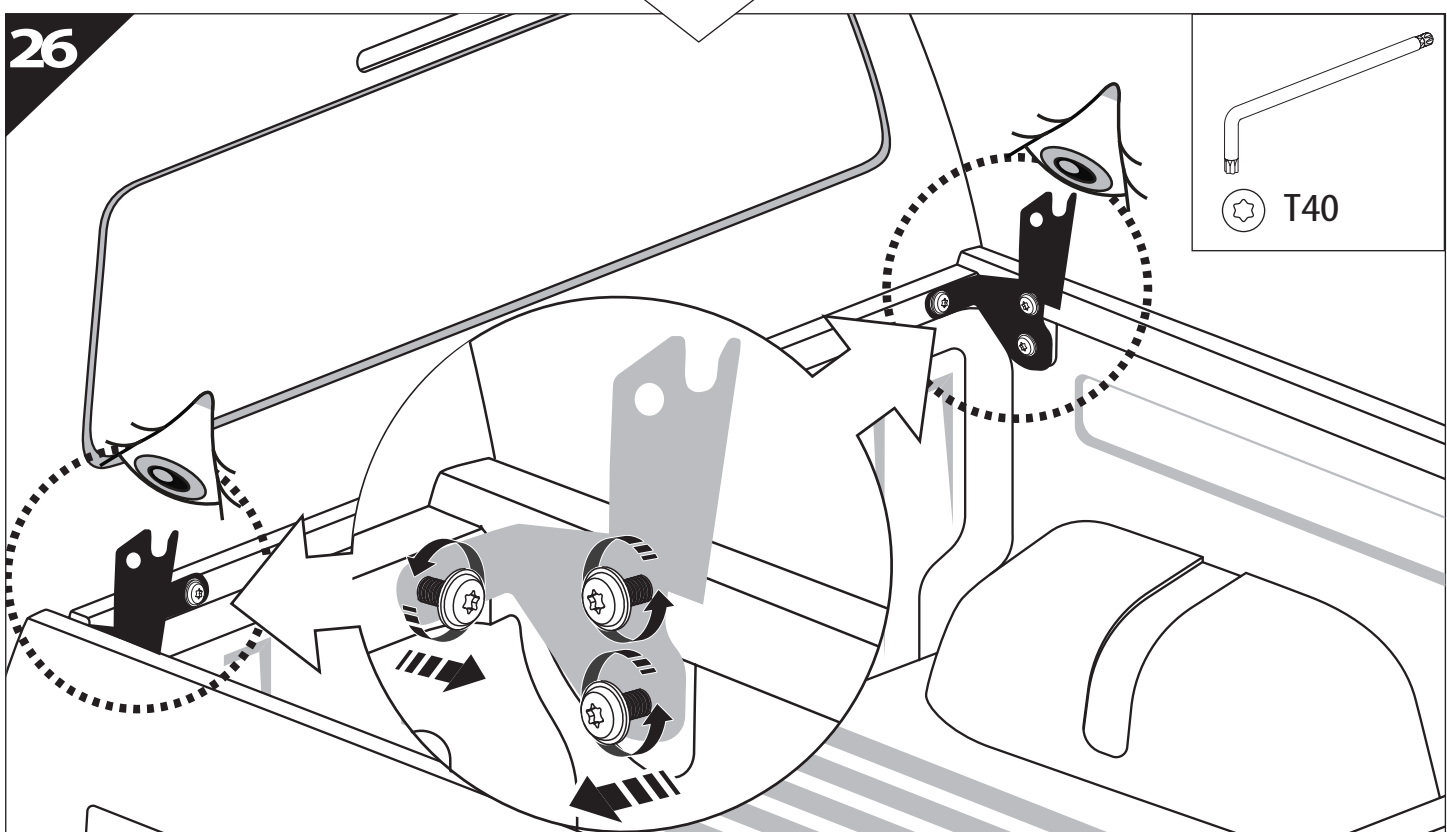
24



25

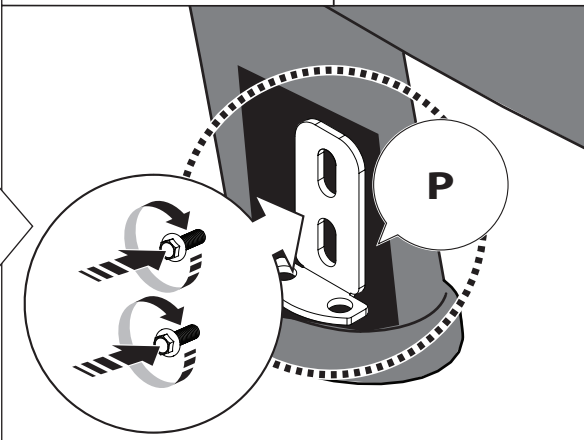
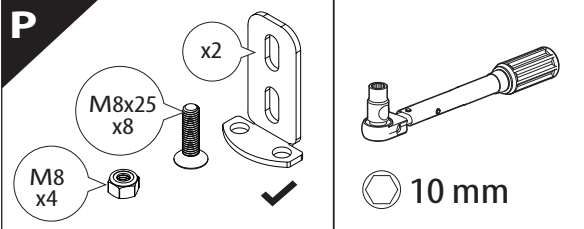
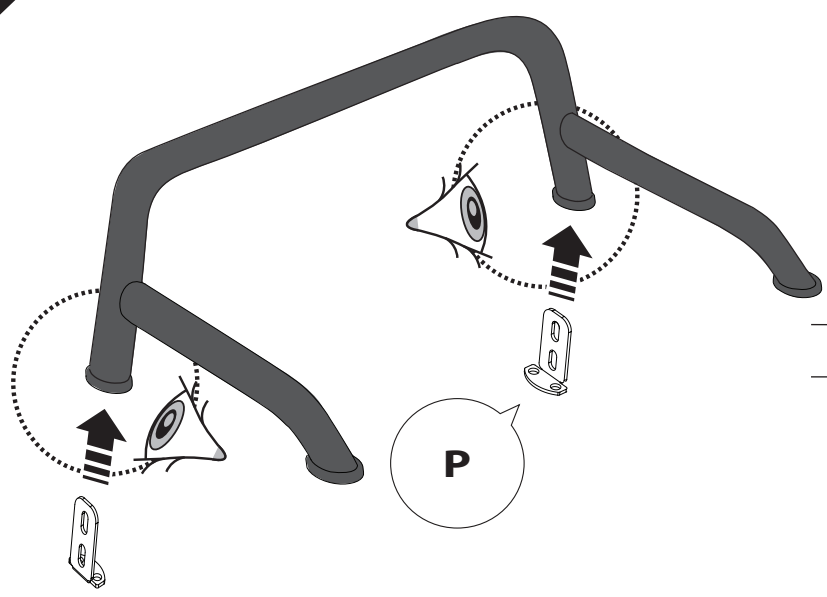


26



27

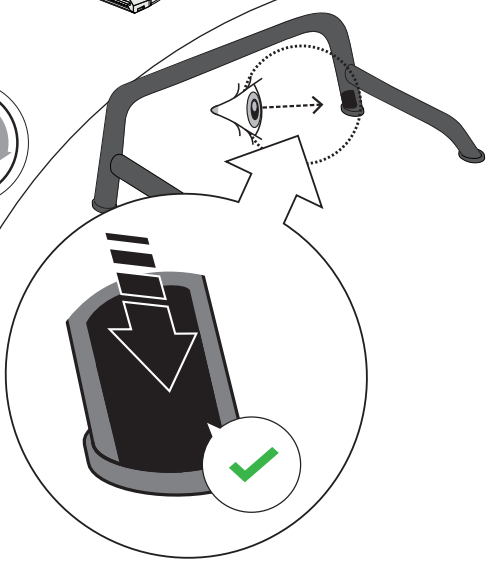
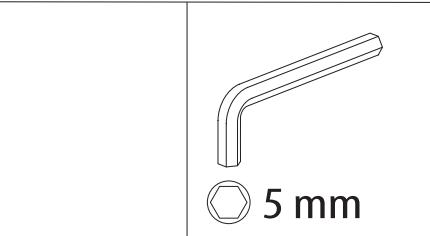
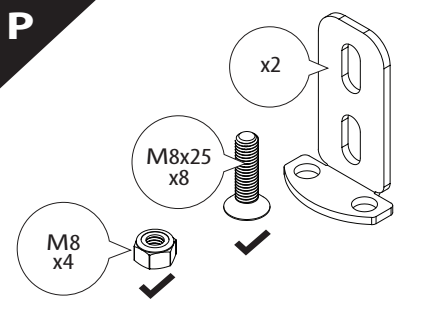
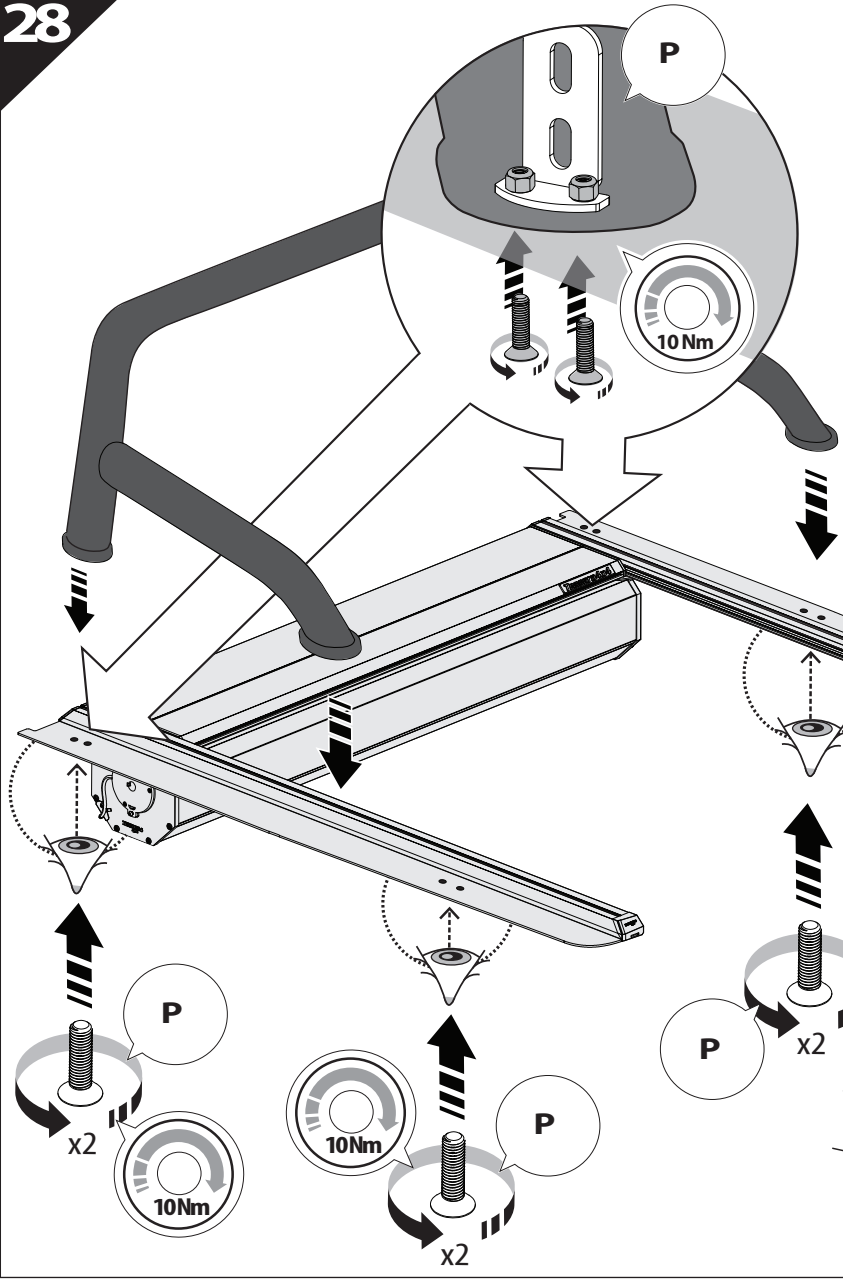
P



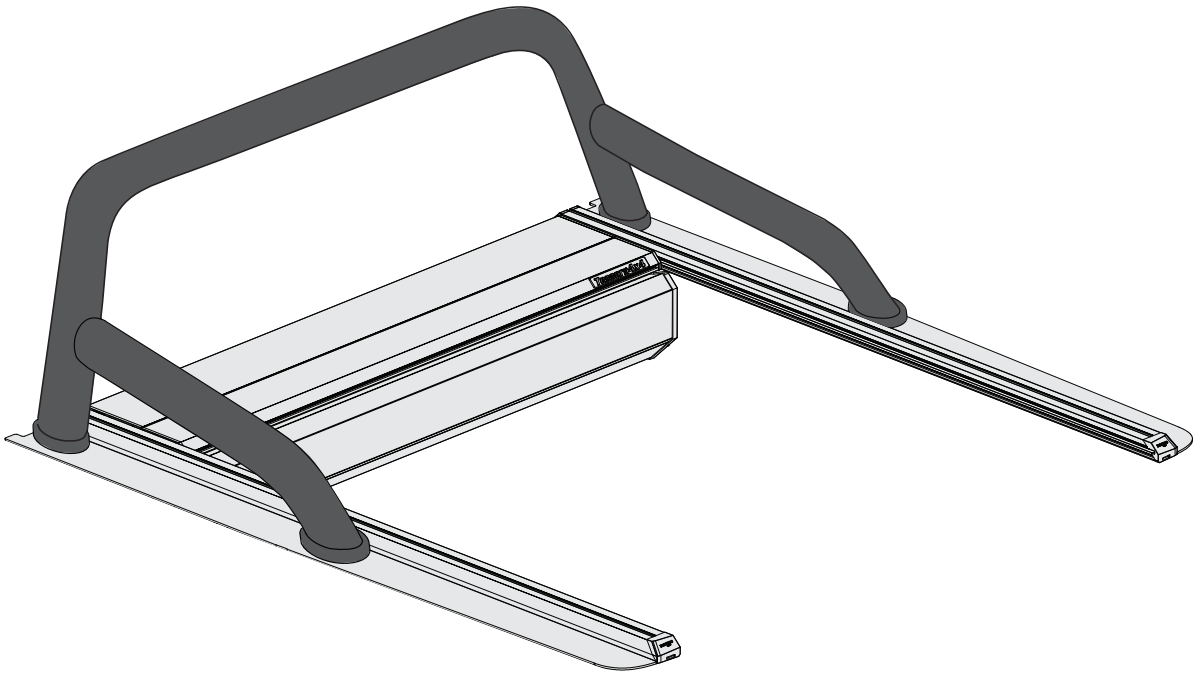
! FROM STEP 20

28

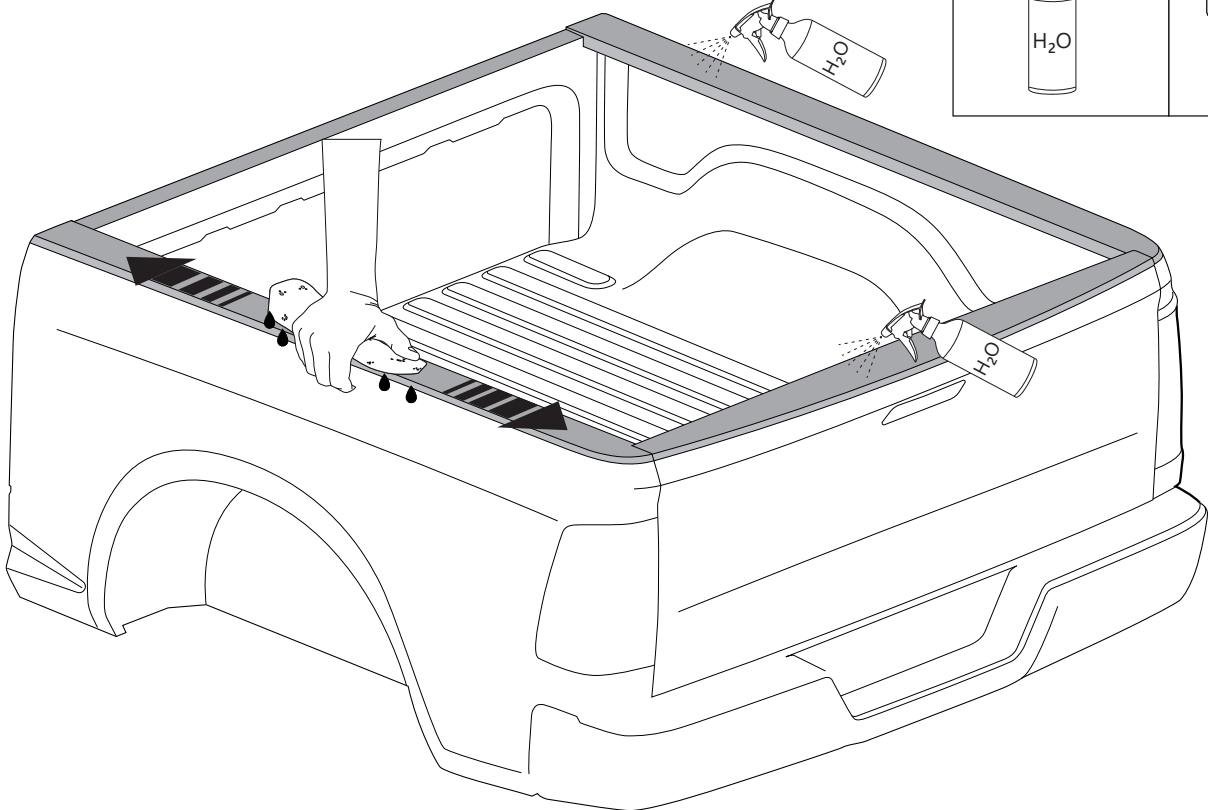
P

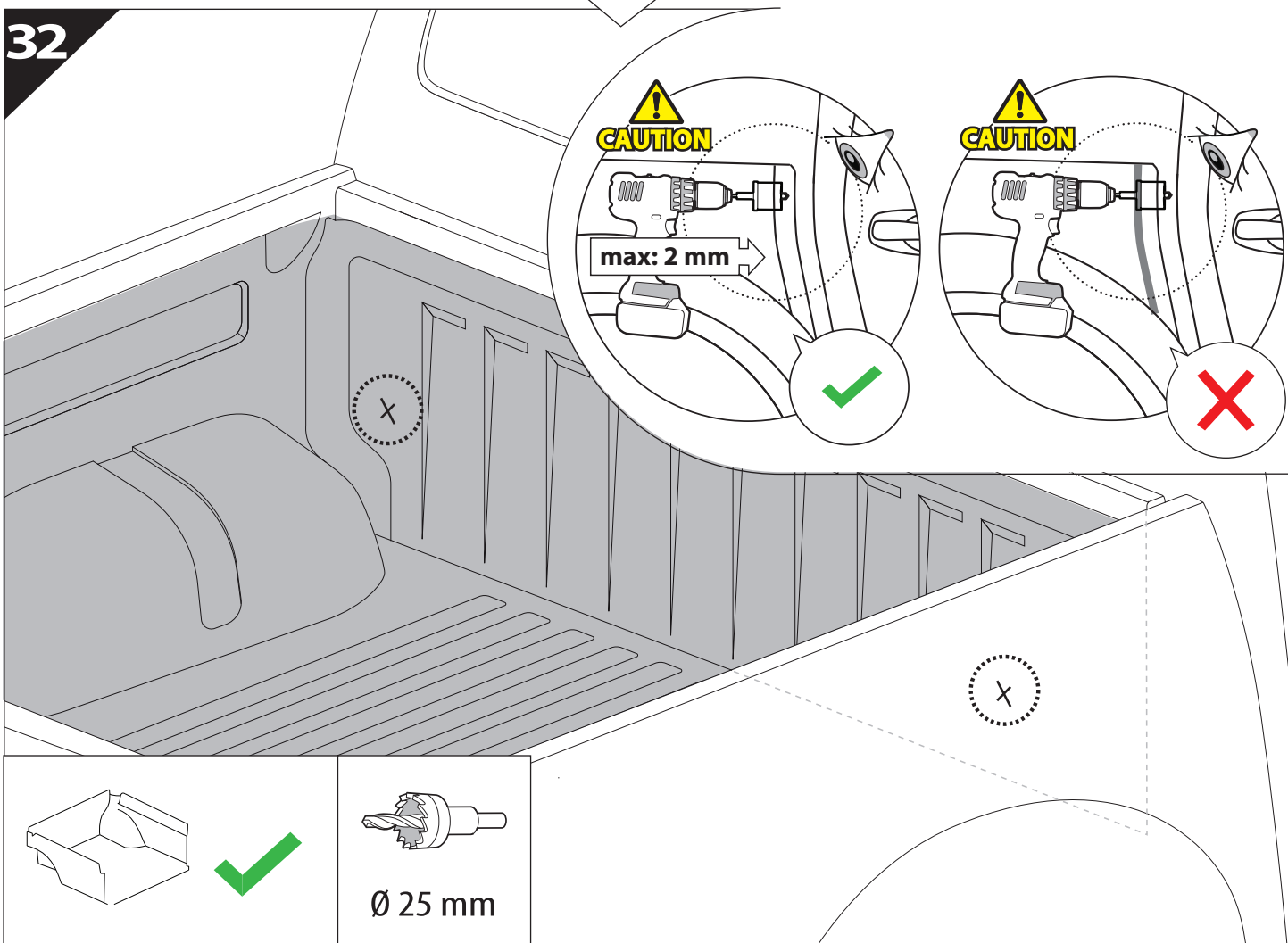
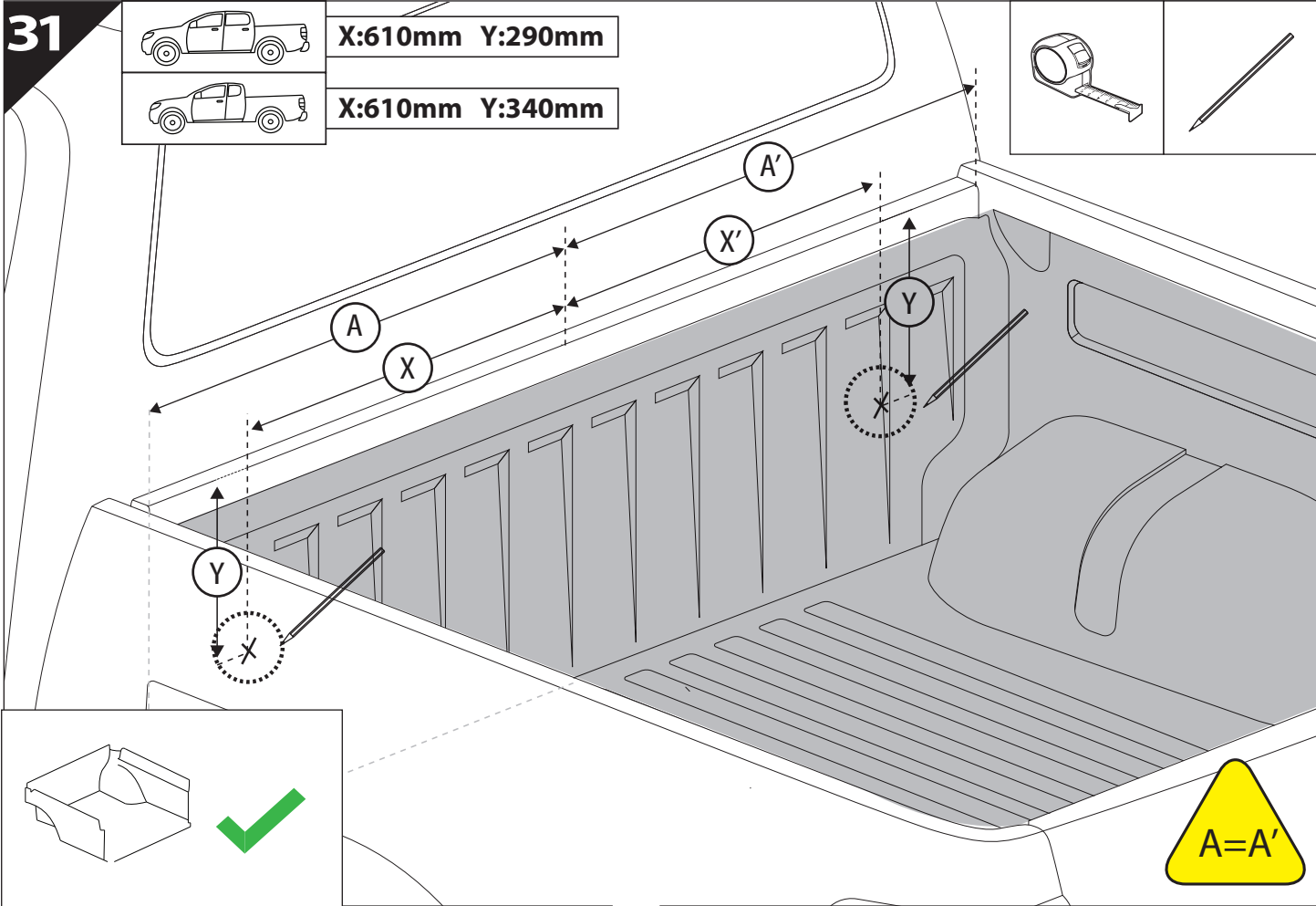


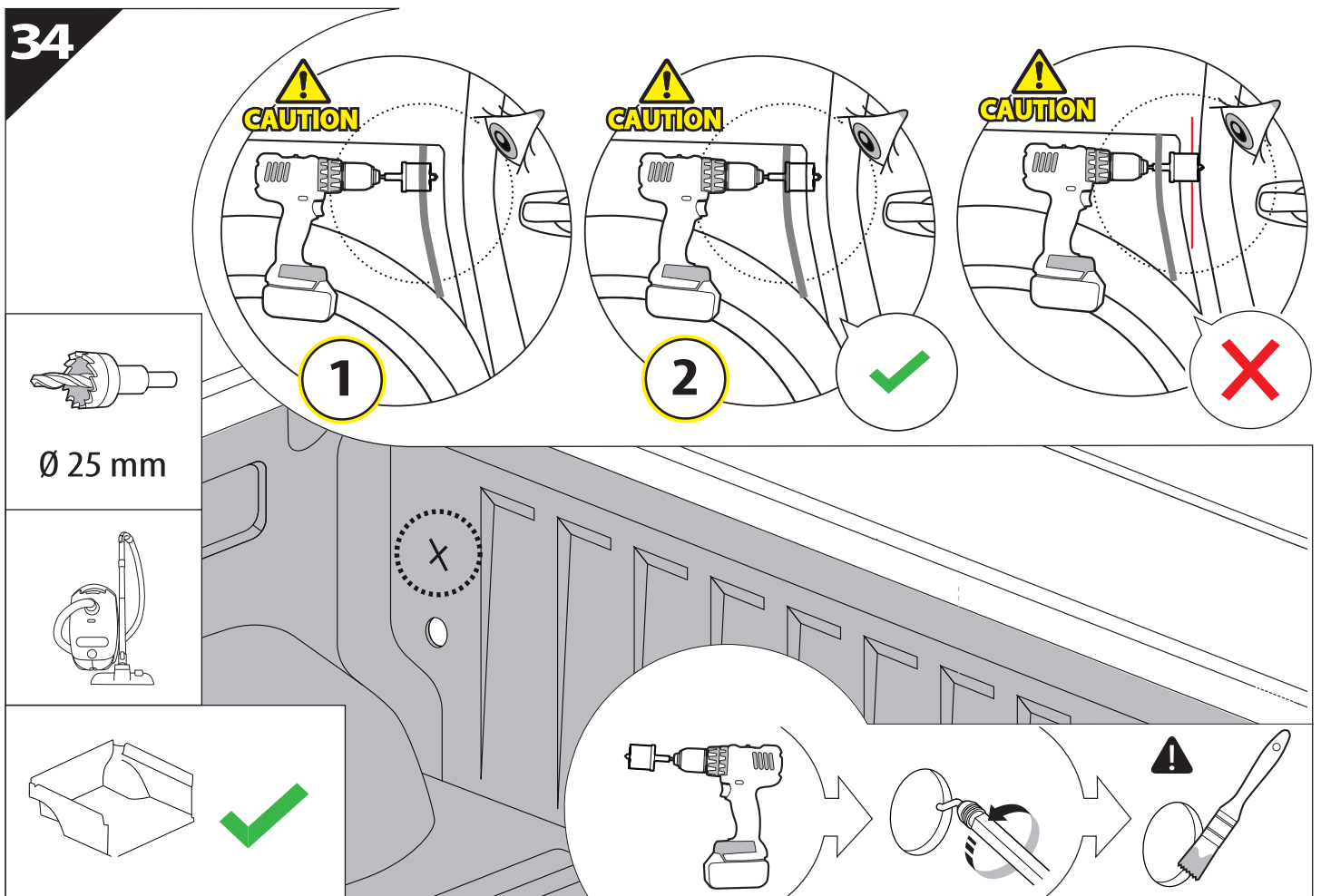
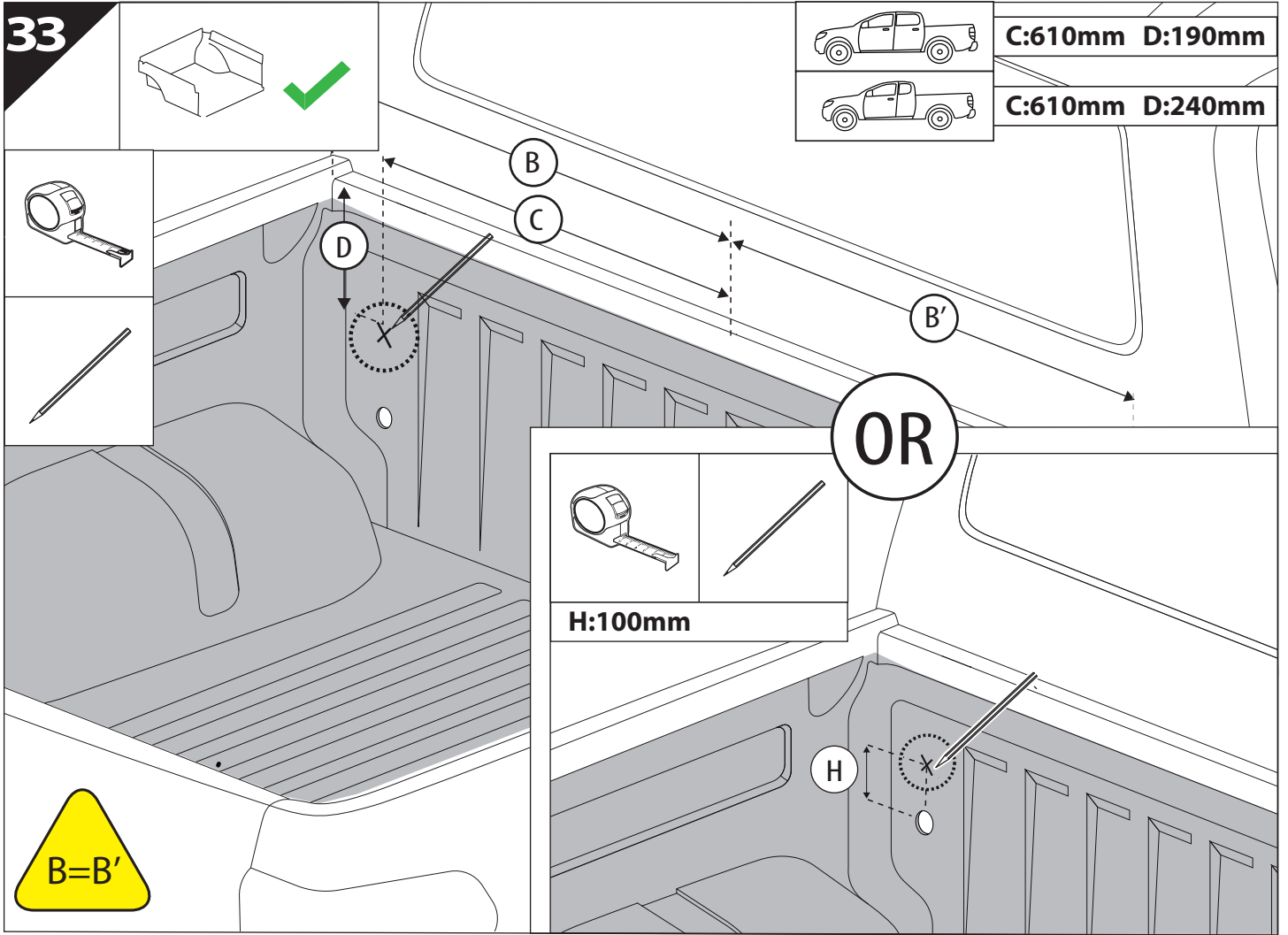
29

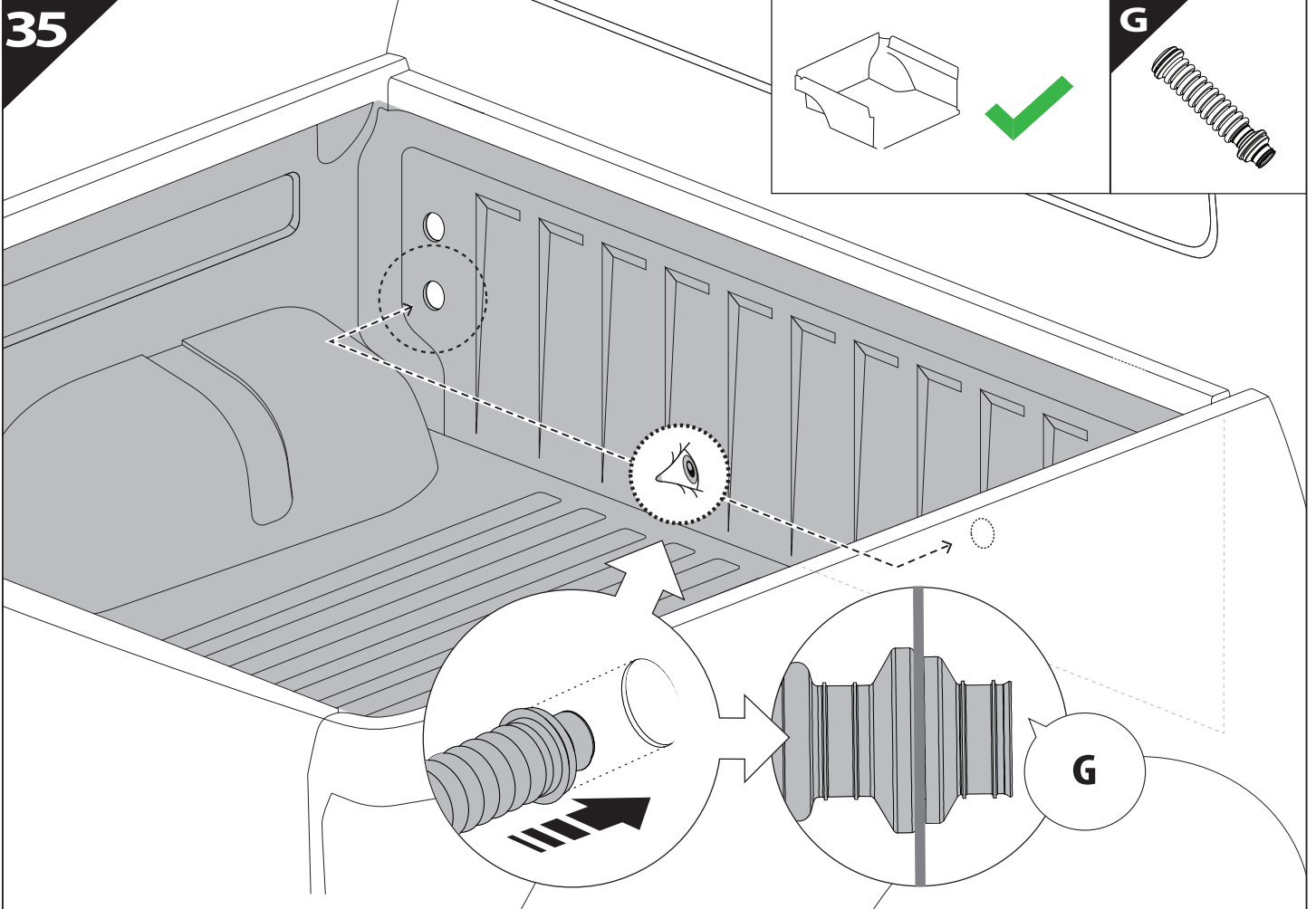


30

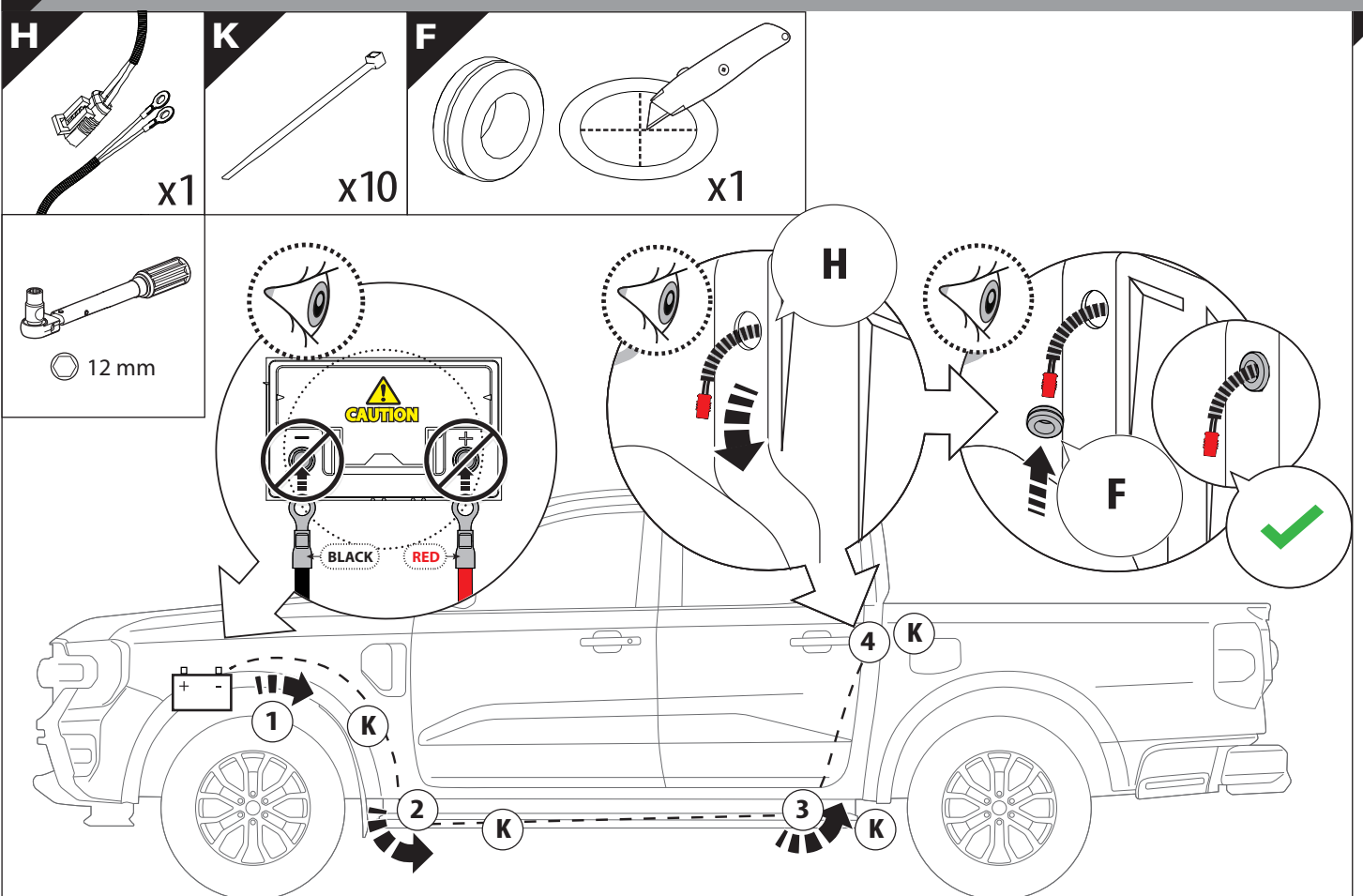




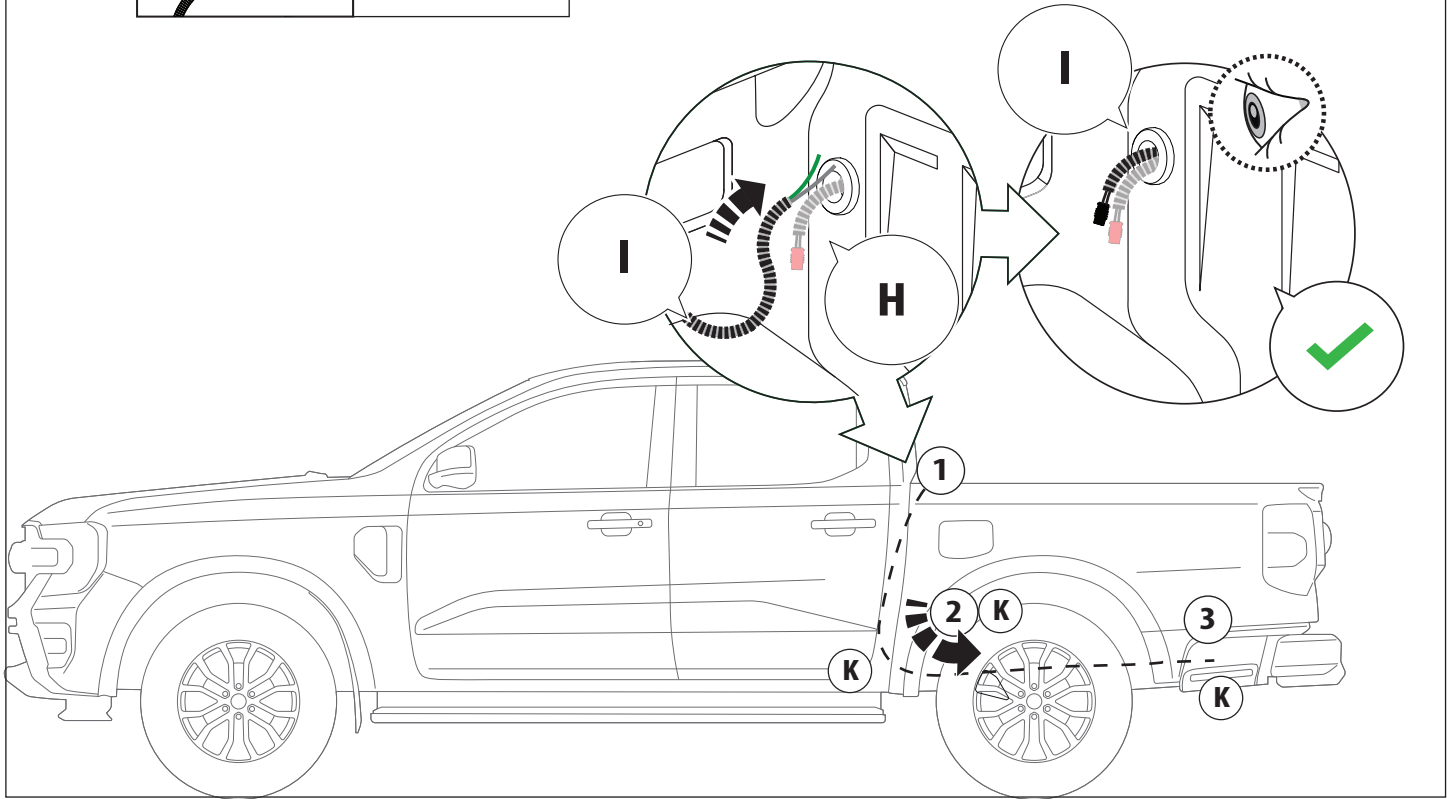
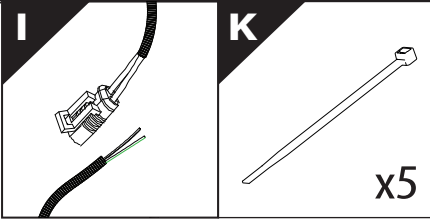




**36** Only to be installed by authorized personnel



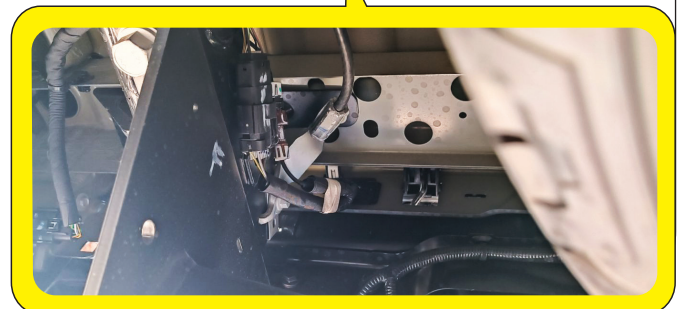
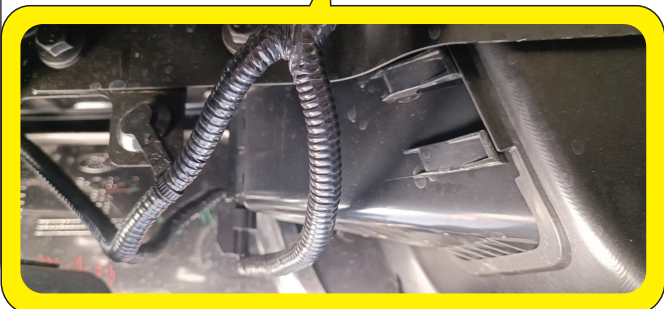
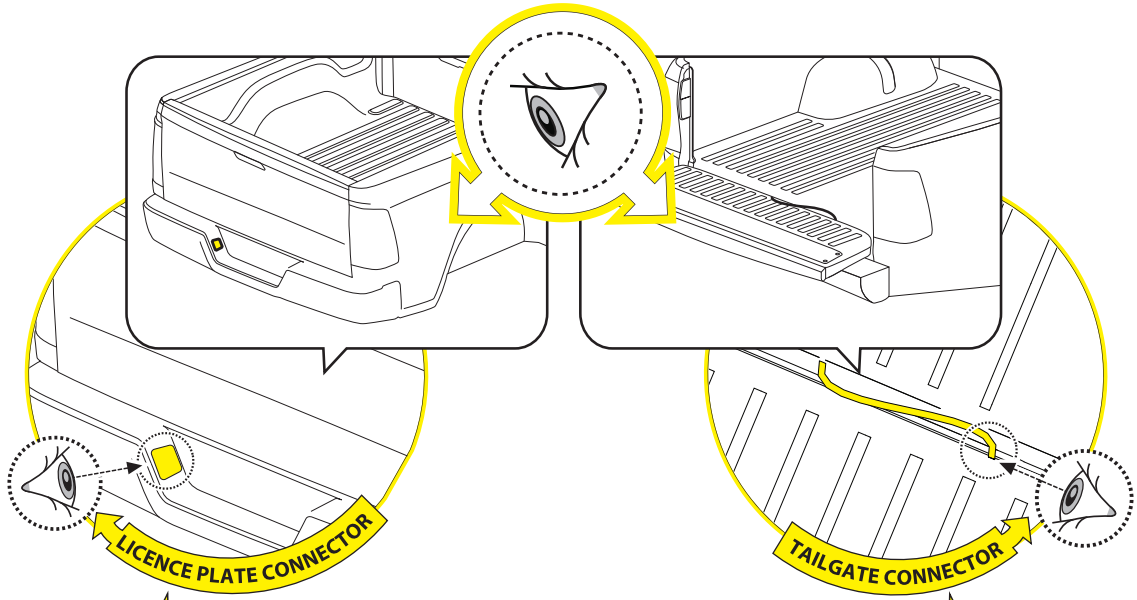
37



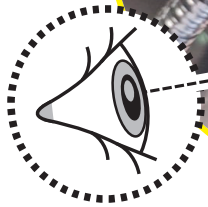
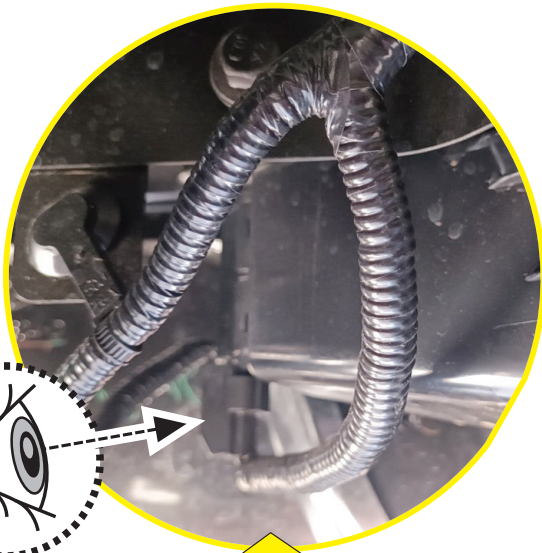
38



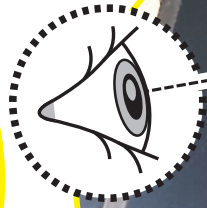
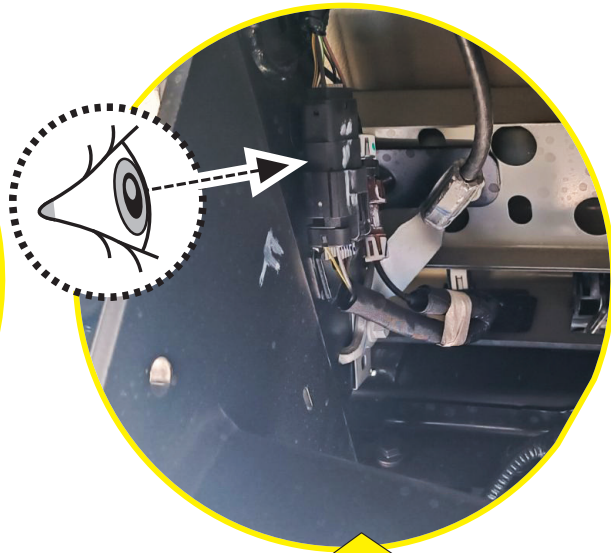
**CAUTION: LIMITED, WILDTRAK, WILDTRAK X, PLATINUM**



38.1



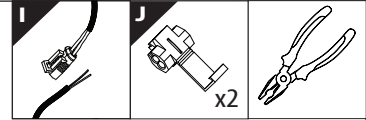
LICENCE PLATE CONNECTOR



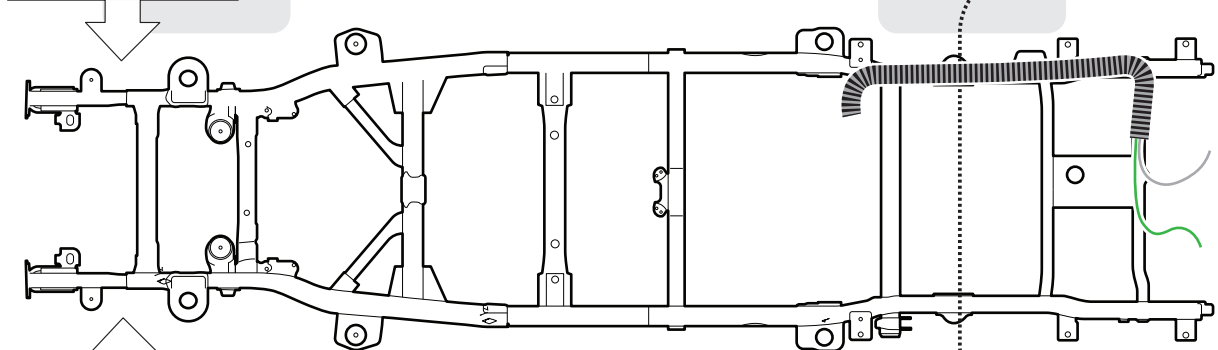
TAILGATE CONNECTOR

39

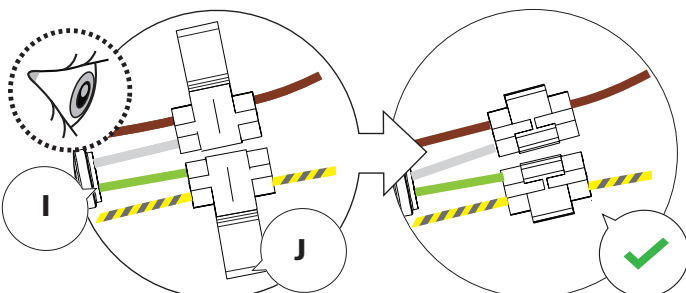
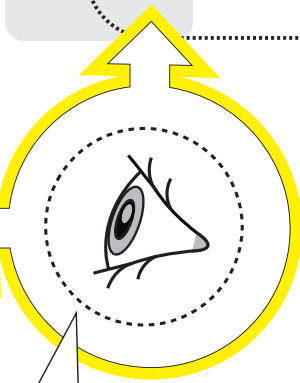
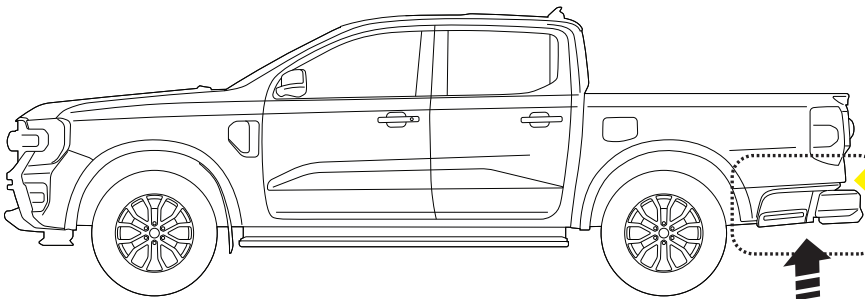
BOTTOM VIEW



DRIVER'S LEFT SIDE



PASSENGER'S RIGHT SIDE

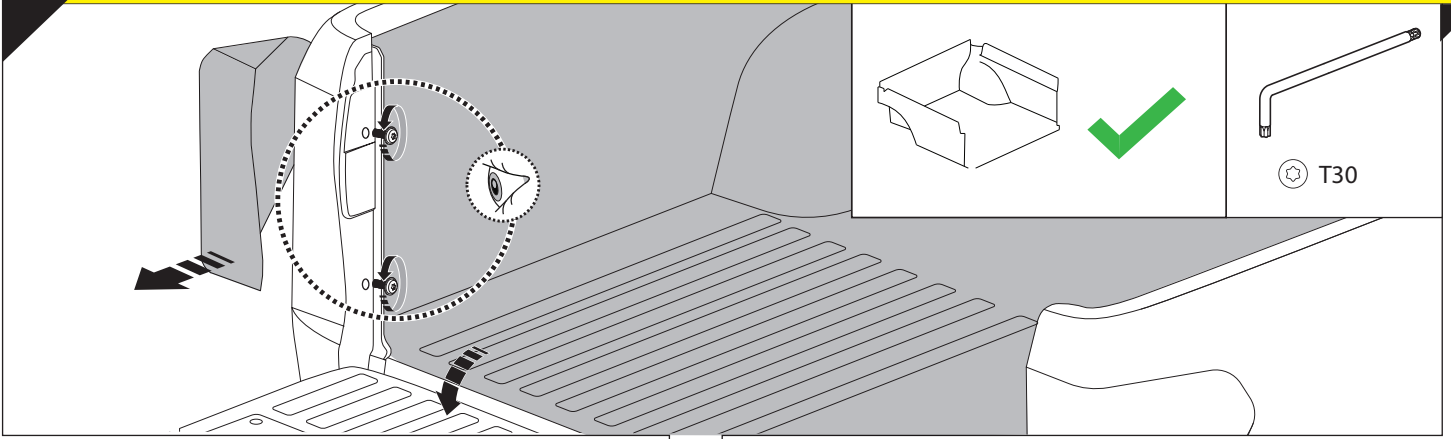


	CAR		TESSERA ROLL+
BEAM		↔	
LICENCE PLATE 2 PIN LIGHT CONNECTOR			
STOP		↔	
TAILGATE CONNECTOR			

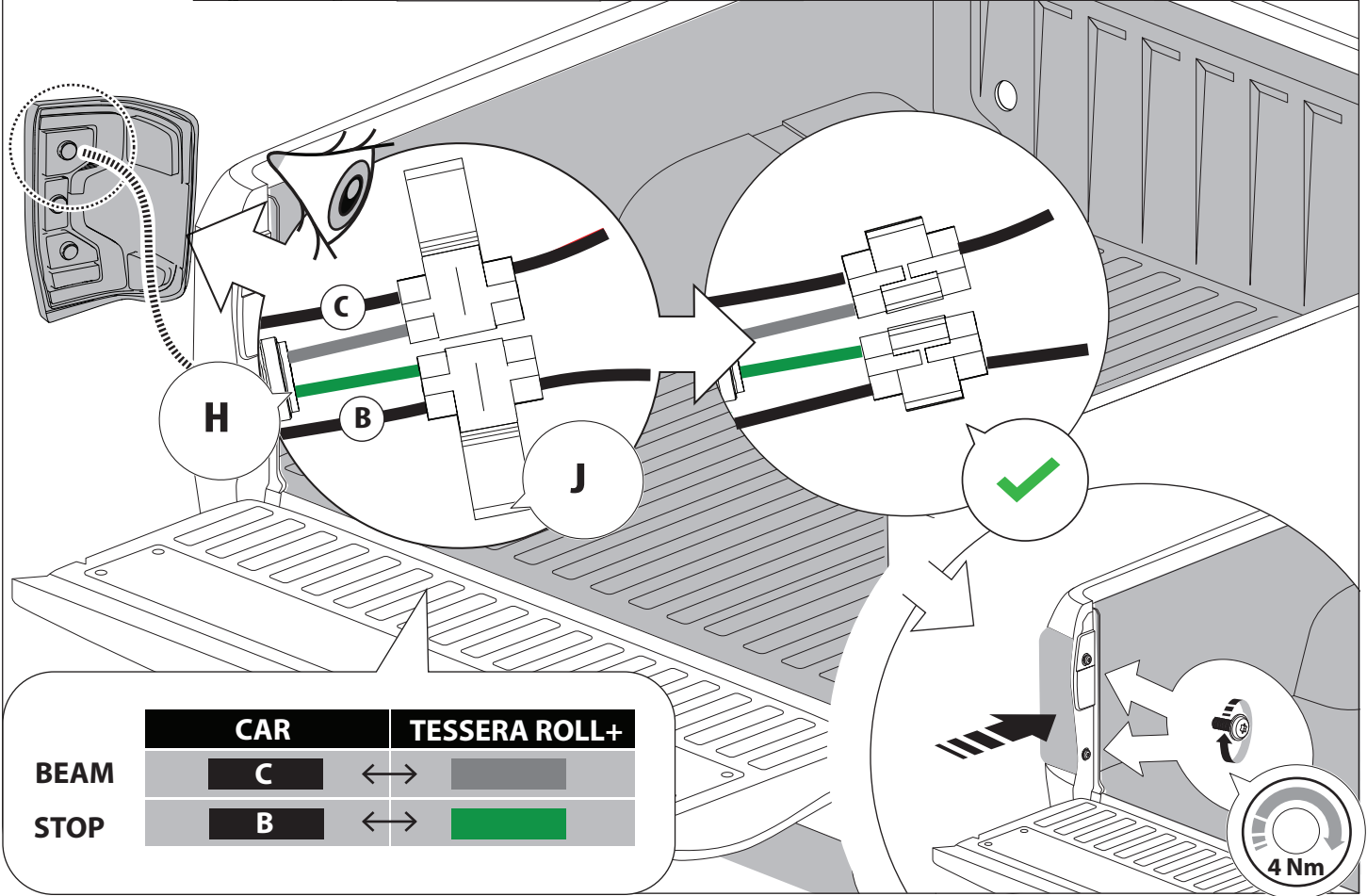
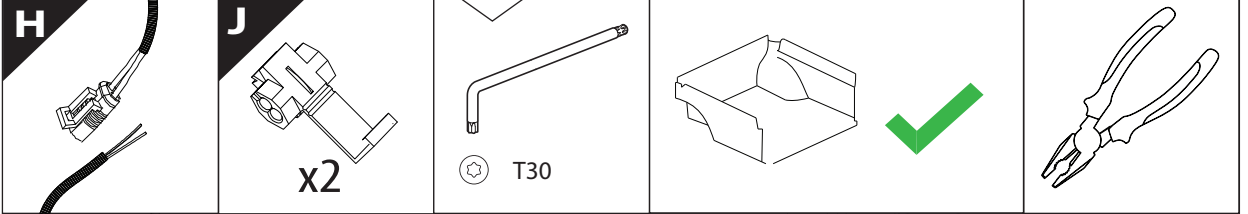
40



CAUTION: XL, XLT, TREMOR

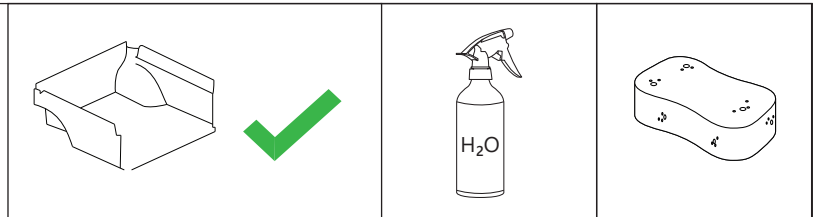
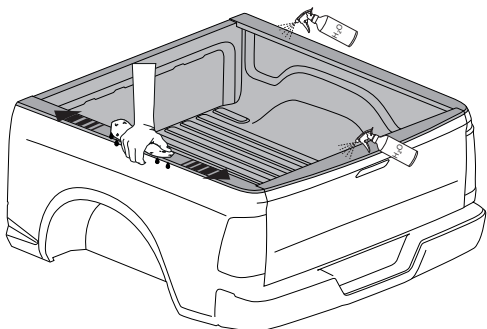


41



	CAR		TESSERA ROLL+
BEAM	C	↔	■
STOP	B	↔	■

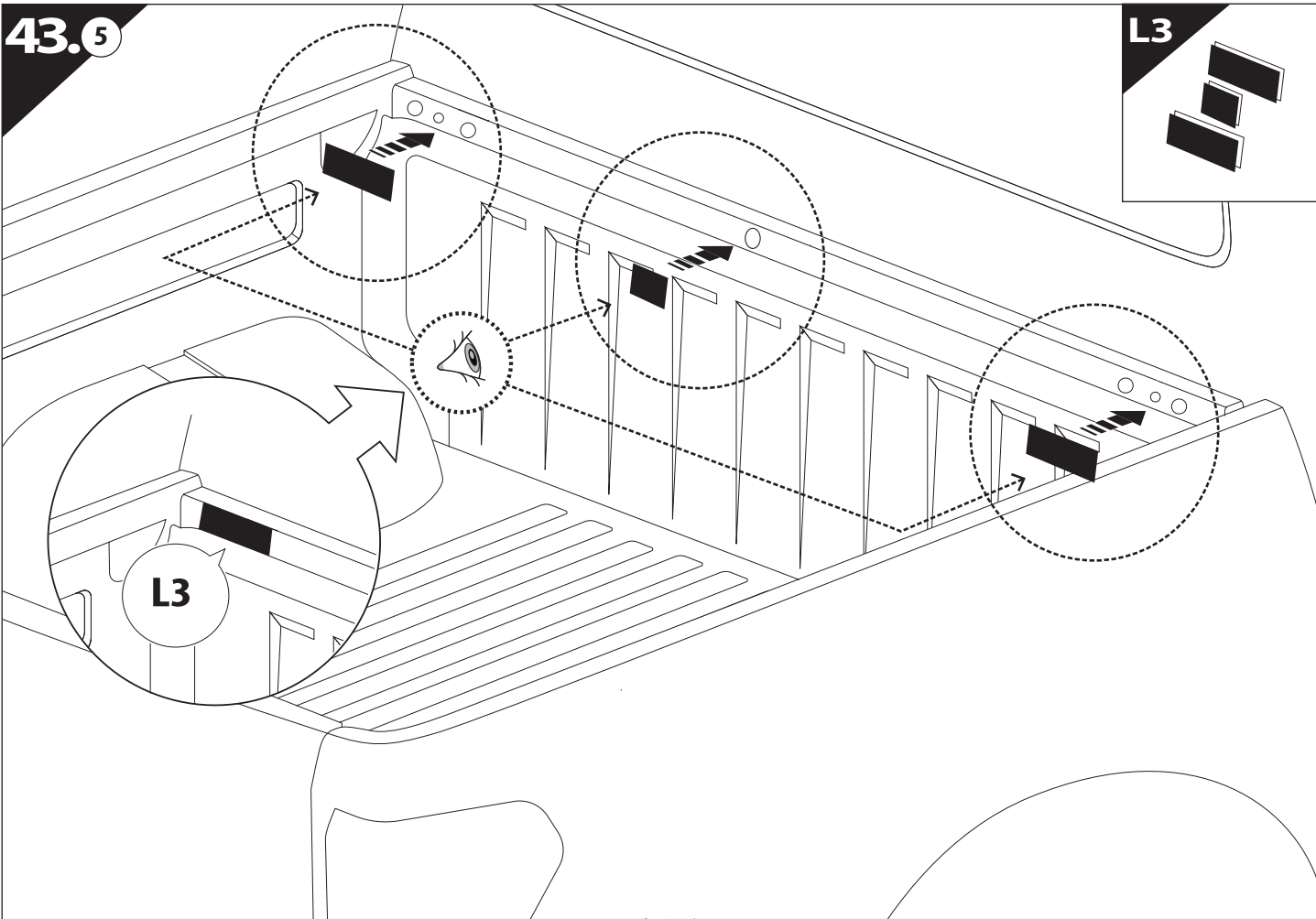
42





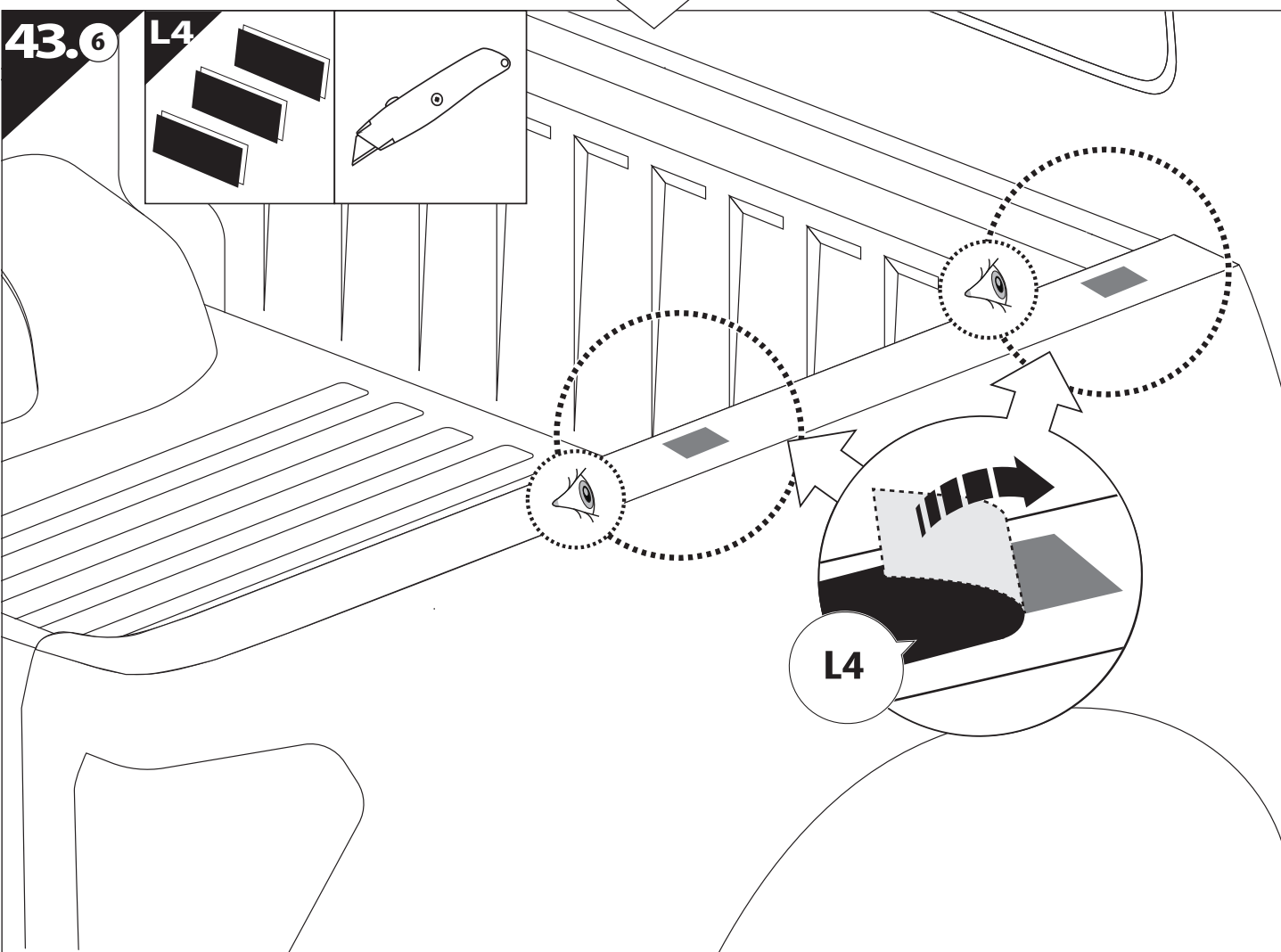
43.6

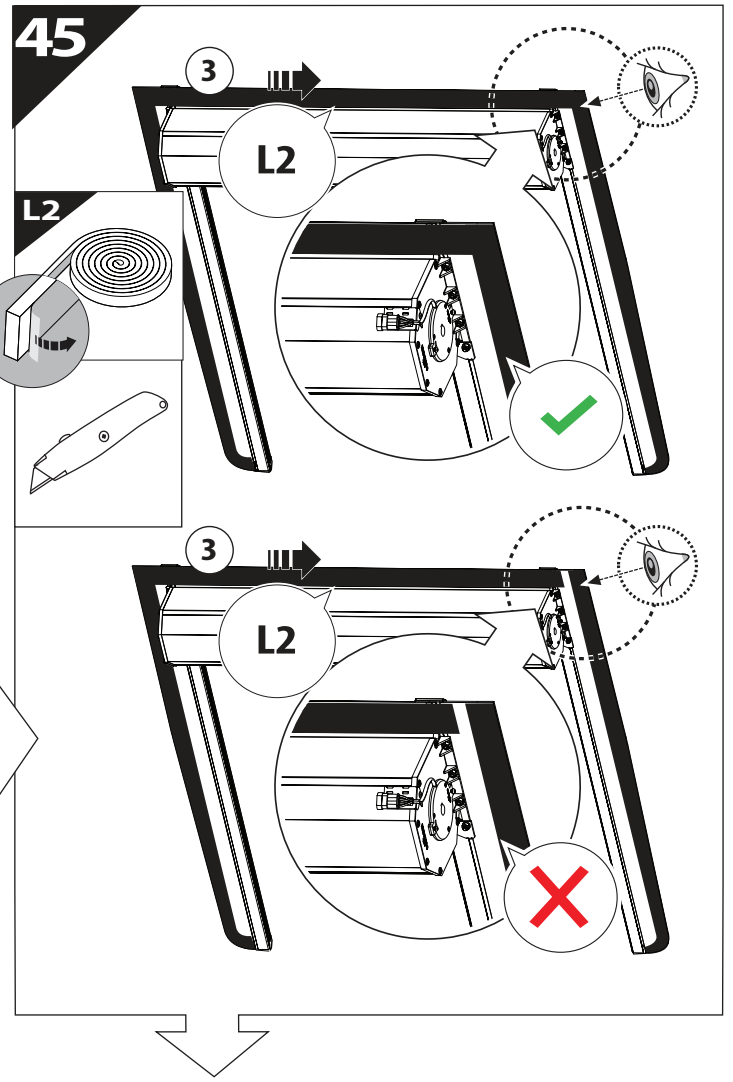
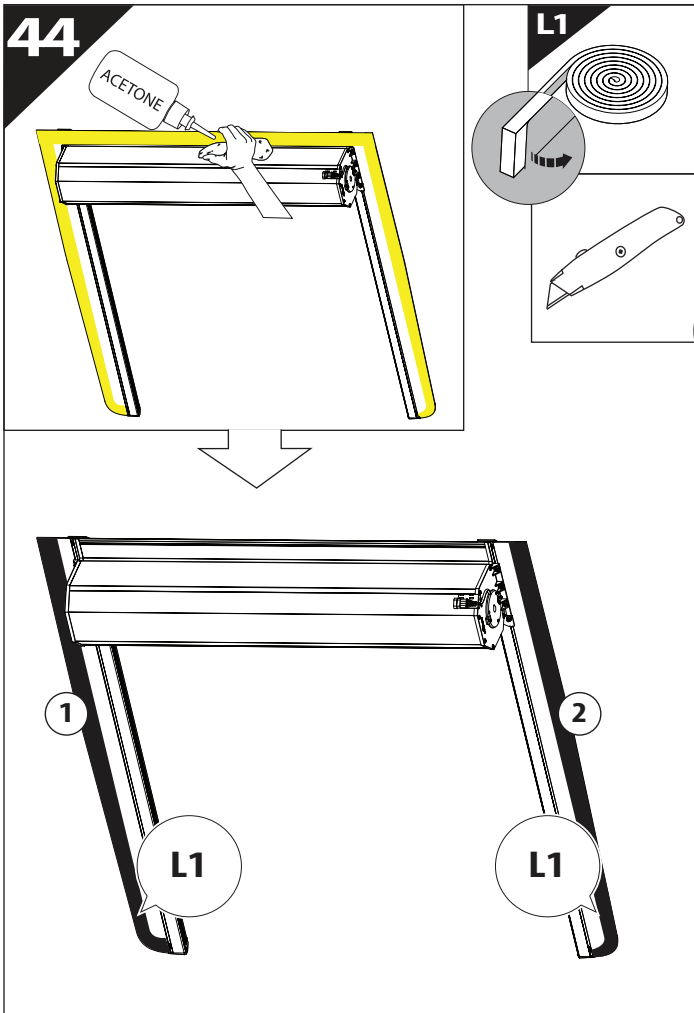
L3



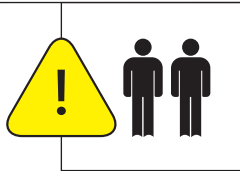
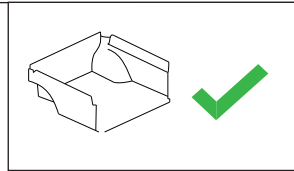
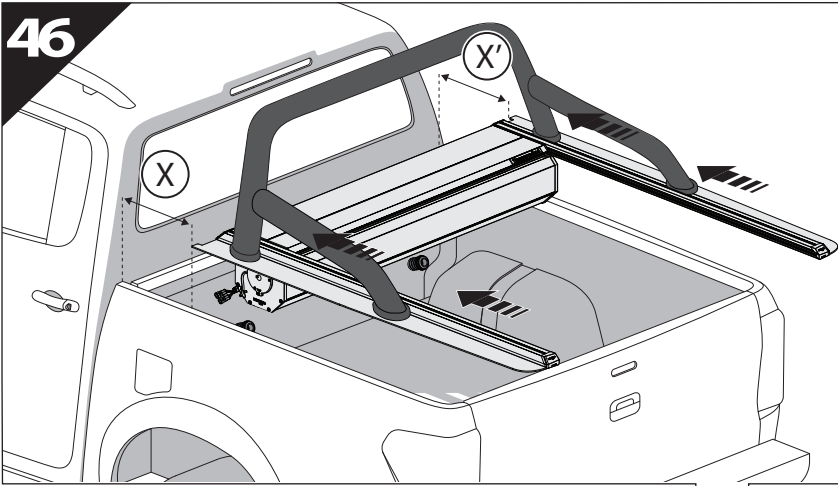
43.6

L4

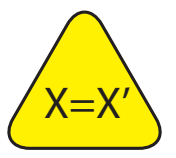
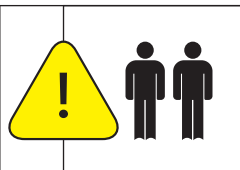
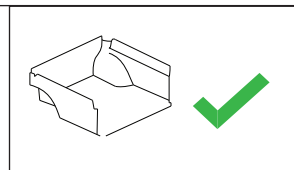
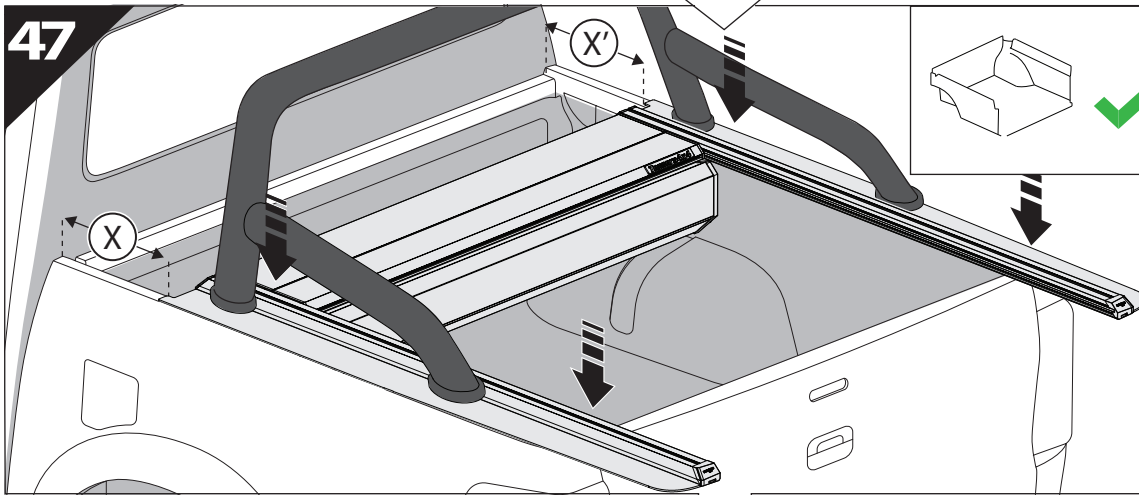




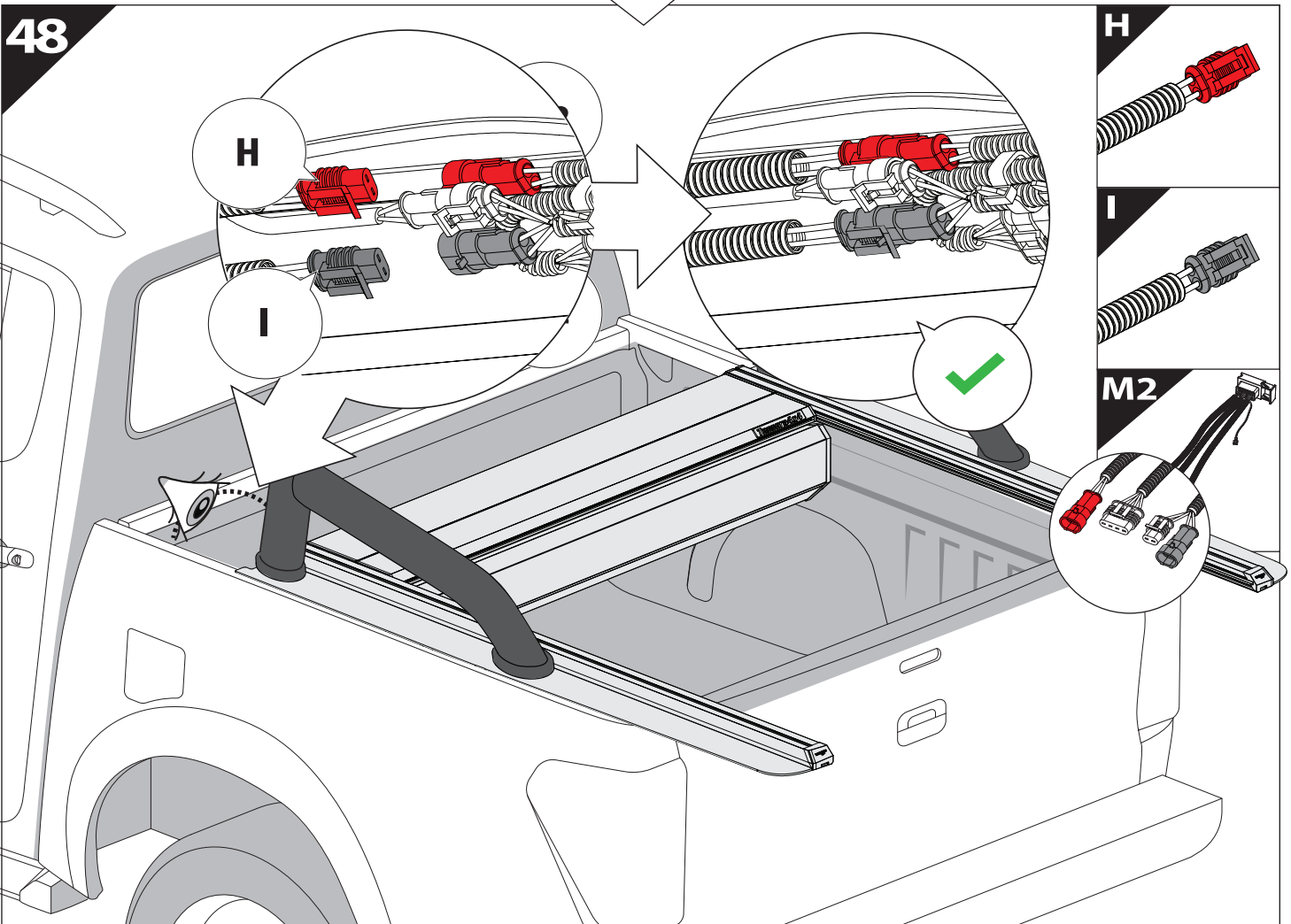
46



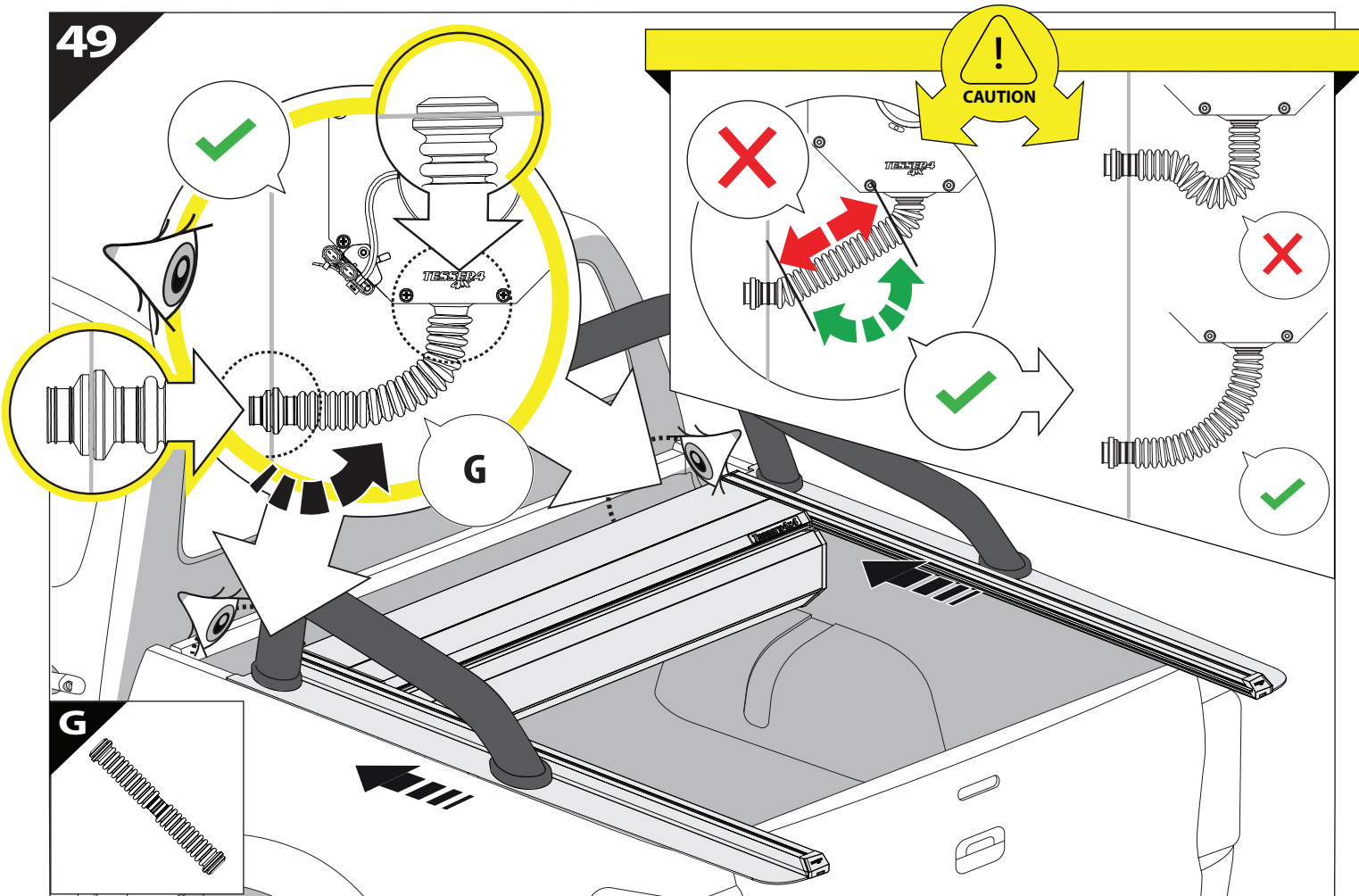
47



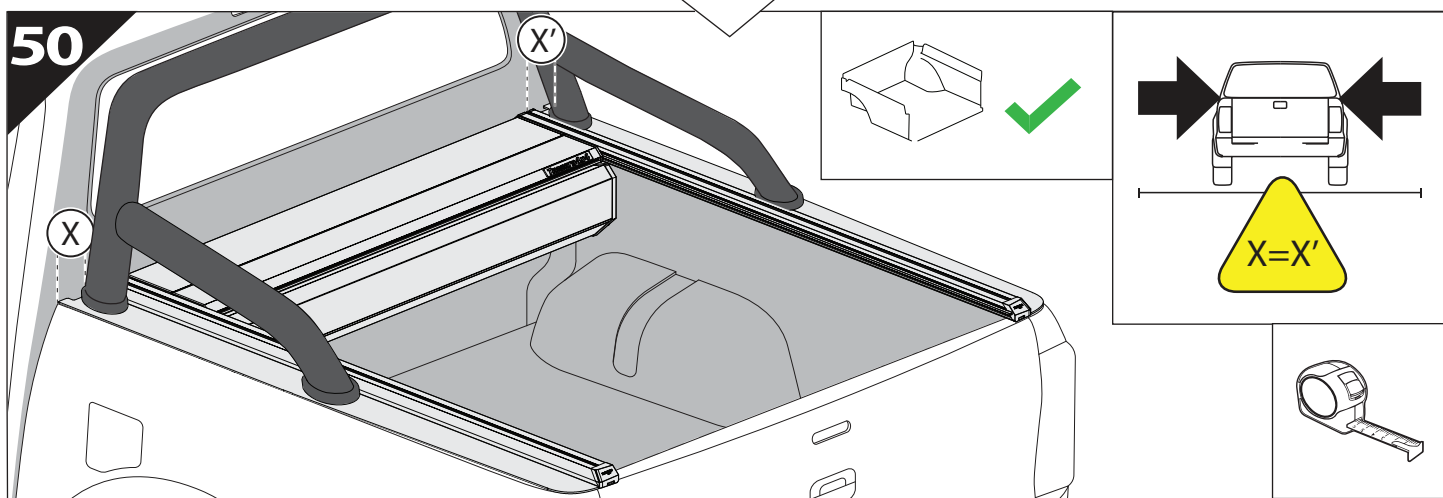
48



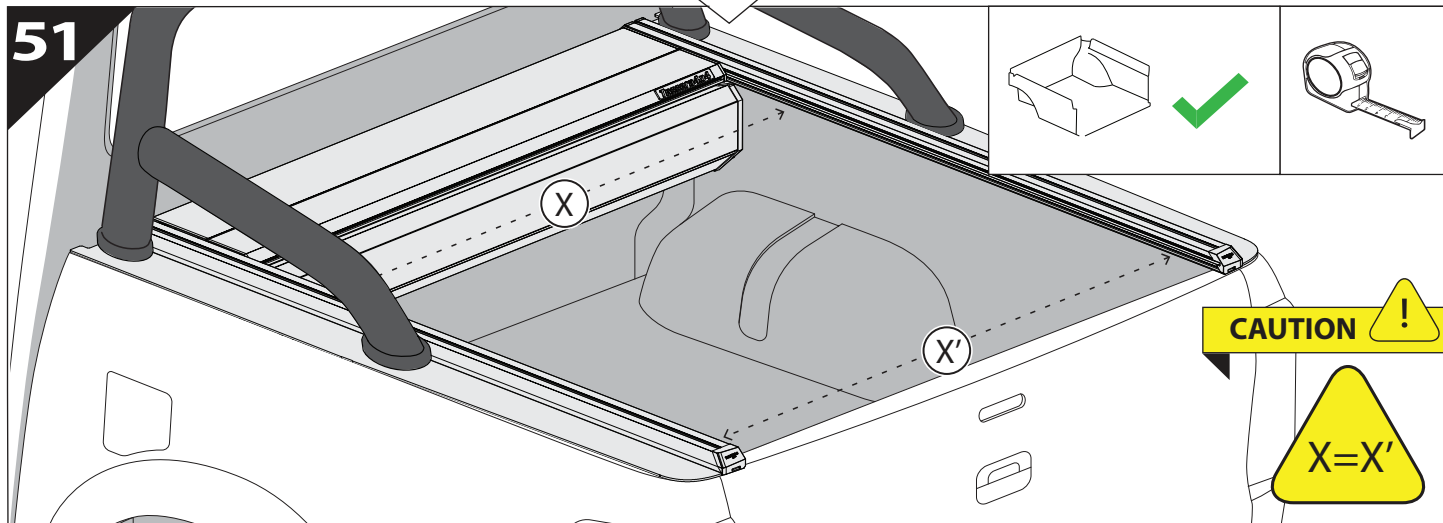
49



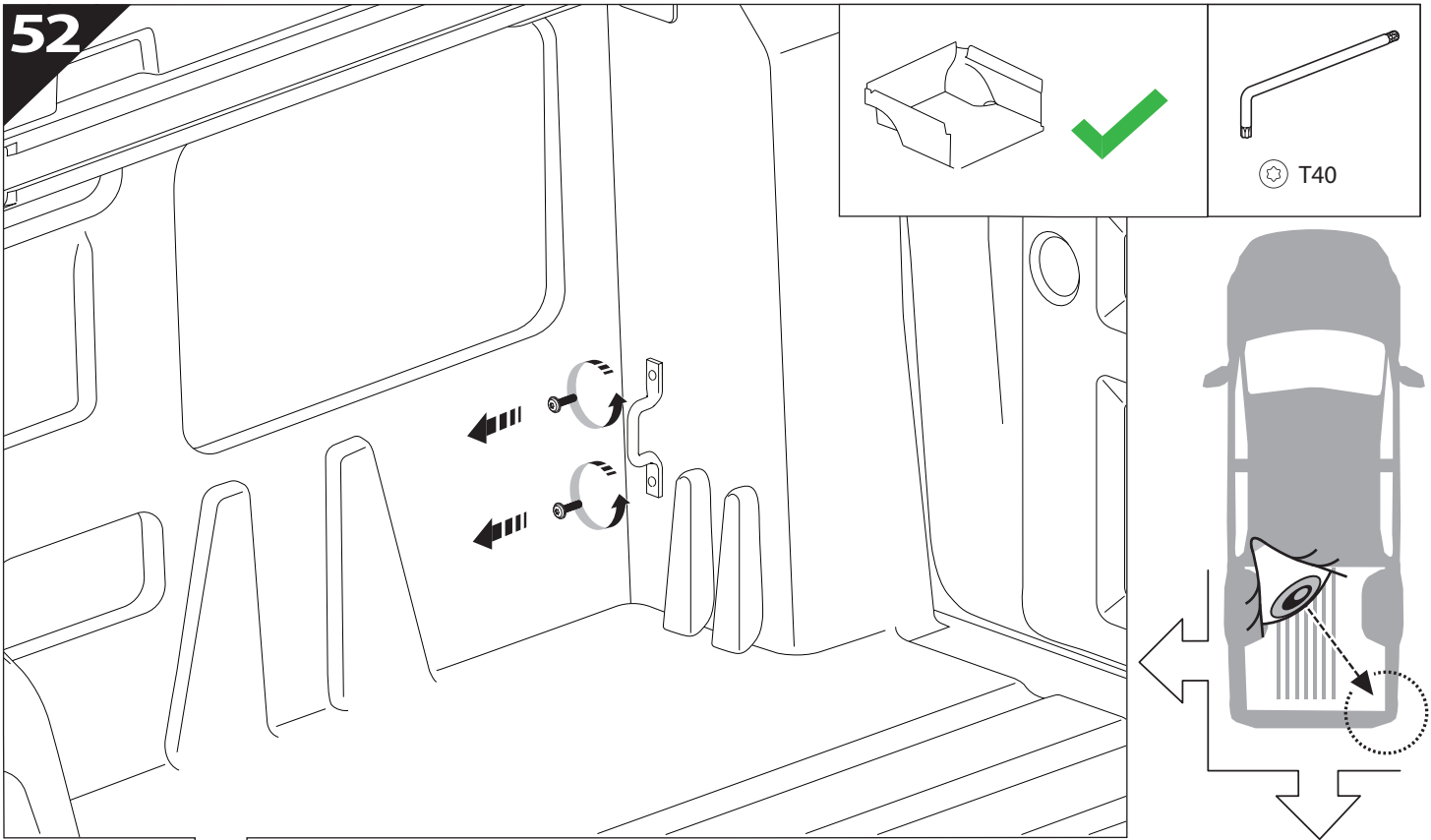
50



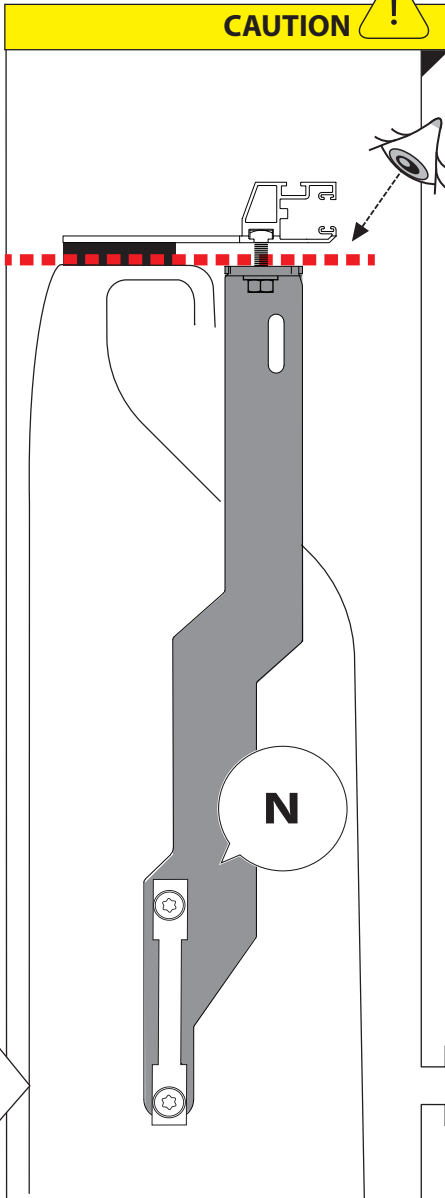
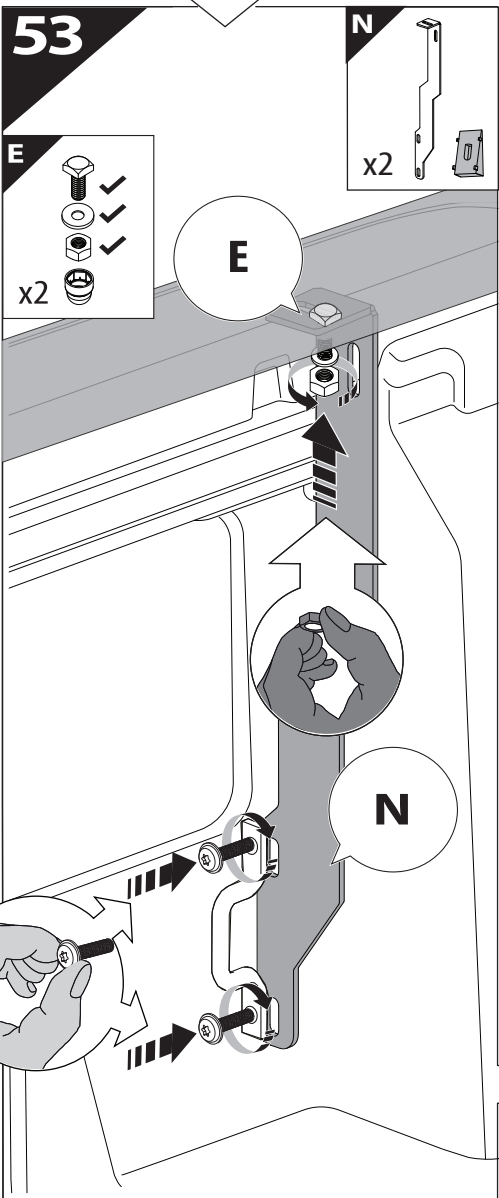
51



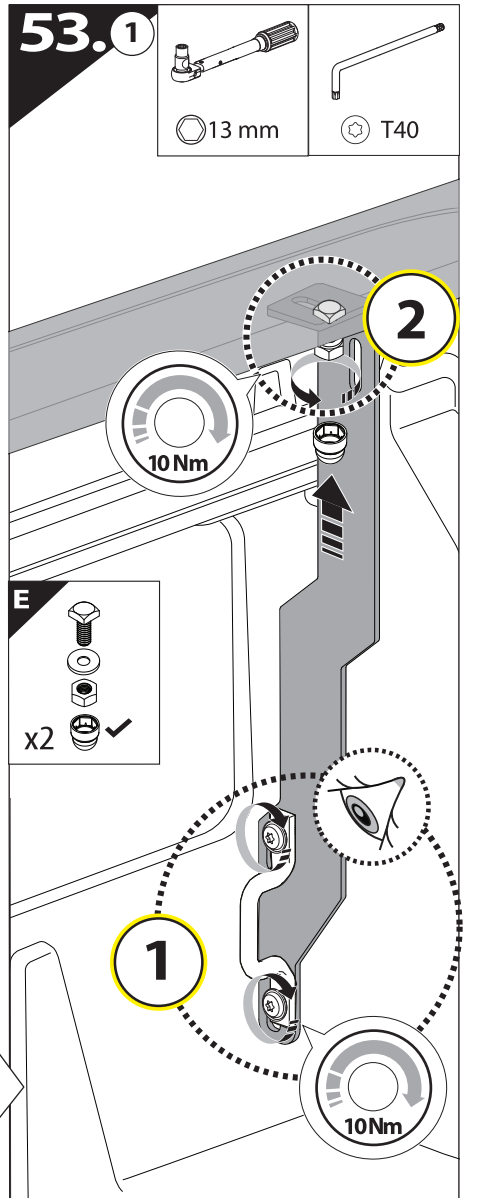
52



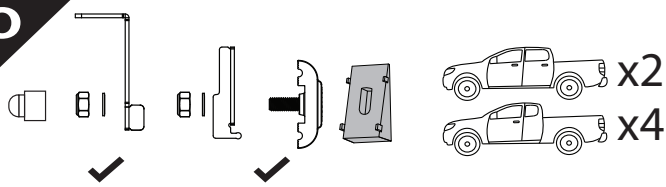
53



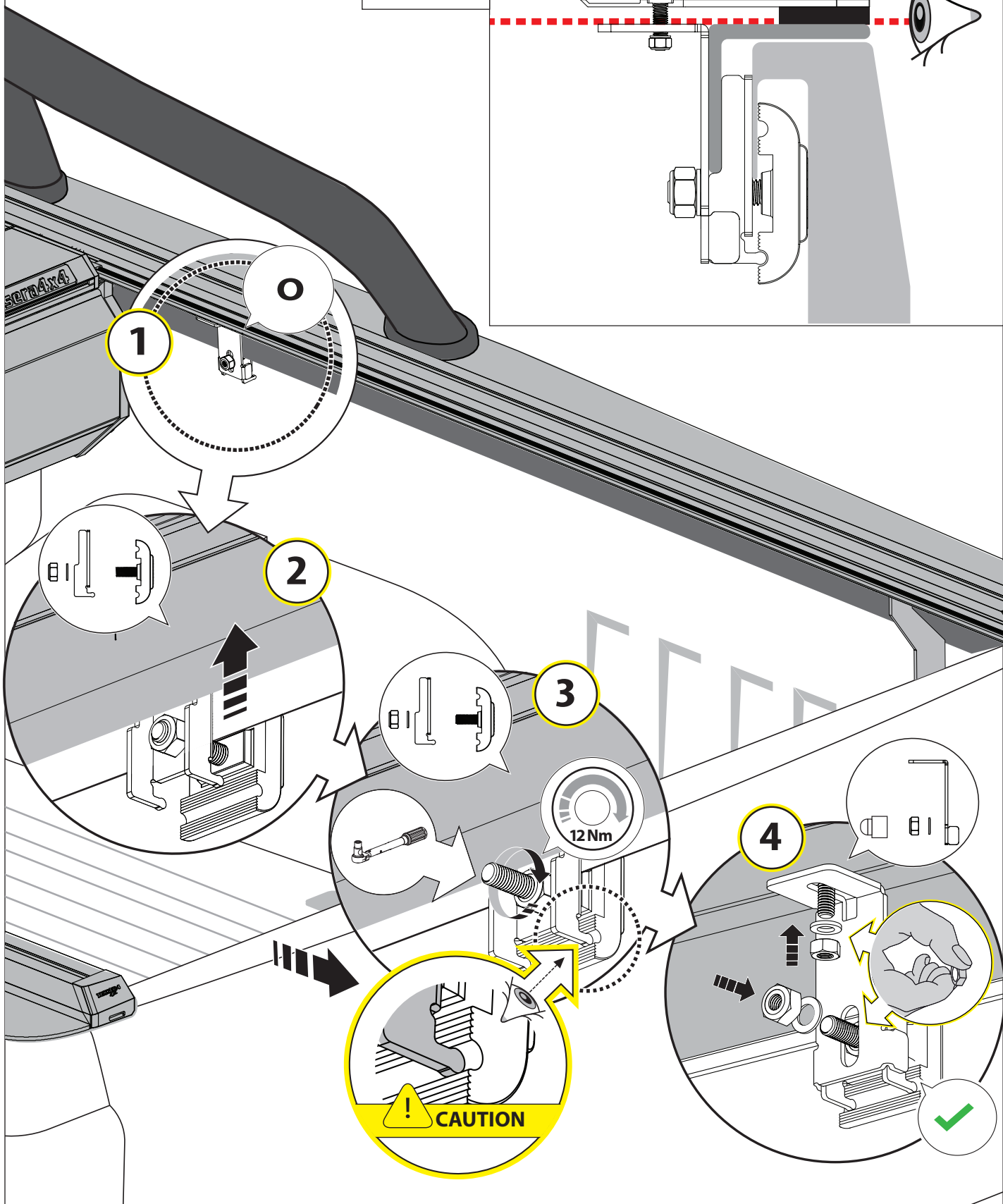
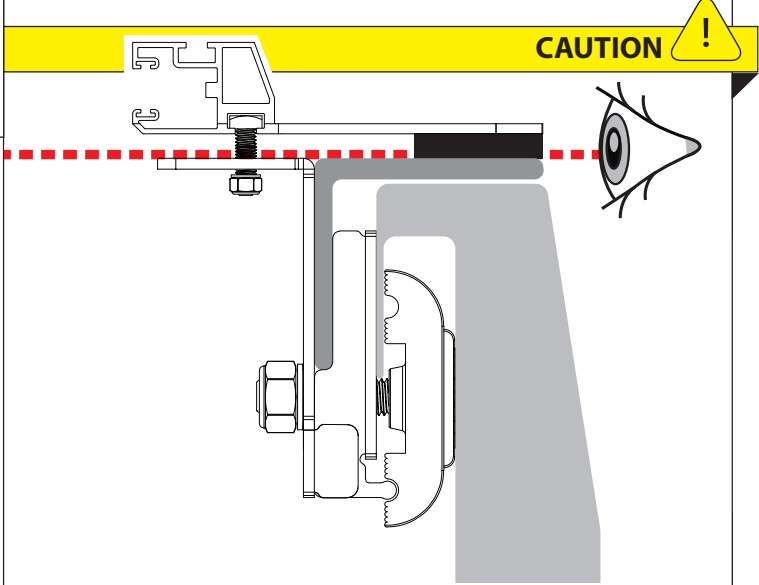
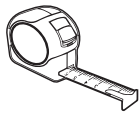
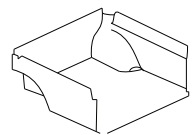
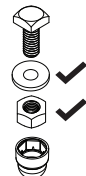
53.1

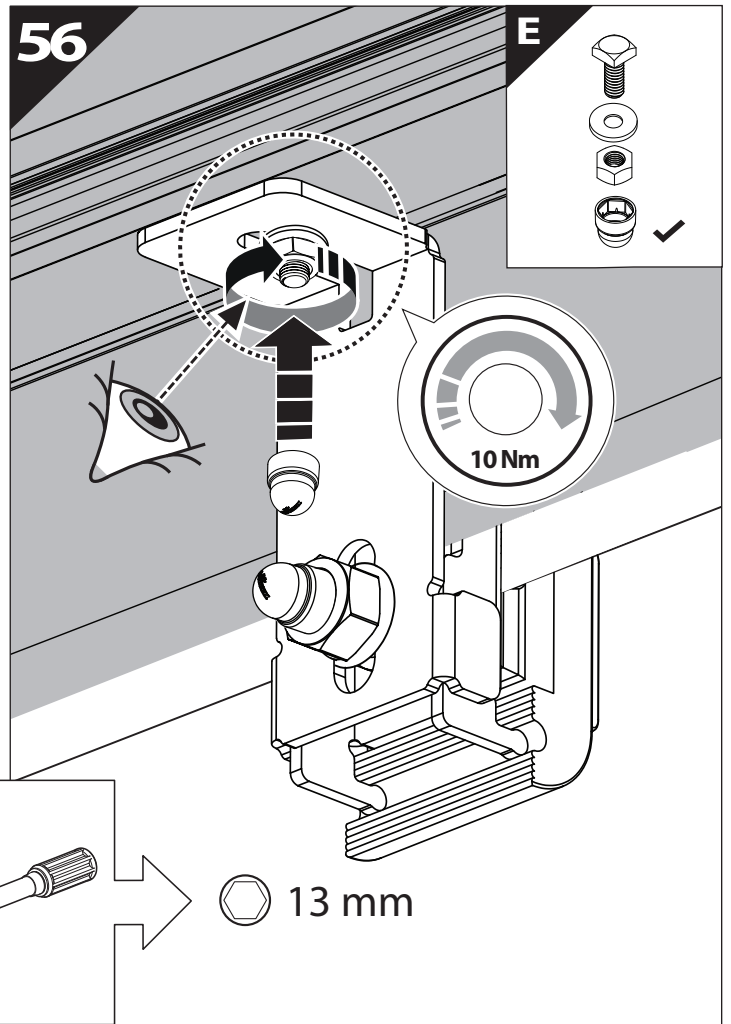
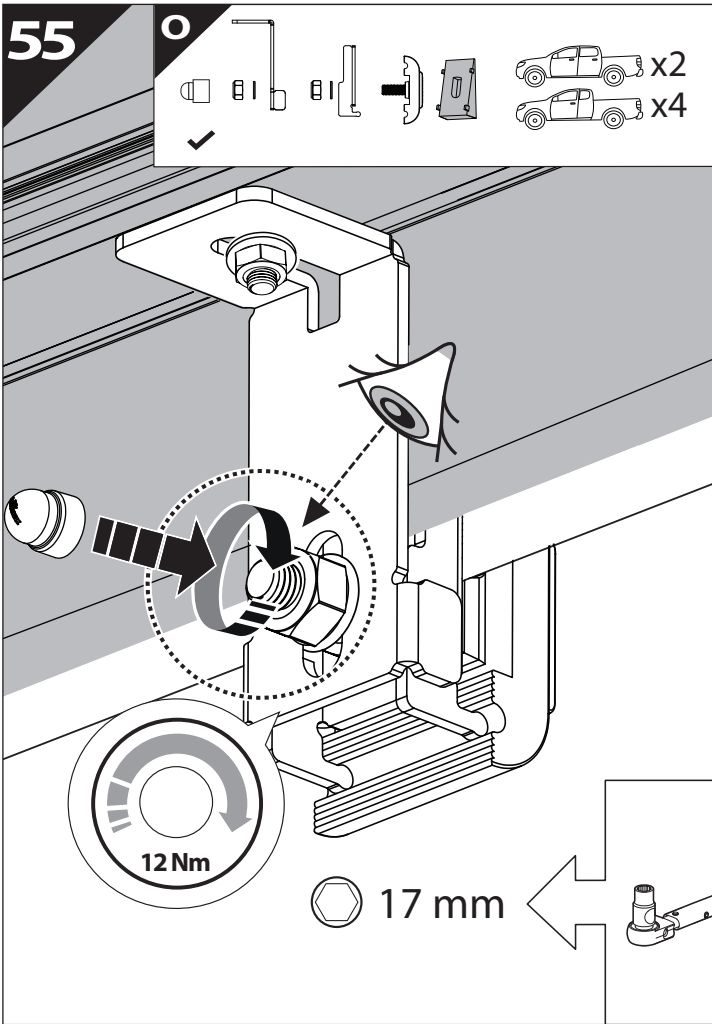


O

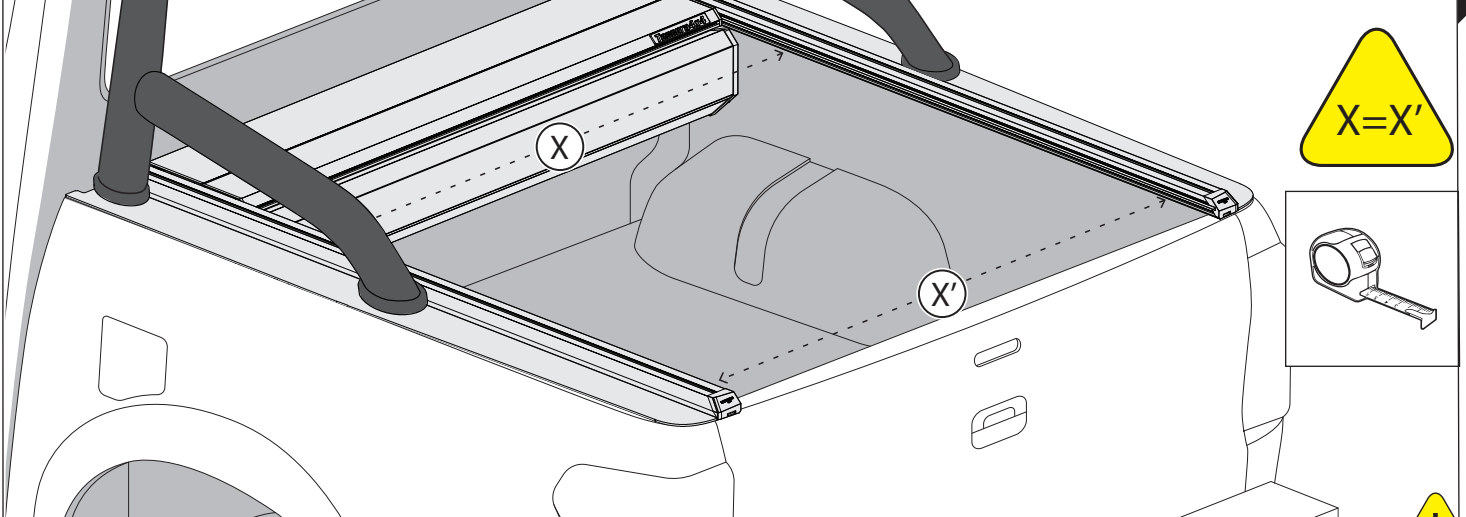


E

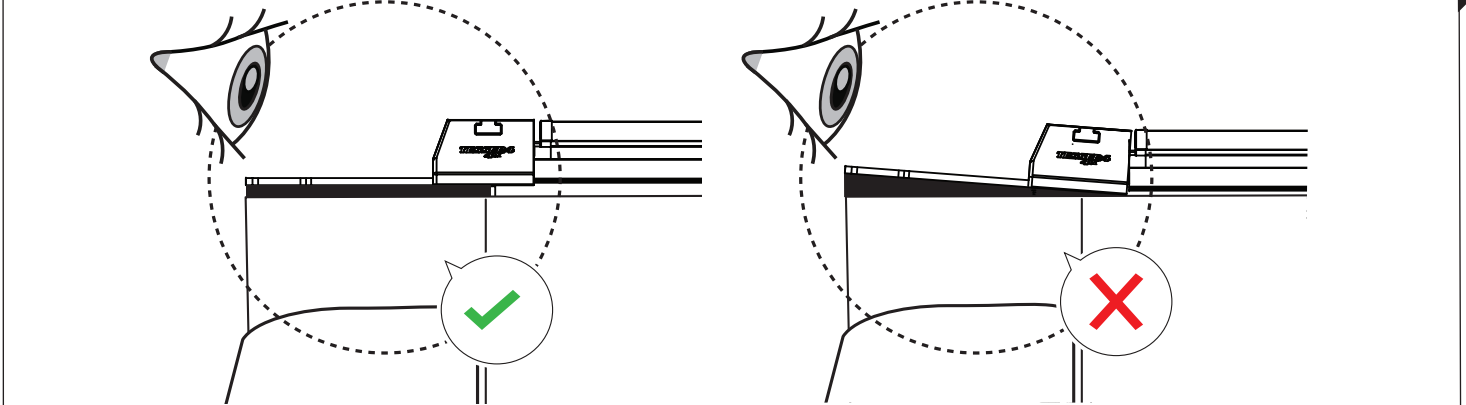


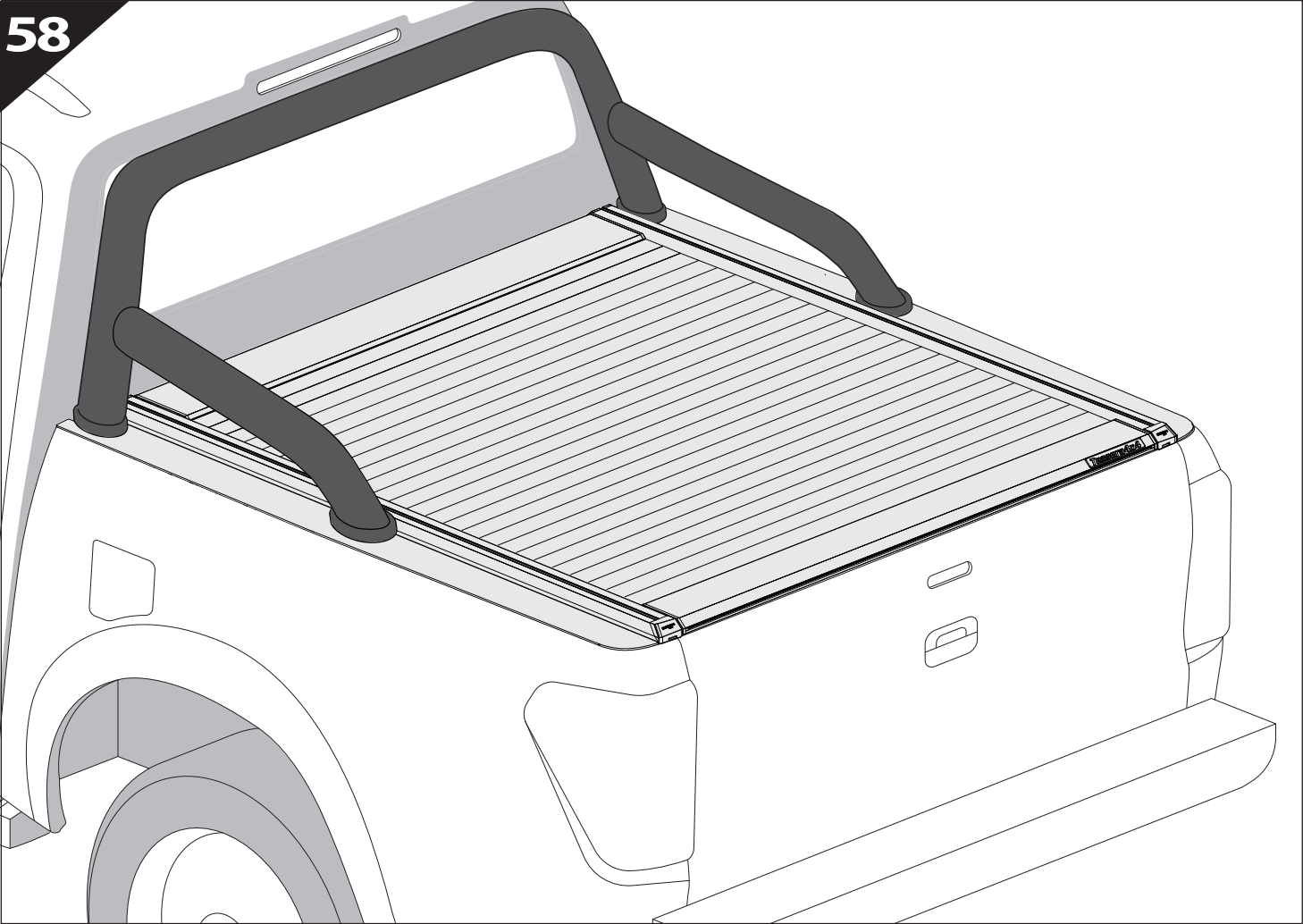
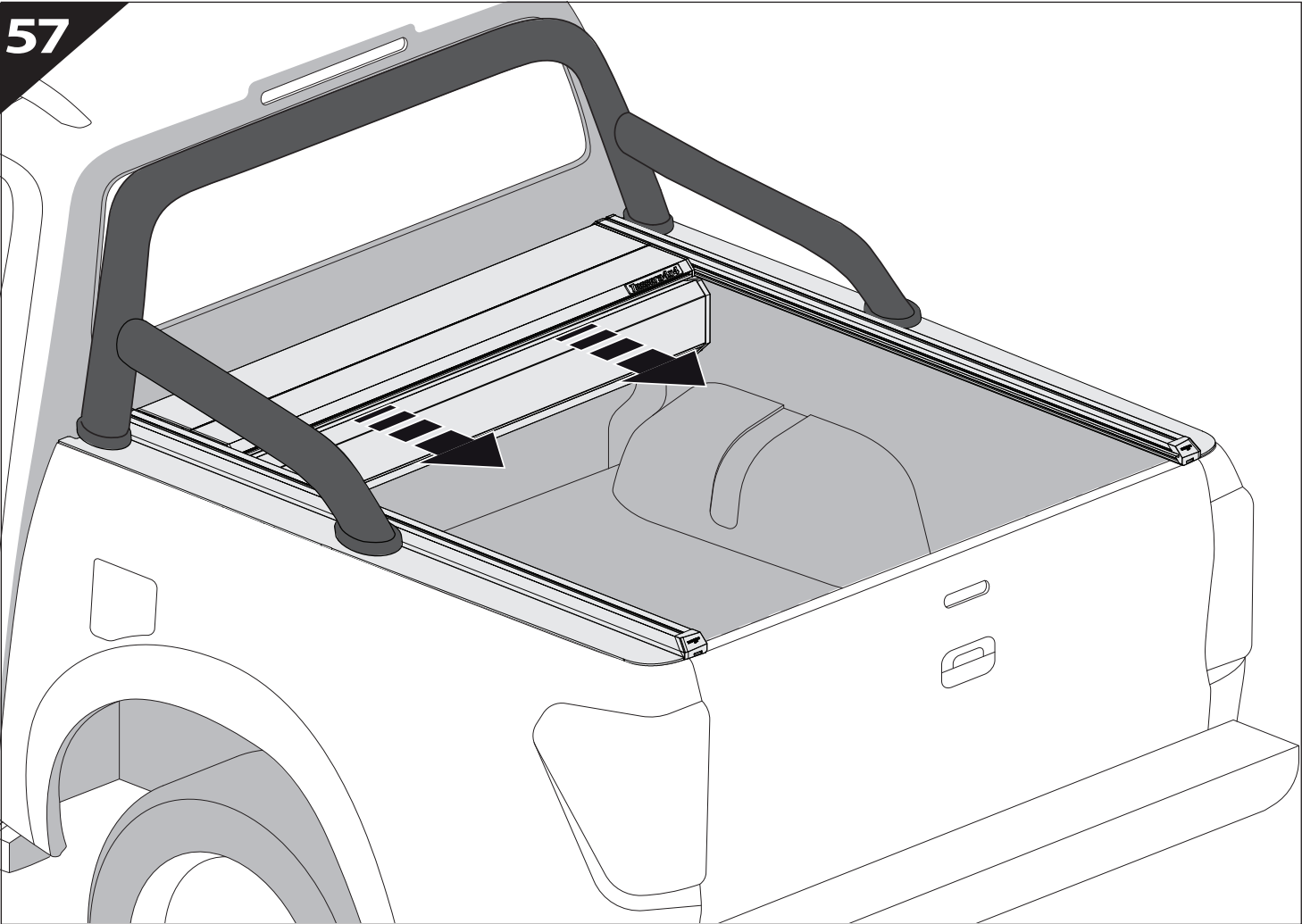


**CAUTION** !



**CAUTION** !









**GR:** Οδηγίες Εγκατάστασης  
**GB:** Installation manual  
**SF:** Asennusohje  
**F:** Notice de montage  
**PL:** Instrukcja montażu  
**NL:** Installatie-instructies  
**TR:** Montaj Talimatı  
**S:** Monteringsanvisning  
**E:** Instrucciones de montaje

**H:** Szerelési utasítás  
**P:** Instruções de instalação  
**RUS:** Инструкция по установке  
**N:** Monteringsveiledning  
**D:** Einbauanleitung  
**CZ:** Návod k instalaci  
**I:** Istruzioni de montaggio  
**DK:** Monteringsvejledning  
**RO:** Instructiuni de instalare

Customer Service:

+30 (210) 5541161, +30 (210) 5541154 (08:00 - 16:00 EET)

Support department:

[info@gianso.gr](mailto:info@gianso.gr)

Website:

[www.tessera4x4.com](http://www.tessera4x4.com)

Address:

19.5 km of National road Athens-Korinthos (Elefsina) Greece, P.C: 19200