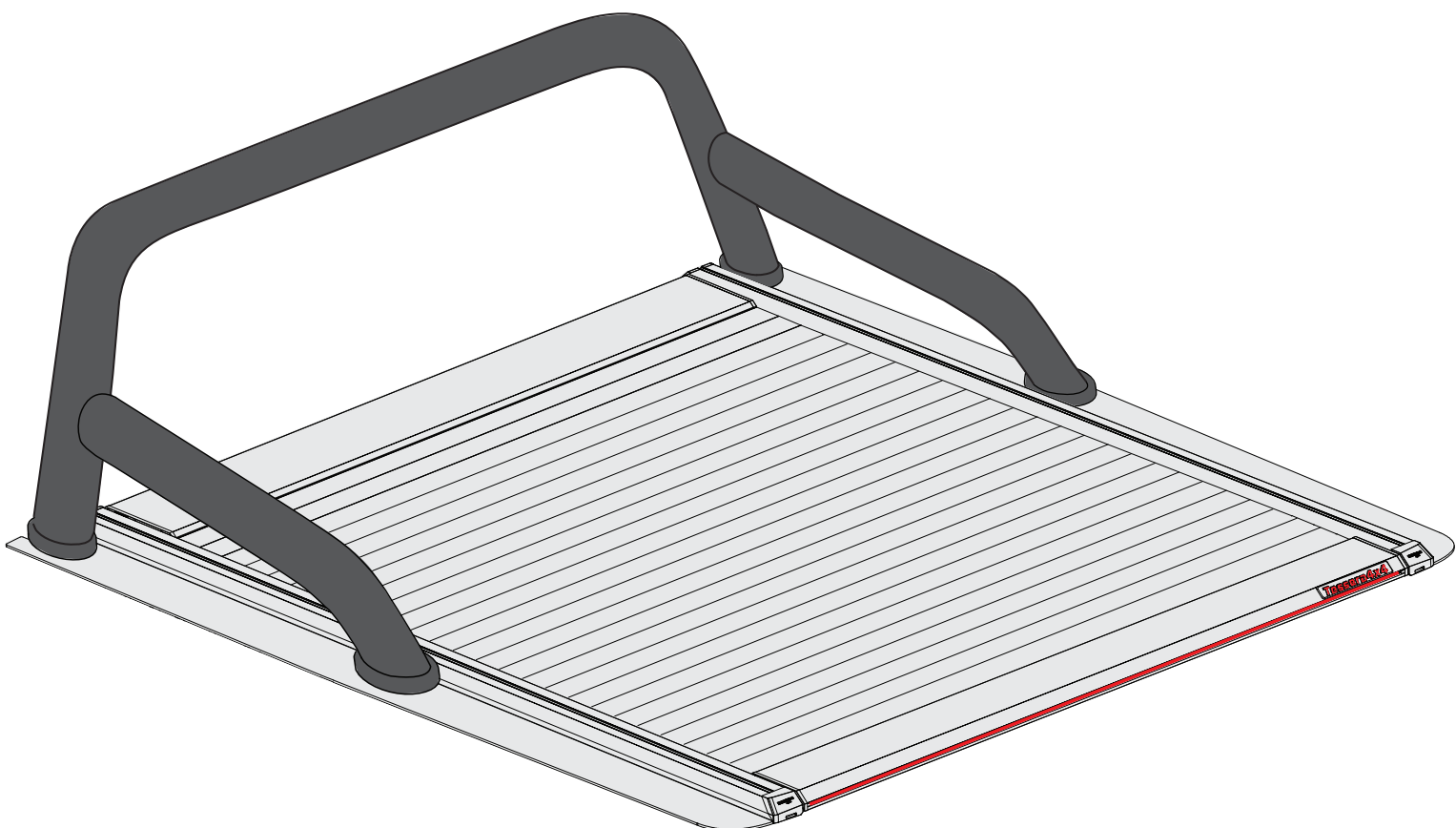


# Tessera Roll+

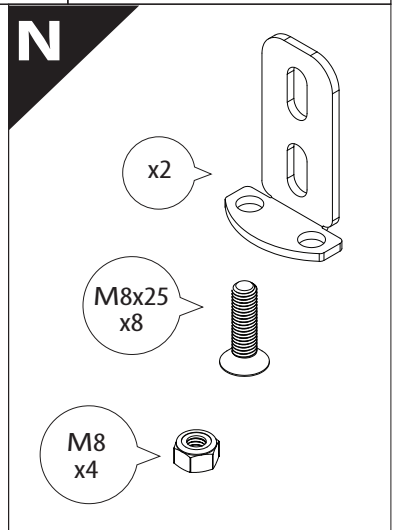
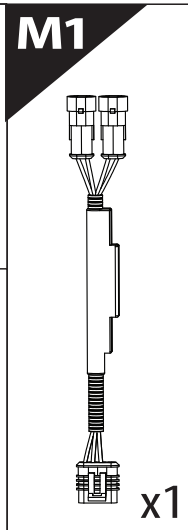
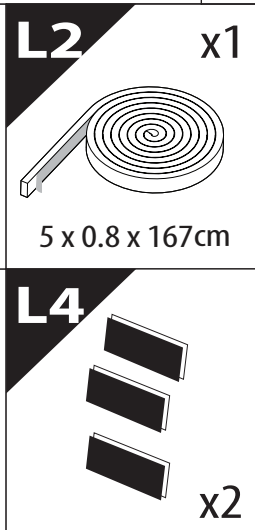
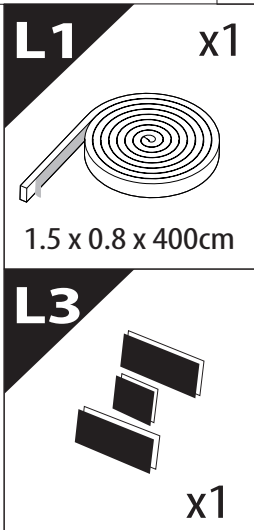
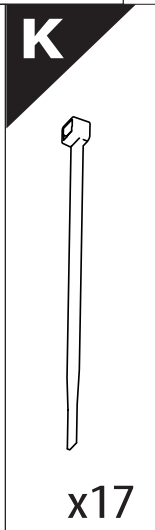
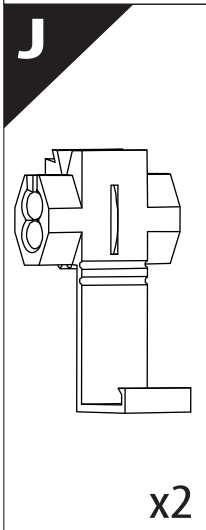
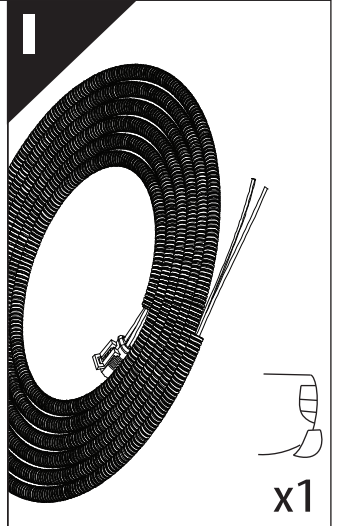
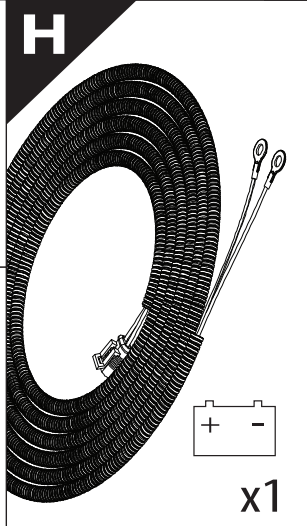
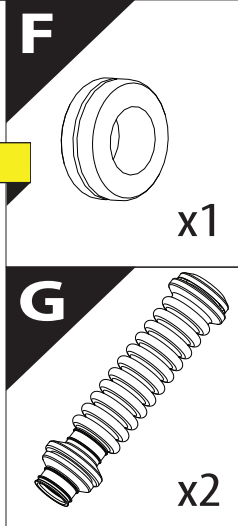
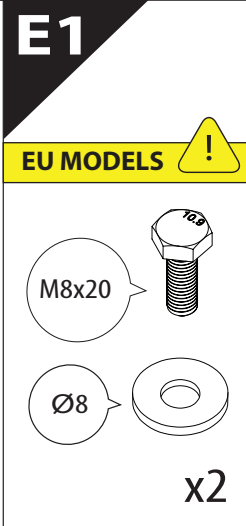
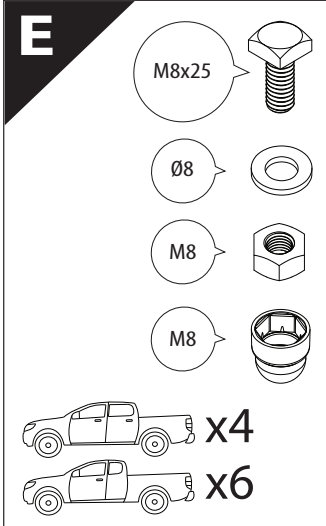
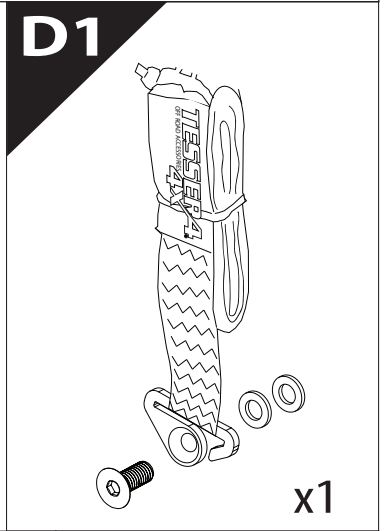
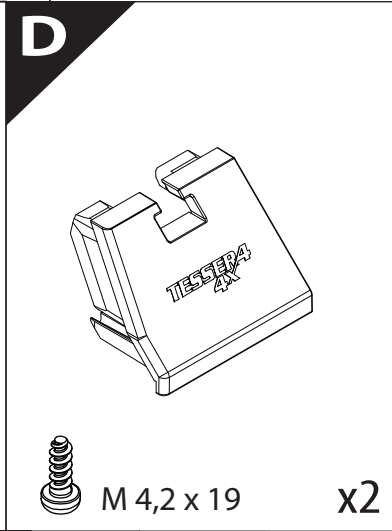
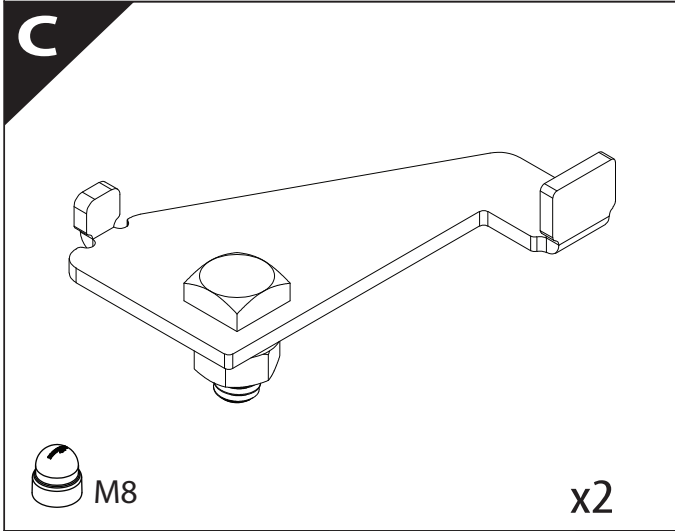
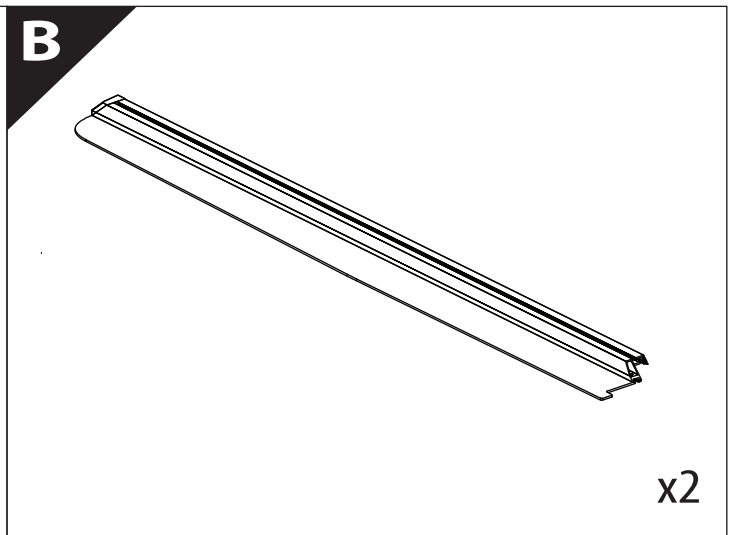
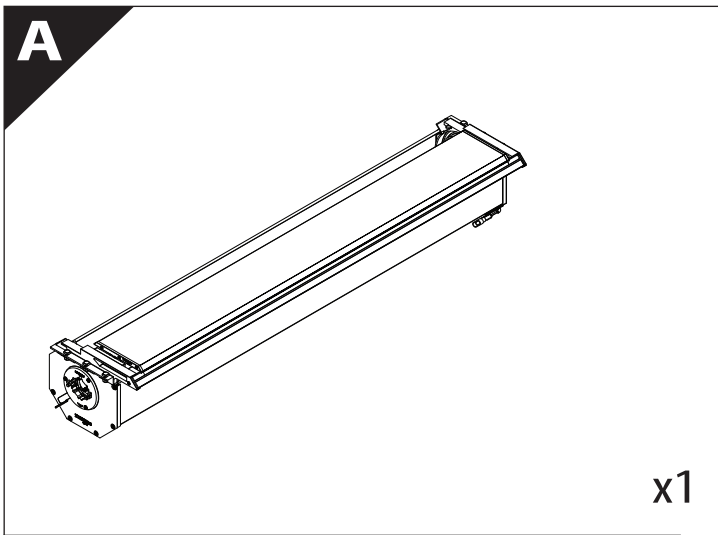
## Basic Version + ⚙️ S-KIT

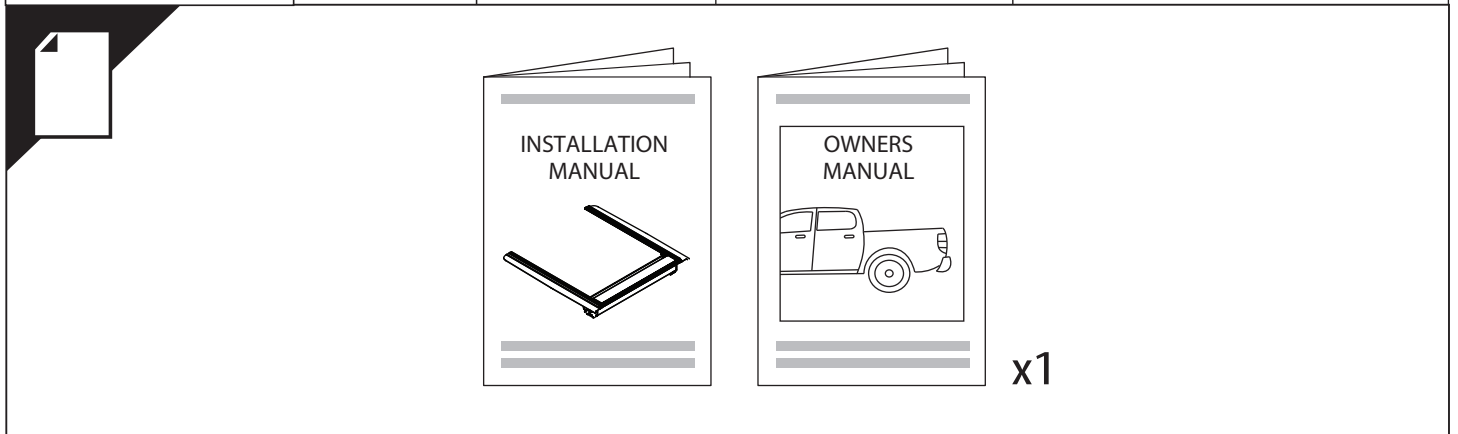
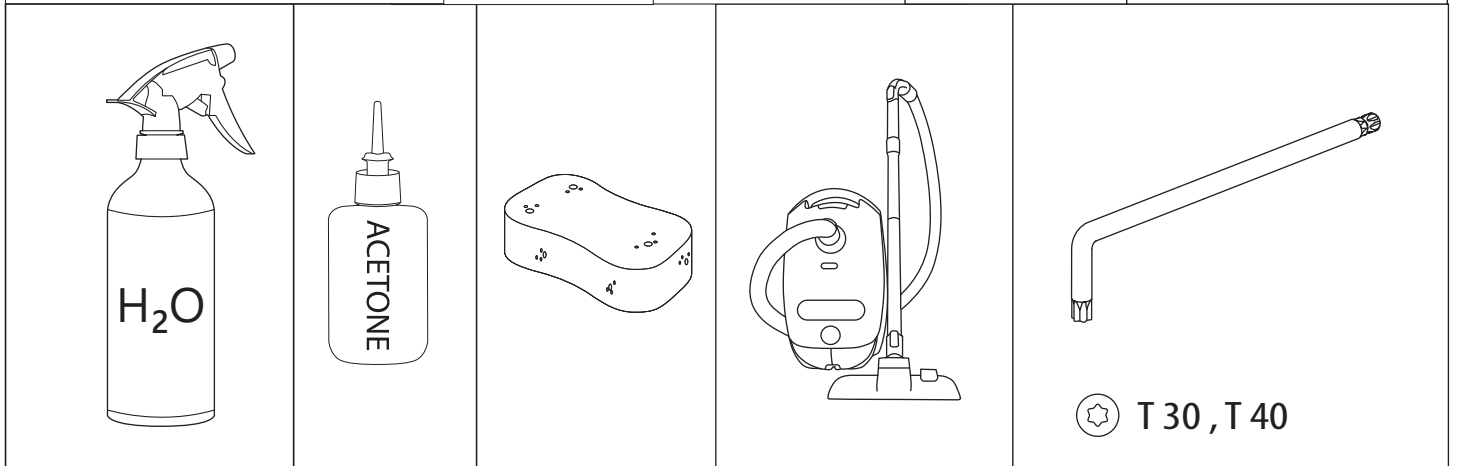
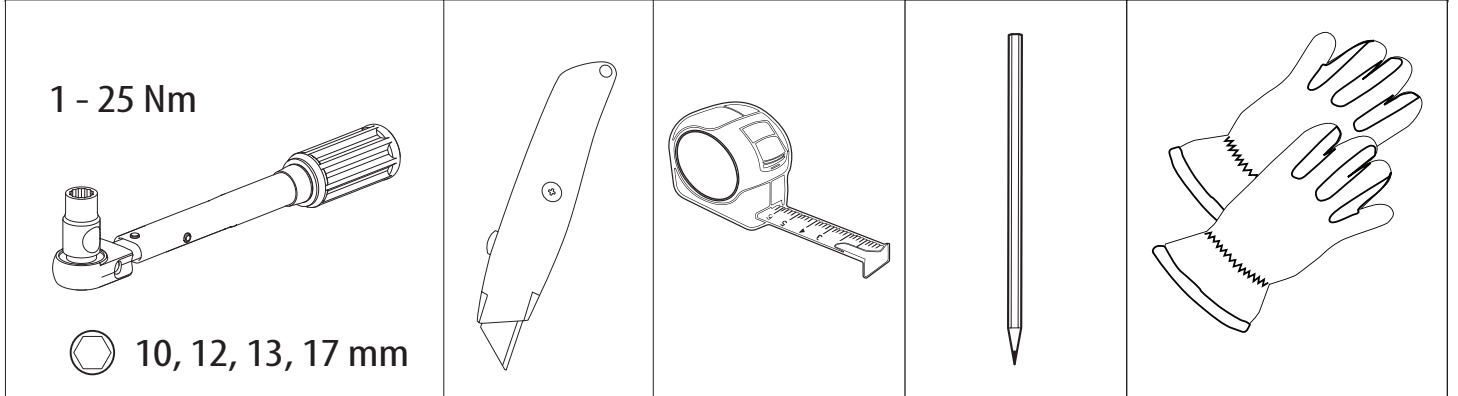
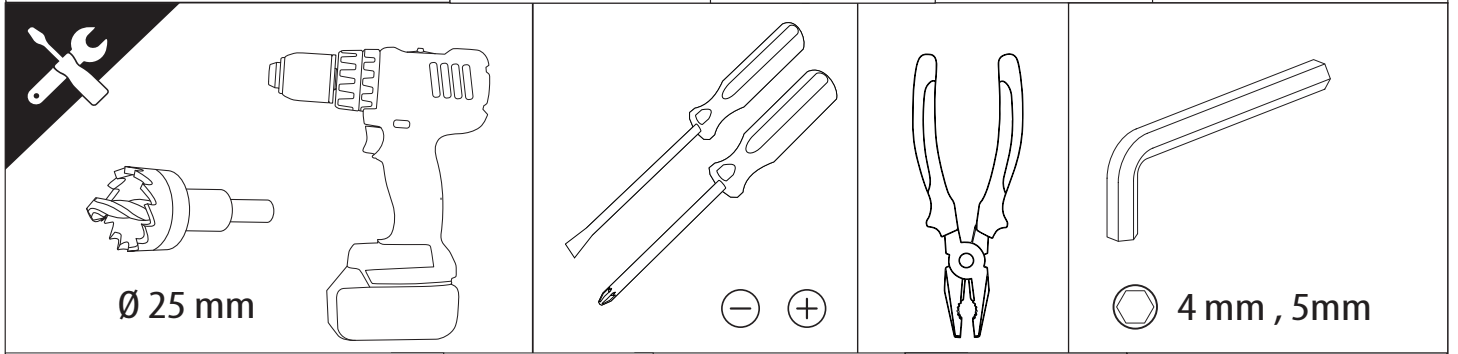
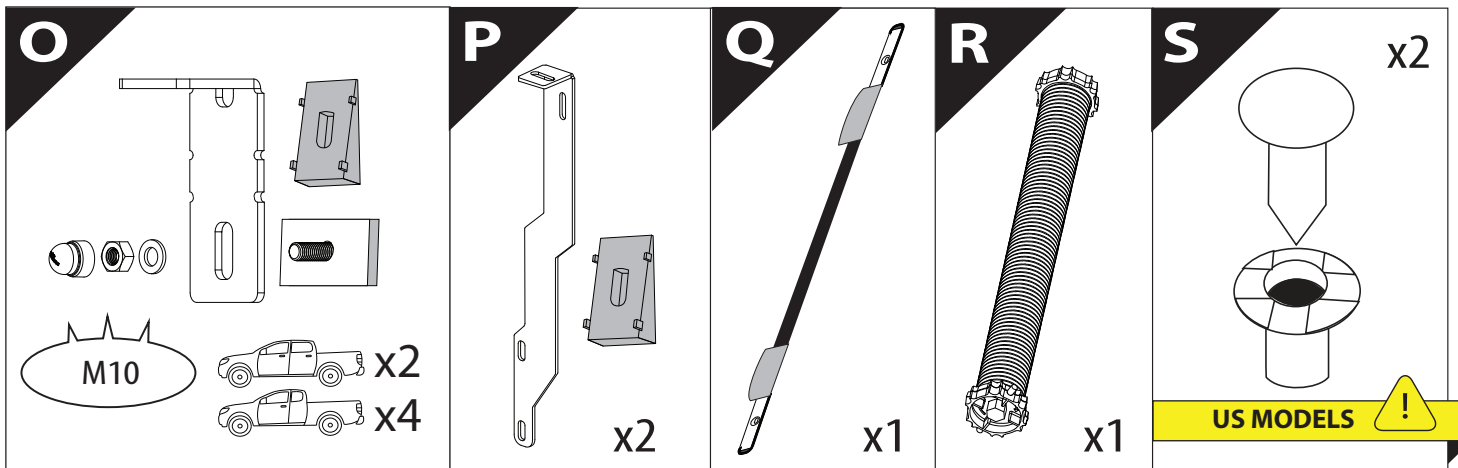


## Installation Manual

PART NUMBER(S)	Model Year
TESS 14060 ROLL+ ADAPT 008 +S-KIT	FORD RANGER 2023+ SPORT WITH OEM ROLLBAR (with c-channels)
TESS 14070 ROLL+ ADAPT 008 +S-KIT	
Cab(s)	Installation Time / Weight
Double Cab & Space cab	40-60 minutes / 53-57 kg

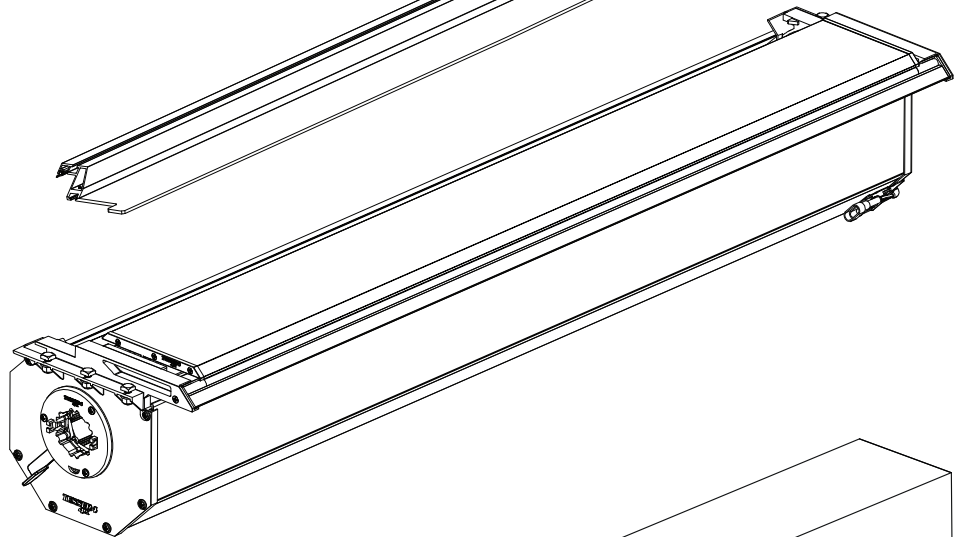








**B**



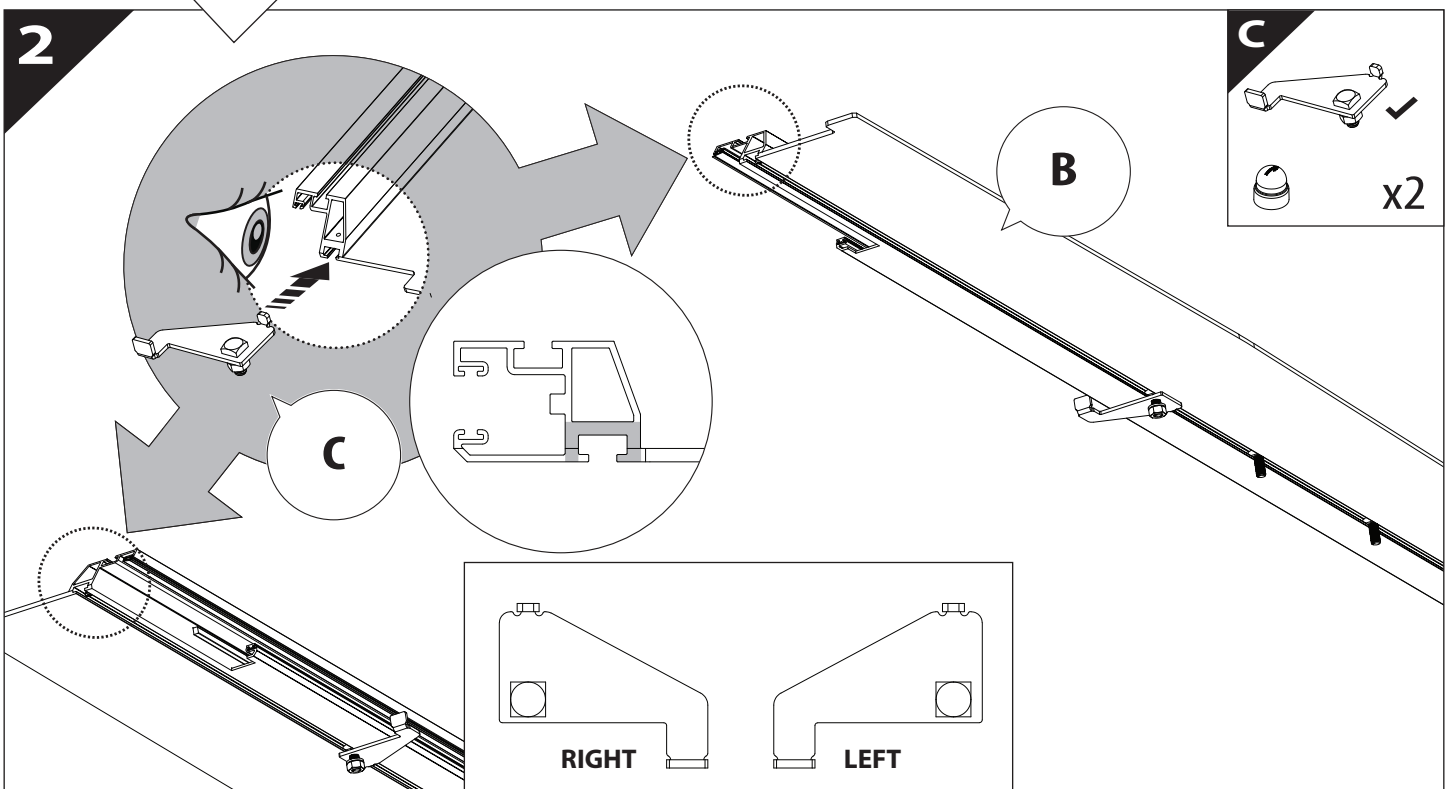
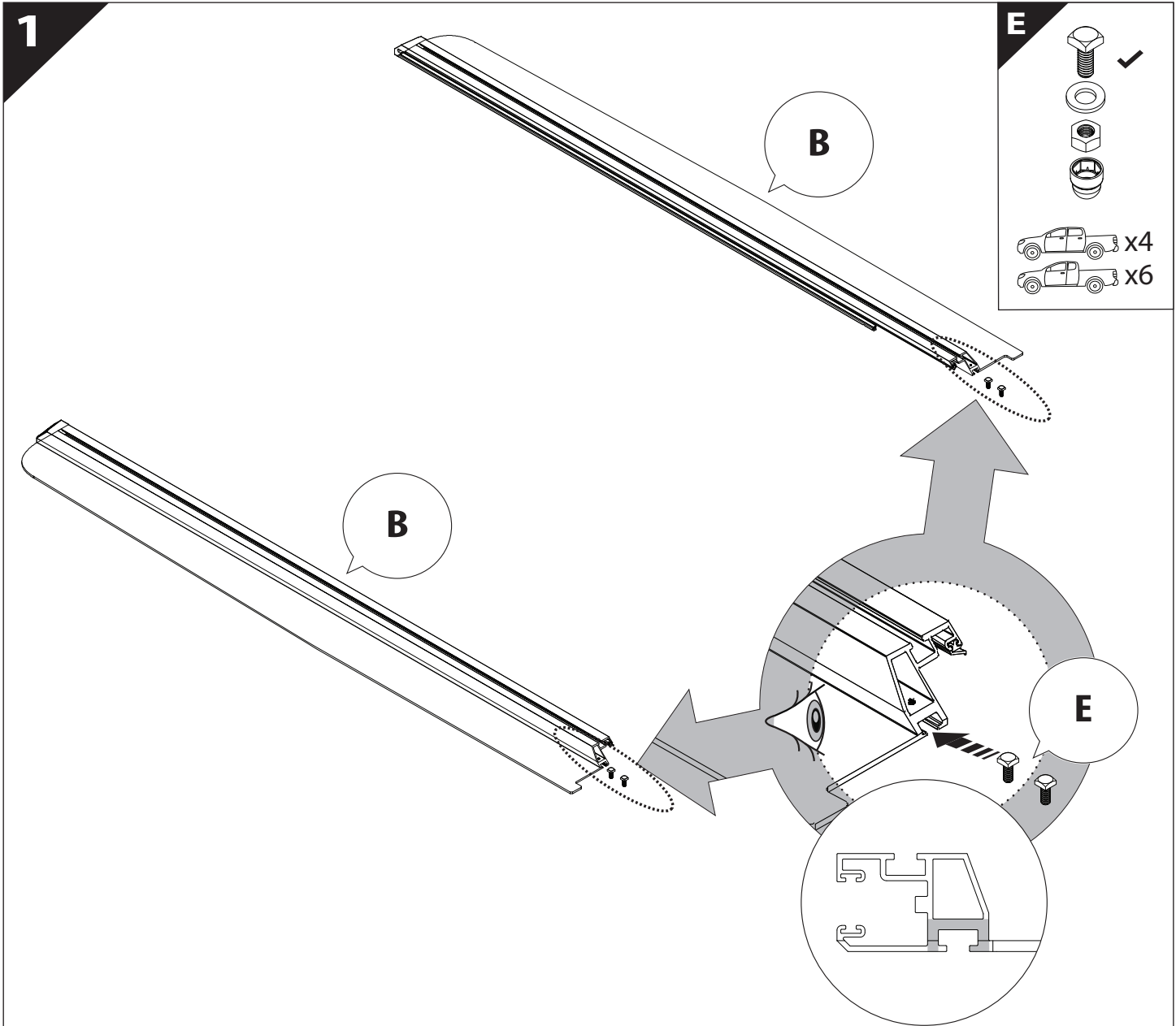
**A**

**KITS**

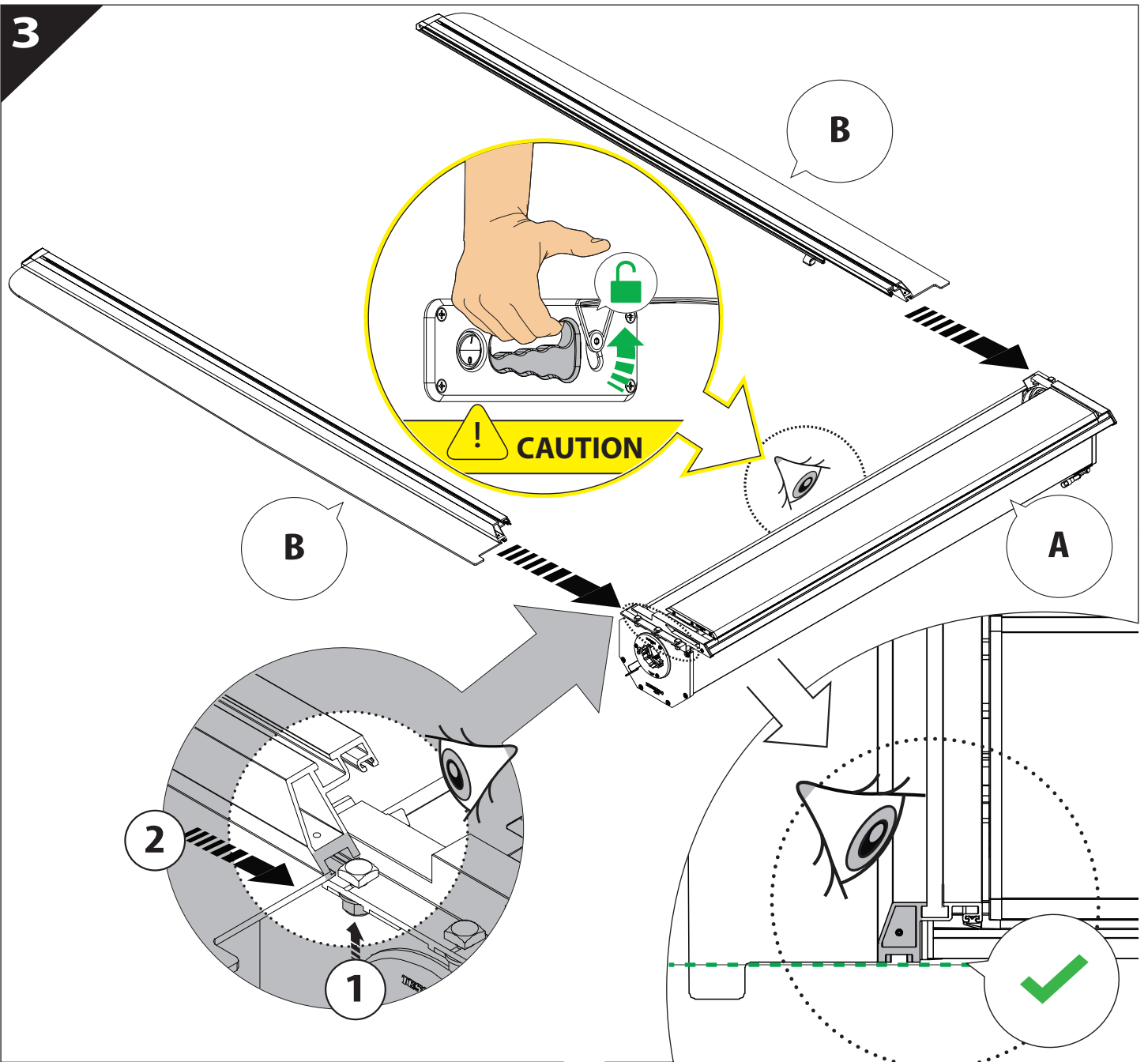


**L**

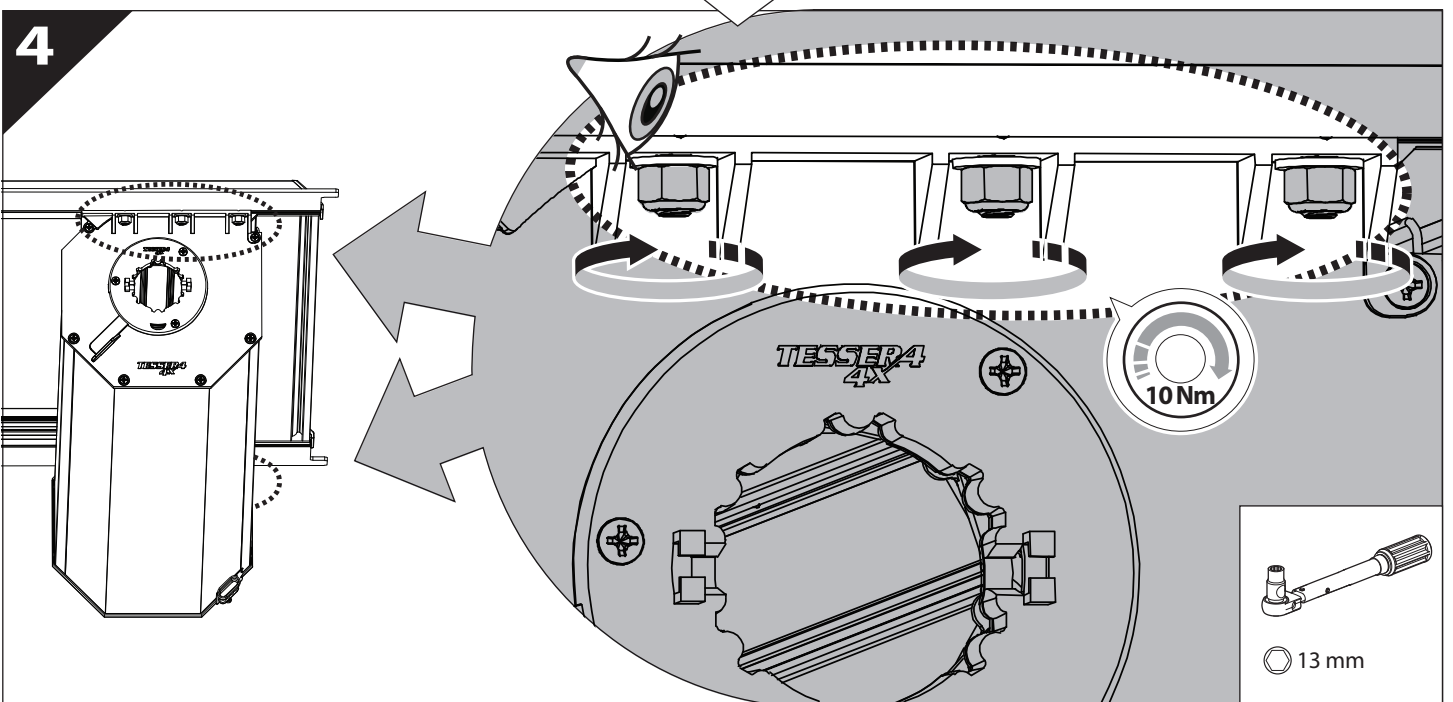


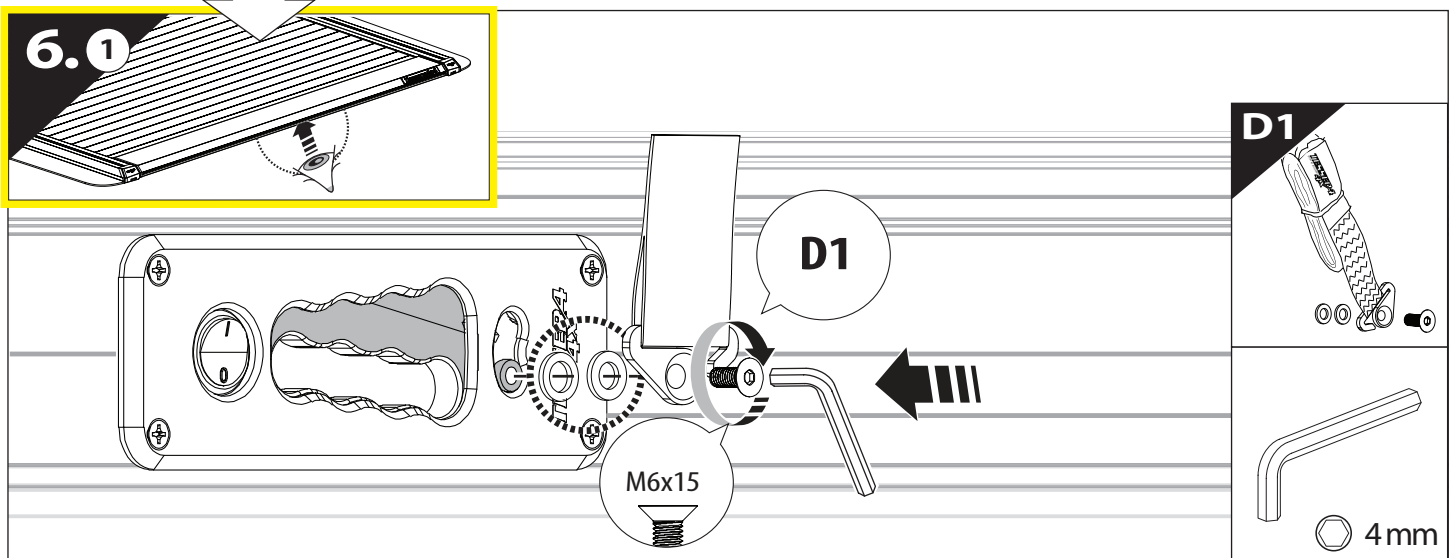
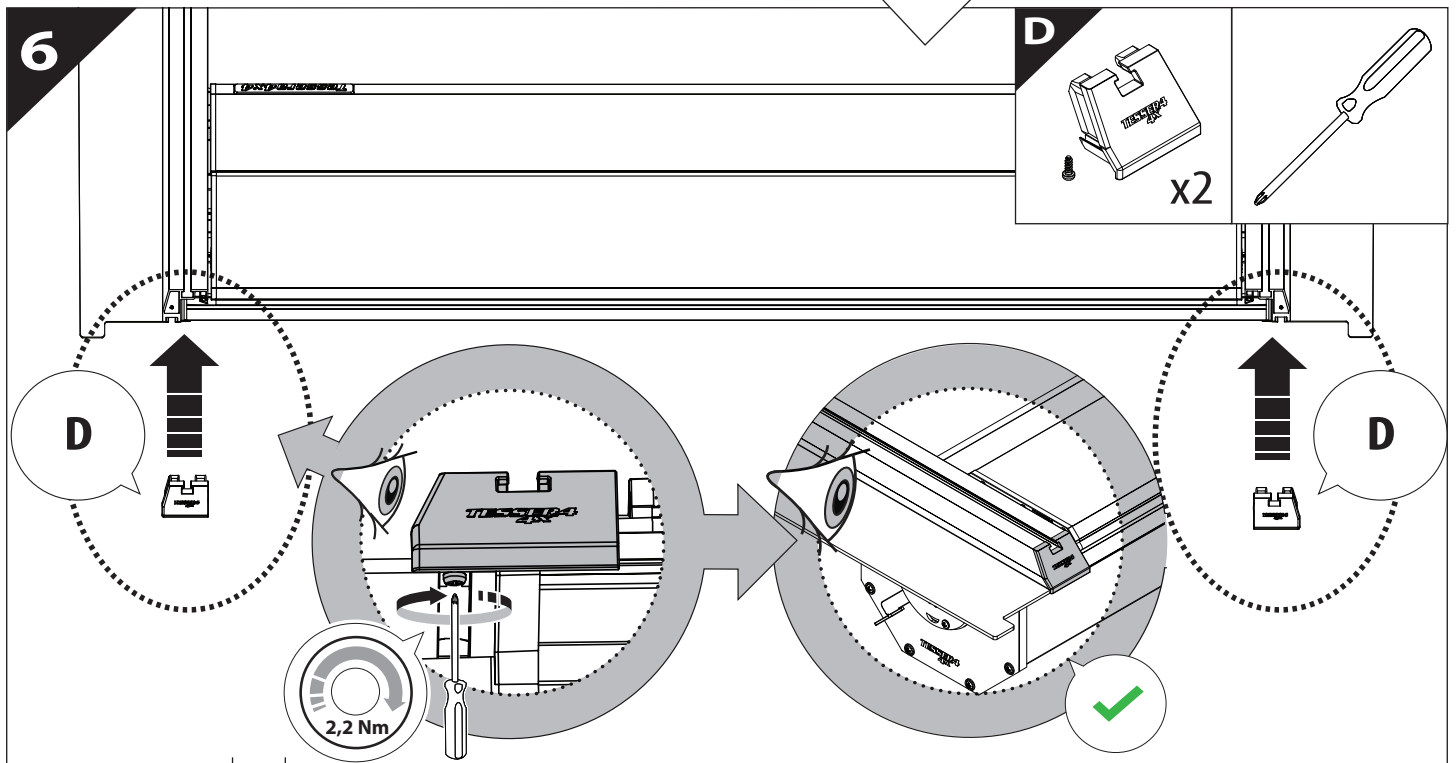
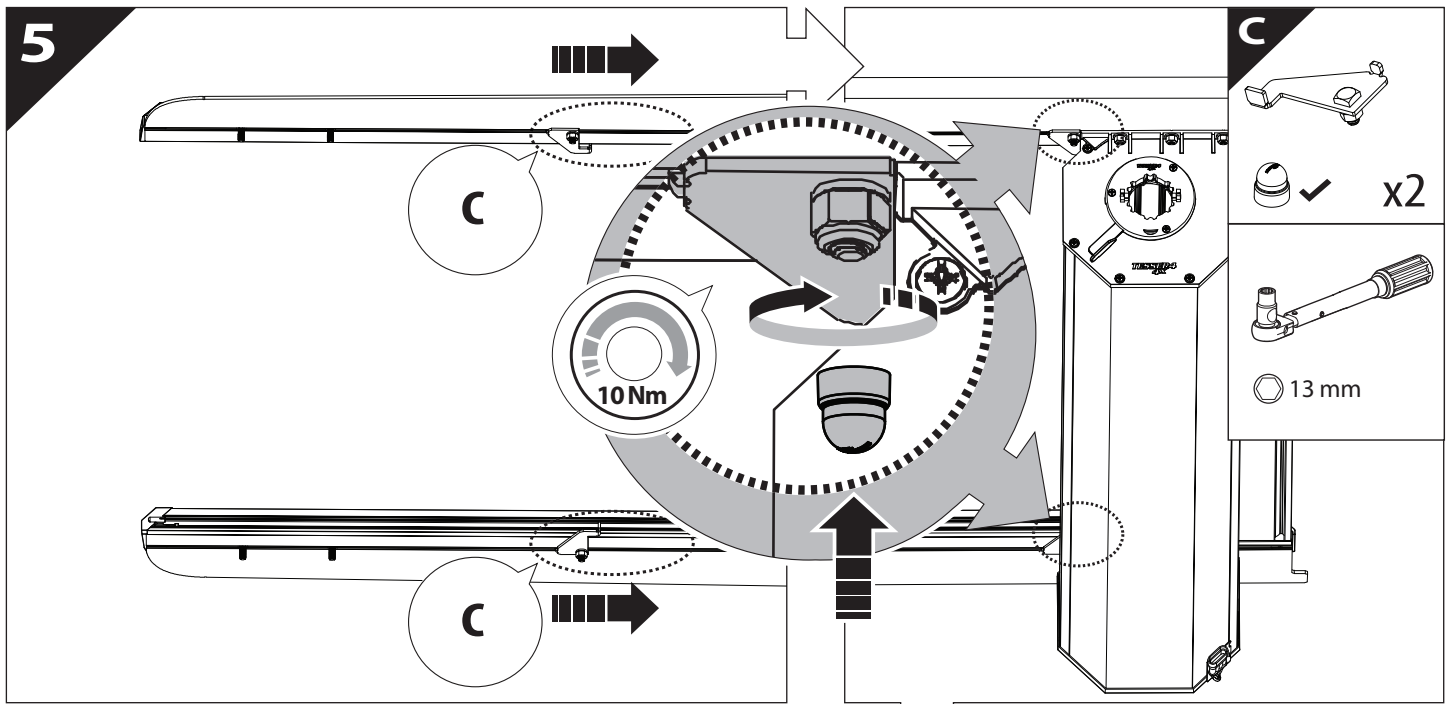


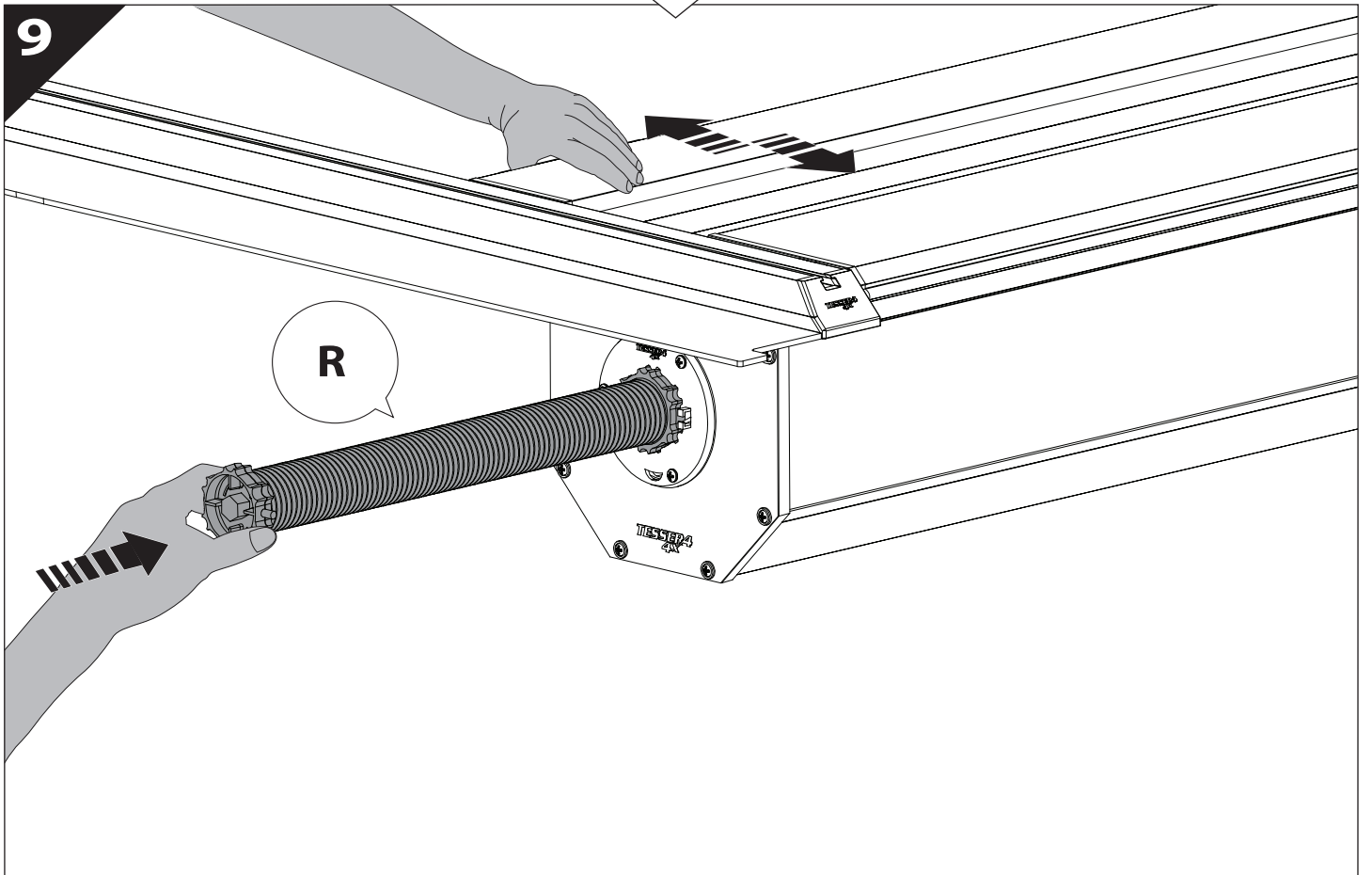
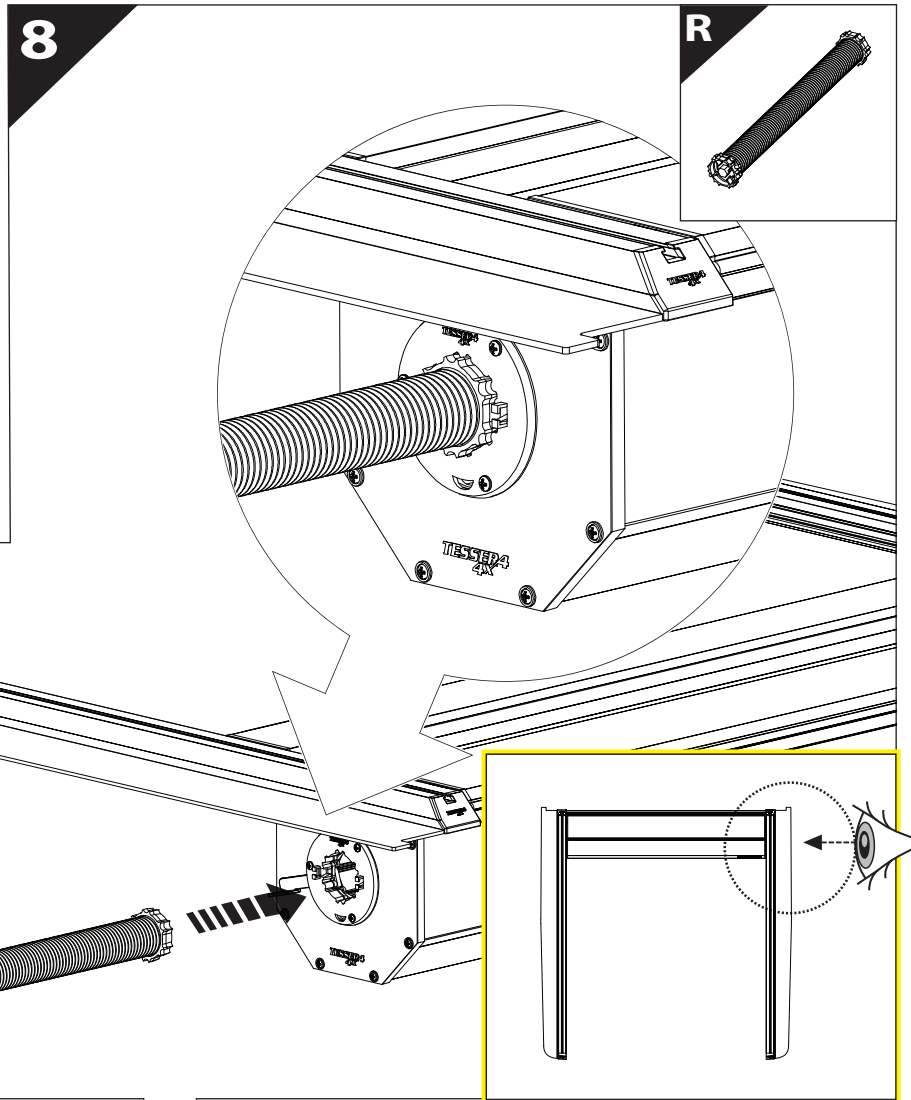
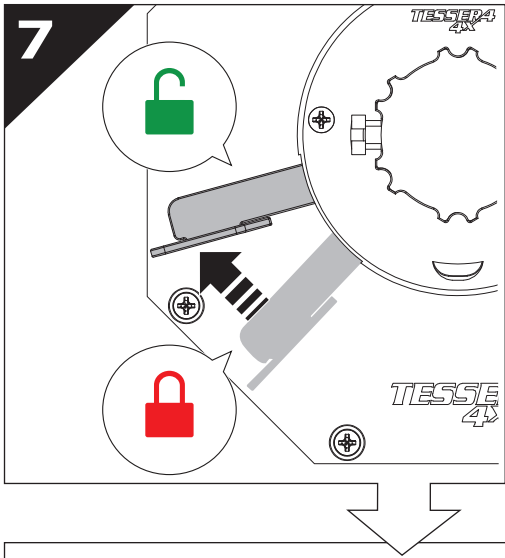
3



4

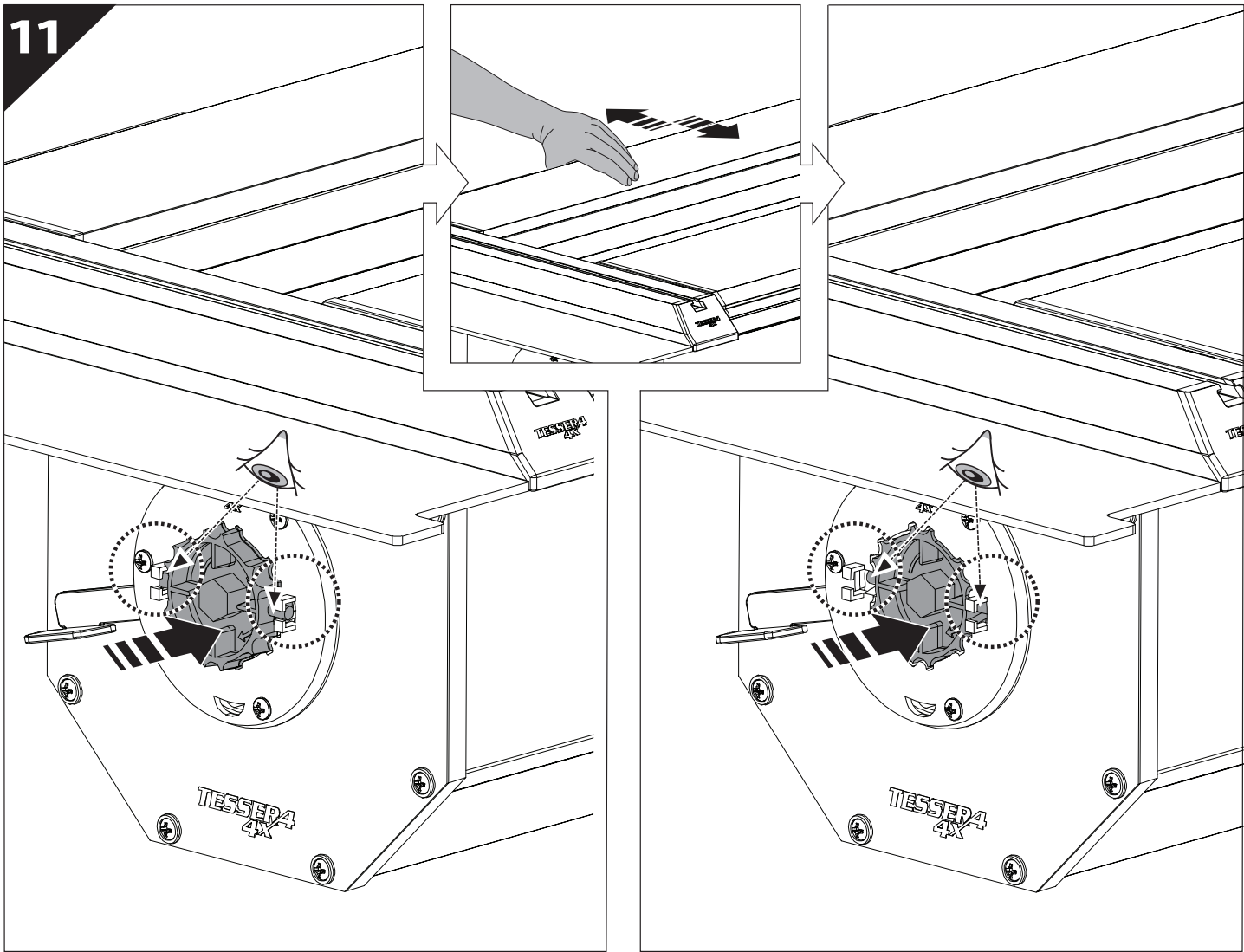




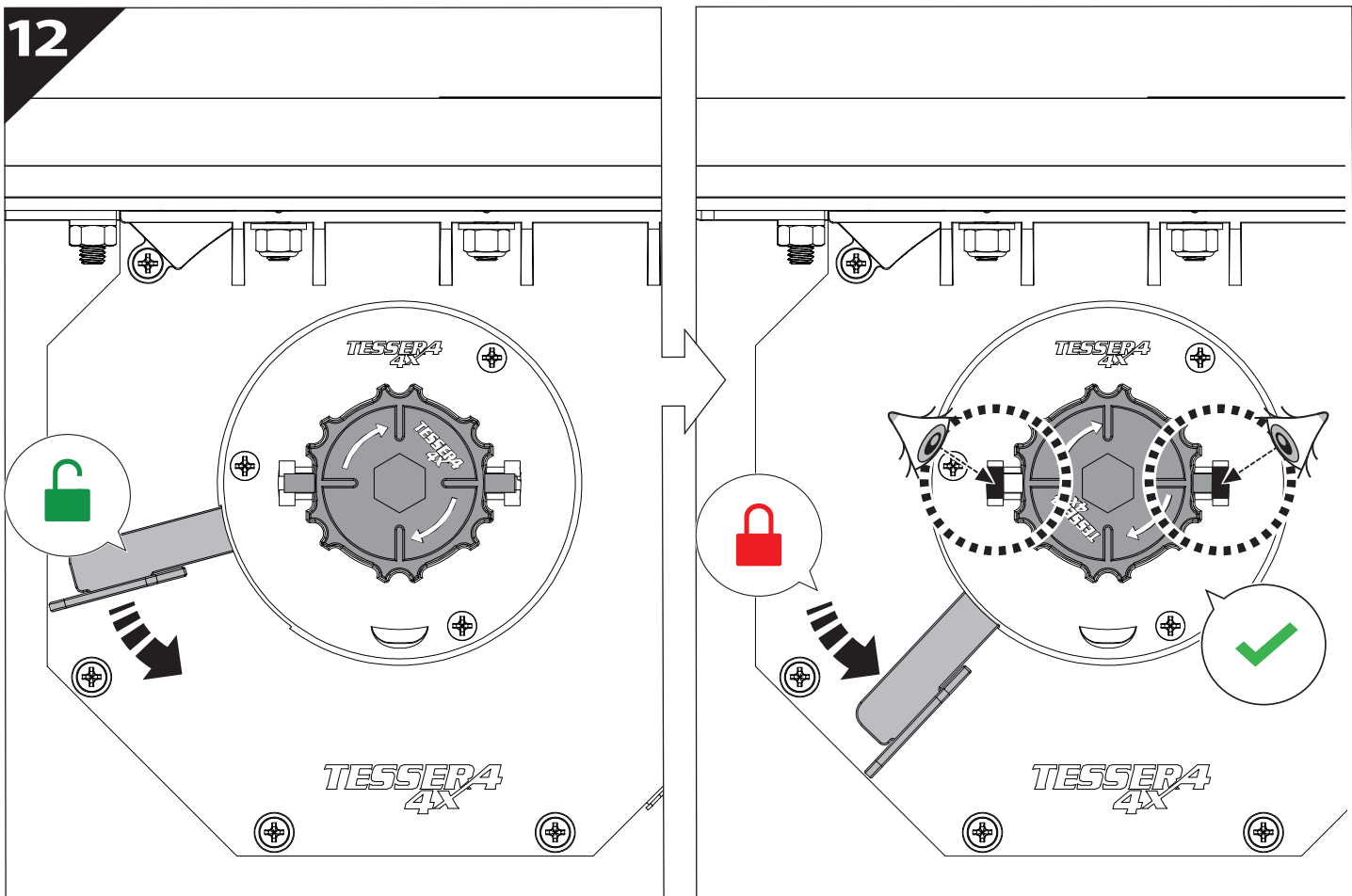




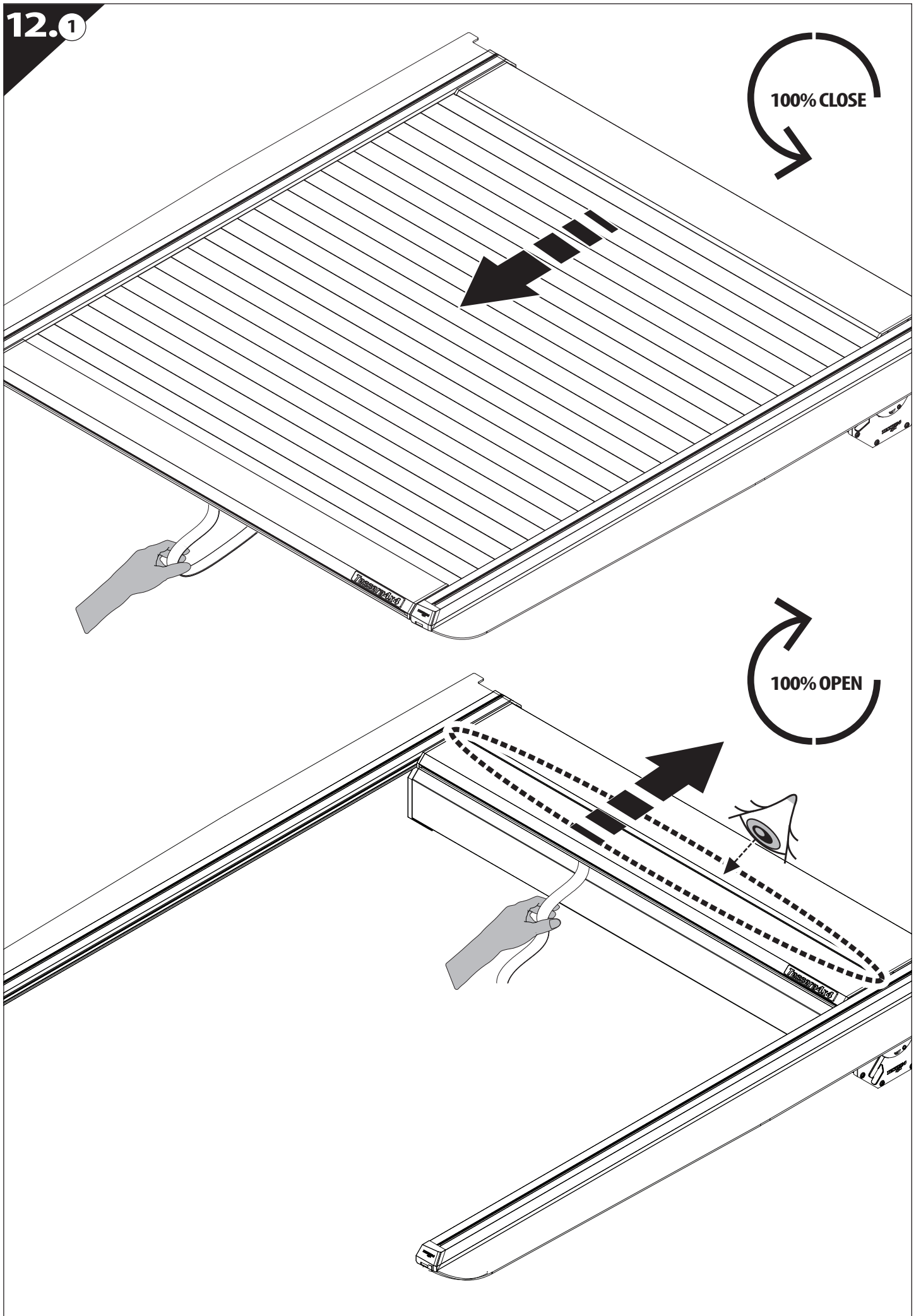
11



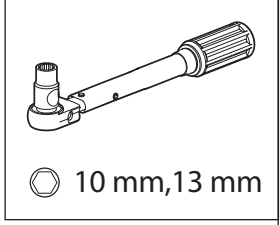
12



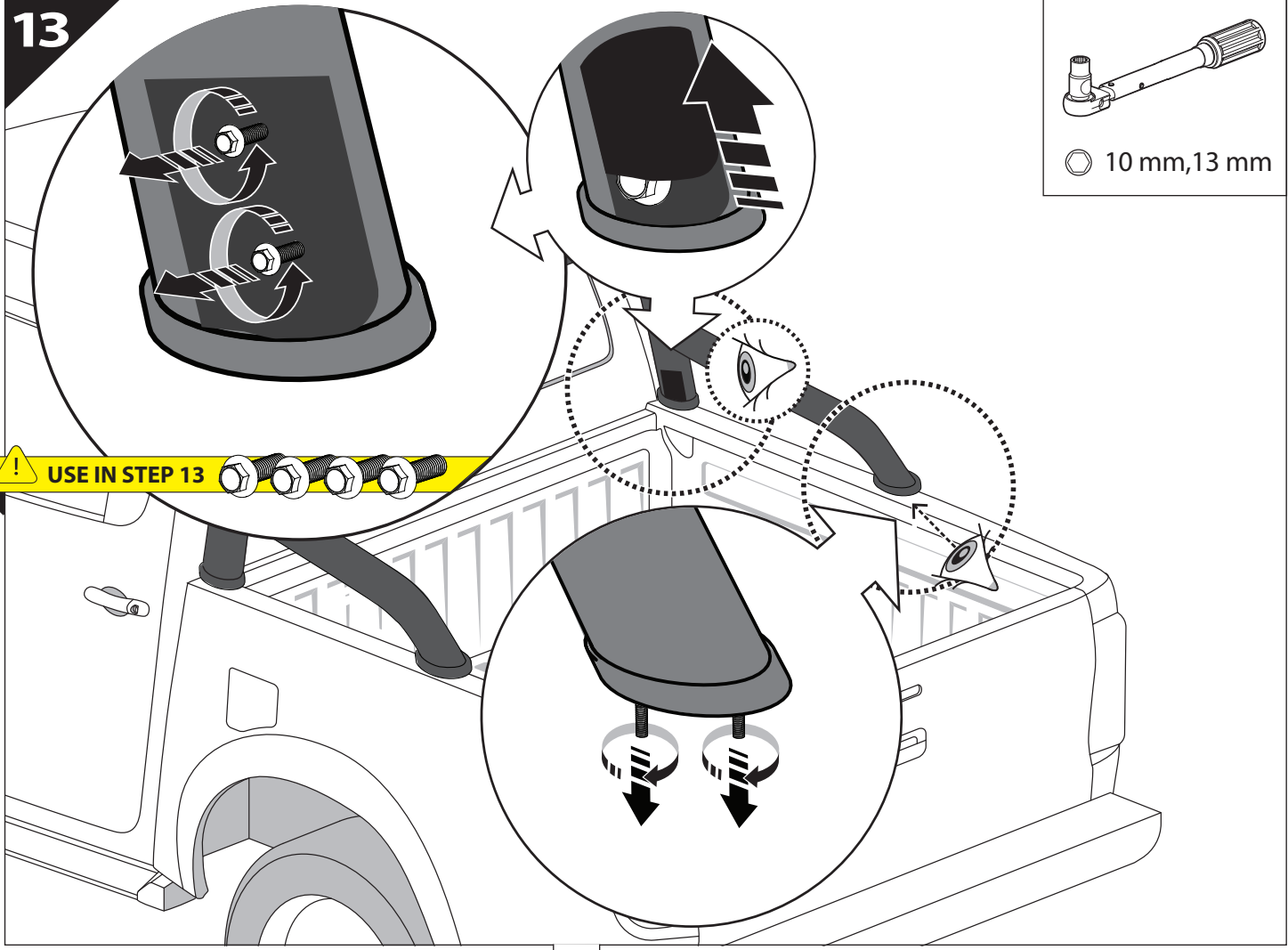
12.0



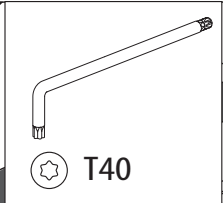
13



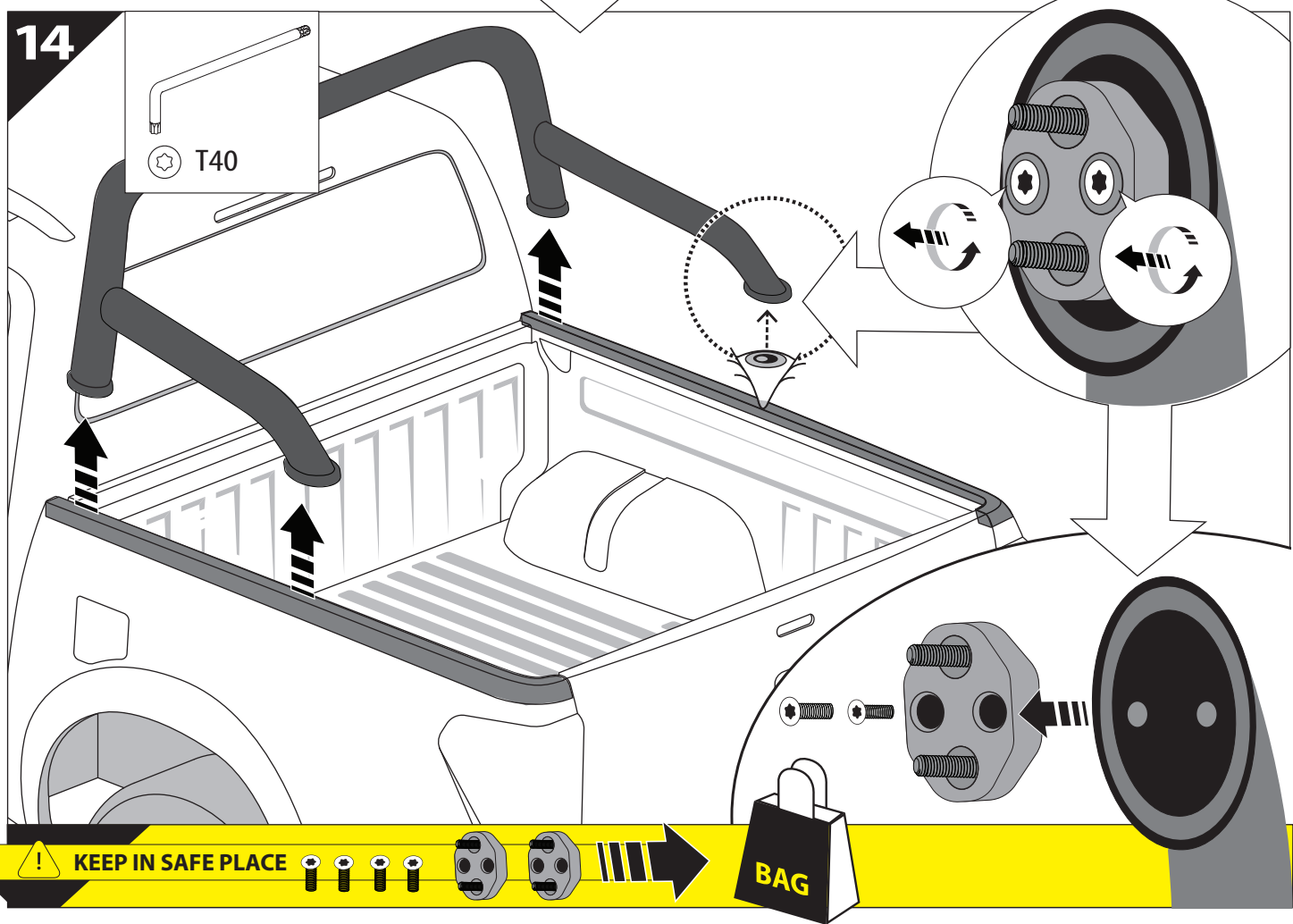
**!** USE IN STEP 13



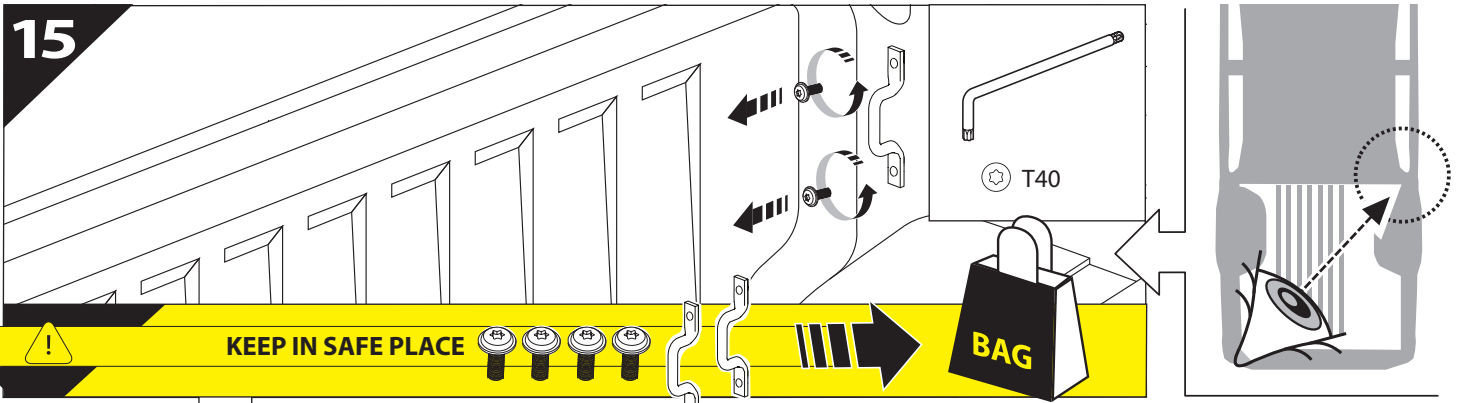
14



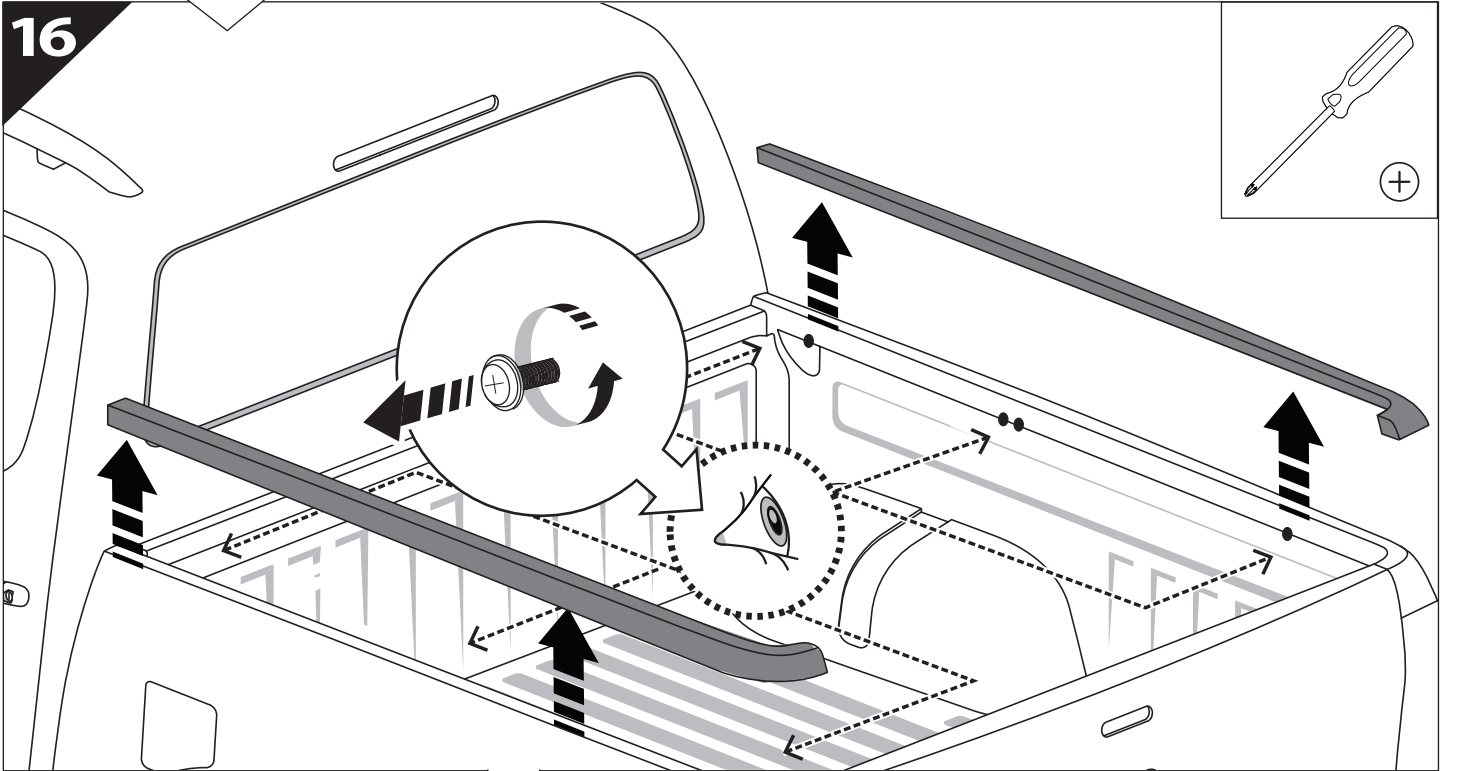
**!** KEEP IN SAFE PLACE



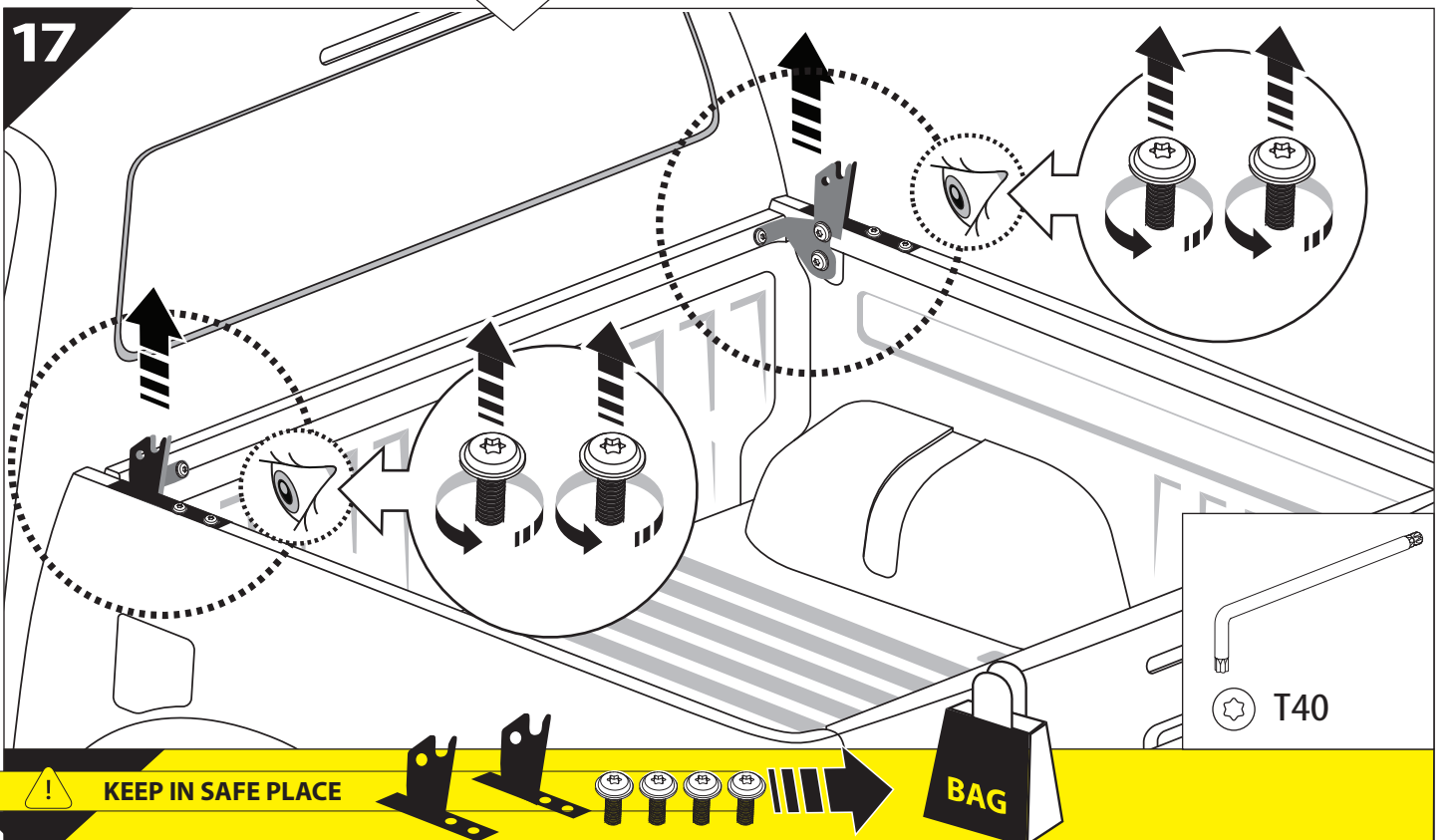
15



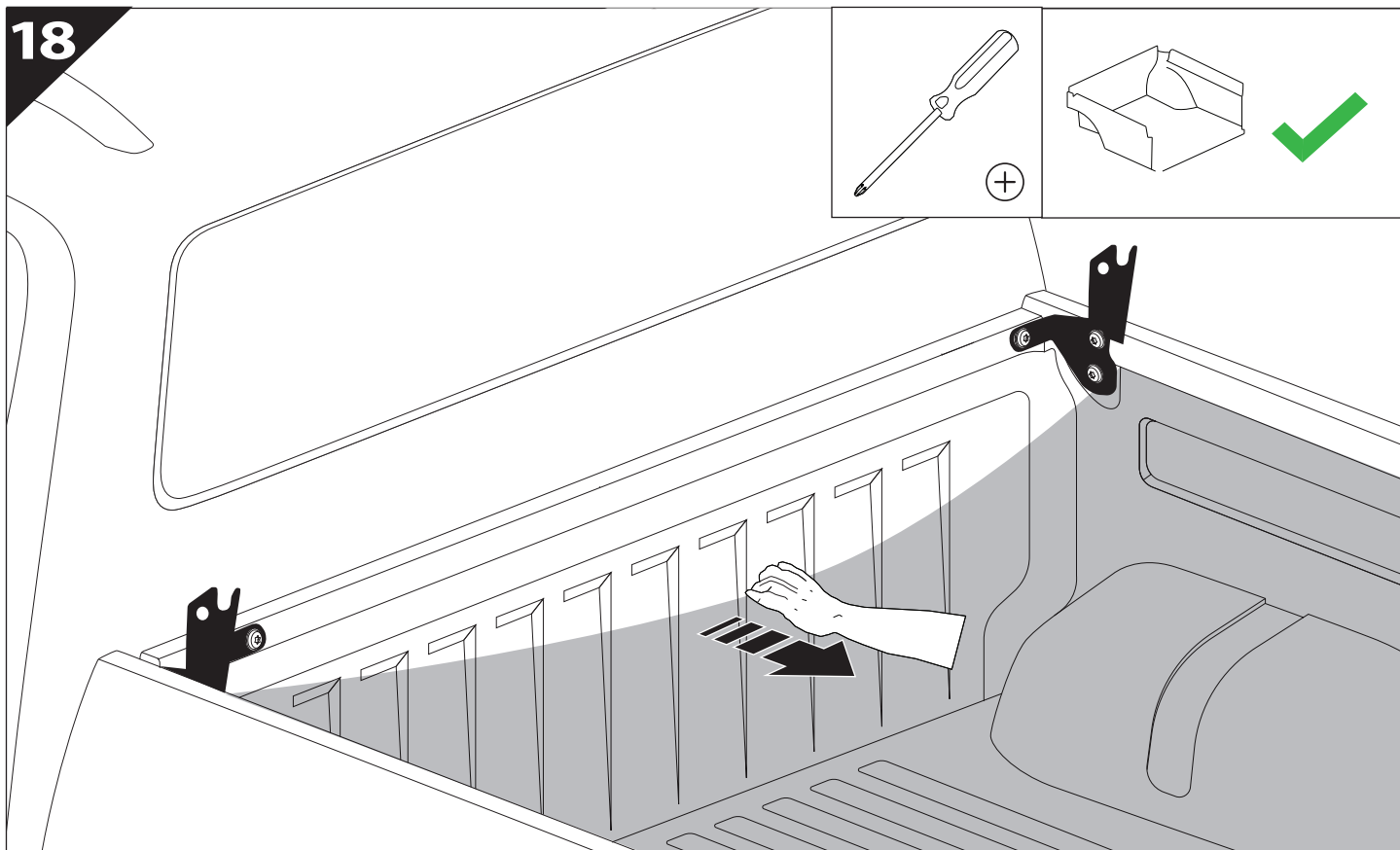
16



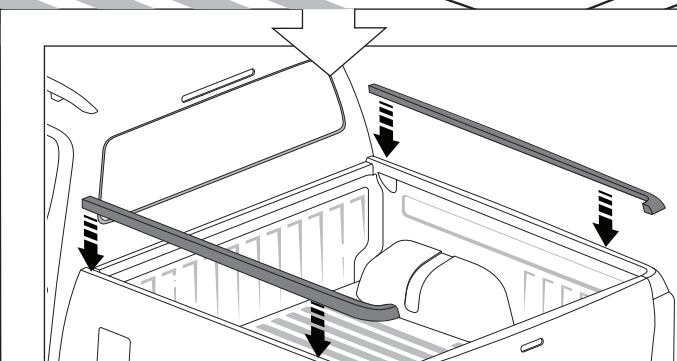
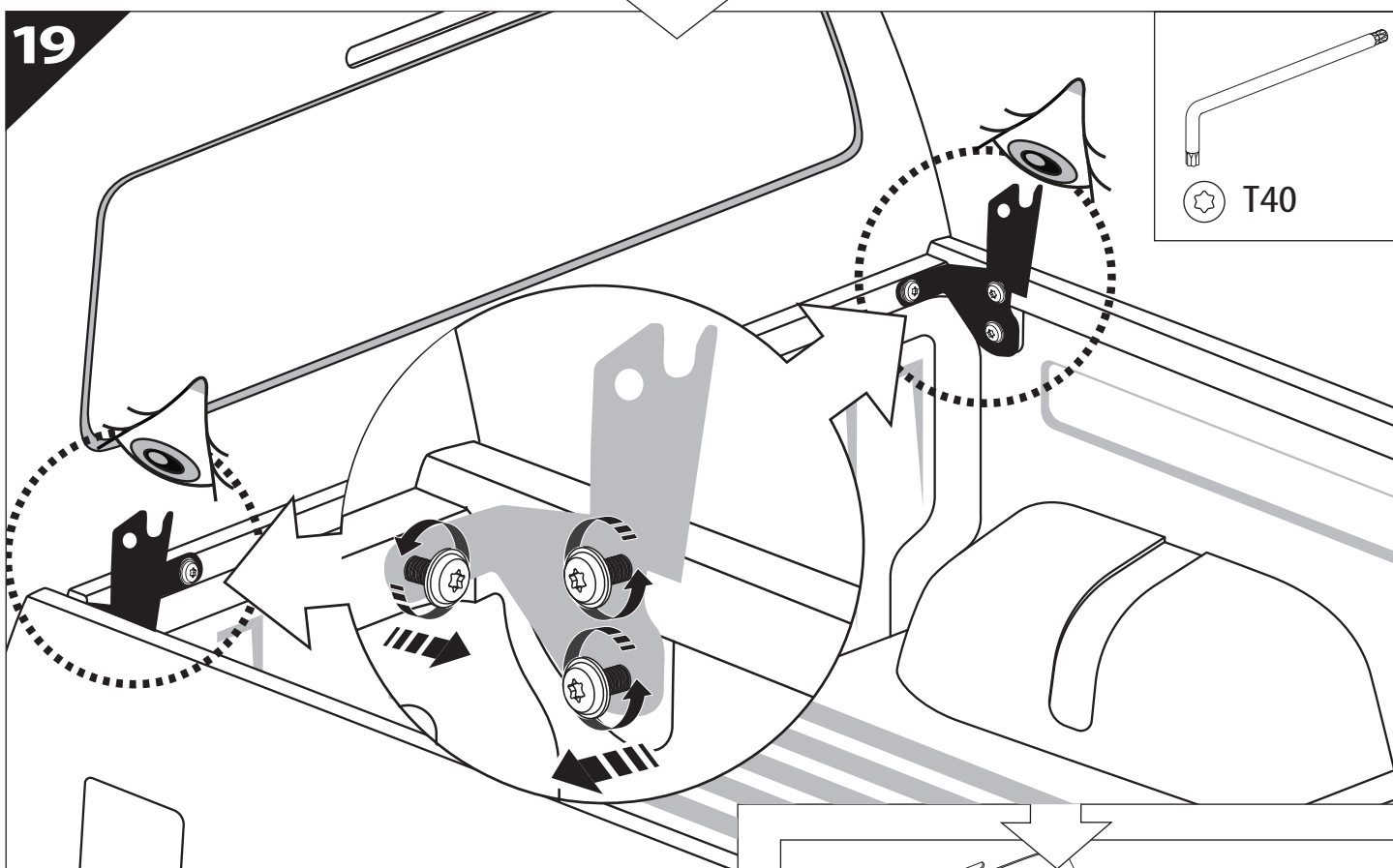
17



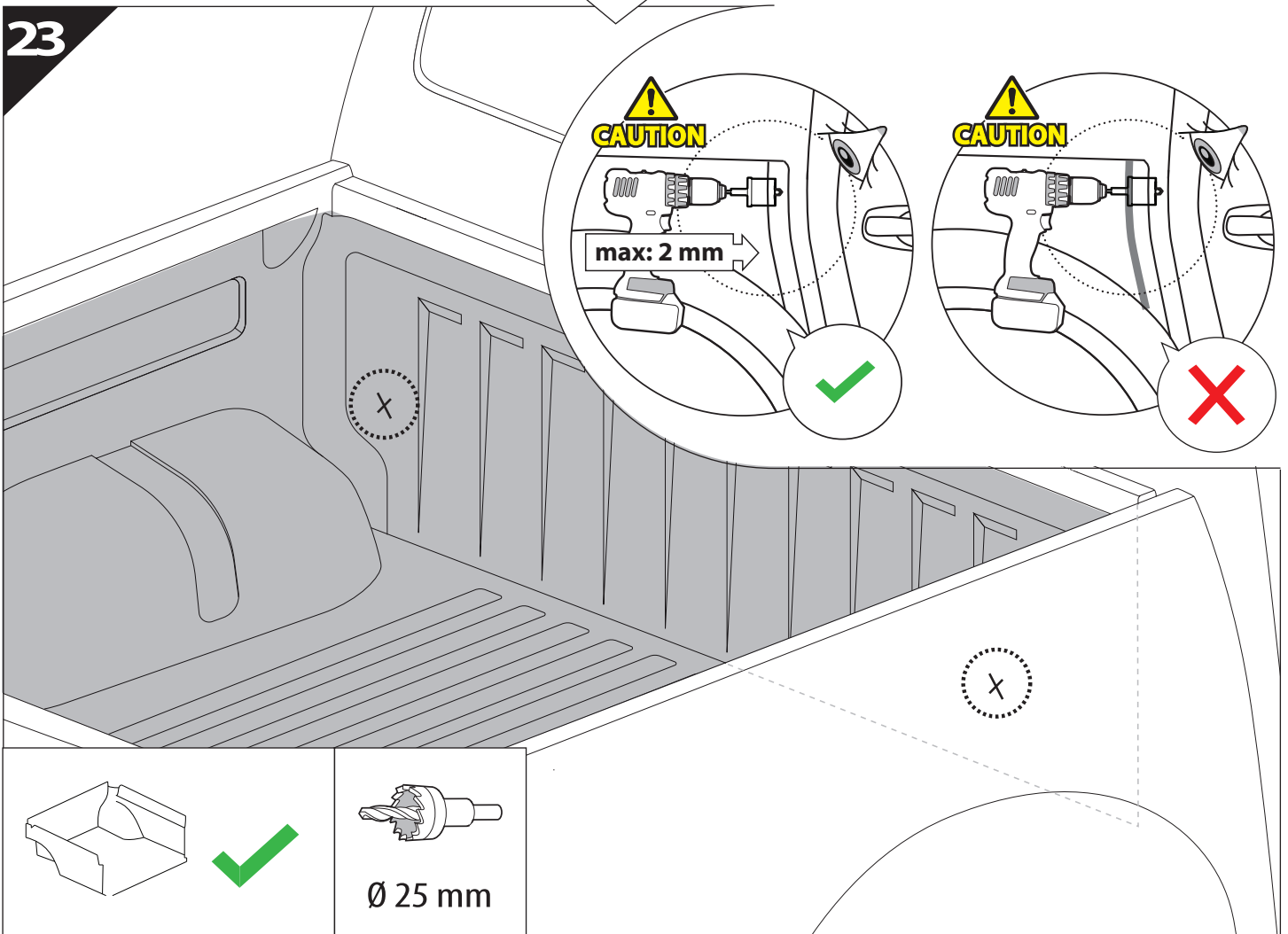
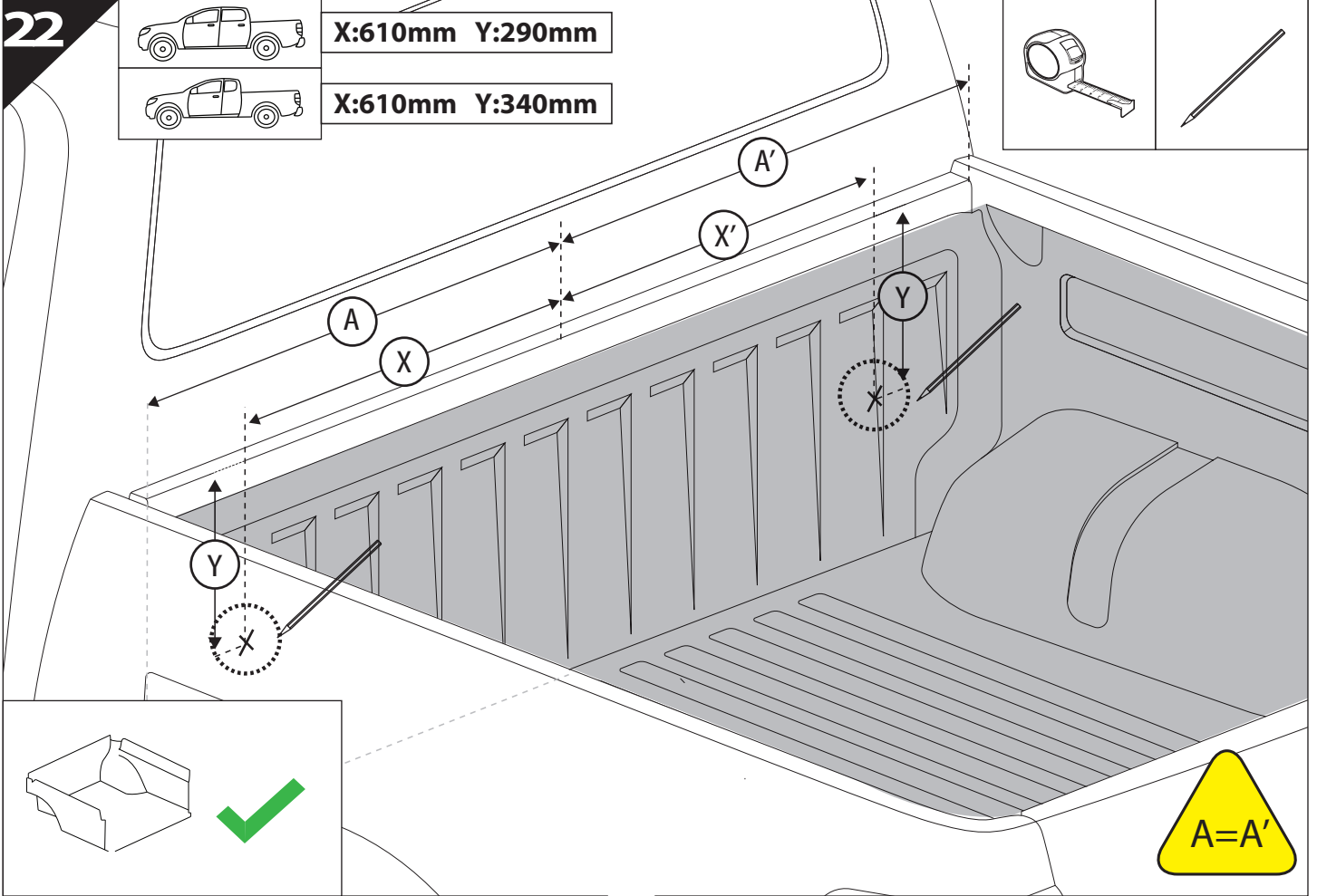
18



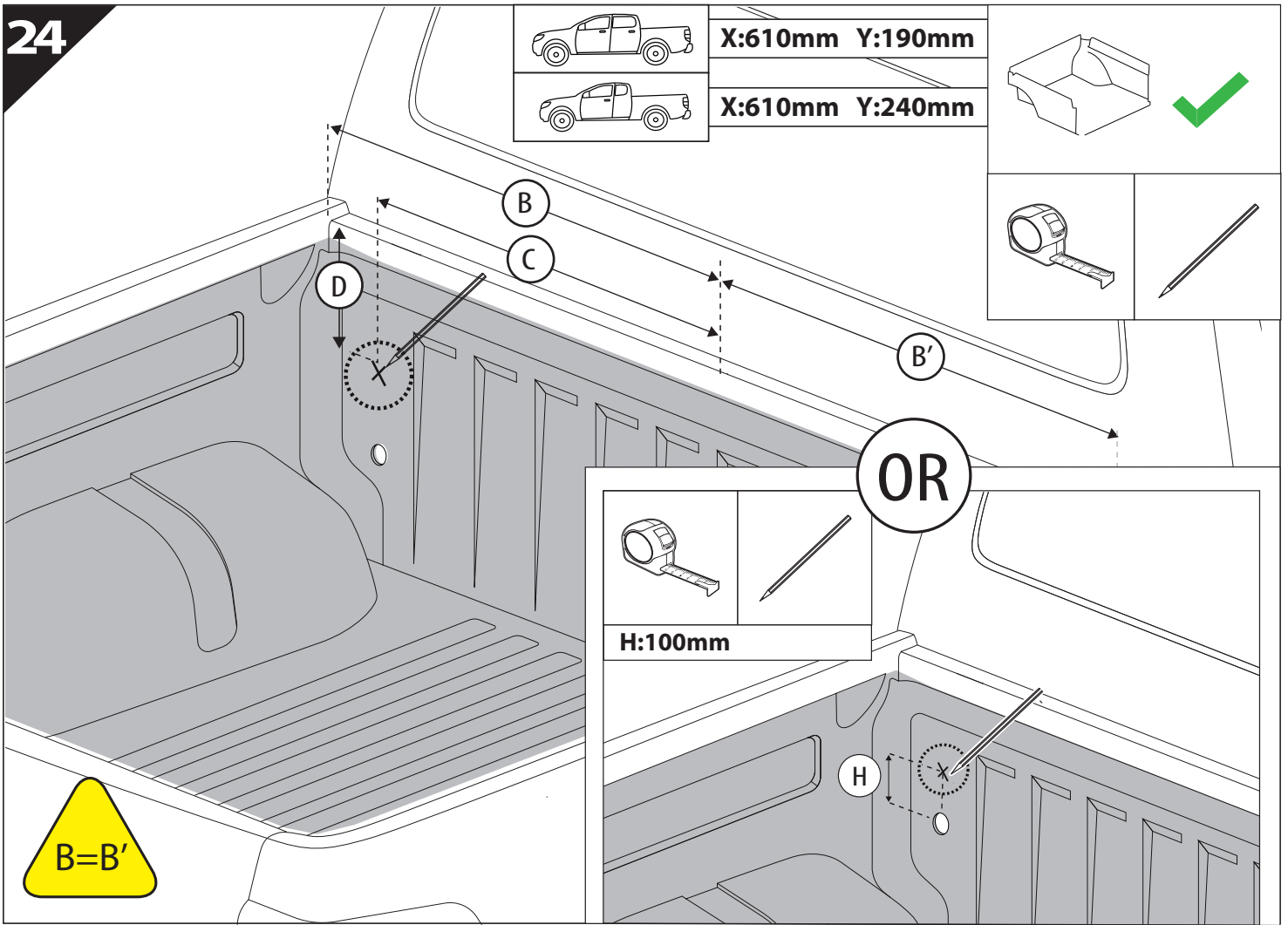
19



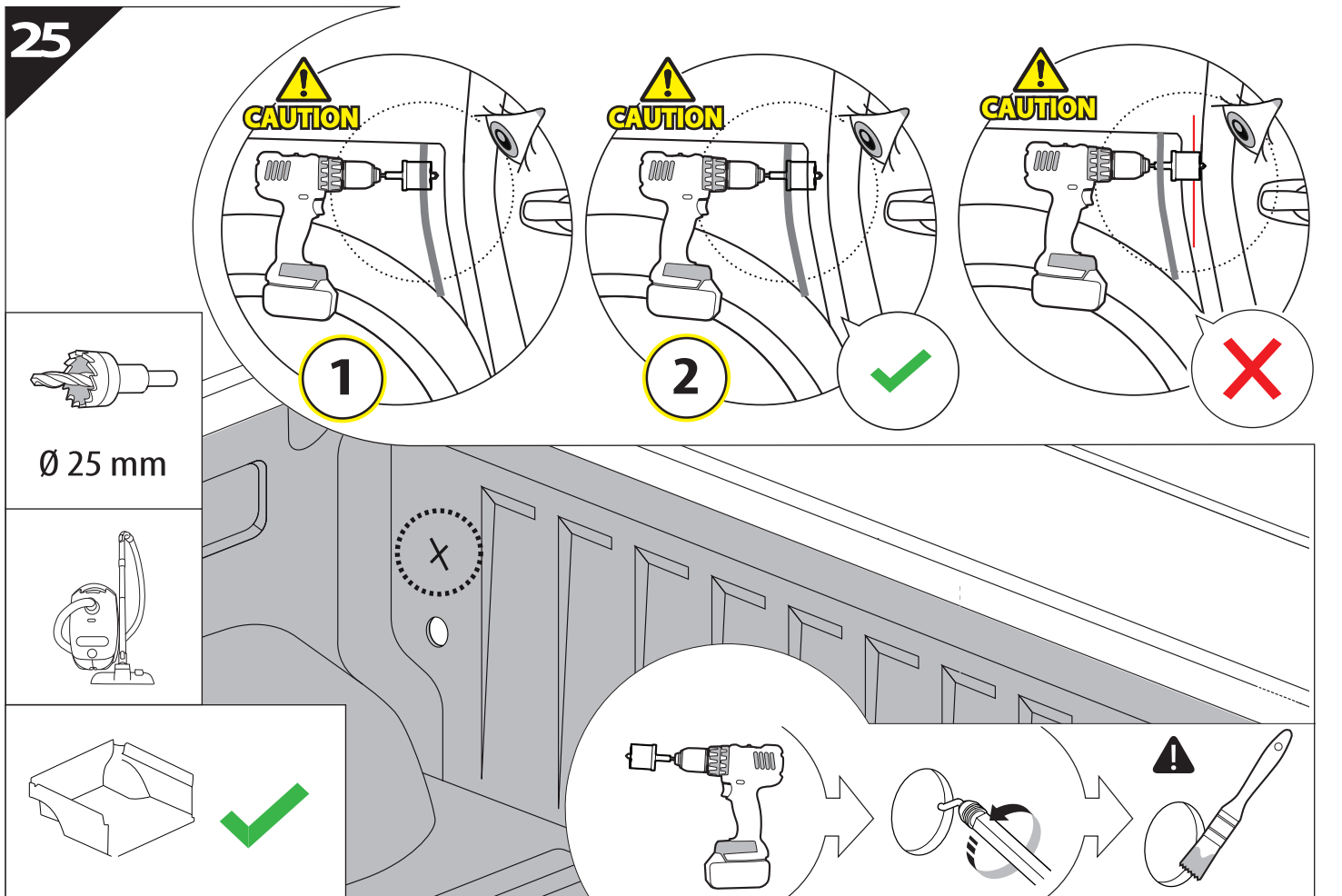


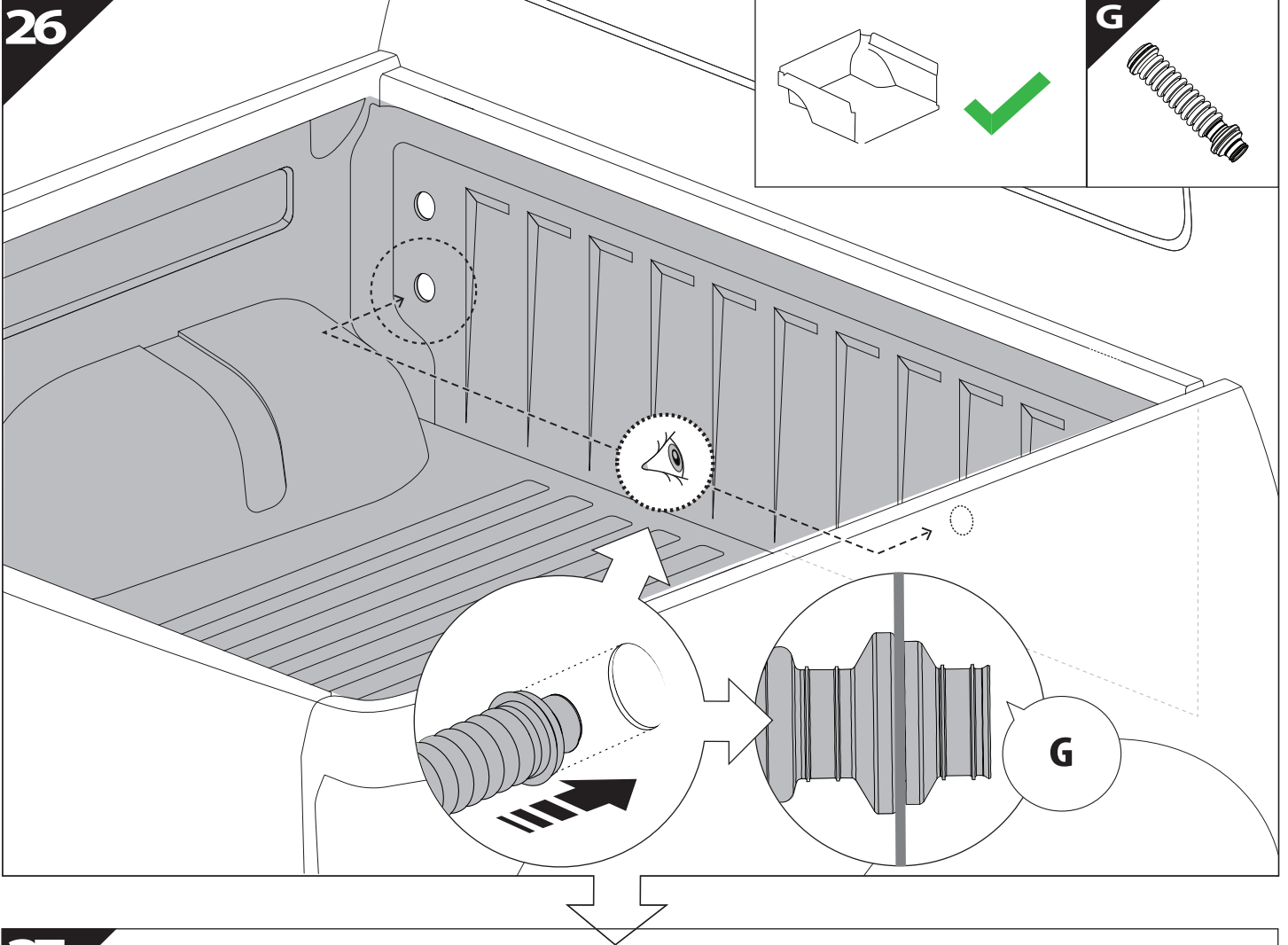


24

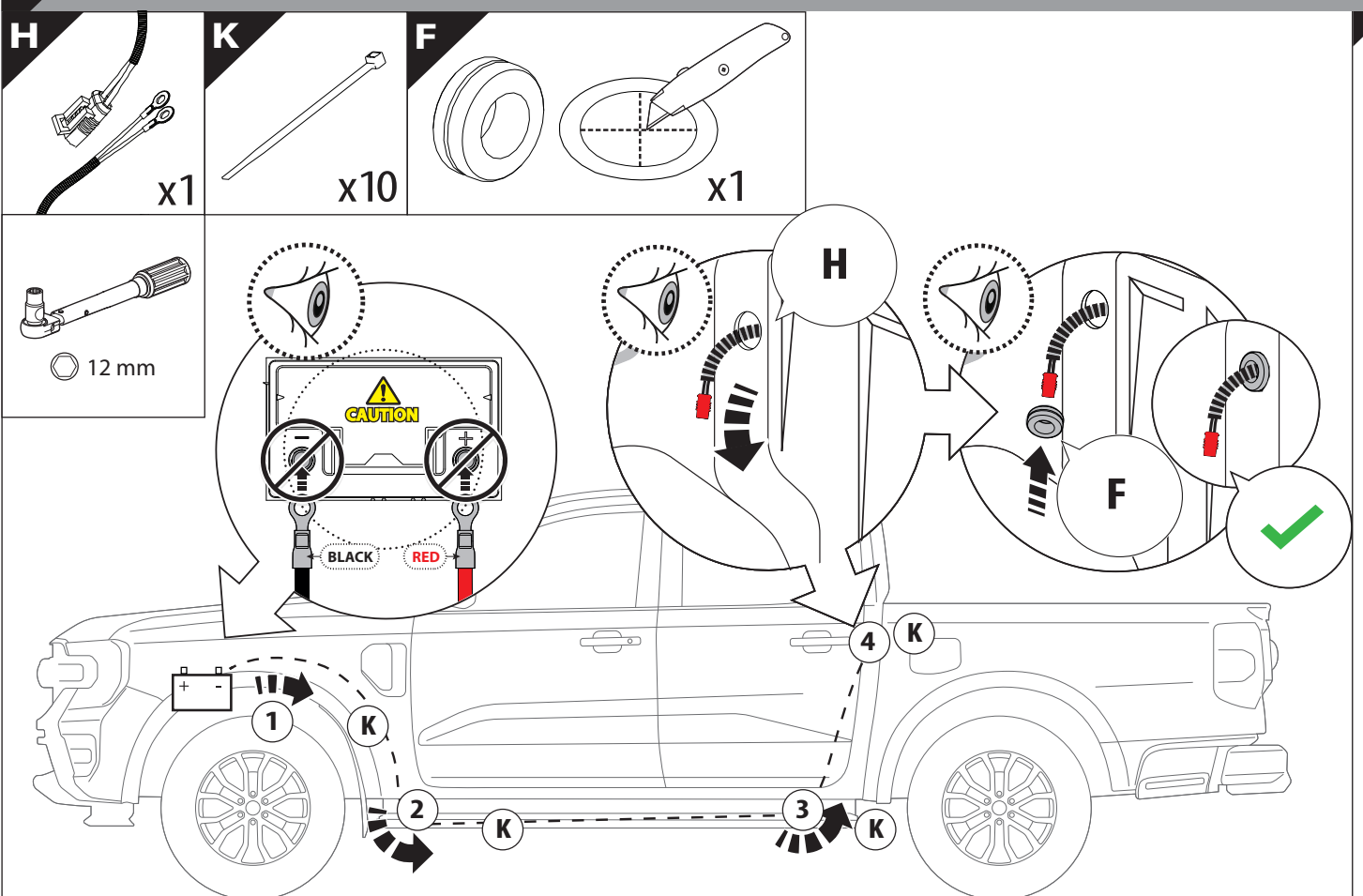


25

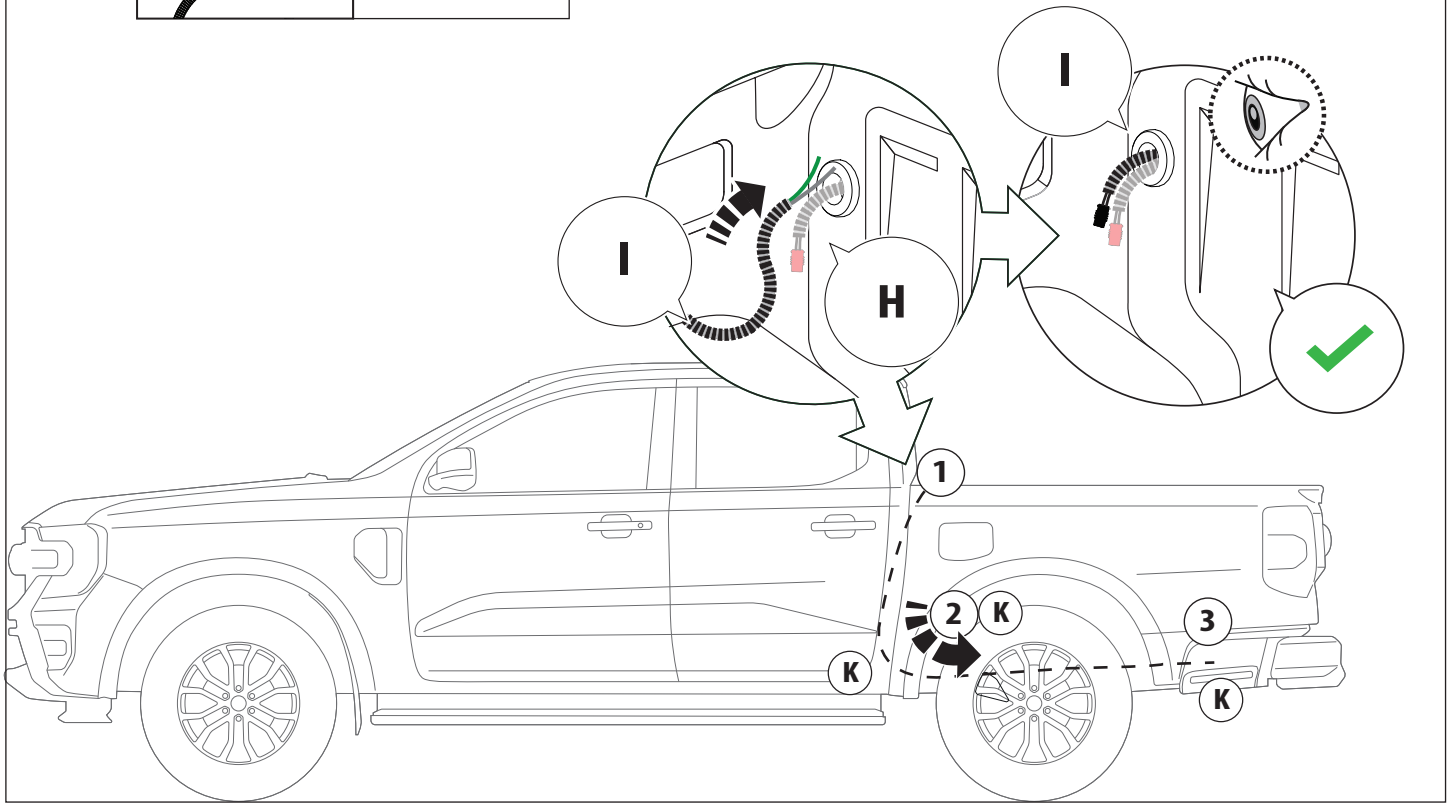
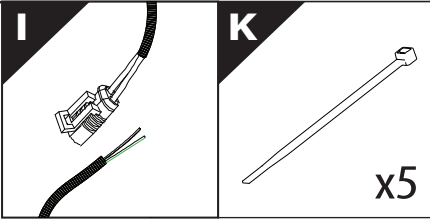




**27** Only to be installed by authorized personnel



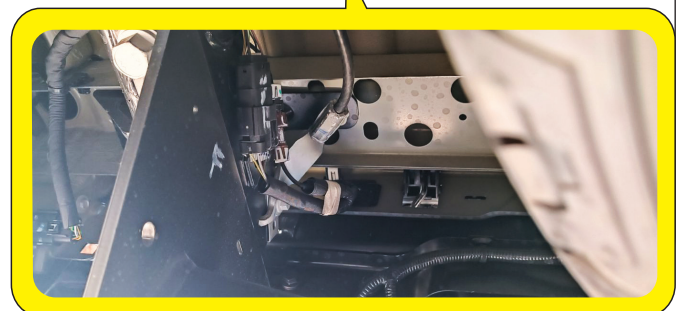
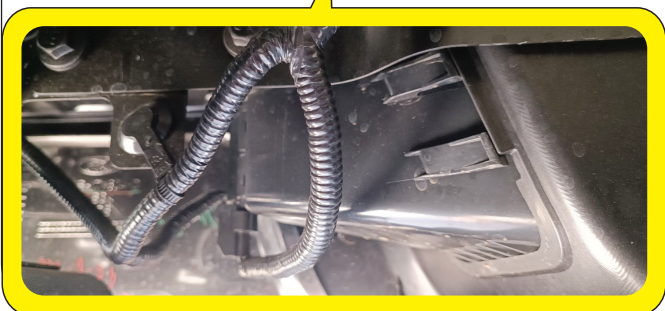
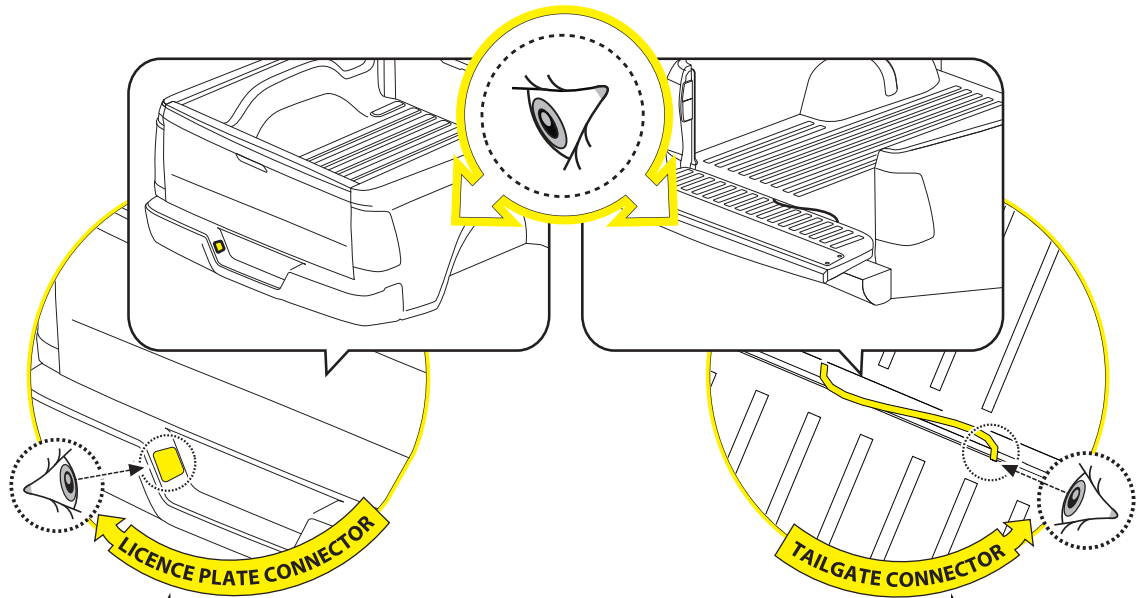
28



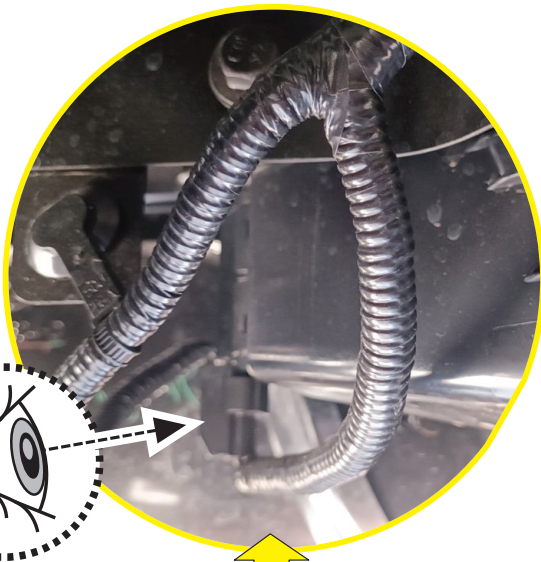
29



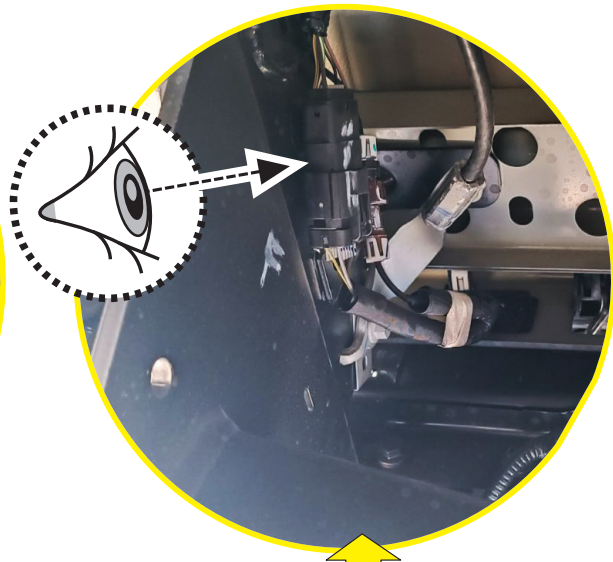
CAUTION: LIMITED, WILDTRAK, WILDTRAK X, PLATINUM



# 29.1



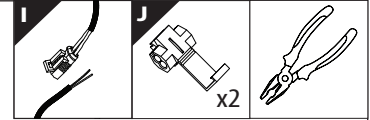
LICENCE PLATE CONNECTOR



TAILGATE CONNECTOR

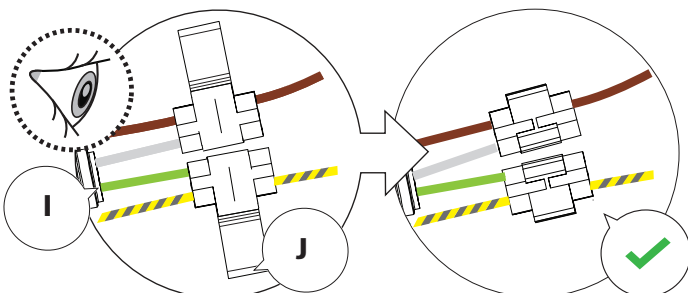
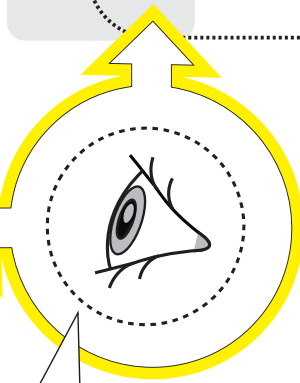
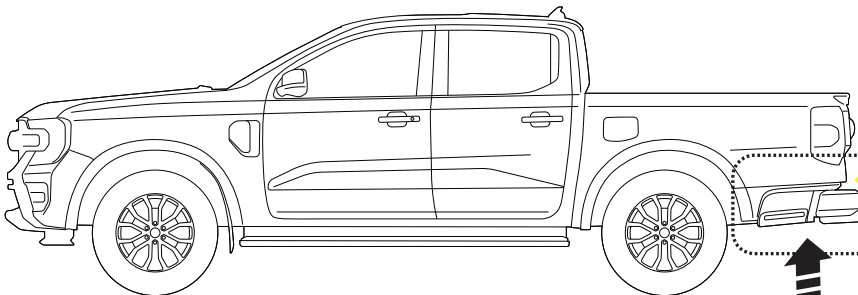
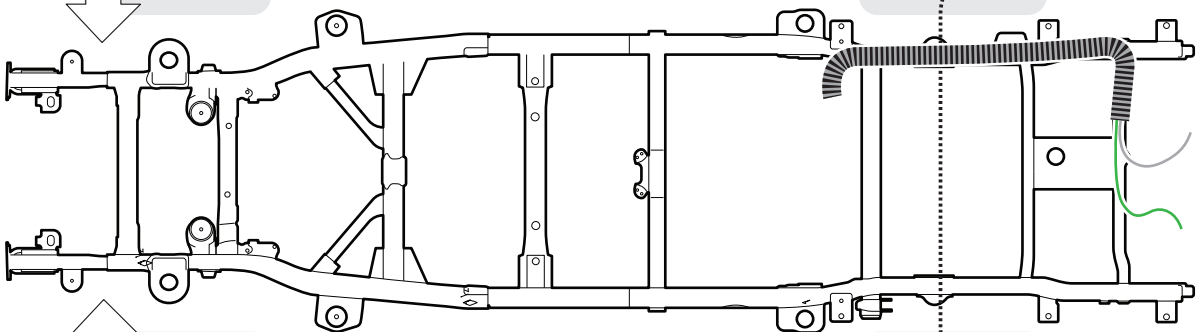
# 29.2

## BOTTOM VIEW



DRIVER'S LEFT SIDE

PASSENGER'S RIGHT SIDE

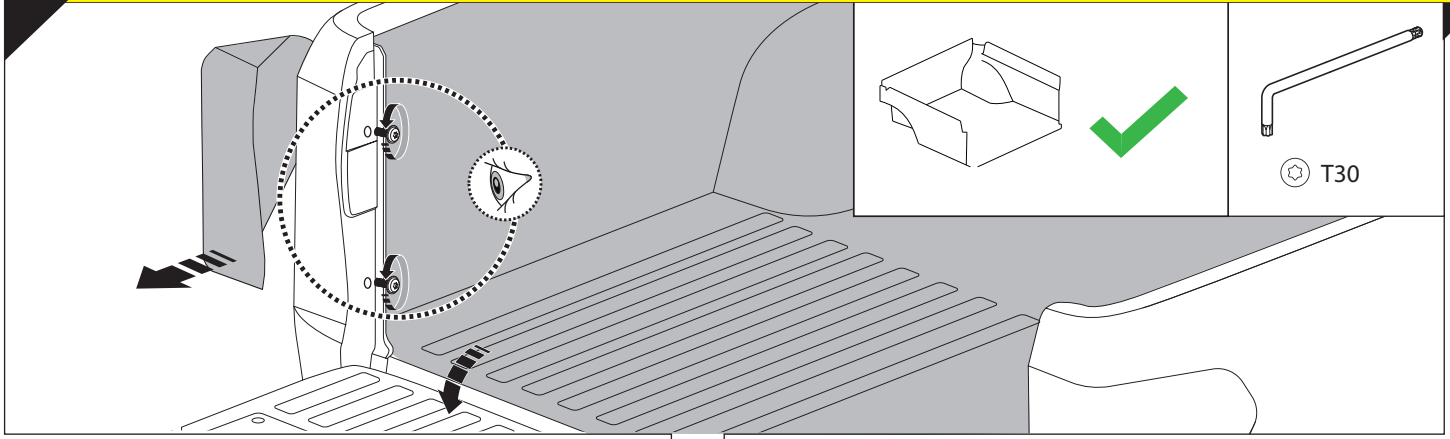


	CAR		TESSERA ROLL+
BEAM		↔	
LICENCE PLATE 2 PIN LIGHT CONNECTOR			
STOP		↔	
TAILGATE CONNECTOR			

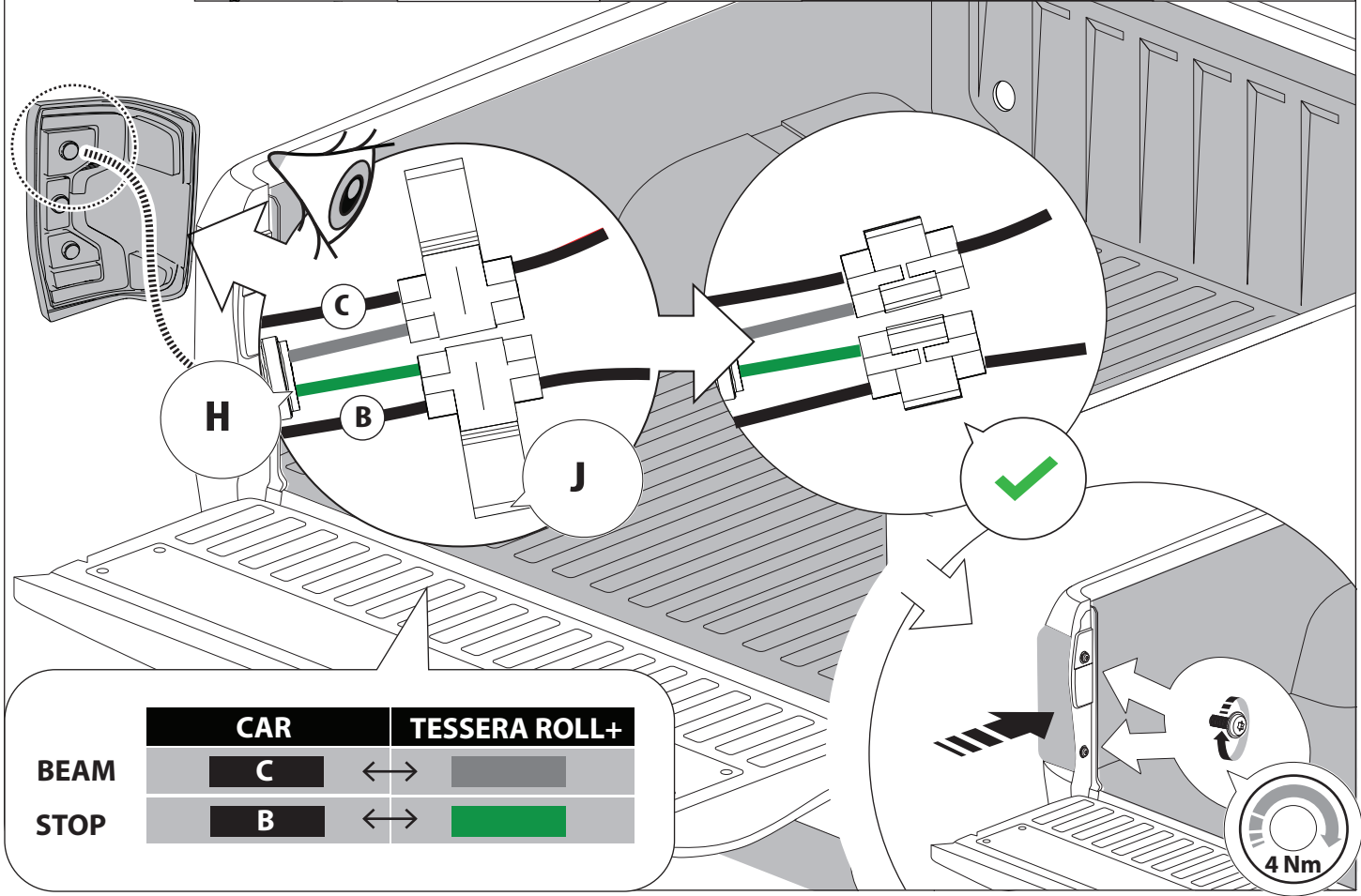
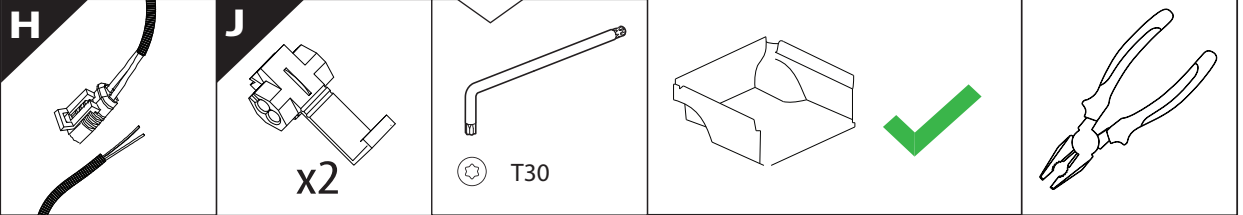
30



CAUTION: XL, XLT, TREMOR

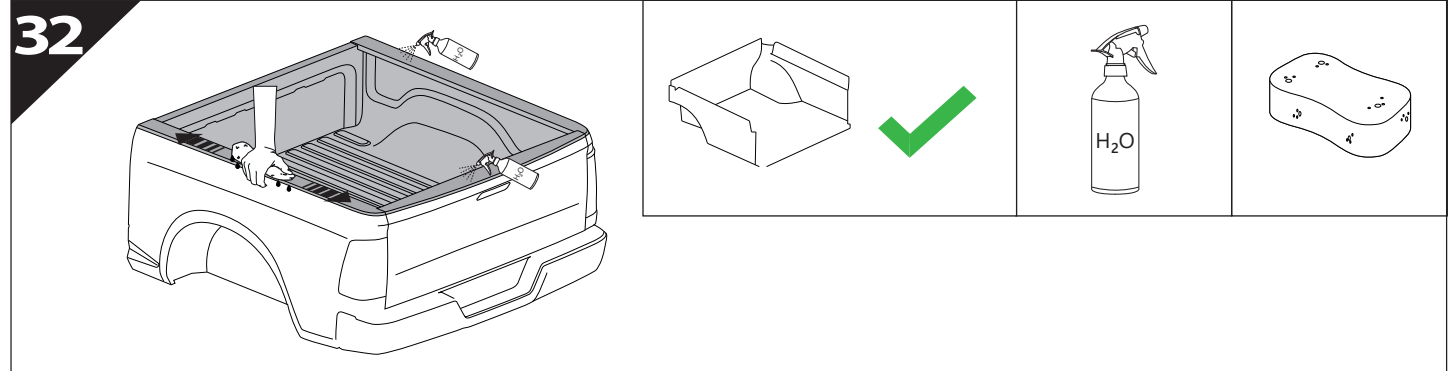


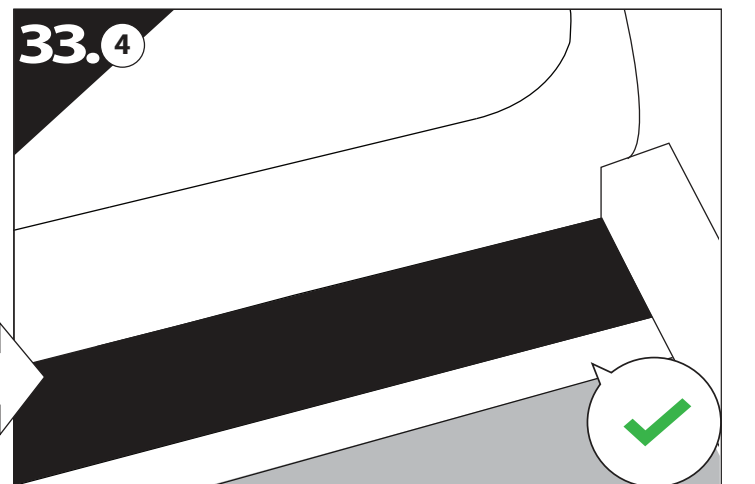
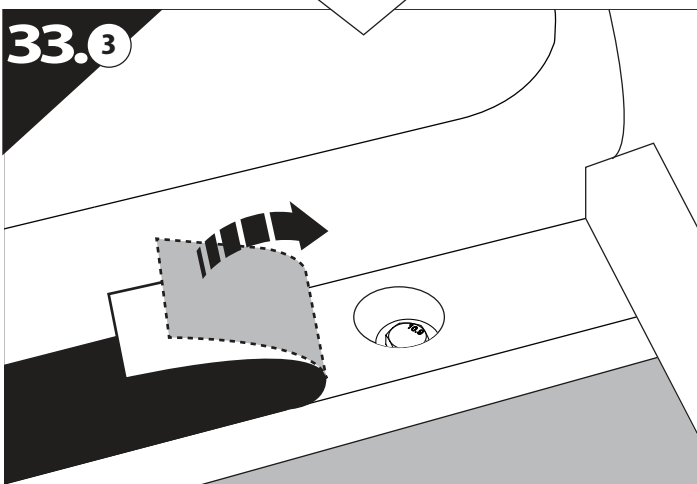
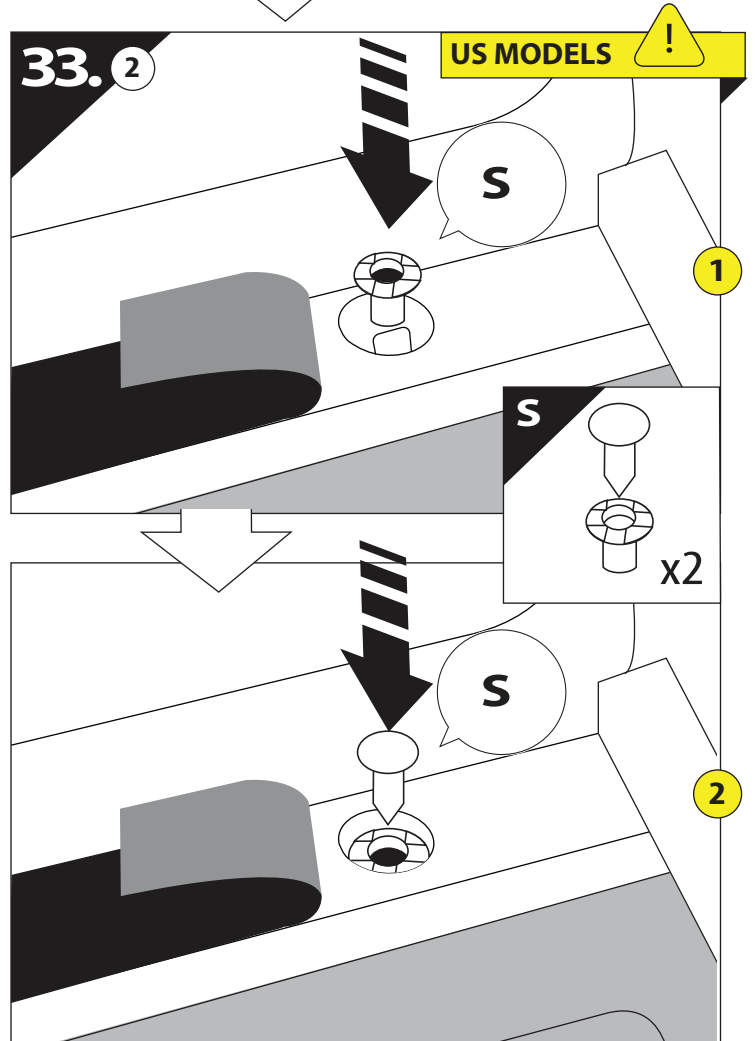
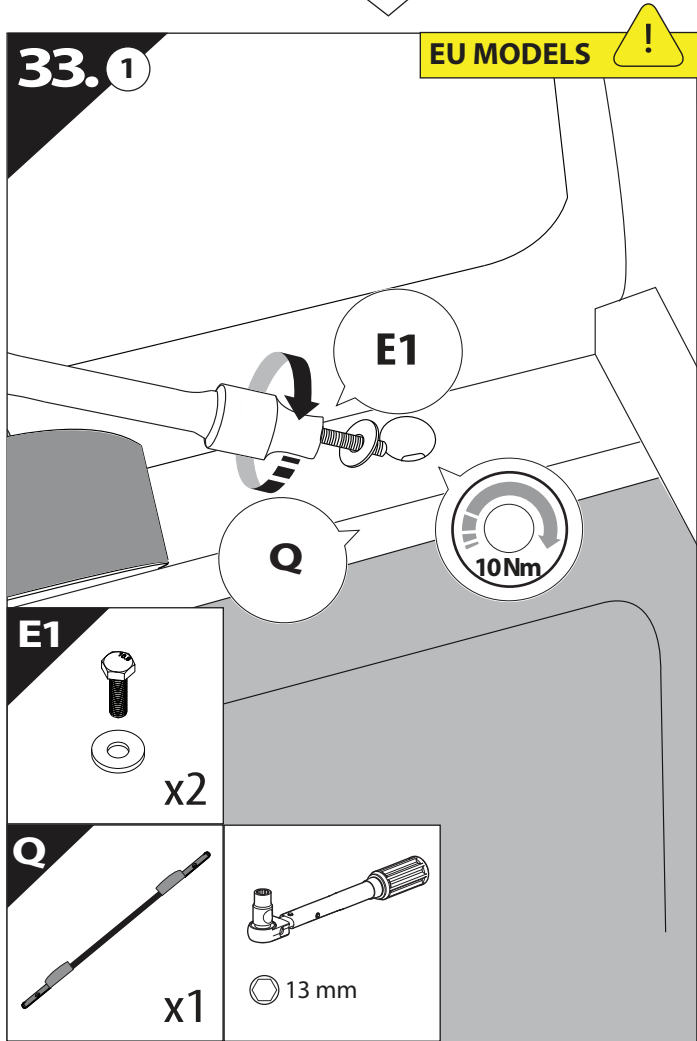
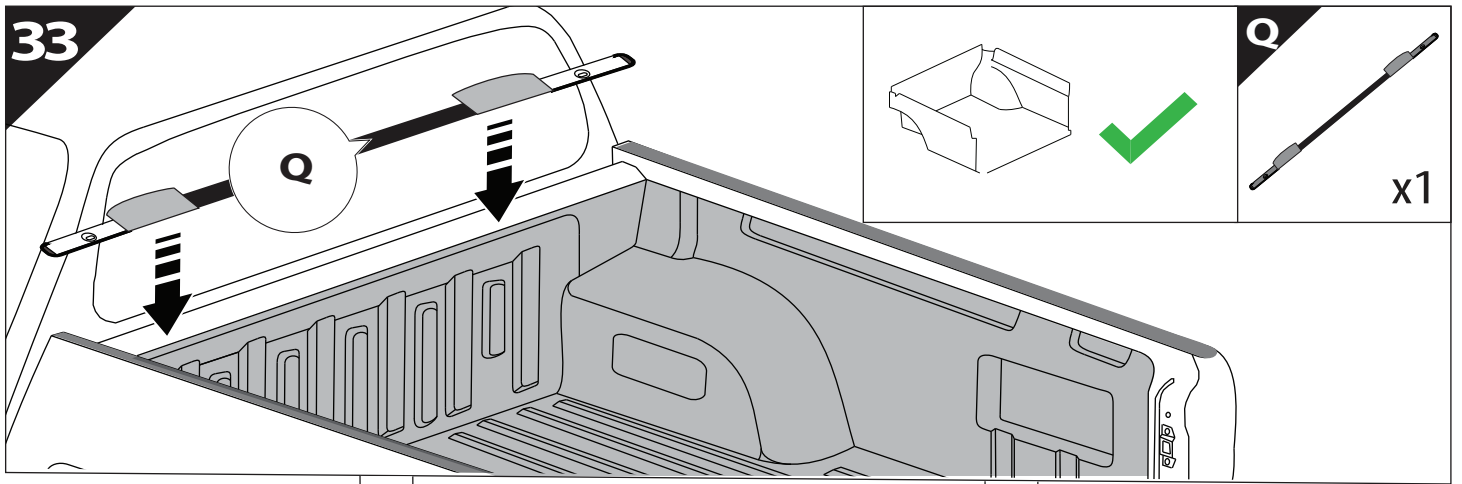
31



	CAR		TESSERA ROLL+
BEAM	C	↔	■
STOP	B	↔	■

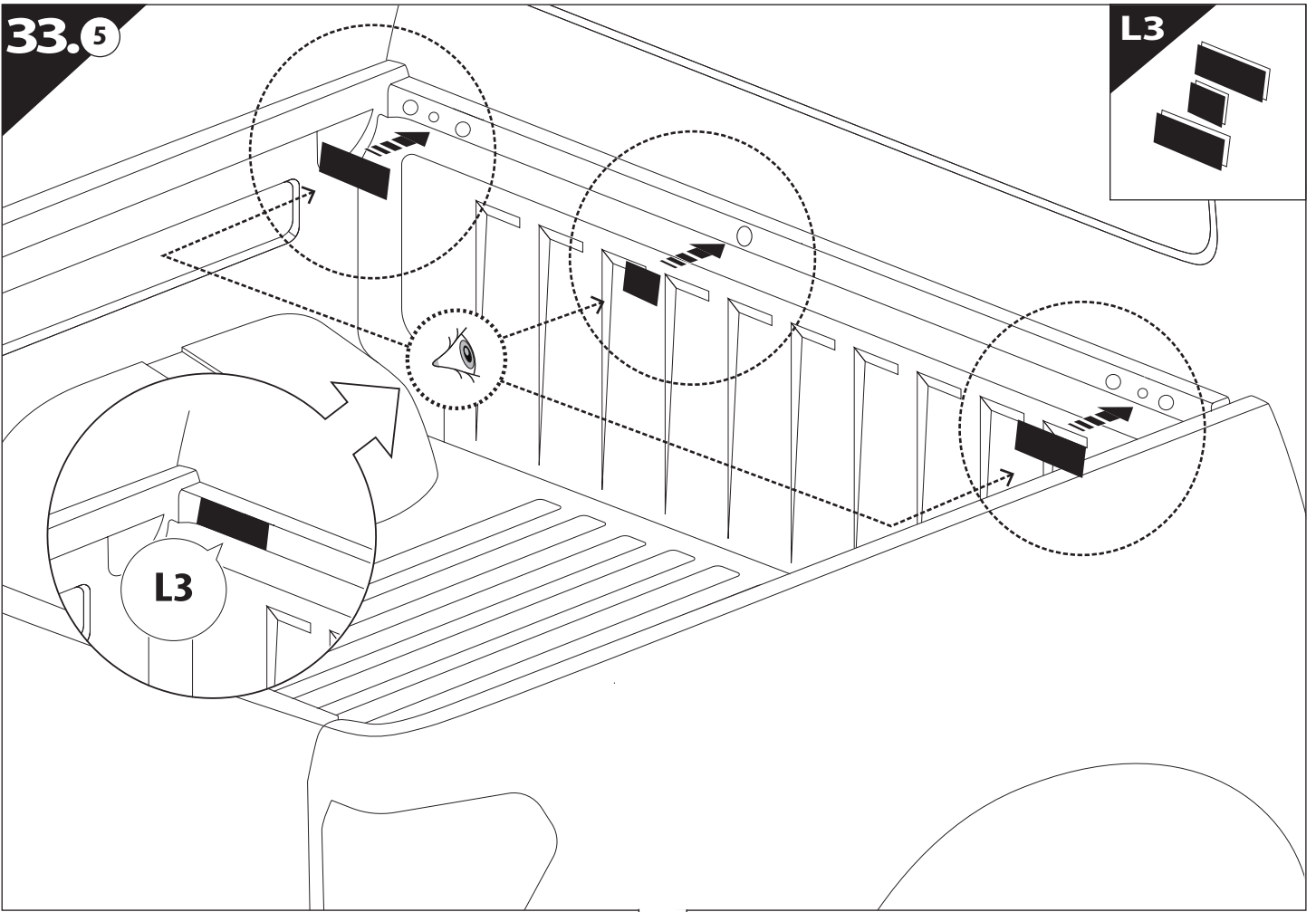
32





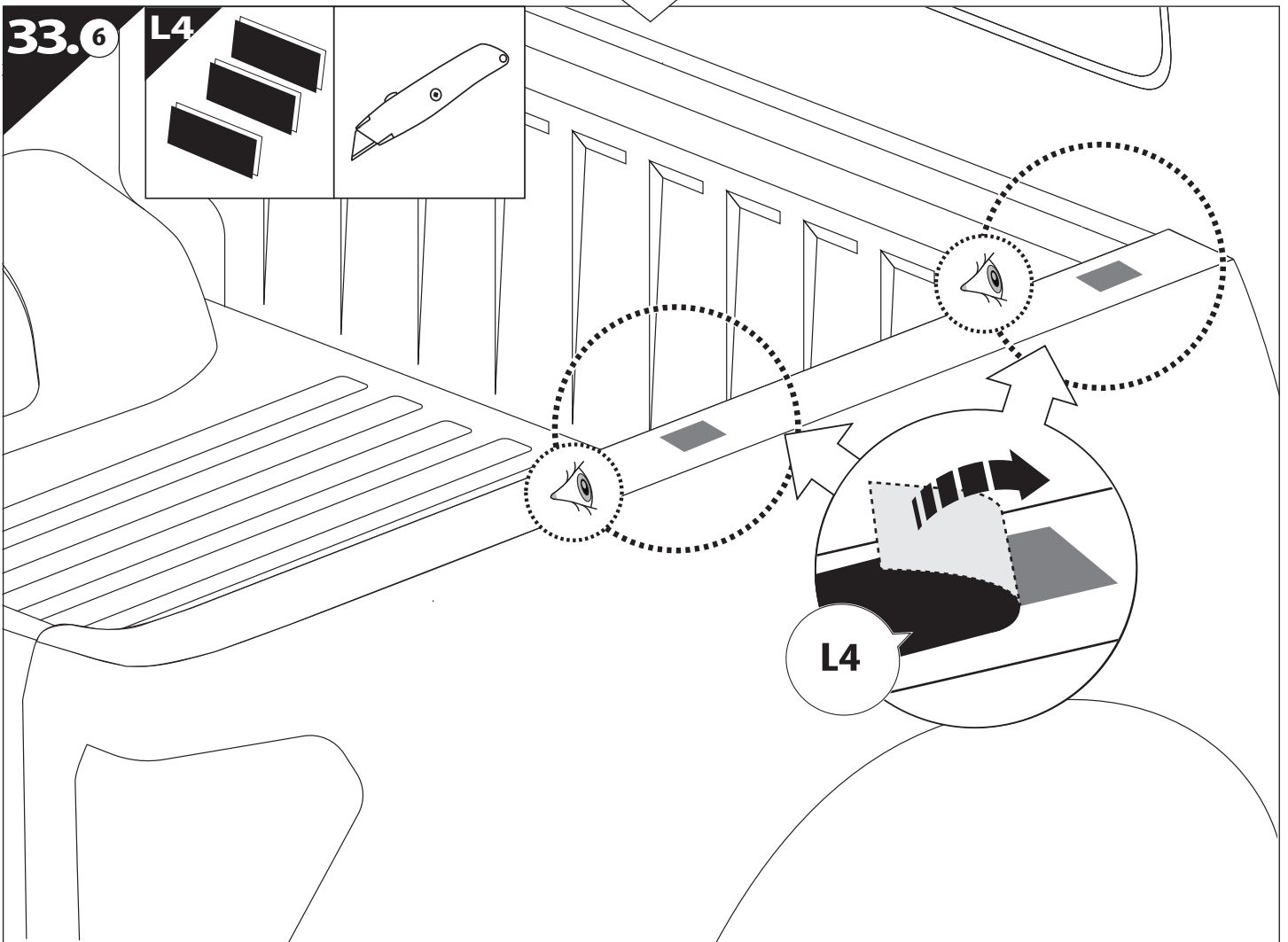
33.6

L3

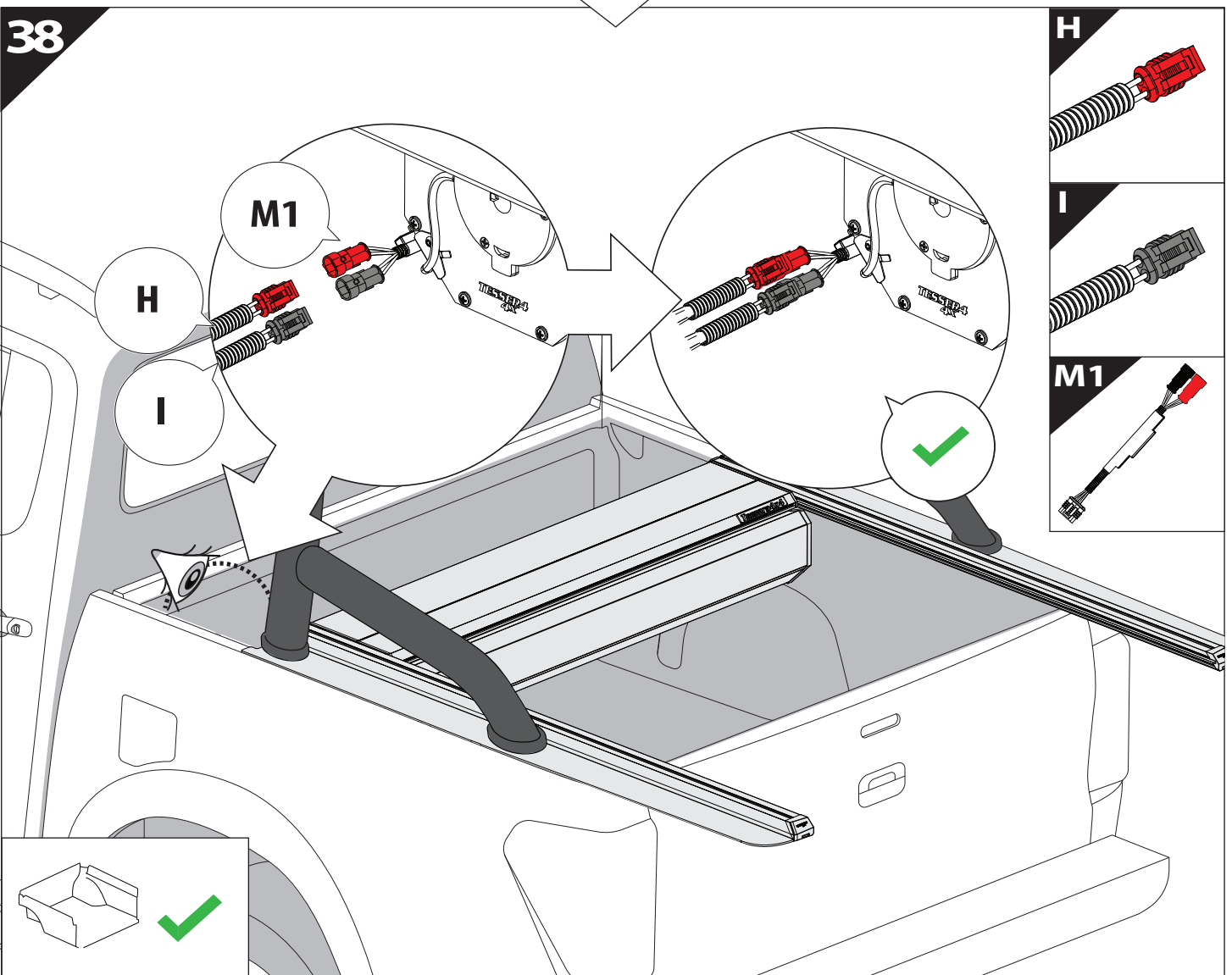
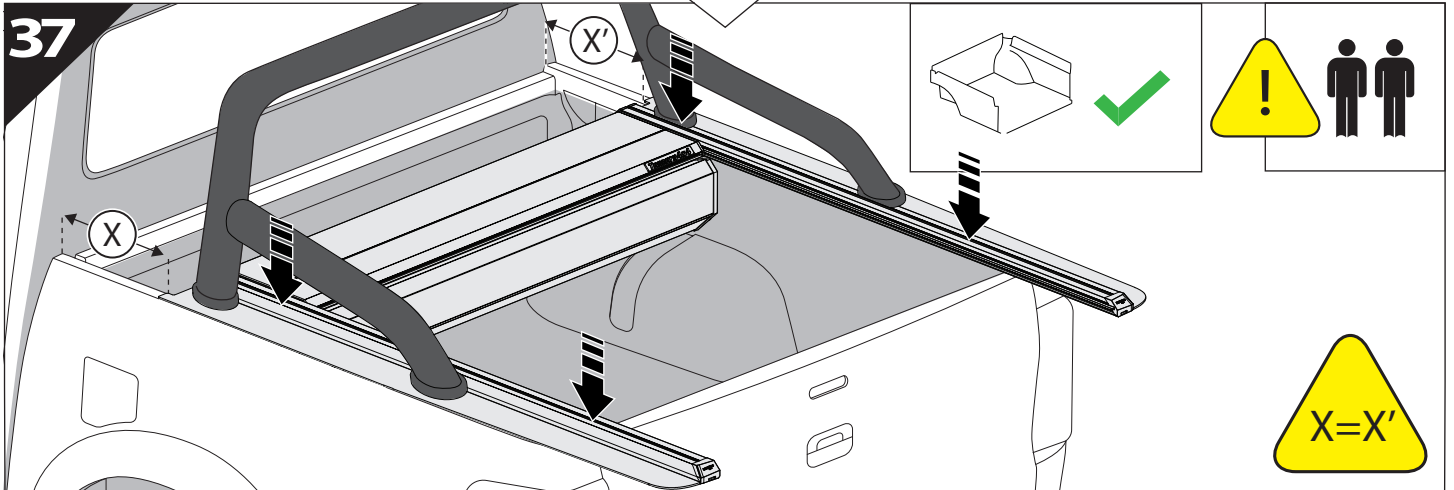
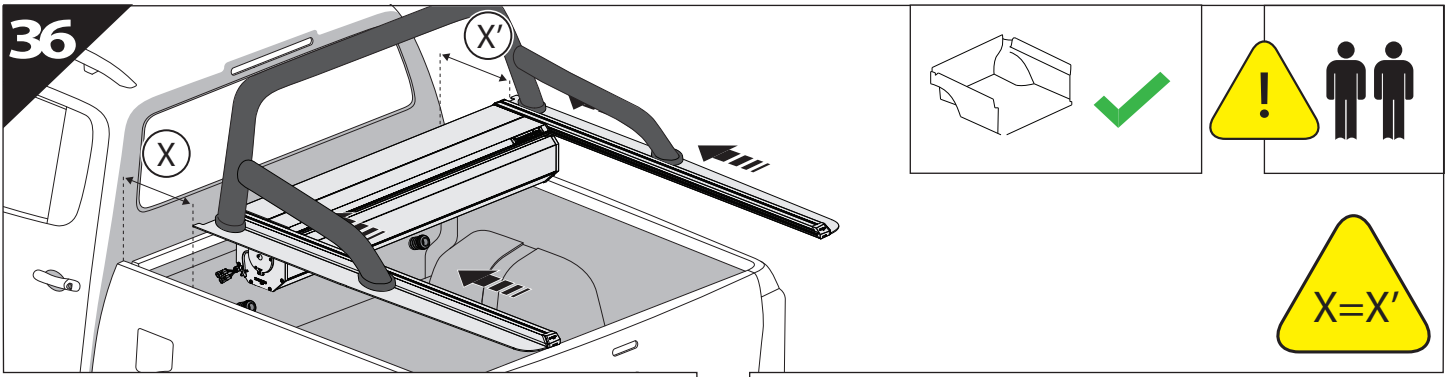


33.6

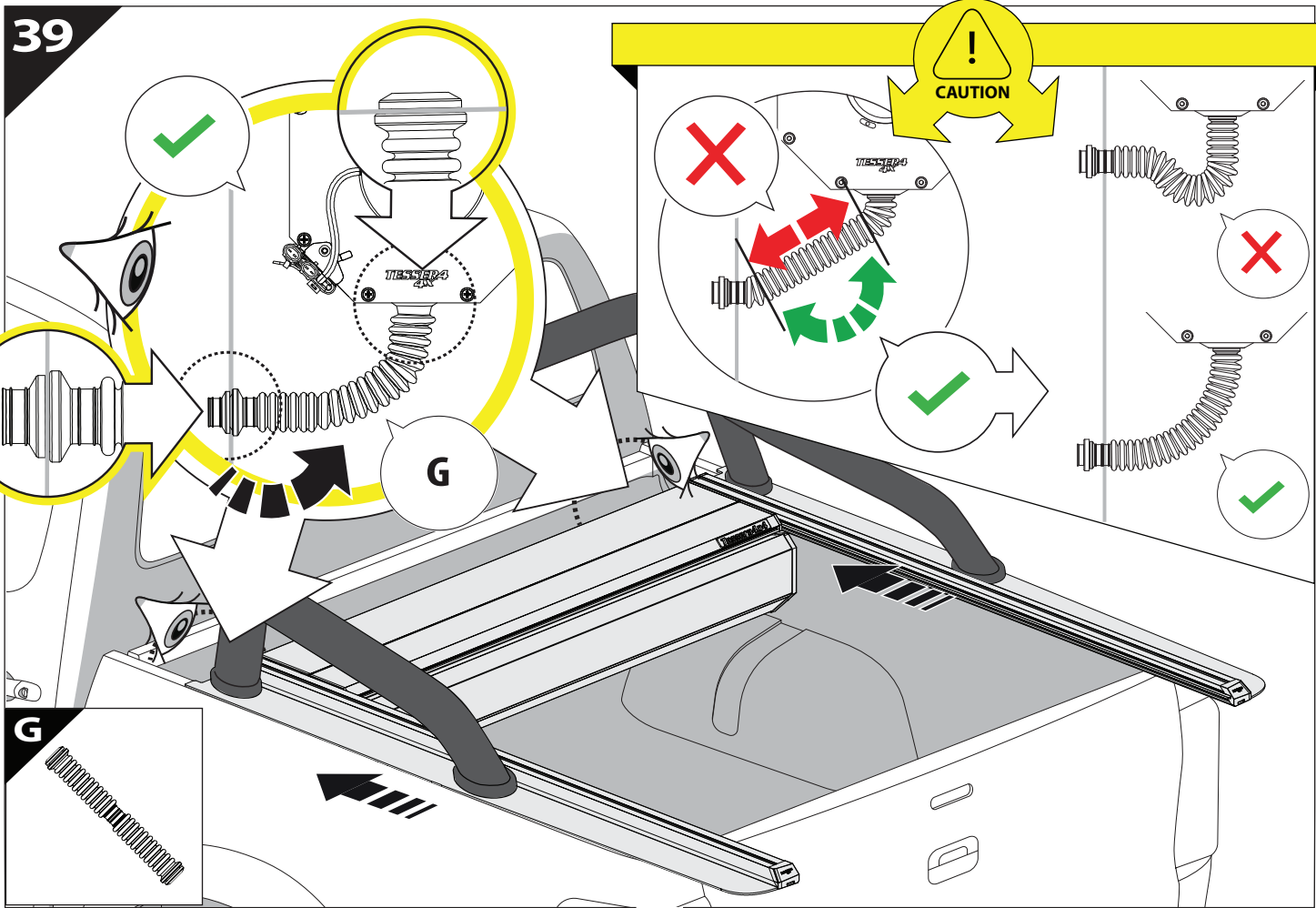
L4



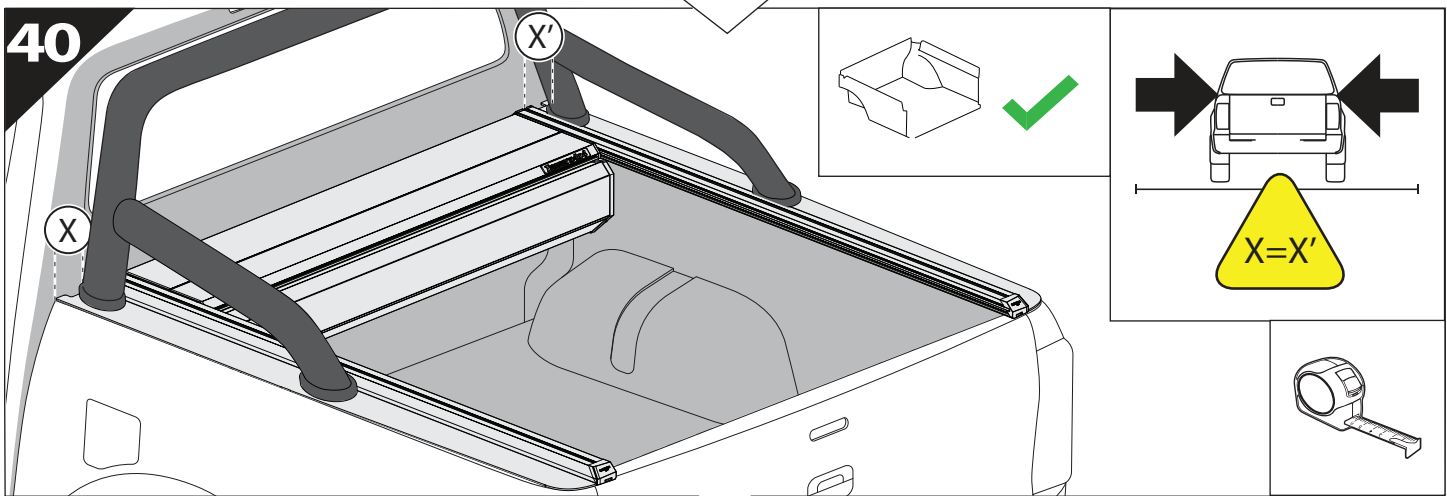




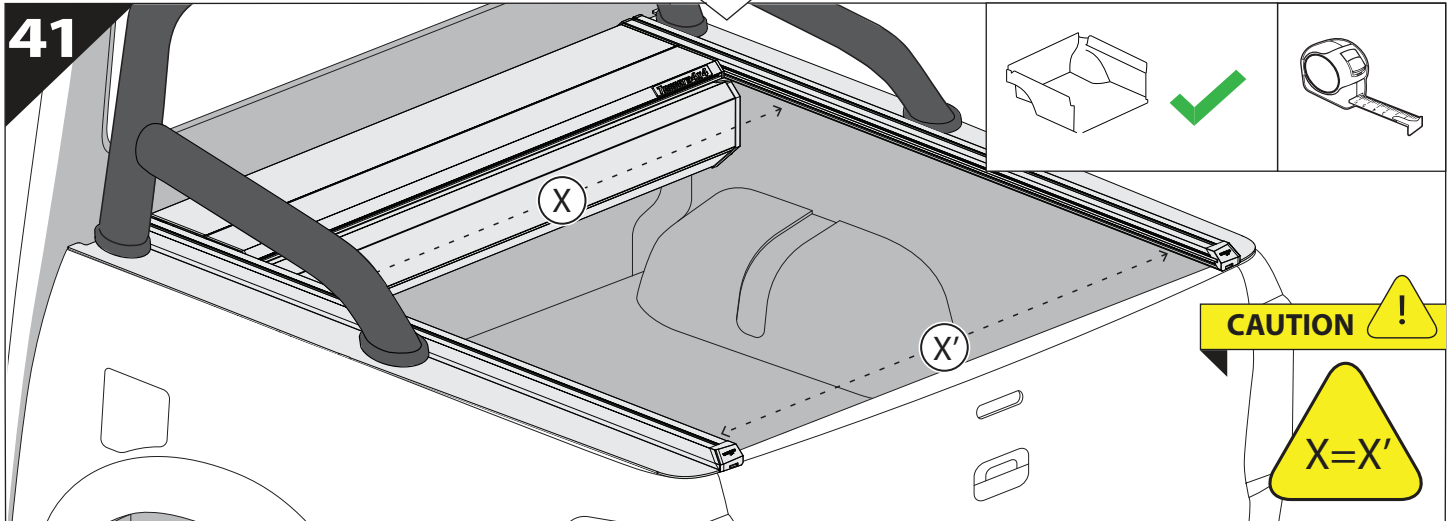
39



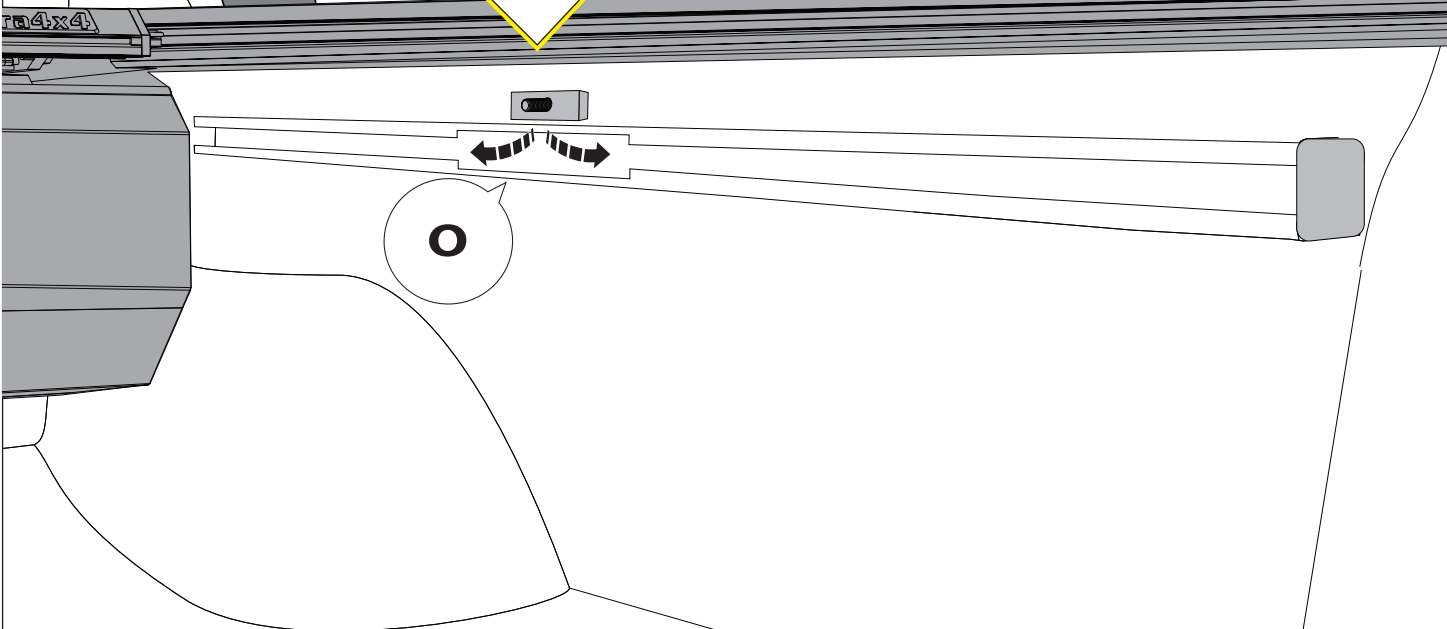
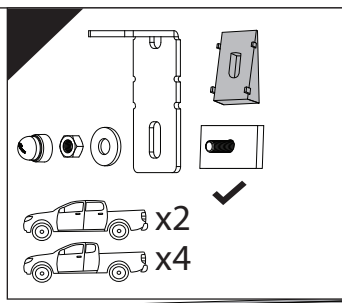
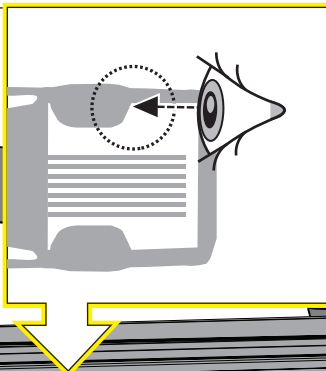
40



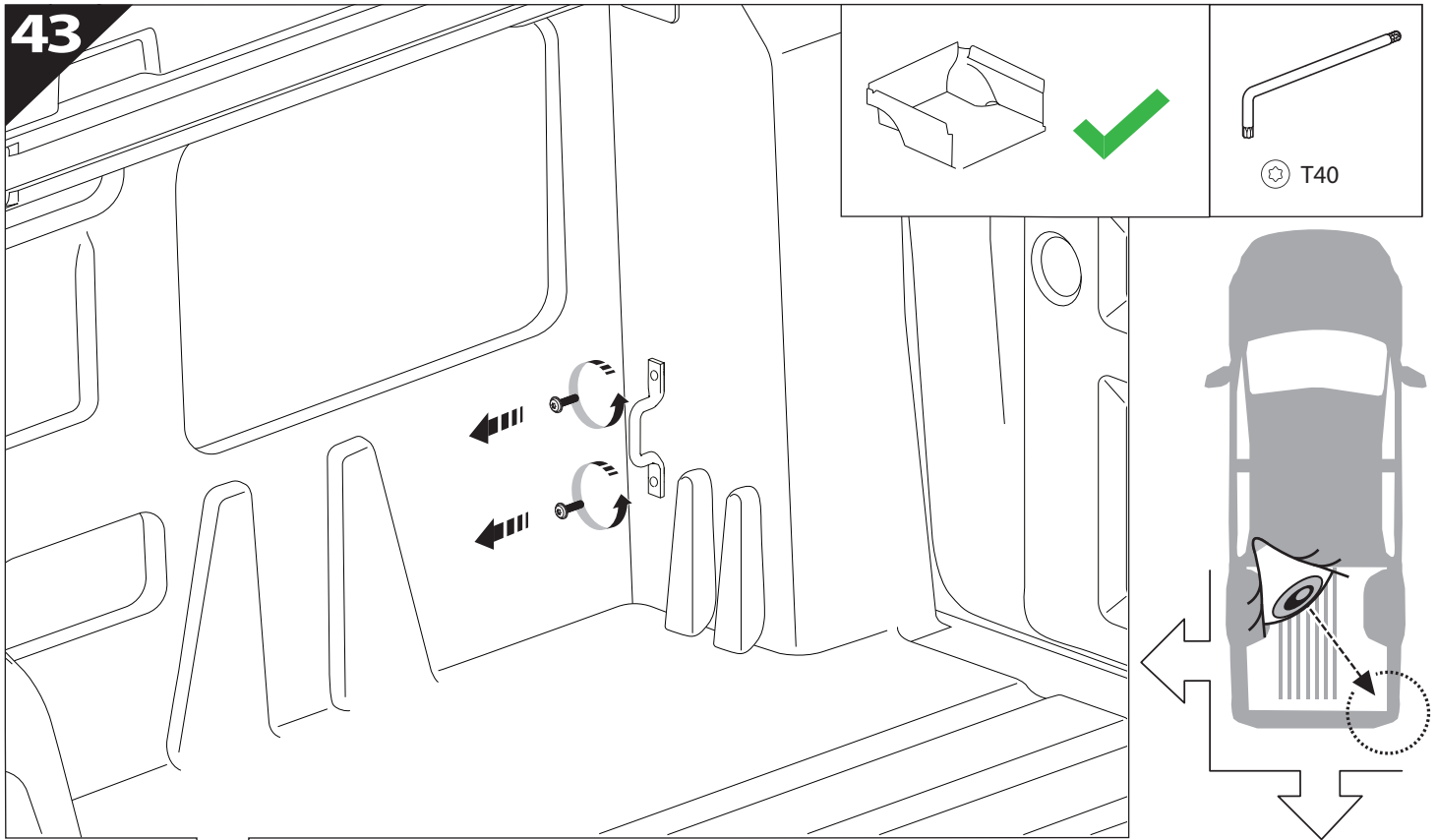
41



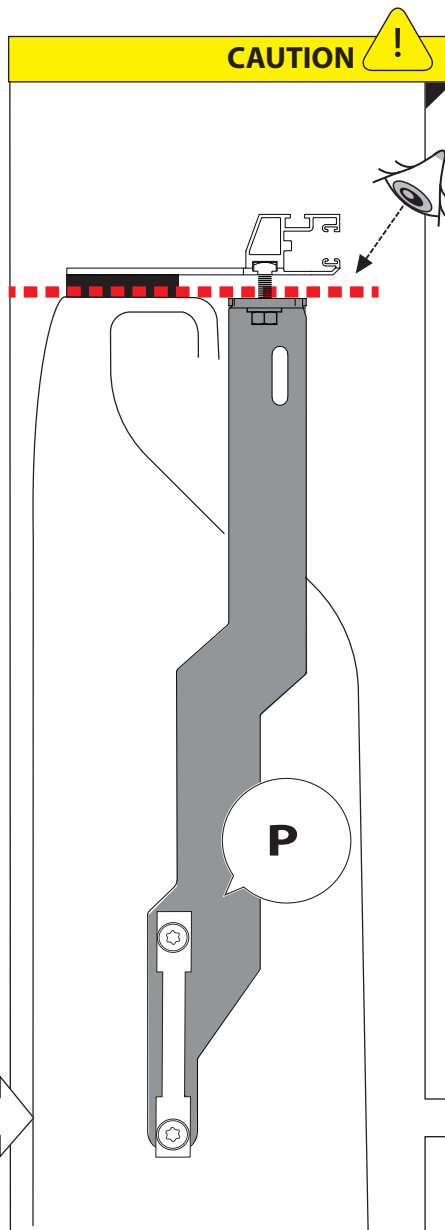
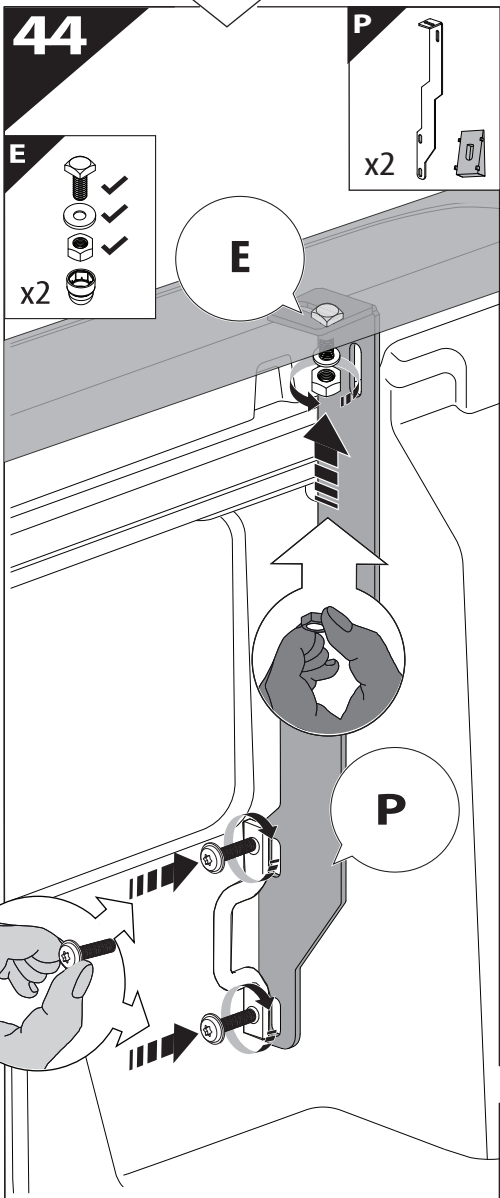
42



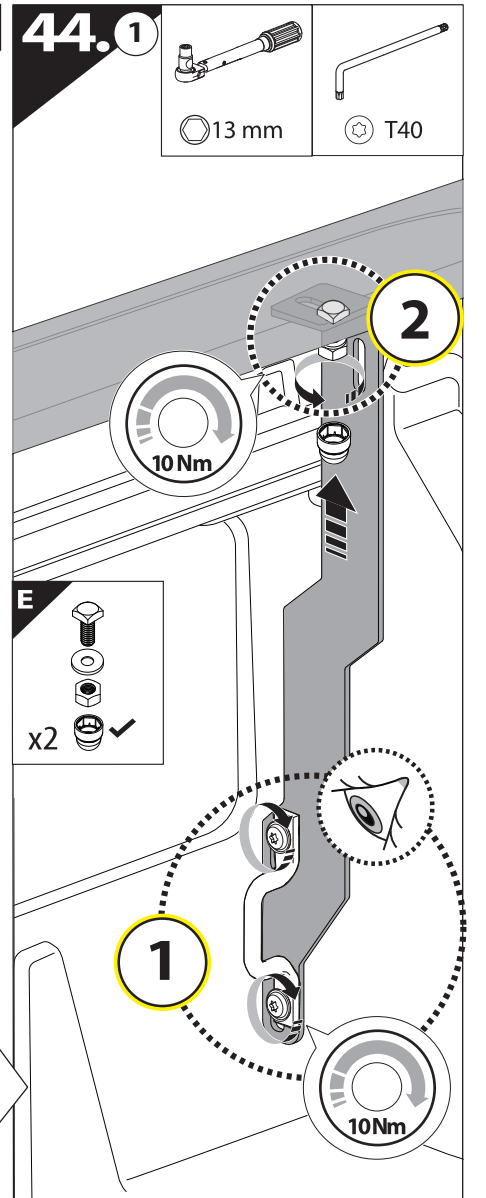
43



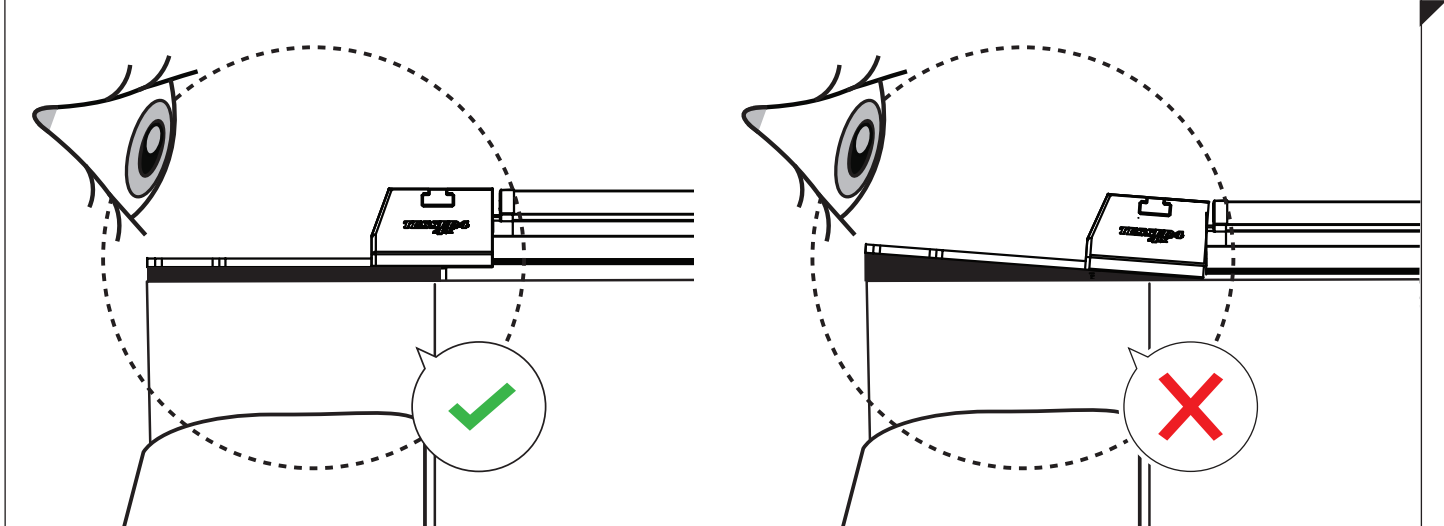
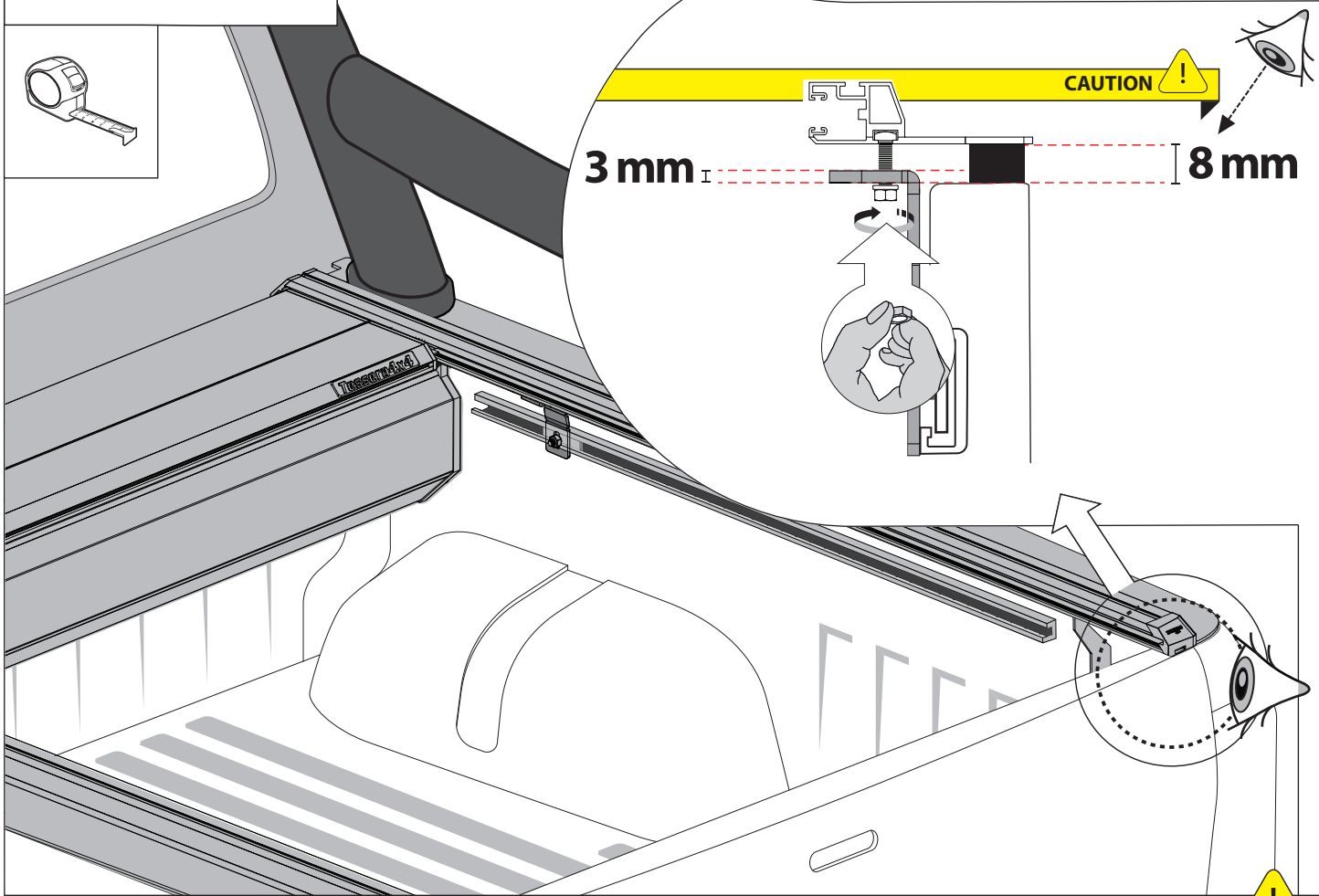
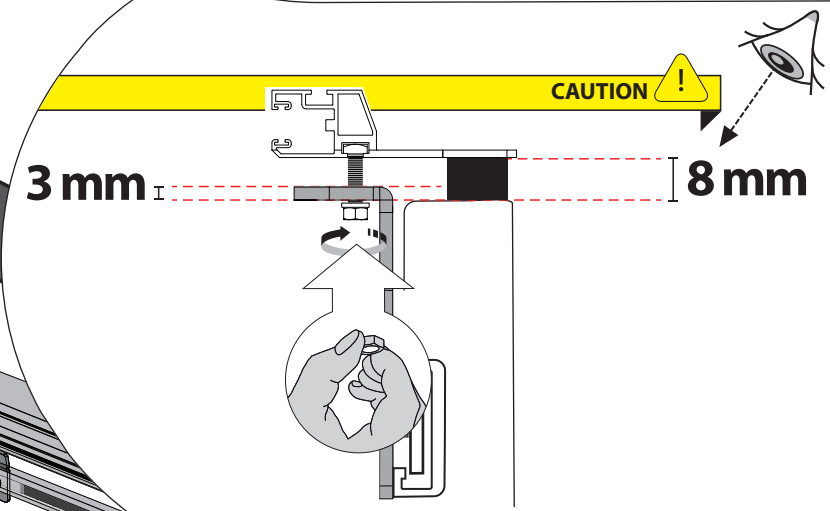
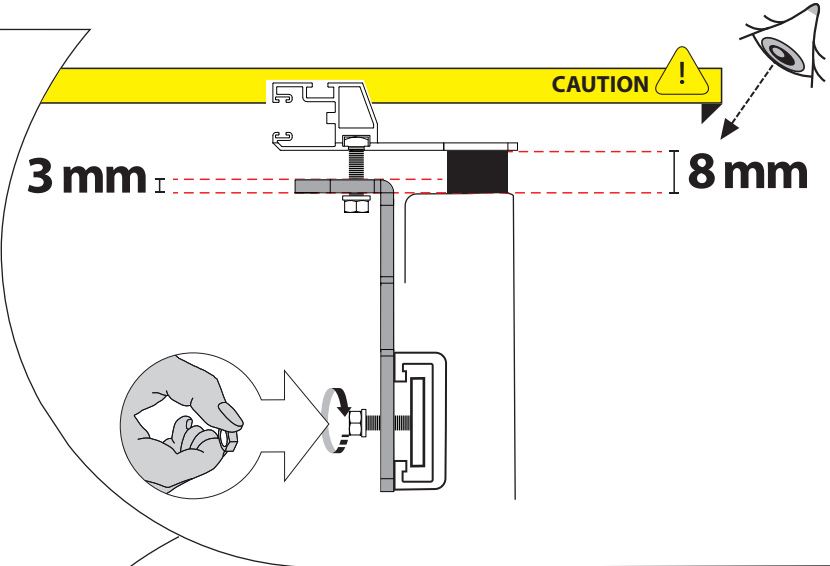
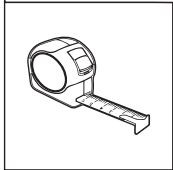
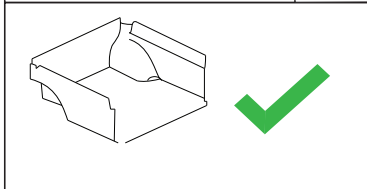
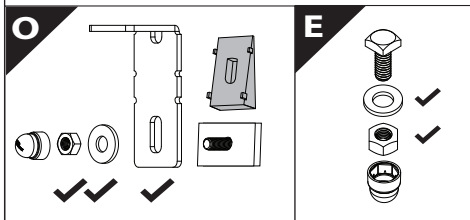
44

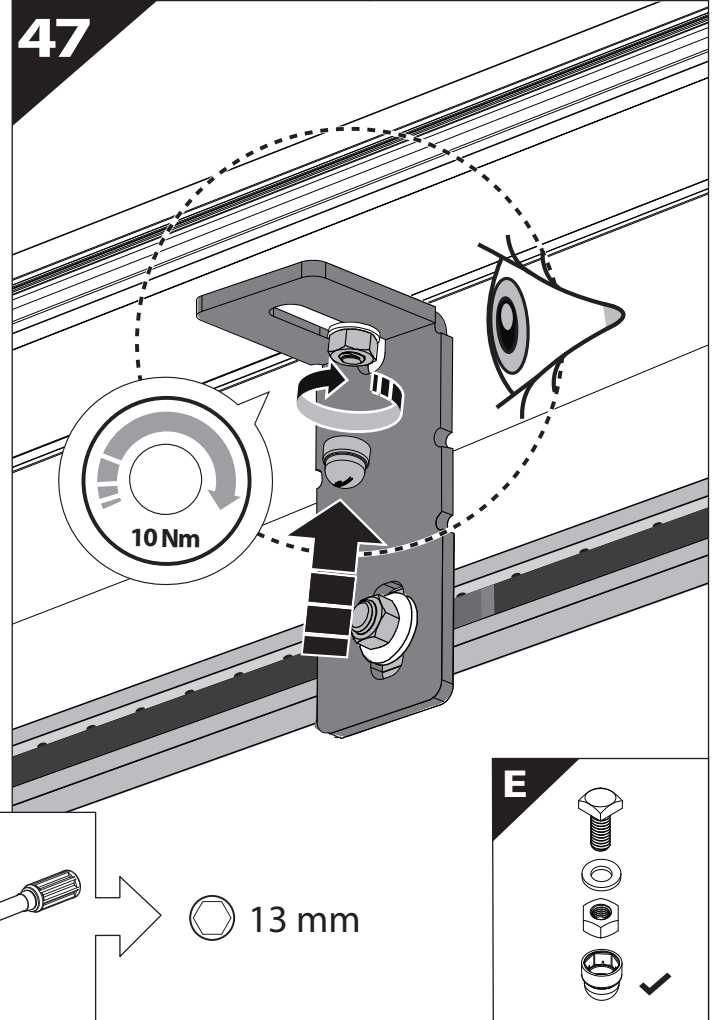
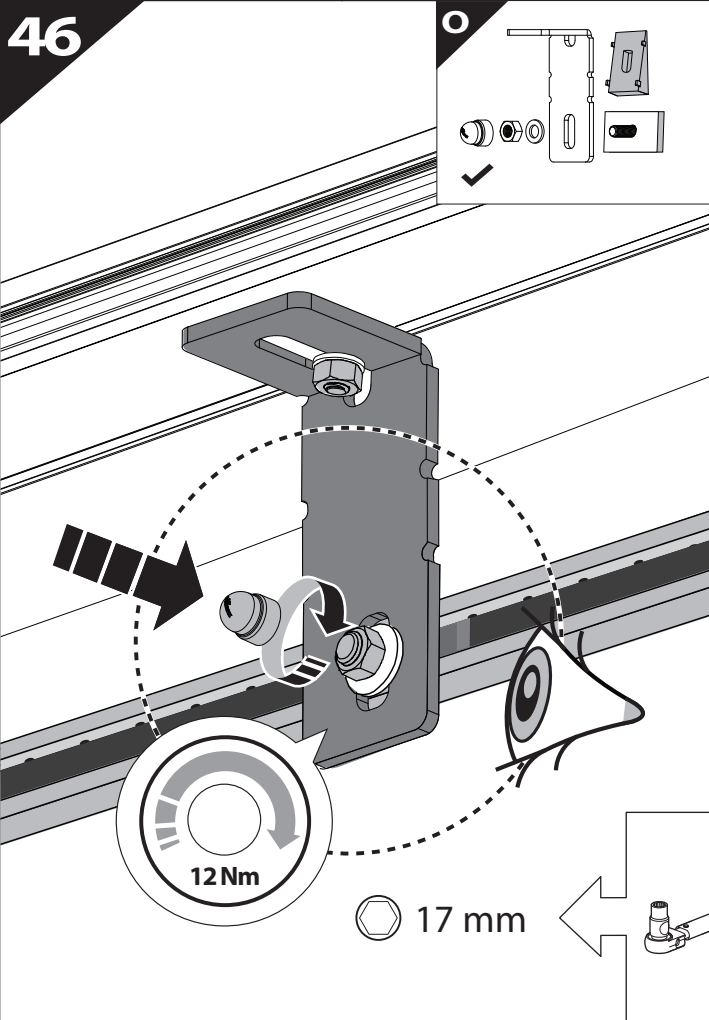


44.1

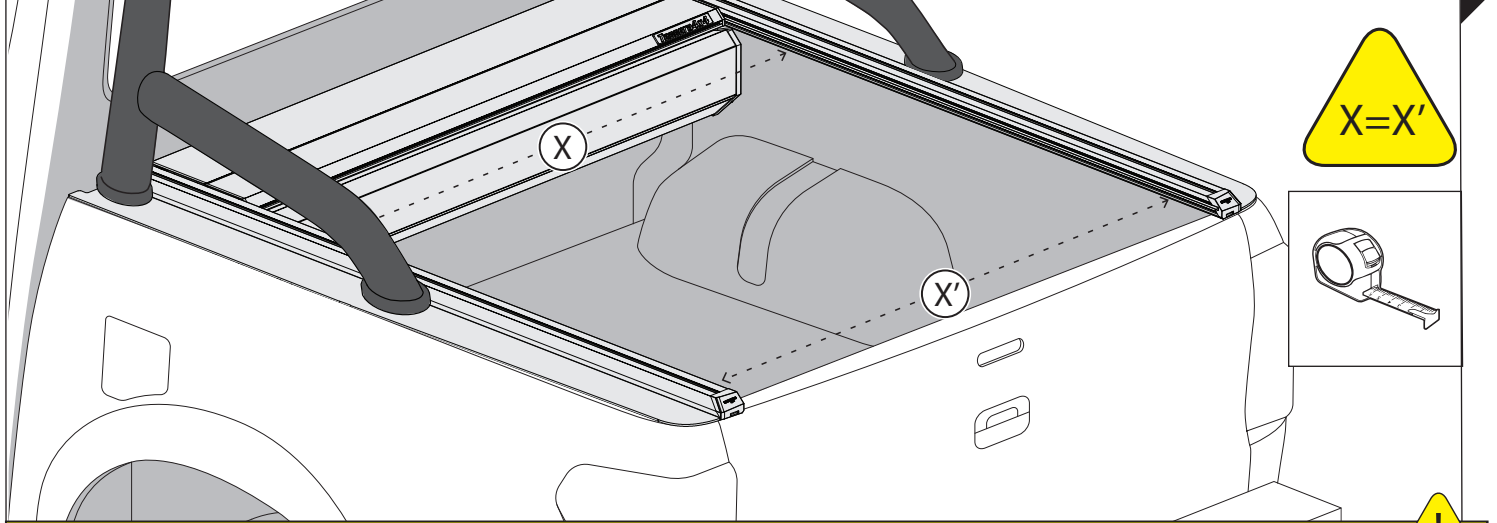


45

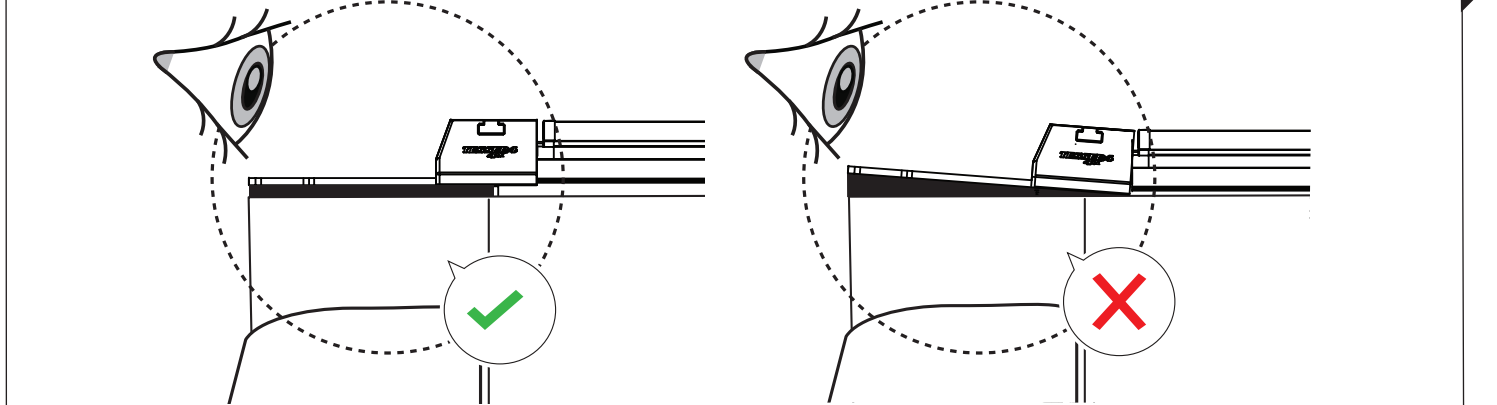


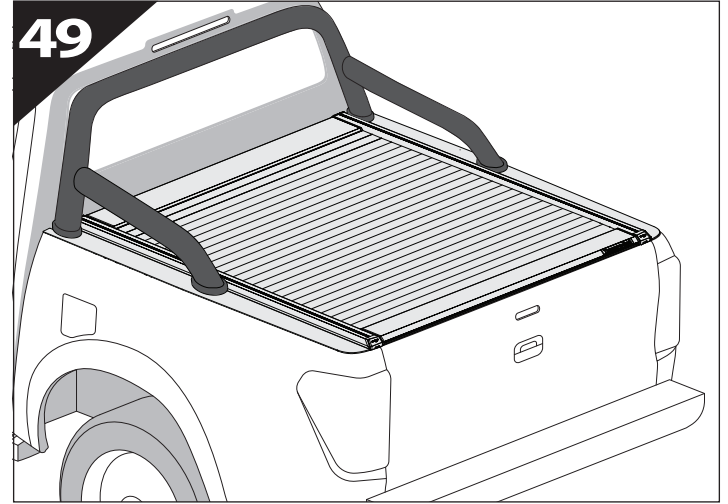
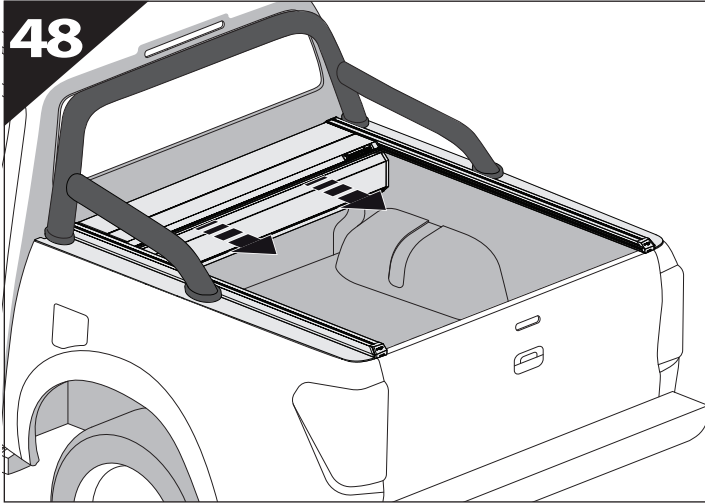


**CAUTION** !



**CAUTION** !





**GR:** Οδηγίες Εγκατάστασης  
**GB:** Installation manual  
**SF:** Asennusohje  
**F:** Notice de montage  
**PL:** Instrukcja montażu  
**NL:** Installatie-instructies  
**TR:** Montaj Talimatı  
**S:** Monteringsanvisning  
**E:** Instrucciones de montaje

**H:** Szerelési utasítás  
**P:** Instruções de instalação  
**RUS:** Инструкция по установке  
**N:** Monteringsveiledning  
**D:** Einbauanleitung  
**CZ:** Návod k instalaci  
**I:** Istruzioni de montaggio  
**DK:** Monteringsvejledning  
**RO:** Instructiuni de instalare

Customer Service:

+30 (210) 5541161, +30 (210) 5541154 (08:00 - 16:00 EET)

Support department:

info@gianso.gr

Website:

www.tessera4x4.com

Address:

19.5 km of National road Athens-Korinthos (Elefsina) Greece, P.C: 19200