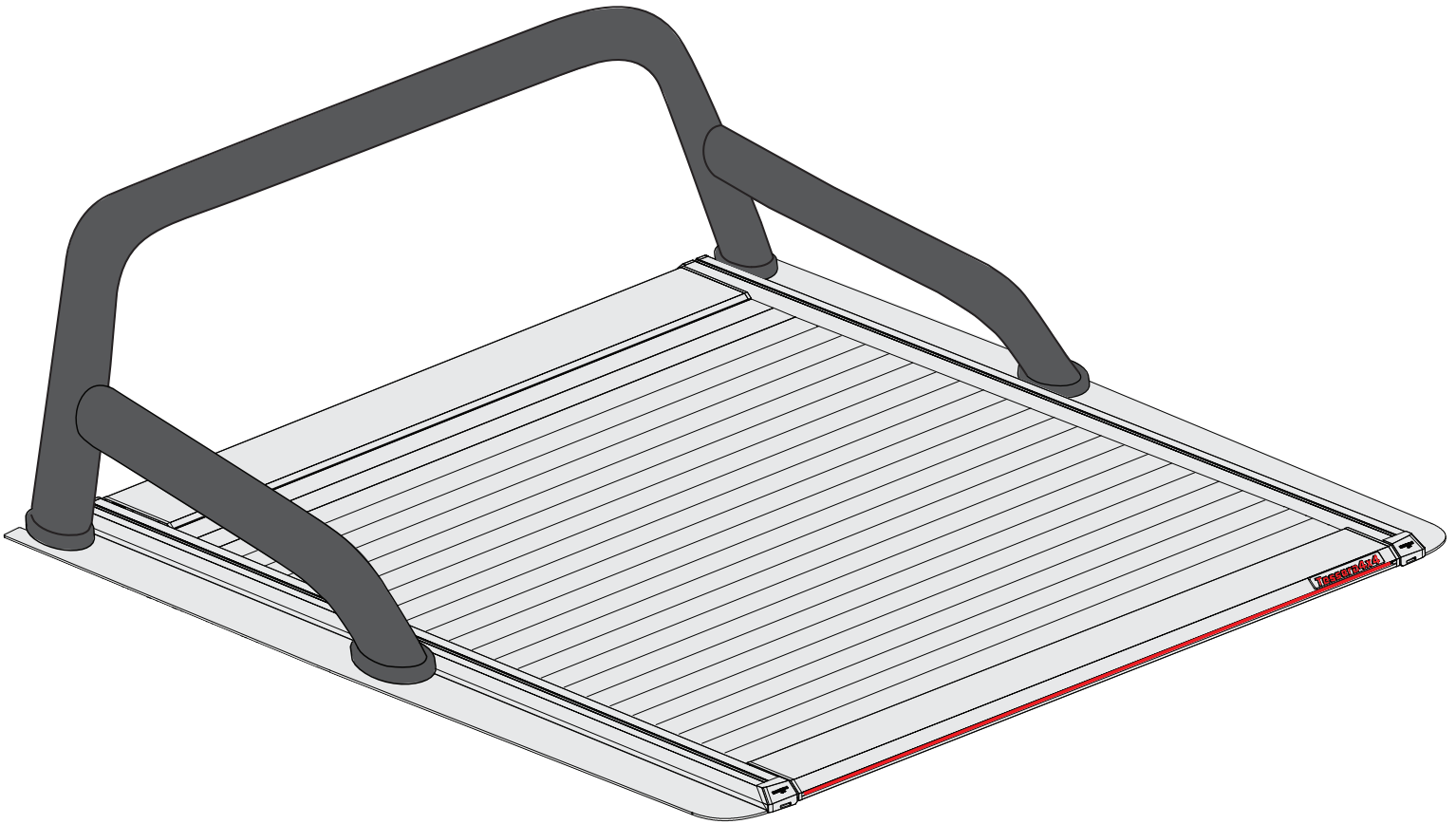


# Tessera Roll+

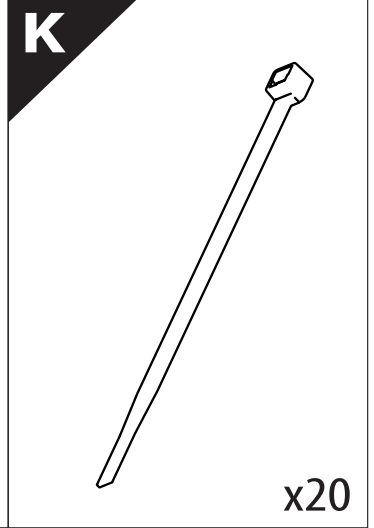
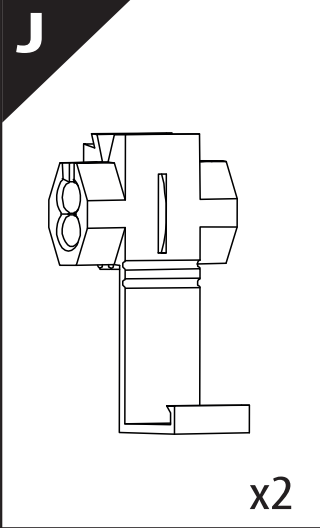
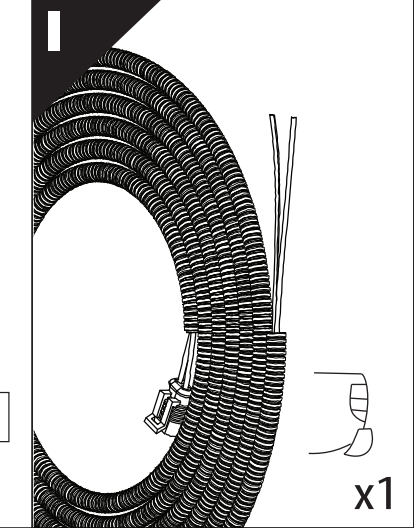
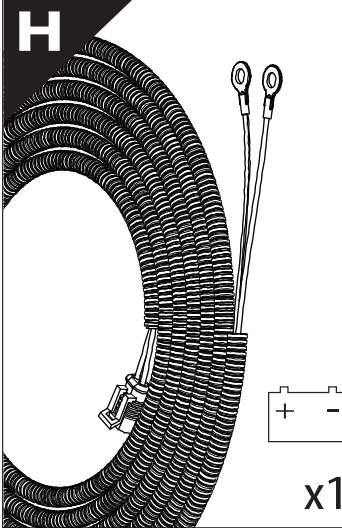
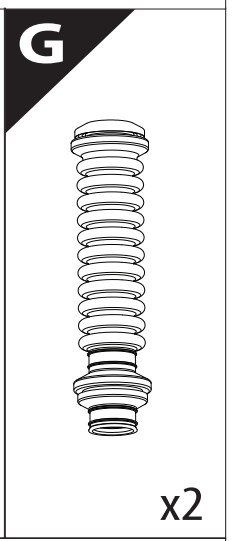
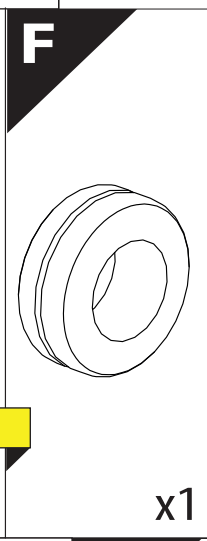
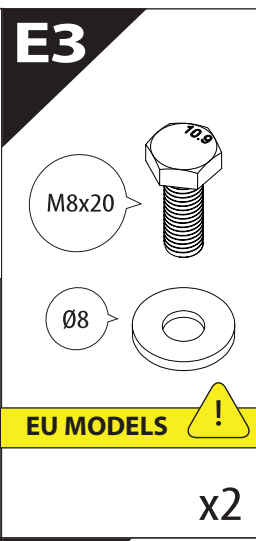
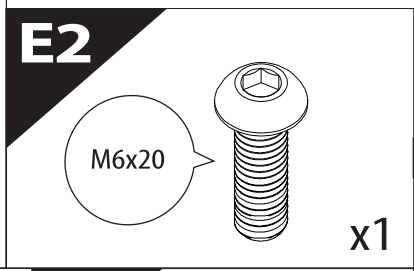
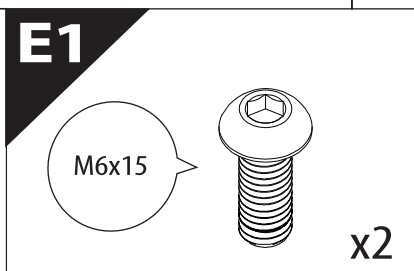
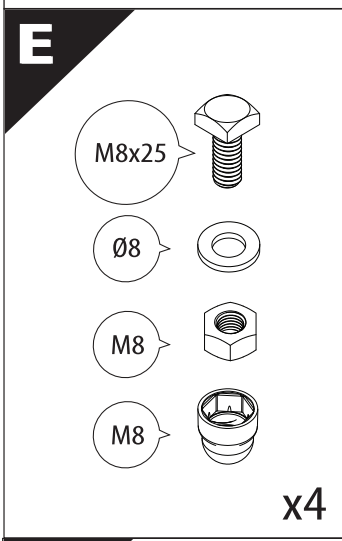
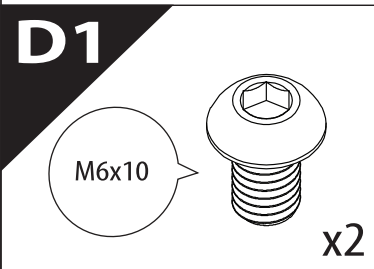
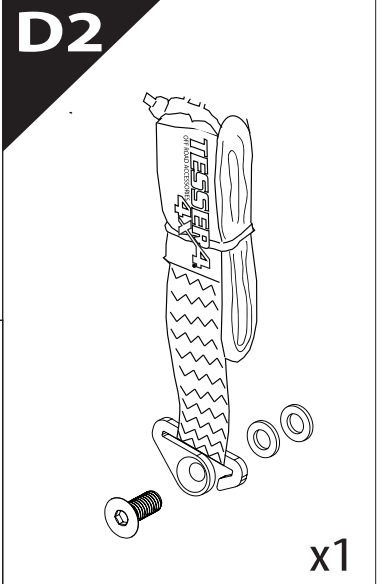
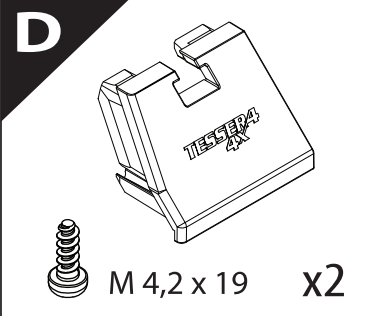
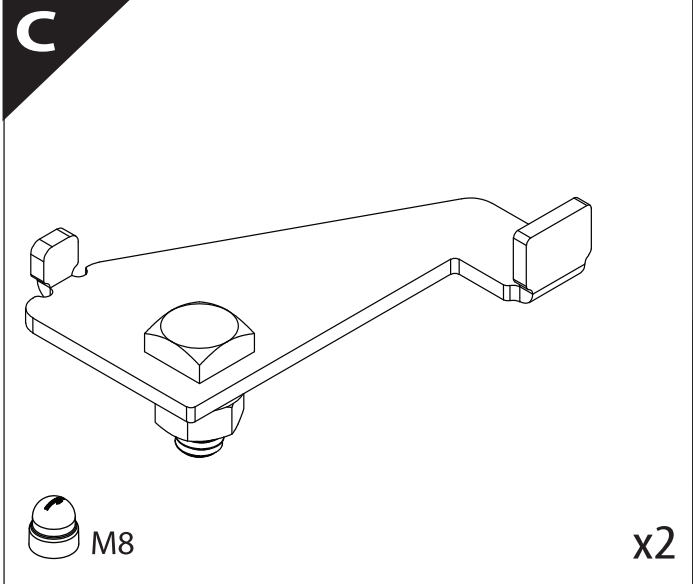
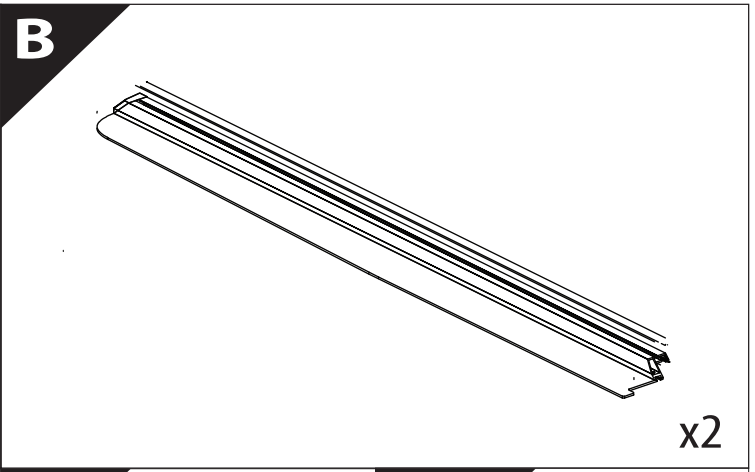
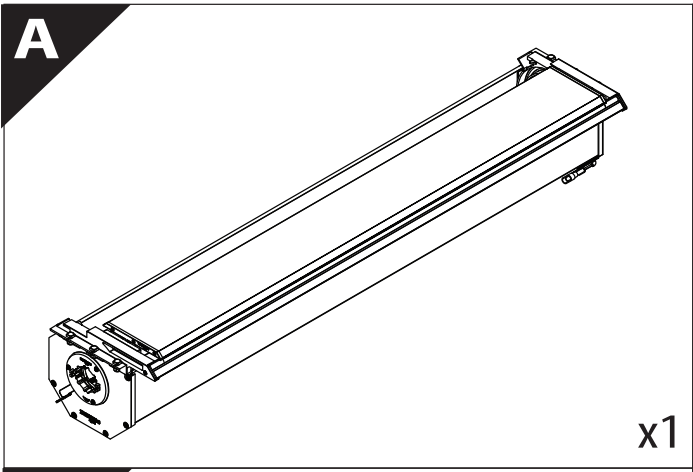
## Basic Version + ⚡ E-KIT

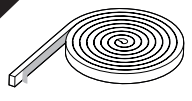
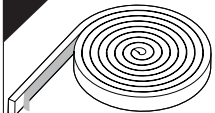
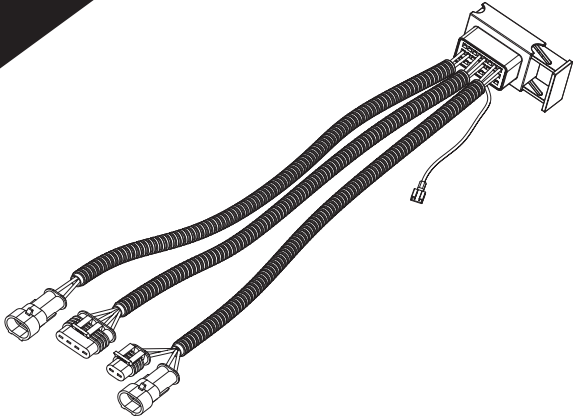
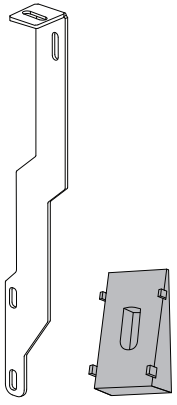




## Installation Manual

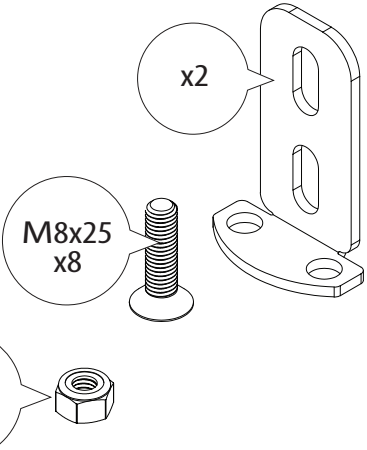
PART NUMBER(S)	Model Year
TESS 14060 ROLL + ADAPT 008 +E-KIT	FORD RANGER 2023+ SPORT WITH OEM ROLLBAR (with c-channels)
TESS 14070 ROLL + ADAPT 008 +E-KIT	
Cab(s)	Installation Time / Weight
Double Cab & Space cab	40-60 minutes / 53-57 kg





<p><b>L1</b> x1</p>  <p>1.5 x 0.8 x 400cm</p>	<p><b>L2</b> x1</p>  <p>5 x 0.8 x 167cm</p>	<p><b>M2</b></p>  <p>x1</p>	<p><b>N</b></p>  <p>x2</p>
<p><b>L3</b></p>  <p>x1</p>	<p><b>L4</b></p>  <p>x2</p>		

**O**

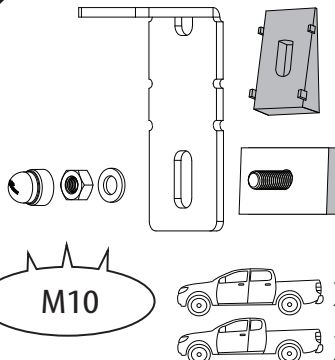


x2

M8x25 x8

M8 x4

**P**

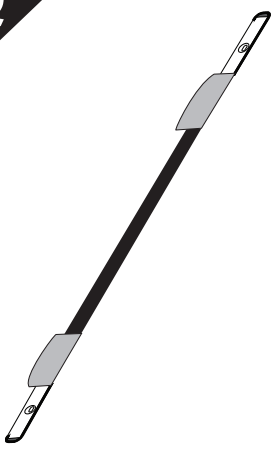


M10

x2

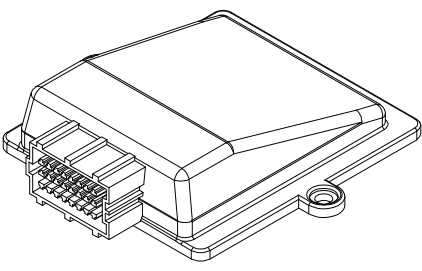
x4

**Q**



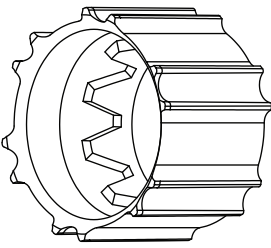
x1

**R**



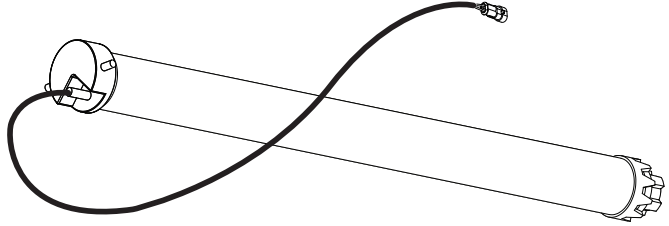
x1

**S**



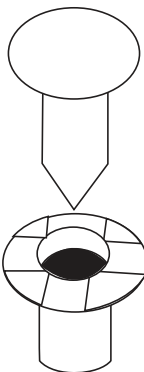
x1

**T**

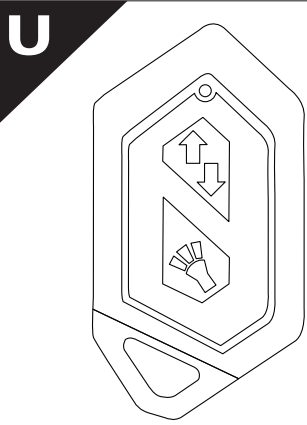


x1

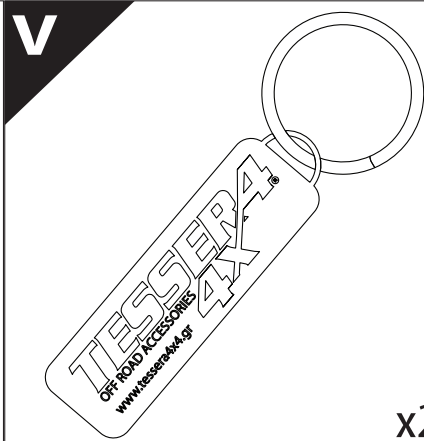
**U** x2



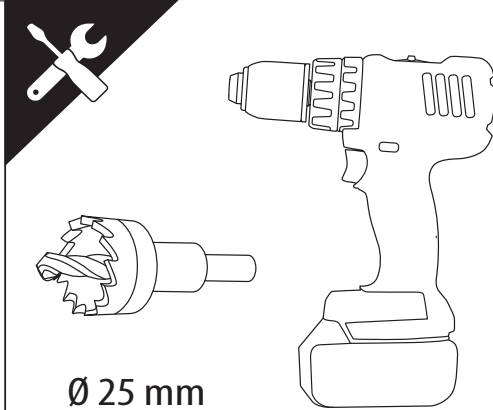
**US MODELS** !



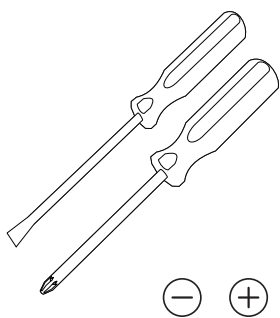
x2



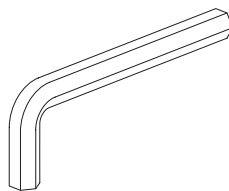
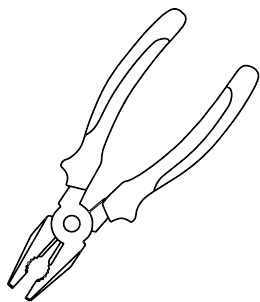
x2



Ø 25 mm

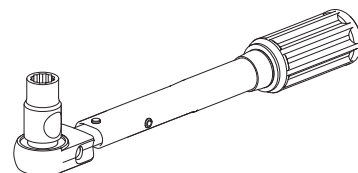


− +

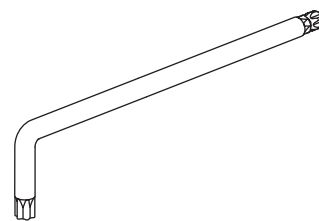
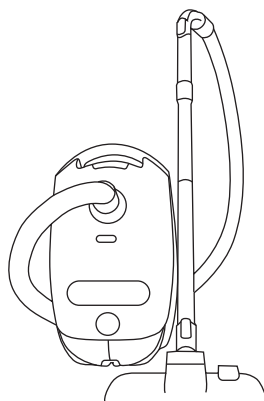
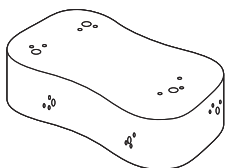
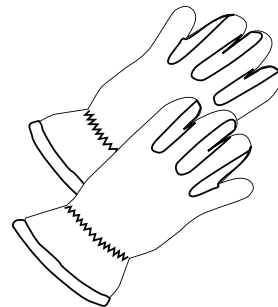
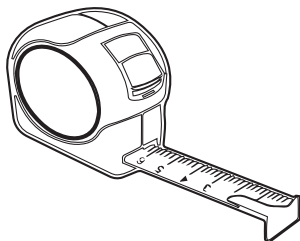
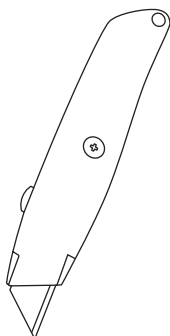


⊙ 4 mm , 5 mm

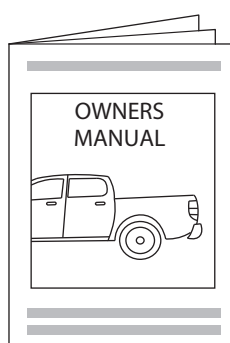
1 - 25 Nm



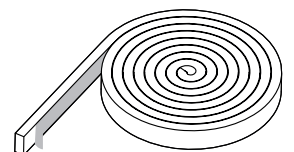
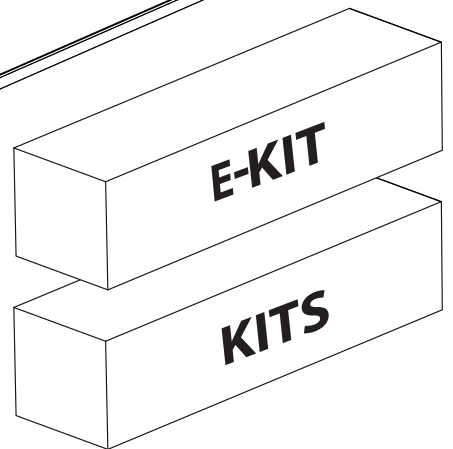
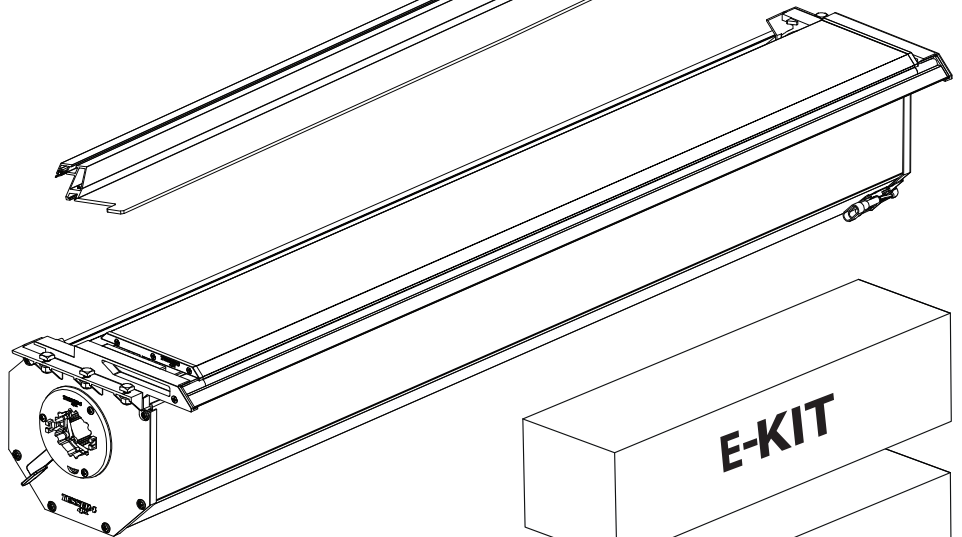
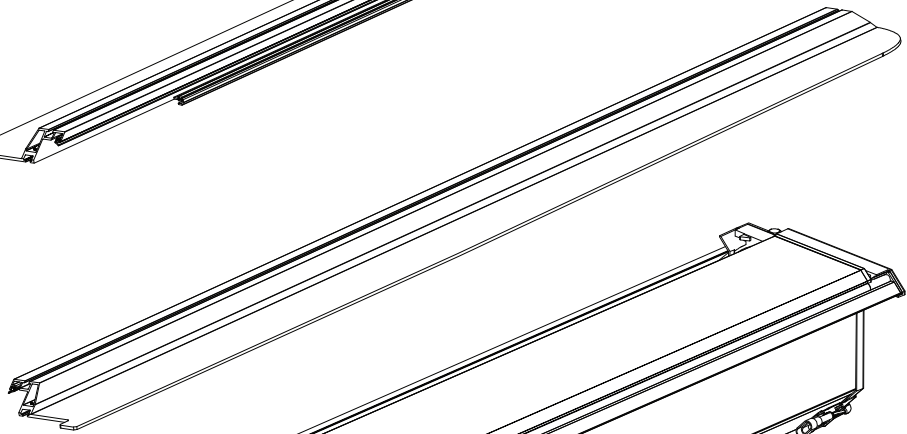
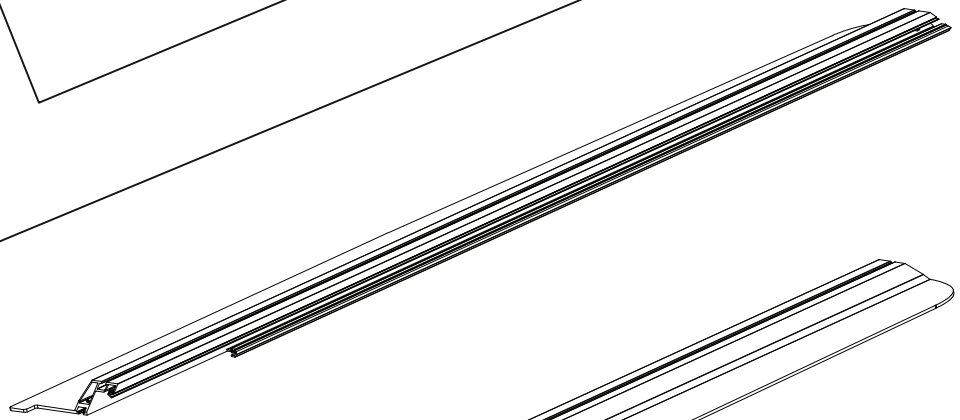
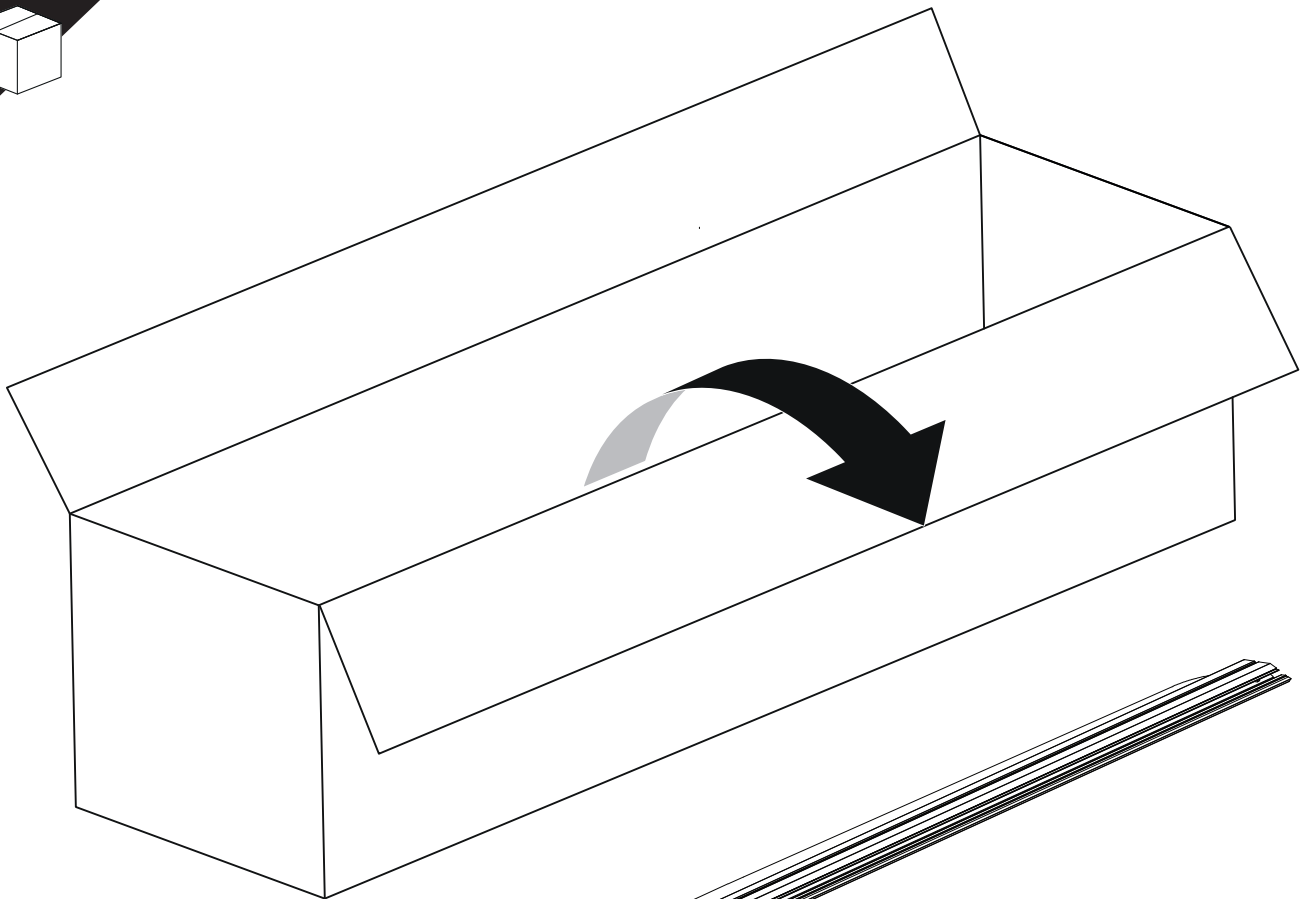
⊙ 10, 12, 13, 17 mm



⊙ T30 , T40



x1

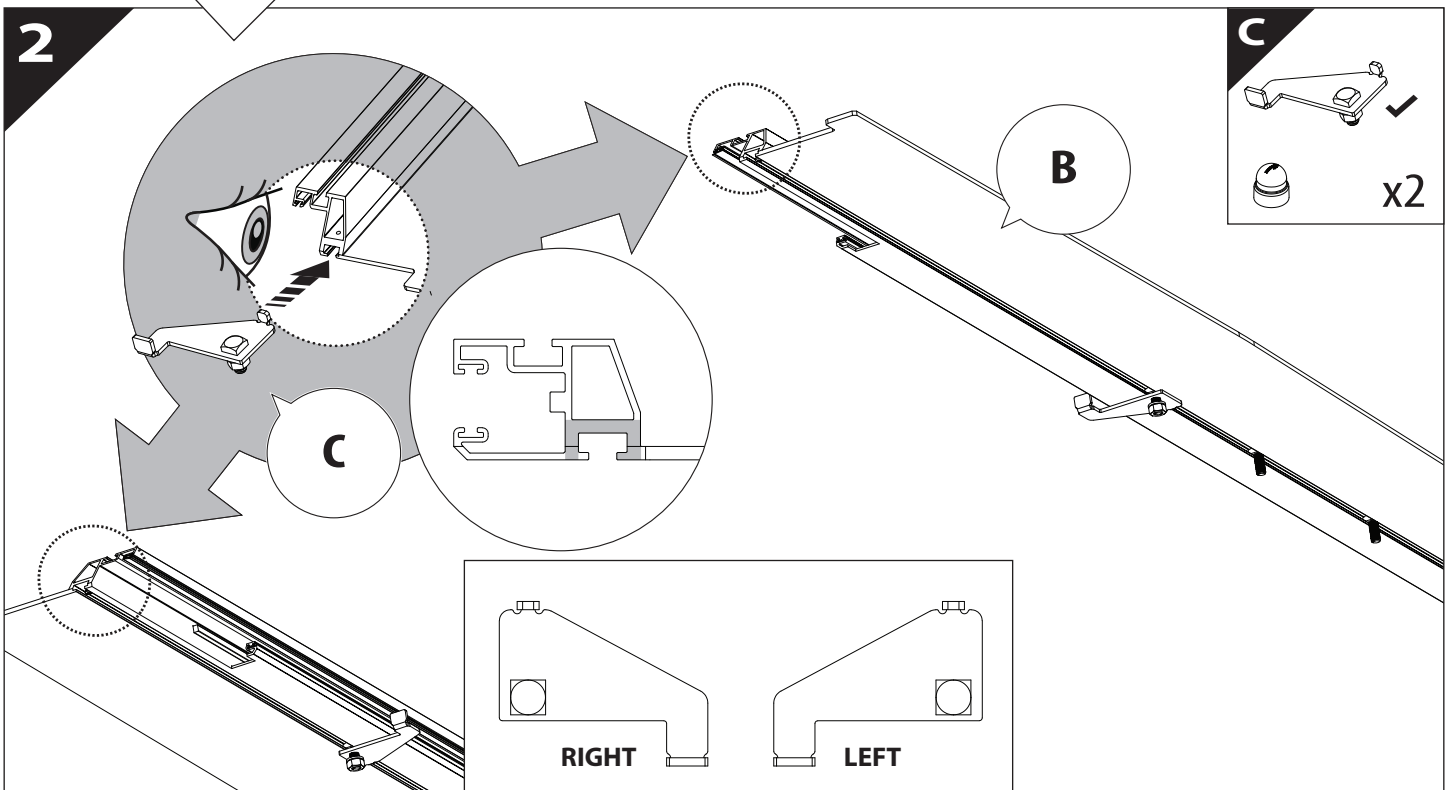
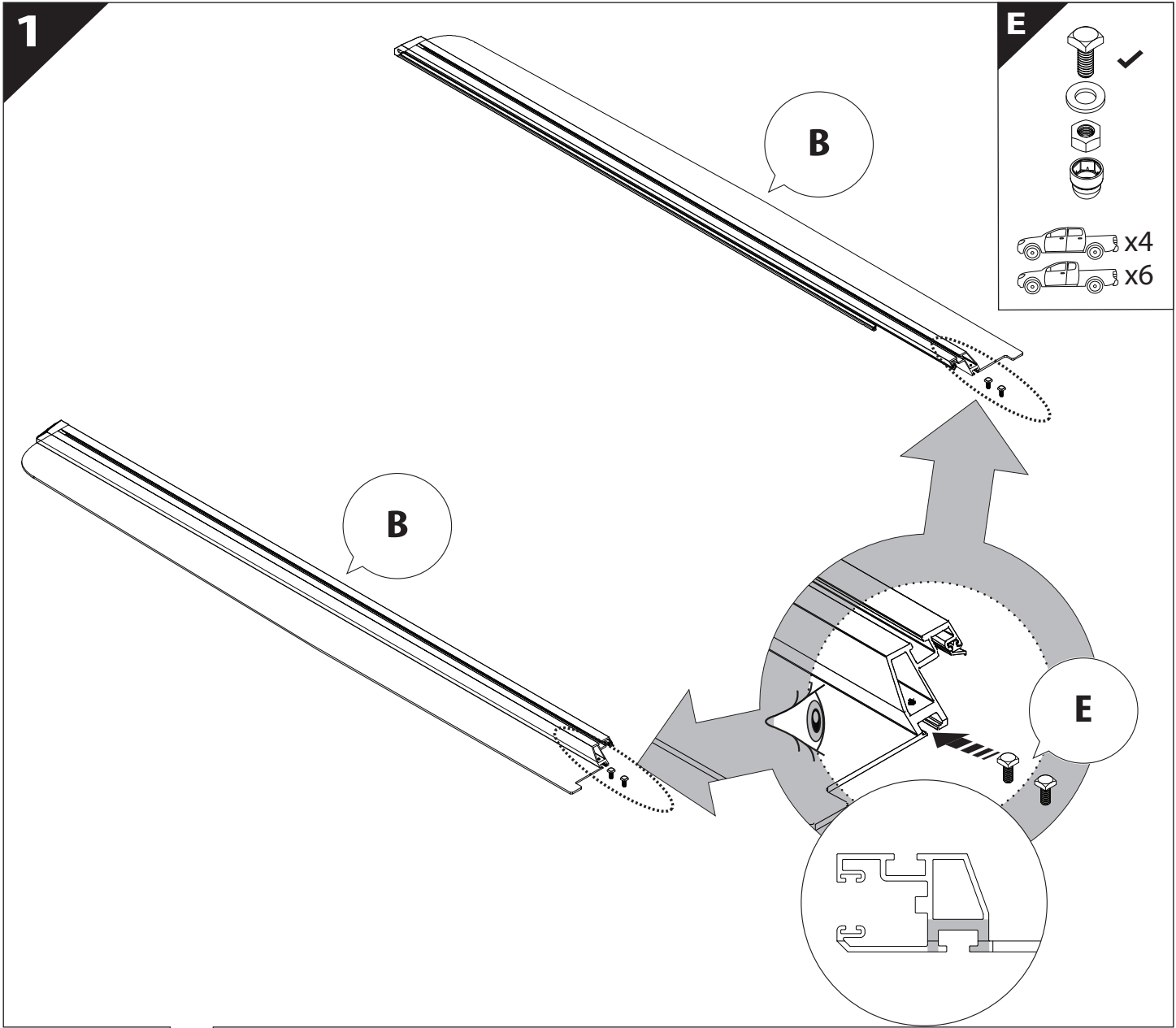


**B**

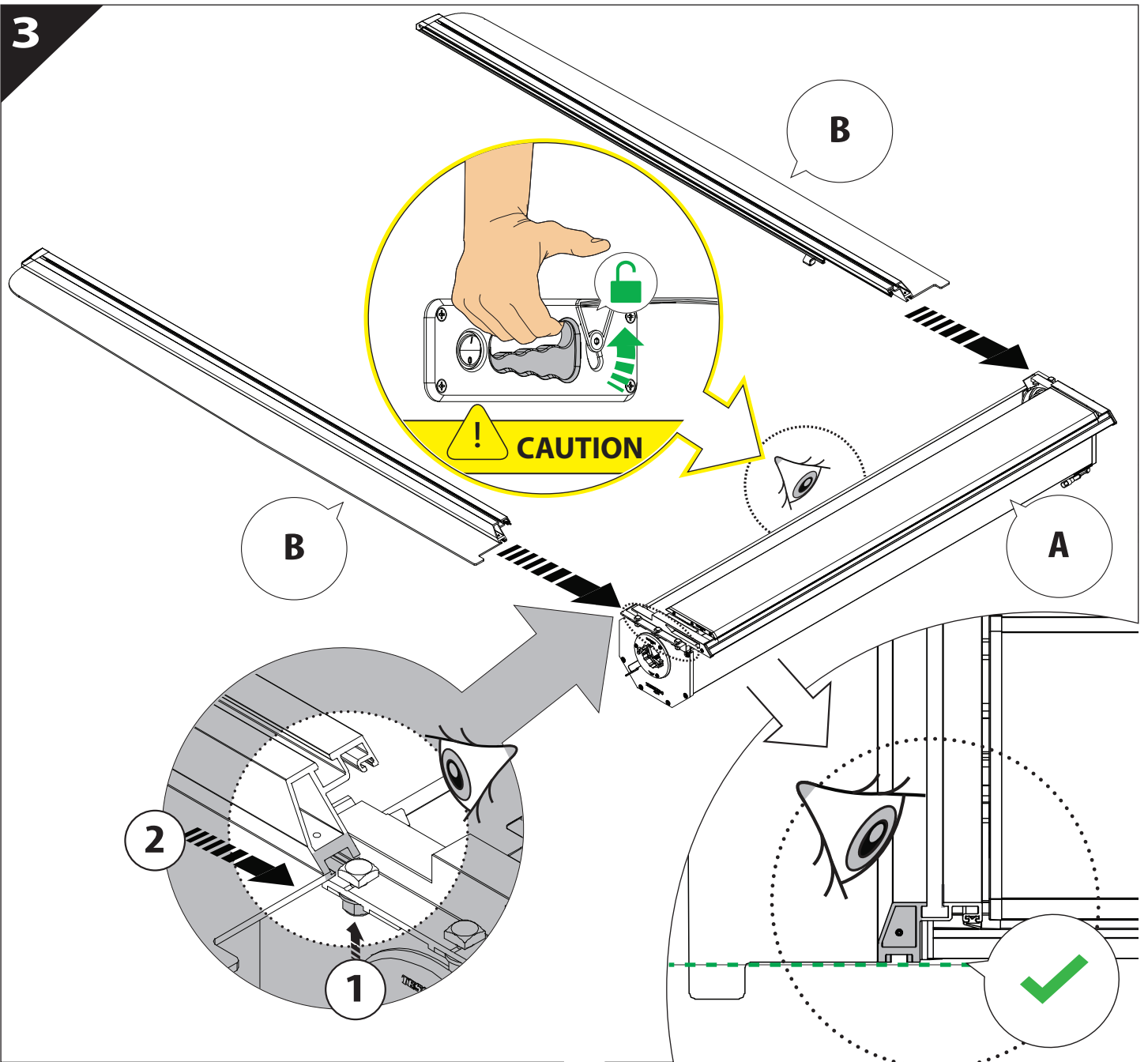
**A**

**KITS**

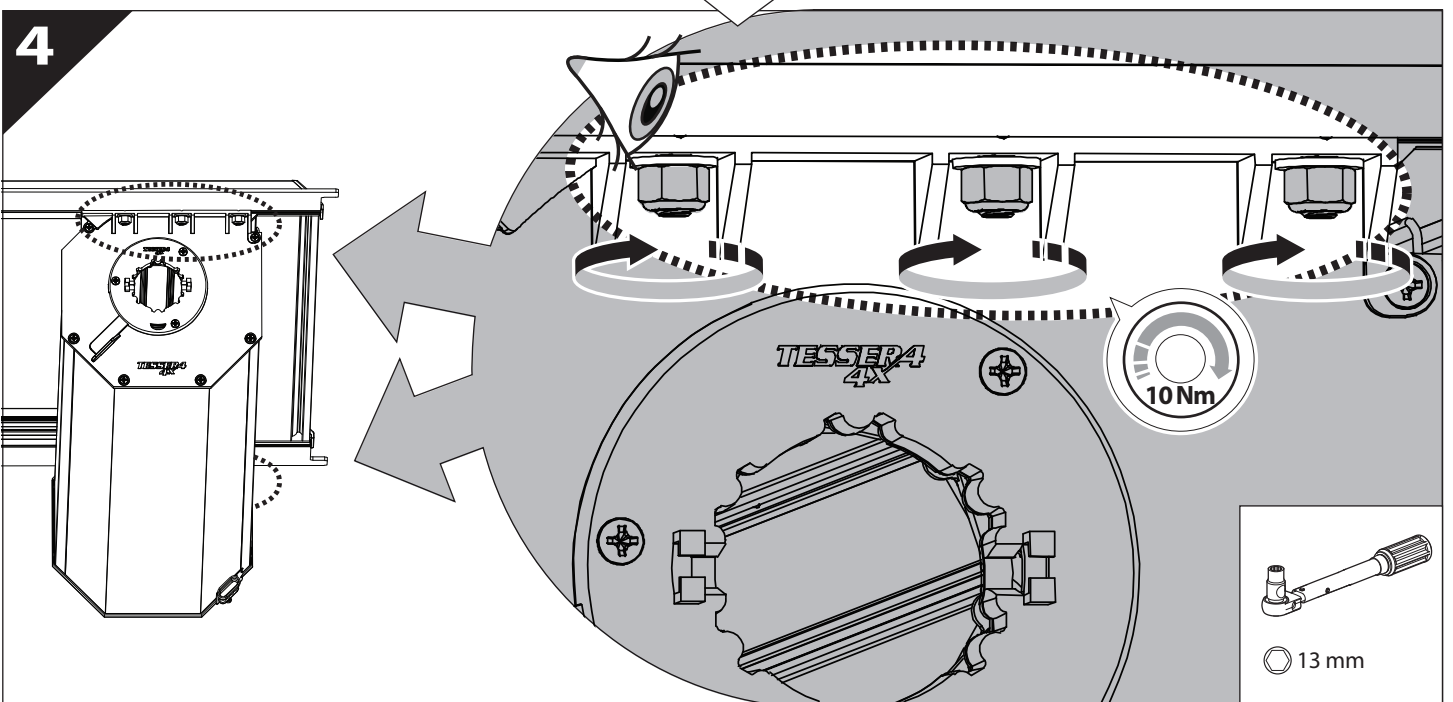
**L**

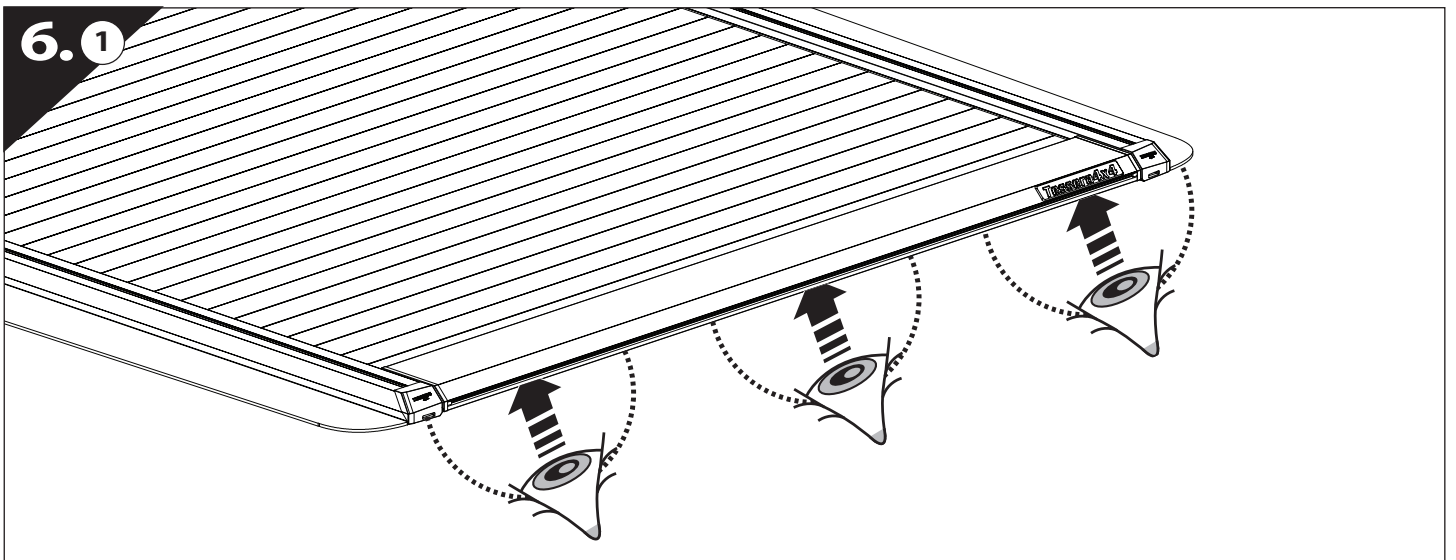
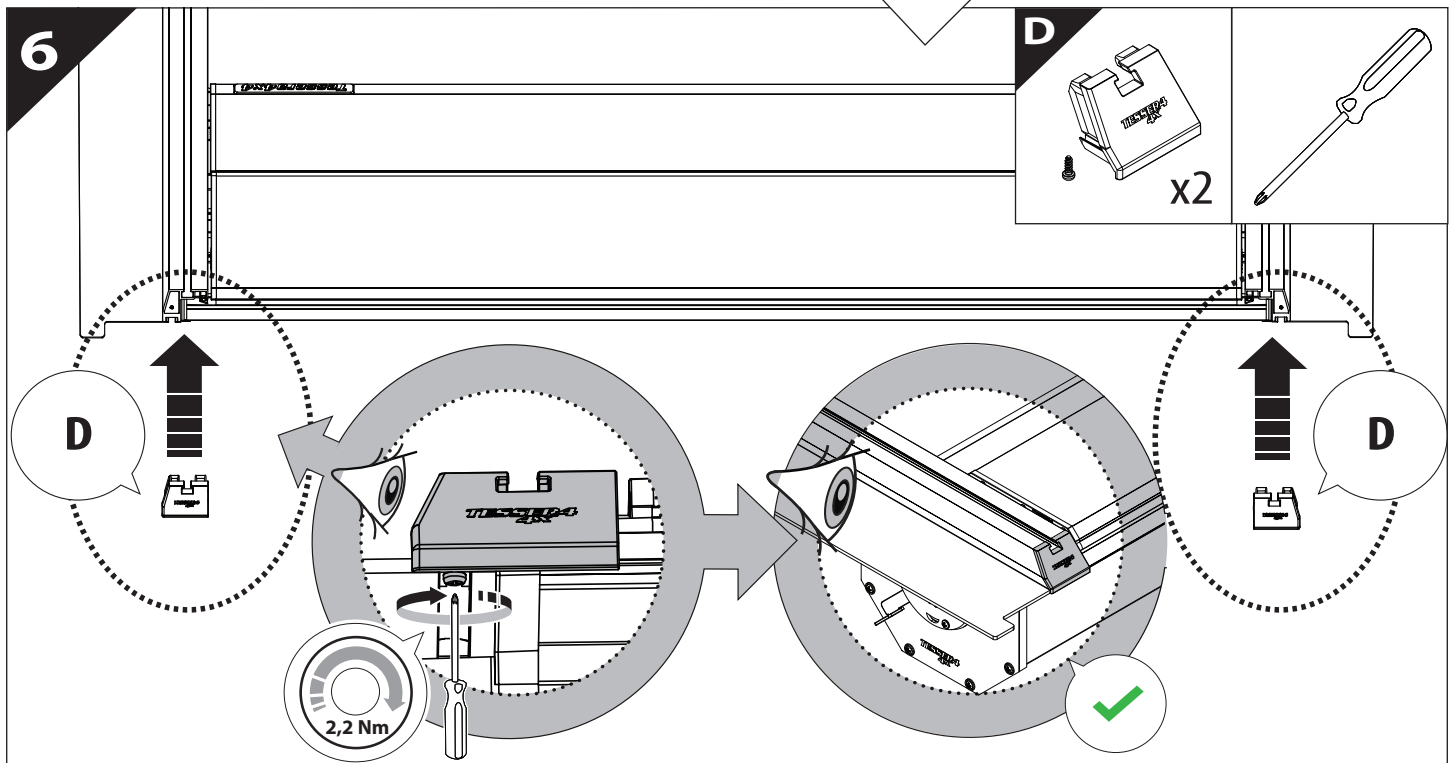
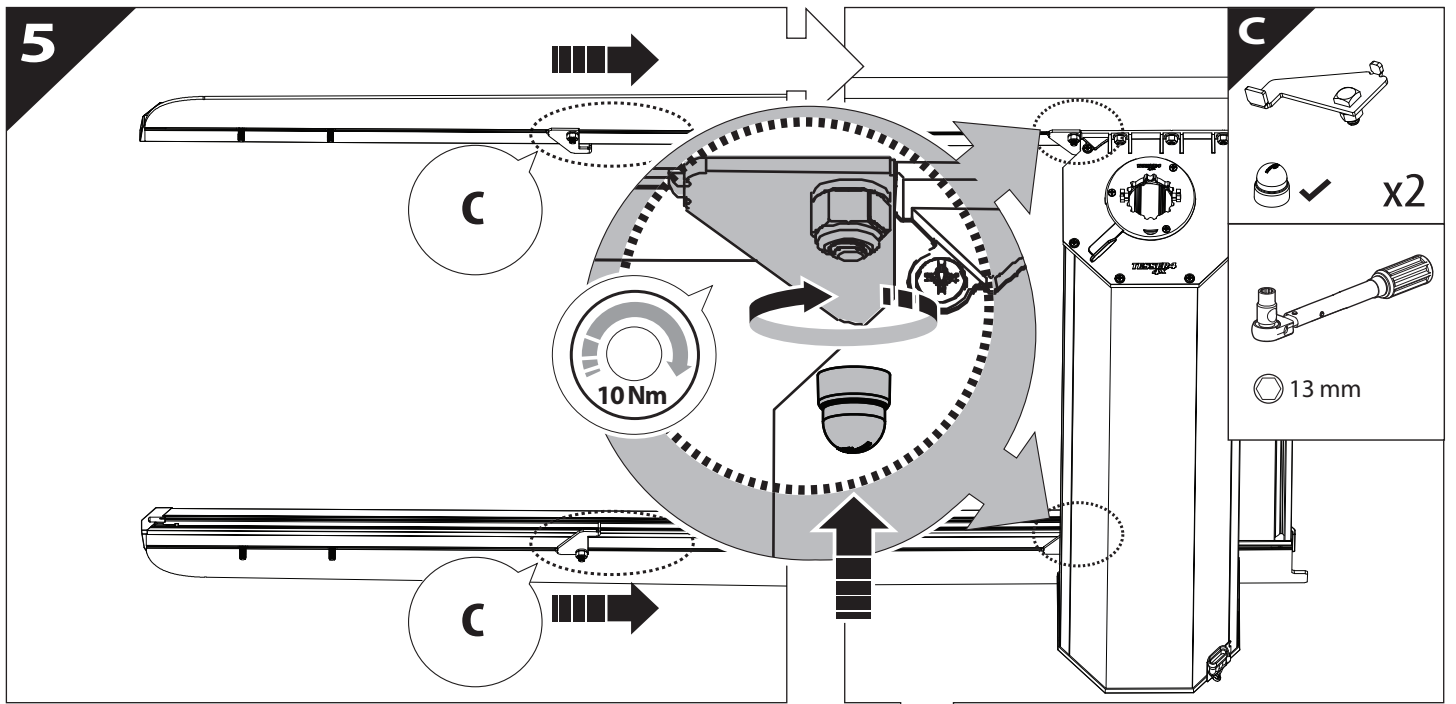


3



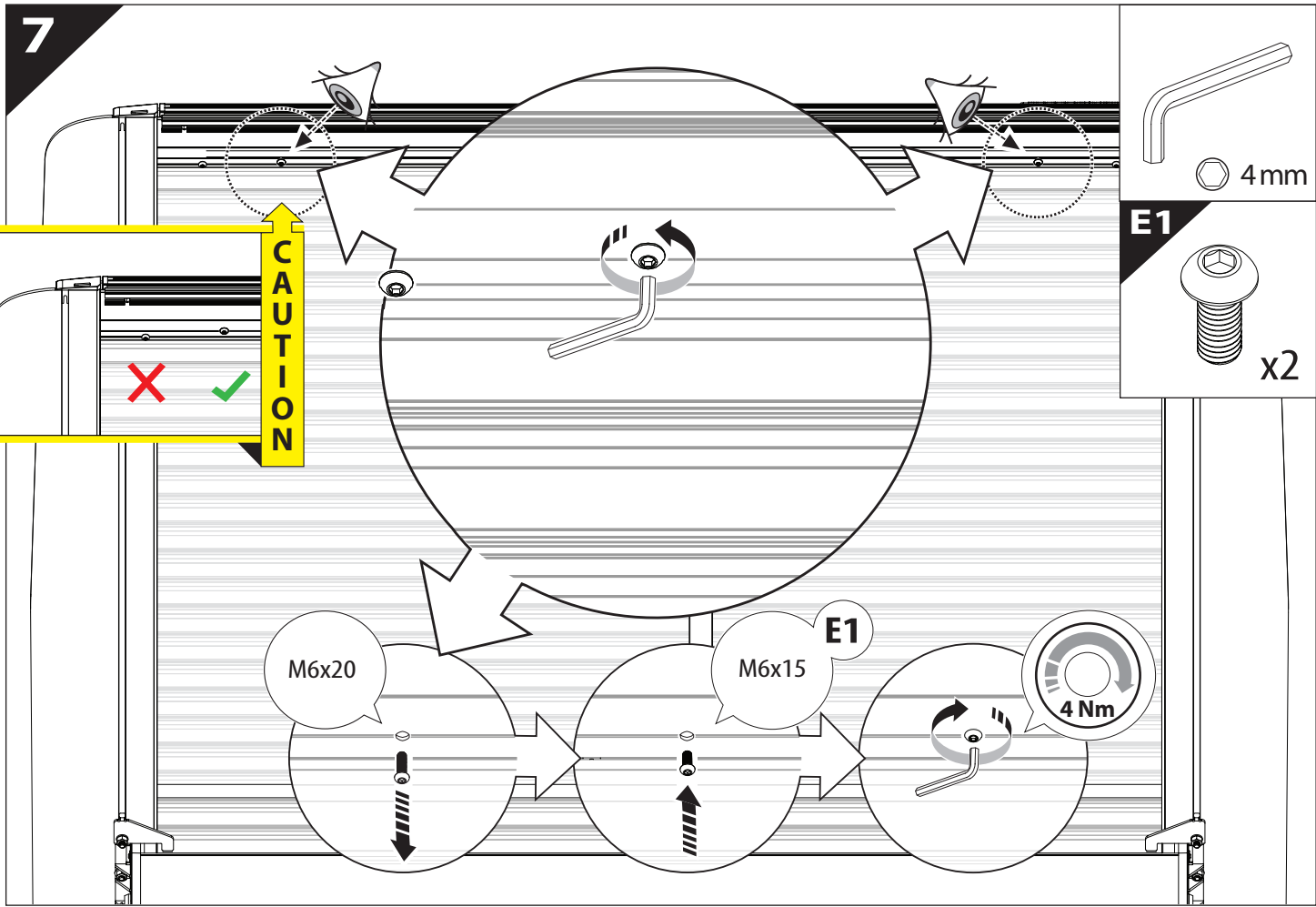
4





7

**CAUTION**

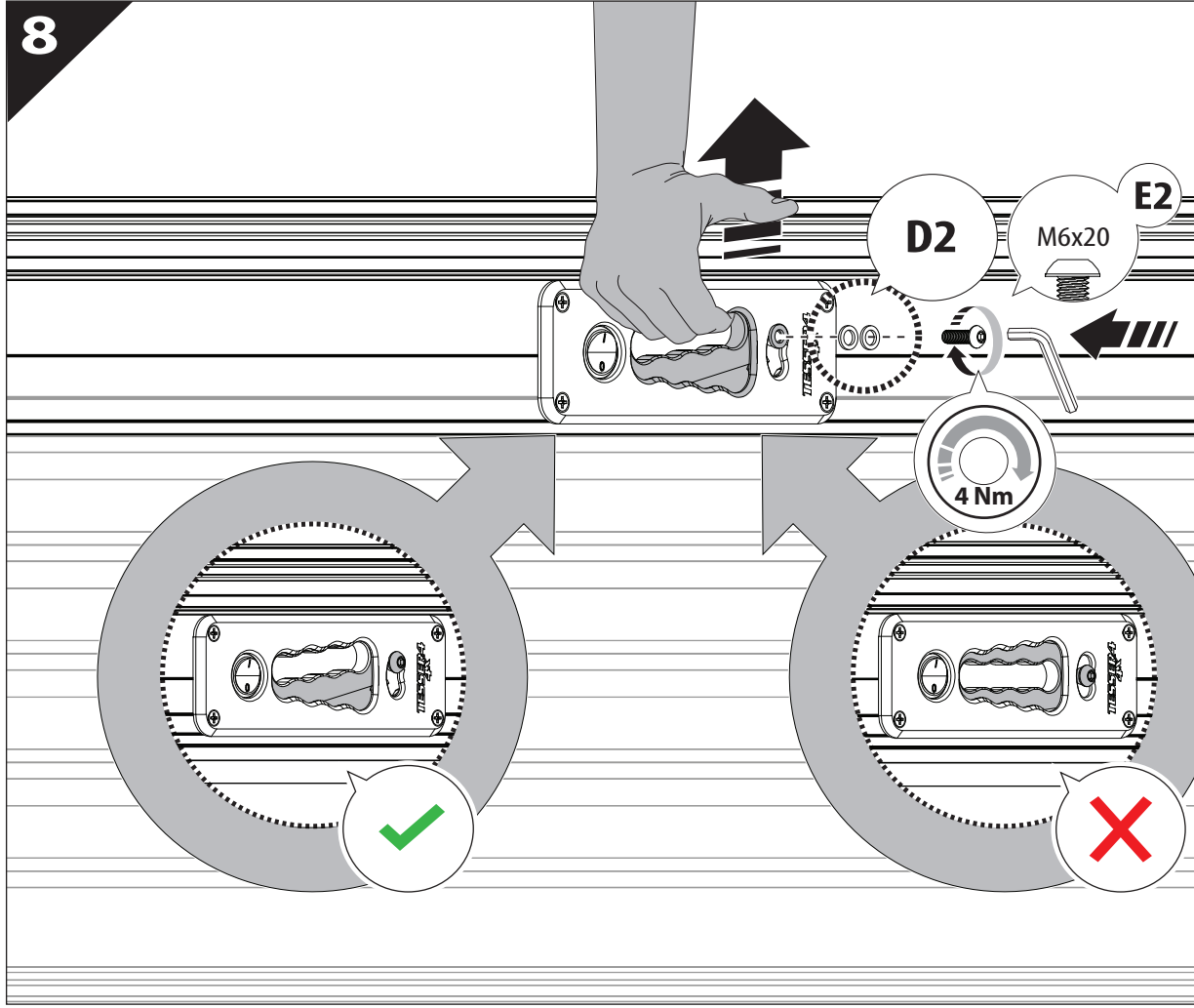


4mm

**E1**

x2

8



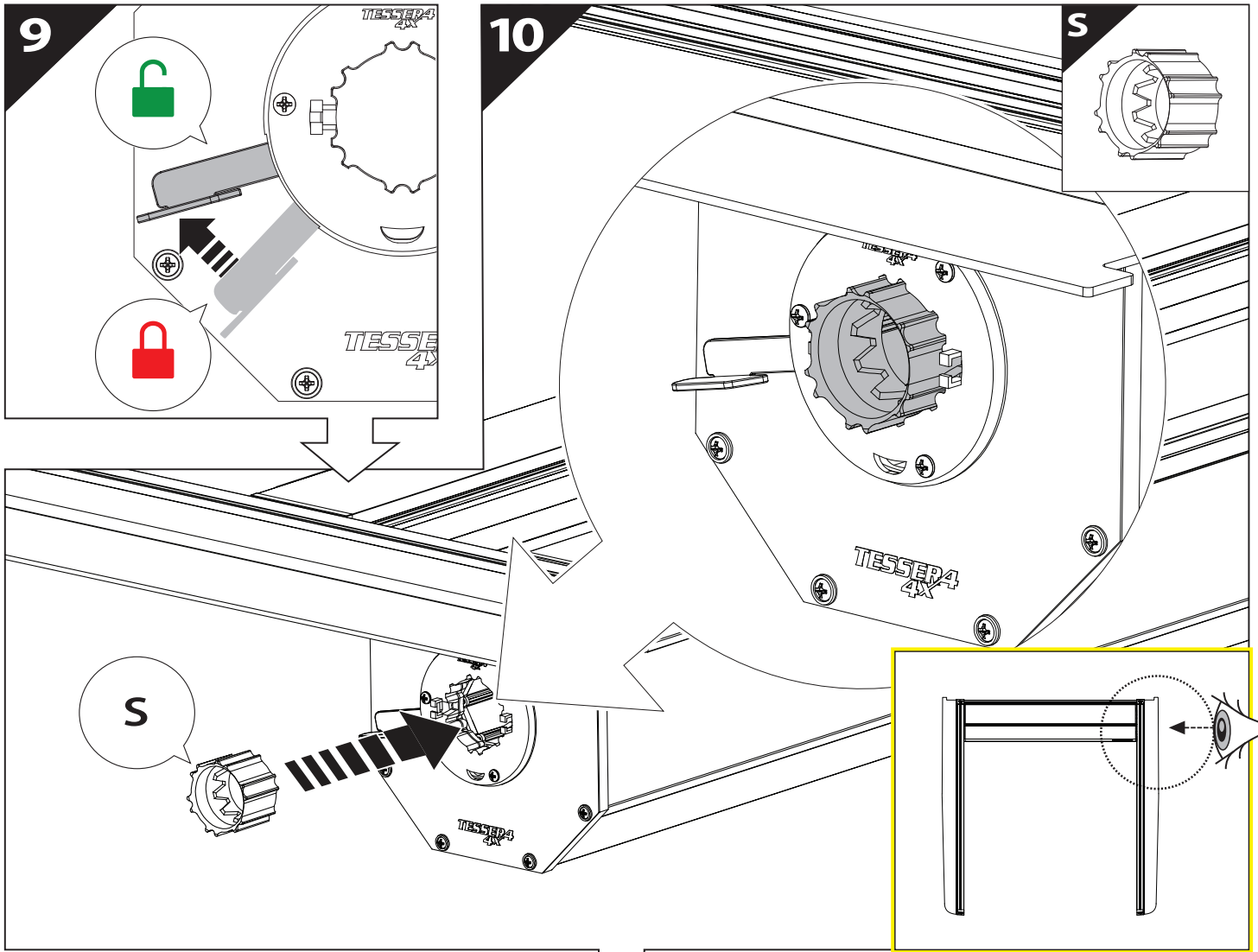
**E2**

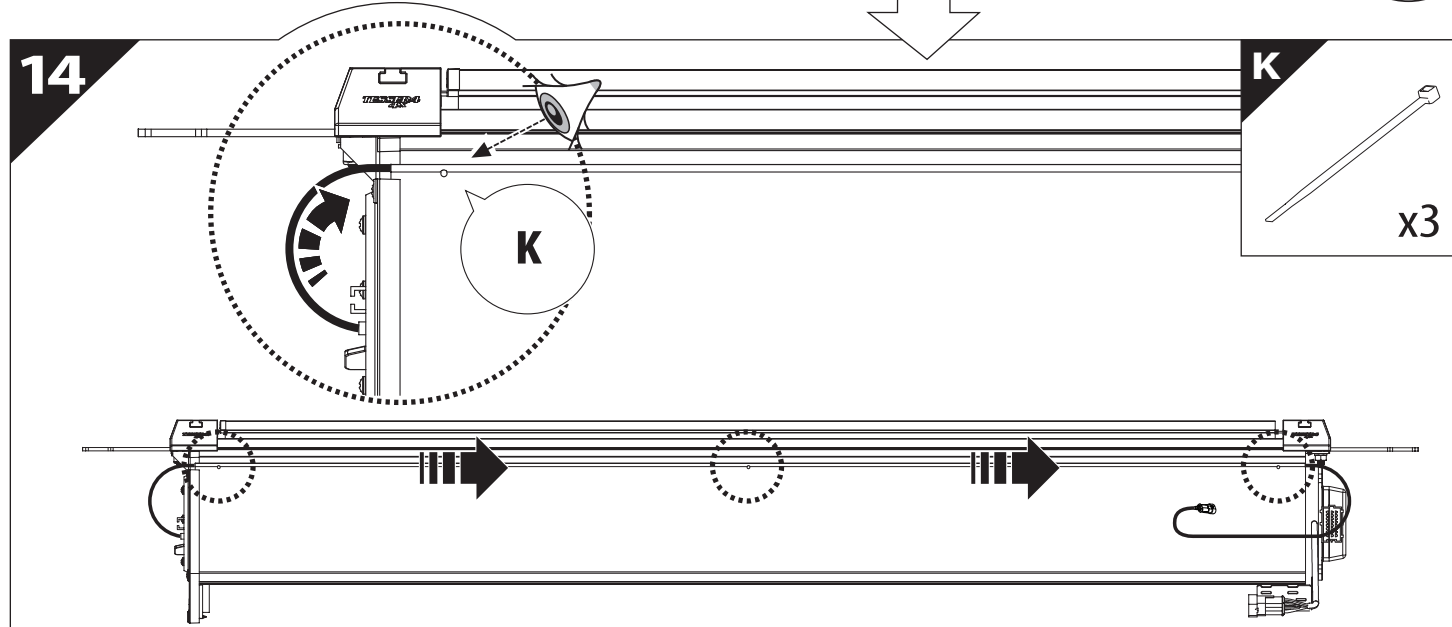
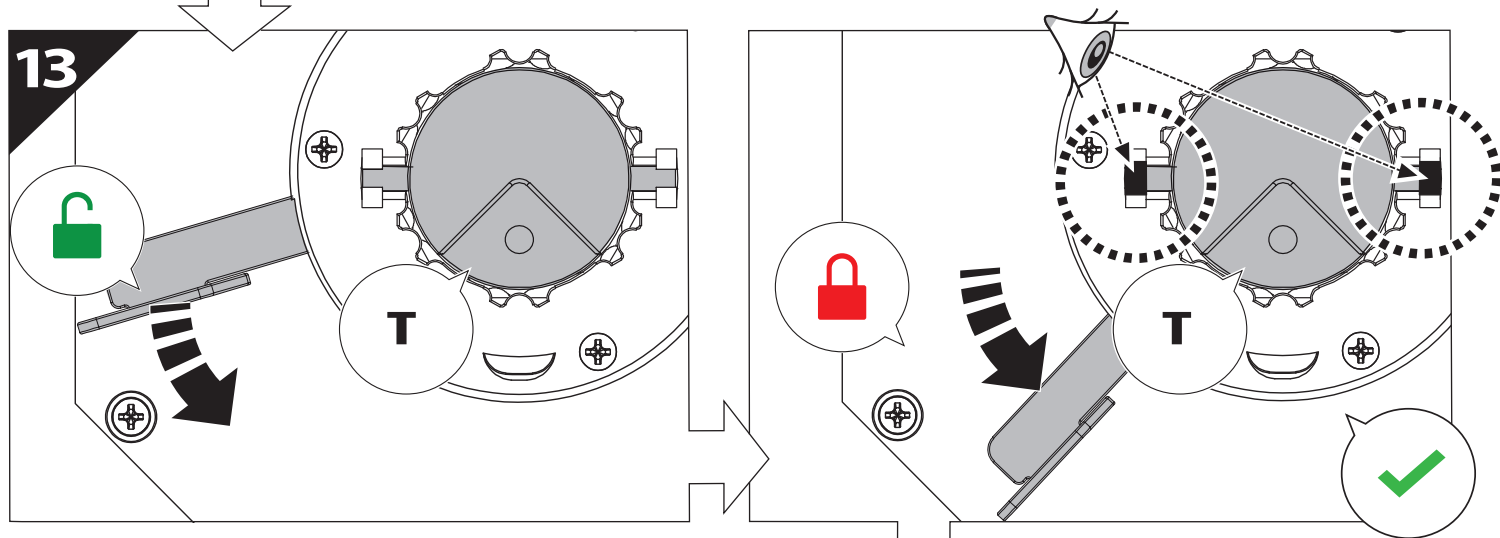
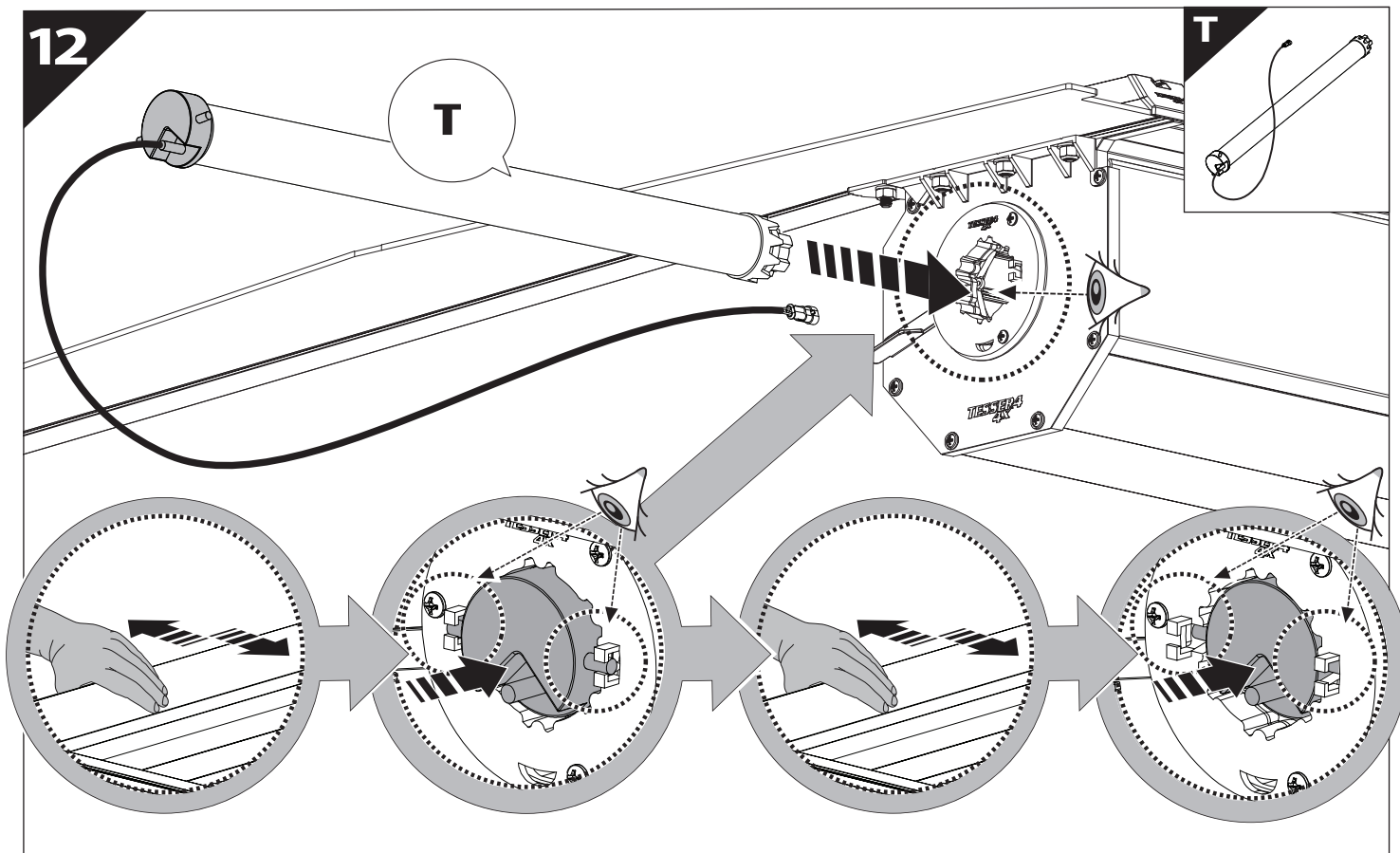
x1

**D2**

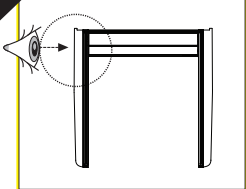
x1

4mm

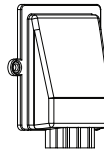




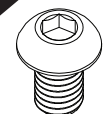
15



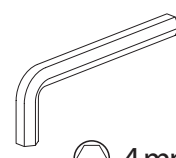
R



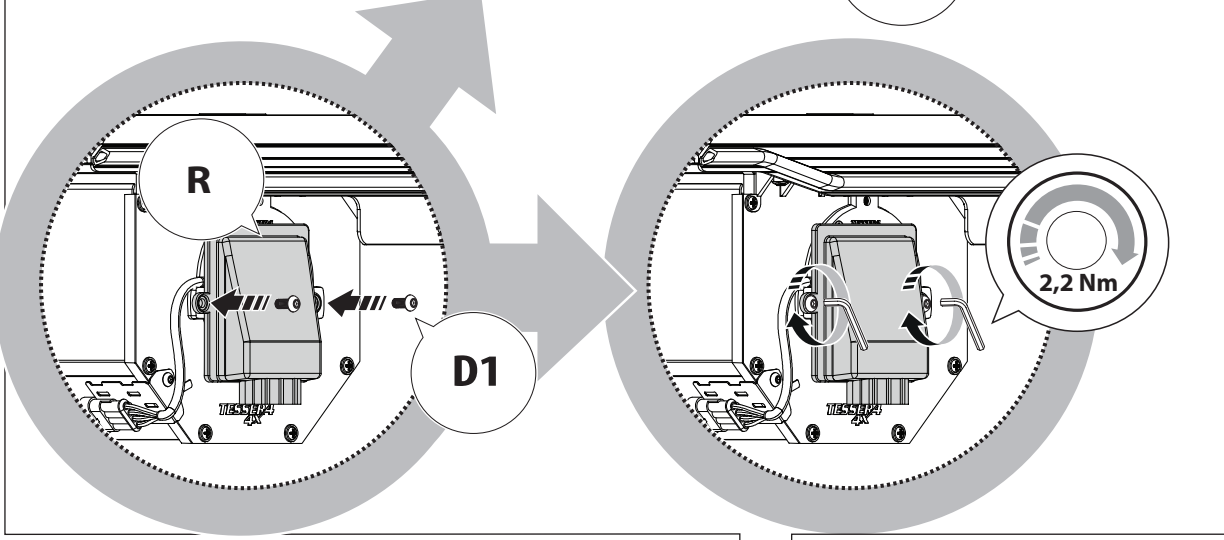
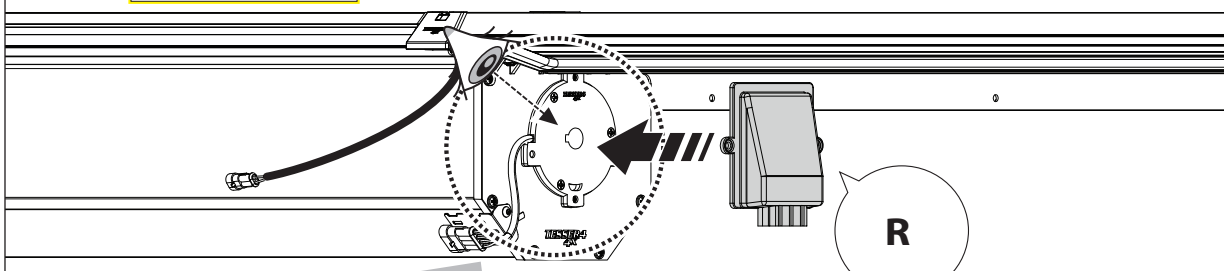
D1



x2

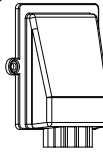


4mm

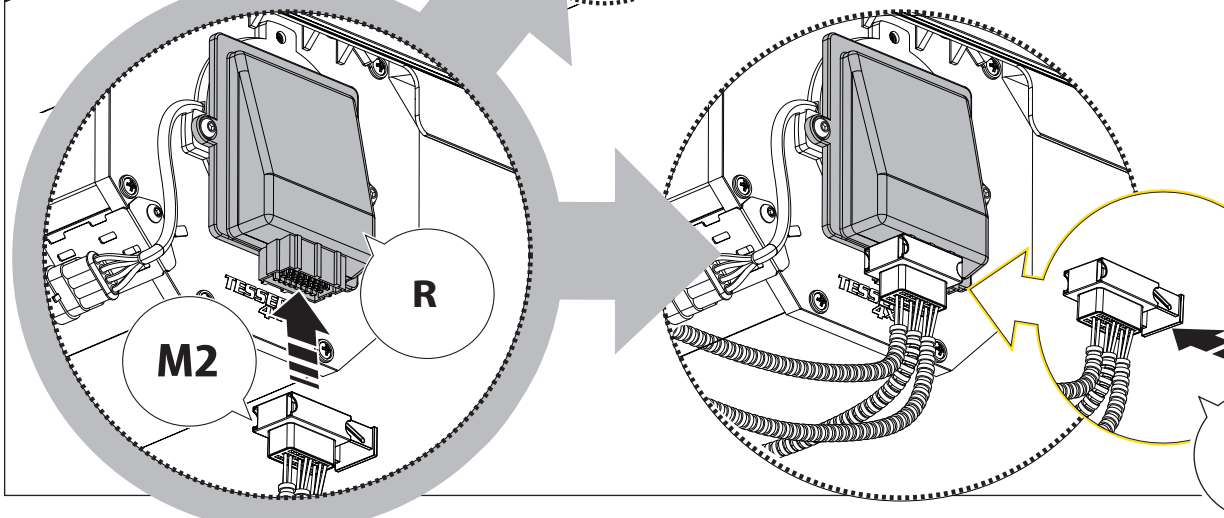
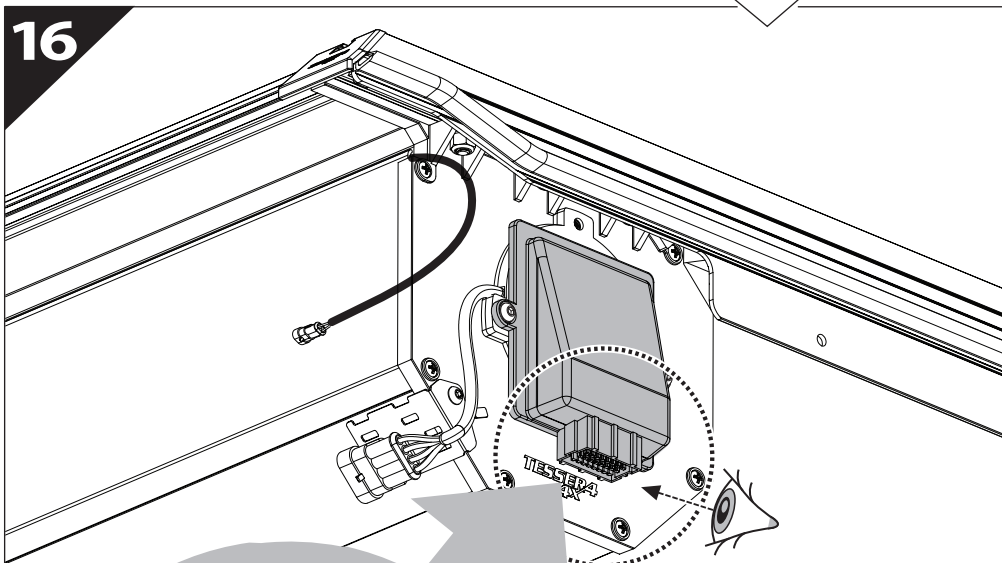


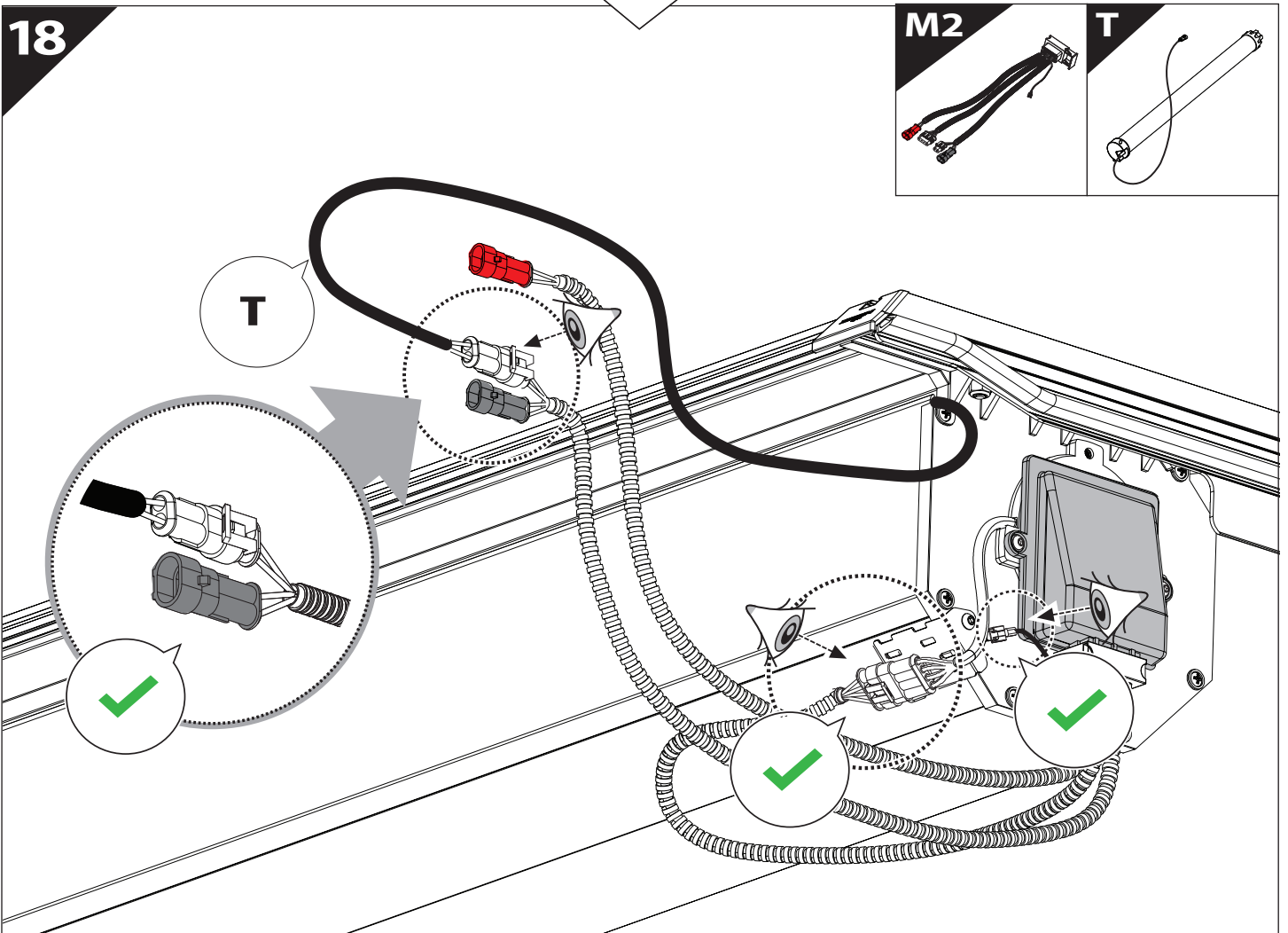
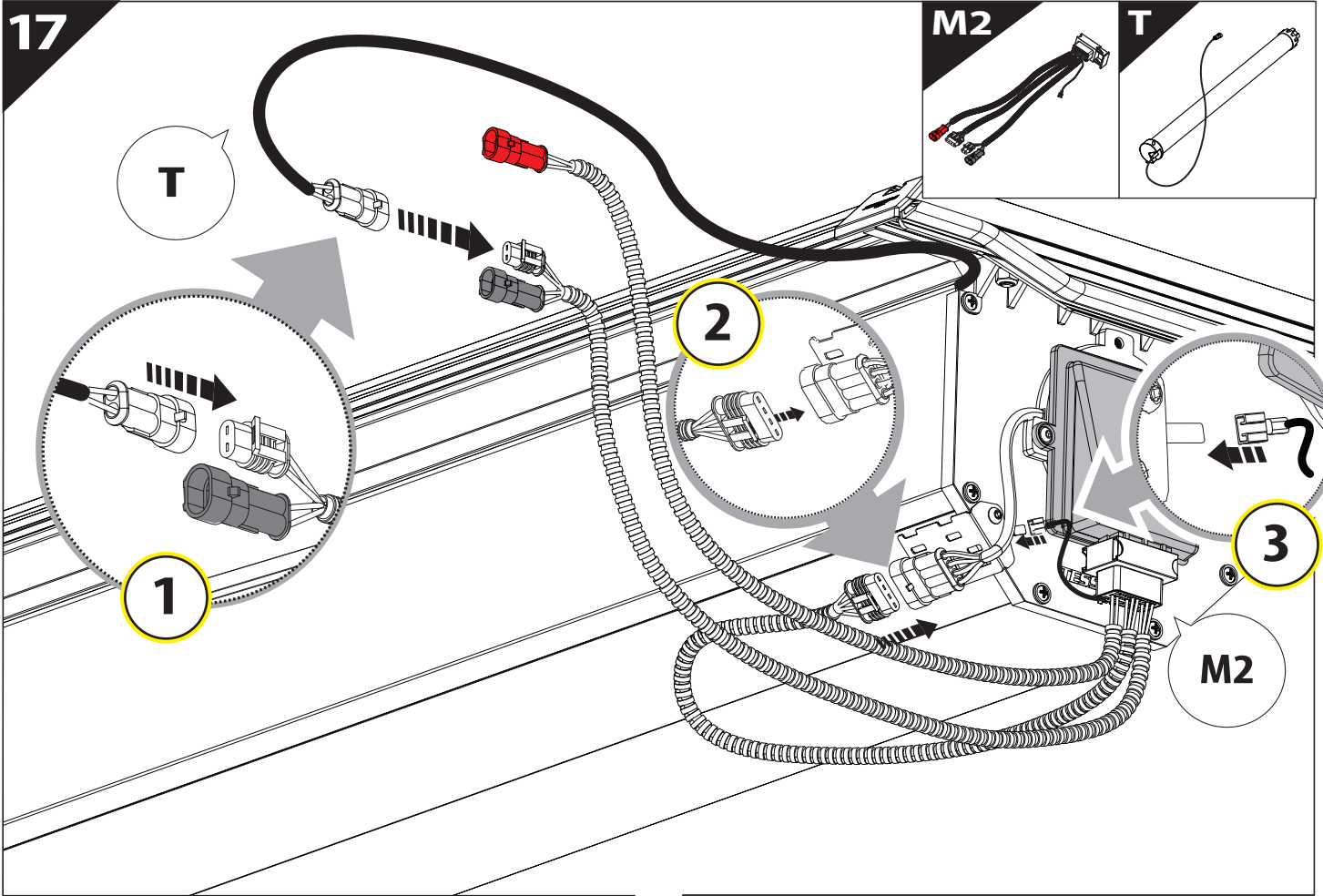
16

R



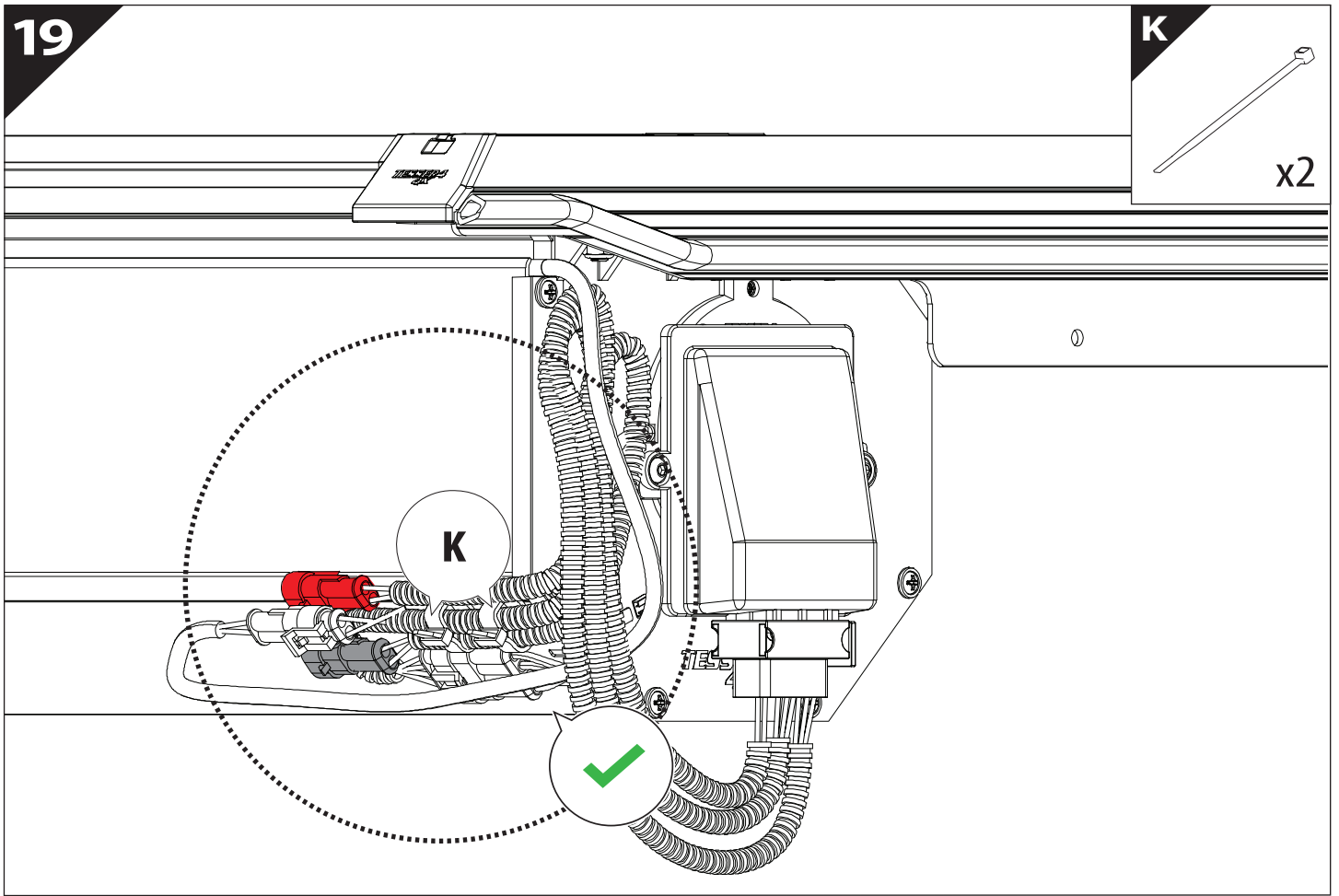
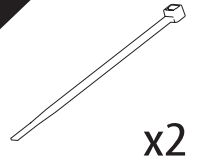
M2



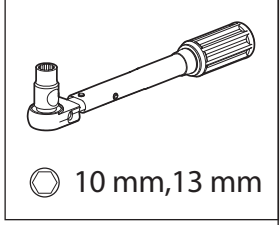


19

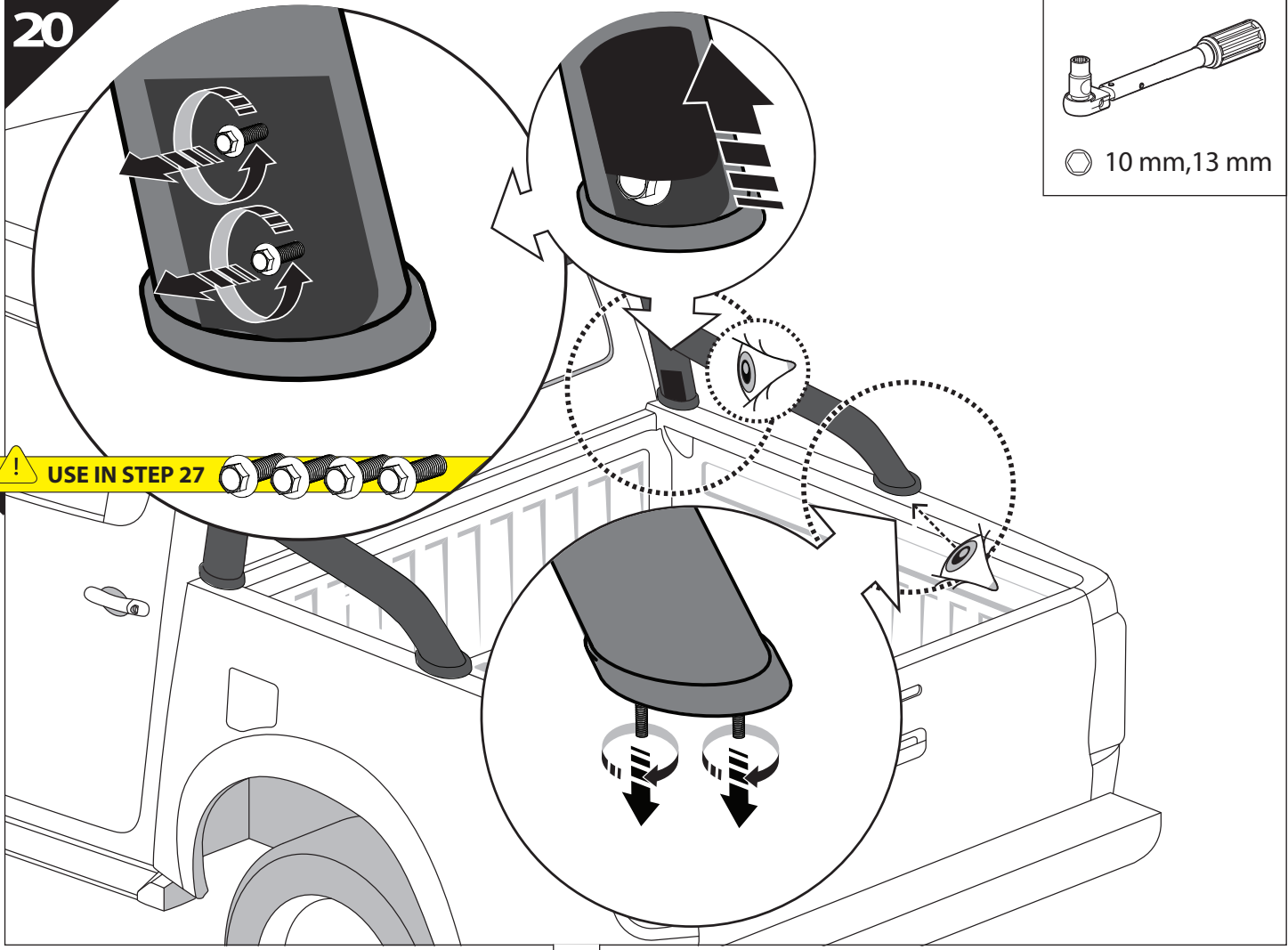
K



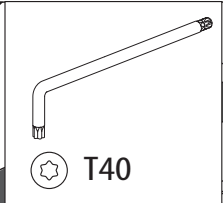
20



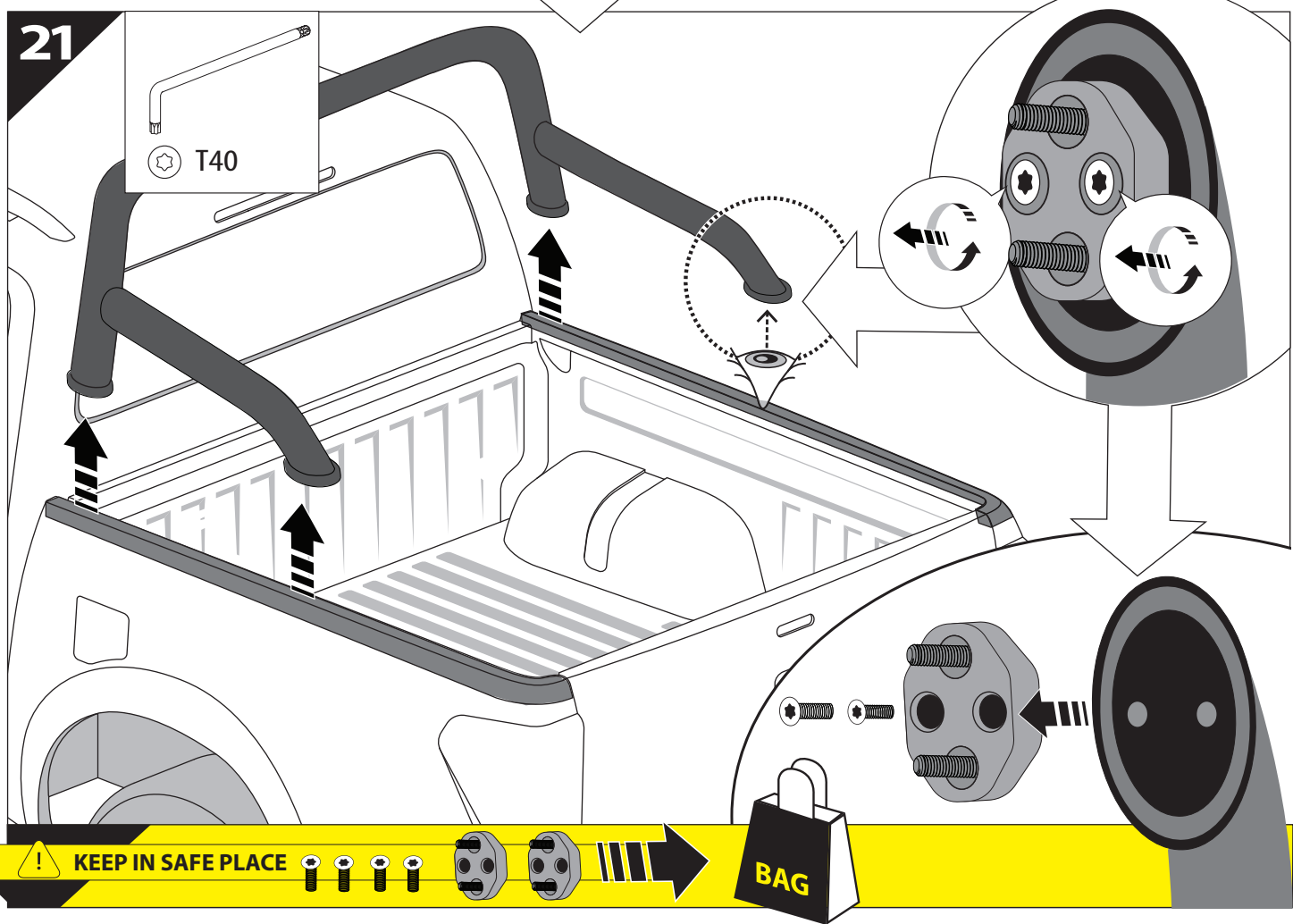
**!** USE IN STEP 27

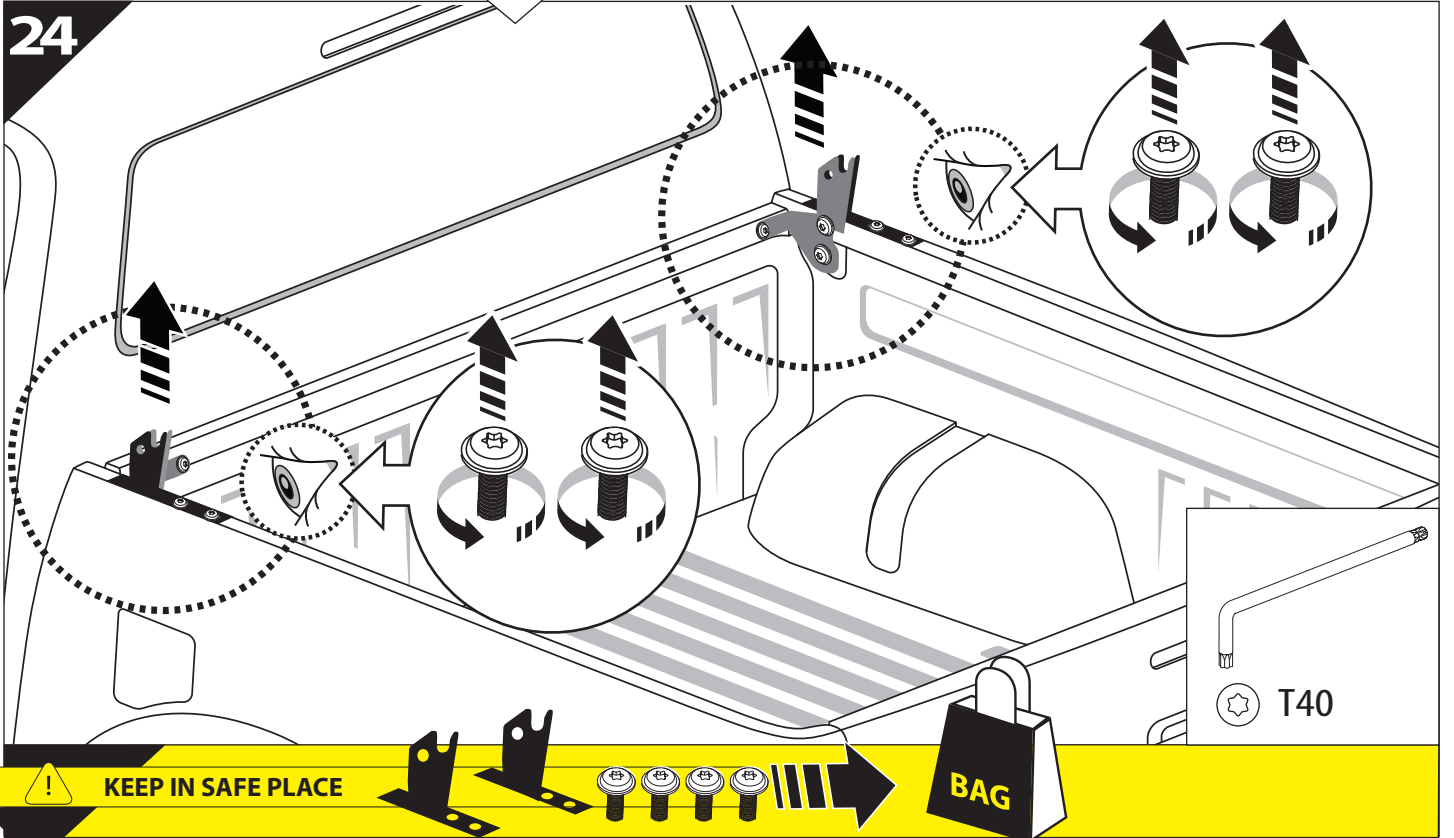
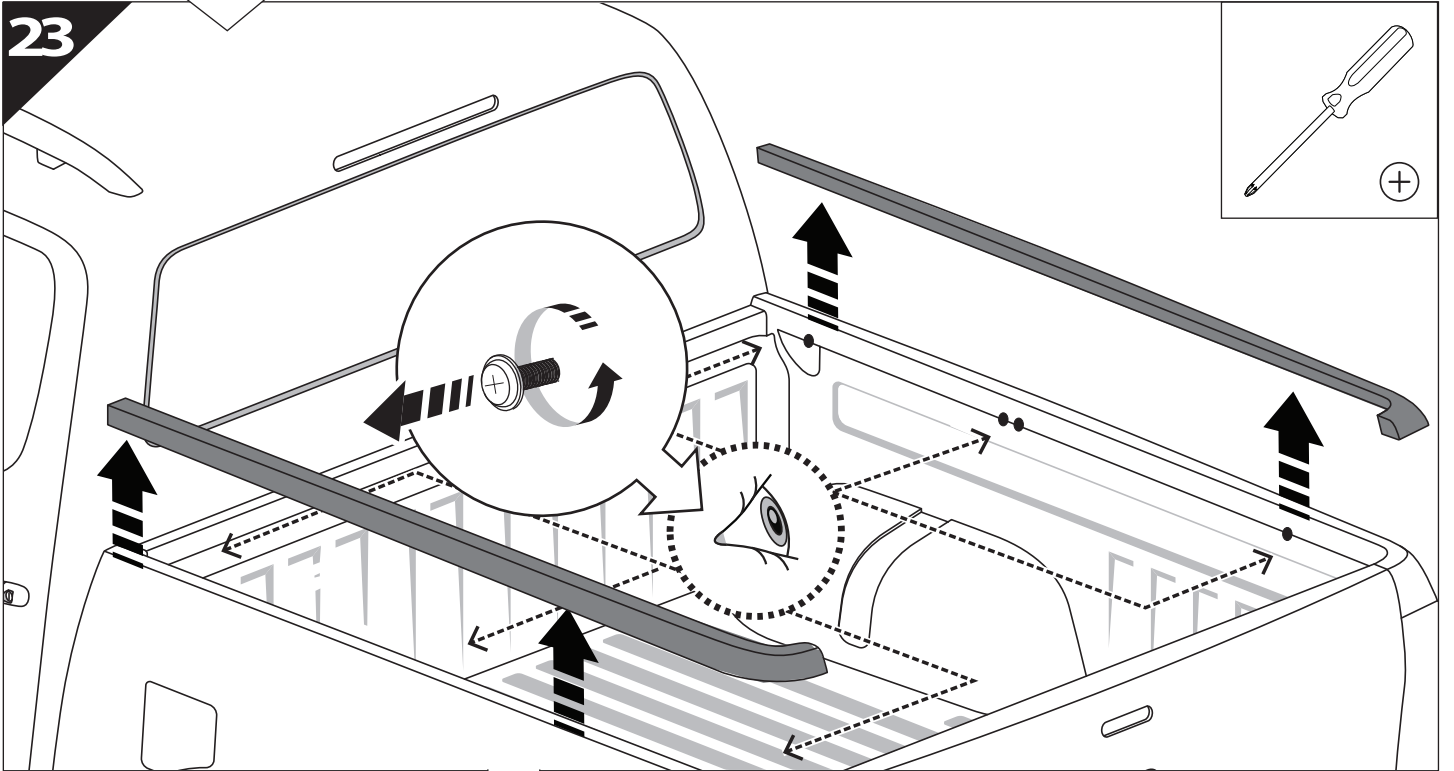
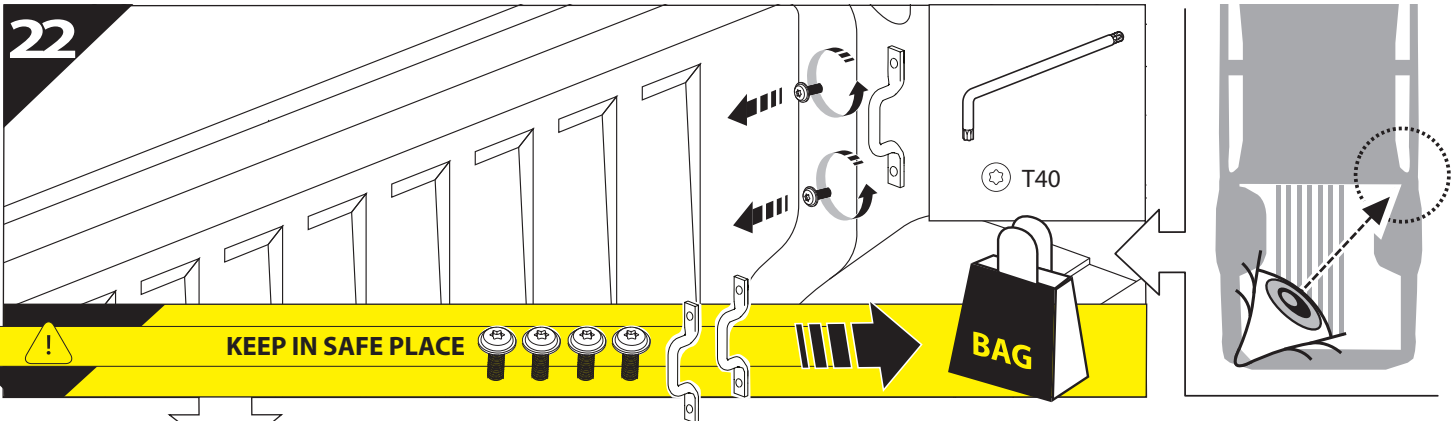


21

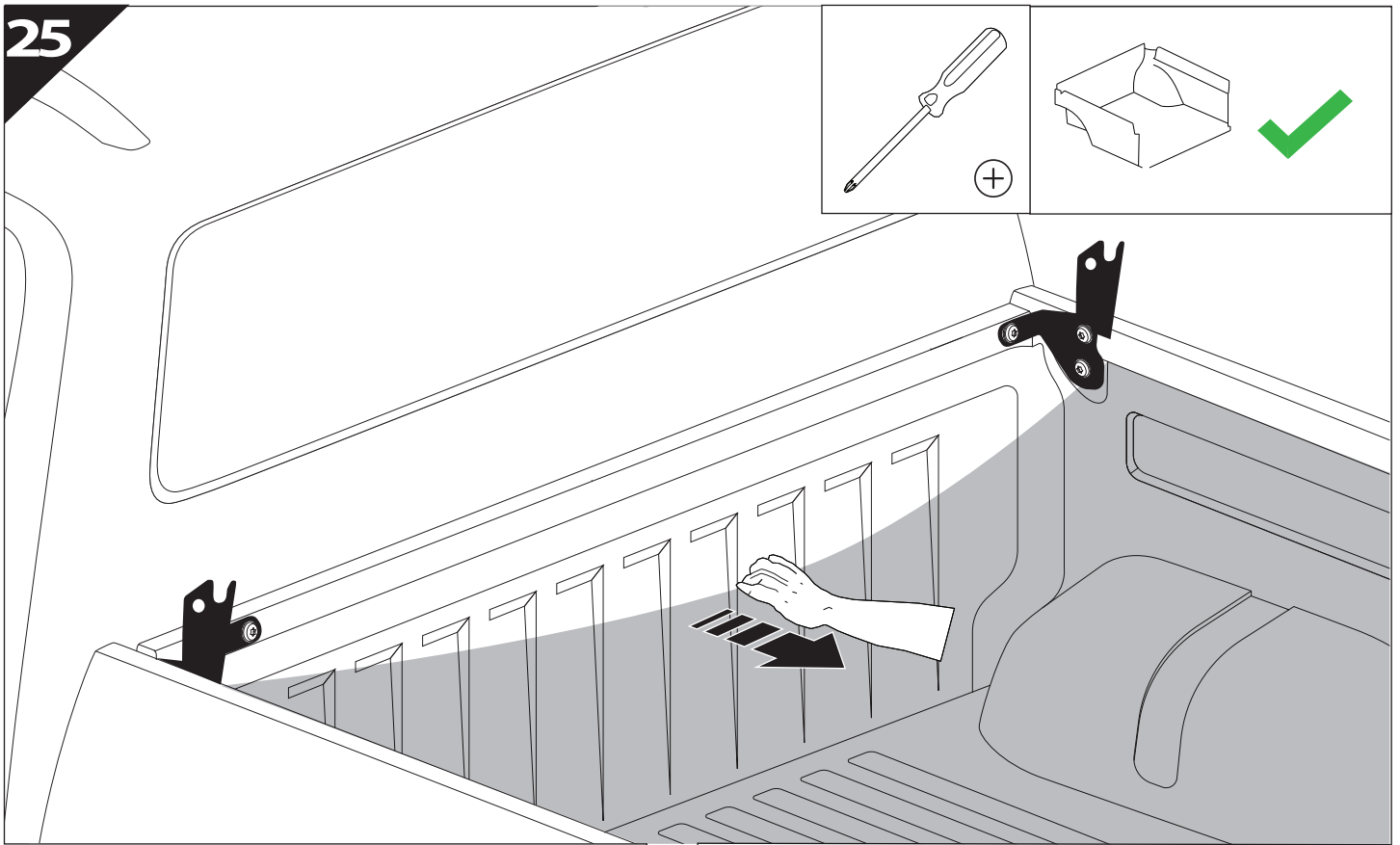


**!** KEEP IN SAFE PLACE

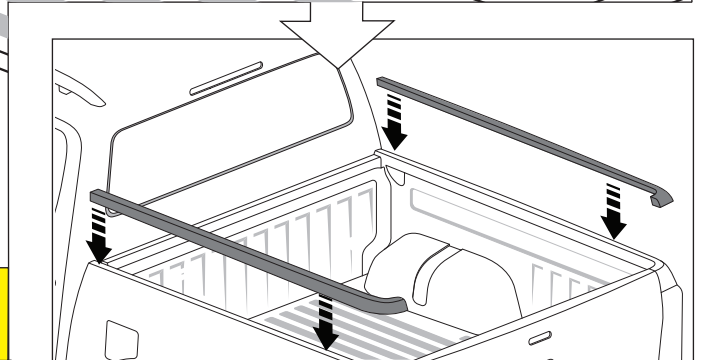
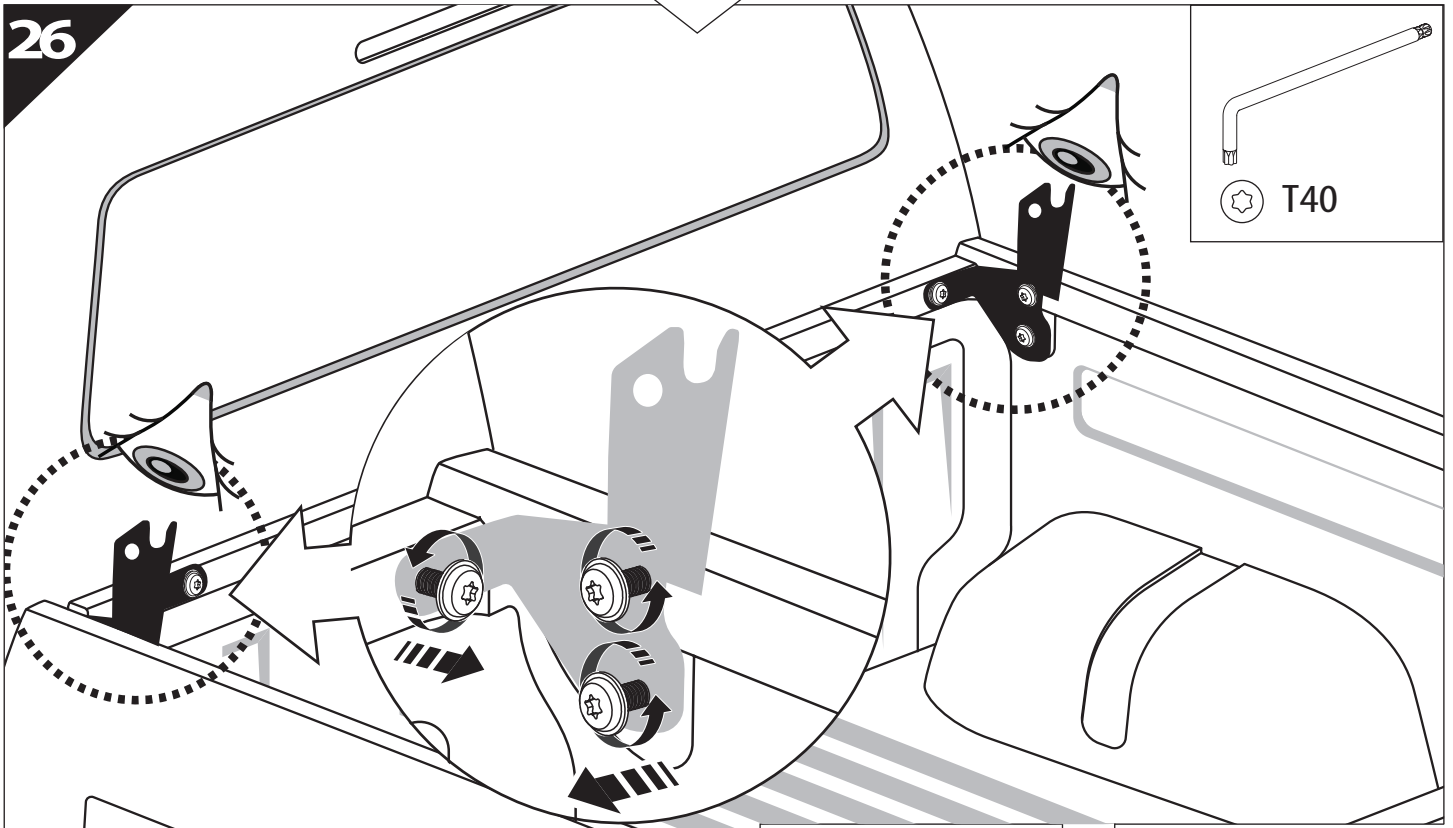




25



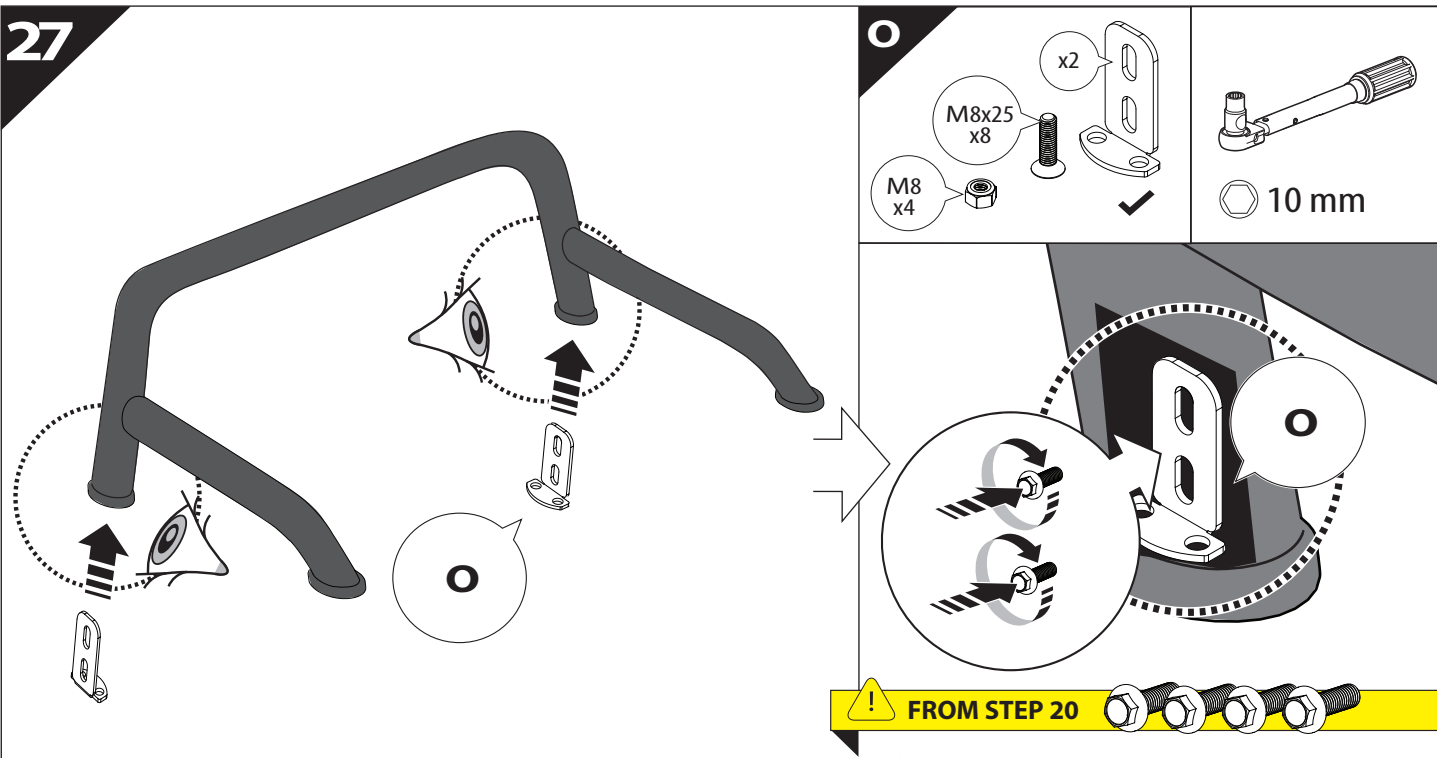
26



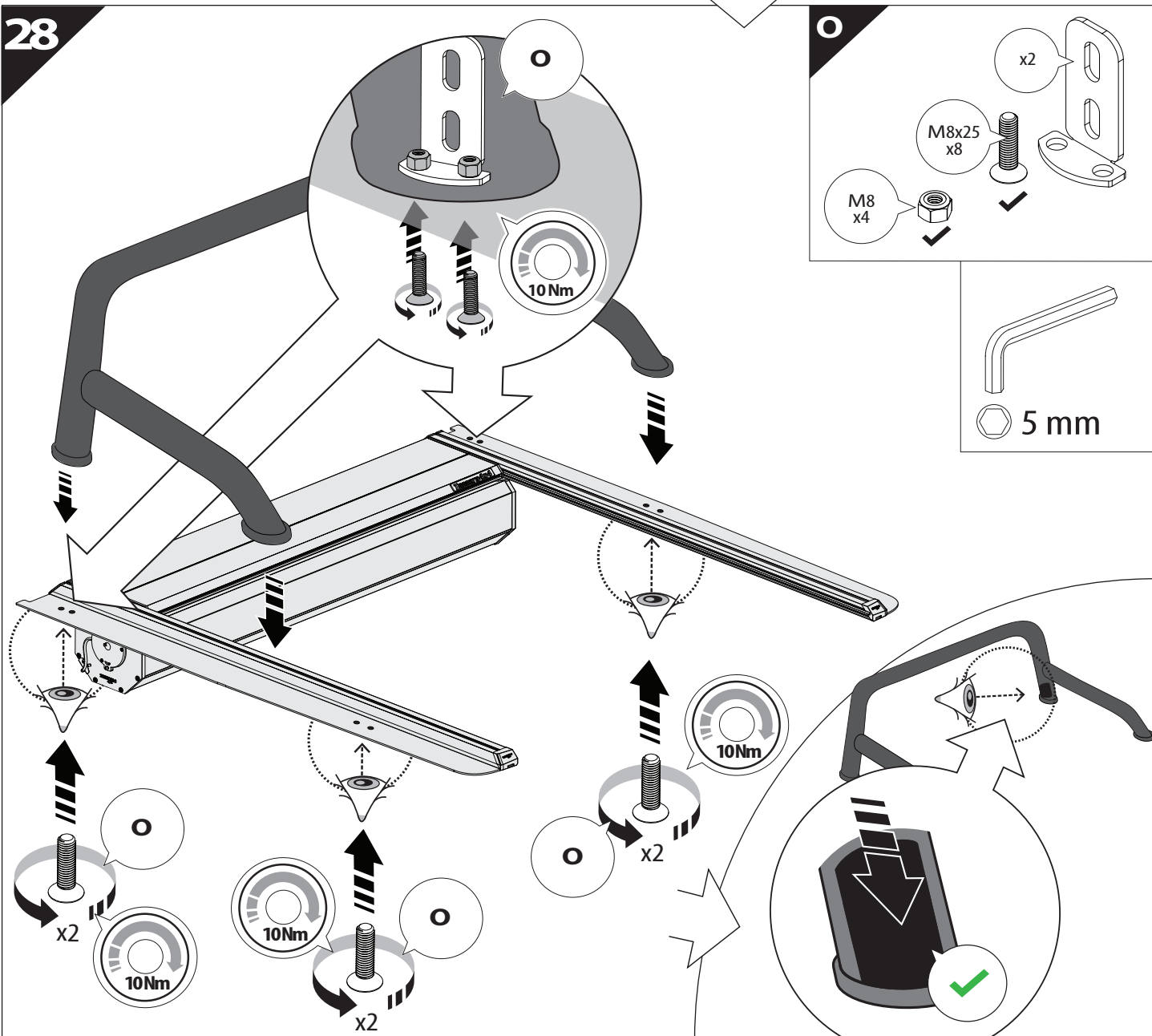
**! KEEP IN SAFE PLACE**

**BAG**

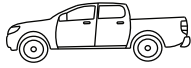
27



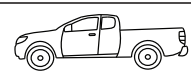
28



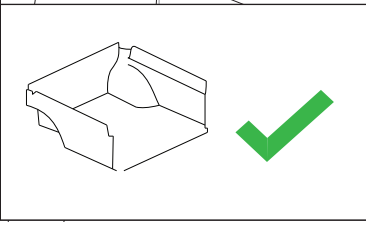
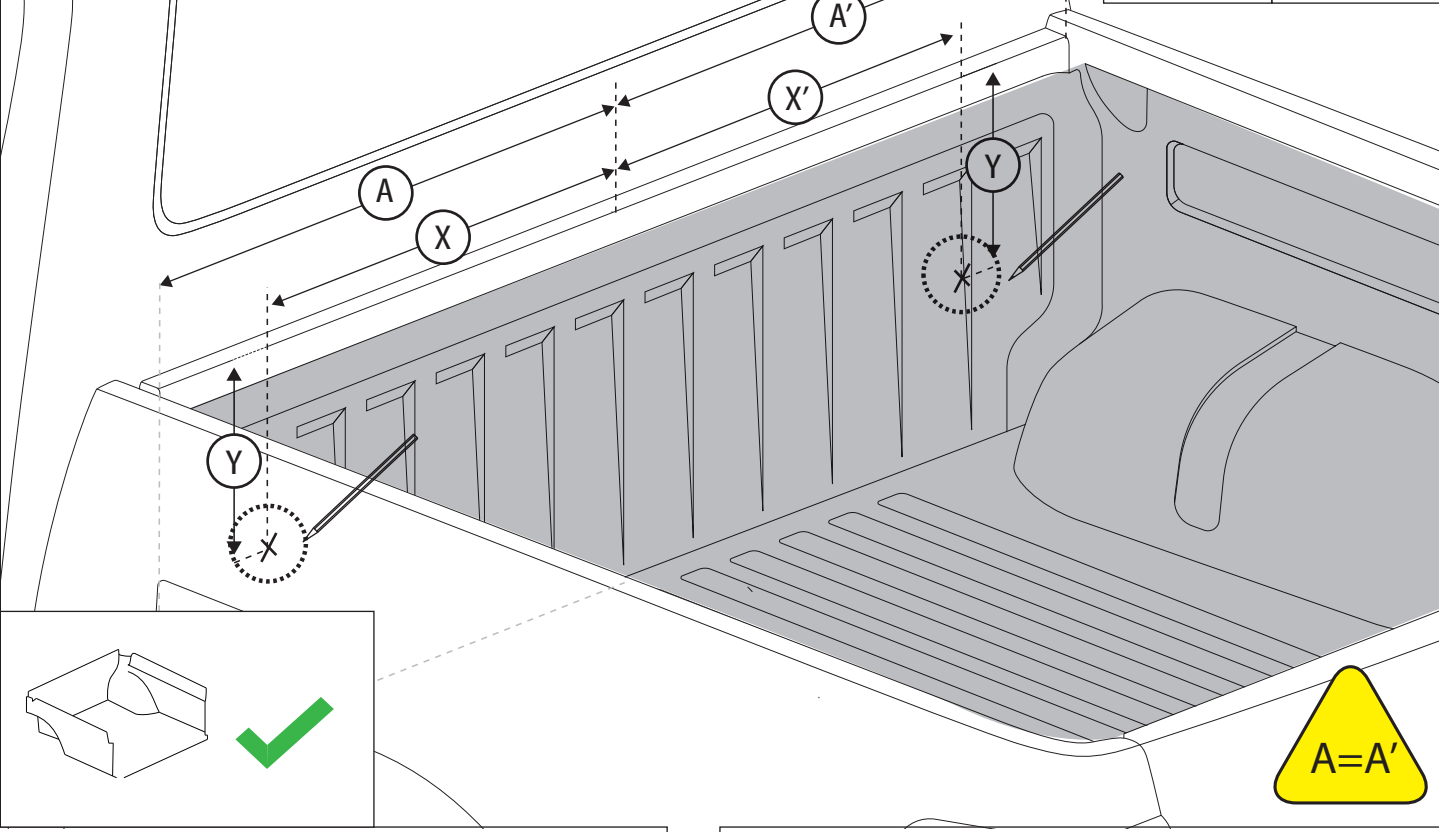
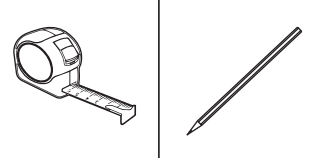
29



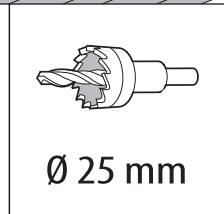
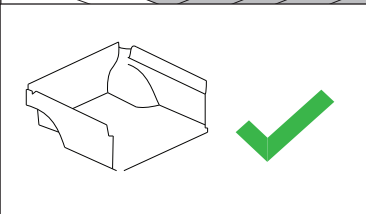
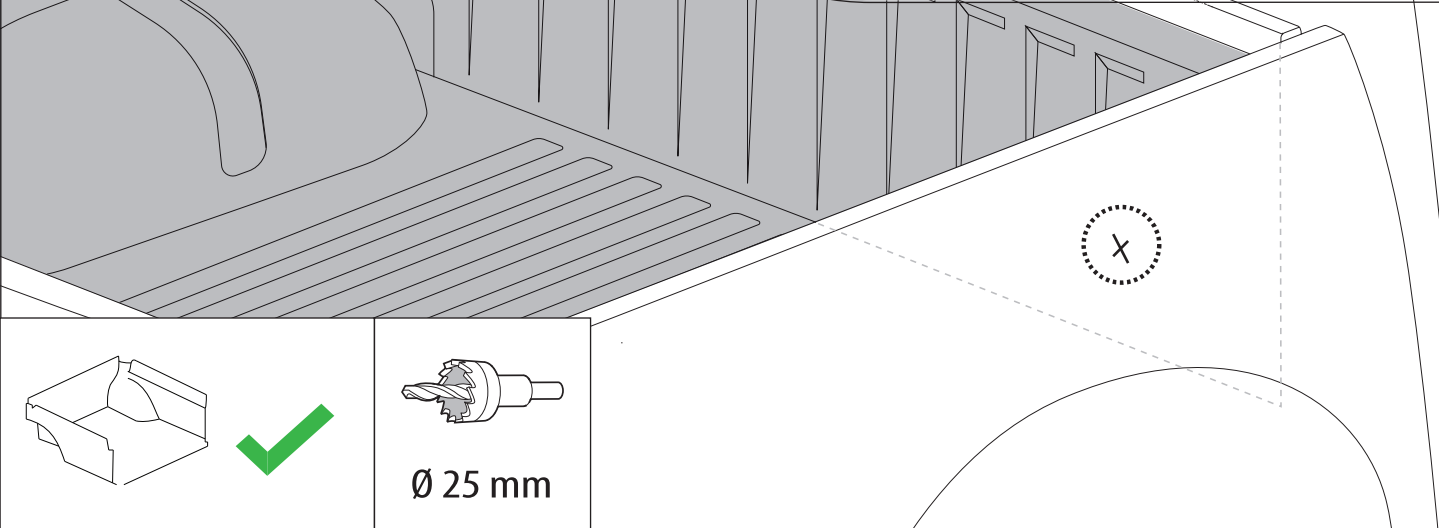
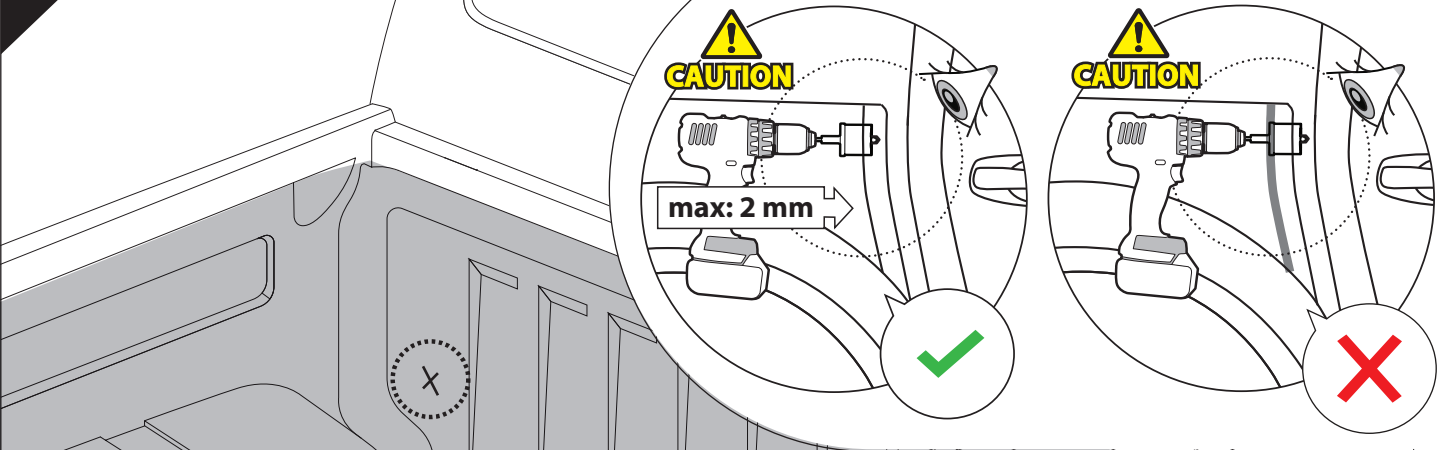
X:610mm Y:290mm



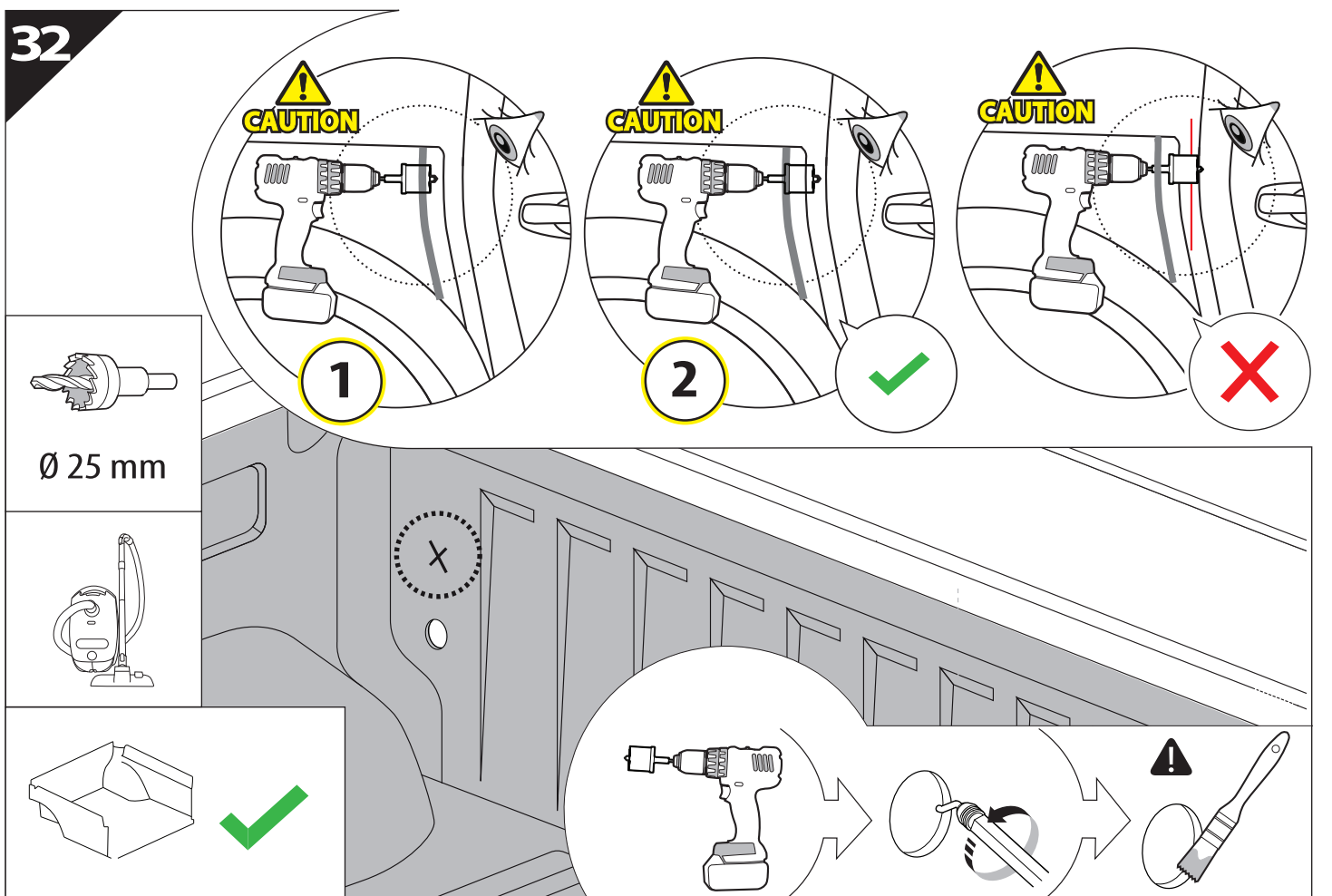
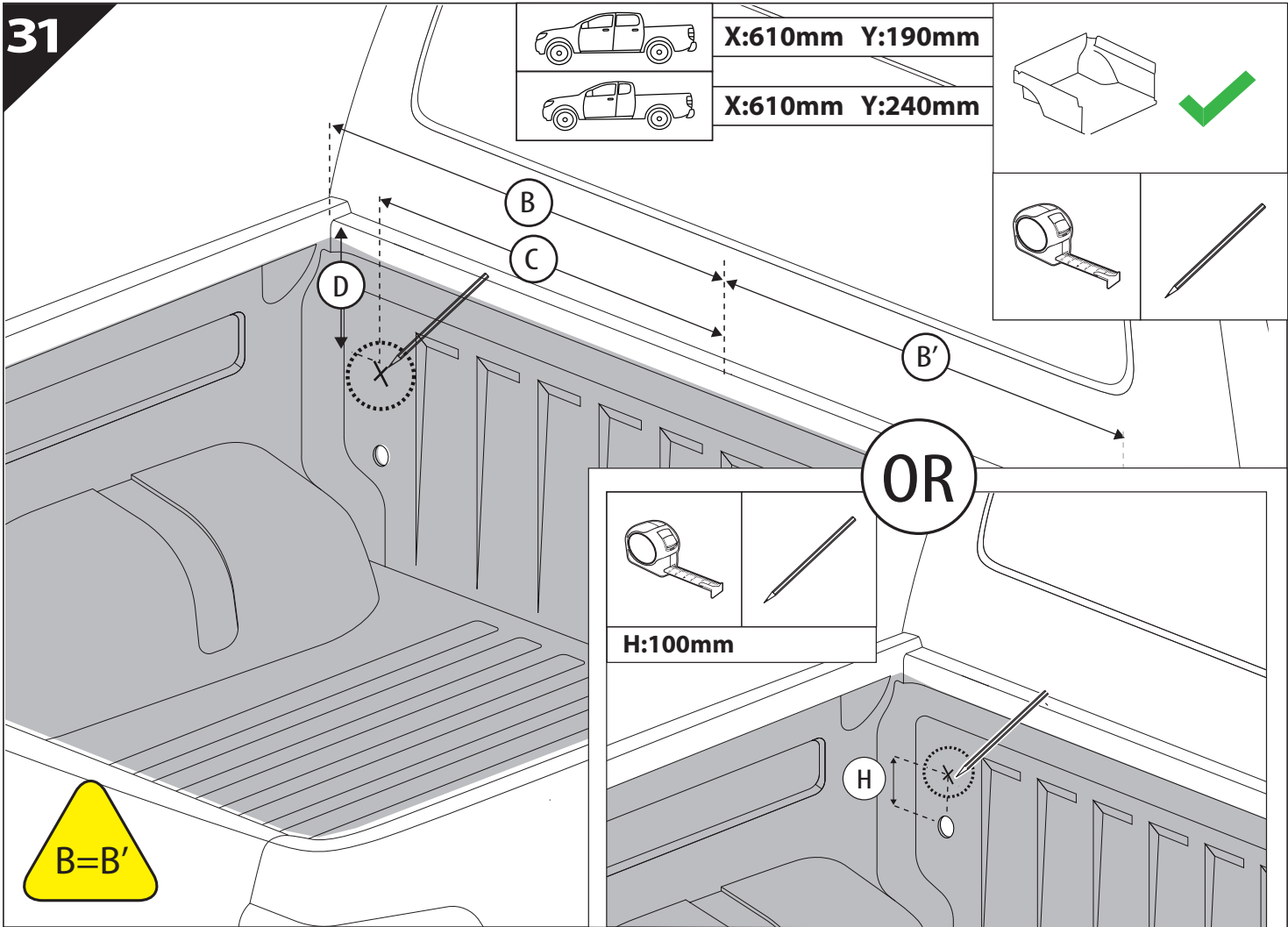
X:610mm Y:340mm

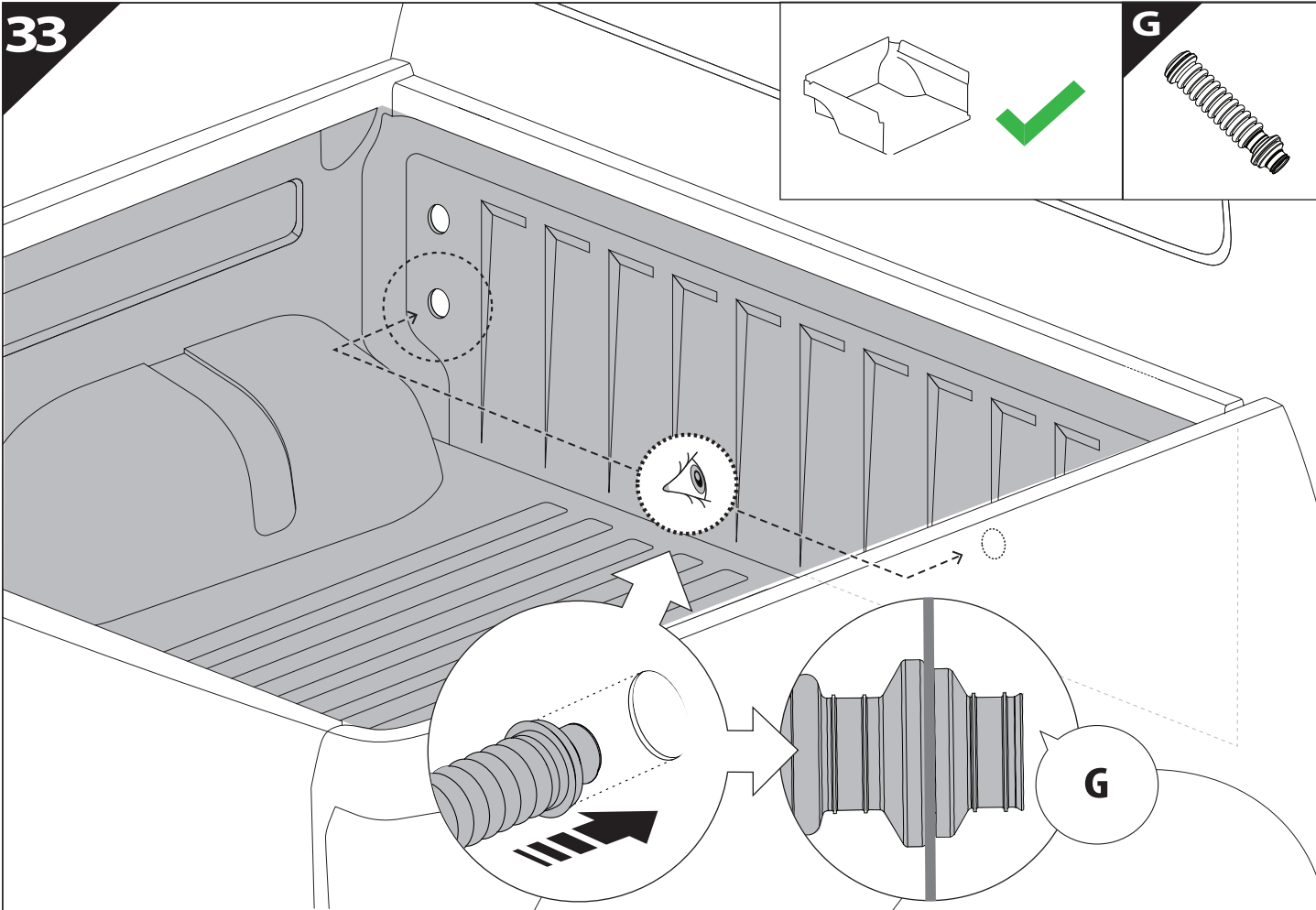


30

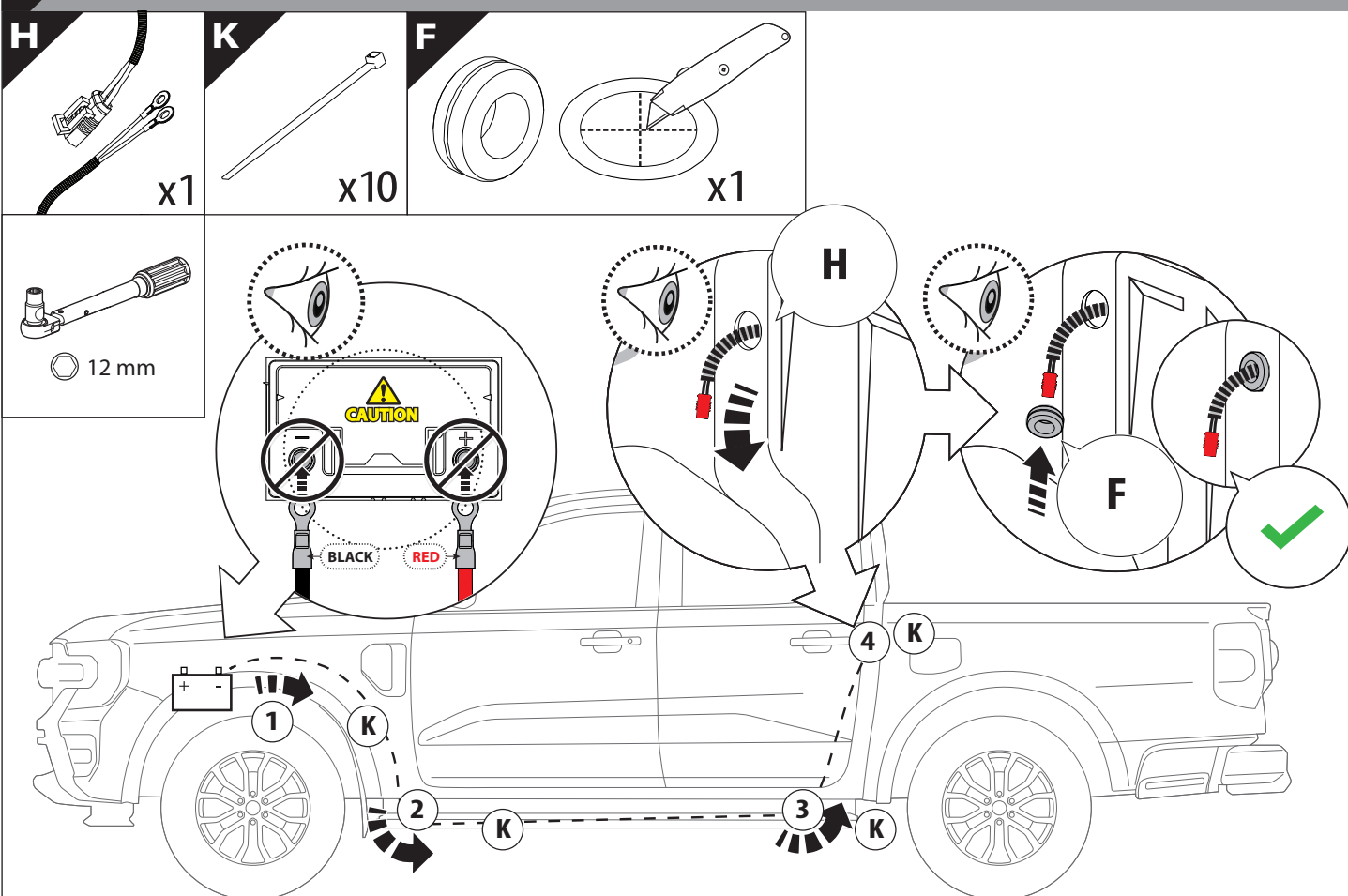


Ø 25 mm

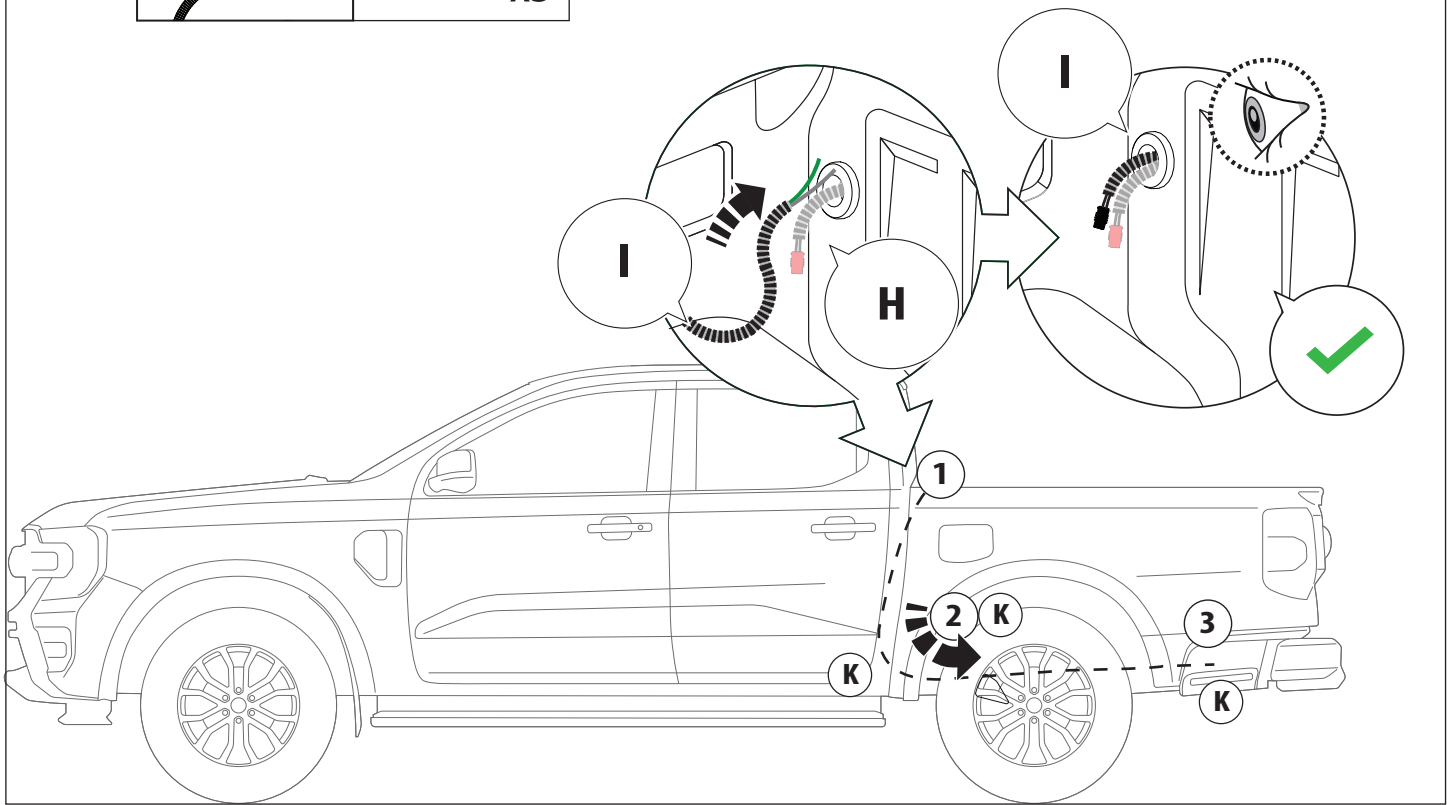
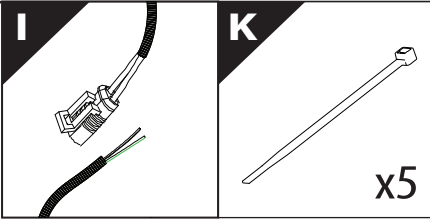




**34** Only to be installed by authorized personnel



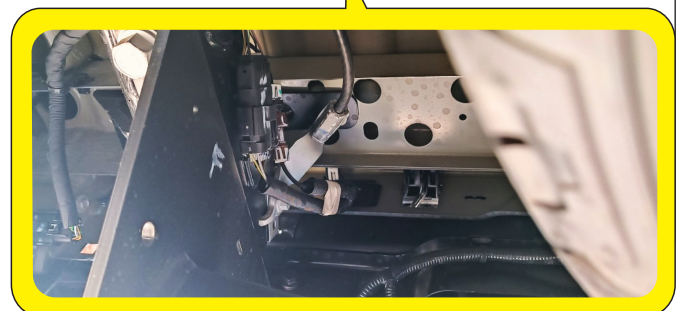
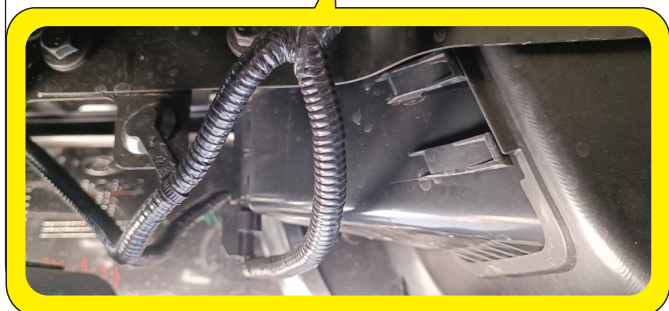
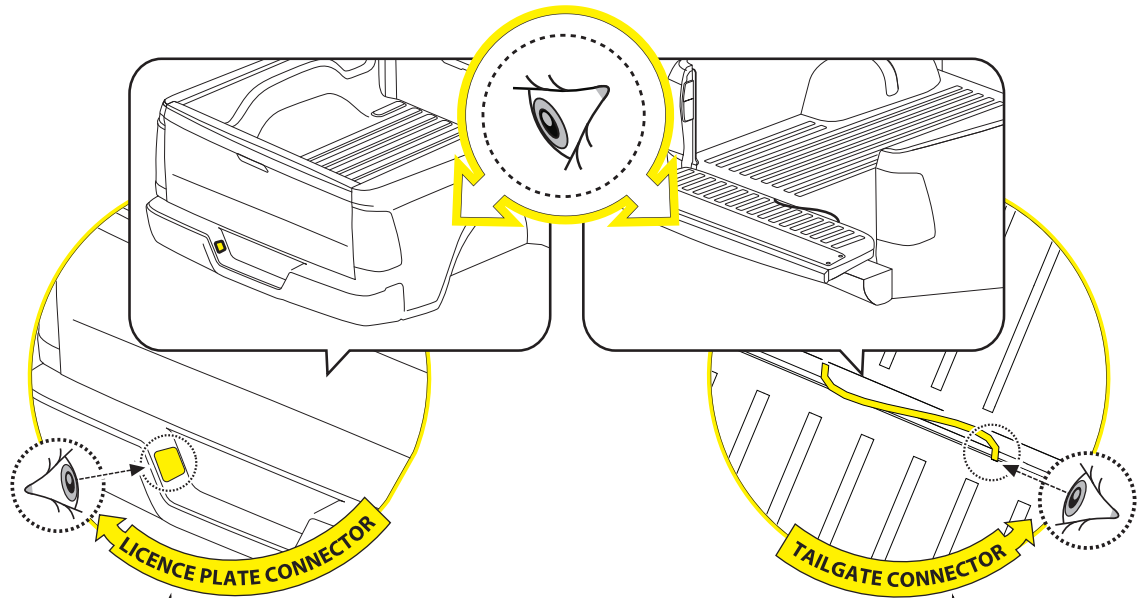
35



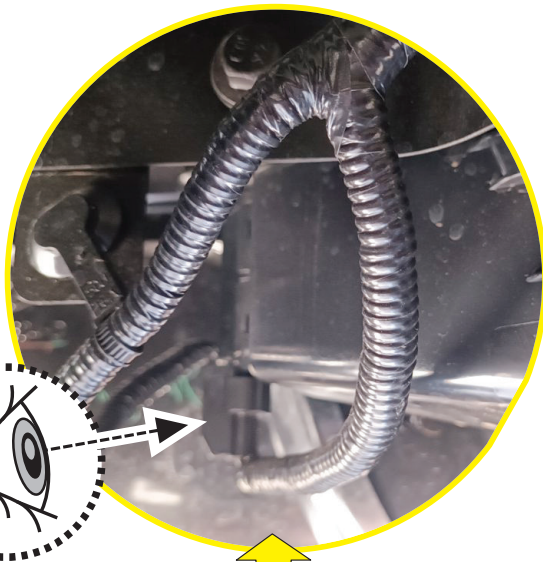
36



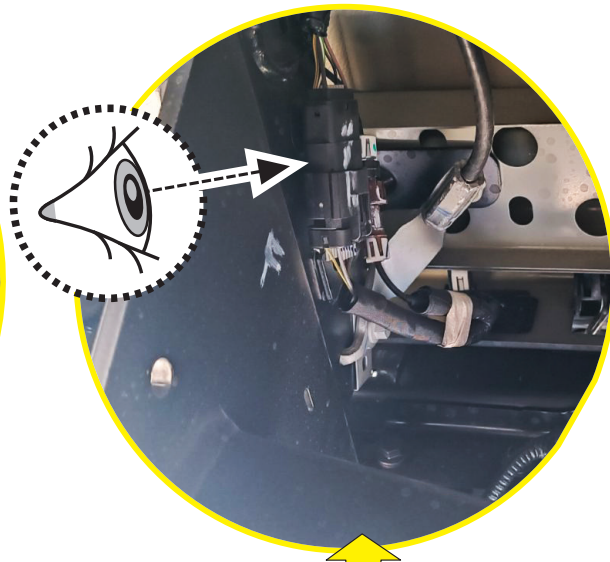
CAUTION: LIMITED, WILDTRAK, WILDTRAK X, PLATINUM



36. ①



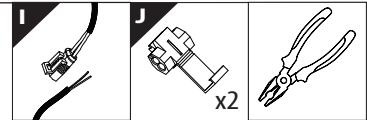
LICENCE PLATE CONNECTOR



TAILGATE CONNECTOR

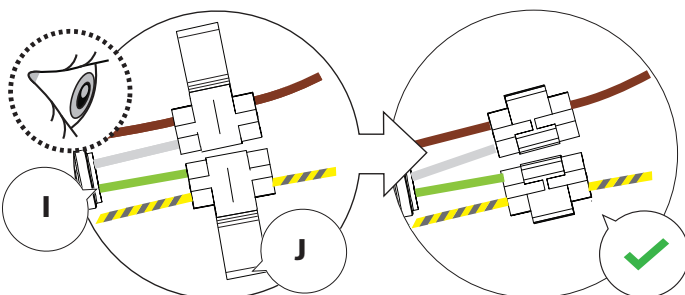
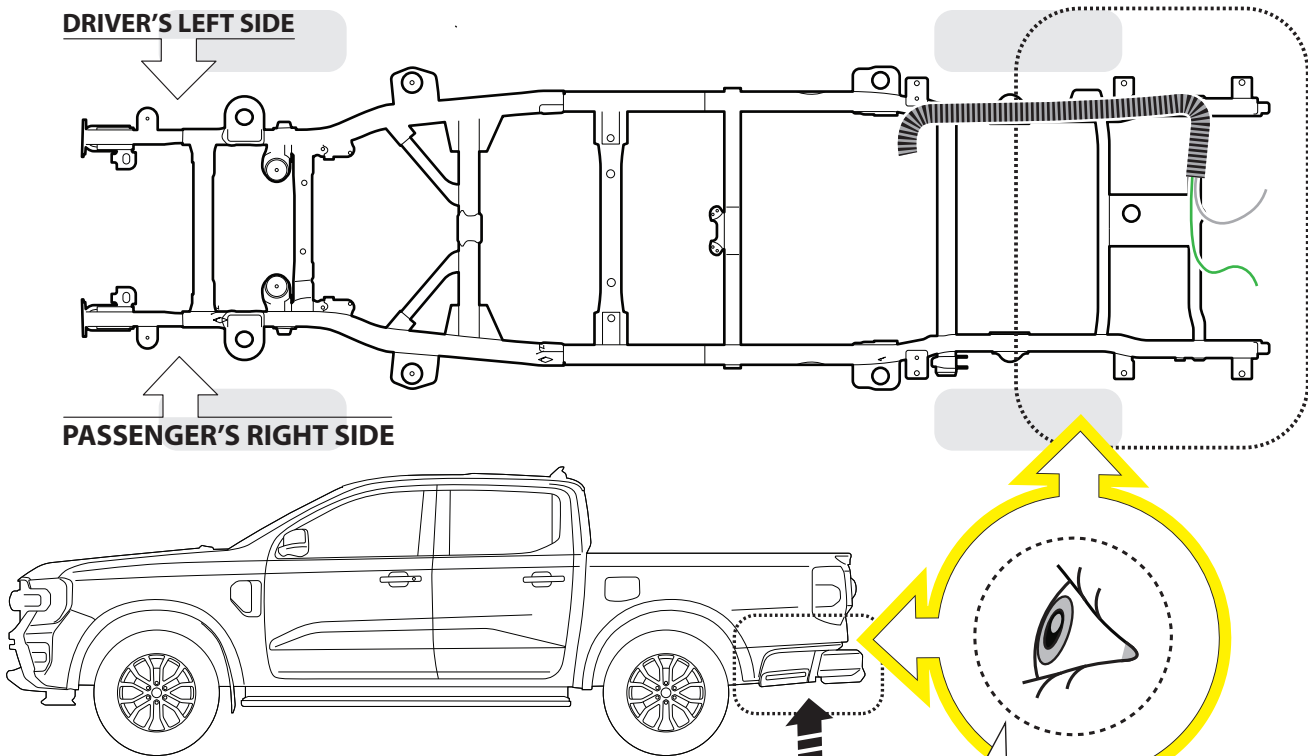
36. ②

BOTTOM VIEW



DRIVER'S LEFT SIDE

PASSENGER'S RIGHT SIDE

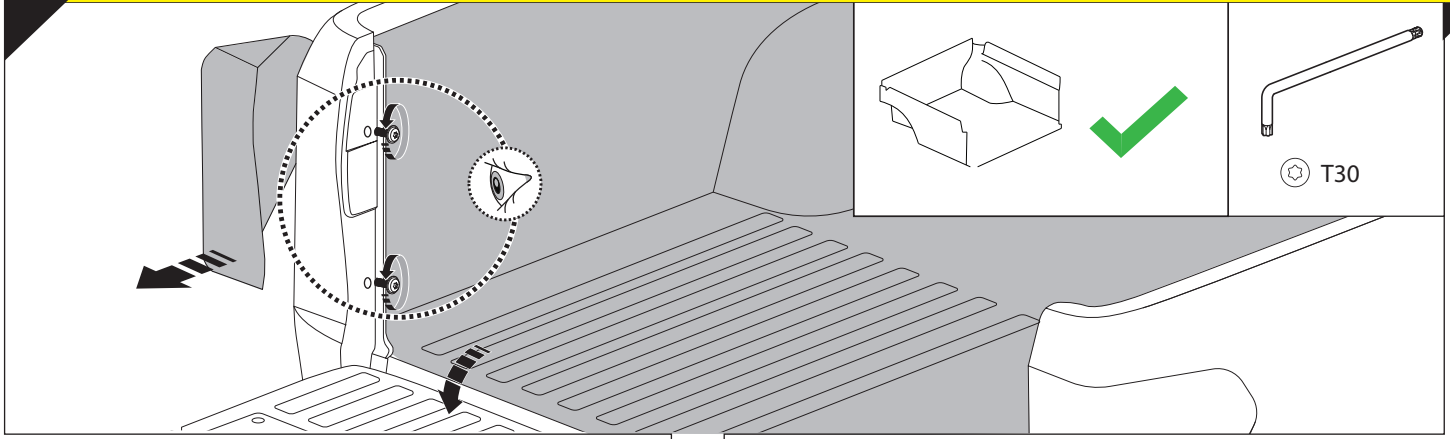


	CAR		TESSERA ROLL+
BEAM		↔	
LICENCE PLATE 2 PIN LIGHT CONNECTOR			
STOP		↔	
TAILGATE CONNECTOR			

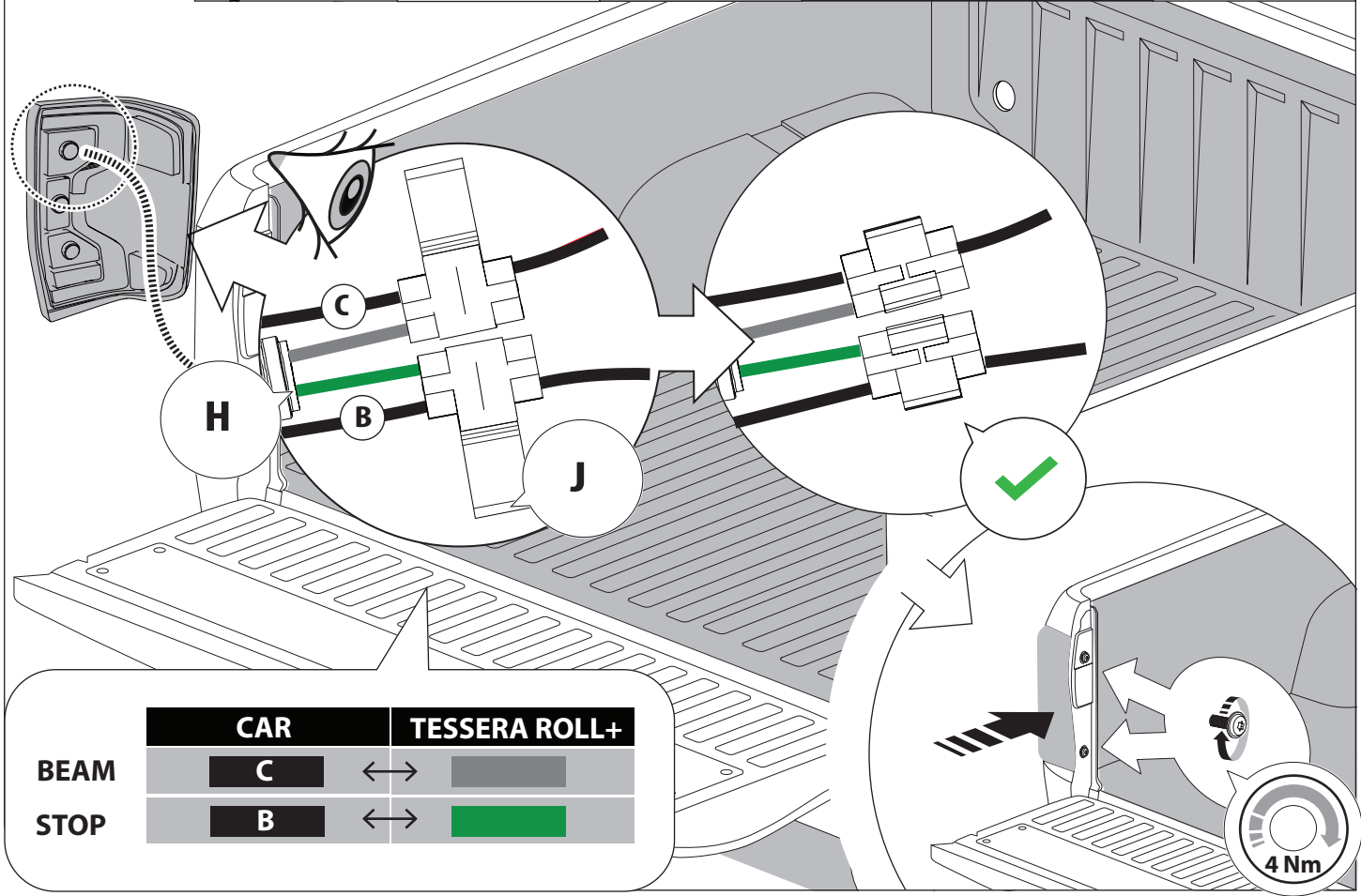
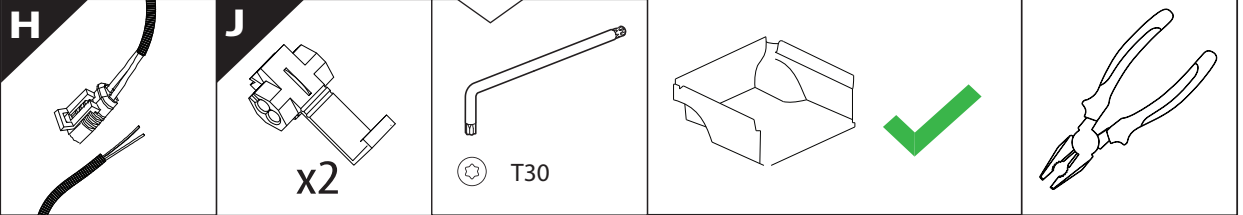
37



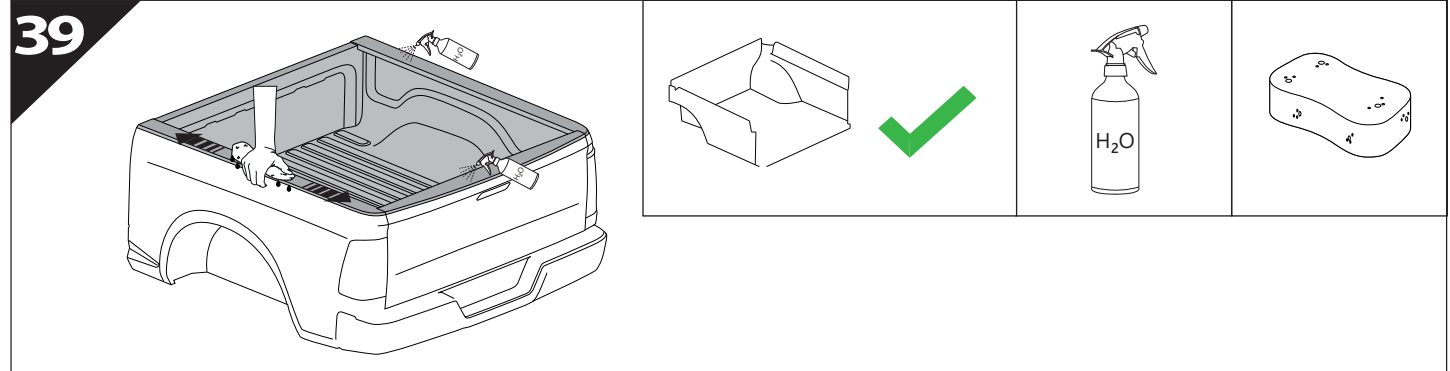
CAUTION: XL, XLT, TREMOR

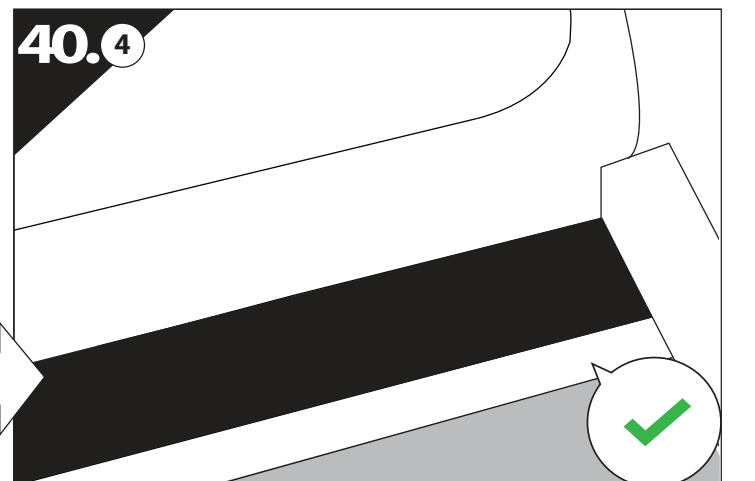
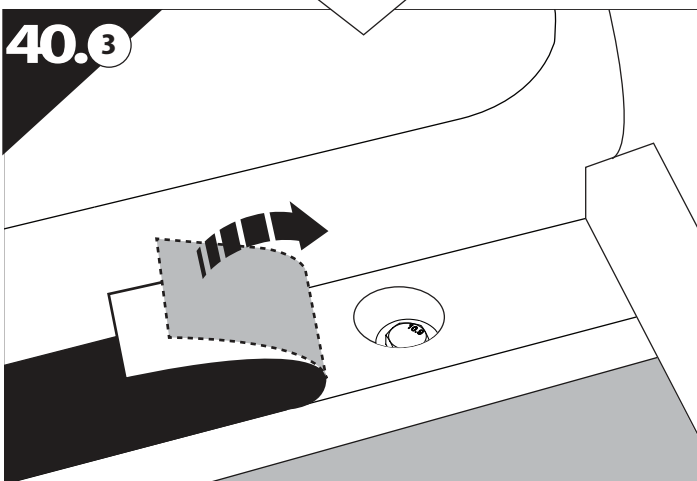
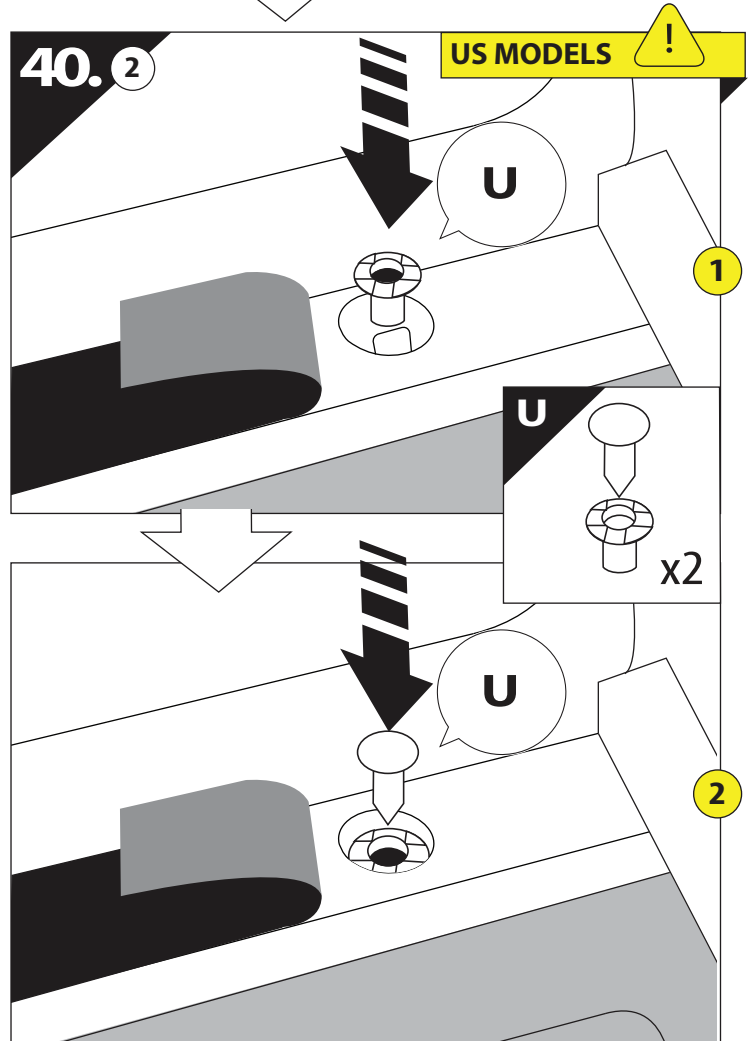
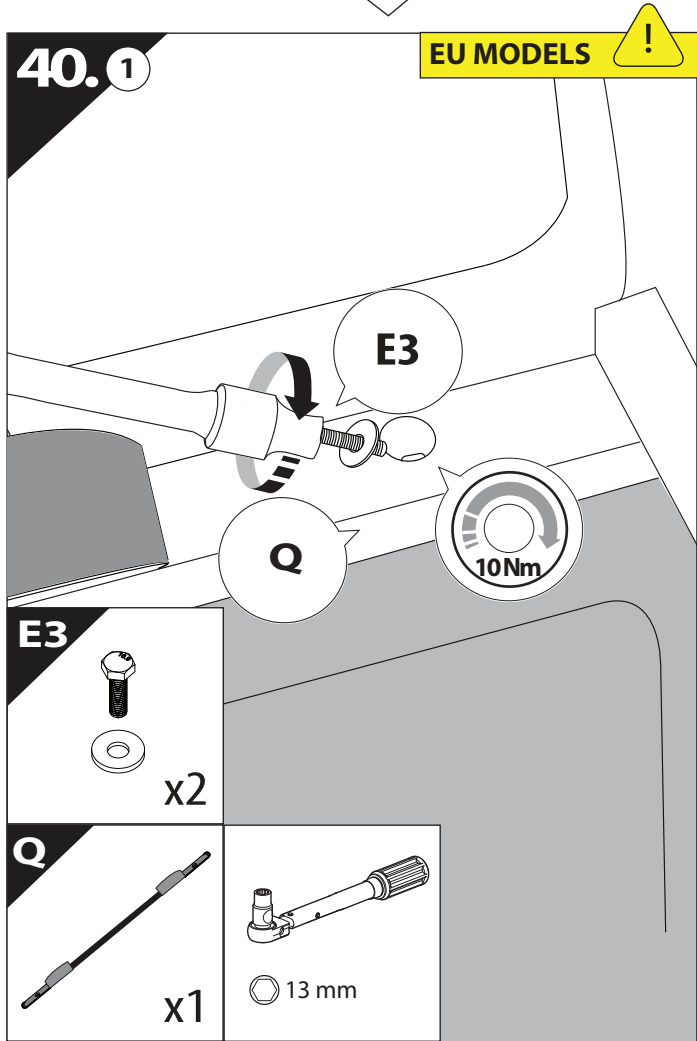
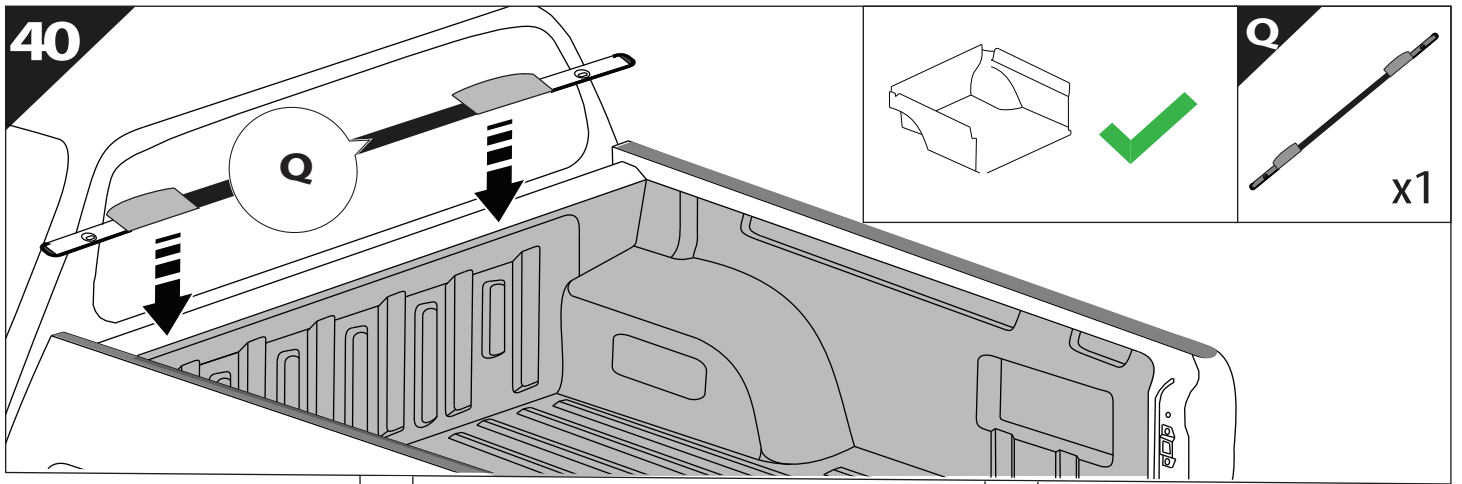


38



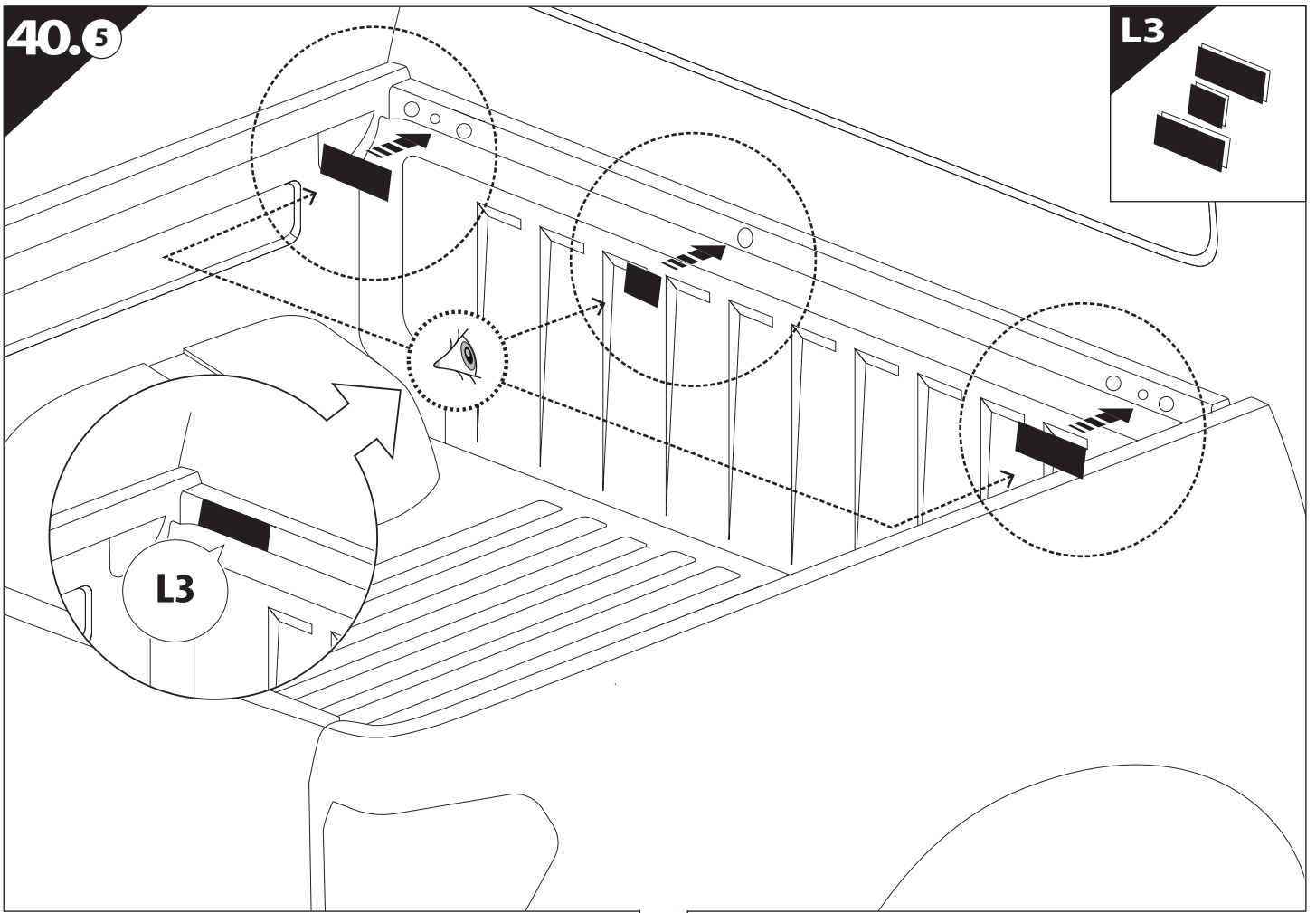
39





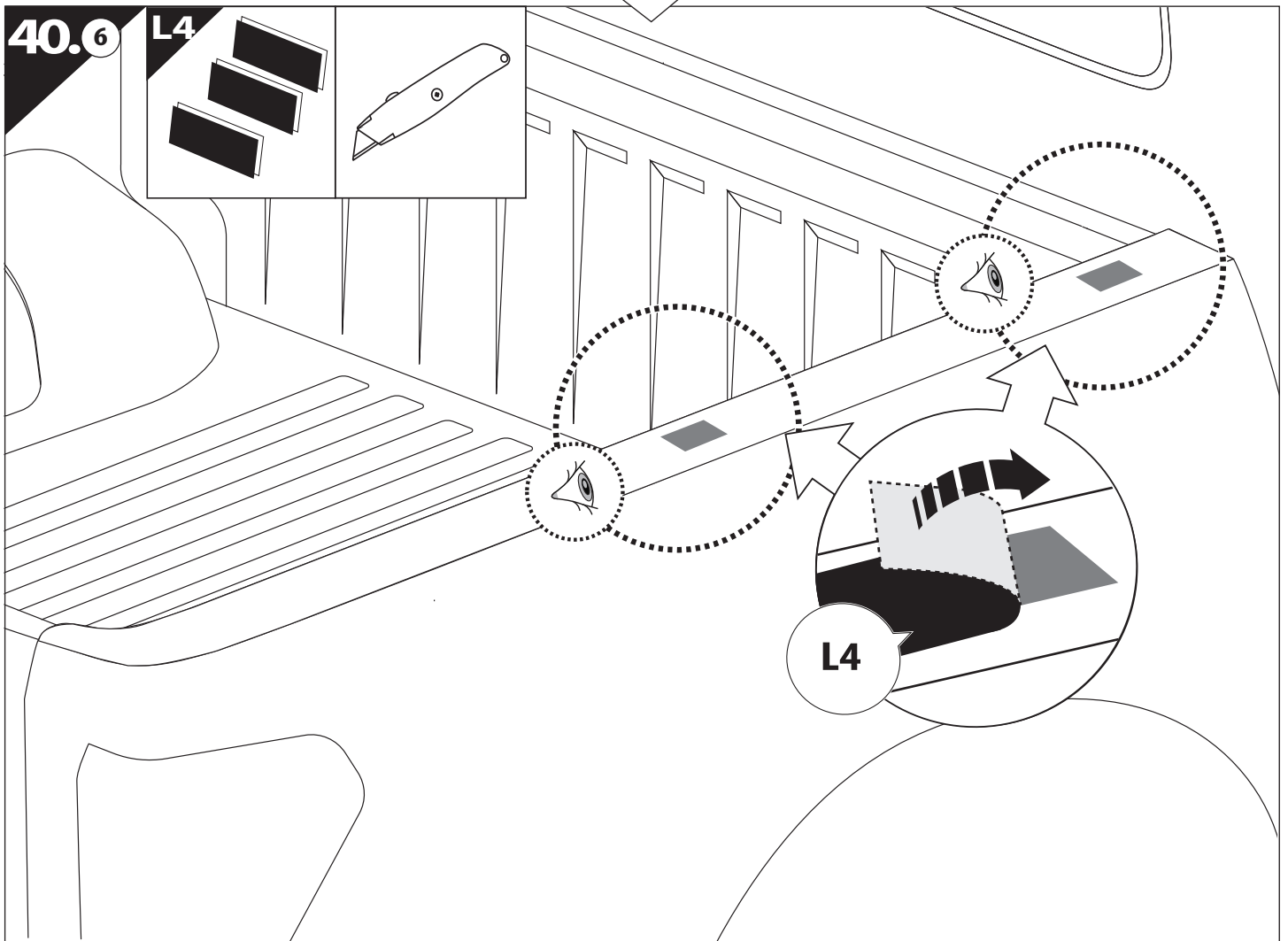
40.5

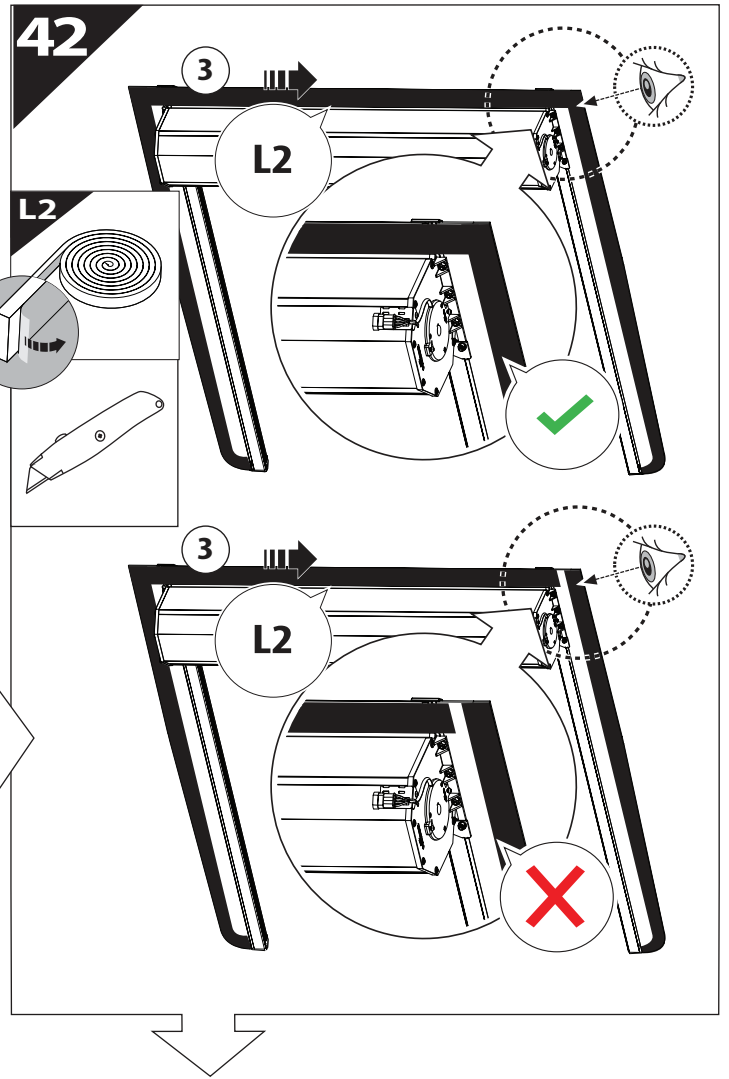
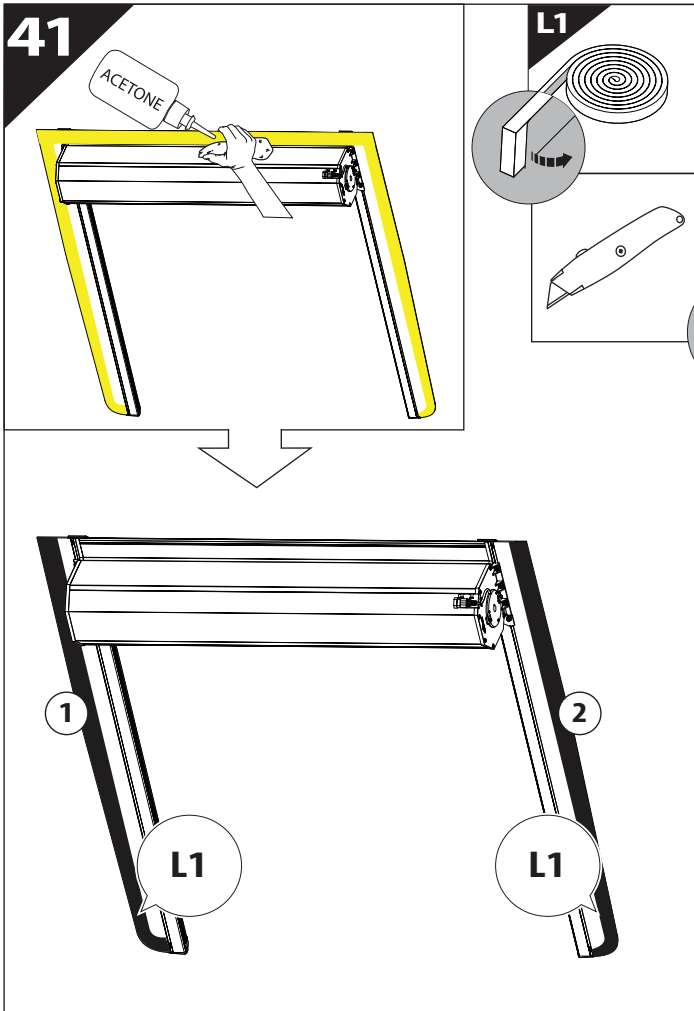
L3

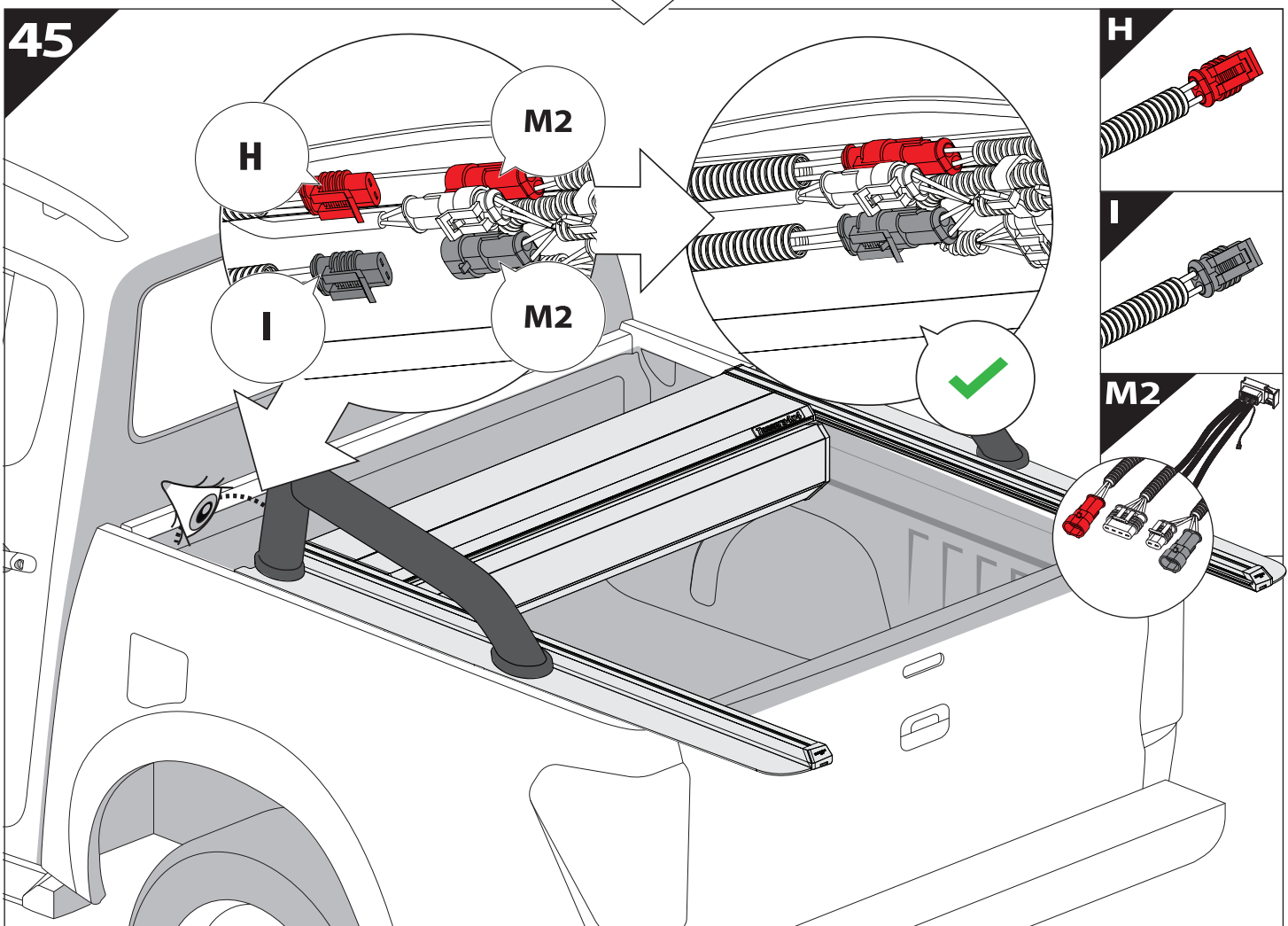
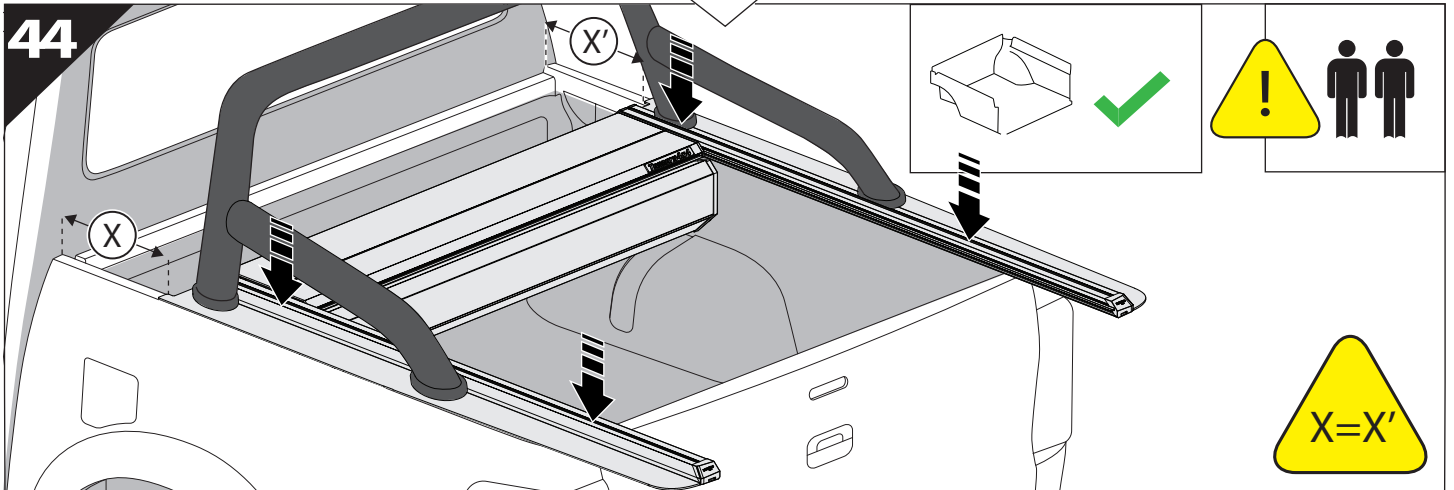
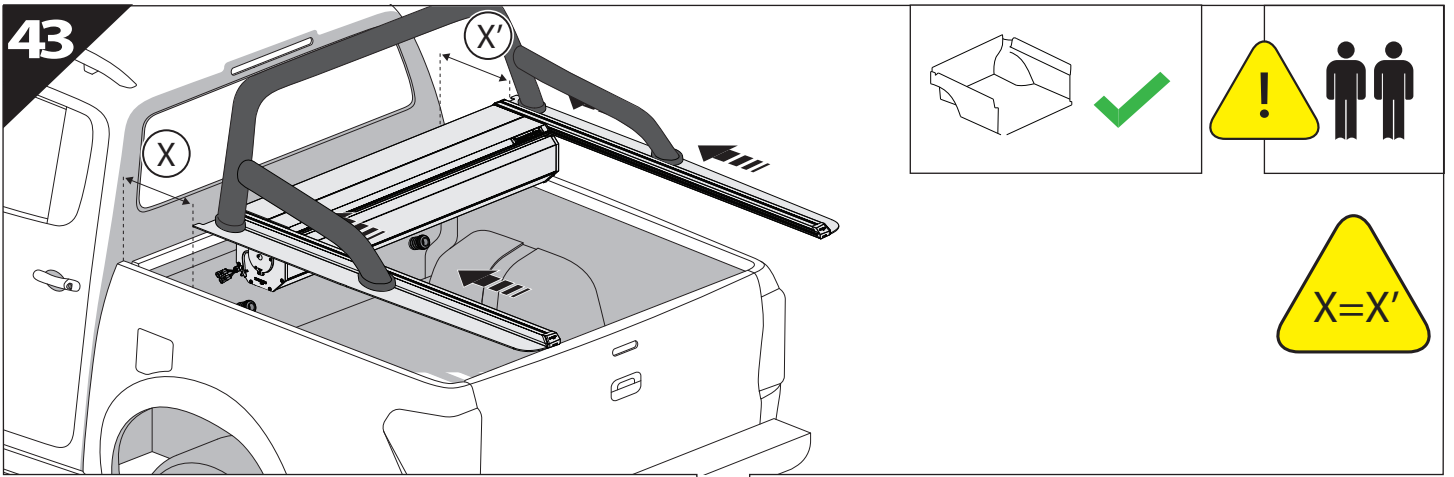


40.6

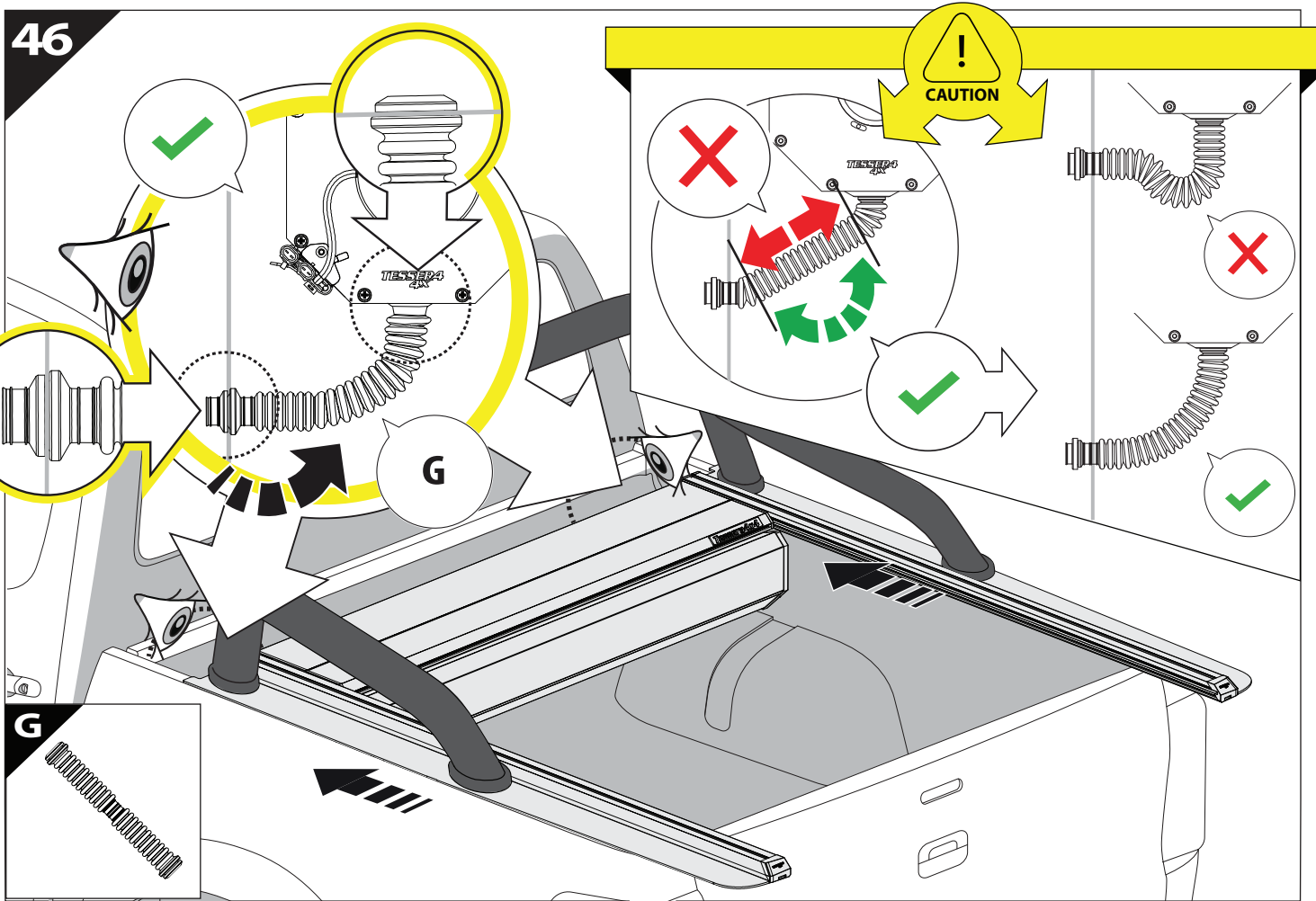
L4



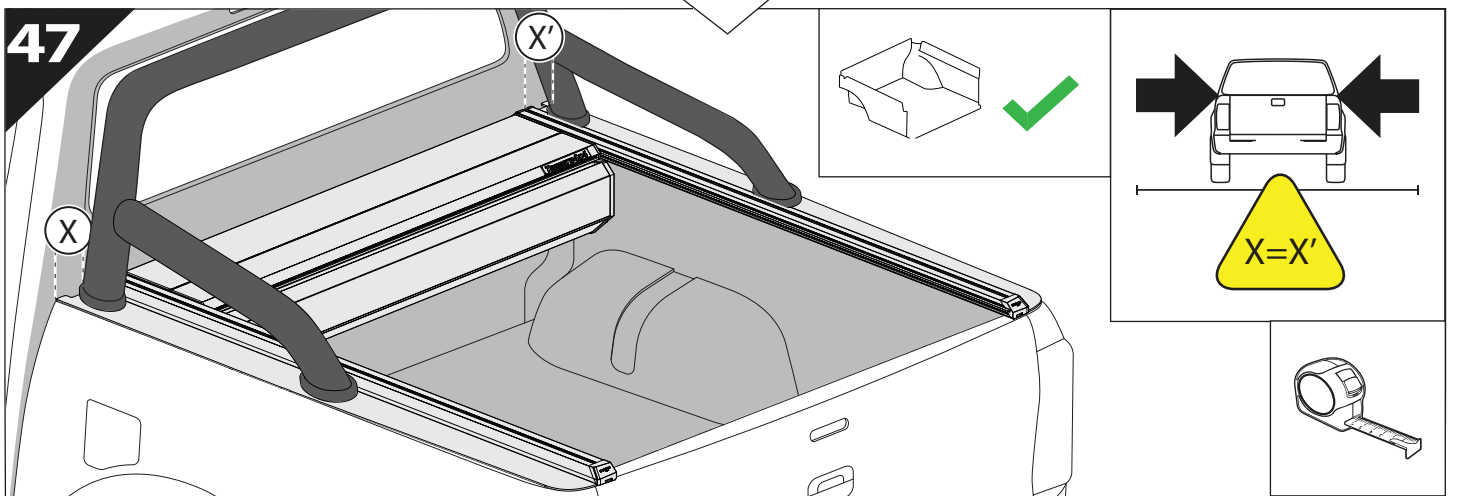




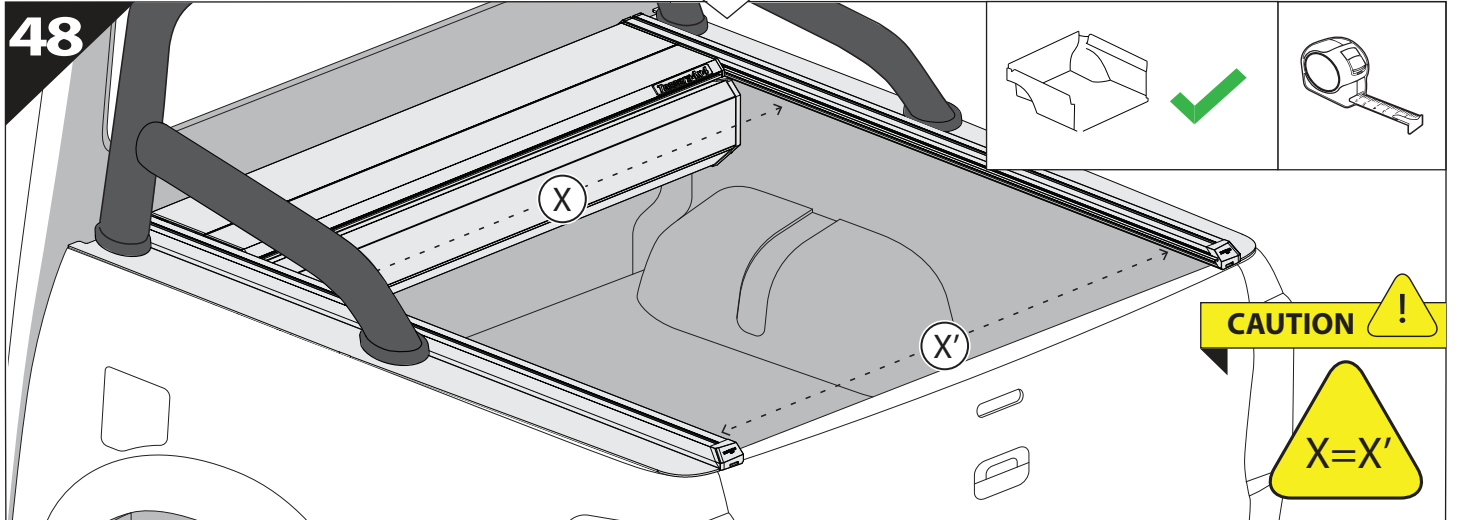
46



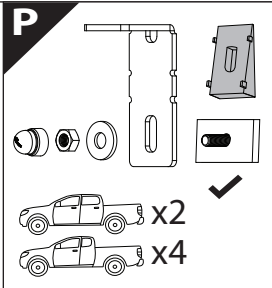
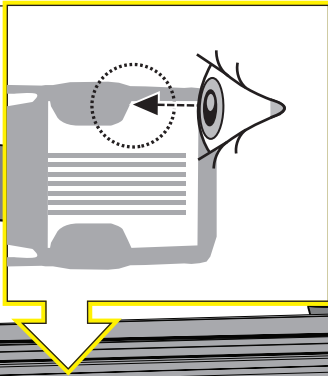
47



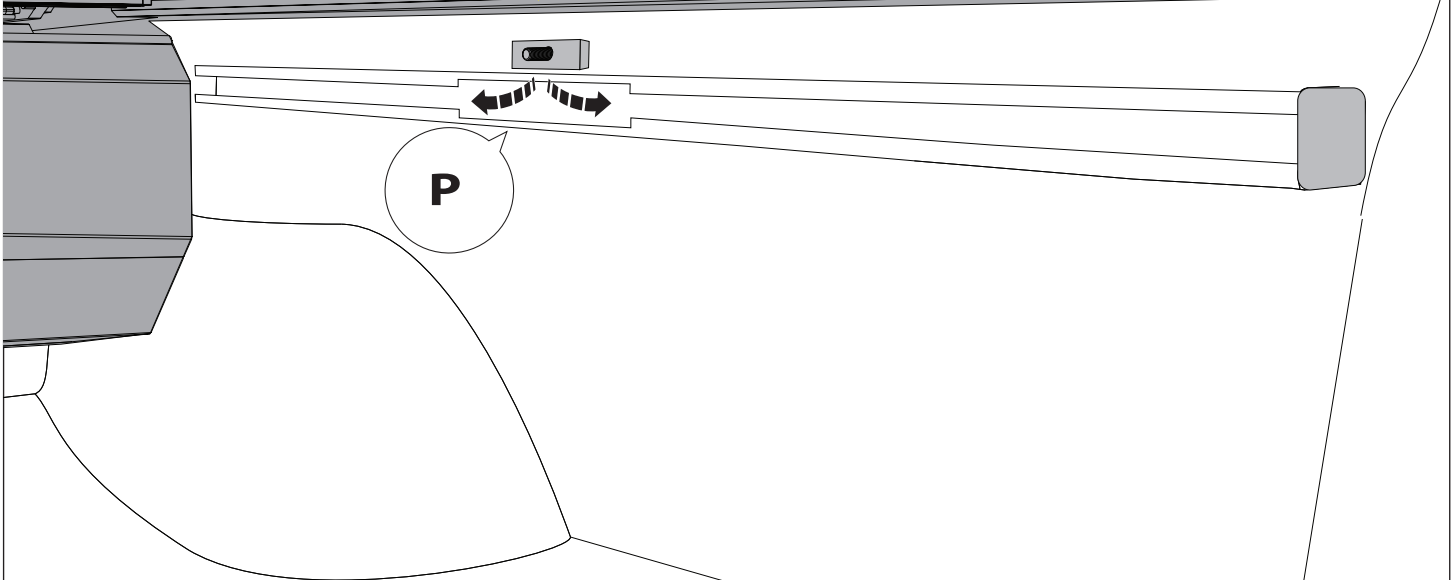
48



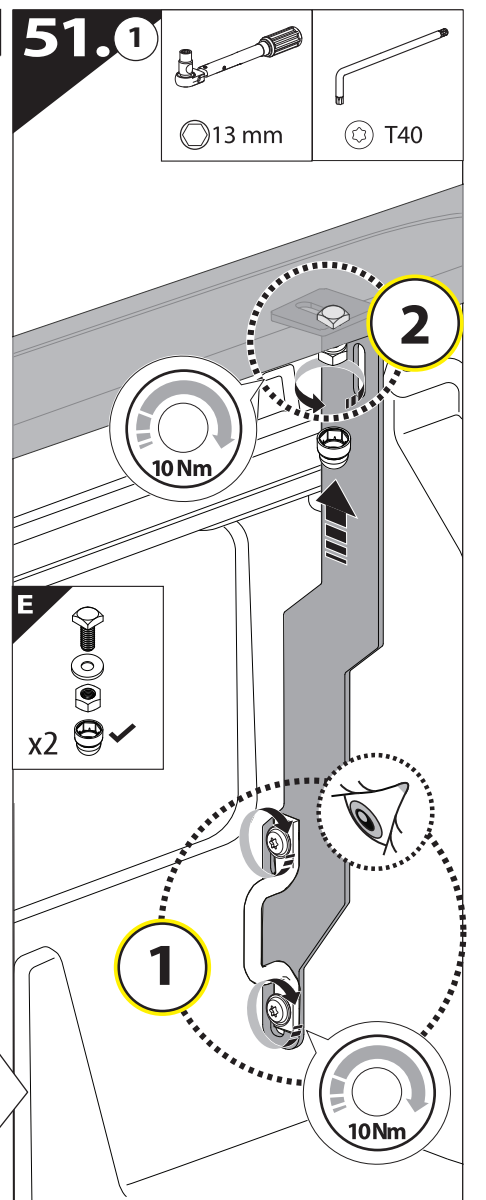
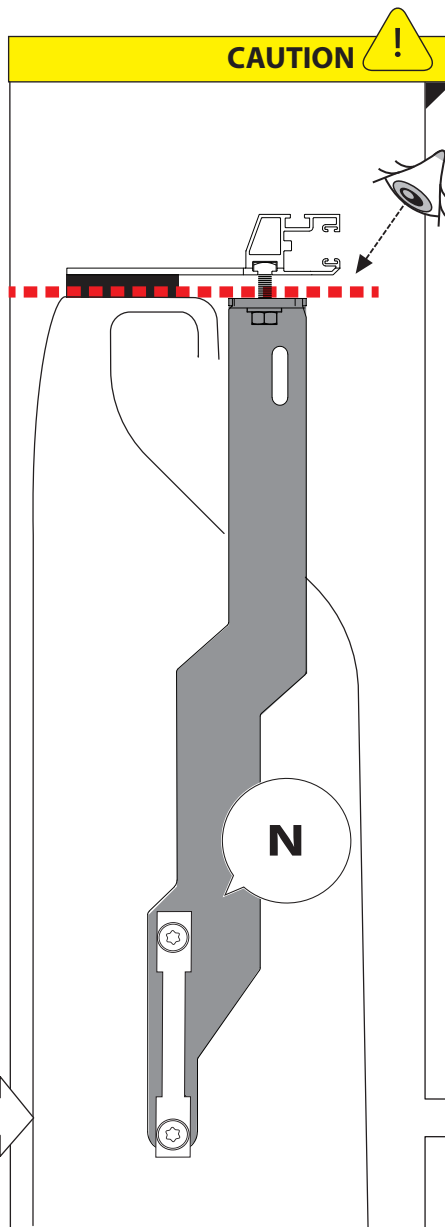
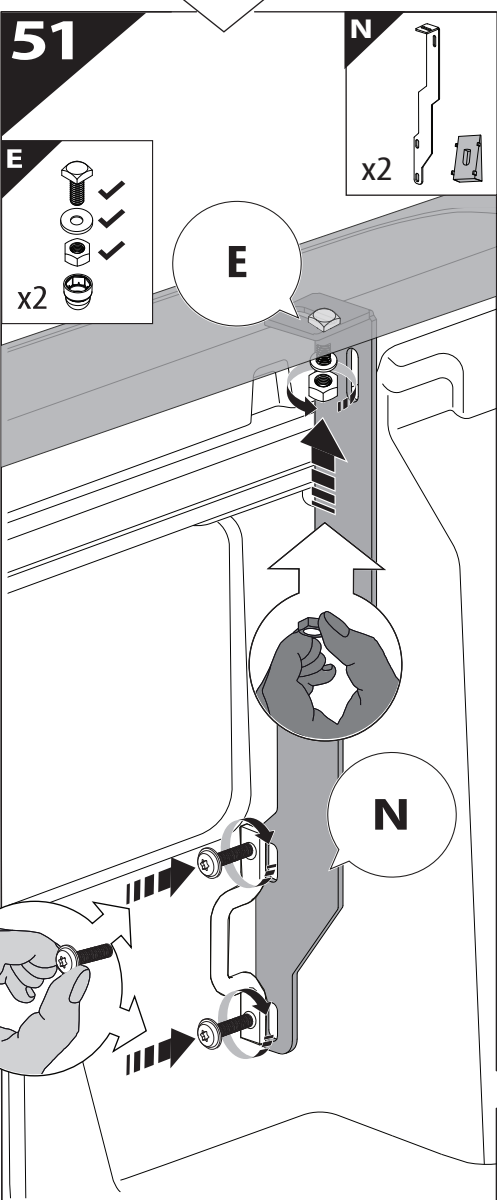
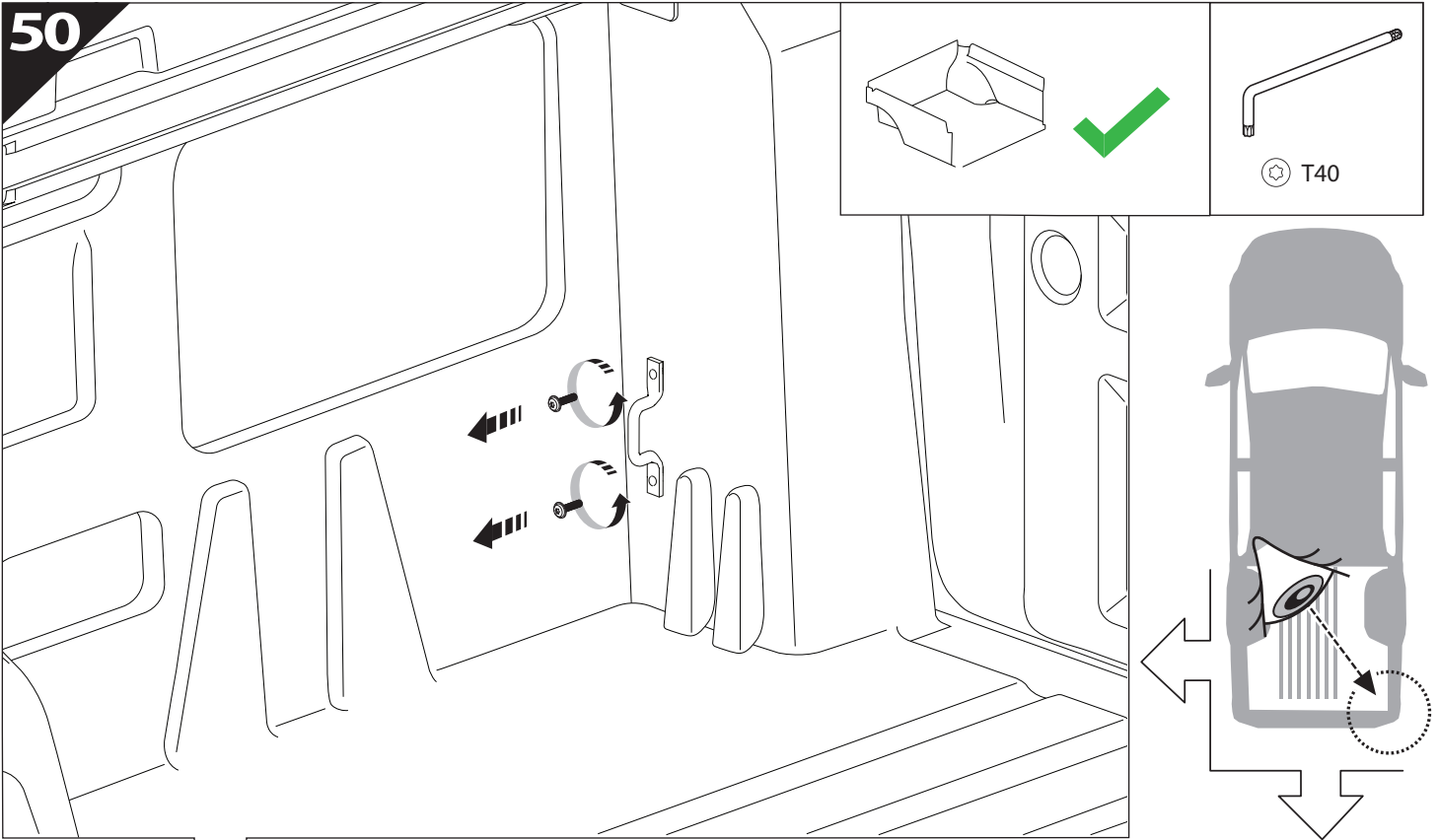
49



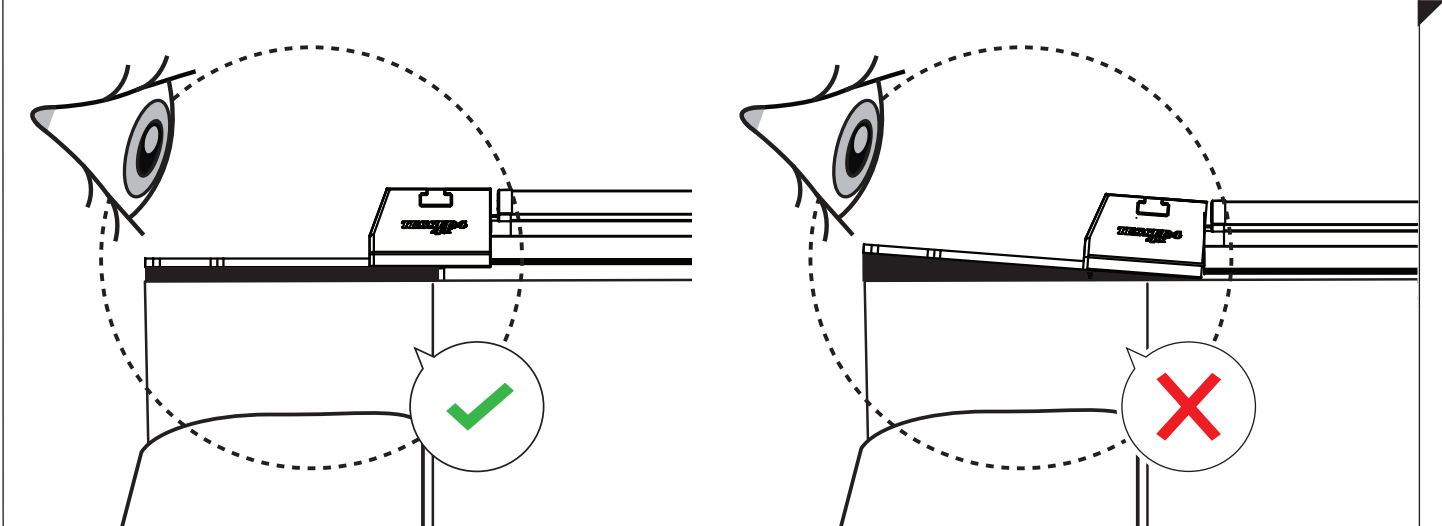
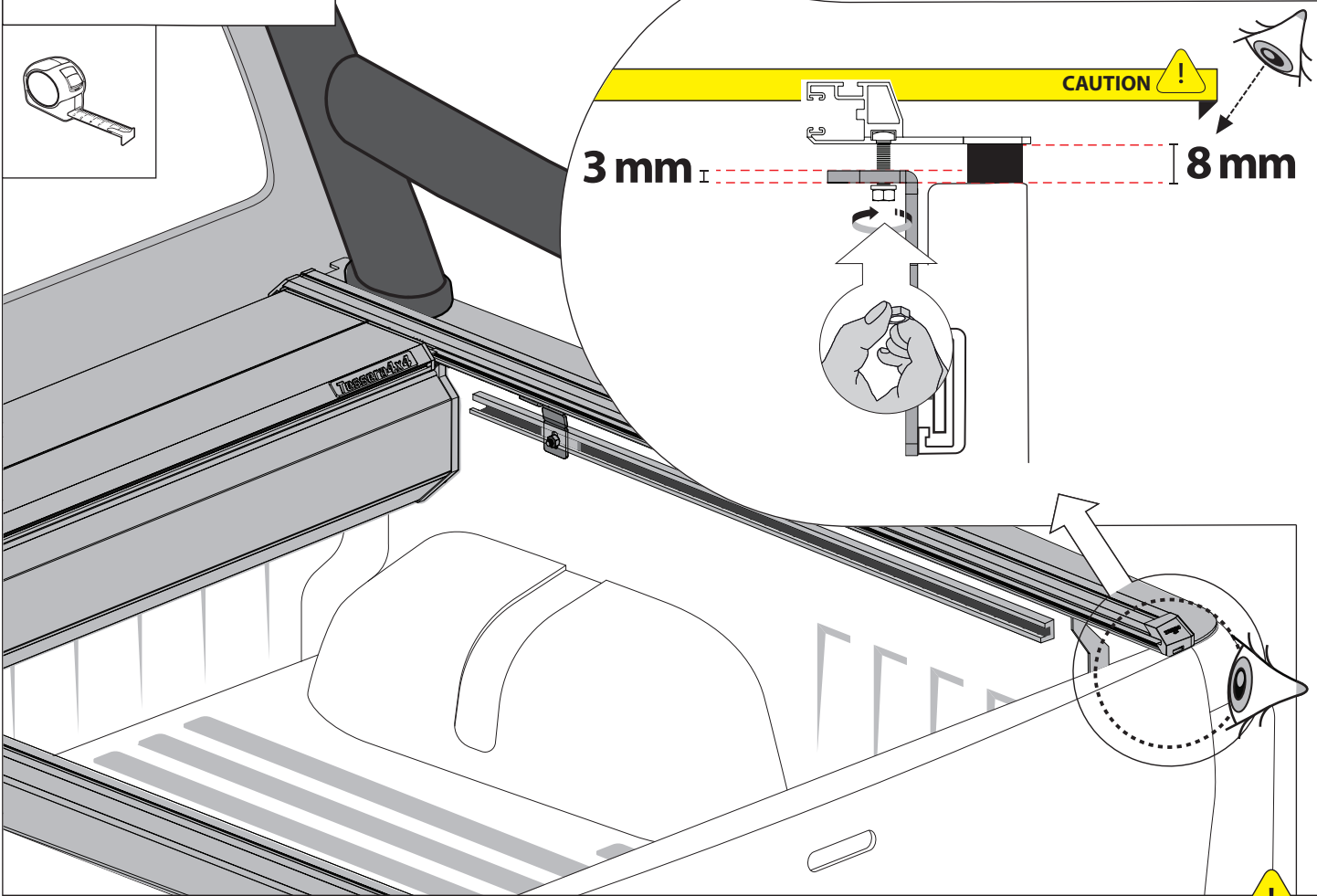
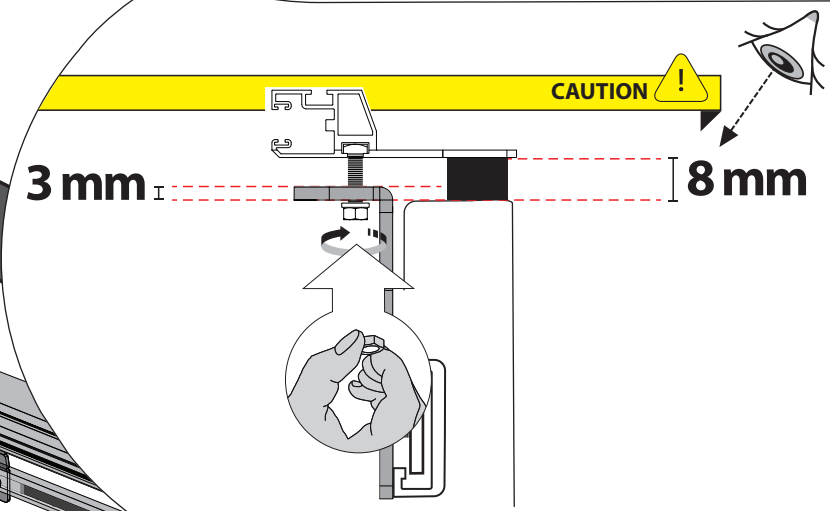
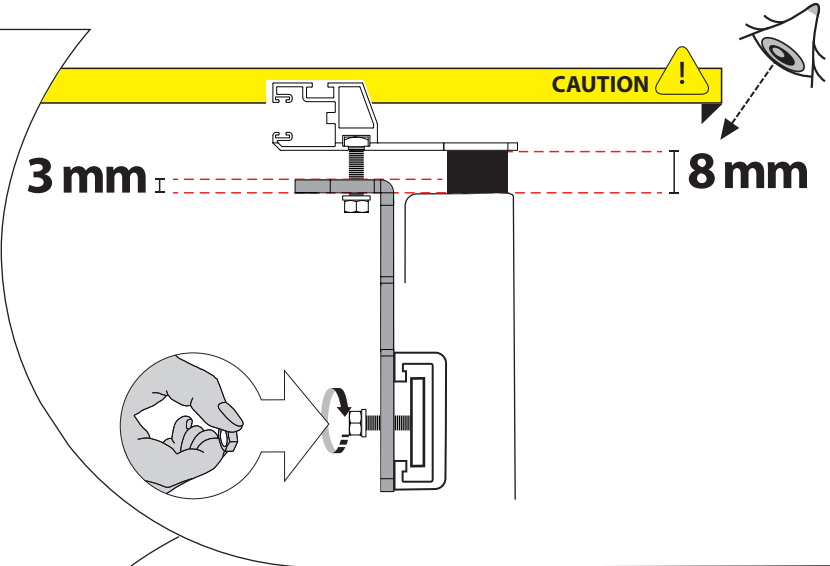
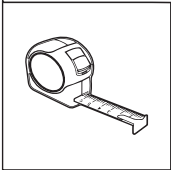
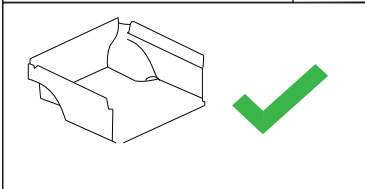
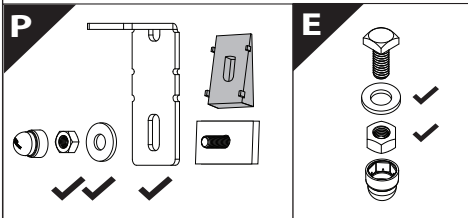
4x4

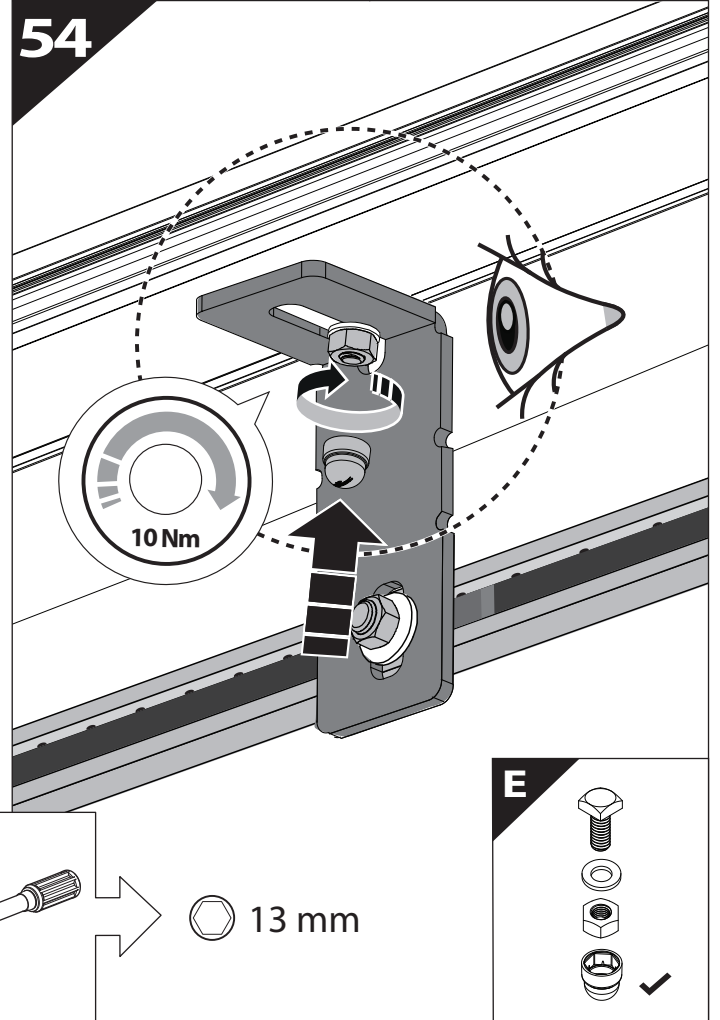
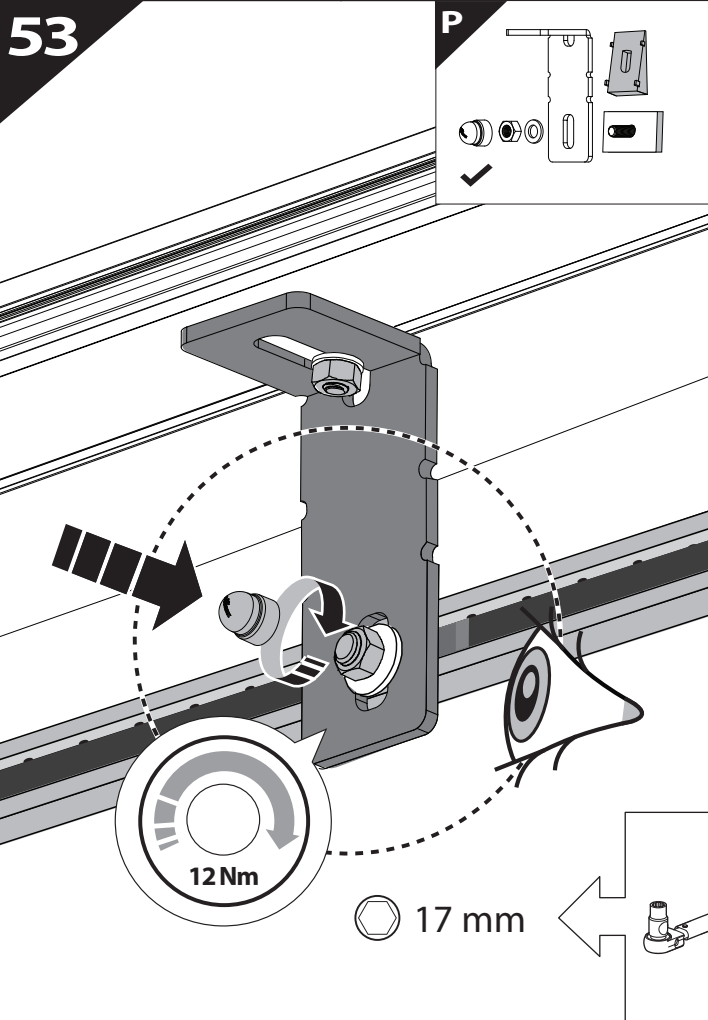


**P**

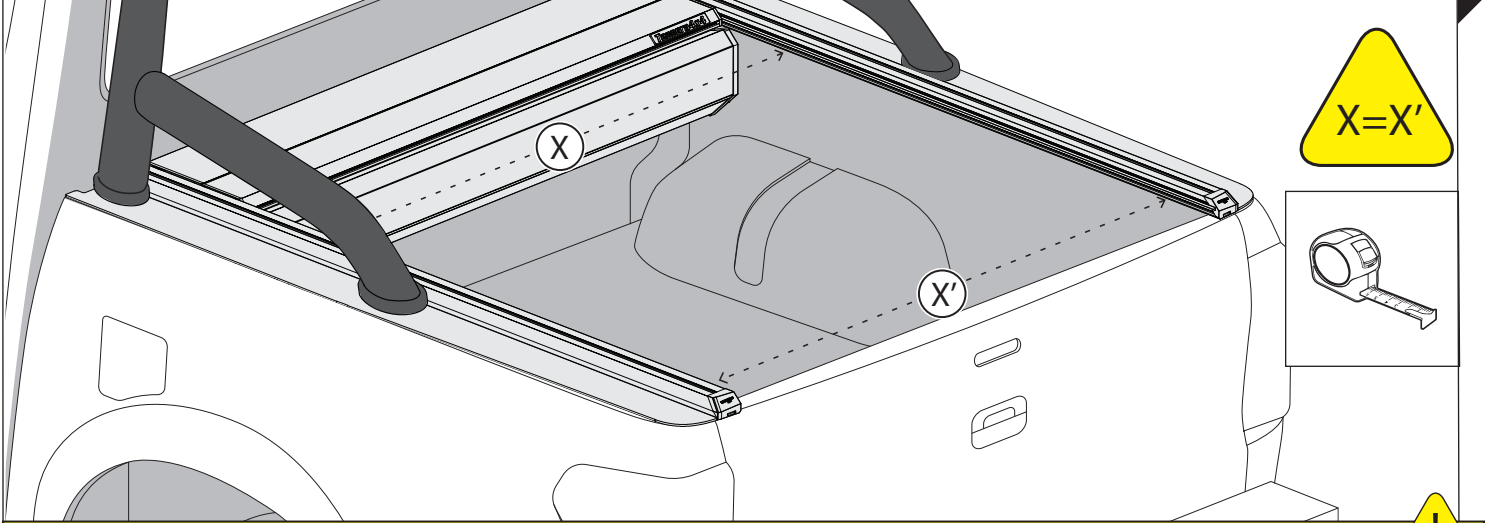


52

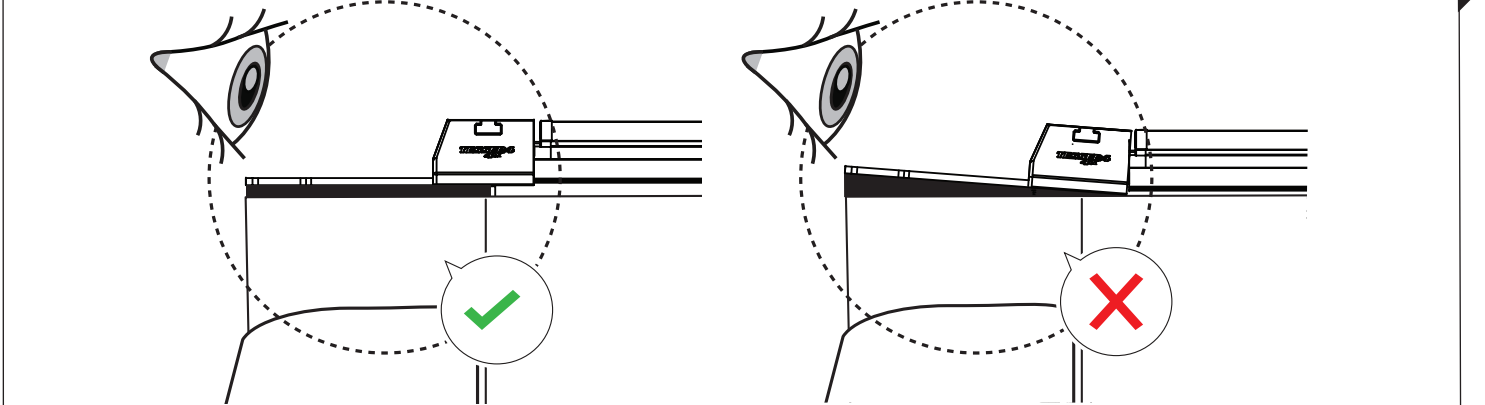


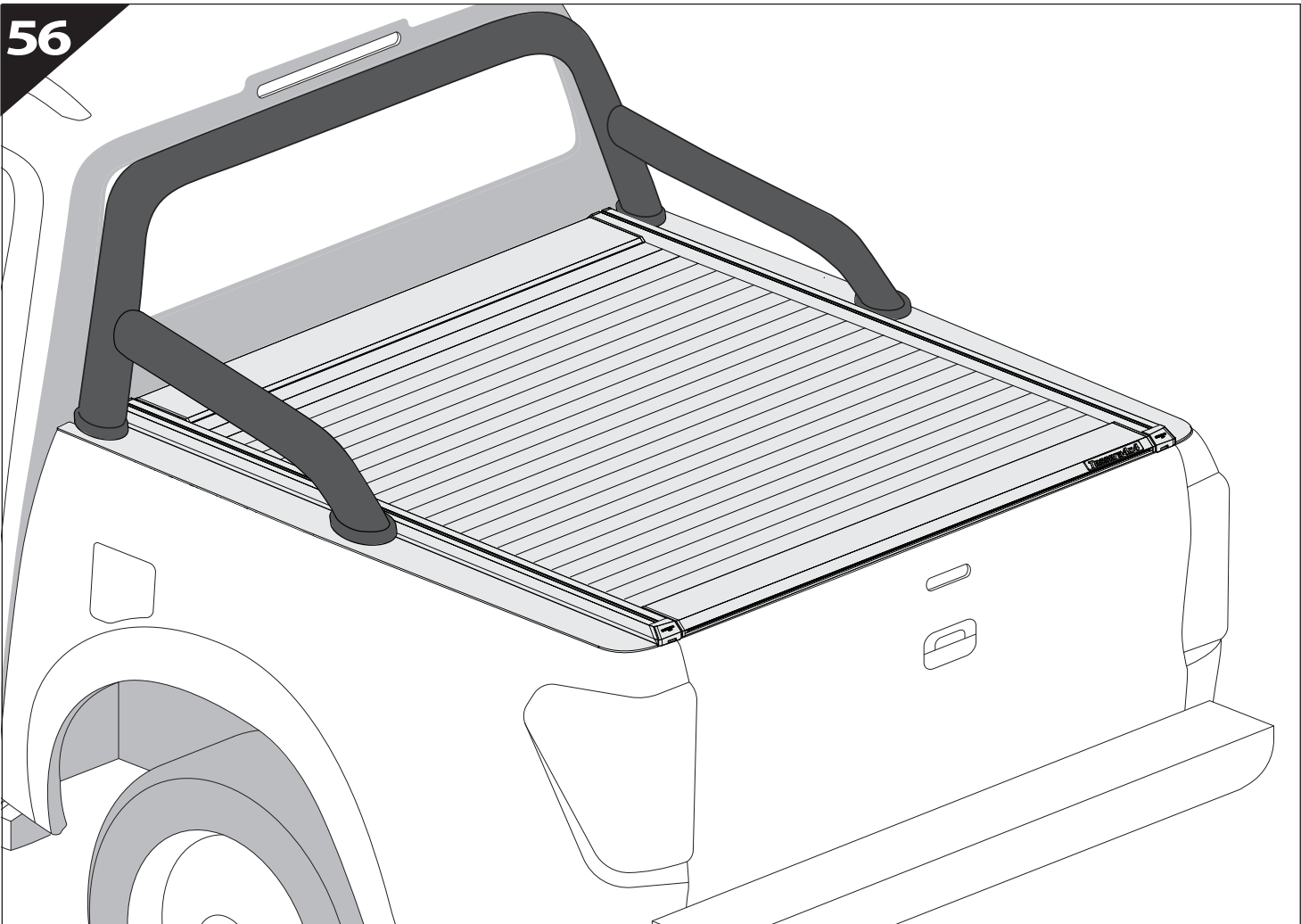
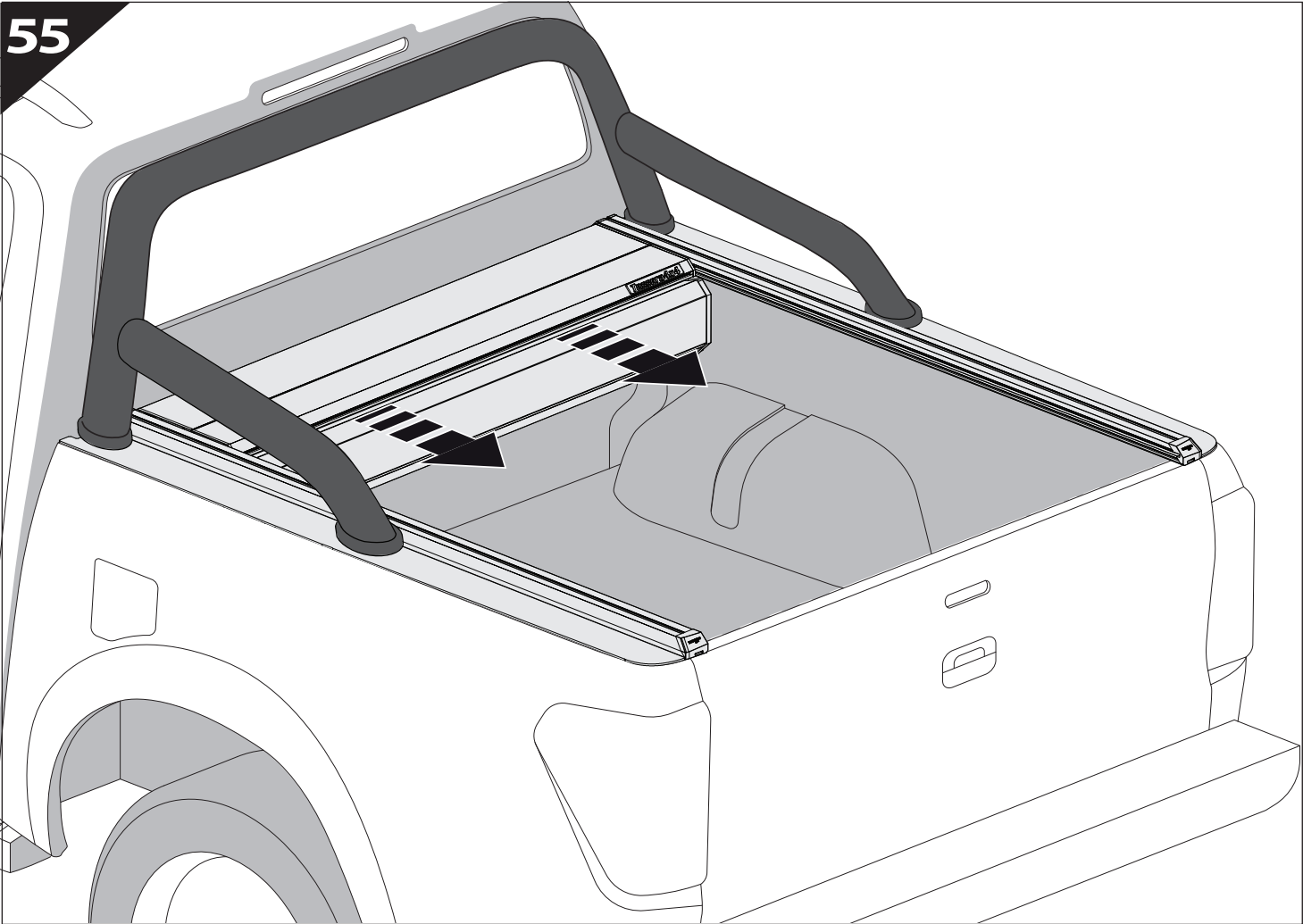


**CAUTION** !



**CAUTION** !







**GR:** Οδηγίες Εγκατάστασης  
**GB:** Installation manual  
**SF:** Asennusohje  
**F:** Notice de montage  
**PL:** Instrukcja montażu  
**NL:** Installatie-instructies  
**TR:** Montaj Talimatı  
**S:** Monteringsanvisning  
**E:** Instrucciones de montaje

**H:** Szerelési utasítás  
**P:** Instruções de instalação  
**RUS:** Инструкция по установке  
**N:** Monteringsveiledning  
**D:** Einbauanleitung  
**CZ:** Návod k instalaci  
**I:** Istruzioni di montaggio  
**DK:** Monteringsvejledning  
**RO:** Instructiuni de instalare

Customer Service:

+30 (210) 5541161, +30 (210) 5541154 (08:00 - 16:00 EET)

Support department:

[info@gianso.gr](mailto:info@gianso.gr)

Website:

[www.tessera4x4.com](http://www.tessera4x4.com)

Address:

19.5 km of National road Athens-Korinthos (Elefsina) Greece, P.C: 19200