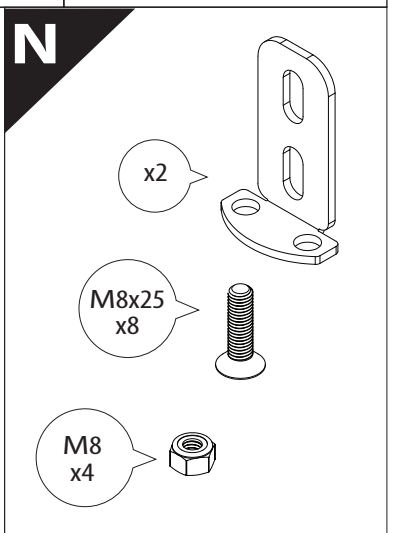
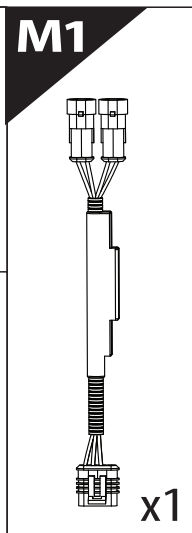
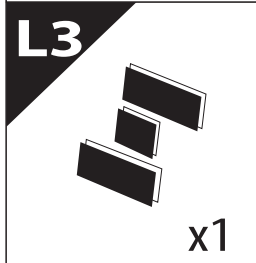
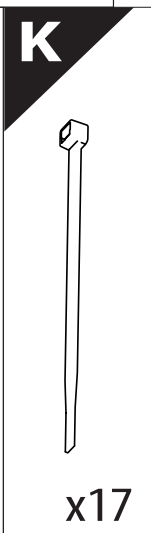
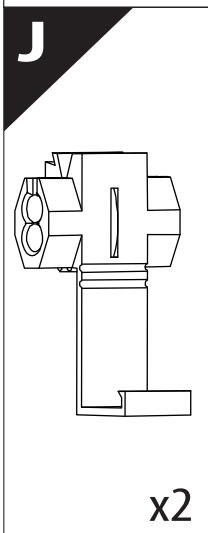
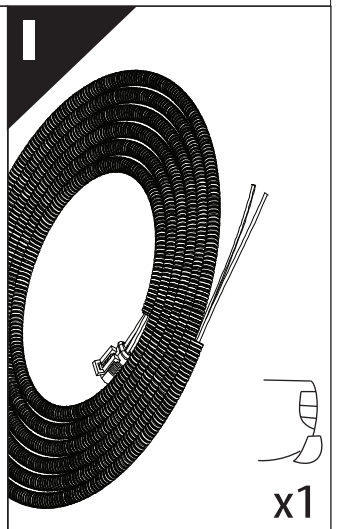
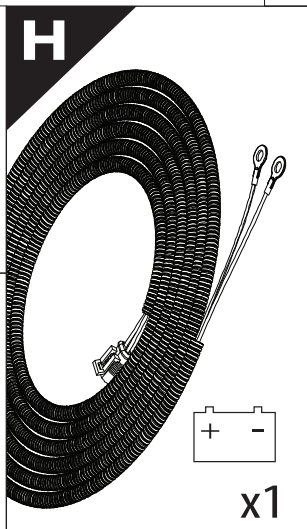
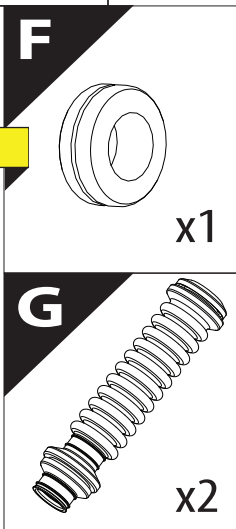
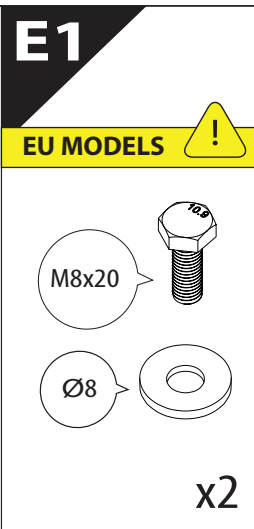
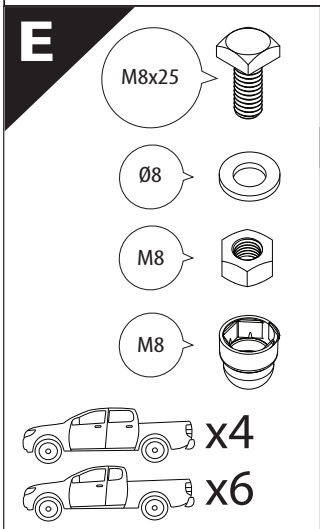
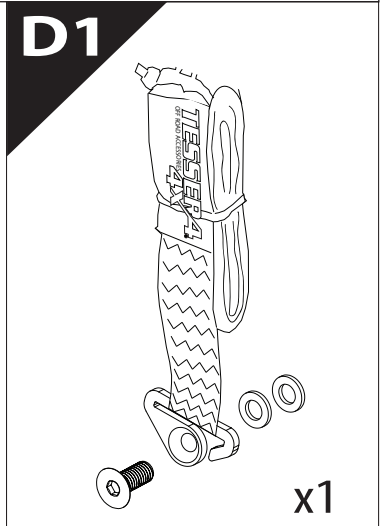
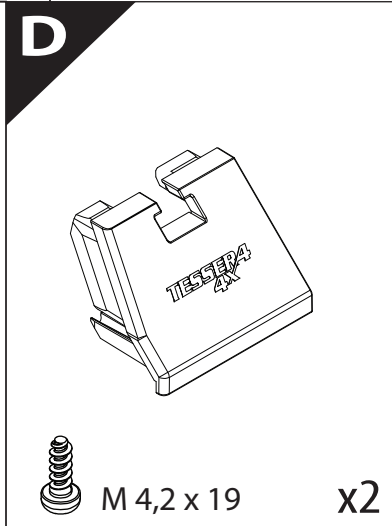
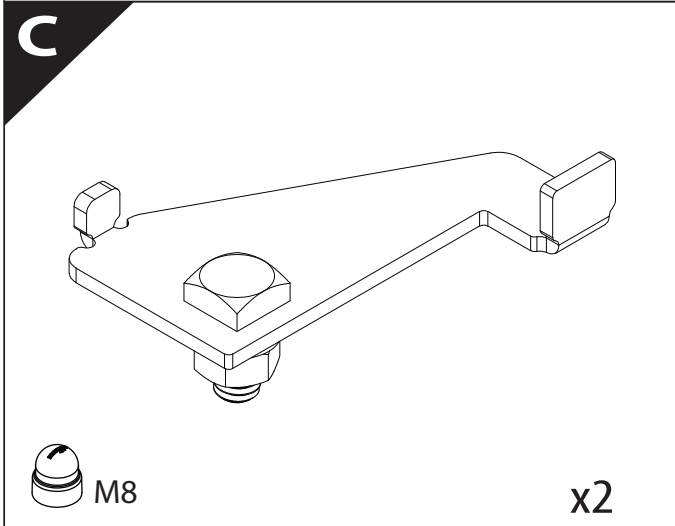
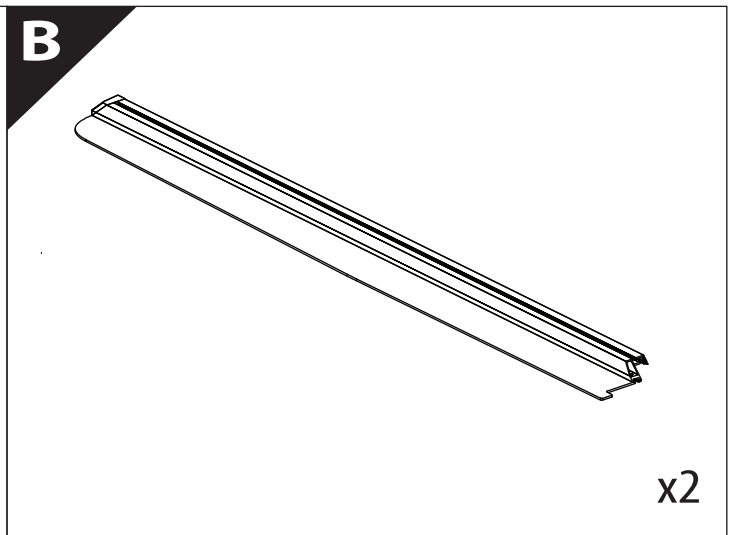
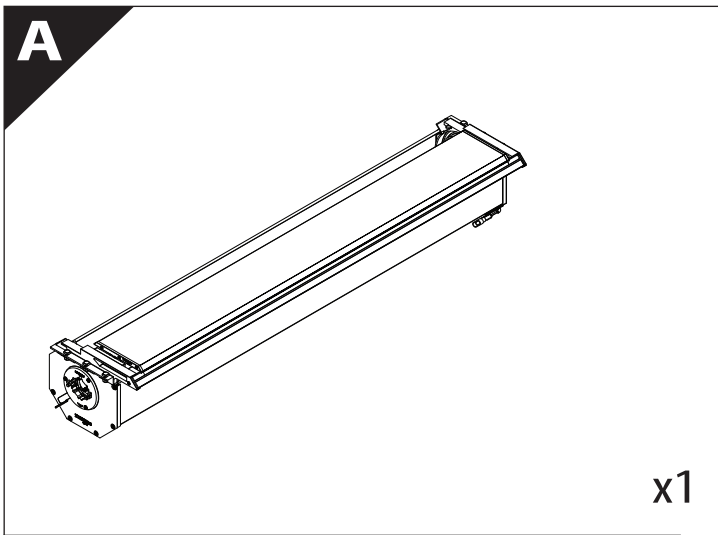


# Installation Manual

PART NUMBER(S)	Model Year
TESS 14060 ROLL + ADAPT 008	FORD RANGER 2023+ SPORT WITH OEM ROLLBAR (with c-channels)
TESS 14070 ROLL + ADAPT 008	
Cab(s)	Installation Time / Weight
Double Cab & Space cab	40-60 minutes / 53-57 kg





<p><b>O</b></p> <p>M10</p> <p>x2 x4</p>	<p><b>P</b></p> <p>x2</p>	<p><b>Q</b></p> <p>x1</p>	<p><b>R</b></p> <p>x2</p> <p><b>US MODELS</b> </p>	<p>Ø 25 mm</p>
---	---------------------------	---------------------------	--	----------------

- +

4mm, 5 mm

1 - 25 Nm

10, 12, 13, 17 mm

ACETONE

H<sub>2</sub>O

T30, T40

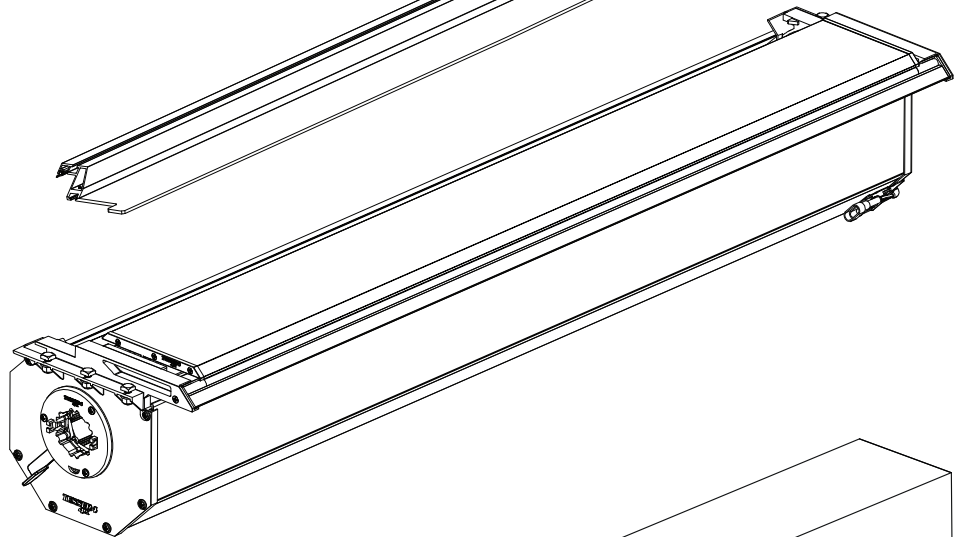
INSTALLATION MANUAL

OWNERS MANUAL

x1



**B**



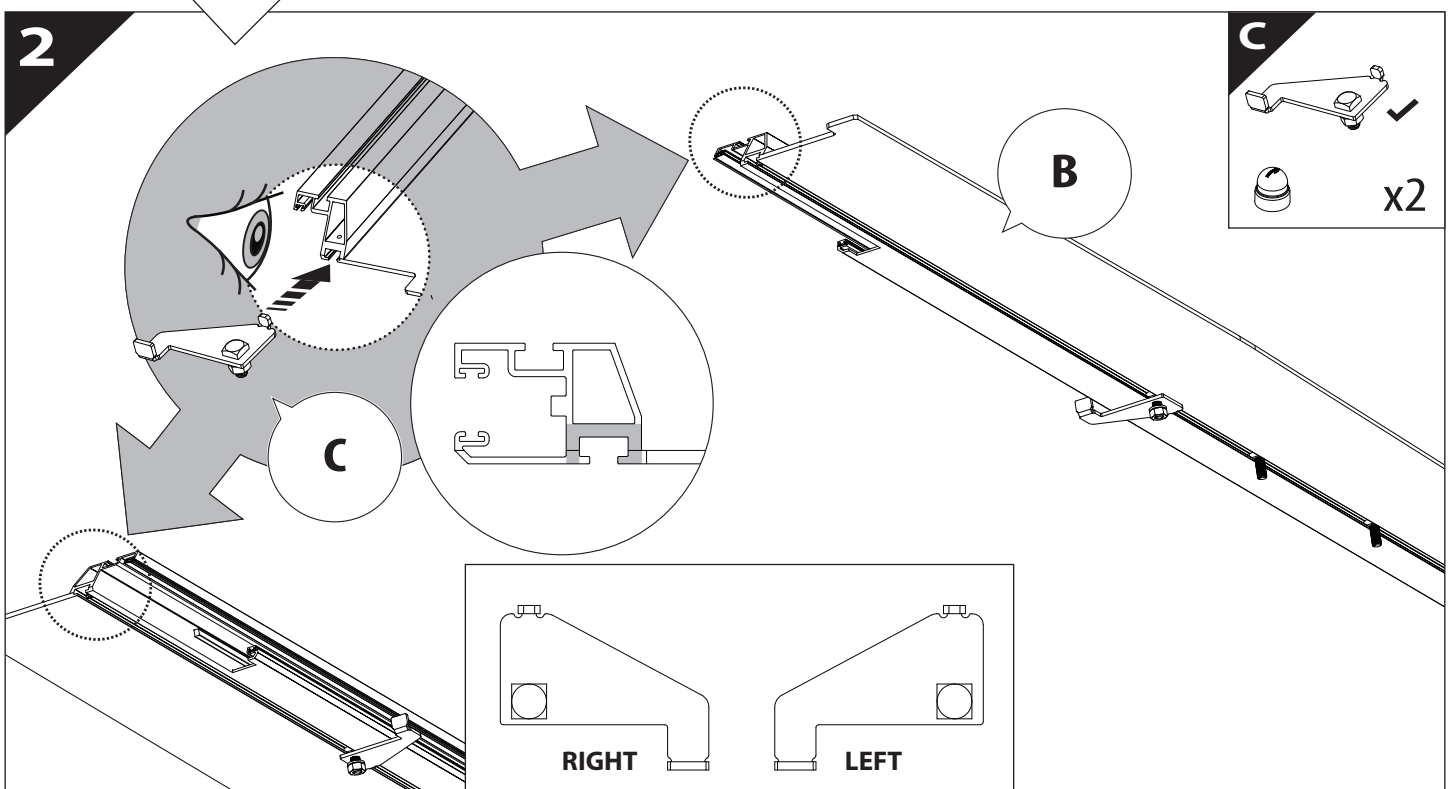
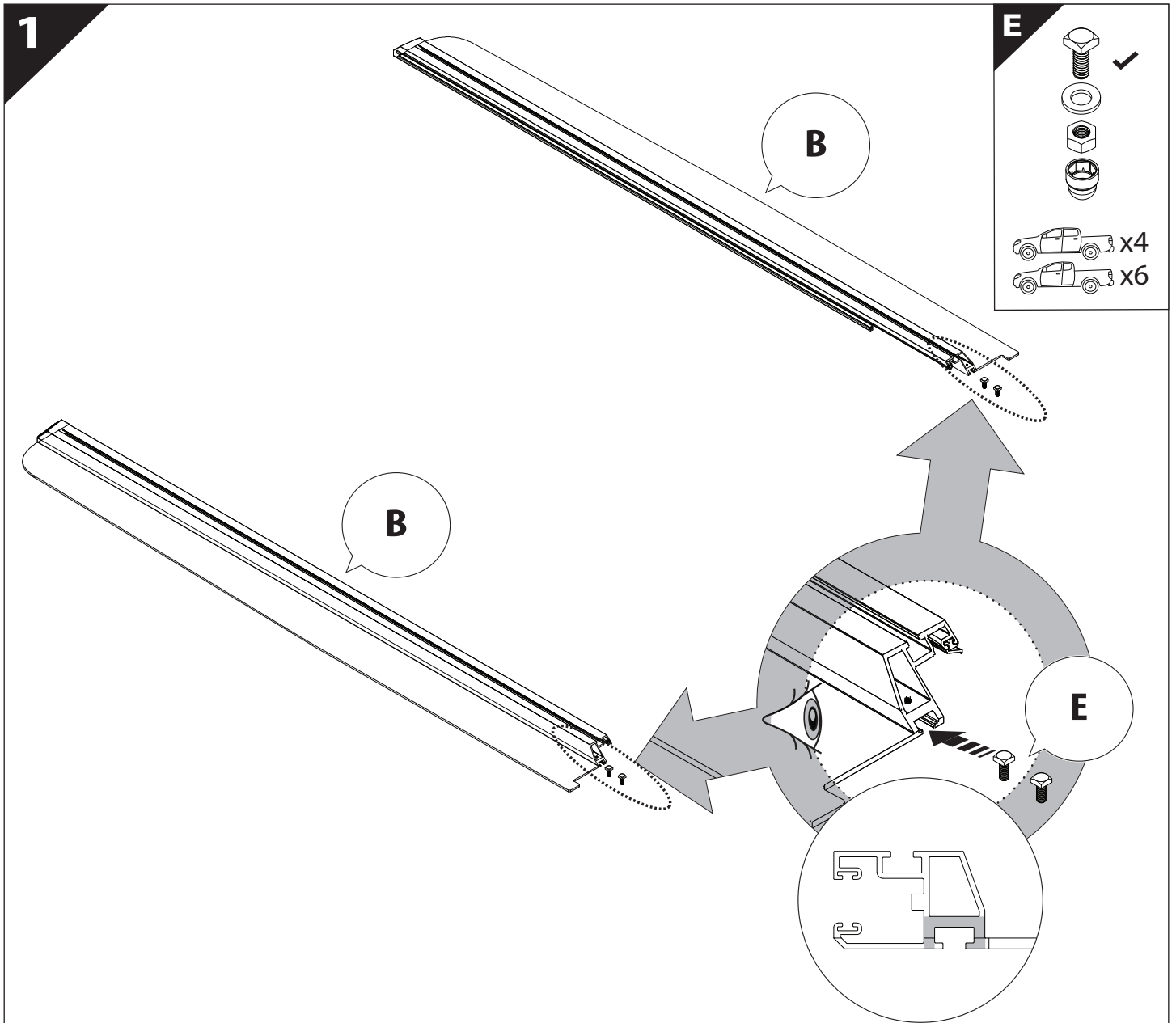
**A**

**KITS**

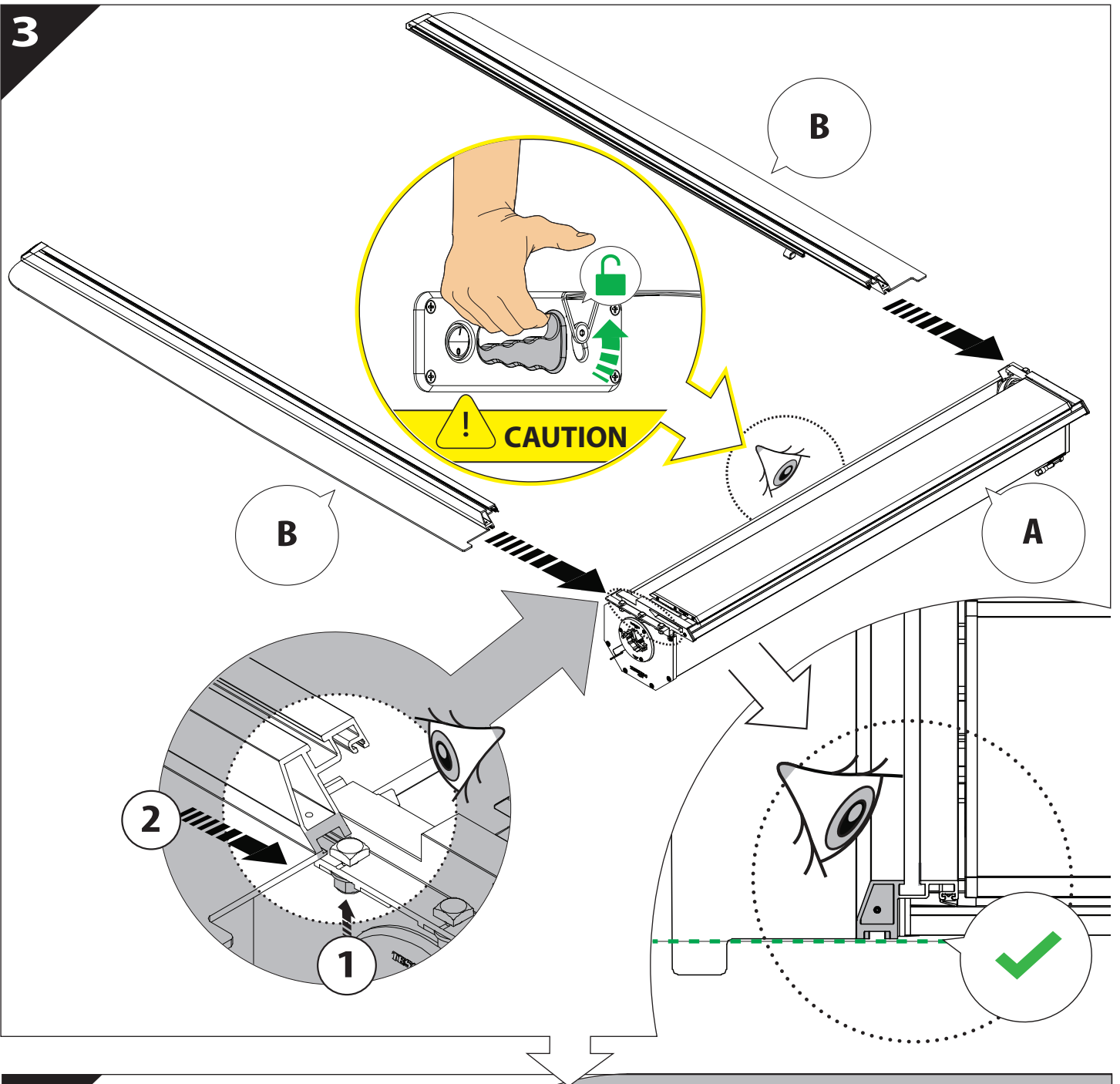


**L**

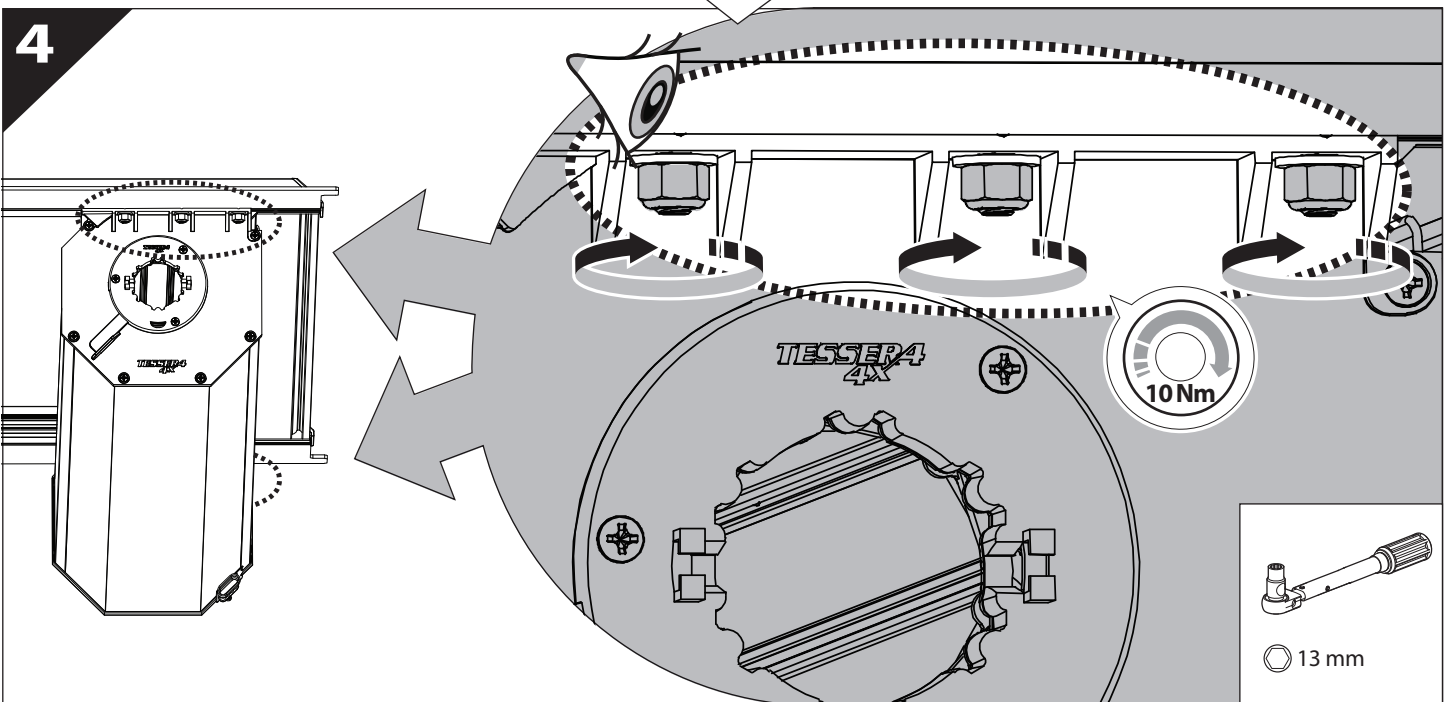


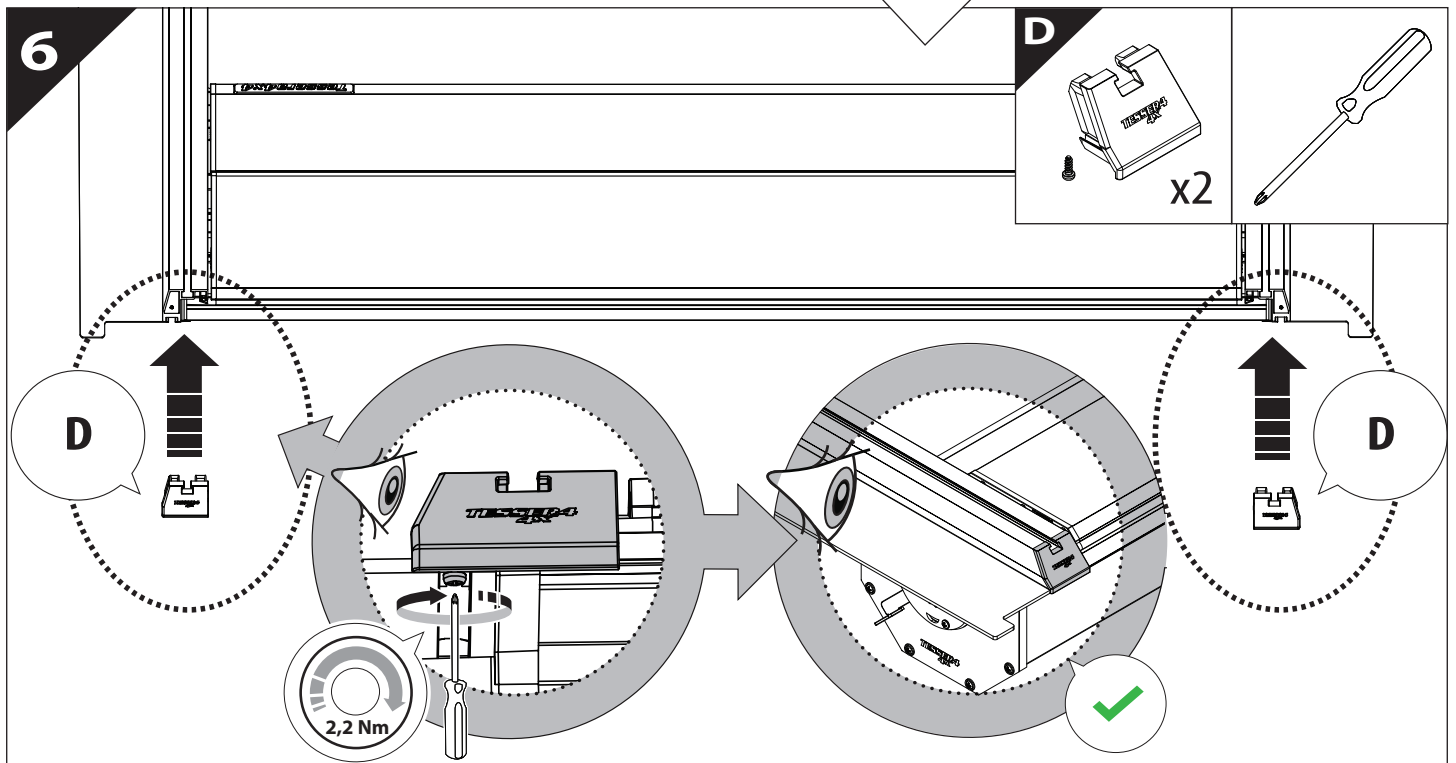
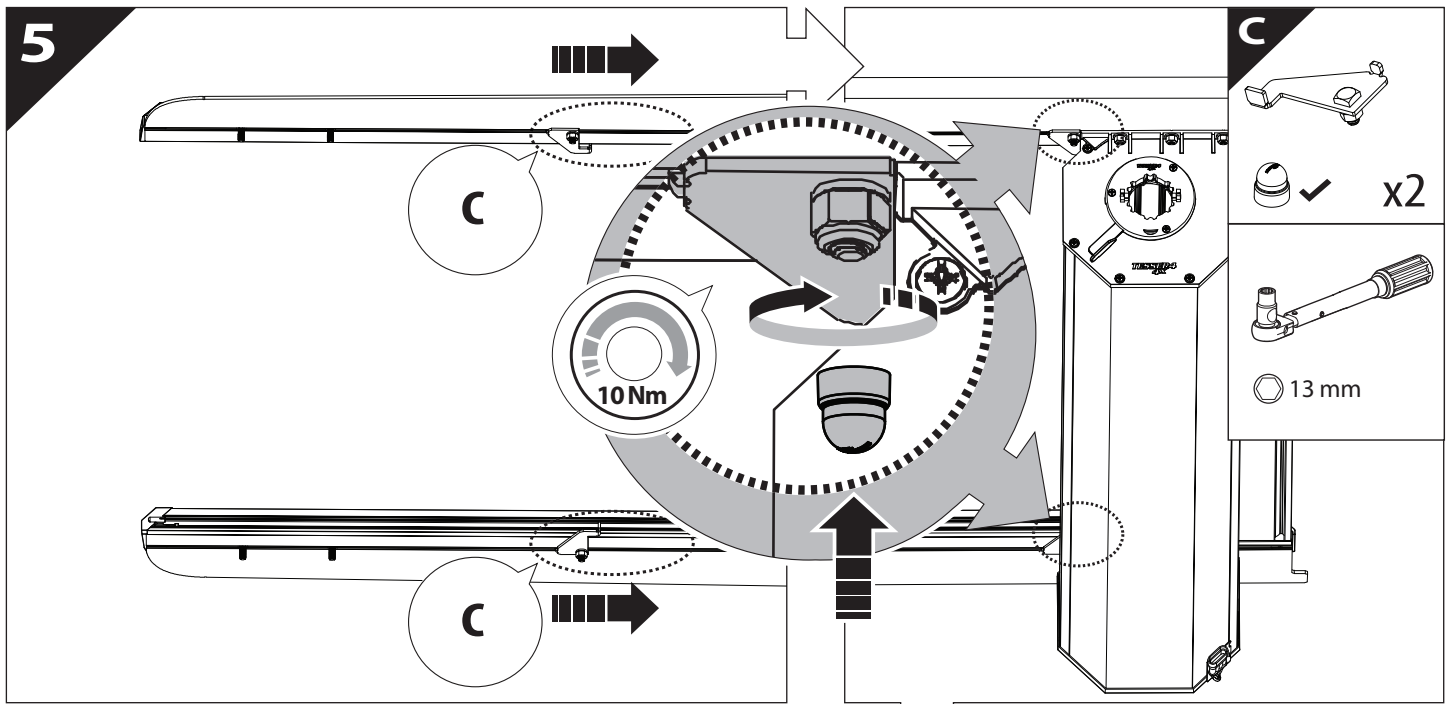


3

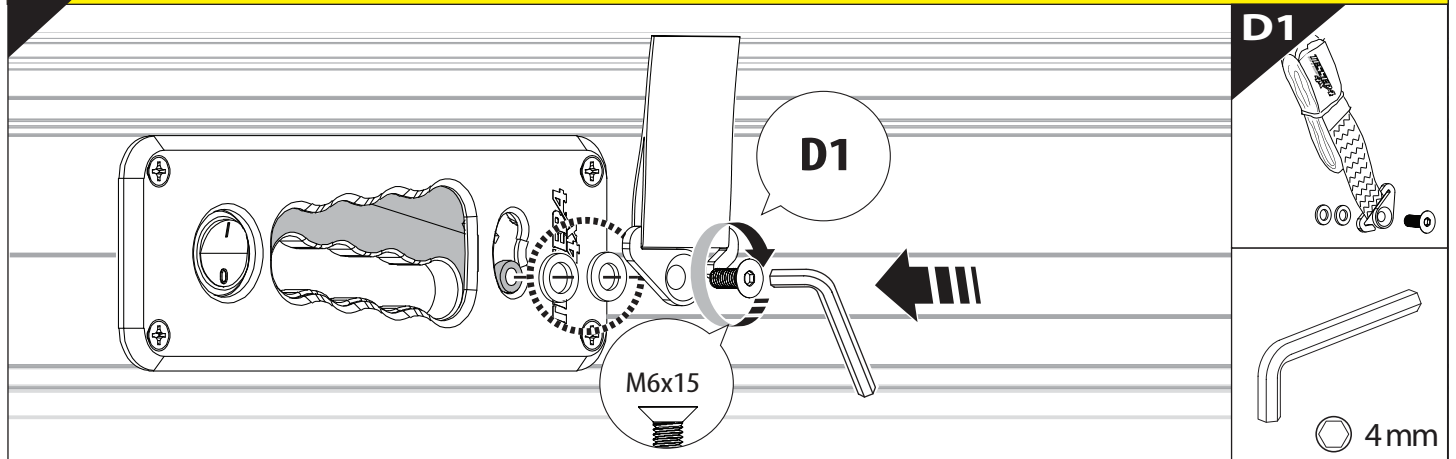


4

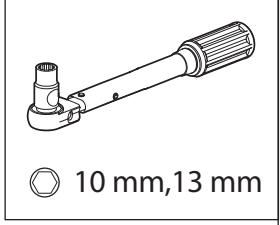




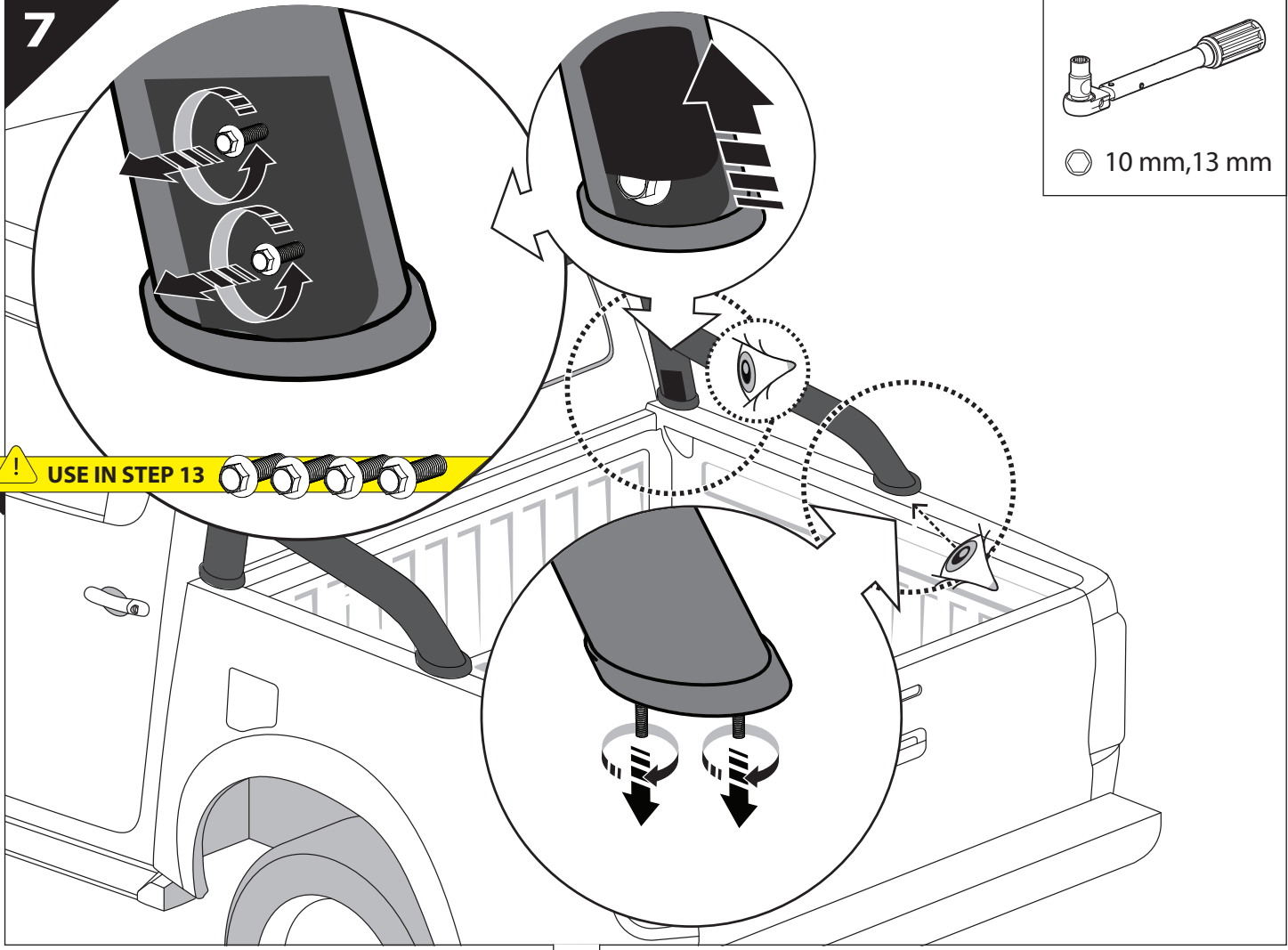
**6.1** **CAUTION** Basic Version ✓ & Basic+S-KIT Version ✓



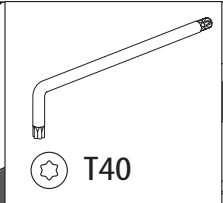
7



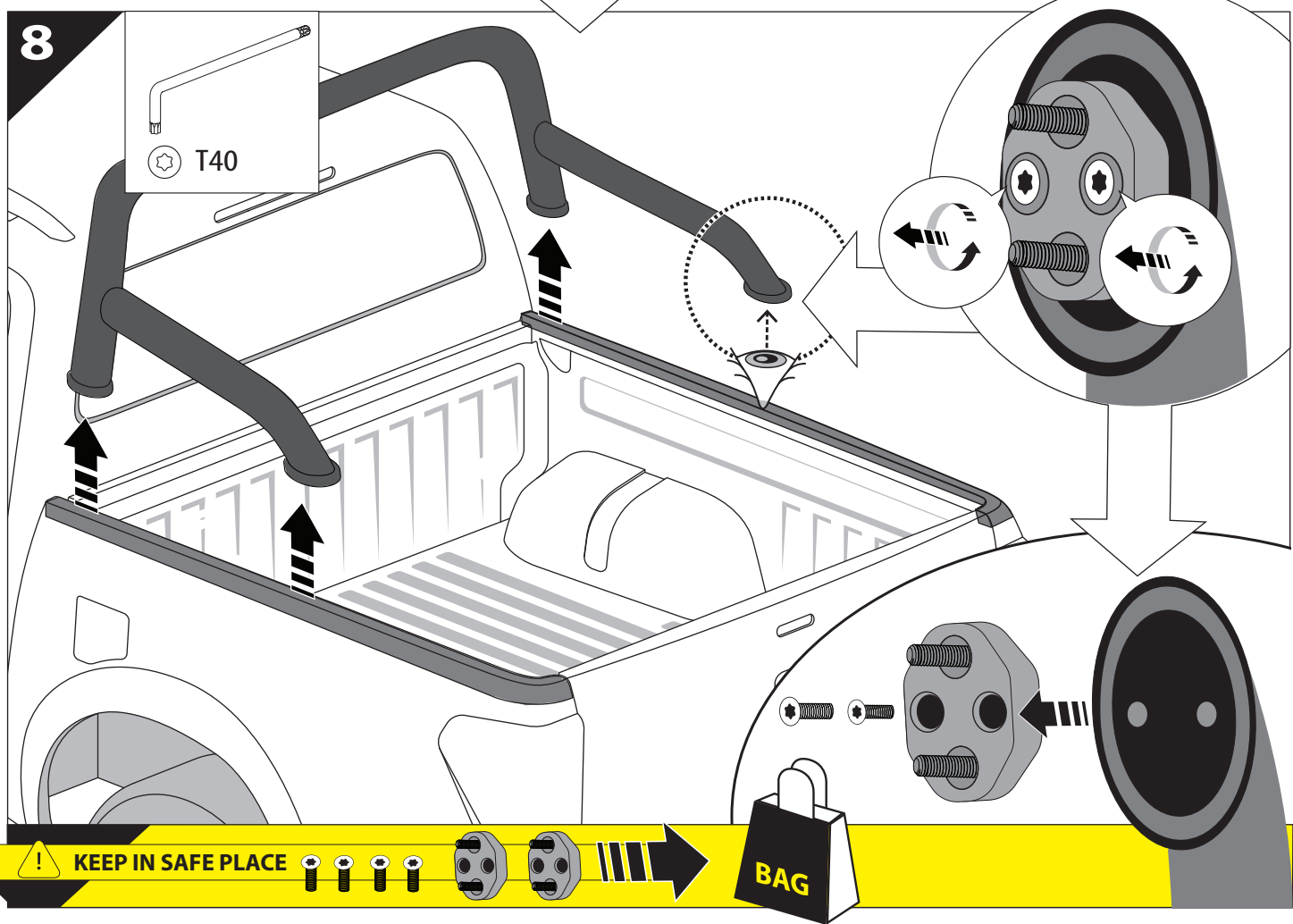
**!** USE IN STEP 13

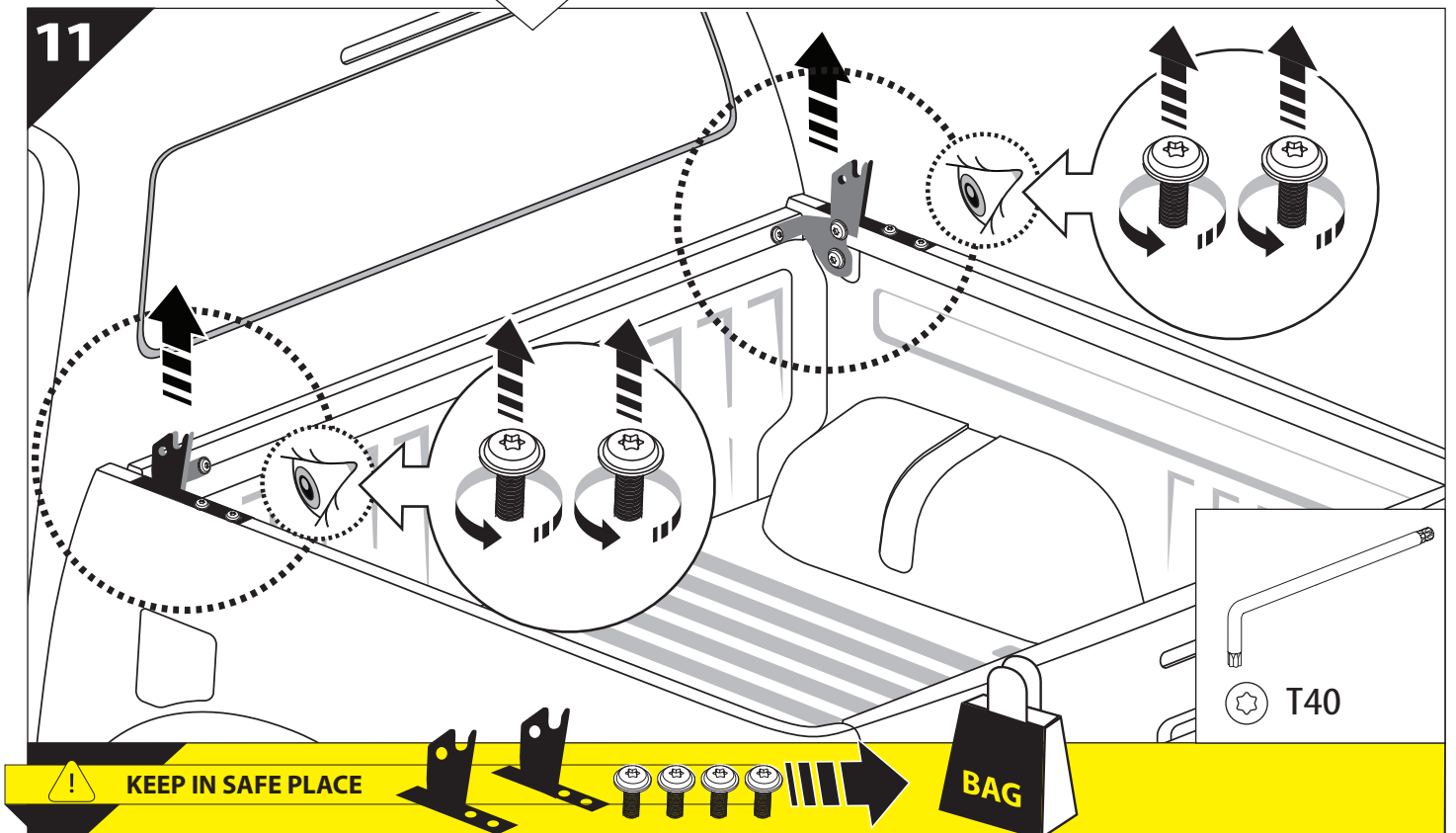
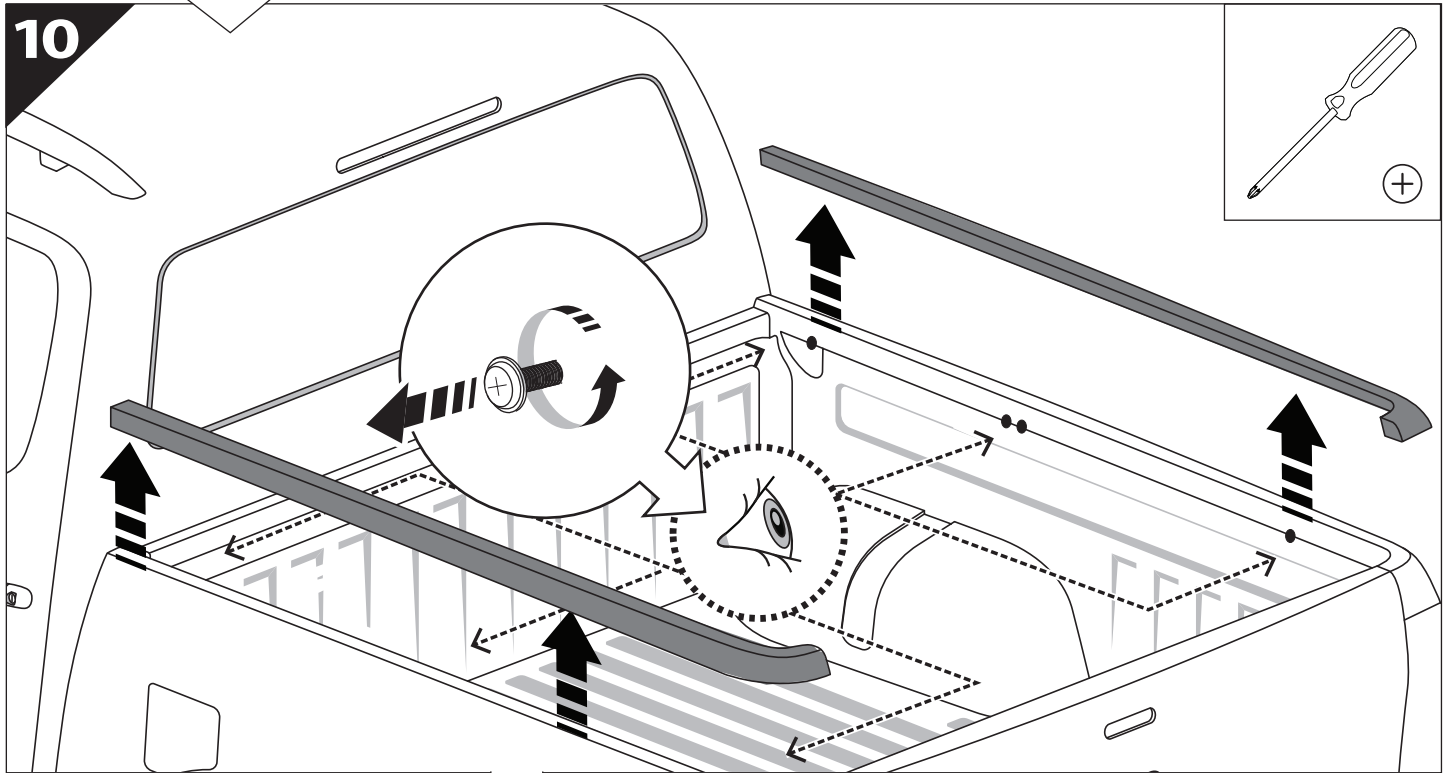
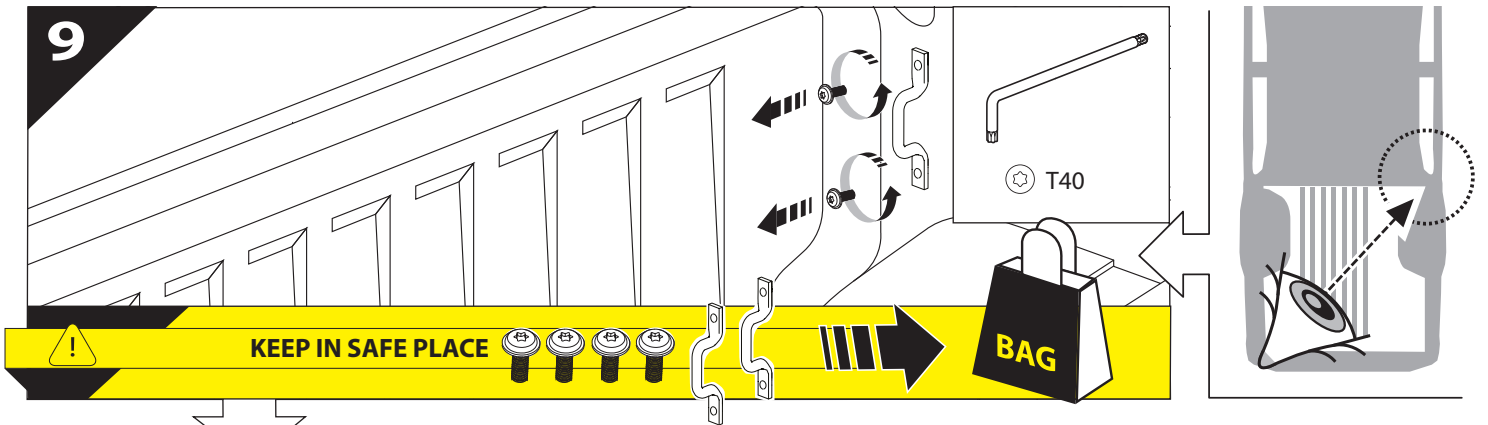


8

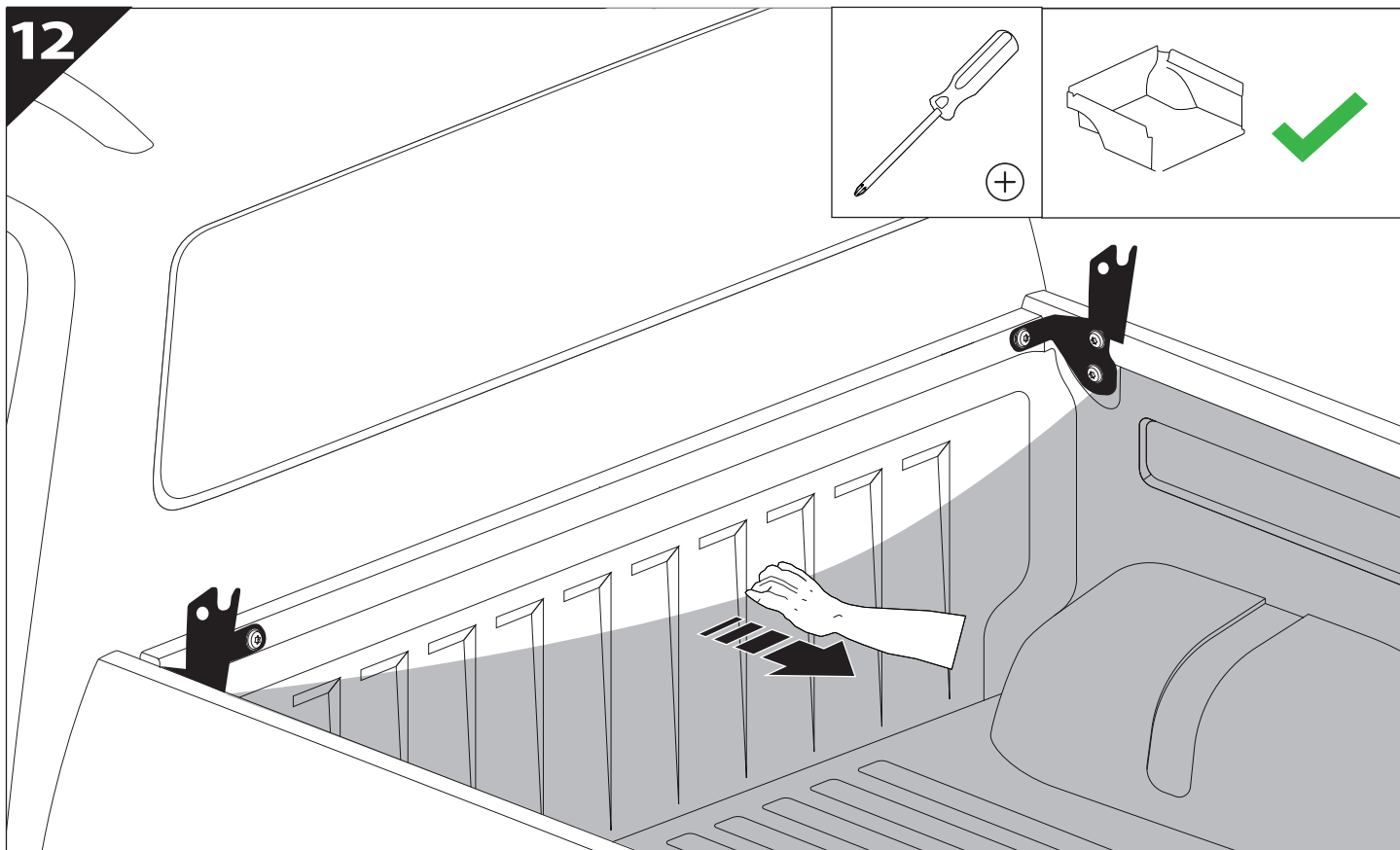


**!** KEEP IN SAFE PLACE

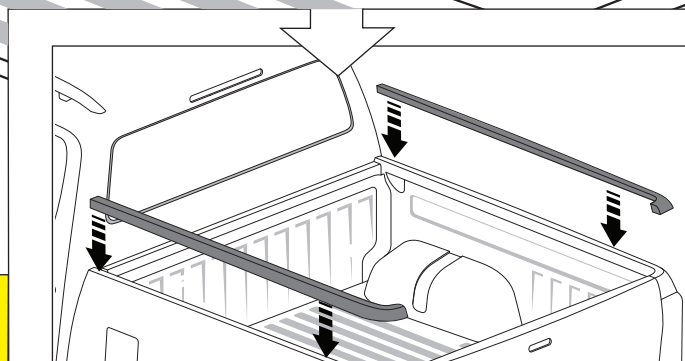
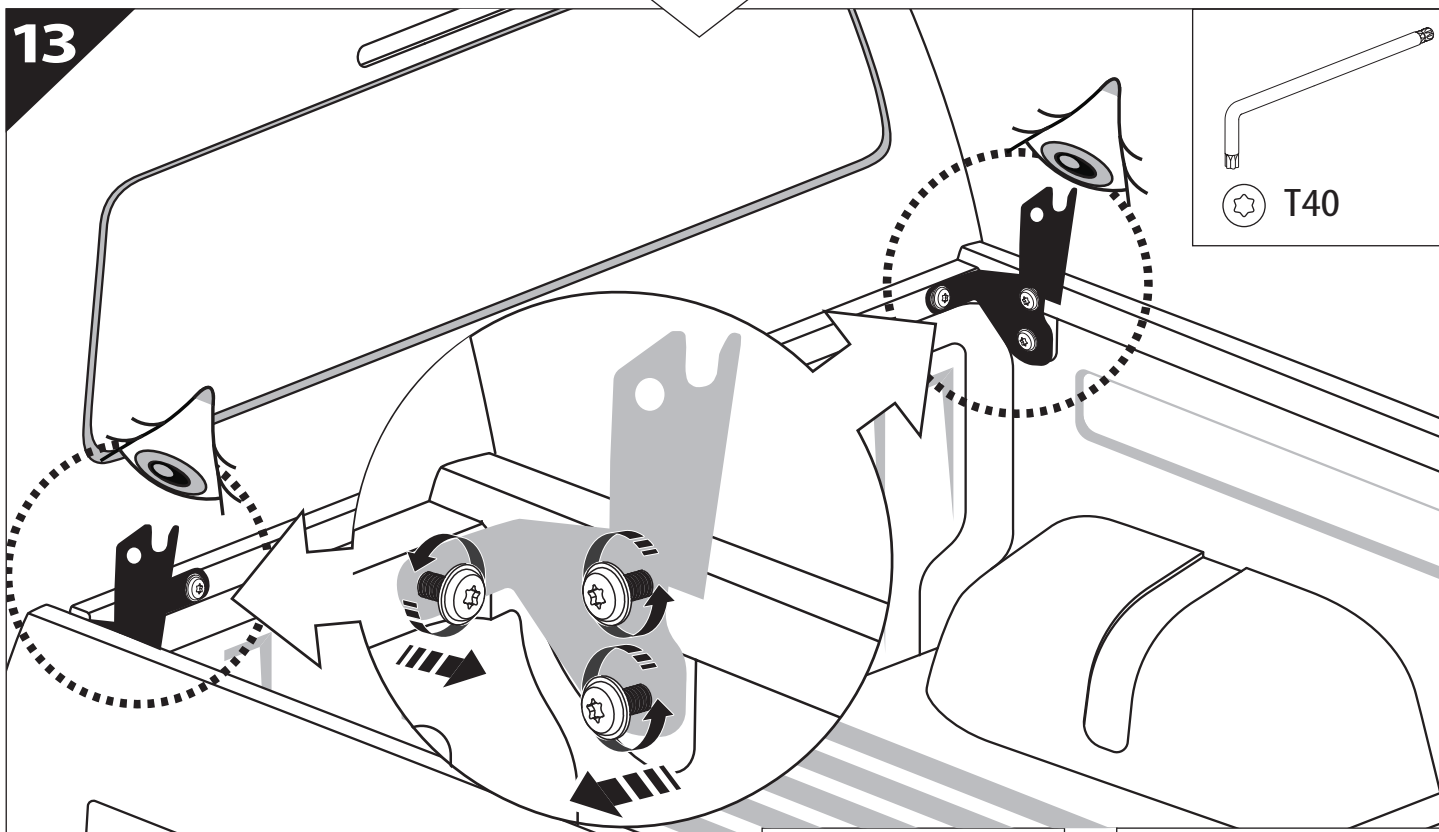




12



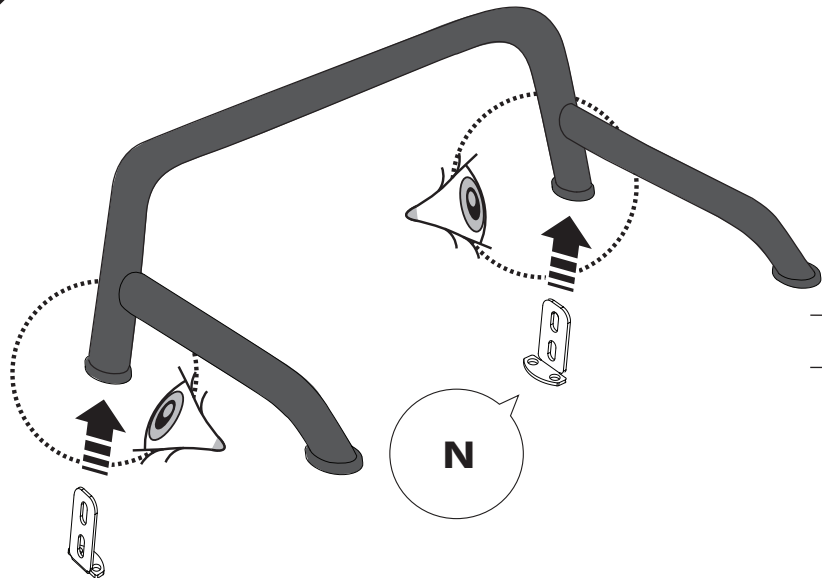
13



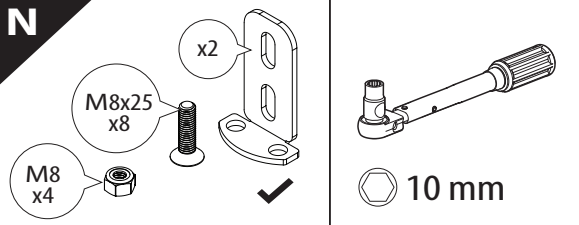
**! KEEP IN SAFE PLACE**

**BAG**

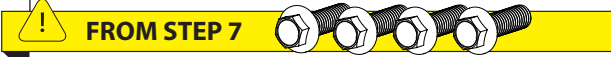
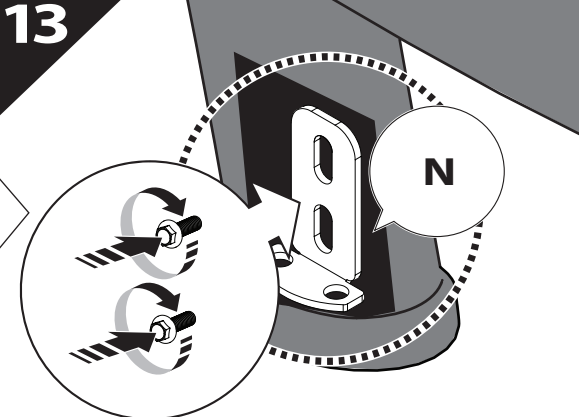
14



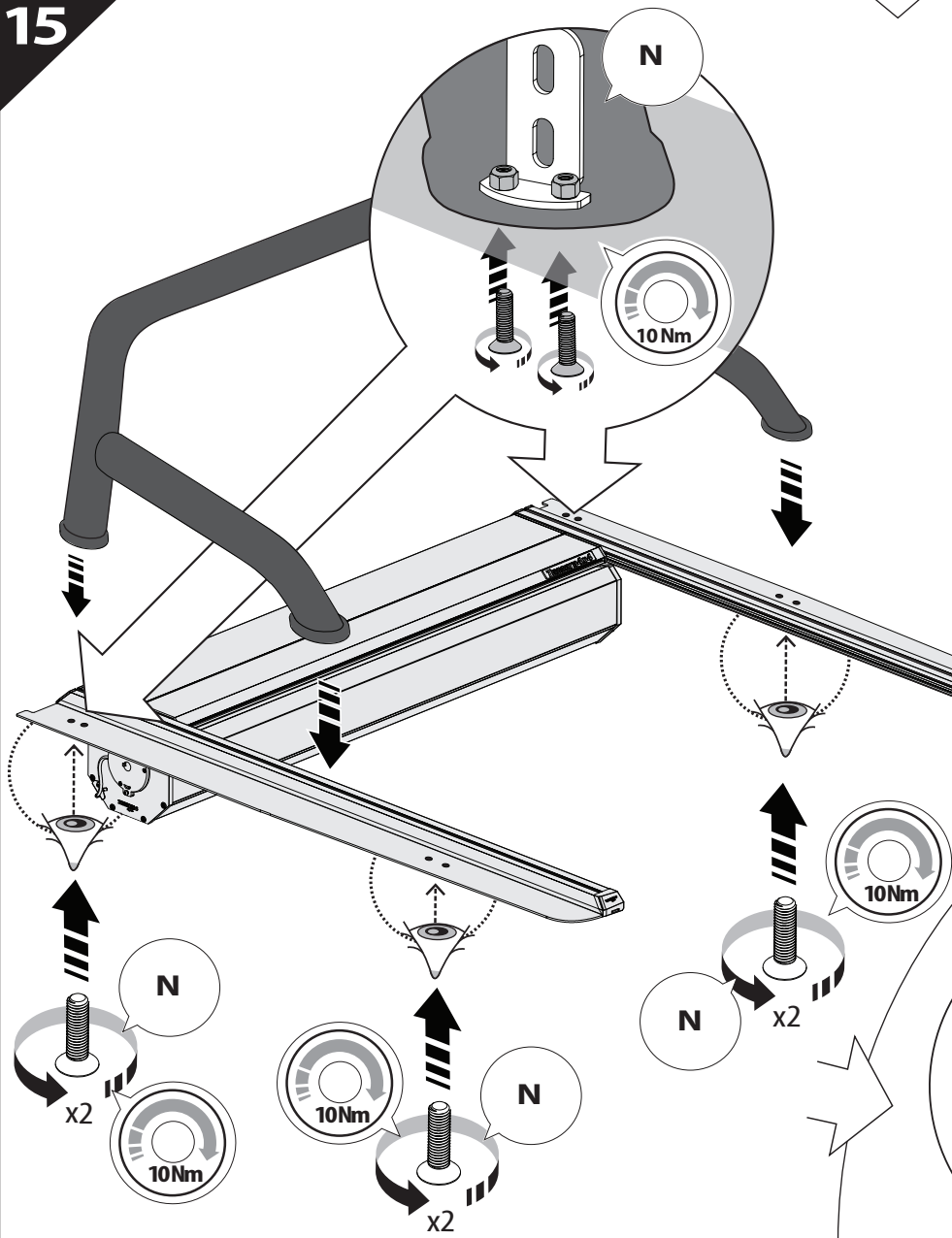
N



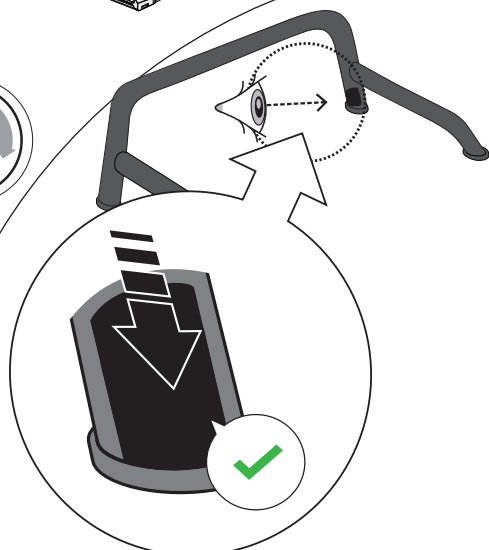
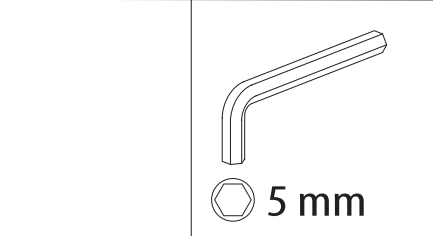
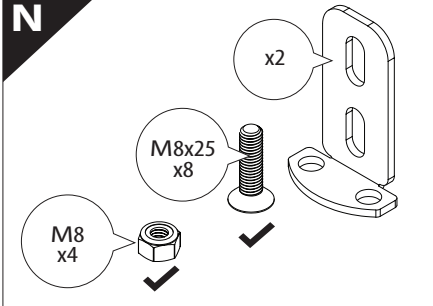
13

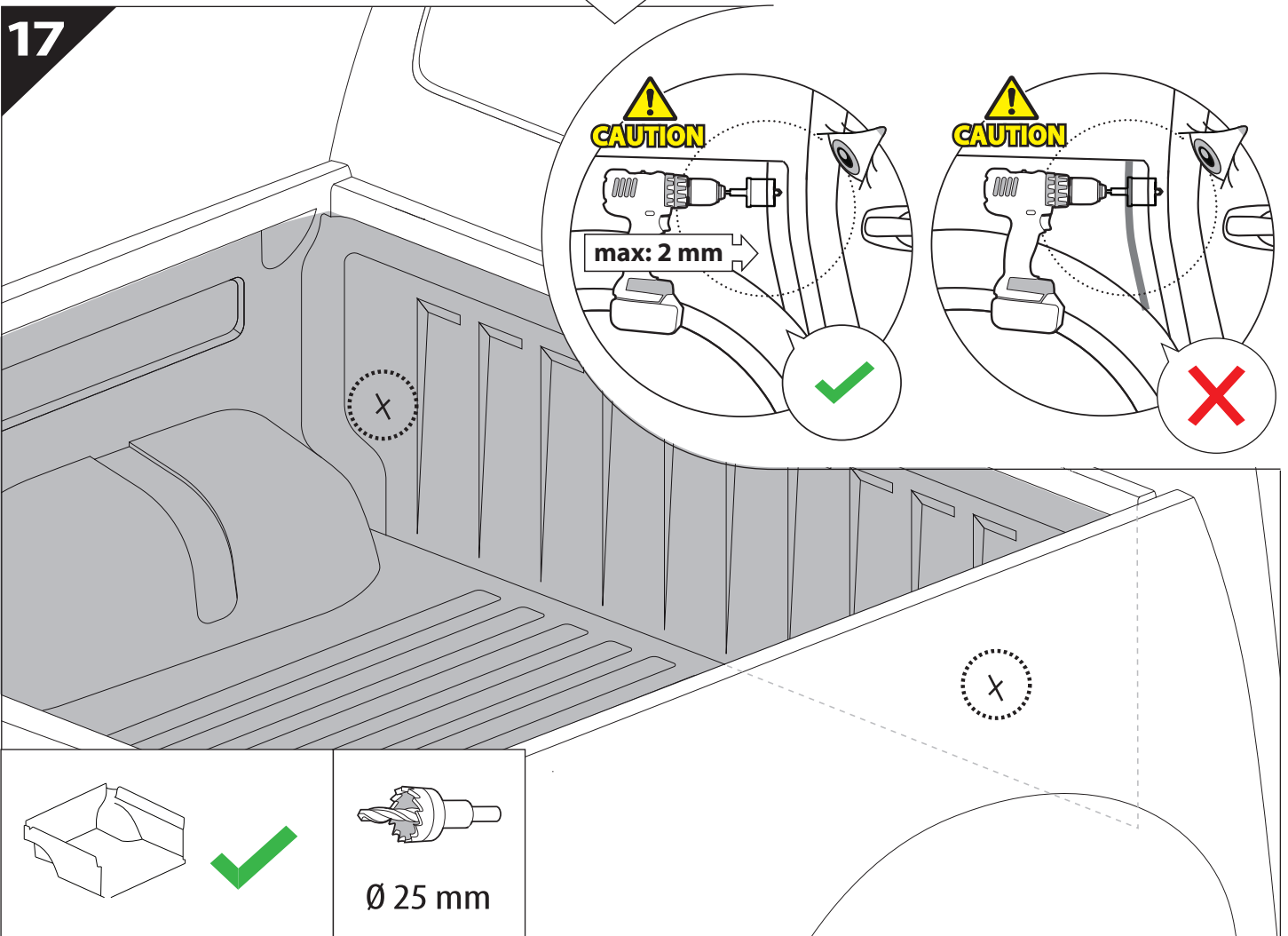
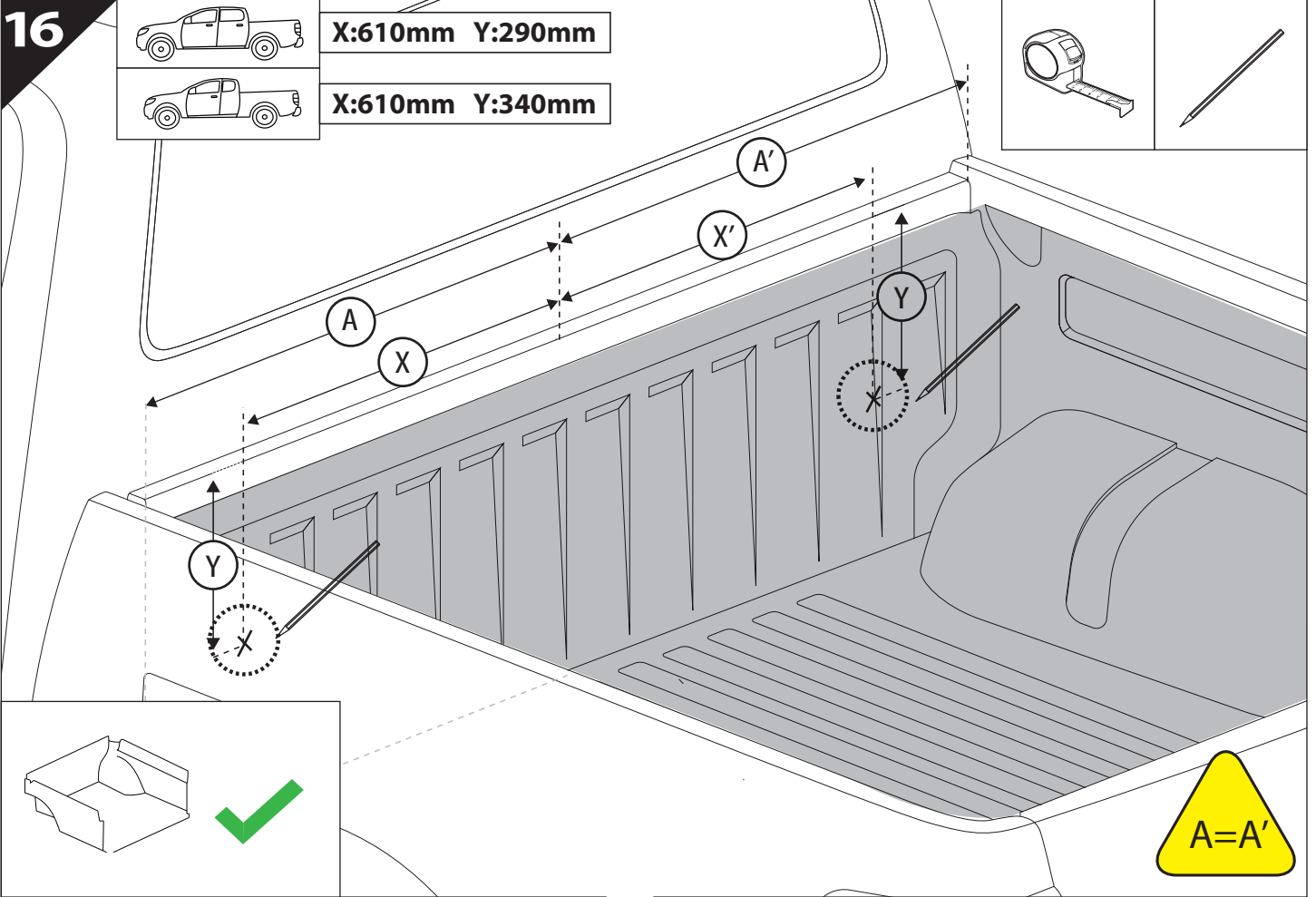


15

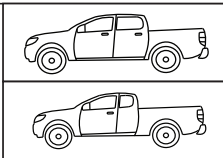


N



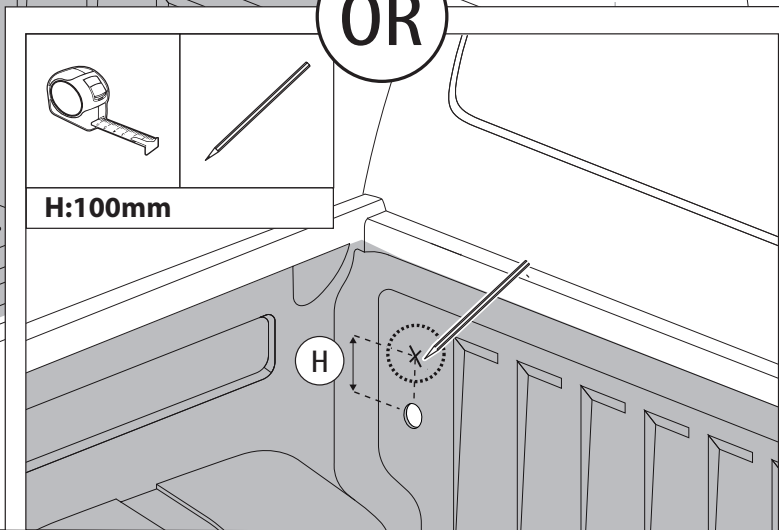
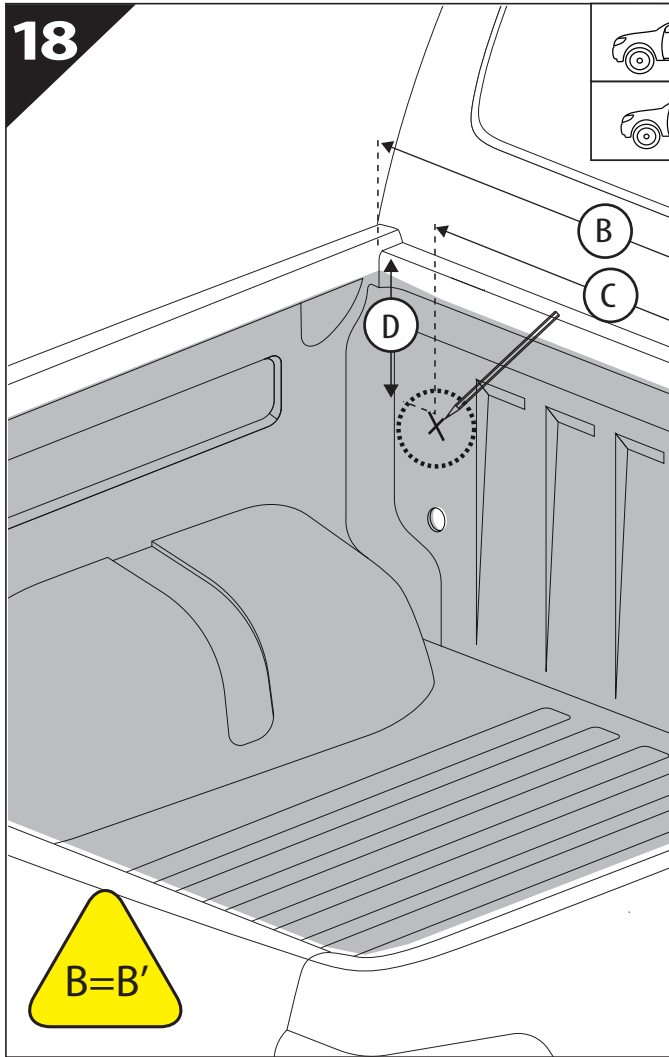
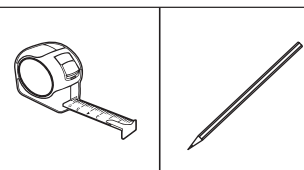
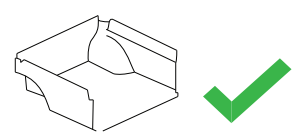


18

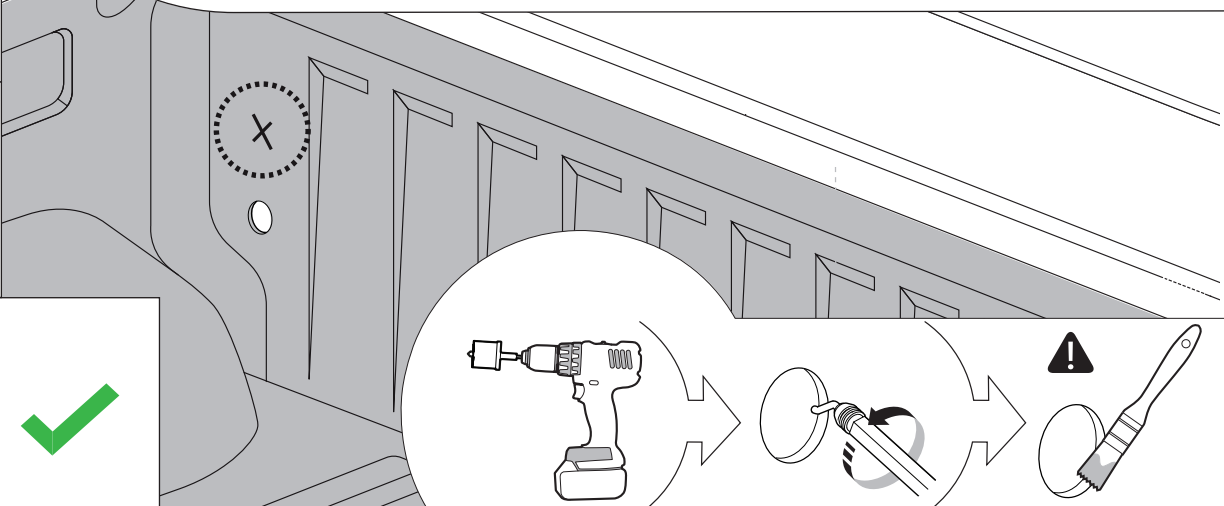
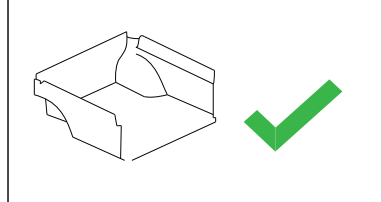
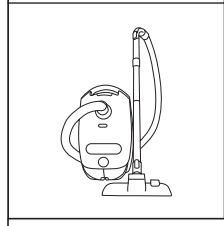
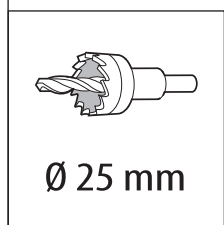
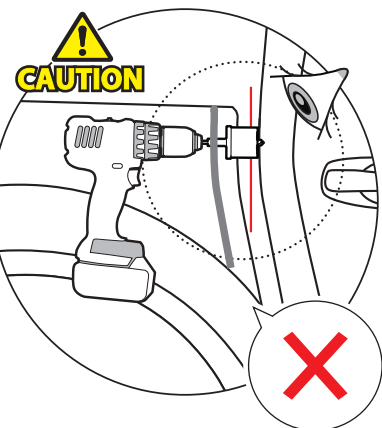
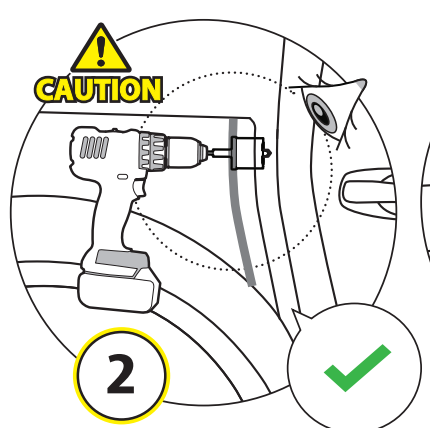
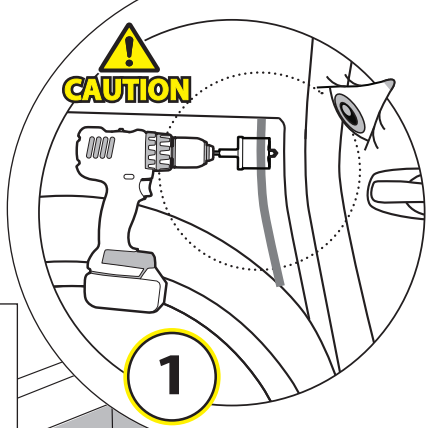


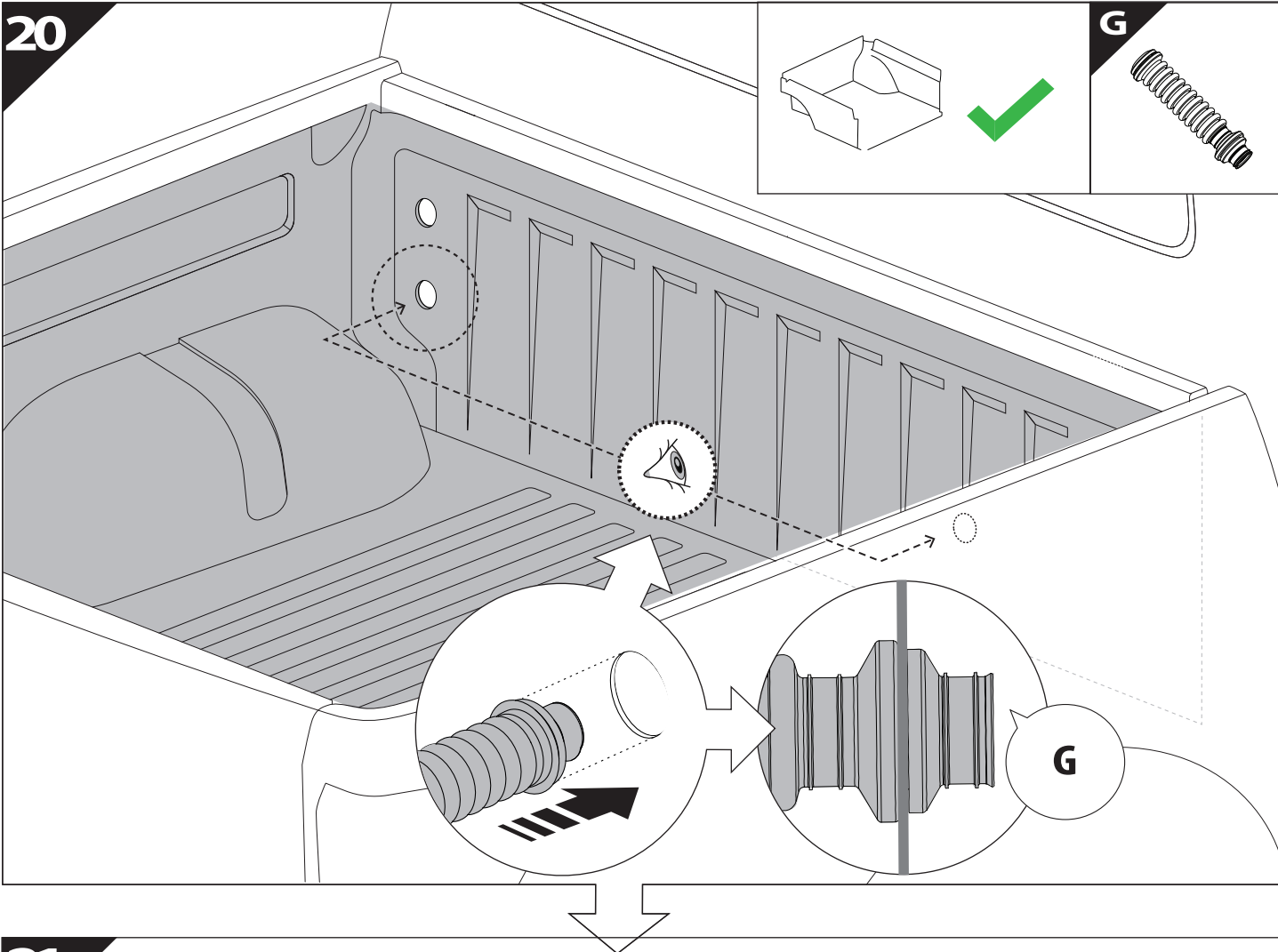
X:610mm Y:190mm

X:610mm Y:240mm

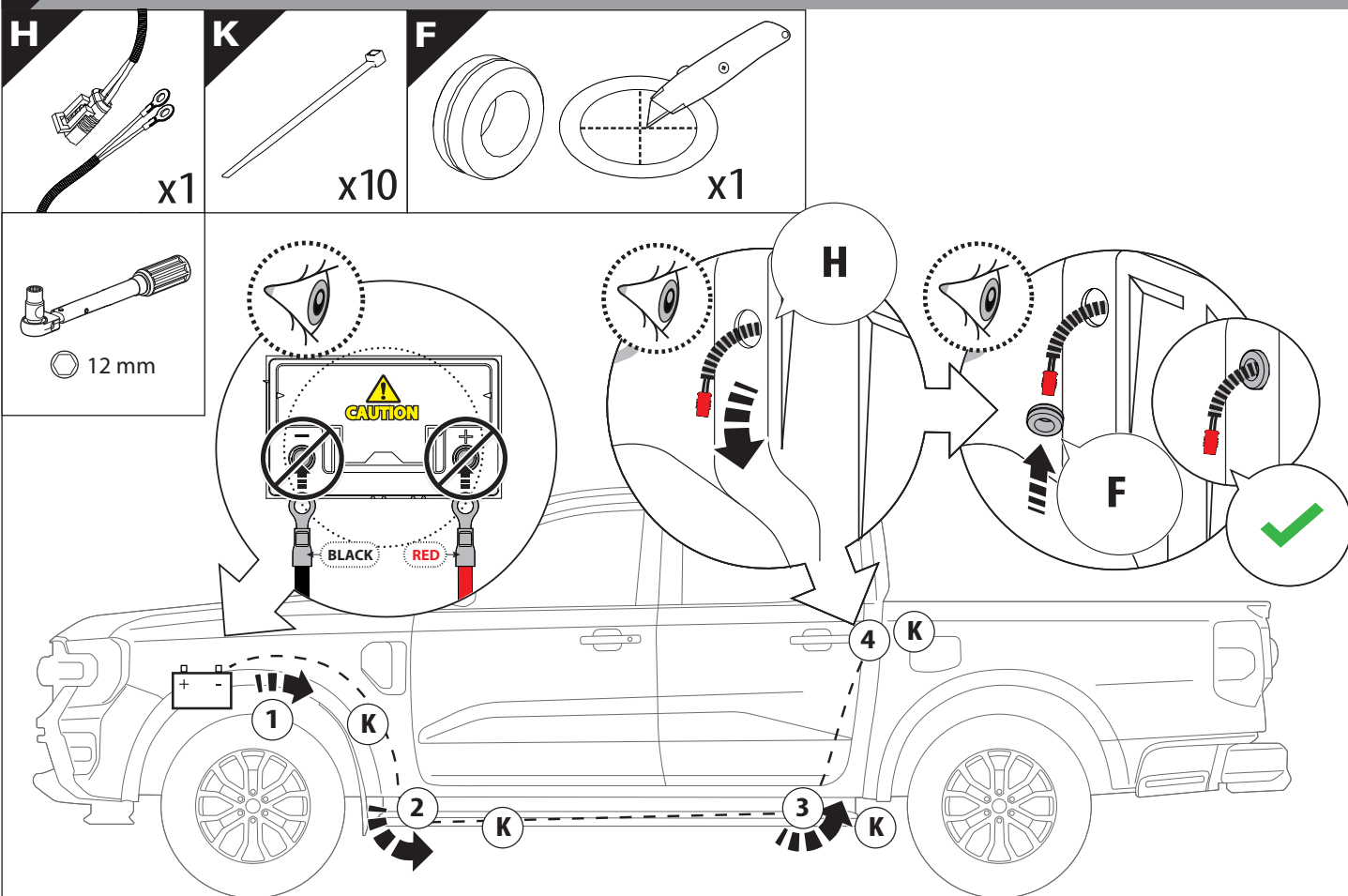


19

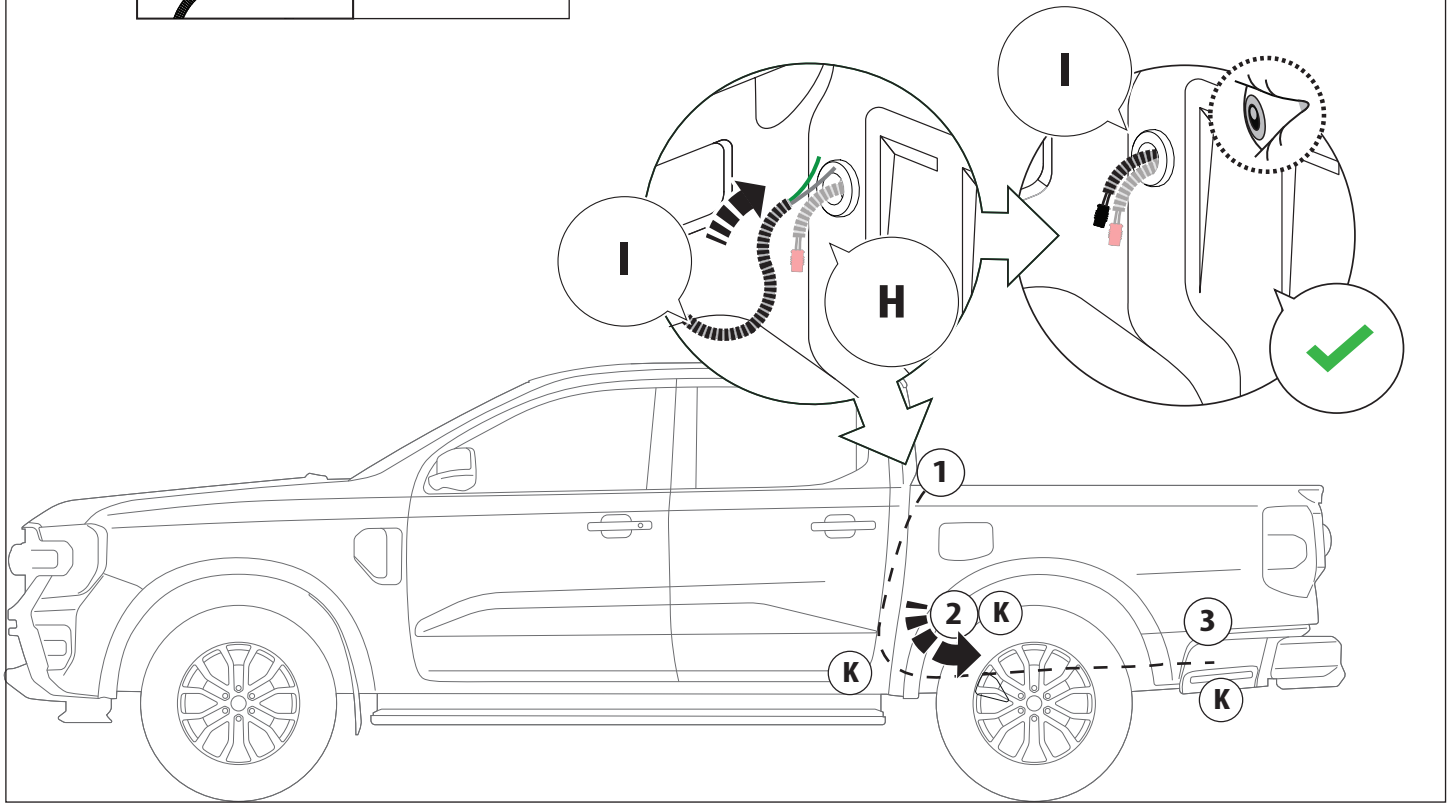
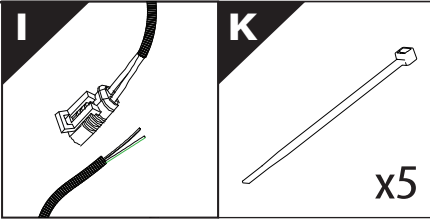




**21** Only to be installed by authorized personnel



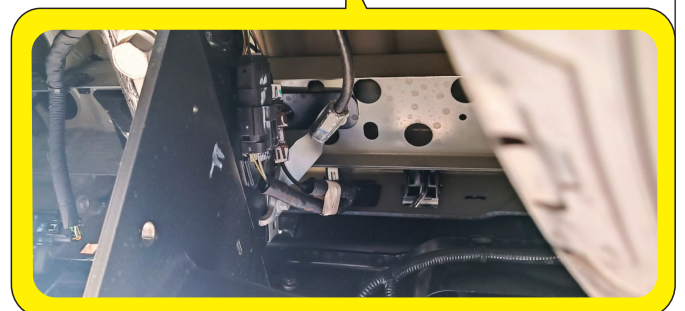
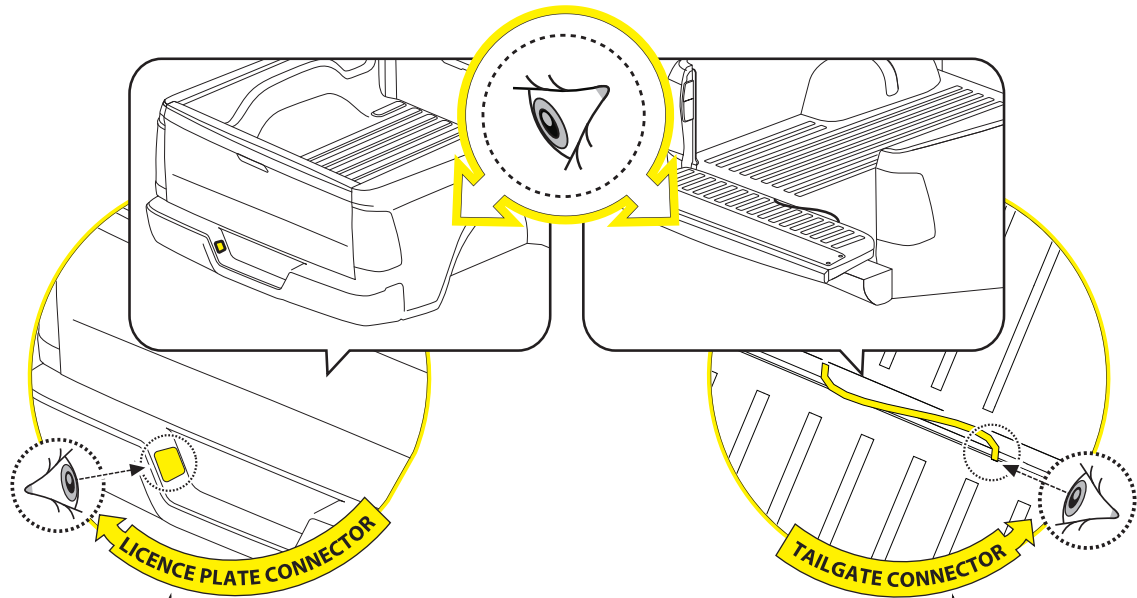
22



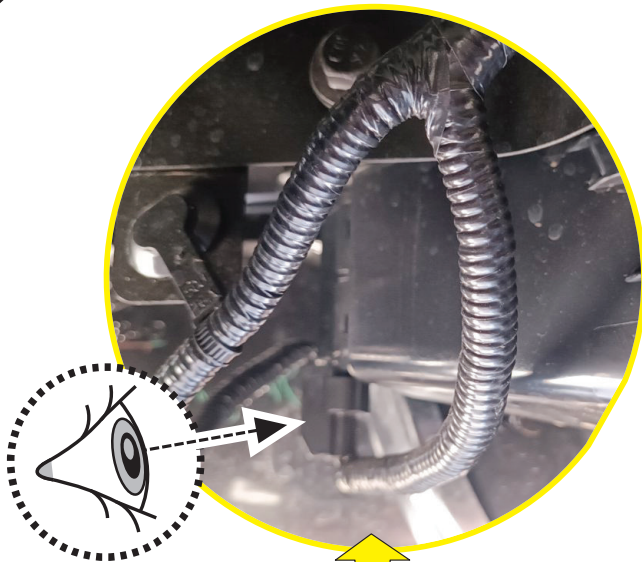
23



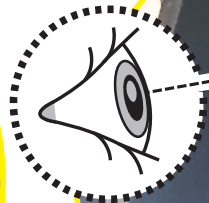
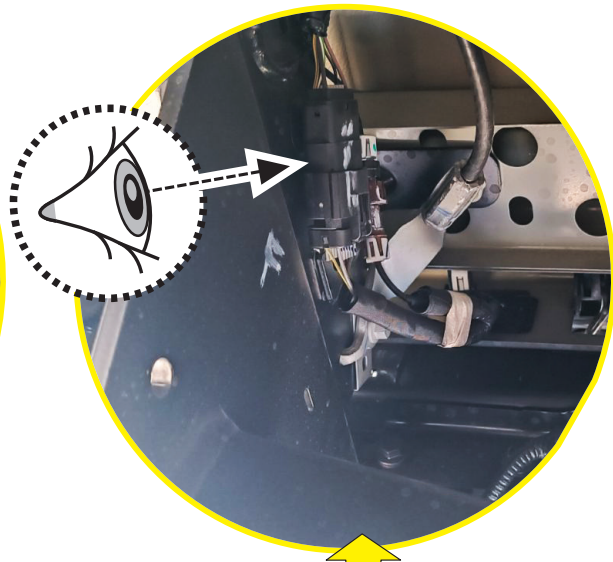
CAUTION: LIMITED, WILDTRAK, WILDTRAK X, PLATINUM



# 23. 1



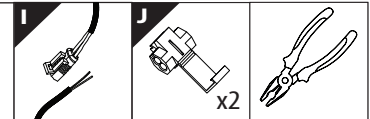
LICENCE PLATE CONNECTOR



TAILGATE CONNECTOR

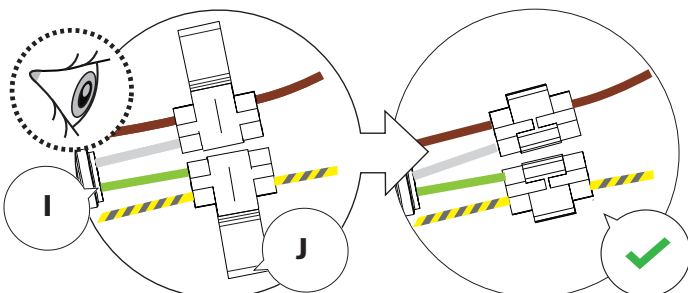
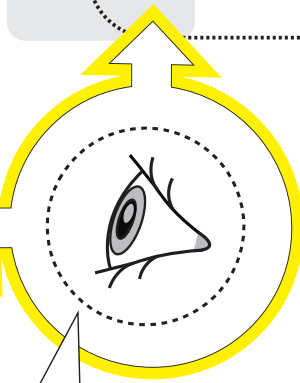
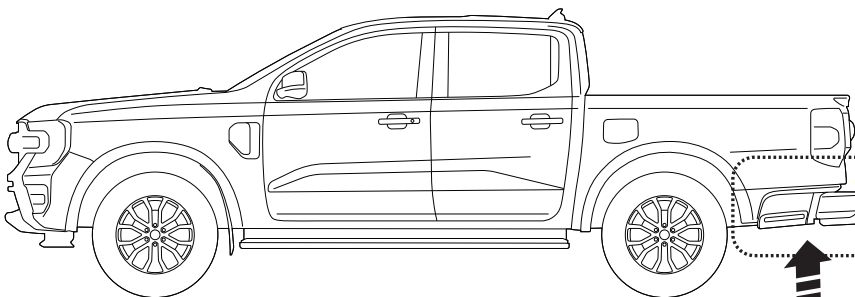
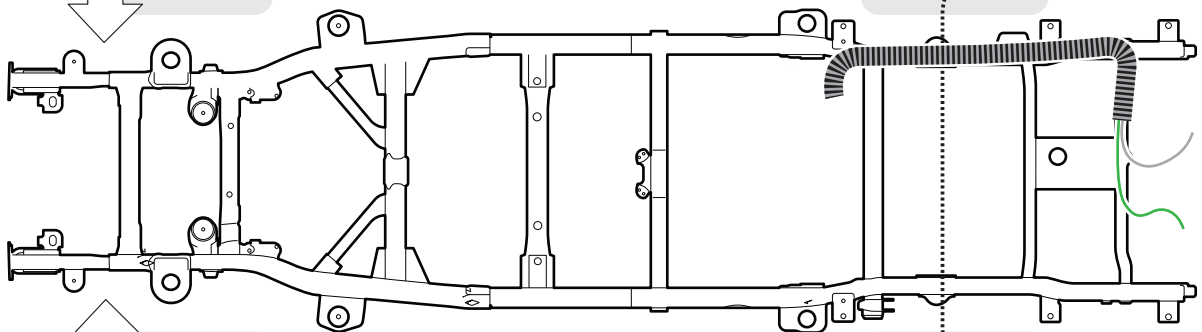
# 23. 2

## BOTTOM VIEW

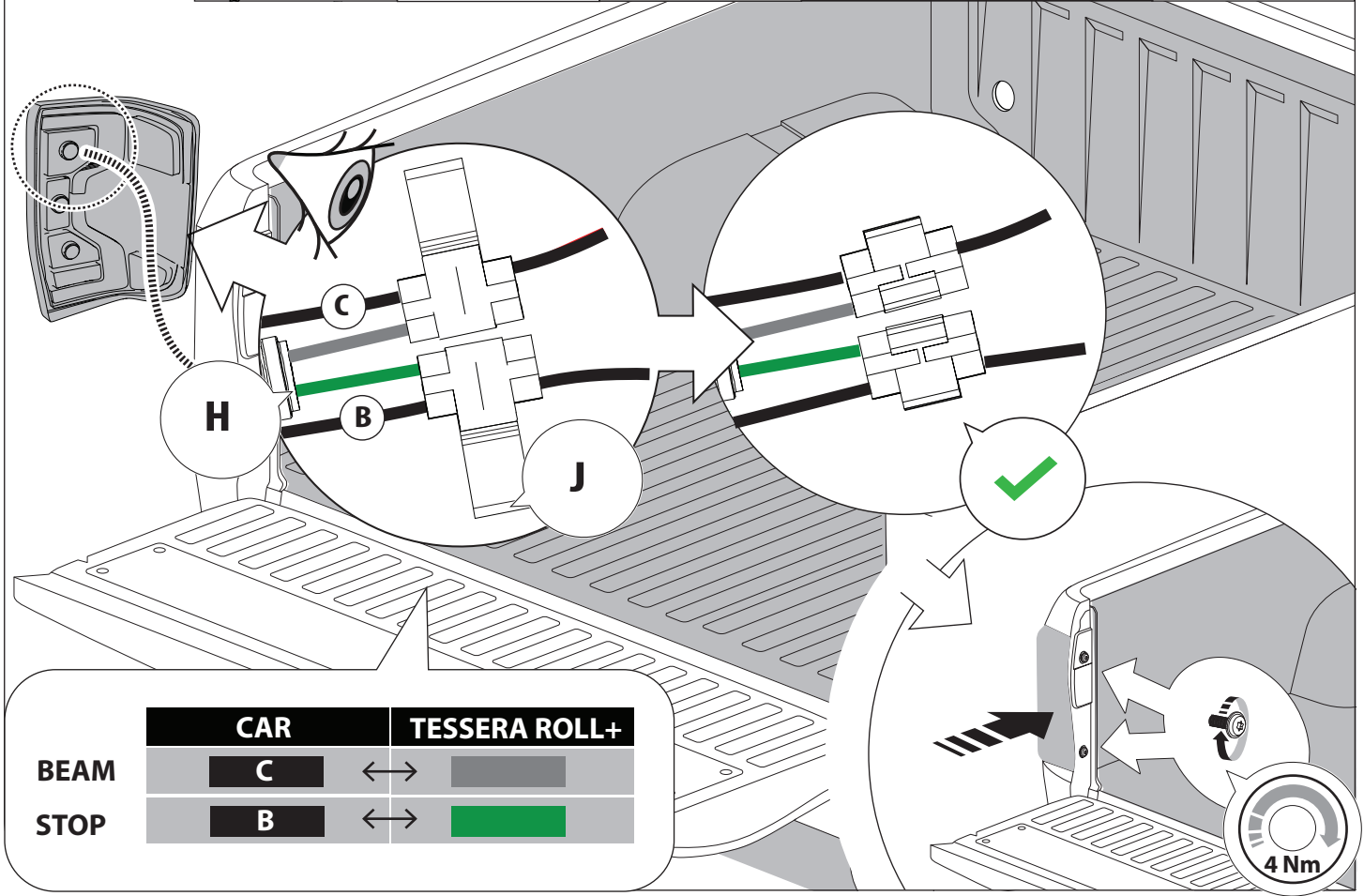
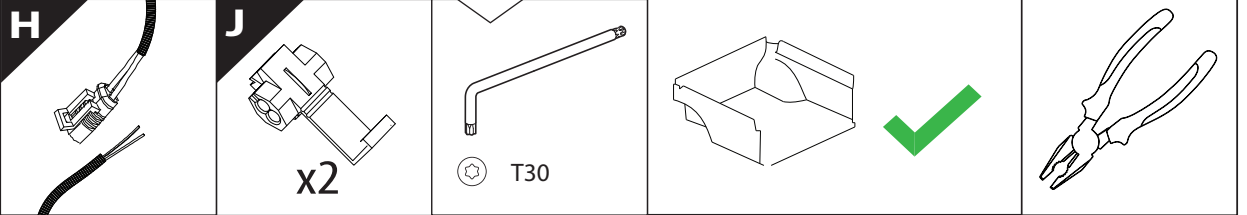
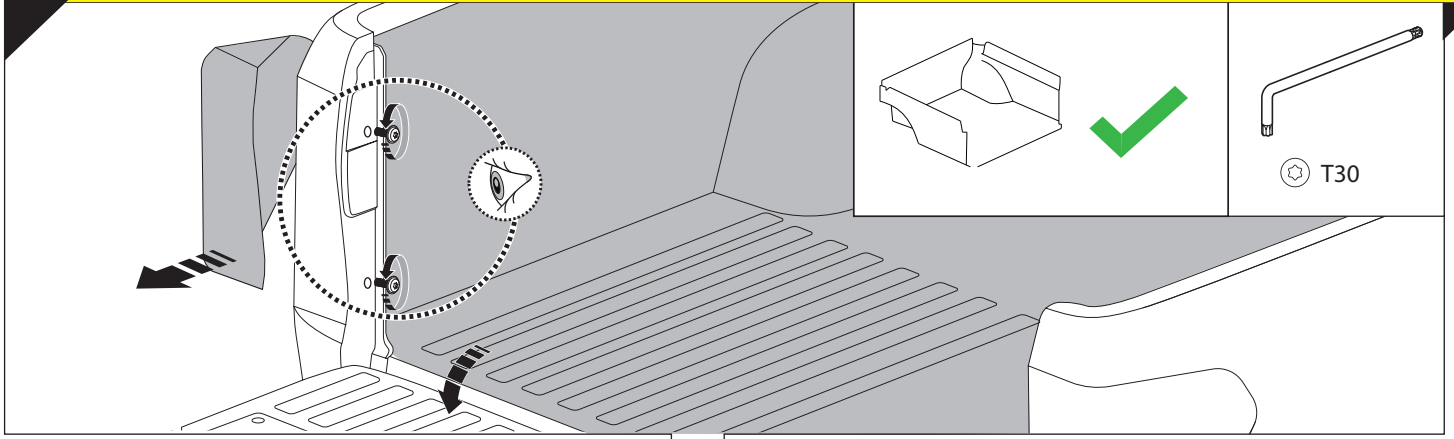


DRIVER'S LEFT SIDE

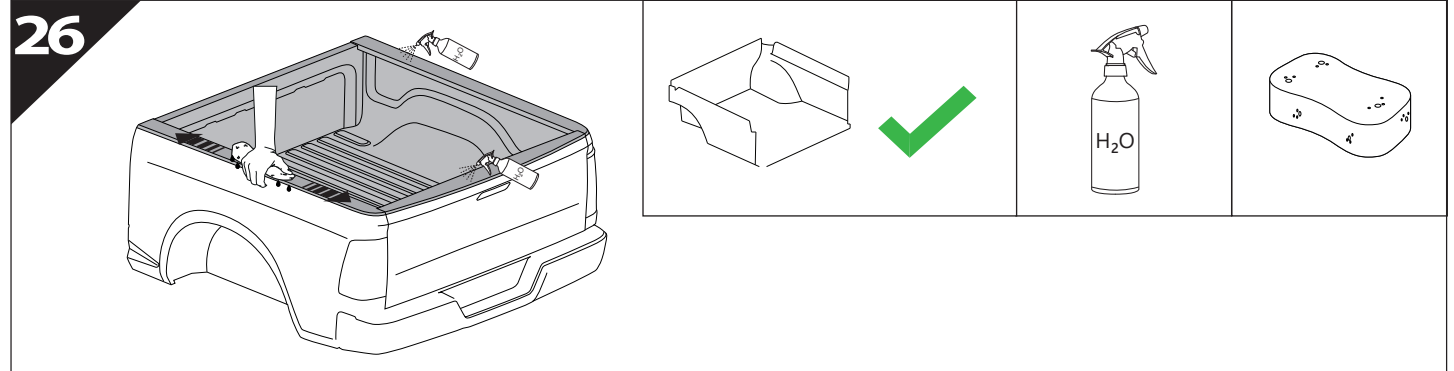
PASSENGER'S RIGHT SIDE

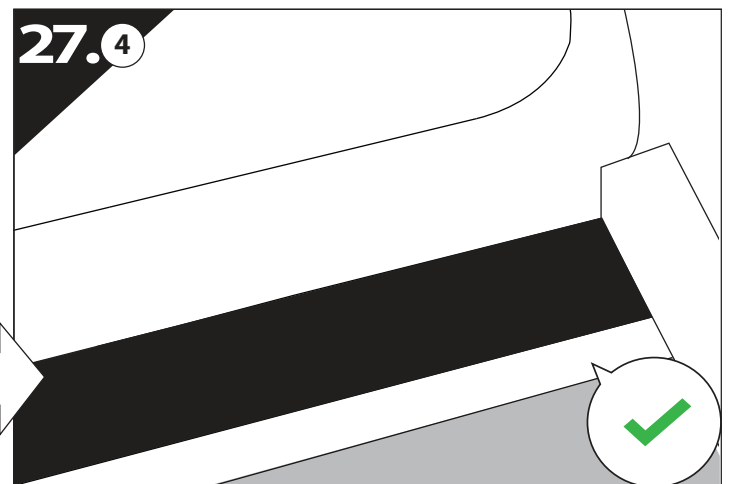
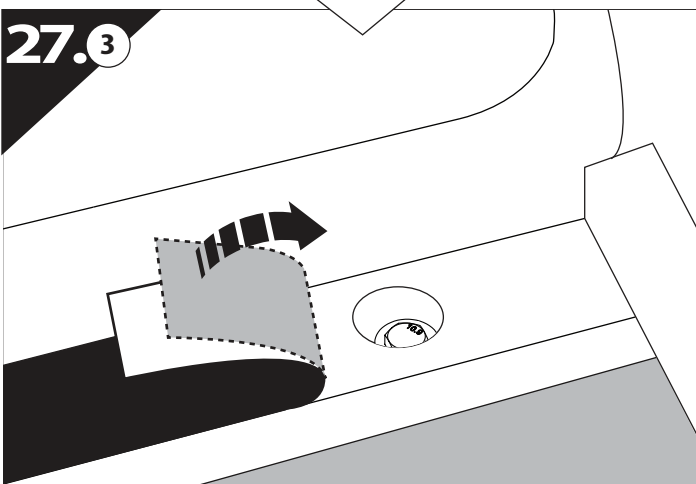
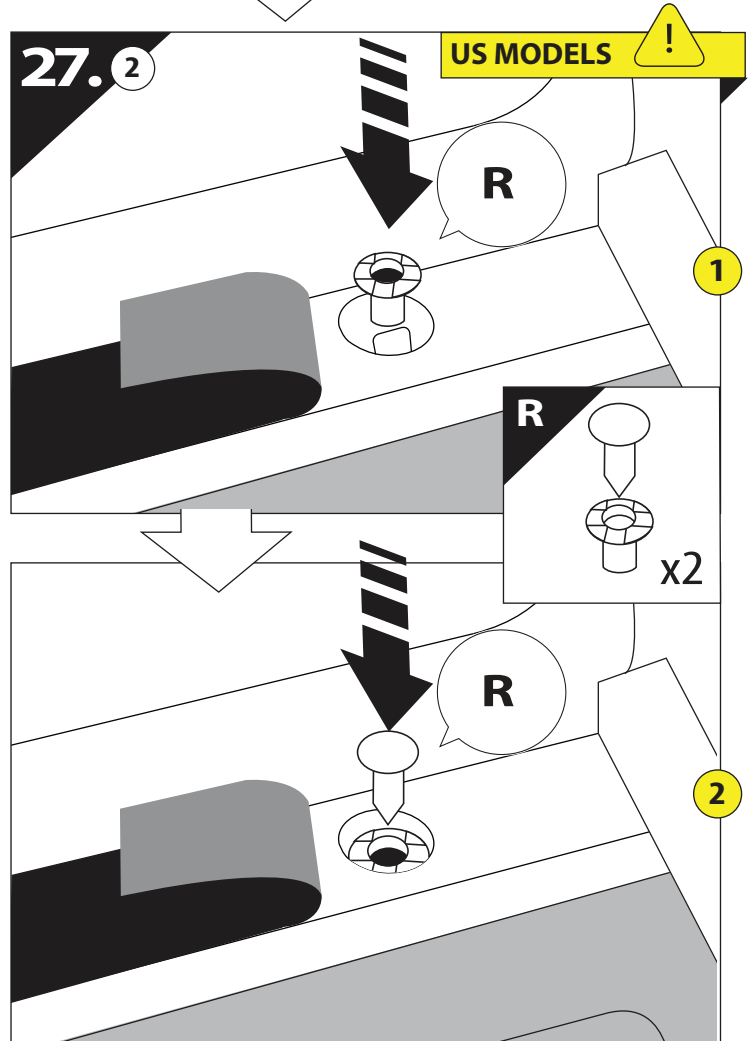
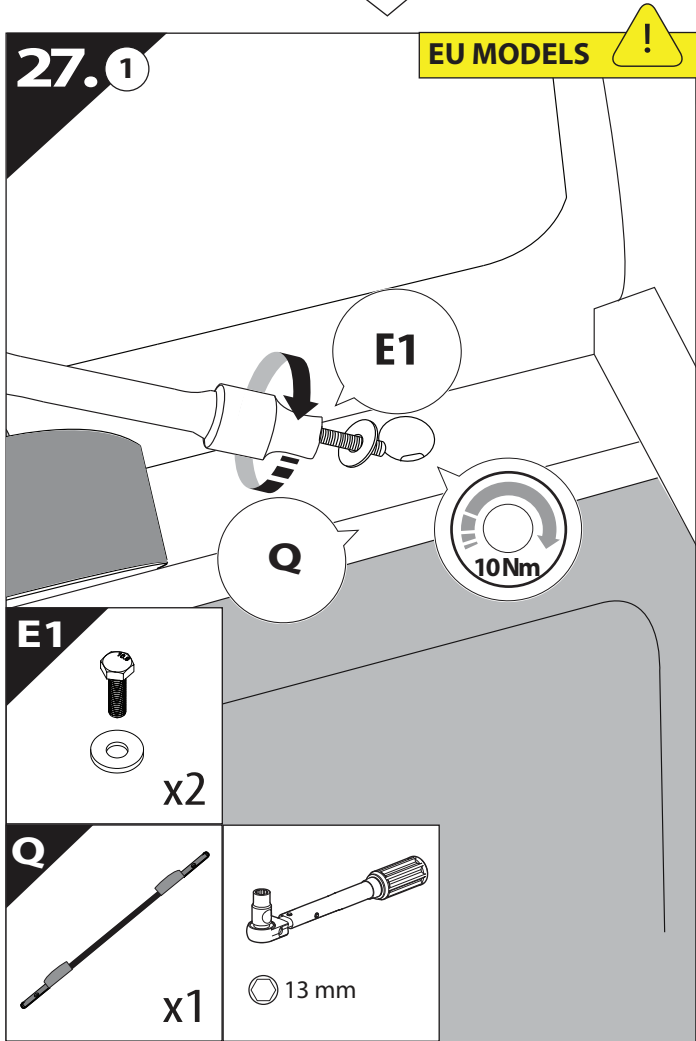
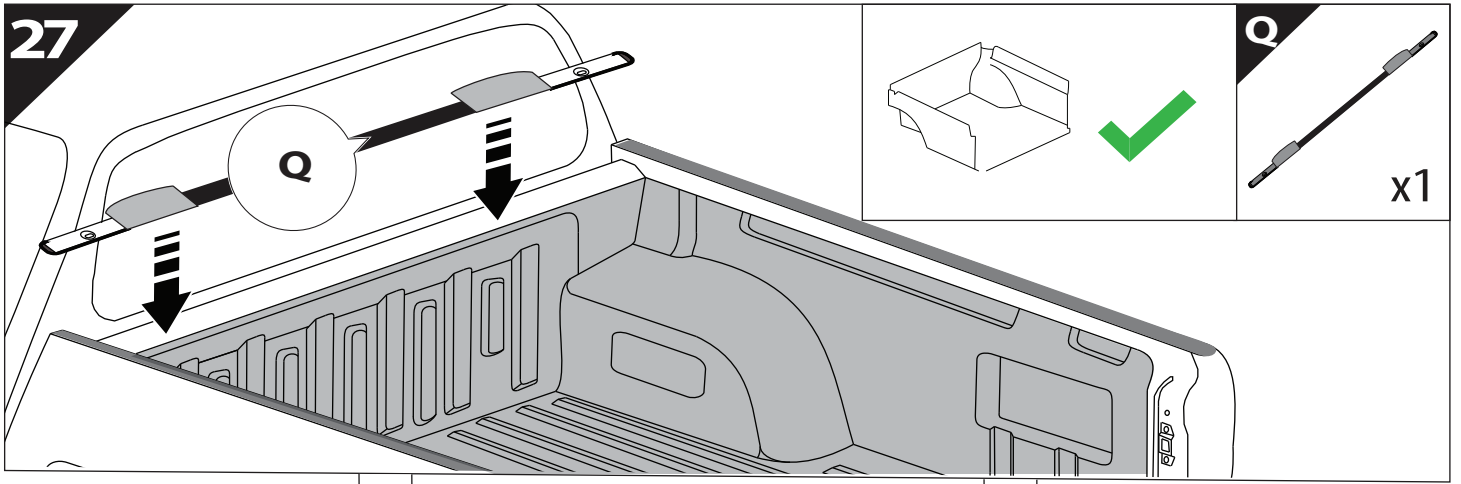


	CAR		TESSERA ROLL+
BEAM		↔	
LICENCE PLATE 2 PIN LIGHT CONNECTOR			
STOP		↔	
TAILGATE CONNECTOR			



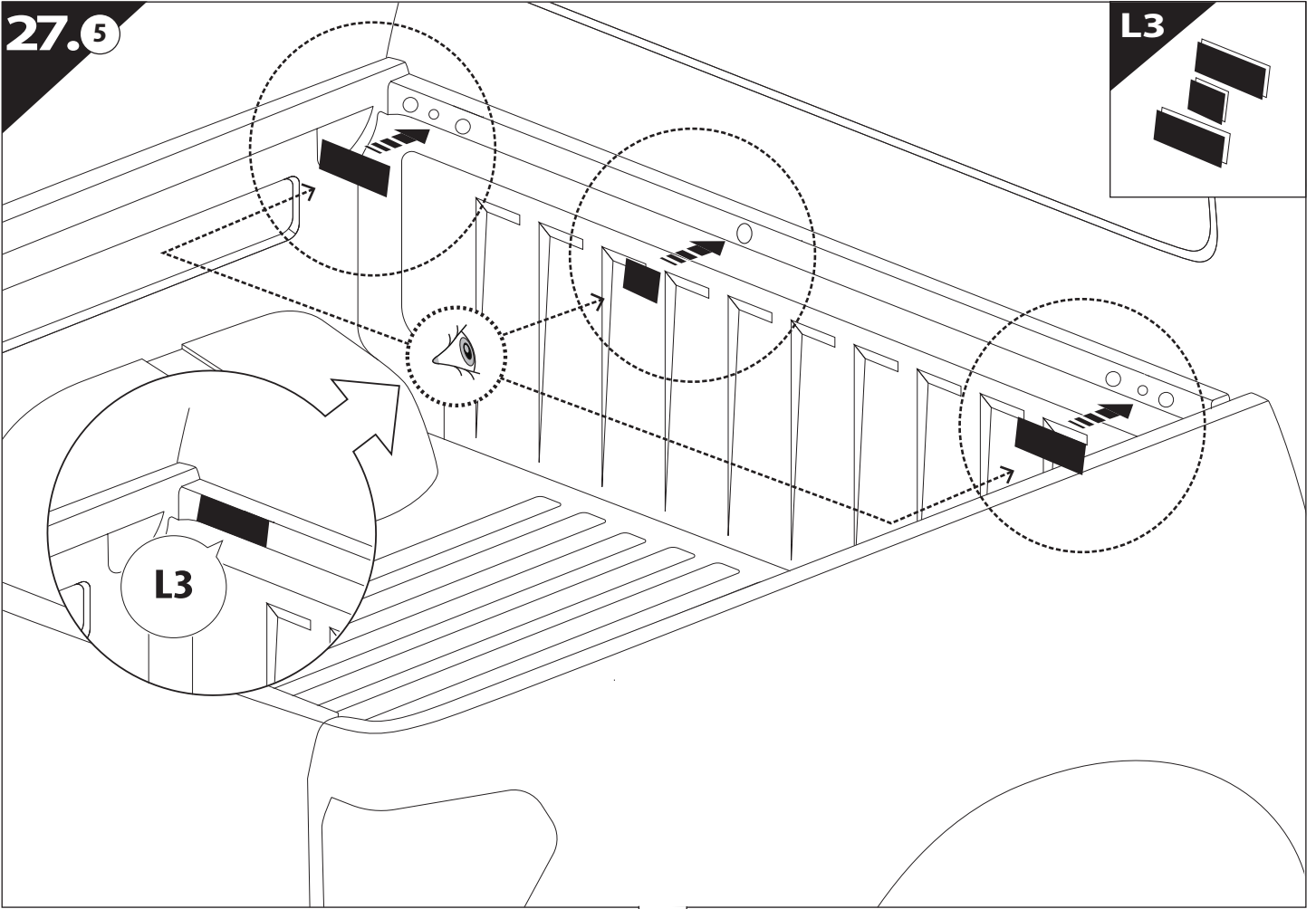
	CAR		TESSERA ROLL+
BEAM	C	↔	■
STOP	B	↔	■





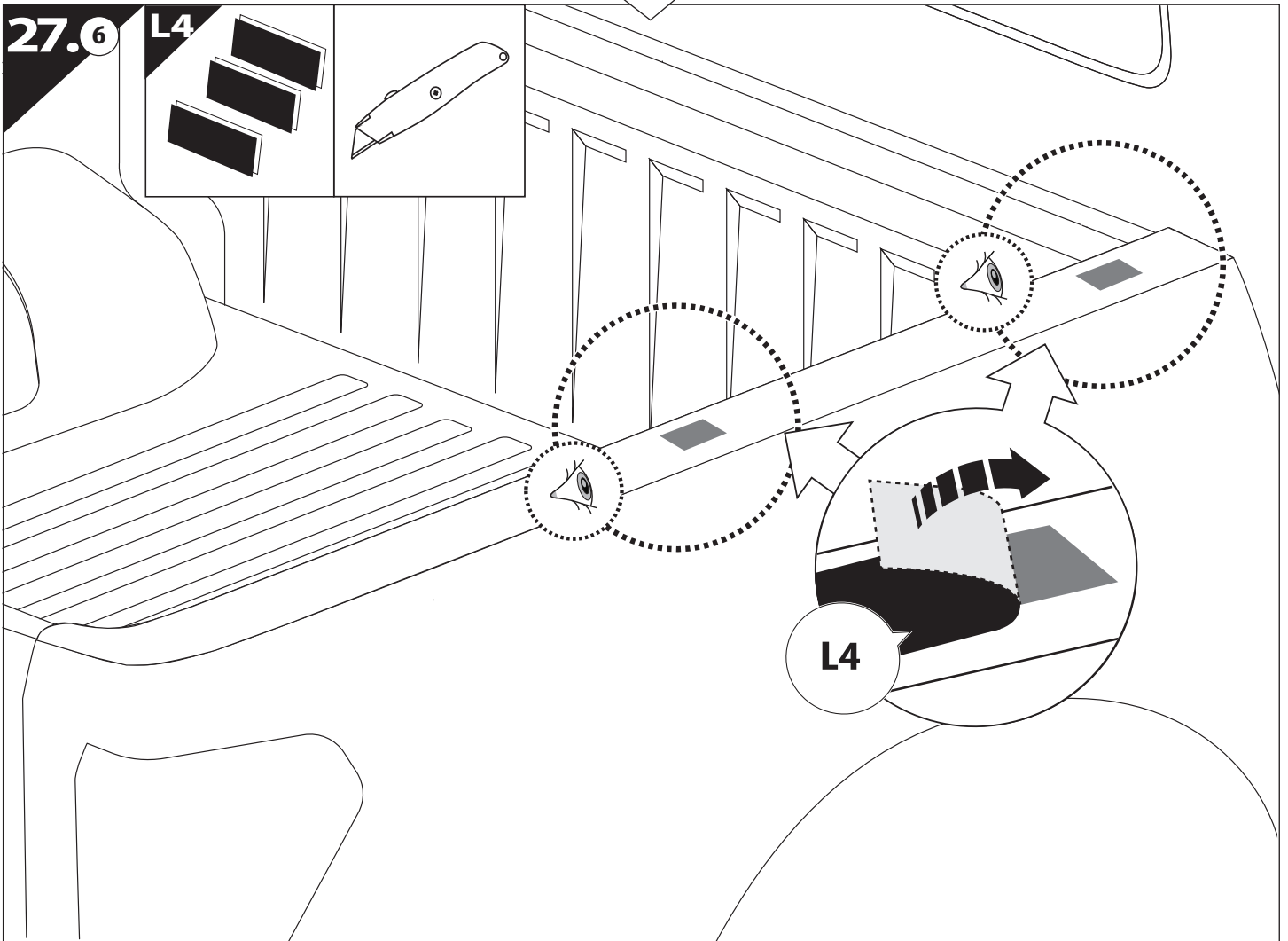
27.5

L3



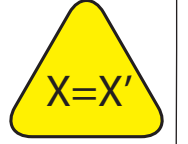
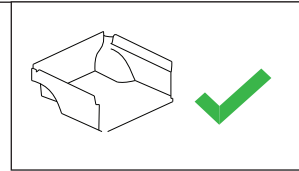
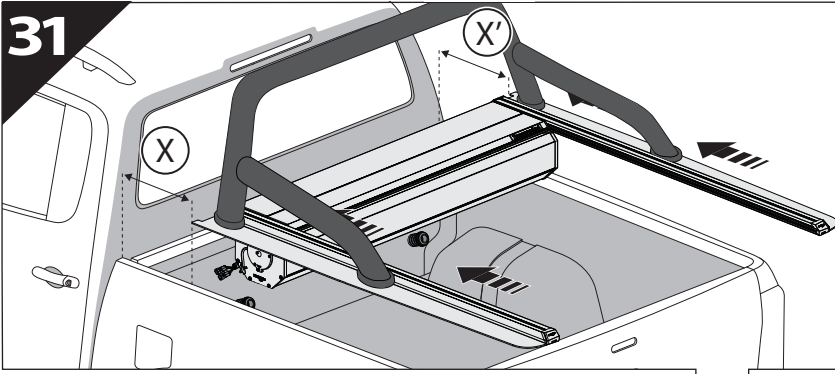
27.6

L4

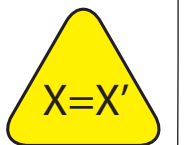
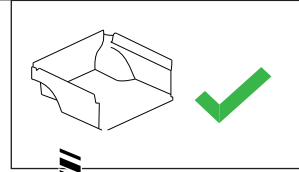
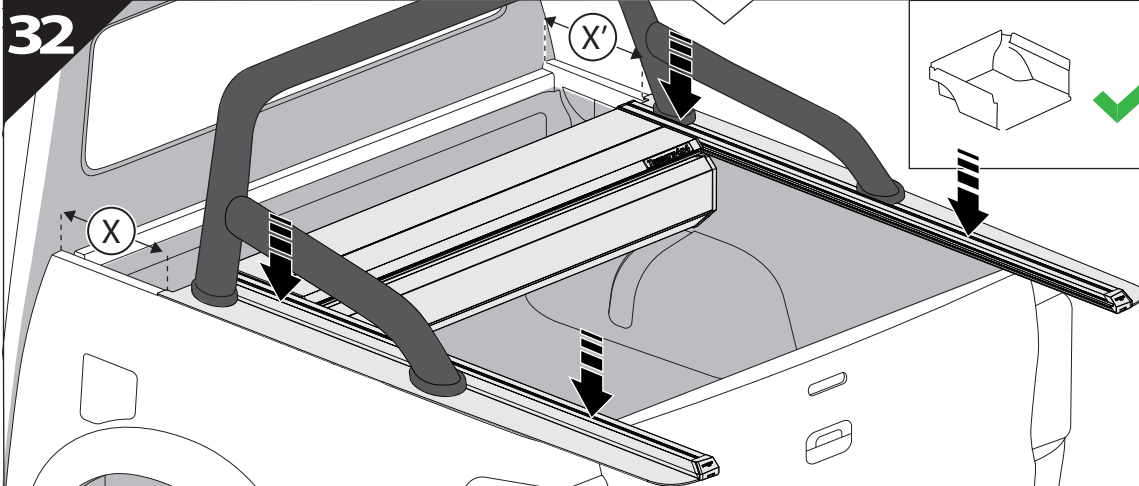




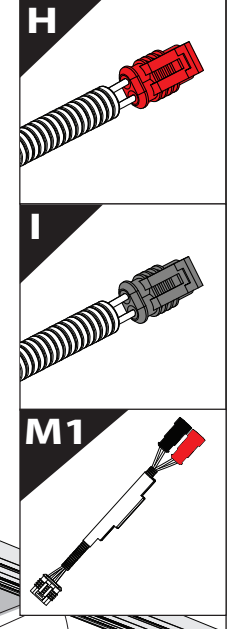
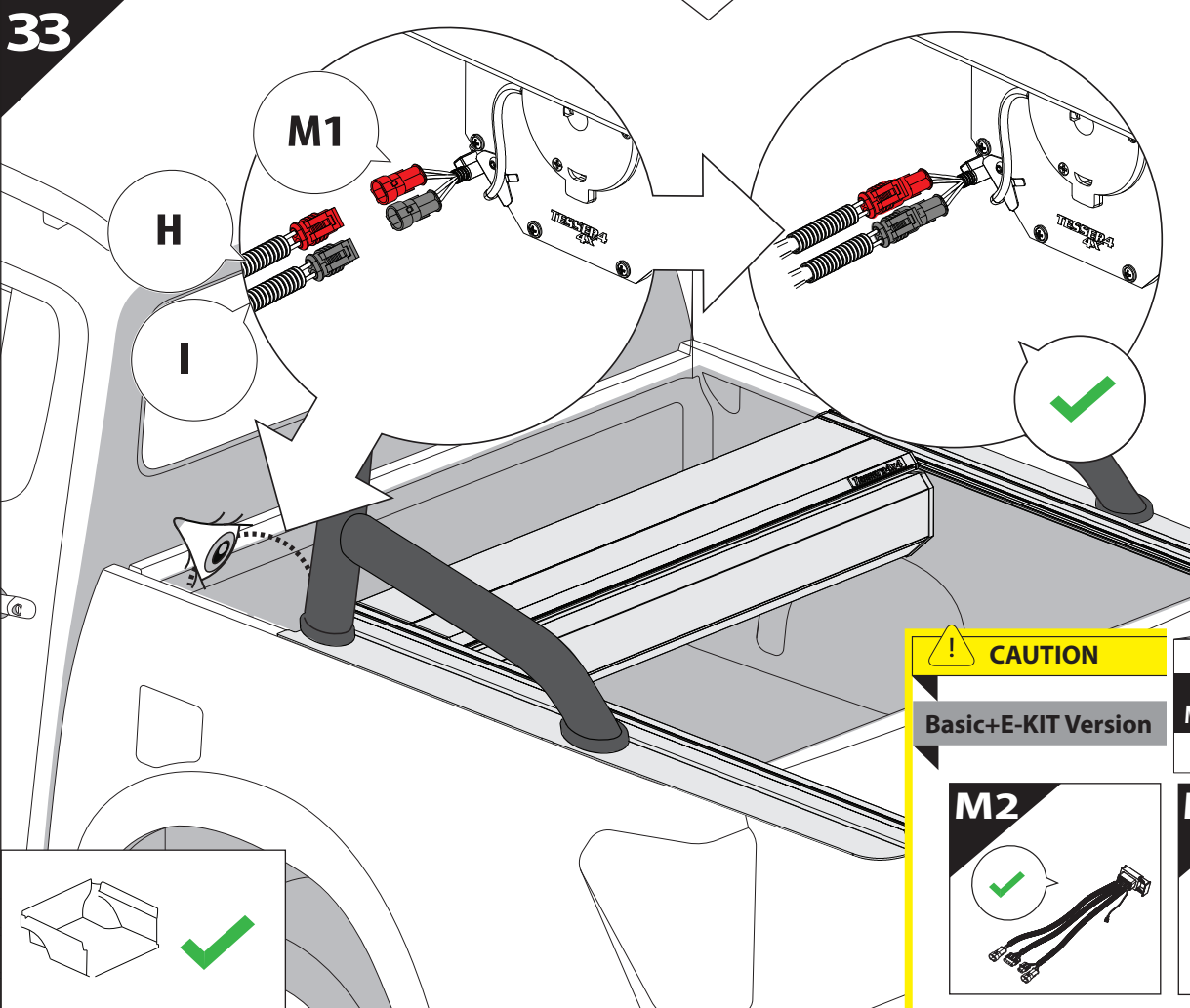
31



32

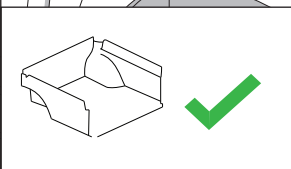
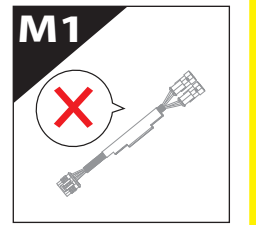
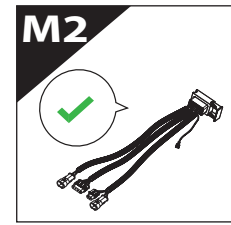


33

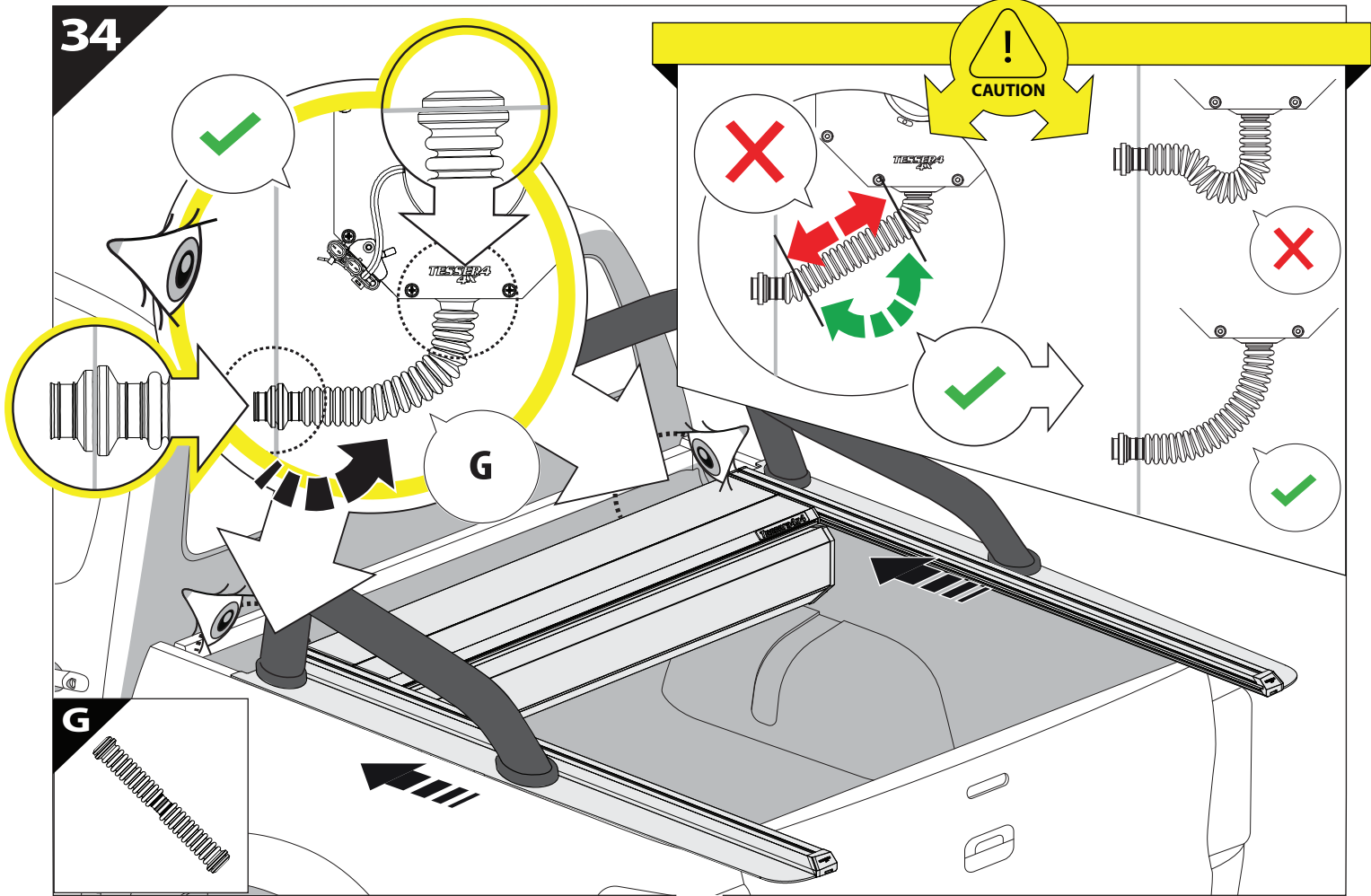


**CAUTION**  
Basic+E-KIT Version

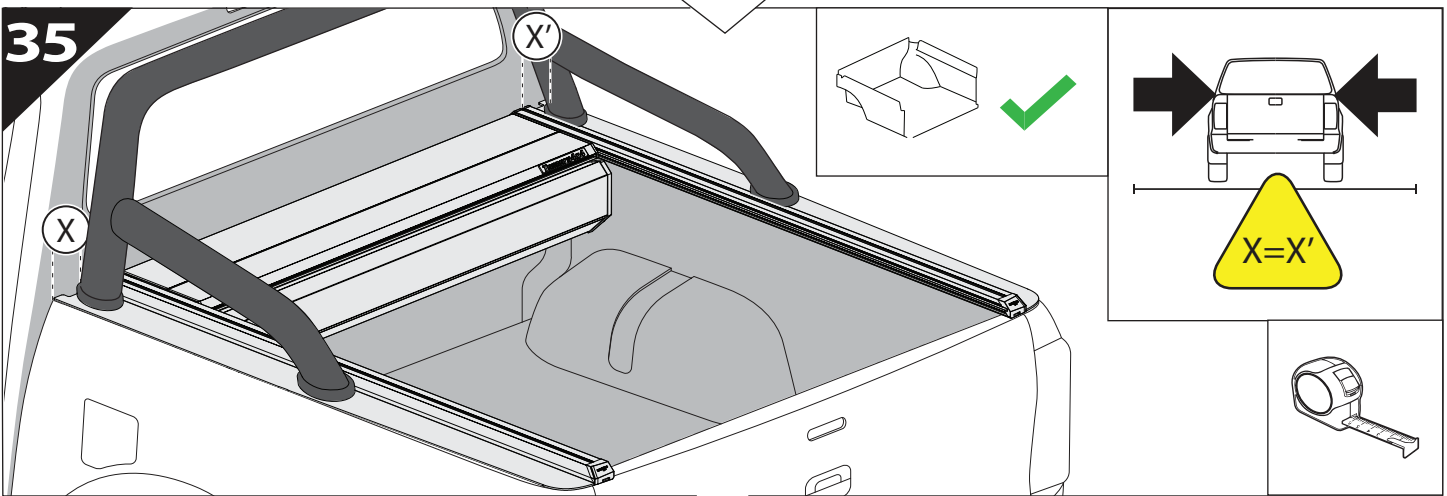
E-KIT  
MANUAL



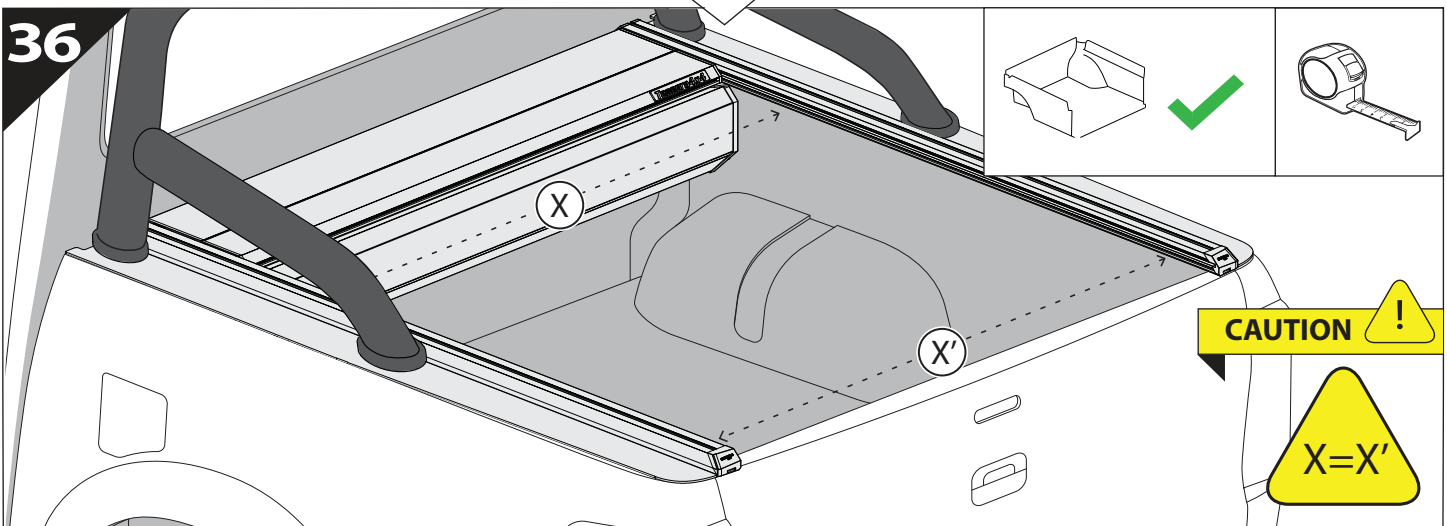
34



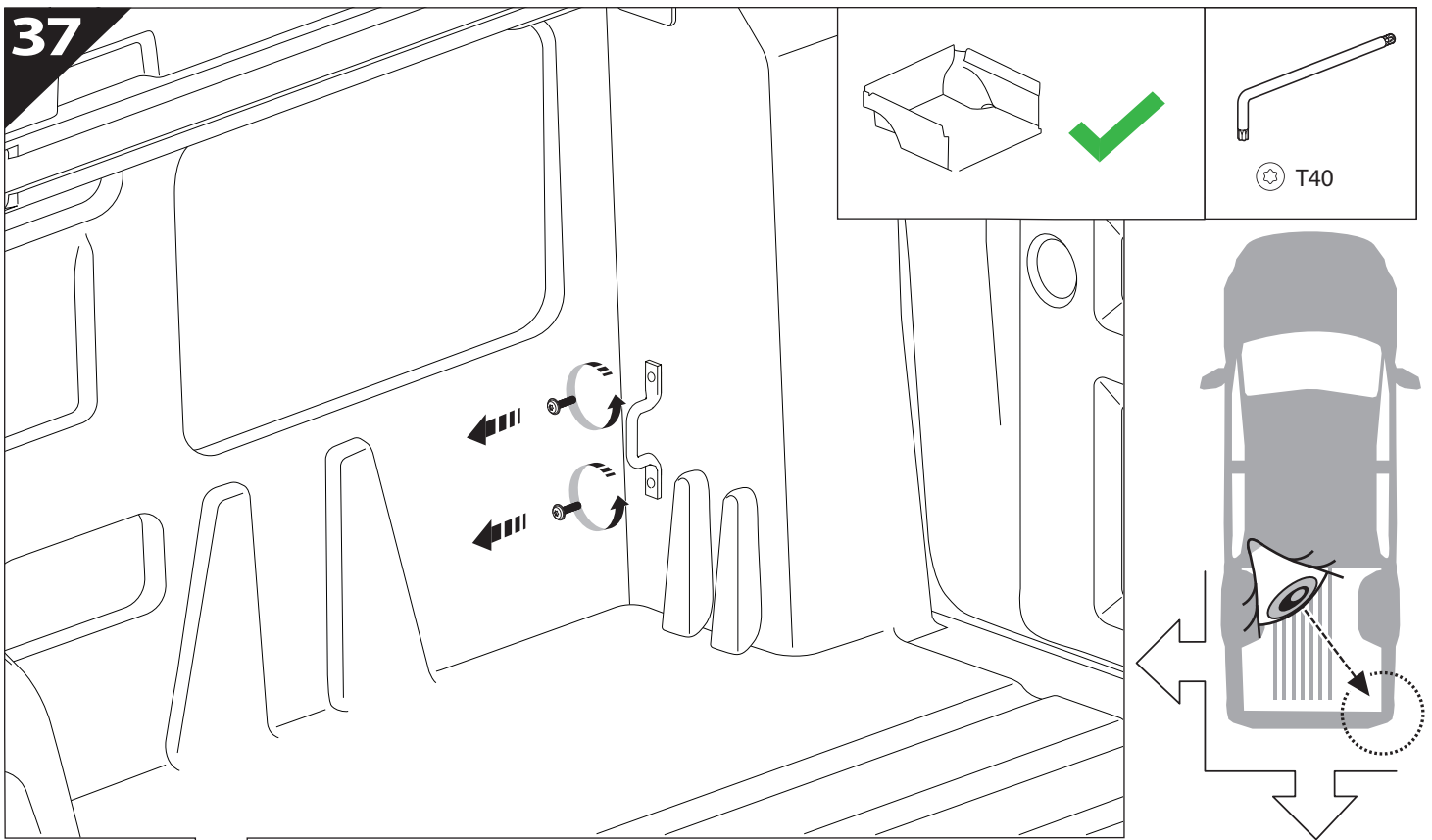
35



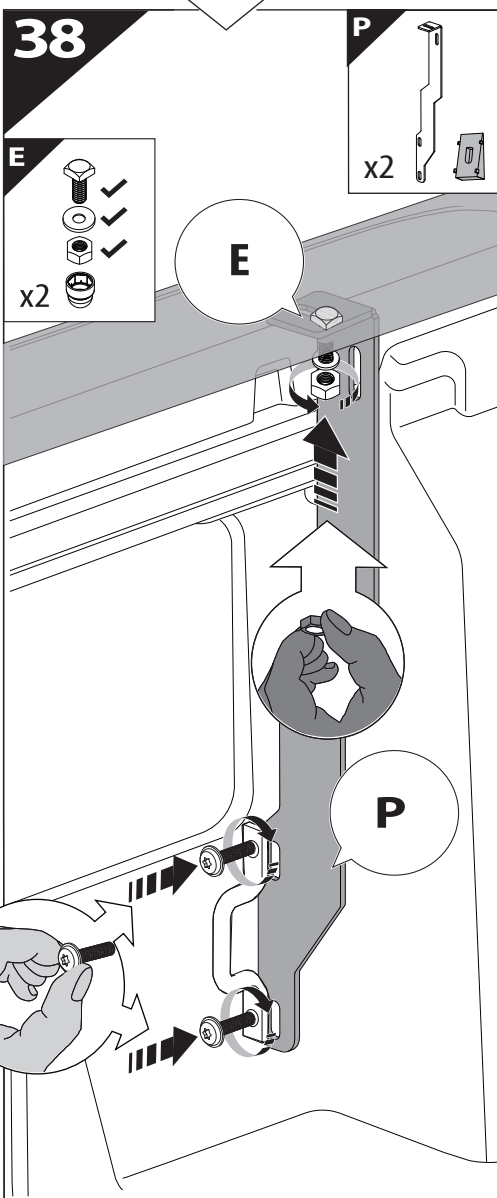
36



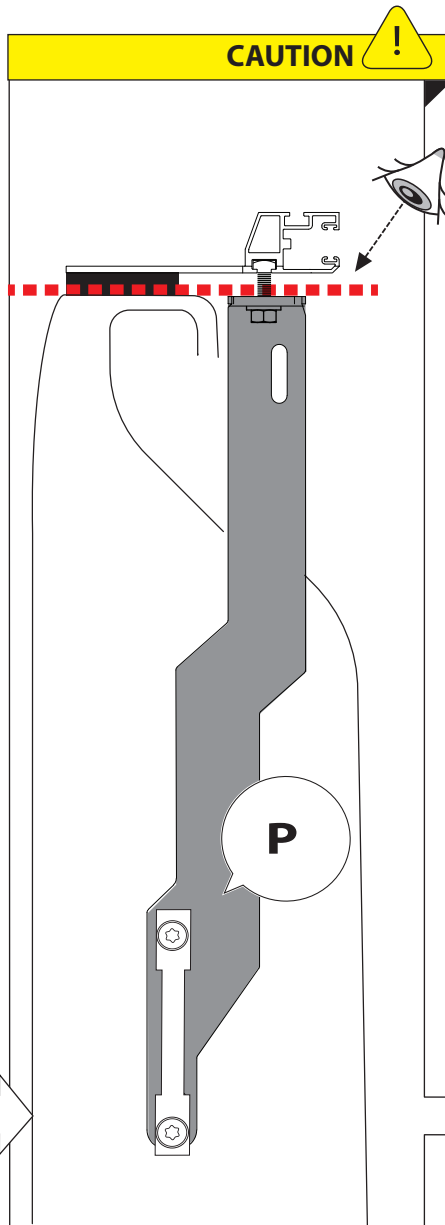
37



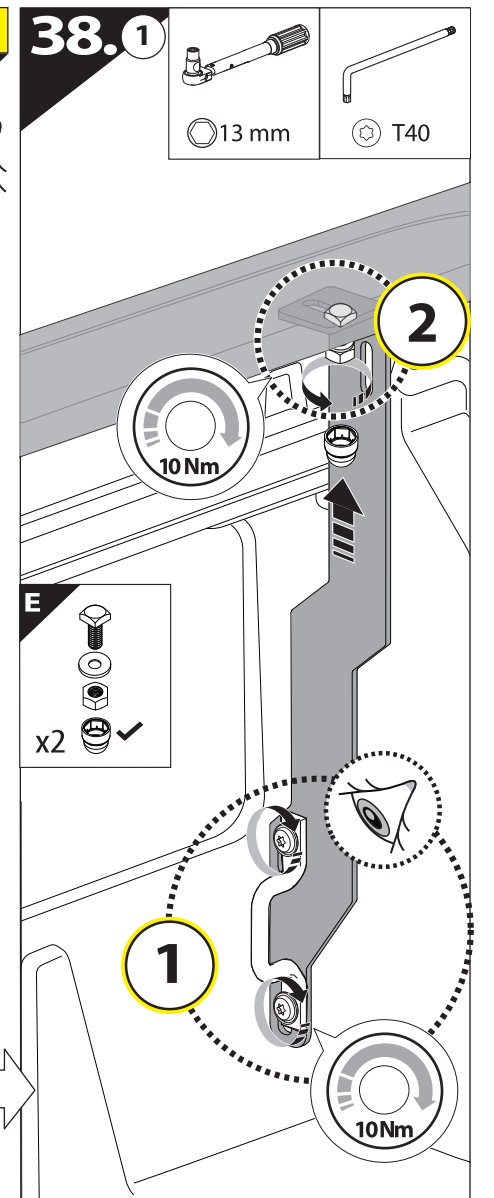
38



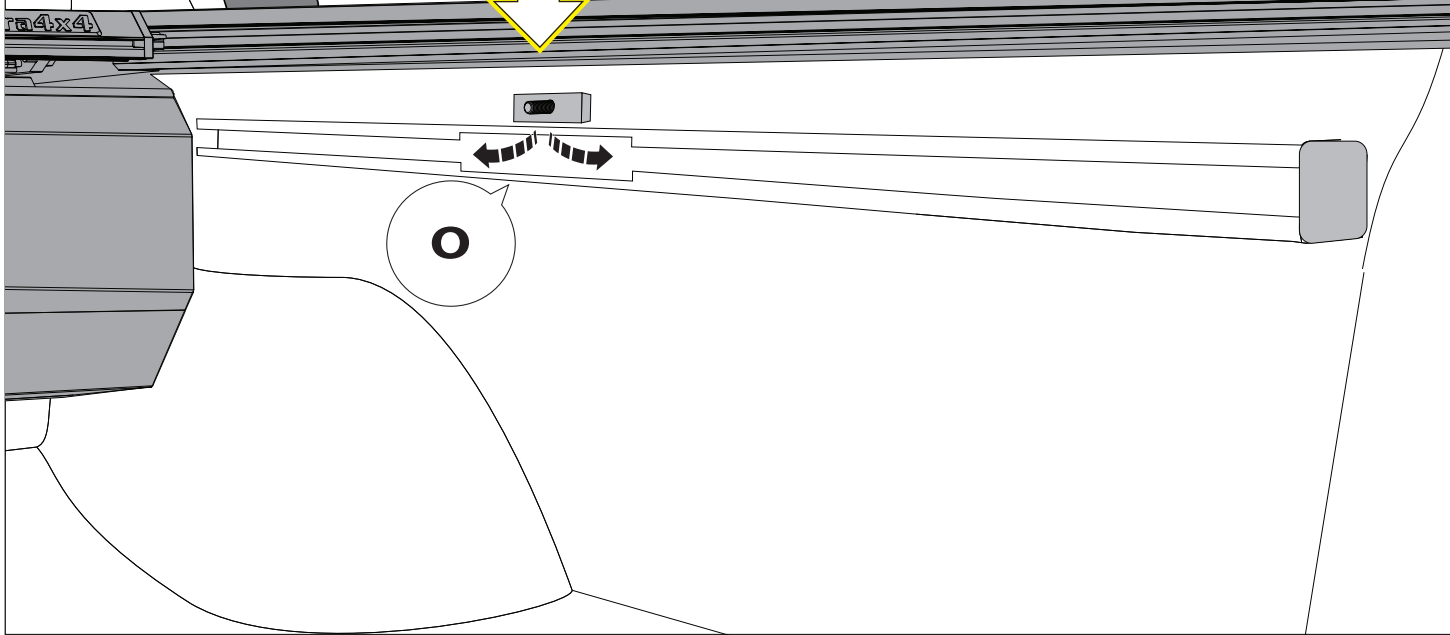
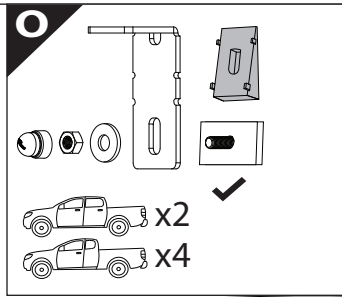
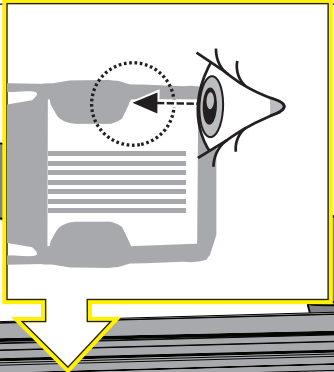
CAUTION !



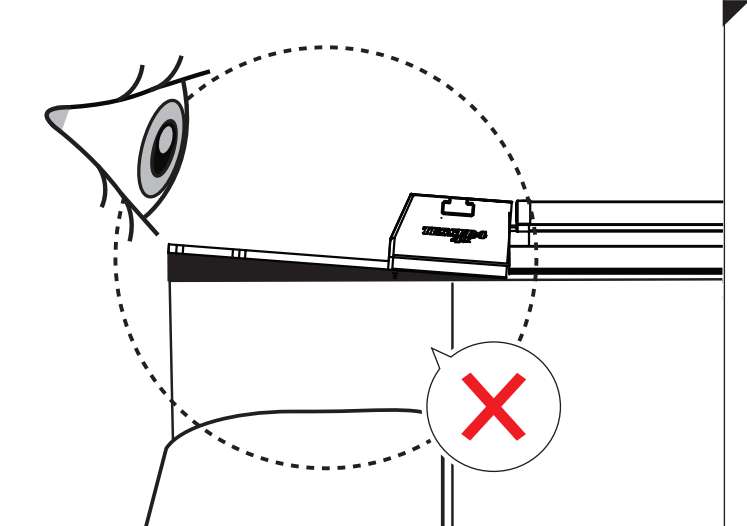
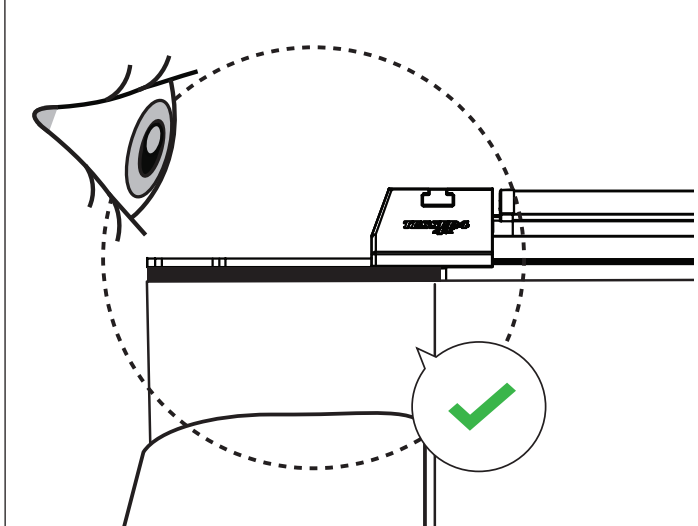
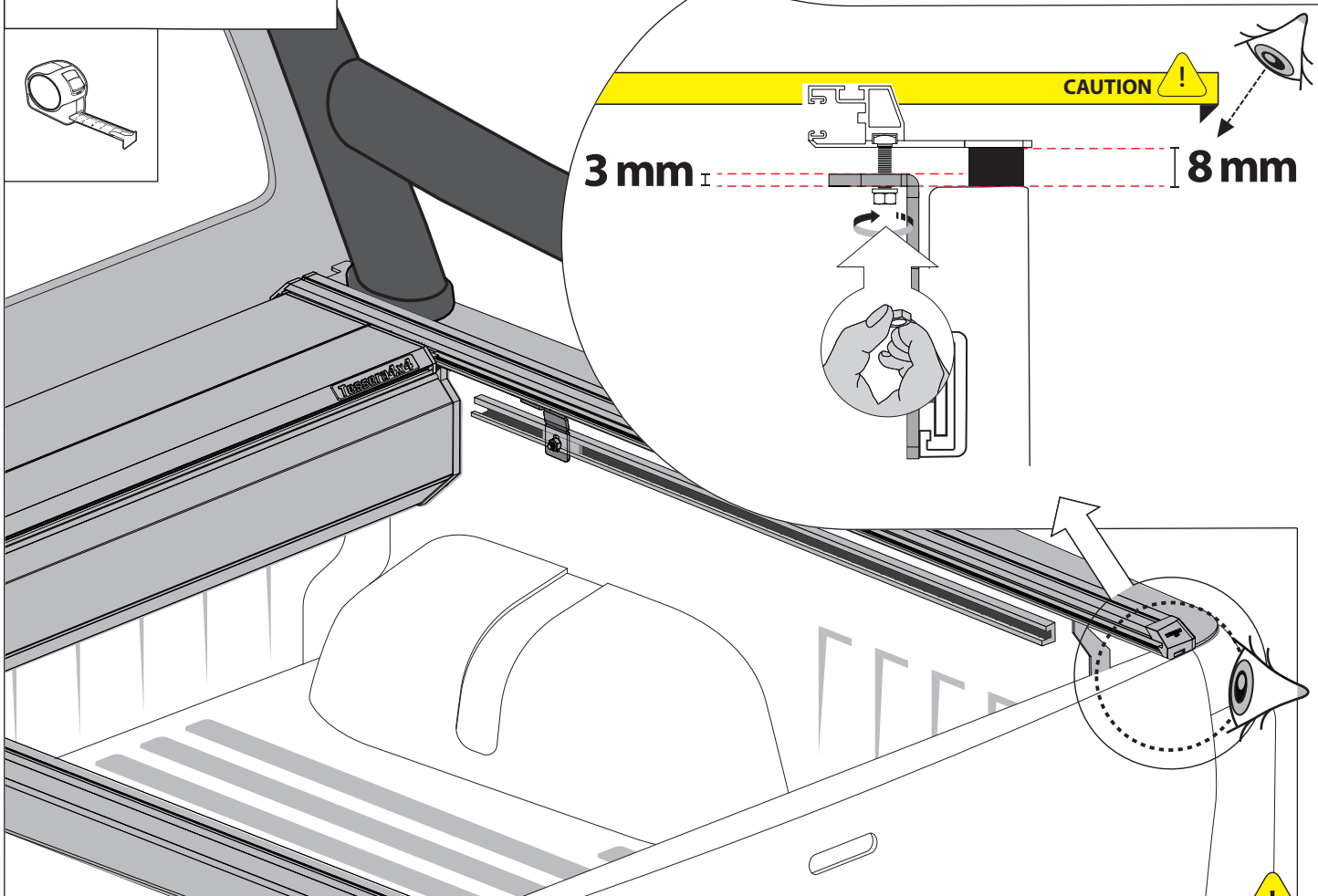
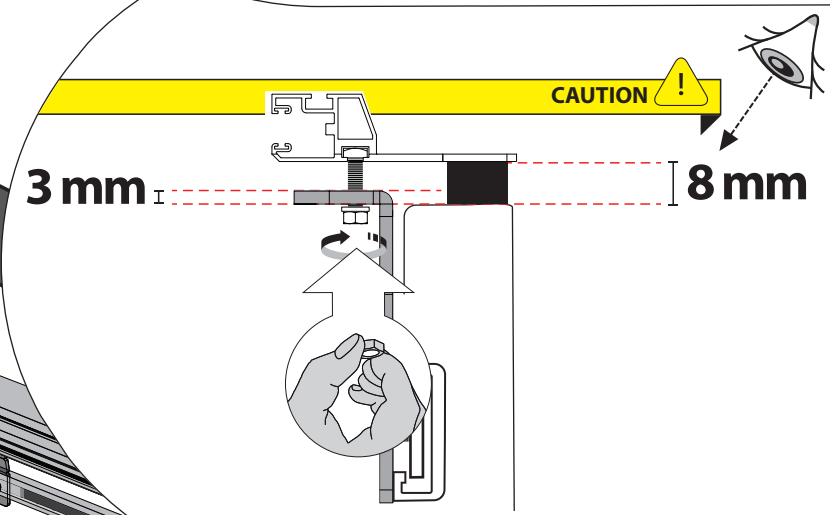
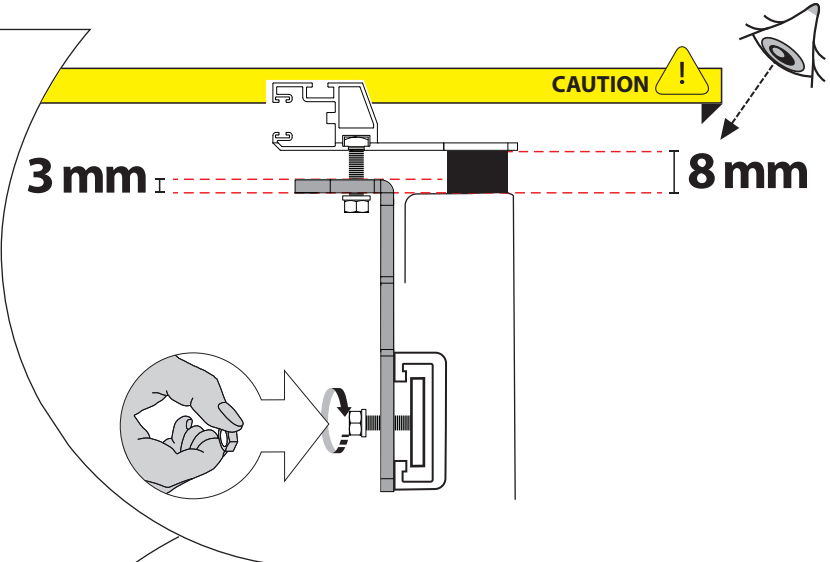
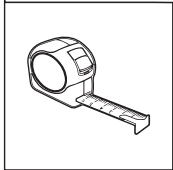
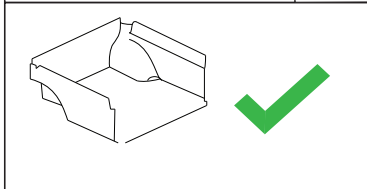
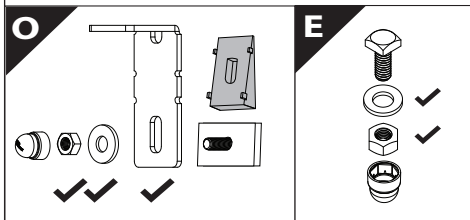
38.1

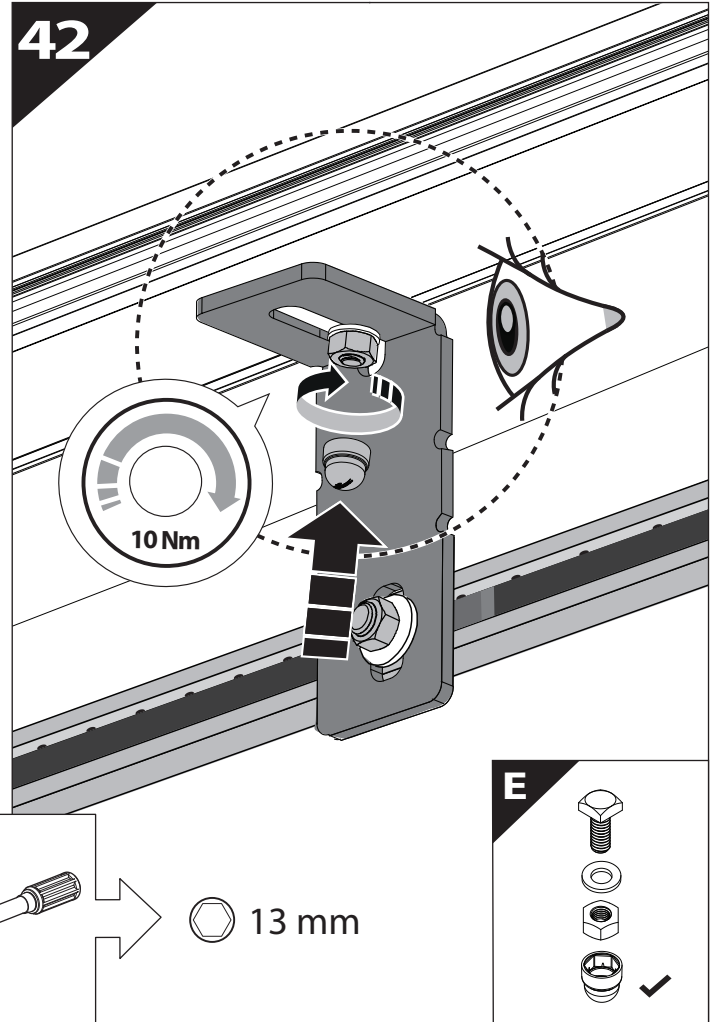
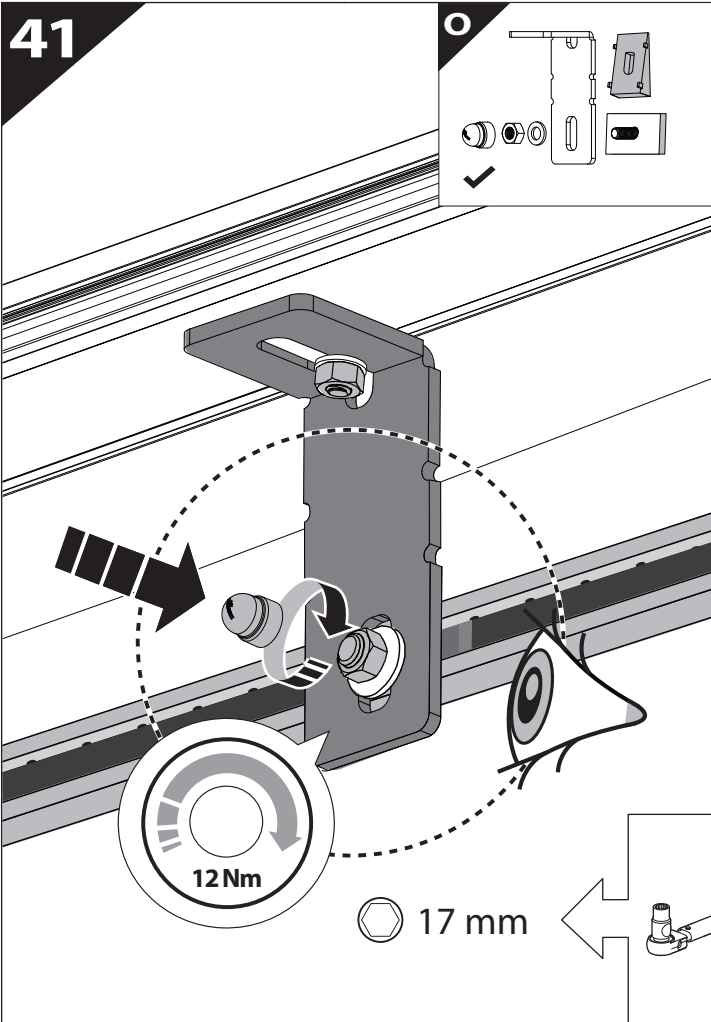


39

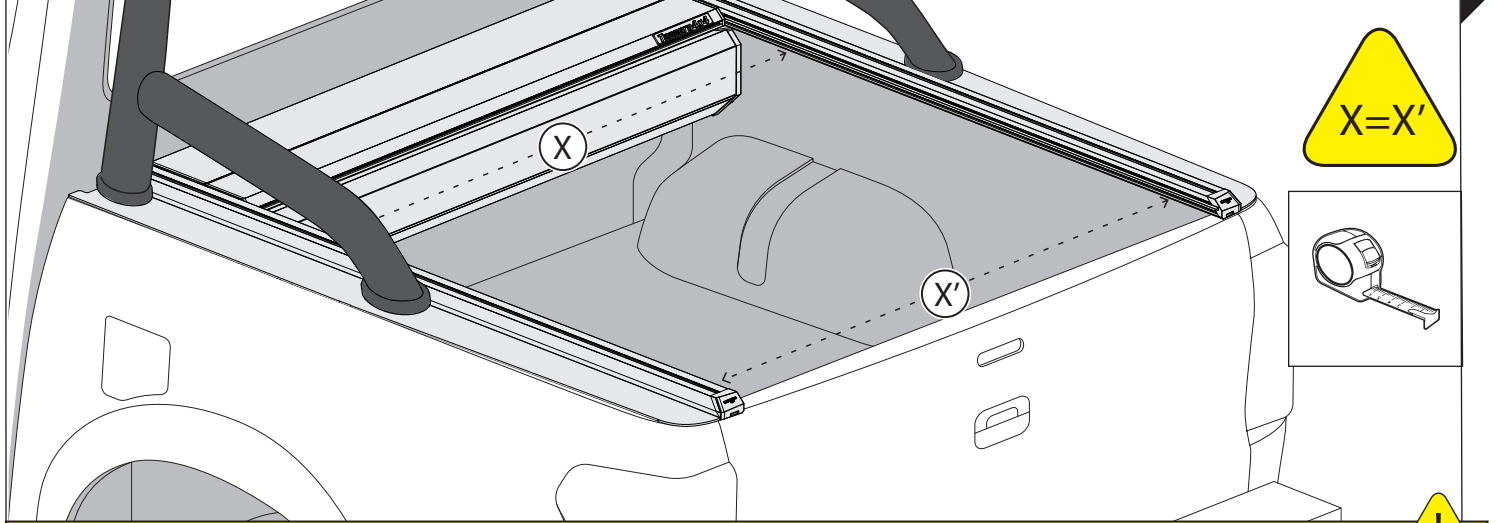


40

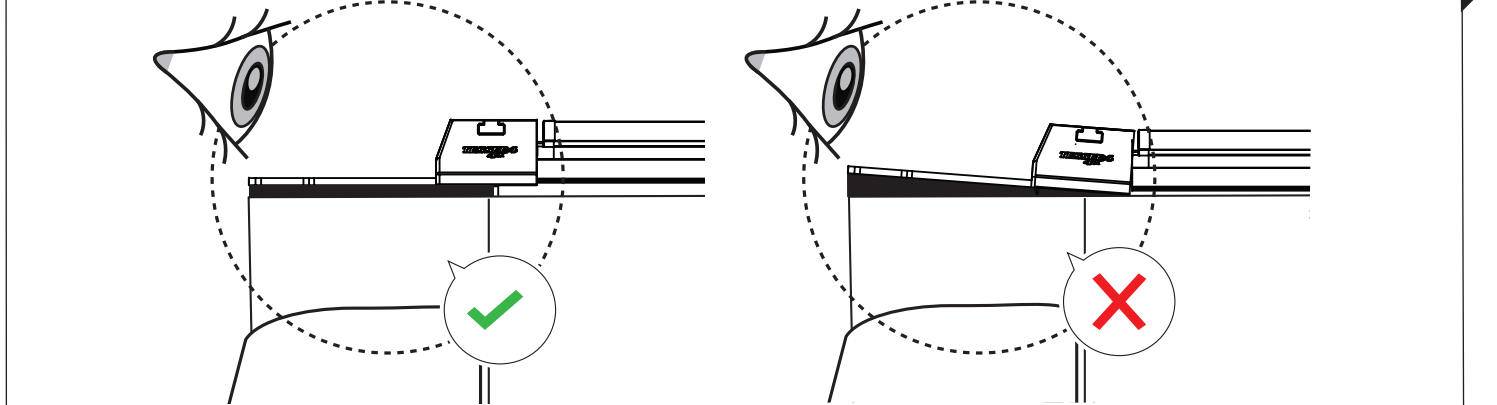


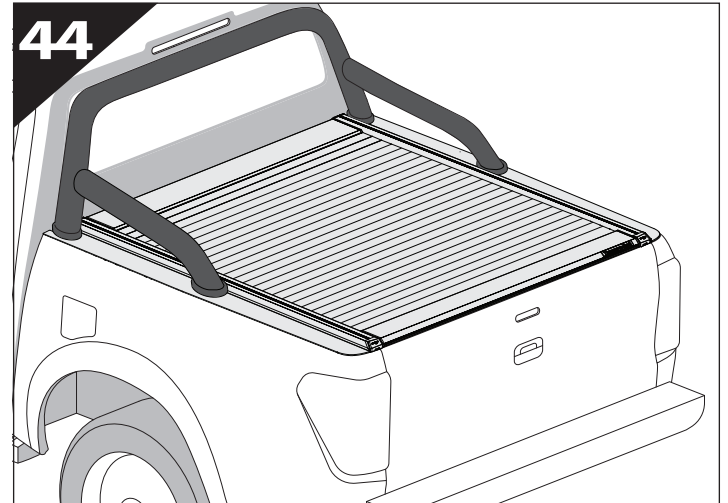
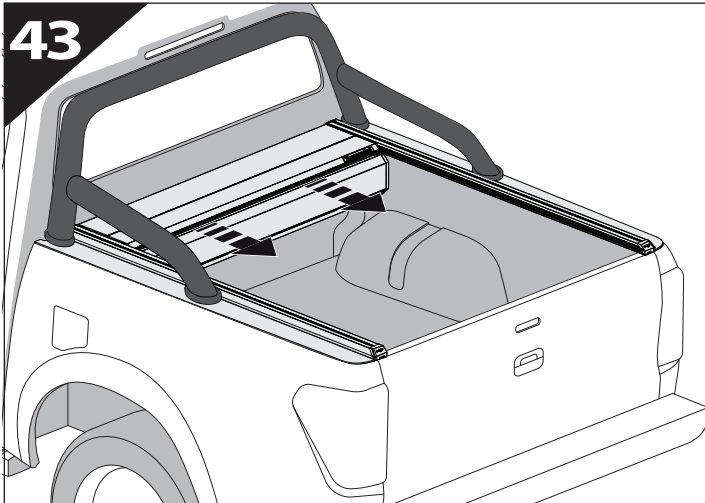


**CAUTION** !



**CAUTION** !





**GR:** Οδηγίες Εγκατάστασης  
**GB:** Installation manual  
**SF:** Asennusohje  
**F:** Notice de montage  
**PL:** Instrukcja montażu  
**NL:** Installatie-instructies  
**TR:** Montaj Talimatı  
**S:** Monteringsanvisning  
**E:** Instrucciones de montaje

**H:** Szerelési utasítás  
**P:** Instruções de instalação  
**RUS:** Инструкция по установке  
**N:** Monteringsveiledning  
**D:** Einbauanleitung  
**CZ:** Návod k instalaci  
**I:** Istruzioni de montaggio  
**DK:** Monteringsvejledning  
**RO:** Instructiuni de instalare

Customer Service:

+30 (210) 5541161, +30 (210) 5541154 (08:00 - 16:00 EET)

Support department:

info@gianso.gr

Website:

www.tessera4x4.com

Address:

19.5 km of National road Athens-Korinthos (Elefsina) Greece, P.C: 19200