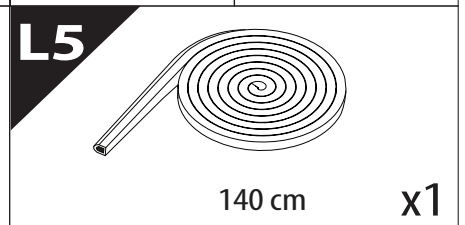
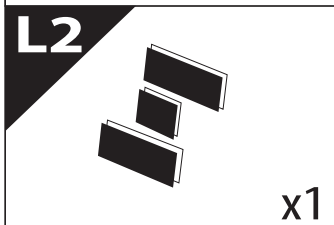
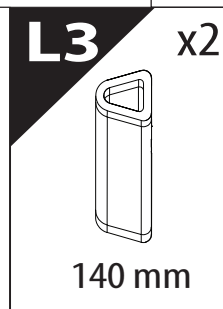
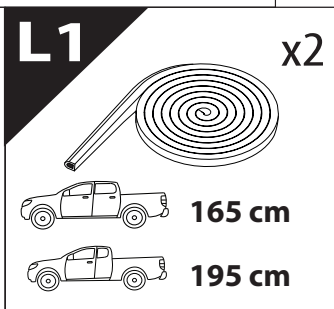
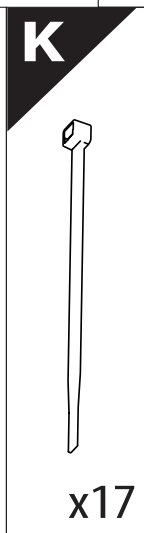
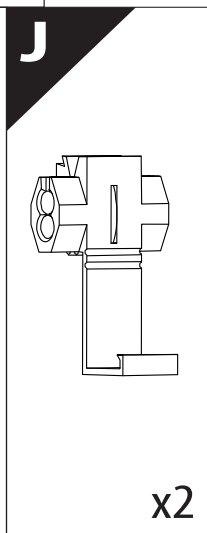
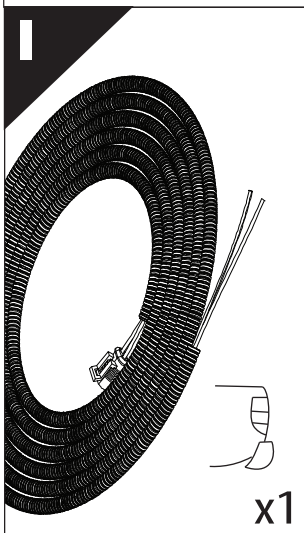
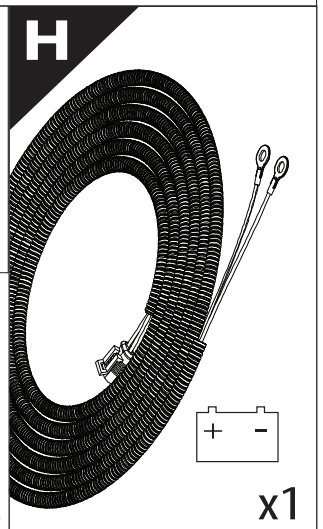
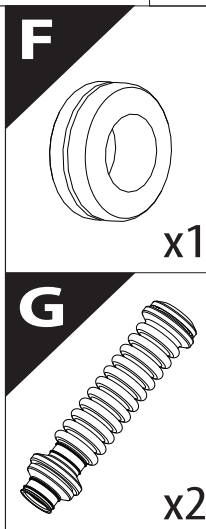
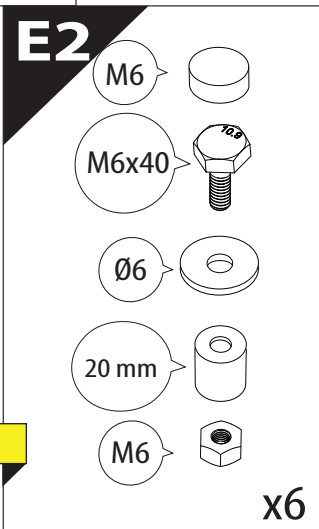
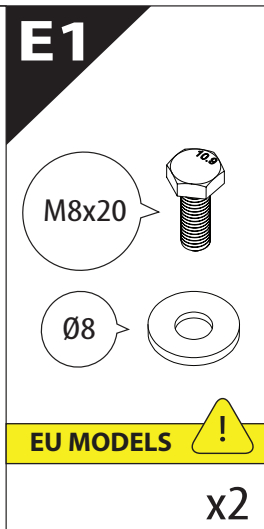
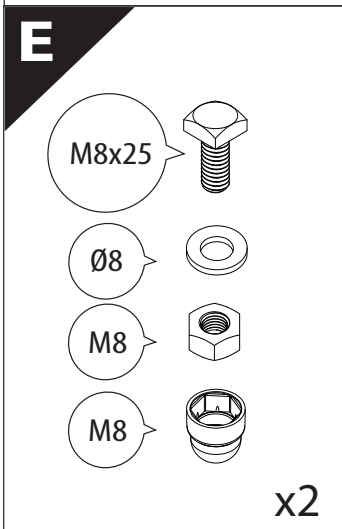
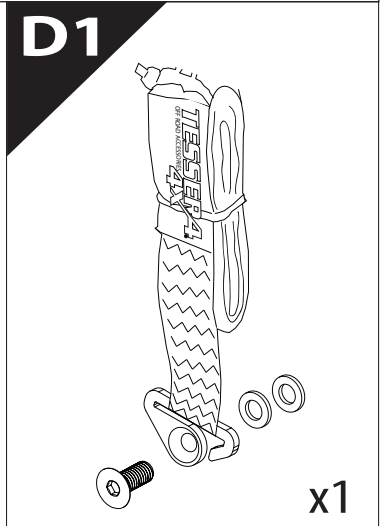
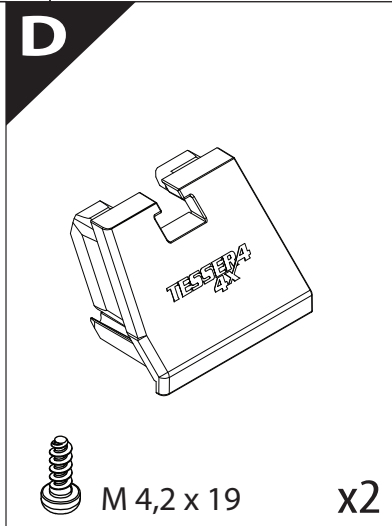
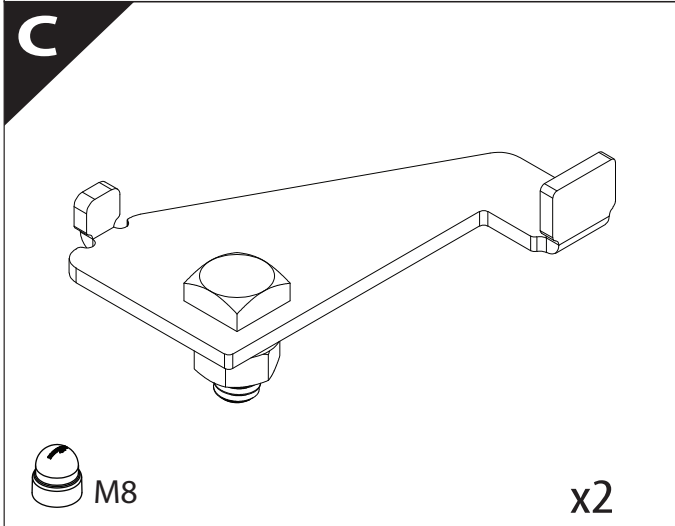
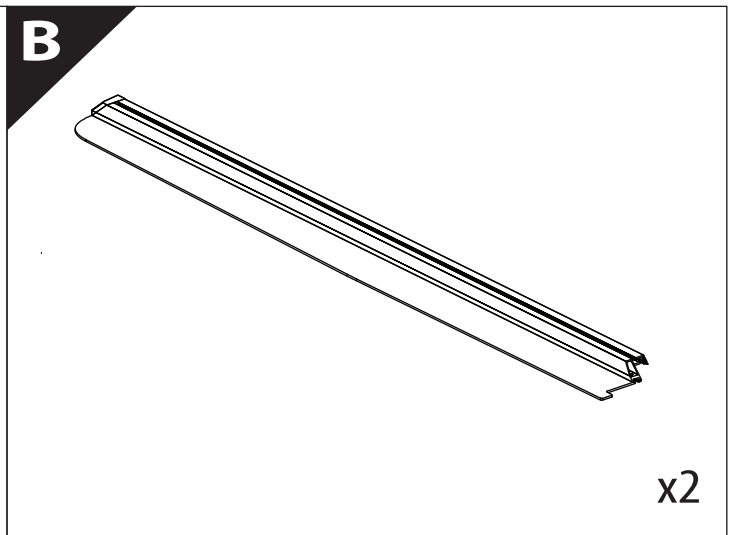
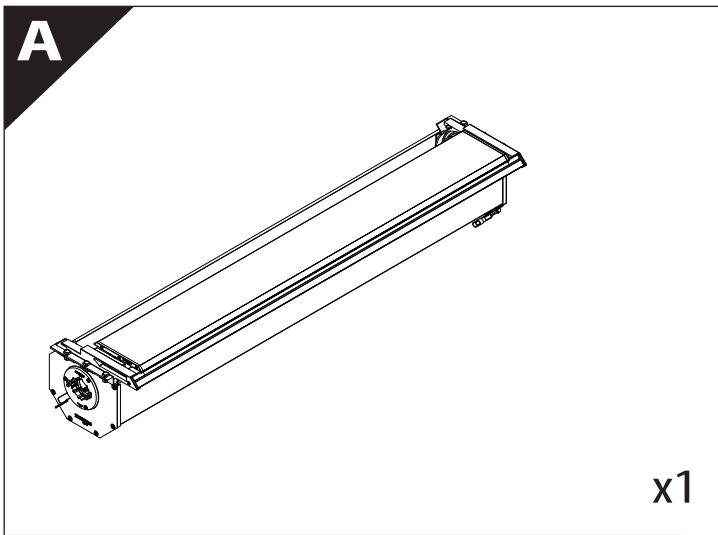

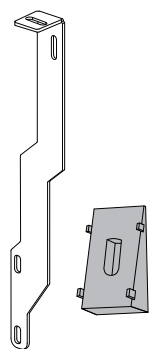

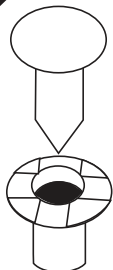


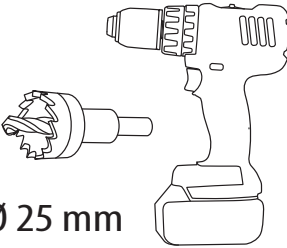
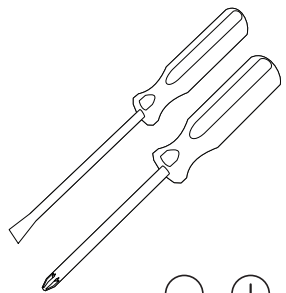
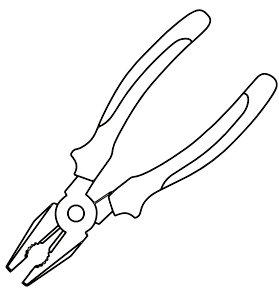
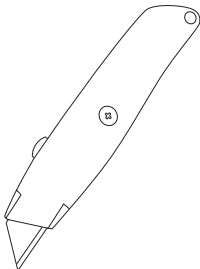
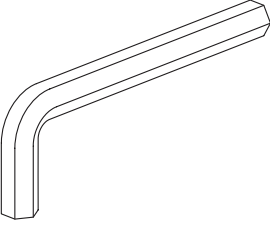
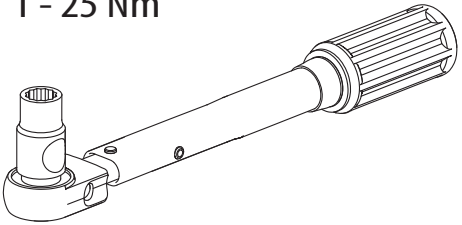
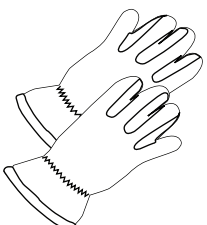

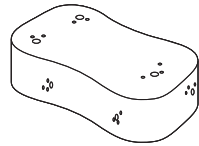

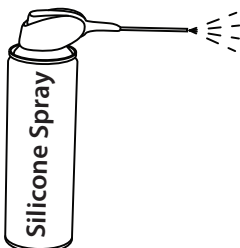


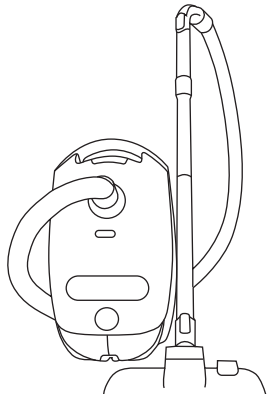
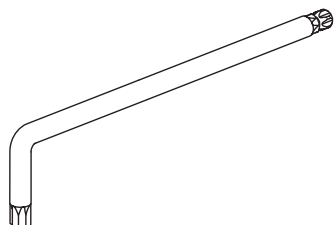
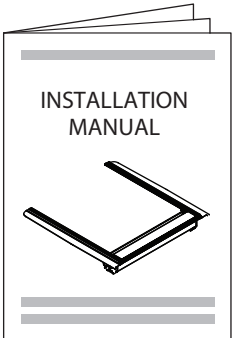
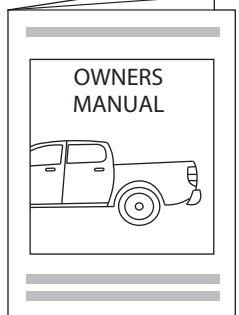


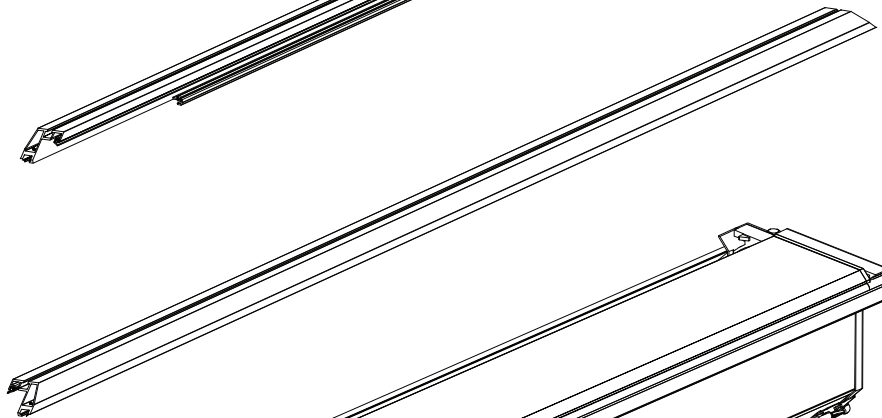
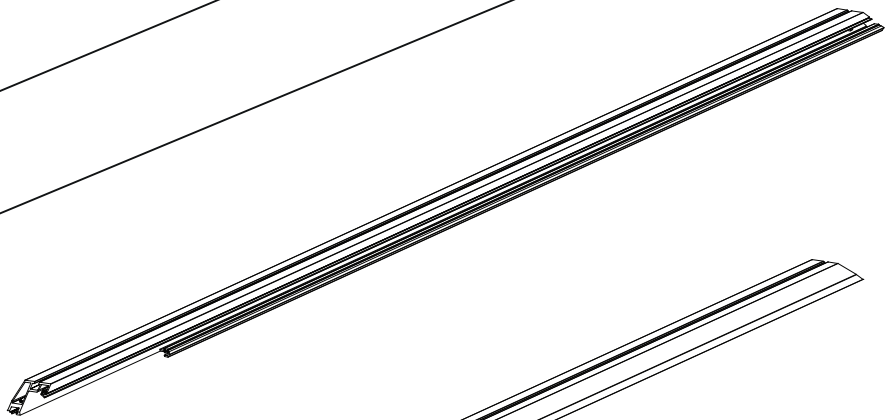
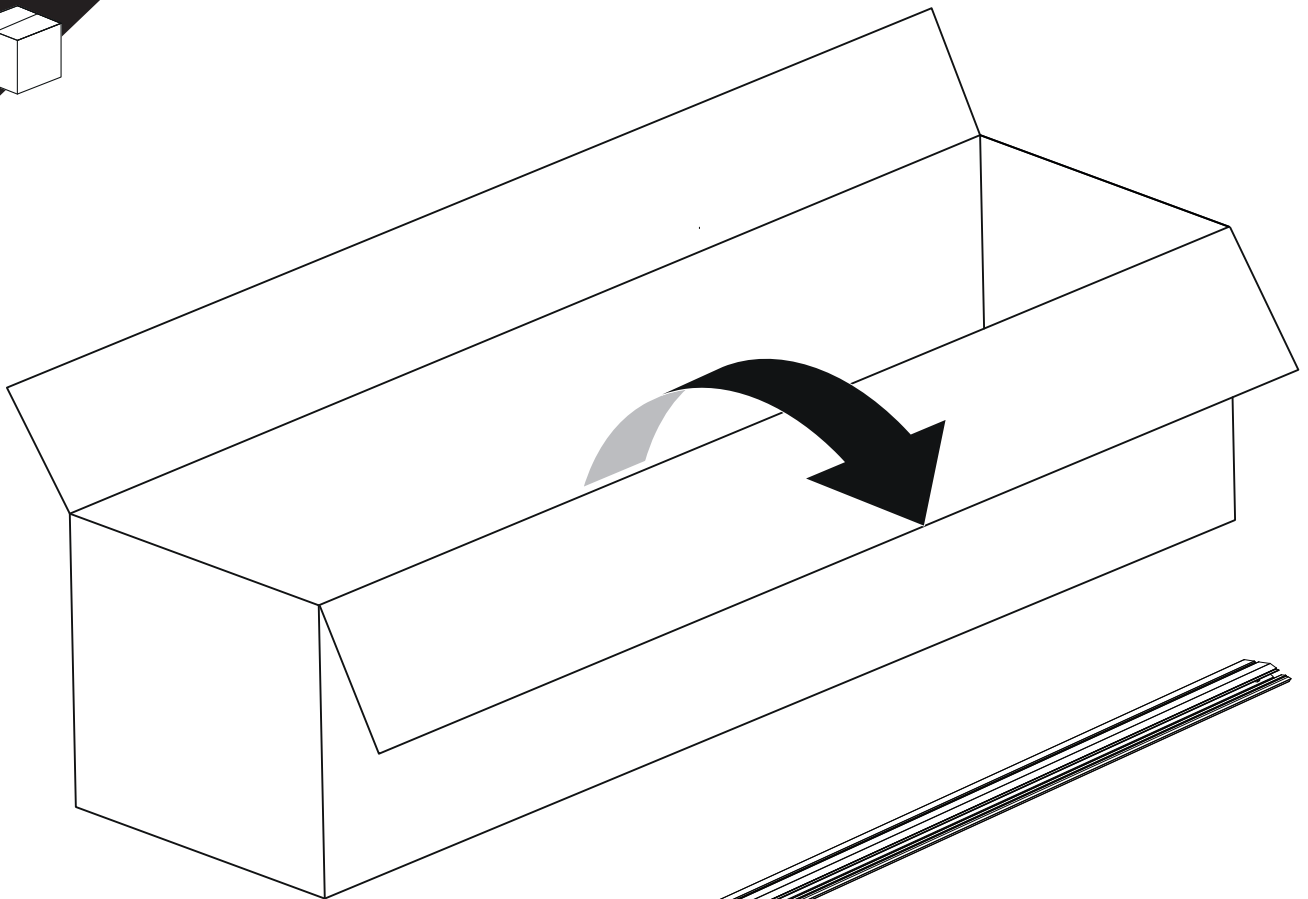
# Installation Manual

PART NUMBER(S)	Model Year
TESS 14080 ROLL	FORD RANGER <b>WILDTRAK</b> 2023+ OEM ROLL BAR
TESS 14090 ROLL	
Cab(s)	Installation Time / Weight
Double Cab & Space cab	40-60 minutes / 53-57 kg

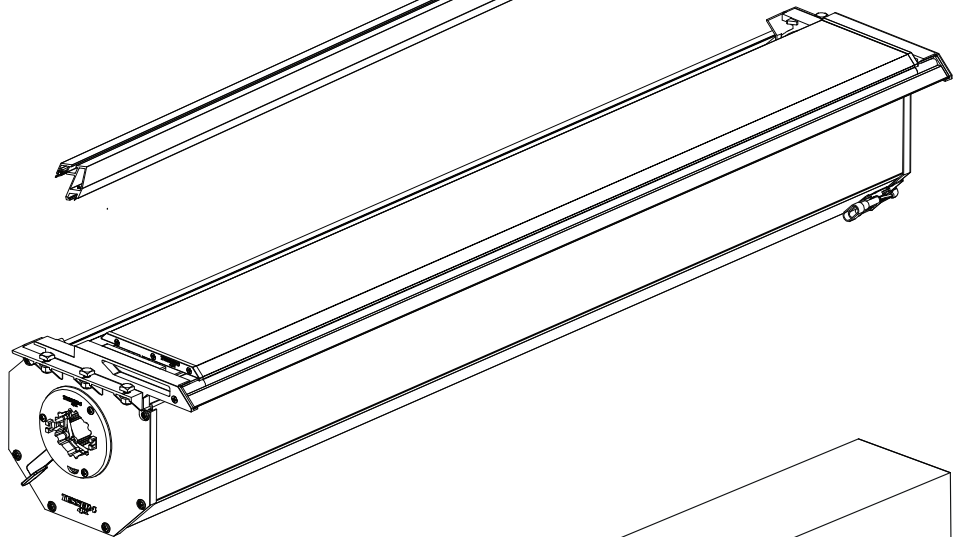




<p><b>M1</b></p>  <p>x1</p>	<p><b>N</b></p>  <p>x2</p>	<p><b>O</b></p>  <p>x1</p>	<p><b>P</b></p>  <p><b>US MODELS !</b></p> <p>x2</p>	<p><b>Q</b></p>  <p>Silicone</p>	  <p>Ø 25 mm</p>
 <p>⊖ ⊕</p>			 <p>⊙ 4 mm</p>		
<p>1 - 25 Nm</p>  <p>⊙ 10, 12, 13, 17 mm</p>		 <p>H<sub>2</sub>O</p>		 <p>ACETONE</p>	
 <p>Silicone Spray</p>	 <p>ANTI-RUST</p>			 <p>⊙ T30, T40</p>	
 <p>INSTALLATION MANUAL</p>  <p>OWNERS MANUAL</p> <p>x1</p>					

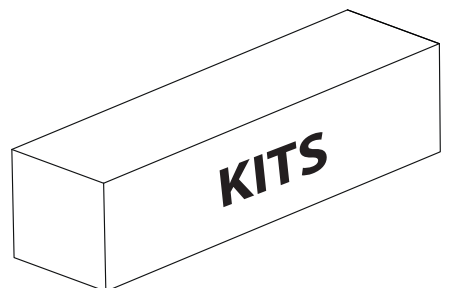


**B**

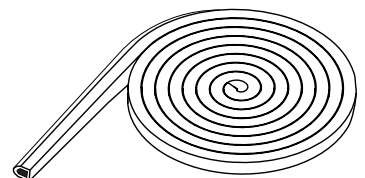


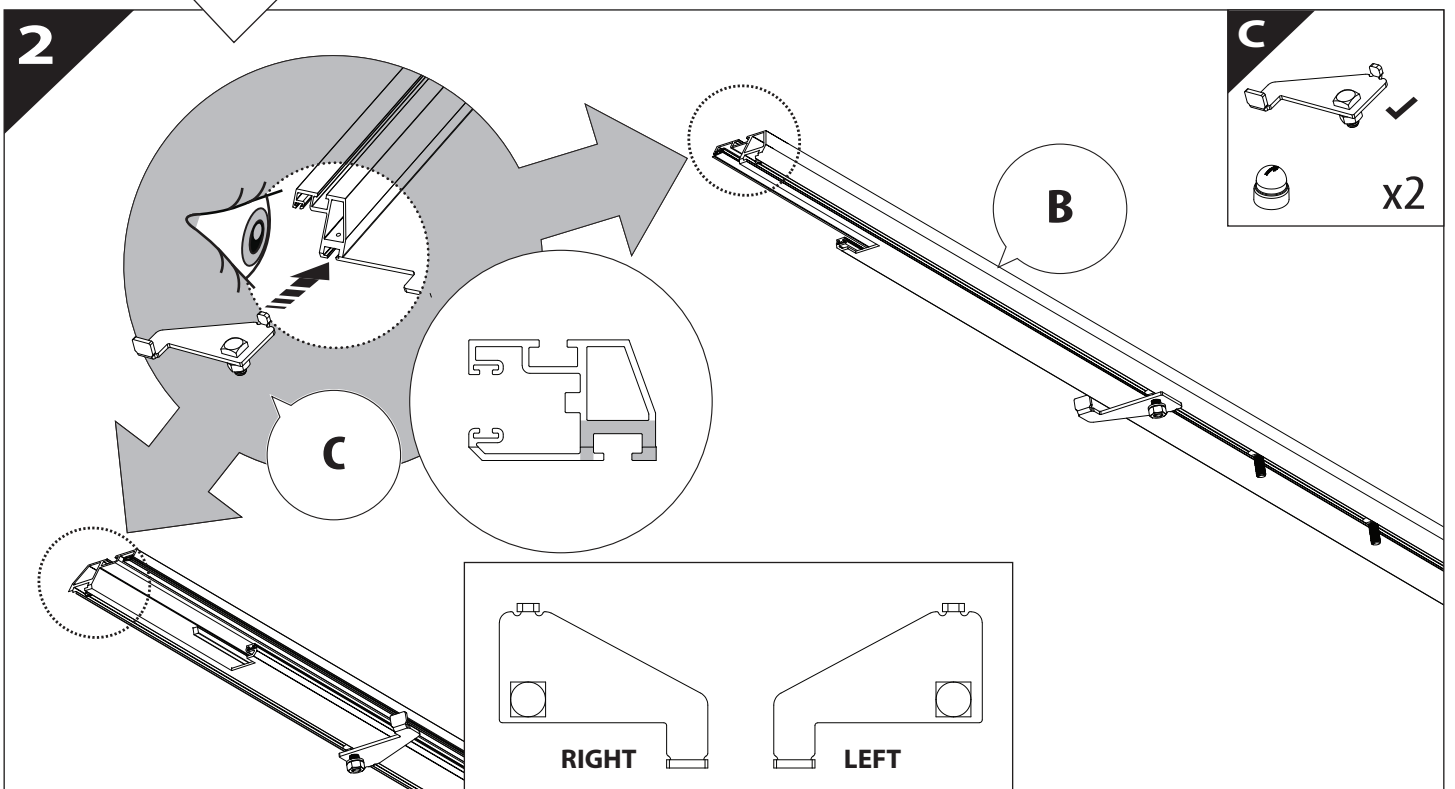
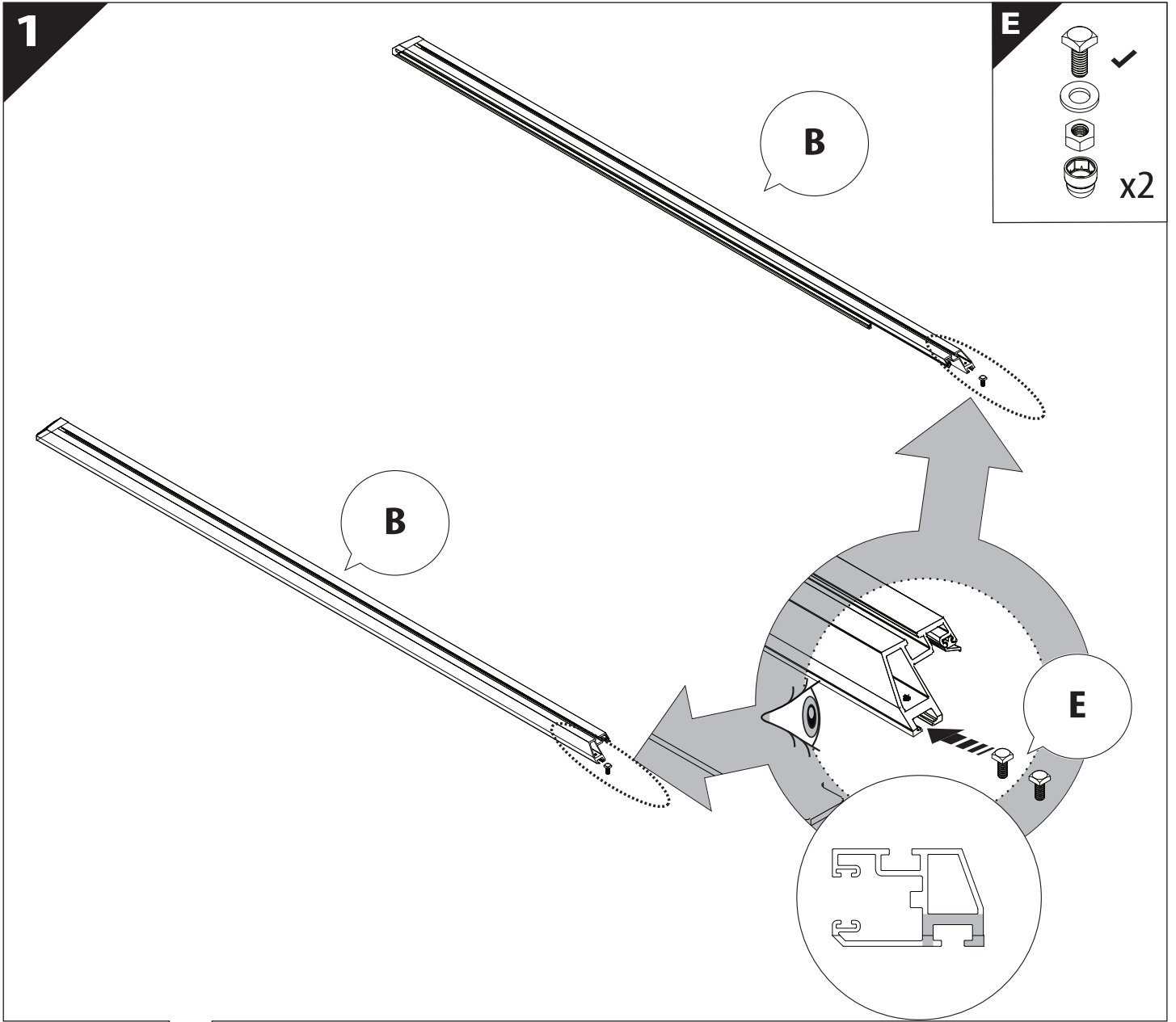
**A**

**KITS**

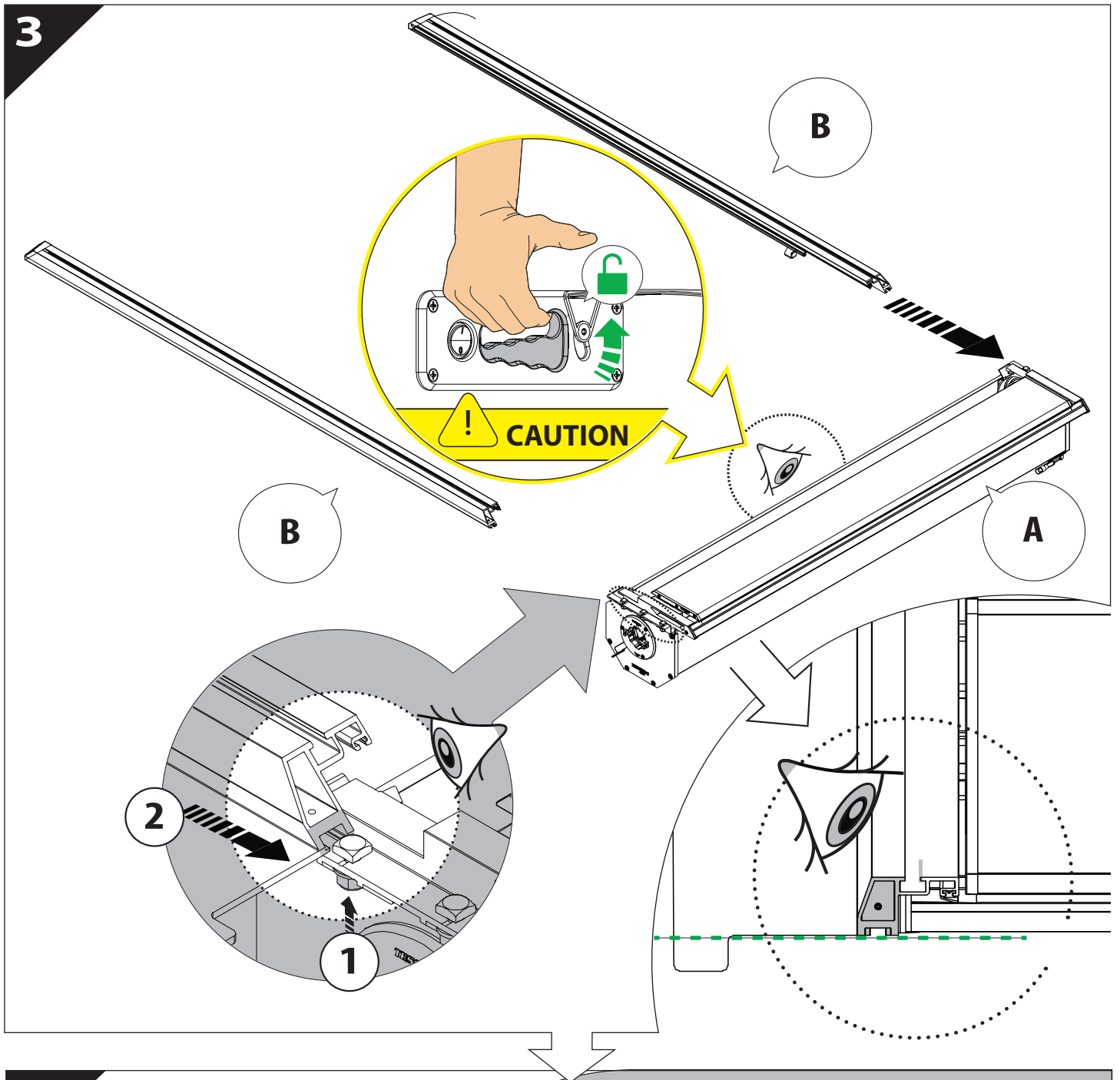


**L**

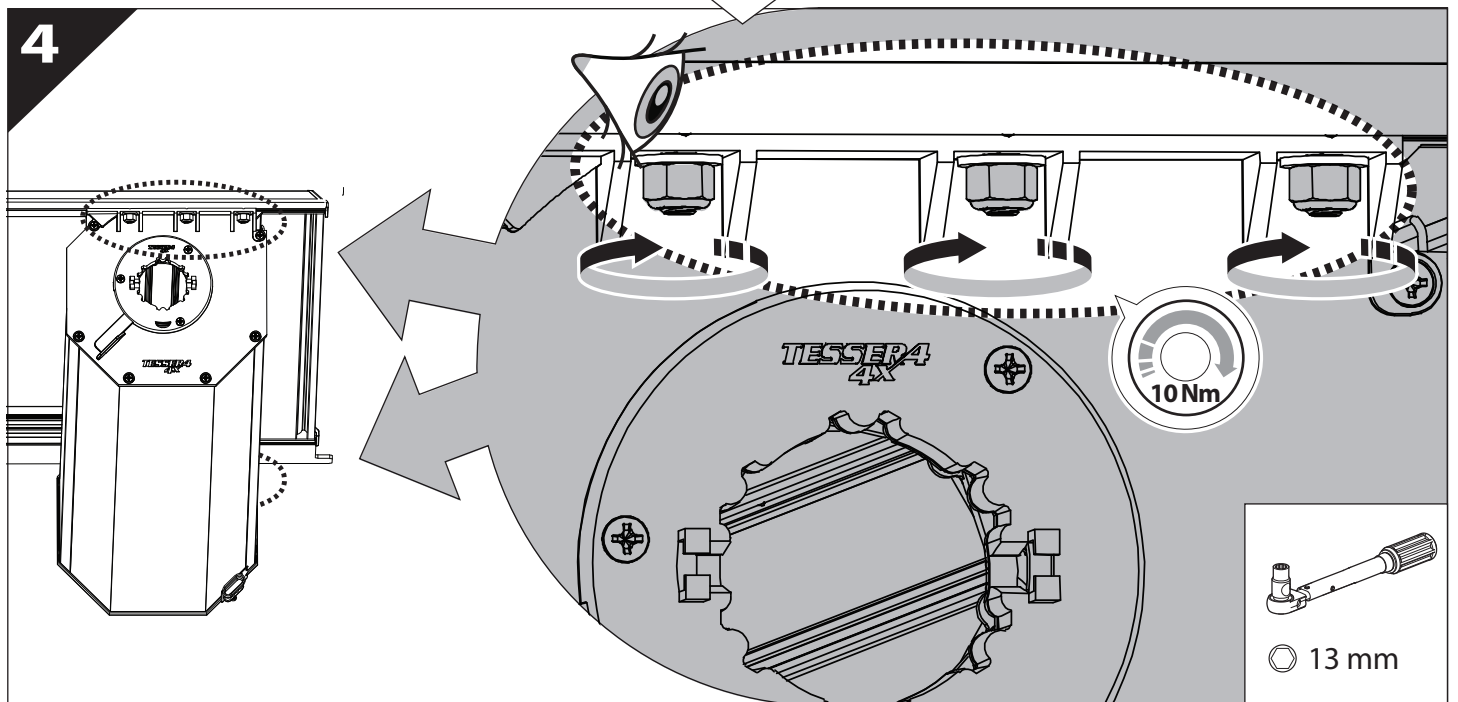


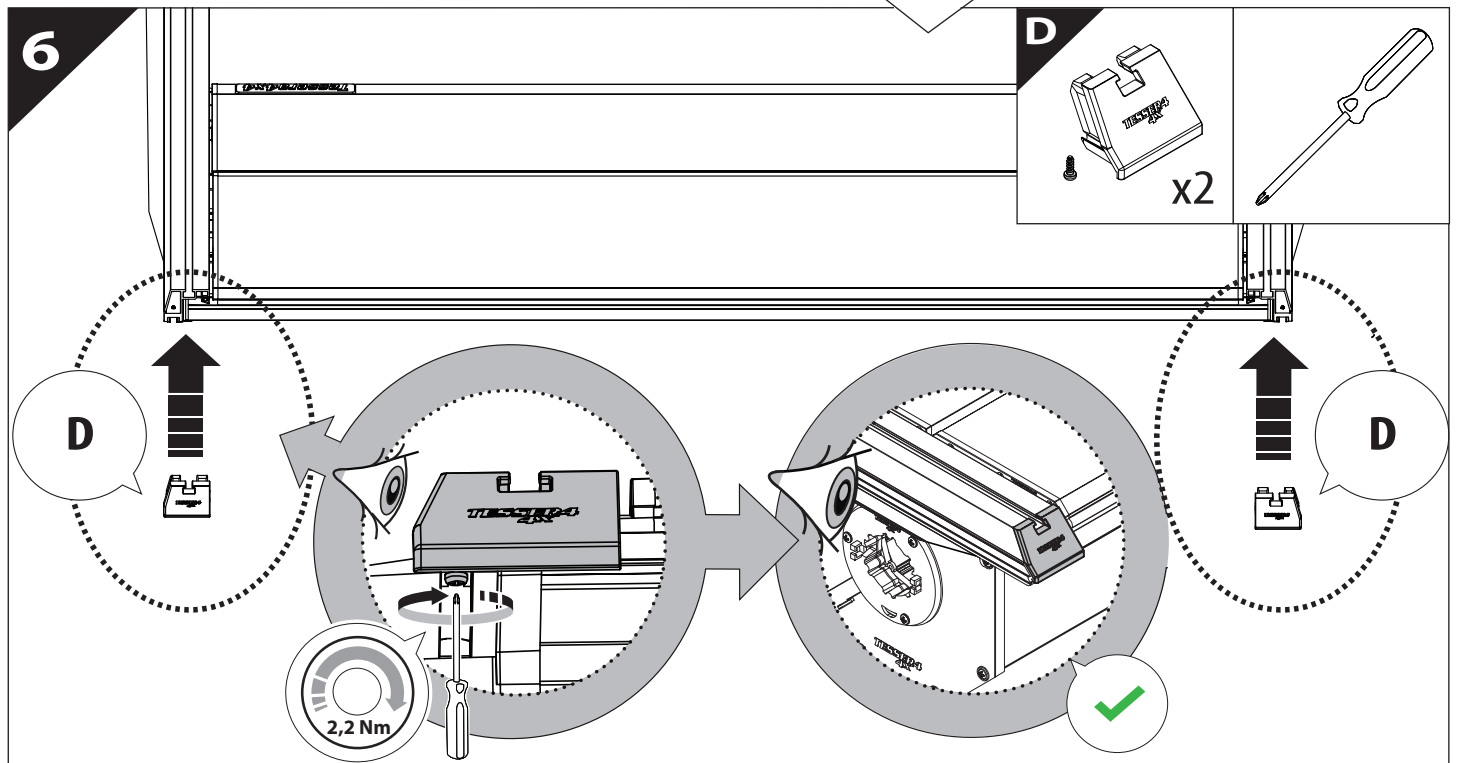
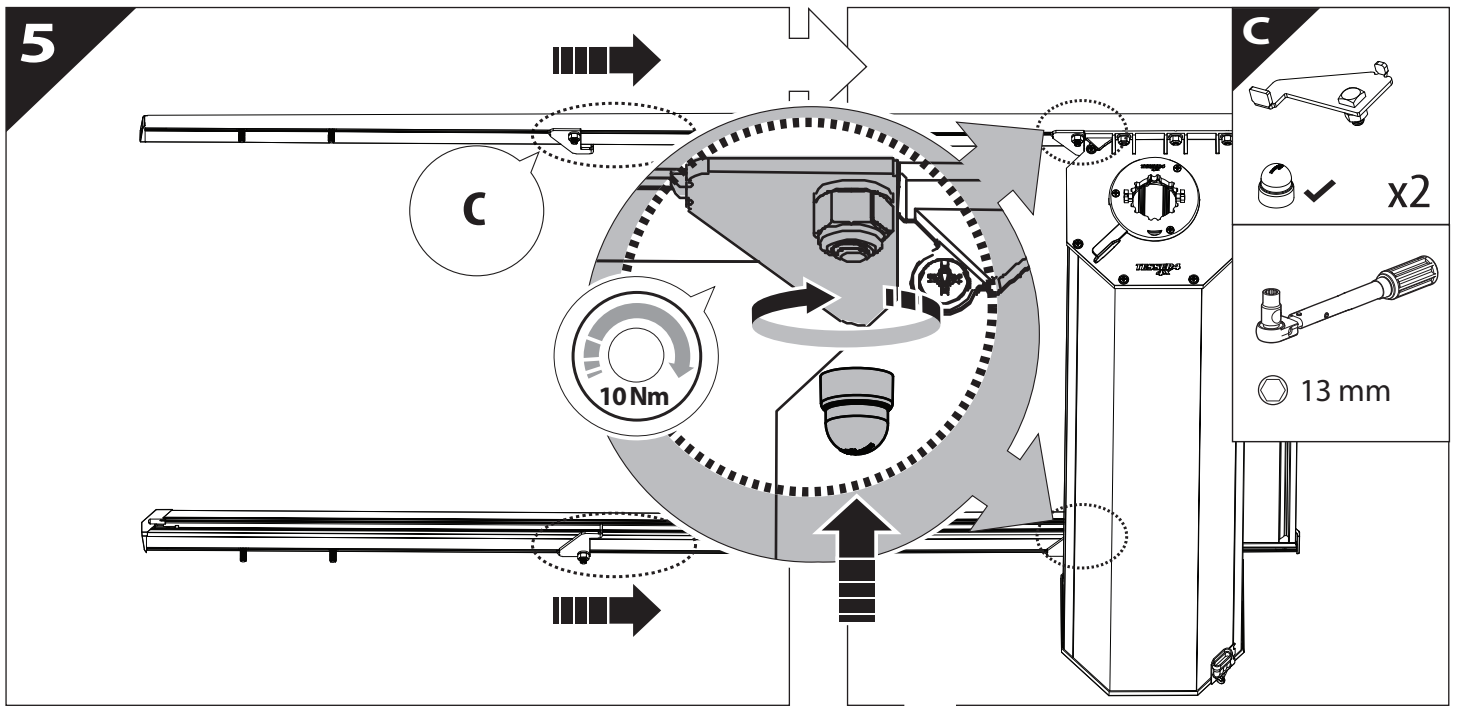


3

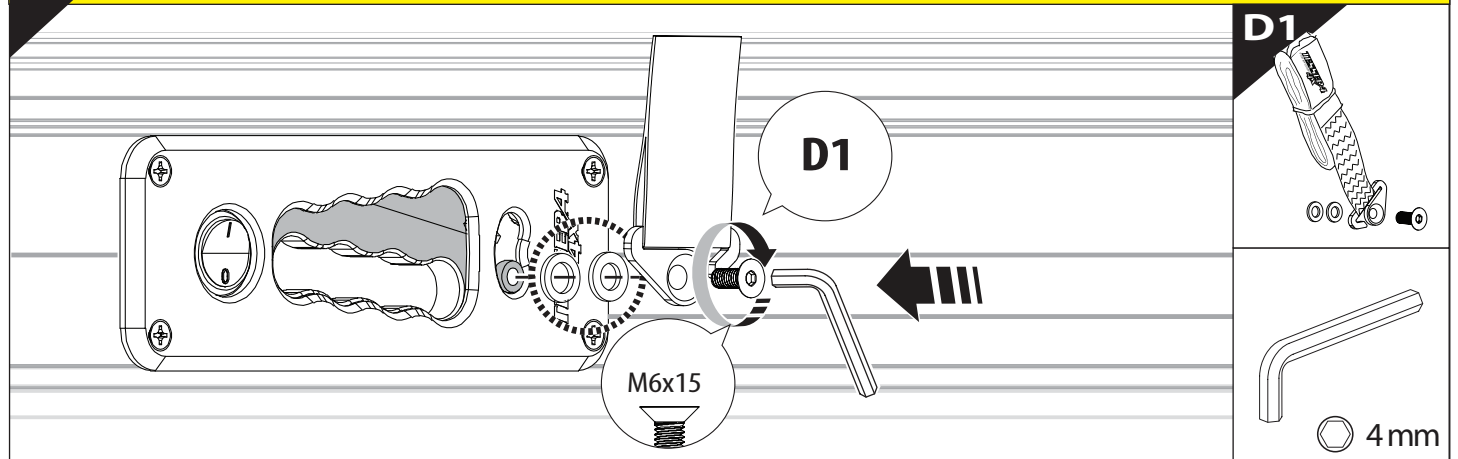


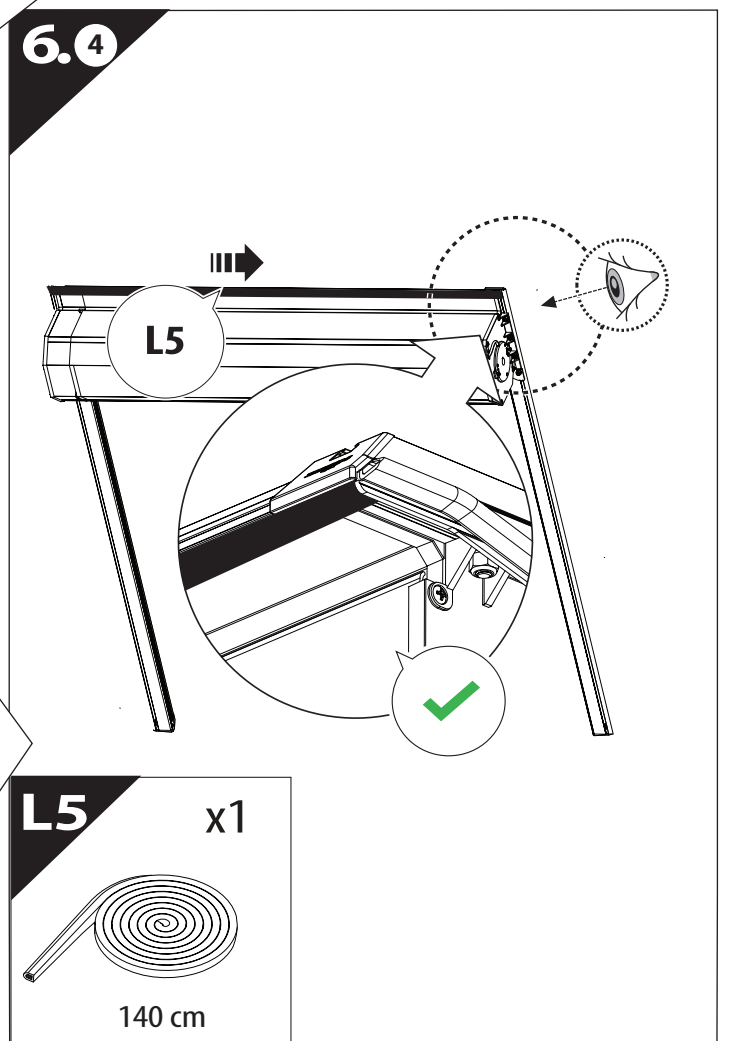
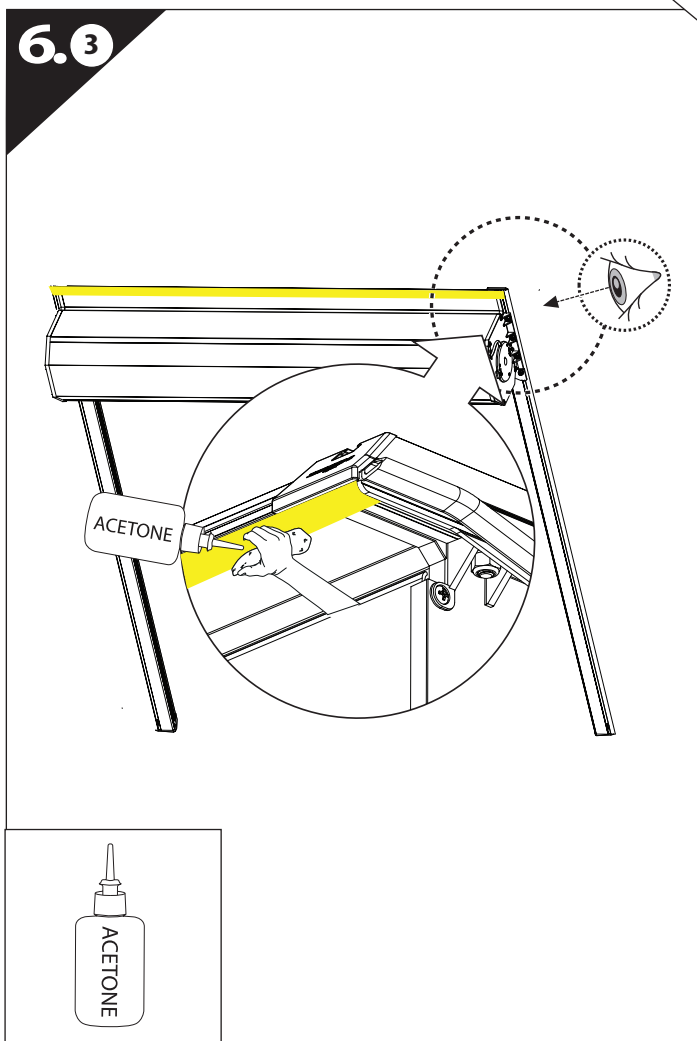
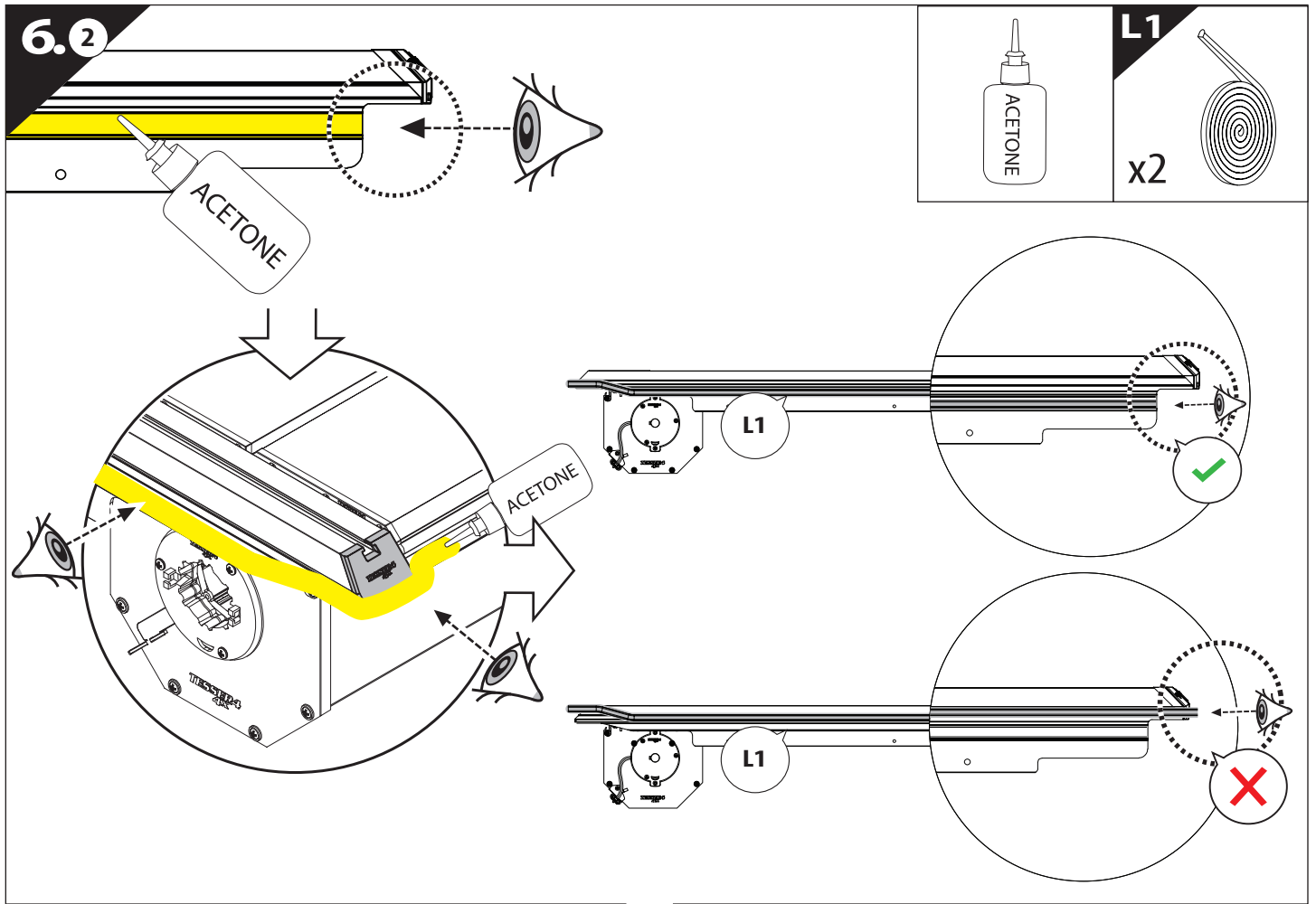
4





**6.1** **CAUTION** Basic Version ✓ & Basic+S-KIT Version ✓

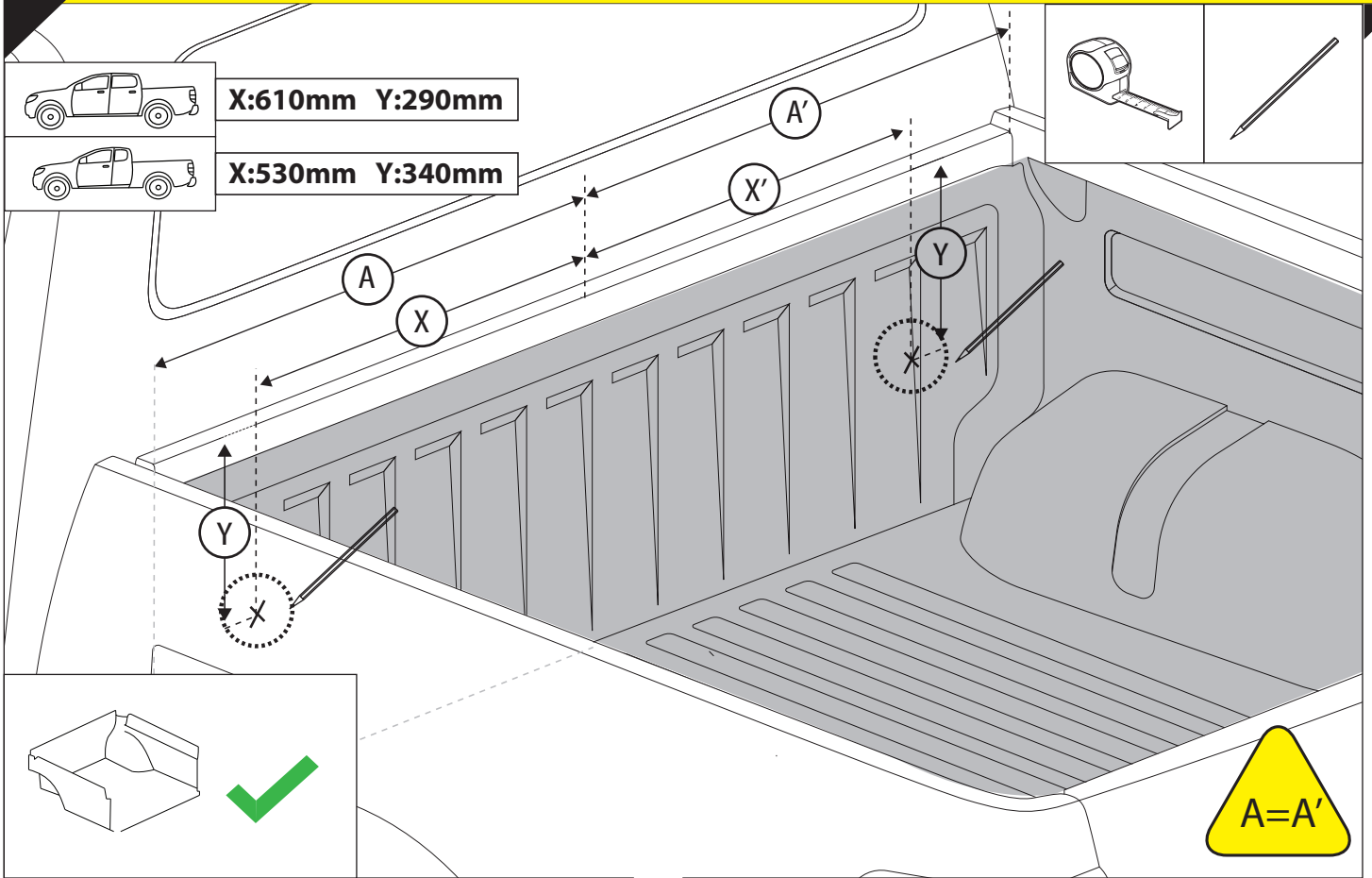




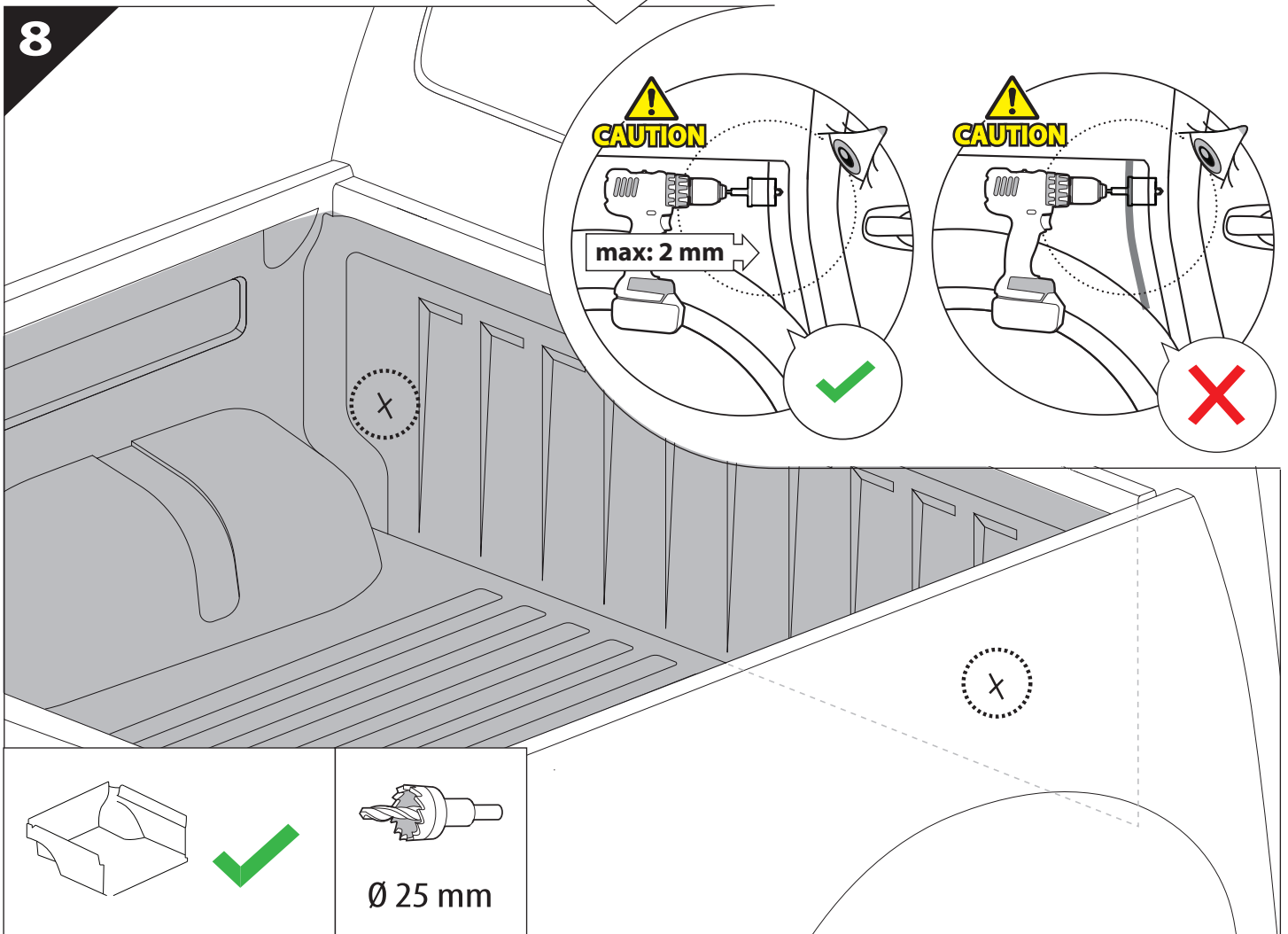
7

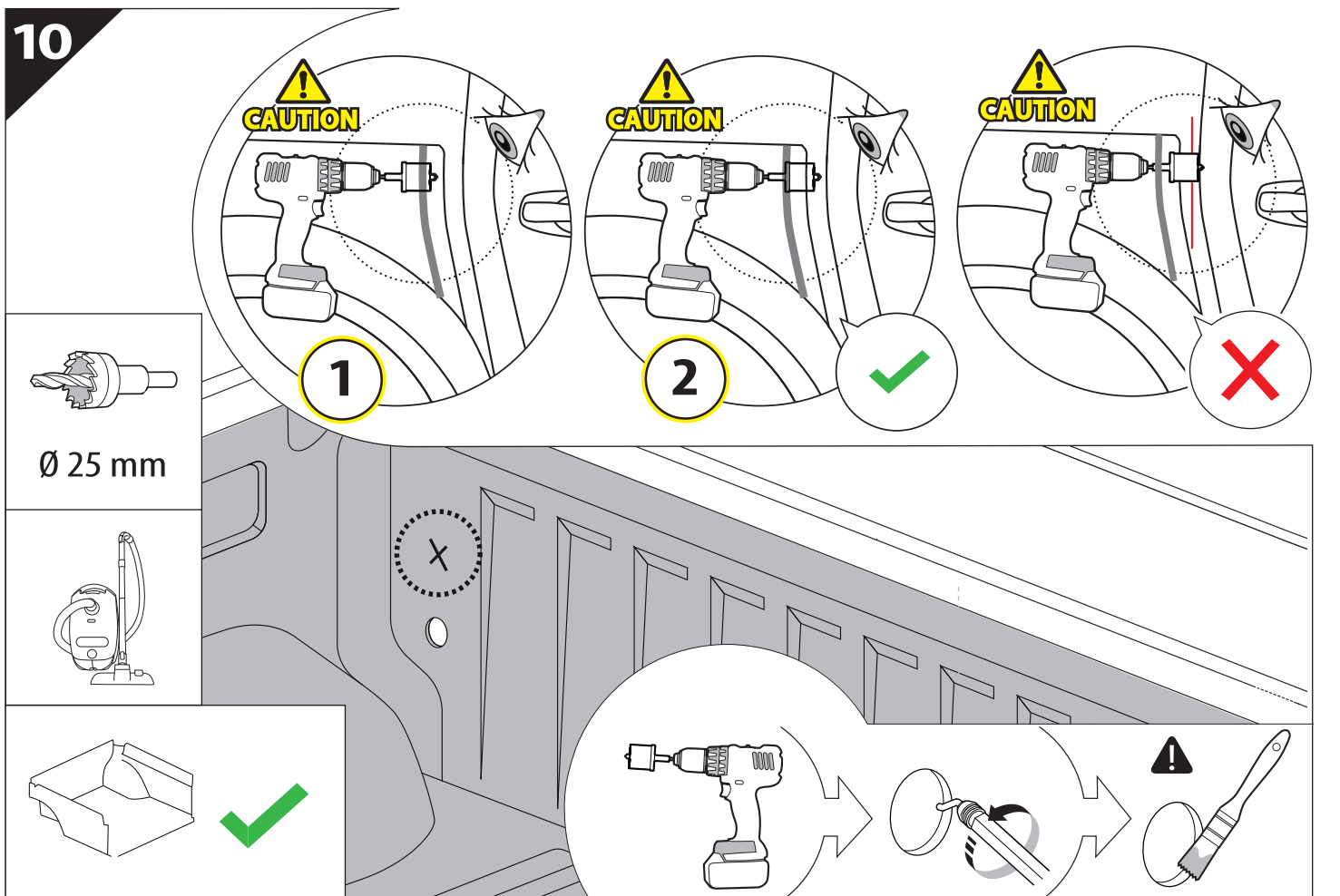
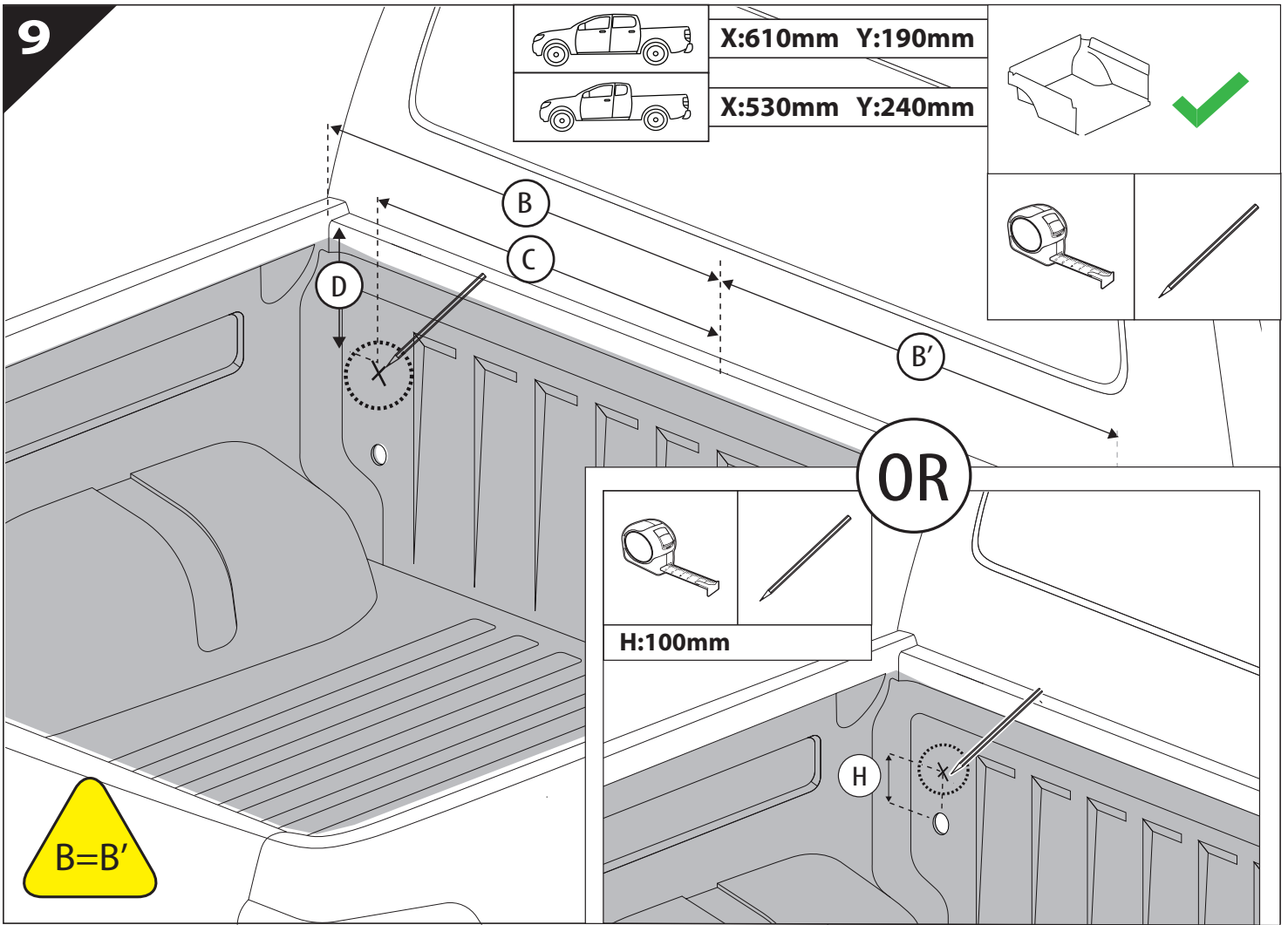


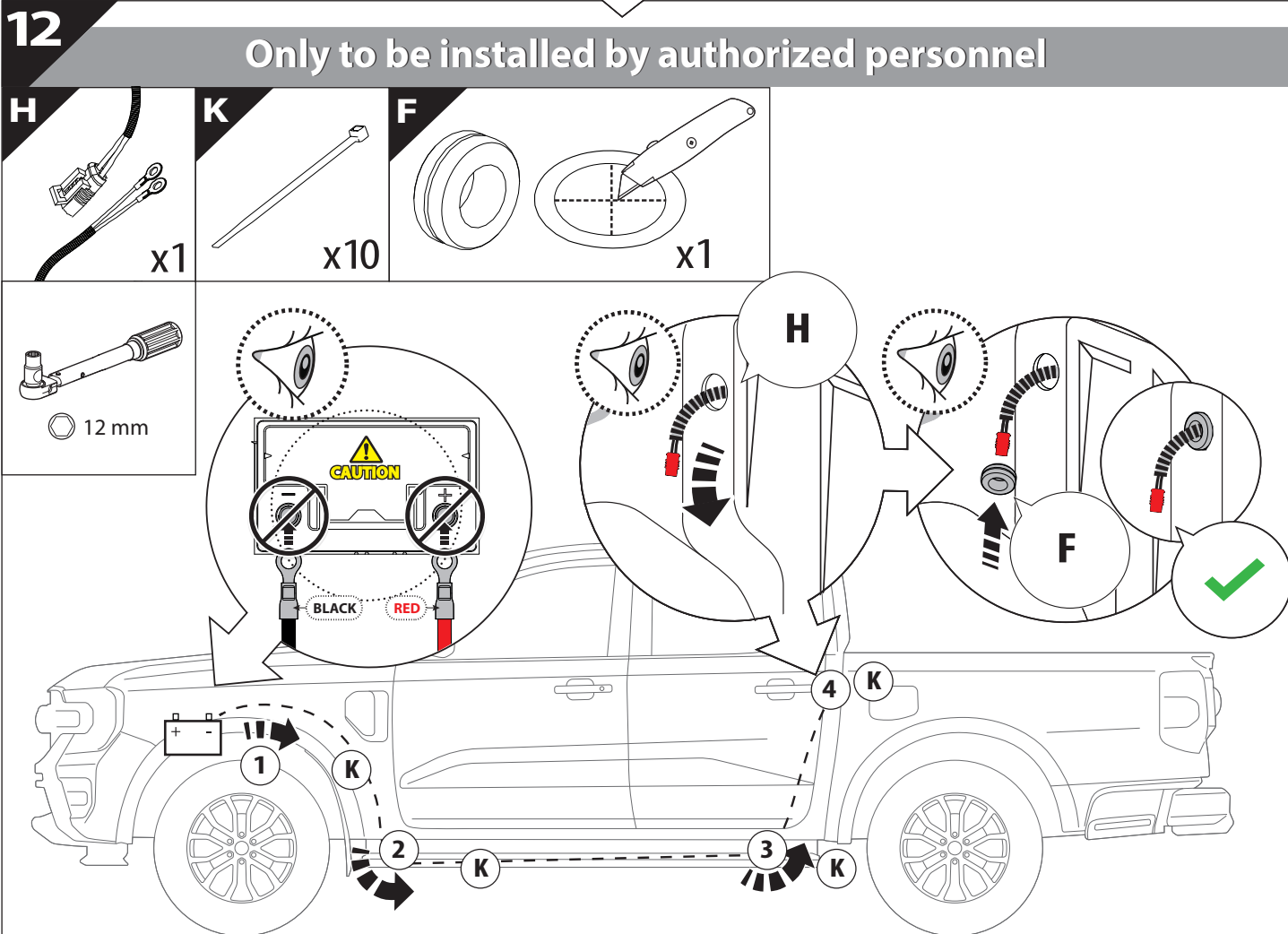
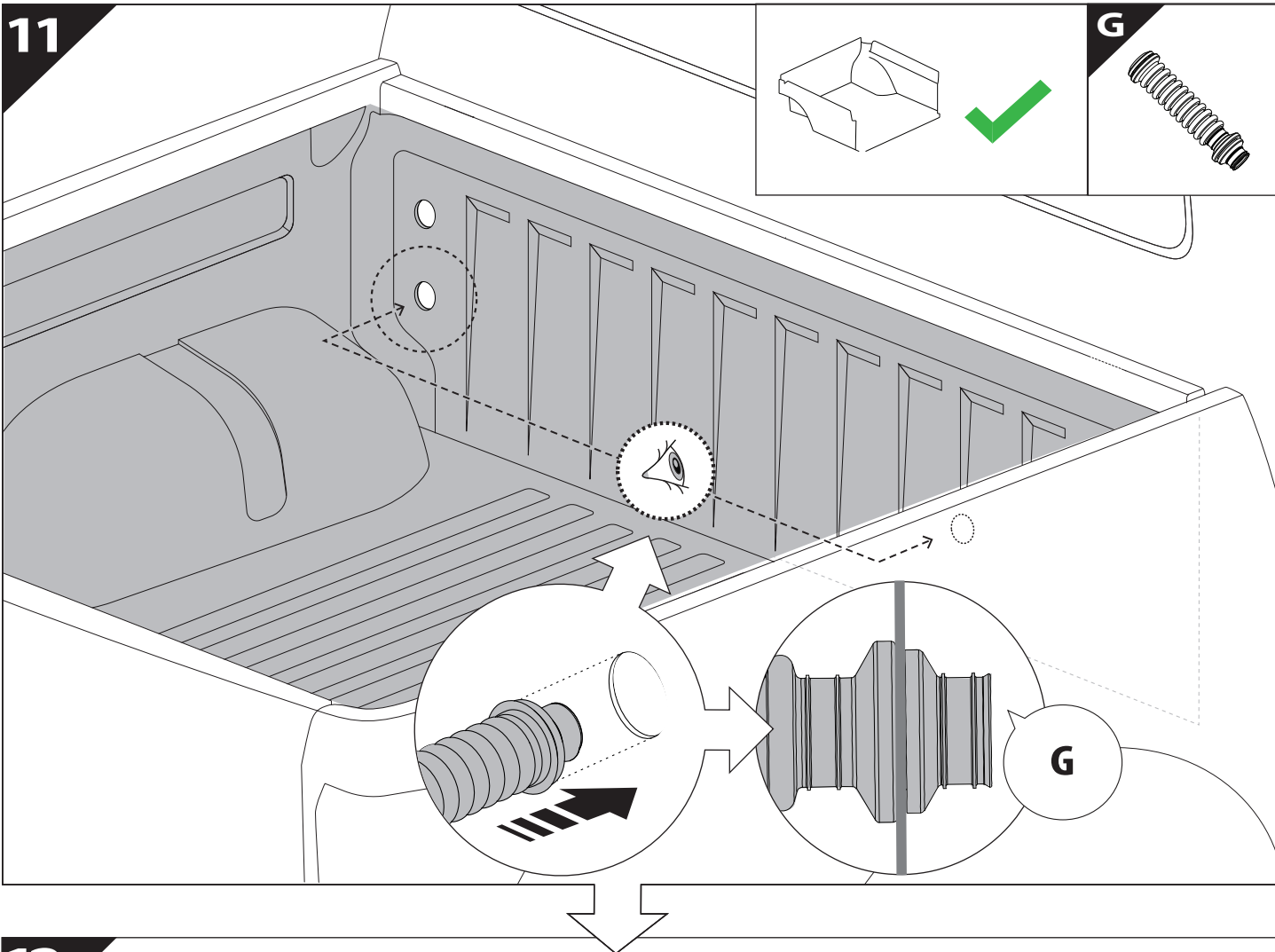
CAUTION: LIMITED, WILDTRAK, WILDTRAK X, PLATINUM



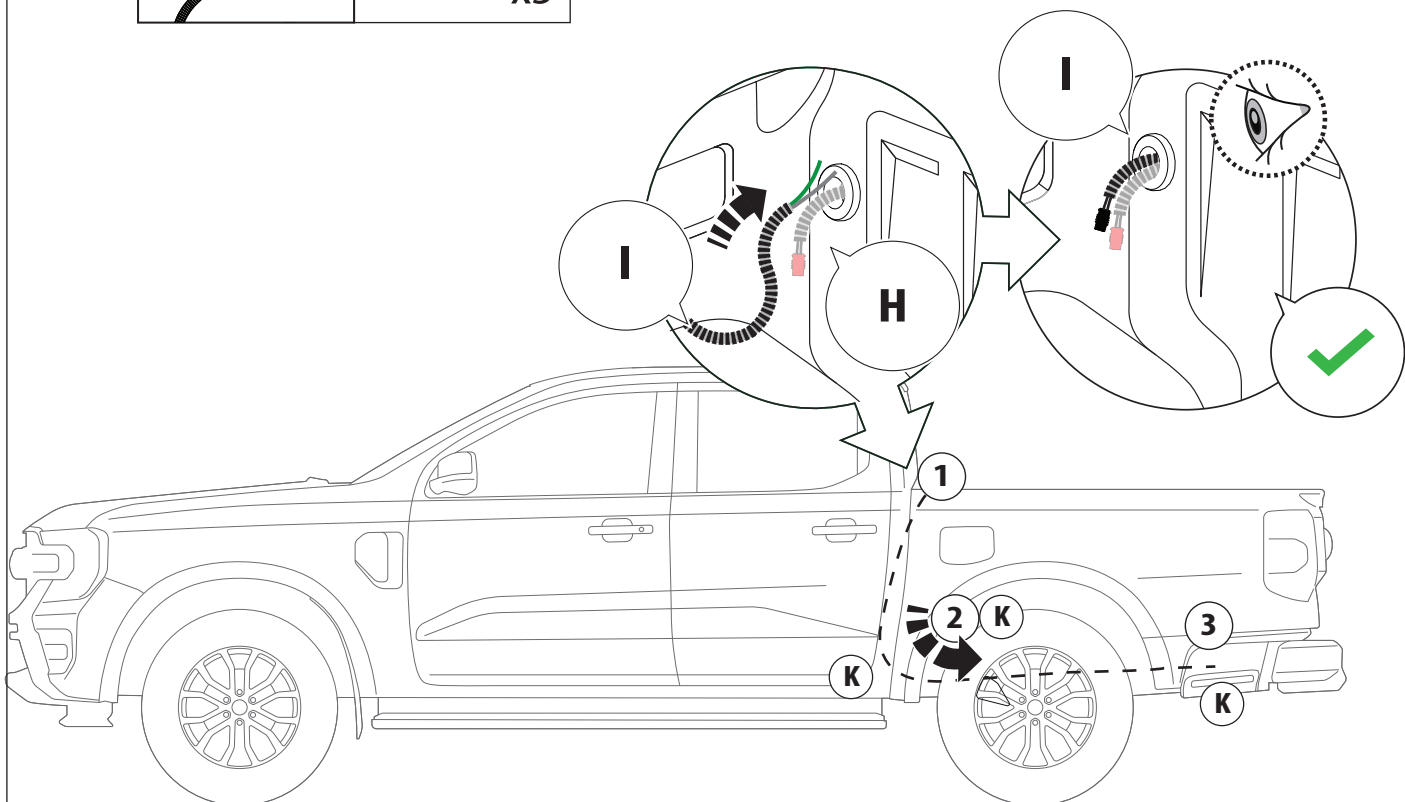
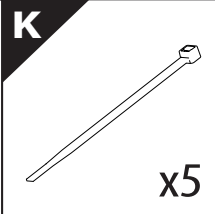
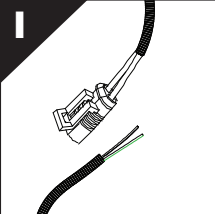
8







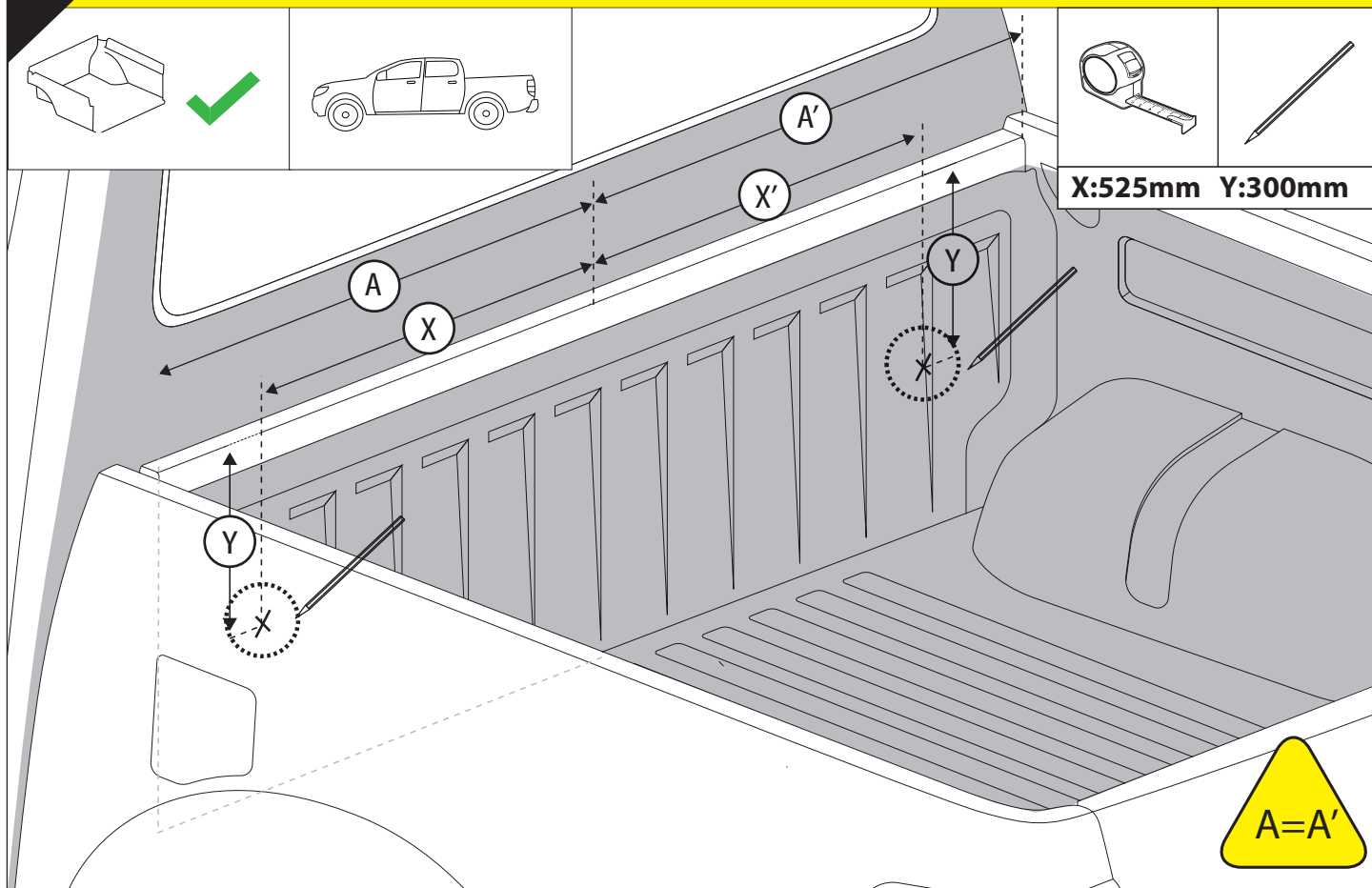
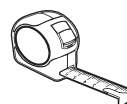
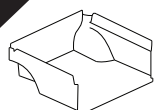
13



14



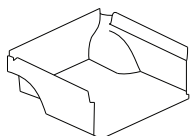
CAUTION: RAPTOR



X:525mm Y:300mm

$A=A'$

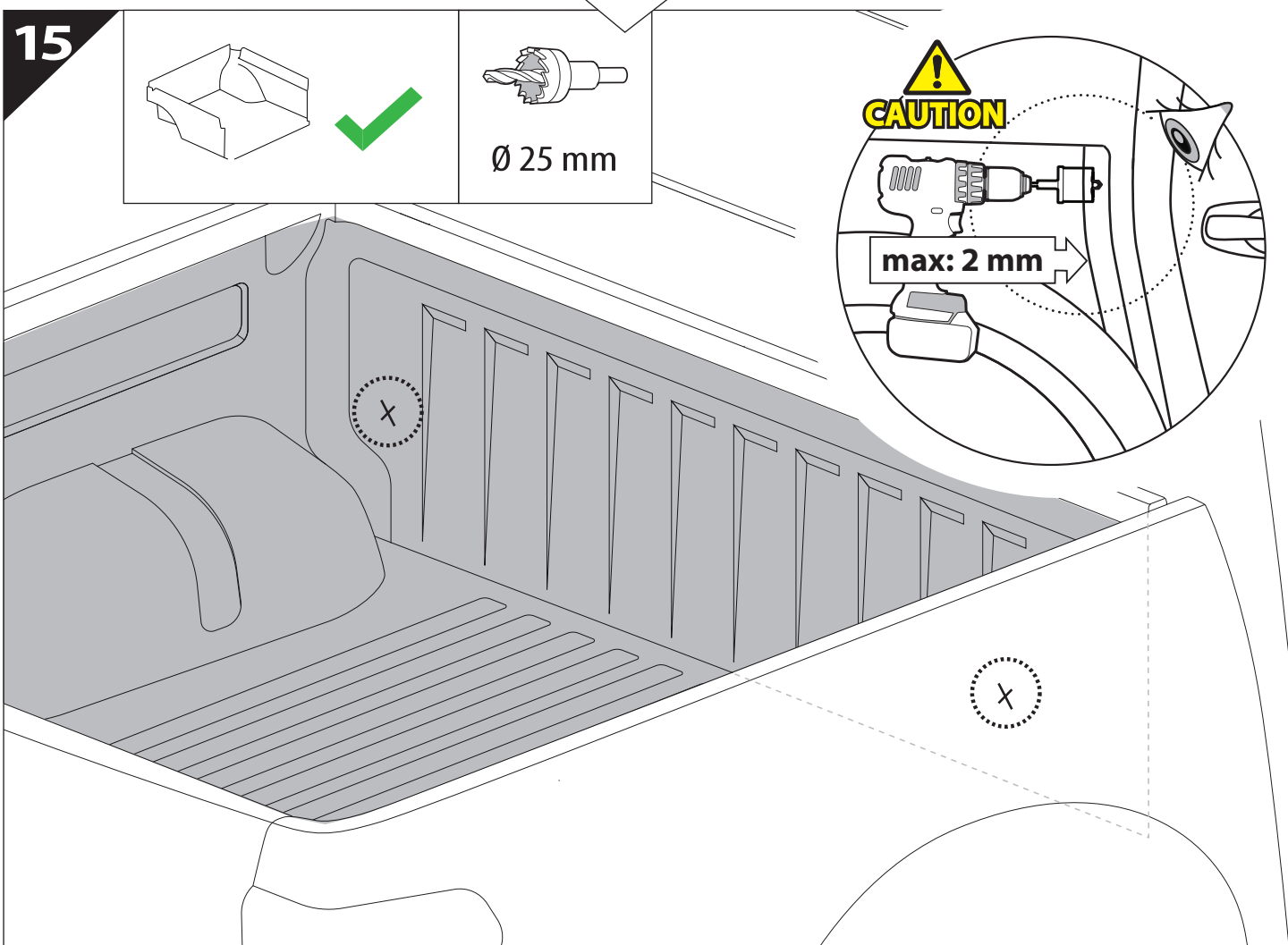
15



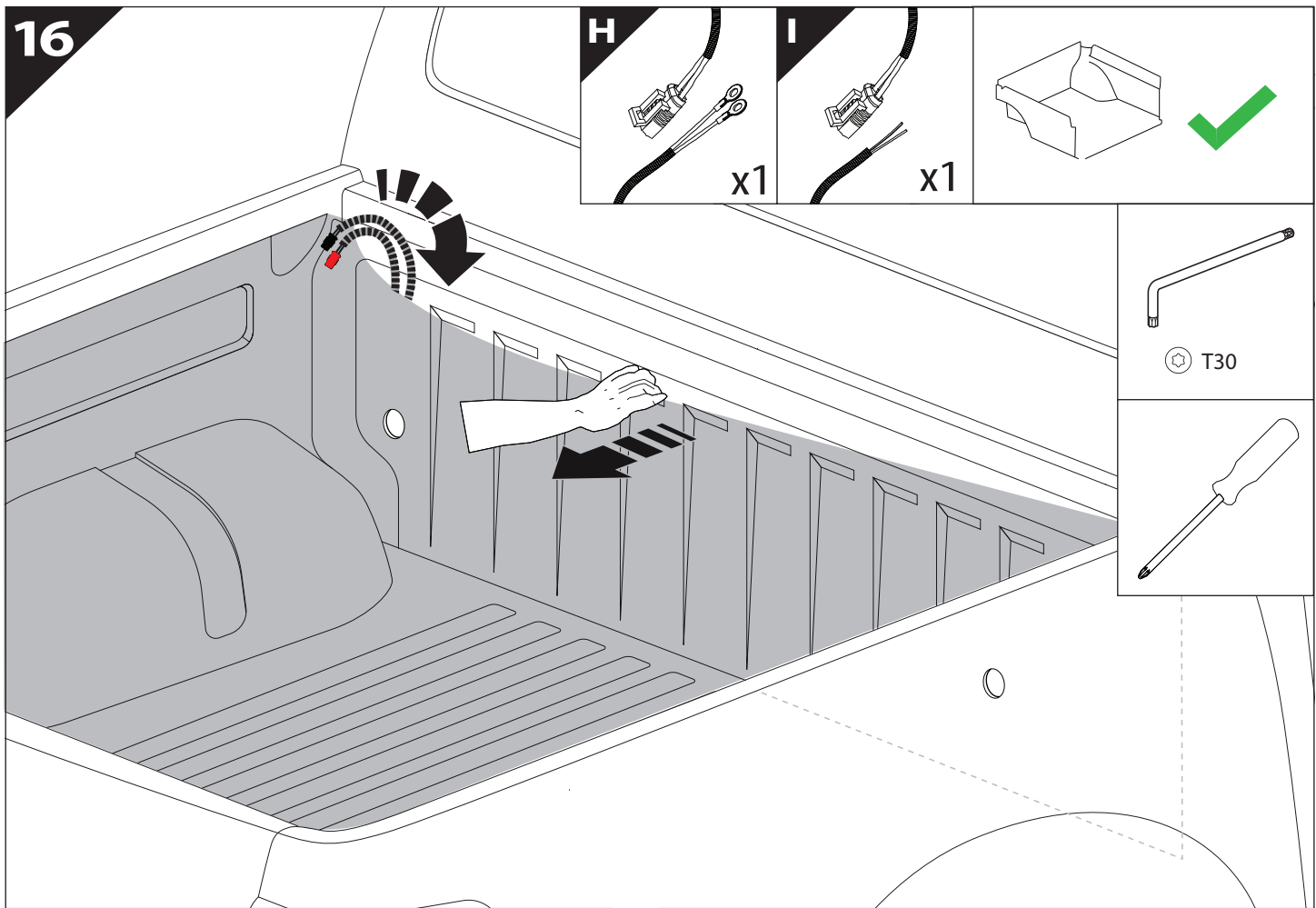
Ø 25 mm

CAUTION

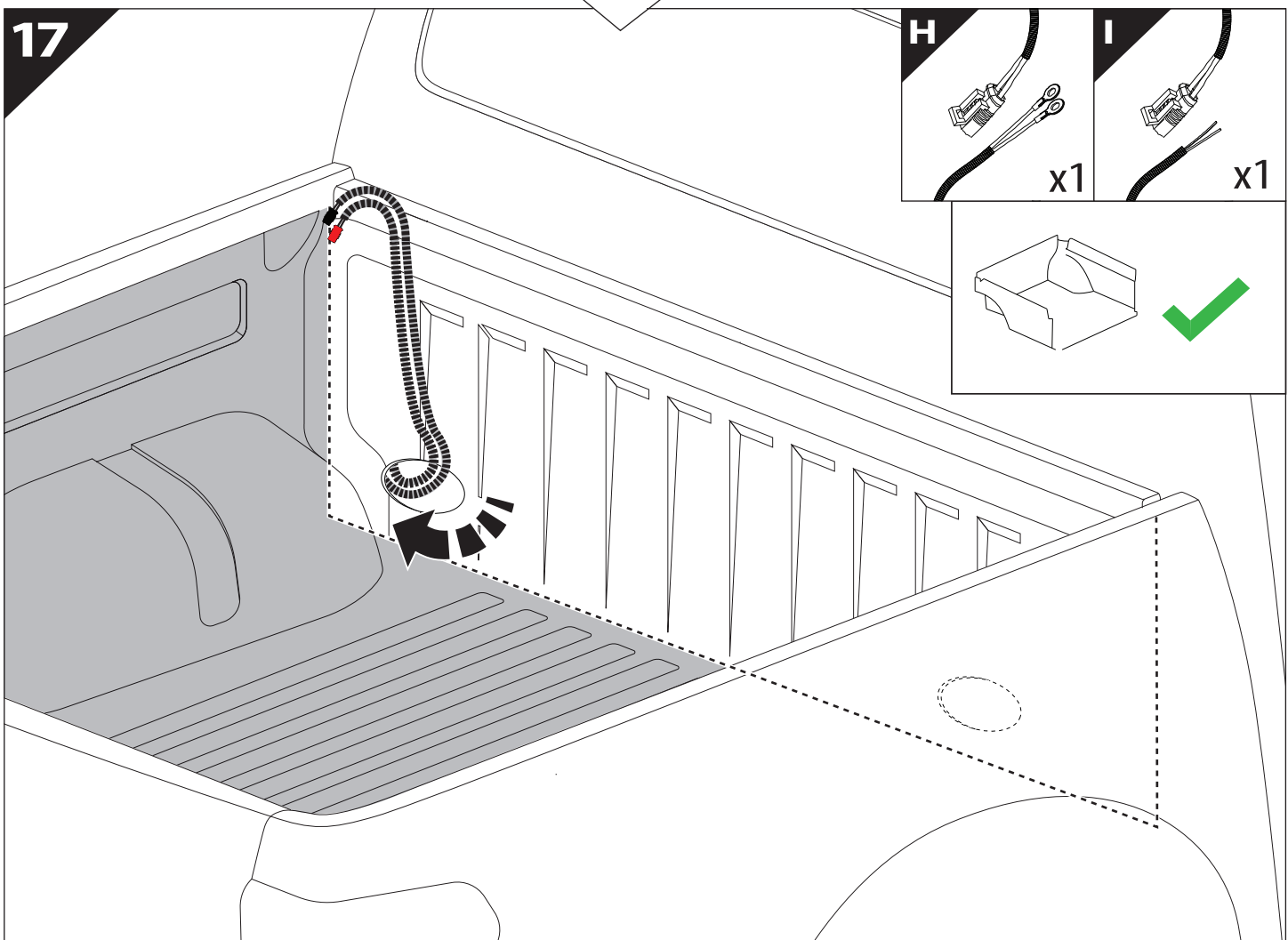
max: 2 mm

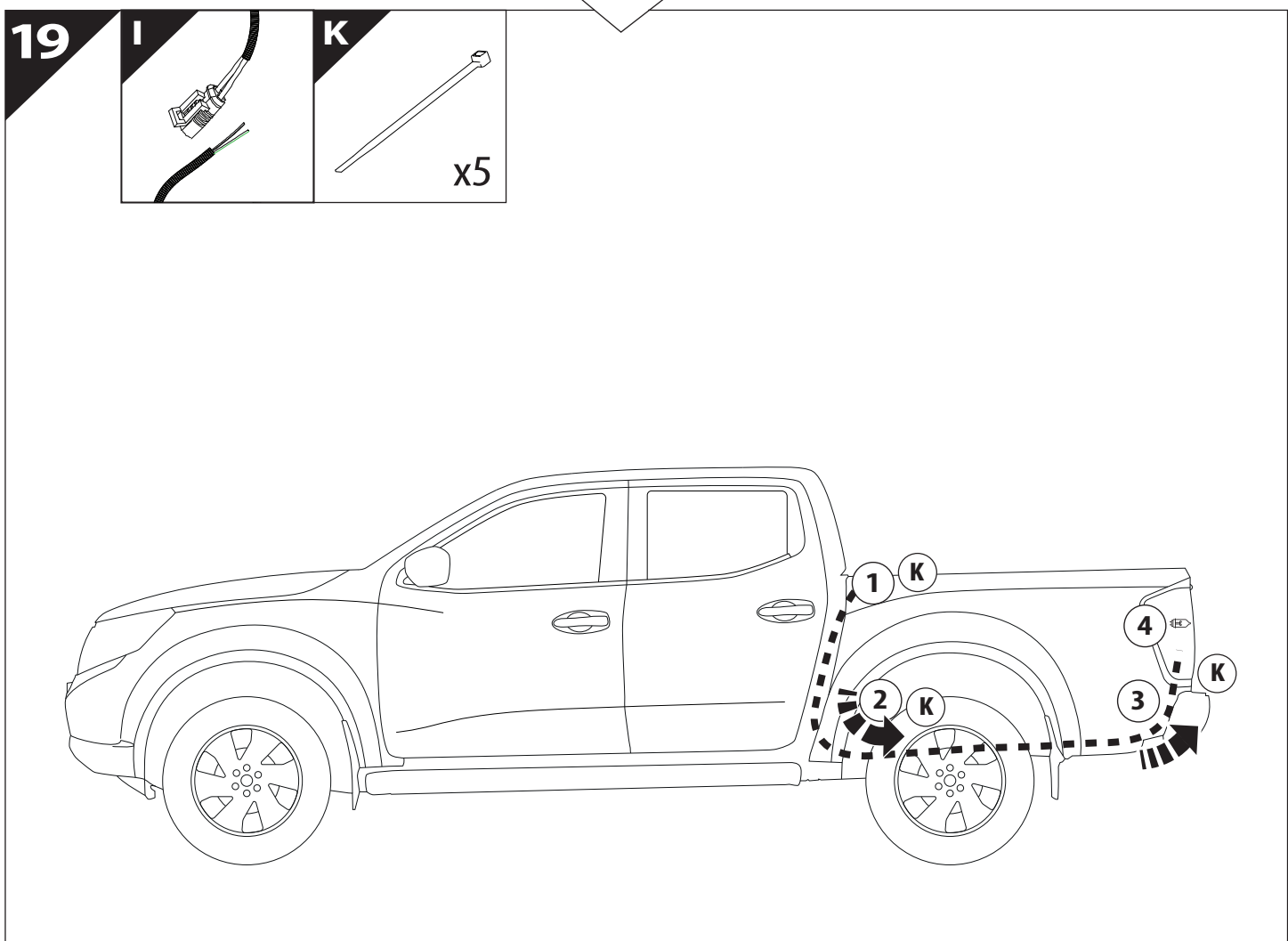
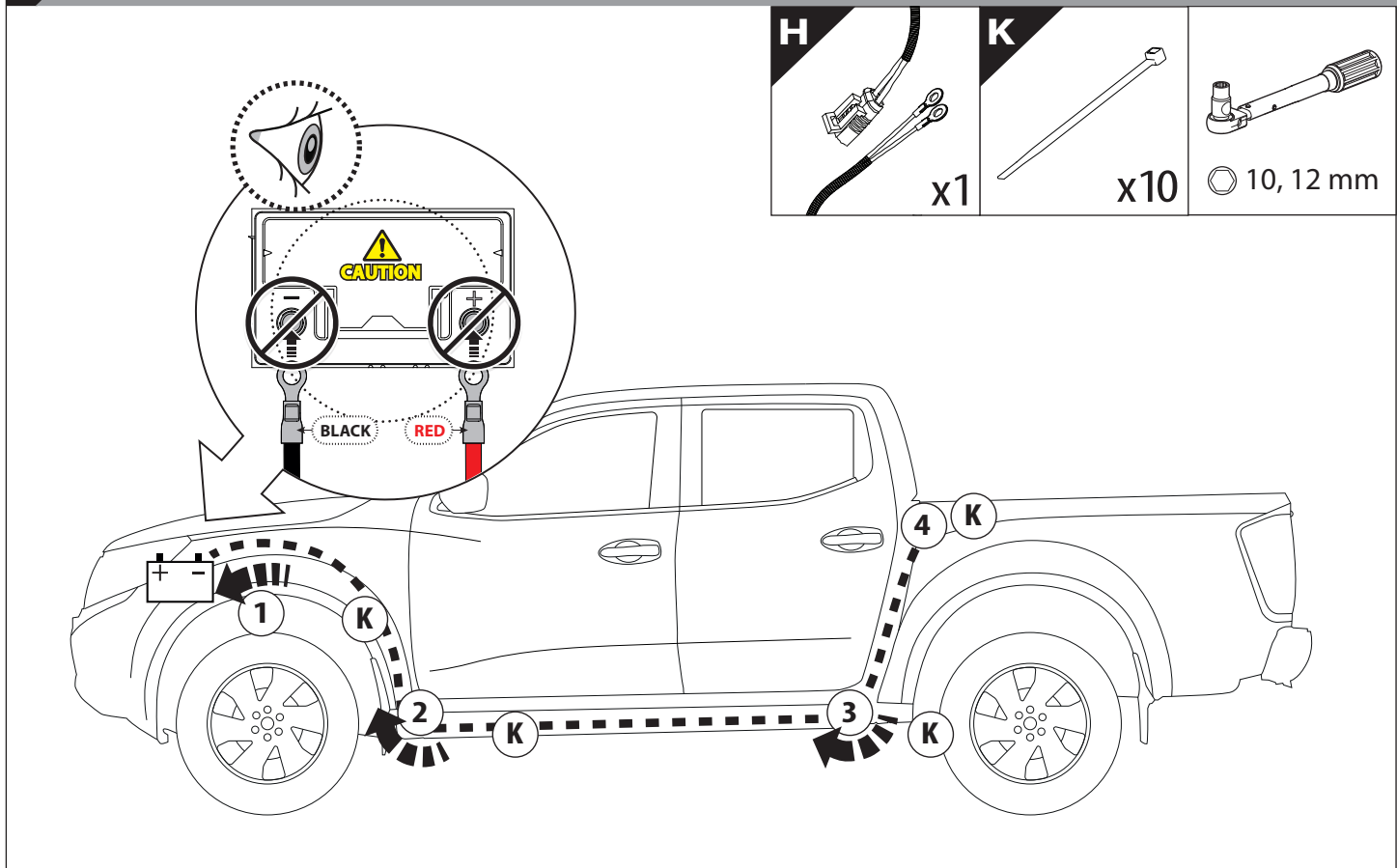


16

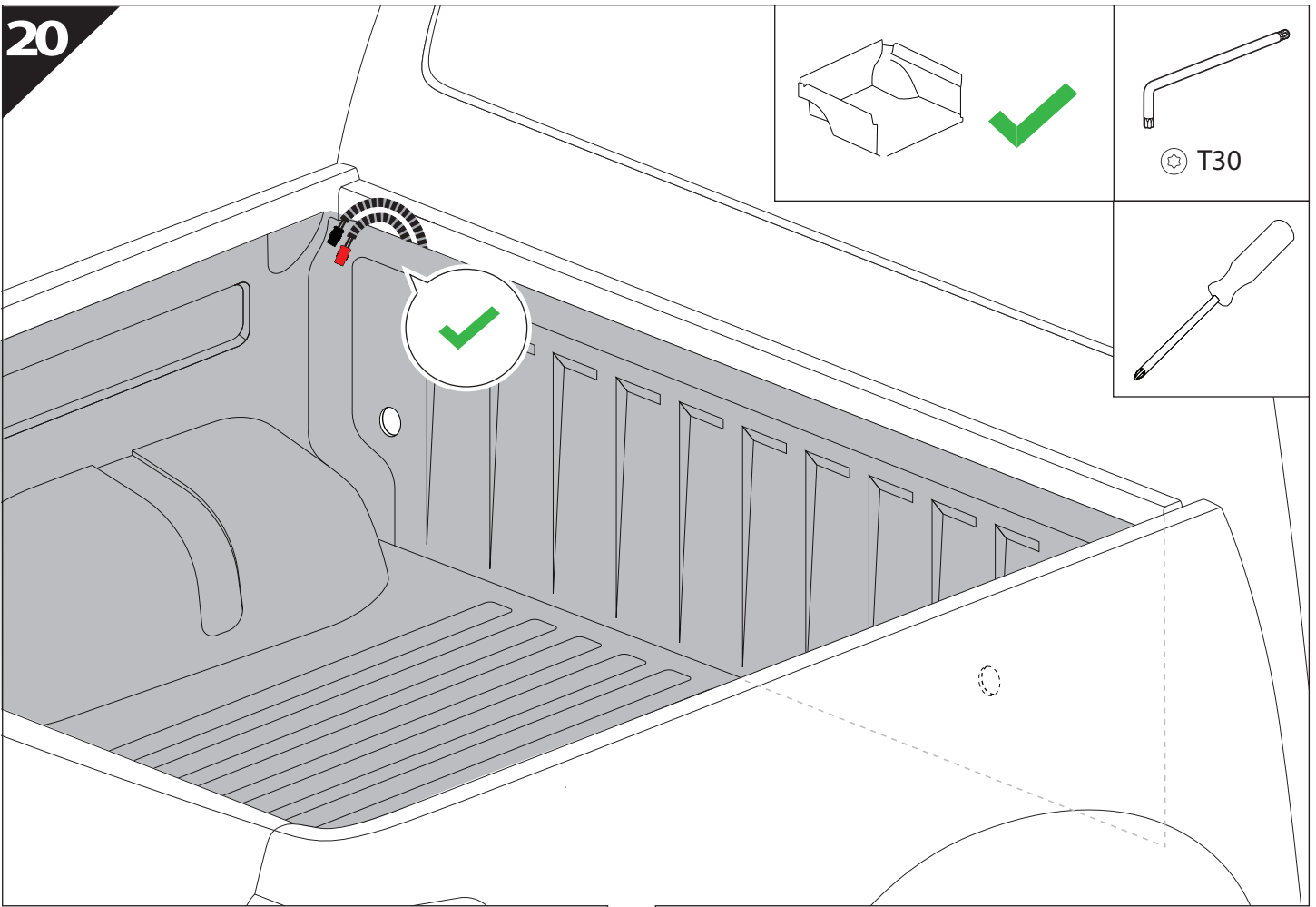


17

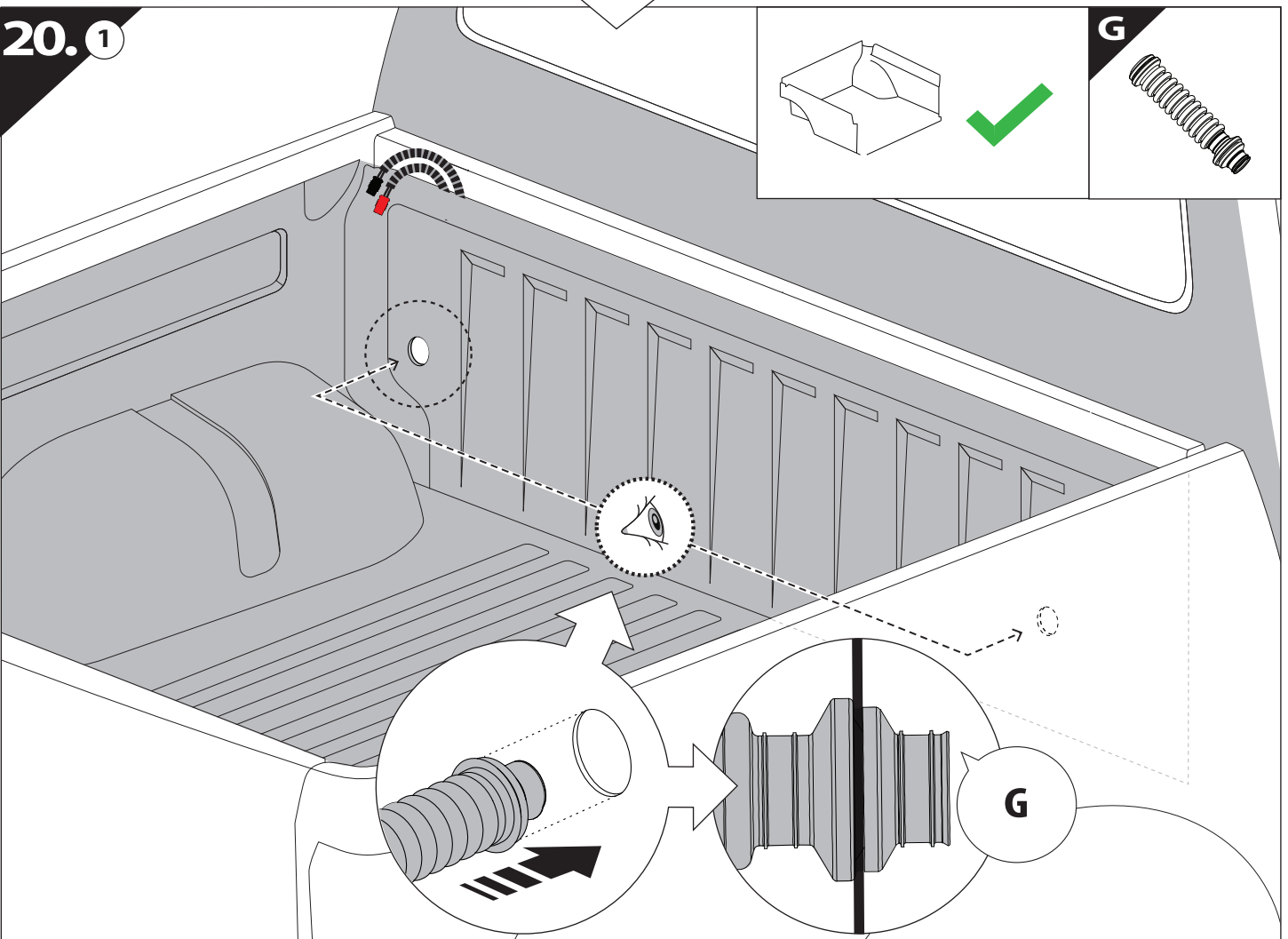




20

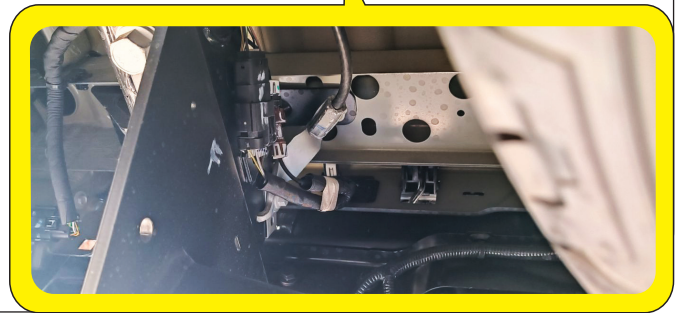
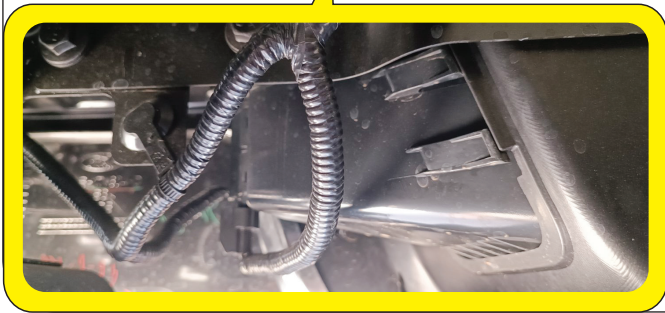
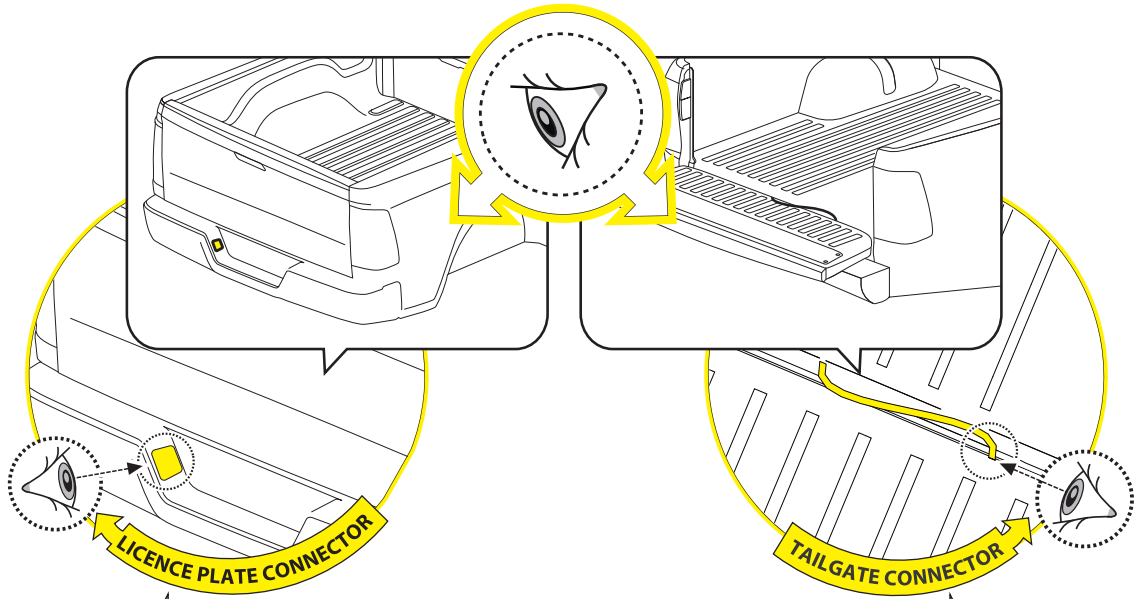


20.1

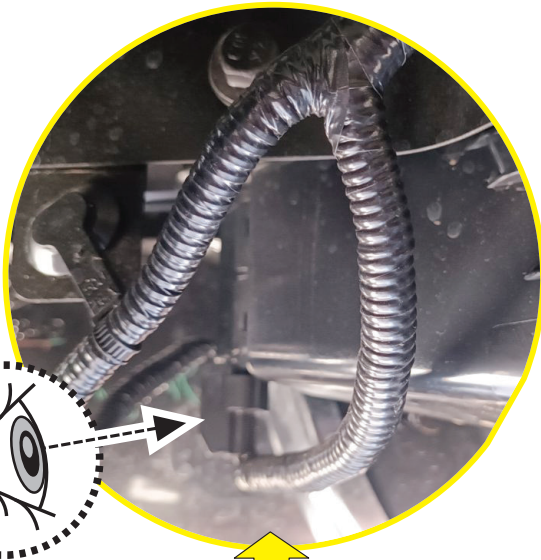




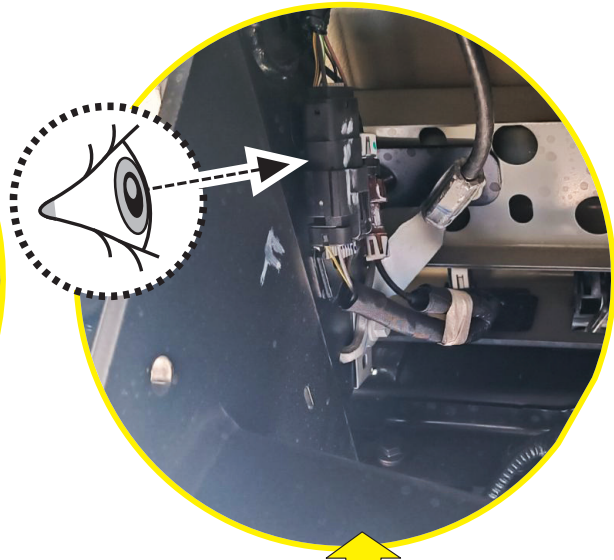
CAUTION: LIMITED, WILDTRAK, WILDTRAK X, PLATINUM



21. ①



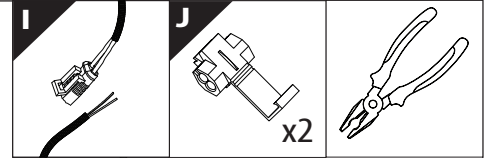
LICENCE PLATE CONNECTOR



TAILGATE CONNECTOR

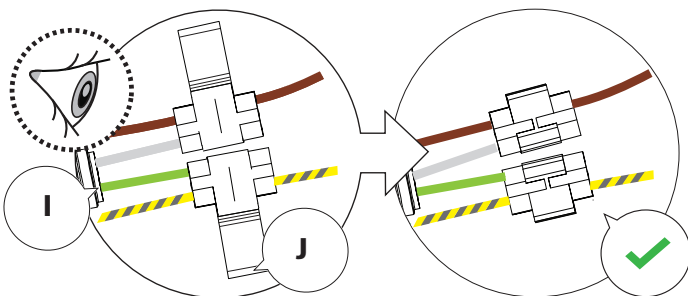
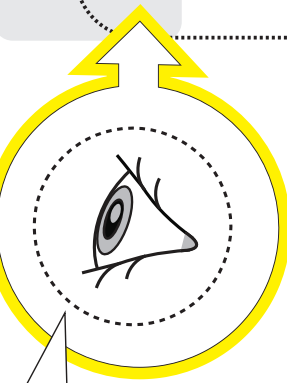
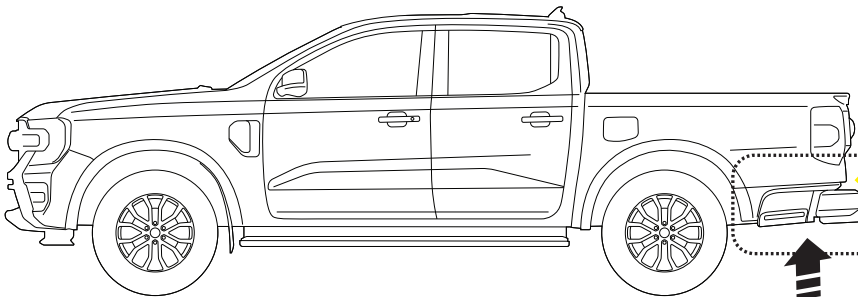
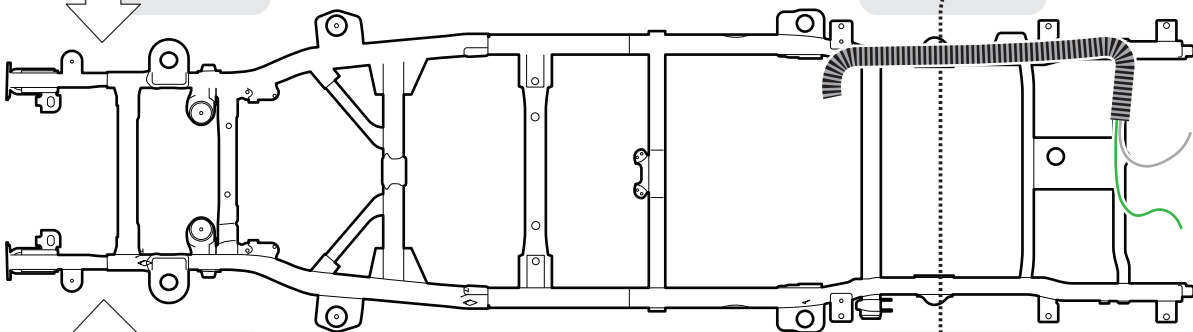
21. ②

BOTTOM VIEW

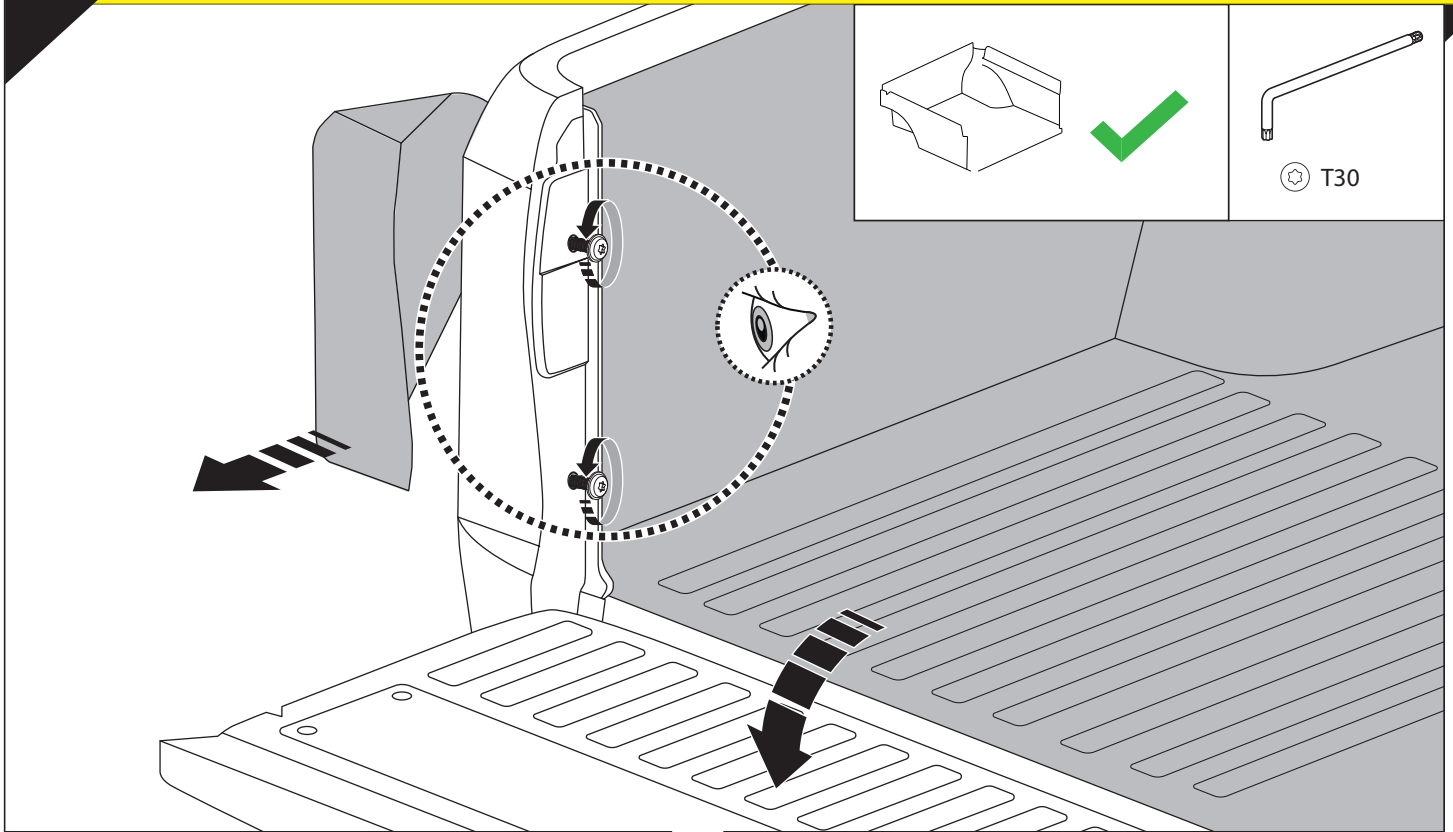


DRIVER'S LEFT SIDE

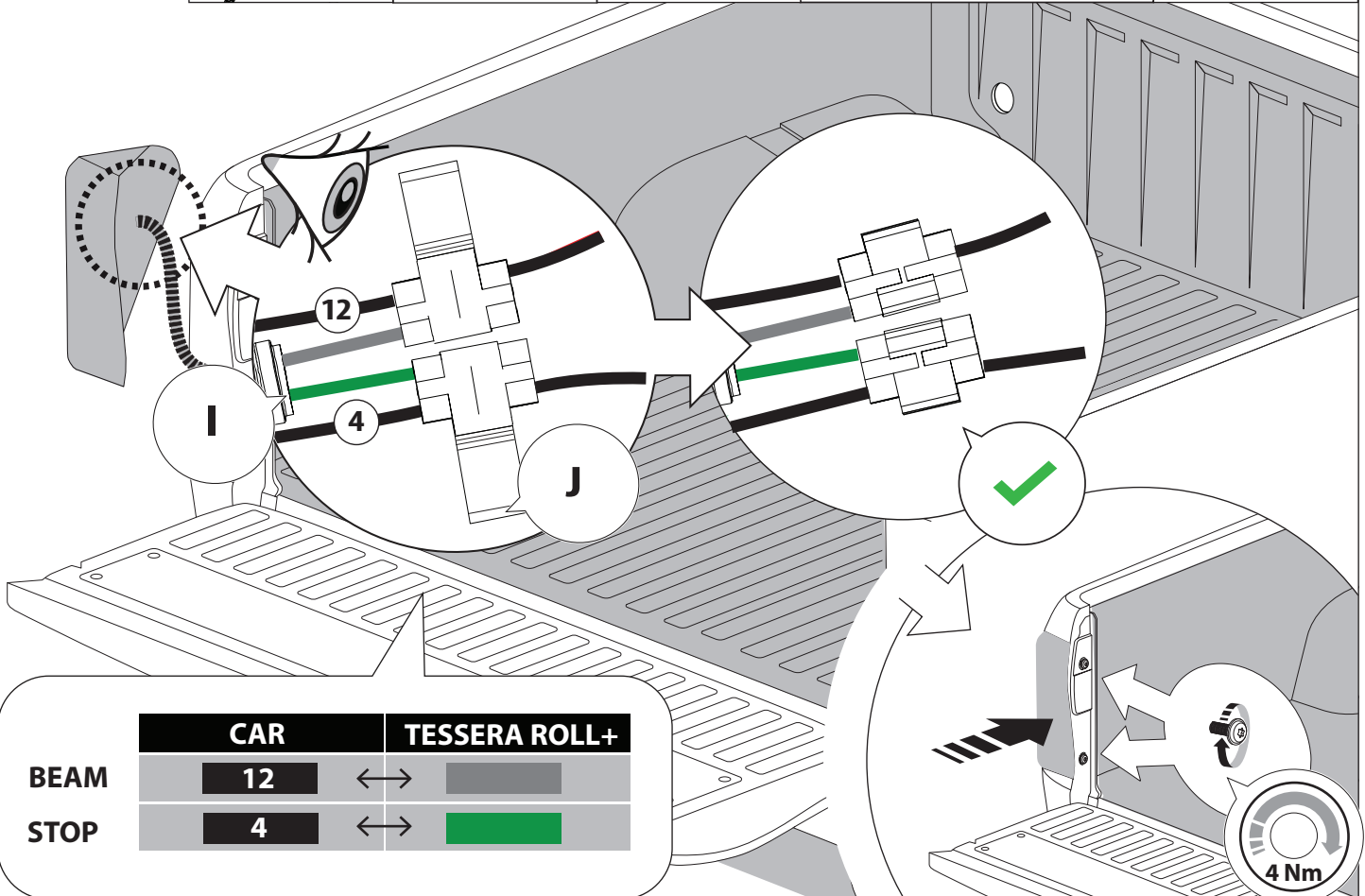
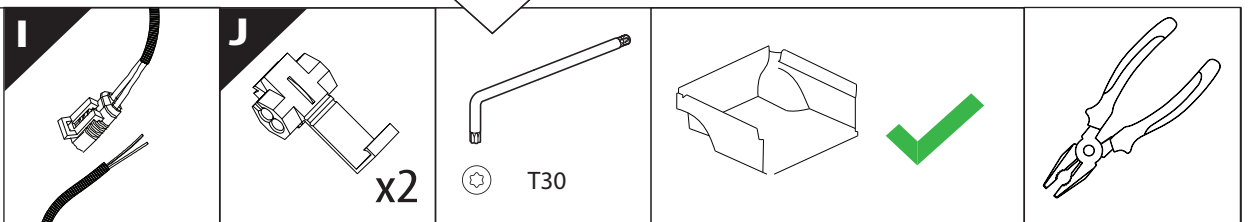
PASSENGER'S RIGHT SIDE



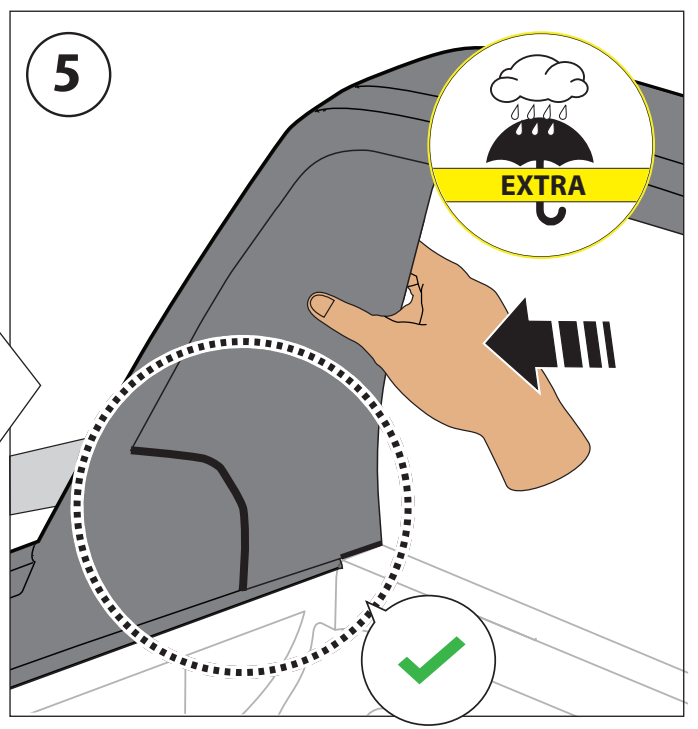
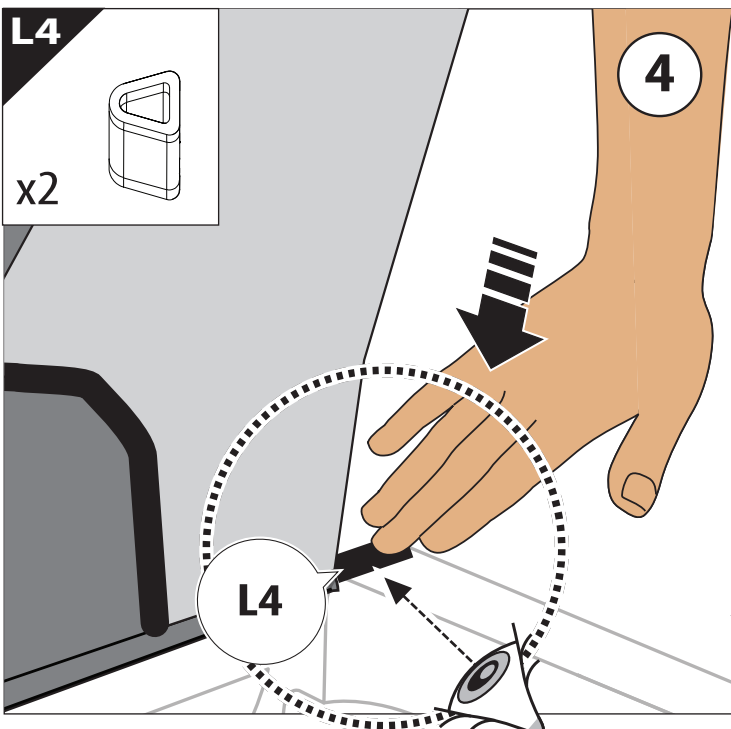
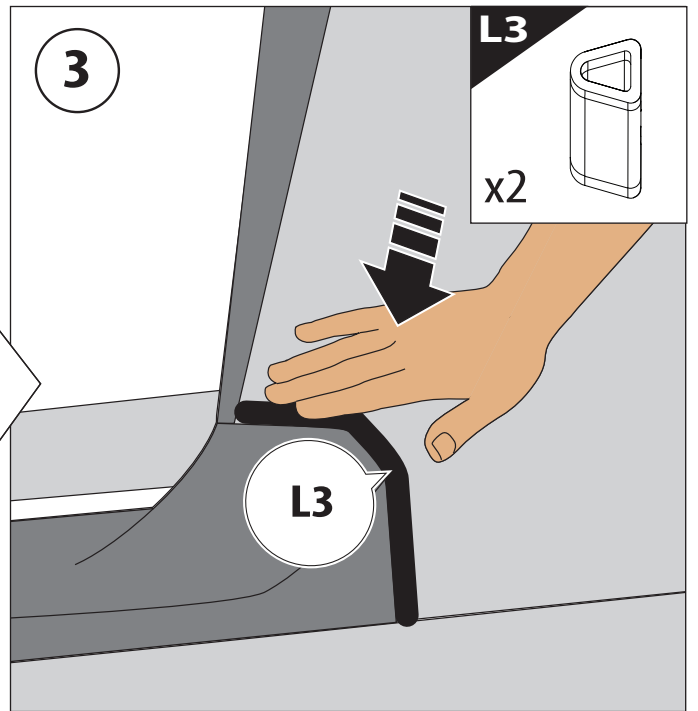
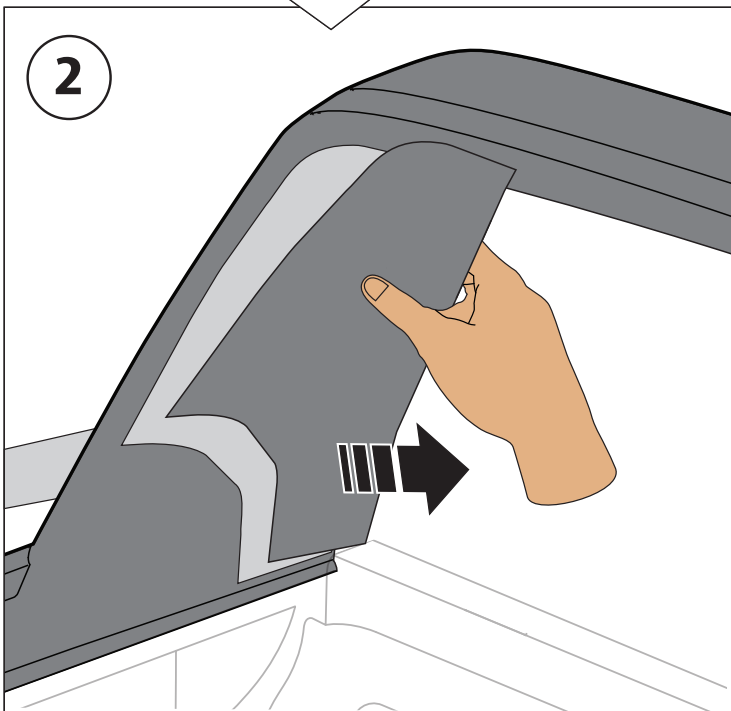
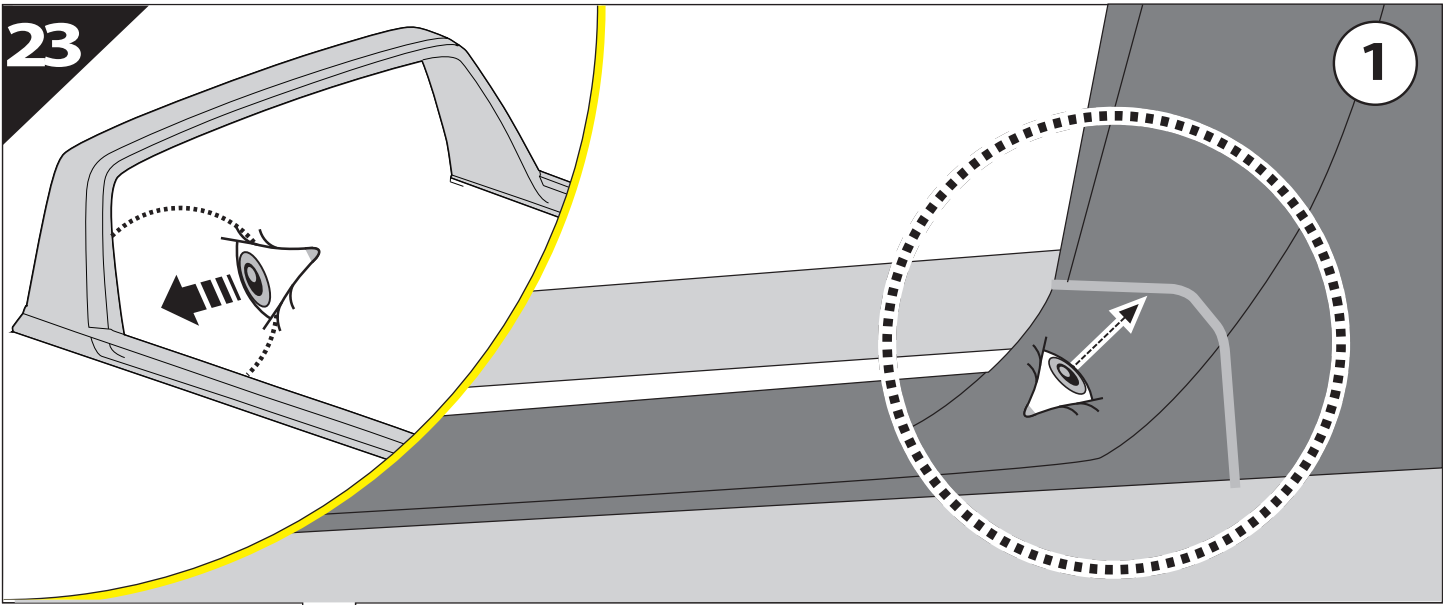
	CAR		TESSERA ROLL+
BEAM		↔	
LICENCE PLATE 2 PIN LIGHT CONNECTOR			
STOP		↔	
TAILGATE CONNECTOR			



22.1



	CAR		TESSERA ROLL+
BEAM	12	↔	
STOP	4	↔	



24

Basic Version ✓

Basic+S-KIT Version ✓

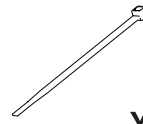
**CAUTION** ⚠

Basic+E-KIT Version ✓

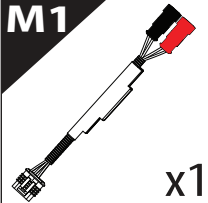


**K**

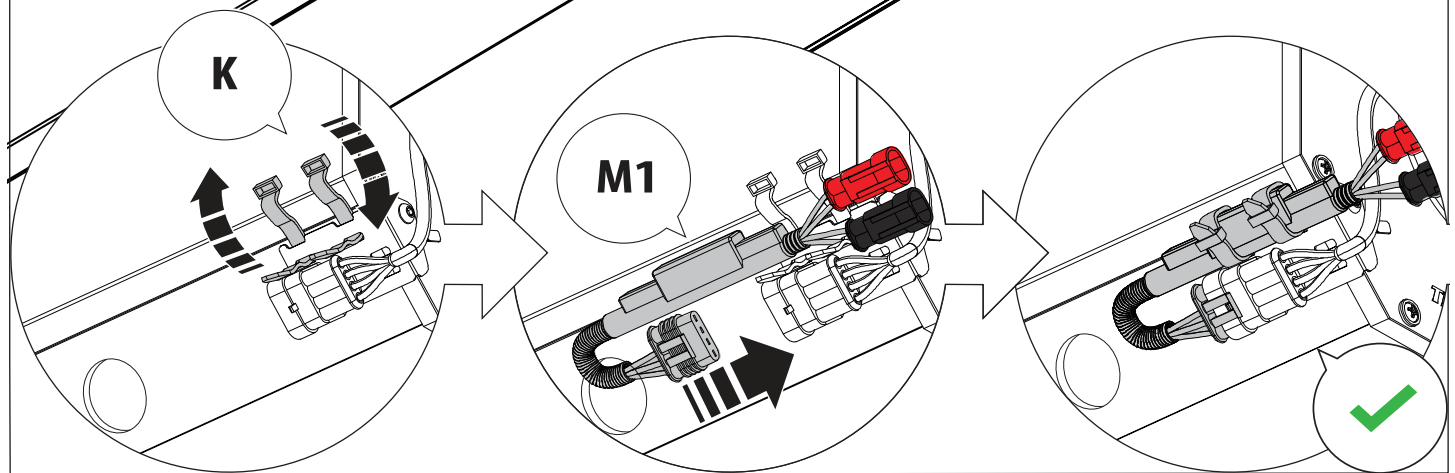
**M1**

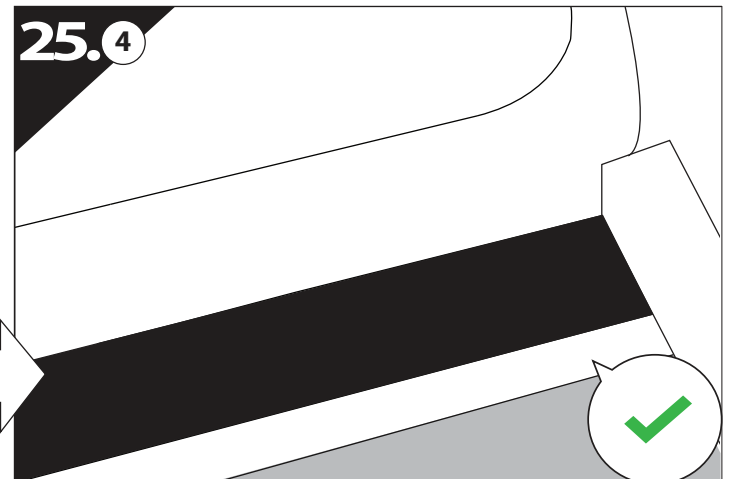
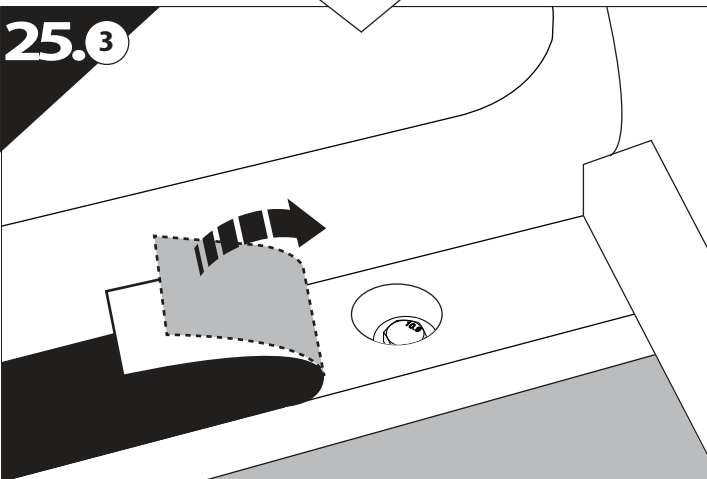
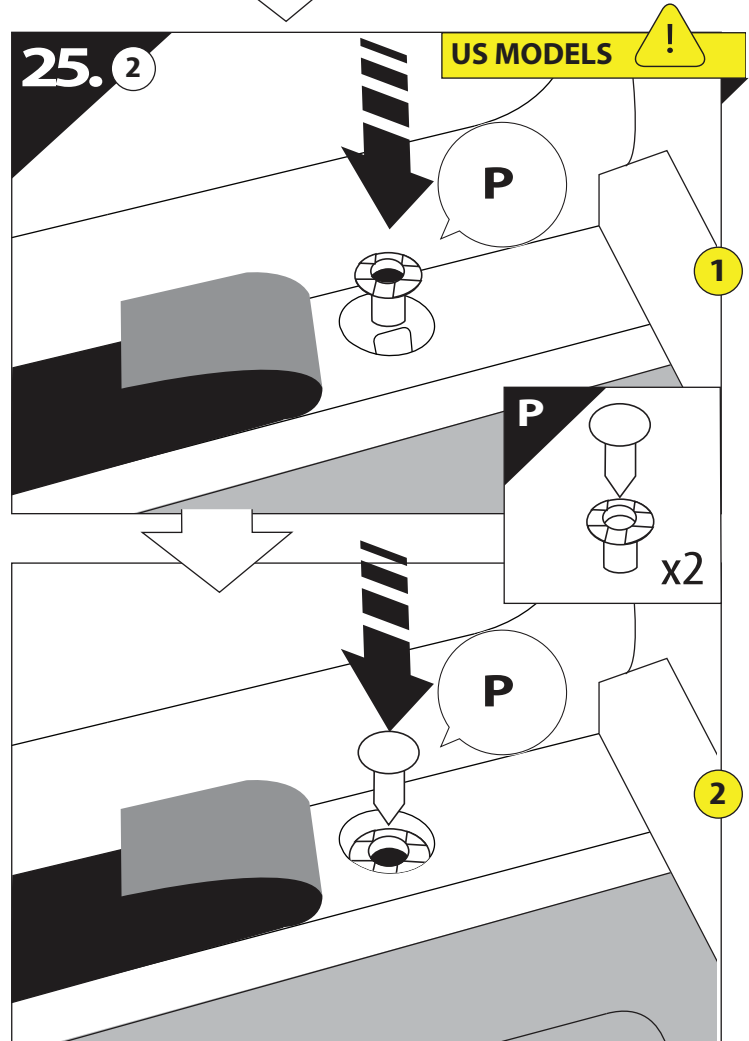
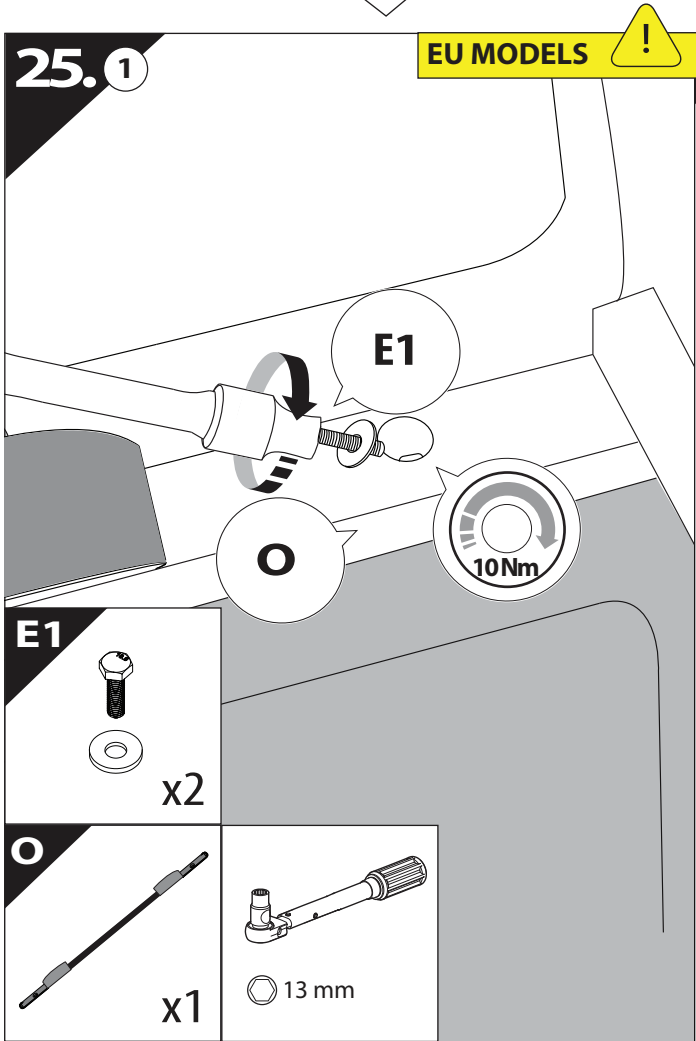
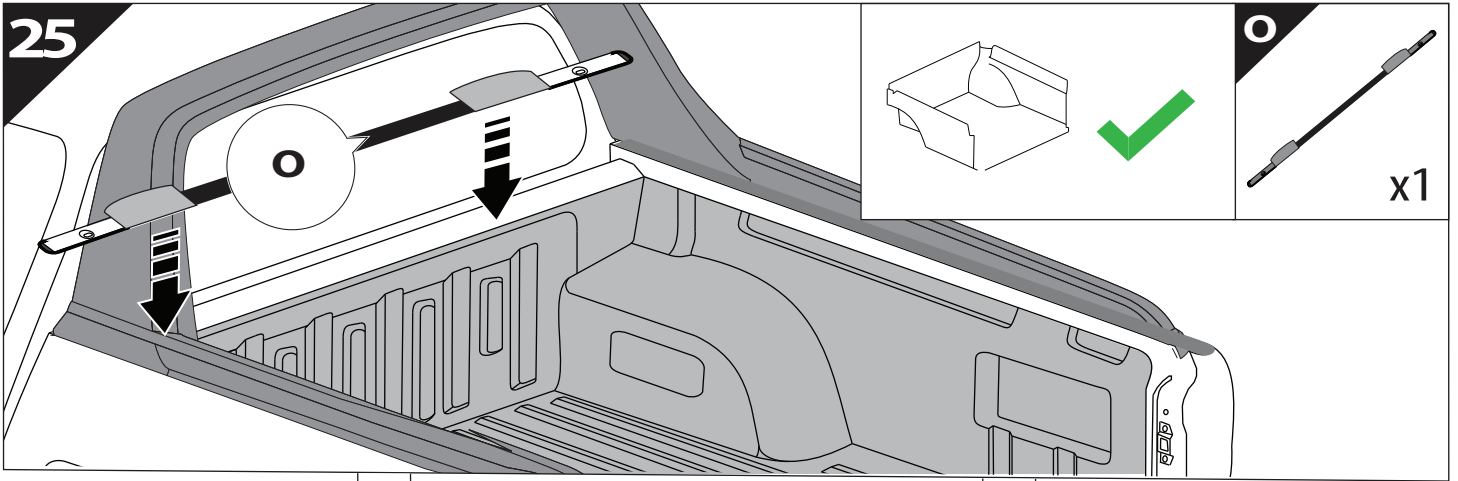


x2



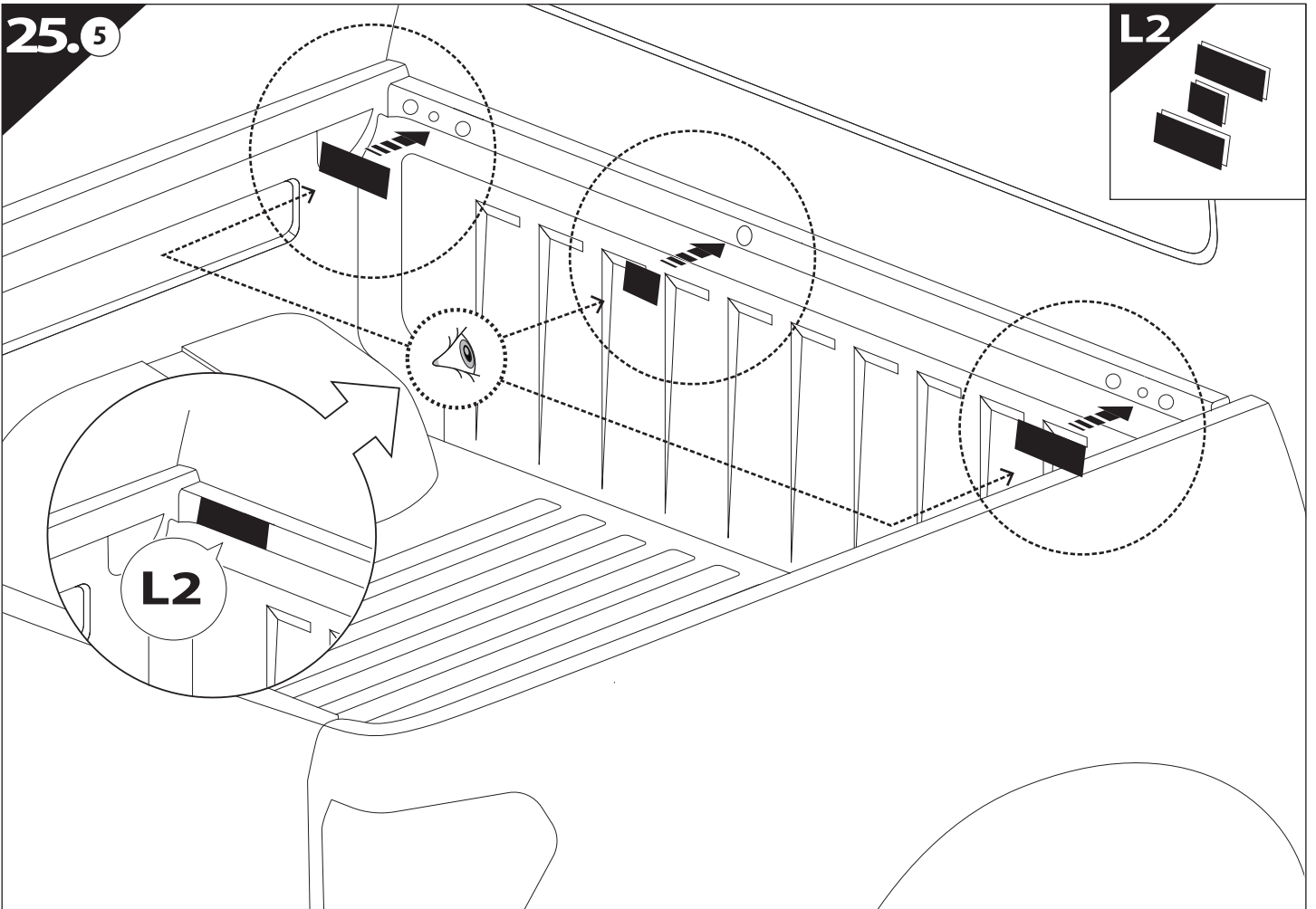
x1



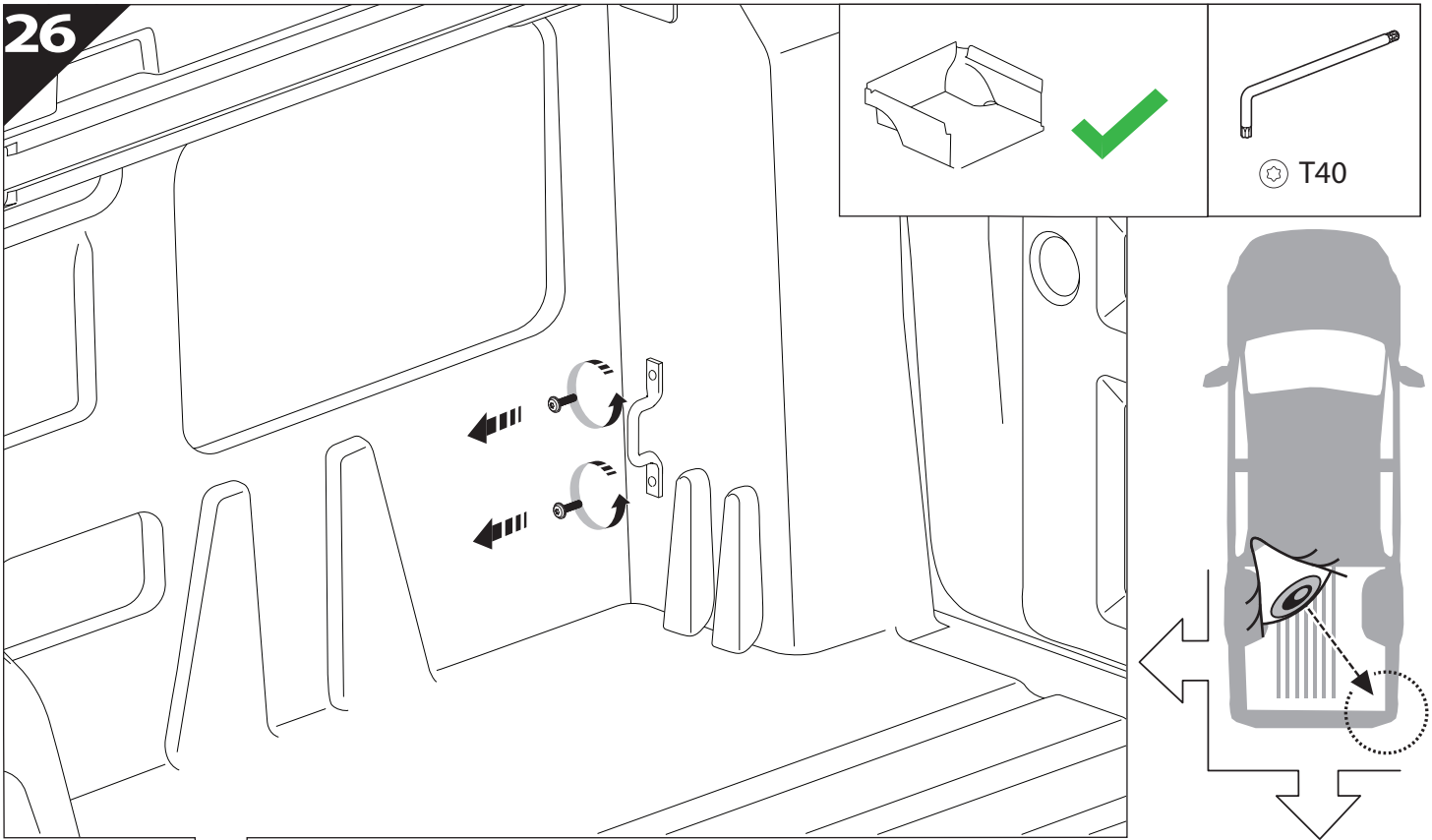


25.6

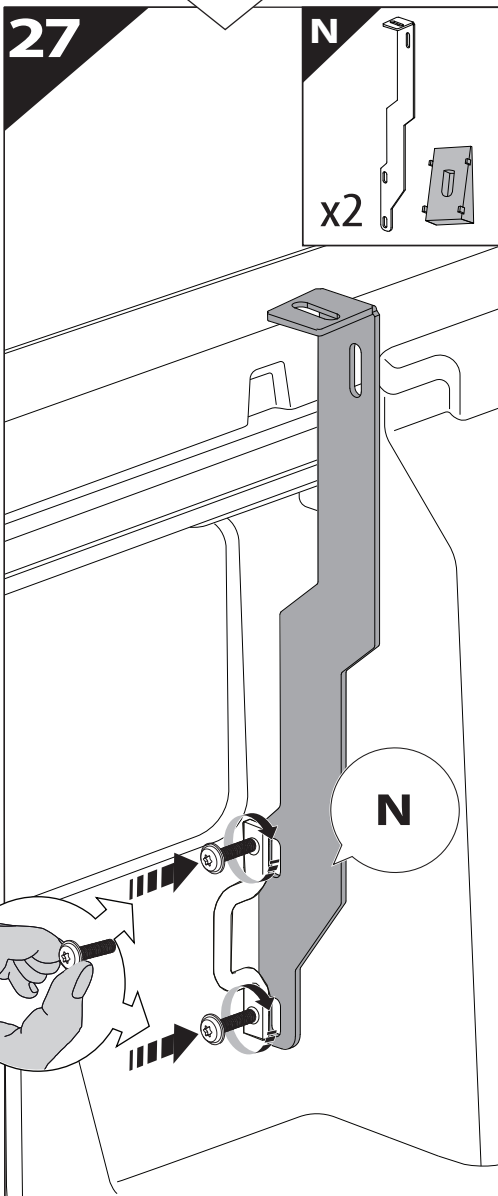
L2



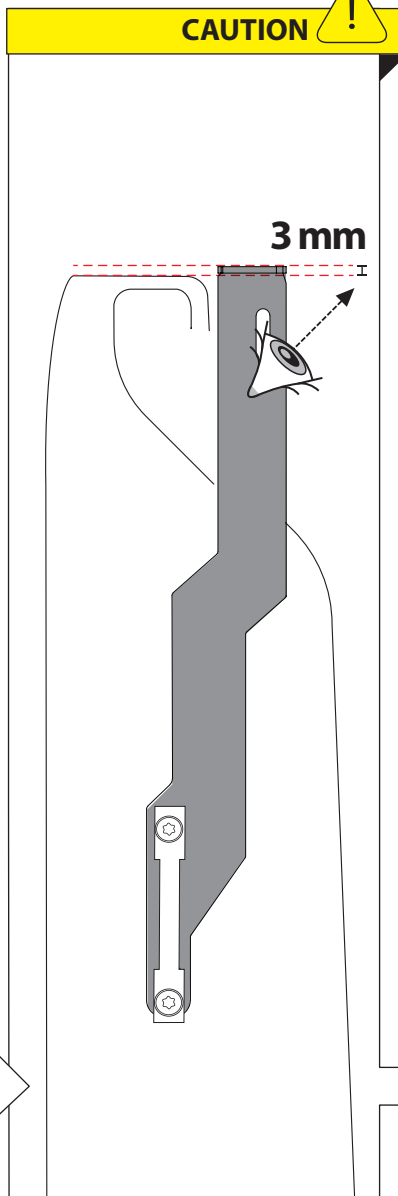
26



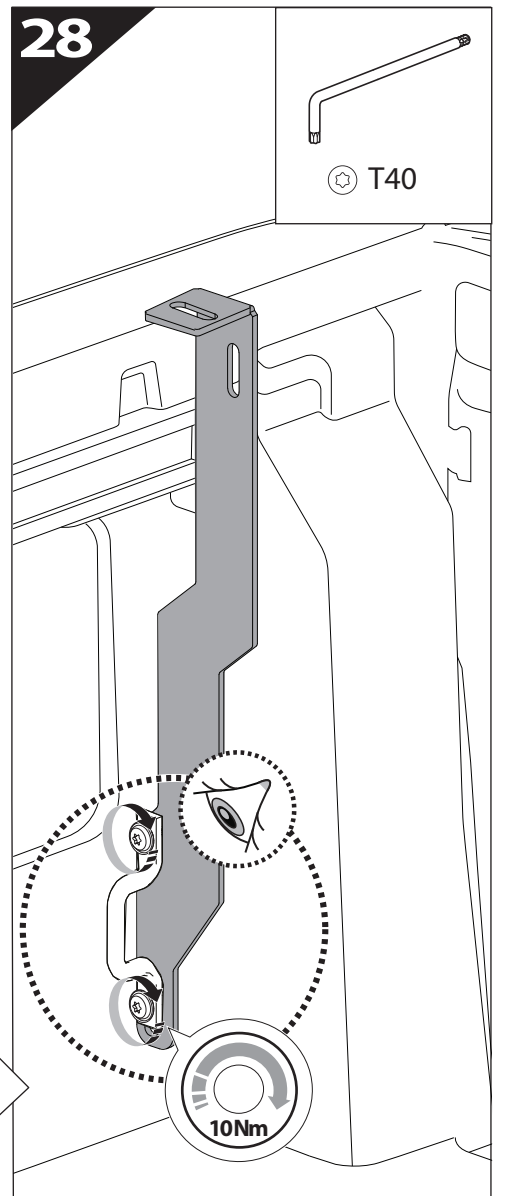
27



CAUTION



28



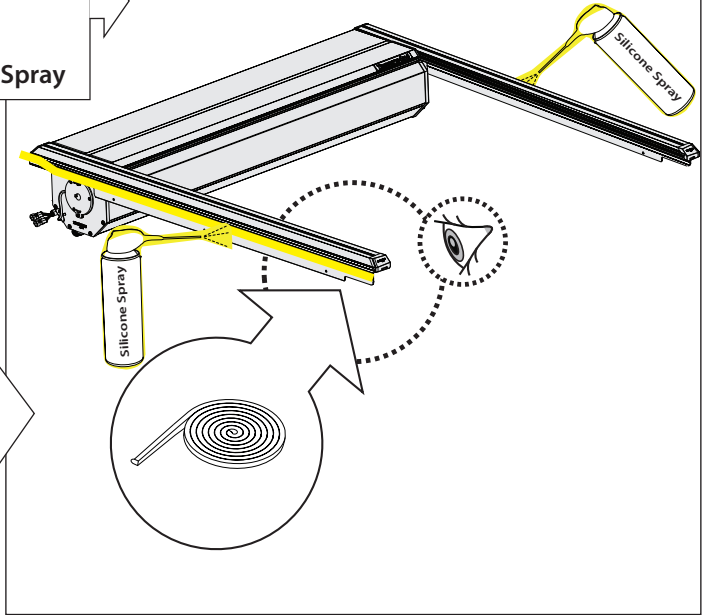
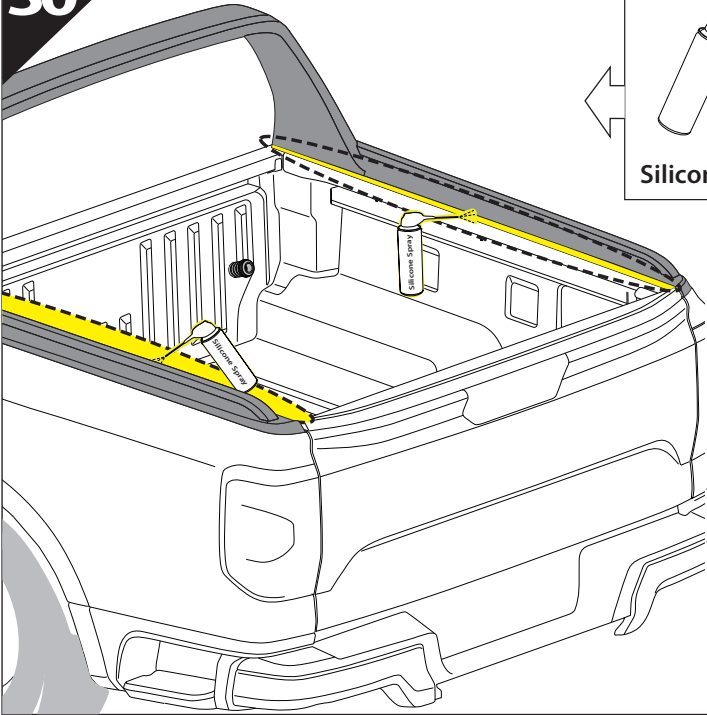
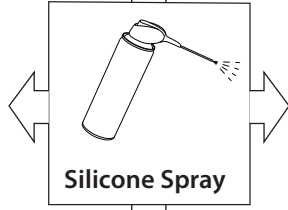
29.1

Basic+S-KIT Version

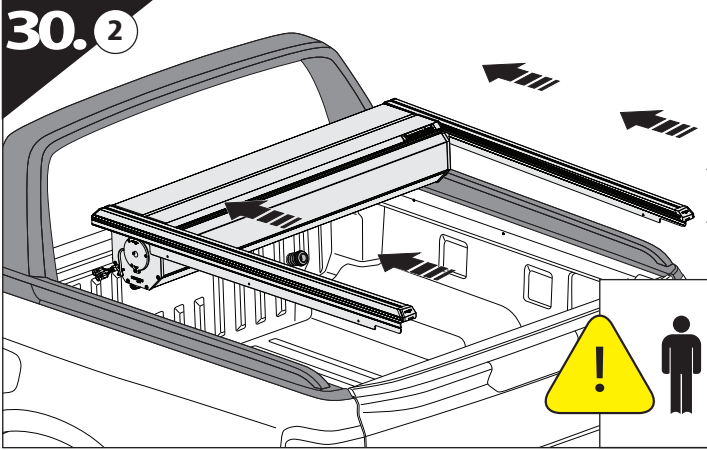
S-KIT  
MANUAL

30.1

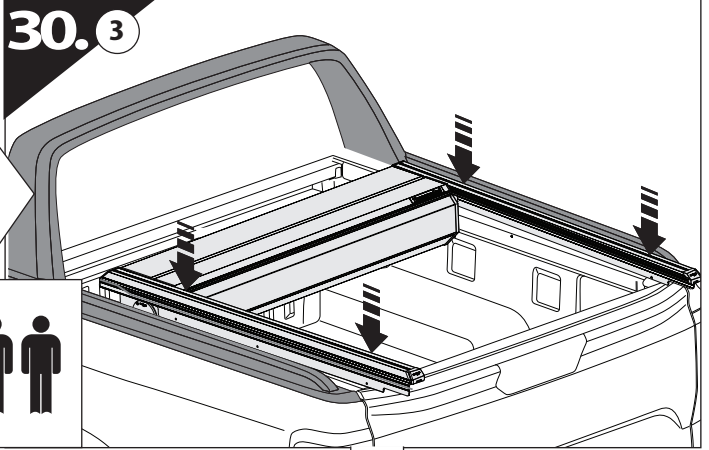
30



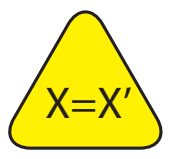
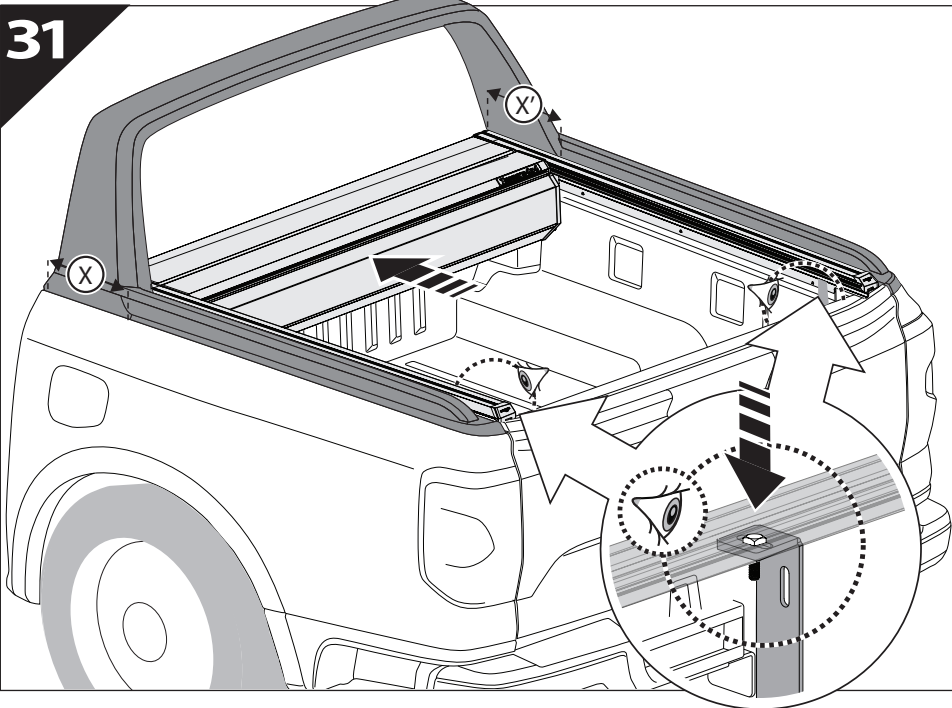
30.2

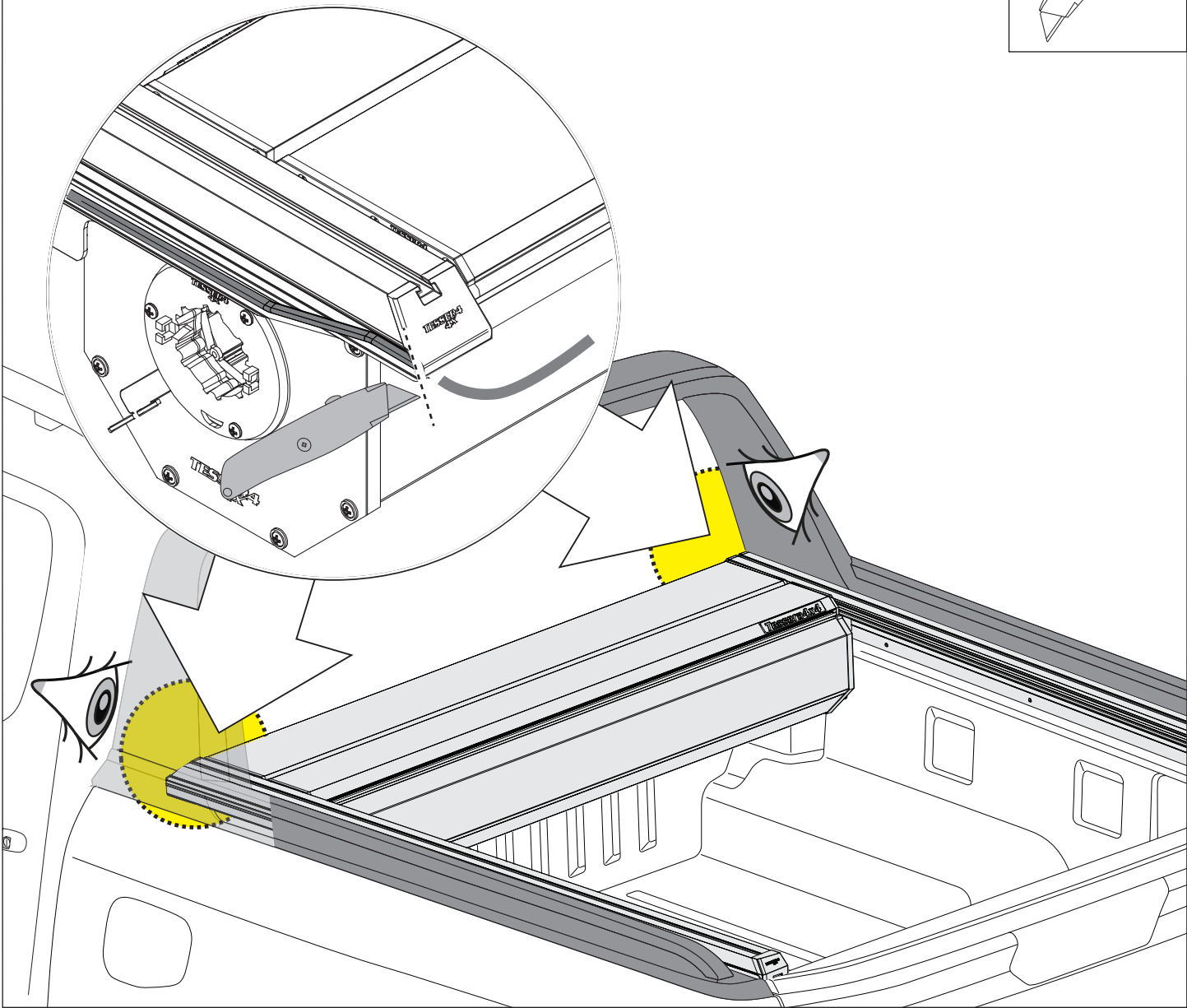
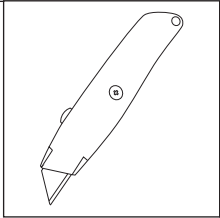


30.3

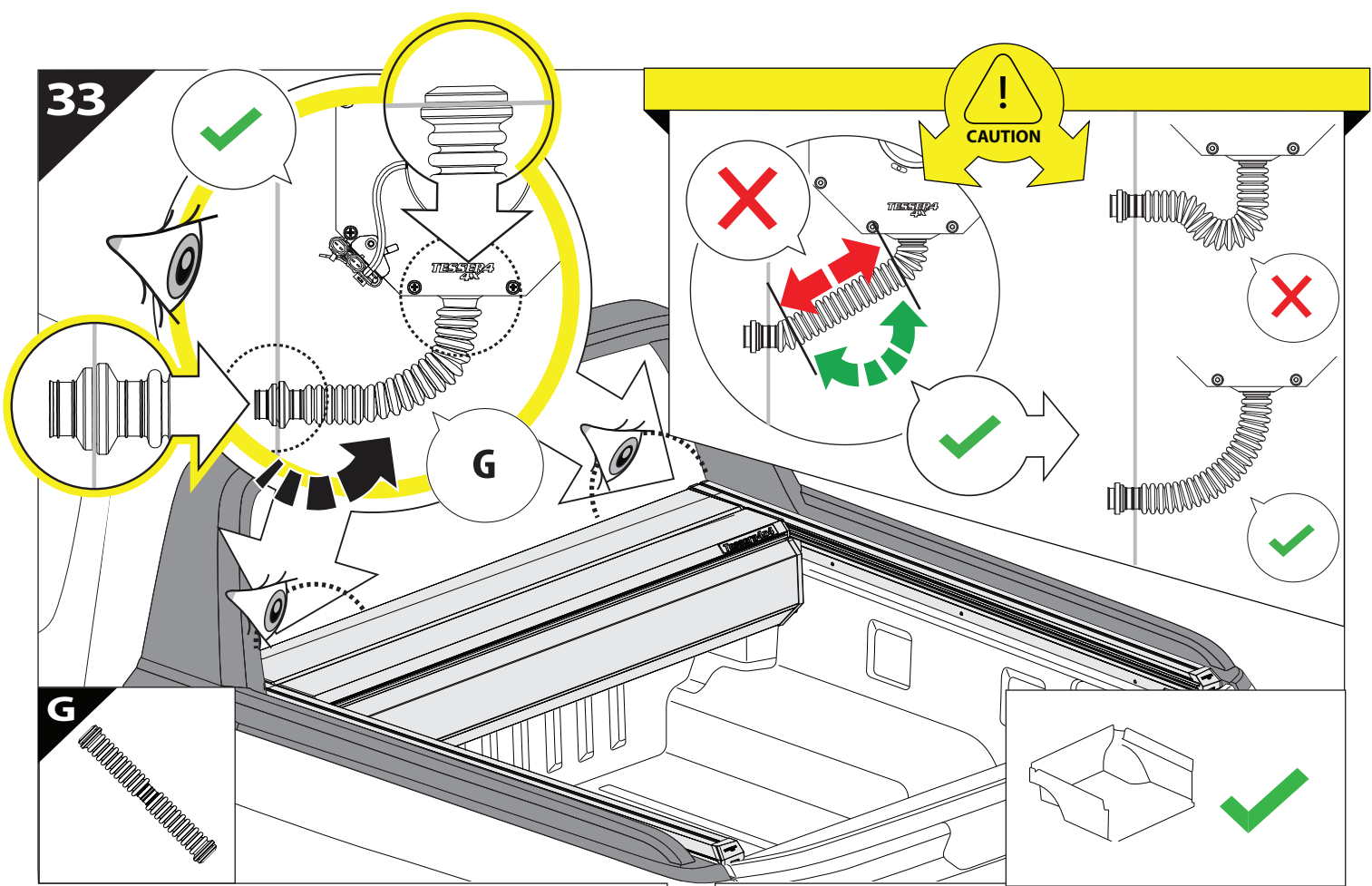


31

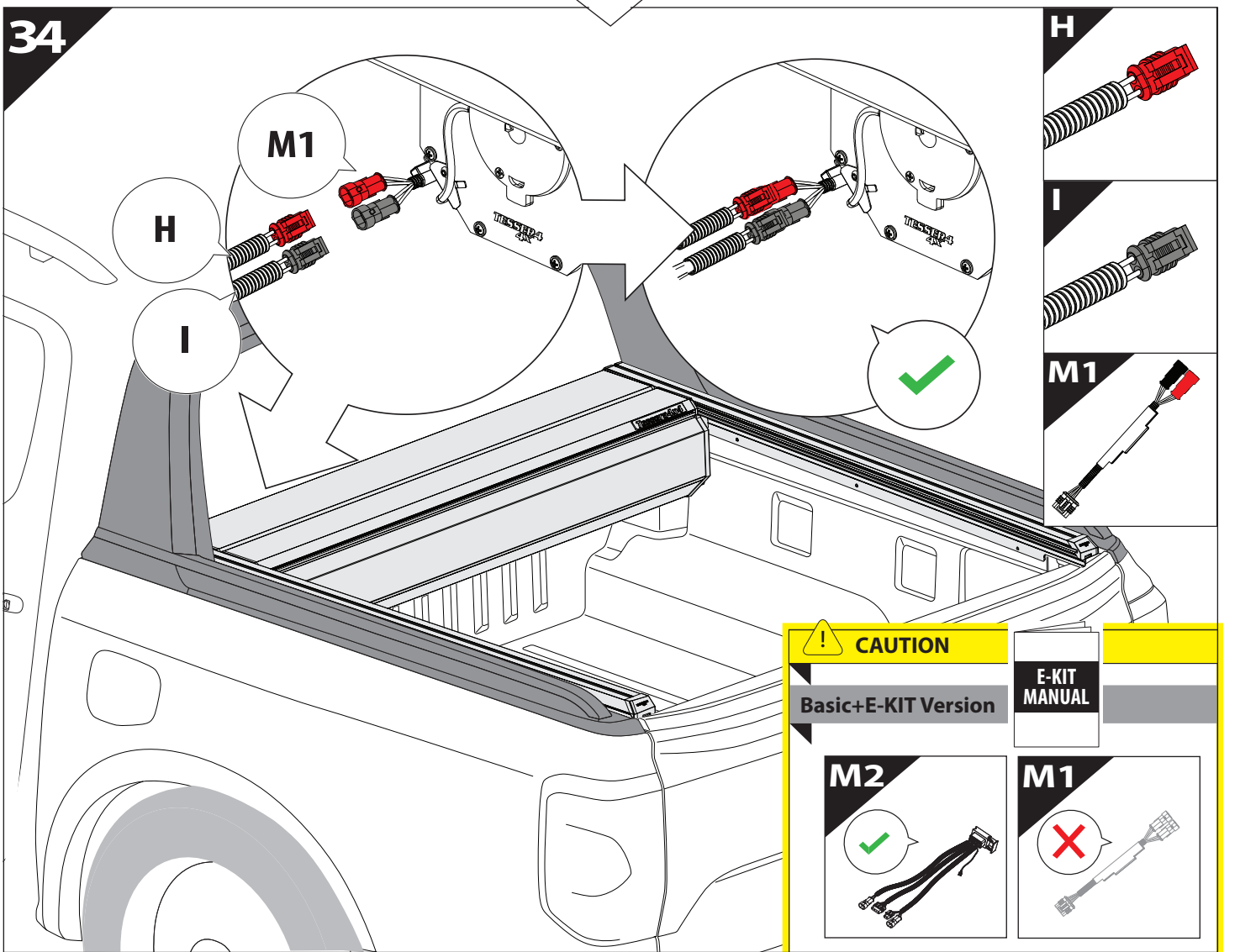




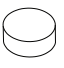

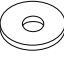
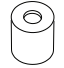


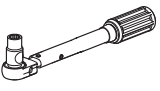

33

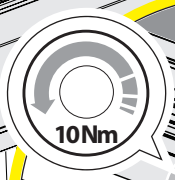
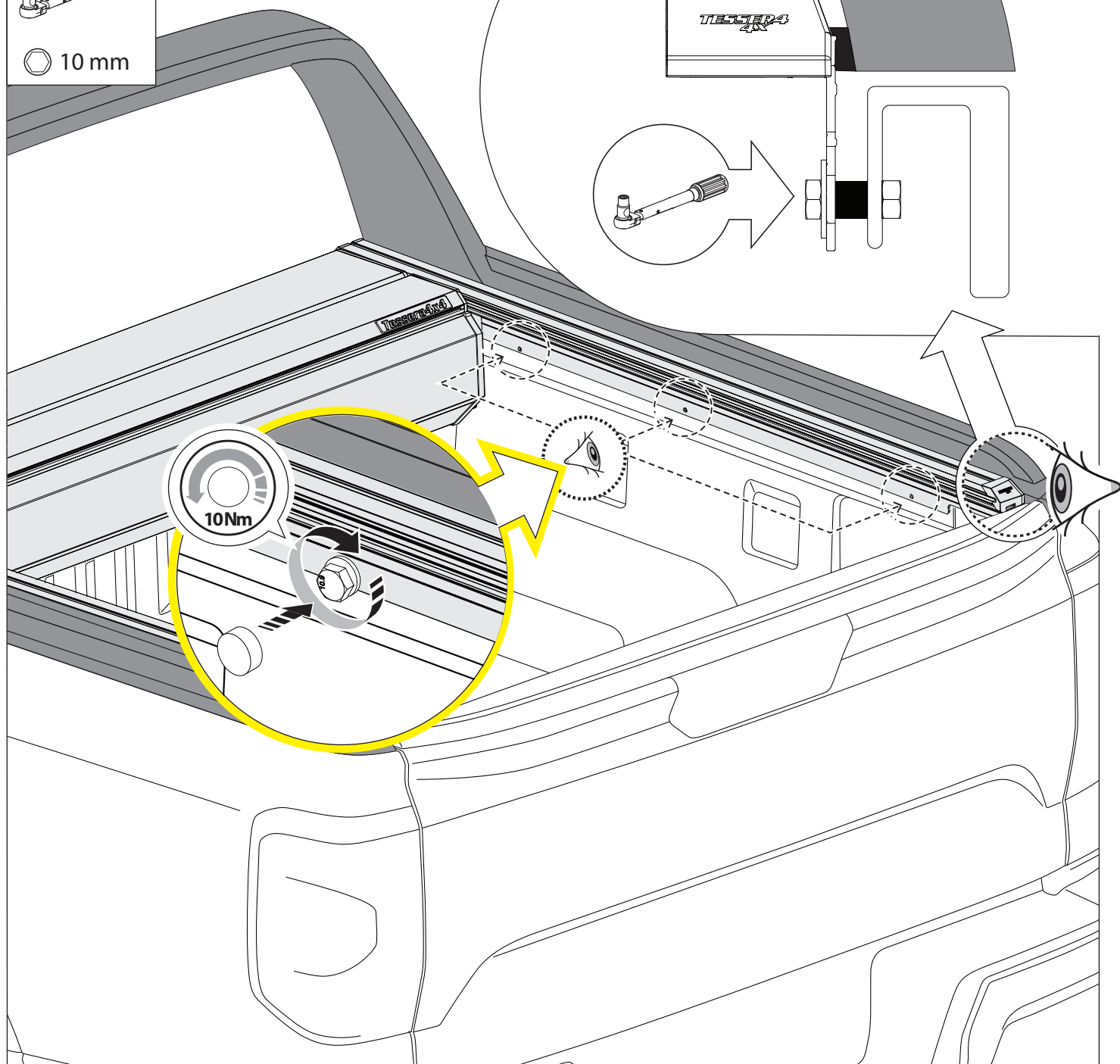
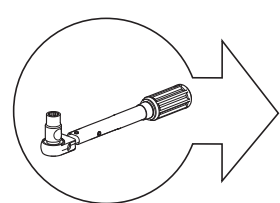
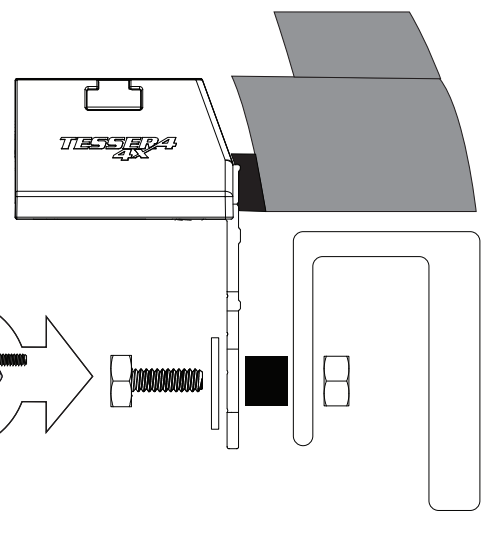
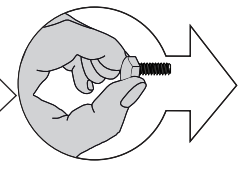
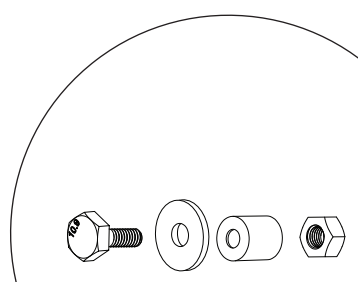


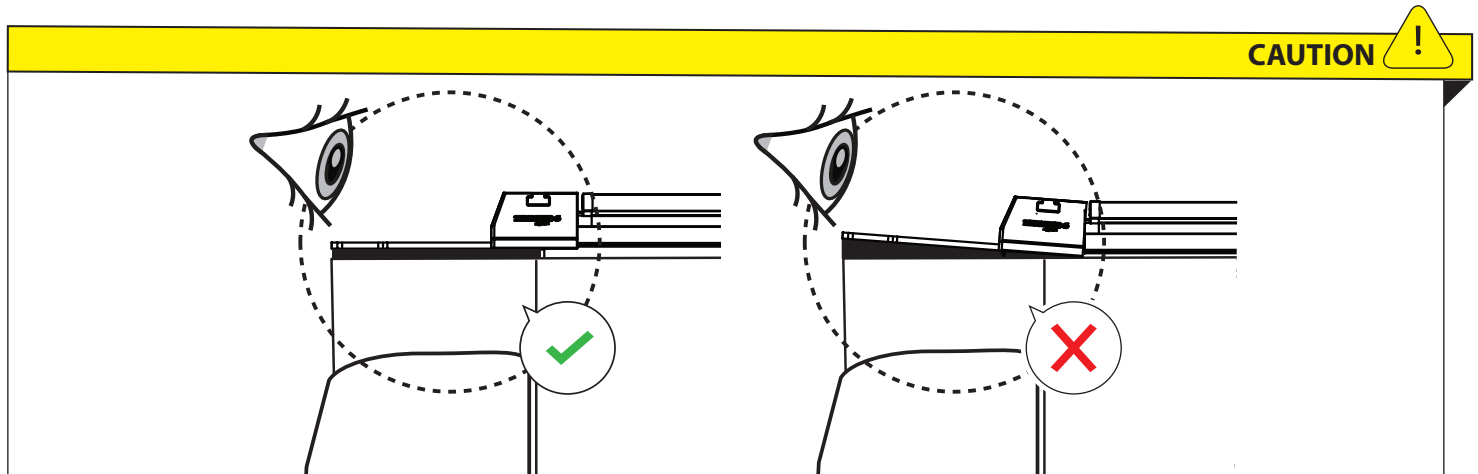
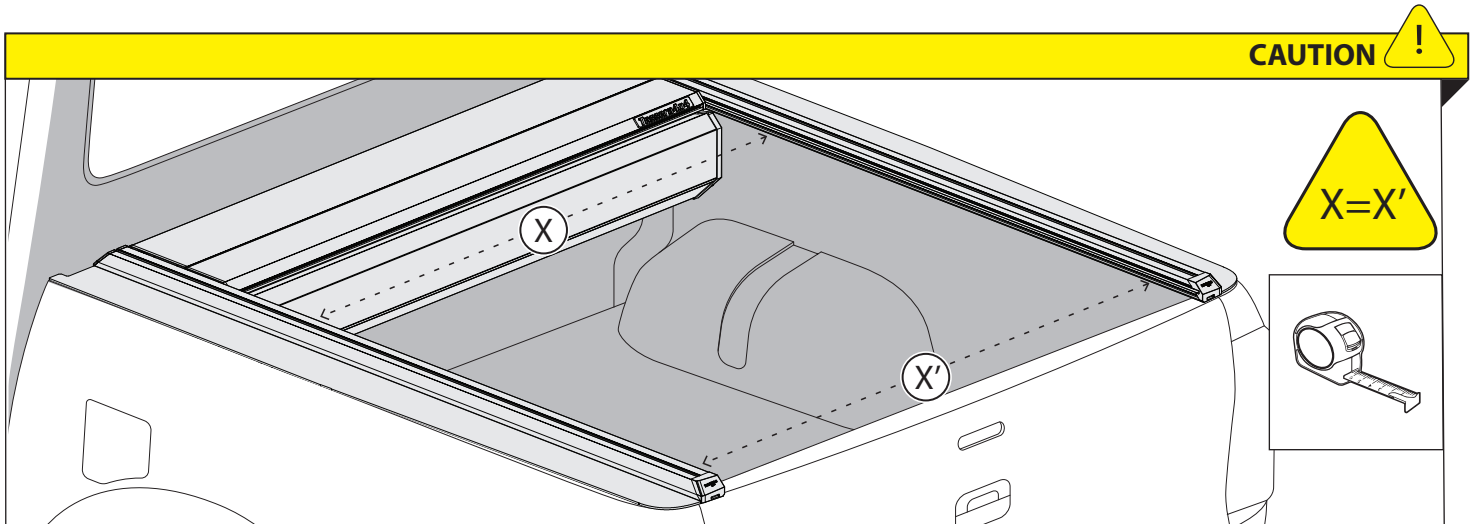
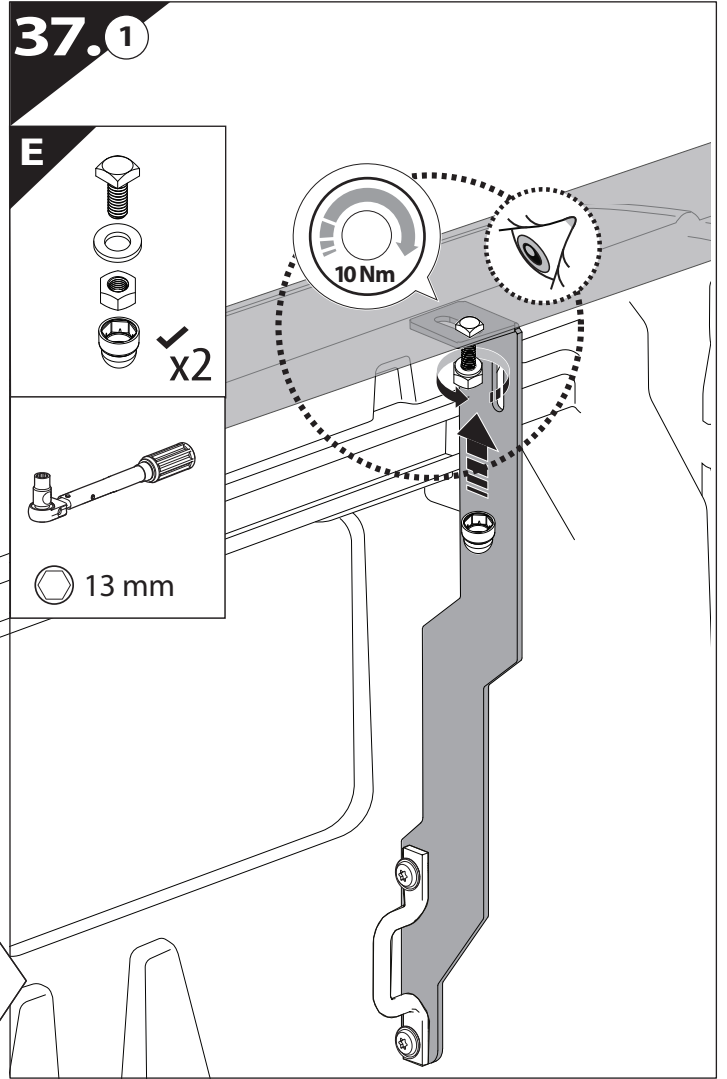
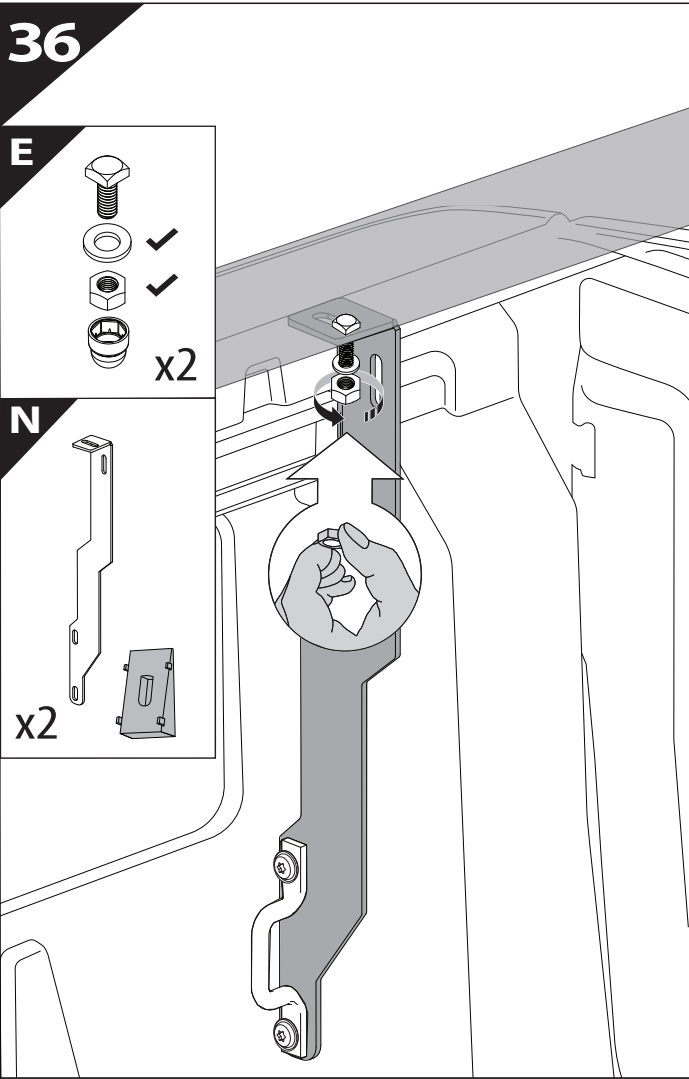
34

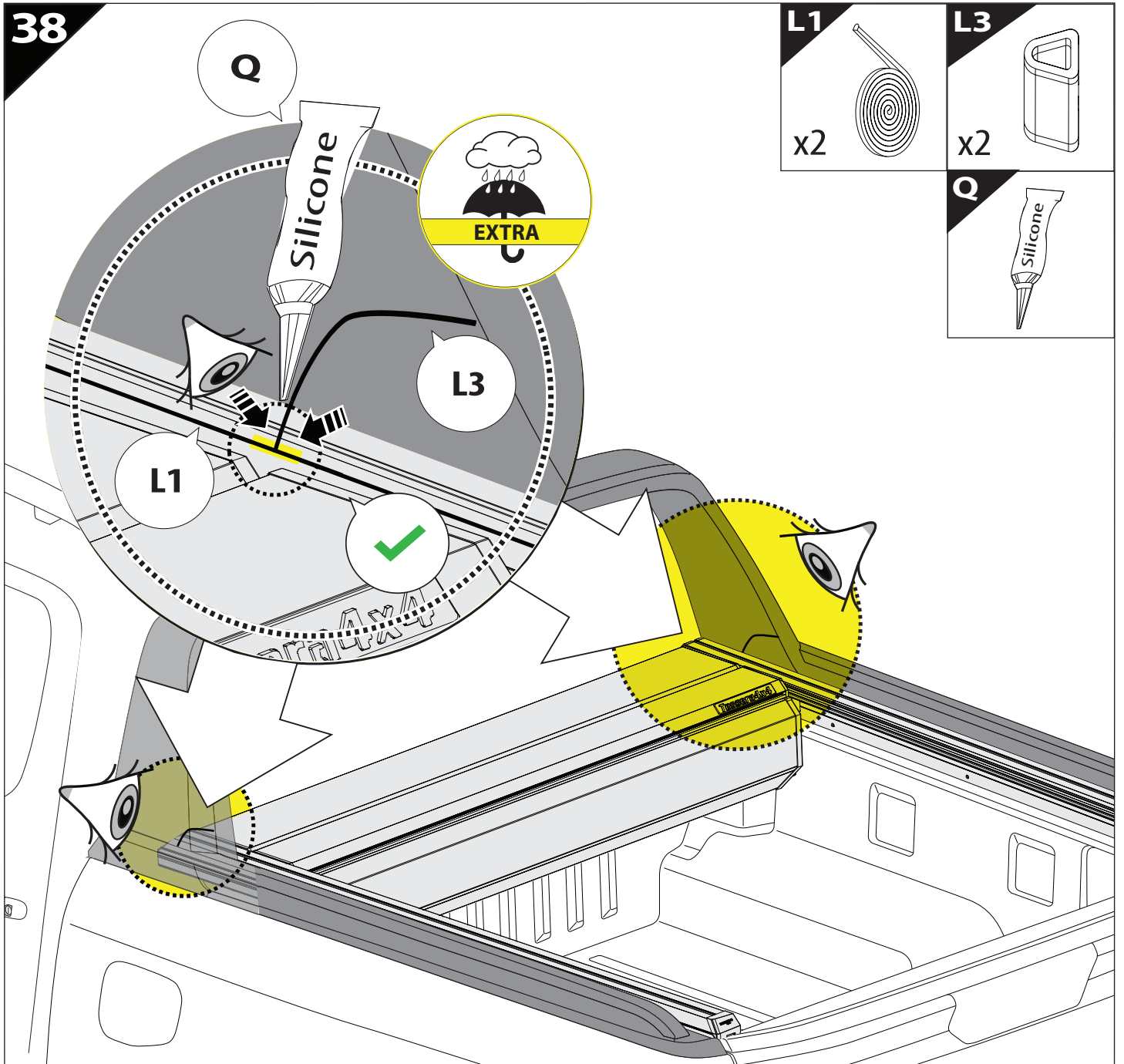


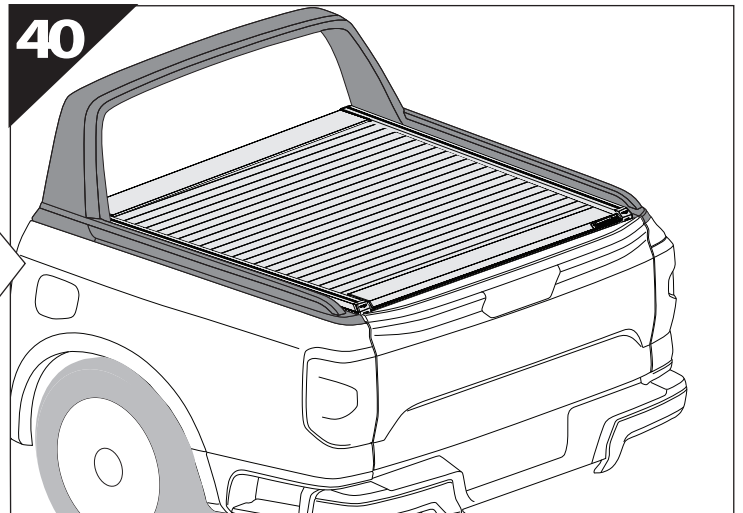
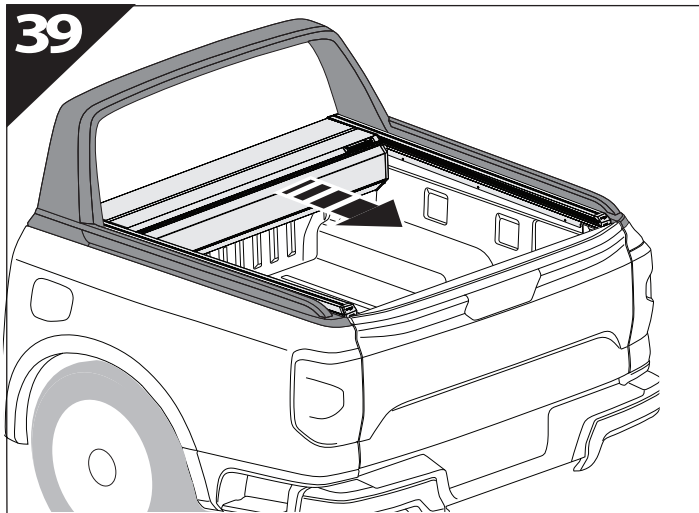
35

- E2
-  ✓
  -  ✓
  -  ✓
  -  ✓
  -  ✓
  -  ✓
- x6
- 
  -  10 mm









**GR:** Οδηγίες Εγκατάστασης  
**GB:** Installation manual  
**SF:** Asennusohje  
**F:** Notice de montage  
**PL:** Instrukcja montażu  
**NL:** Installatie-instructies  
**TR:** Montaj Talimatı  
**S:** Monteringsanvisning  
**E:** Instrucciones de montaje

**H:** Szerelési utasítás  
**P:** Instruções de instalação  
**RUS:** Инструкция по установке  
**N:** Monteringsveiledning  
**D:** Einbauanleitung  
**CZ:** Návod k instalaci  
**I:** Istruzioni de montaggio  
**DK:** Monteringsvejledning  
**RO:** Instructiuni de instalare

Customer Service:

+30 (210) 5541161, +30 (210) 5541154 (08:00 - 16:00 EET)

Support department:

info@gianso.gr

Website:

www.tessera4x4.com

Address:

19.5 km of National road Athens-Korinthos (Elefsina) Greece, P.C: 19200