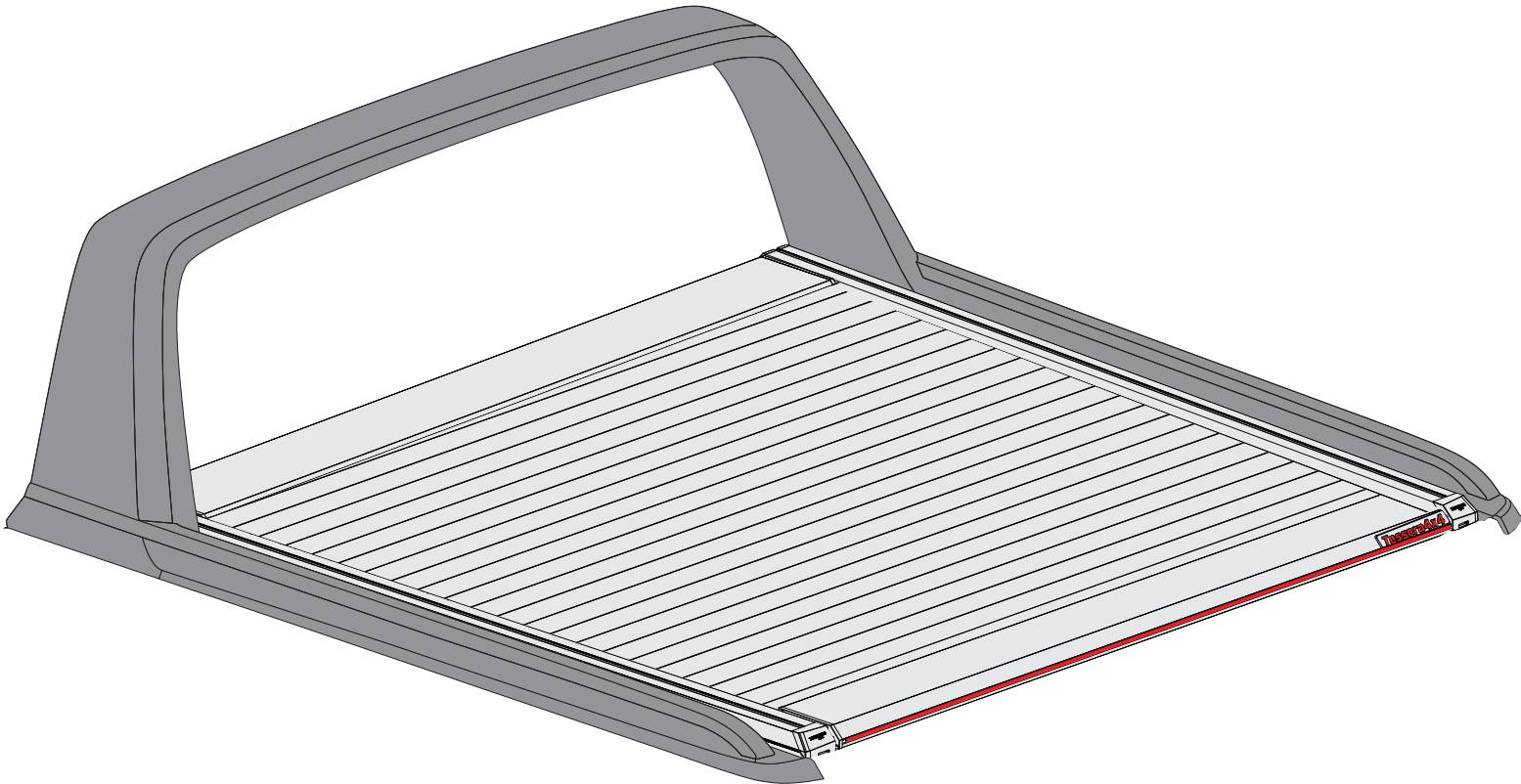


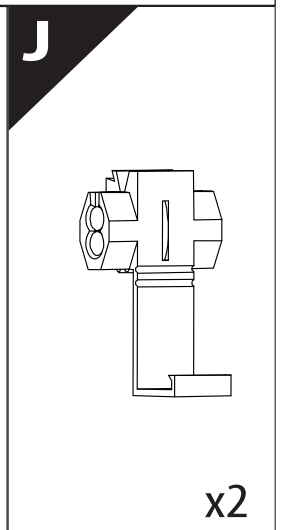
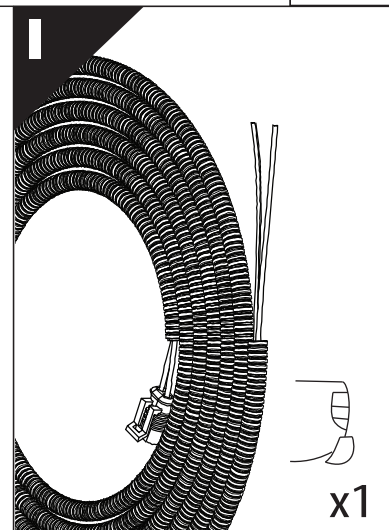
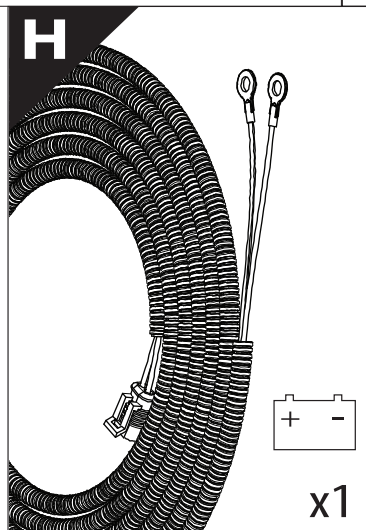
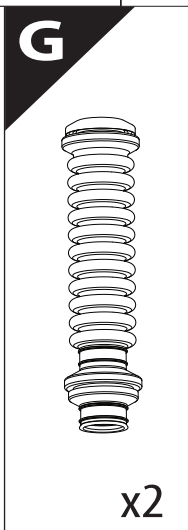
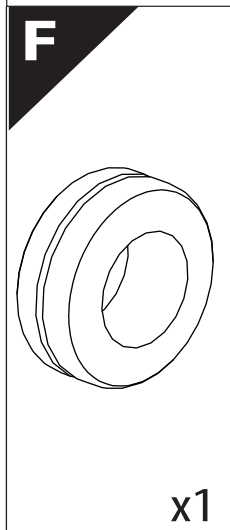
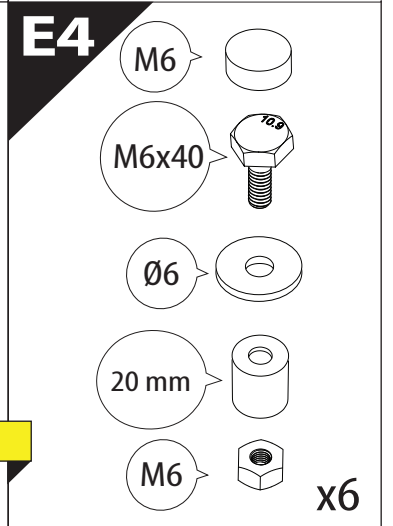
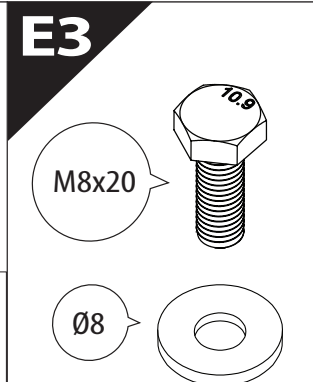
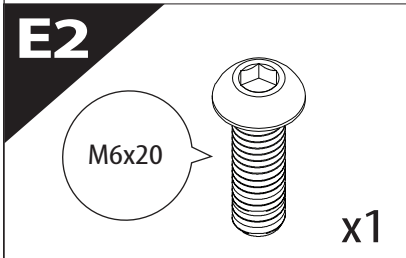
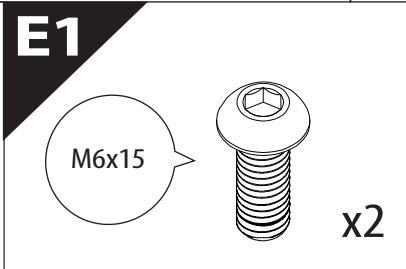
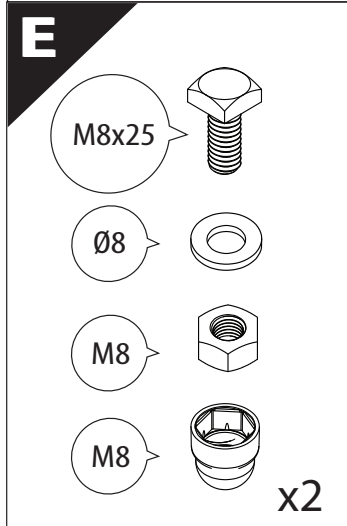
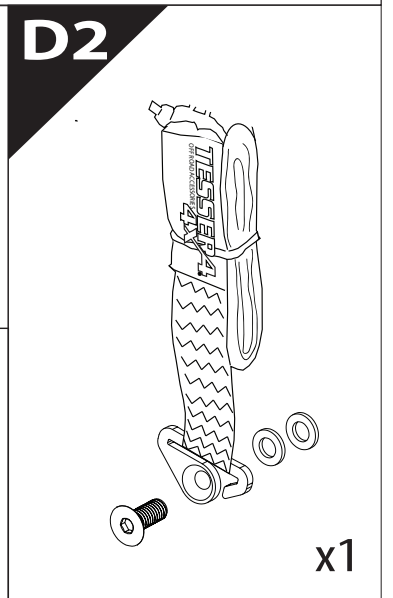
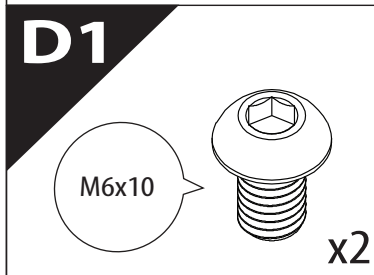
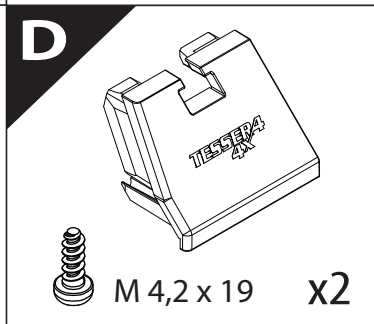
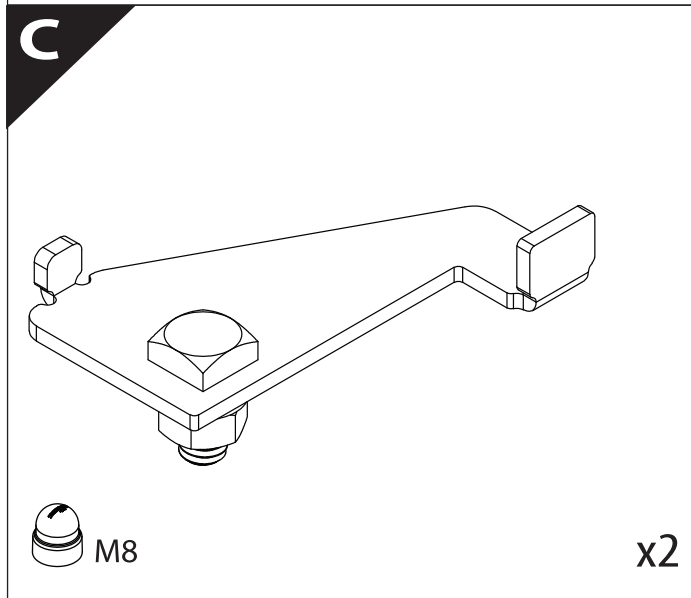
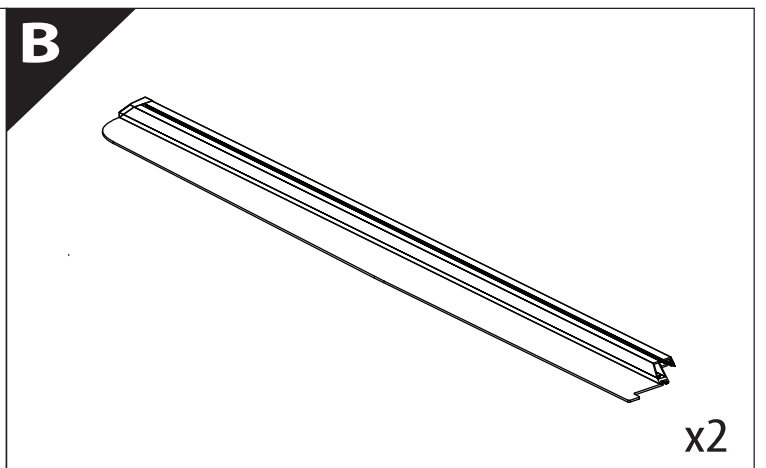
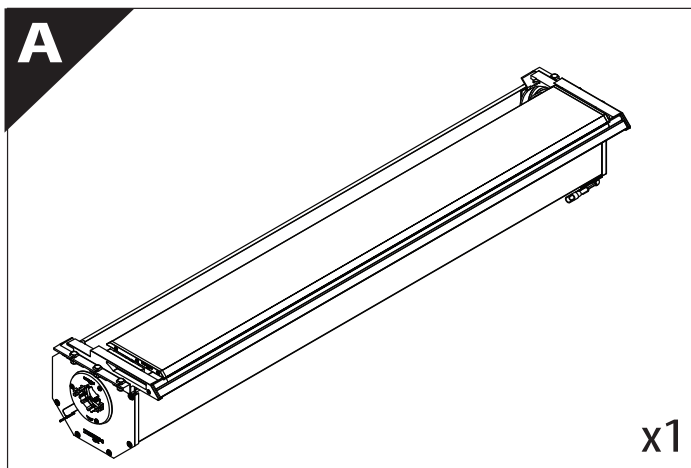
Tessera Roll+

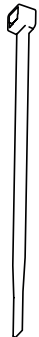
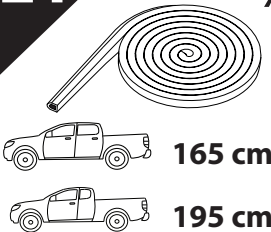
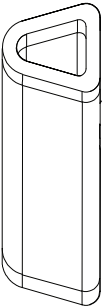
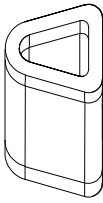
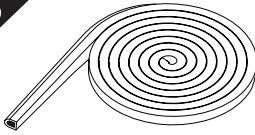

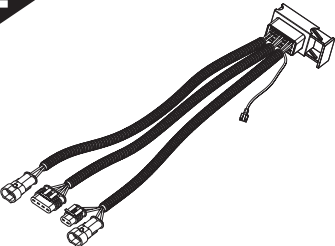
Basic Version + ⚡ E-KIT

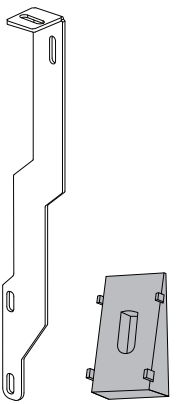
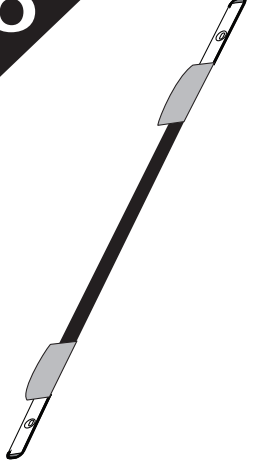
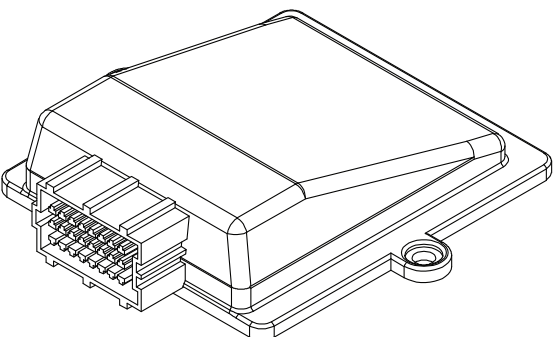


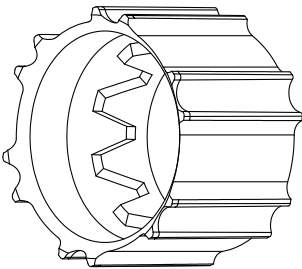
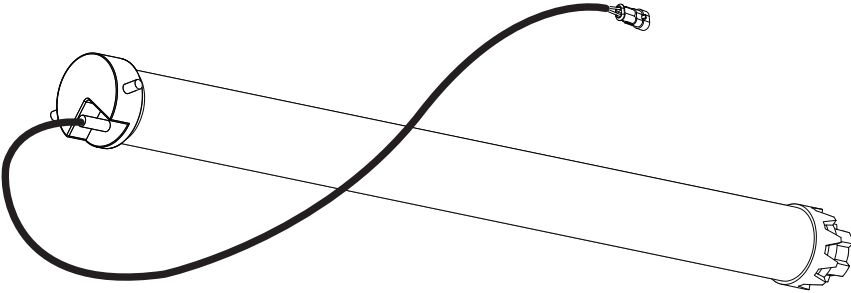
Installation Manual

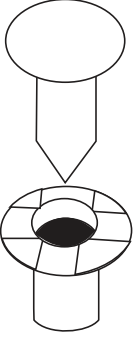

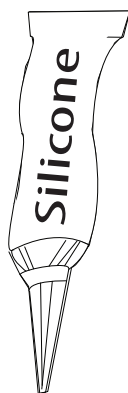
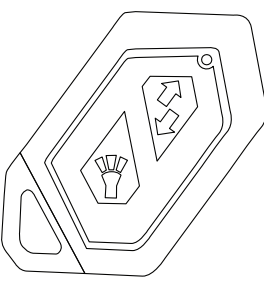

PART NUMBER(S)	Model Year
TESS 14080 ROLL+E-KIT	FORD RANGER WILDTRAK 2023+ OEM ROLL BAR
TESS 14090 ROLL+E-KIT	
Cab(s)	Installation Time / Weight
Double Cab & Space cab	40-60 minutes / 53-57 kg

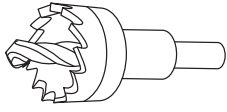


<p>K</p>  <p>x20</p>	<p>L1</p>  <p>x2</p> <p>165 cm</p> <p>195 cm</p>	<p>L3</p>  <p>140 mm</p> <p>x2</p>	<p>L4</p>  <p>35 mm</p> <p>x2</p>	<p>L5</p>  <p>140 cm</p> <p>x1</p>
<p>L2</p>  <p>x1</p>		<p>M2</p>  <p>x1</p>		

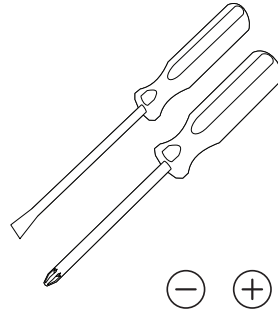
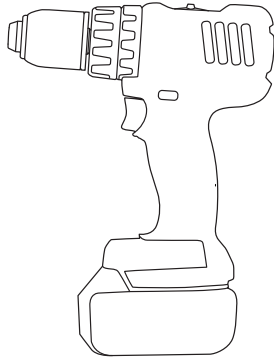
<p>N</p>  <p>x2</p>	<p>O</p>  <p>x1</p>	<p>P</p>  <p>x1</p>
--	--	---

<p>Q</p>  <p>x1</p>	<p>R</p>  <p>x1</p>
---	--

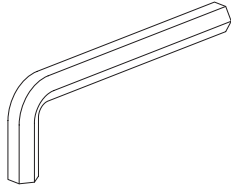
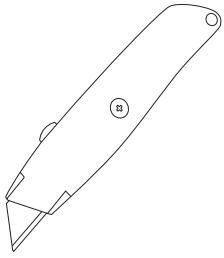
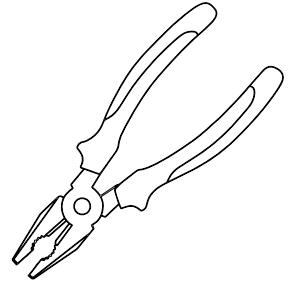
<p>S</p>  <p>x2</p> <p>US MODELS </p>	<p>T</p>  <p>Silicone</p>	<p>U</p>  <p>x2</p>	<p>V</p>  <p>x2</p>
---	---	--	---



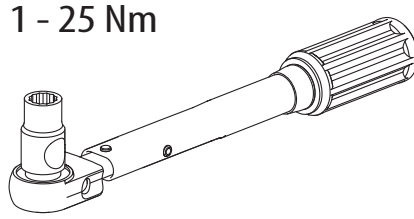
Ø 25 mm



− +



4 mm

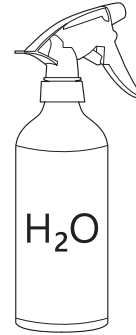
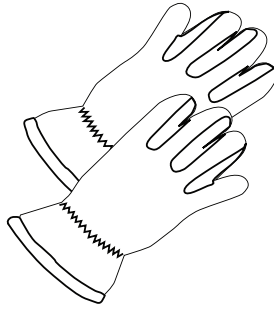
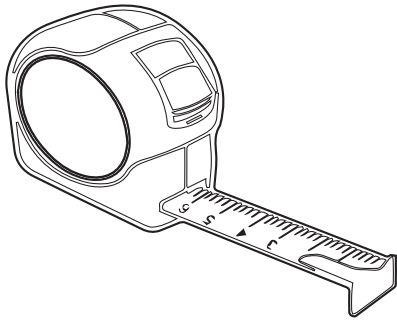


1 - 25 Nm

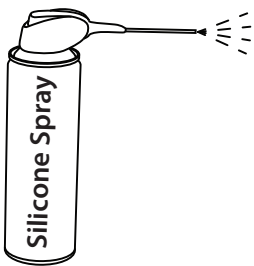
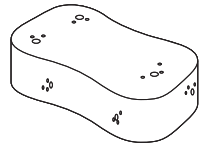
10,12, 13, 17 mm



ACETONE



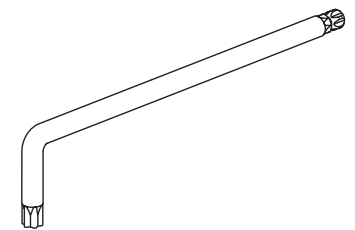
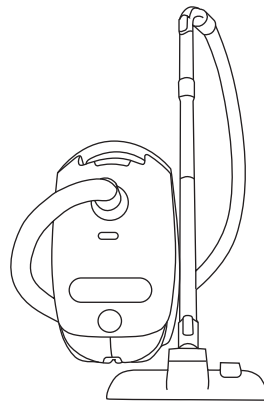
H₂O



Silicone Spray



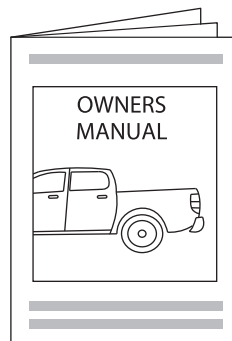
ANTI-RUST



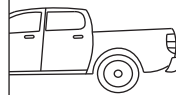
T30, T40



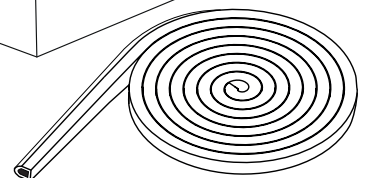
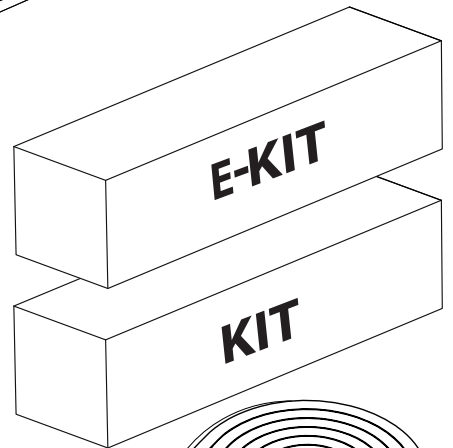
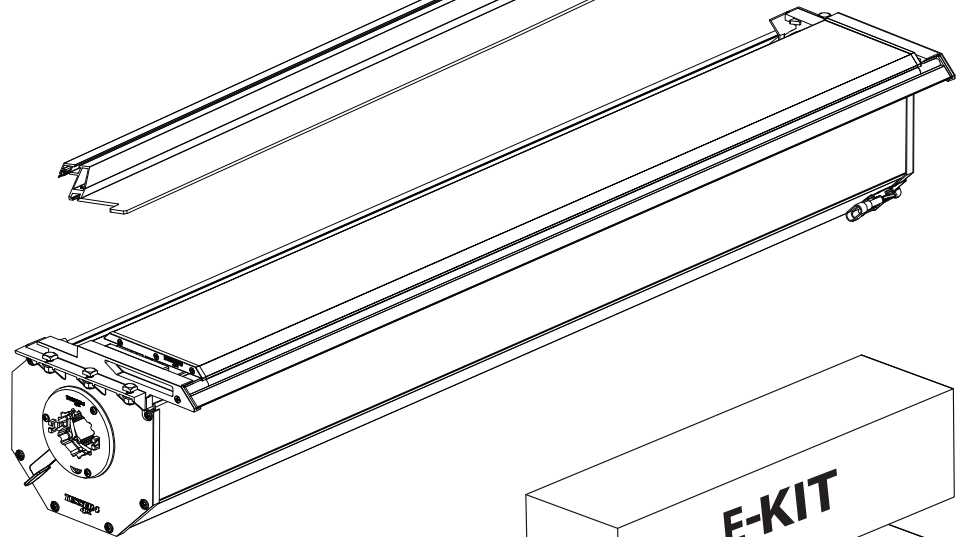
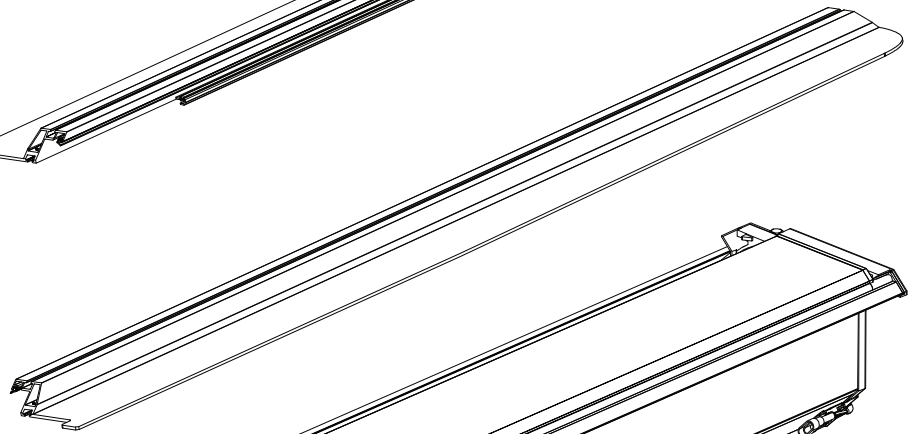
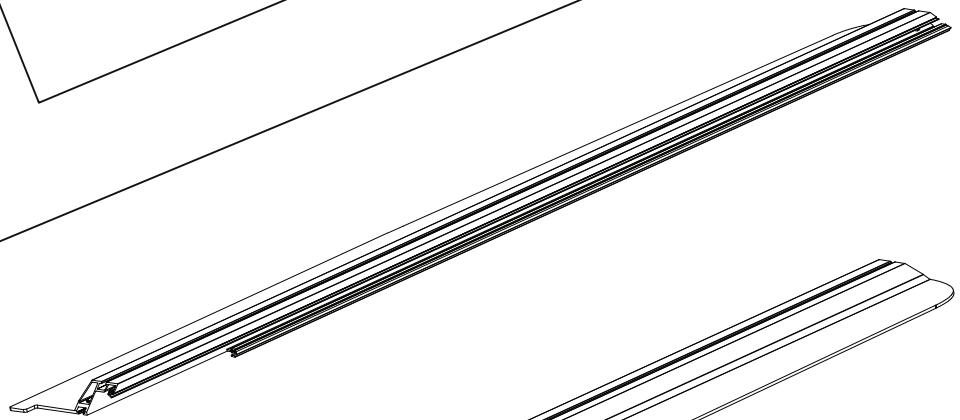
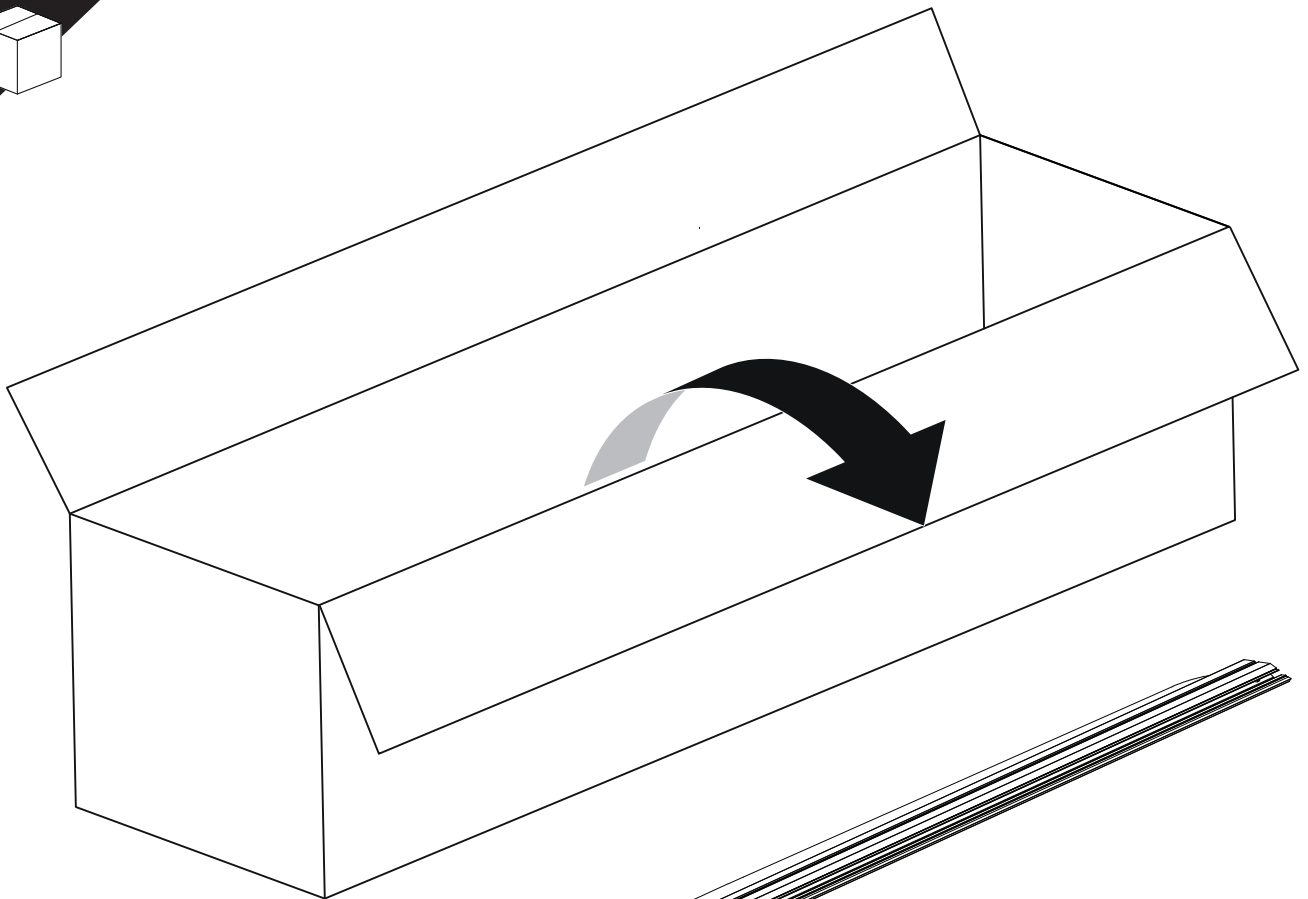
INSTALLATION
MANUAL
+E-KIT



OWNERS
MANUAL



x1

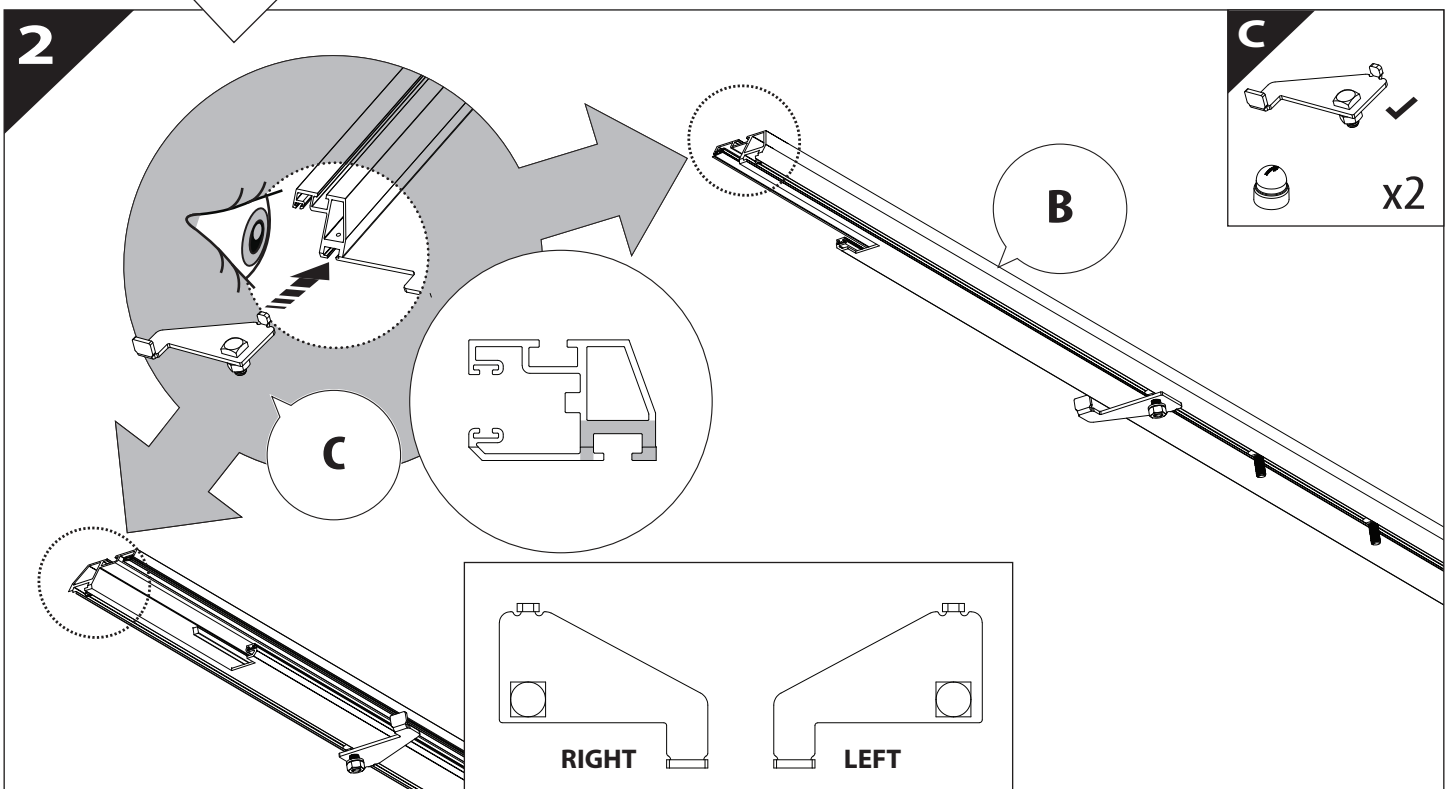
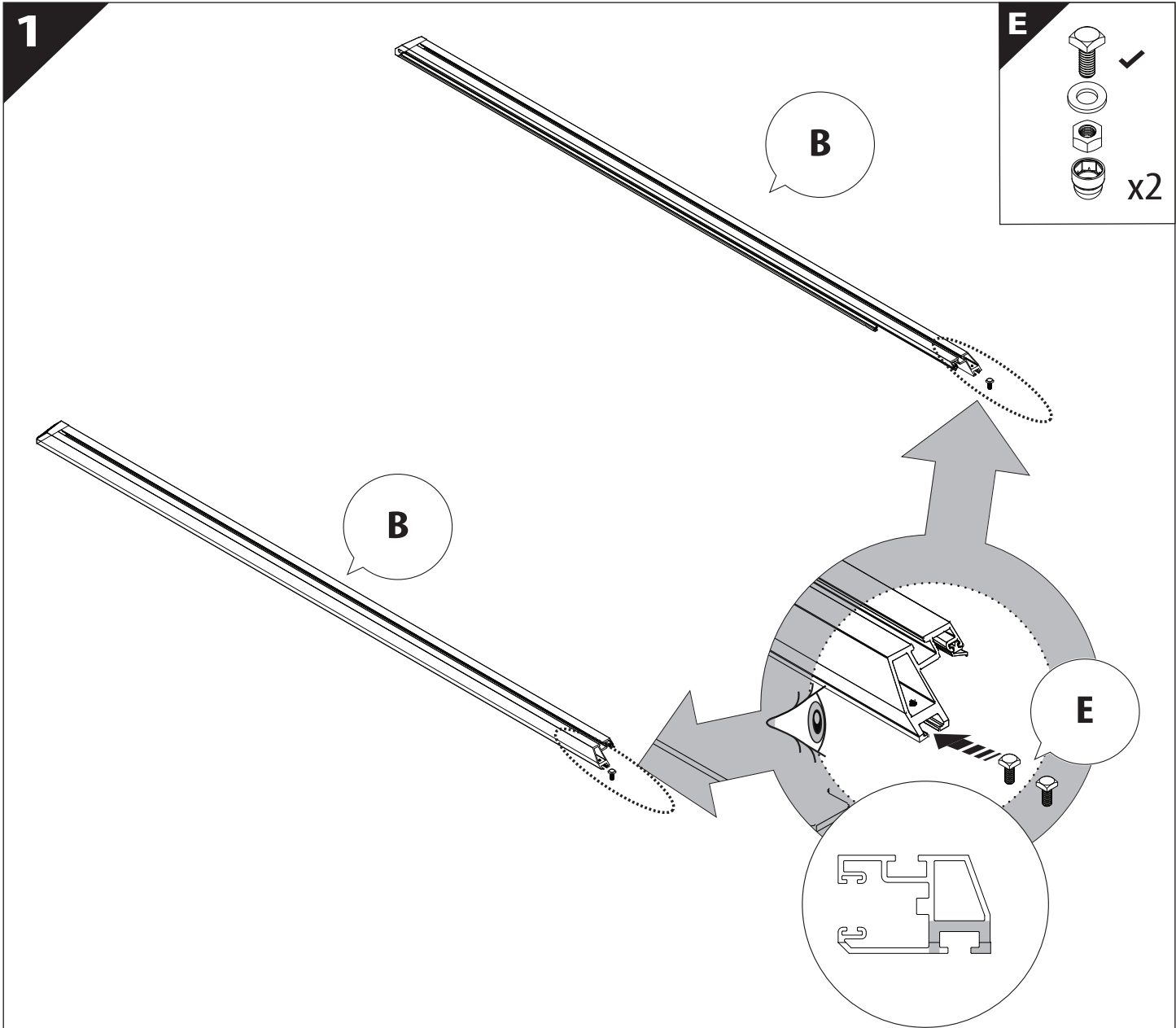


B

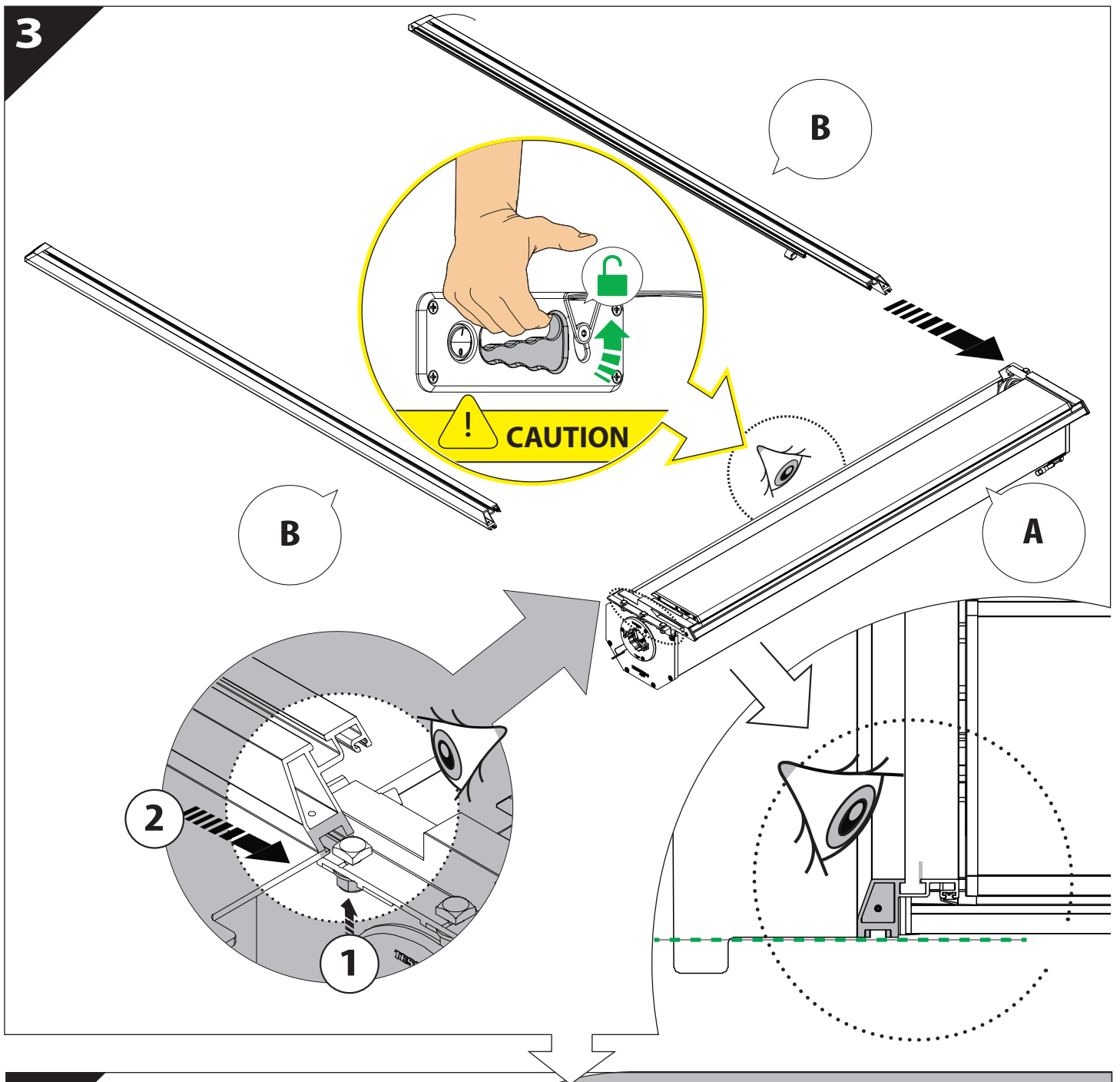
A

KITS

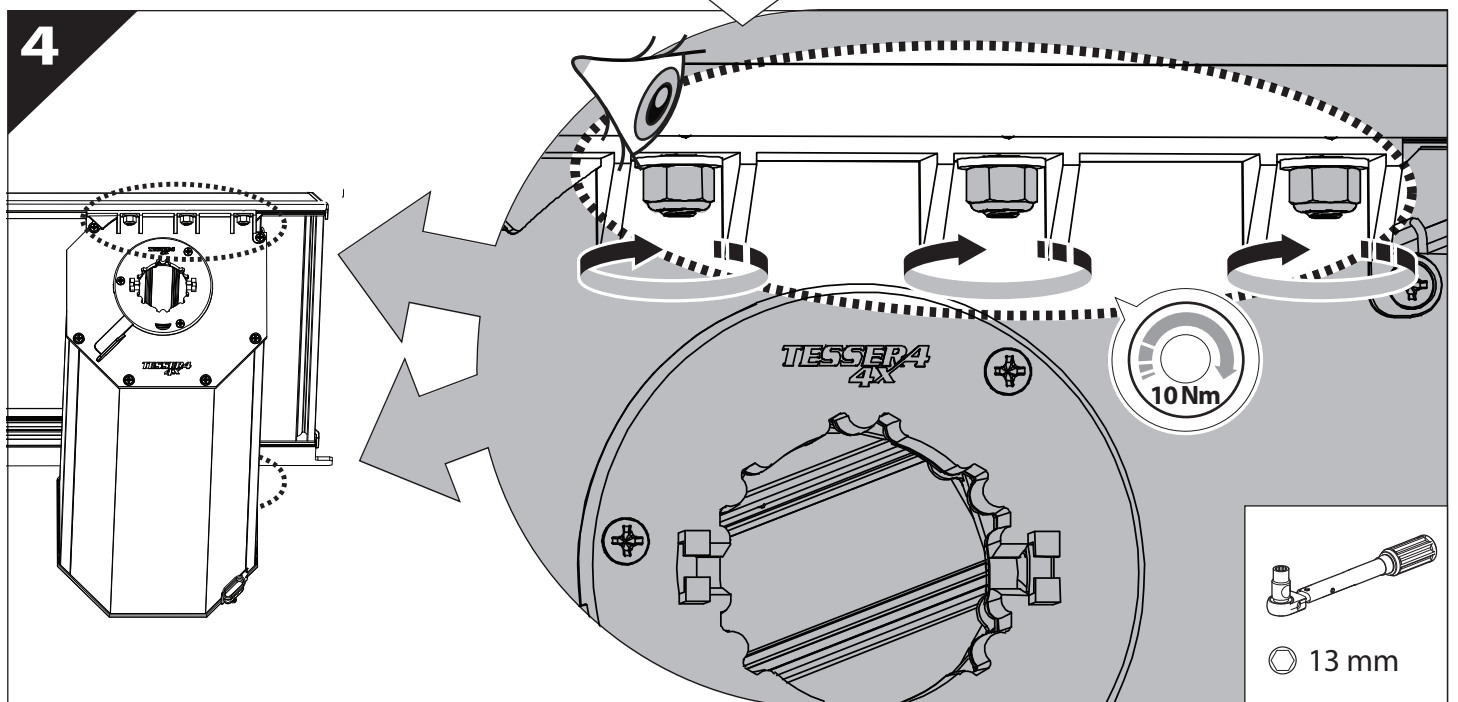
L

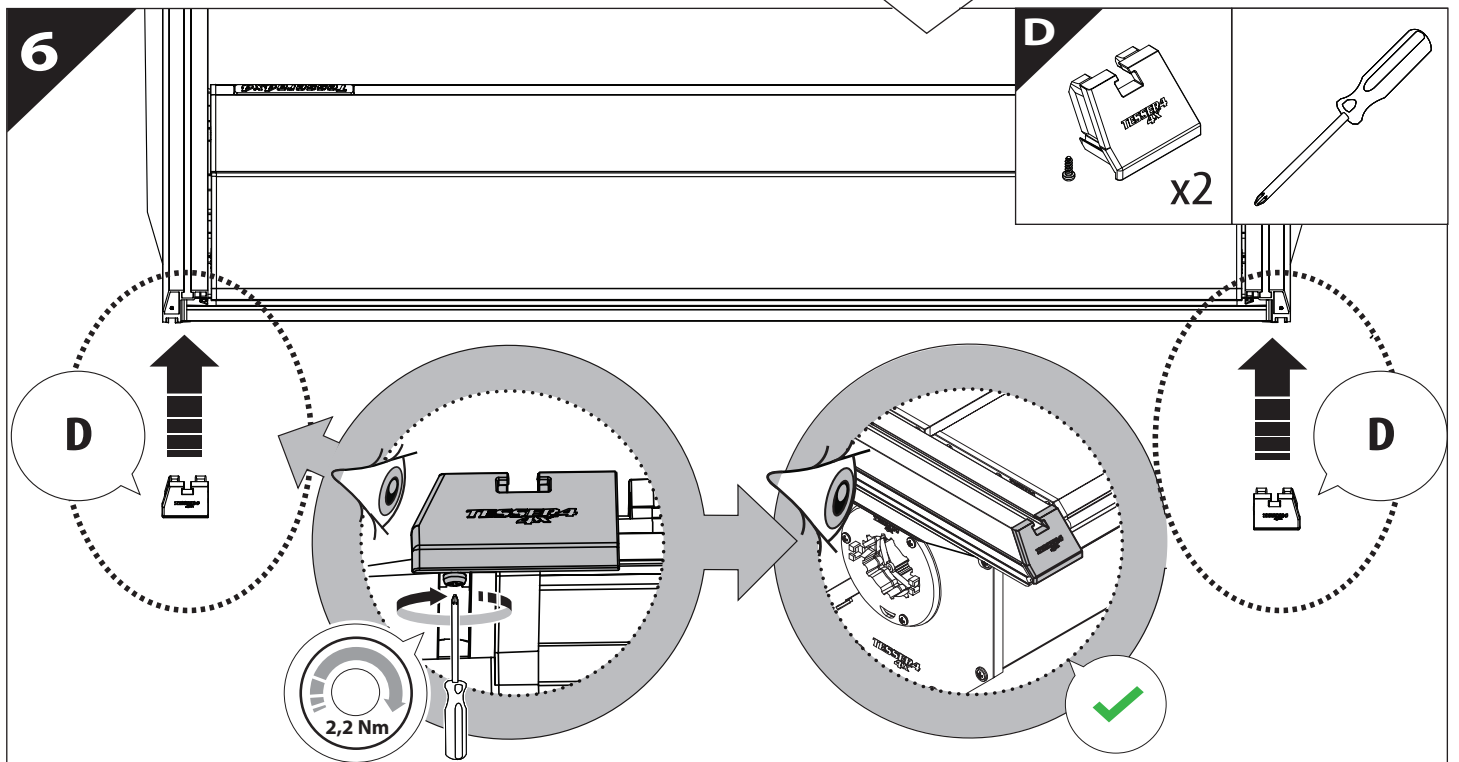
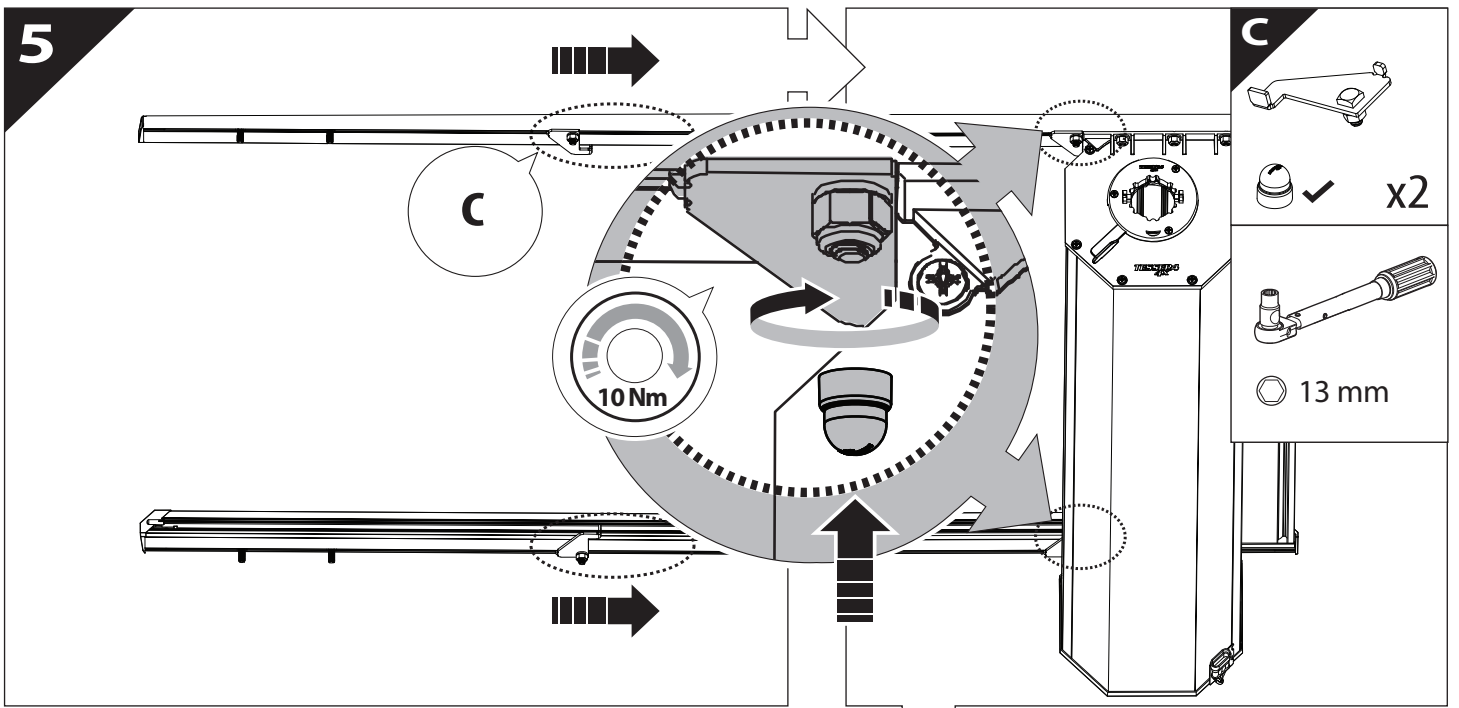


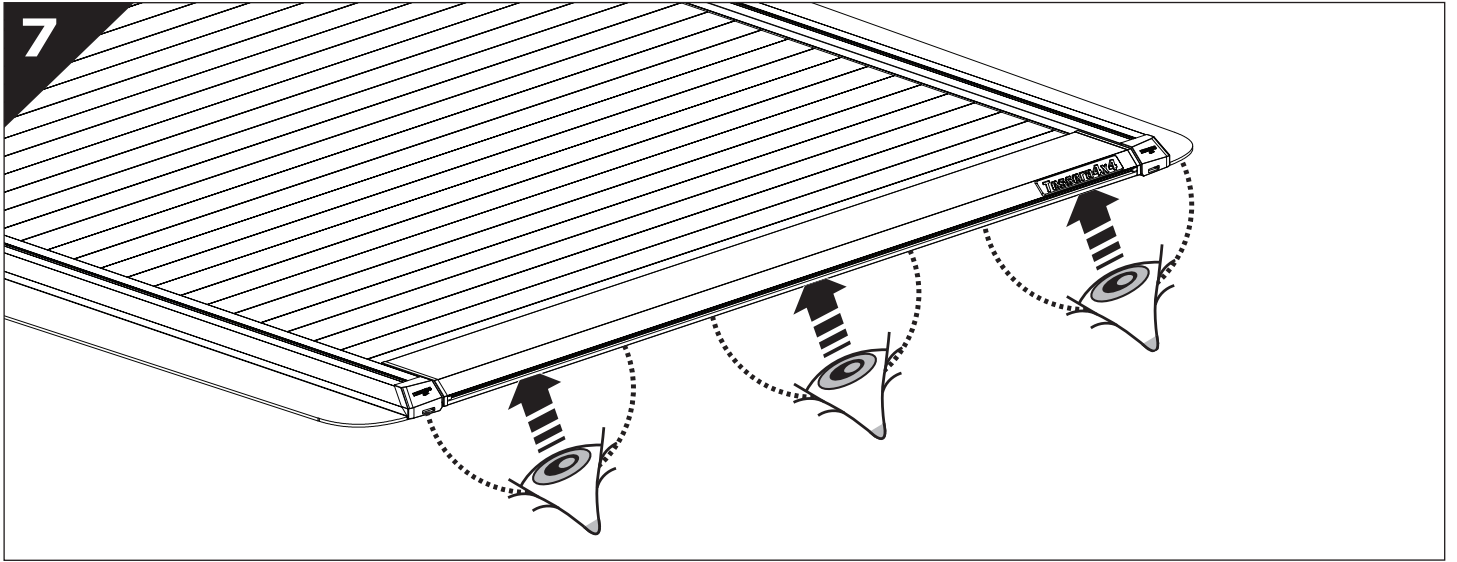
3



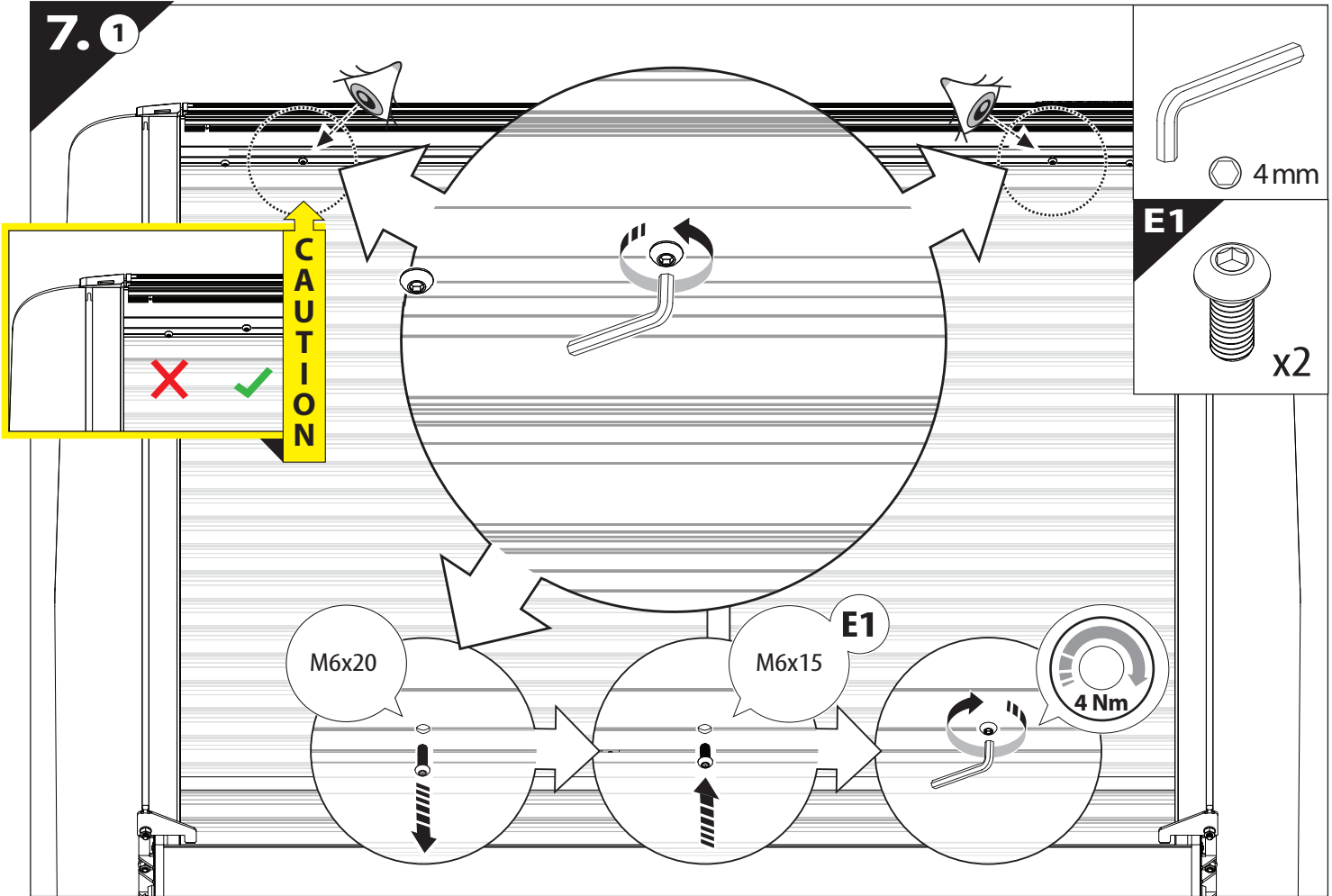
4



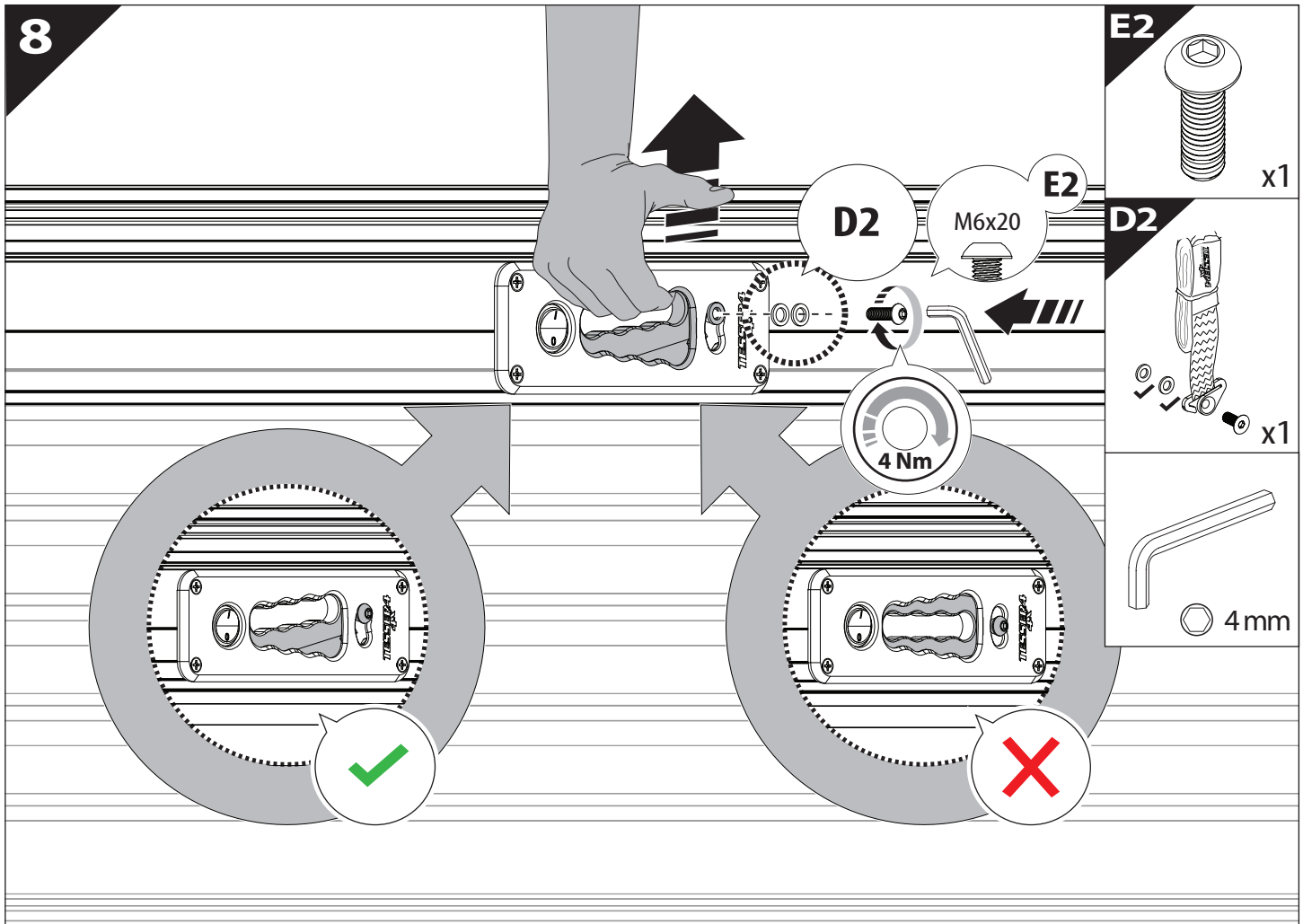


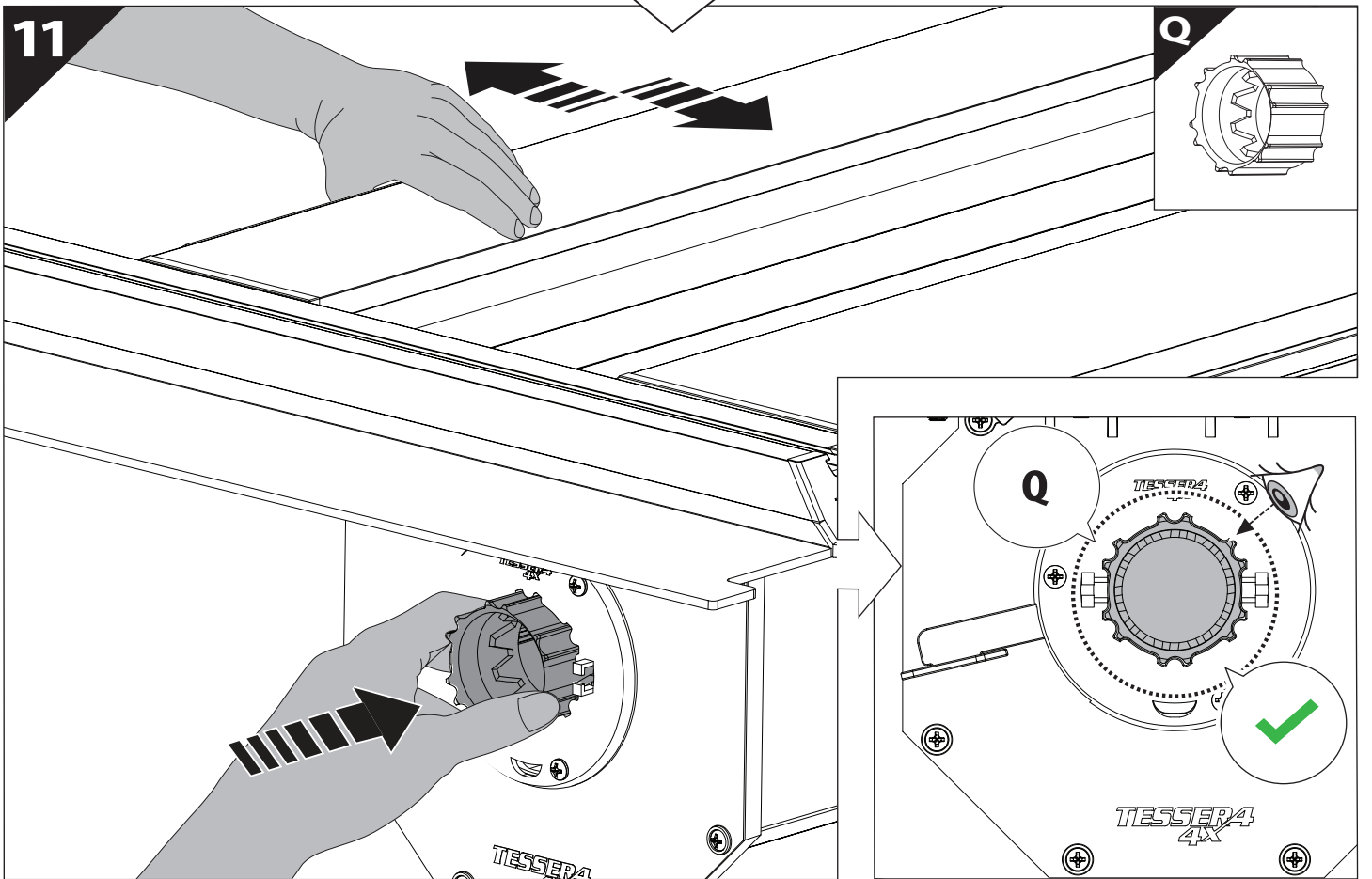
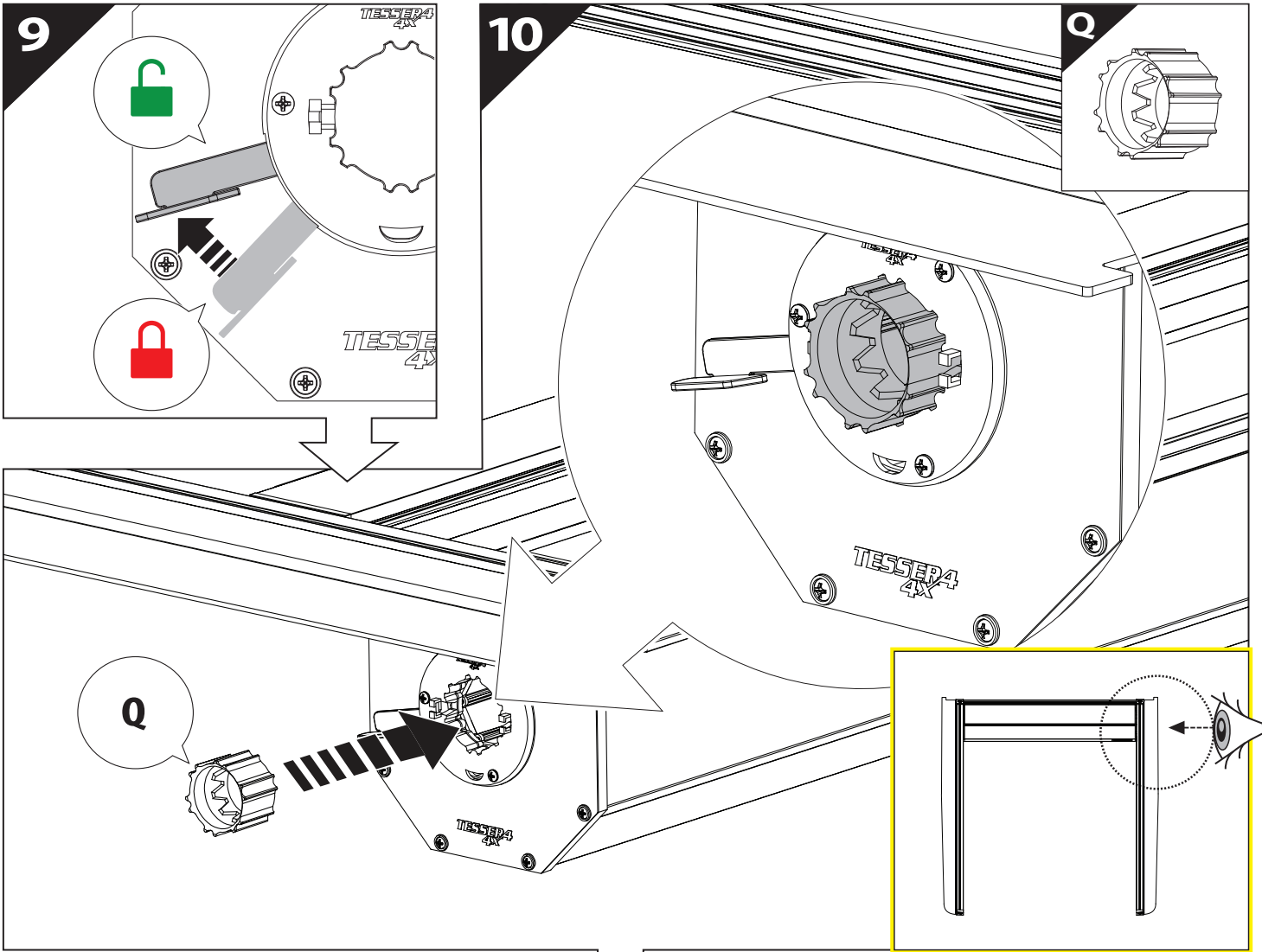


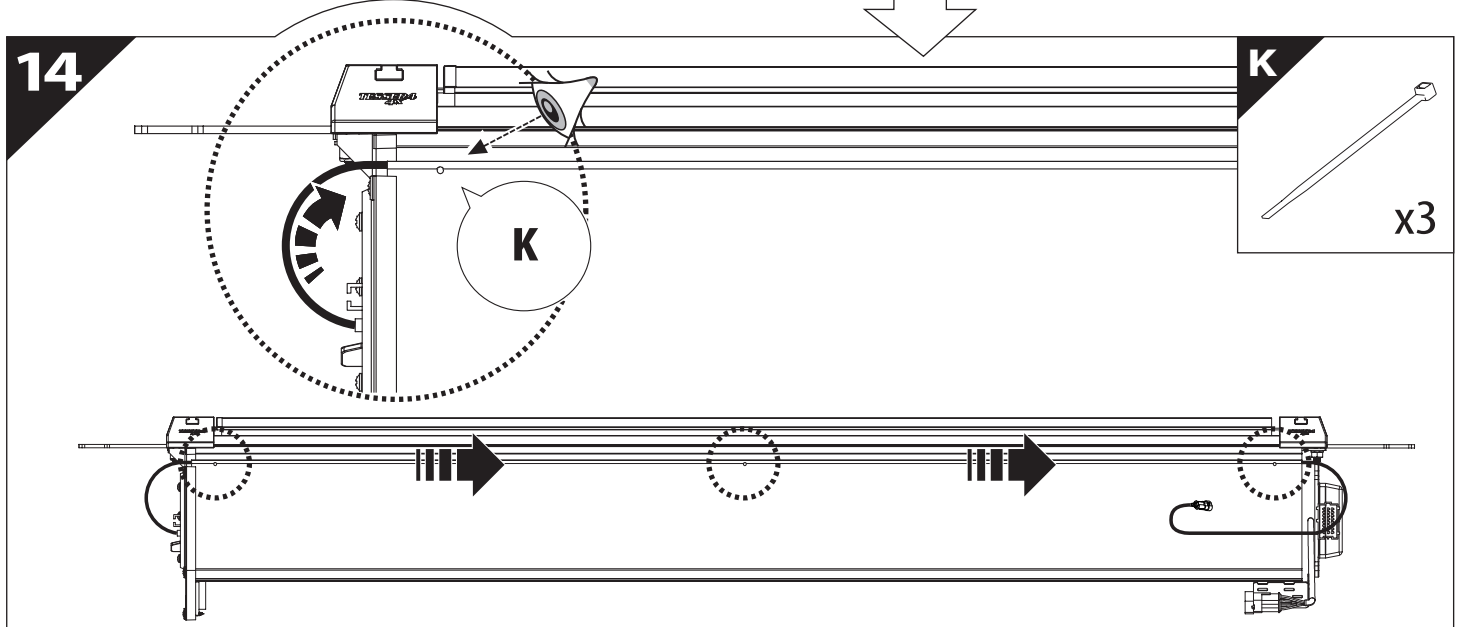
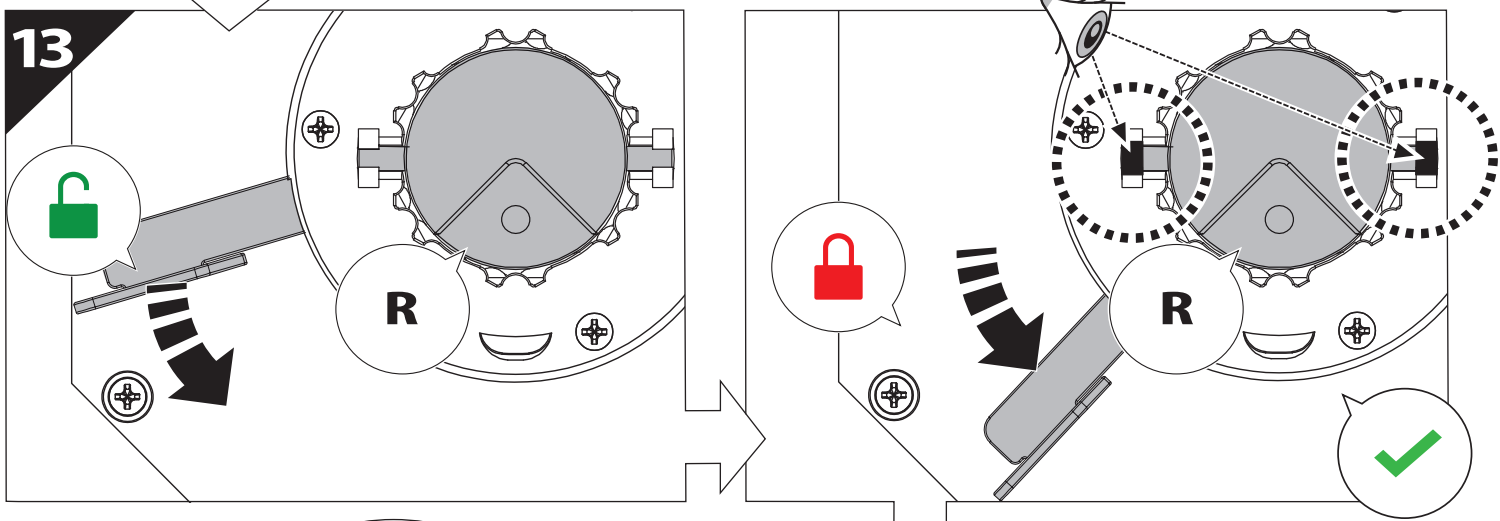
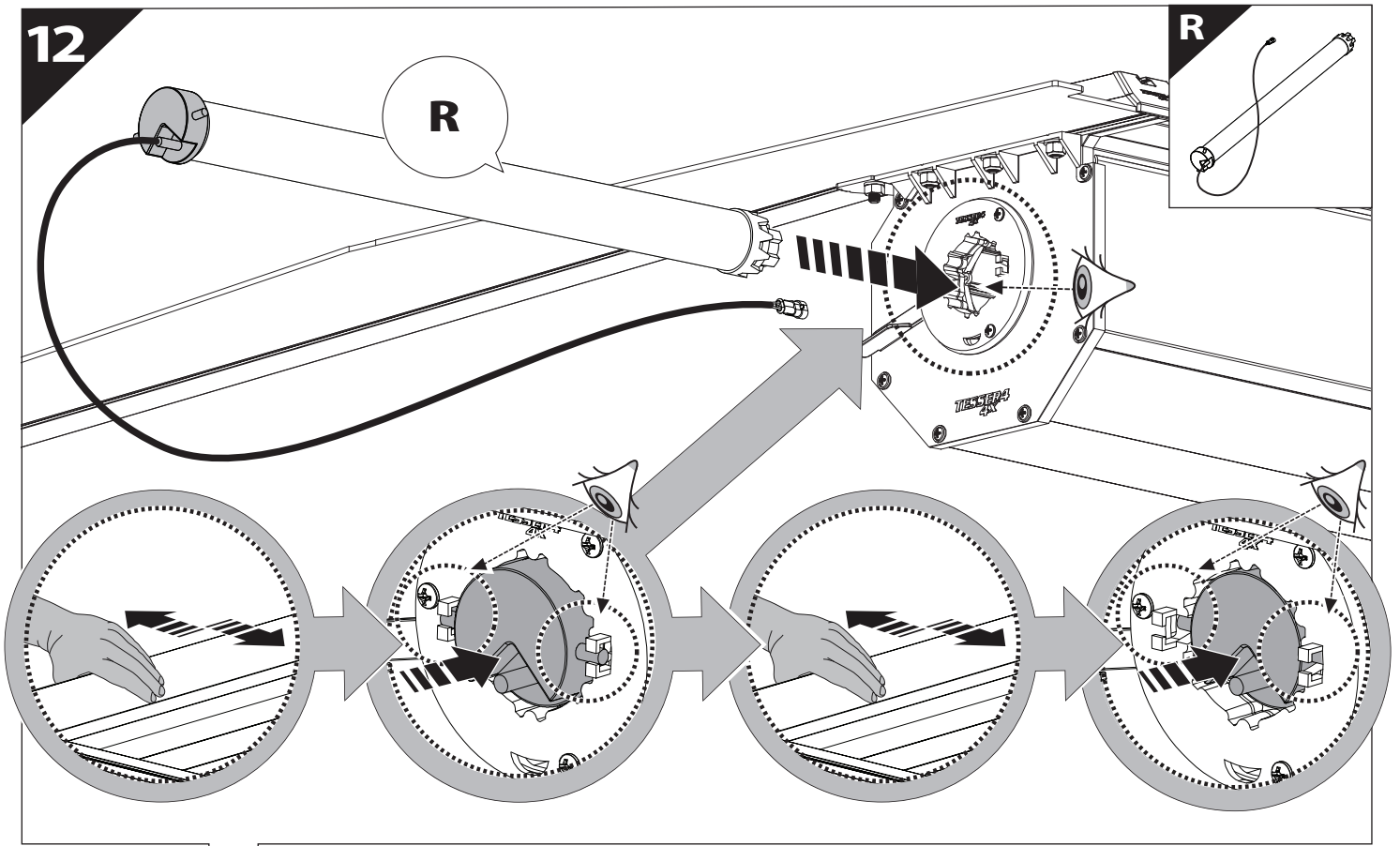
7.1

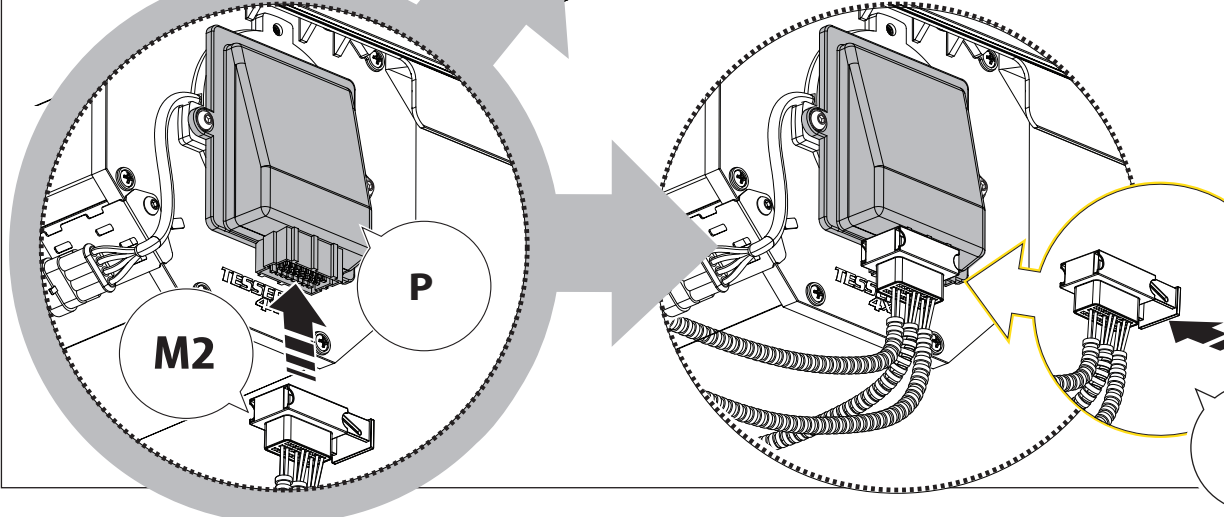
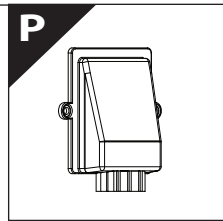
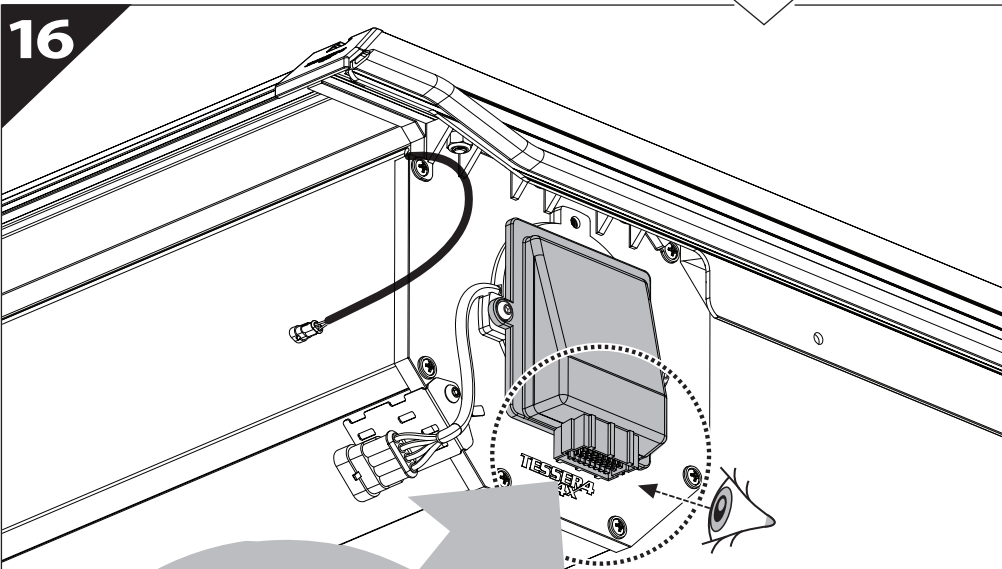
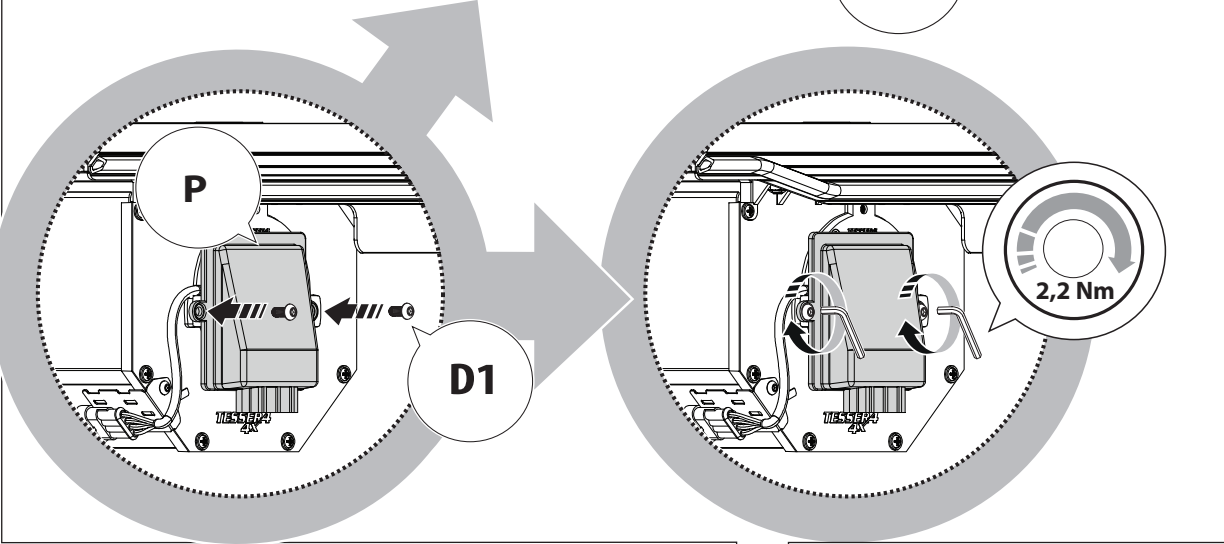
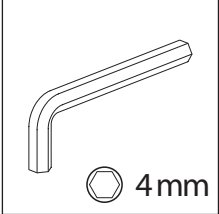
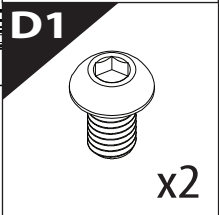
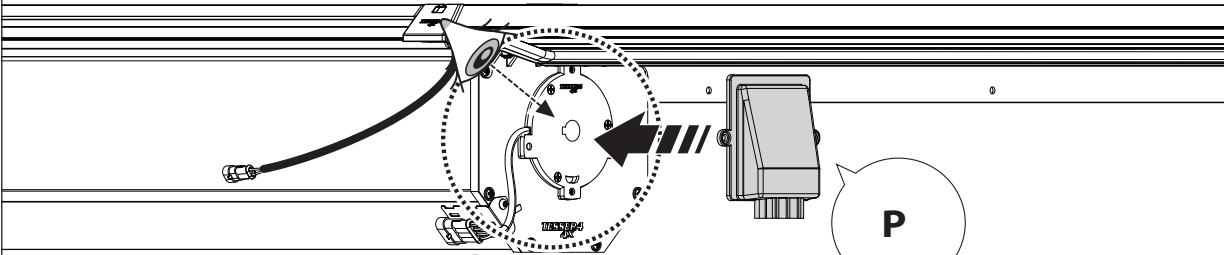
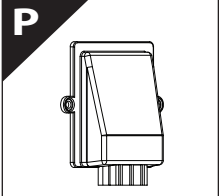
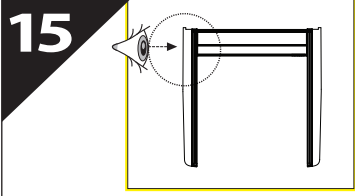


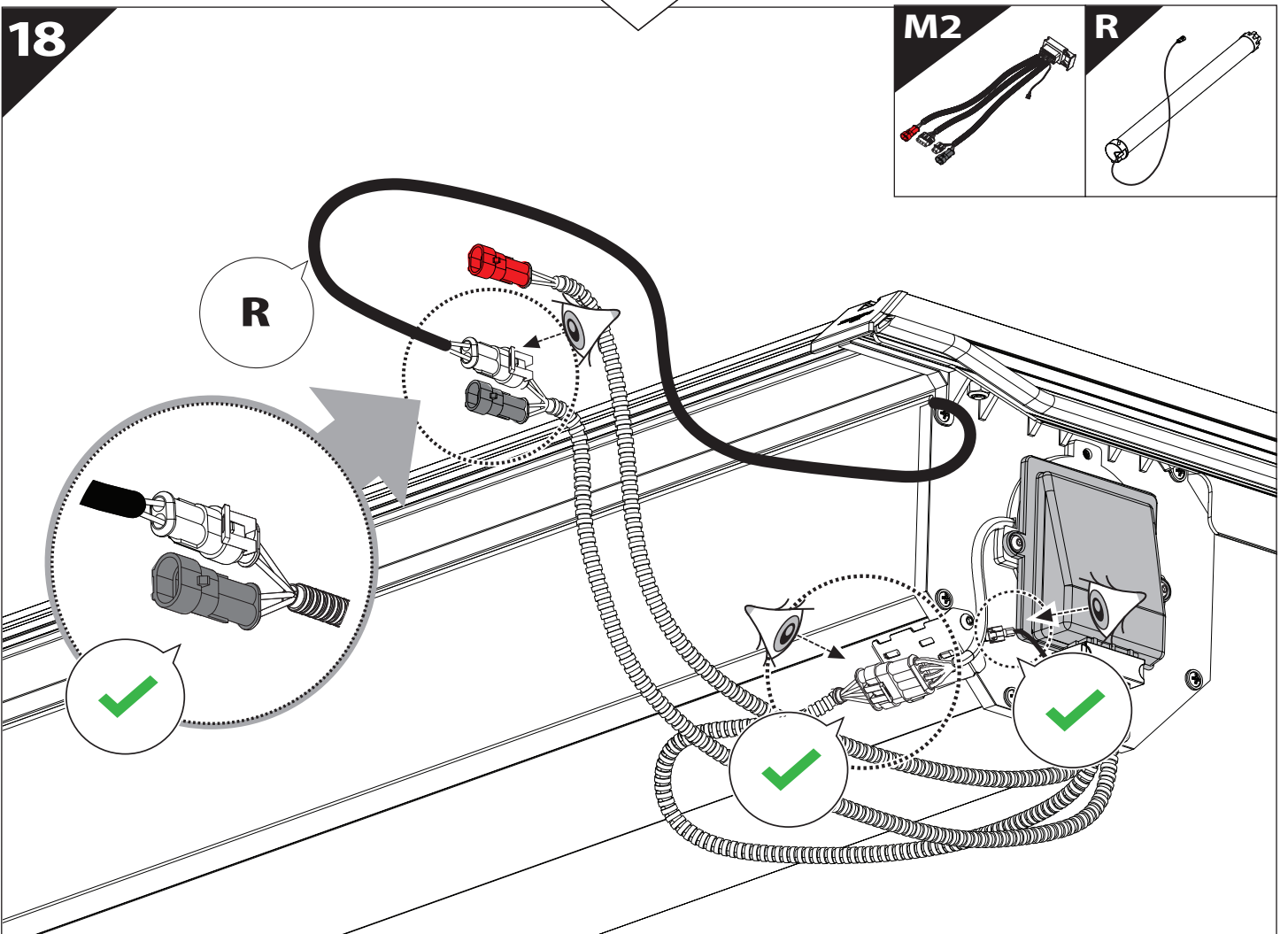
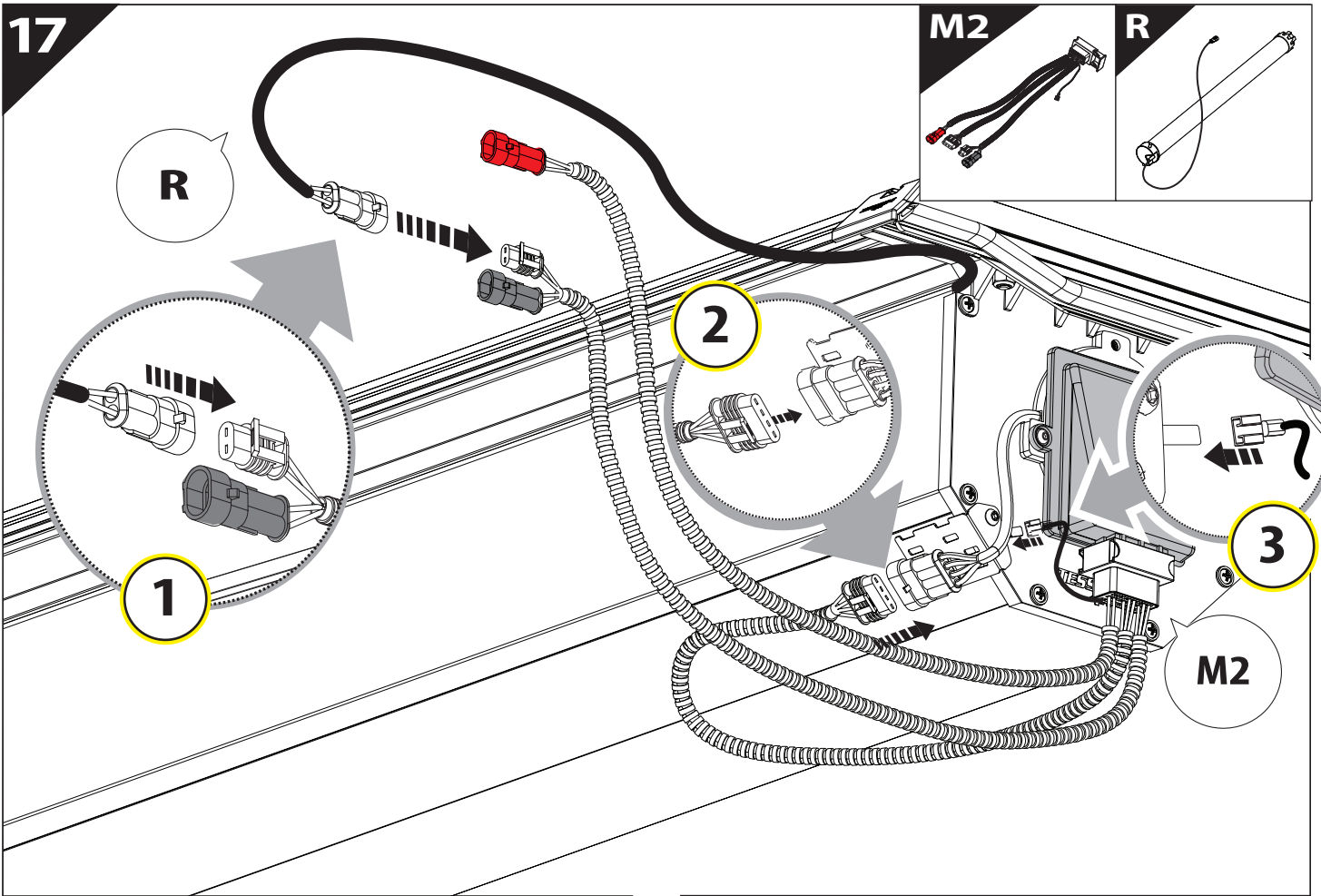
8





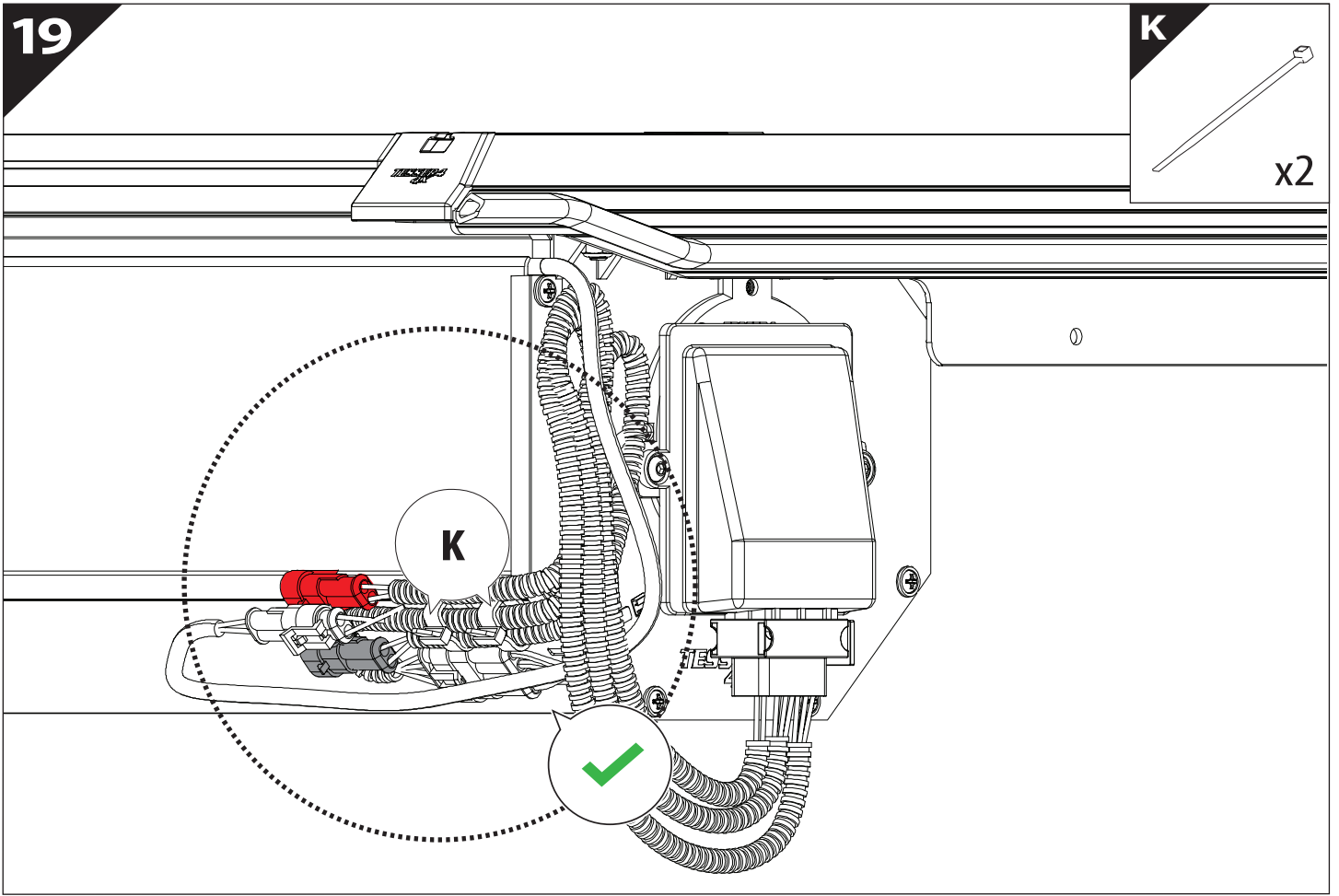
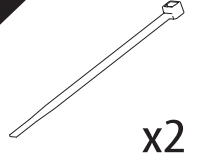


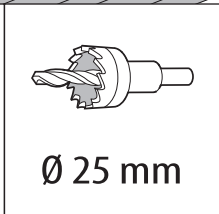
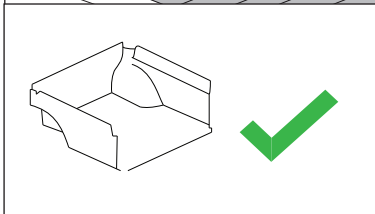
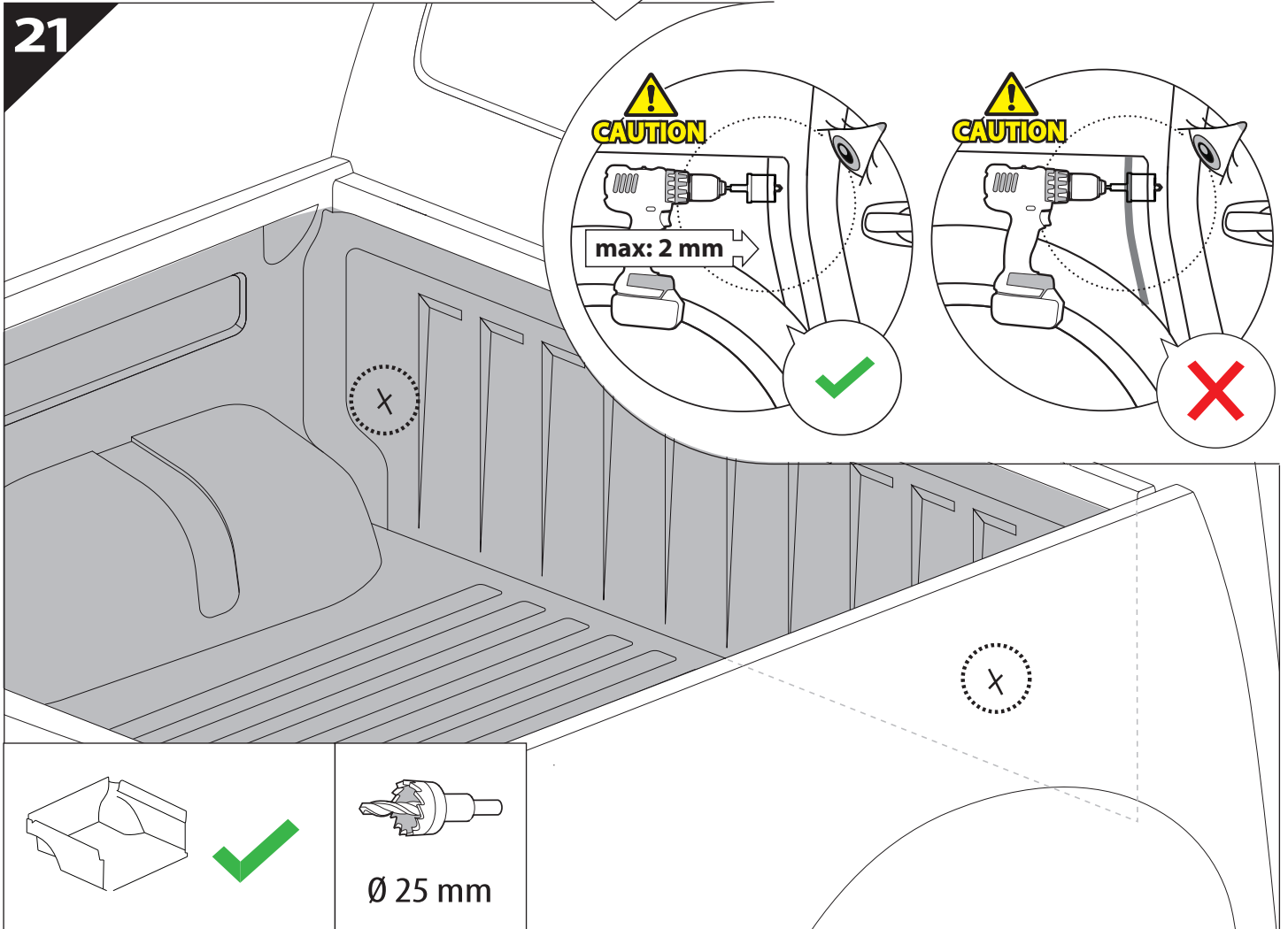
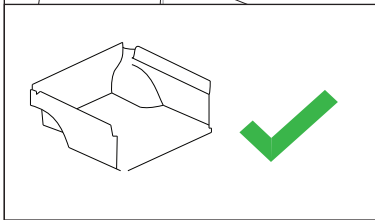
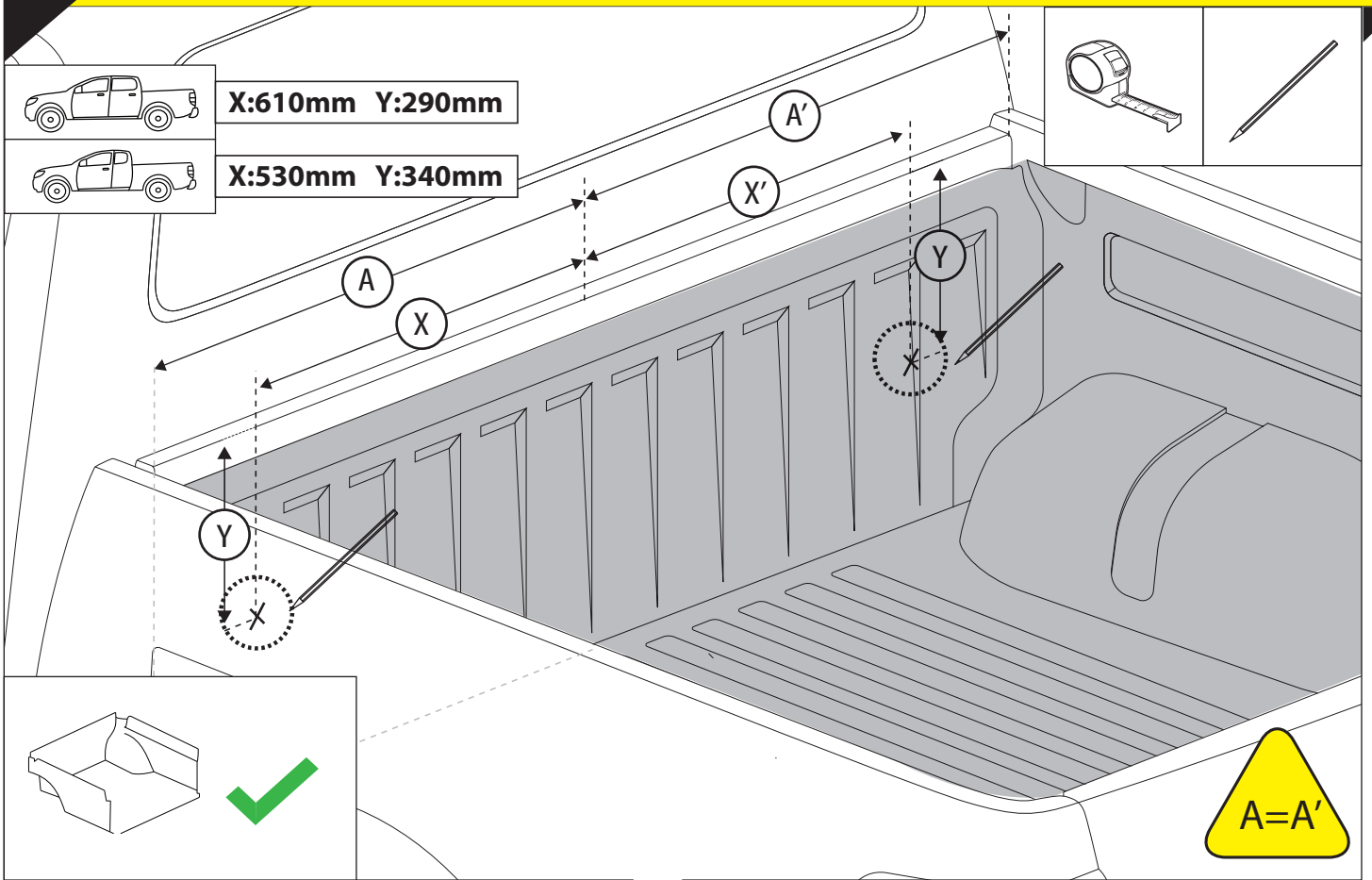




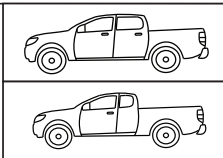
19

K



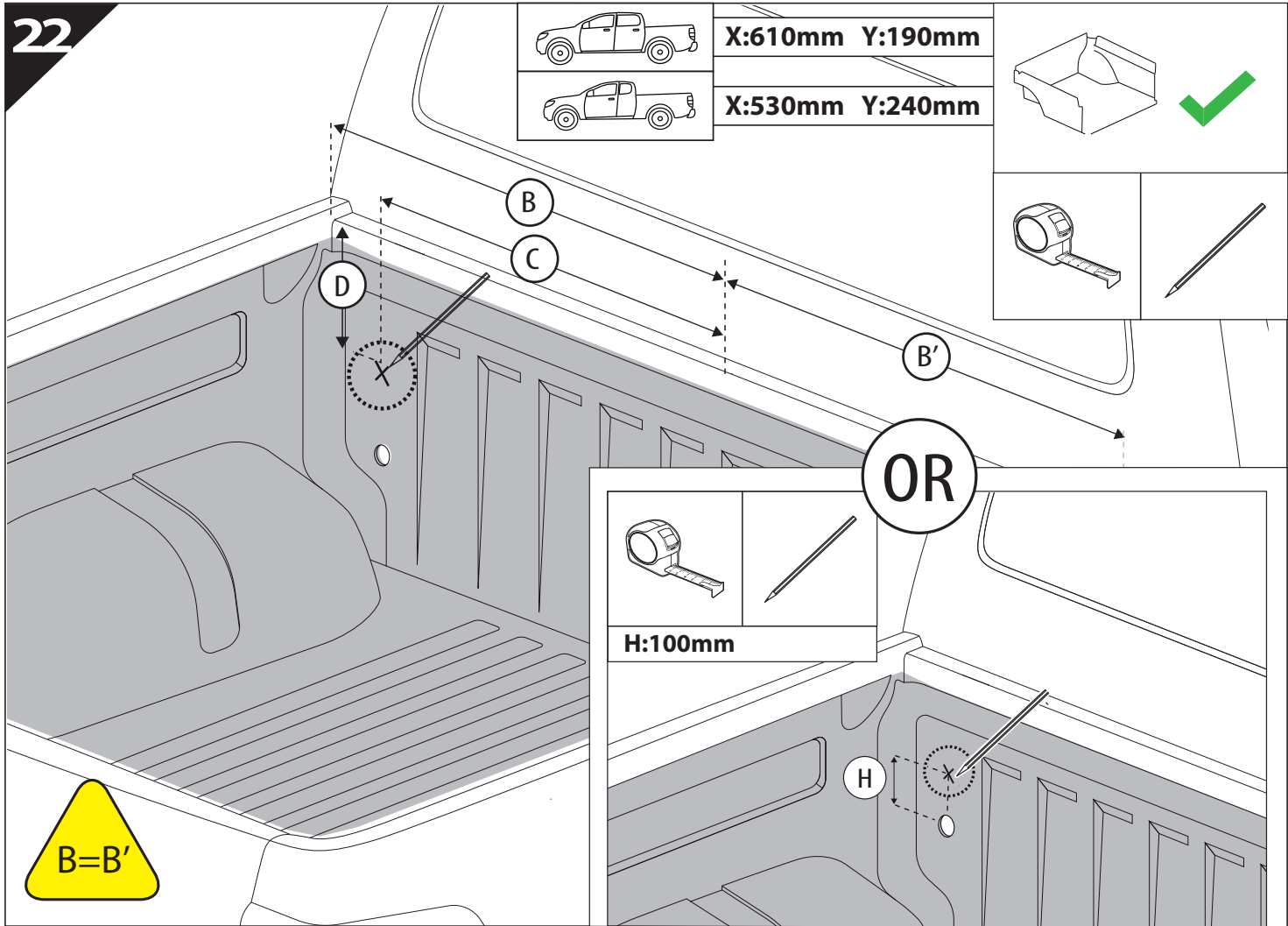
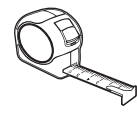
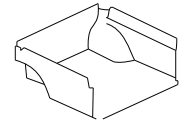


22

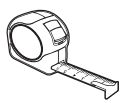


X:610mm Y:190mm

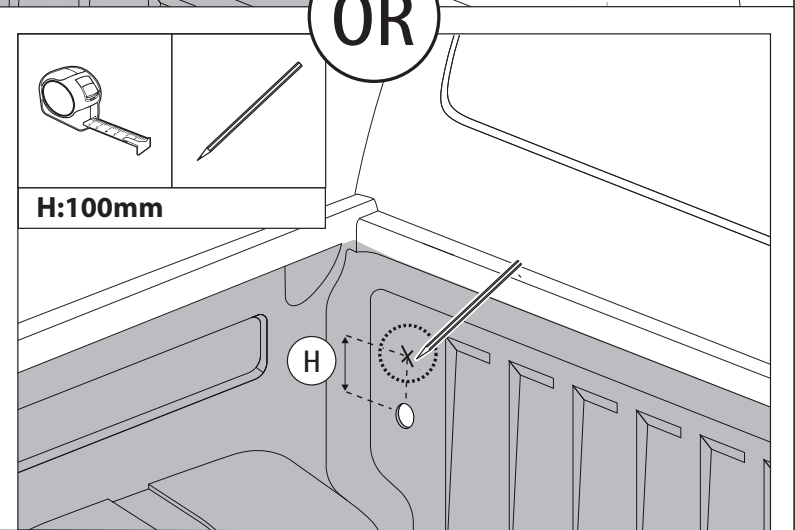
X:530mm Y:240mm



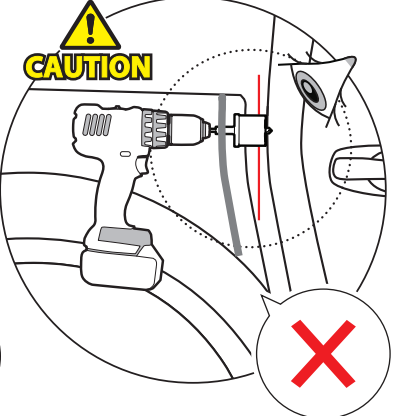
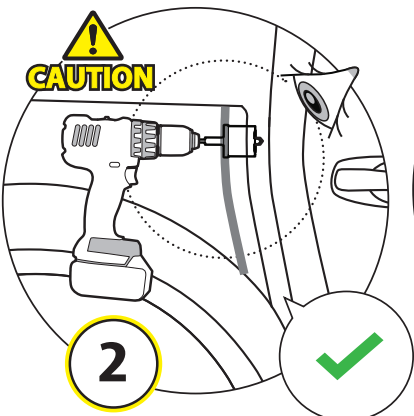
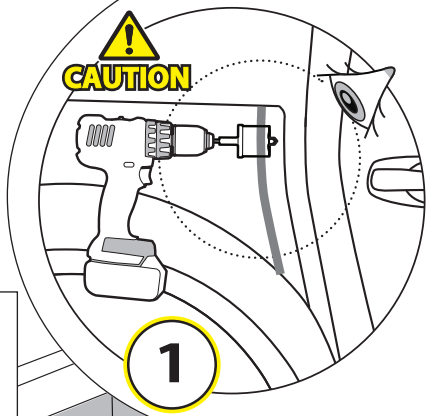
OR



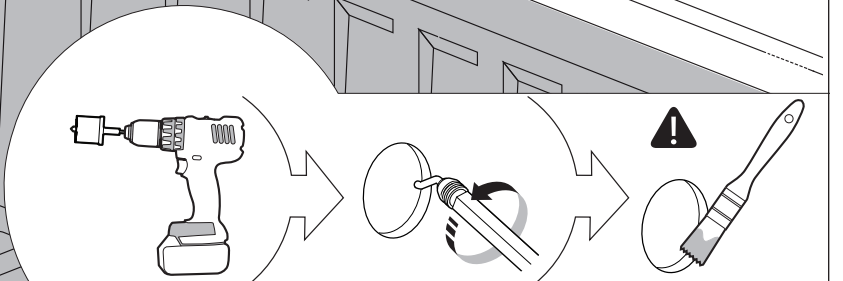
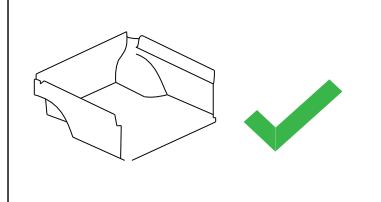
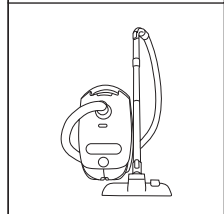
H:100mm

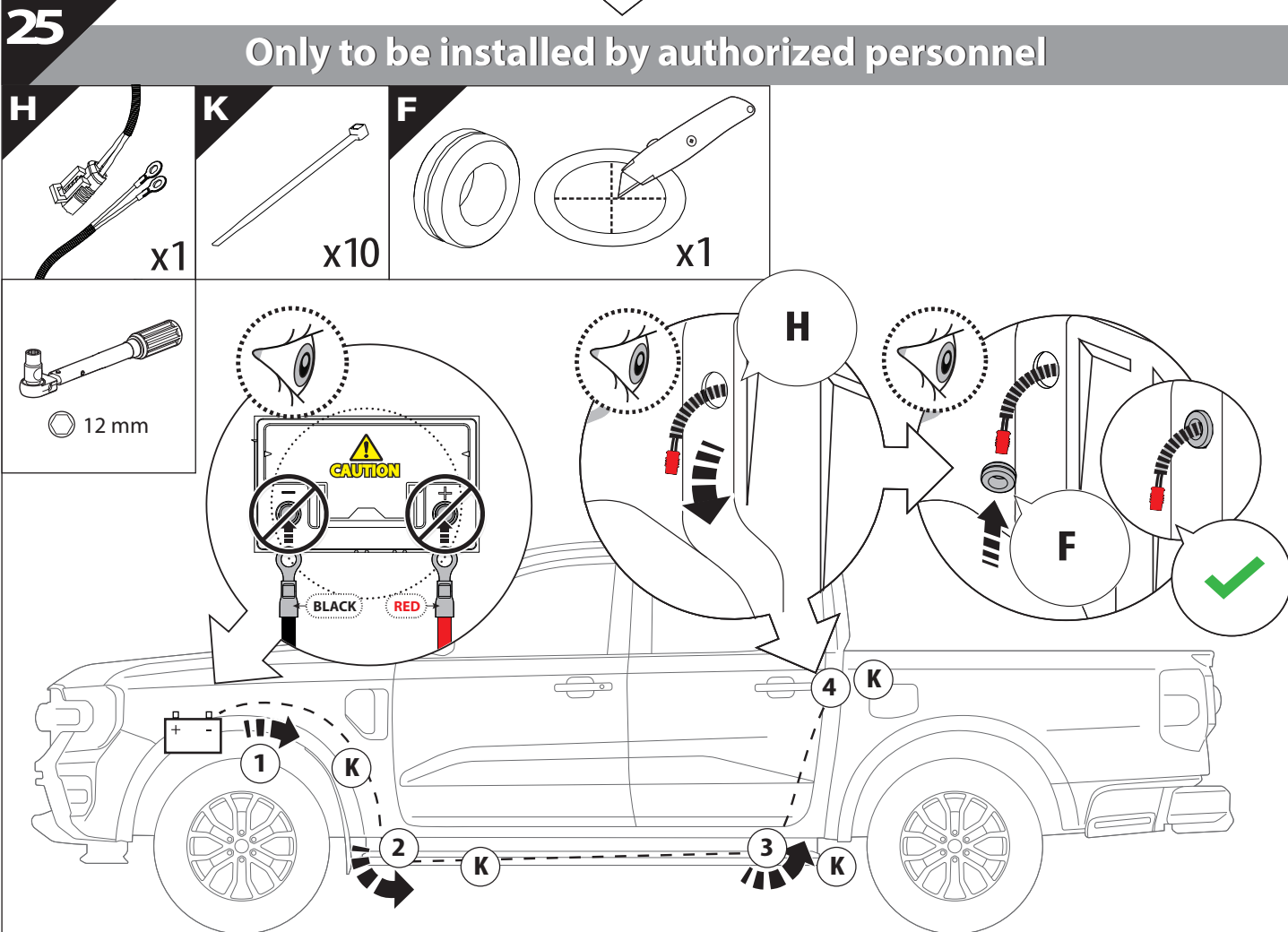
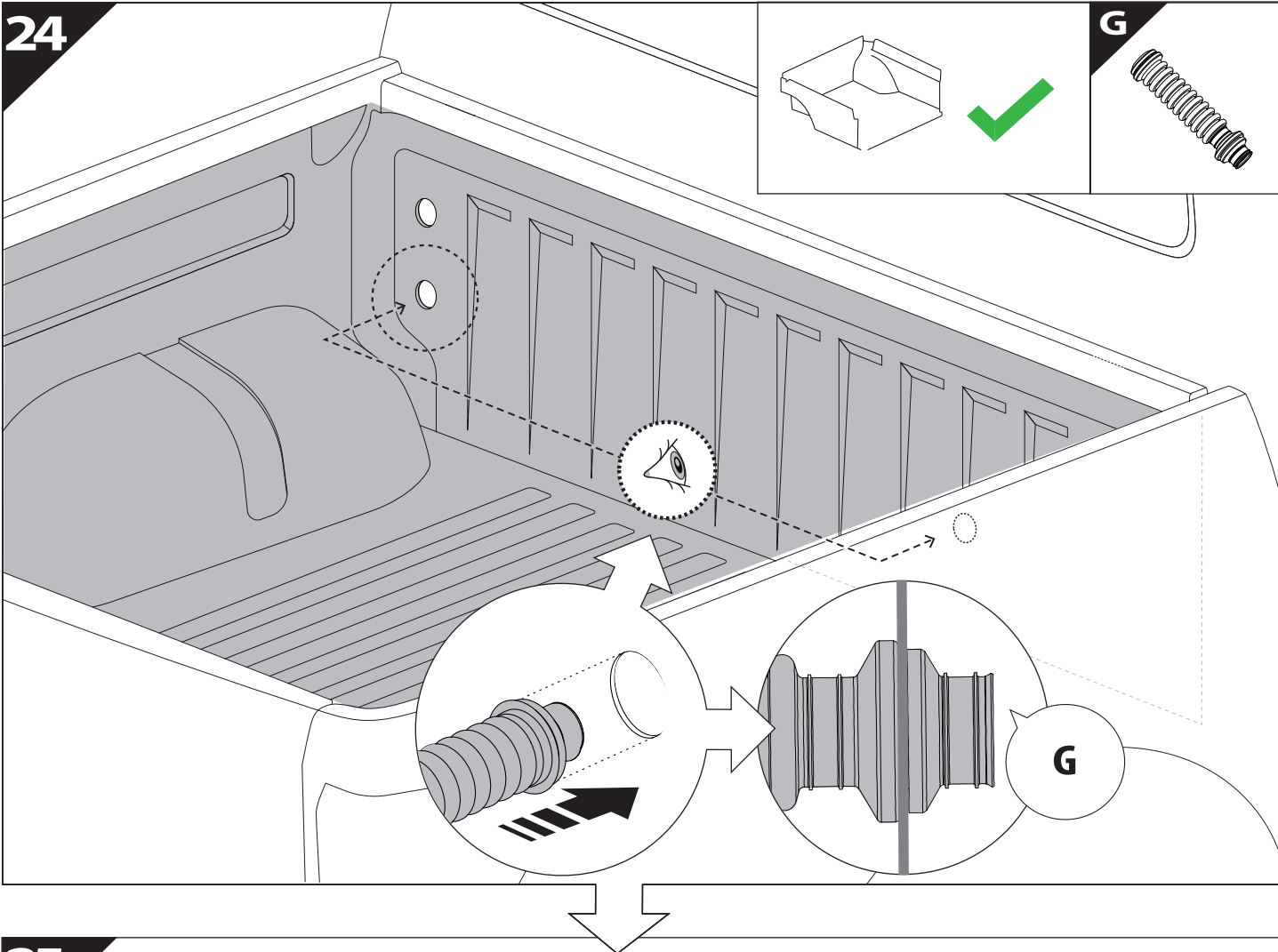


23

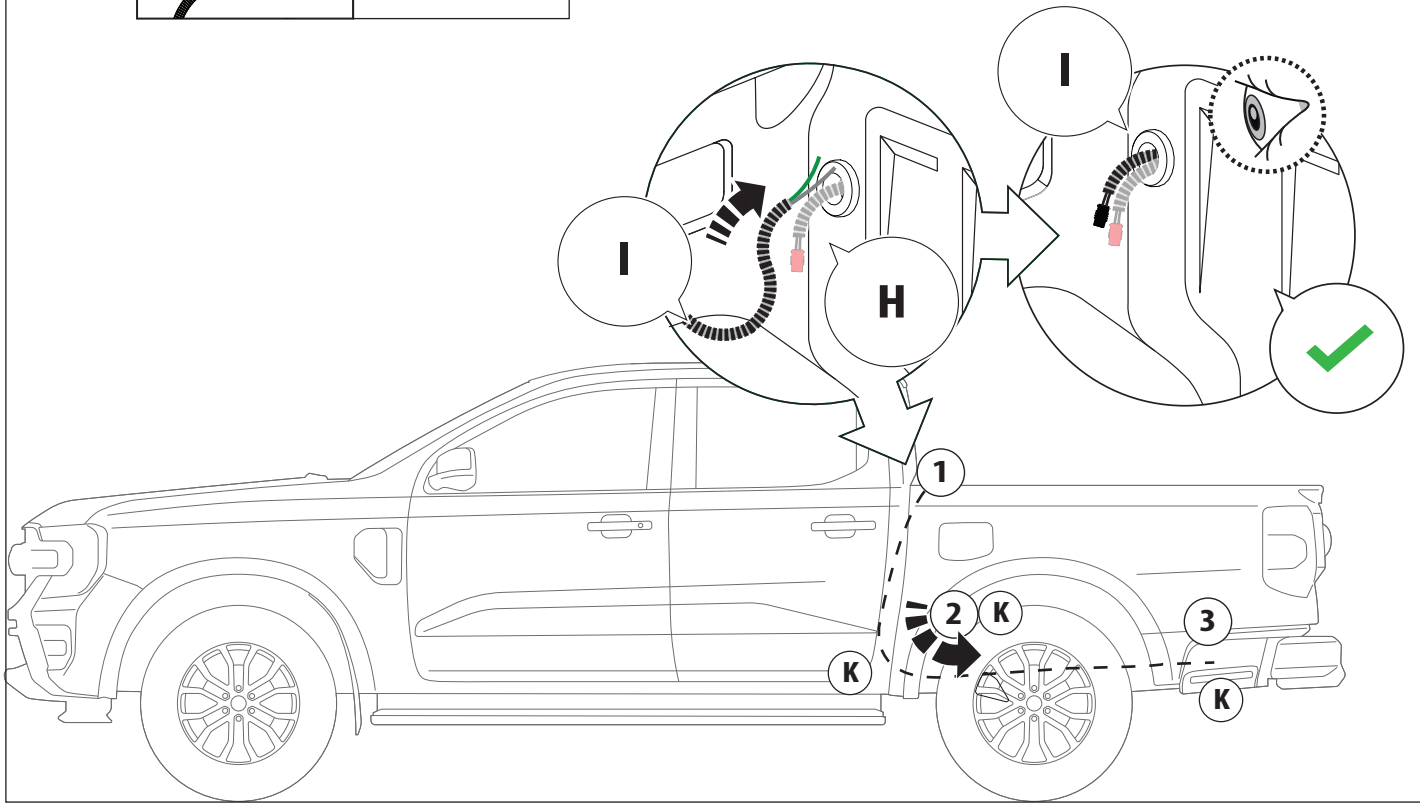
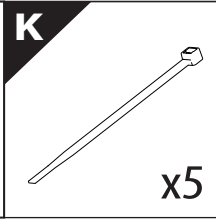
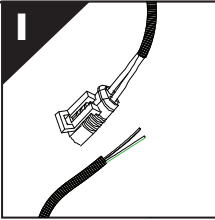


Ø 25 mm





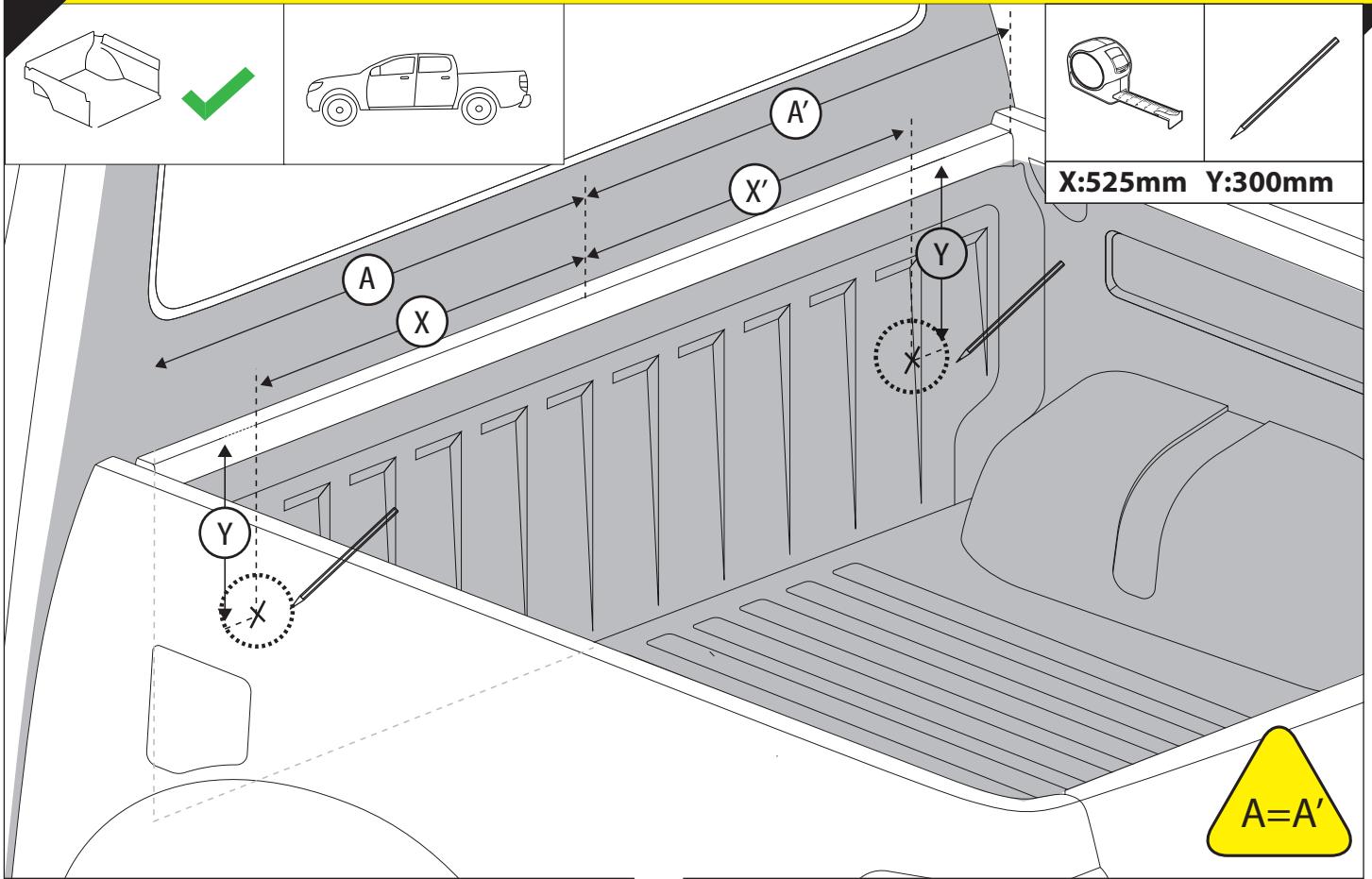
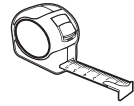
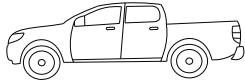
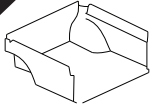
26



27



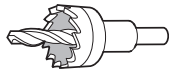
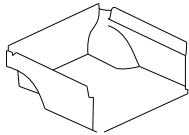
CAUTION: RAPTOR



X:525mm Y:300mm

$A=A'$

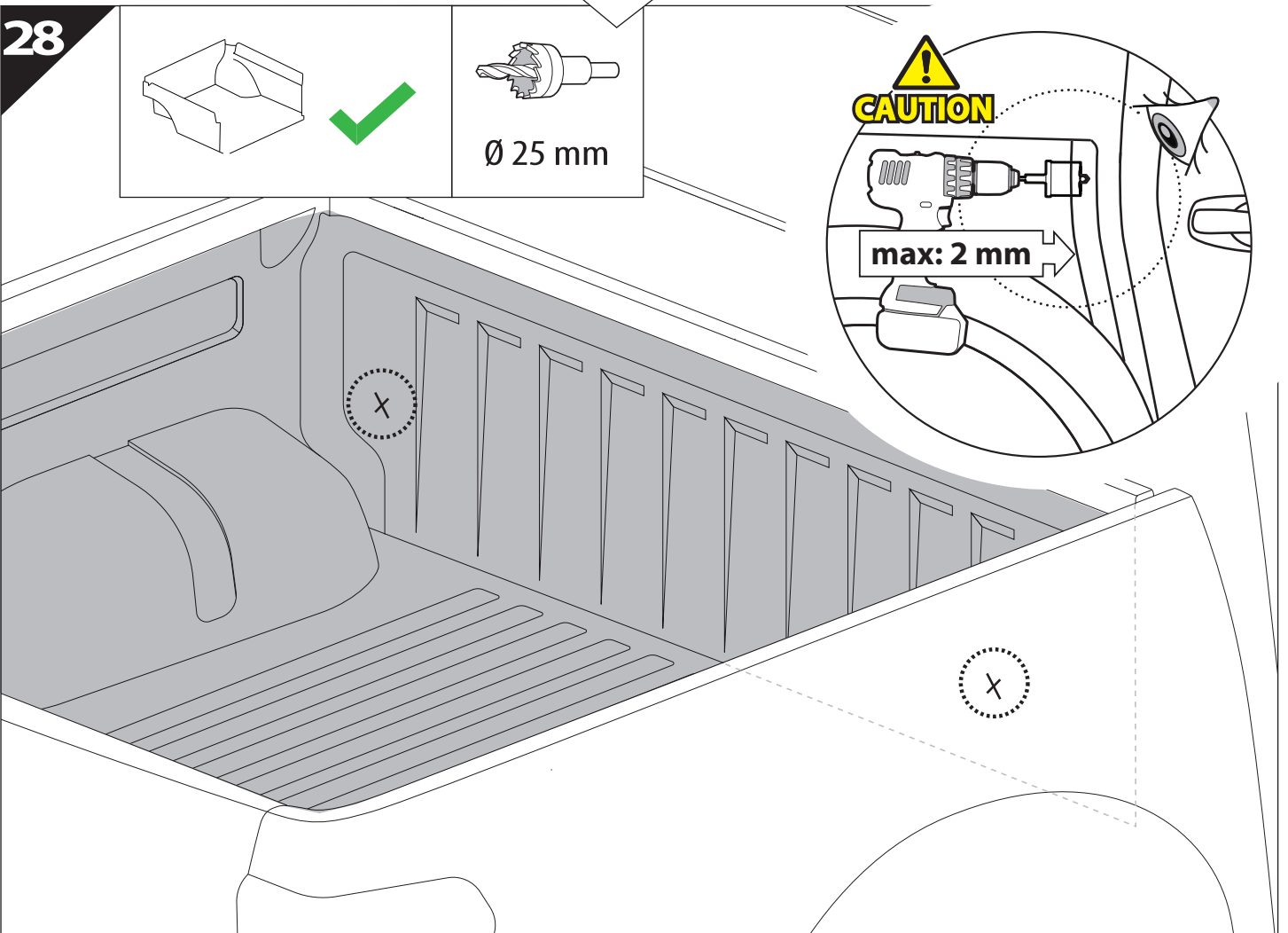
28



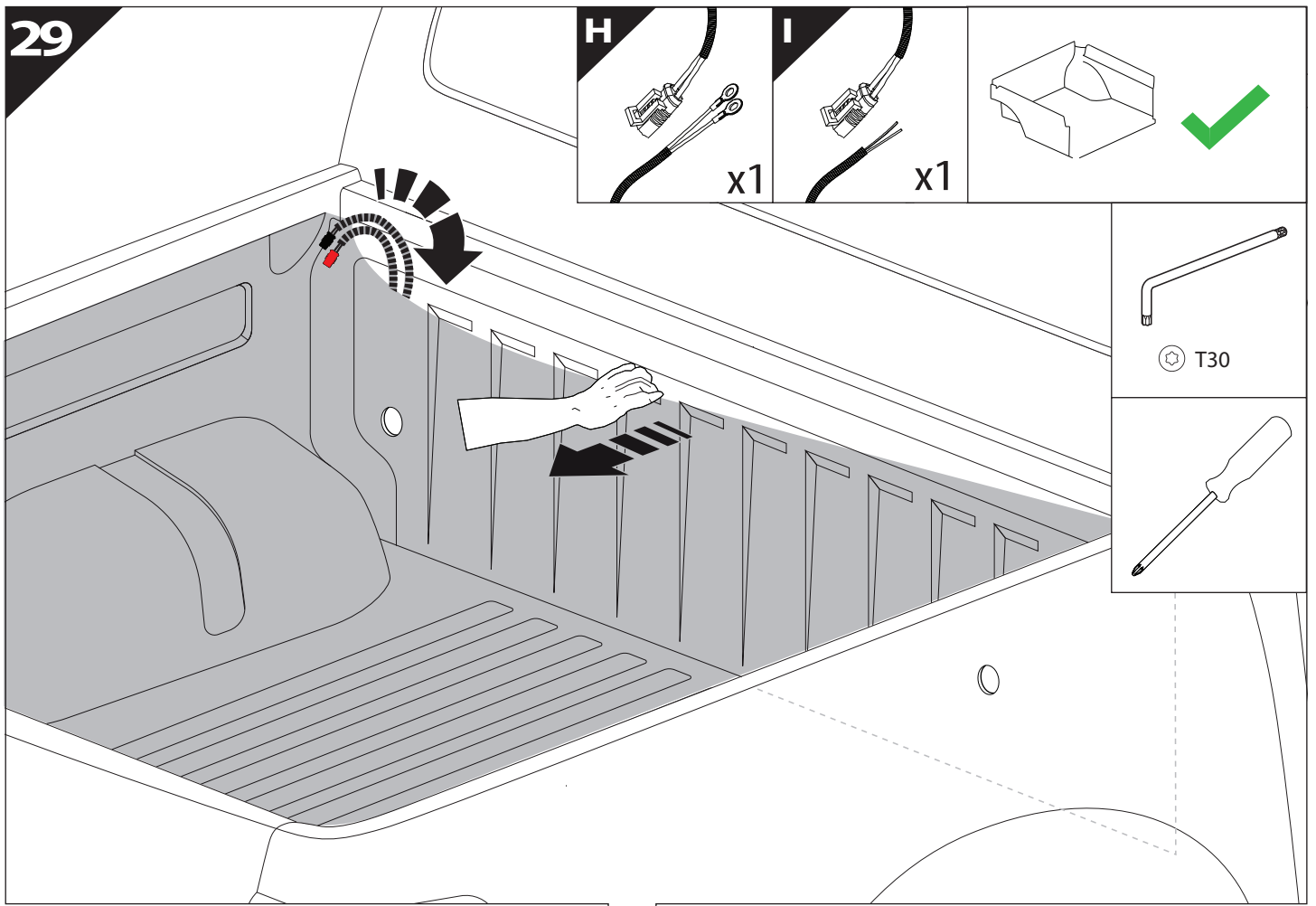
Ø 25 mm

CAUTION

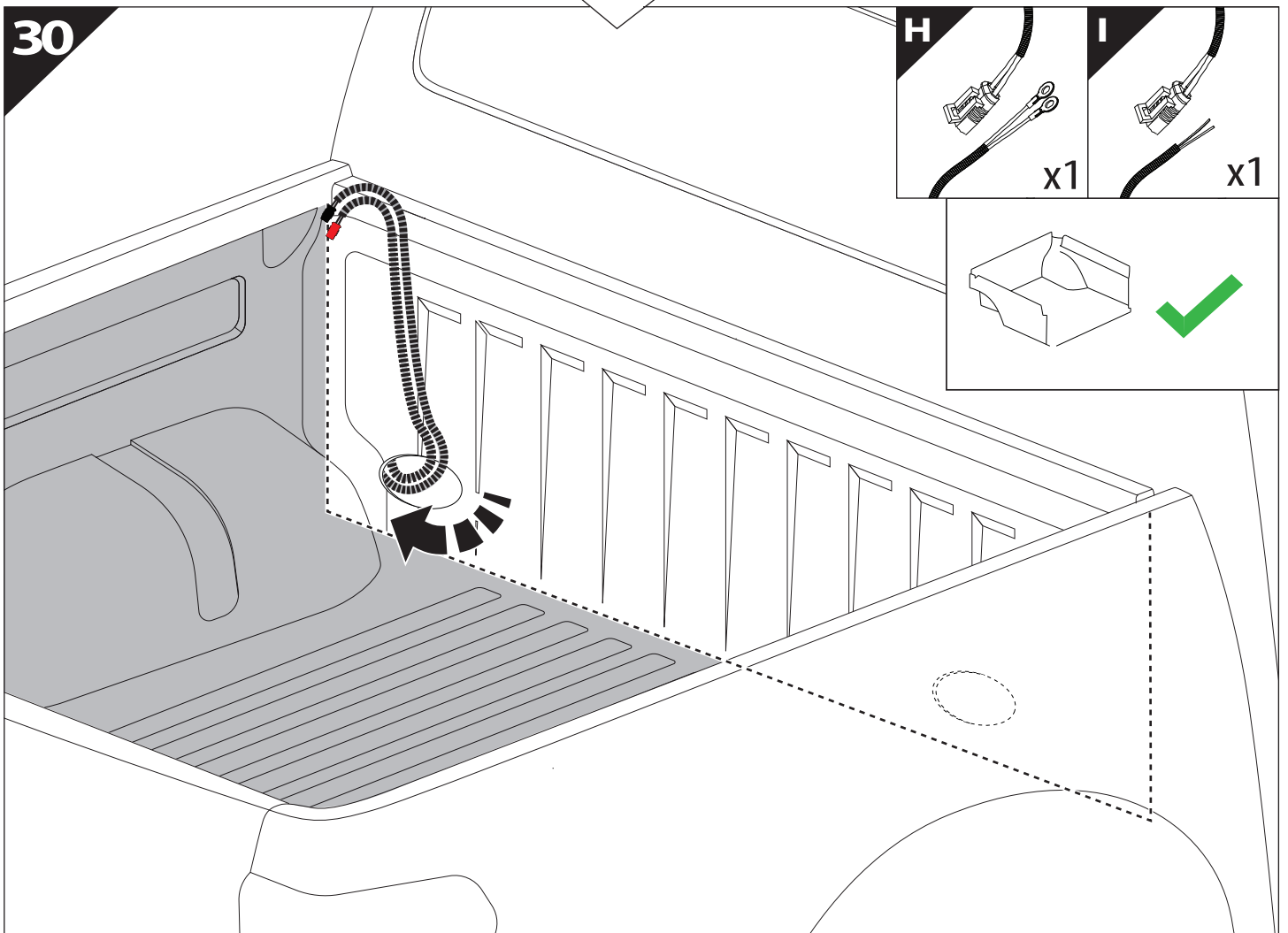
max: 2 mm



29

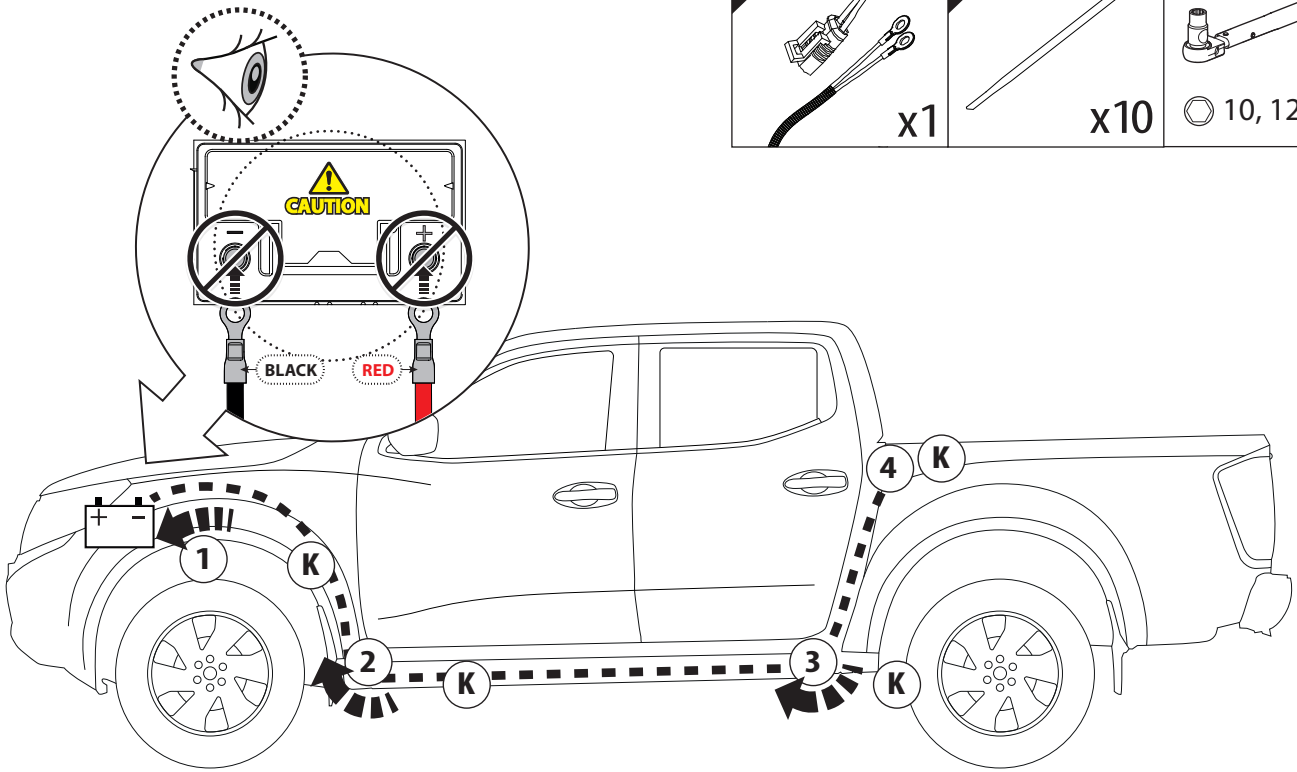
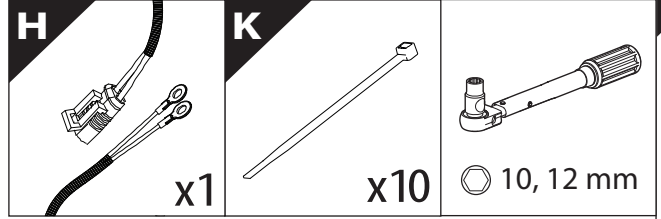


30

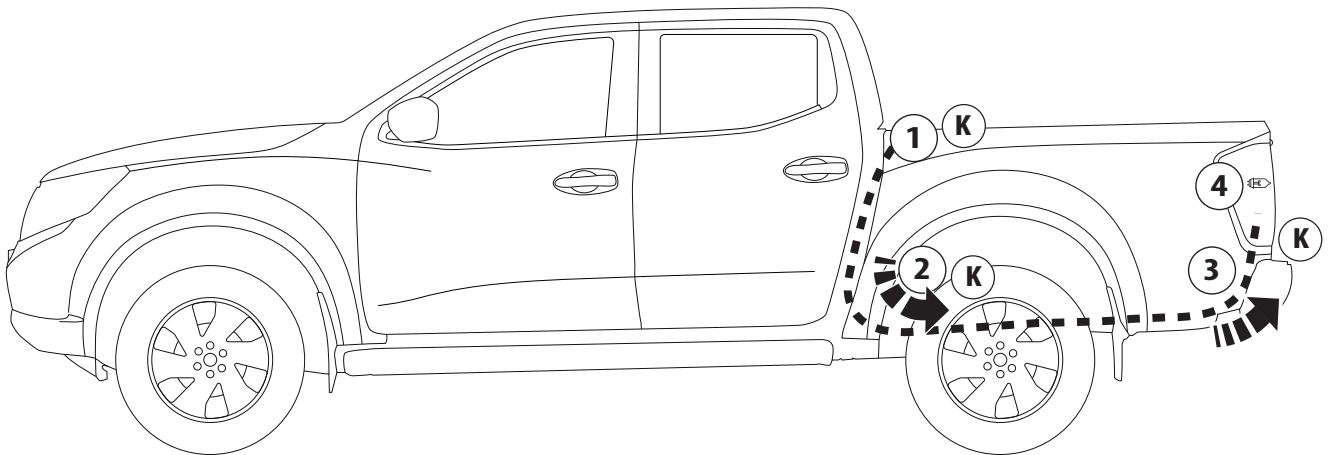
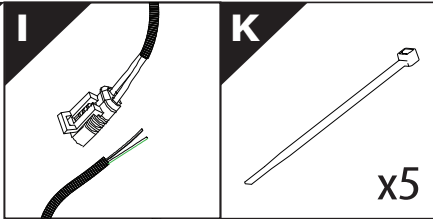


31

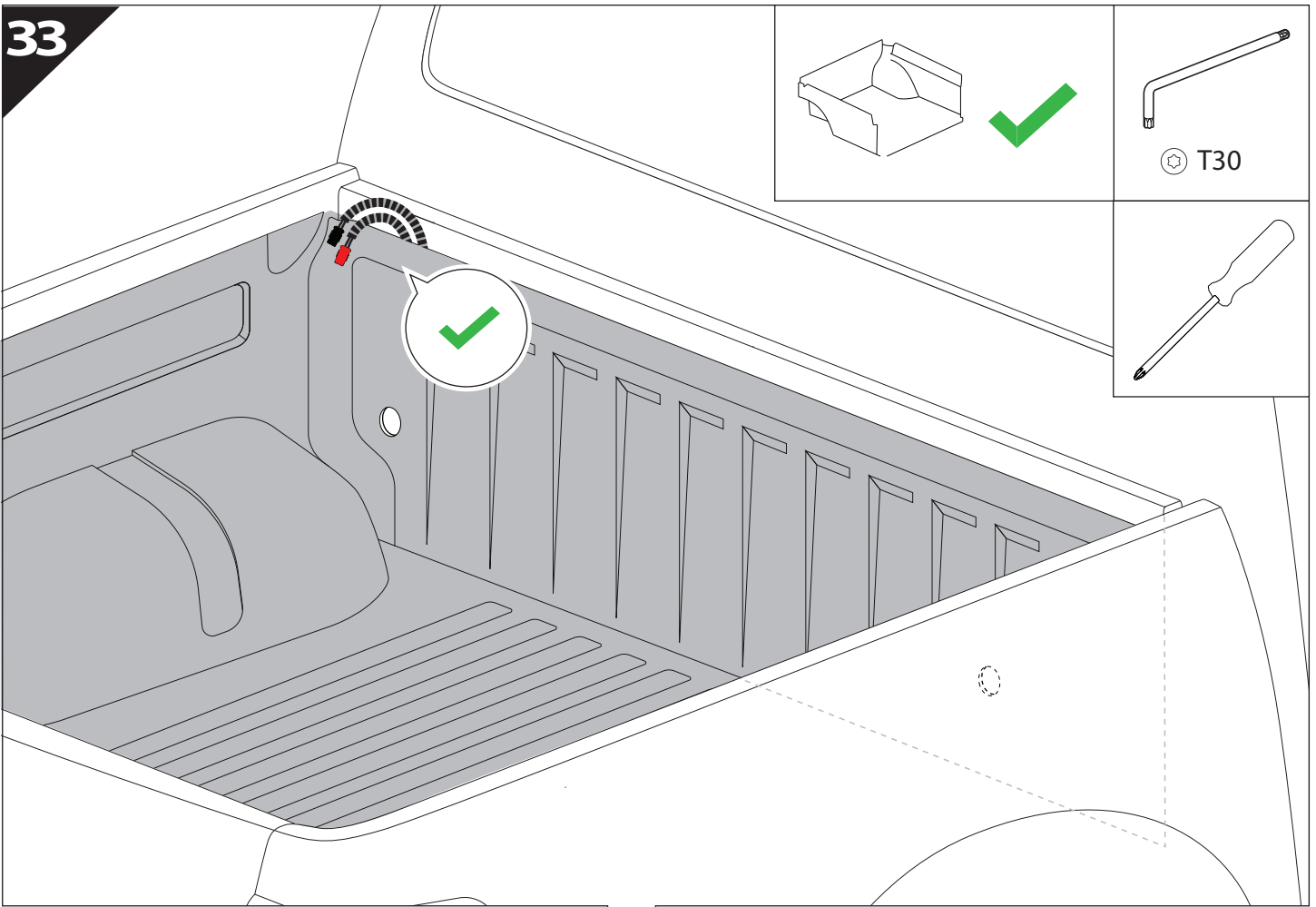
Only to be installed by authorized personnel



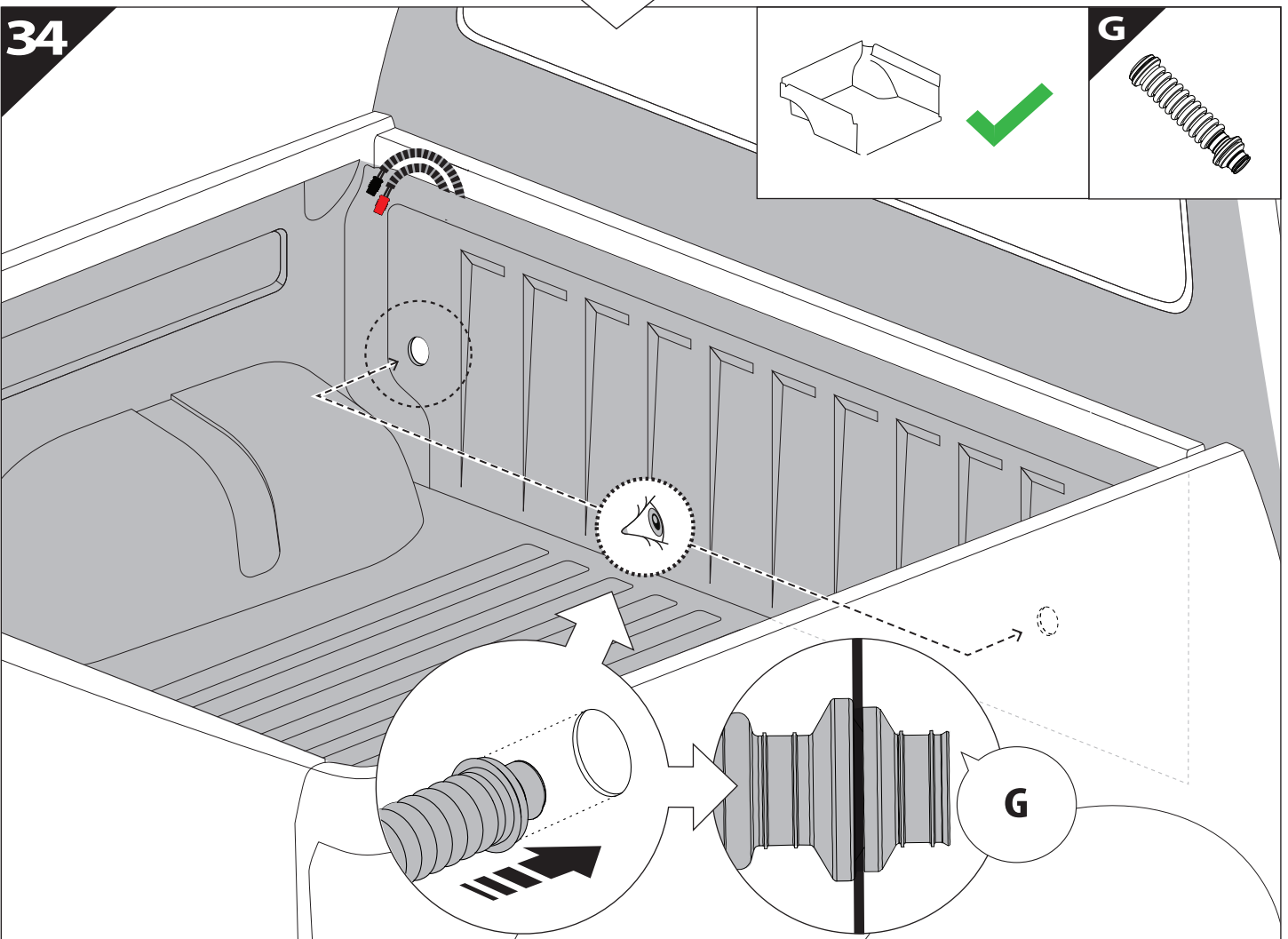
32



33

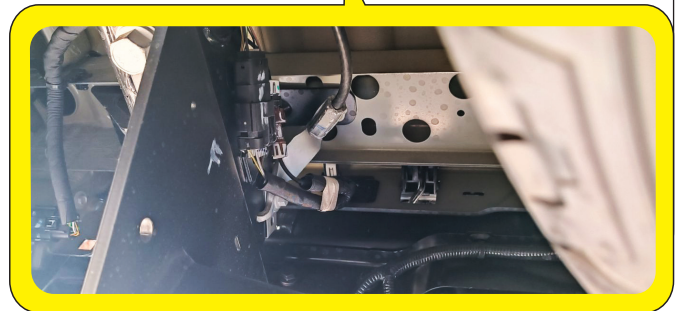
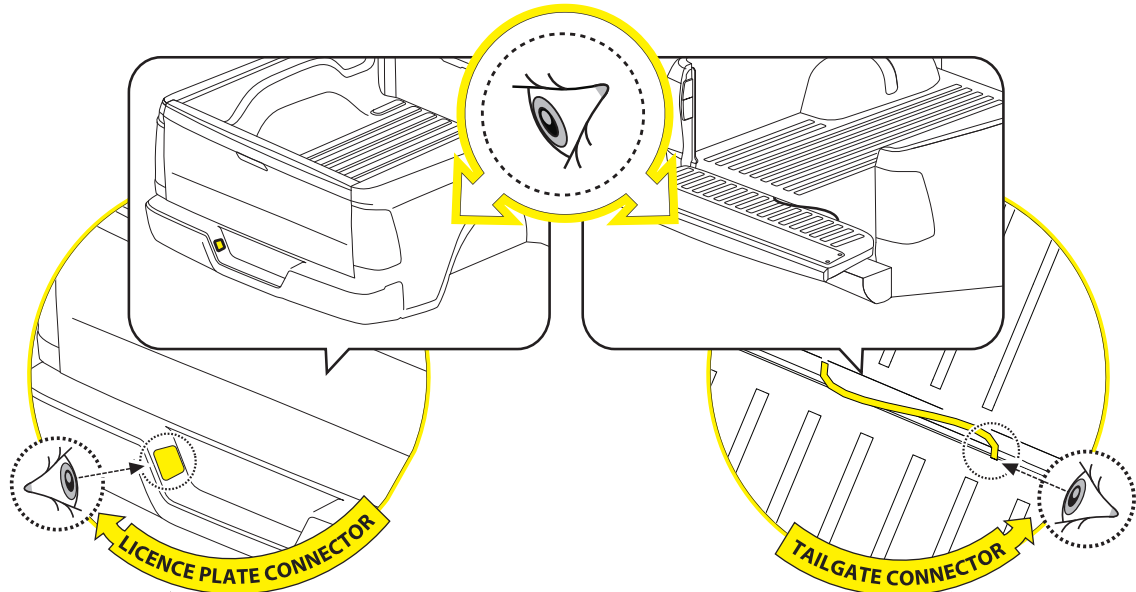


34

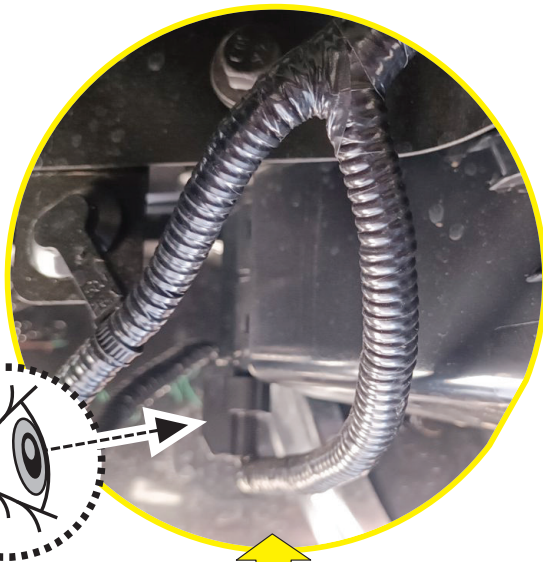




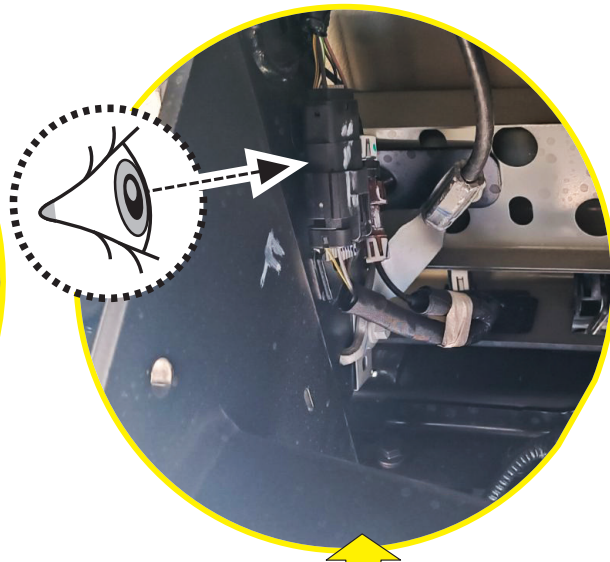
CAUTION: LIMITED, WILDTRAK, WILDTRAK X, PLATINUM



36. ①



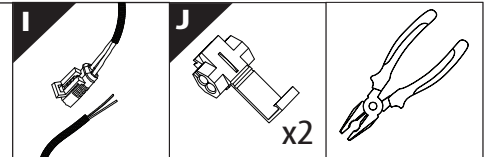
LICENCE PLATE CONNECTOR



TAILGATE CONNECTOR

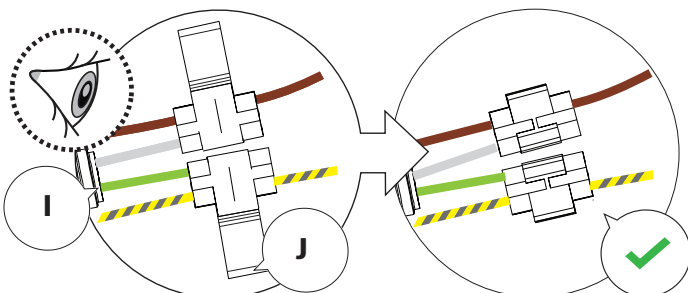
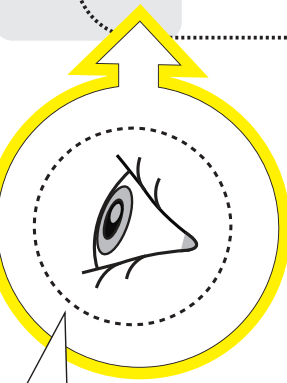
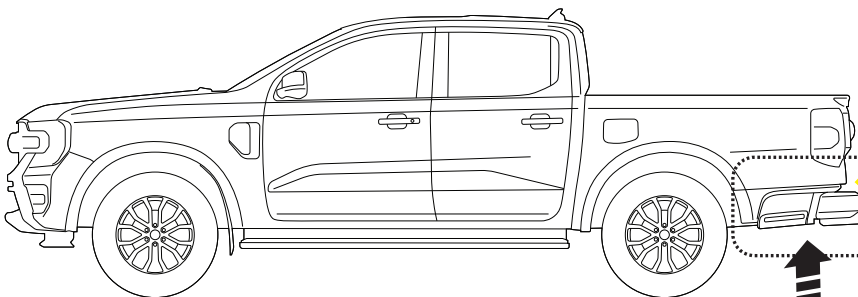
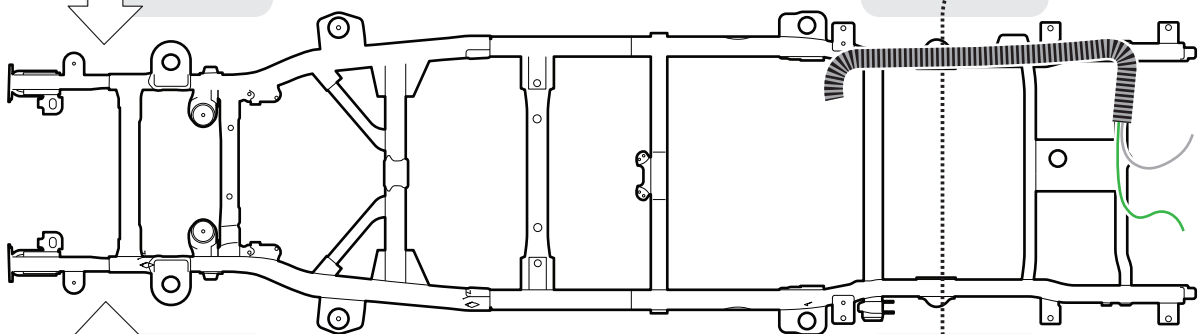
36. ②

BOTTOM VIEW

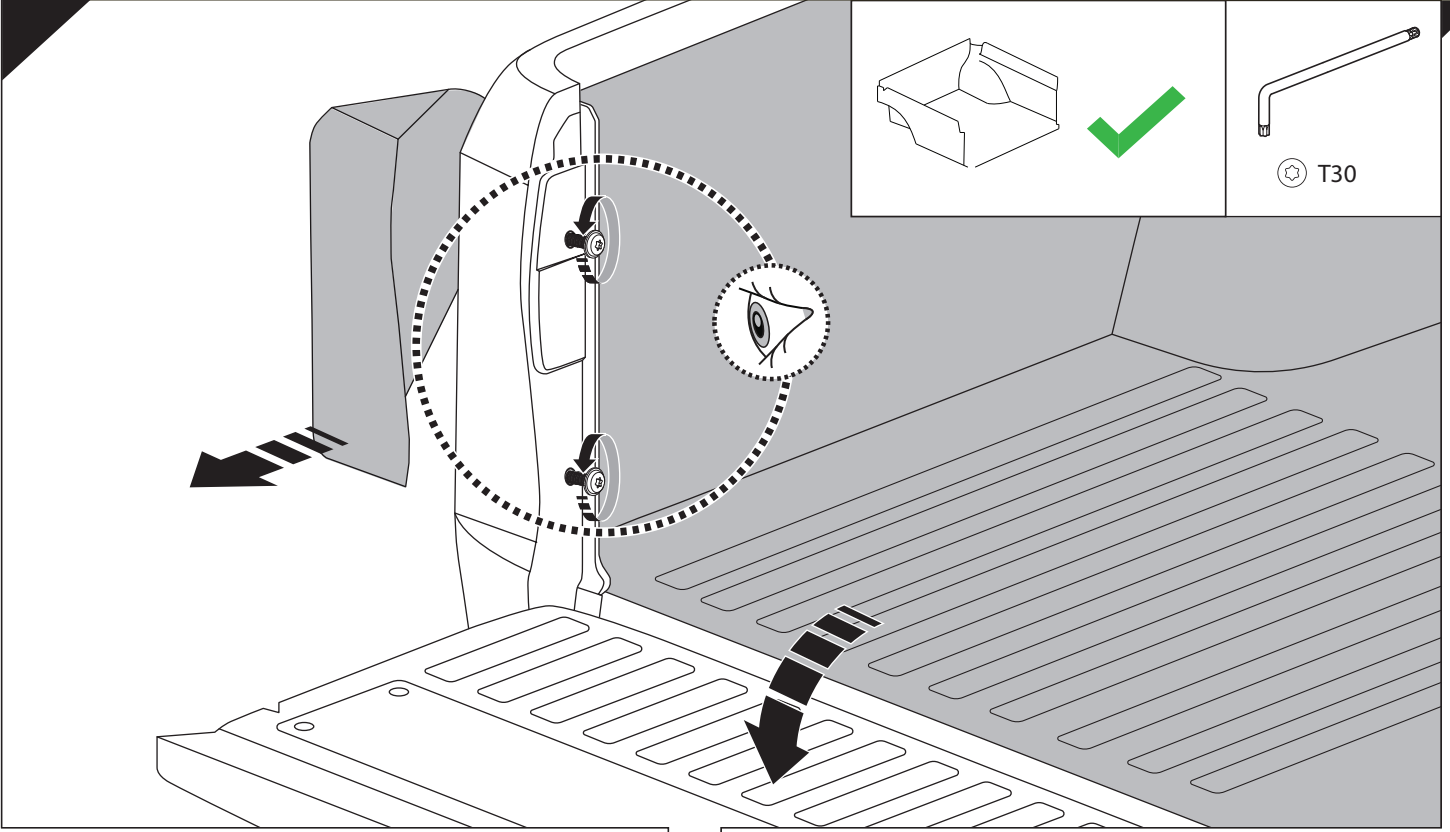


DRIVER'S LEFT SIDE

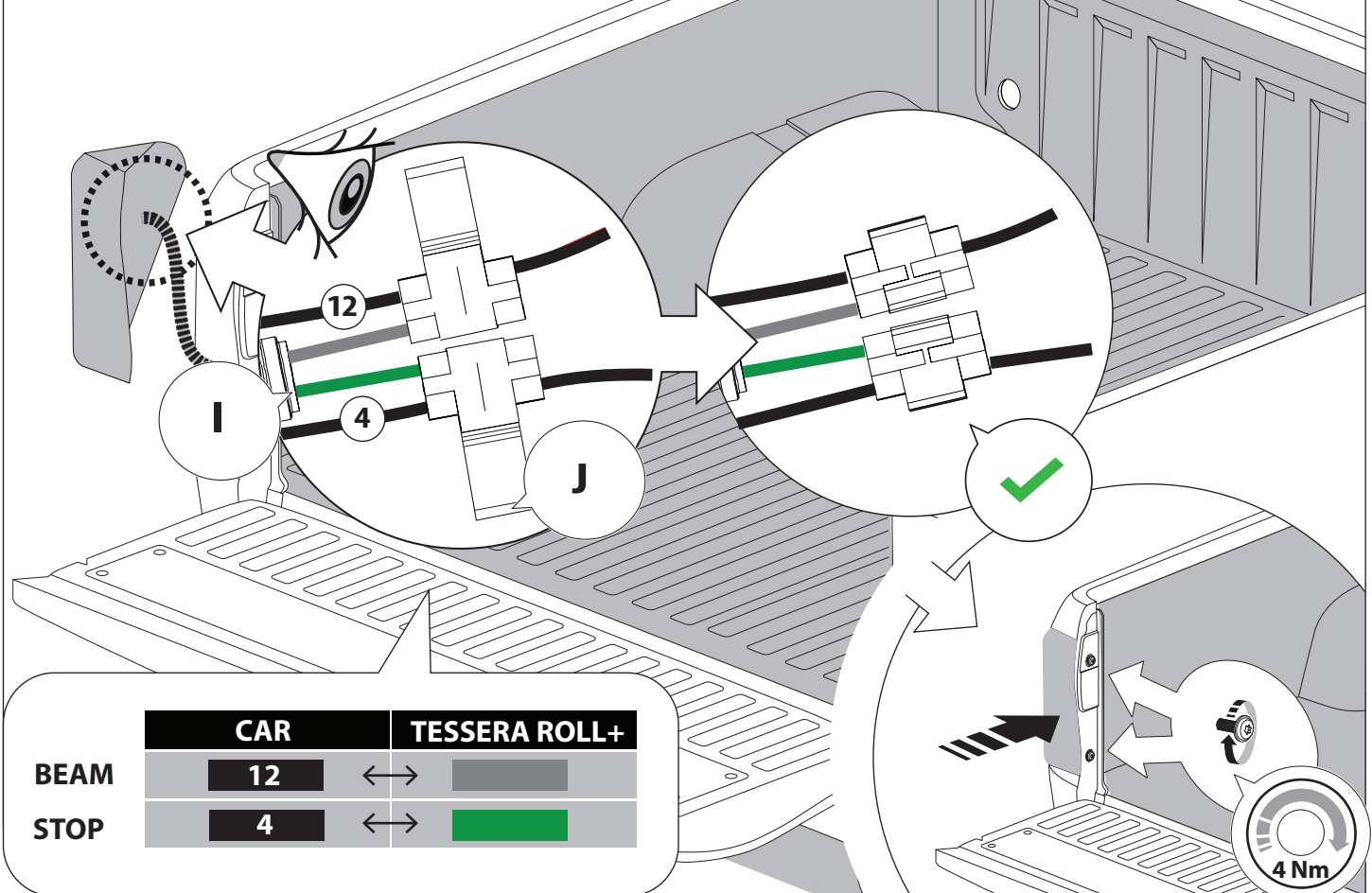
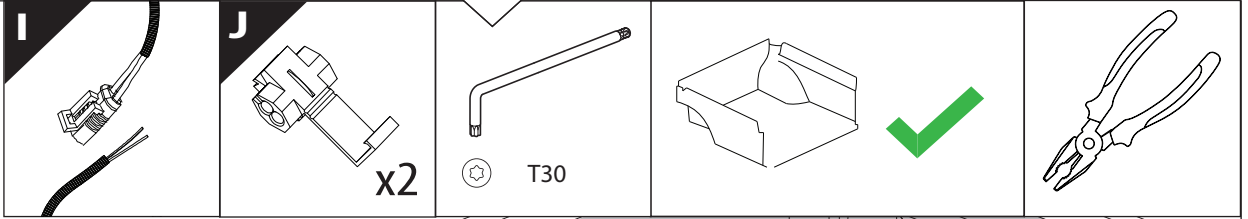
PASSENGER'S RIGHT SIDE



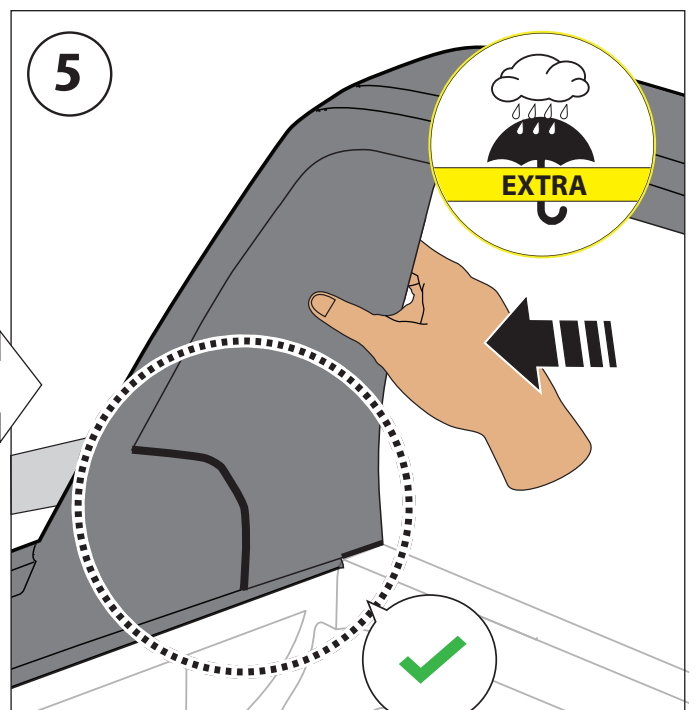
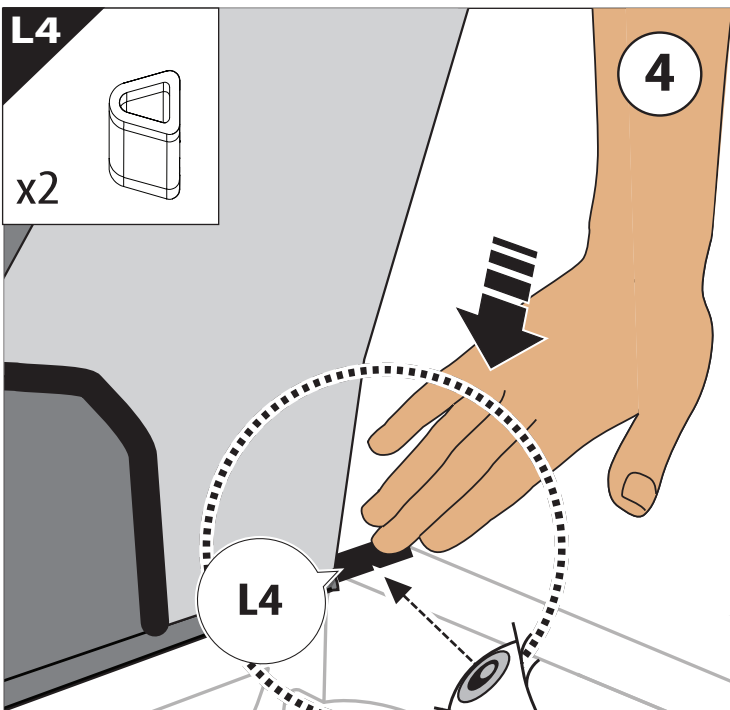
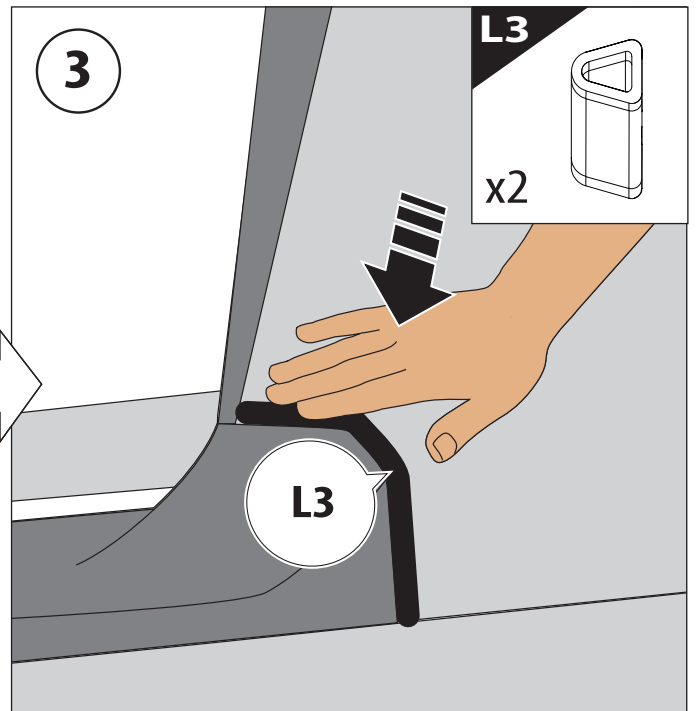
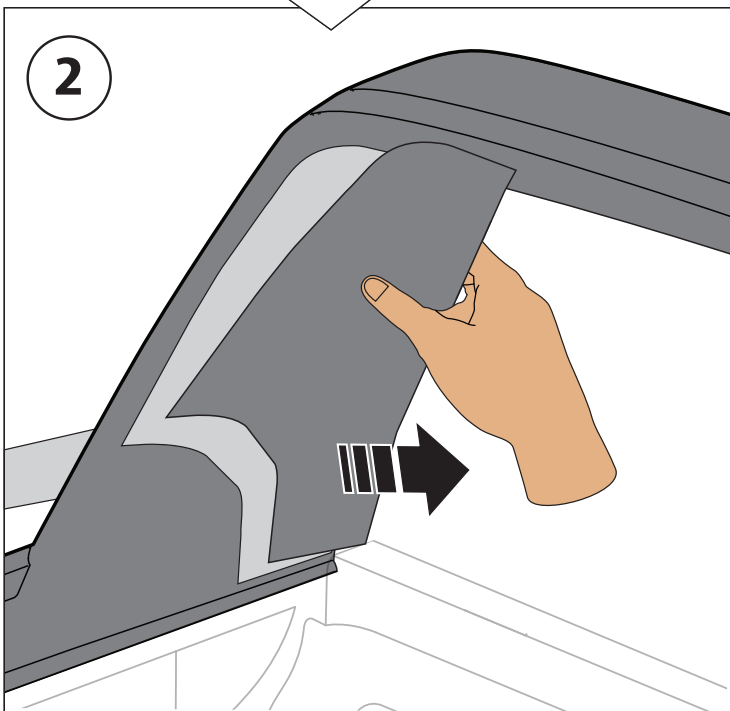
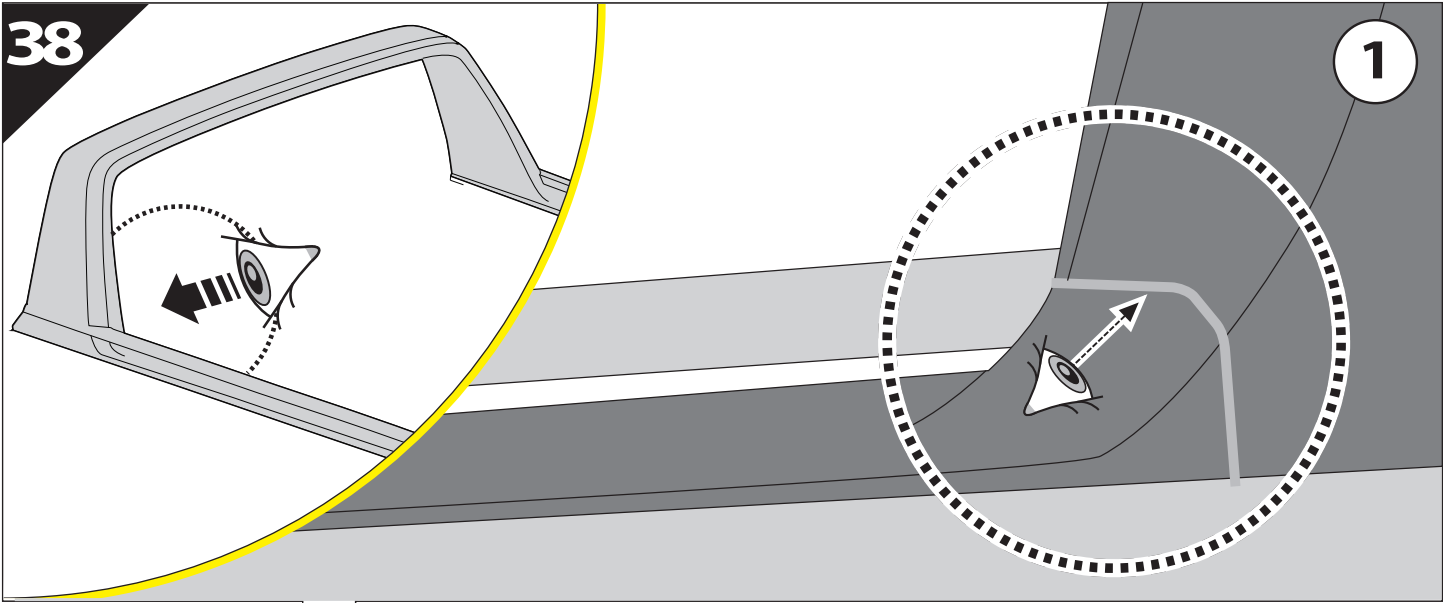
	CAR		TESSERA ROLL+
BEAM		↔	
LICENCE PLATE 2 PIN LIGHT CONNECTOR			
STOP		↔	
TAILGATE CONNECTOR			

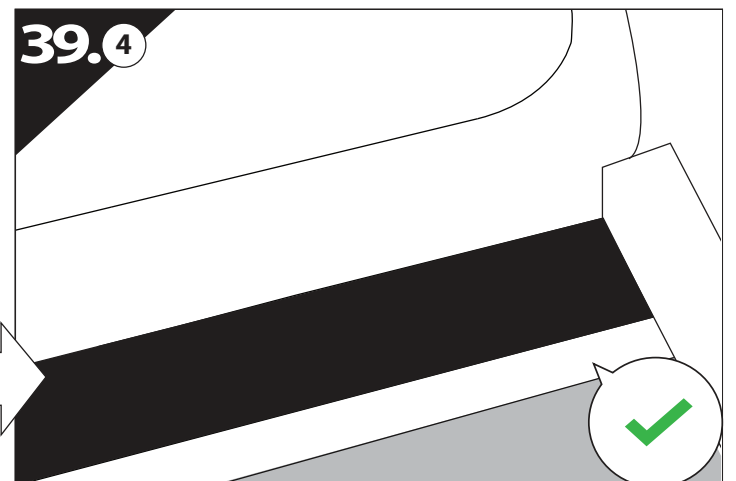
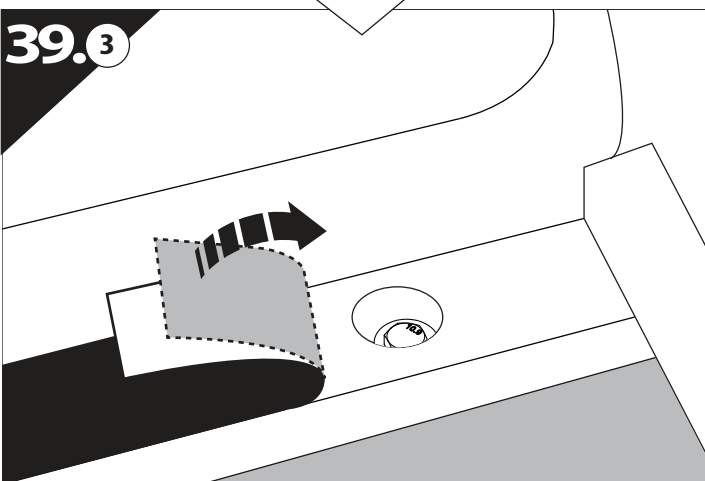
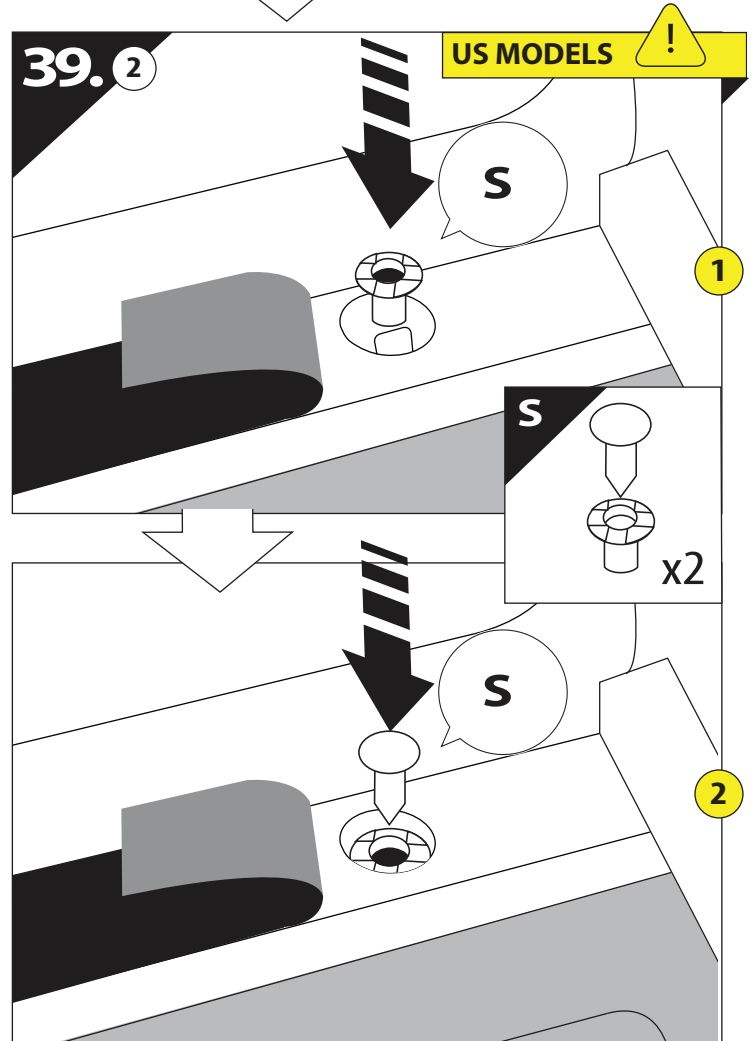
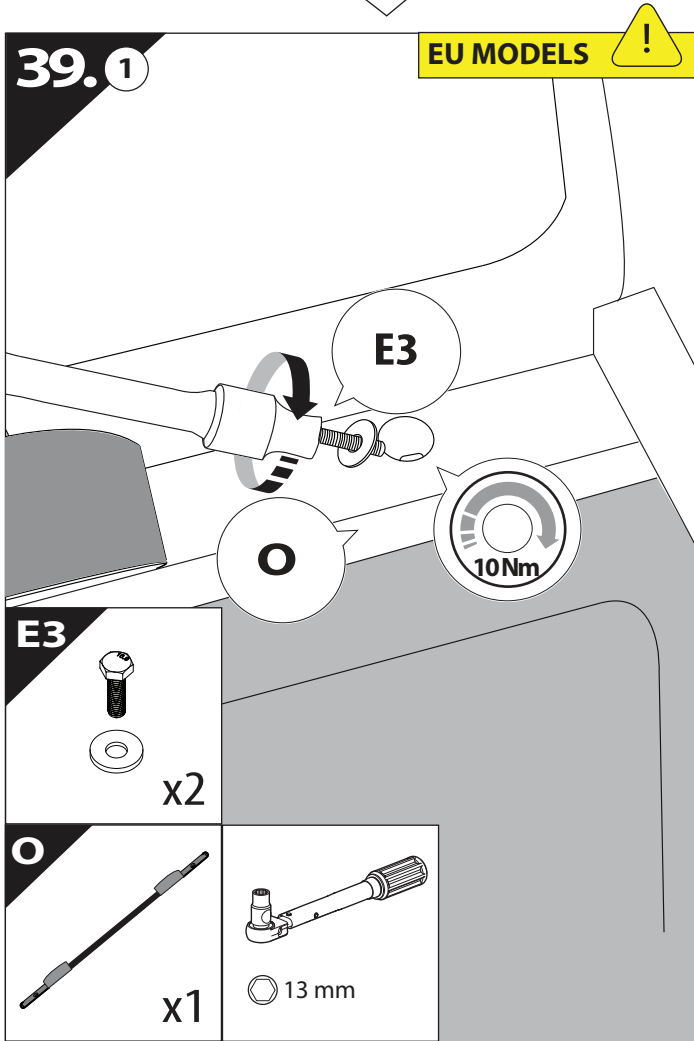
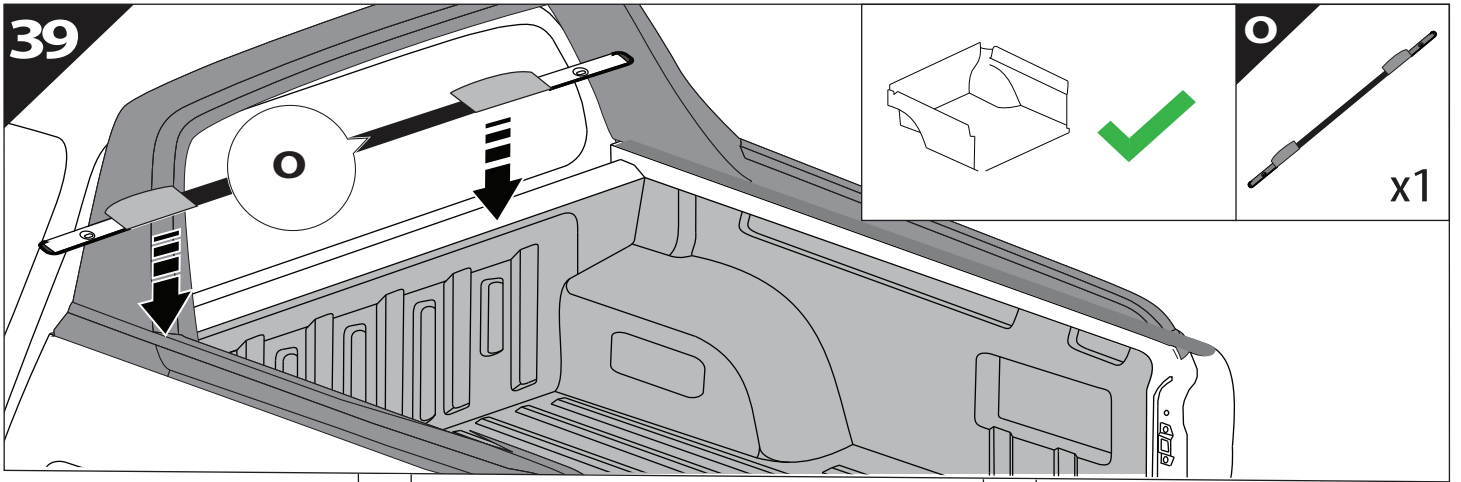


37.1



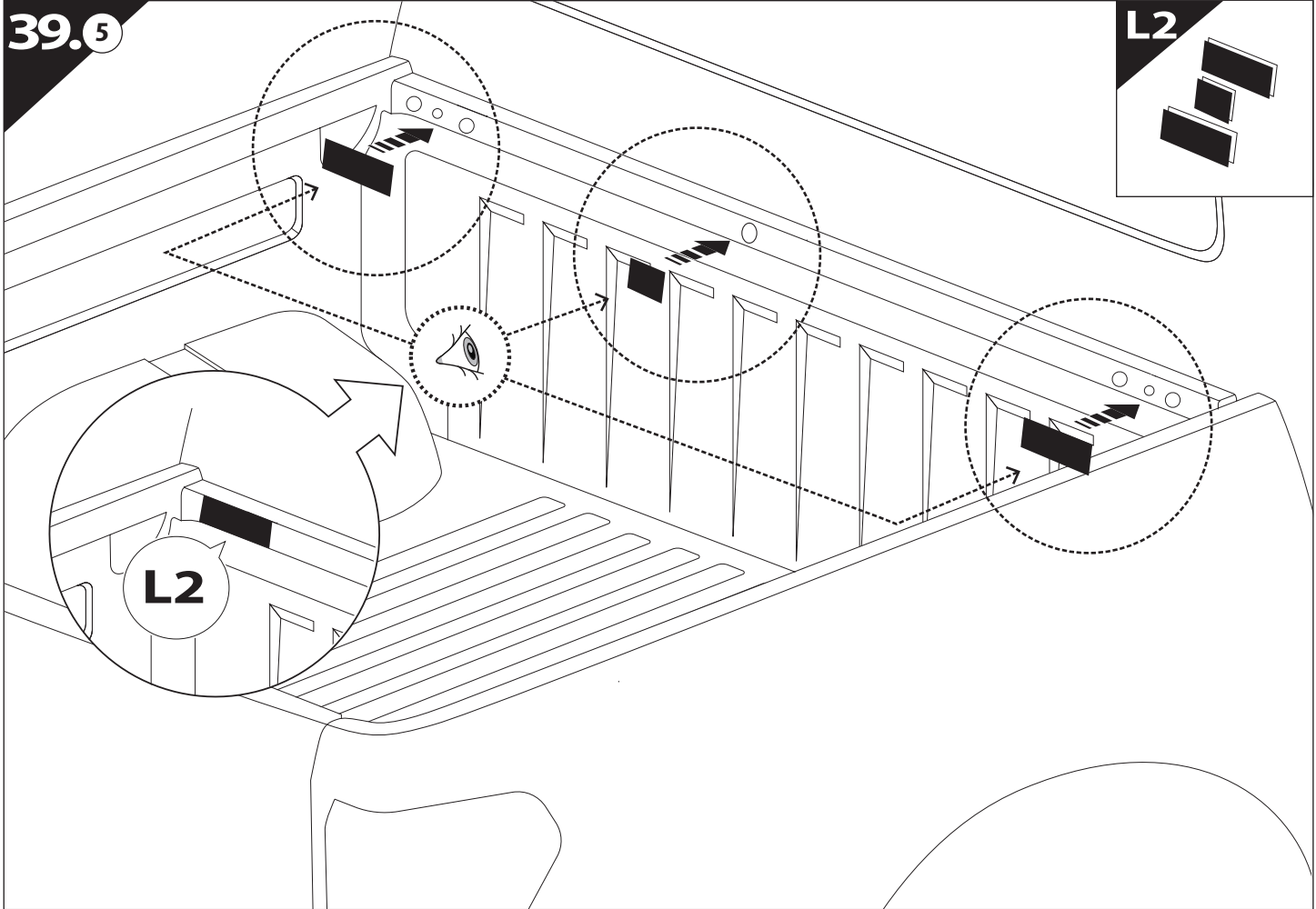
	CAR		TESSERA ROLL+
BEAM	12	↔	
STOP	4	↔	

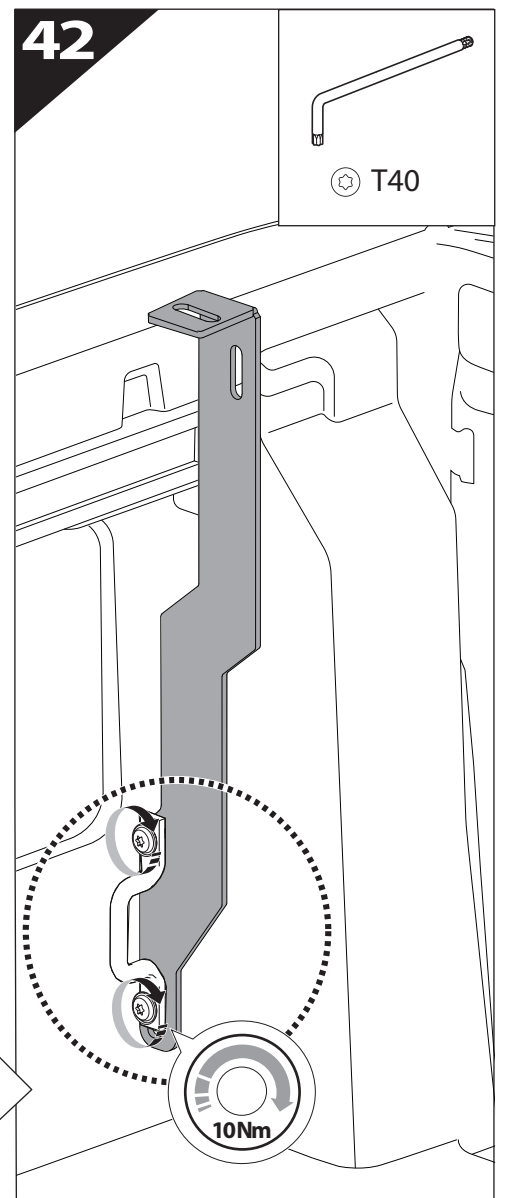
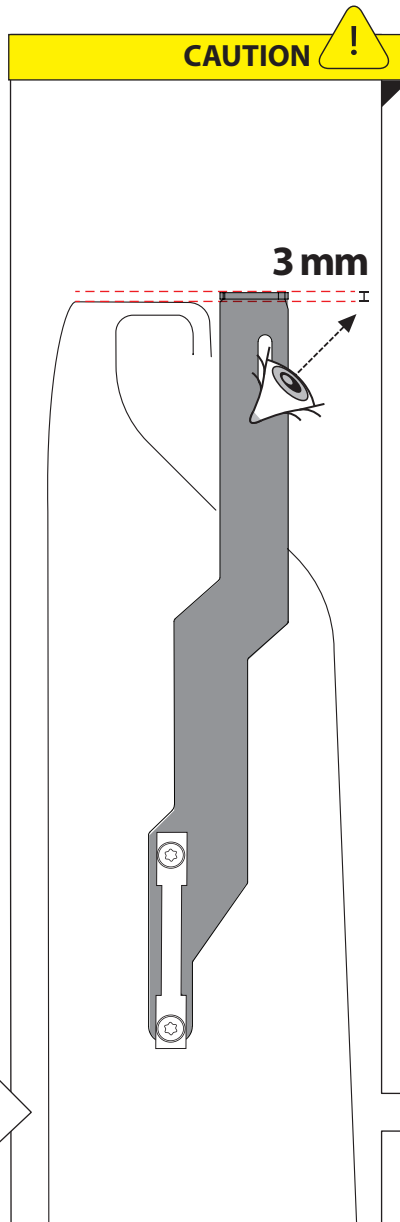
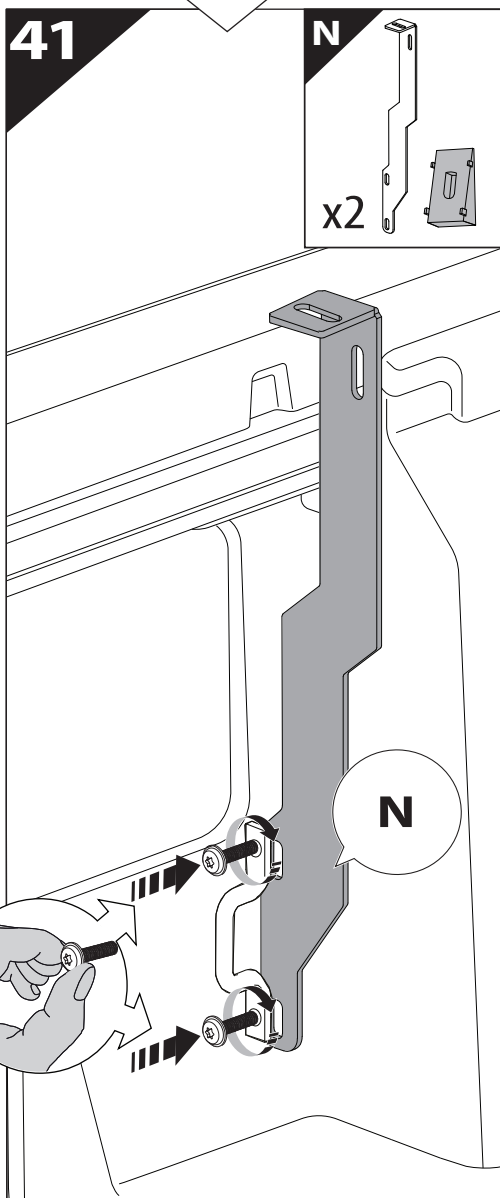
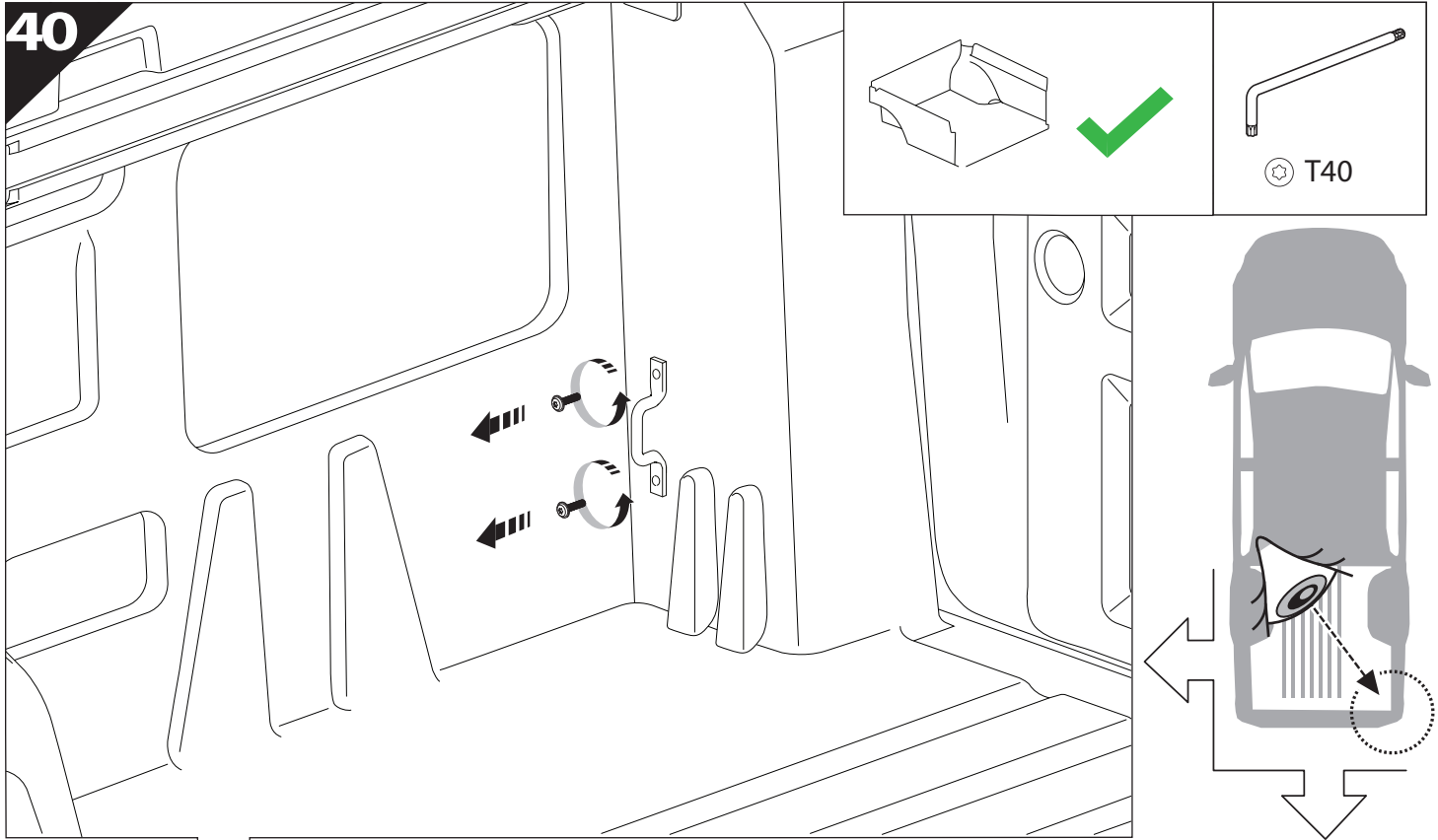




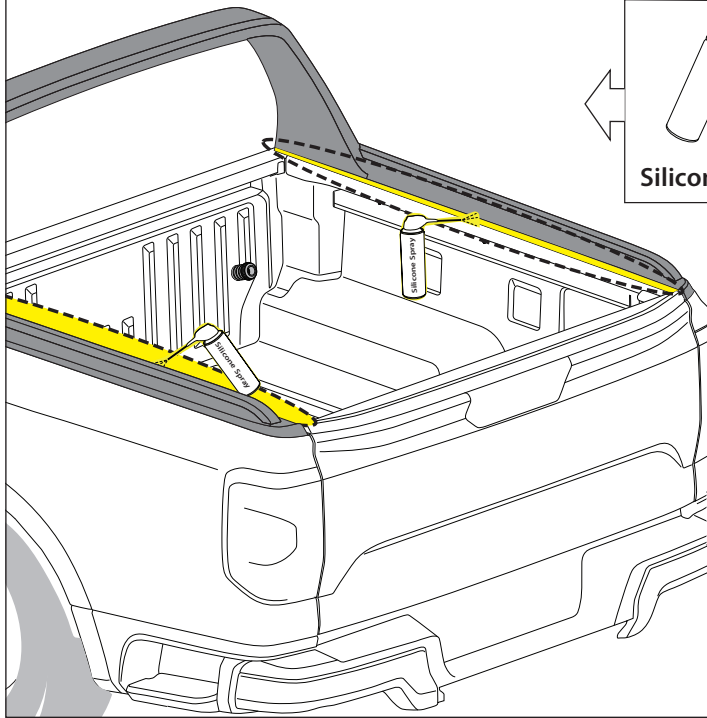
39.6

L2

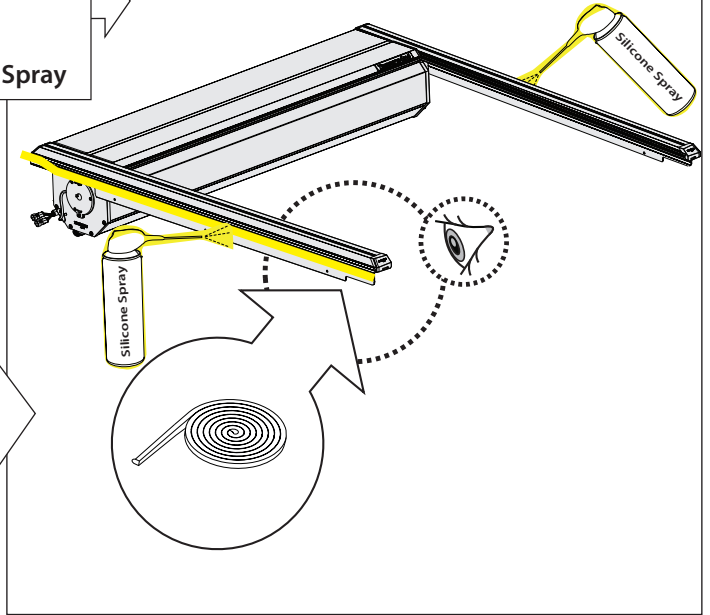
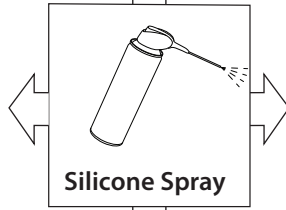




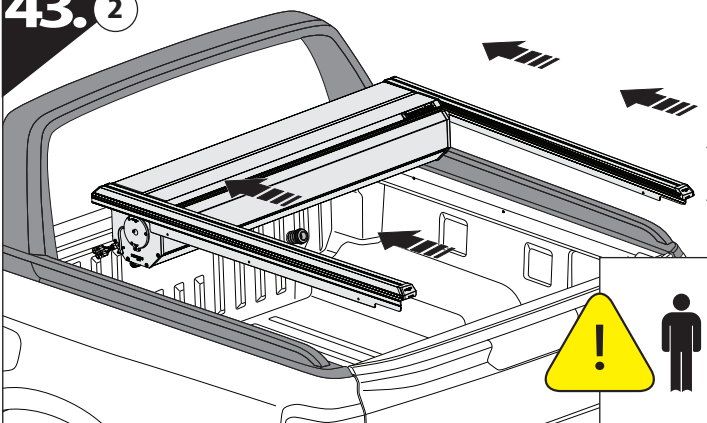
43



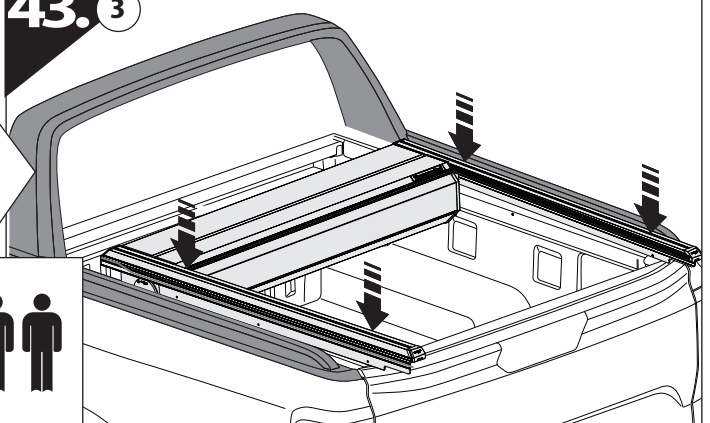
43.1



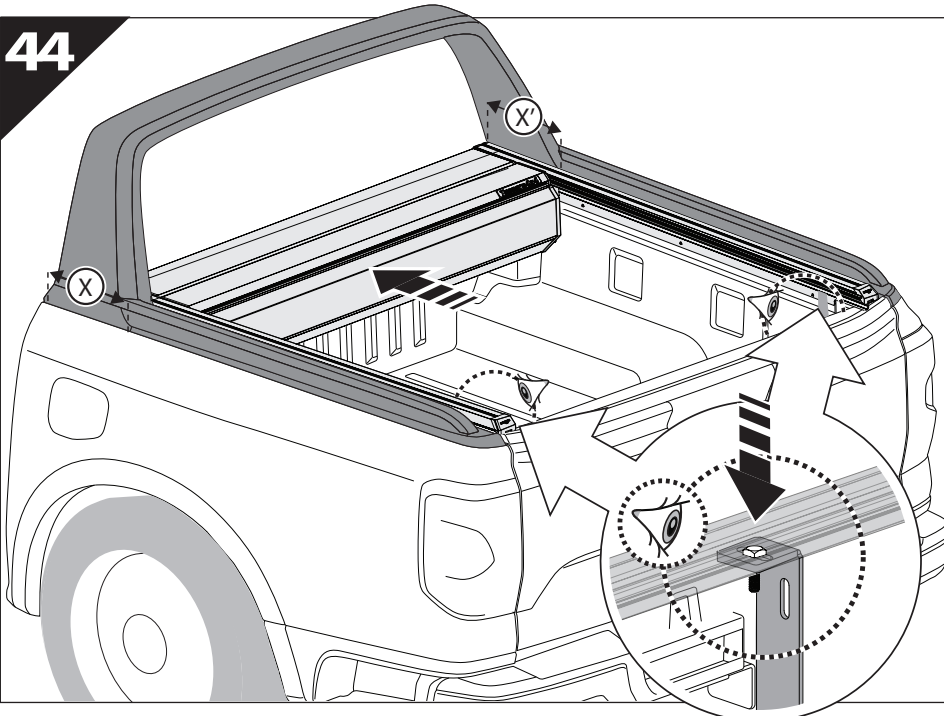
43.2

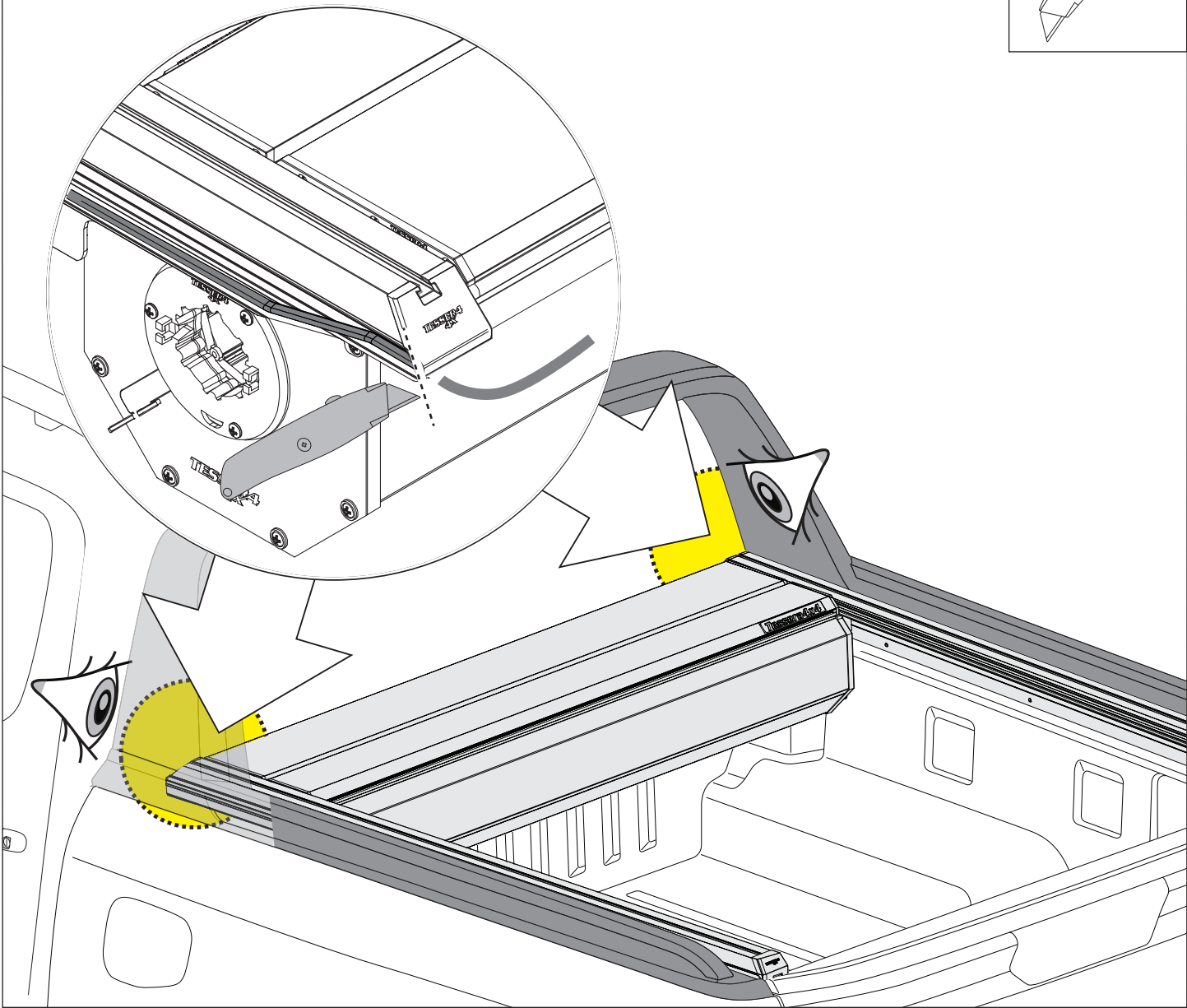
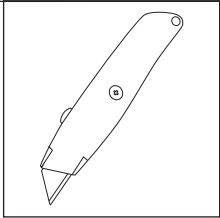


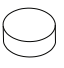

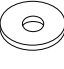
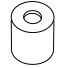


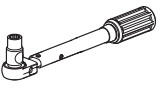

43.3

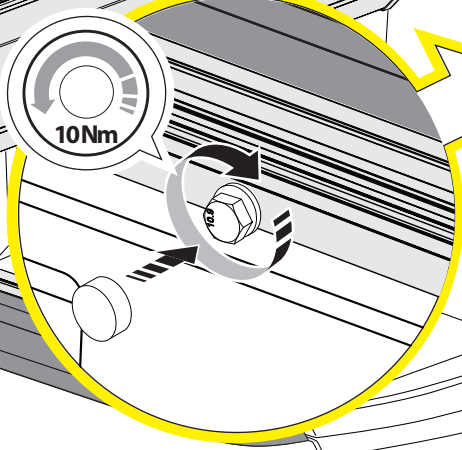
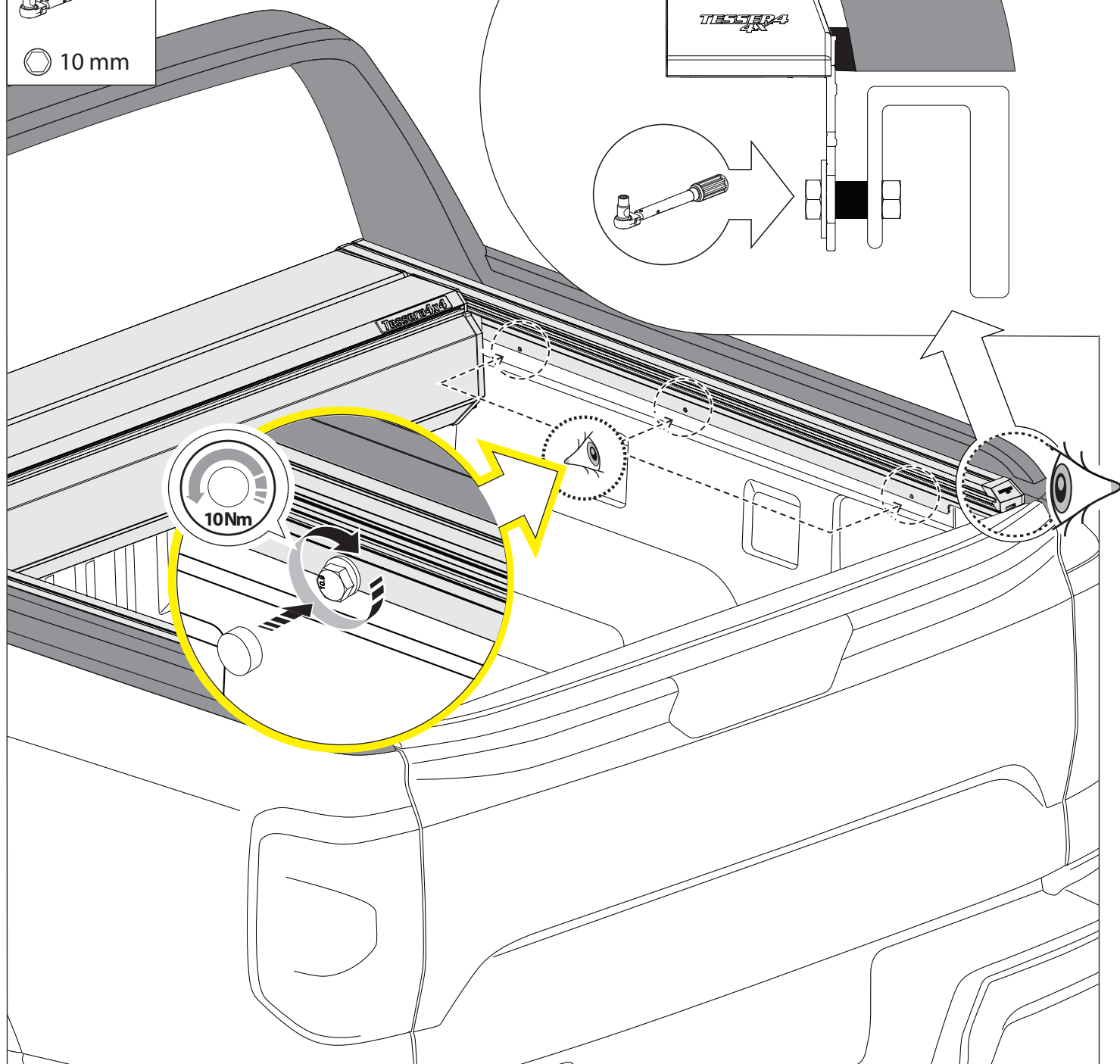
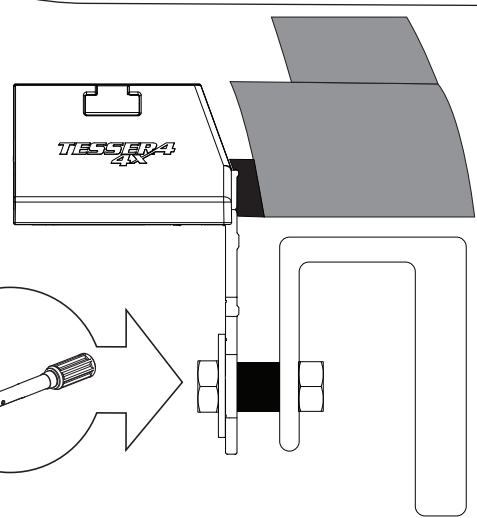
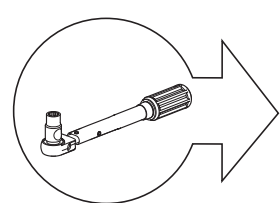
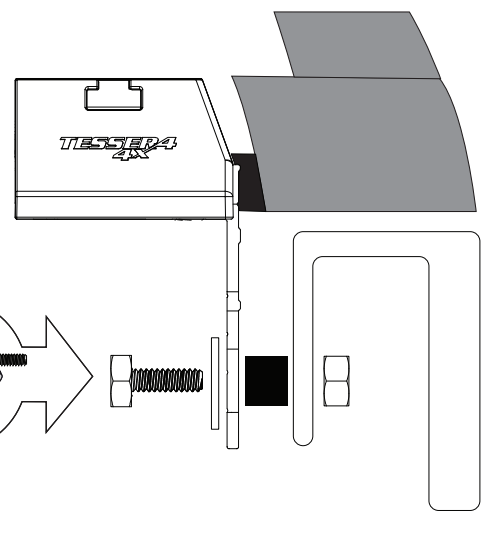
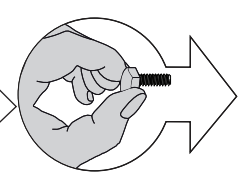
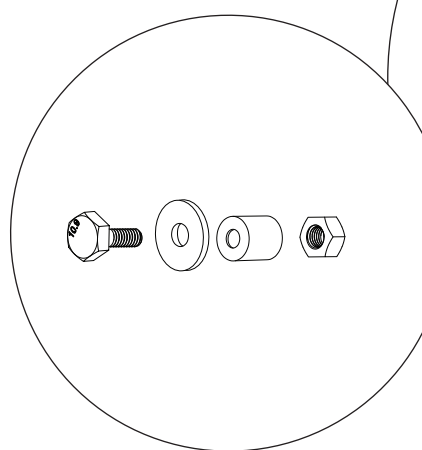


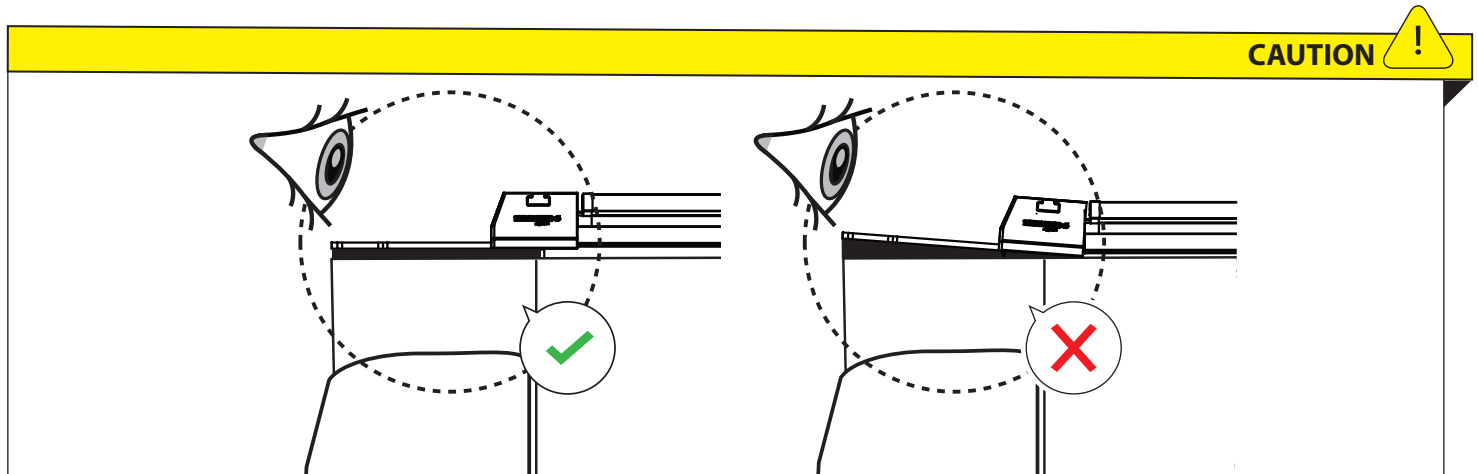
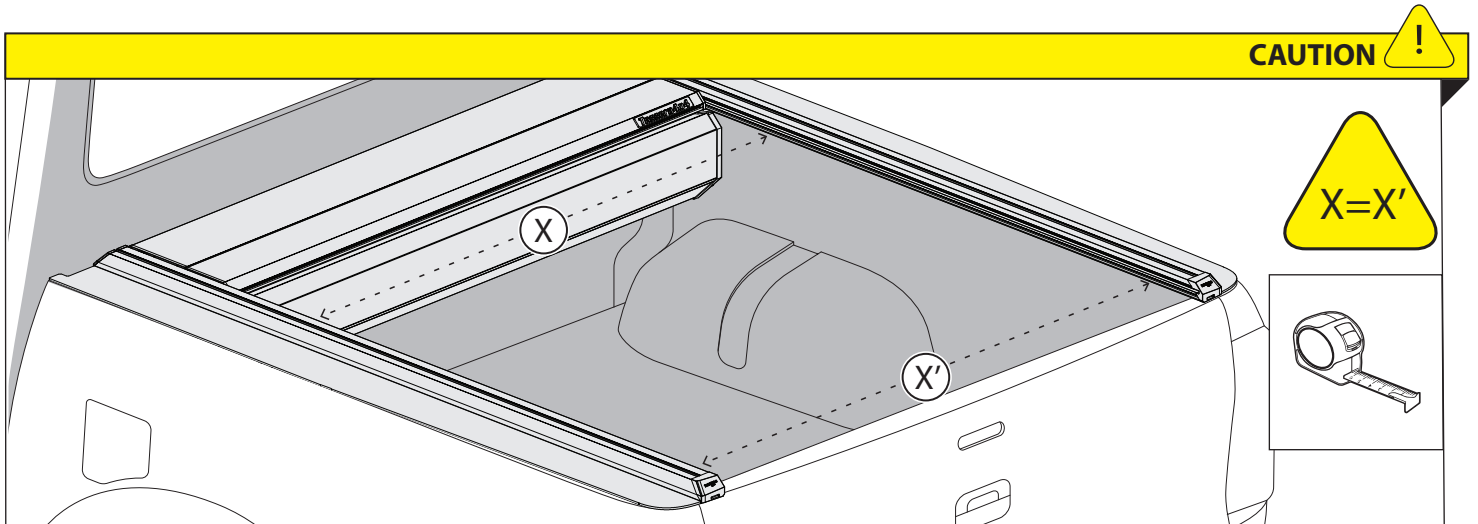
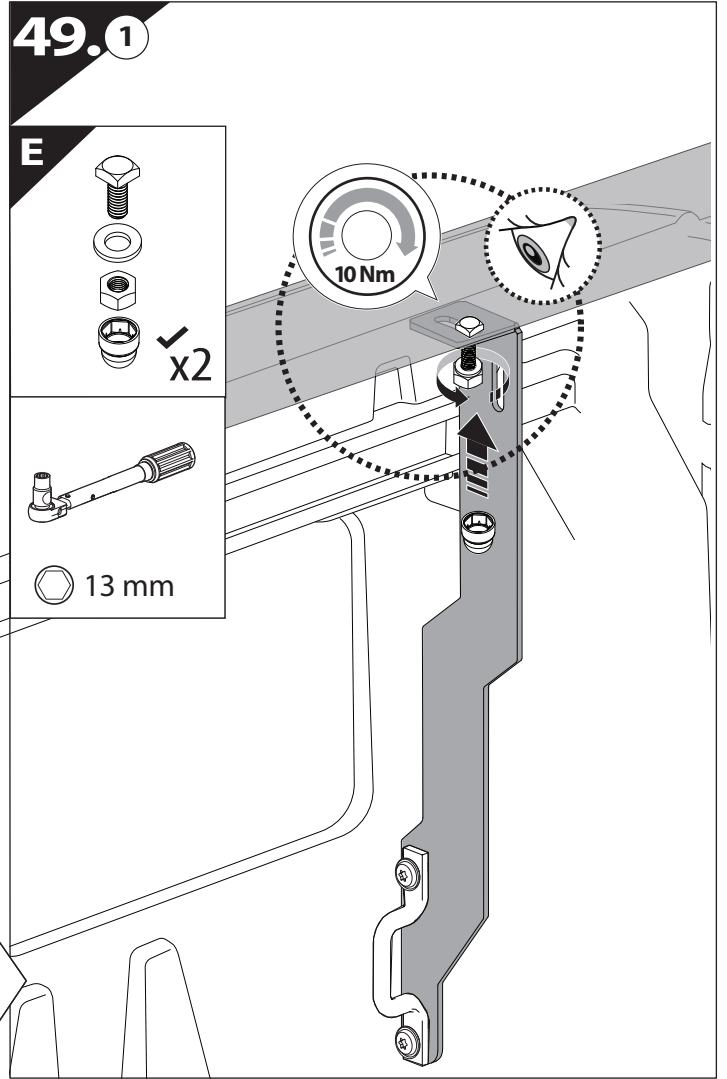
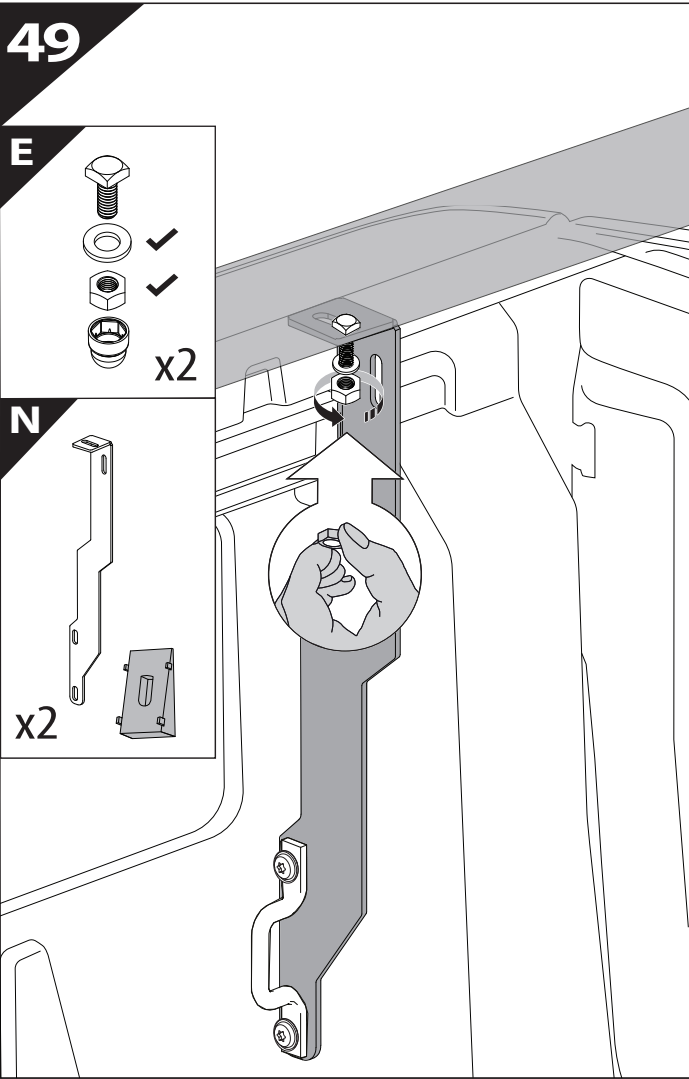
44



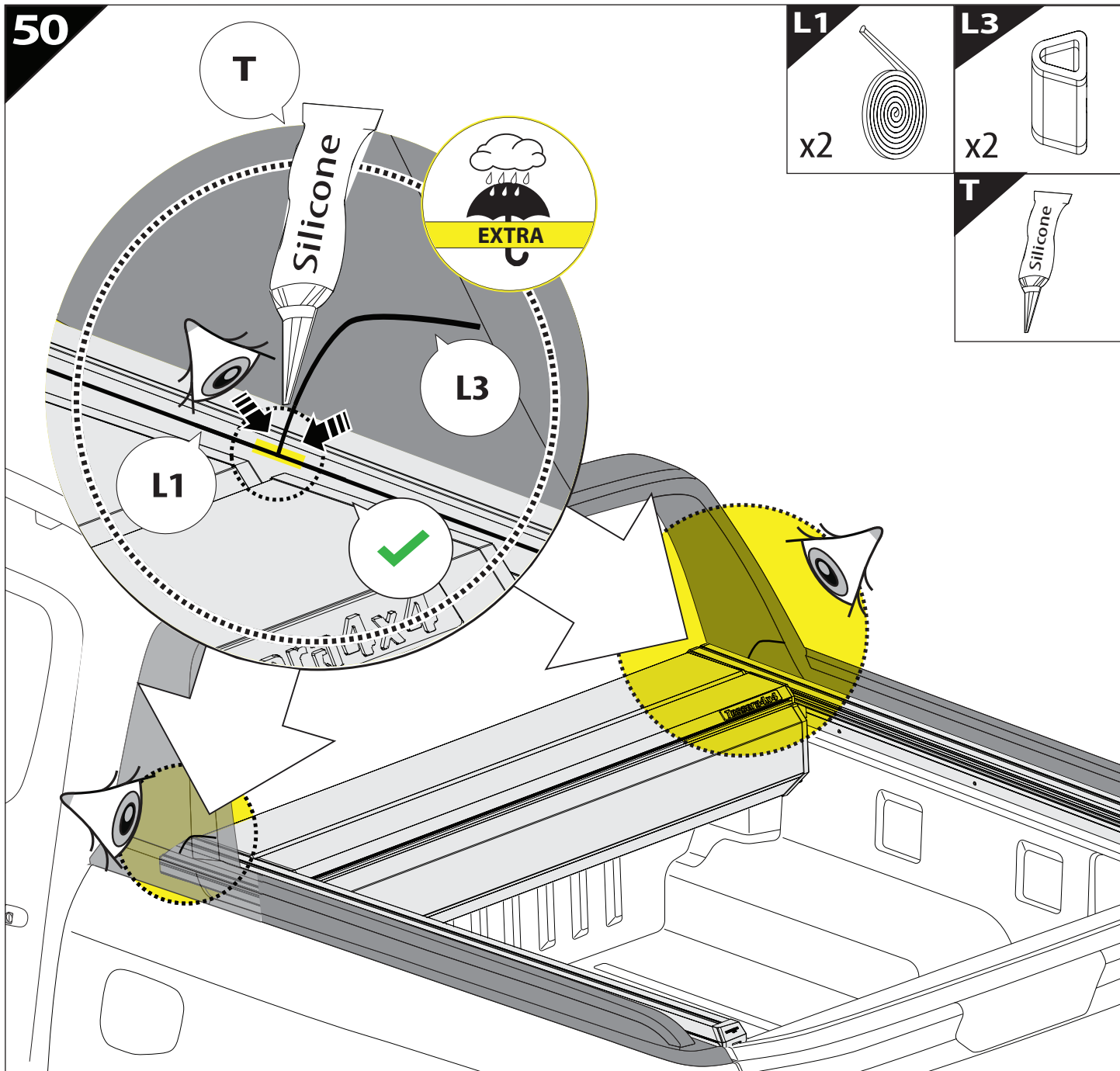


- E4
-  ✓
 -  ✓
 -  ✓
 -  ✓
 -  ✓
 -  ✓
- x6
- 
 -  10 mm

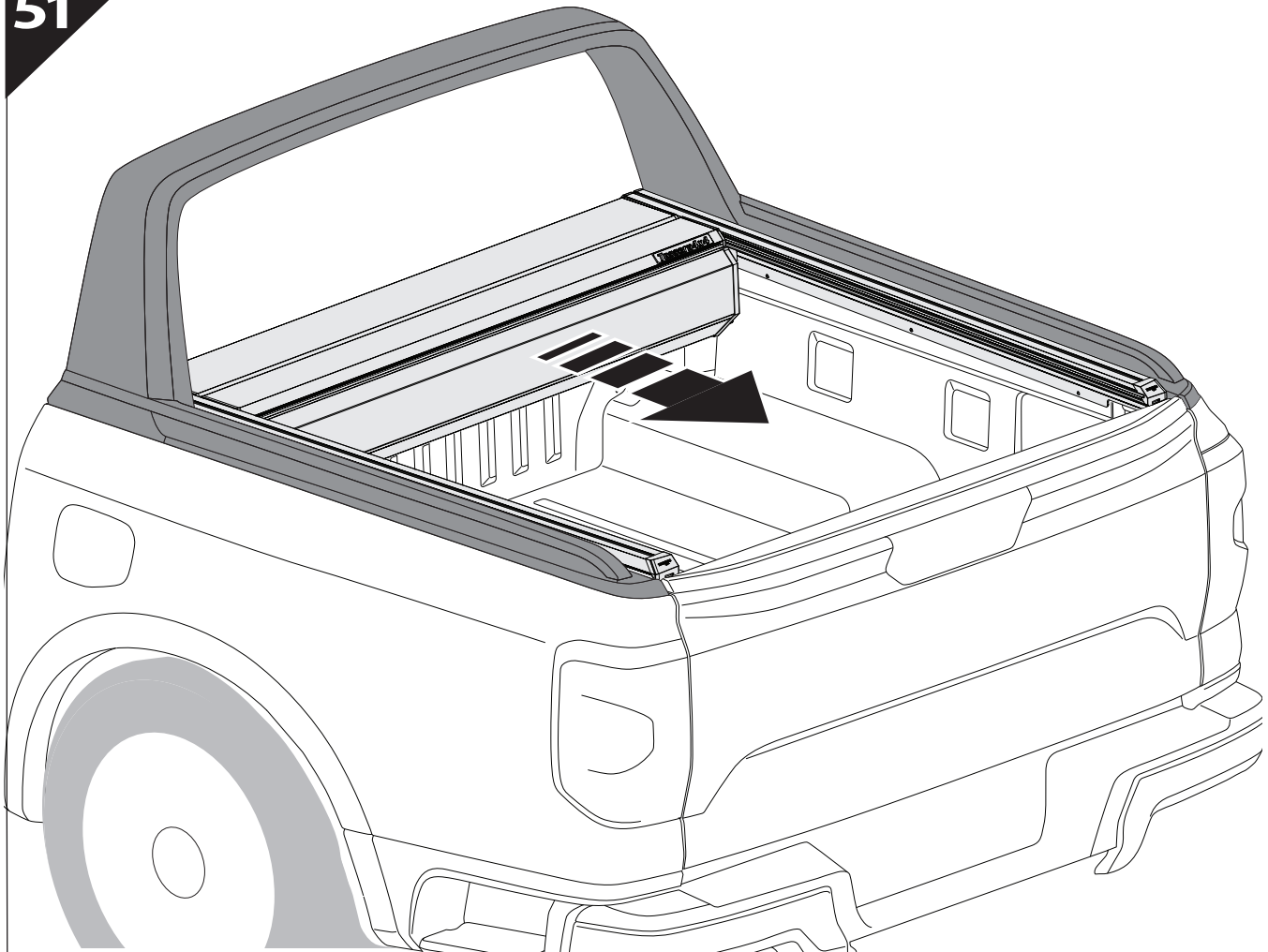




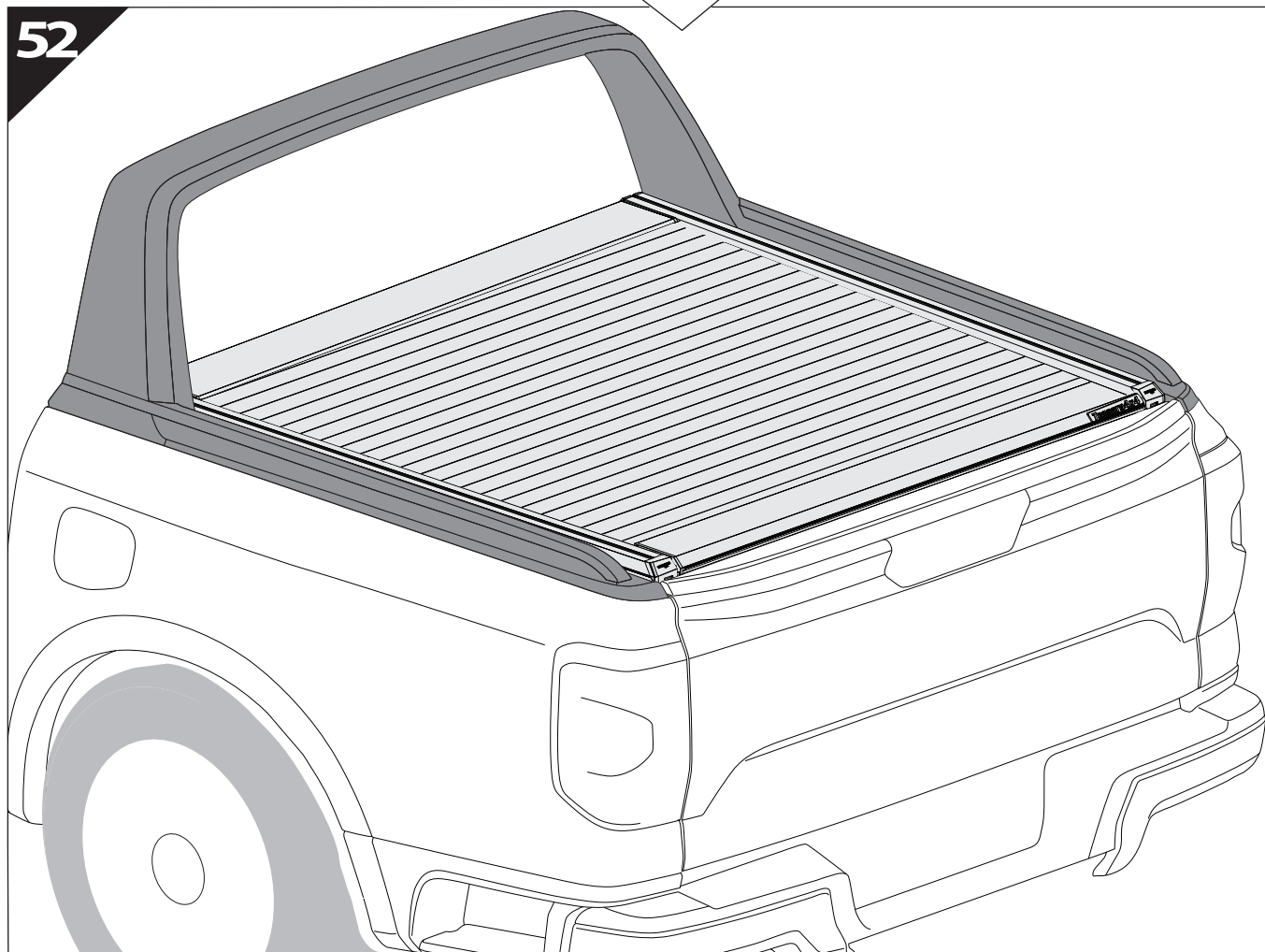
50



51



52





GR: Οδηγίες Εγκατάστασης
GB: Installation manual
SF: Asennusohje
F: Notice de montage
PL: Instrukcja montażu
NL: Installatie-instructies
TR: Montaj Talimatı
S: Monteringsanvisning
E: Instrucciones de montaje

H: Szerelési utasítás
P: Instruções de instalação
RUS: Инструкция по установке
N: Monteringsveiledning
D: Einbauanleitung
CZ: Návod k instalaci
I: Istruzioni de montaggio
DK: Monteringsvejledning
RO: Instructiuni de instalare

Customer Service:

+30 (210) 5541161, +30 (210) 5541154 (08:00 - 16:00 EET)

Support department:

info@gianso.gr

Website:

www.tessera4x4.com

Address:

19.5 km of National road Athens-Korinthos (Elefsina) Greece, P.C: 19200