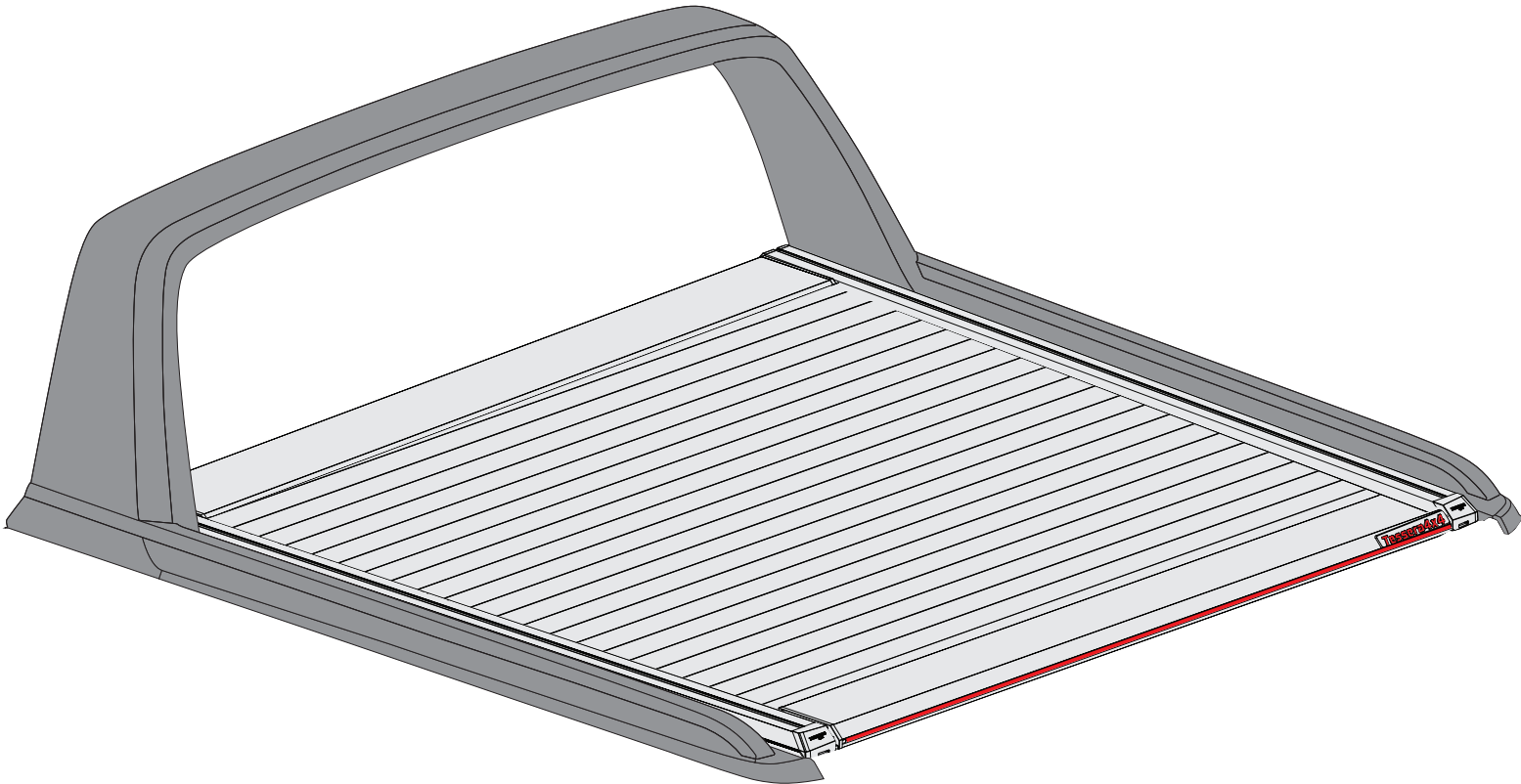


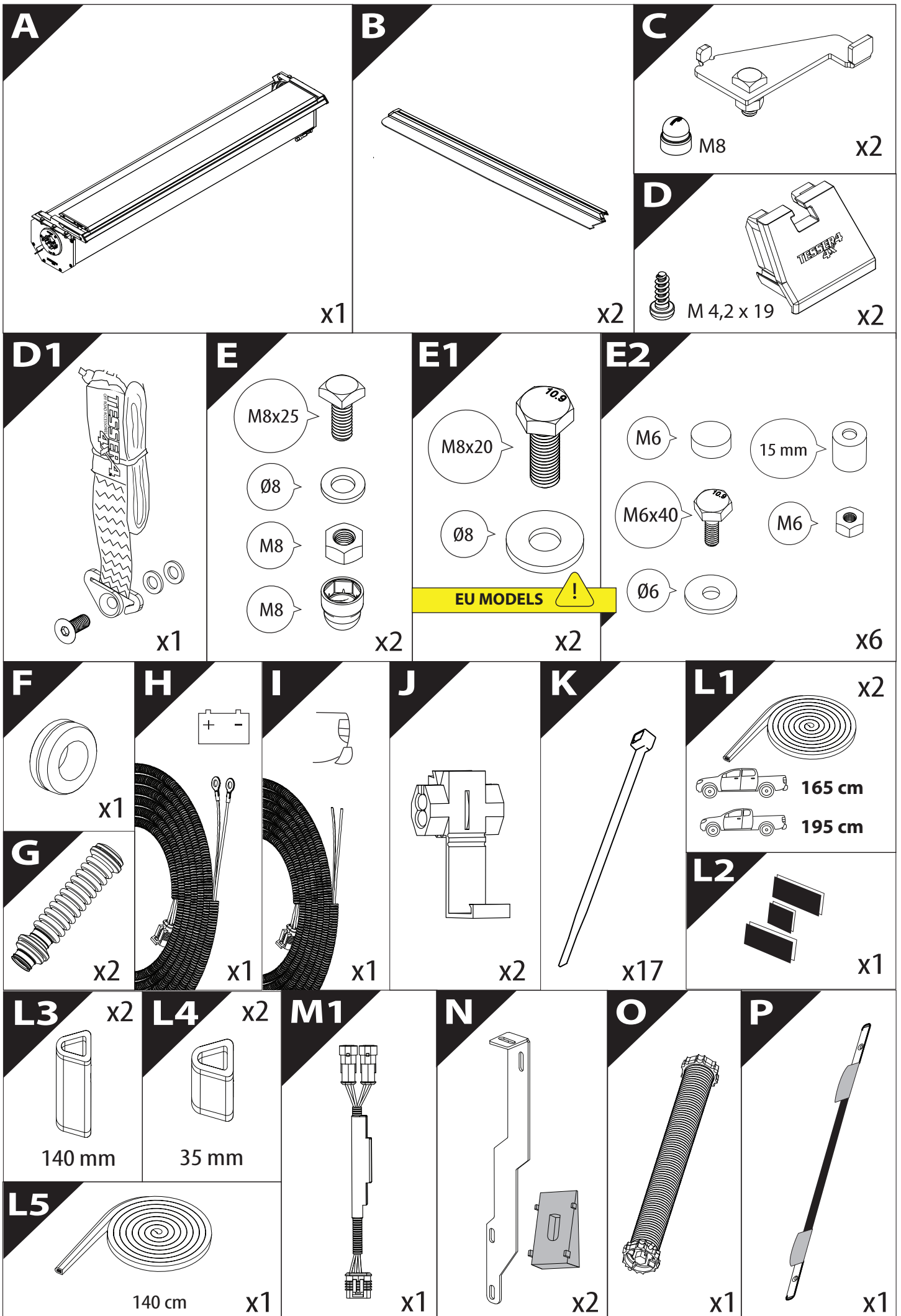
Tessera Roll+

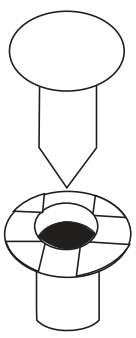

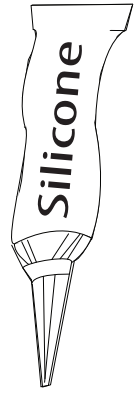

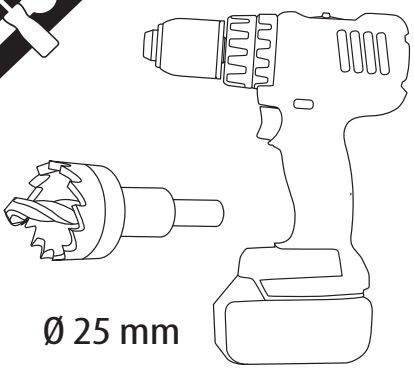
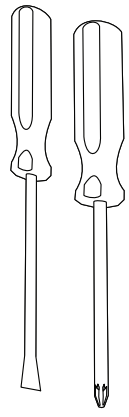
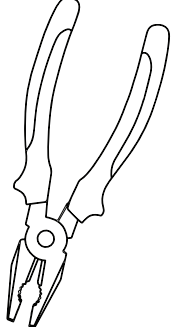
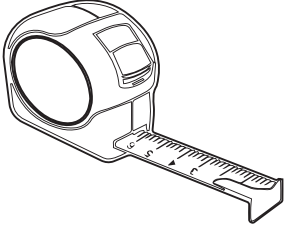
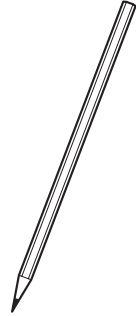
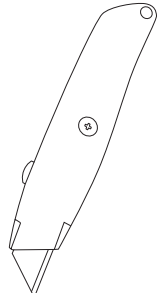
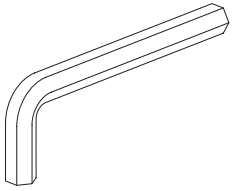
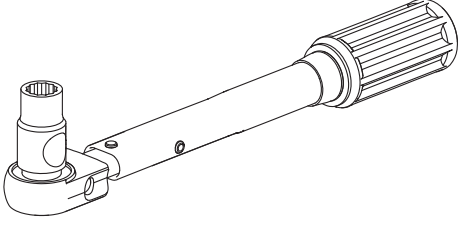
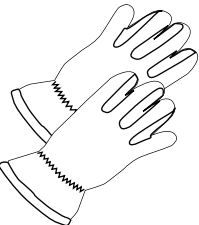
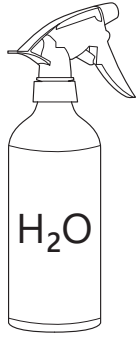
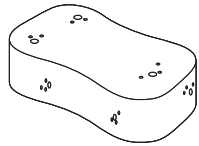

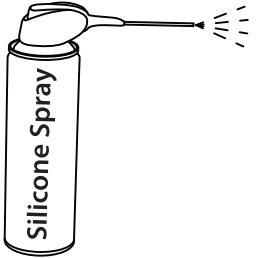
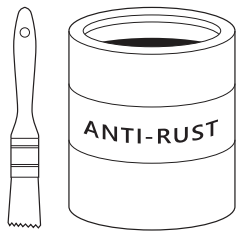

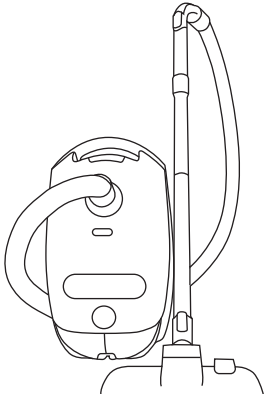
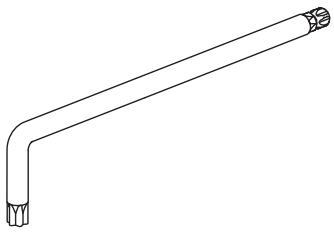


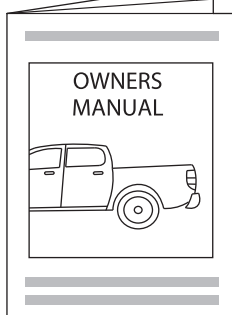
Basic Version + ⚙️ S-KIT

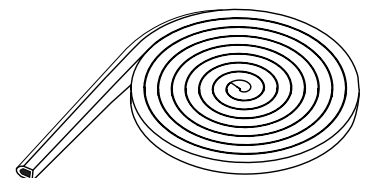
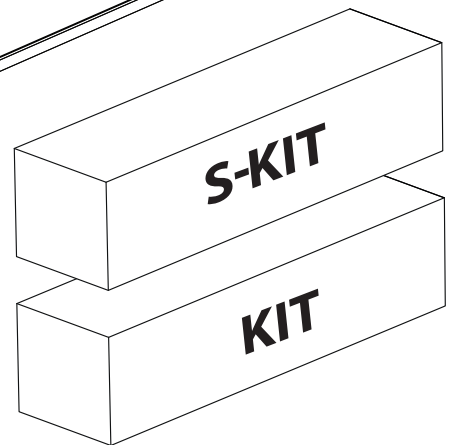
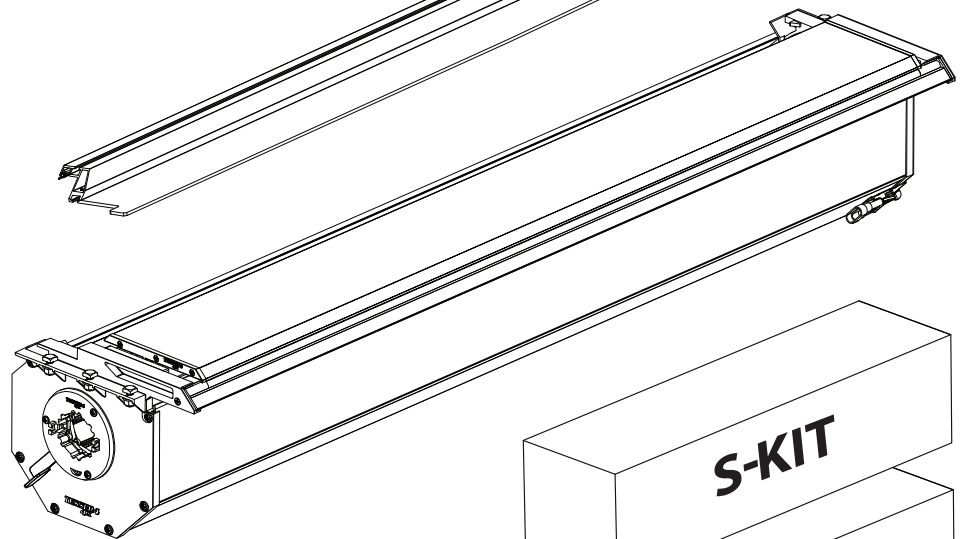
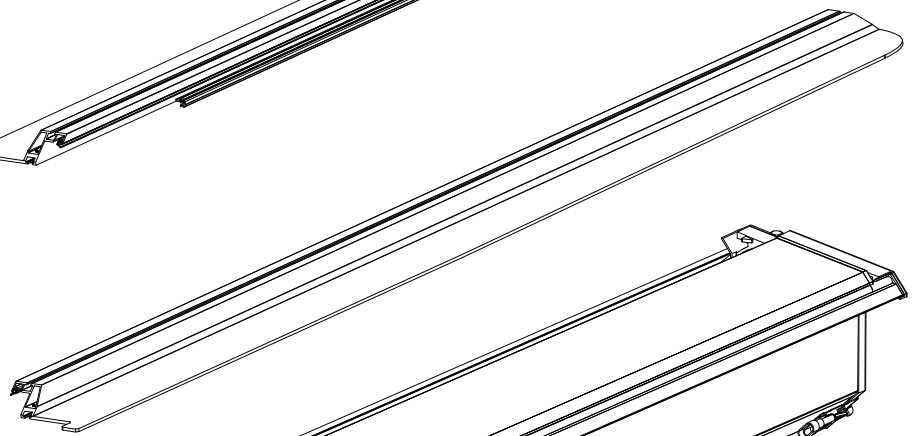


Installation Manual

PART NUMBER(S)	Model Year
TESS 14080 ROLL+S-KIT	FORD RANGER WILDTRAK 2023+ OEM ROLL BAR
TESS 14090 ROLL+S-KIT	
Cab(s)	Installation Time / Weight
Double Cab & Space cab	40-60 minutes / 53-57 kg



<p>P</p>  <p>x2</p> <p>US MODELS </p>	<p>R</p>  <p>Silicone</p>	  <p>Ø 25 mm</p>	 <p>+</p> <p>-</p>	
				 <p>4 mm</p>
<p>1 - 25 Nm</p>  <p>10, 12, 13, 17 mm</p>		 <p>H₂O</p>		 <p>ACETONE</p>
 <p>Silicone Spray</p>	 <p>ANTI-RUST</p>			 <p>T30, T40</p>
	 <p>INSTALLATION MANUAL +S-KIT</p>	 <p>OWNERS MANUAL</p>	<p>x1</p>	

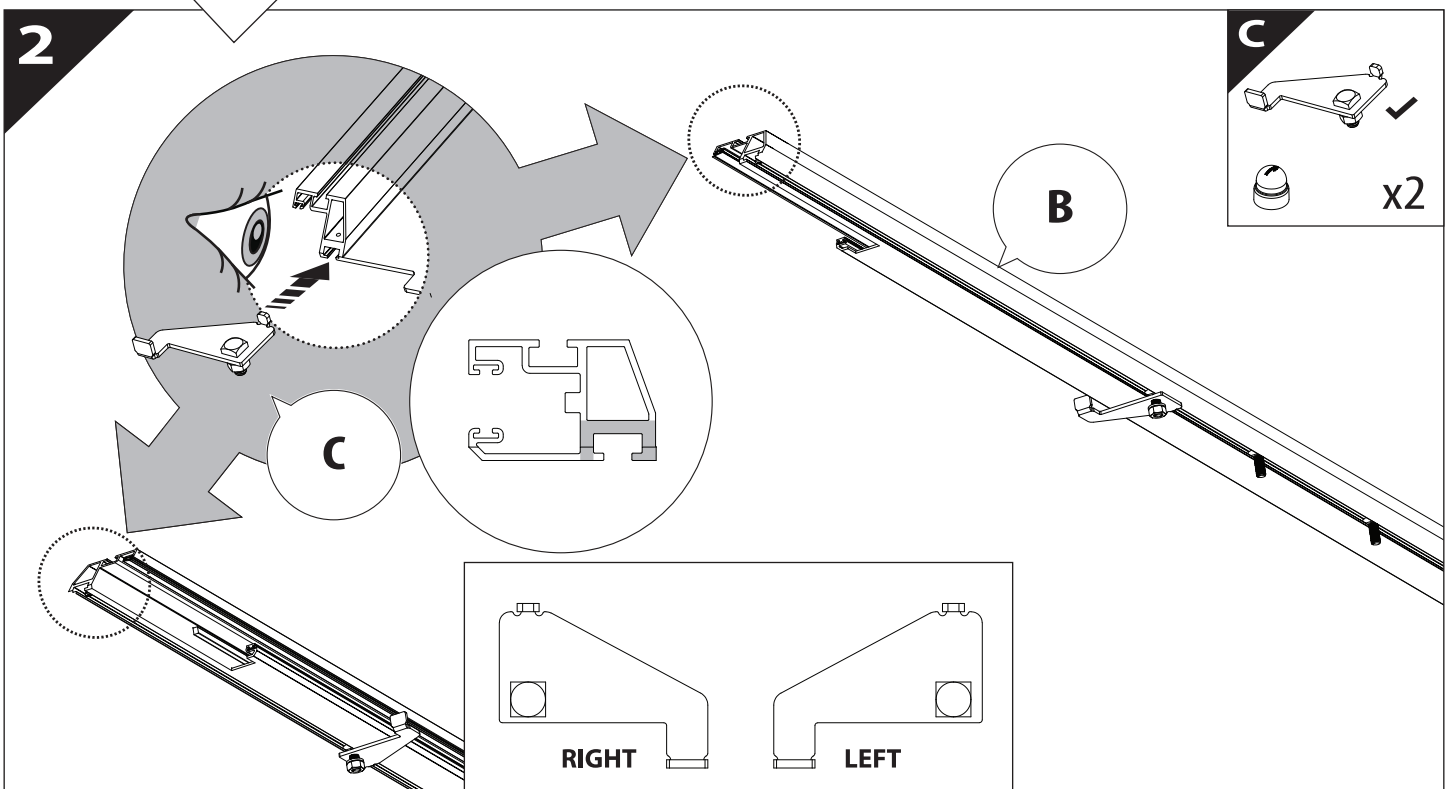
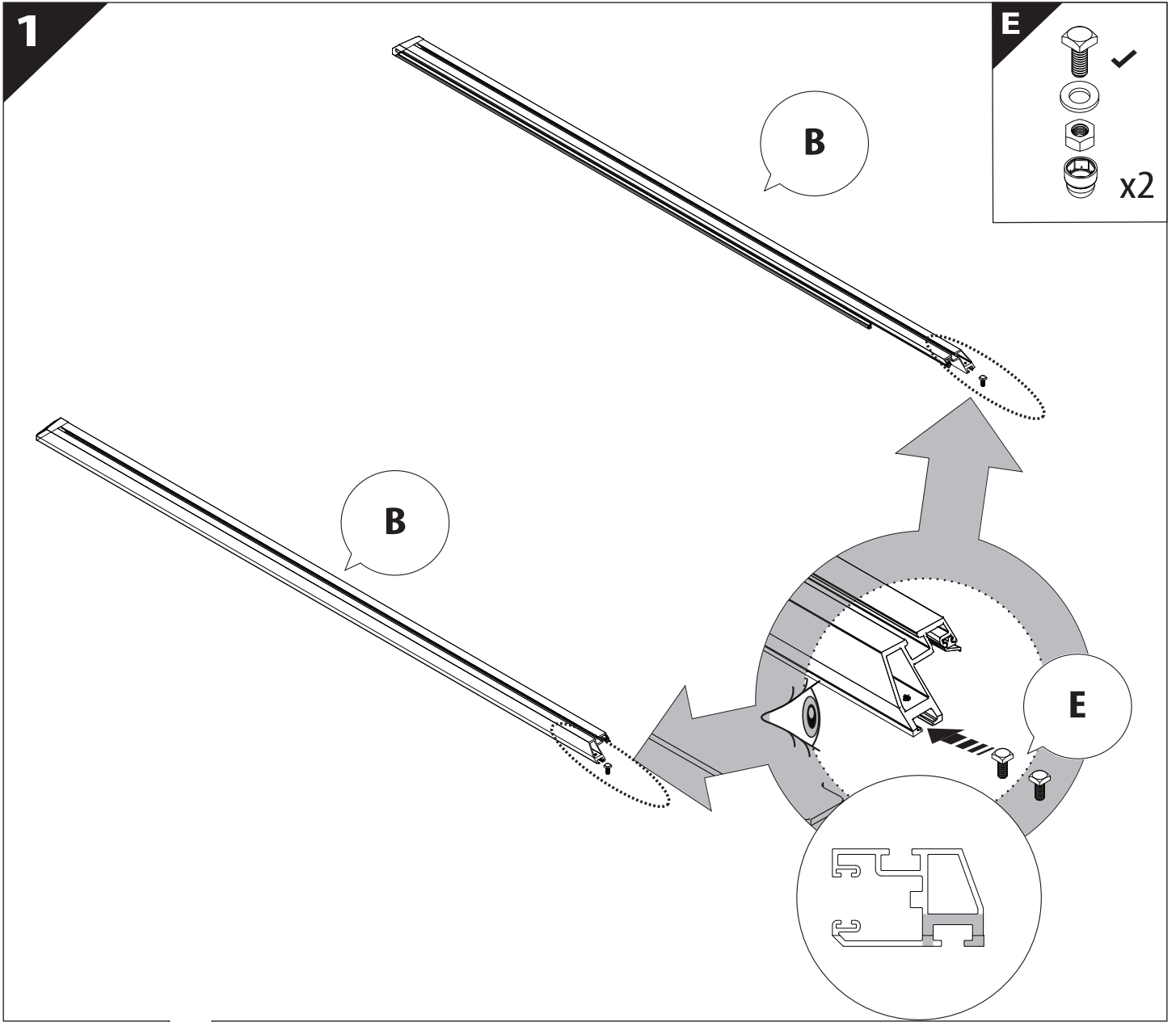


B

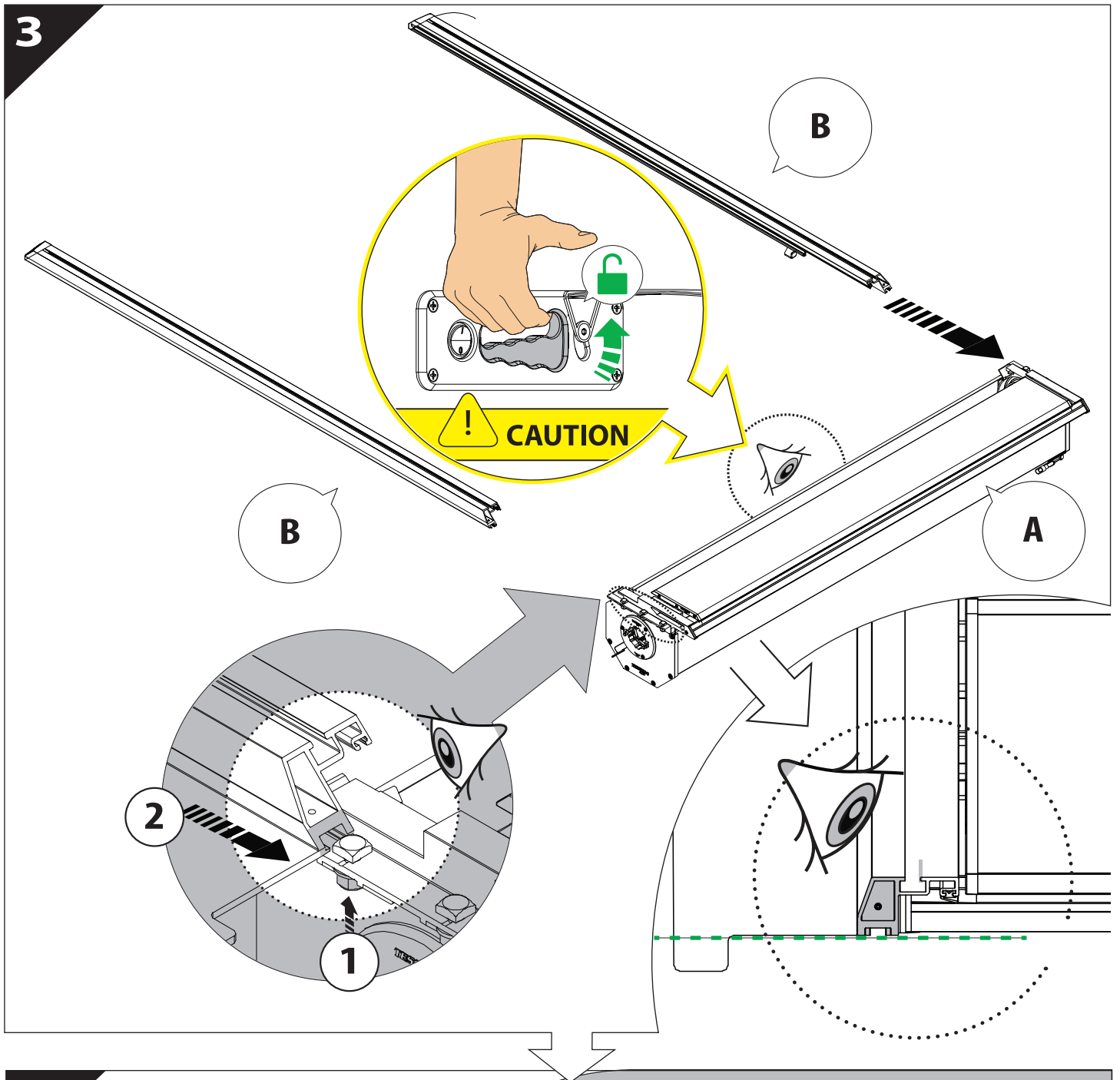
A

KITS

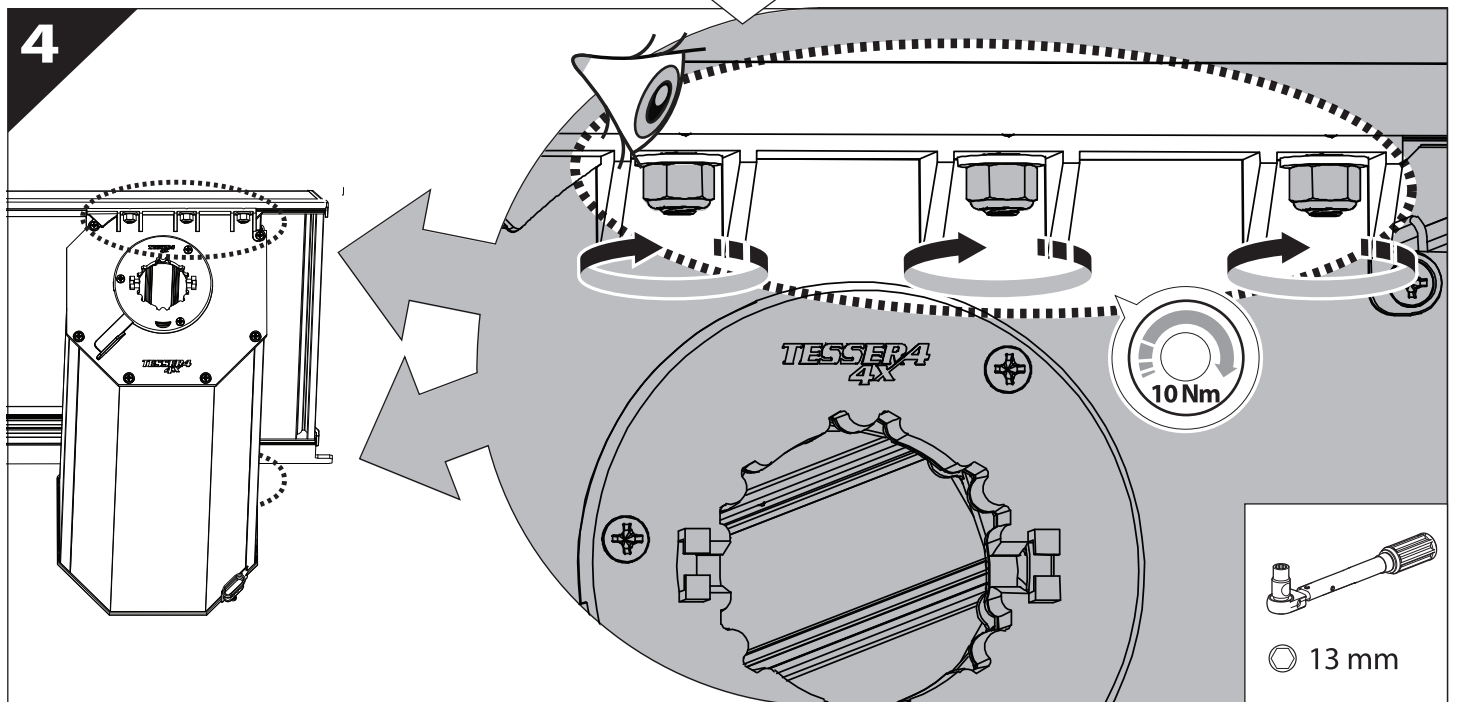
L

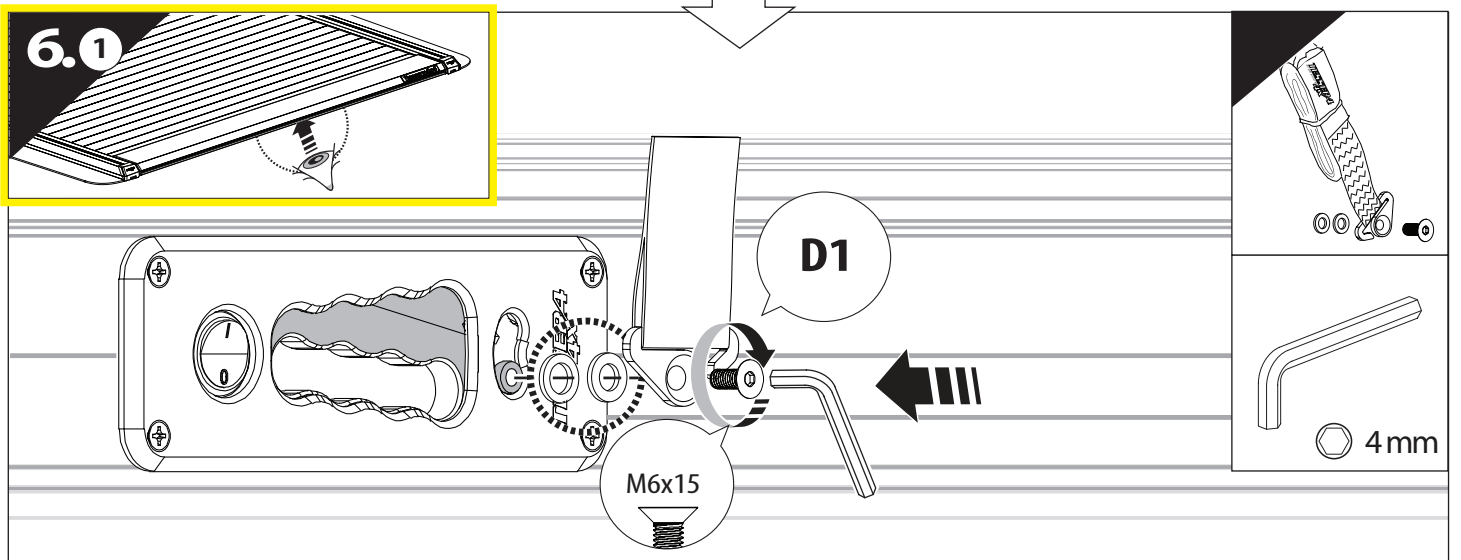
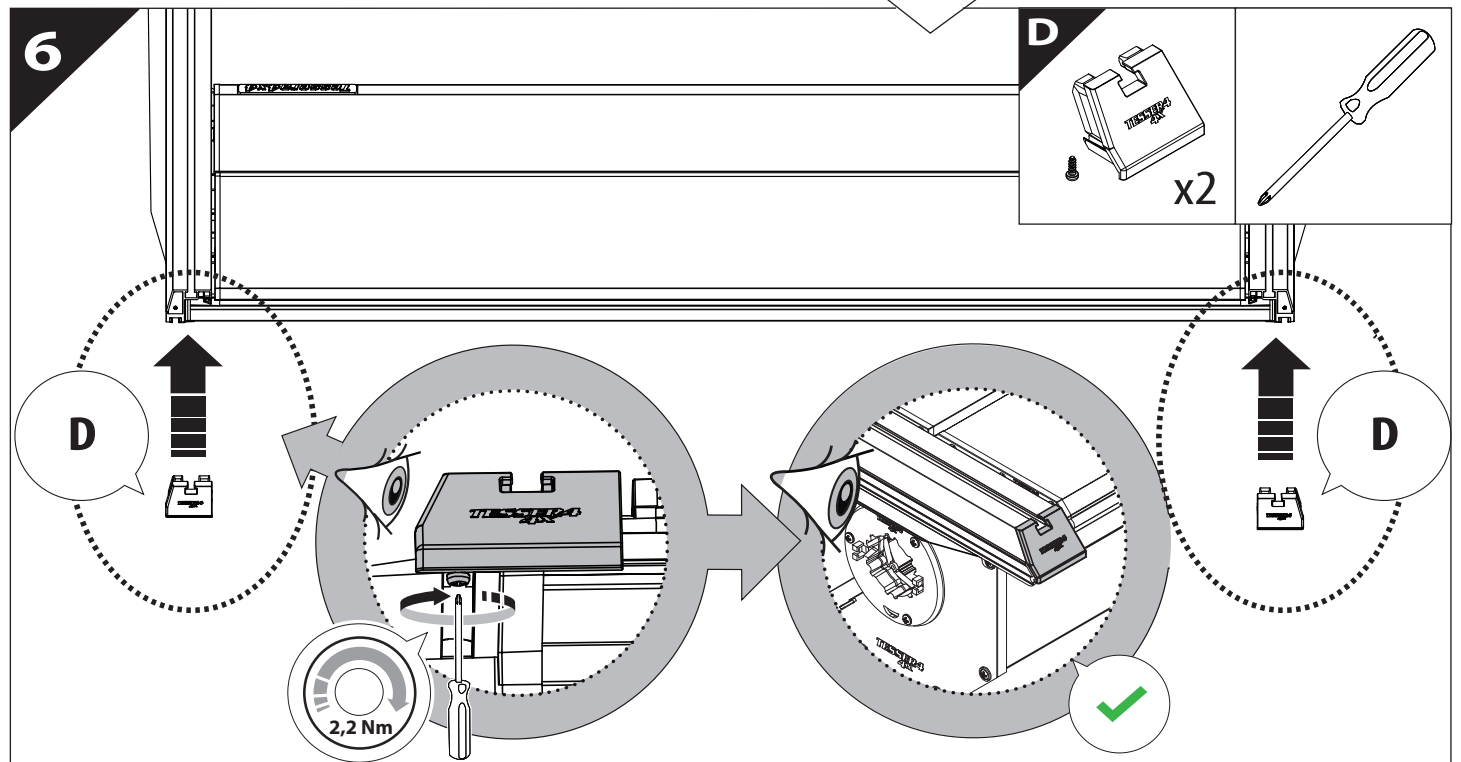
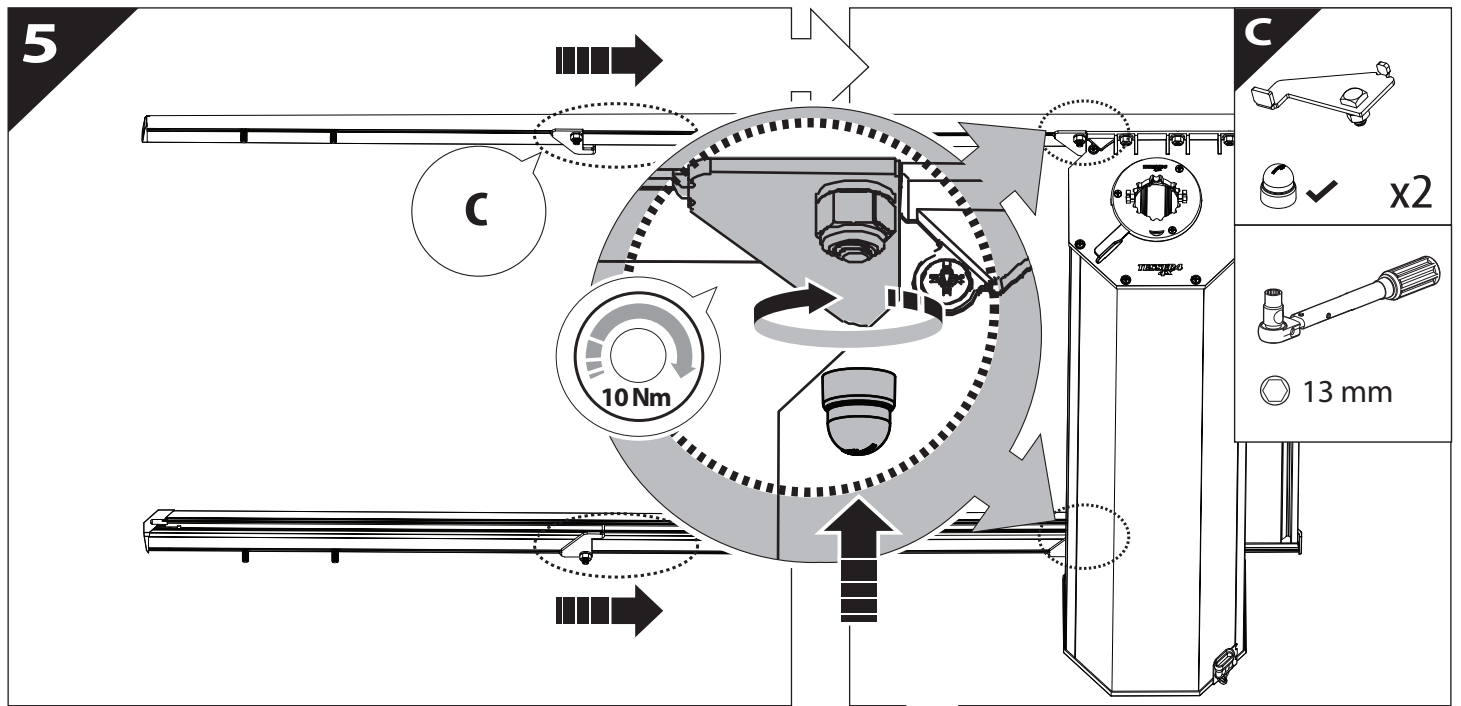


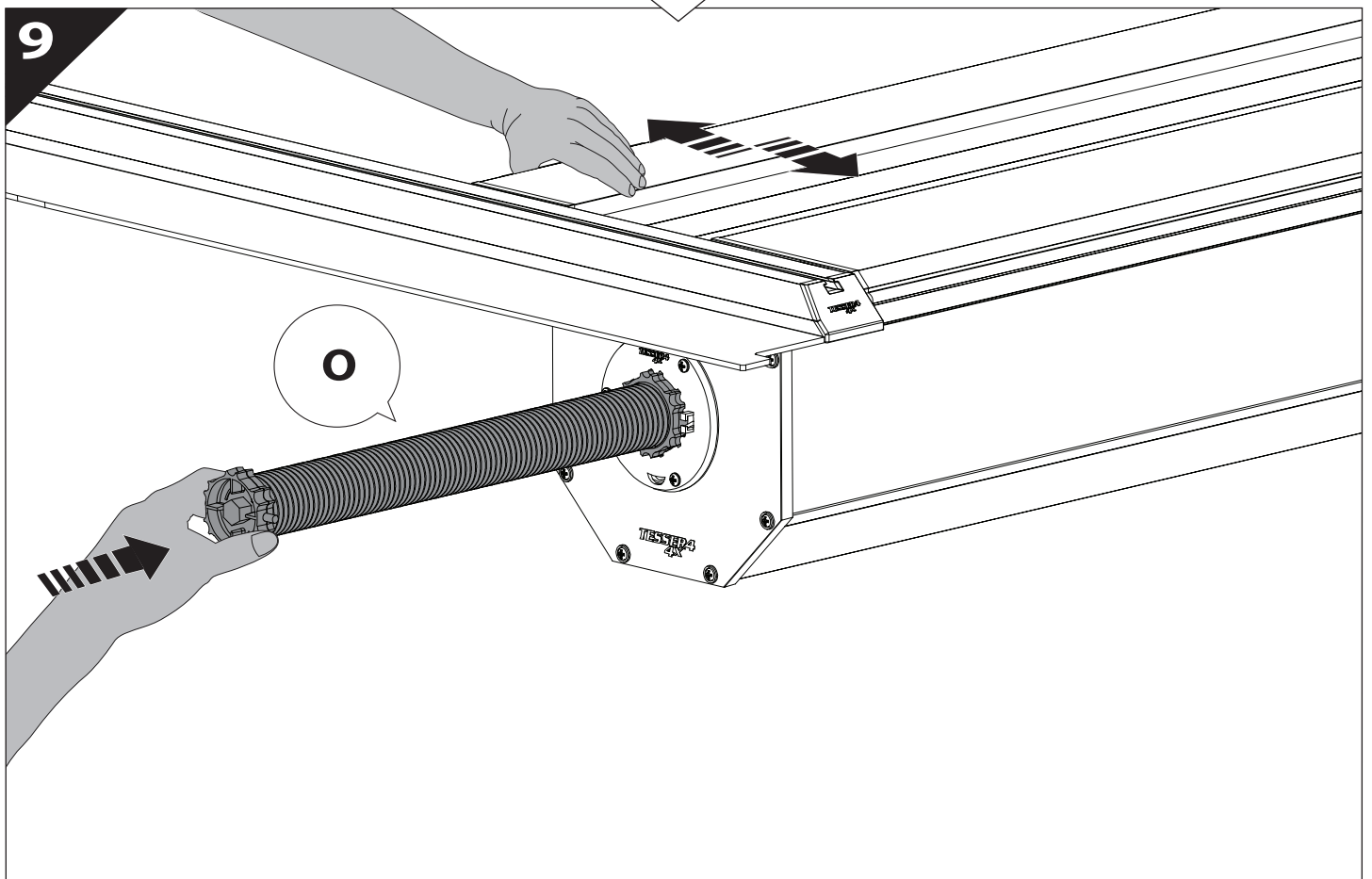
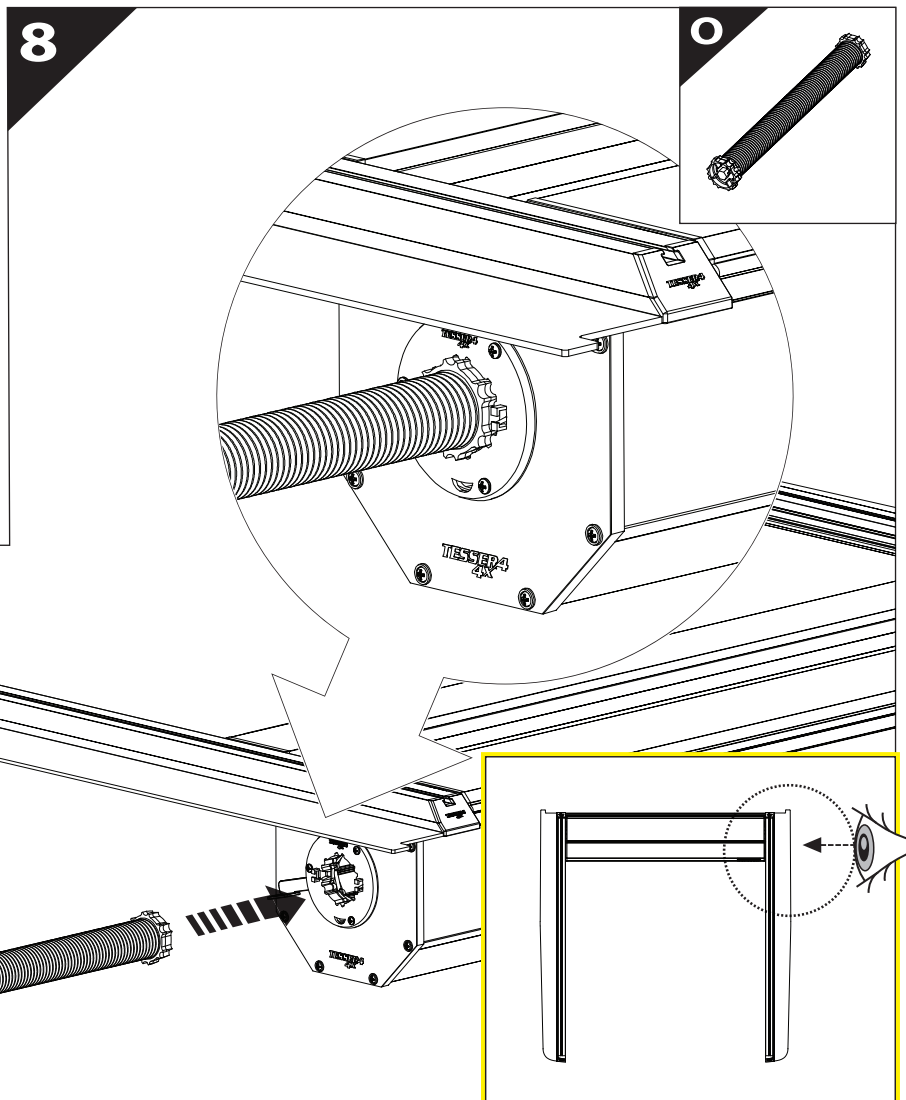
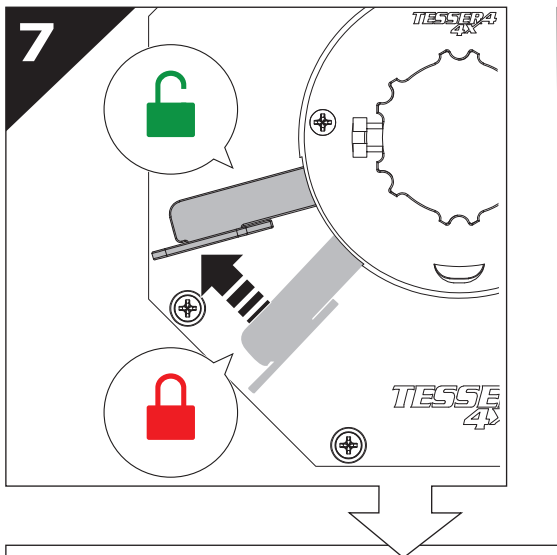
3



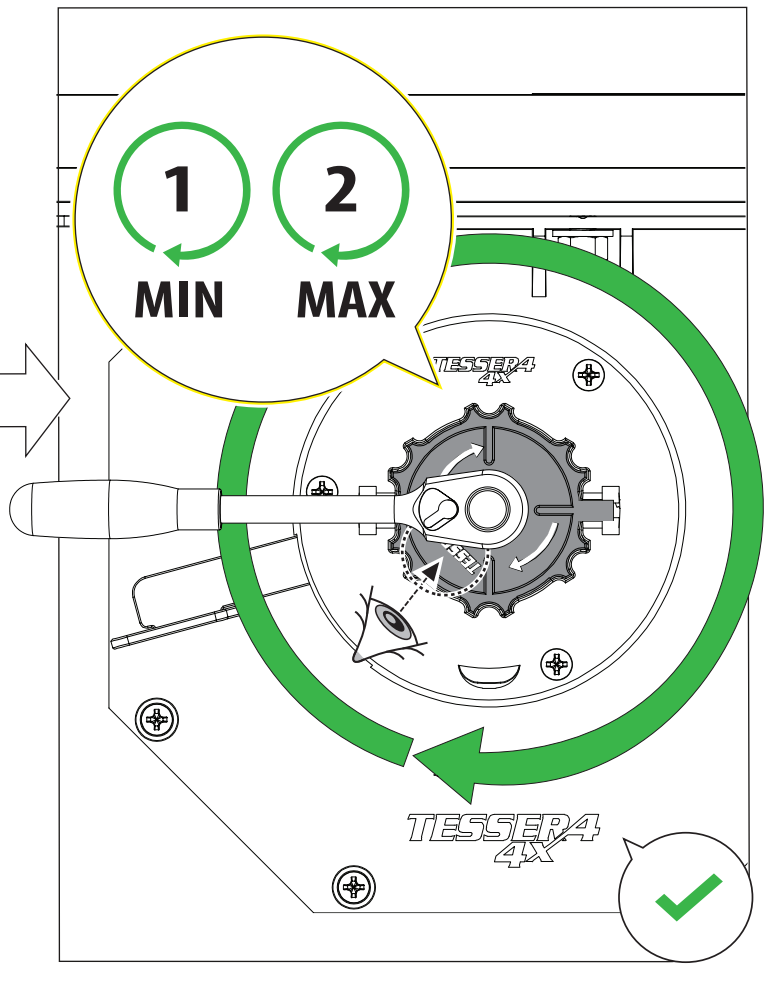
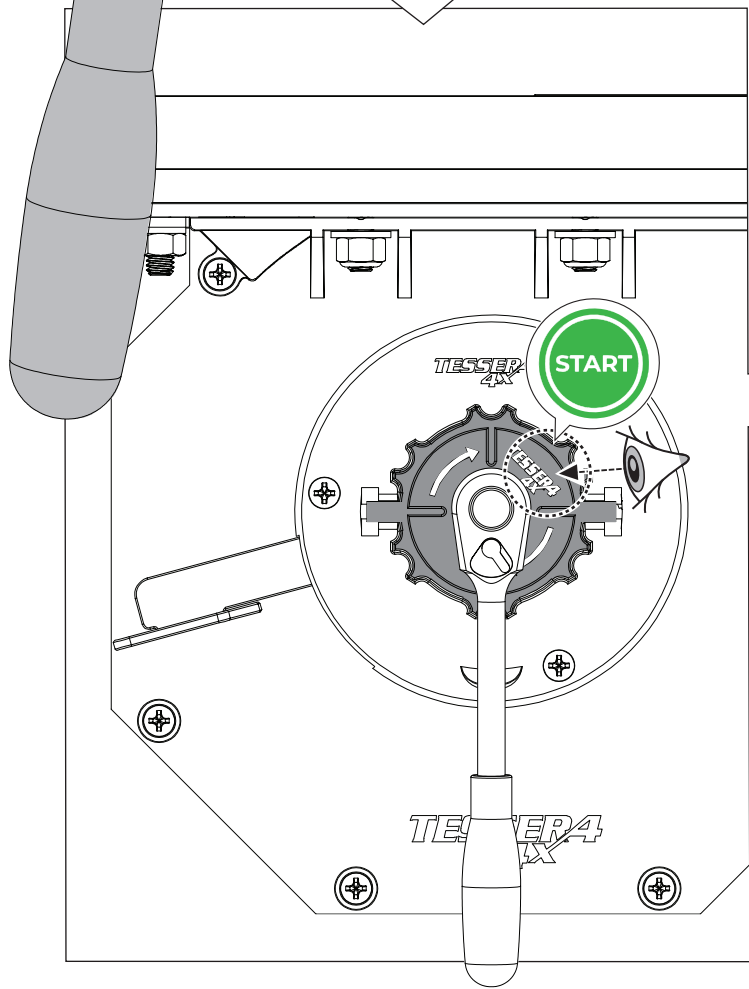
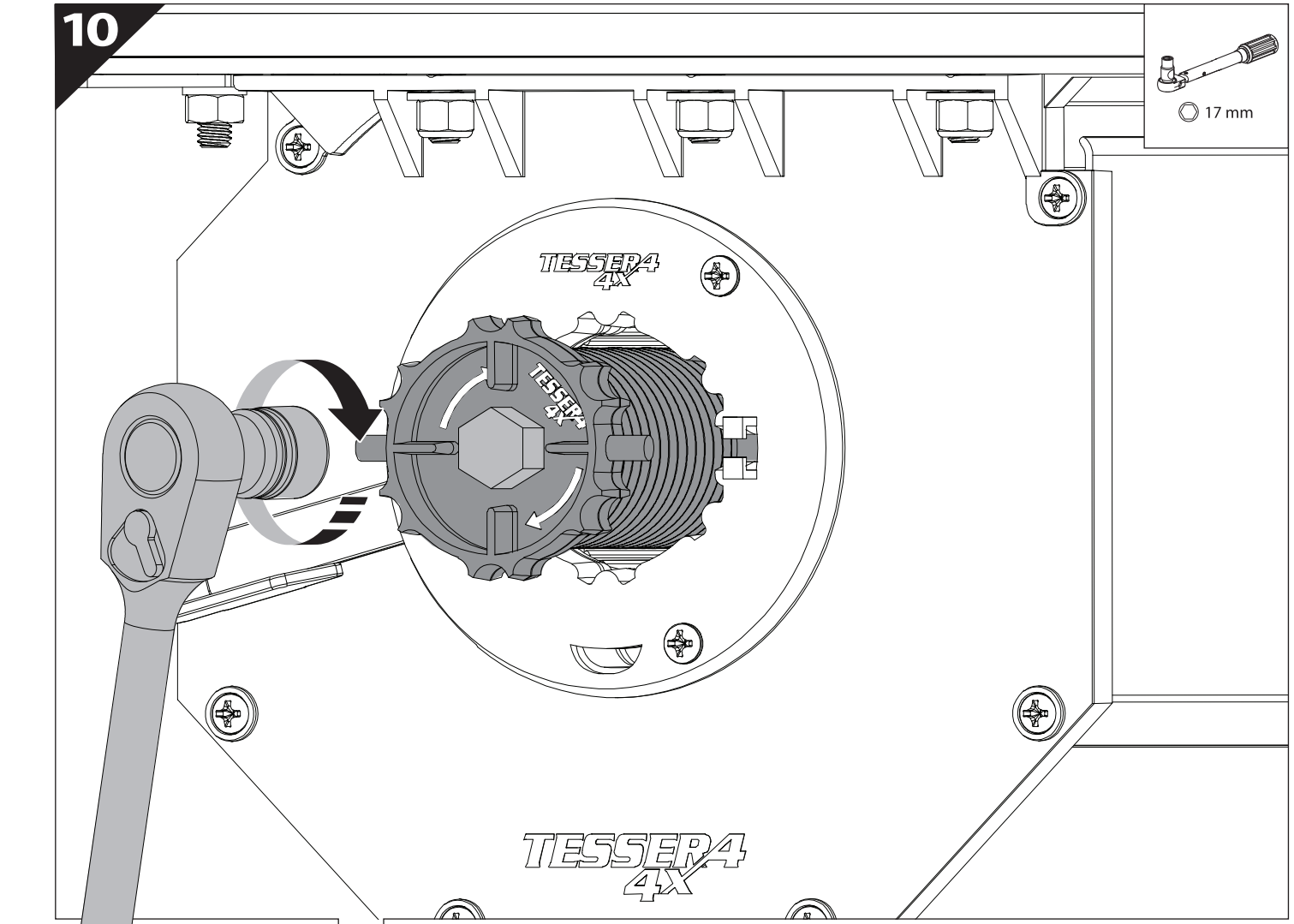
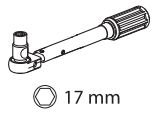
4

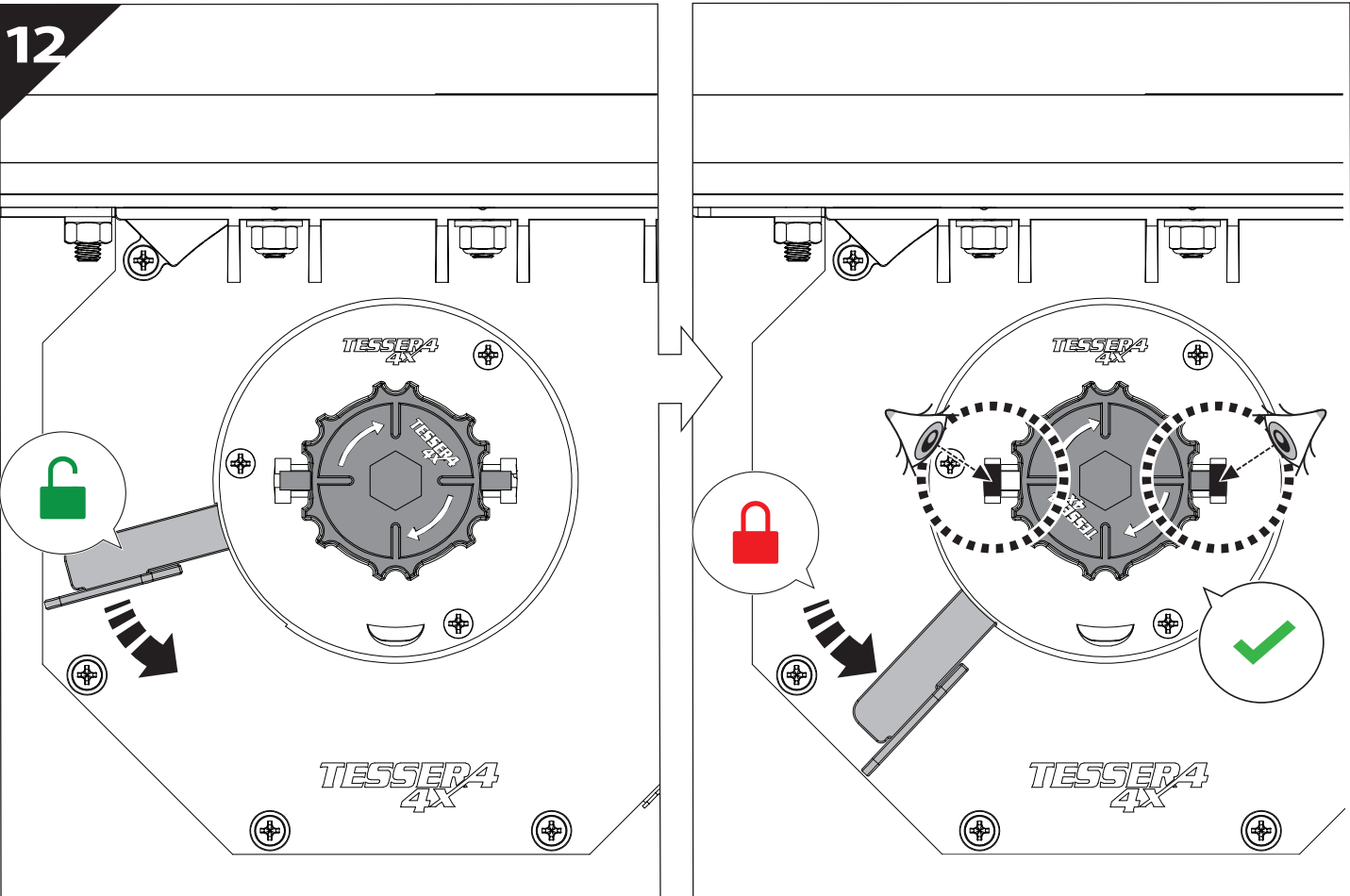
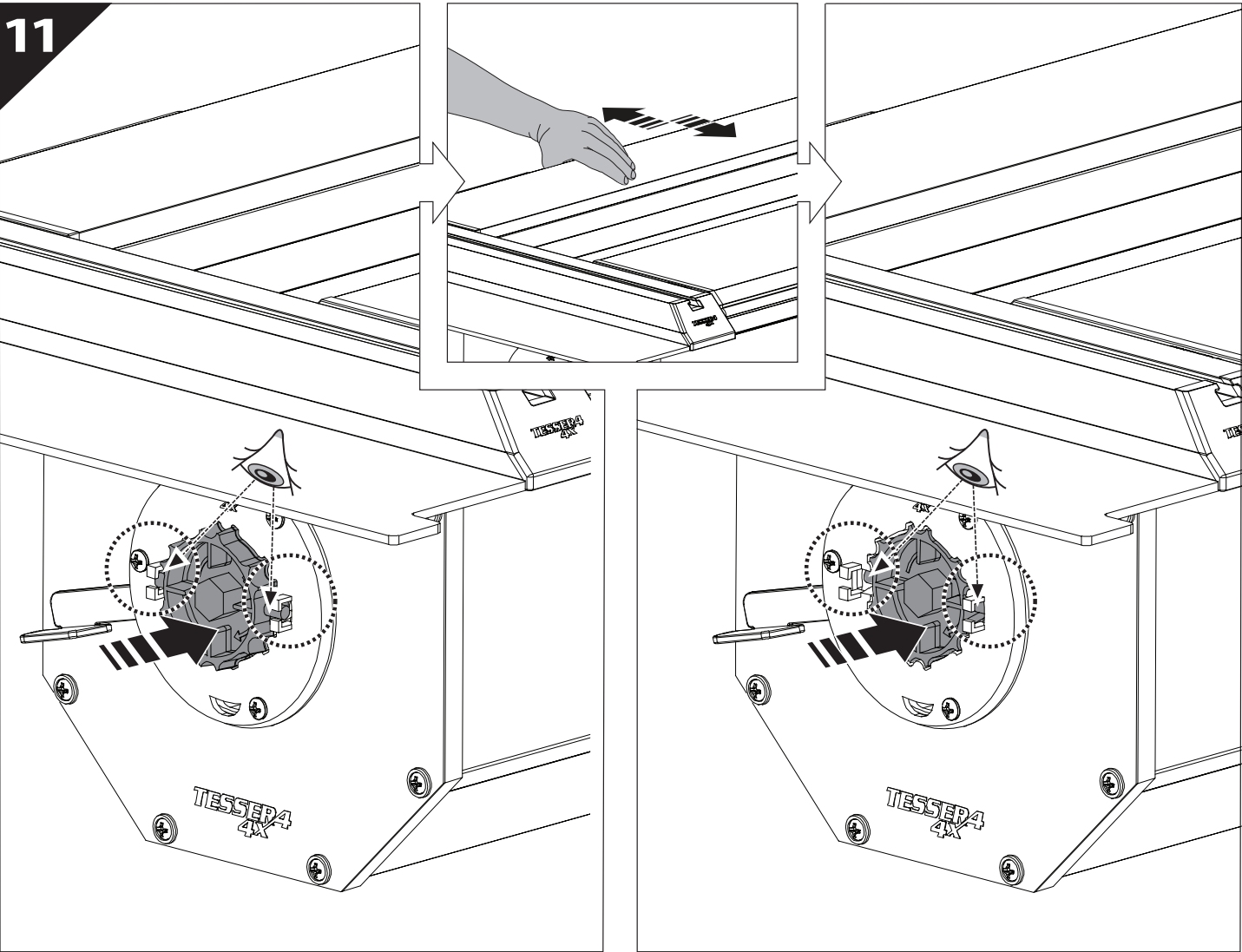


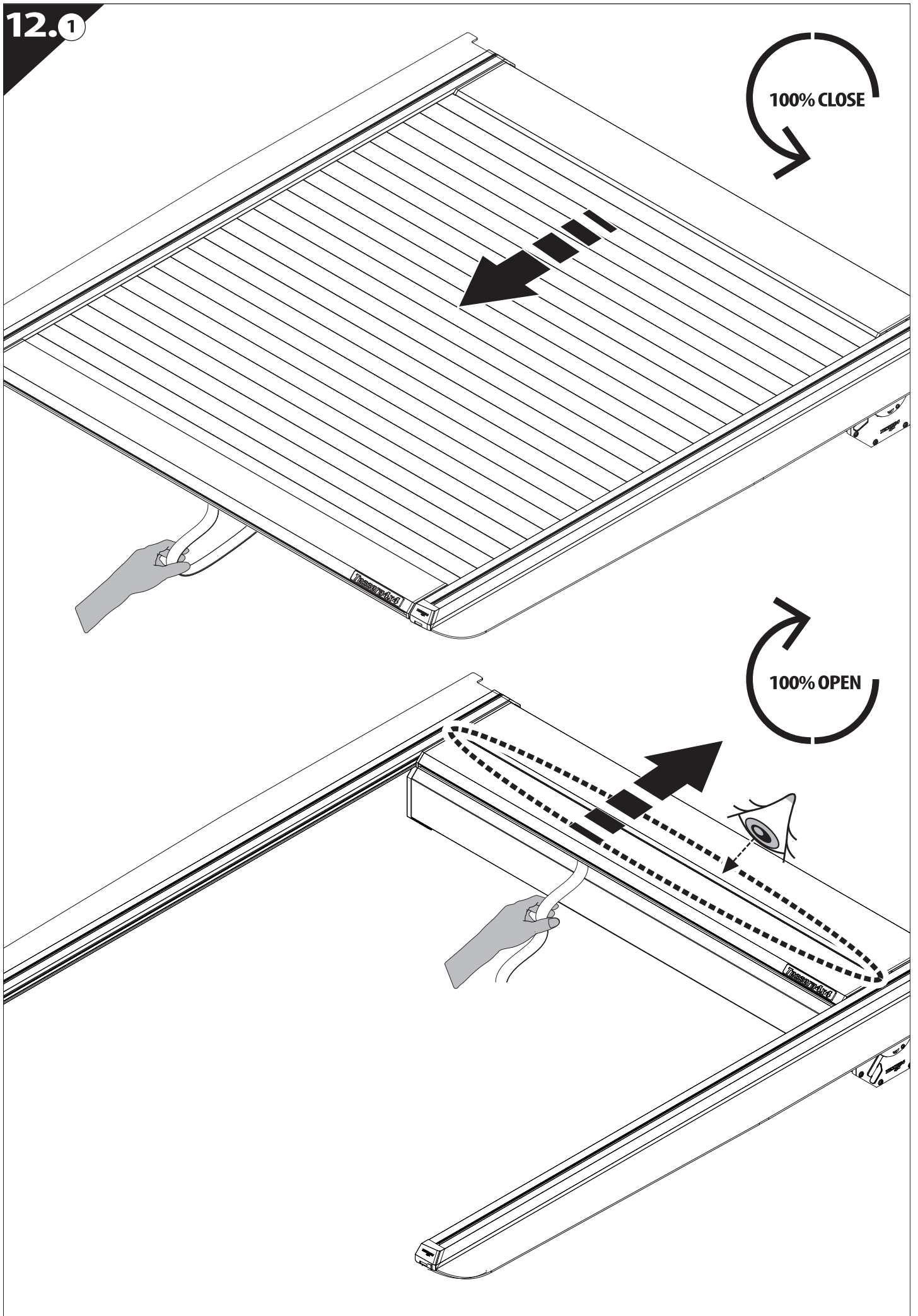




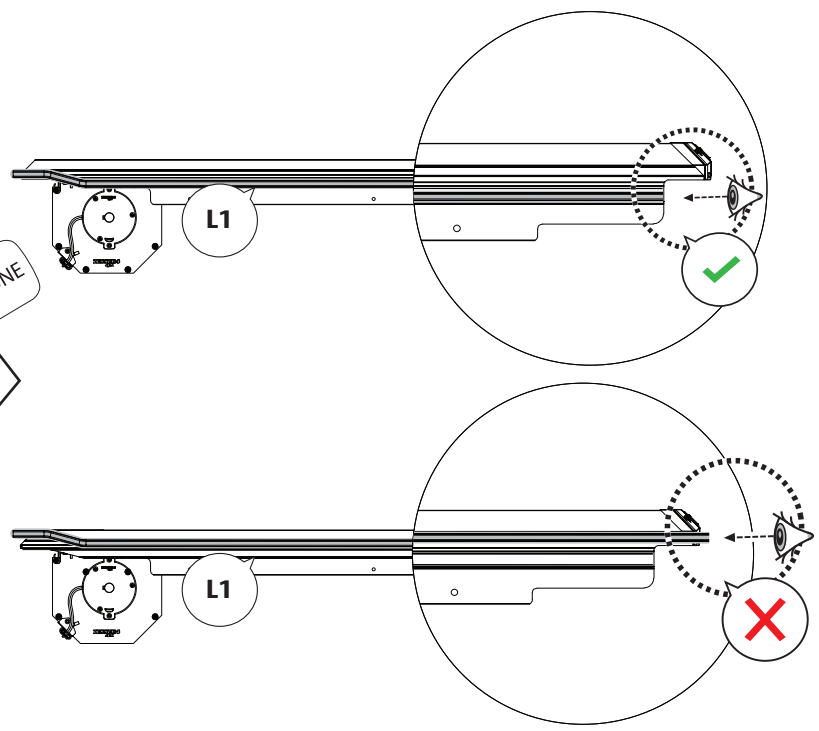
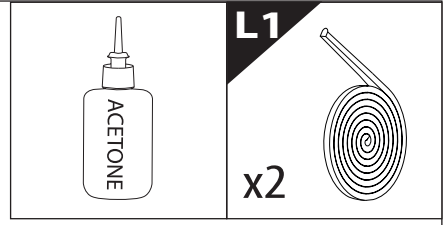
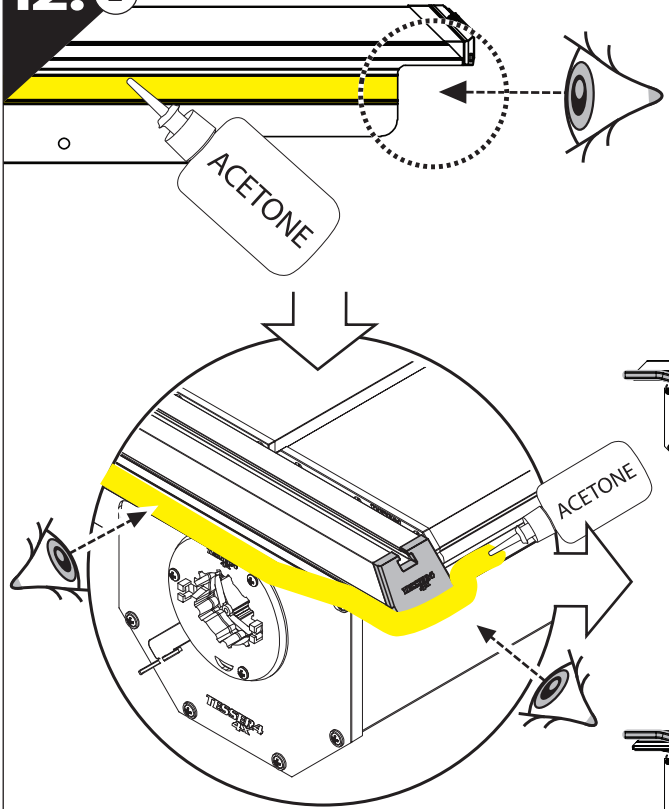
10



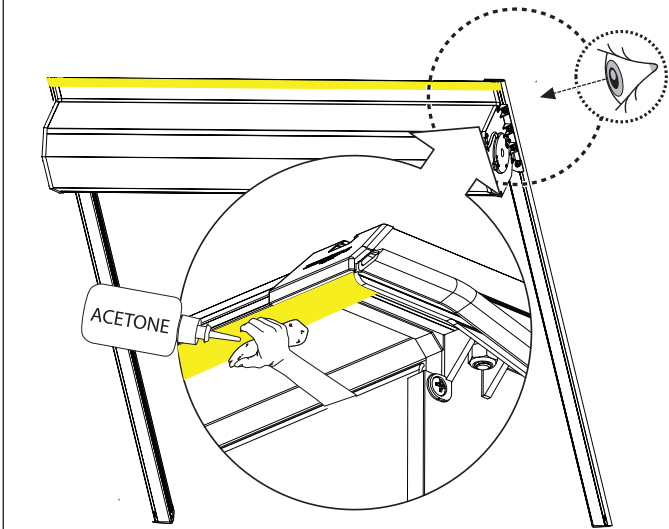




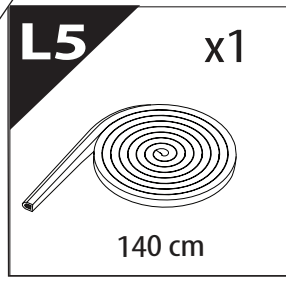
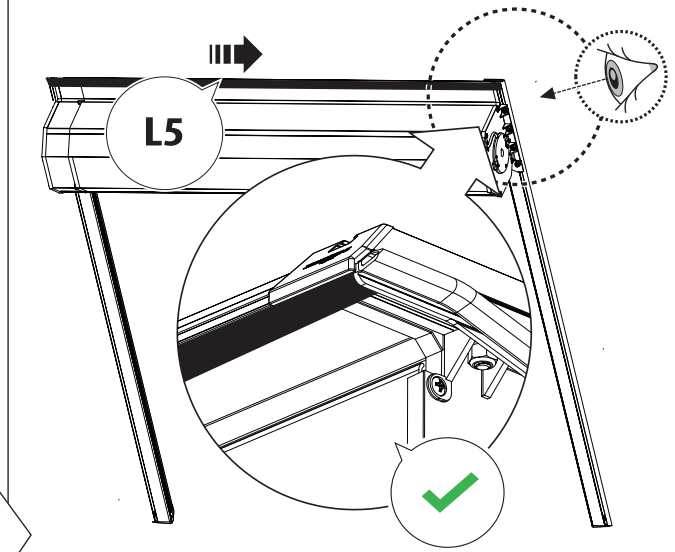
12.2



12.3



12.4



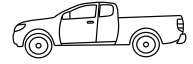
13



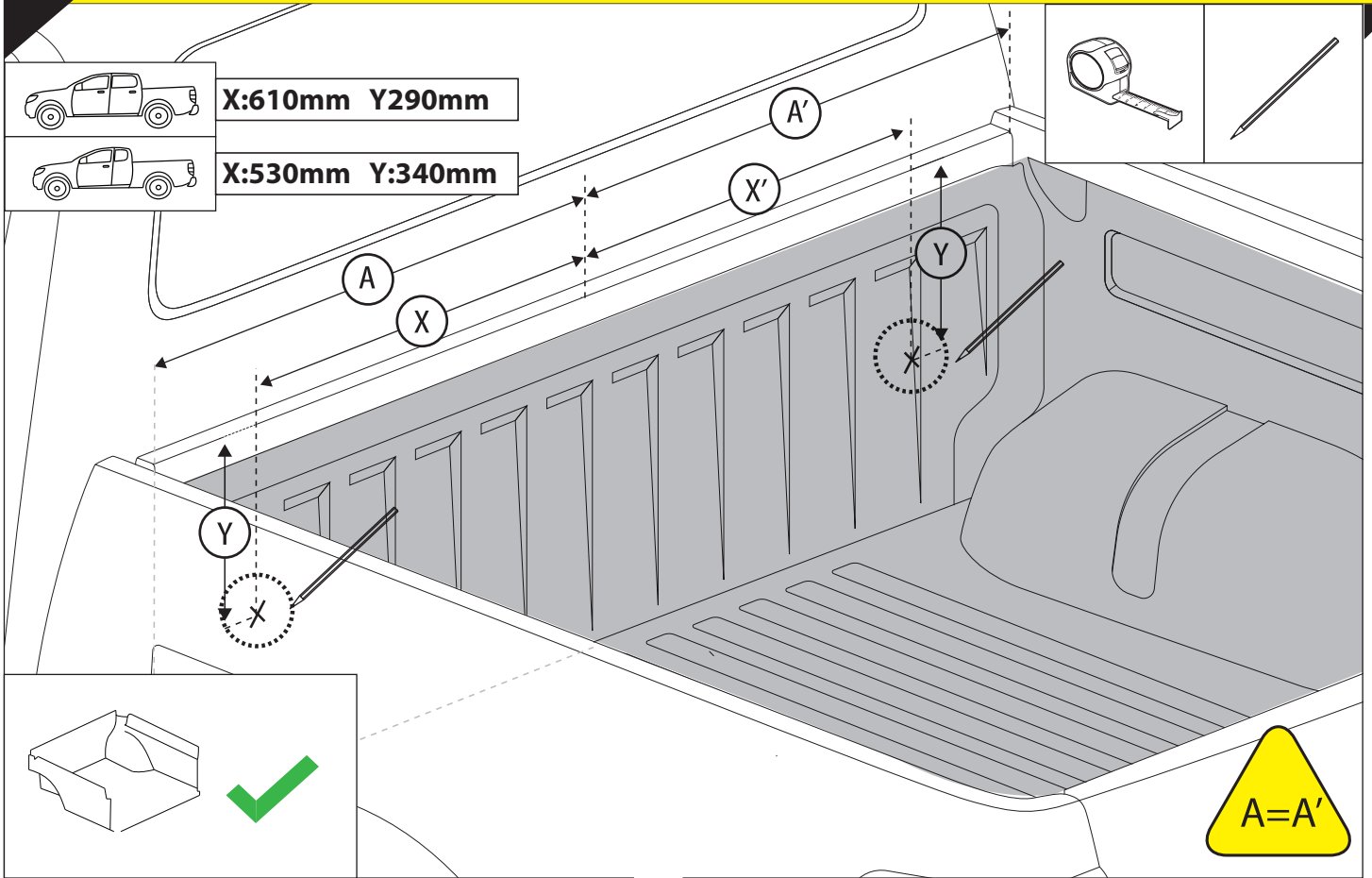
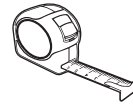
CAUTION: LIMITED, WILDTRAK, WILDTRAK X, PLATINUM



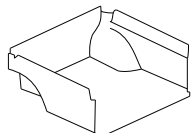
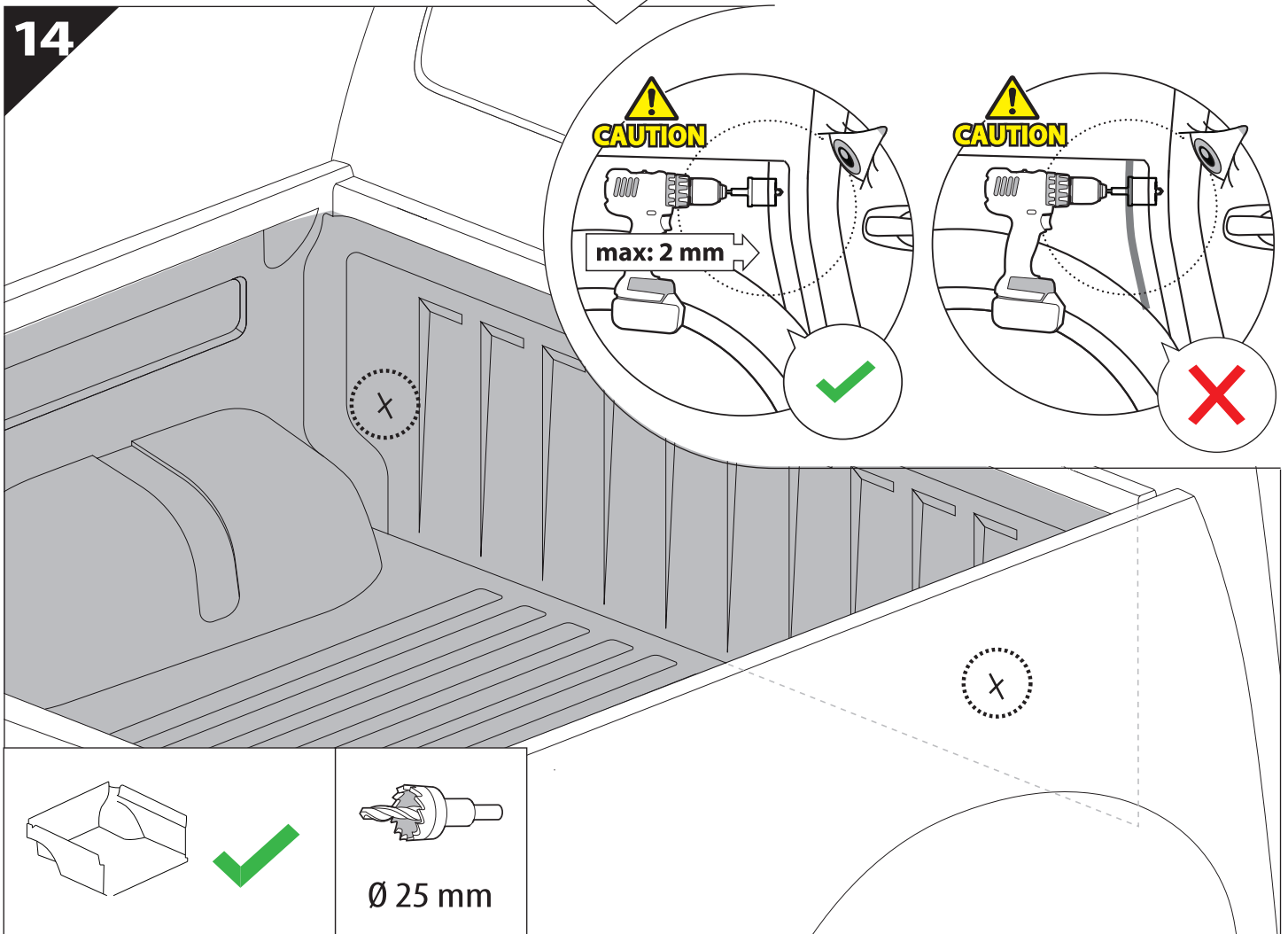
X:610mm Y:290mm



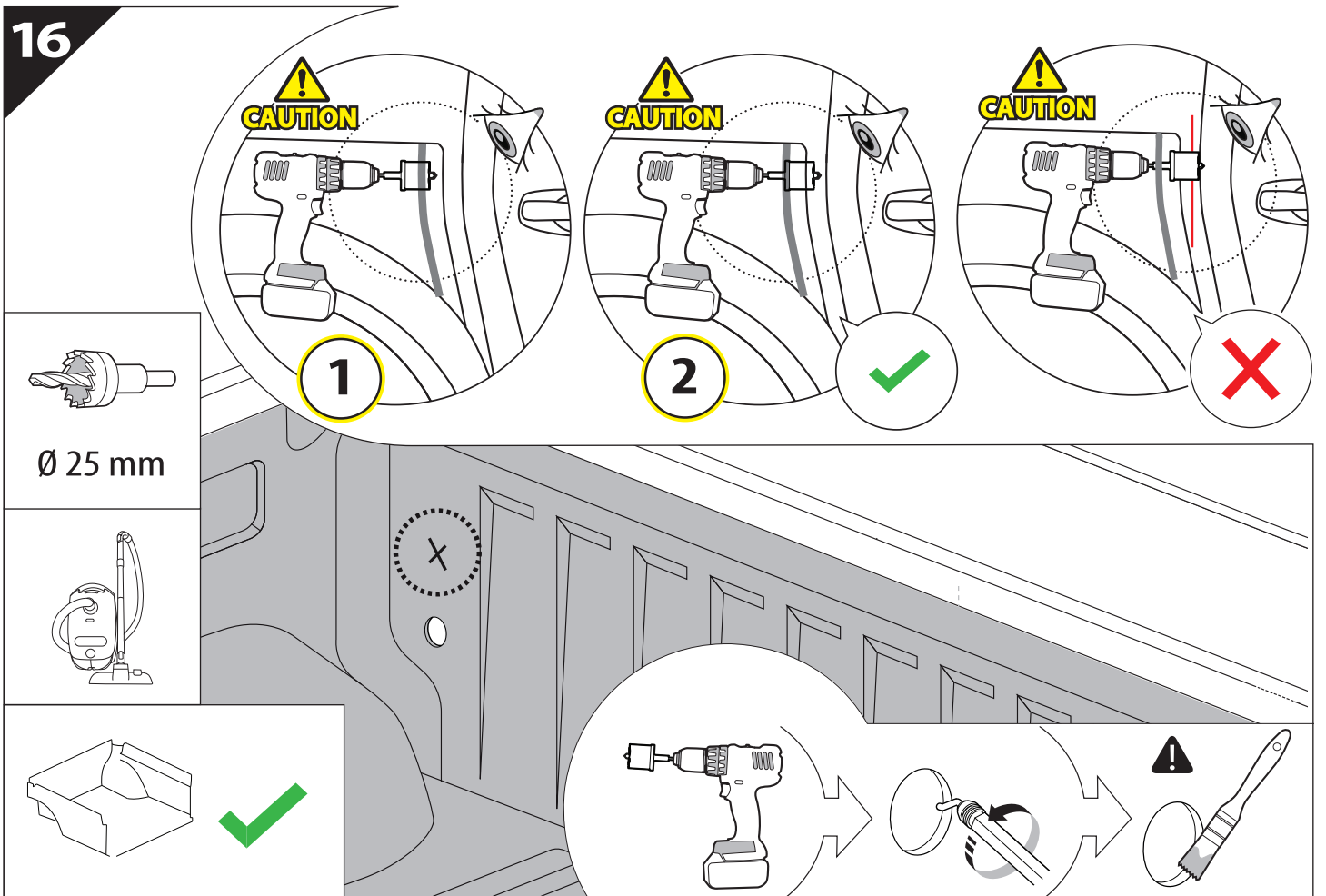
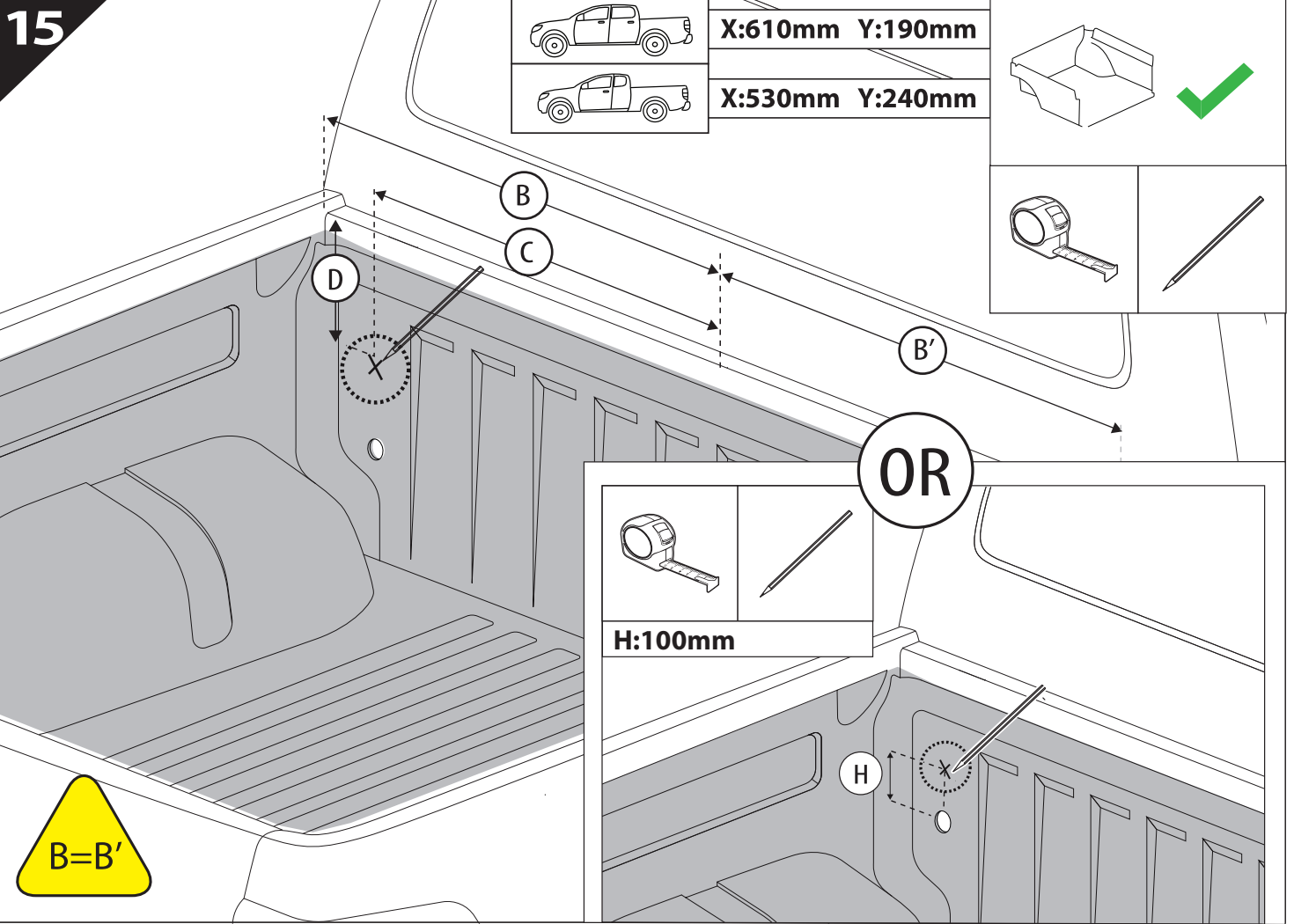
X:530mm Y:340mm

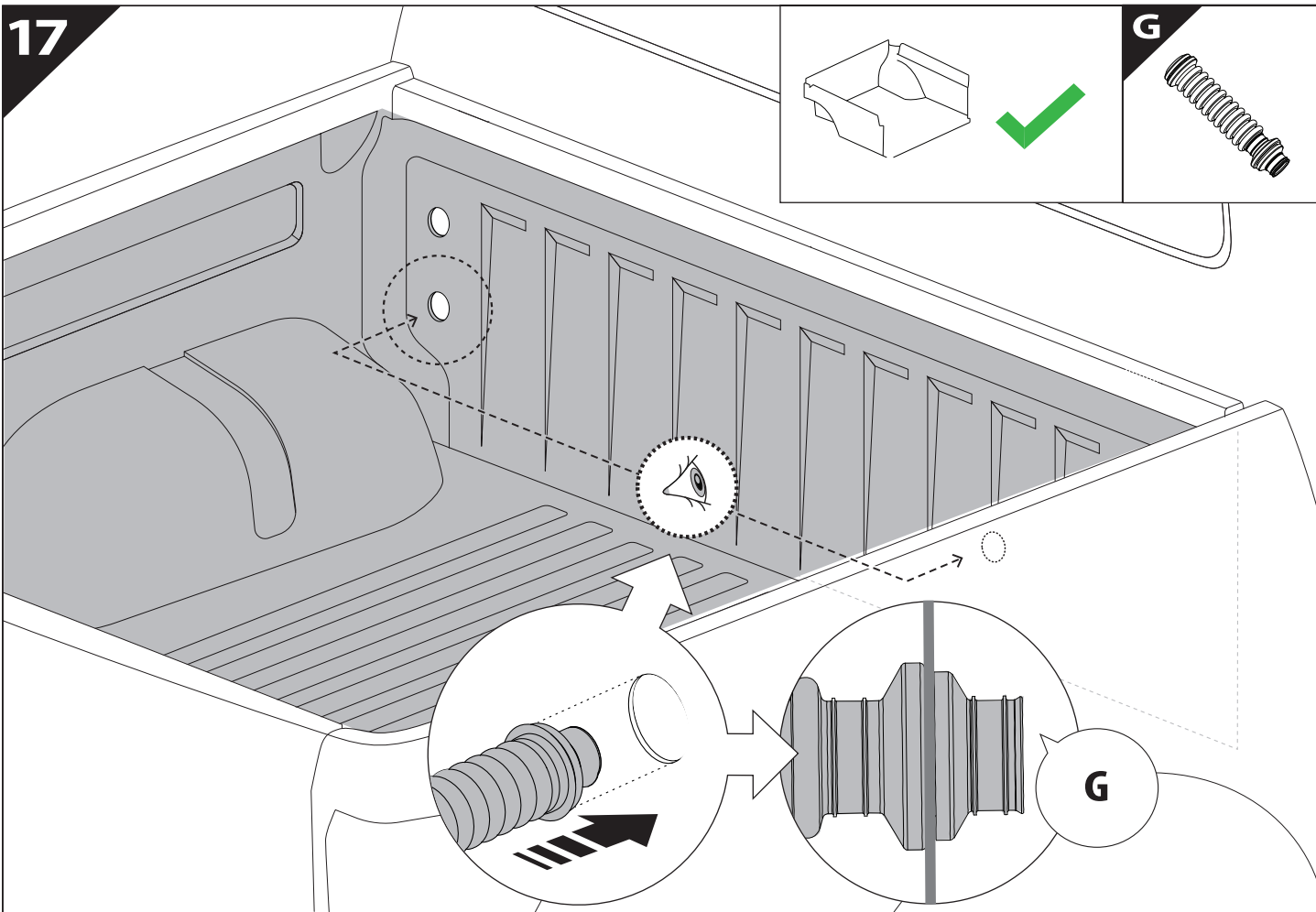


14

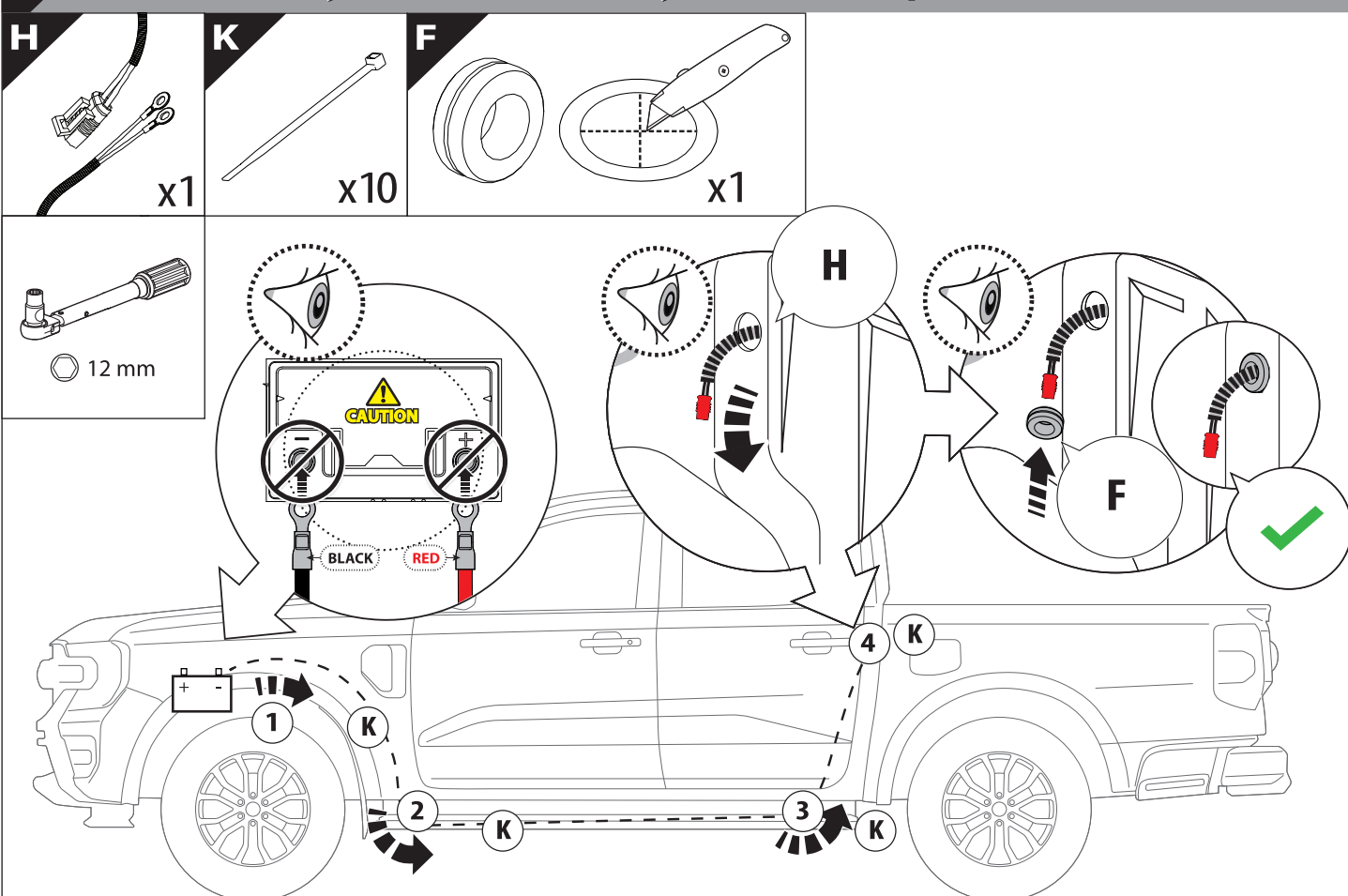


Ø 25 mm

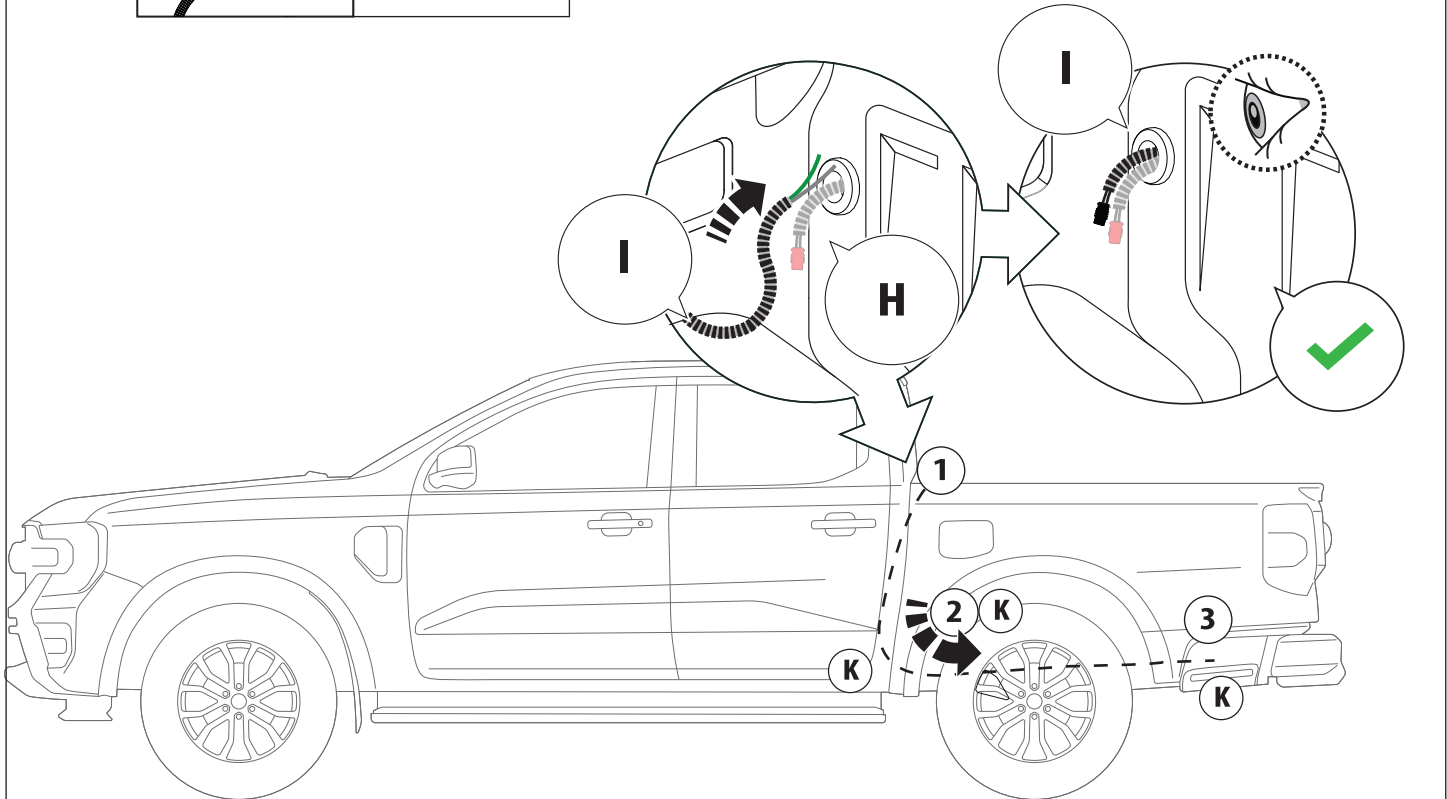
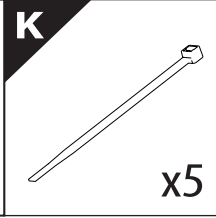
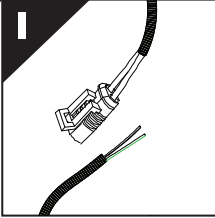




18 Only to be installed by authorized personnel



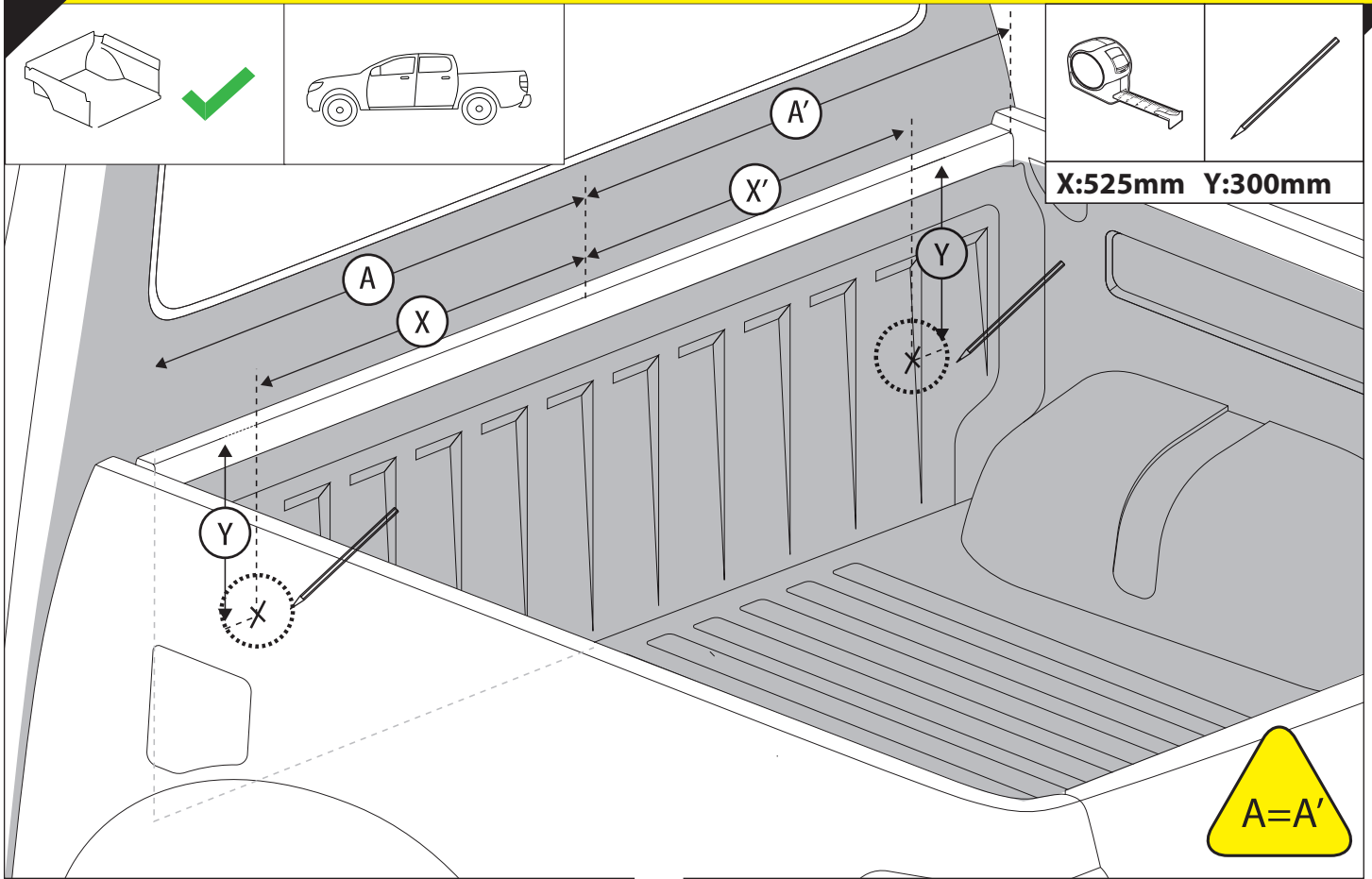
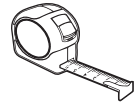
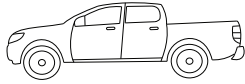
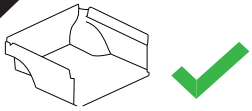
19



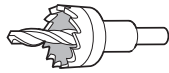
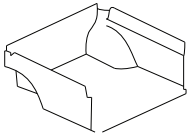
13



CAUTION: RAPTOR



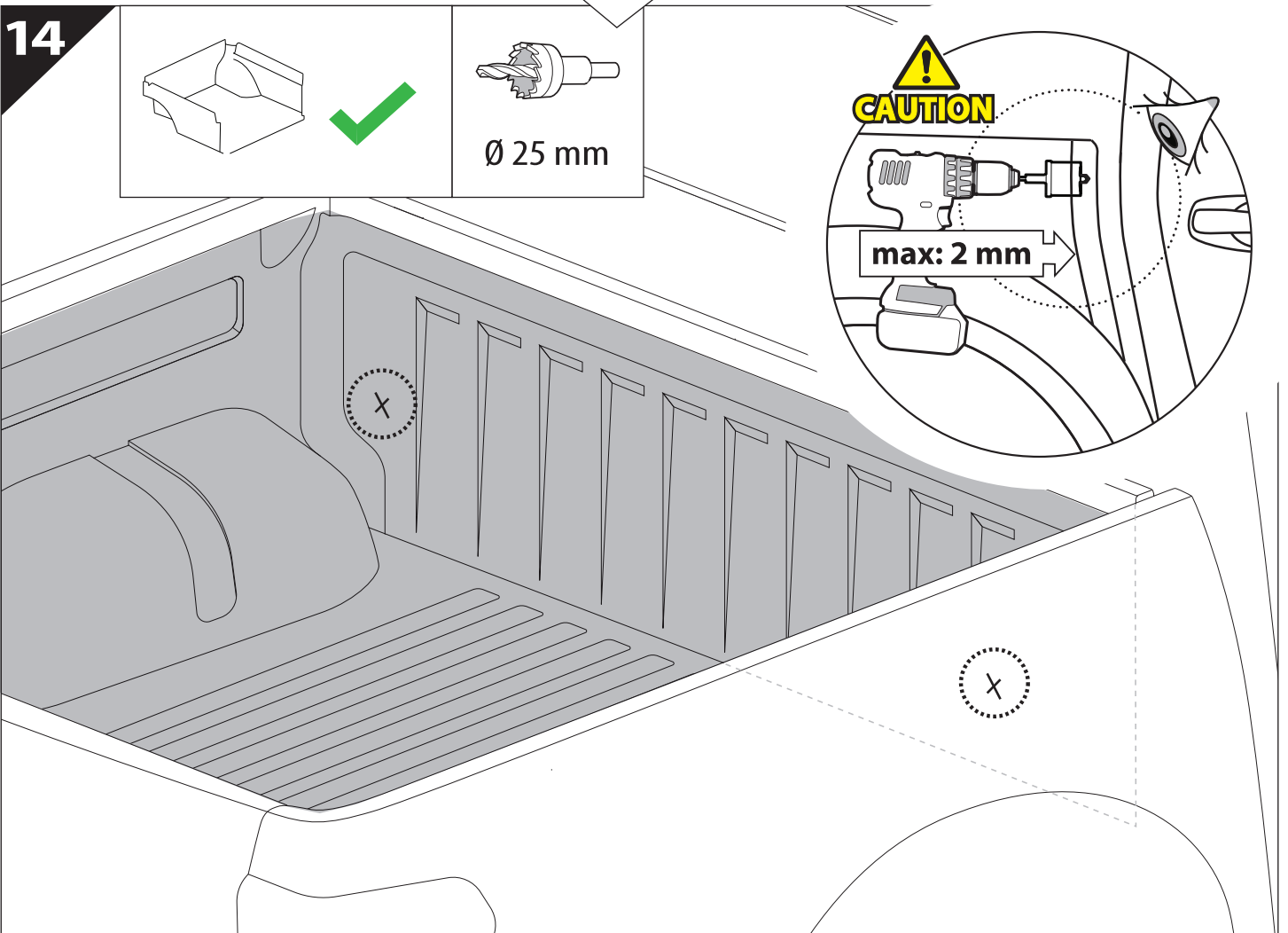
14



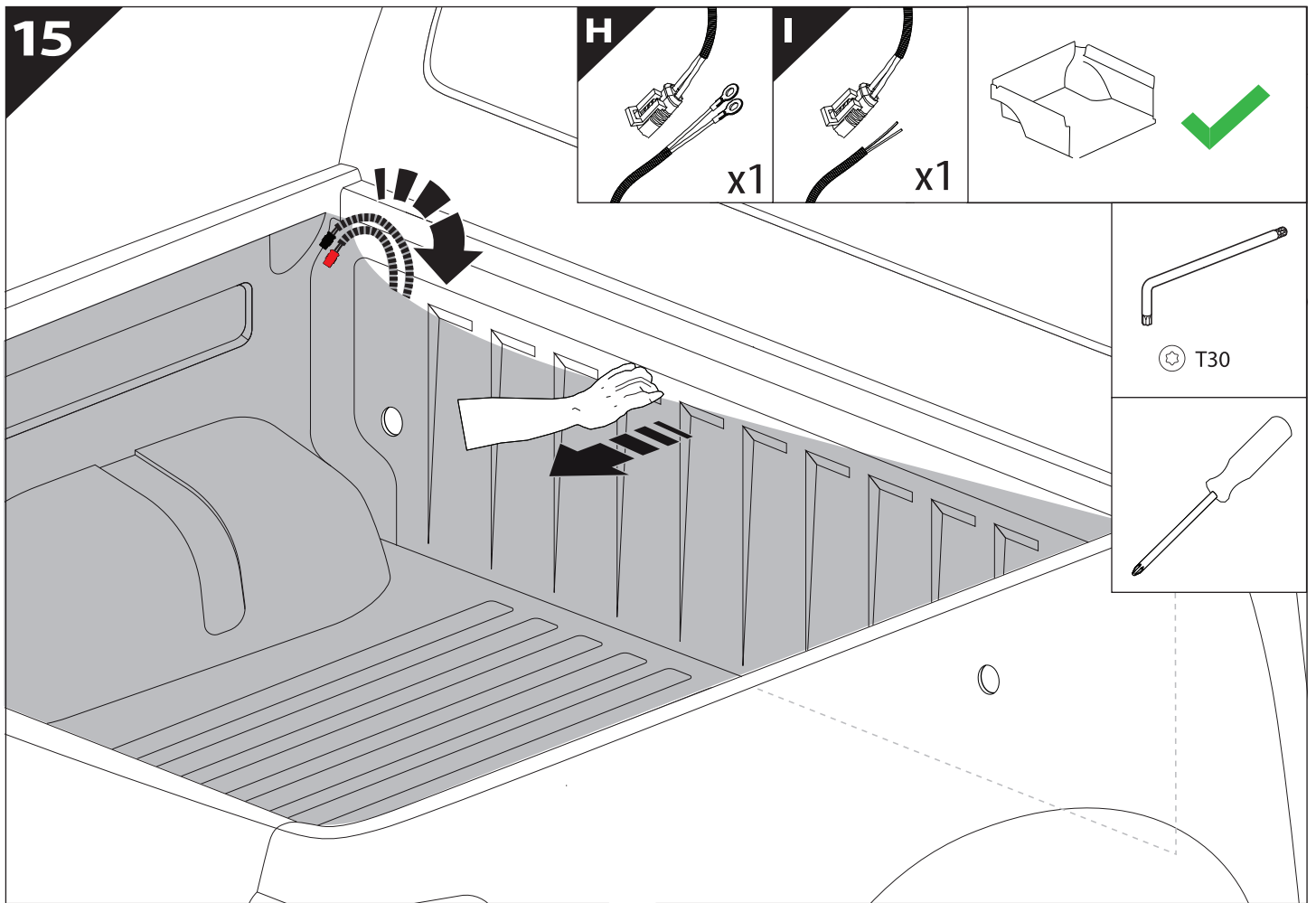
Ø 25 mm

CAUTION

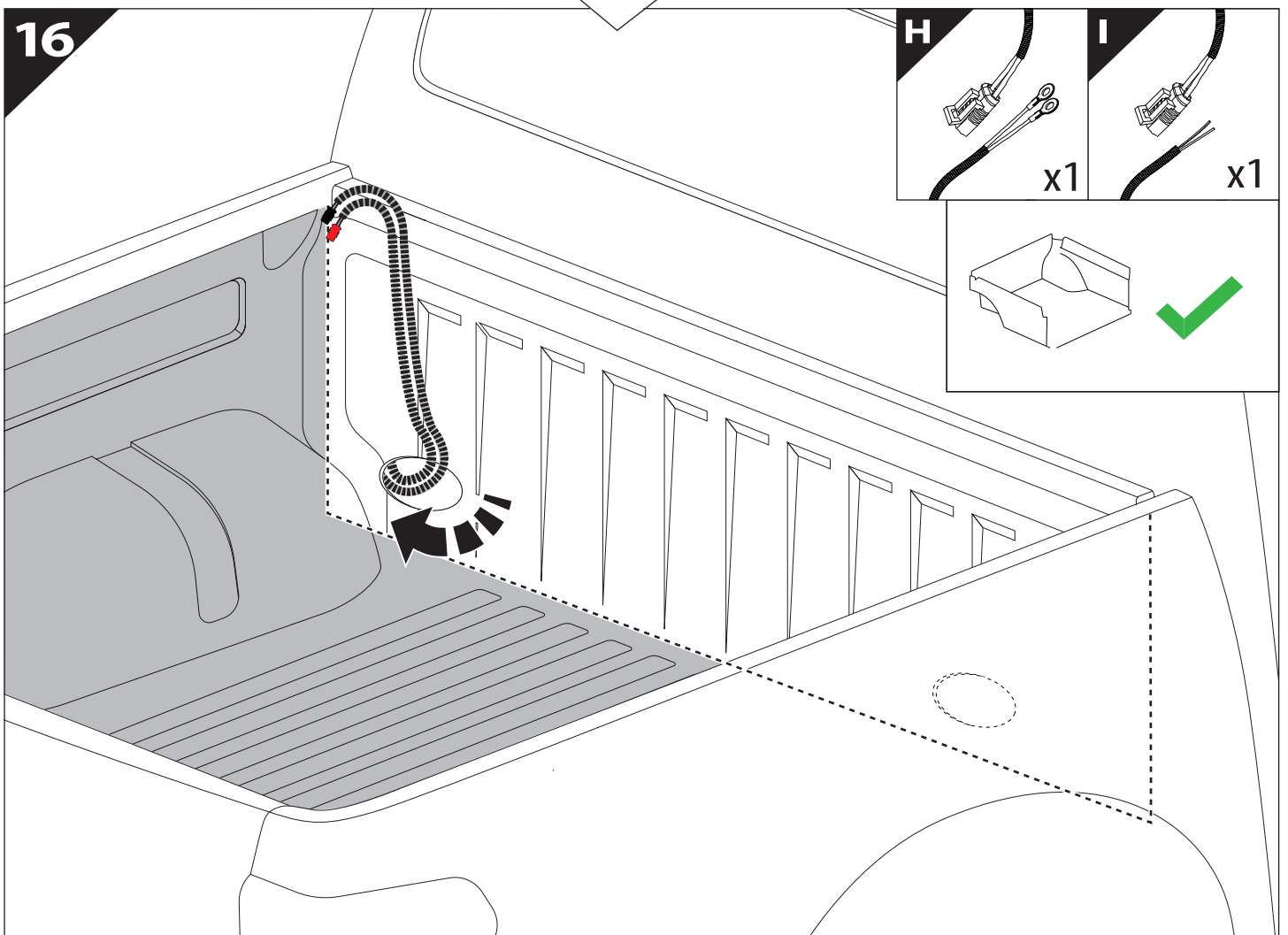
max: 2 mm

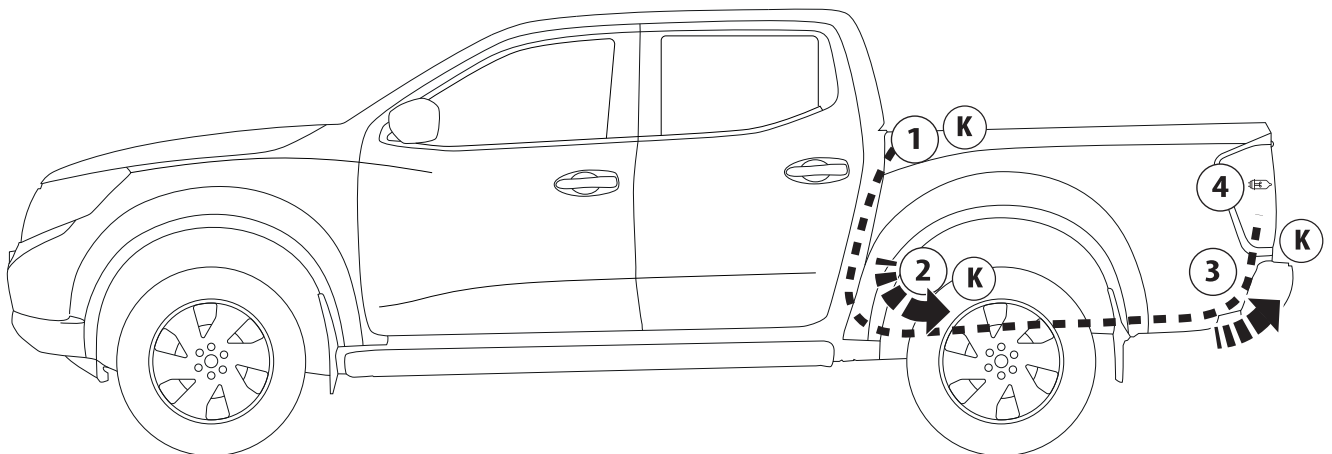
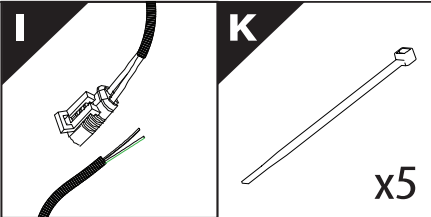
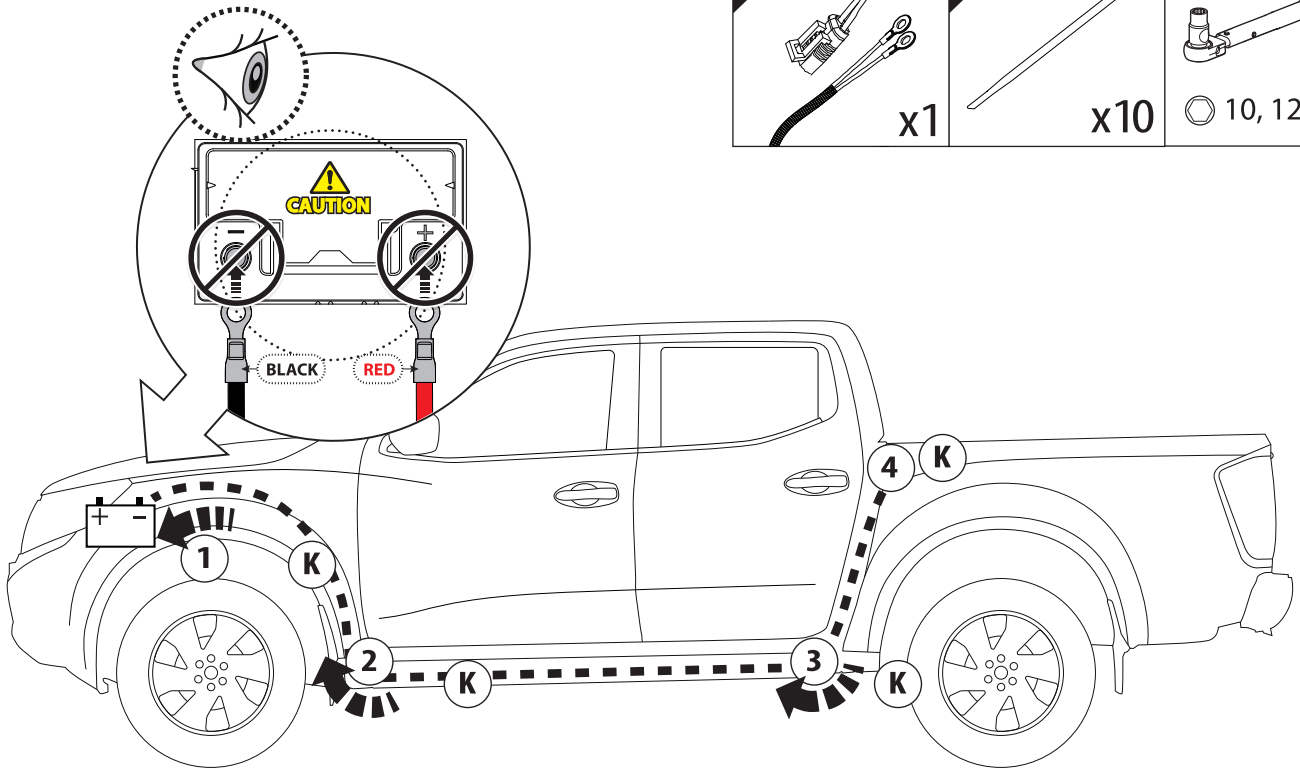
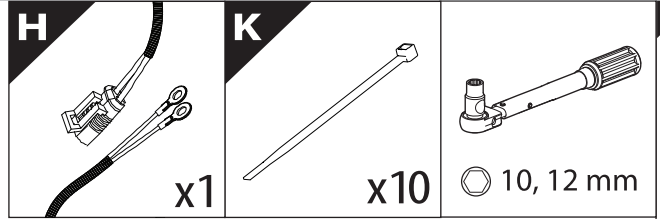


15

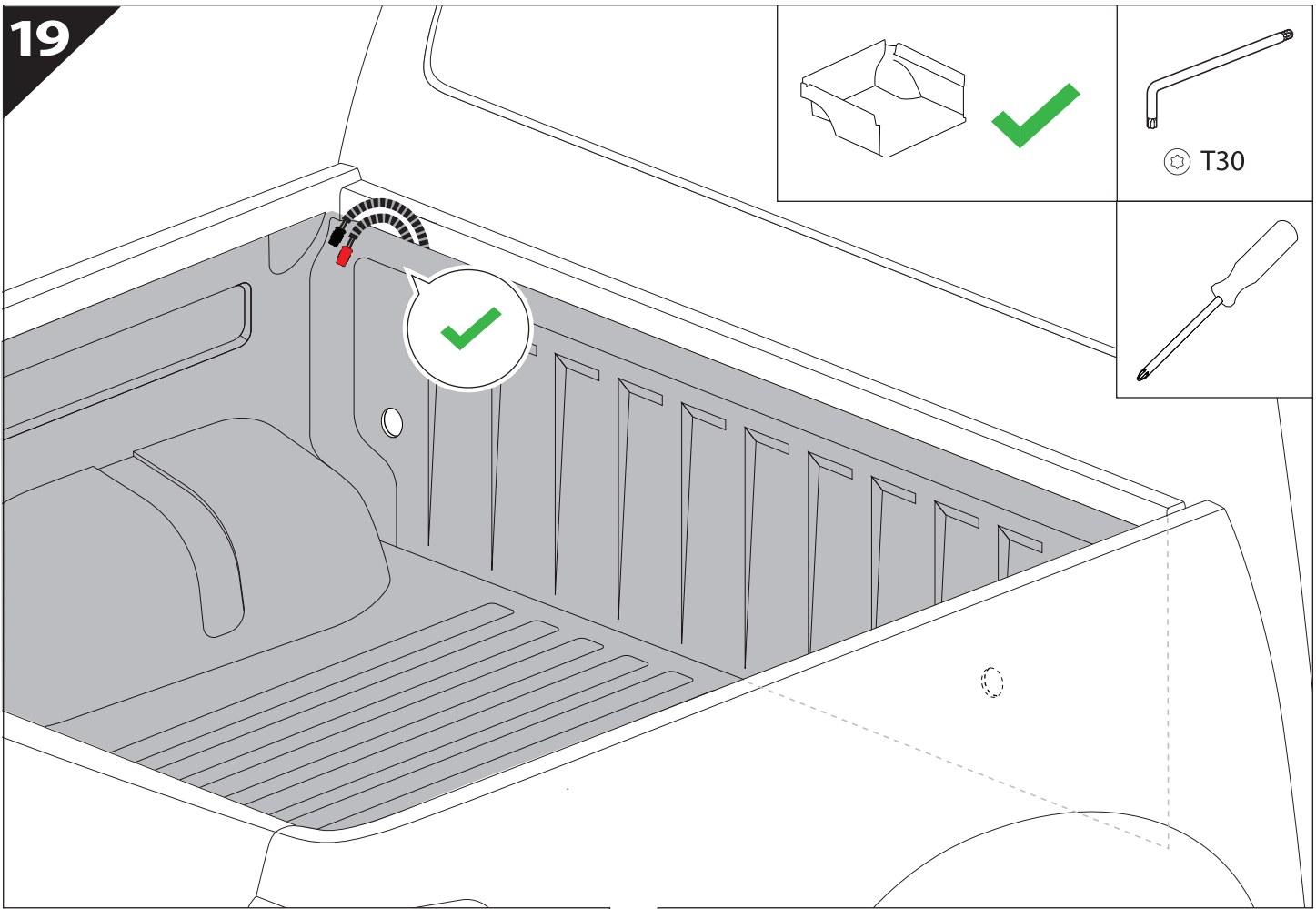
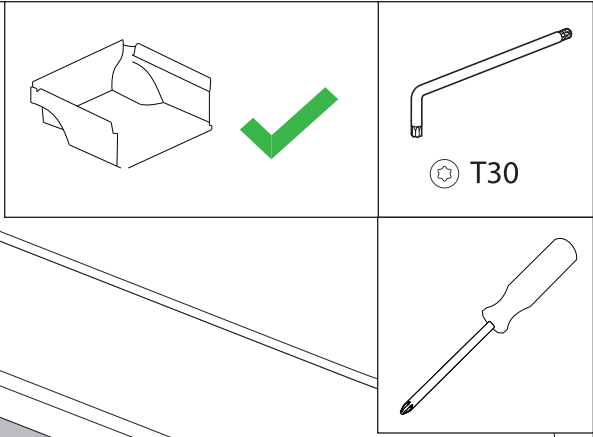


16

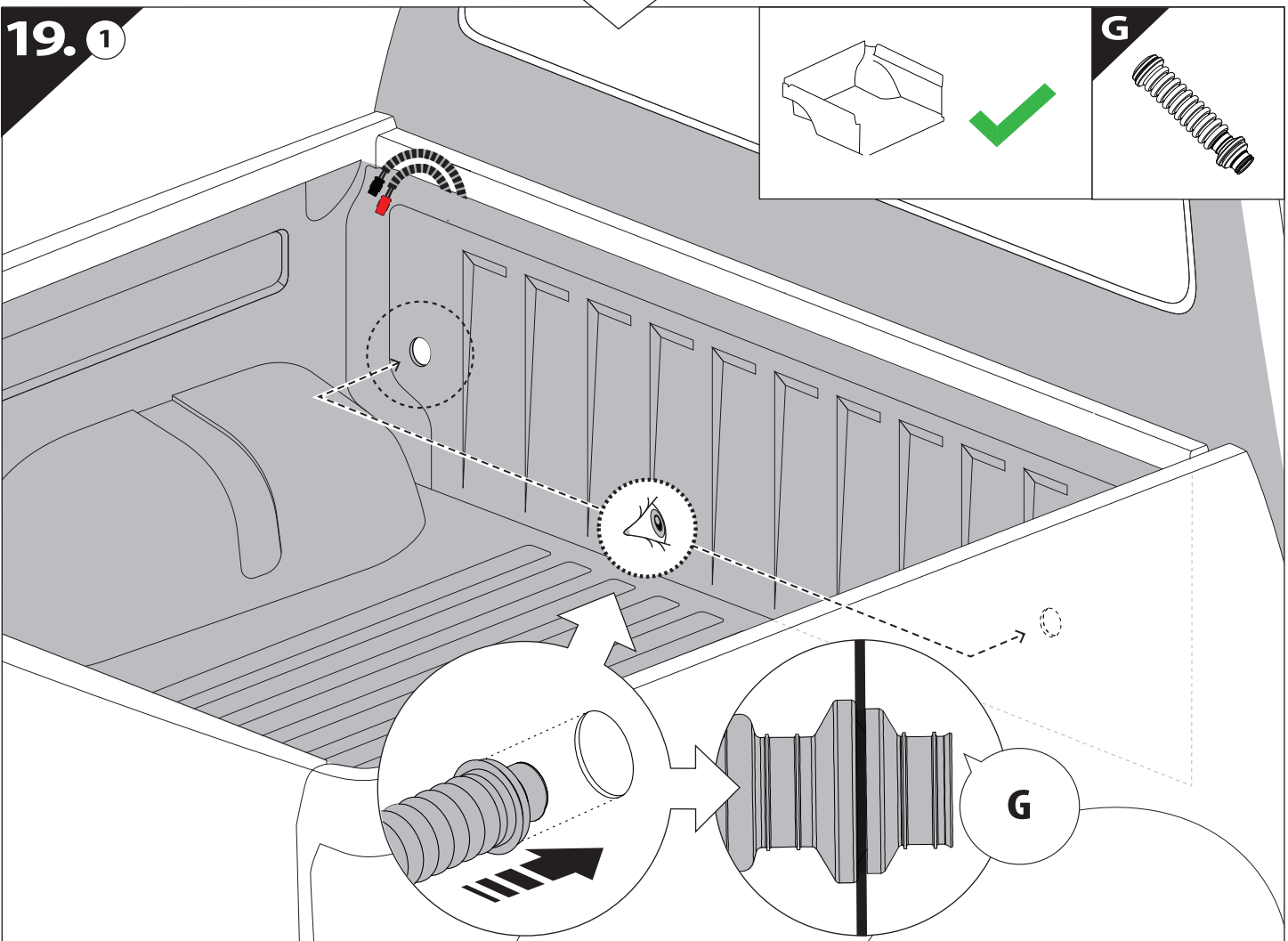
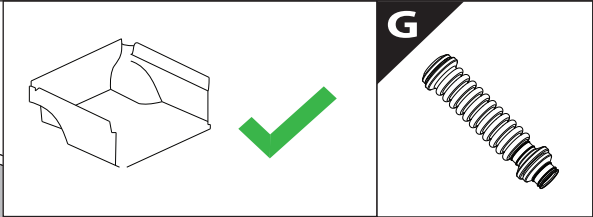




19

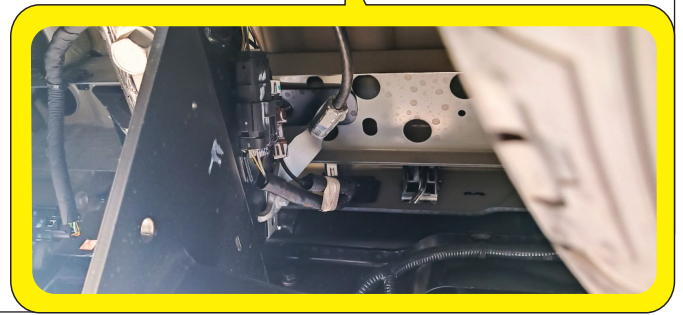
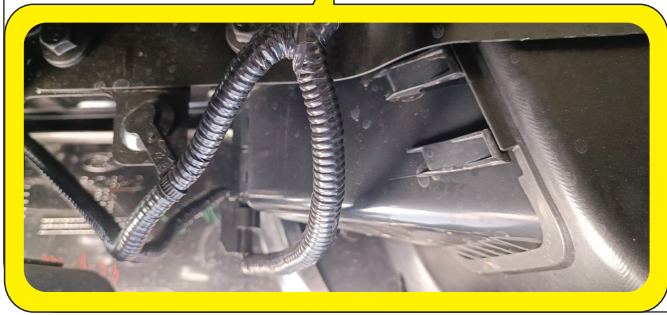
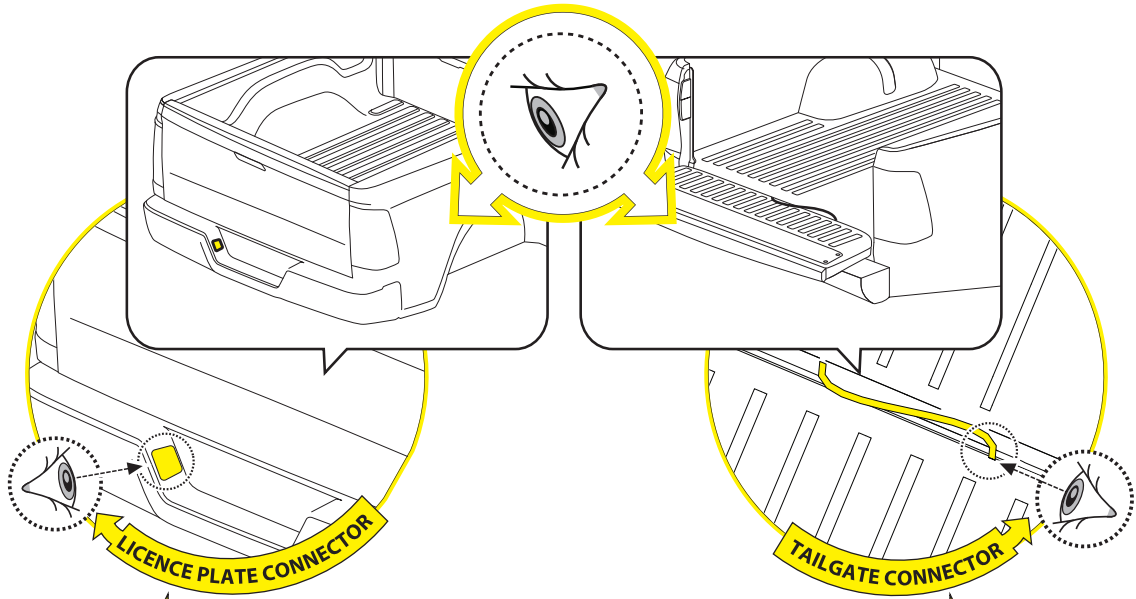


19.1

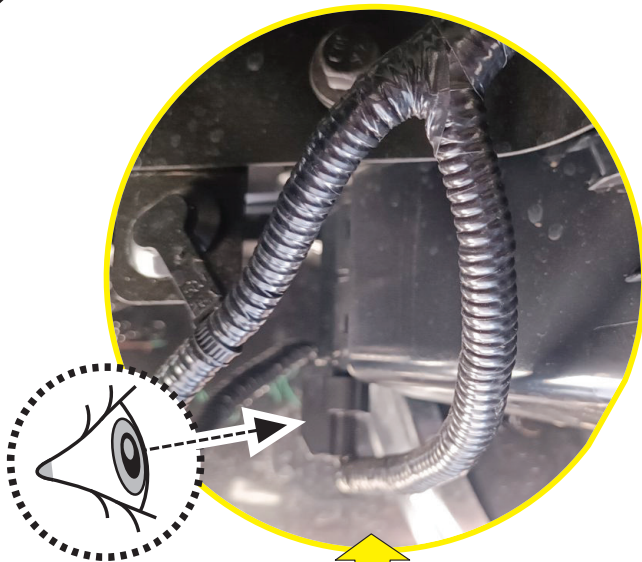




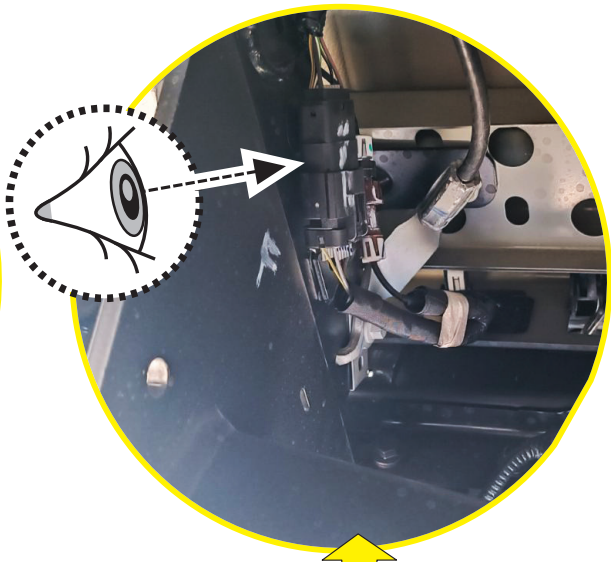
CAUTION: LIMITED, WILDTRAK, WILDTRAK X, PLATINUM



20. ①



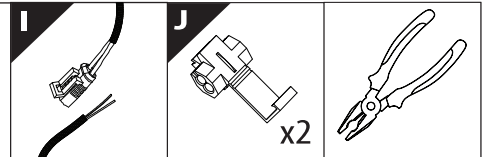
LICENCE PLATE CONNECTOR



TAILGATE CONNECTOR

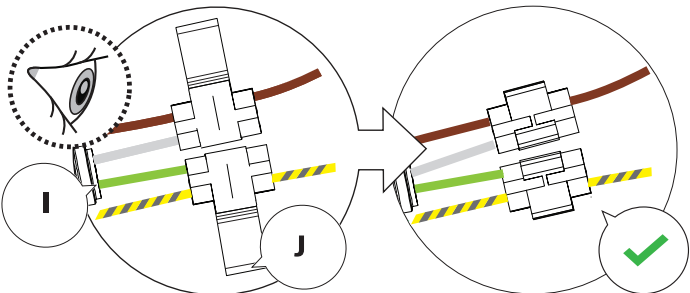
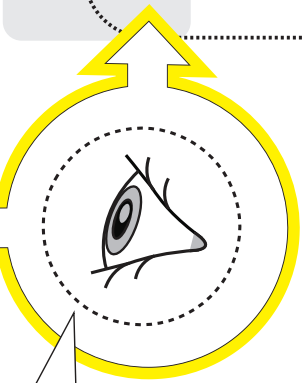
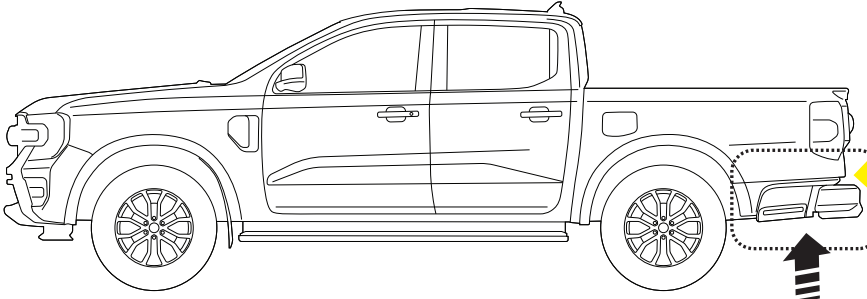
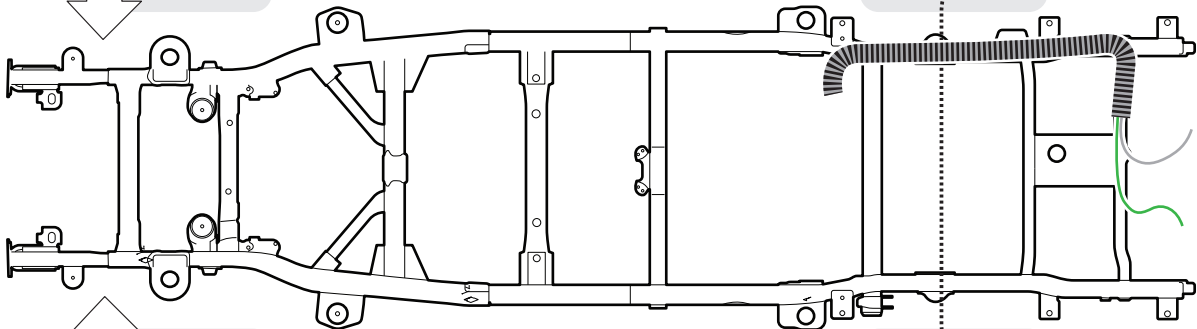
20. ②

BOTTOM VIEW



DRIVER'S LEFT SIDE

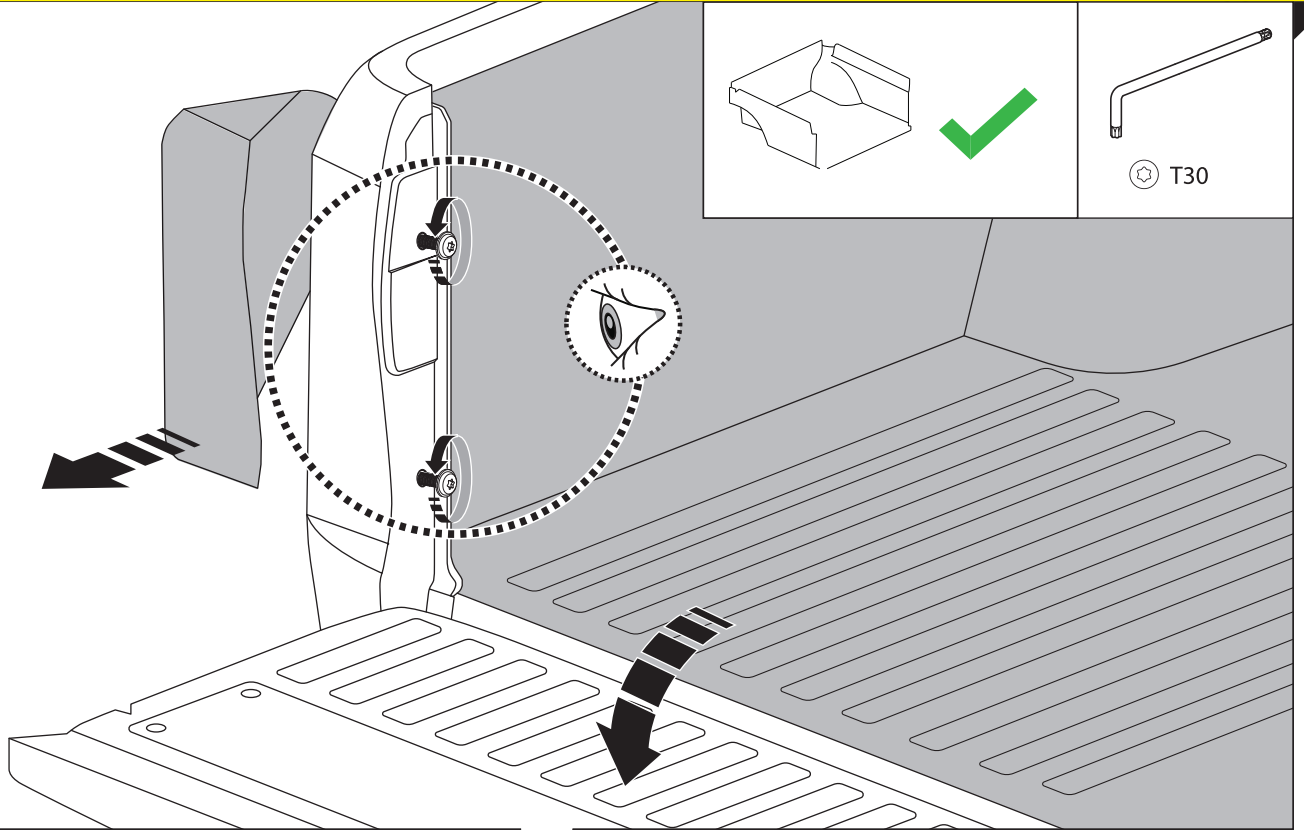
PASSENGER'S RIGHT SIDE



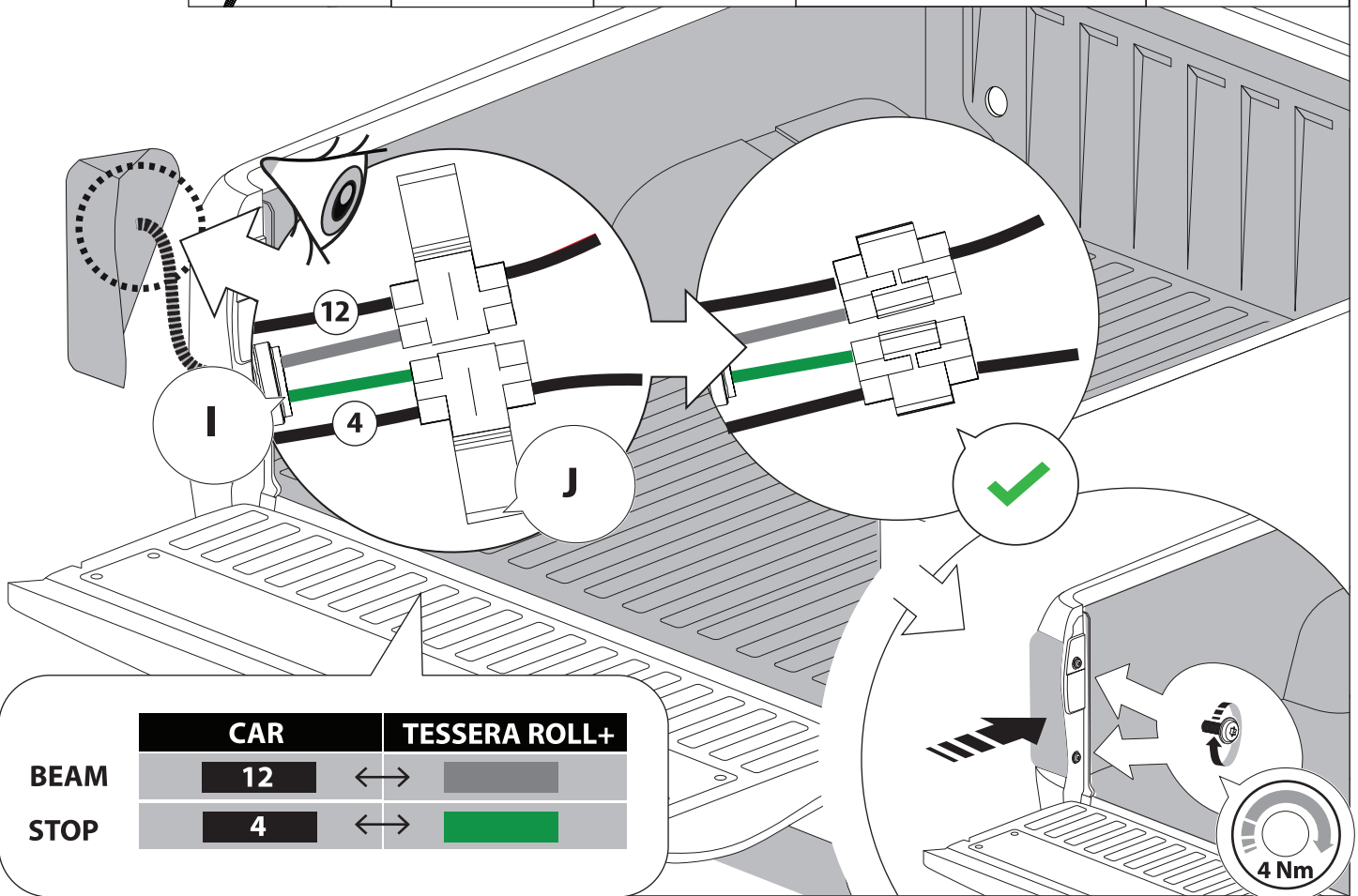
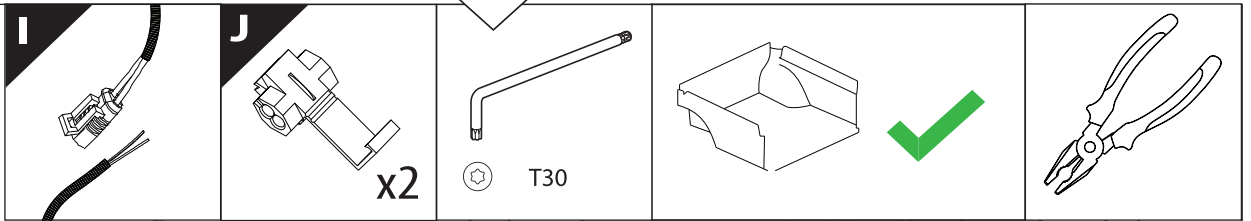
	CAR		TESSERA ROLL+
BEAM		↔	
LICENCE PLATE 2 PIN LIGHT CONNECTOR			
STOP		↔	
TAILGATE CONNECTOR			

20.1

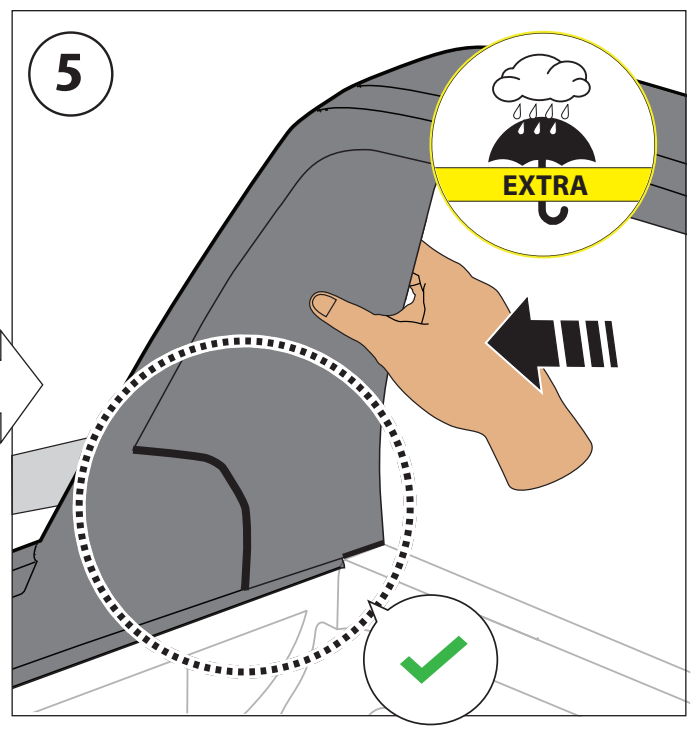
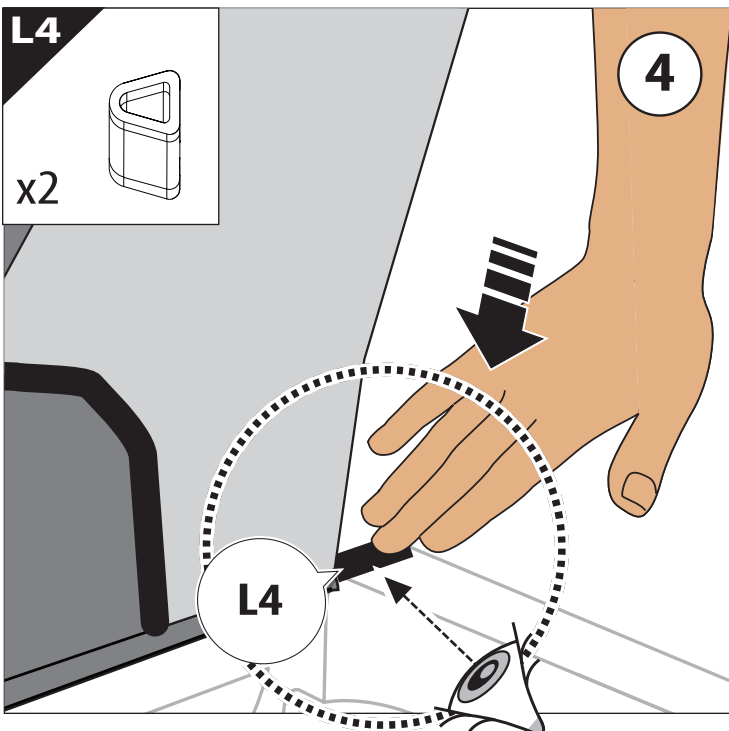
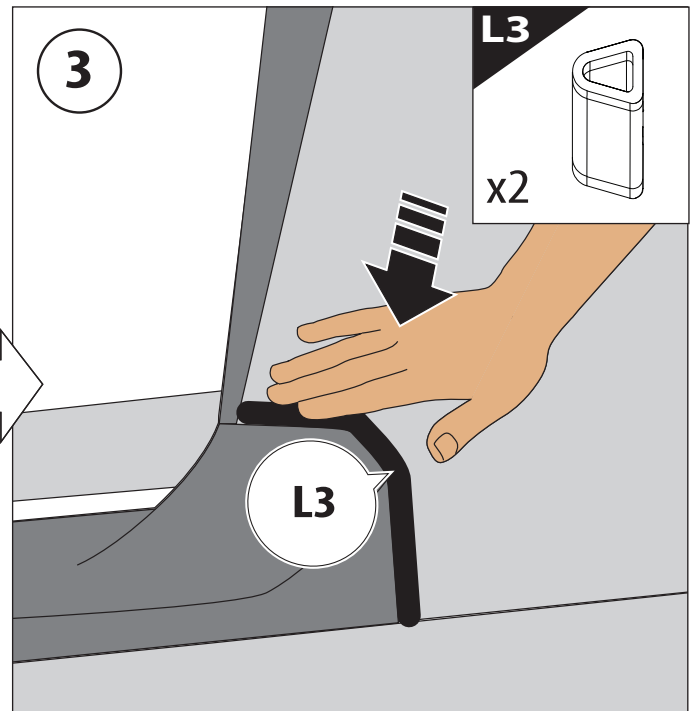
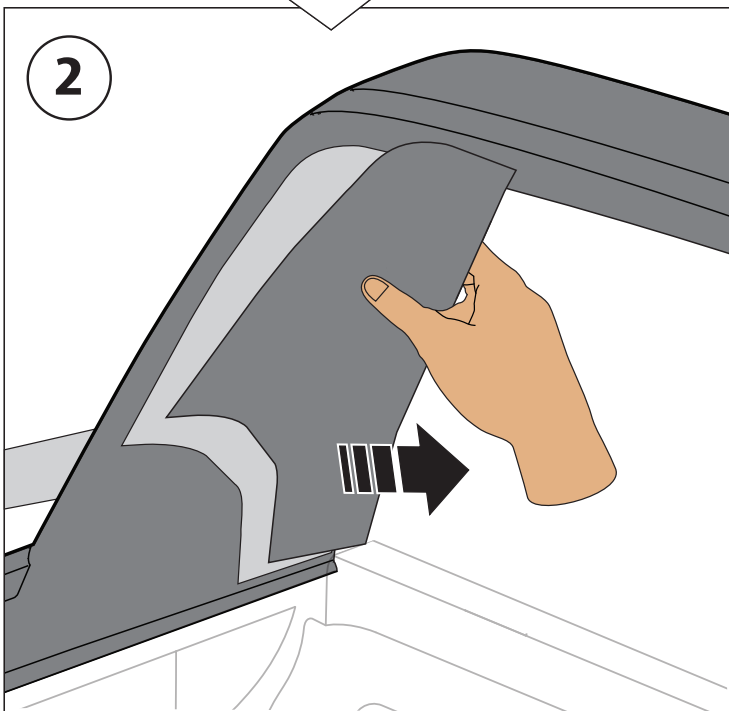
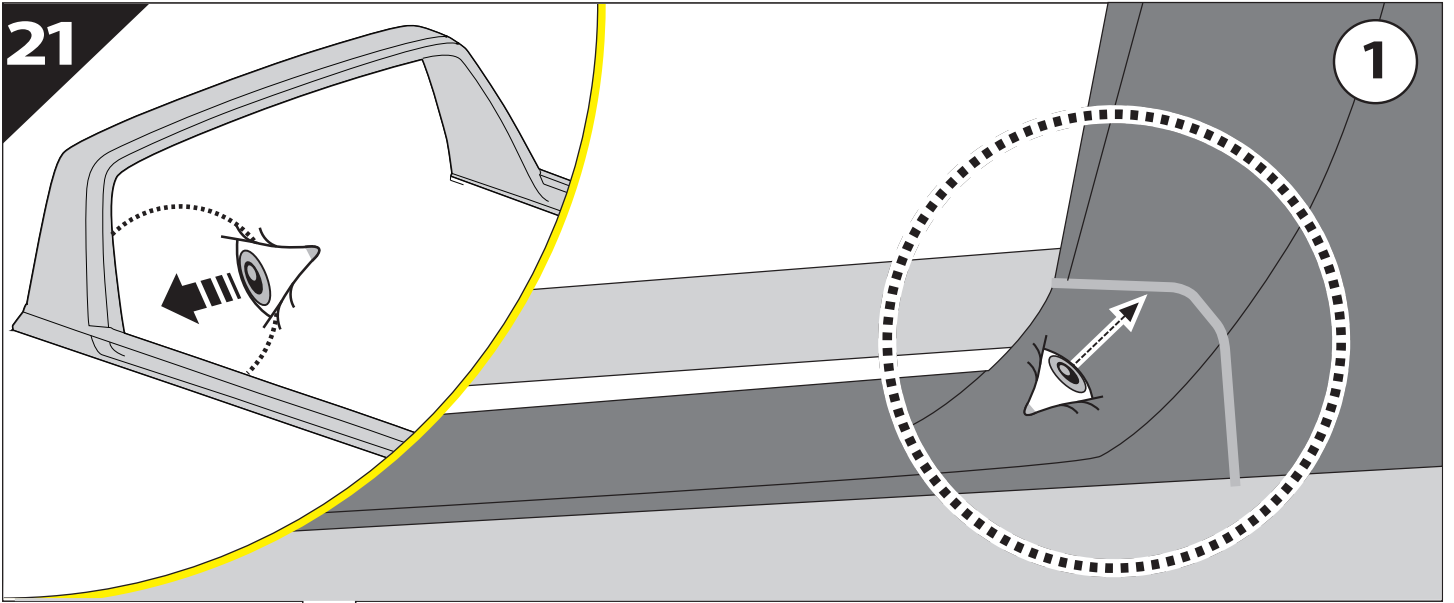
! CAUTION: RAPTOR

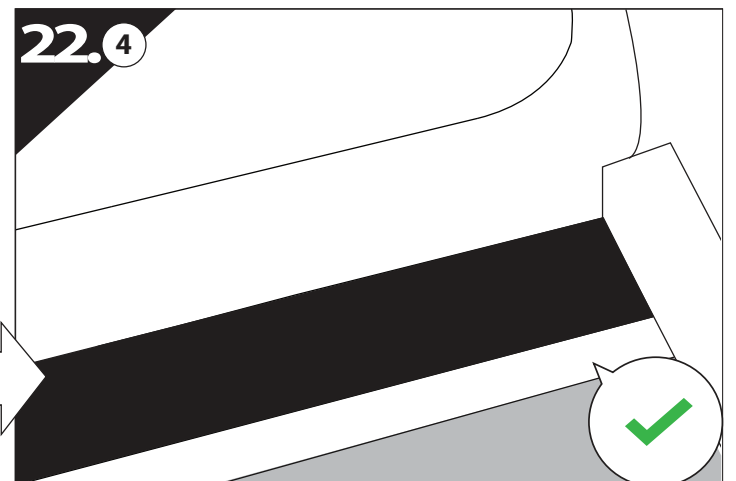
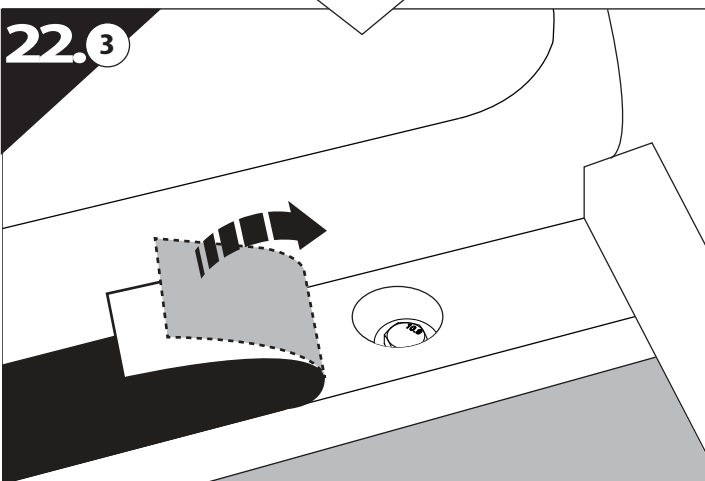
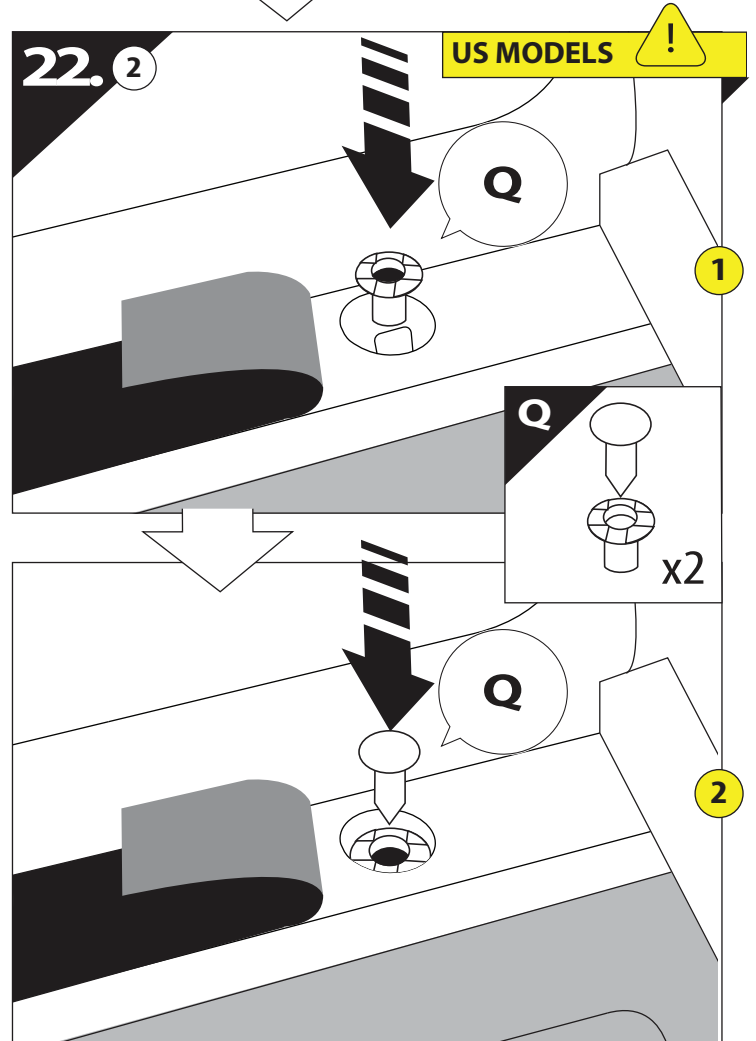
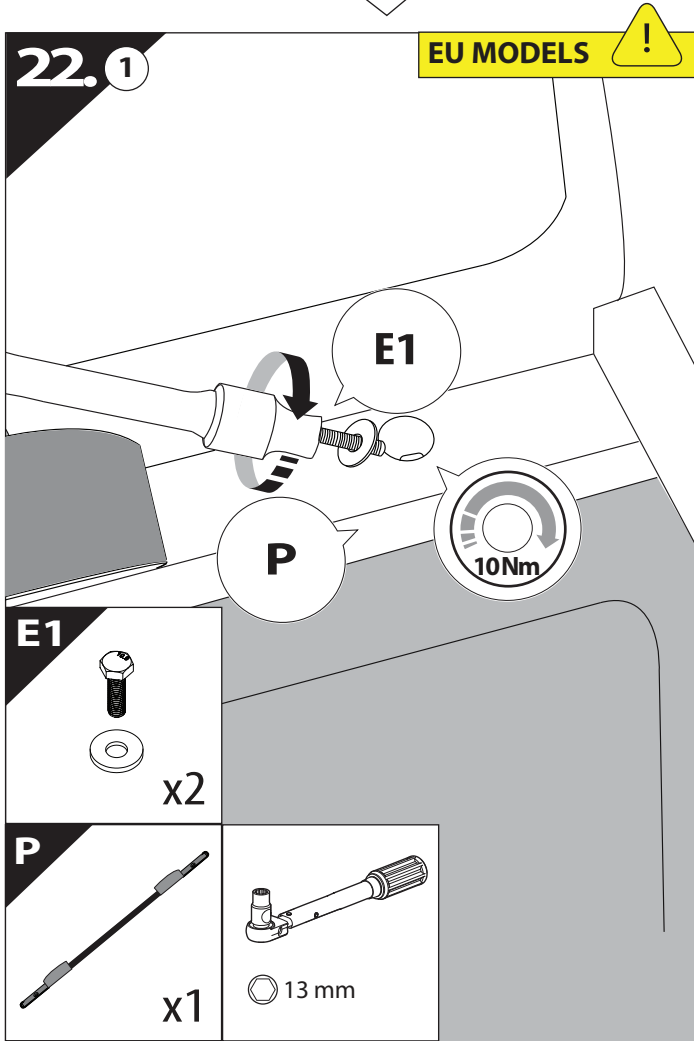
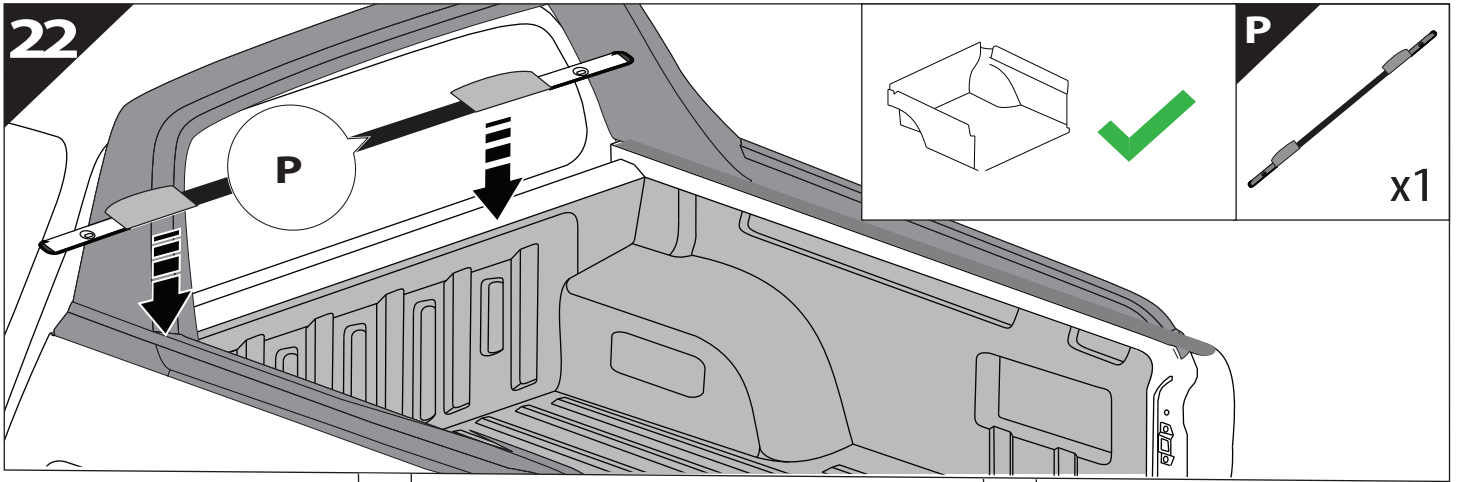


20.2



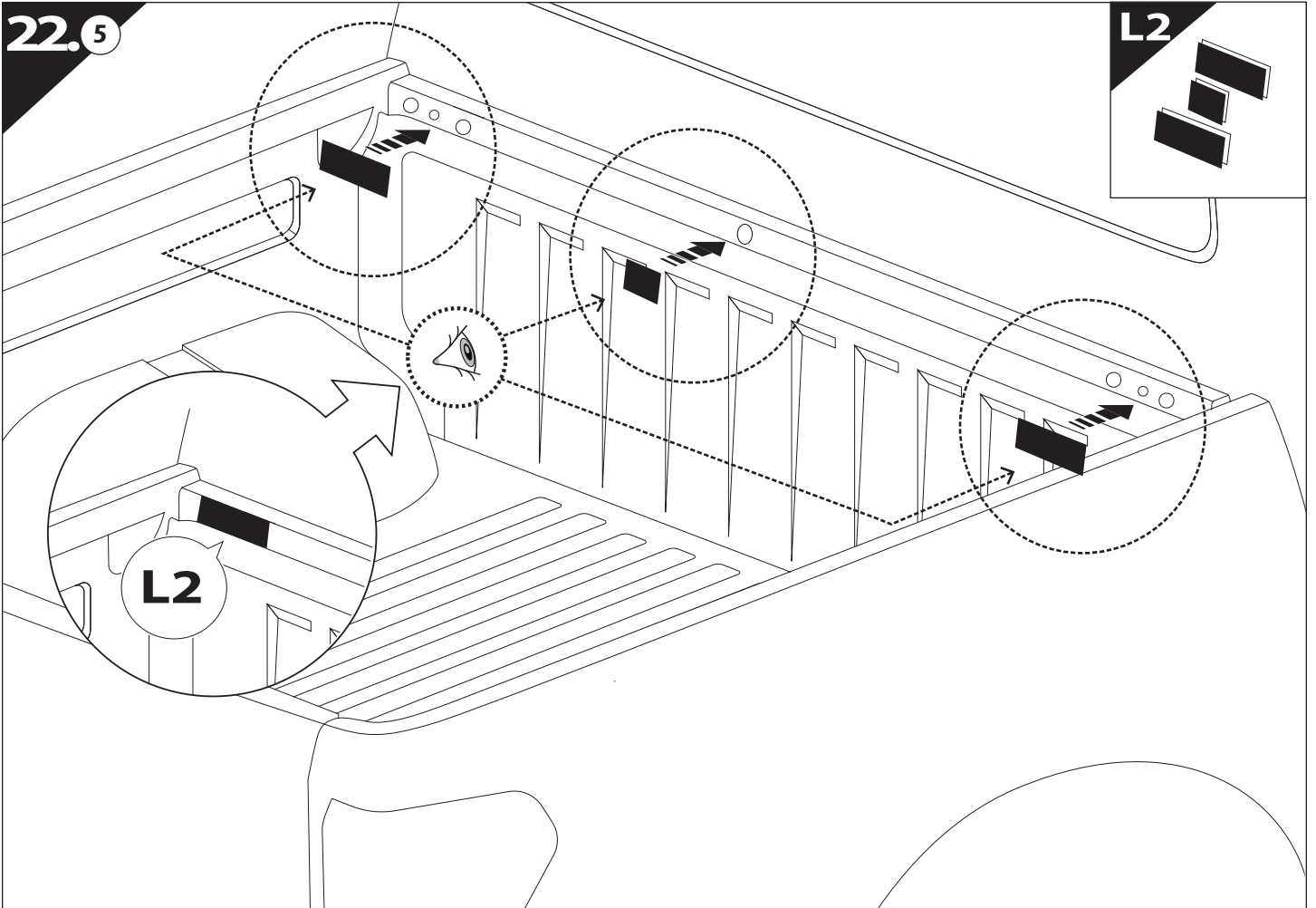
	CAR		TESSERA ROLL+
BEAM	12	↔	■
STOP	4	↔	■

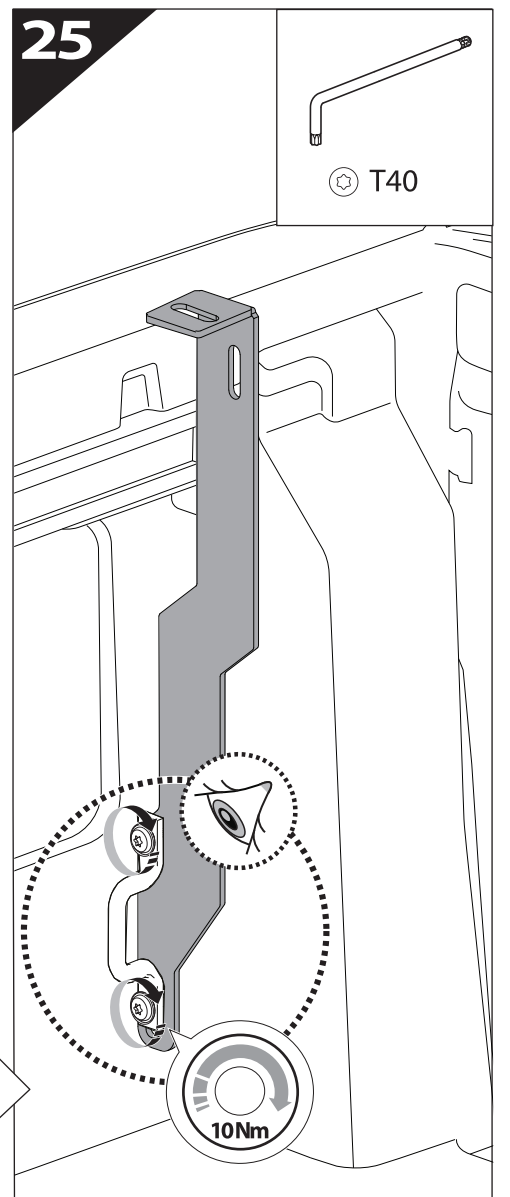
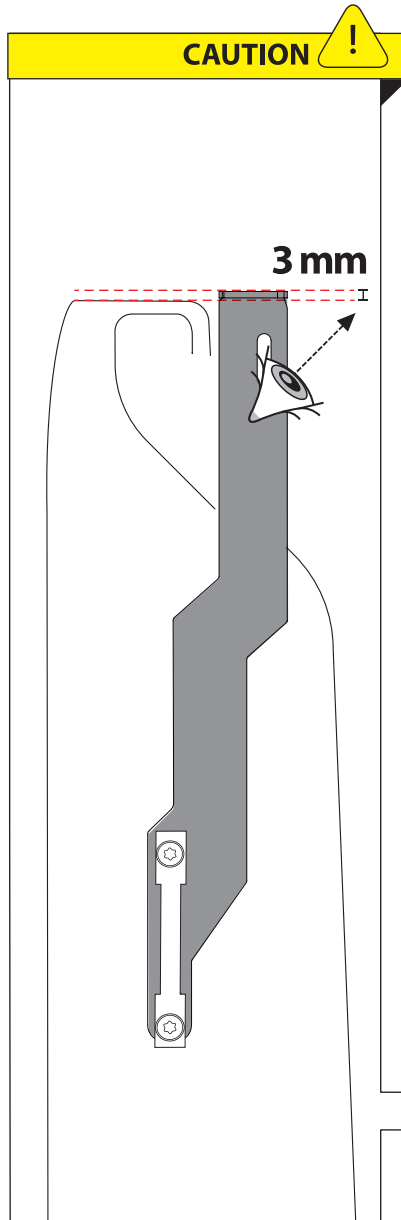
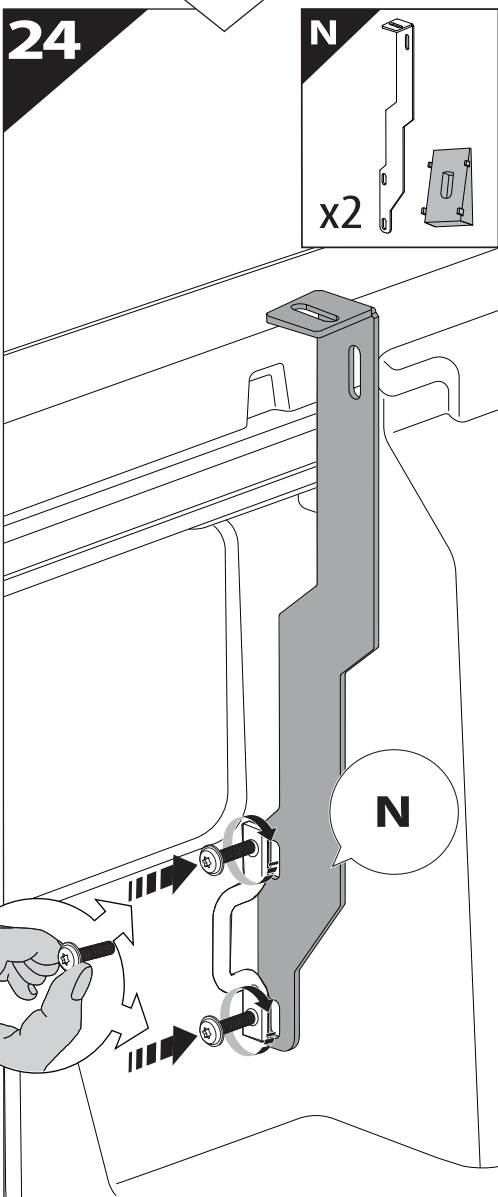
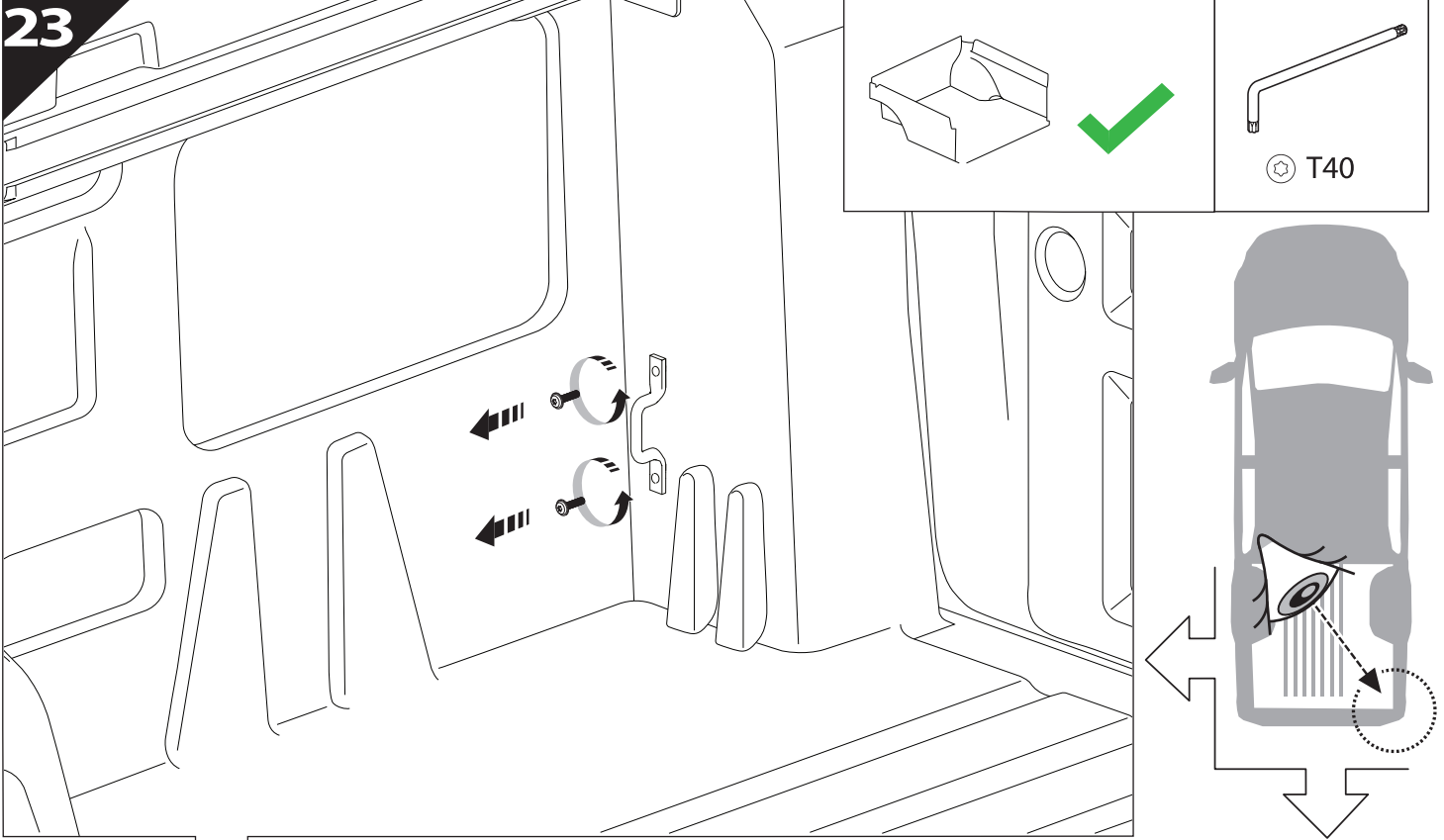




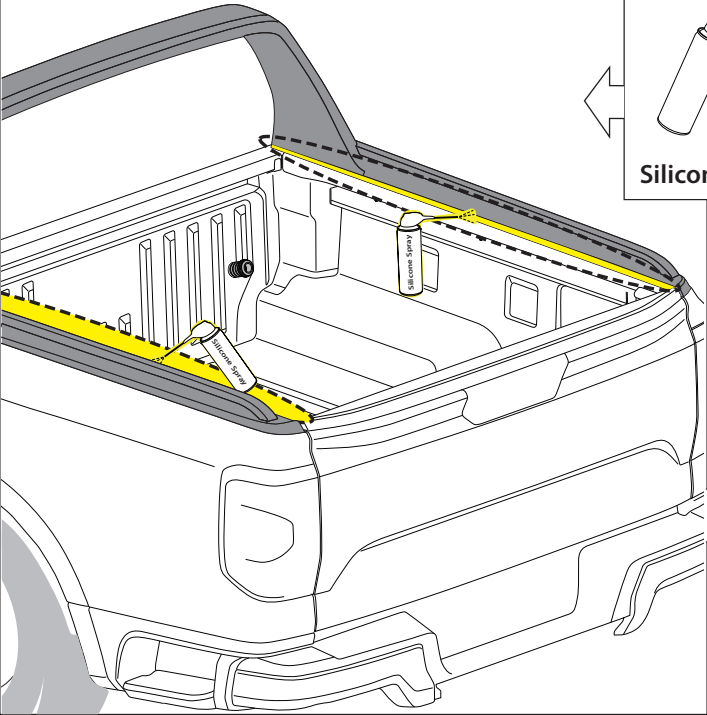
22.5

L2

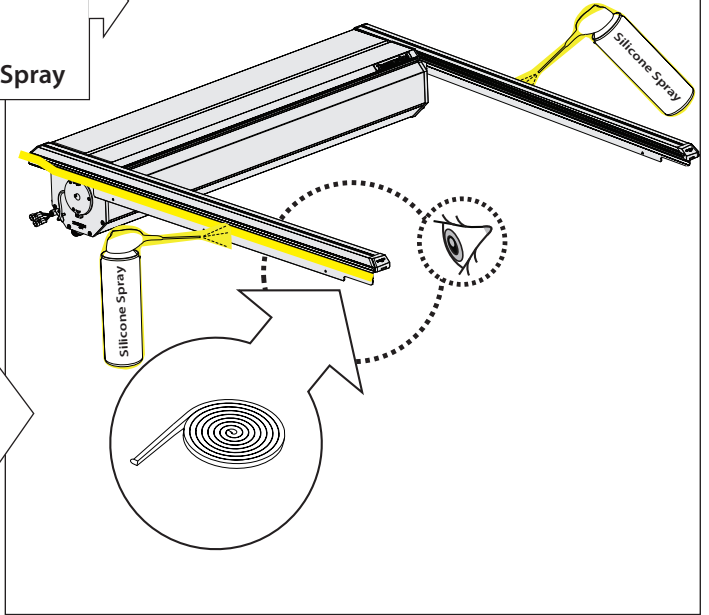
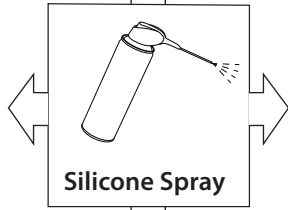




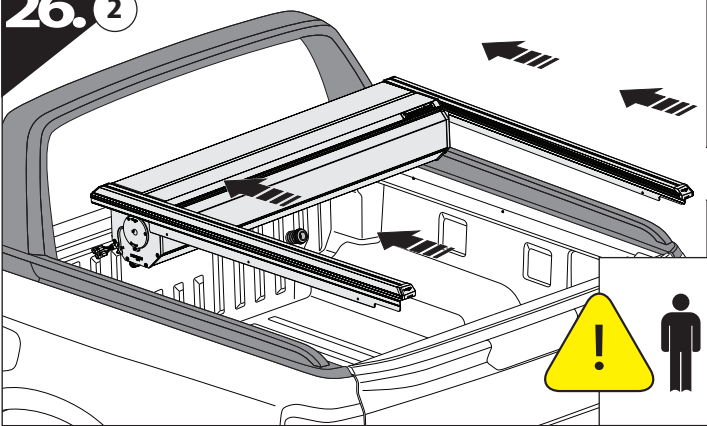
26



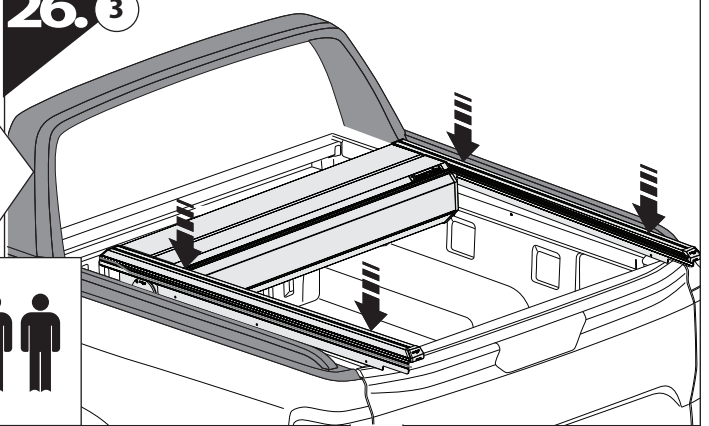
26.1



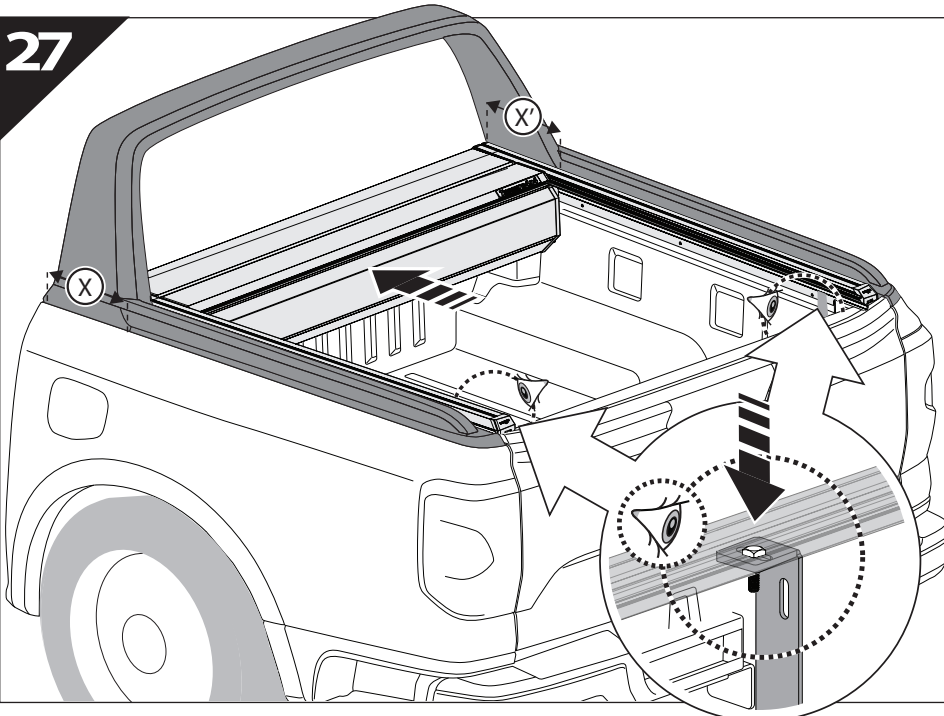
26.2

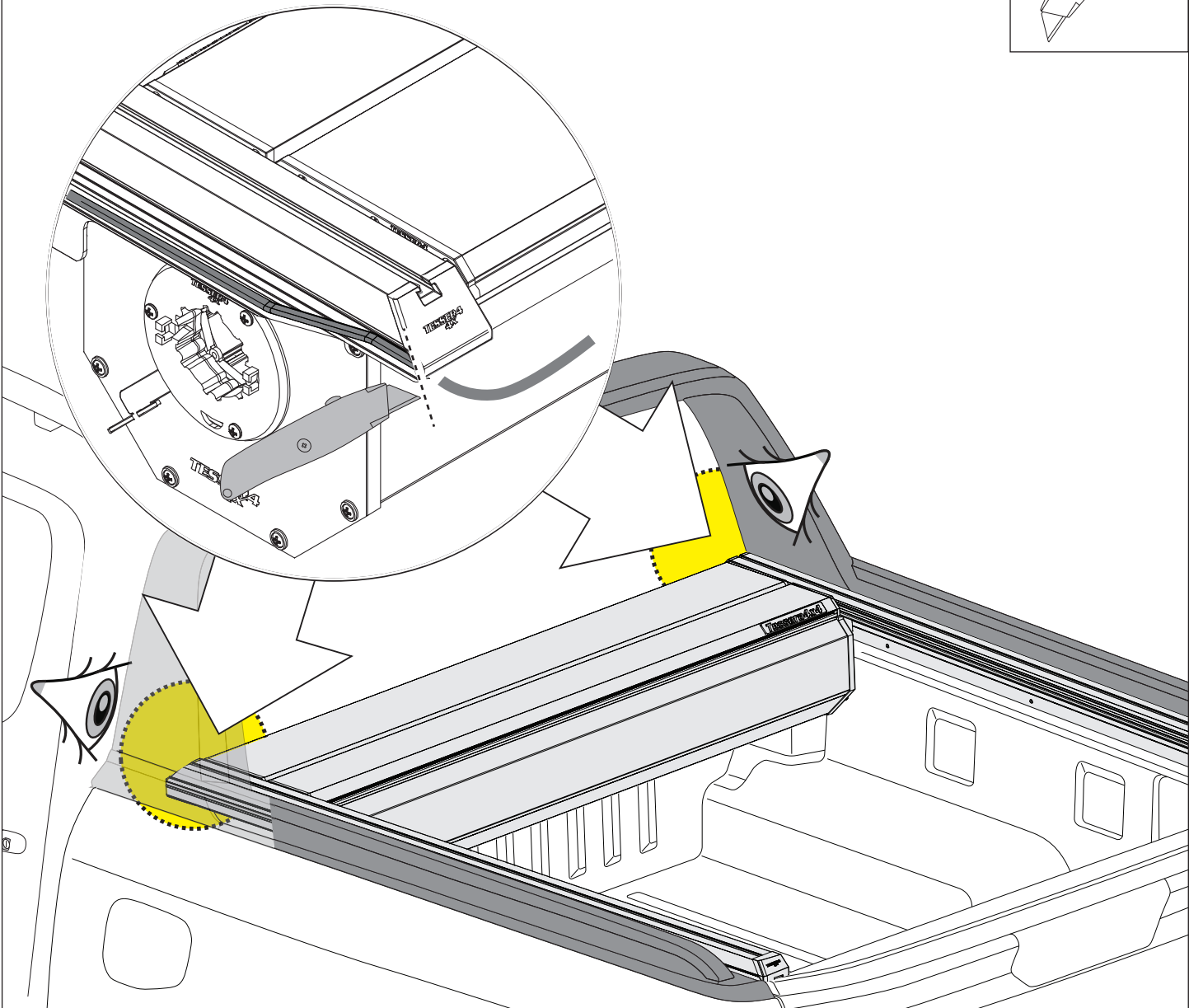
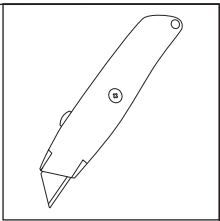


26.3

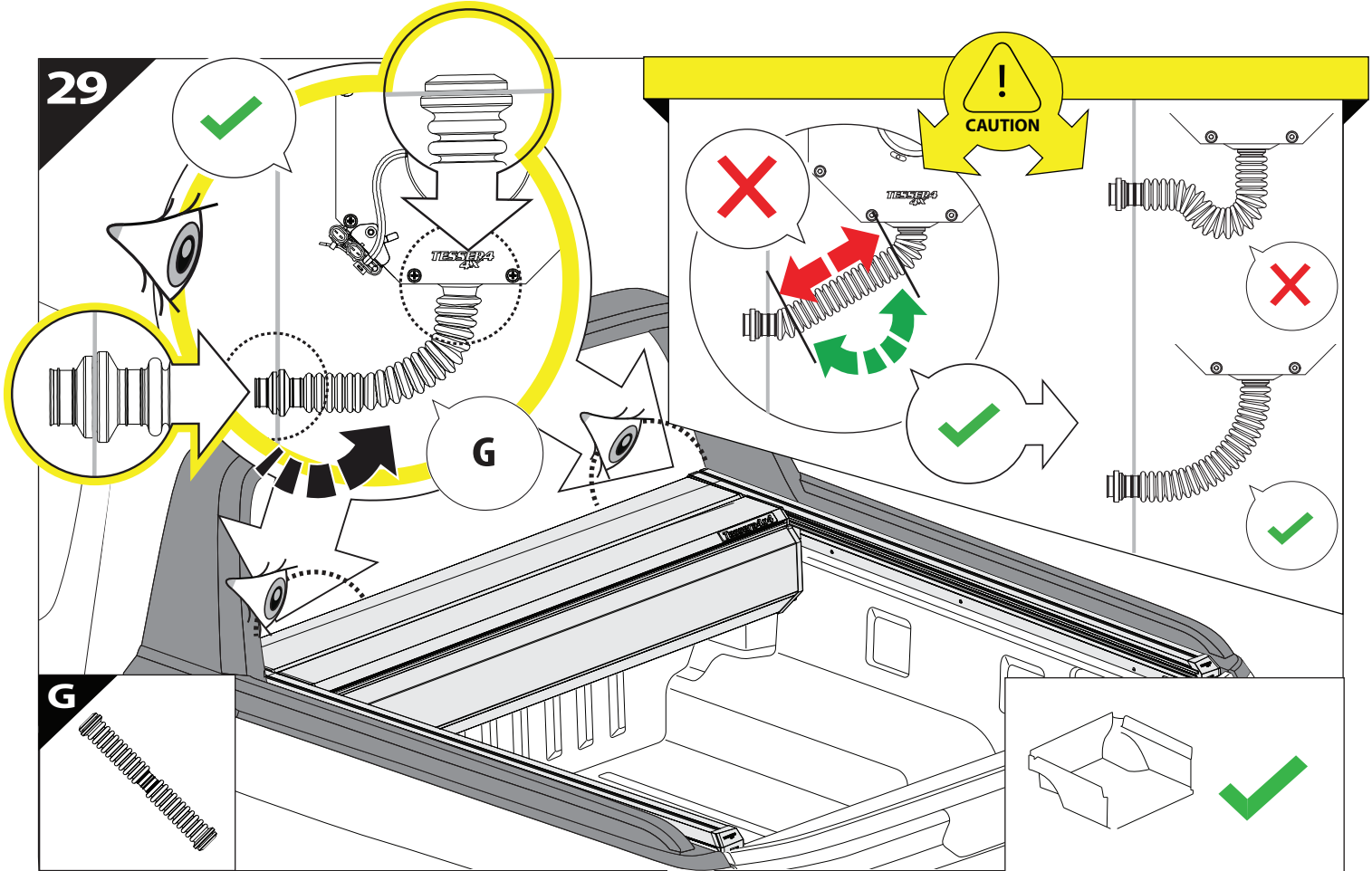


27

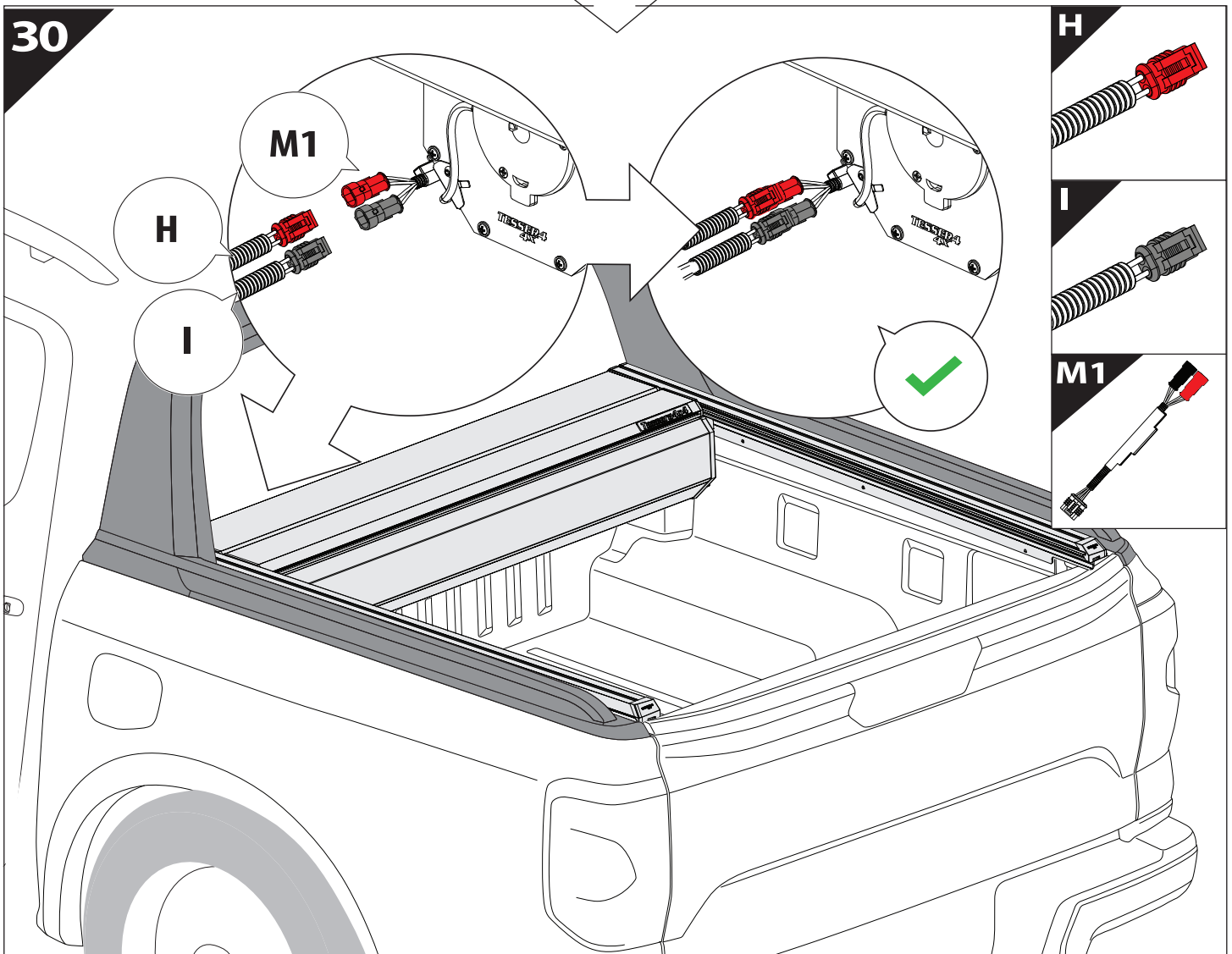




29

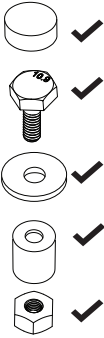


30

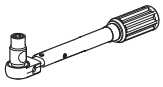


31

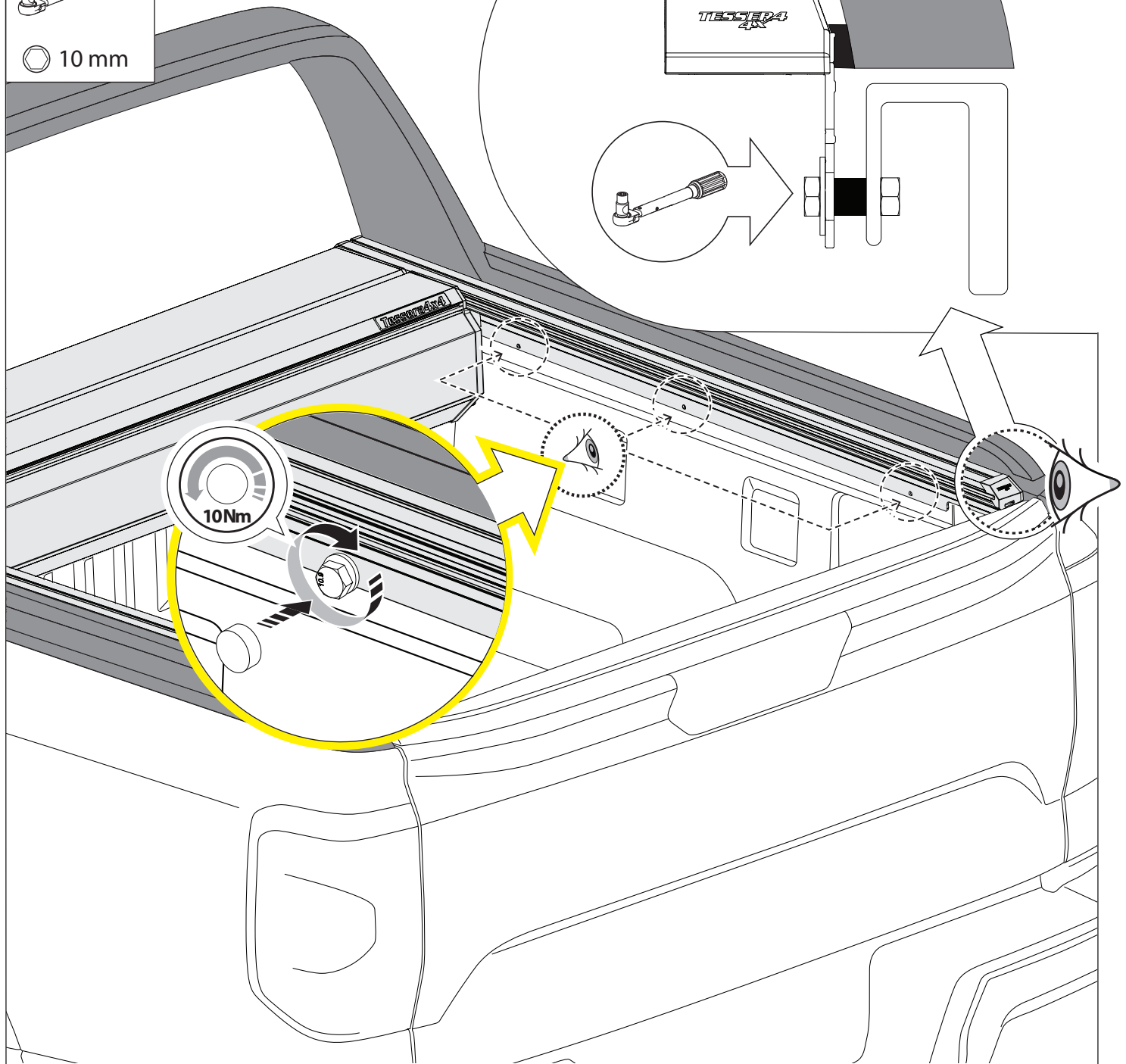
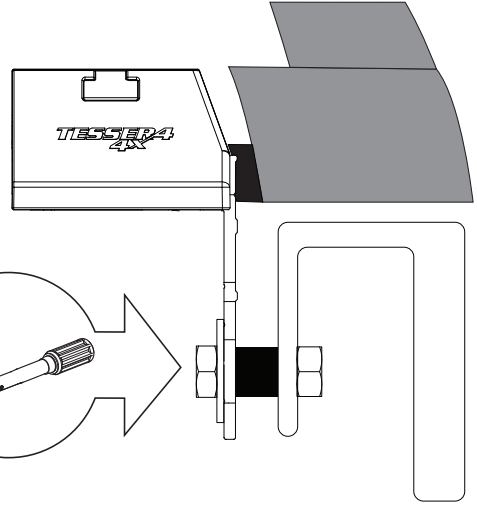
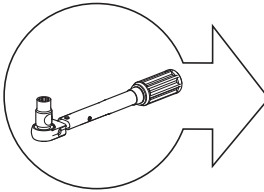
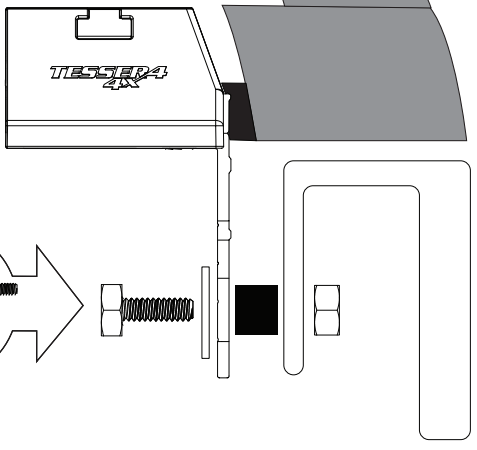
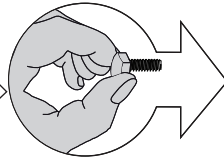
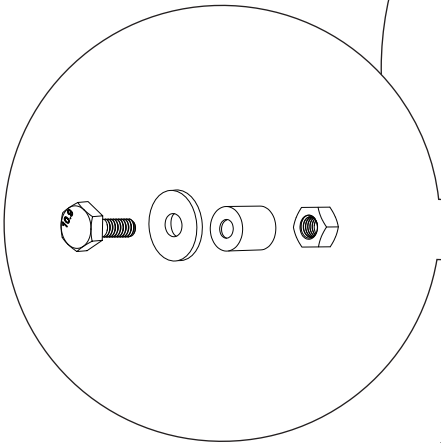
E2

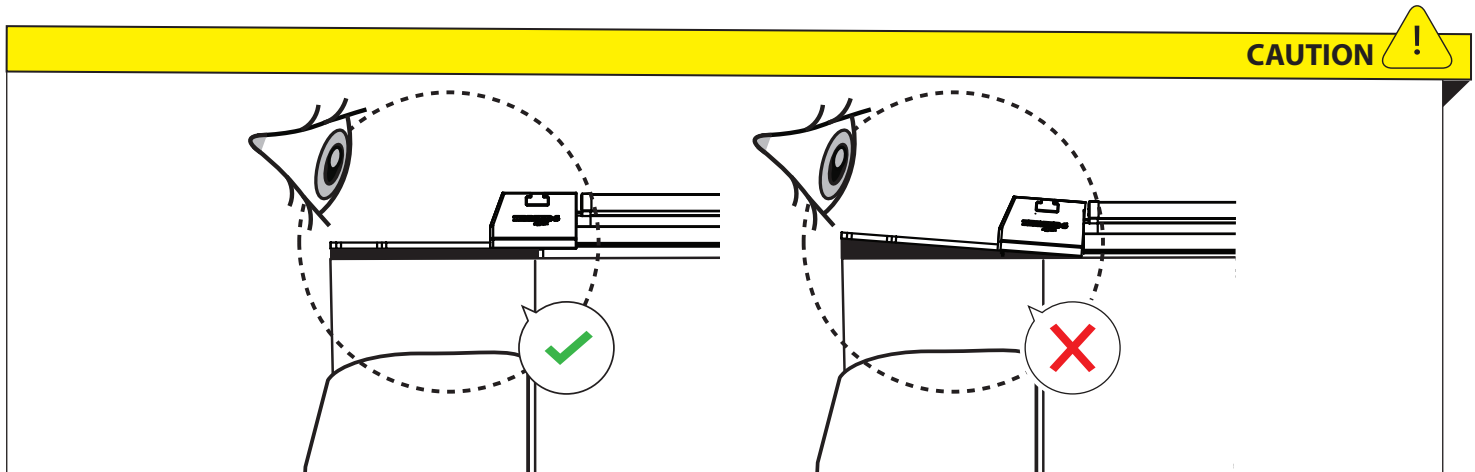
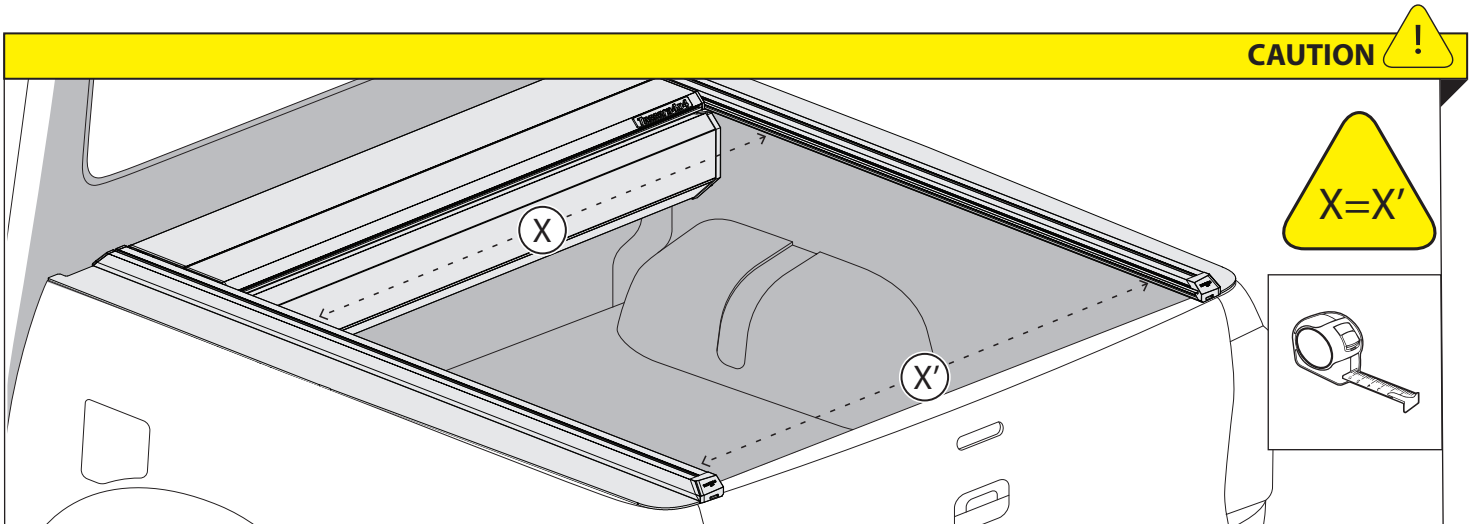
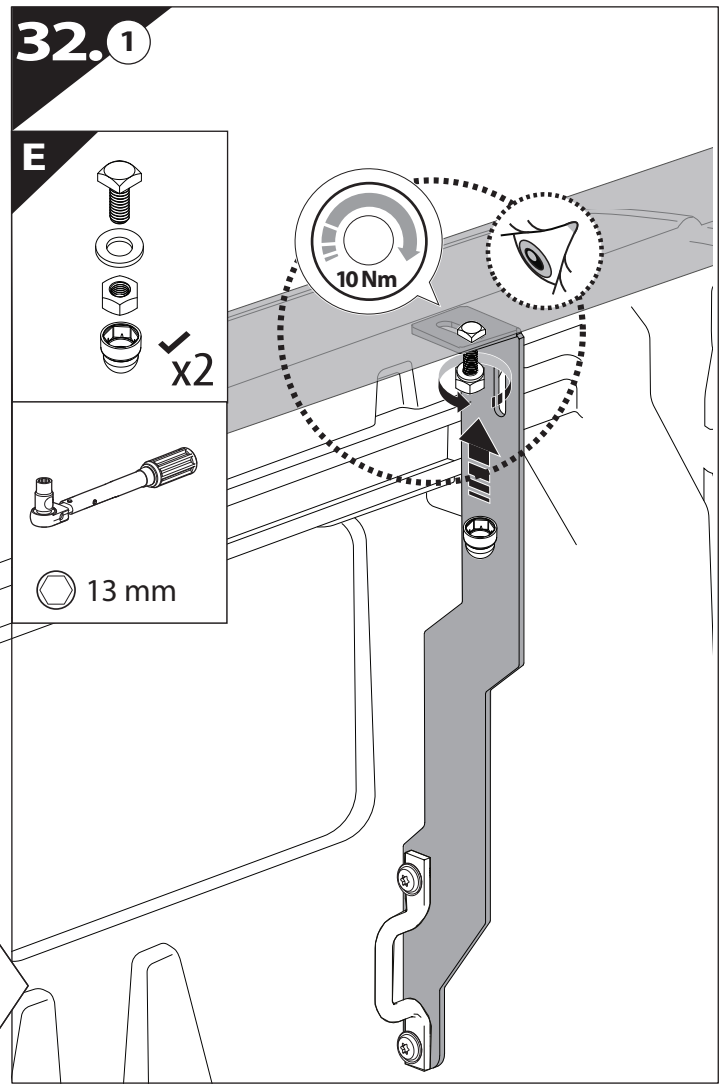
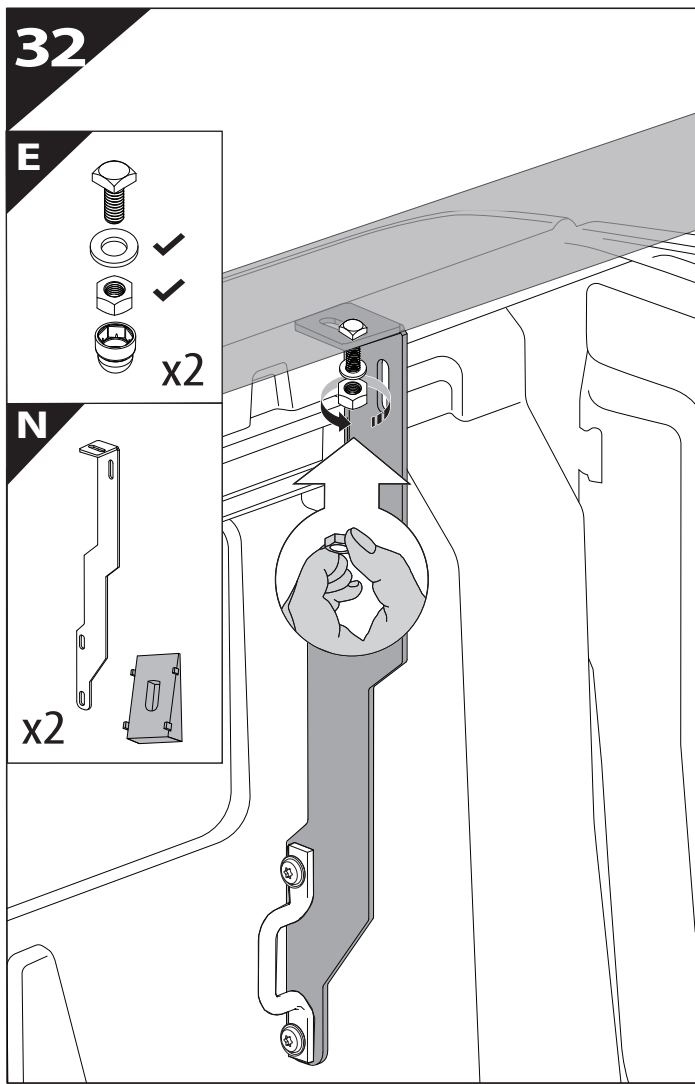


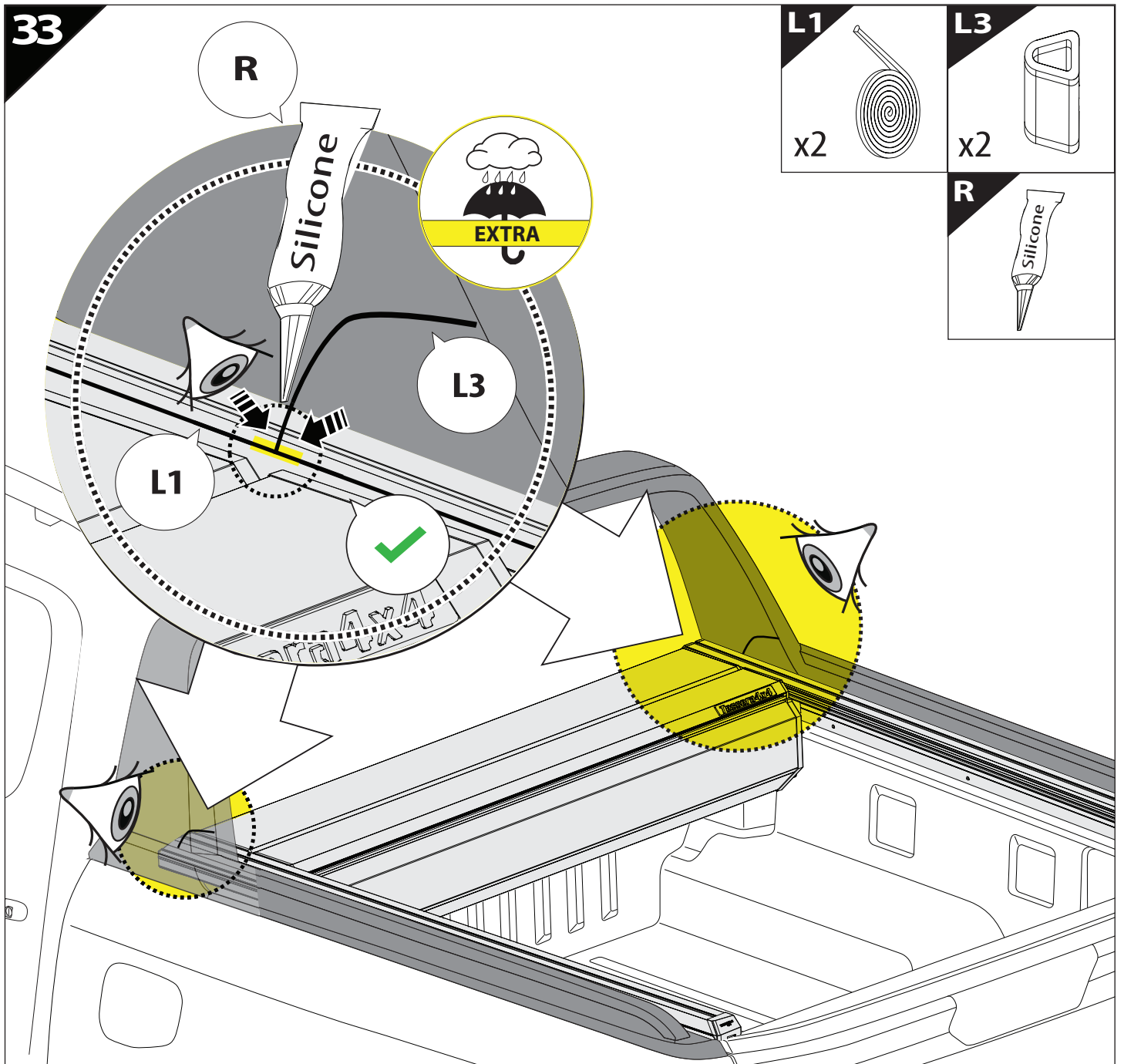
x6



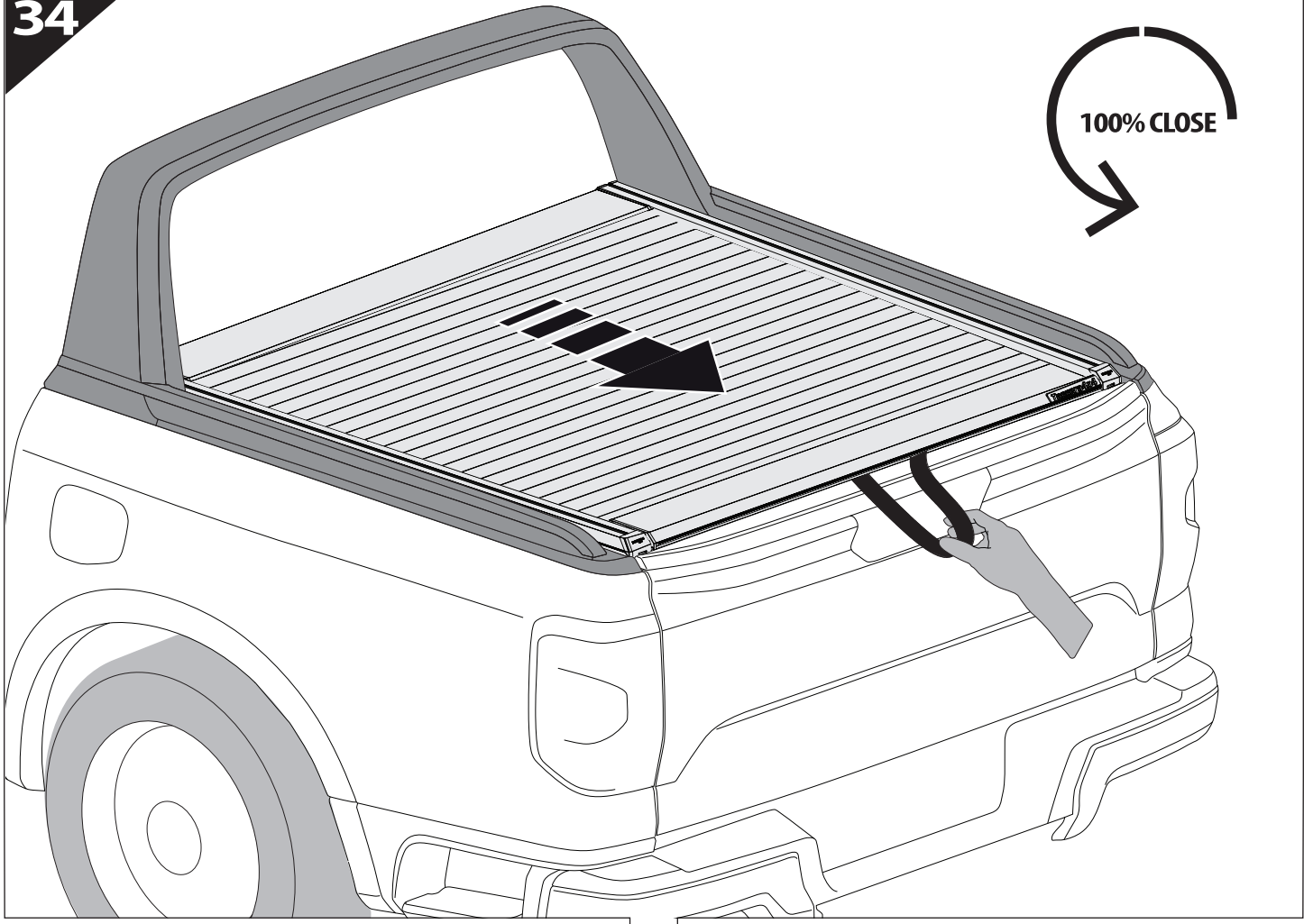
10 mm



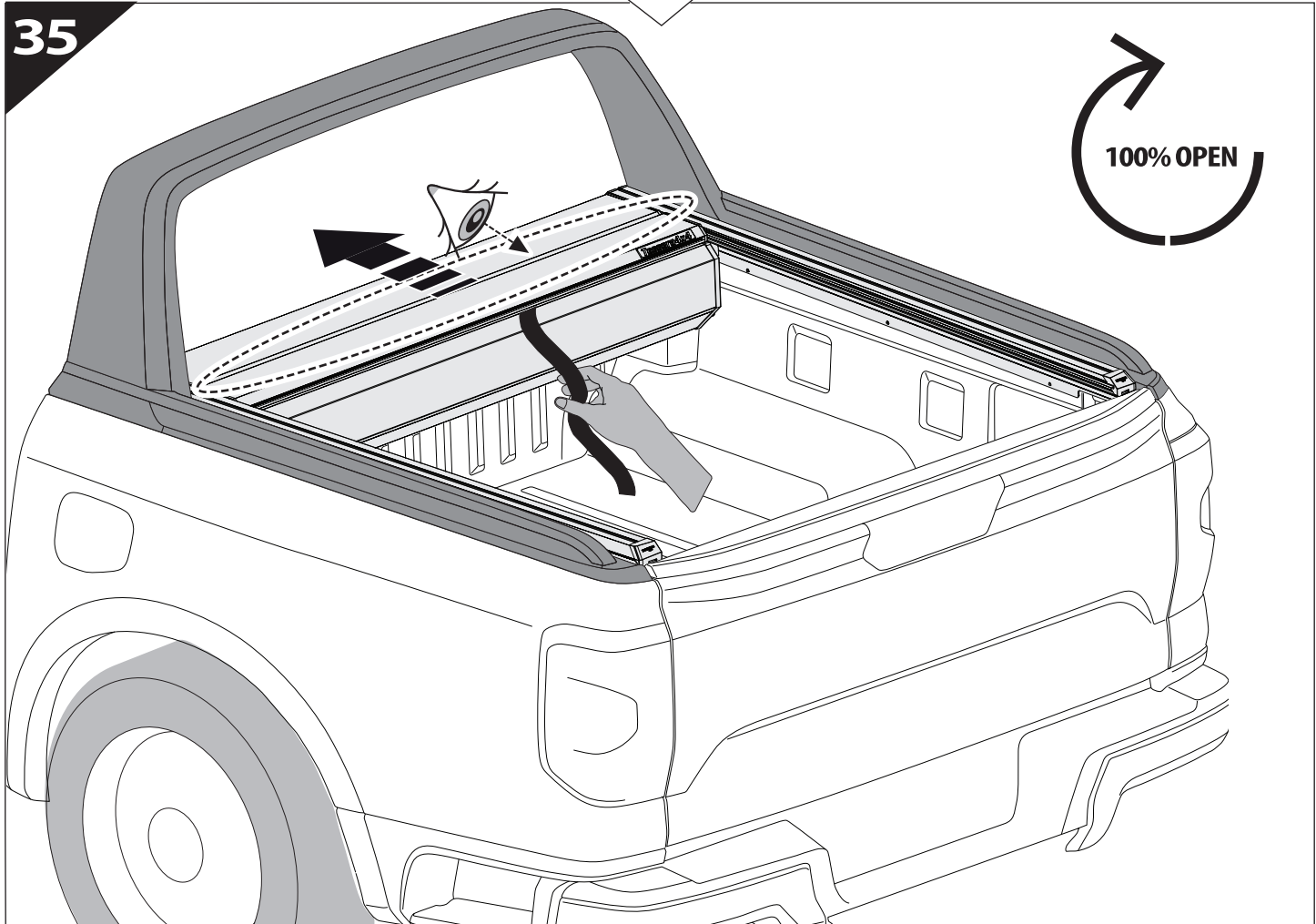




34



35





GR: Οδηγίες Εγκατάστασης
GB: Installation manual
SF: Asennusohje
F: Notice de montage
PL: Instrukcja montażu
NL: Installatie-instructies
TR: Montaj Talimatı
S: Monteringsanvisning
E: Instrucciones de montaje

H: Szerelési utasítás
P: Instruções de instalação
RUS: Инструкция по установке
N: Monteringsveiledning
D: Einbauanleitung
CZ: Návod k instalaci
I: Istruzioni de montaggio
DK: Monteringsvejledning
RO: Instructiuni de instalare

Customer Service:

+30 (210) 5541161, +30 (210) 5541154 (08:00 - 16:00 EET)

Support department:

info@gianso.gr

Website:

www.tessera4x4.com

Address:

19.5 km of National road Athens-Korinthos (Elefsina) Greece, P.C: 19200