

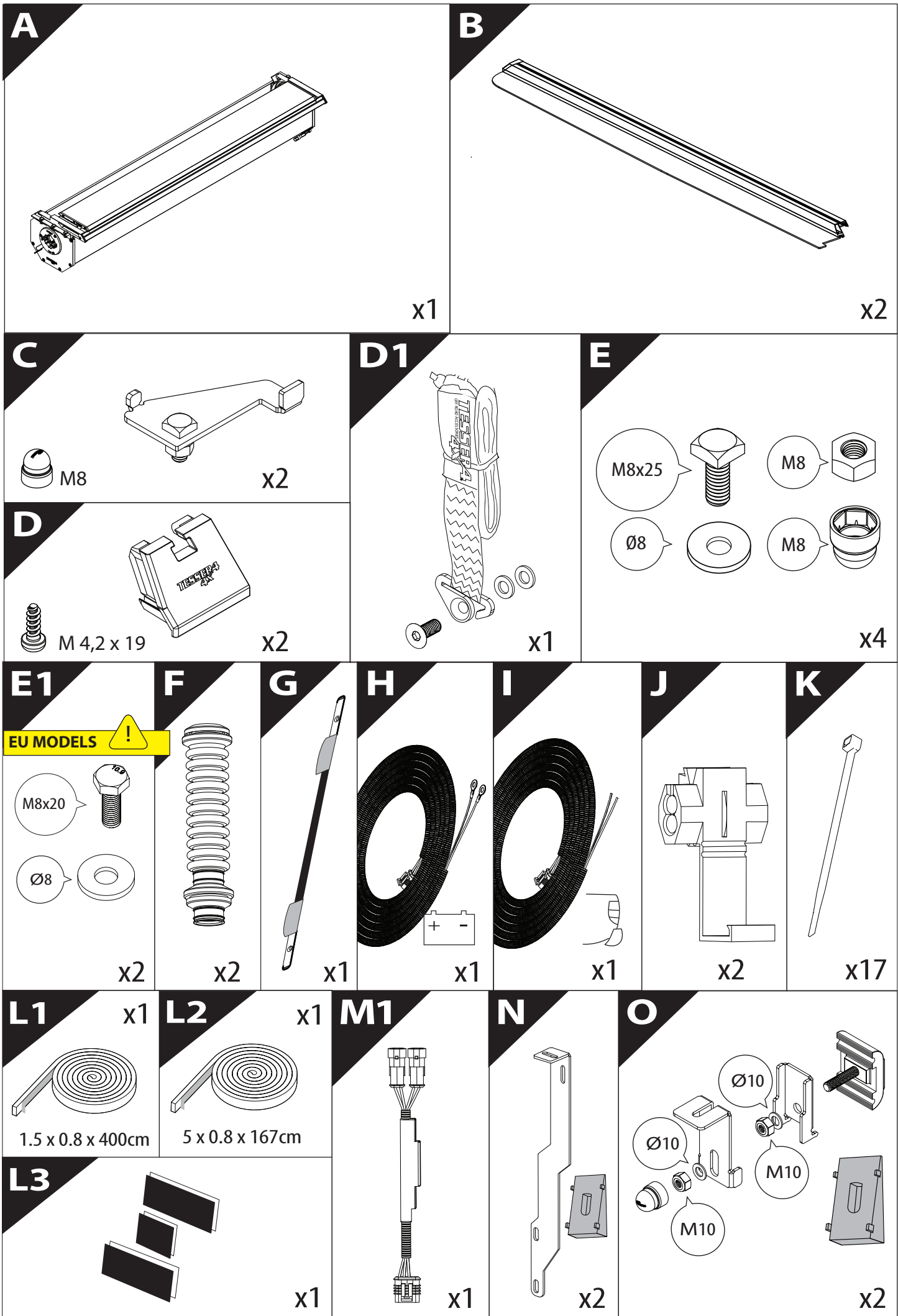
Tessera Roll+

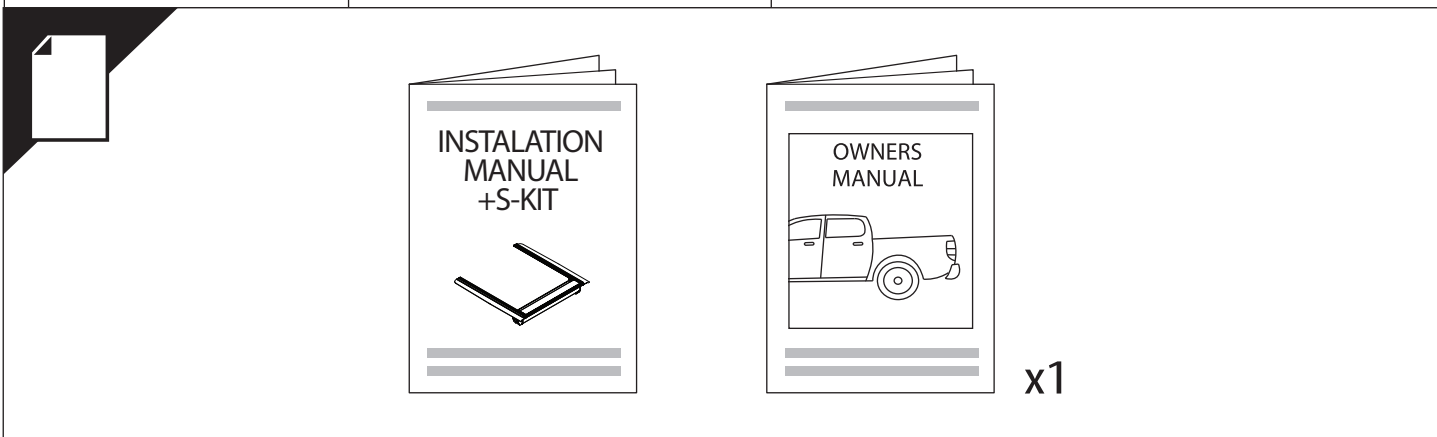
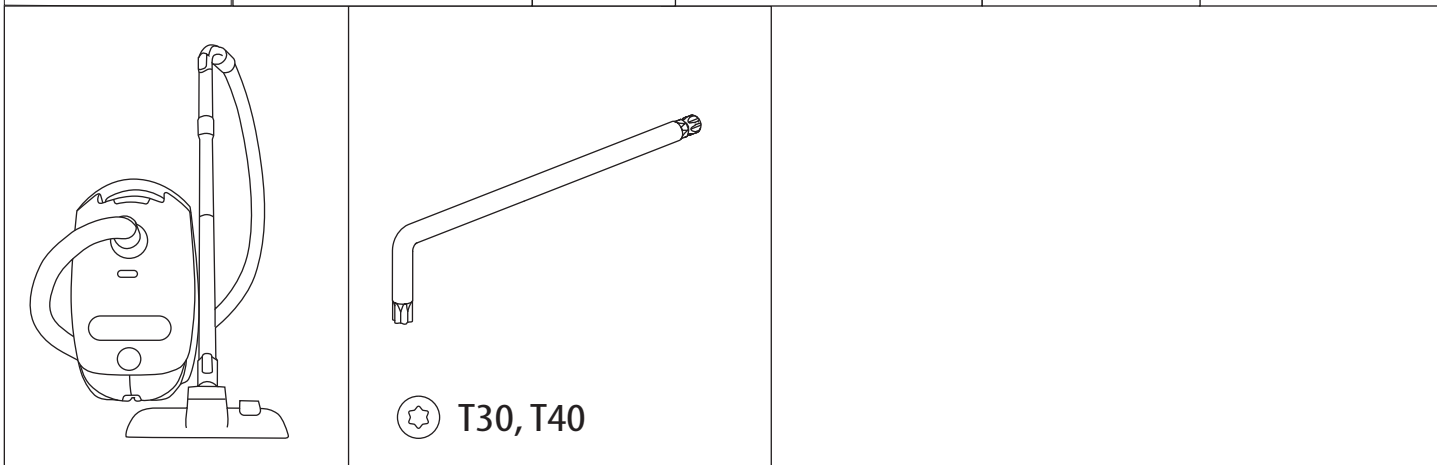
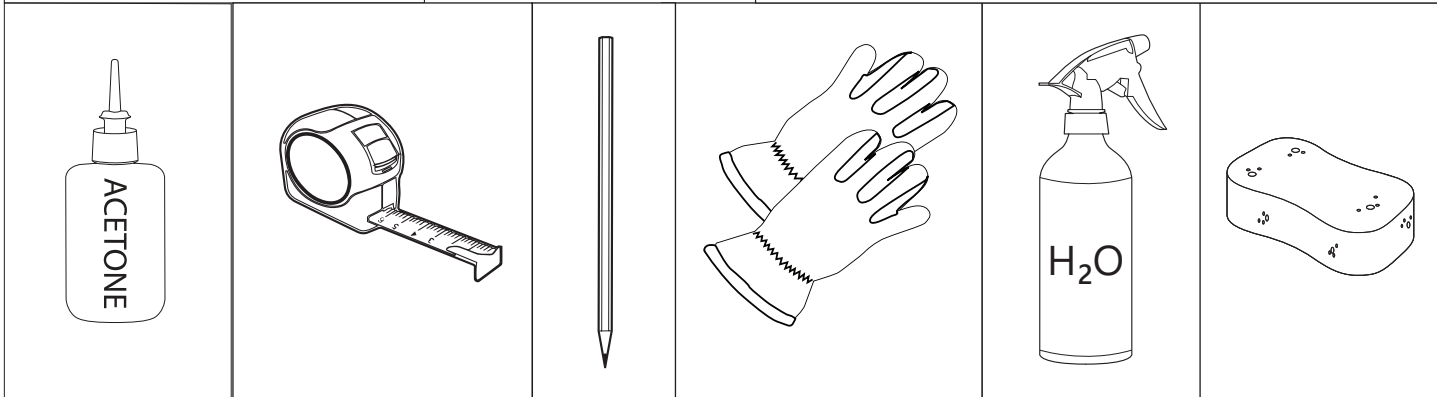
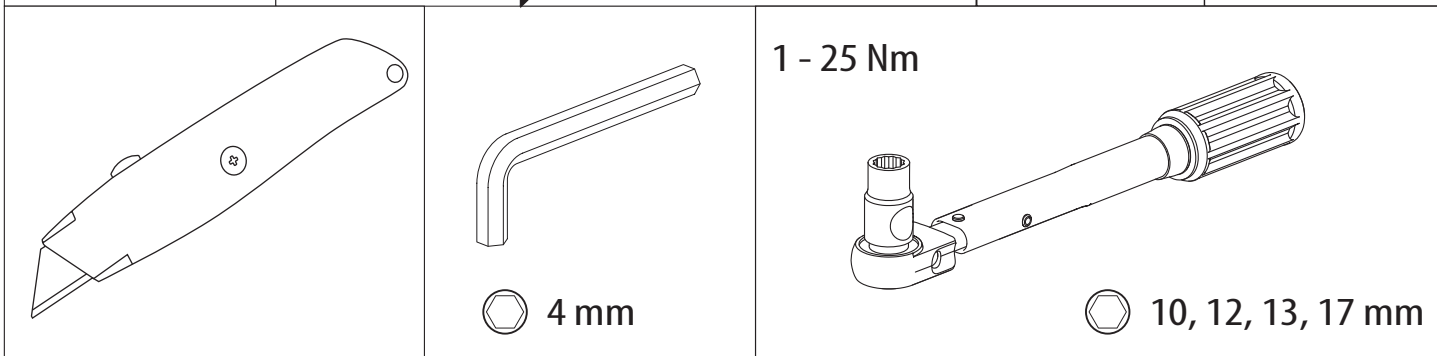
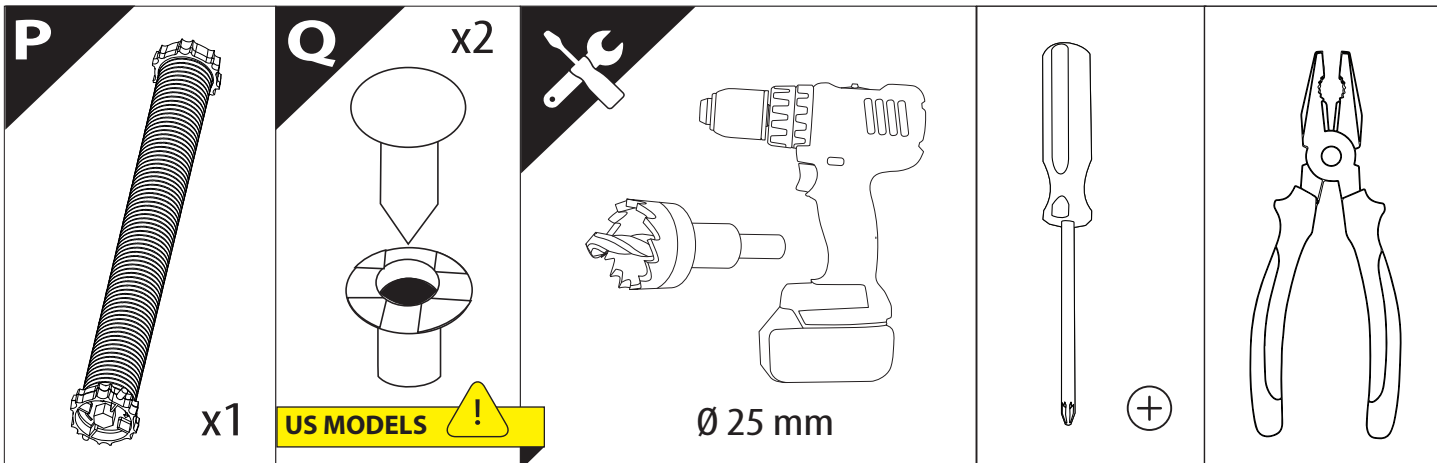
Basic Version + ⚙️ S-KIT

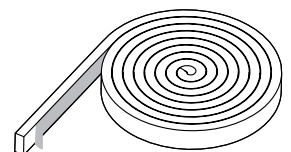
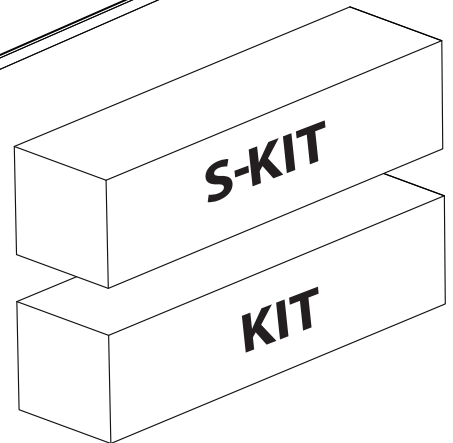
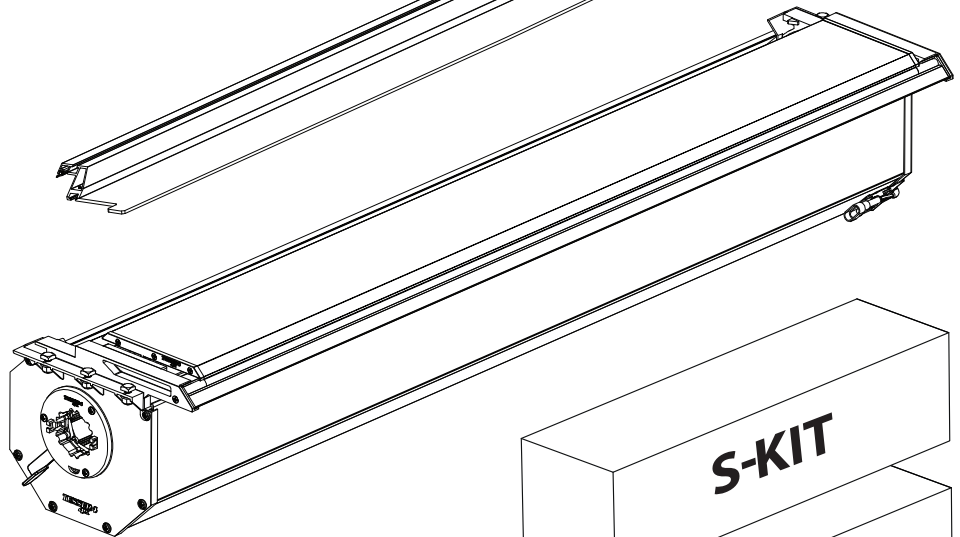


Installation Manual

| PART NUMBER(S) | Model Year |
|-----------------------|---|
| TESS 14061 ROLL+S-KIT | FORD RANGER RAPTOR 2023+ (P 703) |
| Cab(s) | Installation Time / Weight |
| Double Cab | 40-60 minutes / 53-57 kg |





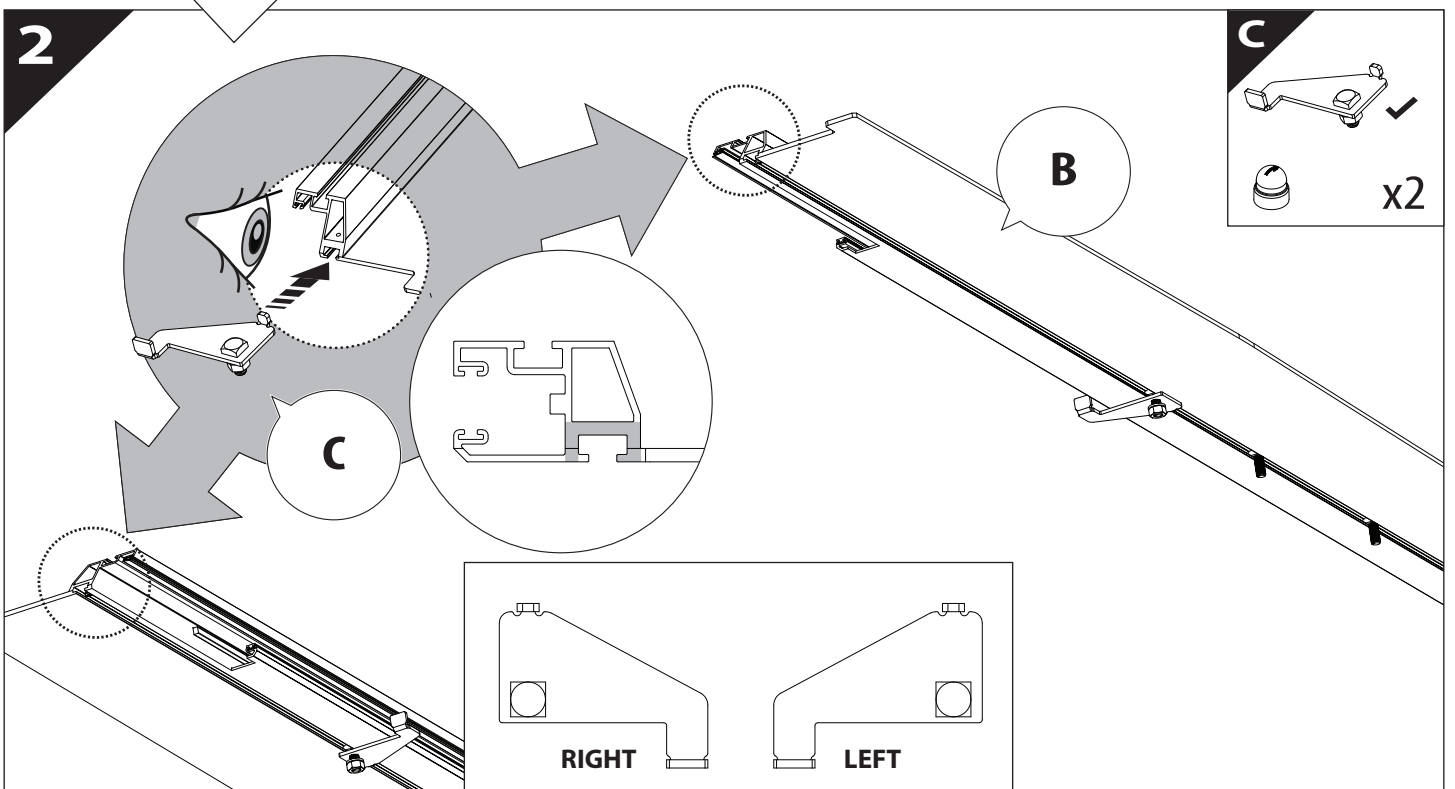
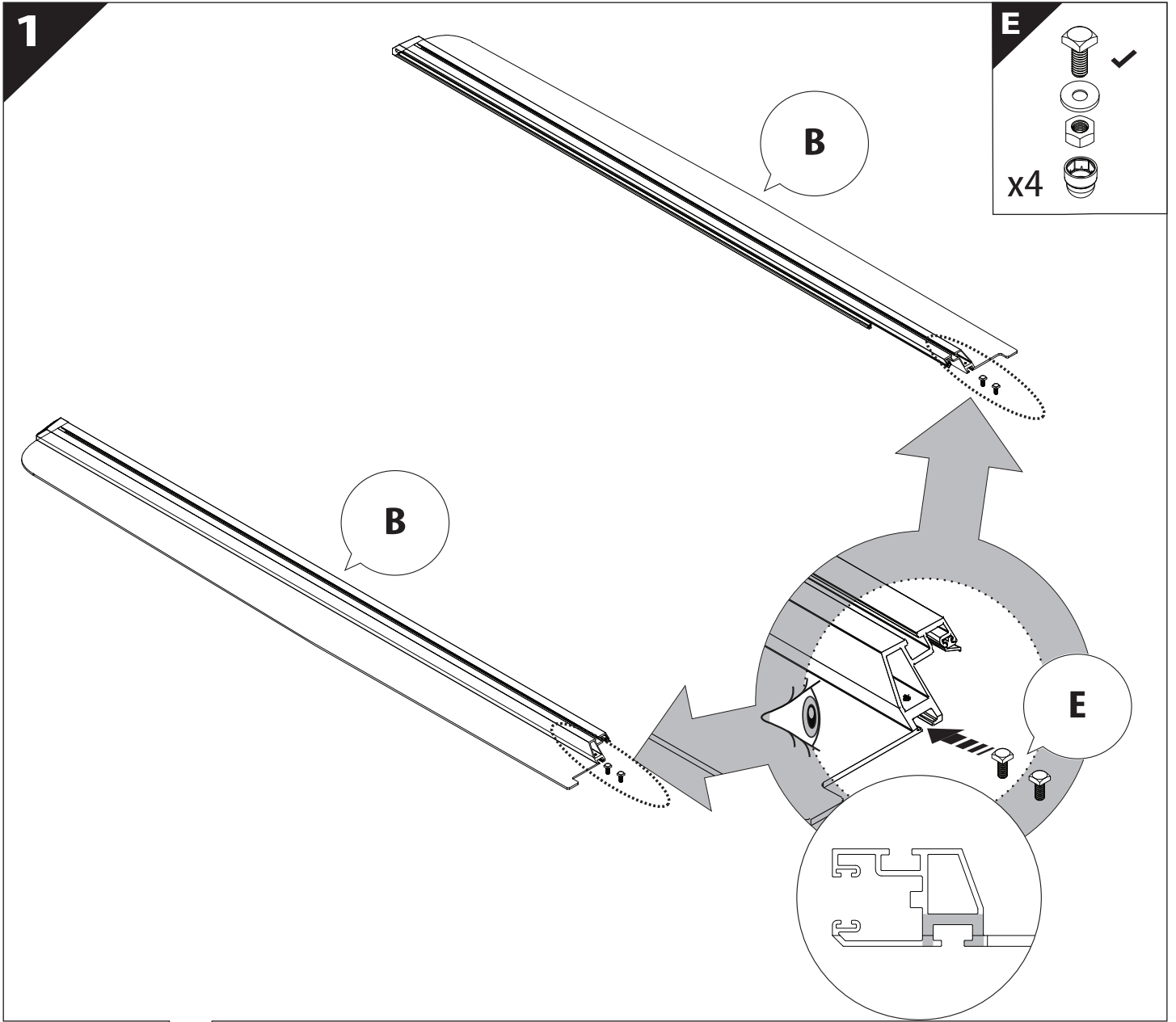


B

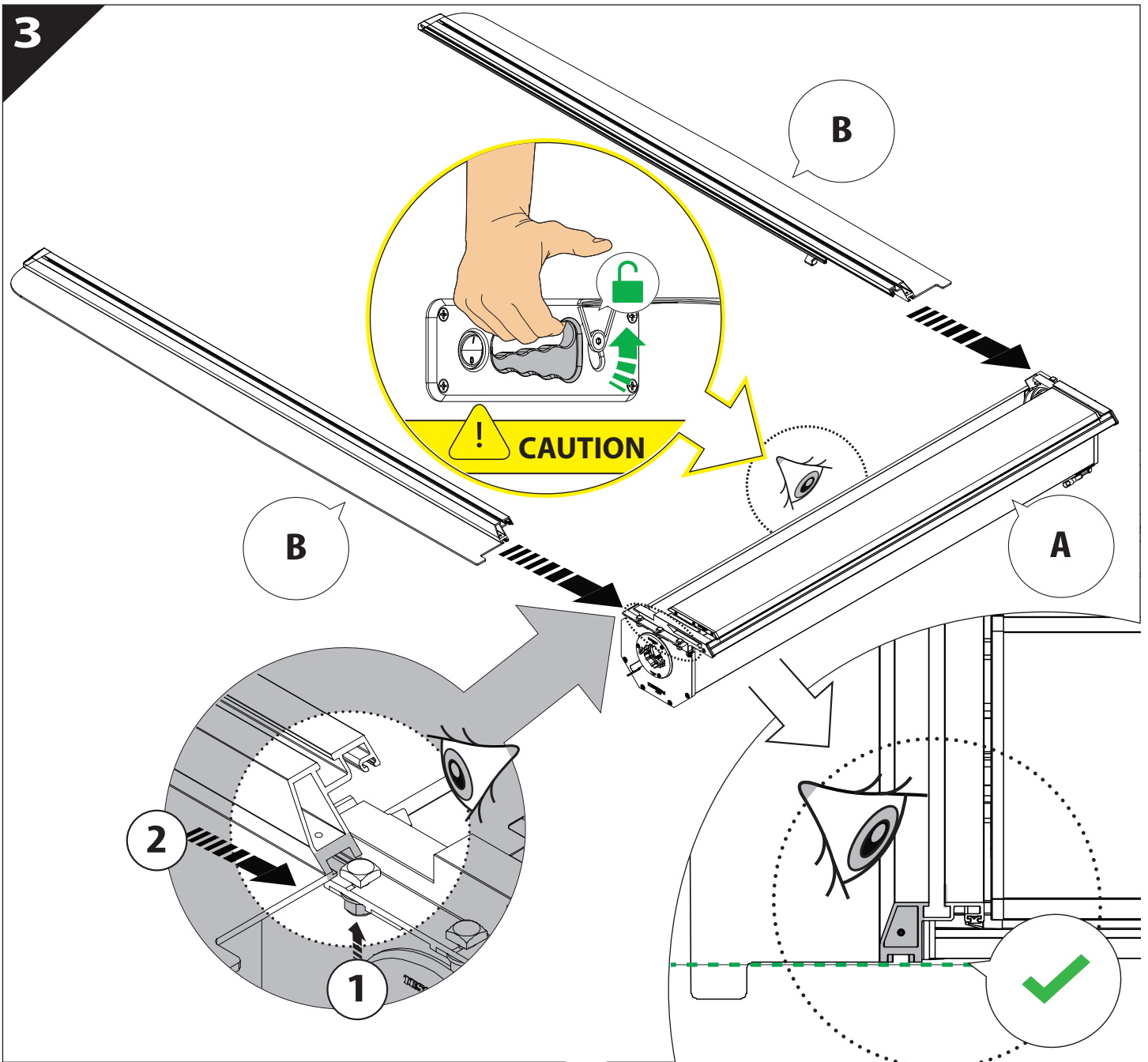
A

KITS

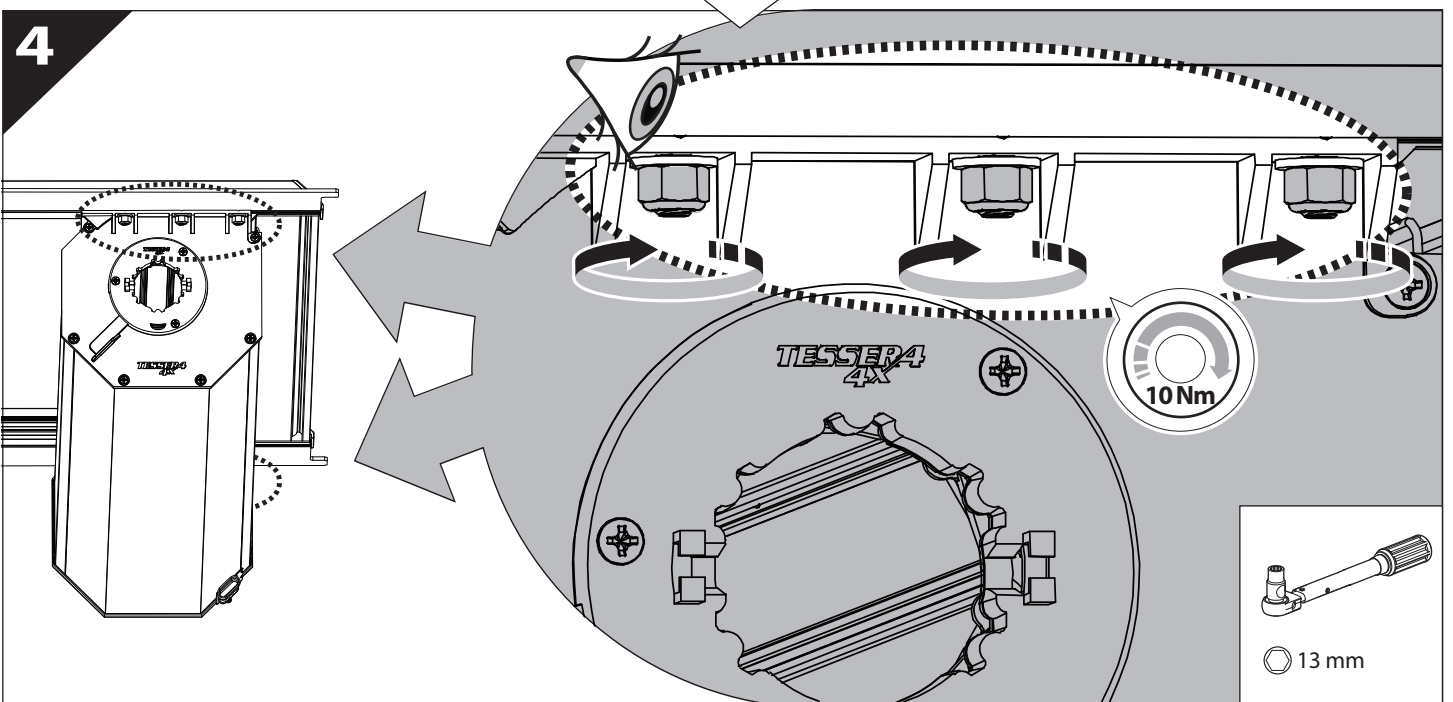
L

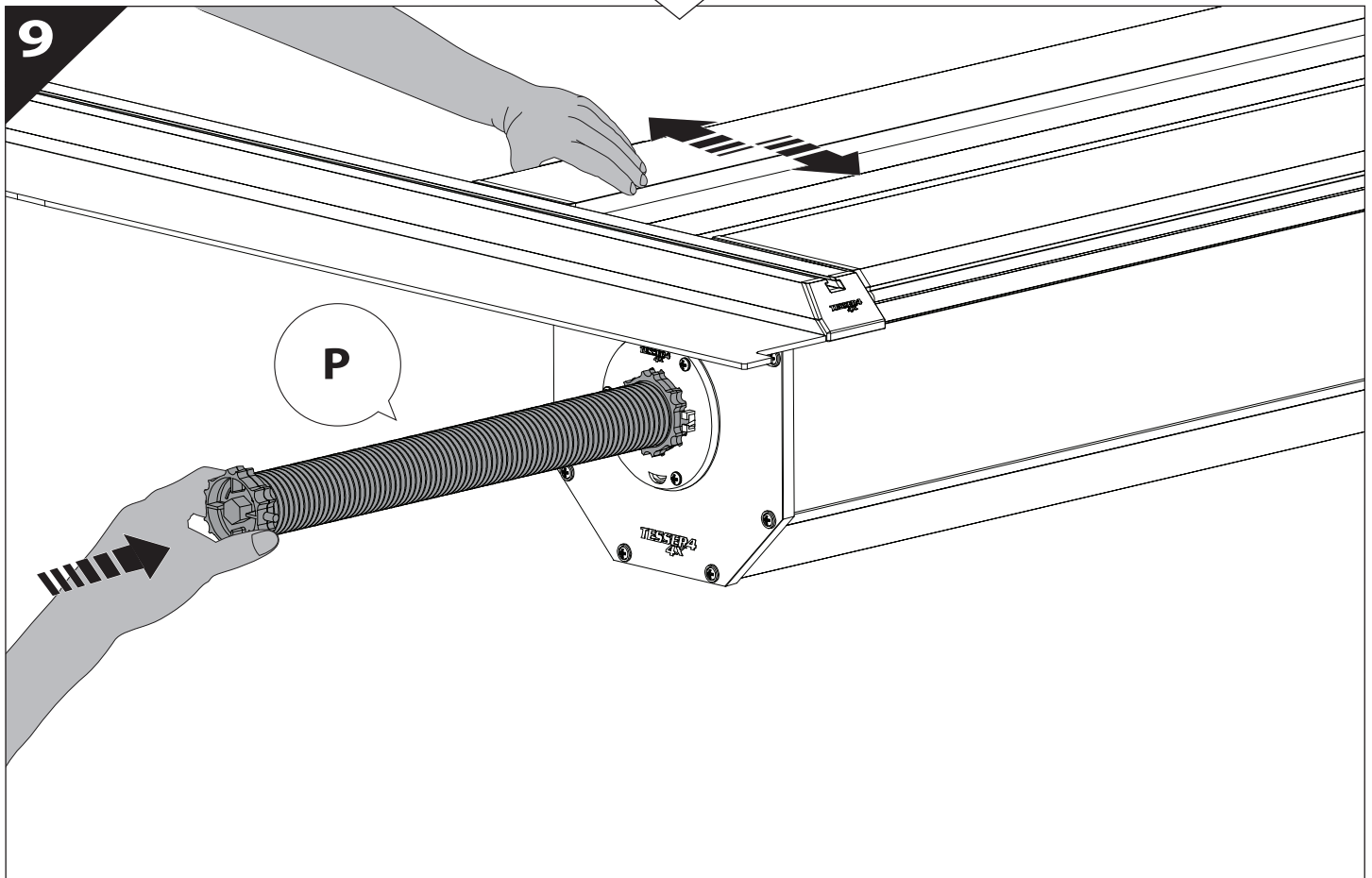
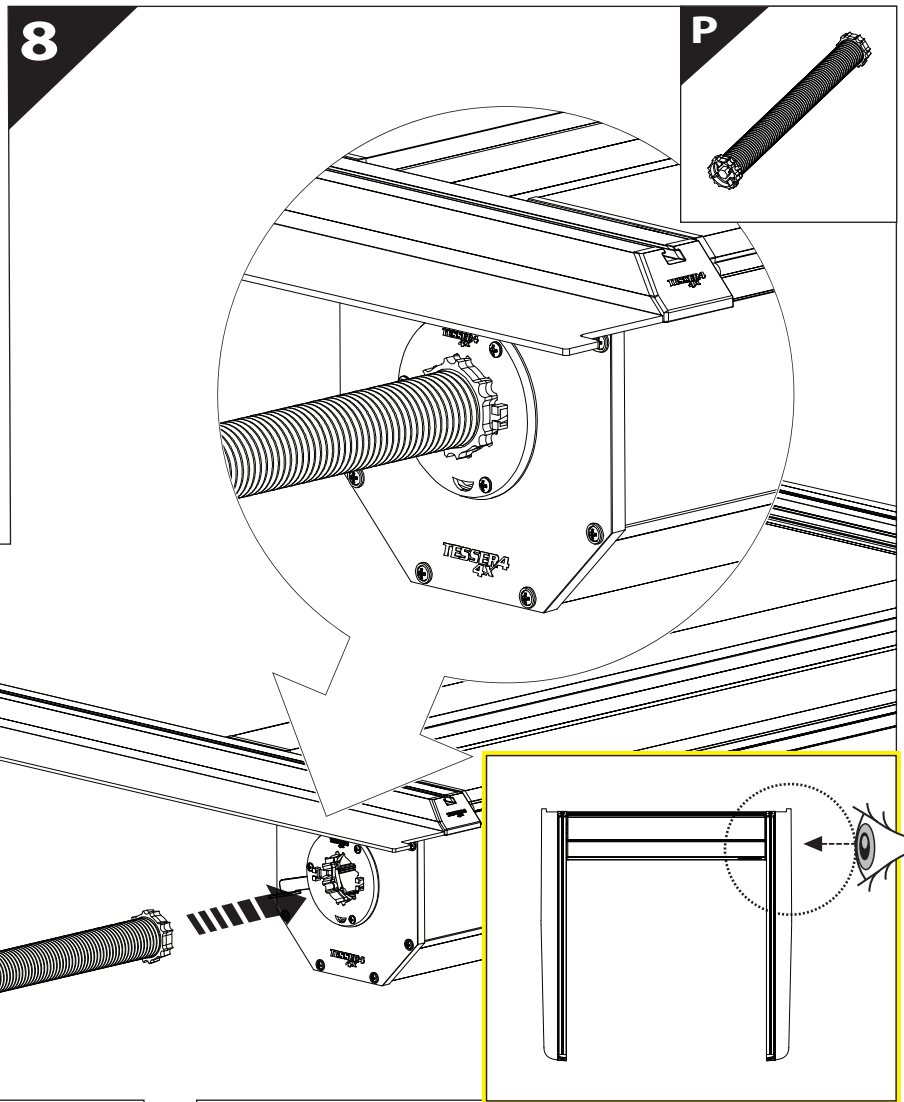
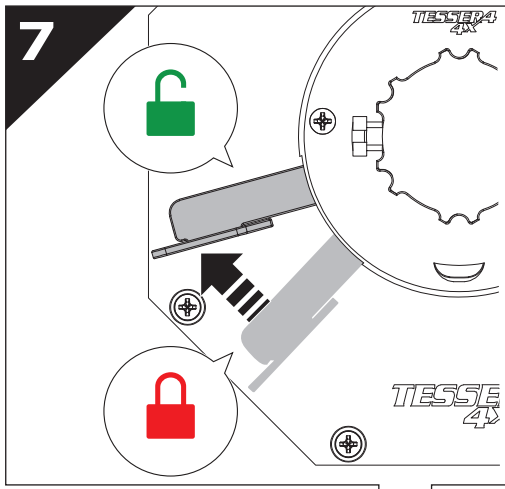


3

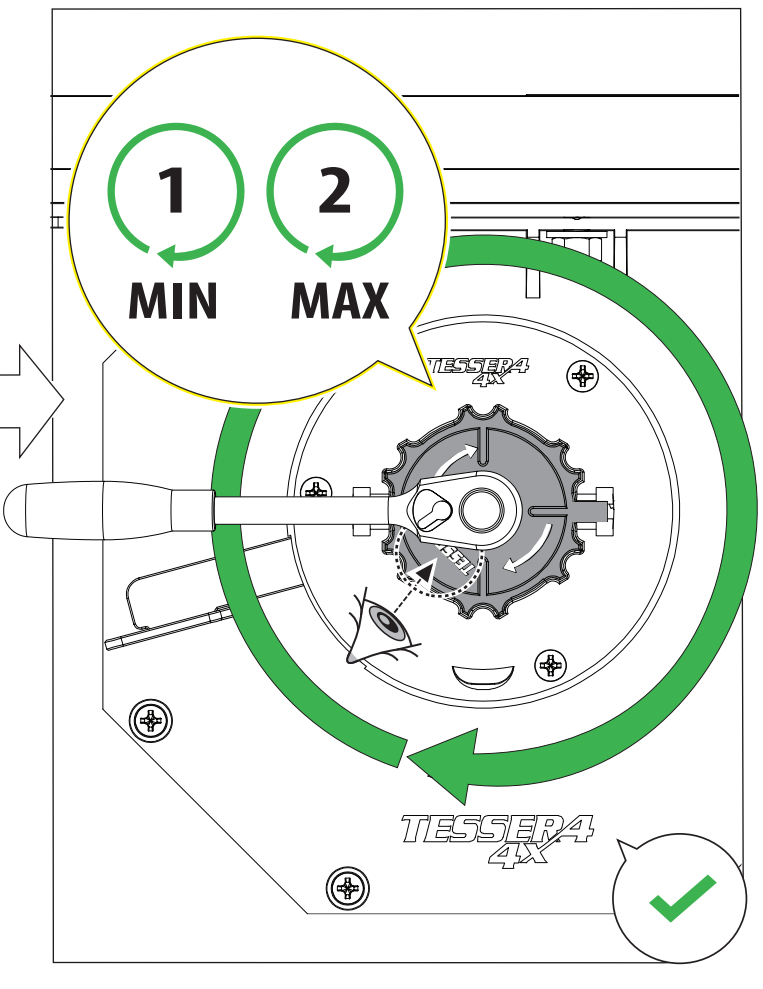
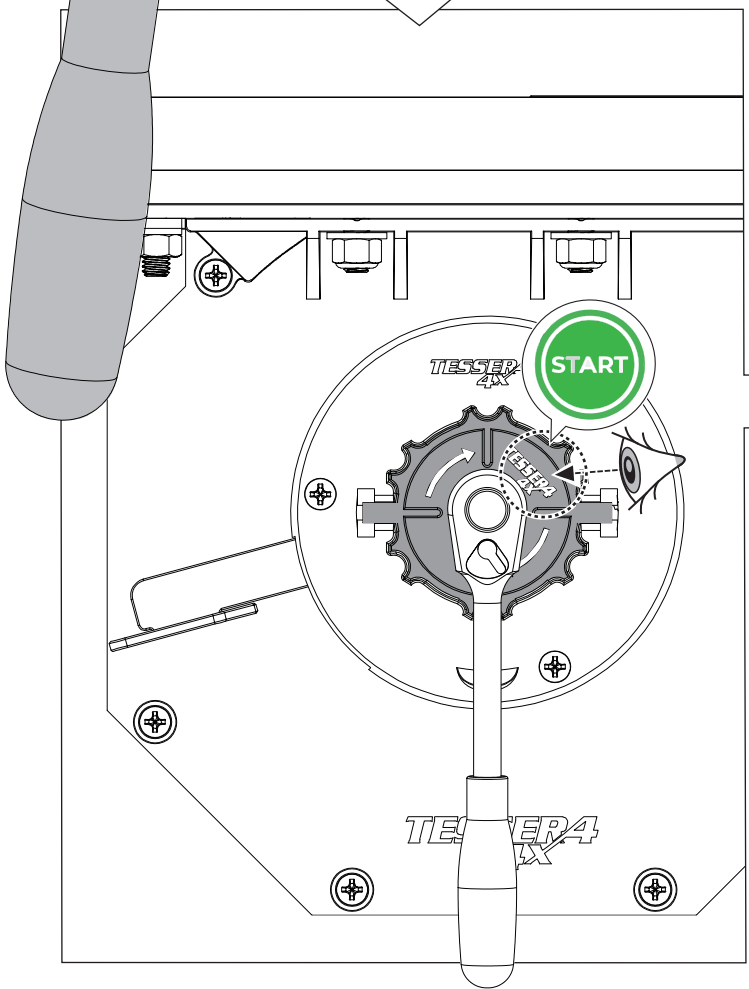
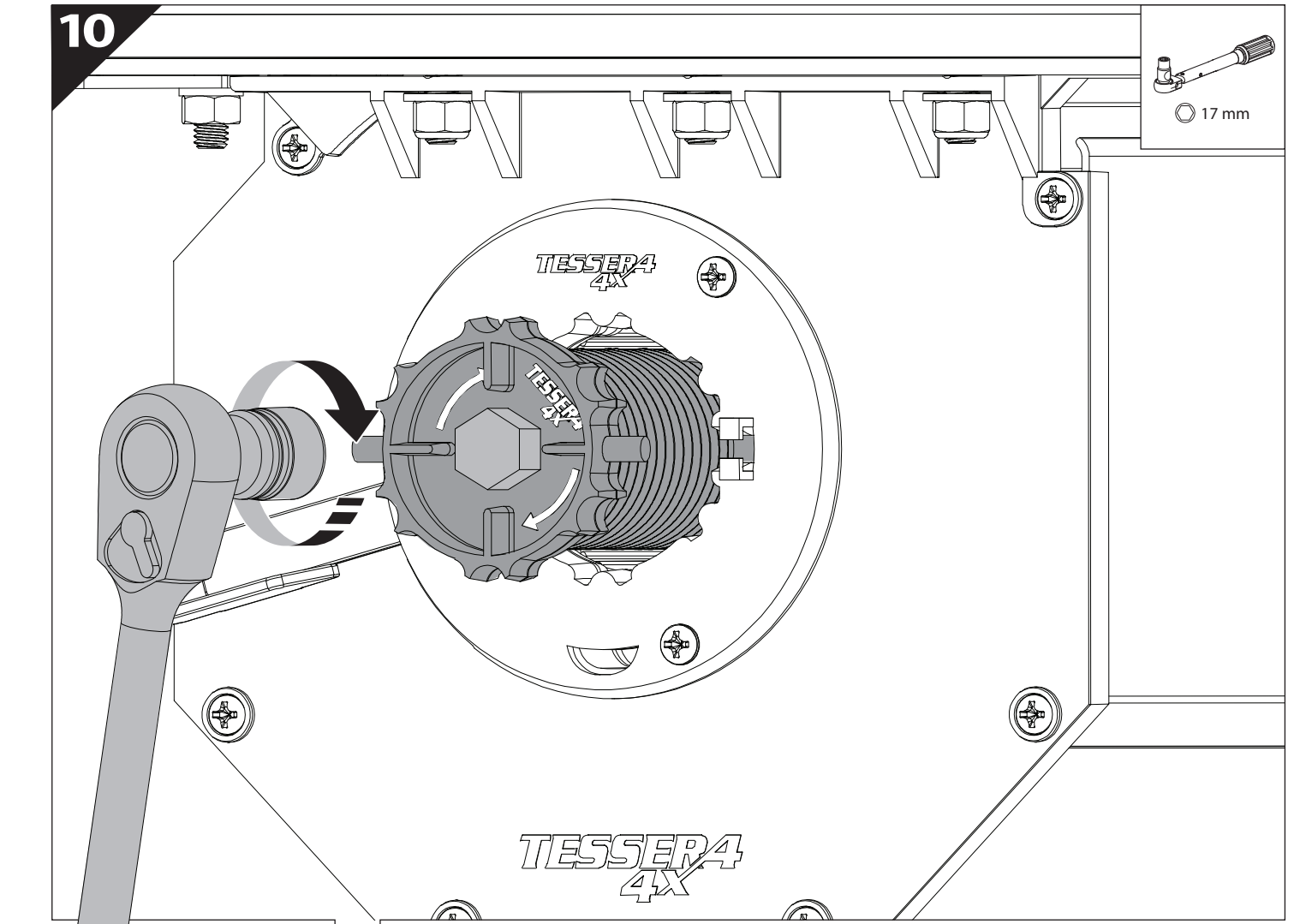
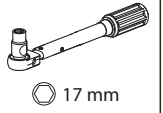


4

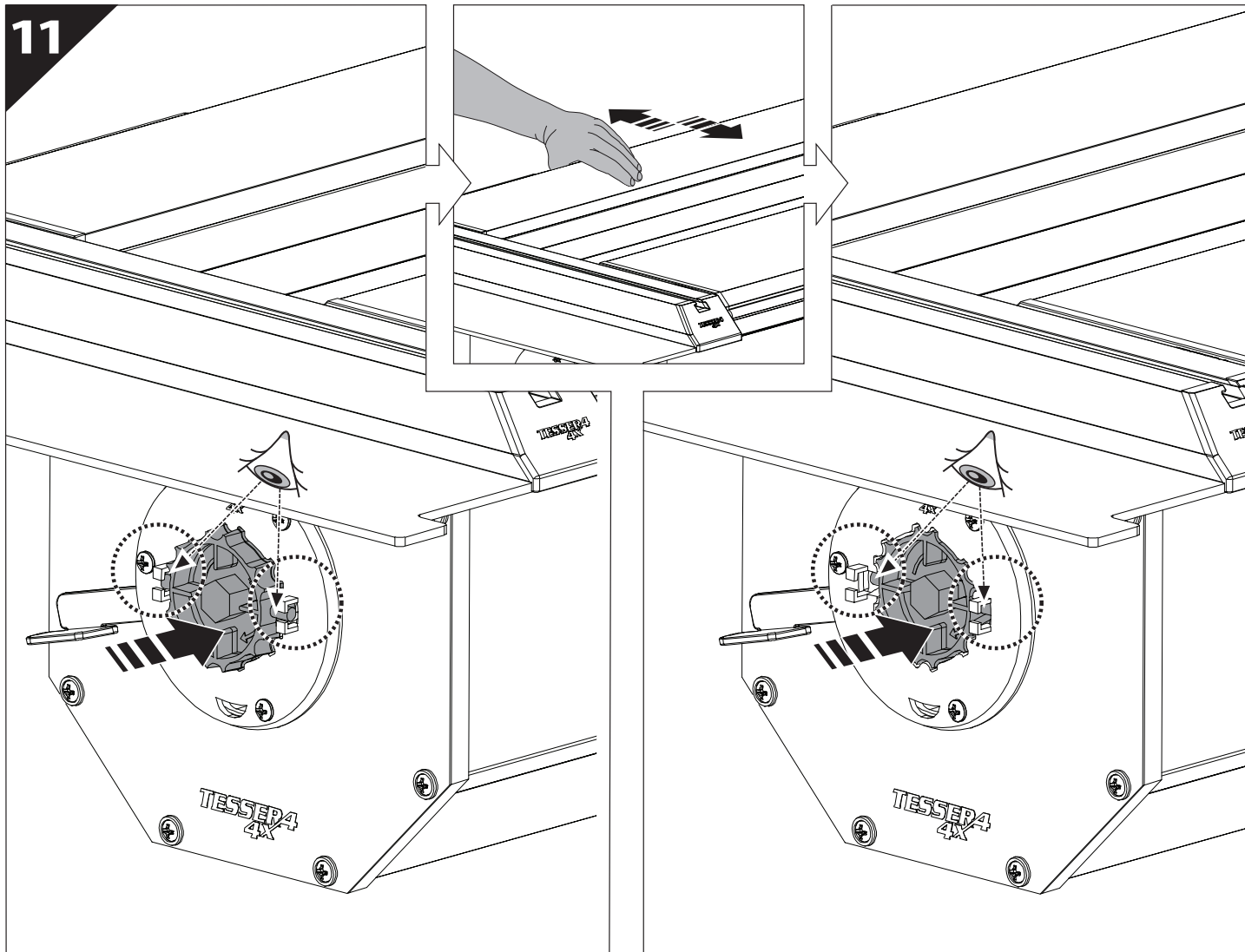




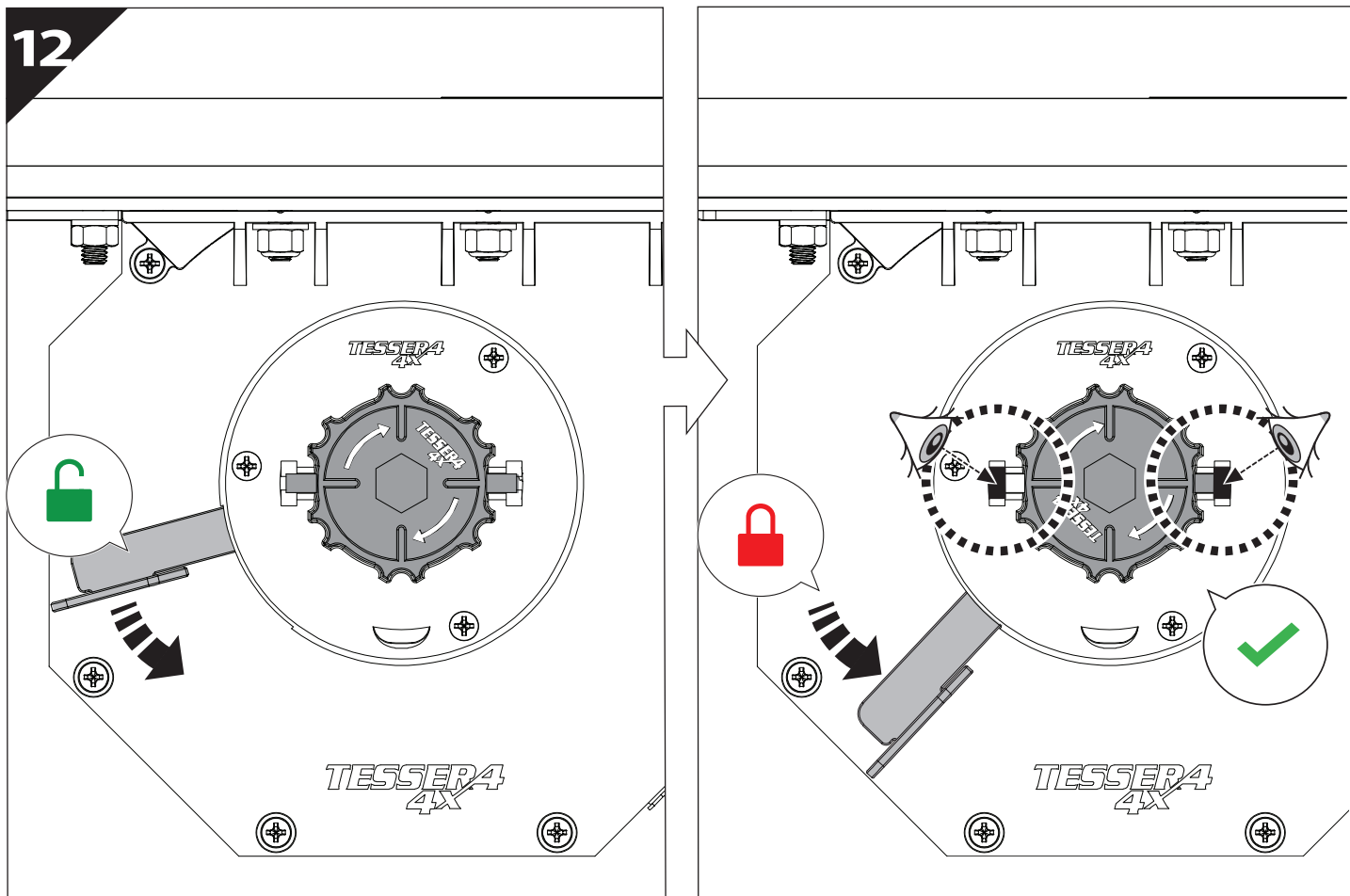
10



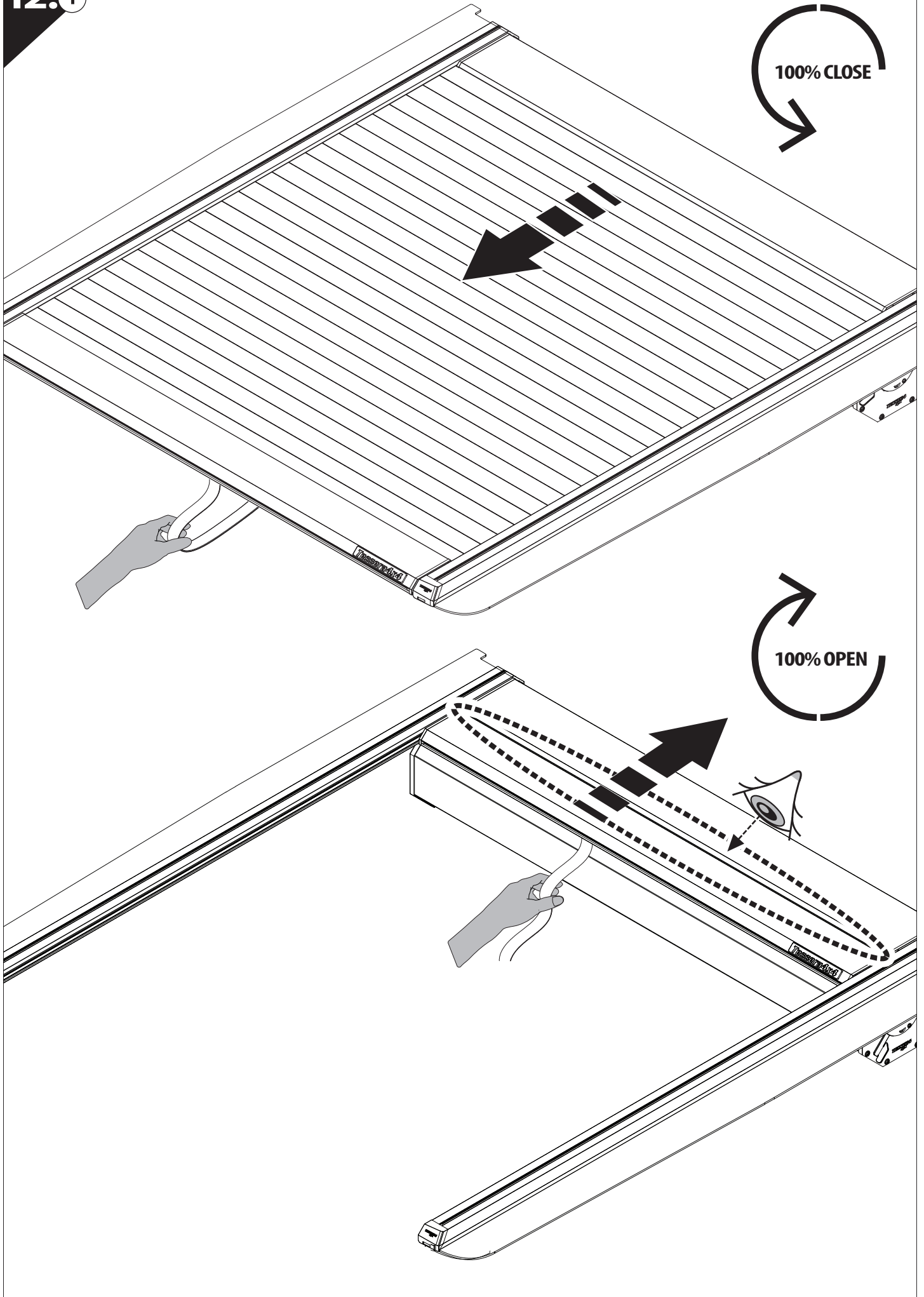
11

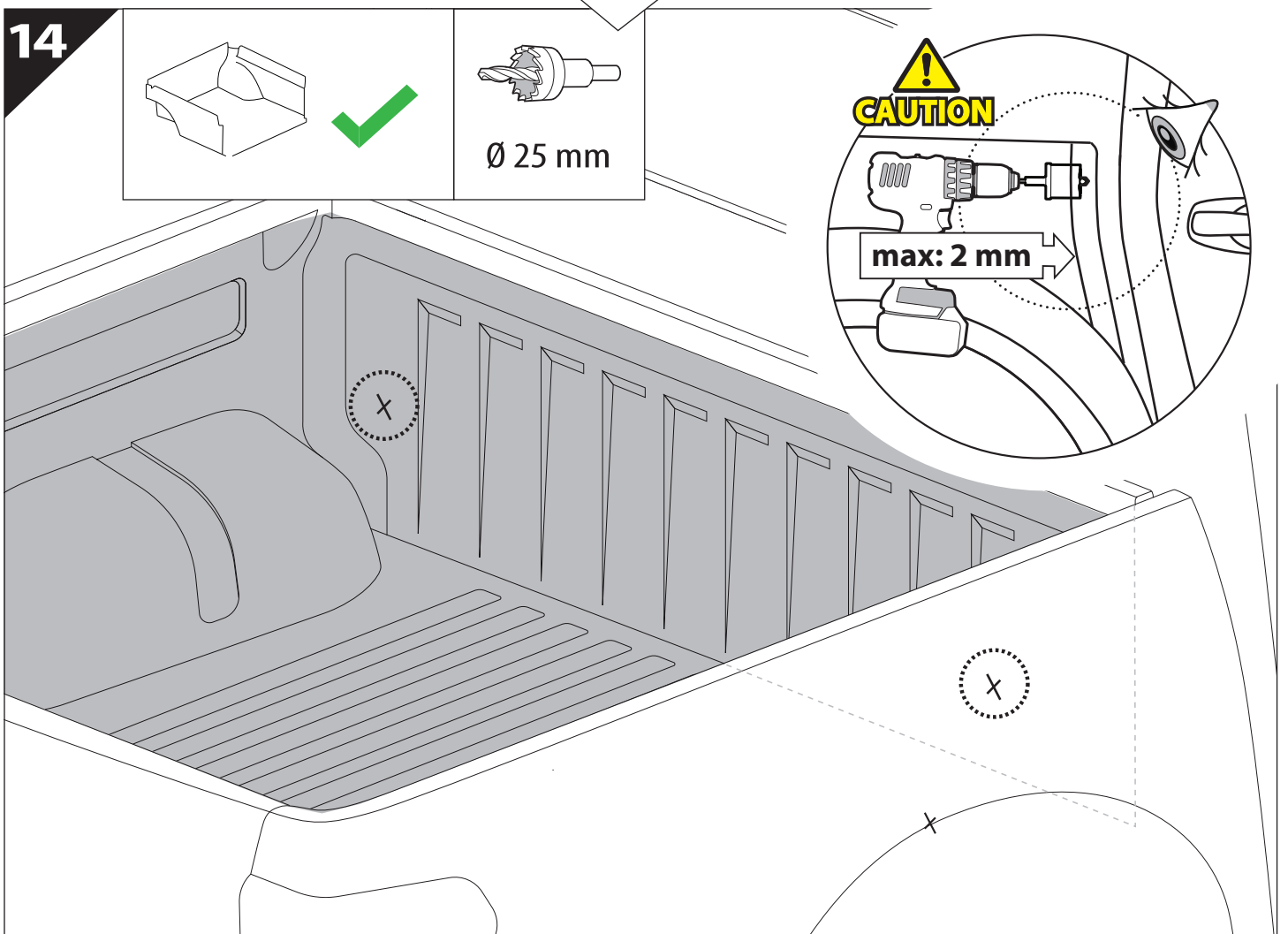
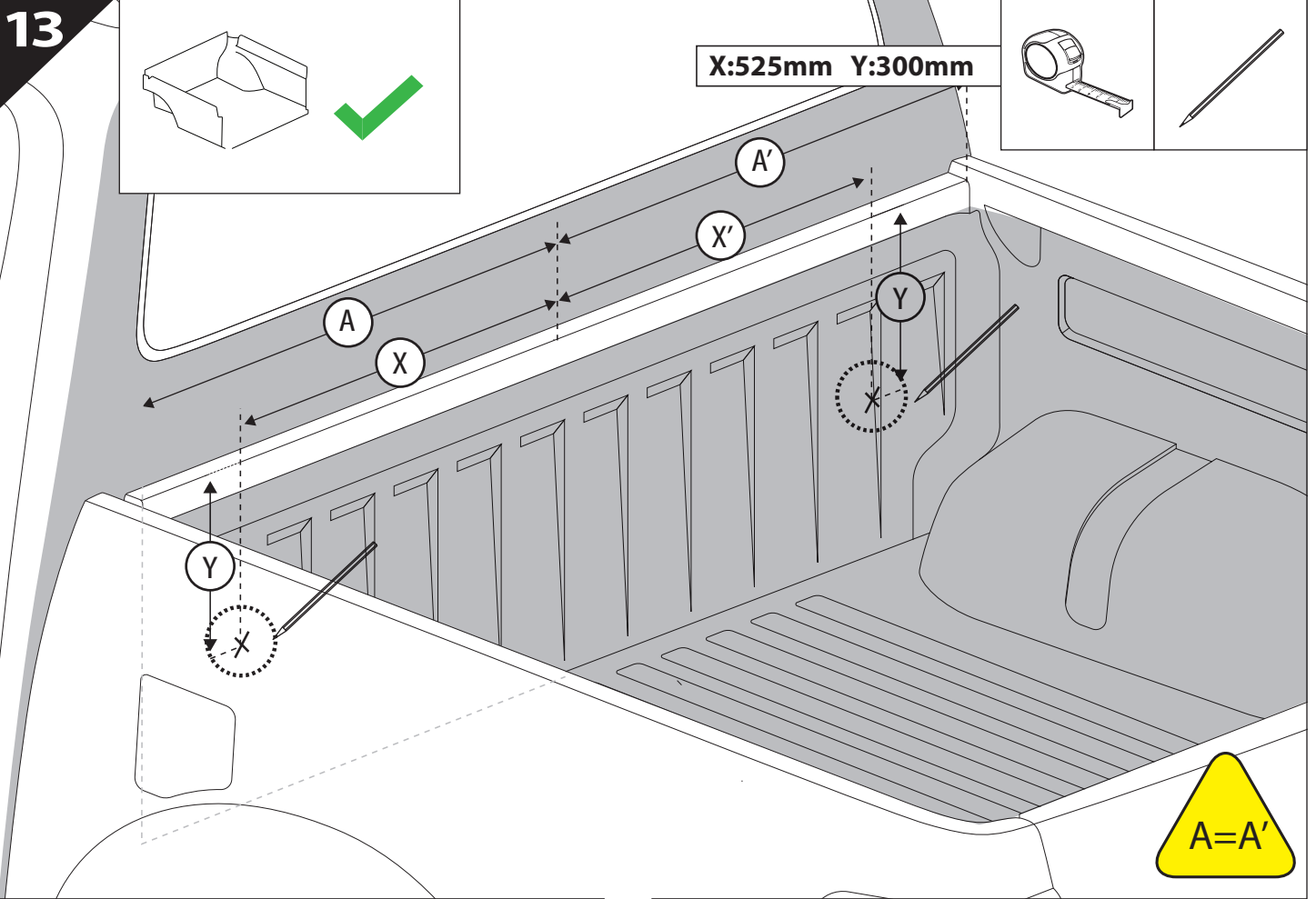


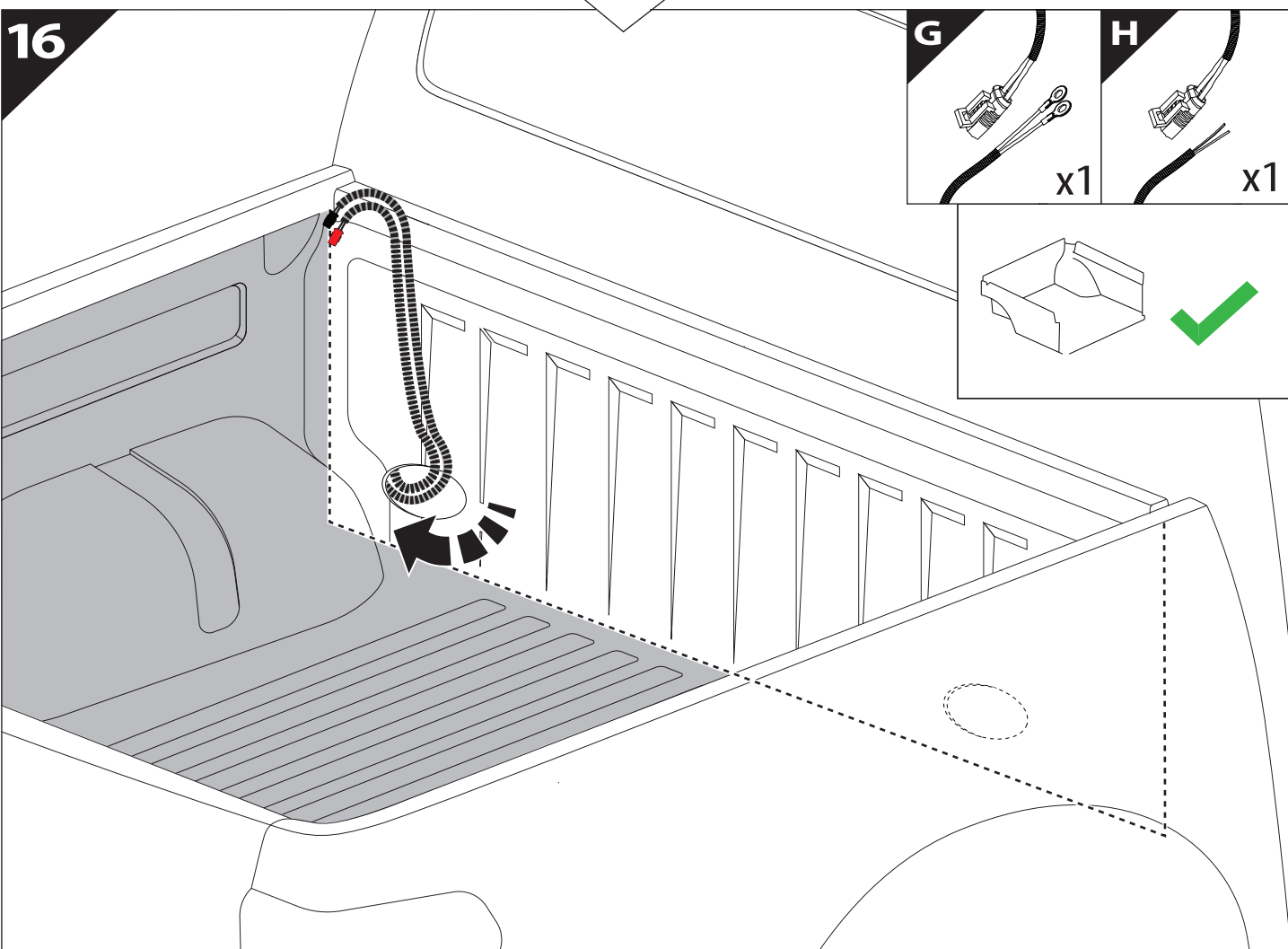
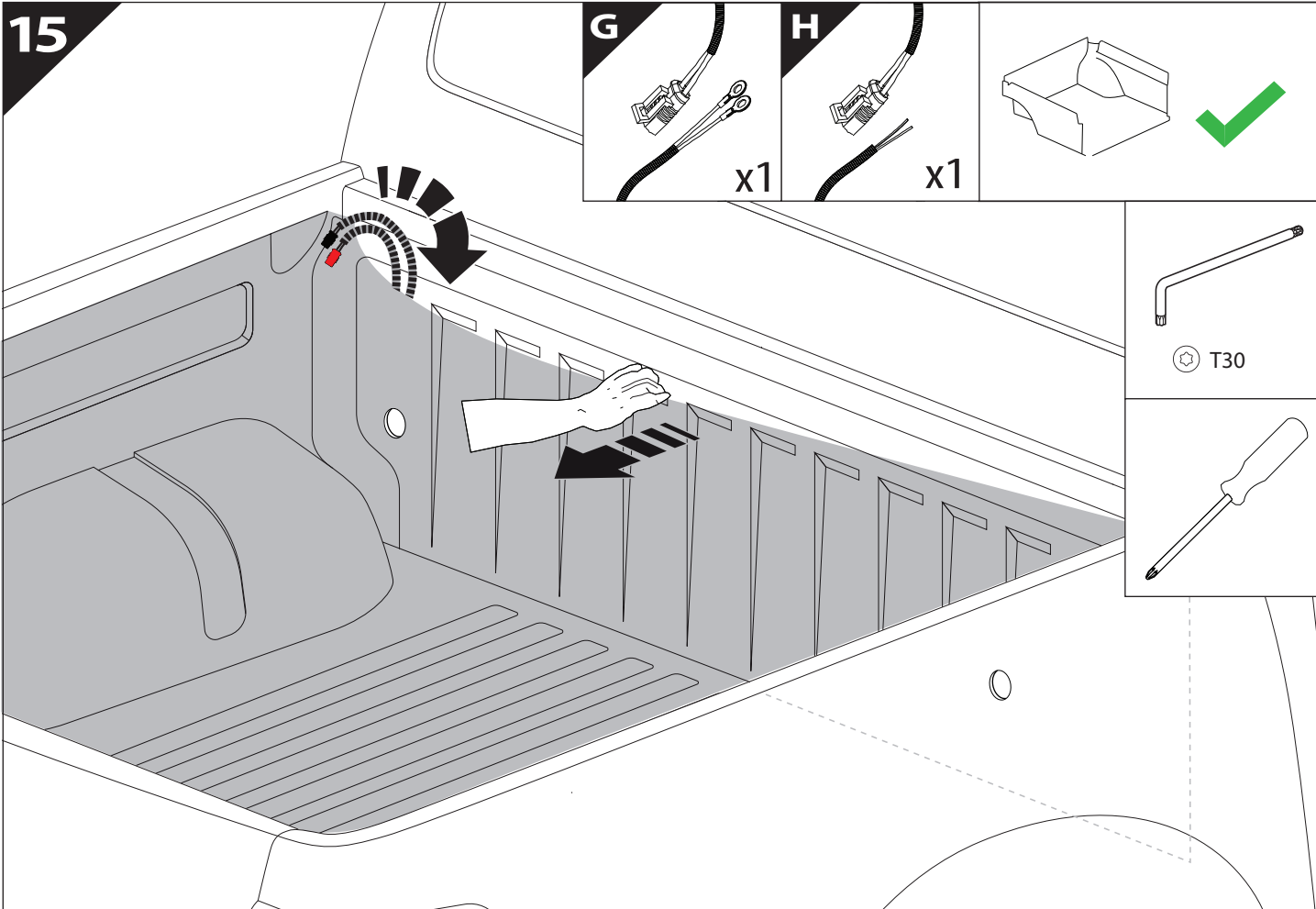
12

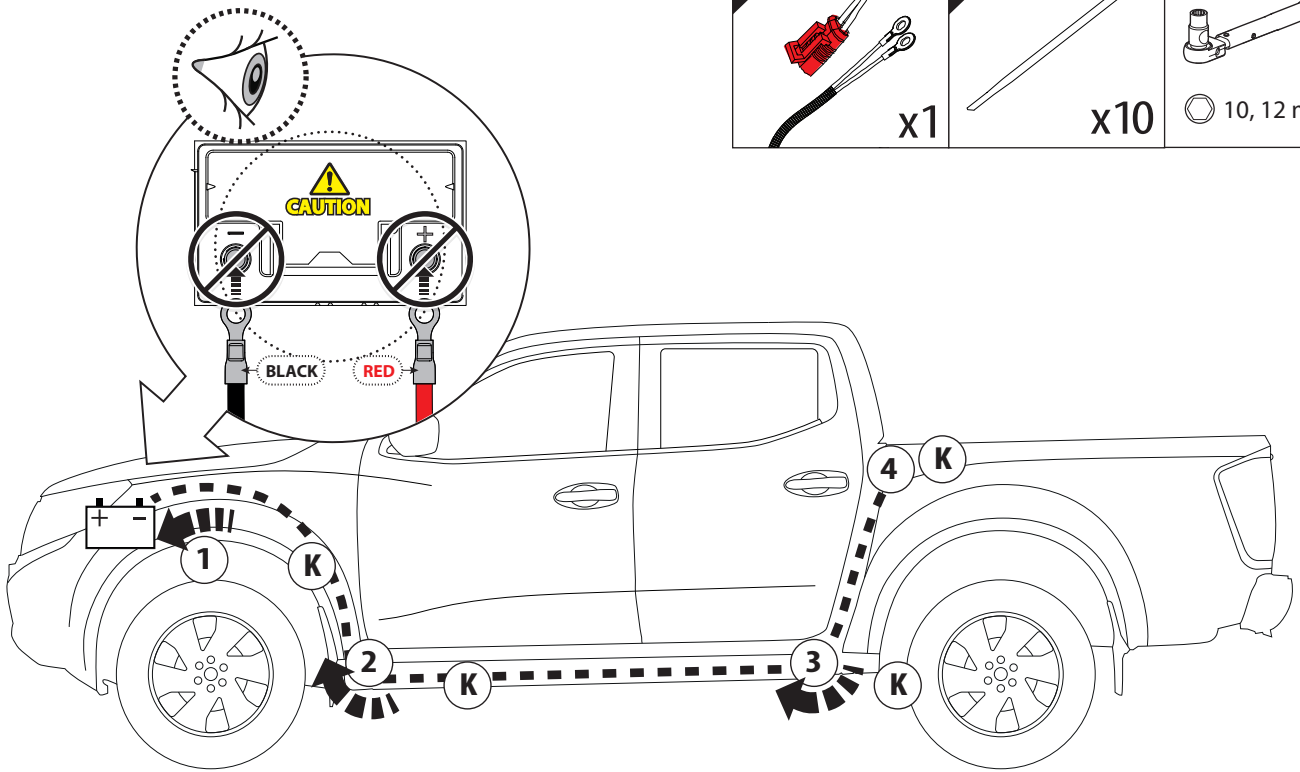
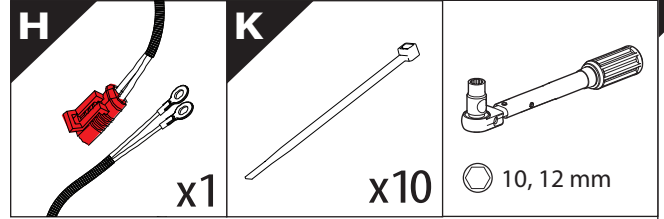


12.0

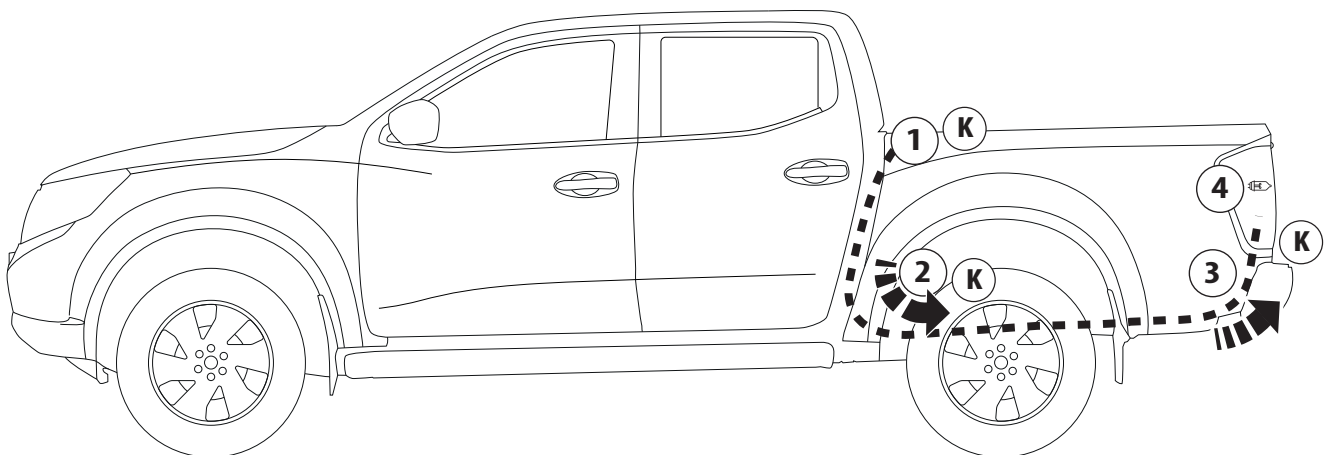
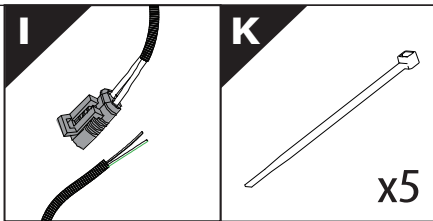




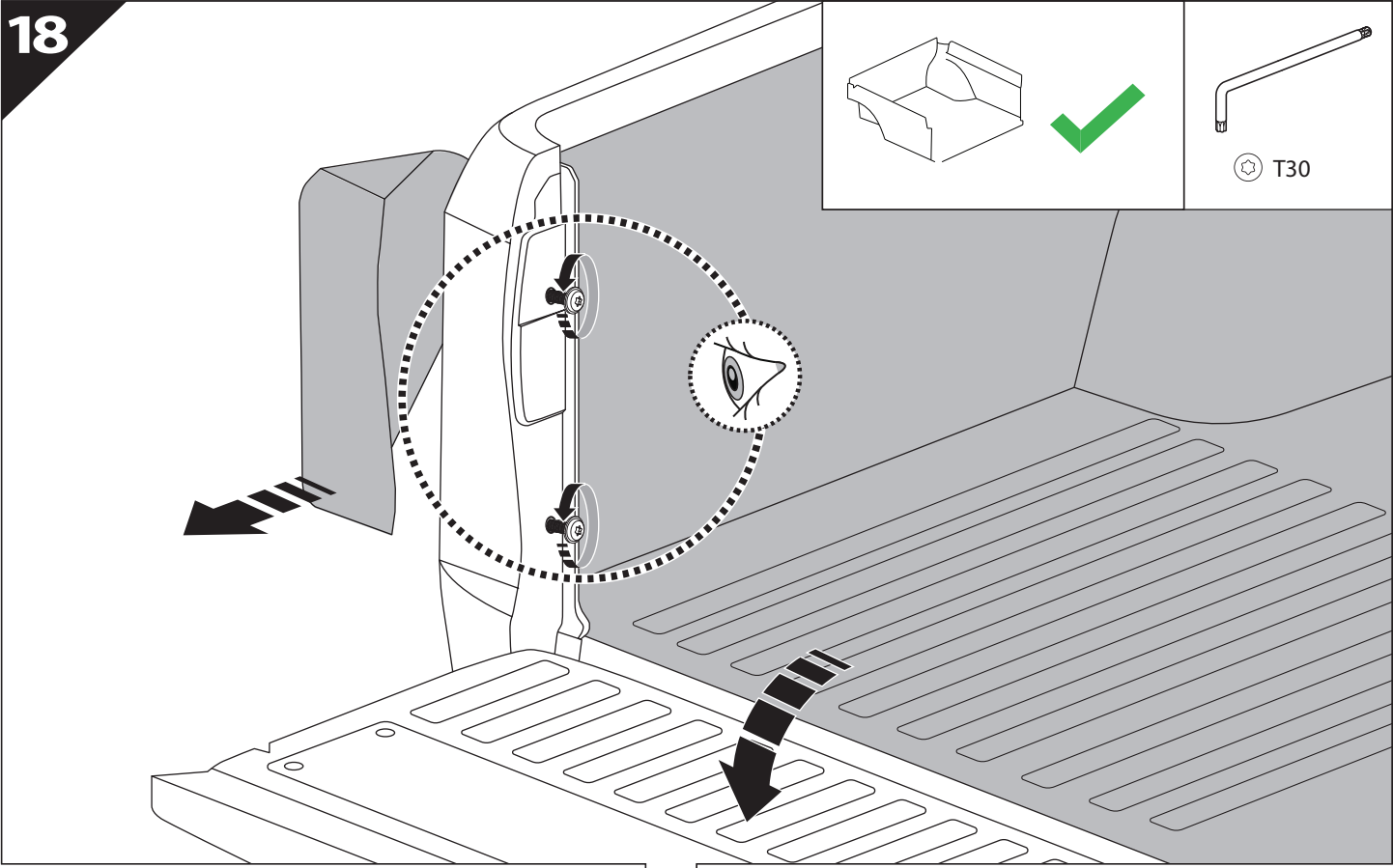




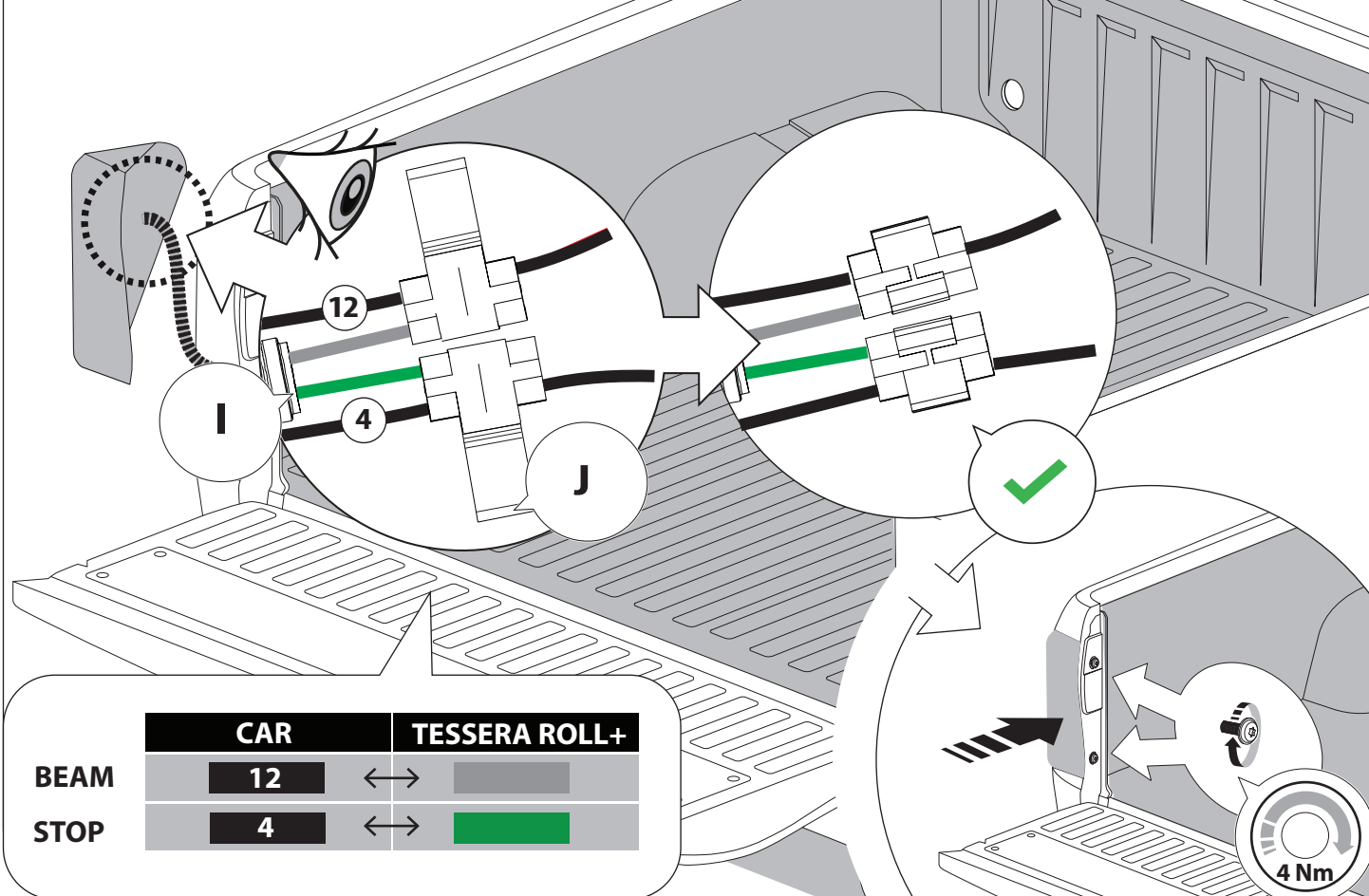
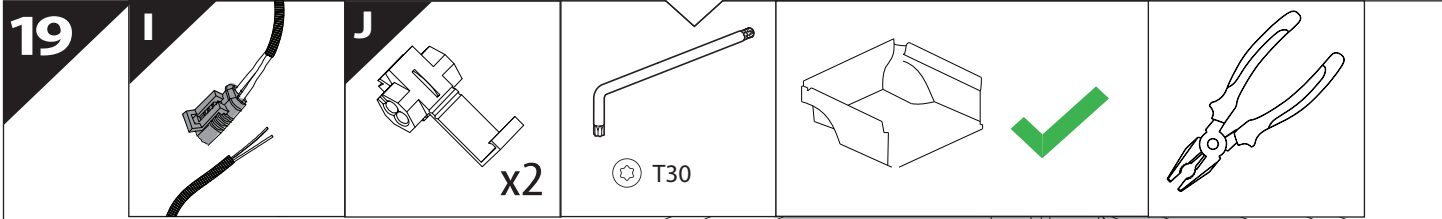
17.1



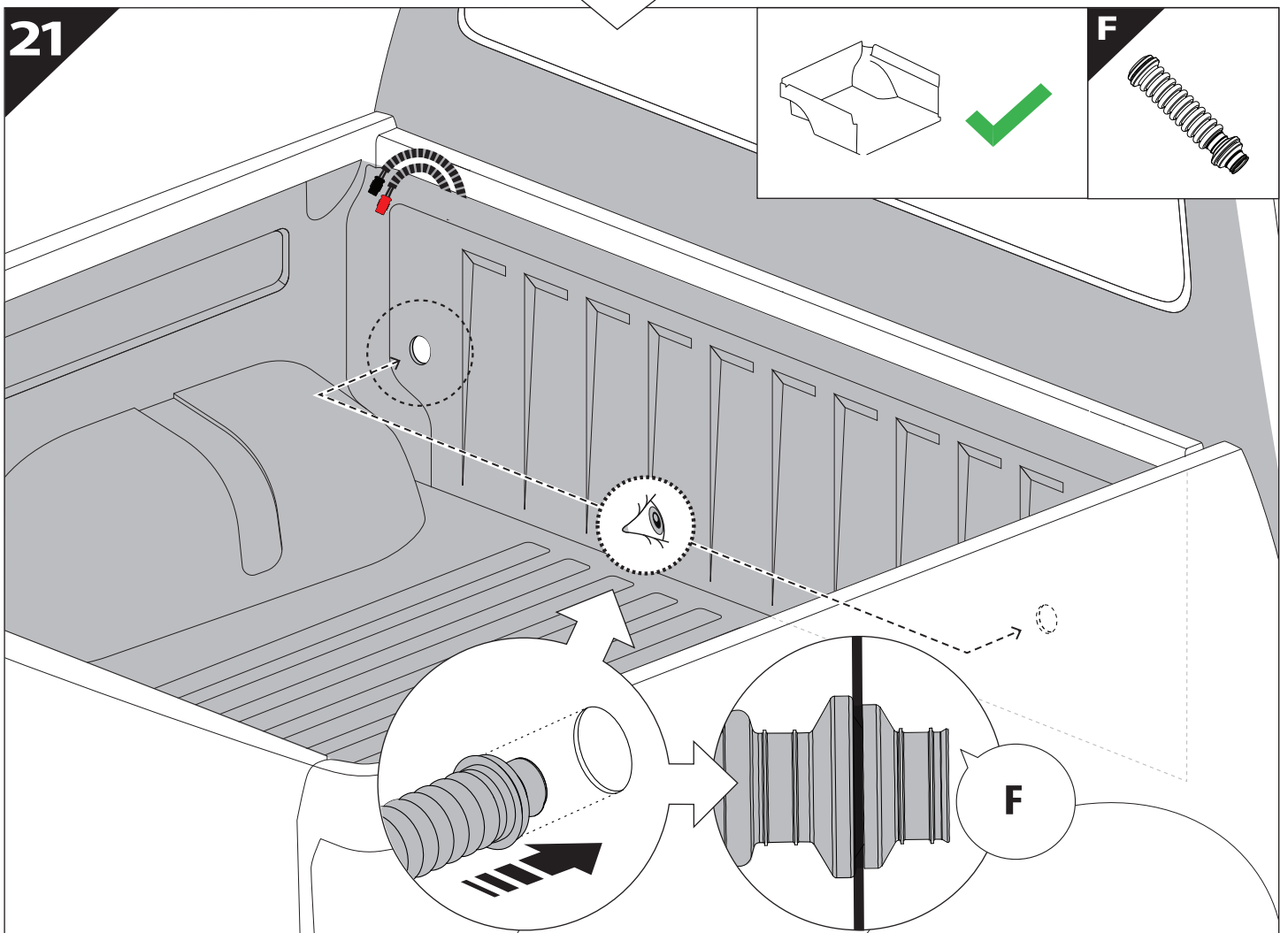
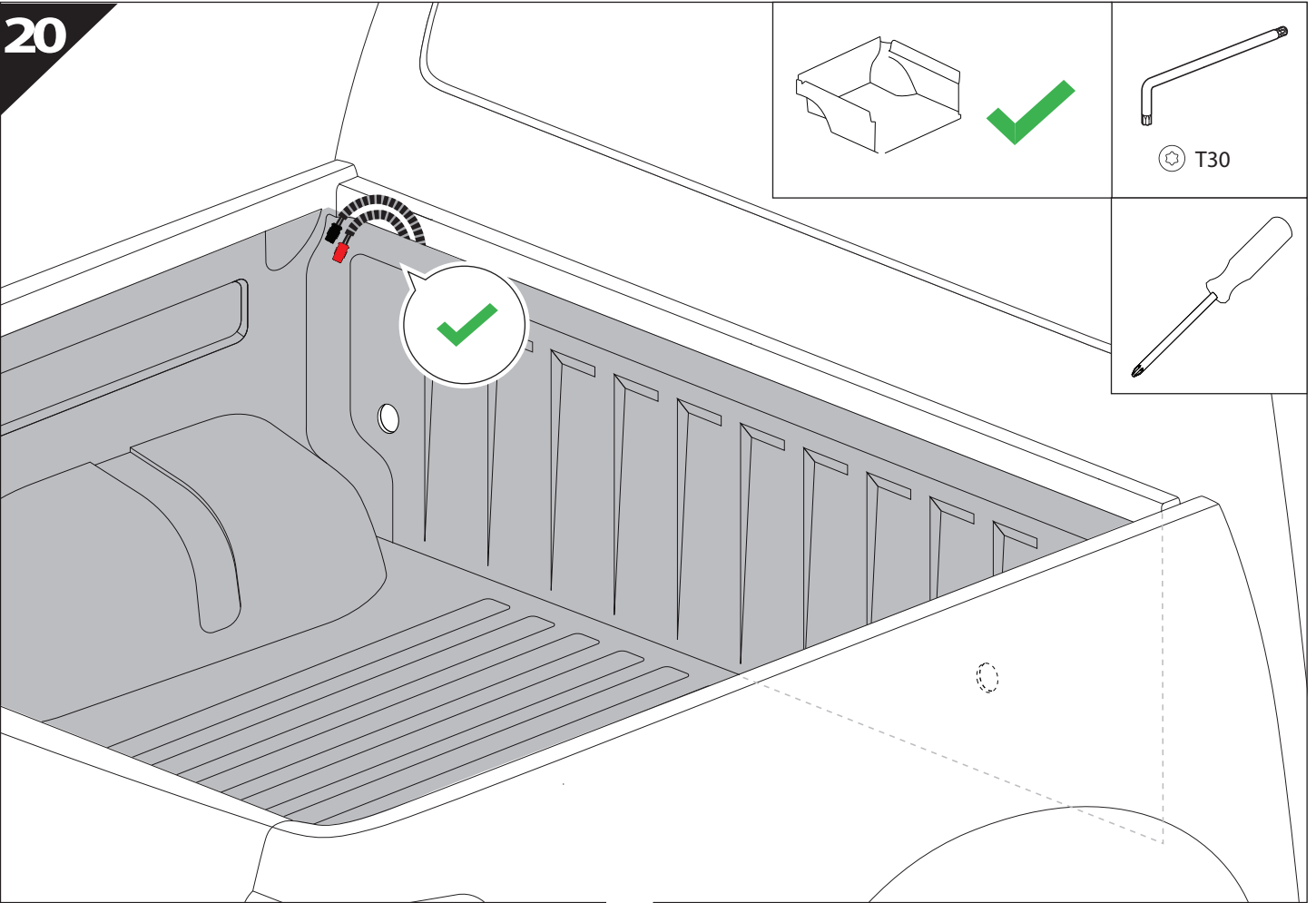
18

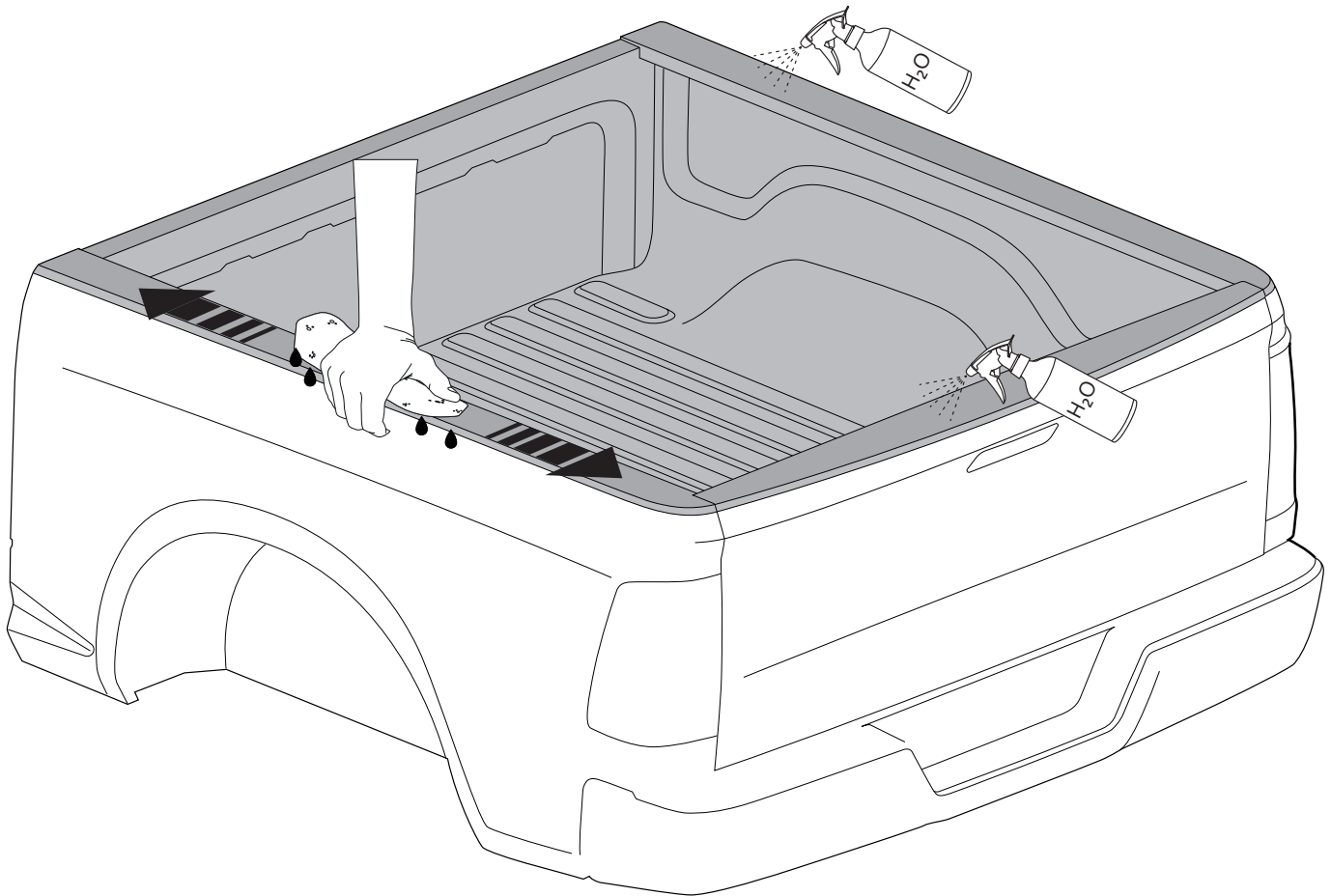
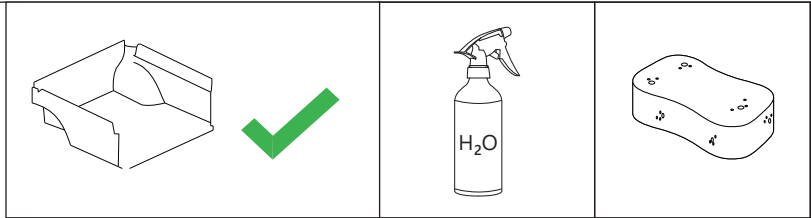


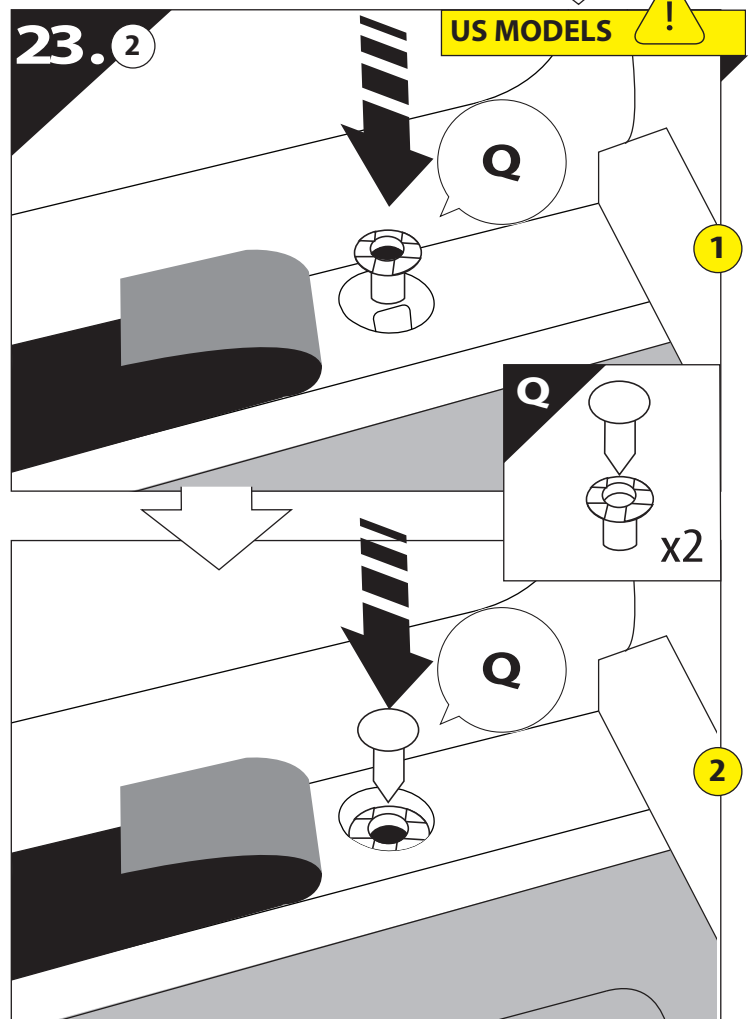
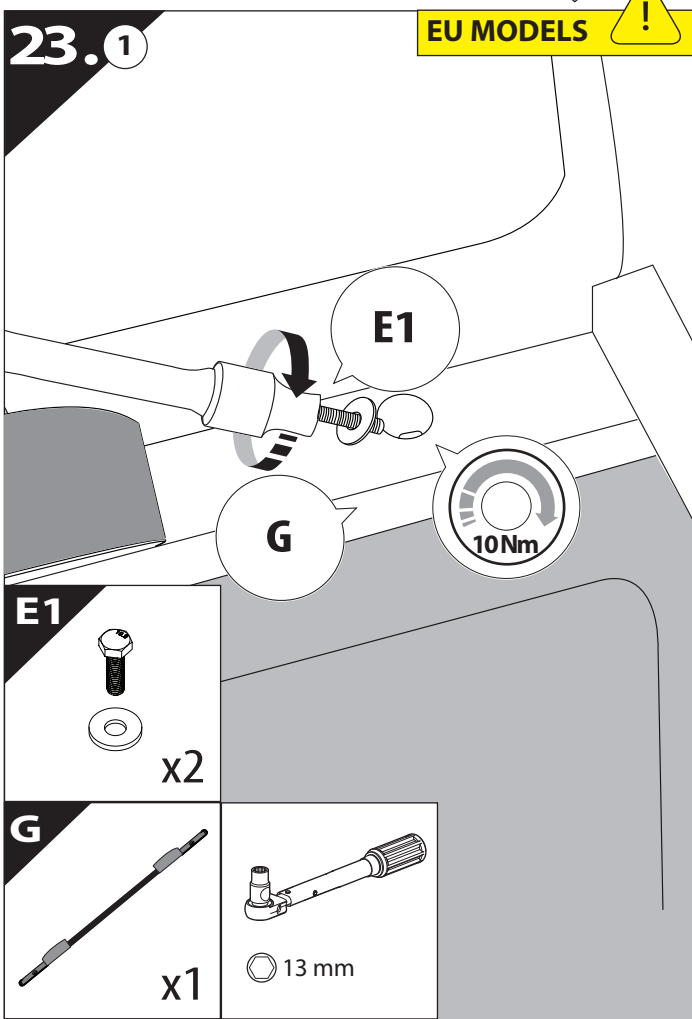
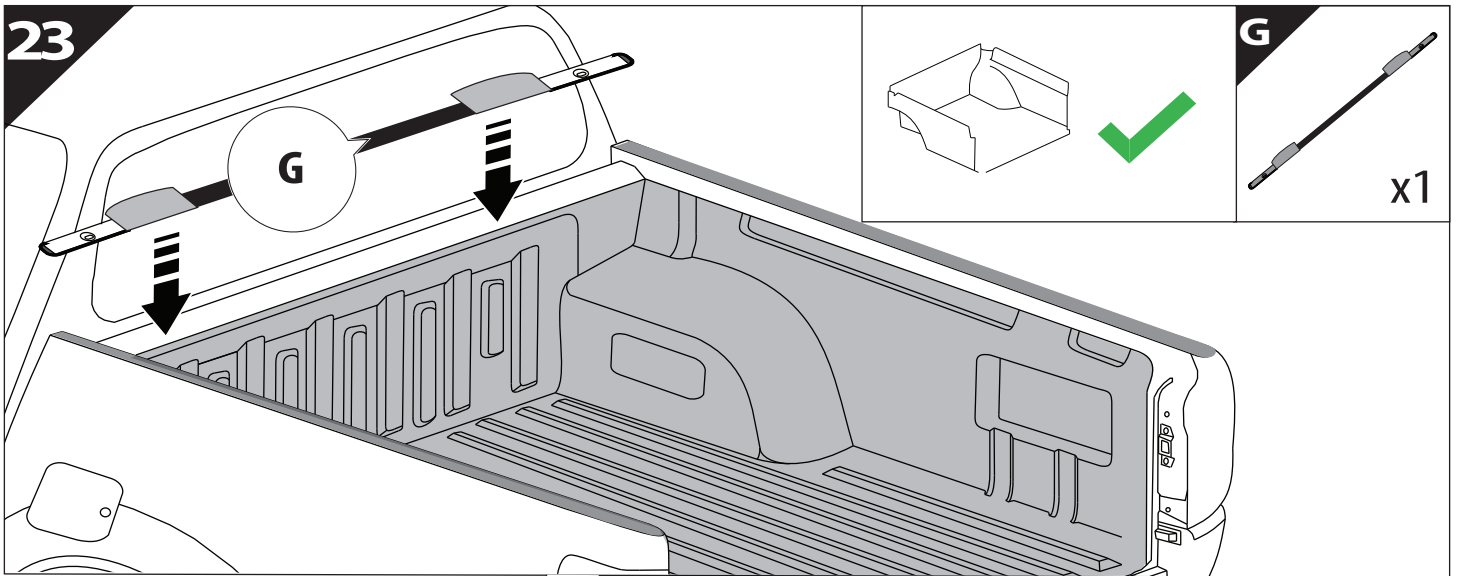
19

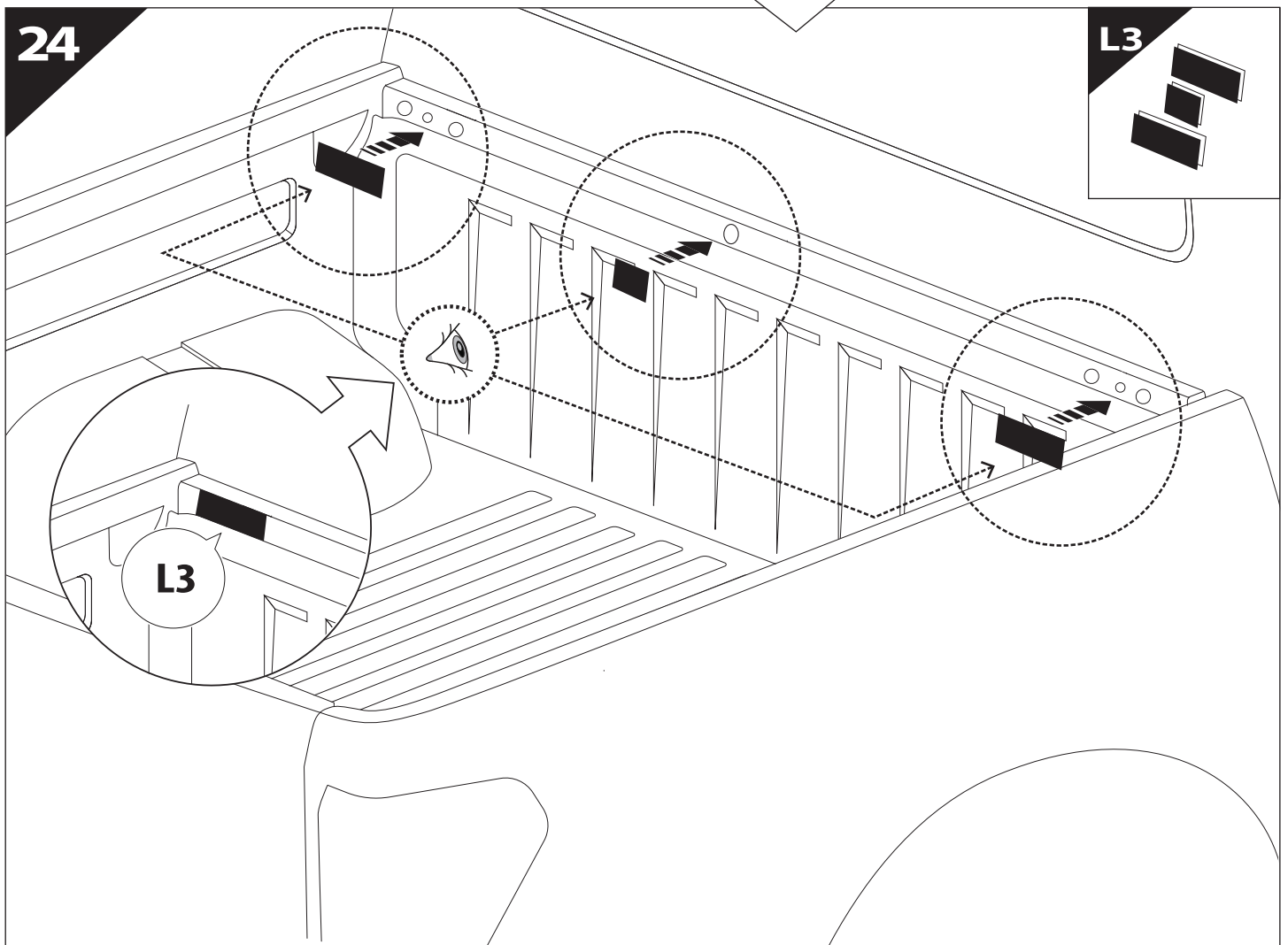
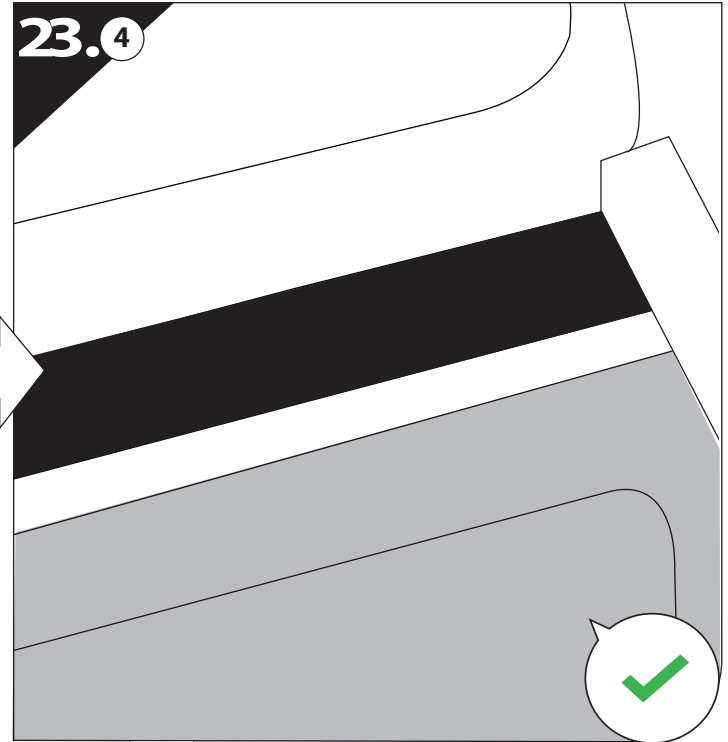
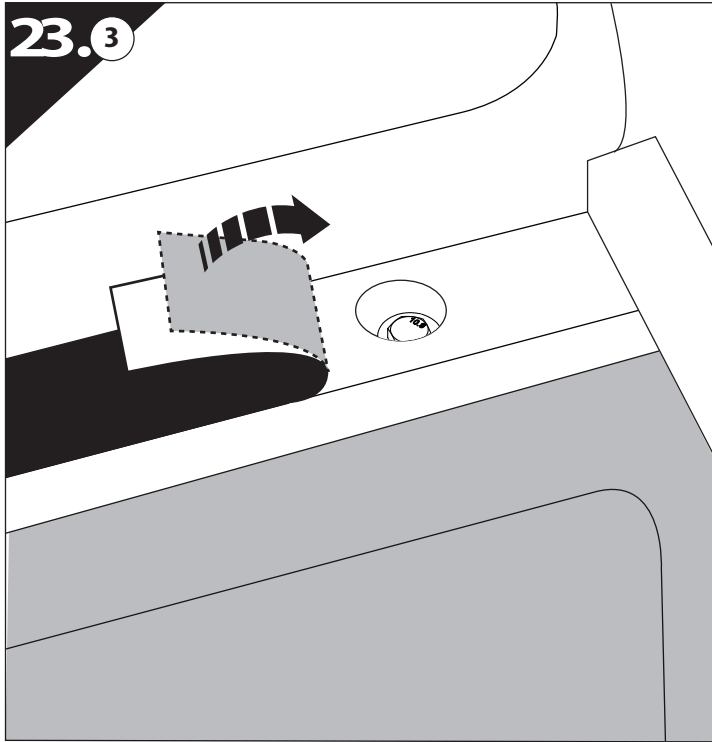


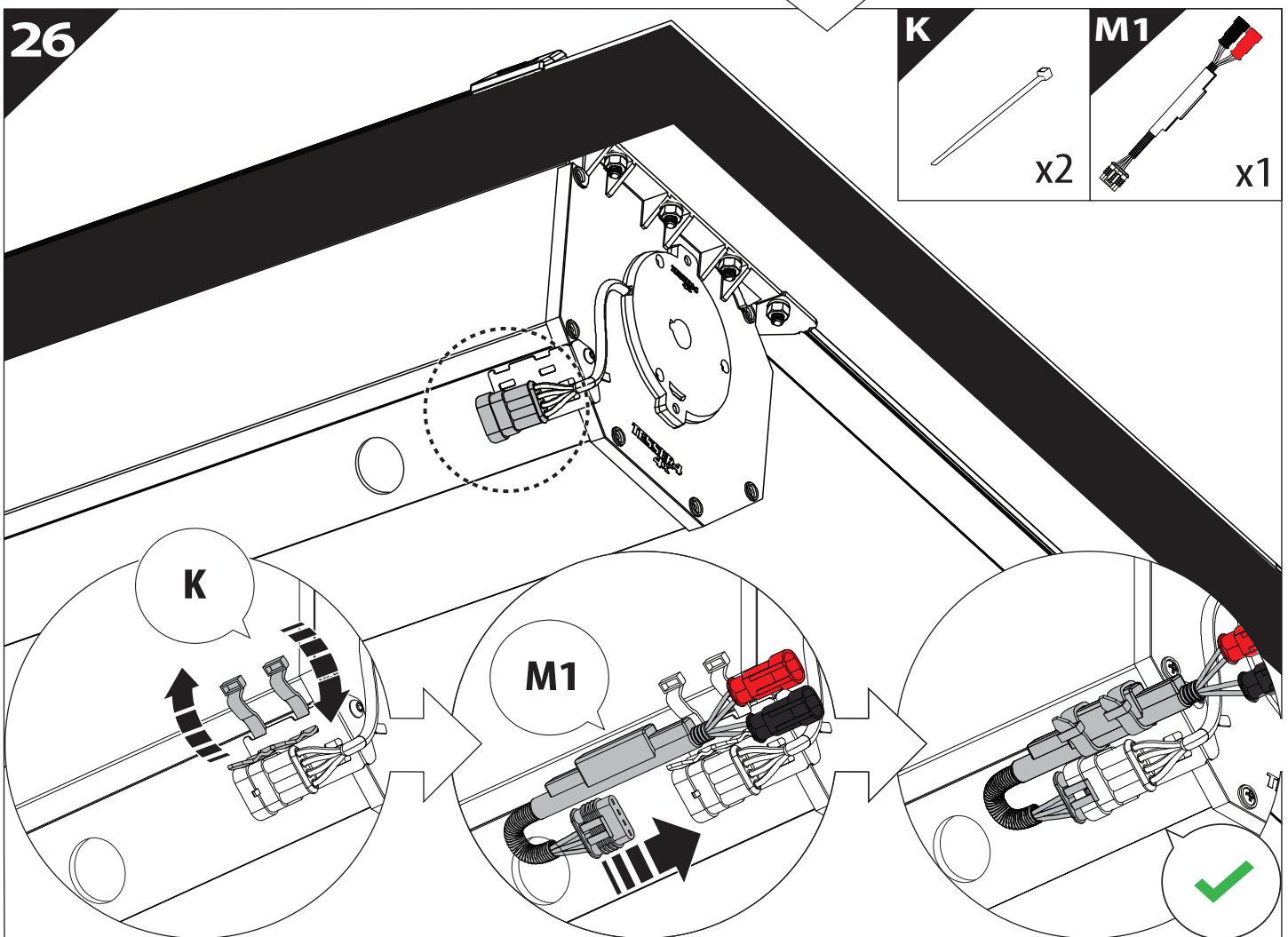
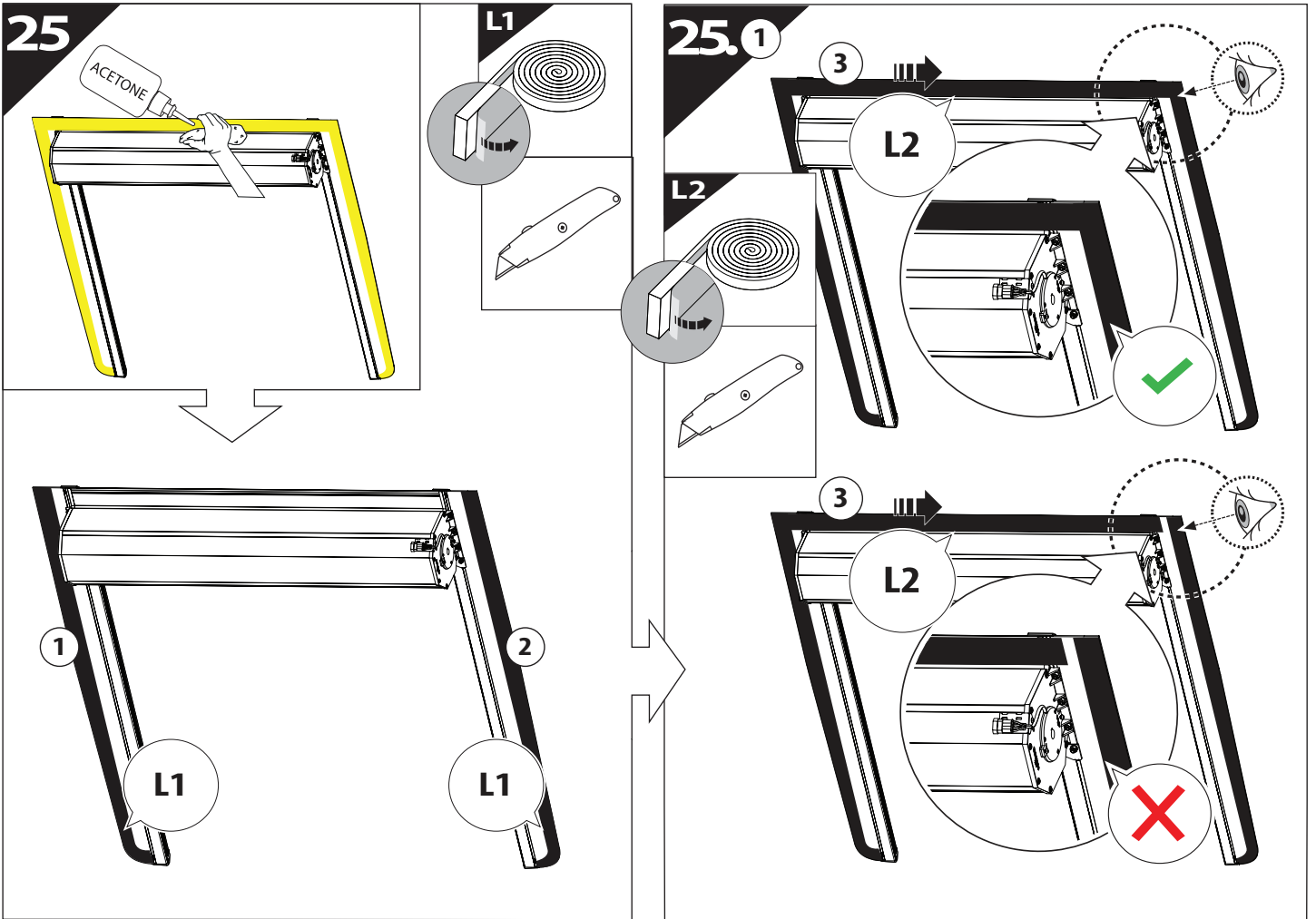
| | CAR | | TESSERA ROLL+ |
|------|-----|---|---------------|
| BEAM | 12 | ↔ | |
| STOP | 4 | ↔ | |

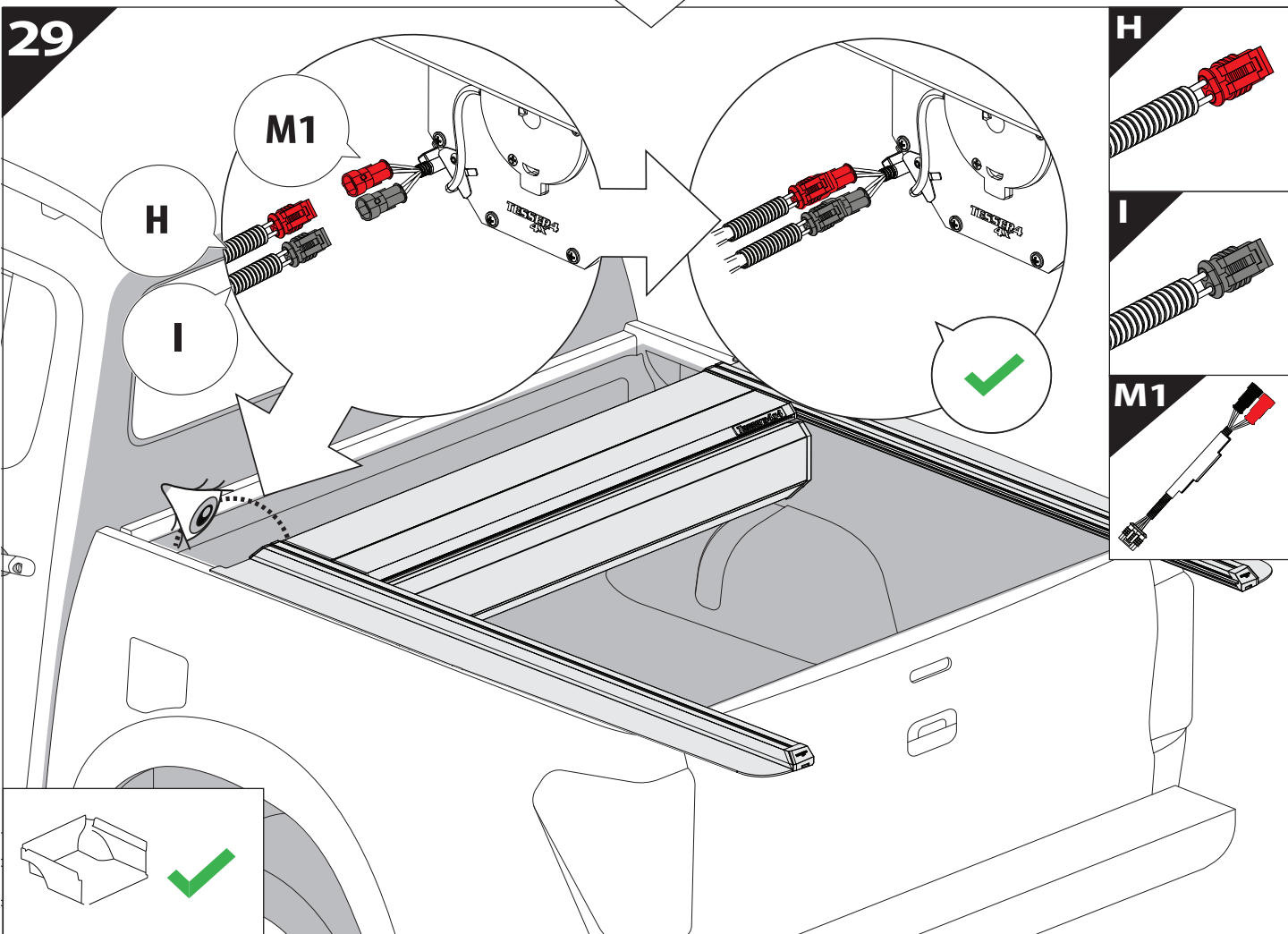
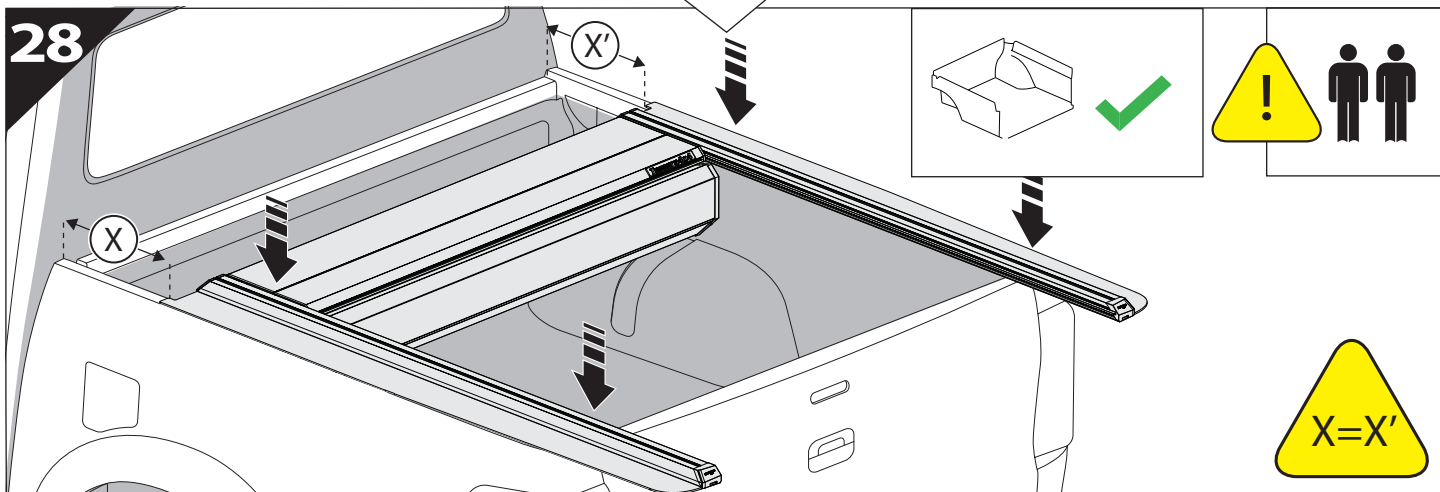
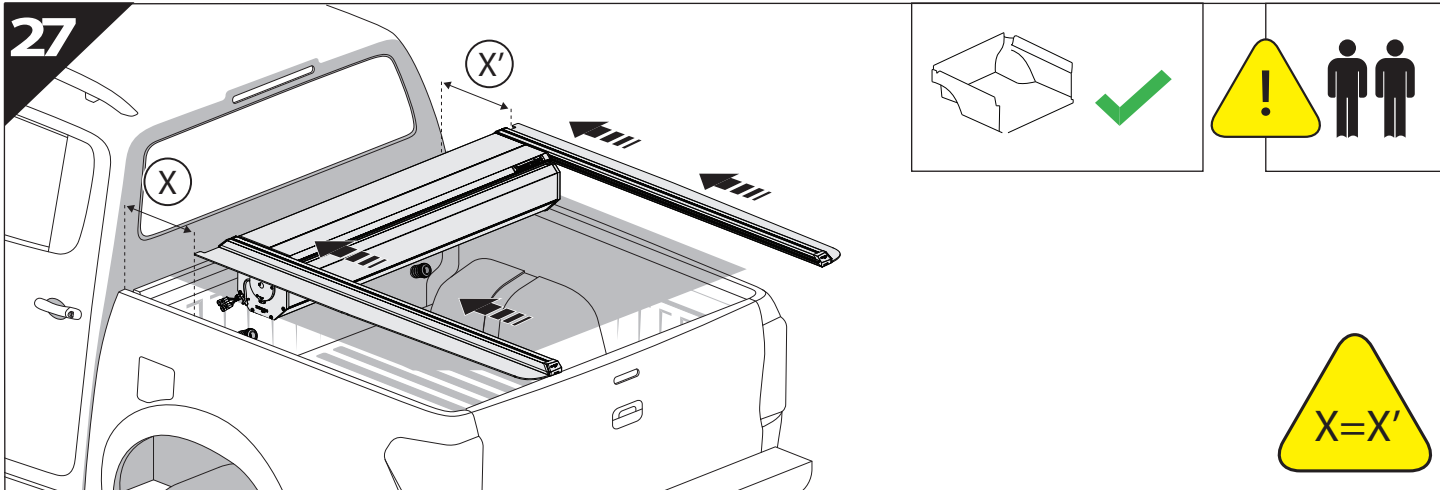




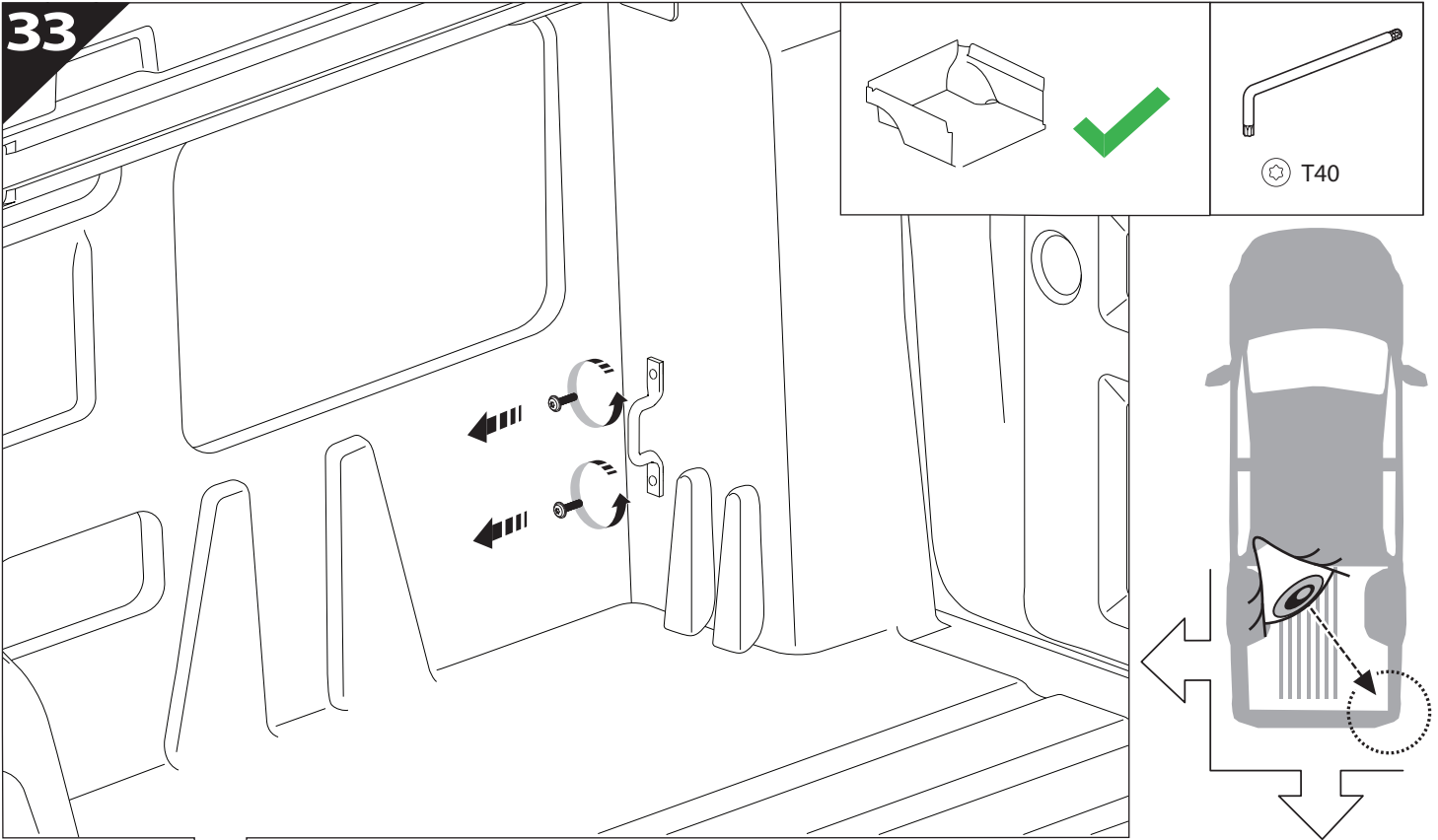




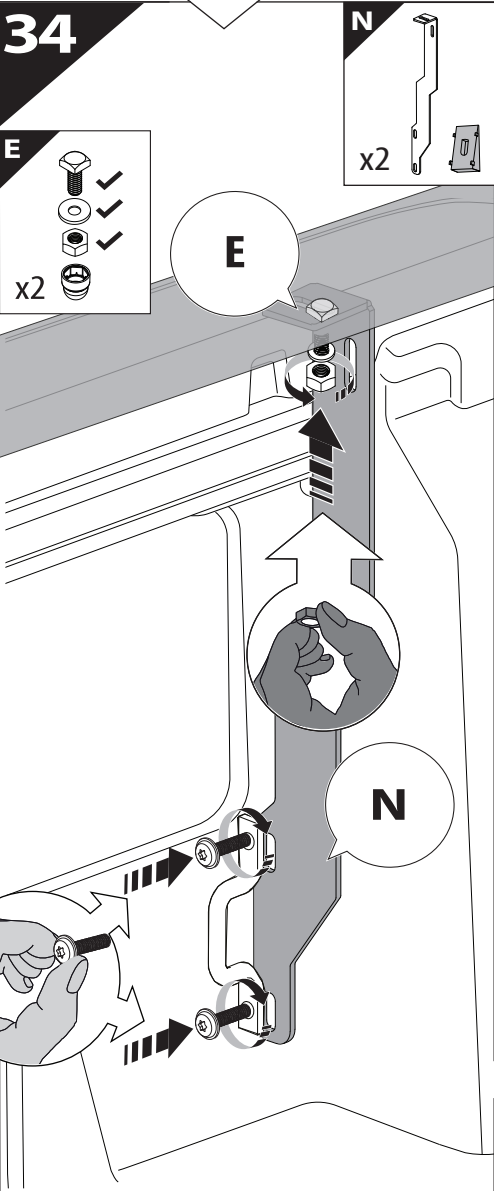




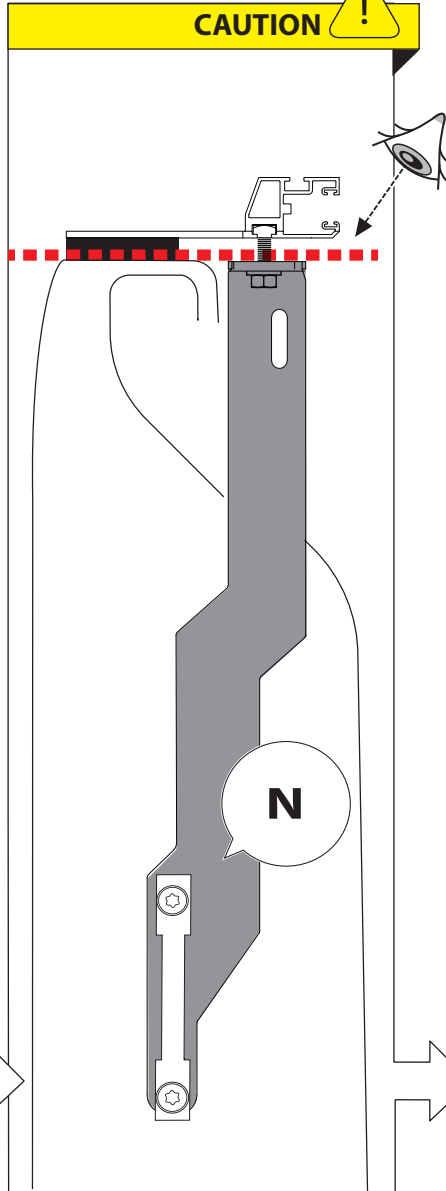
33



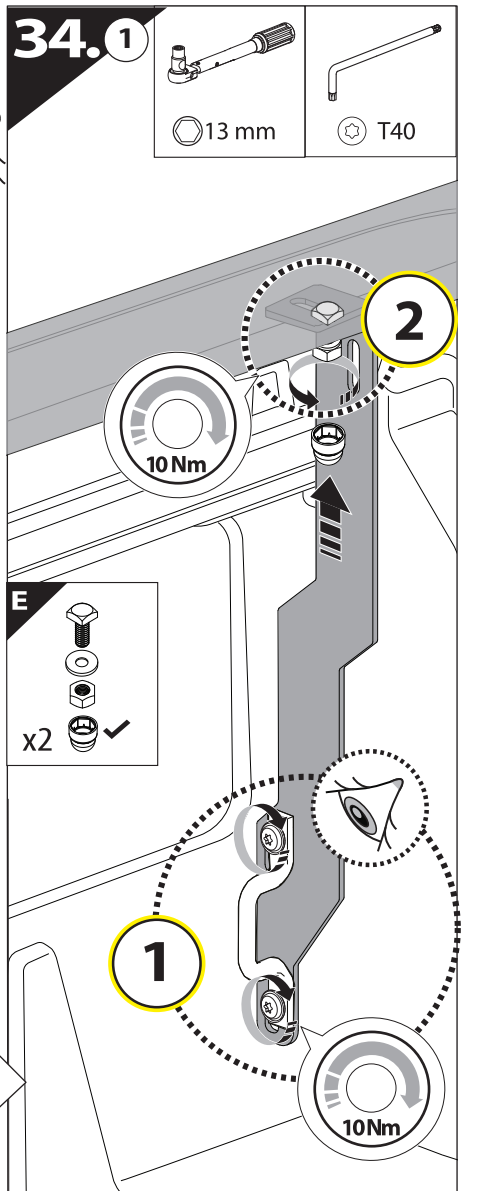
34



CAUTION !

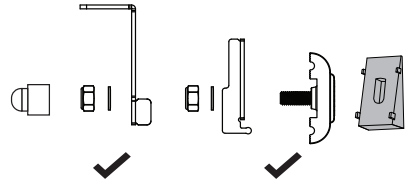


34.1

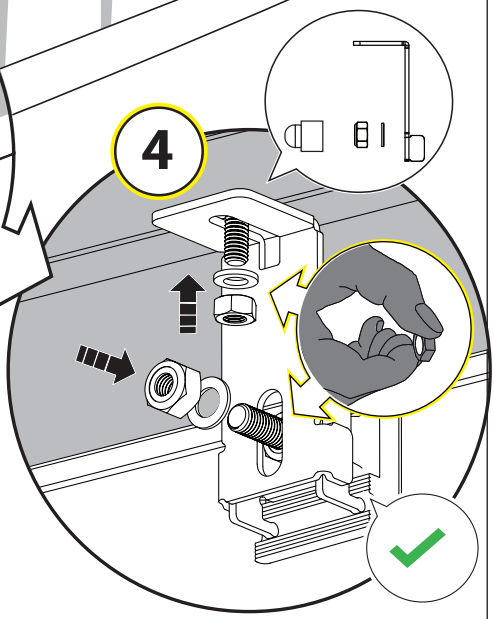
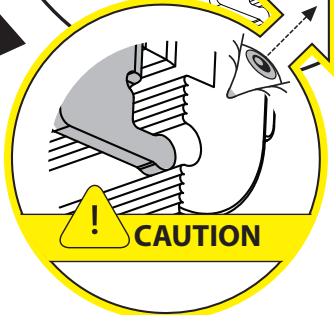
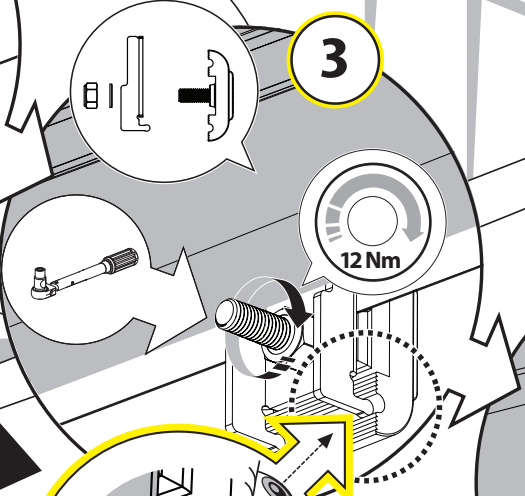
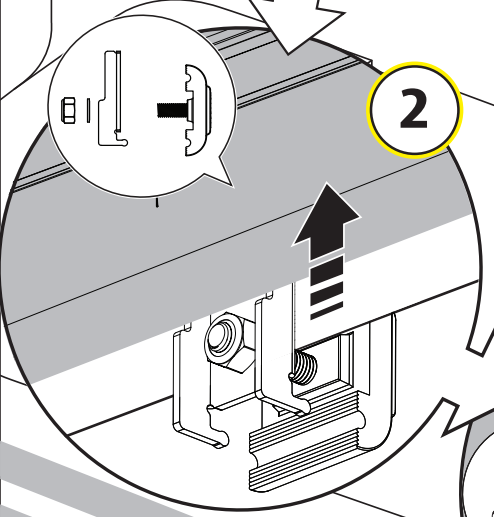
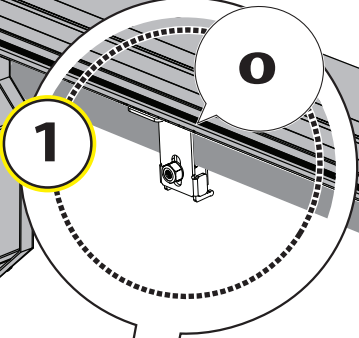
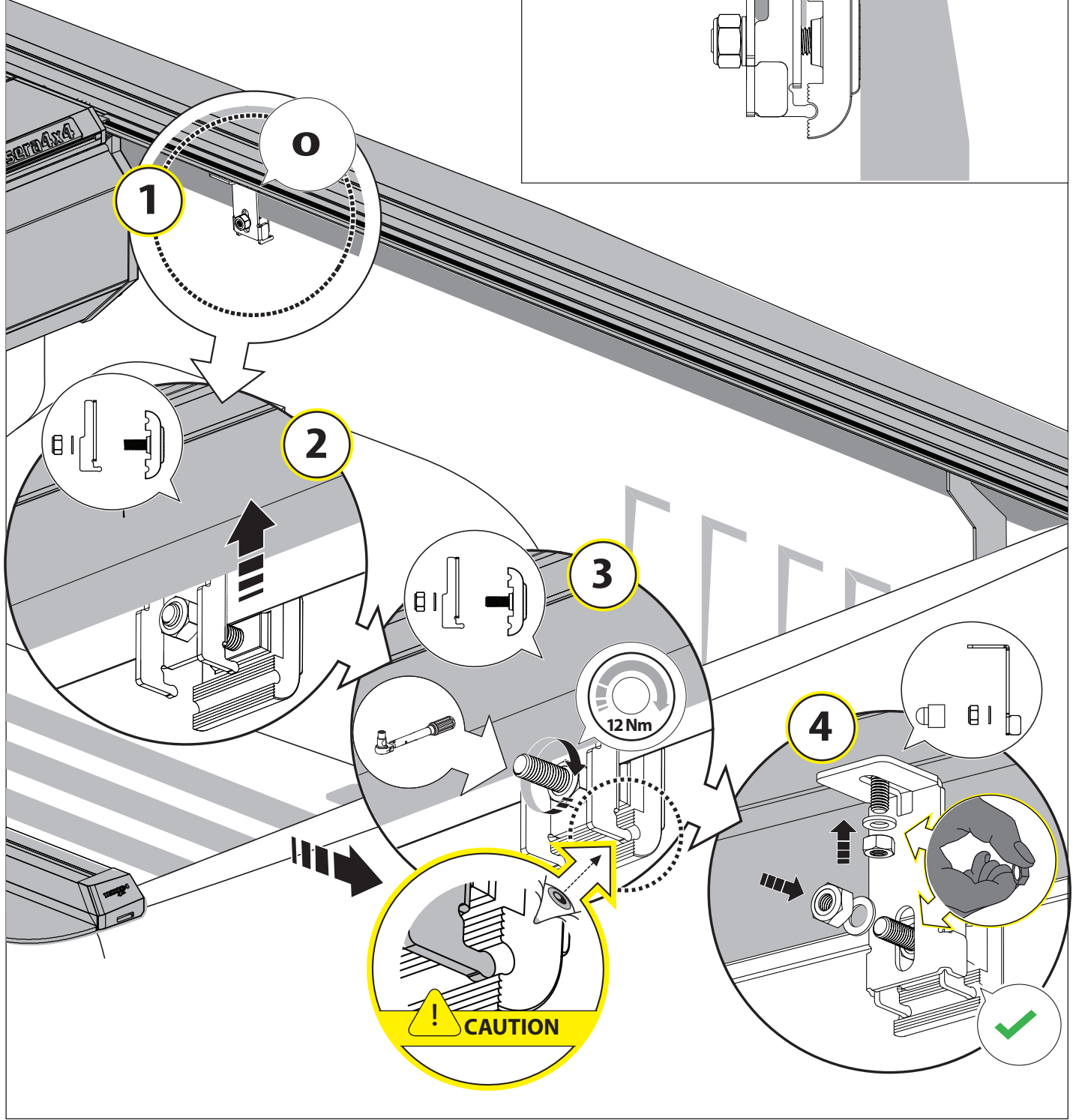
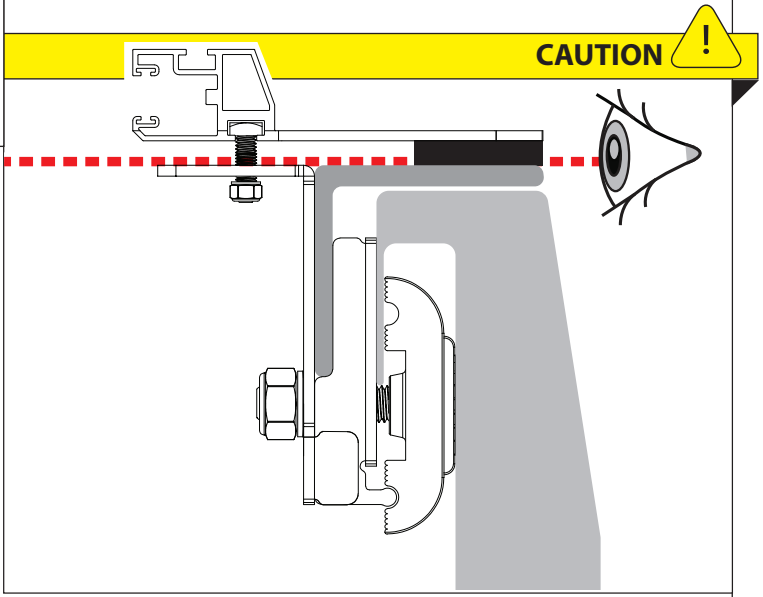
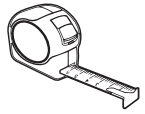
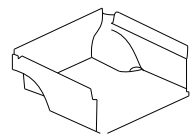
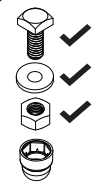


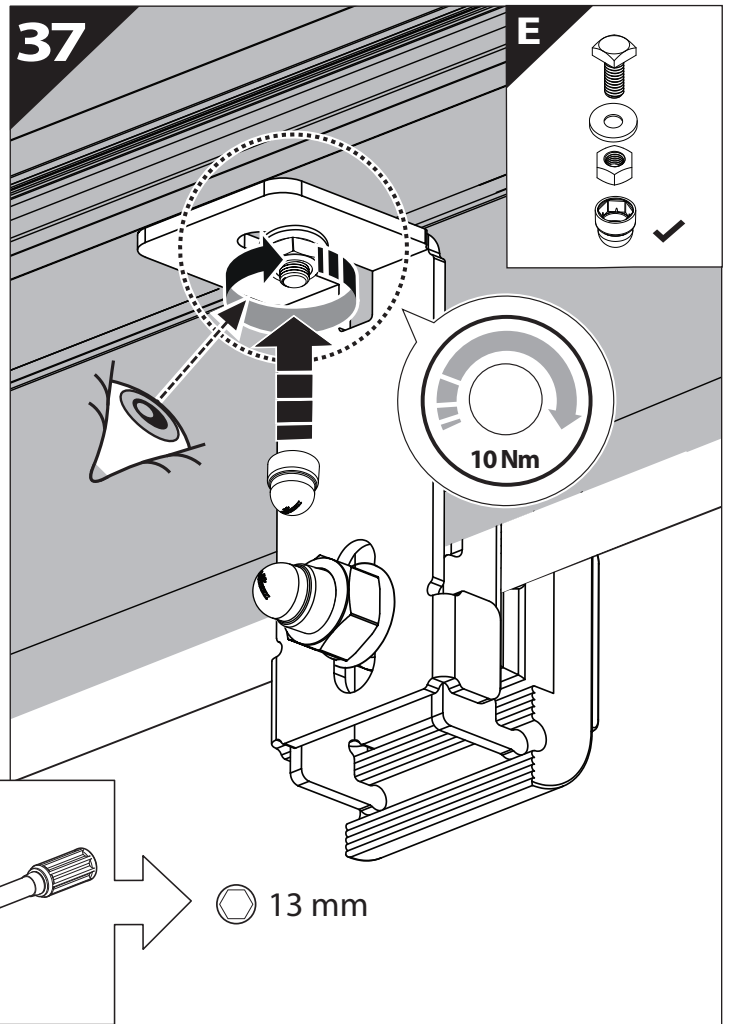
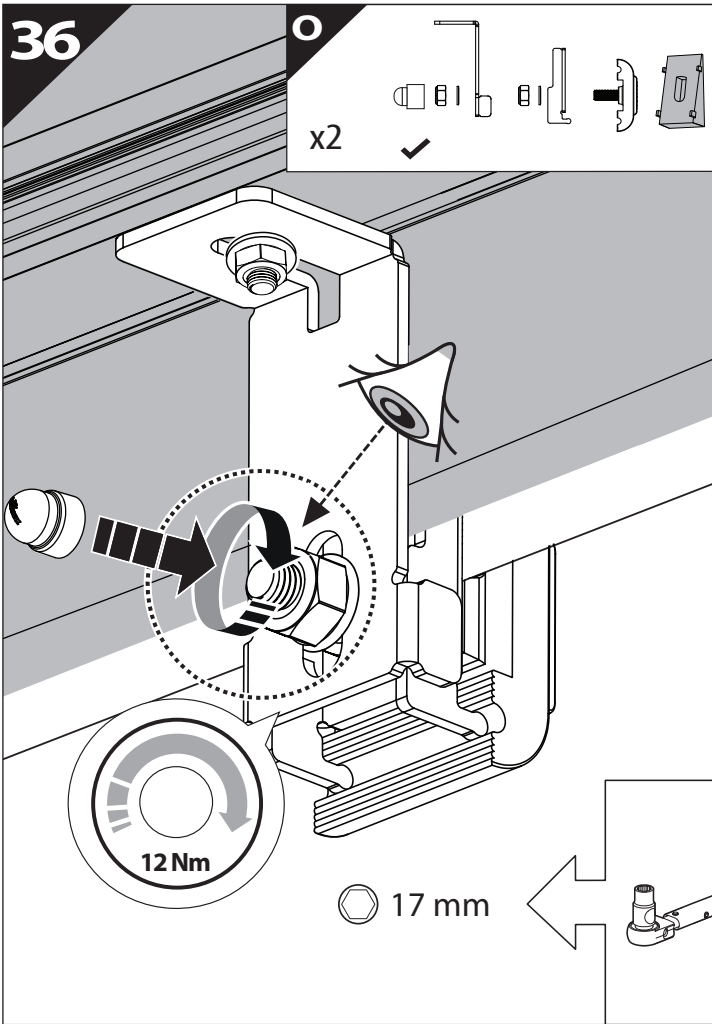
O

x2

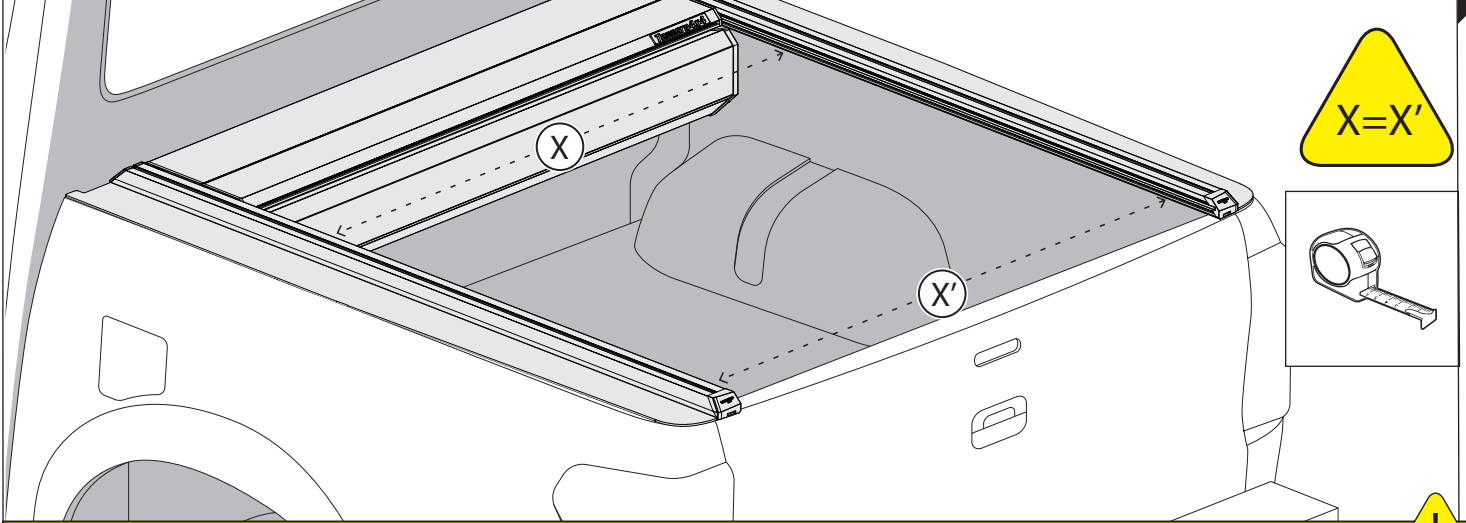


E

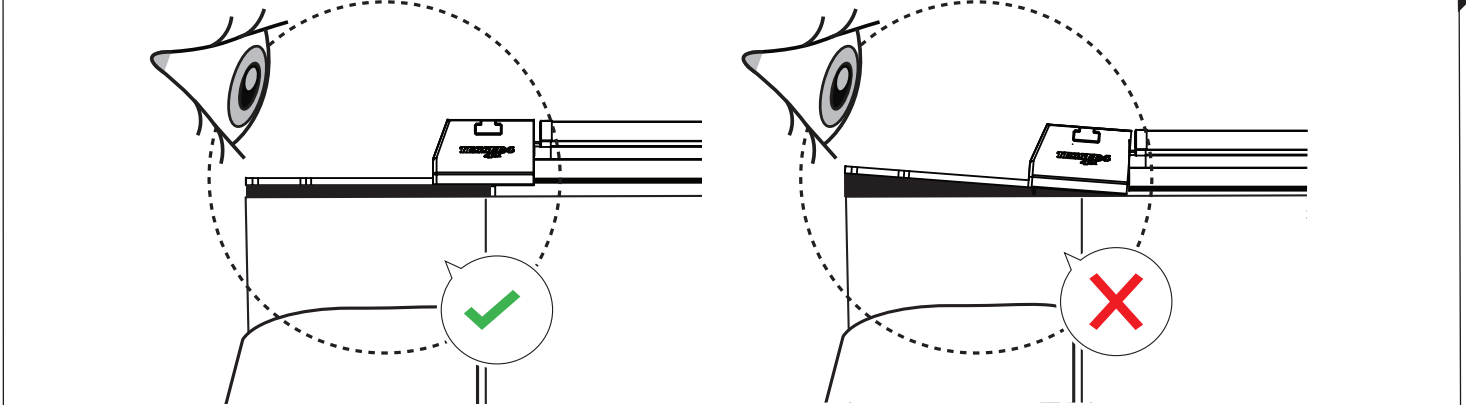




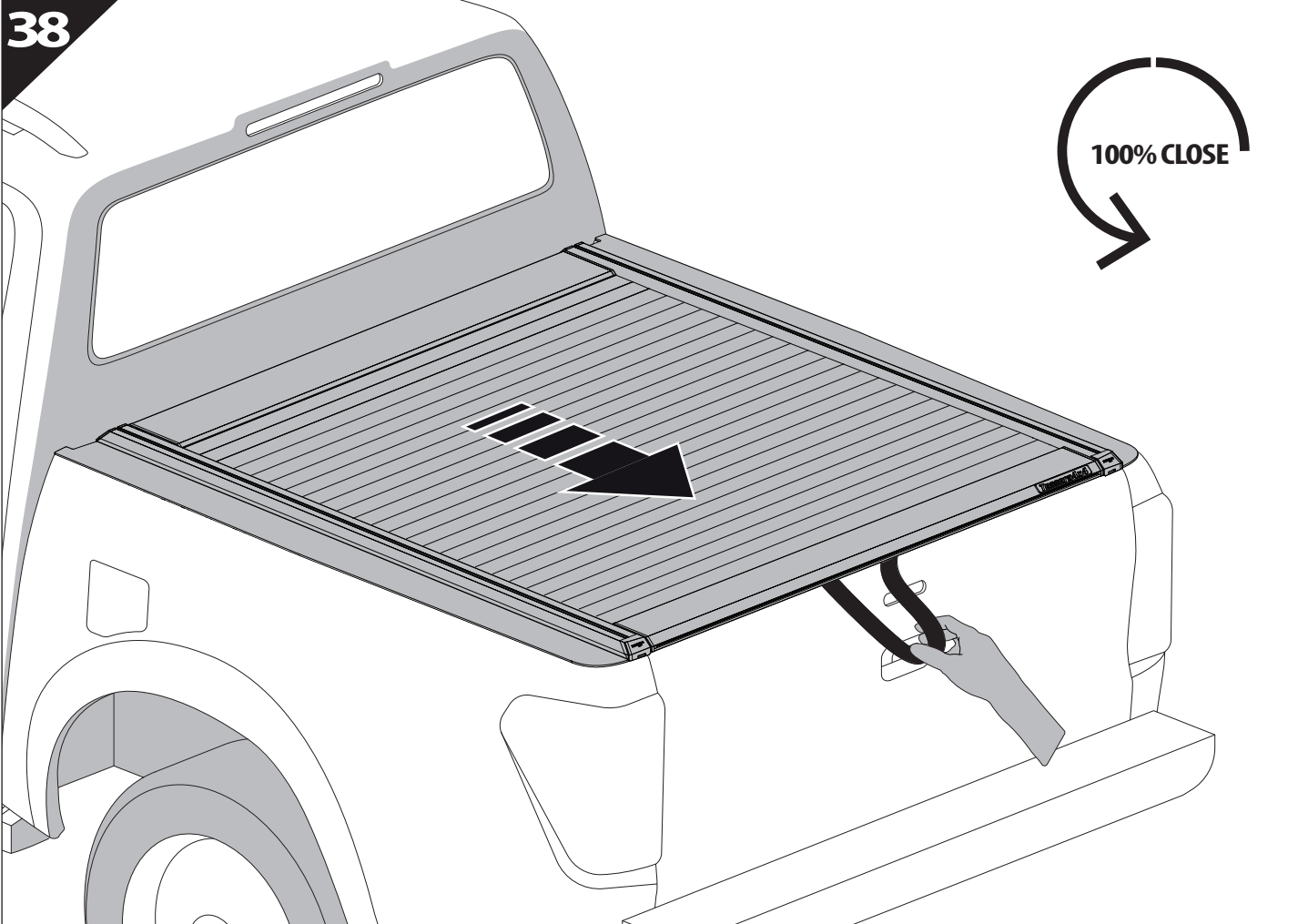
CAUTION !



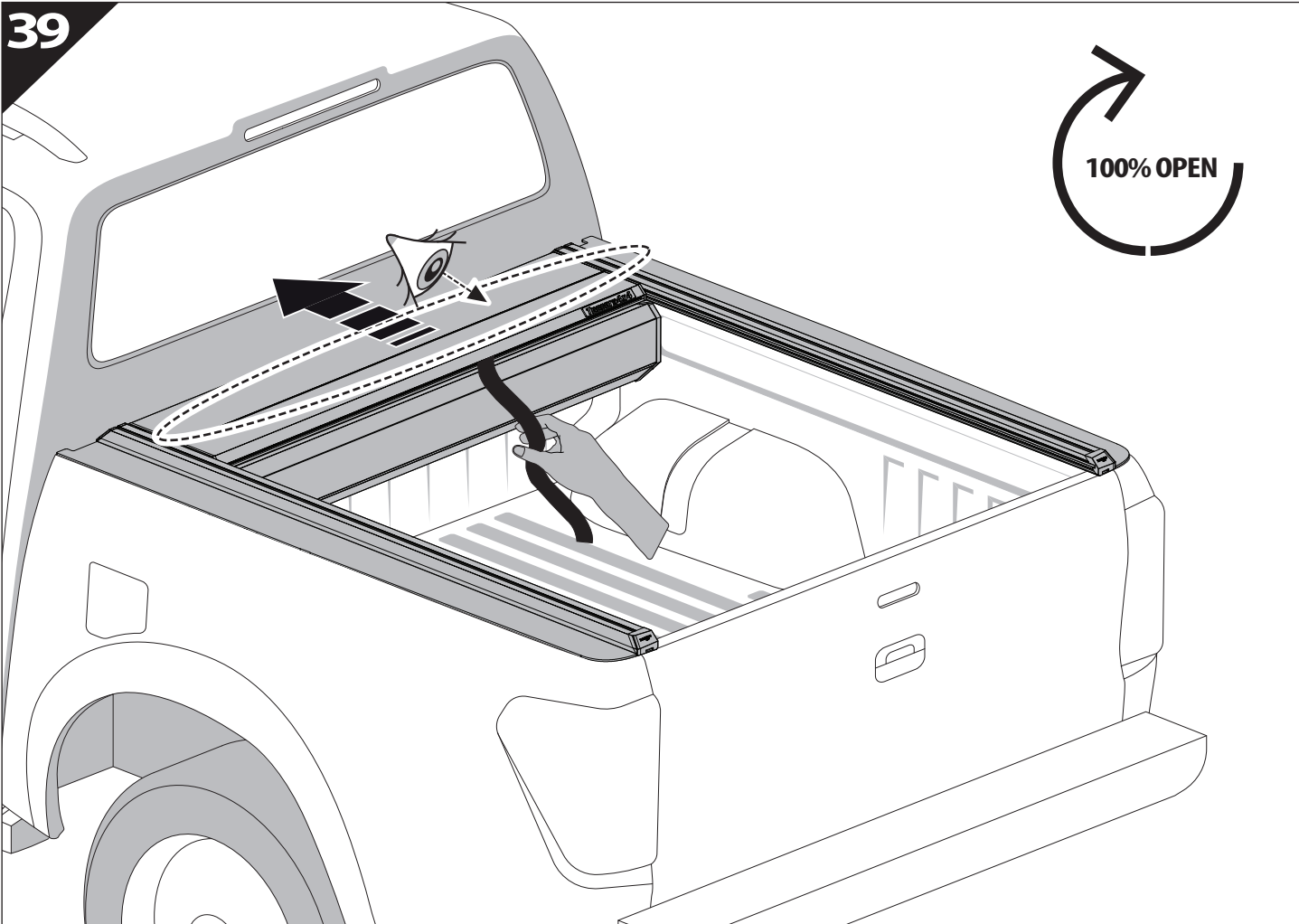
CAUTION !



38



39





GR: Οδηγίες Εγκατάστασης
GB: Installation manual
SF: Asennusohje
F: Notice de montage
PL: Instrukcja montażu
NL: Installatie-instructies
TR: Montaj Talimatı
S: Monteringsanvisning
E: Instrucciones de montaje

H: Szerelési utasítás
P: Instruções de instalação
RUS: Инструкция по установке
N: Monteringsveiledning
D: Einbauanleitung
CZ: Návod k instalaci
I: Istruzioni de montaggio
DK: Monteringsvejledning
RO: Instructiuni de instalare

Customer Service:

+30 (210) 5541161, +30 (210) 5541154 (08:00 - 16:00 EET)

Support department:

info@gianso.gr

Website:

www.tessera4x4.com

Address:

19.5 km of National road Athens-Korinthos (Elefsina) Greece, P.C: 19200