

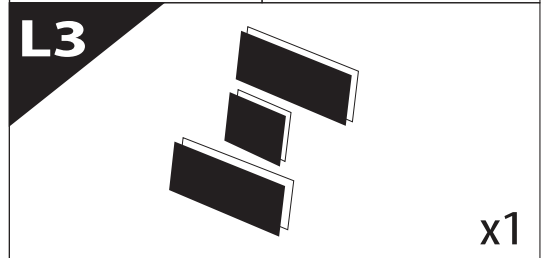
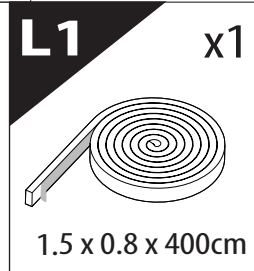
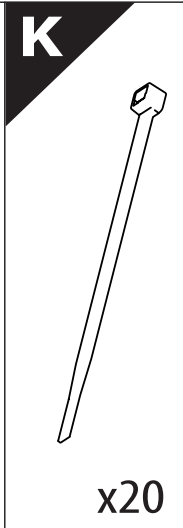
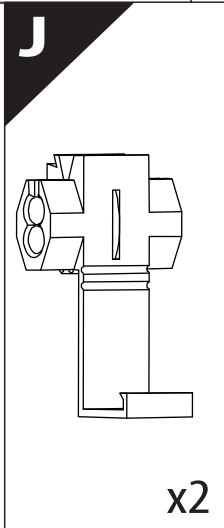
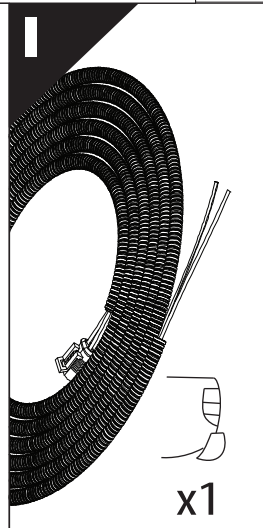
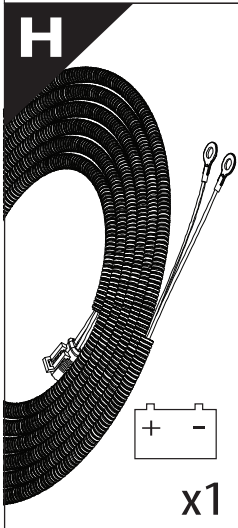
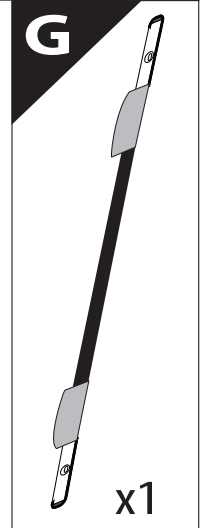
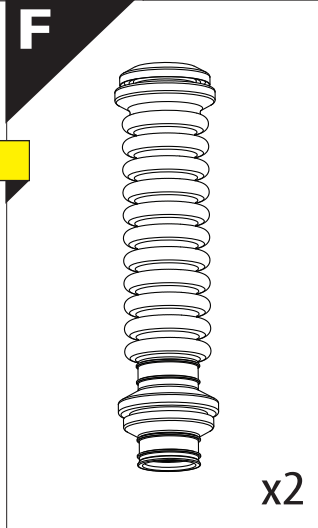
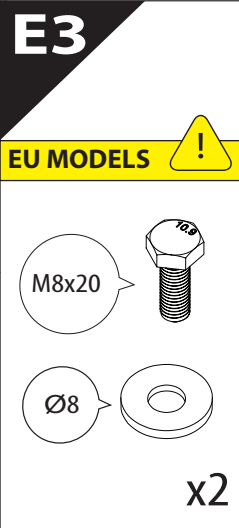
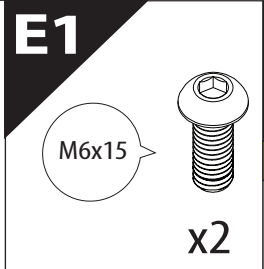
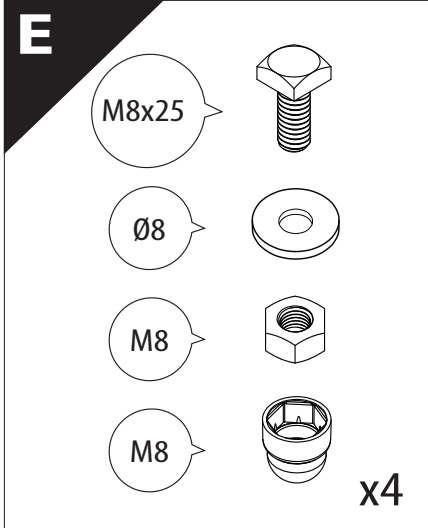
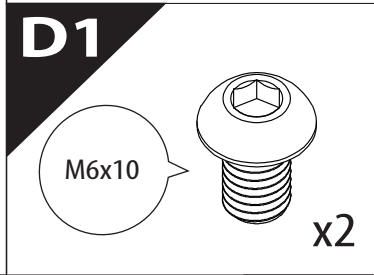
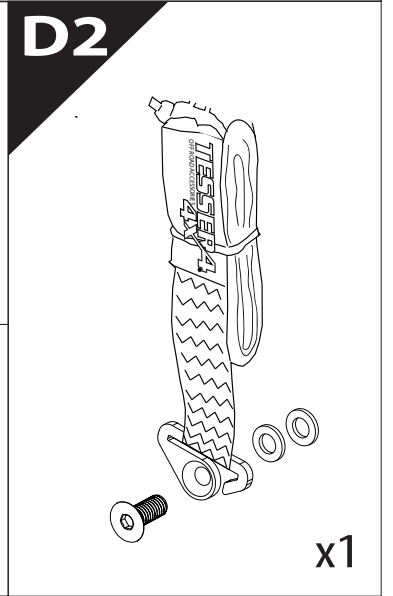
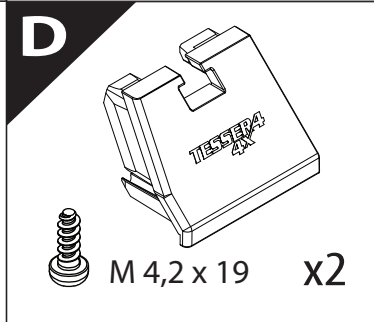
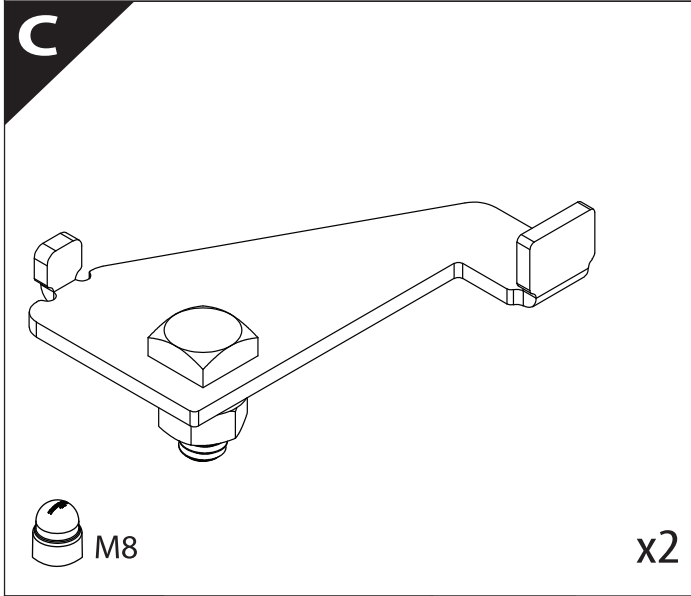
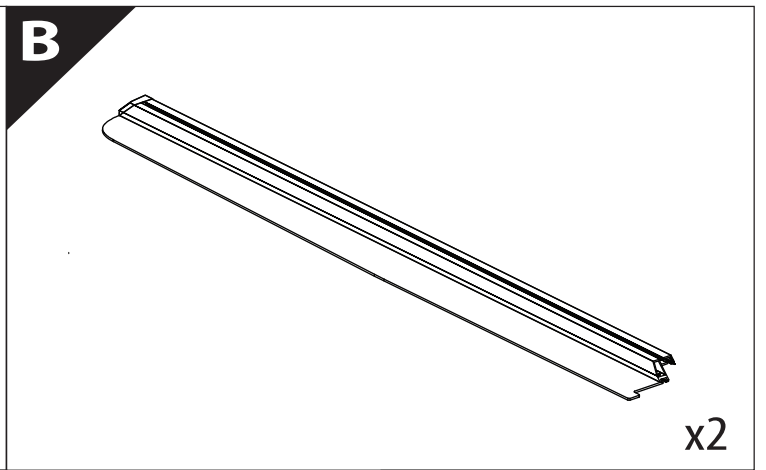
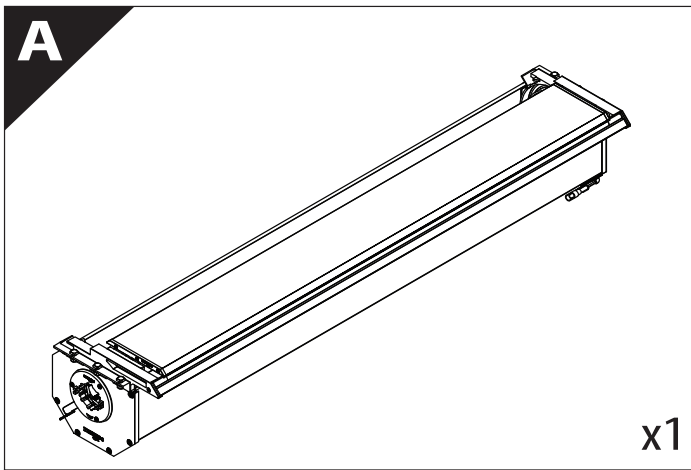
Tessera Roll+

Basic Version + ⚡ E-KIT

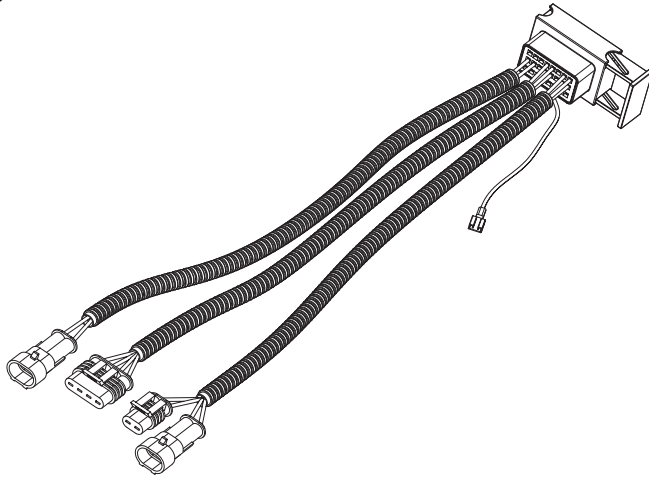


Installation Manual

PART NUMBER(S)	Model Year
TESS 14061 ROLL+E-KIT	FORD RANGER RAPTOR 2023+ (P 703)
Cab(s)	Installation Time / Weight
Double Cab	40-60 minutes / 53-57 kg

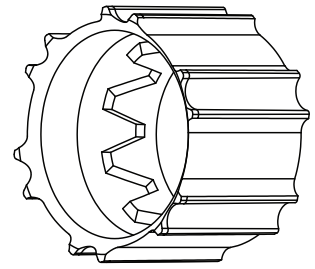


M2



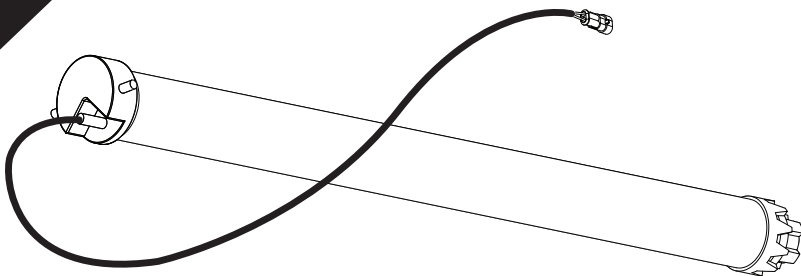
x1

N



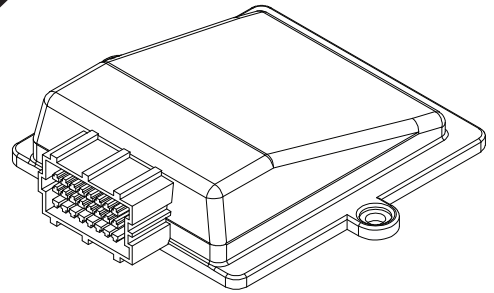
x1

O



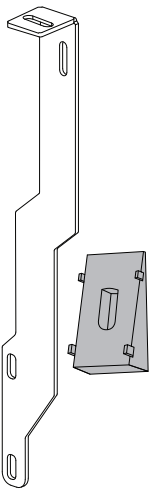
x1

P



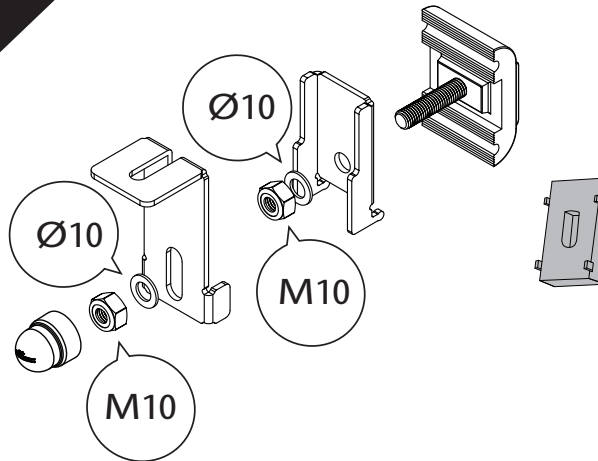
x1

Q



x2

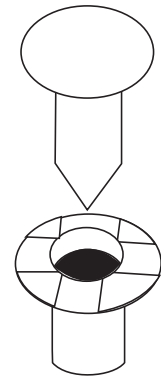
R



x2

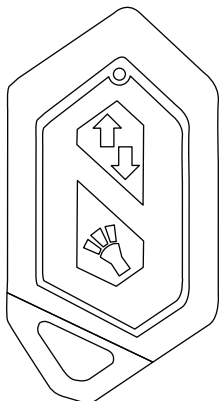
S

US MODELS



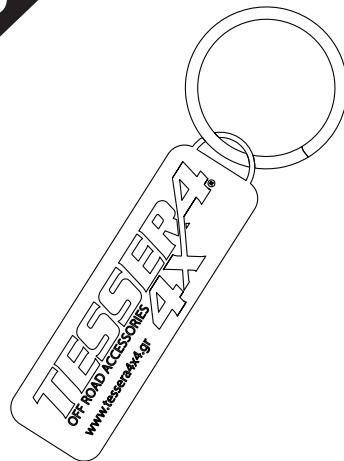
x2

T

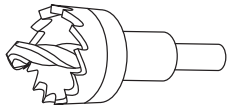


x2

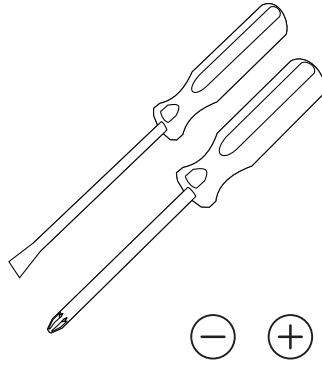
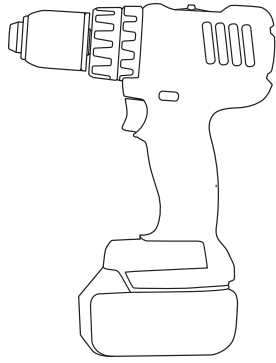
U



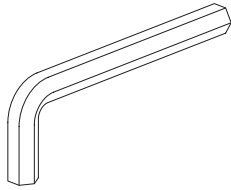
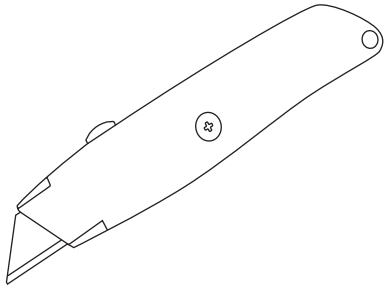
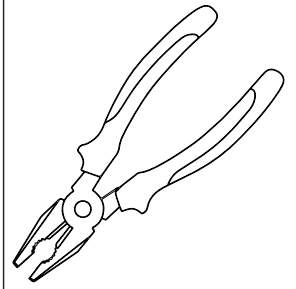
x2



Ø 25 mm

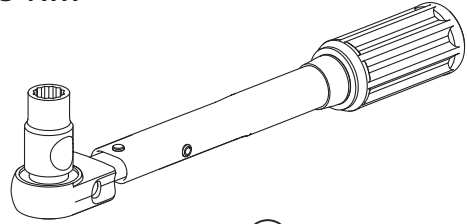


− +



4 mm

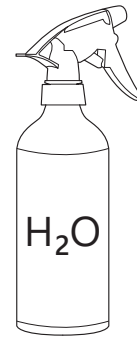
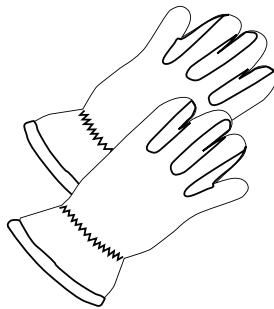
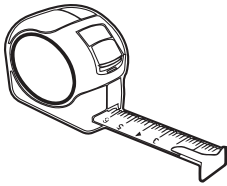
1 - 25 Nm



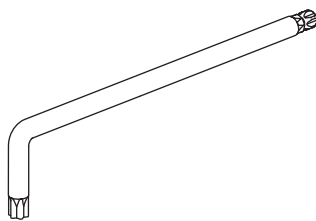
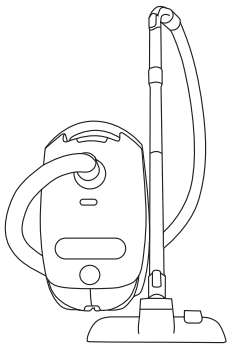
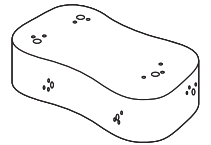
10, 12, 13, 17 mm



ACETONE



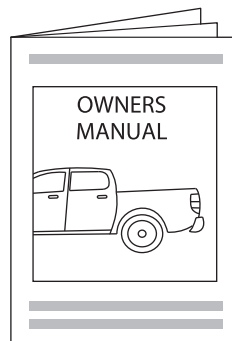
H₂O



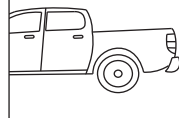
T30, T40



INSTALATION
MANUAL
+E-KIT



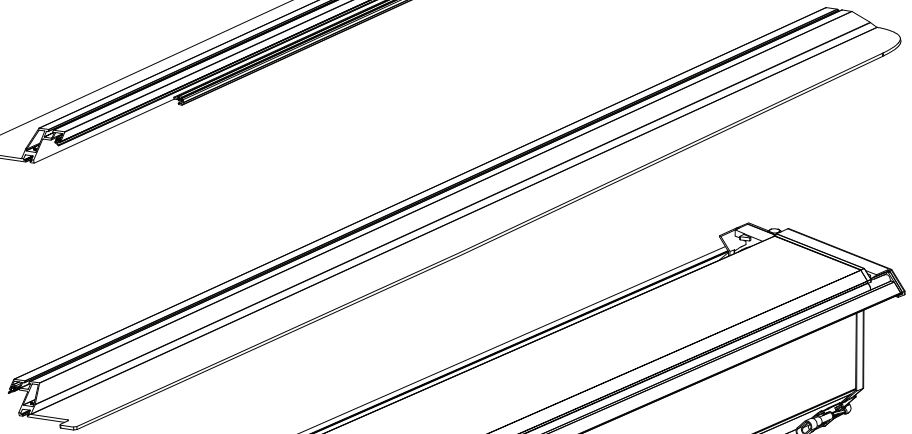
OWNERS
MANUAL



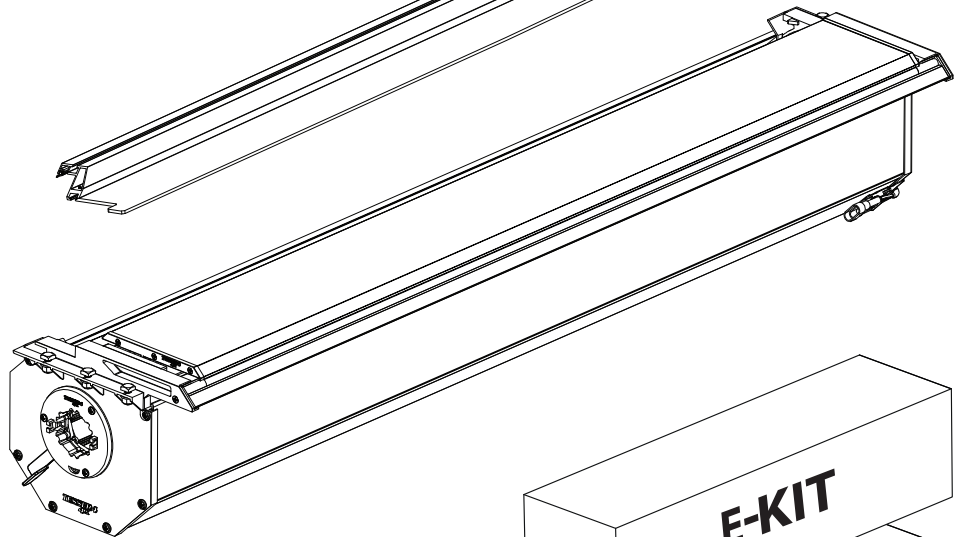
x1



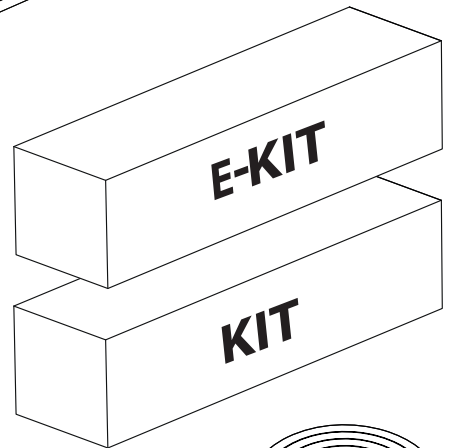
B



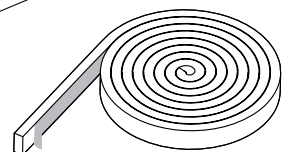
A

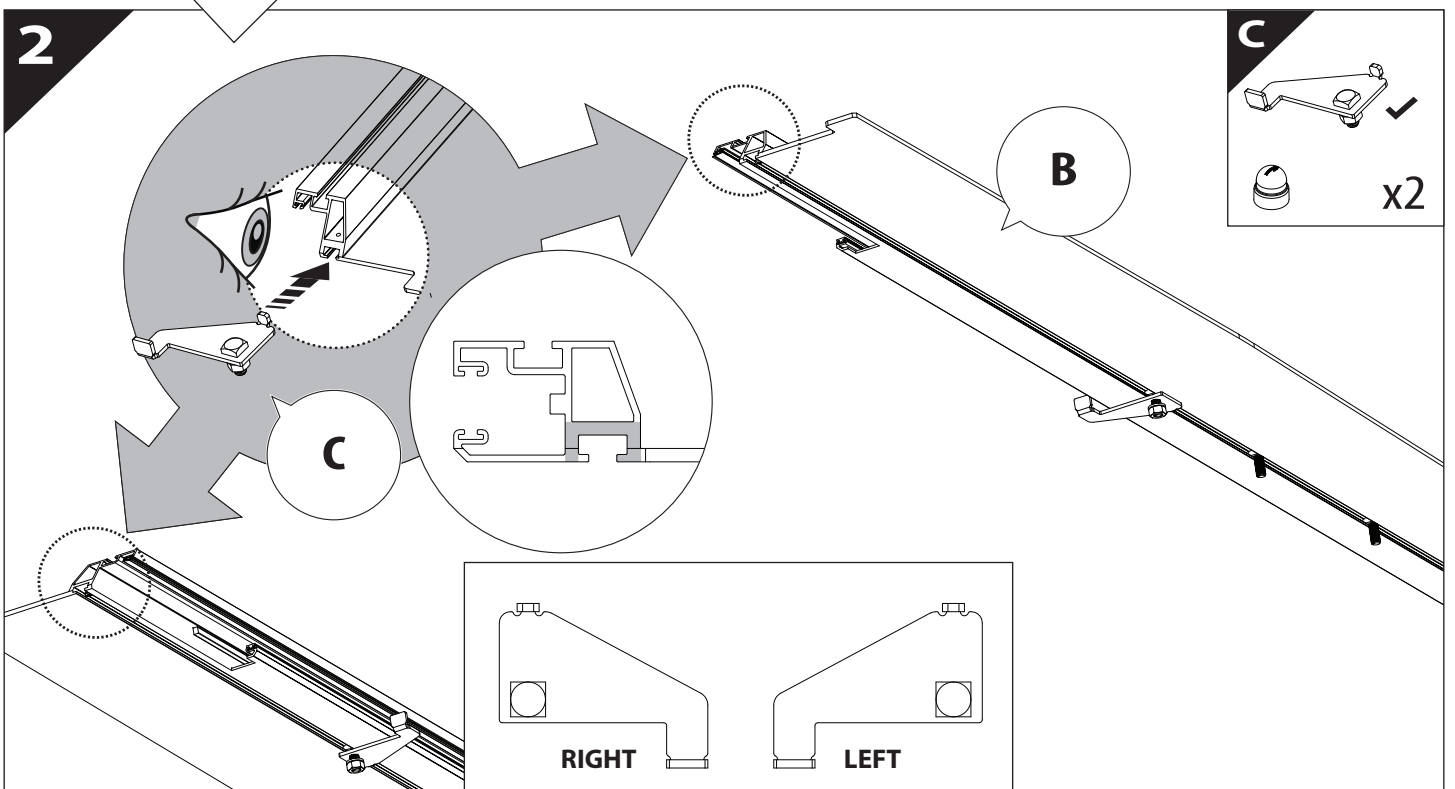
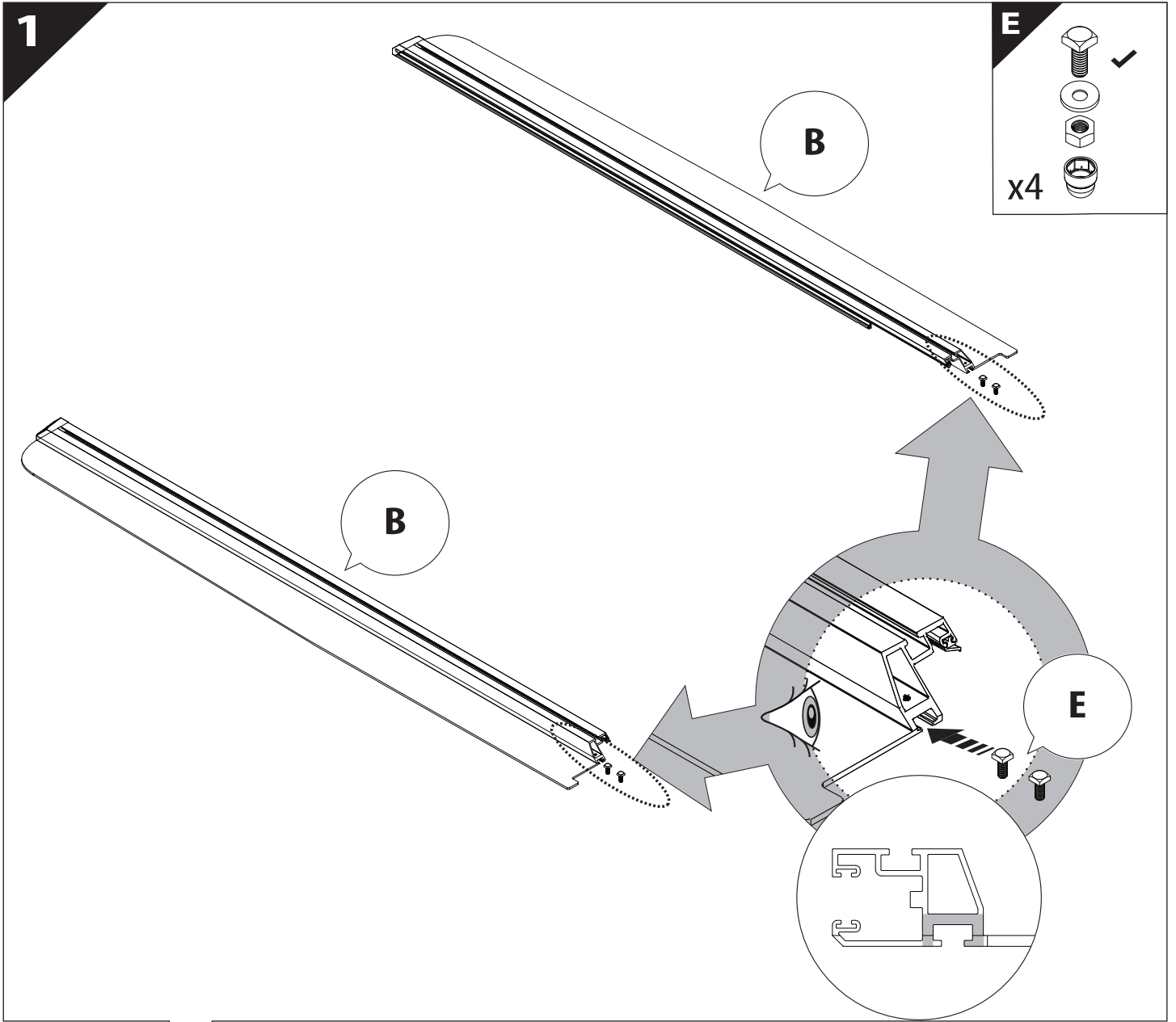


KITS

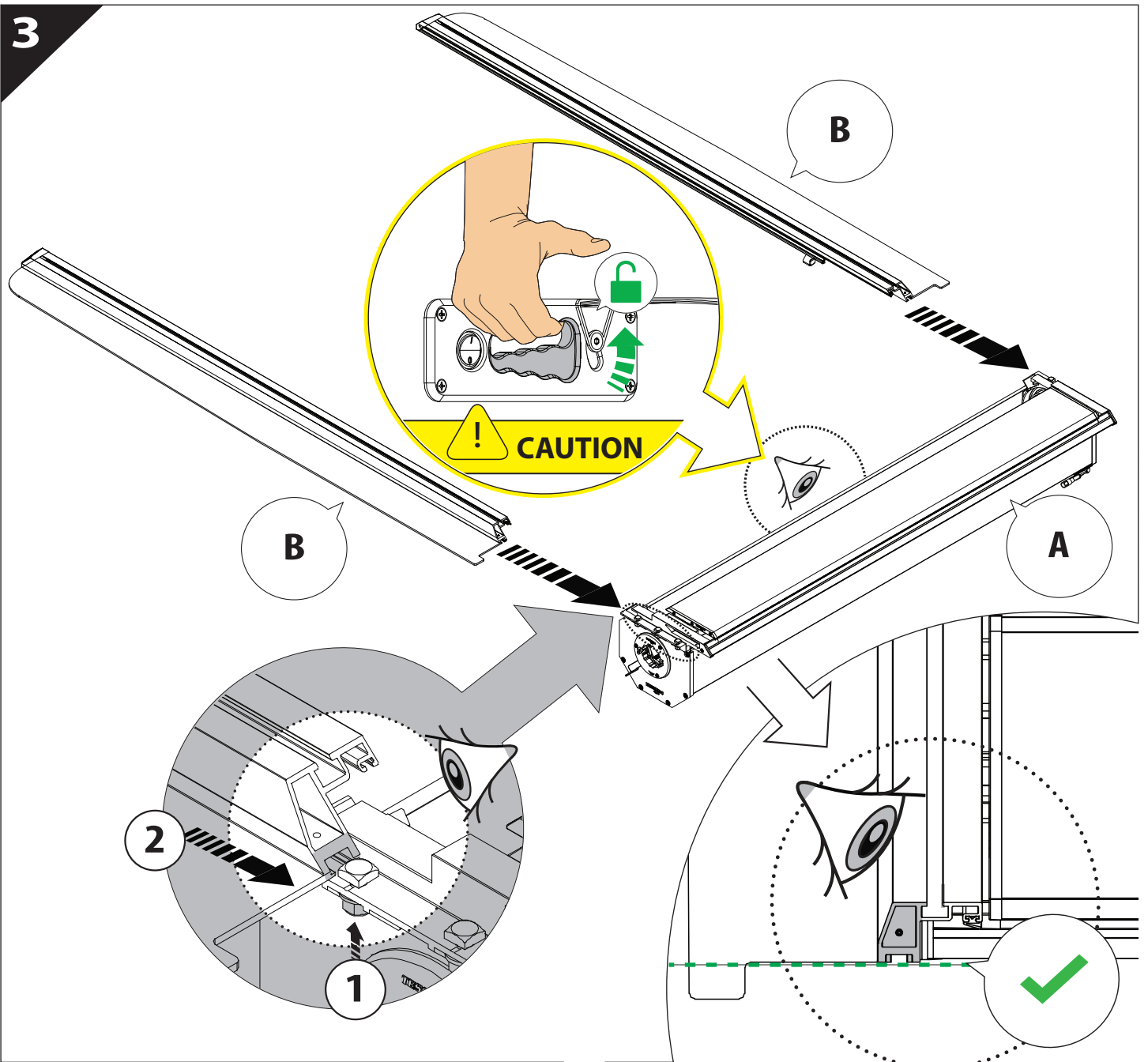


L



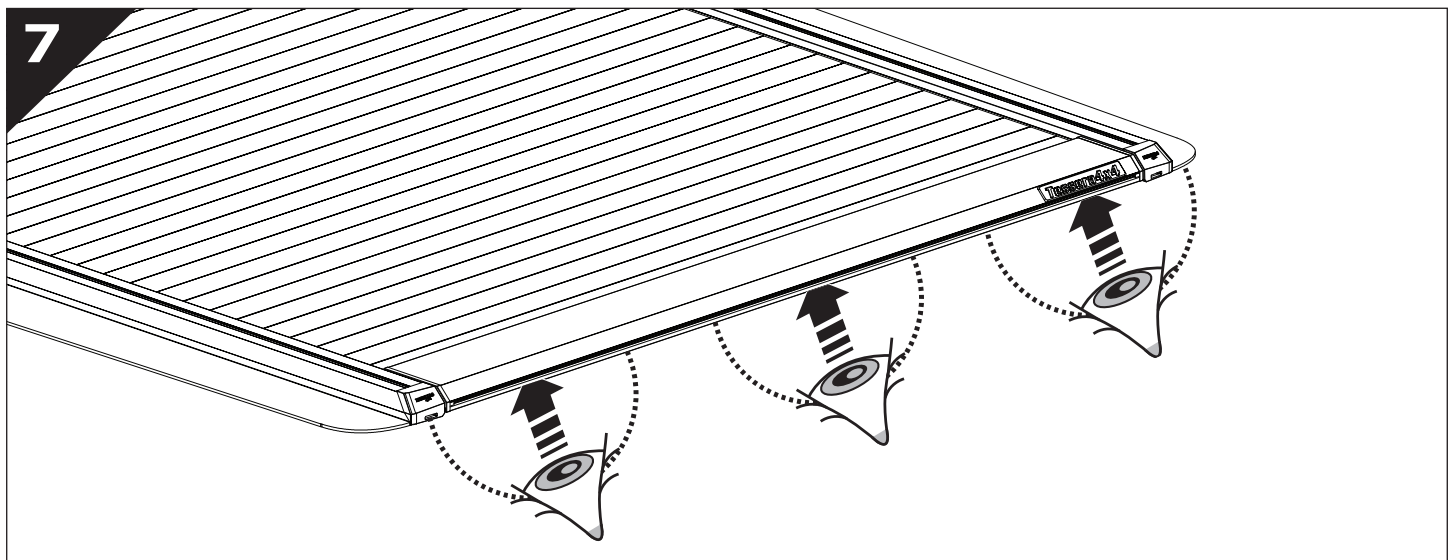
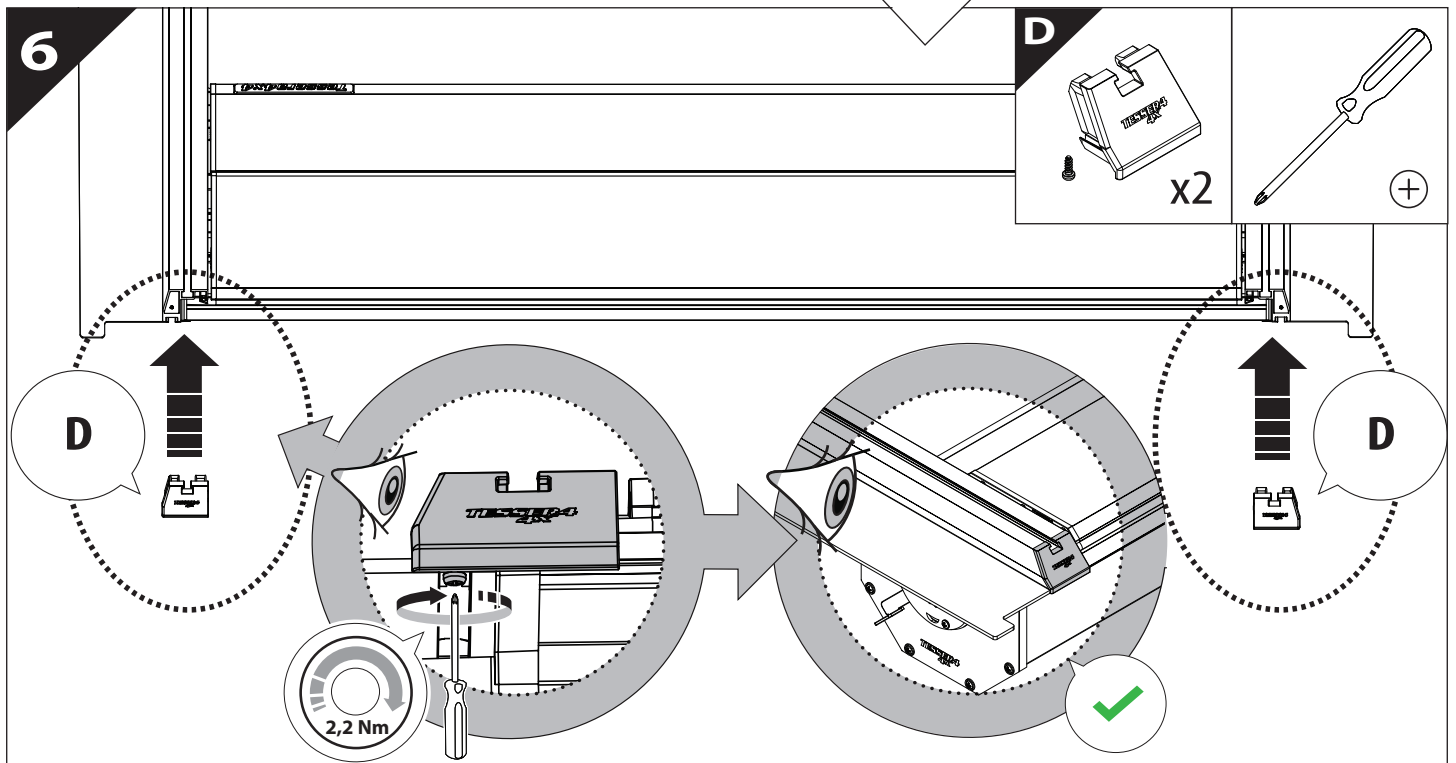
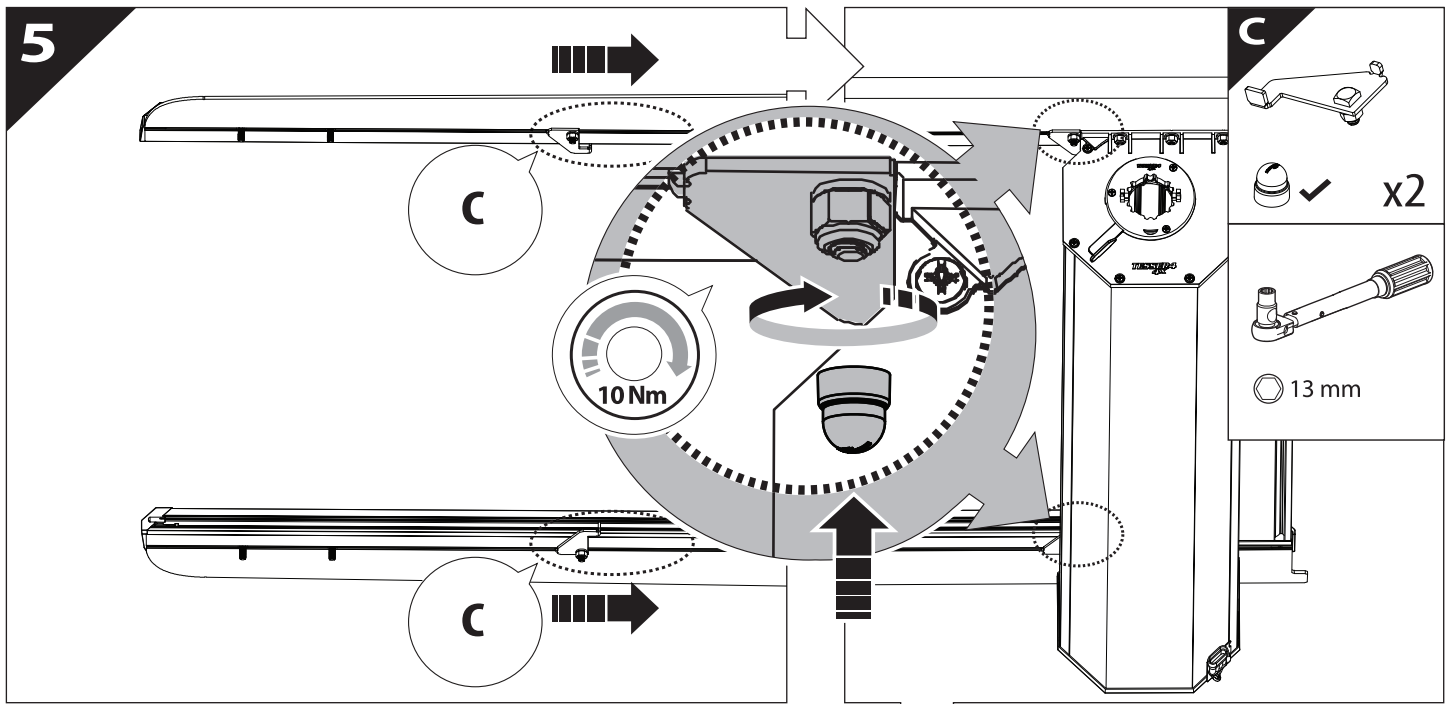


3

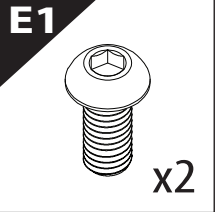
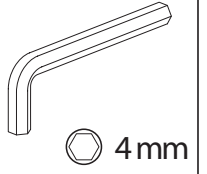
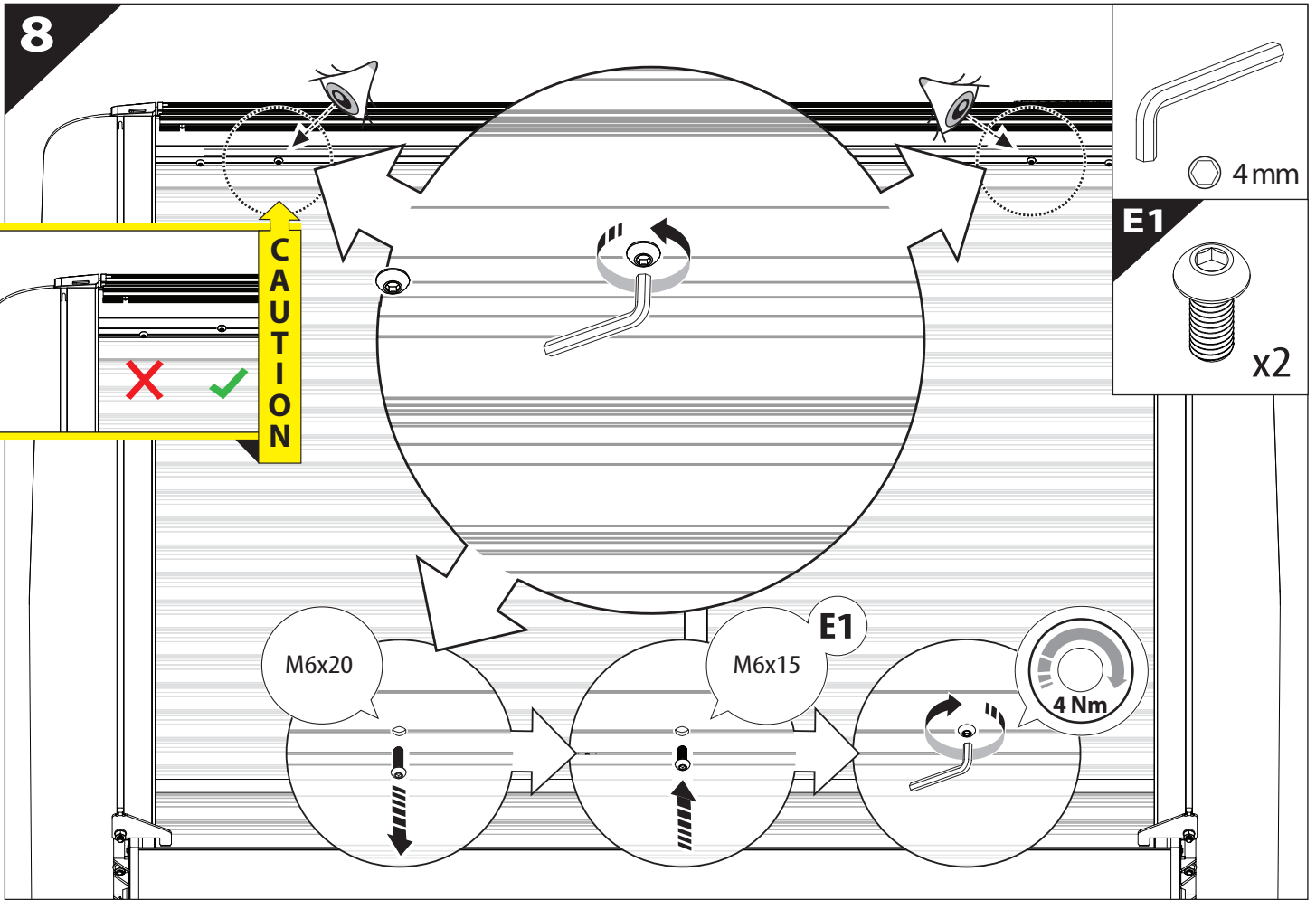
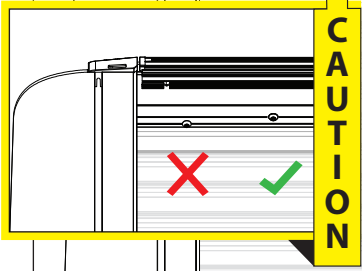


4

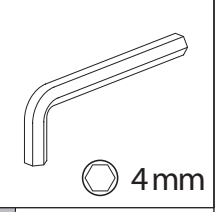
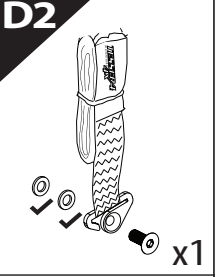
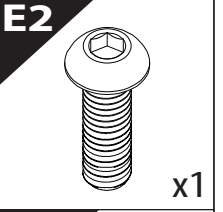
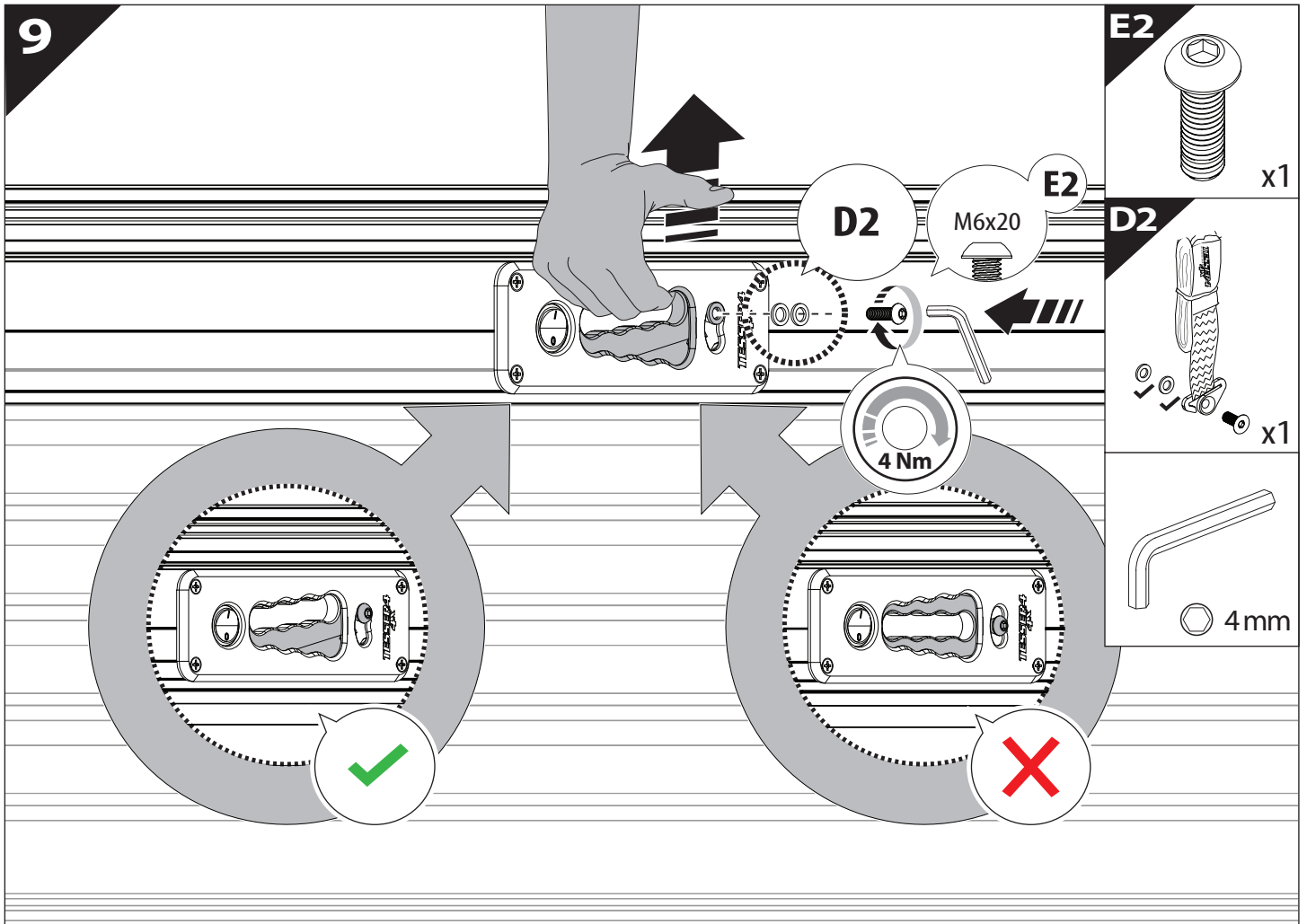


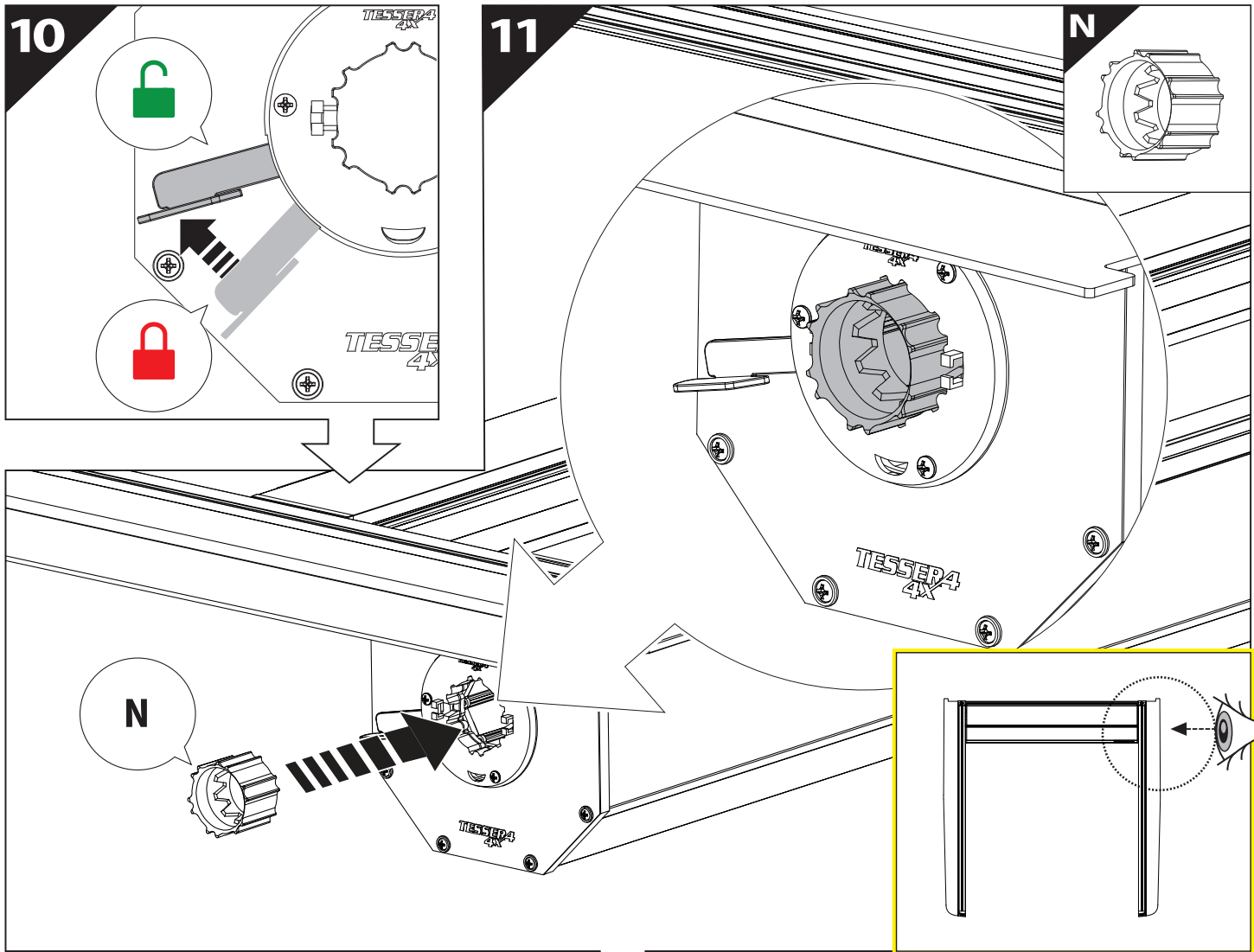


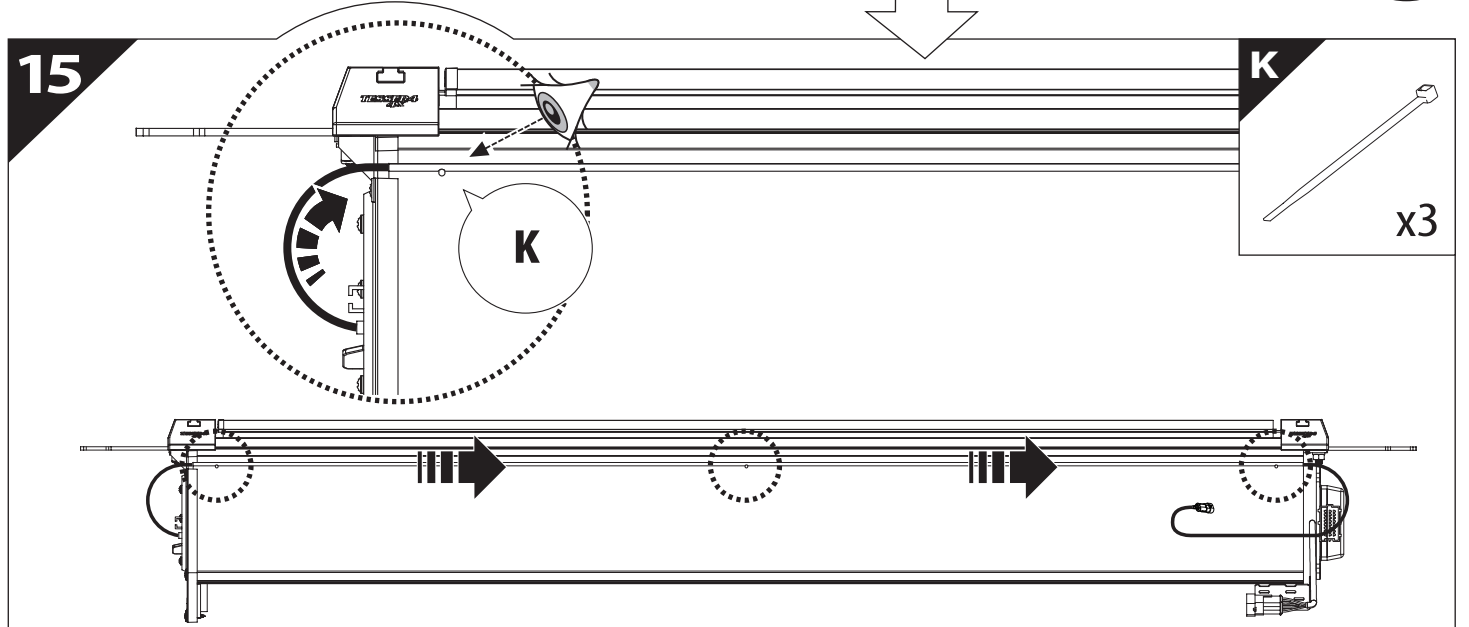
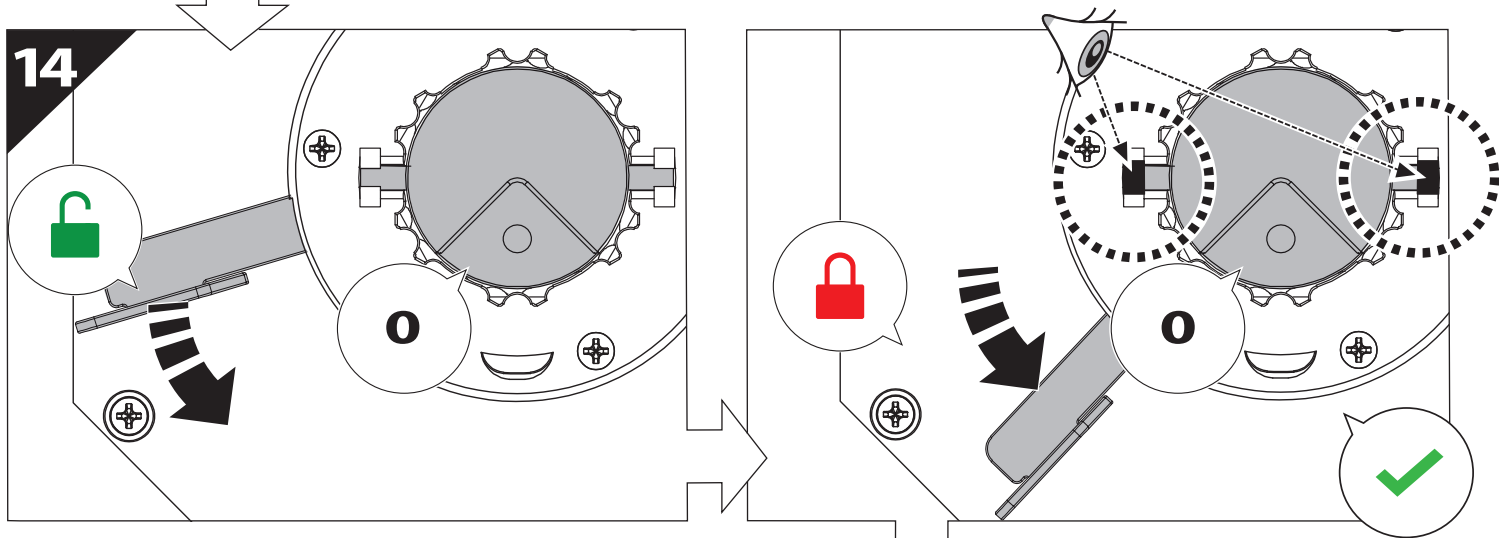
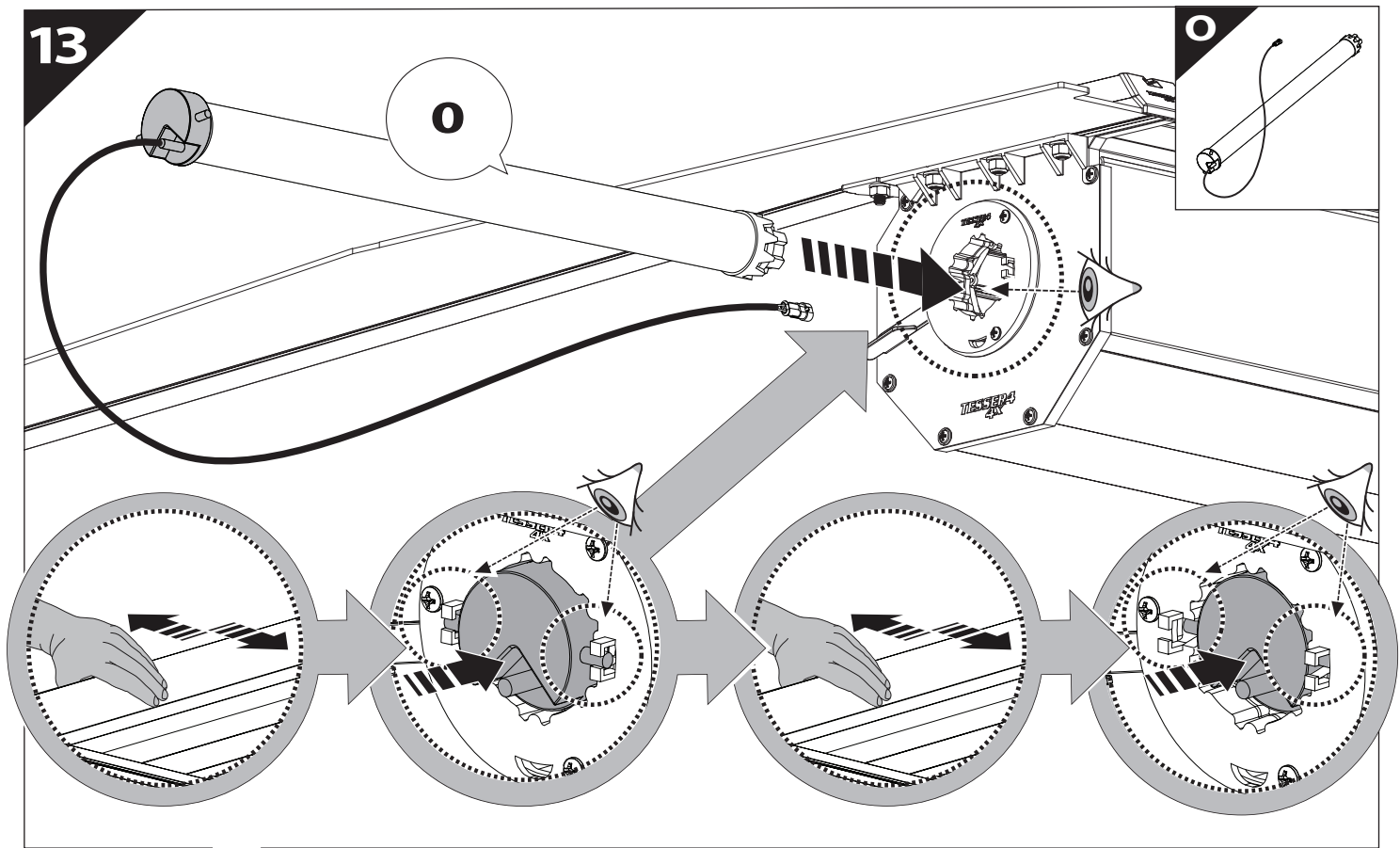
8

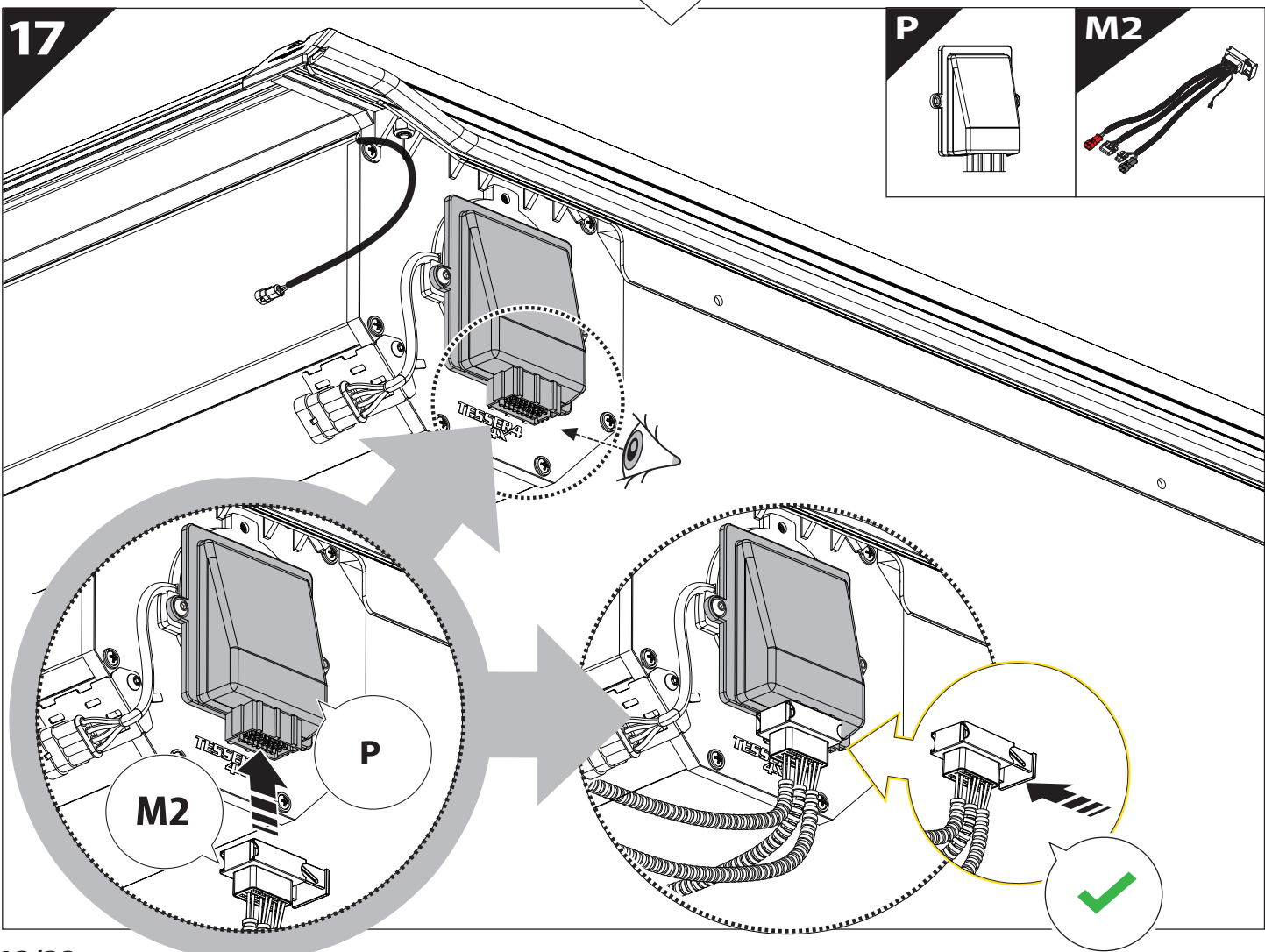
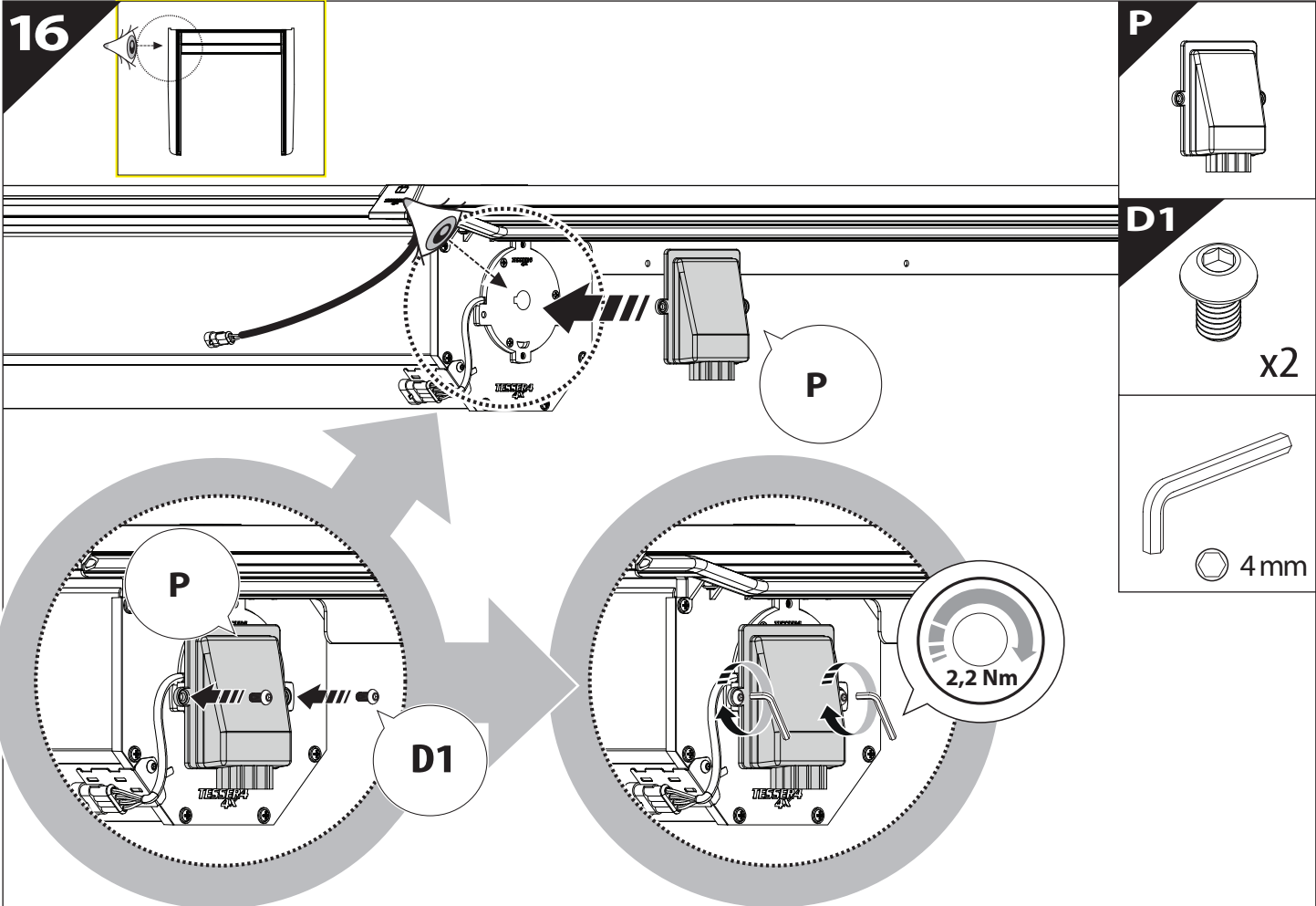


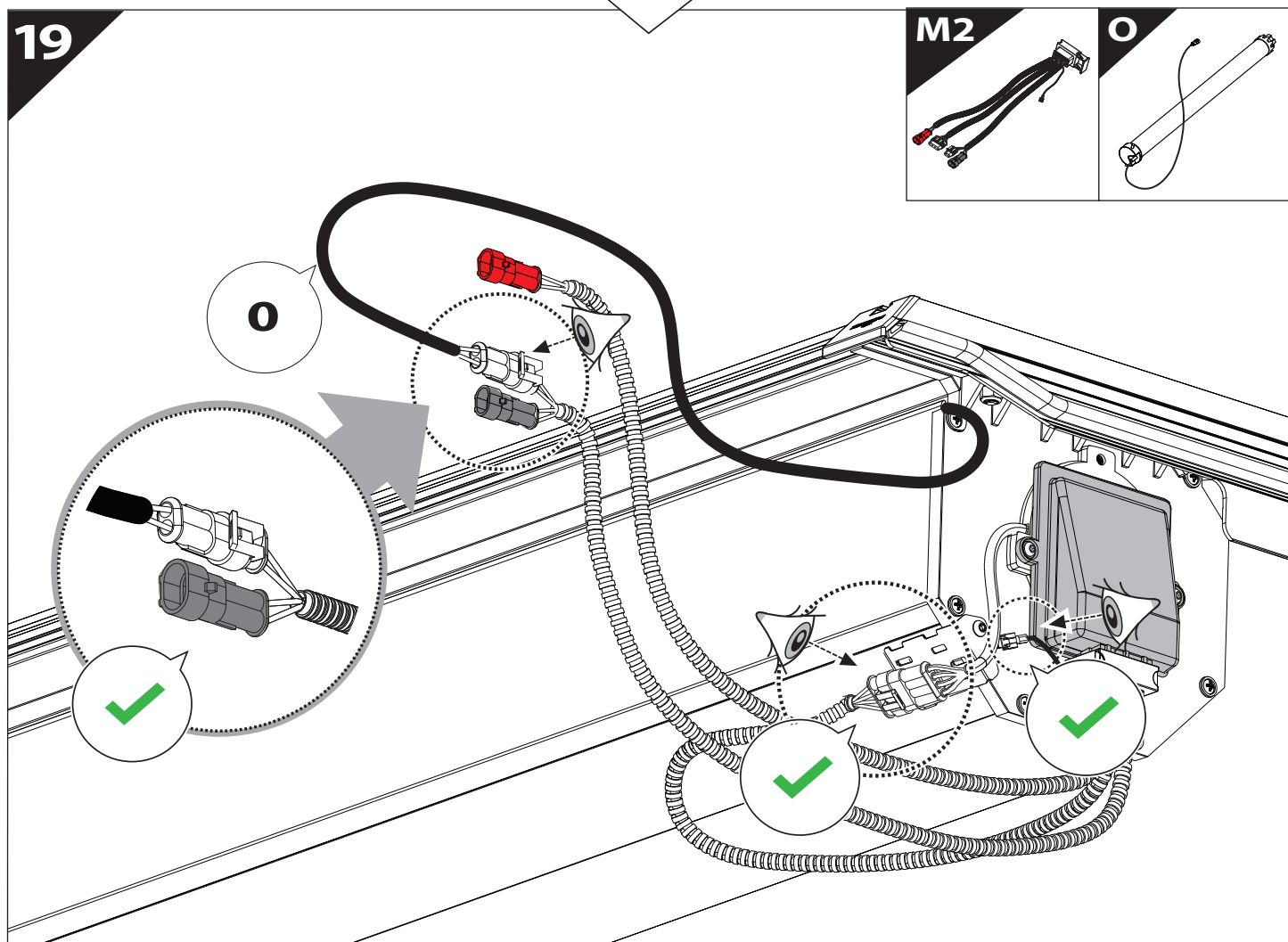
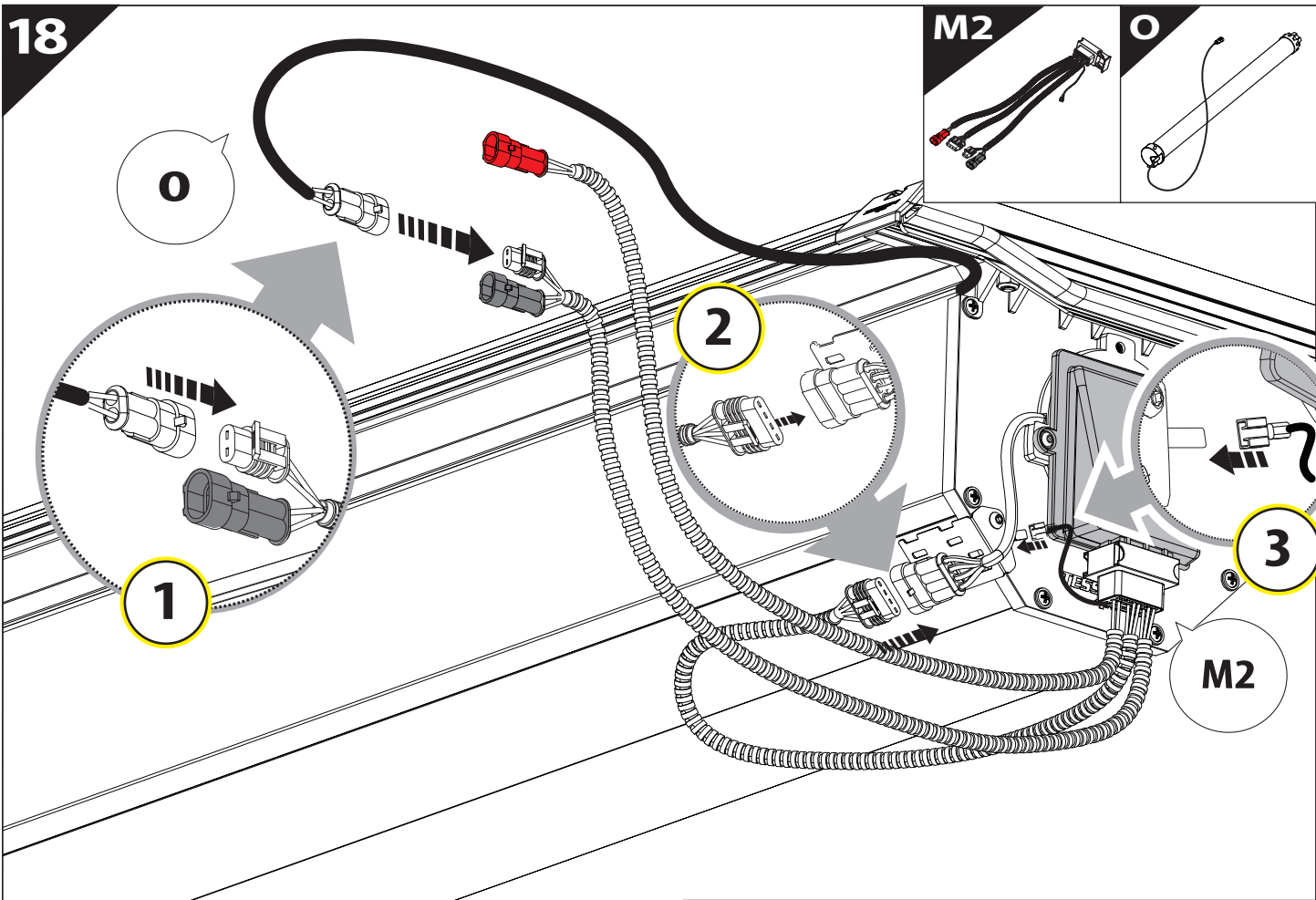
9

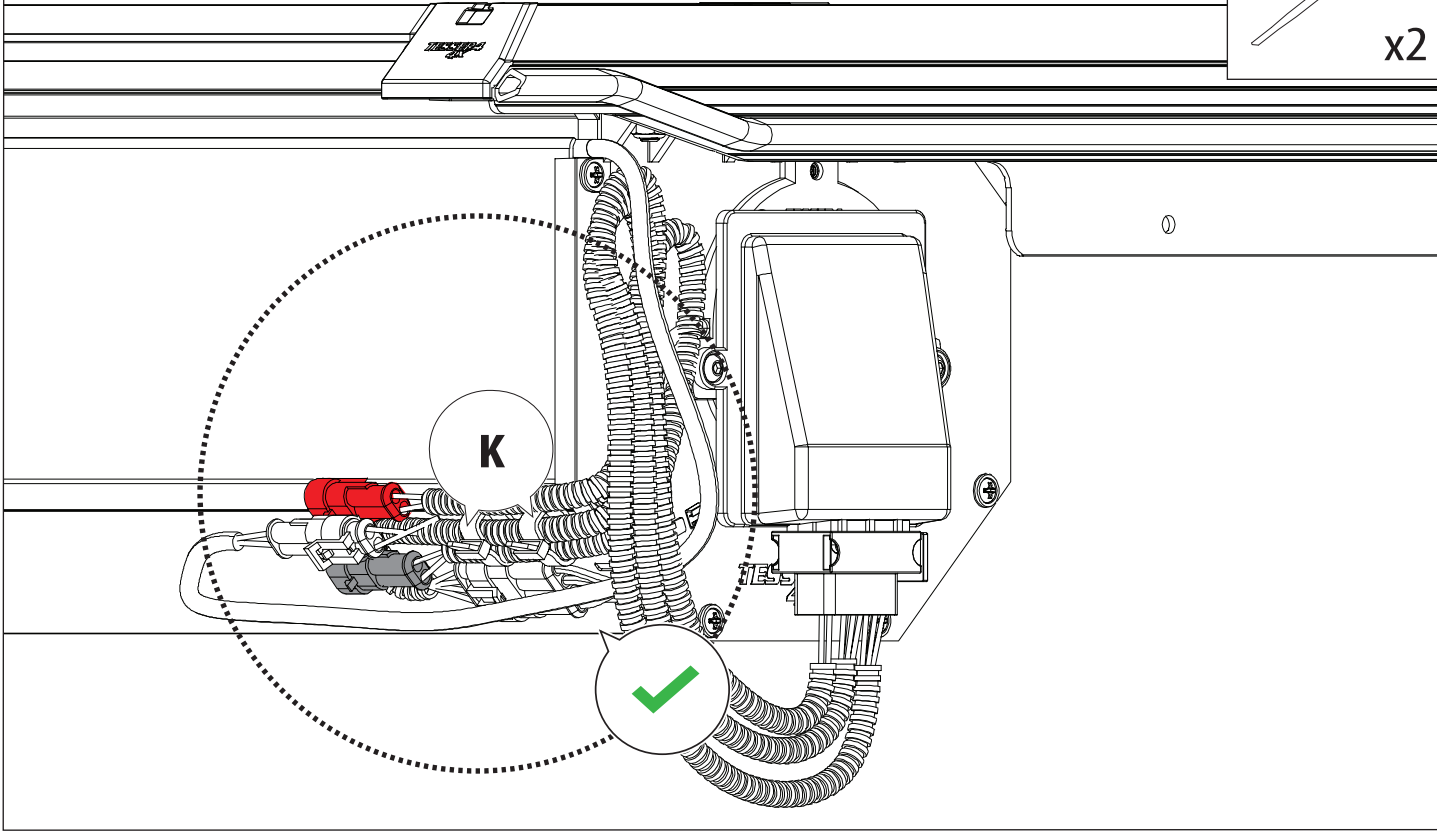
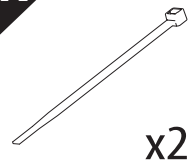




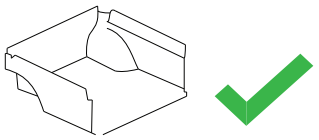




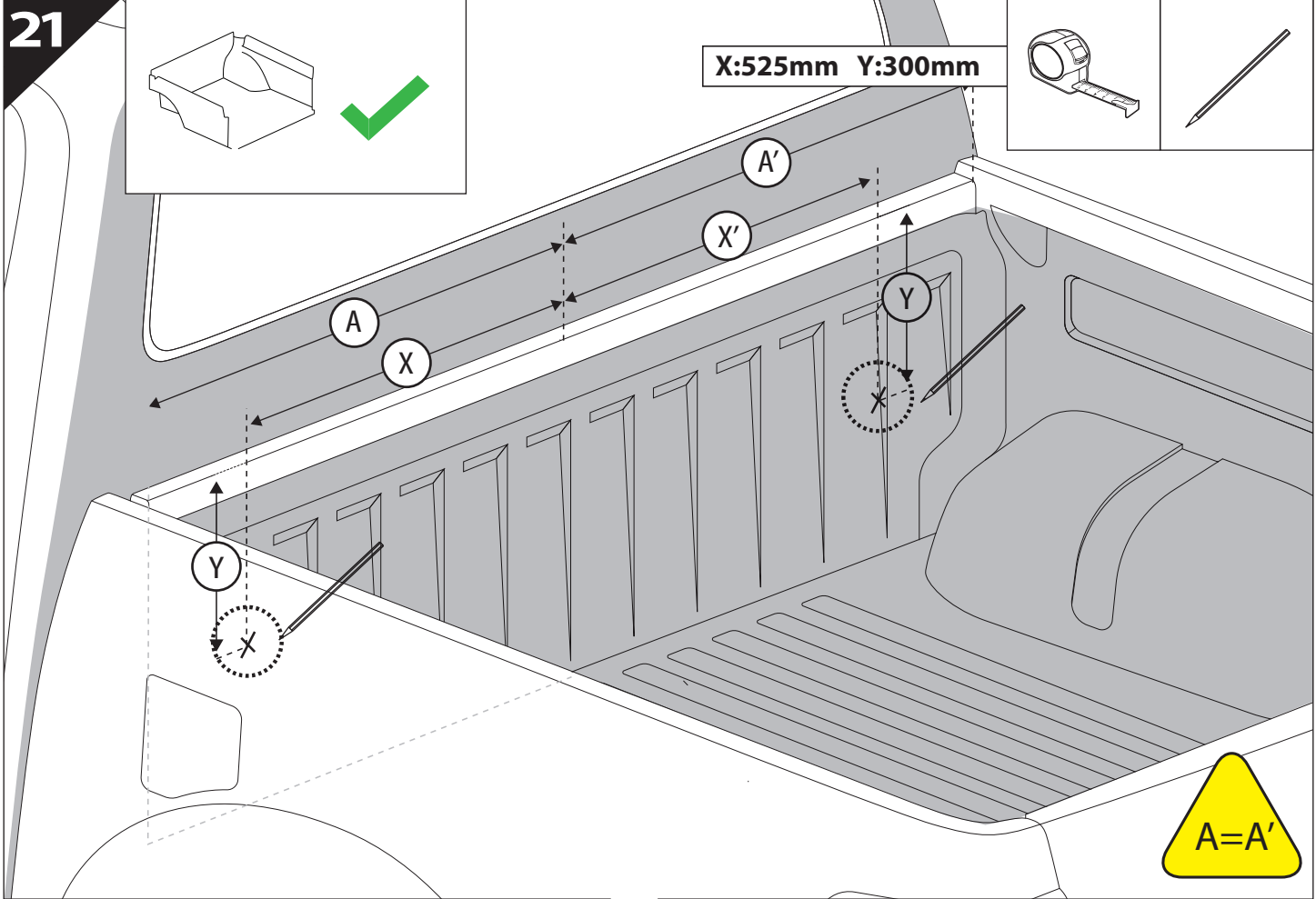
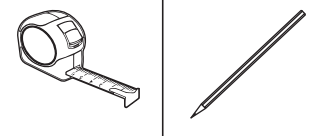




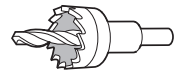
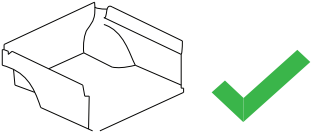
21



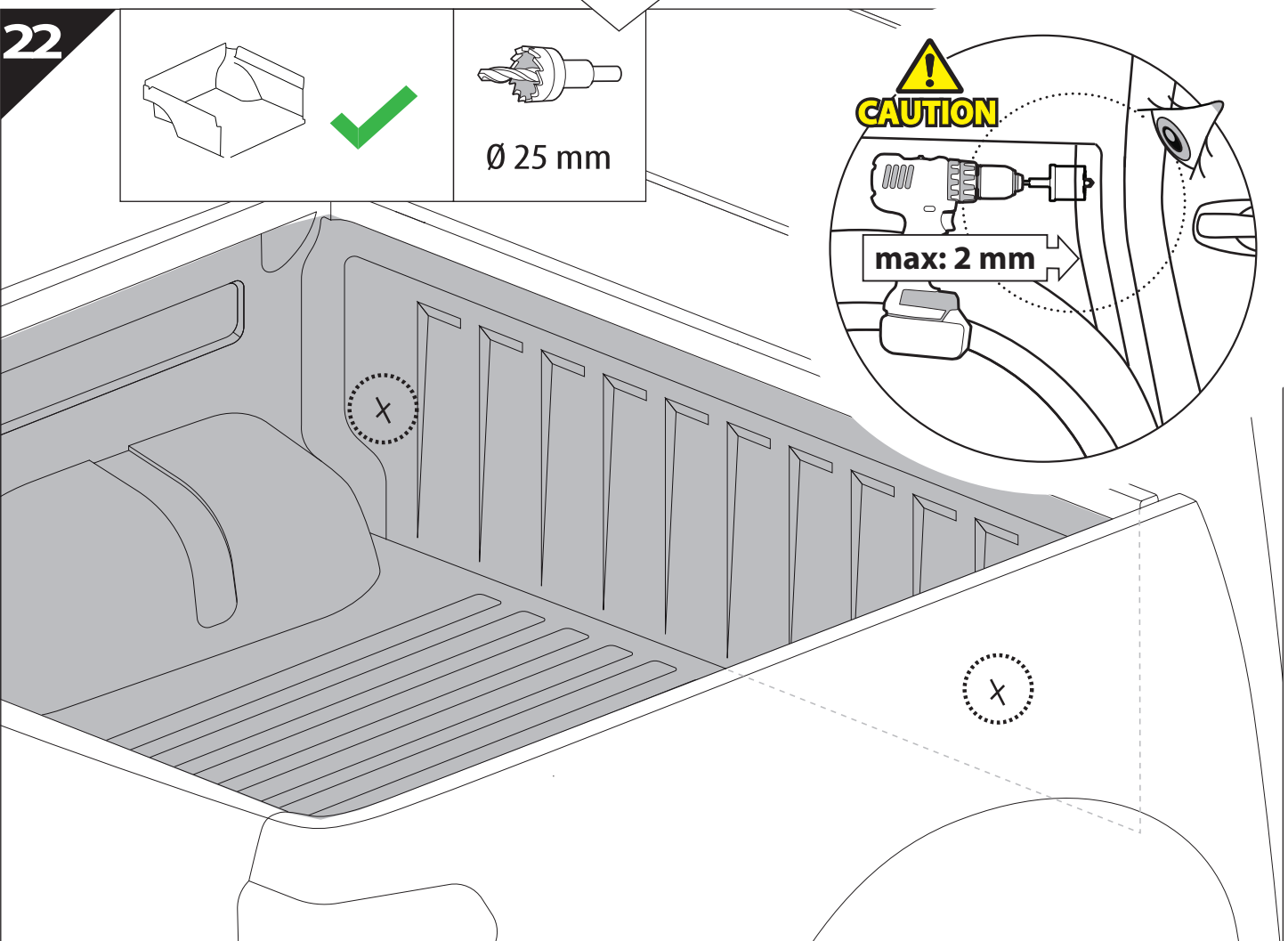
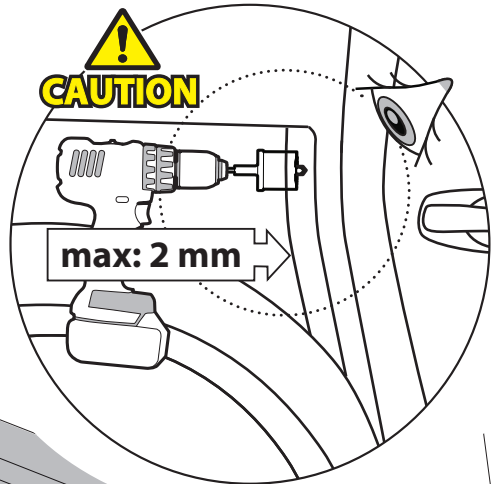
X:525mm Y:300mm

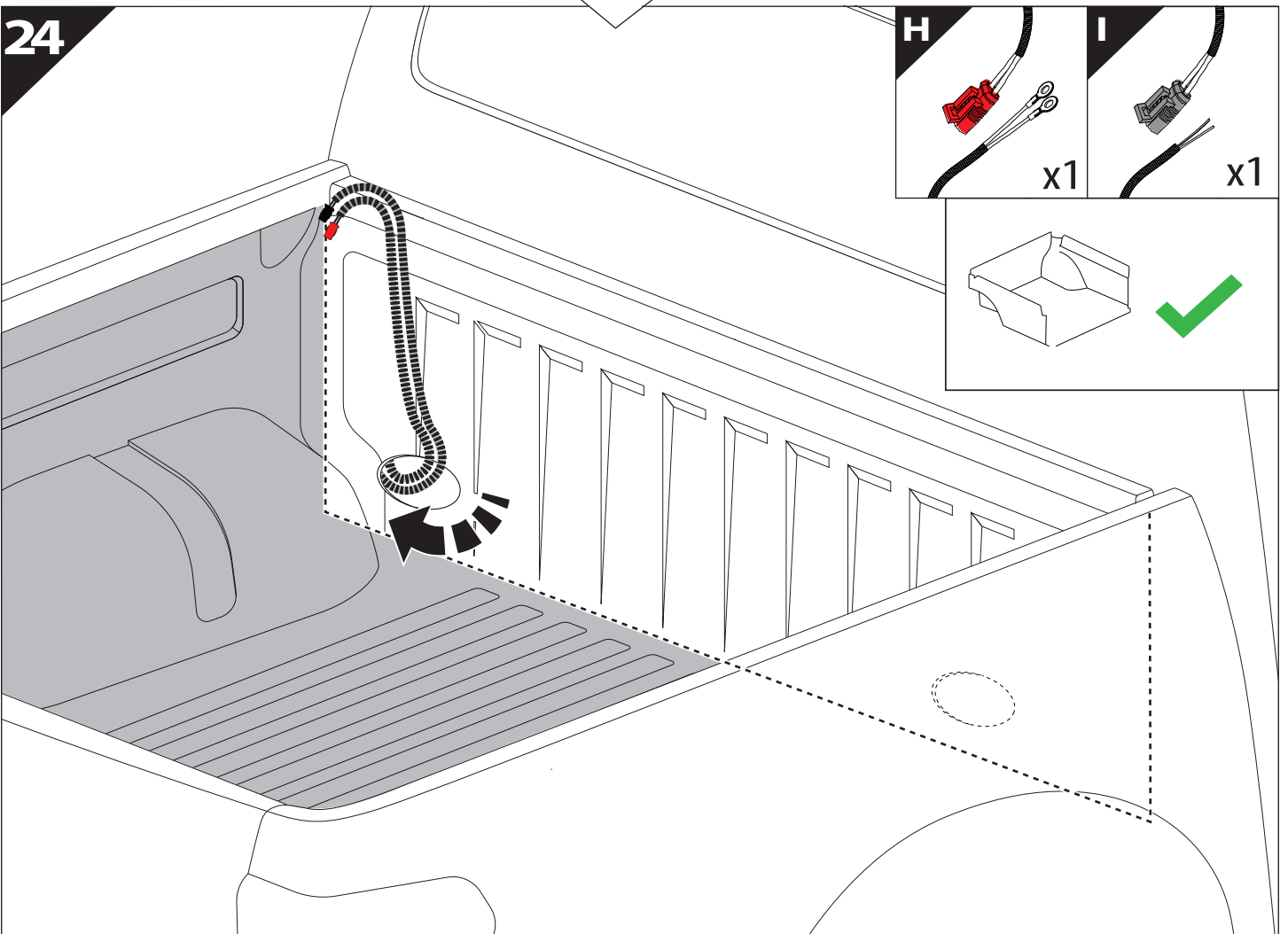
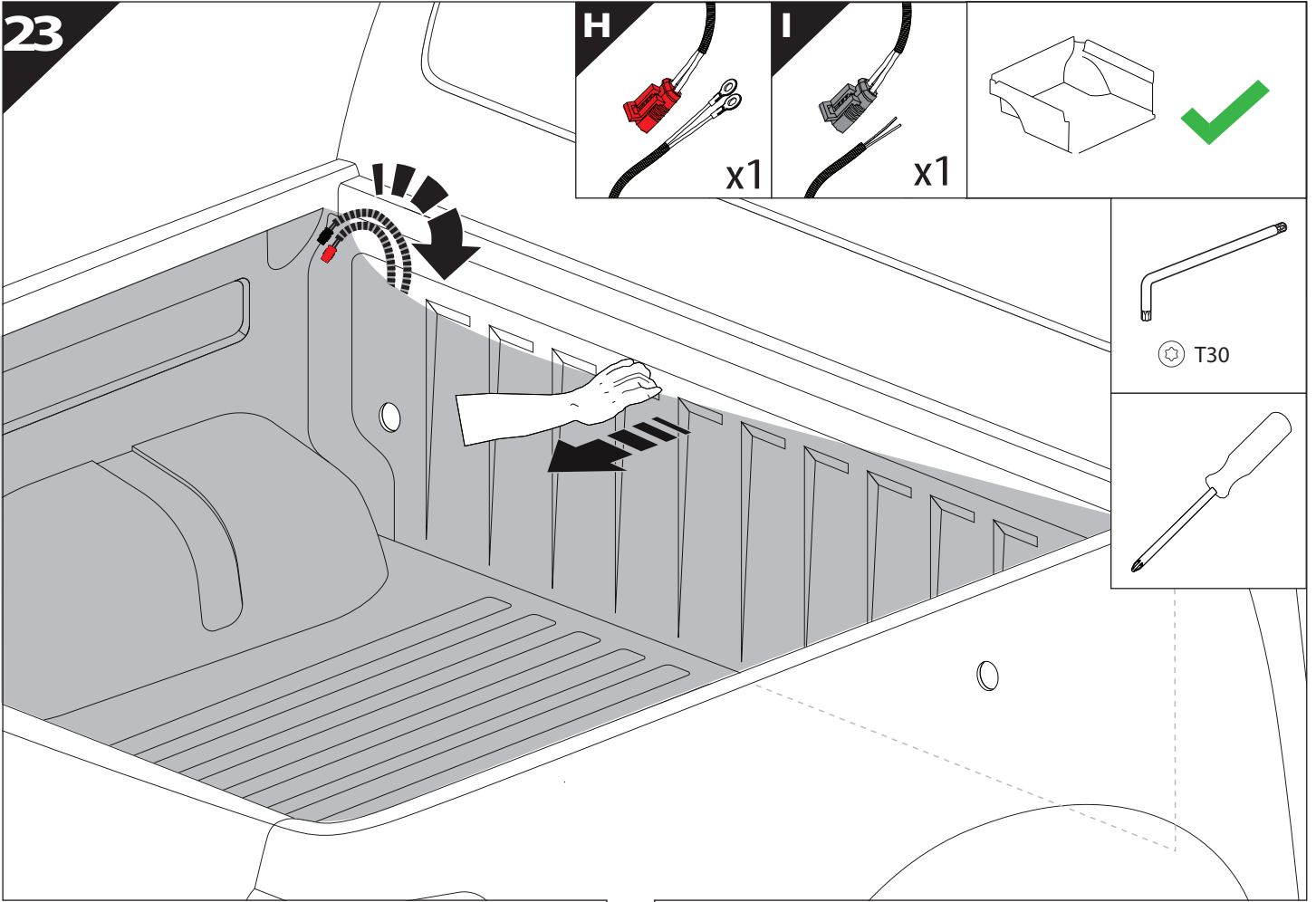


22

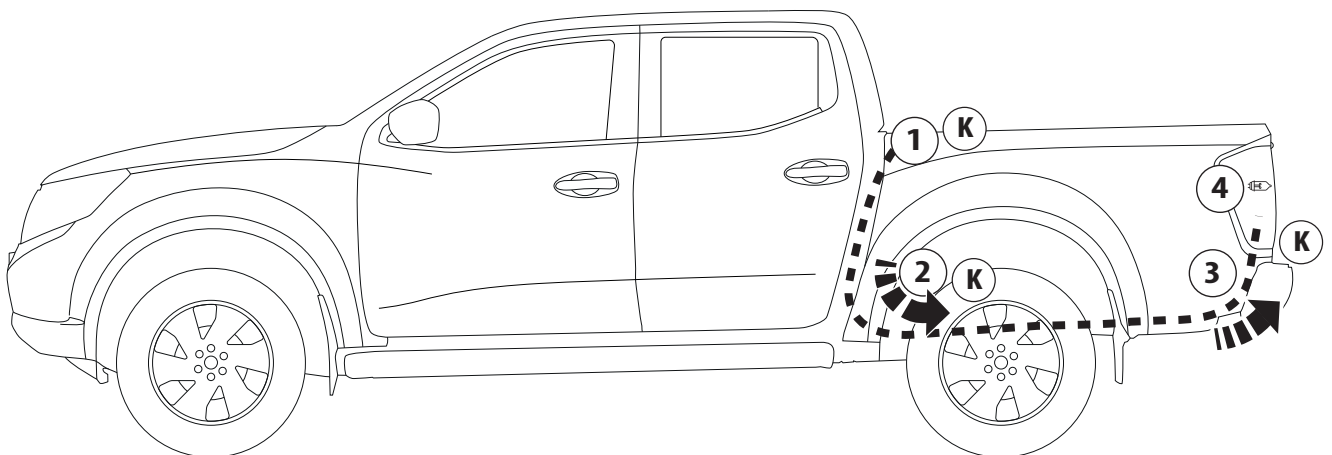
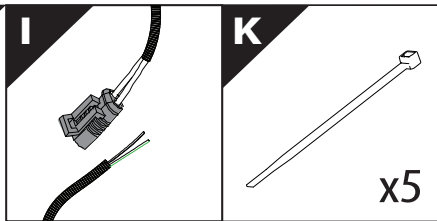
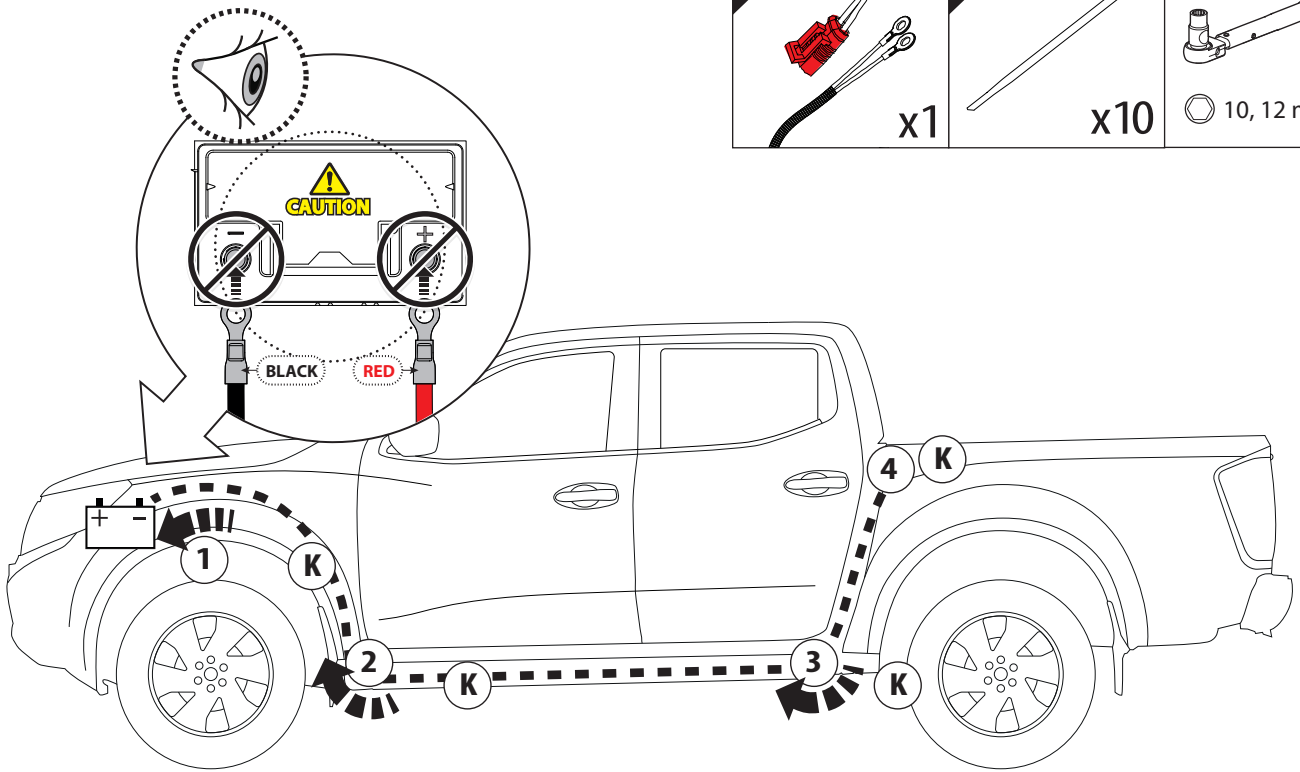
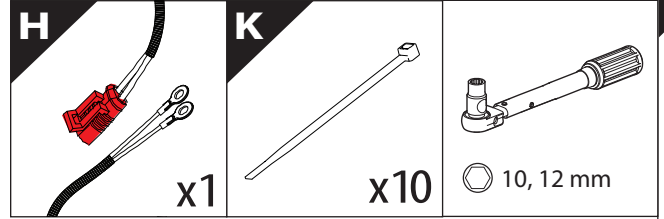


Ø 25 mm

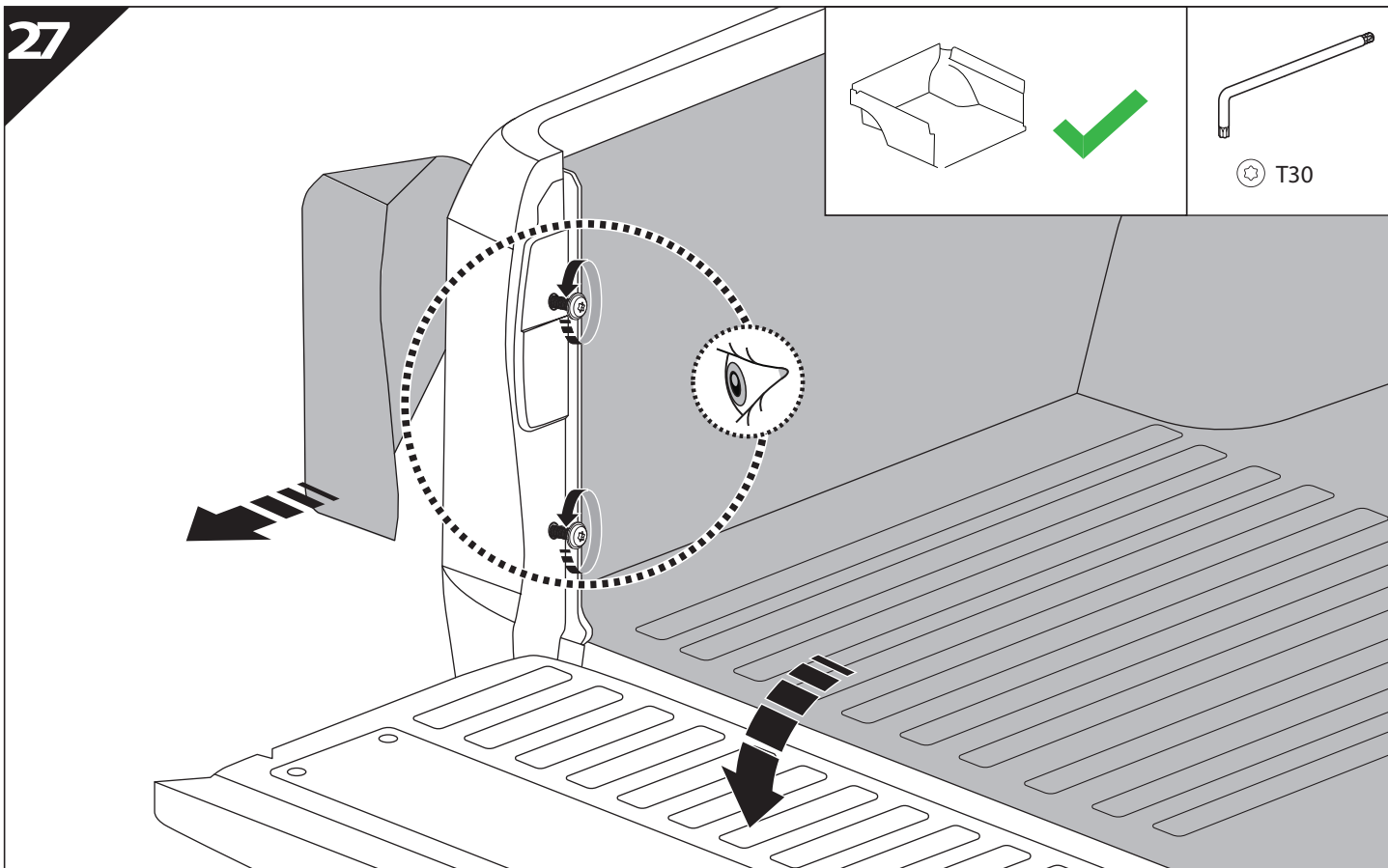




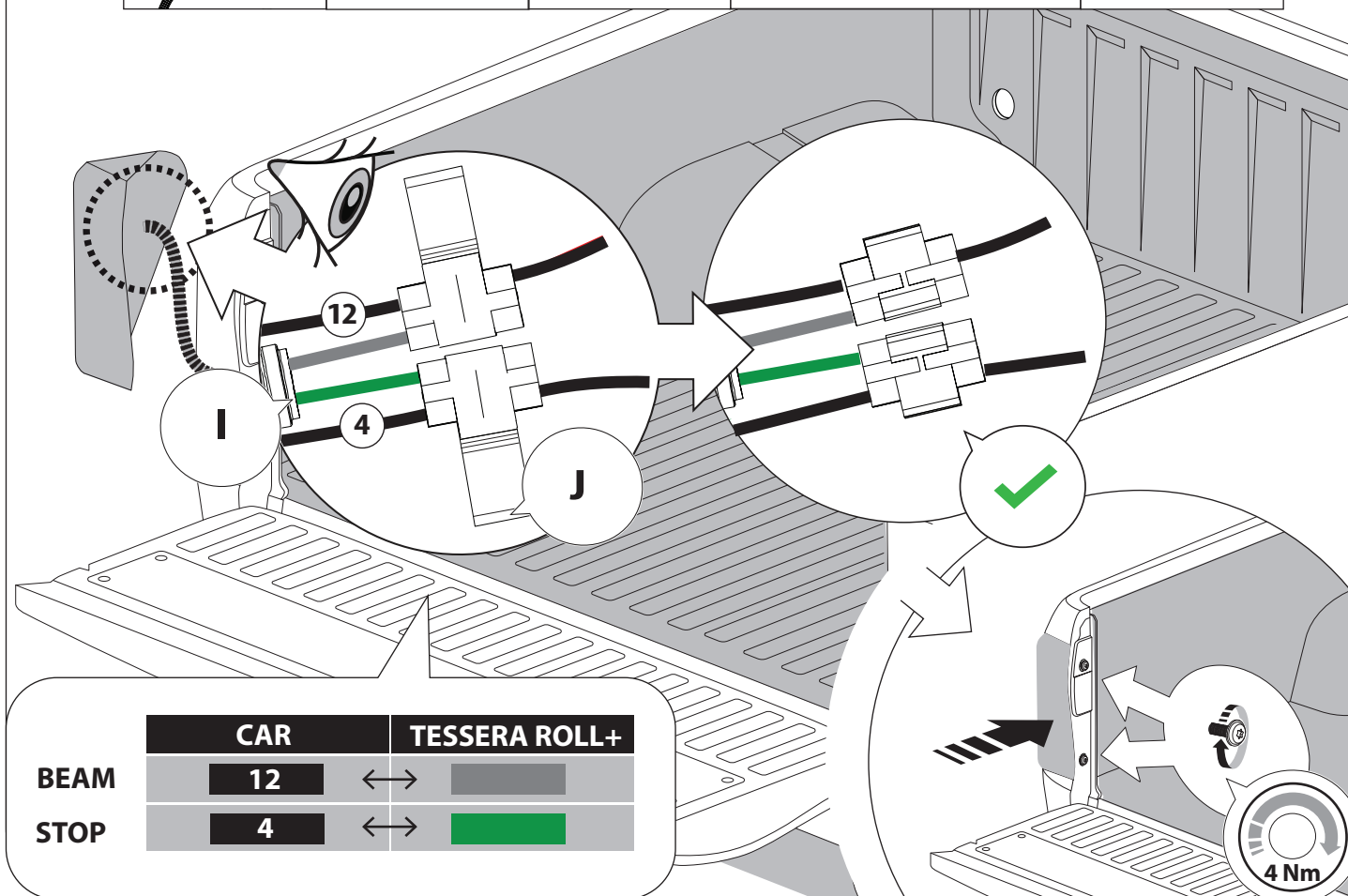
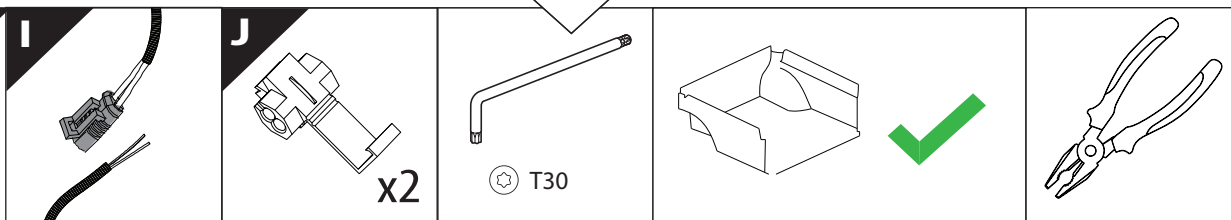
Only to be installed by authorized personnel



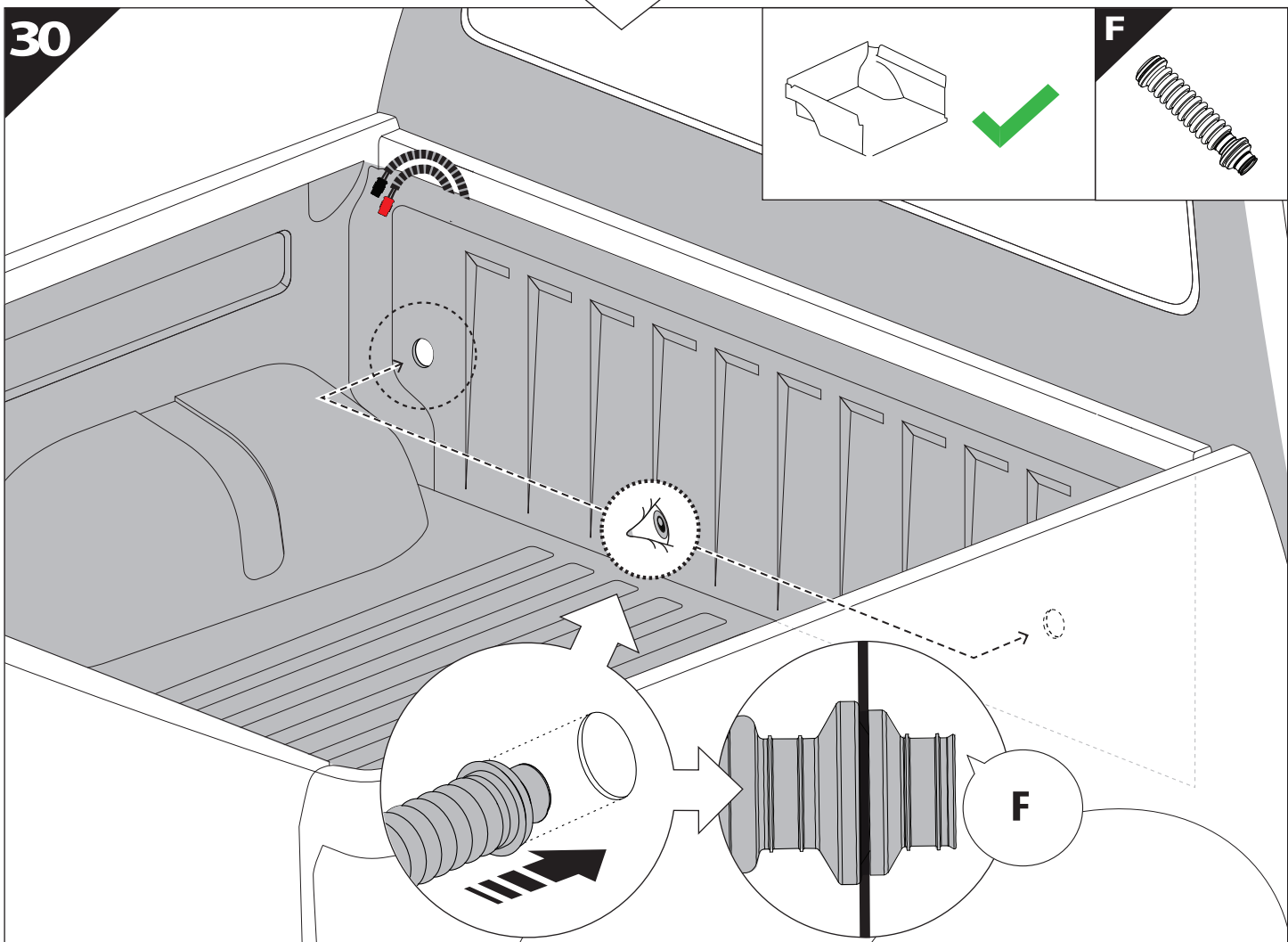
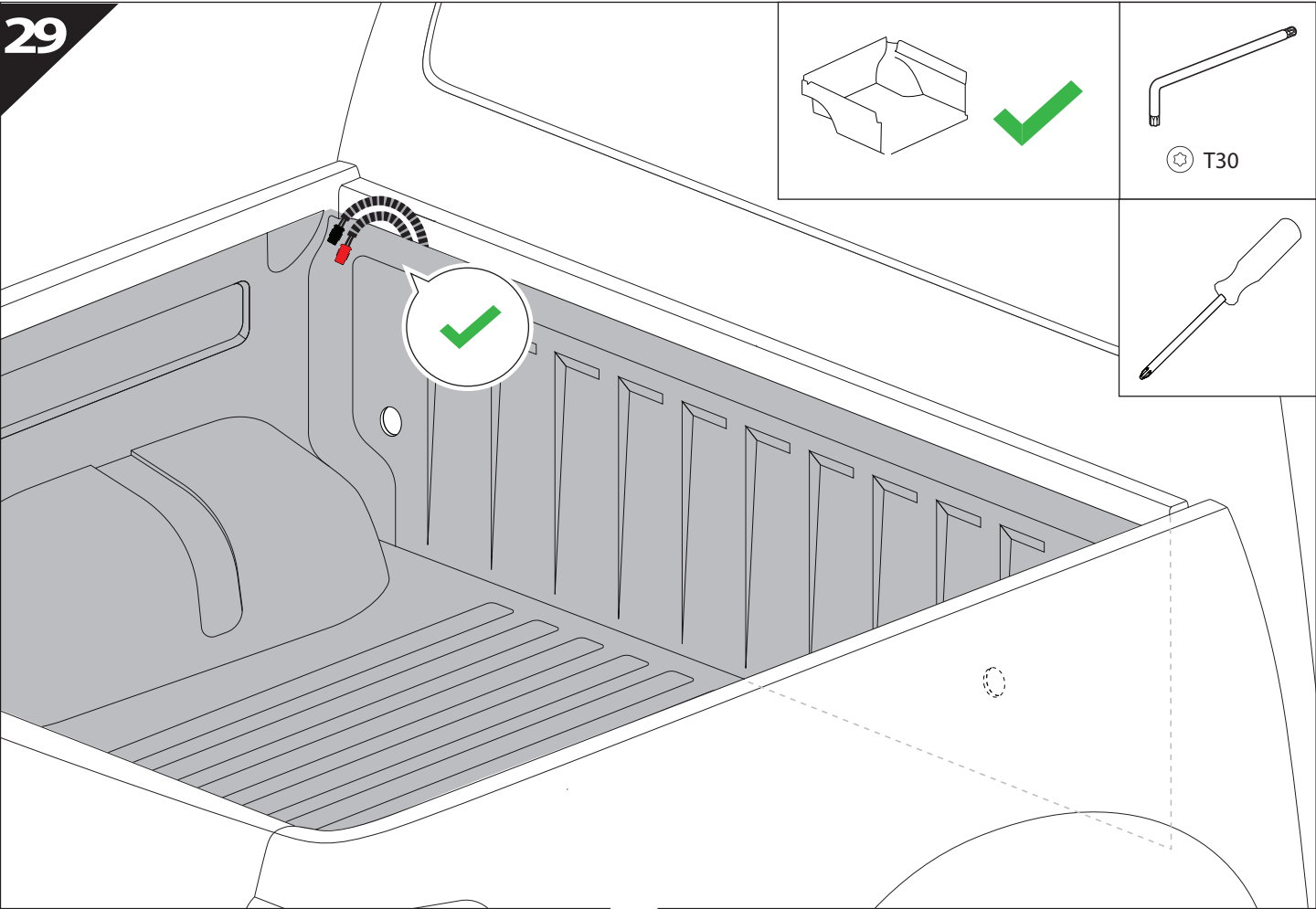
27

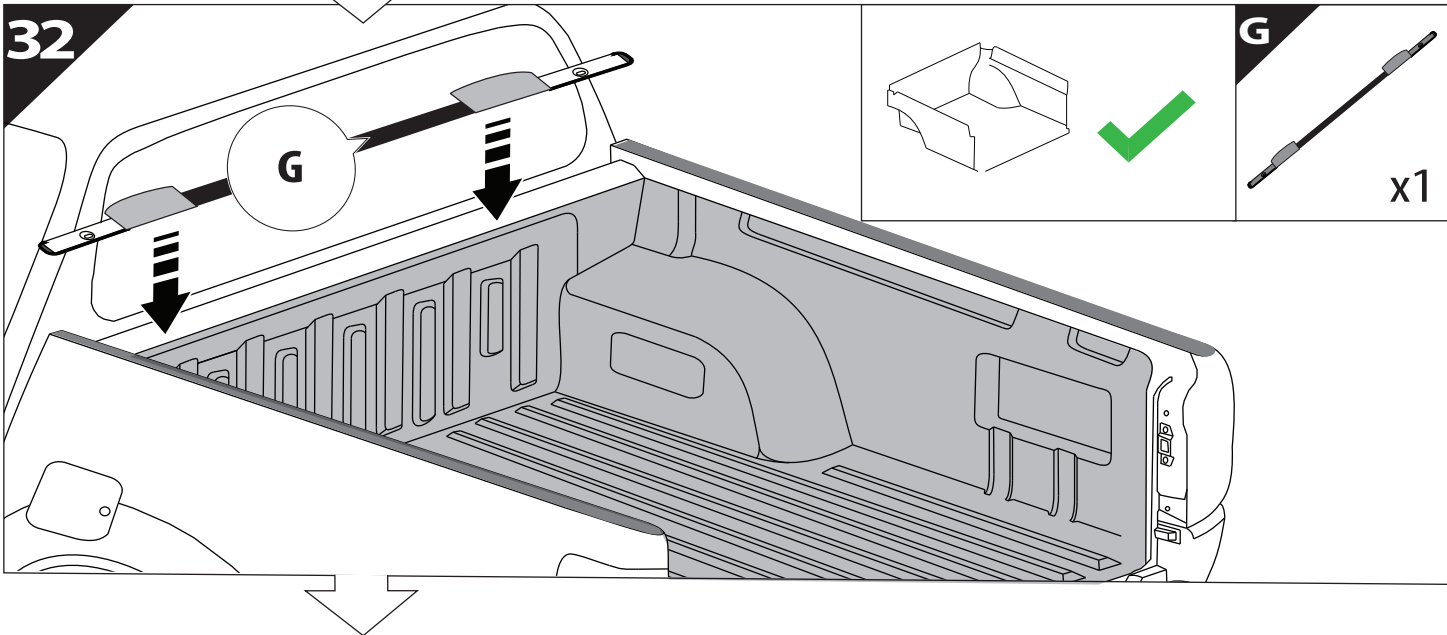
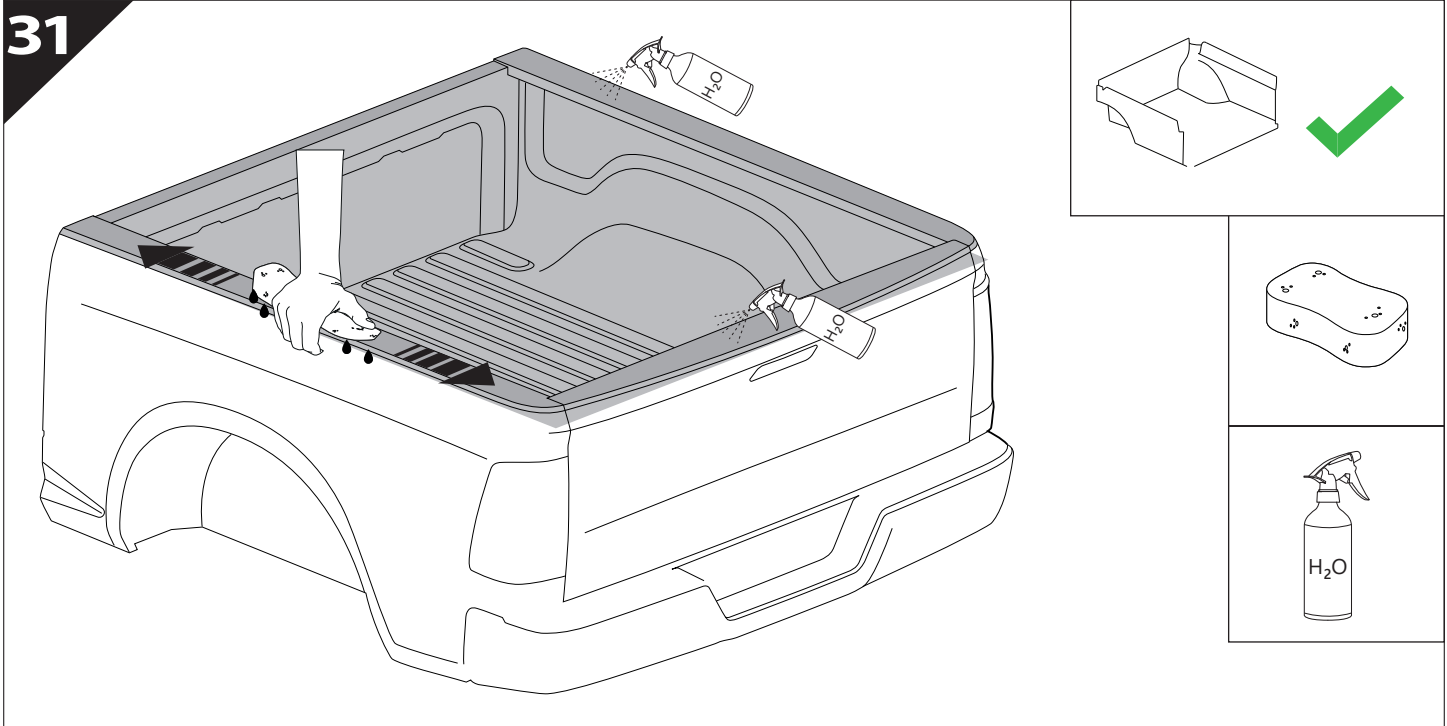


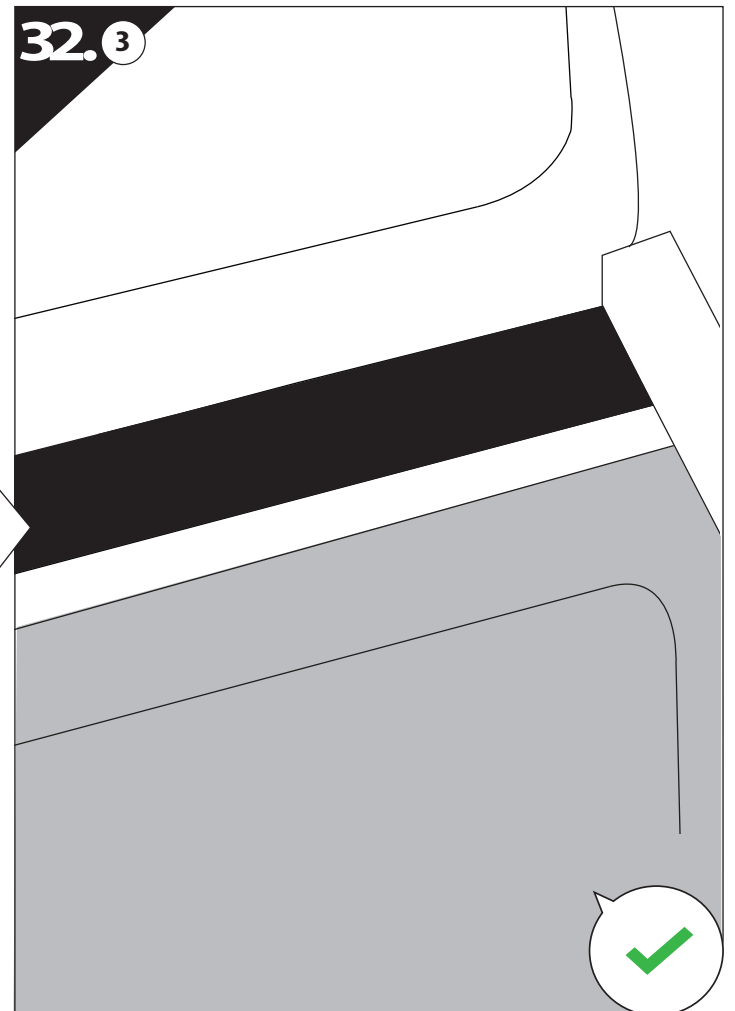
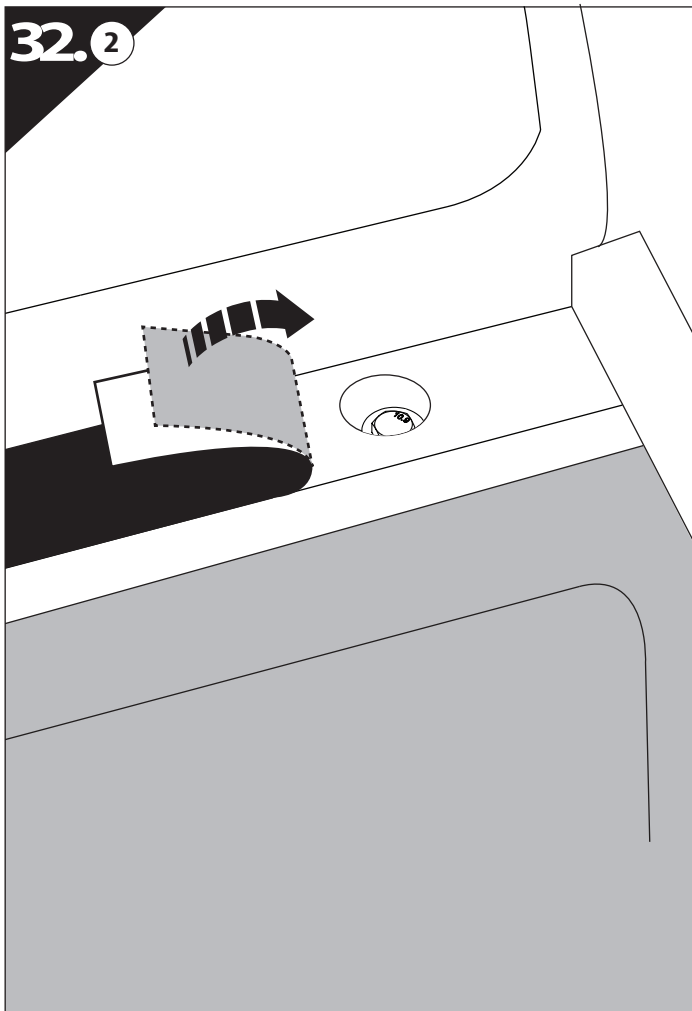
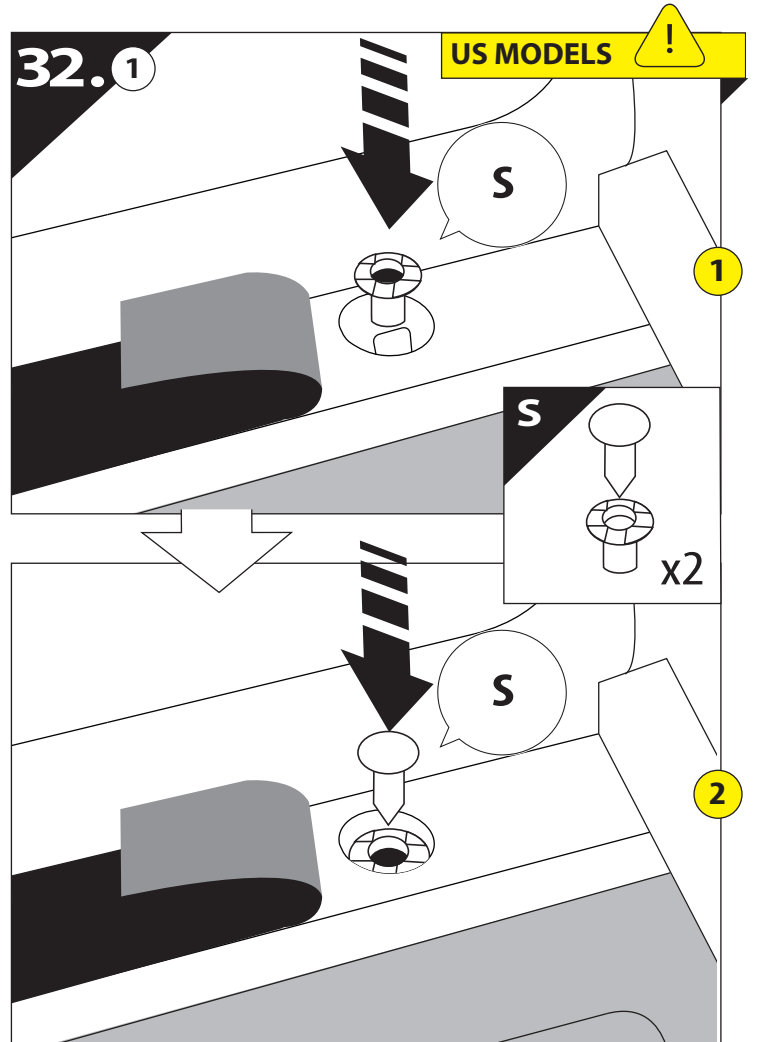
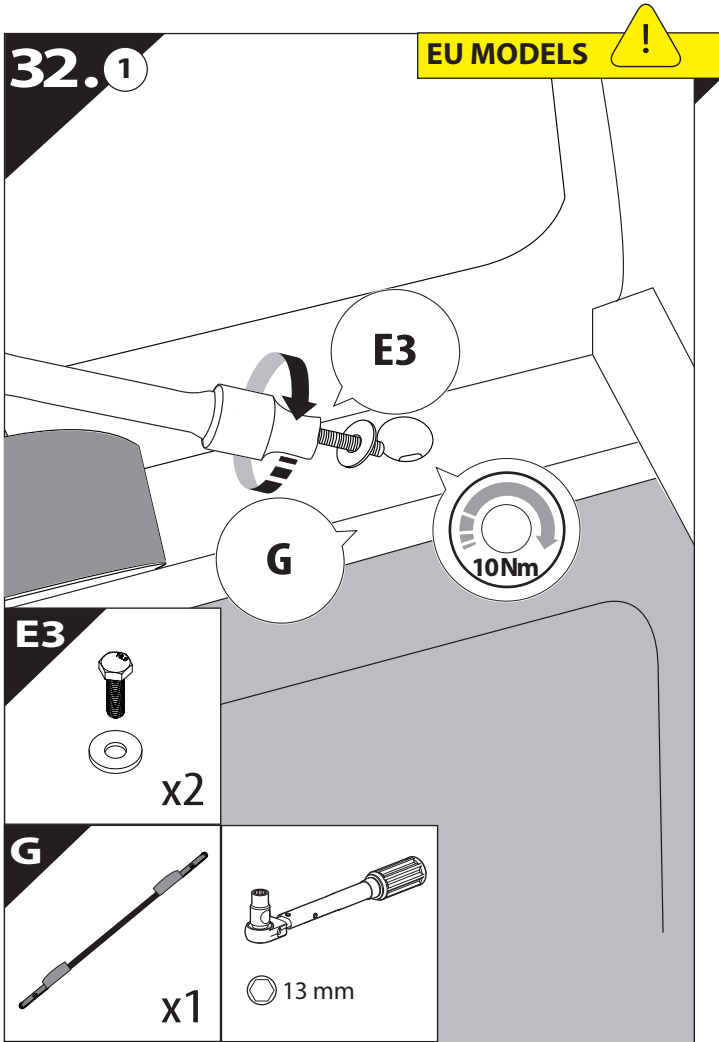
28

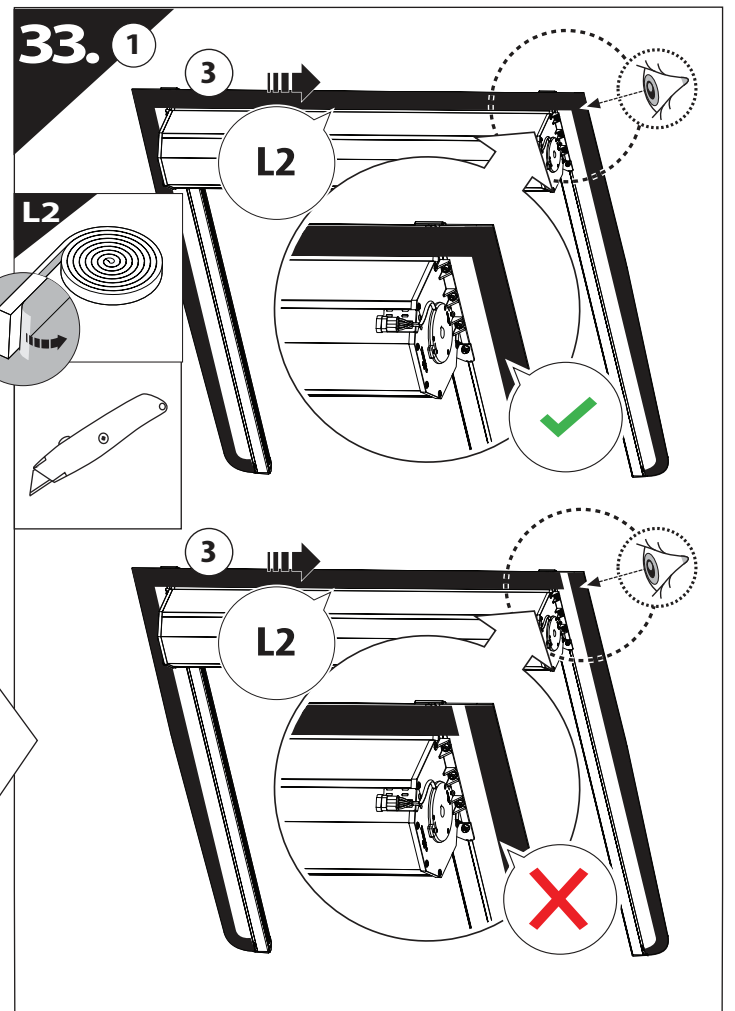
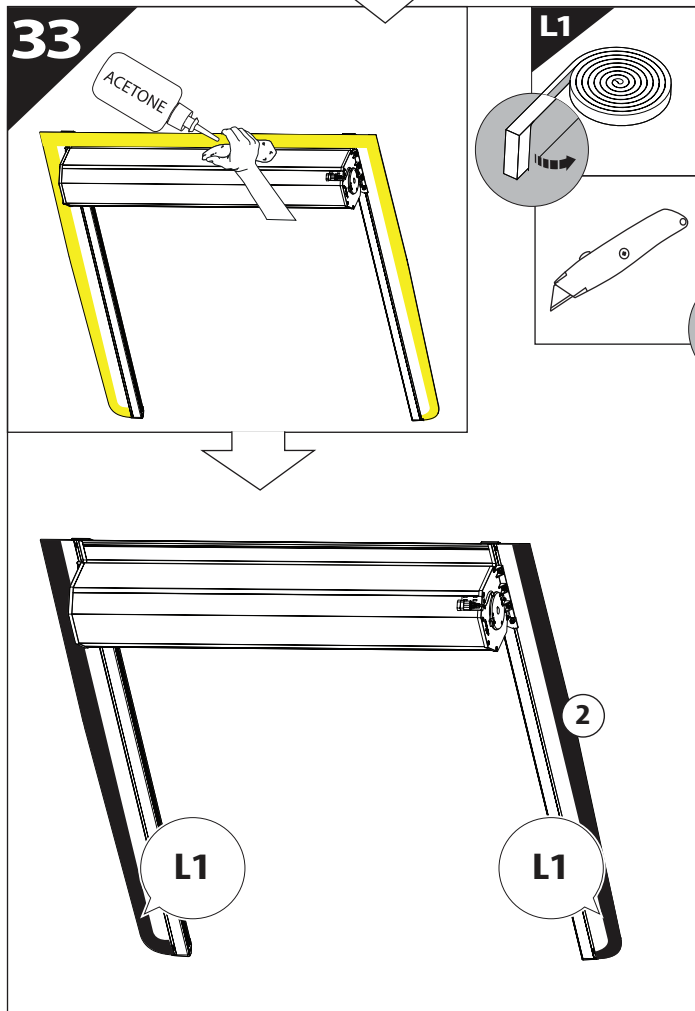
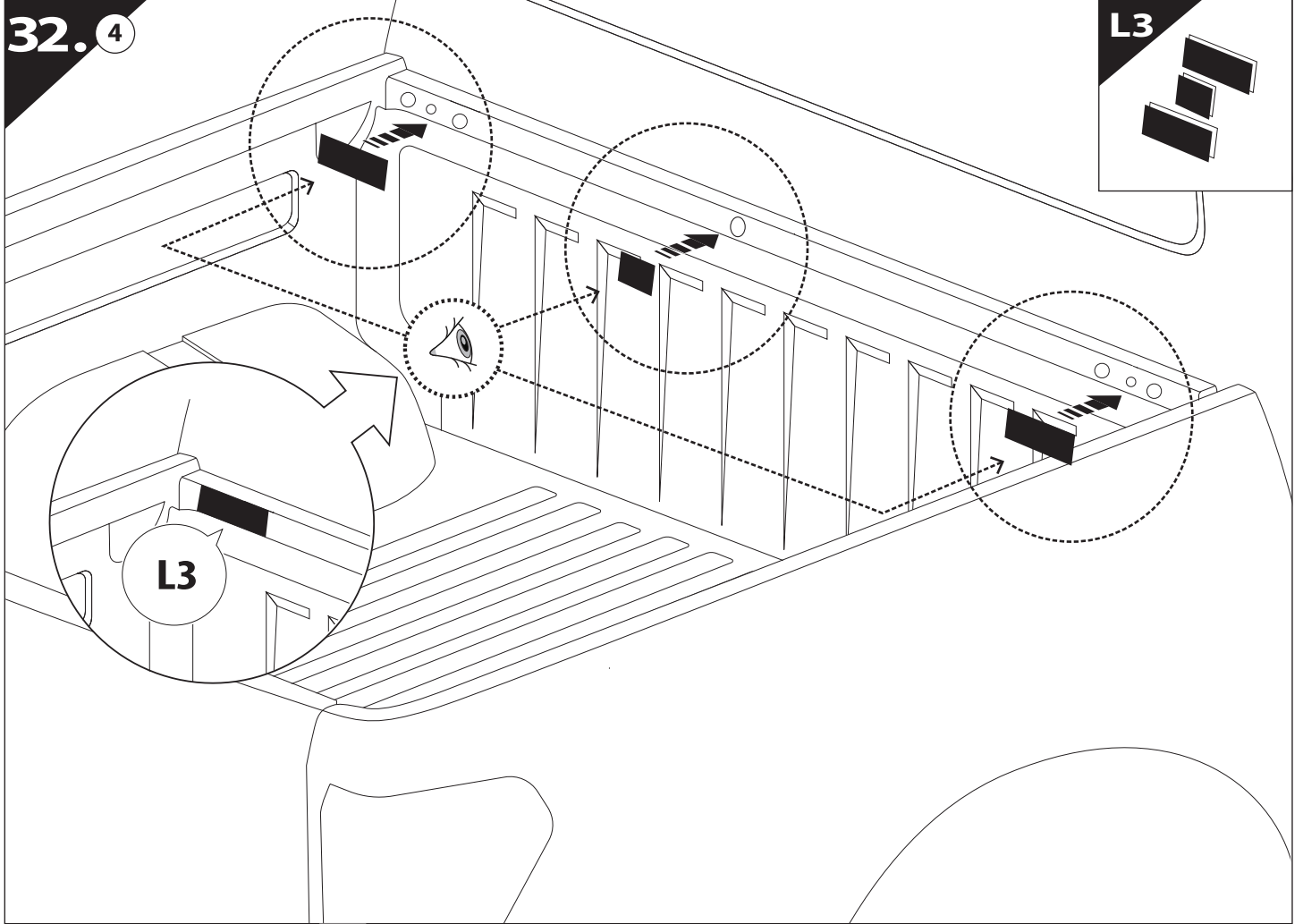


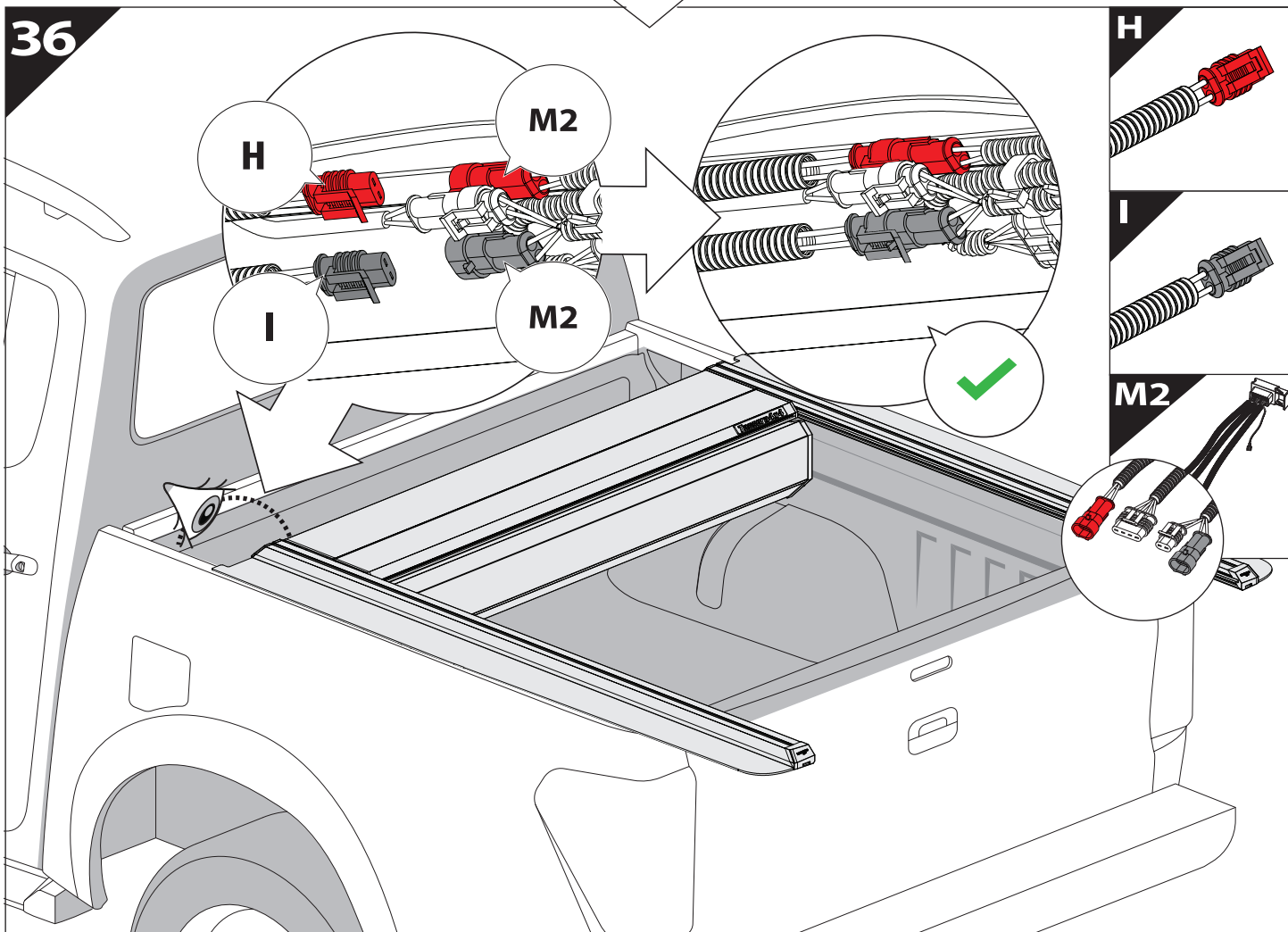
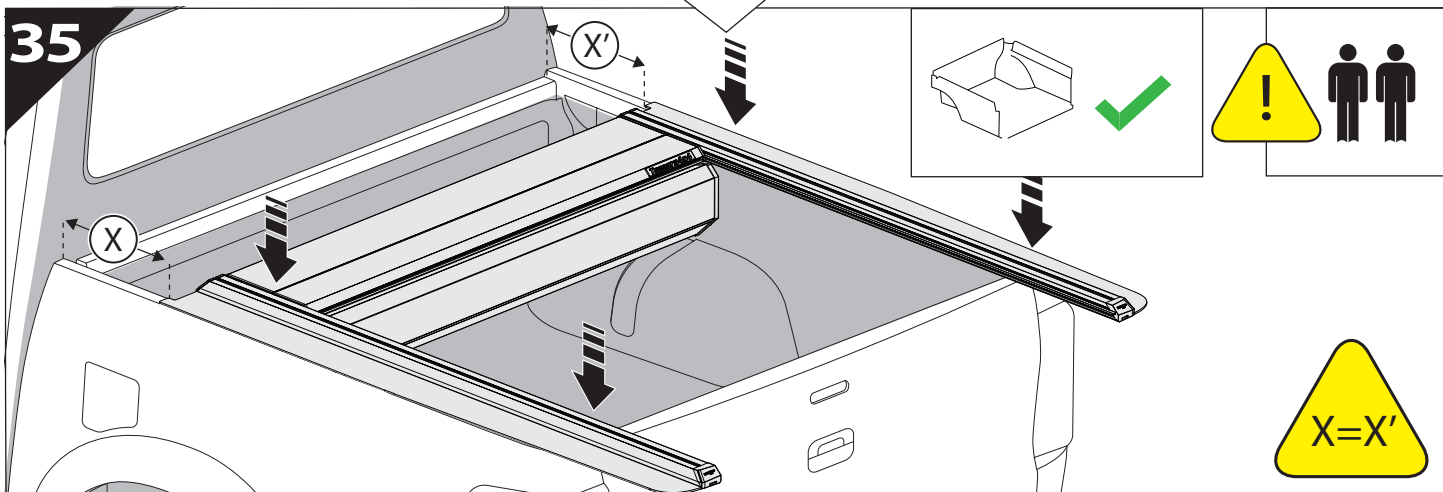
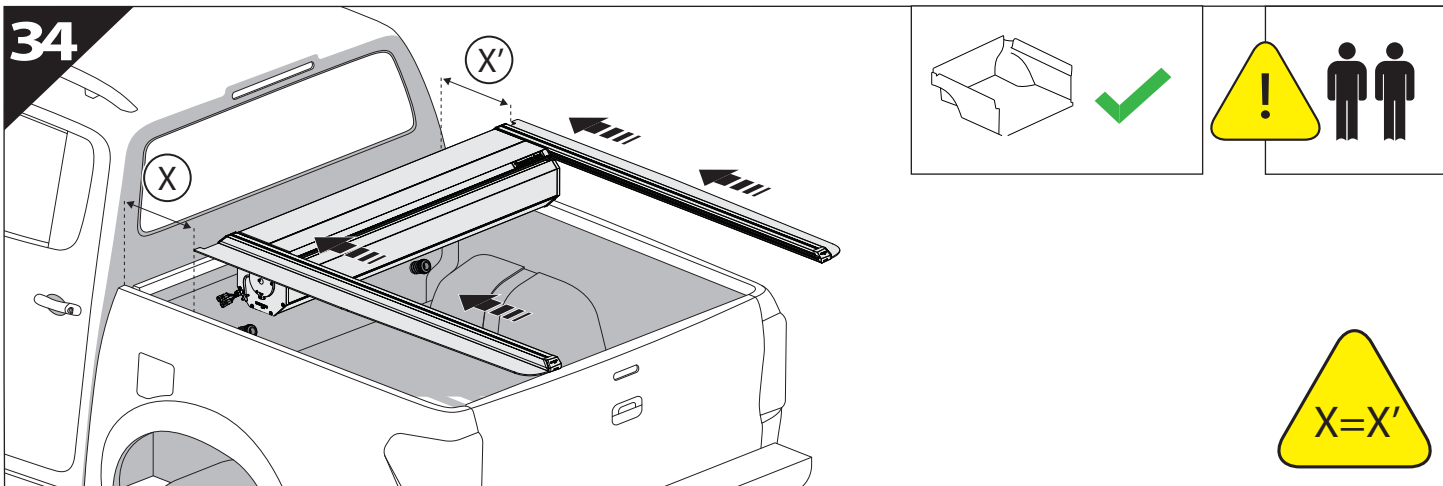
	CAR		TESSERA ROLL+
BEAM	12	↔	
STOP	4	↔	



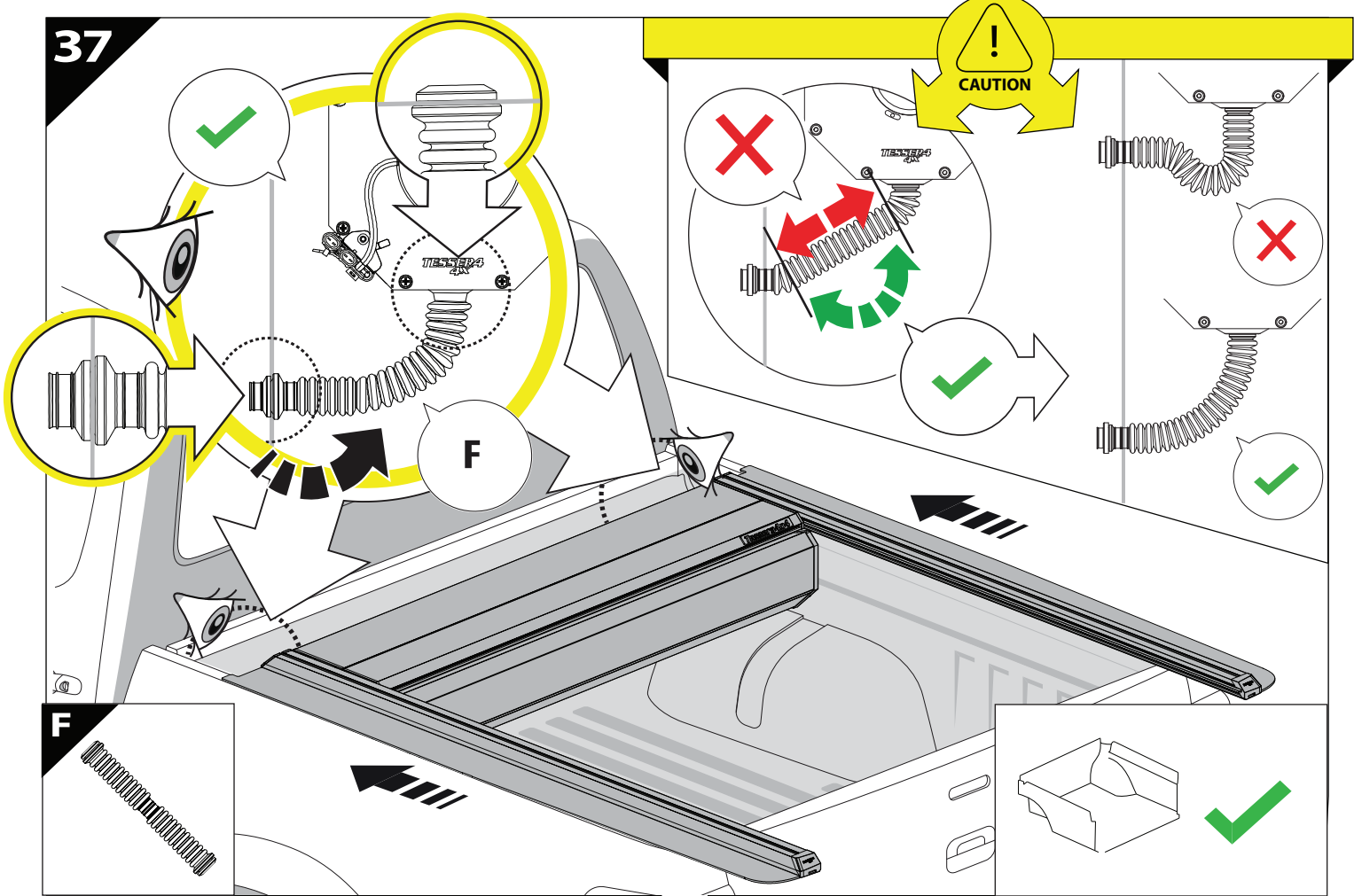




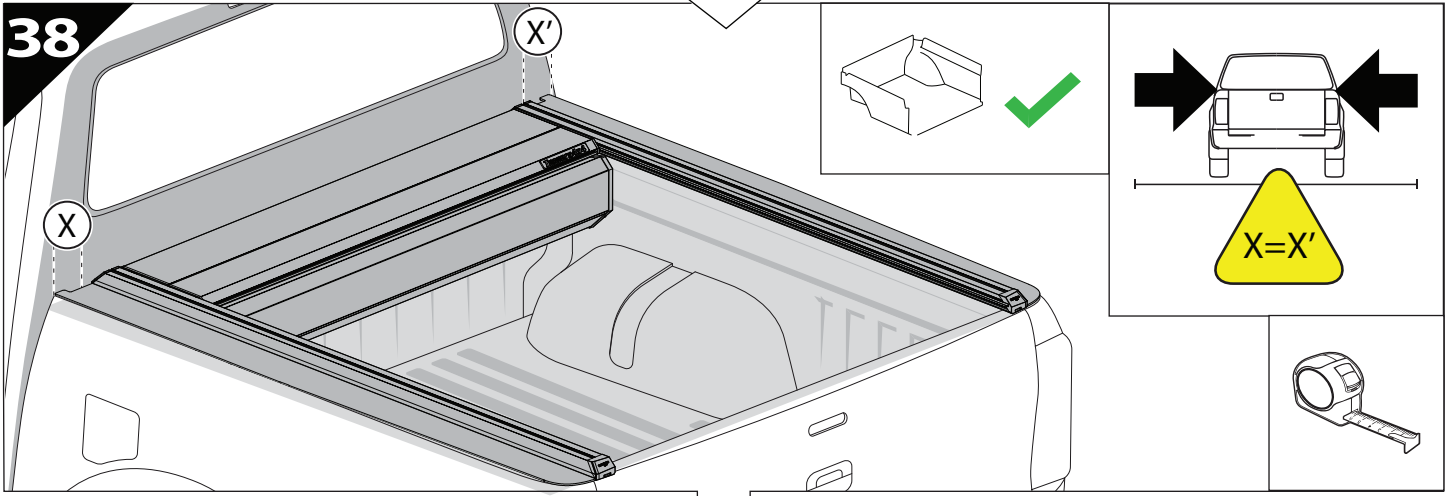




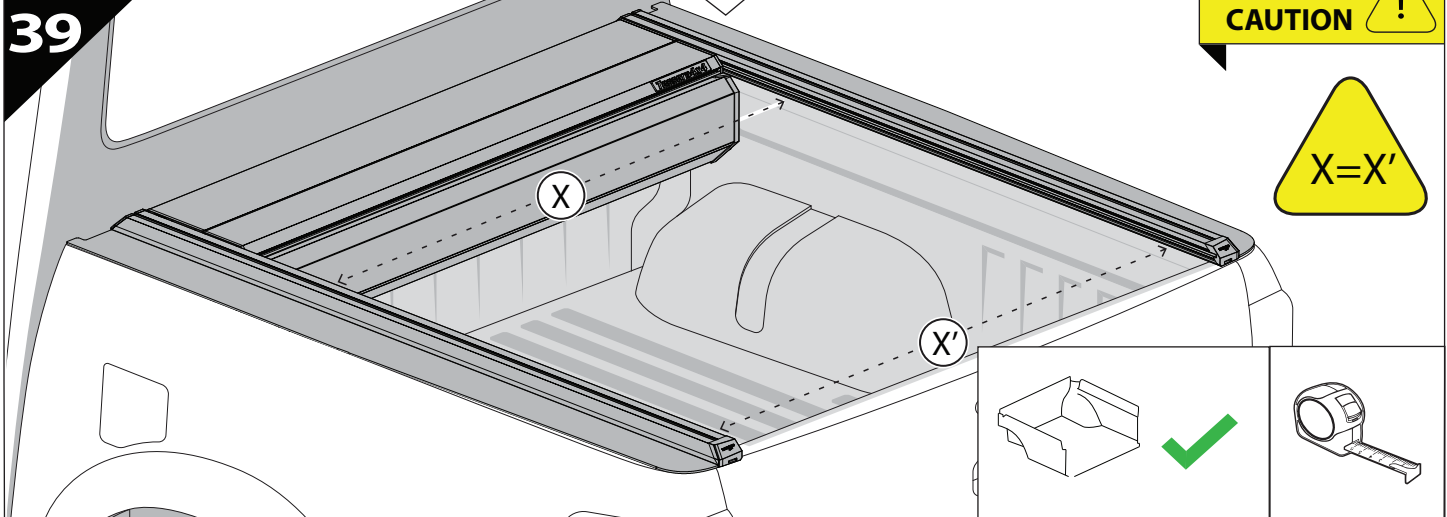
37



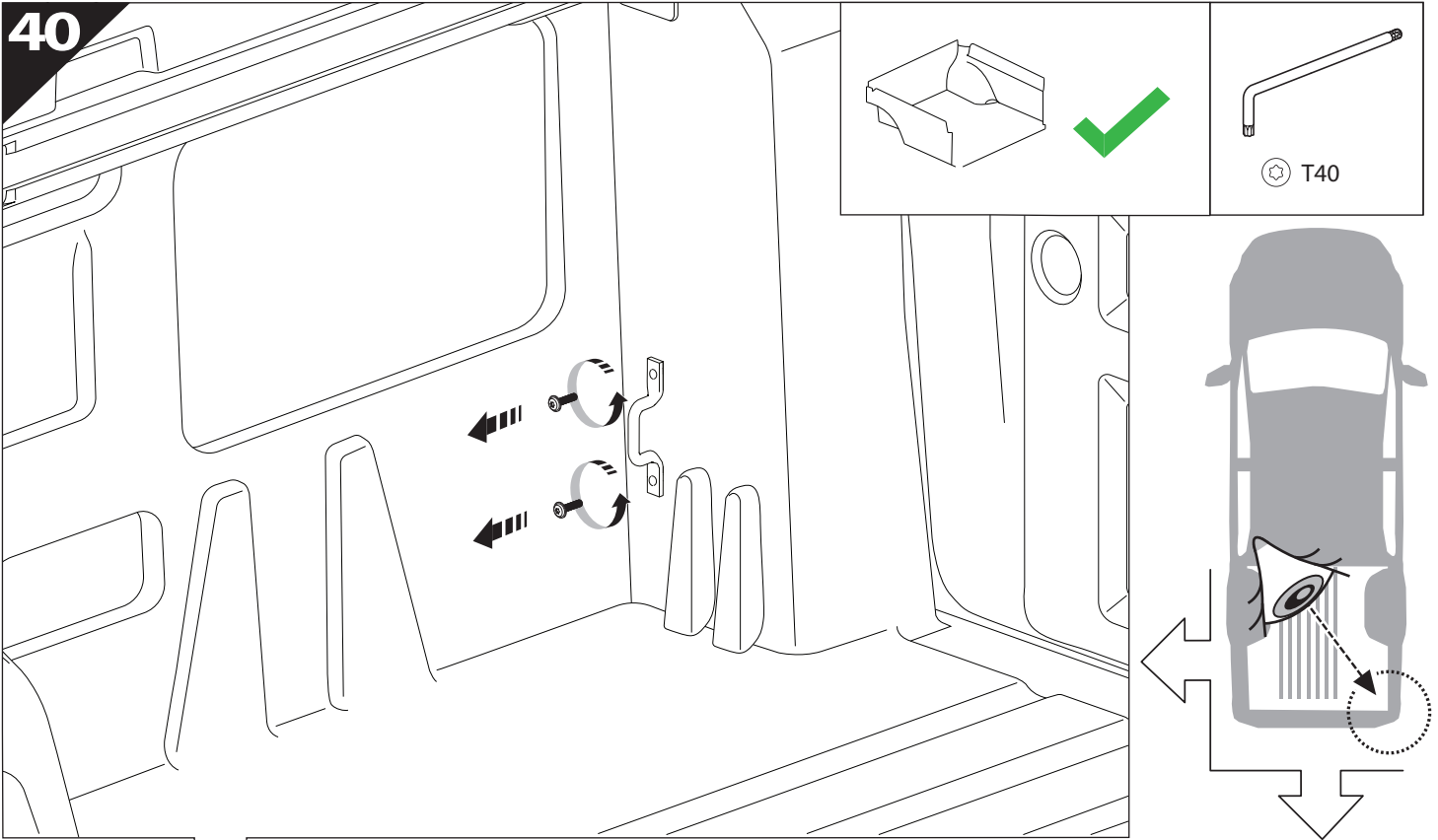
38



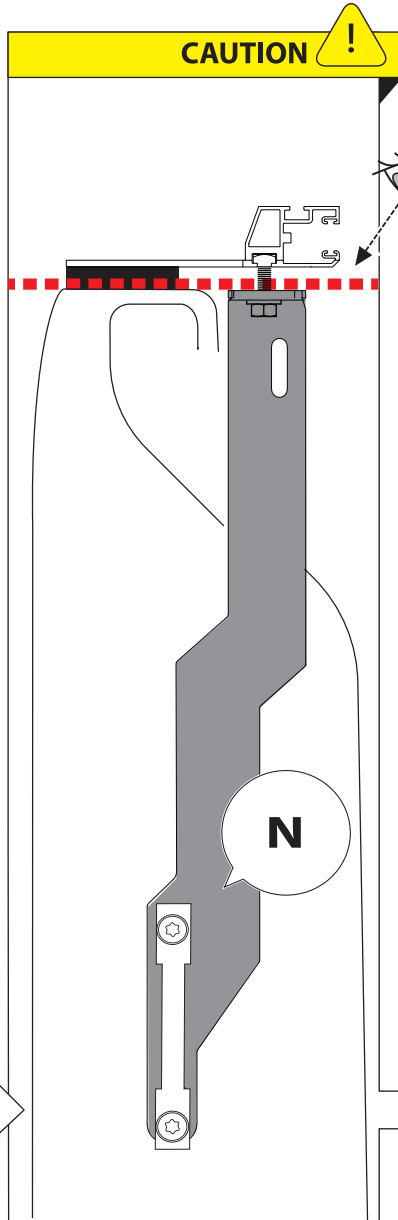
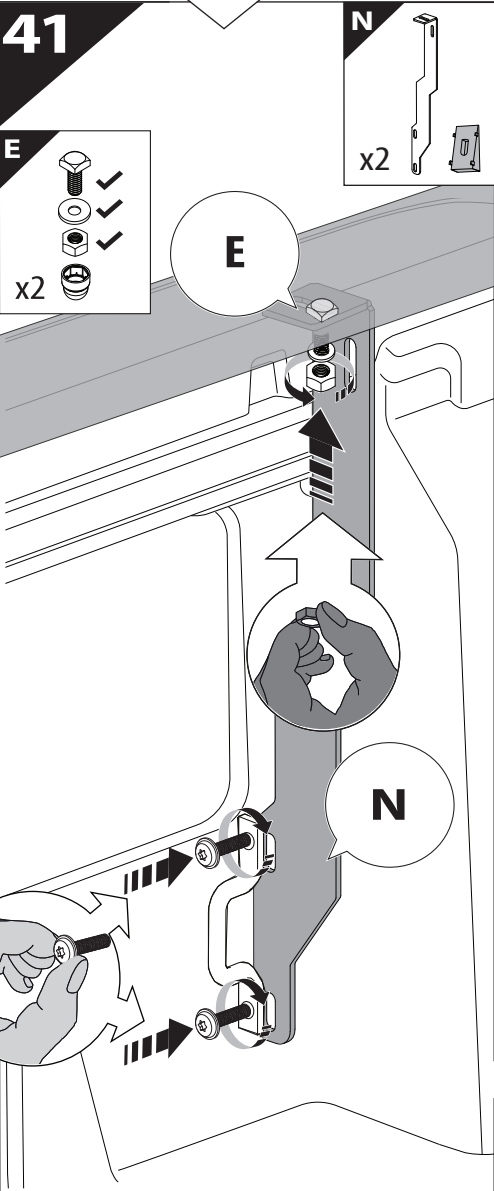
39



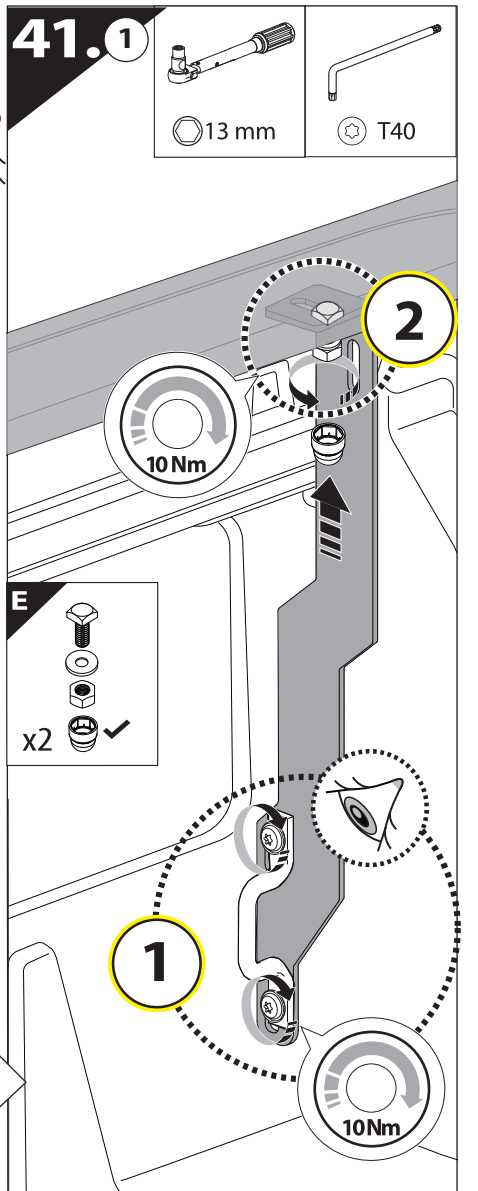
40



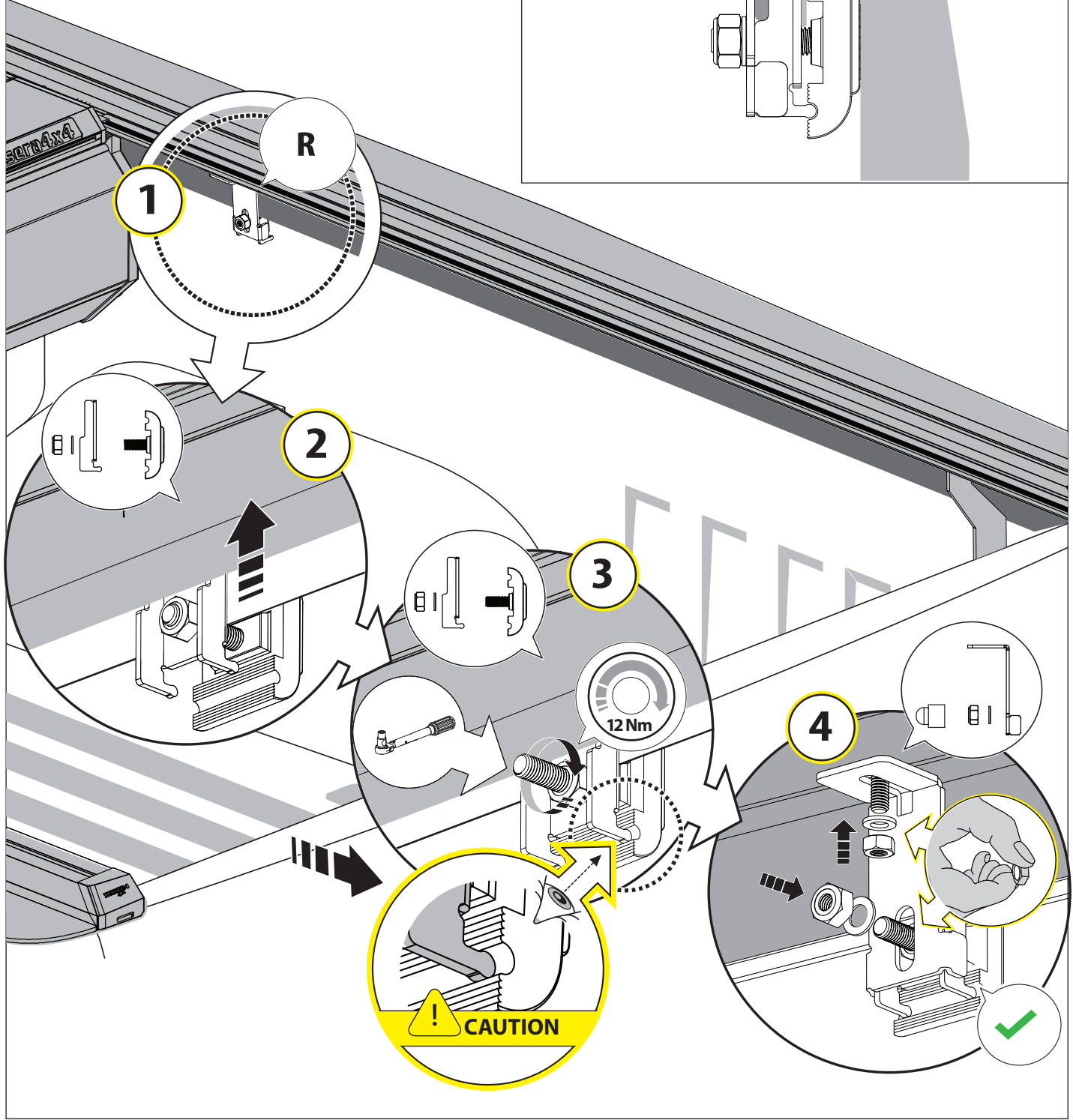
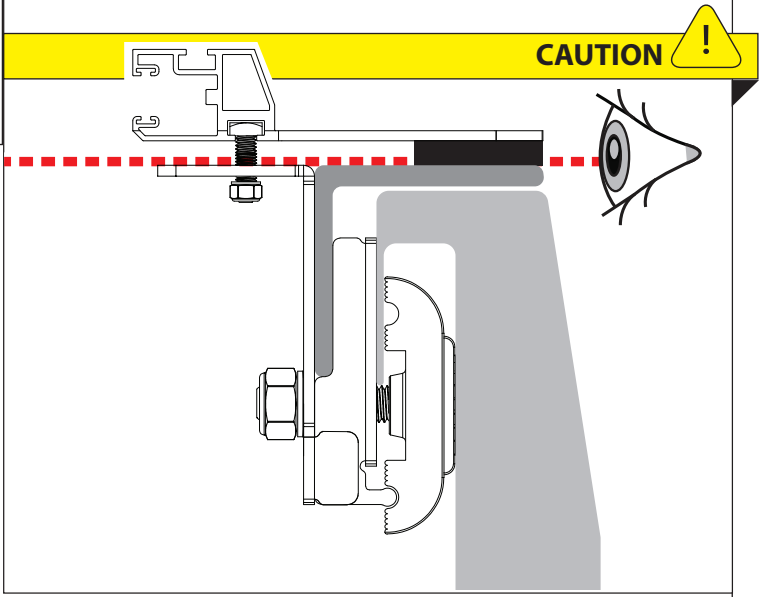
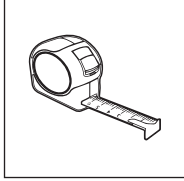
41

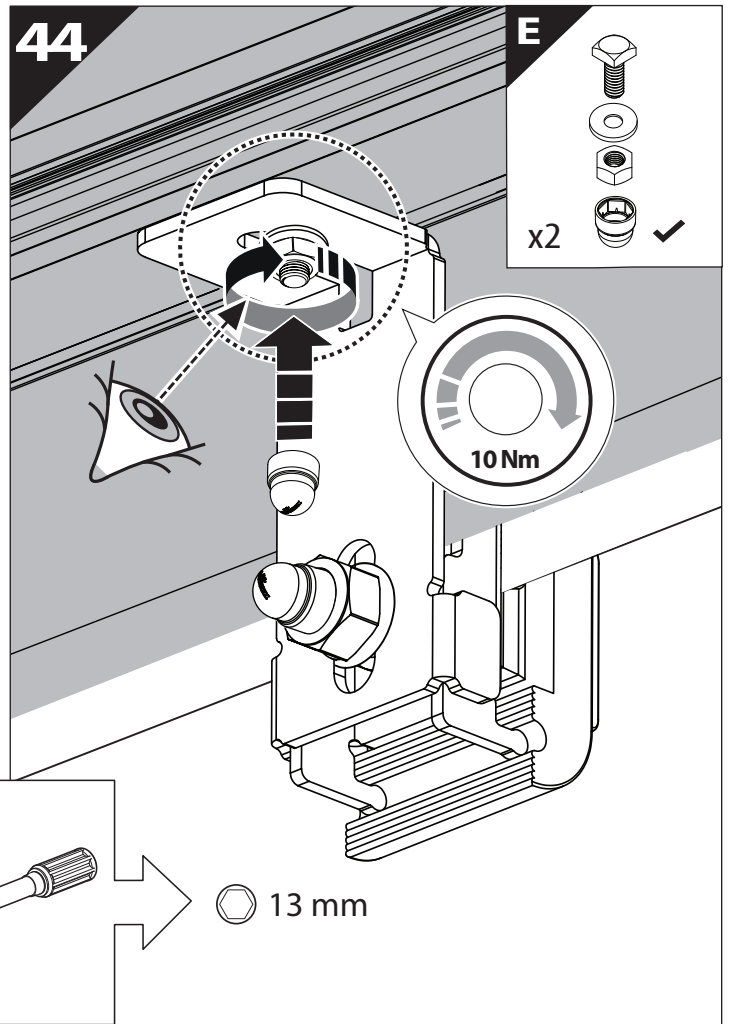
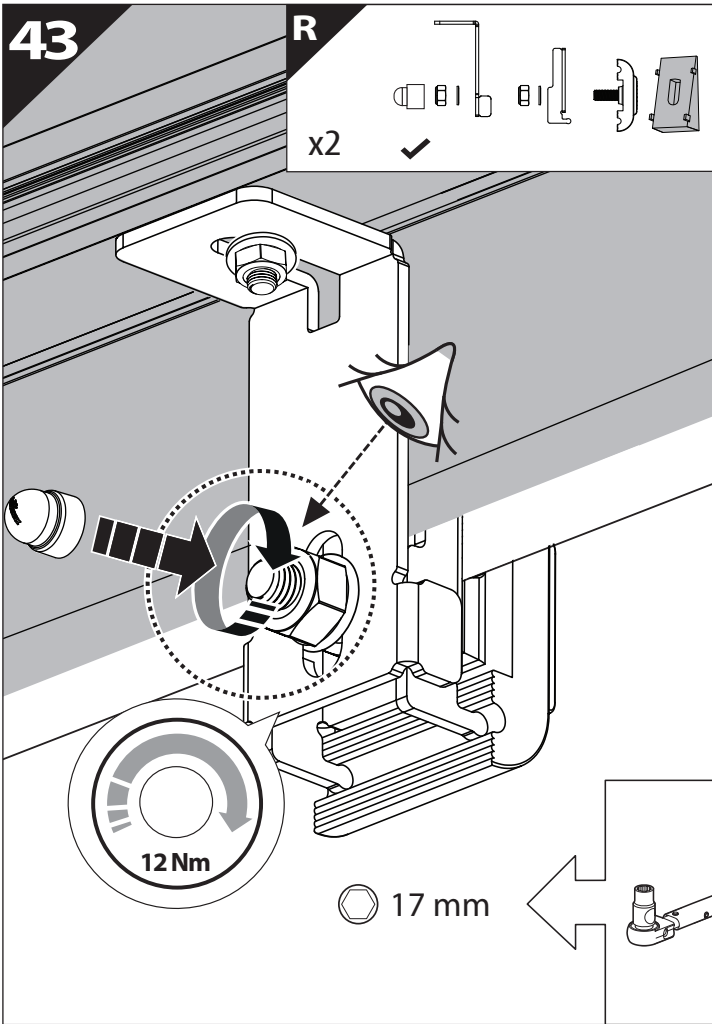


41.1

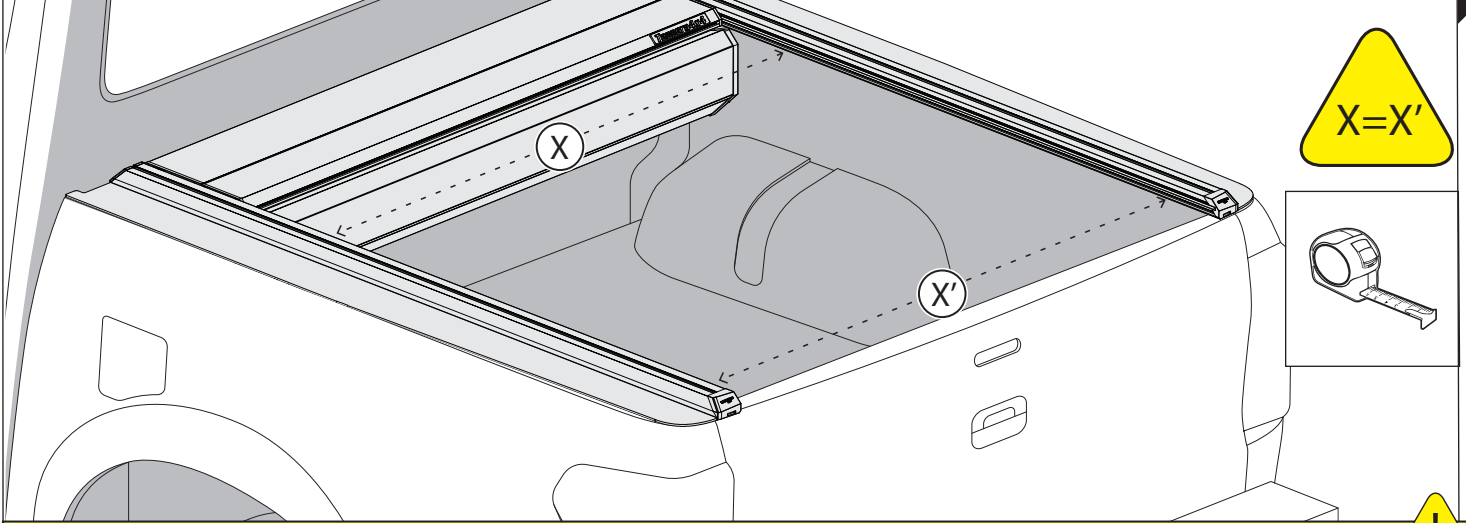


R x2 ✓ ✓	E x2 ✓ ✓ ✓ ✓ ✓
------------------------	------------------------------

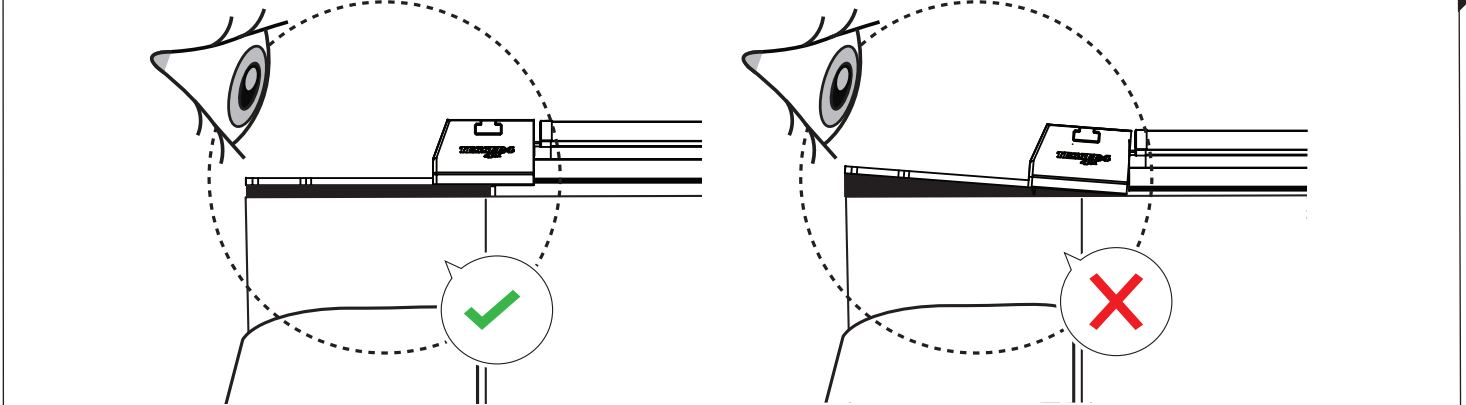


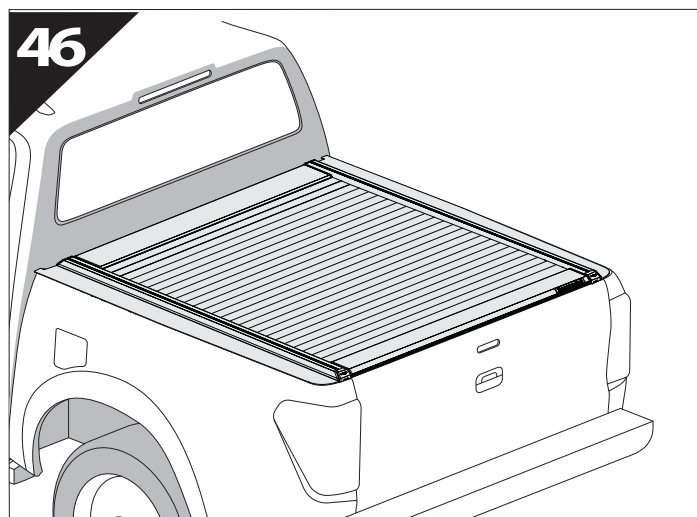
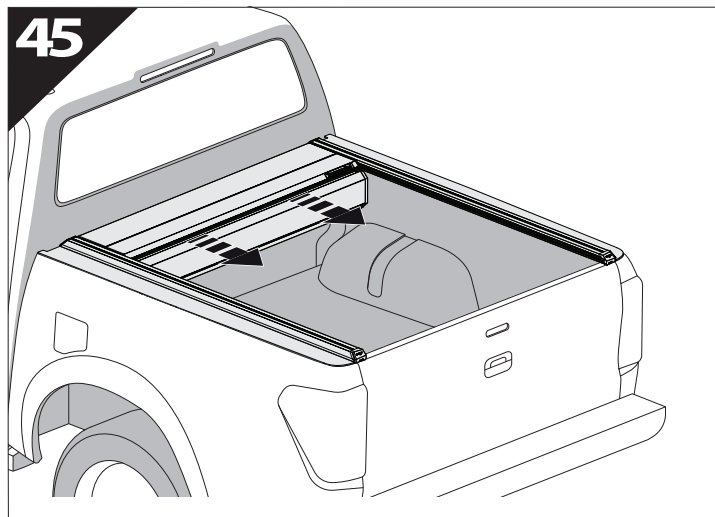


CAUTION !



CAUTION !





GR: Οδηγίες Εγκατάστασης
GB: Installation manual
SF: Asennusohje
F: Notice de montage
PL: Instrukcja montażu
NL: Installatie-instructies
TR: Montaj Talimatı
S: Monteringsanvisning
E: Instrucciones de montaje

H: Szerelési utasítás
P: Instruções de instalação
RUS: Инструкция по установке
N: Monteringsveiledning
D: Einbauanleitung
CZ: Návod k instalaci
I: Istruzioni de montaggio
DK: Monteringsvejledning
RO: Instructiuni de instalare

Customer Service:

+30 (210) 5541161, +30 (210) 5541154 (08:00 - 16:00 EET)

Support department:

info@gianso.gr

Website:

www.tessera4x4.com

Address:

19.5 km of National road Athens-Korinthos (Elefsina) Greece, P.C: 19200