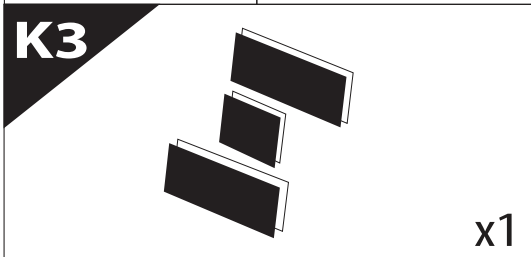
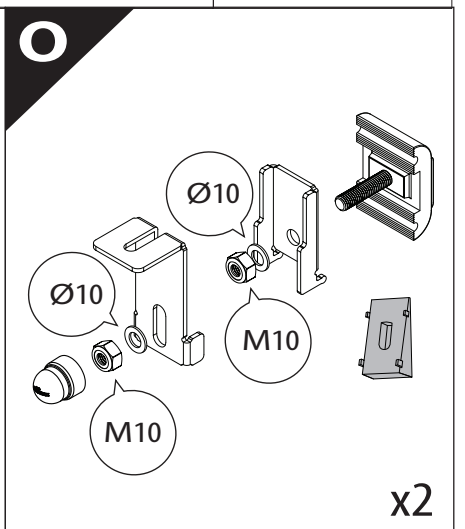
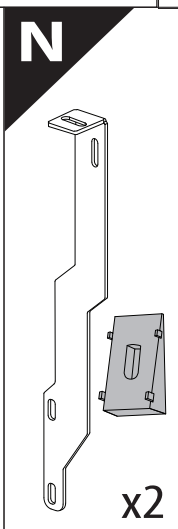
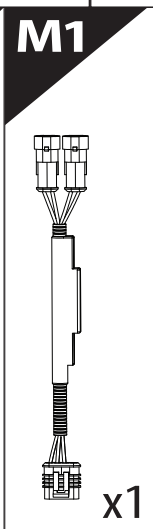
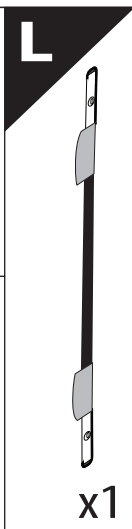
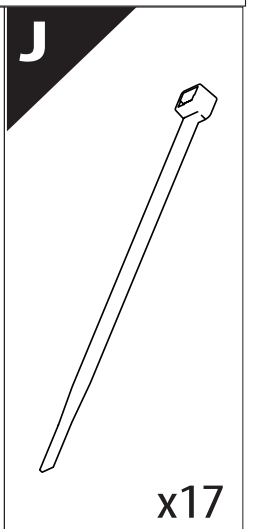
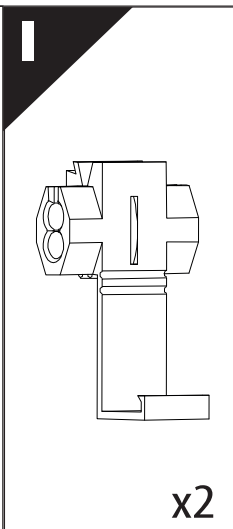
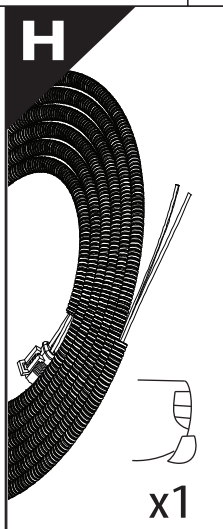
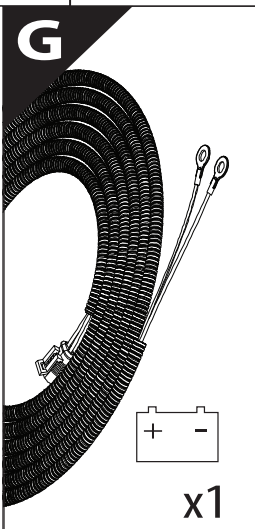
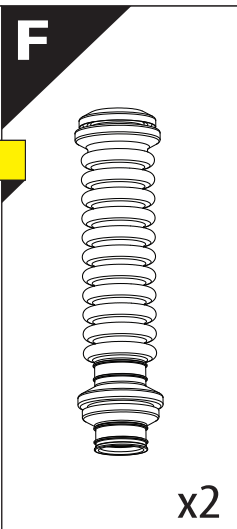
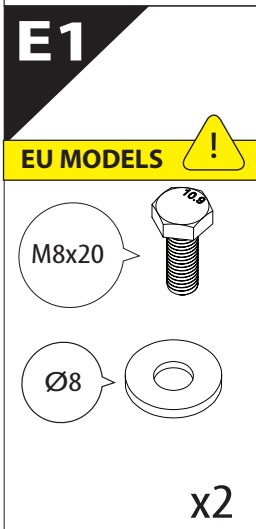
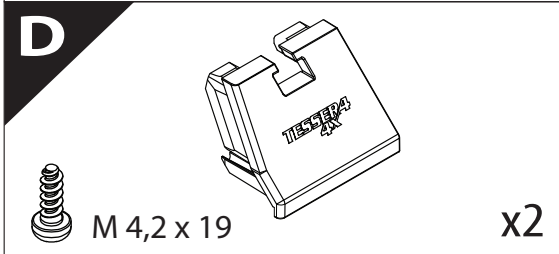
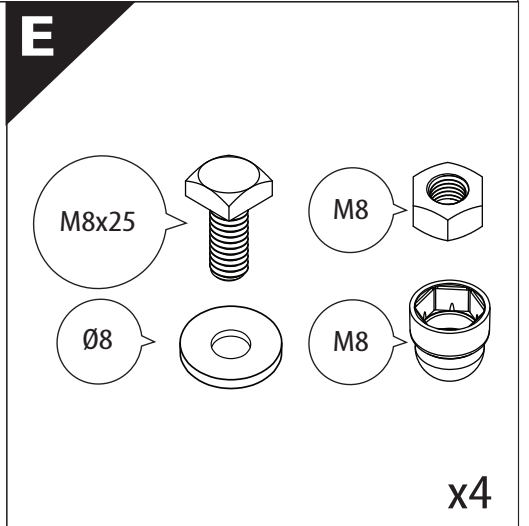
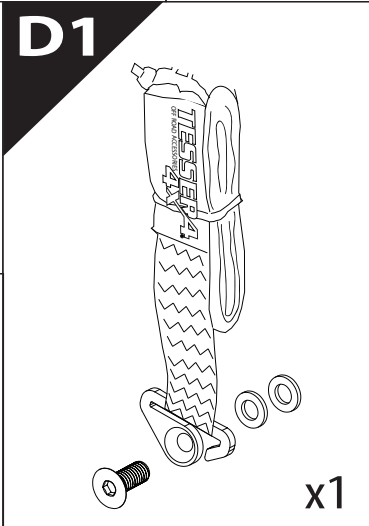
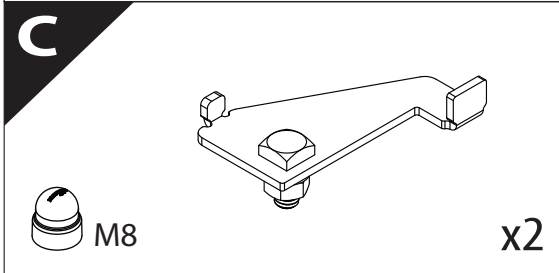
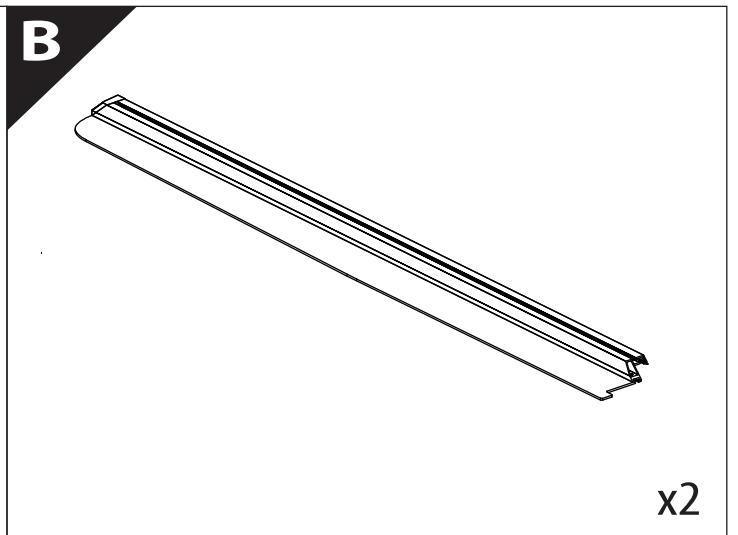
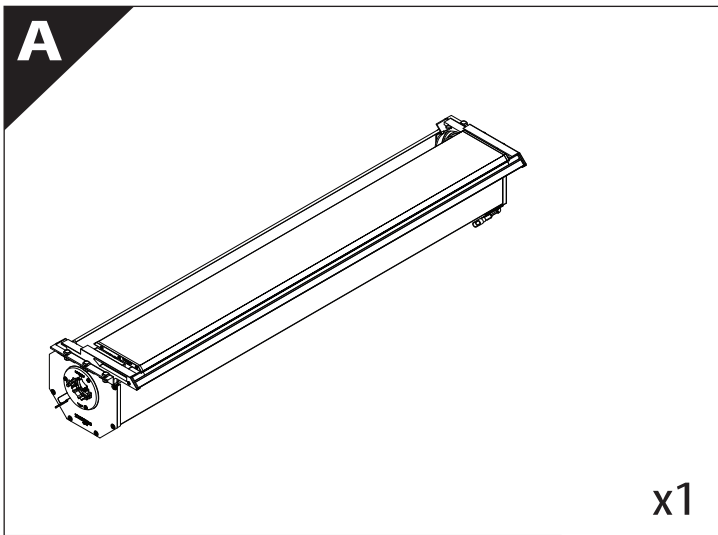




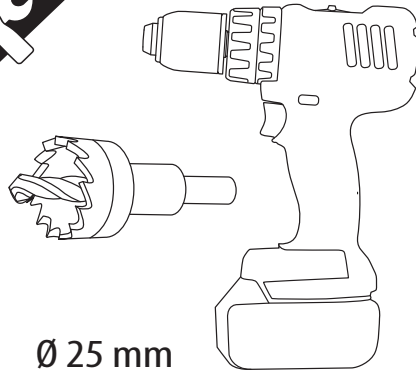
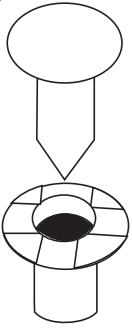
Installation Manual

PART NUMBER(S)	Model Year
TESS 14061 ROLL	FORD RANGER RAPTOR 2023+ (P 703)
Cab(s)	Installation Time / Weight
Double Cab	40-60 minutes / 53-57 kg

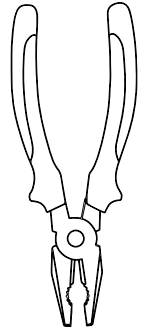
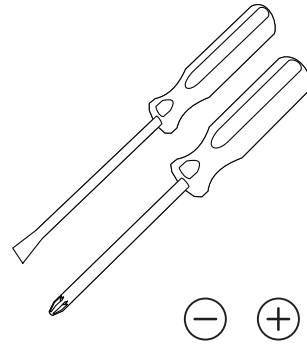


P

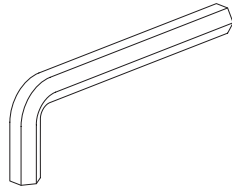
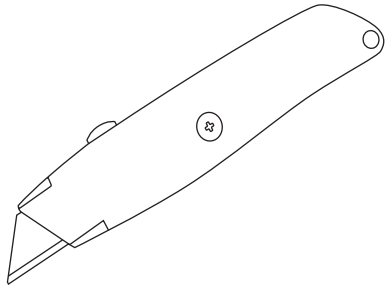
x2



Ø 25 mm

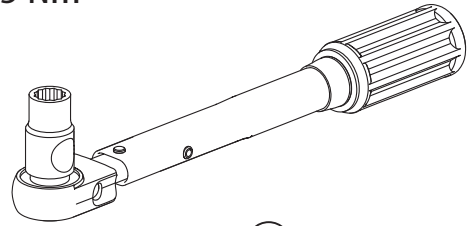


US MODELS

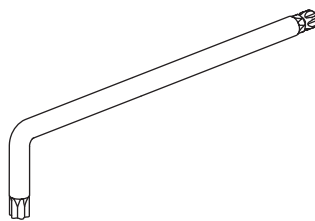
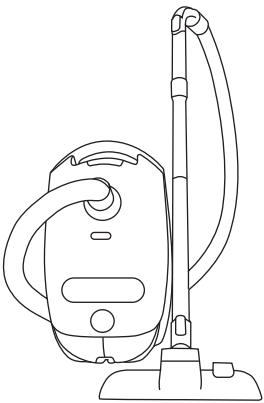
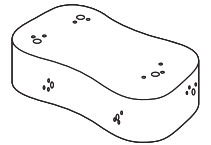
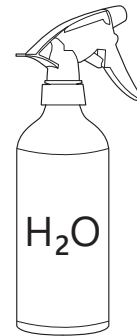
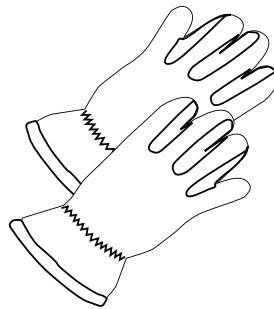
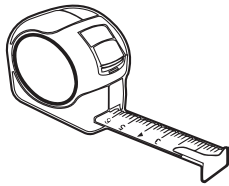


4 mm

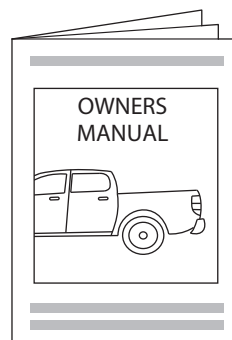
1 - 25 Nm



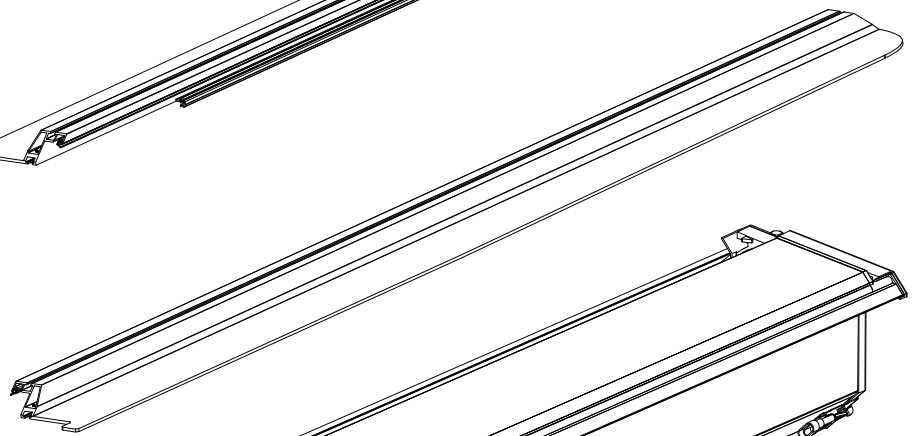
10, 12, 13, 17 mm



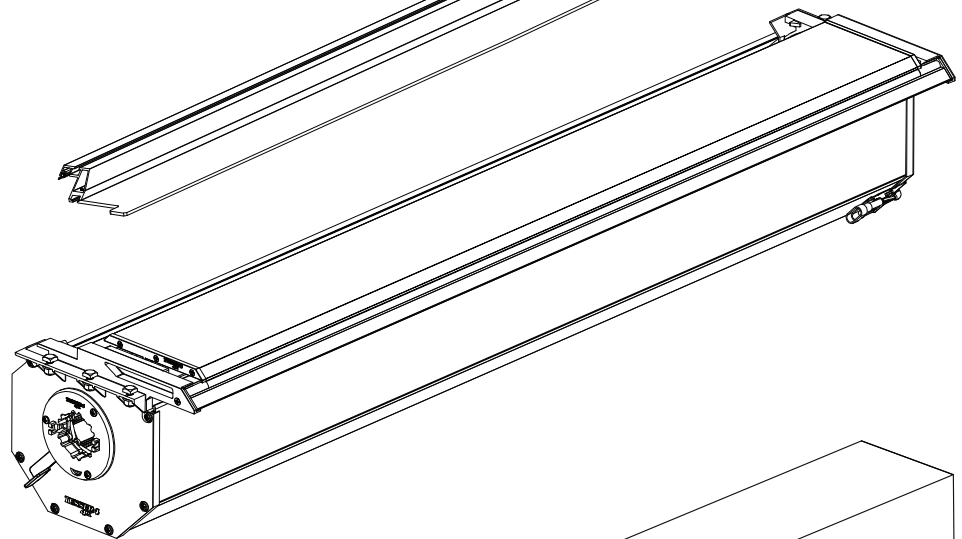
T30, T40



x1



B

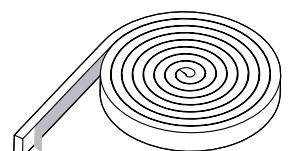


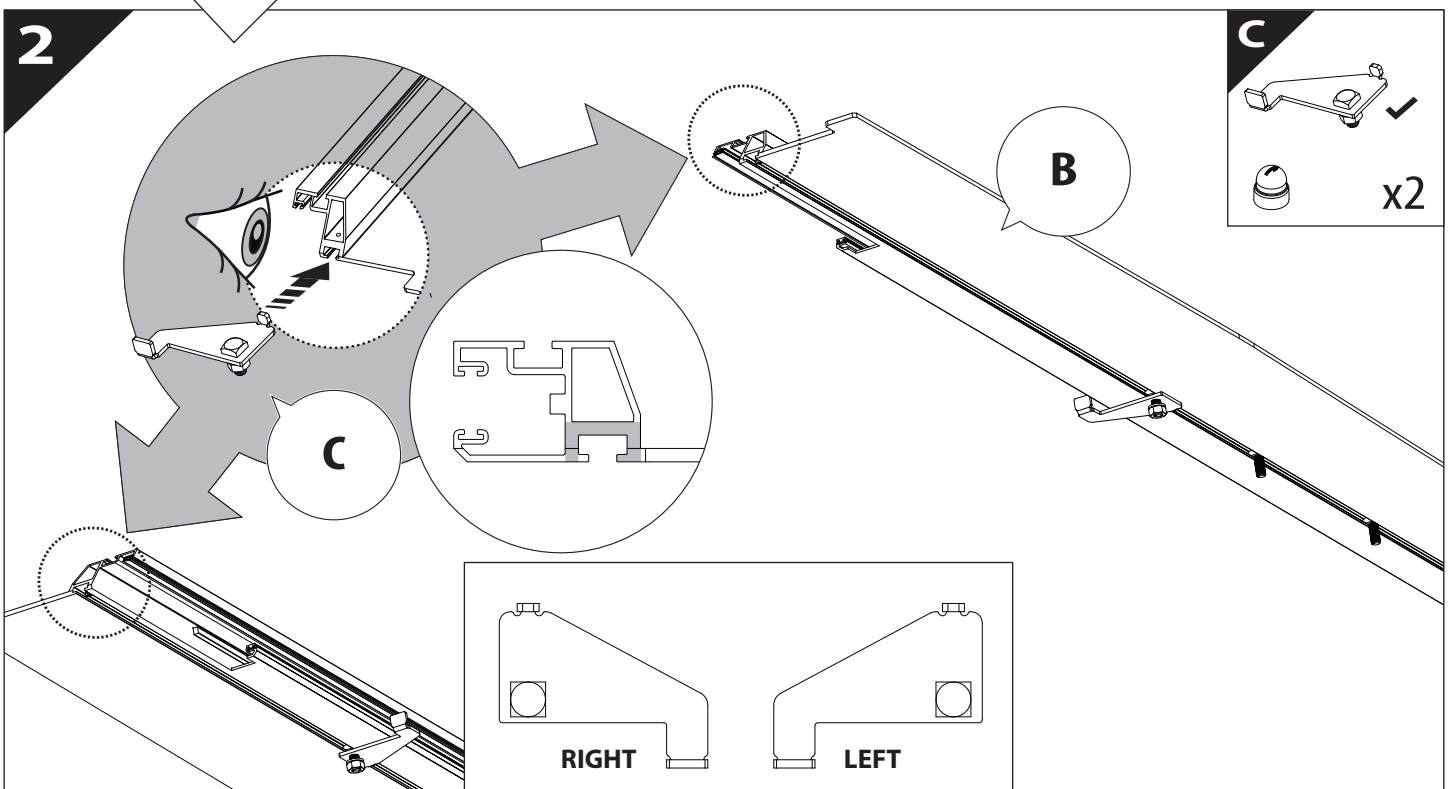
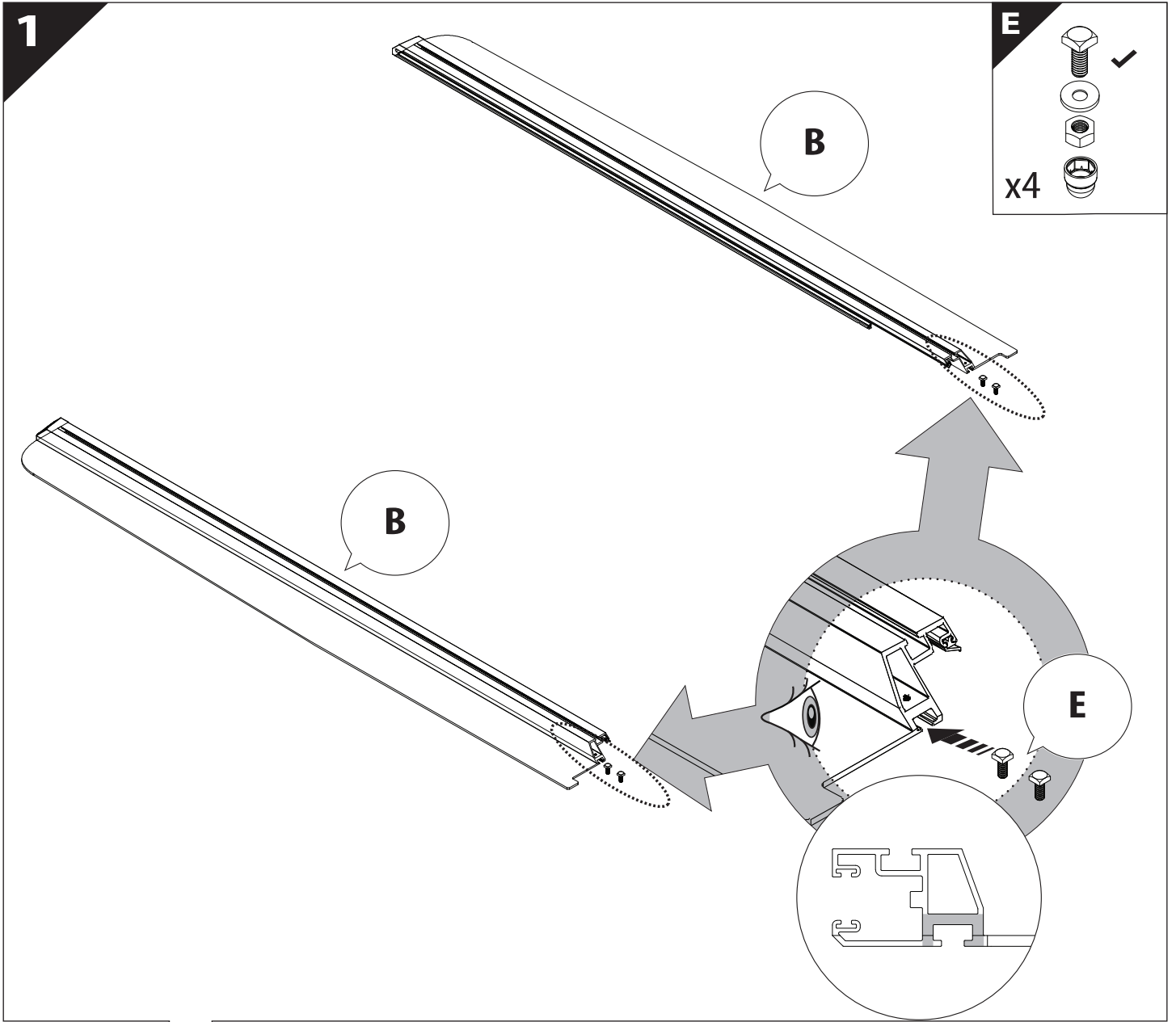
A

KITS



K

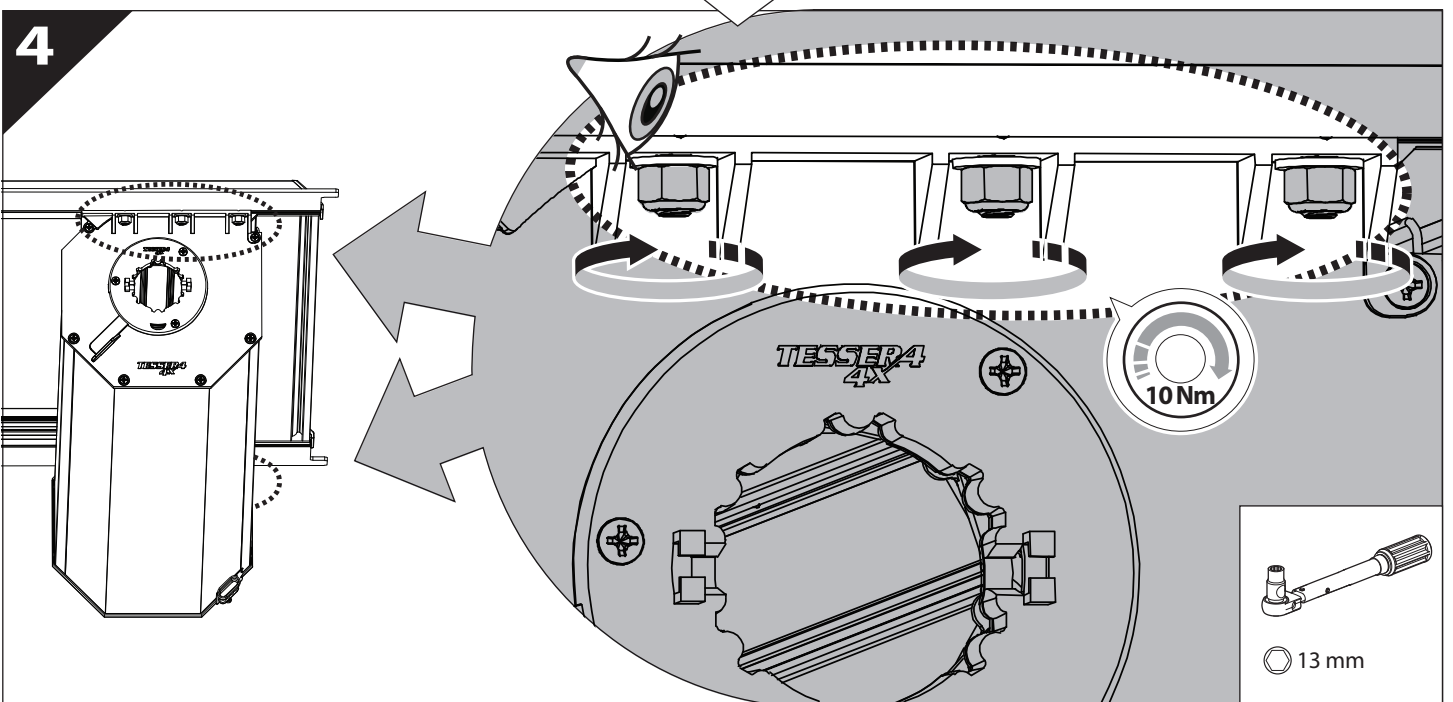


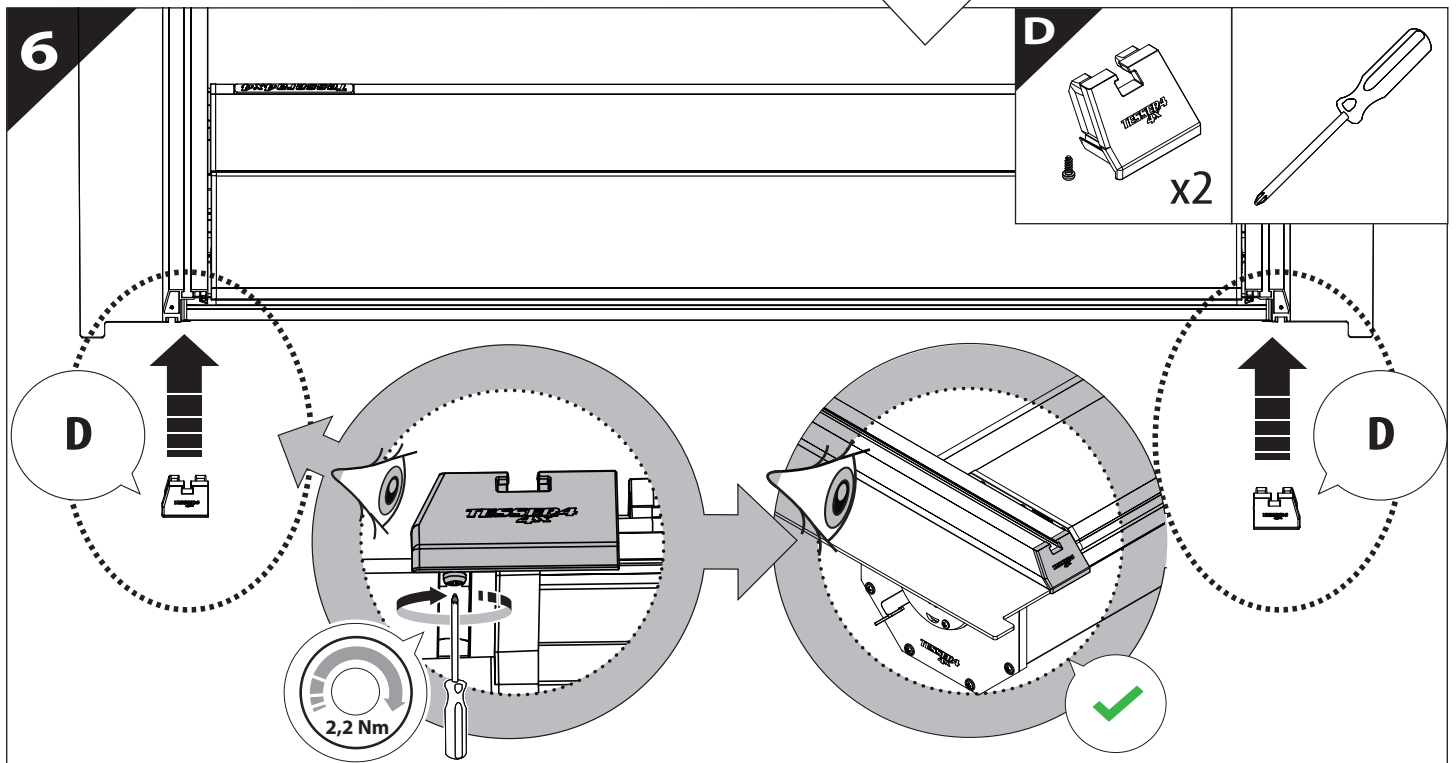
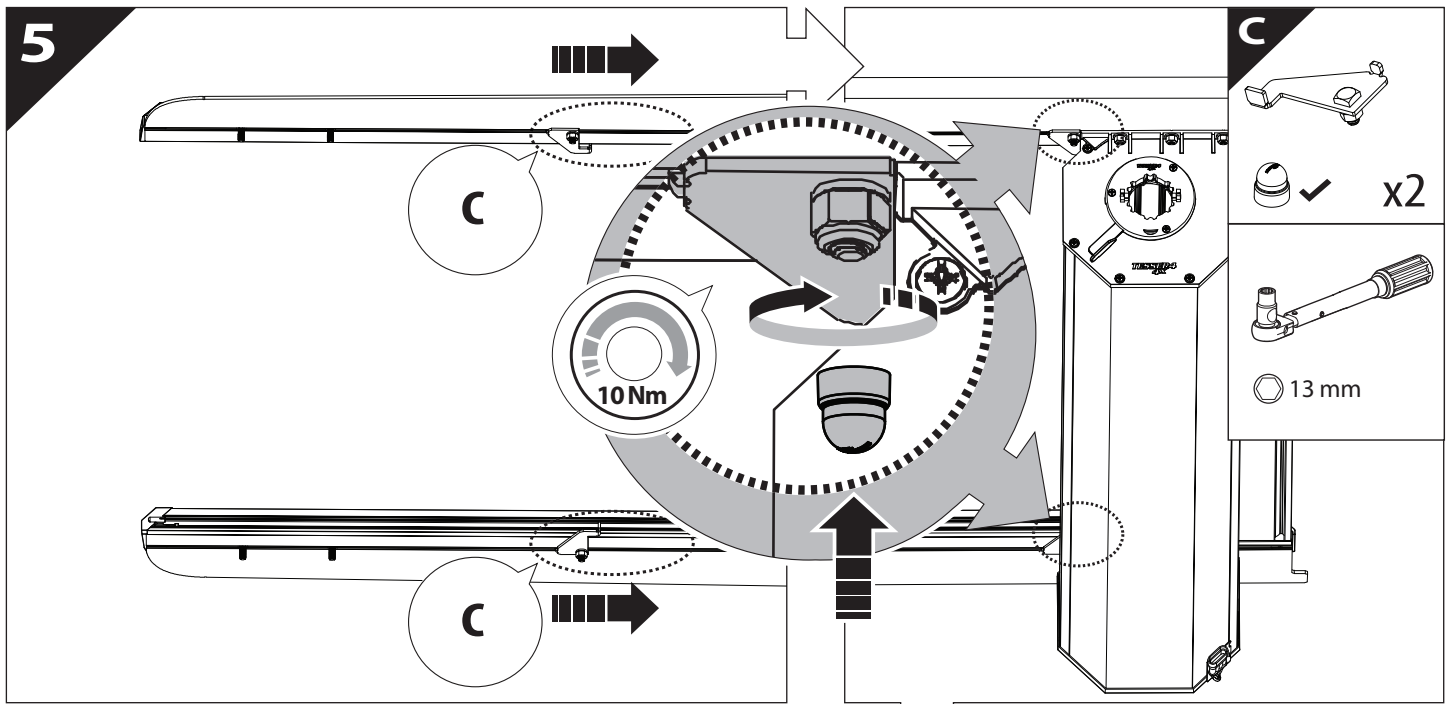


3

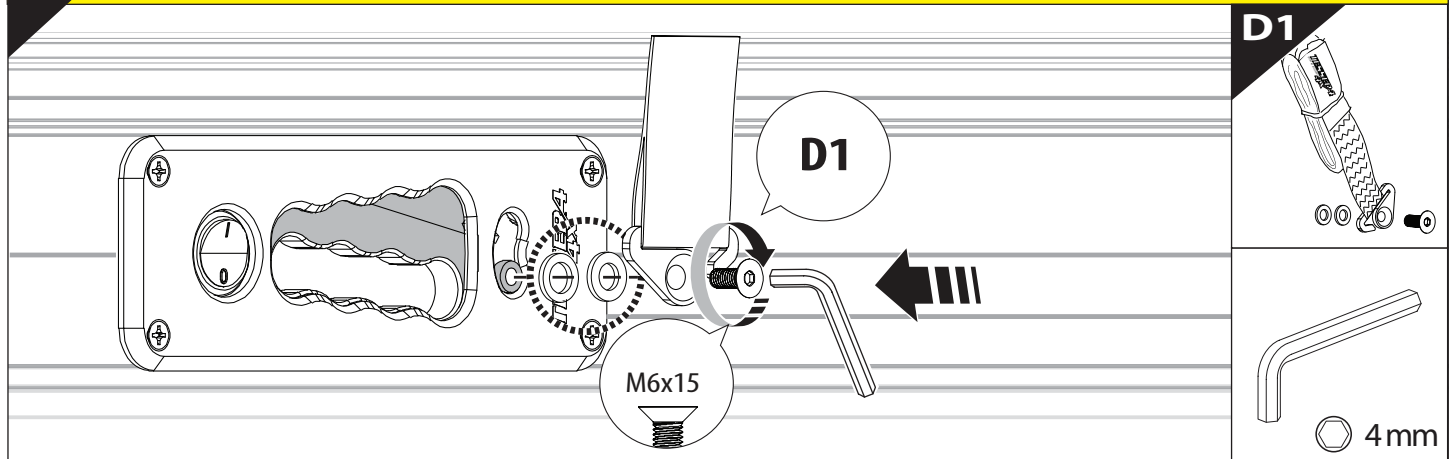


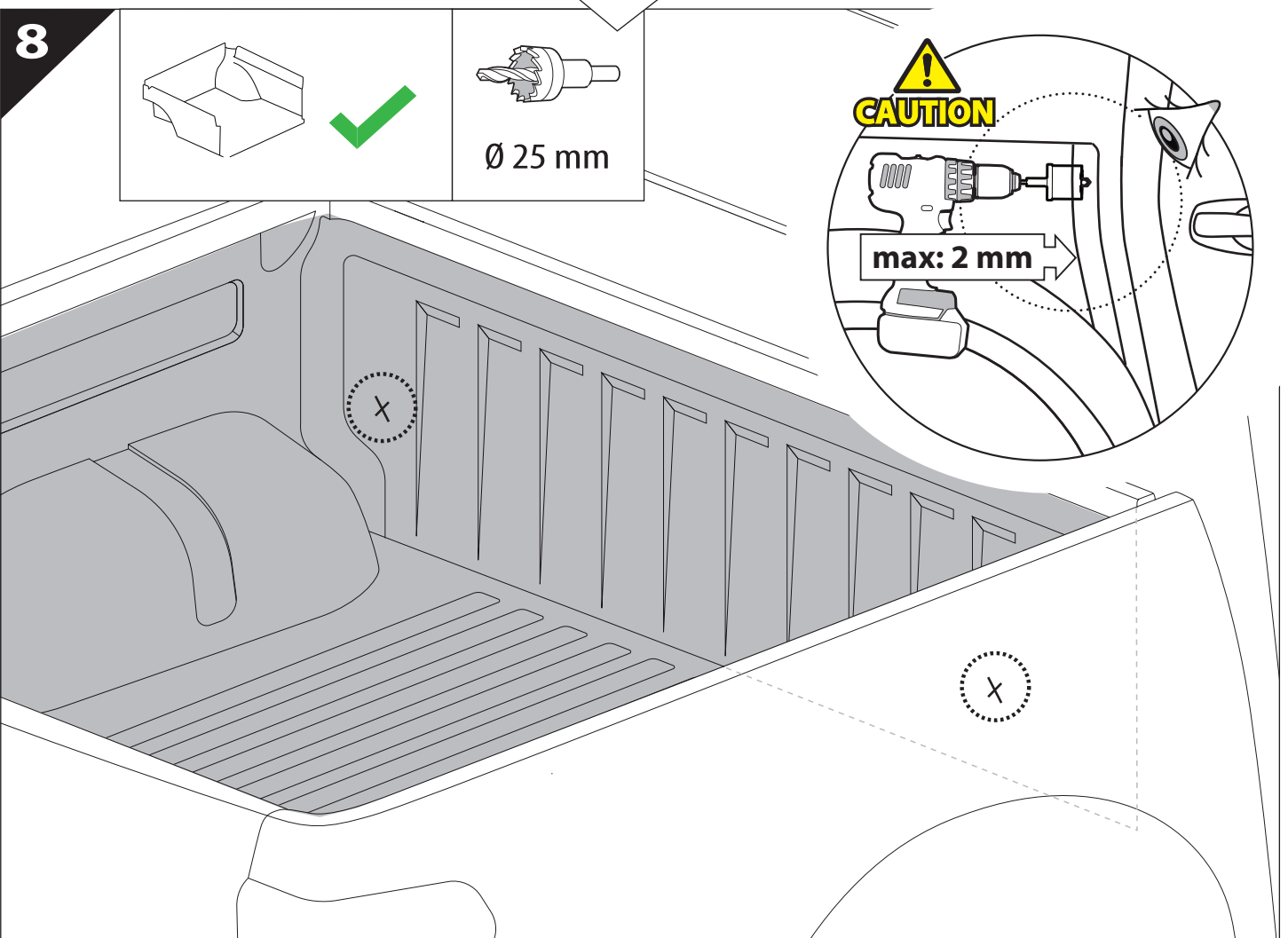
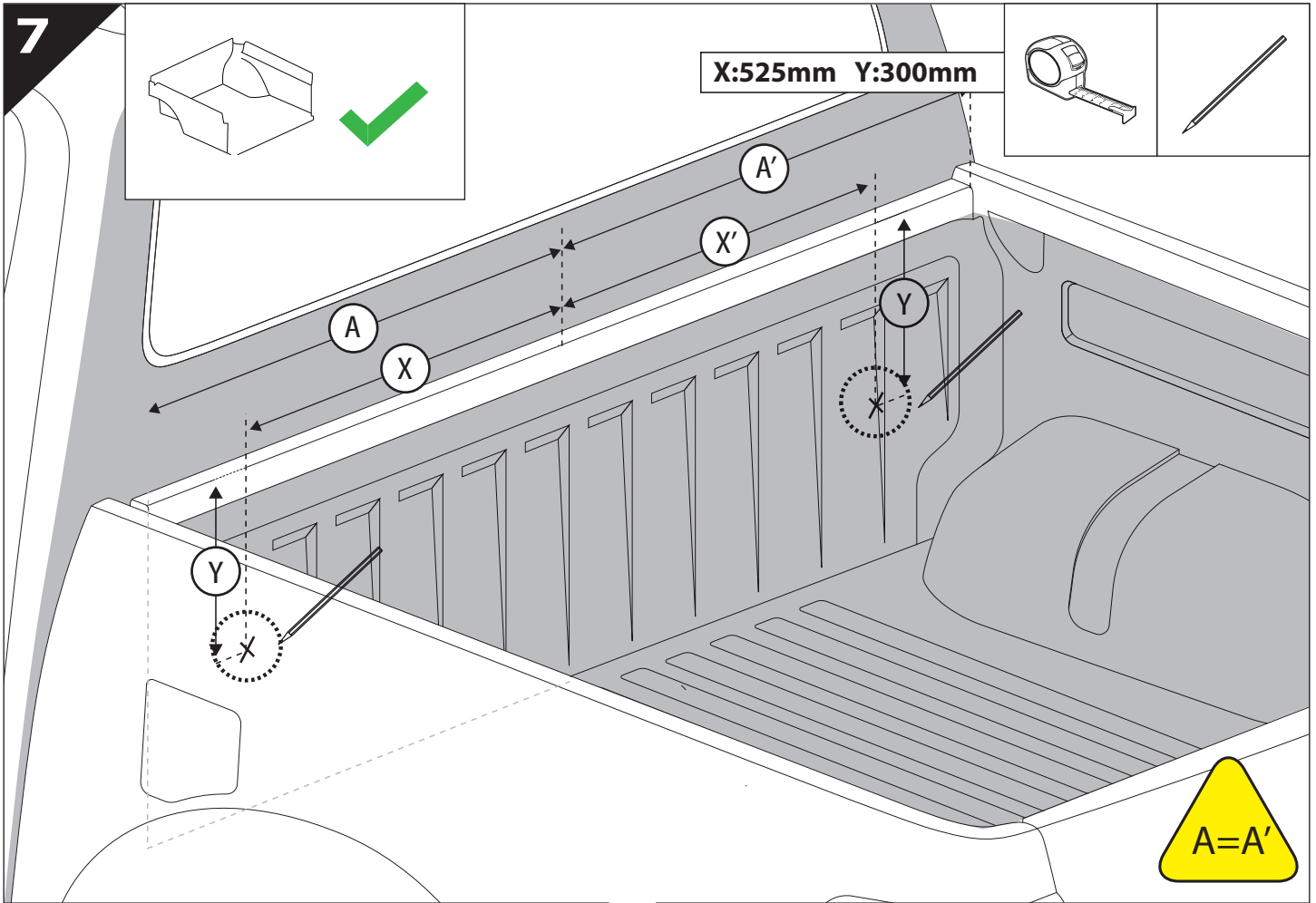
4

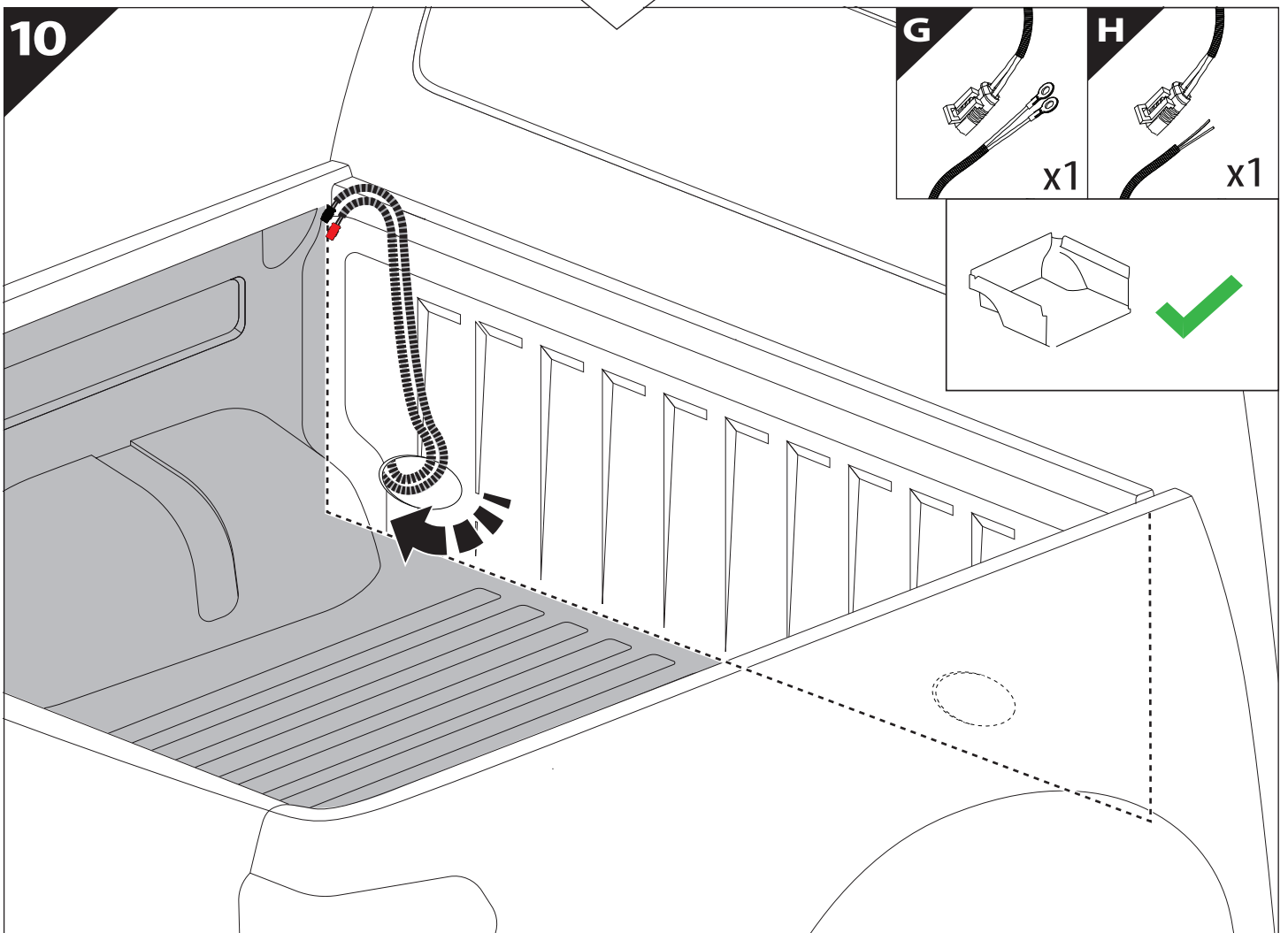
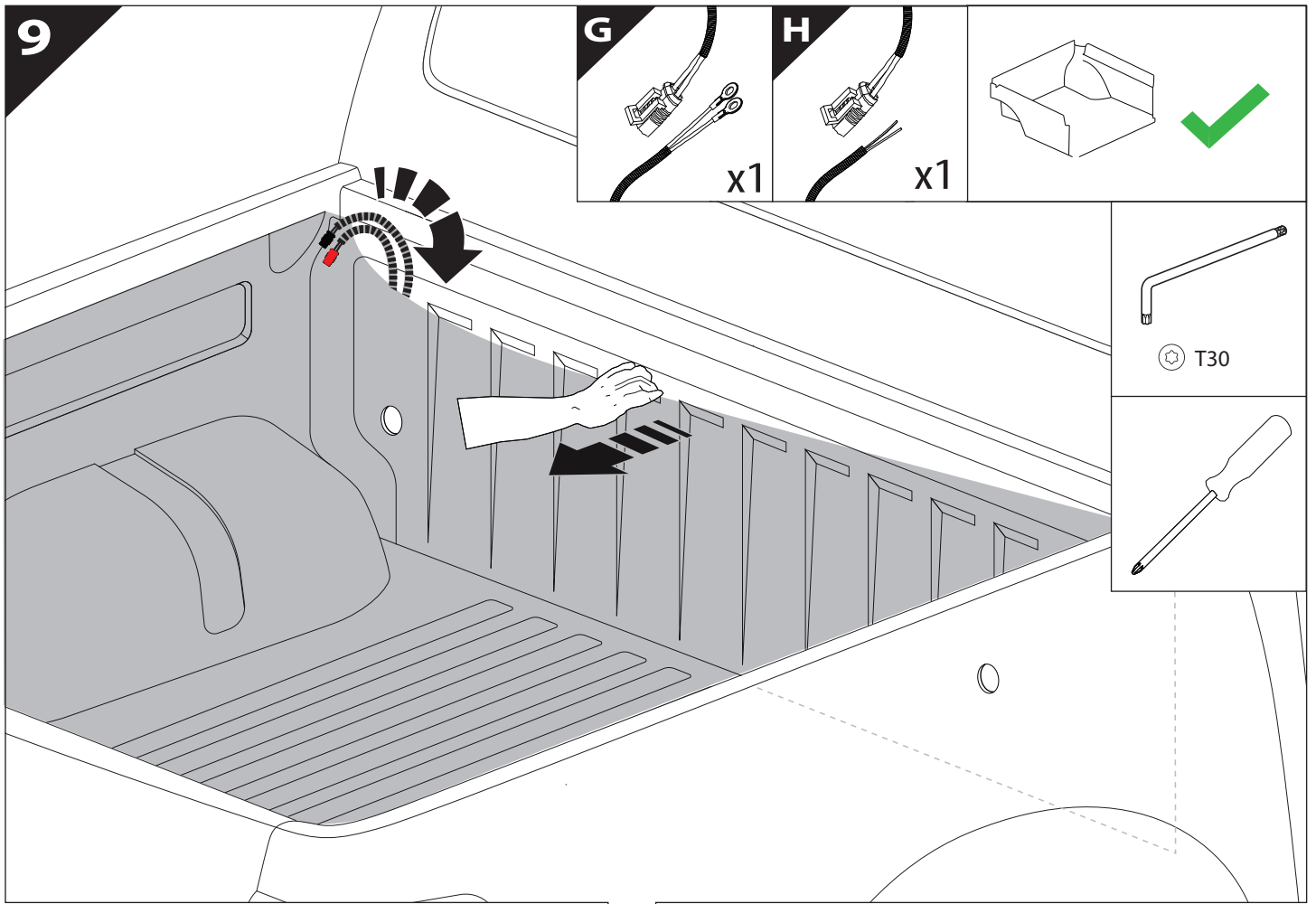




6.1 **CAUTION** Basic Version ✓ & Basic+S-KIT Version ✓

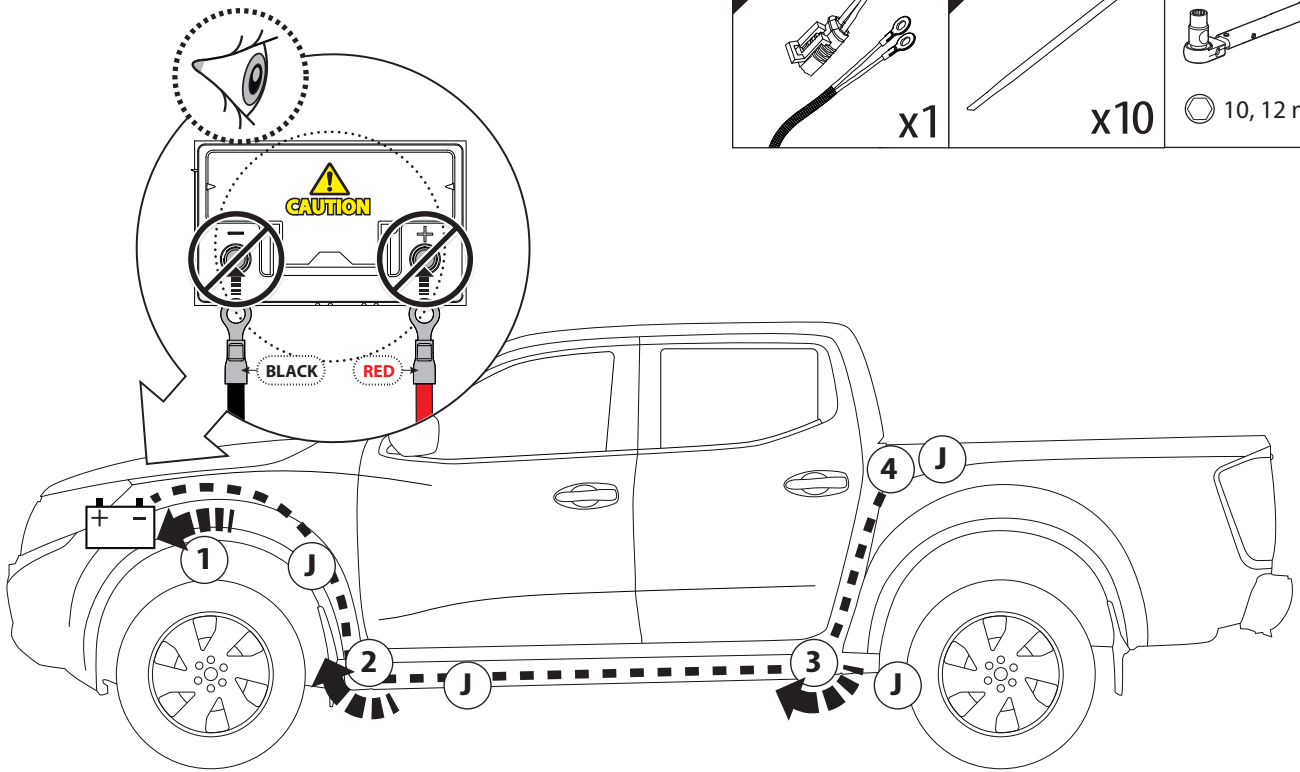
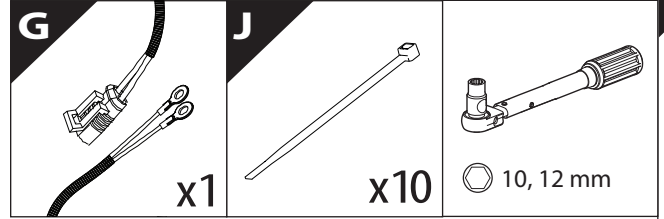




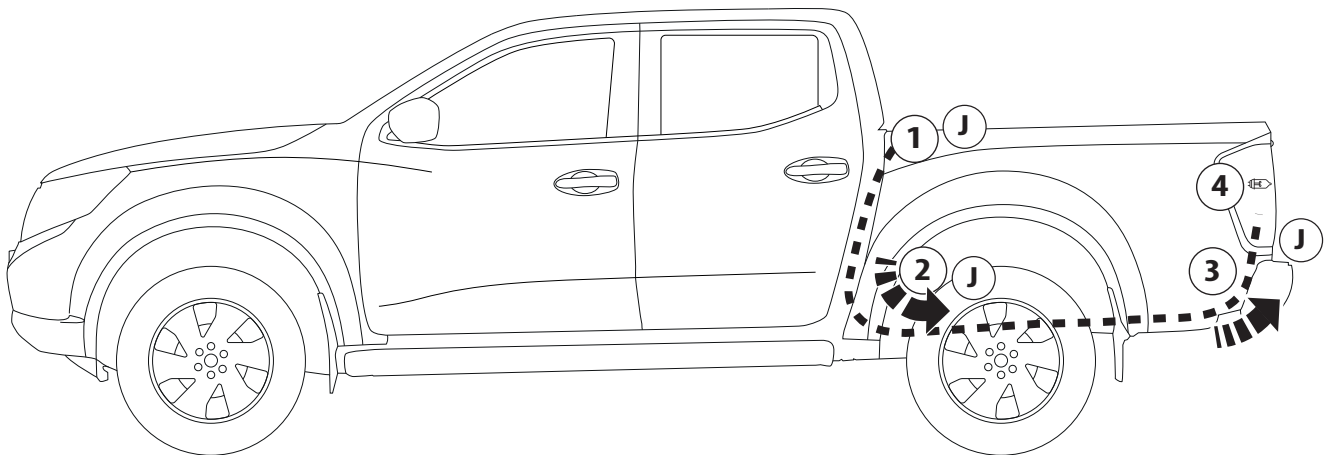
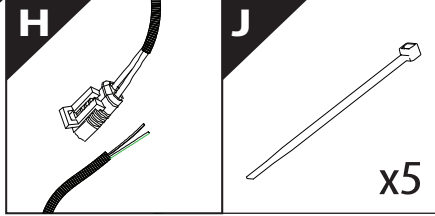


11

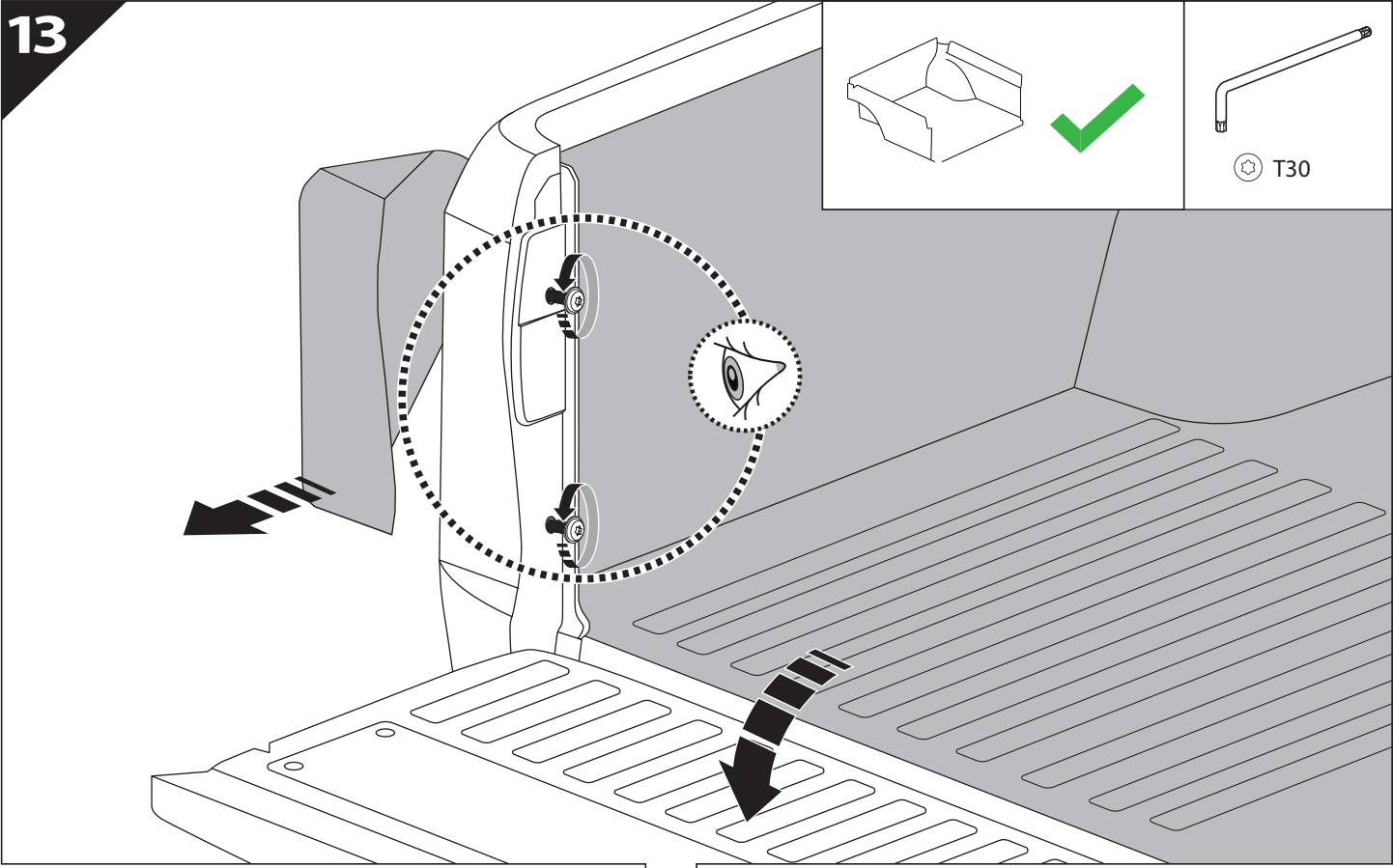
Only to be installed by authorized personnel



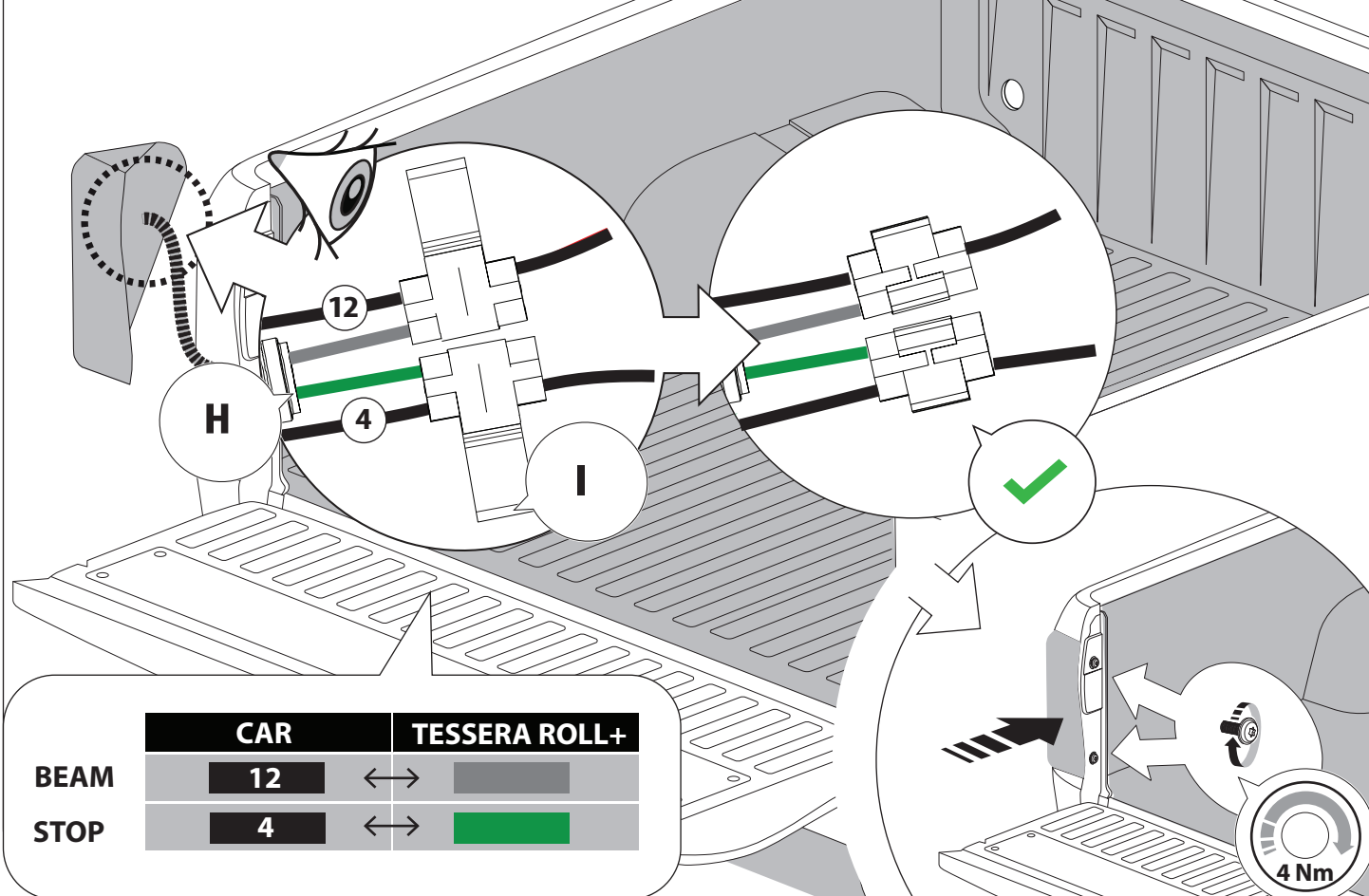
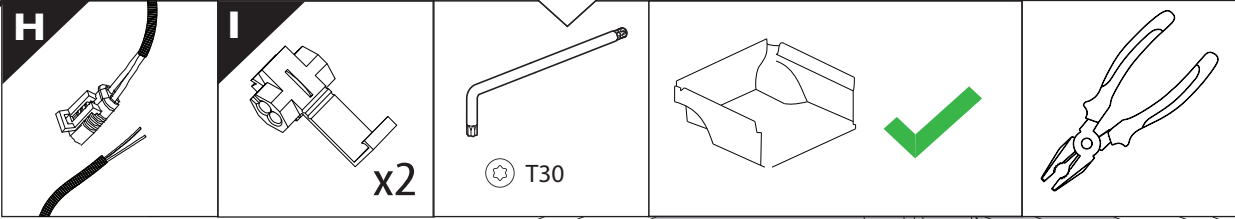
12



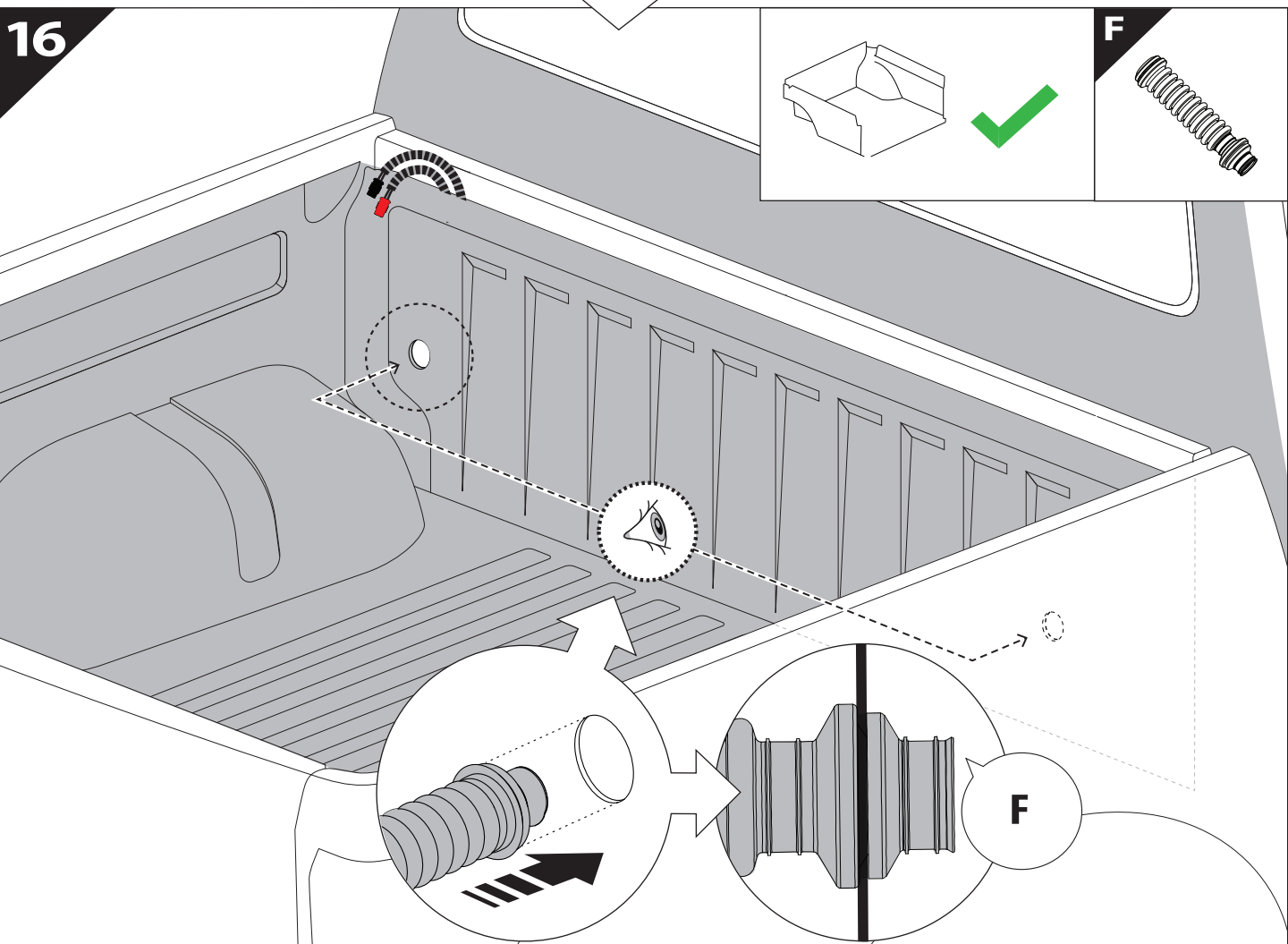
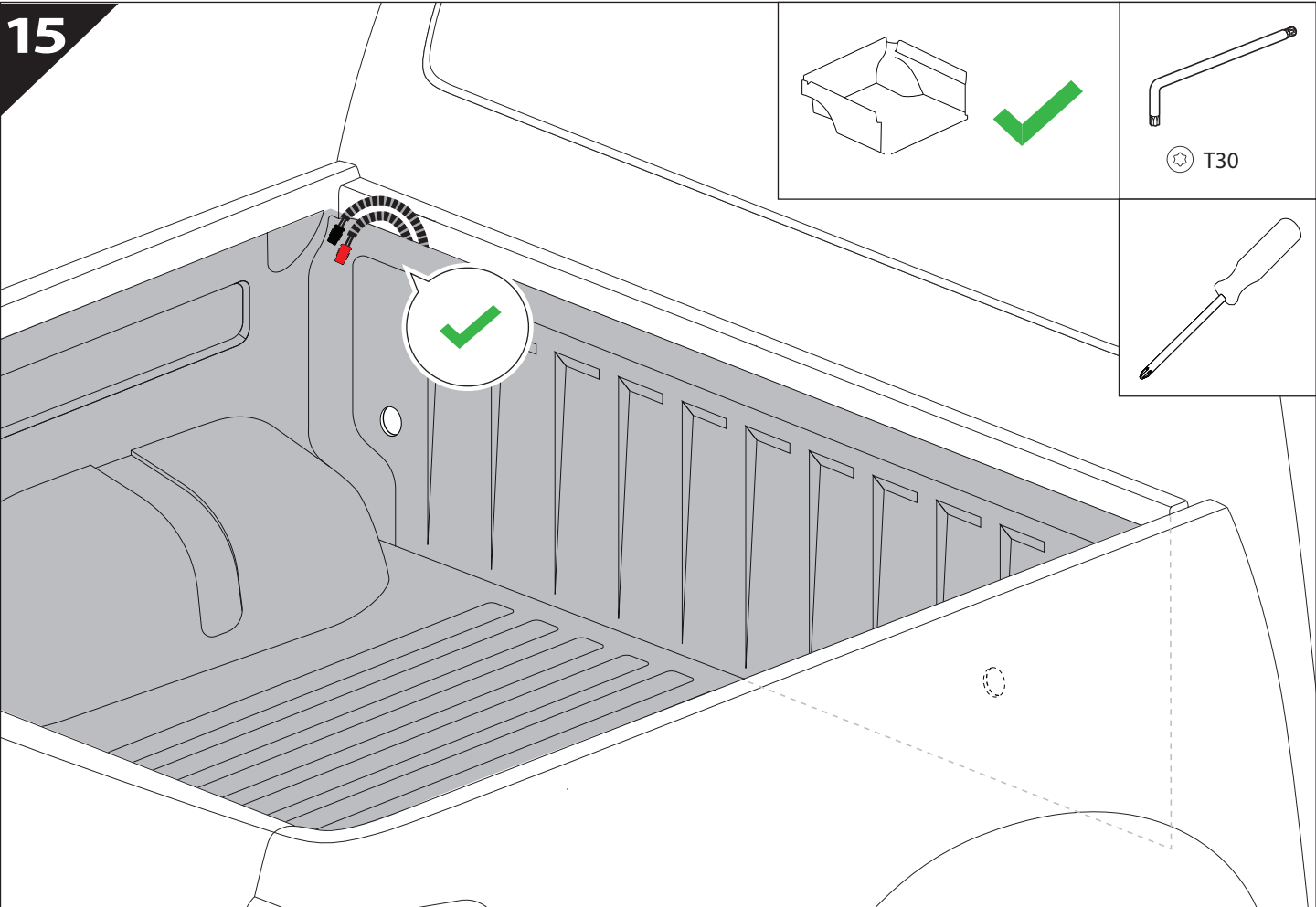
13

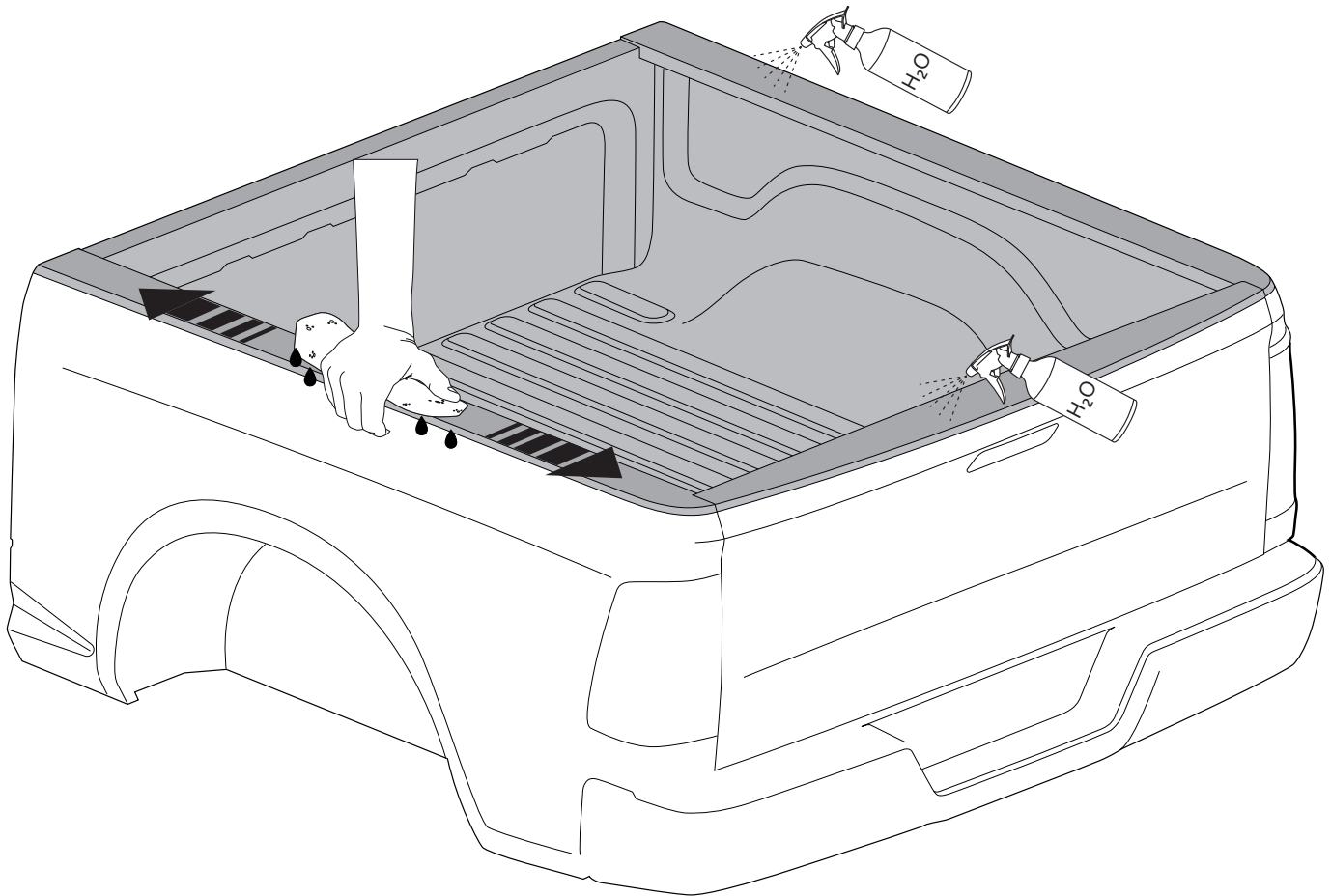
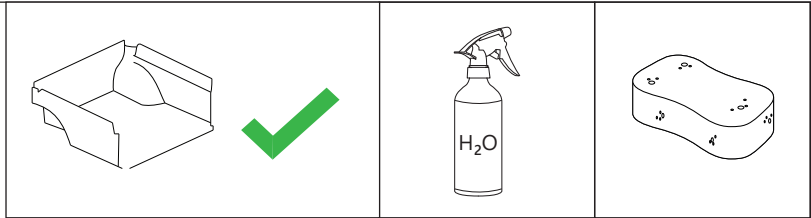


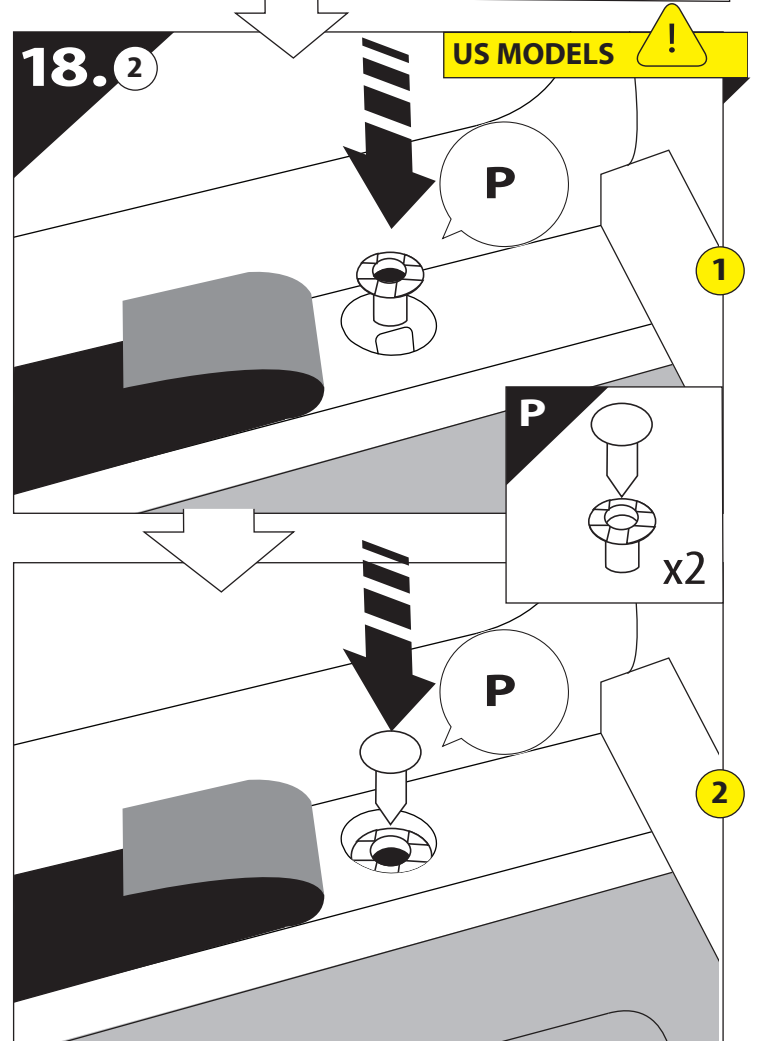
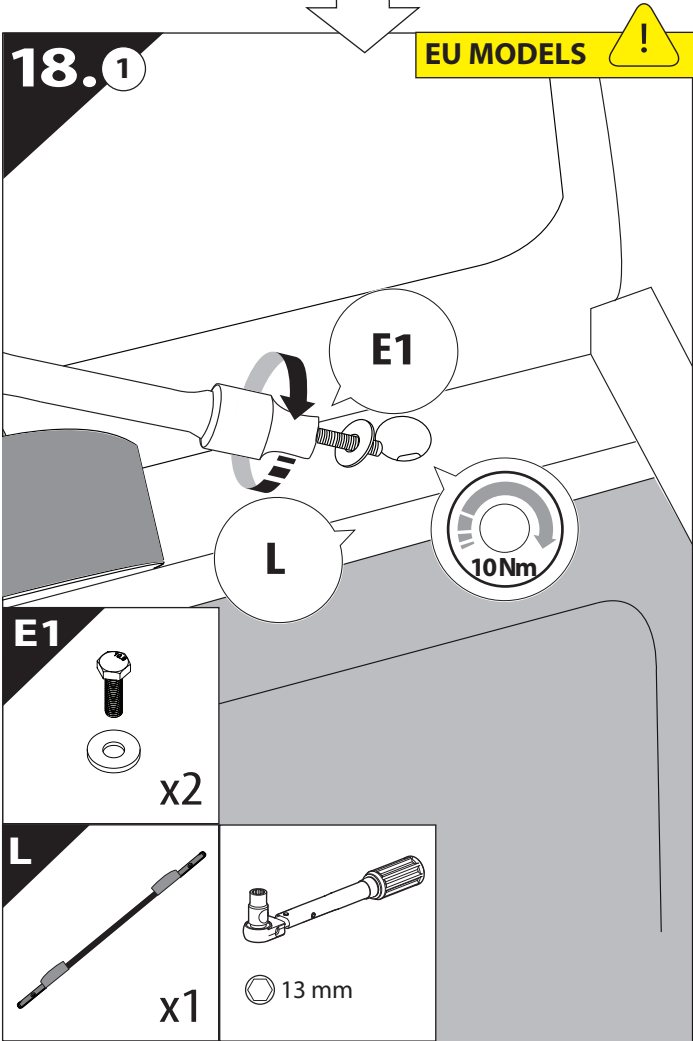
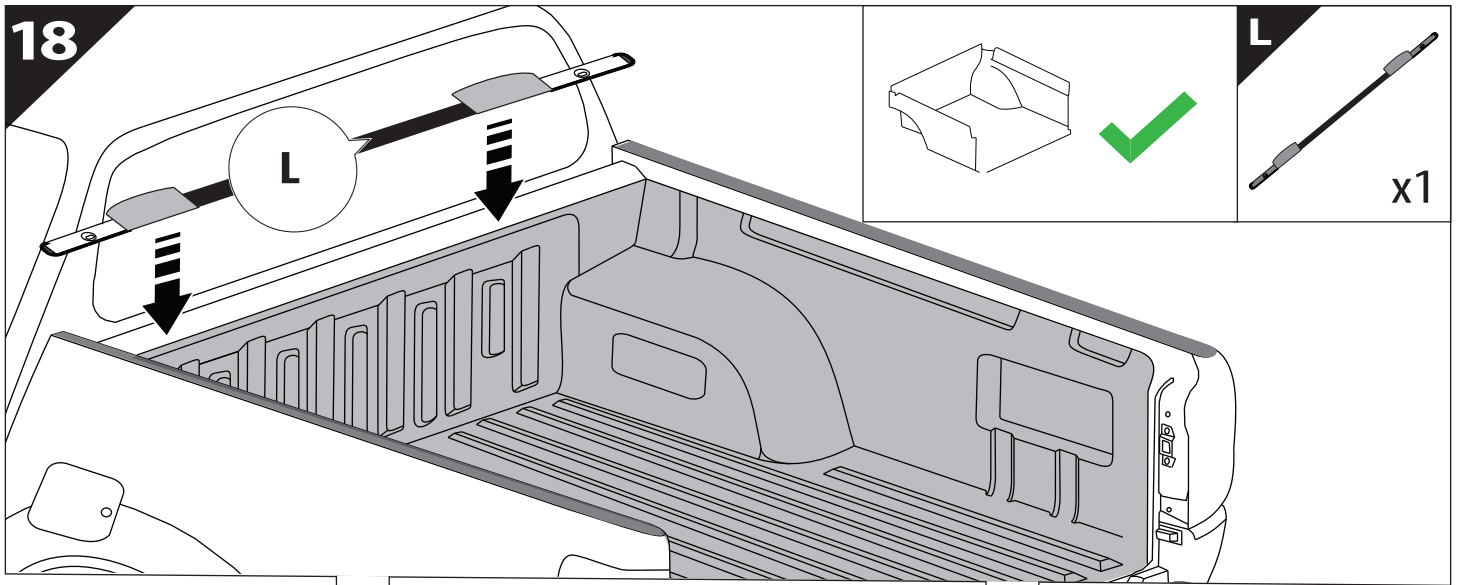
14



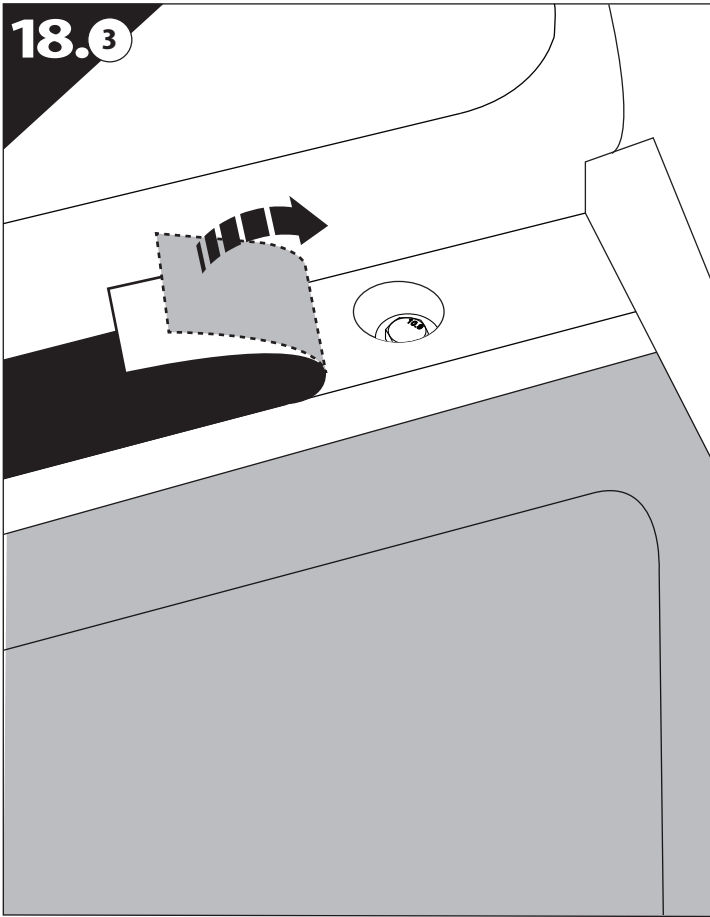
	CAR		TESSERA ROLL+
BEAM	12	↔	
STOP	4	↔	



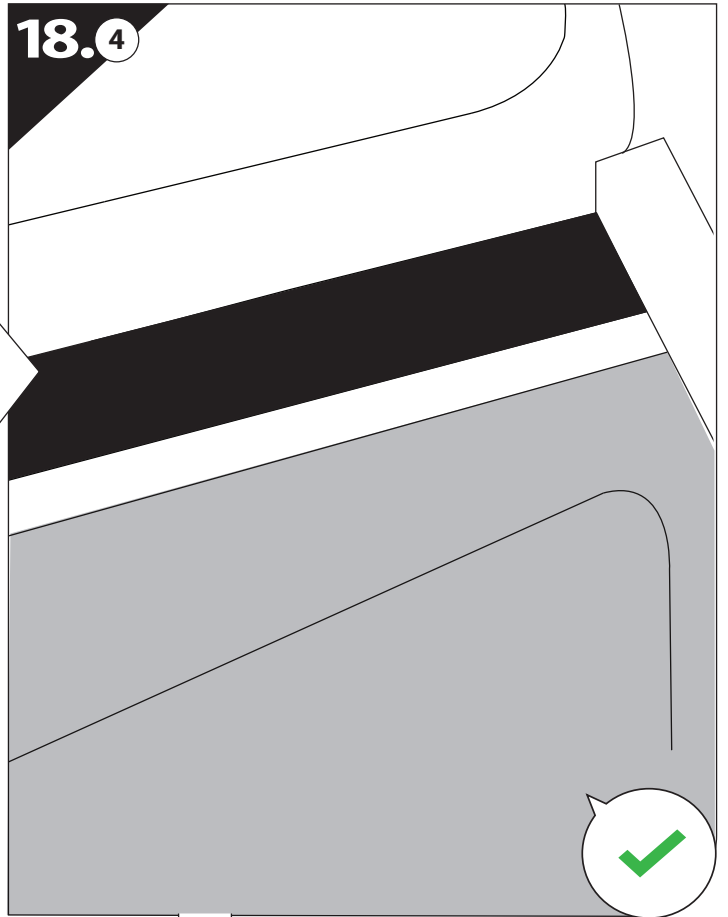




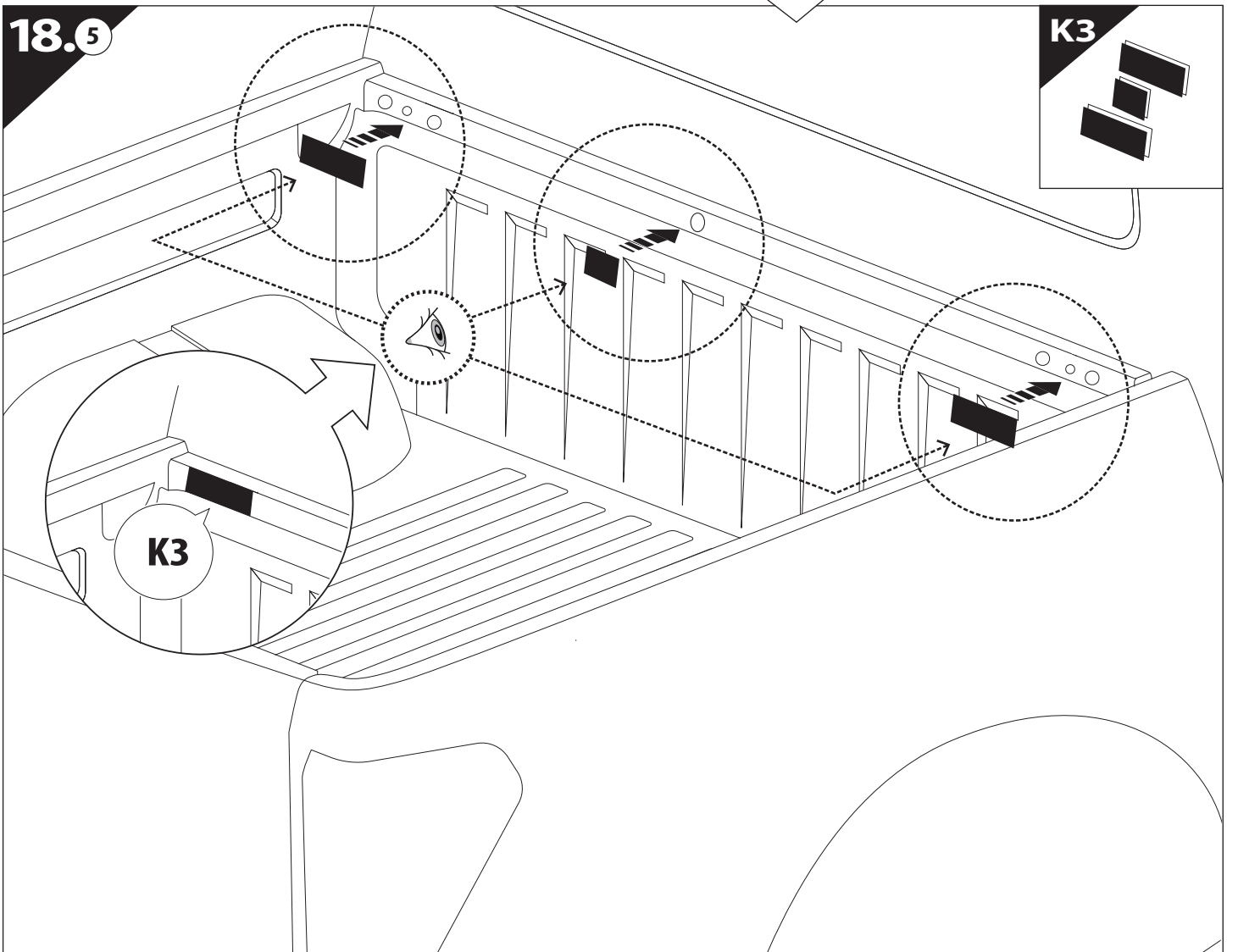
18.3

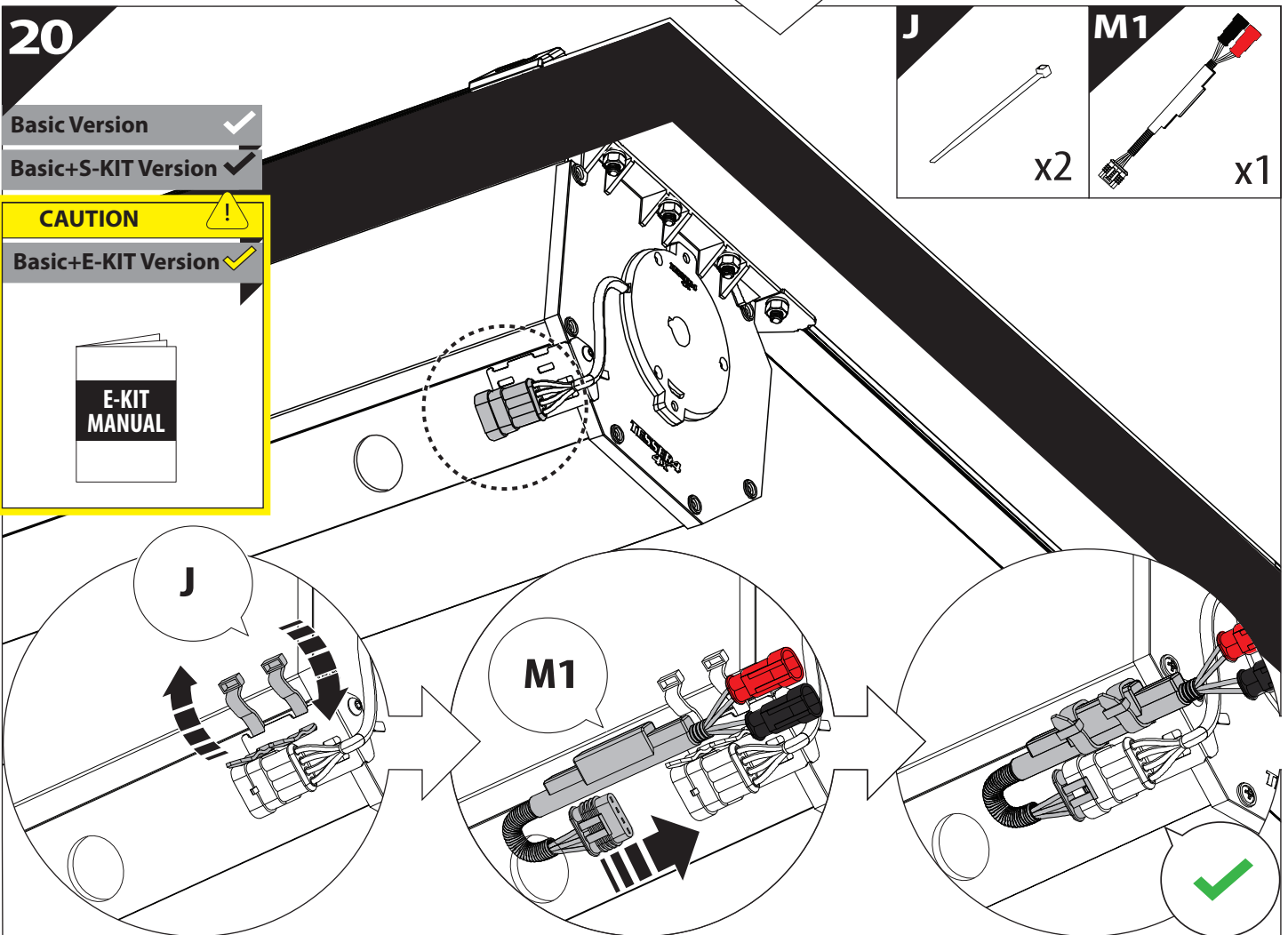
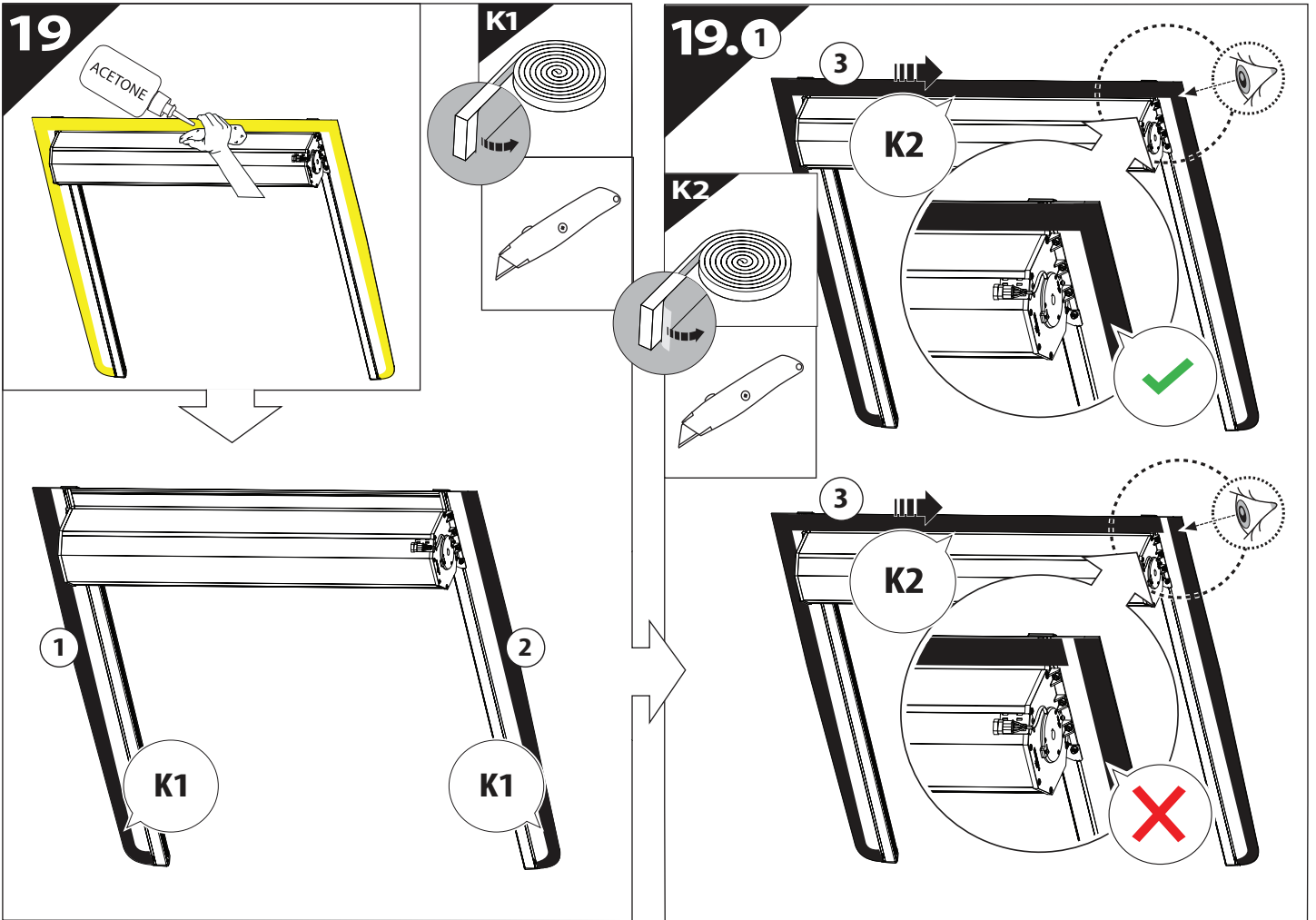


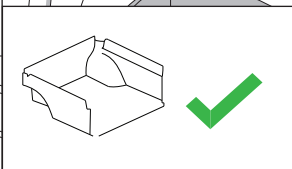
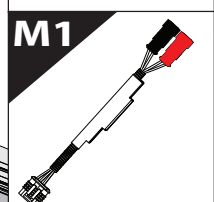
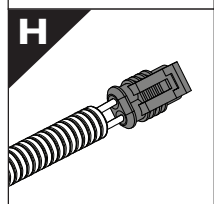
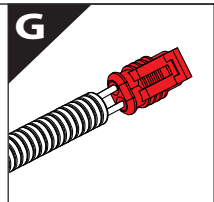
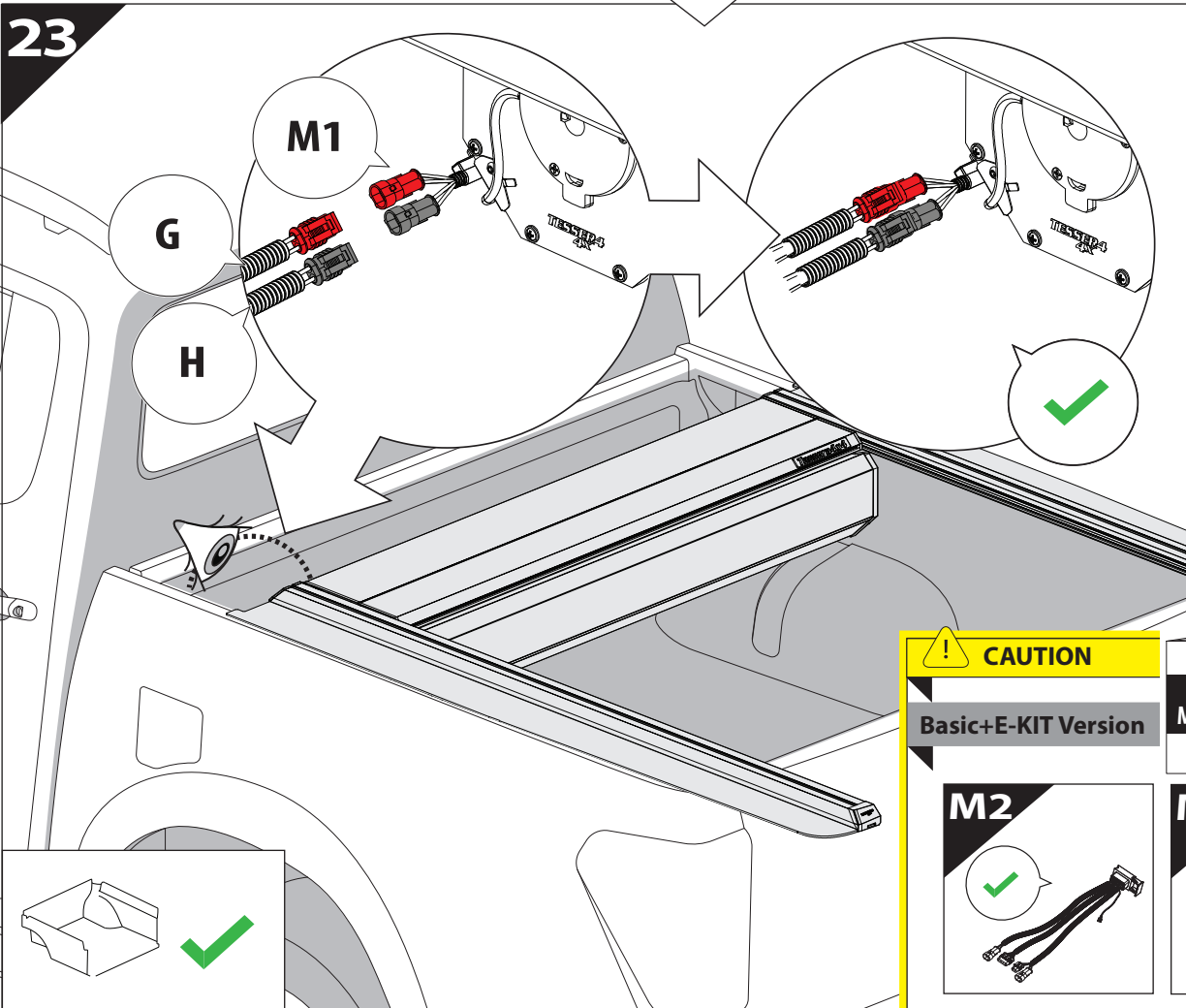
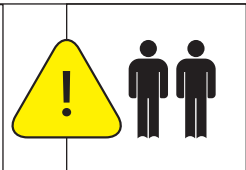
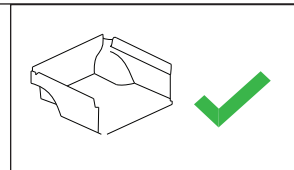
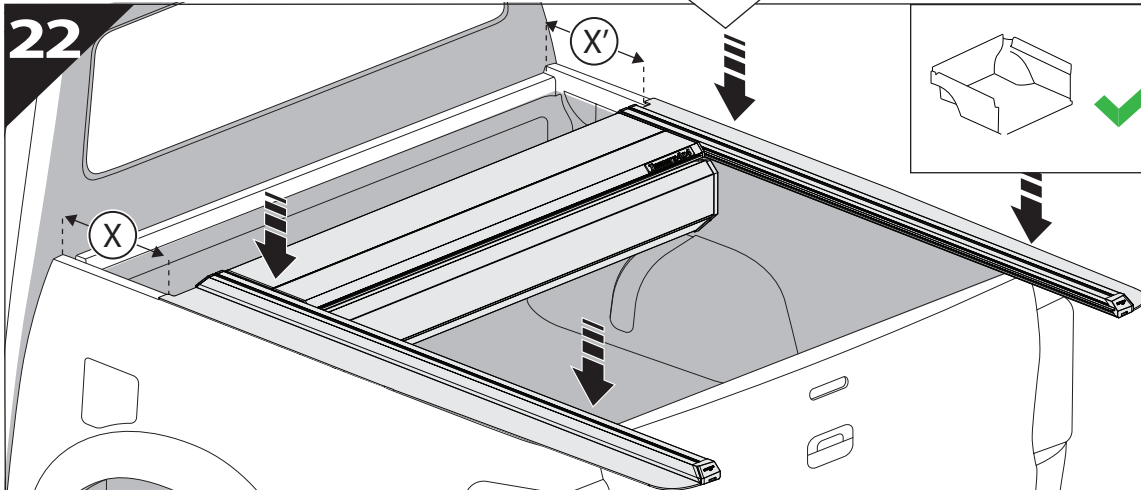
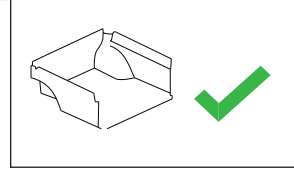
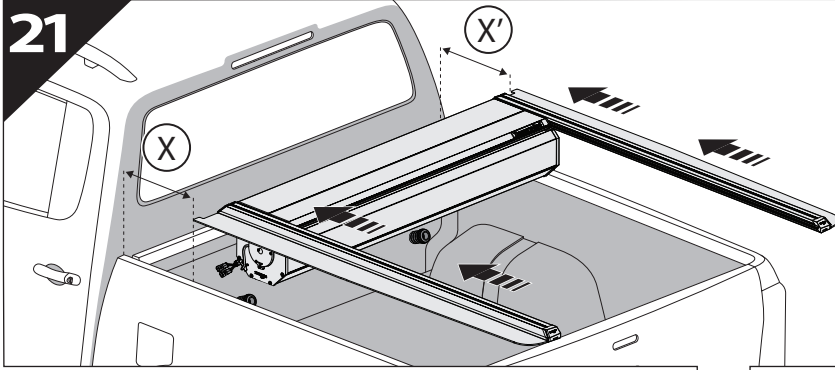
18.4



18.5

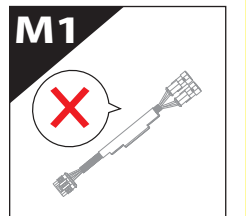
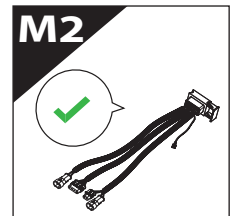




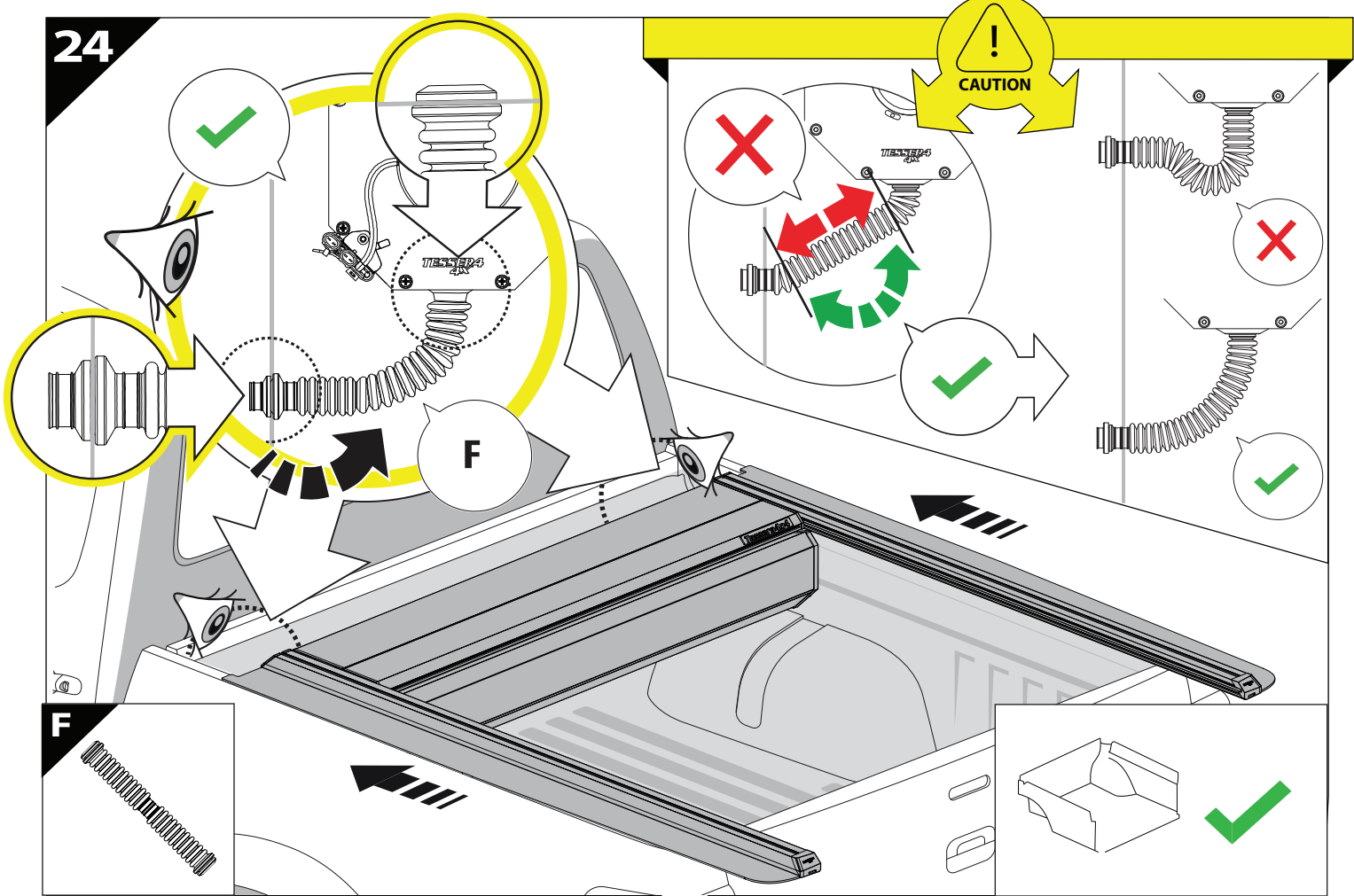


CAUTION
Basic+E-KIT Version

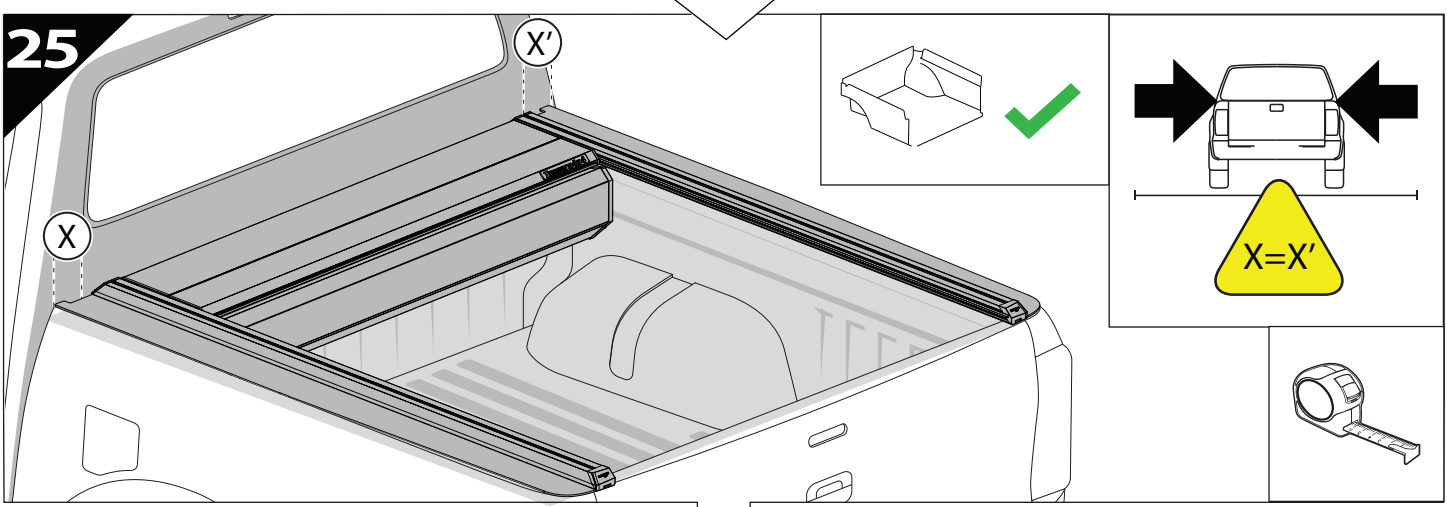
E-KIT
MANUAL



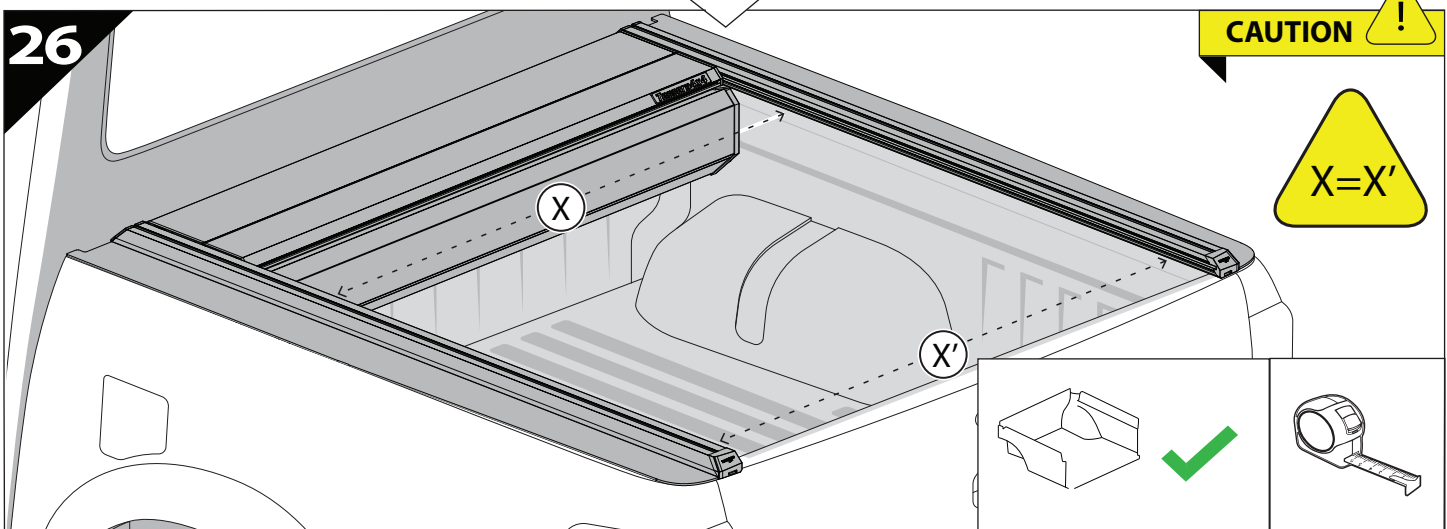
24



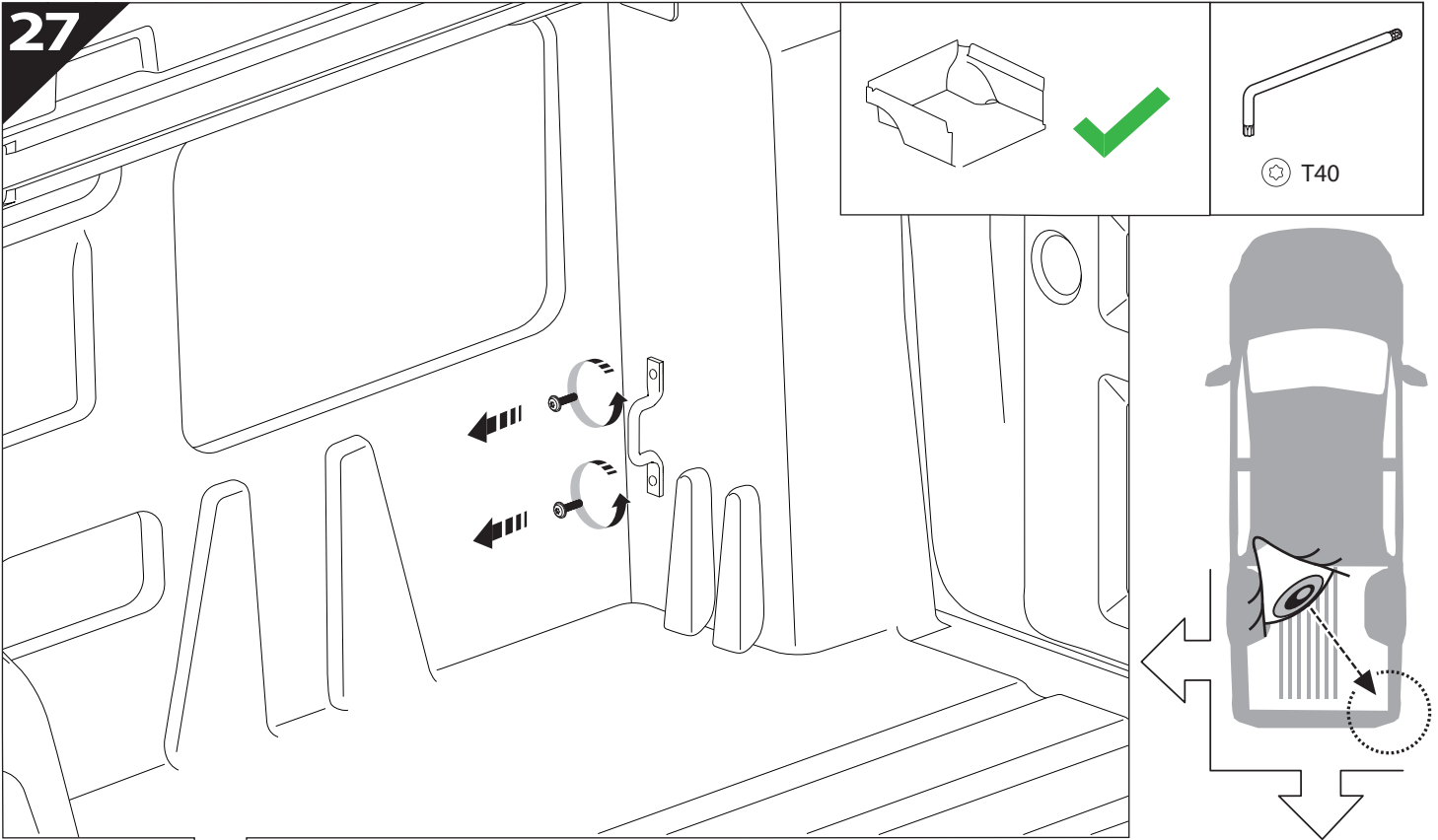
25



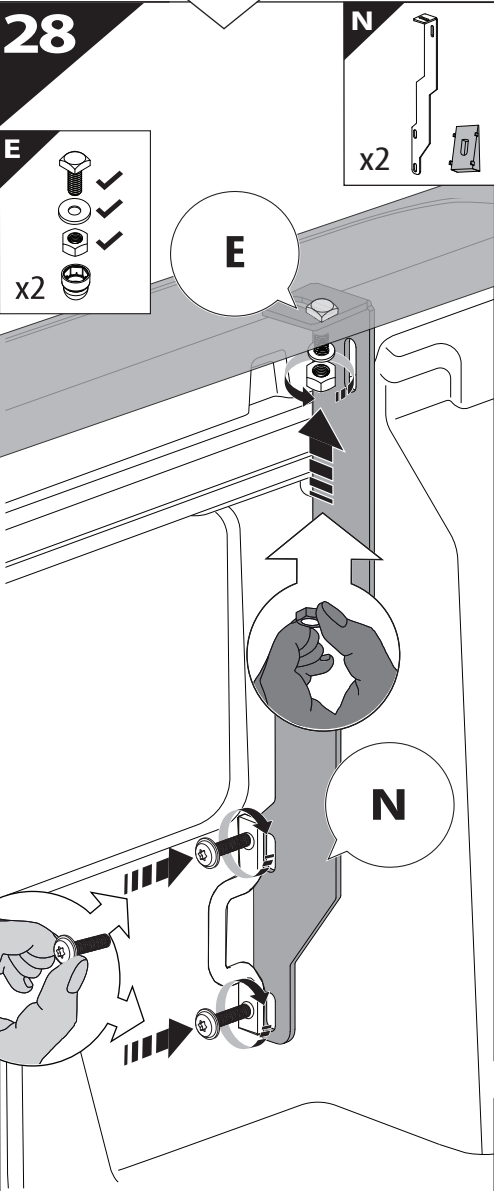
26



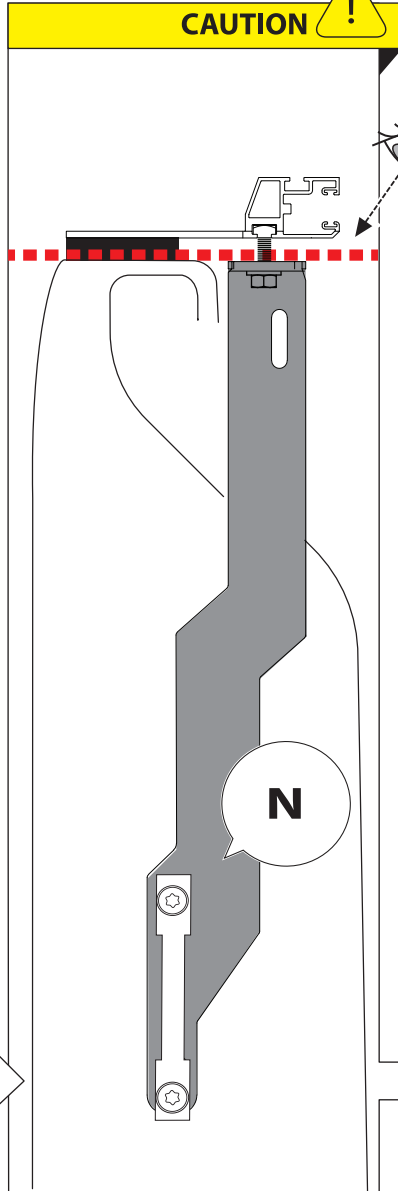
27



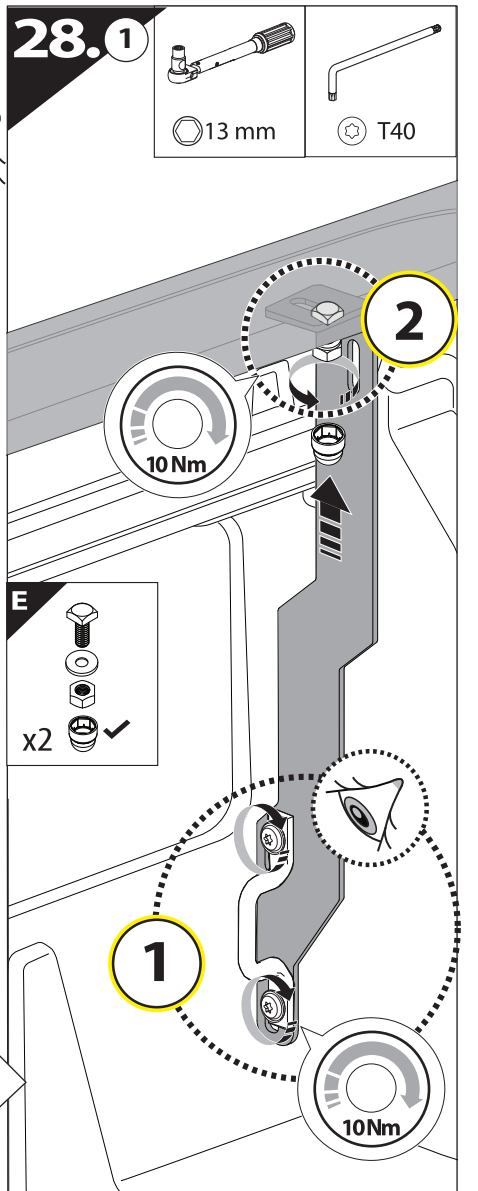
28



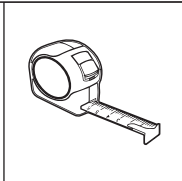
CAUTION !



28.1



O x2 	E x2 	
--------------------	--------------------	--



CAUTION !

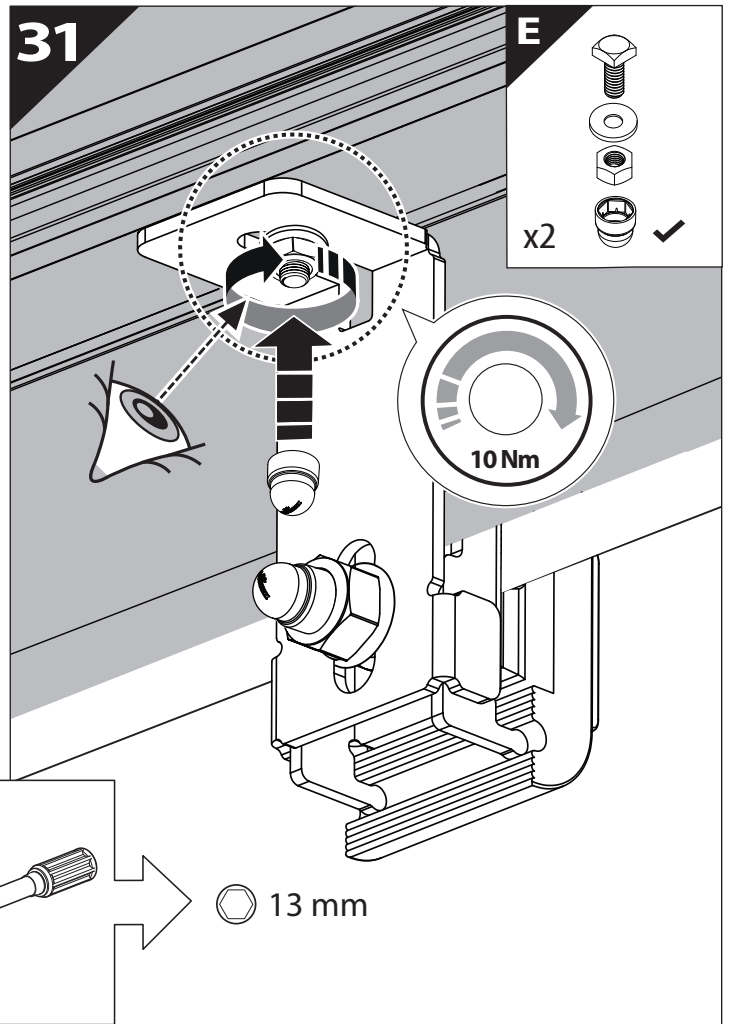
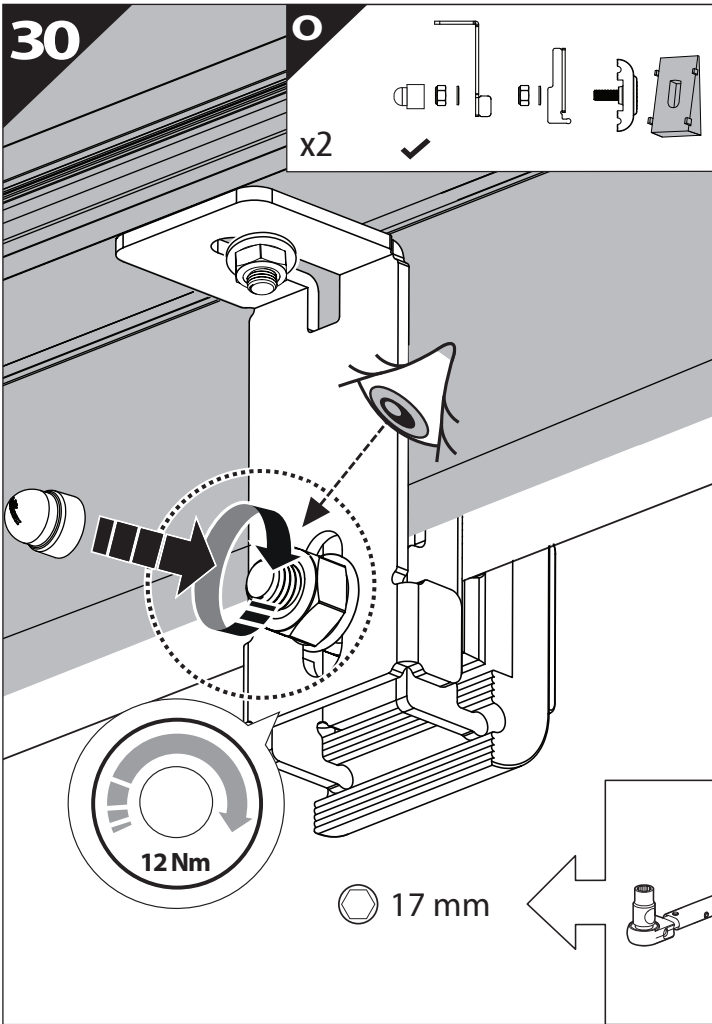
1

2

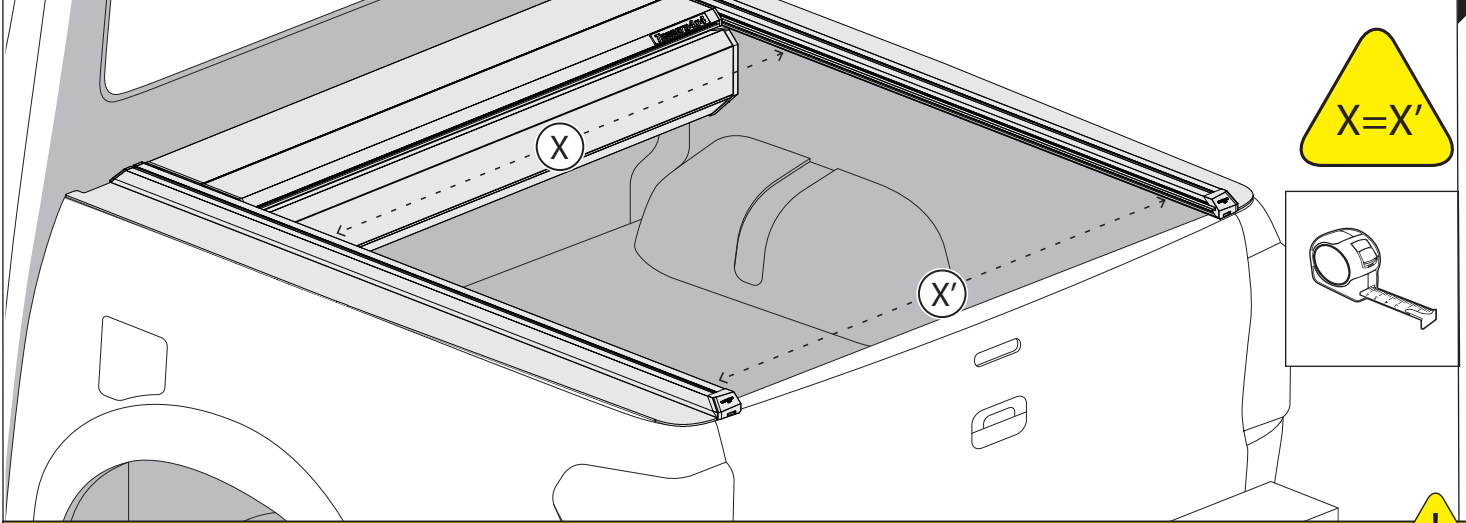
3 12 Nm

4

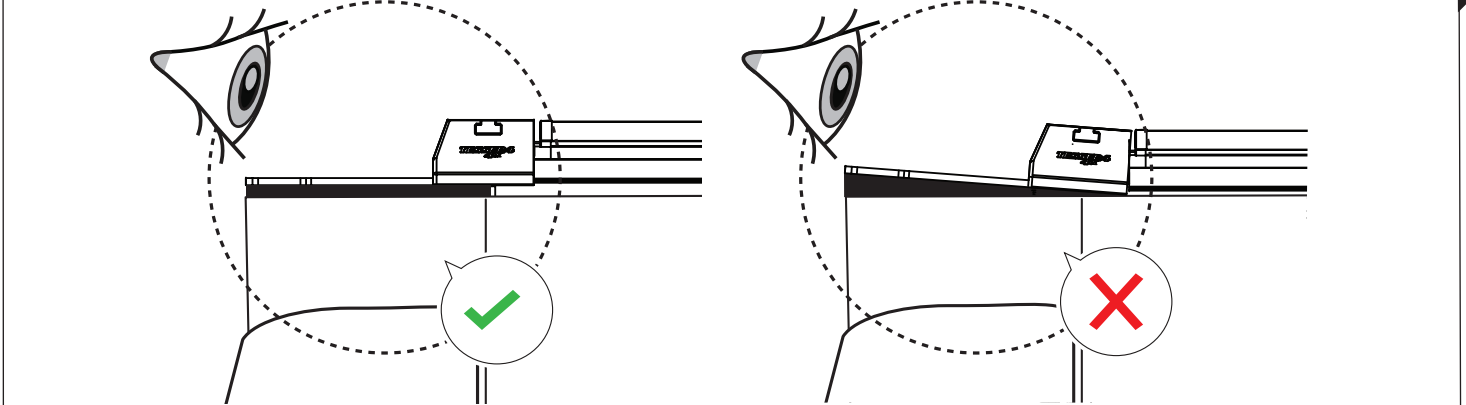
CAUTION !



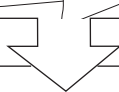
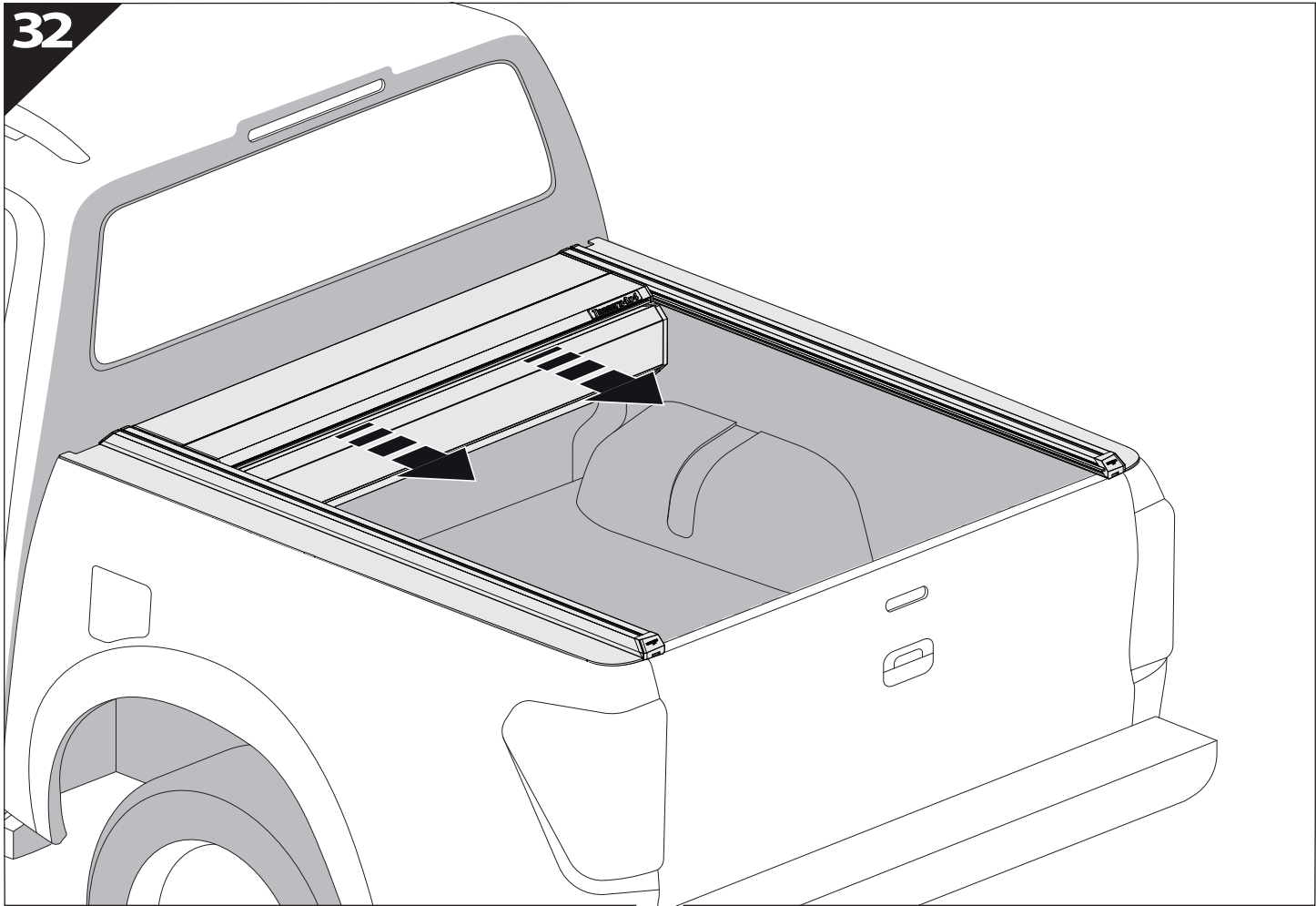
CAUTION !



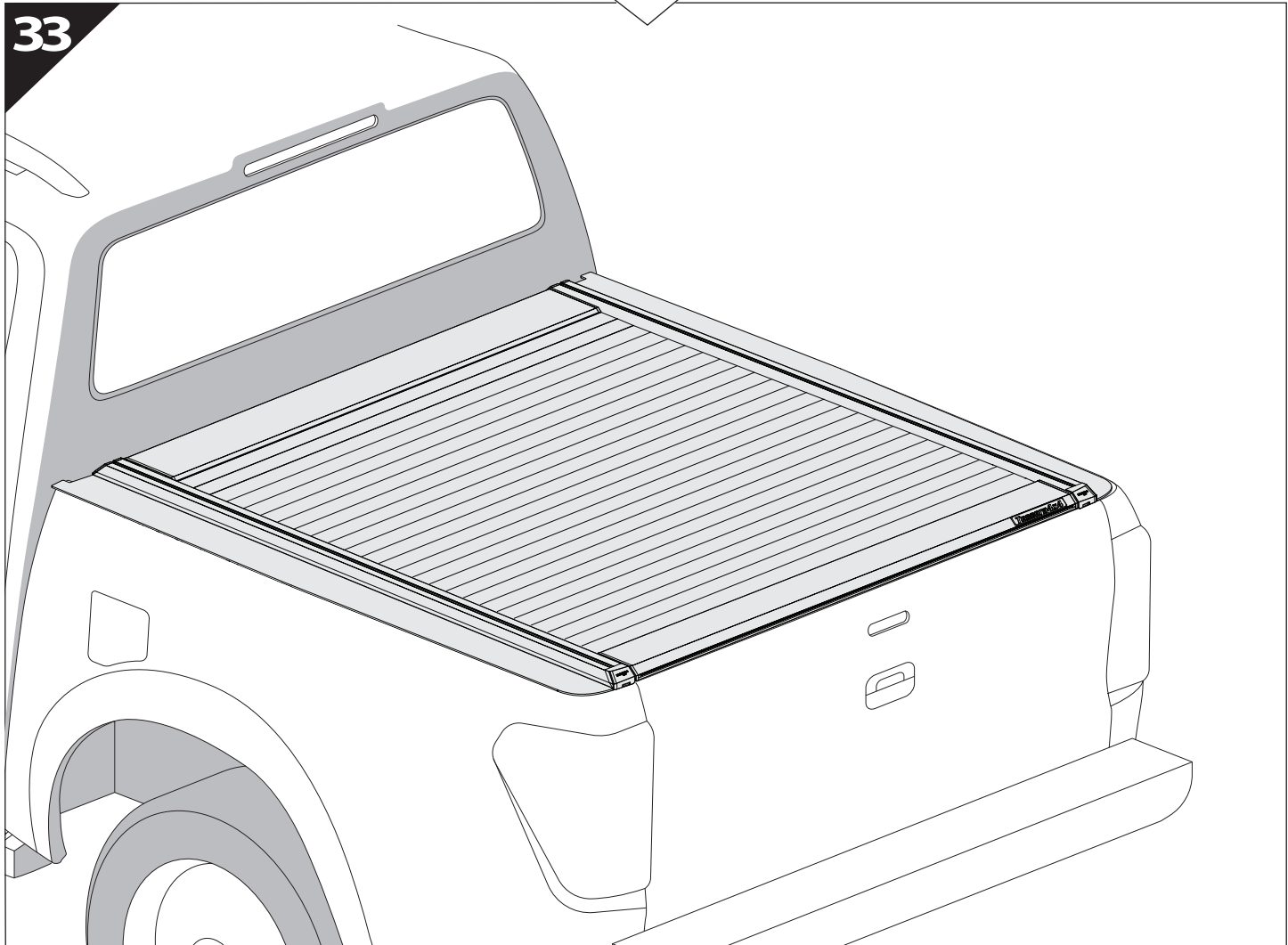
CAUTION !



32



33





GR: Οδηγίες Εγκατάστασης
GB: Installation manual
SF: Asennusohje
F: Notice de montage
PL: Instrukcja montażu
NL: Installatie-instructies
TR: Montaj Talimatı
S: Monteringsanvisning
E: Instrucciones de montaje

H: Szerelési utasítás
P: Instruções de instalação
RUS: Инструкция по установке
N: Monteringsveiledning
D: Einbauanleitung
CZ: Návod k instalaci
I: Istruzioni de montaggio
DK: Monteringsvejledning
RO: Instructiuni de instalare

Customer Service:

+30 (210) 5541161, +30 (210) 5541154 (08:00 - 16:00 EET)

Support department:

info@gianso.gr

Website:

www.tessera4x4.com

Address:

19.5 km of National road Athens-Korinthos (Elefsina) Greece, P.C: 19200