

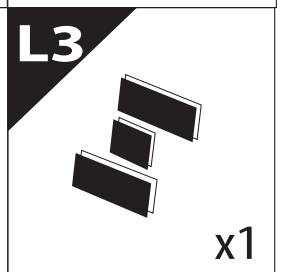
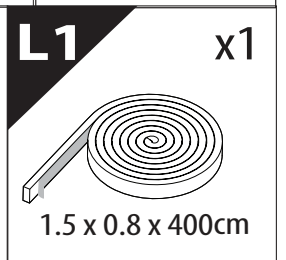
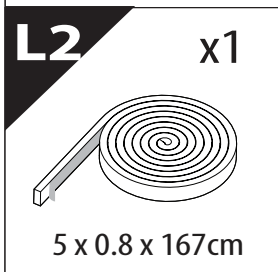
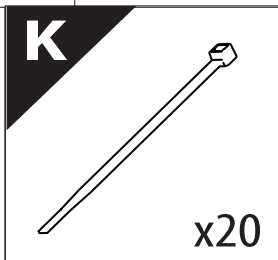
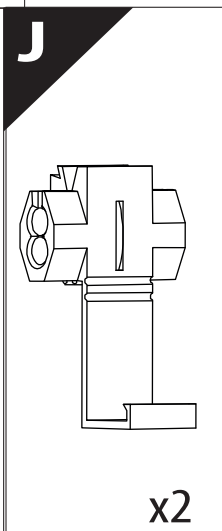
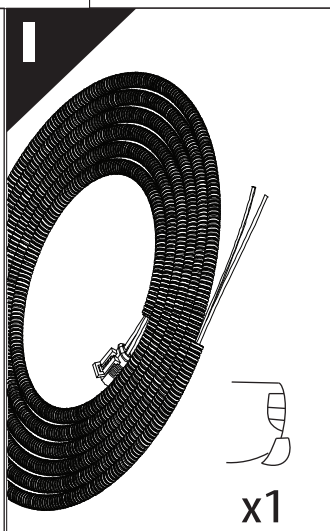
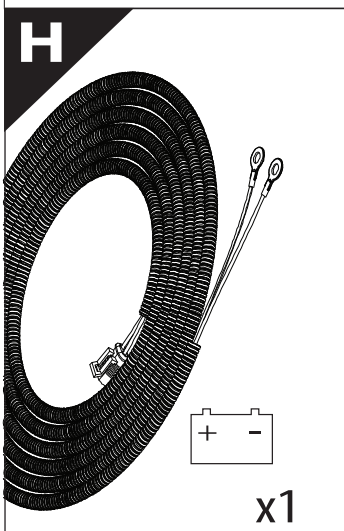
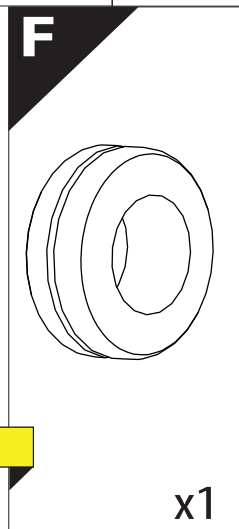
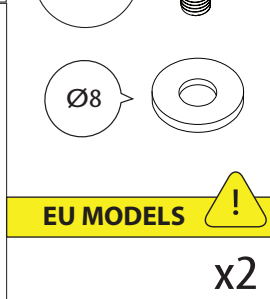
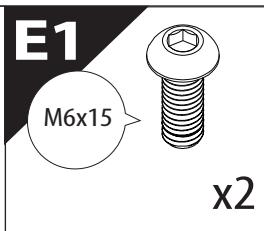
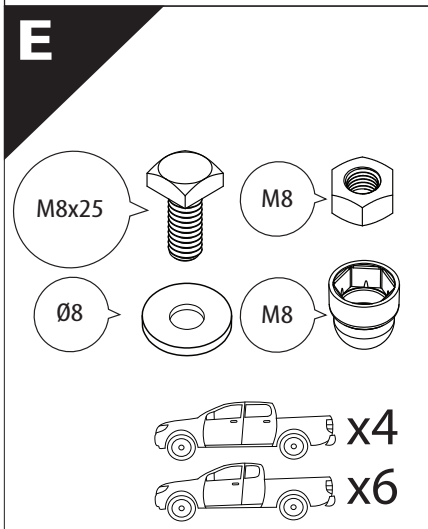
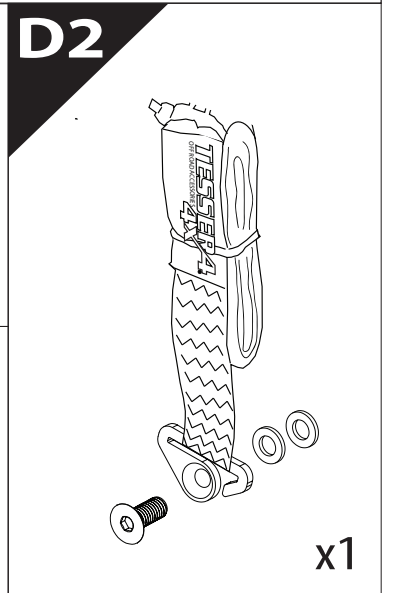
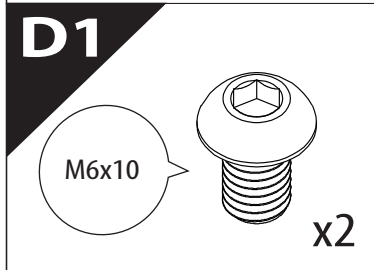
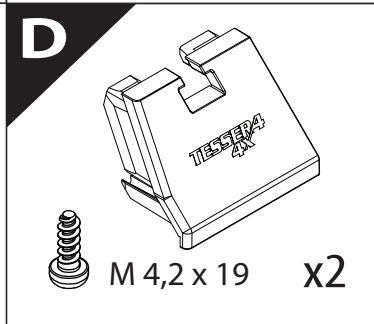
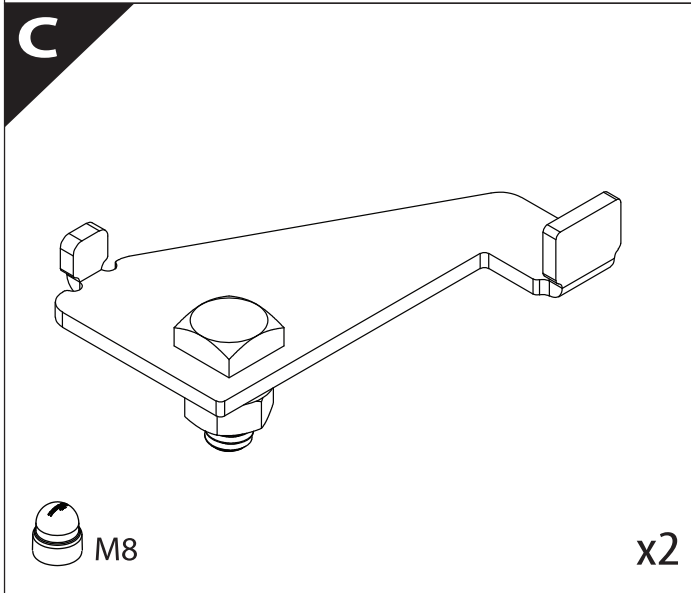
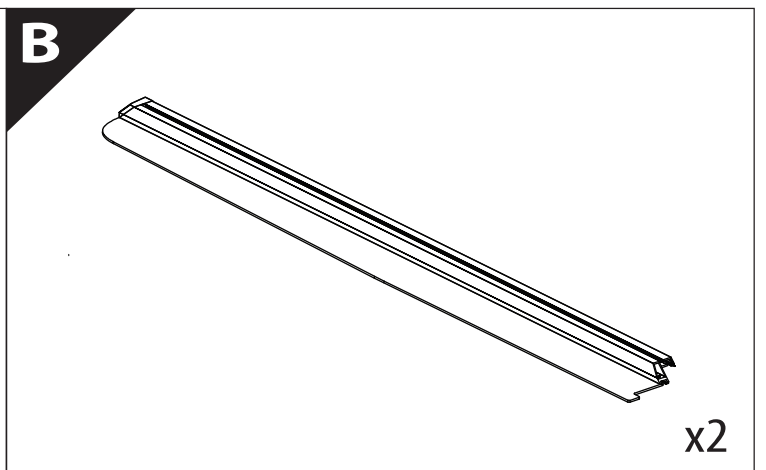
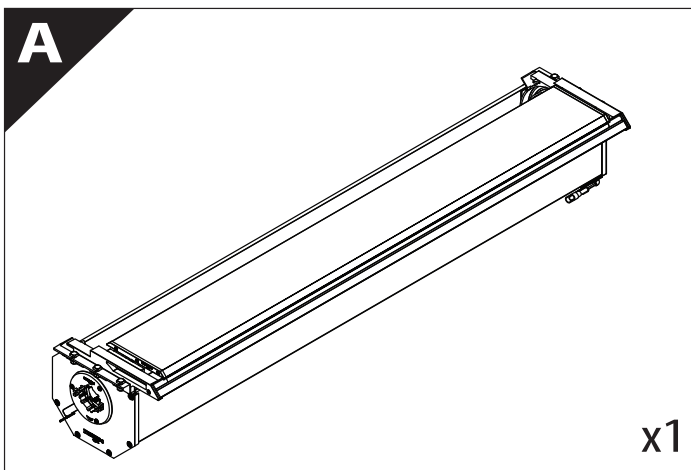
Tessera Roll+

Basic Version + ⚡ E-KIT

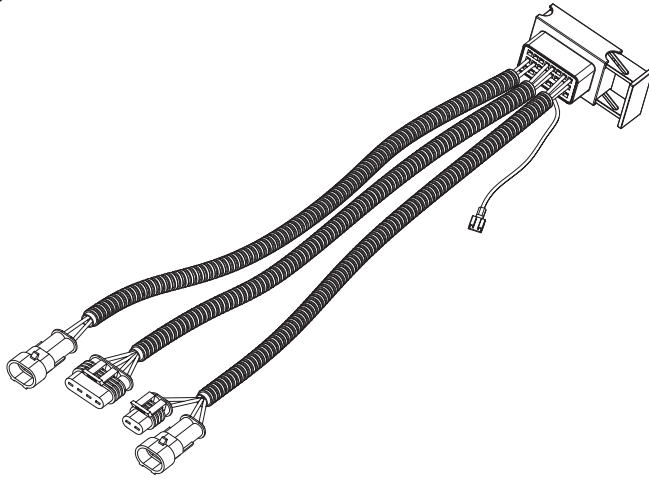


Installation Manual

PART NUMBER(S)	Model Year
TESS 14060 ROLL+E-KIT	FORD RANGER 2023+ (P 703) (no c-channels)
TESS 14070 ROLL+E-KIT	
Cab(s)	Installation Time / Weight
Double Cab & Space cab	40-60 minutes / 53-57 kg

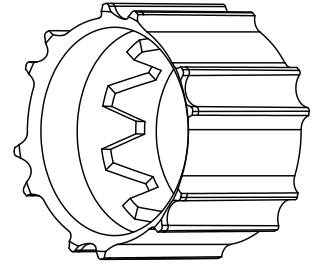


M2



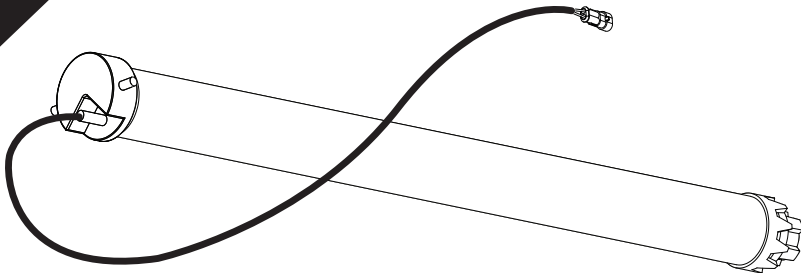
x1

N



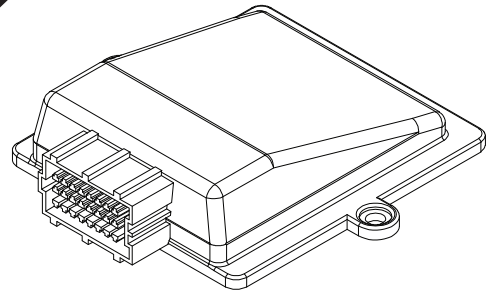
x1

O



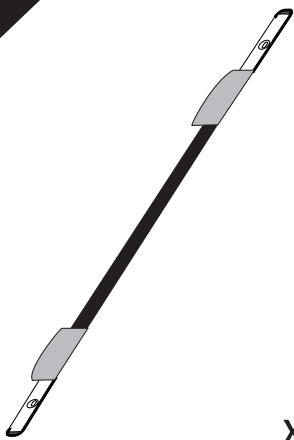
x1

P



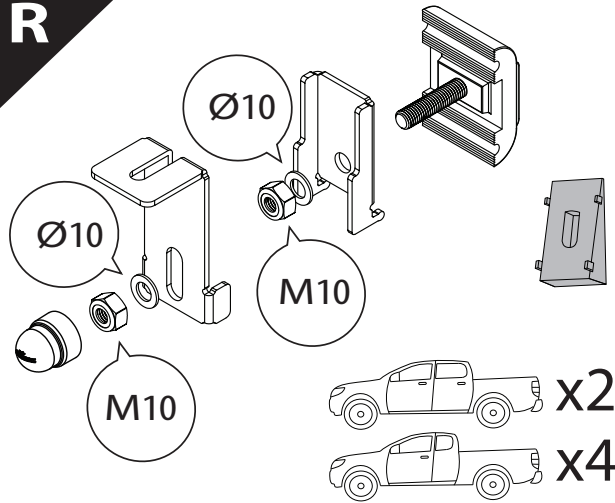
x1

Q

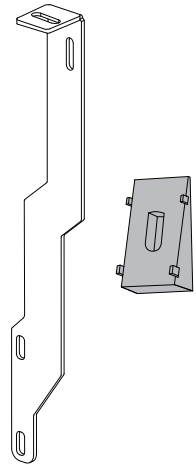


x1

R

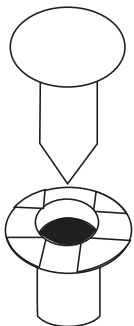


S



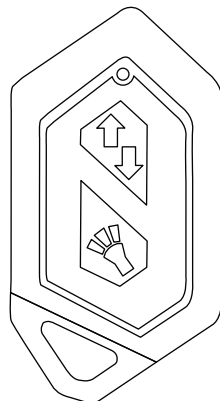
x2

T



x2

U



x2

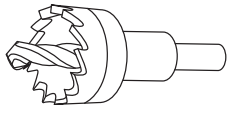
V



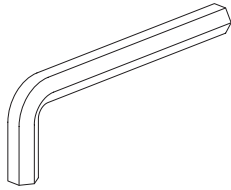
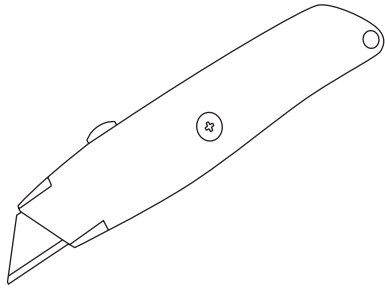
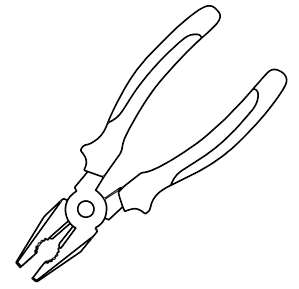
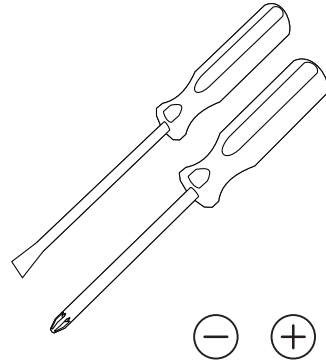
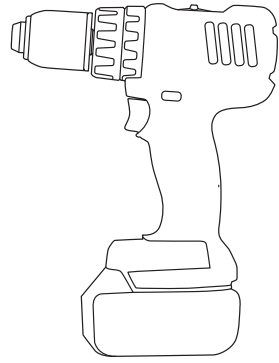
x2

US MODELS



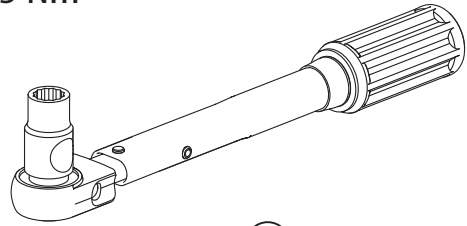


Ø 25 mm



4 mm

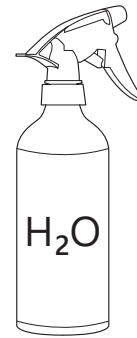
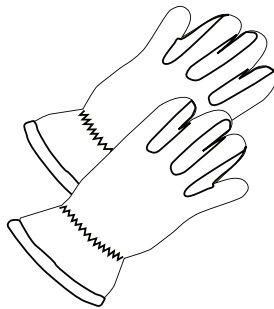
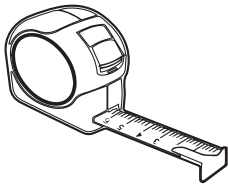
1 - 25 Nm



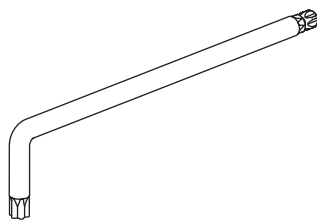
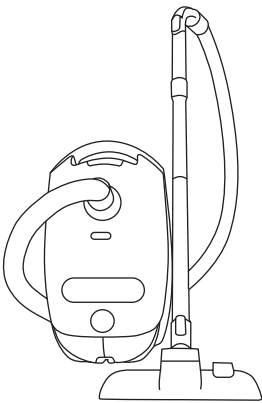
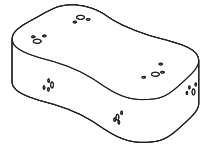
10, 12, 13, 17 mm



ACETONE



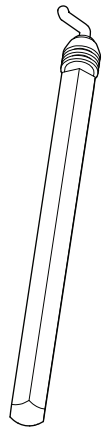
H₂O



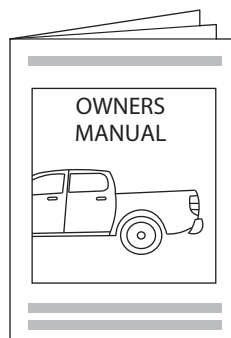
T30, T40



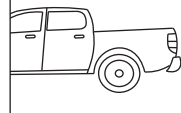
ANTI-RUST



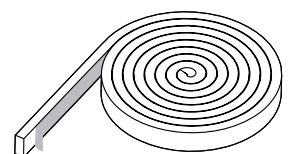
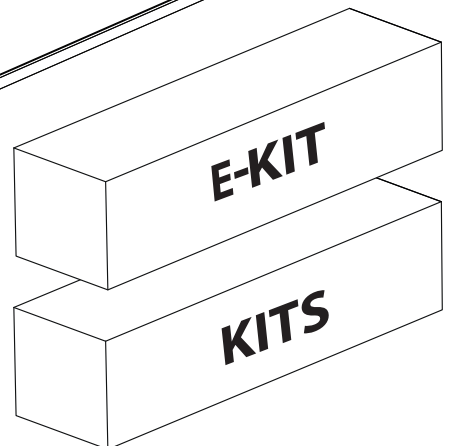
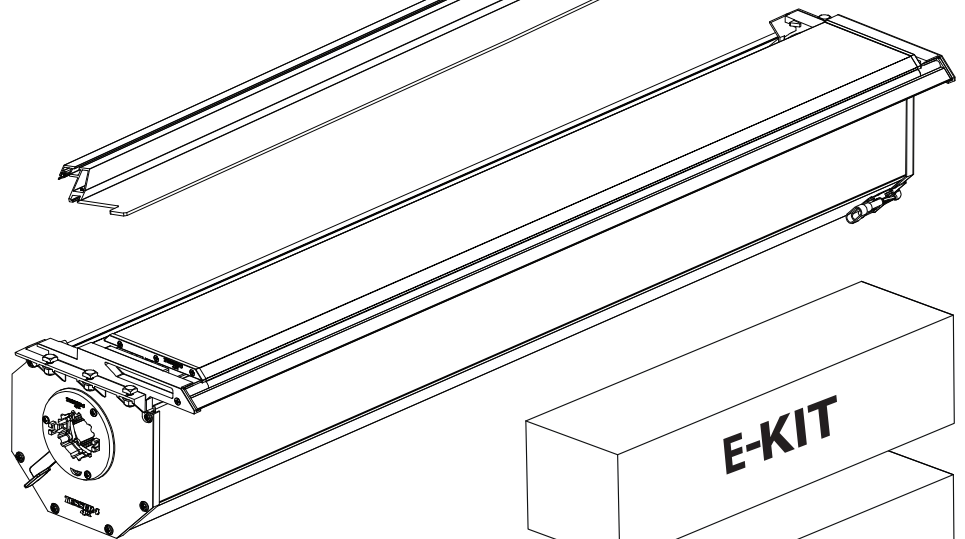
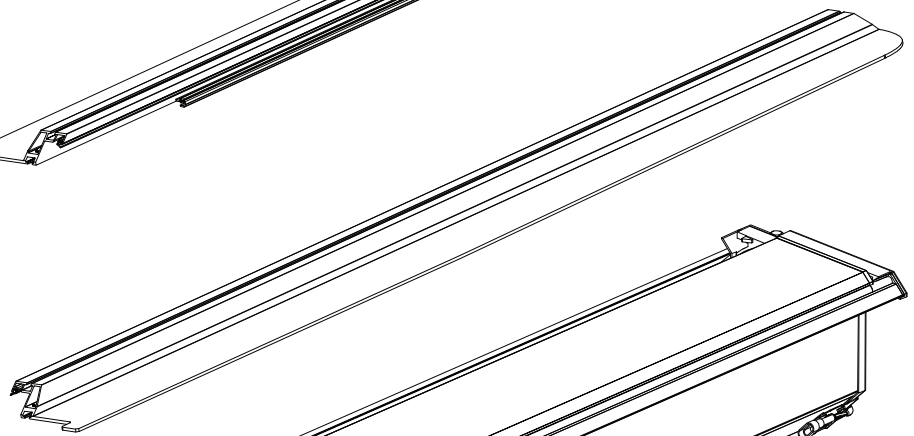
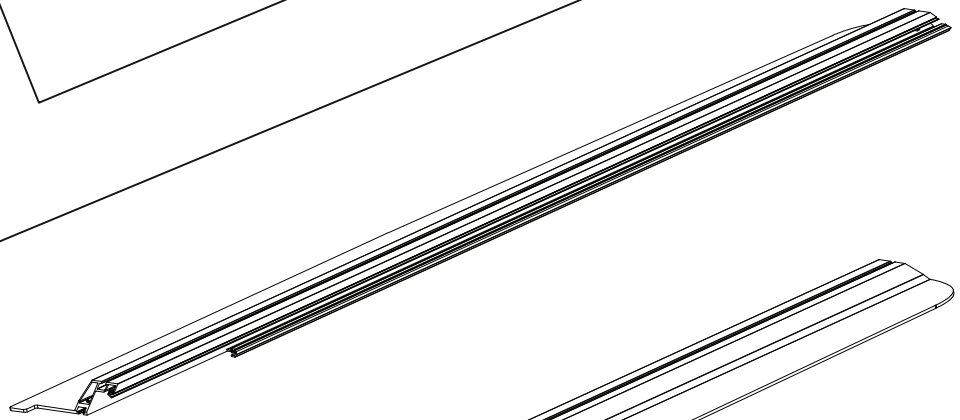
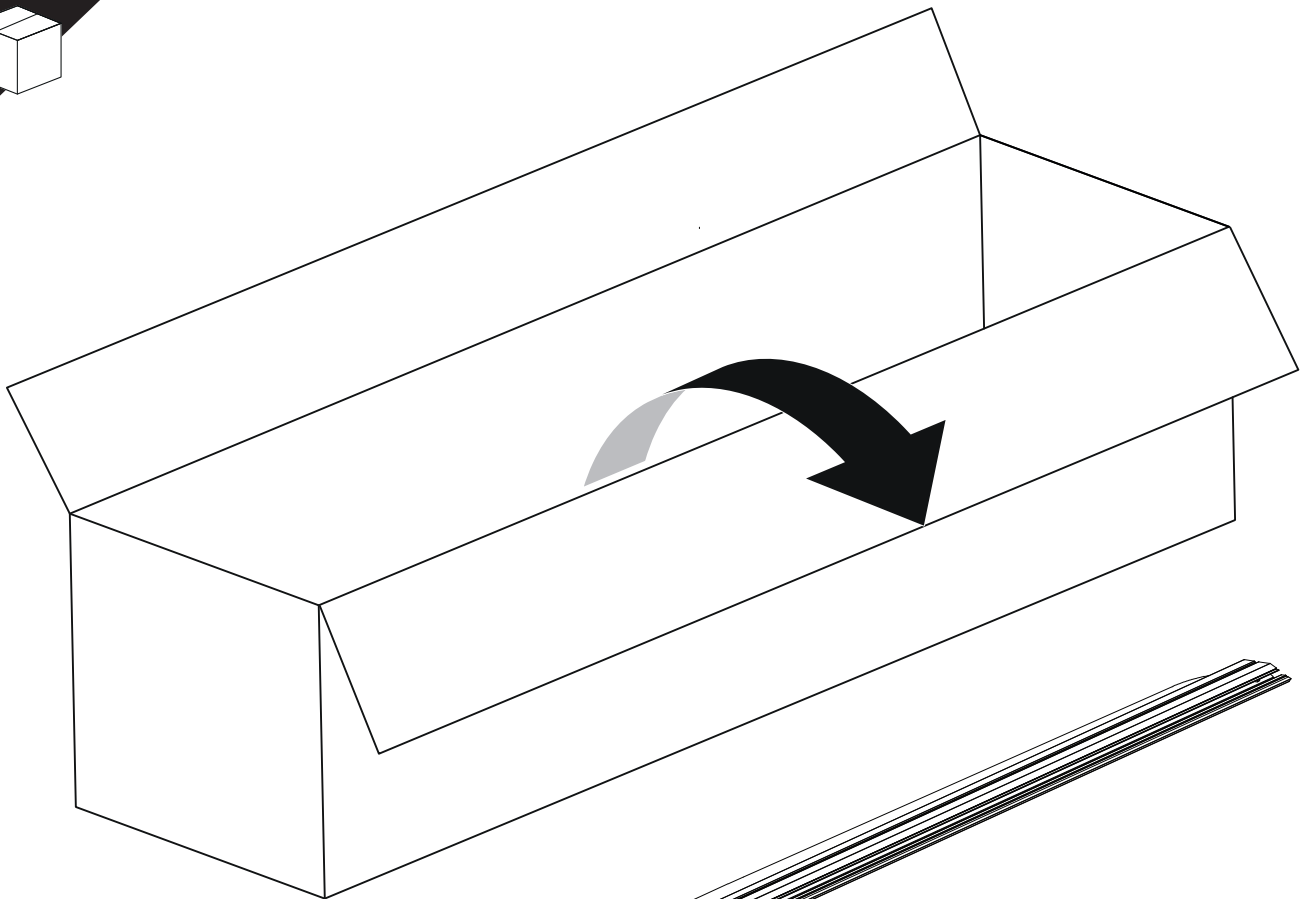
INSTALATION
MANUAL
+E-KIT



OWNERS
MANUAL



x1

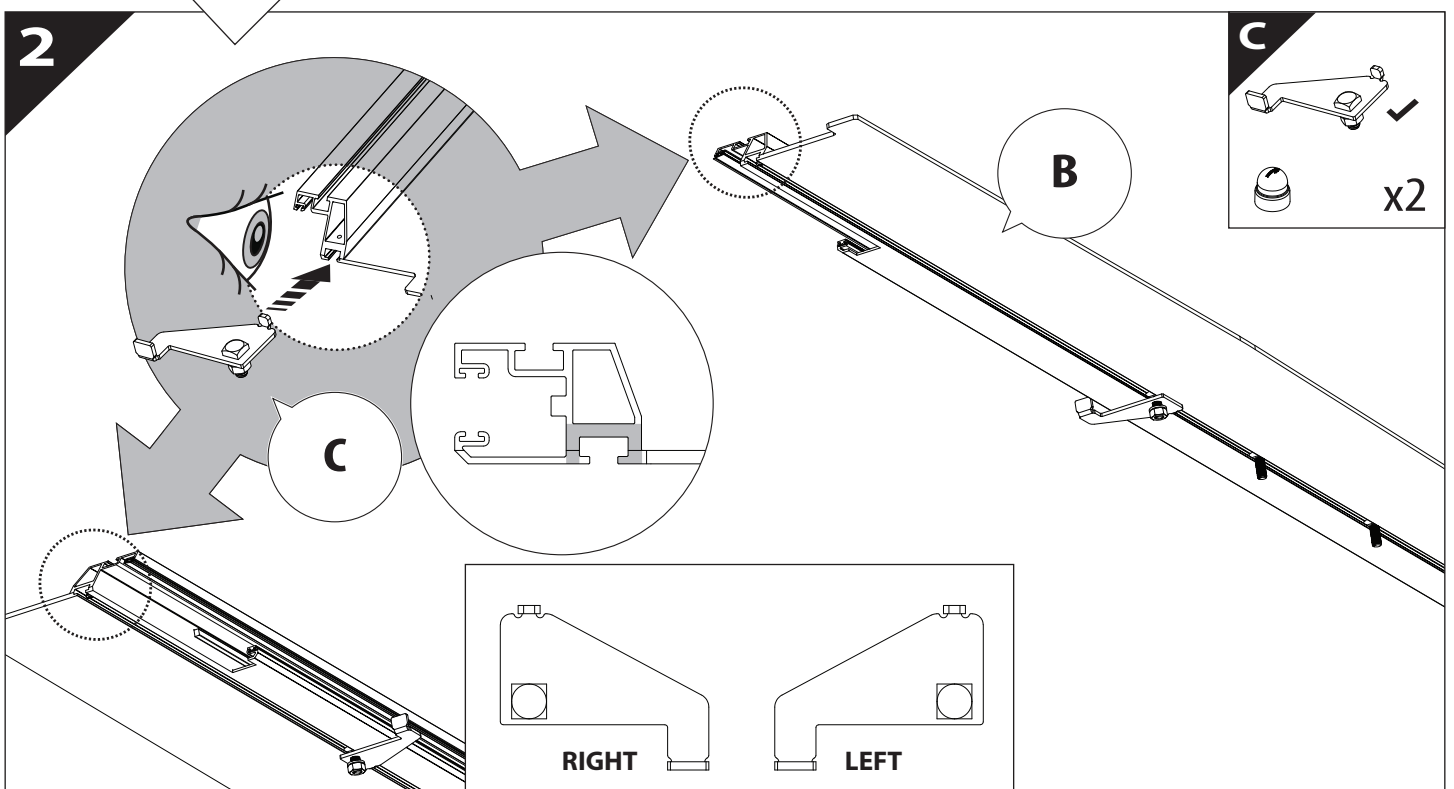
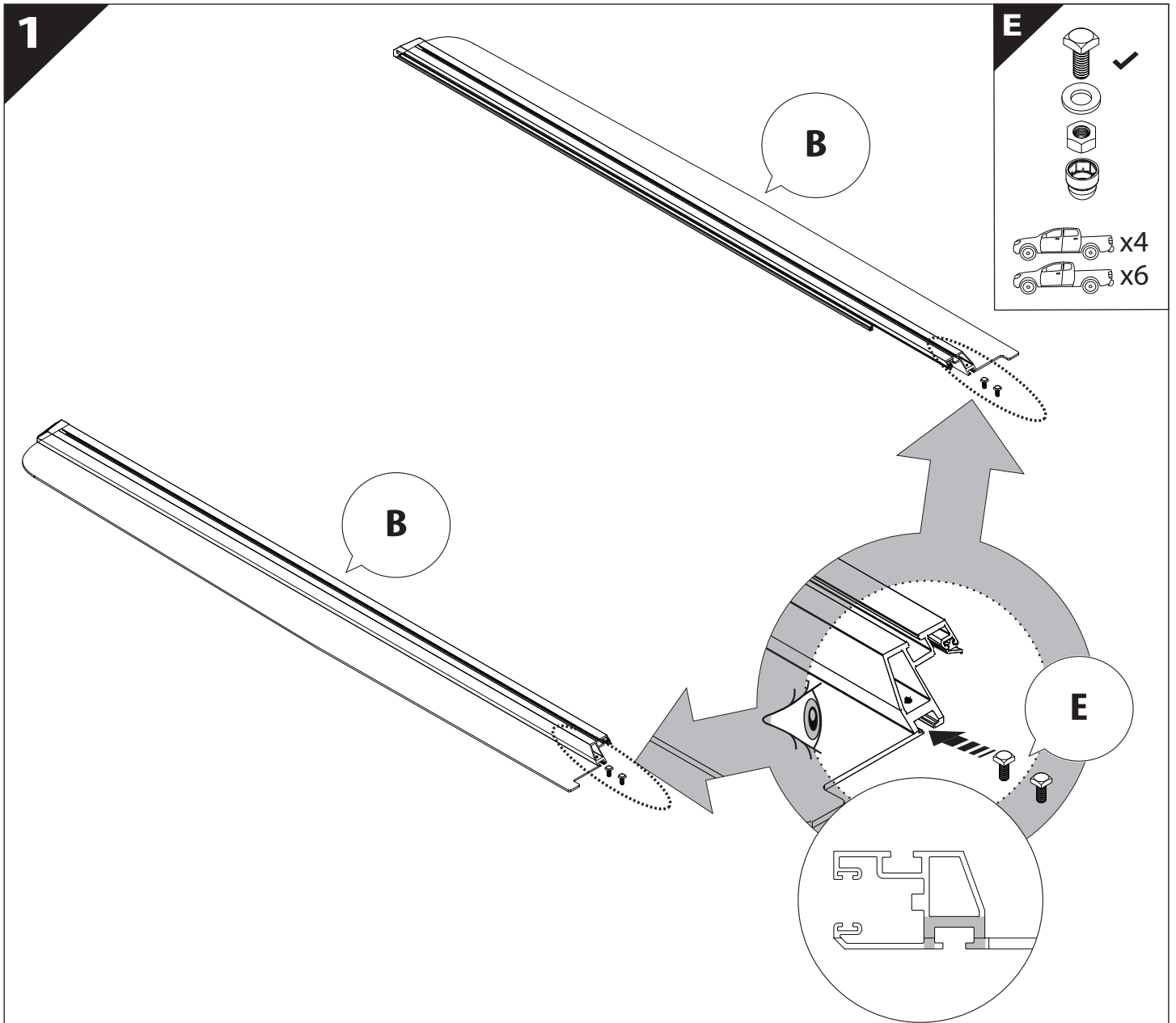


B

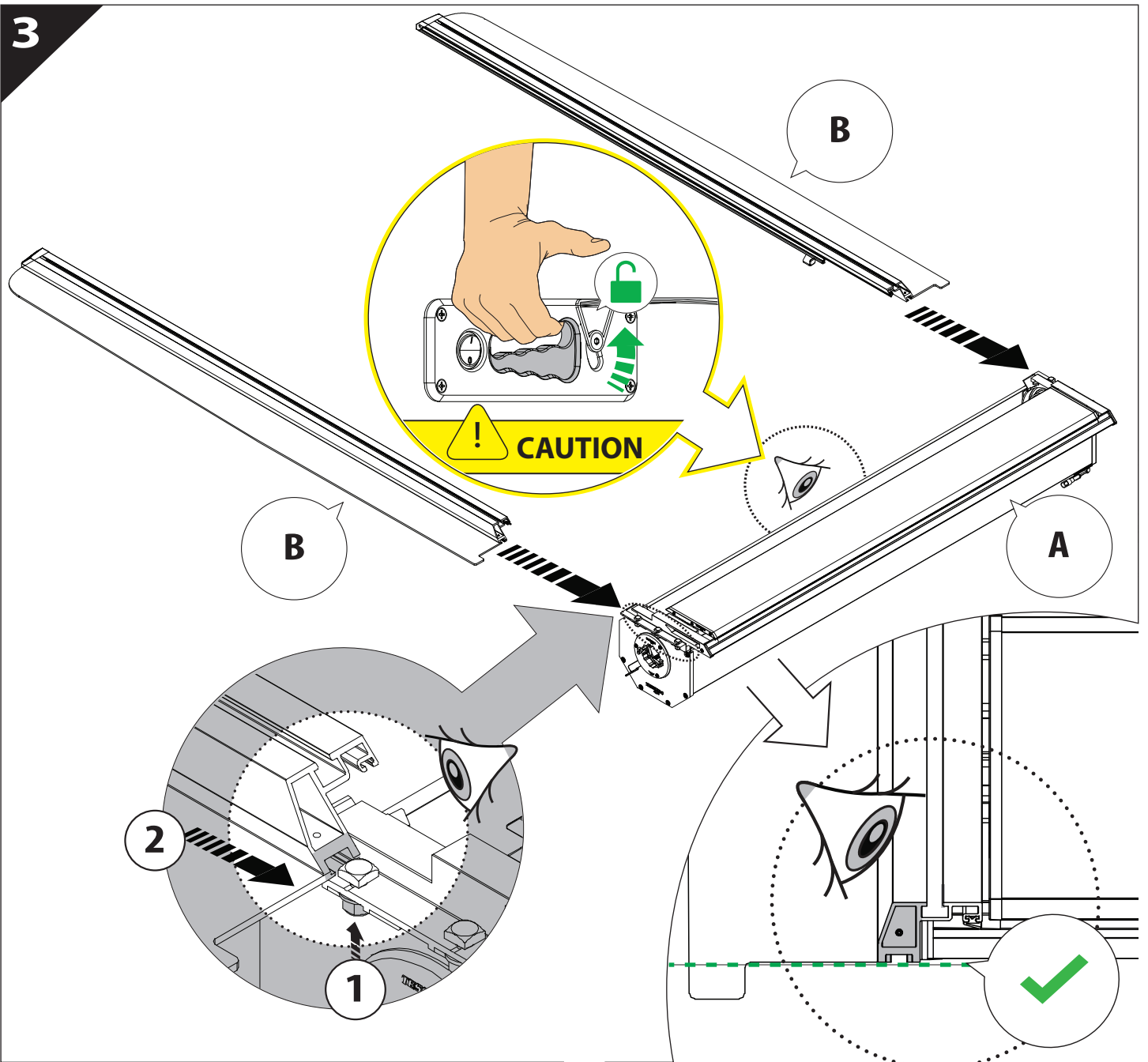
A

KITS

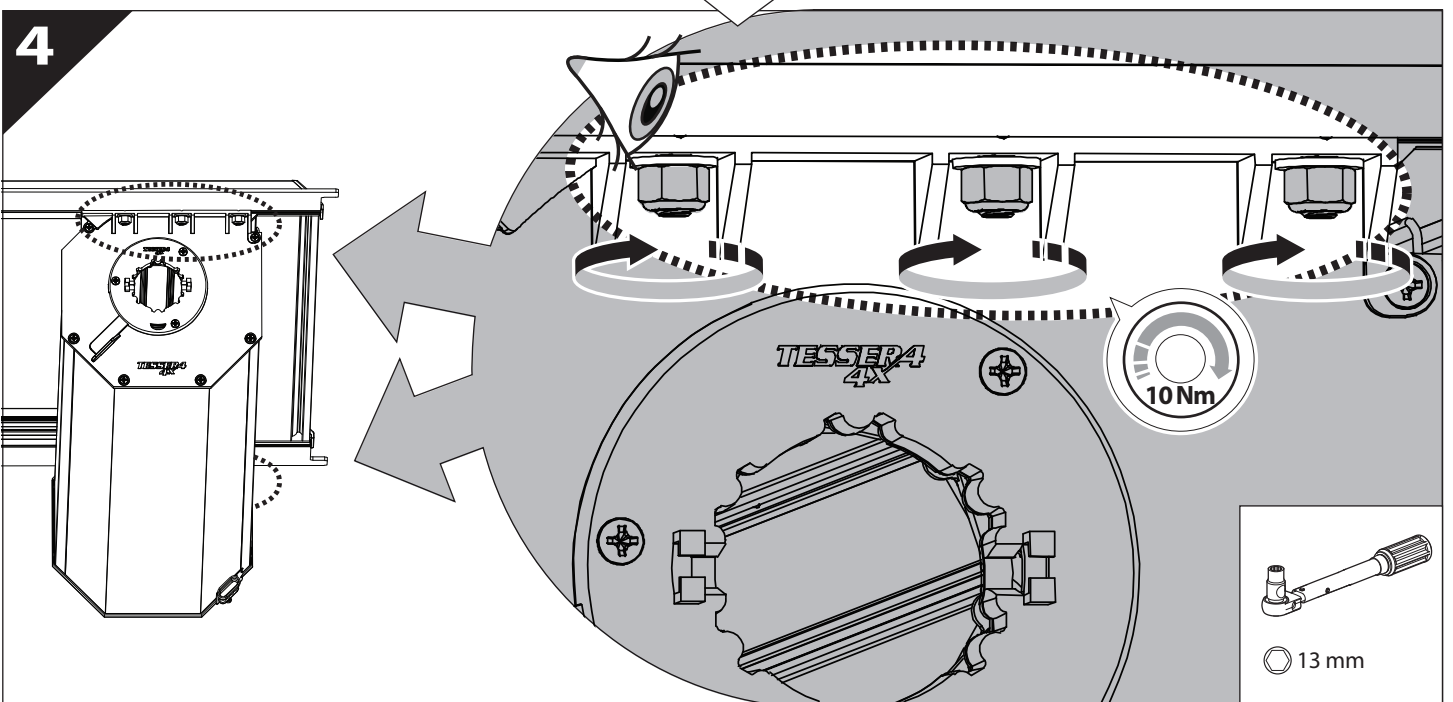
L

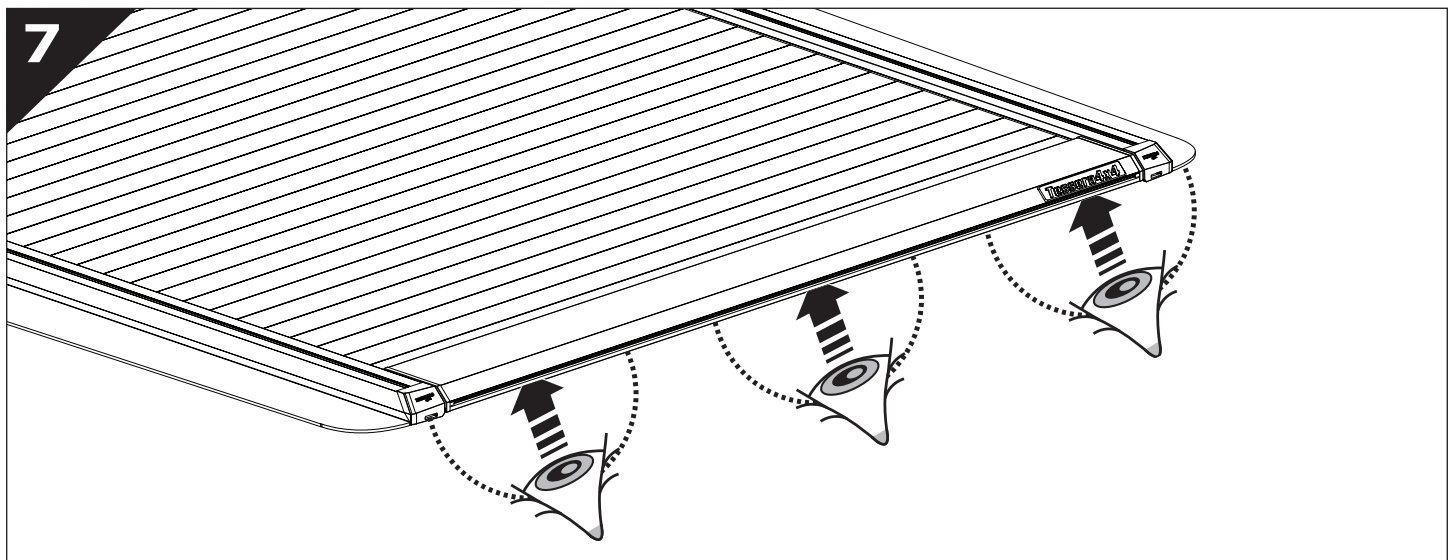
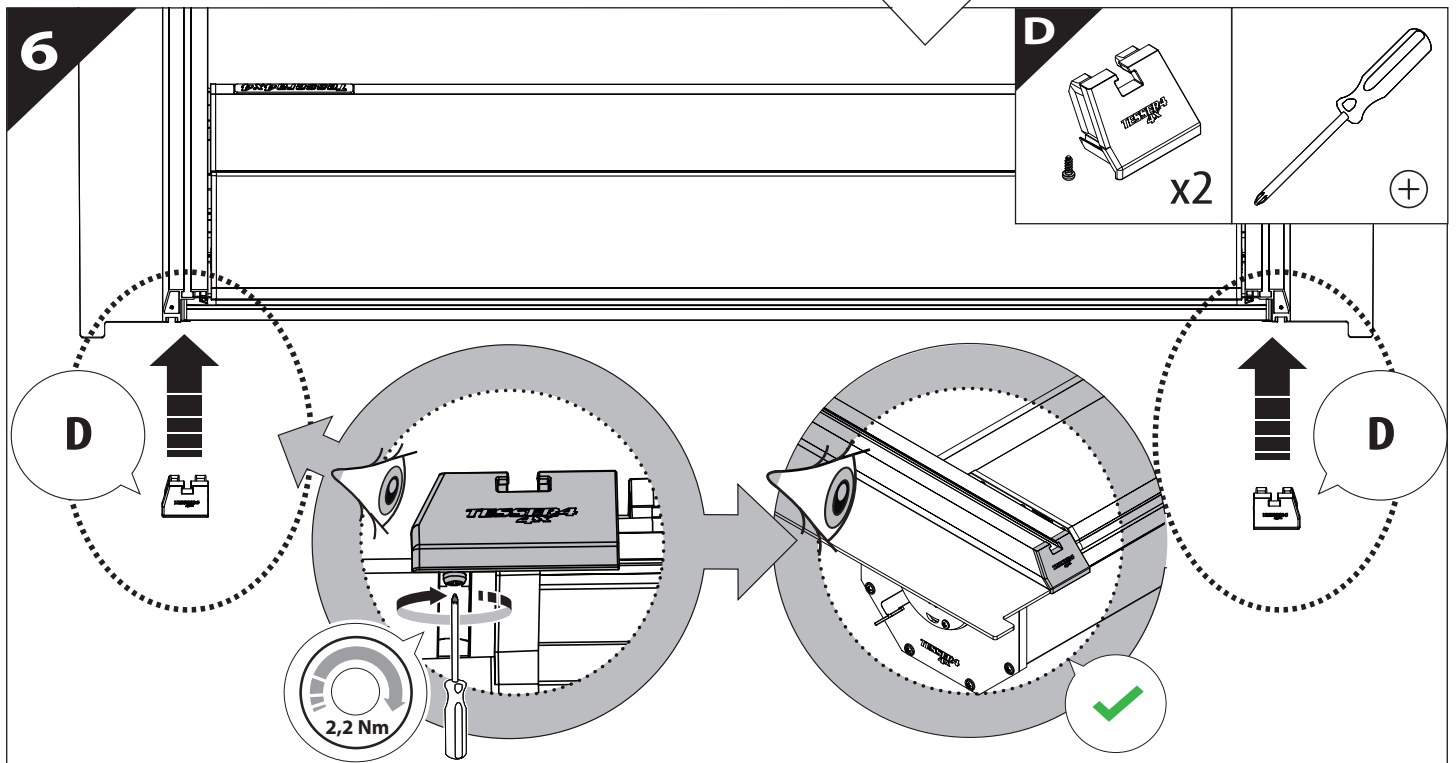
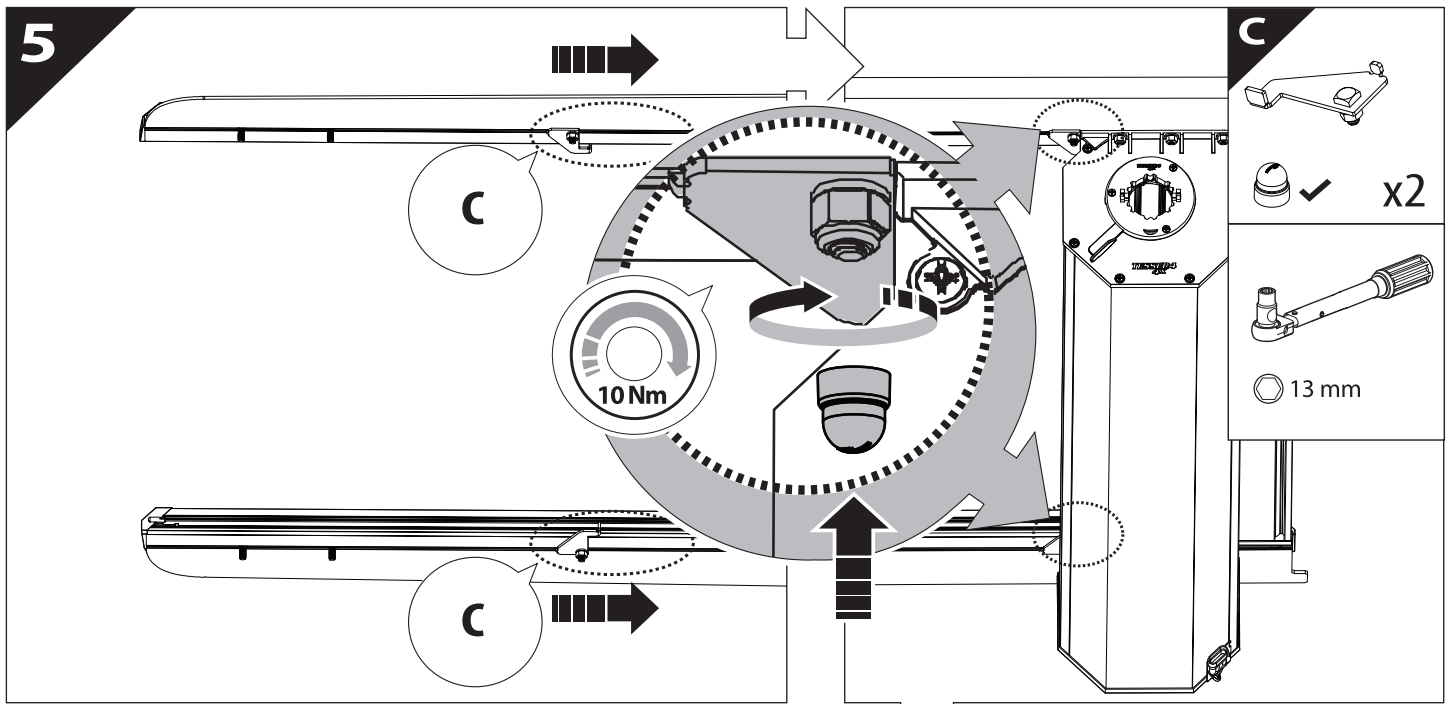


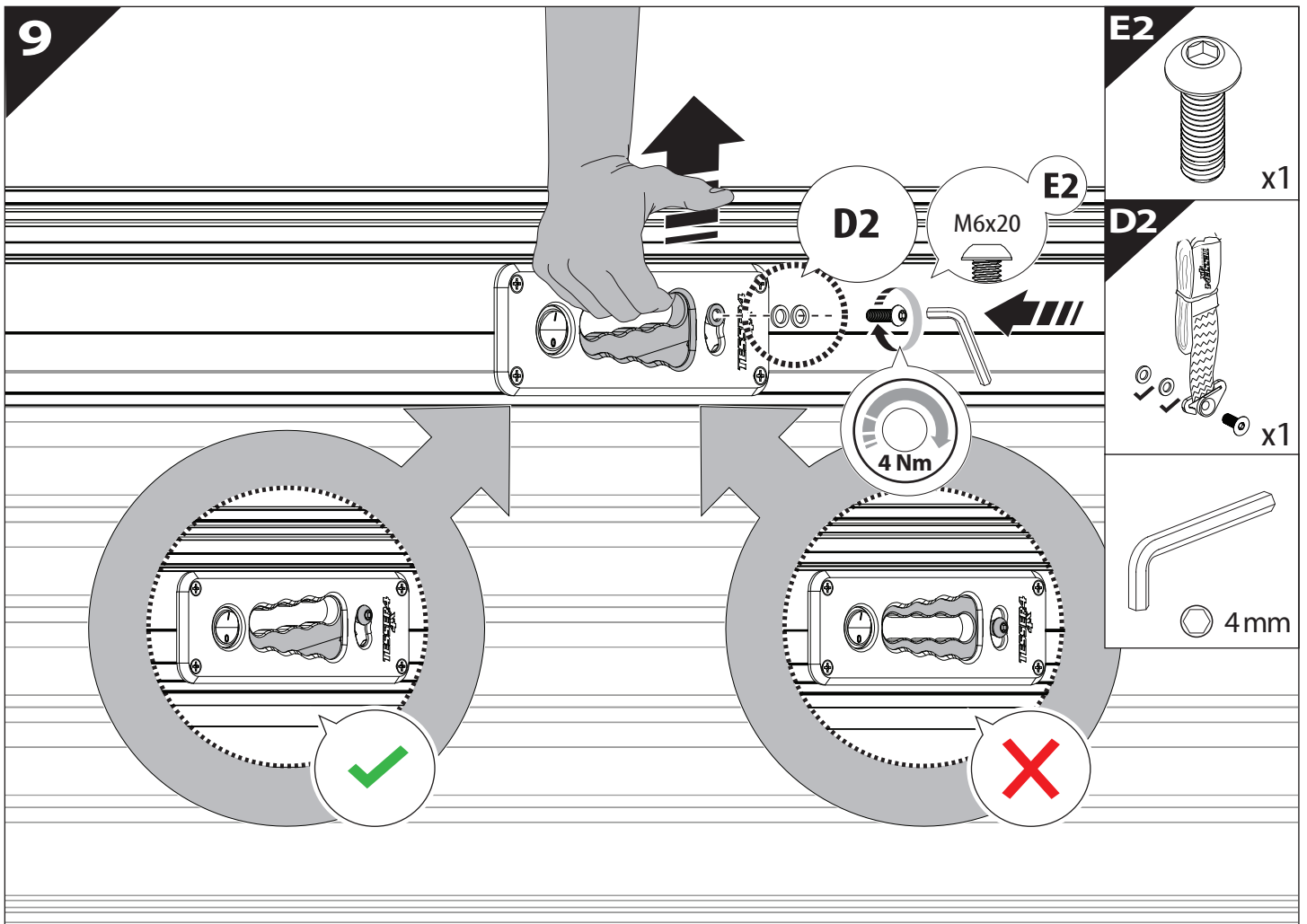
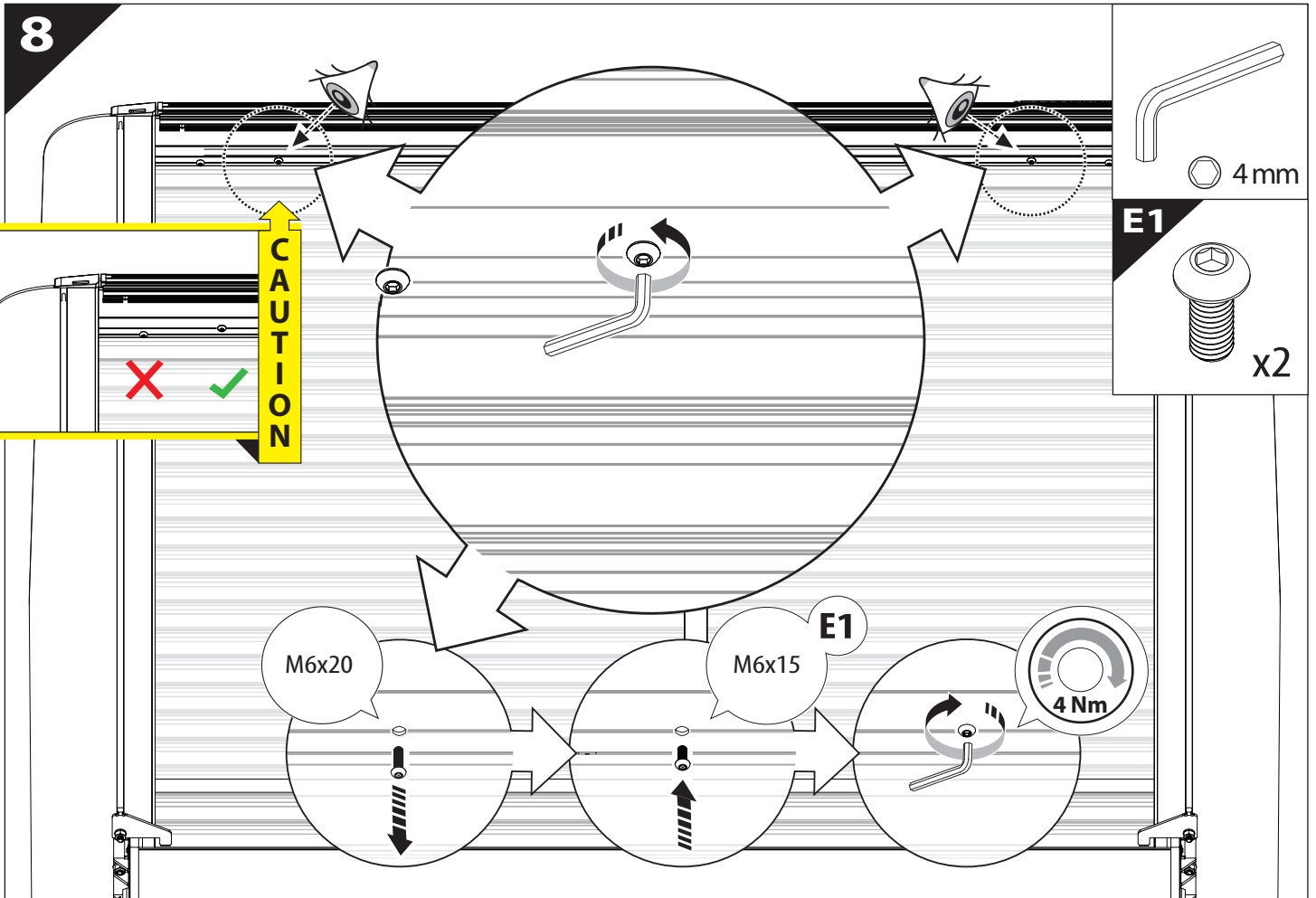
3

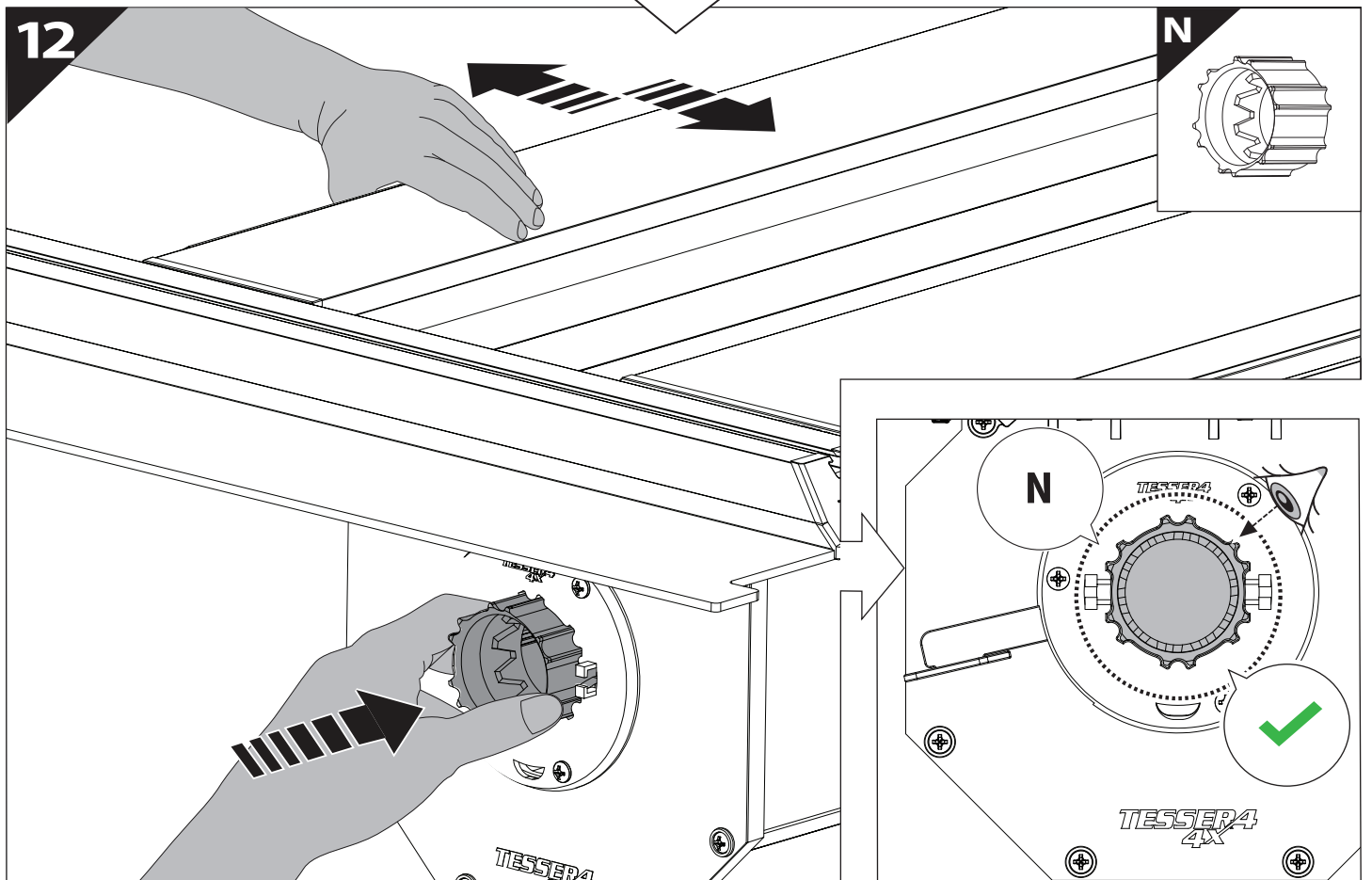
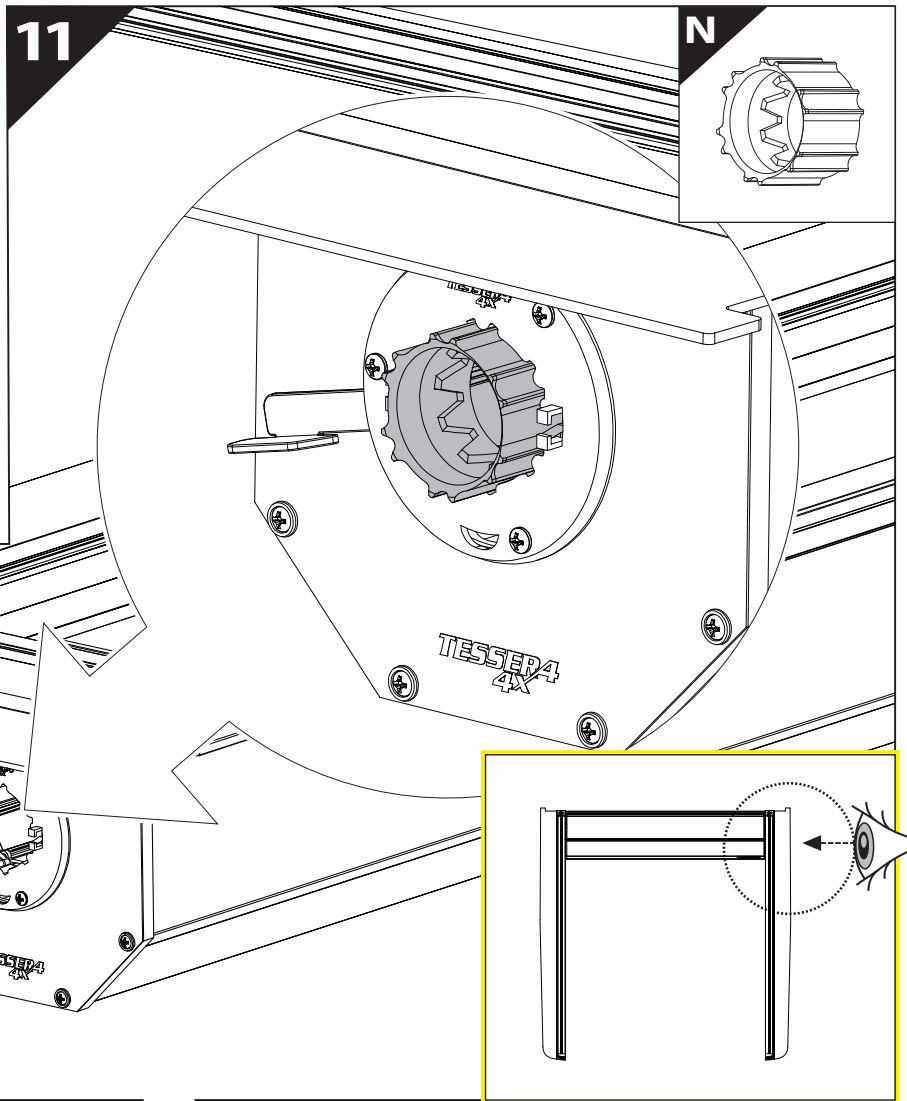
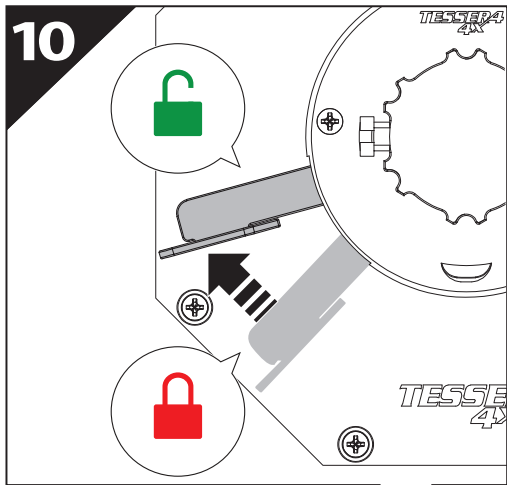


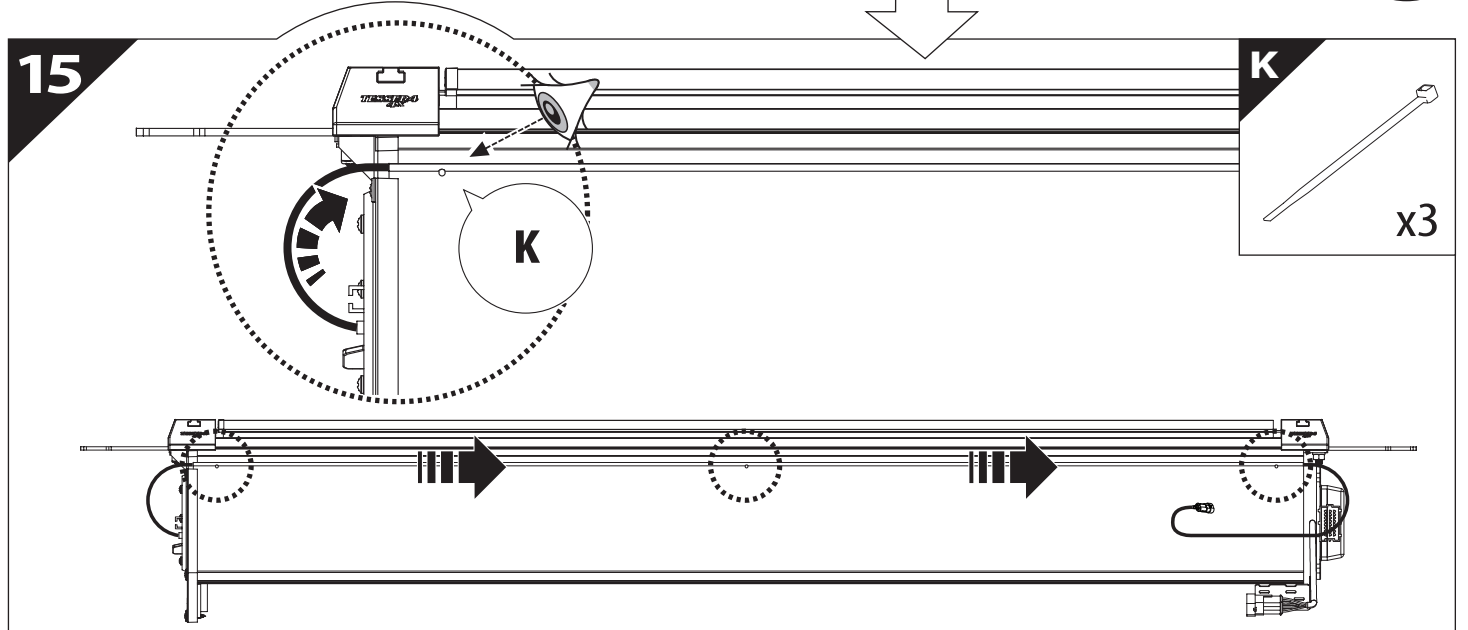
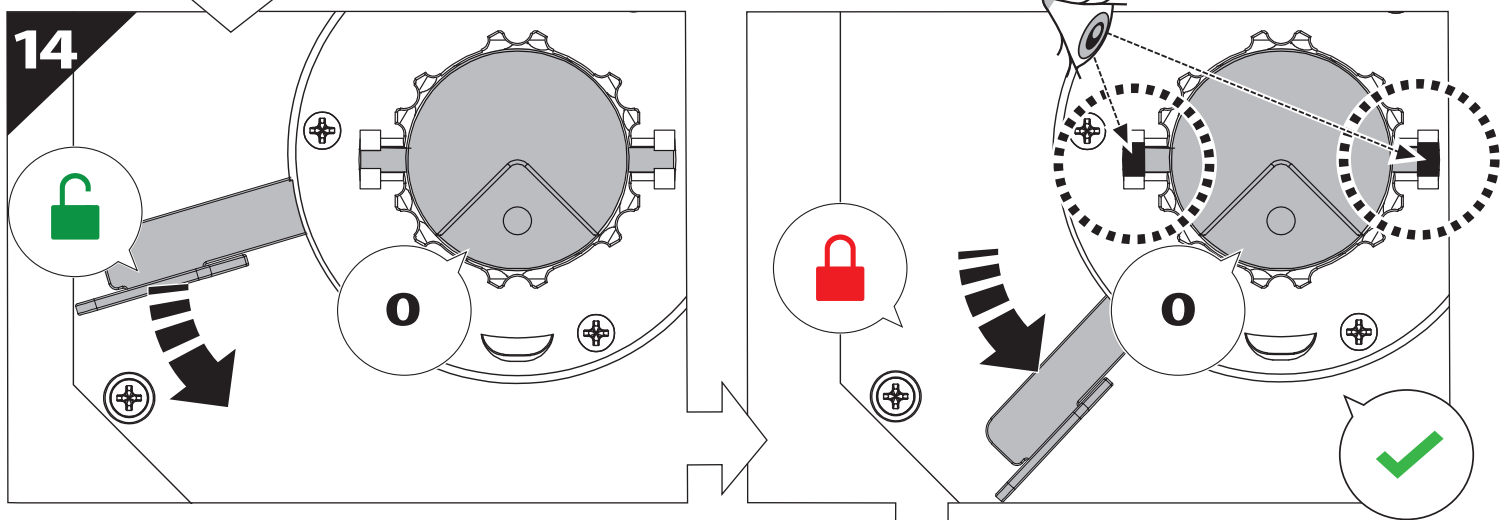
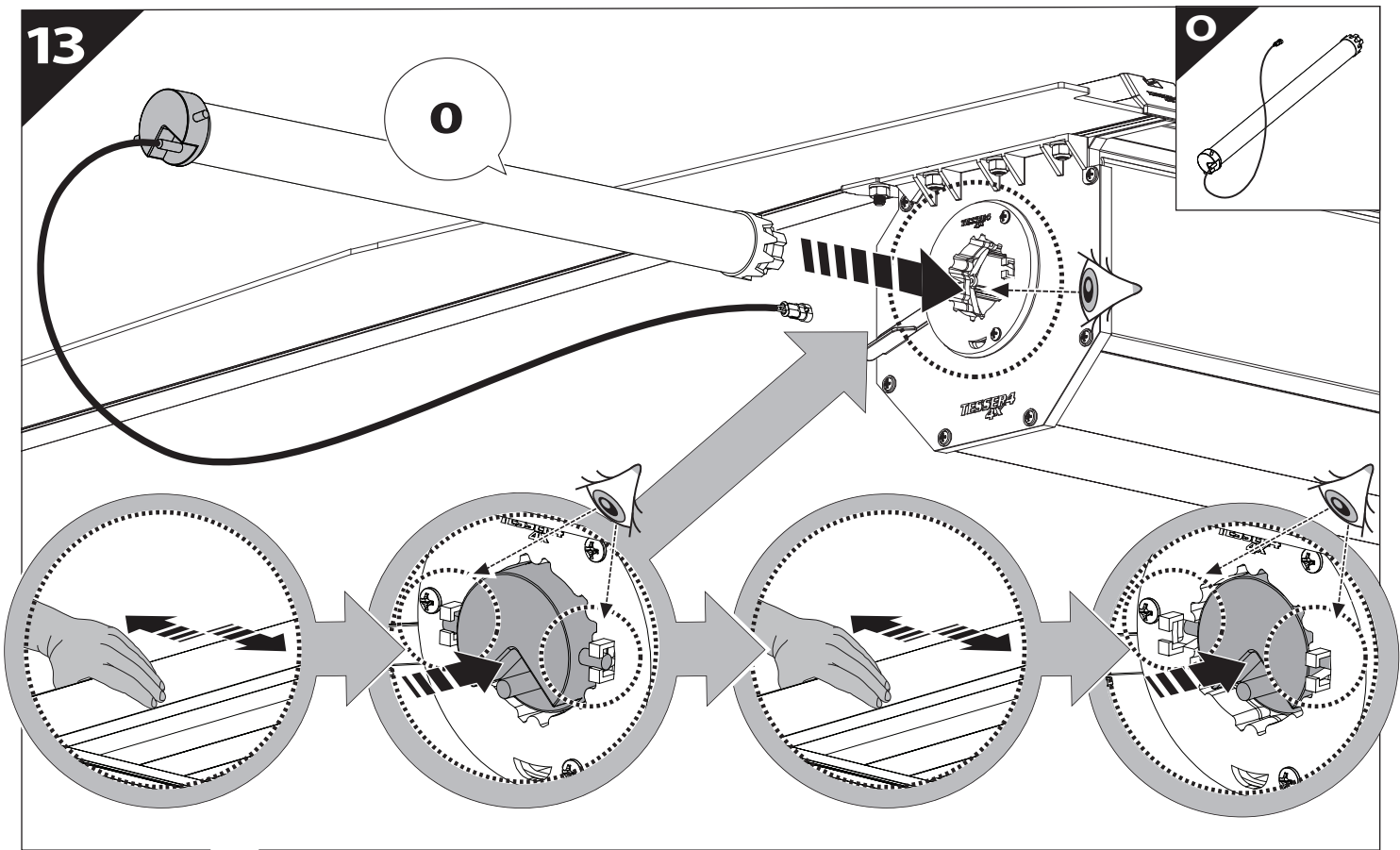
4

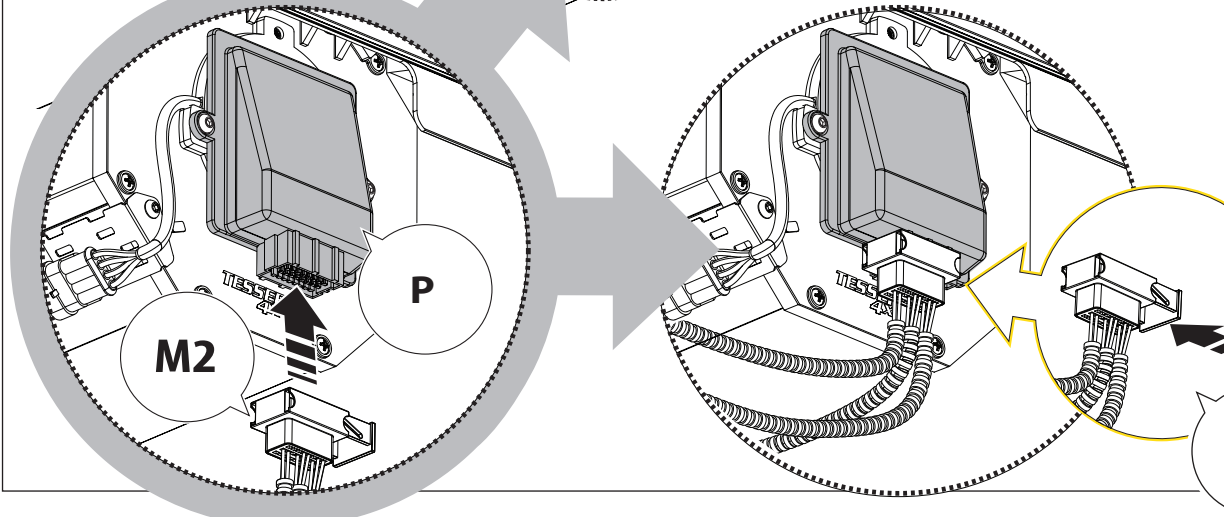
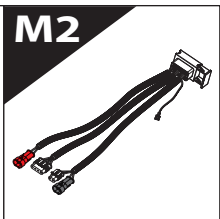
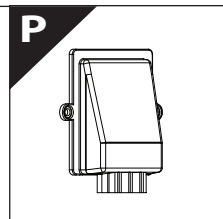
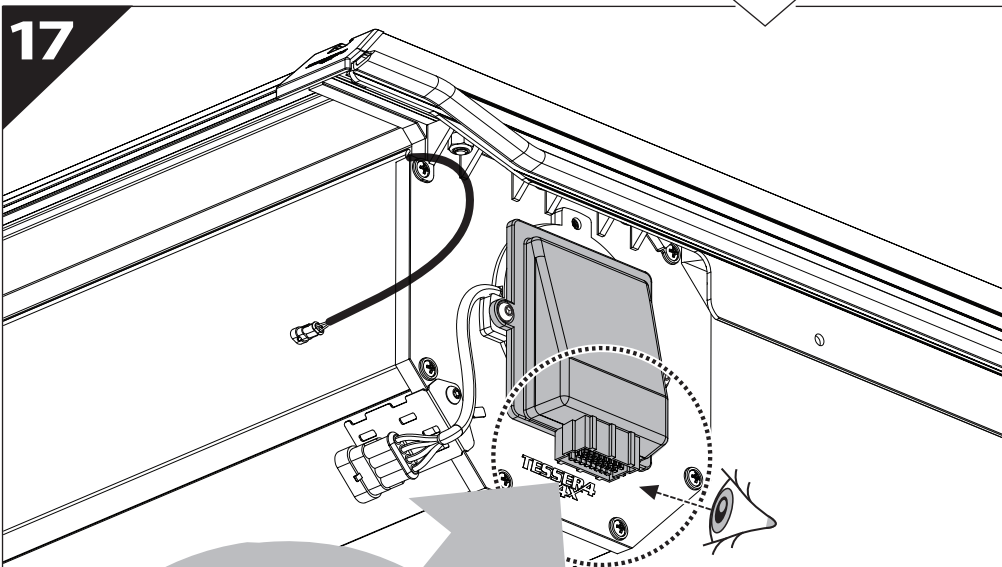
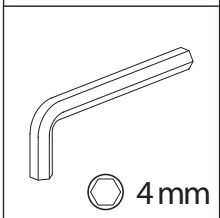
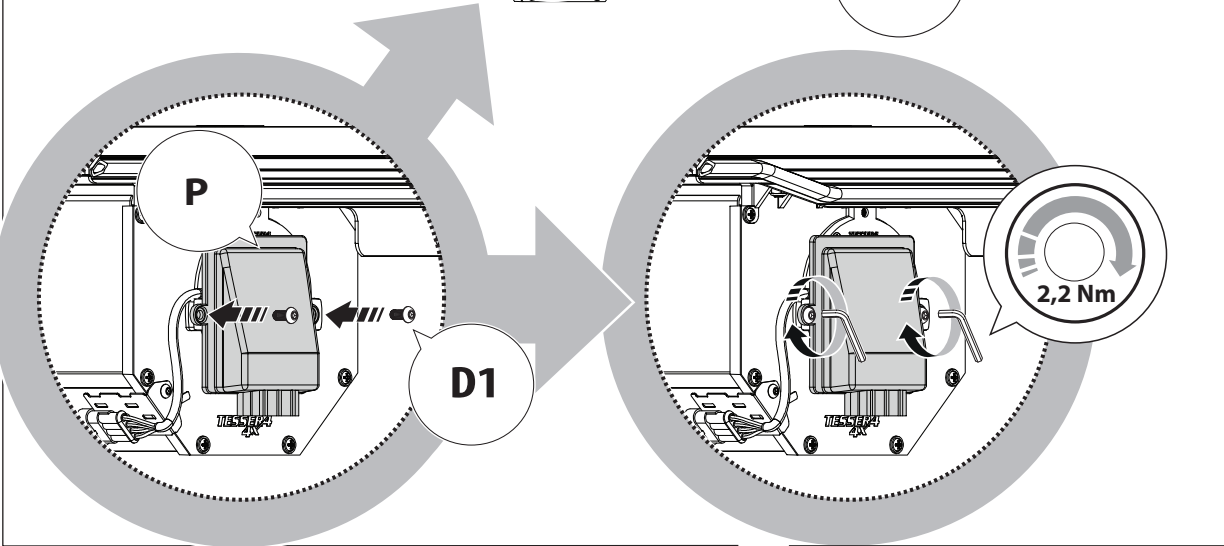
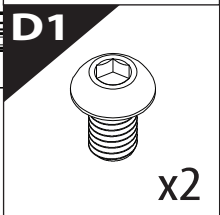
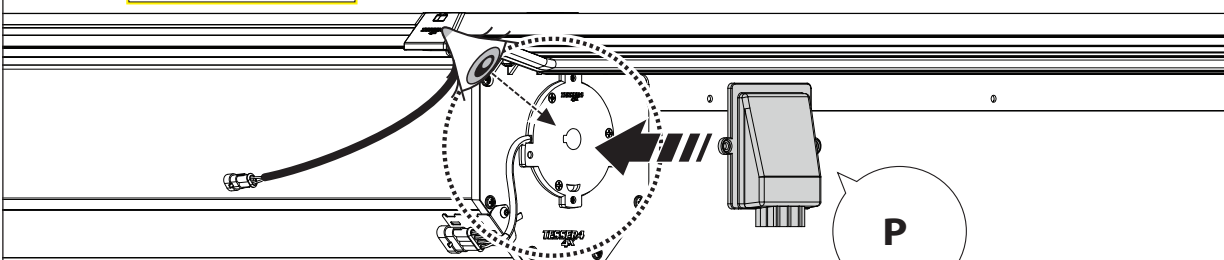
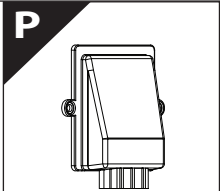
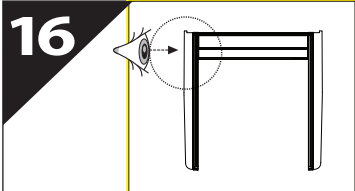


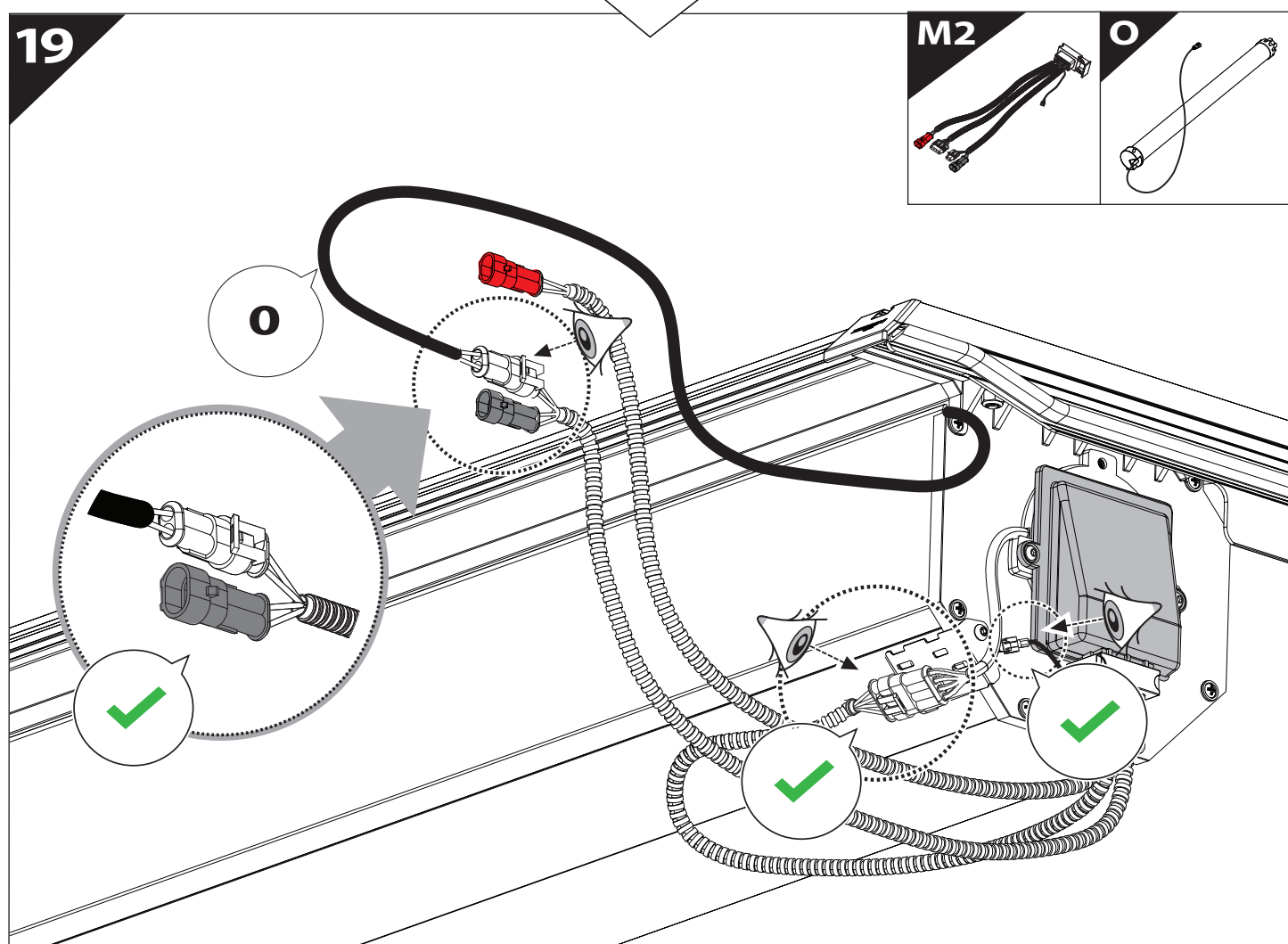
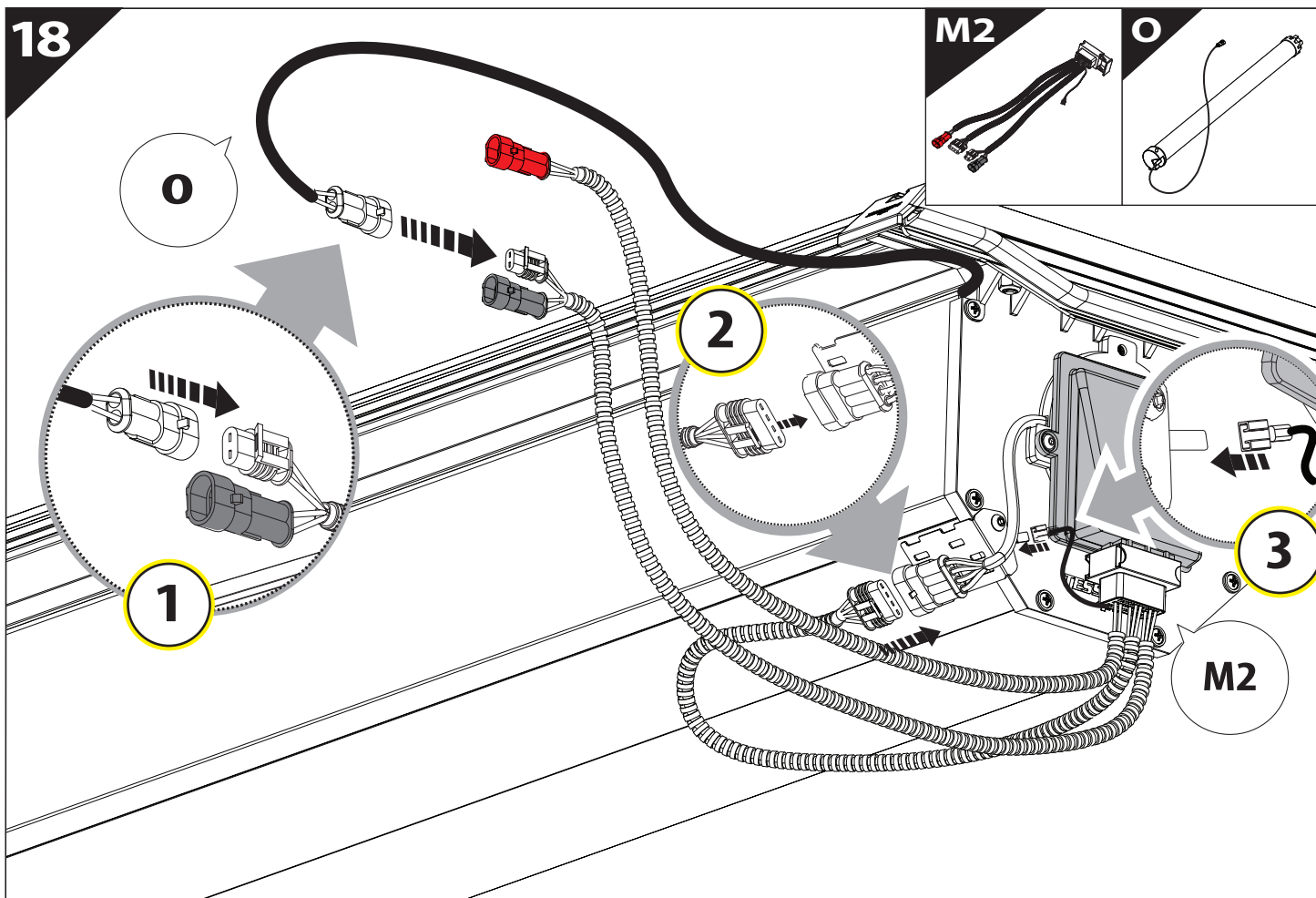


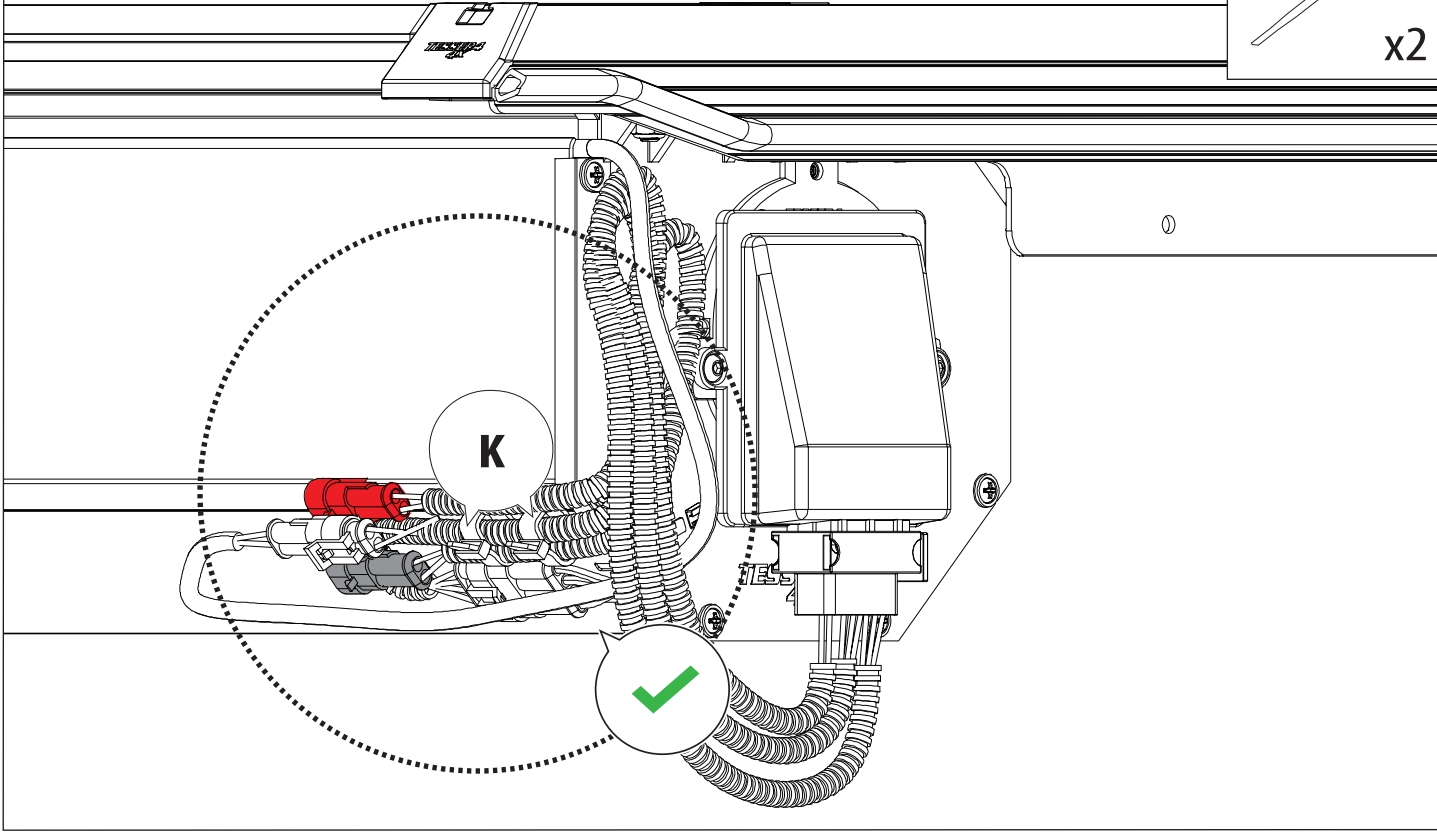
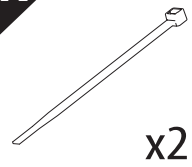


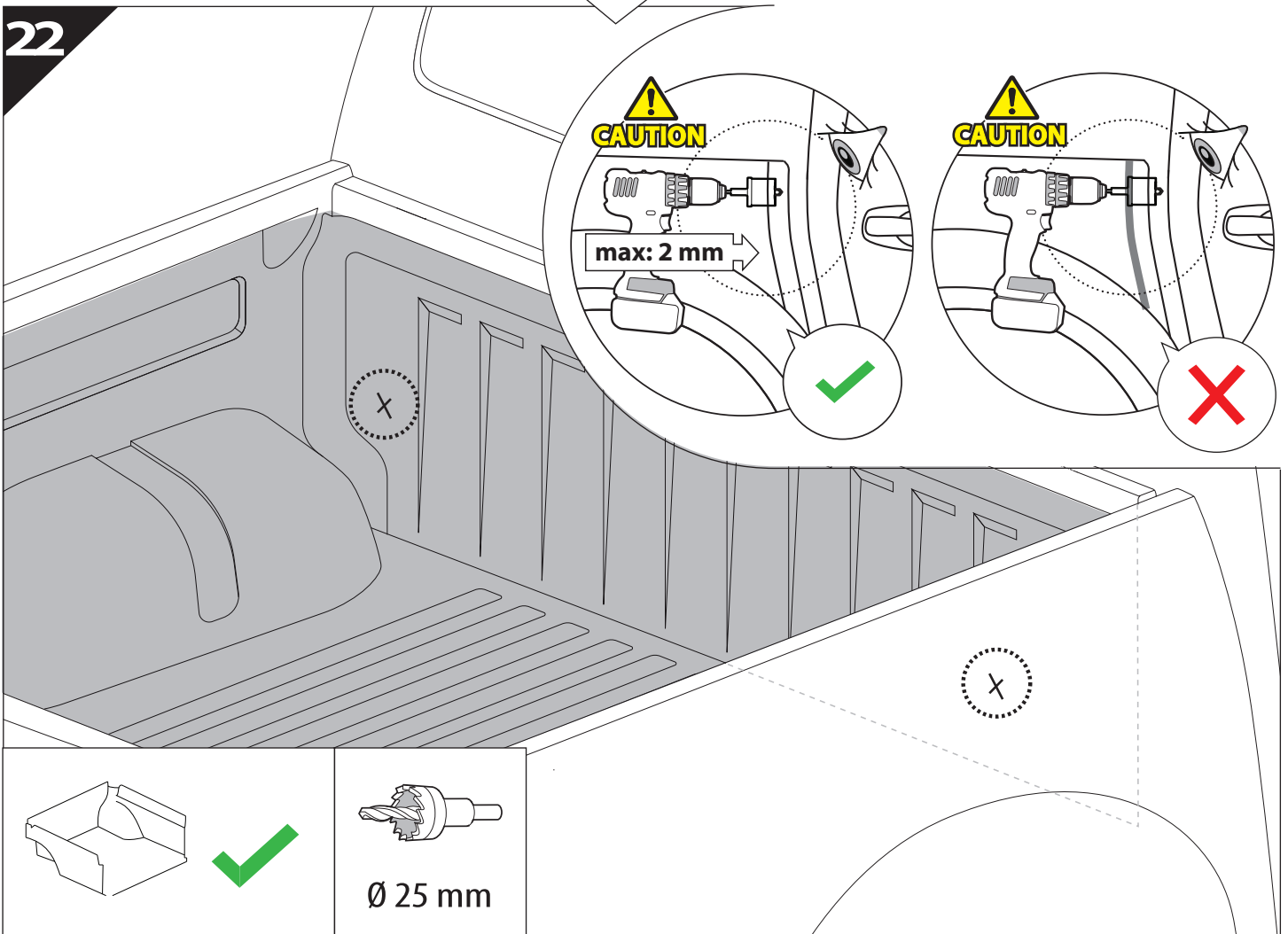
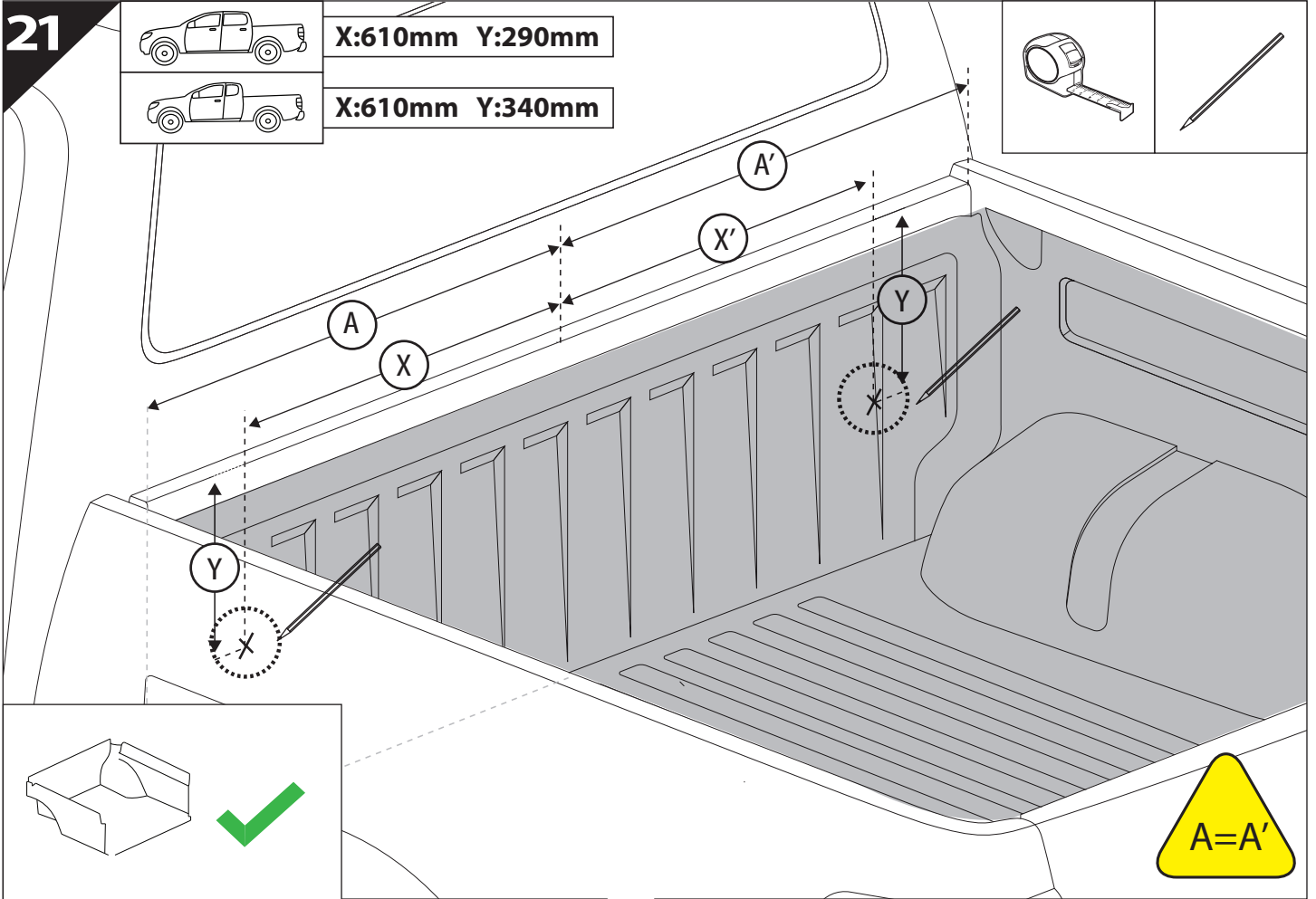


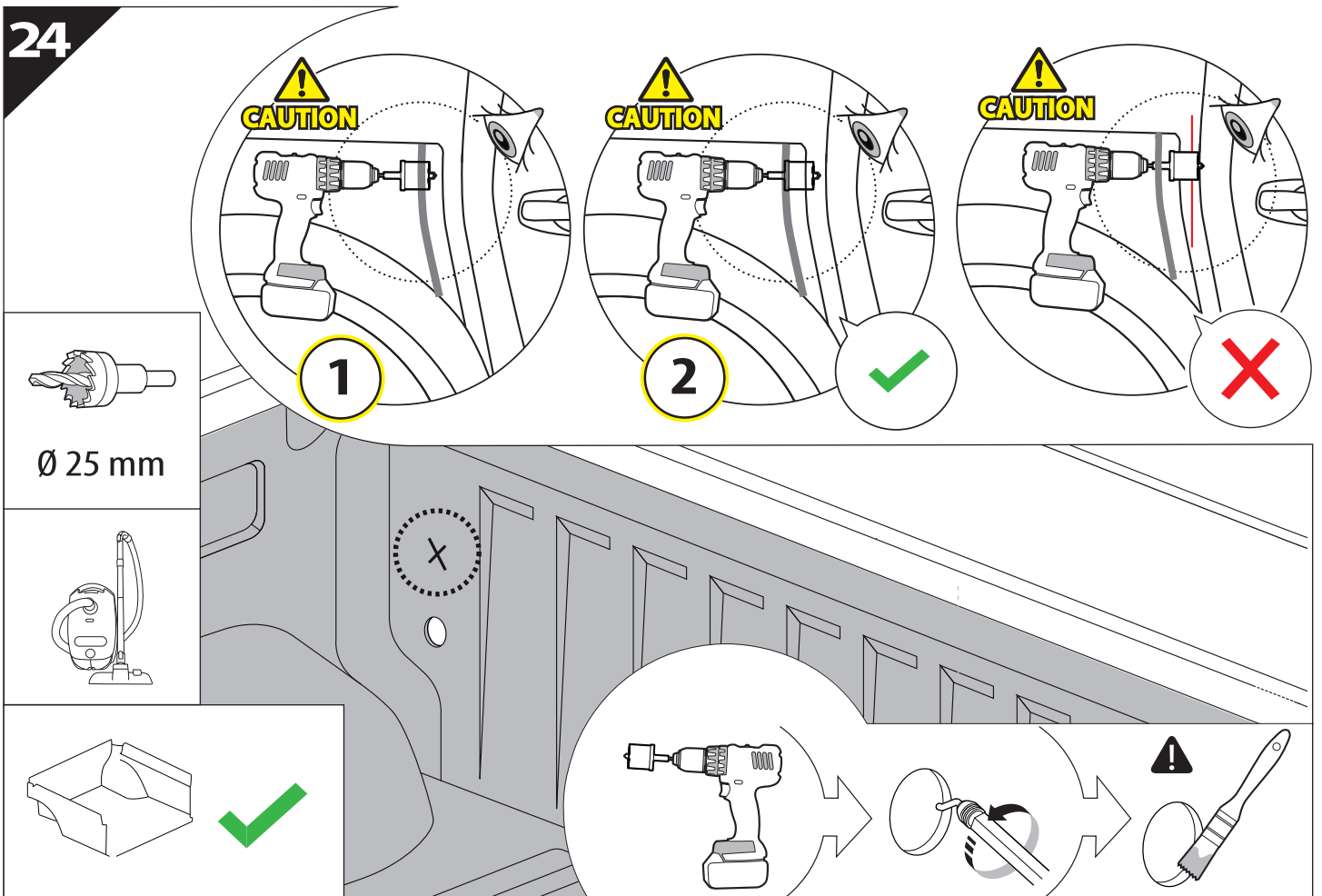
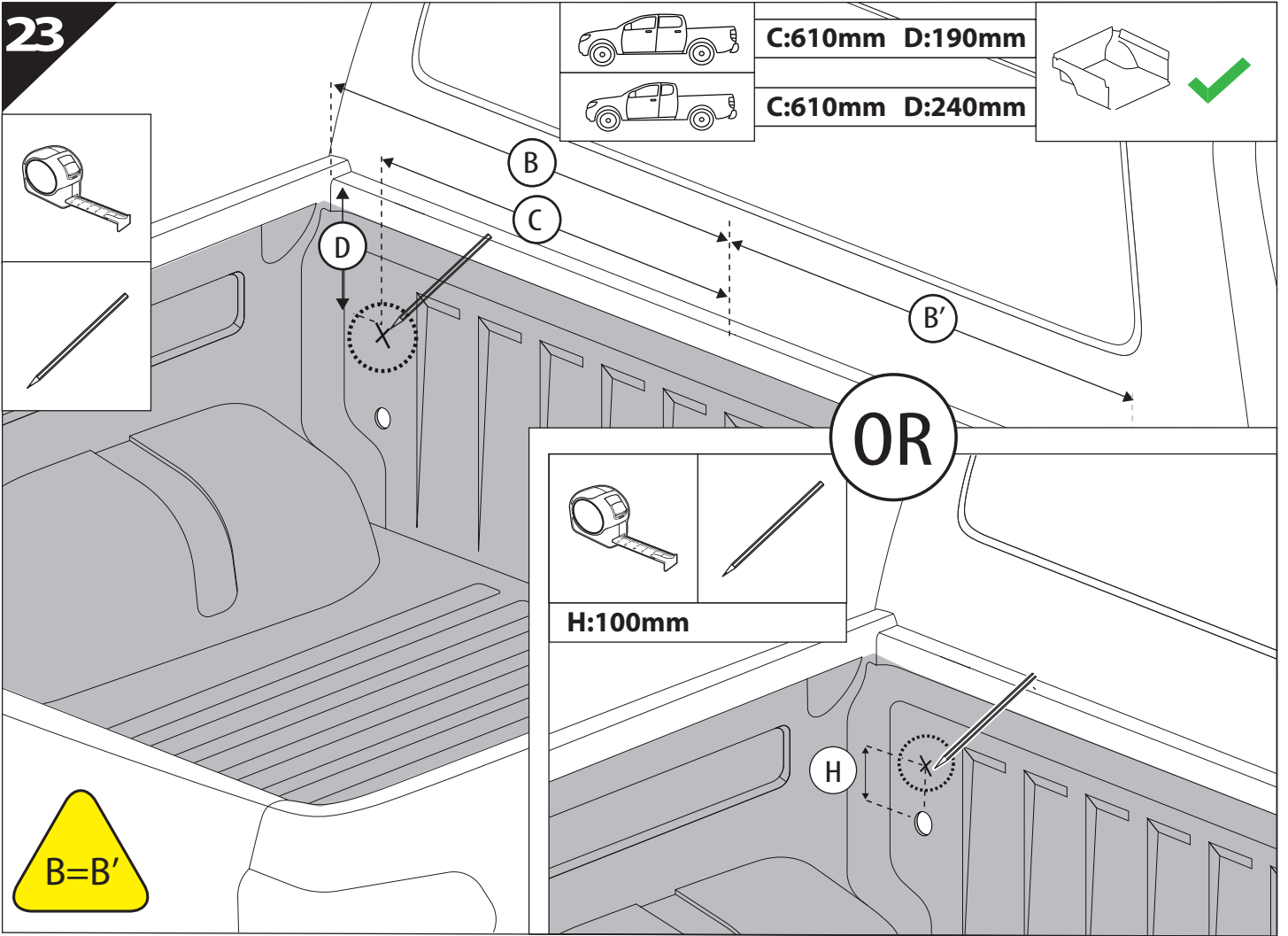


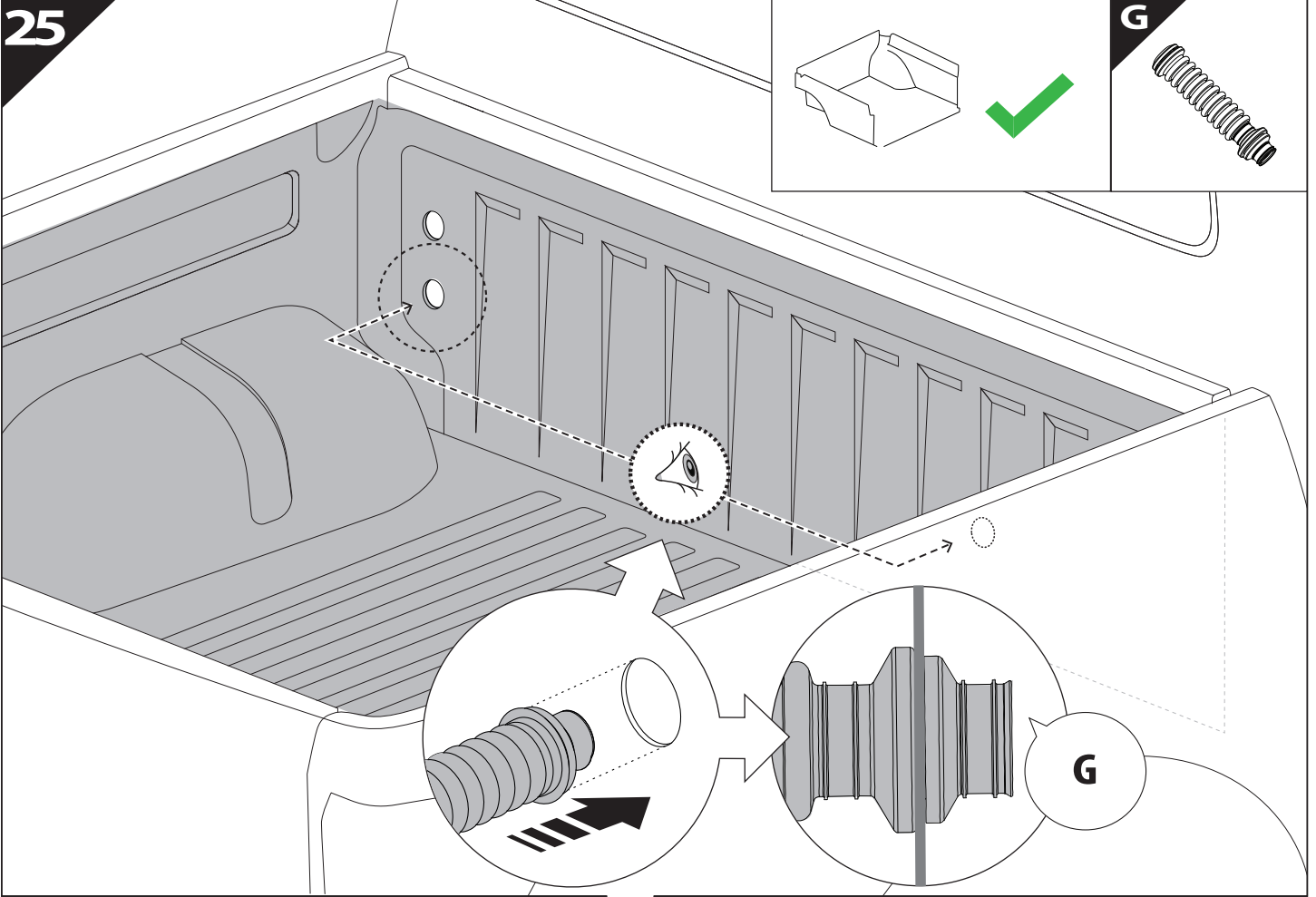




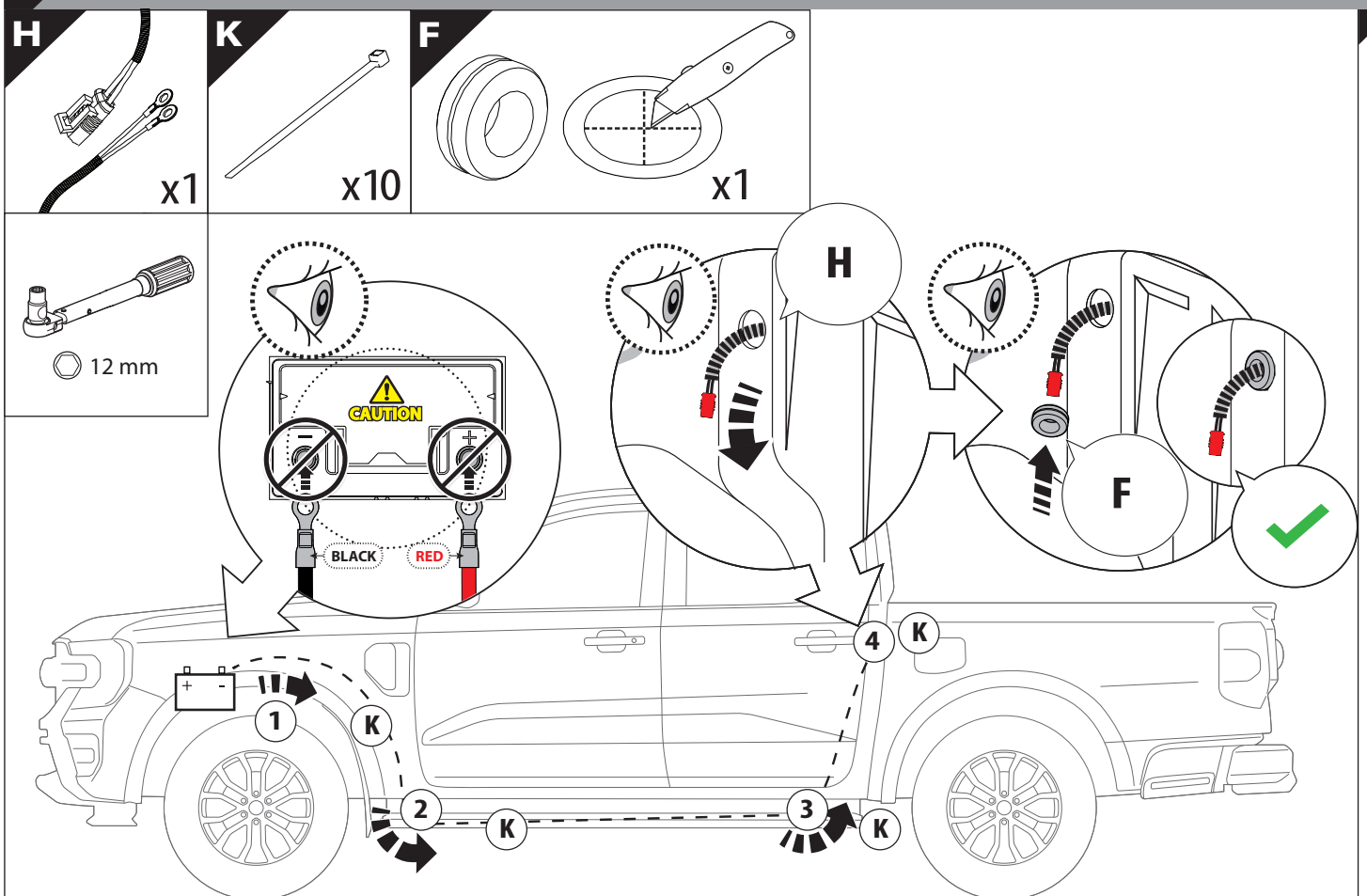




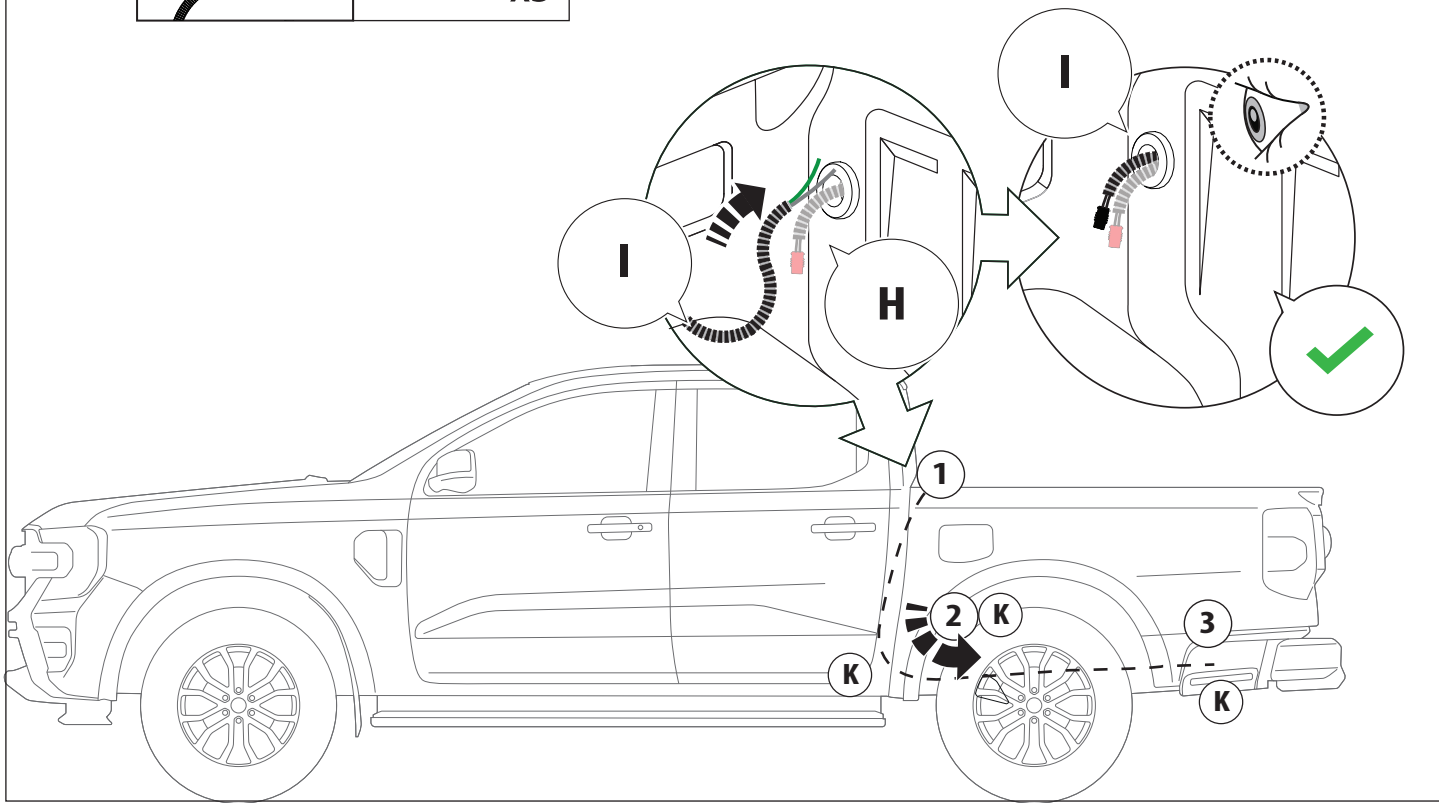
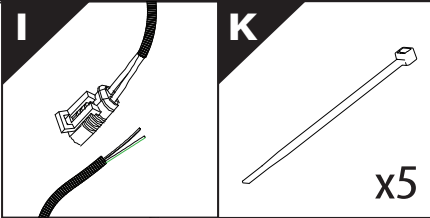




26 Only to be installed by authorized personnel



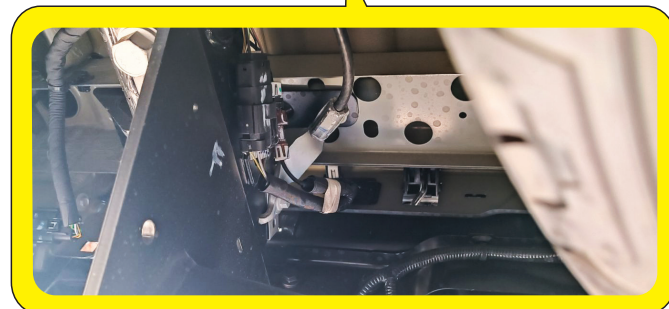
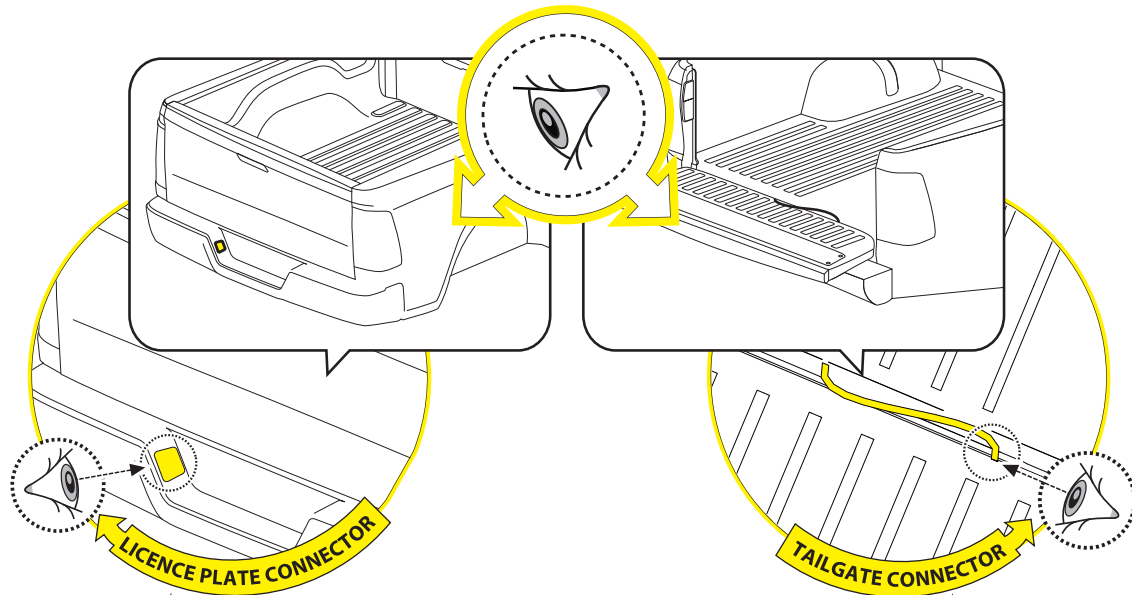
27



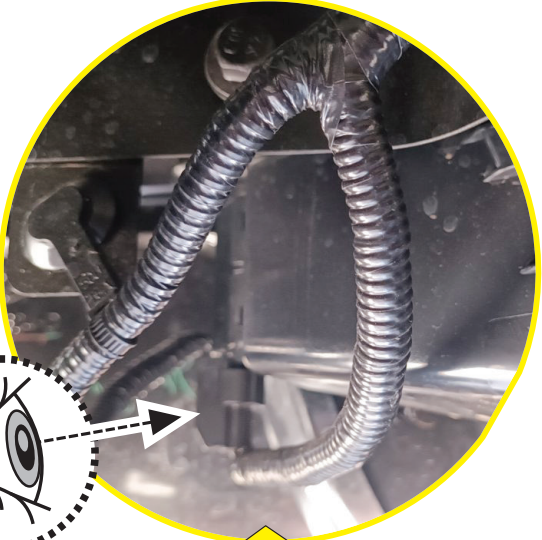
28



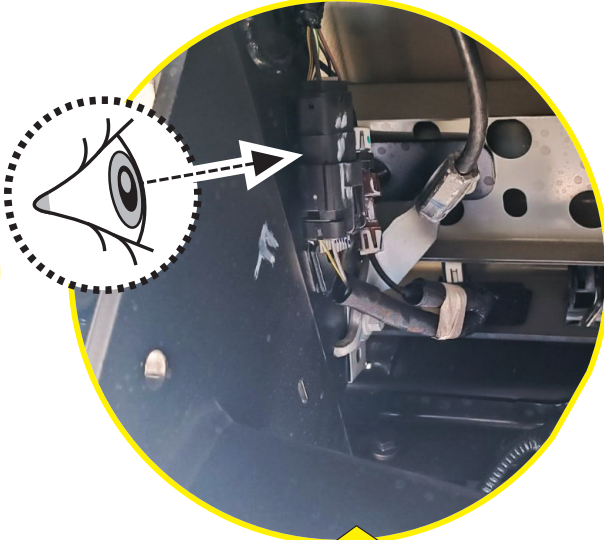
CAUTION: LIMITED, WILDTRAK, WILDTRAK X, PLATINUM



28. 1



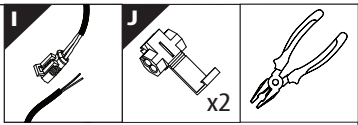
LICENCE PLATE CONNECTOR



TAILGATE CONNECTOR

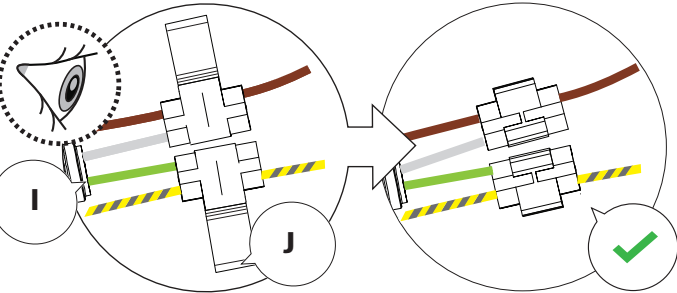
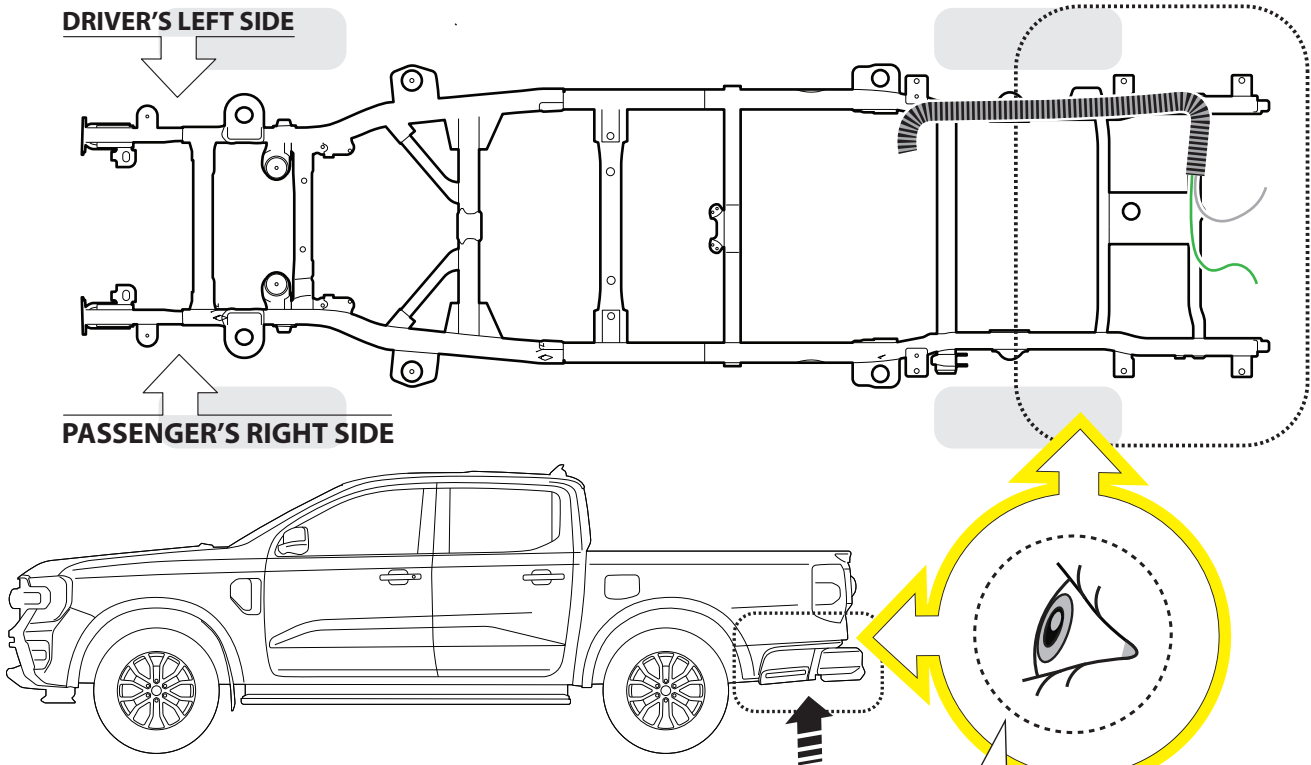
28. 2

BOTTOM VIEW

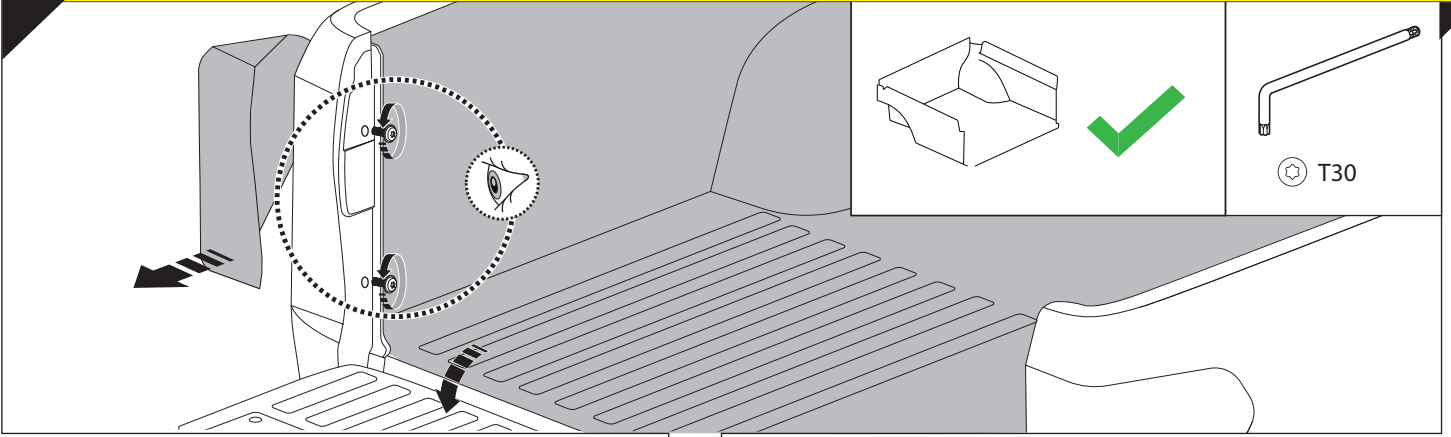


DRIVER'S LEFT SIDE

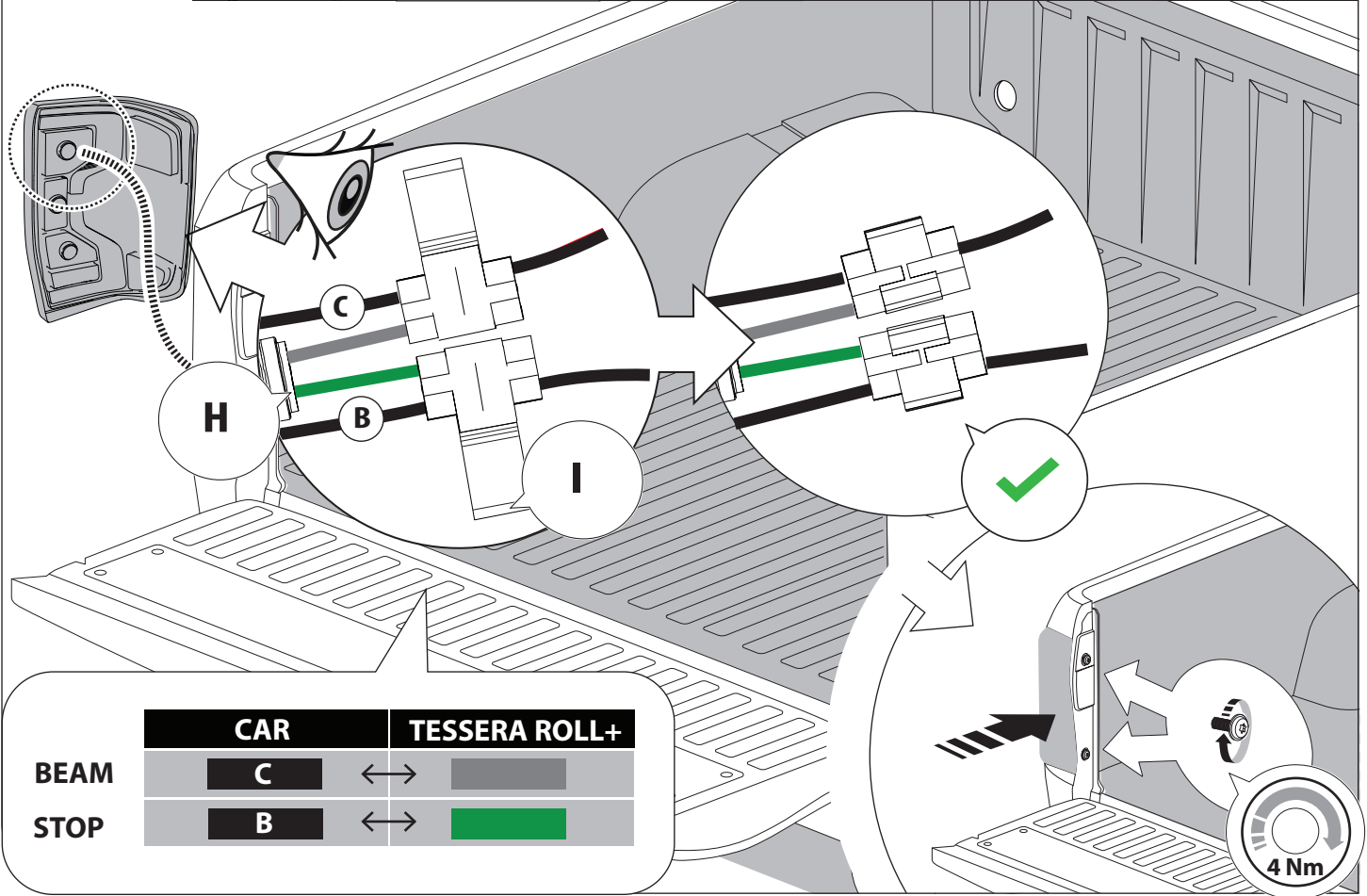
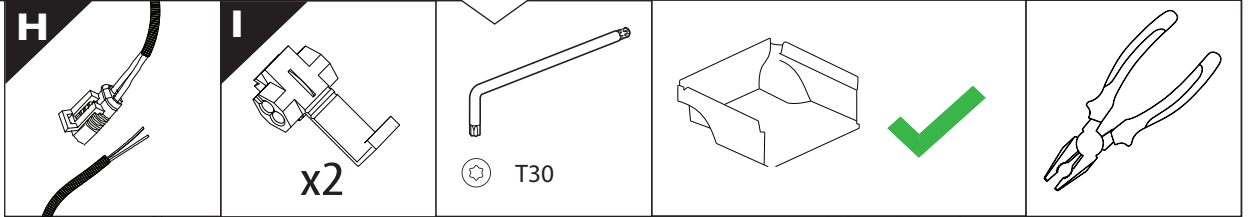
PASSENGER'S RIGHT SIDE



	CAR		TESSERA ROLL+
BEAM		↔	
LICENCE PLATE 2 PIN LIGHT CONNECTOR			
STOP		↔	
TAILGATE CONNECTOR			

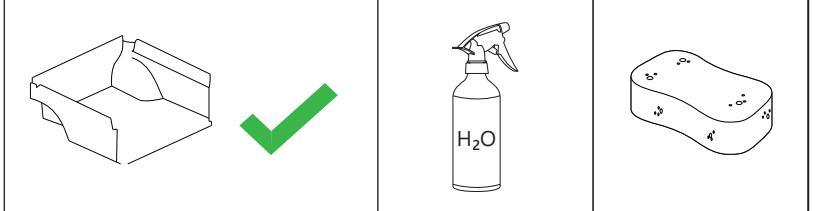
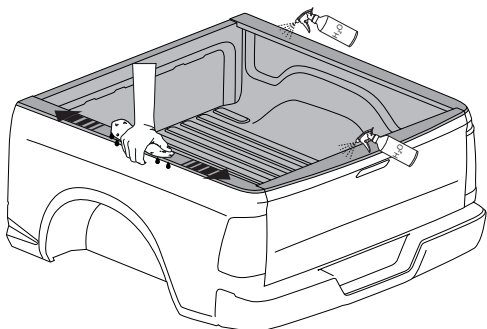


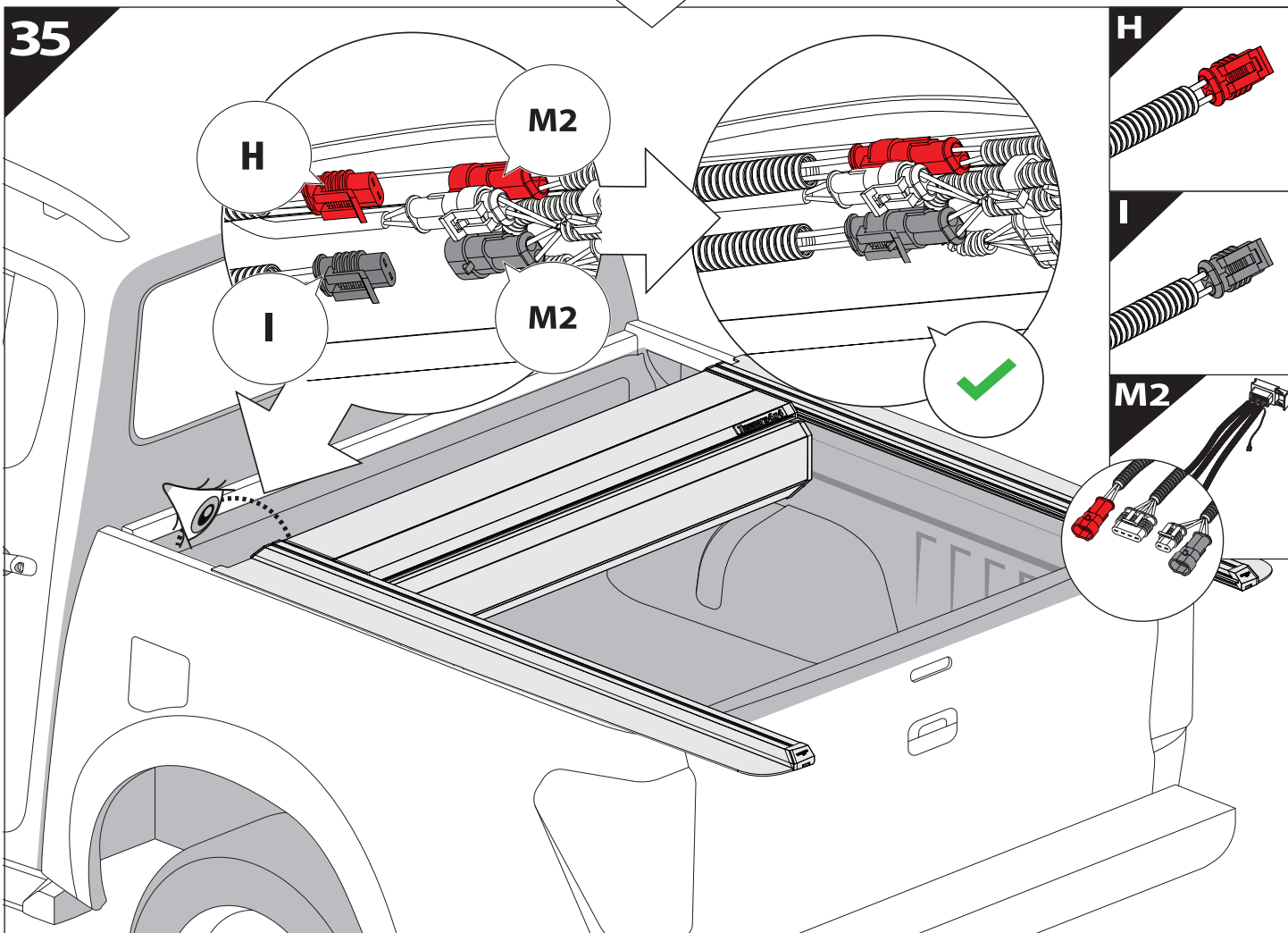
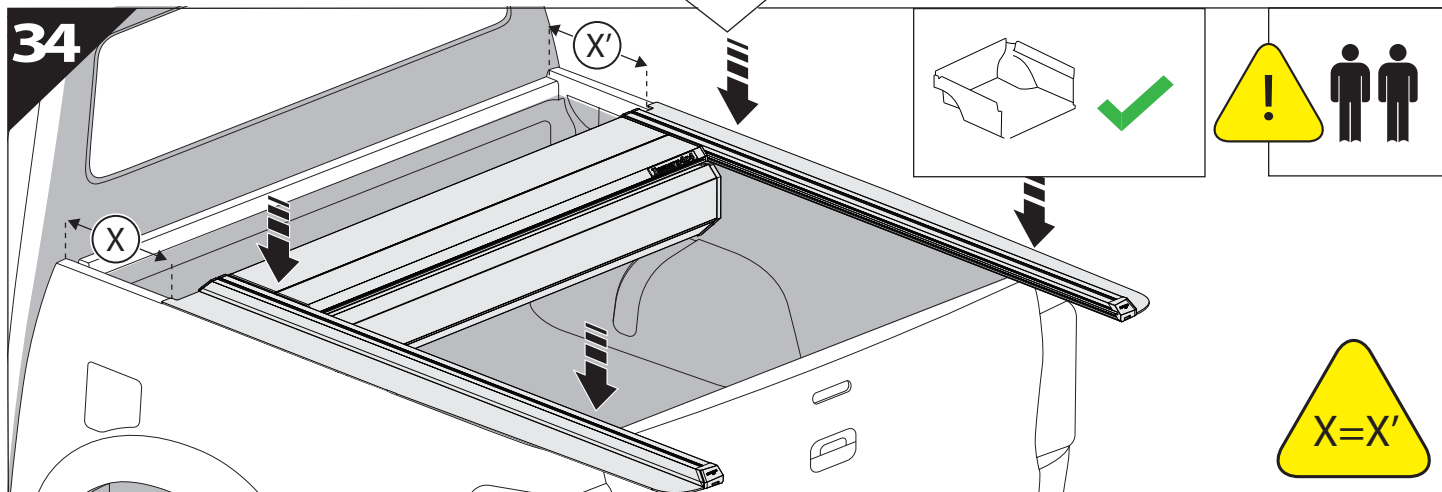
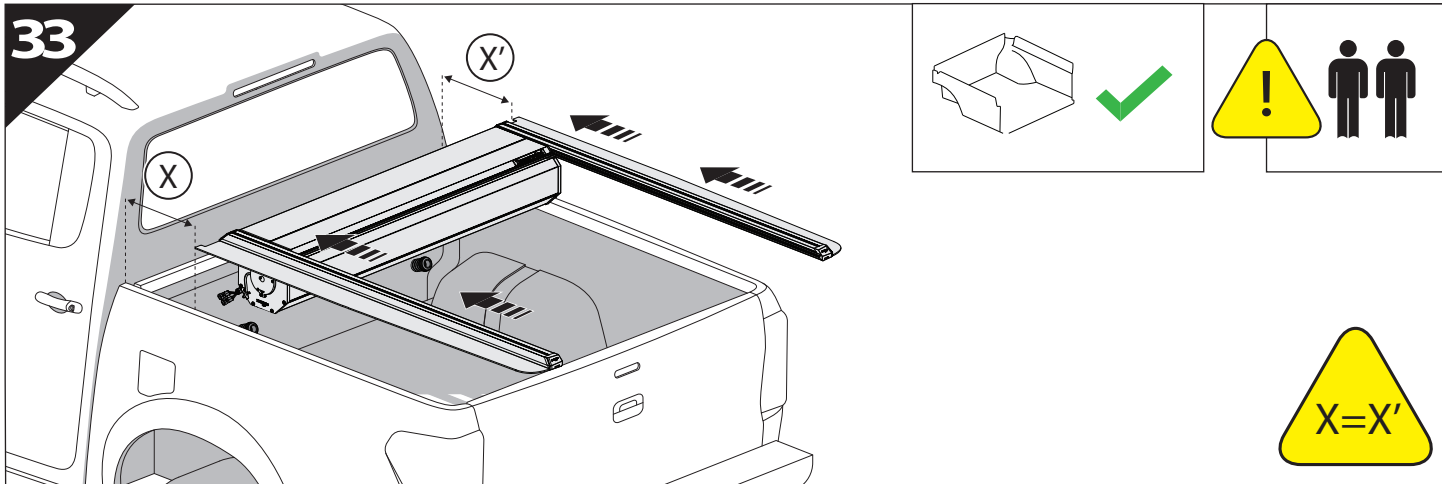
29.1



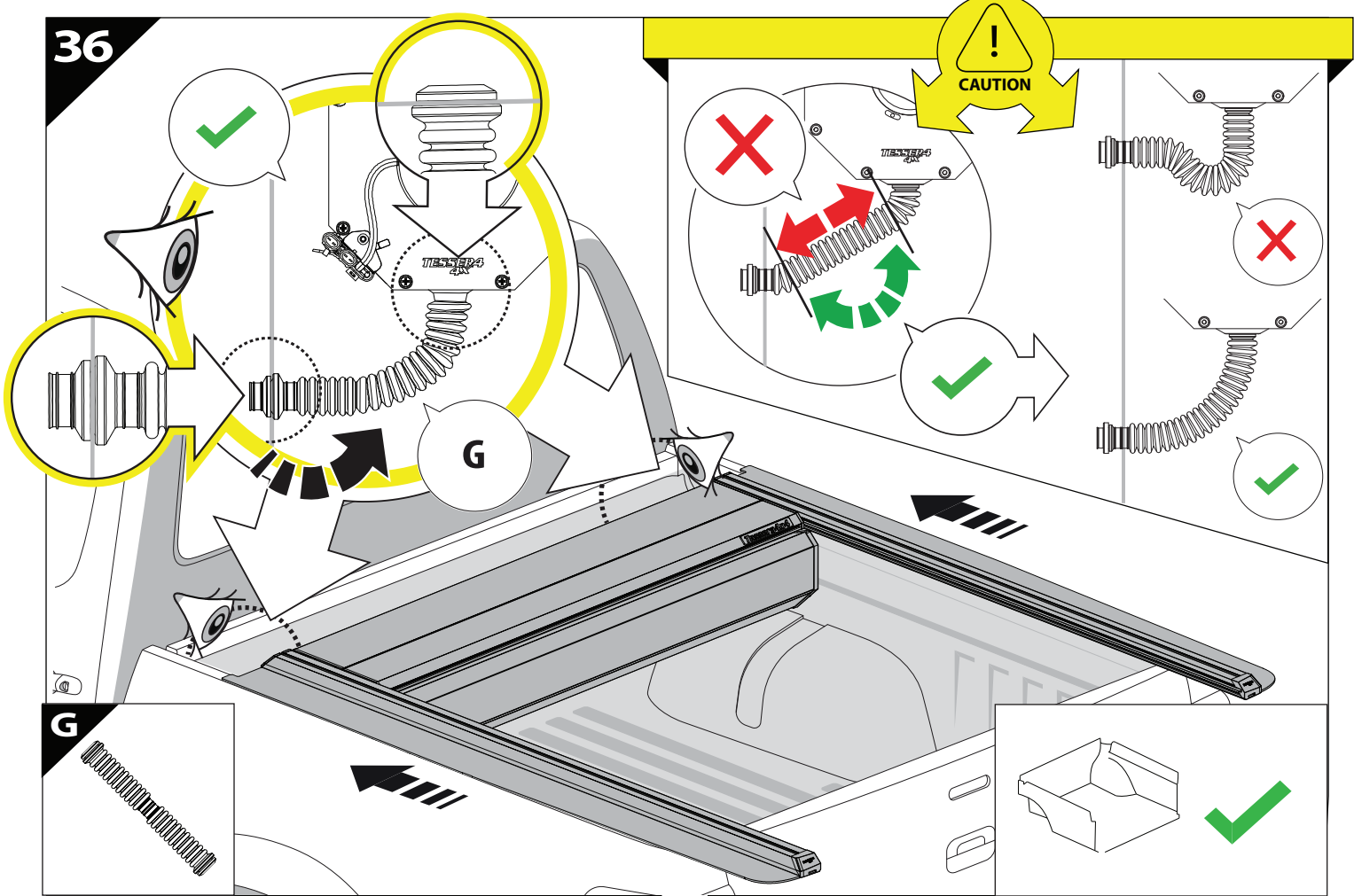
	CAR		TESSERA ROLL+
BEAM	C	↔	■
STOP	B	↔	■

30

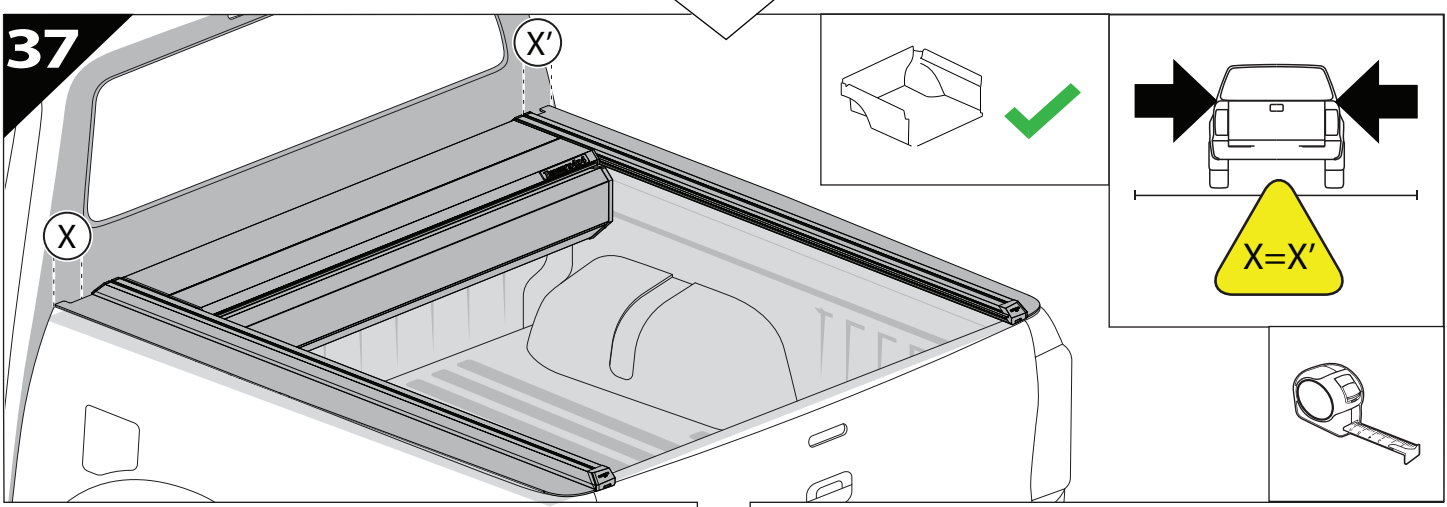




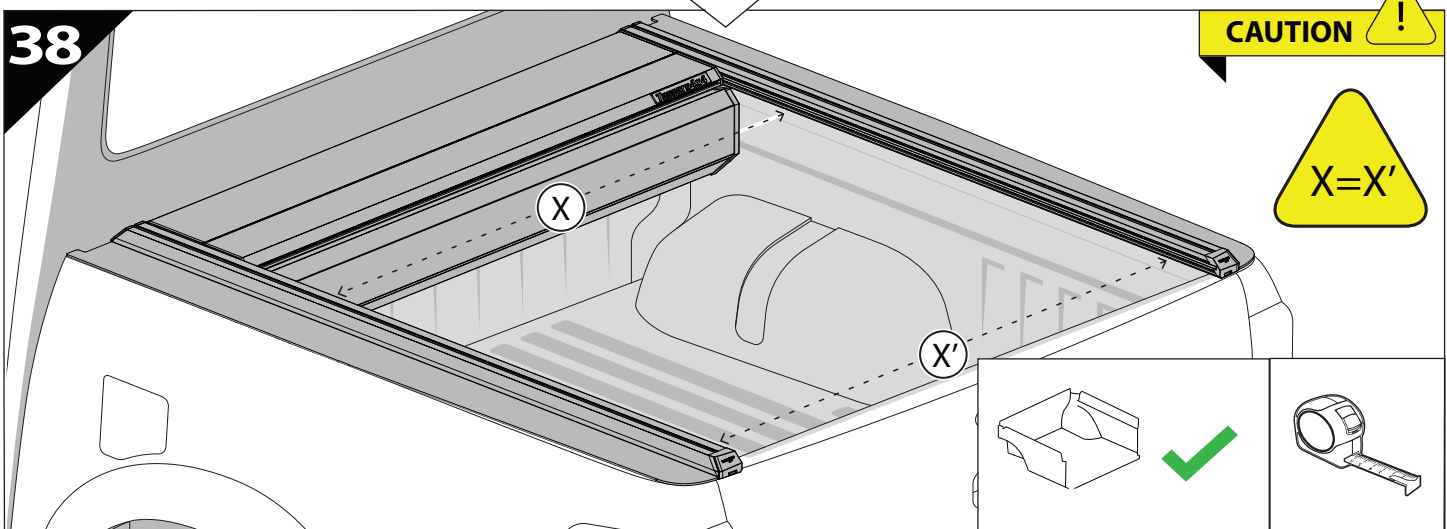
36

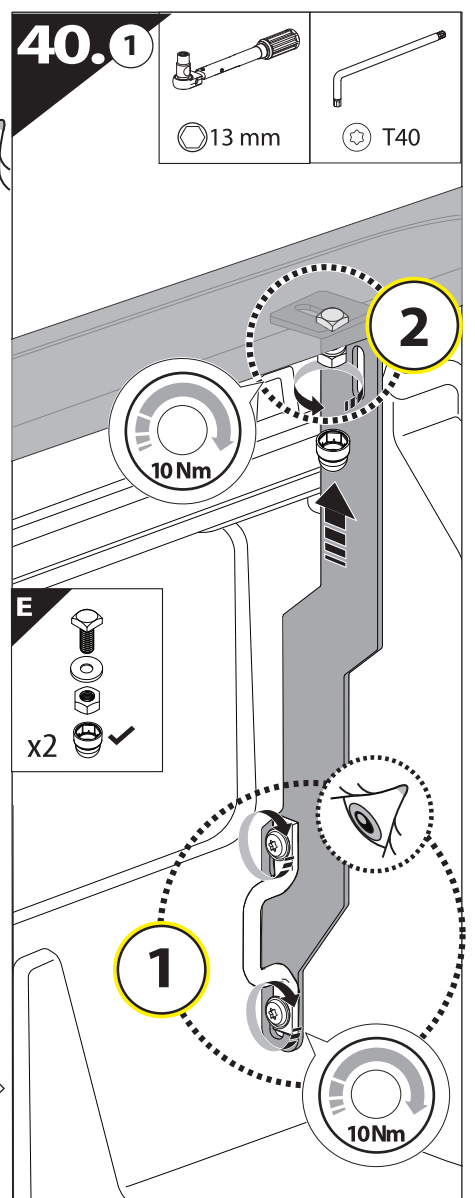
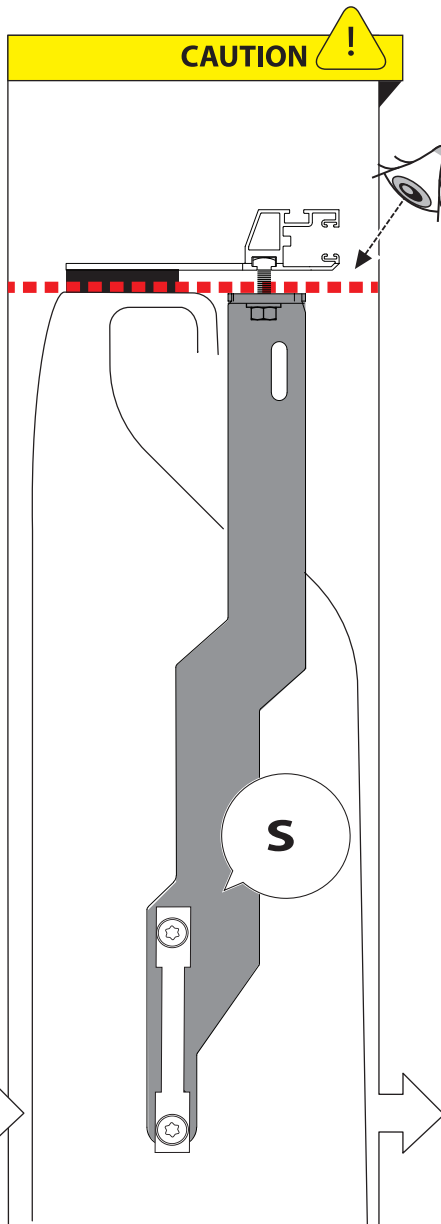
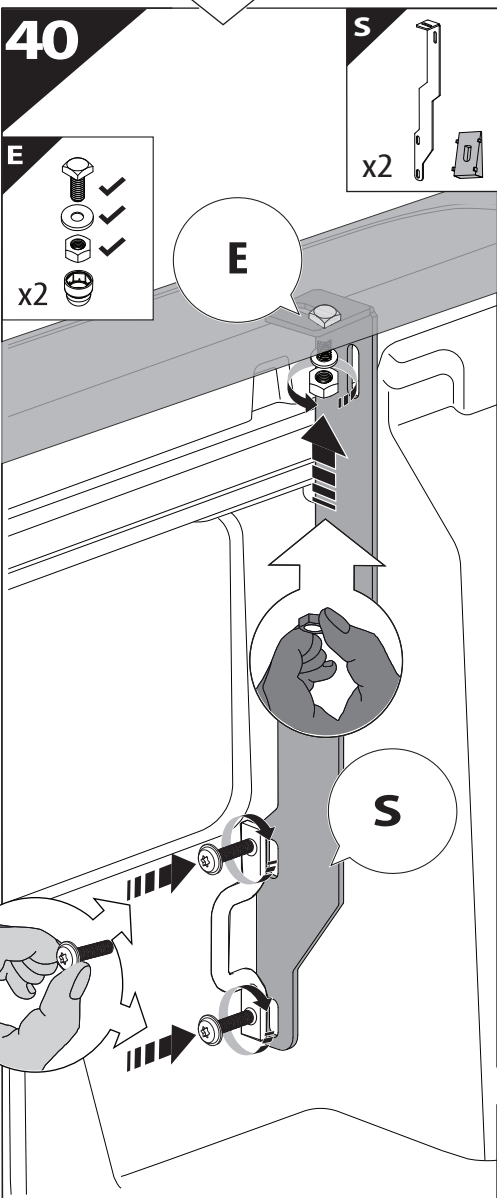
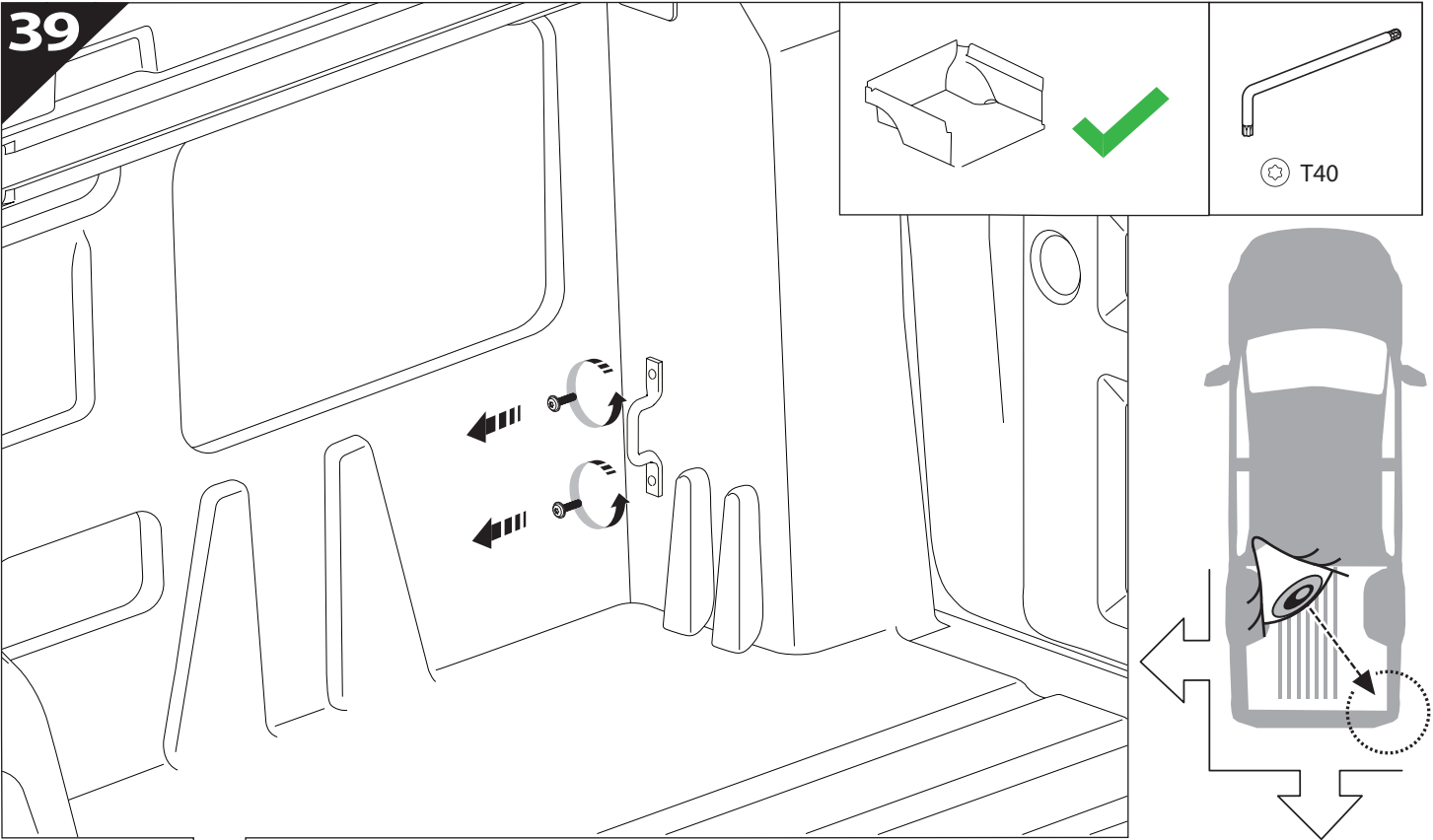


37



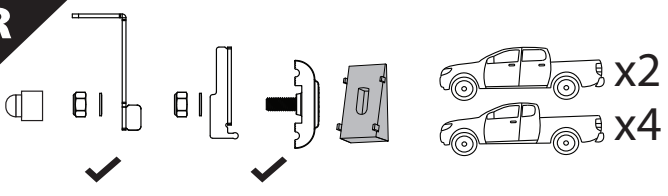
38



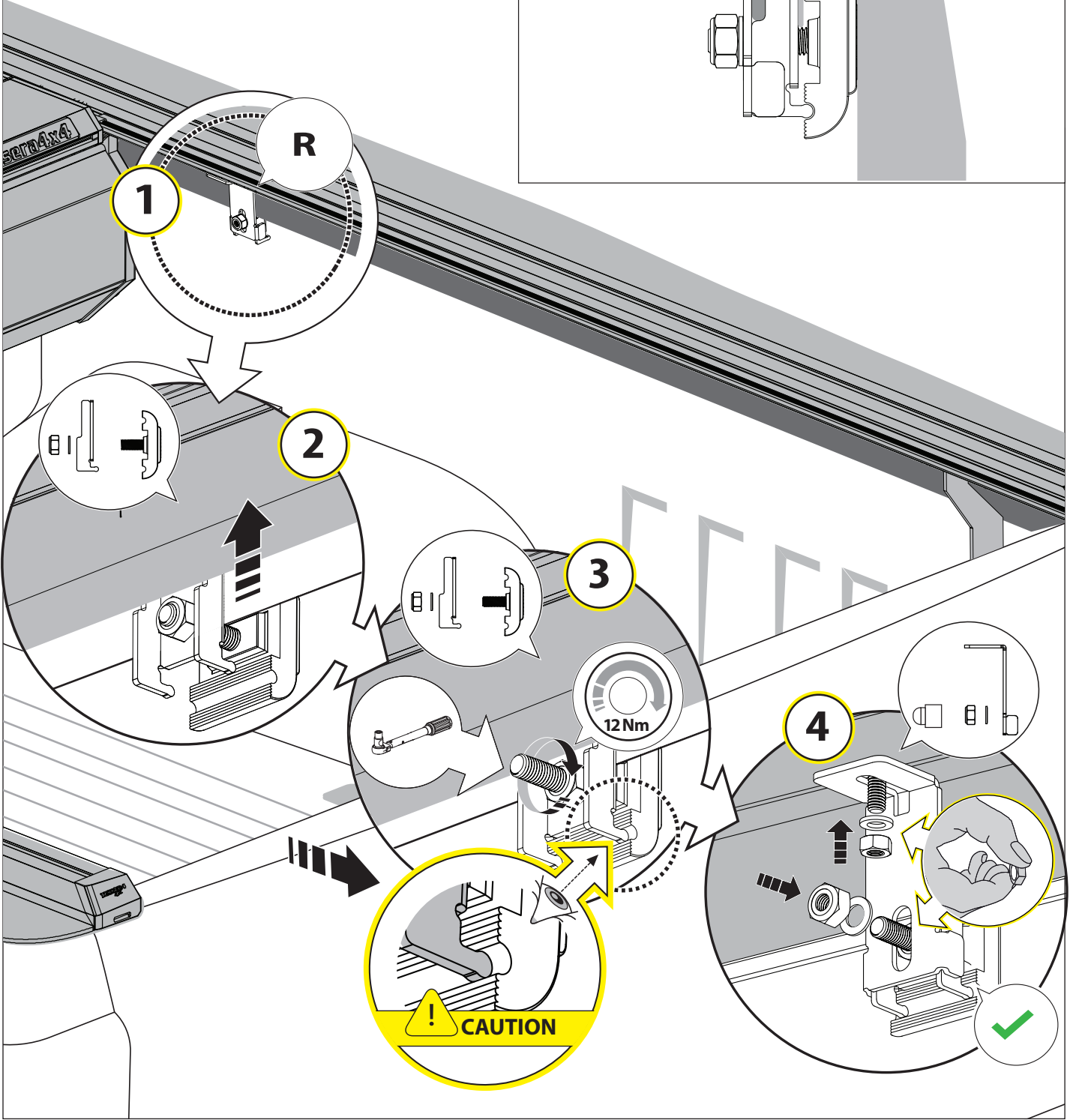
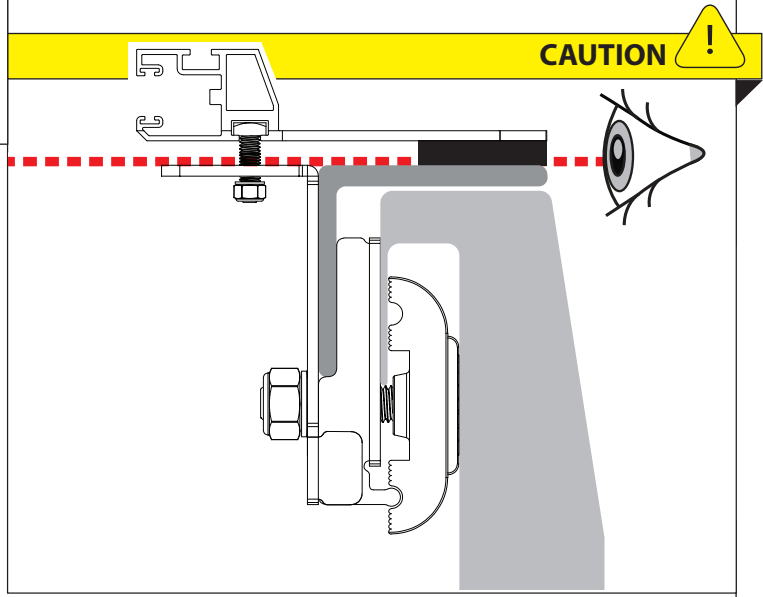
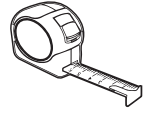
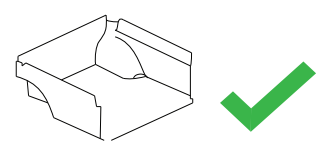
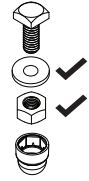


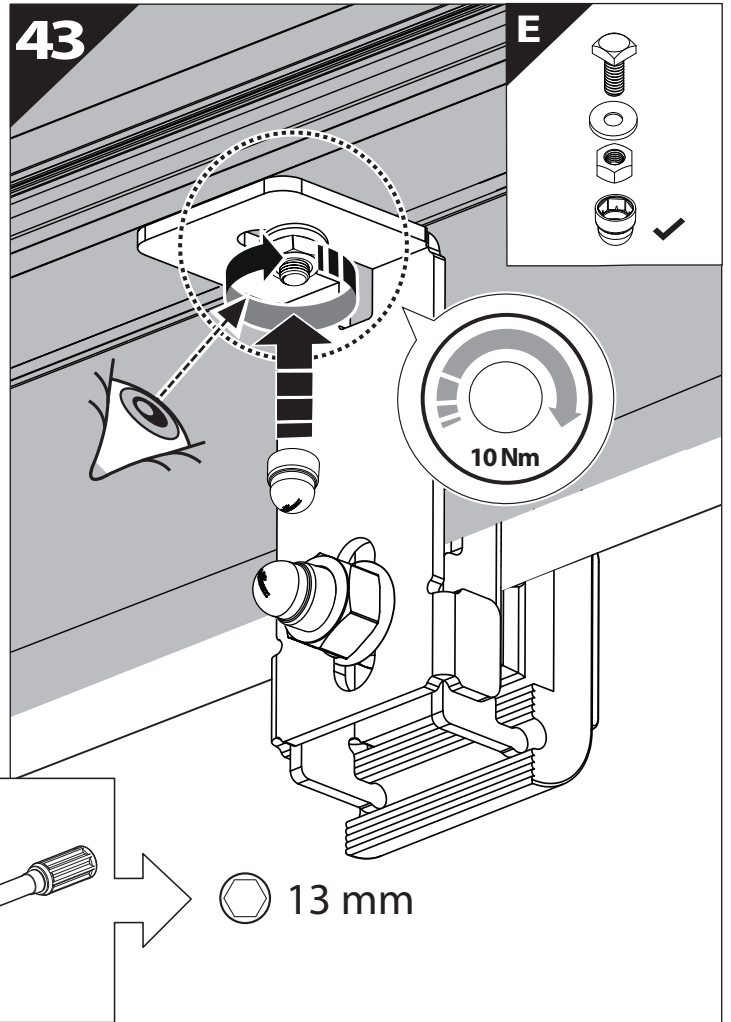
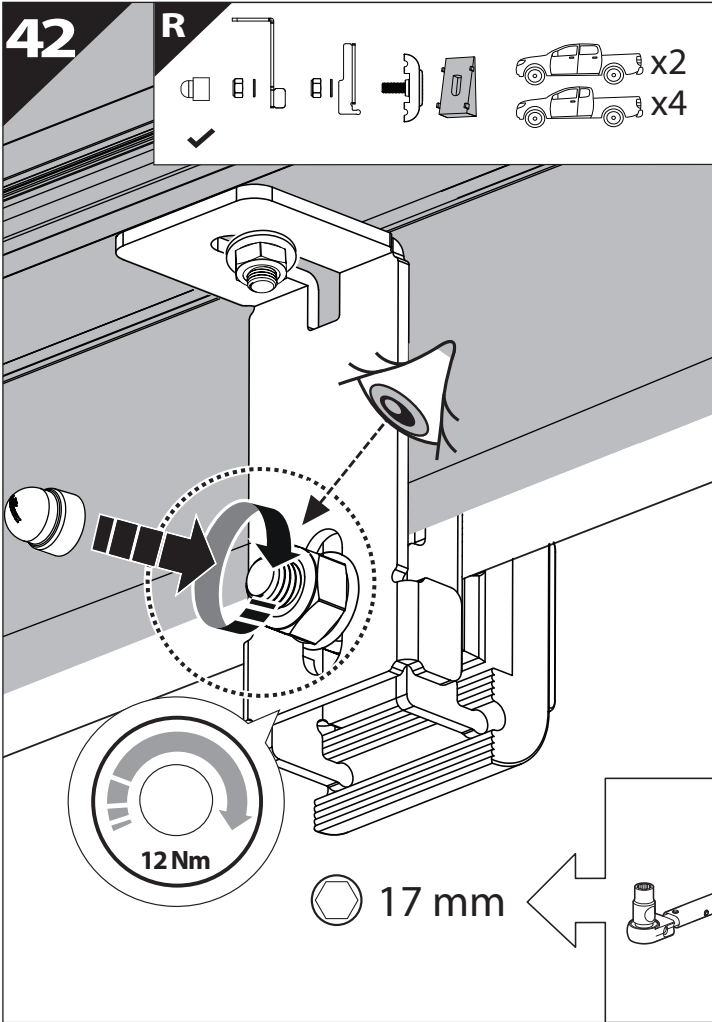
41

R

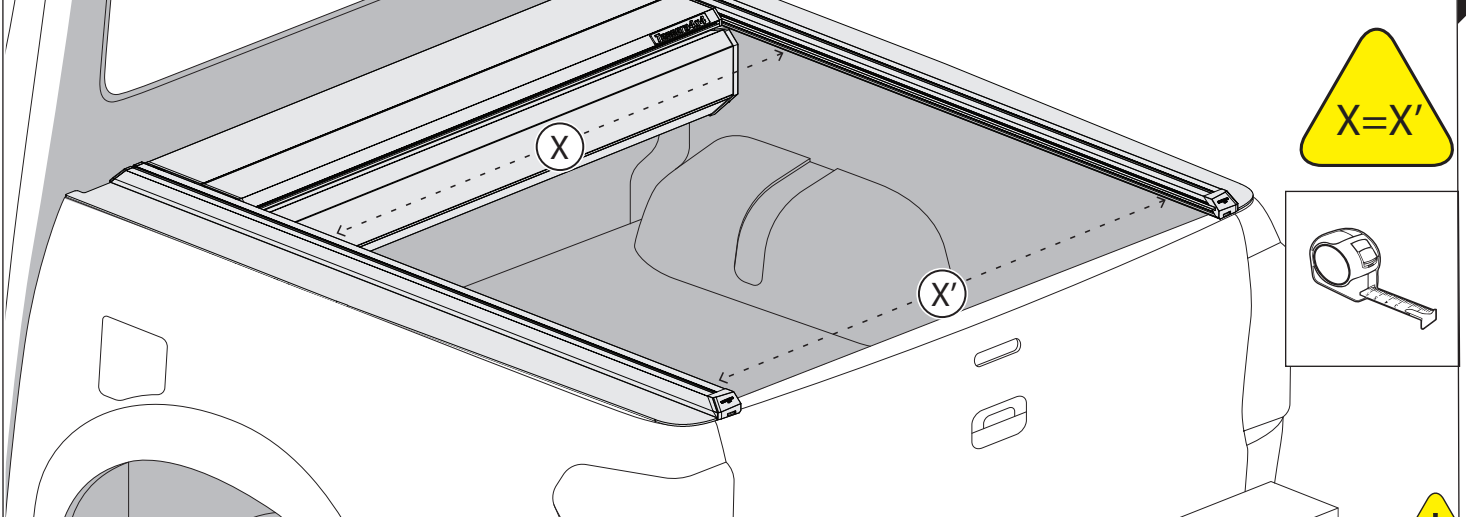


E

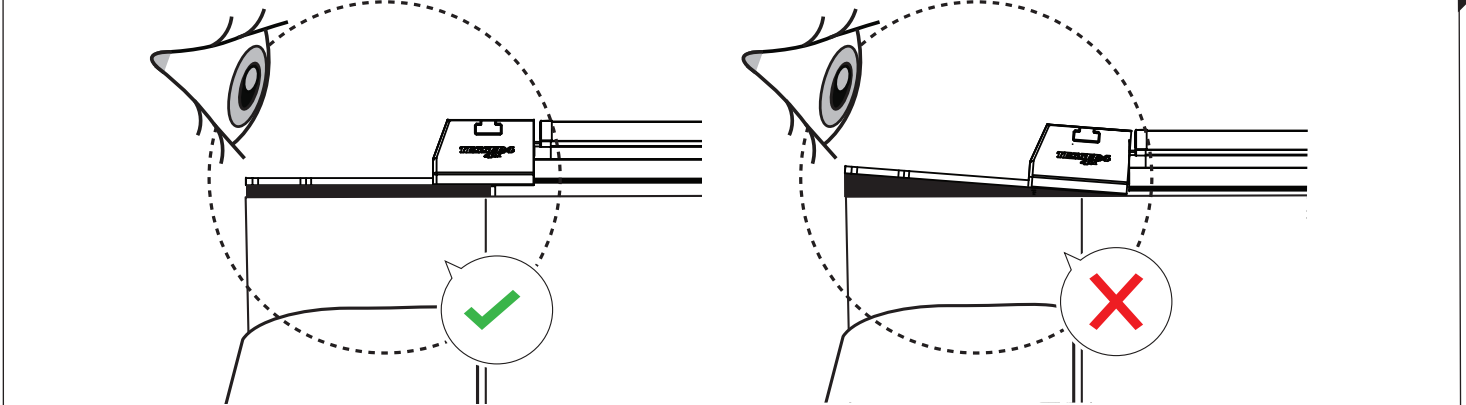




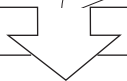
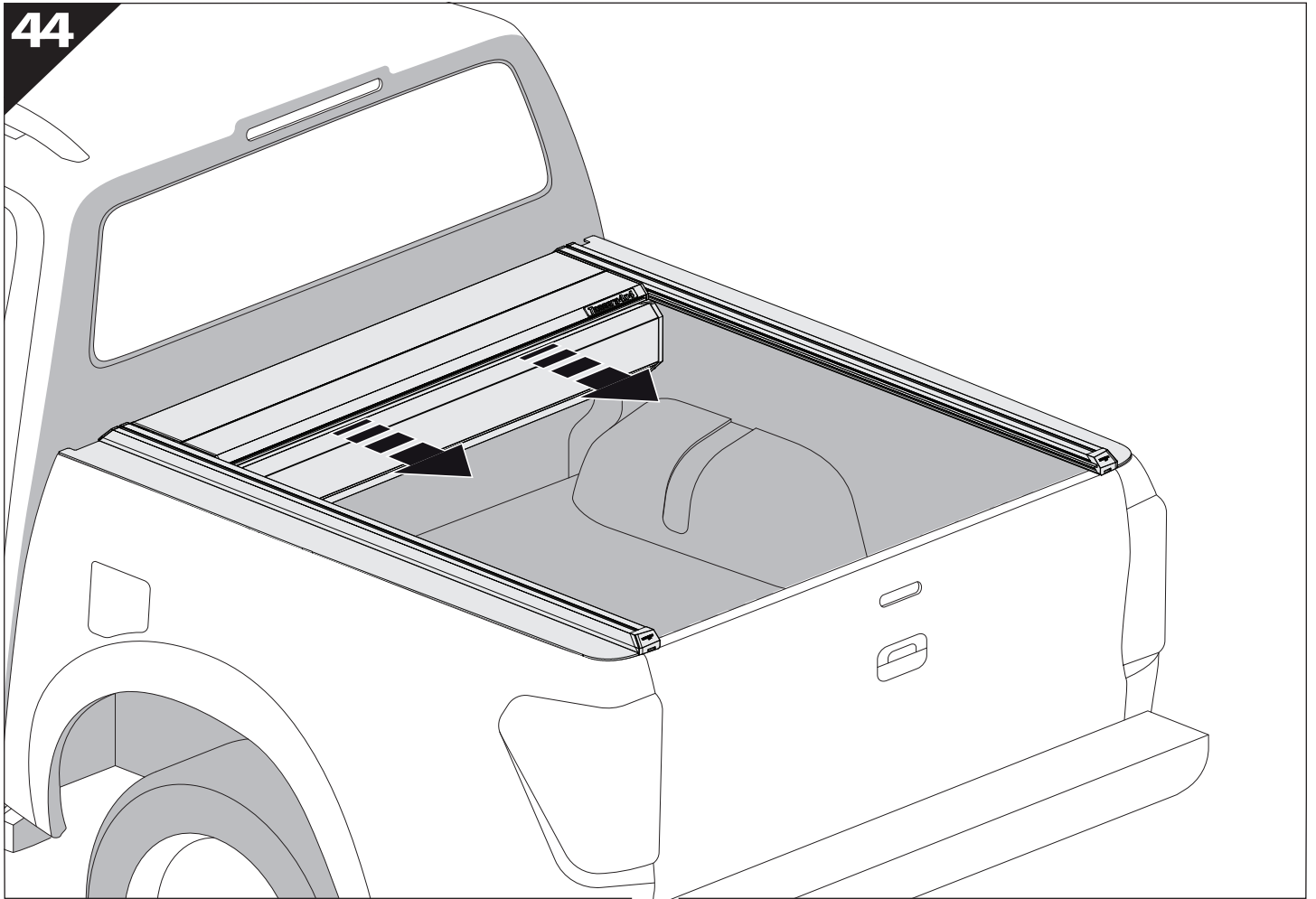
CAUTION !



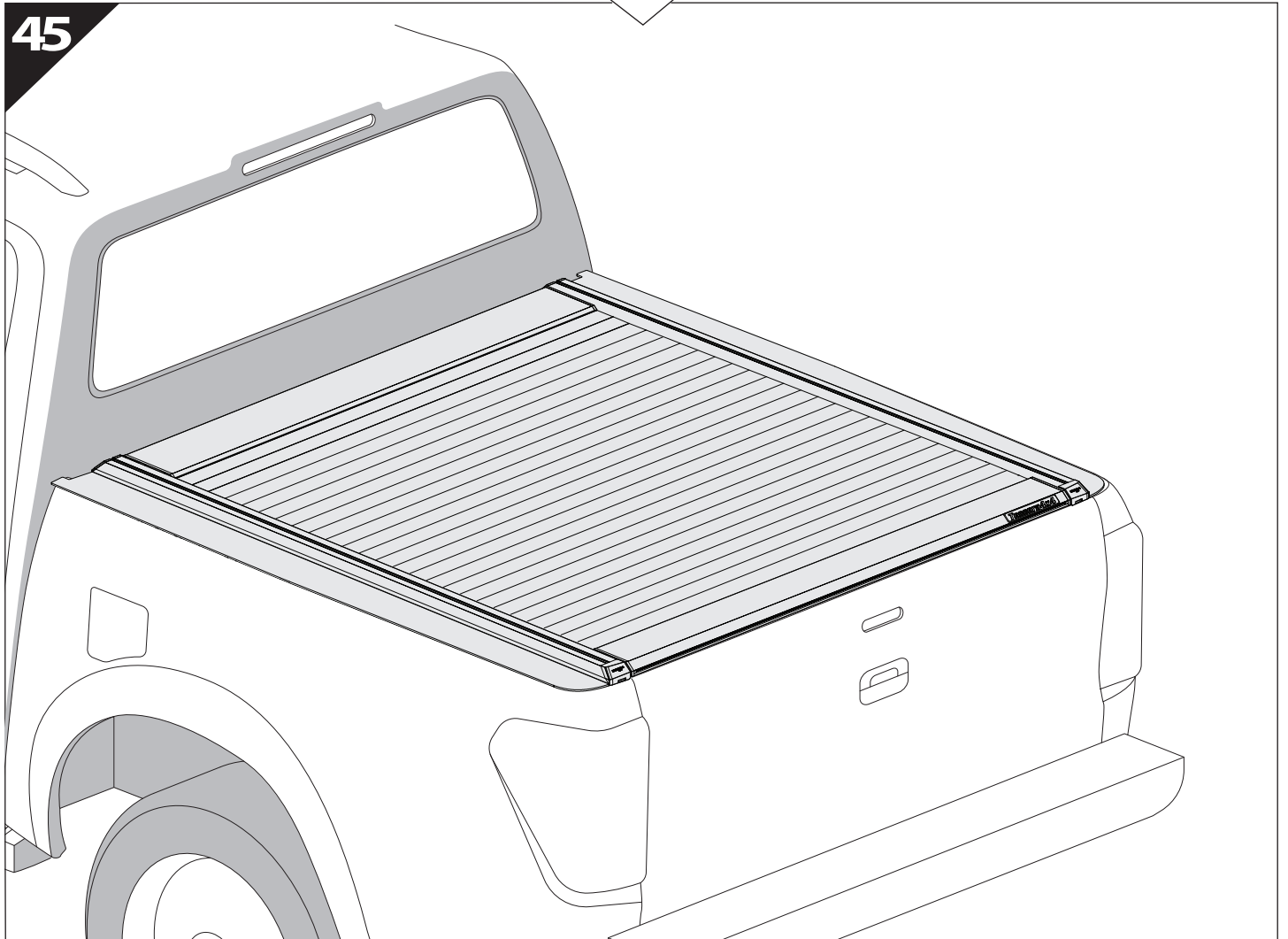
CAUTION !



44



45



GR: Οδηγίες Εγκατάστασης
GB: Installation manual
SF: Asennusohje
F: Notice de montage
PL: Instrukcja montażu
NL: Installatie-instructies
TR: Montaj Talimatı
S: Monteringsanvisning
E: Instrucciones de montaje

H: Szerelési utasítás
P: Instruções de instalação
RUS: Инструкция по установке
N: Monteringsveiledning
D: Einbauanleitung
CZ: Návod k instalaci
I: Istruzioni de montaggio
DK: Monteringsvejledning
RO: Instructiuni de instalare

Customer Service:

+30 (210) 5541161, +30 (210) 5541154 (08:00 - 16:00 EET)

Support department:

info@gianso.gr

Website:

www.tessera4x4.com

Address:

19.5 km of National road Athens-Korinthos (Elefsina) Greece, P.C: 19200