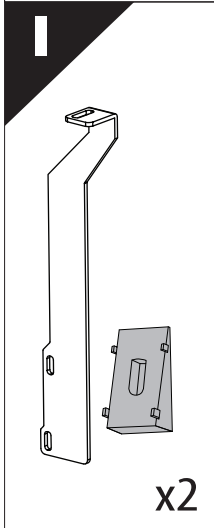
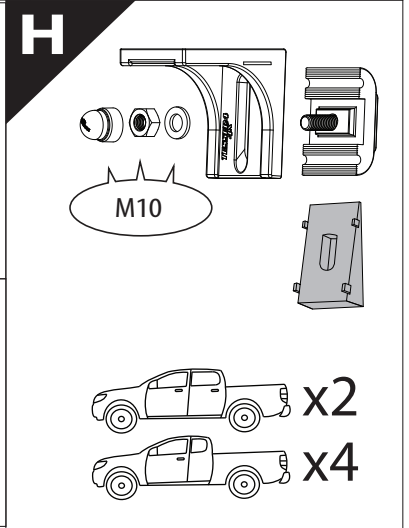
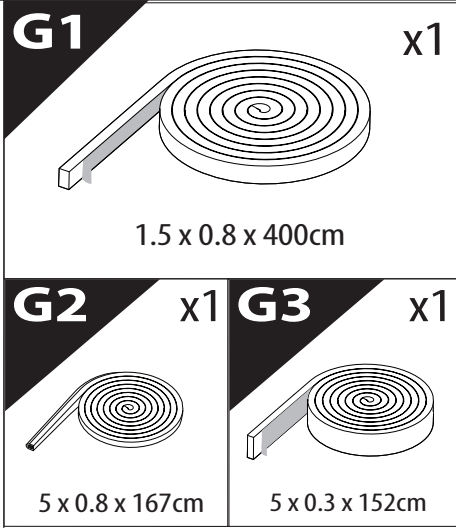
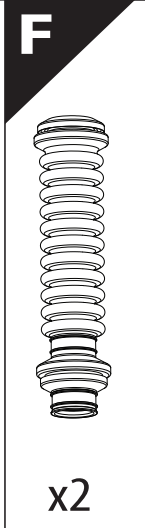
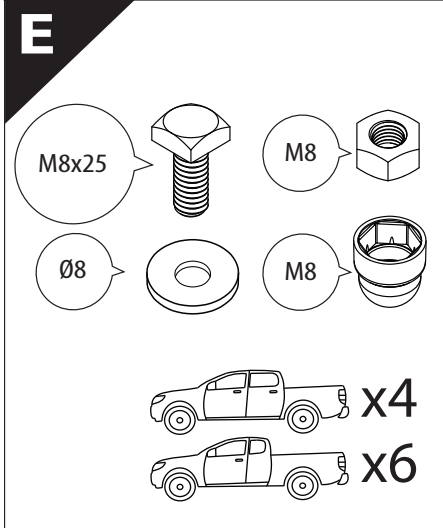
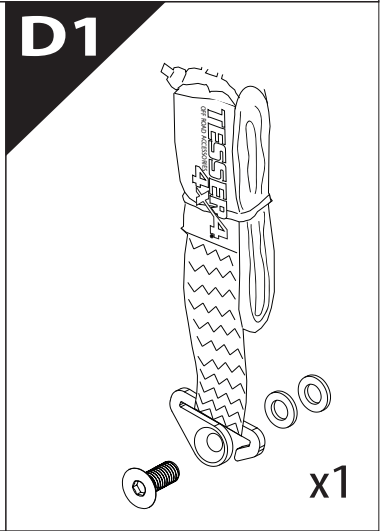
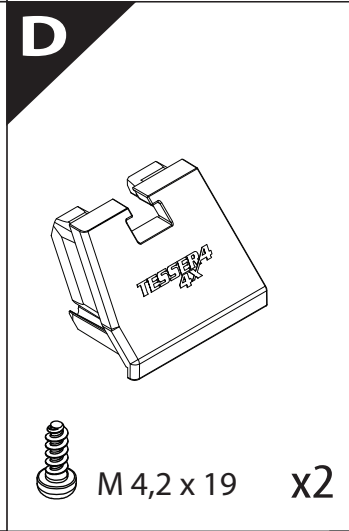
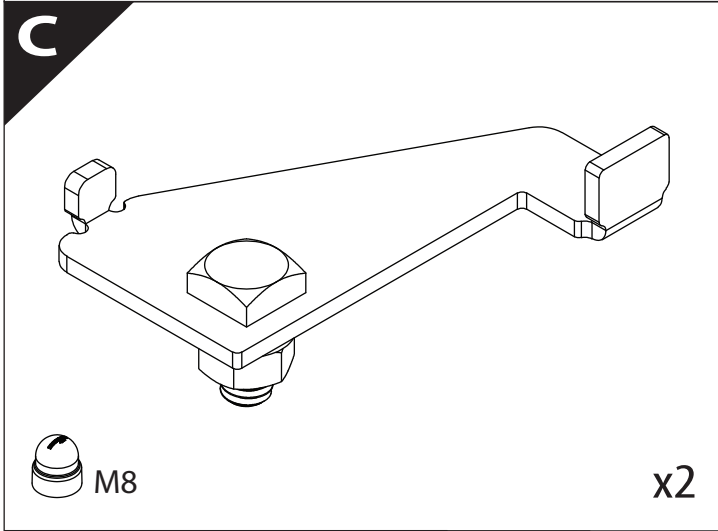
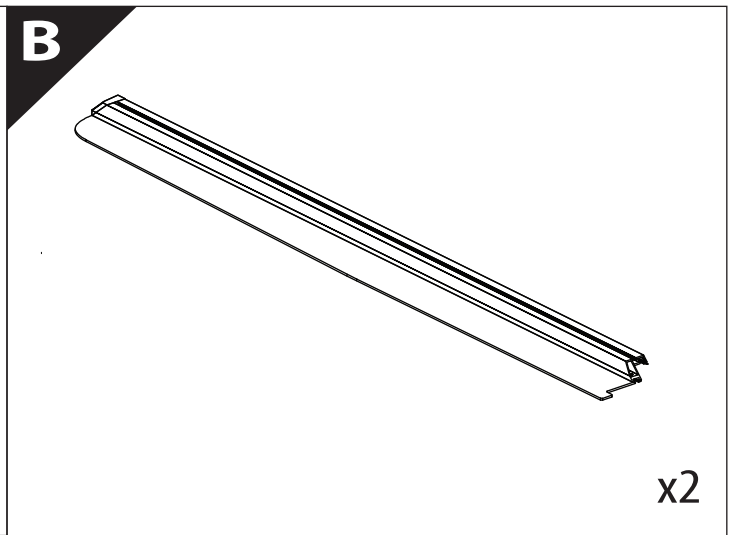
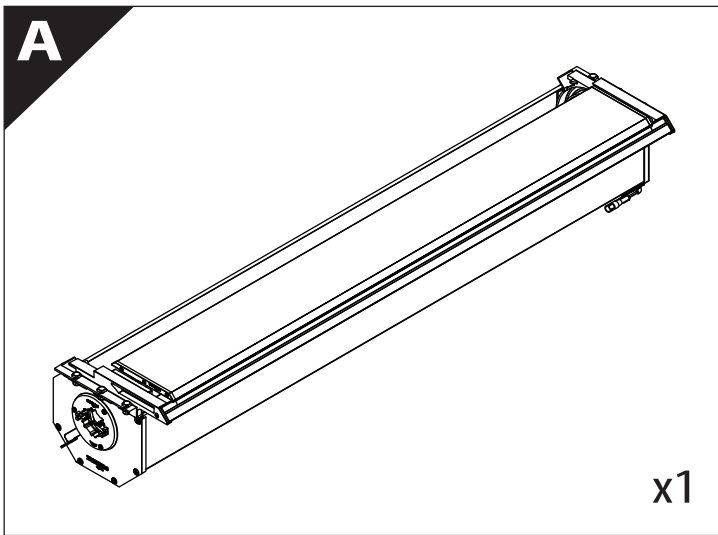
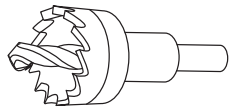


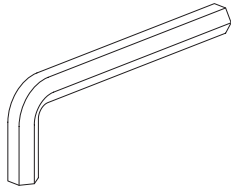
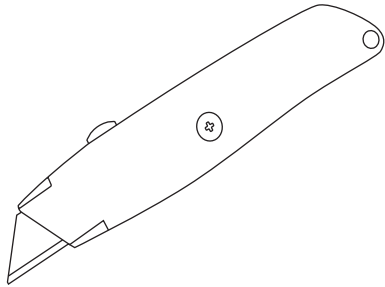
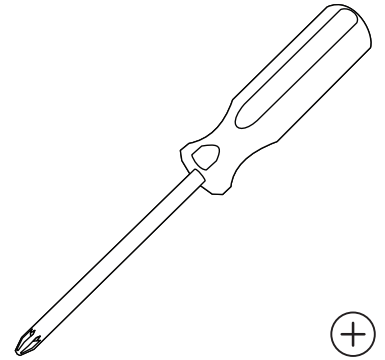
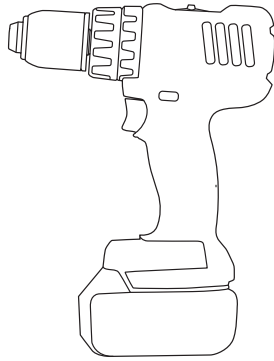
Installation Manual

| PART NUMBER(S) | Model Year |
|-----------------------------------|------------------------------------------|
| TESS 1506 SE | FORD RANGER 2012+ / 2016+ / 2020+ |
| TESS 1507 SE | |
| Cab(s) | Installation Time / Weight |
| Double Cab & Space cab | 40-60 minutes / 53-57 kg |



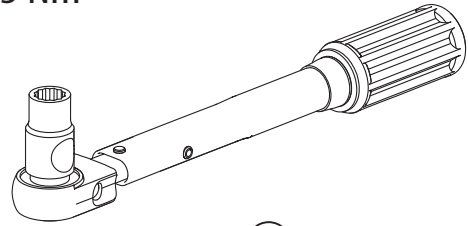


Ø 25 mm / Ø 40 mm



4 mm

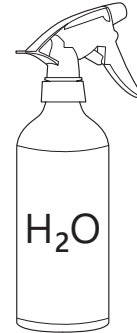
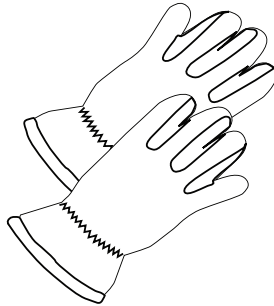
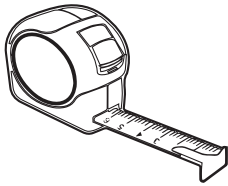
1 - 25 Nm



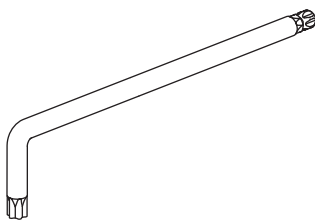
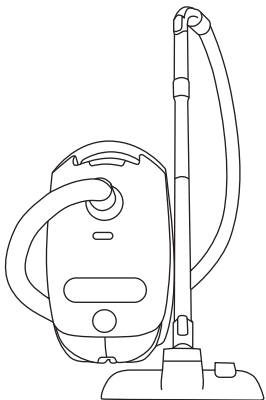
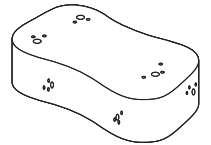
13, 17 mm



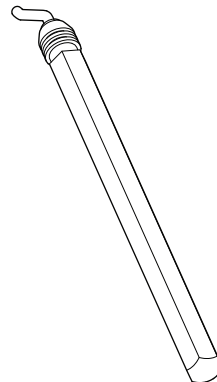
ACETONE



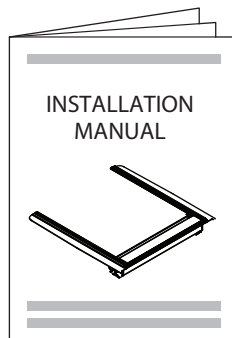
H₂O



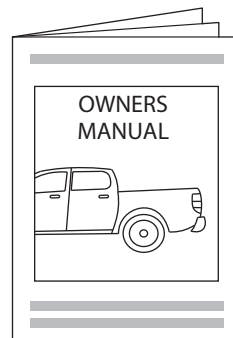
T40



ANTI-RUST

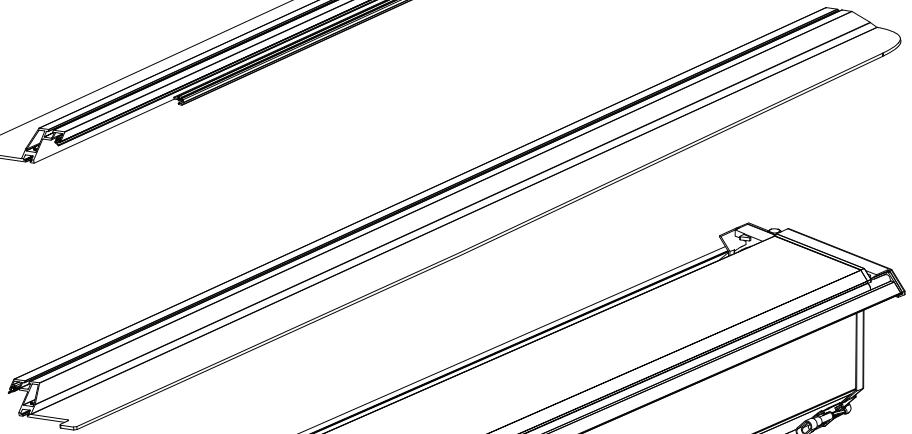
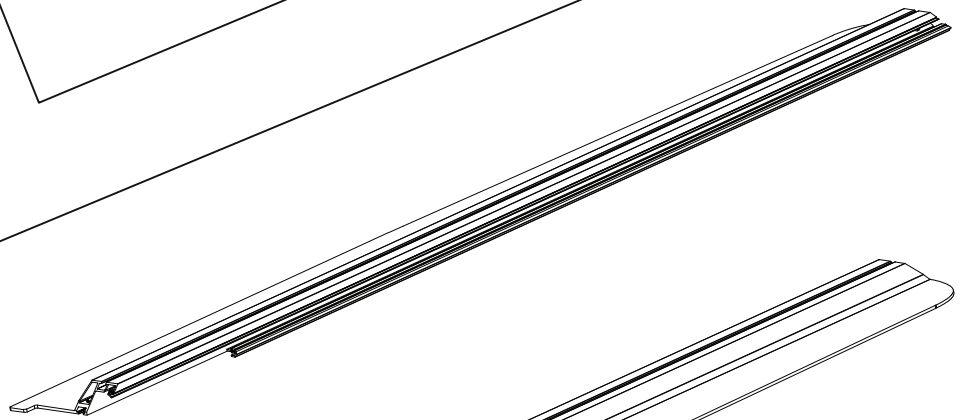
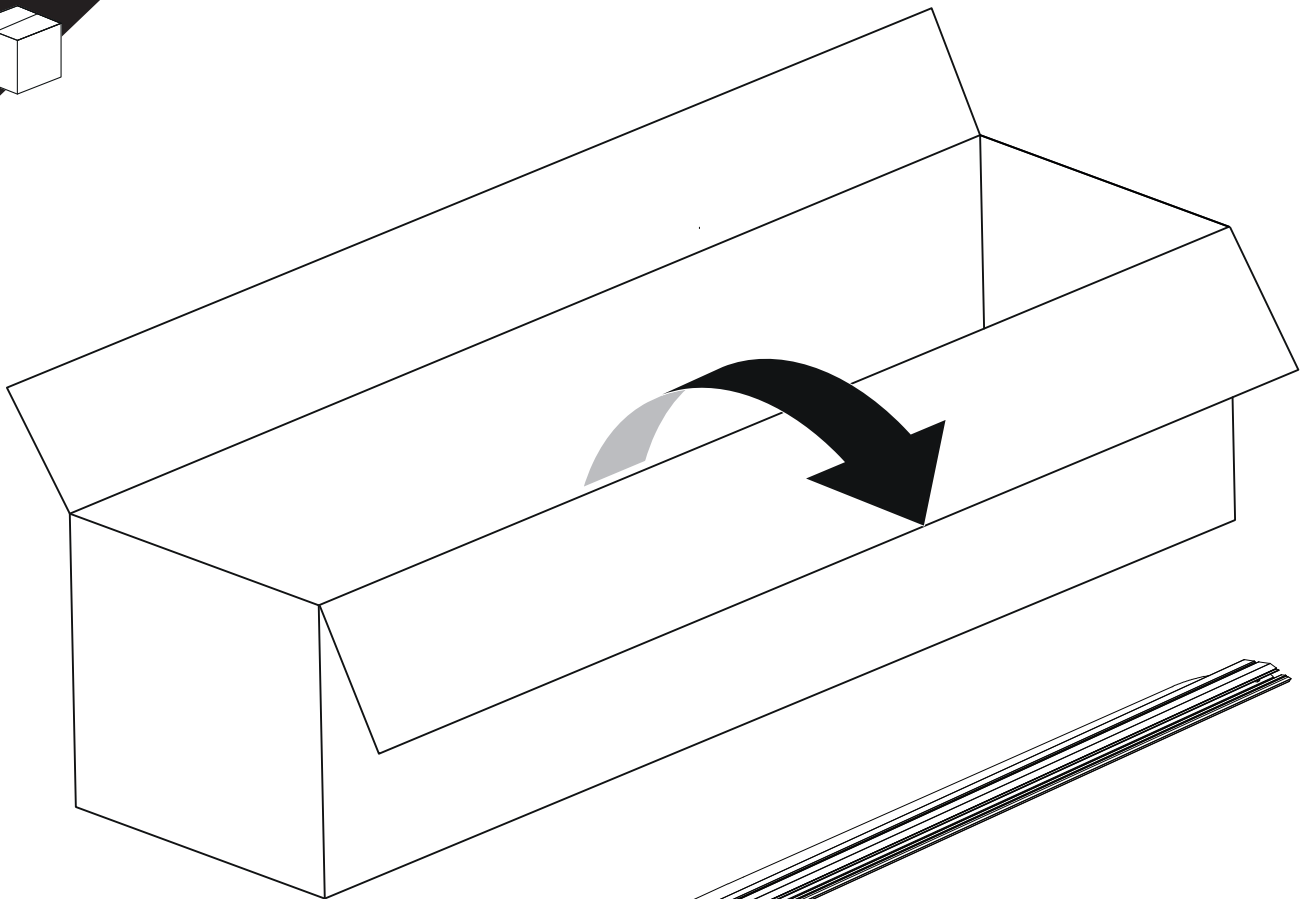


INSTALLATION
MANUAL

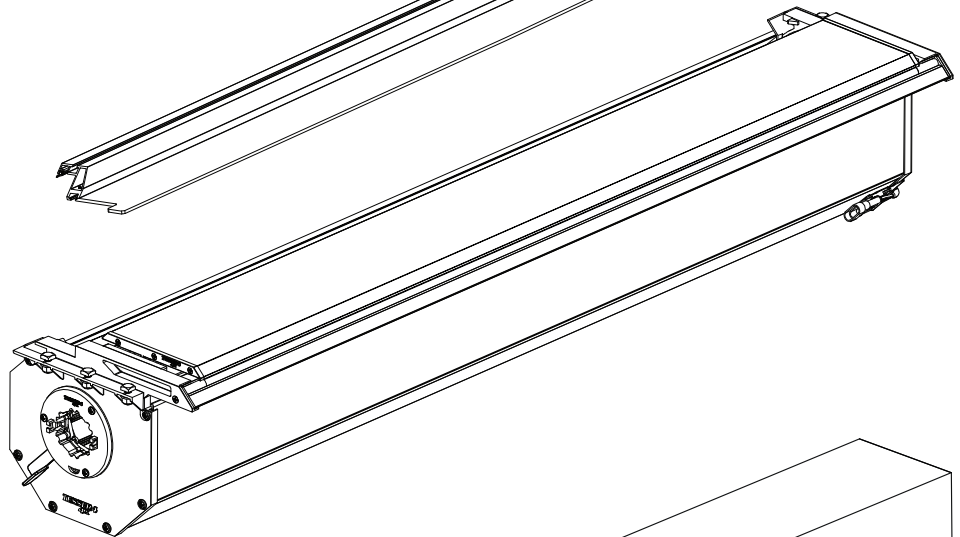


OWNERS
MANUAL

x1

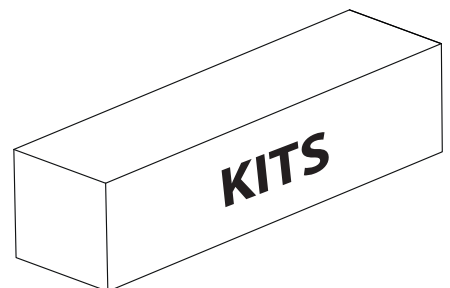


B

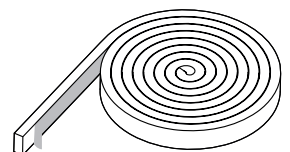


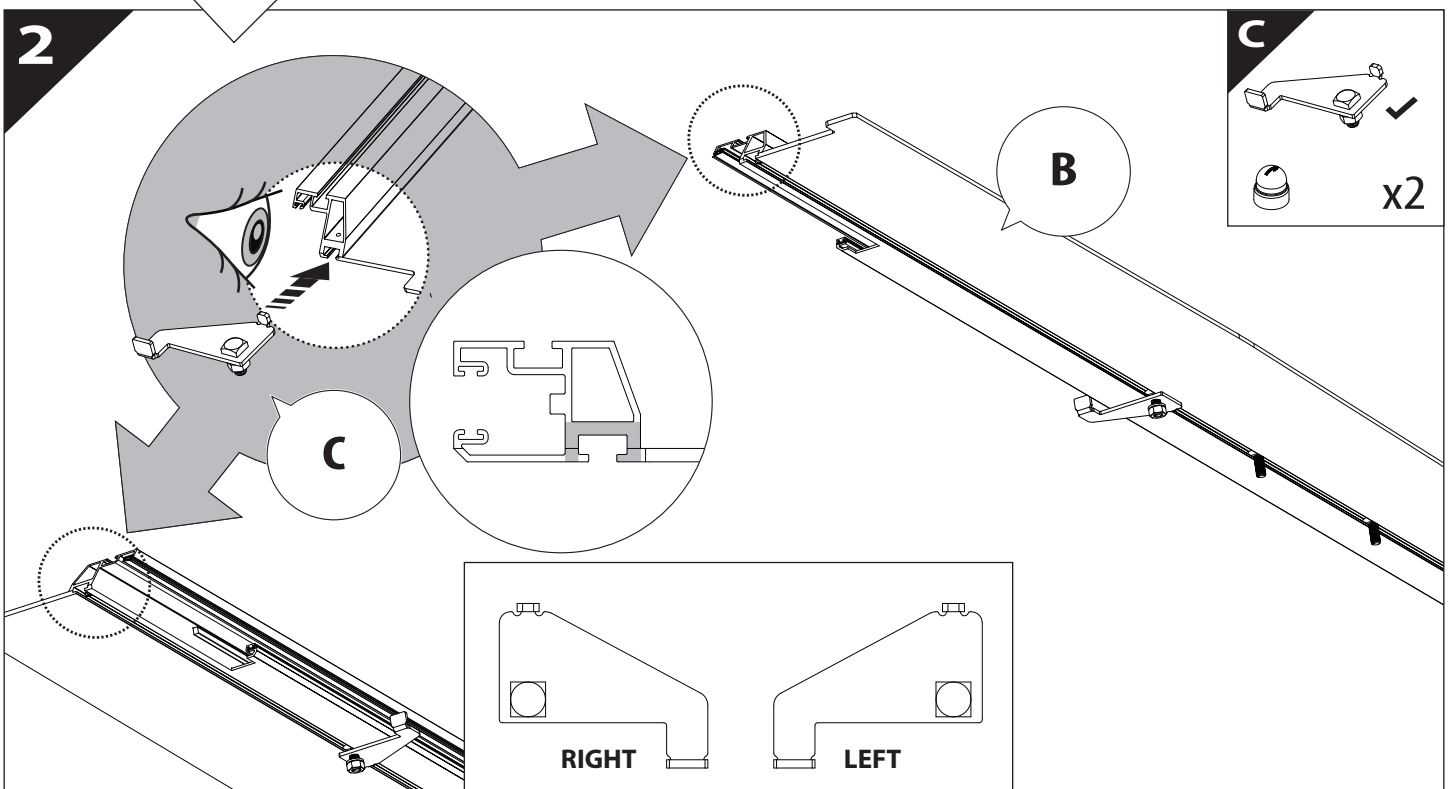
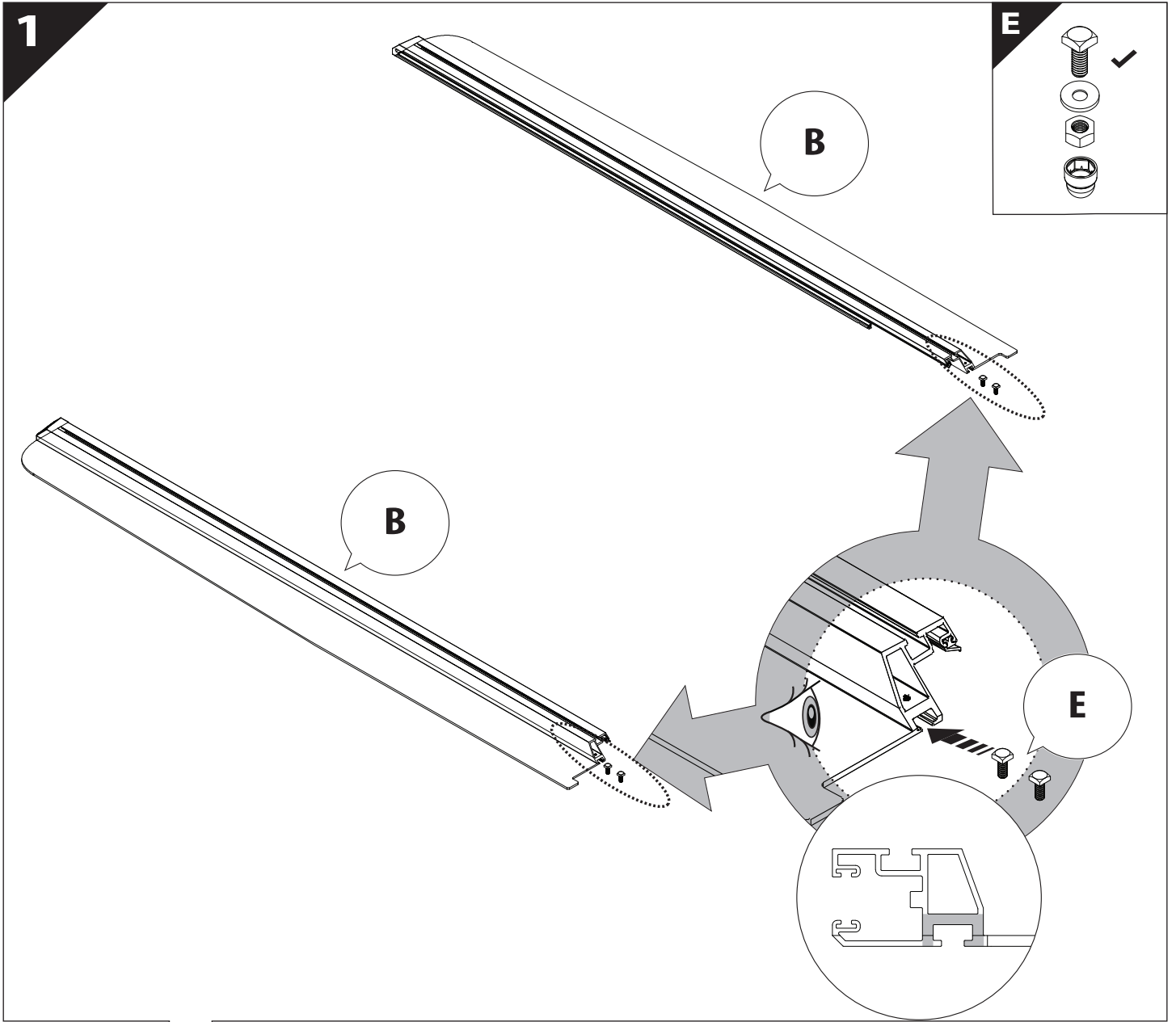
A

KITS

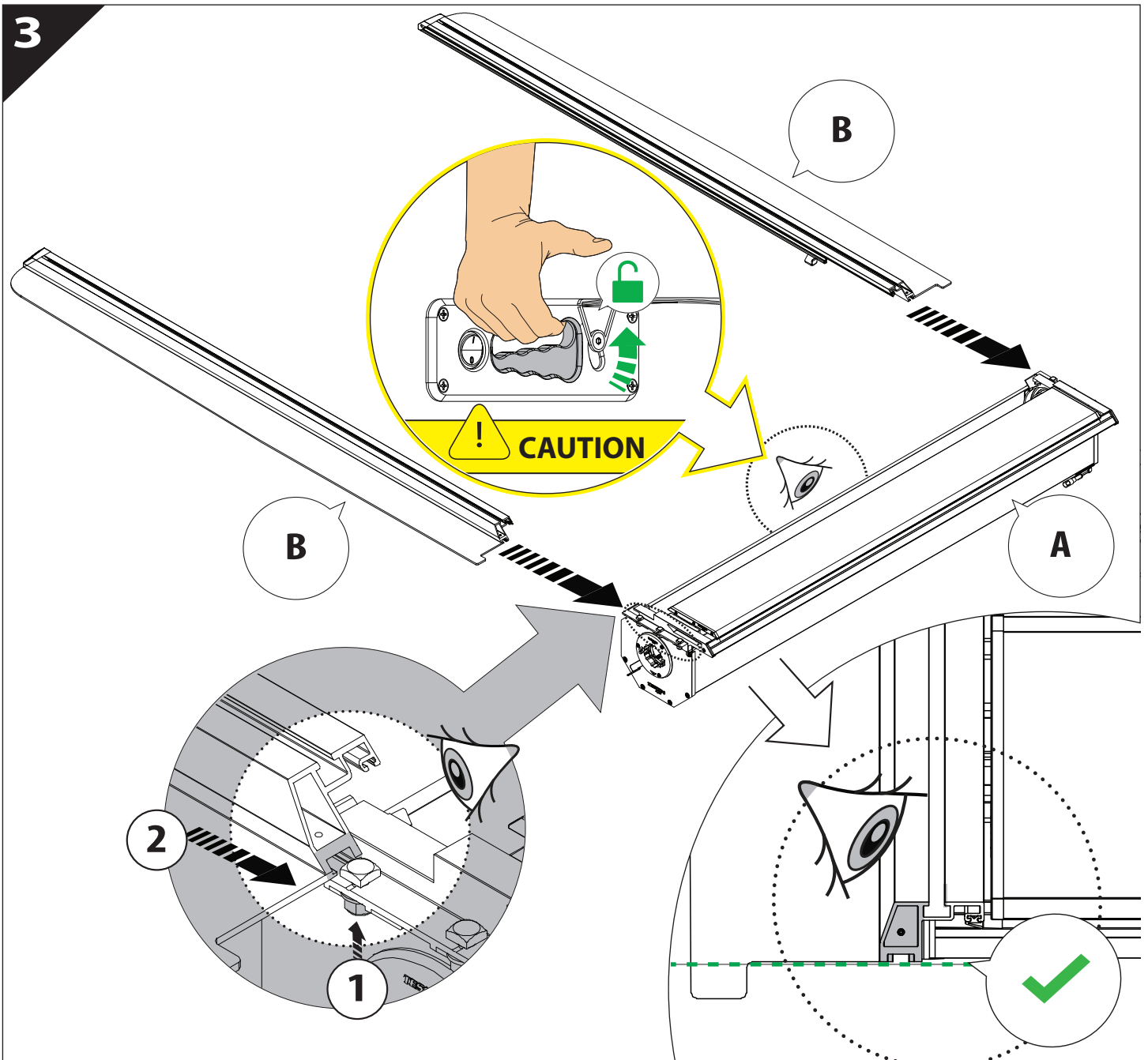


G

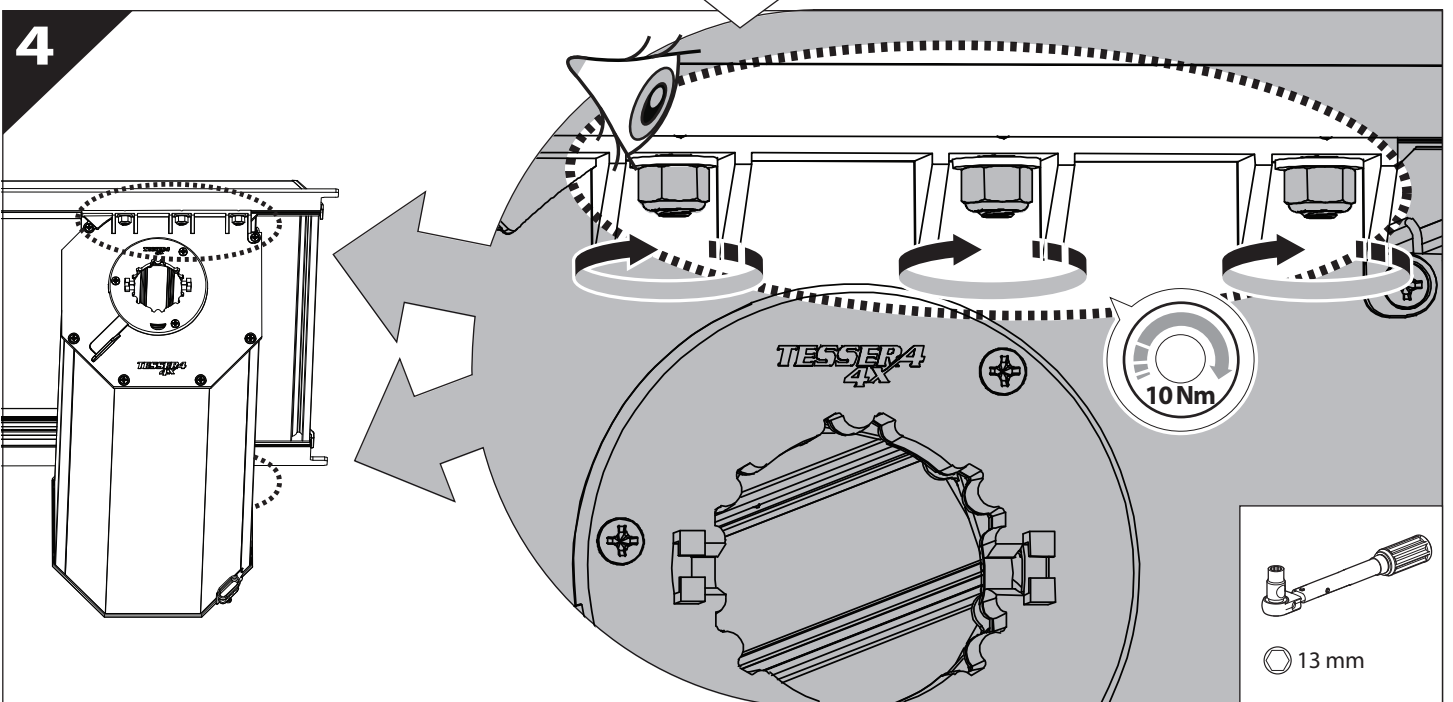


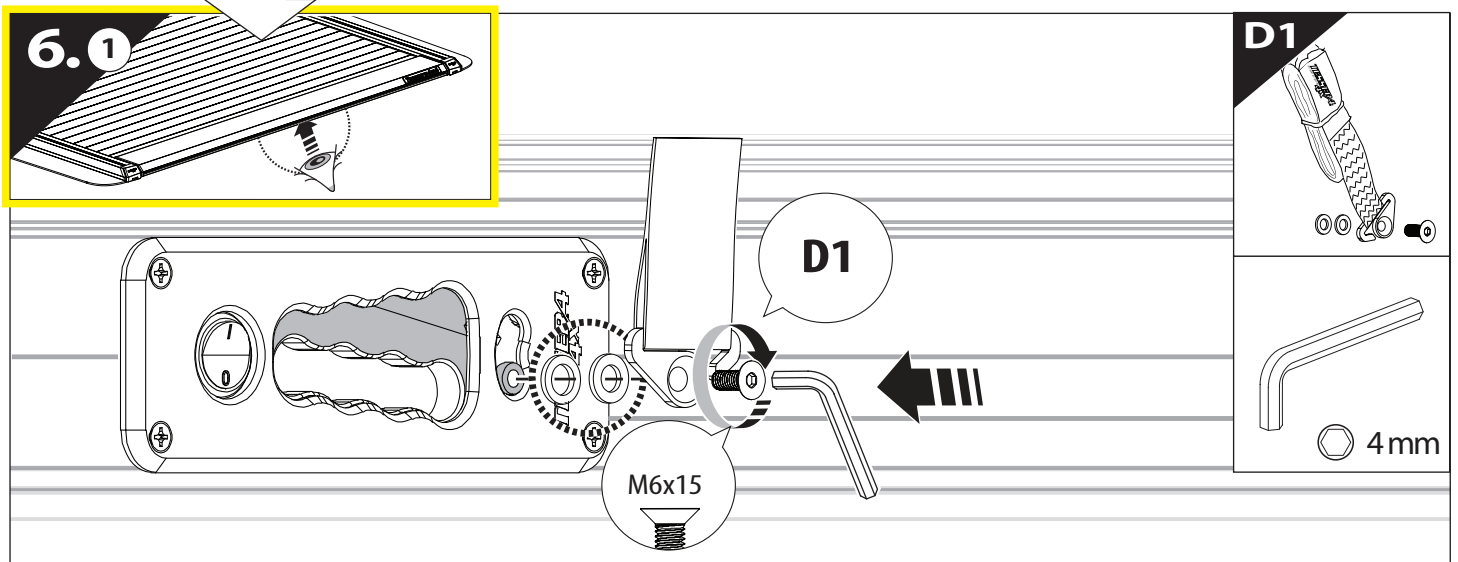
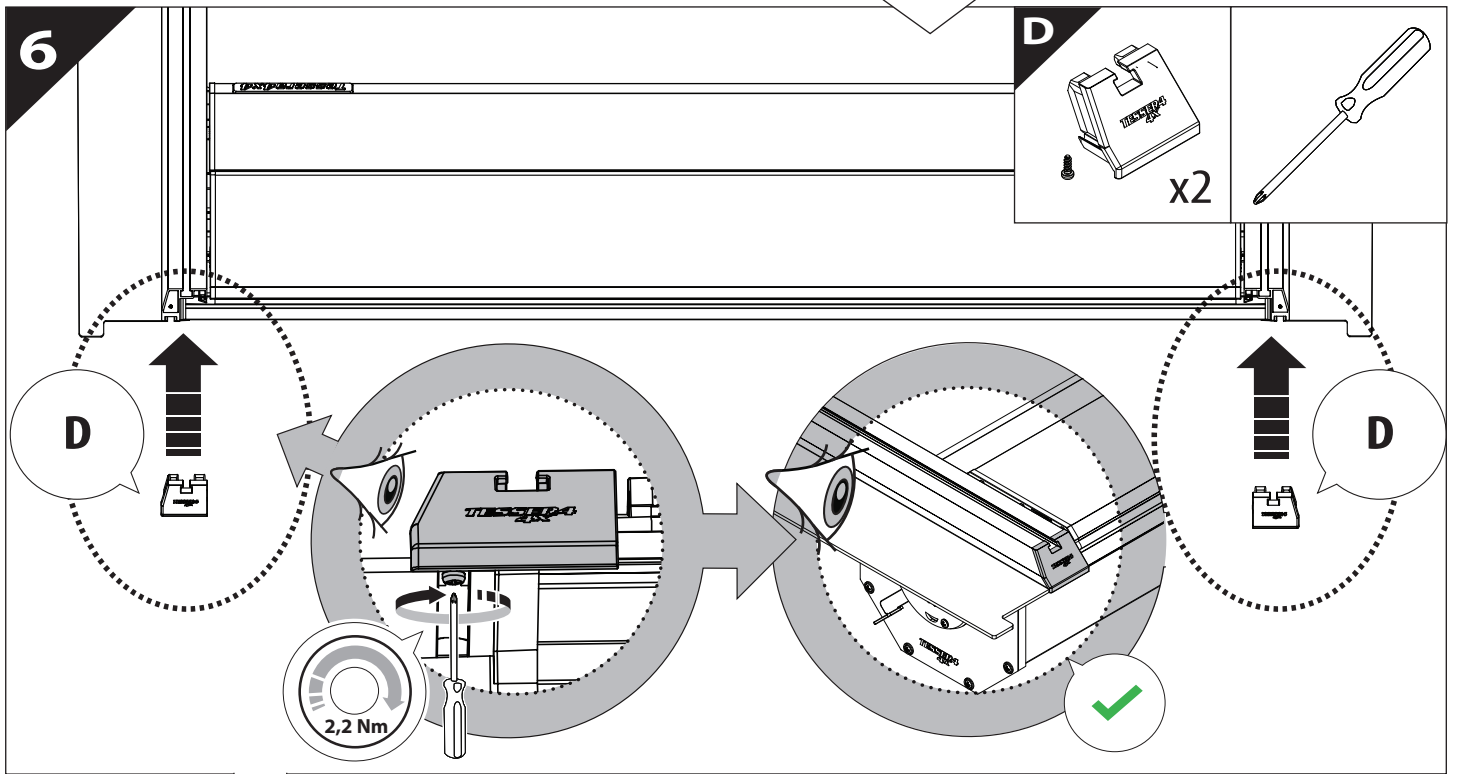
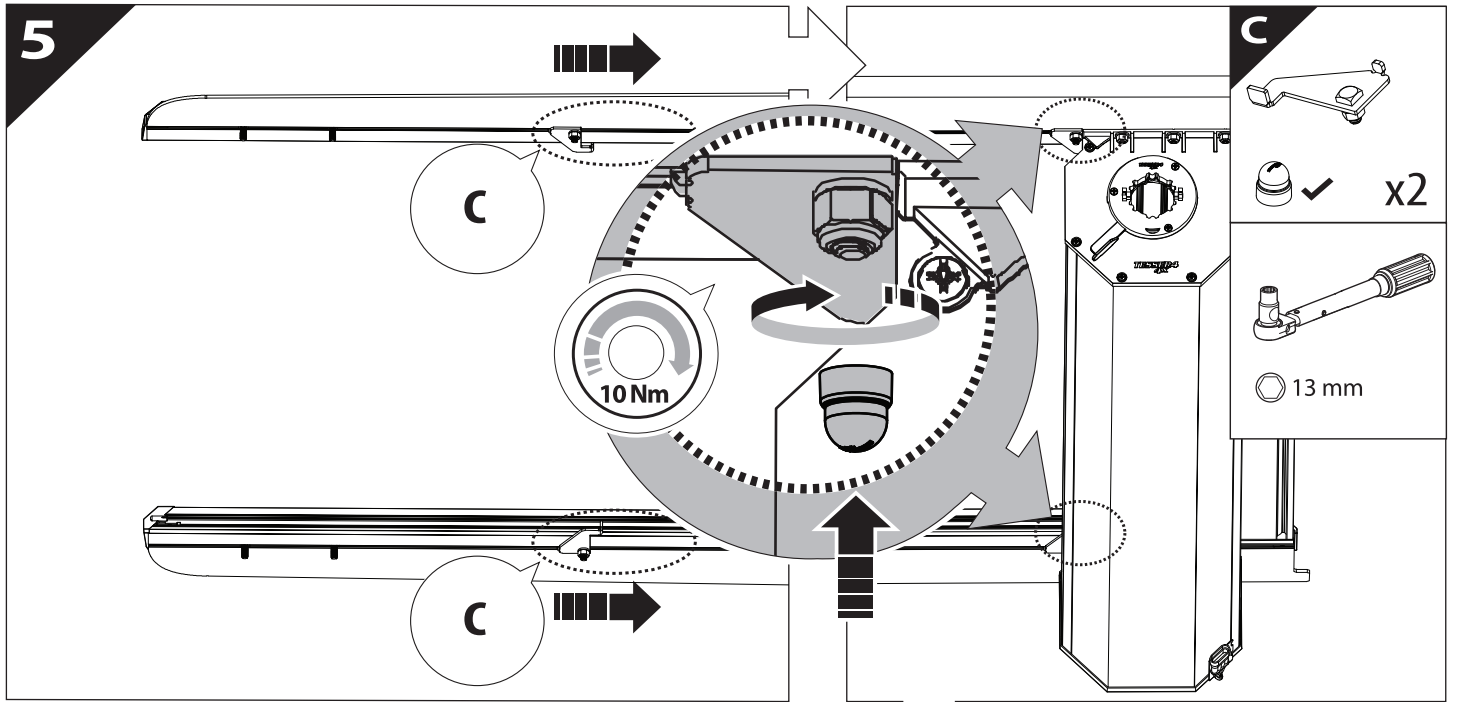


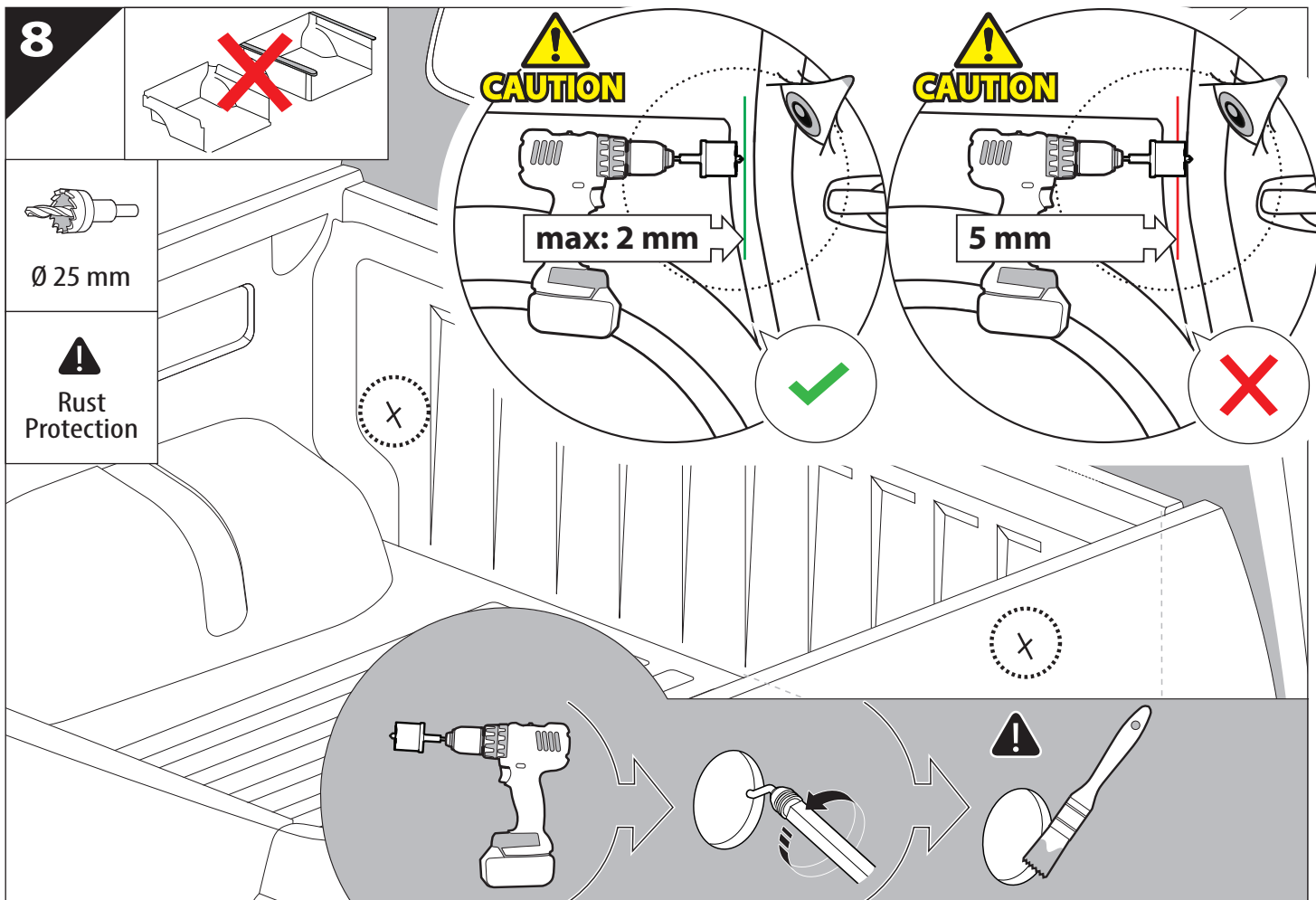
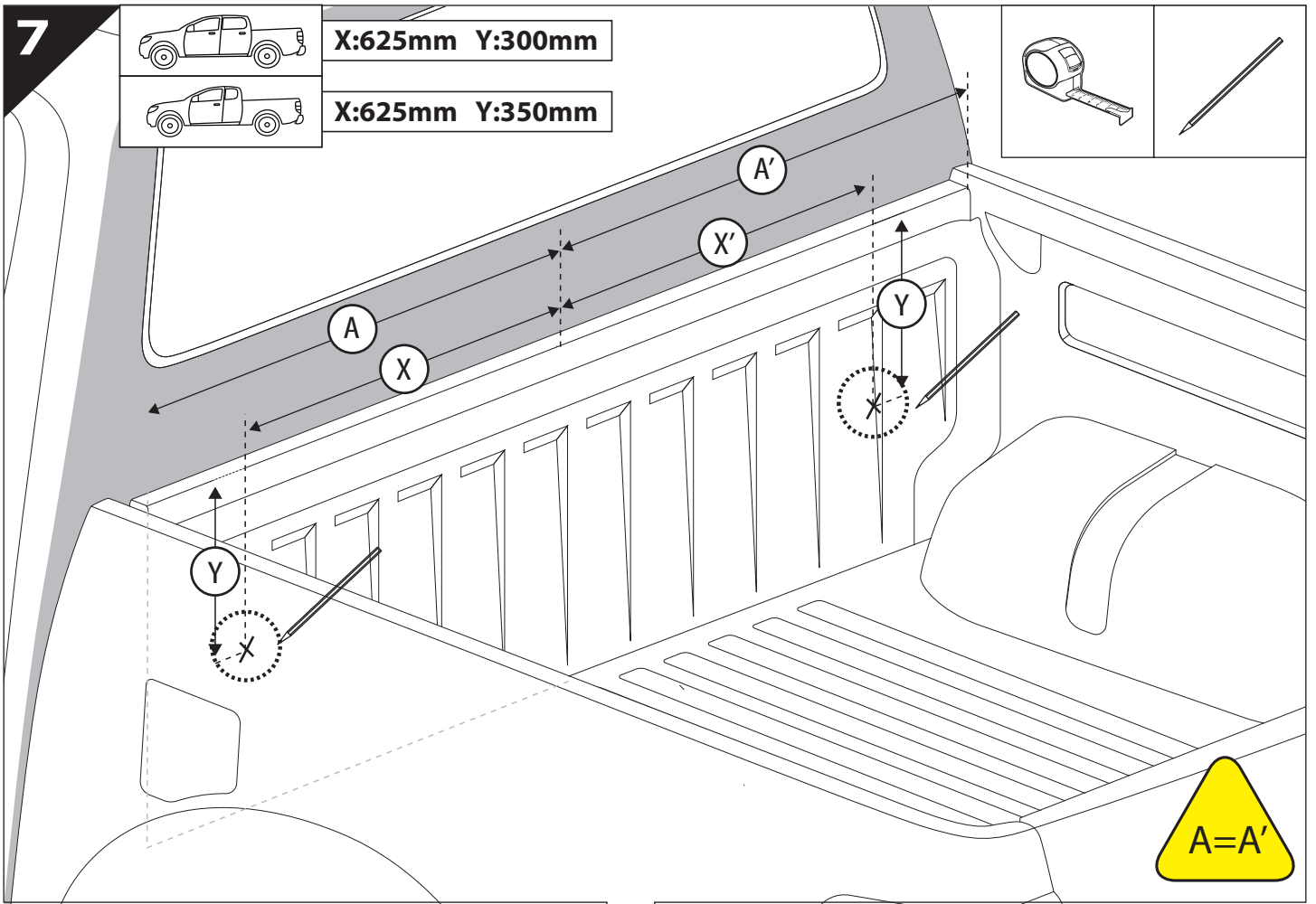
3



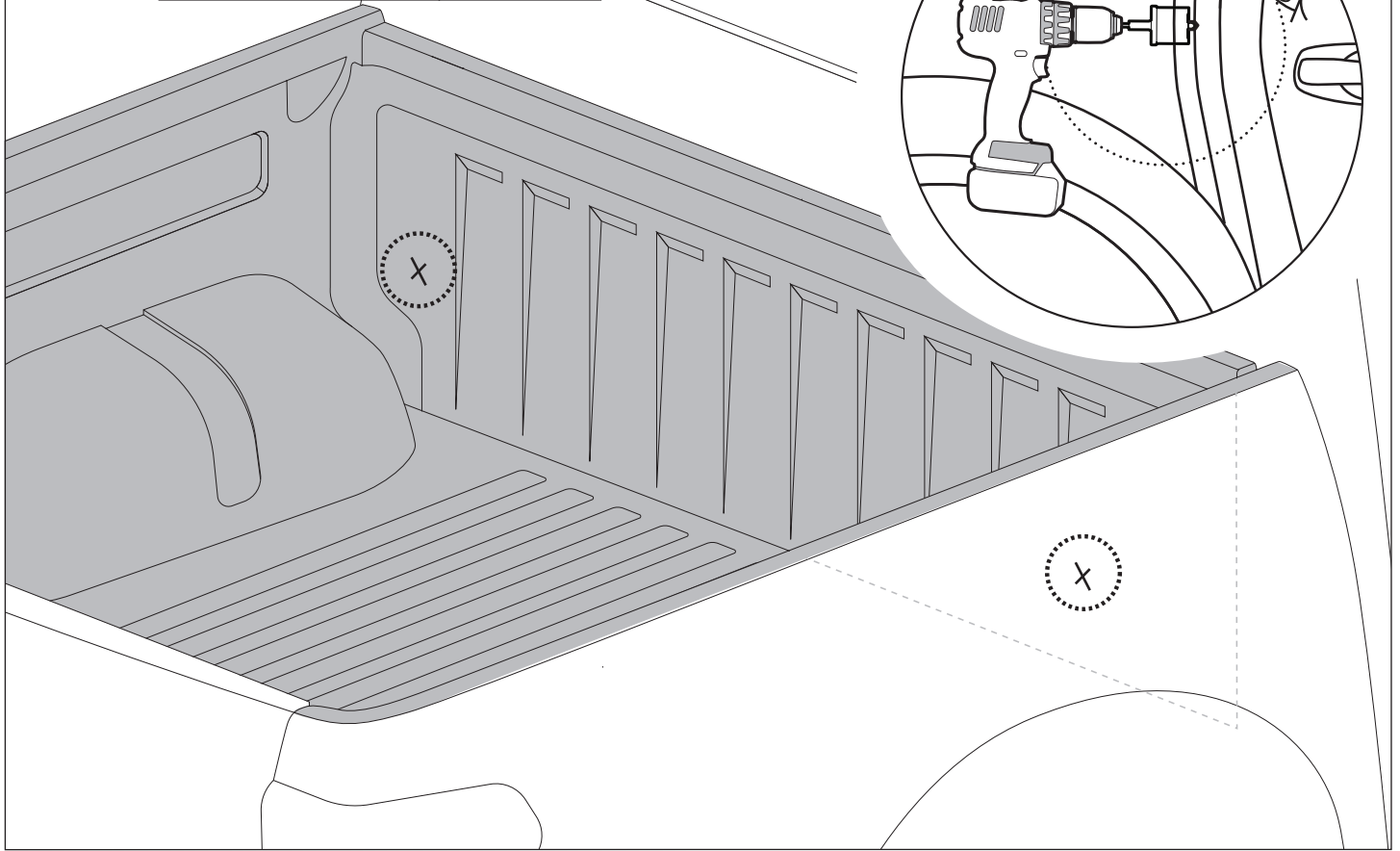
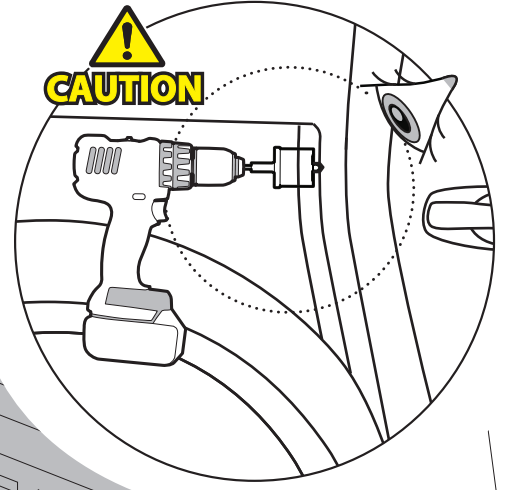
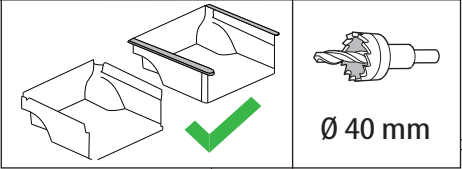
4



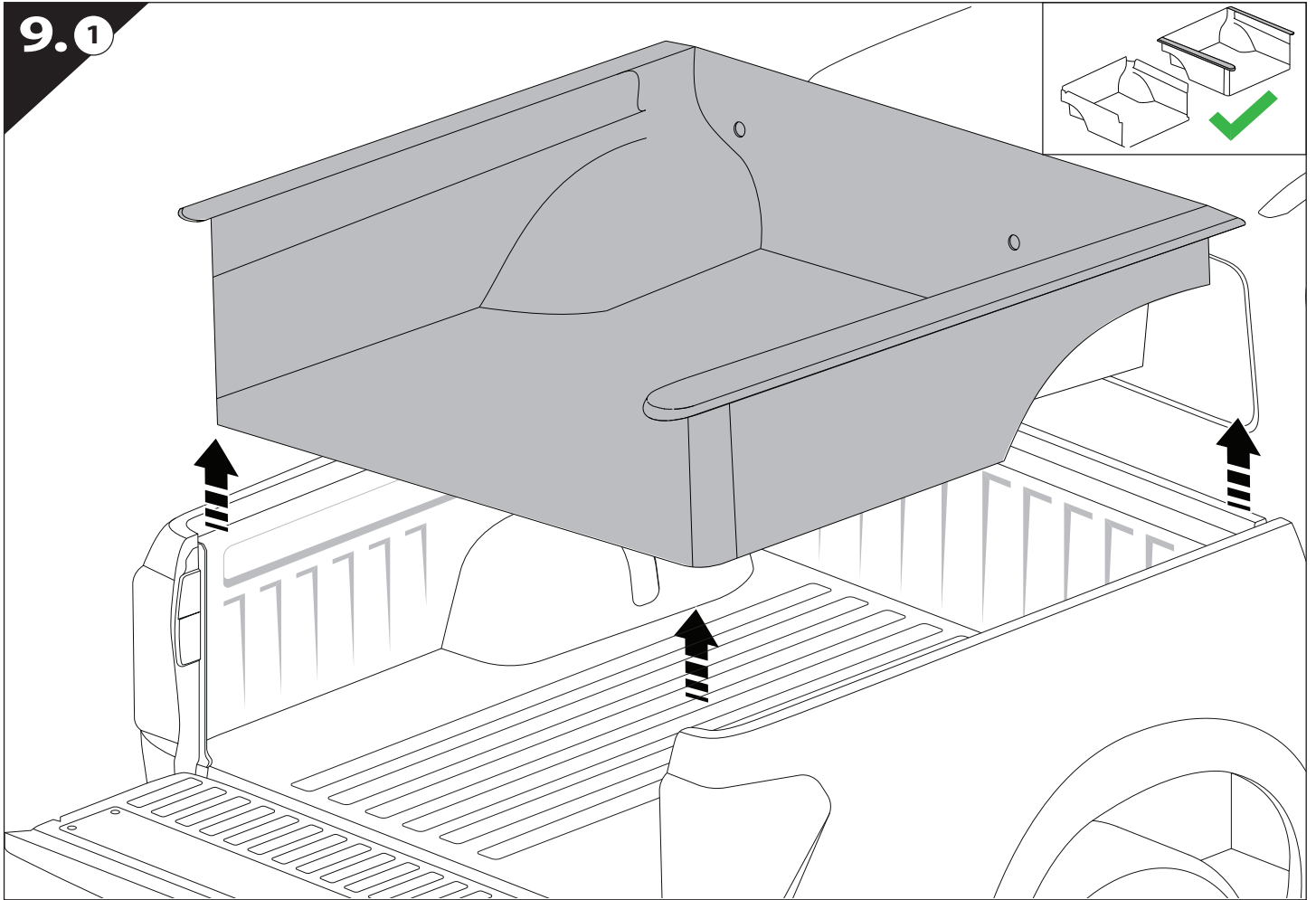
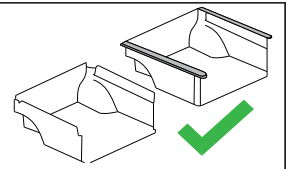


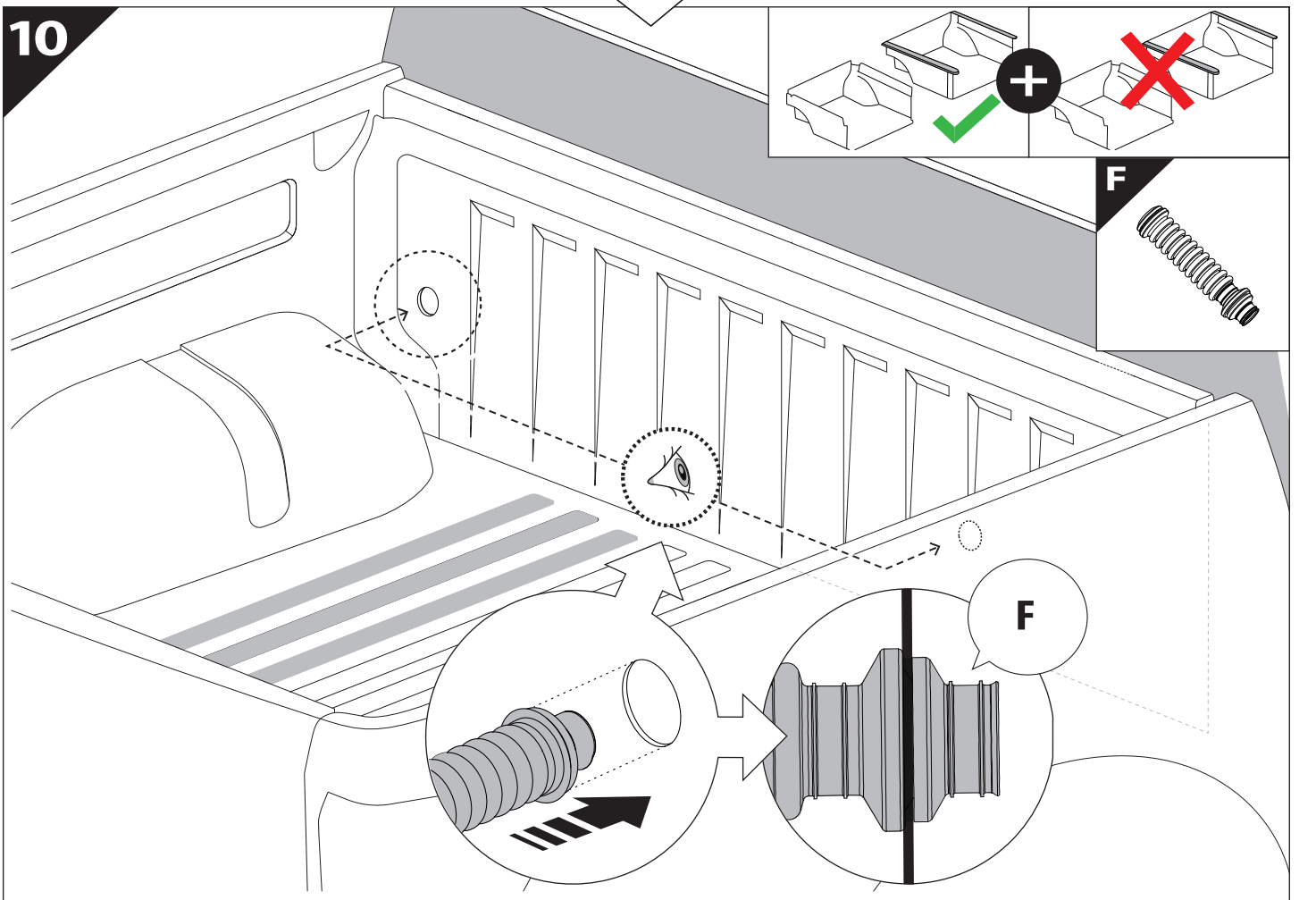
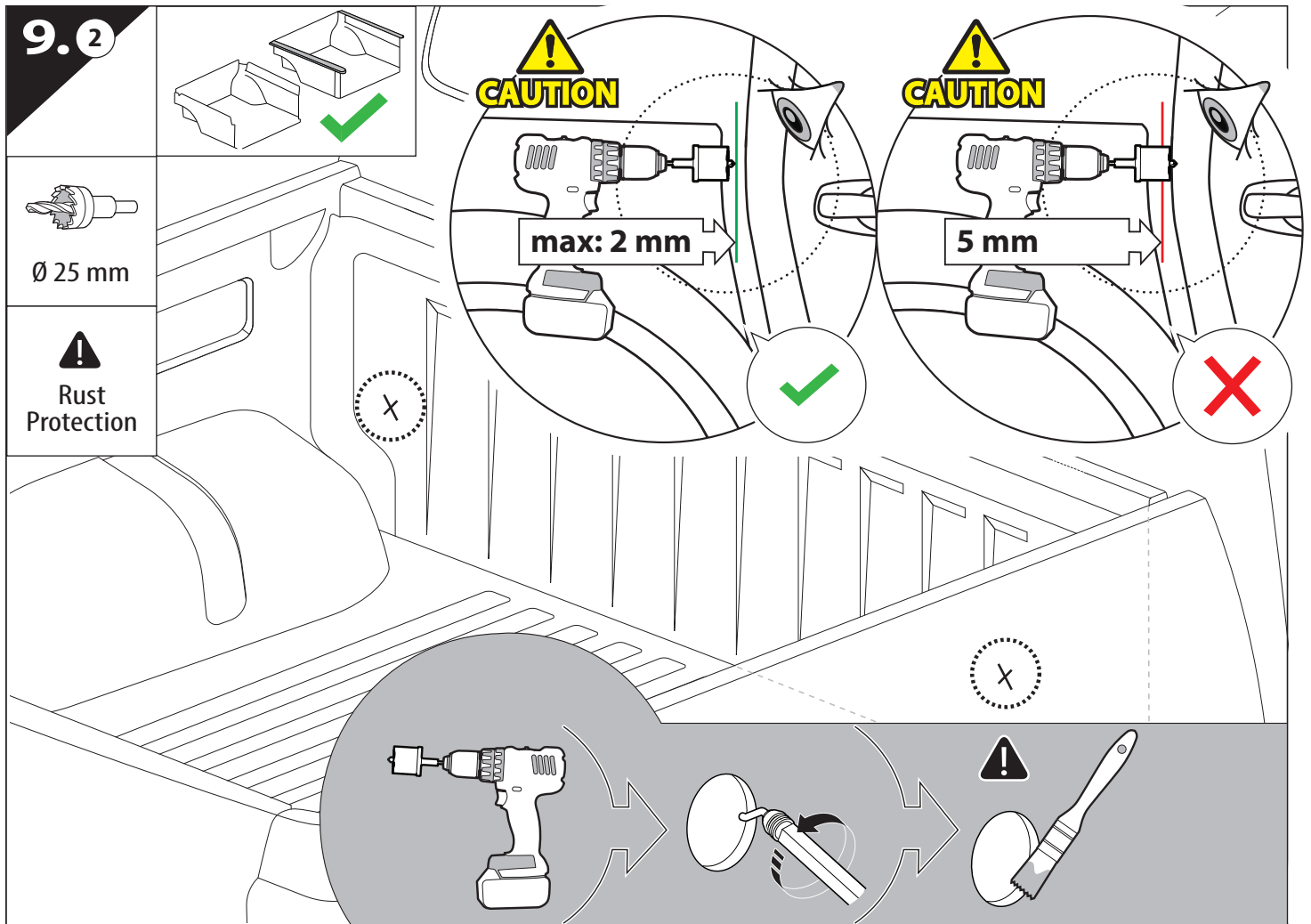


9

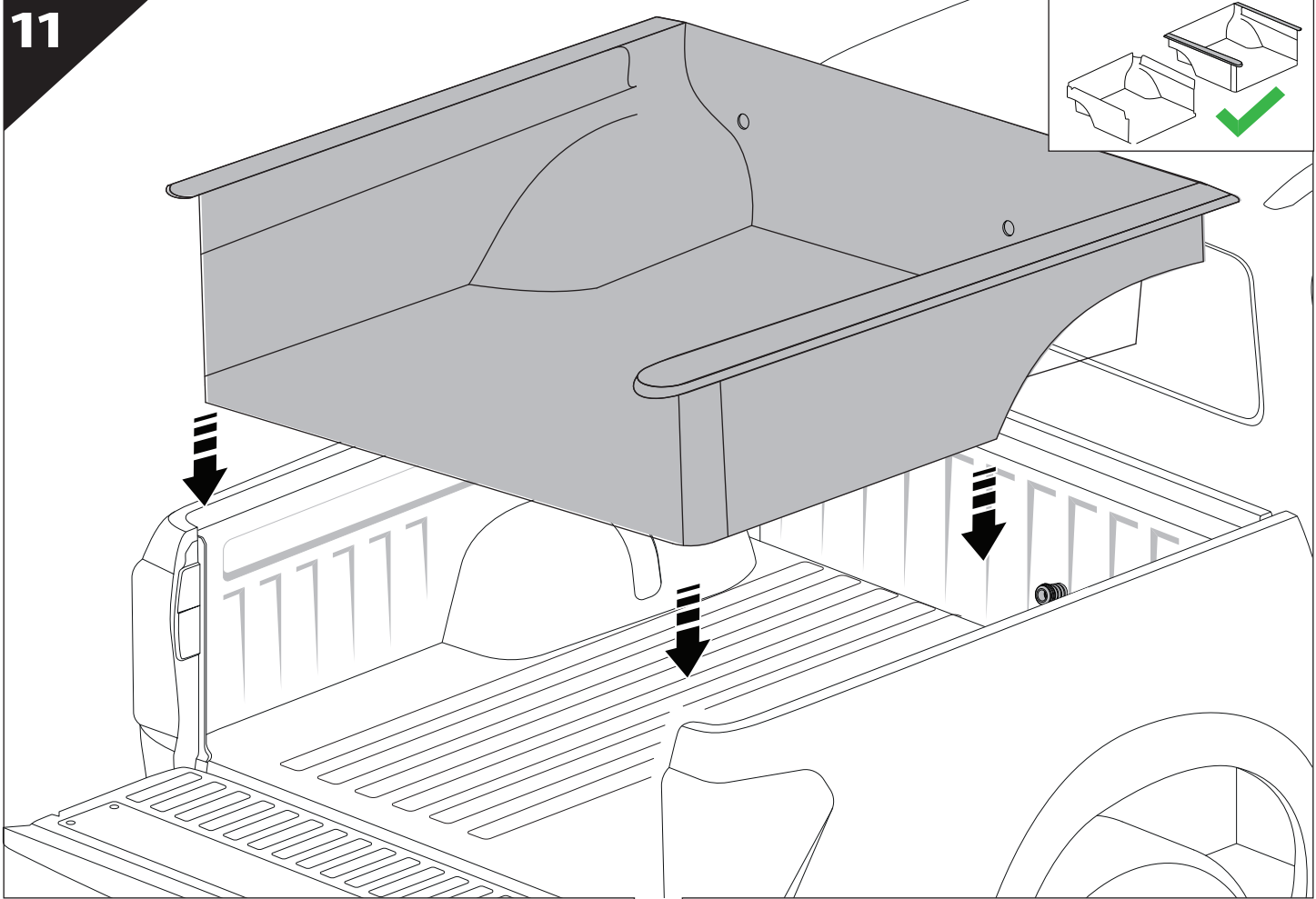


9.1

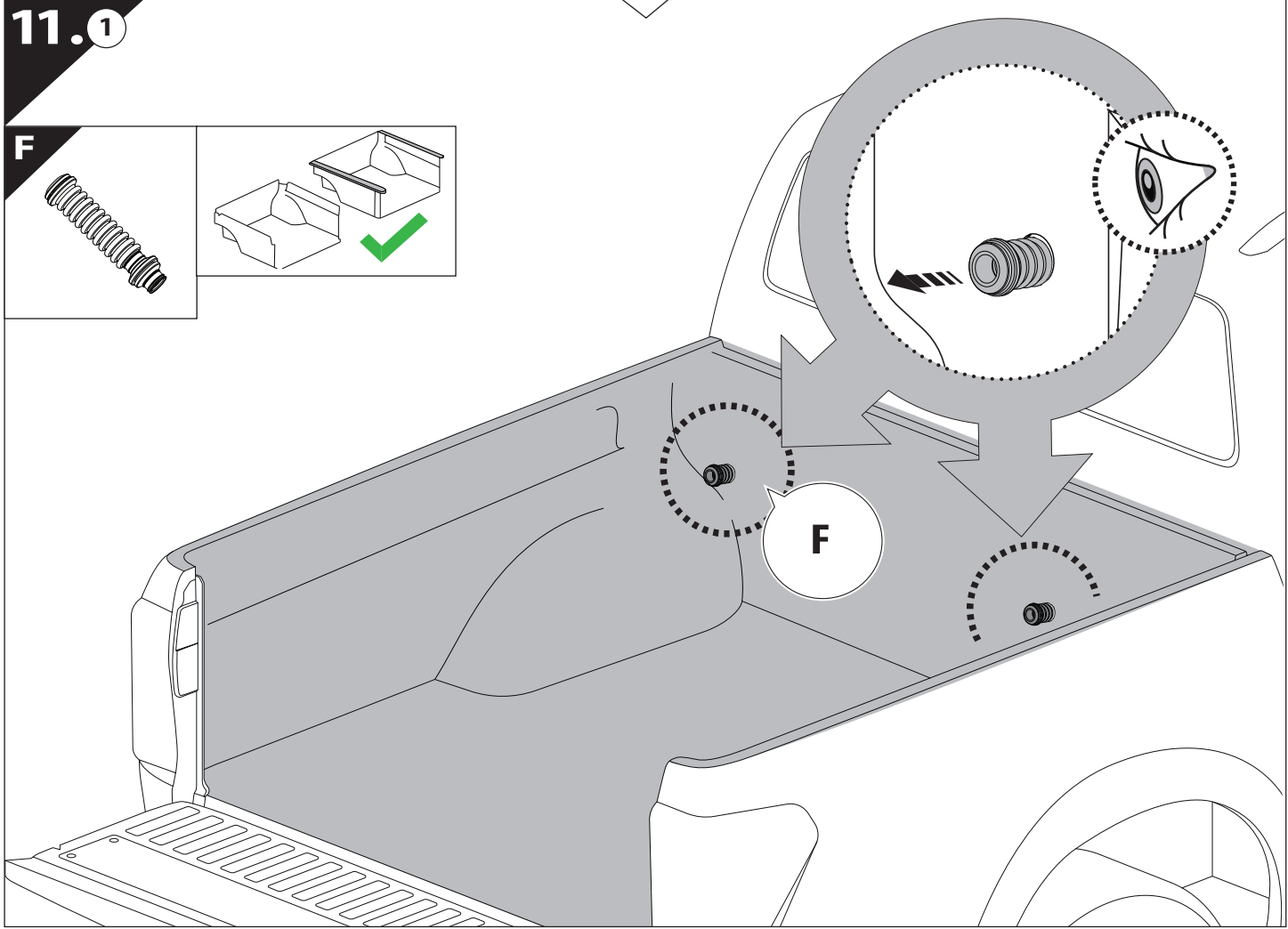




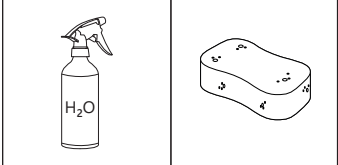
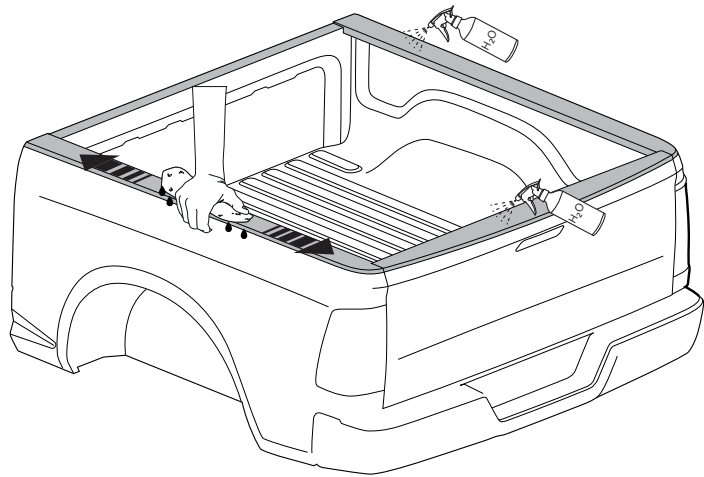
11



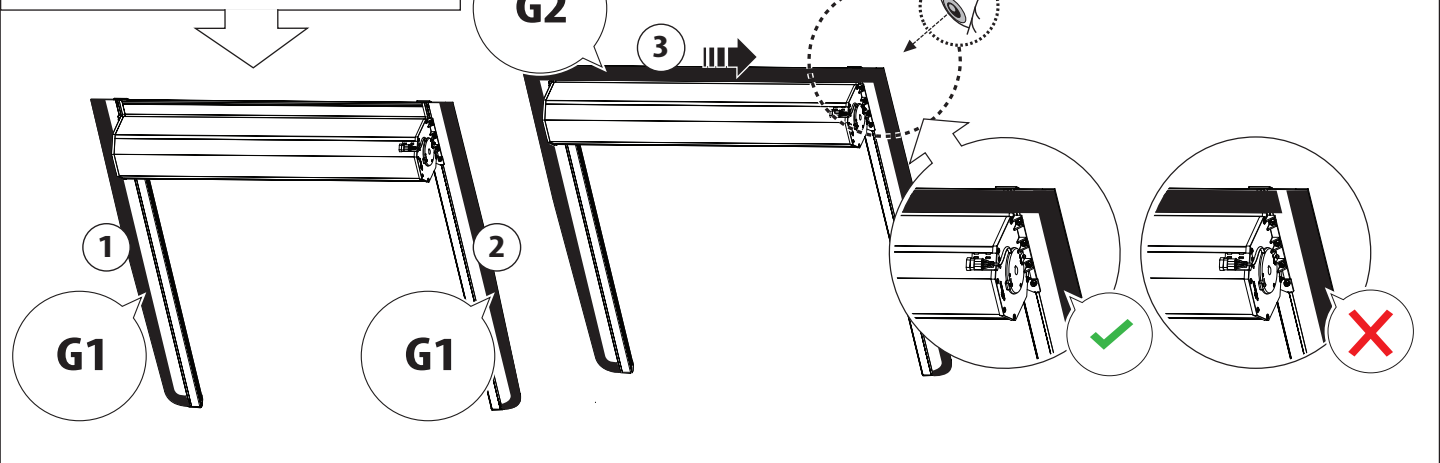
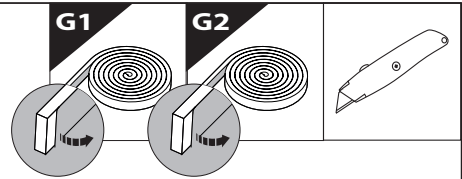
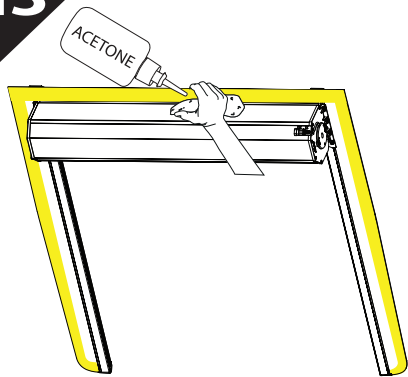
11.1



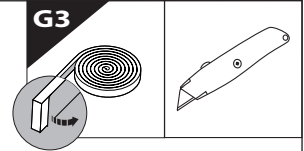
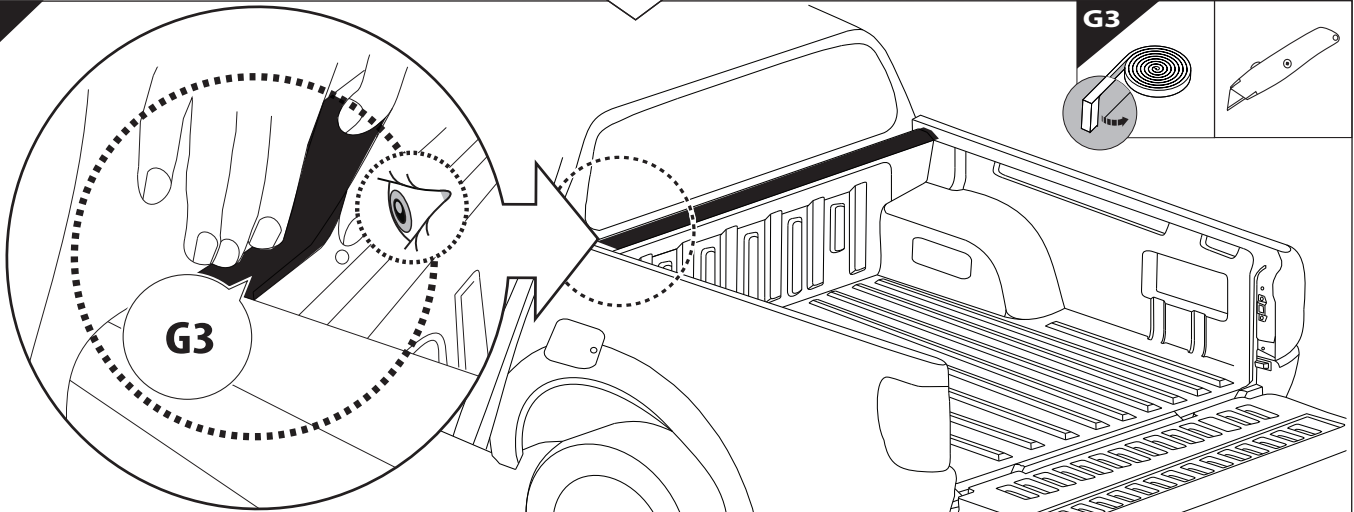
12

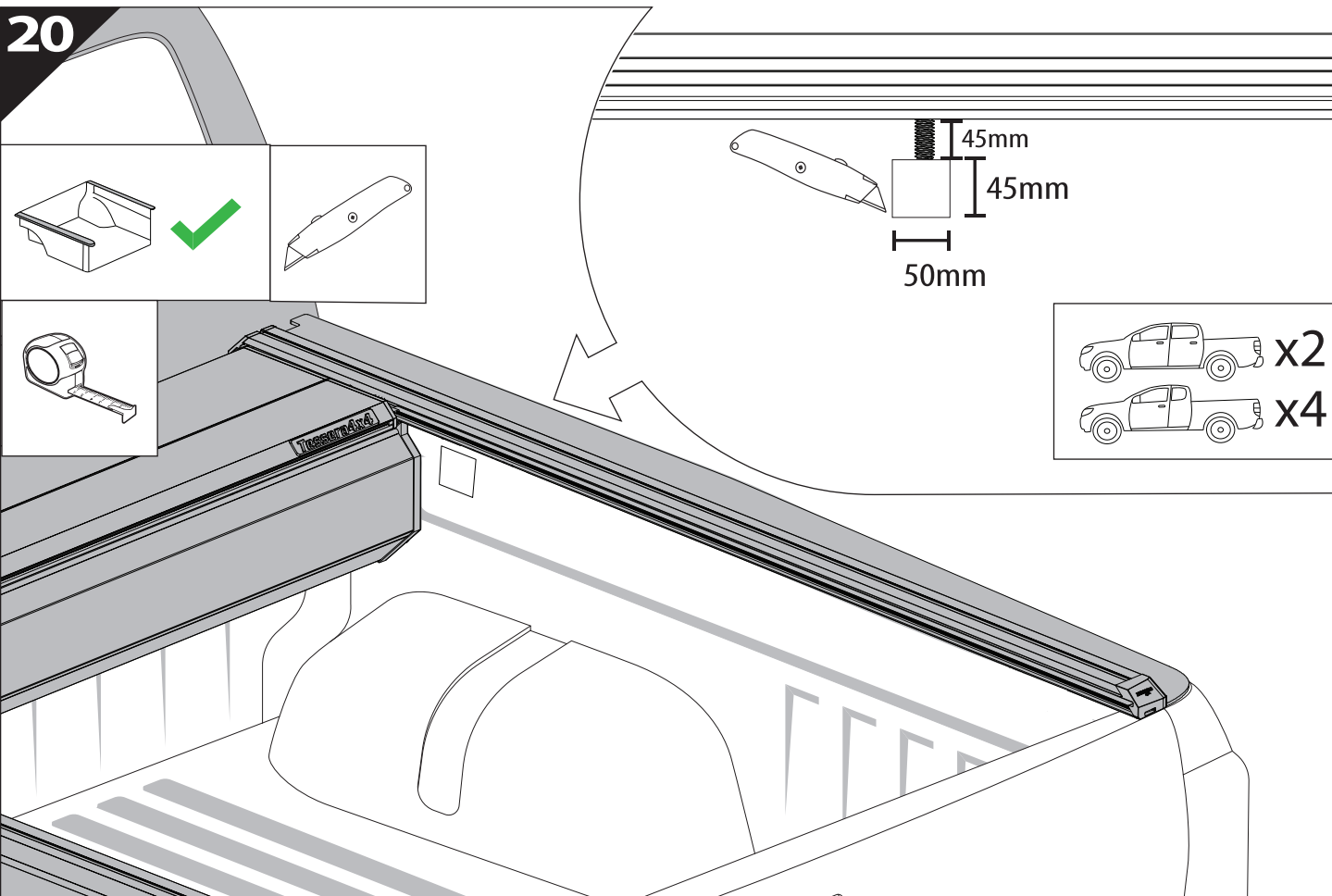
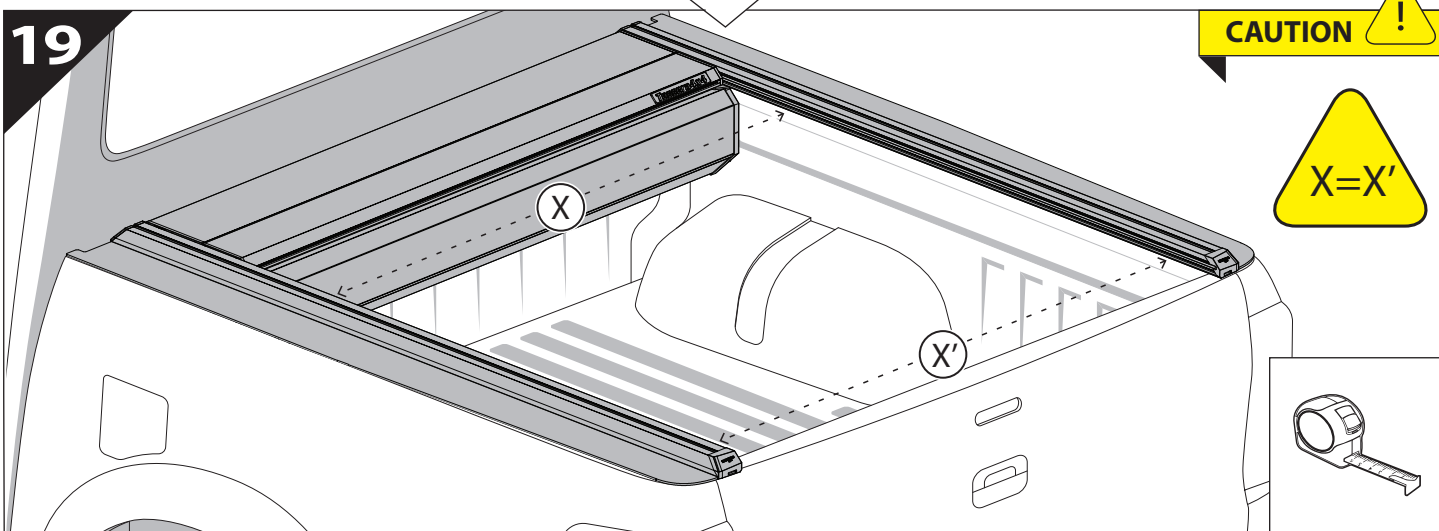
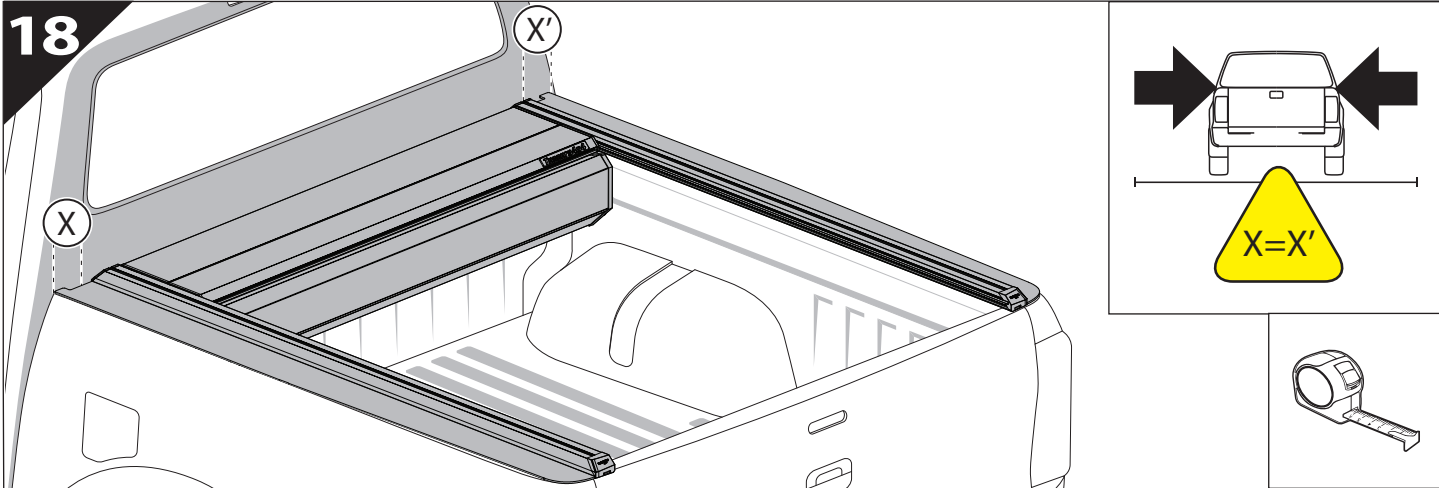


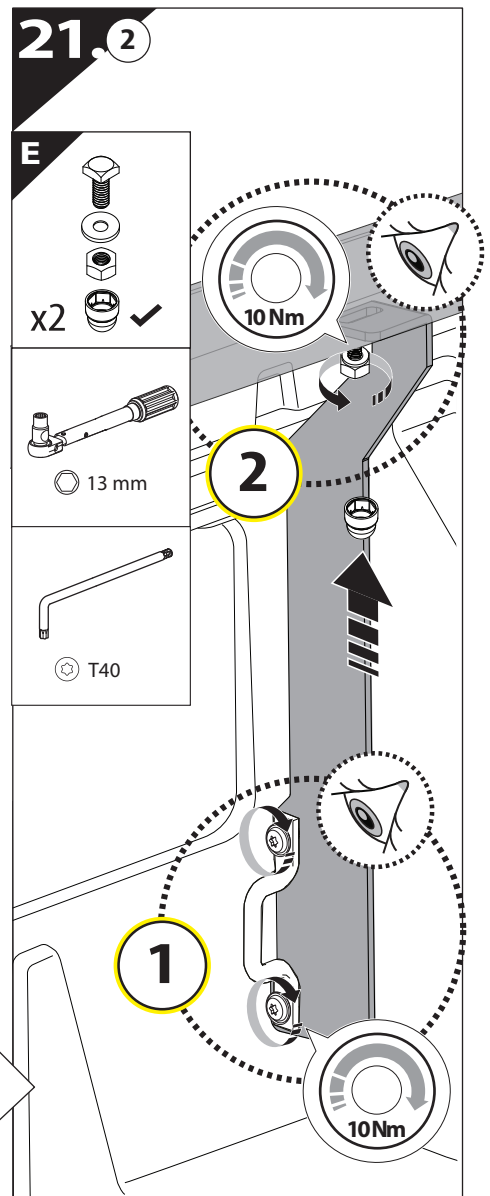
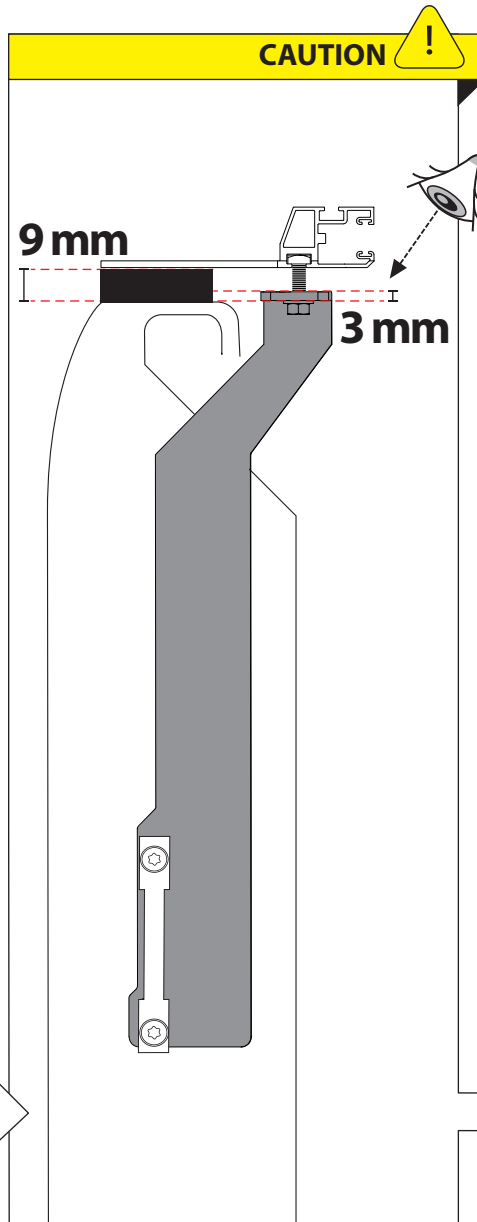
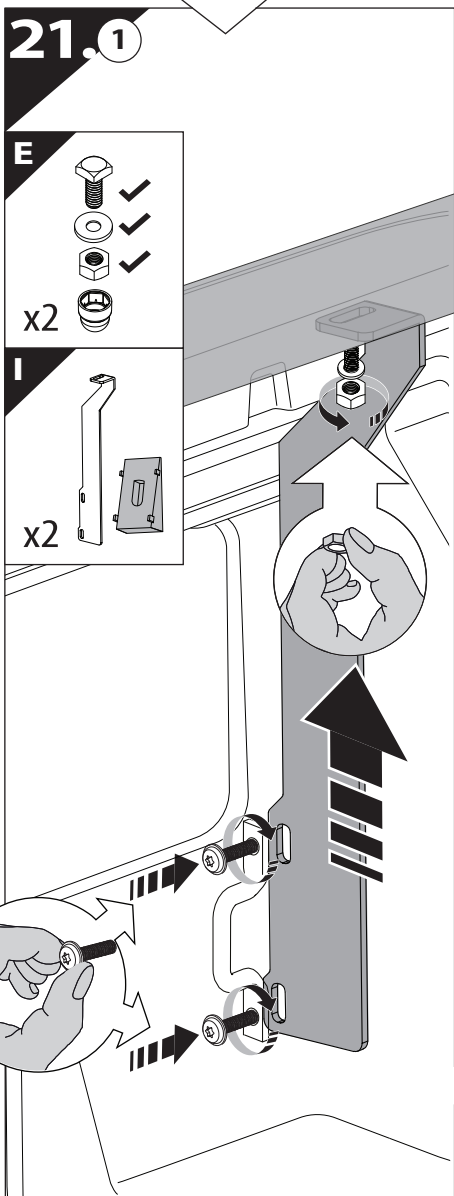
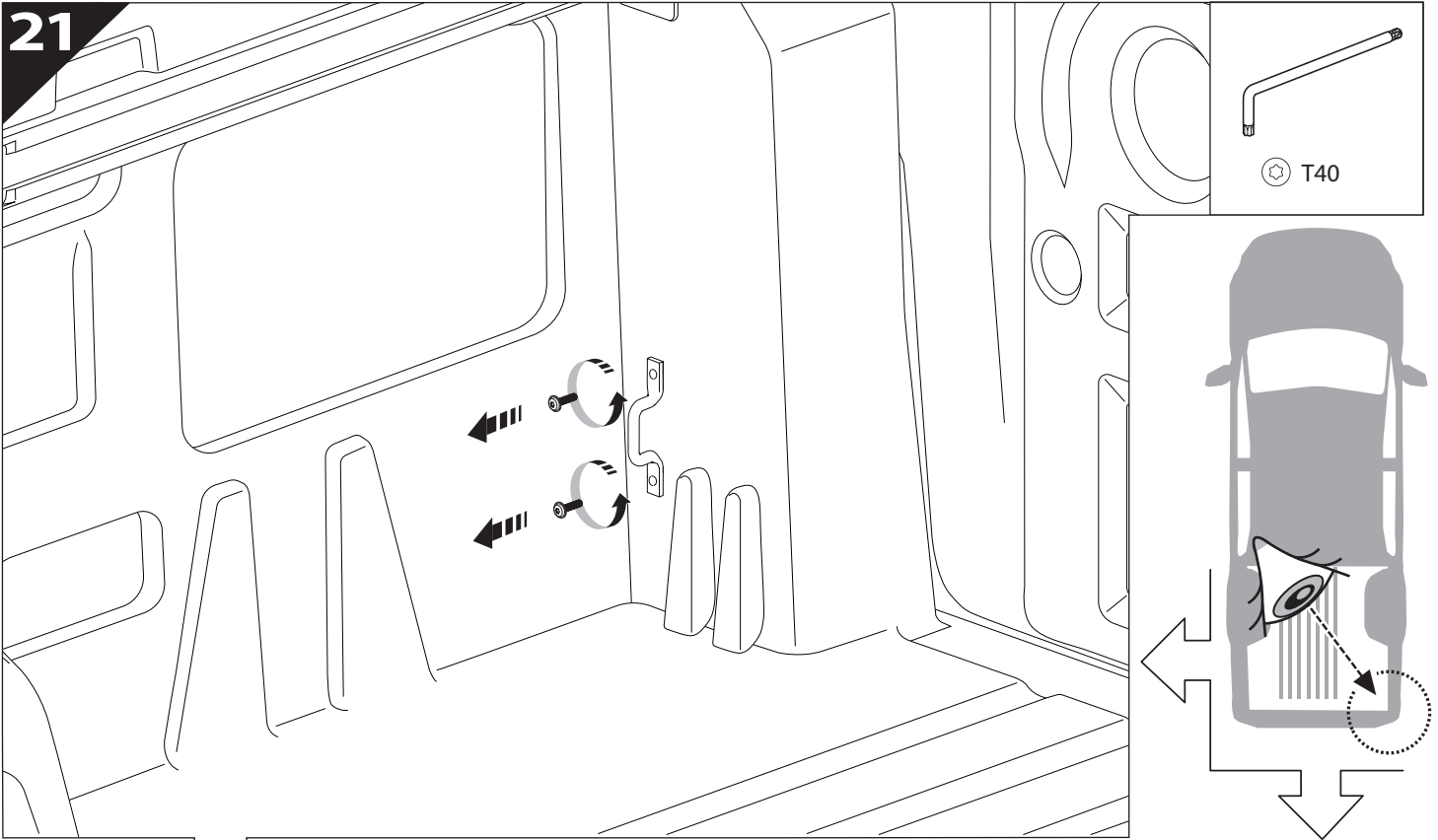
13



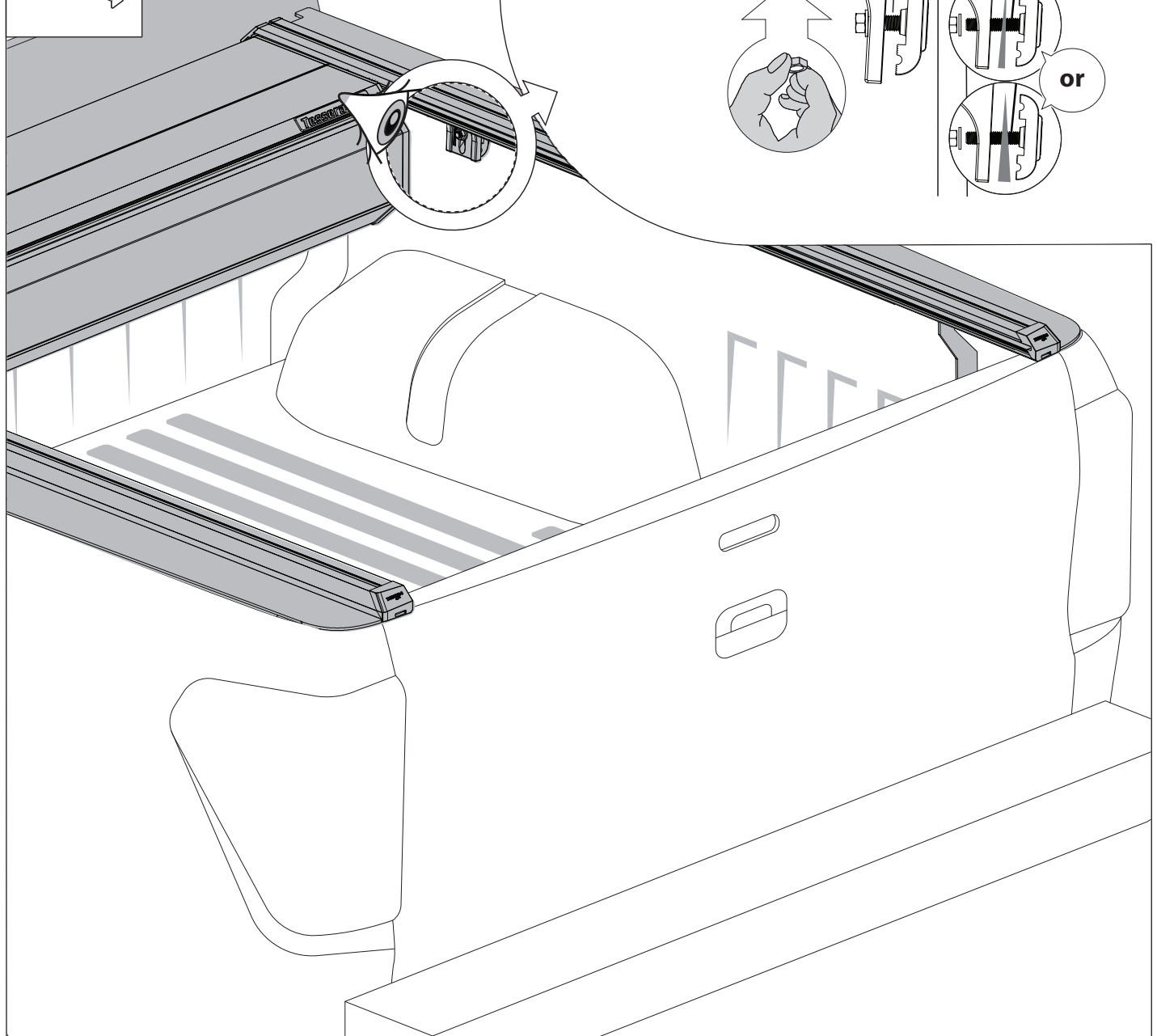
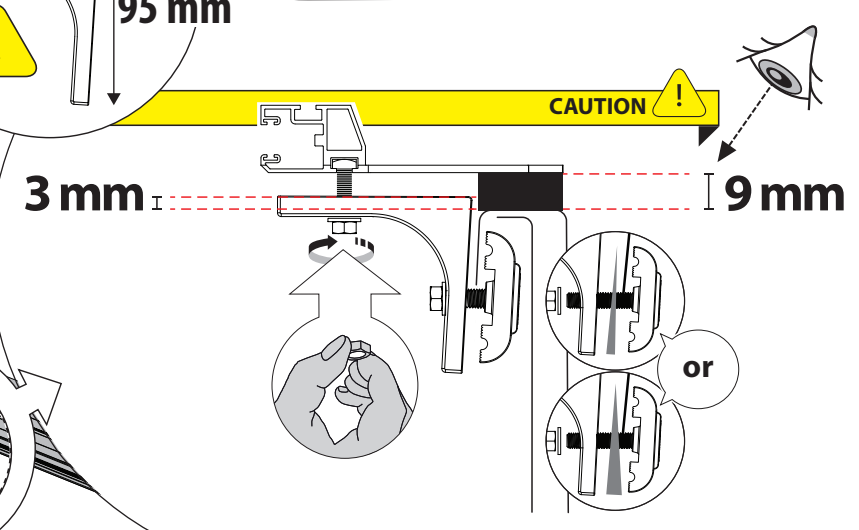
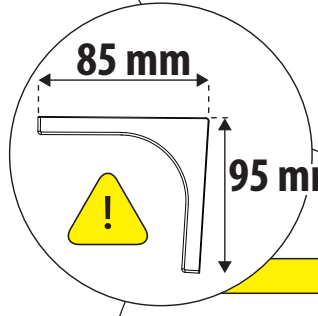
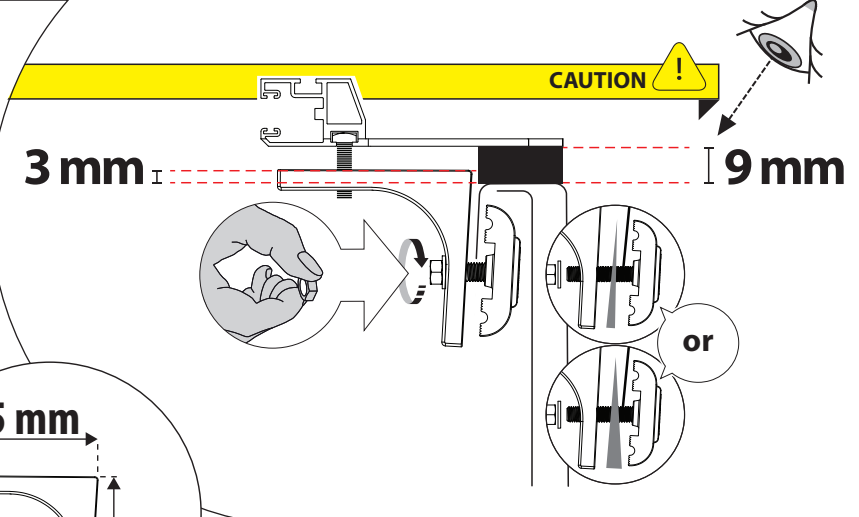
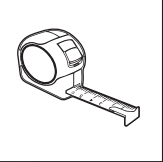
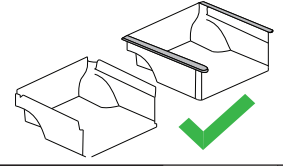
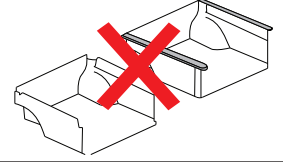
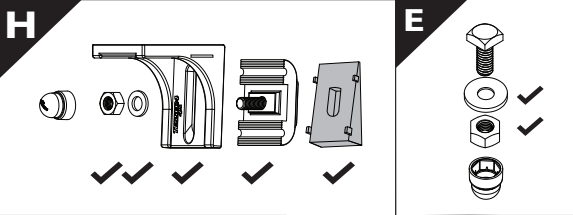
14

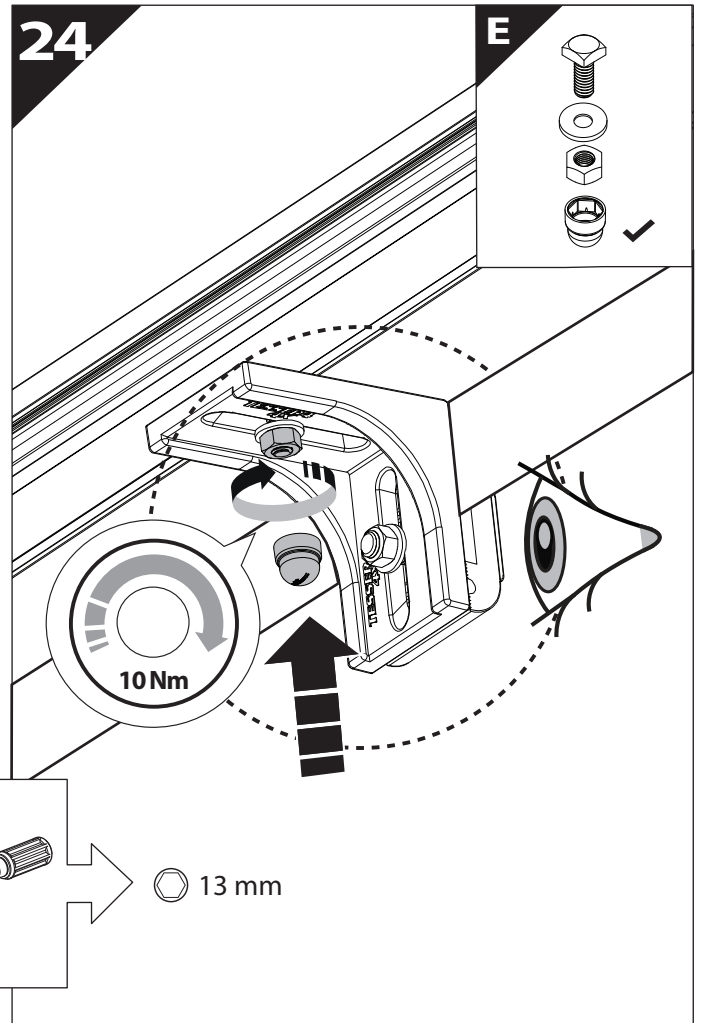
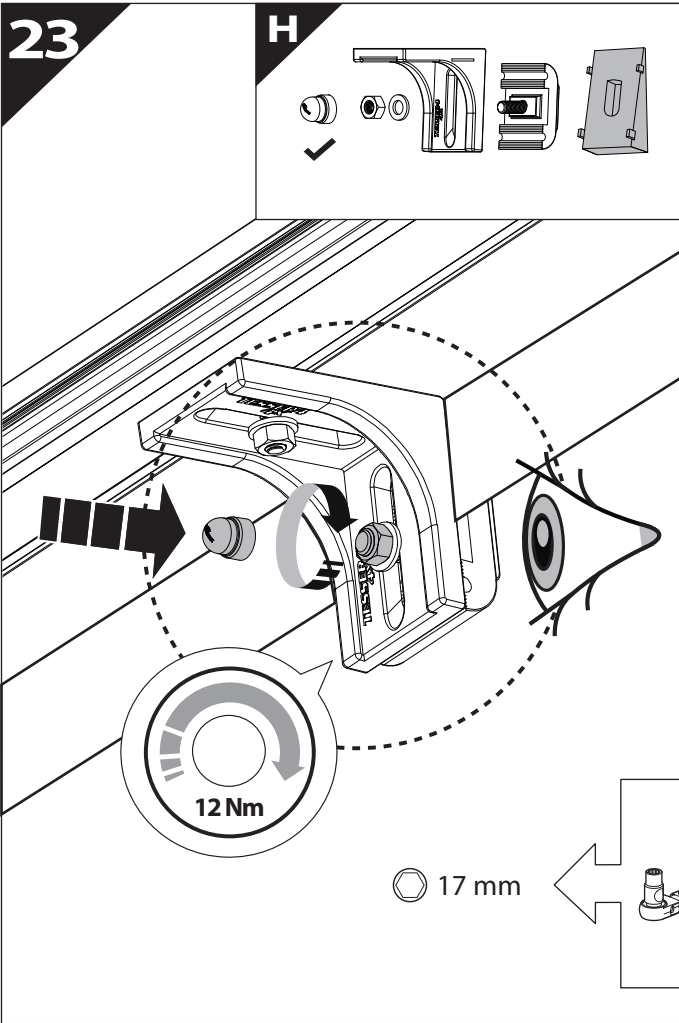




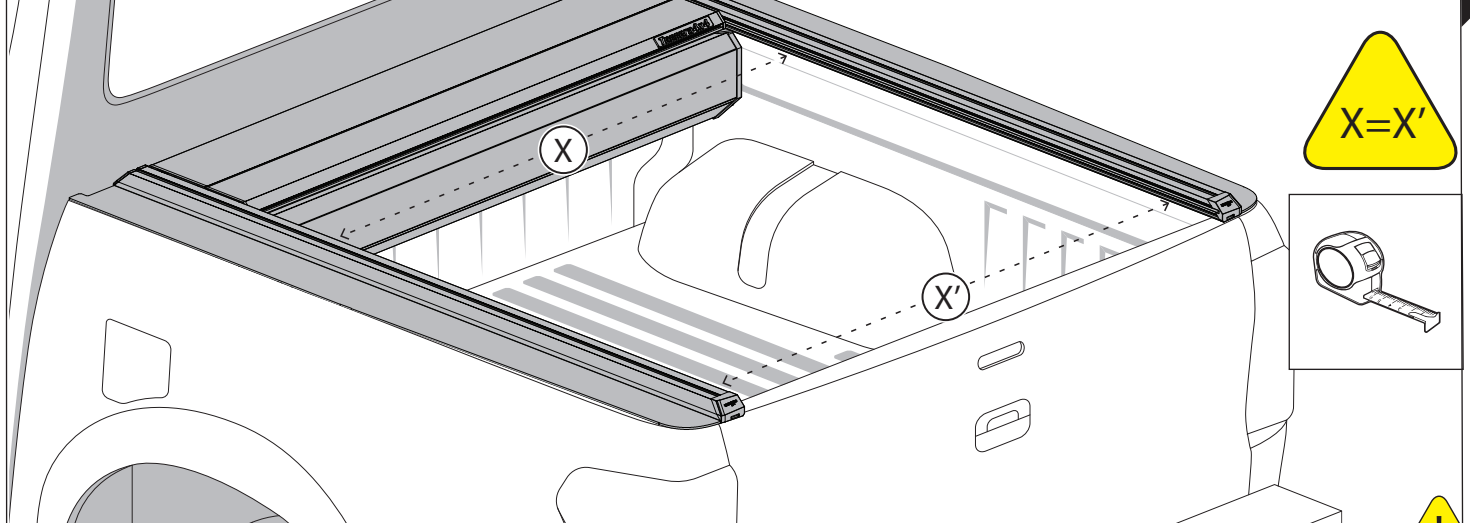


22

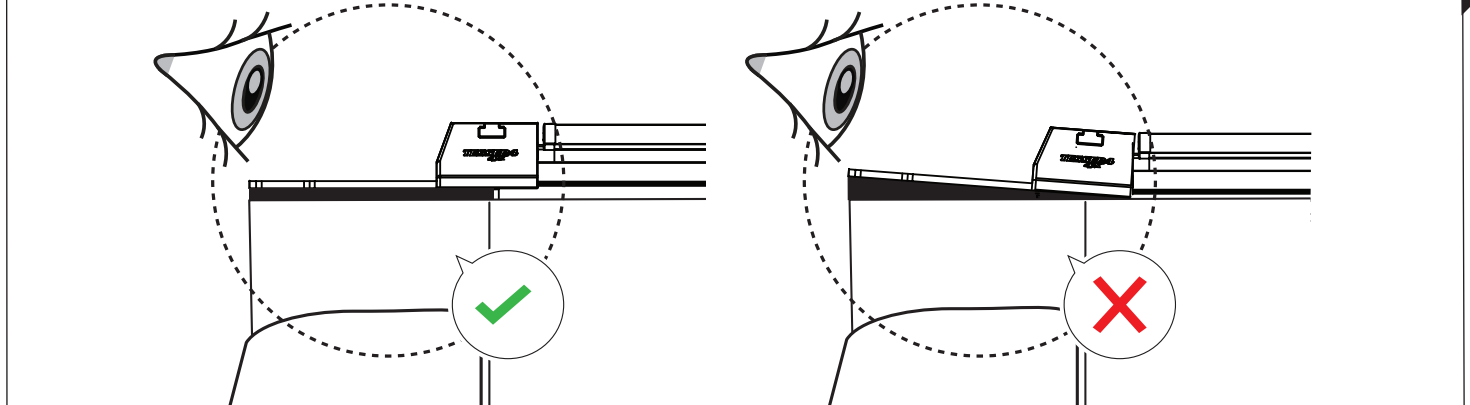




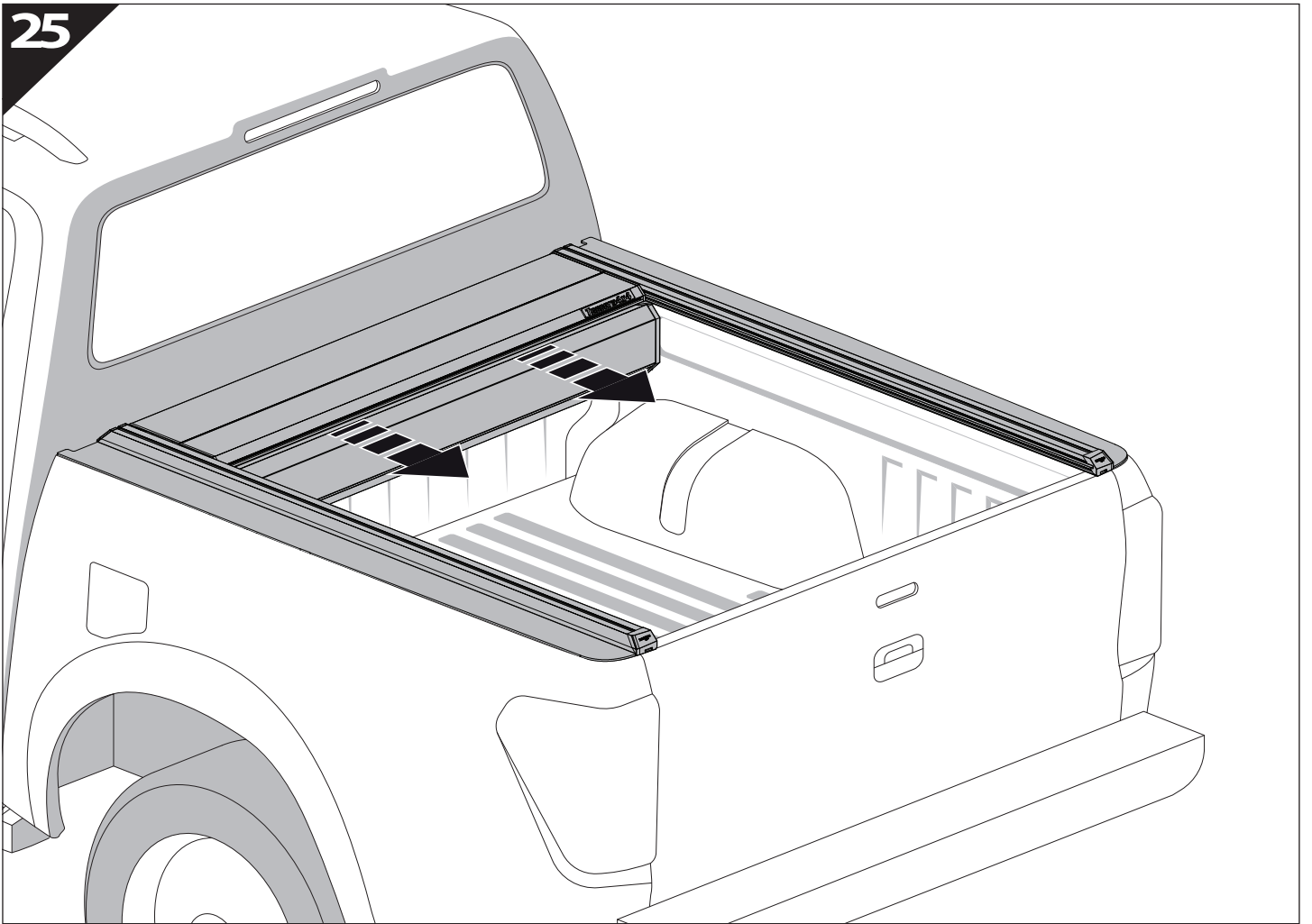
CAUTION !



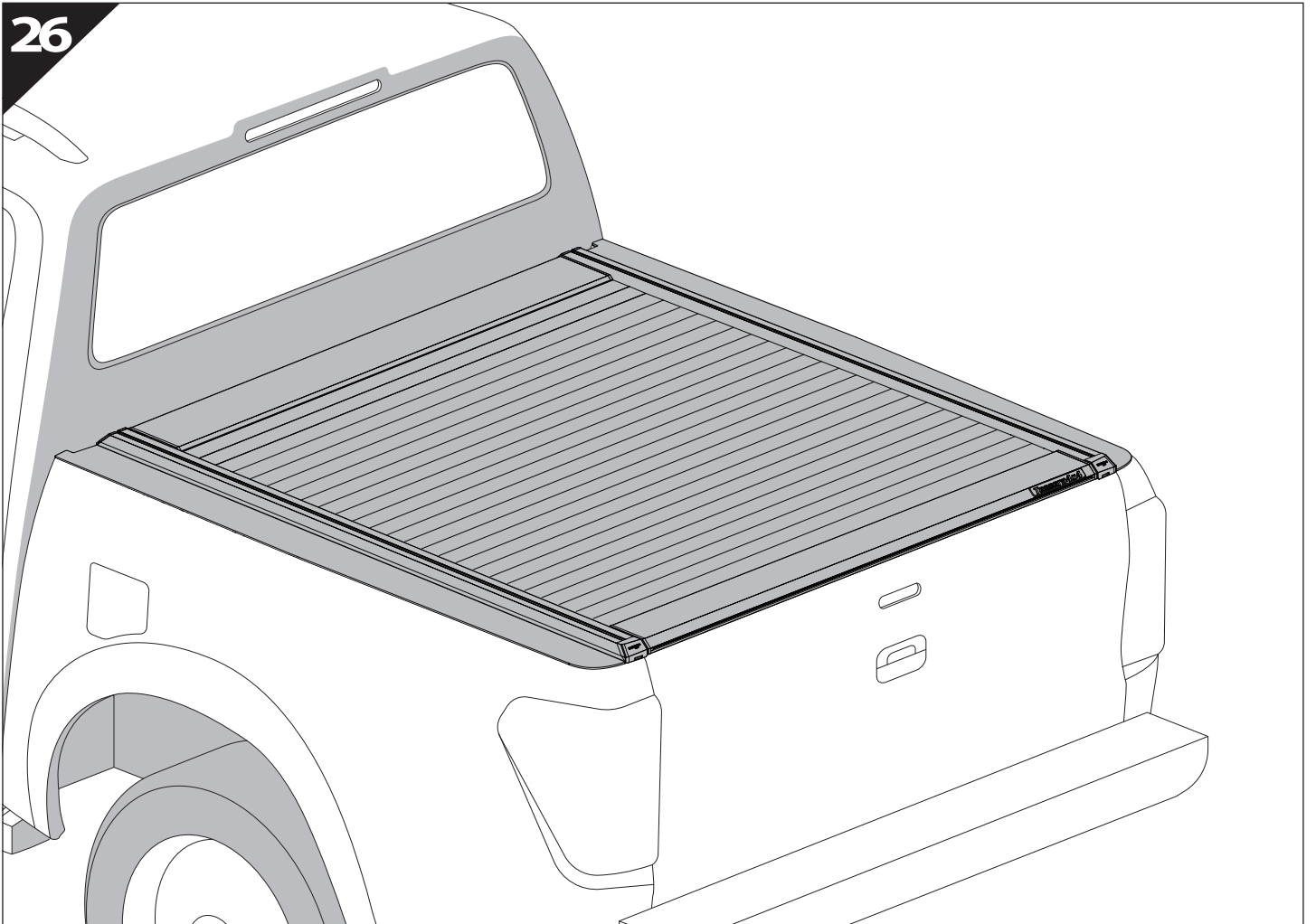
CAUTION !



25



26



GR: Οδηγίες Εγκατάστασης
GB: Installation manual
SF: Asennusohje
F: Notice de montage
PL: Instrukcja montażu
NL: Installatie-instructies
TR: Montaj Talimatı
S: Monteringsanvisning
E: Instrucciones de montaje

H: Szerelési utasítás
P: Instruções de instalação
RUS: Инструкция по установке
N: Monteringsveiledning
D: Einbauanleitung
CZ: Návod k instalaci
I: Istruzioni de montaggio
DK: Monteringsvejledning
RO: Instructiuni de instalare

Customer Service:

+30 (210) 5541161, +30 (210) 5541154 (08:00 - 16:00 EET)

Support department:

info@gianso.gr

Website:

www.tessera4x4.com

Address:

19.5 km of National road Athens-Korinthos (Elefsina) Greece, P.C: 19200