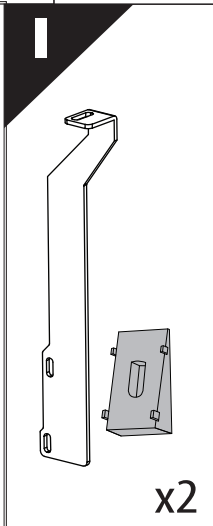
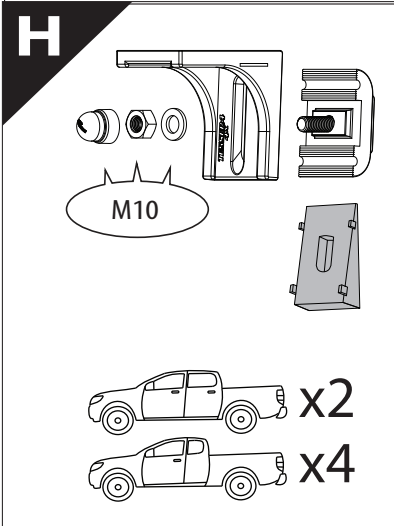
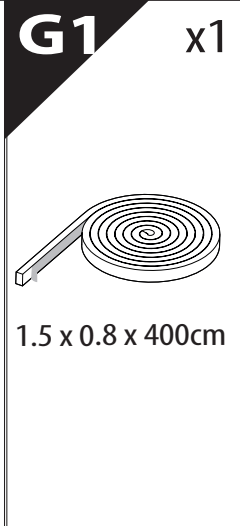
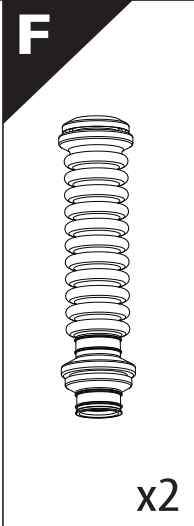
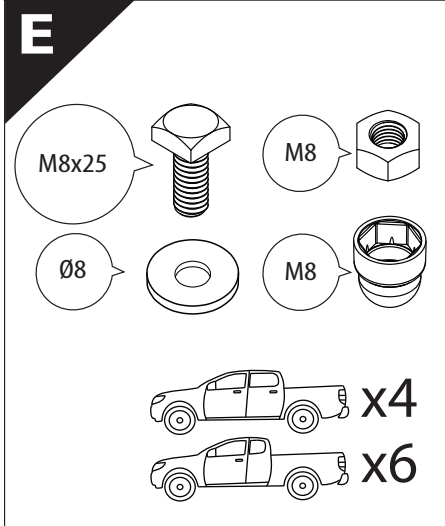
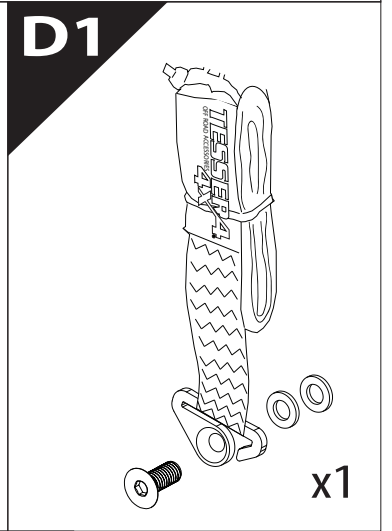
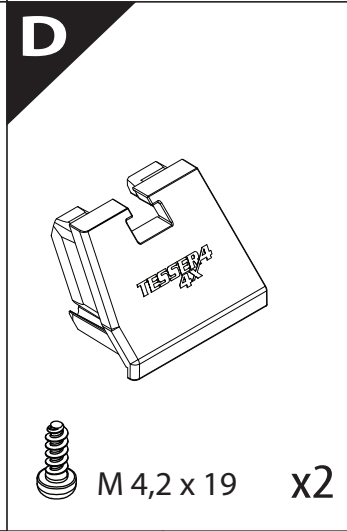
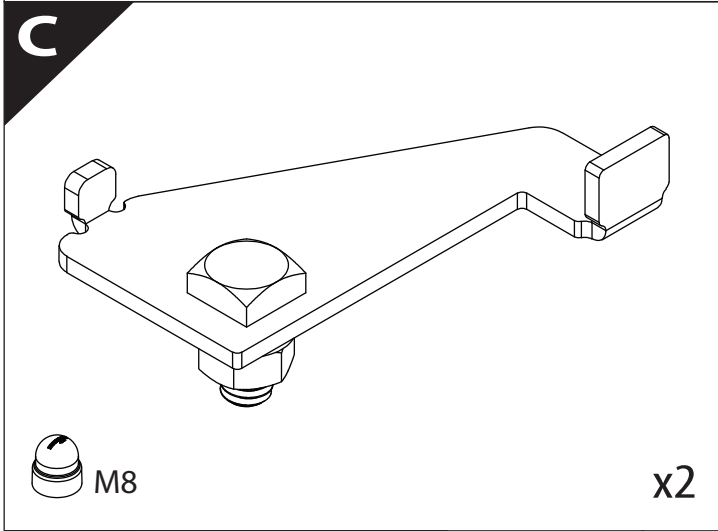
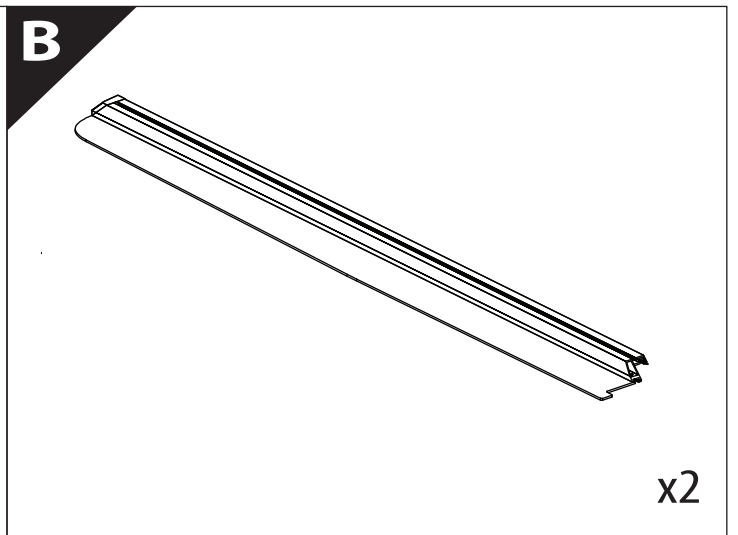
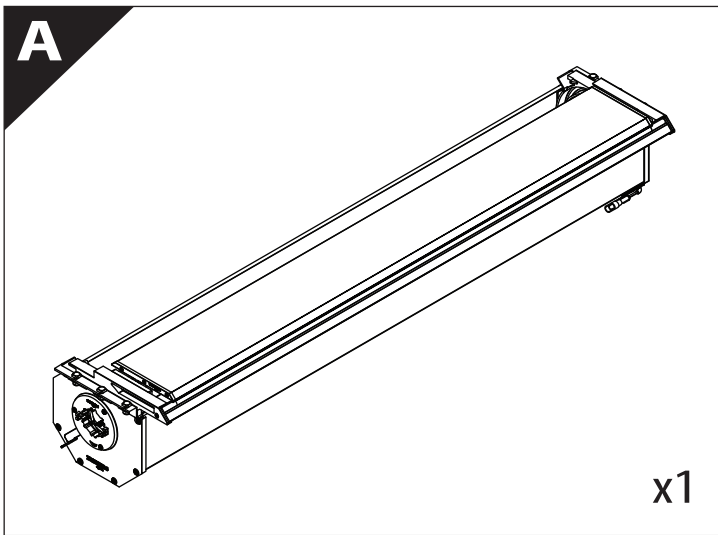
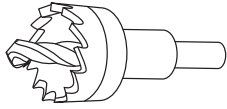


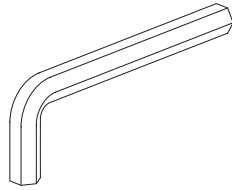
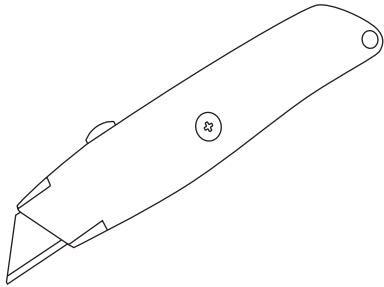
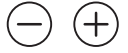
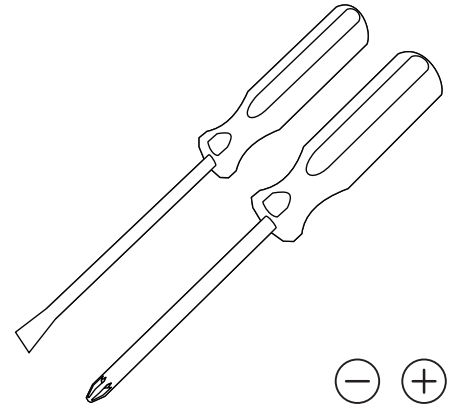
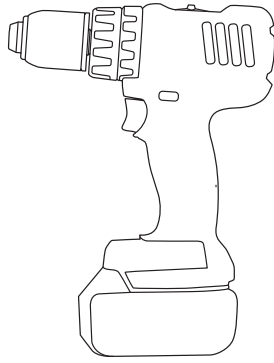
## Installation Manual

PART NUMBER(S)	Model Year
TESS 1506 SE + ADAPT 008	FORD RANGER 2012+ / 2016+ / 2020+ WITH OEM ROLL BAR
TESS 1507 SE + ADAPT 008	
Cab(s)	Installation Time / Weight
Double Cab & Space cab	40-60 minutes / 53-57 kg



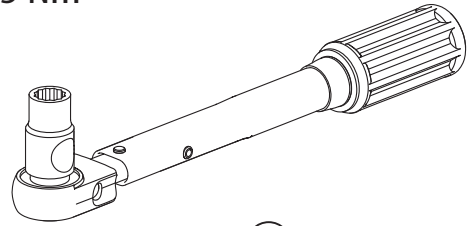


Ø 25 mm / Ø 40 mm



4 mm

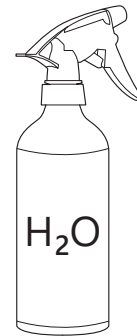
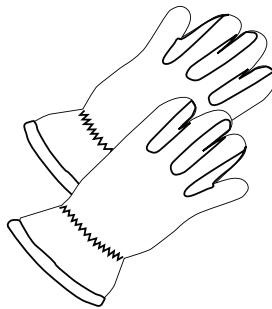
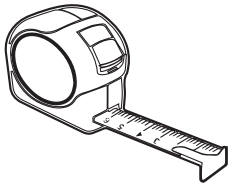
1 - 25 Nm



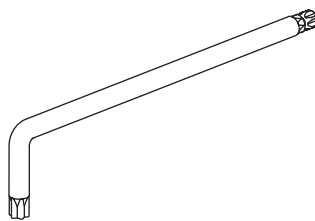
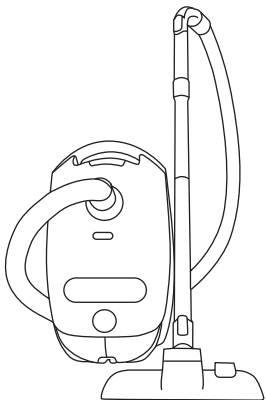
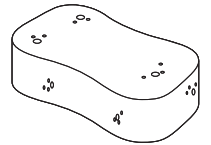
13, 17 mm



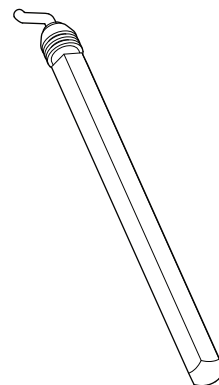
ACETONE



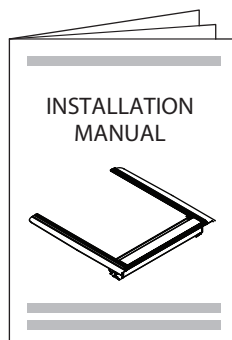
H<sub>2</sub>O



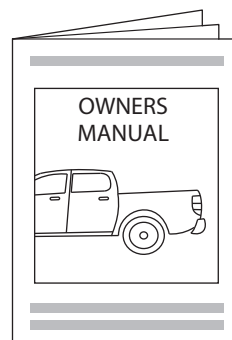
T40



ANTI-RUST

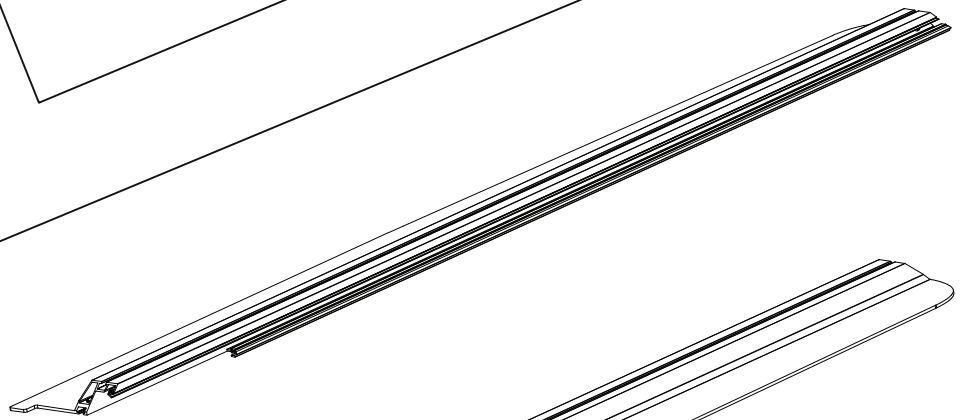
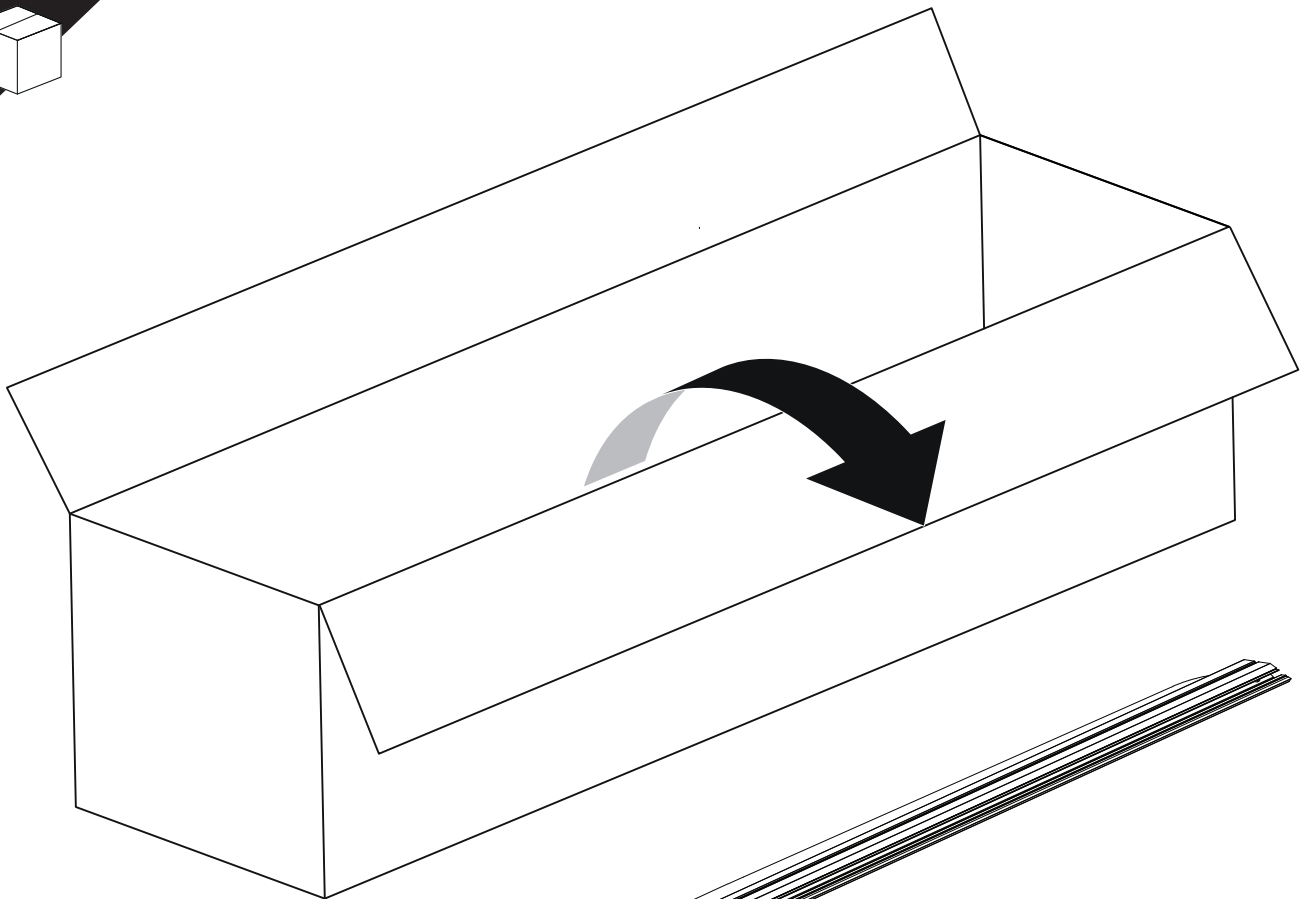


INSTALLATION  
MANUAL

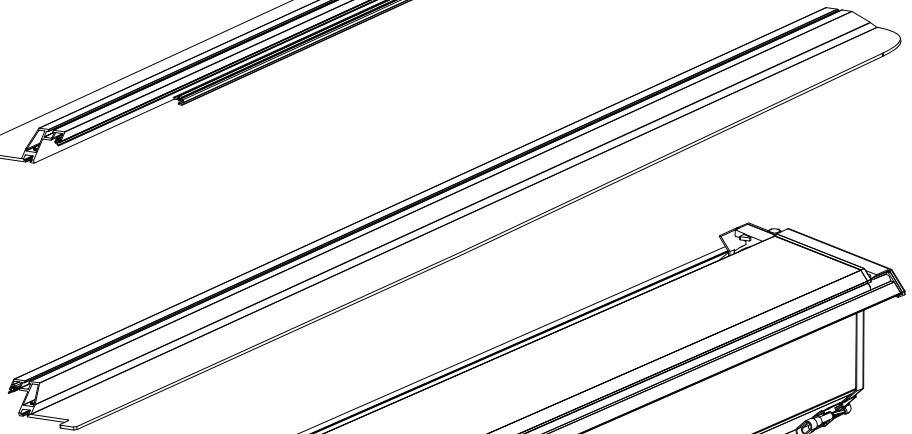


OWNERS  
MANUAL

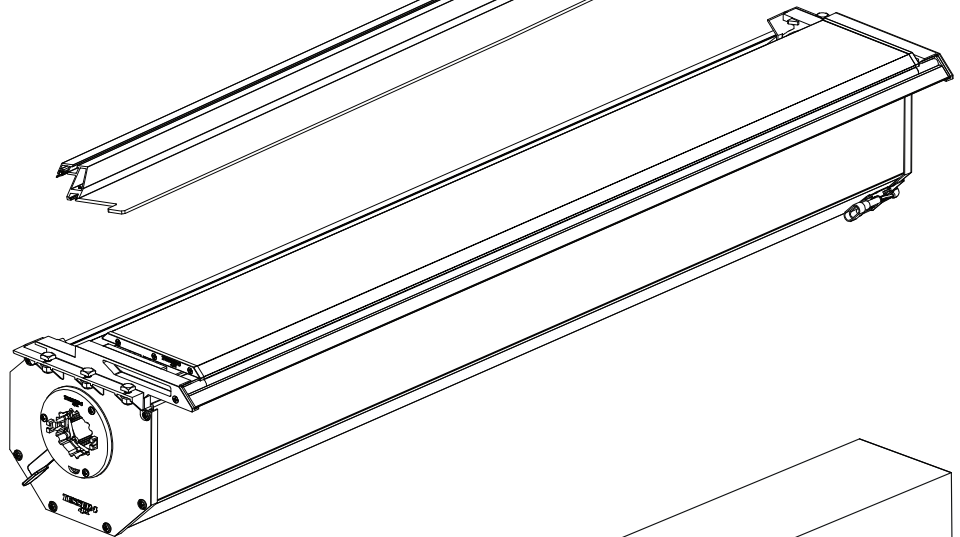
x1



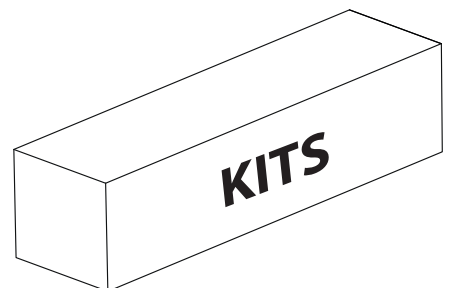
**B**



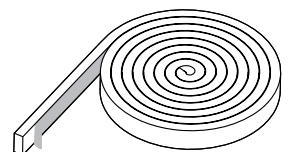
**A**

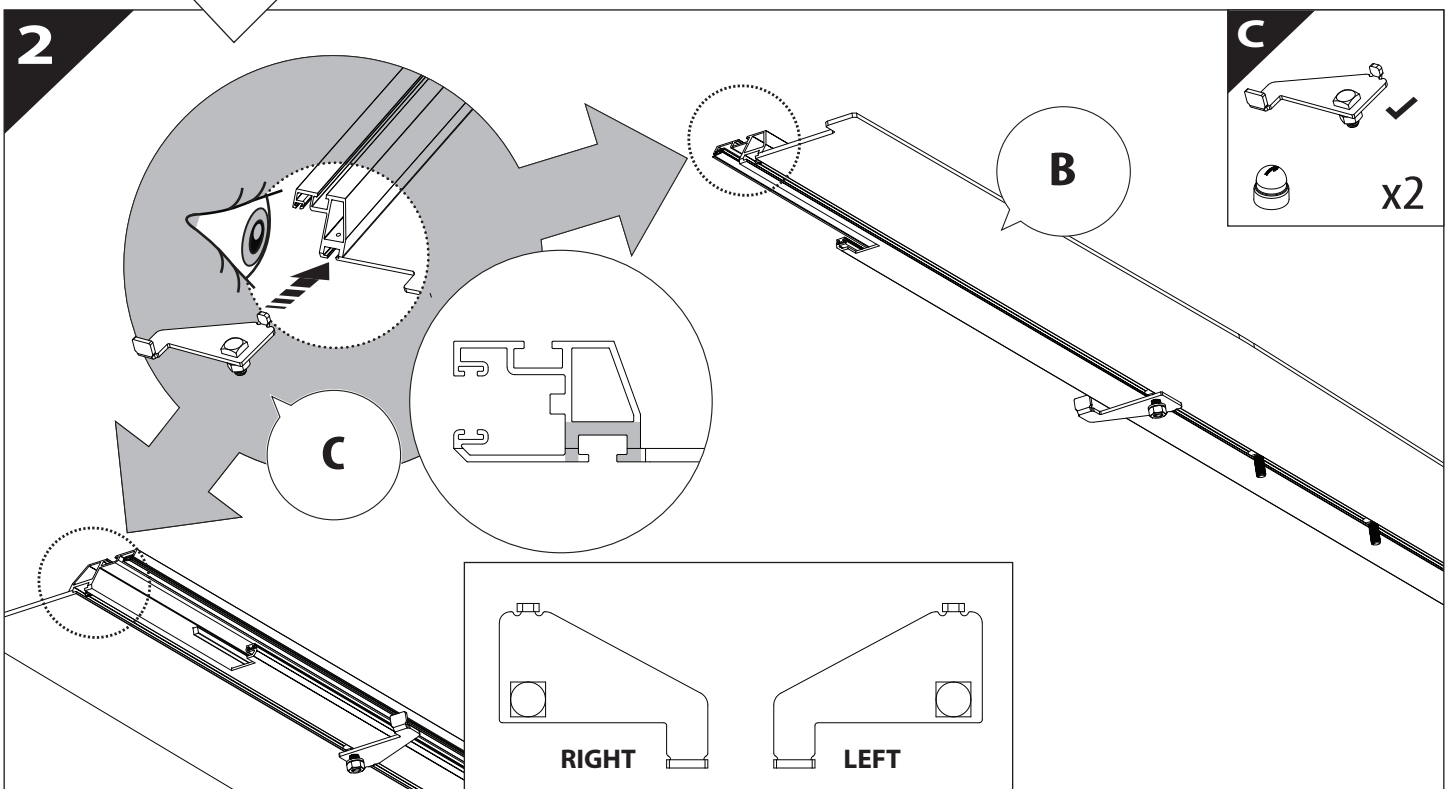
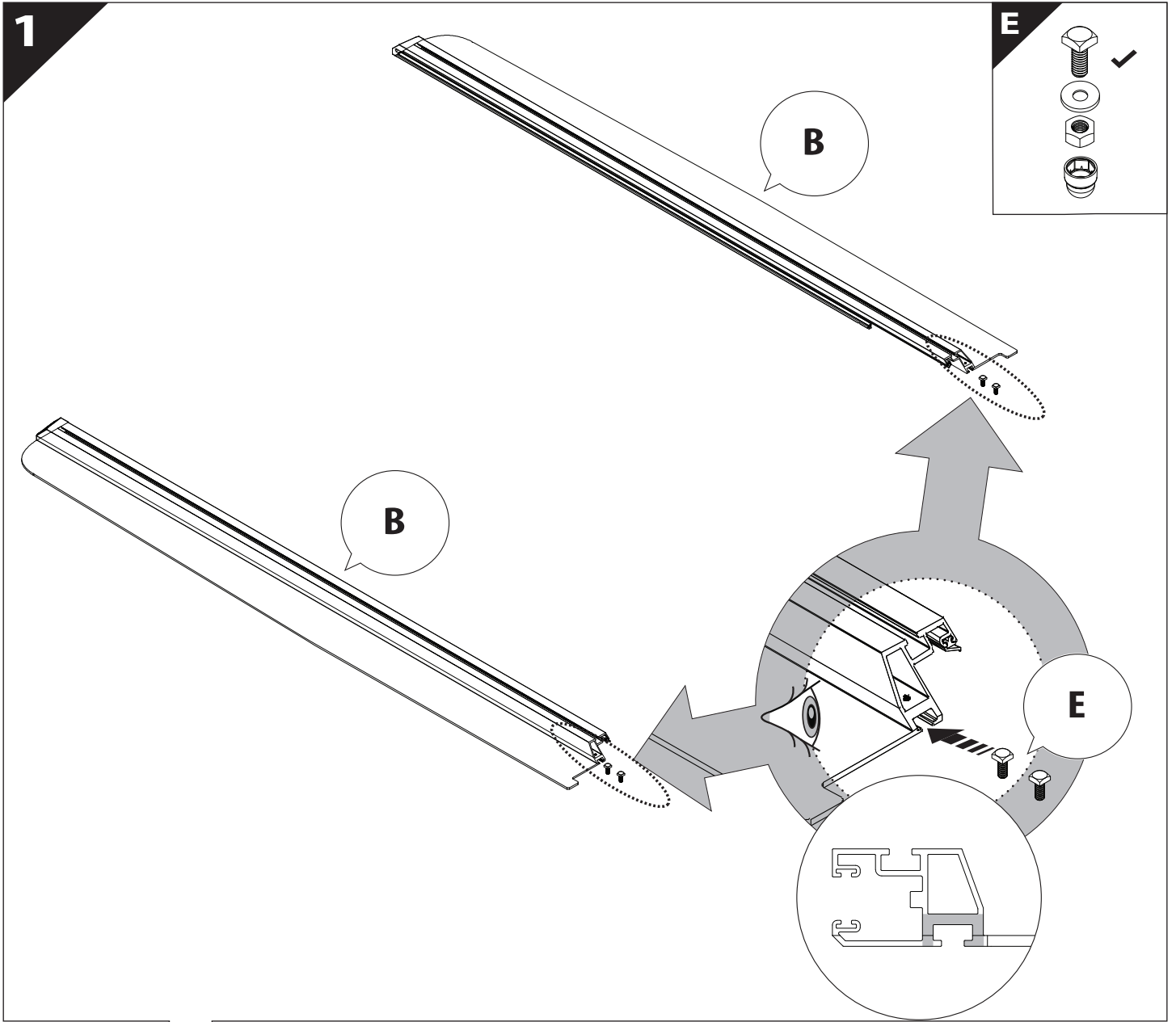


**KITS**

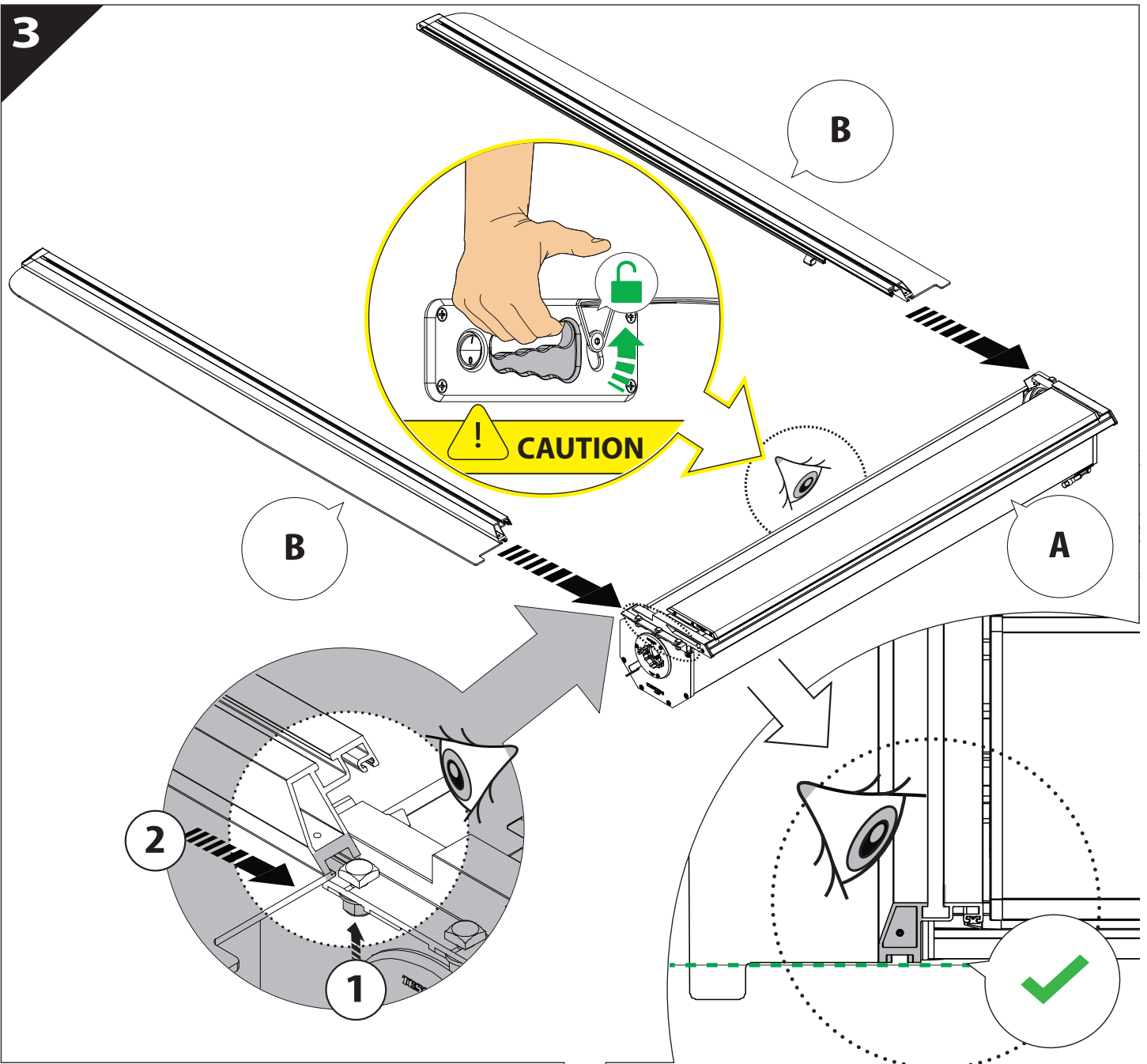


**G**

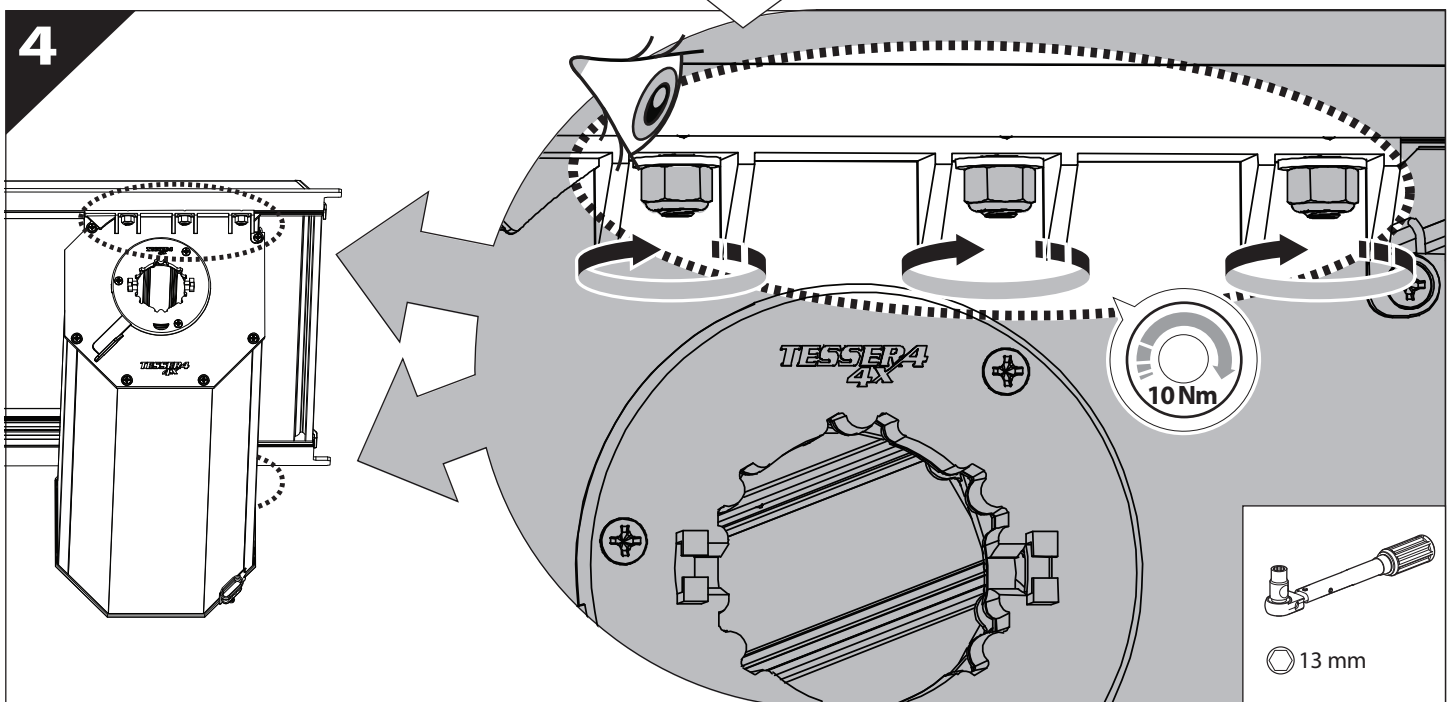


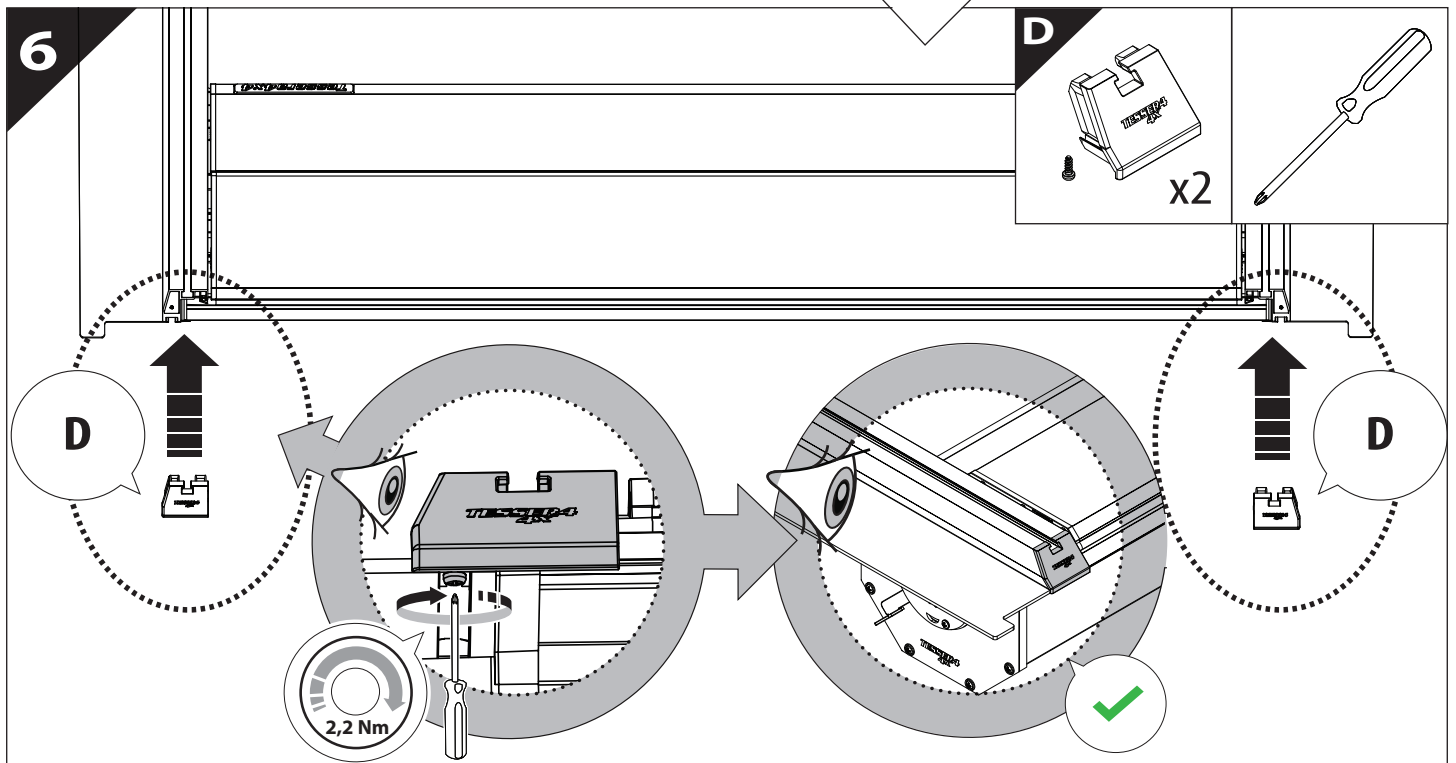
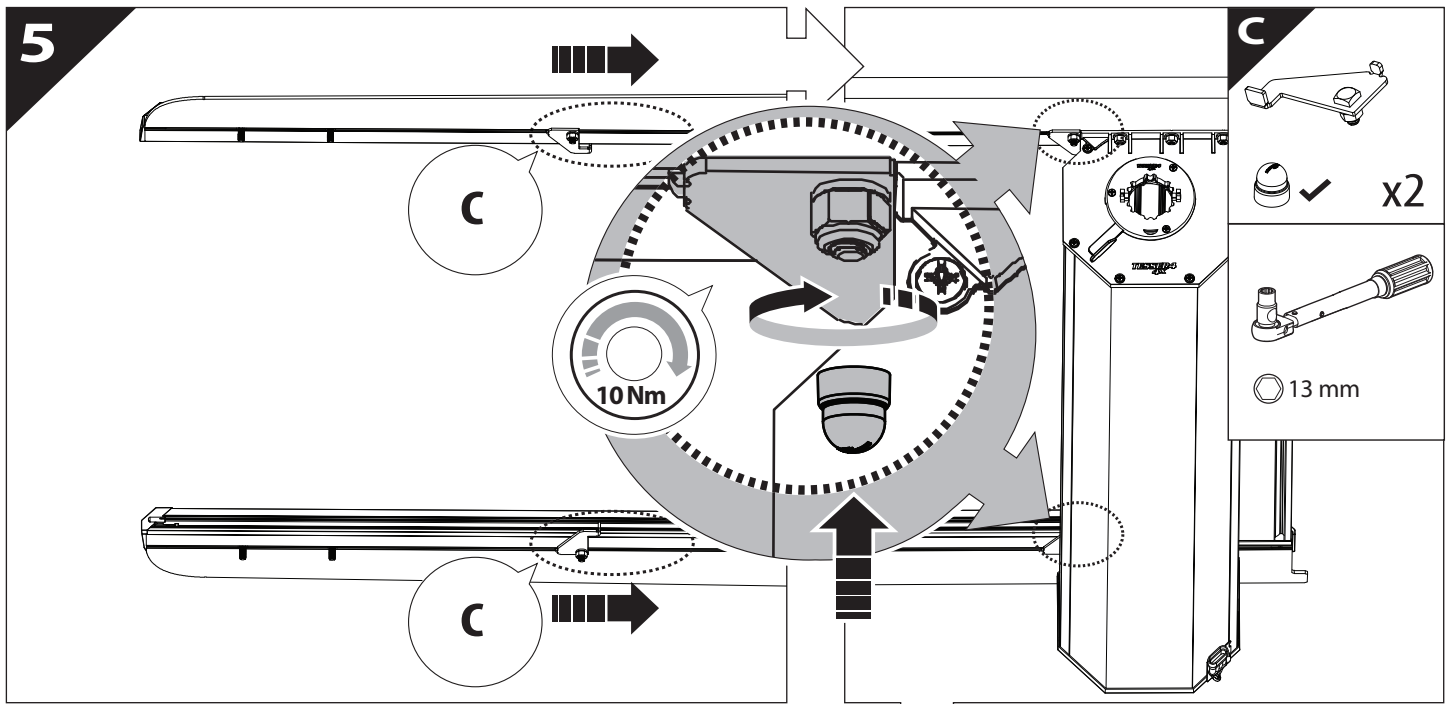


3

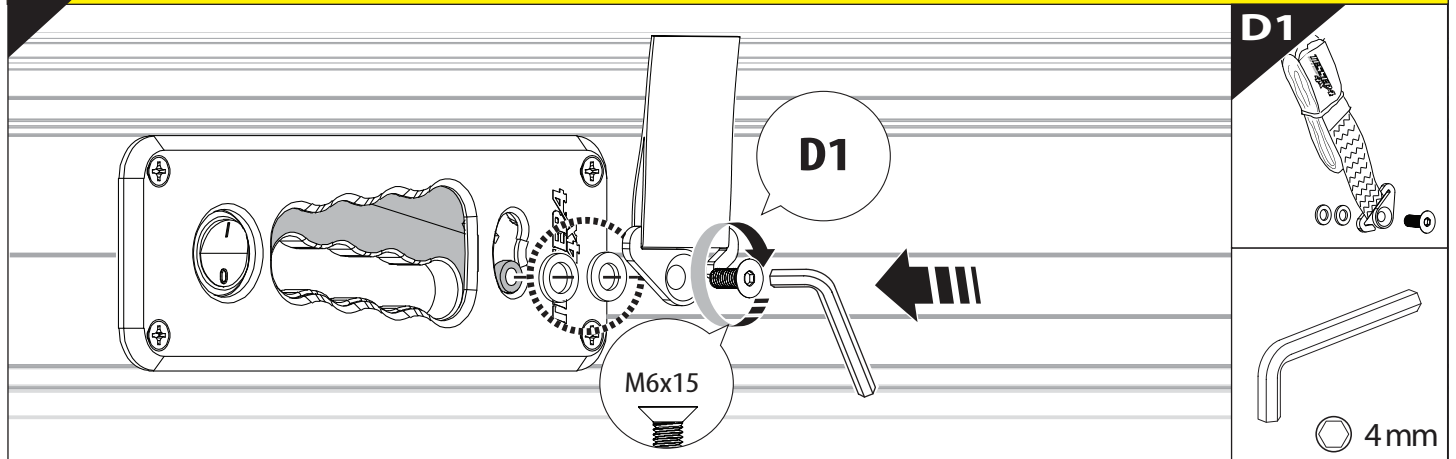


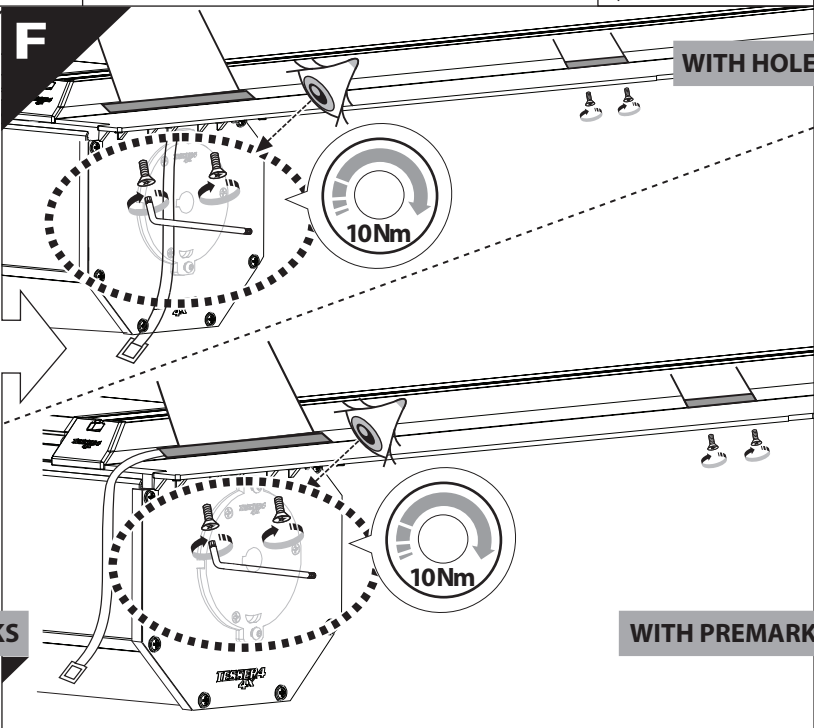
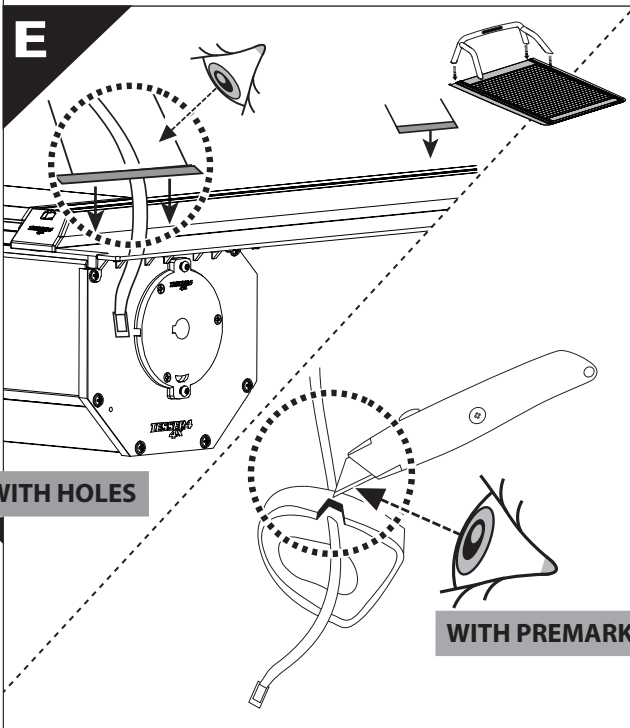
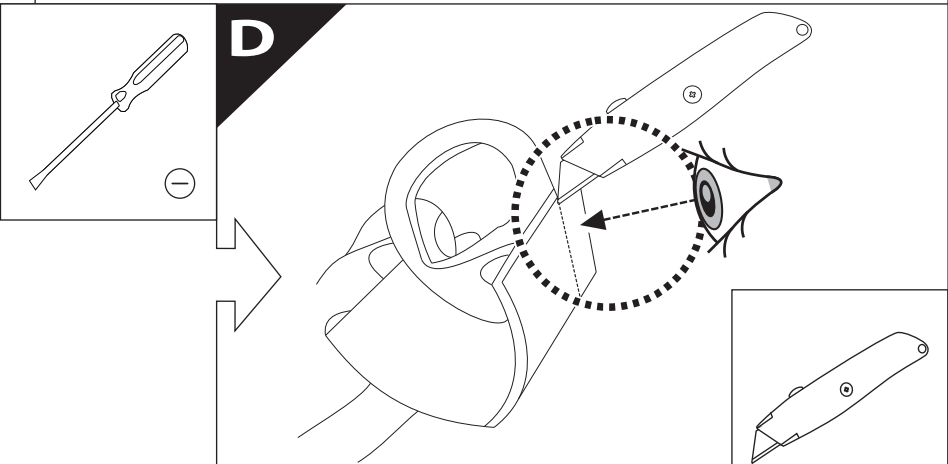
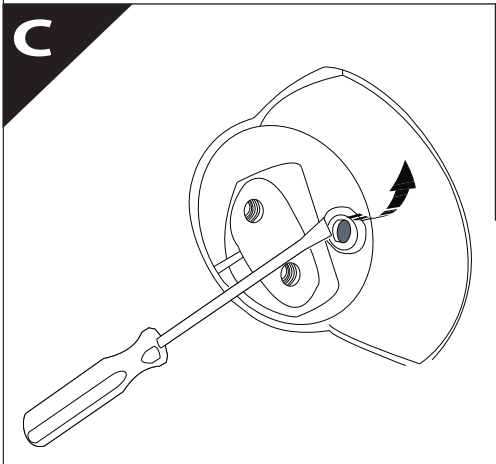
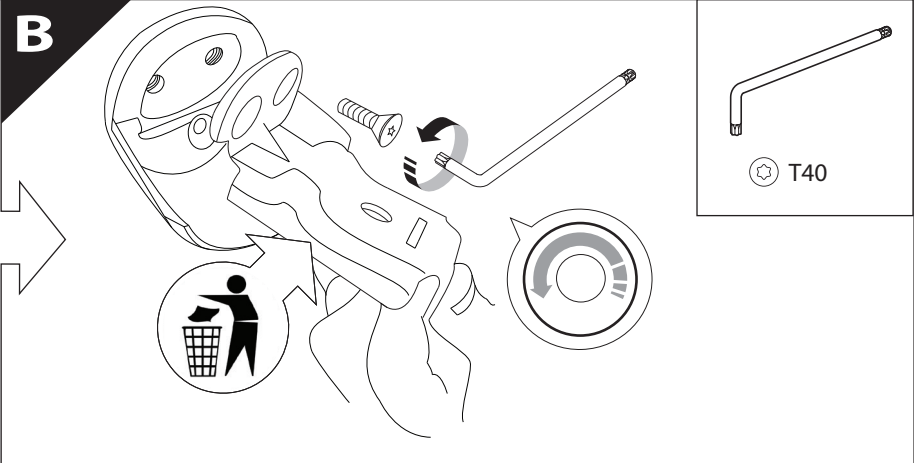
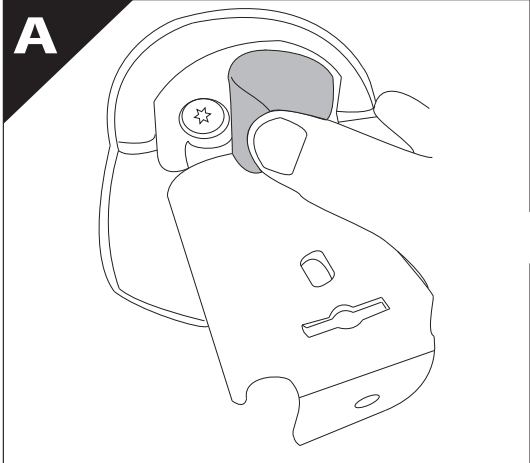
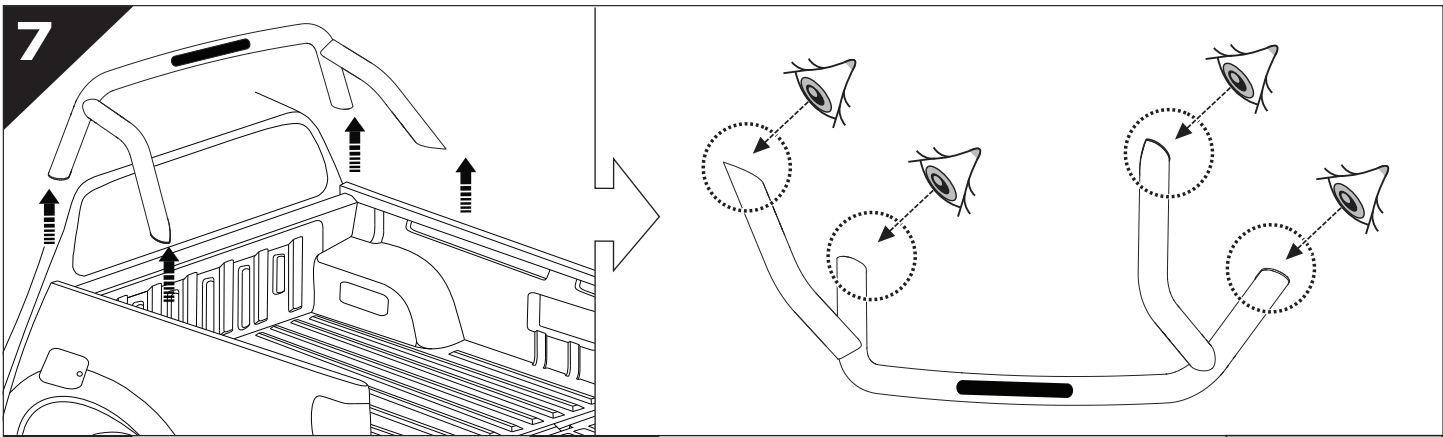
4





**6.1** **CAUTION** Basic Version ✓ & Basic+S-KIT Version ✓

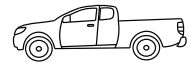




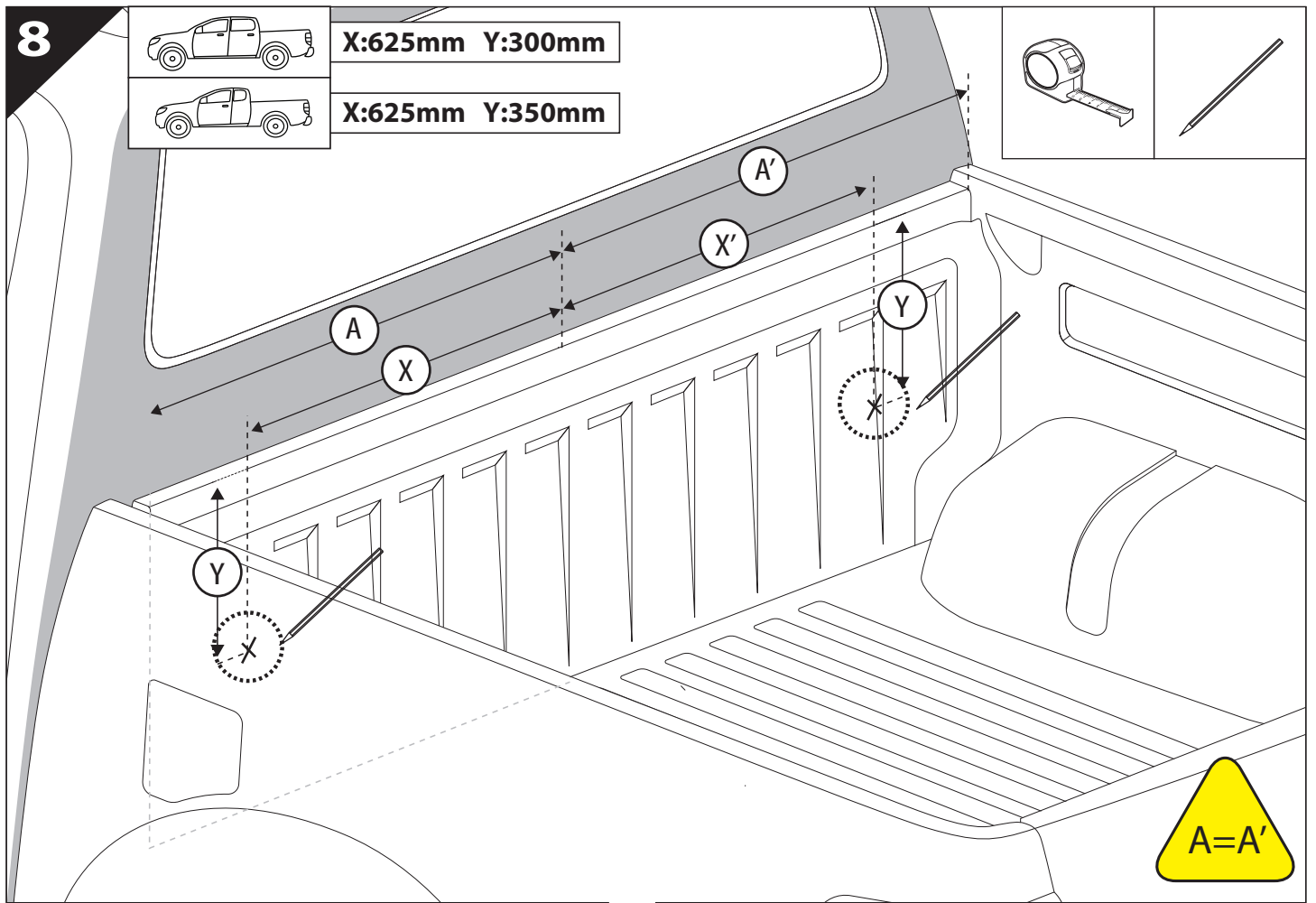
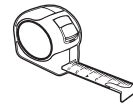
8



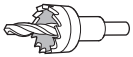
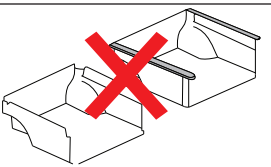
X:625mm Y:300mm



X:625mm Y:350mm



9

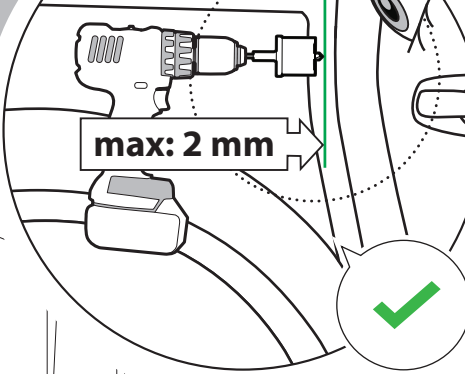


Ø 25 mm

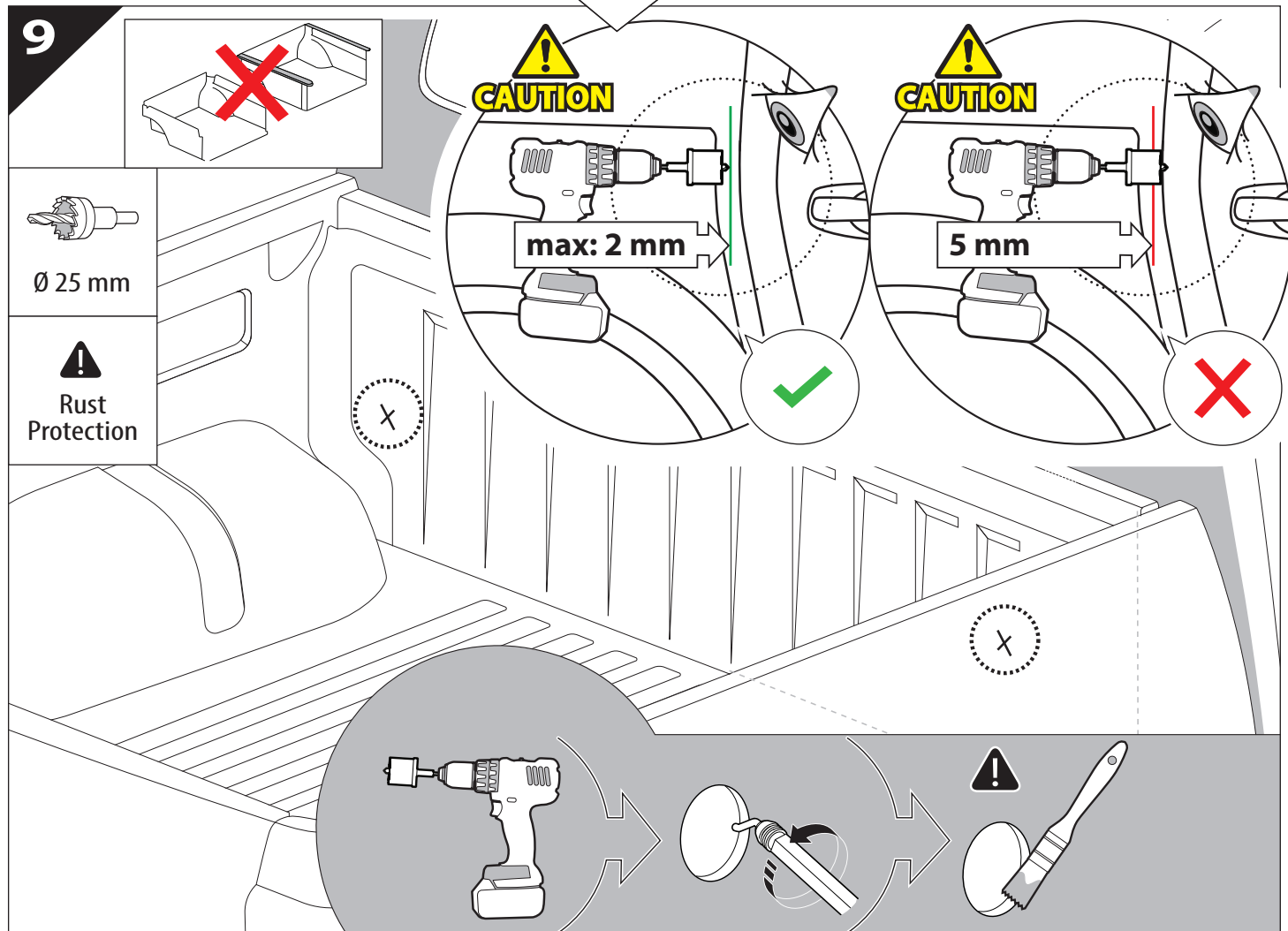
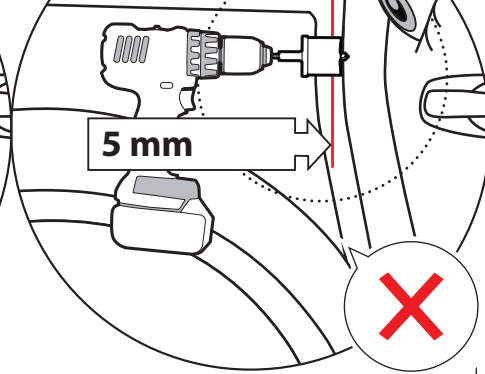


Rust Protection

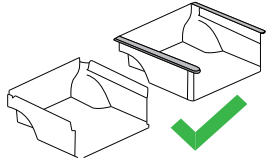
**CAUTION**



**CAUTION**

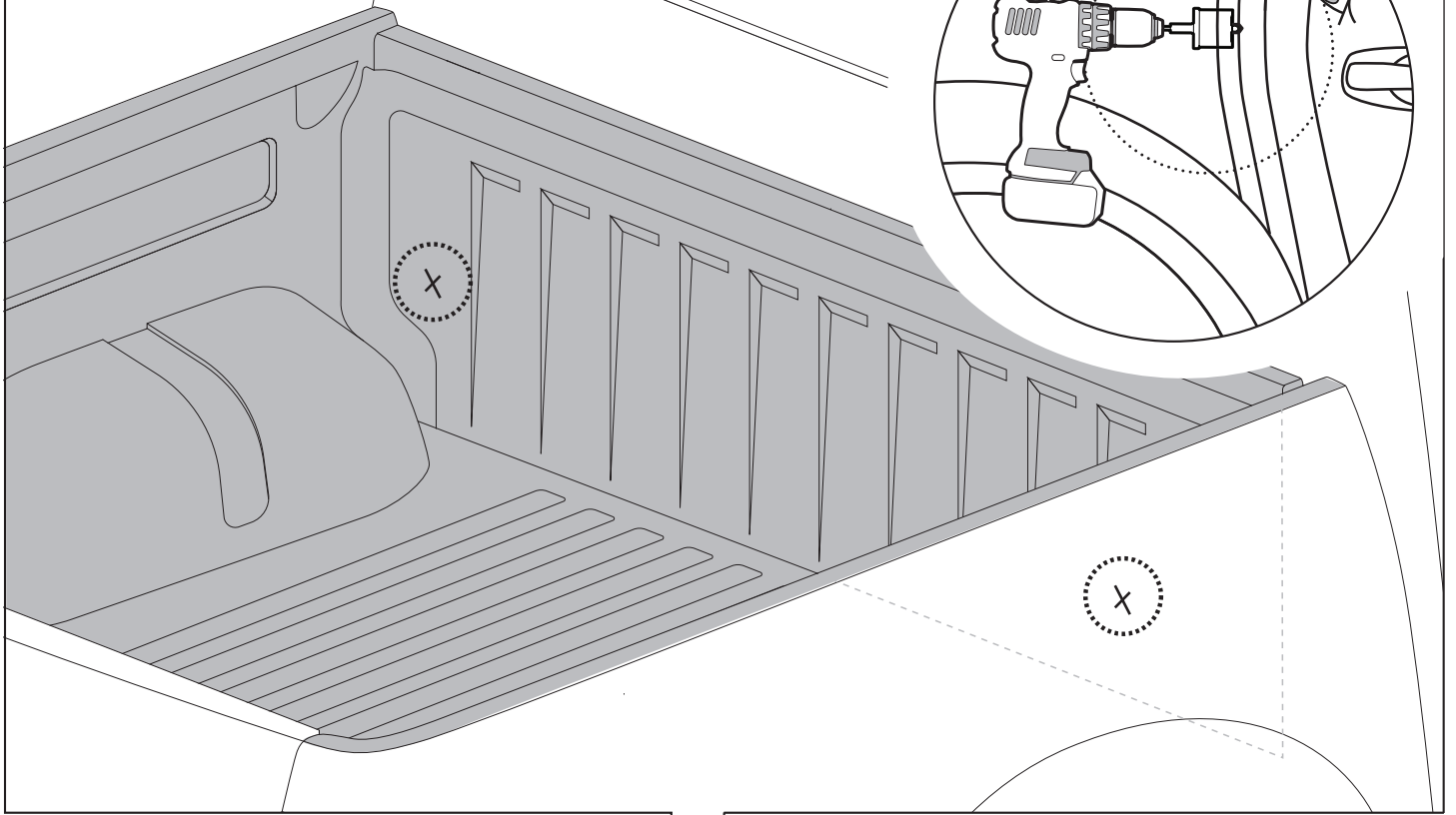
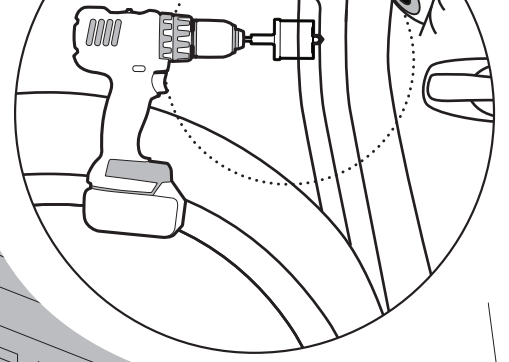


10

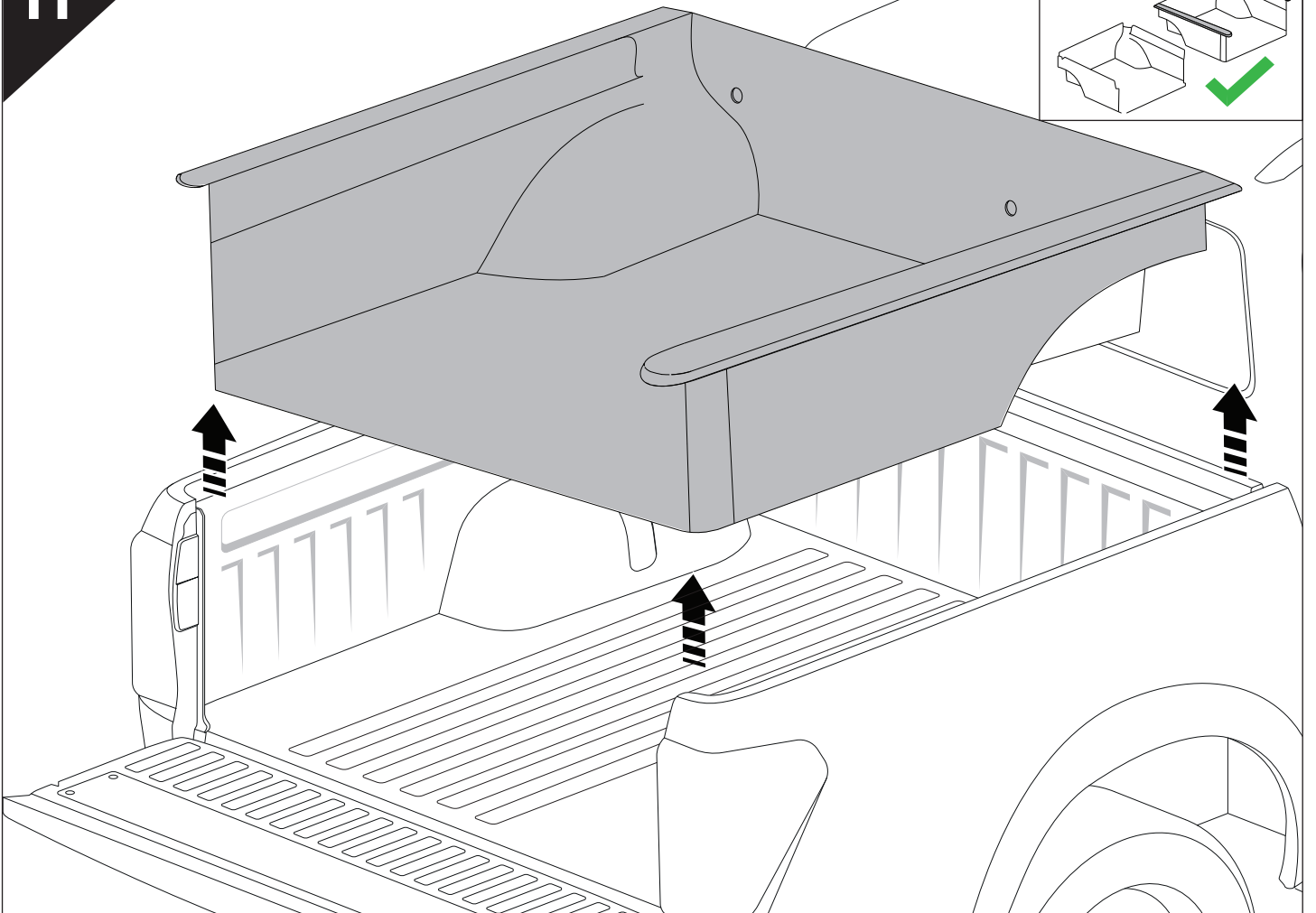
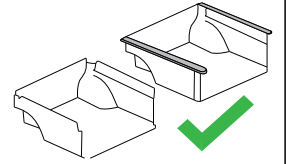


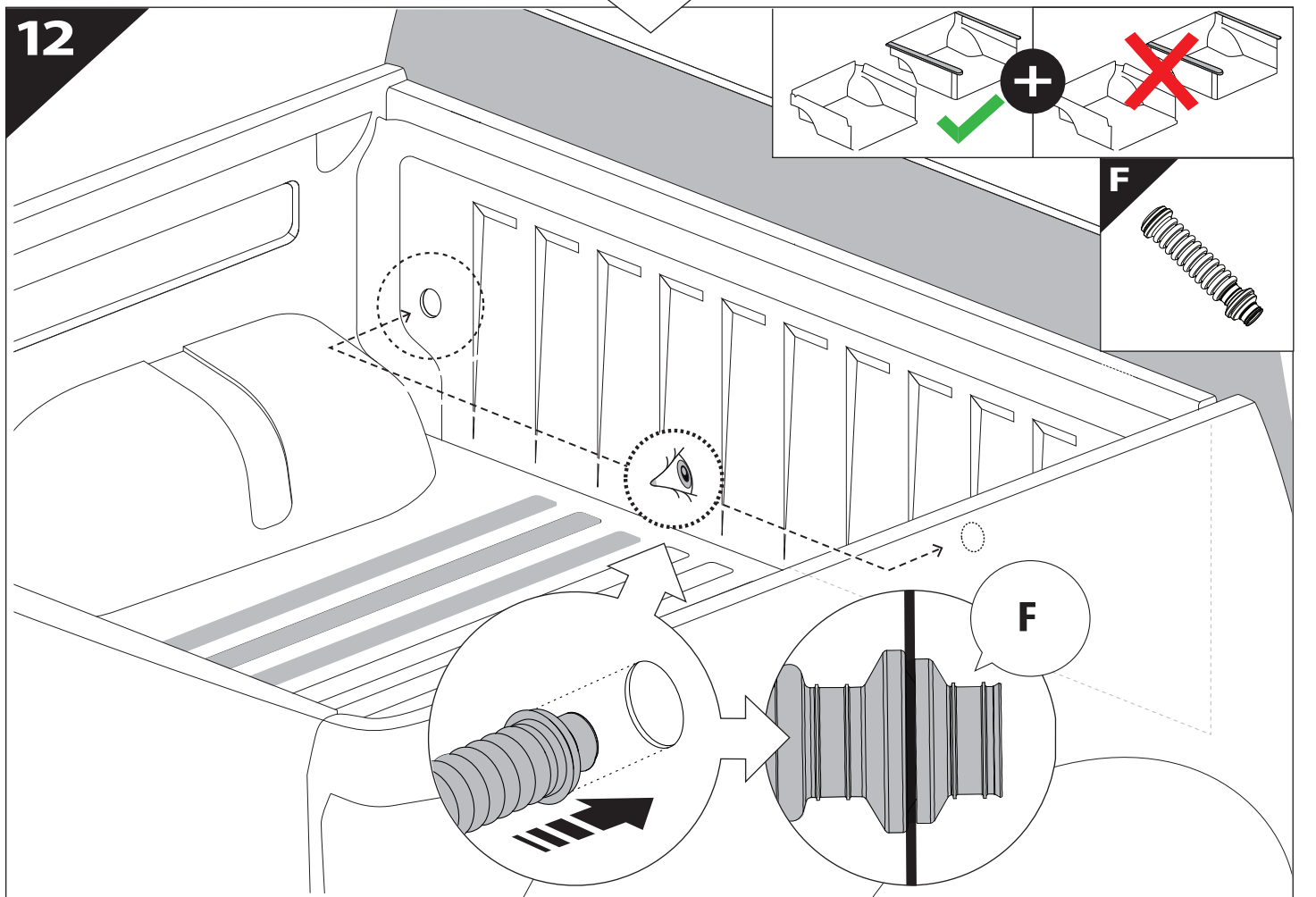
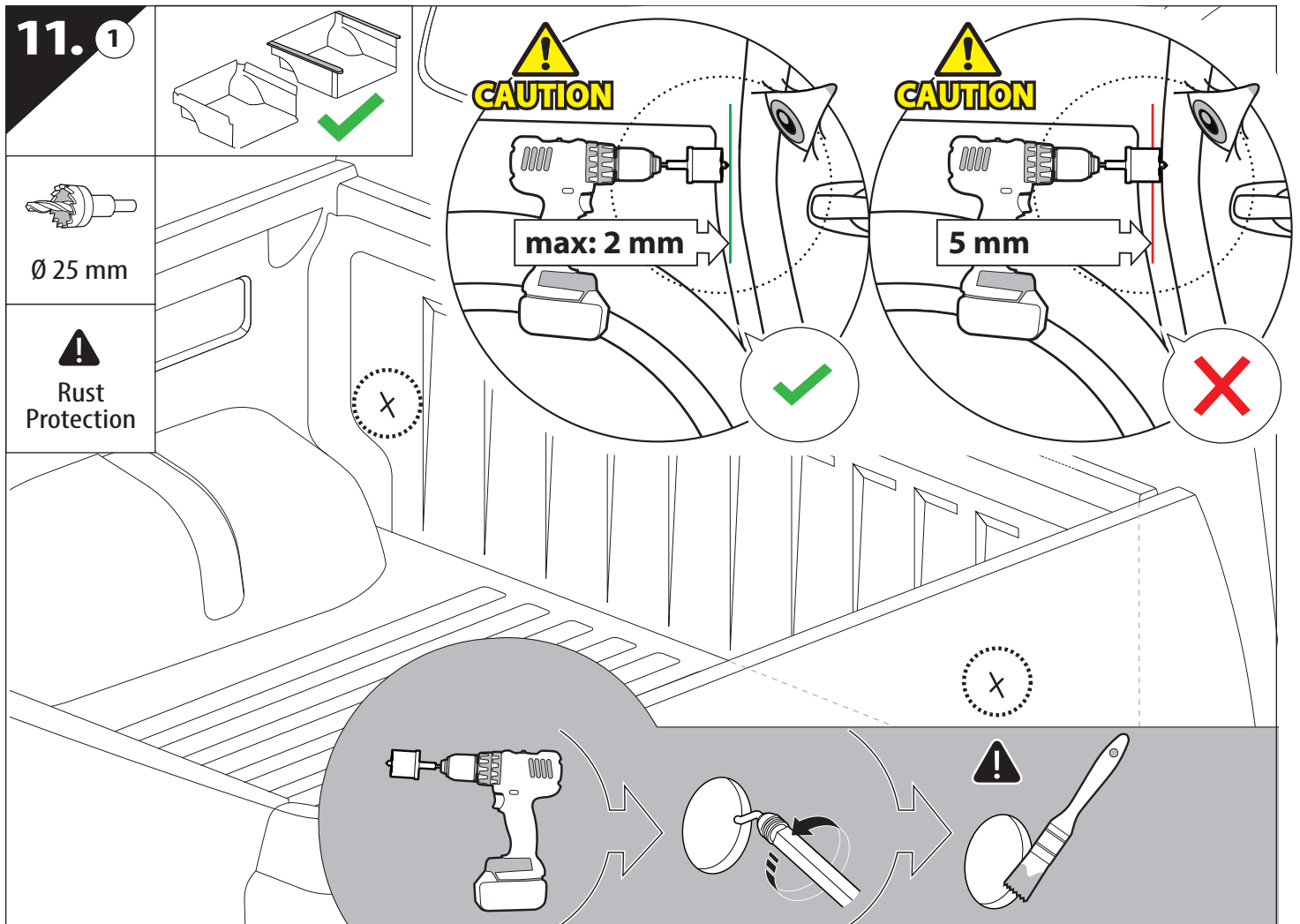
Ø 40 mm

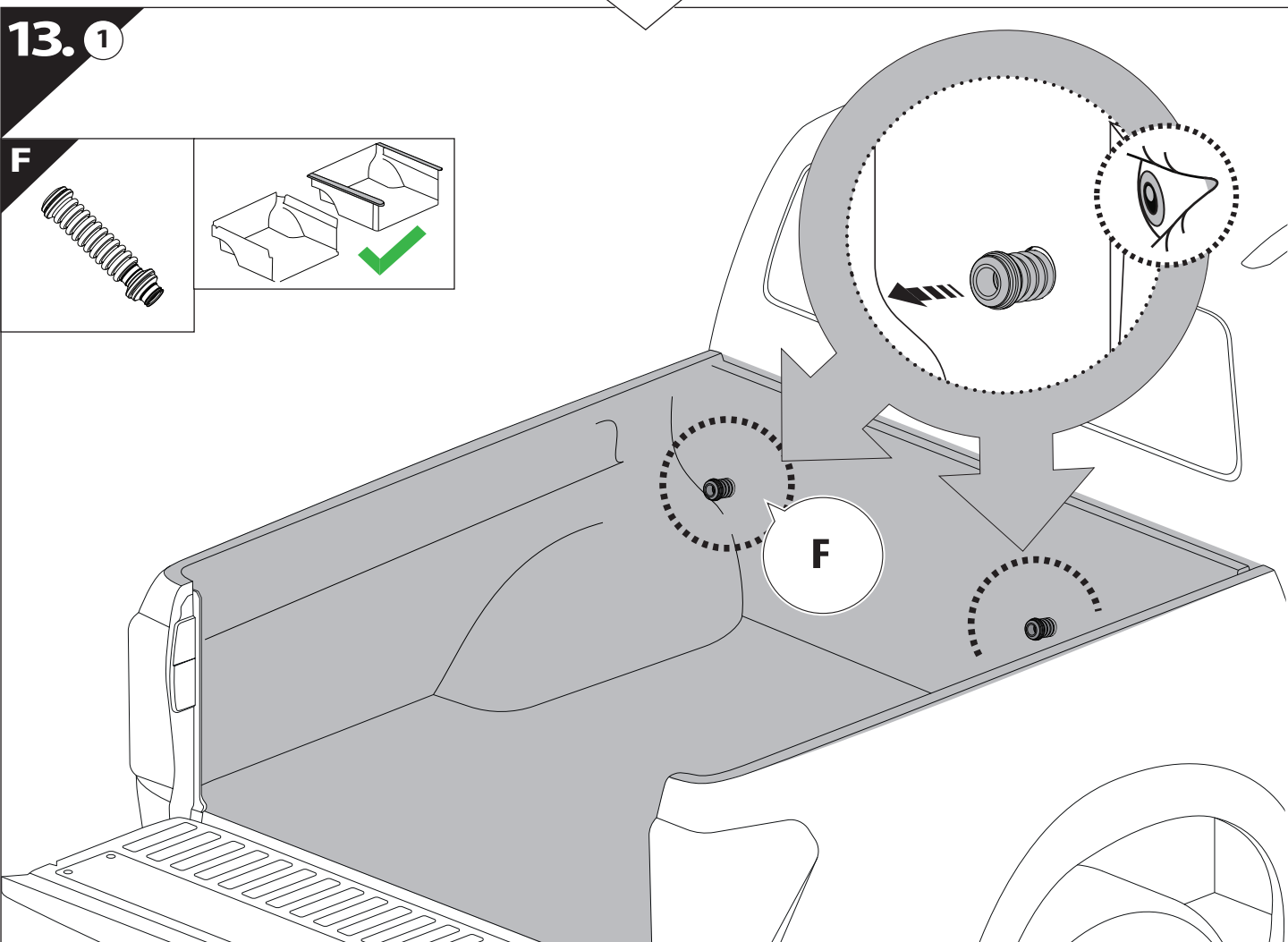
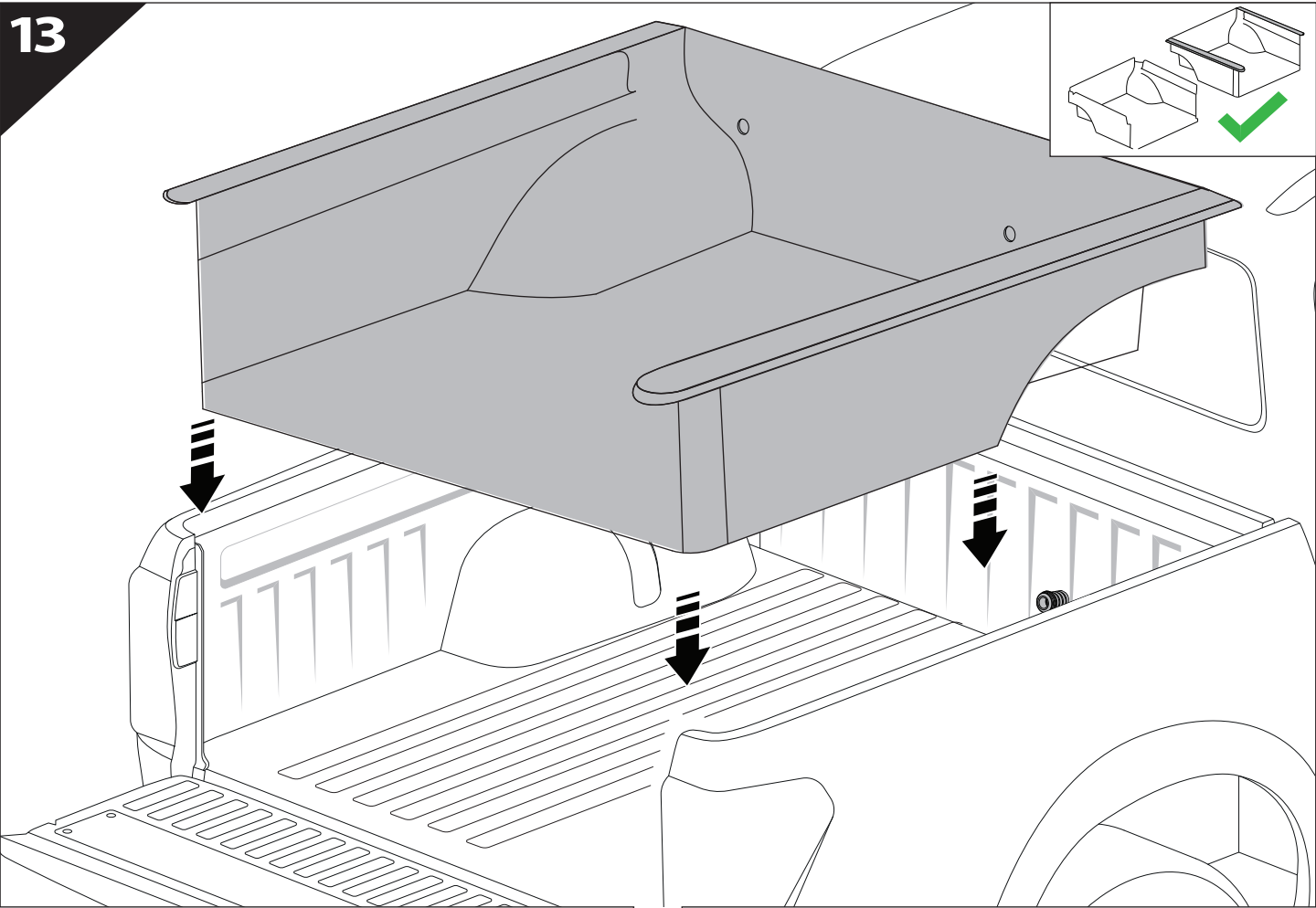
 **CAUTION**

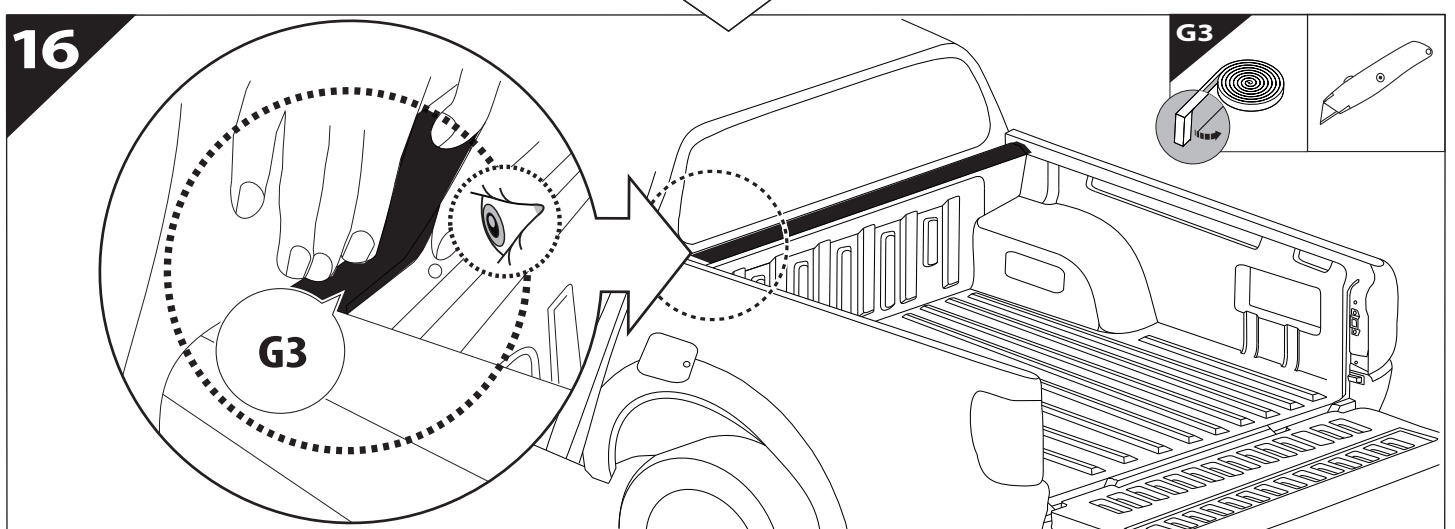
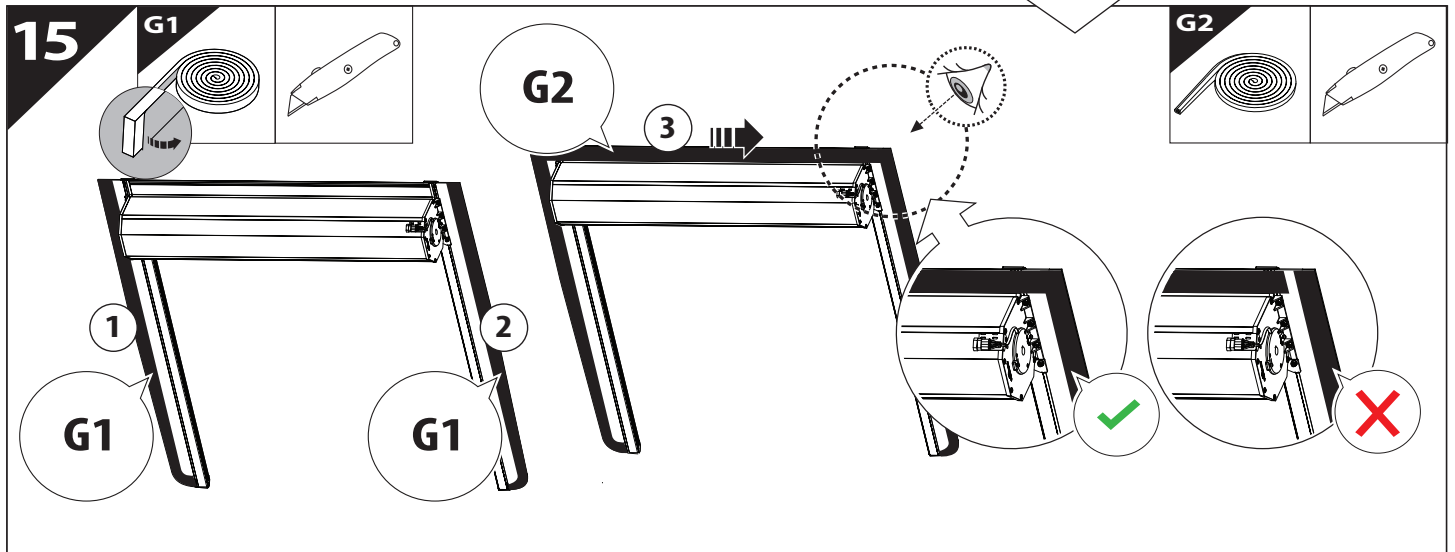
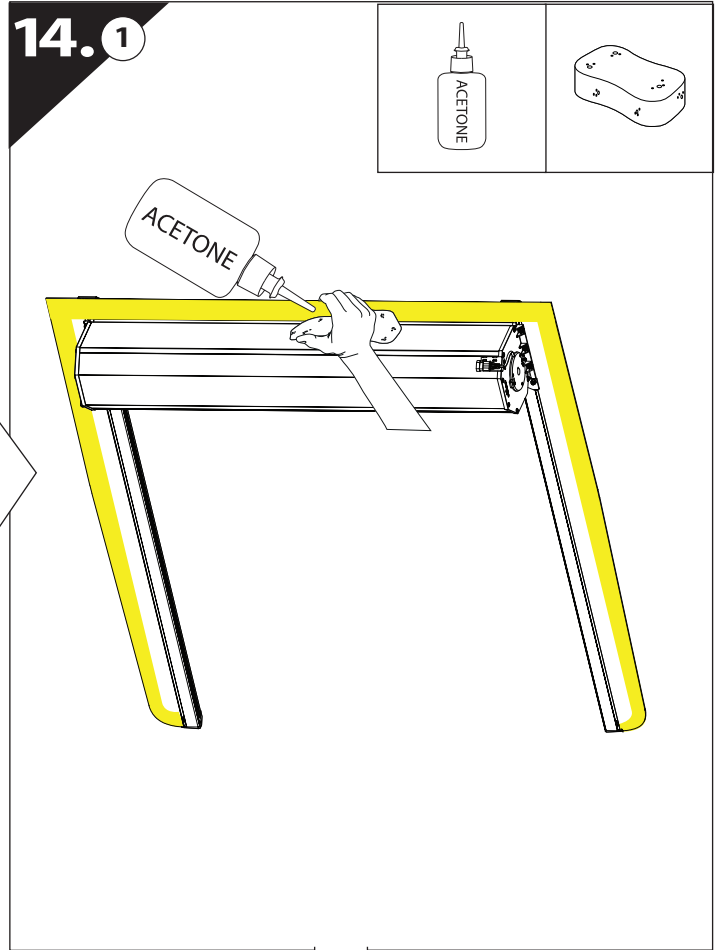
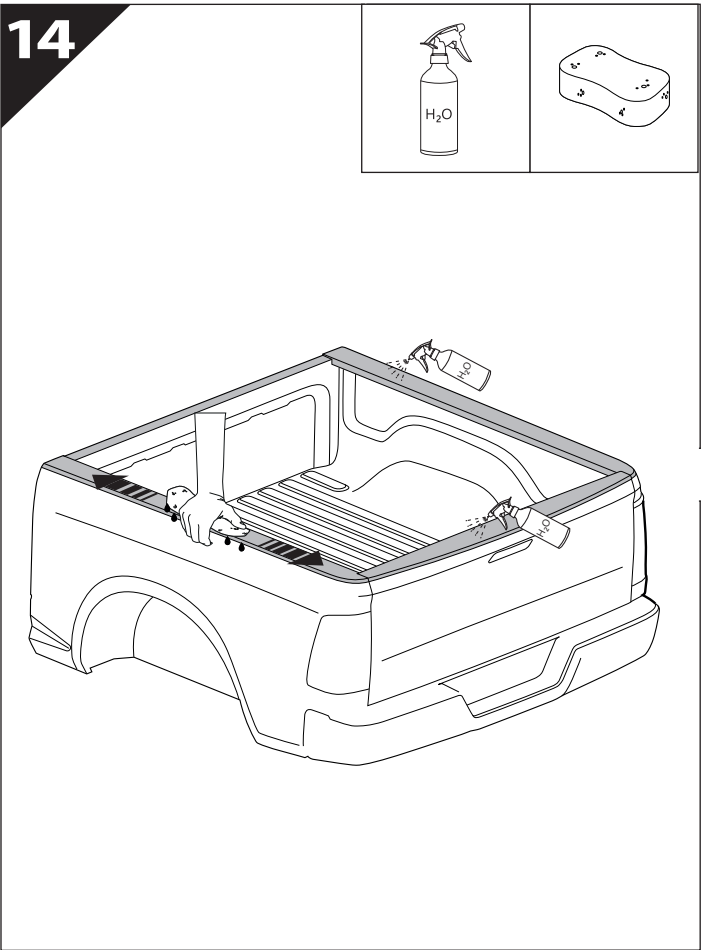


11

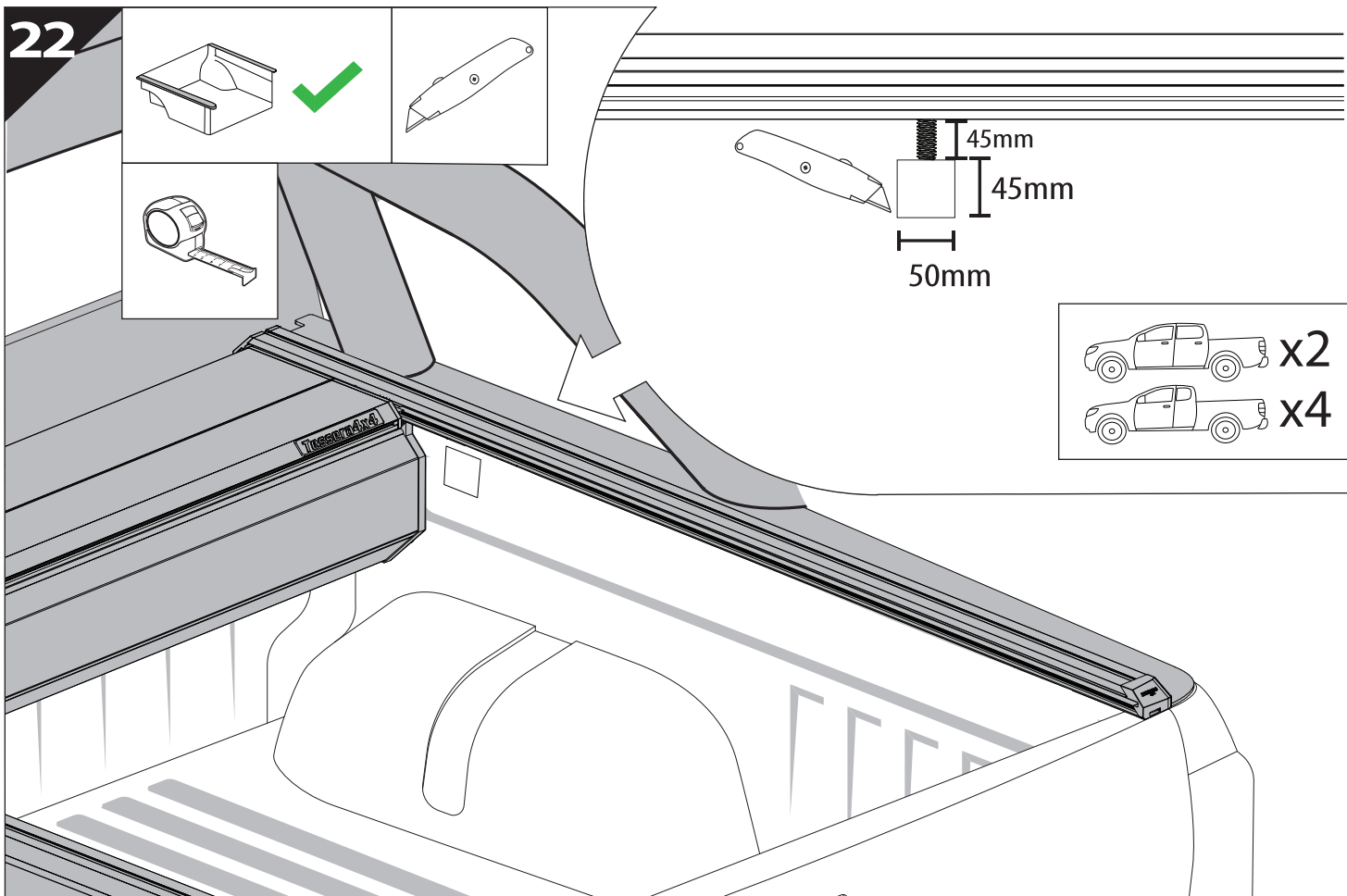
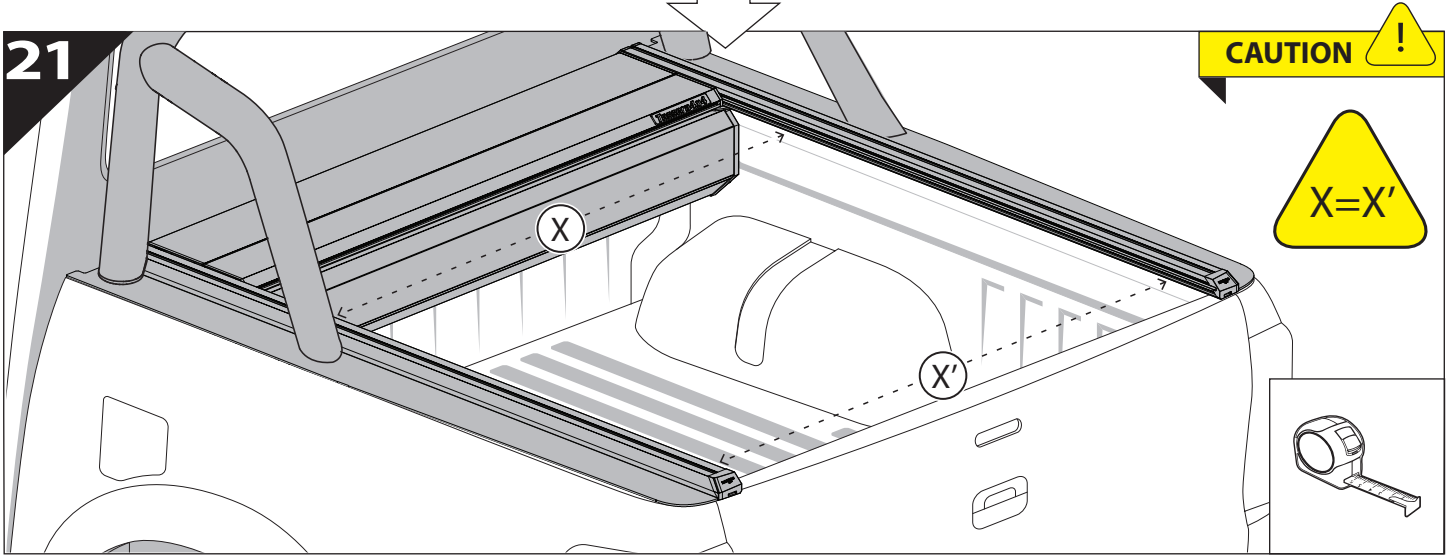
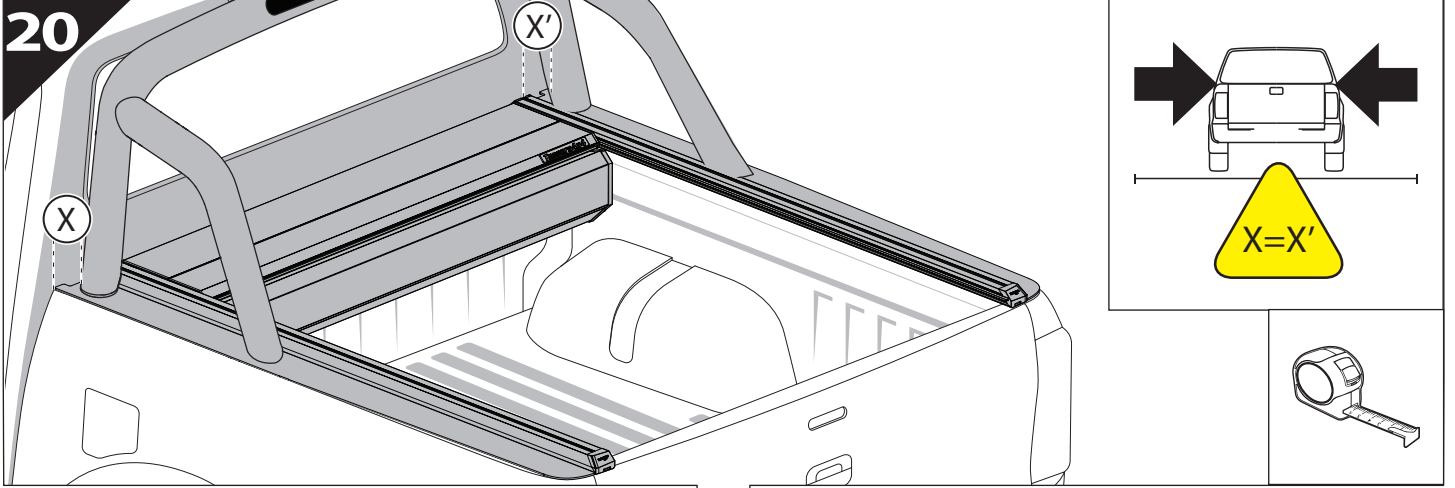




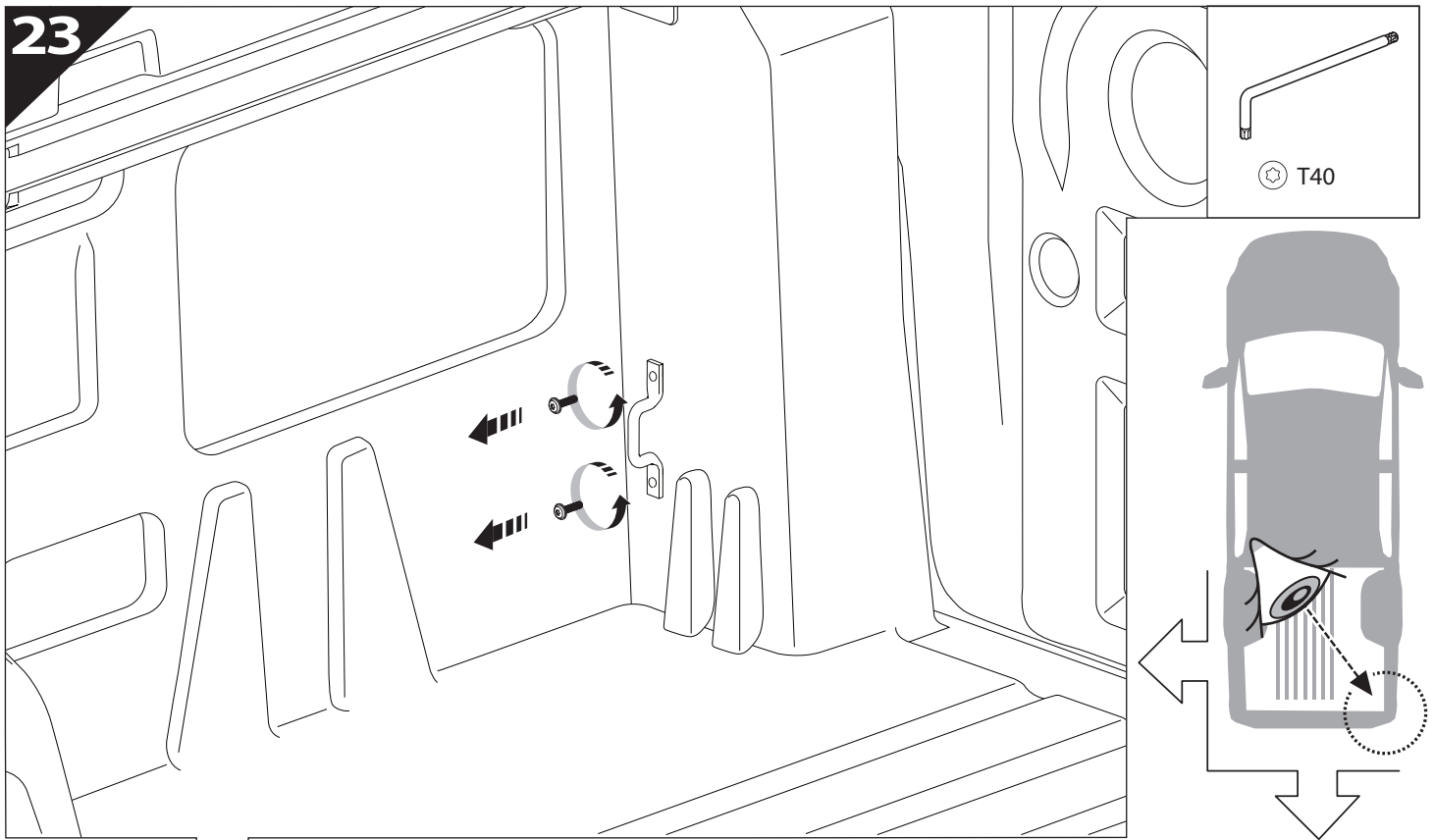




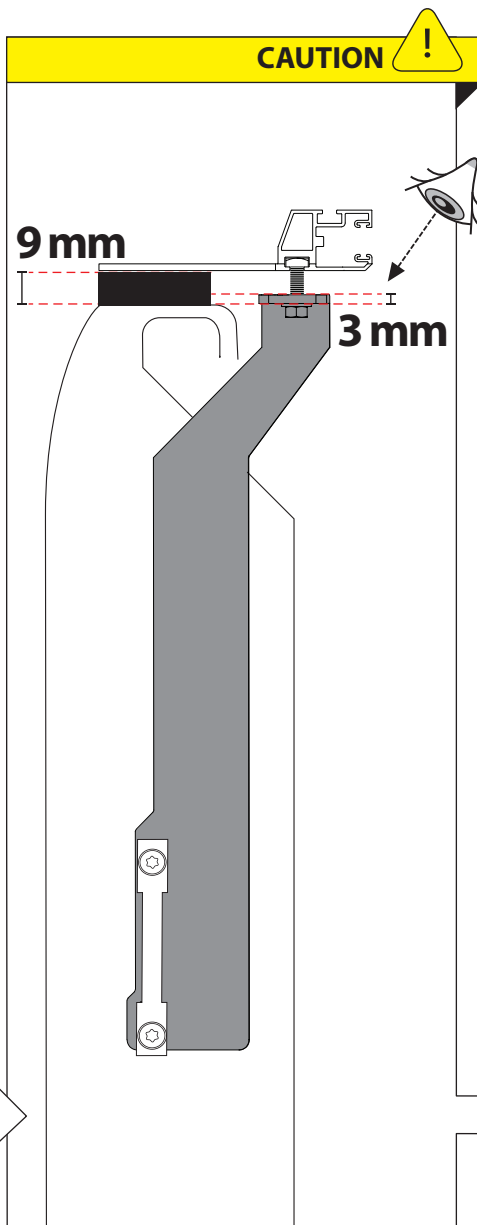
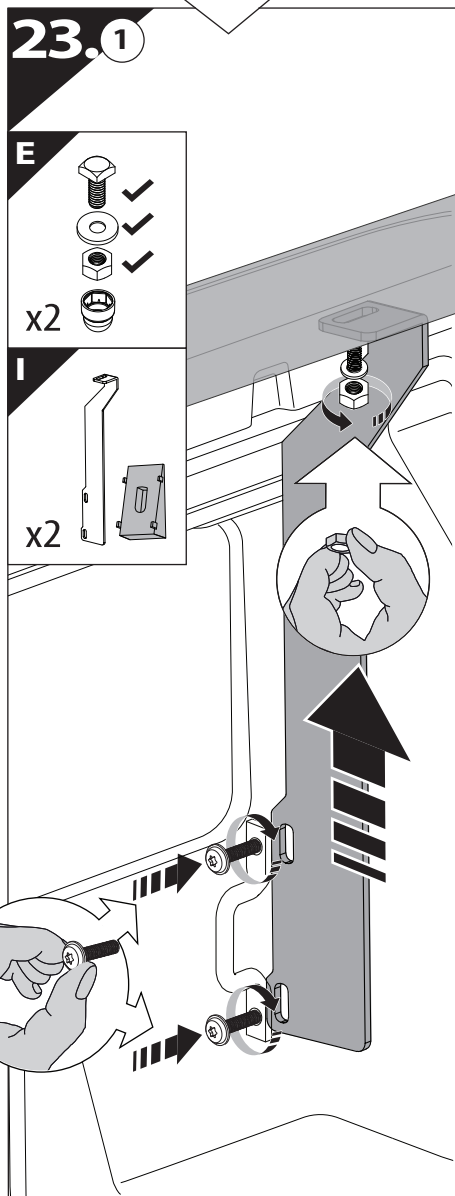




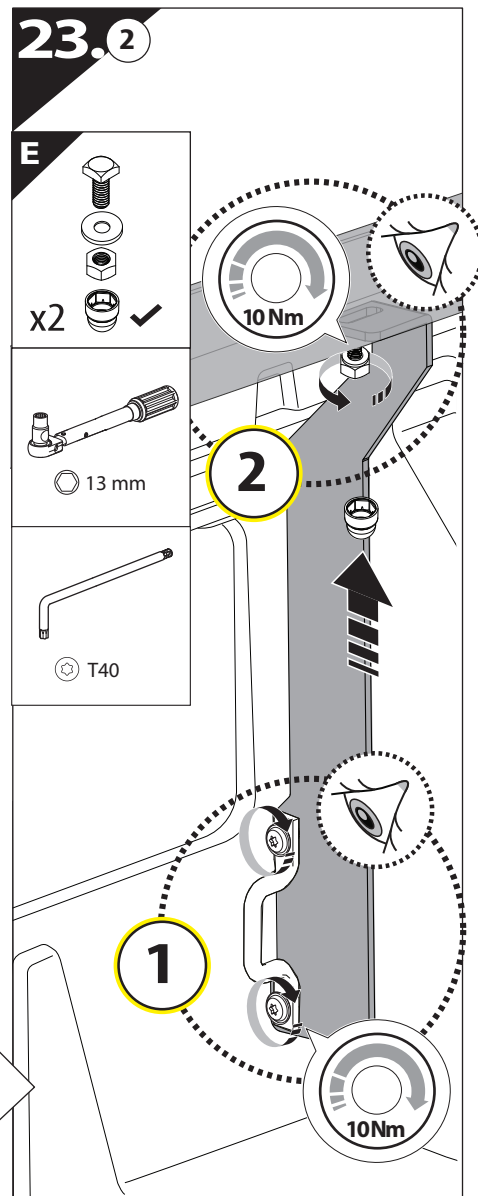
23



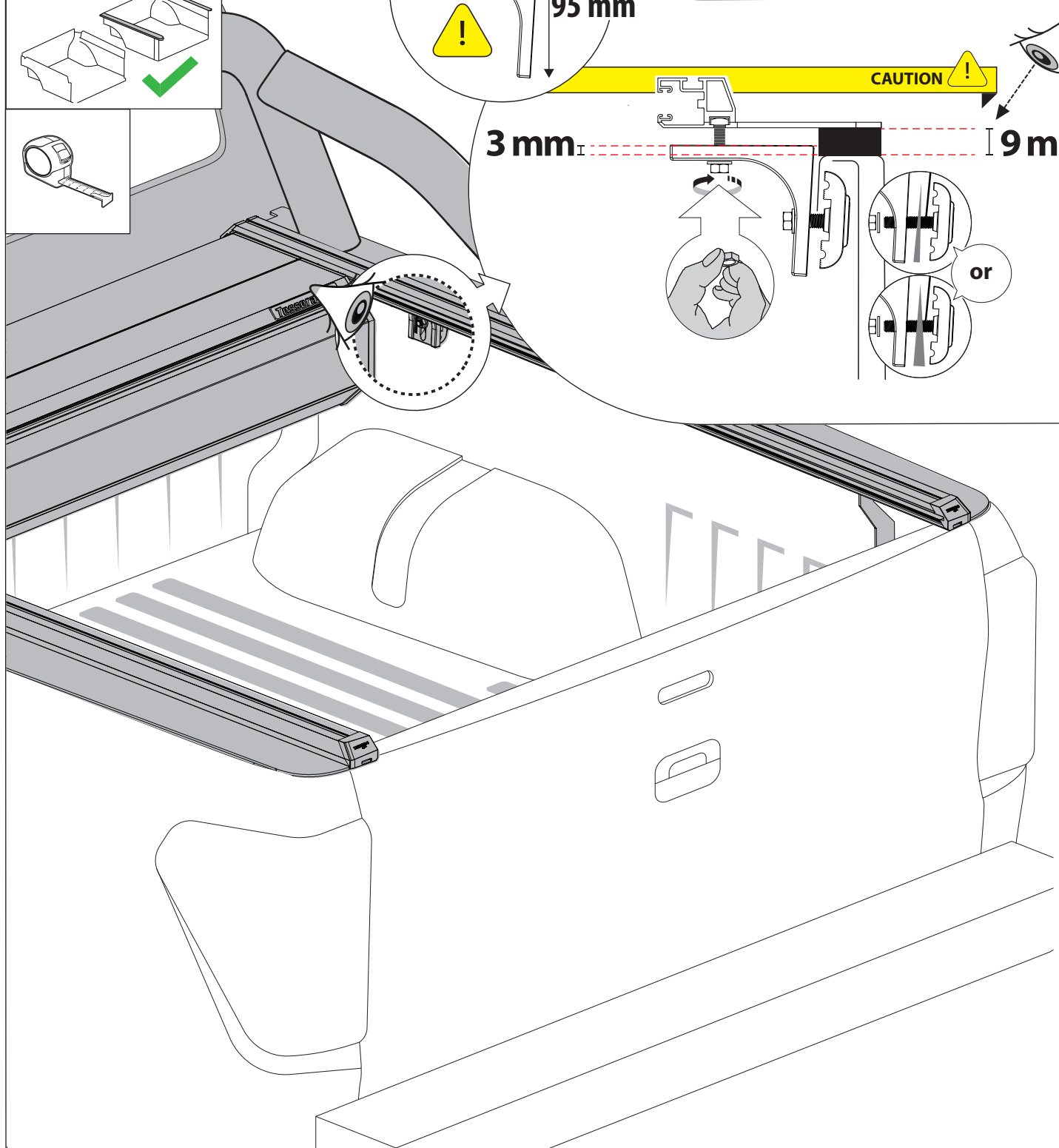
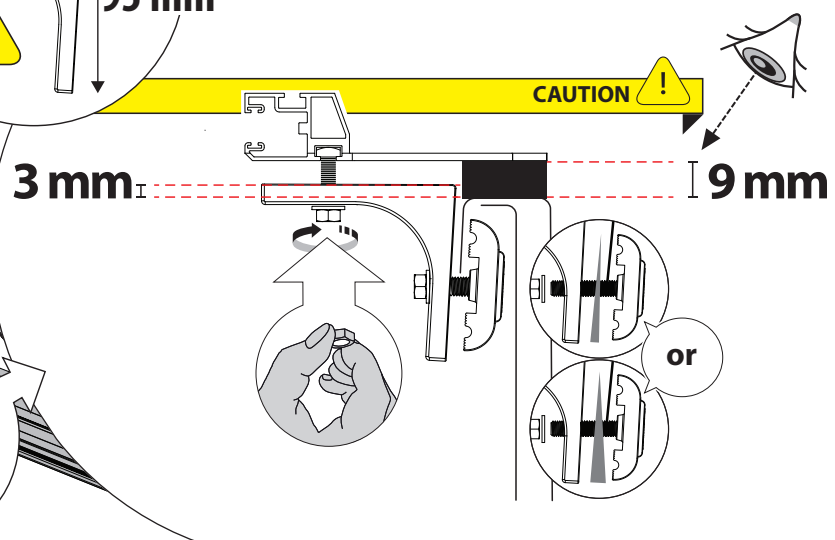
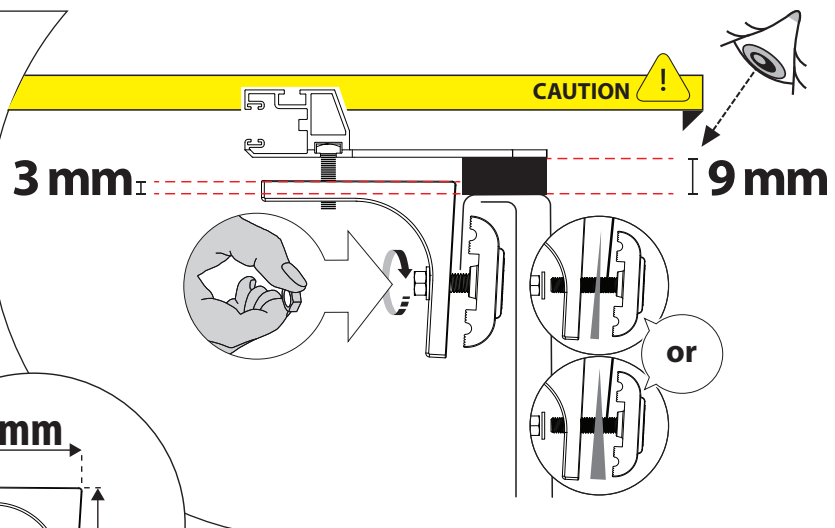
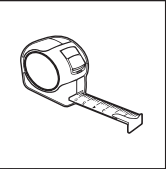
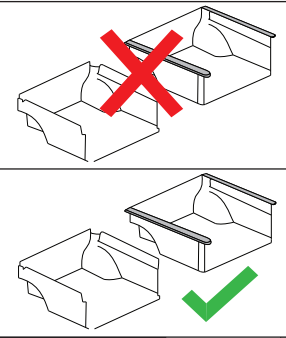
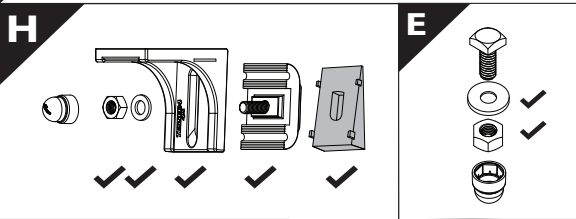
23.1

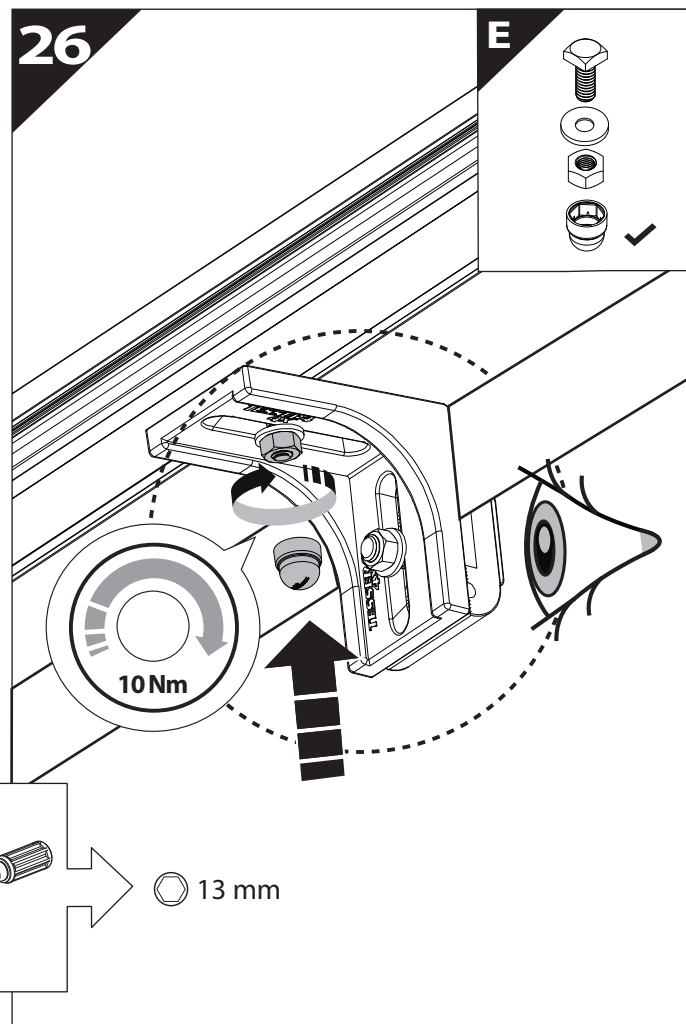
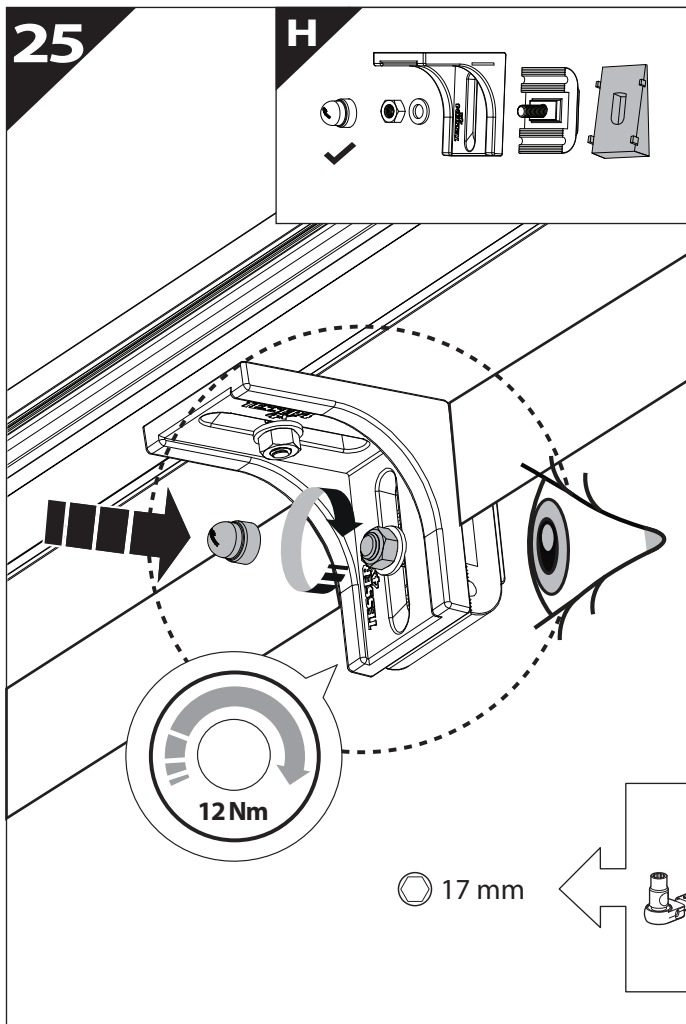


23.2

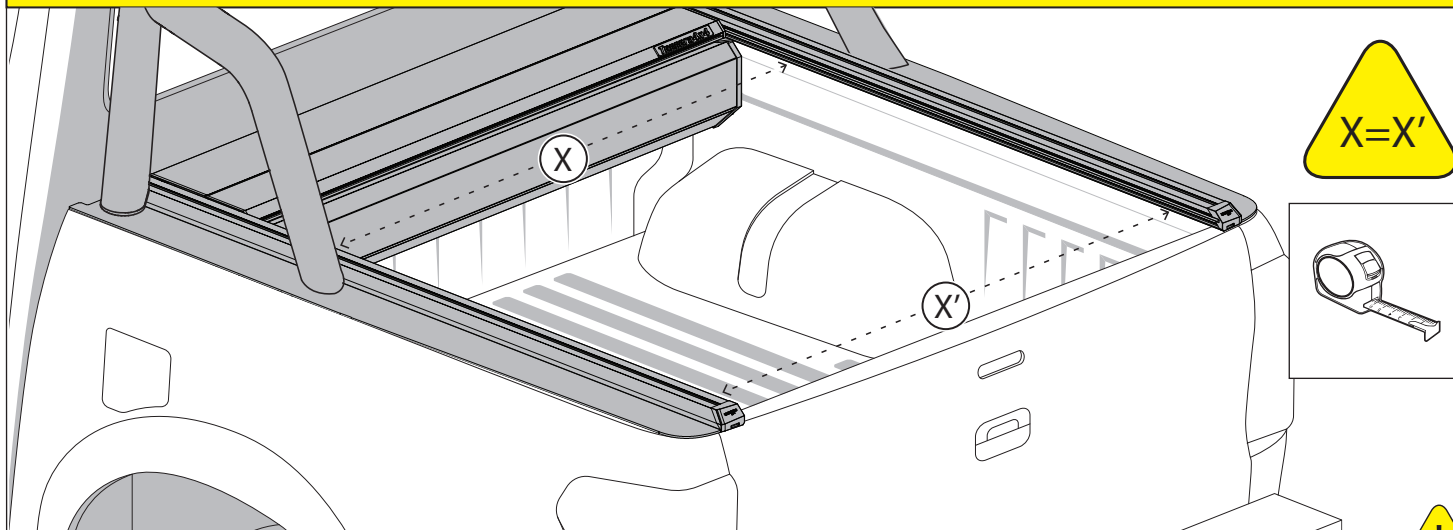


24

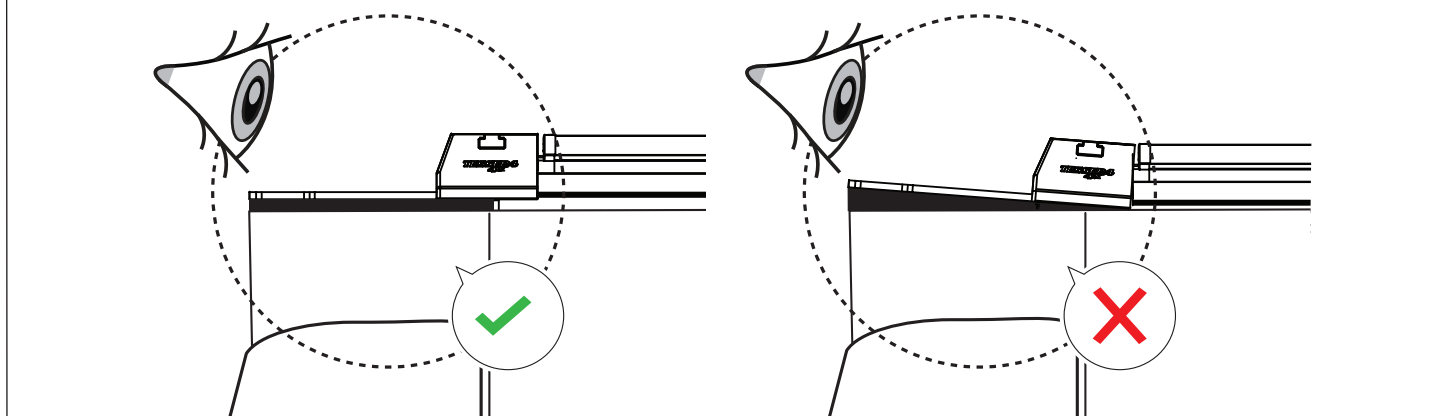




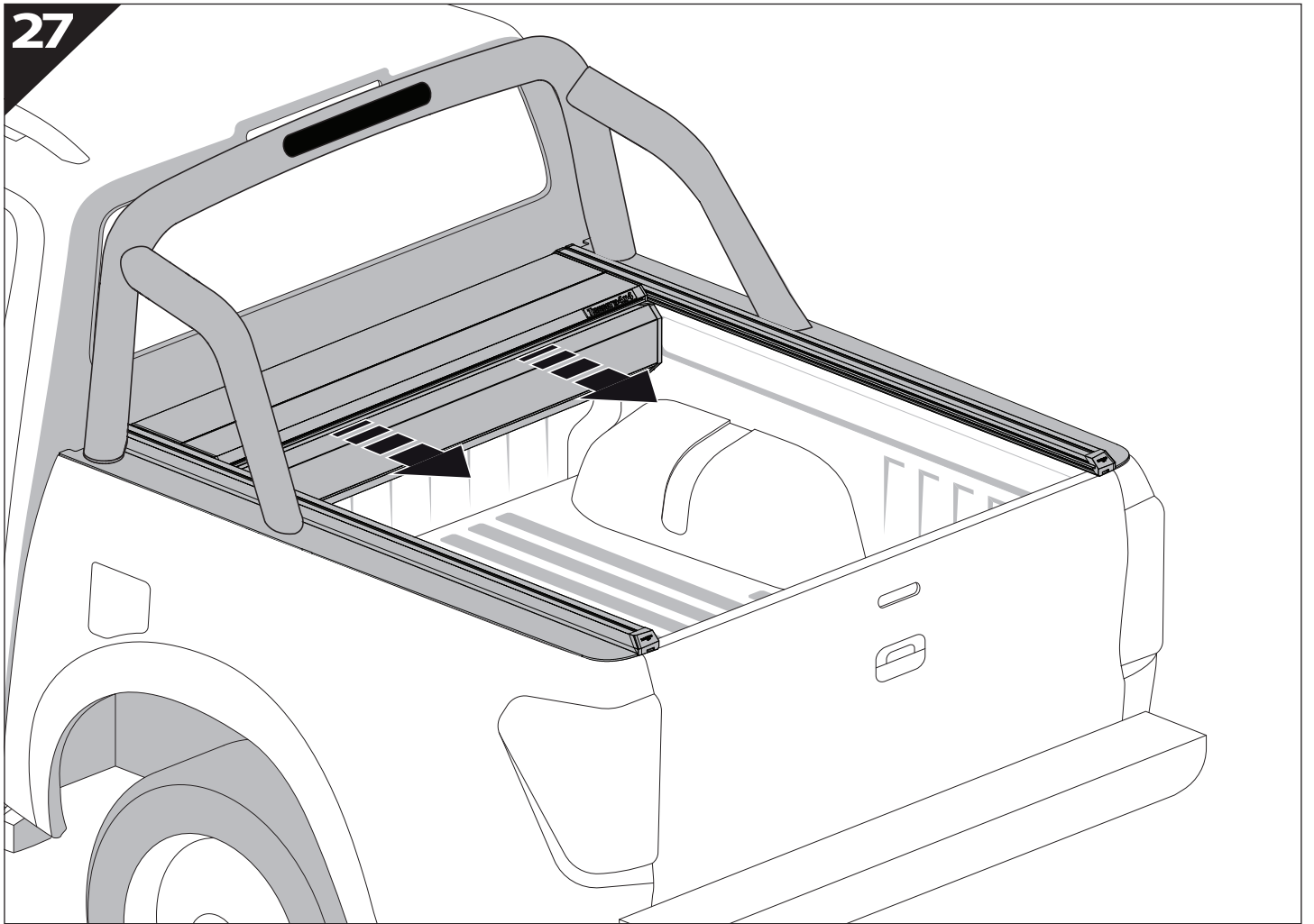
**CAUTION !**



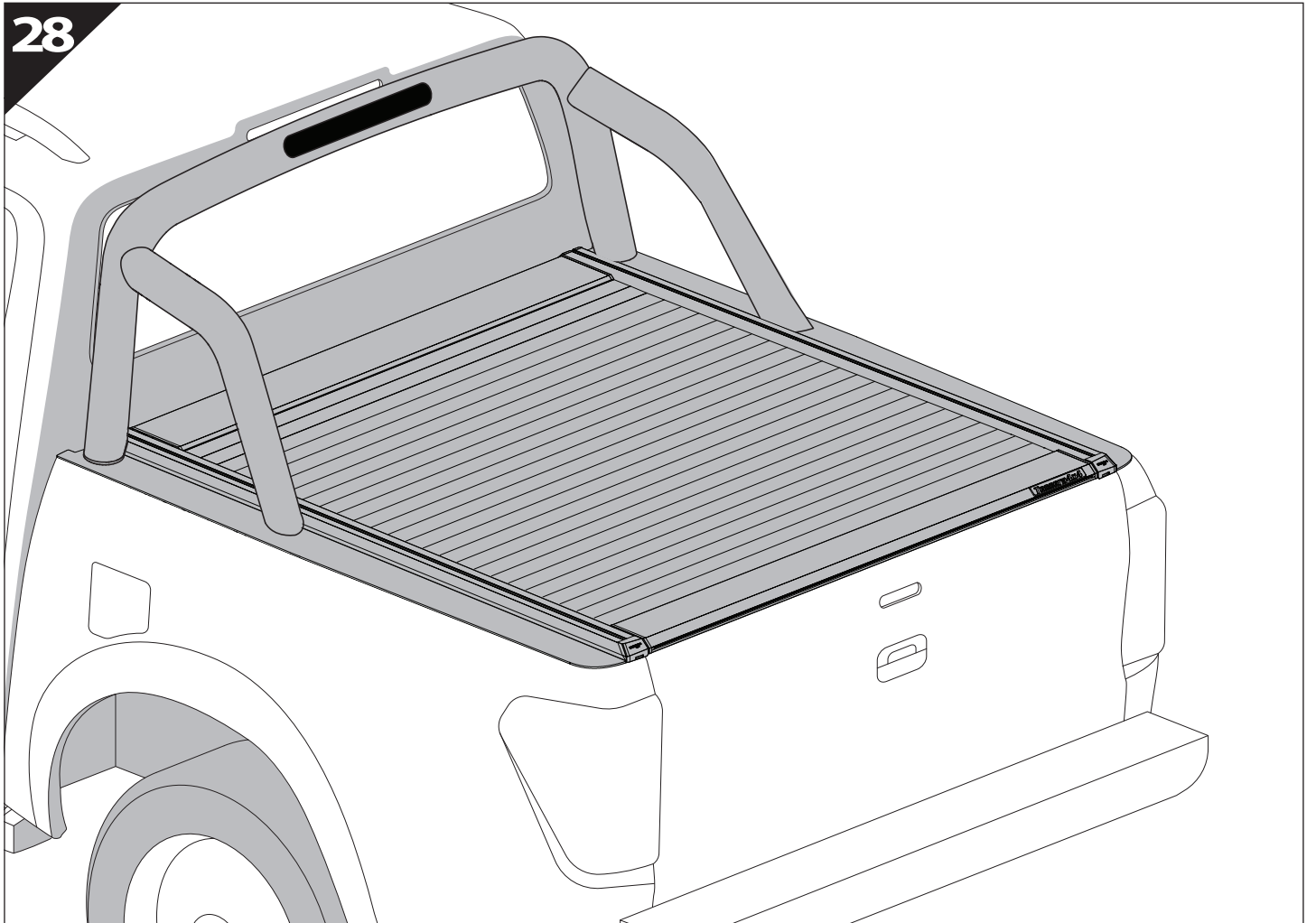
**CAUTION !**



27



28



**GR:** Οδηγίες Εγκατάστασης  
**GB:** Installation manual  
**SF:** Asennusohje  
**F:** Notice de montage  
**PL:** Instrukcja montażu  
**NL:** Installatie-instructies  
**TR:** Montaj Talimatı  
**S:** Monteringsanvisning  
**E:** Instrucciones de montaje

**H:** Szerelési utasítás  
**P:** Instruções de instalação  
**RUS:** Инструкция по установке  
**N:** Monteringsveiledning  
**D:** Einbauanleitung  
**CZ:** Návod k instalaci  
**I:** Istruzioni de montaggio  
**DK:** Monteringsvejledning  
**RO:** Instructiuni de instalare

Customer Service:

+30 (210) 5541161, +30 (210) 5541154 (08:00 - 16:00 EET)

Support department:

[info@gianso.gr](mailto:info@gianso.gr)

Website:

[www.tessera4x4.com](http://www.tessera4x4.com)

Address:

19.5 km of National road Athens-Korinthos (Elefsina) Greece, P.C: 19200