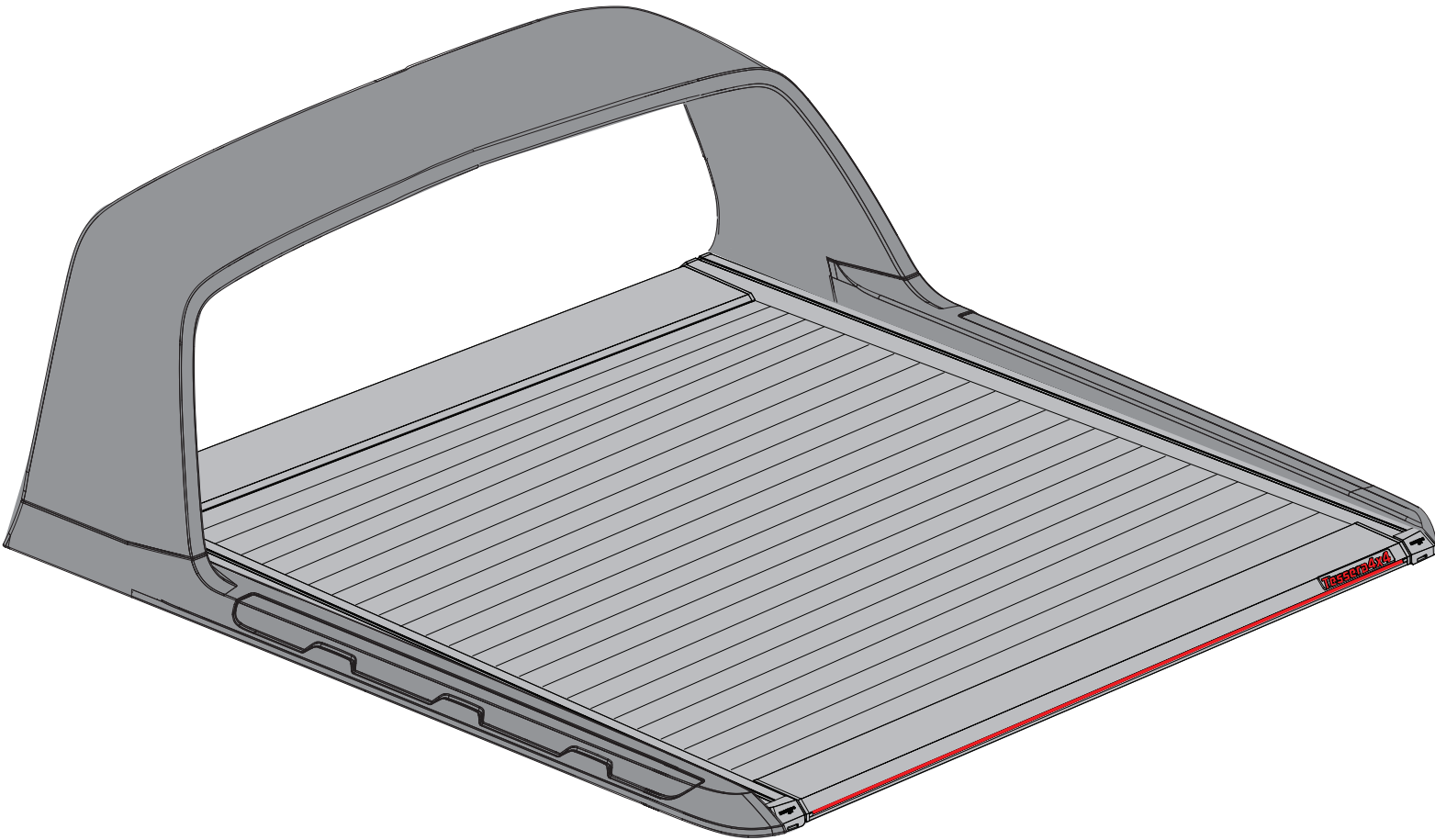


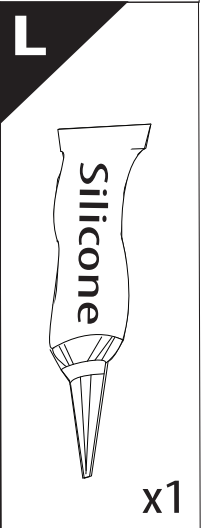
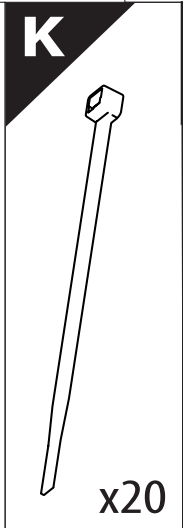
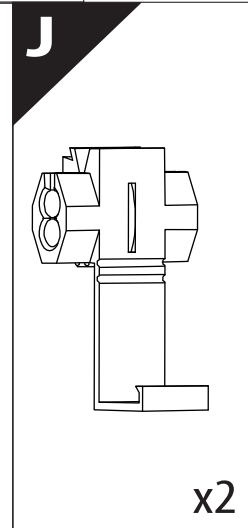
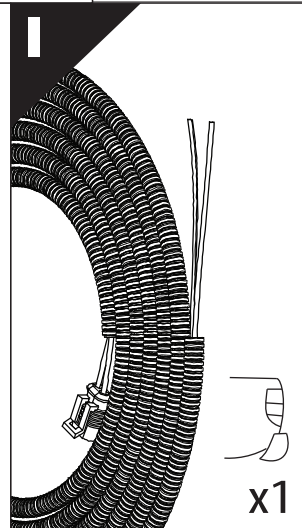
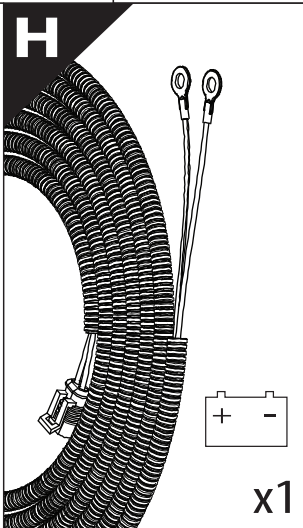
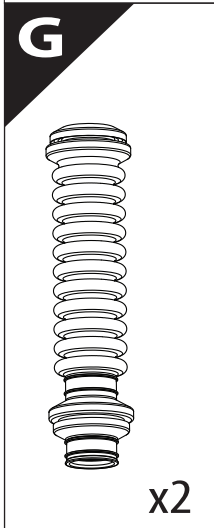
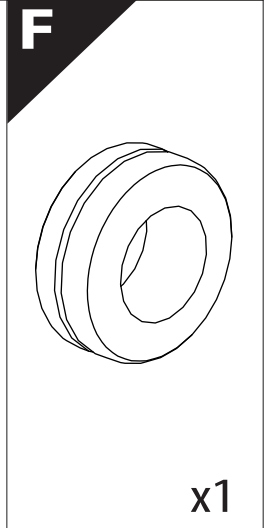
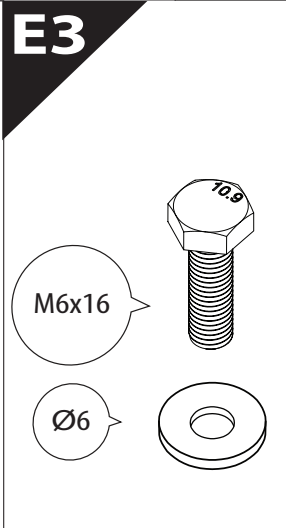
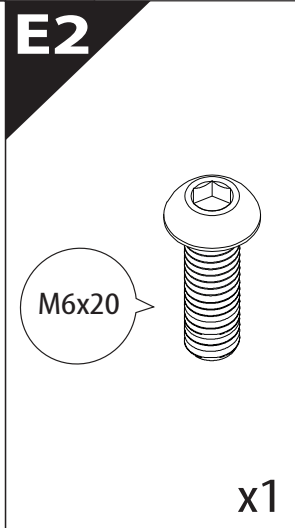
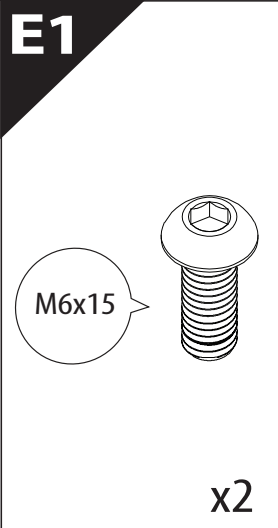
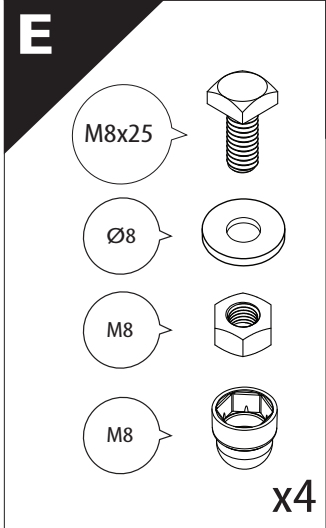
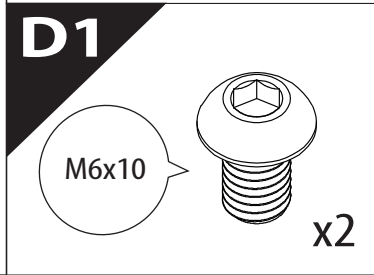
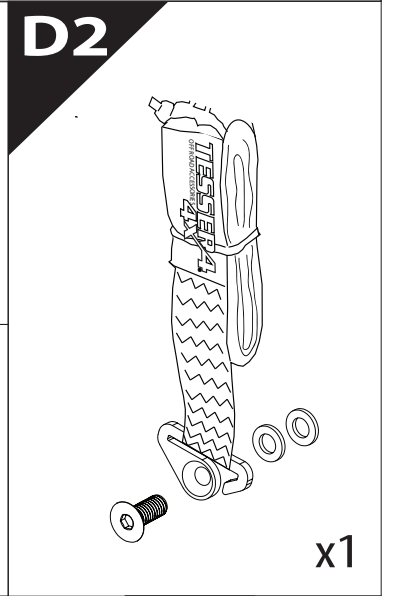
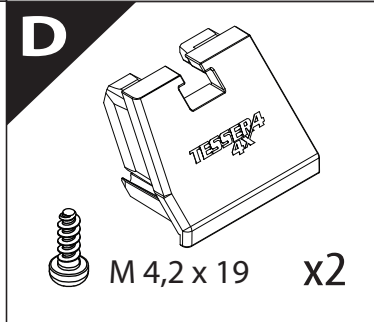
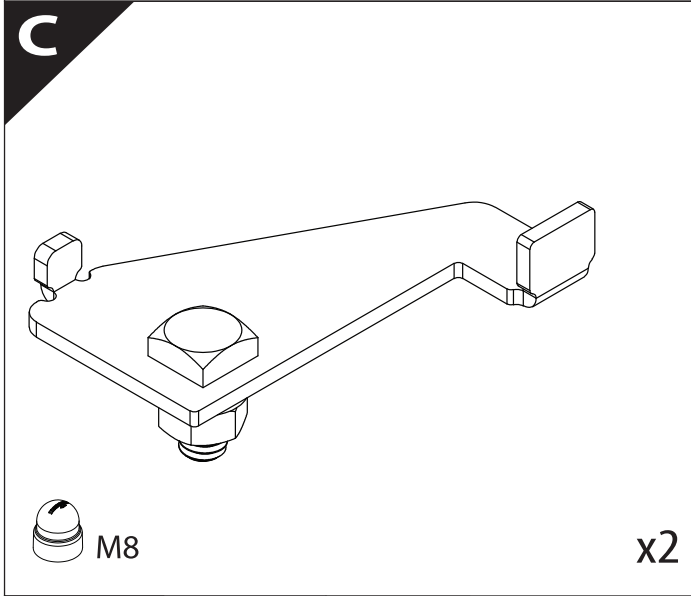
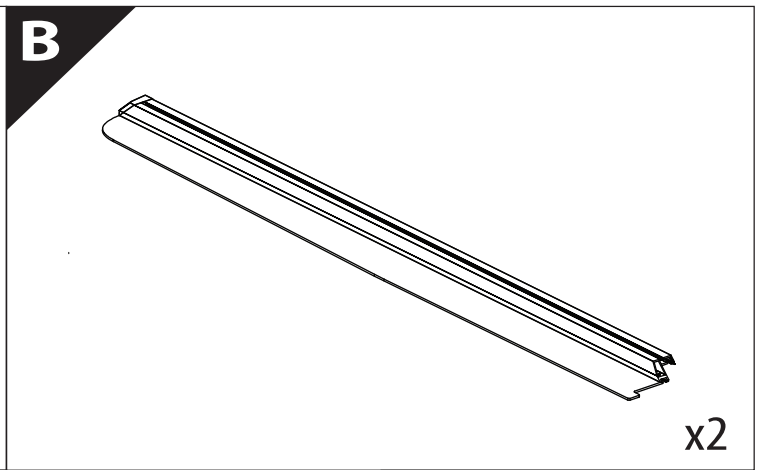
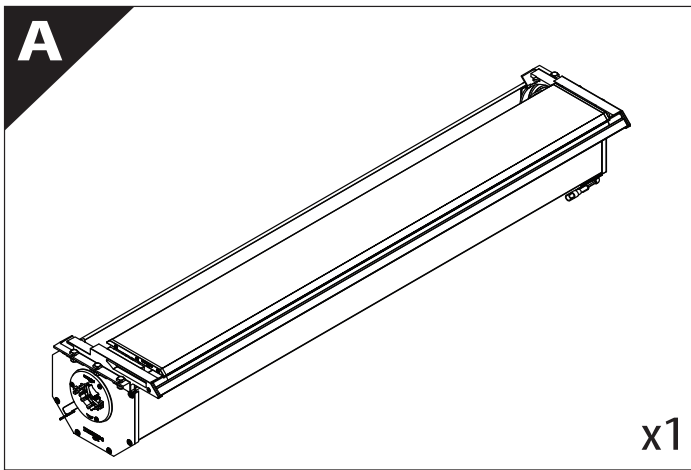
Tessera Roll+

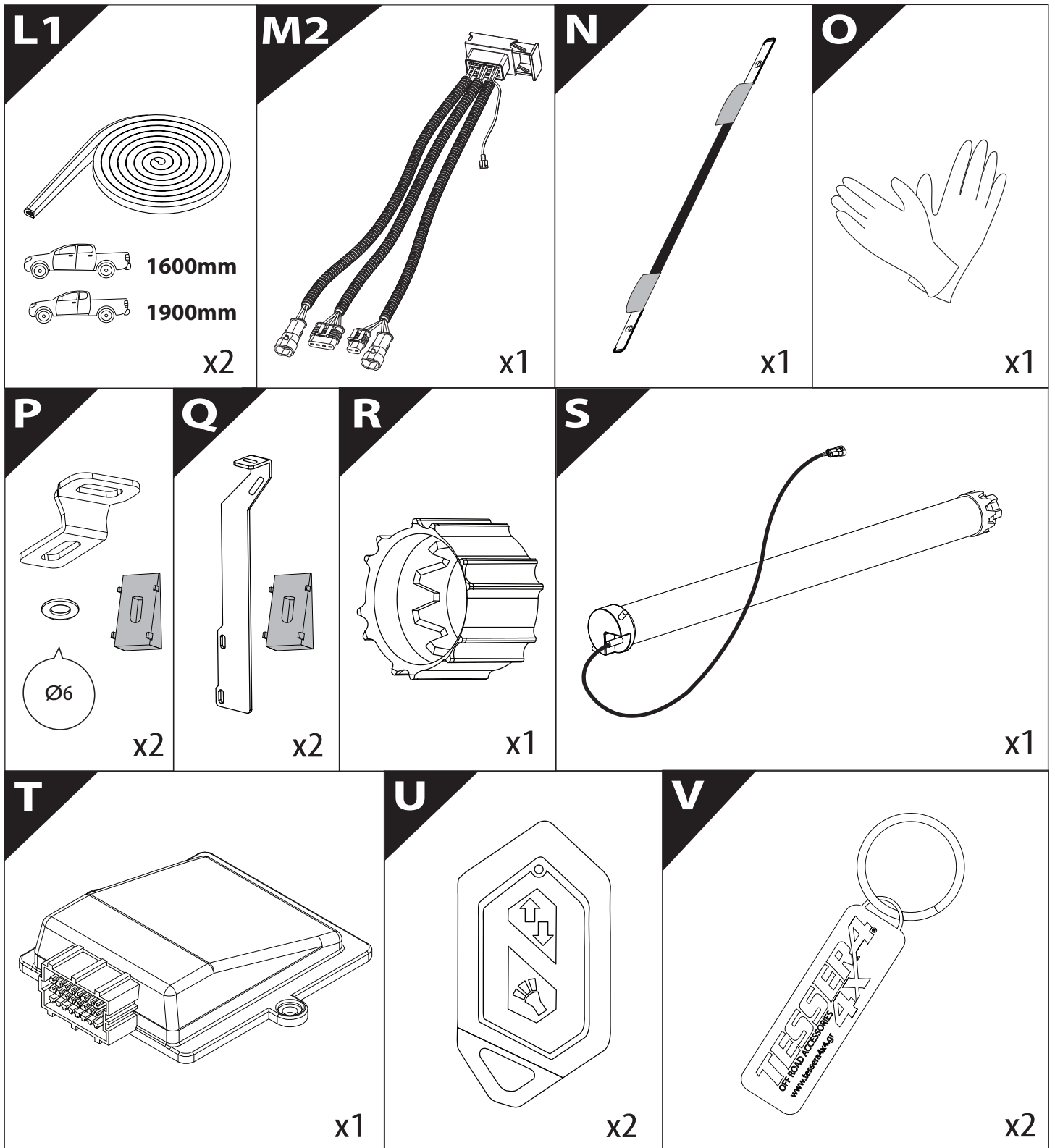
Basic Version + ⚡ E-KIT

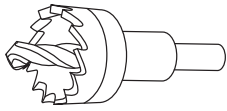


Installation Manual

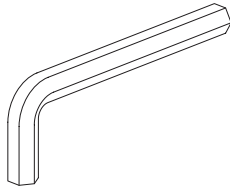
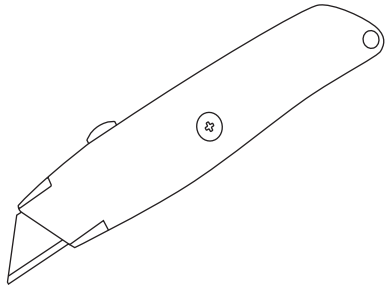
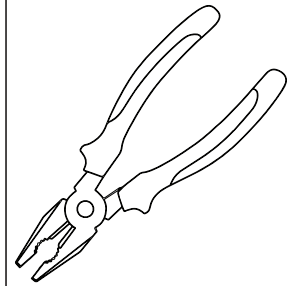
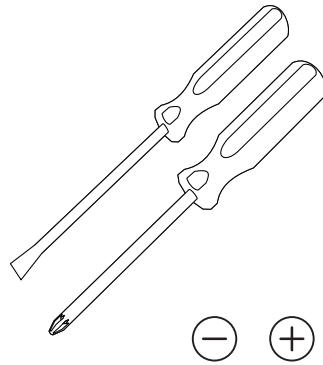
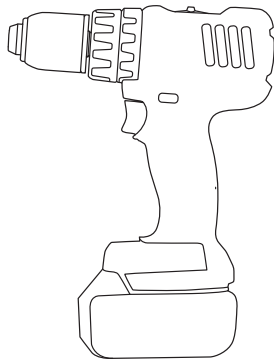
PART NUMBER(S)	Model Year
TESS 1408 ROLL+E-KIT	FORD RANGER WildTrak 2012+ / 2016+ / 2020+
TESS 1409 ROLL+E-KIT	
Cab(s)	Installation Time / Weight
Double Cab & Space Cab	40-60 minutes / 53-57 kg





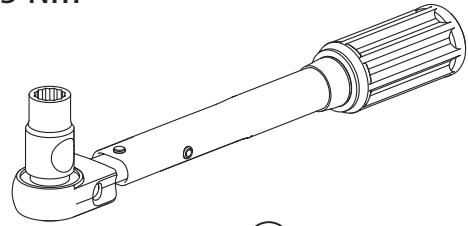


Ø 25 mm / Ø 40 mm



4 mm

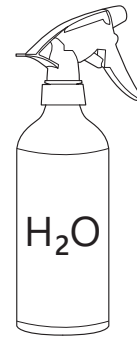
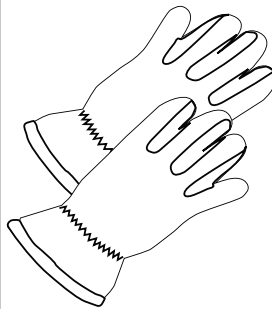
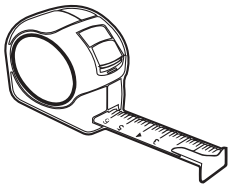
1 - 25 Nm



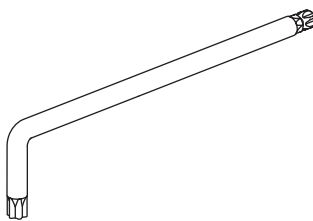
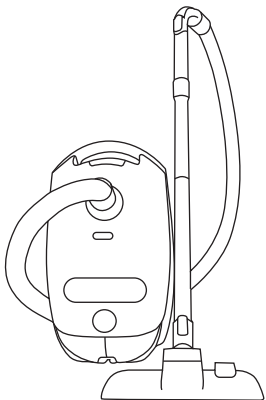
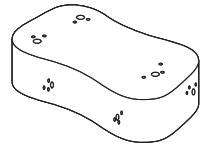
10, 12, 13, 17 mm



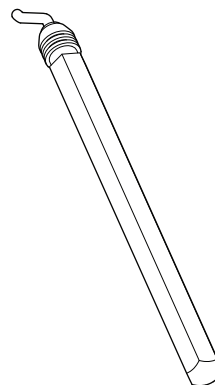
ACETONE



H₂O



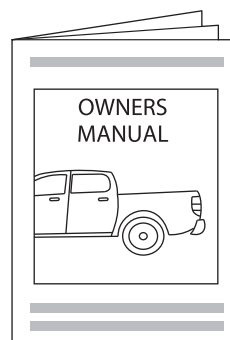
T30, T40



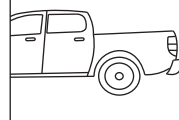
ANTI-RUST



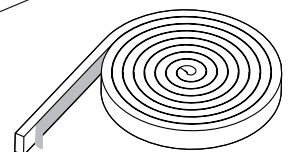
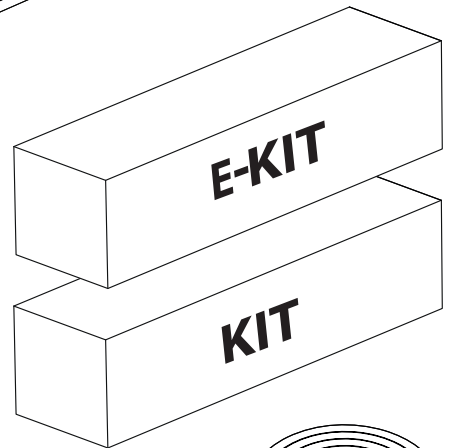
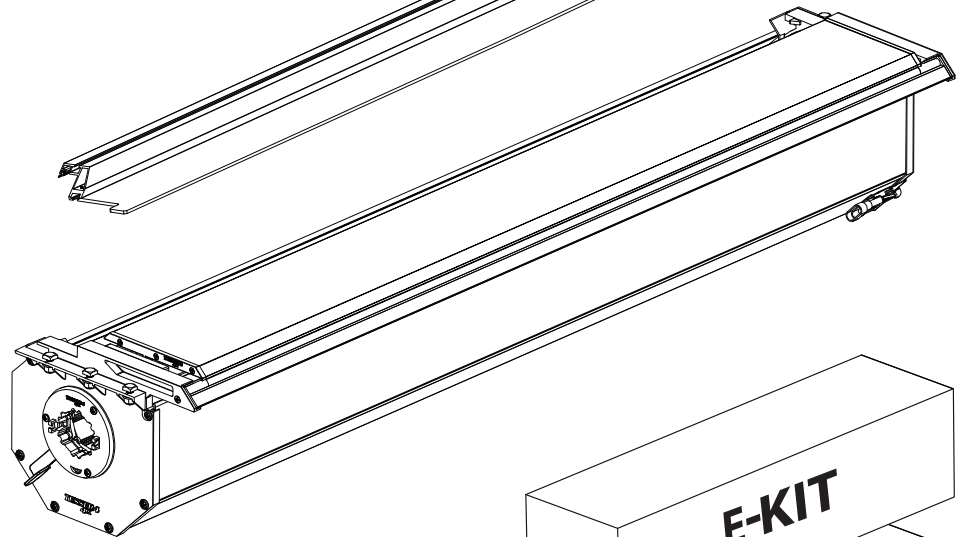
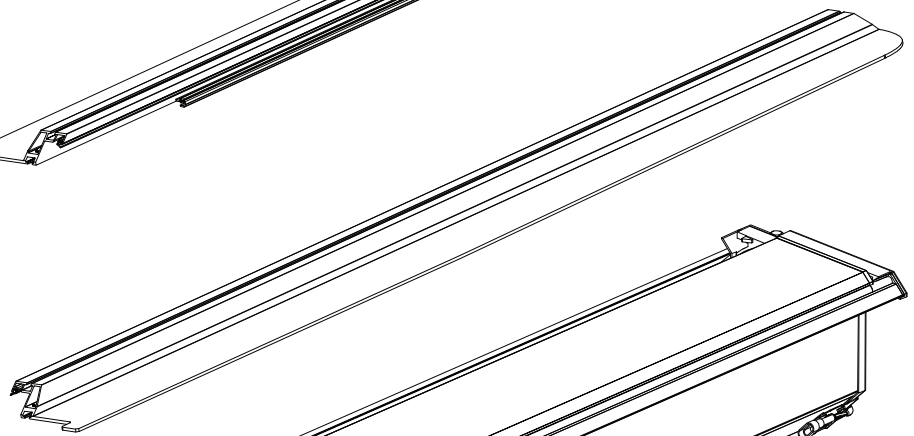
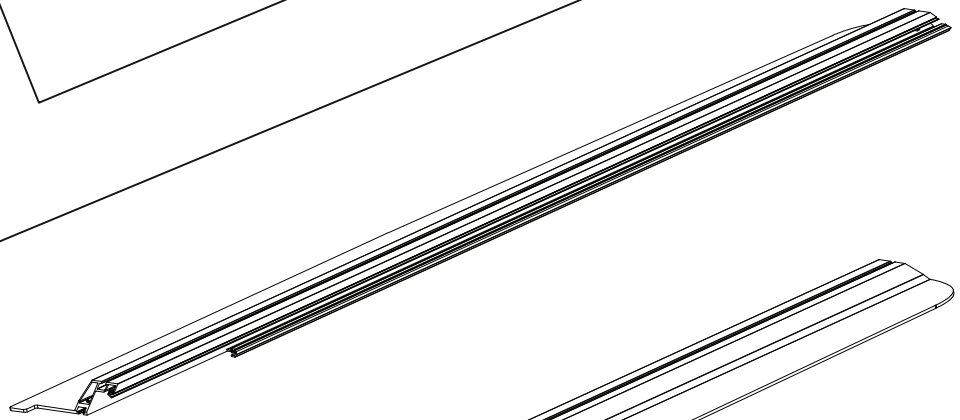
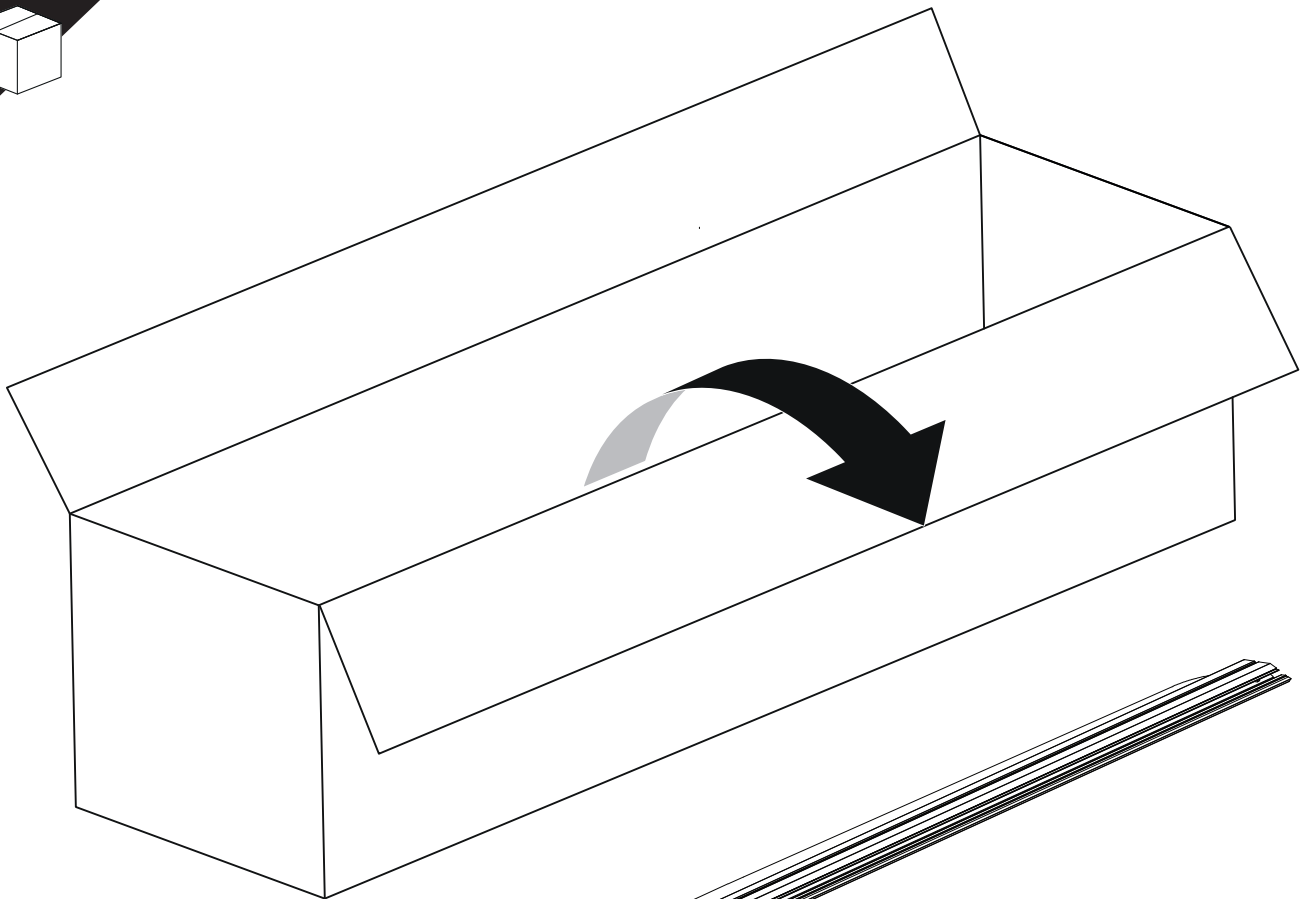
INSTALATION
MANUAL
+E-KIT



OWNERS
MANUAL



x1

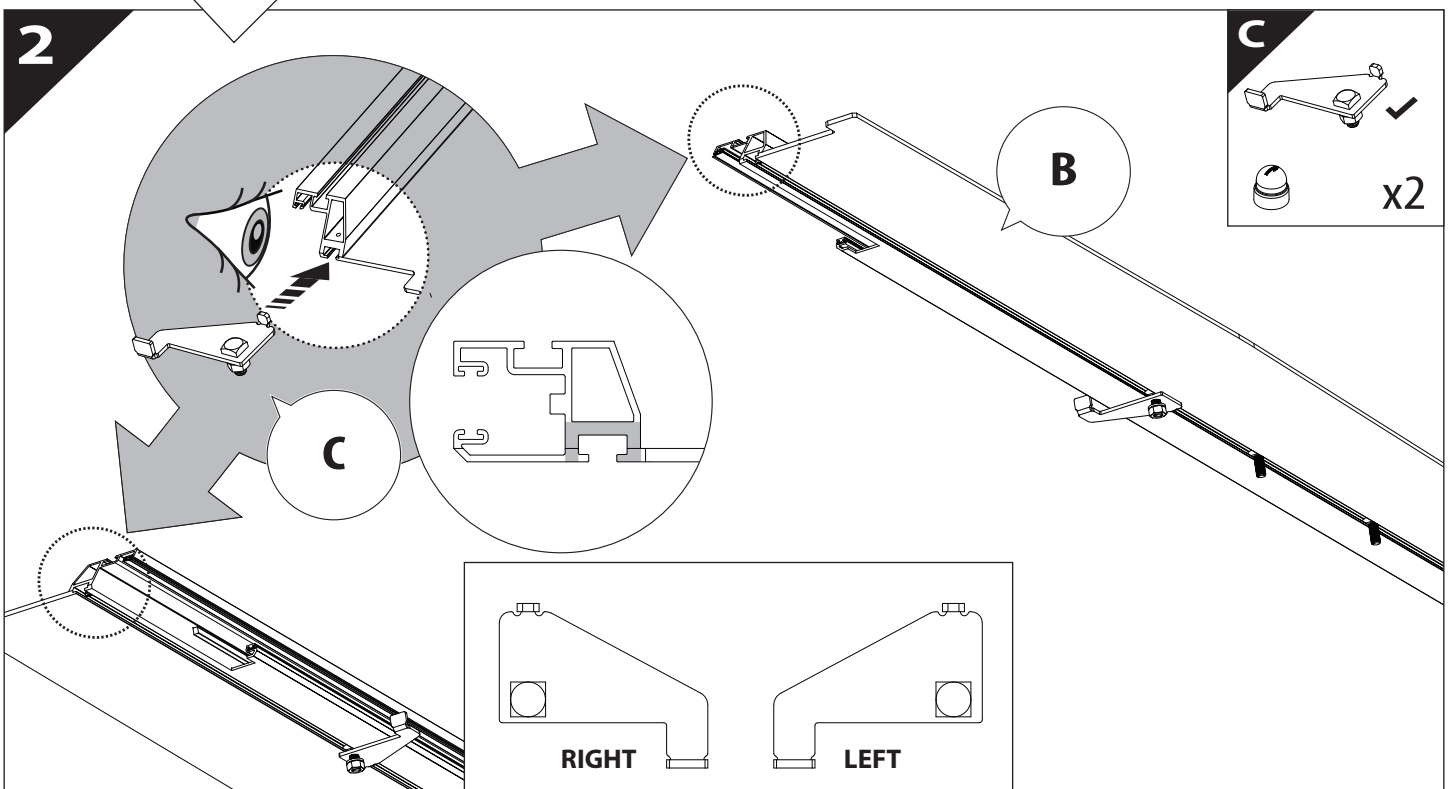
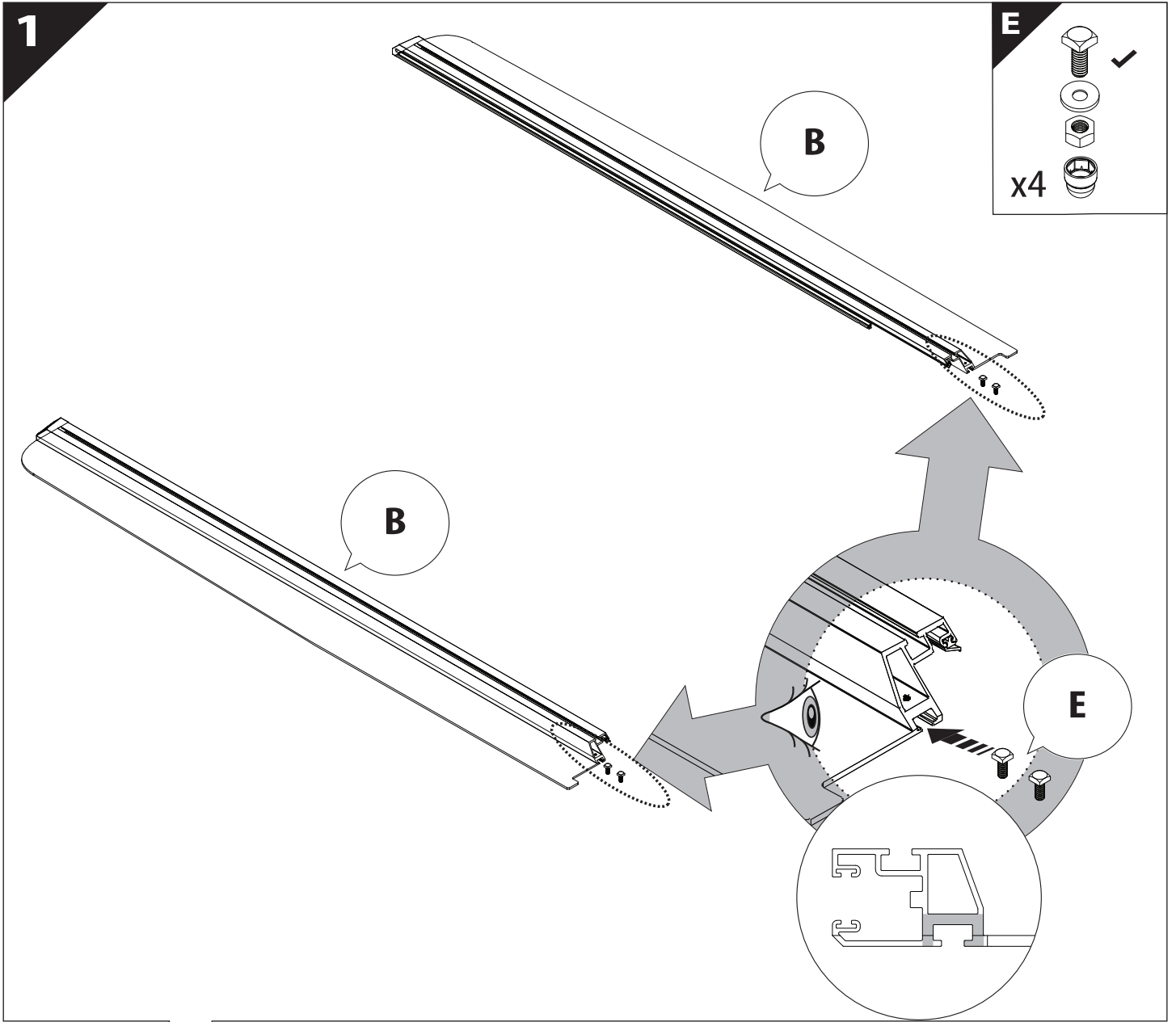


B

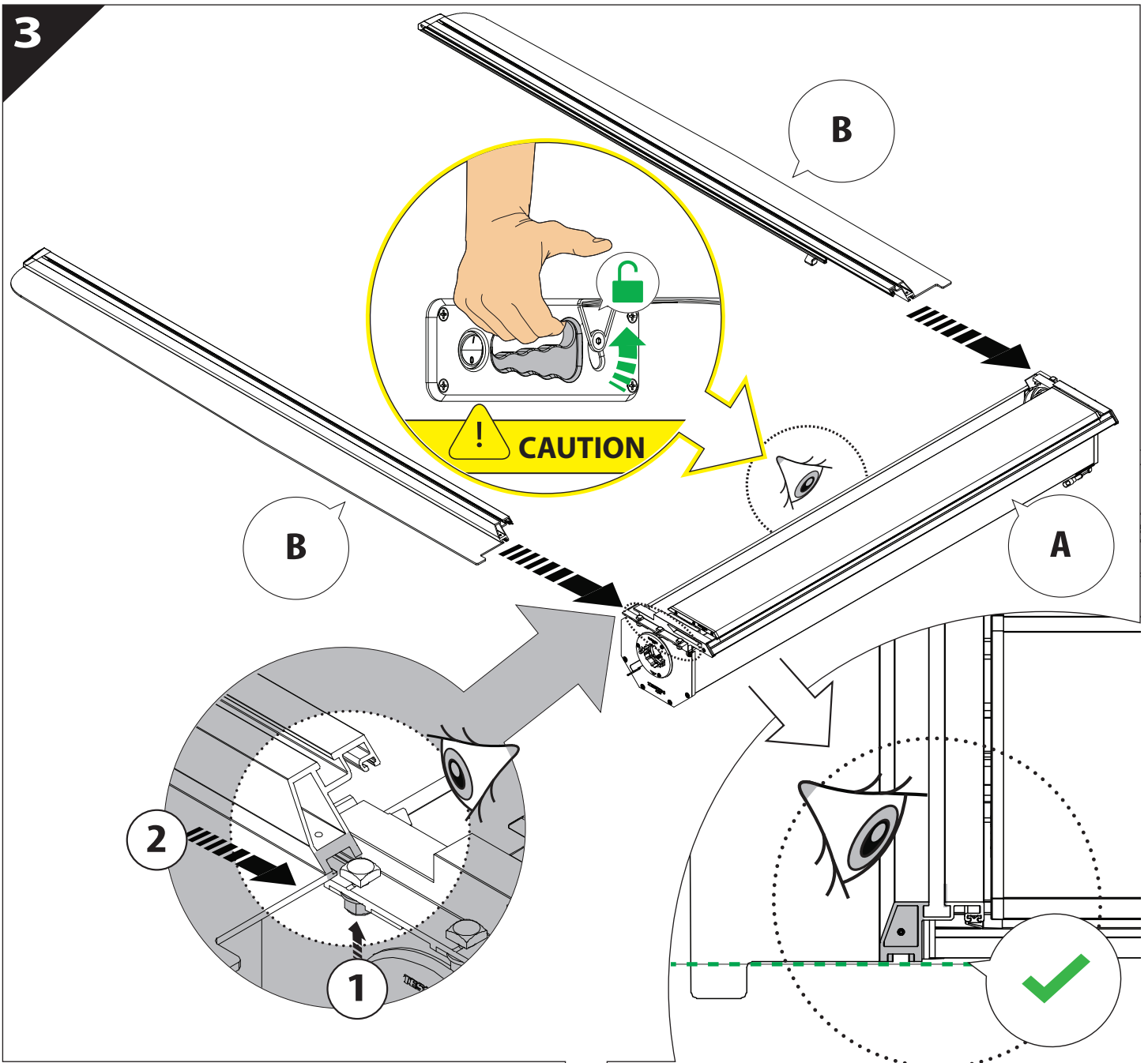
A

KITS

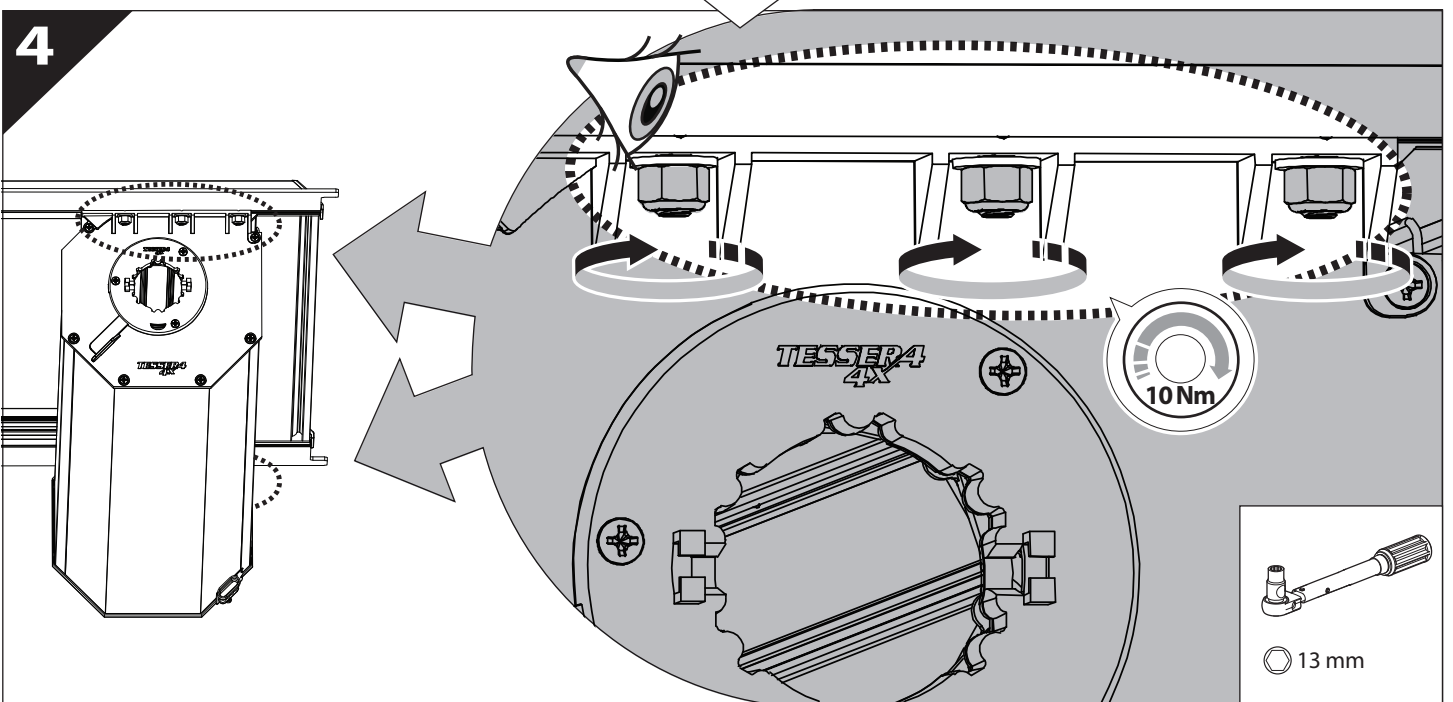
L

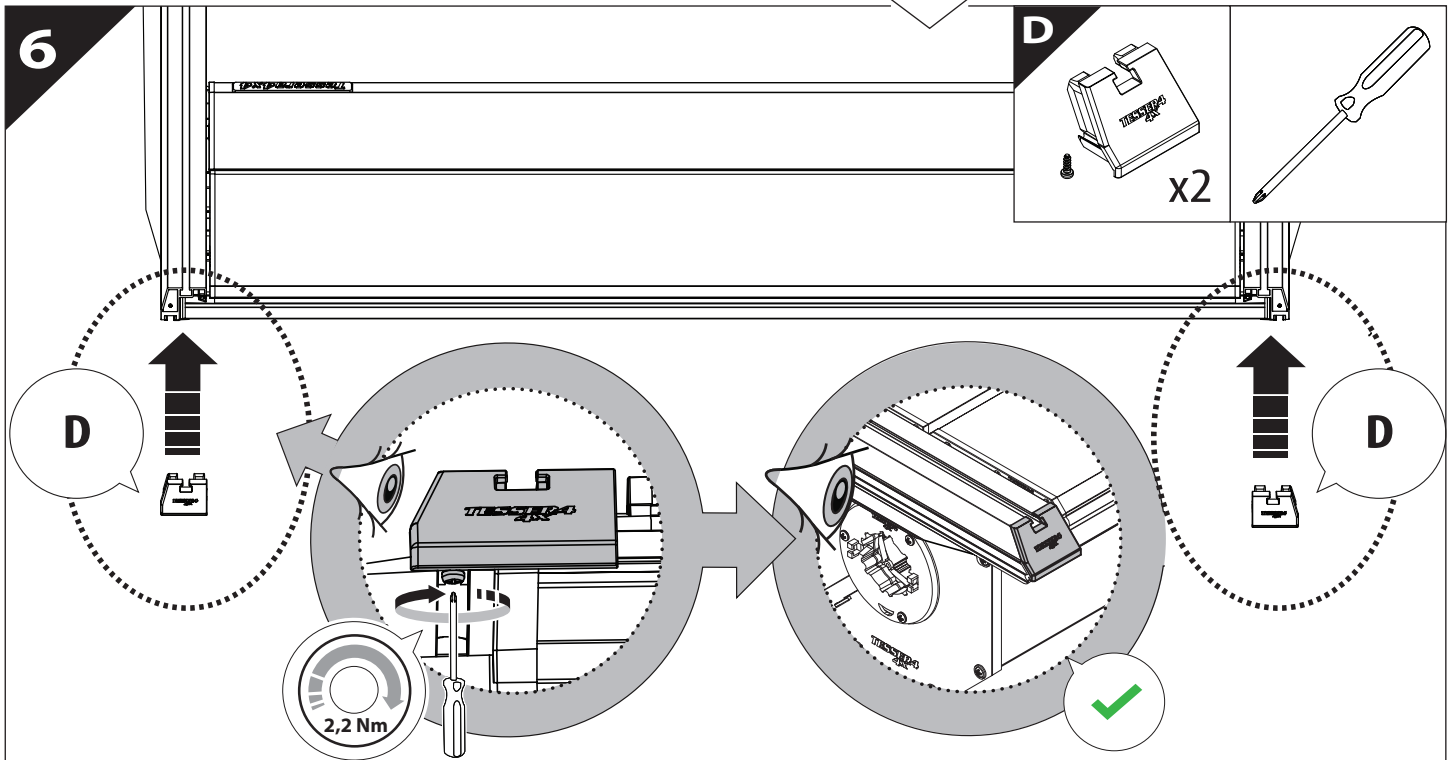
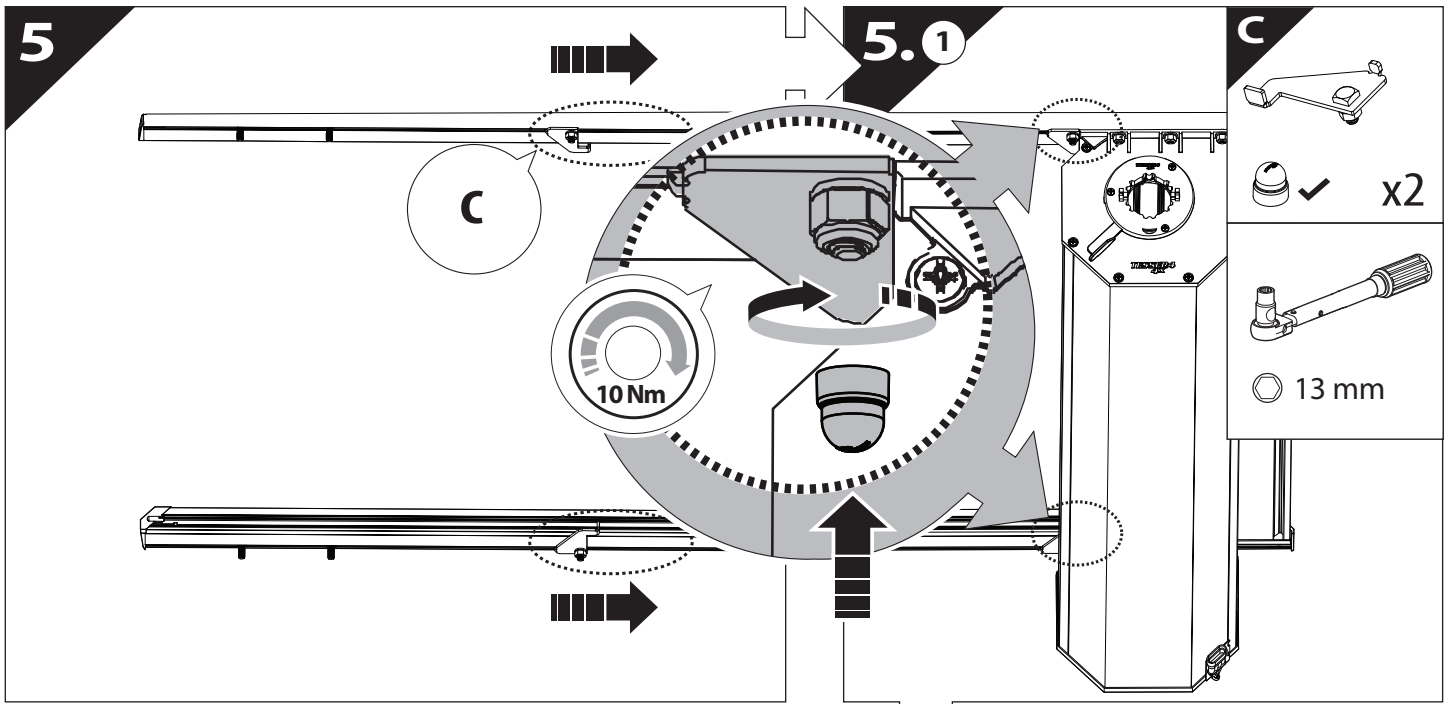


3

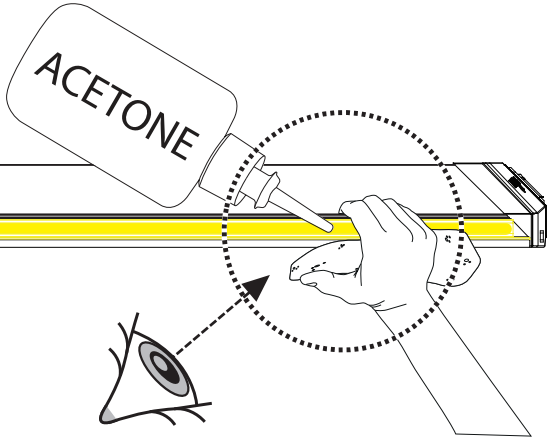


4



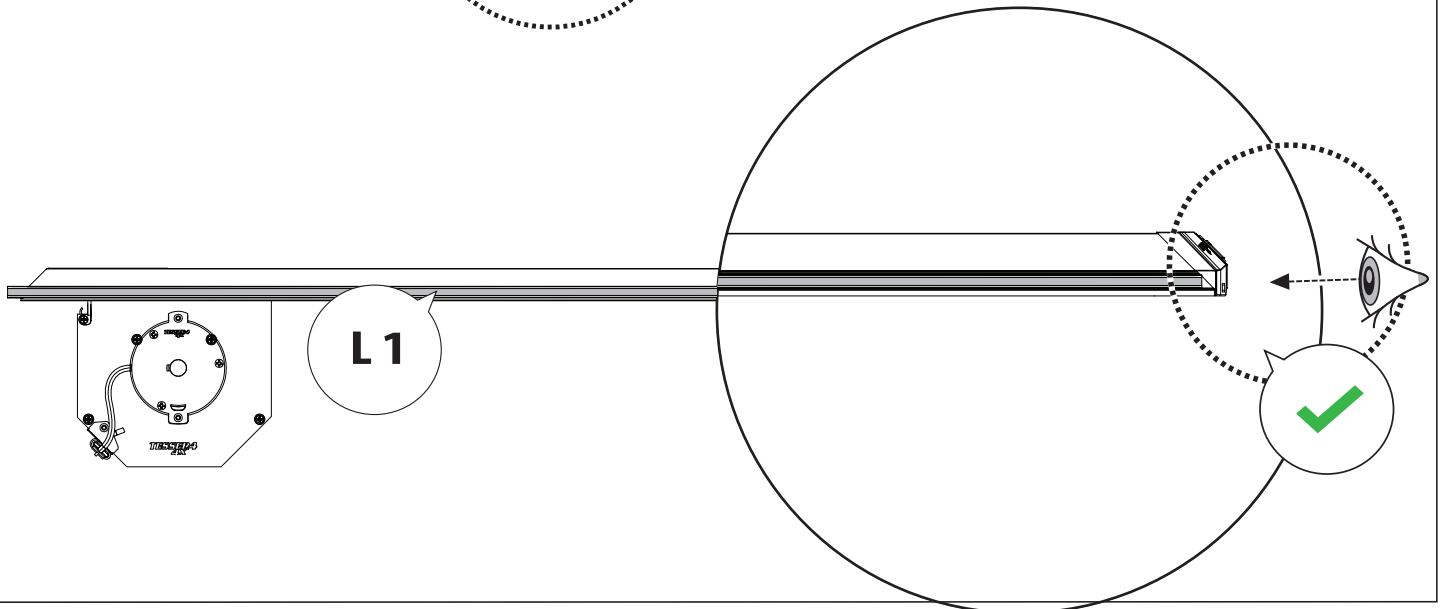
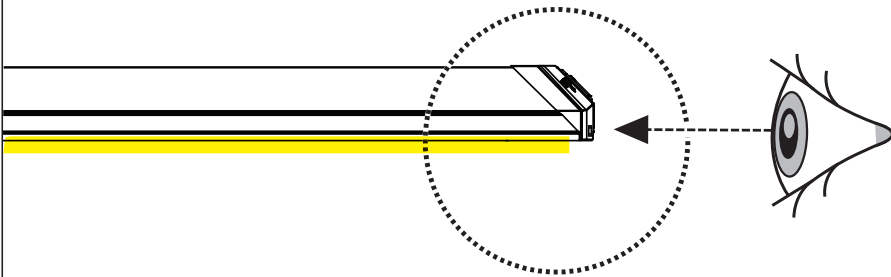
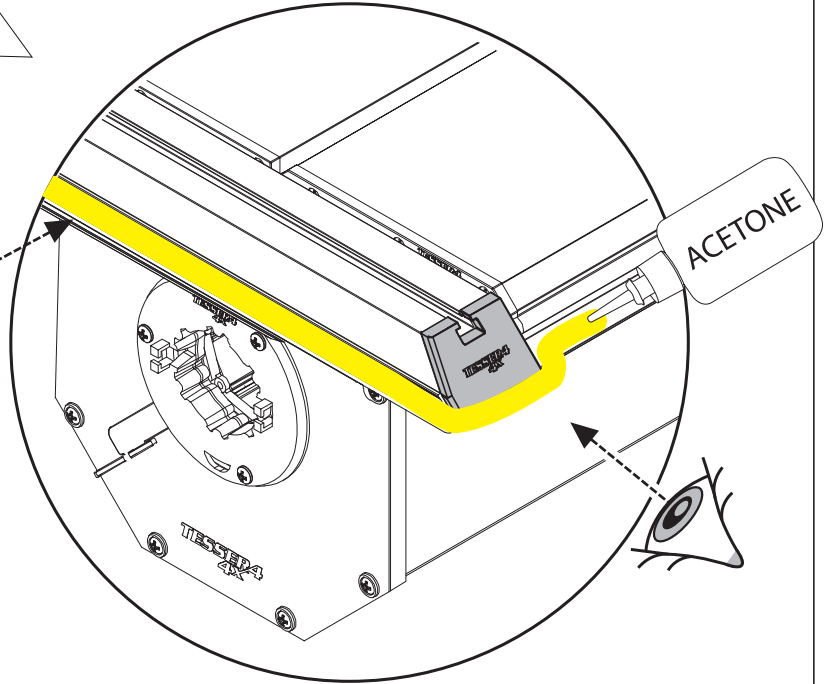


7

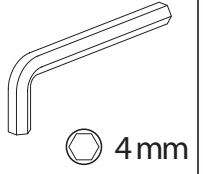
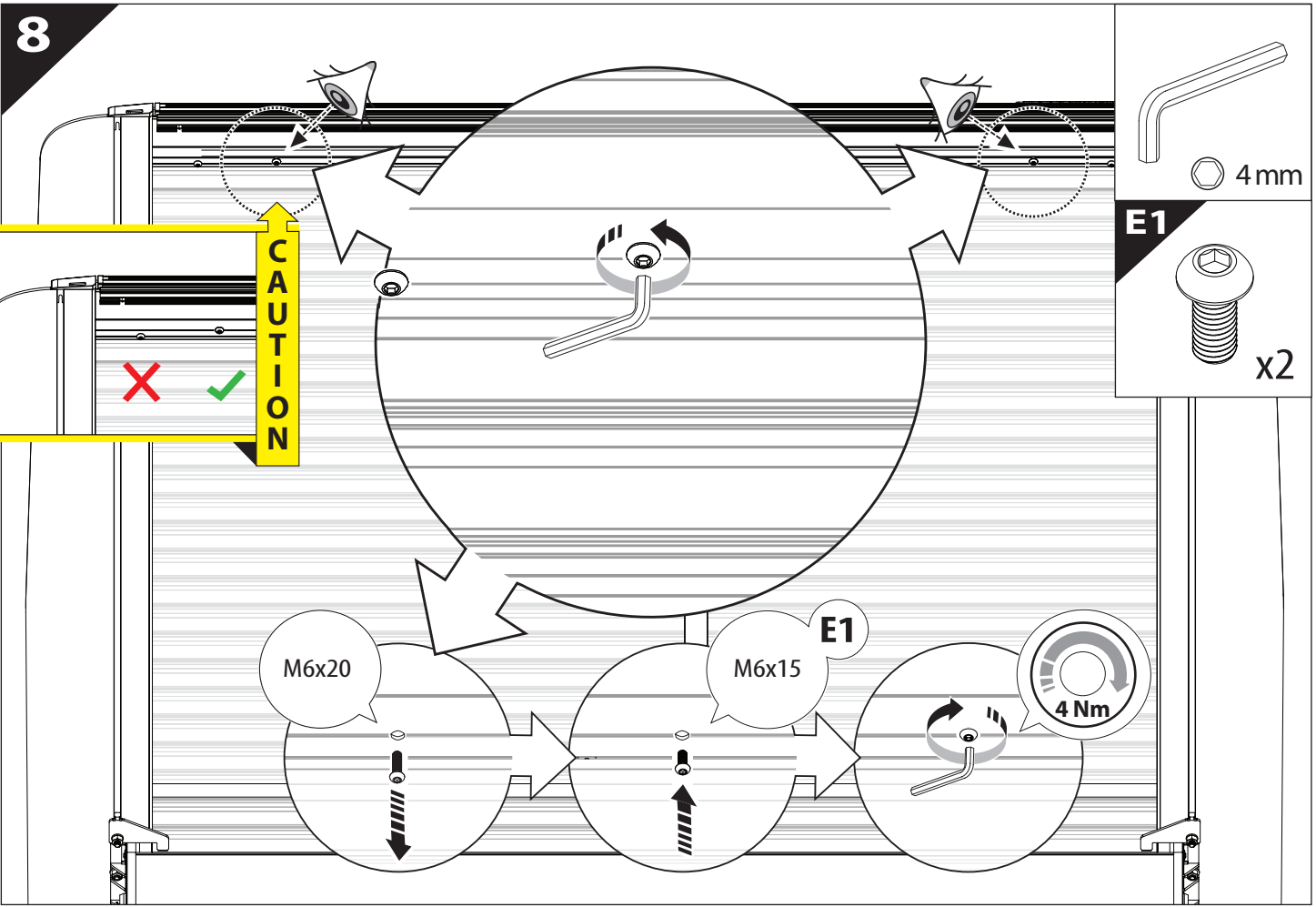
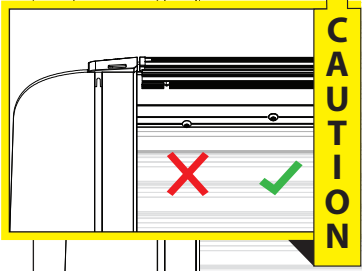


L1

x2



8



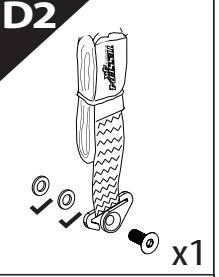
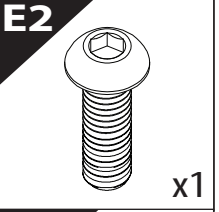
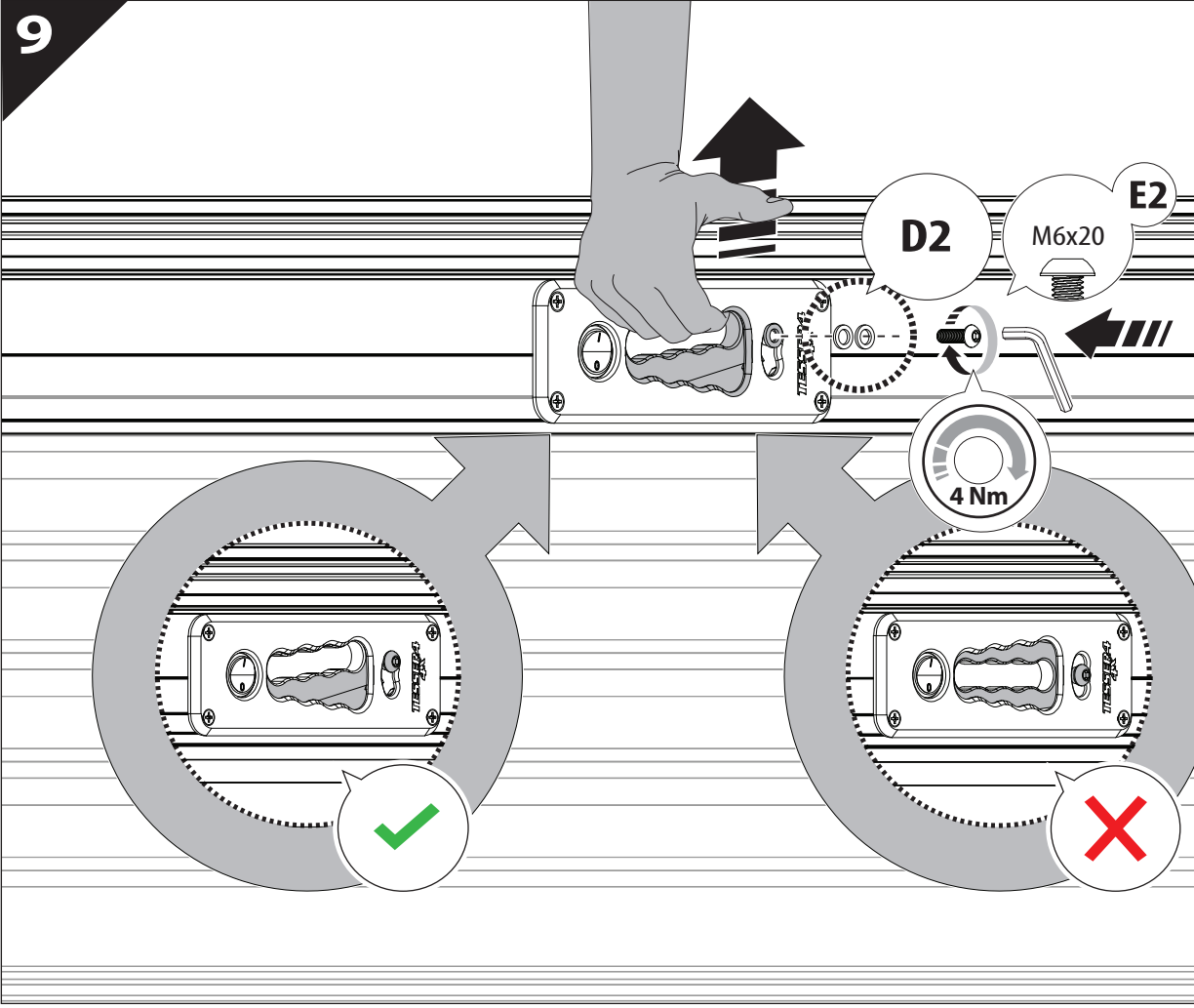
M6x20

M6x15

E1

4 Nm

9

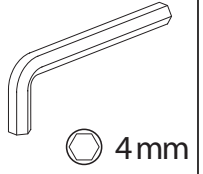


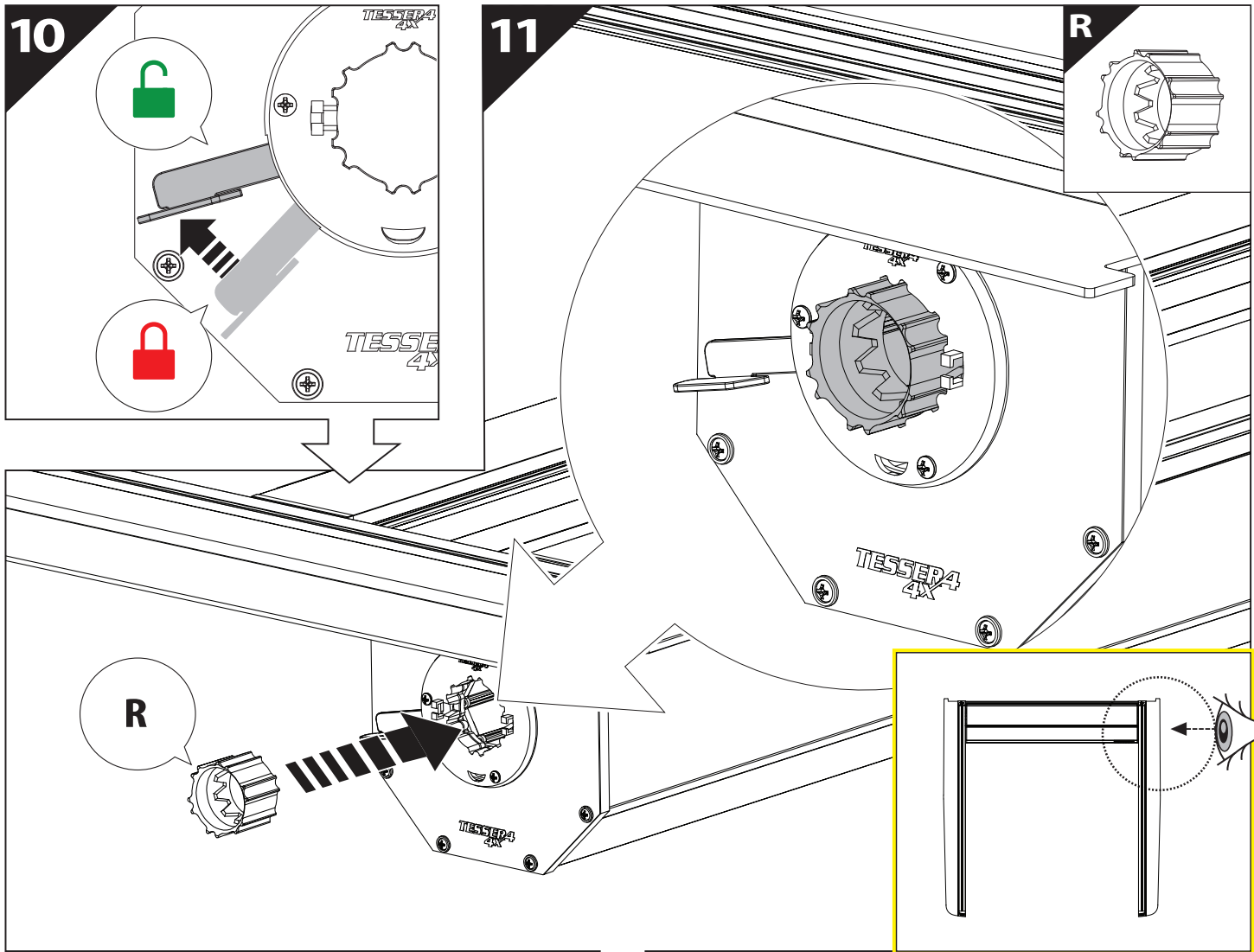
D2

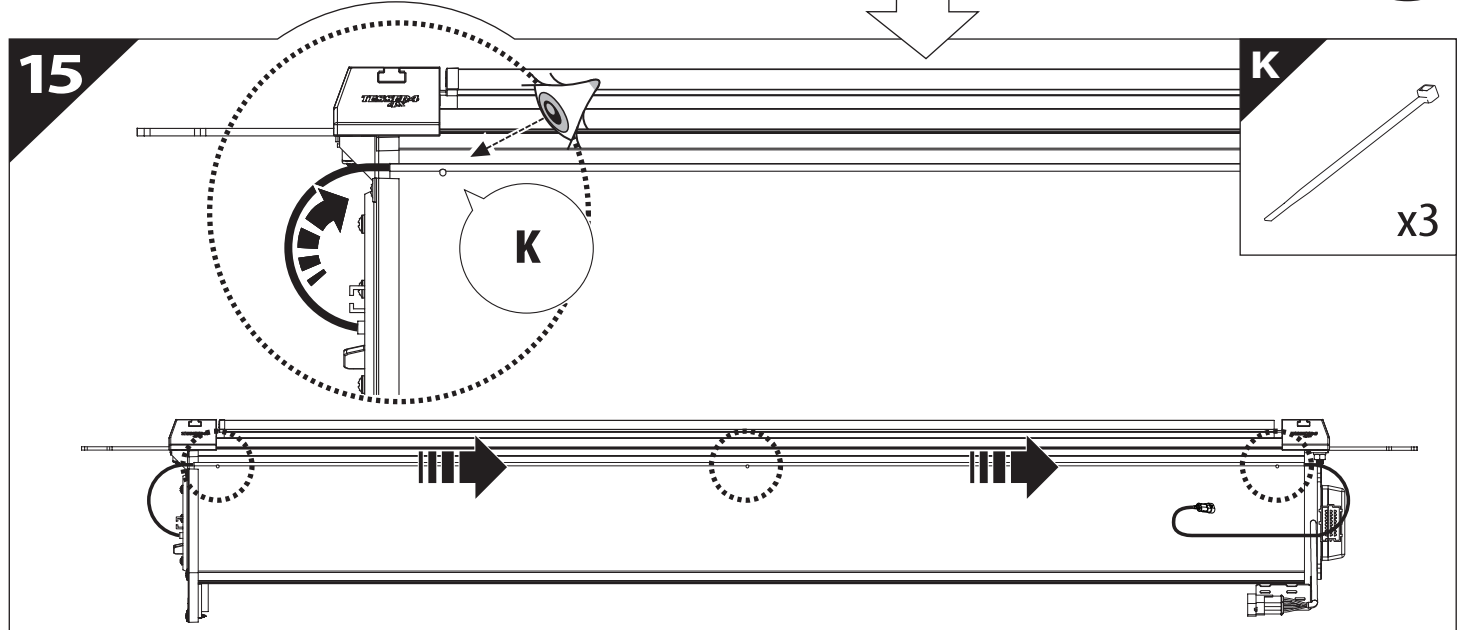
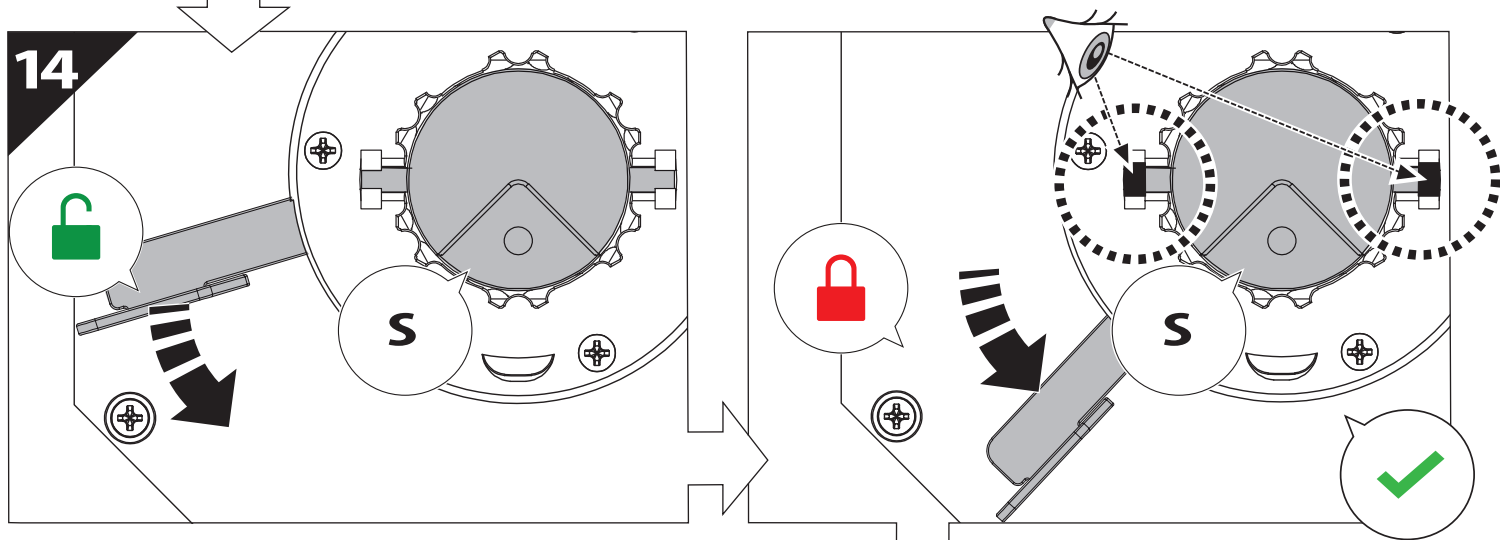
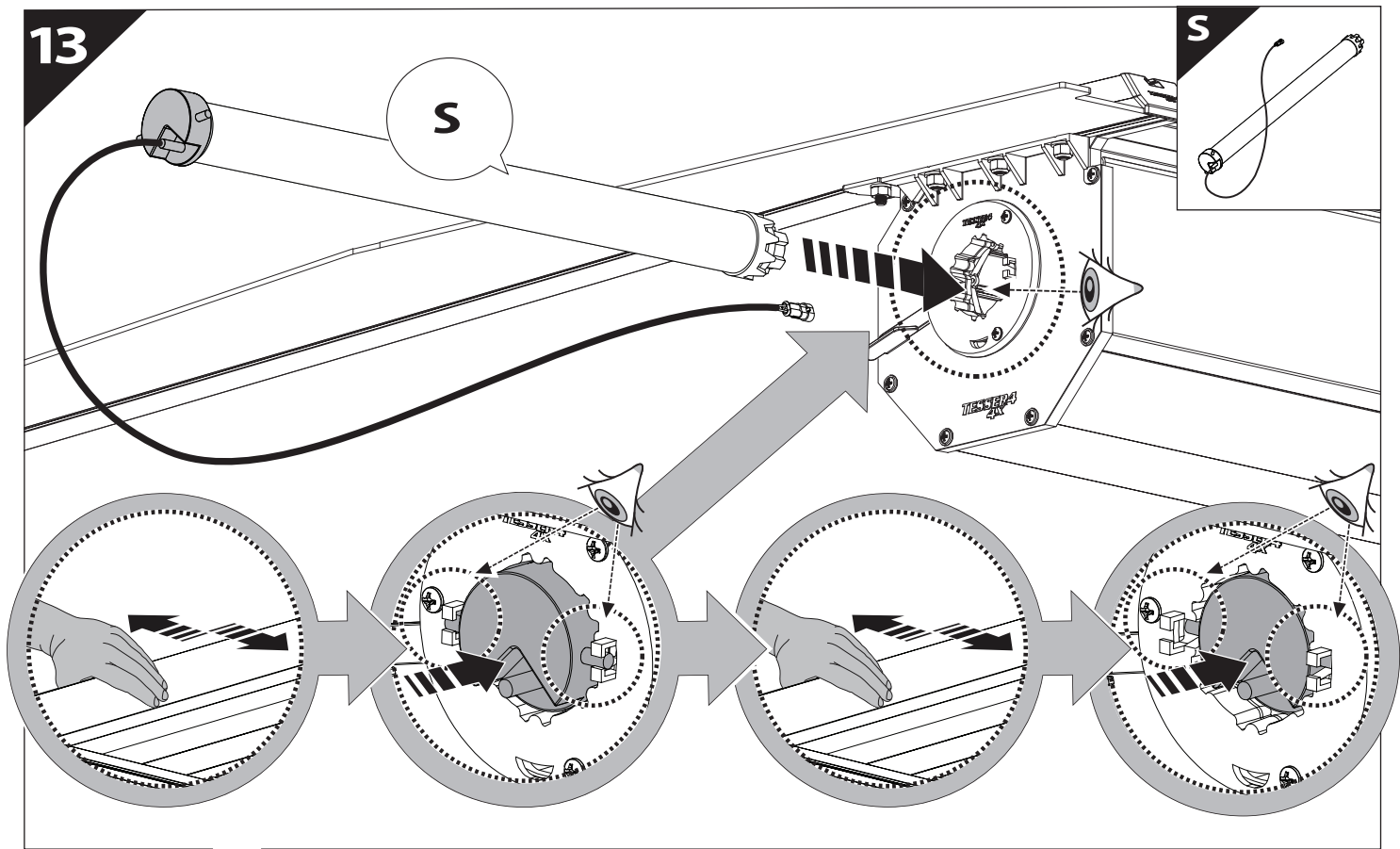
M6x20

E2

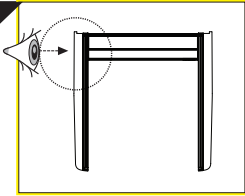
4 Nm



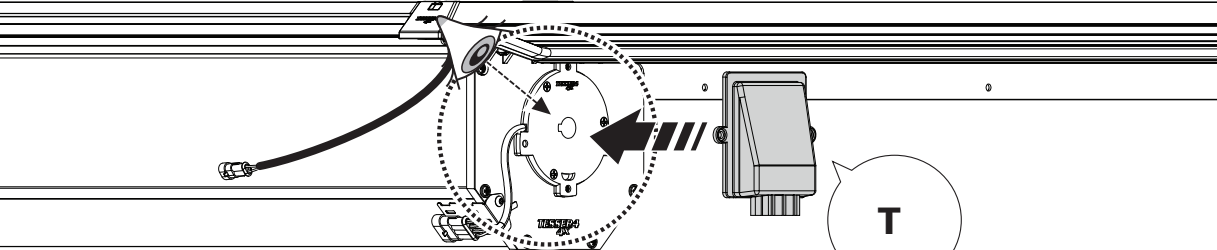
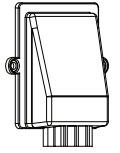




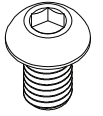
16



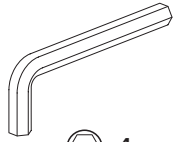
T



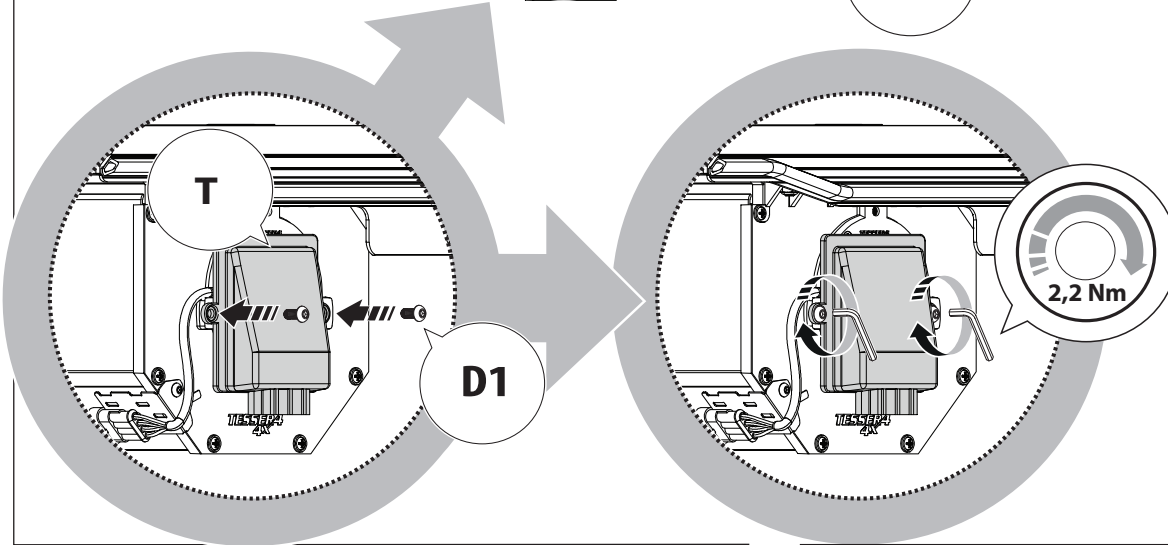
D1



x2

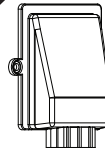


4mm

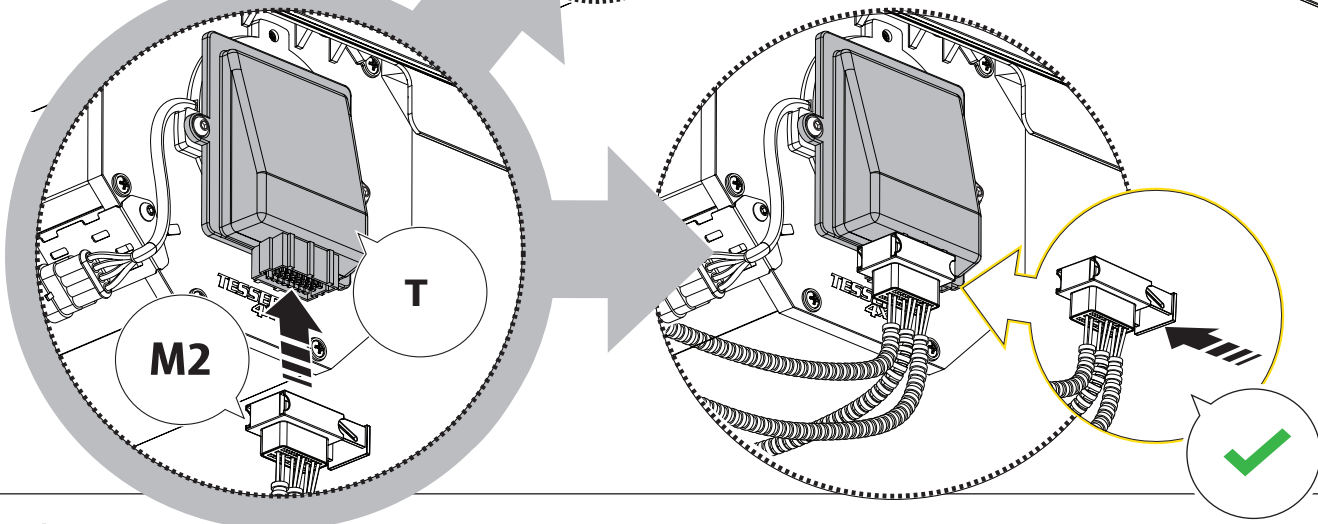
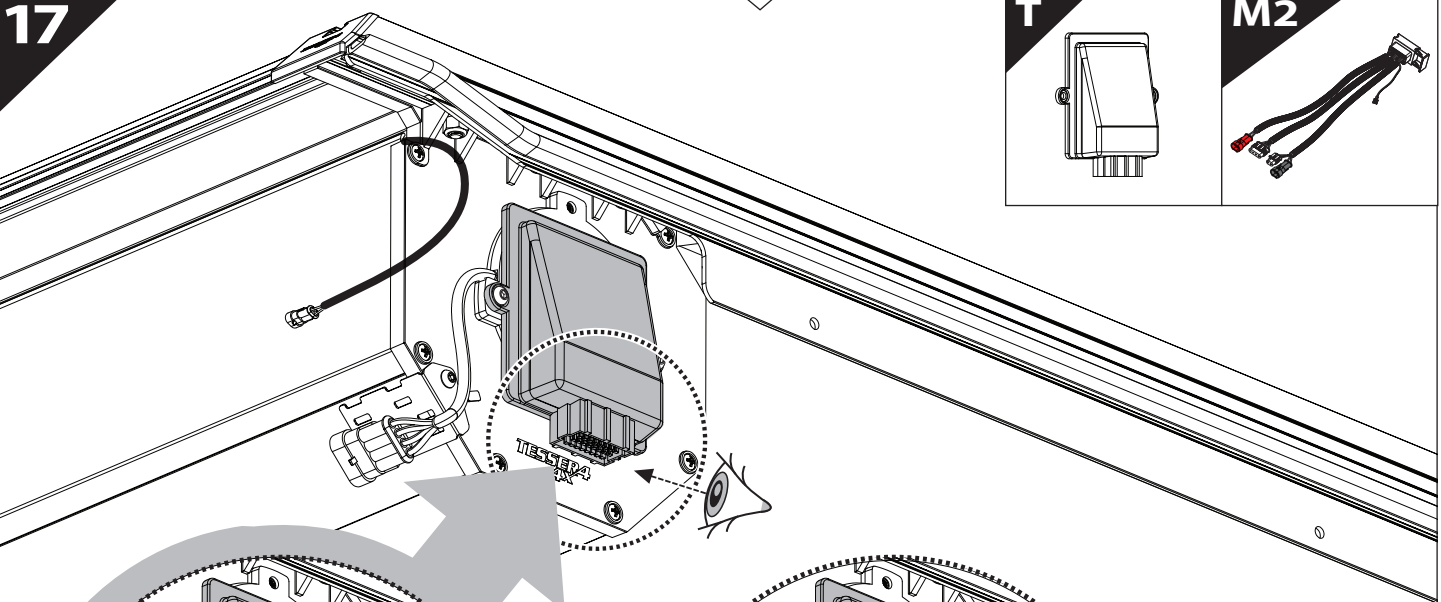


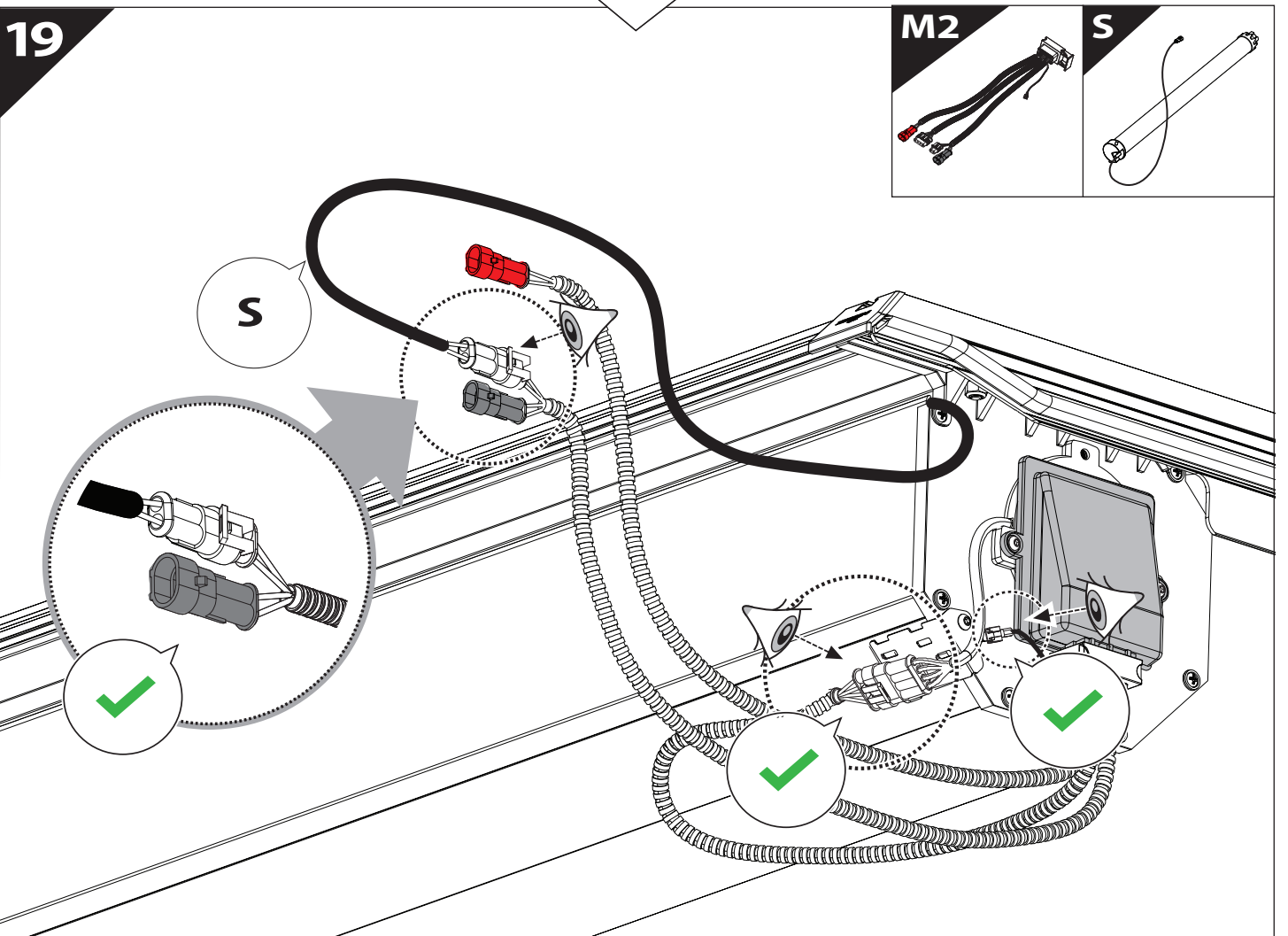
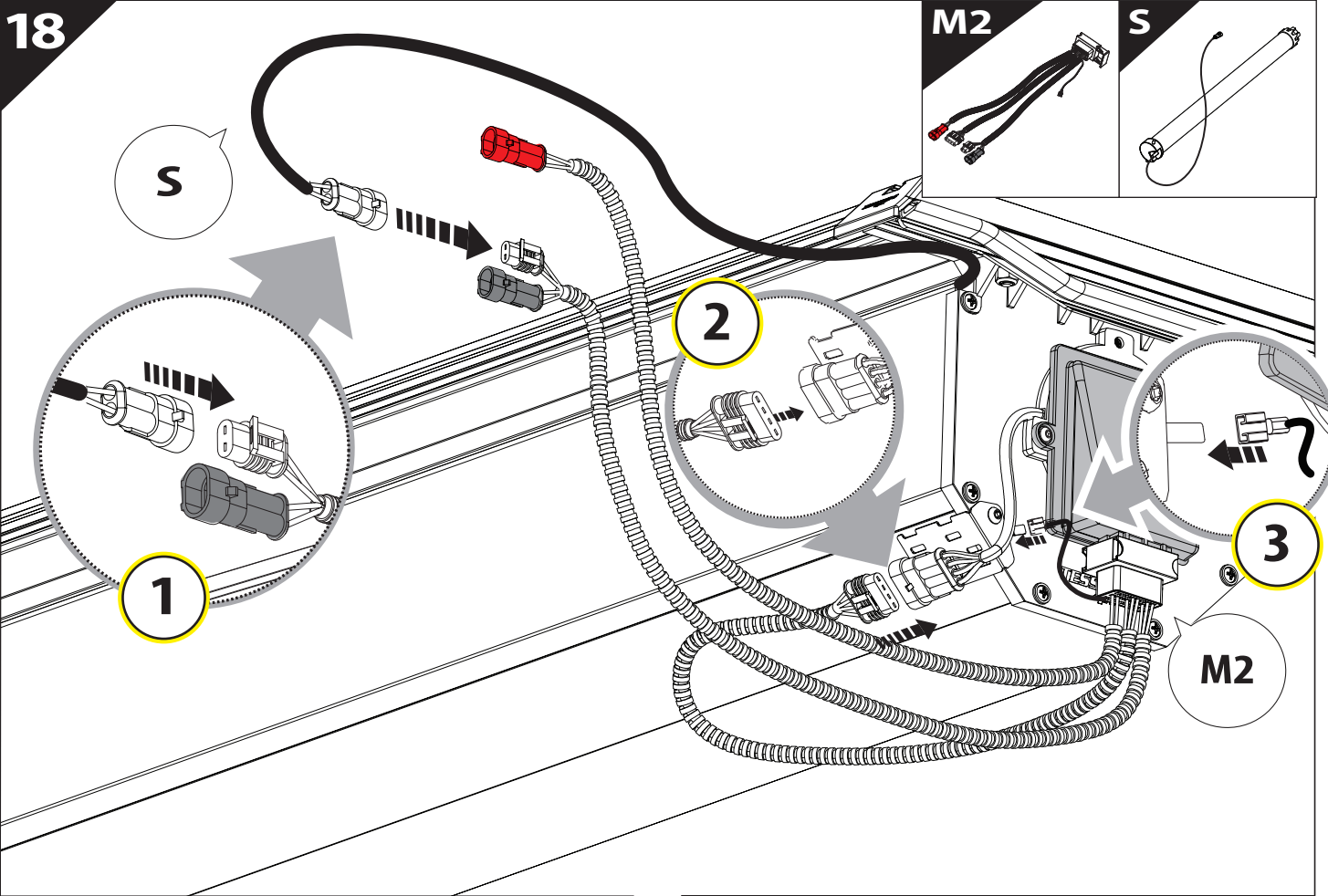
17

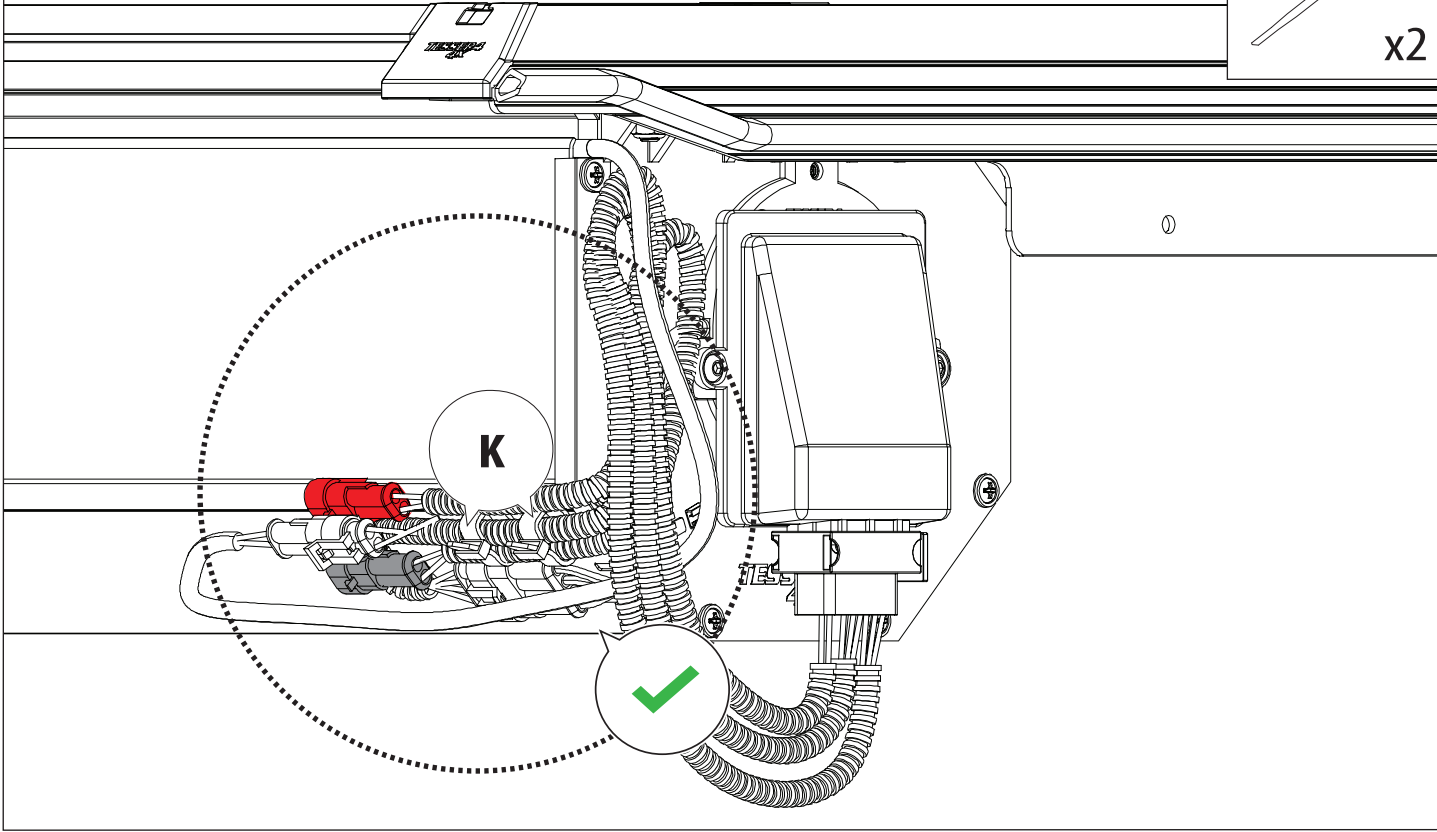
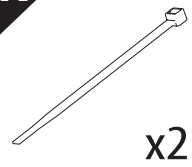
T



M2



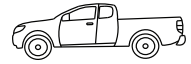




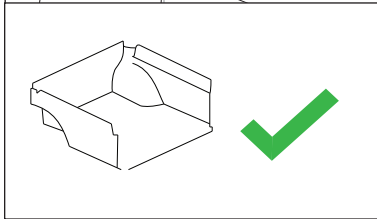
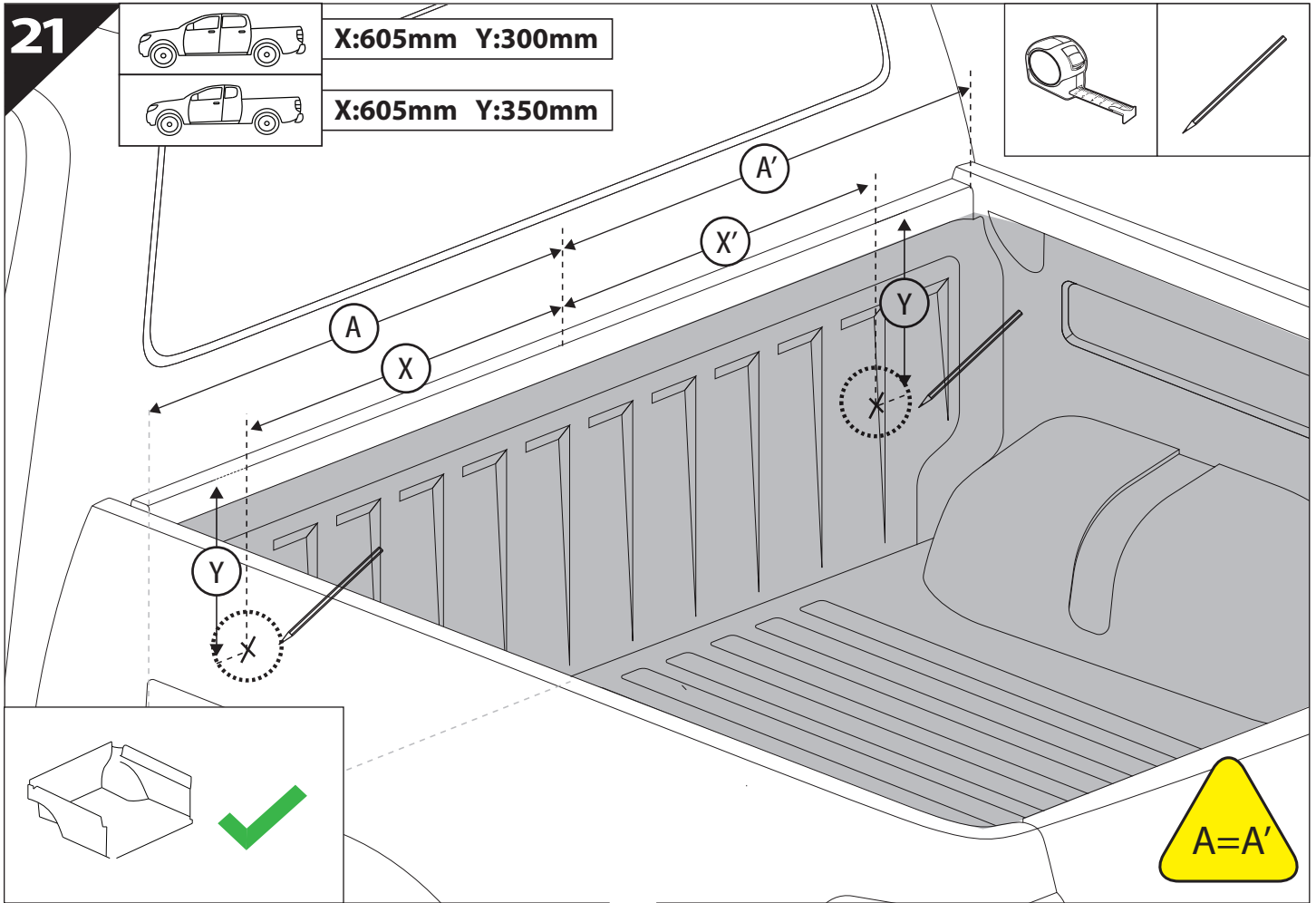
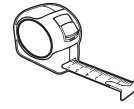
21



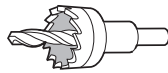
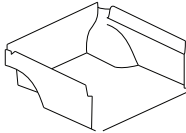
X:605mm Y:300mm



X:605mm Y:350mm



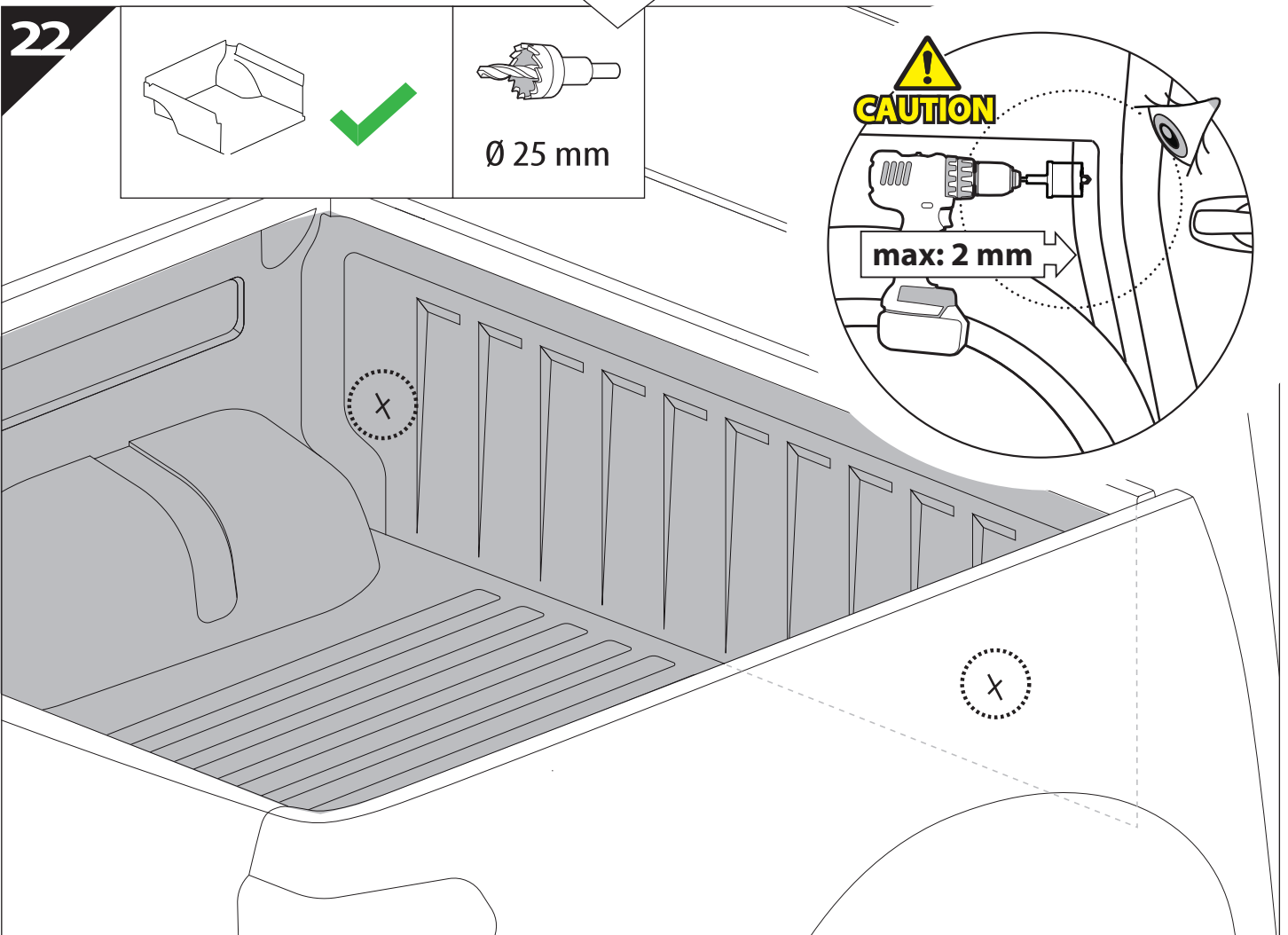
22

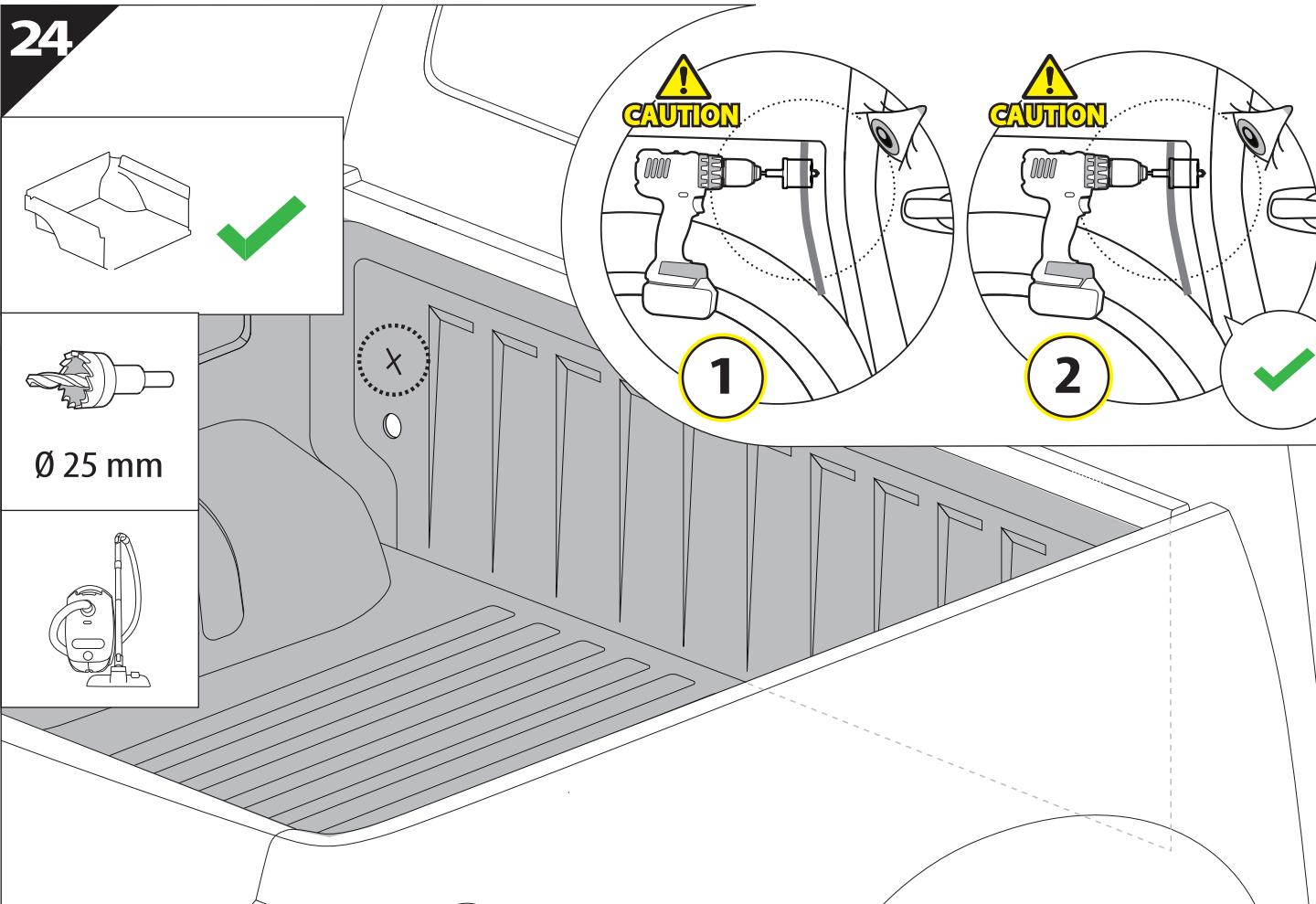
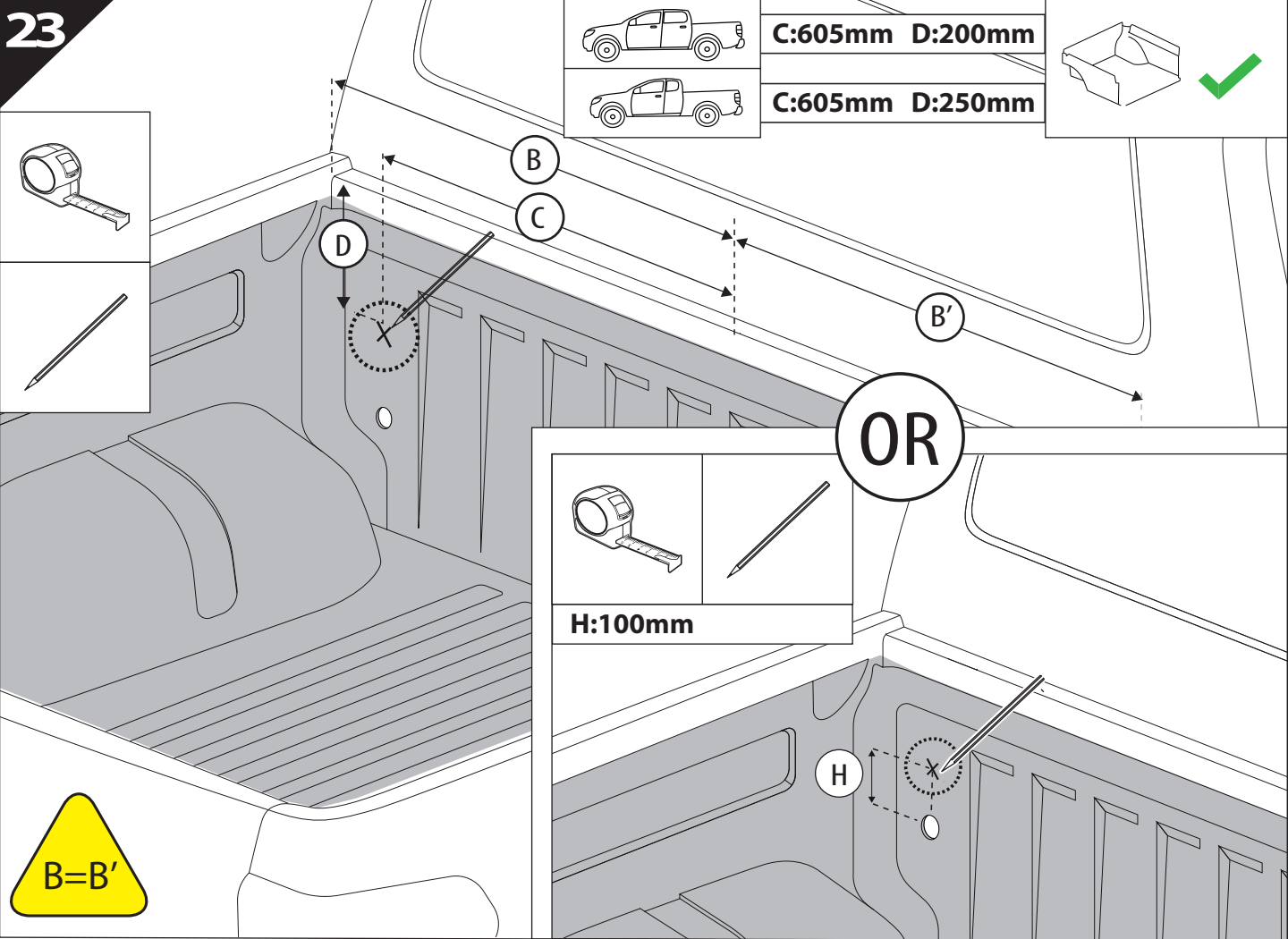


Ø 25 mm

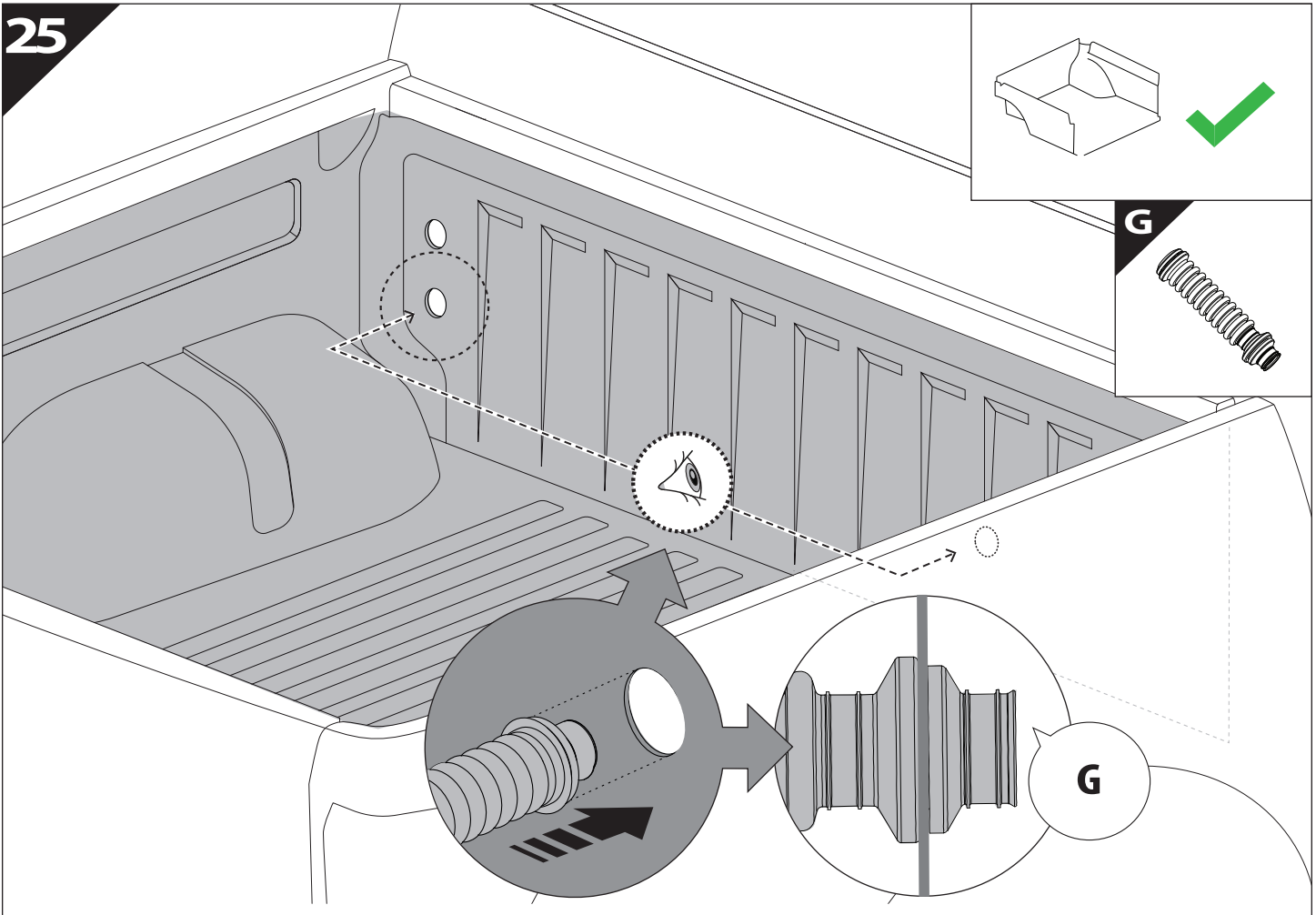
CAUTION

max: 2 mm



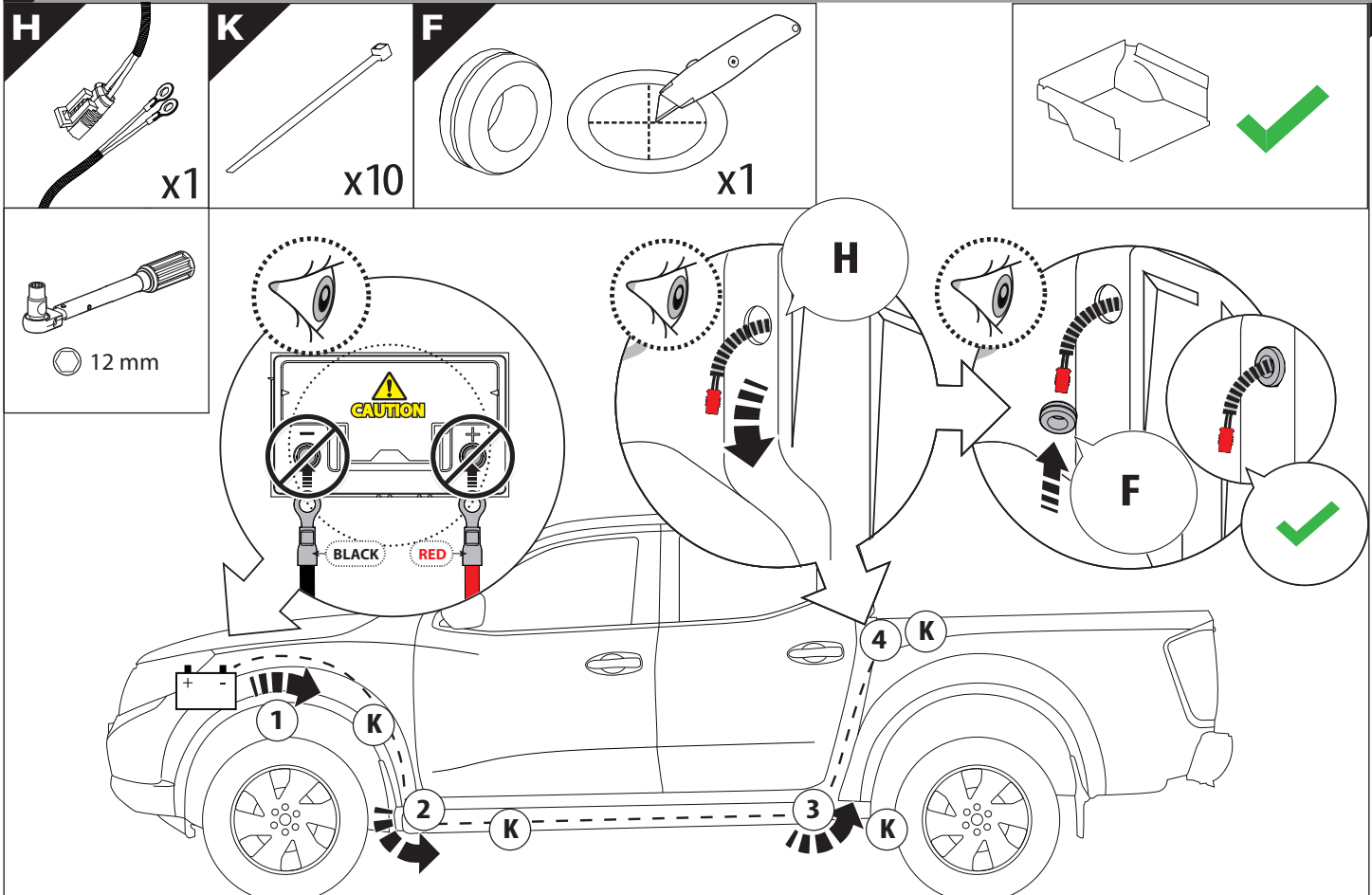


25



26

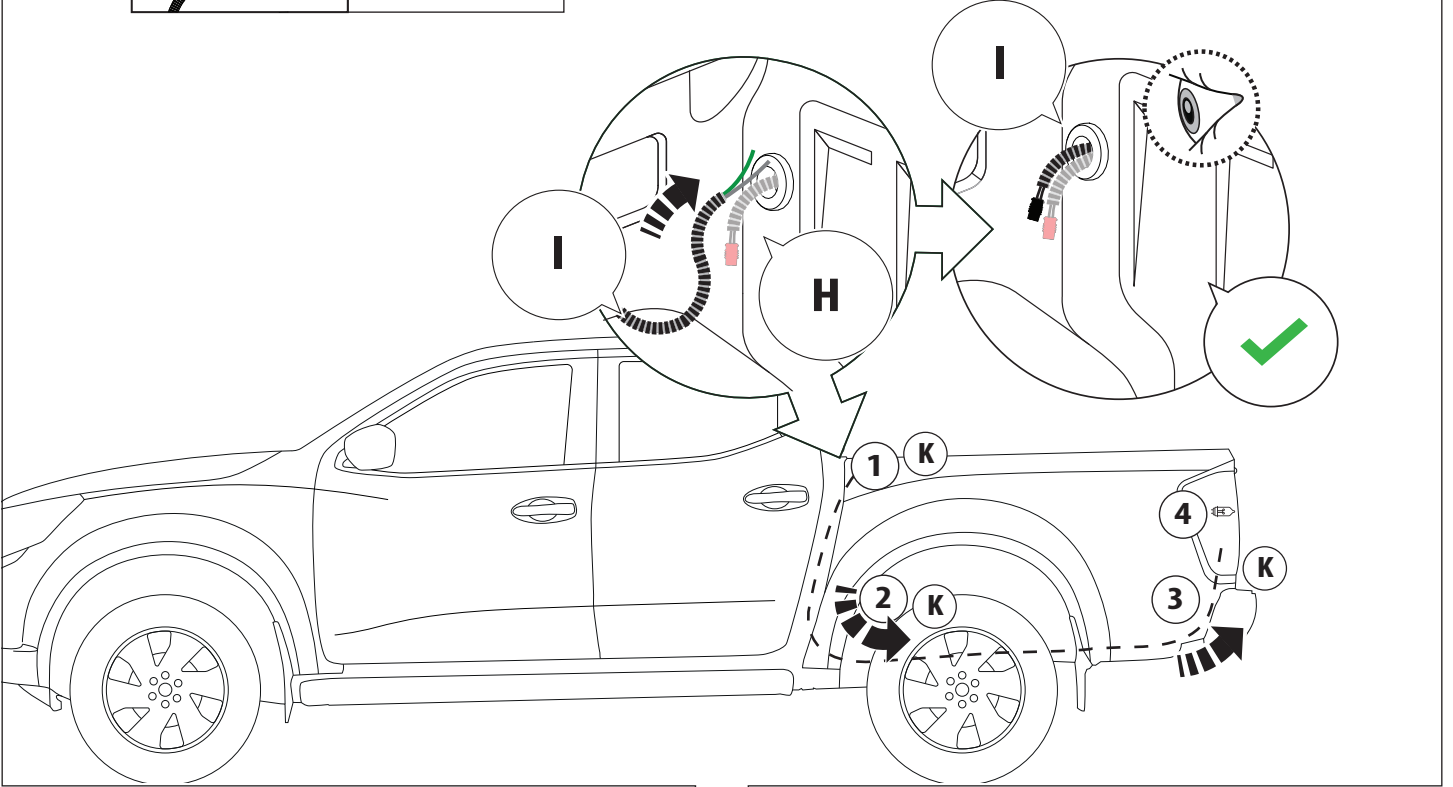
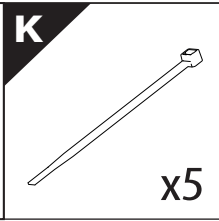
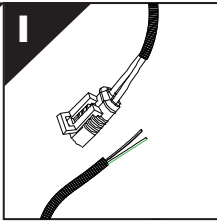
Only to be installed by authorized personnel



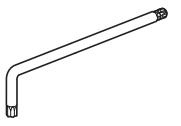
27

I

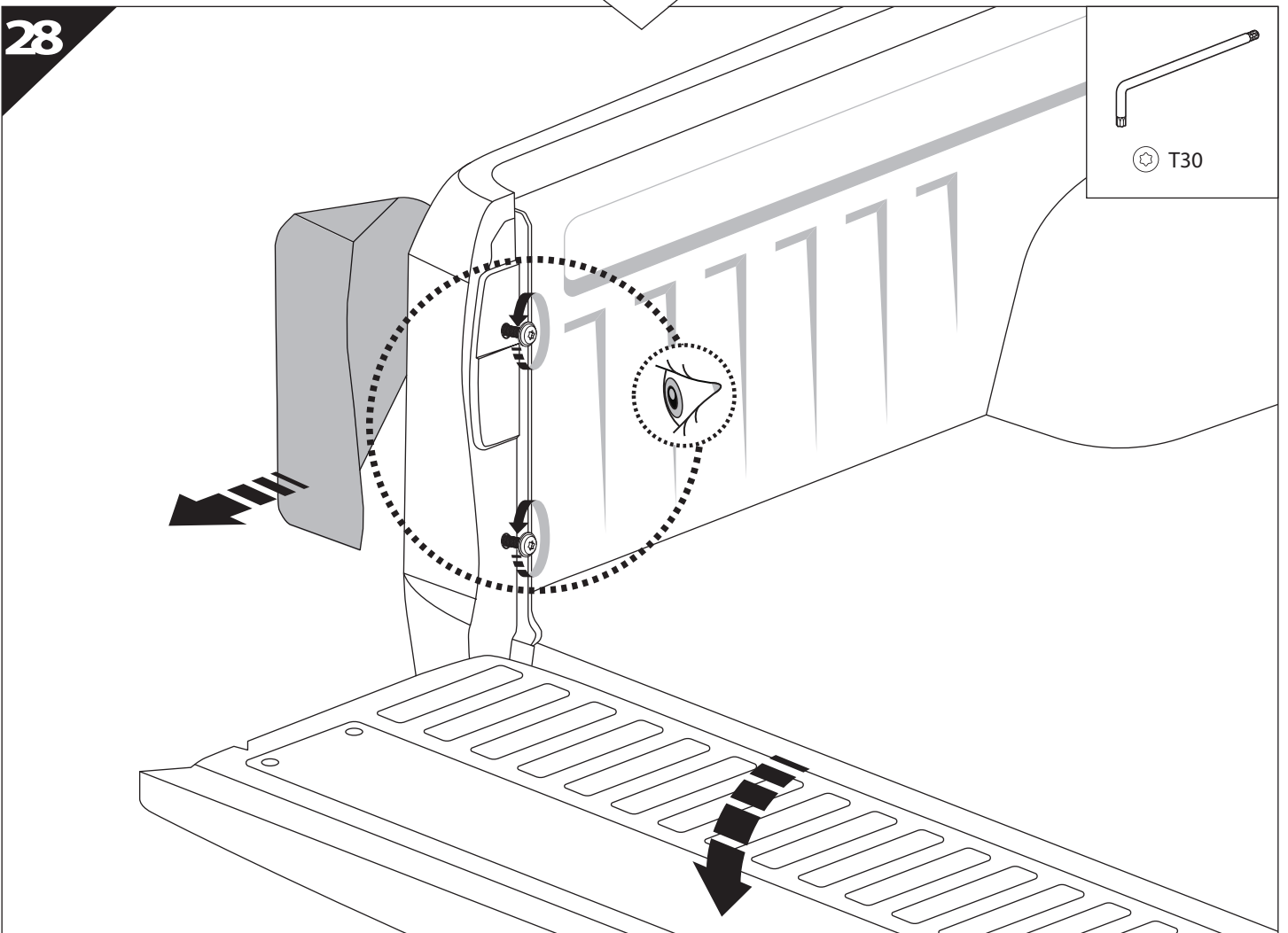
K



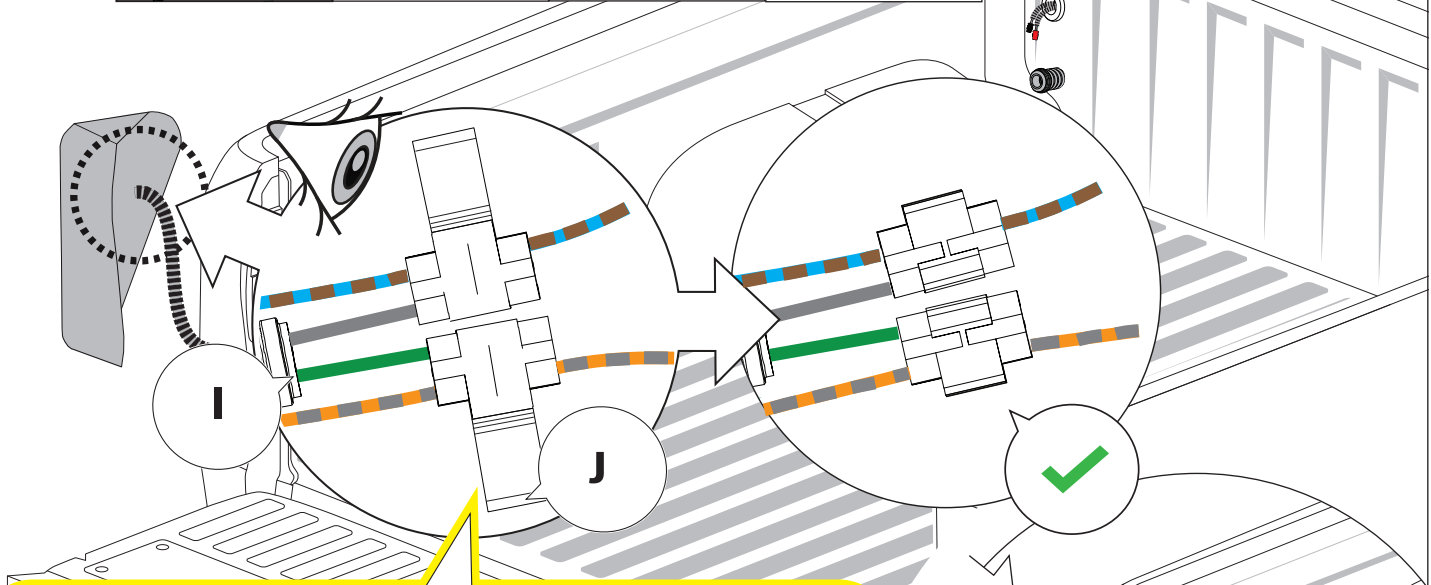
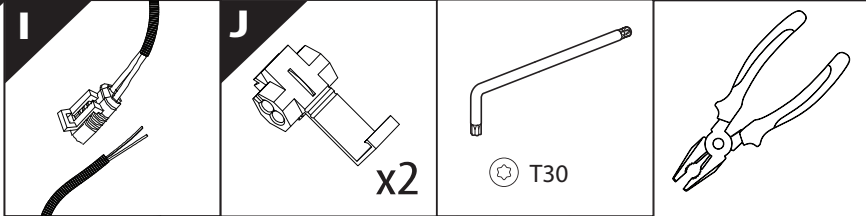
28



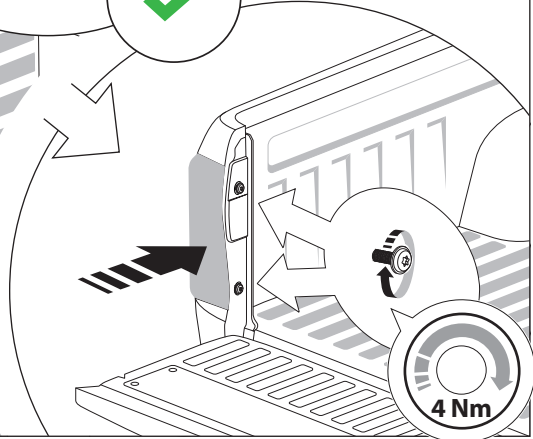
T30



29

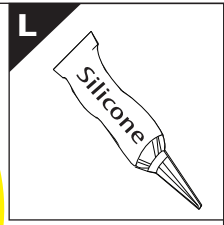
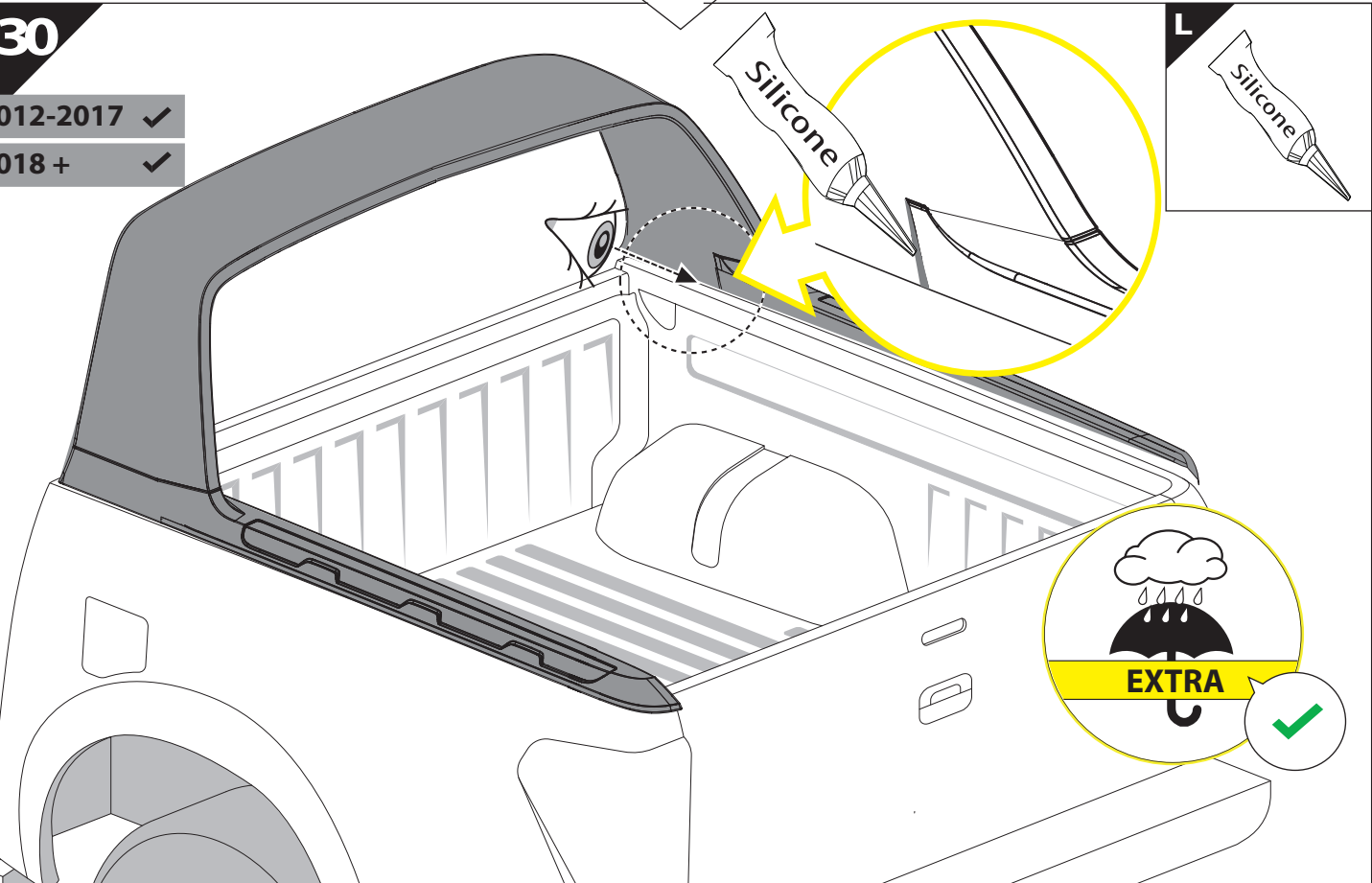


MODEL YEAR	LIGHTS	CAR	TESSERA ROLL+
2016+	BEAM		
2016+	STOP		
MODEL YEAR	LIGHTS	CAR	TESSERA ROLL+
2020+	BEAM		
2020+	STOP		



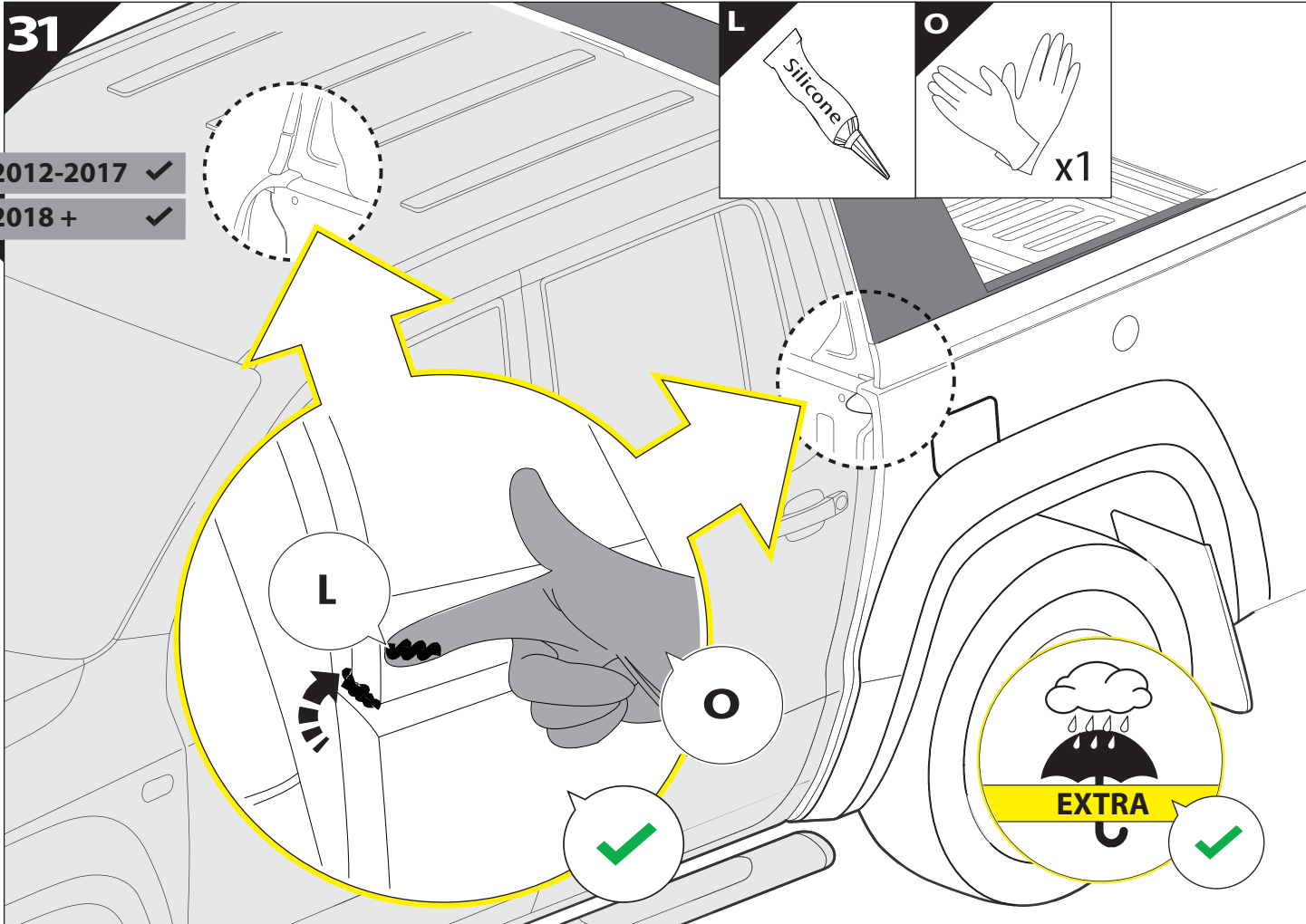
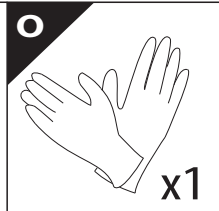
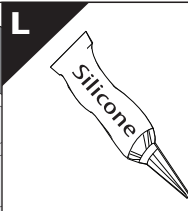
30

- 2012-2017 ✓
- 2018+ ✓



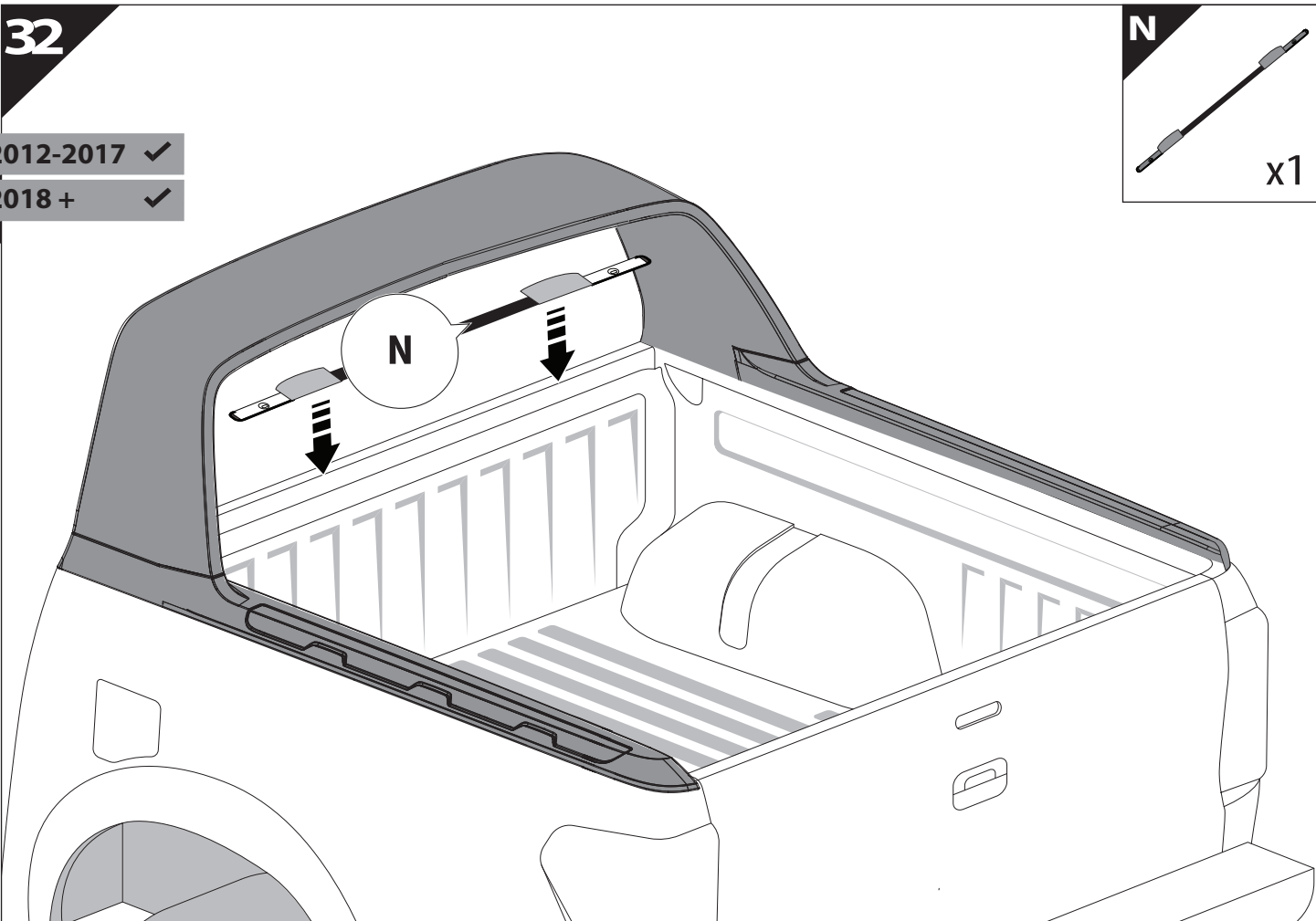
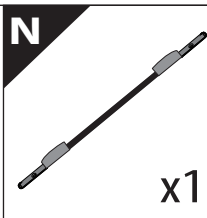
31

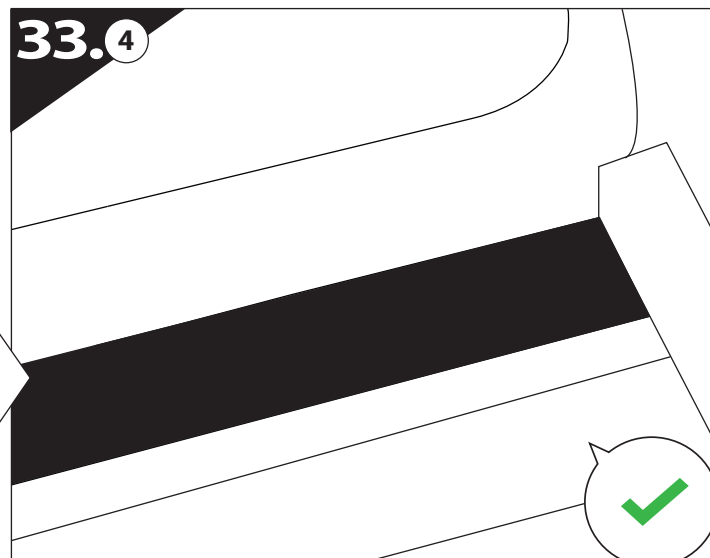
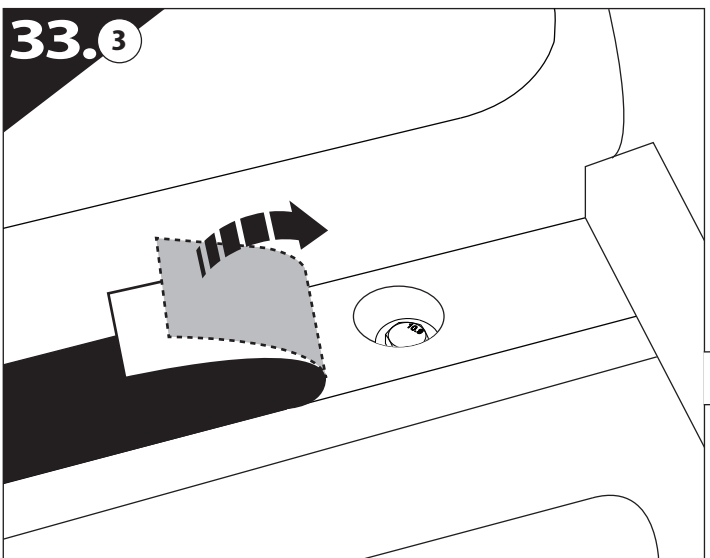
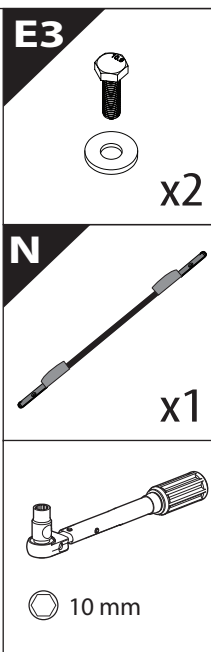
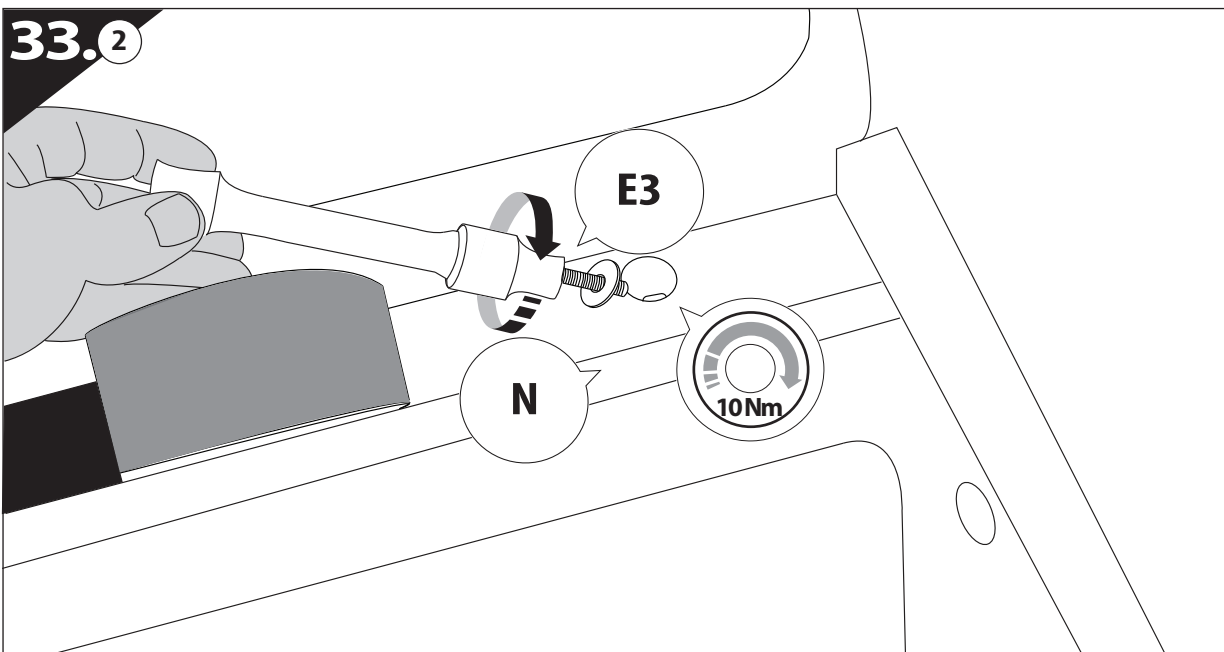
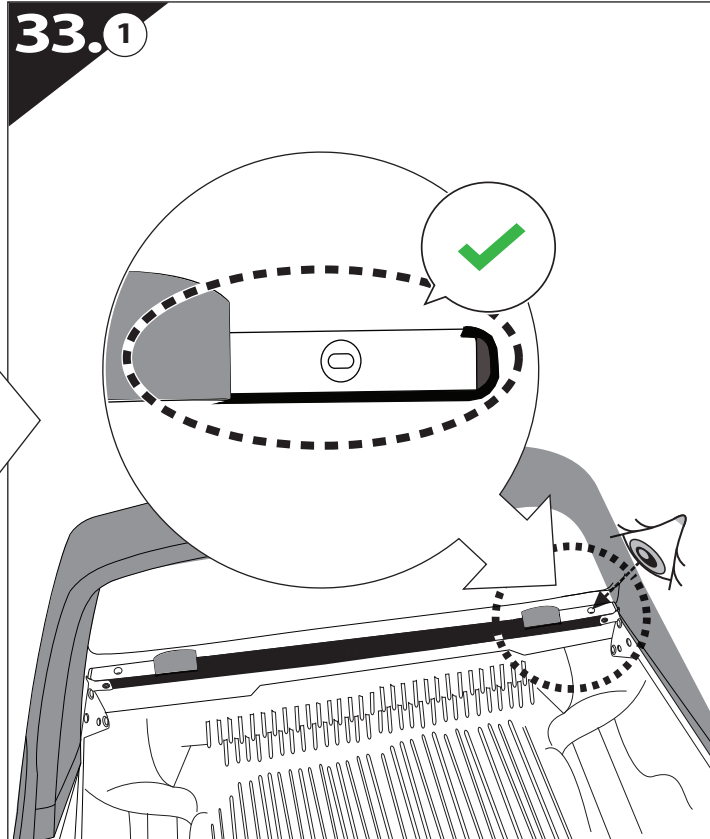
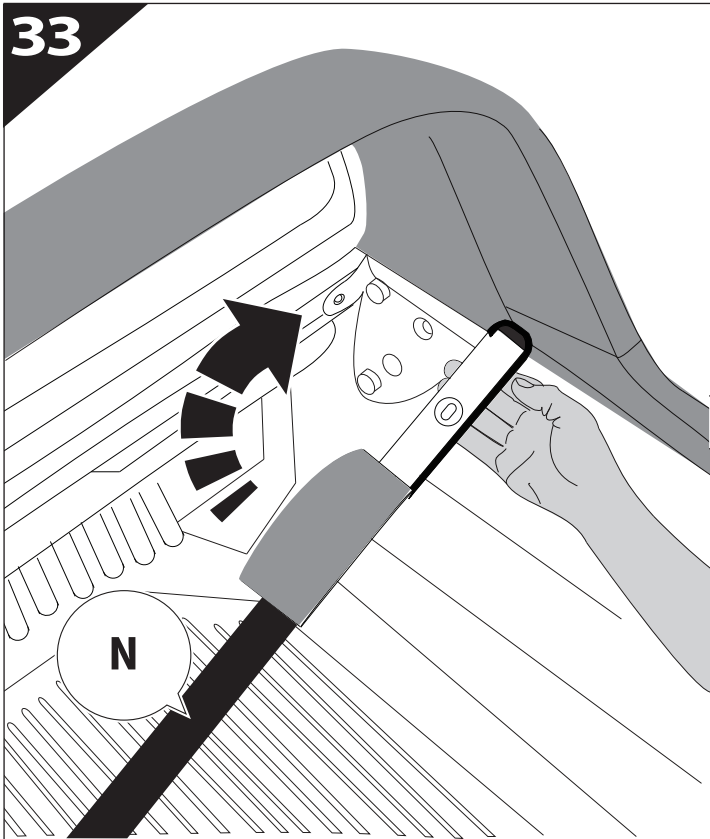
- 2012-2017 ✓
- 2018+ ✓



32

- 2012-2017 ✓
- 2018+ ✓

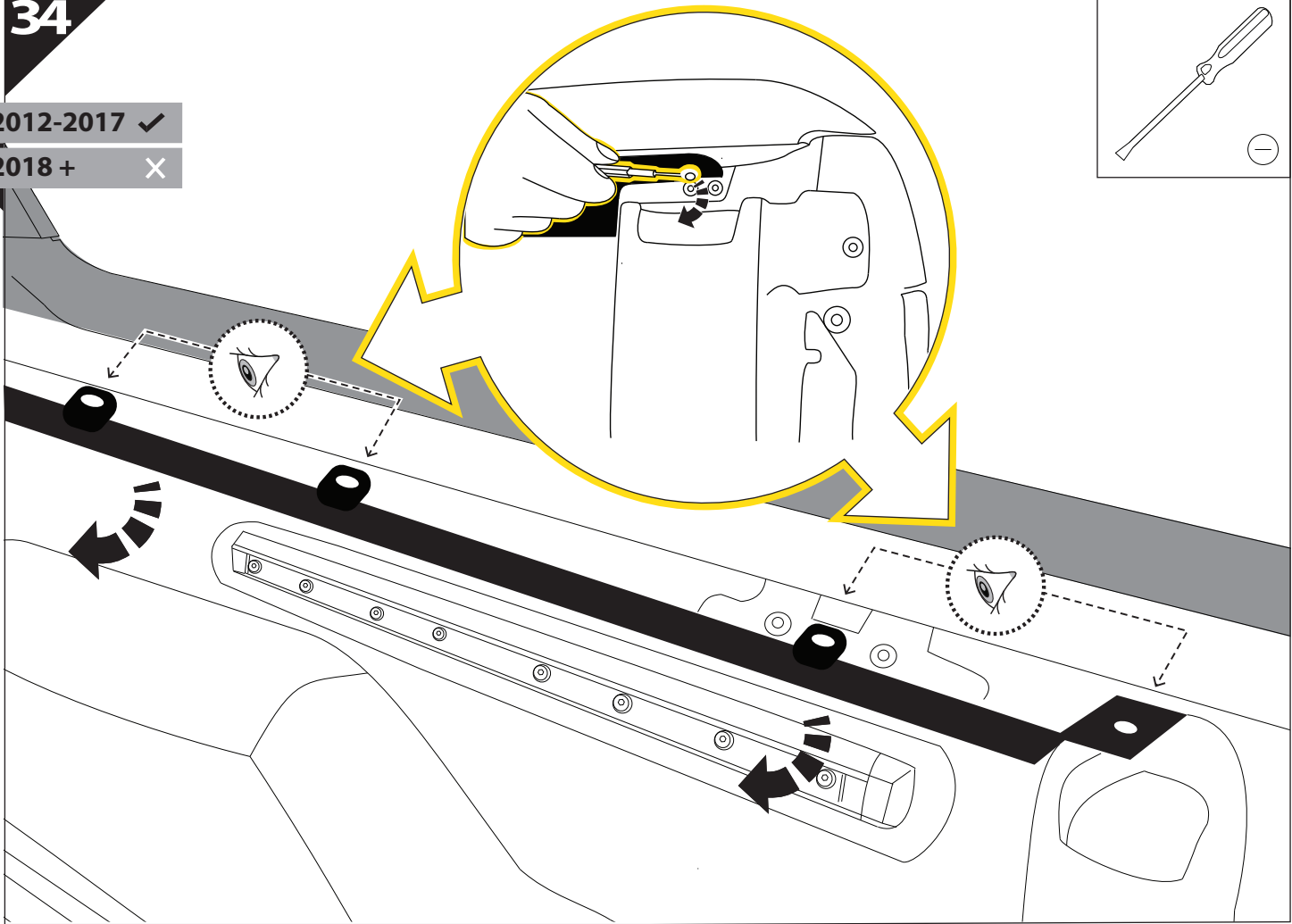
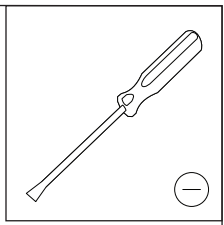




34

2012-2017 ✓

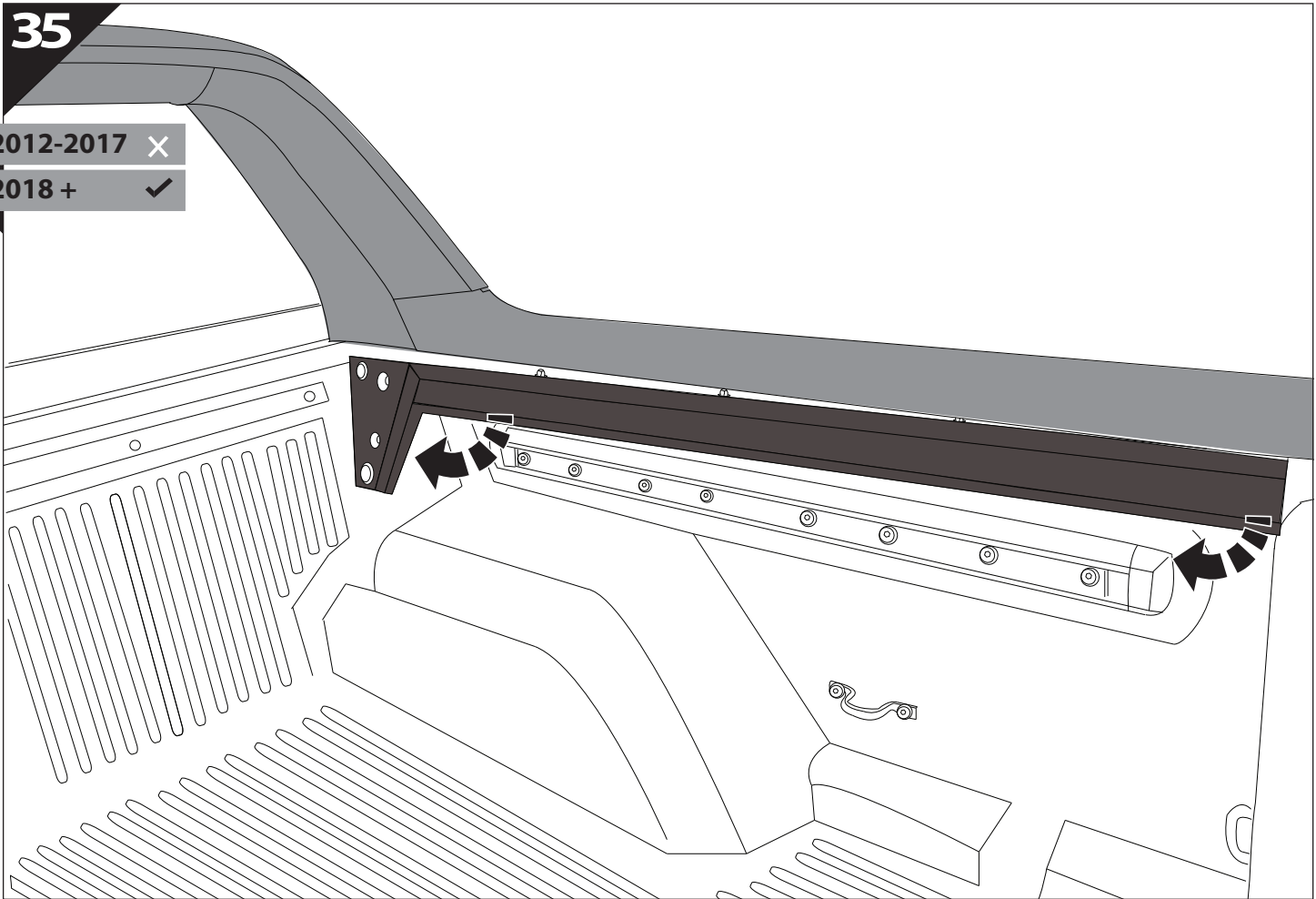
2018+ ✗



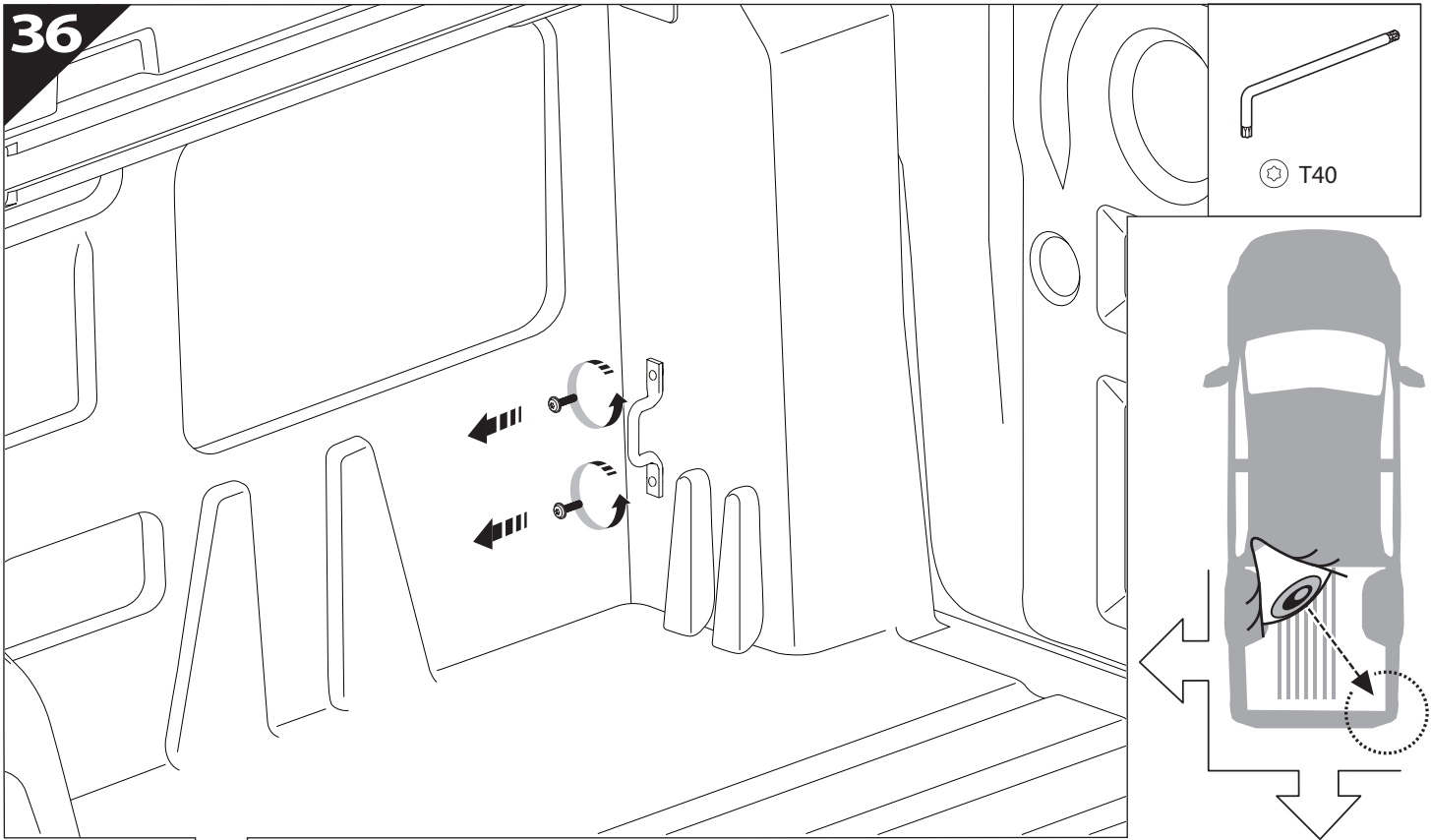
35

2012-2017 ✗

2018+ ✓



36

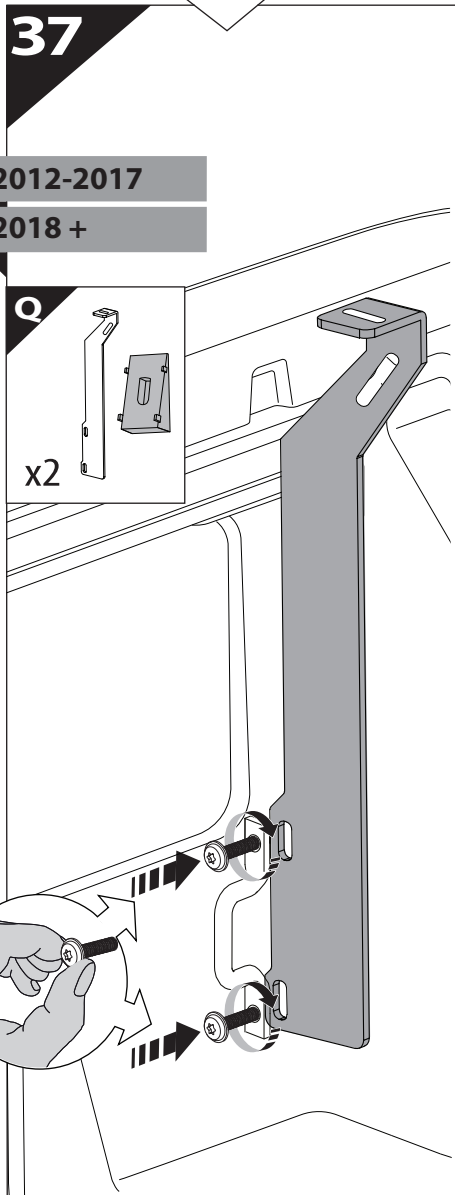
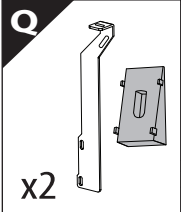


T40

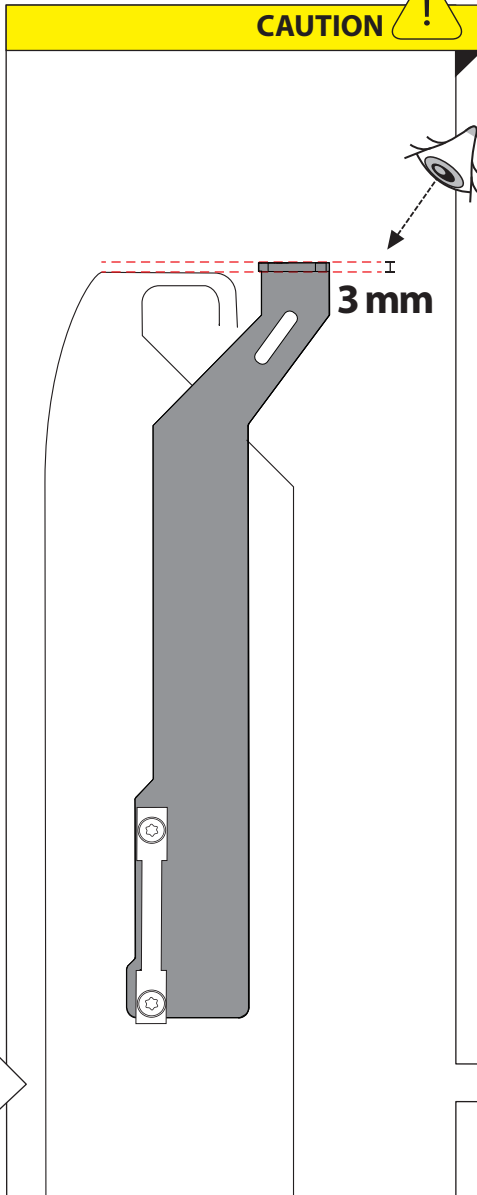
37

2012-2017

2018 +



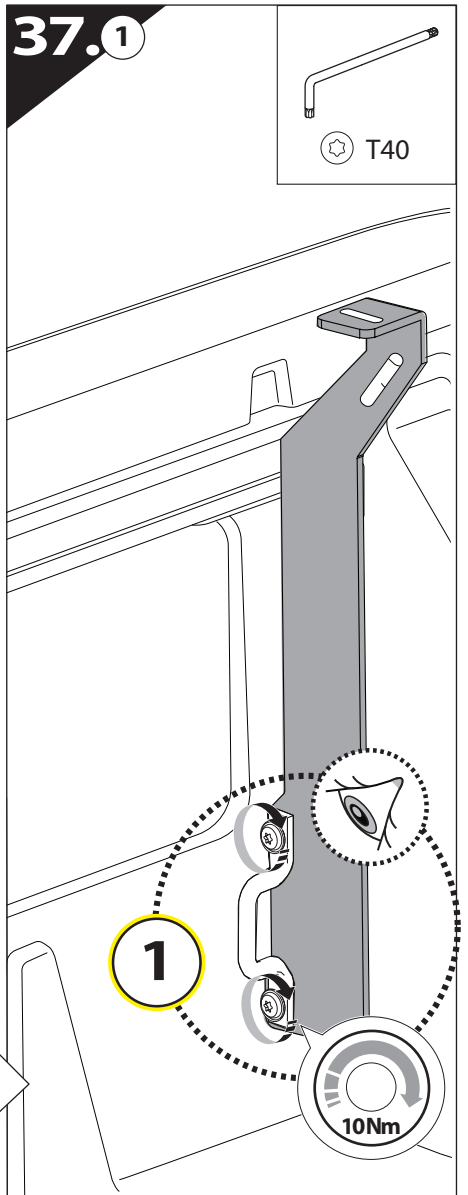
CAUTION



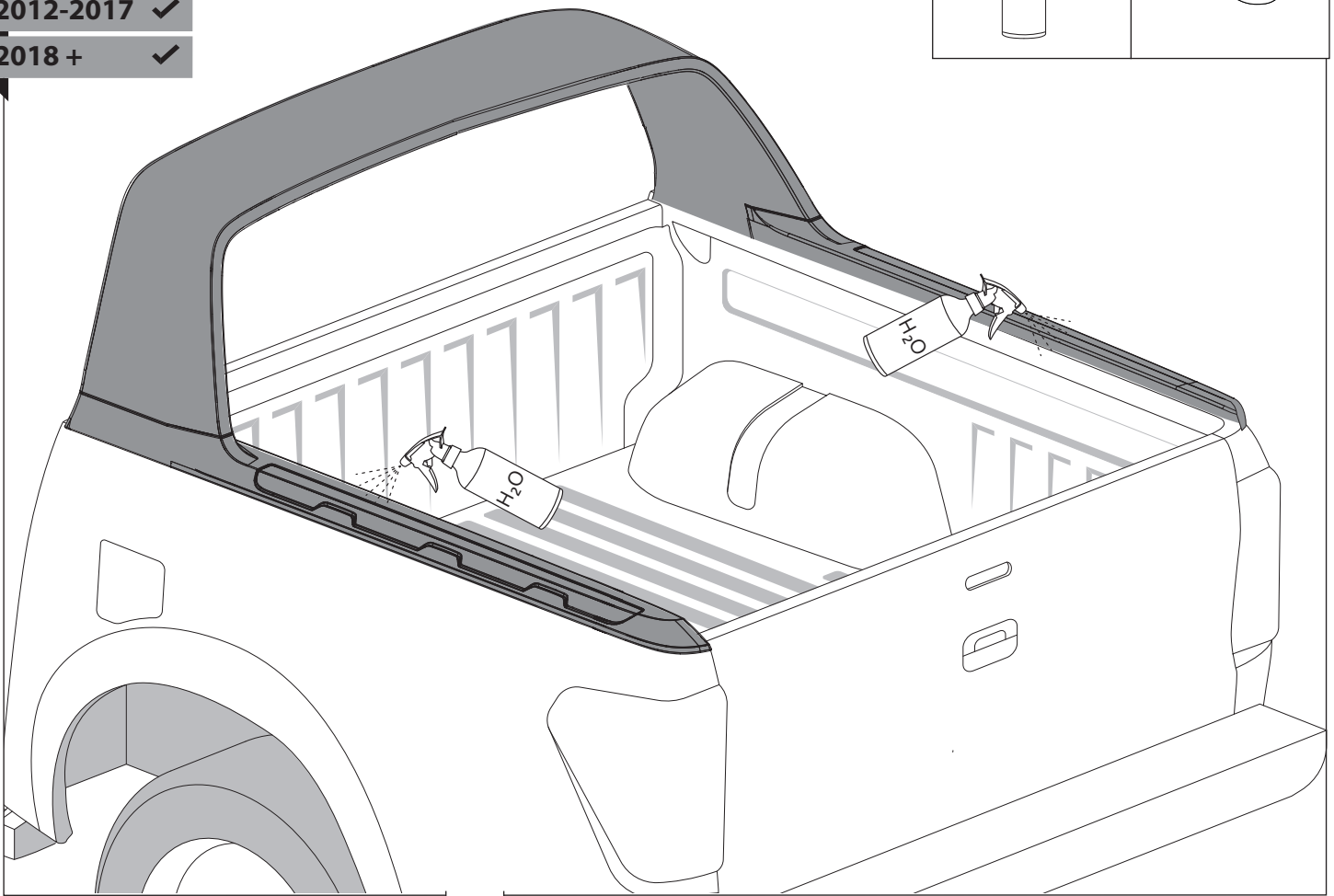
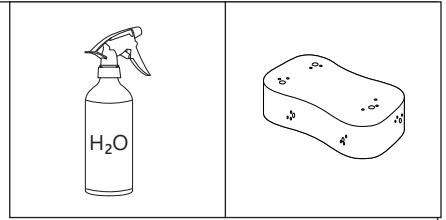
3 mm

37.1

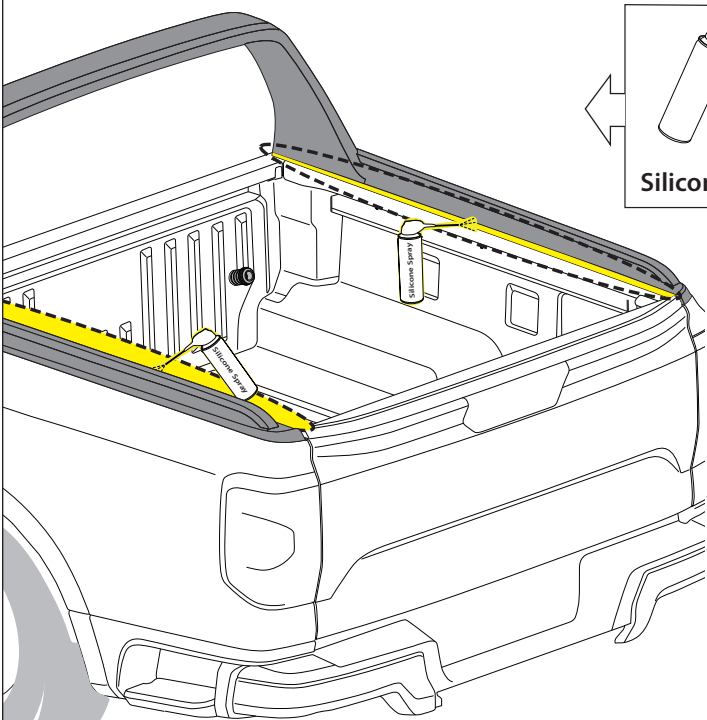
T40



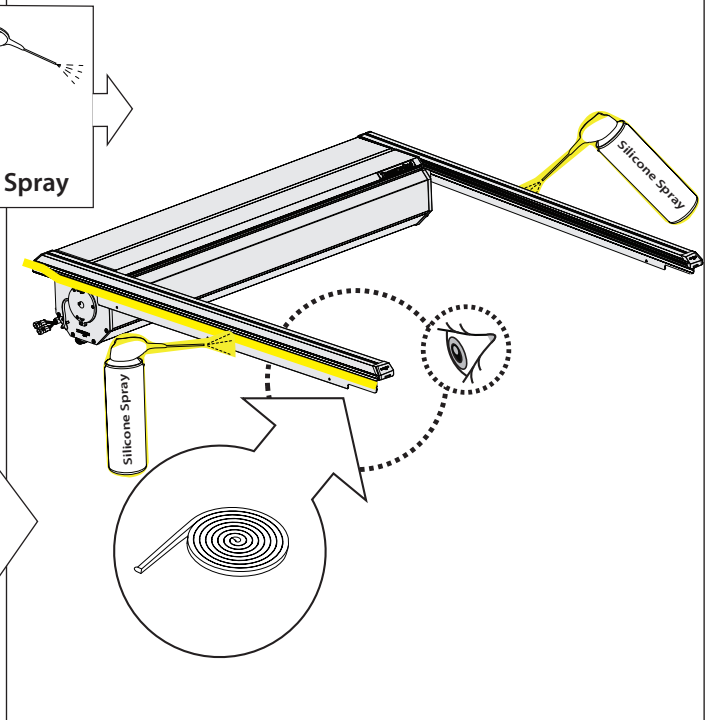
2012-2017 ✓
2018+ ✓

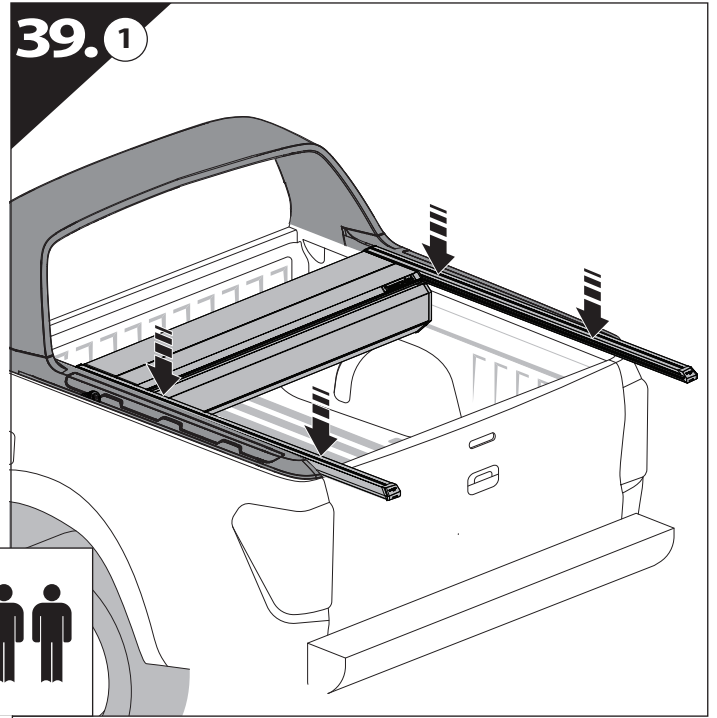
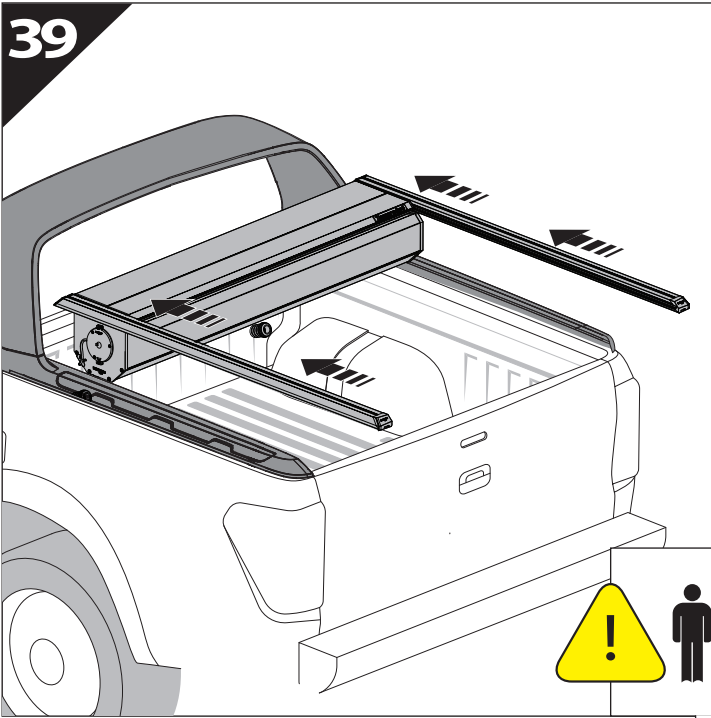


39.1

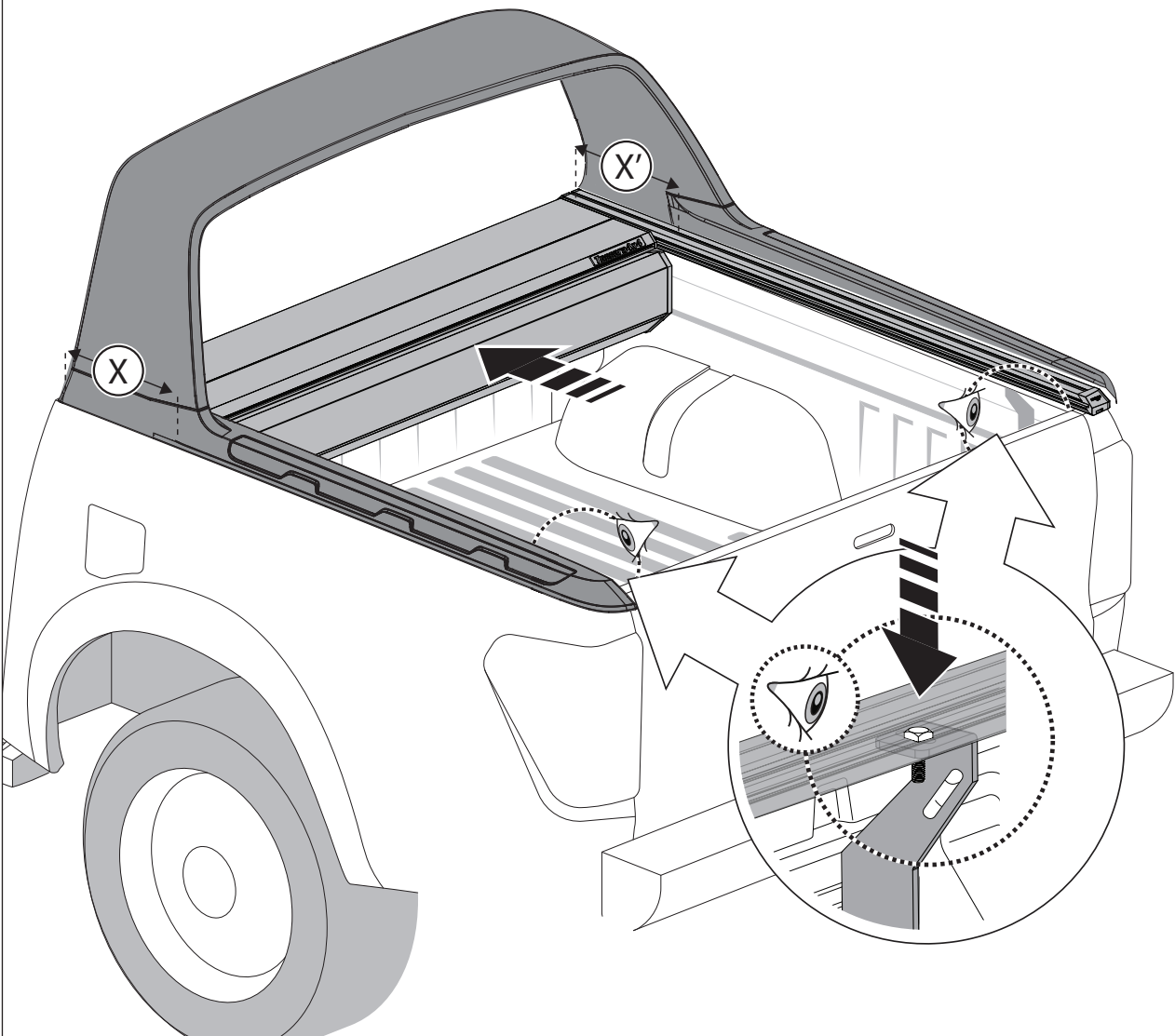


39.2

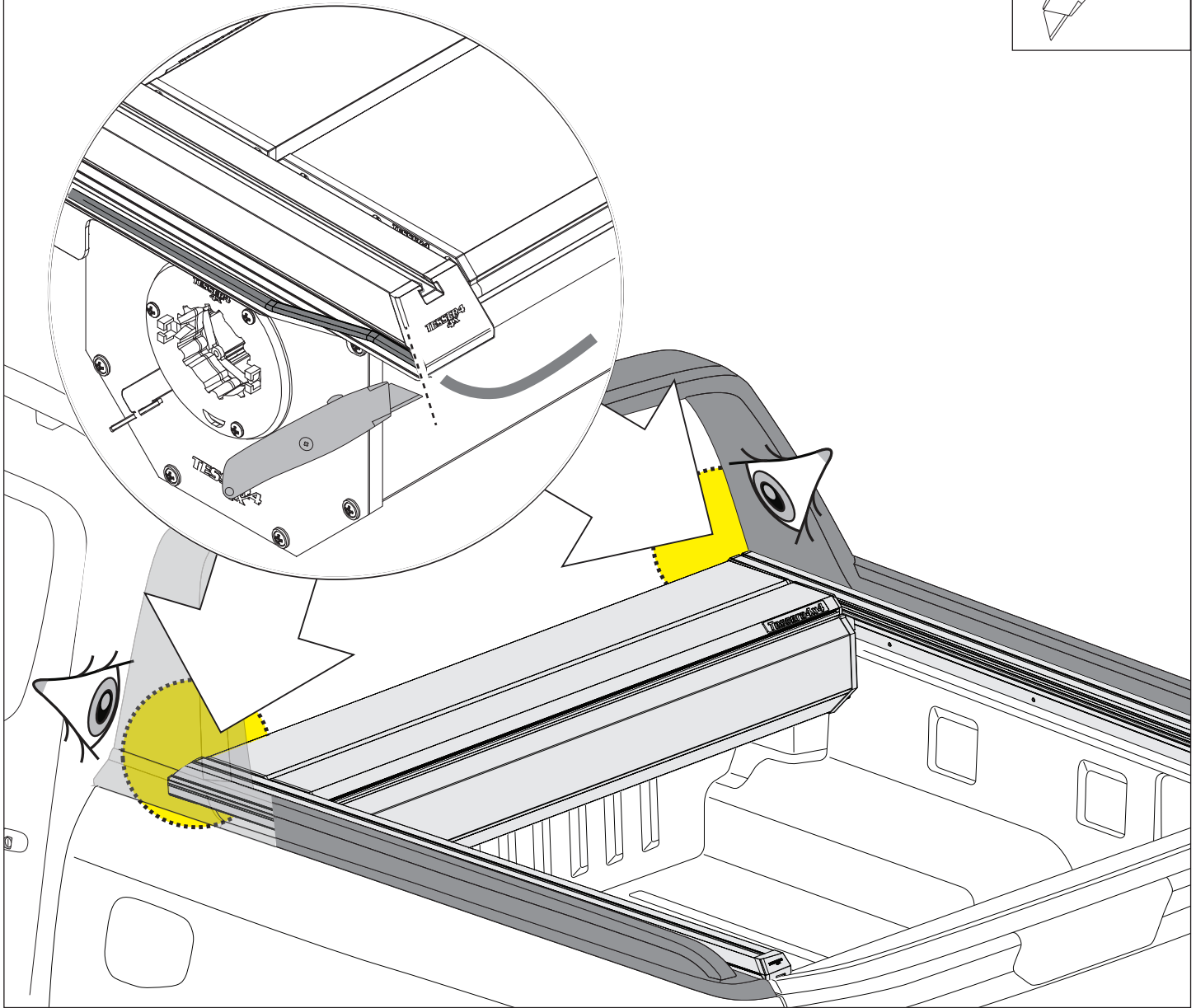
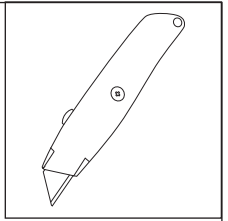




40

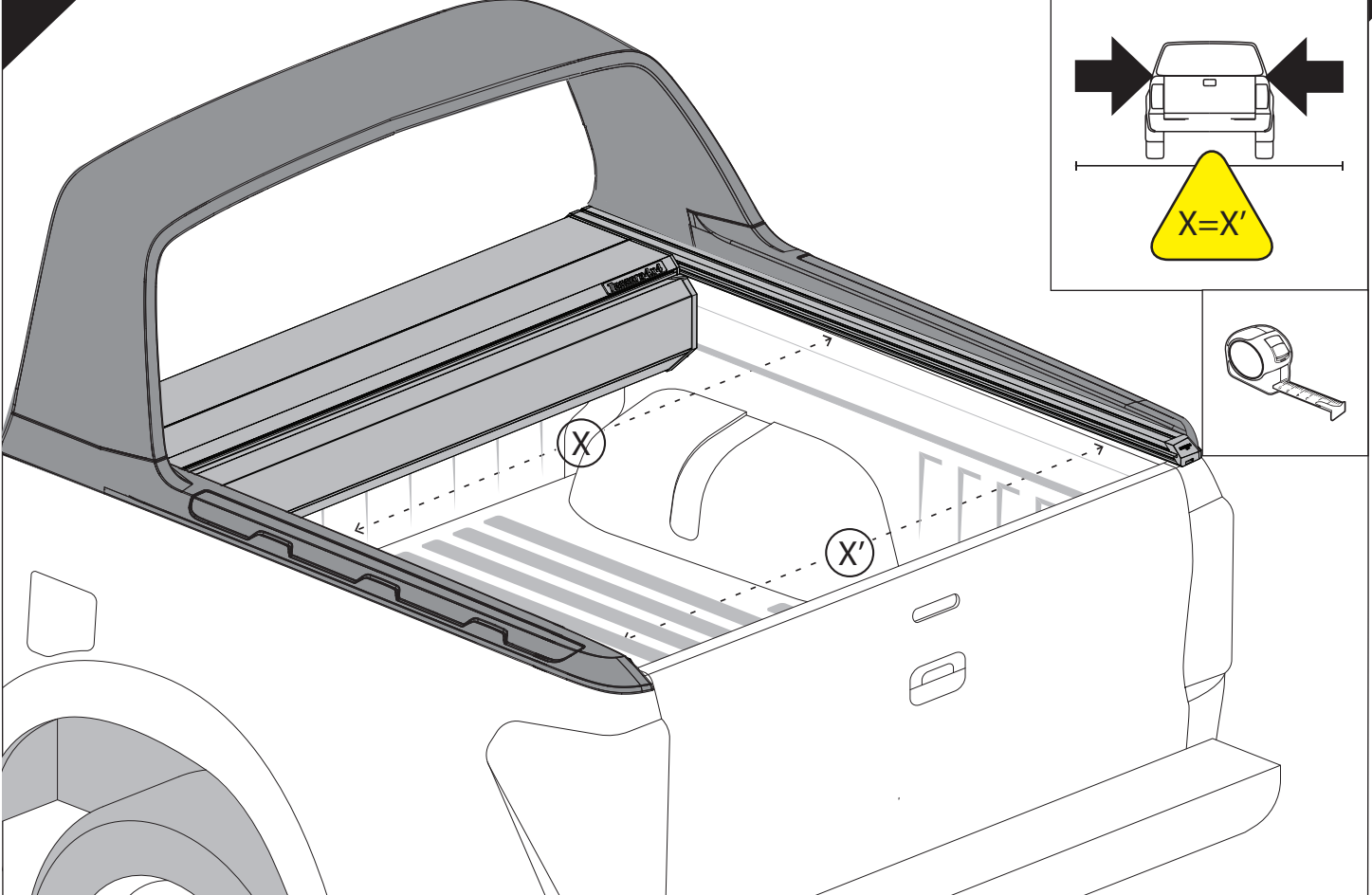
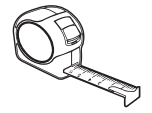
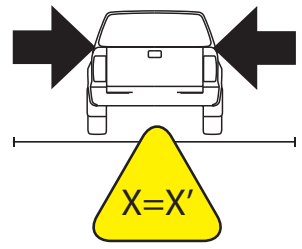


40.1



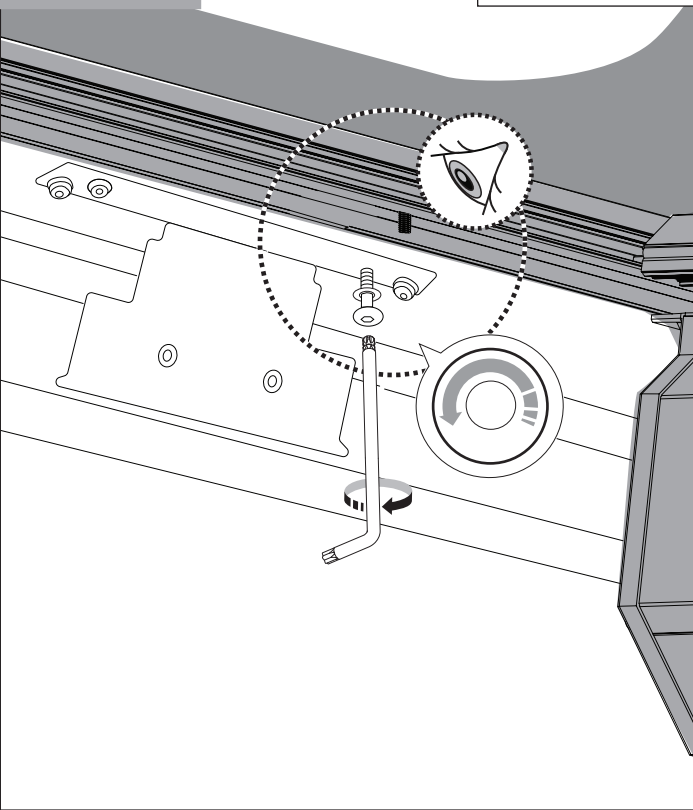
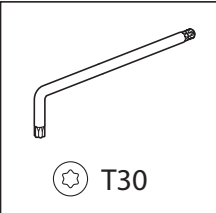
41

CAUTION



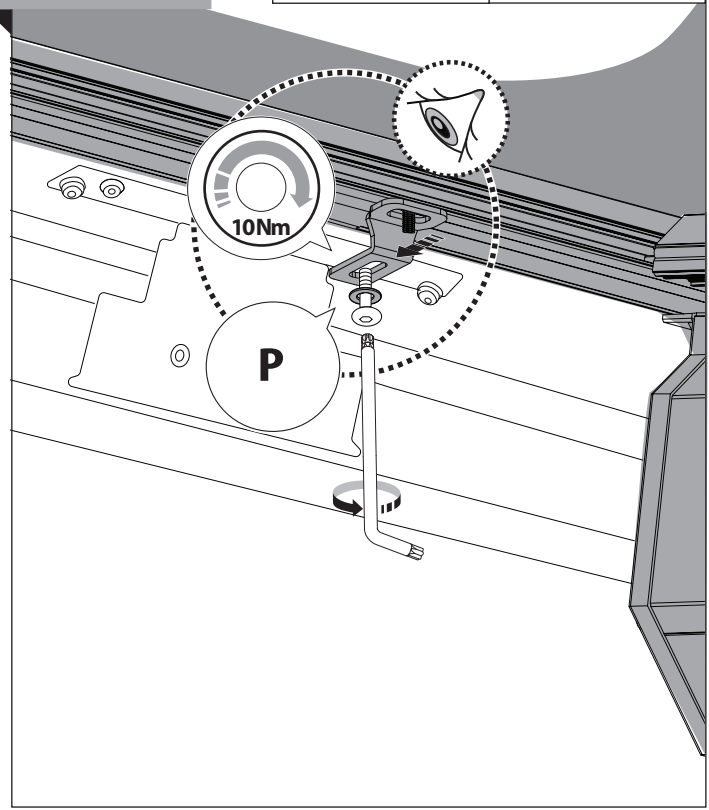
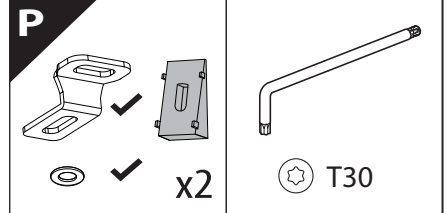
42

- 2012-2017 ✓
- 2018+ ✓



43

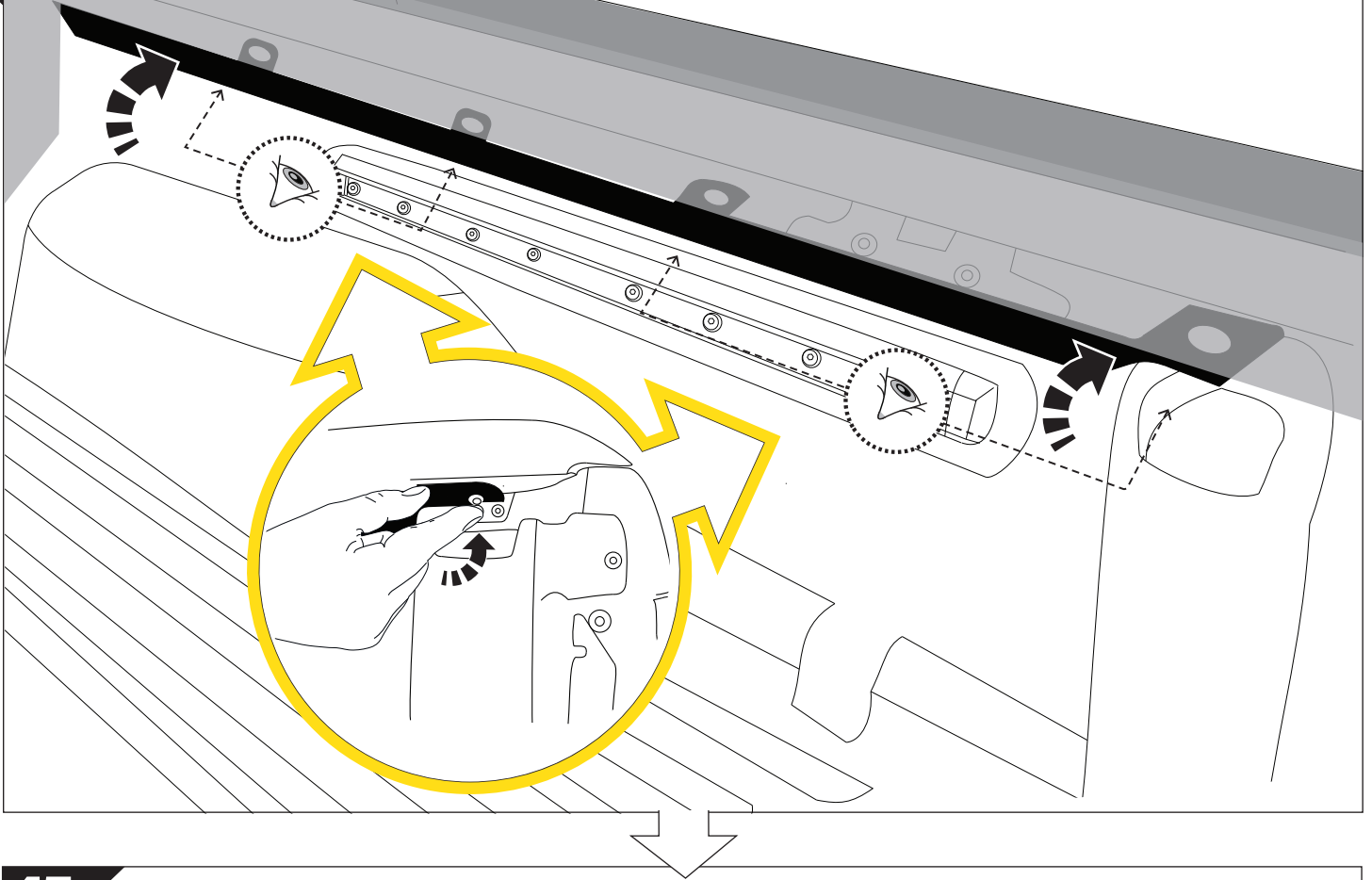
- 2012-2017 ✓
- 2018+ ✓



44

2012-2017 ✓

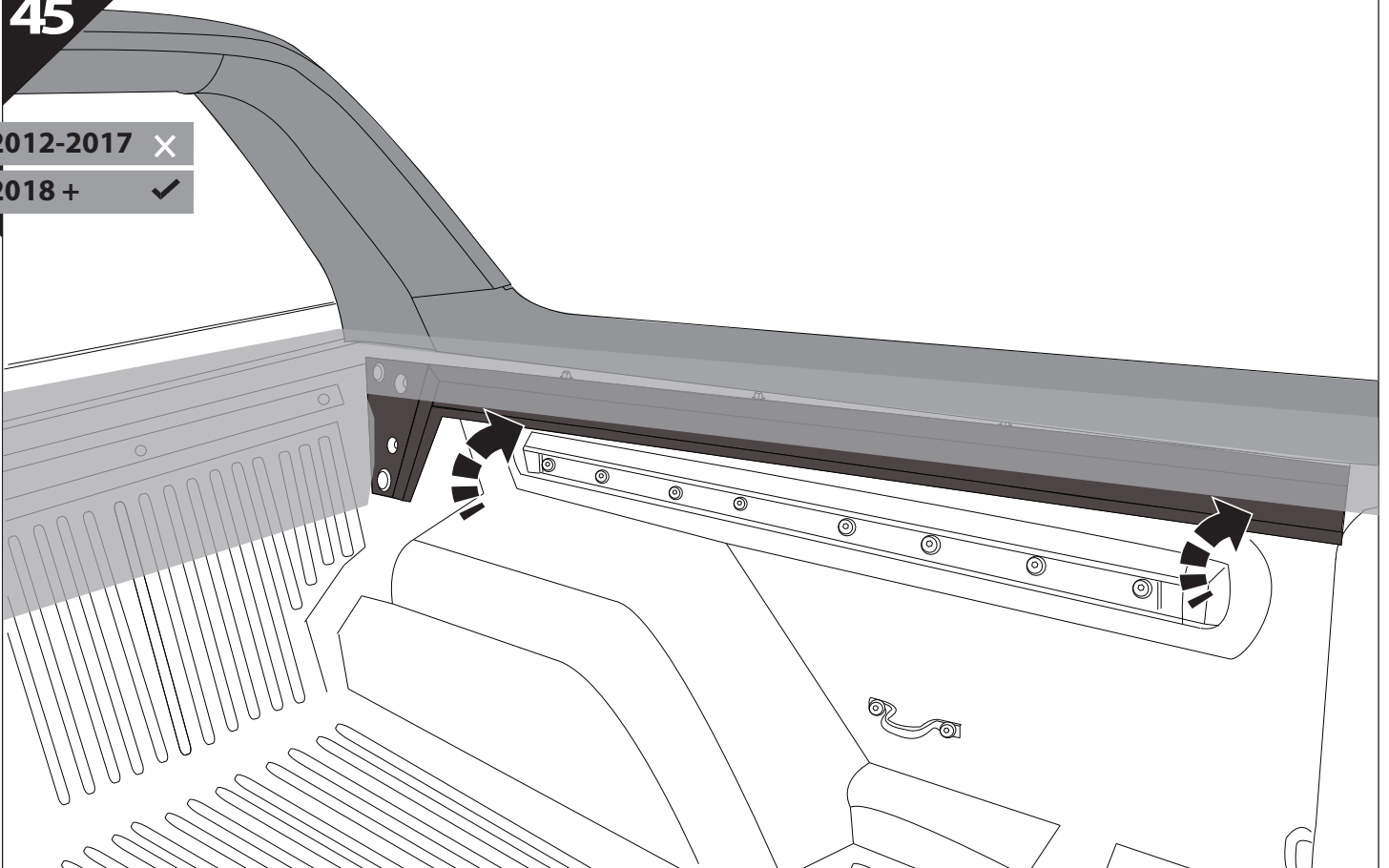
2018+ ✗



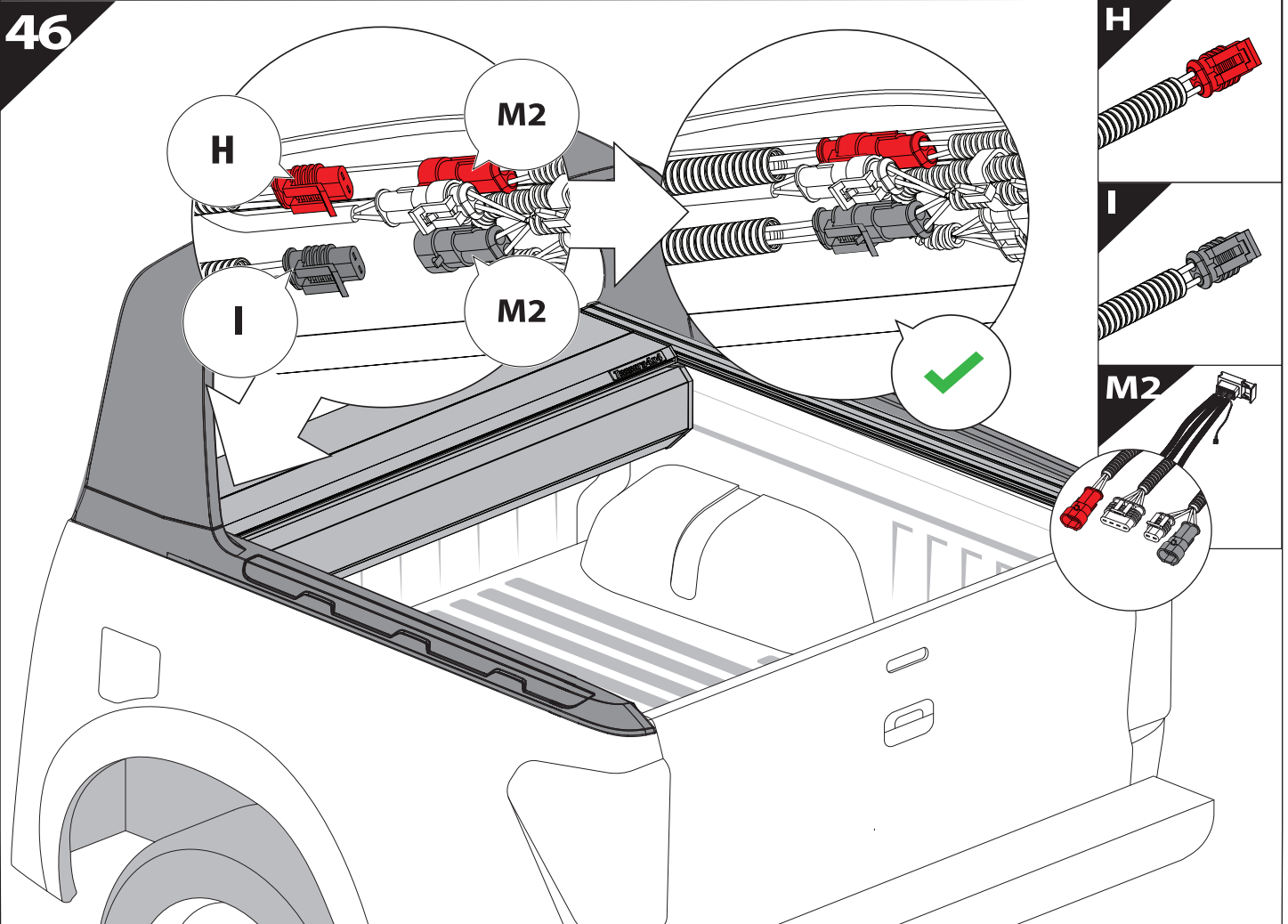
45

2012-2017 ✗

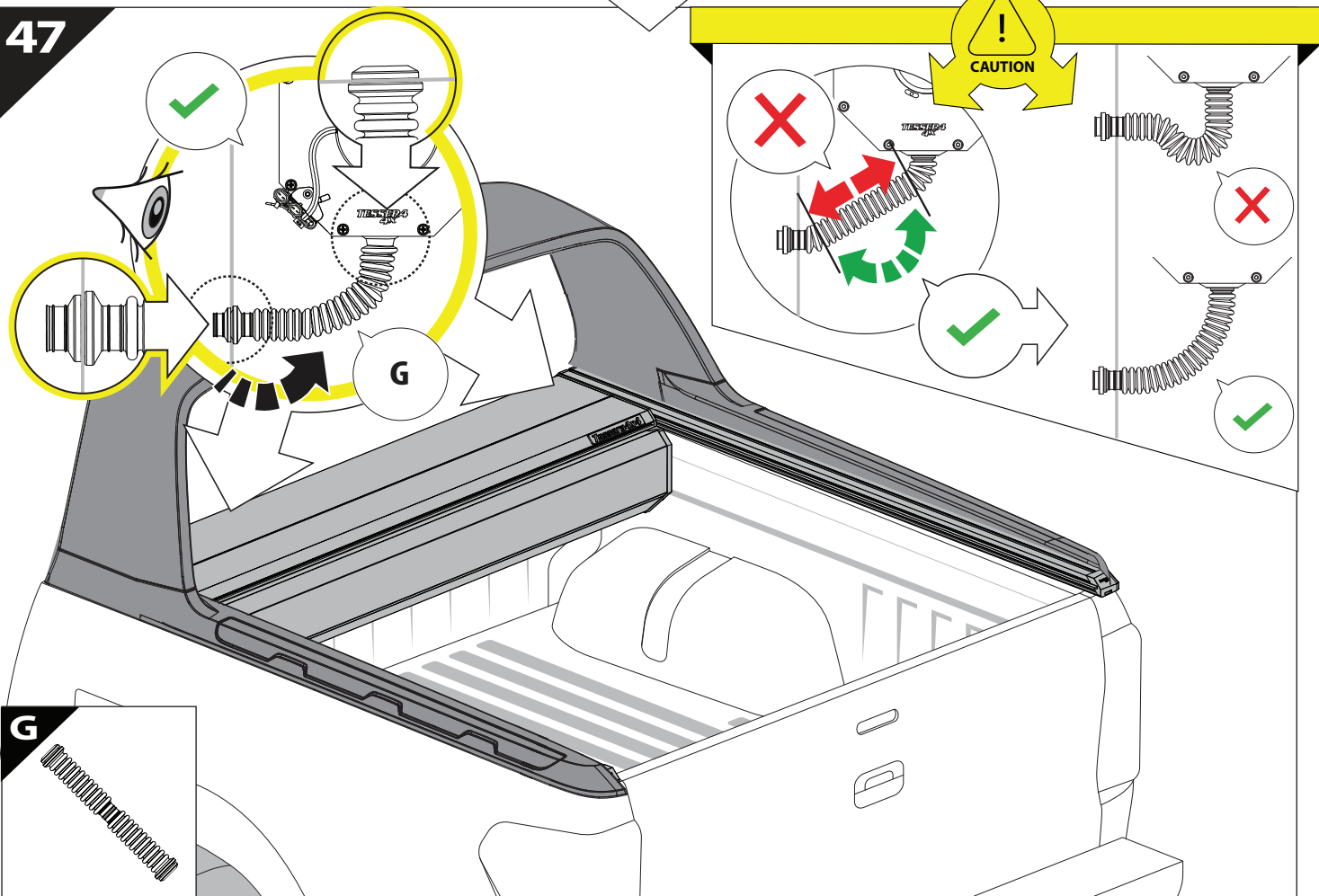
2018+ ✓



46



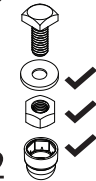
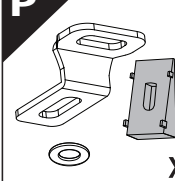
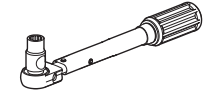
47

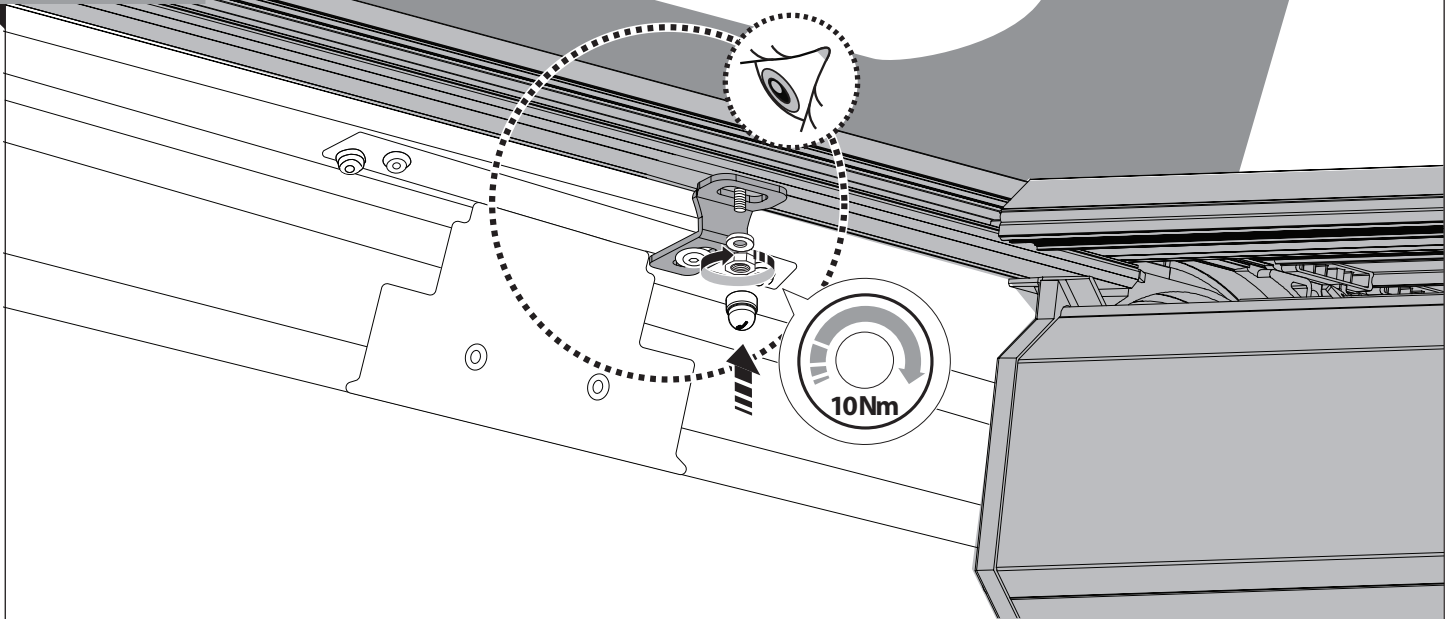


48

2012-2017 ✓

2018+ ✓

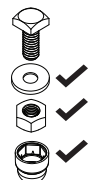
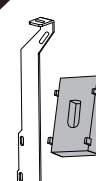
E  x2	P  x2	 13 mm
--	---	--

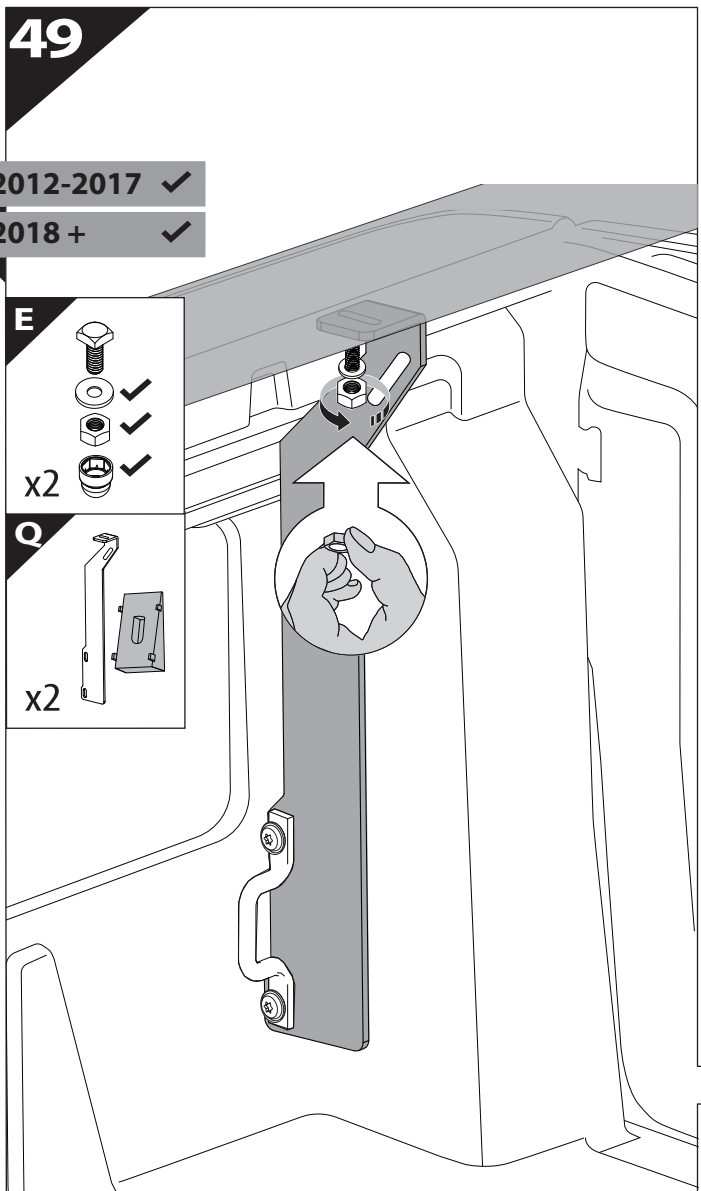


49

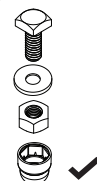
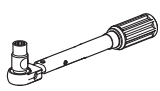
2012-2017 ✓

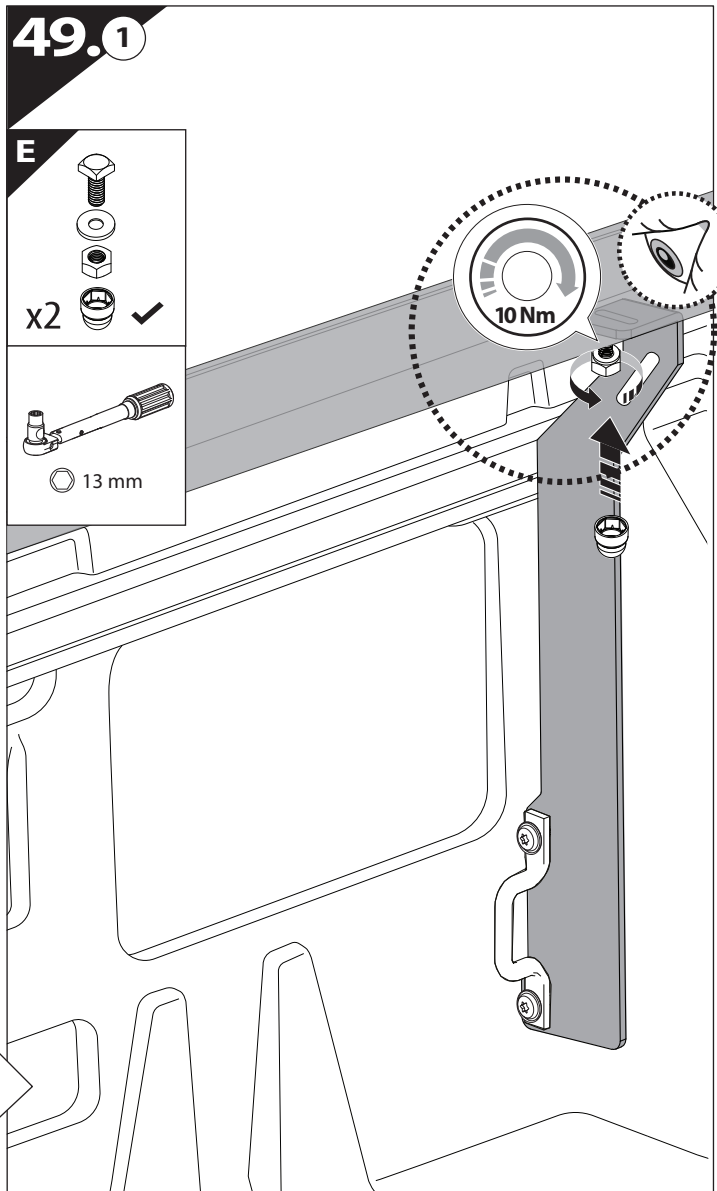
2018+ ✓

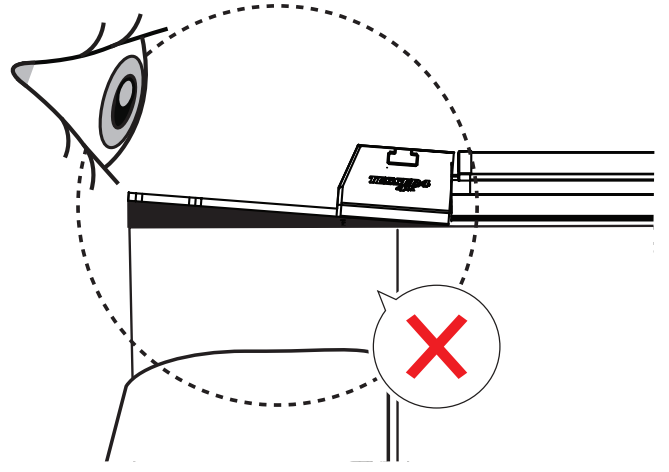
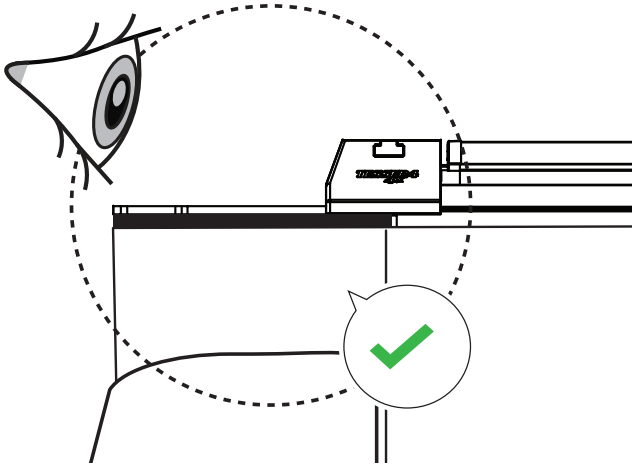
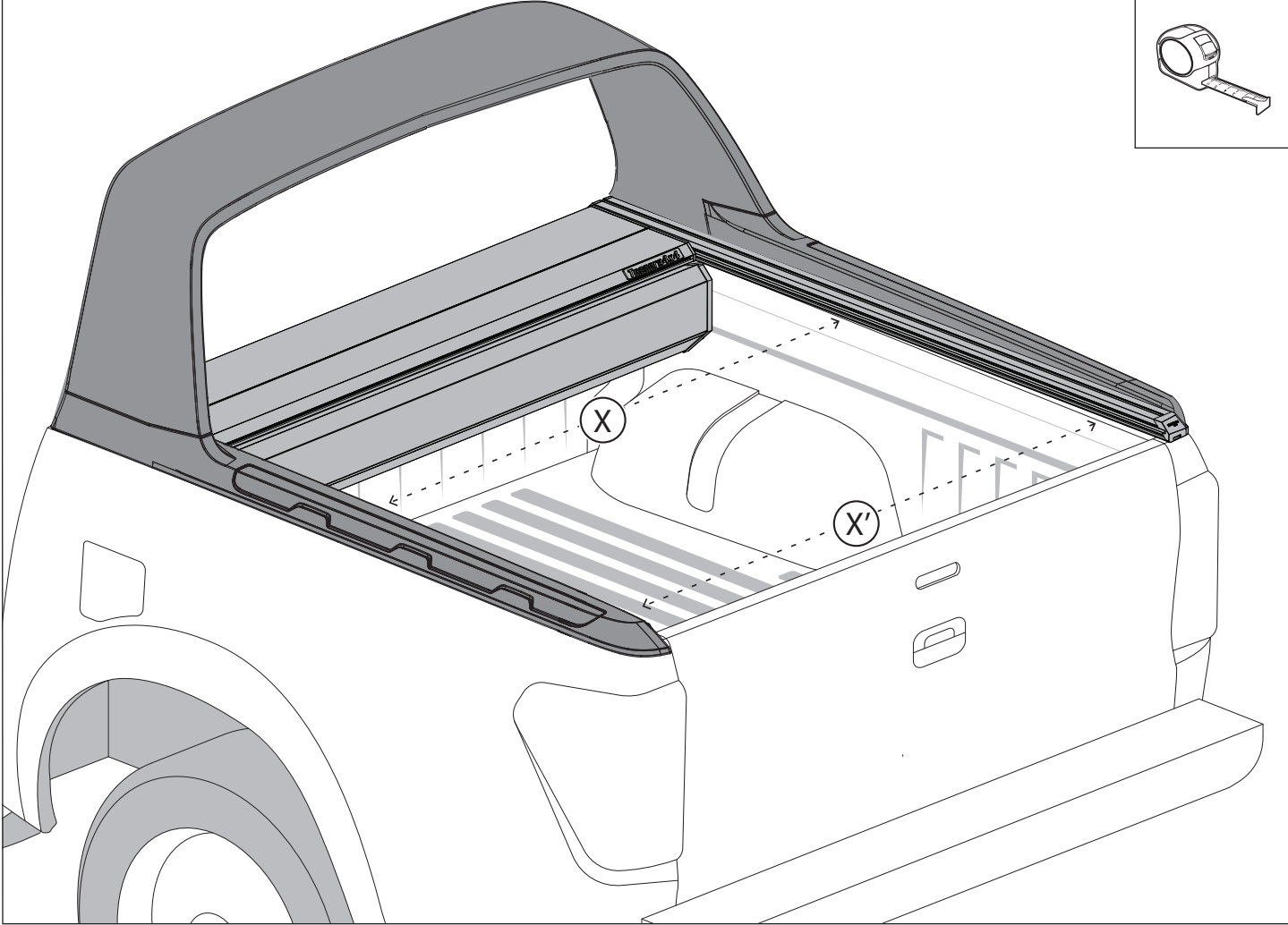
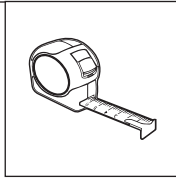
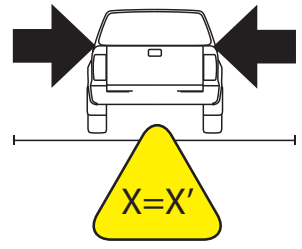
E  x2	Q  x2
---	---

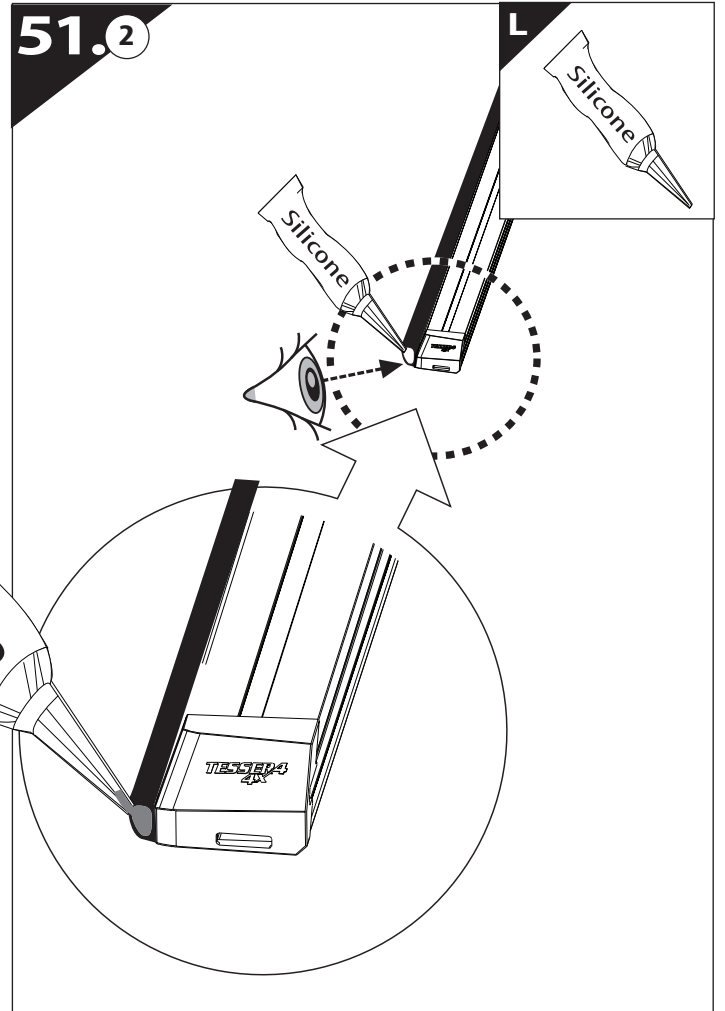
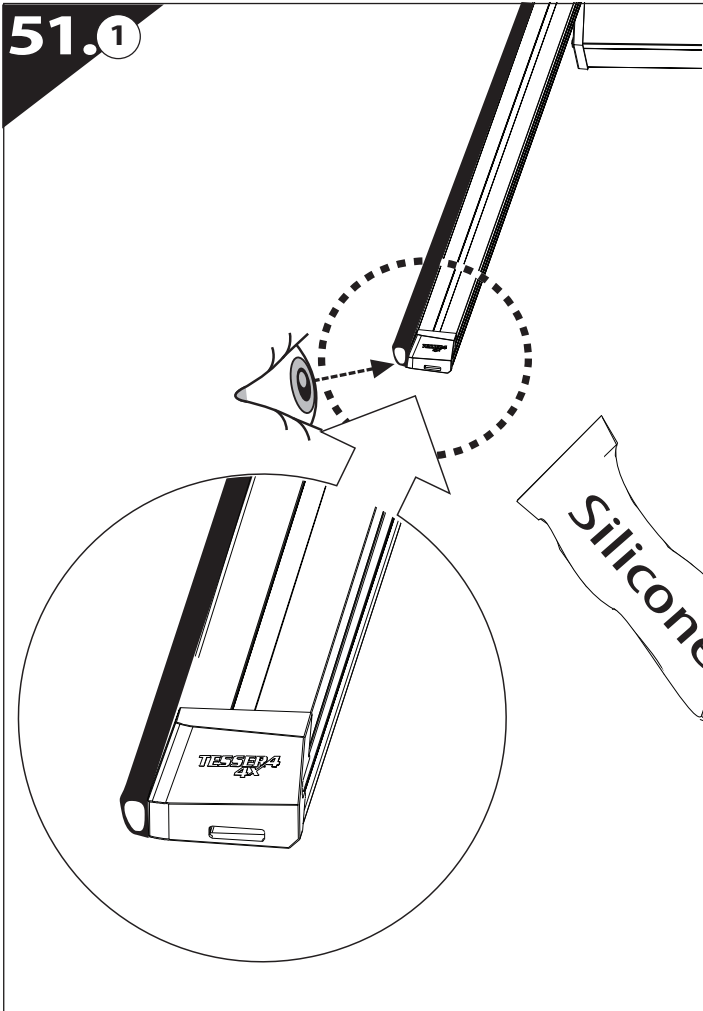


49.1

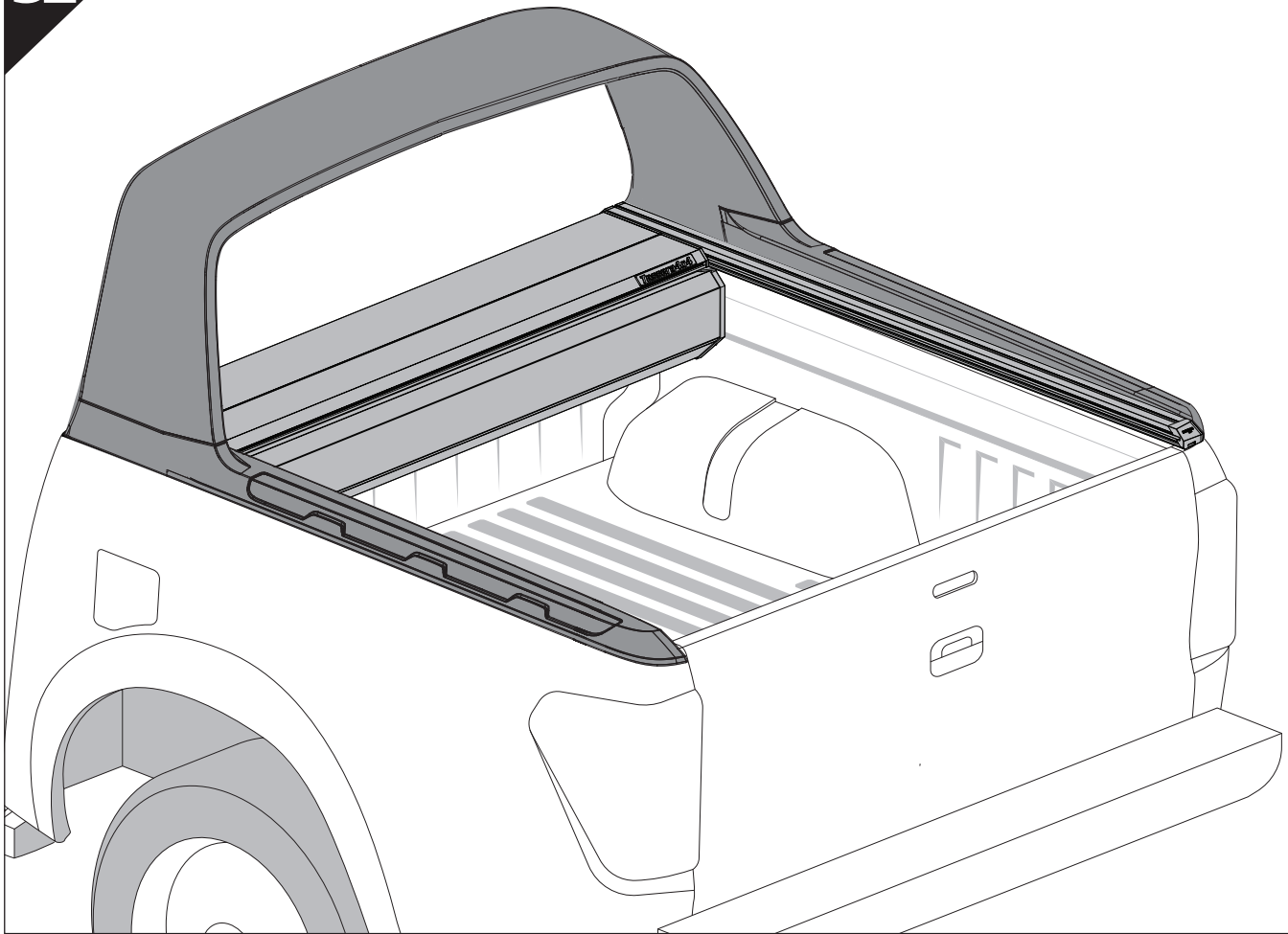
E  x2 ✓	 13 mm
---	--



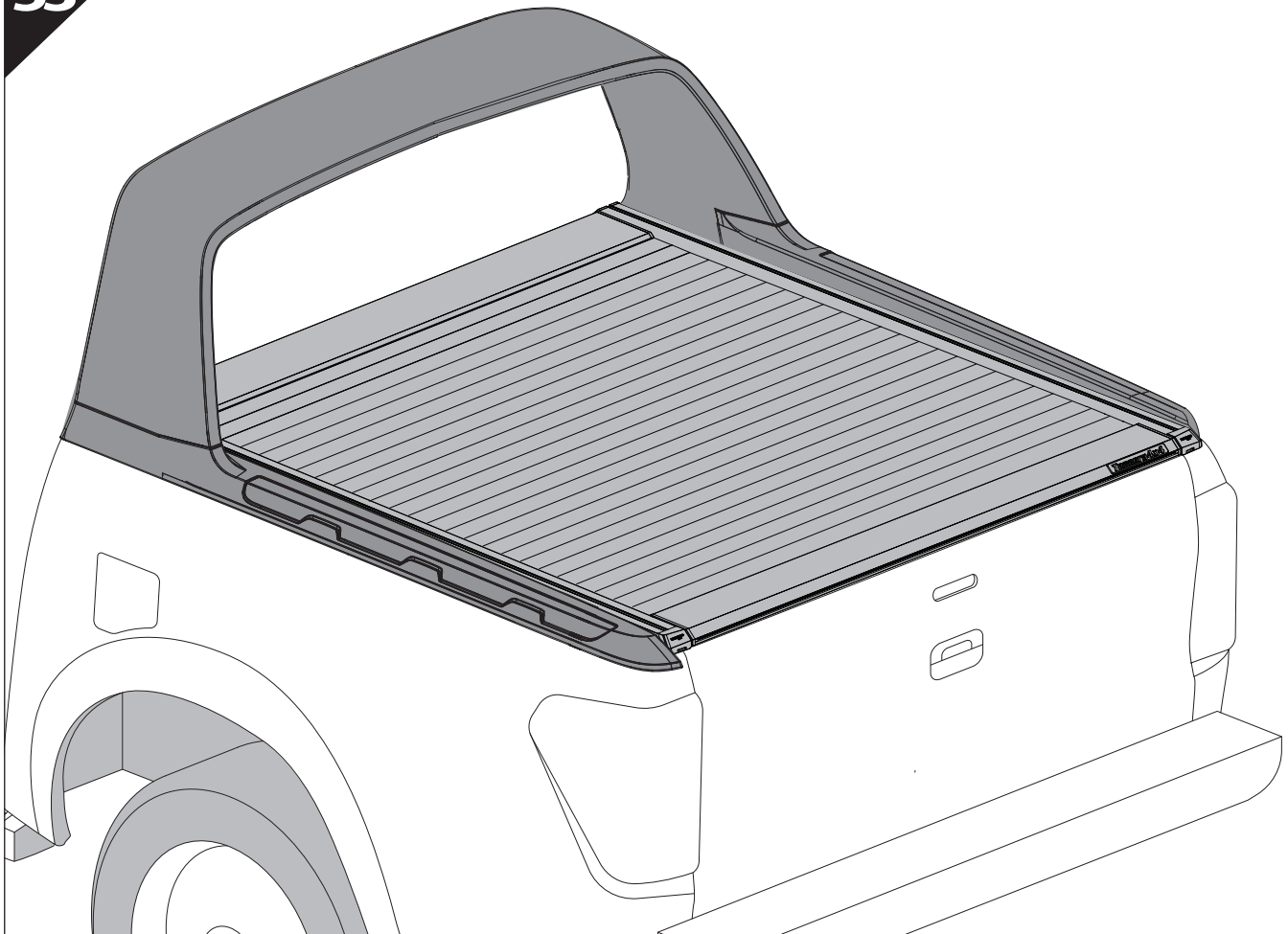




52



53





GR: Οδηγίες Εγκατάστασης
GB: Installation manual
SF: Asennusohje
F: Notice de montage
PL: Instrukcja montażu
NL: Installatie-instructies
TR: Montaj Talimatı
S: Monteringsanvisning
E: Instrucciones de montaje

H: Szerelési utasítás
P: Instruções de instalação
RUS: Инструкция по установке
N: Monteringsveiledning
D: Einbauanleitung
CZ: Návod k instalaci
I: Istruzioni de montaggio
DK: Monteringsvejledning
RO: Instructiuni de instalare

Customer Service:

+30 (210) 5541161, +30 (210) 5541154 (08:00 - 16:00 EET)

Support department:

info@gianso.gr

Website:

www.tessera4x4.com

Address:

19.5 km of National road Athens-Korinthos (Elefsina) Greece, P.C: 19200