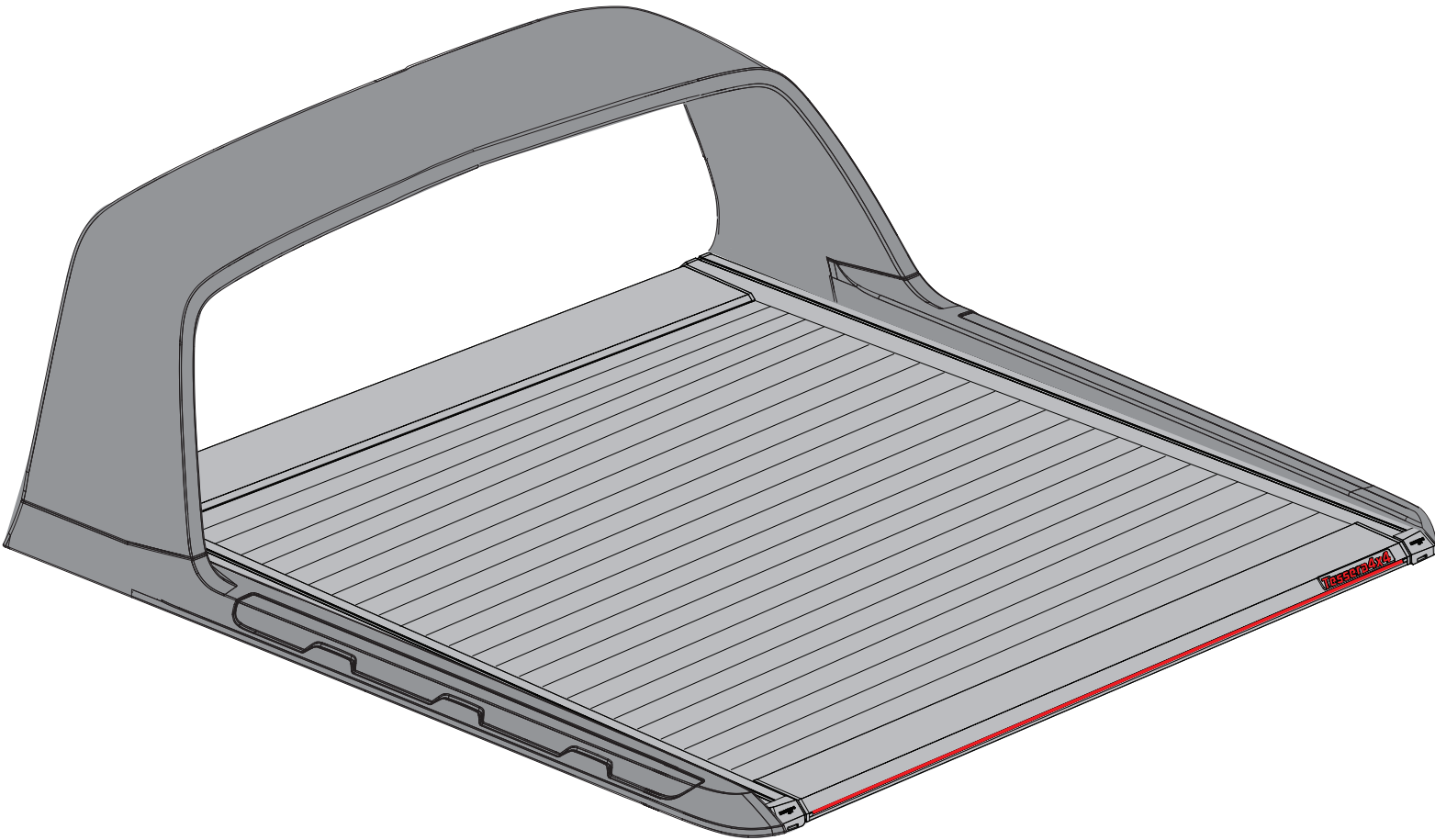


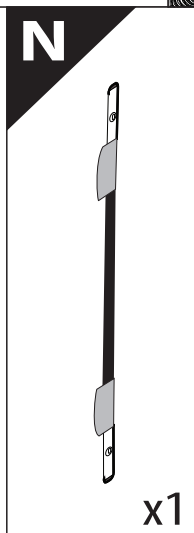
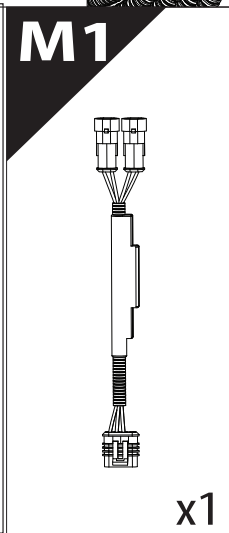
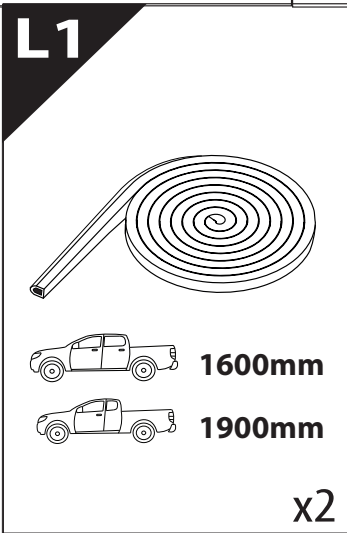
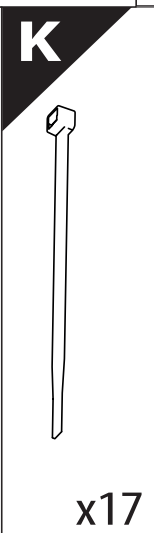
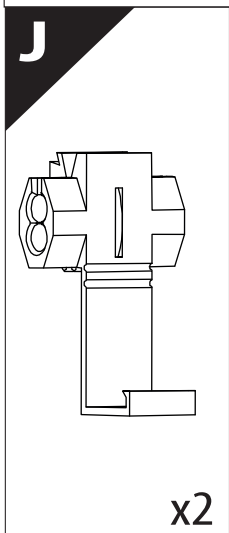
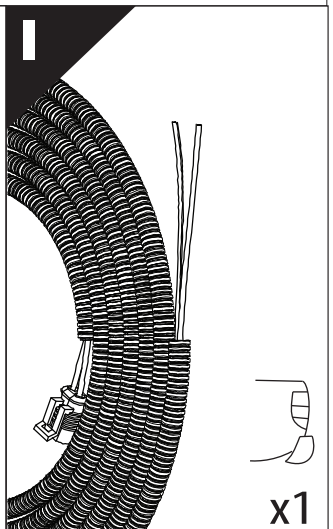
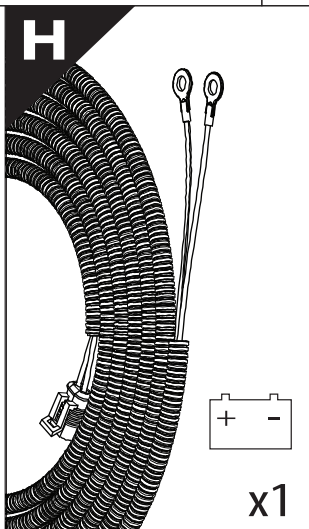
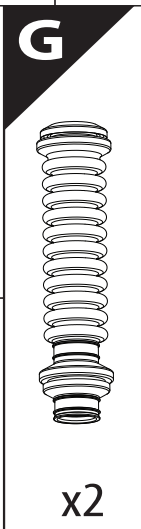
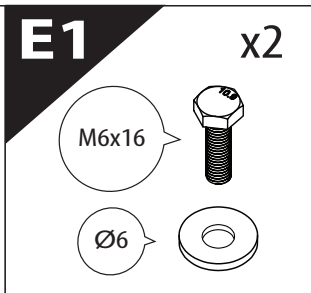
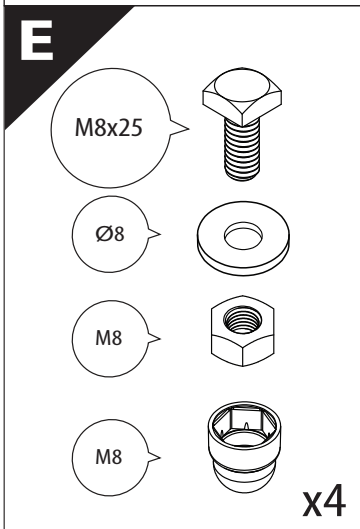
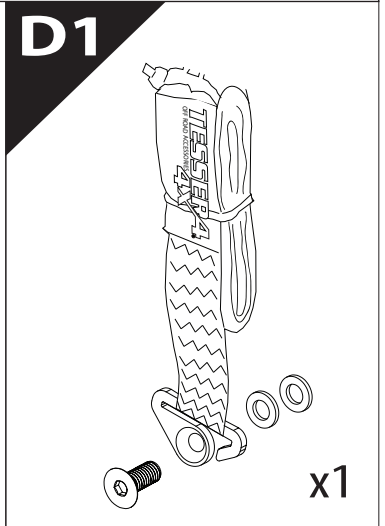
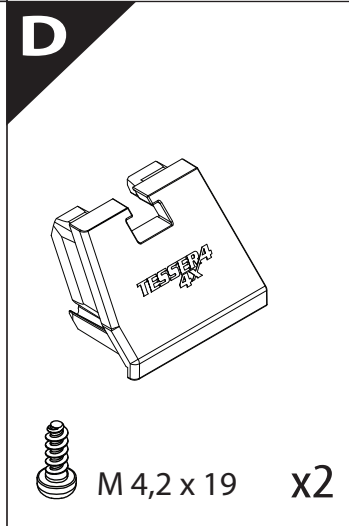
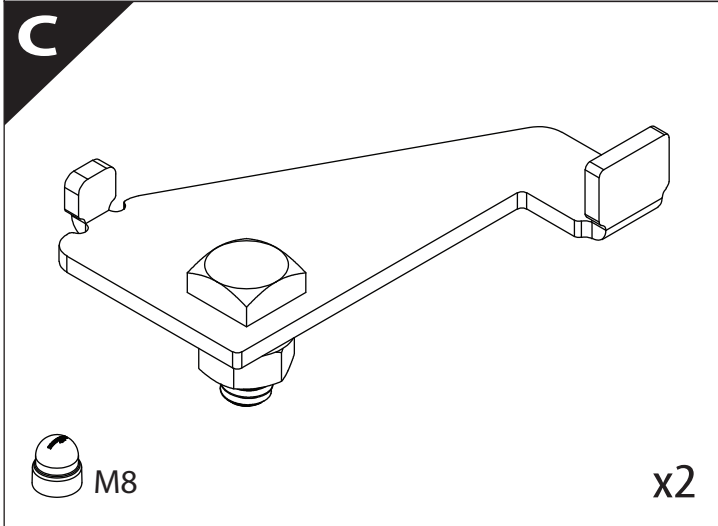
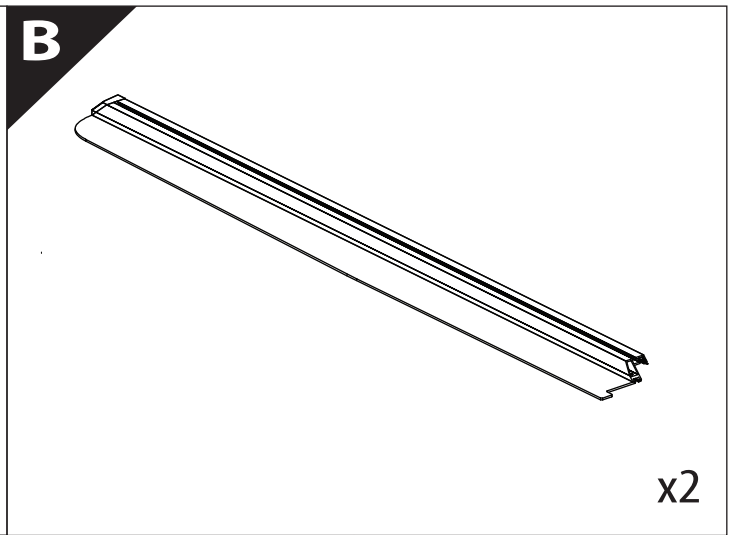
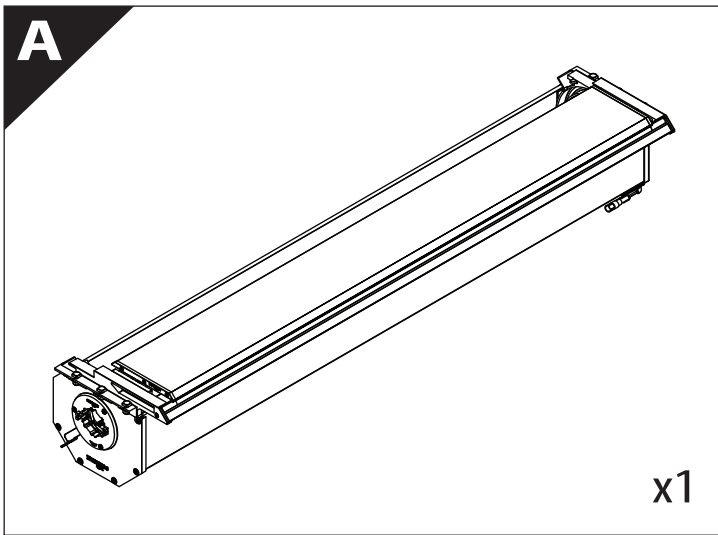
Tessera Roll+

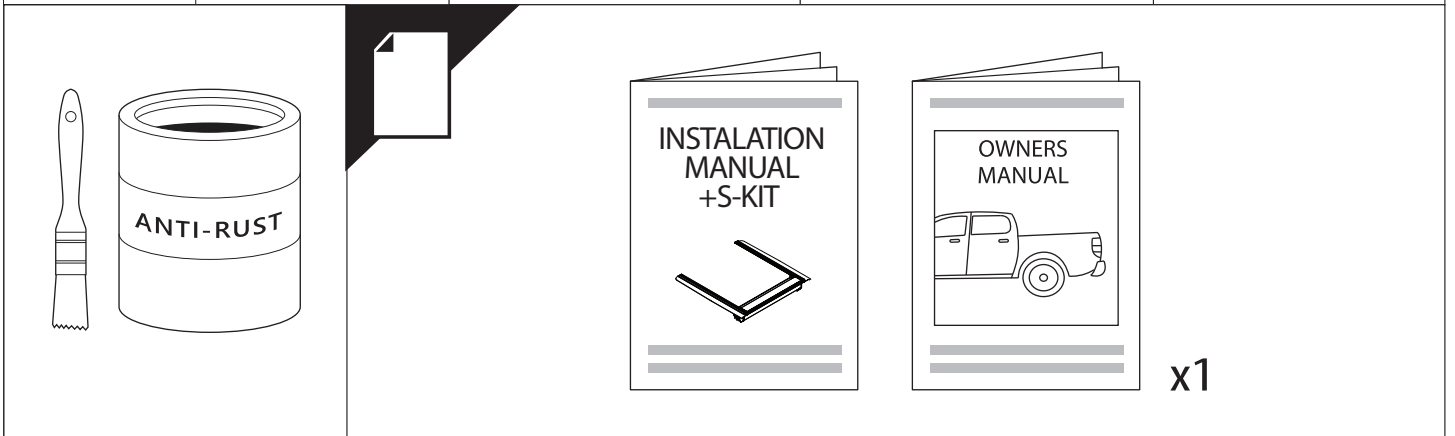
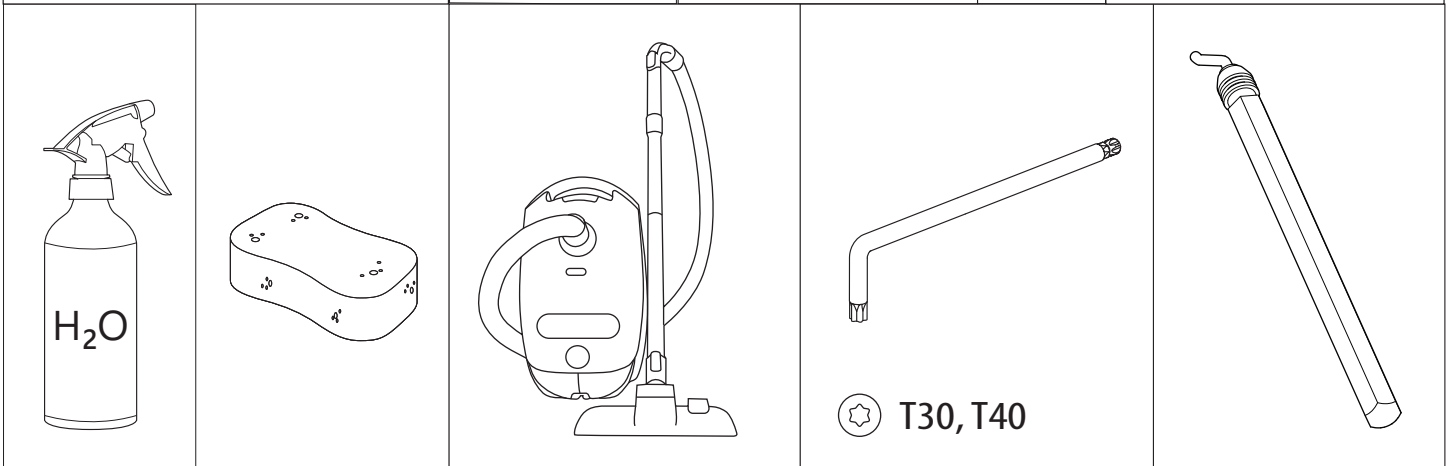
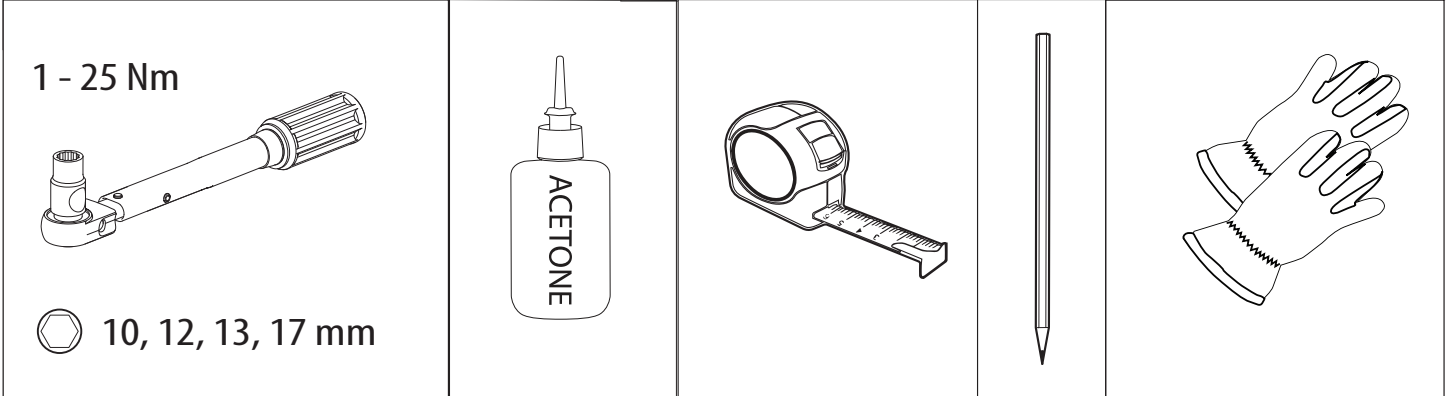
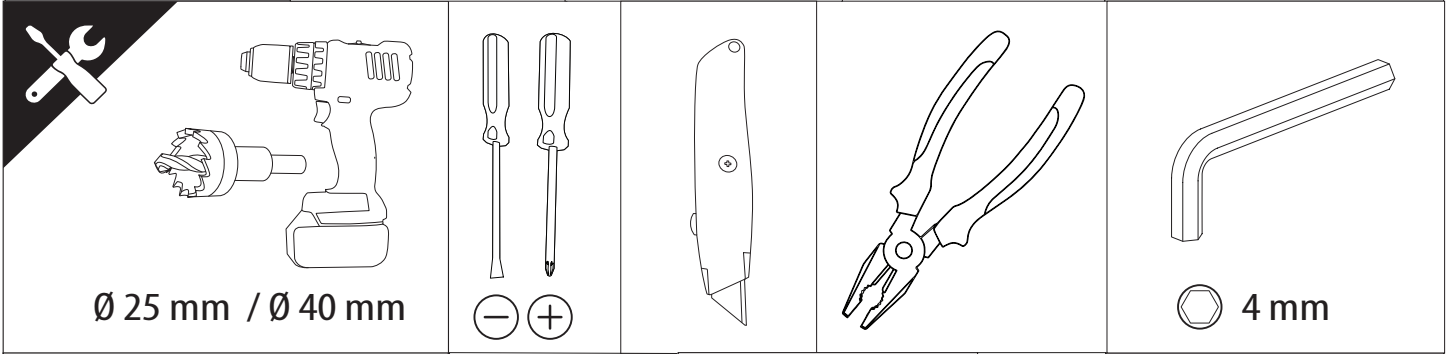
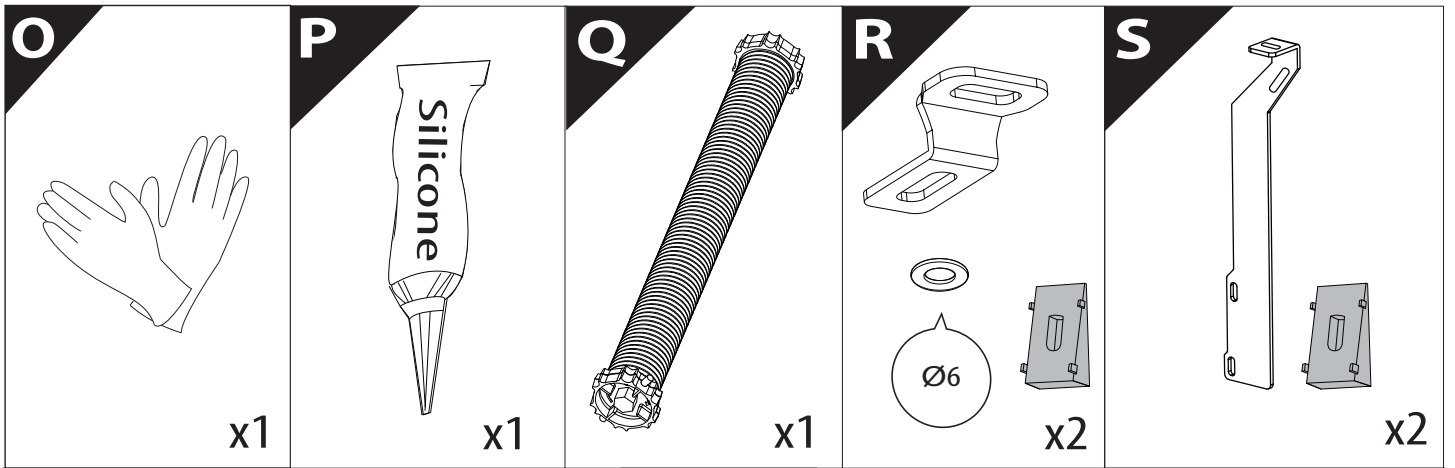
Basic Version + ⚙️ S-KIT

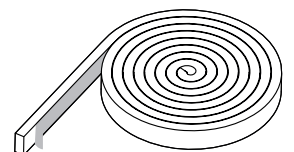
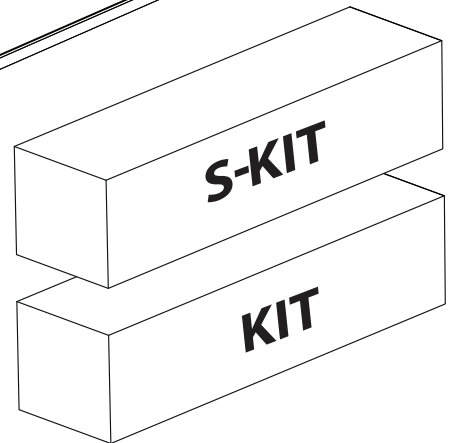
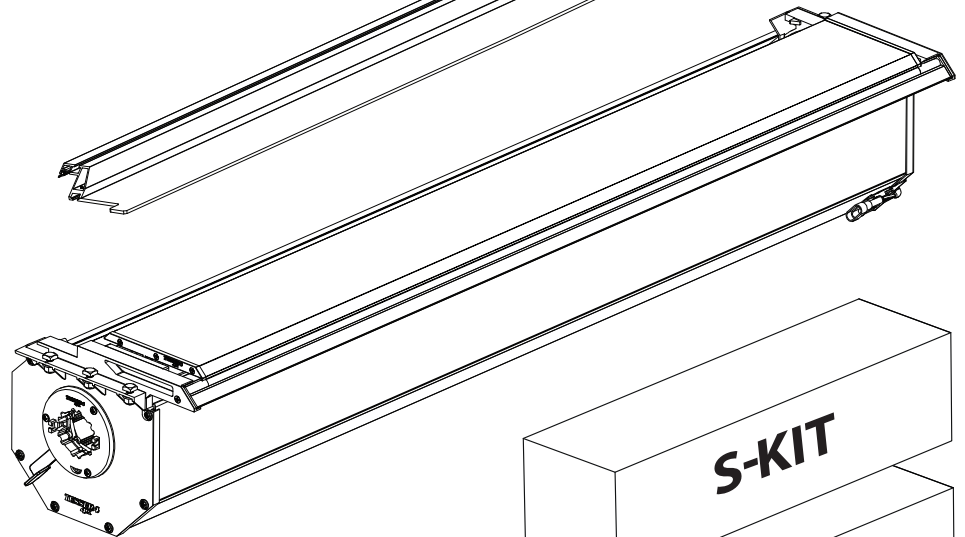
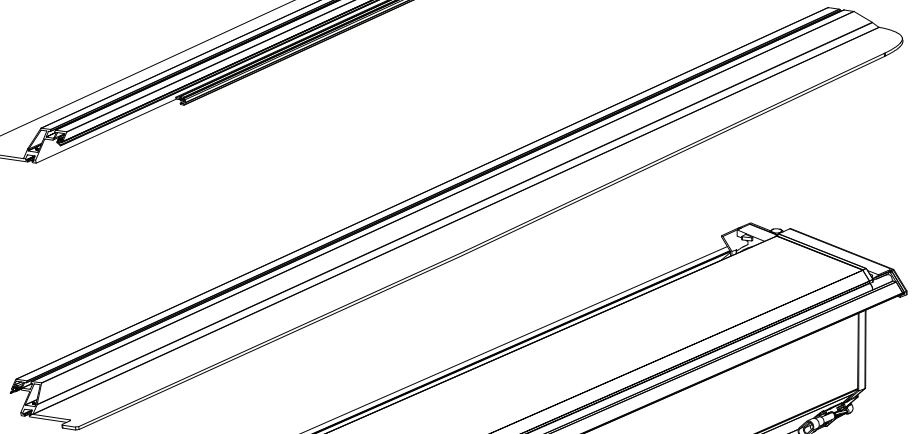


Installation Manual

PART NUMBER(S)	Model Year
TESS 1408 ROLL+S-KIT	FORD RANGER WildTrak 2012+ / 2016+ / 2020+
TESS 1409 ROLL+S-KIT	
Cab(s)	Installation Time / Weight
Double Cab & Space Cab	40-60 minutes / 53-57 kg





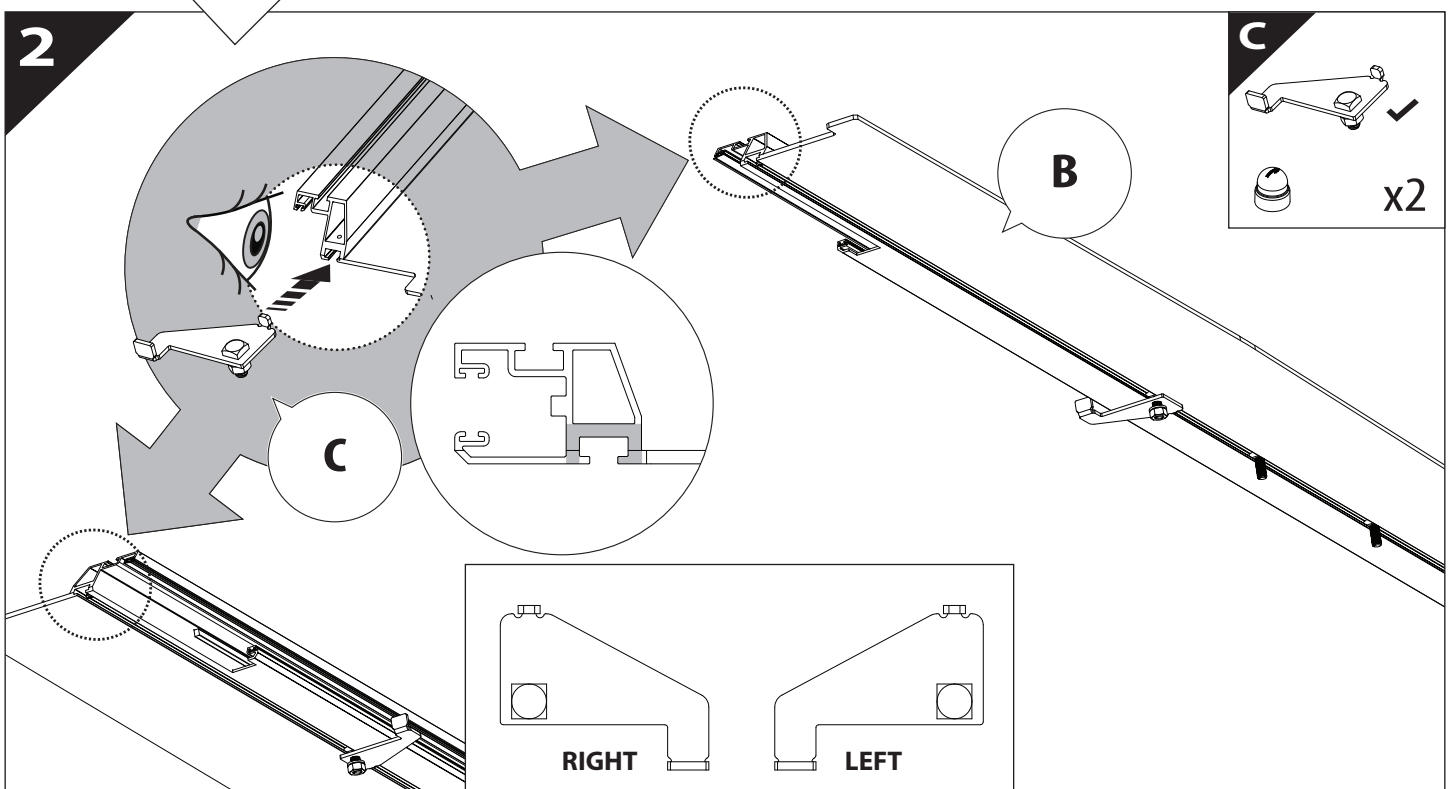
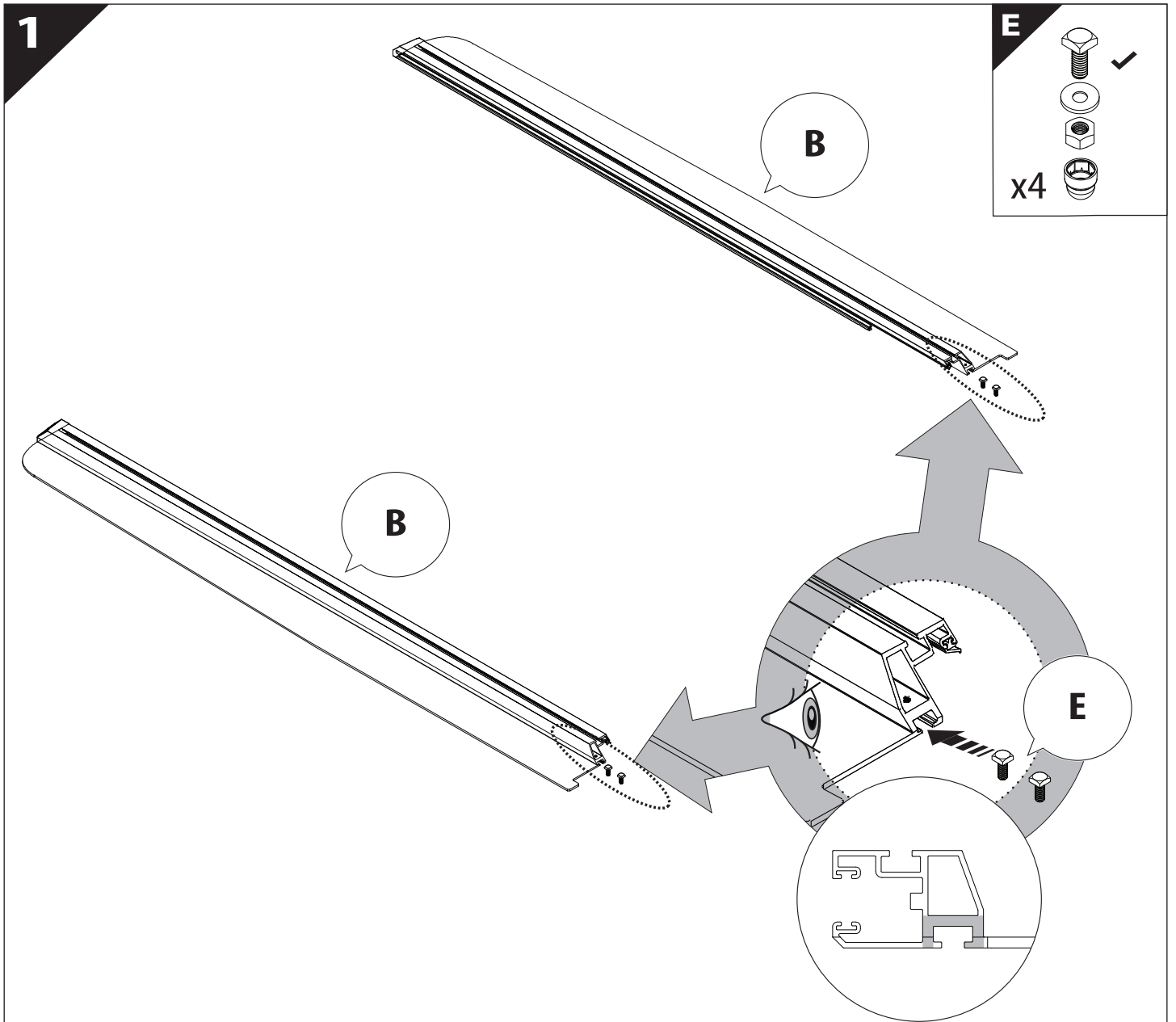


B

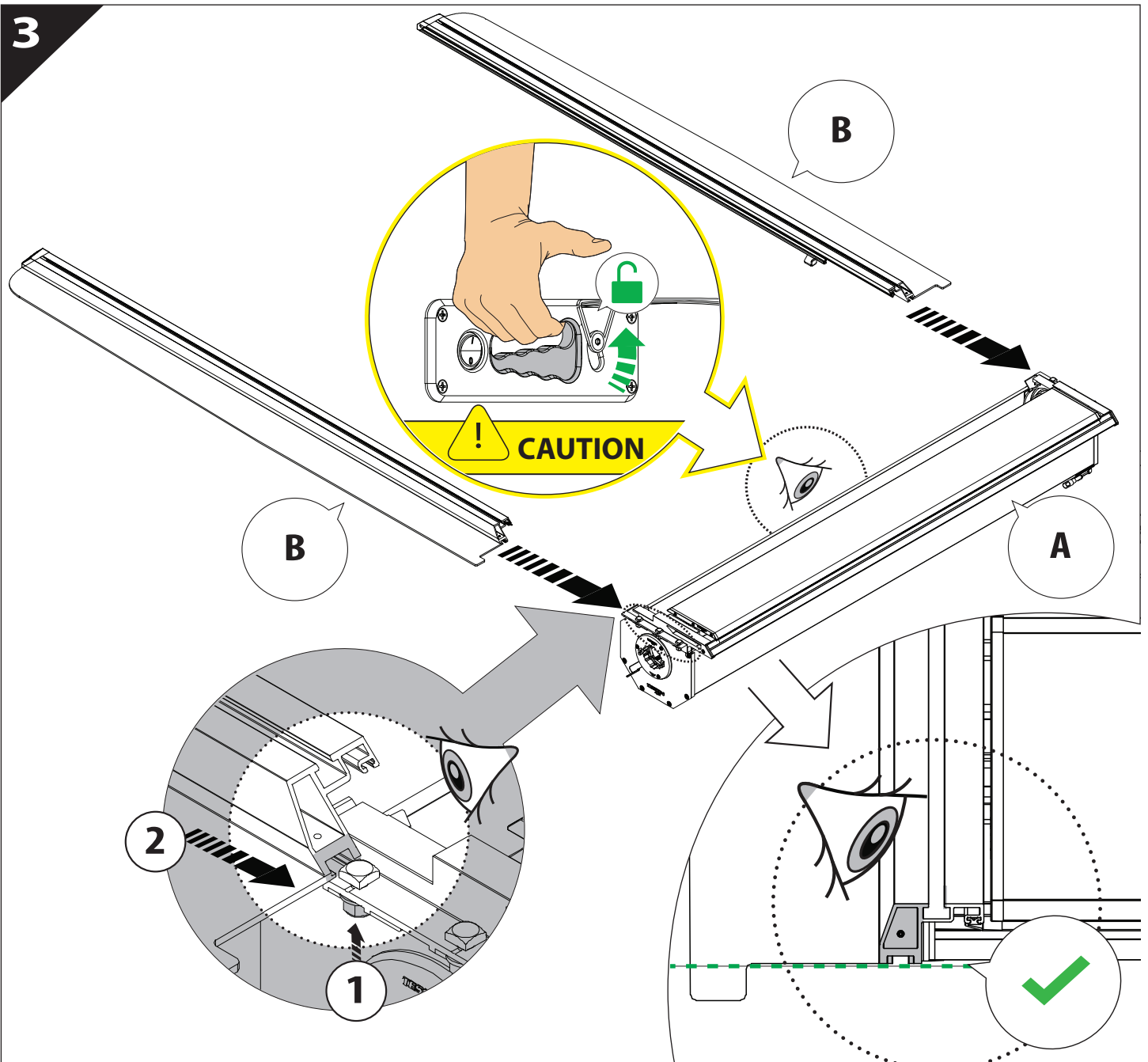
A

KITS

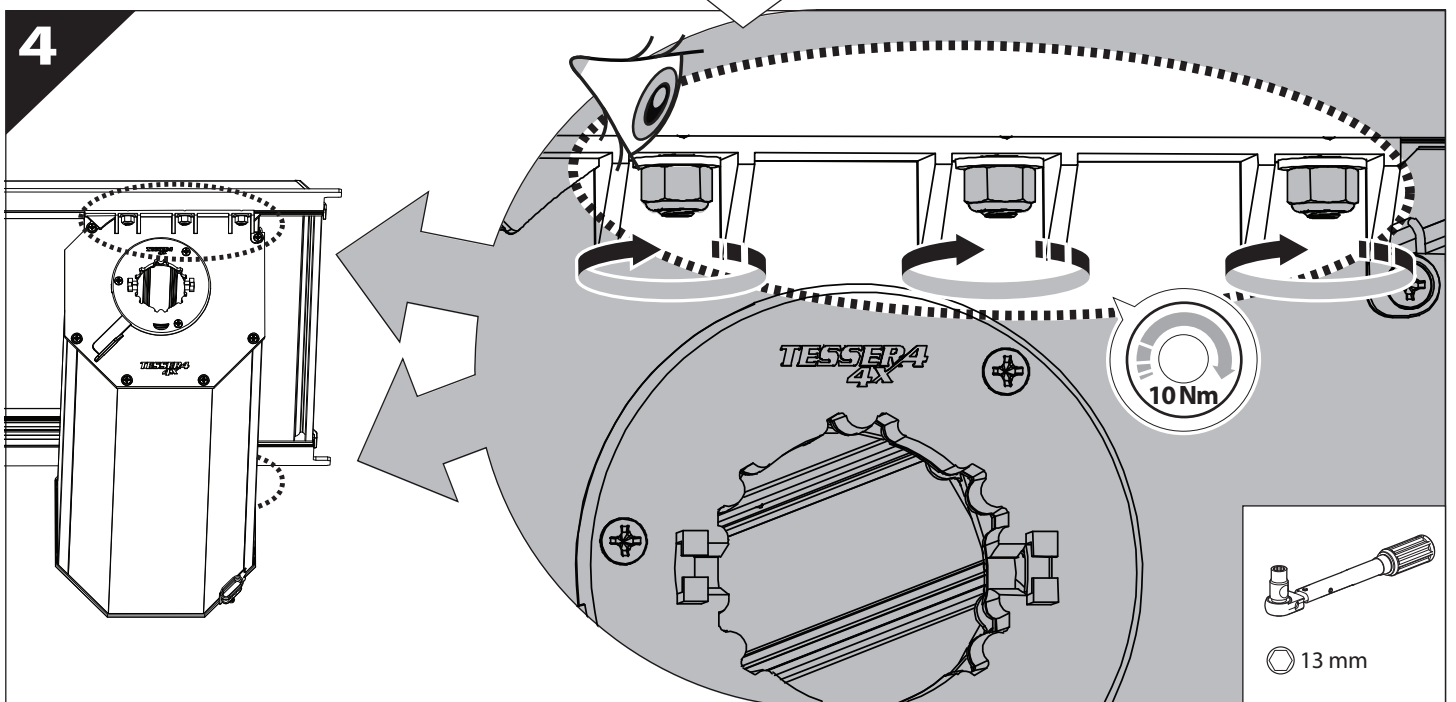
L

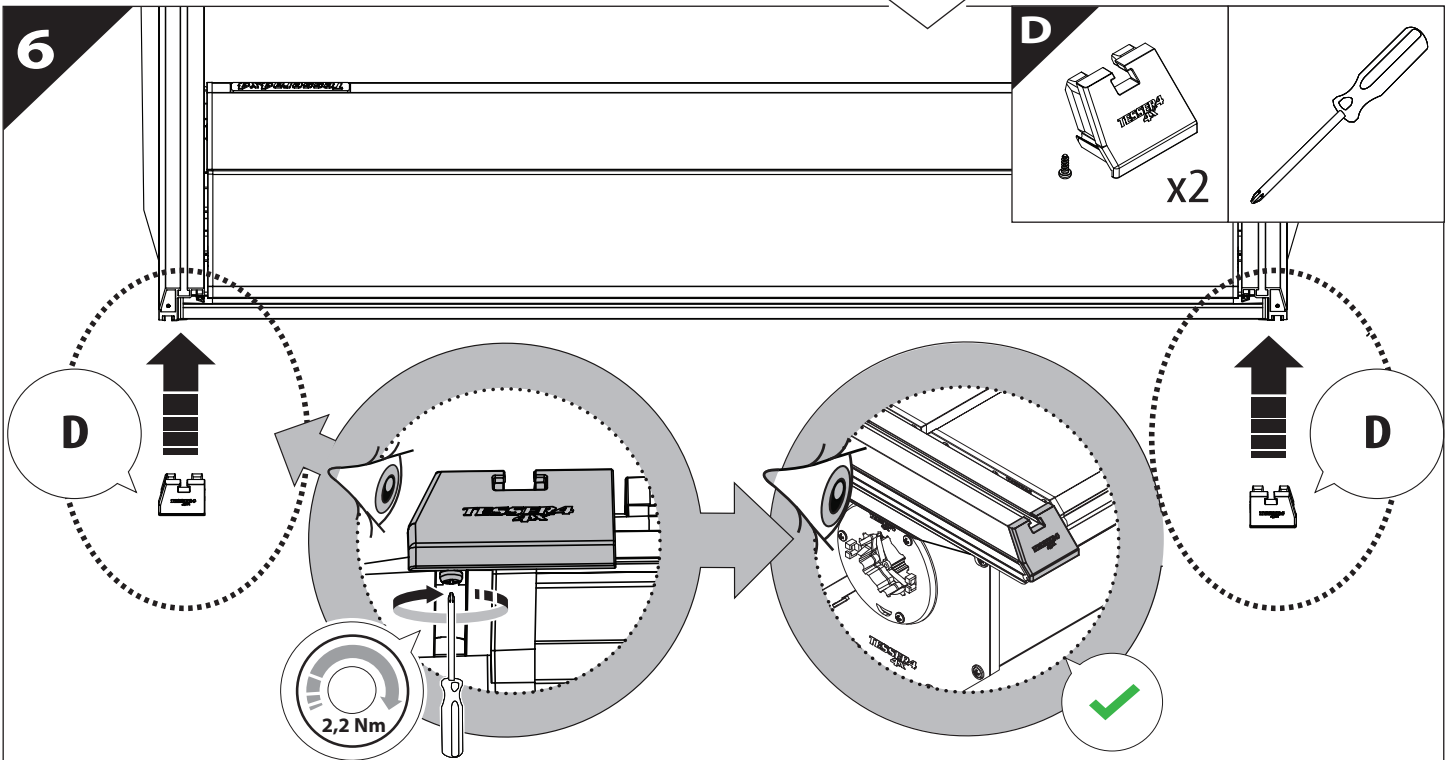
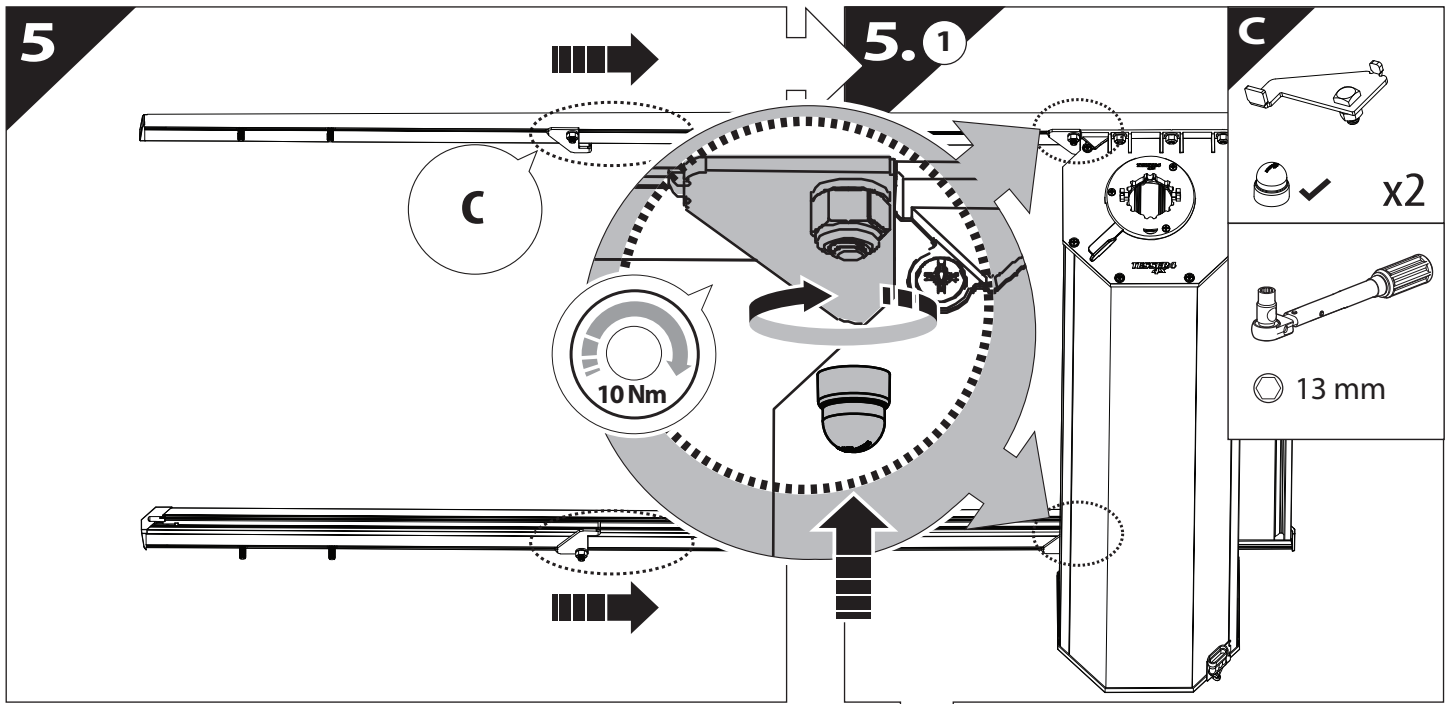


3

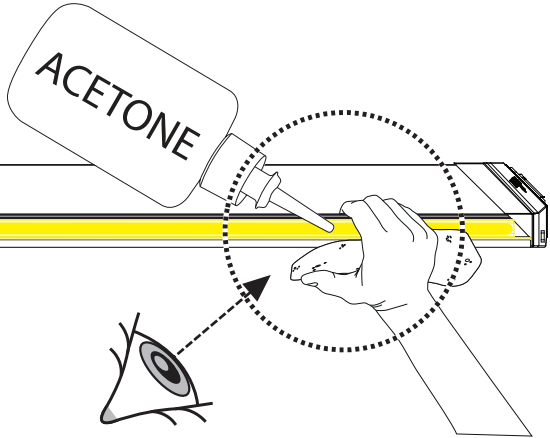


4



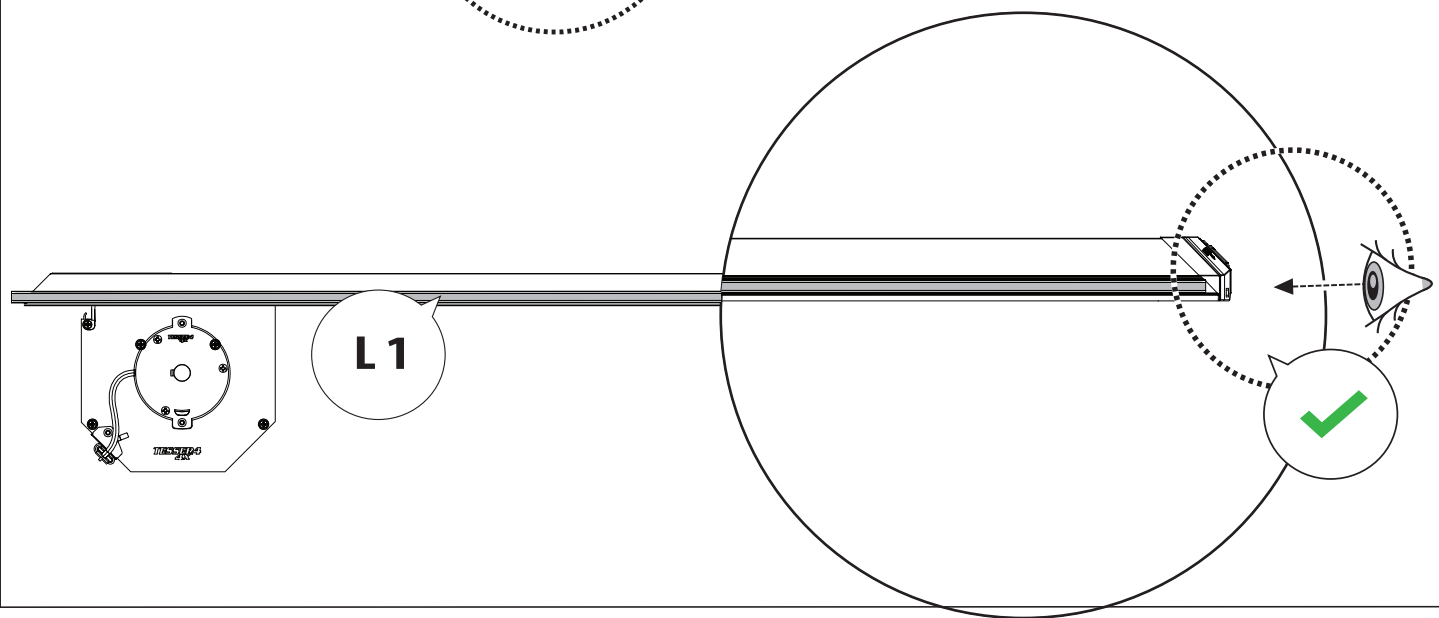
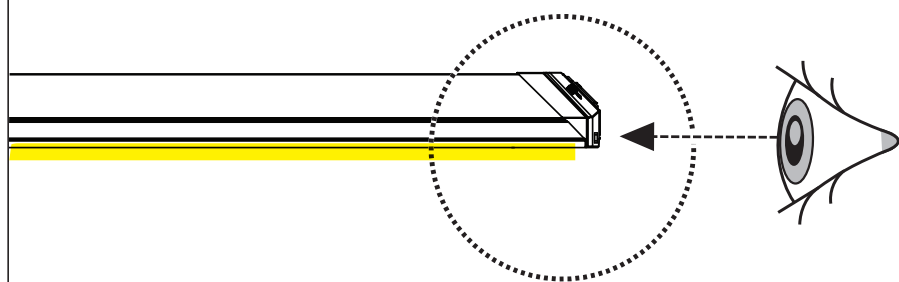
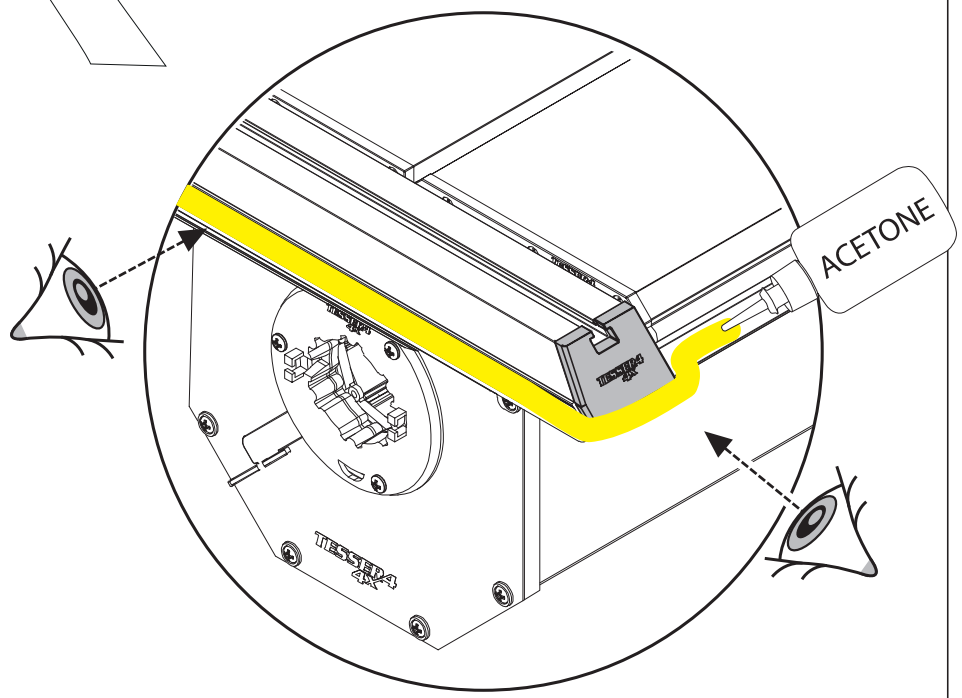


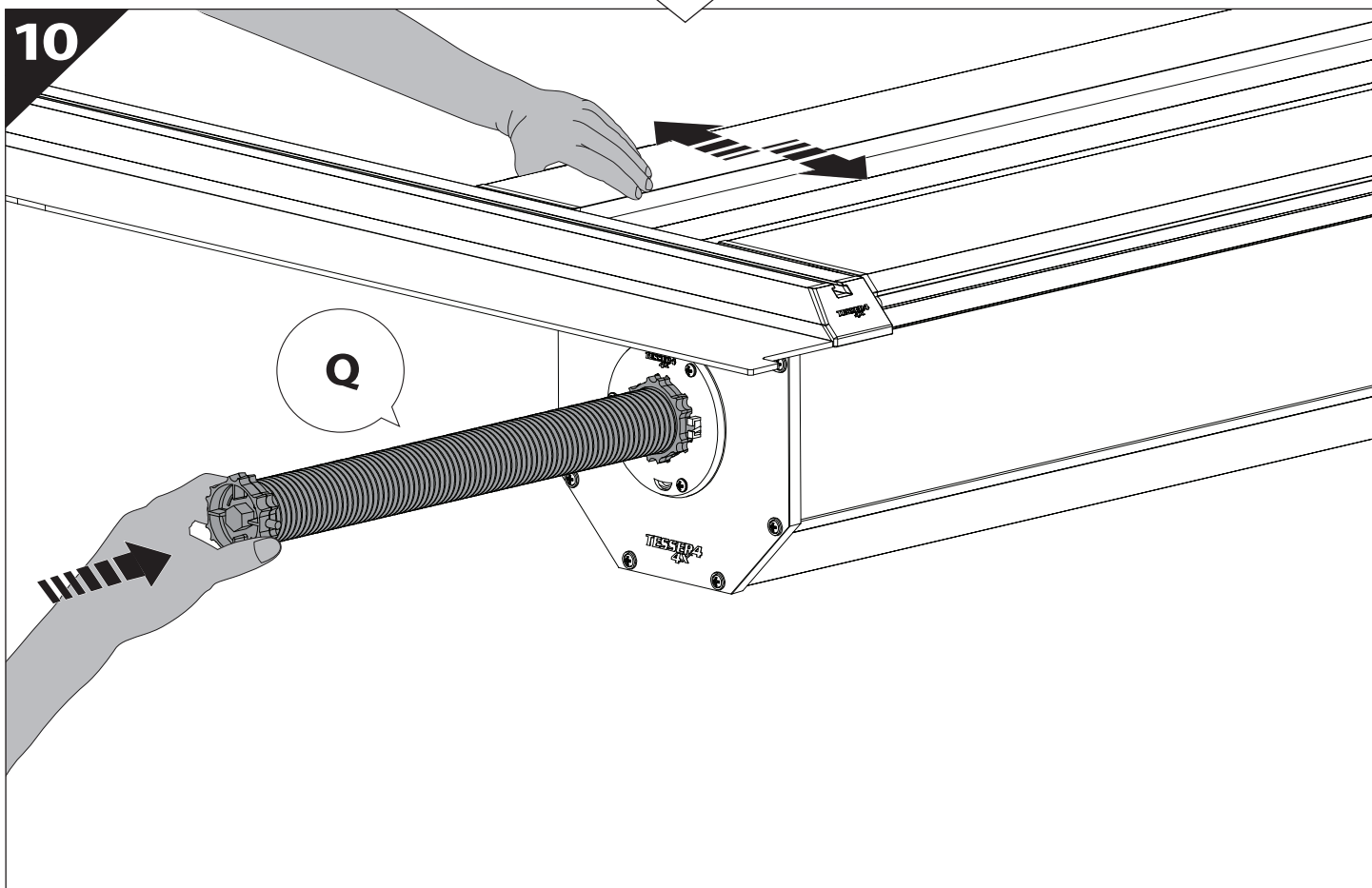
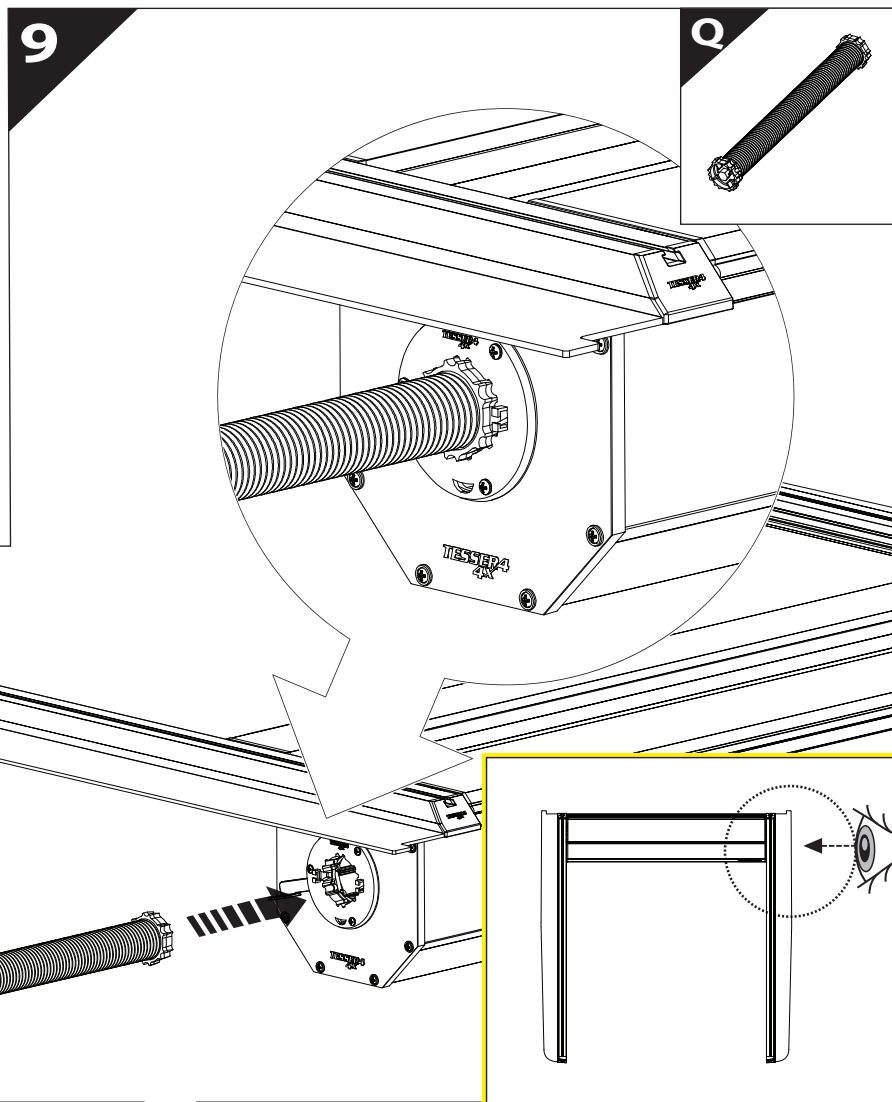
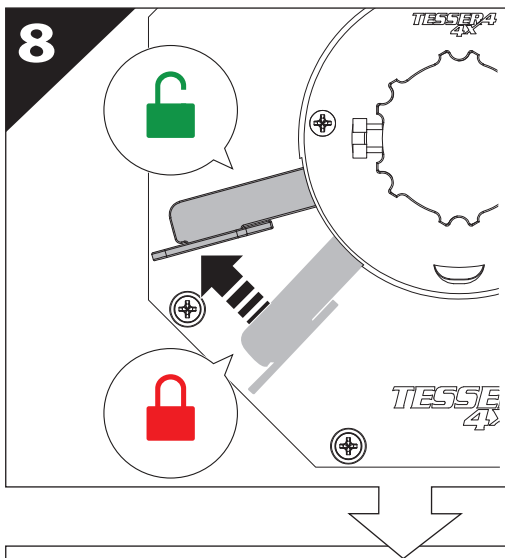
7

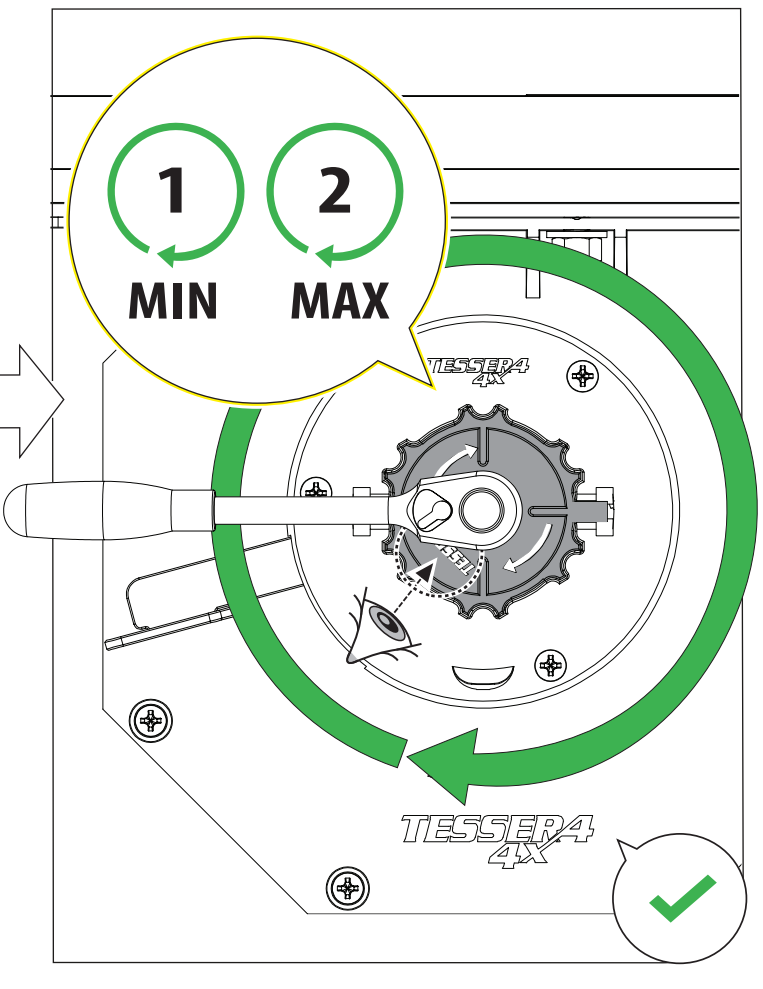
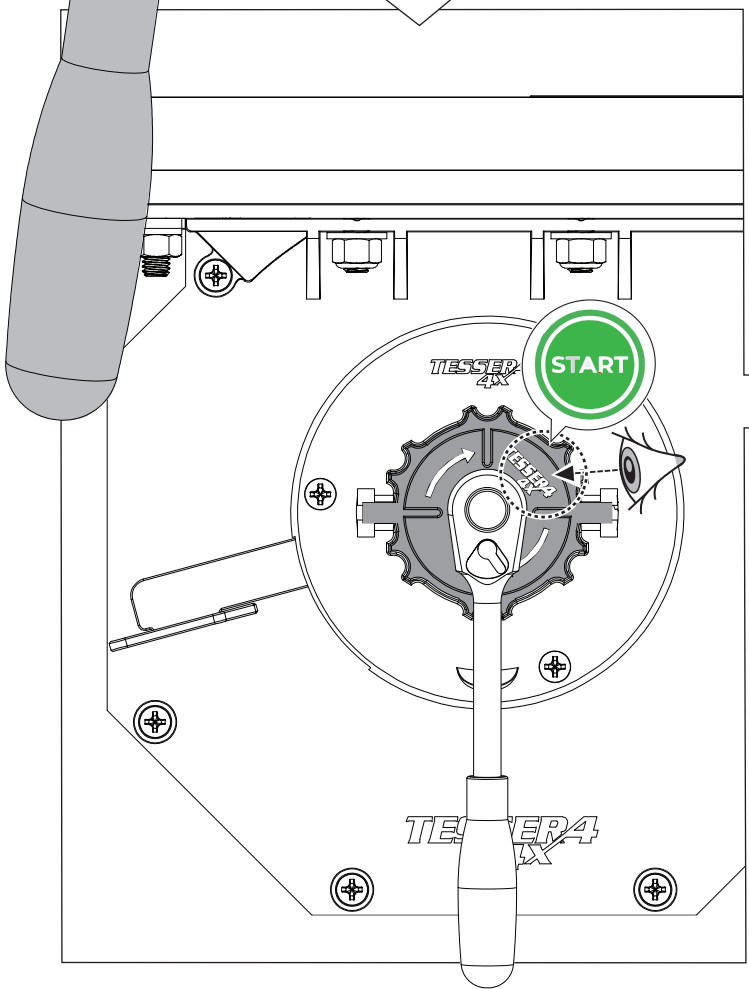
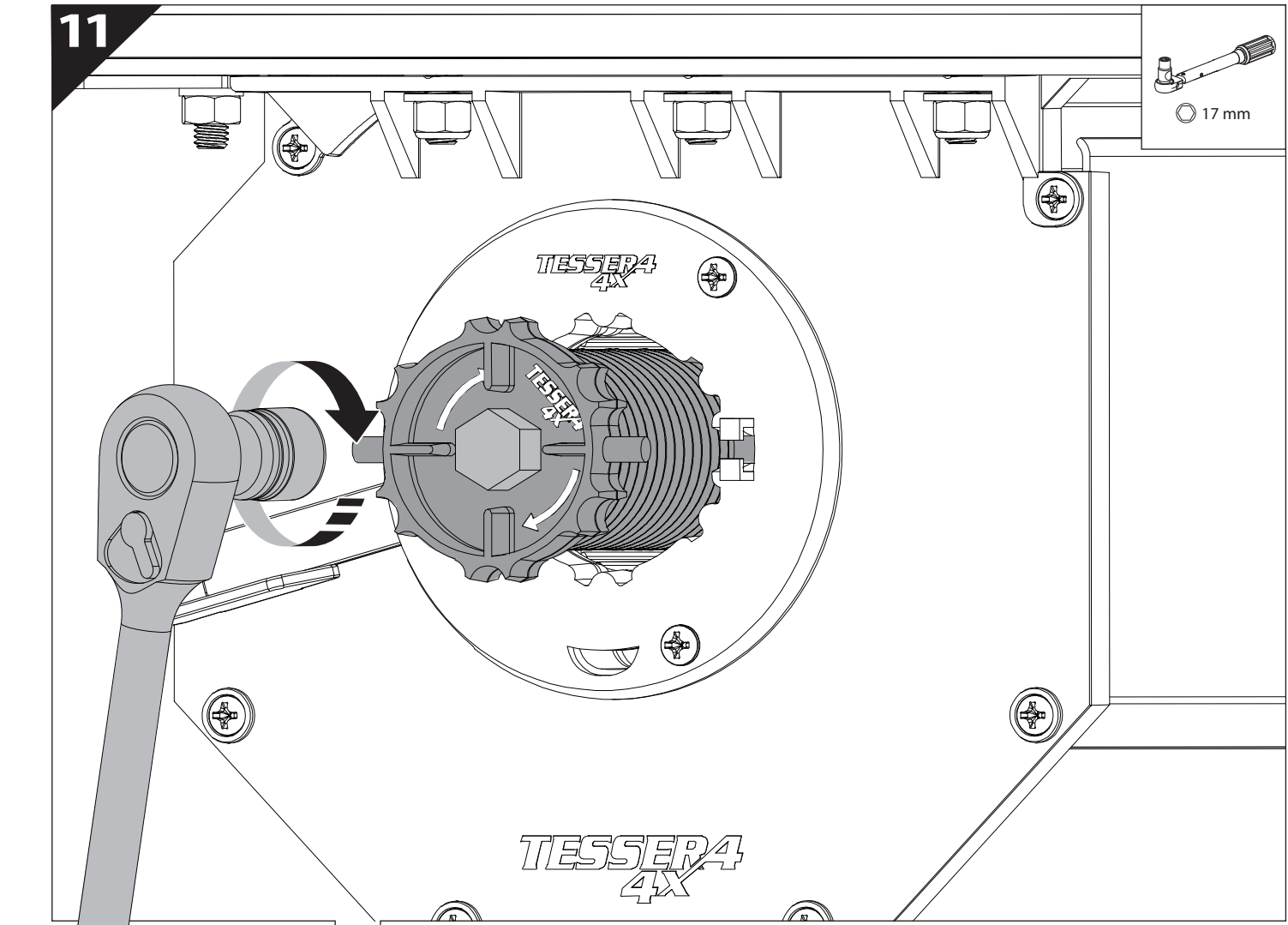
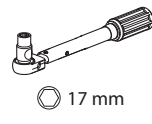


L1

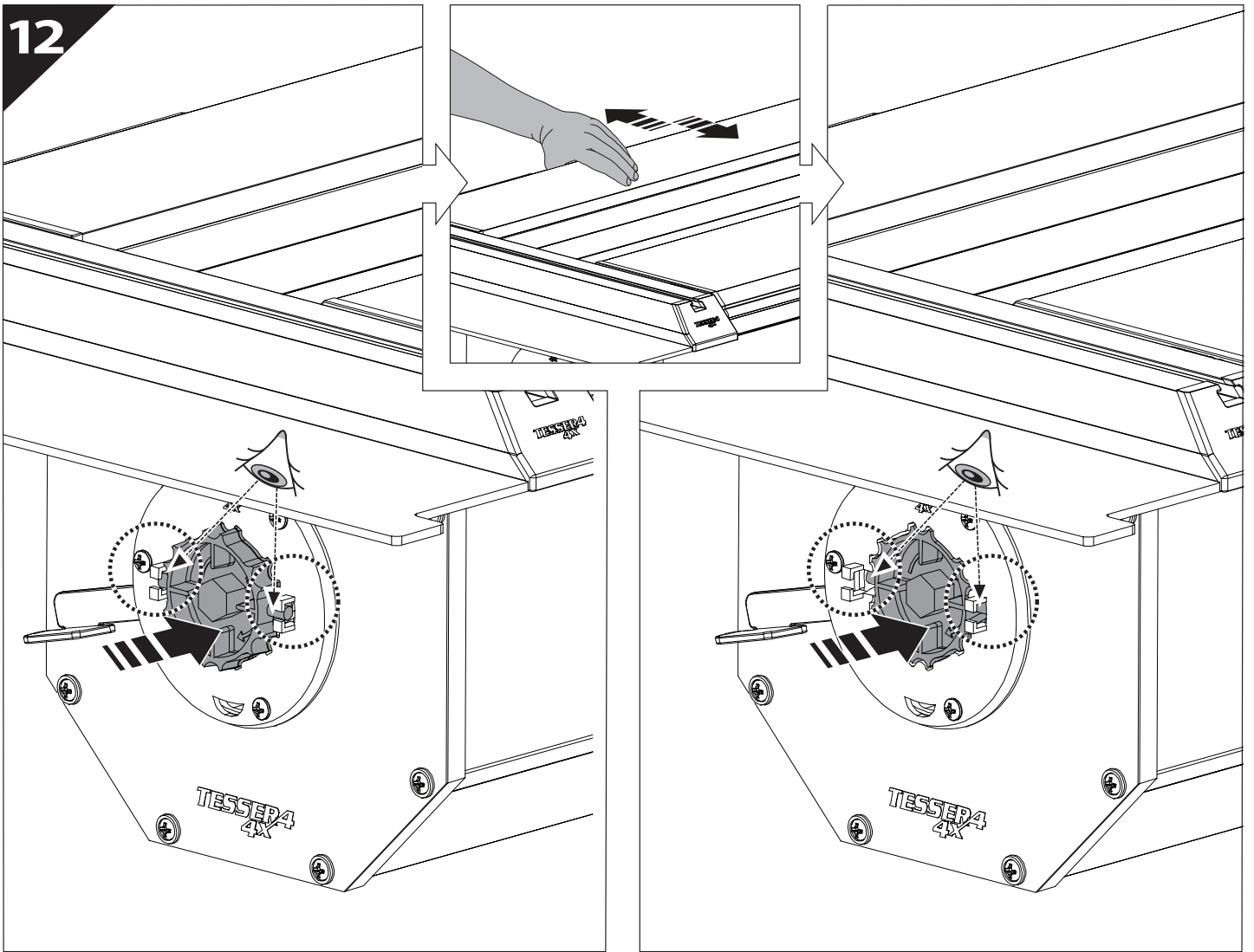
x2



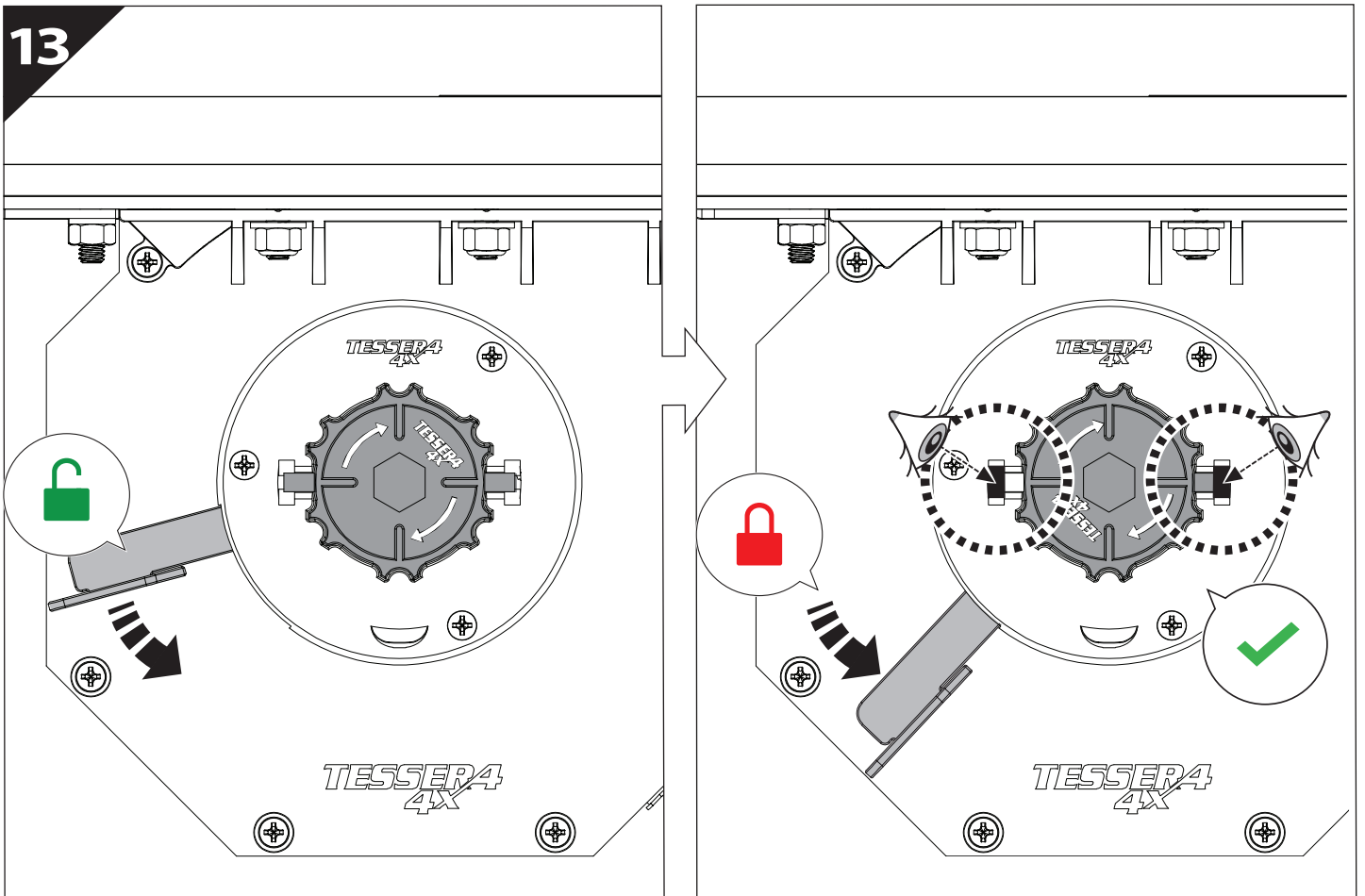




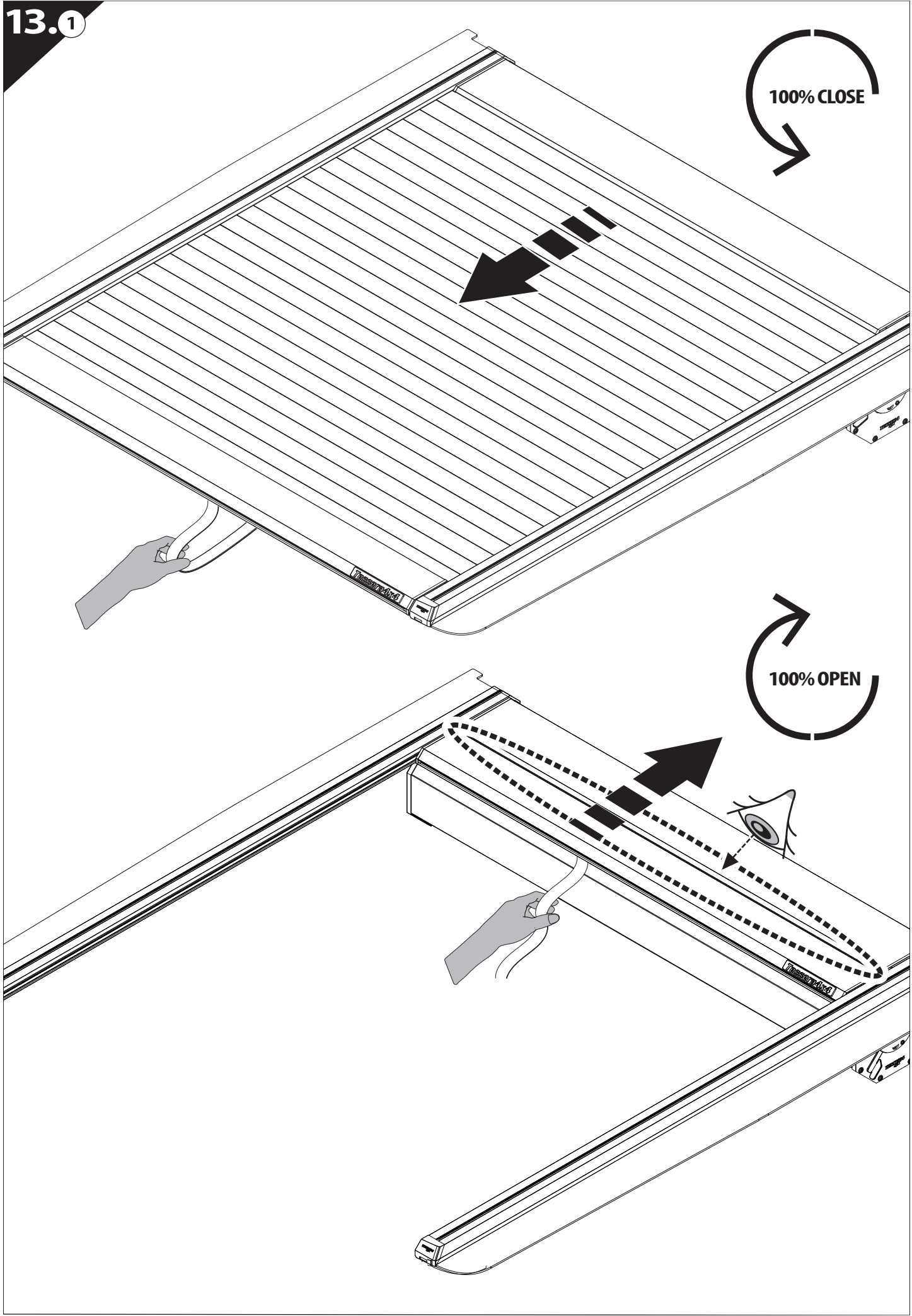
12



13



13.0



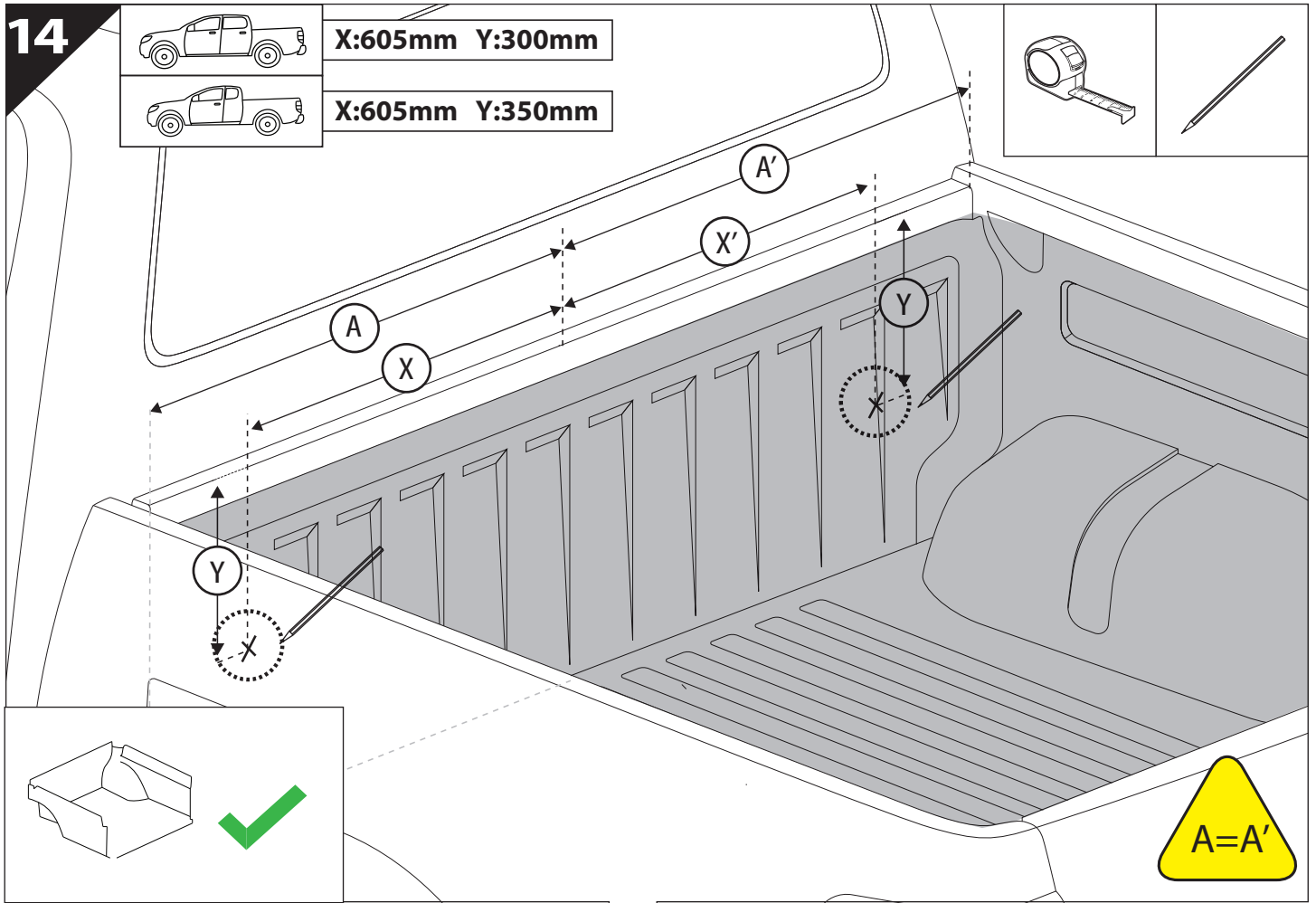
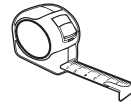
14



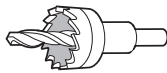
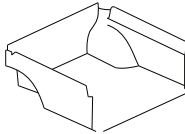
X:605mm Y:300mm



X:605mm Y:350mm



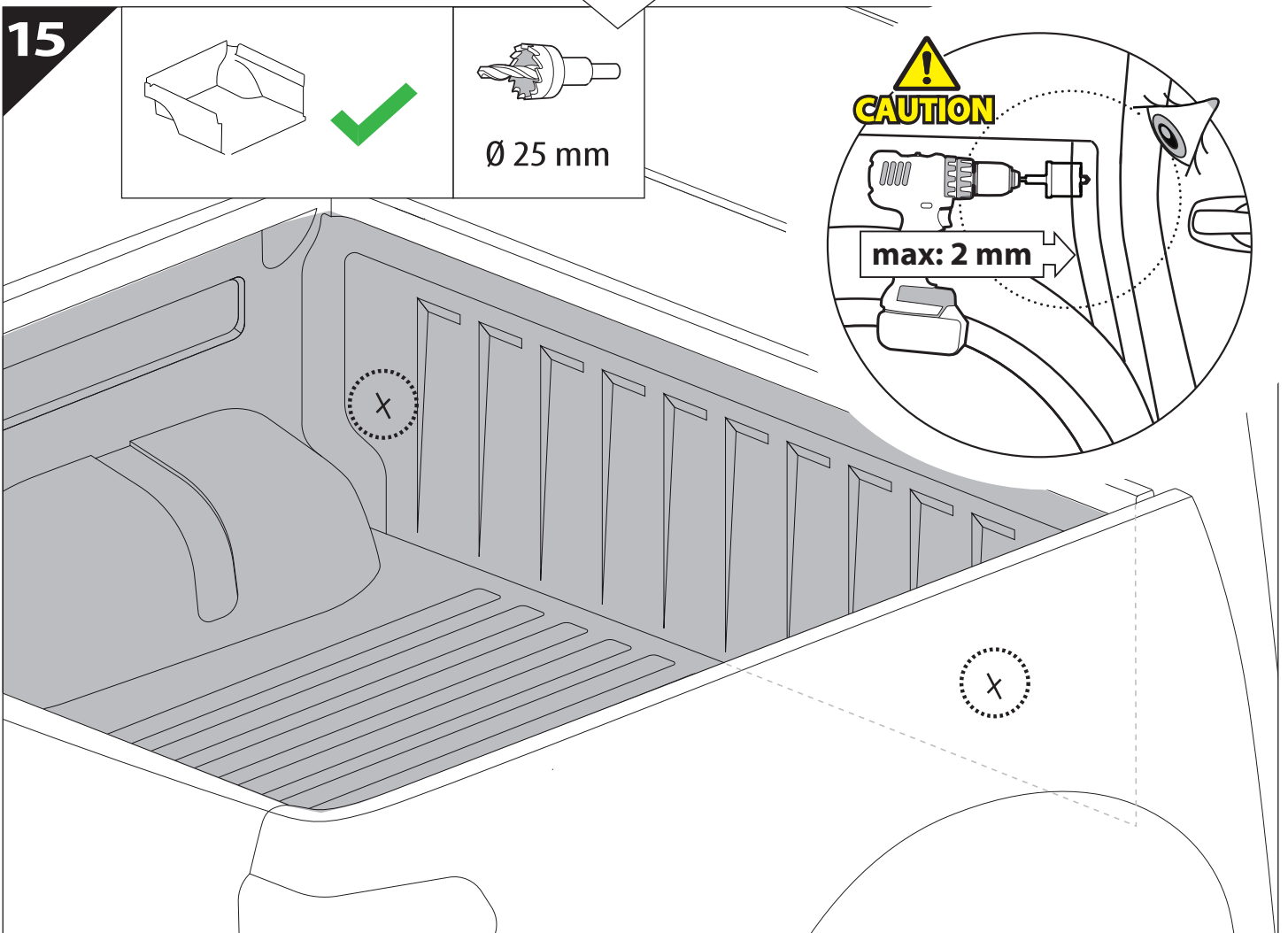
15

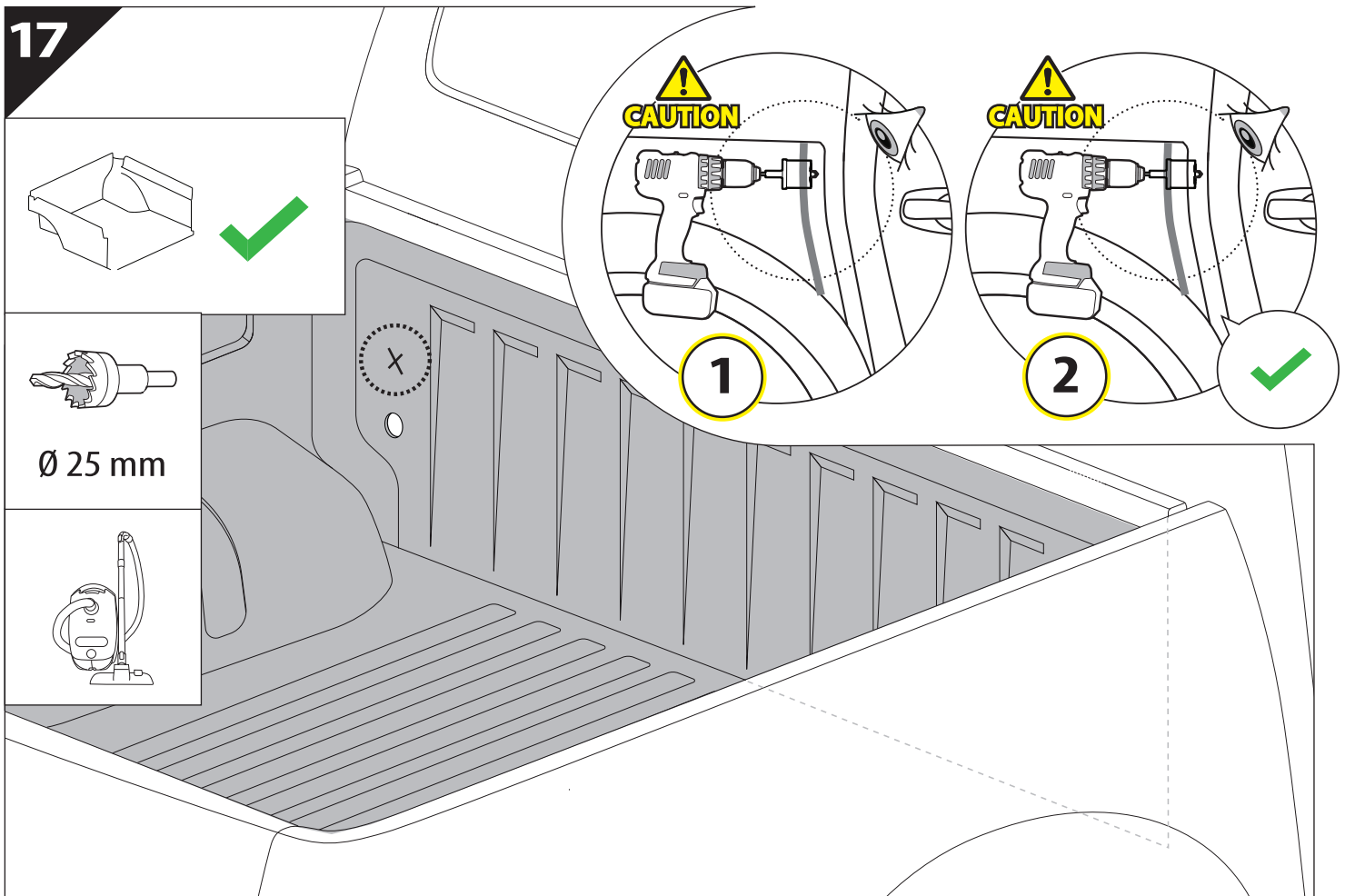
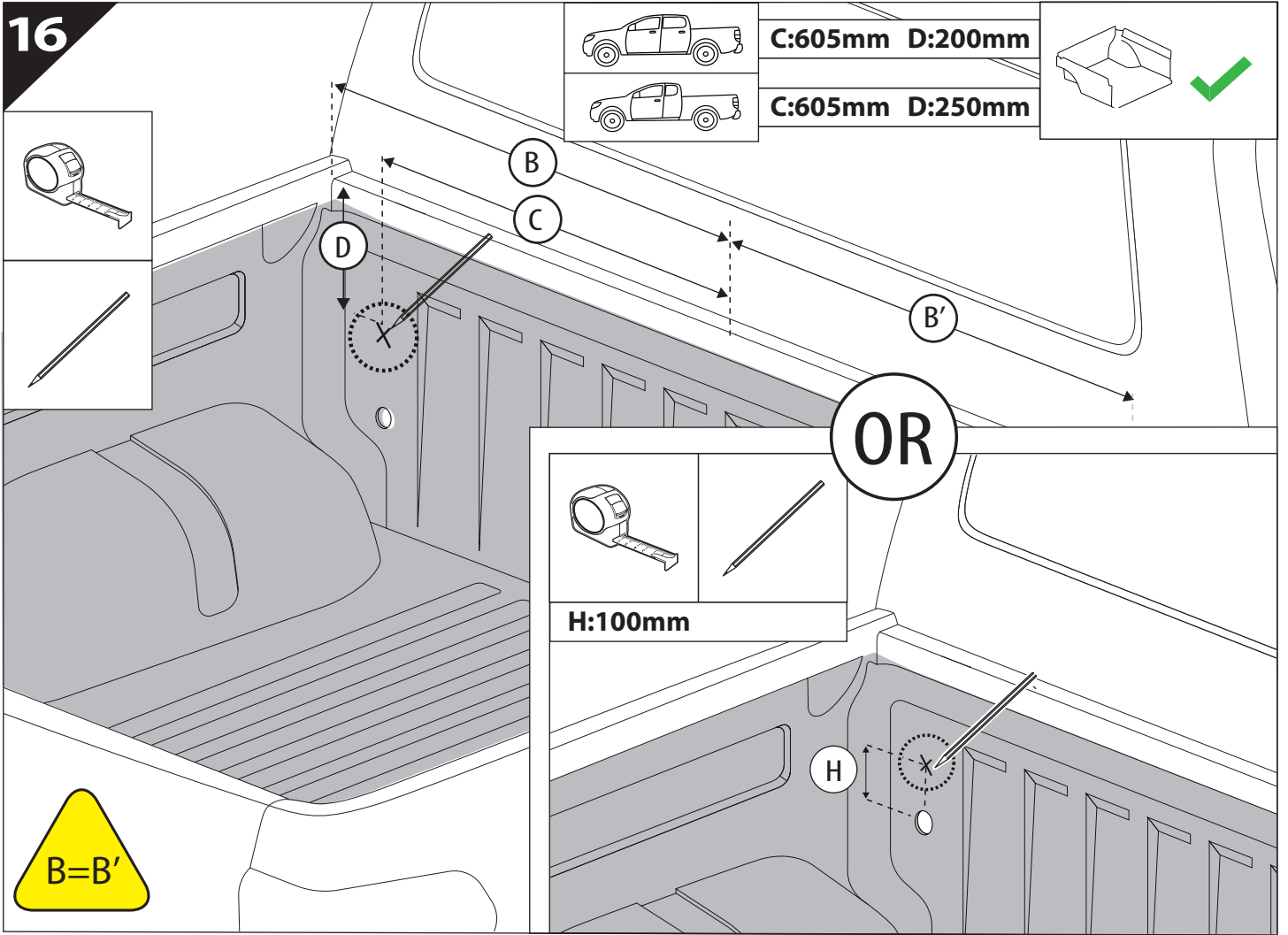


Ø 25 mm

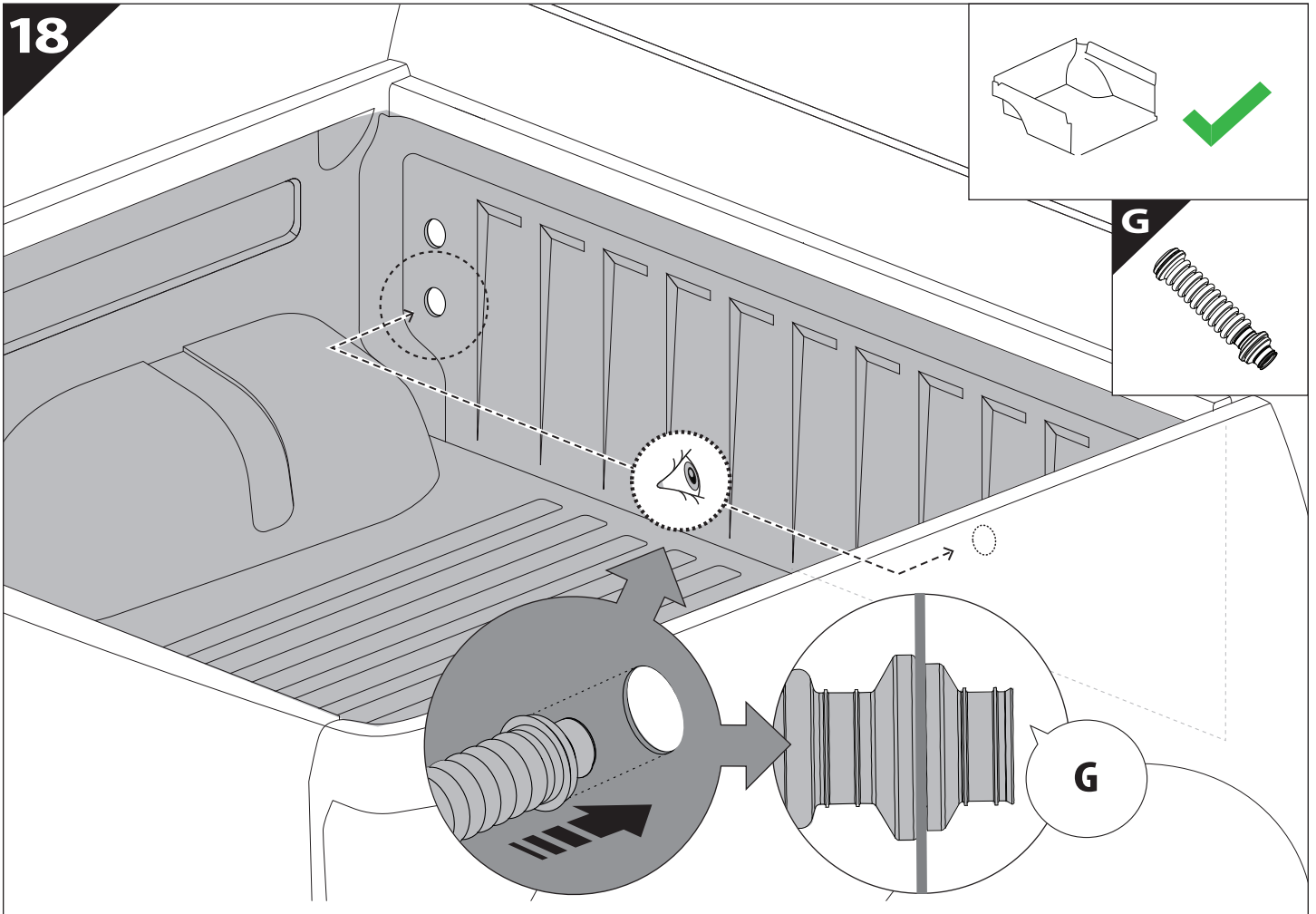
CAUTION

max: 2 mm



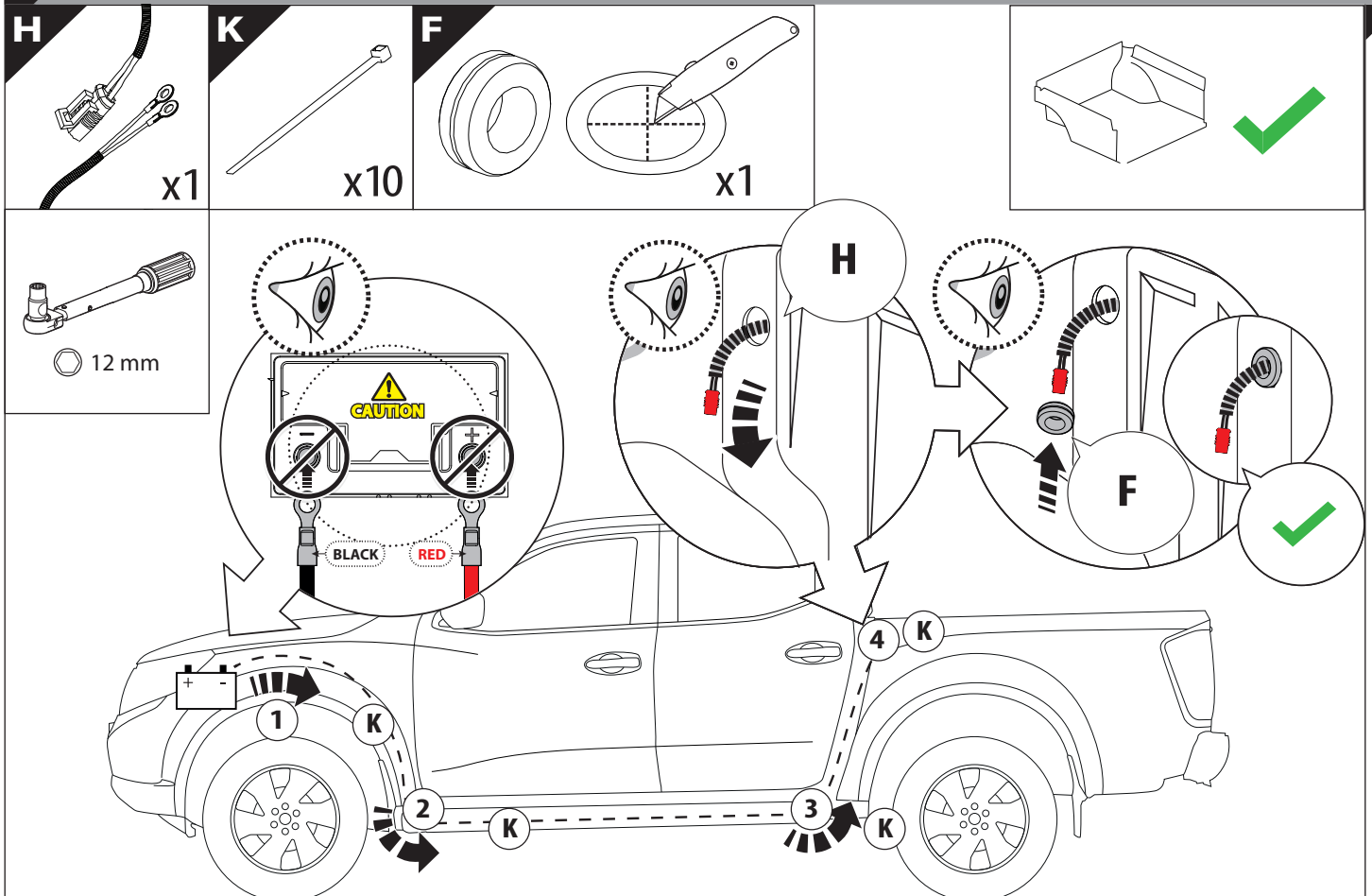


18



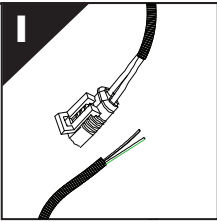
19

Only to be installed by authorized personnel

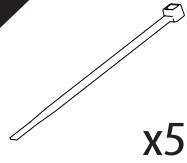


20

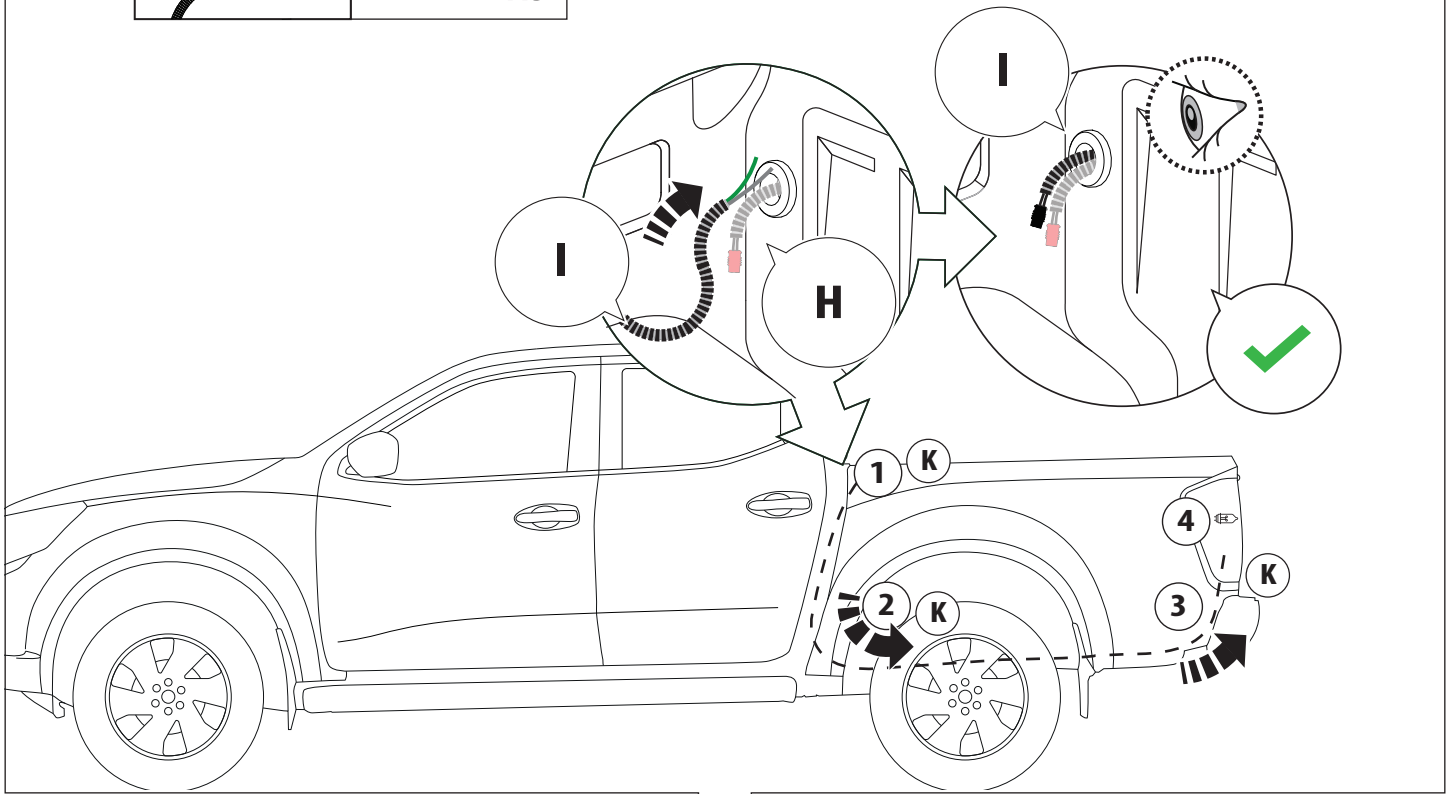
I



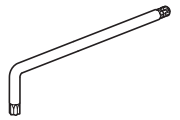
K



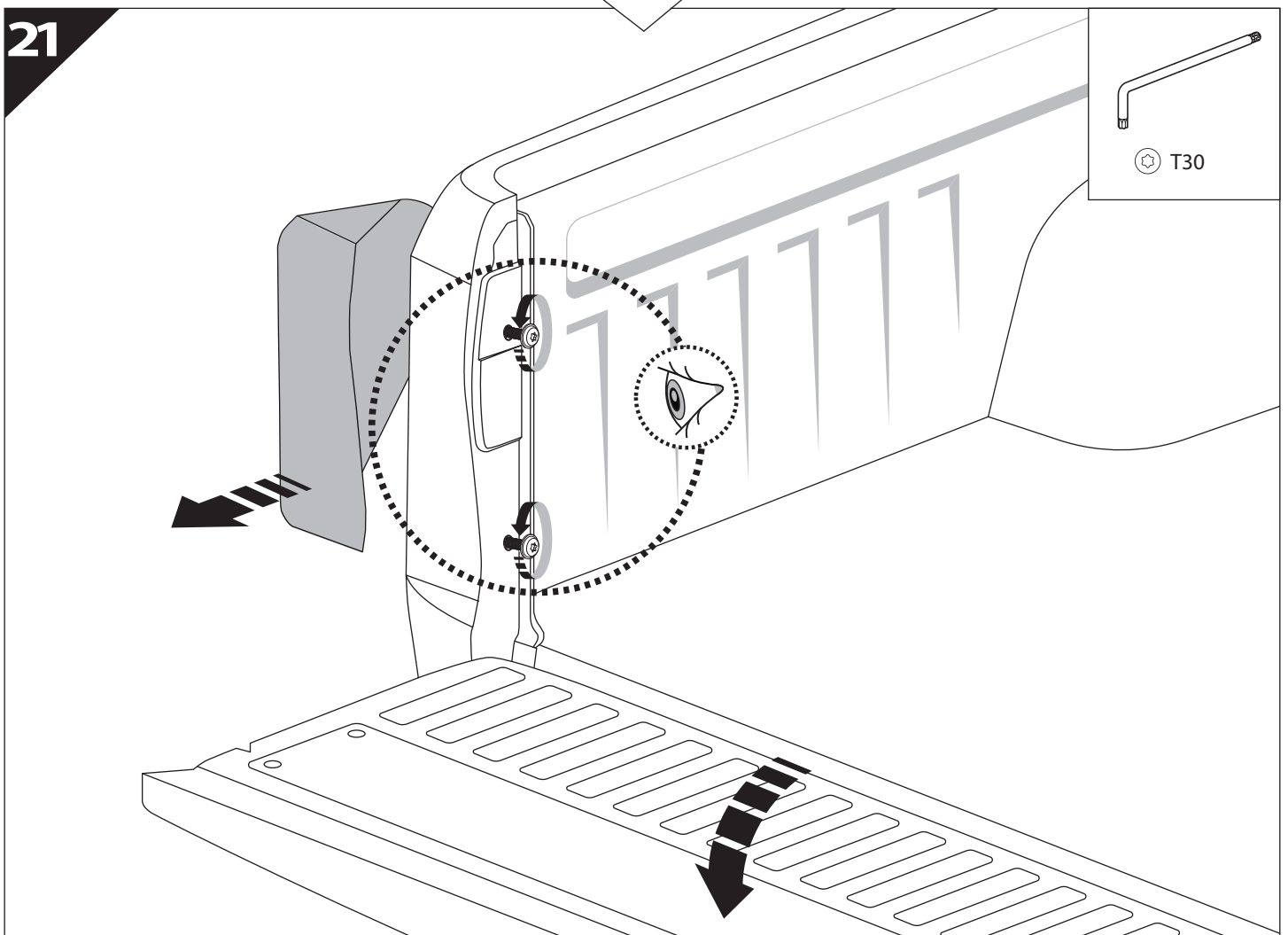
x5



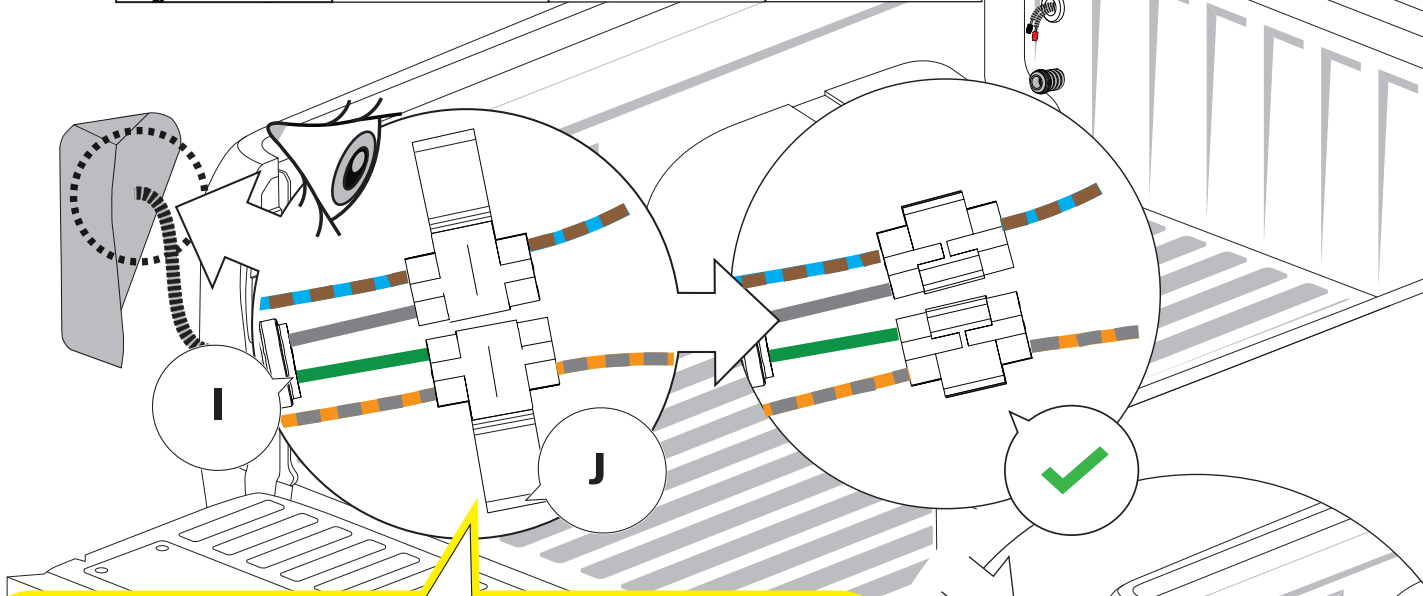
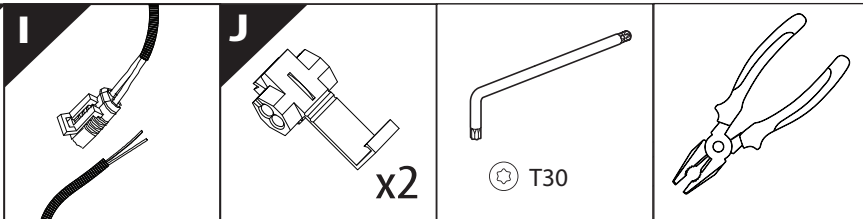
21



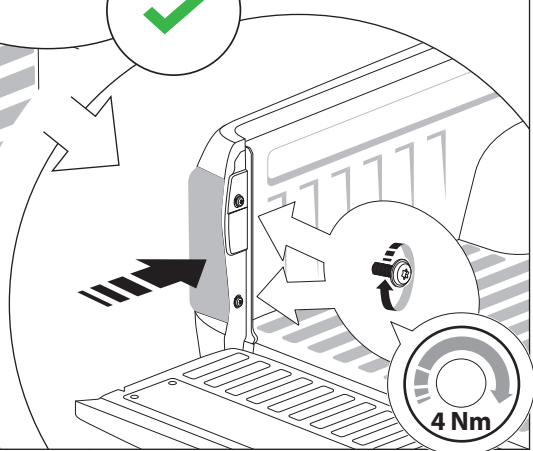
T30



22

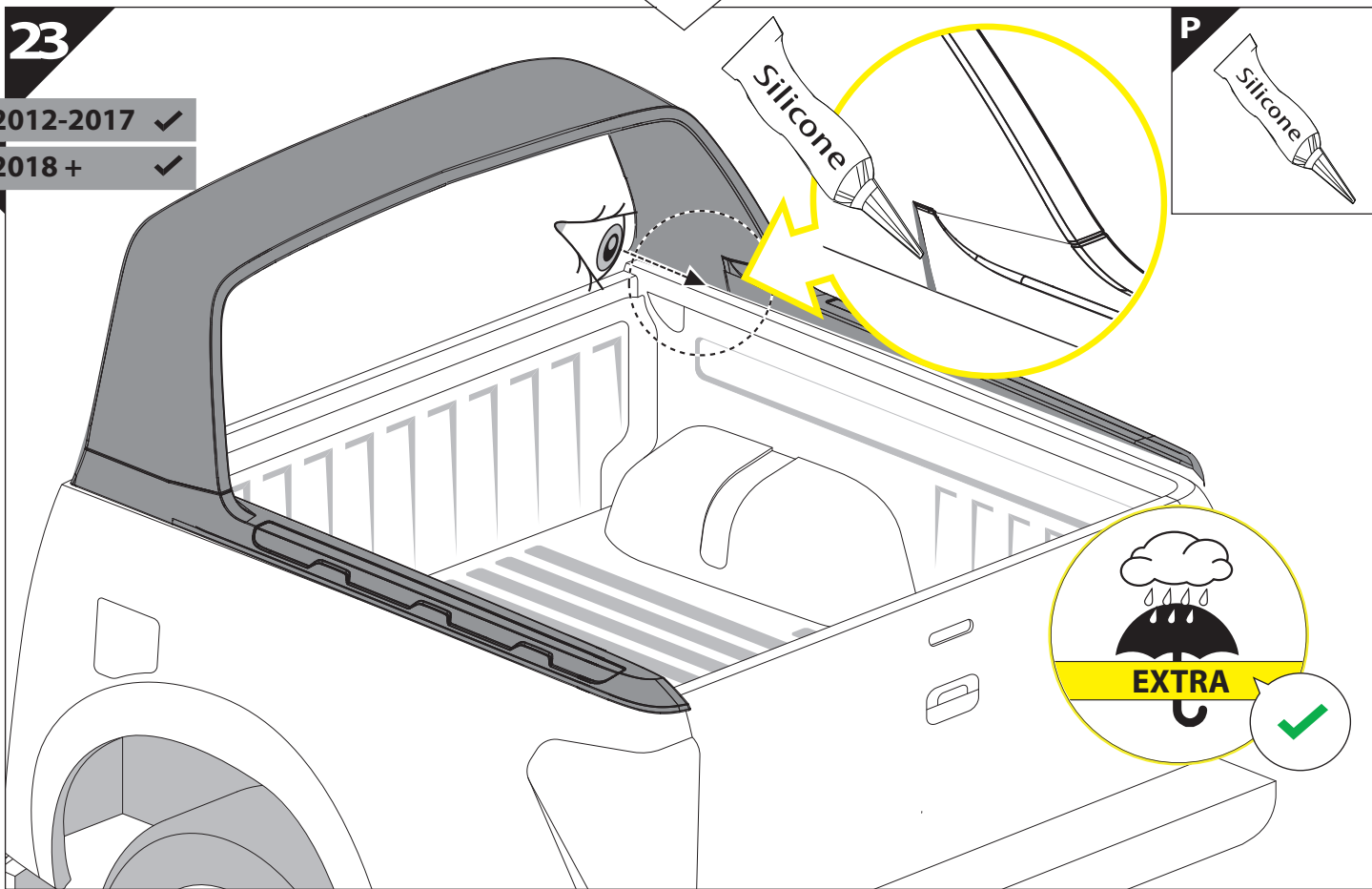


MODEL YEAR	LIGHTS	CAR	TESSERA ROLL+
2016+	BEAM		
2016+	STOP		
MODEL YEAR	LIGHTS	CAR	TESSERA ROLL+
2020+	BEAM		
2020+	STOP		



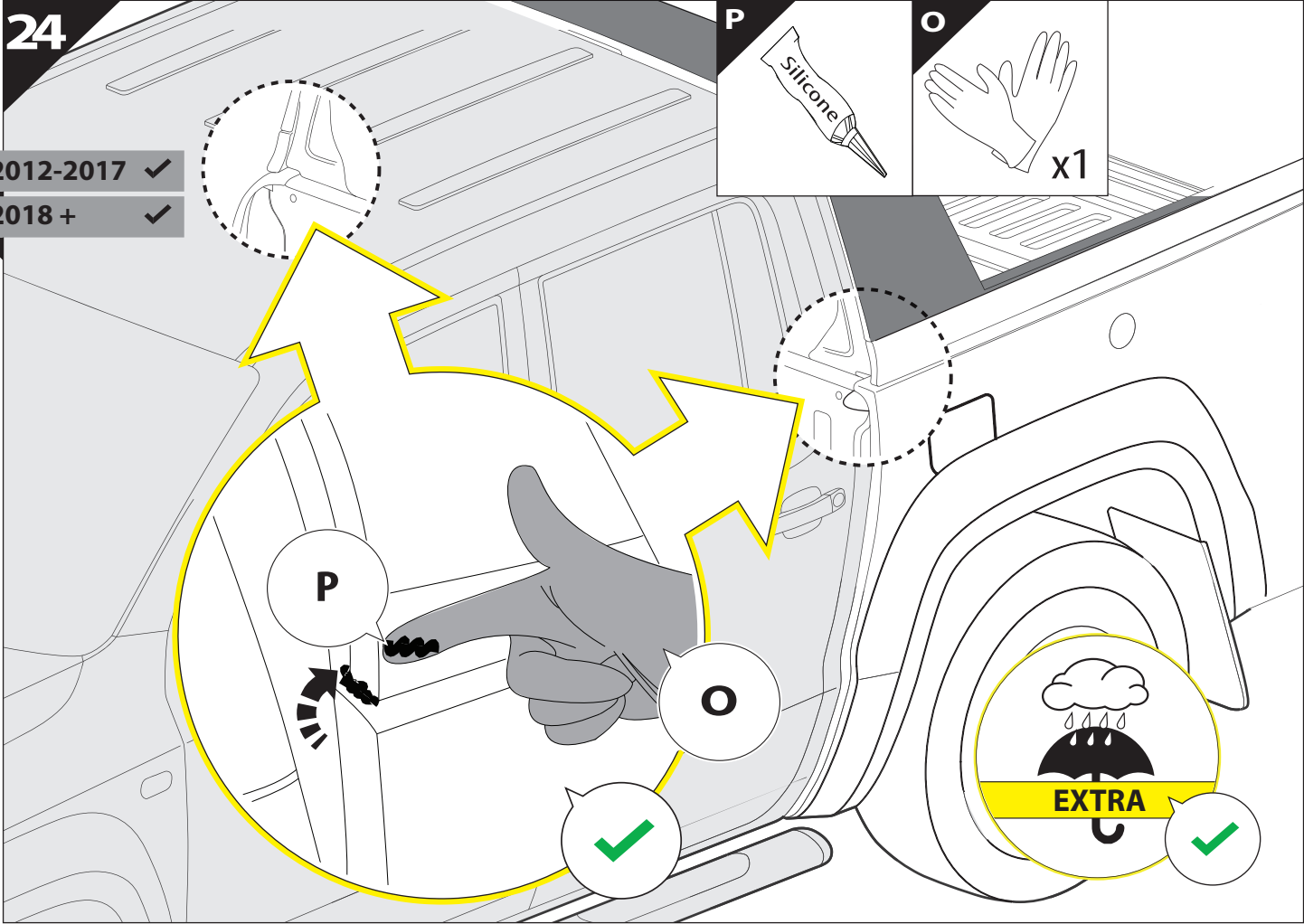
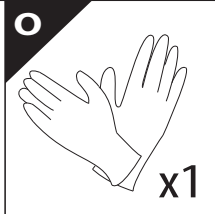
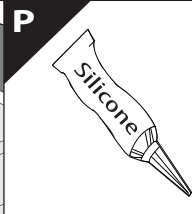
23

- 2012-2017 ✓
- 2018+ ✓



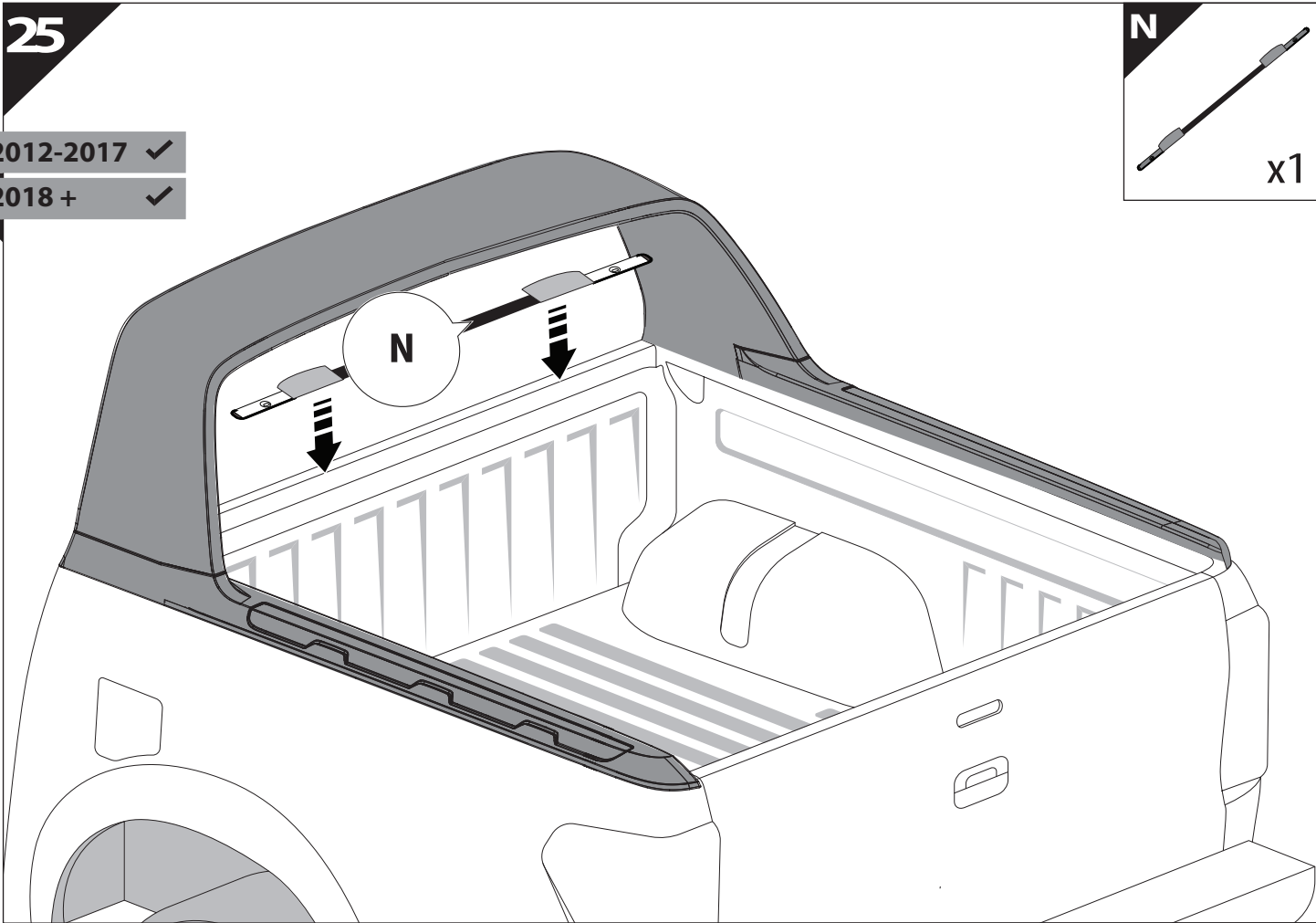
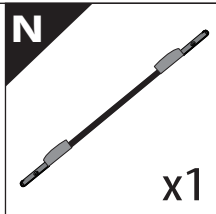
24

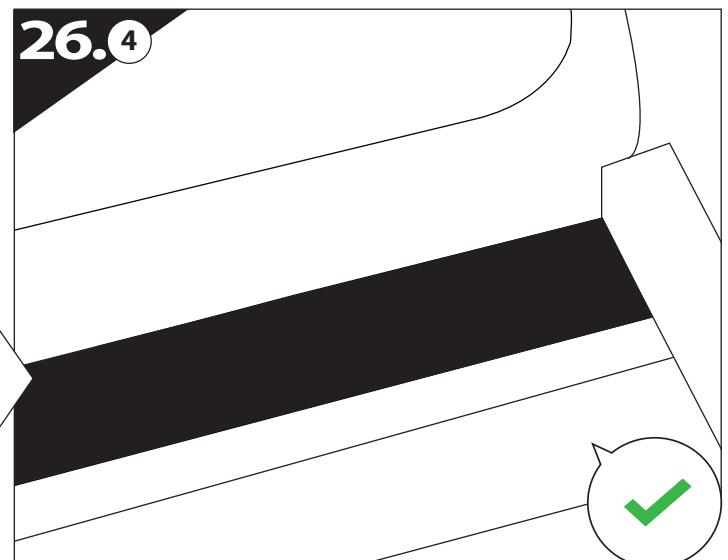
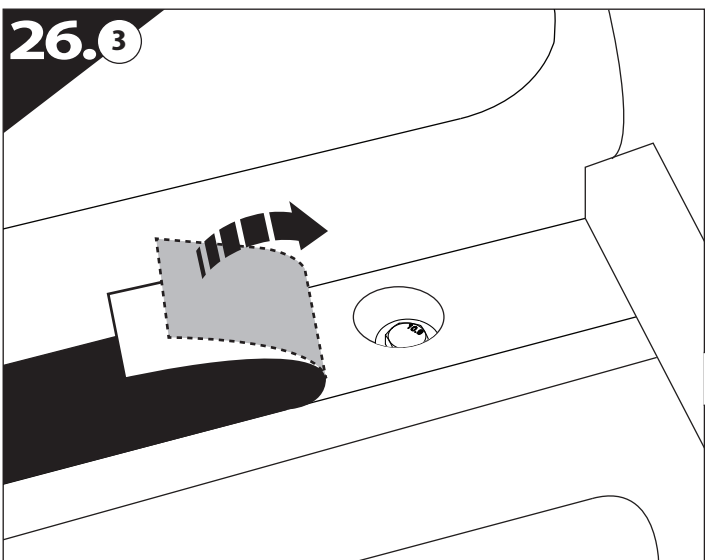
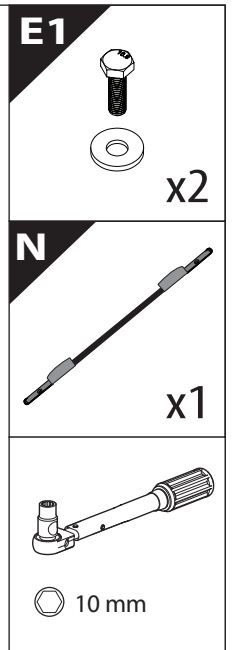
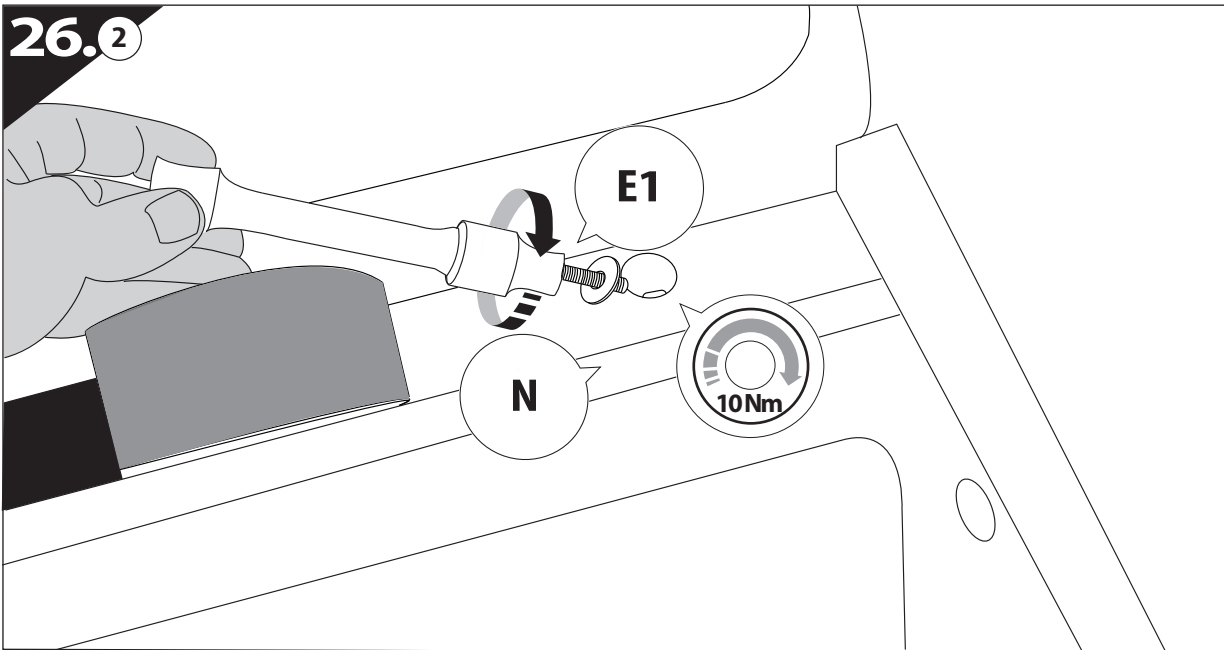
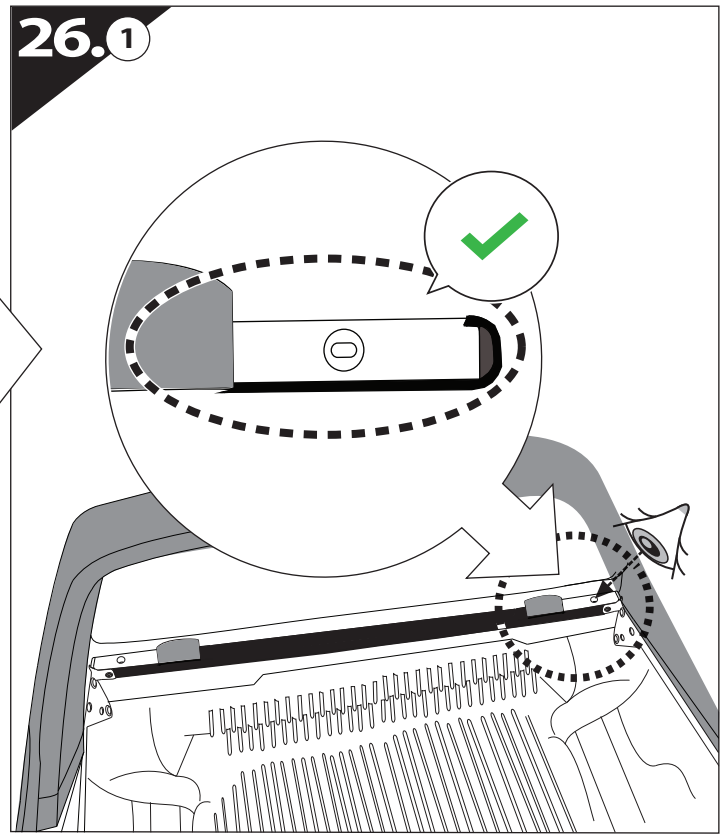
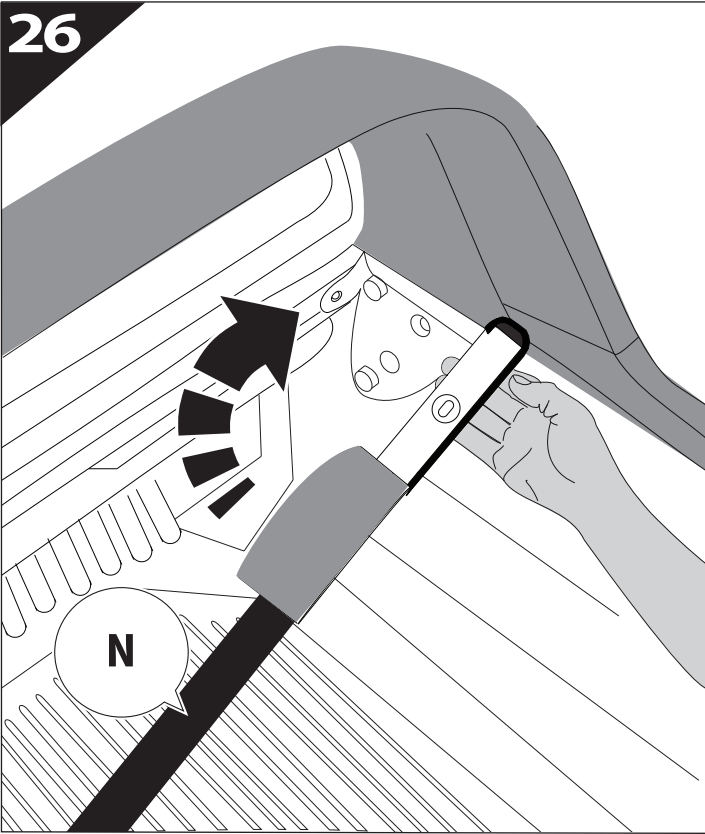
2012-2017 ✓
2018+ ✓



25

2012-2017 ✓
2018+ ✓

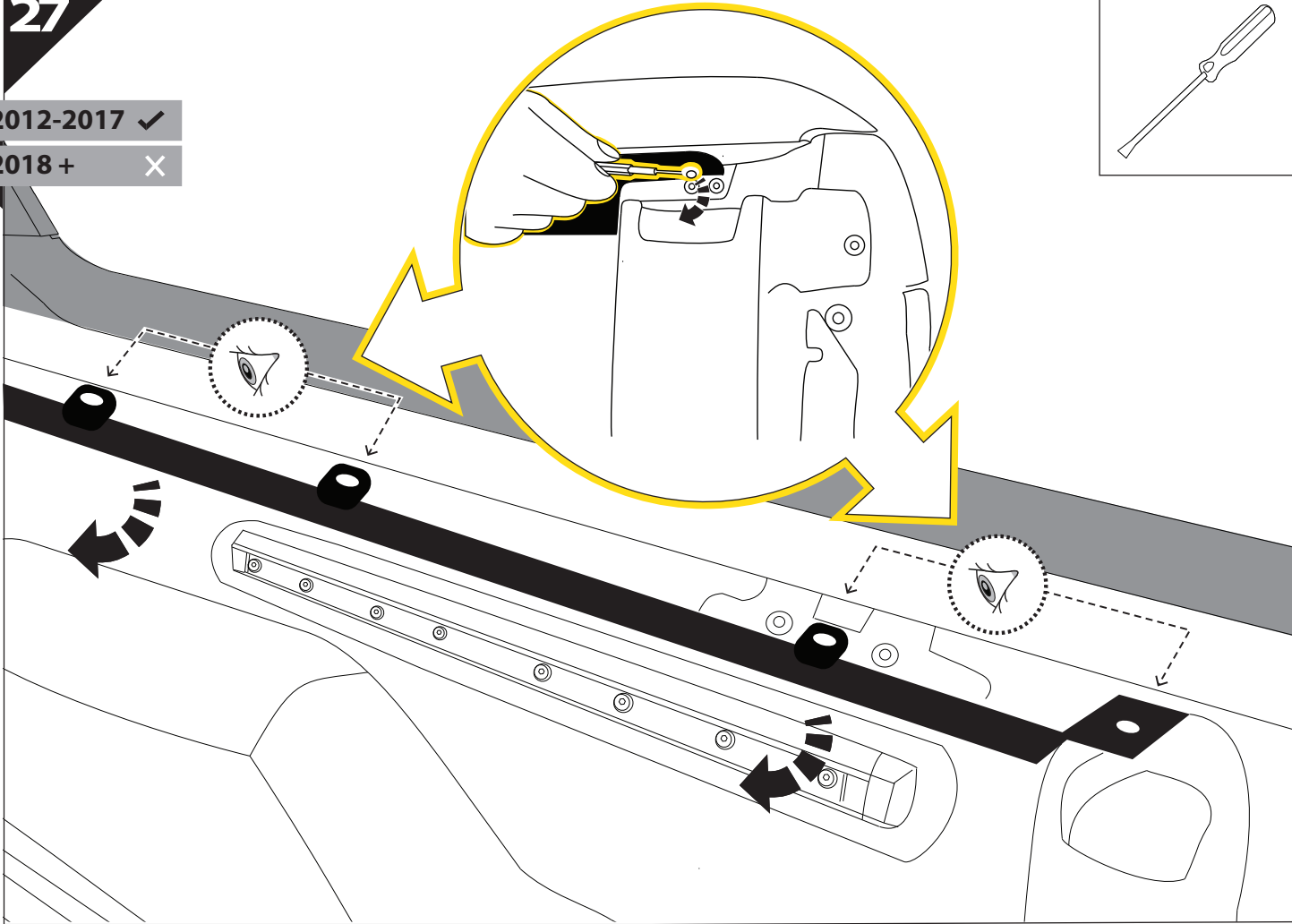
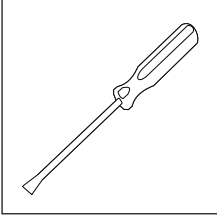




27

2012-2017 ✓

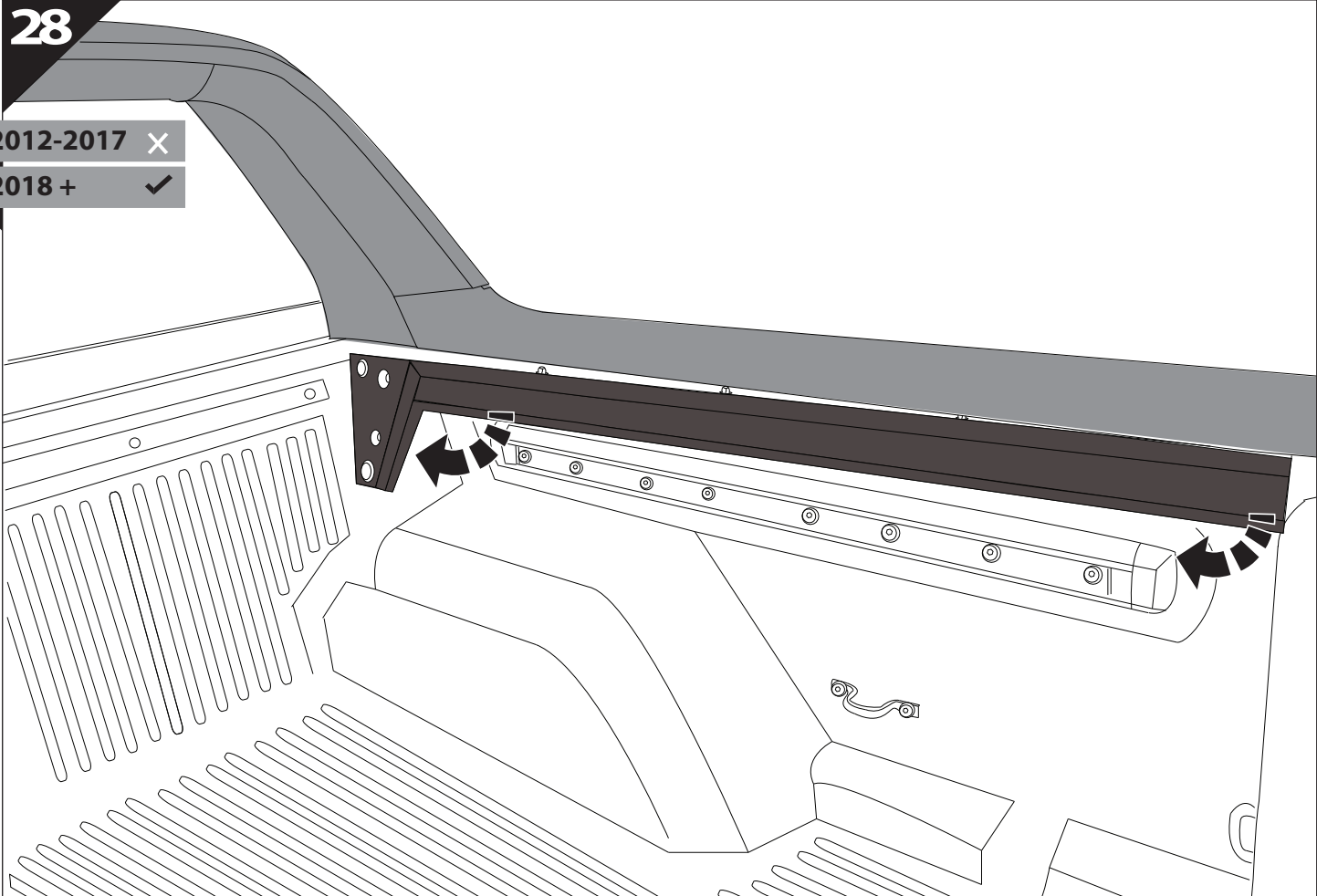
2018+ ✗



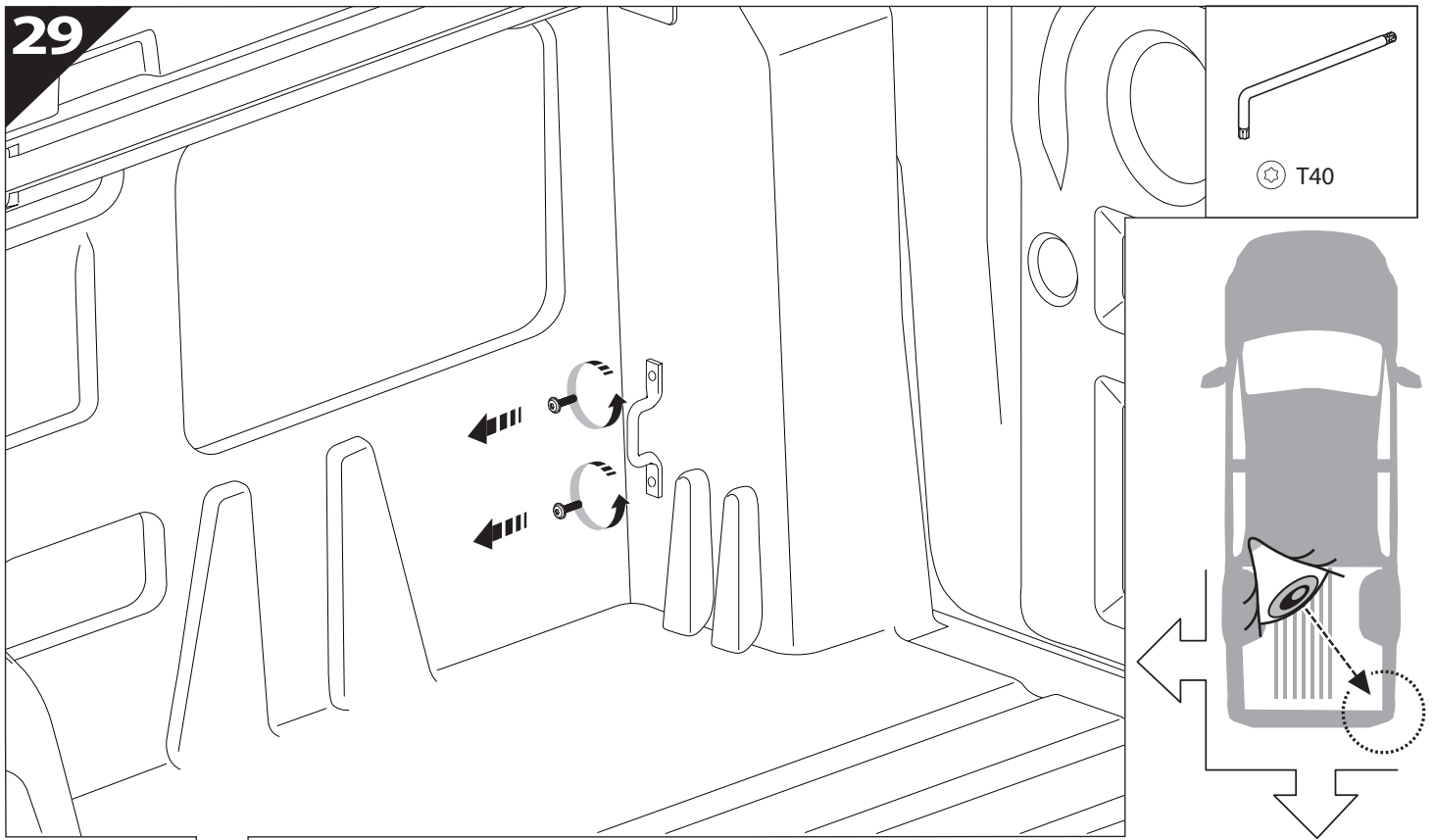
28

2012-2017 ✗

2018+ ✓

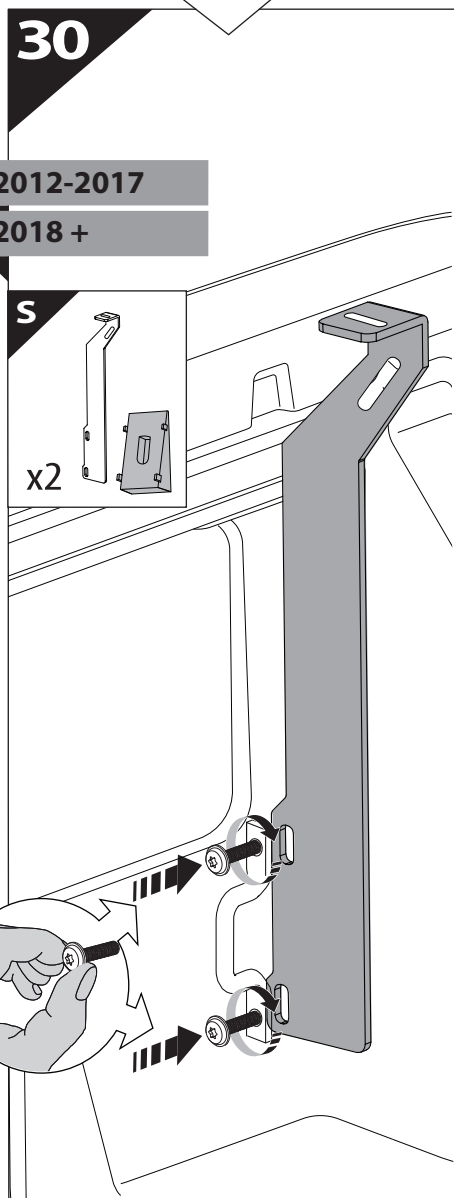
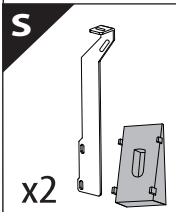


29



30

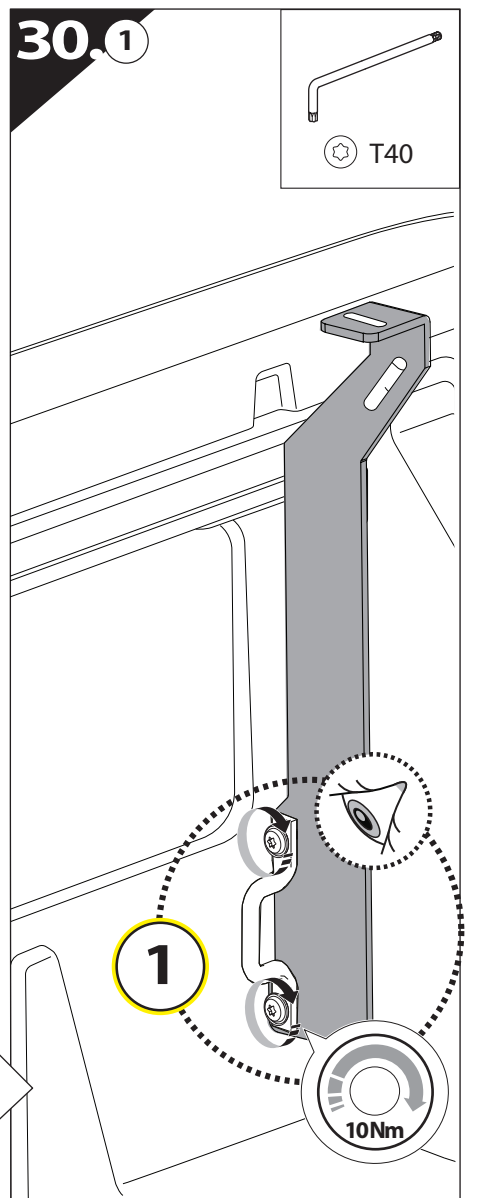
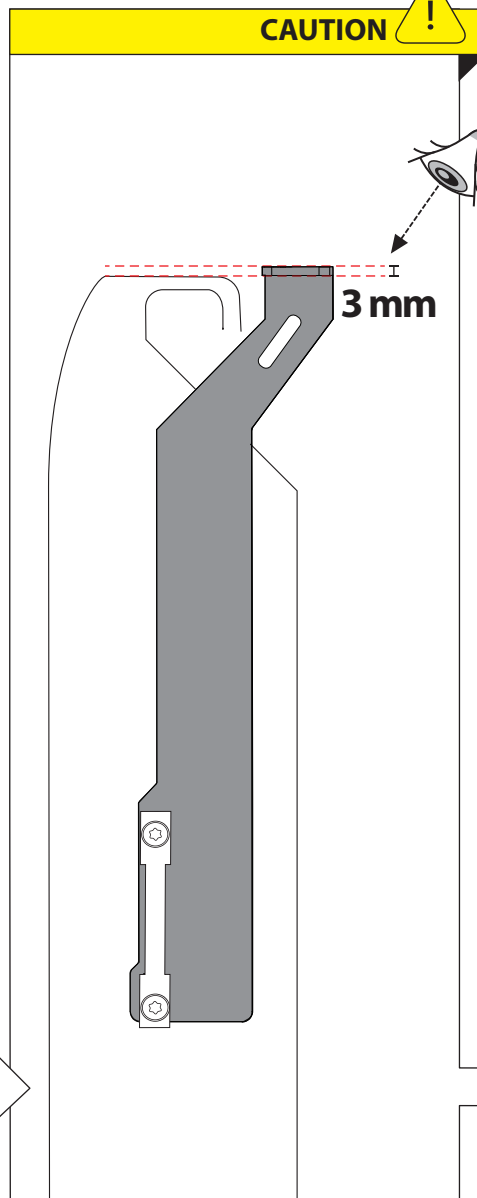
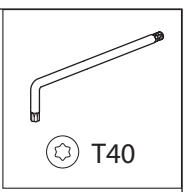
2012-2017
2018 +



CAUTION



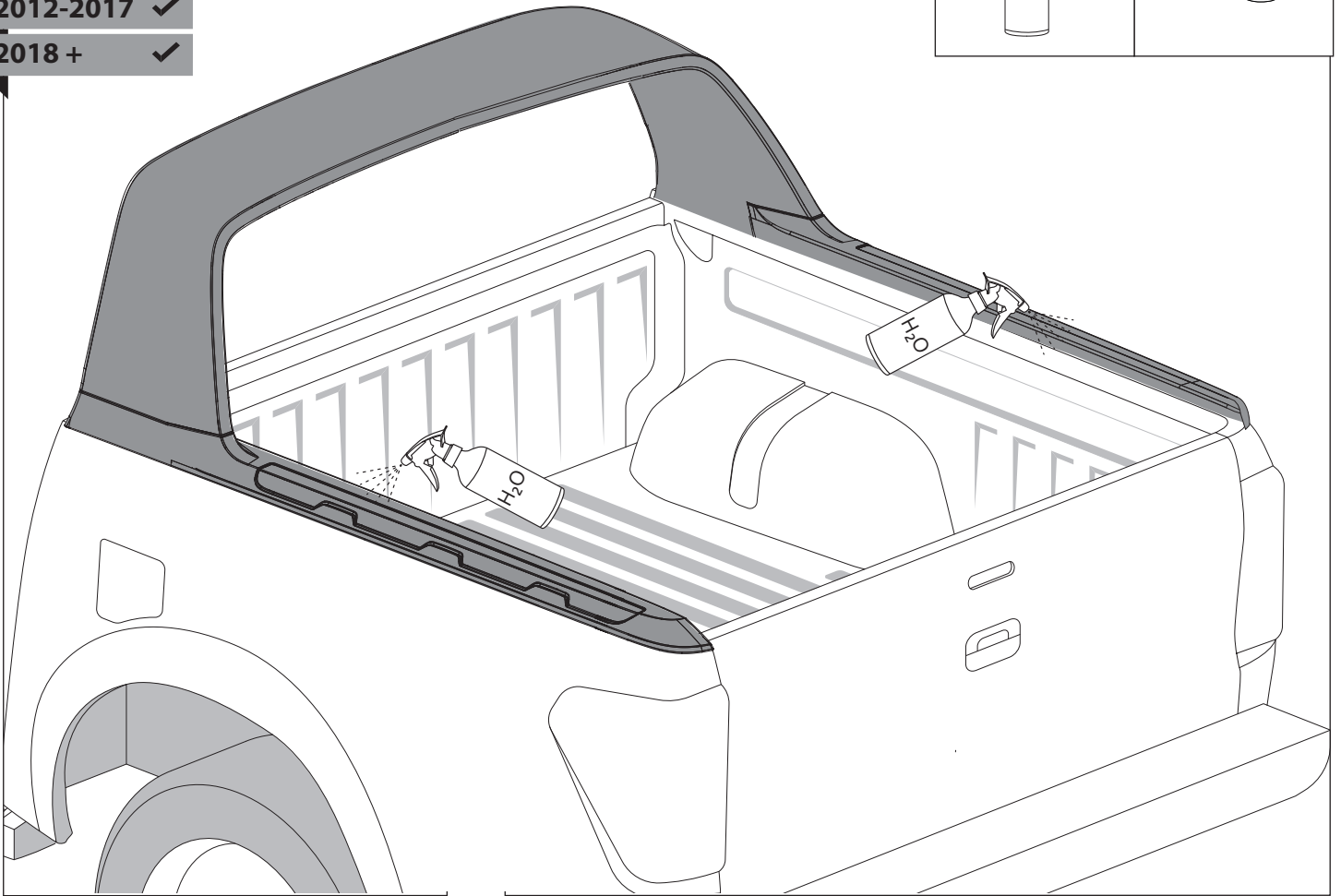
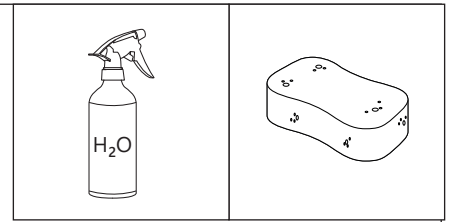
30.1



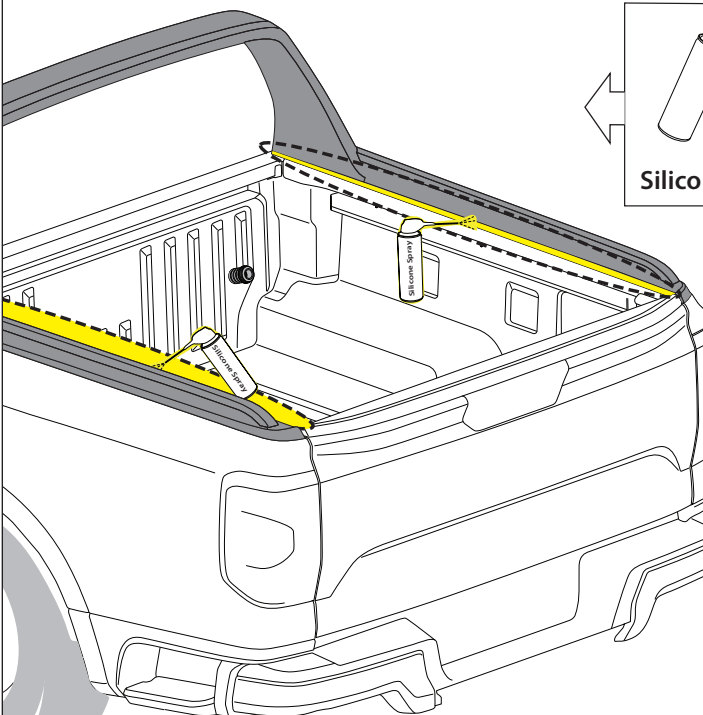
31

2012-2017 ✓

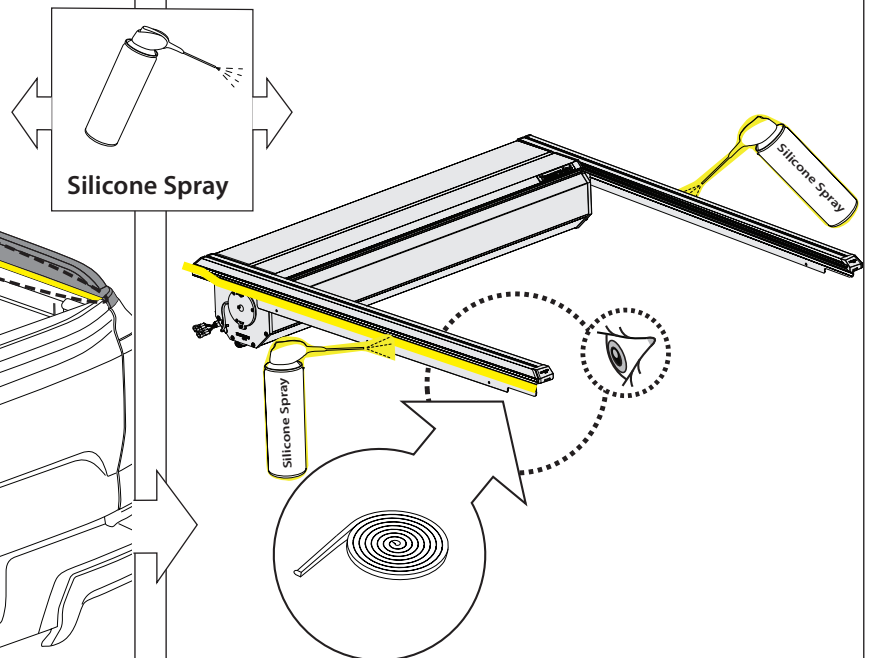
2018+ ✓

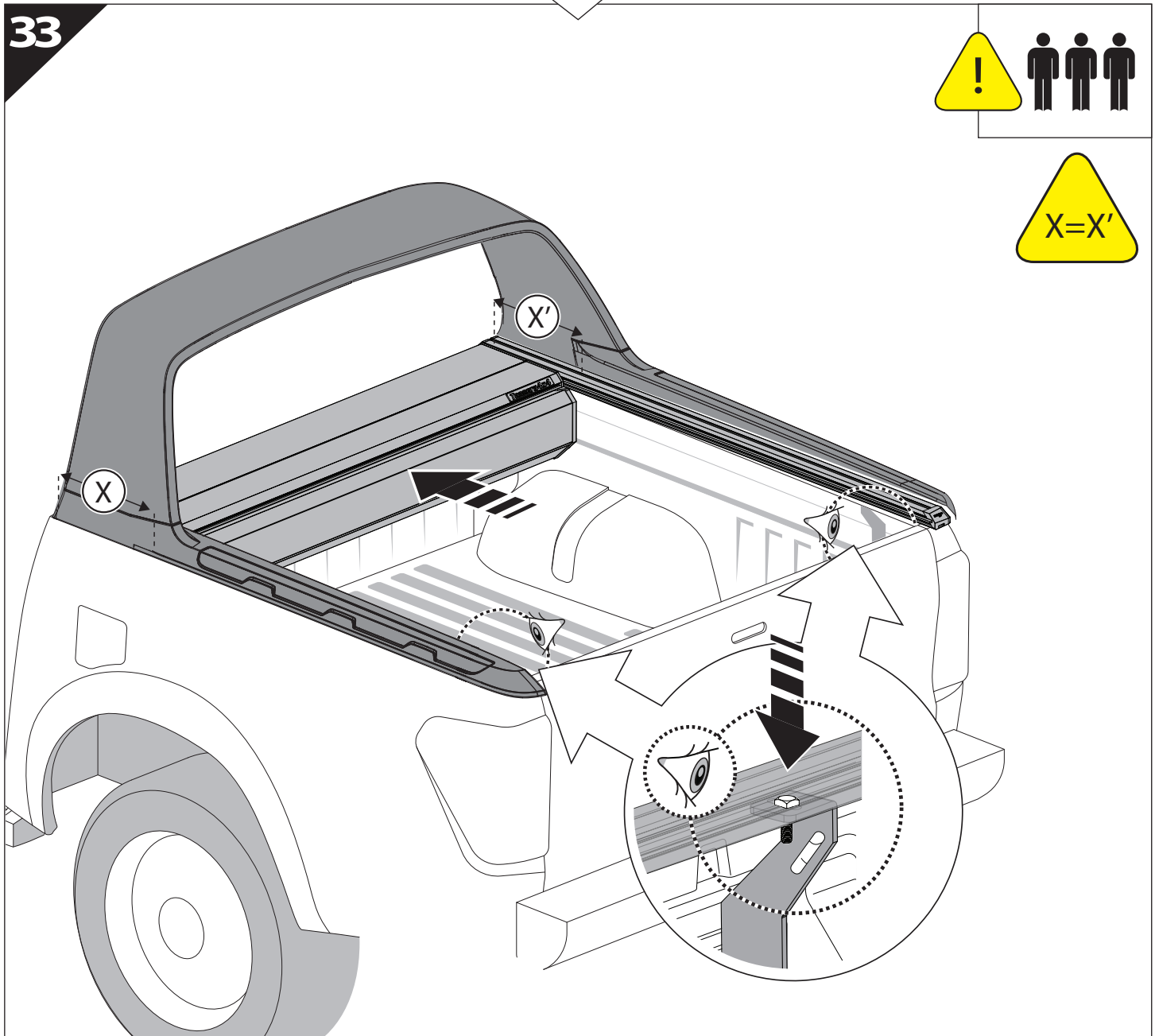
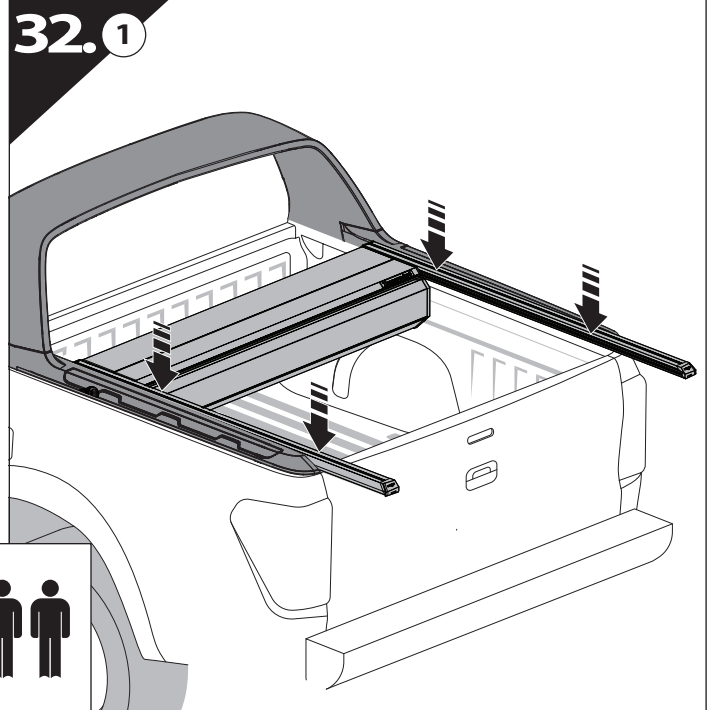
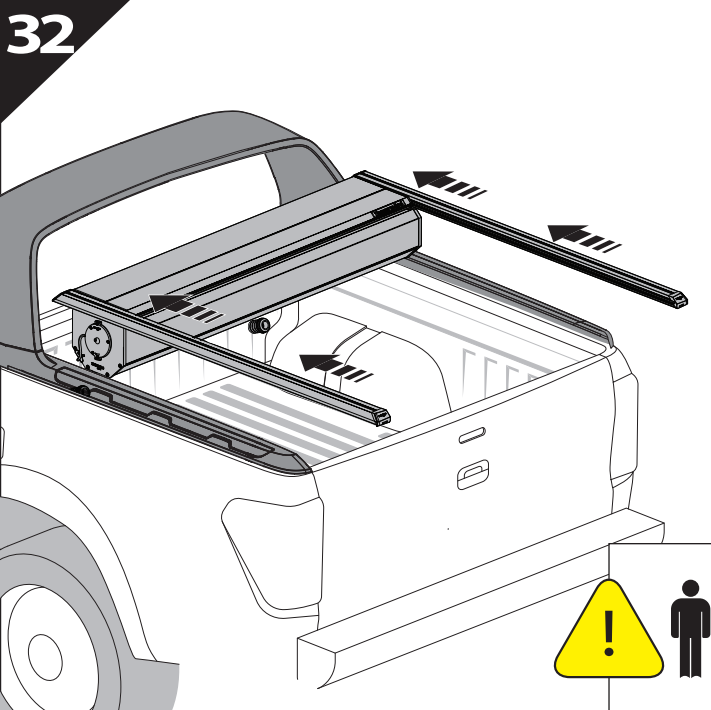


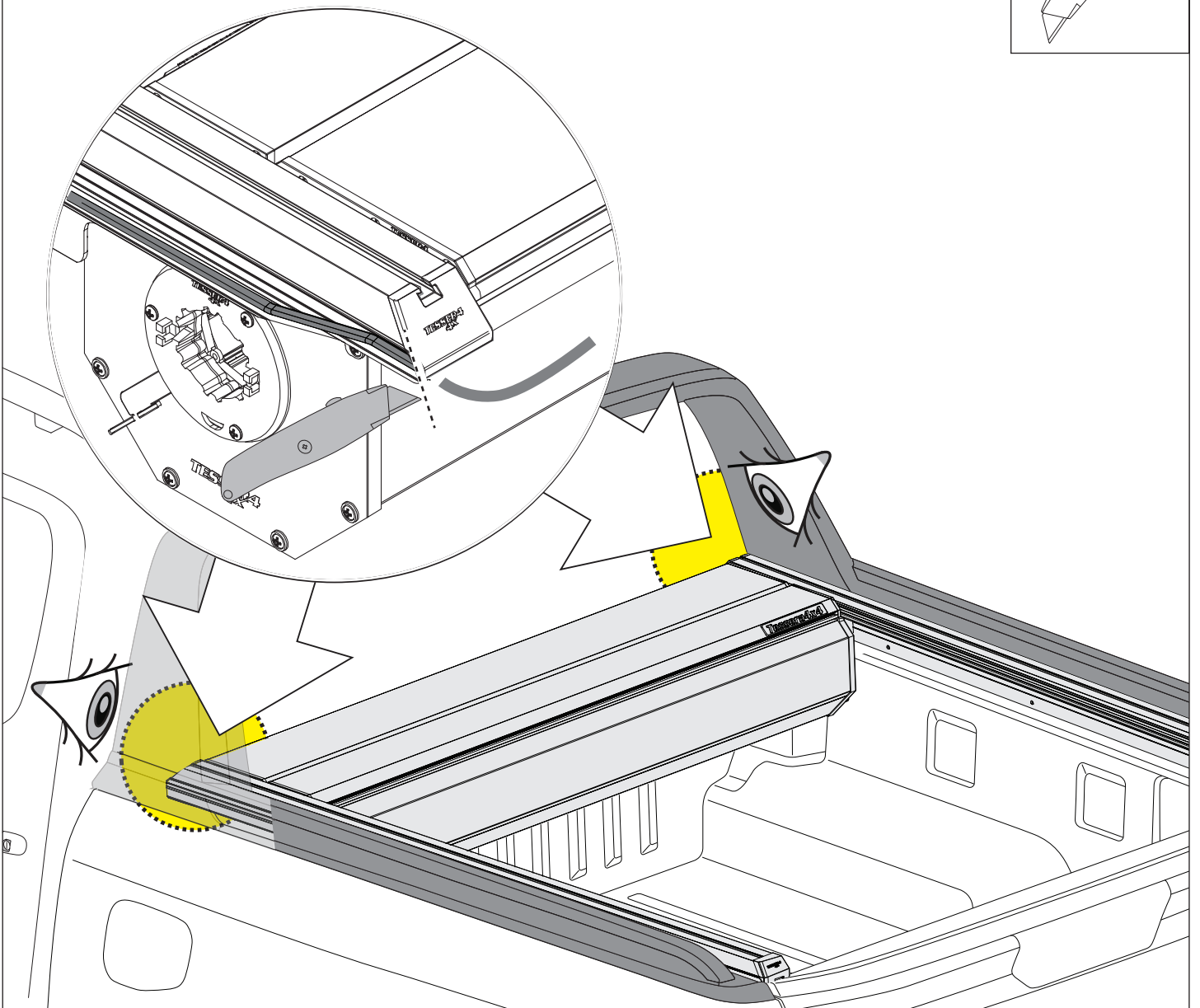
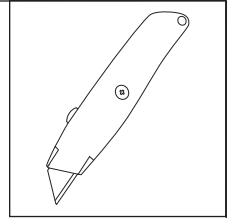
31.0



31.2

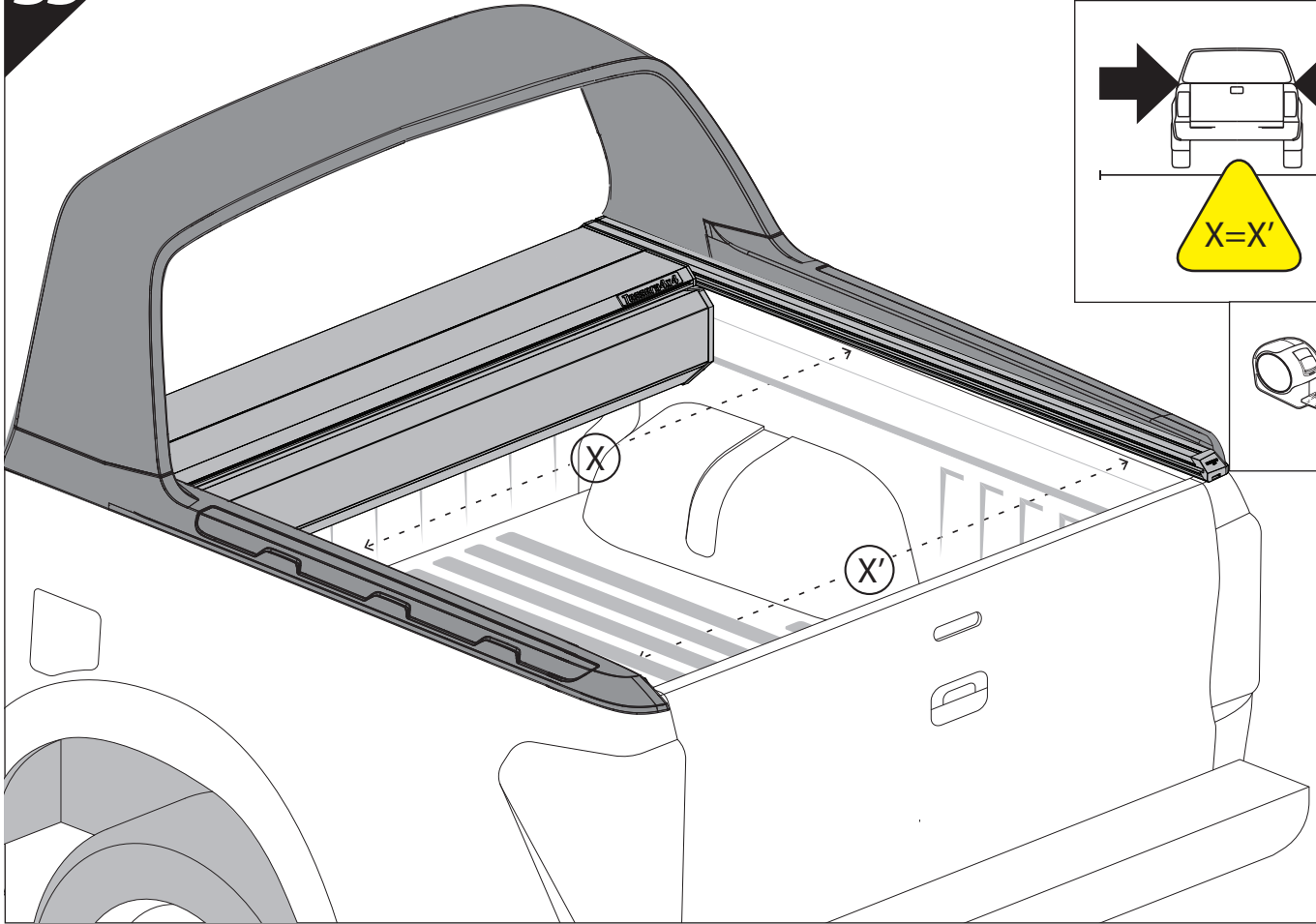
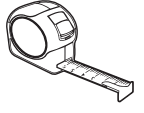
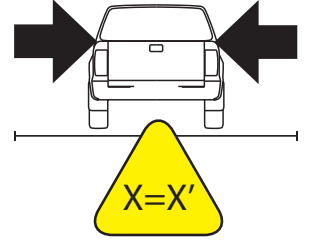






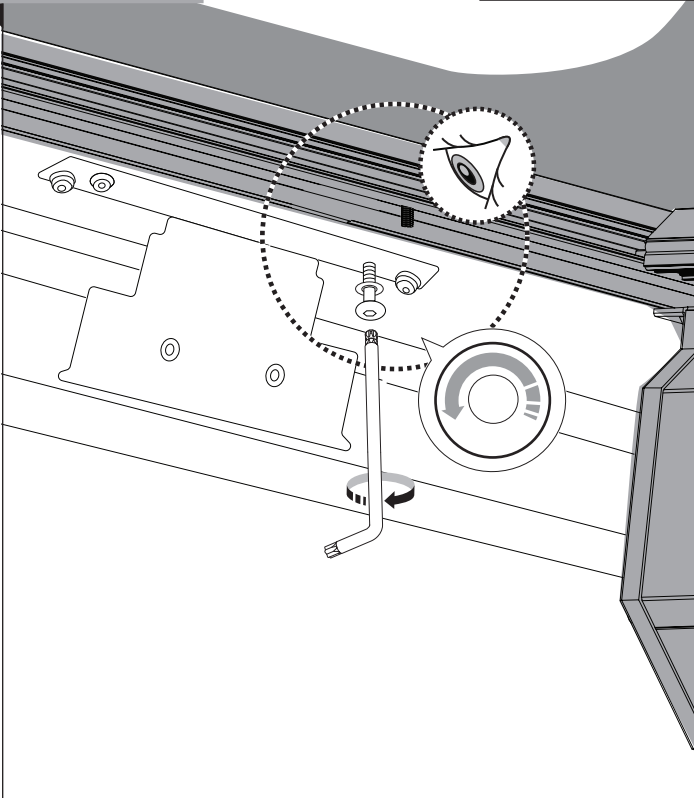
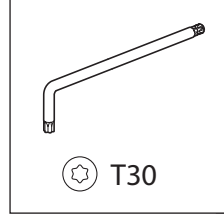
35

CAUTION



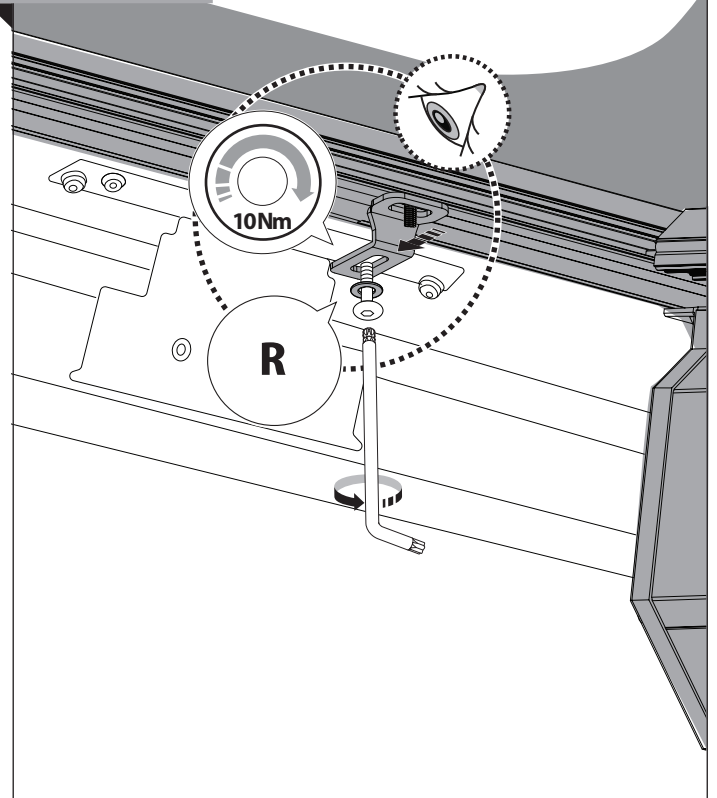
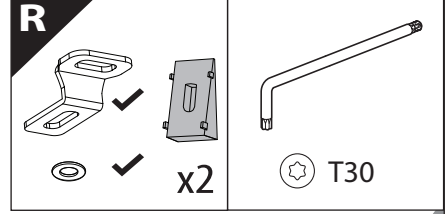
36

- 2012-2017 ✓
- 2018+ ✓



37

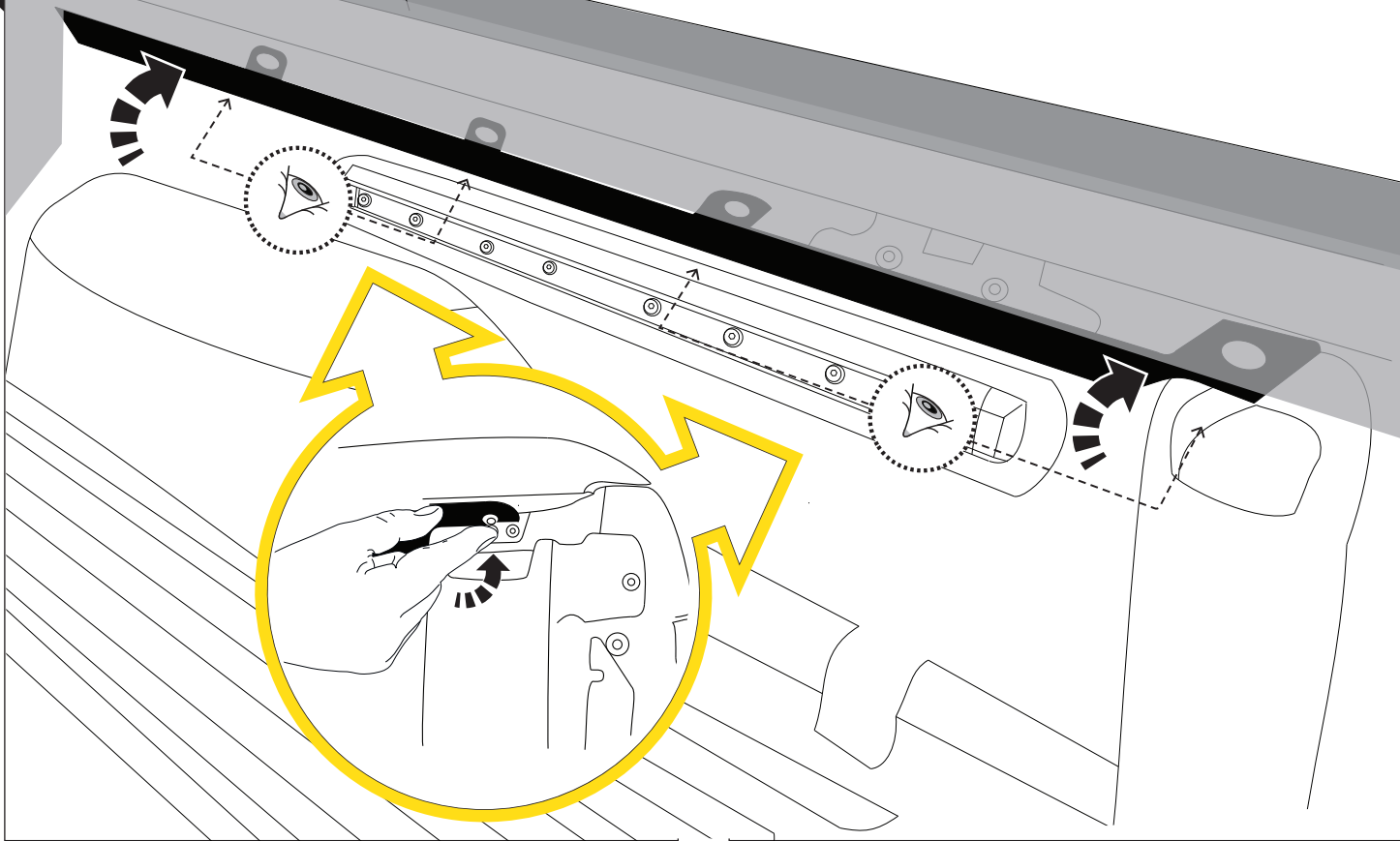
- 2012-2017 ✓
- 2018+ ✓



38

2012-2017 ✓

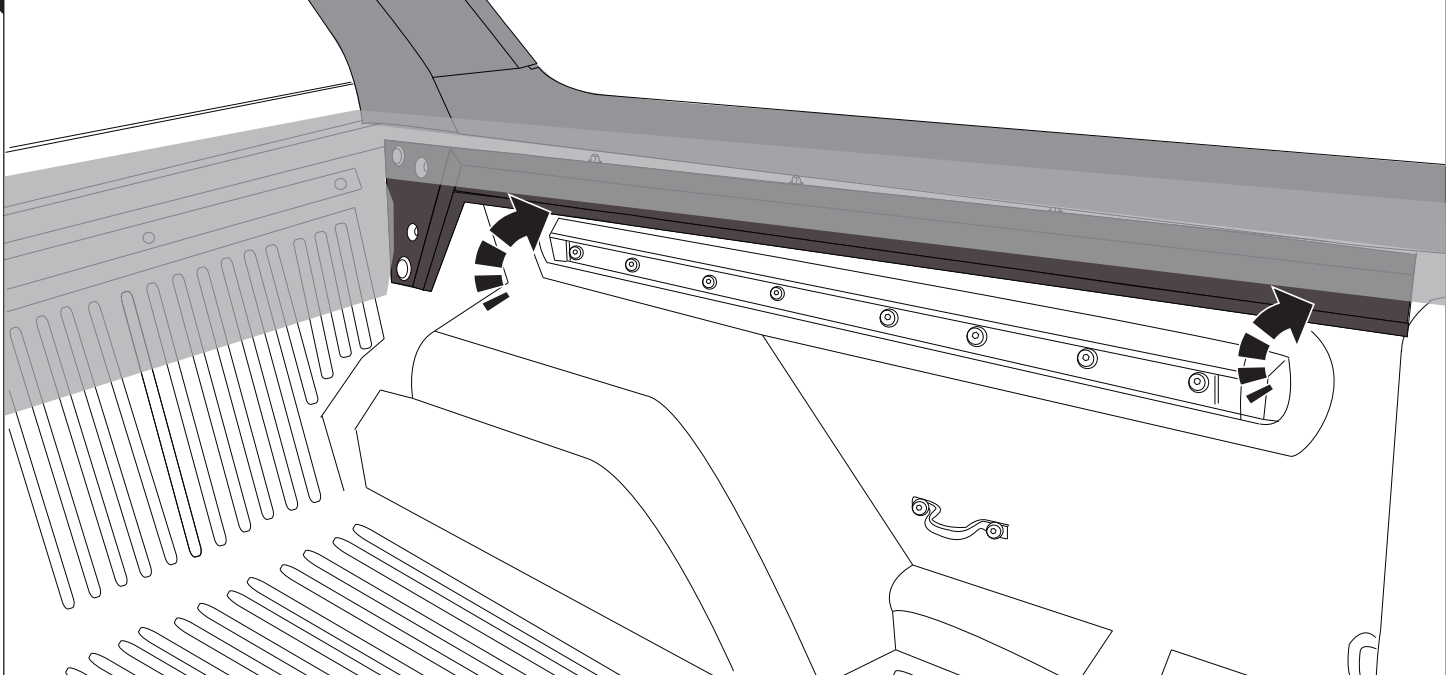
2018+ ✗

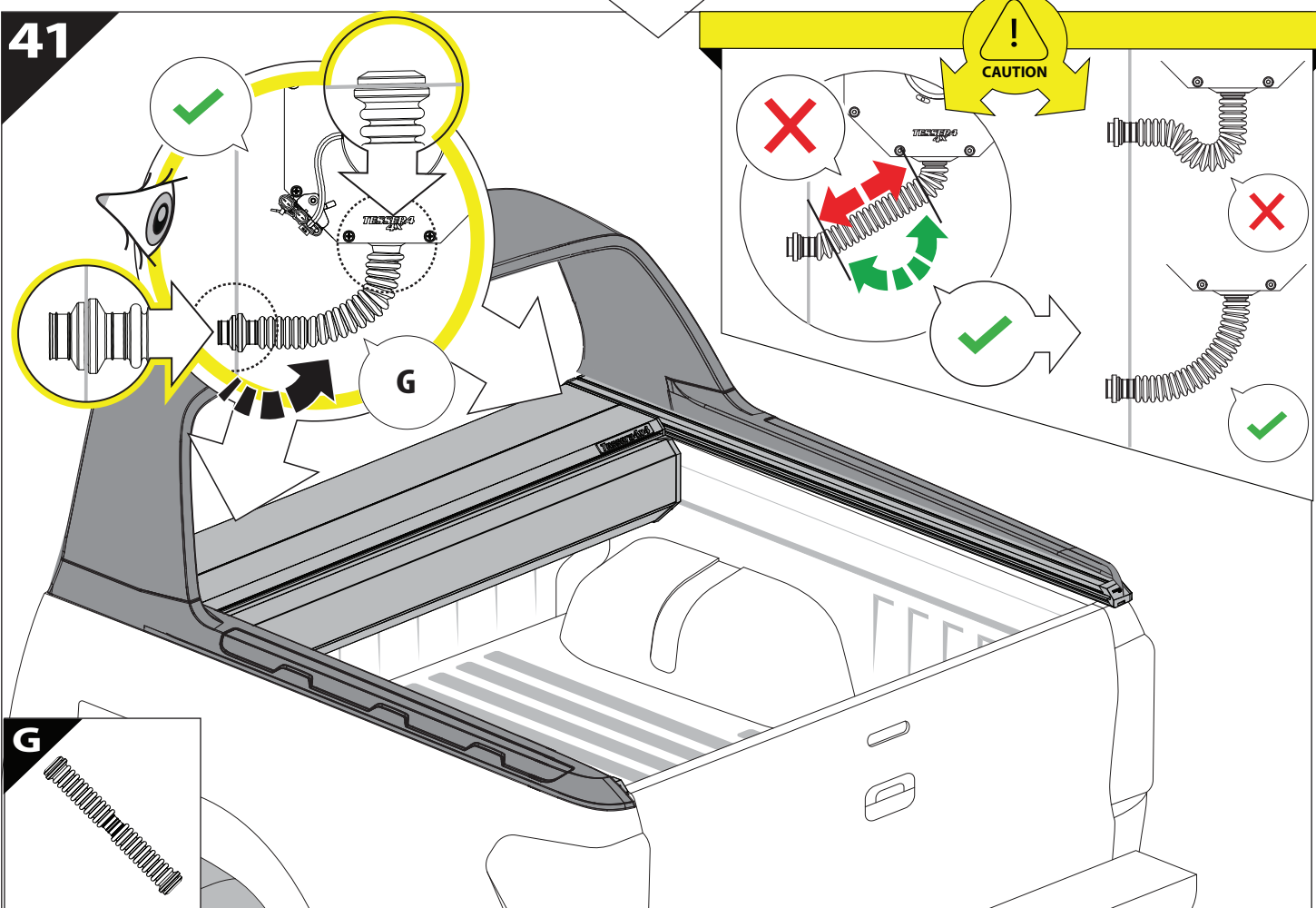
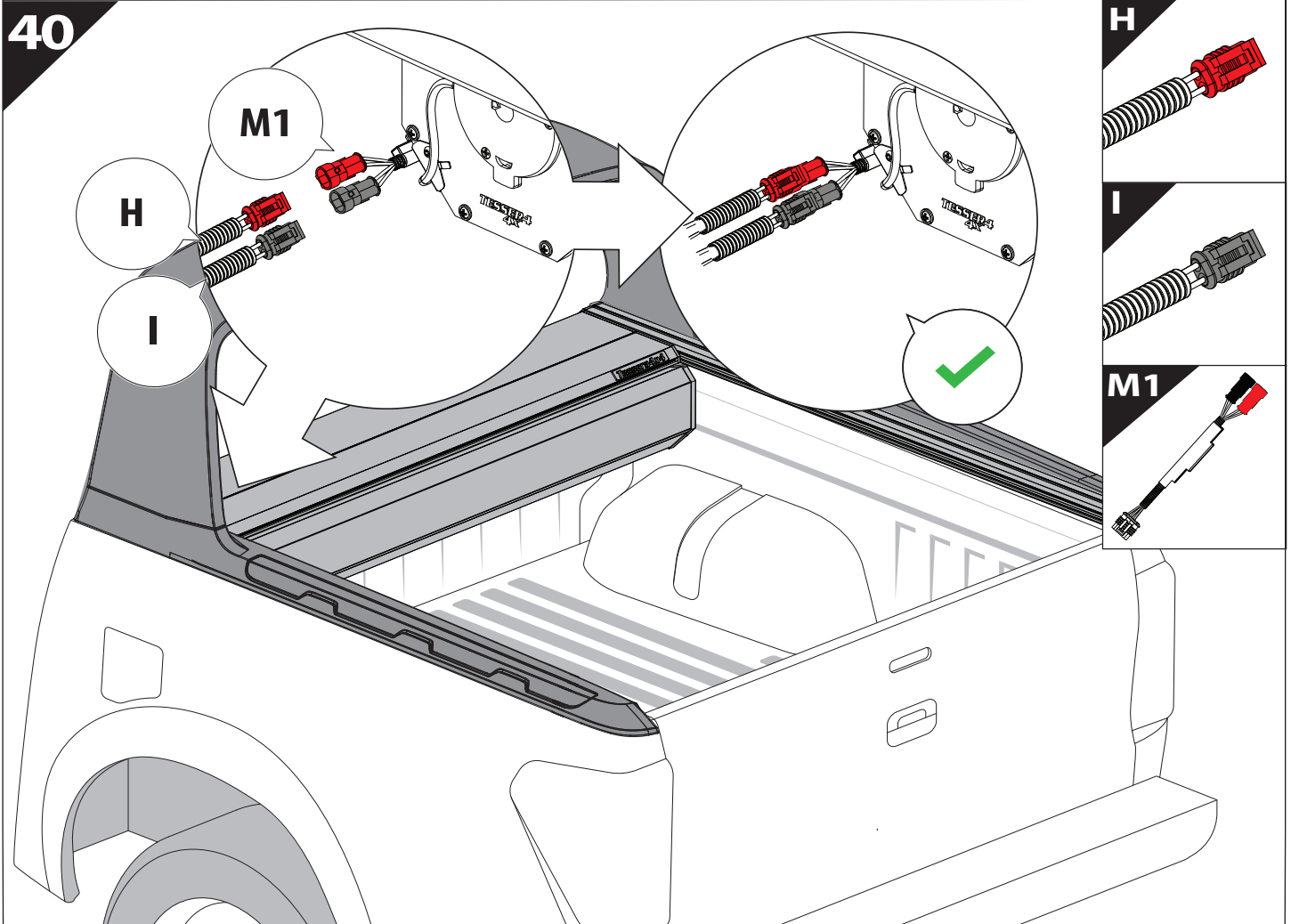


39

2012-2017 ✗

2018+ ✓



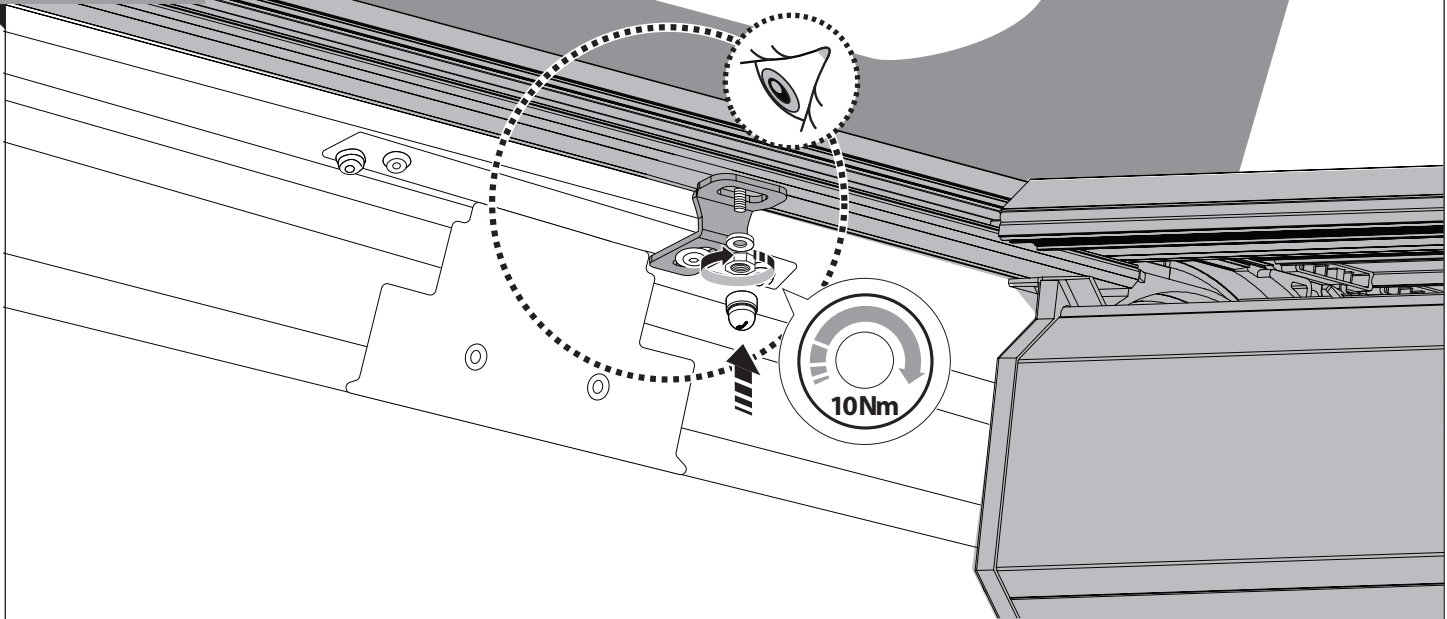


42

2012-2017 ✓

2018+ ✓

E x2	R x2	 13 mm
--------------------	--------------------	-----------

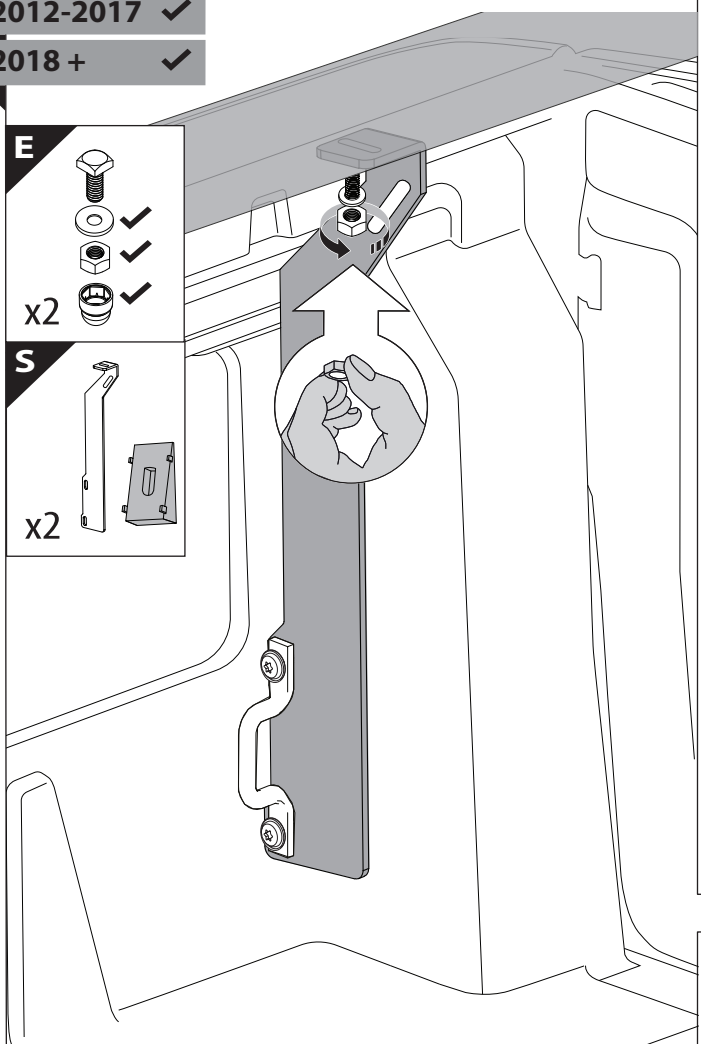


43

2012-2017 ✓

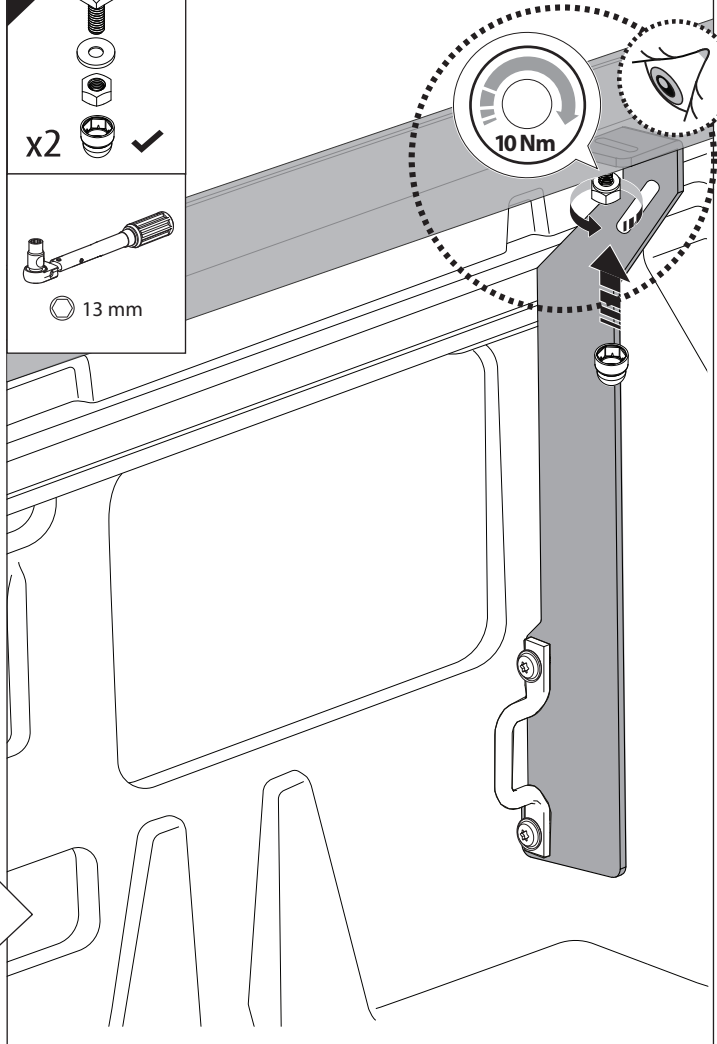
2018+ ✓

E x2	S x2
--------------------	--------------------

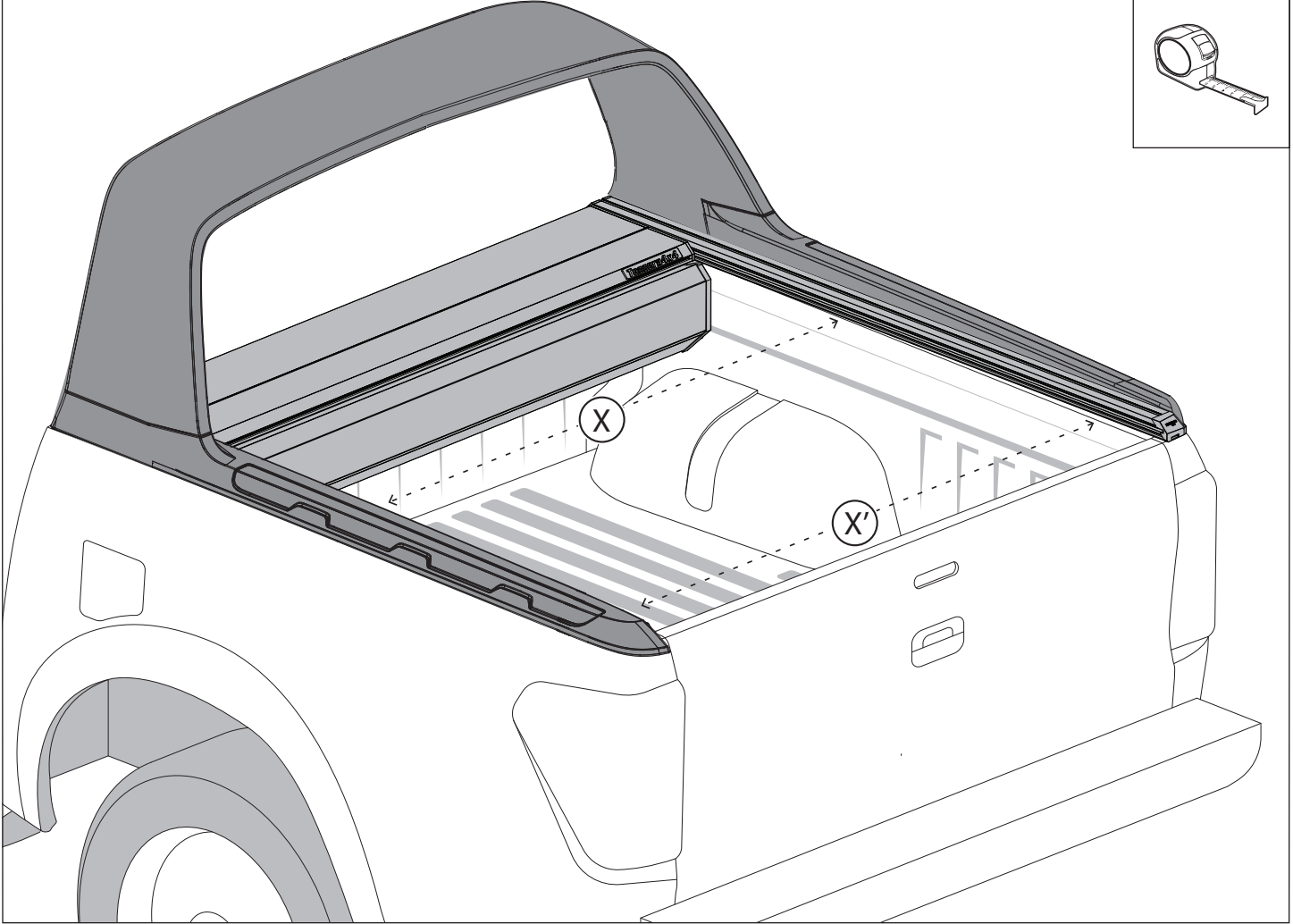
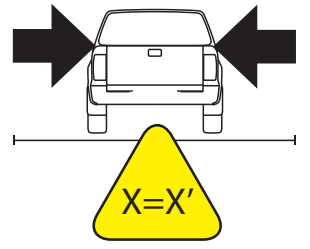


43.1

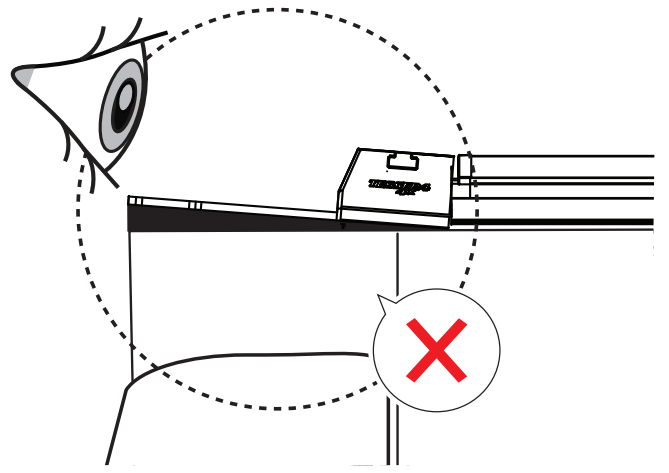
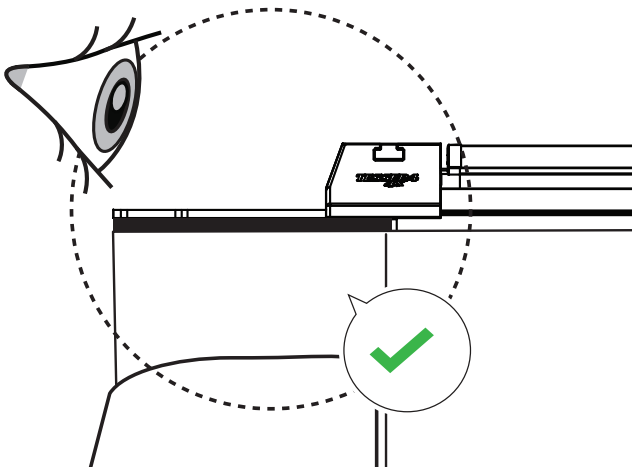
E x2	 13 mm
--------------------	-----------

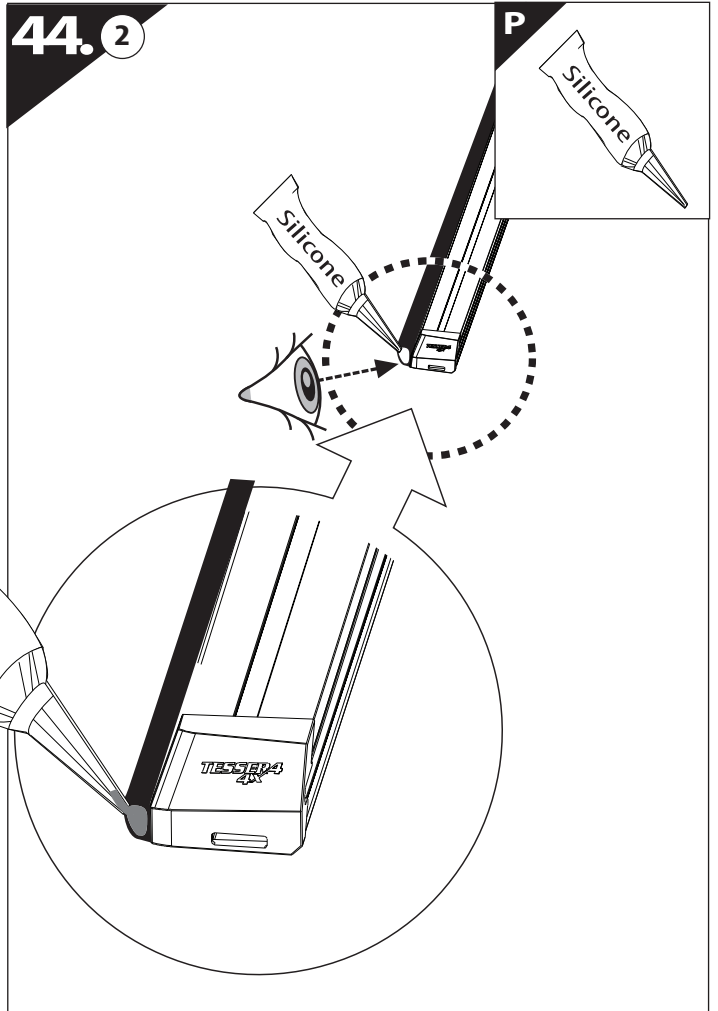
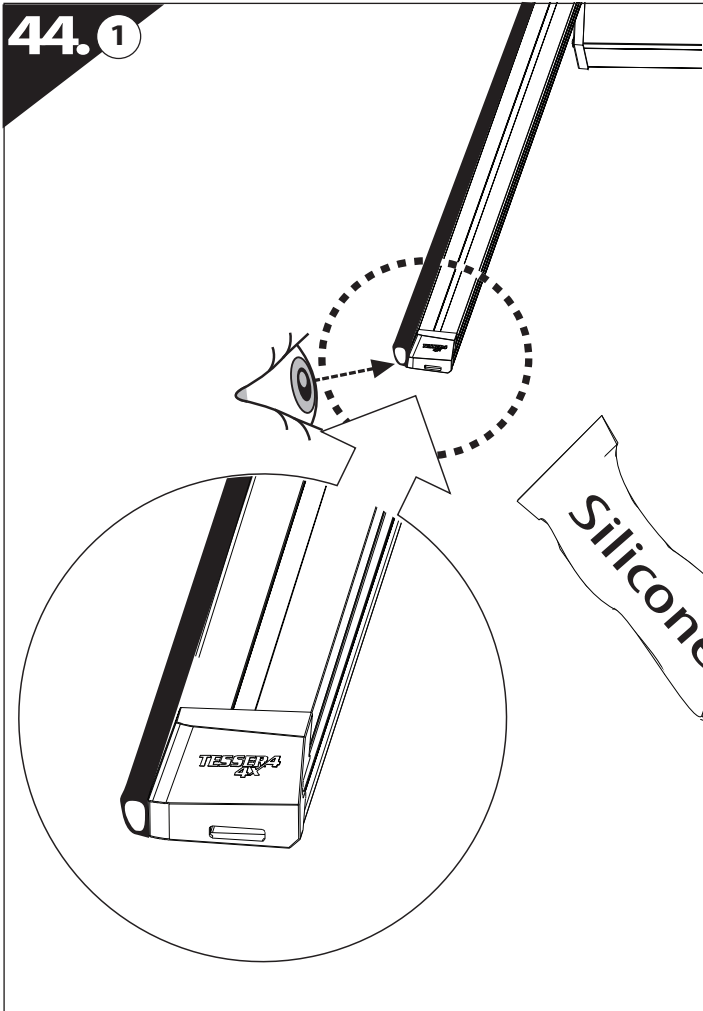


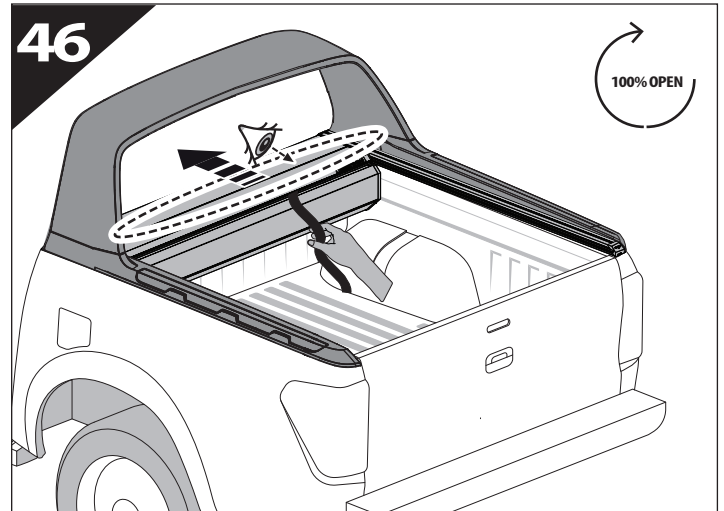
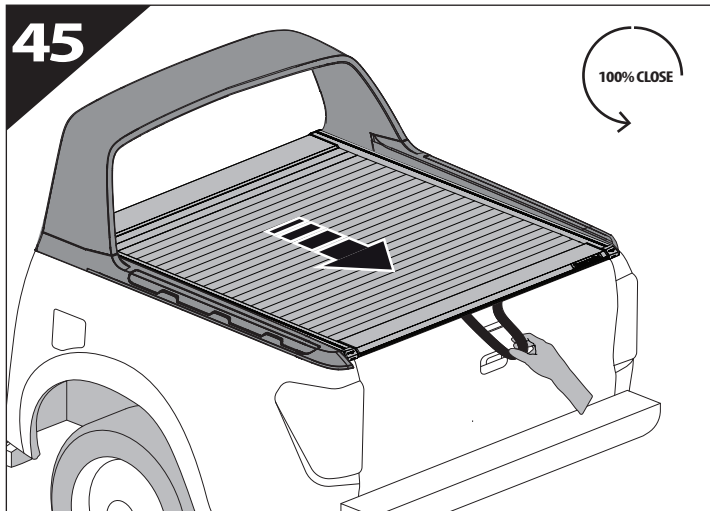
CAUTION !



CAUTION !







GR: Οδηγίες Εγκατάστασης
GB: Installation manual
SF: Asennusohje
F: Notice de montage
PL: Instrukcja montażu
NL: Installatie-instructies
TR: Montaj Talimatı
S: Monteringsanvisning
E: Instrucciones de montaje

H: Szerelési utasítás
P: Instruções de instalação
RUS: Инструкция по установке
N: Monteringsveiledning
D: Einbauanleitung
CZ: Návod k instalaci
I: Istruzioni de montaggio
DK: Monteringsvejledning
RO: Instructiuni de instalare

Customer Service:

+30 (210) 5541161, +30 (210) 5541154 (08:00 - 16:00 EET)

Support department:

info@gianso.gr

Website:

www.tessera4x4.com

Address:

19.5 km of National road Athens-Korinthos (Elefsina) Greece, P.C: 19200